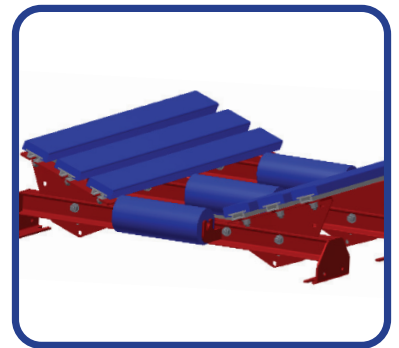
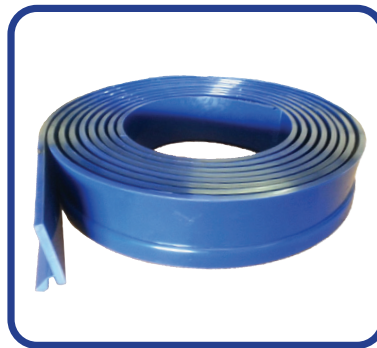


IT'S THE YEAR OF  
**INNOVATION**  
AT AMERICAN EAGLE  
MANUFACTURING



## LOAD ZONE SYSTEMS AND SEALING EDGE TECHNOLOGY



# SEALING EDGE TECHNOLOGY

## CONTAINMENT VS DUST CONTROL

Note: The AgFlex product should be used for containment of material and not as dust control. If it's dust control you need, our BlueFlex is a 58A urethane, which is friendly to the belt and can have slight pressure applied without damage to your belt. AgFlex 70A Durometer is engineered for containment and, due to the harder durometer, there should be no contact or pressure applied to the belt. AgFlex Skirting should be installed to be about an 1/8 inch above the belt.



## AG FLEX FOR CONTAINMENT

In the aggregate industry and other large-lump-size material industries, containment has always been an issue.

Unlike our flexible BlueFlex dust sealing material the AgFlex is designed for containment. Applications with large gaps between wall and belt cause unwelcome load pressure on soft skirting, resulting in premature failure and more downtime. AgFlex, with its harder 70A Durometer and anti-abrasion characteristics, will contain large lump and bulk product better and last much longer than traditional rubber.

Standard sizes are highlighted and normally on the shelf for immediate shipping.

All rolls are standard 50' lengths.

SIZE	ITEM NUMBER	WEIGHT
4" x 1/2	EAF-4-500	57
4" x 3/4	EAF-4-750	86
4" x 1	EAF-4-100	114
5" x 1/2	EAF-5-500	72
5" x 3/4	EAF-5-750	108
5" x 1"	EAF-5-100	144
6" x 1/2	EAF-6-500	88
6" x 3/4	EAF-6-750	112
6" x 1"	EAF-6-100	176
8" x 1/2	EAF-8-500	115
8" x 3/4	EAF-8-750	165
8" x 1"	EAF-8-100	230
10" x 1/2	EAF-10-500	143
10" x 3/4	EAF-10-750	216
10" x 1"	EAF-10-100	286
12" x 1/2	EAF-12-500	176
12" x 3/4	EAF-12-750	224
12" x 1"	EAF-12-100	352

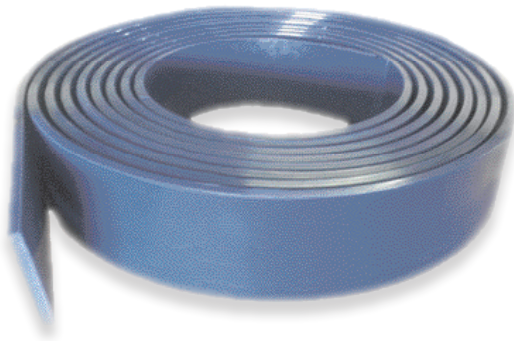
NOTE: ALL NON-STANDARD SIZES ARE NOT RETURNABLE



# SEALING EDGE TECHNOLOGY

## DUST CONTROL

Our BLUE-FLEX SkirtBoard is the solution for dust containment in bulk transfer points. Designed to have low coefficient friction that reduces drag, our skirtboard combines a high tensile strength resulting in longer wear and less tearing compared to rubber skirtboard. The benefits extend beyond dust containment to less maintenance cost, less downtime for replacement and less overall belting and motor fatigue.



**FOOD GRADE  
SKIRT BOARD**

SIZE	ITEM NUMBER	WEIGHT
4" x 1/4	EBF-4-250	29
4" x 3/8	EBF-4-375	43
4" x 1/2	EBF-4-500	57
4" x 3/4	EBF-4-750	86
4" x 1"	EBF-4-100	114
5" x 1/4	EBF-5-250	36
5" x 3/8	EBF-5-375	54
5" x 1/2	EBF-5-500	72
5" x 3/4	EBF-5-750	108
5" x 1"	EBF-5-100	144
6" x 1/4	EBF-6-250	45
6" x 3/8	EBF-6-375	55
6" x 1/2	EBF-6-500	88
6" x 3/4	EBF-6-750	112
6" x 1"	EBF-6-100	176
8" x 1/4	EBF-8-250	60
8" x 3/8	EBF-8-375	85
8" x 1/2	EBF-8-500	115
8" x 3/4	EBF-8-750	165
8" x 1"	EBF-8-100	230
10" x 1/4	EBF-10-250	72
10" x 3/8	EBF-10-375	108
10" x 1/2	EBF-10-500	143
10" x 3/4	EBF-10-750	216
10" x 1"	EBF-10-100	286

## BENEFITS

- Special 58A urethane compound
- 60% lower coefficient of friction
- Reduced drag

Other sizes available upon request.

SIZE	ITEM NUMBER	WEIGHT
4" x 1/4	EWF-4-250	29
4" x 3/8	EWF-4-375	43
4" x 1/2	EWF-4-500	57
4" x 3/4	EWF-4-750	86
4" x 1"	EWF-4-100	114
5" x 1/4	EWF-5-250	36
5" x 3/8	EWF-5-375	54
5" x 1/2	EWF-5-500	72
5" x 3/4	EWF-5-750	108
5" x 1"	EWF-5-100	144
6" x 1/4	EWF-6-250	45
6" x 3/8	EWF-6-375	55
6" x 1/2	EWF-6-500	88
6" x 3/4	EWF-6-750	112
6" x 1"	EWF-6-100	176
8" x 1/4	EWF-8-250	60
8" x 3/8	EWF-8-375	85
8" x 1/2	EWF-8-500	115
8" x 3/4	EWF-8-750	165
8" x 1"	EWF-8-100	230
10" x 1/4	EWF-10-250	72
10" x 3/8	EWF-10-375	108
10" x 1/2	EWF-10-500	143
10" x 3/4	EWF-10-750	216
10" x 1"	EWF-10-100	286

# SEALING EDGE TECHNOLOGY

## DELTA FLEX™



DUROMETER  
**72A**

**FOOD GRADE  
SKIRT BOARD**



*Material meets FDA criteria  
for the following: CFR 21.177.1680*

Delta-Flex versus its competitors:  
This contest is already won.

Our Delta Flex dual sealing skirt board is the ultimate solution for dust control and bulk product containment at all transfer points.

The main body contains your bulk material in the transfer point while the outer seal manages dust control. Because our material compound is more flexible, it will conform to your belt profile, even if there is no support or sagging between rollers.

Our material is designed to have low coefficient friction that reduces drag. Delta Flex material combines high tensile strength resulting in less wear and less tearing as compared to rubber skirt board.

### URETHANE BLUE

ITEM NUMBER	HEIGHT	LENGTH	WEIGHT
DF3-500	3"	50'	47
DF4-500	4"	50'	66
DF5-500	5"	50'	82
DF6-500	6"	50'	94

### URETHANE WHITE

ITEM NUMBER	HEIGHT	LENGTH	WEIGHT
DFW3-500	3"	50'	47
DFW4-500	4"	50'	66
DFW5-500	5"	50'	82
DFW6-500	6"	50'	94

## M-Flex®



DUROMETER  
**60A**

**FOOD GRADE  
SKIRT BOARD**

*Material meets FDA criteria  
for the following: CFR 21.177.1680*

M-Flex triple seal skirt board uses 3 seals to contain fugitive dust and fines within the skirted area.

M-Flex material is designed to have a low coefficient of friction reducing drag while combining high tensile strength resulting in less wear and tearing compared to traditional rubber products. **The flexibility of this product allows it to be used with existing skirt clamp systems.**

The ability to flip this sealing system doubles the already extended life reducing costs and downtime.

### URETHANE BLUE

ITEM NUMBER	THICKNESS	LENGTH	WEIGHT
MF8-500	1/2"	50'	115
MF8-625	5/8"	50'	144
MF8-750	3/4"	50'	173
MF8-875	7/8"	50'	202

### URETHANE WHITE

ITEM NUMBER	THICKNESS	LENGTH	WEIGHT
MFW8-500	1/2"	50'	115
MFW8-625	5/8"	50'	144
MFW8-750	3/4"	50'	173
MFW8-875	7/8"	50'	202



# SEALING EDGE TECHNOLOGY

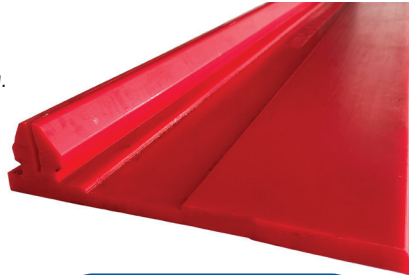
## SNAPFLEX

Our SnapFlex is designed to contain product consistently without adding pressure to your belt. Because of the way it seals without force, even if your belt starts walking, there is no worry that your skirting will walk off the belt. When installed with the custom channel options, there will be no need to adjust for the life of the skirting.

SnapFlex is the no-worry skirtboard.

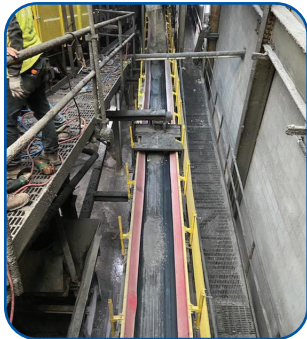
- Chute too wide? *No problem.*
- Belt walking excessively? *No problem.*
- Limited chute space? *No problem.*
- No more clamps.
- No more adjustment.

No more worries.



## SAFETY CONTAINMENT SYSTEM

See Our Safety Brochure.

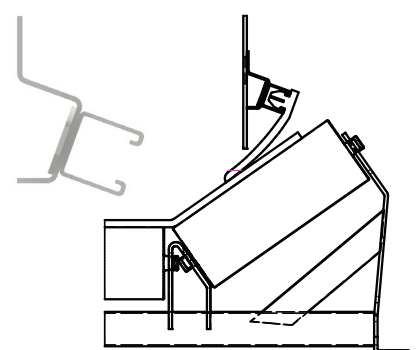
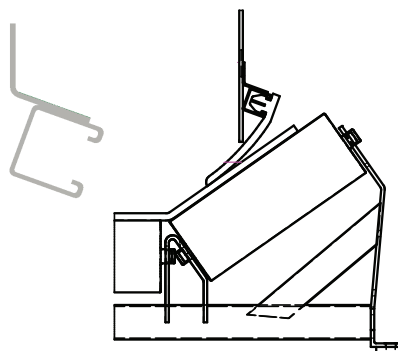
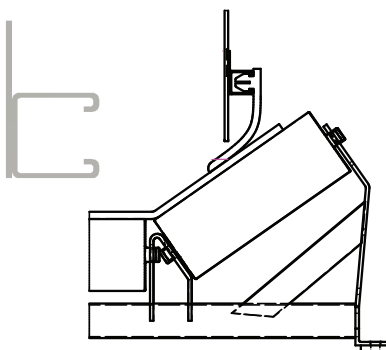


## CHANNEL OPTIONS

PART NUMBER	LENGTH
SFC90-01	60"

PART NUMBER	LENGTH
SFC20-01	60"

PART NUMBER	LENGTH
SFC20-02	60"



## 6" SNAP FLEX

ITEM NUMBER	HEIGHT	LENGTH	WEIGHT
ESF-6-500-10	6"	10'	18.33
ESF-6-500-25	6"	25'	45.83
ESF-6-500-50	6"	50'	91.67

## 8" SNAP FLEX

ITEM NUMBER	HEIGHT	LENGTH	WEIGHT
ESF-8-500-10	8"	10'	23.33
ESF-8-500-25	8"	25'	58.33
ESF-8-500-50	8"	50'	116.67

## 10" SNAP FLEX

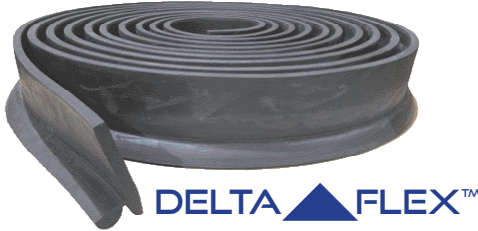
ITEM NUMBER	HEIGHT	LENGTH	WEIGHT
ESF-10-500-10	10"	10'	28.33
ESF-10-500-25	10"	25'	70.83
ESF-10-500-50	10"	50'	141.67

## 12" SNAP FLEX

ITEM NUMBER	HEIGHT	LENGTH	WEIGHT
ESF-12-500-10	12"	10'	33.33
ESF-12-500-25	12"	25'	83.33
ESF-12-500-50	12"	50'	166.67

# RUBBER SKIRTING

High heat and chemical compounds



DUROMETER  
**70A**

## EPDM

ITEM NUMBER	HEIGHT	LENGTH	WEIGHT
DFE5-500	5"	50'	83



DUROMETER  
**70A**

## EPDM

SIZE	ITEM NUMBER	WEIGHT
6 x 1/2 x 50'	EBFE-6-500	88
6 x 3/4 x 50'	EBFE-6-750	112
8 x 1/2 x 50'	EBFE-8-500	115
8 x 3/4 x 50'	EBFE-8-750	165

Specialty formulated rubber compounds



DUROMETER  
**45A**

## ORANGE

SIZE	ITEM NUMBER	WEIGHT
6 x 1/2 x 50'	EOFR-6-500	88
6 x 3/4 x 50'	EOFR-6-750	112
8 x 1/2 x 50'	EOFR-8-500	115
8 x 3/4 x 50'	EOFR-8-750	165



DUROMETER  
**40A**

## RED

SIZE	ITEM NUMBER	WEIGHT
6 x 1/2 x 50'	ERFR-6-500	88
6 x 3/4 x 50'	ERFR-6-750	112
8 x 1/2 x 50'	ERFR-8-50	115
8 x 3/4 x 50'	ERFR-8-750	165

Profiled Rubber **M-Flex®**



DUROMETER  
**65A**

ITEM NUMBER	HEIGHT	LENGTH	WEIGHT
MFR8-100	8"	50	175

# OMEGA SEAL AND CLAMP



*Taking our Sealing Edge Technology™ to a new level, our newly-patented Omega Seal and Clamp will revolutionize your load zone.*

**PATENT NUMBER  
9938087**

The first and only of its kind: A seal specifically designed to seal the tail end of a load zone. The only profiled seal that completely lays to match the profile of your belt. It also creates a sealed gap area that does not allow the carry back to migrate outside of the load zone.

Paired with our Sealed Edge Technology, the Omega Seal and Clamp has the potential to completely revitalize your load zone.

## HOW TO CHOOSE THE RIGHT SIZE:

When Choosing the clamp size always make sure you choose the size that best fits the Chute width. If your chute is in between the standard sizes always default to the next lower size.

Then choose the troughing degree. This choice is not based on the troughing rollers on the conveyor. It is based on the transition into the chute. Most load zones have 35 degree troughing rollers but depending on the transition of the belt from the tail pulley into the chute it may be best to use a 20 degree.

If you are unsure please ask for our worksheet and if completed we can choose the best size for your chute.



**PATENT NUMBER  
9938087**

## 20 DEGREE

ITEM NUMBER	CHUTE WIDTH	WEIGHT
OSC2014	14"	20
OSC2016	16"	22
OSC2018	18"	23
OSC2020	20"	24
OSC2022	22"	26
OSC2024	24"	28
OSC2026	26"	30
OSC2028	28"	32
OSC2030	30"	35
OSC2032	32"	37
OSC2034	34"	40
OSC2036	36"	44
OSC2038	38"	48
OSC2040	40"	55

## 35 DEGREE

ITEM NUMBER	CHUTE WIDTH	WEIGHT
OSC3514	14"	20
OSC3516	16"	22
OSC3518	18"	23
OSC3520	20"	24
OSC3522	22"	26
OSC3524	24"	28
OSC3526	26"	30
OSC3528	28"	32
OSC3530	30"	35
OSC3532	32"	37
OSC3534	34"	40
OSC3536	36"	44
OSC3538	38"	48
OSC3540	40"	55

ITEM NUMBER	LENGTH	DESCRIPTION
OS548	48"	Omega Seal
OS572	72"	Omega Seal

## EPDM-HIGH HEAT APPLICATION

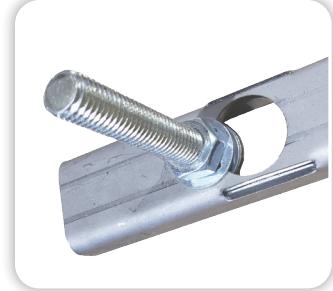
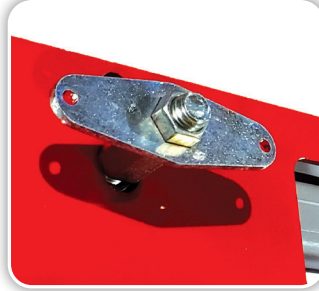
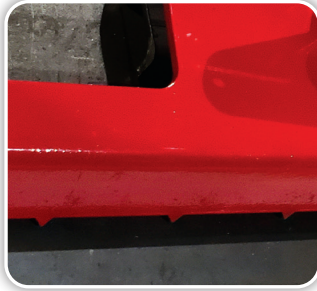
ITEM NUMBER	LENGTH	DESCRIPTION
OSE548	48"	Omega Seal
OSE572	72"	Omega Seal

## OTHER CHUTE WIDTHS AVAILABLE UPON REQUEST.

Note: In many cases the chutes are wider than what CEMA recommends for belt width. Please do not base your choice on belt width. Chute Width is what matters.



# EAGLE CLAW CLAMP



Taking our Sealing Edge Technology™ to a new level, our newly-patented Eagle Claw Clamp will revolutionize your loadzone.

The new Eagle Claw Clamp solves the issue. Armed with various steel engaging tips, the clamp bites into the skirtboard like teeth, drawing into the skirtboard on an angle. This creates a complete engaging trap that holds the skirtboard in place at all times, allowing the skirtboard to do what it was designed to do. Because the skirtboard cannot move from the Eagle Claw Clamp, the skirtboard can flex, to accommodate belt splices, clips or patches passing through the load zone.

PATENT PENDING



OVERALL HEIGHT  
**6"**

ITEM NUMBER	SIZE	DESCRIPTION	WEIGHT
ECC48	48"	Eagle Claw Clamp with Standard Rail Attachment	23
ECC60	60"	Eagle Claw Clamp with Standard Rail Attachment	28

# EAGLE CLAW CLAMP & PLATE

PATENT PENDING



OVERALL HEIGHT  
**6 1/2"**

Plate is designed to shore up load zone outer walls that are inadequate.

Note: Distance between belt and chute wall should be 1" to 2".

ITEM NUMBER	SIZE	DESCRIPTION	WEIGHT
ECPC48	48"	Eagle Claw Clamp with 1/4" Thick Plate	38
ECPC60	60"	Eagle Claw Clamp with 1/4" Thick Plate	47

# EAGLE CLAW CLAMP & AR LINER

PATENT PENDING



OVERALL HEIGHT  
**6 1/2"**

AR Liner designed for inside chute walls.

ITEM NUMBER	SIZE	DESCRIPTION	WEIGHT
ECCL48	48"	Eagle Claw Clamp with AR Liner	37
ECCL60	60"	Eagle Claw Clamp with AR Liner	46



# LOW PROFILE EAGLE CLAW CLAMP

PATENT  
PENDING



OVERALL  
HEIGHT  
**4 1/2"**

ITEM NUMBER	SIZE	DESCRIPTION	WEIGHT
ECCLP48	48"	Eagle Claw Clamp-Low Profile Standard Rail Attachment 48"	18
ECCLP60	60"	Eagle Claw Clamp-Low Profile Standard Rail Attachment 60"	22

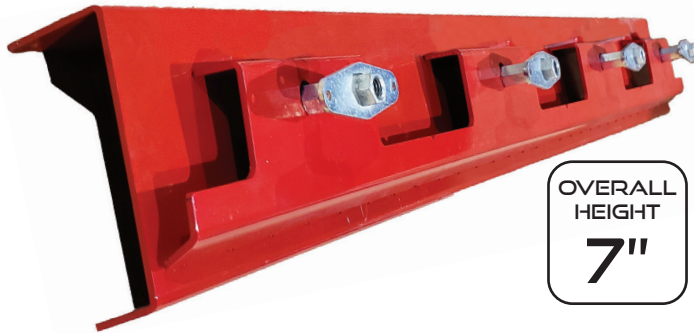
# LOW PROFILE EAGLE CLAW CLAMP & PLATE



OVERALL  
HEIGHT  
**5"**

ITEM NUMBER	SIZE	DESCRIPTION	WEIGHT
ECCLP48	48"	Eagle Claw Clamp-Low Profile with 1/4" Plate - 48"	33
ECCLP60	60"	Eagle Claw Clamp-Low Profile with 1/4" Plate - 60"	41

# LOW PROFILE EAGLE CLAW CLAMP & ANGLED MOUNTING RAIL

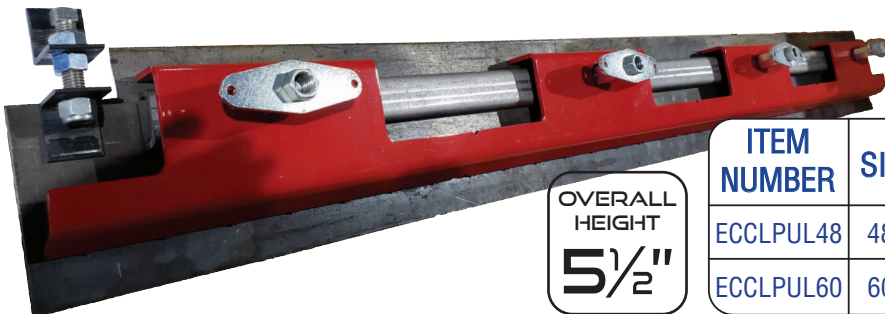


OVERALL  
HEIGHT  
**7"**

Angled mounting rail is designed to allow skirting to lay on belt. Note: Distance between belt and chute wall should be 2".

ITEM NUMBER	SIZE	DESCRIPTION	WEIGHT
ECCALP48	48"	Eagle Claw Clamp-Low Profile w/ Angle & Mounting Rail 48"	48
ECCALP60	60"	Eagle Claw Clamp-Low Profile w/ Angle & Mounting Rail 60"	60

# LOW PROFILE EAGLE CLAW CLAMP & ADJUSTABLE LINER

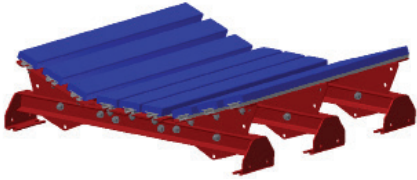


OVERALL  
HEIGHT  
**5 1/2"**

ITEM NUMBER	SIZE	DESCRIPTION	WEIGHT
ECCLPUL48	48"	Eagle Claw Clamp-Low Profile w/ Adjustable Liner 48"	38
ECCLPUL60	60"	Eagle Claw Clamp-Low Profile w/ Adjustable Liner 60"	46

# LOAD ZONE SUPPORT SYSTEMS

## Slider Bed



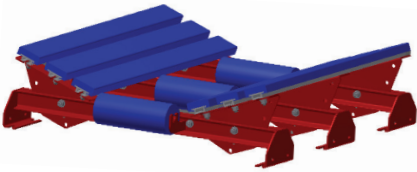
48" bed will accommodate  
20, 35, 45 degree troughing rollers

Belt Width	Item Number	Bed Length	Frame QTY.	Bars QTY.
24"	ESLB24-48	48"	3	6
30"	ESLB30-48	48"	3	6
36"	ESLB36-48	48"	3	9
42"	ESLB42-48	48"	3	9
48"	ESLB48-48	48"	3	12
54"	ESLB54-48	48"	3	12
60"	ESLB60-48	48"	3	15
72"	ESLB72-48	48"	3	15

60" bed will accommodate  
20, 35, 45 degree troughing rollers

Belt Width	Item Number	Bed Length	Frame QTY.	Bars QTY.
24"	ESLB24-60	60"	3	6
30"	ESLB30-60	60"	3	6
36"	ESLB36-60	60"	3	9
42"	ESLB42-60	60"	3	9
48"	ESLB48-60	60"	3	12
54"	ESLB54-60	60"	3	12
60"	ESLB60-60	60"	3	15
72"	ESLB72-60	60"	3	15

## Slide & Roll Bed



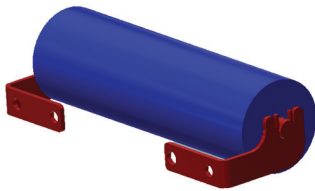
48" bed will accommodate  
20, 35, 45 degree troughing rollers

Belt Width	Item Number	Bed Length	Frame QTY.	Bars QTY.
24"	ESRB24-48	48"	3	4
30"	ESRB30-48	48"	3	4
36"	ESRB36-48	48"	3	6
42"	ESRB42-48	48"	3	6
48"	ESRB48-48	48"	3	8
54"	ESRB54-48	48"	3	8
60"	ESRB60-48	48"	3	10
72"	ESRB72-48	48"	3	10

60" bed will accommodate  
20, 35, 45 degree troughing rollers

Belt Width	Item Number	Bed Length	Frame QTY.	Bars QTY.
24"	ESRB24-60	60"	3	4
30"	ESRB30-60	60"	3	4
36"	ESRB36-60	60"	3	6
42"	ESRB42-60	60"	3	6
48"	ESRB48-60	60"	3	8
54"	ESRB54-60	60"	3	8
60"	ESRB60-60	60"	3	10
72"	ESRB72-60	60"	3	10

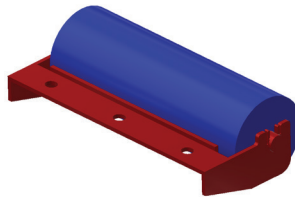
## 5" Center Roller & Bracket



### SLIDE AND ROLL BED Replacement Parts

Belt Width	Item Number
24"	ESBCRA5-24
30"	ESBCRA5-30
36"	ESBCRA5-36
42"	ESBCRA5-42
48"	ESBCRA5-48
54"	ESBCRA5-54
60"	ESBCRA5-60
72"	ESBCRA5-72

## 5" Wing Roller & Bracket

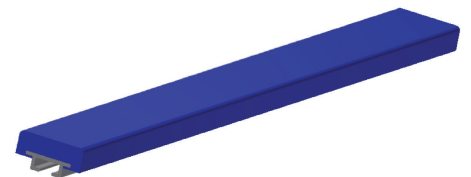


Note: Sold in sets of two.

### SLIDE AND ROLL BED Replacement Parts

Belt Width	Item Number
24"	ESBWRA5-24
30"	ESBWRA5-30
36"	ESBWRA5-36
42"	ESBWRA5-42
48"	ESBWRA5-48
54"	ESBWRA5-54
60"	ESBWRA5-60
72"	ESBWRA5-72

## Slider Bars

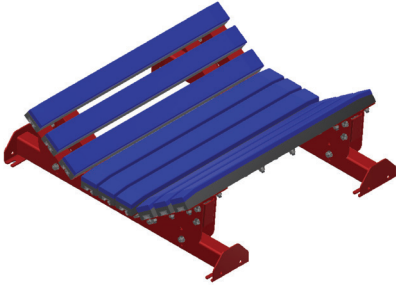


### SLIDE AND ROLL BED Replacement Parts

Bar Length	Item Number
42"	ESB125-42
48"	ESB125-48
54"	ESB125-54
60"	ESB125-60

# LOAD ZONE SUPPORT SYSTEMS

## Medium Duty Impact Bed



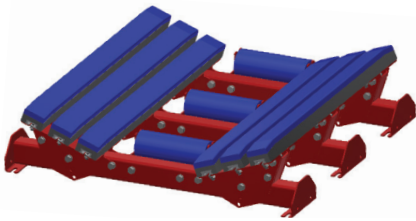
48" bed will accommodate  
20, 35, 45 degree troughing rollers

Belt Width	Item Number	Bed Length	Frame QTY.	Bars QTY.
24"	EIBM24-48	48"	2	6
30"	EIBM30-48	48"	2	6
36"	EIBM36-48	48"	2	9
42"	EIBM42-48	48"	2	9
48"	EIBM48-48	48"	2	12
54"	EIBM54-48	48"	2	12
60"	EIBM60-48	48"	2	15
72"	EIBM72-48	48"	2	15

60" bed will accommodate  
20, 35, 45 degree troughing rollers

Belt Width	Item Number	Bed Length	Frame QTY.	Bars QTY.
24"	EIBM24-60	60"	3	6
30"	EIBM30-60	60"	3	6
36"	EIBM36-60	60"	3	9
42"	EIBM42-60	60"	3	9
48"	EIBM48-60	60"	3	12
54"	EIBM54-60	60"	3	12
60"	EIBM60-60	60"	3	15
72"	EIBM72-60	60"	3	15

## Standard Duty Impact & Roll Bed



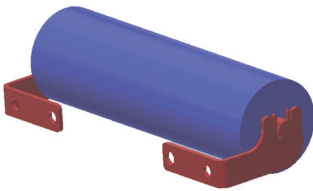
48" bed will accommodate  
20, 35, 45 degree troughing rollers

Belt Width	Item Number	Bed Length	Frame QTY.	Bars QTY.
24"	EIRB24-48	48"	2	4
30"	EIRB30-48	48"	2	4
36"	EIRB36-48	48"	2	6
42"	EIRB42-48	48"	2	6
48"	EIRB48-48	48"	2	8
54"	EIRB54-48	48"	2	8
60"	EIRB60-48	48"	2	10
72"	EIRB72-48	48"	2	10

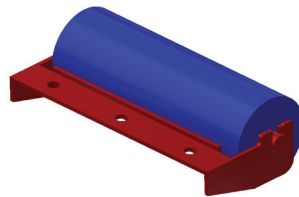
60" bed will accommodate  
20, 35, 45 degree troughing rollers

Belt Width	Item Number	Bed Length	Frame QTY.	Bars QTY.
24"	EIRB24-60	60"	3	4
30"	EIRB30-60	60"	3	4
36"	EIRB36-60	60"	3	6
42"	EIRB42-60	60"	3	6
48"	EIRB48-60	60"	3	8
54"	EIRB54-60	60"	3	8
60"	EIRB60-60	60"	3	10
72"	EIRB72-60	60"	3	10

## 6" Center Roller & Bracket

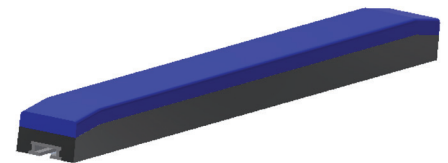


## 6" Wing Roller & Bracket



Note: Sold in sets of two.

## Impact Bars



### IMPACT BED Replacement Parts

Belt Width	Item Number
24"	EIBCRA6-24
30"	EIBCRA6-30
36"	EIBCRA6-36
42"	EIBCRA6-42
48"	EIBCRA6-48
54"	EIBCRA6-54
60"	EIBCRA6-60
72"	EIBCRA6-72

### IMPACT BED Replacement Parts

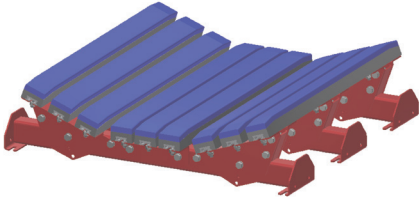
Belt Width	Item Number
24"	EIBWRA6-24
30"	EIBWRA6-30
36"	EIBWRA6-36
42"	EIBWRA6-42
48"	EIBWRA6-48
54"	EIBWRA6-54
60"	EIBWRA6-60
72"	EIBWRA6-72

### IMPACT BED Replacement Parts

Bar Length	Item Number
42"	EIBR-42
48"	EIBR-48
54"	EIBR-54
60"	EIBR-60

# LOAD ZONE SUPPORT SYSTEMS

## Heavy Duty Impact Bed



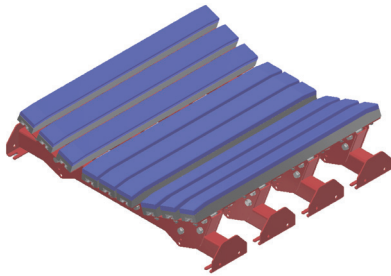
48" bed will accommodate  
20, 35, 45 degree troughing rollers

Belt Width	Item Number	Bed Length	Frame QTY.	Bars QTY.
24"	EIBH24-48	48"	3	6
30"	EIBH30-48	48"	3	6
36"	EIBH36-48	48"	3	9
42"	EIBH42-48	48"	3	9
48"	EIBH48-48	48"	3	12
54"	EIBH54-48	48"	3	12
60"	EIBH60-48	48"	3	15
72"	EIBH72-48	48"	3	15

60" bed will accommodate  
20, 35, 45 degree troughing rollers

Belt Width	Item Number	Bed Length	Frame QTY.	Bars QTY.
24"	EIBH24-60	60"	4	6
30"	EIBH30-60	60"	4	6
36"	EIBH36-60	60"	4	9
42"	EIBH42-60	60"	4	9
48"	EIBH48-60	60"	4	12
54"	EIBH54-60	60"	4	12
60"	EIBH60-60	60"	4	15
72"	EIBH72-60	60"	4	15

## Extra Heavy Duty Impact Bed



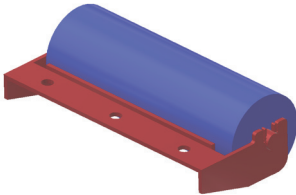
48" bed will accommodate  
20, 35, 45 degree troughing rollers

Belt Width	Item Number	Bed Length	Frame QTY.	Bars QTY.
24"	EIBXH24-48	48"	4	6
30"	EIBXH30-48	48"	4	6
36"	EIBXH36-48	48"	4	9
42"	EIBXH42-48	48"	4	9
48"	EIBXH48-48	48"	4	12
54"	EIBXH54-48	48"	4	12
60"	EIBXH60-48	48"	4	15
72"	EIBXH72-48	48"	4	15

60" bed will accommodate  
20, 35, 45 degree troughing rollers

Belt Width	Item Number	Bed Length	Frame QTY.	Bars QTY.
24"	EIBXH24-60	60"	5	6
30"	EIBXH30-60	60"	5	6
36"	EIBXH36-60	60"	5	9
42"	EIBXH42-60	60"	5	9
48"	EIBXH48-60	60"	5	12
54"	EIBXH54-60	60"	5	12
60"	EIBXH60-60	60"	5	15
72"	EIBXH72-60	60"	5	15

## 6" Wing Roller & Bracket

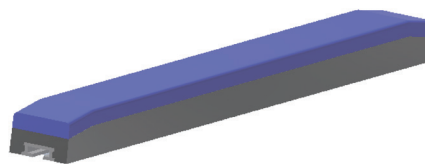


Note: Sold in sets of two.

### IMPACT BED Replacement Parts

Belt Width	Item Number
24"	EIBWRA6-24
30"	EIBWRA6-30
36"	EIBWRA6-36
42"	EIBWRA6-42
48"	EIBWRA6-48
54"	EIBWRA6-54
60"	EIBWRA6-60
72"	EIBWRA6-72

## Impact Bars



### IMPACT BED Replacement Parts

Bar Length	Item Number
42"	EIBR-42
48"	EIBR-48
54"	EIBR-54
60"	EIBR-60



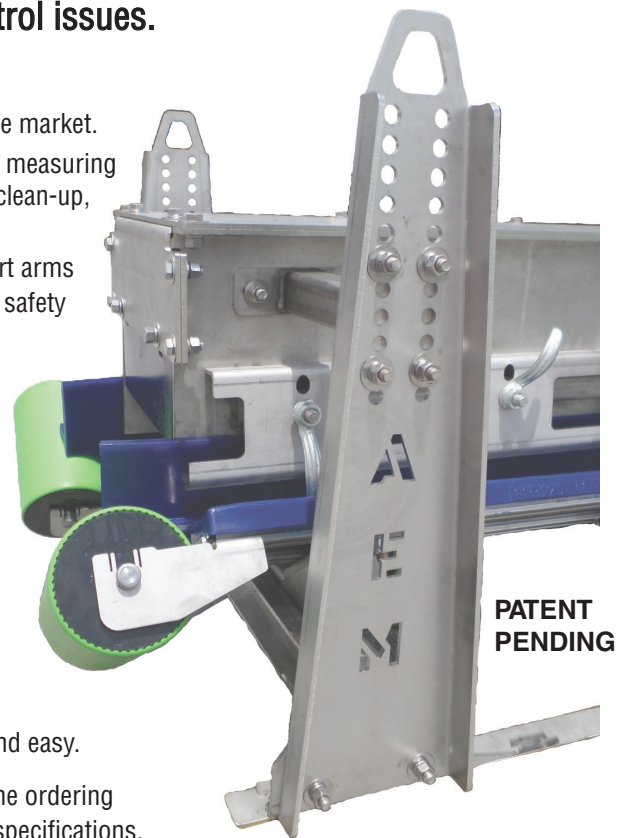
# LOAD ZONE COMPLETE SYSTEMS



**Introducing American Eagle's Complete Load Zone System: A cutting-edge single solution to your environmental, safety, and dust control issues.**

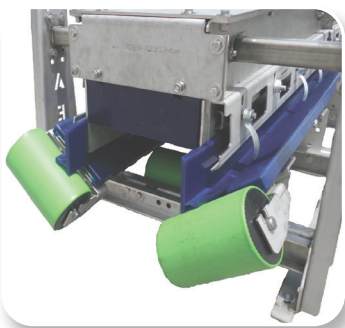
### Advantages:

- This is the ONLY drop-in load support and chute combination on the market.
- Fully assembled at our location to avoid any guesswork, cutting, or measuring in the field, eliminating the environmental impact of both waste and clean-up, and drastically reducing installation time.
- Complete systems are now equipped with our new, versatile support arms that will adapt to any chute gaps during install, also eliminating the safety issues related to having to cut and weld your conveyor structure.
- The Eagle Claw Clamp and Omega seal products are integrated into the modular chute walls to ensure a complete sealing of your load zone system.
- Used with American Eagle's Sealing Edge Technology, dust and refuse materials will be dramatically decreased.
- New lead-in Wing Roller Assemblies virtually eliminate the problem of drag on the support bed itself.
- Including the Dust Control Baffles to create individual chambers within our system has allowed for the containment and reduction of dust particles.
- All of the components are standard, so replacement will be quick and easy.

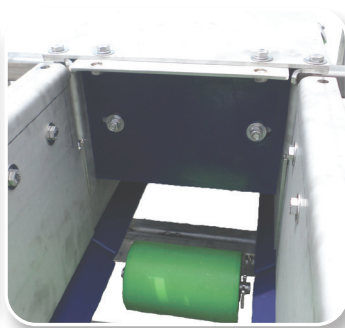


For your convenience, we have developed a worksheet that will simplify the ordering process and make sure you're getting exactly what you need. With your specifications, we can efficiently and accurately give you a price and lead time for your project, complete with 3D modeling.

**FRONT CHUTE  
WITH WING ROLLERS**



**DUST CONTROL  
BAFFLE**



**EAGLE CLAW  
CLAMPS**

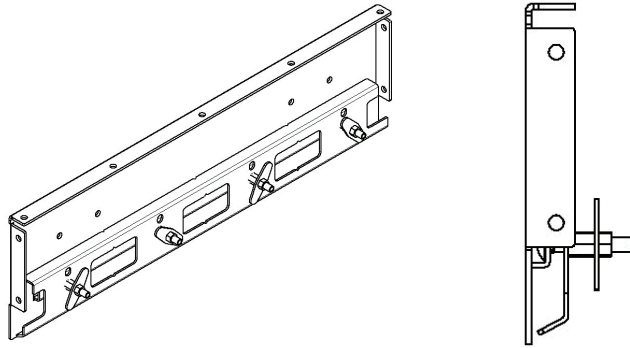


**OMEGA SEAL CLAMP  
WITH WING ROLLERS**



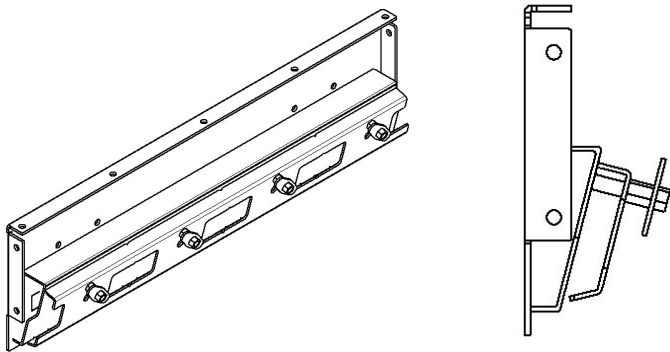
# CHUTE WALLS

## 1/4" Steel Chute Wall with Eagle Claw Clamp



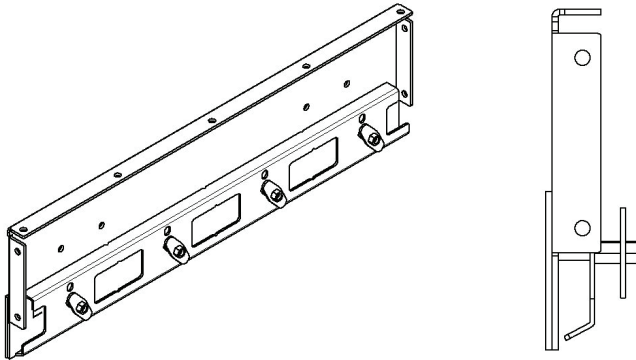
ITEM NUMBER	HEIGHT	LENGTH
CW1048ECC	10"	48"
CW1060ECC	10"	60"
CW1248ECC	12"	48"
CW1260ECC	12"	60"
CW1448ECC	14"	48"
CW1460ECC	14"	60"

## 1/4" Steel Chute Wall with Eagle Claw Clamp and Angled Mounting Rail



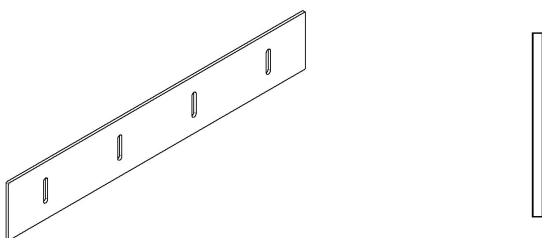
ITEM NUMBER	HEIGHT	LENGTH
CW1048ECCA	10"	48"
CW1060ECCA	10"	60"
CW1248ECCA	12"	48"
CW1260ECCA	12"	60"
CW1448ECCA	14"	48"
CW1460ECCA	14"	60"

## 1/4" Steel Chute Wall with Eagle Claw Clamp with AR 400 Liner



ITEM NUMBER	HEIGHT	LENGTH
CW1048ECCL	10"	48"
CW1060ECCL	10"	60"
CW1248ECCL	12"	48"
CW1260ECCL	12"	60"
CW1448ECCL	14"	48"
CW1460ECCL	14"	60"

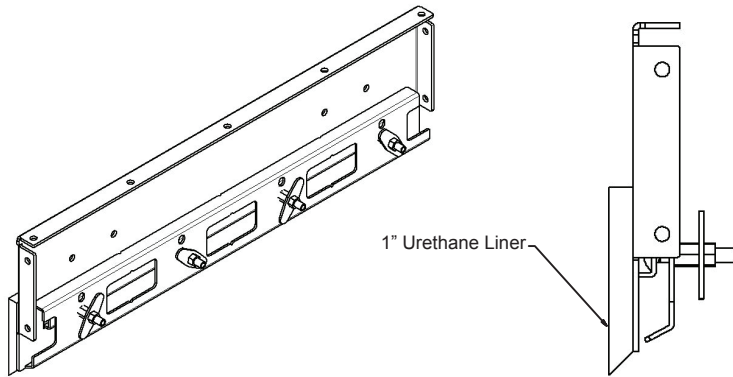
## AR 400 Replacement Liner



ITEM NUMBER	HEIGHT	LENGTH
EARL8-48	8"	48"
EARL8-60	8"	60"
EARL10-48	10"	48"
EARL10-60	10"	60"

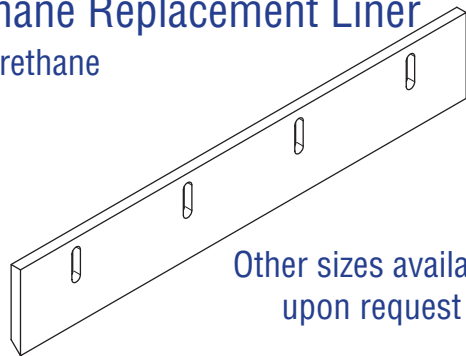
# CHUTE WALLS

## 1/4" Steel Chute Wall with Eagle Claw Clamp and Urethane Liner



ITEM NUMBER	HEIGHT	LENGTH
CW1048ECCU	10"	48"
CW1060ECCU	10"	60"
CW1248ECCU	12"	48"
CW1260ECCU	12"	60"
CW1448ECCU	14"	48"
CW1460ECCU	14"	60"

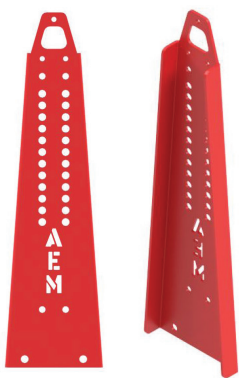
## Urethane Replacement Liner 85A Urethane



Other sizes available upon request

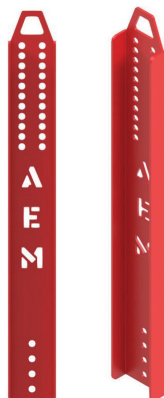
ITEM NUMBER	THICKNESS	HEIGHT	LENGTH
UL8-100-48	1"	8"	48"
UL8-100-60	1"	8"	60"
UL10-100-48	1"	10"	48"
UL10-100-60	1"	10"	60"
UL12-100-48	1"	12"	48"
UL12-100-60	1"	12"	60"

## Universal Post and Adjustable Support Arms



Designed to work with  
AEM Belt  
Support Systems

EAGLE UNIVERSAL POST
Item Number
EUP001

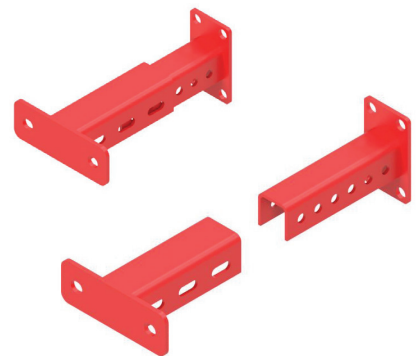


Designed to work with  
existing Belt  
Support Systems

EAGLE UNIVERSAL POST
Item Number
EUP002



Universal Post and  
Support Arms  
sold separately



ADJUSTABLE SUPPORT ARMS	
Item Number	Adjustment Capability
EASA-001	7" to 10"
EASA-002	10" to 13"

Custom sizes available upon request

IT'S THE YEAR OF  
**INNOVATION**  
AT AMERICAN EAGLE  
MANUFACTURING

DELTA  FLEX™ M-Flex®

EAGLE CLAW CLAMP

OMEGA SEAL

SNAPFLEX

American Eagle Manufacturing LLC  
866 713 8985  
252 633 0603  
3280 US Hwy. 70 East  
New Bern, North Carolina 28560  
[AmericanEagleManufacturing.com](http://AmericanEagleManufacturing.com)

***EAGLE EDGE USA***

