

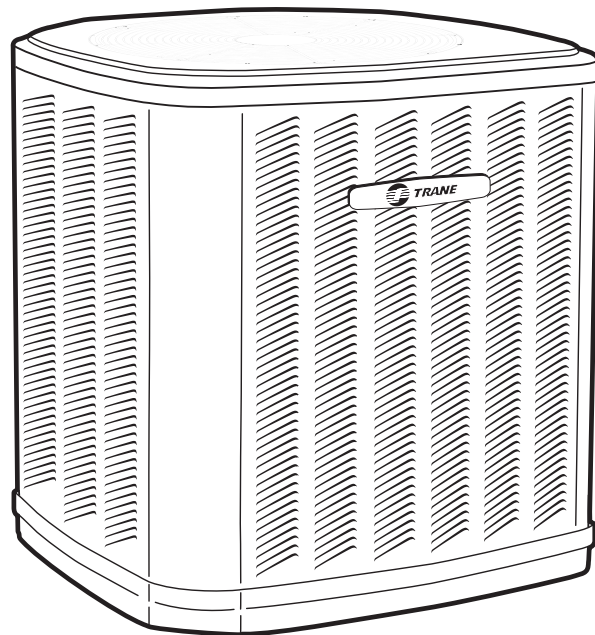


# Split System Cooling Product & Performance Data

---

**Three Phase  
2TTA3048-060A3**

**4 – 5 Tons**



---

**PUB. NO. 22-1770-03**



# Features and Benefits

---

- All aluminum **Spine Fin™** coil
- Durable base, fast complete drain, weather proof
- **WeatherGuard™** fasteners
- Full length control cover
- Glossy corrosion resistant finish
- Internal compressor high/low pressure and temperature protection
- Low pressure switch
- Liquid line filter-drier
- Polyslate gray cabinet
- Easily accessible cabinet, service access and refrigerant connections with full coil protection
- Easy top & fan removal
- R-22 refrigerant (shipped dry from factory)
- Low ambient cooling to 55°F as shipped
- Low ambient cooling to 30°F with EDC accessory AY28X079
- Low ambient cooling to 0°F See Application Guide XB-APG04-EN
- **Extended warranties available**

# Contents

---

<b>Features and Benefits</b>	<b>2</b>
<b>General Data</b>	<b>4</b>
Product Specifications	4
A-weighted Sound Power Level [dB(A)]	4
Accessory Description and Usage	4
ARI Standard Capacity Rating Conditions	4
<b>Model Nomenclature</b>	<b>5</b>
<b>Electrical Data</b>	<b>6</b>
<b>Dimensions</b>	<b>7</b>
<b>Mechanical Specification Options</b>	<b>8</b>



# General Data

## Product Specifications

Model No. ①	2TTA3048A3000B	2TTA3060A3000B
Electrical Data V/Ph/Hz ②	200/230/3/60	200/230/3/60
Min Cir Ampacity	16	21
Max Fuse Size (Amps)	25	35
Compressor	RECIP	RECIP
RL Amps - LR Amps	11.6 - 100.1	15.4 - 114
Outdoor Fan FL Amps	1.4	1.3
Fan HP	1/6	1/6
Fan Dia (inches)	27.6	27.6
Coil	Spine Fin™	Spine Fin™
Refrigerant R-22 (NOT factory supplied)	8/14-LB/OZ	8/11-LB/OZ
Line Size - (in.) O.D. Gas ③	1-1/8	1-1/8
Line Size - (in.) O.D. Liquid ③	3/8	3/8
Dimensions H x W x D (Crated)	46.4 x 35.1 x 38.7	46.4 x 35.1 x 38.7
Weight - Shipping	303	275
Weight - Net	267	239
Start Components	NO	NO
Sound Enclosure	NO	NO
Compressor Sump Heat	YES	YES
<b>Optional Accessories: ④</b>		
Anti-short Cycle Timer	TAYASCT501A	TAYASCT501A
Evaporator Defrost Control A/C	AY28X079	AY28X079
Rubber Isolator Kit	BAYISLT101	BAYISLT101
Crankcase Heater Kit		
Extreme Condition Mounting Kit	BAYECMT001	BAYECMT001
Seacoast Kit	BAYSEAC001	BAYSEAC001
Refrigerant Lineset ⑤	—	—

① Certified in accordance with the Unitary Air-Conditioner equipment certification program which is based on ARI Standard 210/240.

② Calculated in accordance with N.E.C. Use only HACR circuit breakers or fuses.

③ Standard line lengths - 60'. Standard lift - 60' Suction and Liquid line.

For Greater lengths and lifts refer to refrigerant piping software Pub# 32-3312-01. (\*denotes latest revision)

④ For accessory description and usage, see page 5.

⑤ \* = 15, 20, 25, 30, 40 and 50 foot lineset available.

## Accessory Description and Usage

**Anti-Short Cycle Timer** — Solid state timing device that prevents compressor recycling until 5 minutes have elapsed after satisfying call or power interruptions. Use in area with questionable power delivery, commercial applications, long lineset, etc.

**Evaporator Defrost Control** — SPST Temperature actuated switch that cycles the condenser off as indoor coil reaches freeze-up conditions. Used for low ambient cooling to 30°F with TXV.

**Rubber Isolators** — 5 large rubber donuts to isolate condensing unit from transmitting energy into mounting frame or pad. Use on any application where sound transmission needs to be minimized.

**Hard Start kit** — Start capacitor and relay to assist compressor motor startup. Use in areas with marginal power supply, on long linesets, low ambient conditions, etc.

**Extreme Condition Mount Kit** — Bracket kits to securely mount condensing unit to a frame or pad without removing any panels. Use in areas with high winds, or on commercial roof tops, etc.



## ARI Standard Capacity Rating Conditions

### ARI STANDARD 210/240 RATING CONDITIONS —

- (A) Cooling 80°F DB, 67°F WB air entering indoor coil, 95°F DB air entering outdoor coil.
- (B) High Temperature Heating 47°F DB, 43°F WB air entering outdoor coil, 70°F DB air entering indoor coil.
- (C) Low Temperature Heating 17°F DB, 15°F WB air entering outdoor coil, 70°F DB air entering indoor coil.
- (D) Rated indoor airflow for heating is the same as for cooling.

**ARI STANDARD 270 RATING CONDITIONS** — (Noise rating numbers are determined with the unit in cooling operation.) Standard Noise Rating number is at 95°F outdoor air.

## A-weighted Sound Power Level [dB(A)]

MODEL	SOUND POWER LEVEL [dB(A)]	A-WEIGHTED FULL OCTAVE SOUND POWER LEVEL dB - [dB(A)]							
		63	125	250	500	1000	2000	4000	8000
2TTA3048A3	79	49.3	57.7	71.0	72.2	72.7	70.5	63.7	53.7
2TTA3060A3	79	53.6	57.5	63.6	73.3	73.1	71.3	63.1	55.9

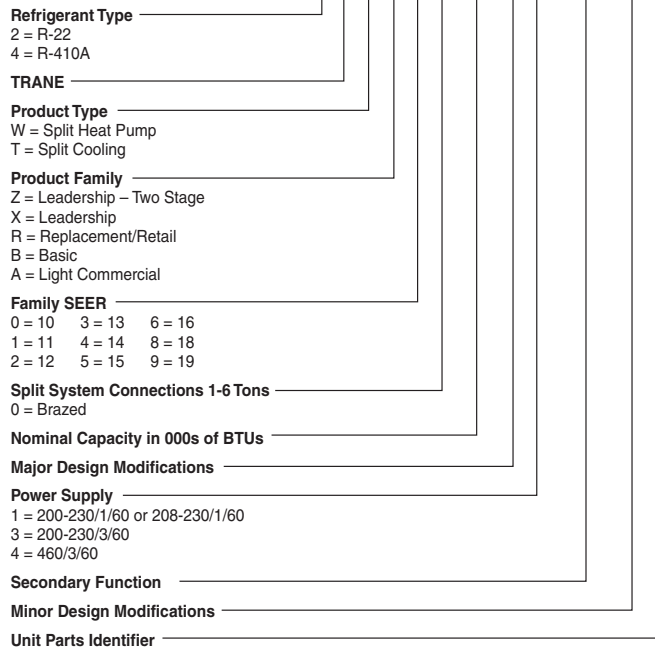
Note: Tested in accordance with ARI Standard 270.95. (Not listed with ARI)



# Model Nomenclature

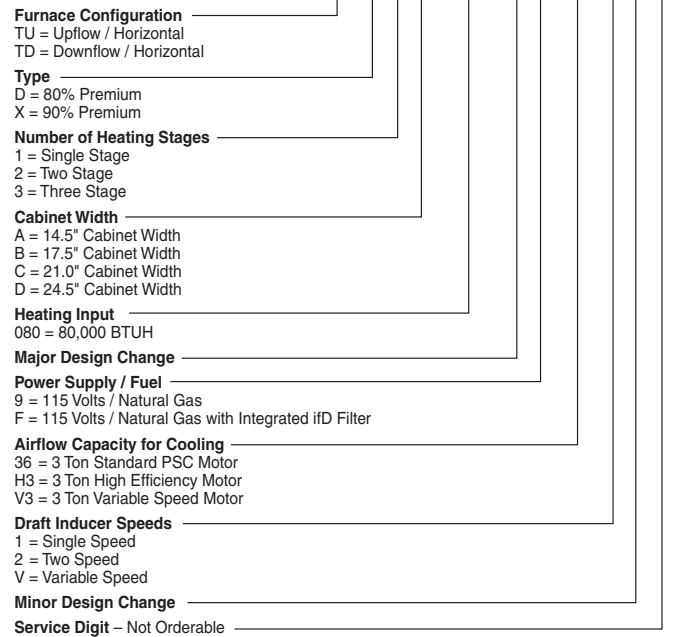
## Outdoor Units

2 T T A 3 0 3 6 A 3 0 0 0 A A



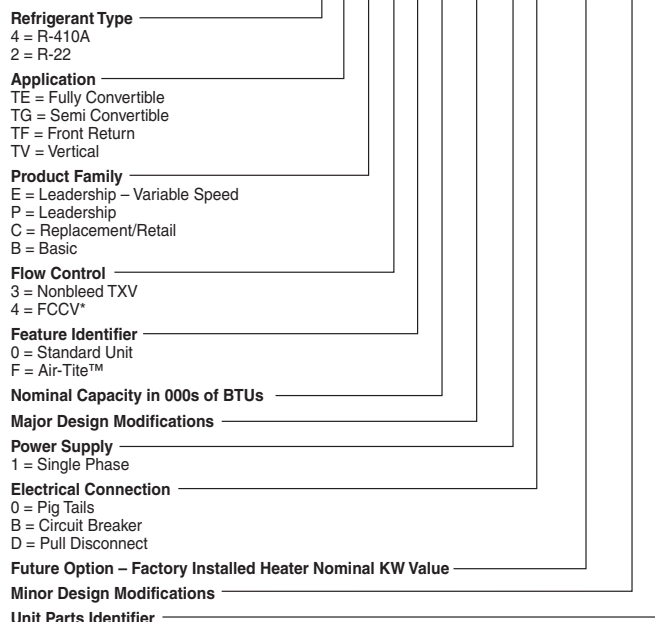
## High Efficiency Furnaces

T U D 1 B 0 8 0 A 9 H 3 1 A A



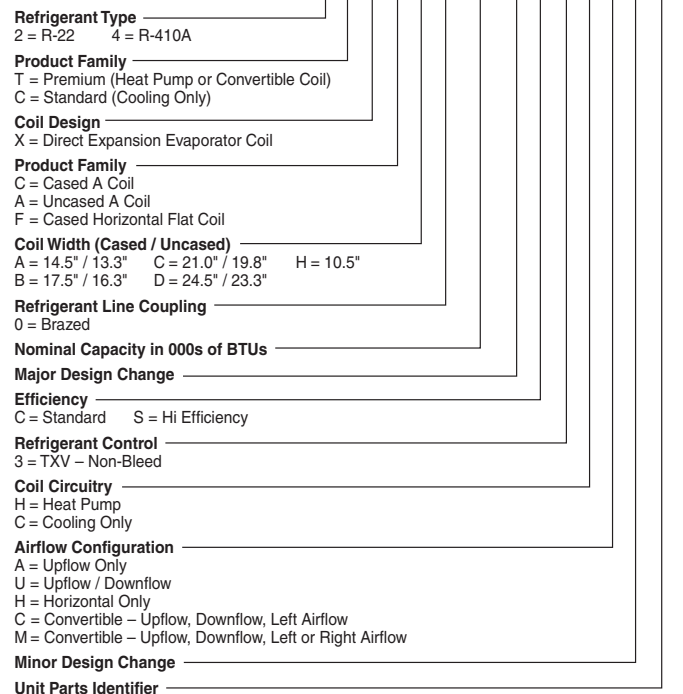
## Air Handlers – Residential

4 T E E 3 F 3 6 A 1 0 0 0 A A



## Heat Pump / Cooling Coils

2 T X C B 0 3 6 A C 3 H C A A



NOTE: There will be a phase-in of new model numbers for new air handlers over next 2 years.

\*Shipped with R-22 FCCV

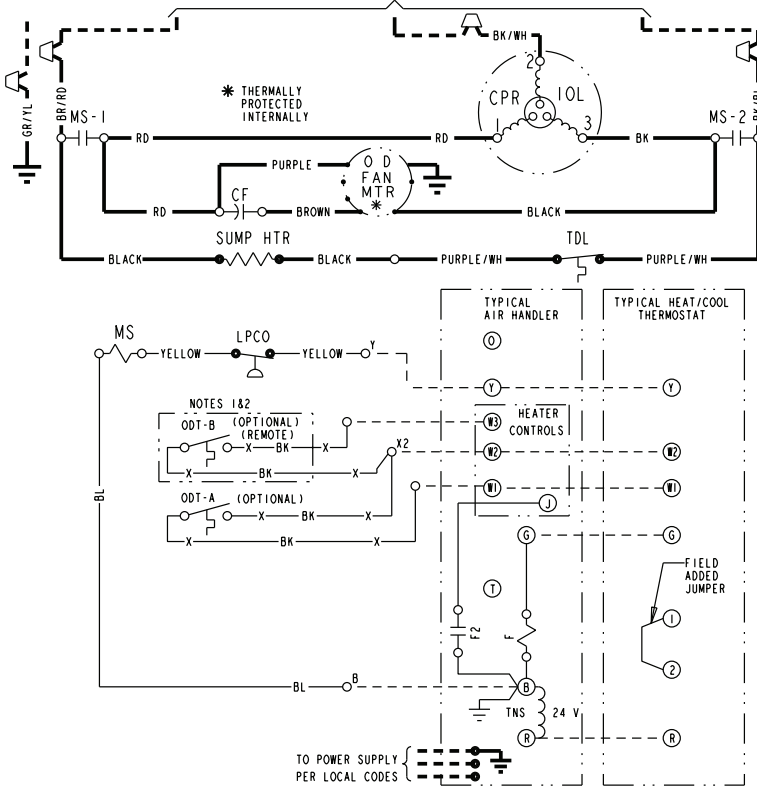


# Electrical Data

## Schematic Diagrams

### 2TTA3048A3000B

TO POWER SUPPLY PER UNIT NAMEPLATE AND LOCAL CODES



- |                                 |                                |
|---------------------------------|--------------------------------|
| CA COOLING ANTICIPATOR          | LPCO LOW PRESSURE CUTOFF SW.   |
| CBS COIL BOTTOM SENSOR          | MS COMPRESSOR MOTOR CONTACTOR  |
| CF FAN CAPACITOR                | ODA OUTDOOR ANTICIPATOR        |
| CN WIRE CONNECTOR               | OFT OUTDOOR FAN THERMOSTAT     |
| CPR COMPRESSOR                  | ODS OUTDOOR TEMPERATURE SENSOR |
| CR RUN CAPACITOR                | ODT OUTDOOR THERMOSTAT         |
| CS STARTING CAPACITOR           | RHS RESISTANCE HEAT SWITCH     |
| CSR CAPACITOR SWITCHING RELAY   | SC SWITCHOVER VALVE SOLENOID   |
| DFC DEFROST CONTROL             | SM SYSTEM "ON-OFF" SWITCH      |
| F INDOOR FAN RELAY              | TDL DISCHARGE LINE THERMOSTAT  |
| HA HEATING ANTICIPATOR          | TNS TRANSFORMER                |
| HPCO HIGH PRESSURE CUTOFF SW.   | TS HEATING-COOLING THERMOSTAT  |
| IOL INTERNAL OVERLOAD PROTECTOR | TSH HEATING THERMOSTAT         |

- COLOR OF WIRE**
- BK/BL BLACK WIRE WITH BLUE MARKER
- COLOR OF MARKER**
- |          |           |           |
|----------|-----------|-----------|
| BK BLACK | OR ORANGE | YL YELLOW |
| BL BLUE  | RD RED    | GR GREEN  |
| BR BROWN | WH WHITE  | PR PURPLE |

<p><b>⚠ WARNING</b></p> <p>HAZARDOUS VOLTAGE!</p> <p>DISCONNECT ALL ELECTRIC POWER INCLUDING REMOTE DISCONNECTS BEFORE SERVICING.</p> <p>FAILURE TO DISCONNECT POWER BEFORE SERVICING CAN CAUSE SEVERE PERSONAL INJURY OR DEATH!</p>	<p><b>⚠ CAUTION</b></p> <p>USE COPPER CONDUCTORS ONLY!</p> <p>UNIT TERMINALS ARE NOT DESIGNED TO ACCEPT OTHER TYPES OF CONDUCTORS.</p> <p>FAILURE TO DO SO MAY CAUSE DAMAGE TO THE EQUIPMENT!</p>
--------------------------------------------------------------------------------------------------------------------------------------------------------------------------------------------------------------------------------------	---------------------------------------------------------------------------------------------------------------------------------------------------------------------------------------------------

**NOTES:**

- IF ODT-B IS NOT USED, ADD JUMPER BETWEEN W2 & W3 AT AIR HANDLER. IF USED, ODT-B MUST BE MOUNTED REMOTE OF CONTROL BOX IN AN APPROVED WEATHER PROOF ENCLOSURE.
- IF ODT-A IS NOT USED, ADD JUMPER BETWEEN W1 & W2 AT AIR HANDLER.
- LOW VOLTAGE (24 V.) FIELD WIRING MUST BE 18 AWG MIN.

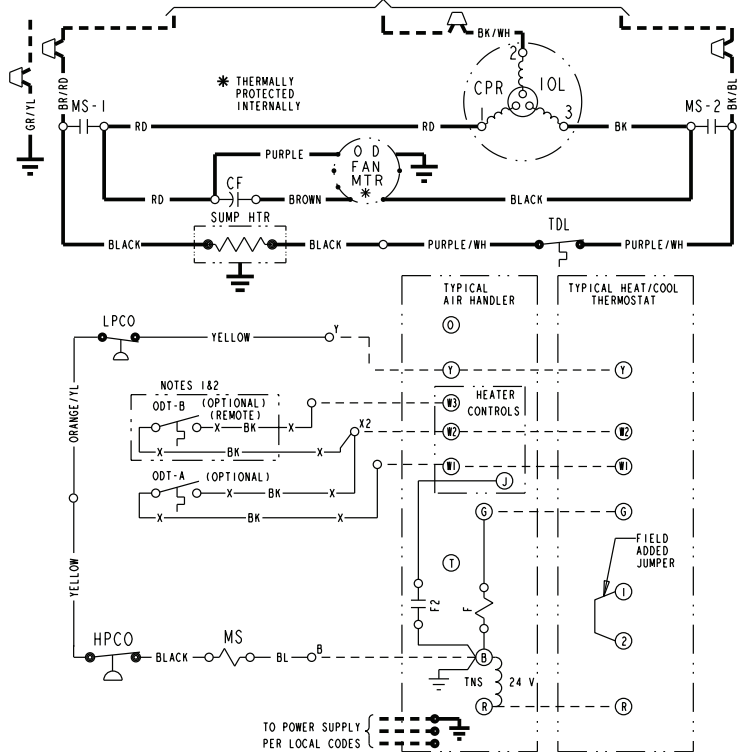
**NOTE**

THREE PHASE MOTOR (S) FACTORY SUPPLIED IN THIS EQUIPMENT PROTECTED UNDER PRIMARY SINGLE-PHASE CONDITIONS.

FROM DWG 152983P03

### 2TTA3060A3000B

TO POWER SUPPLY PER UNIT NAMEPLATE AND LOCAL CODES



- |                                 |                                |
|---------------------------------|--------------------------------|
| CA COOLING ANTICIPATOR          | LPCO LOW PRESSURE CUTOFF SW.   |
| CBS COIL BOTTOM SENSOR          | MS COMPRESSOR MOTOR CONTACTOR  |
| CF FAN CAPACITOR                | ODA OUTDOOR ANTICIPATOR        |
| CN WIRE CONNECTOR               | OFT OUTDOOR FAN THERMOSTAT     |
| CPR COMPRESSOR                  | ODS OUTDOOR TEMPERATURE SENSOR |
| CR RUN CAPACITOR                | ODT OUTDOOR THERMOSTAT         |
| CS STARTING CAPACITOR           | RHS RESISTANCE HEAT SWITCH     |
| CSR CAPACITOR SWITCHING RELAY   | SC SWITCHOVER VALVE SOLENOID   |
| DFC DEFROST CONTROL             | SM SYSTEM "ON-OFF" SWITCH      |
| F INDOOR FAN RELAY              | TDL DISCHARGE LINE THERMOSTAT  |
| HA HEATING ANTICIPATOR          | TNS TRANSFORMER                |
| HPCO HIGH PRESSURE CUTOFF SW.   | TS HEATING-COOLING THERMOSTAT  |
| IOL INTERNAL OVERLOAD PROTECTOR | TSH HEATING THERMOSTAT         |

- COLOR OF WIRE**
- BK/BL BLACK WIRE WITH BLUE MARKER
- COLOR OF MARKER**
- |          |           |           |
|----------|-----------|-----------|
| BK BLACK | OR ORANGE | YL YELLOW |
| BL BLUE  | RD RED    | GR GREEN  |
| BR BROWN | WH WHITE  | PR PURPLE |

<p><b>⚠ WARNING</b></p> <p>HAZARDOUS VOLTAGE!</p> <p>DISCONNECT ALL ELECTRIC POWER INCLUDING REMOTE DISCONNECTS BEFORE SERVICING.</p> <p>FAILURE TO DISCONNECT POWER BEFORE SERVICING CAN CAUSE SEVERE PERSONAL INJURY OR DEATH!</p>	<p><b>⚠ CAUTION</b></p> <p>USE COPPER CONDUCTORS ONLY!</p> <p>UNIT TERMINALS ARE NOT DESIGNED TO ACCEPT OTHER TYPES OF CONDUCTORS.</p> <p>FAILURE TO DO SO MAY CAUSE DAMAGE TO THE EQUIPMENT!</p>
--------------------------------------------------------------------------------------------------------------------------------------------------------------------------------------------------------------------------------------	---------------------------------------------------------------------------------------------------------------------------------------------------------------------------------------------------

**NOTES:**

- IF ODT-B IS NOT USED, ADD JUMPER BETWEEN W2 & W3 AT AIR HANDLER. IF USED, ODT-B MUST BE MOUNTED REMOTE OF CONTROL BOX IN AN APPROVED WEATHER PROOF ENCLOSURE.
- IF ODT-A IS NOT USED, ADD JUMPER BETWEEN W1 & W2 AT AIR HANDLER.
- LOW VOLTAGE (24 V.) FIELD WIRING MUST BE 18 AWG MIN.

**NOTE**

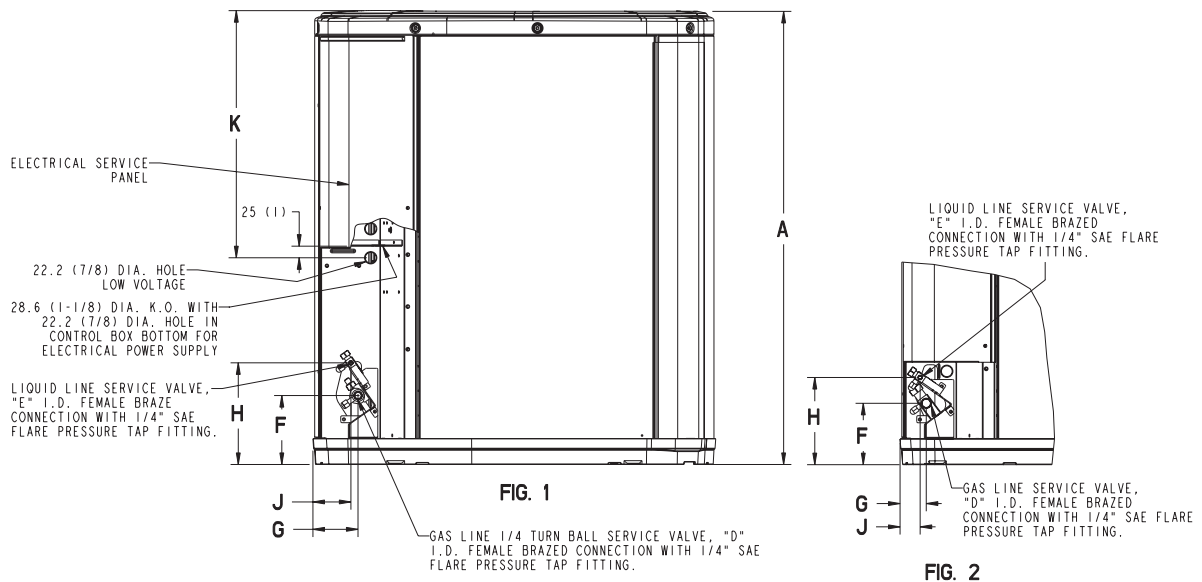
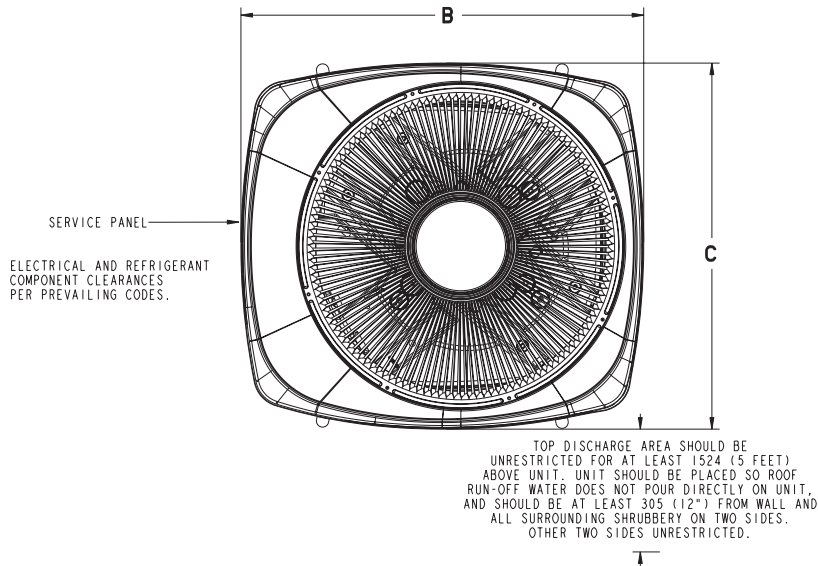
THREE PHASE MOTOR (S) FACTORY SUPPLIED IN THIS EQUIPMENT PROTECTED UNDER PRIMARY SINGLE-PHASE CONDITIONS.

FROM DWG 157314P01

# Dimensions

## 2TTA3 Outline Drawing

NOTE: ALL DIMENSIONS ARE IN MM (INCHES)



MODELS	BASE	FIG.	A	B	C	D	E	F	G	H	J	K
2TTA3048A	4	1	1045 (41-1/8)	946 (37-1/4)	870 (34-1/4)	1-1/8	3/8	152 (6)	98 (3-7/8)	219 (8-5/8)	86 (3-3/8)	508 (20)
2TTA3060A	4	1	1045 (41-1/8)	946 (37-1/4)	870 (34-1/4)	1-1/8	3/8	152 (6)	98 (3-7/8)	219 (8-5/8)	86 (3-3/8)	508 (20)



# Mechanical Specification Options

## General

The 2TTA3 shall be fully charged from the factory for matched indoor section and up to 15 feet of piping. This unit must be designed to operate at outdoor ambient temperatures as high as 115°F. Cooling capacities shall be matched with a wide selection of air handlers and furnace coils that are ARI certified. The unit is certified to UL 1995. Exterior must be designed for outdoor application.

## Casing

Unit casing is constructed of heavy gauge, galvanized steel and painted with a weather-resistant powder paint. Corrosion and weatherproof CMBP-G30 base.

## Refrigerant Controls

Refrigeration system controls include condenser fan and compressor contactor. High and low pressure controls are inherent to the compressor. Another standard feature is the liquid line dryer.

## Compressor

The compressor features internal over temperature and pressure protector, total dipped hermetic motor and thermostatically controlled sump heater. Other features include centrifugal oil pump, and low vibration and noise.

## Condenser Coil

The Spine Fin™ coil shall be continuously wrapped, corrosion resistant all aluminum with minimum brazed joints. This coil is 3/8 inch O.D. seamless aluminum glued to a continuous aluminum fin. Coils are lab tested to withstand 2,000 pounds of pressure per square inch. The outdoor coil provides low airflow resistance and efficient heat transfer. The coil is protected on all four sides by louvered panels.

## Low Ambient Cooling

As manufactured, this unit has a cooling capability to 55°F. The addition of an evaporator defrost control with TXV permits low ambient cooling to 30°F.

## Accessories

**Thermostats** — Heating/Cooling (manual and automatic changeover). Sub-base to match thermostat and locking thermostat cover.

**Evaporator Defrost Control** — See Low Ambient Cooling.

**Outdoor Thermostat** — Supplemental heat outdoor ambient lockout from 46 to -10°F.



05/29



www.trane.com

*The manufacturer has a policy of continuous product and product data improvement and it reserves the right to change design and specifications without notice.*