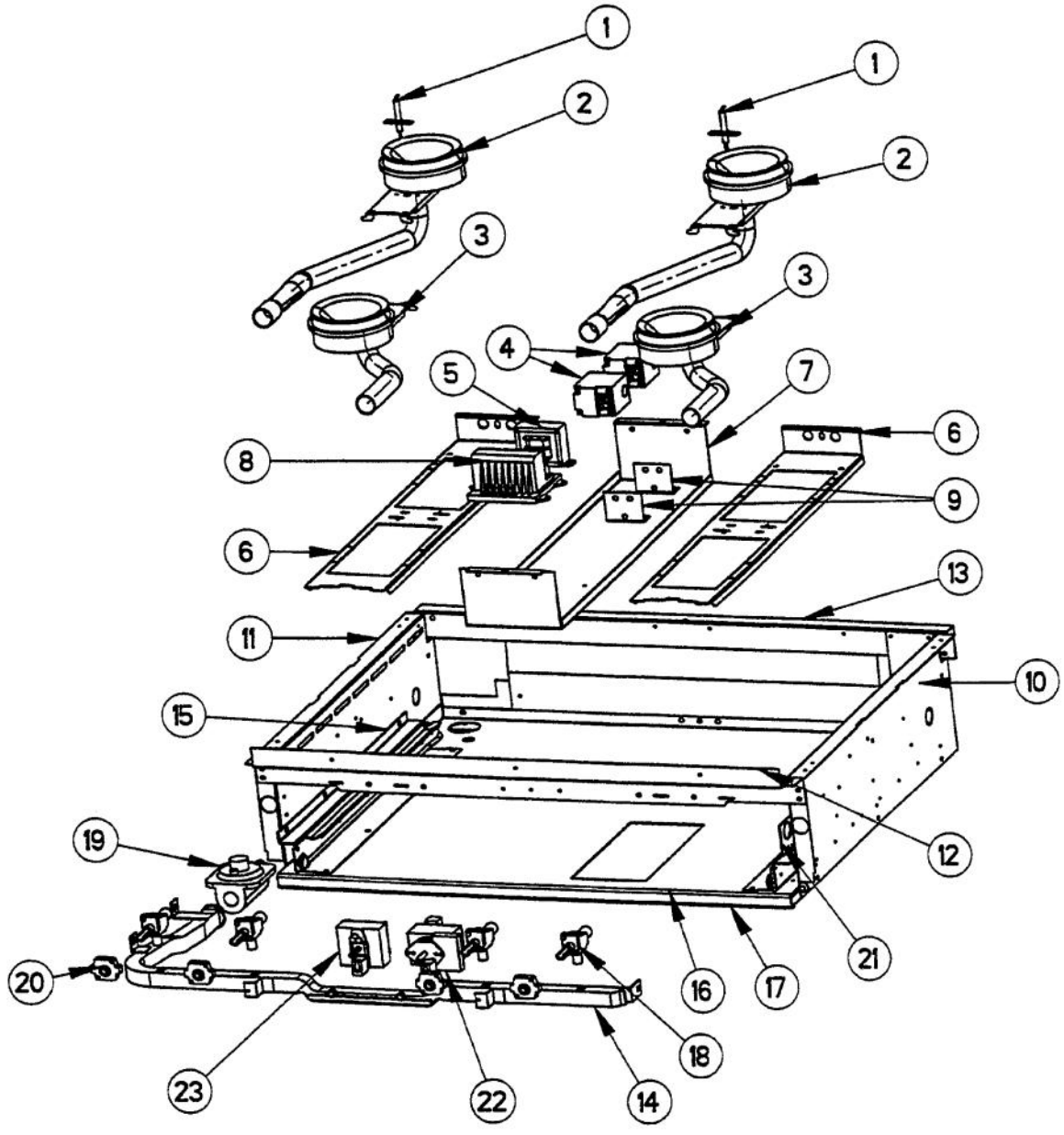
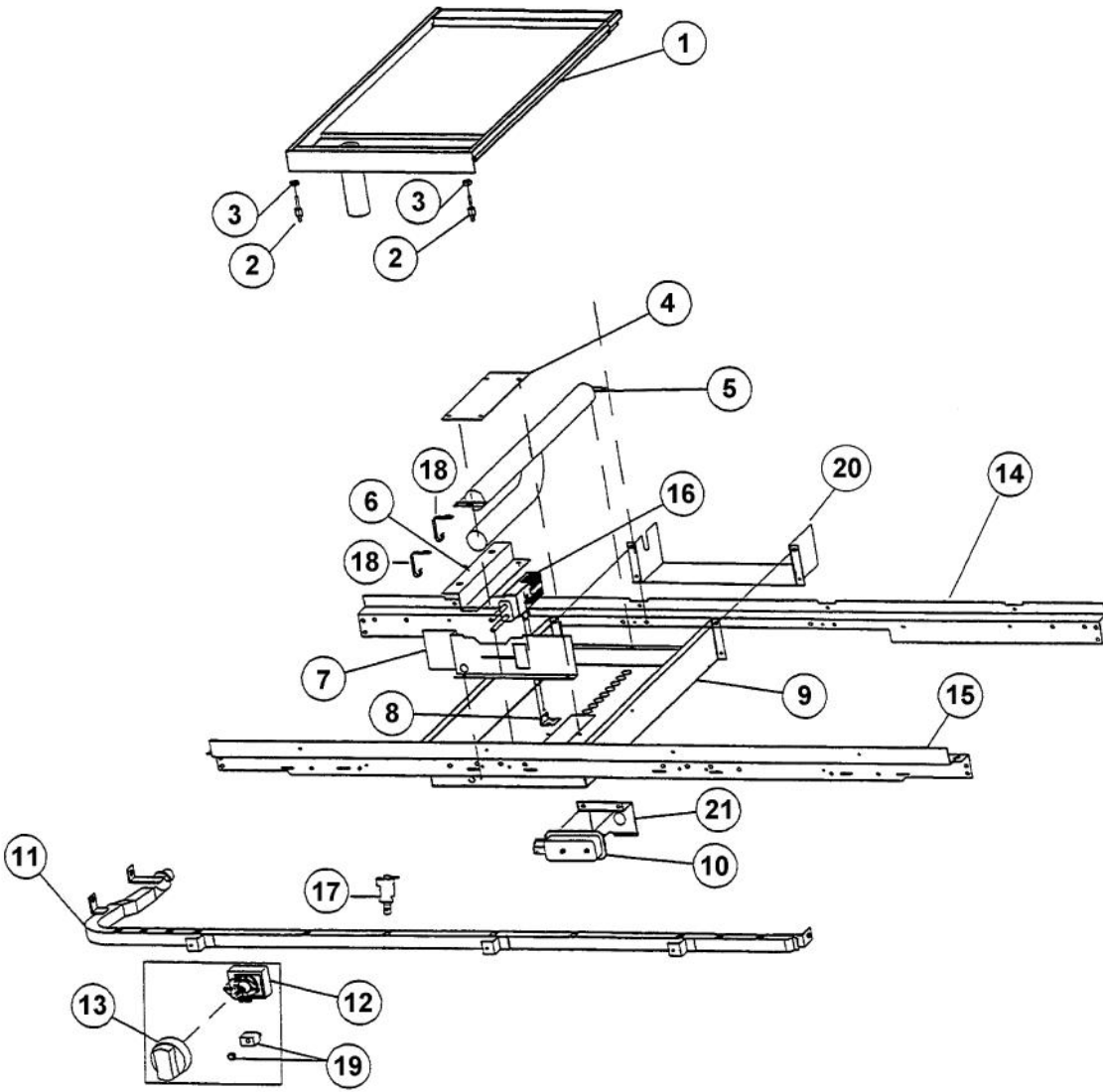


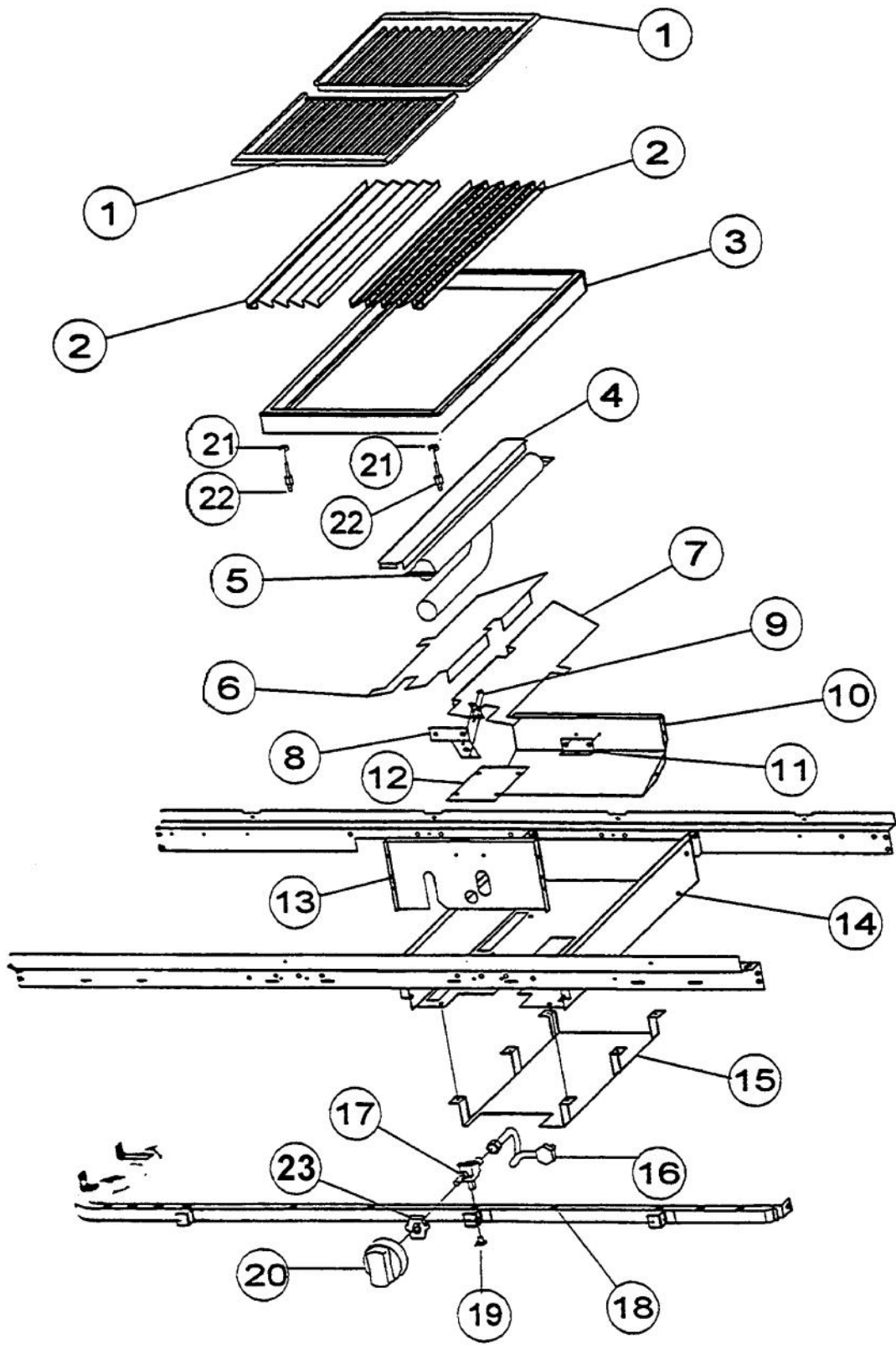
Ref #	Part Number	Qty.	Description
1	PA060037		GRATE BK REPL PA060024 (GEN.NO.2)
1	PA060038		GRAY GRATES
2	PA030002AL		BURNER BOWL - AL
2	PA030002BK		BURNER BOWL (VGRT) XXBKXX
2	PA030002BT		BURNER BOWL - BT
2	PA030002CB		BURNER BOWL - CB
2	PA030002EP		BURNER BOWL - EP
2	PA030002FG		BURNER BOWL - FG
2	PA030002GG		BURNER BOWLS - GG
2	PA030002LE		BURNER BOWLS - LE
2	PA030002MJ		BURNER BOWL (VGRT) XXMJXX
2	PA030002PL		BURNER BOWL (VGRT) XXPLXX
2	PA030002SG		BURNER BOWL - SG
2	PA030002VB		BURNER BOWL (VGRT) XXVBXX
2	PA030002WH		BURNER BOWL (VGRT) XXWHXX
3	G50013584AL		BURNER GRATE SUPPORT ASSEMBLY - AL
3	G50013584BK		GRATE SUPPORT SERVICE KIT (BK)
3	G50013584BT		GRATE SUPPORT SERVICE KIT (BT) - NLA
3	G50013584CB		BURNER GRATE SUPPORT ASSEMBLY - CB
3	G50013584EP		BURNER GRATE SUPPORT ASSEMBLY - EP
3	G50013584FG		BURNER GRATE SUPPORT ASSEMBLY - FG
3	G50013584GG		BURNER GRATE SUPPORT ASSEMBLY - GG
3	G50013584LE		BURNER GRATE SUPPORT ASSEMBLY - LE
3	G50013584LN		GRATE SUPPORT SERVICE KIT (LN)
3	G50013584MJ		BURNER GRATE SUPPORT ASSEMBLY - MJ
3	G50013584PL		GRATE SUPPORT ASSEMBLY - PL
3	G50013584SG		BURNER GRATE SUPPORT ASSEMBLY - SG
3	G50013584VB		BURNER GRATE SUPPORT ASSEMBLY - VB
3	G50013584WH		GRATE SUPPORT SERVICE KIT (WH)
4	A2005533		SPARK MODULE COVER
5	B2002346		SIDE TRIM - LH (VGSS)
NI	PD020032		SRW-8(A)X3/8PH.WFR HD 7/16DIA XNCL
6	PK000008		DRIP TRAY GUIDE - RH
7	PD040028		BUSHING(.194ID/.750OD/.750LONG)
NI	PD020079		NO.10 X 1 1/4 PH. PAN HD. T(A) NYLOK
8	G30010696		DRIP TRAY HANDLE ASSY 36
8	G93011459PVD		DRIP TRAY HANDLE ASSY 36 PVD
9	PD040004		GROMMET BUMPER
10	PK000007		DRIP TRAY GUIDE - LH (VGRT)
11	G3002824		DRIP TRAY (VDSC36)
			(BEFORE 11/18/04)
11	G30010455		36 DRIP TAY ASSY
			(AFTER 11/18/04)
12	B2002345		SIDE TRIM - RH (VGSS)
13	PA080015		BURNER CAP-VGRT XBKX
13	PA080016		BURNER CAP-VGRT (GRAY-MATT)
NI	A20010692		DRIP TRAY HANDLE BACK 36



Ref #	Part Number	Qty.	Description
1	PA020014		SPARK IGNITOR
2	PA080036		TOP BURNER REAR REPL PA080008
3	PA080037		TOP BURNER FRONT REPL PA080007
4	PA010139		F J T VALVE REPL PA010079
5	PE070468		TRANSFORMER HALOGEN LIGHTS REPLACES PE070222
6	A2001112		BURNER SUPT (VGRT)
7	A2005532		SPARK MODULE BRACKET
8	PA020048		INVENSYS 0+6 RE-IGNITION SPARK MODULE
8	PA020047		INVENSYS 0+4 RE-IGNITION SPARK MODULE
9	A2004450		BRACKET MVS SOLINOID
10	A2002490		BURNER BOX SIDE RH (VDSC)
11	A2002491		BURNER BOX SIDE LH (VDSC)
12	A2001105		FRONT SUPT (36)
13	A2005514		REAR BURNER SUPPORT
14	PA050114		MANIFOLD
15	A2001160		DRIP TRAY GUIDE BRKT (VGRT)
16	A2002793		INSULATION PANEL (VDSC-36)
17	A2002792		BURNER BOX BTM (VDSC-36)
18	003519-000		PA010024 VALVE AND BOLT KIT (BEFORE 08/09/02)
18	G50012678		TOP BURNER VALVE KIT (BRASS VALVE REPLACEMENT) (BETWEEN 08/09/02 & 02/23/05)
18	PA010157		SUB TO 003515-000 - RANGE TOP BURNER VALVE (AFTER 02/23/05)
19	PA070001		PRESSURE REGULATOR (NAT.)
20	PA020015		SPARK IGNITION SWITCH (BEFORE 2/23/05)
20	PA020045		IGNITOR SWITCH (AFTER 2/23/05)
21	A1001138		MANIFOLD BRKT
22	PB010186		EK39 THERMOSTAT (SELF-CLEAN)
23	PJ030015		6 POS. SELECTOR SWITCH
NI	PD020006		NO.6-32 X 1/4 PH.PAN HD. T(F)
NI	PB040034		ORIFICE HOOD-NO.50 (NAT)
NI	PB040036		ORIFICE HOOD-NO.57 (LP)

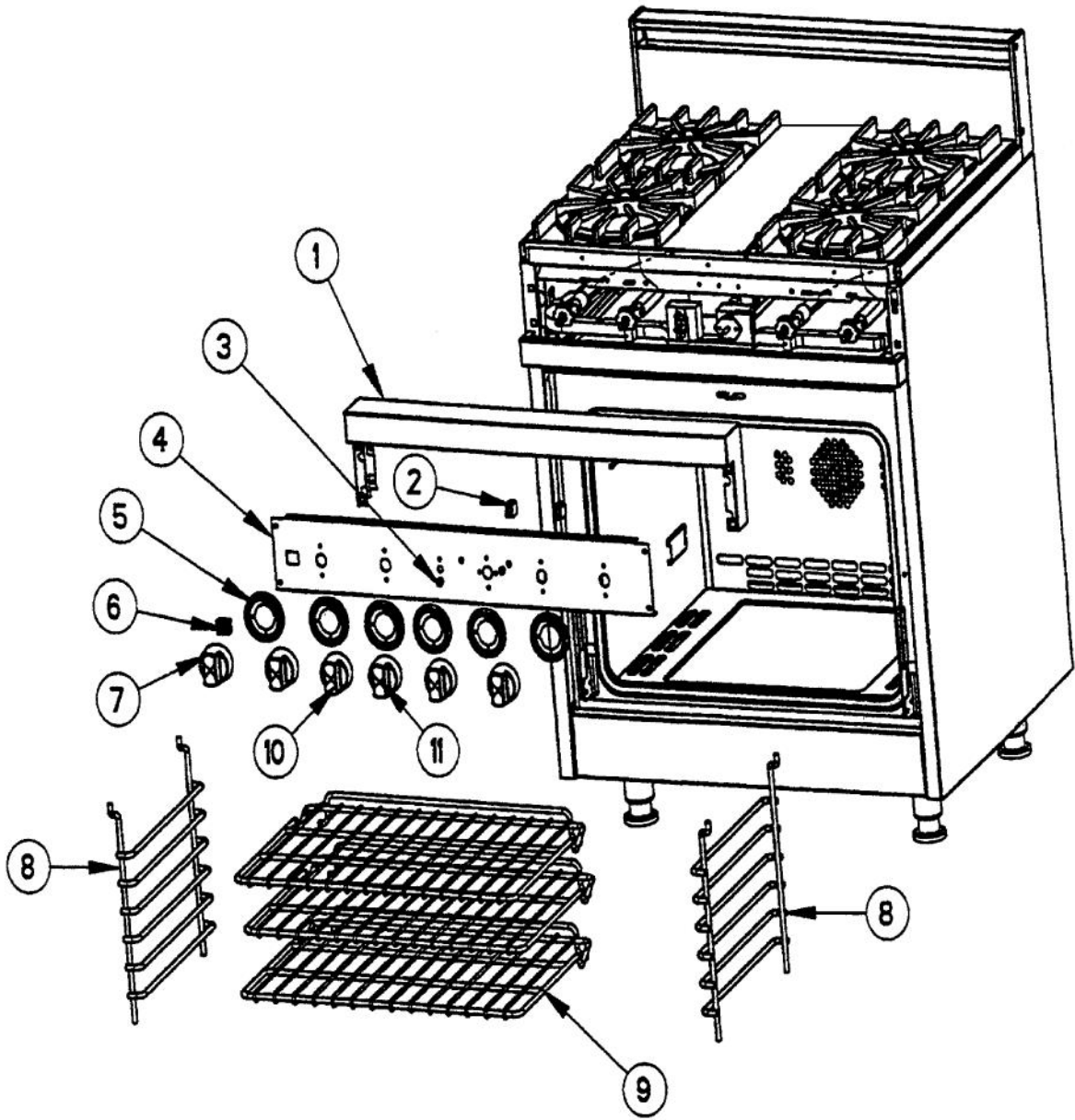


Ref #	Part Number	Qty.	Description
1	G3005654		GRIDDLE 12
2	PD010017		BALL STUD (VGRT)
3	PD030012		6-32 HEX NUT
4	A1001636		GRIDDLE VENTURI COVER
5	PB050077		GRILL BURNER
6	A2001949		T/STAT BULB COVER REPL A2001883
7	A2002001		GRIDDLE HEAT BAFFLE - SLOT SUPT
8	A2001300		GRIDDLE IGNITOR BRKT
9	A2001148		GRIDDLE BOX (VGRT)
10	PB010083		SINGLE THERMAL VALVE LH (OVEN)
11	PA050114		MANIFOLD
12	PB010035		THERMOSTAT BAKE
13	PB010103		GRIDDLE KNOB N/S XBKX
13	PB010104		GRIDDLE KNOB N/S XWHX
14	A2005514		REAR BURNER SUPPORT
15	A2001105		FRONT SUPT (36)
16	PB040001		IGNITOR - (ALL RANGES)
17	PB030002		SUB TO 003862-000 - SHUTOFF VALVE (BEFORE 2/23/05)
17	PB030007		SHUT OFF VALVE (AFTER 2/23/05)
18	PD030031		THERMAL BULB CLIP - .250
19	PE050023		OVEN IND. LIGHT (LENS & BEZEL)
20	PE050024		OVEN IND. LIGHT (LIGHT HOUSING) (CURRENT)
21	A2005519		GRIDDLE ORIFICE BRACKET
NI	PB020136		44 3/8 S.S. FLEX TUBING T6-44
NI	PB020112		3/8 SS FLEX TUBING - 36 T6-36
NI	PB020111		3/8 SS FLEX TUBING - 27 T6-27
NI	PB040190		90 DEGREE ORIFICE FITTING NO.50 NAT
NI	PB040034		ORIFICE HOOD-NO.50 (NAT)
NI	PB040036		ORIFICE HOOD-NO.57 (LP)
NI	A2001179		BACK SUPT (VGRT)

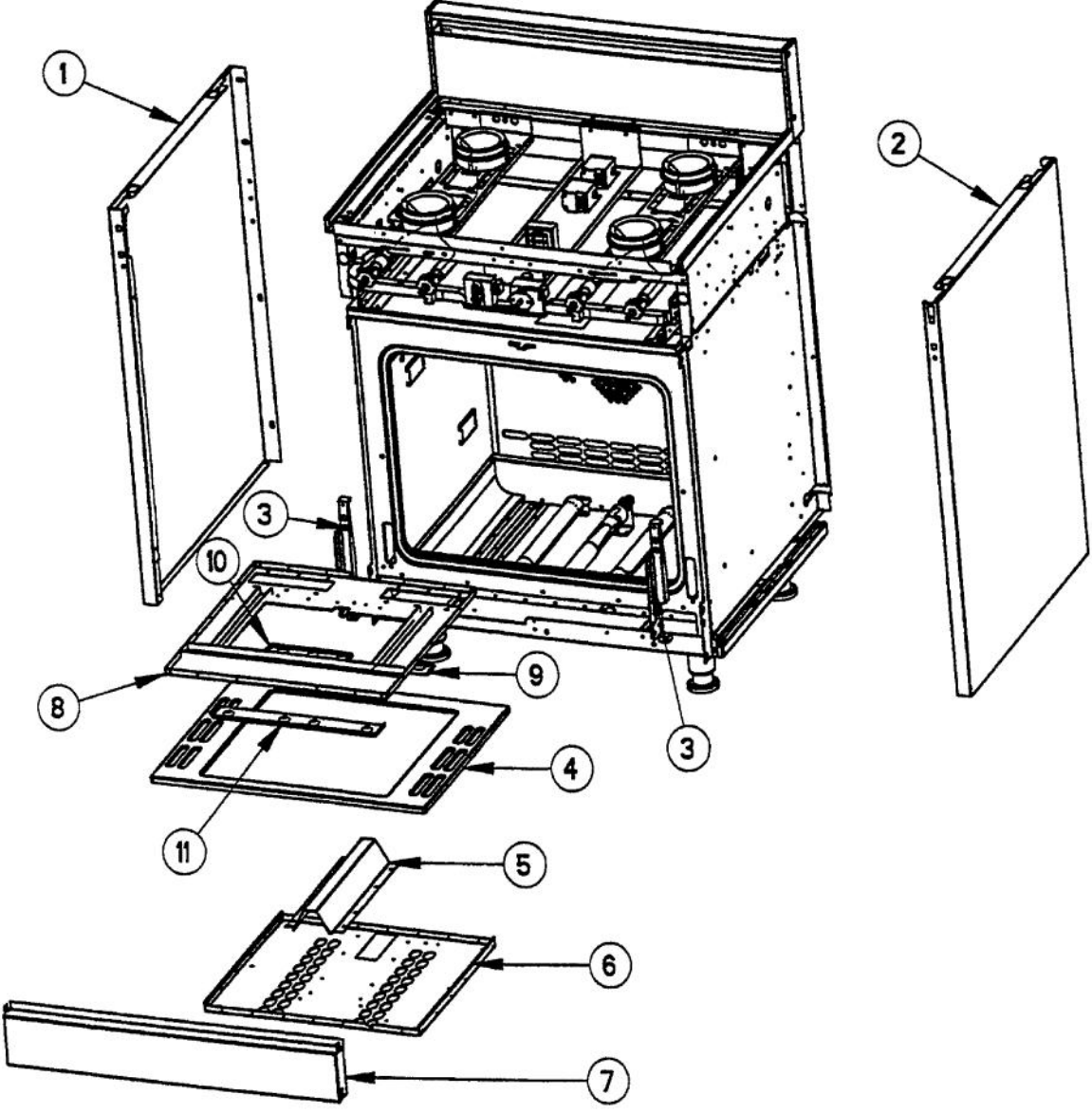


Ref #	Part Number	Qty.	Description
1	PA060028		GRILL GRATE - BK
1	PA060029		GRILL GRATE - GR
2	E9101130BK		GRILL SMOKE GENERATOR
3	G9101182AL		GRILL GRATE SUPT (VGRT) XALX
3	G9101182BK		GRILL GRATE SUPT (VGRT) XBKX
3	G9101182BT		GRILL GRATE SUPT (VGRT) XBTX
3	G9101182CB		GRILL GRATE SUPT (VGRT) XCBX
3	G9101182EP		GRILL GRATE SUPT (VGRT) XEPX
3	G9101182FG		GRILL GRATE SUPT (VGRT) XFGX
3	G9101182GG		GRILL GRATE SUPPORT - GG
3	G9101182LE		GRILL GRATE SUPT (VGRT) XLEX
3	G9101182MJ		GRILL GRATE SUPT (VGRT) XMJX
3	G9101182PL		GRILL GRATE SUPT (VGRT) XPLX
3	G9101182SG		GRILL GRATE SUPT (VGRT) XSGX
3	G9101182VB		GRILL GRATE SUPT (VGRT) XVBX
3	G9101182WH		GRILL GRATE SUPT (VGRT) XWHX
4	B2001140		GRILL FLAME SHIELD (VGRT)
5	PB050077		GRILL BURNER
6	B2001856		GRILL HEAT DEFLECTOR-LH (VGRC60)
7	B2001857		GRILL HEAT DEFLECTOR-RH (VGRC60)
8	A2001633		GRILL FRONT SPARKER BRKT (VGRC)
9	PA020014		SPARK IGNITOR
10	A2001855		GRILL BACK - (VGRC605)
11	A2001132		REAR GRILL BURNER BRKT (VGRT)
12	A1001862		GRILL VENTURI COVER (VGRC605)
13	A2001631		GRILL BOX FRONT (VGRC)
14	A2001852		GRILL BOX - (VGRC605)
15	A2001863		GRILL BTM SHIELD (VGRC605)
16	PB020025		TUBING-GRILL (REVISED) REP PB020021
17	PA010030		GRILL VALVE-(VGRT)
18	PA050114		MANIFOLD
19	PD010012		VALVE BOLT 1/4-20 UNC-2B 5/16 M.S.
20	PA010039		TOP GRILL KNOXBKX (VGRC) (N/STYLE
20	PA010040		TOP GRILL KNOBXWHX (VGRC) (N/STYLE
21	PD030012		6-32 HEX NUT
22	PD010017		BALL STUD (VGRT)
23	PA020011		SPARK IGN SWITCH REPL PA020012
NI	G3208263		GRILL STAINLESS STEEL COVER ASSY
NI	PB040060		ORIFICE HOOD-NO.49
NI	PB040036		ORIFICE HOOD-NO.57 (LP)

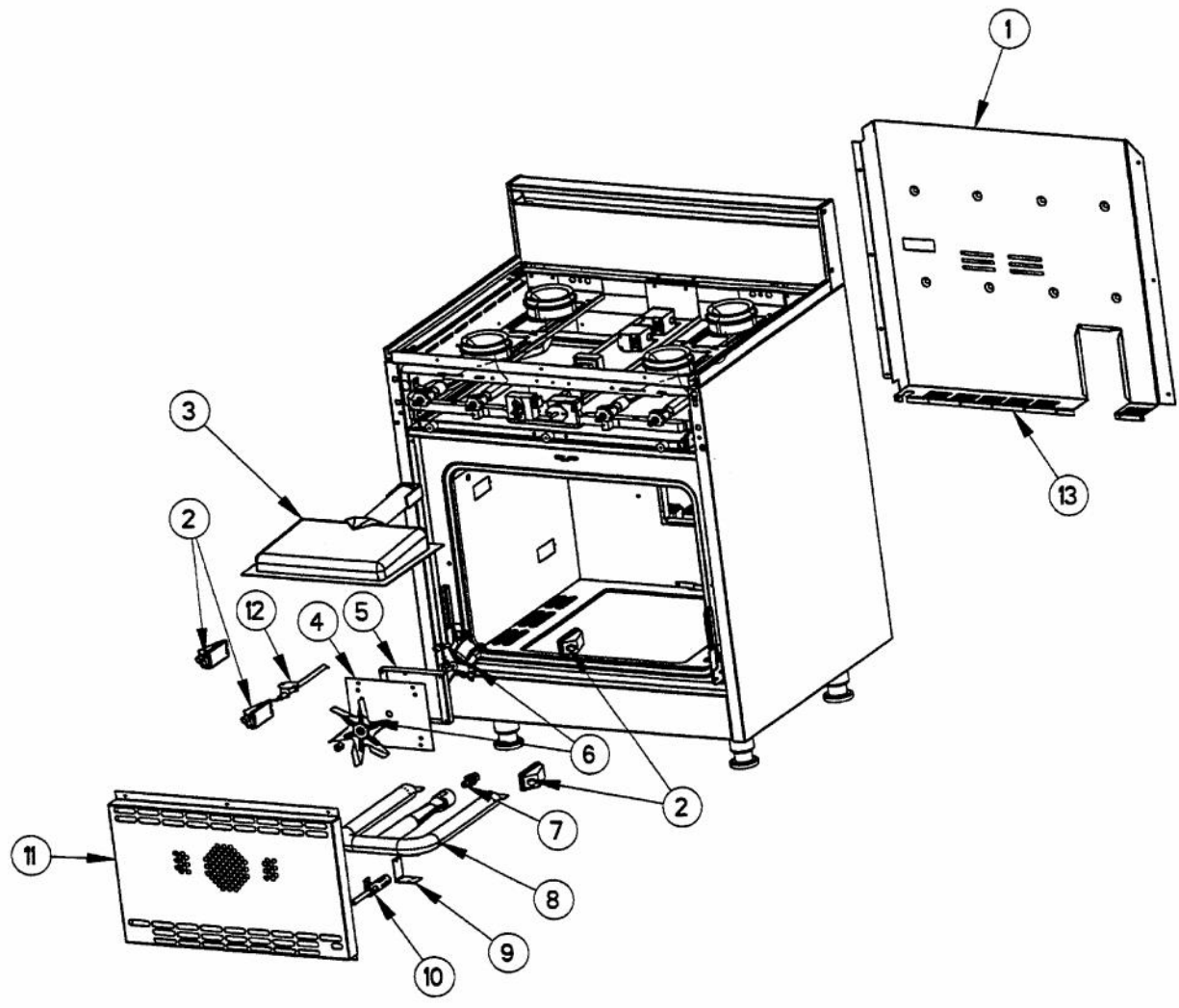




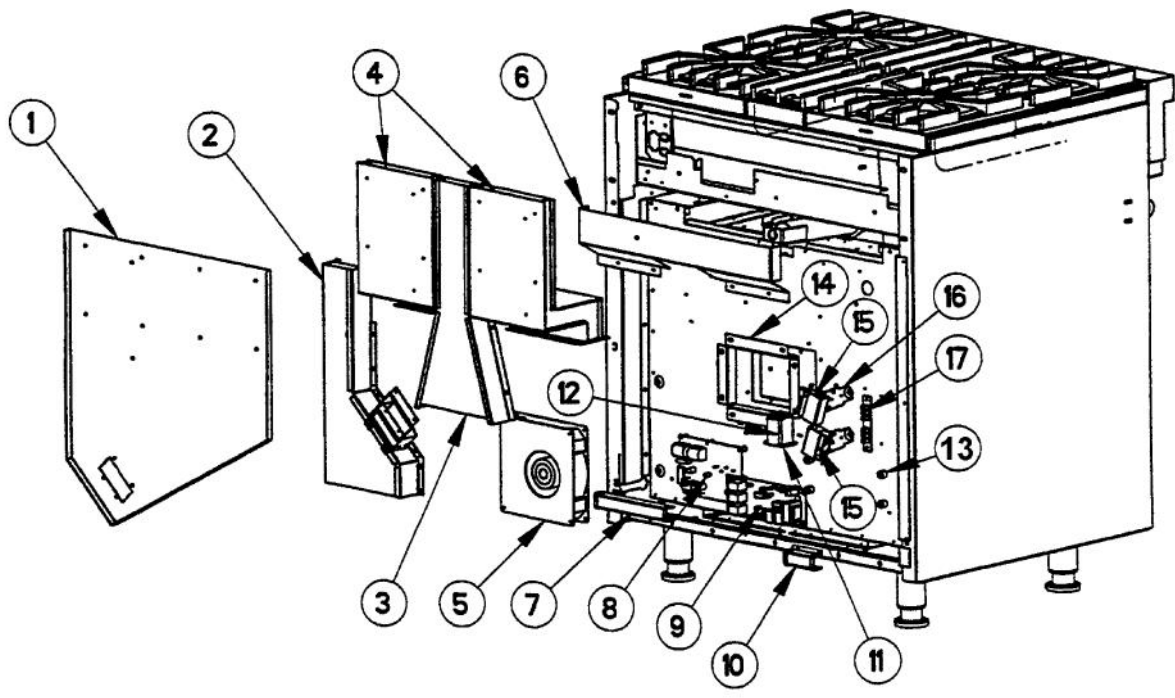
Ref #	Part Number	Qty.	Description
1	PK010021		LANDING LEDGE ASSEMBLY
2	PE050024		OVEN IND. LIGHT (LIGHT HOUSING)
3	PE050023		OVEN IND. LIGHT (LENS & BEZEL)
4	B9205516		CONTROL PANEL VGSC3666B
NI	B9205518		CONTROL PANEL VGSC3664Q
NI	B9205517		CONTROL PANEL VGSC3664G
5	PB010208		BEZEL, CHROME PLATE
5	PB010209		BEZEL BRASS
6	PE050016		OVEN LIGHT SWITCH - XBKX (WES-GAR)
6	PE050017		OVEN LIGHT SWITCH - XWHX (WES-GAR)
7	PA010034		TOP BURNER KNOB-XBKX (NEW STYLE)
NI	PA010035		(BEFORE 08/09/02) IF ORIGINAL VALVE HAS NEVER BEEN R... BURNER KNOB-WH NS REPL PA010028
NI	PB010206		(BEFORE 08/09/02) IF ORIGINAL VALVE HAS NEVER BEEN R... VGSC,VGRC,VGRT TOP BURNER KNOB(BK)
NI	PB010207		(AFTER 08/09/02 - OR IF ORIGINAL VALVE HAS BEEN REPLA... VGSC,VGRC,VGRT TOP BURNER KNOB(WH)
8	PB060030		(AFTER 08/09/02 - OR IF ORIGINAL VALVE HAS BEEN REPLA... RACK SUPT REPL PB060010
9	PB060045		OVEN RK VDSC36 REPL PB060020
10	PB010187		THERMOSTAT KNOB SELF CLEAN XBKX
10	PB010188		THERMOSTAT KNOB SELF CLEAN XWHX
11	PA010080		SELECTOR KNOB SELF CLEAN XBKX
11	PA010081		SELECTOR KNOB SELF CLEAN XWHX
NI	PB080002		BROILER PAN
NI	PB080003		BROILER PAN TRAY (KRA2)



Ref #	Part Number	Qty.	Description
1	B2005682		O/S BODY PANEL - LH (VGSC4864GQ)
1	C9005682AL		O/S BODY PANEL - LH (VGSC4864GQ) AL
1	C9005682BK		O/S BODY PANEL - LH (VGSC4864GQ) BK
1	C9005682BT		O/S BODY PANEL - LH (VGSC4864GQ) BT
1	C9005682BU		O/S BODY PANEL - LH (VGSC4864GQ) BU
1	C9005682CB		O/S BODY PANEL - LH (VGSC4864GQ) CB
1	C9005682EP		O/S BODY PANEL - LH (VGSC4864GQ) EP
1	C9005682FG		O/S BODY PANEL - LH (VGSC4864GQ) FG
1	C9005682GG		O/S BODY PANEL - LH (VGSC4864GQ) GG
1	C9005682LE		O/S BODY PANEL - LH (VGSC4864GQ) LE
1	C9005682MJ		O/S BODY PANEL - LH (VGSC4864GQ) MJ
1	C9005682PL		O/S BODY PANEL - LH (VGSC4864GQ)XPLX
1	C9005682SG		O/S BODY PANEL - LH (VGSC4864GQ) SG
1	C9005682VB		O/S BODY PANEL - LH (VGSC4864GQ) VB
1	C9005682WH		O/S BODY PANEL - LH (VGSC4864GQ) WH
2	B2005681		O/S BODY PANEL - RH (VGSC4864GQ)
2	C9005681AL		O/S BODY PANEL - RH (VGSC4864GQ) AL
2	C9005681BK		O/S BODY PANEL - RH (VGSC4864GQ) BK
2	C9005681BT		O/S BODY PANEL - RH (VGSC4864GQ) BT
2	C9005681BU		O/S BODY PANEL - RH (VGSC4864GQ) BU
2	C9005681CB		O/S BODY PANEL - RH (VGSC4864GQ) CB
2	C9005681EP		O/S BODY PANEL - RH (VGSC4864GQ) EP
2	C9005681FG		O/S BODY PANEL - RH (VGSC4864GQ) FG
2	C9005681GG		O/S BODY PANEL - RH (VGSC4864GQ) GG
2	C9005681LE		O/S BODY PANEL - RH (VGSC4864GQ) LE
2	C9005681MJ		O/S BODY PANEL - RH (VGSC4864GQ) MJ
2	C9005681PL		O/S BODY PANEL - RH (VGSC4864GQ)XPLX
2	C9005681SG		O/S BODY PANEL - RH (VGSC4864GQ) SG
2	C9005681VB		O/S BODY PANEL - RH (VGSC4864GQ) VB
2	C9005681WH		O/S BODY PANEL - RH (VGSC4864GQ) WH
NI	PD020032		SRW-8(A)X3/8PH.WFR HD 7/16DIAXNICL
3	PC020126		HINGE ASSEMBLY
NI	PD020033		SRW-NO.10-24X1/2T(23)PH.WFR HD (NKL)
4	G9105526		OVEN BOTTOM ASSY (VGSC366)
5	A2004424		BURNER COVER (VGSC306)
6	NOT REPLACABLE		LABEL
7	B2001504		LWR ACC PNL - RPLCS B2001977
7	C9001504AL		LWR ACC PNL - RPLCS C9001977AL
7	C9001504BK		LWR ACC PNL - RPLCS C9001977BK
7	C9001504BT		LWR ACC PNL - RPLCS C9001977BT
7	C9001504BU		LWR ACC PNL - RPLCS C9001977BU
7	C9001504CB		LWR ACC PNL - RPCLS C9001977CB
7	C9001504EP		LWR ACC PNL - RPLCS C9001977EP
7	C9001504FG		LWR ACC PNL - RPLCS C9001977FG
7	C9001504GG		LWR ACC PNL - RPLCS C9001977GG
7	C9001504LE		LWR ACC PNL - RPLCS C9001977LE
7	C9001504MJ		LWR ACC PNL - RPLCS C9001977MJ
7	C9001504PL		LWR ACC PNL - RPLCS C9001977PL
7	C9001504SG		LWR ACC PNL - RPCLS C9001977SG
7	C9001504VB		LWR ACC PNL - RPLCS C9001977VB
7	C9001504WH		LWR ACC PNL - RPLCS C9001977WH
8	G9105506		OVEN CAVITY TOP WELD ASSY.
9	B2004412		I/R BRACE RH (VGSC306)
10	B2004413		I/R BRACE LH (VGSC306)
11	B2001448		IR BROIL SUPT (FRONT)
NI	019501-000		36 CURB BASE KIT

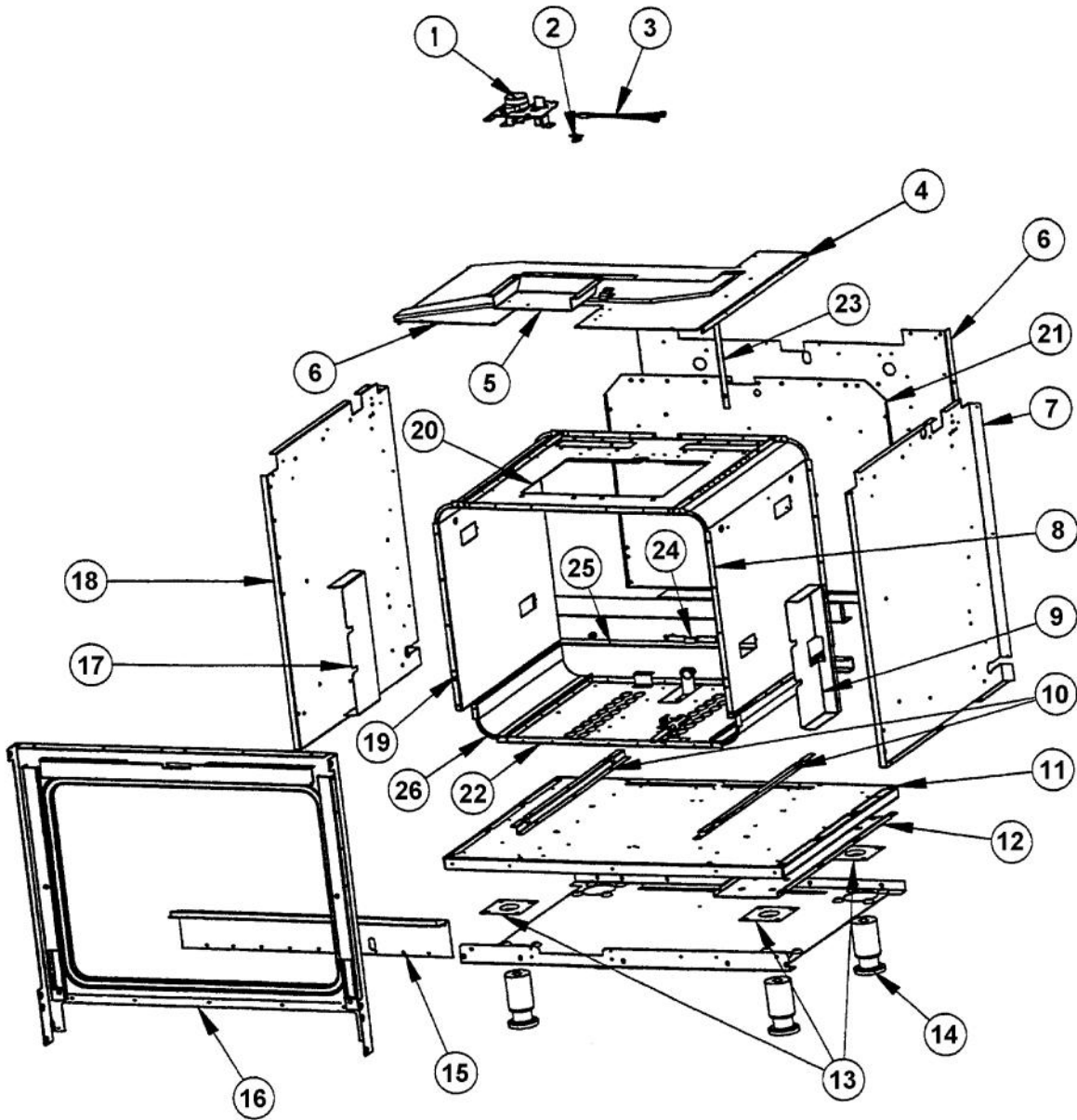


Ref #	Part Number	Qty.	Description
1	A2005522		OUTSIDE BACK (VGSC366)
2	PE050056		OVEN LIGHT ASSY 12V/5W
3	G3001876		IR BURNER ASSY (VGSC/RC) N/S
4	A1002596		CONVECTION FAN COVER (VDSC)
5	A2002595		CONVECTION FAN BOX (VDSC)
6	PE050057		CONVECTION FAN (VGSC306)
7	PB040172		3/8 X 3/8 ORIFICE FITTING
8	006200-000		U-SHAPE BAKE BURNER 10 NAT.
9	A2004452		BOTTOM IGINATION BRACKET (VGSC306)
10	PB040170		BAKE IGNITION ELECTRODE
11	G9105513		CONVECTION FAN COVER ASSY (VGSC366)
12	PB040171		BROIL IGNITION ELECTRODE
NI	PB020111		3/8 SS FLEX TUBING - 27 T6-27
NI	PB020112		3/8 SS FLEX TUBING - 36 T6-36
NI	PB020126		3/8`` S.S. FLEX TUBING 15`` (DGCU)
NI	PB040180		ORIFICE HOOD NO.31
NI	PB040040		ORIFICE-IR BURNER (VGSC)
NI	PB040027		IR BUR.SPUD ORF. - NO.56 LP

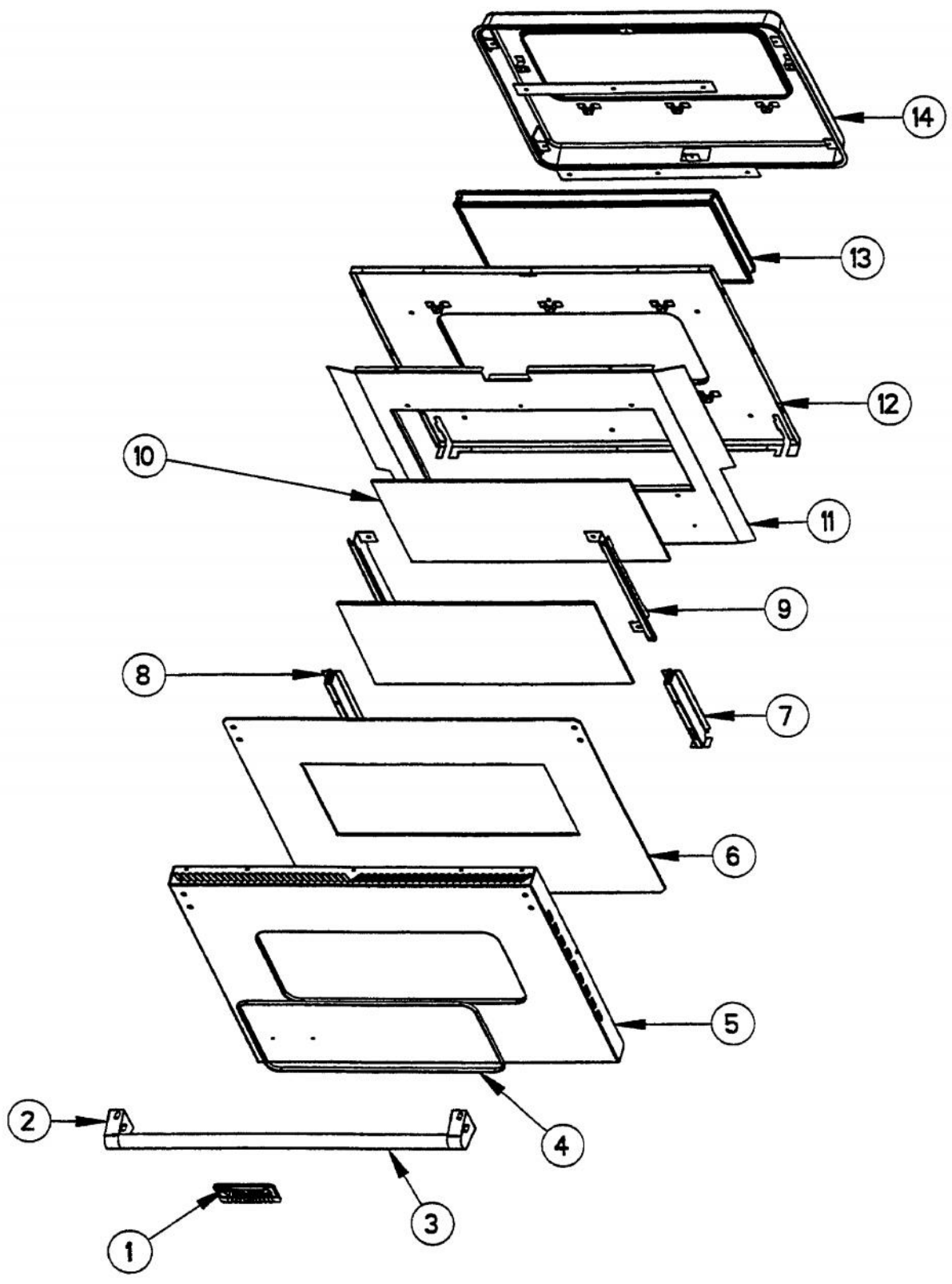


Ref #	Part Number	Qty.	Description
1	A2005511		BACK AIR CHANNEL
2	G3004446		COOLING FAN DUCT WELD ASSY(VGSC306)
3	G3004444		BROILER FLUE WELD ASSY (VGSC306)
4	G3004414		FLUE ASSY (VGSC306)
5	PE050026		COOLING FAN (VDSC)
6	A2004464		FLUE HEAT SHIELD (VGSC306)
7	A2004480		WIRE CHANNEL LH (VGSC306)
8	PA020035		DSI MODULE REPL PA020027
9	PE070148		SELF-CLEAN BOARD/TIMER (VDSC)
10	A2004481		WIRE CHANNEL RH (VGSC306)
11	A2004458		RELAY BRACKET (VGSC306) (2 RELAY)
12	PM010029		RELAY (DOUBLE POLE-DOUBLE THROW)TEM
13	PD030033		GROMMET NUT-ROUND HD. NO.8 X .500DIA.
14	A2008467		INSULATION SHIELD
15	PJ030002		AUTO RESET (SELF-CLEAN) VDSC
16	A1002456		THERMO-DISC BRKT (VDSC)
17	PE050001		TERMINAL BOARD
NI	PE070245		LIGHT EXTENTION HARNESS (VGSC306)
NI	G4000935		BAKE/BROIL JUMPER WIRE - VGR/VCM
NI	G4005411		DSI BAKE JUMPER (VGSC306)
NI	G4005412		DSI BROIL JUMPER (VGSC306)
NI	PE070128		SUPPLY CORD (VGRT/SC/SS/RC)





Ref #	Part Number	Qty.	Description
1	PE050053		DR LATCH REPL PE050020
2	PJ030006		SWITCH (COOLING FAN)
3	PE050059		HI-LIMIT SWITCH
NI	A2005676		VGSC HIGH LIMIT BRACKET
4	A2005509		OVEN TOP INSULATION RET.
5	A2004423		DOOR LOCK BOX (VGSC306)
6	A2005510		OVEN BACK INSULATION RETAINER
7	A2005549		OVEN SIDE INSUL RETAINER R.H.
8	NOT REPLACABLE		LABEL
9	A2004486		HINGE INSULATION SHIELD RH(VGSC306)
10	A2004429		OVEN BOTTOM INSUL. BRACE (VGSC306)
11	A2002784		BTM INSUL. SHIELD (VDSC365)
12	A2002482		LEG BRACE (VDSC)
13	PC030007		LEG PLATE - 3/4 THREADED HOLE
14	PC030017		4 LEG ASSY
15	E9105500		BAKE BURNER BOX FRONT
16	G9102744		OVEN FRONT FRAME ASSY (VDSC36)
17	A2002183		HINGE INSULATION COVER (VDSC)
18	A2005550		OVEN SIDE INSUL RETAINER
19	NOT REPLACABLE		LABEL
20	NOT REPLACABLE		LABEL
21	E9105503		OVEN CAVITY BACK
22	NOT REPLACABLE		LABEL
23	A2004471		BACK AIR CHANNEL CENTER (VGSC306)
24	A2004428		REAR BOTTOM BRCKT (VGSC306)
25	E9105501		BAKE BURNER BOX BACK
26	NOT REPLACABLE		LABEL



Ref #	Part Number	Qty.	Description
1	PE010030		LOGO, 6, PRO, BK
1	PE010068		LOGO, 6, PRO, BK/BR
1	PE010031		LOGO 6 (VGRC) XBK/WHX
1	PE010076		LOGO 6 (VGRC) XBR/WHX
NI	PD030006		CAPPED WASHER PAL NUT
2	PE030001		BRACKET, DOOR, HANDLE
2	PE030001PVD		END CAP DOOR HANDLE XBR
NI	PD010019		BLT-1/4-20X3/8HEX WASHER SERATED
3	PE030006		DOOR HANDLE - 36 (VGRC)
3	PE030013PVD		DOOR HANDLE (36) PVD
4	PE060031		J-MOLD (LARGE WINDOW)
4	PE060045		J-MOLD (LARGE WINDOW) XBRX
5	B2002798		O/S DOOR PANEL XSSX (VDSC36)
5	C9002798AL		O/S DOOR PANEL-XALX (VDSC36)
5	C9002798BK		O/S DOOR PANEL-XBKX (VDSC36)
5	C9002798BT		O/S DOOR PANEL-XBTX (VDSC36)
5	C9002798BU		O/S DOOR PANEL-XBUX (VDSC36)
5	C9002798CB		O/S DOOR PANEL-CBX (VDSC36)
5	C9002798EP		O/S DOOR PANEL-XEPX (VDSC36)
5	C9002798FG		O/S DOOR PANEL-XFGX (VDSC36)
5	C9002798GG		O/S DOOR PANEL-XGGX (VDSC36)
5	C9002798LE		O/S DOOR PANEL-XLEX (VDSC36)
5	C9002798MJ		O/S DOOR PANEL_XMJX (VDSC36)
5	C9002798PL		O/S DOOR PANEL-XPLX (VDSC36)
5	C9002798SG		O/S DOOR PANEL-XSGX (VDSC36)
5	C9002798VB		O/S DOOR PANEL-XVBX (VDSC36)
5	C9002798WH		O/S DOOR PANEL-XWHX (VDSC36)
NI	PD020002		10 X 1/2 PH.TR.HD.SMS.
NI	PD020032		SRW-8(A)X3/8PH.WFR HD 7/16DIAXNICL
NI	PD020014		10X3/4 PH TR HD SMS
6	J1002799		OVEN DR HEAT SINK (VDSC36)
7	A2002498		HINGE POCKET COVER RH
8	A2002499		HINGE POCKET COVER LH
9	A2002367		DOOR GLASS BRKT
10	PE060039		GLASS-HEAT TREATED (HB2) VDSC
11	A2002800		DOOR INSULATION RETAINER (VDSC36)
12	G9102748		DOOR LINER ASSY (VDSC36)
13	PE060030		GLASS-OUTER DOOR BK SCREENED,TEMP
14	G9102746		DOOR PLUG ASSY (VDSC36)
NI	PB070041		SUB TO 000623-000 - DOOR GASKET(3/8DIA.) (VDSC)
NI	PB070034		INSULATION-TRS-10 1 X 20 X 3'
NI	PB070076		WOOL INSULATION 1 X 21 X 3'
NI	PB070040		FIBERGLASS ROPE
NI	G3202805AL		DOOR SUB-ASSY-XALX (VDSC36)
NI	G3202805ALBR		DOOR SUB-ASSY-XALXXBRX (VDSC36)
NI	G3202805BK		DOOR SUB-ASSY-XBKX (VDSC36)
NI	G3202805BKBR		DOOR SUB-ASSY-XBKXXBRX (VDSC36)
NI	G3202805BT		DOOR SUB-ASSY-XBTX (VDSC36)
NI	G3202805BTBR		DOOR SUB-ASSY-XBTXXBRX (VDSC36)
NI	G3202805BU		DOOR SUB-ASSY-XBUX (VDSC36)
NI	G3202805BUBR		DOOR SUB-ASSY-XBUXXBRX (VDSC36)
NI	G3202805CB		DOOR SUB-ASSY-XCBX (VDSC36)
NI	G3202805CBBR		DOOR SUB-ASSY-XCBXXBR (VDSC36)
NI	G3202805EP		DOOR SUB-ASSY- XEPX (VDSC36)
NI	G3202805EPBR		DOOR SUB-ASSY- XEPXXBRX (VDSC36)
NI	G3202805FG		DOOR SUB-ASSY- XFGX (VDSC36)
NI	G3202805FGBR		DOOR SUB-ASSY- XFGXXBRX (VDSC36)
NI	G3202805GG		DOOR SUB-ASSY-XGGX (VDSC36)
NI	G3202805GGBR		DOOR SUB-ASSY-XGGXBRX (VDSC36)
NI	G3202805LE		DOOR SUB-ASSY- XLEX (VDSC36)

Ref #	Part Number	Qty.	Description
NI	G3202805LE		DOOR SUB-ASSY- XLEX (VDSC36)
NI	G3202805LEBR		DOOR SUB-ASSY- XLEXXBRX (VDSC36)
NI	G3202805MJ		DOOR SUB-ASSY- XMJX (VDSC36)
NI	G3202805MJB		DOOR SUB-ASSY- XMJXXBRX (VDSC36)
NI	G3202805PL		DOOR SUB-ASSY-XPLX (VDSC36)
NI	G3202805PLBR		DOOR SUB-ASSY-XPLXXBRX (VDSC36)
NI	G3202805SG		DOOR SUB-ASSY- XSGX (VDSC36)
NI	G3202805SGBR		DOOR SUB-ASSY- XSGXXBRX (VDSC36)
NI	G3202805SS		DOOR SUB-ASSY-XSSX (VDSC36)
NI	G3202805SSBR		DOOR SUB-ASSY-XSSXXBRX (VDSC36)
NI	G3202805VB		DOOR SUB-ASSY-XVBX (VDSC36)
NI	G3202805VBBR		DOOR SUB-ASSY- XVBXXBRX (VDSC36)
NI	G3202805WH		DOOR SUB-ASSY-XWHX (VDSC36)
NI	G3202805WHBR		DOOR SUB-ASSY-XWHXXBRX (VDSC36)
NI	PD020032		SRW-8(A)X3/8PH.WFR HD 7/16DIAXNICL

*No Image  
Available*

Ref #	Part Number	Qty.	Description
NI	PE070277	1	VGSC366 OVEN HARNESS
NI	PE070223	1	WIRE HARNESS P/C BOARD
NI	PE070279	1	VGSC3664G TOP HARNESS
NI	PE070281	1	VGSC3664G GRIDDLE HARNESS
NI	G4005556	1	IGNITOR HARNESS VGSC36664G
NI	G4001873	1	WIRE HARNESS (8) (VGRC60)
NI	G4000935	1	BAKE/BROIL JUMPER WIRE - VGR/VCM
NI	G4007410	1	GRIDDLE VALVE WIRE ASSY(VGSC3664G)
NI	G4002843	1	WIRE ASSEMBLY (VDSC48)
NI	PE070659	1	IGNITOR WIRE KIT - VGSC366-4G
NI	G4000936		GROUND WIRE