

Date: _____

Type: _____

Firm: _____

Project: _____

HLE-3-13 / 18 / 26

Intelligent LED Fixtures for Hazardous Locations

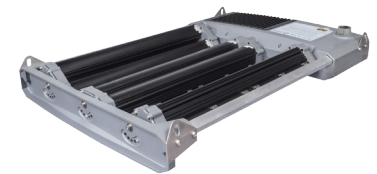
PRODUCT FEATURES:

- Integrated occupancy sensor
- Integrated daylight harvesting sensor
- Granular lighting controls for fine-tuning
- Wireless compatibility with LightRules® software
- Independently aimable and full dimmable LED light bars
- Narrow, wide, and aisle optic options for a wide range of applications
- Purpose-built for hazardous locations, requiring Class I Div 2, Class II Div 2, or Class III fixtures
- IP65 rating for washdown environments

ENVIRONMENTAL	
Operating Temperature	-40° to 122°F (-40° to 50°C)
IP Rating	IP65

CERTIFICATION & WARRANTY	
Certifications	UL 844, UL-MX NOM DesignLights™ Consortium QPL
Warranty	5-year Limited Warranty

SENSING & CONTROL	
Onboard Intelligence	Built-in sensing with data logging Energy and fault monitoring Analog or digital input
Sensor Inputs	Integrated occupancy sensor (PIR) Integrated daylight sensor
Dimming Levels	0-100%, 16-bit digital resolution
Wireless Networking	ZigBee® Compliant Platform/802.15.4
Control Capabilities	Scheduling via LightRules® kWh and occupancy logging Daylight harvesting



PERFORMANCE ^{1, 2}	
<i>HLE-3-13</i>	
Lumen Output	13,000 lm
Power Consumption	140 W
Efficacy ³	94 lm/W
Input Ratings ⁴	208-277 VAC, 50-60 Hz, 0.73 A (max)
<i>HLE-3-18</i>	
Lumen Output	18,000 lm
Power Consumption	190 W
Efficacy ³	98 lm/W
Input Ratings ⁴	208-277 VAC, 50-60 Hz, 1.06 A (max)
<i>HLE-3-26</i>	
Lumen Output	26,000 lm
Power Consumption	270 W
Efficacy ³	98 lm/W
Input Ratings ⁴	208-277 VAC, 50-60 Hz, 1.54 A (max)
Color Temperature ⁵	5000 K CCT, 70 CRI (min)
Lumen Maintenance ⁶ (LM-80) @ 77°F (25°C)	L70 (11K): 66,000 hours L70 calculated: 200,000+ hours
Power Factor	0.9 minimum
Surge Protection	Per IEC 61547
Wiring	1/2-inch trade size conduit hub, internal wiring

PHYSICAL	
<i>HLE-3-13</i>	
Dimensions (H x W x D)	4.1 x 15.4 x 23.7 in (10.4 x 39.1 x 60.2 cm)
Weight	15.4 lbs (6.9 kg)
<i>HLE-3-18</i>	
Dimensions (H x W x D)	4.1 x 15.4 x 30.6 in (10.4 x 39.1 x 77.7 cm)
Weight	18.0 lbs (8.2 kg)
<i>HLE-3-26</i>	
Dimensions (H x W x D)	4.1 x 15.4 x 37.4 in (10.4 x 39.1 x 94.9 cm)
Weight	22.0 lbs (9.9 kg)
Mounting Options	Standard Aircraft Cable Fixed Mount
Frame	PC/ABS polymer, anodized aluminum
Power Enclosure	PC/ABS polymer

¹ Lead times may vary depending on options selected. Consult with your sales representative.

² Per LM-79-08 test methods.

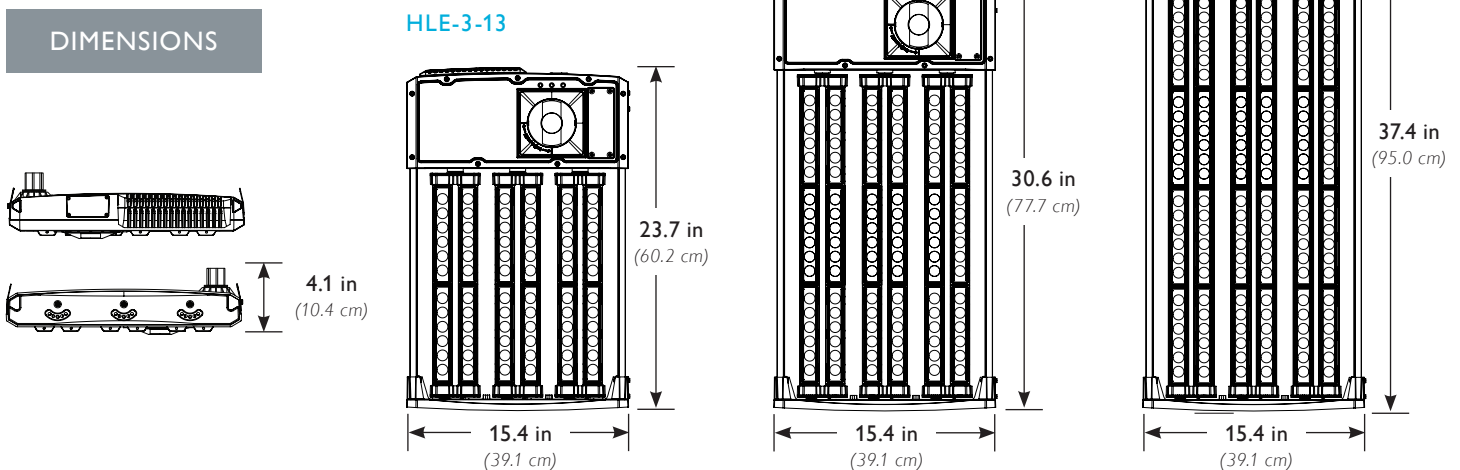
³ Efficacy varies with optic option. See DLC QPL for variant details.

⁴ Voltage ratings may vary for international certifications.

⁵ Nominal CCT, as defined by ANSI C78.377-2008.

⁶ Projected, based on TM-21 data. L70 = Time to 70% lumen maintenance. For additional details, refer to the Statement of Lumen Maintenance.

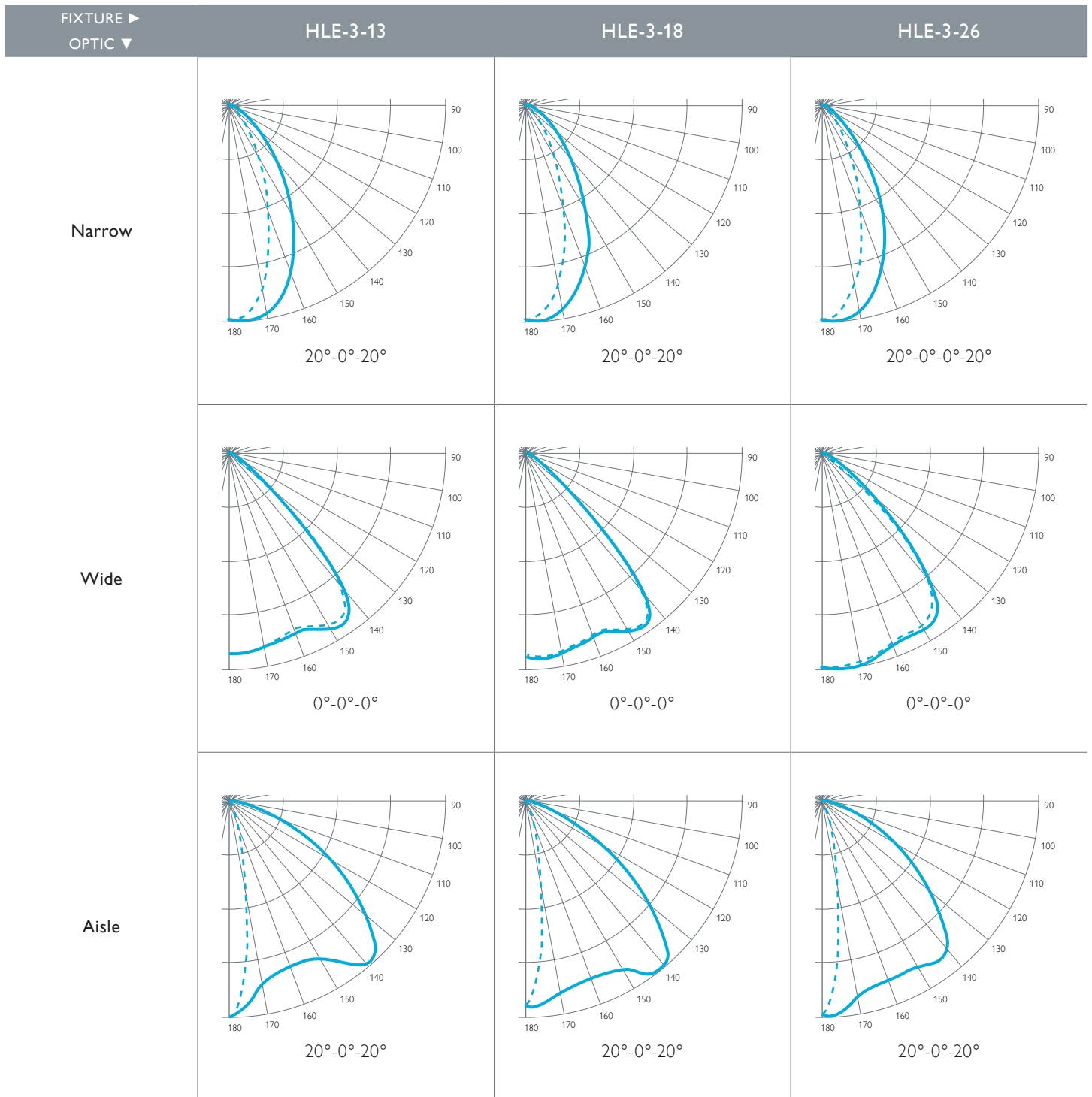
DIMENSIONS



POLAR CANDELA DISTRIBUTION

Fixed Axis

Adjustable Axis



SPACING CRITERIA

FIXTURE TYPE ► OPTIC ▼	HLE-3-13		HLE-3-18		HLE-3-26	
	<i>Fixed</i>	<i>Adjustable</i>	<i>Fixed</i>	<i>Adjustable</i>	<i>Fixed</i>	<i>Adjustable</i>
Narrow	0.7	1.0	0.7	1.0	0.7	1.0
Wide	1.4	1.4	1.5	1.5	1.5	1.5
Aisle	0.3	1.4	0.3	1.6	0.3	1.4

ORDERING INFORMATION *(North America Only)*

5000 Kelvin CCT

FIXTURE TYPE ► OPTIC ▼	HLE-3-13	HLE-3-18	HLE-3-26
Narrow	21320	21420	21520
Wide	22320	22420	22520
Aisle	23320	23420	23520

Hanging Hardware & Accessories

CATEGORY	PART NUMBER	DESCRIPTION
Hanging Hardware	91110	13k Standard Aircraft Cable for 5 fixtures
	91120	18k Standard Aircraft Cable for 5 fixtures
	91130	26k Standard Aircraft Cable for 5 fixtures
	91122	Fixed Mount Hardware for 5 fixtures

