

EPBC 1000

Intel Atom® x6211E Processor (Elkhart Lake)
2.5" Pico-ITX Embedded Single Board Computer



^ In-Vehicle Infotainment



- Dual-core Intel Atom® x6211E Processor (Elkhart Lake), TDP 6W
- 2.5" Pico-ITX compact size, Small Form Factor (SFF), measure only 100 x 72 mm
- Supports fanless -40°C to 70°C Operation
- 1 DDR4 3200MHz SO-DIMM, up to 32GB
- DisplayPort supports up to 4K resolution
- 2 GigE LAN, 2 USB 3.1, 2 COM
- SIM Socket for 5G/WiFi/4G/LTE/GPRS/UMTS
- Expansion : M.2 Key B, M.2 Key E

∨ Intelligent Control



^ Factory Automation

intel
partner
Gold

Alcom
electronics

Singel 3 | B-2550 Kontich | Belgium | Tel. +32 (0)3 458 30 33
info@alcom.be | www.alcom.be
Rivium 1e straat 52 | 2909 LE Capelle aan den IJssel | The Netherlands
Tel. +31 (0)10 288 25 00 | info@alcom.nl | www.alcom.nl



Vecow

Specifications

System

Processor	Intel Atom® x6211E Processor (Elkhart Lake)
BIOS	AMI
SIO	IT8659E
Memory	1 DDR4 3200MHz SO-DIMM, up to 32GB
OS	Windows 10, Linux

Graphics

Graphics Processor	Intel® UHD Graphics for 10th Gen Intel® Processors
Interface	1 DisplayPort : Up to 4096 x 2160 @60Hz

Ethernet

LAN 1	Microchip LAN7430 supports GigE LAN
LAN 2	Microchip LAN7430 supports GigE LAN

Audio

Audio Codec	Realtek ALC888S-VD, 7.1 Channel HD Audio
Audio Interface	1 Mic-in, 1 Line-out

I/O Interface

Front I/O	<ul style="list-style-type: none"> - 2 RJ45 Connector - 2 USB Connector - 1 DisplayPort Connector - 1 SIM Card Socket - 1 Reset Button - 1 Power LED - 1 HDD LED - 1 WLAN LED - 1 WWAN LED
Internal I/O	<ul style="list-style-type: none"> - 1 DDR4 SO-DIMM Socket - 1 M.2 Key B Socket (3052, 2280) - 1 M.2 Key E Socket (2230) - 1 SATA Data Connector - 1 SATA Power Connector - 1 Power Connector - 2 COM Header (1 RS-232/422/485, 1 RS-232) - 1 USB 2.0 Header - 1 GPIO Header - 1 Audio Mic-in and Line-out Header

Storage

SATA	1 SATA III (6Gbps)
------	--------------------

Expansion

M.2	<ul style="list-style-type: none"> - 1 M.2 Key B (2280) - 1 M.2 Key E (2230)
-----	--

Power

Power Input	12V DC-in
Power Interface	2-pin Terminal Block : V+, V-

Others

Watchdog Timer	Reset : 1 to 255 sec./min. Per Step
HW Monitor	Monitoring temperature, voltages. Auto throttling control when CPU overheats.

Mechanical

Dimensions	100.0mm x 72.0mm (9.34" x 2.83")
------------	----------------------------------

Environment

Operating Temp.	-40°C to 70°C
Storage Temp.	-40°C to 85°C
Humidity	5% to 95% Humidity, non-condensing
Relative Humidity	95% @70°C
EMC	CE, FCC

* All product information may subject to change without prior notice.
 * The rights of all brand names, product names and trademarks belong to their respective owners.
 Copyright © 2021 Vecow Co., Ltd. All rights reserved.

Vecow info@vecow.com



Packing List

EPBC-1000	x1
Driver CD	x1
Cable Kit	
- USB 2.0 Cable	x1
- COM Port Cable	x2
- SATA Data Cable	x1
- SATA Power Cable	x1
- Audio Cable	x1

Order Information

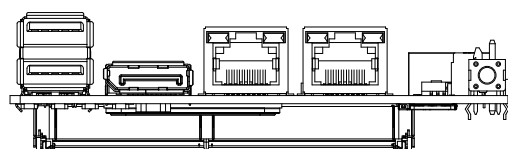
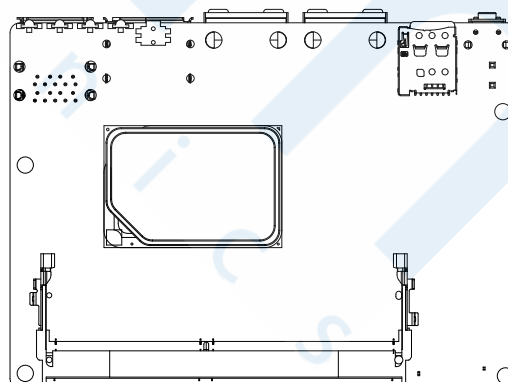
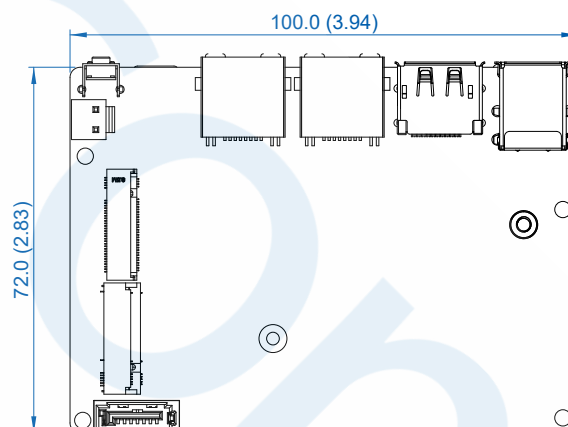
Model	GigE LAN	USB 3.0	DisplayPort	SIM Socket
EPBC-1000	2	2	1	1

Accessories

75-VU2HSP0-010	Heat Sink for EPBC-1000
61-13Q1009-0DA	COM Port Cable
61-193102U-156	USB 2.0 Cable
61-13B0707-386	SATA Data Cable
61-1470022-005	SATA Power Cable (5V only)
61-1300024-39A	Audio Cable

Dimensions & Drawing

Unit : mm (inch)



Alcom
electronics

Singel 3 | B-2550 Kontich | Belgium | Tel. +32 (0)3 458 30 33
 info@alcom.be | www.alcom.be
 Rivium 1e straat 52 | 2909 LE Capelle aan den IJssel | The Netherlands
 Tel. +31 (0)10 288 25 00 | info@alcom.nl | www.alcom.nl