



YOUR TRUSTED HVAC SOURCE

FULL PRODUCT LINE

RESIDENTIAL EQUIPMENT



AIREFORCE.COM



AIR CONDITIONER

SPLIT SYSTEMS



AIR CONDITIONER SPLIT SYSTEMS

WSA3BD



- **13.4 SEER2 AC**
- **COPELAND SCROLL™ COMPRESSOR**
- REMOVABLE TOP GRILLE ASSEMBLY
- HIGH PRESSURE SWITCH
- HEAVY DUTY PSC MOTOR
- 1.5T – 5T SIZES

1035887W	WSA3BD4M1SN18K
1035888W	WSA3BD4M1SN24K
1035889W	WSA3BD4M1SN30K
1035890W	WSA3BD4M1SN36K
1035891W	WSA3BD4M1SN42K
1035892W	WSA3BD4M1SN48K
1035893W	WSA3BD4M2SN60K

Model Number WSA3BD4M		1SN18K	1SN24K	1SN30K	1SN36K	1SN42K	1SN48K	2SN60K
Electrical Data	Volts-Cycles-Phase (1)	208/230-60-1						
	Delay Fuse Max. (2)	20	25	30	30	40	50	60
	Min. Circuit Ampacity	11.6	14.3	17.7	19.1	24.7	32.7	35.0
	Comp. Locked Rotor Amp	47.5	62.9	72.5	87.4	110.0	105.3	139.9
	Fan Motor HP	1/20	1/20	1/10	1/8	1/4	1/4	1/4
Refrigerant suction line O.D. NOTE: Liquid line is 3/8" O.D. for entire length.	0-24 ft.	5/8" (3)	3/4"	3/4"	3/4"	7/8"	7/8"	7/8"
	25-39 ft.	5/8" (3)	3/4"	3/4"	3/4"	7/8"	7/8"	7/8"
	40-75 ft.	3/4"	3/4"	3/4"	7/8" (4)	7/8"	1-1/8" (5)	1-1/8" (5)
Approximate Weight (lbs.)	Ship	121	138	162	166	198	214	226
Sound Rating dBA		73	73	78	79	79	79	79

MATCHES WITH...

C74B[A,H]MO



- ORIFICE
- A = "A" VERTICAL COIL
- H = HORIZONTAL/MULTIPOISE COIL
- CASED OR UNCASD
- 1.5T-5T SIZES

C74B[A,H]MX



- FACTORY-INSTALLED TXV
- H = HORIZONTAL/MULTIPOISE
- A = VERTICAL
- CASED
- 1.5T-5T SIZES

B64BMMO



- PISTON-DRIVEN
- MULTI-POISED
- MULTI-SPEED
- DURABLE, ATTRACTIVE CABINET
- 1.5T – 4T SIZES

AIR CONDITIONER SPLIT SYSTEMS

FSA3BD



- **13.4 SEER2 AC**
- **COPELAND SCROLL™ COMPRESSOR**
- **SERVICER FRIENDLY JACKET**
- **HIGH PRESSURE SWITCH**
- **HEAVY DUTY PSC MOTOR**
- **1.5T – 5T SIZES**

1035887F	FSA3BD4M1SN18K
1035888F	FSA3BD4M1SN24K
1035889F	FSA3BD4M1SN30K
1035890F	FSA3BD4M1SN36K
1035891F	FSA3BD4M1SN42K
1035892F	FSA3BD4M1SN48K
1035893F	FSA3BD4M2SN60K

Model Number FSA3BD4M		1SN18K	1SN24K	1SN30K	1SN36K	1SN42K	1SN48K	2SN60K
Electrical Data	Volts-Cycles-Phase (1)	208/230-60-1						
	Delay Fuse Max. (2)	20	25	30	30	40	50	60
	Min. Circuit Ampacity	11.6	14.3	17.7	19.1	24.7	32.7	35.0
	Comp. Locked Rotor Amp	47.5	62.9	72.5	87.4	110.0	105.3	139.9
	Fan Motor HP	1/20	1/20	1/10	1/8	1/4	1/4	1/4
Refrigerant suction line O.D. NOTE: Liquid line is 3/8" O.D. for entire length.	0-24 ft.	5/8" (3)	3/4"	3/4"	3/4"	7/8"	7/8"	7/8"
	25-39 ft.	5/8" (3)	3/4"	3/4"	3/4"	7/8"	7/8"	7/8"
	40-75 ft.	3/4"	3/4"	3/4"	7/8" (4)	7/8"	1-1/8" (5)	1-1/8" (5)
Approximate Weight (lbs.)	Ship	121	138	162	166	198	214	226
Sound Rating dBA		72	72	73	74	74	74	75

MATCHES WITH...

C74B[A,H]MO



- ORIFICE
- A = "A" VERTICAL COIL
- H = HORIZONTAL/MULTIPOISE COIL
- CASED OR UNCASED
- 1.5T-5T SIZES

C74B[A,H]MX



- FACTORY-INSTALLED TXV
- H = HORIZONTAL/MULTIPOISE
- A = VERTICAL
- CASED
- 1.5T-5T SIZES

B64BMMO



- PISTON-DRIVEN
- MULTI-POISED
- MULTI-SPEED
- DURABLE, ATTRACTIVE CABINET
- 1.5T – 4T SIZES

AIR CONDITIONER SPLIT SYSTEMS

WSA3BE



- **13.8 SEER2 AC**
- **COPELAND SCROLL™ COMPRESSOR**
- REMOVABLE TOP GRILLE ASSEMBLY
- HIGH PRESSURE SWITCH
- HEAVY DUTY PSC MOTOR
- 1.5T – 5T SIZES

1035862W	WSA3BE4M1SN18K
1035863W	WSA3BE4M1SN24K
1035864W	WSA3BE4M1SN30K
1035865W	WSA3BE4M1SN36K
1035866W	WSA3BE4M1SN42K
1035867W	WSA3BE4M1SN48K
1035868W	WSA3BE4M2SN60K

Model Number WSA3BE		18K	24K	30K	36K	42K	48K	60K	
Electrical Data	Volts-Cycles-Phase (1)	208/230-60-1							
	Delay Fuse Max. (2)	20	25	25	30	40	45	60	
	Min. Circuit Ampacity	12.1	15.4	16.9	18.6	23.5	26.2	36.2	
Component Data	Fan Motor	HP	1/8	1/8	1/8	1/5	1/4	1/4	1/3
	Compressor Data	LRA	42.6	61.0	65.0	87.4	110.2	110.0	171.0
Refrigerant suction line O.D. NOTE: Liquid line is 3/8" O.D. for entire length."	0-24 ft.	3/4"	3/4"	3/4"	3/4"	7/8"	7/8"	7/8"	
	25-39 ft.	3/4"	3/4"	3/4"	7/8" (3)	7/8"	7/8"	1-1/8" (4)	
	40-75 ft.	3/4"	3/4"	3/4"	7/8" (3)	7/8"	7/8"	1-1/8" (4)	
Approximate Shipping Weight (lbs.)		187	192	197	225	273	264	268	
Sound Rating db		69	69	69	71	73	74	75	

MATCHES WITH...

C74B[A,H]MO



- ORIFICE
- A = "A" VERTICAL COIL
- H = HORIZONTAL/MULTIPOISE COIL
- CASED OR UNCASD
- 1.5T-5T SIZES

C74B[A,H]MX



- FACTORY-INSTALLED TXV
- H = HORIZONTAL/MULTIPOISE
- A = VERTICAL
- CASED
- 1.5T-5T SIZES

B64BMMX



- FACTORY-INSTALLED TXV
- MULTI-POISED
- MULTI-SPEED
- DURABLE, ATTRACTIVE CABINET
- 1.5T – 4T SIZES

AIR CONDITIONER SPLIT SYSTEMS

FSA3BF



- 15.2 SEER2 AC
- 2-STAGE COPELAND SCROLL ULTRATECH™ COMPRESSOR
- SWEPT WING FAN BLADE
- SERVICER FRIENDLY JACKET
- HIGH & LOW PRESSURE SWITCHES
- COMPRESSOR SOUND BLANKET
- 2T – 5T SIZES

1035955F	FSA3BF4M2SN24K
1035956F	FSA3BF4M2SN36K
1035957F	FSA3BF4M2SN48K
1035958F	FSA3BF4M2SN60K

Model Number FSA3BF4M		2SN24K	2SN36K	2SN48K	2SN60K
Electrical Data	Volts-Cycles-Phase (1)	208/230-60-1			
	Delay Fuse Max. (2)	25	30	45	60
	Min. Circuit Ampacity	14.5	19.1	28.0	34.6
	Comp. Locked Rotor Amp	62.9	84.2	122.1	158.0
	Fan Motor HP	1/8	1/4	1/3	1/3
Refrigerant suction line O.D. NOTE: Liquid line is 3/8" O.D. for entire length.	0-24 ft.	3/4"	3/4"	7/8"	7/8"
	25-39 ft.	3/4"	3/4"	7/8"	7/8"
	40-75 ft.	3/4"	3/4"	7/8"	1-1/8" (3)
Approximate Weight (lbs.)	Ship	153	208	240	246
Sound Ratings dBA		71	76	76	76

MATCHES WITH...



C74B(A,H)MX



- FACTORY-INSTALLED TXV
- H = HORIZONTAL/MULTIPOISE
- A = VERTICAL
- CASED
- 1.5T-5T SIZES

B64VMMX



- FACTORY-INSTALLED TXV
- MULTI-POISED
- VARIABLE-SPEED ECM MOTOR
- QUIET BLOWER OPERATION
- 2, 3, 4, & 5 TON SIZES

HEAT PUMP

SPLIT SYSTEMS



HEAT PUMP SPLIT SYSTEMS

WSH3BE



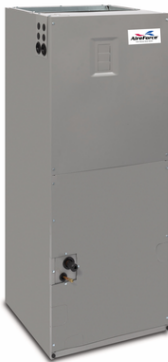
- **14.3 SEER2 HP**
- **7.5 HSPF2**
- **COPELAND SCROLL™ COMPRESSOR**
- R410A
- COMPOSITE BASE PAN
- HEAVY DUTY PSC MOTOR
- 1.5T – 5T SIZES

1039847W	WSH3BE4M1SP18K
1039848W	WSH3BE4M1SP24K
1039849W	WSH3BE4M1SP30K
1039850W	WSH3BE4M1SP36K
1039851W	WSH3BE4M1SP42K
1039852W	WSH3BE4M1SP48K
1039853W	WSH3BE4M2SX60K

Model Number WSH3BE		18K	24K	30K	36K	42K	48K	60K	
Electrical Data	Volts-Cycles-Phase (1)	208/230-60-1							
	Delay Fuse Max. (2)	20	25	30	30	40	23.5	60	
	Min. Circuit Ampacity	13.8	1501.0	18.3	18.6	23.5	26.2	36.3	
Component Data	Fan Motor	HP	1/3	1/8	1/8	1/5	1/4	1/4	1/3
	Compressor Data	LRA	43	60	68	87	110	110	140
Refrigerant suction line O.D. NOTE: Liquid line is 3/8" O.D. for entire length."	0-24 ft.	3/4"	3/4"	3/4"	3/4"	7/8"	7/8"	7/8"	
	25-39 ft.	3/4"	3/4"	3/4"	3/4"	7/8" (3)	7/8"	7/8"	1-1/8" (4)
	40-75 ft.	3/4"	3/4"	3/4"	3/4"	7/8" (3)	7/8"	7/8"	1-1/8" (4)
Approximate Shipping Weight (lbs.)		167	172	177	202	249	249	249	
Sound Rating db		69	69	69	71	73	74	75	

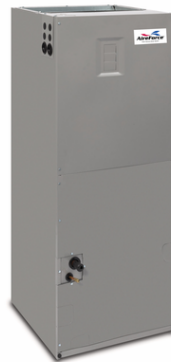
MATCHES WITH...

B64BMMX



- FACTORY-INSTALLED TXV
- MULTI-POISED
- MULTI-SPEED
- 1.5T – 4T SIZES

B64EMMX



- FACTORY-INSTALLED TXV
- MULTI-POISED
- FIXED-SPEED ECM
- 1.5T – 4T SIZES

B64VMMX



- FACTORY-INSTALLED TXV
- MULTI-POISED
- VARIABLE-SPEED ECM
- QUIET BLOWER OPERATION
- 2, 3, 4, & 5 TON SIZES

HEAT PUMP SPLIT SYSTEMS

FSH3BE



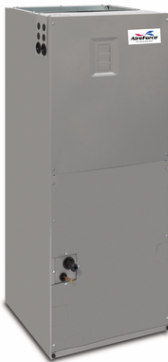
- **14.3 SEER2 HP**
- **7.5 HSPF2**
- **COPELAND SCROLL™ COMPRESSOR**
- R410A
- SWEPT WING FAN BLADE
- SERVICER FRIENDLY JACKET
- 1.5T – 5T SIZES

1039847F	FSH3BE4M1SP18K
1039848F	FSH3BE4M1SP24K
1039849F	FSH3BE4M1SP30K
1039850F	FSH3BE4M1SP36K
1039851F	FSH3BE4M1SP42K
1039852F	FSH3BE4M1SP48K
1039853F	FSH3BE4M2SX60K

Model Number FSH3BE		18K	24K	30K	36K	42K	48K	60K	
Electrical Data	Volts-Cycles-Phase (1)	208/230-60-1							
	Delay Fuse Max. (2)	20	25	30	30	40	23.5	60	
	Min. Circuit Ampacity	13.8	1501.0	18.3	18.6	23.5	26.2	36.3	
Component Data	Fan Motor	HP	1/3	1/8	1/8	1/5	1/4	1/4	1/3
	Compressor Data	LRA	43	60	68	87	110	110	140
Refrigerant suction line O.D. NOTE: Liquid line is 3/8" O.D. for entire length."	0-24 ft.	3/4"	3/4"	3/4"	3/4"	7/8"	7/8"	7/8"	
	25-39 ft.	3/4"	3/4"	3/4"	7/8" (3)	7/8"	7/8"	1-1/8" (4)	
	40-75 ft.	3/4"	3/4"	3/4"	7/8" (3)	7/8"	7/8"	1-1/8" (4)	
Approximate Shipping Weight (lbs.)		167	172	177	202	249	249	249	
Sound Rating db		69	69	69	71	73	74	75	

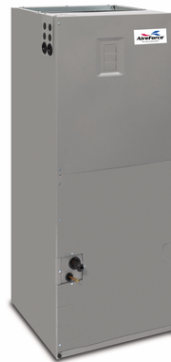
MATCHES WITH...

B64BMMX



- FACTORY-INSTALLED TXV
- MULTI-POISED
- MULTI-SPEED
- 1.5T – 4T SIZES

B64EMMX



- FACTORY-INSTALLED TXV
- MULTI-POISED
- FIXED-SPEED ECM
- 1.5T – 4T SIZES

B64VMMX



- FACTORY-INSTALLED TXV
- MULTI-POISED
- VARIABLE-SPEED ECM
- QUIET BLOWER OPERATION
- 2, 3, 4, & 5 TON SIZES

HEAT PUMP SPLIT SYSTEMS

FSH3BF



- 15.2 SEER2 HP
- 7.8 HSPF2
- 2-STAGE COPELAND SCROLL ULTRATECH™ COMPRESSOR
- R410A
- FACTORY-INSTALLED TXV
- SWEPT WING FAN BLADE
- SERVICER FRIENDLY JACKET
- HIGH & LOW PRESSURE SWITCHES
- 2, 3, 4 & 5 TON SIZES

1035974F	FSH3BF4M2SX24K
1035975F	FSH3BF4M2SX36K
1035976F	FSH3BF4M2SX48K
1035977F	FSH3BF4M2SX60K

Model Number FSH3BF		24K	36K	48K	60K
Electrical Data	Volts-Cycles-Phase (1)	208/230-60-1			
	Delay Fuse Max. (2)	25	30	45	50
	Min. Circuit Ampacity	14.5	18.9	27.9	32.0
	Locked Rotor Amp	61.0	84.2	122.1	151.0
	Fan Motor HP	1/8	1/4	1/3	1/3
Refrigerant suction line O.D. NOTE: Liquid line is 3/8" O.D. for entire length."	0-24 ft.	3/4	7/8	7/8	7/8
	25-39 ft.	3/4	7/8	7/8	7/8
	40-75 ft.	3/4	7/8	7/8	1-1/8
Approximate Weight (lbs.)	Ship	193	221	253	254
Sound Ratings db		73.0	75.0	76	77

MATCHES WITH...

B64VMMX



- FACTORY-INSTALLED TXV
- MULTI-POISED
- VARIABLE-SPEED ECM
- QUIET BLOWER OPERATION
- 2, 3, 4, & 5 TON SIZES

Model B64VMMX	24K-A	24K-B	36K-B	48K-C	60K-C
Refrigerant Flow Control	TXV	TXV	TXV	TXV	TXV
Maximum Available Auxiliary Heat (kw)	10 ¹	15	15	25	25
Motor HP	1/2	1/2	1/2	3/4	1
Approximate Shipping Weight (lbs.)	99.5	112	122	145	147

1040831	B64VMMX24K-A
1040832	B64VMMX24K-B
1040835	B64VMMX36K-B
1040837	B64VMMX48K-C
1040838	B64VMMX60K-C

AIR HANDLERS

SPLIT SYSTEMS



AIR HANDLERS

B64BMMO



- **PISTON-DRIVEN**
- **MULTI-POISED**
- **MULTI-SPEED**
- R410A
- 1.5T – 4T SIZES
- COMPATIBLE WITH 5-30KW HEAT KITS

1041315	B64BMM018K-A
1040807	B64BMM024K-A
1040808	B64BMM024K-B
1040810	B64BMM030K-B
1040811	B64BMM036K-B
1040812	B64BMM042K-C
1040813	B64BMM048K-C

SPECIFICATIONS

Model Number B64BMMO-	*18K-A	*24K-A	*24K-B	*30K-B	*36K-B	*42K-C	*48K-C
Nominal cooling capacity - BTUh ¹	18000	24000	24000	30000	36000	42000	48000
Maximum Available Auxiliary Heat	8	8	10	10	15	20	15
Motor Hp-speeds	1/5	1/5	1/3	1/3	1/3	1/2	1/2
Filter Size (supplied internal filter rack) ²	12x20x1	12x20x1	18x20x1	18x20x1	18x20x1	20x20x1	20x20x1
Approximate Shipping Weight, lbs	98	98	108.5	108.5	133	145.5	145.5
Height, "H", in.	43-5/16	43-5/16	43-5/16	43-5/16	49-5/16	55-15/16	55-15/16
Width, "W", in.	14-3/16	14-3/16	19-11/16	19-11/16	19-11/16	22-7/16	22-7/16
Supply Air Outlet Dimension, in.	12-7/8 x 12-3/4	12-7/8 x 12-3/4	12-7/8 x 12-3/4	12-7/8 x 18-1/4	12-7/8 x 18-1/4	12-7/8 x 21	12-7/8 x 21
Ref. Connection Sizes, in. (suc./liq.)	3/4 - 3/8	3/4 - 3/8	3/4 - 3/8	3/4 - 3/8	3/4 - 3/8	7/8 - 3/8	7/8 - 3/8
Box Dim	27 x 17.5 x 46	27 x 17.5 x 46	27 x 22.5 x 46	27 x 22.5 x 46	27 x 22.5 x 52	27 x 25 x 58.5	27 x 25 x 58.5

Accessory Kit Description	Cabinet Size			Order Number
	A	B	C	
Down-flow adaptor kit	X			917342
		X		919321
			X	919322
Single circuit adaptor for 2 circuit breakers	X	X	X	913874
Single circuit adaptor for 3 circuit breakers	n/a	n/a	X	913556

AIR HANDLERS

B64BMMX



- **FACTORY-INSTALLED TXV**
- **MULTI-POISED**
- **MULTI-SPEED**
- R410A
- 1.5T – 4T SIZES
- COMPATIBLE WITH 5-30KW HEAT KITS

1041316	B64BMMX18K-A
1040815	B64BMMX24K-A
1040816	B64BMMX24K-B
1040818	B64BMMX30K-B
1040819	B64BMMX36K-B
1040820	B64BMMX42K-C
1040821	B64BMMX48K-C

SPECIFICATIONS

Model Number B64BMMX-	*18K-A	*24K-A	*24K-B	*30K-B	*36K-B	*42K-C	*48K-C
Nominal cooling capacity - BTUh 1	18000	24000	24000	30000	36000	42000	48000
Maximum Available Auxiliary Heat	8	8	10	10	15	20	15
Motor Hp-speeds	1/5	1/5	1/3	1/3	1/3	1/2	1/2
Filter Size (supplied internal filter rack) 2	12x20x1	12x20x1	18x20x1	18x20x1	18x20x1	20x20x1	20x20x1
Approximate Shipping Weight, lbs	98	98	110	110	133	145.5	145.5
Height, "H", in.	43-5/16	43-5/16	43-5/16	43-5/16	49-5/16	55-15/16	55-15/16
Width, "W", in.	14-3/16	14-3/16	19-11/16	19-11/16	19-11/16	22-7/16	22-7/16
Supply Air Outlet Dimension, in.	12-7/8 x 12-3/4	12-7/8 x 12-3/4	12-7/8 x 12-3/4	12-7/8 x 18-1/4	12-7/8 x 18-1/4	12-7/8 x 21	12-7/8 x 21
Ref. Connection Sizes, in. (suc./liq.)	3/4 - 3/8	3/4 - 3/8	3/4 - 3/8	3/4 - 3/8	3/4 - 3/8	7/8 - 3/8	7/8 - 3/8
Box Dim	27 x 17.5 x 46	27 x 17.5 x 46	27 x 22.5 x 46	27 x 22.5 x 46	27 x 22.5 x 52	27 x 25 x 58.5	27 x 25 x 58.5

Accessory Kit Description	Cabinet Size			Order Number
	A	B	C	
Down-flow adaptor kit	X			917342
		X		919321
			X	919322
Single circuit adaptor for 2 circuit breakers	X	X	X	913874
Single circuit adaptor for 3 circuit breakers	n/a	n/a	X	913556

AIR HANDLERS

B64EMMX



- **FACTORY-INSTALLED TXV**
- **MULTI-POISED**
- **FIXED-SPEED ECM MOTOR**
- R410A
- 1.5T – 4T SIZES
- COMPATIBLE WITH 5-30KW HEAT KITS

1040823	B64EMMX24K-A
1040824	B64EMMX24K-B
1040825	B64EMMX30K-A
1040826	B64EMMX30K-B
1040827	B64EMMX36K-B
1040828	B64EMMX42K-B
1040829	B64EMMX48K-C

SPECIFICATIONS

Model B64EMMX	24K-A	30K-A	24K-B	30K-B	36K-B	42K-B	48K-C
Refrigerant Flow Control	TXV	TXV	TXV	TXV	TXV	TXV	TXV
Maximum Available Auxiliary Heat (kw)	10	10 ¹	15	10	15	15 ²	25
Motor HP	1/2	1/2	1/2	1/2	1/2	1/2	1
Approximate Shipping Weight (lbs.)	99	98	109.5	111	121	120	145

Models B64EMMX	Height	Width	Refrigerant Connections		Filter Size	Supply Air Duct Dimensions
			Suction Dia.	Liquid Dia.		
24K-A	43 1/2	14 1/4	3/4	3/8	12 x 20 x 1	12 7/8 x 12 3/4
24K-B	43 1/2	19 3/4	3/4	3/8	18 x 20 x 1	12 7/8 x 18 1/4
30K-A	43 1/2	14 1/4	3/4	3/8	12 x 20 x 1	12 7/8 x 12 3/4
30K-B	43 1/2	19 3/4	3/4	3/8	18 x 20 x 1	12 7/8 x 18 1/4
36K-B	49 1/2	19 3/4	7/8	3/8	18 x 20 x 1	12 7/8 x 18 1/4
42K-B	49 1/2	19 3/4	7/8	3/8	18 x 20 x 1	12 7/8 x 18 1/4
48K-C	56	22 1/2	7/8	3/8	20 x 20 x 1	12 7/8 x 21

Accessory Kit Description	Cabinet Size			Order Number
	A	B	C	
Down-flow adaptor kit	X			917342
		X		919321
			X	919322
Single circuit adaptor for 2 circuit breakers	X	X	X	913874
Baffle Drip Guard 3"		X		922125
Baffle Drip Guard 4"			X	922126

AIR HANDLERS

B64VMMX



- **FACTORY-INSTALLED TXV**
- **MULTI-POISED**
- **VARIABLE-SPEED ECM MOTOR**
- QUIET BLOWER OPERATION
- R410A
- REDUCED AIR STRATIFICATION
- 2, 3, 4, & 5 TON SIZES
- COMPATIBLE WITH H8HK HEATER KITS

1040831	B64VMMX24K-A
1040832	B64VMMX24K-B
1040835	B64VMMX36K-B
1040837	B64VMMX48K-C
1040838	B64VMMX60K-C

SPECIFICATIONS

Model B64VMMX	24K-A	24K-B	36K-B	48K-C	60K-C
Refrigerant Flow Control	TXV	TXV	TXV	TXV	TXV
Maximum Available Auxiliary Heat (kw)	10 ¹	15	15	25	25
Motor HP	1/2	1/2	1/2	3/4	1
Approximate Shipping Weight (lbs.)	99.5	112	122	145	147

Models B64VMMX	Height	Width	Refrigerant Connections		Filter Size	Supply Air Duct Dimensions
			Suction Dia.	Liquid Dia.		
24K-A	43 1/2	14 1/4	3/4	3/8	12 x 20 x 1	12 7/8 x 12 3/4
24K-B	43 1/2	19 3/4	3/4	3/8	18 x 20 x 1	12 7/8 x 18 1/4
36K-B	49 1/2	19 3/4	7/8	3/8	18 x 20 x 1	12 7/8 x 18 1/4
48K-C	56	22 1/2	7/8	3/8	20 x 20 x 1	12 7/8 x 21
60K-C	56	22 1/2	7/8	3/8	20 x 20 x 1	12 7/8 x 21

Accessory Kit Description	Cabinet Size			Order Number
	A	B	C	
Down-flow adaptor kit	X			917342
		X		919321
			X	919322
Single circuit adaptor for 2 circuit breakers	X	X	X	913874
Baffle Drip Guard 3"		X		922125
Baffle Drip Guard 4"			X	922126

INDOOR COILS

SPLIT SYSTEMS



INDOOR COILS

C74B(A,H)MO



- **ORIFICE**
- **R410A**
- A = "A" VERTICAL
- H = HORIZONTAL/MULTIPOISED
- CASED OR UNCASD
- 1.5T-5T SIZES

CABINET SIZES

- A - 14.25 IN
- B - 17.50 IN
- C - 21 IN
- D - 24.50 IN

ACCESSORIES

- TXV KITS
- LIQUID LINE TUBE KITS
- HORIZONTAL DRAIN PAN KITS

"A" COIL SPECIFICATIONS

C74BAM	018C-A	02430C-A	018C-B	02430C-B	03642C-B	02430C-C	03642C-C	048C-C	042C-D	048C-D
NOMINAL CAPACITY, MIN BTUH	18,000	24,000	18,000	24,000	36,000	24,000	36,000	48,000	42,000	48,000
NOMINAL CAPACITY, MAX BTUH		30,000		30,000	42,000	30,000	42,000			
INSTALLED ORIFICE SIZE (IN.)	0.046	0.053	0.046	0.053	0.068	0.053	0.068	0.077	0.068	0.077
W - WIDTH (IN.)	14.25	14.25	17.5	17.5	17.5	21	21	21	24.5	24.5
H - HEIGHT (IN.)	20.75	20.75	20.75	20.75	26.75	26.75	26.75	30.25	30.25	30.25
HL - HEIGHT OF LIQUID LINE (IN.)	17.5	17.5	17.5	17.5	23.5	23.5	23.5	27	27	27
HS - HEIGHT OF SUCTION LINE (IN.)	15.5	15.5	15.5	15.5	21.5	21.5	21.5	25	25	25
CONNECTION - LIQUID LINE	3/8	3/8	3/8	3/8	3/8	3/8	3/8	3/8	3/8	3/8
CONNECTION - SUCTION LINE	3/4	3/4	3/4	3/4	7/8	7/8	7/8	7/8	7/8	7/8
HORIZONTAL DRAIN PAN KIT (4)	920265	920265	920265	920265	920266	920266	920266	920267	920267	920267

"H" COIL SPECIFICATIONS

C74BHM	018C-A	02430C-A	018C-B	02430C-B	03642C-B	02430C-C	03642C-C	048C-C	042C-D	048C-D
NOMINAL CAPACITY, MIN BTUH	18,000	24,000	18,000	24,000	36,000	24,000	36,000	48,000	42,000	48,000
NOMINAL CAPACITY, MAX BTUH		30,000		30,000	42,000	30,000	42,000			
INSTALLED ORIFICE SIZE (IN.)	0.046	0.053	0.046	0.053	0.068	0.053	0.068	0.077	0.068	0.077
W - WIDTH (IN.)	14.25	14.25	17.5	17.5	17.5	21	21	21	24.5	24.5
H - HEIGHT (IN.)	26.75	26.75	26.75	26.75	26.75	26.75	26.75	30.25	30.25	30.25
HL - HEIGHT OF LIQUID LINE (IN.)	23.5	23.5	23.5	23.5	23.5	23.5	23.5	27	27	27
HS - HEIGHT OF SUCTION LINE (IN.)	21.5	21.5	21.5	21.5	21.5	21.5	21.5	25	25	25
CONNECTION - LIQUID LINE	3/8	3/8	3/8	3/8	3/8	3/8	3/8	3/8	3/8	3/8
CONNECTION - SUCTION LINE	3/4	3/4	3/4	3/4	7/8	7/8	7/8	7/8	7/8	7/8

INDOOR COILS

C74B(A,H)MX



- **FACTORY-INSTALLED TXV**
- **R410A**
- H = HORIZONTAL/MULTIPOISE
- A = VERTICAL
- CASED ONLY
- 1.5T-5T SIZES

CABINET SIZES

- A – 14.25 IN
- B – 17.50 IN
- C – 21 IN
- D – 24.50 IN

ACCESSORIES

- LIQUID LINE TUBE KITS
- HORIZONTAL DRAIN PAN KITS

"A" COIL SPECIFICATIONS

C74BAM	X24C-A	X30C-A	X24C-B	X30C-B	X36C-B	X30C-C	X36C-C	X42C-C	X48C-C	X60C-C	X42C-D	X48C-D	X60C-D
NOMINAL CAPACITY, BTUH	24,000	30,000	24,000	30,000	36,000	30,000	36,000	42,000	48,000	60,000	42,000	48,000	60,000
METERING DEVICE	TXV	TXV	TXV	TXV	TXV	TXV	TXV	TXV	TXV	TXV	TXV	TXV	TXV
W - WIDTH (IN.)	14.25	14.25	17.5	17.5	17.5	21	21	21	21	21	24.5	24.5	24.5
H - HEIGHT (IN.)	20.75	20.75	20.75	20.75	26.75	26.75	26.75	26.75	30.25	30.25	30.25	30.25	30.25
HL - HEIGHT OF LIQUID LINE (IN.)	17.5	17.5	17.5	17.5	23.5	23.5	23.5	23.5	27	27	27	27	27
HS - HEIGHT OF SUCTION LINE (IN.)	15.5	15.5	15.5	15.5	21.5	21.5	21.5	21.5	25	25	25	25	25
CONNECTION - LIQUID LINE	3/8	3/8	3/8	3/8	3/8	3/8	3/8	3/8	3/8	3/8	3/8	3/8	3/8
CONNECTION - SUCTION LINE	3/4	3/4	3/4	3/4	7/8	3/4	7/8	7/8	7/8	7/8	7/8	7/8	7/8
HORIZONTAL DRAIN PAN KIT	920265	920265	920265	920265	920266	920265	920266	920266	920267	920267	920266	920267	920267

"H" COIL SPECIFICATIONS

C74BHM	X24C-A	X30C-A	X24C-B	X30C-B	X36C-B	X30C-C	X36C-C	X42C-C	X48C-C	X60C-C	X42C-D	X48C-D	X60C-D
NOMINAL CAPACITY, BTUH	24,000	30,000	24,000	30,000	36,000	30,000	36,000	42,000	48,000	60,000	42,000	48,000	60,000
METERING DEVICE	TXV	TXV	TXV	TXV	TXV	TXV	TXV	TXV	TXV	TXV	TXV	TXV	TXV
W - WIDTH (IN.)	14.25	14.25	17.5	17.5	17.5	21	21	21	21	21	24.5	24.5	24.5
H - HEIGHT (IN.)	26.75	26.75	26.75	26.75	26.75	26.75	26.75	26.75	30.25	30.25	30.25	30.25	30.25
HL - HEIGHT OF LIQUID LINE (IN.)	23.5	23.5	23.5	23.5	23.5	23.5	23.5	23.5	27	27	27	27	27
HS - HEIGHT OF SUCTION LINE (IN.)	21.5	21.5	21.5	21.5	21.5	21.5	21.5	21.5	25	25	25	25	25
CONNECTION - LIQUID LINE	3/8	3/8	3/8	3/8	3/8	3/8	3/8	3/8	3/8	3/8	3/8	3/8	3/8
CONNECTION - SUCTION LINE	3/4	3/4	3/4	3/4	7/8	3/4	7/8	7/8	7/8	7/8	7/8	7/8	7/8

GAS FURNACES

SPLIT SYSTEMS



GAS FURNACES

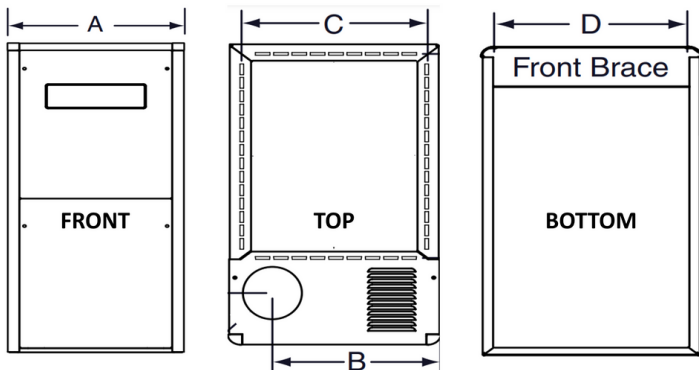
KG7SA



- **80% AFUE**
- **SINGLE-STAGE**
- **UPFLOW/HORIZONTAL**
- ECM BLOWER MOTOR
- LP CONVERTIBLE (SKU 905028)
- 45K-126K BTUH

1025482KP	KG7SA-045C-T23A1
1025483KP	KG7SA-054C-T23A1
1025481KP	KG7SA-072C-T24B1
1025485KP	KG7SA-072C-T35C1
1025484KP	KG7SA-090C-T24B1
1025486KP	KG7SA-090C-T35C1
1025487KP	KG7SA-108C-T35C1
1025488KP	KG7SA-126C-T45D1

SPECIFICATIONS



*SA Model #s	Dimension "A"	Dimension "B"	Dimension "C"	Dimension "D"
045-23A	14 1/4	10 3/4	12 5/8	12 7/8
054-23A				
072-24B	17 1/2	11 3/4	15 7/8	16 1/8
090-24B				
072-35C	21	14	19 3/8	19 7/8
090-35C				
108-35C				
126-45D	24 1/2	15 1/4	22 7/8	23 1/8

G7SA MODEL NUMBERS	-045-T23A1	-054-T23A1	-072-T24B1	-072-T35C1	-090-T24B1	-090-T35C1	-108-T35C1	-126-T45D1
Input - Btuh (a)	45,000	52,000	70,000	75,000	90,000	85000	108000	122000
Heating Capacity - Btuh	36,000	42,000	56,000	60,000	72,000	68000	86000	98000
AFUE	80.0	80.0	80.0	80.0	80.0	80	80	80
Motor H.P. - Speed - Type	1/2 - 5 - ECM	1/2 - 5 - ECM	3/4 - 5 - ECM	3/4 - 5 - ECM	3/4 - 5 - ECM	3/4-5-ECM	1/2-5-ECM	1/2-5-ECM
Motor FLA	6.4	6.4	8.8	8.8	8.8	8.8	11.5	11.5
Rated Ext. SP - In. W.C.	0.5	0.5	0.5	0.5	0.5	0.5	0.5	0.5
Temperature Rise Range - °F	30-60	30-60	30-60	35-65	35-65	35-65	35-65	40-70
Shipping Weights	95 lbs	95 lbs	110 lbs	115 lbs	115 lbs	134 lbs	136 lbs	147 lbs

1 YEAR
QUALITY
PLEDGE



10
YEAR
WARRANTY



LIFETIME
HEAT EXCHANGER
WARRANTY



90 DAY
PRODUCT
ASSURANCE
COMMITMENT



GAS FURNACES

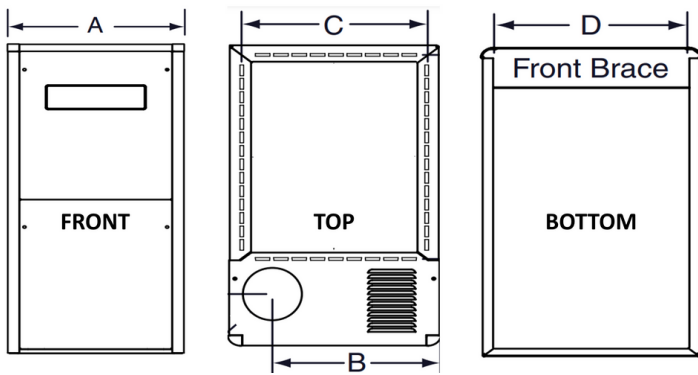
KG7SK



- **80% AFUE STANDARD EFFICIENCY**
- **SINGLE-STAGE**
- **DOWNFLOW**
- ECM BLOWER MOTOR
- LP CONVERTIBLE (SKU 905028)
- 54K-126K BTUH

1025489KP	KG7SK-054C-T23A1
1025490KP	KG7SK-072C-T24B1
1025491KP	KG7SK-090C-T24B1
1025492KP	KG7SK-108C-T35C1
1025493KP	KG7SK-126C-T45D1

SPECIFICATIONS



*SK Model #s	Dimension "A"	Dimension "B"	Dimension "C"	Dimension "D"
054-23A	14 1/4	10 3/4	12 5/8	12 7/8
072-24B	17 1/2	11 3/4	15 7/8	16 1/8
090-24B				
108-35C	21	14	19 3/8	19 5/8
126-45D	24 1/2	15 1/4	22 7/8	23 1/8

G7SK MODEL NUMBERS	054C-T23A*	072C-T24B*	090C-T24B*	108C-T35C*	126C-T26D*
Input - BTU/h	52,000	75,000	90,000	108,000	120,000
Heating Capacity - BTU/h	42,000	60,000	72,000	86,000	96,000
AFUE	80	80	80	80	80
Motor HP - Speed - Type	1/2 - 5 - FSHE	3/4 - 5 - FSHE	3/4 - 5 - FSHE	1 - 5 - FSHE	1 - 5 - FSHE
Motor FLA	6.8	9.2	9.2	11.9	11.9
Rated Ext. STP - In. W.C.	0.5	0.5	0.5	0.5	0.5
Temperature Rise Range - °F	30-60	30-60	35-65	35-65	35-65
Shipping Weights	102 lbs.	114 lbs.	118 lbs.	135 lbs.	148 lbs.

1 YEAR
QUALITY
PLEDGE



10
YEAR
WARRANTY



LIFETIME
HEAT EXCHANGER
WARRANTY



90 DAY
PRODUCT
ASSURANCE
COMMITMENT



GAS FURNACES

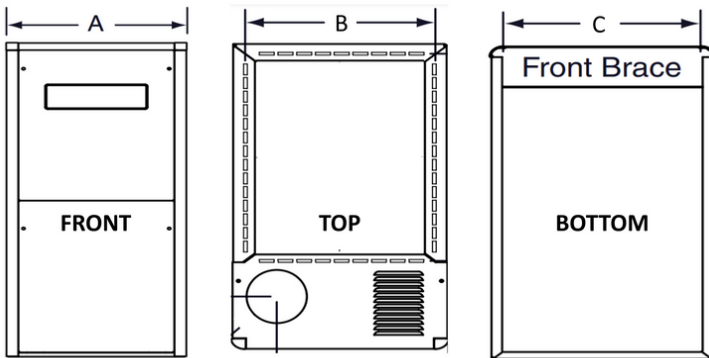
KG7SC



- **92.1% AFUE HIGH EFFICIENCY**
- **SINGLE-STAGE**
- **UPFLOW/HORIZONTAL**
- ECM BLOWER MOTOR
- DIRECT VENT OR NON-DIRECT
- 38K-120K BTUH

1025494KP	KG7SC-038D-T23A1
1025495KP	KG7SC-054D-T24B1
1025496KP	KG7SC-072D-T24B1
1025497KP	KG7SC-072D-T35C1
1025498KP	KG7SC-090D-T35C1
1025499KP	KG7SC-108D-T45D1
1025500KP	KG7SC-120D-T45D1

SPECIFICATIONS



*SC Model #'s	Dimension "A"	Dimension "B"	Dimension "C"
038D-T23A1	14 1/4	12 5/8	12 7/8
054D-T24B1	17 1/2	15 7/8	16 1/8
072D-T24B1			
072D-T35C1	21	19 3/8	19 5/8
090D-T35C1			
108D-T45D1	24 1/2	22 7/8	23 1/8
120D-T45D1			

G7SC MODEL NUMBERS:	038D-T23A1	054D-T24B1	072D-T24B1	072D-T35C1	090D-T35C1	108D-T45D1	120D-T45D1
Input - Btuh (a)	38000	54000	72000	72000	90000	108000	120000
Heating Capacity - Btuh	35000	50000	66000	66000	83000	99000	110000
AFUE	92.0	92.0	92.0	92.0	92.0	92.0	92.0
Blower D x W	10 x 6	11 x 8	11 x 8	10 x 10	11 x 10	11 x 10	11 x 10
Motor H.P. - Speed - Type	1/2 - 5 - ECM	3/4 - 5 - ECM	3/4 - 5 - ECM	3/4 - 5 - ECM	1 - 5 - ECM	1 - 5 - ECM	1 - 5 - ECM
Motor FLA	6.4	8.8	8.8	8.8	11.5	11.5	11.5
Rated Ext. SP - In. W.C.	0.50	0.50	0.50	0.50	0.50	0.50	0.50
Temperature Rise Range - °F	25-55	30-60	35-65	35-65	35-65	40-70	40-70
Shipping Weights	100lbs	120lbs	125lbs	130lbs	135lbs	155lbs	155lbs

1 YEAR
QUALITY
PLEDGE



10
YEAR
WARRANTY



LIFETIME
HEAT EXCHANGER
WARRANTY



90 DAY
PRODUCT
ASSURANCE
COMMITMENT



GAS FURNACES

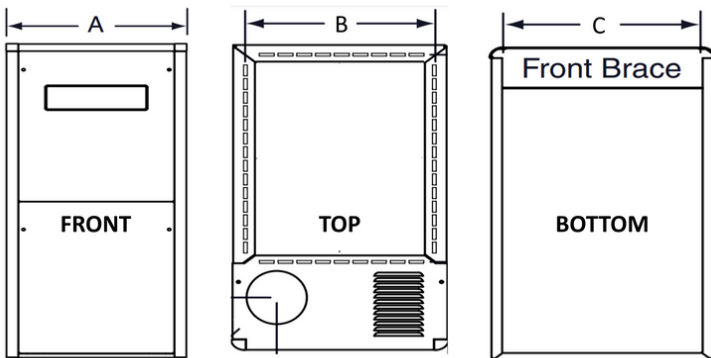
KG7SD



- **95% AFUE HIGH EFFICIENCY**
- **SINGLE-STAGE**
- **UPFLOW/HORIZONTAL**
- ECM BLOWER MOTOR
- DIRECT VENT OR NON-DIRECT
- 38K-120K BTUH

1025501KP	KG7SD-038D-T24B1
1025502KP	KG7SD-054D-T24B1
1025503KP	KG7SD-072D-T35C1
1025504KP	KG7SD-090D-T35C1
1025505KP	KG7SD-108D-T45D1
1025506KP	KG7SD-120D-T45D1

SPECIFICATIONS



Model #'s	Dim. -A-	Dim -B-	Dim -C-
038D-T24B	17 1/2	15 7/8	16 1/8
054D-T24B			
072D-T35C	21	19 3/8	19 5/8
090D-T35C			
108D-T45D	24 1/2	22 7/8	23 1/8
120D-T45D			

	-038D-T24B1	-054D-T24B1	-072D-T35C1	-090D-T35C1	-108D-T45D1	-120D-T45D1
Input - Btuh (a)	38,000	54,000	72,000	85,000	108,000	115,000
Heating Capacity - Btuh	36,000	51,000/49,000	68,000/65,000	81,000/80,000	103,000/97,000	109,000/105,000
AFUE (b)	95.0 / 94.0	95.0 / 90.0	95.0 / 90.0	95.0 / 94.0	95.0 / 90.0	95.0 / 91.2
Blower D x W	10 x 8	11 x 8	10 x 10	11 x 10	11 x 10	11 x 10
Motor H.P. - Speed - Type	3/4 - 5 - ECM	3/4 - 5 - ECM	3/4 - 5 - ECM	1 - 5 - ECM	1 - 5 - ECM	1 - 5 - ECM
Motor FLA	8.8	8.8	8.8	11.5	11.5	11.5
Rated Ext. SP - In. W.C.	0.5	0.5	0.5	0.5	0.5	0.5
Temperature Rise Range - °F	25 - 55	30 - 60	35 - 65	35 - 65	35 - 65	40 - 70

1 YEAR
QUALITY
PLEDGE



10
YEAR
WARRANTY



LIFETIME
HEAT EXCHANGER
WARRANTY



90 DAY
PRODUCT
ASSURANCE
COMMITMENT



GAS FURNACES

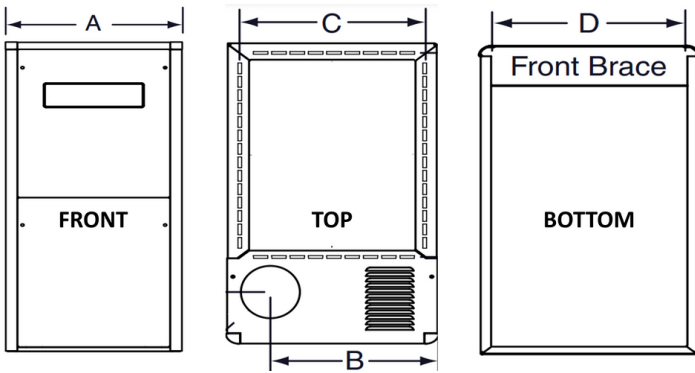
KG7TA



- **80% AFUE**
- **TWO-STAGE**
- **UPFLOW/HORIZONTAL**
- ECM BLOWER MOTOR
- DIAGNOSTIC LIGHTING
- LOW BOY HEIGHT
- HOT SURFACE IGNITOR
- HIGH STATIC BLOWERS
- 60K, 80K, 100K & 120K BTUH

1025932KP	KG7TA-060C-E23A1
1025933KP	KG7TA-080C-E24B1
1025934KP	KG7TA-100C-E35C1
1025939KP	KG7TA-120C-V35CP

SPECIFICATIONS



*TA Model #s	Dimension "A"	Dimension "B"	Dimension "C"	Dimension "D"
060-23A1	14 1/4	10 1/4	12 5/8	12 7/8
080-24B1	17 1/2	11 3/4	15 7/8	16 1/8
100-35C1	21	14	19 3/8	19 5/8
120-35C1				

KG7TA MODEL NUMBERS	060C-E23A*	080C-E24B*	100C-E35C*	120C-V35C*
Input - BTU/h	60,000 / 39,000	80,000 / 52,000	100,000 / 65,000	120,000 / 78,000
Heating Capacity - BTU/h	48,000 / 31,000	64,000 / 42,000	80,000 / 52,000	96,000 / 62,000
AFUE	80	80	80	80
Motor HP - Speed - Type	1/2 - 16 - FSHE	1/2 - 16 - FSHE	3/4 - 16 - FSHE	3/4 - Variable
Motor FLA	6.9	6.9	9.3	8.7
Rated Ext. STP - In. W.C.	0.5	0.5	0.5	0.5
Temperature Rise Range - °F	25-55	30-60	35-65	35-65

1 YEAR
QUALITY
PLEDGE



10
YEAR
WARRANTY



LIFETIME
HEAT EXCHANGER
WARRANTY



90 DAY
PRODUCT
ASSURANCE
COMMITMENT



GAS FURNACES

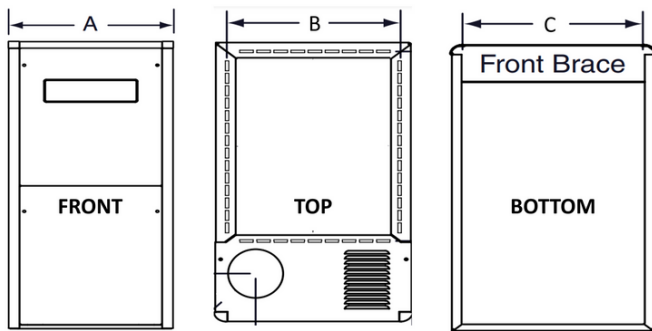
KG7TN



- **96% AFUE**
- **TWO-STAGE**
- **DOWNFLOW**
- CONDENSING
- ECM BLOWER MOTOR
- LOW BOY HEIGHT
- HIGH STATIC BLOWERS
- 60K-115K BTUH

1025962K	KG7TN-060D-E24B1
1025963K	KG7TN-080D-E35C1
1025964K	KG7TN-100D-E35C1
1025965K	KG7TN-115D-E45D1

SPECIFICATIONS



Cabinet Size	Dim. "A"	Dim. "B"	Dim. "C"
'A' Cabinet	14 1/4	12 5/8	12 7/8
'B' Cabinet	17 1/2	15 7/8	16 1/8
'C' Cabinet	21	19 3/8	19 5/8
'D' Cabinet	24 1/2	22 7/8	23 1/8

KG7TN MODEL NUMBERS	-060D-E24B1	-080D-E35C1	-100D-E35C1	-115D-E45D1
Input - Btuh (a)	60000 / 39000	80000 / 52000	100000 / 65000	115000 / 75000
Heating Capacity - BtuH	58000 / 37000	77000 / 50000	96000 / 62000	110000 / 72000
AFUE	96.0	96.0	96.0	96.0
Motor H.P. - Speed - Type	3/4 - BLDC	1 - BLDC	1 - BLDC	1 - BLDC
Motor FLA	8.8	11.5	11.5	11.5
Rated Ext. SP - In. W.C.	0.50	0.50	0.50	0.50
Temperature Rise Range - F	30-60	35-65	35-65	40-70

1 YEAR
QUALITY
PLEDGE



10
YEAR
WARRANTY



LIFETIME
HEAT EXCHANGER
WARRANTY



90 DAY
PRODUCT
ASSURANCE
COMMITMENT



GAS FURNACES

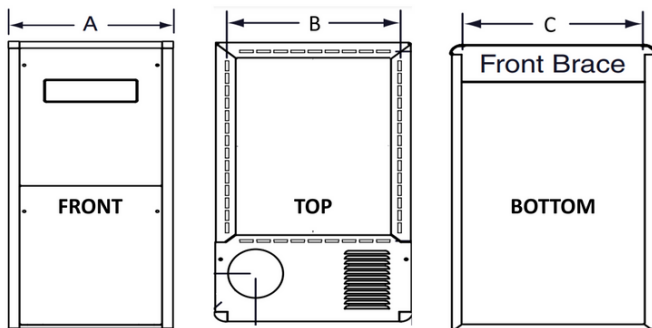
FG7TC-VS



- **95% AFUE**
- **TWO-STAGE VARIABLE-SPEED**
- **UPFLOW/HORIZONTAL**
- VS DIRECT DRIVE BLOWER
- TWO-STAGE INDUCER
- LOW BOY HEIGHT
- DIAGNOSTIC LIGHTS
- HIGH STATIC BLOWERS
- 60K, 80K, & 100K BTUH

1025924FP	FG7TC-060D-V24B1
1025925FP	FG7TC-080D-V35C1
1025926FP	FG7TC-100D-V35C1

SPECIFICATIONS



*TC Model #'s	Dimension "A"	Dimension "B"	Dimension "C"
060D-VB	17 ½	15 7/8	16 1/8
080D-VC	21	19 3/8	19 5/8
100D-VC			

FG7TC MODEL NUMBERS	-060D-V24B1	-080D-V35C1	-100D-V35C1
Input - Btuh (a)	60000 / 39000	80000 / 52000	100000 / 65000
Heating Capacity - BtuH	57000 / 37000	76000 / 49000	95000 / 62000
AFUE	95.0	95.0	95.0
Motor H.P. - Speed - Type	3/4 - Variable	1 - Variable	1 - Variable
Motor FLA	8.8	11.5	11.5
Rated Ext. SP - In. W.C.	0.50	0.50	0.50
Temperature Rise Range - F	30-60	35-65	35-65

1 YEAR
QUALITY
PLEDGE



10
YEAR
WARRANTY



LIFETIME
HEAT EXCHANGER
WARRANTY



90 DAY
PRODUCT
ASSURANCE
COMMITMENT



GAS FURNACES

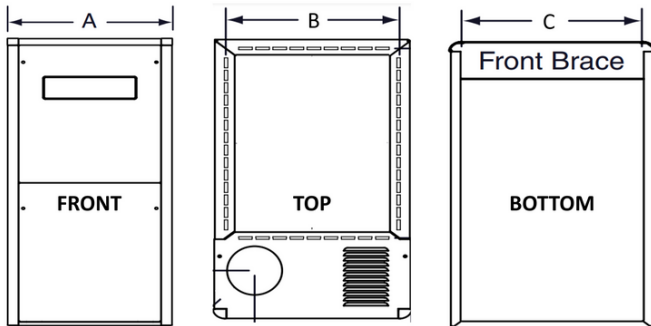
FG7TE-VS



- **96% AFUE**
- **TWO-STAGE VARIABLE-SPEED**
- **UPFLOW**
- VS DIRECT DRIVE BLOWER
- TWO-STAGE INDUCER
- SMARTLITE TECHNOLOGY
- LOW BOY HEIGHT
- 60K - 115K BTUH

1025966FP	FG7TE-060D-V24B1
1025967FP	FG7TE-080D-V35C1
1025968FP	FG7TE-100D-V35C1
1025969FP	FG7TE-115D-V45D1

SPECIFICATIONS



*TE Model #'s	Dimension "A"	Dimension "B"	Dimension "C"
060D-VB1	17 1/2	15 7/8	16 1/8
080D-VC1	21	19 3/8	19 5/8
100D-VC1			
115D-VD1	24 1/2	22 7/8	23 1/8

FG7TE MODELS	060D-V24B*	080D-V35C*	100D-V35C*	115D-V45D*
Input - Btu/H	60,000/39,000	80,000/52,000	100,000/65,000	115,000/75,000
Heating Capacity - Btu/H	58,000/37,000	77,000/50,000	96,000/62,000	110,000/72,000
AFUE	96	96	96	96
Motor H.P. - Speed	1/2 - Variable	3/4 - Variable	3/4 - Variable	1 - Variable
Motor FLA	6.9	9.3	9.3	12
Rated Ext. SP - In. W.C.	0.5	0.5	0.5	0.5
Temperature Rise Range	30-60	35-65	35-65	40-70

1 YEAR
QUALITY
PLEDGE

10
YEAR
WARRANTY

LIFETIME
HEAT EXCHANGER
WARRANTY

90 DAY
PRODUCT
ASSURANCE
COMMITMENT

GAS FURNACES

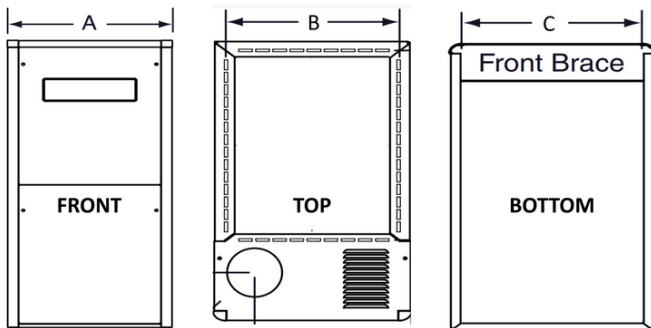
FG7TE



- **96% AFUE**
- **TWO-STAGE FIXED-SPEED**
- **UPFLOW**
- DIRECT DRIVE BLOWER
- TWO-STAGE INDUCER
- INTEGRATED CONTROL BOARD
- LOW BOY HEIGHT
- 60K - 115K BTUH

1025958FP	FG7TE-060D-E24B1
1025959FP	FG7TE-080D-E35C1
1025960FP	FG7TE-100D-E35C1
1025961FP	FG7TE-115D-E45D1

SPECIFICATIONS



Cabinet Size	Dim. "A"	Dim. "B"	Dim. "C"
'B' Cabinet	17 1/2	15 7/8	16 1/8
'C' Cabinet	21	19 3/8	19 5/8
'D' Cabinet	24 1/2	22 7/8	23 1/8

FG7TE MODEL NUMBERS	-060D-E24B1	-080D-E35C1	-100D-E35C1	-115D-E45D1
Input - Btuh (a)	60000 / 39000	80000 / 52000	100000 / 65000	115000 / 74750
Heating Capacity - BtuH	58000 / 37000	77000 / 50000	96000 / 62000	110000 / 72000
AFUE	96.0	96.0	96.0	96.0
Motor H.P. - Speed - Type	3/4 - BLDC	1 - BLDC	1 - BLDC	1 - BLDC
Motor FLA	8.8	11.5	11.5	11.5
Rated Ext. SP - In. W.C.	0.50	0.50	0.50	0.50
Temperature Rise Range - F	30-60	30-60	35-65	40-70

1 YEAR
QUALITY
PLEDGE



10
YEAR
WARRANTY



LIFETIME
HEAT EXCHANGER
WARRANTY



90 DAY
PRODUCT
ASSURANCE
COMMITMENT



PACKAGED SYSTEMS

AC, HP, & GAS ELECTRIC



PACKAGED SYSTEMS

R104GD



- **13.4 SEER2 GAS/ELECTRIC**
- **81% AFUE**
- **10.6 EER2**
- CONVERTIBLE
- FIXED-SPEED ECM
- COPELAND SCROLL™
- R410A
- 2 - 5 TON SIZES

1036038	R104GD-024K045C
1036039	R104GD-024K072C
1036040	R104GD-030K045C
1036041	R104GD-030K072C
1036042	R104GD-036K072C
1036043	R104GD-036K096C
1036044	R104GD-042K072C
1036045	R104GD-042K096C
1036046	R104GD-048K096C
1036047	R104GD-048K120C
1036048	R104GD-X60K096C
1036049	R104GD-X60K120C

SPECIFICATIONS

MODEL R104GD	024K*	030K	036K	042K	048K	X60K
Capacity-Cooling Btuh	24,000	29,000	35,200	41,000	47,500	58,500
Electrical Rating - 60 Hz						
Phase	1	1	1	1	1	1
Operating Voltage Range	187 - 253	187 - 253	187 - 253	187 - 253	187 - 253	187 - 253
Minimum Circuit Ampacity	20.8*	24.9	30.1	32	37.2	45.1
Max. Overcurrent Protection	30*	40	45	50	60	70
Compressor Data						
Volts	208 / 230	208 / 230	208 / 230	208 / 230	208 / 230	208 / 230
Lock Rotor Amps	58.3	73	79	117	117	134
Indoor Blower						
Motor HP	1/2	1/2	3/4	3/4	3/4	1
Motor Amps	3.8	3.6	5.4	5.0	5.0	7.0
Outdoor Fan						
Motor HP	1/5	1/4	1/4	1/4	1/4	1/4
Refrigerant Charge (oz)	57	58.5	57	59	78.3	72
Sound Rating	71	76	78	78	77	78

PACKAGED SYSTEMS

Q104SD



- **13.4 SEER2 HEAT PUMP**
- **6.7 HSPF2**
- **CONVERTIBLE**
- COPELAND SCROLL™
- HEAVY DUTY PSC MOTOR
- FIXED-SPEED ECM BLOWER
- FACTORY-INSTALLED TXV
- ACCESSIBLE SERVICE PORTS
- COPPER TUBE AND ALUMINUM FIN COILS
- SUCTION ACCUMULATOR
- DEMAND DEFROST
- DUCT FLANGES
- R410A
- 2-5 TON SIZES

1036028	Q104SD-X24K
1036029	Q104SD-X30K
1036030	Q104SD-X36K
1036031	Q104SD-X42K
1036032	Q104SD-X48K
1036033	Q104SD-X60K

SPECIFICATIONS

Q104SD	X24K	X30K	X36K	X42K	X48K	X60K
Performance						
Capacity-Heating BTUH ¹	22,000	29,000	34,000	41,500	47,000	57,000
Efficiency-HSPF2	6.7	6.7	6.7	6.7	6.7	6.7
Capacity-Cooling BTUH ¹	23,400	29,800	34,600	41,500	47,500	56,500
EER2 (Btuh/watt) ²	11.0	11.0	11.0	11.0	11.0	11.0
Electric Rating-60 Hz						
Operating Voltage Range	187-253	187-253	187-253	187-253	187-253	187-253
Min Circuit Ampacity	19.2	22.4	27.4	30.1	34.1	38.9
Max Over-current Protection	30	35	45	50	50	60
Total Unit - Amps	16.3	18.9	23.0	25.2	28.7	32.5
Compressor Data						
Volts	208-230					
Rated Load Amps	11.5	14.1	17.7	19.9	21.8	25.6
Lock Rotor Amps	59.5	87.4	110	109	117	150
Indoor Blower						
Type	Fixed Torque					
Motor HP	1/2	1/2	1/2	1/2	3/4	3/4
Motor - Amps	3.8	3.8	3.8	3.8	5.4	5.4
Outdoor Fan						
Motor - HP / RPM	1/5 - 825	1/5 - 825	1/4 - 1100	1/4 - 1100	1/4 - 1100	1/4 - 1100
Motor - Amps	1.0	1.0	1.46	1.46	1.46	1.46
Fan Diameter / CFM	20 / 3600	20 / 3600	24 / 3800	20 / 3800	24 / 3800	24 / 4000
R-410A Charge - Oz	124	114	115	246	260	253

PACKAGED SYSTEMS

P94RD



- **13.4 SEER2**
- **AIR CONDITIONER**
- **0" CLEARANCE**
- HEAVY DUTY PSC MOTOR
- FIXED TORQUE ECM BLOWER
- COMPACT FOOTPRINT
- LOW VOLTAGE TRANSFORMER
- EASILY ACCESSIBLE COMPRESSOR AND CONTROLS
- ROUND DUCT CONNECTIONS
- ELECTRIC HEAT COMPATIBLE
- NOTCHED BASE RAILS
- RAISED BASE PAN
- R410A
- 2 - 5 TON SIZES

1035999	P94RD-024K
1036000	P94RD-030K
1036001	P94RD-036K
1036002	P94RD-042K
1036003	P94RD-048K
1036004	P94RD-060K

SPECIFICATIONS

Model No. P94RD		024K	030K	036K	042K	048K	060K
Performance Data	Cooling Btu/h	22,600	29,000	34,600	39,500	46,000	57,500
	SEER2	13.4	13.4	13.4	13.4	13.4	13.4
	EER2-A	10.6	10.6	10.6	10.6	10.6	10.6
	Sound Ratings	73	77	77	76	76	75
Electrical Data	Volts-Cycles-Phase (1)	208/230-60-1					
	Operating Voltage Range	187 - 253					
	Total Amps	14.0	15.9	21.3	25.5	31.9	34.8
	Delay Fuse - Max. (2)	25	25	40	45	60	60
	Min. Circuit Ampacity	17.7	20.3	27.9	32.8	41.8	45.1
Compressor Data	RLA	10.3	12.6	18.6	20.7	27.9	29.3
	LRA	43.0	57.0	79.0	110.0	105.3	134.0
Fan Motor	HP	1/5	1/8	1/8	1/4	1/4	1/4
	Amps	1.0	0.8	0.8	1.5	1.5	1.5
Blower Motor	HP	1/2	1/2	1/2	3/4	3/4	1
	Amps	3.8	3.8	3.8	5.4	5.4	7.0
R410A Refrigerant Charge	Oz.	58.9	49.0	43.2	57.8	50.1	80.0

PACKAGED SYSTEMS

Q94RD



- **13.4 SEER2 HEAT PUMP**
- **6.7 HSPF2**
- **0" CLEARANCE**
- HEAVY DUTY PSC MOTOR
- FIXED TORQUE ECM BLOWER
- COMPACT FOOTPRINT
- LOW VOLTAGE TRANSFORMER
- EASILY ACCESSIBLE COMPRESSOR AND CONTROLS
- ROUND DUCT CONNECTIONS
- ELECTRIC HEAT COMPATIBLE
- SUCTION ACCUMULATOR
- DRAIN TRAP INCLUDED
- R410A
- 2 – 5 TON SIZES

1036009	Q94RD-024K
1036010	Q94RD-030K
1036011	Q94RD-036K
1036012	Q94RD-042K
1036013	Q94RD-048K
1036014	Q94RD-060K

SPECIFICATIONS

Model No. Q94RD		024K	030K	036K	042K	048K	060K
Performance Data	Cooling Btu/h	23,000	28,600	34,200	40,000	45,500	56,000
	SEER2	13.4	13.4	13.4	13.4	13.4	13.4
	EER2-A	10.6	10.6	10.6	10.6	10.6	10.6
	Heating Btu/h	22,800	28,600	34,200	40,000	46,000	58,500
	HSPF2	6.7	6.7	6.7	6.7	6.7	6.7
	Sound Ratings Cooling	76.8	77.6	76.3	76.5	76.3	72.5
	Sound Ratings Heating	76.5	78.4	77.1	77.2	77.2	72.7
Electrical Data	Volts-Cycles-Phase (1)	60 Hz					
	Operating Voltage Range	187 - 253					
	Total Amps	14.9	17.2	22.5	26.9	28.7	40.8
	Delay Fuse - Max. (2)	25	30	40	45	50	70
	Min. Circuit Ampacity	16.2	18.7	24.6	29.3	31.4	44.5
Compressor Data	RLA	9.2	11.3	16.0	17.9	19.6	26.9
	LRA	43.0	57.0	91.9	112.0	130.0	171.0
Fan Motor	HP	1/8	1/8	1/8	1/4	1/4	1/2
	Amps	0.8	0.8	0.8	1.5	1.5	3.8
Blower Motor	HP	1/2	1/2	1/2	3/4	3/4	1
	Amps	3.8	3.8	3.8	5.4	5.4	7.0
R410A Refrigerant Charge	Oz.	75.8	73.8	70.6	97.4	99.5	106.1



WHY AIREFORCE?

We can give you a few great reasons...

#1 QUALITY

While most manufacturers test their products at random, we test each and every product we manufacture.

In fact, each product goes through our “check, check and recheck” process at each stage of the manufacturing process.

#2 DEPENDABILITY

Our manufacturing company has played a significant role in home comfort for over 100 years – starting off with the first oil burners for residential heating equipment, delving into the manufactured housing market and excelling the residential heating and cooling market.



#3 WARRANTY

Our commitment to quality is reflected in our comprehensive warranty with registration.

- 10 Year All-Parts Warranty
- 10 Year Compressor Warranty
- Lifetime Heat Exchanger Warranty
- 90 Day Product Assurance Commitment
- 1 Year Heat Exchanger Quality Pledge



WHY CHOOSE US?

**10
YEAR
WARRANTY**



STANDING BEHIND YOUR INVESTMENT

AIREFORCE SPLIT SYSTEM AIR CONDITIONERS, HEAT PUMPS, AND GAS FURNACES OFFER A 10-YEAR PARTS AND COMPRESSOR WARRANTY WHEN REGISTERED AS PART OF A COMPLETE AIREFORCE SYSTEM.

**90 DAY
PRODUCT
ASSURANCE
COMMITMENT**



CONFIDENCE IN OUR PRODUCTS

TO PROVE OUR CONFIDENCE IN OUR PRODUCTS, WE PROVIDE A 90-DAY PROTECTION PLAN TO HELP ASSIST WITH THE COST OF ANY PRODUCT FAILURES ON ALL AIREFORCE EQUIPMENT.

**LIFETIME
HEAT EXCHANGER
WARRANTY**



PRODUCTS YOU CAN COUNT ON

WHEN YOU REGISTER YOUR NEW AIREFORCE FURNACE OR GAS/ELECTRIC PACKAGED SYSTEM, WE EXTEND THE HEAT EXCHANGER WARRANTY FROM 20 YEARS TO OUR LIFETIME HEAT EXCHANGER WARRANTY.

**1 YEAR
QUALITY
PLEDGE**



A COMMITMENT TO QUALITY

IF THE HEAT EXCHANGER IN YOUR GAS FURNACE FAILS WITHIN THE FIRST YEAR, WE'LL REPLACE THE PRODUCT WITH LIKE PRODUCT UNDER THE AIREFORCE QUALITY PLEDGE.



[AIREFORCE.COM](https://www.aireforce.com)

© ALL RIGHTS RESERVED 2023 – AIREFORCE: YOUR TRUSTED HVAC SOURCE