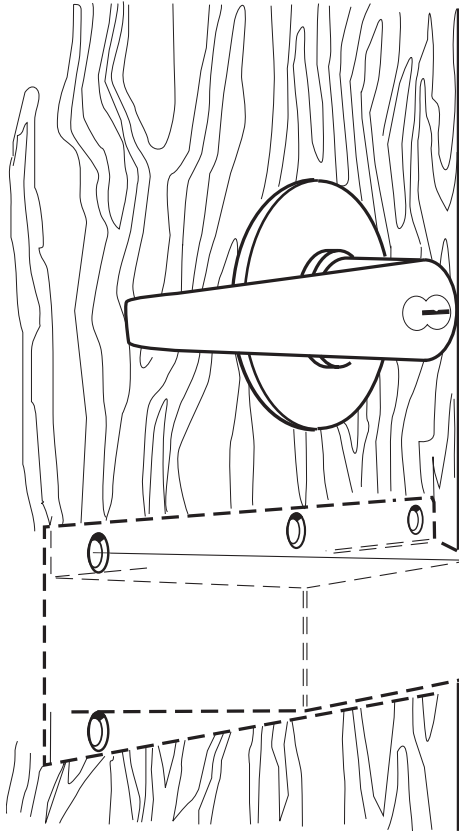




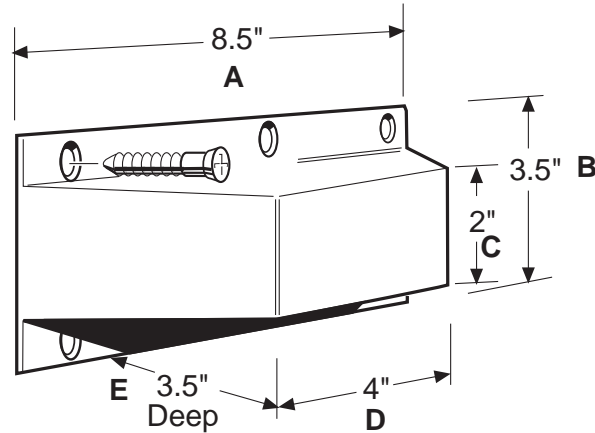
"IDEAS THAT WORK"

# STAINLESS STEEL PROTECT-A-LOK



K-12S

- |            |  |
|------------|--|
| K-12S      | Stainless Steel Protect-A-Lok                  |
| K-12S-212  | Stainless Steel Protect-A-Lok                  |
| K-12S-L    | Large Stainless Steel Protect-A-Lok            |
| K-12S-L512 | Large Stainless Steel Protect-A-Lok            |
| K-12S-XL24 | Extra Large 24" Stainless Steel Protect-A-Lok  |
| K-12S-XL34 | Extra Large 34" Stainless Steel Protect-A-Lok  |
| K-12S-XL41 | Extra Large 41" Stainless Steel Protect-A-Lok  |
| K-12S-SGT  | Replacement End Cap For Sargent Exit Device    |
| K-12S-VON  | Replacement End Cap For Von Duprin Exit Device |
| K-12S-YALE | Replacement End Cap For Yale Exit Device       |



Part#	A	B	C	D	E
K-12S	8.50"	3.50"	2.00"	4.00"	3.50"
K-12S-212	8.50"	3.50"	2.00"	5.10"	2.60"
K-12S-L	10.00"	3.50"	2.00"	5.50"	4.25"
K-12S-L512	11.95"	3.50"	2.00"	5.00"	5.50"
K-12S-XL24	24.00"	3.50"	2.00"	12.50"	4.25"
K-12S-XL34	34.00"	3.50"	2.00"	22.50"	4.25"
K-12S-XL41	41.00"	3.50"	2.00"	29.25"	4.25"
K-12S-SGT	8.00"	3.75"	2.30"	6.15"	2.08"
K-12S-VON	8.00"	3.75"	2.30"	6.15"	2.82"
K-12S-YALE	8.00"	3.95"	2.30"	6.15"	2.82"

We now offer a stainless steel version of our popular K-12 Protect-A-Lok, for your customers who prefer stainless steel. There are nine different sizes of the Stainless Steel Protect-A-Lok. All are made from 18 gauge stainless steel.

The K-12S has dimensions that are similar to our standard K-12. The K-12S-212 is a smaller version. The K-12S-L, K-12S-L512, K-12S-XL24, K-12S-XL34 & K-12S-XL41, are larger sizes, that allow you to protect even larger pieces of hardware. All feature a US 32D finish. Stainless steel mounting screws are included. New: K-12S-SGT serves as a replacement end cap for Sargent Exit Devices. K-12S-VON serves as a replacement end cap for Von Duprin Exit Devices. K-12S-YALE serves as a replacement end cap for Yale Exit Devices.

Available From: