



### DESCRIPTION

The linear flat panel provides a sleek modern linear light with edge-lit construction to provide a soft glare-free solution. It is designed for grid/T-bar ceiling and can be used in many lighting applications. Uses include schools, offices, retail, healthcare and other commercial spaces.

### ELECTRICAL

Multi volt (120-277V, 50/60Hz) 0-10V dimming dims down to 10% and works with most standard 0-10V dimmers. Driver mounted to fixture with steel junction box with access door to high and low voltage wiring and includes 1/2" trade size knockouts.

### LISTING/WARRANTY

ETL listed to US and Canadian standard. IC rated for direct insulation contact. Listed for damp location. DLC standard qualified (note: some versions of this product may not be DLC listed, please check the DLC qualified products list). Performance tested at 25°C, results may differ in other environments. Five-year limited warranty. See warranty terms [www.absolument.com/warranty](http://www.absolument.com/warranty).

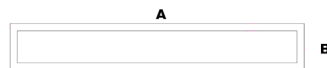
### CONSTRUCTION

- Seamless corners to prevent light leak in the corners.
- Narrow frame to provide a sleek finish and maximize lighting surface area.
- Edge-lit construction provides a smooth even illumination across the face of the lens.
- Diffusers made of durable PMMA, resists yellowing and ensures a uniform light output.
- The satin white lens provides a uniform illumination as well as scratch and impact resistance.
- Low profile design provides increased installation flexibility, especially in restricted plenum spaces.
- The back plate includes integral T-bar clips for installation in grid ceilings.



### DIMENSIONS

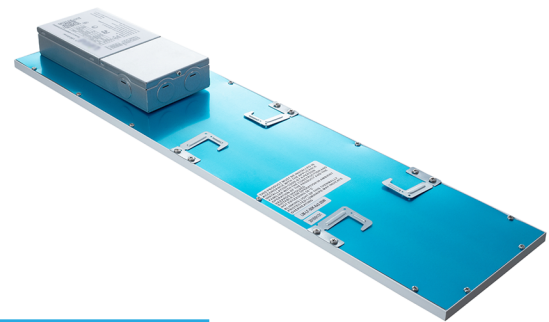
SIZE	A Length	B 4" Width	B 6" Width	C Depth
1 Foot	11.77"	3.74"	5.75"	2.125"
2 Foot	23.74"	3.74"	5.75"	2.125"
4 Foot	47.75"	3.74"	5.75"	2.125"
6 Foot	71.73"	3.74"	5.75"	2.125"
8 Foot	95.75"	3.74"	5.75"	2.125"



### ORDERING GUIDE

Example: LM-LF-4-8-35-40-50

LM-LF -	WIDTH	LENGTH	COLOR TEMP
	4-4"	1-1'	35-3500K,
	6- 6"	2-2'	40-4000K,
		4-4'	50-5000K
		6-6'	
		8-8'	



PART NUMBER	WATTS	INPUT VOLTAGE	DIMMING	CRI	LPW	LUMEN OUTPUT			DLC CLASSIFICATION
						35K	40K	50K	
LM-LF-4X1	8W	120-277VAC/50-60Hz	0-10V	>80	112LM/W	865	894	889	N/A
LM-LF-4X2	15W	120-277VAC/50-60Hz	0-10V	>80	116LM/W	1765	1824	1812	N/A
LM-LF-4X4	22W	120-277VAC/50-60Hz	0-10V	>80	121LM/W	2675	2704	2729	STANDARD
LM-LF-4X6	30W	120-277VAC/50-60Hz	0-10V	>80	111LM/W	3307	3343	3374	STANDARD
LM-LF-4X8	40W	120-277VAC/50-60Hz	0-10V	>80	119LM/W	5187	5243	5292	STANDARD
LM-LF-6X1	10W	120-277VAC/50-60Hz	0-10V	>80	129LM/W	1192	1232	1224	N/A
LM-LF-6X2	20W	120-277VAC/50-60Hz	0-10V	>80	131LM/W	2420	2447	2410	STANDARD
LM-LF-6X4	30W	120-277VAC/50-60Hz	0-10V	>80	141LM/W	4252	4298	4339	STANDARD
LM-LF-6X6	40W	120-277VAC/50-60Hz	0-10V	>80	123LM/W	4641	4691	4735	STANDARD
LM-LF-6X8	50W	120-277VAC/50-60Hz	0-10V	>80	140LM/W	6988	7064	7131	STANDARD



### SAFETY INFORMATION

**IMPORTANT: READ CAREFULLY BEFORE INSTALLING FIXTURE. RETAIN FOR FUTURE REFERENCE.** Absolument assumes no responsibility for claims brought about by improper or careless installation or handling of this product.

#### CAUTION

- Edges may be sharp. Handle with care.
- Risk of burn. Disconnect power and allow fixture to cool before maintenance.
- Risk of electric shock. The light source contained in this luminaire shall only be replaced by the manufacturer or its service agent or a similar qualified person.
- Connect fixture to a 120/277-volt, 60 Hz power source. Any other connection voids the warranty.

#### NOTICE

Use 16-12 AWG solid or stranded wire for push-in terminals

### WARNING

- Risk of fire, electrical shock, cuts and/or other hazards. This product must be installed in accordance with the applicable installation code by a qualified electrician or a person familiar with the construction and operation of the product and the hazards involved.
- FCC Regulations state that any unauthorized changes or modifications to this equipment not expressly approved by the manufacturer may void the user's authorization to operate this equipment.

### WARRANTY

This product is warranted to be free from defects in workmanship and materials for up to 5 years from date of purchase. If it fails, please contact Absolument at [info@absolument.com](mailto:info@absolument.com) or call 1-888-333-9244. Absolument shall bear no responsibility or liability for any faults, in case of improper installation or operation, use, negligence, accident or exposure to natural hazard, or excessive use over the limits specified for unit, or any unauthorized alteration or repair followed.

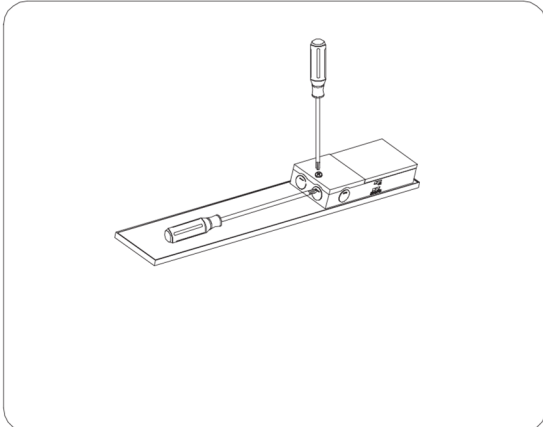
This equipment has been tested and found to comply with the limits for a Class A digital device, pursuant to Part 15 of the FCC Rules. These limits are designed to provide reasonable protection against harmful interference in a residential installation. This equipment generates, uses and can radiate radio frequency energy and if not installed and used in accordance with the instructions, may cause harmful interference to radio communications. However, there is no guarantee that interference will not occur in a particular installation. If this equipment does cause harmful interference to radio or television reception, which can be determined by turning the equipment off and on, the user is encouraged to try to correct the interference by one or more of the following measures:

- Reorient or relocate the receiving antenna.
- Increase the separation between the equipment and receiver.
- Connect the equipment into an outlet on a circuit different from that to which the receiver is connected.
- Consult the dealer or an experienced radio/TV technician for help.

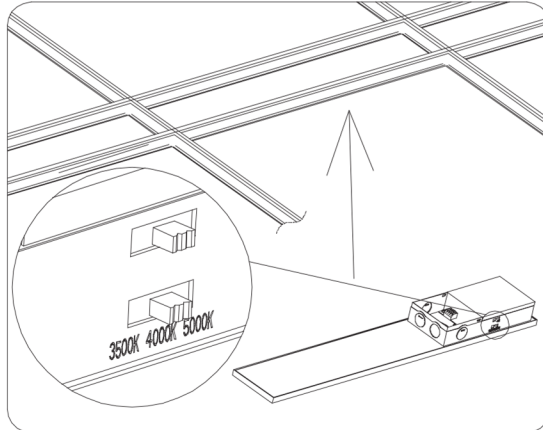




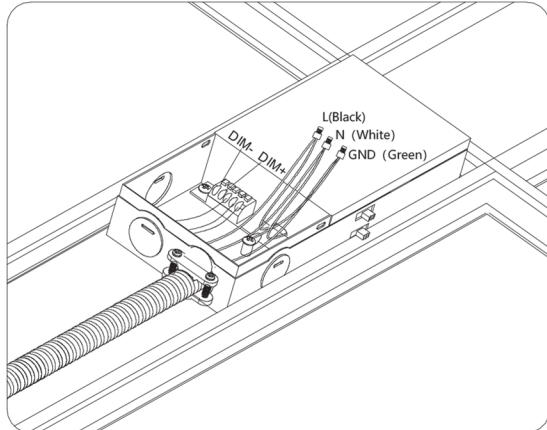
### INSTALLATION DIAGRAM



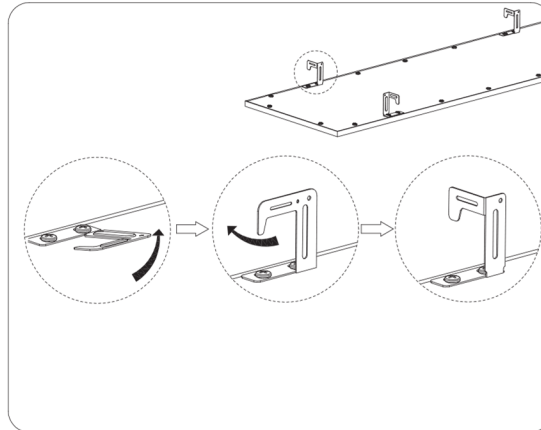
1. Open the driver junction box and knock off the quantity of knockouts needed.



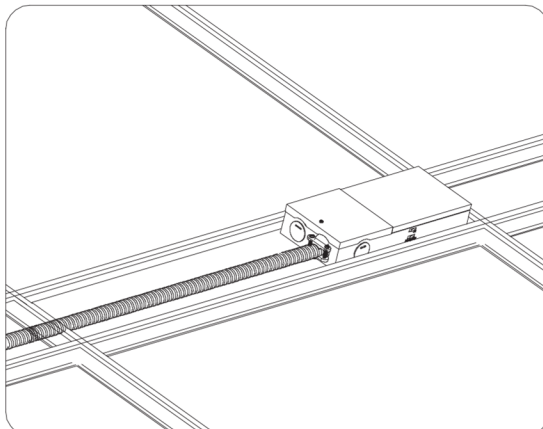
2. Switch the color temperature and power selector to the required setting and then push it into T box.



3. Connect the cable to the driver junction box as per labeling wire diagram. Connection Instruction: For dimming wires use the correct tools to press the terminal and pull the wires into the terminal and then release, connect AC wires and ground wires with rated wire nuts.



4. Rotate the clips, unbend the bracket, make it perpendicular to the lamp. Rotate the bracket by 90 degrees.



5. Fix the removed junction box cover, and installation is completed.