

ÜBERSICHTSZEICHNUNG ASSEMBLY DRAWING

GHOST



LECTOR FS (MY21)

Datum: 12-01-2021

Version: 01

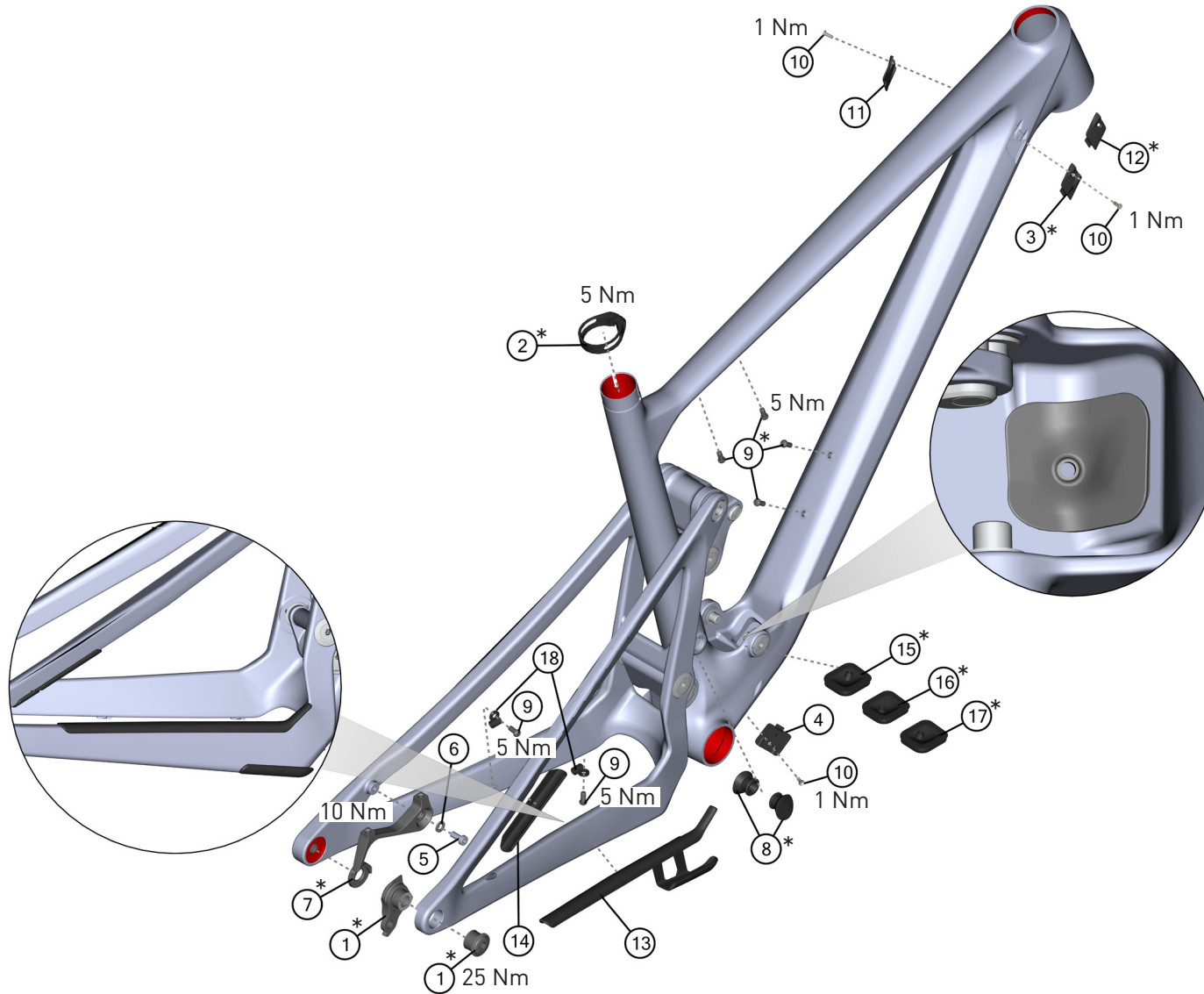


LECTOR FS
date: 12-01-2021
version: 01
page 1 / 9

ÜBERSICHTSZEICHNUNG

ASSEMBLY DRAWING main frame

GHOST



Hinweis: Bei den Schrauben muss mittelfeste Gewindesicherung verwendet werden. Rote Flächen müssen gefettet werden.

Note: use medium strength screw lock for screw threads. red surfaces has to be greased.

ÜBERSICHTSZEICHNUNG

ASSEMBLY DRAWING main frame

GHOST

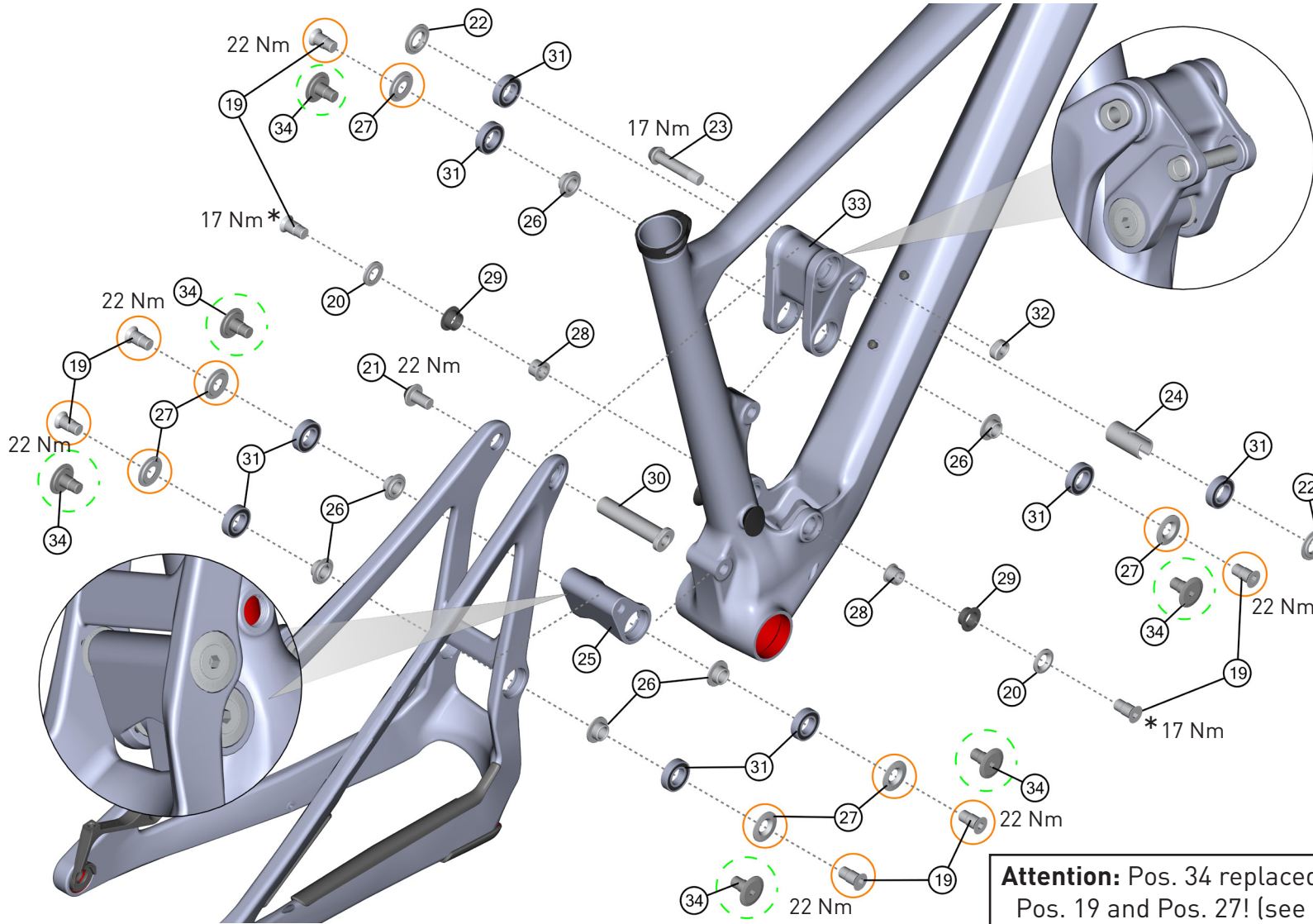
BOM-ID	Description	Specification	Torque	Item no.	QTY
1*	Hanger nut		25 Nm	FRHG0061	1
1*	Hanger			FRHG0061	1
2*	GW Seatclamp (without EightPins)	Style A 38,0 mm black	5 Nm	SC0009	1
3*	Cable routing HT - right side (2 cable)			FROT0192	1
4	Cable routing BB (2 cable)			FROT0197	1
5	Hexagon socket screw	Hex 4 - M6 x 14 mm	10 Nm	SM1693	1
6	Washer	ø 6,4 mm		SM1243	1
7*	Disconnect brakemount PM180			FROT0112	1
7*	Disconnect brakemount PM160			FROT0191	1
8*	PP Rubber Plug, left side without thread into frame (without EightPins)			FROT0173	1
8*	PP Rubber Plug, right side with thread into frame (without EightPins)			FROT0226	1
9*	Lens head screw, Framesize XS	TX25 - M5 x 12 mm	5 Nm	SM0919	4
9*	Lens head screw, Framesize S - XL	TX25 - M5 x 12 mm	5 Nm	SM0919	6
10	Counter sunk screw	TX10 - M3 x 10 mm	1 Nm	SM1524	3
11	Cable routing HT - left side (2 cable)			FROT0195	1
12*	Cable routing HT - right side (1 cable)			FROT0193	1
13	Protector chain stay			FRPR0067	1
14	Protector seat stay			FRPR0068	1
15*	Cable guide - shock DT Swiss			FROT0201	1
16*	Cable guide - shock Rock Shox			FROT0200	1
17*	Cable guide - shock Fox			FROT0199	1
18	Cable guide			SM0002	2

ÜBERSICHTSZEICHNUNG

ASSEMBLY DRAWING

rocker

GHOST



Hinweis: Bei den Schrauben muss mittelfeste Gewindegewissicherung verwendet werden.
Rote Flächen müssen gefettet werden.

Note: use medium strength screw lock for screw threads.
red surfaces has to be greased.

Attention: Pos. 34 replaced Pos. 19 and Pos. 27! (see outline of the parts)



ÜBERSICHTSZEICHNUNG

ASSEMBLY DRAWING rocker

GHOST

BOM-ID	Description	Specification	Torque	Item no.	QTY
19	Flat head screw (remains for 2x shock)	Hex 6 - M10 x 21,7 mm	22 Nm (*17 Nm for shock)	FRSC0105	8
20	Cap for trunnion mount	ø 11 x Ø 22 x 3 mm		FRWS0046	2
21	Rocker mount screw	Hex 6 - M10 x 17 mm	22 Nm	FRSC0159	1
22	Spacer for rocker mount	ø 15 x Ø 22 x 4,8 mm		FRWS0041	2
23	Shock mount screw	Hex 6 - M10 x 49 mm	17 Nm	FRSC0103	1
24	Sleeve for rocker	ø 15,2 x Ø 19 x 37,6 mm		FRSP0003	1
25	VPP link			FRSC0108	1
26	Spacer for bearing seat	ø 11 x Ø 15 x 10 mm		FRSP0001	6
27	Cap for bearing seat	ø 11 x Ø 27,5 x 3 mm		FRWS0043	6
28	Sleeve for trunnion mount	ø11 x Ø 14 x 10,5 mm		FRSP0004	2
29	Bushing for trunnion mount	ø 14 x Ø 16 x 8 mm		FROT0190	2
30	Axle Rocker mount	M10 - Ø 15 x 74,5 mm		FRAX0009	1
31	Bearing 61902	ø15 x Ø 28 x 7 mm		FRBR0001	8
32	Nut for shock mount	M10		FRNT0053	1
33	Rocker			FRR00003	1
34	Flat head screw incl. cap (replaced Pos. 19 and Pos. 27) - Not to be used for mounting the shock!	Hex 6 - M10 x 21,7 mm	22 Nm	FRSC0024	6

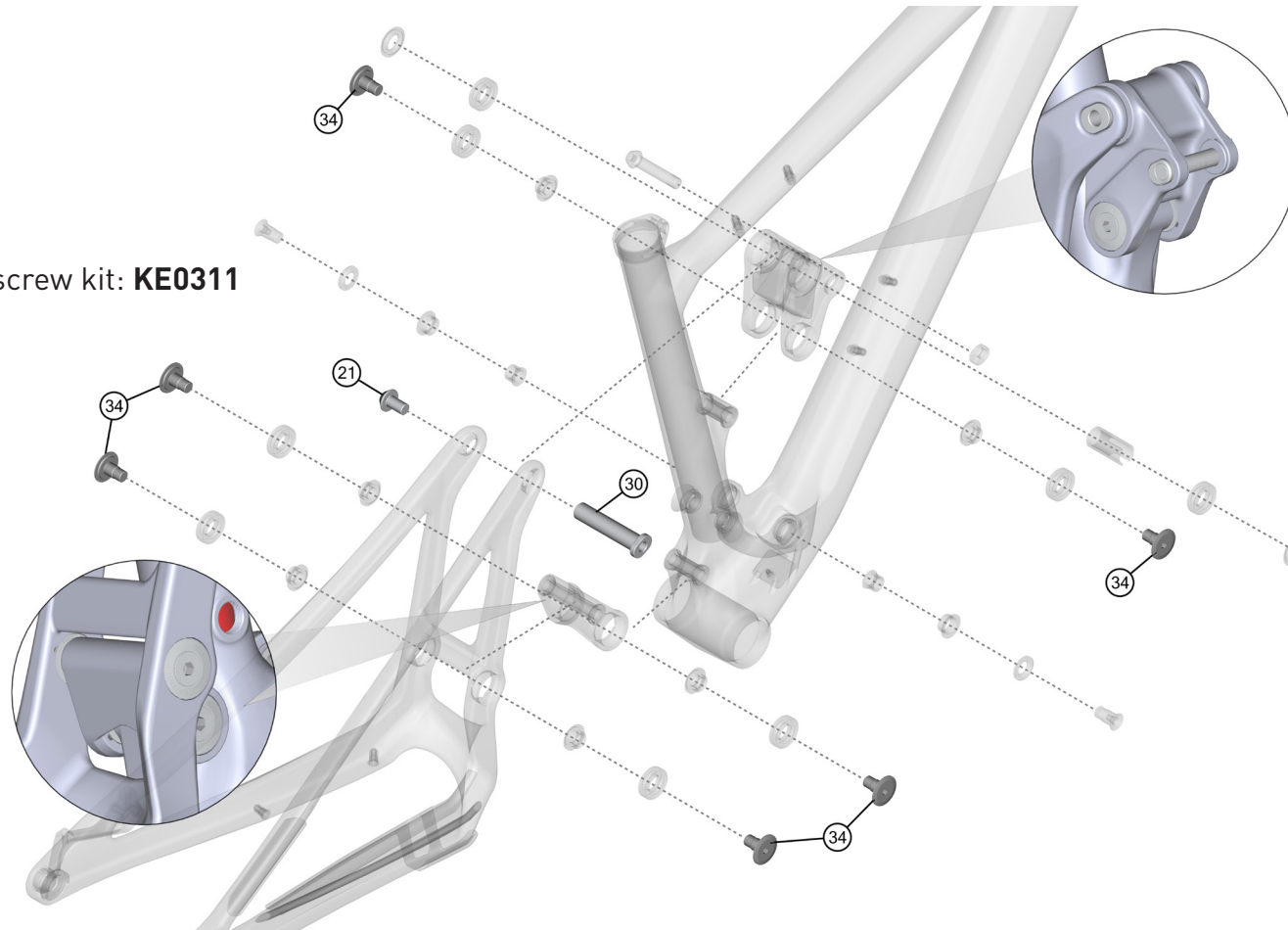
ÜBERSICHTSZEICHNUNG

ASSEMBLY DRAWING axle & screw kit

GHOST

BOM-ID	Description	Specification	Torque	Item no.	QTY
	Axle an screw Kit			KE0311	1
21	Rocker mount screw	Hex 6 - M10 x 17 mm	22 Nm	FRSC0159	1
30	Axle Rocker mount	M10 - Ø 15 x 74,5 mm		FRAX0009	1
34	Flat head screw incl. cap	Hex 6 - M10 x 21,7 mm	22 Nm	FRSC0024	6

Item no. axle and screw kit: **KE0311**



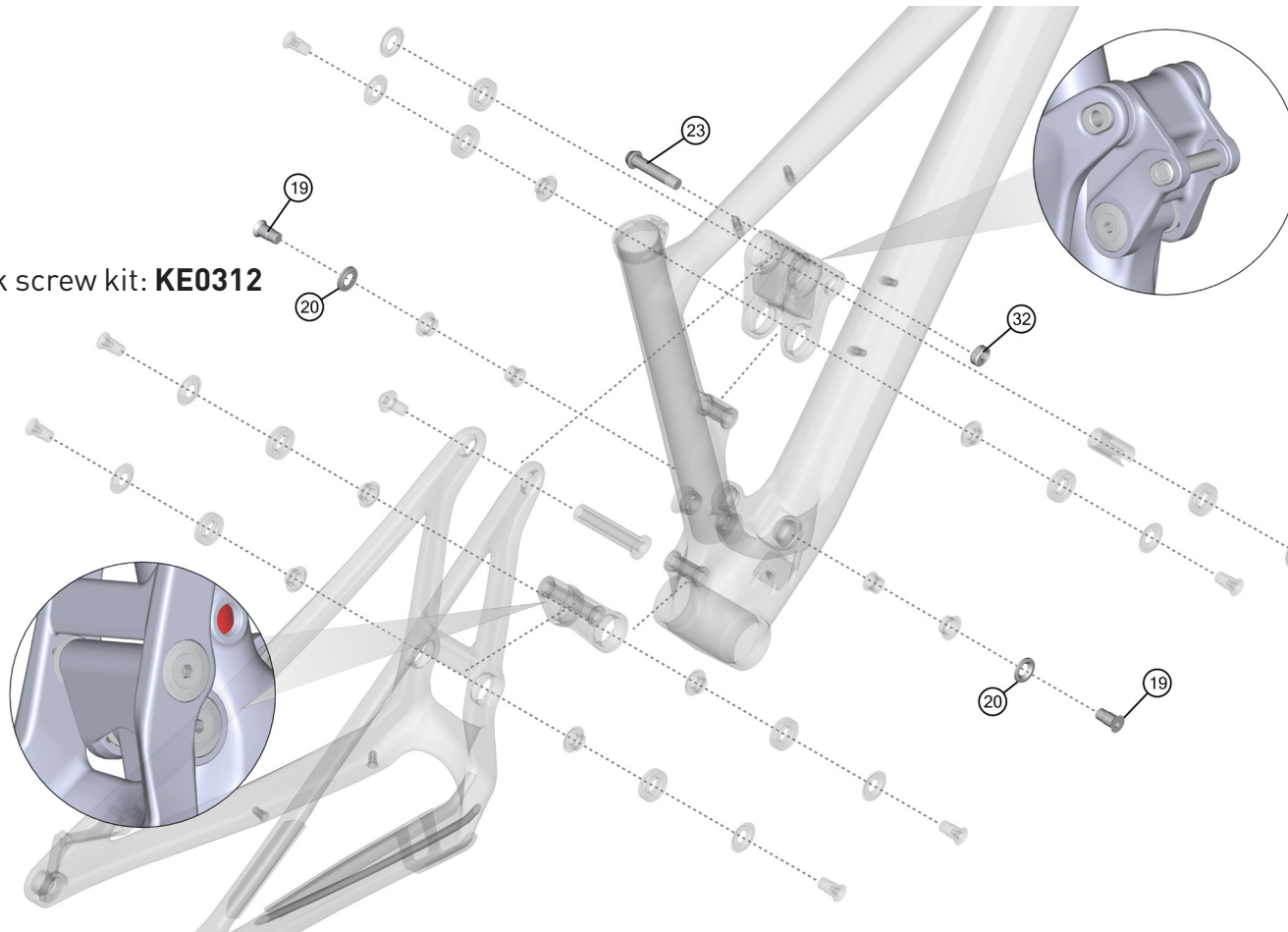
ÜBERSICHTSZEICHNUNG

ASSEMBLY DRAWING rear shock screw kit

GHOST

BOM-ID	Description	Specification	Torque	Item no.	QTY
	Rear shock screw Kit			KE0312	1
19	Flat head screw	Hex 6 - M10 x 21,7 mm	*17 Nm	FRSC0105	2
20	Cap for trunnion mount	∅ 11 x ∅ 22 x 3 mm		FRWS0046	2
23	Shock mount screw	Hex 6 - M10 x 49 mm	17 Nm	FRSC0103	1
32	Nut for shock mount	M10		FRNT0053	1

Item no. rear shock screw kit: **KE0312**

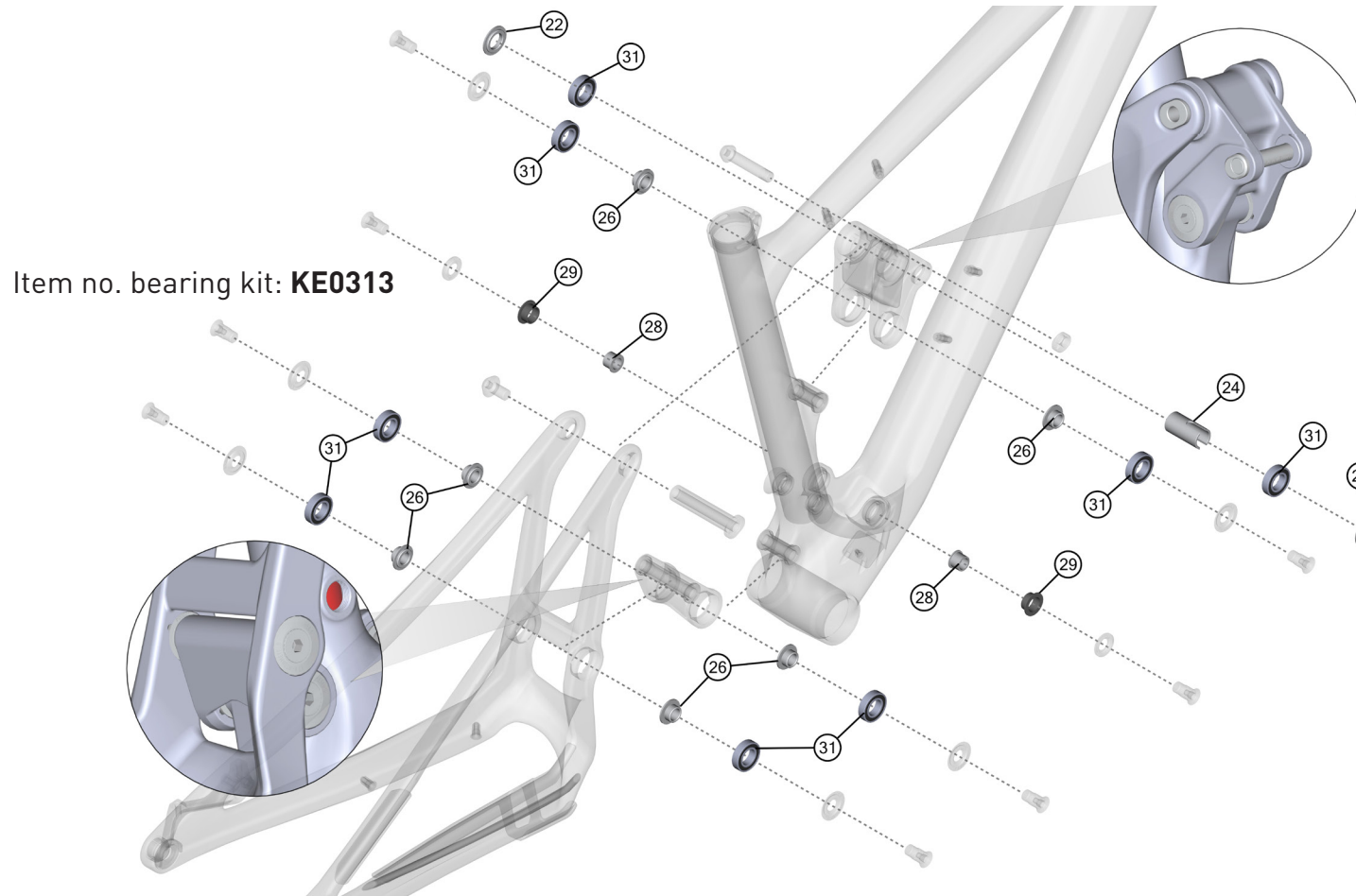


ÜBERSICHTSZEICHNUNG

ASSEMBLY DRAWING bearing kit

GHOST

BOM-ID	Description	Specification	Torque	Item no.	QTY
	Bearing Kit			KE0313	1
22	Spacer for rocker mount	ø 15 x ø 22 x 4,8 mm		FRWS0041	2
24	Sleeve for rocker	ø 15,2 x ø 19 x 37,6 mm		FRSP0003	1
26	Spacer for bearing seat	ø 11 x ø 15 x 10 mm		FRSP0001	6
28	Sleeve for trunnion mount	ø11 x ø 14 x 10,5 mm		FRSP0004	2
29	Bushing for trunnion mount	ø 14 x ø 16 x 8 mm		FROT0190	2
31	Bearing 61902	ø15 x ø 28 x 7 mm		FRBR0001	8



ÜBERSICHTSZEICHNUNG

ASSEMBLY DRAWING

GHOST

FACT SHEET:	
SHOCK LENGTH:	165 MM
SHOCK HARDWARE TOP:	30 x M10
SHOCK HARDWARE BOTTOM:	30 x M10
HEADSET TOP:	ZS 44
HEADSET BOTTOM:	ZS 56
SEATPOST DIAMETER:	34,9 MM
CLAMP INNER DIAMETER:	38,0 MM
BOTTOM BRACKET:	Pressfit
KICKSTAND:	-----
ISCG STANDARD:	-----
CARRIER MOUNT:	-----
FENDER COMPATIBLE:	-----

DROPPER SEATPOST READY:	Yes
WATERBOTTLE MOUNT:	Framesize XS: 1x Framesize S - XL: 2x
MAXIMUM PERMISSIBLE TOTAL WEIGHT:	120 KG
MAXIMUM TIRE SIZE:	
WHEEL SIZE:	29"
QUICK RELEASE LENGTH:	169 MM
OVER-LOCKNUT DIMENSION (O.L.D.):	148 MM
FD CLAMP SIZE:	-----
FD TYPE:	-----
ENGINE:	-----
BATTERY:	-----
DISPLAY:	-----