



# BOSCH

100 Years of  
Bosch in India



**BASS**

**E-REPAIR**



**SERVICE**

**BRANDING**

## **BOSCH SPARE PARTS CATALOGUE** Effective May 2022

**AFFORDABILITY**

**WARRANTY**

**NPS**

**RELIABLE**

**HIGH EFFICIENCY**

**INCREASED TOOL LIFE**

# WARRANTY TERMS AND CONDITIONS

Power Tools from Bosch are guaranteed against all material and manufacturing defects for a period of 6 months from the date of purchase\* for Professional tools and 1 year from the date of purchase\* for Professional Heavy Duty Tools.

In the event of failure of the tools due to material and manufacturing defects, we undertake to repair the tools free of charge, provided we are satisfied that,

- ▶ The power tool has not been tampered with.
- ▶ Failure has occurred due to manufacturing / material defect.
- ▶ The power tool has been purchased from an accredited dealer.
- ▶ The claim has been referred to one of the Bosch Authorized Service Centres along with the power tool, guarantee card and original tool purchase receipt or invoice.

This warranty does not cover

- ▶ All normal wear and tear parts like carbon brush, bearings, o-rings etc.
- ▶ Installation to wrong voltage, over load and wrong application.
- ▶ Use other than in accordance to handling instructions.
- ▶ Unauthorized repair carried out.
- ▶ Damage due to any unit caused by accident, misuse, wilful damage, and normal wear, claims arising from loss, fire or other calamities caused by nature or in any way being tampered with.

\*Check with Local Bosch representative for Hot Air Gun Warranty.



6 months warranty from the date of purchase\*



1 year warranty from the date of purchase\*





## BOSCH SPARE PARTS CATALOGUE Effective MAY 2022

SL.NO.	Product Category	Model Name	Bare Tool Part No.	Page No
1	Mini Angle Grinders	GWS 600	06013750X5	1
2		GWS 750-100	3601C940F0	3
3		GWS 900-100	3601C960F0	5
4		GWS 6-100 S	3601C750B7	7
5		GWS 6-125	06013751X2	9
6		GWS 900-125	3601C960F2	11
7		GWS 10-125	3601H212F1	13
8		GWS 14-125 CI	3601H242F2	15
9		GWX 17-125 S X Lock	3601GC40F0	17
10		GWS 18-125L	3601GA30K0	19
11	Concrete Grinder	GBR 15 CAG	3601G760F0	21
12	Polisher	GPO 12 CE	3601C890K0	23
13	Large Angle Grinders	GWS 2000-180	3601HB70F0	25
14		GWS 2200-180	3601HC00F0	28
15		GWS 2200-230	3601HC10F0	30
16		GWS 20-180	06018491X0	32
17		GWS 24-180	06018534X0	34
18		GWS 24-180	3601HC20k0	36
19		GWS 24-180 JZ	3601HC23k0	38
20		GWS 24-230	3601HC30k0	40
21		GWS 24-230 JZ	3601HC33k0	42
22	GWS 26-180 H	3601H55100	44	
23	Chop Saw	GCO 220 New	3601M373F0	46
24		GCO 14-24	3601M371F0	48
25		GCO 2000	3601L170K1	50
26	Rotary Drills	GBM 6	3601D720F1	52
27		GBM 10 RE	3601D735F1	53
28		GBM 13 RE	3601D775F1	54
29		GBM 32-4	0601130203	55
30		GBM 350	3601AA95F2	57
31		GBM 50-2	3601AB40F0	58
32	Impact Drills	GSB 10 RE	3601B161F4	59
33		GSB 13 RE	3601B171F3	62
34		GSB 450	3601B161FA	63
35		GSB 451	3601B160K4	64
36		GSB 500 RE	3601B161F6	65
37		GSB 501	3601B161F8	66
38		GSB 550	3601AA15L1	67

39	Rotary Hammers	GBH 200	3611B583F3	69
40		GBH 220	3611BA60F0	71
41		GBH 2-22 RE	06112507X0	73
42		GBH 2-26 E	06112516X0	75
43		GBH 2-26 DRE	06112537X0	77
44		GBH 2-28 DV	3611B671F0	79
45		GBH 4-32 DFR	3611C321K5	81
46		GBH 5-40 D	3611B690K0	84
47		GBH 8-45 DV	3611B650K0	87
48		GBH 12-52 DV	3611B66000	90
49	Demolition Hammers	GSH 5	3611C370F0	93
50		GSH 500 HEX	3611C386F0	95
51		GSH 500 SDS MAX	3611C387F0	97
52		GSH 11 E New	3611C168F0	99
53		GSH 11VC	3611C360K0	101
54		GSH 16-30	3611C351K0	103
55	Diamond/Stone Cutter	GDC 120	3601C930F1	106
56		GDC 121	3601C931F1	108
57		GDC 141	3601CA41F0	110
58	Heat guns, Blowers	GHG 180	3601J4D0F0	111
59		GHG 20-60	3601BA6400	112
60		GHG 20-63	3601BA62K0	113
61		GHG 600 CE	0601942103	114
62		GHG 630 DCE	060194C750	116
63		GBL 620	3601J805F0	117
64		GBL 800E	3601J804F6	118
65		GBL 82-270	3601J804F7	120
66	Planers	GHO 6500	3601E960K0	122
67		GHO 10-82	0601594060	124
68		GHO 26-82D	3601EA4370	126
69	Circular Saws	GKS 140	3601FB30F0	128
70		GKS190	3601F230K0	130
71		GKS 235 Turbo	3601EA20F0	132
72		GKS7000	3601F760F0	134
73	Orbital Sander	GSS 2300	3601B98 0K0	135
74		GSS 140	3601BA80F0	136
75	Random Orbital Sanders	GEX 125-1 AE	3601C875K0	137
76		GEX 150 AC	0601372750	138
77		GEX 34-150	3601C728F0	140
78	Jigsaws	GST 650	3601EA80F0	141
79		GST 700	3601BA70F0	142
80		GST 85 PBE	3601E87655	145
81		GST 90 BE	3601E8F0F0	148
82	Routers	GKF 550	3601FA00F1	150
83		GOF 130	3601FB70F0	153
84		POF 1400 ACE	3603B6C701	155
85	Screw Driver	GTB 650	3601DA20F0	156

86	Vacuum cleaners	GAS 12-25	3601J7C0F0	157
87		GAS 15PS	3601JE51F0	162
88		GAS 35 L SFC	3601JC30F0	167
89		GAS 55 M AFC	3601JC33F0	173
90	Straight Grinder	GGs 28 LCE	3601B21100	179
91		GGs 3000 L	3601B240K0	181
92		GGs 5000L	3601B241K0	182
93	Bench Grinder	GBG 35-15	3601B7A3F0	183
94		GBG 60-20	3601B7A4F0	185
95	Impact Wrench/Wrench	GDS 18 E	3601D44000	187
96		GDS 30	0601435103	189
97	BT Miter Saws	GCM 10 MX	3601M290K0	191
98	Table Saw	GTS 254	3601M450F0	194
99	Wall Sander	GTR 550	3601GD40F0	201
100	Saber Saw	GSA 120	3601FB10F0	204
101		GSA 1300PCE	3601F4E2K0	205
102		GHP 5-13 C	3600J100F0	207
103	High Pressure Cleaner	GHP 5-75 X	3600J108F0	210
104		AQT 35-12	3600HA71F0	215
105		AQT 37-13	3600HA72F0	218
106		Easy Aquatak 100	3600HA7EF0	221
107		UniversalAquatak 125	3600HA7AF0	224
108		UniversalAquatak 130	3600HA7BK0	227
109		UniversalAquatak 135	3600HA7CF0	230
110		Advanced Aquatak 140	3600HA7DF0	233
111		AdvancedAquatak 150	3600HA77F0	237
112		AdvancedAquatak 160	3600HA78F0	241
113		Cordless Tools	GAS 18V-1	3601JC62L0
114	GBL 18V-120		3601JF51L0	247
115	GSR 120 LI New		3601JG8080	248
116	GSR 180-LI		3601JF81K0	249
117	Bosch GO 2.0		3601JH2100	250
118	GSB 180 LI		3601JF83K0	252
119	GDS 250-LI		3601JG61K0	253
120	GDS 18 V-EC 250		3601JD81F0	255
121	GDS 18V-200		3601JJ2380	257
122	GDS 18V-1050		3601JJ85L0	259
123	GDS 18V-400		3601JK0080	260
124	GBH 180-LI		3611J110K0	262
125	GBH 18V-34 CF		3611J14080	264
126	Pro Pruner		3601JK10L0	267
127	GWS 180 LI		3601JH90K0	269
128	GWS 18V-10		3601JJ40K0	271
129	GWS 18V LI		3601J3A382	273

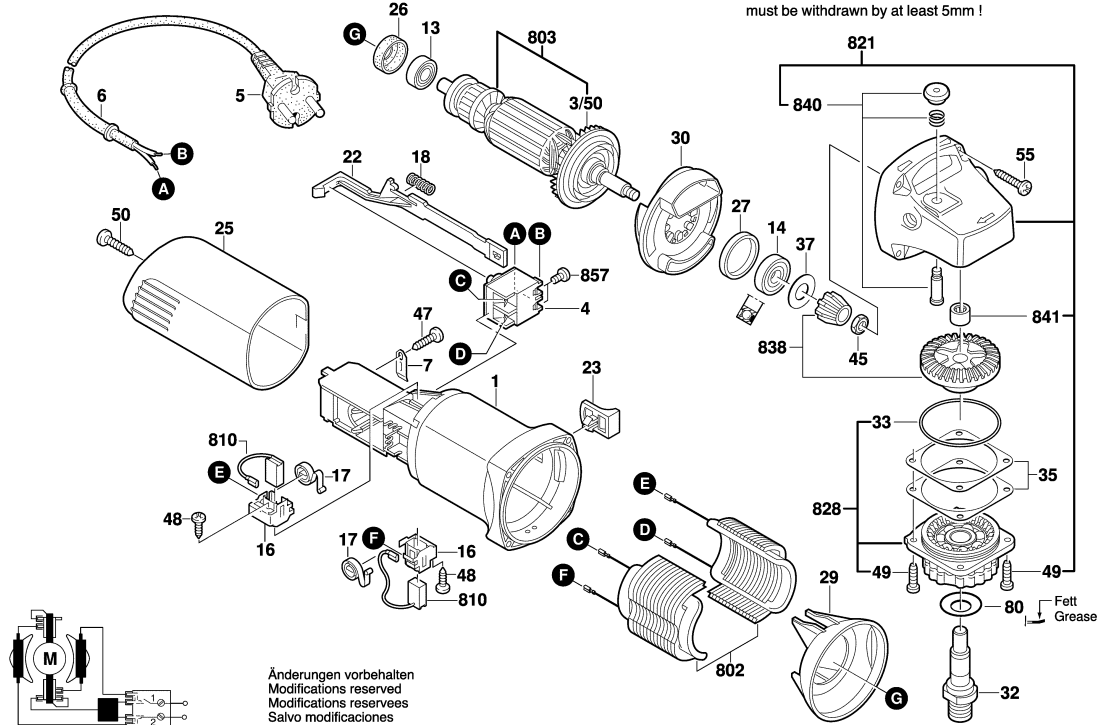


0 601 375 0X2  
Stand 20-01  
Issue 21-07-23

Fig./Abb. 1

**Gerad - Verzahnung**

● Vor Demontage des Ankers  
Kohlebürsten 5mm zurückziehen !  
Before the armature is removed the carbon brushes  
must be withdrawn by at least 5mm !

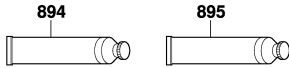
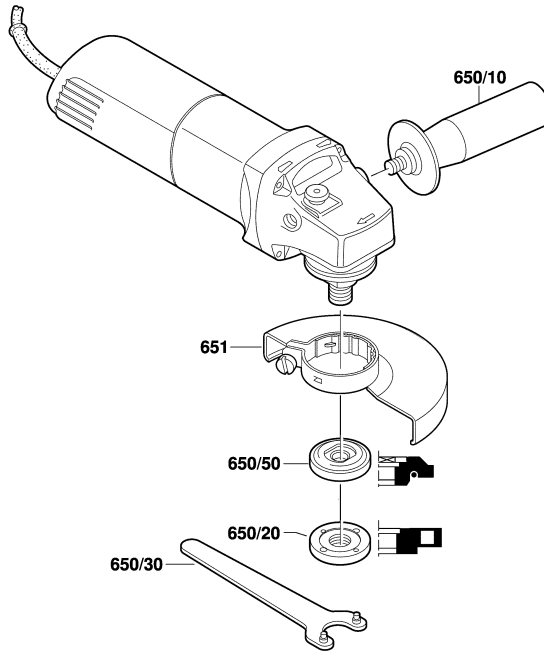


Model: 0 601 375 0X5 = 220	Date:
----------------------------	-------

Item	Pc	Order no.	Description	LP in INR	Item	Pc	Order no.	Description	LP in INR
1	1	1 619 P09 772	Motor Housing .	160,00	47	1	2 609 110 052	Special Screw .	44,00
3/50	1	1 606 610 141	Fan .	29,00	48	2	1 619 P00 220	Torx Oval-Head Screw	29,00
4	1	1 607 200 179	On-Off Switch .	180,00	49	4	1 603 435 068	Thread-forming tap. Screw	42,00
5	1	1 604 460 72V	Power supply cord IND	110,00	50	1	2 910 611 020	Tapping Screw DIN	43,00
6	1	F 002 G31 081	Grommet .	29,00	55	4	2 910 611 022	Tapping Screw DIN	29,00
7	1	1 601 302 017	Fastening Clamp .	29,00	80	1	1 619 P09 390	Cover Disc .	68,00
13	1	1 619 P11 239	groove ball bearing .	30,00	650/10	1	F 002 G30 042	Auxiliary Handle .	
14	1	1 619 P11 240	groove ball bearing .	63,00	650/20	1	1 619 P09 976	Round Nut With 2 Holes .	51,00
16	2	1 619 P01 811	Brush Holder .	29,00	650/30	1	1 600 A00 F93	Pin-Type Face-Wrench .	
17	2	1 604 652 013	Spiral Spring .	43,00	650/50	1	1 619 P12 159	Clamping-Flange	48,00
18	1	1 604 611 031	Compression Spring .	67,00	651	1	1 619 P10 088	Protective Cover .	
22	1	1 602 319 009	Adjusting Slide .	29,00	802	1	1 604 220 328	Field 220-240V .	358,00
23	1	1 619 P02 762	Switch Button BLACK	29,00	803	1	1 604 010 626	Armature 220-240V .	503,00
25	1	F 002 G31 103	Housing Cover .		810	1	1 607 014 145	Carbon-Brush Set .	91,00
26	1	1 600 502 023	Intermediate Ring .	67,00	821	1	1 605 806 466	Gear Housing .	455,00
27	1	1 600 206 025	Rubber Ring .	65,00	828	1	1 605 805 090	Bearing Flange BLACK	382,00
29	1	1 600 591 023	Air-Deflector Ring .	33,00	838	1	1 600 A02 92J	Bevel Gear Set .	355,00
30	1	1 600 591 024	Air-Deflector Ring .	33,00	840	1	1 607 000 298	Push-Button BLACK	54,00
32	1	1 603 523 111	Grinding Spindle M10,	158,00	841	1	2 600 917 003	Needle-Roller Bearing	73,00
33	1	1 600 210 041	O-Ring 42,0x1,1 MM .	29,00	857	2	2 910 641 081	Oval-Head Screw	51,00
35	1	1 600 136 016	Shim 0,1 MM THICK	29,00	894	1	1 615 430 020	Grease Tube 225 ML .	1.438,00
35	1	1 600 136 017	Shim 0,2 MM THICK	29,00	895	1	1 605 430 003	Grease Tube 225 ML .	1.554,00
37	1	1 600 100 033	Cover Disc .	64,00					
45	1	2 915 011 007	Hex Nut DIN 934-M6-8-A .	69,00					

Please observe: Repairing, modifying and testing of electro-tools are to be performed professionally. The safety regulations according to IEC, EN, VDE, AFNOR and other regulations of the individual countries are to be observed. Subject to change.  
This price list supersedes all previous edition. Prices are subjected to change without any prior notice.

0 601 375 0X2  
Stand | 15-41  
Issue | 20-01-31 Fig./Abb. 2



Änderungen vorbehalten  
Modifications reserved  
Modifications reserves  
Salvo modificaciones

Model: 0 601 375 0X5 = 220

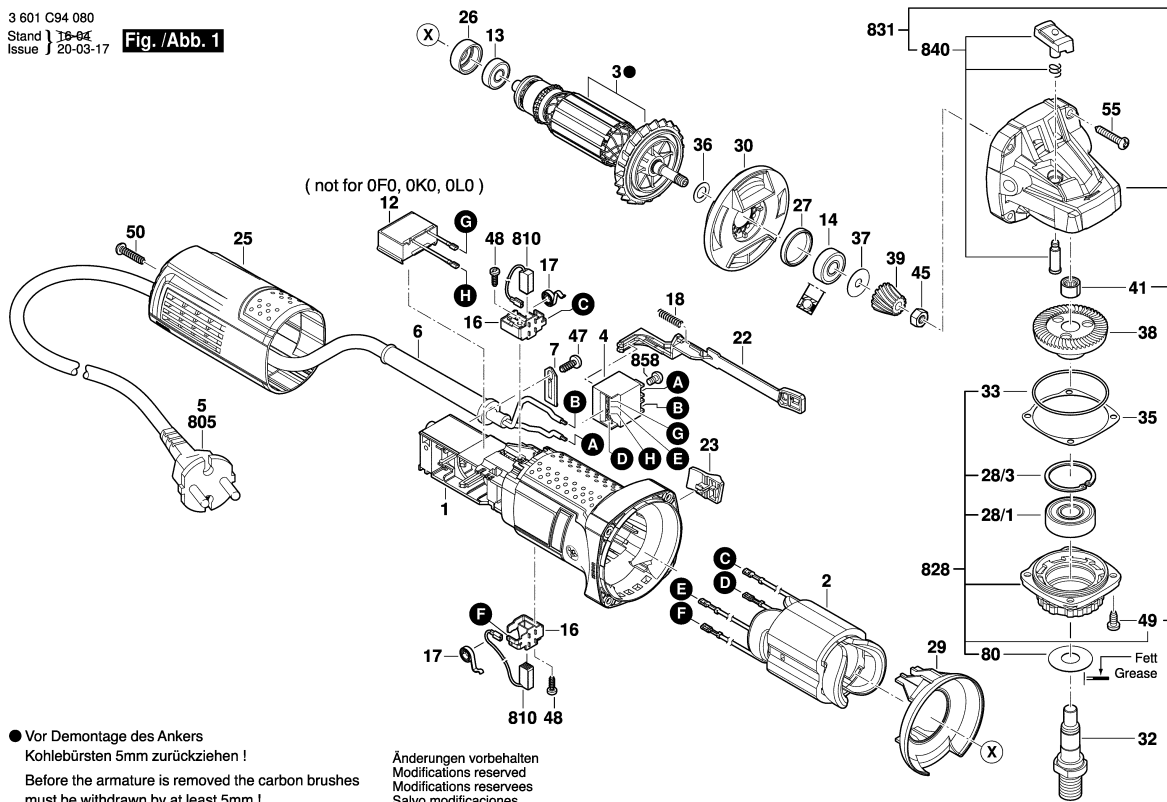
Date:

Item	Pc	Order no.	Description	LP in INR	Item	Pc	Order no.	Description	LP in INR

Please observe: Repairing, modifying and testing of electro-tools are to be performed professionally. The safety regulations according to IEC, EN, VDE, AFNOR and other regulations of the individual countries are to be observed. Subject to change.  
This price list supersedes all previous edition. Prices are subjected to change without any prior notice.

3 601 C94 080  
Stand 1 18-04  
Issue 1 20-03-17

**Fig./Abb. 1**



● Vor Demontage des Ankers  
Kohlebürsten 5mm zurückziehen!  
Before the armature is removed the carbon brushes  
must be withdrawn by at least 5mm!

Änderungen vorbehalten  
Modifications reserved  
Modificaciones reservadas  
Salvo modificaciones

1 / 2

Model: 3 601 C94 0F0 = 230

Date:

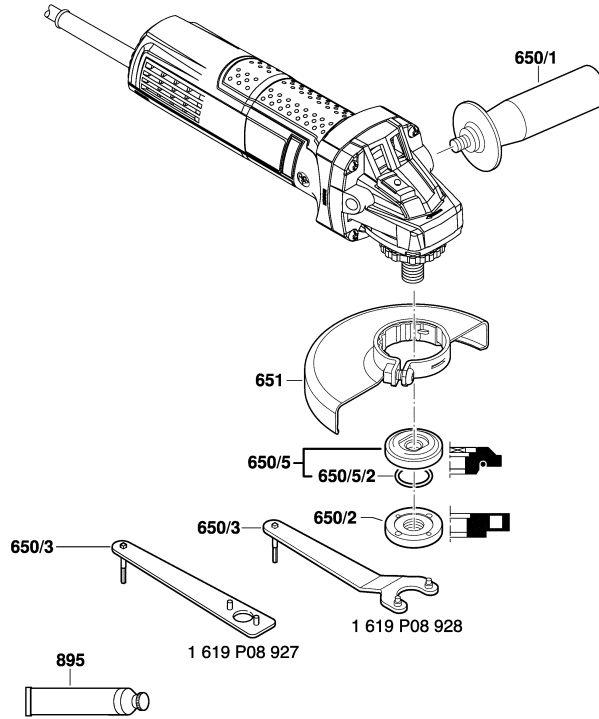
Item	Pc	Order no.	Description	LP in INR	Item	Pc	Order no.	Description	LP in INR
1	1	1 619 P10 958	Motor Housing .	89,00	35	1	1 619 P02 822	Shim 0,2 MM .	29,00
2	1	1 619 P08 334	Field 220-240V .	339,00	36	1	1 619 P00 987	Washer .	29,00
3	1	1 619 P08 234	Armature 220-240V .	549,00	37	1	1 600 100 033	Cover Disc .	64,00
4	1	1 607 200 31V	Switch .	69,00	38	1	1 619 P02 823	Crown Gear .	121,00
6	1	2 600 703 012	Grommet Ø6,5-Ø6,9x95	63,00	39	1	1 619 P02 825	Bevel Gear .	67,00
7	1	1 601 302 017	Fastening Clamp .	29,00	41	1	1 600 200 029	Plain bearing .	29,00
13	1	1 619 P08 829	groove ball bearing .	206,00	45	1	2 915 011 007	Hex Nut DIN 934-M6-8-A .	69,00
14	1	1 619 P13 103	groove ball bearing .	204,00	47	1	2 609 110 052	Special Screw .	44,00
16	2	1 619 P01 811	Brush Holder .	29,00	48	2	1 619 P00 220	Torx Oval-Head Screw	29,00
17	2	1 604 652 013	Spiral Spring .	43,00	49	4	1 619 P12 666	Thread-forming tap. Screw	38,00
18	1	1 619 P11 487	Compression Spring .	51,00	50	1	1 619 P00 105	Torx Oval-Head Screw	29,00
22	1	1 619 P10 967	Adjusting Slide .	51,00	55	4	1 619 P01 066	Torx Oval-Head Screw	29,00
23	1	1 619 P10 969	Switch Button .	47,00	80	1	1 619 P09 390	Cover Disc .	68,00
23	1	1 619 P13 541	Switch Button .	38,00	650/1	1	1 602 025 09T	Auxiliary Handle .	107,00
25	1	1 619 P10 963	Housing Cover .	36,00	650/2	1	1 619 P09 976	Round Nut With 2 Holes .	51,00
26	1	1 600 502 023	Intermediate Ring .	67,00	650/3	1	1 619 P08 928	Pin-Type Face-Wrench .	36,00
27	1	1 600 206 025	Rubber Ring .	65,00	650/5	1	1 619 P12 159	Clamping-Flange	48,00
28/1	1	1 619 P07 440	Ball Bearing .	208,00	651	1	1 600 A00 XU5	Protective Cover Ø100 MM	121,00
28/3	1	2 916 660 013	Retaining clip DIN	47,00	805	1	1 607 000 387	Power supply cord CN	266,00
29	1	1 619 P10 970	Air-Deflector Ring .	64,00	810	1	1 619 P11 715	Carbon-Brush Set .	170,00
30	1	1 619 P14 139	Air Distributor .	57,00	828	1	1 619 P07 451	Bearing Flange .	526,00
32	1	1 603 523 111	Grinding Spindle M10,	158,00	831	1	1 619 P12 186	Gear Housing .	583,00
33	1	1 619 P14 660	groove ball bearing .		840	1	1 619 P12 188	Push Button .	80,00
35	1	1 619 P02 821	Shim 0,1 MM .	29,00	858	2	2 910 641 081	Oval-Head Screw	51,00

Please observe: Repairing, modifying and testing of electro-tools are to be performed professionally. The safety regulations according to IEC, EN, VDE, AFNOR and other regulations of the individual countries are to be observed. Subject to change.  
This price list supersedes all previous edition. Prices are subjected to change without any prior notice.



3 601 C94 080  
Stand 1 18-04  
Issue 1 16-06-27

**Fig./Abb. 2**



Änderungen vorbehalten  
Modifications reserved  
Modifications reserves  
Salvo modificaciones

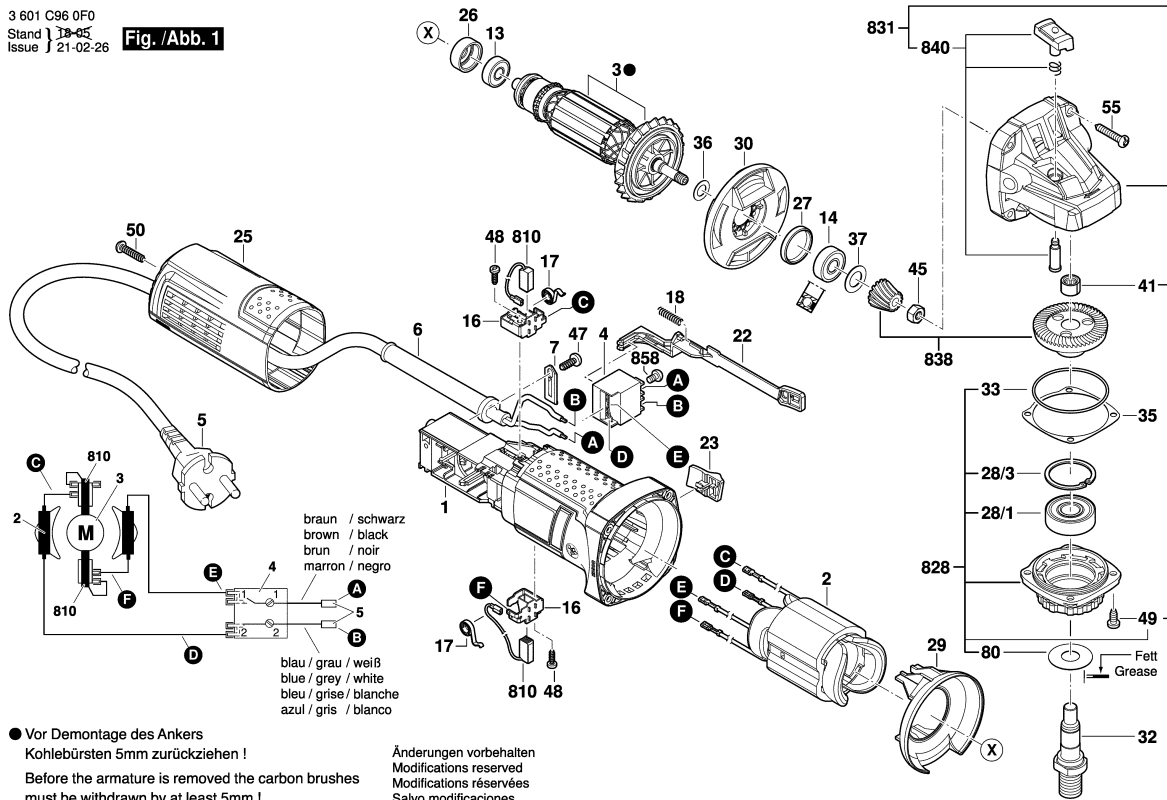
Model: 3 601 C94 0F0 = 230 Date:

Item	Pc	Order no.	Description	LP in INR	Item	Pc	Order no.	Description	LP in INR
894	1	1 615 430 020	Grease Tube 225 ML .	1.438,00					
895	1	1 605 430 003	Grease Tube 225 ML .	1.554,00					

Please observe: Repairing, modifying and testing of electro-tools are to be performed professionally. The safety regulations according to IEC, EN, VDE, AFNOR and other regulations of the individual countries are to be observed. Subject to change. This price list supersedes all previous edition. Prices are subjected to change without any prior notice.

3 601 C96 0F0  
Stand 1 19-05  
Issue 1 21-02-26

**Fig./Abb. 1**



1 / 2

Model: 3 601 C96 0F0 = 230

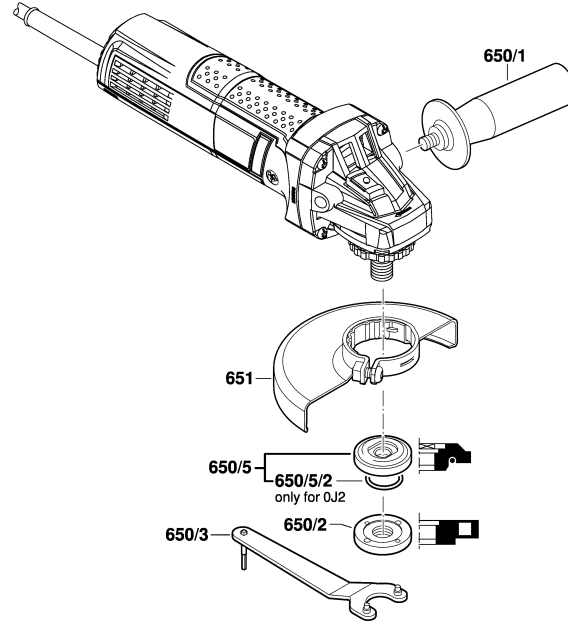
Date:

Item	Pc	Order no.	Description	LP in INR	Item	Pc	Order no.	Description	LP in INR
1	1	1 619 P10 959	Motor Housing .	552,00	35	1	1 619 P02 822	Shim 0,2 MM .	29,00
2	1	1 619 P10 953	Field 220-240V .	586,00	36	1	1 619 P00 987	Washer .	29,00
3	1	1 619 P10 952	Armature 220-240V .	749,00	37	1	1 600 100 033	Cover Disc .	64,00
4	1	1 607 200 31Y	Switch .	262,00	41	1	1 600 910 018	Needle bearing Ø8xØ12x8	119,00
5	1	1 619 P15 857	Power supply cord .		45	1	2 915 011 007	Hex Nut DIN 934-M6-8-A .	69,00
6	1	2 600 703 012	Grommet Ø6,5-Ø6,9x95	63,00	47	1	2 609 110 052	Special Screw .	44,00
7	1	1 601 302 017	Fastening Clamp .	29,00	48	2	1 619 P00 220	Torx Oval-Head Screw	29,00
13	1	1 619 P08 829	groove ball bearing .	206,00	49	4	1 603 435 068	Thread-forming tap. Screw	42,00
14	1	1 619 P13 103	groove ball bearing .	204,00	50	1	1 619 P00 105	Torx Oval-Head Screw	29,00
16	2	1 619 P01 811	Brush Holder .	29,00	55	4	1 619 P01 066	Torx Oval-Head Screw	29,00
17	2	1 604 652 013	Spiral Spring .	43,00	80	1	1 619 P09 390	Cover Disc .	68,00
18	1	1 619 P11 487	Compression Spring .	51,00	650/3	1	1 619 P08 927	Pin-Type Face-Wrench .	175,00
22	1	1 619 P10 968	Adjusting Slide .	48,00	650/1	1	1 602 025 09T	Auxiliary Handle .	107,00
23	1	1 619 P10 969	Switch Button .	47,00	650/2	1	1 619 P09 976	Round Nut With 2 Holes .	51,00
25	1	1 619 P13 558	Housing Cover .	130,00	650/5	1	1 605 703 113	Clamping-Flange M10,	41,00
26	1	1 600 502 023	Intermediate Ring .	67,00	650/5/2	1	1 600 210 039	O-Ring 20,35x1,78 MM .	29,00
27	1	1 600 206 025	Rubber Ring .	65,00	651	1	1 600 A00 XU5	Protective Cover Ø100 MM	121,00
28/1	1	1 619 P07 440	Ball Bearing .	208,00	810	1	1 619 P11 715	Carbon-Brush Set .	170,00
28/3	1	2 916 660 013	Retaining clip DIN	47,00	828	1	1 619 P07 451	Bearing Flange .	526,00
29	1	1 619 P10 970	Air-Deflector Ring .	64,00	831	1	1 619 P12 186	Gear Housing .	583,00
30	1	1 619 P14 139	Air Distributor .	57,00	838	1	1 619 P14 111	Set Of Gears .	396,00
32	1	1 603 523 111	Grinding Spindle M10,	158,00	840	1	1 619 P12 188	Push Button .	80,00
33	1	1 619 P02 820	O-Ring 44,0x1,0 MM .	29,00	858	2	2 910 641 081	Oval-Head Screw	51,00
35	1	1 619 P02 821	Shim 0,1 MM .	29,00	894	1	1 615 430 020	Grease Tube 225 ML .	1.438,00

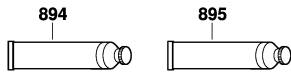
Please observe: Repairing, modifying and testing of electro-tools are to be performed professionally. The safety regulations according to IEC, EN, VDE, AFNOR and other regulations of the individual countries are to be observed. Subject to change.

This price list supersedes all previous edition. Prices are subjected to change without any prior notice.

3 601 C96 0F0  
Stand } 16-04-05 **Fig./Abb. 2**  
Issue }



Änderungen vorbehalten  
Modifications reserved  
Modifications réservées  
Salvo modificaciones



2 / 2

Model: 3 601 C96 0F0 = 230 Date:

Item	Pc	Order no.	Description	LP in INR	Item	Pc	Order no.	Description	LP in INR
895	1	1 605 430 003	Grease Tube 225 ML .	1.554,00					

Please observe: Repairing, modifying and testing of electro-tools are to be performed professionally. The safety regulations according to IEC, EN, VDE, AFNOR and other regulations of the individual countries are to be observed. Subject to change. This price list supersedes all previous edition. Prices are subjected to change without any prior notice.

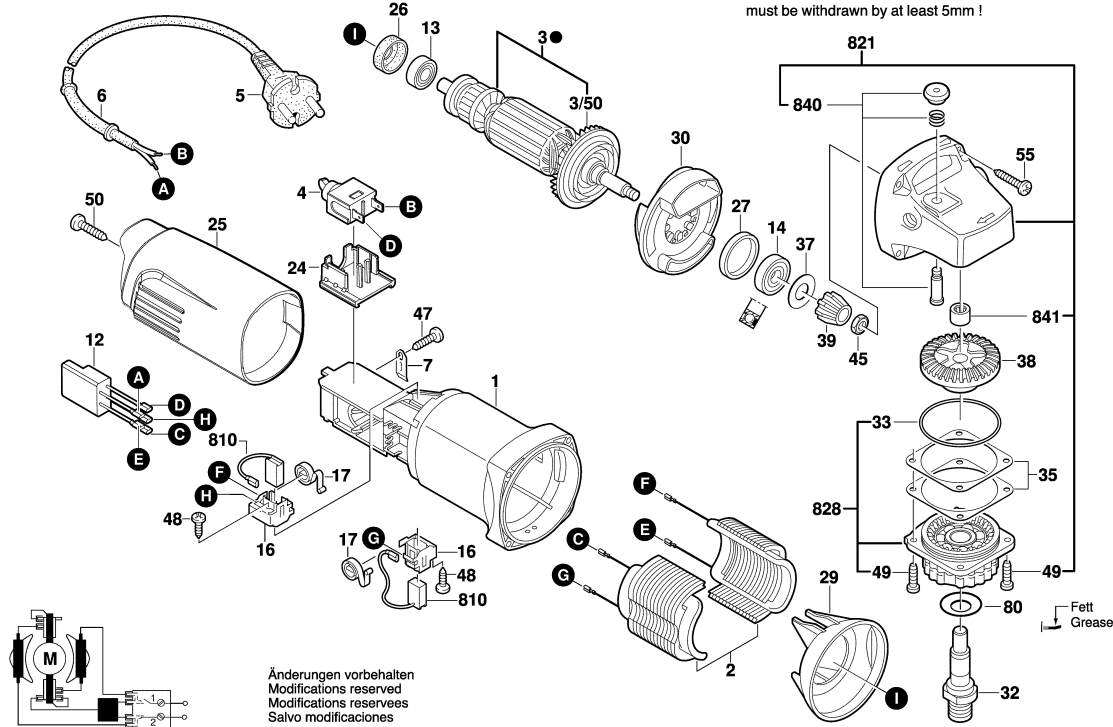


3 601 C75 0B7  
Stand 13-01-17  
Issue 13-01-30

**Fig./Abb. 1**

**Gerad - Verzahnung**

● Vor Demontage des Ankers  
Kohlebürsten 5mm zurückziehen !  
Before the armature is removed the carbon brushes  
must be withdrawn by at least 5mm !



Änderungen vorbehalten  
Modifications reserved  
Modifications reserves  
Salvo modificaciones

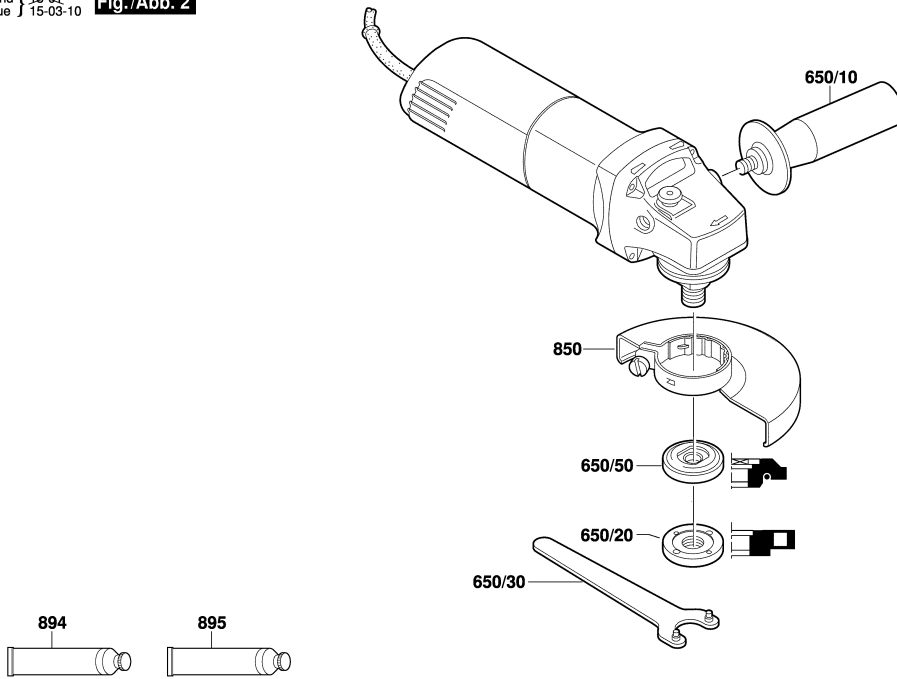
1 / 2

Model: 3 601 C75 0B7 = 220

Date:

Item	Pc	Order no.	Description	LP in INR	Item	Pc	Order no.	Description	LP in INR
1	1	1 619 P10 030	Motor Housing .	252,00	38	1	1 619 P01 991	Bevel Gear .	244,00
2	1	1 619 P08 322	Field 230V .	696,00	39	1	1 619 P01 990	Pinion .	218,00
3	1	1 619 P08 222	Armature 220V .	1.185,00	45	1	2 915 011 007	Hex Nut DIN 934-M6-8-A .	69,00
3/50	1	1 606 610 141	Fan .	29,00	47	1	2 609 110 052	Special Screw .	44,00
4	1	1 619 P09 984	Switch .	218,00	48	2	1 619 P00 220	Torx Oval-Head Screw	29,00
5	1	1 619 P10 097	Power supply cord .	318,00	49	4	1 603 435 068	Thread-forming tap. Screw	42,00
6	1	2 600 703 012	Grommet Ø6,5-Ø6,9x95	63,00	50	1	2 910 611 020	Tapping Screw DIN	43,00
7	1	1 601 302 017	Fastening Clamp .	29,00	55	4	2 910 611 022	Tapping Screw DIN	29,00
12	1	1 619 P10 032	Suppression Filter .		80	1	1 619 P09 390	Cover Disc .	68,00
13	1	1 619 P00 456	Ball Bearing 7x19x6 MM .	57,00	650/10	1	1 602 025 09T	Auxiliary Handle .	107,00
14	1	1 619 P00 455	Ball Bearing .	35,00	650/20	1	1 619 P09 976	Round Nut With 2 Holes .	51,00
16	2	1 619 P01 811	Brush Holder .	29,00	650/30	1	1 619 P08 928	Pin-Type Face-Wrench .	36,00
17	2	1 604 652 013	Spiral Spring .	43,00	650/50	1	1 605 703 115	Clamping-Flange .	
24	1	1 619 P10 033	Switch Support .	61,00	810	1	1 619 P10 715	Carbon-Brush Set .	
25	1	1 619 P10 031	Housing Cover .	191,00	821	1	1 605 806 466	Gear Housing .	455,00
26	1	1 600 502 024	Intermediate Ring .	56,00	828	1	1 619 P10 716	Bearing Flange .	296,00
27	1	1 600 206 025	Rubber Ring .	65,00	840	1	1 607 000 298	Push-Button BLACK	54,00
29	1	1 600 591 023	Air-Deflector Ring .	33,00	841	1	1 600 910 018	Needle bearing Ø8xØ12x8	119,00
30	1	1 600 591 024	Air-Deflector Ring .	33,00	850	1	1 619 P01 321	Protective Cover .	
32	1	1 603 523 111	Grinding Spindle M10,	158,00	894	1	1 615 430 020	Grease Tube 225 ML .	1.438,00
33	1	1 600 210 041	O-Ring 42,0x1,1 MM .	29,00	895	1	1 605 430 003	Grease Tube 225 ML .	1.554,00
35	1	1 600 136 016	Shim 0,1 MM THICK	29,00					
35	1	1 600 136 017	Shim 0,2 MM THICK	29,00					
37	1	1 600 100 033	Cover Disc .	64,00					

3 601 C75 0B7  
Stand 13-61  
Issue 15-03-10 **Fig./Abb. 2**



Änderungen vorbehalten  
Modifications reserved  
Modificacions reserves  
Salvo modificaciones

2 / 2

Model: 3 601 C75 0B7 = 220 Date:

Item	Pc	Order no.	Description	LP in INR	Item	Pc	Order no.	Description	LP in INR

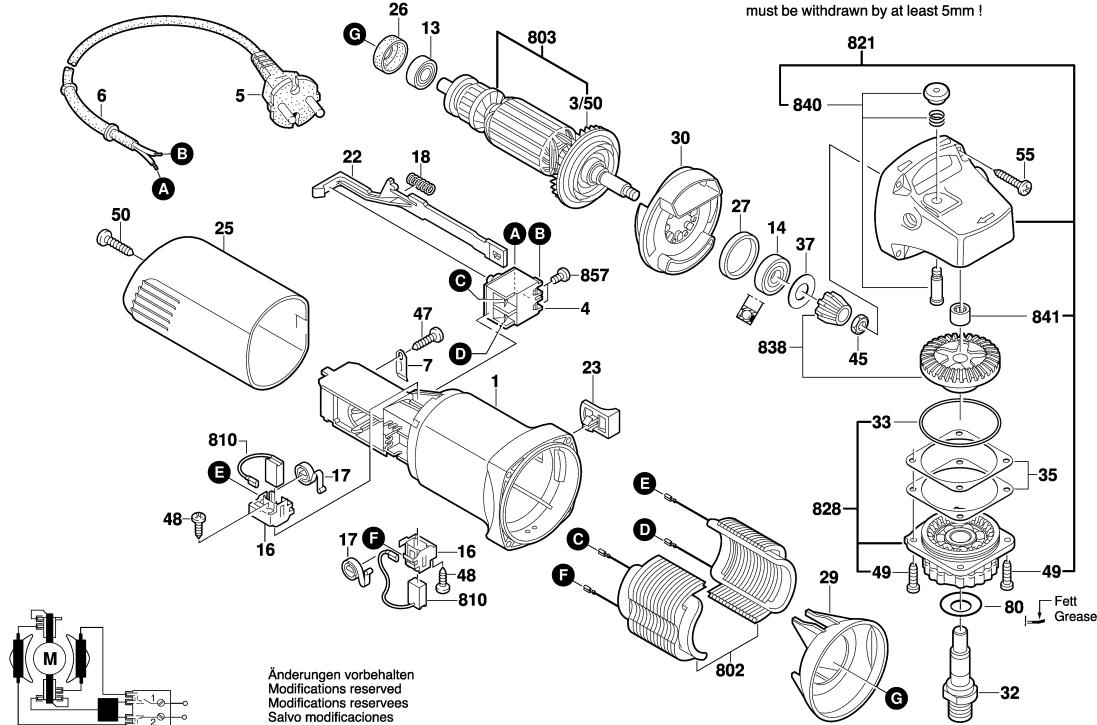
Please observe: Repairing, modifying and testing of electro-tools are to be performed professionally. The safety regulations according to IEC, EN, VDE, AFNOR and other regulations of the individual countries are to be observed. Subject to change.  
This price list supersedes all previous edition. Prices are subjected to change without any prior notice.

0 601 375 0X2  
Stand 20-01  
Issue 21-07-23

**Fig. / Abb. 1**

**Gerad - Verzahnung**

● Vor Demontage des Ankers  
Kohlebürsten 5mm zurückziehen !  
Before the armature is removed the carbon brushes  
must be withdrawn by at least 5mm !

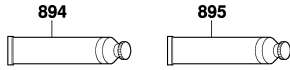
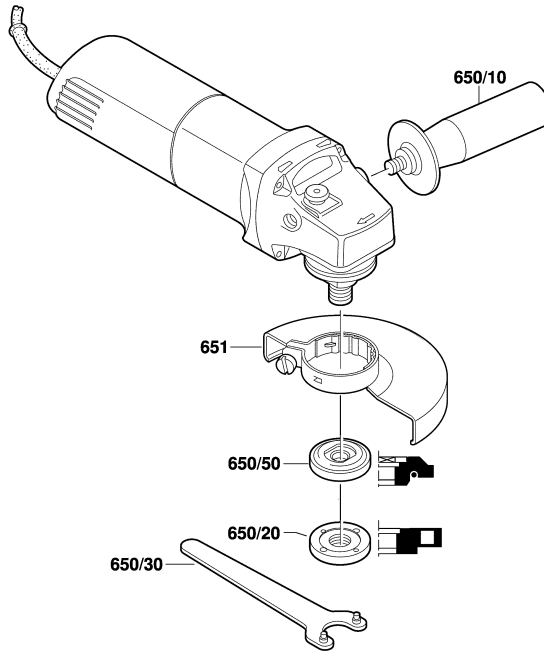


Änderungen vorbehalten  
Modifications reserved  
Modifications reserves  
Salvo modificaciones

Model: 0 601 375 1X2 = 230 Date:

Item	Pc	Order no.	Description	LP in INR	Item	Pc	Order no.	Description	LP in INR
1	1	1 619 P09 772	Motor Housing .	160,00	37	1	1 600 100 033	Cover Disc .	64,00
2	1	1 604 220 328	Field 220-240V .	358,00	45	4	2 915 011 007	Hex Nut DIN 934-M6-8-A .	69,00
3	1	1 604 010 626	Armature 220-240V .	503,00	47	1	2 609 110 052	Special Screw .	44,00
3/5	1	1 606 610 141	Fan .	29,00	48	4	1 619 P00 220	Torx Oval-Head Screw	29,00
4	1	1 607 200 179	On-Off Switch .	180,00	49	4	1 603 435 068	Thread-forming tap. Screw	42,00
5	1	1 604 460 72V	Power supply cord IND	110,00	50	10	2 910 611 020	Tapping Screw DIN	43,00
6	1	F 002 G31 081	Grommet .	29,00	55	4	2 910 611 022	Tapping Screw DIN	29,00
7	1	1 601 302 017	Fastening Clamp .	29,00	80	1	3 600 150 021	Sealing disk .	66,00
13	1	1 619 P11 239	groove ball bearing .	30,00	650/1	1	F 002 G30 042	Auxiliary Handle .	
14	1	1 619 P11 240	groove ball bearing .	63,00	650/2	1	1 603 345 043	Round Nut M14 .	108,00
16	2	1 619 P01 811	Brush Holder .	29,00	650/3	1	1 619 P08 927	Pin-Type Face-Wrench .	175,00
17	2	1 604 652 013	Spiral Spring .	43,00	650/5	1	2 605 703 014	Clamping Flange	102,00
18	1	1 604 611 031	Compression Spring .	67,00	650/5/2	1	1 600 210 039	O-Ring 20,35x1,78 MM .	29,00
22	1	1 602 319 009	Adjusting Slide .	29,00	651	1	1 600 A00 XU7	Protective Cover Ø125 MM	542,00
23	1	1 619 P02 762	Switch Button BLACK	29,00	810	1	1 607 014 145	Carbon-Brush Set .	91,00
25	1	F 002 G31 103	Housing Cover .		821	1	1 605 806 466	Gear Housing .	455,00
26	1	1 600 206 036	Rubber Ring .	45,00	828	1	1 605 805 090	Bearing Flange BLACK	382,00
27	1	1 600 206 025	Rubber Ring .	65,00	838	1	1 600 A02 92J	Bevel Gear Set .	355,00
29	1	1 600 591 023	Air-Deflector Ring .	33,00	840	1	1 607 000 298	Push-Button BLACK	54,00
30	1	1 600 591 024	Air-Deflector Ring .	33,00	841	1	1 600 910 018	Needle bearing Ø8xØ12x8	119,00
32	1	1 619 P06 419	Grinding Spindle M 14, SW	377,00	857	2	2 910 641 081	Oval-Head Screw	51,00
33	1	1 600 210 041	O-Ring 42,0x1,1 MM .	29,00	894	1	1 615 430 020	Grease Tube 225 ML .	1.438,00
35	1	1 600 136 016	Shim 0,1 MM THICK	29,00	895	1	1 605 430 003	Grease Tube 225 ML .	1.554,00
35	1	1 600 136 017	Shim 0,2 MM THICK	29,00					

0 601 375 0X2  
Stand 15-11  
Issue 20-01-31 **Fig./Abb. 2**



Änderungen vorbehalten  
Modifications reserved  
Modificaciones reservadas  
Salvo modificaciones

Model: 0 601 375 1X2 = 230

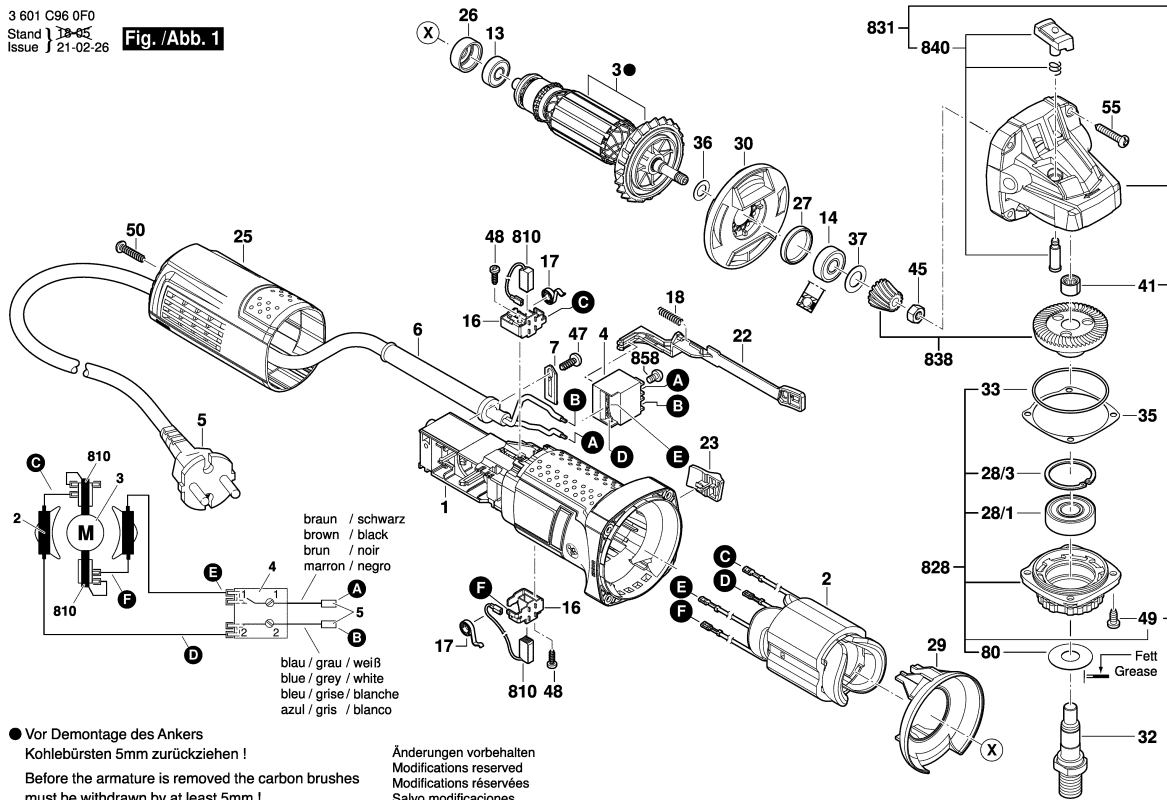
Date:

Item	Pc	Order no.	Description	LP in INR	Item	Pc	Order no.	Description	LP in INR

Please observe: Repairing, modifying and testing of electro-tools are to be performed professionally. The safety regulations according to IEC, EN, VDE, AFNOR and other regulations of the individual countries are to be observed. Subject to change. This price list supersedes all previous edition. Prices are subjected to change without any prior notice.

3 601 C96 0F0  
Stand 1 19-05  
Issue 1 21-02-26

**Fig./Abb. 1**



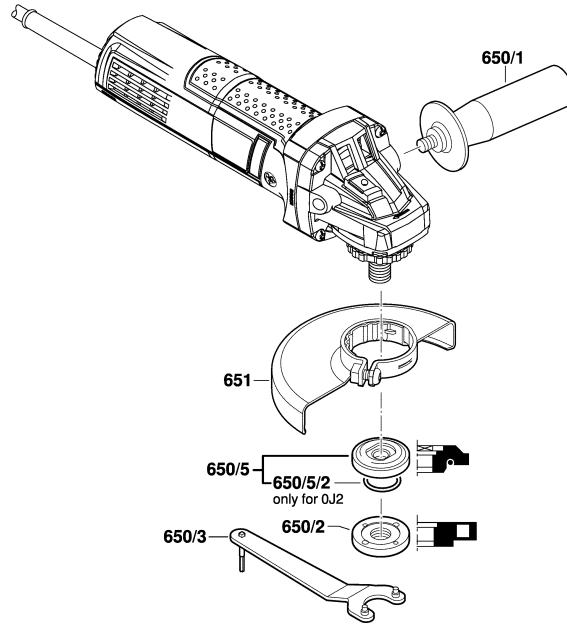
1 / 2

Model: 3 601 C96 0F2 = 230

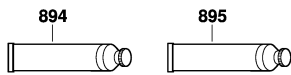
Date:

Item	Pc	Order no.	Description	LP in INR	Item	Pc	Order no.	Description	LP in INR
1	1	1 619 P10 959	Motor Housing .	552,00	37	1	1 600 100 033	Cover Disc .	64,00
2	1	1 619 P10 953	Field 220-240V .	586,00	41	1	1 600 910 018	Needle bearing Ø8xØ12x8	119,00
3	1	1 619 P10 952	Armature 220-240V .	749,00	45	1	2 915 011 007	Hex Nut DIN 934-M6-8-A .	69,00
4	1	1 607 200 31Y	Switch .	262,00	47	1	2 609 110 052	Special Screw .	44,00
6	1	2 600 703 012	Grommet Ø6,5-Ø6,9x95	63,00	48	2	1 619 P00 220	Torx Oval-Head Screw	29,00
7	1	1 601 302 017	Fastening Clamp .	29,00	49	4	1 603 435 068	Thread-forming tap. Screw	42,00
13	1	1 619 P08 829	groove ball bearing .	206,00	50	1	1 619 P00 105	Torx Oval-Head Screw	29,00
14	1	1 619 P13 103	groove ball bearing .	204,00	55	4	1 619 P01 066	Torx Oval-Head Screw	29,00
17	2	1 604 652 013	Spiral Spring .	43,00	80	1	1 619 P09 390	Cover Disc .	68,00
18	1	1 619 P11 487	Compression Spring .	51,00	650/3	1	1 619 P08 927	Pin-Type Face-Wrench .	175,00
22	1	1 619 P10 968	Adjusting Slide .	48,00	650/1	1	1 602 025 09T	Auxiliary Handle .	107,00
23	1	1 619 P10 969	Switch Button .	47,00	650/2	1	1 603 345 043	Round Nut M14 .	108,00
25	1	1 619 P13 558	Housing Cover .	130,00	650/5	1	2 605 703 014	Clamping Flange	102,00
26	1	1 600 502 023	Intermediate Ring .	67,00	650/5/2	1	1 600 210 039	O-Ring 20,35x1,78 MM .	29,00
27	1	1 600 206 025	Rubber Ring .	65,00	651	1	1 600 A00 XU7	Protective Cover Ø125 MM	542,00
28/1	1	1 619 P07 440	Ball Bearing .	208,00	810	1	1 619 P11 715	Carbon-Brush Set .	170,00
28/3	1	2 916 660 013	Retaining clip DIN	47,00	828	1	1 619 P07 451	Bearing Flange .	526,00
29	1	1 619 P10 970	Air-Deflector Ring .	64,00	831	1	1 619 P12 186	Gear Housing .	583,00
30	1	1 619 P14 139	Air Distributor .	57,00	838	1	1 619 P14 111	Set Of Gears .	396,00
32	1	1 619 P06 419	Grinding Spindle M 14, SW	377,00	840	1	1 619 P12 188	Push Button .	80,00
33	1	1 619 P02 820	O-Ring 44,0x1,0 MM .	29,00	858	2	2 910 641 081	Oval-Head Screw	51,00
35	1	1 619 P02 821	Shim 0,1 MM .	29,00	894	1	1 615 430 020	Grease Tube 225 ML .	1.438,00
35	1	1 619 P02 822	Shim 0,2 MM .	29,00	895	1	1 605 430 003	Grease Tube 225 ML .	1.554,00
36	1	1 619 P00 987	Washer .	29,00					

3 601 C96 0F0  
Stand 16-04-05  
Issue } **Fig./Abb. 2**



Änderungen vorbehalten  
Modifications reserved  
Modifications réservées  
Salvo modificaciones



2 / 2

Model: 3 601 C96 0F2 = 230 Date:

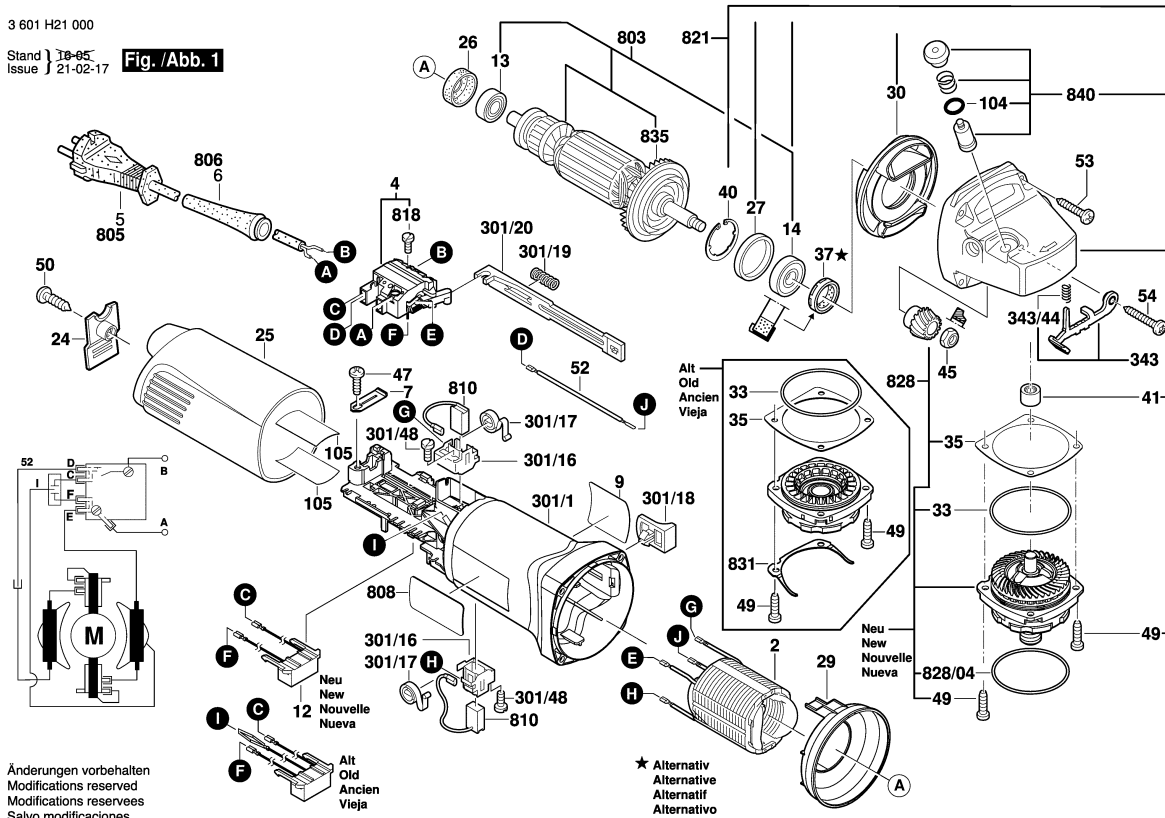
Item	Pc	Order no.	Description	LP in INR	Item	Pc	Order no.	Description	LP in INR



3 601 H21 000

Stand | 18-05  
Issue | 21-02-17

**Fig./Abb. 1**



Änderungen vorbehalten  
Modifications reserved  
Modifications reserves  
Salvo modificaciones

★ Alternativ  
Alternative  
Alternatif  
Alternativo

1 / 2

Model: 3 601 H21 2F1 = 230

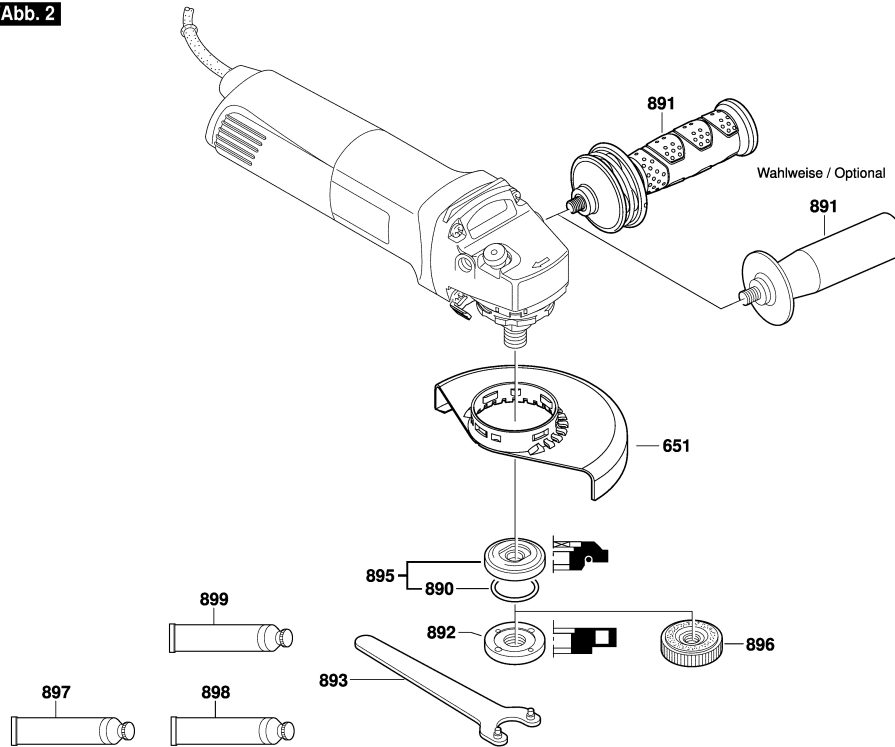
Date:

Item	Pc	Order no.	Description	LP in INR	Item	Pc	Order no.	Description	LP in INR
2	1	1 604 220 54J	Field .	1.107,00	49	4	2 914 491 410	Thread-forming tap. Screw	30,00
4	1	1 607 200 086	On-Off Switch .	318,00	50	1	2 603 490 023	Torx Oval-Head Screw	29,00
7	1	1 601 302 017	Fastening Clamp .	29,00	51	1	1 607 233 137	Regulator 220V .	1.753,00
9	1	1 601 118 G95	Manufacturer's nameplate		52	1	1 604 448 013	Connecting Cable L=90	79,00
12	1	1 607 328 074	Suppression Capacitor .	272,00	53	3	1 603 435 078	Torx Oval-Head Screw .	70,00
13	1	2 600 905 032	Ball Bearing 7x19x6 .	161,00	54	1	1 603 414 026	Torx Oval-Head Screw	36,00
14	1	1 600 905 032	groove ball bearing 8x22x7	80,00	80	1	1 619 P09 390	Cover Disc .	68,00
24	1	1 605 500 228	Cover BLUE	84,00	104	1	1 600 210 044	O-Ring 4,5x1,0 MM BLUE	30,00
25	1	1 605 500 251	Housing Cover DARK	213,00	105	2	1 601 008 005	Insulating Plate .	80,00
26	1	1 600 206 036	Rubber Ring .	45,00	301/1	1	1 605 108 249	Motor Housing DARK	248,00
27	1	1 600 206 025	Rubber Ring .	65,00	301/16	2	1 601 323 023	Brush Holder WITH	100,00
29	1	1 600 591 024	Air-Deflector Ring .	33,00	301/17	2	1 604 652 013	Spiral Spring .	43,00
30	1	1 600 591 014	Air-Deflector Ring .	72,00	301/18	1	1 602 026 088	Switch Handle .	30,00
32	1	1 619 P06 419	Grinding Spindle M 14, SW	377,00	301/19	1	1 604 611 026	Compression Spring .	37,00
33	1	1 600 210 035	O-Ring 46,0x1,1 MM .	50,00	301/20	1	1 602 319 011	Adjusting Slide .	44,00
35	1	1 600 136 013	Shim 0,1 MM THICK	70,00	301/48	2	1 613 435 034	Lens Head Screw 3x10 ST	140,00
35	1	1 600 136 020	Shim 0,15 MM THICK	82,00	343	1	1 607 000 742	Catch Lever .	241,00
35	1	1 600 136 014	Shim 0,2 MM THICK	70,00	343/44	1	1 604 611 042	Compression Spring .	30,00
35	1	1 600 136 015	Shim 0,3 MM THICK	67,00	651	1	1 600 A00 XK9	Protective Cover 125 MM .	531,00
37	1	1 600 290 016	Rotary shaft lip seal .	61,00	803	1	1 604 010 A20	Armature With Fan 230V .	2.452,00
40	1	1 600 119 011	Retaining clip .	49,00	805	1	1 607 000 385	Power supply cord EU	860,00
41	1	1 600 200 029	Plain bearing .	29,00	806	1	1 600 703 031	Grommet Ø7,3-Ø8,6x67	66,00
45	1	1 603 300 016	Hex Nut M7, SW10 .	50,00	810	1	1 607 014 176	Carbon-Brush Set .	231,00
47	1	2 603 490 021	Torx Oval-Head Screw	29,00	810	1	1 607 000 482	Carbon-Brush Set	2.249,00

Please observe: Repairing, modifying and testing of electro-tools are to be performed professionally. The safety regulations according to IEC, EN, VDE, AFNOR and other regulations of the individual countries are to be observed. Subject to change. This price list supersedes all previous edition. Prices are subjected to change without any prior notice.

3 601 H21 000

Stand | 07-02  
Issue | 14-03-27 **Fig./Abb. 2**



Änderungen vorbehalten  
Modifications reserved  
Modifications reserves  
Salvo modificaciones

Model: 3 601 H21 2F1 = 230

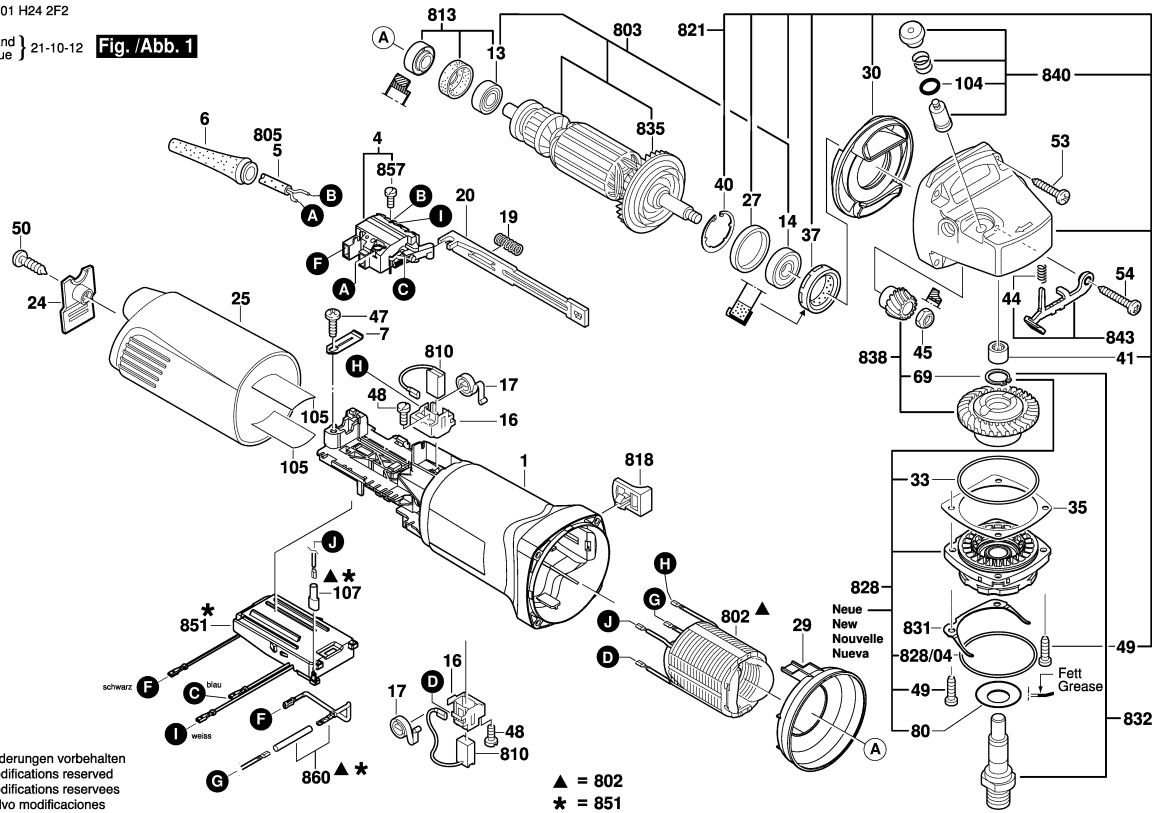
Date:

Item	Pc	Order no.	Description	LP in INR
818	1	2 910 110 048	Pan head screw DIN	30,00
828/04	1	3 600 210 109	O-Ring 47,0x1,5 MM .	49,00
831	1	1 601 290 013	Spring Element .	50,00
835	1	1 606 610 132	Fan .	144,00
840	1	1 607 000 A71	Push-Button .	30,00
890	1	1 600 210 039	O-Ring 20,35x1,78 MM .	29,00
891	1	F 002 G30 042	Auxiliary Handle .	
891	1	1 602 025 0A0	Auxiliary Handle .	767,00
892	1	1 603 345 043	Round Nut M14 .	108,00
893	1	1 619 P08 927	Pin-Type Face-Wrench .	175,00
895	1	2 605 703 014	Clamping Flange	102,00
896	1	1 600 A01 6PP	Fast Locking Flange .	1.659,00

Item	Pc	Order no.	Description	LP in INR

3 601 H24 2F2

Stand Issue } 21-10-12 **Fig./Abb. 1**



1 / 2

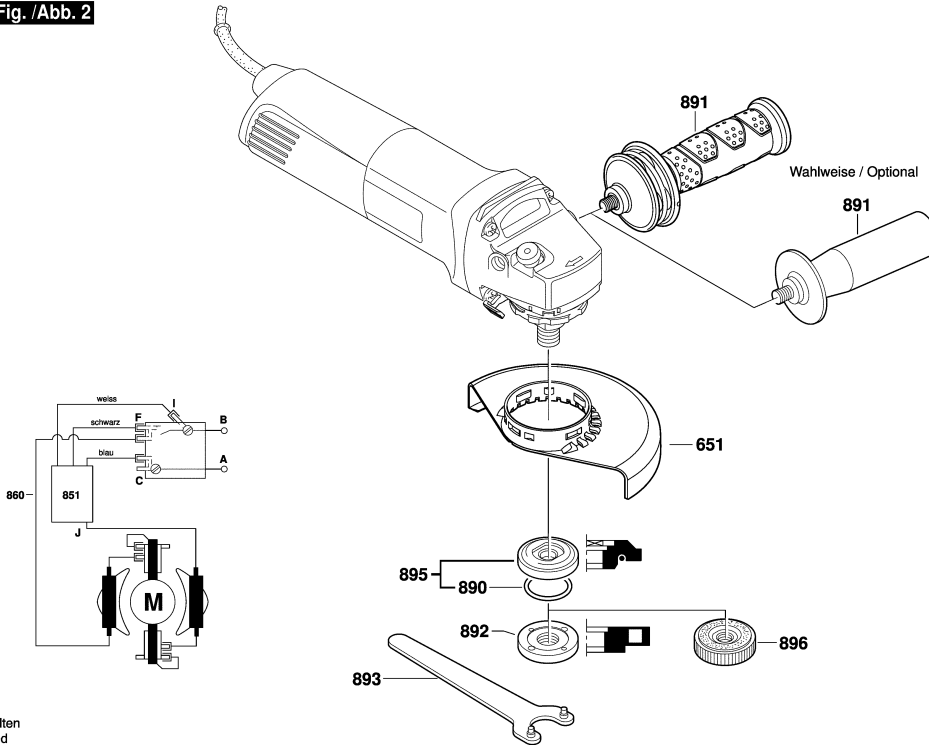
Model: 3 601 H24 2F2 = 230

Date:

Item	Pc	Order no.	Description	LP in INR	Item	Pc	Order no.	Description	LP in INR
1	1	1 605 108 249	Motor Housing DARK	248,00	45	1	1 603 300 016	Hex Nut M7, SW10 .	50,00
4	1	1 607 200 200	Switch .	220,00	47	1	2 912 401 018	Tapping Screw	30,00
5	1	F 002 G30 111	Power supply cord .		48	2	2 912 401 005	Tapping Screw	30,00
6	1	1 600 703 031	Grommet Ø7,3-Ø8,6x67	66,00	49	1	1 619 P07 559	Thread-forming tap. Screw	47,00
7	1	1 600 703 031	Grommet Ø7,3-Ø8,6x67	66,00	50	1	2 912 401 420	Tapping Screw	30,00
13	1	1 601 302 017	Fastening Clamp .	29,00	53	3	2 910 611 022	Tapping Screw DIN	29,00
14	1	1 619 P11 239	groove ball bearing .	30,00	54	1	2 603 490 025	Torx Oval-Head Screw	30,00
16	2	1 600 905 032	groove ball bearing 8x22x7	80,00	69	1	2 916 540 007	Retaining ring .	
17	2	1 601 323 023	Brush Holder WITH	100,00	80	1	3 600 150 021	Sealing disk .	66,00
19	1	1 604 652 013	Spiral Spring .	43,00	104	1	1 600 210 044	O-Ring 4,5x1,0 MM BLUE	30,00
20	1	1 604 611 026	Compression Spring .	37,00	105	2	1 601 008 005	Insulating Plate .	80,00
24	1	1 602 319 011	Adjusting Slide .	44,00	107	1	1 619 P11 818	Insulating Part .	
25	1	1 605 500 228	Cover BLUE	84,00	651	1	1 600 A00 XK9	Protective Cover 125 MM .	531,00
27	1	1 605 500 251	Housing Cover DARK	213,00	802	1	1 607 000 397	Field 220-240V .	905,00
29	1	1 600 591 025	Air-Deflector Ring .	71,00	803	1	1 604 010 A22	Armature With Fan	1.726,00
30	1	1 600 591 014	Air-Deflector Ring .	72,00	805	1	F 002 G30 111	Power supply cord .	
33	1	1 600 210 035	O-Ring 46,0x1,1 MM .	50,00	810	1	1 607 014 176	Carbon-Brush Set .	231,00
35	1	1 600 136 013	Shim 0,1 MM THICK	70,00	813	1	1 607 000 378	Parts Set .	269,00
35	1	1 600 136 014	Shim 0,2 MM THICK	70,00	818	1	1 602 026 088	Switch Handle .	30,00
35	1	1 600 136 015	Shim 0,3 MM THICK	67,00	821	1	1 605 806 515	Gear Housing .	1.222,00
37	1	1 600 290 016	Rotary shaft lip seal .	61,00	828	1	1 607 000 D6C	Bearing Flange .	344,00
40	1	1 600 119 011	Retaining clip .	49,00	828/04	1	3 600 210 109	O-Ring 47,0x1,5 MM .	49,00
41	1	2 600 917 003	Needle-Roller Bearing	73,00	831	1	1 601 290 013	Spring Element .	50,00
44	1	1 604 611 042	Compression Spring .	30,00	832	1	1 619 P15 212	Grinding Spindle .	221,00

3 601 H24 2F2

Stand Issue } 21-10-07 **Fig./Abb. 2**



Änderungen vorbehalten  
Modifications reserved  
Modificaciones reserves  
Salvo modificaciones

2 / 2

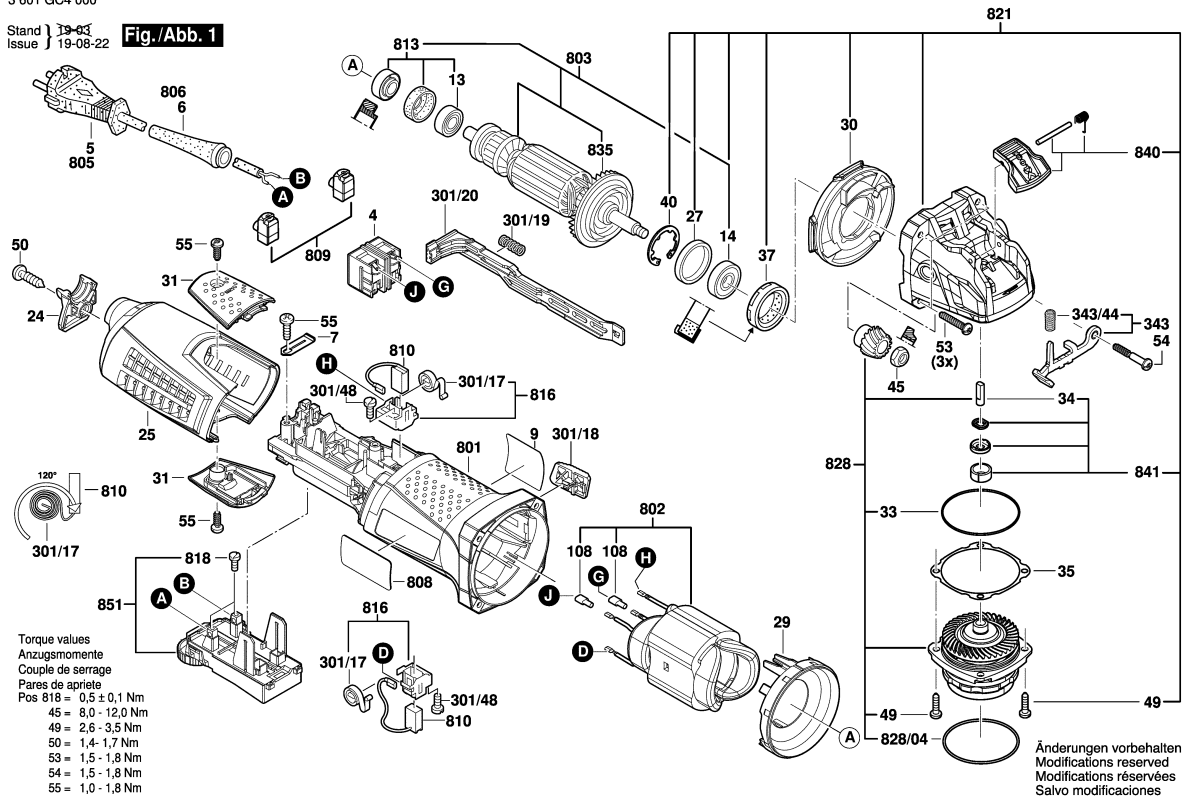
Model: 3 601 H24 2F2 = 230

Date:

Item	Pc	Order no.	Description	LP in INR	Item	Pc	Order no.	Description	LP in INR
835	1	1 606 610 132	Fan .	144,00					
838	1	1 607 000 D4Y	Gear Unit .	585,00					
840	1	1 607 000 A71	Push-Button .	30,00					
843	1	1 607 000 742	Catch Lever .	241,00					
851	1	1 607 233 291	Speed governor 220-240V .	1.079,00					
857	1	2 910 110 048	Pan head screw DIN	30,00					
860	1	1 604 448 023	Connecting Cable .	44,00					
890	1	1 600 210 039	O-Ring 20,35x1,78 MM .	29,00					
891	1	1 602 025 052	Auxiliary Handle M10	809,00					
892	1	1 603 345 043	Round Nut M14 .	108,00					
893	1	1 607 950 060	Pin Type Face Wrench .	174,00					
895	1	2 605 703 014	Clamping Flange	102,00					
896	1	1 600 A01 6PP	Fast Locking Flange .	1.659,00					

3 601 GC4 000

Stand 19-03  
Issue 19-08-22 **Fig./Abb. 1**



1 / 2

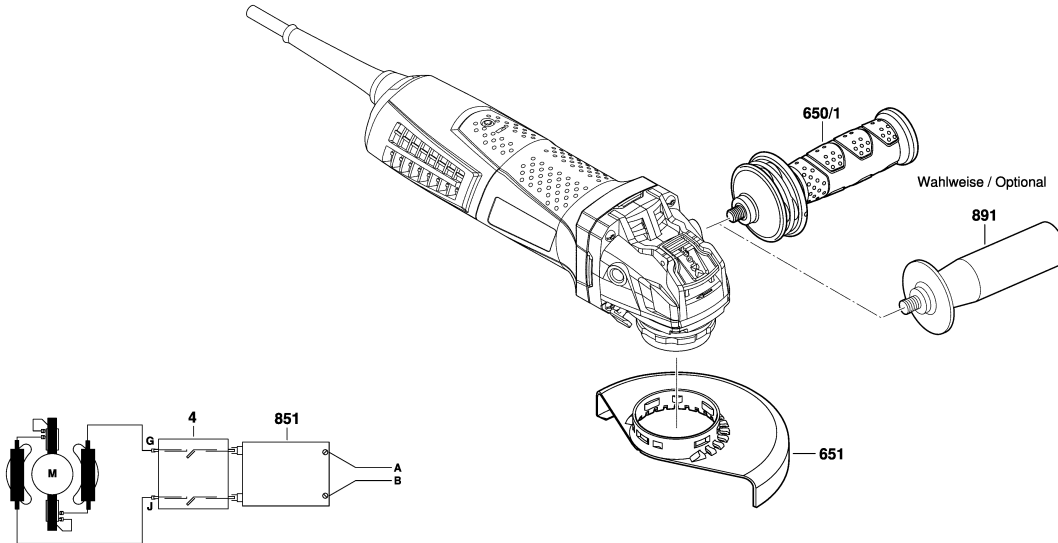
Model: 3 601 GC4 0F0 = 18

Date:

Item	Pc	Order no.	Description	LP in INR	Item	Pc	Order no.	Description	LP in INR
4	1	1 607 200 35A	Switch .	323,00	53	3	1 603 435 078	Torx Oval-Head Screw .	70,00
5	1	1 604 460 78A	Power supply cord IND .		54	1	1 603 414 026	Torx Oval-Head Screw	36,00
6	1	1 600 703 043	Grommet .	79,00	55	3	2 603 490 021	Torx Oval-Head Screw	29,00
7	1	1 601 302 017	Fastening Clamp .	29,00	108	2	1 600 712 030	Insulating Part .	44,00
9	1	1 601 11C 2TX	Manufacturer's nameplate .		301/17	2	1 604 652 021	Spiral Spring .	70,00
13	1	2 600 905 032	Ball Bearing 7x19x6 .	161,00	301/18	1	1 602 026 091	Switch Handle .	127,00
14	1	1 600 905 032	groove ball bearing 8x22x7	80,00	301/19	1	1 604 611 031	Compression Spring .	67,00
24	1	1 605 500 275	Cover .	28,00	301/20	1	1 602 319 026	Adjusting Slide .	96,00
25	1	1 605 500 276	Housing Cover .	308,00	301/48	2	1 613 435 034	Lens Head Screw 3x10 ST	140,00
27	1	1 600 206 025	Rubber Ring .	65,00	343	1	1 607 000 742	Catch Lever .	241,00
29	1	1 600 591 047	Air-Deflector Ring .	80,00	343/44	1	1 604 611 042	Compression Spring .	30,00
30	1	1 600 591 048	Air Distributor .	103,00	650/1	1	1 602 025 0A0	Auxiliary Handle .	767,00
31	2	1 600 A01 M0M	Brush-Cover .	110,00	651	1	1 600 A00 XK9	Protective Cover 125 MM .	531,00
33	1	1 600 210 035	O-Ring 46,0x1,1 MM .	50,00	801	1	1 607 000 CY2	Motor Housing .	352,00
34	1	1 600 A01 2X9	Braking Element .	77,00	802	1	1 604 220 532	Field assembly 220-230V .	710,00
35	1	1 600 136 013	Shim 0,1 MM THICK	70,00	803	1	1 607 000 V35	Armature With Fan 230V .	3.324,00
35	1	1 600 136 014	Shim 0,2 MM THICK	70,00	808	1	1 601 11A 854	Nameplate .	
35	1	1 600 136 015	Shim 0,3 MM THICK	67,00	809	1	1 607 000 D9C	Seal .	50,00
35	1	1 600 136 020	Shim 0,15 MM THICK	82,00	810	1	1 607 000 V37	Carbon-Brush Set .	485,00
37	1	1 600 290 016	Rotary shaft lip seal .	61,00	813	1	1 607 000 V38	groove ball bearing .	233,00
40	1	1 600 119 011	Retaining clip .	49,00	816	1	1 607 000 V43	Brush Holder .	121,00
45	1	1 603 300 016	Hex Nut M7, SW10 .	50,00	818	1	1 607 000 V42	Pan head screw .	70,00
49	4	1 603 435 08X	Thread-forming tap. Screw	28,00	821	1	1 607 000 D5C	Gear Housing .	1.153,00
50	1	2 603 490 023	Torx Oval-Head Screw	29,00	828	1	1 607 000 D5G	Parts Set .	2.944,00

3 601 GC4 000

Stand } 19-03-14 **Fig./Abb. 2**  
Issue }



Änderungen vorbehalten  
 Modifications reserved  
 Modifications réservées  
 Salvo modificaciones

2 / 2

Model: 3 601 GC4 0F0 = 18 Date:

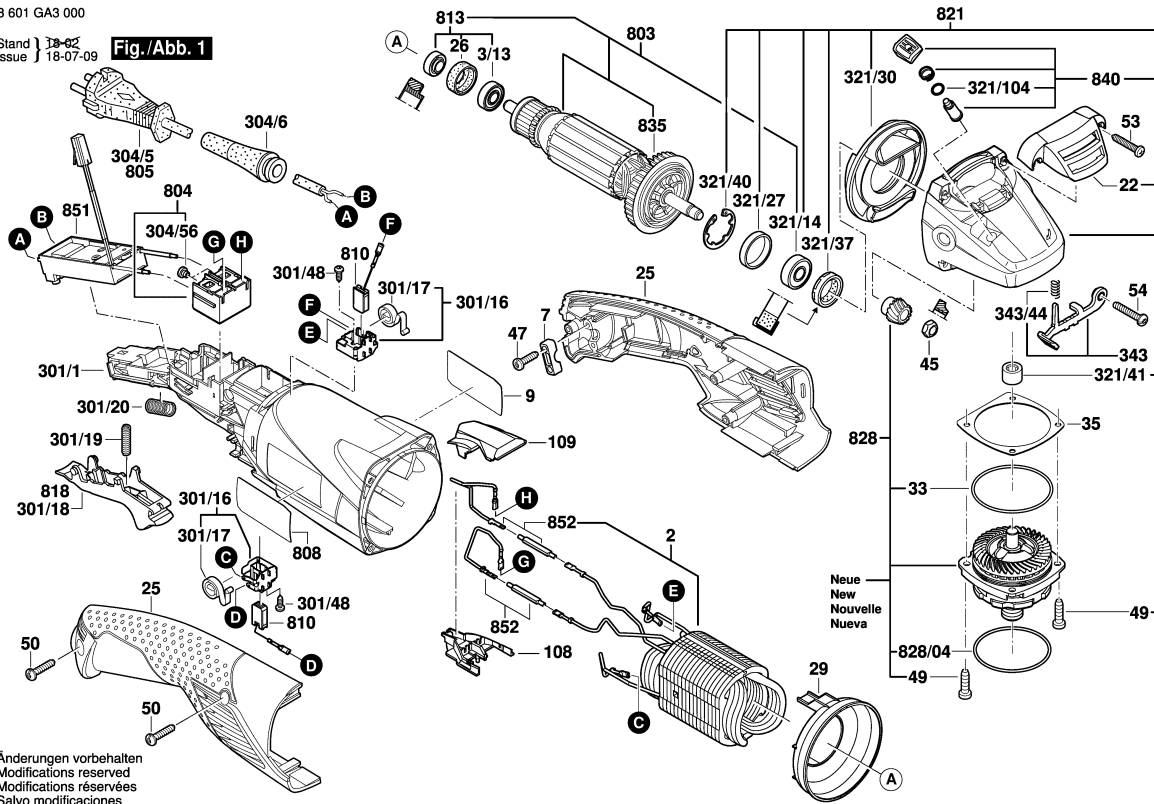
Item	Pc	Order no.	Description	LP in INR	Item	Pc	Order no.	Description	LP in INR
828/04	1	3 600 210 109	O-Ring 47,0x1,5 MM .	49,00					
835	1	1 606 610 132	Fan .	144,00					
840	1	1 607 000 D5X	Parts Set .	176,00					
841	1	1 607 000 D5Z	Parts Set .	149,00					
851	1	1 607 000 DA2	Speed governor .	2.245,00					
891	1	1 602 025 09T	Auxiliary Handle .	107,00					

Please observe: Repairing, modifying and testing of electro-tools are to be performed professionally. The safety regulations according to IEC, EN, VDE, AFNOR and other regulations of the individual countries are to be observed. Subject to change.  
 This price list supersedes all previous edition. Prices are subjected to change without any prior notice.

3 601 GA3 000

Stand 18-02  
Issue 18-07-09

Fig./Abb. 1



Änderungen vorbehalten  
Modifications reserved  
Modifications réservées  
Salvo modificaciones

1 / 2

Model: 3 601 GA3 0K0 = 18

Date:

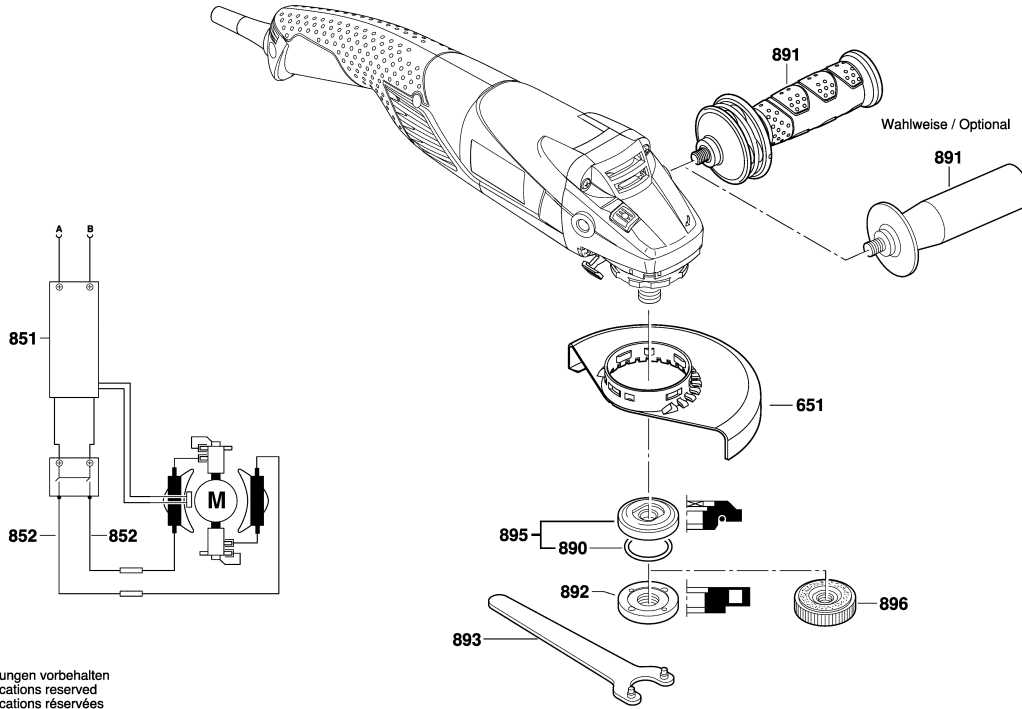
Item	Pc	Order no.	Description	LP in INR	Item	Pc	Order no.	Description	LP in INR
2	1	1 604 220 56P	Field .	1.187,00	301/18	1	1 600 A00 XC7	Adjusting Slide .	119,00
3/13	1	2 600 905 032	Ball Bearing 7x19x6 .	161,00	301/19	1	1 604 611 041	Compression Spring .	50,00
7	1	2 601 035 001	Cable Clip .	43,00	301/20	1	3 604 611 039	Compression Spring .	43,00
9	1	1 601 11C 2EL	Manufacturer's nameplate .		301/48	2	1 613 435 034	Lens Head Screw 3x10 ST	140,00
22	1	1 605 500 260	Covering hood .	44,00	304/6	1	1 600 703 040	Grommet .	68,00
25	1	1 605 132 010	Handle Cover BLUE	507,00	304/56	2	1 603 415 004	Lens Head Screw .	29,00
26	1	1 600 206 036	Rubber Ring .	45,00	321/14	1	1 600 905 032	groove ball bearing 8x22x7	80,00
29	1	1 600 591 025	Air-Deflector Ring .	71,00	321/27	1	1 600 206 025	Rubber Ring .	65,00
33	1	1 600 210 035	O-Ring 46,0x1,1 MM .	50,00	321/30	1	1 600 591 014	Air-Deflector Ring .	72,00
35	1	1 600 136 013	Shim 0,1 MM THICK	70,00	321/37	1	1 600 290 016	Rotary shaft lip seal .	61,00
35	1	1 600 136 020	Shim 0,15 MM THICK	82,00	321/40	1	1 600 119 011	Retaining clip .	49,00
35	1	1 600 136 014	Shim 0,2 MM THICK	70,00	321/41	1	1 600 200 029	Plain bearing .	29,00
35	1	1 600 136 015	Shim 0,3 MM THICK	67,00	321/104	1	1 600 210 044	O-Ring 4,5x1,0 MM BLUE	30,00
45	1	1 603 300 016	Hex Nut M7, SW10 .	50,00	343	1	1 607 000 742	Catch Lever .	241,00
47	2	2 603 490 022	Screw 4x16 .	29,00	343/44	1	1 604 611 042	Compression Spring .	30,00
49	4	1 603 435 08X	Thread-forming tap. Screw	28,00	651	1	1 600 A00 XK9	Protective Cover 125 MM .	531,00
50	3	2 603 490 023	Torx Oval-Head Screw	29,00	803	1	1 604 010 B98	Armature .	2.356,00
53	3	1 603 435 078	Torx Oval-Head Screw .	70,00	804	1	1 607 000 D16	On-Off Switch .	362,00
54	1	1 603 414 026	Torx Oval-Head Screw	36,00	805	1	1 607 000 391	Power supply cord .	2.792,00
108	1	1 600 A00 XC4	Cover .	50,00	808	1	1 601 11A 3H3	Nameplate .	
109	1	1 605 500 263	Cover BLACK	32,00	810	1	1 607 000 V53	Carbon-Brush Set .	419,00
301/1	1	1 605 108 2DR	Motor Housing .	744,00	813	1	1 607 000 378	Parts Set .	269,00
301/16	2	1 601 323 029	Brush Holder .	140,00	821	1	1 607 000 D1F	Gear Housing .	1.331,00
301/17	1	1 604 652 021	Spiral Spring .	70,00	828	1	1 607 000 D62	Bearing Flange .	1.116,00

Please observe: Repairing, modifying and testing of electro-tools are to be performed professionally. The safety regulations according to IEC, EN, VDE, AFNOR and other regulations of the individual countries are to be observed. Subject to change.

This price list supersedes all previous edition. Prices are subjected to change without any prior notice.

3 601 GA3 000

Stand Issue } 18-02-06 **Fig./Abb. 2**



Änderungen vorbehalten  
Modifications reserved  
Modifications réservées  
Salvo modificaciones

2 / 2

Model: 3 601 GA3 0K0 = 18 Date:

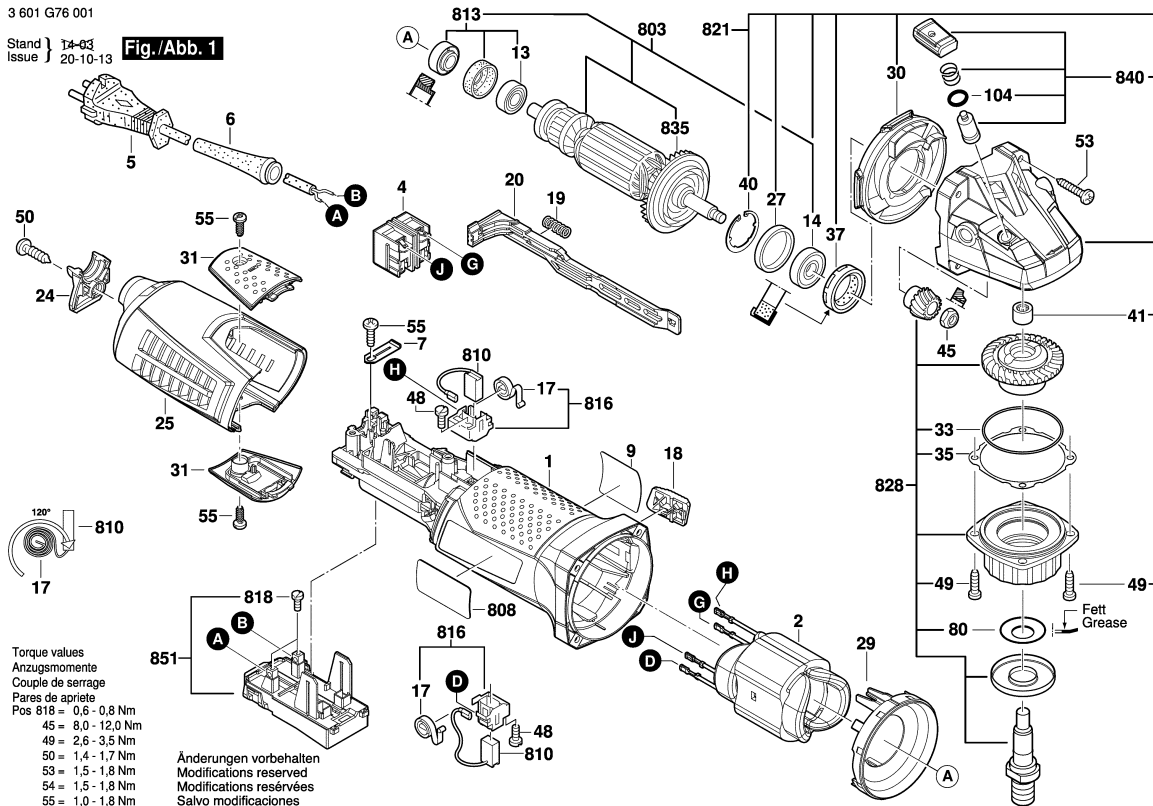
Item	Pc	Order no.	Description	LP in INR	Item	Pc	Order no.	Description	LP in INR
828/04	1	3 600 210 109	O-Ring 47,0x1,5 MM .	49,00					
835	1	1 606 610 132	Fan .	144,00					
840	1	1 603 231 032	Push-Button .	98,00					
851	1	1 607 233 5M7	Speed governor .	1.453,00					
852	1	1 604 448 025	Connecting Cable .	79,00					
890	1	1 600 210 039	O-Ring 20,35x1,78 MM .	29,00					
891	1	1 602 025 0A0	Auxiliary Handle .	767,00					
891	1	1 602 025 09T	Auxiliary Handle .	107,00					
892	1	1 603 345 043	Round Nut M14 .	108,00					
893	1	1 607 950 052	Pin-Type Face-Wrench .	77,00					
895	1	2 605 703 014	Clamping Flange	102,00					
896	1	1 600 A01 6PP	Fast Locking Flange .	1.659,00					

Please observe: Repairing, modifying and testing of electro-tools are to be performed professionally. The safety regulations according to IEC, EN, VDE, AFNOR and other regulations of the individual countries are to be observed. Subject to change.  
This price list supersedes all previous edition. Prices are subjected to change without any prior notice.



3 601 G76 001

Stand | 14-03  
Issue | 20-10-13 **Fig./Abb. 1**



Torque values  
Anzugsmomente  
Couple de serrage  
Pares de apriete  
Pos 818 = 0,6 - 0,8 Nm  
45 = 8,0 - 12,0 Nm  
49 = 2,6 - 3,5 Nm  
50 = 1,4 - 1,7 Nm  
53 = 1,5 - 1,8 Nm  
54 = 1,5 - 1,8 Nm  
55 = 1,0 - 1,8 Nm

Änderungen vorbehalten  
Modifications reserved  
Modifications réservées  
Salvo modificaciones

1 / 2

Model: 3 601 G76 0F0 = 230

Date:

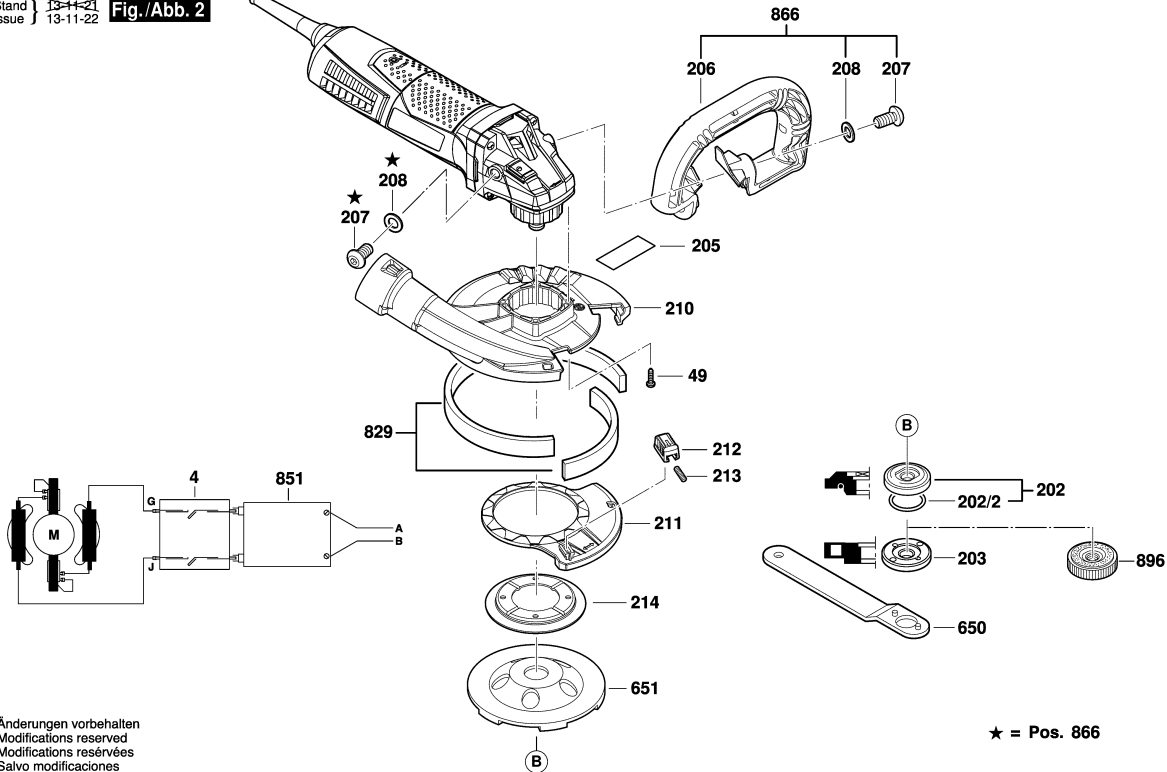
Item	Pc	Order no.	Description	LP in INR	Item	Pc	Order no.	Description	LP in INR
1	1	1 605 108 283	Motor Housing .	757,00	37	1	1 600 290 016	Rotary shaft lip seal .	61,00
2	1	1 604 220 478	Field 230V .	2.094,00	40	1	1 600 119 011	Retaining clip .	49,00
4	1	1 607 200 256	Switch .	521,00	41	1	1 600 910 018	Needle bearing Ø8xØ12x8	119,00
5	1	1 604 460 787	Power supply cord .		45	1	1 603 300 016	Hex Nut M7, SW10 .	50,00
6	1	1 600 703 044	Grommet .	123,00	48	2	1 613 435 034	Lens Head Screw 3x10 ST	140,00
7	1	1 601 302 017	Fastening Clamp .	29,00	49	4	3 603 435 055	Torx Head Screw .	72,00
9	1	3 601 110 606	Manufacturer's nameplate .		50	1	2 603 490 023	Torx Oval-Head Screw	29,00
13	1	1 610 905 025	groove ball bearing 7x19x6	179,00	53	4	1 603 435 078	Torx Oval-Head Screw .	70,00
14	1	1 600 905 032	groove ball bearing 8x22x7	80,00	55	3	2 603 490 021	Torx Oval-Head Screw	29,00
17	2	1 604 652 021	Spiral Spring .	70,00	80	1	1 619 P09 390	Cover Disc .	68,00
18	1	1 602 026 091	Switch Handle .	127,00	104	1	1 600 210 044	O-Ring 4,5x1,0 MM BLUE	30,00
19	1	1 604 611 031	Compression Spring .	67,00	202	1	2 605 703 014	Clamping Flange	102,00
20	1	1 602 319 026	Adjusting Slide .	96,00	202/2	1	1 600 210 055	O-Ring 20,35x1,78 MM .	68,00
24	1	1 605 500 274	Cover .	151,00	203	1	1 603 345 043	Round Nut M14 .	108,00
25	1	1 605 500 276	Housing Cover .	308,00	205	1	3 601 119 236	Reference Plate .	101,00
27	1	1 600 206 025	Rubber Ring .	65,00	206	1	3 602 025 029	Handle .	4.467,00
29	1	1 600 591 047	Air-Deflector Ring .	80,00	207	2	1 619 P07 611	Hex Screw .	77,00
30	1	1 600 591 048	Air Distributor .	103,00	208	2	2 916 011 017	Plain Washer DIN	70,00
31	2	1 605 500 277	Brush-Cover .	61,00	210	1	3 605 510 063	Suction Hood .	2.513,00
33	1	3 600 210 124	O-Ring 46,0x1,1 MM RED	43,00	211	1	3 605 500 219	Swivel Element .	697,00
35	1	1 600 136 013	Shim 0,1 MM THICK	70,00	212	1	3 602 305 019	Knob .	134,00
35	1	1 600 136 014	Shim 0,2 MM THICK	70,00	213	1	3 604 611 042	Compression Spring .	84,00
35	1	1 600 136 015	Shim 0,3 MM THICK	67,00	214	1	3 600 190 040	Metal Ring .	475,00
35	1	1 600 136 020	Shim 0,15 MM THICK	82,00	650	1	3 607 950 016	Pin-Type Face-Wrench .	996,00

Please observe: Repairing, modifying and testing of electro-tools are to be performed professionally. The safety regulations according to IEC, EN, VDE, AFNOR and other regulations of the individual countries are to be observed. Subject to change.

This price list supersedes all previous edition. Prices are subjected to change without any prior notice.

3 601 G76 001

Stand | 13-11-21  
Issue | 13-11-22 **Fig./Abb. 2**



Änderungen vorbehalten  
Modifications reserved  
Modificacions reservées  
Salvo modificaciones

★ = Pos. 866

Model: 3 601 G76 0F0 = 230

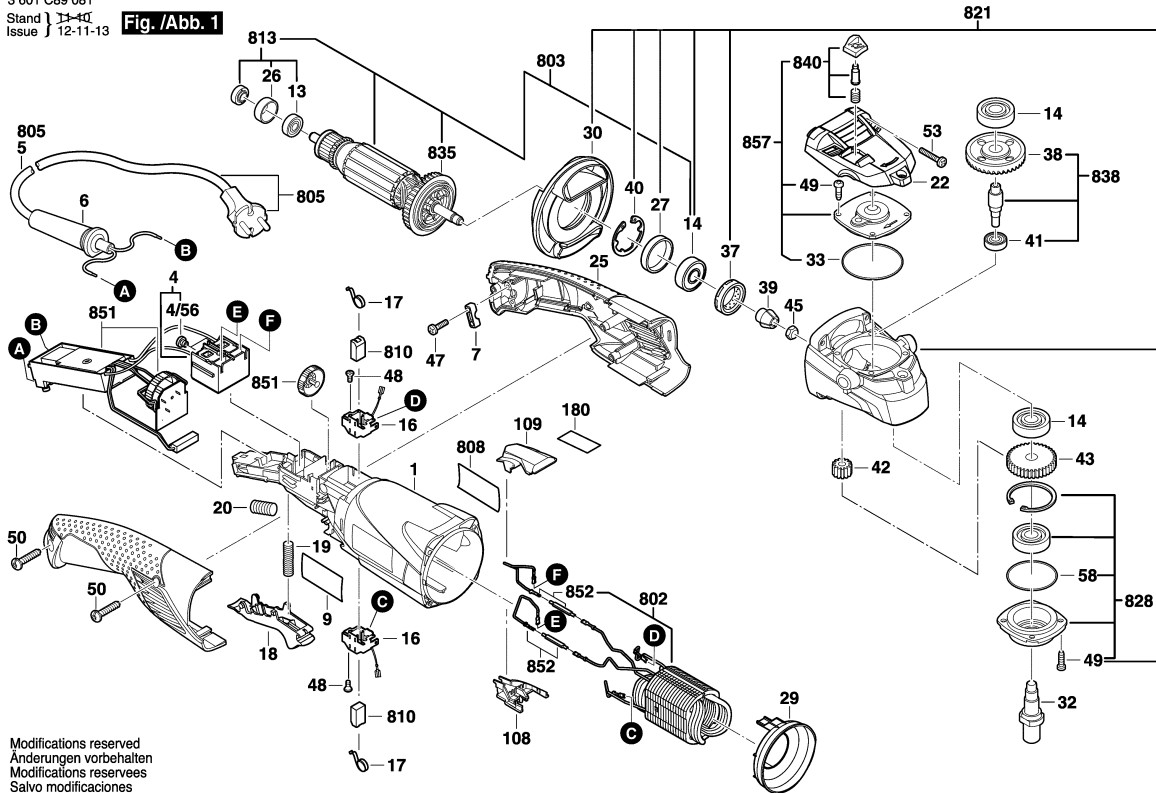
Date:

Item	Pc	Order no.	Description	LP in INR	Item	Pc	Order no.	Description	LP in INR
651	1	3 608 600 014	Diamond Cup Wheel .						
803	1	3 607 031 750	Armature With Fan 230V .	5.862,00					
808	1	1 601 11A 3HH	Nameplate .						
810	1	1 607 000 V37	Carbon-Brush Set .	485,00					
813	1	3 607 031 751	groove ball bearing .	1.500,00					
816	1	1 607 000 V43	Brush Holder .	121,00					
818	1	1 607 000 V42	Pan head screw .	70,00					
821	1	3 607 031 752	Gear Housing .	4.187,00					
828	1	1 605 808 0BY	Flange .	4.944,00					
829	1	3 607 031 875	Strip brush .	2.218,00					
835	1	1 606 610 132	Fan .	144,00					
840	1	1 607 000 V41	Push-Button .	136,00					
851	1	1 607 233 5JJ	Speed governor .	2.773,00					
866	1	3 607 031 755	Strap-Shaped Handle .	5.065,00					
896	1	1 600 A01 6PP	Fast Locking Flange .	1.659,00					

Please observe: Repairing, modifying and testing of electro-tools are to be performed professionally. The safety regulations according to IEC, EN, VDE, AFNOR and other regulations of the individual countries are to be observed. Subject to change. This price list supersedes all previous edition. Prices are subjected to change without any prior notice.

3 601 C89 081  
Stand | 11-10  
Issue | 12-11-13

**Fig./Abb. 1**



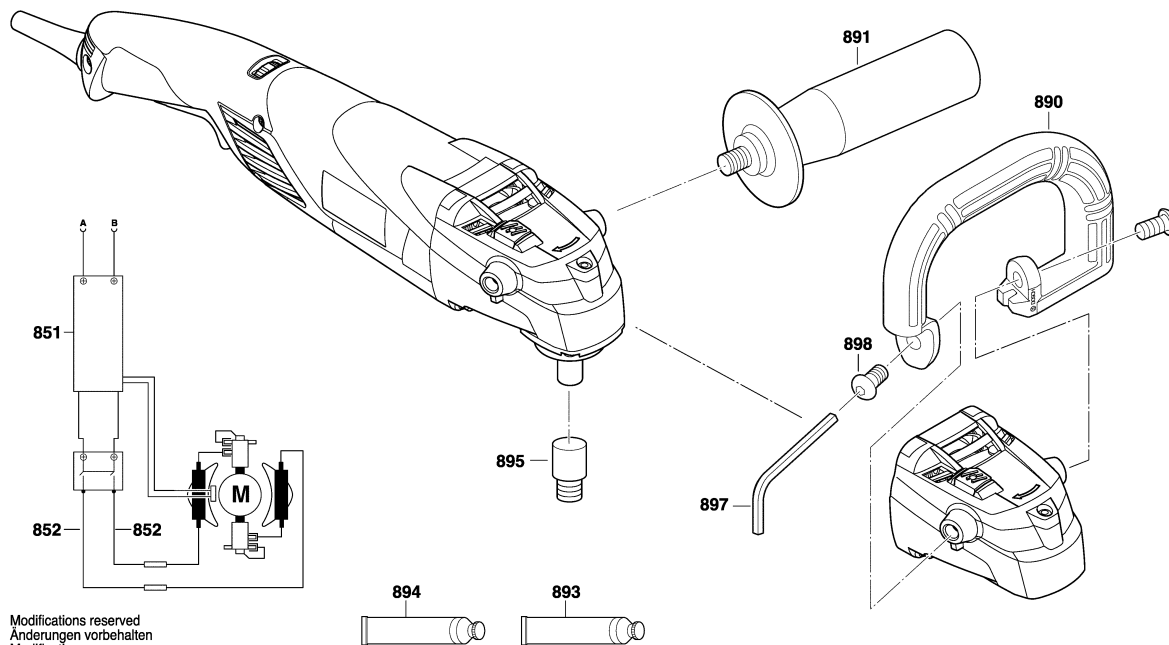
Modifications reserved  
Änderungen vorbehalten  
Modifications reserves  
Salvo modificaciones

Model: 3 601 C89 0K0 = 230 Date:

Item	Pc	Order no.	Description	LP in INR	Item	Pc	Order no.	Description	LP in INR
1	1	1 605 108 255	Motor Housing BLUE	463,00	40	1	1 600 119 011	Retaining clip .	49,00
4	1	1 607 200 257	Switch Assembly .	408,00	41	1	1 619 P08 829	groove ball bearing .	206,00
4/56	2	1 603 415 004	Lens Head Screw .	29,00	42	1	1 619 P07 912	Cylindrical Gear .	202,00
6	1	1 619 P14 643	Grommet Ø 8,6mm .	164,00	43	1	1 619 P07 911	Cylindrical Gear .	233,00
7	1	2 601 035 001	Cable Clip .	43,00	45	1	1 603 300 016	Hex Nut M7, SW10 .	50,00
9	1	1 619 P07 981	Manufacturer's nameplate		47	2	1 619 P00 029	Screw .	29,00
13	1	2 600 905 032	Ball Bearing 7x19x6 .	161,00	48	2	2 912 401 005	Tapping Screw	30,00
14	3	1 600 905 032	groove ball bearing 8x22x7	80,00	49	9	1 619 P08 825	Thread-forming tap. Screw	29,00
16	2	1 601 323 023	Brush Holder WITH	100,00	50	3	1 619 P00 105	Torx Oval-Head Screw	29,00
17	2	1 604 652 013	Spiral Spring .	43,00	53	4	1 619 P01 066	Torx Oval-Head Screw	29,00
18	1	1 602 319 024	Adjusting Slide .	70,00	58	1	1 619 P07 915	O-Ring 39,0x1,1 MM .	29,00
19	1	1 604 611 041	Compression Spring .	50,00	108	1	1 605 500 258	Cover BLACK	31,00
20	1	3 604 611 039	Compression Spring .	43,00	109	1	1 605 500 263	Cover BLACK	32,00
22	1	1 619 P07 907	plastic covering .	69,00	802	1	1 604 220 417	Field 220-240V .	1.036,00
25	1	1 600 A01 N0J	Handle .	494,00	803	1	1 619 P09 115	Armature With Fan	1.954,00
26	1	1 600 206 036	Rubber Ring .	45,00	805	1	1 607 000 391	Power supply cord .	2.792,00
27	1	1 600 206 025	Rubber Ring .	65,00	808	1	1 619 P07 931	Nameplate .	
29	1	1 600 591 025	Air-Deflector Ring .	71,00	810	1	1 607 014 176	Carbon-Brush Set .	231,00
30	1	1 600 591 014	Air-Deflector Ring .	72,00	813	1	1 607 000 378	Parts Set .	269,00
32	1	1 619 P07 906	Grinding Spindle .	256,00	821	1	1 619 P09 078	Gear Housing .	1.087,00
33	1	1 600 210 035	O-Ring 46,0x1,1 MM .	50,00	828	1	1 619 P09 081	Bearing Flange .	588,00
37	1	1 600 290 016	Rotary shaft lip seal .	61,00	835	1	1 606 610 132	Fan .	144,00
38	1	1 619 P07 918	Crown Gear .	289,00	838	1	1 619 P09 080	Crown Gear .	894,00
39	1	1 619 P07 919	Bevel Gear .	263,00	840	1	1 619 P09 082	push button set .	59,00

3 601 C89 081  
Stand | 11-81  
Issue | 14-02-27

Fig./Abb. 2



Modifications reserved  
Änderungen vorbehalten  
Modifications reserves  
Salvo modificaciones

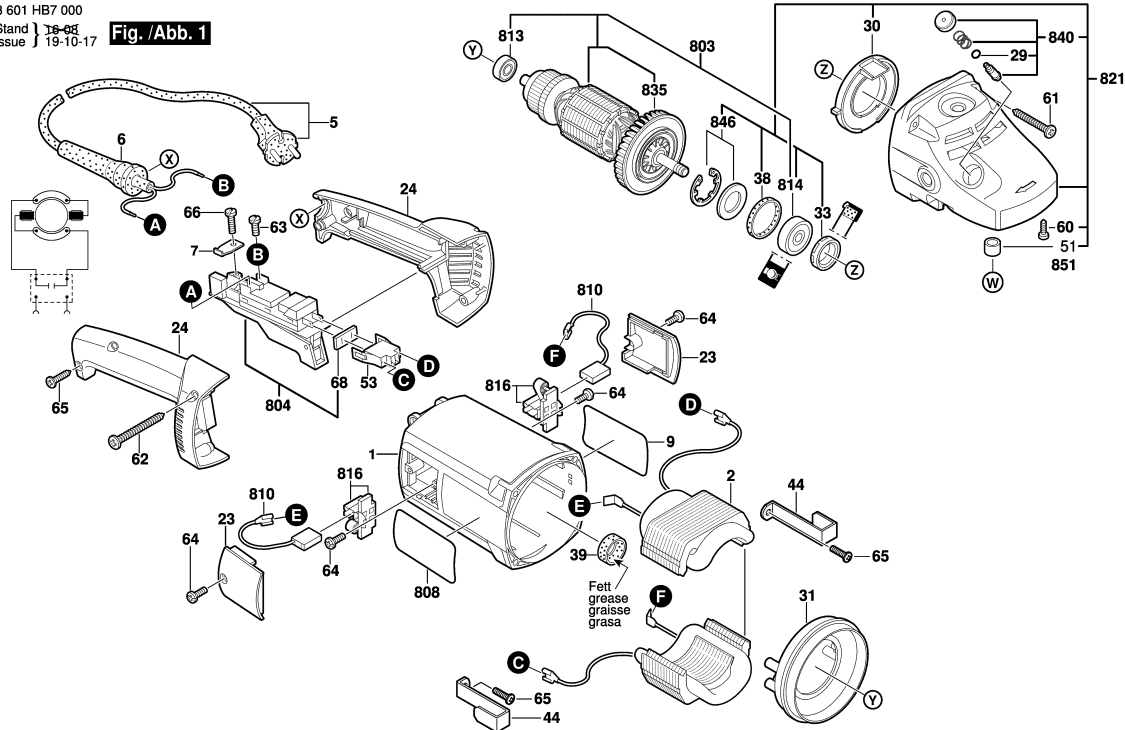
Model: 3 601 C89 0K0 = 230 Date:

Item	Pc	Order no.	Description	LP in INR	Item	Pc	Order no.	Description	LP in INR
851	1	1 607 233 256	Speed governor .	3.354,00					
852	1	1 604 448 025	Connecting Cable .	79,00					
857	1	1 619 P09 079	Gear Cover .	563,00					
890	1	1 619 P07 563	Handle .	350,00					
891	1	1 602 025 09T	Auxiliary Handle .	107,00					
893	1	1 605 430 003	Grease Tube 225 ML .	1.554,00					
894	1	1 615 430 020	Grease Tube 225 ML .	1.438,00					
895	1	1 619 P07 614	Socket-Outlet Adaptor .	124,00					
897	1	1 619 P07 612	Hex Screw Driver .	79,00					
898	1	1 619 P07 611	Hex Screw .	77,00					

Please observe: Repairing, modifying and testing of electro-tools are to be performed professionally. The safety regulations according to IEC, EN, VDE, AFNOR and other regulations of the individual countries are to be observed. Subject to change. This price list supersedes all previous edition. Prices are subjected to change without any prior notice.

3 601 HB7 000  
Stand 1 18-05  
Issue J 19-10-17

**Fig./Abb. 1**



Änderungen vorbehalten  
Modifications reserved  
Modificacions reserves  
Salvo modificaciones

1 / 3

Model: 3 601 HB7 0F0 = 230

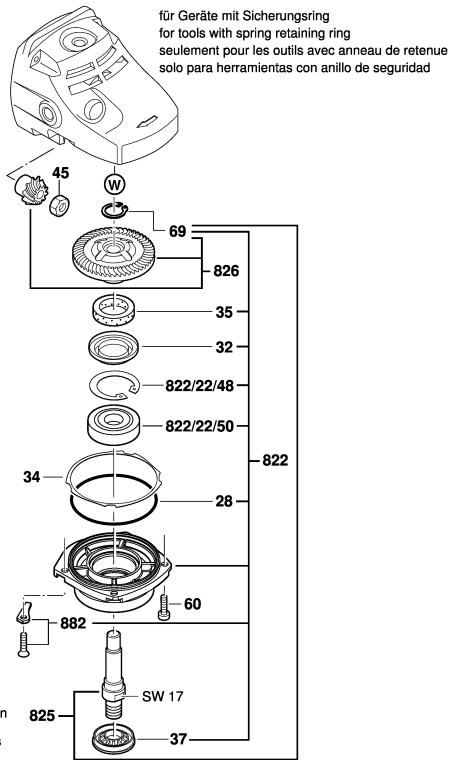
Date:

Item	Pc	Order no.	Description	LP in INR	Item	Pc	Order no.	Description	LP in INR
1	1	1 605 108 233	Motor Housing BLUE	220,00	39	1	1 619 P14 249	Rubber Ring .	29,00
2	1	1 604 220 380	Field 220-240V .	1.404,00	44	2	1 601 334 009	Pickup Clip .	34,00
5	1	F 002 G31 006	Power supply cord .	226,00	45	1	1 603 300 019	Hex Nut M10, SW14 .	49,00
6	1	2 600 703 019	Grommet Ø8,7-Ø9,6x76	64,00	53	1	1 605 190 068	Socket Housing .	49,00
7	1	1 601 302 018	Fastening Clamp .	50,00	60	3	1 603 435 023	Thread-forming tap. Screw	46,00
9	1	1 619 P13 489	Manufacturer's nameplate		61	4	2 912 401 038	Tapping Screw DIN	30,00
23	2	1 619 P14 320	Sealing cap .	88,00	62	2	1 603 435 024	Tapping Screw C4,8x63	53,00
24	1	1 619 P13 504	Handle .	157,00	63	2	1 603 410 014	Pan head screw M4x10 MM	49,00
28	1	1 600 210 033	O-Ring 79,0x1,78 MM .	50,00	64	4	1 603 435 042	Plastic-Cutting Screw	49,00
29	1	1 600 210 045	O-Ring 8,0x1,0 MM .	49,00	65	4	2 912 401 020	Tapping Screw DIN	30,00
30	1	1 600 591 035	Air Distributor .	72,00	66	1	2 910 211 019	Tapping Screw DIN	30,00
31	1	1 600 591 036	Air-Deflector Ring .	81,00	68	1	1 601 006 011	Sealing Plate .	49,00
32	1	1 600 290 019	Retaining snap ring .	46,00	69	1	2 916 650 905	Spring retaining ring .	28,00
33	1	1 600 290 013	Rotary shaft lip seal 18,7	73,00	651	1	1 600 A00 XL9	Protective Cover Ø180 MM	306,00
34	1	1 600 190 021	Shim 0,15 MM THICK	50,00	803	1	1 604 011 252	Armature 220-240V .	2.656,00
34	1	1 600 190 020	Shim 0,3 MM THICK	50,00	804	1	1 619 P14 186	Switch .	291,00
34	1	1 600 190 022	Shim 0,1 MM THICK	52,00	810	1	1 607 014 171	Carbon-Brush Set .	262,00
34	1	1 600 190 037	Shim 0,2 MM THICK	30,00	813	1	1 600 905 011	groove ball bearing 8x22x7	104,00
34	1	1 600 190 038	Shim 0,25 MM THICK	30,00	814	1	1 600 905 023	groove ball bearing	113,00
34	1	1 600 190 039	Shim 0,35 MM THICK	30,00	816	2	1 604 336 048	Brush Holder .	161,00
34	1	1 600 190 040	Shim 0,4 MM THICK	30,00	821	1	1 619 P14 183	Gear Housing .	768,00
35	1	1 600 205 034	Felt Washer .	50,00	822	1	1 619 P15 298	Bearing Flange Ø180 MM .	1.048,00
37	1	1 600 290 036	Seal Ring BLACK	73,00	822/22/4	1	1 600 119 010	Retaining clip .	50,00
38	1	1 600 206 020	Rubber Ring 7 MM WIDE	49,00	822/22/5	1	1 600 905 026	groove ball bearing	118,00

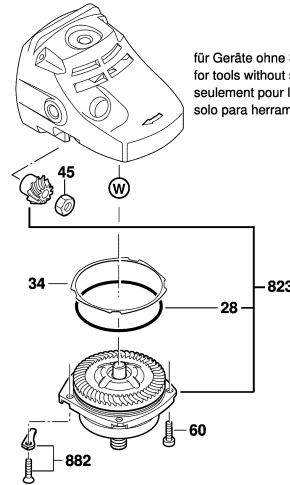
Please observe: Repairing, modifying and testing of electro-tools are to be performed professionally. The safety regulations according to IEC, EN, VDE, AFNOR and other regulations of the individual countries are to be observed. Subject to change.  
This price list supersedes all previous edition. Prices are subjected to change without any prior notice.

3 601 HB7 000  
Stand 1 19-10  
Issue J 20-03-30

**Fig./Abb. 2**



für Geräte mit Sicherungsring  
for tools with spring retaining ring  
seulement pour les outils avec anneau de retenue  
solo para herramientas con anillo de seguridad



für Geräte ohne Sicherungsring  
for tools without spring retaining ring  
seulement pour les outils sans anneau de retenue  
solo para herramientas sin anillo de seguridad

Änderungen vorbehalten  
Modifications reserved  
Modifications réservées  
Salvo modificaciones

2 / 3

Model: 3 601 HB7 0F0 = 230

Date:

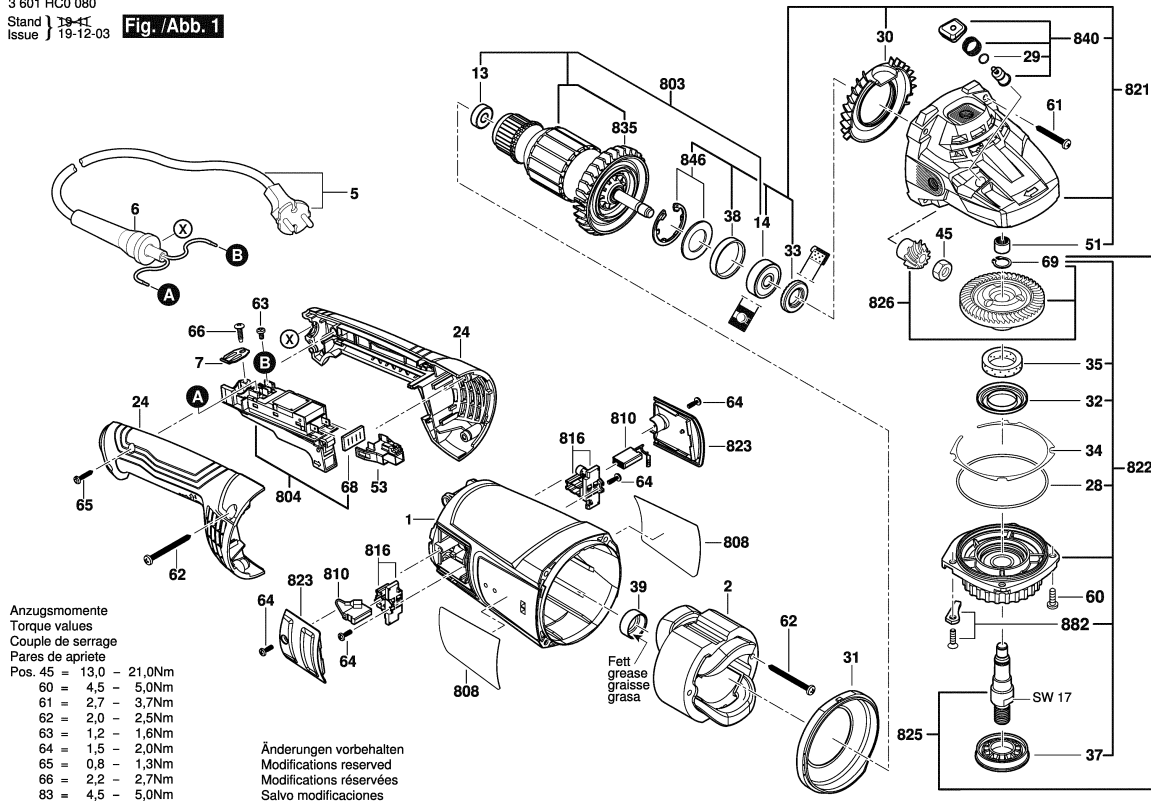
Item	Pc	Order no.	Description	LP in INR	Item	Pc	Order no.	Description	LP in INR
823	1	1 619 P15 624	Bearing Flange Ø180 MM .						
825	1	1 619 P15 297	Grinding Spindle .	362,00					
826	1	1 619 P15 405	Bevel Gear Set 180 .	1.332,00					
835	1	1 606 610 127	Fan .	87,00					
840	1	1 607 000 354	Push-Button .	224,00					
846	1	1 607 000 342	Retaining Washer .	55,00					
882	1	1 619 P06 597	Stopper .	188,00					
890	1	1 600 210 039	O-Ring 20,35x1,78 MM .	29,00					
891	1	1 619 P09 013	Auxiliary Handle .	144,00					
891/1	1	1 602 025 030	Auxiliary Handle M14,	626,00					
892	1	1 607 950 061	Pin-Type Face-Wrench .	64,00					
893	1	2 605 703 014	Clamping Flange	102,00					
894	1	1 603 345 043	Round Nut M14 .	108,00					
896	1	1 600 A01 6PP	Fast Locking Flange .	1.659,00					
897	1	1 605 430 003	Grease Tube 225 ML .	1.554,00					
898	1	1 615 430 020	Grease Tube 225 ML .	1.438,00					

Please observe: Repairing, modifying and testing of electro-tools are to be performed professionally. The safety regulations according to IEC, EN, VDE, AFNOR and other regulations of the individual countries are to be observed. Subject to change. This price list supersedes all previous edition. Prices are subjected to change without any prior notice.



3 601 HC0 080  
Stand | 19-11  
Issue | 19-12-03

**Fig./Abb. 1**



1 / 2

Model: 3 601 HC0 0F0 = 230

Date:

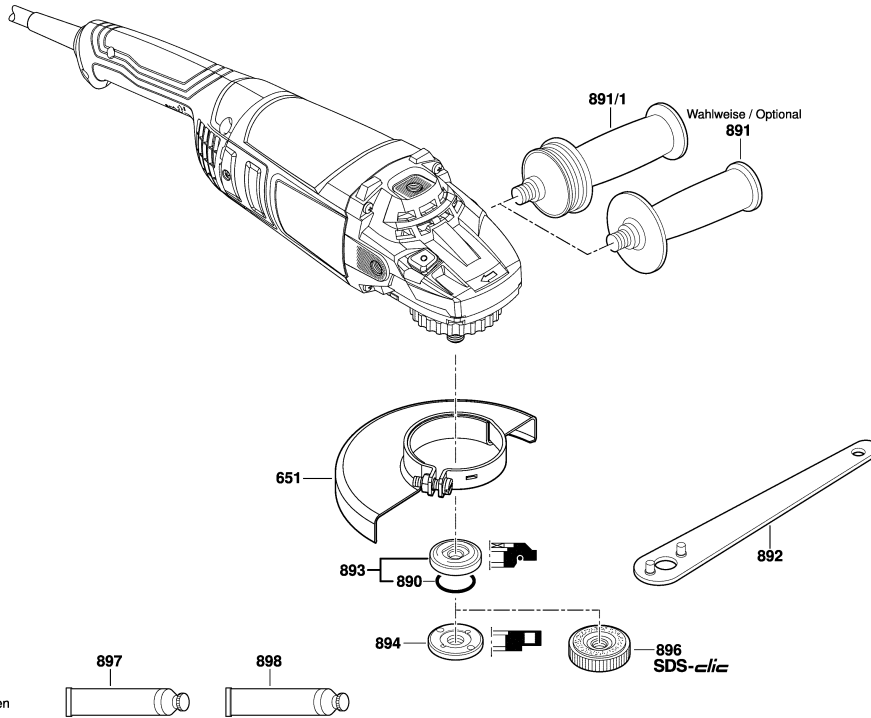
Item	Pc	Order no.	Description	LP in INR	Item	Pc	Order no.	Description	LP in INR
1	1	1 619 P15 267	Motor Housing .	308,00	38	1	1 600 206 020	Rubber Ring 7 MM WIDE	49,00
2	1	1 619 P15 702	Field .	1.026,00	39	1	1 600 206 030	Rubber Ring .	45,00
5	1	F 002 G31 006	Power supply cord .	226,00	45	1	1 603 300 019	Hex Nut M10, SW14 .	49,00
6	1	2 600 703 019	Grommet Ø8,7-Ø9,6x76	64,00	51	1	2 600 910 001	Needle-Roller Bearing Ø14	57,00
7	1	1 601 302 018	. .	50,00	53	1	1 605 190 068	Socket Housing .	49,00
7	1	1 601 302 018	Fastening Clamp .	50,00	60	3	1 603 435 023	Thread-forming tap. Screw	46,00
13	1	1 600 905 011	groove ball bearing 8x22x7	104,00	61	4	2 912 401 038	Tapping Screw DIN	30,00
14	1	1 600 905 028	groove ball bearing .	224,00	62	2	1 603 435 060	Tapping Screw 4,8x55 .	29,00
24	1	1 619 P15 272	Handle .	217,00	63	2	1 603 410 014	Pan head screw M4x10 MM	49,00
28	1	1 600 210 033	O-Ring 79,0x1,78 MM .	50,00	64	4	1 603 435 042	Plastic-Cutting Screw	49,00
29	1	1 600 210 045	O-Ring 8,0x1,0 MM .	49,00	65	4	2 912 401 020	Tapping Screw DIN	30,00
30	1	1 619 P15 274	Air Distributor .	38,00	66	1	2 910 211 019	Tapping Screw DIN	30,00
31	1	1 619 P15 275	Air-Deflector Ring .	51,00	68	1	1 601 006 011	Sealing Plate .	49,00
32	1	1 600 290 019	Retaining snap ring .	46,00	69	1	2 916 650 905	Spring retaining ring .	28,00
33	1	1 600 290 013	Rotary shaft lip seal 18,7	73,00	651	1	1 619 P15 622	Protective Cover Ø180 MM	330,00
34	1	1 600 190 022	Shim 0,1 MM THICK	52,00	803	1	1 619 P15 749	Armature .	1.469,00
34	1	1 600 190 020	Shim 0,15 MM THICK	50,00	804	1	1 619 P14 186	Switch .	291,00
34	1	1 600 190 037	Shim 0,2 MM THICK	30,00	810	1	1 607 014 171	Carbon-Brush Set .	262,00
34	1	1 600 190 038	Shim 0,25 MM THICK	30,00	816	2	1 604 336 048	Brush Holder .	161,00
34	1	1 600 190 021	Shim 0,3 MM THICK	50,00	821	1	1 619 P15 750	Gear Housing .	807,00
34	1	1 600 190 039	Shim 0,35 MM THICK	30,00	822	1	1 619 P15 751	Bearing Flange 180 .	620,00
34	1	1 600 190 040	Shim 0,4 MM THICK	30,00	823	1	1 619 P15 945	Sealing cap .	47,00
35	1	1 600 205 034	Felt Washer .	50,00	825	1	1 619 P15 297	Grinding Spindle .	362,00
37	1	1 600 290 036	Seal Ring BLACK	73,00	826	1	1 619 P15 405	Bevel Gear Set 180 .	1.332,00

Please observe: Repairing, modifying and testing of electro-tools are to be performed professionally. The safety regulations according to IEC, EN, VDE, AFNOR and other regulations of the individual countries are to be observed. Subject to change.

This price list supersedes all previous edition. Prices are subjected to change without any prior notice.



3 601 HC0 080  
Stand } 19-11-21 **Fig. /Abb. 2**



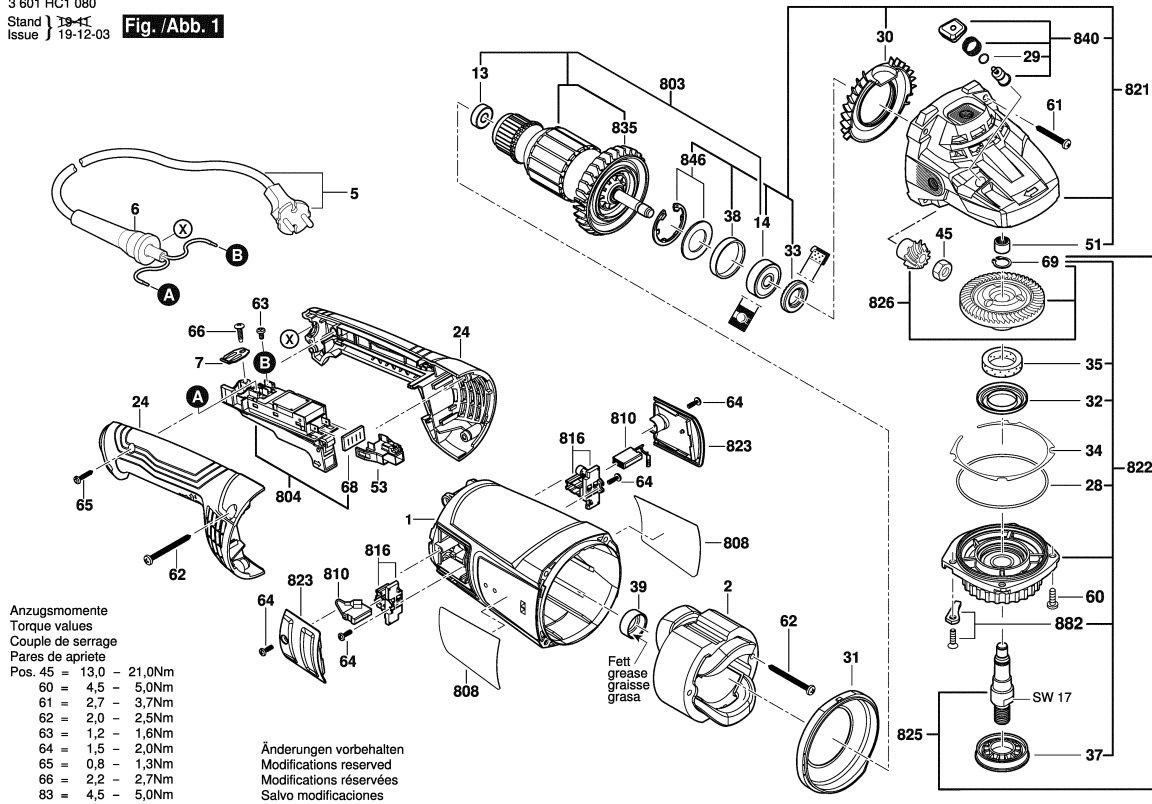
Änderungen vorbehalten  
Modifications reserved  
Modifications réservées  
Salvo modificaciones

Model: 3 601 HC0 0F0 = 230					Date:				
Item	Pc	Order no.	Description	LP in INR	Item	Pc	Order no.	Description	LP in INR
835	1	1 600 A00 J93	Fan .	79,00					
840	1	1 619 P15 752	Push-Button .	31,00					
846	1	1 607 000 342	Retaining Washer .	55,00					
882	1	1 619 P06 597	Stopper .	188,00					
890	1	1 600 210 039	O-Ring 20,35x1,78 MM .	29,00					
891	1	1 602 025 022	Auxiliary Handle M14	627,00					
891/1	1	1 602 025 030	Auxiliary Handle M14,	626,00					
892	1	1 607 950 061	Pin-Type Face-Wrench .	64,00					
893	1	2 605 703 014	Clamping Flange	102,00					
894	1	1 603 345 043	Round Nut M14 .	108,00					
896	1	1 600 A01 6PP	Fast Locking Flange .	1.659,00					
897	1	1 605 430 003	Grease Tube 225 ML .	1.554,00					
898	1	1 615 430 020	Grease Tube 225 ML .	1.438,00					

Please observe: Repairing, modifying and testing of electro-tools are to be performed professionally. The safety regulations according to IEC, EN, VDE, AFNOR and other regulations of the individual countries are to be observed. Subject to change. This price list supersedes all previous edition. Prices are subjected to change without any prior notice.

3 601 HC1 080  
Stand 1 19-11  
Issue J 19-12-03

**Fig./Abb. 1**



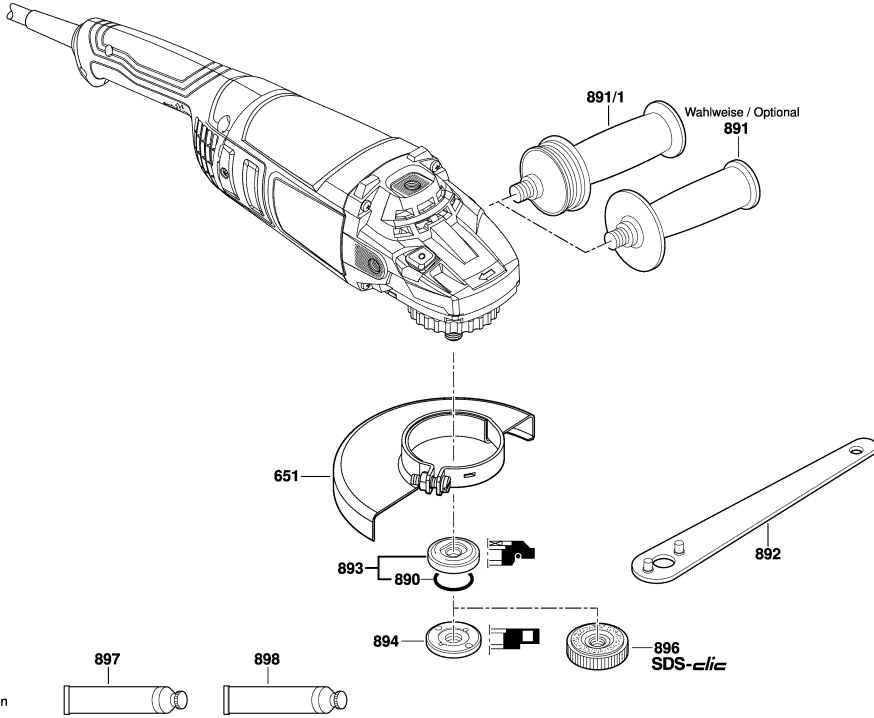
1 / 2

Model: 3 601 HC1 0F0 = 230

Date:

Item	Pc	Order no.	Description	LP in INR	Item	Pc	Order no.	Description	LP in INR
1	1	1 619 P15 267	Motor Housing .	308,00	38	1	1 600 206 020	Rubber Ring 7 MM WIDE	49,00
2	1	1 619 P15 702	Field .	1.026,00	39	1	1 600 206 030	Rubber Ring .	45,00
5	1	F 002 G31 006	Power supply cord .	226,00	45	1	1 603 300 019	Hex Nut M10, SW14 .	49,00
6	1	2 600 703 019	Grommet Ø8,7-Ø9,6x76	64,00	51	1	2 600 910 001	Needle-Roller Bearing Ø14	57,00
7	1	1 601 302 018	. .	50,00	53	1	1 605 190 068	Socket Housing .	49,00
7	1	1 601 302 018	Fastening Clamp .	50,00	60	3	1 603 435 023	Thread-forming tap. Screw	46,00
13	1	1 600 905 011	groove ball bearing 8x22x7	104,00	61	4	2 912 401 038	Tapping Screw DIN	30,00
14	1	1 600 905 028	groove ball bearing .	224,00	62	2	1 603 435 060	Tapping Screw 4,8x55 .	29,00
24	1	1 619 P15 272	Handle .	217,00	63	2	1 603 410 014	Pan head screw M4x10 MM	49,00
28	1	1 600 210 033	O-Ring 79,0x1,78 MM .	50,00	64	4	1 603 435 042	Plastic-Cutting Screw	49,00
29	1	1 600 210 045	O-Ring 8,0x1,0 MM .	49,00	65	4	2 912 401 020	Tapping Screw DIN	30,00
30	1	1 619 P15 274	Air Distributor .	38,00	66	1	2 910 211 019	Tapping Screw DIN	30,00
31	1	1 619 P15 275	Air-Deflector Ring .	51,00	68	1	1 601 006 011	Sealing Plate .	49,00
32	1	1 600 290 019	Retaining snap ring .	46,00	69	1	2 916 650 905	Spring retaining ring .	28,00
33	1	1 600 290 013	Rotary shaft lip seal 18,7	73,00	651	1	1 619 P15 668	Protective Cover Ø230 MM	366,00
34	1	1 600 190 022	Shim 0,1 MM THICK	52,00	803	1	1 619 P15 749	Armature .	1.469,00
34	1	1 600 190 020	Shim 0,15 MM THICK	50,00	804	1	1 619 P14 186	Switch .	291,00
34	1	1 600 190 037	Shim 0,2 MM THICK	30,00	810	1	1 607 014 171	Carbon-Brush Set .	262,00
34	1	1 600 190 038	Shim 0,25 MM THICK	30,00	816	2	1 604 336 048	Brush Holder .	161,00
34	1	1 600 190 021	Shim 0,3 MM THICK	50,00	821	1	1 619 P15 750	Gear Housing .	807,00
34	1	1 600 190 039	Shim 0,35 MM THICK	30,00	822	1	1 619 P15 872	Bearing Flange 230 .	620,00
34	1	1 600 190 040	Shim 0,4 MM THICK	30,00	823	1	1 619 P15 945	Sealing cap .	47,00
35	1	1 600 205 034	Felt Washer .	50,00	825	1	1 619 P15 297	Grinding Spindle .	362,00
37	1	1 600 290 036	Seal Ring BLACK	73,00	826	1	1 619 P15 388	Bevel Gear Set 230 .	1.221,00

3 601 HC1 080  
Stand 19-11-21  
Issue } **Fig. /Abb. 2**



Änderungen vorbehalten  
Modifications reserved  
Modifications réservées  
Salvo modificaciones

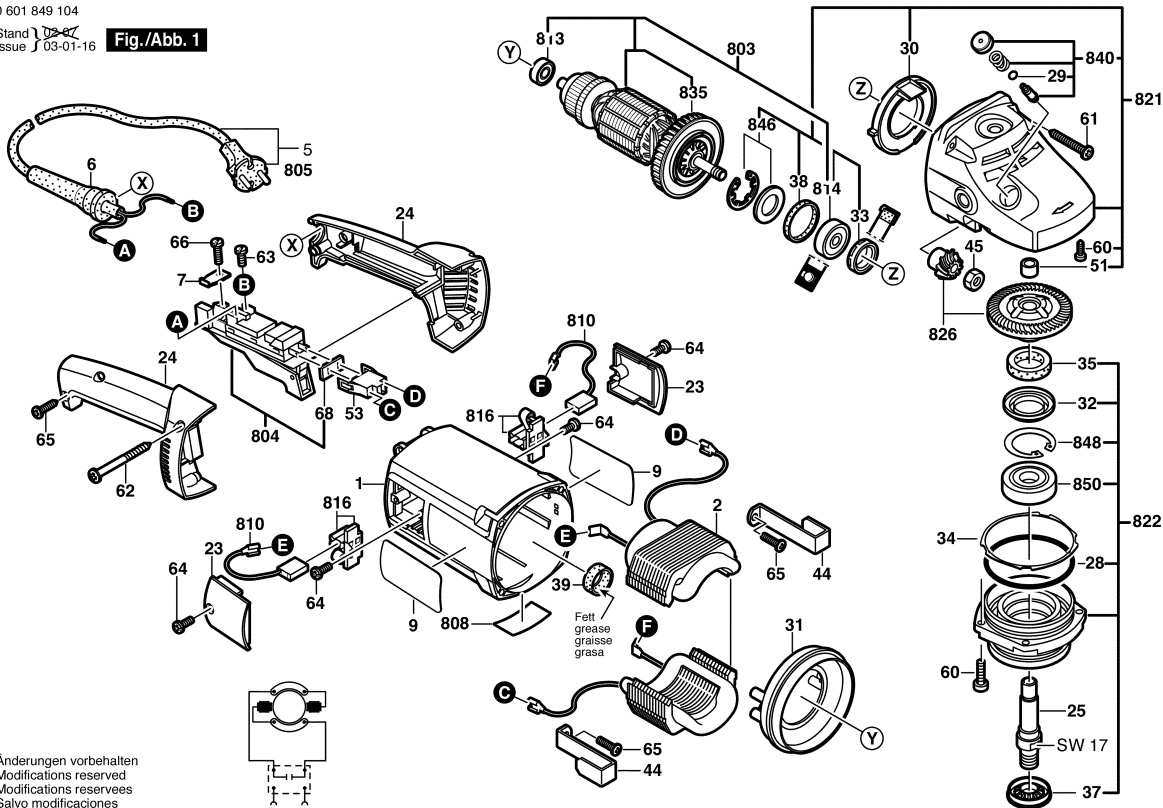
Model: 3 601 HC1 0F0 = 230 Date:

Item	Pc	Order no.	Description	LP in INR	Item	Pc	Order no.	Description	LP in INR
835	1	1 600 A00 J93	Fan .	79,00					
840	1	1 619 P15 752	Push-Button .	31,00					
846	1	1 607 000 342	Retaining Washer .	55,00					
882	1	1 619 P06 597	Stopper .	188,00					
890	1	1 600 210 039	O-Ring 20,35x1,78 MM .	29,00					
891	1	1 602 025 022	Auxiliary Handle M14	627,00					
891/1	1	1 602 025 030	Auxiliary Handle M14,	626,00					
892	1	1 607 950 061	Pin-Type Face-Wrench .	64,00					
893	1	2 605 703 014	Clamping Flange	102,00					
894	1	1 603 345 043	Round Nut M14 .	108,00					
896	1	1 600 A01 6PP	Fast Locking Flange .	1.659,00					
897	1	1 605 430 003	Grease Tube 225 ML .	1.554,00					
898	1	1 615 430 020	Grease Tube 225 ML .	1.438,00					

Please observe: Repairing, modifying and testing of electro-tools are to be performed professionally. The safety regulations according to IEC, EN, VDE, AFNOR and other regulations of the individual countries are to be observed. Subject to change. This price list supersedes all previous edition. Prices are subjected to change without any prior notice.

0 601 849 104  
Stand 10-07  
Issue J 03-01-16

**Fig./Abb. 1**



Änderungen vorbehalten  
Modifications reserved  
Modificacions reserves  
Salvo modificaciones

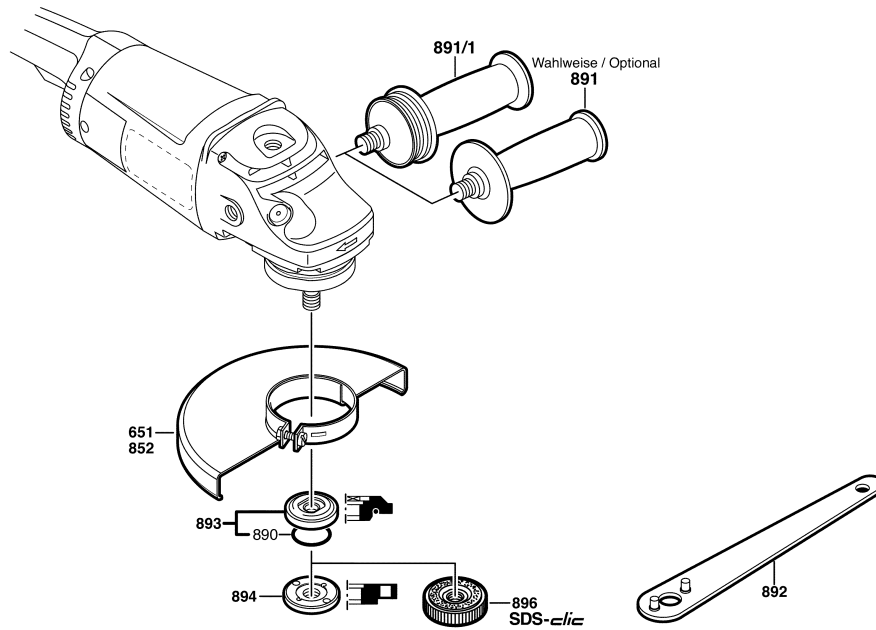
1 / 2

Model: 0 601 849 1X0 = 230 Date:

Item	Pc	Order no.	Description	LP in INR	Item	Pc	Order no.	Description	LP in INR
1	1	1 605 108 233	Motor Housing BLUE	220,00	44	2	1 601 334 009	Pickup Clip .	34,00
2	1	1 604 220 380	Field 220-240V .	1.404,00	45	1	1 603 300 019	Hex Nut M10, SW14 .	49,00
6	1	1 600 703 023	Grommet Ø	29,00	51	1	2 600 910 001	Needle-Roller Bearing Ø14	57,00
7	1	1 601 302 018	Fastening Clamp .	50,00	53	1	1 605 190 068	Socket Housing .	49,00
23	1	1 605 500 233	Sealing cap BLUE	63,00	60	4	1 603 435 023	Thread-forming tap. Screw	46,00
24	1	1 605 132 140	Handle BLUE	210,00	61	4	2 912 401 038	Tapping Screw DIN	30,00
25	1	1 619 P14 614	Grinding Spindle .	188,00	62	2	1 603 435 024	Tapping Screw C4,8x63	53,00
28	1	1 600 210 033	O-Ring 79,0x1,78 MM .	50,00	63	2	1 603 410 014	Pan head screw M4x10 MM	49,00
29	1	1 600 210 045	O-Ring 8,0x1,0 MM .	49,00	64	4	1 603 435 042	Plastic-Cutting Screw	49,00
30	1	1 600 591 035	Air Distributor .	72,00	65	4	2 912 401 020	Tapping Screw DIN	30,00
31	1	1 600 591 036	Air-Deflector Ring .	81,00	66	1	2 910 211 019	Tapping Screw DIN	30,00
32	1	1 600 290 019	Retaining snap ring .	46,00	68	1	1 601 006 011	Sealing Plate .	49,00
33	1	1 600 290 013	Rotary shaft lip seal 18,7	73,00	803	1	1 604 011 252	Armature 220-240V .	2.656,00
34	1	1 600 190 020	Shim 0,15 MM THICK	50,00	804	1	1 607 000 967	Switch BLACK	936,00
34	1	1 600 190 021	Shim 0,3 MM THICK	50,00	805	1	1 607 000 227	Power supply cord EU	2.652,00
34	1	1 600 190 022	Shim 0,1 MM THICK	52,00	810	1	1 607 014 171	Carbon-Brush Set .	262,00
34	1	1 600 190 037	Shim 0,2 MM THICK	30,00	813	1	1 600 905 011	groove ball bearing 8x22x7	104,00
34	1	1 600 190 038	Shim 0,25 MM THICK	30,00	814	1	1 600 905 028	groove ball bearing .	224,00
34	1	1 600 190 039	Shim 0,35 MM THICK	30,00	816	2	1 604 336 048	Brush Holder .	161,00
34	1	1 600 190 040	Shim 0,4 MM THICK	30,00	821	1	1 607 000 C00	Gear Housing .	759,00
35	1	1 600 205 034	Felt Washer .	50,00	822	1	1 607 000 C04	Bearing Flange Ø180 MM .	1.077,00
37	1	1 600 290 036	Seal Ring BLACK	73,00	826	1	1 619 P02 775	Bevel Gear Set .	667,00
38	1	1 600 206 020	Rubber Ring 7 MM WIDE	49,00	835	1	1 606 610 127	Fan .	87,00
39	1	1 600 206 030	Rubber Ring .	45,00	840	1	1 607 000 354	Push-Button .	224,00

Please observe: Repairing, modifying and testing of electro-tools are to be performed professionally. The safety regulations according to IEC, EN, VDE, AFNOR and other regulations of the individual countries are to be observed. Subject to change.  
This price list supersedes all previous edition. Prices are subjected to change without any prior notice.

0 601 849 104 / 105 / 106 / 140  
Stand 1  
Issue J 02-06-19 **Fig./Abb. 2**



Änderungen vorbehalten  
Modifications reserved  
Modificaciones reservées  
Salvo modificaciones

2 / 2

Model: 0 601 849 1X0 = 230

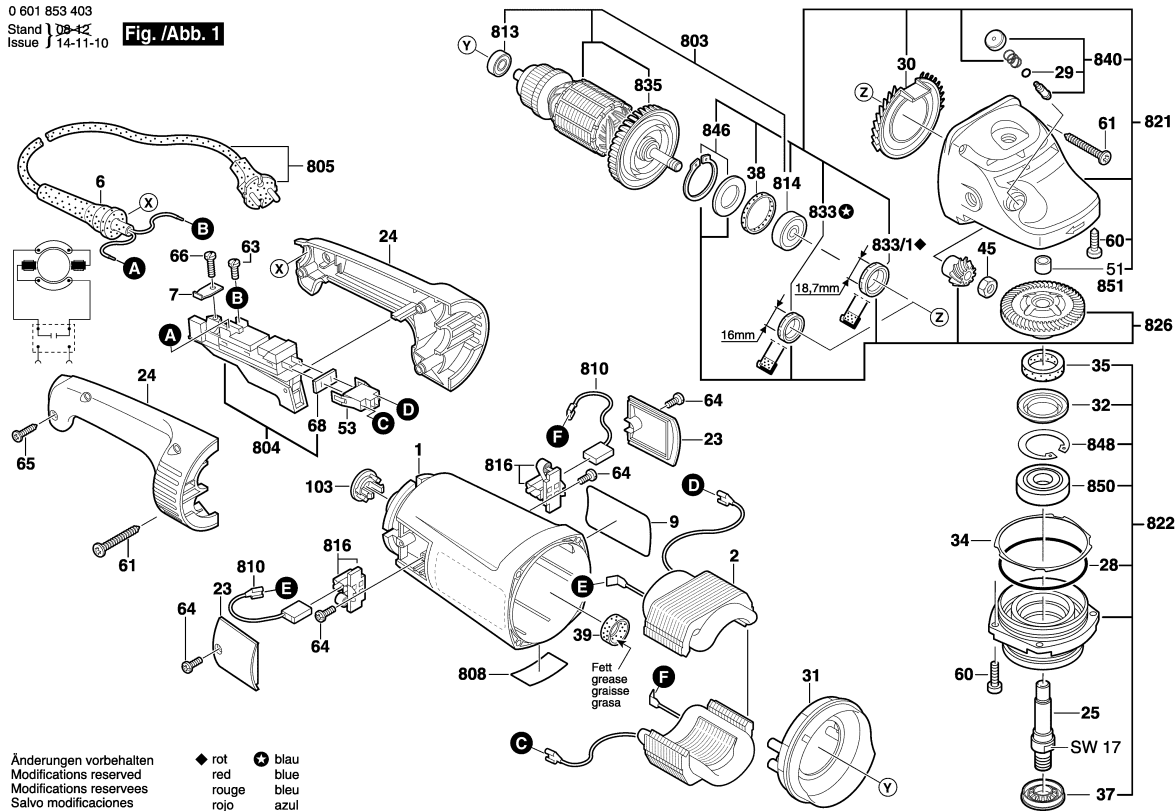
Date:

Item	Pc	Order no.	Description	LP in INR	Item	Pc	Order no.	Description	LP in INR
846	1	1 607 000 342	Retaining Washer .	55,00					
848	1	1 600 119 010	Retaining clip .	50,00					
850	1	1 600 905 026	groove ball bearing	118,00					
890	1	1 600 210 039	O-Ring 20,35x1,78 MM .	29,00					
891	1	1 602 025 022	Auxiliary Handle M14	627,00					
891/1	1	1 602 025 030	Auxiliary Handle M14,	626,00					
892	1	1 607 950 061	Pin-Type Face-Wrench .	64,00					
894	1	1 603 345 043	Round Nut M14 .	108,00					
896	1	1 603 340 027	Fast Locking Flange M14,	1.749,00					

Please observe: Repairing, modifying and testing of electro-tools are to be performed professionally. The safety regulations according to IEC, EN, VDE, AFNOR and other regulations of the individual countries are to be observed. Subject to change.  
This price list supersedes all previous edition. Prices are subjected to change without any prior notice.

0 601 853 403  
Stand 1 09-12  
Issue J 14-11-10

**Fig./Abb. 1**



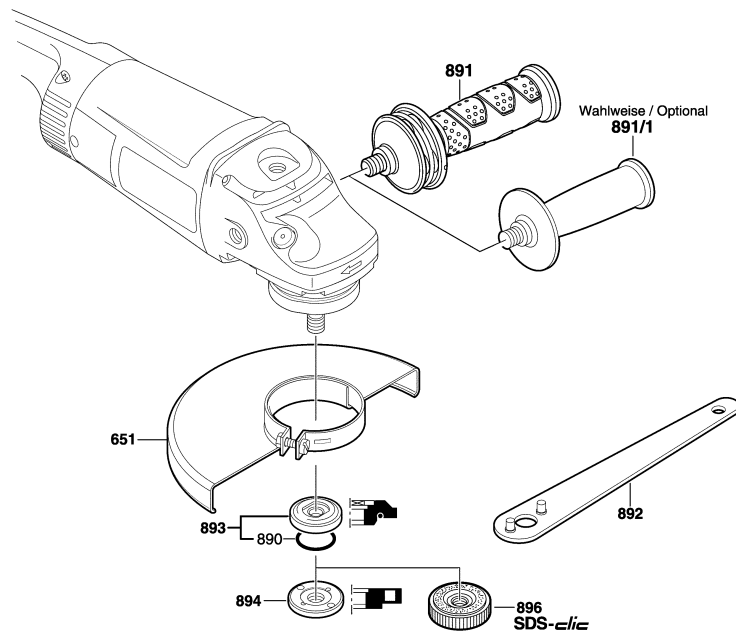
1 / 2

Model: 0 601 853 4X0 = EU Date:

Item	Pc	Order no.	Description	LP in INR	Item	Pc	Order no.	Description	LP in INR
1	1	1 605 108 190	Motor Housing BLUE	617,00	53	1	1 605 190 068	Socket Housing .	49,00
2	1	1 604 220 57K	Field .	1.860,00	60	4	1 603 435 023	Thread-forming tap. Screw	46,00
6	1	1 600 703 023	Grommet Ø	29,00	61	6	2 912 401 038	Tapping Screw DIN	30,00
7	1	1 601 302 018	Fastening Clamp .	50,00	63	2	1 603 410 014	Pan head screw M4x10 MM	49,00
23	2	1 605 500 206	Sealing cap BLUE	78,00	64	4	1 603 435 042	Plastic-Cutting Screw	49,00
24	1	1 605 132 141	Handle BLUE	362,00	65	2	2 912 401 020	Tapping Screw DIN	30,00
25	1	1 619 P15 297	Grinding Spindle .	362,00	66	1	2 910 211 019	Tapping Screw DIN	30,00
28	1	1 600 210 033	O-Ring 79,0x1,78 MM .	50,00	68	1	1 601 006 011	Sealing Plate .	49,00
29	1	1 600 210 045	O-Ring 8,0x1,0 MM .	49,00	103	1	1 602 388 035	Cable routing .	41,00
30	1	1 600 591 029	Air Distributor .	68,00	651	1	1 600 A00 XL9	Protective Cover Ø180 MM	306,00
31	1	1 600 591 075	Air-Deflector Ring .	101,00	803	1	1 604 010 BC1	Armature .	3.065,00
32	1	1 600 290 019	Retaining snap ring .	46,00	804	1	1 607 000 967	Switch BLACK	936,00
34	1	1 600 190 020	Shim 0,15 MM THICK	50,00	805	1	F 002 G31 007	Mains Cable .	803,00
34	1	1 600 190 021	Shim 0,3 MM THICK	50,00	810	1	1 607 014 171	Carbon-Brush Set .	262,00
34	1	1 600 190 022	Shim 0,1 MM THICK	52,00	813	1	1 600 905 011	groove ball bearing 8x22x7	104,00
34	1	1 600 190 037	Shim 0,2 MM THICK	30,00	814	1	1 600 905 028	groove ball bearing .	224,00
34	1	1 600 190 038	Shim 0,25 MM THICK	30,00	816	2	1 604 336 048	Brush Holder .	161,00
34	1	1 600 190 039	Shim 0,35 MM THICK	30,00	821	1	1 607 000 C03	Gear Housing .	1.845,00
34	1	1 600 190 040	Shim 0,4 MM THICK	30,00	822	1	1 607 000 C04	Bearing Flange Ø180 MM .	1.077,00
35	1	1 600 205 034	Felt Washer .	50,00	826	1	1 600 A00 3FR	Parts Set .	2.085,00
37	1	1 600 290 036	Seal Ring BLACK	73,00	833	1	1 600 290 064	Rotary shaft lip seal 16 MM	84,00
38	1	1 600 206 020	Rubber Ring 7 MM WIDE	49,00	833/1	1	1 600 290 013	Rotary shaft lip seal 18,7	73,00
39	1	1 600 206 030	Rubber Ring .	45,00	835	1	1 600 A00 J93	Fan .	79,00
45	1	1 603 300 019	Hex Nut M10, SW14 .	49,00	840	1	1 607 000 354	Push-Button .	224,00

0 601 853 403  
Stand | 03-09  
Issue | 08-01-17

Fig./Abb. 2



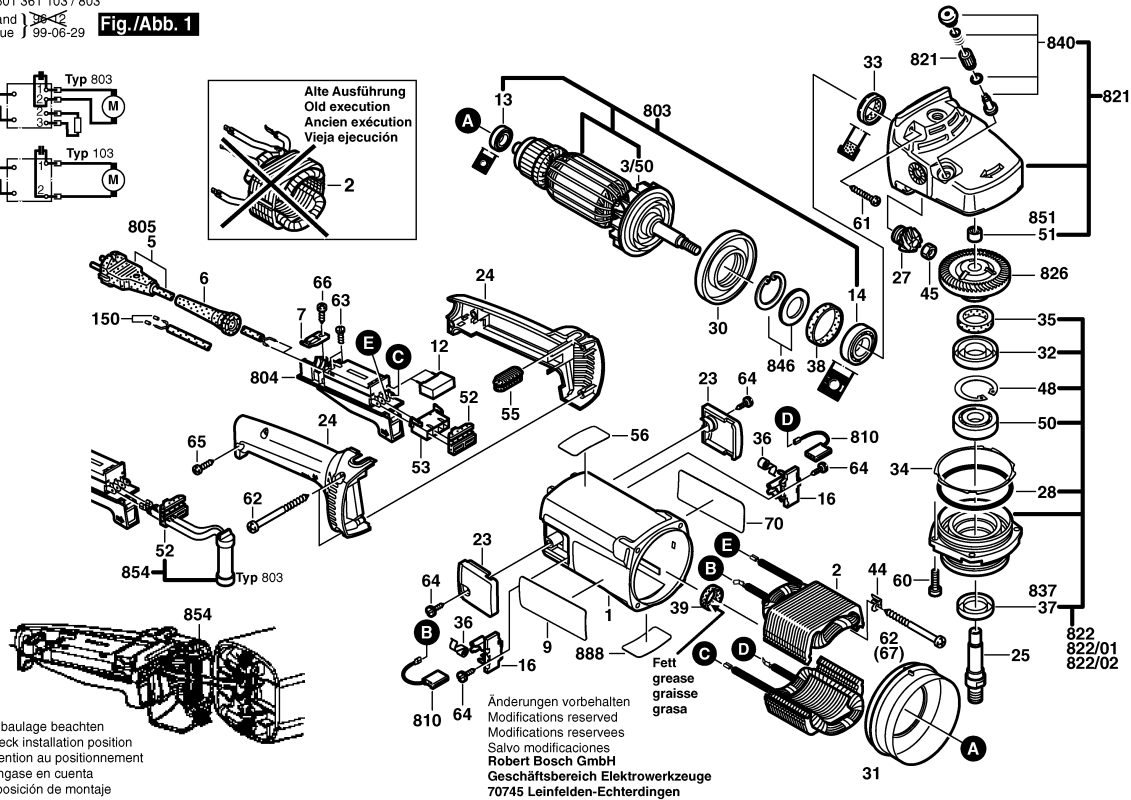
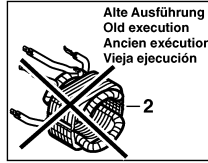
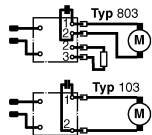
Änderungen vorbehalten  
Modifications reserved  
Modificacions reserves  
Salvo modificaciones

Model: 0 601 853 4X0 = EU	Date:
---------------------------	-------

Item	Pc	Order no.	Description	LP in INR	Item	Pc	Order no.	Description	LP in INR
846	1	1 607 000 C3E	Retaining Washer .	73,00					
848	1	1 600 119 010	Retaining clip .	50,00					
850	1	1 600 905 026	groove ball bearing	118,00					
851	1	2 600 910 001	Needle-Roller Bearing Ø14	57,00					
890	1	1 600 210 039	O-Ring 20,35x1,78 MM .	29,00					
891	1	1 602 025 051	Auxiliary Handle M14	1.116,00					
891/1	1	1 602 025 022	Auxiliary Handle M14	627,00					
892	1	1 607 950 061	Pin-Type Face-Wrench .	64,00					
893	1	2 605 703 014	Clamping Flange	102,00					
894	1	1 603 345 043	Round Nut M14 .	108,00					
896	1	1 600 A01 6PP	Fast Locking Flange .	1.659,00					

0 601 361 103 / 803  
Stand 1999-06-29  
Issue 1999-06-29

**Fig./Abb. 1**



Einbauage beachten  
Check installation position  
Attention au positionnement  
Téngase en cuenta  
la posición de montaje

Änderungen vorbehalten  
Modifications reserved  
Modifications réservées  
Salvo modificaciones  
Robert Bosch GmbH  
Geschäftsbereich Elektrowerkzeuge  
70745 Leinfelden-Echterdingen

Model: 0 601 361 150 = 230

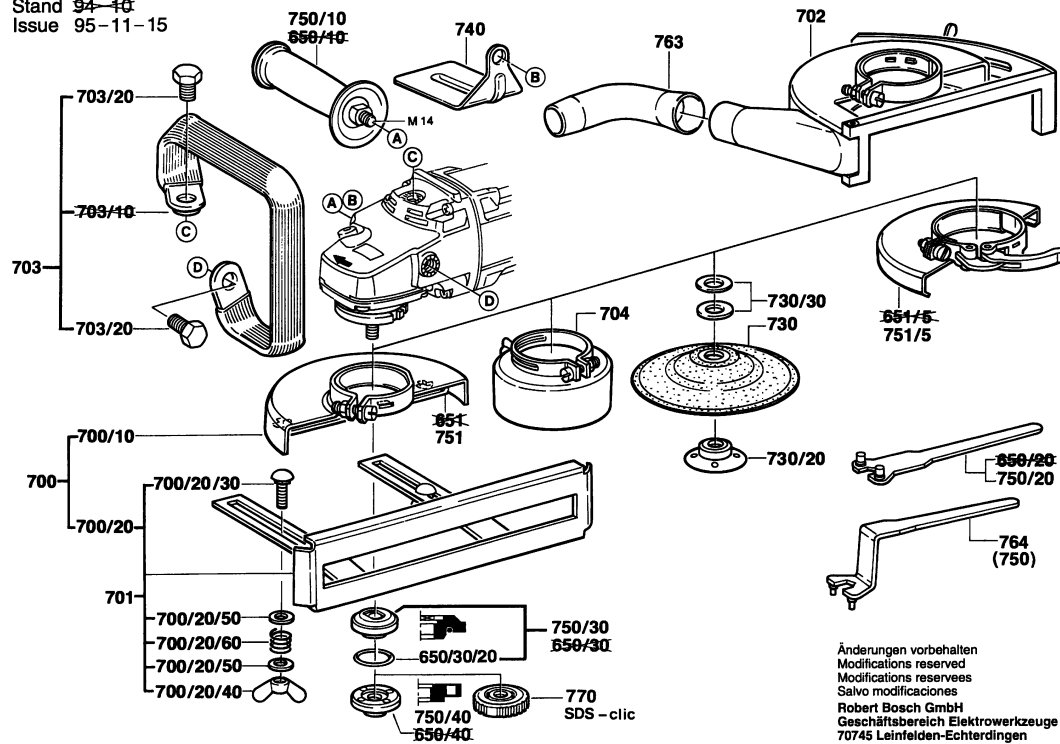
Date:

Item	Pc	Order no.	Description	LP in INR	Item	Pc	Order no.	Description	LP in INR
1	1	1 605 108 145	Motor Housing BLACK	986,00	36	2	1 604 652 015	Spiral Spring .	44,00
2	1	1 604 220 57K	Field .	1.860,00	37	1	1 600 290 036	Seal Ring BLACK	73,00
3/50	1	1 606 610 127	Fan .	87,00	38	1	1 600 206 020	Rubber Ring 7 MM WIDE	49,00
5	1	1 604 460 128	Power supply cord EU		39	1	1 600 206 030	Rubber Ring .	45,00
6	1	1 600 703 023	Grommet Ø	29,00	44	2	1 601 334 008	Holding Bracket .	46,00
7	1	1 601 302 018	Fastening Clamp .	50,00	45	1	1 603 300 019	Hex Nut M10, SW14 .	49,00
9	1	1 601 118 340	Manufacturer's nameplate .		48	1	1 600 119 010	Retaining clip .	50,00
12	1	1 607 328 035	Suppression Filter .	74,00	50	1	3 600 905 134	groove ball bearing .	386,00
13	1	1 600 905 011	groove ball bearing 8x22x7	104,00	51	1	1 600 200 031	Plain bearing Ø14 MM .	55,00
14	1	1 600 905 025	groove ball bearing	347,00	52	1	1 602 388 027	Cable routing .	46,00
16	2	1 604 336 021	Brush Holder .	94,00	53	1	1 605 190 038	Socket Housing .	35,00
23	2	1 605 500 150	Sealing cap BLACK	44,00	55	1	1 602 388 029	Storage Ledge BLACK	43,00
24	1	1 605 132 117	Handle BLUE	340,00	60	4	1 603 435 023	Thread-forming tap. Screw	46,00
25	1	1 603 523 100	Grinding Spindle M14,	580,00	61	4	2 912 401 038	Tapping Screw DIN	30,00
27	1	1 606 333 237	Bevel Gear Z=17 .	1.048,00	62	4	1 603 435 024	Tapping Screw C4,8x63	53,00
28	1	1 600 210 033	O-Ring 79,0x1,78 MM .	50,00	63	2	1 603 410 014	Pan head screw M4x10 MM	49,00
30	1	1 600 591 010	Air-Deflector Ring .	55,00	64	4	1 603 435 042	Plastic-Cutting Screw	49,00
31	1	1 600 591 011	Air-Deflector Ring .	46,00	65	2	2 912 401 020	Tapping Screw DIN	30,00
32	1	1 600 290 019	Retaining snap ring .	46,00	66	1	2 910 211 019	Tapping Screw DIN	30,00
33	1	1 600 290 013	Rotary shaft lip seal 18,7	73,00	67	1	1 603 435 019	Tapping Screw BZ 4,8x78	
34	1	1 600 190 020	Shim 0,15 MM THICK	50,00	70	1	1 601 110 933	Manufacturer's nameplate	
34	1	1 600 190 021	Shim 0,3 MM THICK	50,00	650/30/2	1	1 600 210 039	O-Ring 20,35x1,78 MM .	29,00
34	1	1 600 190 022	Shim 0,1 MM THICK	52,00	700/10	1	1 605 510 222	Protective Cover Ø180 MM	
35	1	1 600 205 034	Felt Washer .	50,00	700/20	1	1 608 135 003	Guide Block .	



Typ 0 601 361 1.. = GWS 24 - 180  
8.. = GWS 24 - 180 J

Stand 94-10  
Issue 95-11-15



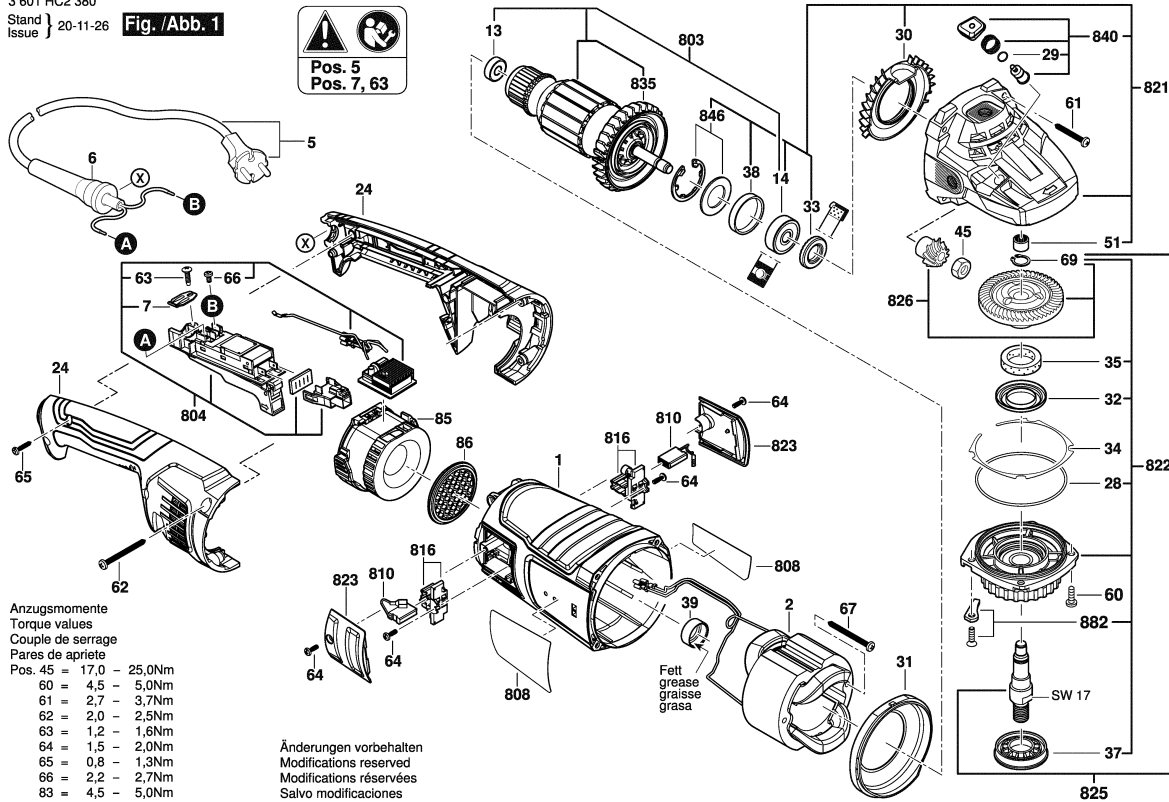
2 / 2

Model: 0 601 361 150 = 230 Date:

Item	Pc	Order no.	Description	LP in INR	Item	Pc	Order no.	Description	LP in INR
700/20/3	2	2 910 281 244	Round-Head Bolt DIN		810	1	1 607 014 171	Carbon-Brush Set .	262,00
700/20/4	2	2 915 191 007	Wing Nut DIN	88,00	821	1	1 605 805 592	Gear Housing .	2.891,00
700/20/5	4	2 600 100 041	Plain Washer DIN	48,00	822	1	1 607 000 986	Bearing Flange Ø180 MM .	988,00
700/20/6	2	1 604 643 003	Compression Spring .	128,00	822/01	1	1 607 000 931	Bearing Flange Ø180 MM	
701	1	1 608 135 003	Guide Block .		822/02	1	1 607 000 921	Bearing Flange Ø180 MM	1.609,00
702	1	1 605 510 179	Suction Hood Ø180 MM .		826	1	1 606 333 618	Crown Gear Z=53 .	754,00
703	1	1 607 000 247	Strap-Shaped Handle .		837	1	1 600 290 020	Seal Ring .	47,00
703/20	2	2 603 450 007	Hex Screw M14x16x1,5	118,00	840	1	1 607 000 206	Push-Button BLACK	77,00
704	1	1 605 510 181	Protective Cover Ø110 MM		846	1	1 607 000 342	Retaining Washer .	55,00
730	1	1 608 601 006	Backing Pad Ø180 MM .		851	1	2 600 910 001	Needle-Roller Bearing Ø14	57,00
730/20	1	1 603 345 004	Round Nut M14 .		888	1	1 601 11A 3H3	Nameplate .	
730/30	2	2 916 011 022	Plain Washer DIN	126,00					
740	1	1 601 329 013	Protecting Cover .						
750/10	1	2 602 025 075	Auxiliary Handle M14x1,5						
750/20	1	1 607 950 048	Pin-Type Face-Wrench .						
750/30	1	1 605 703 099	Clamping-Flange Ø22,2x42						
750/40	1	1 603 340 040	Clamping Nut M14 .						
751	1	1 605 510 222	Protective Cover Ø180 MM						
751/5	1	1 605 510 222	Protective Cover Ø180 MM						
763	1	1 600 793 007	Suction Bend Ø 35 MM .						
764	1	1 607 950 004	Pin-Type Face-Wrench .						
770	1	1 600 A01 6PP	Fast Locking Flange .	1.659,00					
803	1	1 604 011 156	Armature 230-240V .	3.622,00					
804	1	1 607 200 104	Switch .	1.056,00					

3 601 HC2 380  
Stand Issue } 20-11-26

**Fig./Abb. 1**



Anzugsmomente  
Torque values  
Couple de serrage  
Pares de apriete

Pos. 45	=	17,0 - 25,0Nm
60	=	4,5 - 5,0Nm
61	=	2,7 - 3,7Nm
62	=	2,0 - 2,5Nm
63	=	1,2 - 1,6Nm
64	=	1,5 - 2,0Nm
65	=	0,8 - 1,3Nm
66	=	2,2 - 2,7Nm
83	=	4,5 - 5,0Nm

Änderungen vorbehalten  
Modifications reserved  
Modifications réservées  
Salvo modificaciones

Fett  
grease  
graisse  
grasa

1 / 2

Model: 3 601 HC2 3K0 = 230

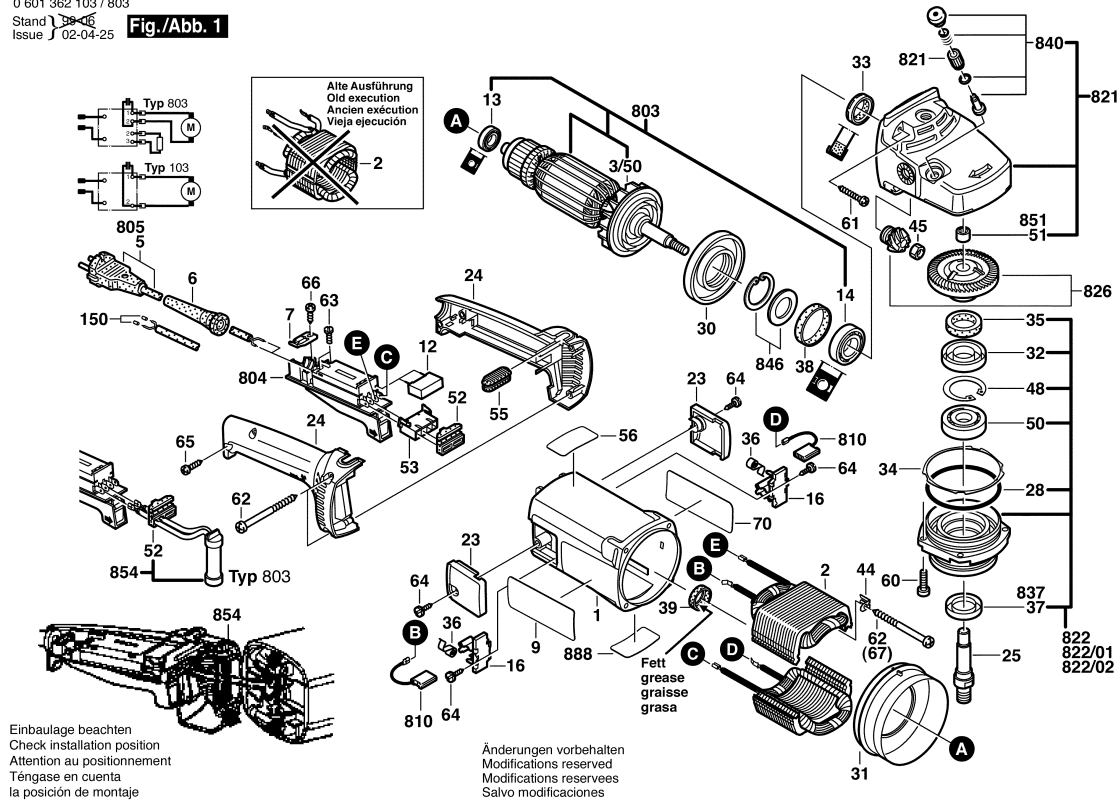
Date:

Item	Pc	Order no.	Description	LP in INR	Item	Pc	Order no.	Description	LP in INR
1	1	1 619 P15 457	Motor Housing .		38	1	1 600 206 020	Rubber Ring 7 MM WIDE	49,00
2	1	1 619 P14 999	Field .		39	1	1 600 206 030	Rubber Ring .	45,00
5	1	1 604 460 126	Power supply cord EU		45	1	1 603 300 019	Hex Nut M10, SW14 .	49,00
6	1	1 619 P14 369	Grommet .		51	1	2 600 910 001	Needle-Roller Bearing Ø14	57,00
7	1	1 601 302 018	. .	50,00	60	3	1 603 435 023	Thread-forming tap. Screw	46,00
7	1	1 601 302 018	Fastening Clamp .	50,00	61	4	2 912 401 038	Tapping Screw DIN	30,00
13	1	1 600 905 011	groove ball bearing 8x22x7	104,00	62	2	1 603 435 060	Tapping Screw 4,8x55 .	29,00
14	1	1 600 905 028	groove ball bearing .	224,00	63	2	1 603 410 014	Pan head screw M4x10 MM	49,00
24	1	1 619 P16 039	Handle .		64	4	1 603 435 042	Plastic-Cutting Screw	49,00
28	1	1 600 210 033	O-Ring 79,0x1,78 MM .	50,00	65	4	2 912 401 020	Tapping Screw DIN	30,00
29	1	1 600 210 045	O-Ring 8,0x1,0 MM .	49,00	66	1	2 910 211 019	Tapping Screw DIN	30,00
30	1	1 619 P15 274	Air Distributor .	38,00	67	2	1 603 435 024	Tapping Screw C4,8x63	53,00
31	1	1 619 P15 275	Air-Deflector Ring .	51,00	69	1	2 916 650 905	Spring retaining ring .	28,00
32	1	1 600 290 019	Retaining snap ring .	46,00	85	1	1 619 P15 700	Dust Separator .	
33	1	1 600 290 064	Rotary shaft lip seal 16 MM	84,00	86	1	1 619 P16 040	Air Deflection .	
34	1	1 600 190 022	Shim 0,1 MM THICK	52,00	651	1	1 619 P15 622	Protective Cover Ø180 MM	330,00
34	1	1 600 190 020	Shim 0,15 MM THICK	50,00	803	1	1 619 P16 541	Armature .	
34	1	1 600 190 037	Shim 0,2 MM THICK	30,00	804	1	1 619 P16 542	Switch .	
34	1	1 600 190 038	Shim 0,25 MM THICK	30,00	808	1	1 619 P16 077	Label .	
34	1	1 600 190 021	Shim 0,3 MM THICK	50,00	810	1	1 607 014 171	Carbon-Brush Set .	262,00
34	1	1 600 190 039	Shim 0,35 MM THICK	30,00	816	2	1 604 336 048	Brush Holder .	161,00
34	1	1 600 190 040	Shim 0,4 MM THICK	30,00	821	1	1 619 P15 871	Gear Housing .	
35	1	1 600 205 034	Felt Washer .	50,00	822	1	1 619 P15 751	Bearing Flange 180 .	620,00
37	1	1 600 290 036	Seal Ring BLACK	73,00	823	1	1 619 P15 945	Sealing cap .	47,00



0 601 362 103 / 803  
Stand 1996  
Issue J 02-04-25

**Fig./Abb. 1**



1 / 2

Model: 0 601 362 150 = 230

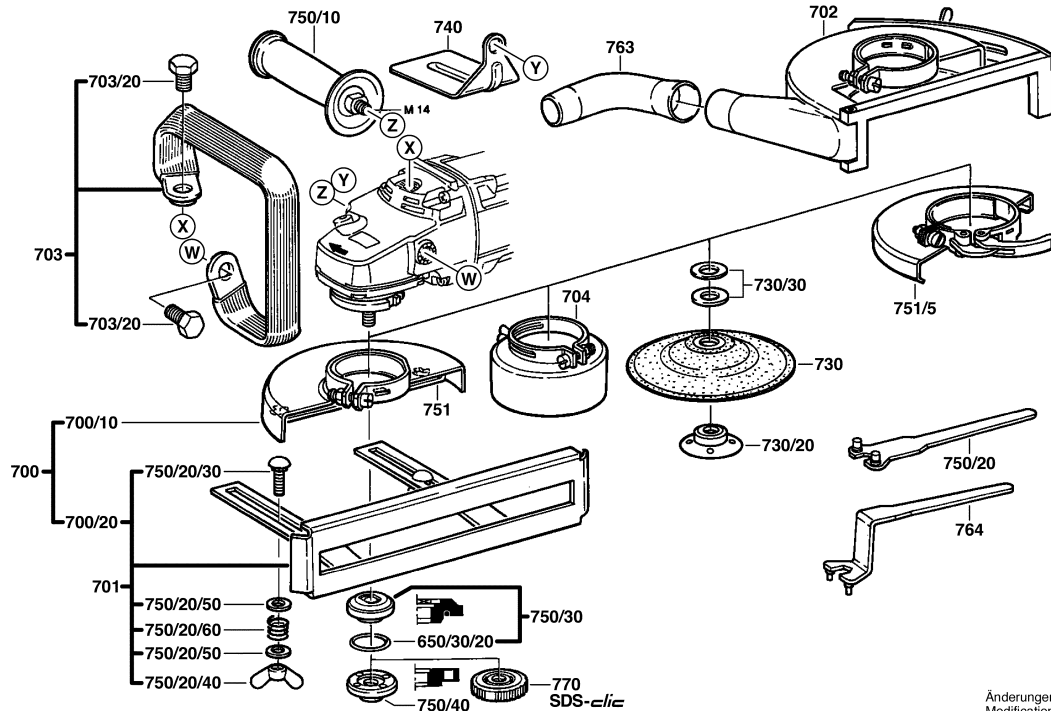
Date:

Item	Pc	Order no.	Description	LP in INR	Item	Pc	Order no.	Description	LP in INR
1	1	1 605 108 145	Motor Housing BLACK	986,00	36	2	1 604 652 015	Spiral Spring .	44,00
2	1	1 604 220 57K	Field .	1.860,00	37	1	1 600 290 036	Seal Ring BLACK	73,00
3/50	1	1 606 610 127	Fan .	87,00	38	1	1 600 206 020	Rubber Ring 7 MM WIDE	49,00
5	1	1 604 460 128	Power supply cord EU		39	1	1 600 206 030	Rubber Ring .	45,00
6	1	1 600 703 023	Grommet Ø	29,00	44	2	1 601 334 008	Holding Bracket .	46,00
7	1	1 601 302 018	Fastening Clamp .	50,00	45	1	1 603 300 019	Hex Nut M10, SW14 .	49,00
9	2	1 601 118 349	Manufacturer's nameplate .		48	1	1 600 119 010	Retaining clip .	50,00
12	1	1 607 328 035	Suppression Filter .	74,00	50	1	3 600 905 134	groove ball bearing .	386,00
13	1	1 600 905 011	groove ball bearing 8x22x7	104,00	51	1	1 600 200 031	Plain bearing Ø14 MM .	55,00
14	1	1 600 905 025	groove ball bearing	347,00	52	1	1 602 388 027	Cable routing .	46,00
16	2	1 604 336 021	Brush Holder .	94,00	53	1	1 605 190 038	Socket Housing .	35,00
23	2	1 605 500 150	Sealing cap BLACK	44,00	55	1	1 602 388 029	Storage Ledge BLACK	43,00
24	1	1 605 132 117	Handle BLUE	340,00	60	4	1 603 435 023	Thread-forming tap. Screw	46,00
25	1	1 603 523 100	Grinding Spindle M14,	580,00	61	4	2 912 401 038	Tapping Screw DIN	30,00
28	1	1 600 210 033	O-Ring 79,0x1,78 MM .	50,00	62	4	1 603 435 024	Tapping Screw C4,8x63	53,00
30	1	1 600 591 010	Air-Deflector Ring .	55,00	63	2	1 603 410 014	Pan head screw M4x10 MM	49,00
31	1	1 600 591 011	Air-Deflector Ring .	46,00	64	4	1 603 435 042	Plastic-Cutting Screw	49,00
32	1	1 600 290 019	Retaining snap ring .	46,00	65	2	2 912 401 020	Tapping Screw DIN	30,00
33	1	1 600 290 013	Rotary shaft lip seal 18,7	73,00	66	1	2 910 211 019	Tapping Screw DIN	30,00
33	1	1 600 290 064	Rotary shaft lip seal 16 MM	84,00	67	1	1 603 435 019	Tapping Screw BZ 4,8x78	
34	1	1 600 190 020	Shim 0,15 MM THICK	50,00	70	1	1 601 110 930	Manufacturer's nameplate	
34	1	1 600 190 021	Shim 0,3 MM THICK	50,00	650/30/2	1	1 600 210 039	O-Ring 20,35x1,78 MM .	29,00
34	1	1 600 190 022	Shim 0,1 MM THICK	52,00	700	1	1 607 000 251	Parts Set Ø230 MM .	
35	1	1 600 205 034	Felt Washer .	50,00	700/10	1	1 605 510 223	Protective Cover Ø230 MM	

Please observe: Repairing, modifying and testing of electro-tools are to be performed professionally. The safety regulations according to IEC, EN, VDE, AFNOR and other regulations of the individual countries are to be observed. Subject to change.  
This price list supersedes all previous edition. Prices are subjected to change without any prior notice.

0 601 362 103 / 803  
Stand 1994  
Issue J 02-04-25

**Fig./Abb. 2**



Änderungen vorbehalten  
Modifications reserved  
Modifications reserves  
Salvo modificaciones

2 / 2

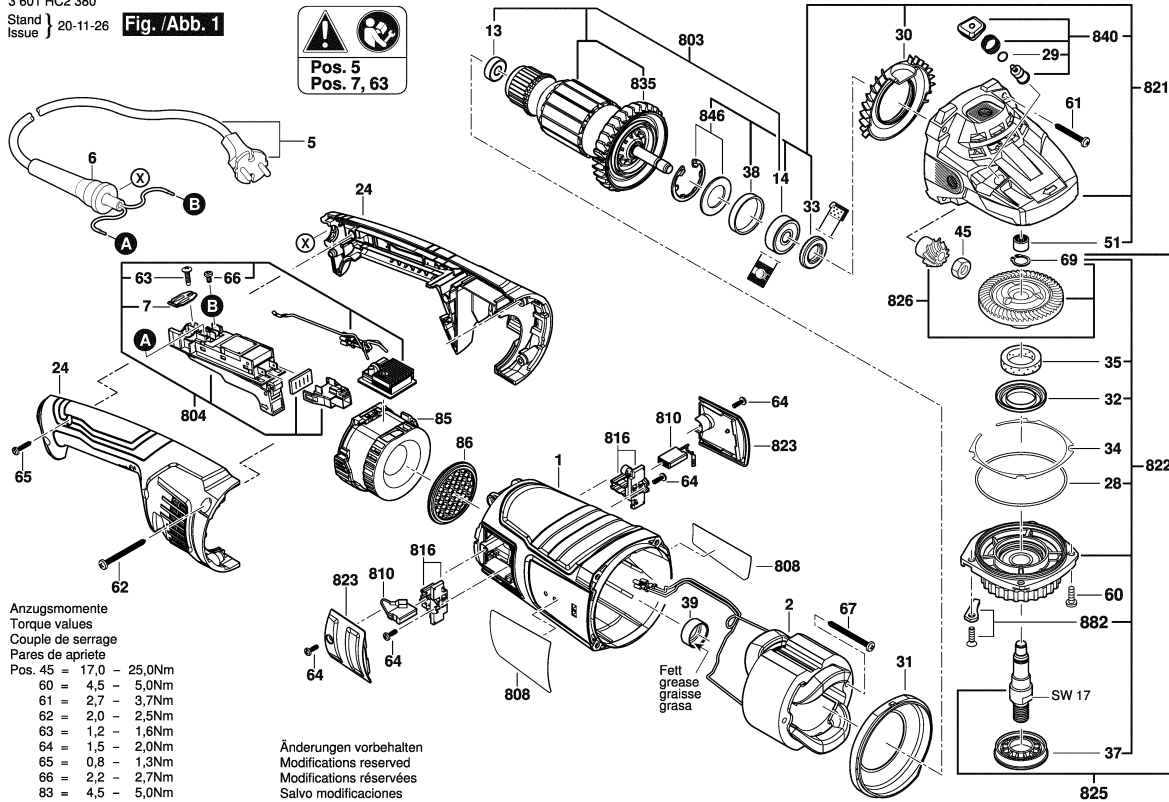
Model: 0 601 362 150 = 230 Date:

Item	Pc	Order no.	Description	LP in INR	Item	Pc	Order no.	Description	LP in INR
700/20	1	1 608 135 006	Guide Block .		804	1	1 607 200 104	Switch .	1.056,00
701	1	1 608 135 006	Guide Block .		810	1	1 607 014 171	Carbon-Brush Set .	262,00
702	1	1 605 510 180	Protective Cover Ø230 MM		821	1	1 605 805 592	Gear Housing .	2.891,00
703	1	1 607 000 247	Strap-Shaped Handle .		822	1	1 607 000 985	Bearing Flange Ø230 MM .	1.081,00
703/20	2	2 603 450 007	Hex Screw M14x16x1,5	118,00	822/01	1	1 607 000 932	Bearing Flange Ø230 MM	
704	1	1 605 510 181	Protective Cover Ø110 MM		822/02	1	1 607 000 922	Bearing Flange Ø 230 MM	1.745,00
730	1	1 608 601 006	Backing Pad Ø180 MM .		826	1	1 600 A00 5BH	Assembly Of Service Parts	1.943,00
730/20	1	1 603 345 004	Round Nut M14 .		837	1	1 600 290 020	Seal Ring .	47,00
730/30	2	2 916 011 022	Plain Washer DIN	126,00	840	1	1 607 000 206	Push-Button BLACK	77,00
740	1	1 601 329 013	Protecting Cover .		846	1	1 607 000 C3E	Retaining Washer .	73,00
750/10	1	2 602 025 075	Auxiliary Handle M14x1,5		851	1	2 600 910 001	Needle-Roller Bearing Ø14	57,00
750/20	1	1 607 950 048	Pin-Type Face-Wrench .		888	1	1 601 11A 3H3	Nameplate .	
750/20/3	2	2 910 281 244	Round-Head Bolt DIN						
750/20/4	2	2 915 191 007	Wing Nut DIN	88,00					
750/20/5	4	2 600 100 041	Plain Washer DIN	48,00					
750/20/6	2	1 604 643 003	Compression Spring .	128,00					
750/30	1	1 605 703 099	Clamping-Flange Ø22,2x42						
750/40	1	1 603 340 040	Clamping Nut M14 .						
751	1	1 605 510 223	Protective Cover Ø230 MM						
751/5	1	1 605 510 223	Protective Cover Ø230 MM						
763	1	1 600 793 007	Suction Bend Ø 35 MM .						
764	1	1 607 950 004	Pin-Type Face-Wrench .						
770	1	1 600 A01 6PP	Fast Locking Flange .	1.659,00					
803	1	1 604 011 156	Armature 230-240V .	3.622,00					

Please observe: Repairing, modifying and testing of electro-tools are to be performed professionally. The safety regulations according to IEC, EN, VDE, AFNOR and other regulations of the individual countries are to be observed. Subject to change.  
This price list supersedes all previous edition. Prices are subjected to change without any prior notice.

3 601 HC2 380  
Stand Issue } 20-11-26

**Fig./Abb. 1**



Anzugsmomente  
Torque values  
Couple de serrage  
Pares de apriete

Pos. 45	=	17,0 - 25,0Nm
60	=	4,5 - 5,0Nm
61	=	2,7 - 3,7Nm
62	=	2,0 - 2,5Nm
63	=	1,2 - 1,6Nm
64	=	1,5 - 2,0Nm
65	=	0,8 - 1,3Nm
66	=	2,2 - 2,7Nm
83	=	4,5 - 5,0Nm

Änderungen vorbehalten  
Modifications reserved  
Modifications réservées  
Salvo modificaciones

1 / 2

Model: 3 601 HC3 3K0 = 230

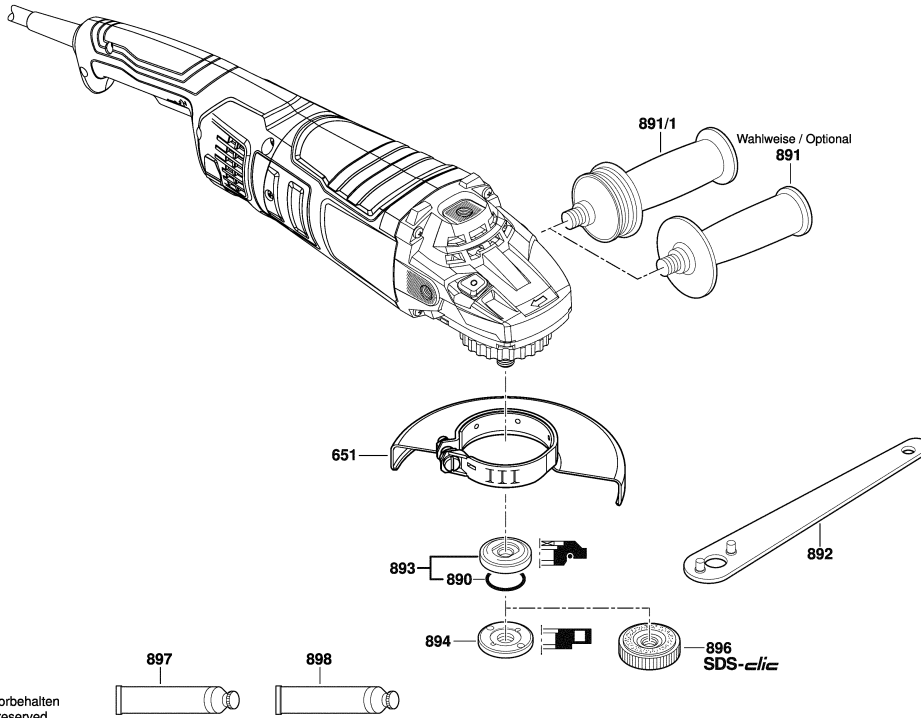
Date:

Item	Pc	Order no.	Description	LP in INR	Item	Pc	Order no.	Description	LP in INR
1	1	1 619 P15 457	Motor Housing .		38	1	1 600 206 020	Rubber Ring 7 MM WIDE	49,00
2	1	1 619 P14 999	Field .		39	1	1 600 206 030	Rubber Ring .	45,00
5	1	1 604 460 126	Power supply cord EU		45	1	1 603 300 019	Hex Nut M10, SW14 .	49,00
6	1	1 619 P14 369	Grommet .		51	1	2 600 910 001	Needle-Roller Bearing Ø14	57,00
7	1	1 601 302 018	. .	50,00	60	3	1 603 435 023	Thread-forming tap. Screw	46,00
7	1	1 601 302 018	Fastening Clamp .	50,00	61	4	2 912 401 038	Tapping Screw DIN	30,00
13	1	1 600 905 011	groove ball bearing 8x22x7	104,00	62	2	1 603 435 060	Tapping Screw 4,8x55 .	29,00
14	1	1 600 905 028	groove ball bearing .	224,00	63	2	1 603 410 014	Pan head screw M4x10 MM	49,00
24	1	1 619 P16 039	Handle .		64	4	1 603 435 042	Plastic-Cutting Screw	49,00
28	1	1 600 210 033	O-Ring 79,0x1,78 MM .	50,00	65	4	2 912 401 020	Tapping Screw DIN	30,00
29	1	1 600 210 045	O-Ring 8,0x1,0 MM .	49,00	66	1	2 910 211 019	Tapping Screw DIN	30,00
30	1	1 619 P15 274	Air Distributor .	38,00	67	2	1 603 435 024	Tapping Screw C4,8x63	53,00
31	1	1 619 P15 275	Air-Deflector Ring .	51,00	69	1	2 916 650 905	Spring retaining ring .	28,00
32	1	1 600 290 019	Retaining snap ring .	46,00	85	1	1 619 P15 700	Dust Separator .	
33	1	1 600 290 064	Rotary shaft lip seal 16 MM	84,00	86	1	1 619 P16 040	Air Deflection .	
34	1	1 600 190 022	Shim 0,1 MM THICK	52,00	651	1	1 619 P15 668	Protective Cover Ø230 MM	366,00
34	1	1 600 190 020	Shim 0,15 MM THICK	50,00	803	1	1 619 P16 541	Armature .	
34	1	1 600 190 037	Shim 0,2 MM THICK	30,00	804	1	1 619 P16 542	Switch .	
34	1	1 600 190 038	Shim 0,25 MM THICK	30,00	808	1	1 619 P16 078	Label .	
34	1	1 600 190 021	Shim 0,3 MM THICK	50,00	810	1	1 607 014 171	Carbon-Brush Set .	262,00
34	1	1 600 190 039	Shim 0,35 MM THICK	30,00	816	2	1 604 336 048	Brush Holder .	161,00
34	1	1 600 190 040	Shim 0,4 MM THICK	30,00	821	1	1 619 P15 871	Gear Housing .	
35	1	1 600 205 034	Felt Washer .	50,00	822	1	1 619 P15 872	Bearing Flange 230 .	620,00
37	1	1 600 290 036	Seal Ring BLACK	73,00	823	1	1 619 P15 945	Sealing cap .	47,00

Please observe: Repairing, modifying and testing of electro-tools are to be performed professionally. The safety regulations according to IEC, EN, VDE, AFNOR and other regulations of the individual countries are to be observed. Subject to change.

This price list supersedes all previous edition. Prices are subjected to change without any prior notice.

3 601 HC2 380  
Stand } 20-11-26 **Fig. /Abb. 2**



Änderungen vorbehalten  
Modifications reserved  
Modifications réservées  
Salvo modificaciones

Model: 3 601 HC3 3K0 = 230

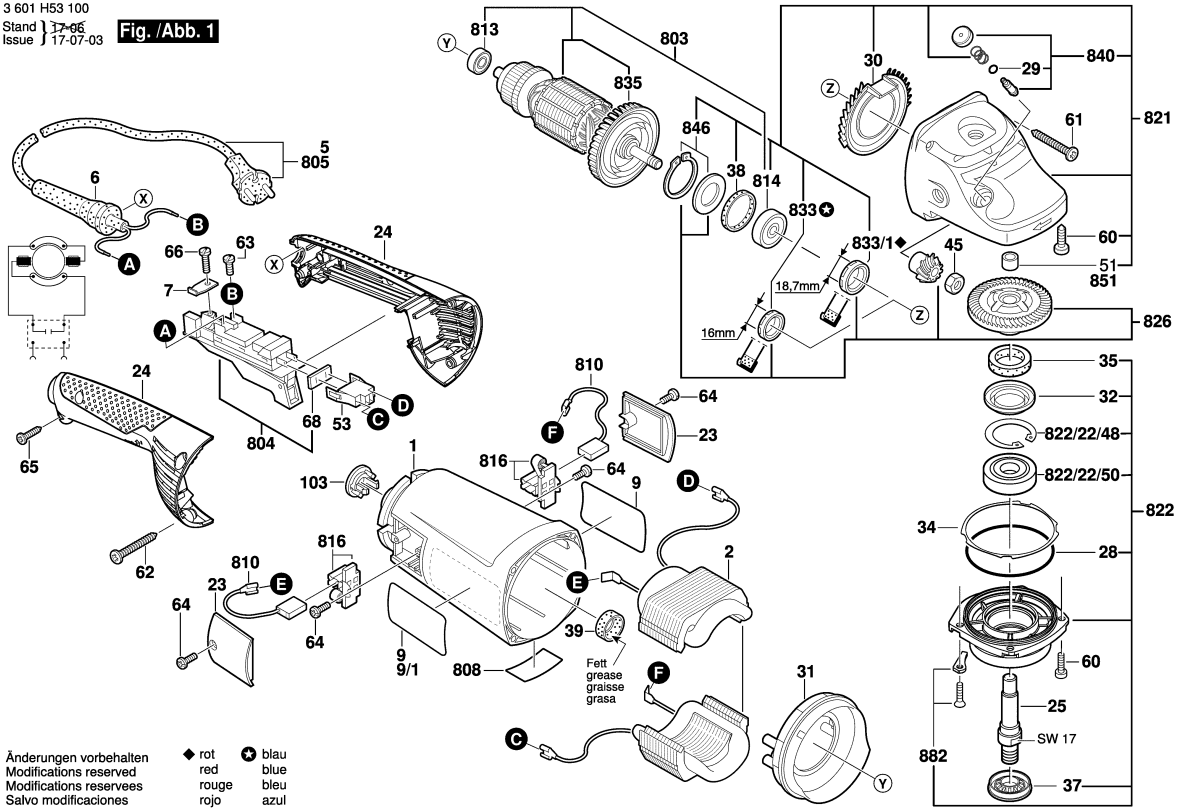
Date:

Item	Pc	Order no.	Description	LP in INR
825	1	1 619 P15 297	Grinding Spindle .	362,00
826	1	1 619 P15 948	Bevel Gear Set 230 .	
835	1	1 600 A00 J93	Fan .	79,00
840	1	1 619 P15 752	Push-Button .	31,00
846	1	1 607 000 342	Retaining Washer .	55,00
882	1	1 619 P06 597	Stopper .	188,00
890	1	1 600 210 039	O-Ring 20,35x1,78 MM .	29,00
891	1	1 619 P09 013	Auxiliary Handle .	144,00
891/1	1	1 602 025 030	Auxiliary Handle M14,	626,00
892	1	1 607 950 061	Pin-Type Face-Wrench .	64,00
893	1	2 605 703 014	Clamping Flange	102,00
894	1	1 603 345 043	Round Nut M14 .	108,00
896	1	1 600 A01 6PP	Fast Locking Flange .	1.659,00
897	1	1 605 430 003	Grease Tube 225 ML .	1.554,00
898	1	1 615 430 020	Grease Tube 225 ML .	1.438,00

Item	Pc	Order no.	Description	LP in INR

3 601 H53 100  
Stand 1 37-06  
Issue J 17-07-03

**Fig./Abb. 1**



Model: 3 601 H55 100 = 230

Date:

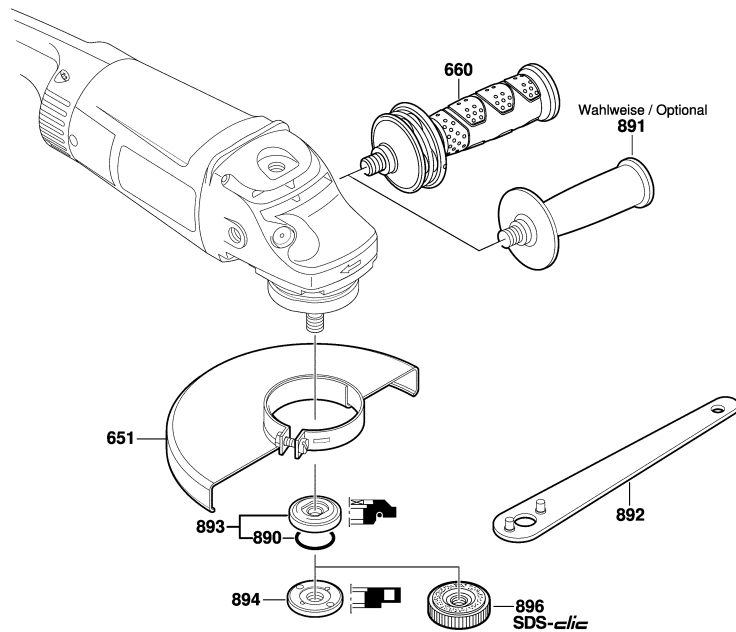
Item	Pc	Order no.	Description	LP in INR	Item	Pc	Order no.	Description	LP in INR
1	1	1 605 108 190	Motor Housing BLUE	617,00	38	1	1 600 206 020	Rubber Ring 7 MM WIDE	49,00
2	1	1 604 220 51P	Field .	1.884,00	39	1	1 600 206 030	Rubber Ring .	45,00
6	1	1 600 703 036	Grommet Ø10,5-Ø11,0x100	66,00	45	1	1 603 300 019	Hex Nut M10, SW14 .	49,00
7	1	1 601 302 018	Fastening Clamp .	50,00	51	1	1 600 200 031	Plain bearing Ø14 MM .	55,00
9	1	1 601 11C 27M	Manufacturer's nameplate .		53	1	1 605 190 068	Socket Housing .	49,00
9/1	1	1 601 11C 27M	Manufacturer's nameplate .		60	3	1 603 435 023	Thread-forming tap. Screw	46,00
14	1	1 600 905 028	groove ball bearing .	224,00	61	4	2 912 401 038	Tapping Screw DIN	30,00
23	2	1 618 B00 802	Sealing cap .	33,00	62	2	1 603 415 006	Oval-Head Screw .	43,00
24	1	1 605 132 150	Handle BLUE	735,00	63	2	1 603 410 014	Pan head screw M4x10 MM	49,00
25	1	1 603 123 05U	Grinding Spindle .	393,00	64	4	1 603 435 042	Plastic-Cutting Screw	49,00
28	1	1 600 210 033	O-Ring 79,0x1,78 MM .	50,00	65	2	2 912 401 020	Tapping Screw DIN	30,00
29	1	1 600 210 045	O-Ring 8,0x1,0 MM .	49,00	66	1	2 910 211 019	Tapping Screw DIN	30,00
30	1	1 600 591 029	Air Distributor .	68,00	68	1	1 601 006 011	Sealing Plate .	49,00
31	1	1 600 591 075	Air-Deflector Ring .	101,00	103	1	1 602 388 035	Cable routing .	41,00
32	1	1 600 290 019	Retaining snap ring .	46,00	651	1	1 600 A00 XL9	Protective Cover Ø180 MM	306,00
34	1	1 600 190 020	Shim 0,15 MM THICK	50,00	660	1	1 602 025 051	Auxiliary Handle M14	1.116,00
34	1	1 600 190 021	Shim 0,3 MM THICK	50,00	803	1	1 604 010 BC1	Armature .	3.065,00
34	1	1 600 190 022	Shim 0,1 MM THICK	52,00	804	1	1 607 000 967	Switch BLACK	936,00
34	1	1 600 190 037	Shim 0,2 MM THICK	30,00	805	1	1 607 000 228	Power supply cord EU	1.546,00
34	1	1 600 190 038	Shim 0,25 MM THICK	30,00	808	1	1 601 11A 3H3	Nameplate .	
34	1	1 600 190 039	Shim 0,35 MM THICK	30,00	810	1	1 607 014 171	Carbon-Brush Set .	262,00
34	1	1 600 190 040	Shim 0,4 MM THICK	30,00	810	1	1 607 000 480	Carbon-Brush Set 10 x 1	
35	1	1 600 205 034	Felt Washer .	50,00	813	1	1 600 905 011	groove ball bearing 8x22x7	104,00
37	1	1 600 290 036	Seal Ring BLACK	73,00	816	2	1 604 336 048	Brush Holder .	161,00

Please observe: Repairing, modifying and testing of electro-tools are to be performed professionally. The safety regulations according to IEC, EN, VDE, AFNOR and other regulations of the individual countries are to be observed. Subject to change. This price list supersedes all previous edition. Prices are subjected to change without any prior notice.



3 601 H55 100  
Stand | 01-09  
Issue | 09-05-18

**Fig. /Abb. 2**



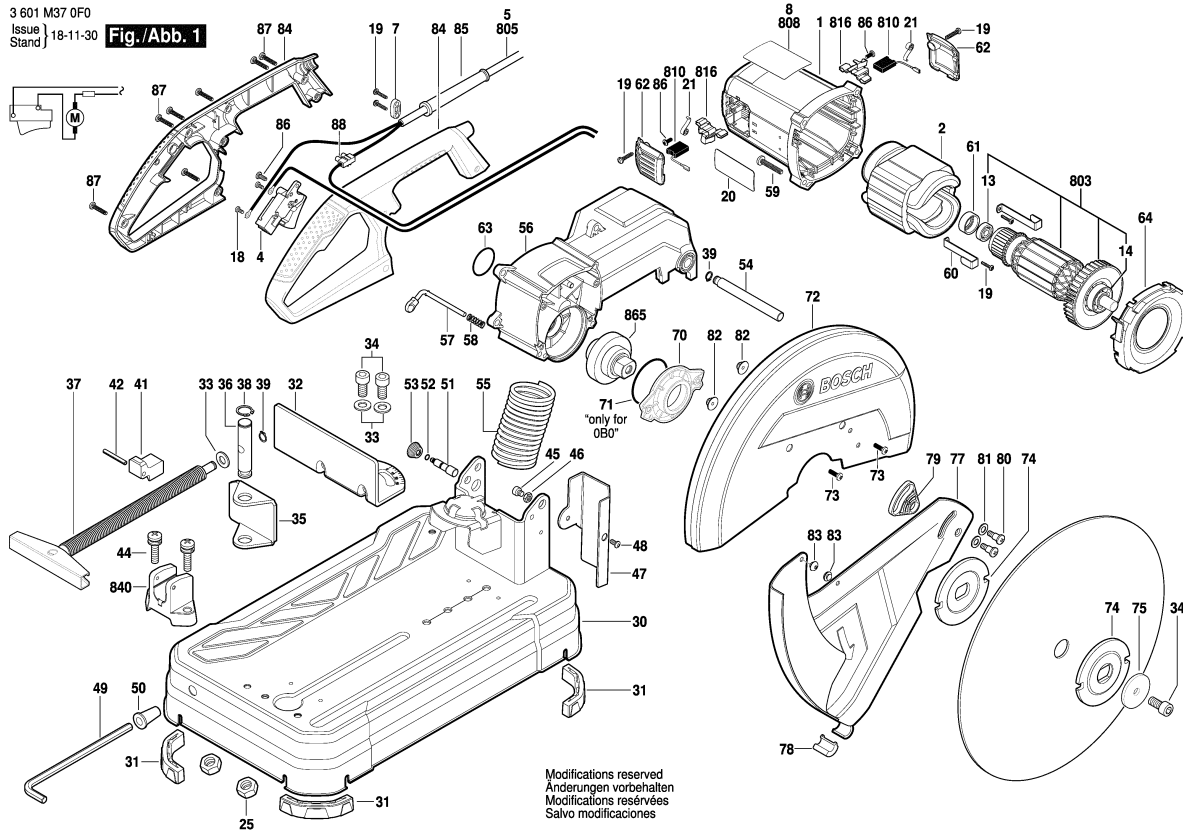
Änderungen vorbehalten  
Modifications reserved  
Modificacions reserves  
Salvo modificaciones

Model: 3 601 H55 100 = 230

Date:

Item	Pc	Order no.	Description	LP in INR	Item	Pc	Order no.	Description	LP in INR
821	1	1 607 000 C03	Gear Housing .	1.845,00					
822	1	1 607 000 C21	Bearing Flange Ø180 MM .	489,00					
822/22/4	1	1 600 119 010	Retaining clip .	50,00					
822/22/5	1	1 600 905 026	groove ball bearing	118,00					
826	1	1 600 A00 3FR	Parts Set .	2.085,00					
833	1	1 600 290 064	Rotary shaft lip seal 16 MM	84,00					
833/1	1	1 600 290 013	Rotary shaft lip seal 18,7	73,00					
835	1	1 600 A00 J93	Fan .	79,00					
840	1	1 607 000 354	Push-Button .	224,00					
846	1	1 607 000 C3E	Retaining Washer .	73,00					
851	1	2 600 910 001	Needle-Roller Bearing Ø14	57,00					
882	1	1 619 P06 597	Stopper .	188,00					
890	1	1 600 210 039	O-Ring 20,35x1,78 MM .	29,00					
891	1	1 602 025 022	Auxiliary Handle M14	627,00					
892	1	1 607 950 061	Pin-Type Face-Wrench .	64,00					
893	1	2 605 703 014	Clamping Flange	102,00					
894	1	1 603 345 043	Round Nut M14 .	108,00					
896	1	1 600 A01 6PP	Fast Locking Flange .	1.659,00					

Please observe: Repairing, modifying and testing of electro-tools are to be performed professionally. The safety regulations according to IEC, EN, VDE, AFNOR and other regulations of the individual countries are to be observed. Subject to change.  
This price list supersedes all previous edition. Prices are subjected to change without any prior notice.



1 / 2

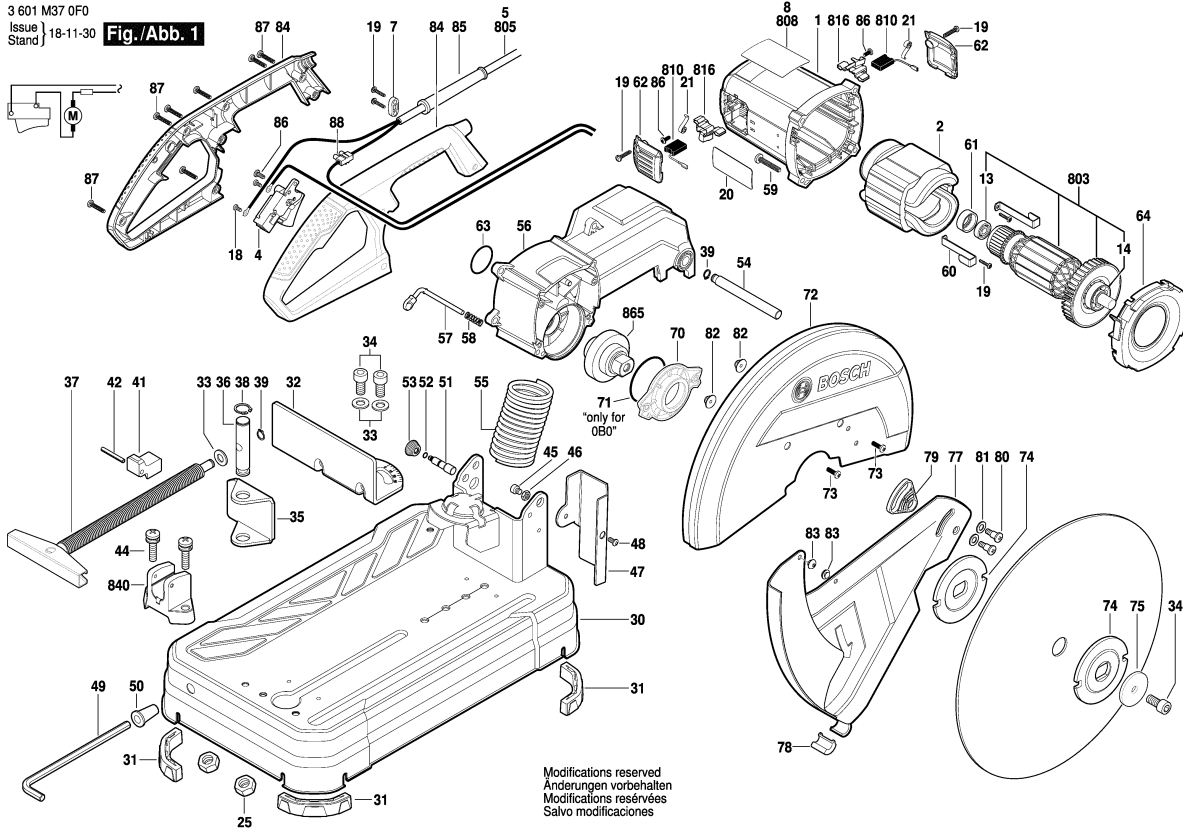
Model: 3 601 M37 3F0 = 230 Date:

Item	Pc	Order no.	Description	LP in INR	Item	Pc	Order no.	Description	LP in INR
1	1	1 609 B03 601	Motor Housing .	455,00	42	1	1 619 P03 762	Spring Pin ISO 13337-4x35	29,00
2	1	1 609 B00 135	Field 220-240V .	1.444,00	44	2	1 609 B03 629	Screw and washer	42,00
4	1	1 609 B03 606	Switch .	466,00	45	1	1 609 B03 686	Screw .	42,00
5	1	1 609 B06 780	Power supply cord .		46	1	1 609 B01 654	Nut .	33,00
7	1	1 609 B02 153	Cable Clip .	37,00	47	1	1 609 B01 884	Protective Guard .	72,00
8	1	1 609 BNO 248	Nameplate .		48	1	1 609 B06 426	Thread-Forming Screw .	37,00
13	1	1 619 P03 850	Bearing 608-2RS .	92,00	49	1	1 609 B03 622	Hexagon Socket Wrench .	110,00
14	1	1 609 B00 057	Bearing .	281,00	50	1	1 609 B03 617	Key Holder .	42,00
18	2	1 609 B03 644	Screw .	42,00	51	1	1 609 B03 623	Shaft .	50,00
19	6	1 609 B02 357	Screw ECO-SYN St 3,5x16	37,00	52	1	1 619 P03 810	O-Ring 4,5x1,8 .	29,00
20	1	1 609 B03 645	Warning Label .		53	1	1 609 B03 624	Cap .	42,00
21	2	1 604 652 019	Spiral Spring .	52,00	54	1	1 609 B03 618	Pivot Shaft .	87,00
25	2	1 619 P03 831	Hex Nut DIN 934-M8-8 .	28,00	55	1	1 609 B03 619	Contact strap .	375,00
30	1	1 609 B01 890	Base .	1.779,00	56	1	1 609 B03 591	Arm .	2.096,00
31	4	1 609 B03 594	Supporting foot .	41,00	57	1	1 609 B03 610	Locking Pin .	81,00
32	1	1 609 B02 474	Stop Bracket .	382,00	58	1	1 619 P03 864	Compression Spring .	36,00
33	4	1 609 BP7 045	Plain Washer .	29,00	59	4	1 619 P03 835	Thread-forming tap. Screw	29,00
34	3	1 609 B03 630	Screw .	42,00	60	2	1 619 P03 823	Pickup Clip .	61,00
35	1	1 609 B03 609	Clamp Bracket .	160,00	61	1	1 600 206 030	Rubber Ring .	45,00
36	1	1 609 B03 597	Connecting Rod .	140,00	62	2	1 609 B03 627	Brush-Cover .	42,00
37	1	1 609 B03 598	Clamp Screw .	412,00	63	1	1 609 B00 068	O-Ring .	36,00
38	1	1 609 B03 616	Clip .	38,00	64	1	1 609 B03 604	Air-Deflector Ring .	95,00
39	2	1 609 B03 628	Clip .	38,00	70	1	1 609 B03 612	Gear Cover .	194,00
41	1	1 609 B03 576	Clamping Block .	337,00	72	1	1 609 B06 429	Safety Guard .	1.209,00

Please observe: Repairing, modifying and testing of electro-tools are to be performed professionally. The safety regulations according to IEC, EN, VDE, AFNOR and other regulations of the individual countries are to be observed. Subject to change.  
This price list supersedes all previous edition. Prices are subjected to change without any prior notice.

3 601 M37 0F0  
Issue  
Stand } 18-11-30

**Fig./Abb. 1**



2 / 2

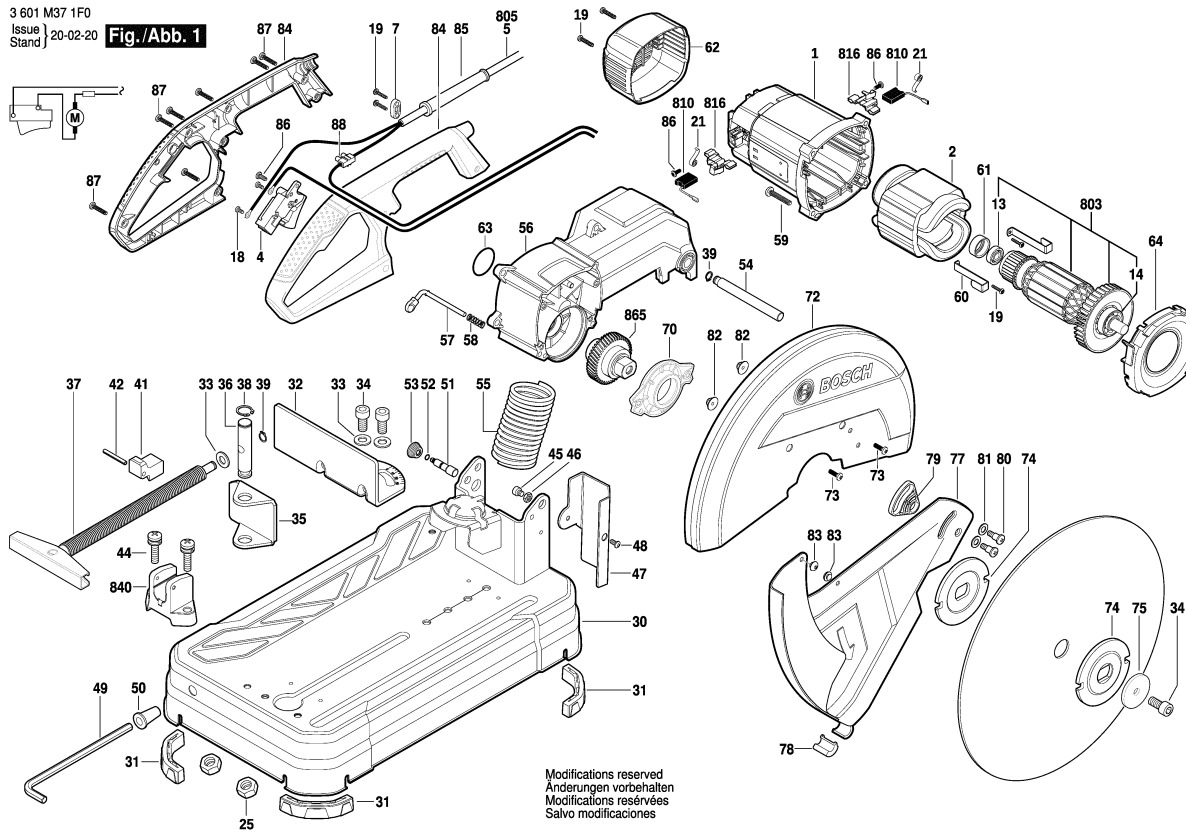
Model: 3 601 M37 3F0 = 230

Date:

Item	Pc	Order no.	Description	LP in INR	Item	Pc	Order no.	Description	LP in INR
73	4	1 609 B01 483	Screw .	38,00					
74	2	1 609 B03 592	Flange .	241,00					
75	1	1 609 B03 625	Plain Washer .	61,00					
77	1	1 609 B02 363	Flap Guard .	544,00					
78	1	1 609 B03 631	Cover .	42,00					
79	1	1 609 B02 395	Supporting Plate .	37,00					
80	2	1 609 B03 641	Shoulder Screw .	42,00					
81	2	1 609 B03 513	Washer .	34,00					
82	2	1 609 B06 545	Nut .	28,00					
83	2	1 619 P03 871	Rubber Gasket .	29,00					
84	1	1 609 B01 785	Handle .	575,00					
85	1	1 609 B03 615	Grommet .	41,00					
86	5	1 609 B02 356	Screw .	37,00					
87	7	1 609 B02 355	Screw .	37,00					
88	1	1 609 B06 427	Connection Block .	29,00					
803	1	1 609 B03 639	Armature assembly	2.368,00					
810	1	1 607 014 171	Carbon-Brush Set .	262,00					
816	2	1 604 336 053	Brush Holder .	228,00					
840	1	1 609 B03 626	Clamping Holder .	475,00					
865	1	1 609 B03 640	Set Of Gears .	1.095,00					

3 601 M37 1F0  
Issue  
Stand } 20-02-20

**Fig./Abb. 1**



Modifications reserved  
Änderungen vorbehalten  
Modifications réservées  
Salvo modificaciones

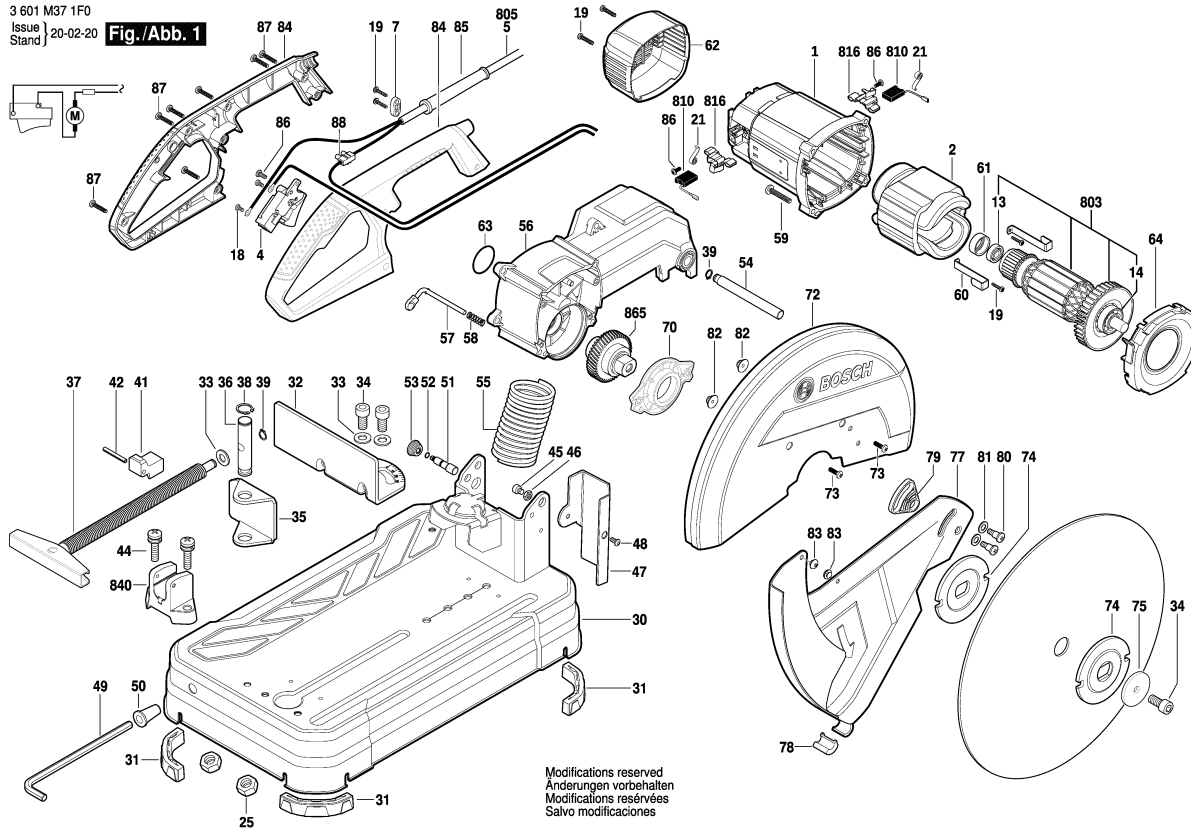
1 / 2

Model: 3 601 M37 1F0 = 230

Date:

Item	Pc	Order no.	Description	LP in INR	Item	Pc	Order no.	Description	LP in INR
1	1	1 609 B03 600	Motor Housing .	624,00	45	1	1 609 B03 686	Screw .	42,00
2	1	1 609 B00 137	Field 230V .	2.094,00	46	1	1 609 B01 654	Nut .	33,00
4	1	1 609 B03 606	Switch .	466,00	47	1	1 609 B03 634	Protective Guard .	115,00
5	1	1 609 B03 599	Power supply cord .	649,00	48	1	1 609 B06 426	Thread-Forming Screw .	37,00
7	1	1 609 B02 153	Cable Clip .	37,00	49	1	1 609 B03 622	Hexagon Socket Wrench .	110,00
13	1	1 619 P03 850	Bearing 608-2RS .	92,00	50	1	1 609 B03 617	Key Holder .	42,00
14	1	1 609 B00 057	Bearing .	281,00	51	1	1 609 B03 623	Shaft .	50,00
18	2	1 609 B03 644	Screw .	42,00	52	1	1 619 P03 810	O-Ring 4,5x1,8 .	29,00
19	6	1 609 B02 357	Screw ECO-SYN St 3,5x16	37,00	53	1	1 609 B03 624	Cap .	42,00
21	2	1 604 652 019	Spiral Spring .	52,00	54	1	1 609 B03 618	Pivot Shaft .	87,00
25	2	1 619 P03 831	Hex Nut DIN 934-M8-8 .	28,00	55	1	1 609 B03 619	Contact strap .	375,00
30	1	1 609 B02 358	Base .	3.155,00	56	1	1 609 B03 591	Arm .	2.096,00
31	4	1 609 B03 594	Supporting foot .	41,00	57	1	1 609 B03 610	Locking Pin .	81,00
32	1	1 609 B03 593	Stop Bracket .	555,00	58	1	1 619 P03 864	Compression Spring .	36,00
33	4	1 609 BP7 045	Plain Washer .	29,00	59	4	1 619 P03 835	Thread-forming tap. Screw	29,00
34	3	1 609 B03 630	Screw .	42,00	60	2	1 609 B00 055	Pickup Clip .	29,00
35	1	1 609 B03 609	Clamp Bracket .	160,00	61	1	1 600 206 030	Rubber Ring .	45,00
36	1	1 609 B03 597	Connecting Rod .	140,00	62	1	1 609 B03 602	End cap .	155,00
37	1	1 609 B03 598	Clamp Screw .	412,00	63	1	1 609 B00 068	O-Ring .	36,00
38	1	1 609 B03 616	Clip .	38,00	64	1	1 609 B03 604	Air-Deflector Ring .	95,00
39	2	1 609 B03 628	Clip .	38,00	70	1	1 609 B03 612	Gear Cover .	194,00
41	1	1 609 B03 576	Clamping Block .	337,00	72	1	1 609 B06 429	Safety Guard .	1.209,00
42	1	1 619 P03 762	Spring Pin ISO 13337-4x35	29,00	73	4	1 609 B01 483	Screw .	38,00
44	2	1 609 B03 629	Screw and washer	42,00	74	2	1 609 B03 592	Flange .	241,00

Please observe: Repairing, modifying and testing of electro-tools are to be performed professionally. The safety regulations according to IEC, EN, VDE, AFNOR and other regulations of the individual countries are to be observed. Subject to change.  
This price list supersedes all previous edition. Prices are subjected to change without any prior notice.



Modifications reserved  
Änderungen vorbehalten  
Modifications réservées  
Salvo modificaciones

2 / 2

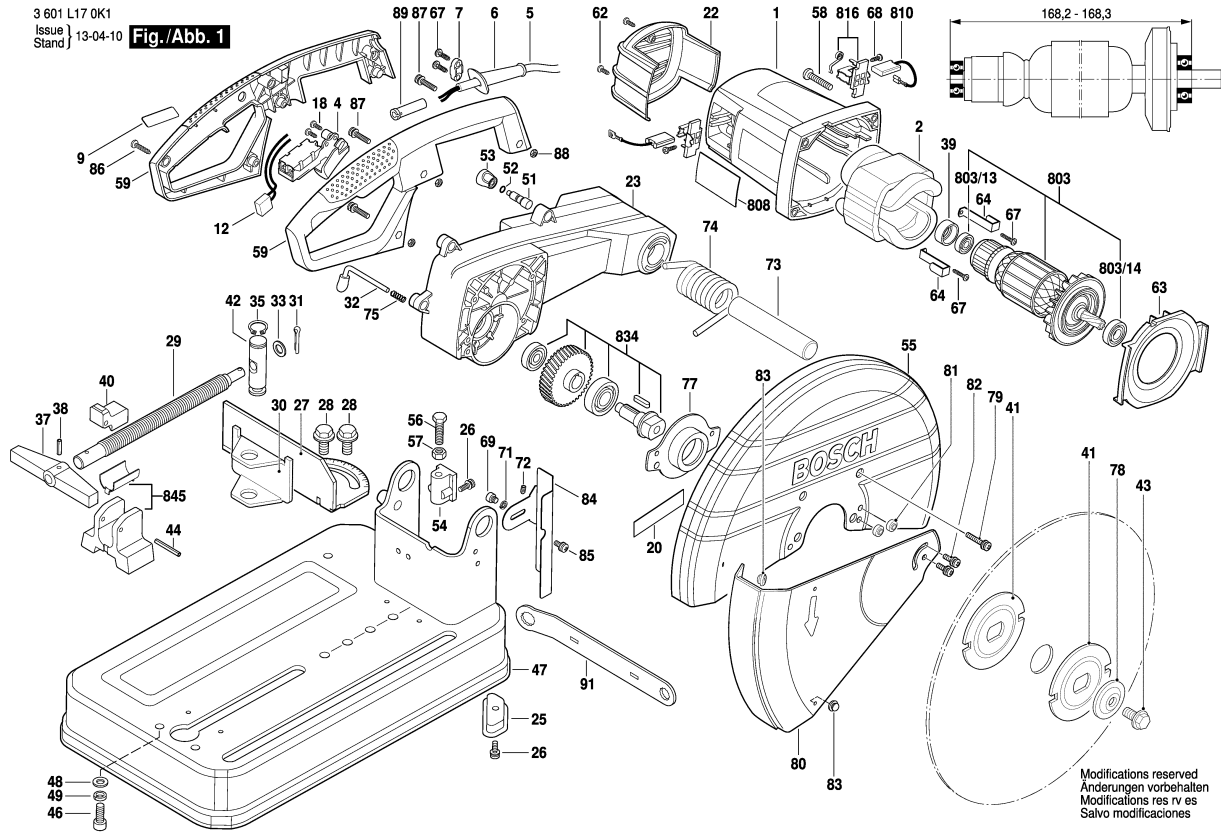
Model: 3 601 M37 1F0 = 230 Date:

Item	Pc	Order no.	Description	LP in INR	Item	Pc	Order no.	Description	LP in INR
75	1	1 609 B03 625	Plain Washer .	61,00					
77	1	1 609 B03 608	Flap Guard .	632,00					
78	1	1 609 B03 631	Cover .	42,00					
79	1	1 609 B03 642	Supporting Plate .	42,00					
80	2	1 609 B03 641	Shoulder Screw .	42,00					
81	2	1 609 B03 513	Washer .	34,00					
82	2	1 609 B06 545	Nut .	28,00					
83	2	1 619 P03 871	Rubber Gasket .	29,00					
84	1	1 609 B01 785	Handle .	575,00					
85	1	1 609 B02 152	Grommet .	68,00					
86	5	1 609 B02 356	Screw .	37,00					
87	7	1 609 B02 355	Screw .	37,00					
88	1	1 609 B06 427	Connection Block .	29,00					
803	1	1 609 B03 638	Armature assembly 240V .	3.248,00					
810	1	1 607 014 171	Carbon-Brush Set .	262,00					
816	2	1 604 336 053	Brush Holder .	228,00					
840	1	1 609 B03 626	Clamping Holder .	475,00					
865	1	1 609 B03 640	Set Of Gears .	1.095,00					

Please observe: Repairing, modifying and testing of electro-tools are to be performed professionally. The safety regulations according to IEC, EN, VDE, AFNOR and other regulations of the individual countries are to be observed. Subject to change. This price list supersedes all previous edition. Prices are subjected to change without any prior notice.

3 601 L17 0K1  
Issue Stand 13-04-10

**Fig./Abb. 1**



Modifications reserved  
Änderungen vorbehalten  
Modificaciones resrv es  
Salvo modificaciones

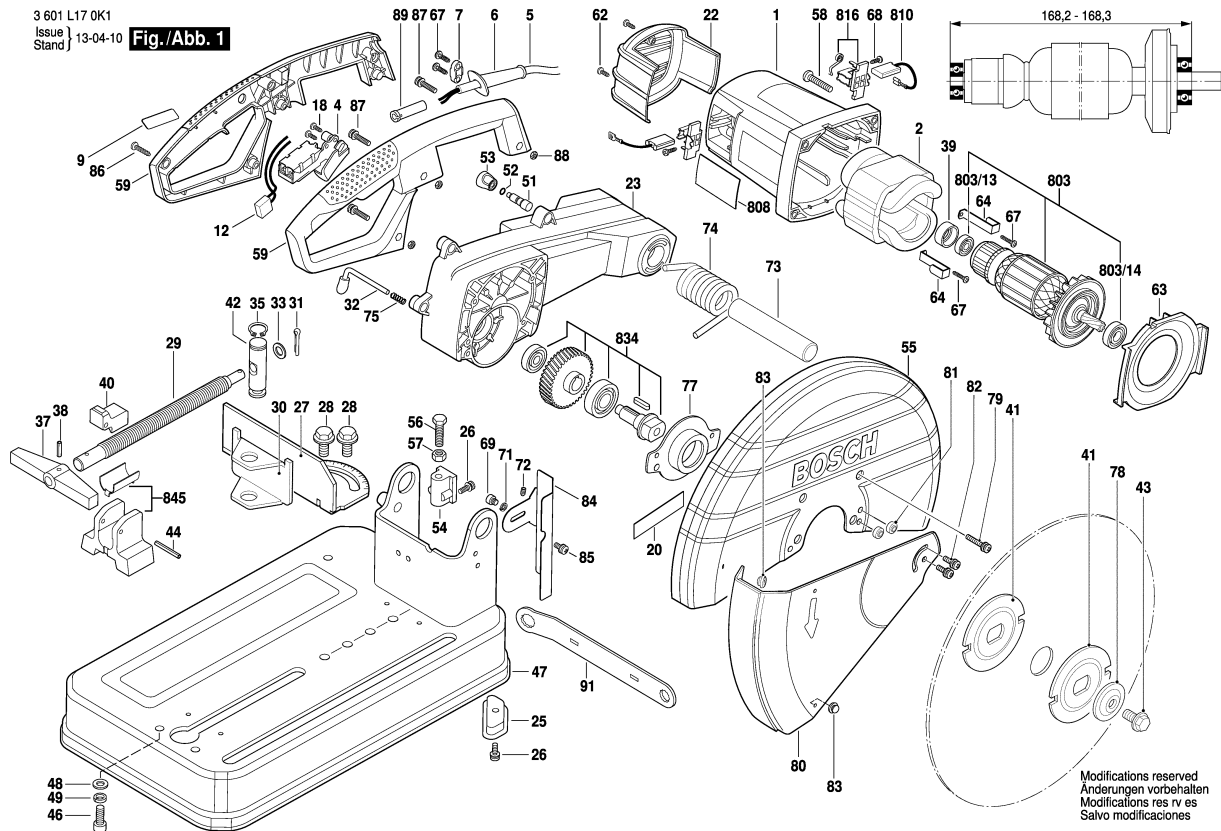
Model: 3 601 L17 0K1 = 230

Date:

Item	Pc	Order no.	Description	LP in INR	Item	Pc	Order no.	Description	LP in INR
1	1	1 619 P03 740	Motor Housing .	506,00	42	1	1 619 P03 761	Connecting Rod .	208,00
2	1	1 619 P03 860	Field 230V .	1.805,00	43	1	1 619 P03 735	Flange Bolt DIN 6921 M	47,00
4	1	1 619 P03 844	On-Off Switch .	460,00	44	1	1 619 P03 762	Spring Pin ISO 13337-4x35	29,00
5	1	1 619 P03 901	Power supply cord .	320,00	46	2	1 619 P03 827	Socket head cap screw	28,00
6	1	1 619 P03 807	Grommet .	44,00	47	1	1 619 P03 730	Base .	2.432,00
7	1	1 619 P03 808	Cable Clip .	28,00	48	2	1 619 P03 828	Plain Washer DIN 125 A8 .	64,00
18	1	1 619 P03 837	Raised clsunk head tap sc	28,00	49	2	1 619 P03 829	Spring Washer DIN 127 B8	28,00
22	1	1 619 P03 741	End cap .	114,00	51	1	1 619 P03 811	Shaft .	92,00
23	1	1 619 P03 935	Arm .	2.417,00	52	1	1 619 P03 810	O-Ring 4,5x1,8 .	29,00
25	4	1 619 P03 814	Rubber Bar .	68,00	53	1	1 619 P03 809	Cap Nut .	97,00
26	6	1 619 P03 825	Screw and washer	28,00	54	1	1 619 P03 818	Holding Bracket .	202,00
27	1	1 619 P03 750	Stop Bracket .	229,00	55	1	1 619 P03 872	Safety Guard .	1.526,00
28	2	1 619 P03 826	Flange Bolt DIN	44,00	56	1	1 619 P03 830	Hexagon Bolt DIN	28,00
29	1	1 619 P03 753	Clamp Screw .	239,00	57	1	1 619 P03 831	Hex Nut DIN 934-M8-8 .	28,00
30	1	1 619 P03 758	Clamp Bracket .	363,00	58	4	1 619 P03 835	Thread-forming tap. Screw	29,00
31	1	1 619 P03 756	Rivet Pin DIN 94-4x22 .	28,00	59	1	1 619 P03 744	Handle .	458,00
32	1	1 619 P03 748	Locking Pin .	97,00	62	2	1 619 P03 832	Screw ECO-SYN St3x12 .	28,00
33	1	1 619 P03 757	Plain Washer DIN 433-10 .	28,00	63	1	1 619 P03 822	Air-Deflector Ring .	118,00
35	1	1 619 P03 755	Spring retaining ring DIN	29,00	64	2	1 619 P03 823	Pickup Clip .	61,00
37	1	1 619 P03 751	Clamp Handle .	136,00	67	4	1 619 P03 833	Screw ECO-SYN St 3,5x16	28,00
38	1	1 619 P03 752	Spring Pin ISO 1337 4x18 .	28,00	68	2	1 619 P03 834	Screw ECO-SYN St3,5x10	28,00
39	1	1 600 206 030	Rubber Ring .	45,00	69	1	1 619 P03 840	Screw ISO 4762-M6x8-8.8 .	28,00
40	1	1 609 B03 576	Clamping Block .	337,00	71	1	1 619 P03 841	Spring Washer DIN 127 B6	28,00
41	2	1 609 B03 518	Flange .	254,00	72	1	1 619 P03 839	Stop Screw ISO 4027-M	28,00

3 601 L17 0K1  
Issue 13-04-10  
Stand

**Fig./Abb. 1**



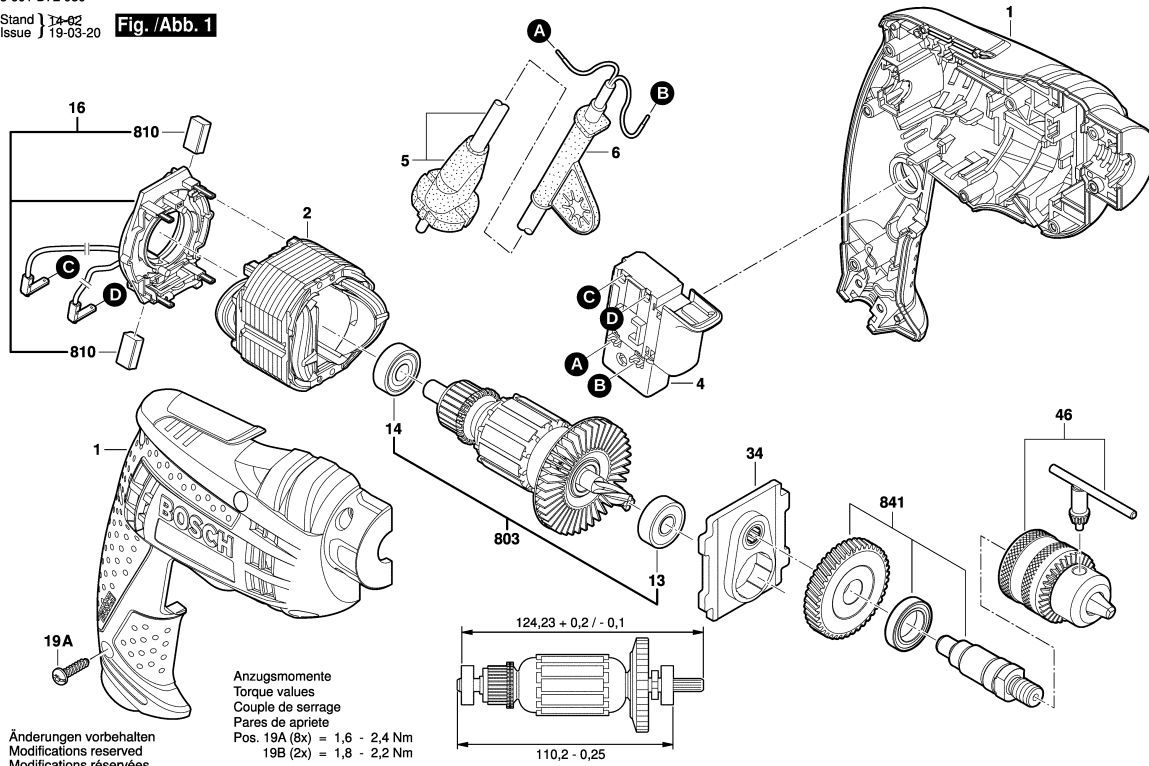
Modifications reserved  
Änderungen vorbehalten  
Modificaciones resrv es  
Salvo modificaciones

Model: 3 601 L17 0K1 = 230 Date:

Item	Pc	Order no.	Description	LP in INR	Item	Pc	Order no.	Description	LP in INR
73	1	1 619 P03 816	Pivot Shaft .	275,00					
74	1	1 619 P03 873	Torsion Spring .	193,00					
75	1	1 619 P03 817	Compression Spring .	30,00					
77	1	1 619 P03 806	Gear Cover .	167,00					
78	1	1 619 P03 815	Plain Washer .	59,00					
79	4	1 619 P03 825	Screw and washer	28,00					
80	1	1 619 P03 846	Flap Guard .	908,00					
81	2	1 619 P03 856	Plain Washer .	47,00					
82	2	1 619 P03 857	Shoulder Screw .	28,00					
83	4	1 619 P03 871	Rubber Gasket .	29,00					
84	1	1 619 P03 805	Protection cover .	141,00					
85	1	1 619 P03 842	Screw M 5x8-4,8 .	28,00					
86	3	1 619 P03 824	Raised ctsunk head tap sc	28,00					
87	3	1 619 P03 821	Screw M5x25-4,8 .	28,00					
88	3	1 619 P03 819	Nut ISO 4035-M5-04 .	28,00					
89	1	1 619 P03 855	Insulating Tube .	28,00					
91	1	1 619 P03 812	Adjusting Wrench .	239,00					
803	1	1 609 B00 046	Armature 220-240V .	3.741,00					
803/13	1	1 619 P03 850	Bearing 608-2RS .	92,00					
803/14	1	1 619 P03 937	groove ball bearing .	216,00					
810	1	1 607 014 171	Carbon-Brush Set .	262,00					
816	2	1 604 336 048	Brush Holder .	161,00					
834	1	1 619 P03 912	Gear Shaft .	978,00					
845	1	1 609 B03 533	Bearing Block .	267,00					

3 601 D72 080  
Stand 14-02  
Issue 19-03-20

Fig./Abb. 1



Änderungen vorbehalten  
Modifications reserved  
Modifications réservées  
Salvo modificaciones

Model: 3 601 D72 0F1 = 230

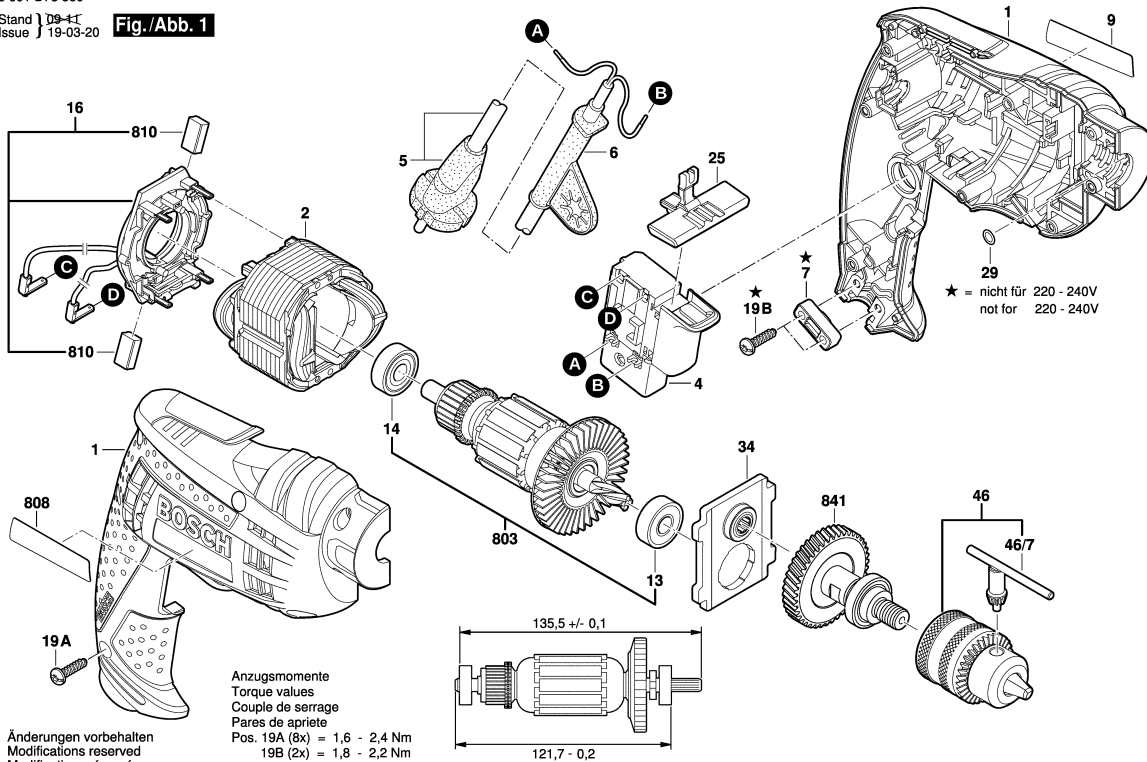
Date:

Item	Pc	Order no.	Description	LP in INR	Item	Pc	Order no.	Description	LP in INR
1	1	2 609 100 643	Motor Housing .	418,00					
2	1	2 609 120 279	Field 230V .	801,00					
4	1	1 607 200 508	On-Off Switch BLACK	185,00					
5	1	1 604 460 72V	Power supply cord IND	110,00					
6	1	2 600 707 062	Grommet Ø7x8,4 MM .	42,00					
13	1	2 609 110 745	Ball Bearing .	94,00					
14	1	2 609 110 491	Ball Bearing .	38,00					
16	1	2 609 120 356	Brush Plate .	312,00					
19	8	2 603 490 022	Screw 4x16 .	29,00					
34	1	2 609 199 157	Bearing Bracket .	337,00					
46	1	2 608 571 009	Chuck Ø1-6,5 MM, 3/8" .	672,00					
803	1	2 609 120 337	Armature set 230-240V .	985,00					
810	1	2 610 391 290	Carbon-Brush Set .	79,00					
841	1	2 609 120 405	Spindle Assembly .	484,00					



3 601 D73 580  
Stand 09-11  
Issue 19-03-20

**Fig./Abb. 1**



Änderungen vorbehalten  
Modifications reserved  
Modifications réservées  
Salvo modificaciones

Anzugsmomente  
Torque values  
Couple de serrage  
Pares de apriete  
Pos. 19A (8x) = 1,6 - 2,4 Nm  
19B (2x) = 1,8 - 2,2 Nm

Model: 3 601 D73 5F1 = 230 Date:

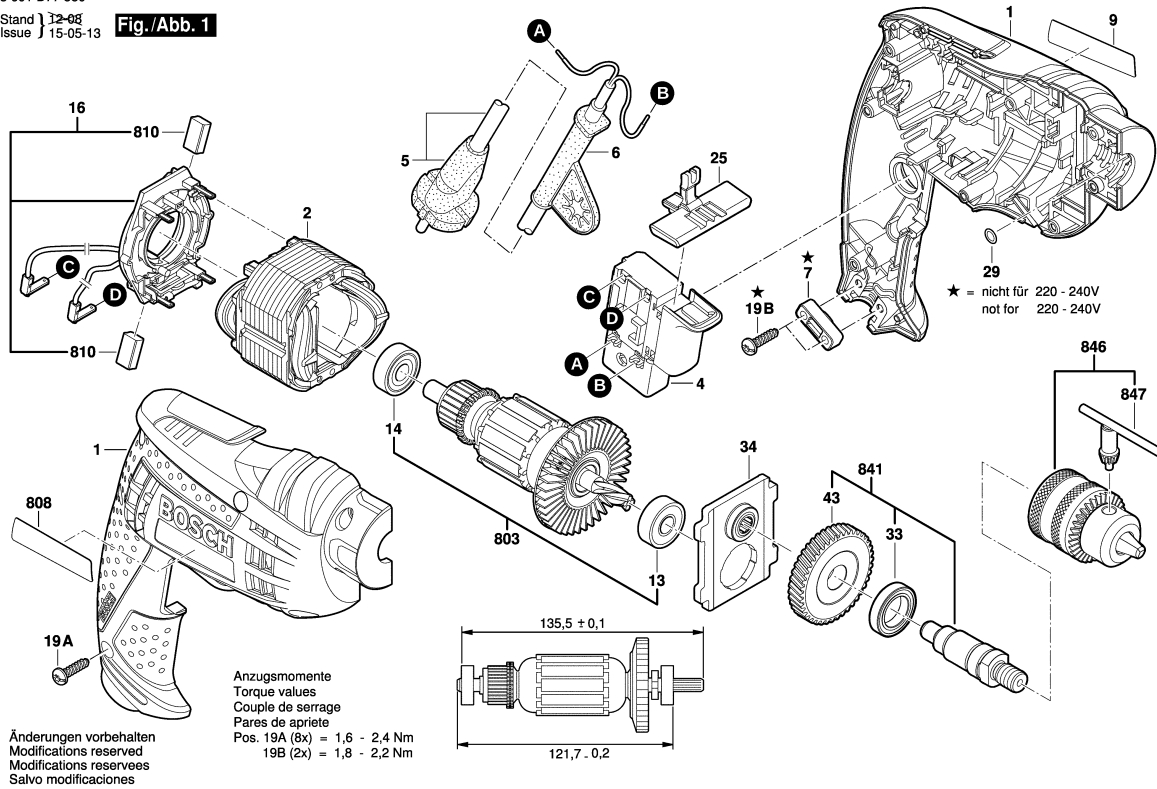
Item	Pc	Order no.	Description	LP in INR
1	1	2 609 100 573	Motor Housing .	459,00
2	1	2 609 120 296	Field 220-240V .	509,00
4	1	2 607 200 623	Switch .	401,00
5	1	1 604 460 72V	Power supply cord IND	110,00
6	1	2 600 707 059	Grommet Ø6,9 MM .	66,00
7	1	2 601 035 001	Cable Clip .	43,00
13	1	2 609 110 153	Ball Bearing 8x22x7 .	42,00
14	1	2 609 110 491	Ball Bearing .	38,00
16	1	2 609 120 356	Brush Plate .	312,00
19	8	2 603 490 022	Screw 4x16 .	29,00
25	1	2 609 100 618	Reversing Switch .	131,00
29	2	1 900 210 000	O-Ring 5,0x1,5 MM .	43,00
34	1	2 609 199 158	Bearing Bracket .	209,00
46	1	1 608 571 079	Chuck Ø1,0-10 MM, 3/8" .	213,00
46/7	1	2 607 950 007	Chuck Wrench SG2 .	79,00
803	1	2 609 120 338	Armature set 220-240V .	763,00
810	1	2 610 391 290	Carbon-Brush Set .	79,00
841	1	2 609 120 406	Spindle Assembly .	617,00

Item	Pc	Order no.	Description	LP in INR

Please observe: Repairing, modifying and testing of electro-tools are to be performed professionally. The safety regulations according to IEC, EN, VDE, AFNOR and other regulations of the individual countries are to be observed. Subject to change. This price list supersedes all previous edition. Prices are subjected to change without any prior notice.

3 601 D77 580  
Stand 12-08  
Issue 15-05-13

**Fig./Abb. 1**



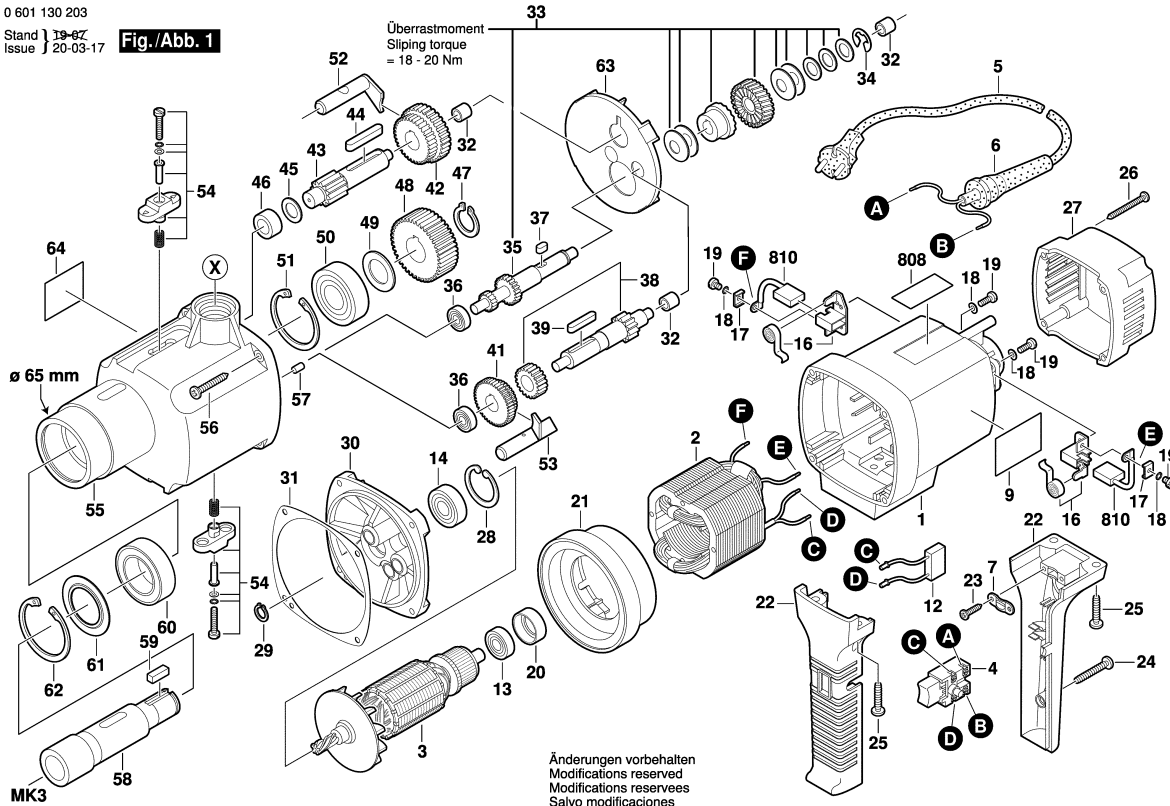
Model: 3 601 D77 5F1 = 230

Date:

Item	Pc	Order no.	Description	LP in INR	Item	Pc	Order no.	Description	LP in INR
1	1	2 609 100 574	Motor Housing BLUE	620,00					
2	1	2 604 220 718	Field 230V .	381,00					
4	1	2 607 200 623	Switch .	401,00					
5	1	1 604 460 72V	Power supply cord IND	110,00					
6	1	2 600 707 059	Grommet Ø6,9 MM .	66,00					
7	1	2 601 035 001	Cable Clip .	43,00					
13	1	2 609 110 153	Ball Bearing 8x22x7 .	42,00					
14	1	2 609 110 491	Ball Bearing .	38,00					
16	1	2 609 120 356	Brush Plate .	312,00					
19	8	2 603 490 022	Screw 4x16 .	29,00					
25	1	2 609 100 618	Reversing Switch .	131,00					
29	1	1 900 210 000	O-Ring 5,0x1,5 MM .	43,00					
33	1	2 609 110 719	Ball Bearing .	245,00					
34	1	2 609 199 158	Bearing Bracket .	209,00					
43	1	2 609 110 709	Cylindrical Gear .	246,00					
803	1	2 609 120 339	Armature set 220-240V .	1.176,00					
810	1	2 610 391 290	Carbon-Brush Set .	79,00					
841	1	2 609 120 407	Spindle Assembly .	579,00					
846	1	2 608 571 076	Chuck .	282,00					
847	1	2 607 950 007	Chuck Wrench SG2 .	79,00					

0 601 130 203  
Stand 19-07  
Issue 20-03-17

**Fig./Abb. 1**



1 / 2

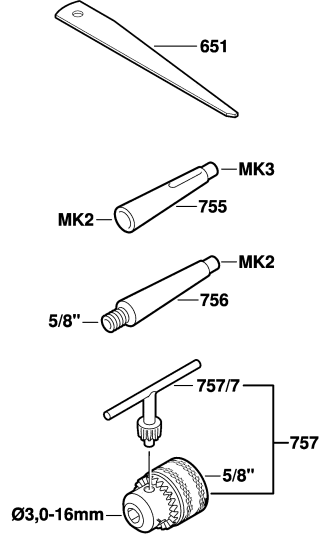
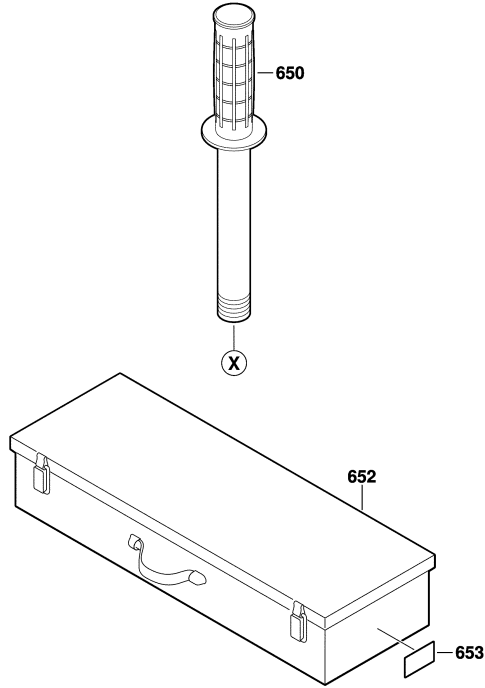
Model: 0 601 130 203 = 230 Date:

Item	Pc	Order no.	Description	LP in INR	Item	Pc	Order no.	Description	LP in INR
1	1	3 605 108 188	Motor Housing BLUE	5.040,00	29	1	3 600 119 039	Spring retaining ring .	103,00
2	1	3 604 220 106	Field 230V .	5.670,00	30	1	3 605 820 075	Intermediate Flange .	3.268,00
3	1	3 604 010 091	Armature 230V .	12.651,00	31	1	3 601 015 022	Flat Seal Ring .	275,00
4	1	3 607 200 080	Switch .	2.520,00	32	3	3 600 910 015	Needle-Roller Bearing .	812,00
5	1	3 604 460 118	Power supply cord EU	3.150,00	33	1	3 606 445 039	Clutch Set .	4.892,00
6	1	3 605 703 084	Grommet .	126,00	34	1	3 600 190 026	Locking Washer .	71,00
7	1	3 604 651 014	Fastening Clamp .	88,00	35	1	3 606 309 055	Toothed rack Z=22/13 .	4.032,00
9	1	3 601 119 167	Manufacturer's nameplate .		36	2	3 600 905 129	groove ball bearing .	813,00
12	1	3 607 328 015	Suppression Filter .	336,00	37	1	3 604 611 024	Parallel Key DIN	83,00
13	1	3 600 905 127	groove ball bearing .	797,00	38	1	3 606 309 056	Toothed rack Z=12 .	4.032,00
14	1	3 600 905 128	groove ball bearing .	797,00	39	1	3 604 611 025	Parallel Key DIN	94,00
16	2	3 601 321 009	Brush Holder .	922,00	41	1	3 606 320 017	Toothed Gear Z=30/39 .	2.815,00
17	2	3 601 016 004	Contact Disc .	101,00	42	1	3 606 320 018	Toothed Gear Z=31/33 .	3.210,00
18	4	3 600 150 024	Spring Washer .	100,00	43	1	3 606 309 057	Toothed rack Z=12 .	3.402,00
19	4	3 603 435 019	Thread-forming tap. Screw	71,00	44	1	3 604 611 026	Parallel Key DIN	97,00
20	1	3 600 150 025	Rubber Ring .	278,00	45	1	3 600 100 089	Friction Washer .	88,00
21	1	3 600 150 026	Air-Deflector Ring .	657,00	46	1	3 600 910 016	Needle-Roller Bearing .	848,00
22	1	3 605 133 021	Handle .	1.134,00	47	1	3 600 119 037	Spring retaining ring DIN	73,00
23	2	3 603 435 014	Tapping Screw 4,2x16 MM .	71,00	48	1	3 606 320 019	Toothed Gear Z=39 .	2.787,00
24	1	3 603 435 015	Tapping Screw 5,5x32 MM .	65,00	49	1	3 604 611 027	Shim ring 25/35x0,1MM .	88,00
25	4	3 603 435 016	Tapping Screw 5,5x25 MM .	65,00	50	1	3 600 905 125	groove ball bearing .	896,00
26	4	3 603 435 017	Tapping Screw 4,8x45 MM .	71,00	51	1	3 600 224 061	Spring retaining ring DIN	71,00
27	1	3 605 102 089	Housing Cover BLUE	1.056,00	52	1	3 606 445 040	Clutch Bolt .	789,00
28	1	3 600 119 038	Spring retaining ring .	103,00	53	1	3 606 445 041	Clutch Bolt .	789,00

0 601 130 203

Stand 1 98-65  
Issue 1 98-10-06

**Fig./Abb. 2**



Änderungen vorbehalten  
 Modifications reserved  
 Modificaciones reserves  
 Salvo modificaciones  
**Robert Bosch GmbH**  
 Geschäftsbereich Elektrowerkzeuge  
 70745 Leinfelden-Echterdingen

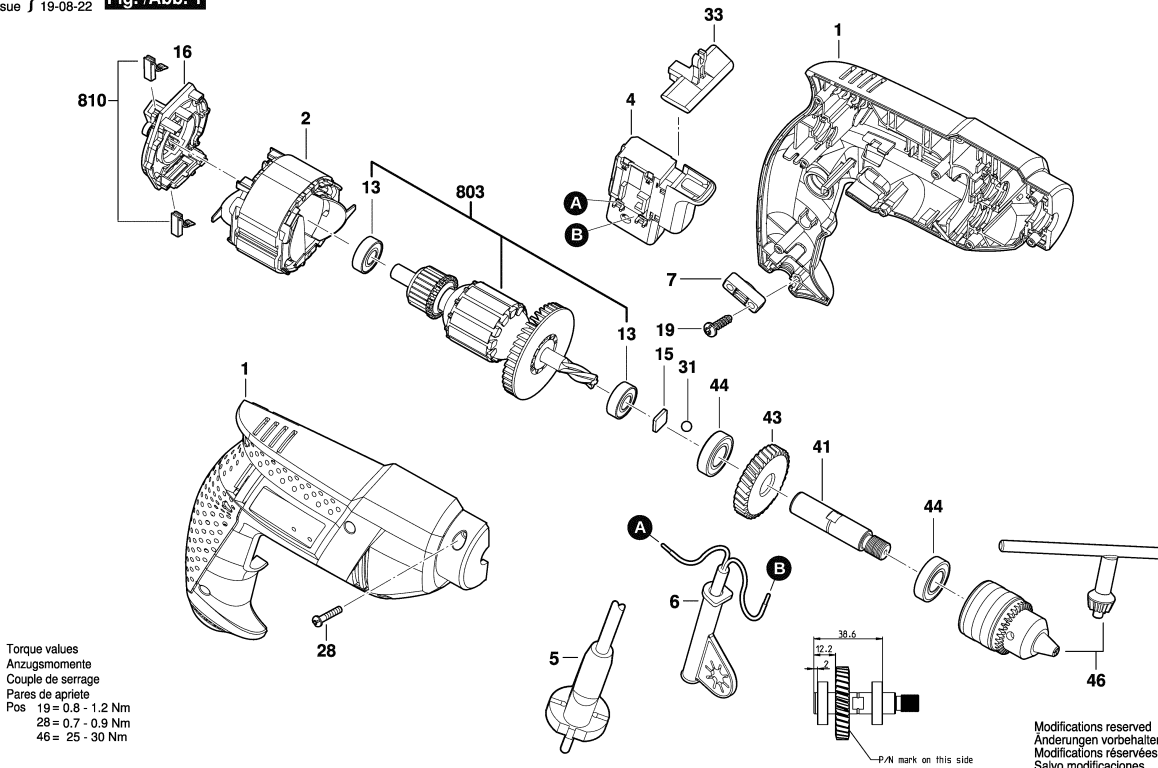
2 / 2

Model: 0 601 130 203 = 230	Date:
----------------------------	-------

Item	Pc	Order no.	Description	LP in INR	Item	Pc	Order no.	Description	LP in INR
54	2	3 603 231 009	operation button .	521,00					
55	1	3 605 106 090	Gear Housing .	6.058,00					
56	4	3 603 435 018	Tapping Screw 5,5x38 MM .	71,00					
57	1	2 917 690 120	Half-Length Grooved Pin	56,00					
58	1	3 606 135 007	Drilling Spindle MK 3 .	6.256,00					
59	1	3 604 611 028	Parallel Key DIN	97,00					
60	1	3 600 905 126	groove ball bearing DIN	922,00					
61	1	3 600 100 088	Friction Washer .	97,00					
62	1	3 600 119 036	Spring retaining ring .	83,00					
63	1	3 604 651 015	Partition .	390,00					
64	1	3 601 119 168	Reference Plate .						
650	1	3 602 025 018	Auxiliary Handle .	2.520,00					
651	1	3 602 317 040	Drift .	893,00					
652	1	3 605 438 032	Carrying Case .						
755	1	3 600 320 014	Reduction Sleeve						
756	1	1 603 115 004	Taper mandrel MK 2- 5/8" .						
757	1	1 608 571 056	Key Chuck Ø3-16 MM, 5/8"						
757/7	1	1 607 950 041	Chuck Wrench S3, SW4 .						
808	1	1 601 11A 3H3	Nameplate .						
810	1	3 604 321 034	Carbon-Brush Set .	985,00					

Please observe: Repairing, modifying and testing of electro-tools are to be performed professionally. The safety regulations according to IEC, EN, VDE, AFNOR and other regulations of the individual countries are to be observed. Subject to change.  
 This price list supersedes all previous edition. Prices are subjected to change without any prior notice.

3 601 AA9 5K0  
Stand | 15-83  
Issue | 19-08-22 **Fig./Abb. 1**



Torque values  
Anzugsmomente  
Couple de serrage  
Pares de apriete  
Pos 19 = 0.8 - 1.2 Nm  
28 = 0.7 - 0.9 Nm  
46 = 25 - 30 Nm

Modifications reserved  
Änderungen vorbehalten  
Modifications réservées  
Salvo modificaciones

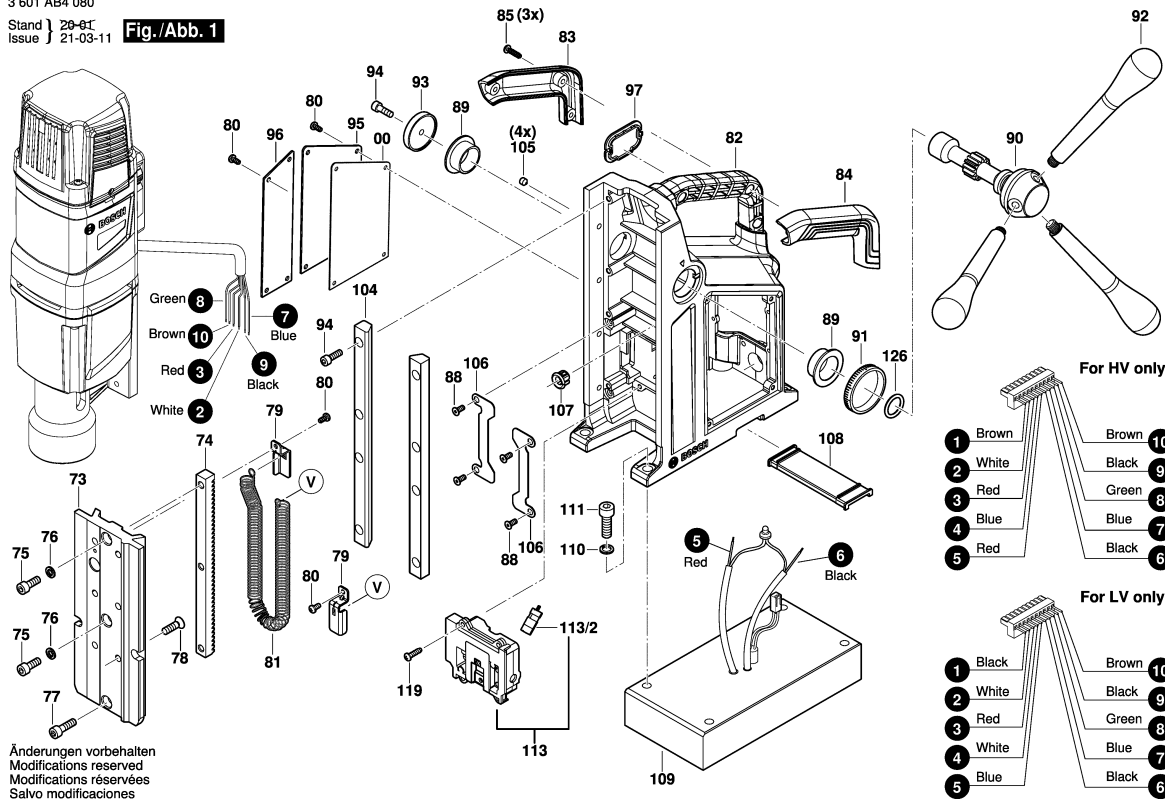
Model: 3 601 AA9 5F2 = 220 Date:

Item	Pc	Order no.	Description	LP in INR	Item	Pc	Order no.	Description	LP in INR
1	1	1 619 P20 251	Housing Section .	408,00					
2	1	1 619 P20 093	Field 220V .	448,00					
4	1	2 607 200 623	Switch .	401,00					
5	1	1 604 460 72V	Power supply cord IND	110,00					
6	1	2 600 707 059	Grommet Ø6,9 MM .	66,00					
7	1	2 601 035 001	Cable Clip .	43,00					
13	2	1 619 P06 024	Ball Bearing .	38,00					
15	1	2 609 110 019	Pressure Plate .	42,00					
16	1	1 619 P20 167	Brush Holder .	145,00					
19	2	2 603 490 022	Screw 4x16 .	29,00					
28	8	1 619 P00 219	Tapping Screw .	44,00					
31	1	1 903 230 009	Ball DIN 5401-5 G28 .	63,00					
33	1	1 619 P20 250	Adjusting Slide .	29,00					
41	1	1 619 P10 887	Drilling Spindle .	195,00					
43	1	1 619 P10 888	Cylindrical Gear .	215,00					
44	2	1 619 X07 256	Ball Bearing .	48,00					
46	1	1 608 571 079	Chuck Ø1,0-10 MM, 3/8" .	213,00					
803	1	1 619 P20 267	Armature set .	628,00					
810	1	1 619 P20 086	Carbon-Brush Set .	52,00					

3 601 AB4 080

Stand | 20-01  
Issue | 21-03-11

**Fig./Abb. 1**



Änderungen vorbehalten  
Modifications reserved  
Modifications réservées  
Salvo modificaciones

1 / 3

Model: 3 601 AB4 0F0 = 230

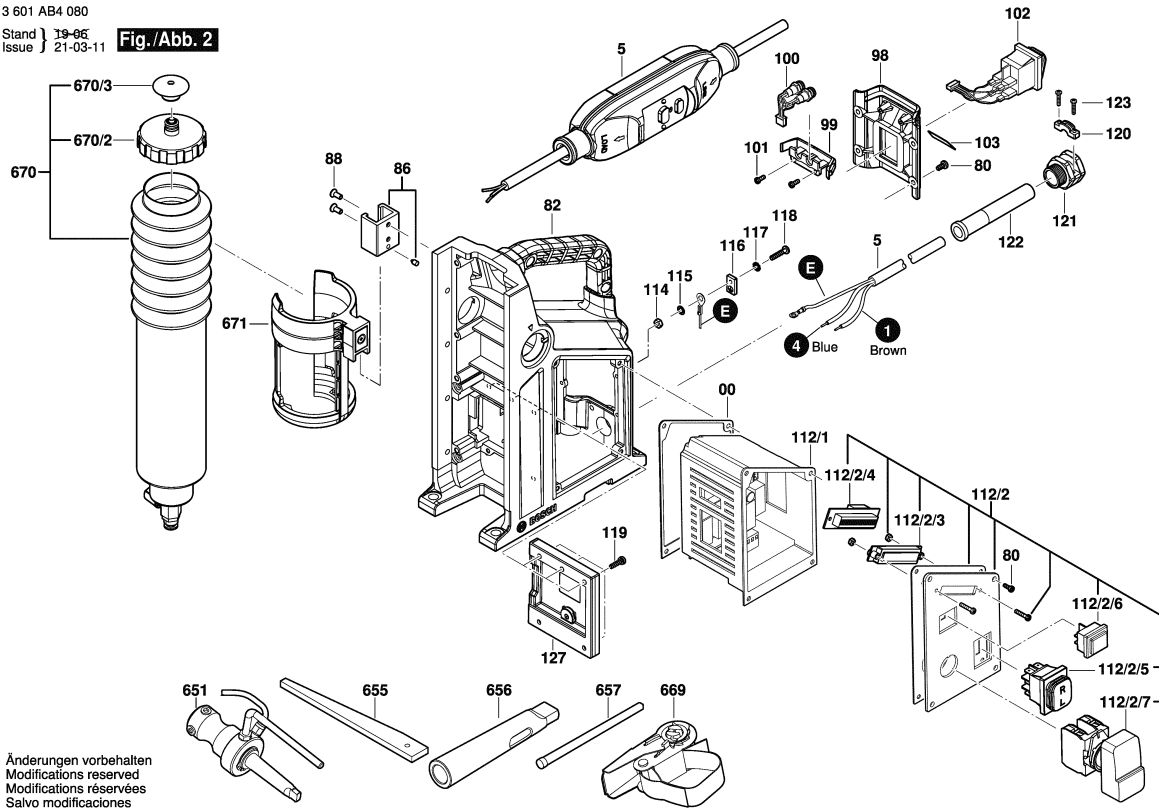
Date:

Item	Pc	Order no.	Description	LP in INR	Item	Pc	Order no.	Description	LP in INR
1	1	1 619 PB3 681	Motor Housing .	2.038,00	40	1	1 619 PB4 148	Connector Cable .	69,00
2	1	1 619 PB4 201	Field assembly 220V .	4.076,00	41	1	1 619 PB3 667	Rubber Ring .	68,00
3	1	1 619 PB3 666	Armature assembly 220V .	6.251,00	42	1	1 619 PB3 671	Air-Deflector Ring .	52,00
5	1	1 619 PB4 767	Power supply cord IN .	5.435,00	43	2	1 619 PB3 672	Tapping Screw .	68,00
8	1	1 619 PB4 141	Nameplate .		46	1	1 619 PB4 076	Flat Seal Ring .	79,00
9	1	1 619 PB4 081	Manufacturer's nameplate		47	1	1 619 PB3 662	Oil Separator .	110,00
16	2	1 619 PB3 680	Brush Holder .	336,00	48	1	1 619 PB3 658	Straight Pin .	68,00
22	1	1 619 PB3 702	Housing Cover .	679,00	50	4	1 619 PB3 642	Tapping Screw .	68,00
23	1	1 619 PB3 703	Protective Cover .	75,00	52	1	1 619 PB3 653	Retaining ring .	68,00
24	1	1 619 PB3 701	Cap .	72,00	53	1	1 619 PB3 652	Toothed Gear .	1.359,00
25	1	1 619 PB3 704	Cap .	69,00	54	1	1 619 PB3 651	Toothed Gear .	1.359,00
27	4	1 619 PB3 705	Tapping Screw .	35,00	55	1	1 619 PB3 650	Toothed rack .	952,00
28	1	1 619 PB4 074	Printed Circuit Board .	3.483,00	56	1	1 619 PB3 649	Parallel Key .	68,00
29	1	1 619 PB4 083	Fastening Clamp .	52,00	60	1	1 619 PB3 654	Retaining ring .	68,00
30	1	1 619 PB3 700	Indicator Light .	69,00	61	1	1 619 PB3 655	Toothed Gear .	1.359,00
31	2	1 619 PB3 699	Tapping Screw .	35,00	65	1	1 619 PB3 640	Parallel Key .	90,00
32	1	1 619 PB3 682	Stop Block .	69,00	66	1	1 619 PB3 639	Drilling Spindle .	1.631,00
33	1	1 619 PB3 684	Shaped Spring .	52,00	69	1	1 619 PB3 643	O-Ring .	69,00
34	1	1 619 PB3 686	Potentiometer .	167,00	70	1	1 619 PB3 644	Shift-Lever Knob .	283,00
35	1	1 619 PB3 687	Clamping bracket .	35,00	71	1	1 619 PB3 645	Spring .	68,00
36	1	1 619 PB3 688	Handwheel .	289,00	72	1	1 619 PB3 646	Block .	69,00
37	1	1 619 PB3 689	Connector .	220,00	73	1	1 619 PB3 709	Guide Block .	3.680,00
38	1	1 619 PB3 691	Rear Plate .	213,00	74	1	1 619 PB3 711	Toothed rack .	1.087,00
39	13	1 619 PB3 678	Tapping Screw .	68,00	75	2	1 619 PB3 706	Screw .	68,00

3 601 AB4 080

Stand | 19-06  
Issue | 21-03-11

**Fig./Abb. 2**



Änderungen vorbehalten  
Modifications reserved  
Modifications réservées  
Salvo modificaciones

2 / 3

Model: 3 601 AB4 0F0 = 230

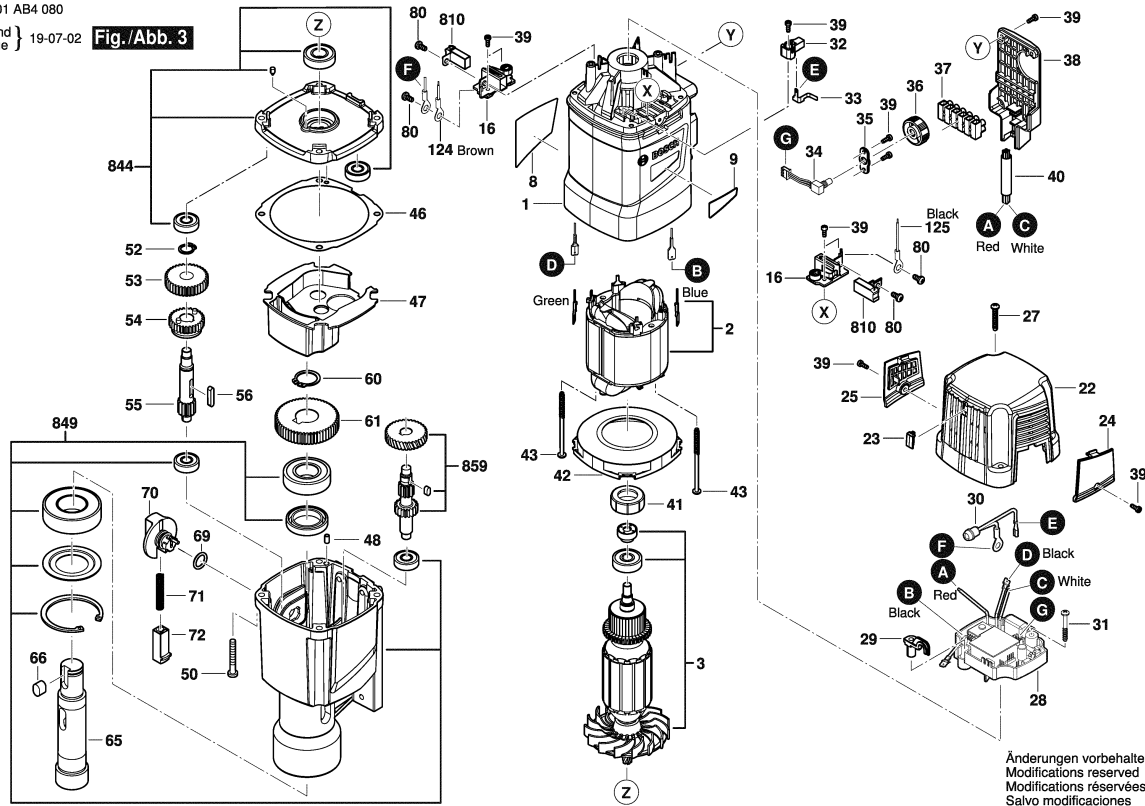
Date:

Item	Pc	Order no.	Description	LP in INR	Item	Pc	Order no.	Description	LP in INR
76	2	1 619 PB3 707	Washer .	68,00	101	2	1 619 PB3 759	Screw .	68,00
77	1	1 619 PB3 708	Screw .	68,00	102	1	1 619 PB3 755	On-Off Switch .	679,00
78	6	1 619 PB3 710	Countersunk-Head Screw .	68,00	103	1	1 619 PB4 104	Warning Label .	
79	2	1 619 PB3 712	Holding Plate .	136,00	104	2	1 619 PB3 715	Guide Bar .	883,00
80	22	1 619 PB3 713	Screw .	68,00	105	4	1 619 PB3 720	Headless Screw .	68,00
81	1	1 619 PB3 714	Spring Sleeve .	68,00	106	2	1 619 PB3 725	Stop Plate .	52,00
82	1	1 619 PB3 745	Frame .	6.794,00	107	1	1 619 PB3 724	Protection Sleeve .	68,00
83	1	1 619 PB3 718	Carrying Handle .	144,00	108	1	1 619 PB4 087	Protection Sleeve .	52,00
84	1	1 619 PB3 719	Carrying Handle .	141,00	109	1	1 619 PB3 738	Magnetic Base .	11.528,00
85	8	1 619 PB3 717	Tapping Screw .	68,00	110	4	1 619 PB3 739	Spring Washer .	68,00
86	1	1 619 PB3 761	Lifting Bracket .	108,00	111	4	1 619 PB3 740	Screw .	68,00
88	6	1 619 PB3 726	Countersunk-Head Screw .	68,00	112/1	1	1 619 PB4 118	Control Unit .	12.159,00
89	2	1 619 PB3 721	Flange Bushing .	52,00	112/2	1	1 619 PB4 119	Switch Unit .	8.897,00
90	1	1 619 PB3 746	Shaft Coupling .	2.038,00	112/2/3	1	1 619 PB4 116	Cover .	69,00
91	1	1 619 PB4 088	Scale Ring .	69,00	112/2/4	1	1 619 PB4 117	Indicator Lamp .	2.166,00
92	3	1 619 PB3 747	Handle .	545,00	112/2/5	1	1 619 PB3 823	Reversing Switch .	679,00
93	1	1 619 PB3 722	Cover Disc .	52,00	112/2/6	1	1 619 PB3 824	On-Off Switch .	679,00
94	9	1 619 PB3 716	Screw .	68,00	112/2/7	1	1 619 PB3 825	Motor Protection Switch .	1.087,00
95	1	1 619 PB7 206	Cover Plate .	260,00	113	1	1 619 PB4 086	Laser unit .	1.631,00
96	1	1 619 PB3 723	Cover Plate .	139,00	113/2	1	1 619 PB3 729	Laser .	1.319,00
97	1	1 619 PB4 334	Cover Plate .	52,00	114	1	1 619 PB4 102	Hex Nut .	68,00
98	1	1 619 PB3 756	Rear Panel .	254,00	115	1	1 619 PB4 103	Washer .	68,00
99	1	1 619 PB3 757	Protective Cover .	136,00	116	1	1 619 PB3 749	Tag .	68,00
100	1	1 619 PB3 758	Light Unit .	69,00	117	1	1 619 PB3 750	Toothed lock washer .	68,00

Please observe: Repairing, modifying and testing of electro-tools are to be performed professionally. The safety regulations according to IEC, EN, VDE, AFNOR and other regulations of the individual countries are to be observed. Subject to change.  
This price list supersedes all previous edition. Prices are subjected to change without any prior notice.

3 601 AB4 080

Stand Issue } 19-07-02 **Fig./Abb. 3**



Änderungen vorbehalten  
Modifications reserved  
Modifications réservées  
Salvo modificaciones

Model: 3 601 AB4 0F0 = 230

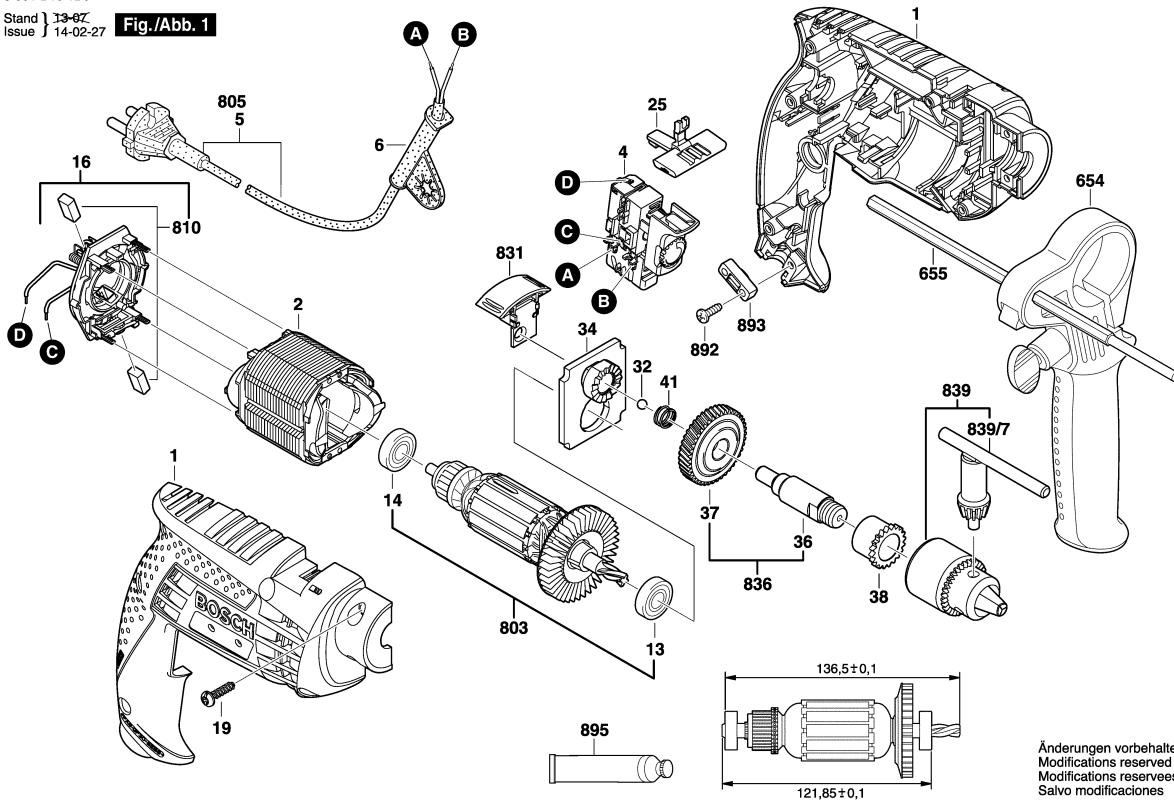
Date:

Item	Pc	Order no.	Description	LP in INR	Item	Pc	Order no.	Description	LP in INR
118	1	1 619 PB3 751	Screw .	68,00					
119	9	1 619 PB3 734	Screw .	68,00					
120	1	1 619 PB4 099	Cable Clip .	68,00					
121	1	1 619 PB4 100	Cable Holder .	68,00					
122	1	1 619 PB4 101	Grommet .	68,00					
123	2	1 619 PB4 098	Tapping Screw .	68,00					
124	1	1 619 PB3 676	Round copper wire	68,00					
125	1	1 619 PB4 647	Round copper wire BLACK	52,00					
126	1	1 619 PB4 333	O-Ring .	136,00					
127	1	1 619 PB7 205	Cover Plate .						
651	1	1 619 PB3 771	Milling machine arbor .	8.153,00					
655	1	1 619 PB3 776	Drift .	329,00					
656	1	1 619 PB3 777	Reduction Sleeve .	611,00					
657	1	1 619 PB3 778	Positioning Pin .	243,00					
669	1	1 619 PB3 779	Safety rope .	849,00					
670	1	1 619 PB3 763	Coolant Tank .	1.709,00					
670/2	1	1 619 PB3 767	Tank Cover .	136,00					
670/3	1	1 619 PB3 768	End Plug .	69,00					
671	1	1 619 PB4 127	Mounting Bracket .	739,00					
810	1	1 619 PB4 295	Carbon-Brush Set .	545,00					
844	1	1 619 PB4 392	Intermediate Flange .	1.359,00					
849	1	1 619 PB4 393	Gear Housing .	5.359,00					
859	1	1 619 PB4 394	Toothed rack .	2.038,00					



3 601 B16 1B0  
Stand 13-87  
Issue 14-02-27

Fig./Abb. 1



Änderungen vorbehalten  
Modifications reserved  
Modifications reserves  
Salvo modificaciones

1 / 1

Model: 3 601 B16 1F4 = 230

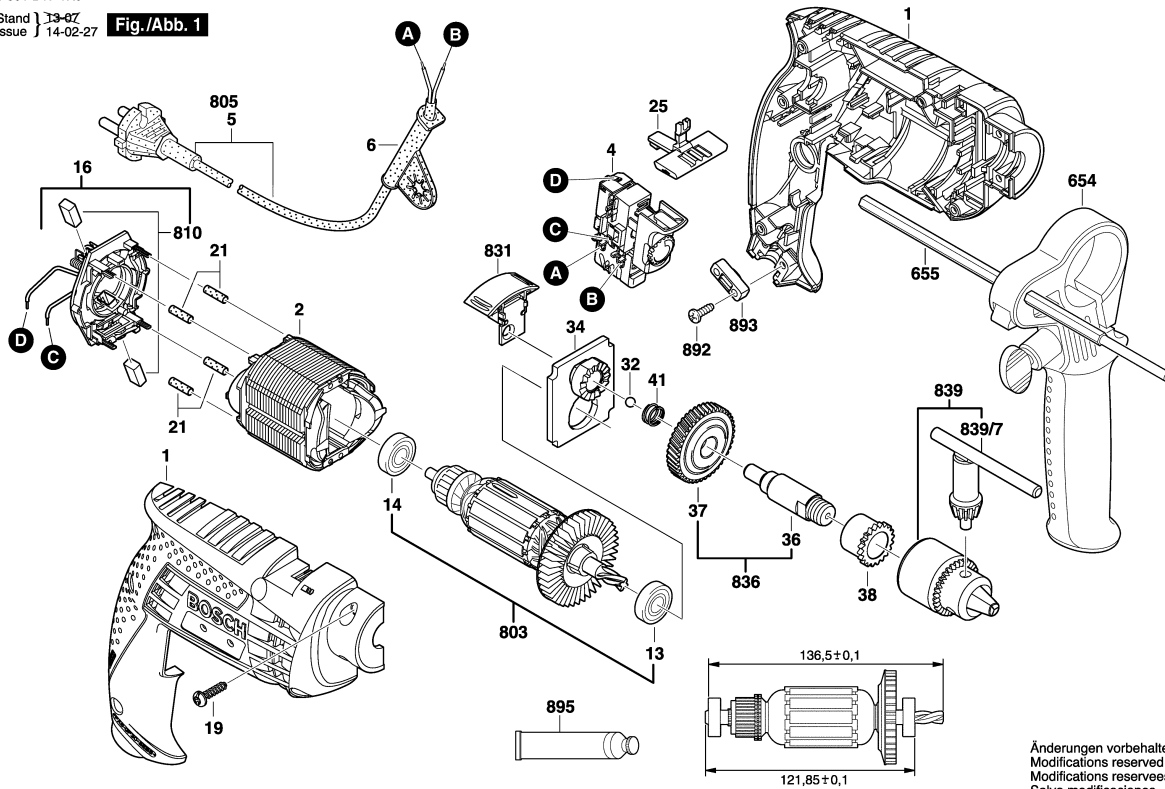
Date:

Item	Pc	Order no.	Description	LP in INR	Item	Pc	Order no.	Description	LP in INR
1	1	2 609 100 427	Motor Housing .	408,00	893	1	2 601 035 001	Cable Clip .	43,00
2	1	2 604 220 718	Field 230V .	381,00	895	1	3 605 430 003	Grease Tube Albida .	1.444,00
4	1	2 607 200 623	Switch .	401,00					
5	1	1 604 460 72V	Power supply cord IND	110,00					
6	1	2 600 707 059	Grommet Ø6,9 MM .	66,00					
13	1	2 609 110 153	Ball Bearing 8x22x7 .	42,00					
14	1	2 609 110 491	Ball Bearing .	38,00					
16	1	2 609 120 317	Brush Plate .	272,00					
19	7	2 603 490 022	Screw 4x16 .	29,00					
25	1	2 609 100 580	Lever .	44,00					
32	1	1 903 230 010	Ball DIN 5401-5,5MM-III-ST	30,00					
34	1	2 609 199 073	Bearing Bracket .	101,00					
36	1	2 609 110 440	Spindle .	204,00					
37	1	2 606 320 092	Conversion Gear .	128,00					
38	1	2 609 110 442	Sintered-Metal Bushing .	44,00					
41	1	2 604 616 006	Compression Spring .	49,00					
655	1	2 603 001 009	Depth-Gauge .	211,00					
803	1	2 609 120 232	Armature 220-240V .	571,00					
810	1	2 610 391 290	Carbon-Brush Set .	79,00					
831	1	2 609 160 127	Change-Over Switch .	95,00					
836	1	2 609 160 122	Drilling Spindle .	285,00					
839	1	1 608 571 079	Chuck Ø1,0-10 MM, 3/8" .	213,00					
839/7	1	2 607 950 007	Chuck Wrench SG2 .	79,00					
892	2	2 603 490 022	Screw 4x16 .	29,00					

Please observe: Repairing, modifying and testing of electro-tools are to be performed professionally. The safety regulations according to IEC, EN, VDE, AFNOR and other regulations of the individual countries are to be observed. Subject to change.  
This price list supersedes all previous edition. Prices are subjected to change without any prior notice.

3 601 B17 1K0  
Stand 13-07  
Issue 14-02-27

**Fig./Abb. 1**



1 / 1

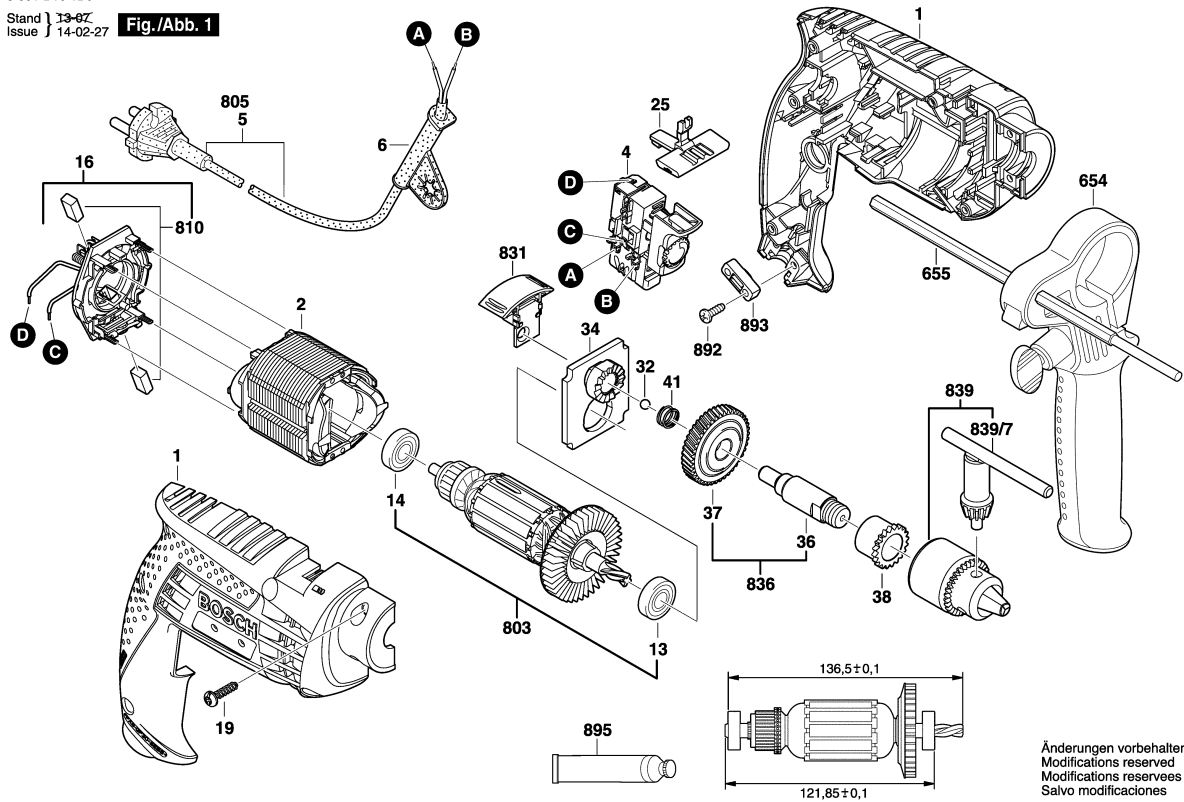
Model: 3 601 B17 1F3 = 230

Date:

Item	Pc	Order no.	Description	LP in INR	Item	Pc	Order no.	Description	LP in INR
1	1	2 605 105 105	Housing Section .	956,00	839/7	1	2 607 950 007	Chuck Wrench SG2 .	79,00
2	1	2 604 220 718	Field 230V .	381,00	892	2	2 603 490 022	Screw 4x16 .	29,00
4	1	2 607 200 623	Switch .	401,00	893	1	2 601 035 001	Cable Clip .	43,00
5	1	1 604 460 72V	Power supply cord IND	110,00					
6	1	2 600 707 059	Grommet Ø6,9 MM .	66,00					
13	1	2 609 110 153	Ball Bearing 8x22x7 .	42,00					
14	1	2 609 110 491	Ball Bearing .	38,00					
16	1	2 609 120 317	Brush Plate .	272,00					
19	9	2 603 490 022	Screw 4x16 .	29,00					
21	4	2 600 409 021	Shrinkable Tube .	29,00					
25	1	2 609 100 580	Lever .	44,00					
32	1	1 903 230 010	Ball DIN 5401-5,5MM-III-ST	30,00					
34	1	2 609 199 073	Bearing Bracket .	101,00					
36	1	2 609 110 441	Drilling Spindle .	319,00					
37	1	2 606 320 092	Conversion Gear .	128,00					
38	1	2 609 110 442	Sintered-Metal Bushing .	44,00					
41	1	2 604 616 006	Compression Spring .	49,00					
654	1	2 602 025 094	Auxiliary Handle .	210,00					
655	1	2 603 001 009	Depth-Gauge .	211,00					
803	1	2 609 120 232	Armature 220-240V .	571,00					
810	1	2 610 391 290	Carbon-Brush Set .	79,00					
831	1	2 609 160 127	Change-Over Switch .	95,00					
836	1	2 609 160 123	Drilling Spindle .	649,00					
839	1	2 608 571 076	Chuck .	282,00					

3 601 B16 1B0  
Stand 13-87  
Issue 14-02-27

**Fig./Abb. 1**



1 / 1

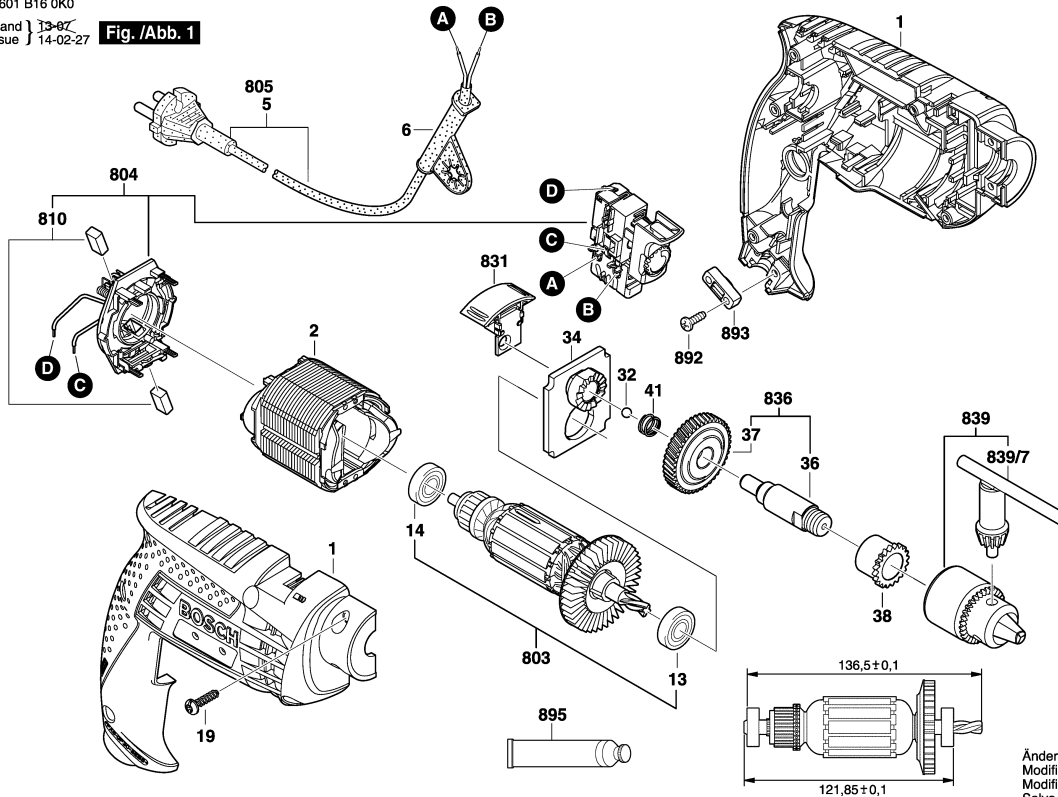
Model: 3 601 B16 1FA = 230

Date:

Item	Pc	Order no.	Description	LP in INR	Item	Pc	Order no.	Description	LP in INR
1	1	2 609 100 427	Motor Housing .	408,00	839	1	1 608 571 079	Chuck Ø1,0-10 MM, 3/8" .	213,00
2	1	2 604 220 718	Field 230V .	381,00	839/7	1	2 607 950 007	Chuck Wrench SG2 .	79,00
4	1	2 607 200 623	Switch .	401,00	892	2	2 603 490 022	Screw 4x16 .	29,00
5	1	1 604 460 72V	Power supply cord IND	110,00	893	1	2 601 035 001	Cable Clip .	43,00
6	1	2 600 707 059	Grommet Ø6,9 MM .	66,00	895	1	3 605 430 003	Grease Tube Albida .	1.444,00
13	1	2 609 110 153	Ball Bearing 8x22x7 .	42,00					
14	1	2 609 110 491	Ball Bearing .	38,00					
16	1	2 609 120 375	Brush Plate .	238,00					
19	7	2 603 490 022	Screw 4x16 .	29,00					
25	1	2 609 100 580	Lever .	44,00					
32	1	1 903 230 010	Ball DIN 5401-5,5MM-III-ST	30,00					
34	1	2 609 199 073	Bearing Bracket .	101,00					
36	1	2 609 110 440	Spindle .	204,00					
37	1	2 606 320 092	Conversion Gear .	128,00					
38	1	2 609 110 442	Sintered-Metal Bushing .	44,00					
41	1	2 604 616 006	Compression Spring .	49,00					
654	1	2 602 025 094	Auxiliary Handle .	210,00					
655	1	2 609 005 615	Depth-Gauge .	122,00					
655	1	2 603 001 009	Depth-Gauge .	211,00					
803	1	2 609 120 232	Armature 220-240V .	571,00					
808	1	2 609 134 631	Label .						
810	1	2 610 391 290	Carbon-Brush Set .	79,00					
831	1	2 609 160 127	Change-Over Switch .	95,00					
836	1	2 609 160 122	Drilling Spindle .	285,00					

3 601 B16 0K0  
Stand 13-07  
Issue 14-02-27

Fig./Abb. 1



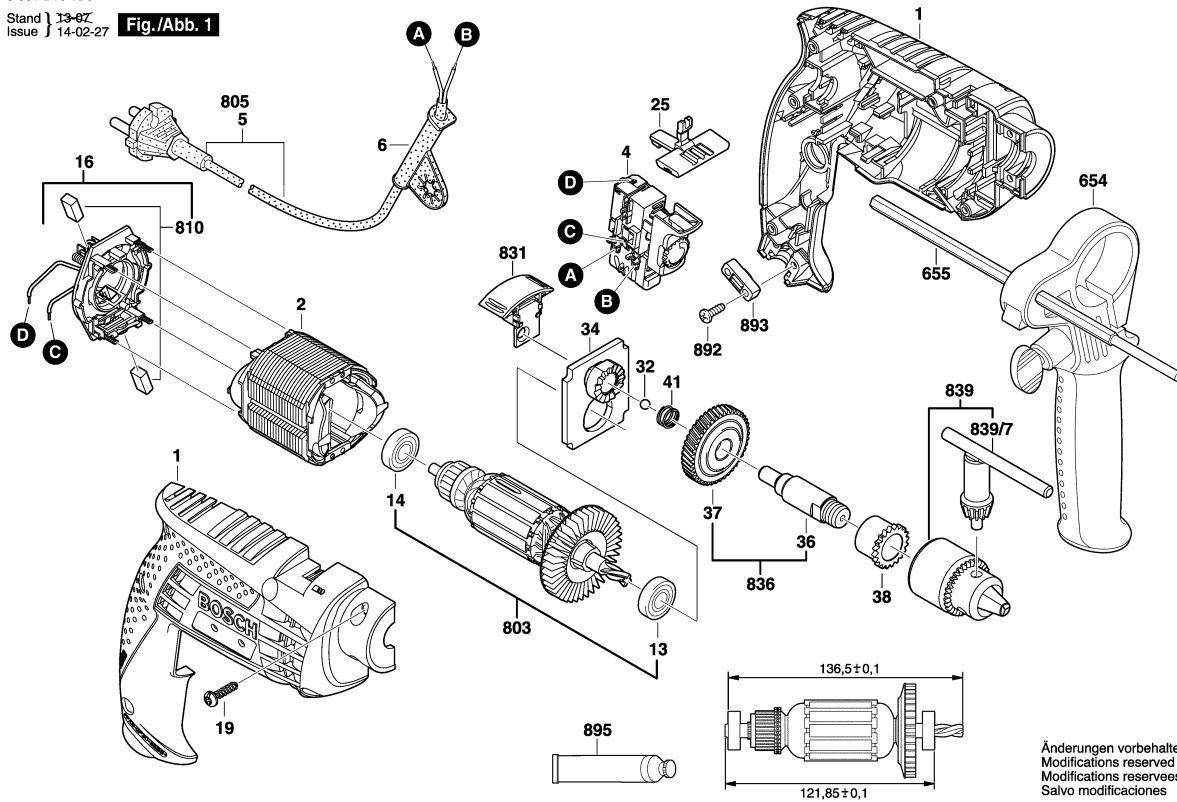
1 / 1

Model: 3 601 B16 0K0 = 230 Date:

Item	Pc	Order no.	Description	LP in INR	Item	Pc	Order no.	Description	LP in INR
1	1	2 609 100 414	Housing .	461,00					
2	1	2 604 220 718	Field 230V .	381,00					
5	1	1 604 460 262	Power supply cord CN	977,00					
6	1	2 600 707 059	Grommet Ø6,9 MM .	66,00					
13	1	2 609 110 153	Ball Bearing 8x22x7 .	42,00					
14	1	2 609 110 491	Ball Bearing .	38,00					
19	7	2 603 490 022	Screw 4x16 .	29,00					
32	1	1 903 230 010	Ball DIN 5401-5,5MM-III-ST	30,00					
34	1	2 609 199 073	Bearing Bracket .	101,00					
36	1	2 609 110 440	Spindle .	204,00					
37	1	2 606 320 092	Conversion Gear .	128,00					
38	1	2 609 110 442	Sintered-Metal Bushing .	44,00					
41	1	2 604 616 006	Compression Spring .	49,00					
803	1	2 609 120 232	Armature 220-240V .	571,00					
804	1	2 609 199 664	Switch .	387,00					
810	1	2 610 391 290	Carbon-Brush Set .	79,00					
831	1	2 609 160 127	Change-Over Switch .	95,00					
836	1	2 609 160 122	Drilling Spindle .	285,00					
839	1	1 608 571 079	Chuck Ø1,0-10 MM, 3/8" .	213,00					
839/7	1	2 607 950 007	Chuck Wrench SG2 .	79,00					
892	2	2 603 490 022	Screw 4x16 .	29,00					
893	1	2 601 035 001	Cable Clip .	43,00					
895	1	3 605 430 003	Grease Tube Albida .	1.444,00					

3 601 B16 1B0  
Stand 13-87  
Issue 14-02-27

**Fig./Abb. 1**



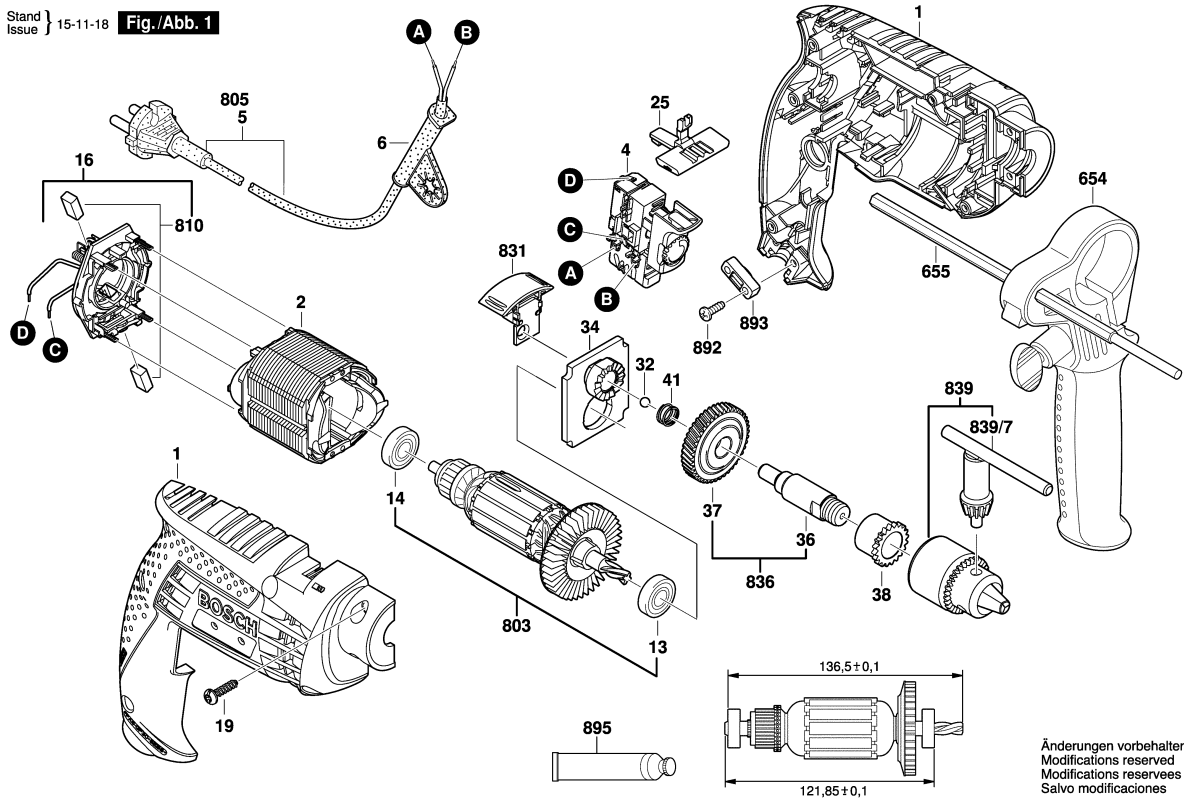
1 / 1

Model: 3 601 B16 1F6 = 230 Date:

Item	Pc	Order no.	Description	LP in INR	Item	Pc	Order no.	Description	LP in INR
1	1	2 609 100 427	Motor Housing .	408,00	893	1	2 601 035 001	Cable Clip .	43,00
2	1	2 604 220 718	Field 230V .	381,00					
4	1	2 607 200 623	Switch .	401,00					
5	1	1 604 460 72V	Power supply cord IND	110,00					
6	1	2 600 707 059	Grommet Ø6,9 MM .	66,00					
13	1	2 609 110 153	Ball Bearing 8x22x7 .	42,00					
14	1	2 609 110 491	Ball Bearing .	38,00					
16	1	2 609 120 317	Brush Plate .	272,00					
19	7	2 603 490 022	Screw 4x16 .	29,00					
25	1	2 609 100 580	Lever .	44,00					
32	1	1 903 230 010	Ball DIN 5401-5,5MM-III-ST	30,00					
34	1	2 609 199 073	Bearing Bracket .	101,00					
36	1	2 609 110 440	Spindle .	204,00					
37	1	2 606 320 092	Conversion Gear .	128,00					
38	1	2 609 110 442	Sintered-Metal Bushing .	44,00					
41	1	2 604 616 006	Compression Spring .	49,00					
655	1	2 603 001 009	Depth-Gauge .	211,00					
803	1	2 609 120 232	Armature 220-240V .	571,00					
810	1	2 610 391 290	Carbon-Brush Set .	79,00					
831	1	2 609 160 127	Change-Over Switch .	95,00					
836	1	2 609 160 122	Drilling Spindle .	285,00					
839	1	1 608 571 079	Chuck Ø1,0-10 MM, 3/8" .	213,00					
839/7	1	2 607 950 007	Chuck Wrench SG2 .	79,00					
892	2	2 603 490 022	Screw 4x16 .	29,00					

3 601 B16 1F8

Stand } 15-11-18 Fig./Abb. 1  
Issue }



1 / 1

Model: 3 601 B16 1F8 = 230

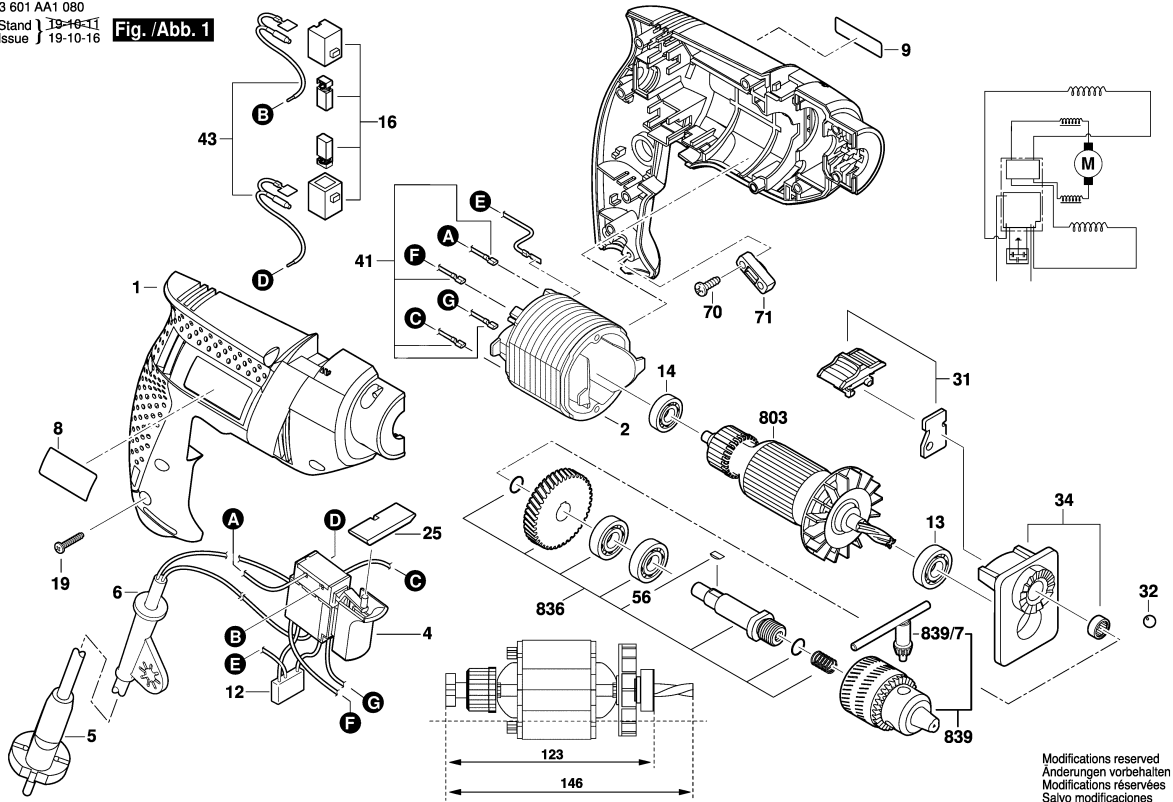
Date:

Item	Pc	Order no.	Description	LP in INR	Item	Pc	Order no.	Description	LP in INR
1	1	2 609 100 427	Motor Housing .	408,00	892	2	2 603 490 022	Screw 4x16 .	29,00
2	1	2 604 220 718	Field 230V .	381,00	893	1	2 601 035 001	Cable Clip .	43,00
4	1	2 607 200 623	Switch .	401,00	895	1	3 605 430 003	Grease Tube Albida .	1.444,00
5	1	1 604 460 72V	Power supply cord IND	110,00					
6	1	2 600 707 059	Grommet Ø6,9 MM .	66,00					
13	1	2 609 110 153	Ball Bearing 8x22x7 .	42,00					
14	1	2 609 110 491	Ball Bearing .	38,00					
16	1	2 609 120 317	Brush Plate .	272,00					
19	7	2 603 490 022	Screw 4x16 .	29,00					
25	1	2 609 100 580	Lever .	44,00					
32	1	1 903 230 010	Ball DIN 5401-5,5MM-III-ST	30,00					
34	1	2 609 110 445	Bearing Bracket .						
36	1	2 609 110 440	Spindle .	204,00					
37	1	2 606 320 092	Conversion Gear .	128,00					
38	1	2 609 110 442	Sintered-Metal Bushing .	44,00					
41	1	2 604 616 006	Compression Spring .	49,00					
654	1	2 602 025 094	Auxiliary Handle .	210,00					
655	1	2 609 005 615	Depth-Gauge .	122,00					
803	1	2 609 120 232	Armature 220-240V .	571,00					
810	1	2 610 391 290	Carbon-Brush Set .	79,00					
831	1	2 609 100 417	Indexing Disk .						
836	1	2 609 110 441	Drilling Spindle .	319,00					
839	1	2 608 571 076	Chuck .	282,00					
839/7	1	2 607 950 007	Chuck Wrench SG2 .	79,00					

Please observe: Repairing, modifying and testing of electro-tools are to be performed professionally. The safety regulations according to IEC, EN, VDE, AFNOR and other regulations of the individual countries are to be observed. Subject to change.  
This price list supersedes all previous edition. Prices are subjected to change without any prior notice.

3 601 AA1 080  
Stand | 19-10-11  
Issue | 19-10-16

**Fig./Abb. 1**



1 / 2

Model: 3 601 AA1 5L1 = 230

Date:

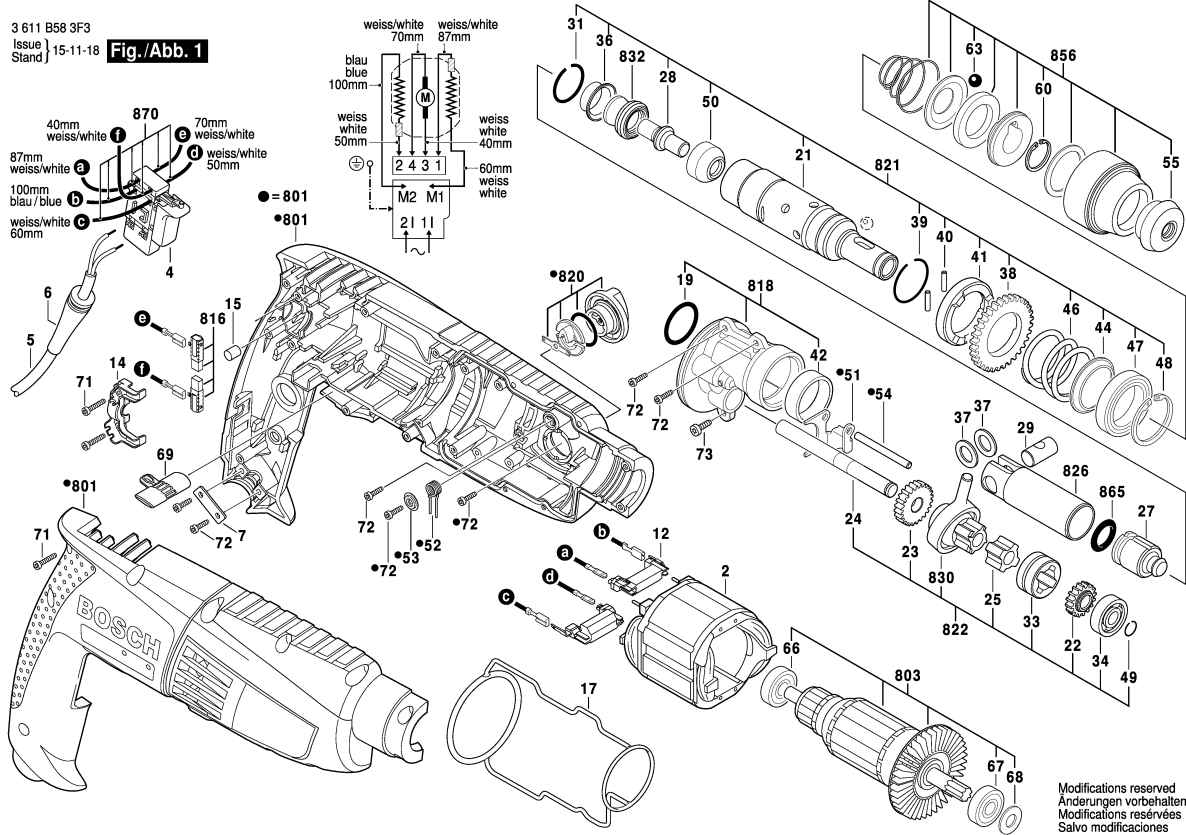
Item	Pc	Order no.	Description	LP in INR	Item	Pc	Order no.	Description	LP in INR
1	1	1 619 PB4 746	Housing .	606,00	839/7	1	1 619 PA0 694	Chuck Wrench .	48,00
2	1	1 619 PA0 678	Field 220-240V .	460,00					
4	1	1 619 PA0 679	On-Off Switch .	386,00					
5	1	1 619 PA0 877	Power supply cord .						
6	1	1 619 PB2 058	Grommet Ø 9 mm .	28,00					
12	1	1 619 PA0 702	Suppression Capacitor .	108,00					
13	1	1 619 PA0 681	groove ball bearing .	84,00					
14	1	1 619 PA0 680	groove ball bearing .	59,00					
16	1	1 619 PA1 407	Carbon-Brush Set .	98,00					
19	9	1 619 PA0 683	Torx Oval-Head Screw .	28,00					
25	1	1 619 PA0 684	Lever .	28,00					
31	1	1 619 PA0 701	Change-Over Switch .	28,00					
32	1	F 000 615 033	Ball .	28,00					
34	1	1 619 PA0 685	Bearing Bracket .	146,00					
41	1	1 619 PA6 599	Cable .	46,00					
43	1	1 619 PA0 703	Suppressor Box .	116,00					
56	1	1 619 PA0 690	Woodruff Key .	28,00					
70	2	F 000 616 083	Tapping Screw .	28,00					
71	1	F 000 616 084	Fastening Clamp .	28,00					
651	1	1 619 PB4 323	Auxiliary Handle .	321,00					
698	1	2 603 001 009	Depth-Gauge .	211,00					
803	1	1 619 PA0 697	Armature 220-240V .	714,00					
836	1	1 619 PA1 858	Drilling Spindle .	430,00					
839	1	1 619 PA1 689	Key Chuck .	264,00					





3 611 B58 3F3  
Issue 15-11-18  
Stand

**Fig./Abb. 1**



1 / 2

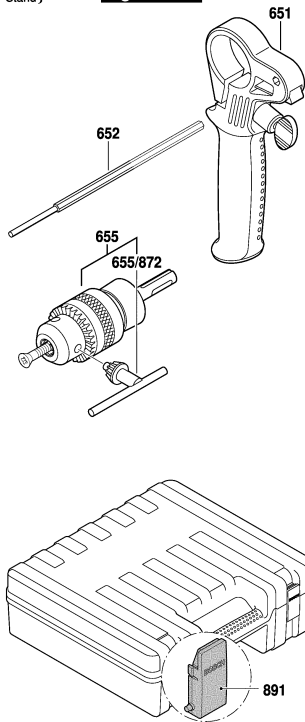
Model: 3 611 B58 3F3 = 220

Date:

Item	Pc	Order no.	Description	LP in INR	Item	Pc	Order no.	Description	LP in INR
2	1	1 614 220 182	Field 230V .	283,00	39	1	1 614 601 055	Retaining ring .	29,00
4	1	1 617 200 515	On-Off Switch .	264,00	40	2	1 613 100 032	Straight Pin .	29,00
5	1	1 604 460 72W	Power supply cord .	296,00	41	1	1 610 102 072	Ratchet Disc .	109,00
6	1	2 600 703 018	Grommet Ø7,3-Ø8,6x76	27,00	42	1	1 610 301 004	Plain bearing .	55,00
7	1	1 611 035 007	Cable Clip .	27,00	44	1	1 610 190 054	Support Disc .	41,00
12	2	1 600 A00 32J	Adapter module .	83,00	46	1	1 614 630 002	Compression Spring .	27,00
14	1	1 615 806 187	Bearing Bracket .	27,00	47	1	1 610 905 035	Ball Bearing .	69,00
15	2	2 603 100 056	Damping rubber .	51,00	48	1	1 614 601 054	Retaining ring .	41,00
17	1	1 611 015 055	Sealing Frame .	54,00	49	1	1 619 P00 829	Retaining ring .	29,00
19	1	1 610 210 184	O-Ring 22,0x2,5 MM .	29,00	50	1	1 600 A00 FL3	Thrust Ring .	121,00
21	1	1 615 806 188	Hammer Pipe .	426,00	51	1	1 613 231 014	Shift Plate .	28,00
22	1	1 616 317 069	Pinion .	141,00	52	1	1 614 690 005	Coiled Spring .	41,00
23	1	1 616 317 070	Cylindrical Gear .	71,00	53	3	1 619 P00 828	Pressure Disc .	27,00
24	1	1 613 101 011	Transmission Shaft .	40,00	54	1	1 613 100 033	Guide Rod .	41,00
25	1	1 616 409 023	Coupling hub .	27,00	55	1	1 610 508 052	Protective Cap .	44,00
27	1	1 618 710 085	Striker .	96,00	60	1	1 614 601 077	Spring retaining ring .	55,00
28	1	1 613 124 084	Striker Pin .	31,00	63	1	1 903 230 013	Ball DIN 5401-Ø7MM-III-ST	69,00
29	1	1 613 100 034	Piston Pin .	29,00	66	1	1 900 905 029	Ball Bearing 8x22x7 .	38,00
31	1	1 614 601 053	Retaining ring .	27,00	67	1	1 610 905 033	Ball Bearing .	60,00
33	1	1 610 322 014	Switching Element .	60,00	68	1	1 614 601 052	Plain Washer .	27,00
34	1	1 610 905 034	Ball Bearing 8x22x6 .	37,00	69	1	1 613 231 016	Change-Over Switch .	27,00
36	1	1 610 551 008	Holding Plate .	44,00	71	15	1 619 P00 219	Tapping Screw .	44,00
37	2	1 610 100 016	Guide Disc .	44,00	72	6	1 619 P00 220	Torx Oval-Head Screw	29,00
38	1	1 616 317 072	Cylindrical Gear .	89,00	73	3	2 914 201 483	Torx Oval-Head Screw .	29,00

Please observe: Repairing, modifying and testing of electro-tools are to be performed professionally. The safety regulations according to IEC, EN, VDE, AFNOR and other regulations of the individual countries are to be observed. Subject to change. This price list supersedes all previous edition. Prices are subjected to change without any prior notice.

3 611 B58 3F3  
Issue Stand 15-11-11 **Fig./Abb. 2**



Modifications reserved  
Änderungen vorbehalten  
Modifications réservées  
Salvo modificaciones

2 / 2

Model: 3 611 B58 3F3 = 220 Date:

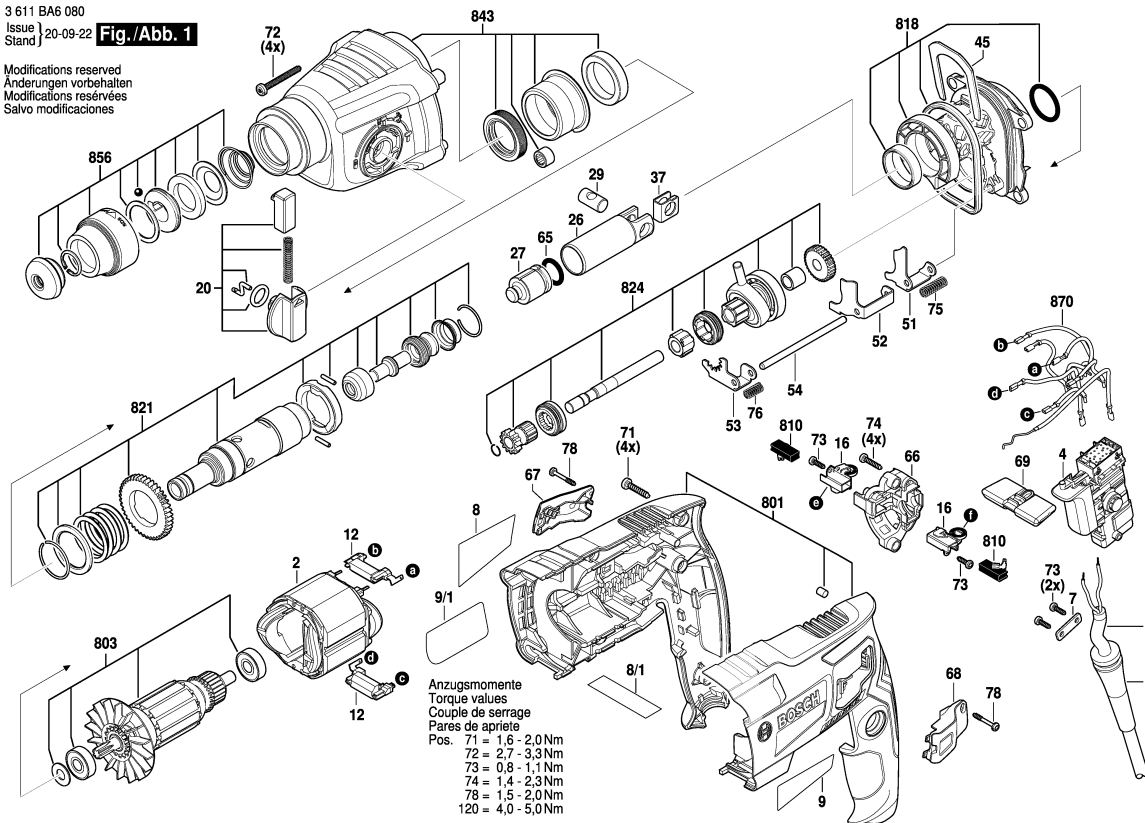
Item	Pc	Order no.	Description	LP in INR	Item	Pc	Order no.	Description	LP in INR
651	1	2 602 025 149	Auxiliary Handle .	86,00					
652	1	1 613 001 009	Depth-Gauge SW 6x210	164,00					
655	1	1 608 571 069	Chuck Ø1,5-13 MM, 1/2" .	403,00					
655/872	1	2 607 950 007	Chuck Wrench SG2 .	79,00					
801	1	1 619 P01 769	Housing Set .	477,00					
803	1	1 619 P01 771	Armature 220-240V .	536,00					
816	1	1 619 P01 777	Carbon-Brush Set .	112,00					
818	1	1 619 P01 772	Intermediate Flange .	213,00					
820	1	1 612 026 113	Switch Button .						
821	1	1 619 P01 773	Hammer Pipe .	849,00					
822	1	1 619 P01 767	Transmission Shaft .	604,00					
826	1	1 618 700 083	Hammer Piston .	155,00					
830	1	1 619 P01 775	Drive bearing .	499,00					
832	1	1 619 P07 426	Rubber Bushing .	91,00					
856	1	1 619 P02 182	Protection Sleeve .	116,00					
865	1	1 610 210 186	O-Ring 13,0x3,0 MM .	31,00					
870	1	1 619 P01 776	Connecting Cable .	278,00					
891	1	1 619 P01 717	Lock .	60,00					

Please observe: Repairing, modifying and testing of electro-tools are to be performed professionally. The safety regulations according to IEC, EN, VDE, AFNOR and other regulations of the individual countries are to be observed. Subject to change.  
This price list supersedes all previous edition. Prices are subjected to change without any prior notice.

3 611 BA6 080  
Issue  
Stand

20-09-22 **Fig./Abb. 1**

Modifications reserved  
Änderungen vorbehalten  
Modifications réservées  
Salvo modificaciones



1 / 2

Model: 3 611 BA6 0F0 = 230

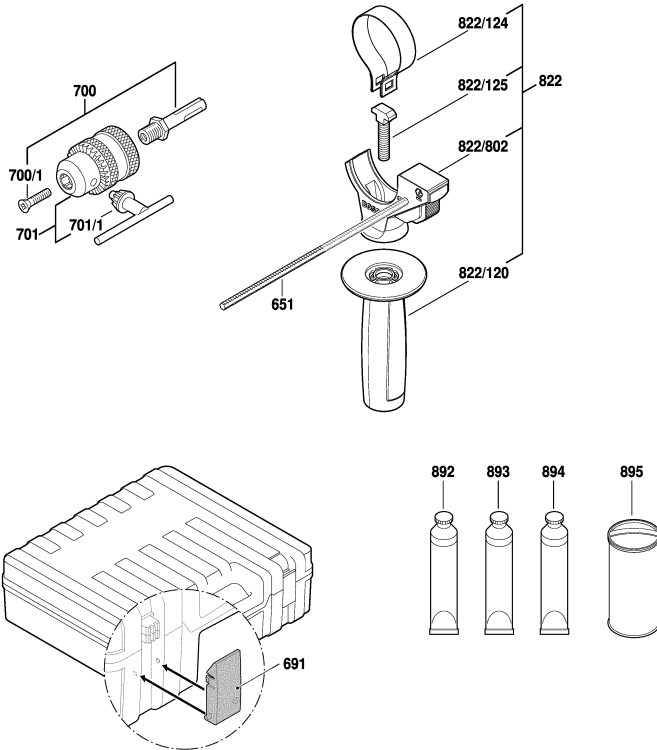
Date:

Item	Pc	Order no.	Description	LP in INR	Item	Pc	Order no.	Description	LP in INR
2	1	1 616 B10 269	Field 220-230 V .	354,00	73	4	1 619 P00 220	Torx Oval-Head Screw	29,00
4	1	1 607 200 372	Switch .	330,00	74	4	1 619 P00 219	Tapping Screw .	44,00
5	1	1 604 460 72W	Power supply cord .	296,00	75	1	1 614 643 025	Compression Spring .	29,00
6	1	2 600 703 018	Grommet Ø7,3-Ø8,6x76	27,00	76	1	1 614 643 023	Compression Spring .	29,00
7	1	1 611 035 007	Cable Clip .	27,00	78	2	1 619 P20 563	Tapping Screw .	105,00
12	1	1 600 A00 32J	Adapter module .	83,00	651	1	2 603 001 009	Depth-Gauge .	211,00
16	2	1 619 P20 535	Brush Holder .	85,00	691	1	1 615 438 409	Lock for 1 615 438	74,00
20	1	1 612 026 151	Clamp Handle BLACK	67,00	691	1	1 615 438 426	Lock for 1 615 438 395	148,00
26	1	1 619 P20 540	Hammer Piston .	157,00	691	1	1 615 438 431	Lock for 1 615 438 429 + 1	29,00
27	1	1 619 P20 541	Striker .	99,00	700	1	1 617 000 154	Drill Chuck Shank 1/2"	230,00
29	1	1 613 100 034	Piston Pin .	29,00	700/1	1	2 603 421 207	Countersunk-Head Screw	121,00
37	2	1 610 100 016	Guide Disc .	44,00	701	1	1 608 571 088	Chuck .	256,00
45	1	1 611 016 003	Holding Plate .	56,00	701/1	1	2 607 950 007	Chuck Wrench SG2 .	79,00
51	1	1 610 021 004	Shift Plate .	36,00	801	1	1 619 P16 274	Motor Housing .	397,00
52	1	1 610 021 006	Shift Plate .	42,00	803	1	1 619 P16 276	Armature .	641,00
53	1	1 610 021 005	Shift Plate .	36,00	810	1	1 617 000 525	Carbon-Brush Set .	153,00
54	1	1 613 023 005	Guide Rod .	43,00	818	1	1 619 P16 278	Intermediate Flange .	439,00
65	1	1 610 210 070	O-Ring 14,0x3,0 MM .	72,00	821	1	1 619 P16 280	Hammer Pipe .	944,00
66	1	1 619 P20 537	Bracket .	45,00	822	1	1 602 025 08X	Auxiliary Handle .	567,00
67	1	1 619 P20 547	Insulating Cap .	42,00	822/120	1	1 602 025 07H	Auxiliary Handle .	481,00
68	1	1 619 P20 548	Insulating Cap .	42,00	822/124	1	1 611 316 021	Clamping Band Ø50 MM .	69,00
69	1	1 619 P20 702	Change-Over Switch .	64,00	822/125	1	1 613 490 002	T-Head Bolt M8x40 MM .	72,00
71	5	2 603 490 023	Torx Oval-Head Screw	29,00	822/802	1	1 617 000 475	Support clamp .	79,00
72	4	1 619 P09 645	Torx Oval-Head Screw .	29,00	824	1	1 619 P16 282	Jack Shaft .	891,00

Please observe: Repairing, modifying and testing of electro-tools are to be performed professionally. The safety regulations according to IEC, EN, VDE, AFNOR and other regulations of the individual countries are to be observed. Subject to change.

This price list supersedes all previous edition. Prices are subjected to change without any prior notice.

3 611 BA6 080  
Issue  
Stand } 20-09-16 **Fig./Abb. 2**



Modifications reserved  
Änderungen vorbehalten  
Modificacions reservades  
Salvo modificaciones

Model: 3 611 BA6 0F0 = 230

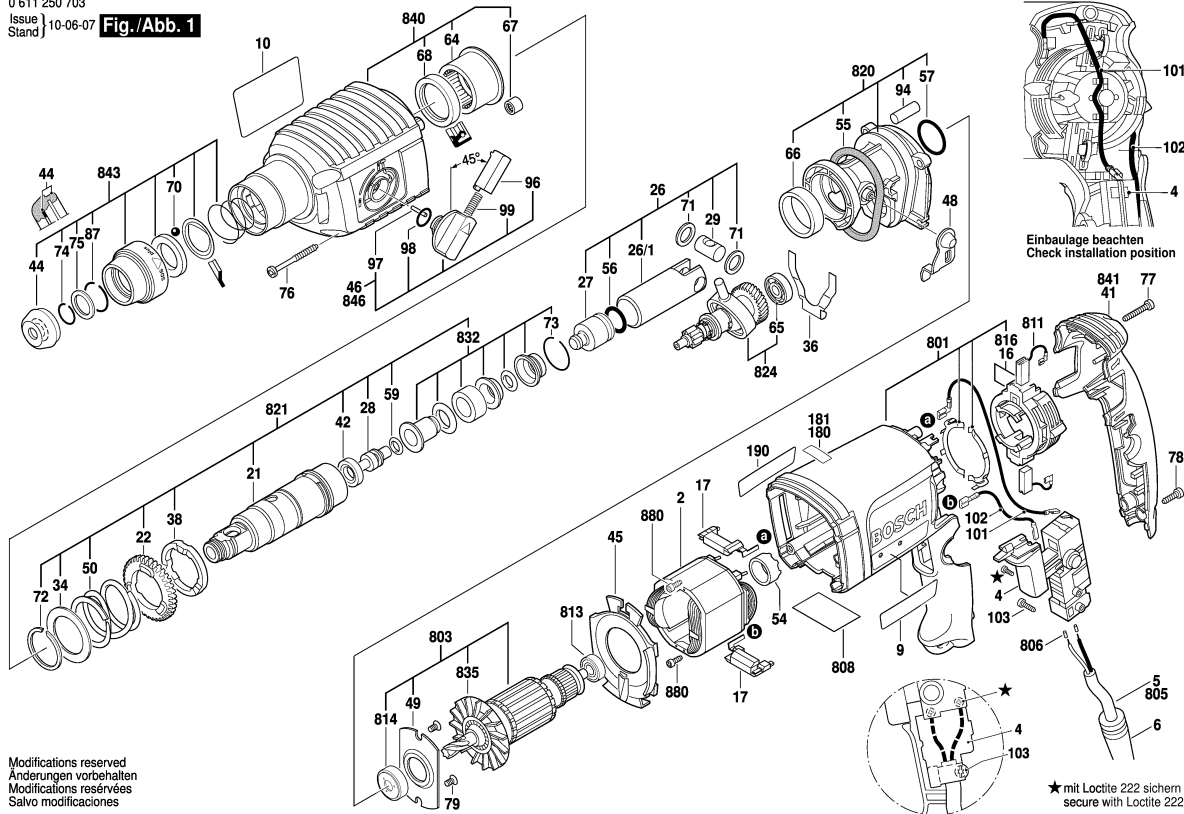
Date:

Item	Pc	Order no.	Description	LP in INR	Item	Pc	Order no.	Description	LP in INR
843	1	1 619 P16 284	Gear Housing .	473,00					
856	1	1 617 000 6EP	Protection Sleeve .	244,00					
870	1	1 619 P16 327	Connecting Cable .	196,00					
892	1	1 615 430 001	Grease Tube 225 ML .	535,00					
893	1	1 615 430 002	Grease Tube 225 ML .	2.725,00					
894	1	1 615 430 020	Grease Tube 225 ML .	1.438,00					
895	1	1 615 430 019	Oil Reservoir 1000 ML .	2.577,00					

Please observe: Repairing, modifying and testing of electro-tools are to be performed professionally. The safety regulations according to IEC, EN, VDE, AFNOR and other regulations of the individual countries are to be observed. Subject to change. This price list supersedes all previous edition. Prices are subjected to change without any prior notice.

0 611 250 703  
Issue  
Stand } 10-06-07

**Fig./Abb. 1**



Modifications reserved  
Änderungen vorbehalten  
Modifications réservées  
Salvo modificaciones

★ mit Loctite 222 sichern  
secure with Loctite 222

1 / 2

Model: 0 611 250 7X0 = 230

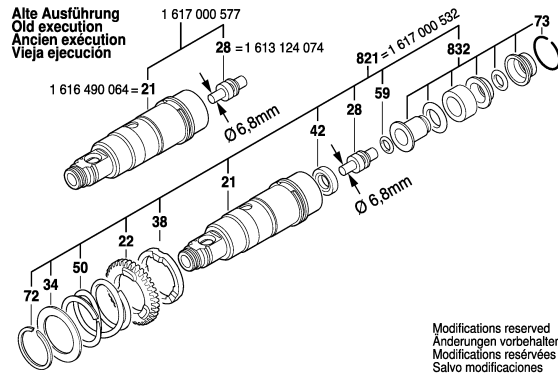
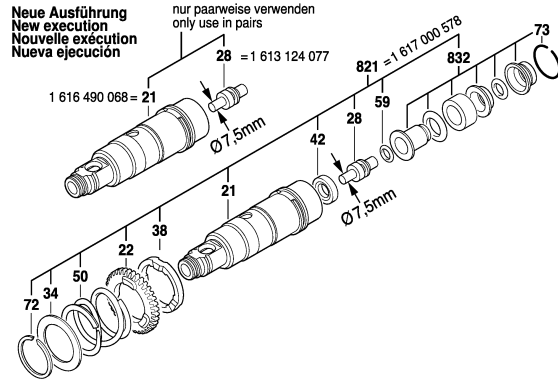
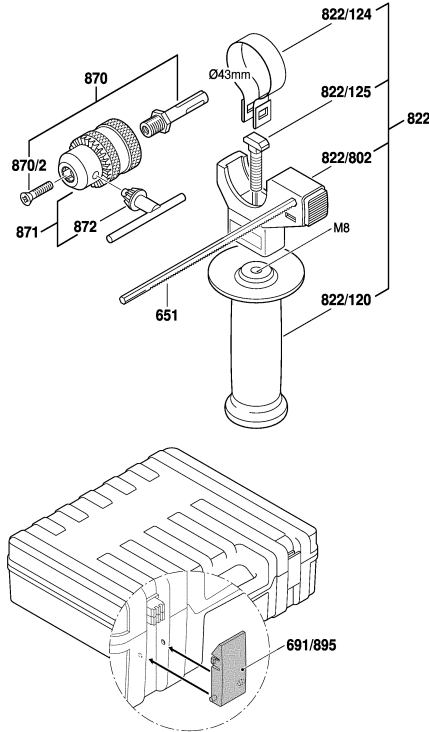
Date:

Item	Pc	Order no.	Description	LP in INR	Item	Pc	Order no.	Description	LP in INR
2	1	2 604 220 683	Field 220-230V .	421,00	55	1	1 610 290 226	Seal Ring 53,0x7,0 MM .	97,00
4	1	1 617 200 532	Switch .	616,00	56	1	1 610 210 187	O-Ring .	64,00
5	1	1 614 460 095	Power supply cord BR		57	1	1 610 210 068	O-Ring 24,0x2,5 MM .	48,00
6	1	2 600 703 018	Grommet Ø7,3-Ø8,6x76	27,00	59	1	1 610 210 177	O-Ring 9,0x2,0 MM .	54,00
17	1	1 600 A00 32J	Adapter module .	83,00	60	1	1 610 210 176	O-Ring 9,0x3,5 MM .	29,00
21	1	2 608 670 730	Ratchet Sleeve .	529,00	64	1	1 610 202 026	Plain bearing .	87,00
22	1	1 616 312 003	Cylindrical Gear .	165,00	65	1	1 600 900 037	groove ball bearing .	42,00
26	1	1 617 000 534	Hammer Piston .	365,00	66	1	1 610 202 020	Plain bearing .	54,00
26/1	1	1 618 700 075	Hammer Piston .	224,00	67	1	1 610 913 019	Needle bearing Ø7 MM .	73,00
27	1	1 618 710 080	Striker .	93,00	68	1	1 610 283 017	Rotary shaft lip seal .	87,00
28	1	1 613 124 077	Striker Pin Ø7,5 MM .	131,00	70	1	1 903 230 013	Ball DIN 5401-Ø7MM-III-ST	69,00
29	1	1 613 105 012	Piston Pin .	54,00	71	2	1 610 101 011	Shim washer 1,2 MM	48,00
34	1	1 610 190 067	Supporting Disc .	29,00	72	1	1 604 601 027	Retaining ring .	29,00
36	1	1 601 329 040	Tensioning Bracket .	43,00	73	1	1 614 601 057	Retaining ring .	27,00
38	1	1 610 190 045	Catch Disk .	130,00	74	1	1 614 601 027	Retaining ring .	29,00
41	1	1 615 500 334	Housing Cover BLUE	102,00	75	1	1 610 101 629	Retaining Washer .	29,00
42	1	1 610 422 017	Backup ring .	44,00	76	1	1 613 435 022	Thread-forming tap. Screw	29,00
44	1	1 610 508 047	Protective Cap .	59,00	77	1	2 603 490 024	Torx Oval-Head Screw	47,00
45	1	1 610 522 012	Air-Deflector Ring .	39,00	78	2	2 603 490 022	Screw 4x16 .	29,00
46	1	1 612 026 097	Clamp Handle BLACK	89,00	79	2	1 613 435 023	Thread-forming tap. Screw	29,00
48	1	1 601 021 005	Shift Plate .	43,00	87	1	2 916 540 012	Retaining ring DIN	29,00
49	1	1 615 700 044	End Shield .	56,00	94	1	1 610 205 010	Felt Seal .	30,00
50	1	1 604 611 037	Compression Spring .	75,00	96	1	1 612 026 035	Switch Button RED	47,00
54	1	1 610 502 012	Rubber Bushing .	27,00	97	1	1 903 201 118	Needle Roller .	27,00

Please observe: Repairing, modifying and testing of electro-tools are to be performed professionally. The safety regulations according to IEC, EN, VDE, AFNOR and other regulations of the individual countries are to be observed. Subject to change.  
This price list supersedes all previous edition. Prices are subjected to change without any prior notice.

0 611 250 703  
Issue  
Stand } 10-06-07

**Fig./Abb. 2**



Modifications reserved  
Änderungen vorbehalten  
Modifications réservées  
Salvo modificaciones

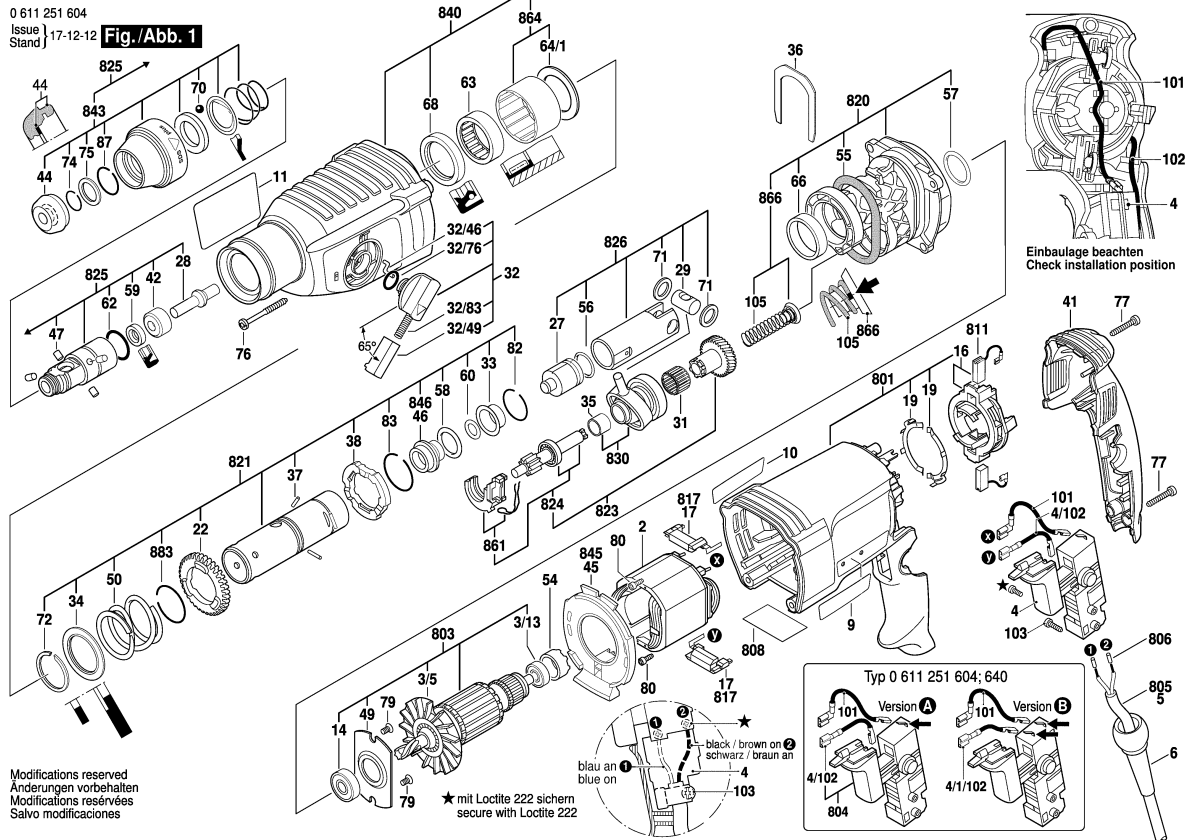
Model: 0 611 250 7X0 = 230

Date:

Item	Pc	Order no.	Description	LP in INR
98	1	1 610 210 046	O-Ring 10,5x2,7 MM .	50,00
99	1	1 614 611 006	Compression Spring .	69,00
101	1	1 614 449 014	Connecting Cable .	29,00
102	1	1 614 449 015	Connecting Cable .	29,00
103	1	1 619 P00 220	Torx Oval-Head Screw	29,00
651	1	2 603 001 009	Depth-Gauge .	211,00
691/895	2	1 615 438 409	Lock for 1 615 438	74,00
691/895	2	1 615 438 431	Lock for 1 615 438 429 + 1	29,00
801	1	1 619 P01 026	Motor Housing .	
803	1	1 617 000 524	Armature With Fan	1.700,00
811	1	1 617 000 525	Carbon-Brush Set .	153,00
813	1	1 610 905 025	groove ball bearing 7x19x6	179,00
814	1	1 610 905 048	groove ball bearing 9x24x7	182,00
820	1	1 617 000 526	Intermediate Flange .	368,00
821	1	1 617 000 V81	Ratchet Sleeve .	3.001,00
822	1	2 602 025 118	Auxiliary Handle Ø43 MM .	158,00
822/120	1	1 612 025 019	Auxiliary Handle M8 .	82,00
822/124	1	1 611 316 006	Clamping Band Ø43 MM .	27,00
822/125	1	1 613 490 002	T-Head Bolt M8x40 MM .	72,00
822/802	1	2 608 040 176	Support clamp Ø43 MM .	
824	1	1 617 000 892	Toothed Shaft .	1.764,00
832	1	1 617 000 529	Guide Sleeve .	214,00
835	1	1 616 610 093	Fan .	27,00
840	1	1 617 000 530	Gear Housing BLACK	945,00

Item	Pc	Order no.	Description	LP in INR
843	1	1 617 000 531	Protection Sleeve BLACK	173,00
870	1	1 617 000 154	Drill Chuck Shank 1/2"	230,00
870/2	1	2 603 421 207	Countersunk-Head Screw	121,00
871	1	1 608 571 088	Chuck .	256,00
872	1	2 607 950 007	Chuck Wrench SG2 .	79,00
880	2	2 603 435 015	Cross Recessed-Head	43,00

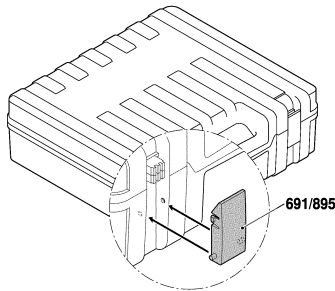
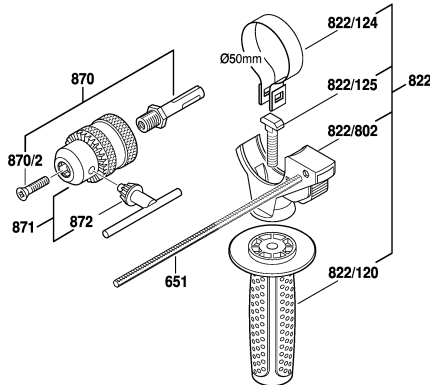
Please observe: Repairing, modifying and testing of electro-tools are to be performed professionally. The safety regulations according to IEC, EN, VDE, AFNOR and other regulations of the individual countries are to be observed. Subject to change.  
This price list supersedes all previous edition. Prices are subjected to change without any prior notice.



Model: 0 611 251 6X0 = 230	Date:
----------------------------	-------

Item	Pc	Order no.	Description	LP in INR	Item	Pc	Order no.	Description	LP in INR
2	1	1 619 P02 428	Field 220V .	637,00	37	3	1 613 100 019	Straight Pin	47,00
3/5	1	1 616 610 094	Fan .	67,00	38	1	1 610 190 048	Catch Disk .	52,00
3/13	1	1 610 905 025	groove ball bearing 7x19x6	179,00	41	1	1 615 500 344	Housing Cover .	144,00
4	1	1 617 200 532	Switch .	616,00	44	1	1 610 508 047	Protective Cap .	59,00
4/102	1	1 614 449 015	Connecting Cable .	29,00	47	4	1 613 100 030	Needle Roller .	52,00
5	1	1 614 460 090	Power supply cord CN		49	1	1 615 700 044	End Shield .	56,00
6	1	1 600 703 034	Grommet Ø7,3-Ø8,6x66	74,00	50	1	1 614 611 020	Compression Spring .	110,00
14	1	1 610 905 048	groove ball bearing 9x24x7	182,00	54	1	1 610 502 016	Rubber Bushing .	36,00
16	1	1 614 336 058	Brush Plate .	379,00	55	1	1 610 290 226	Seal Ring 53,0x7,0 MM .	97,00
19	2	1 611 329 024	Switch Contact .	39,00	56	1	1 616 B00 086	O-Ring .	66,00
22	1	1 616 312 004	Cylindrical Gear .	274,00	57	1	1 610 210 068	O-Ring 24,0x2,5 MM .	48,00
27	1	1 610 311 018	Striker .	269,00	58	1	1 610 210 178	O-Ring .	44,00
28	1	1 613 124 081	Striker Pin .	224,00	59	1	1 610 283 035	Rotary shaft lip seal .	73,00
29	1	1 613 105 012	Piston Pin .	54,00	60	1	1 610 210 176	O-Ring 9,0x3,5 MM .	29,00
31	1	1 610 913 016	Needle-Roller Assembly .	98,00	62	1	1 610 210 179	O-Ring .	48,00
32	1	1 612 026 157	Clamp Handle BLACK	47,00	63	1	1 610 910 063	Needle bearing	155,00
32/46	1	1 614 690 002	Driver Pin .	47,00	64/1	1	1 610 190 060	Supporting Disc .	87,00
32/49	1	1 612 026 035	Switch Button RED	47,00	66	1	1 610 202 021	Plain bearing .	69,00
32/76	1	1 610 210 046	O-Ring 10,5x2,7 MM .	50,00	68	1	1 610 283 036	Rotary shaft lip seal .	149,00
32/83	1	1 614 611 006	Compression Spring .	69,00	70	1	1 903 230 013	Ball DIN 5401-Ø7MM-III-ST	69,00
33	1	1 610 590 014	Holding Jacket .	60,00	71	2	1 610 101 011	Shim washer 1,2 MM	48,00
34	1	1 610 190 067	Supporting Disc .	29,00	72	1	1 604 601 027	Retaining ring .	29,00
35	1	1 610 202 024	Plain bearing .	36,00	74	1	1 614 601 027	Retaining ring .	29,00
36	1	1 611 016 003	Holding Plate .	56,00	75	1	1 610 101 629	Retaining Washer .	29,00

0 611 251 604  
Issue } 14-10-29 **Fig./Abb. 2**  
Stand



Modifications reserved  
Änderungen vorbehalten  
Modificacions reservadas  
Salvo modificaciones

2 / 2

Model: 0 611 251 6X0 = 230 Date:

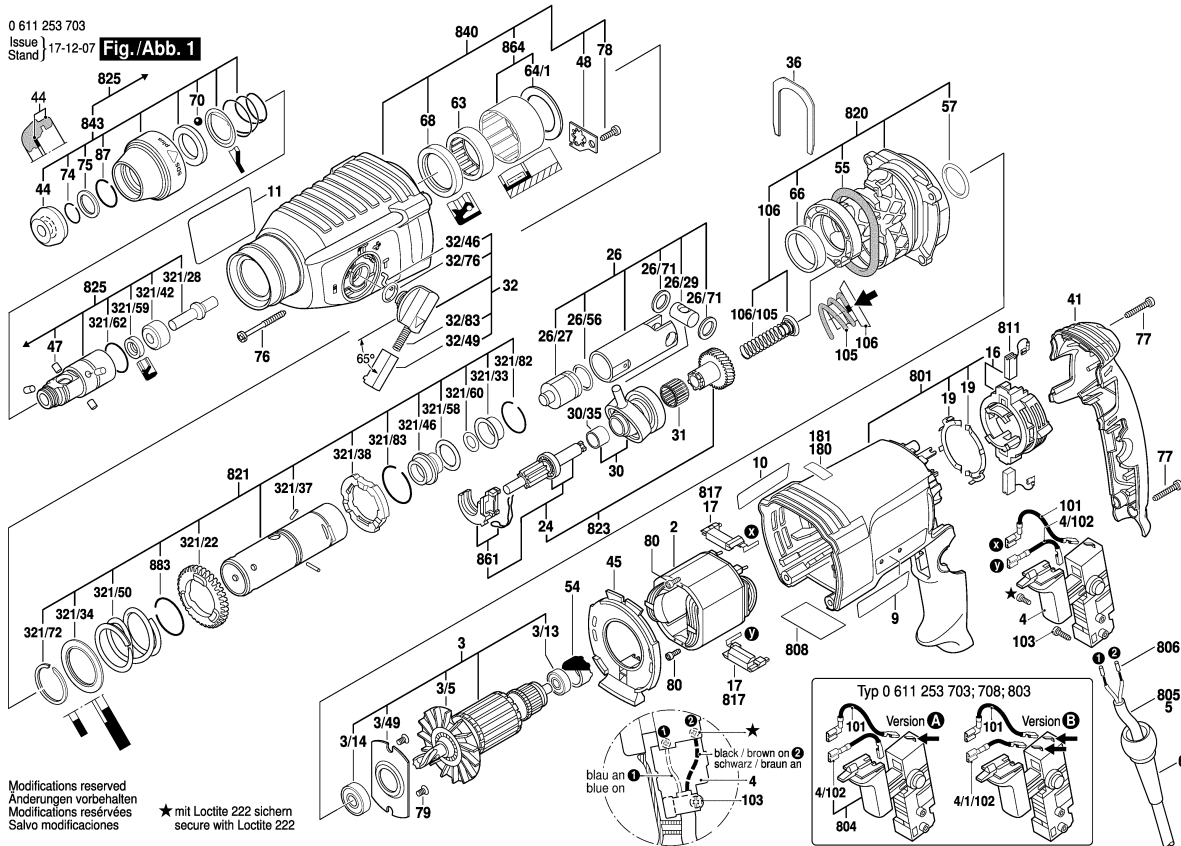
Item	Pc	Order no.	Description	LP in INR	Item	Pc	Order no.	Description	LP in INR
76	1	1 613 435 022	Thread-forming tap. Screw	29,00	843	1	1 617 000 582	Protection Sleeve .	273,00
77	3	2 603 490 024	Torx Oval-Head Screw	47,00	861	1	1 615 820 097	Switching Element .	29,00
79	2	1 613 435 023	Thread-forming tap. Screw	29,00	864	1	1 617 000 A07	Supporting Disc .	138,00
80	2	1 613 435 043	Screw .	36,00	866	1	1 614 611 022	Plain bearing .	69,00
82	1	1 614 601 034	Retaining ring .	29,00	870	1	1 613 523 011	Drill Chuck Shank 1/2",	371,00
83	1	1 604 601 028	Retaining ring A22 DIN	29,00	870/2	1	2 603 421 207	Countersunk-Head Screw	121,00
87	1	2 916 540 012	Retaining ring DIN	29,00	871	1	1 608 571 088	Chuck .	256,00
101	1	1 614 449 014	Connecting Cable .	29,00	872	1	2 607 950 007	Chuck Wrench SG2 .	79,00
105	1	1 614 611 021	Compression Spring .	44,00	883	1	1 604 601 028	Retaining ring A22 DIN	29,00
651	1	2 603 001 009	Depth-Gauge .	211,00					
801	1	1 617 000 V67	Motor Housing BLUE	583,00					
803	1	1 619 P00 349	Armature set 220-240V .	2.017,00					
811	1	1 617 000 525	Carbon-Brush Set .	153,00					
820	1	1 617 000 6DX	Intermediate Flange .	960,00					
821	1	1 617 000 564	Pipe .	1.379,00					
822/124	1	1 611 316 021	Clamping Band Ø50 MM .	69,00					
822/125	1	1 613 490 002	T-Head Bolt M8x40 MM .	72,00					
822/802	1	1 617 000 475	Support clamp .	79,00					
823	1	1 617 000 597	Toothed Shaft .	731,00					
824	1	1 617 000 589	Toothed Shaft .	331,00					
825	1	1 617 000 598	Tool Holding Fixture .	2.129,00					
826	1	1 617 000 557	Hammer Piston .	946,00					
830	1	1 615 819 028	Drive bearing .	1.182,00					
840	1	1 617 000 599	Gear Housing .	810,00					

Please observe: Repairing, modifying and testing of electro-tools are to be performed professionally. The safety regulations according to IEC, EN, VDE, AFNOR and other regulations of the individual countries are to be observed. Subject to change.  
This price list supersedes all previous edition. Prices are subjected to change without any prior notice.



0 611 253 703  
Issue  
Stand } 17-12-07

**Fig./Abb. 1**



Model: 0 611 253 7X0 = 230

Date:

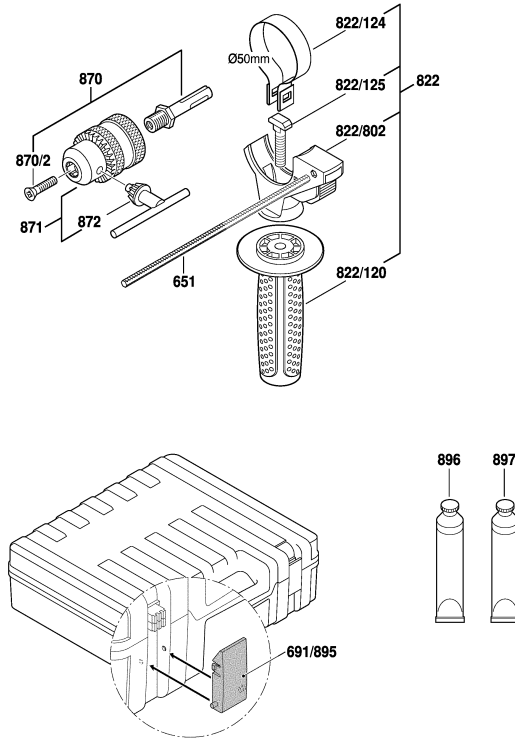
Item	Pc	Order no.	Description	LP in INR	Item	Pc	Order no.	Description	LP in INR
2	1	1 614 220 117	Field 230V .	616,00	32/76	1	1 610 210 046	O-Ring 10,5x2,7 MM .	50,00
3	1	1 614 010 709	Armature 230V .	2.193,00	32/83	1	1 614 611 006	Compression Spring .	69,00
3/5	1	1 616 610 094	Fan .	67,00	36	1	1 611 016 003	Holding Plate .	56,00
3/13	1	1 610 905 025	groove ball bearing 7x19x6	179,00	41	1	1 615 500 343	Housing Cover BLUE	241,00
3/14	1	1 610 905 048	groove ball bearing 9x24x7	182,00	44	1	1 610 508 047	Protective Cap .	59,00
3/49	1	1 615 700 044	End Shield .	56,00	45	1	1 610 522 013	Air-Deflector Ring .	57,00
4	1	1 617 200 532	Switch .	616,00	47	4	1 613 100 030	Needle Roller .	52,00
4/102	1	1 614 449 015	Connecting Cable .	29,00	48	1	1 611 098 008	Tab Washer .	60,00
5	1	1 614 460 095	Power supply cord BR		54	1	1 610 502 016	Rubber Bushing .	36,00
6	1	1 600 703 034	Grommet Ø7,3-Ø8,6x66	74,00	55	1	1 610 290 226	Seal Ring 53,0x7,0 MM .	97,00
16	1	1 614 336 061	Brush Plate .	475,00	57	1	1 610 210 068	O-Ring 24,0x2,5 MM .	48,00
19	2	1 611 329 024	Switch Contact .	39,00	63	1	1 610 910 063	Needle bearing	155,00
24	1	1 617 000 6EJ	Toothed Shaft .	523,00	64/1	1	1 610 190 060	Supporting Disc .	87,00
26	1	1 617 000 557	Hammer Piston .	946,00	66	1	1 610 202 021	Plain bearing .	69,00
26/27	1	1 610 311 018	Striker .	269,00	68	1	1 610 283 036	Rotary shaft lip seal .	149,00
26/29	1	1 613 105 012	Piston Pin .	54,00	70	1	1 903 230 013	Ball DIN 5401-Ø7MM-III-ST	69,00
26/56	1	1 610 210 187	O-Ring .	64,00	74	1	1 614 601 027	Retaining ring .	29,00
26/71	2	1 610 101 011	Shim washer 1,2 MM	48,00	75	2	1 610 101 629	Retaining Washer .	29,00
30	1	1 615 819 028	Drive bearing .	1.182,00	76	1	1 613 435 022	Thread-forming tap. Screw	29,00
30/35	1	1 610 202 024	Plain bearing .	36,00	77	3	2 603 490 024	Torx Oval-Head Screw	47,00
31	1	1 610 913 016	Needle-Roller Assembly .	98,00	78	1	2 603 490 022	Screw 4x16 .	29,00
32	1	1 612 026 037	Clamp Handle BLACK	248,00	79	2	1 613 435 023	Thread-forming tap. Screw	29,00
32/46	1	1 614 690 002	Driver Pin .	47,00	80	2	1 613 435 043	Screw .	36,00
32/49	1	1 612 026 035	Switch Button RED	47,00	87	1	2 916 540 012	Retaining ring DIN	29,00

Please observe: Repairing, modifying and testing of electro-tools are to be performed professionally. The safety regulations according to IEC, EN, VDE, AFNOR and other regulations of the individual countries are to be observed. Subject to change.

This price list supersedes all previous edition. Prices are subjected to change without any prior notice.

0 611 253 703  
Issue }  
Stand } 14-10-29

**Fig./Abb. 2**



Modifications reserved  
Änderungen vorbehalten  
Modificacions reservadas  
Salvo modificaciones

2 / 2

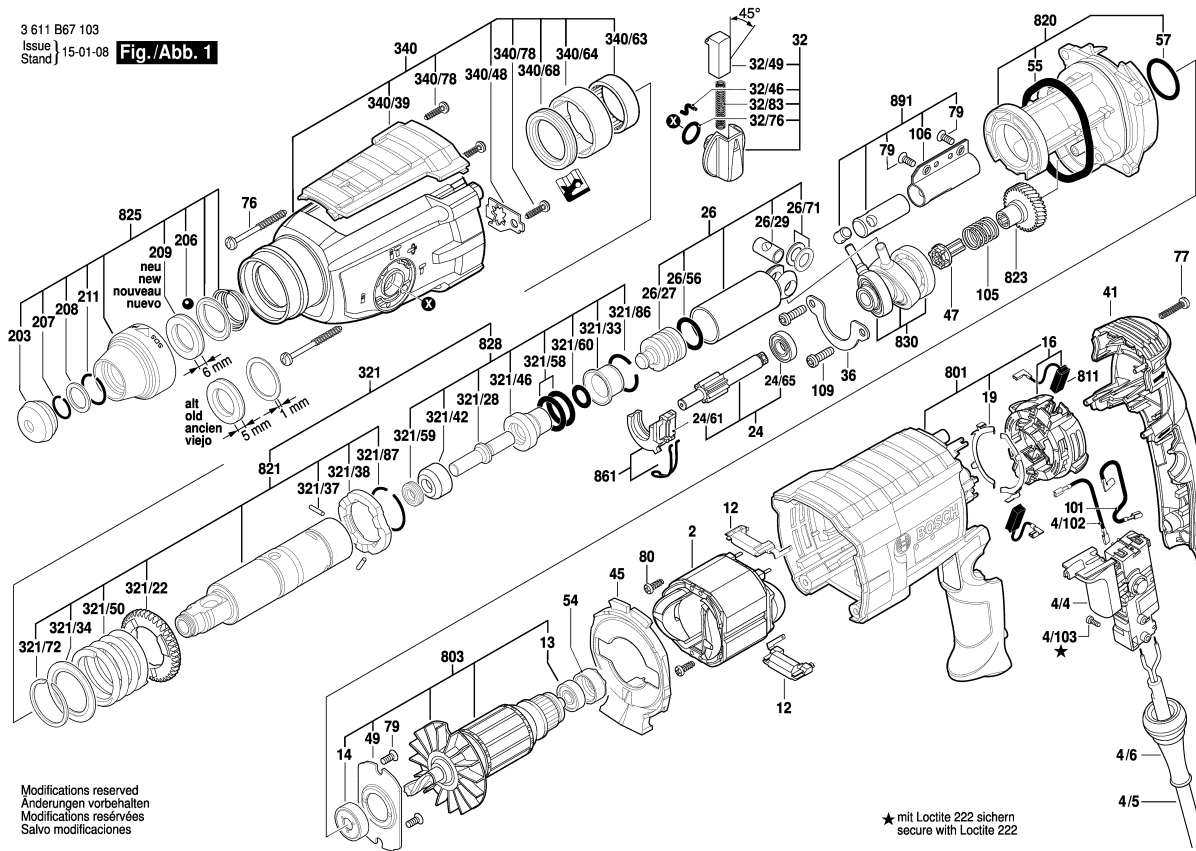
Model: 0 611 253 7X0 = 230 Date:

Item	Pc	Order no.	Description	LP in INR	Item	Pc	Order no.	Description	LP in INR
101	1	1 614 449 014	Connecting Cable .	29,00	820	1	1 617 000 6DX	Intermediate Flange .	960,00
103	1	1 619 P00 220	Torx Oval-Head Screw	29,00	821	1	1 617 000 564	Pipe .	1.379,00
106	1	1 614 611 022	Plain bearing .	69,00	822/124	1	1 611 316 021	Clamping Band Ø50 MM .	69,00
106/105	1	1 614 611 021	Compression Spring .	44,00	822/125	1	1 613 490 002	T-Head Bolt M8x40 MM .	72,00
321/22	1	1 616 312 004	Cylindrical Gear .	274,00	822/802	1	1 617 000 475	Support clamp .	79,00
321/28	1	1 613 124 081	Striker Pin .	224,00	823	1	1 617 000 579	Toothed Shaft .	1.440,00
321/33	1	1 610 590 014	Holding Jacket .	60,00	825	1	1 617 000 598	Tool Holding Fixture .	2.129,00
321/34	1	1 610 190 067	Supporting Disc .	29,00	840	1	1 617 000 581	Gear Housing .	844,00
321/37	3	1 613 100 019	Straight Pin	47,00	843	1	1 617 000 582	Protection Sleeve .	273,00
321/38	1	1 600 A00 8AG	Catch Disk .	92,00	861	1	1 615 820 097	Switching Element .	29,00
321/42	1	1 610 102 073	Thrust Ring .	111,00	864	1	1 617 000 A07	Supporting Disc .	138,00
321/46	1	1 610 390 051	Guide Bushing .	180,00	870	1	1 613 523 011	Drill Chuck Shank 1/2",	371,00
321/50	1	1 614 611 020	Compression Spring .	110,00	870/2	1	2 603 421 207	Countersunk-Head Screw	121,00
321/58	1	1 610 210 178	O-Ring .	44,00	871	1	1 608 571 088	Chuck .	256,00
321/59	1	1 610 283 035	Rotary shaft lip seal .	73,00	872	1	2 607 950 007	Chuck Wrench SG2 .	79,00
321/60	1	1 610 210 176	O-Ring 9,0x3,5 MM .	29,00	883	1	1 604 601 028	Retaining ring A22 DIN	29,00
321/62	1	1 610 210 179	O-Ring .	48,00					
321/72	1	1 604 601 027	Retaining ring .	29,00					
321/82	1	1 614 601 034	Retaining ring .	29,00					
321/83	1	1 604 601 028	Retaining ring A22 DIN	29,00					
651	1	2 603 001 009	Depth-Gauge .	211,00					
801	1	1 617 000 558	Motor Housing BLUE	960,00					
811	1	1 617 000 525	Carbon-Brush Set .	153,00					
811	1	1 607 000 485	Carbon-Brush Set 10 x 1	1.499,00					

Please observe: Repairing, modifying and testing of electro-tools are to be performed professionally. The safety regulations according to IEC, EN, VDE, AFNOR and other regulations of the individual countries are to be observed. Subject to change.  
This price list supersedes all previous edition. Prices are subjected to change without any prior notice.

3 611 B67 103  
Issue  
Stand } 15-01-08

**Fig./Abb. 1**



1 / 2

Model: 3 611 B67 1F0 = 230

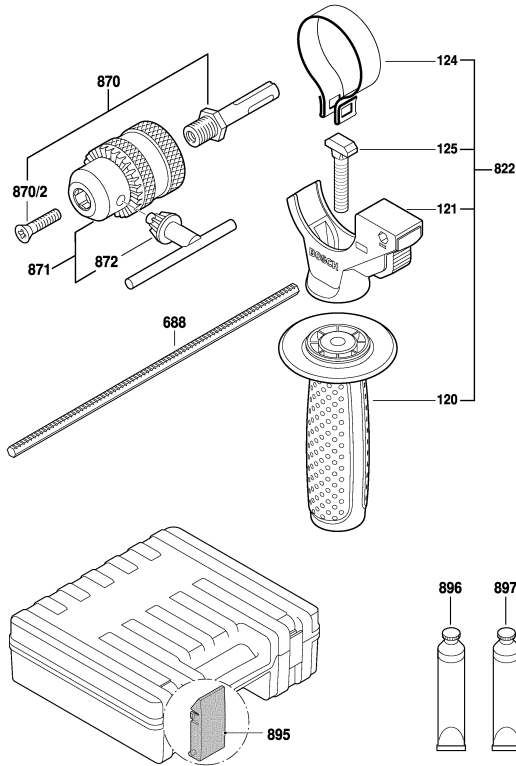
Date:

Item	Pc	Order no.	Description	LP in INR	Item	Pc	Order no.	Description	LP in INR
2	1	1 619 P11 938	Field 230V .	645,00	36	1	1 615 808 106	Bearing Holder .	56,00
4/4	1	1 617 200 532	Switch .	616,00	41	1	1 615 500 428	Housing Cover .	147,00
4/5	1	1 619 P15 855	Power supply cord .		45	1	1 610 522 015	Air-Deflector Ring .	67,00
4/6	1	1 600 703 034	Grommet Ø7,3-Ø8,6x66	74,00	47	1	1 616 312 010	Control Element .	107,00
4/102	1	1 614 449 015	Connecting Cable .	29,00	49	1	1 615 700 044	End Shield .	56,00
4/103	1	1 613 435 034	Lens Head Screw 3x10 ST	140,00	54	1	1 610 502 016	Rubber Bushing .	36,00
12	2	1 600 A00 32J	Adapter module .	83,00	55	1	1 610 290 104	O-Ring 59,5x5,0 MM .	38,00
13	1	1 610 905 032	groove ball bearing 7x19x6	44,00	57	1	1 610 210 208	O-Ring 24,0x2,0 MM .	47,00
14	1	1 610 905 048	groove ball bearing 9x24x7	182,00	76	4	1 613 435 022	Thread-forming tap. Screw	29,00
16	1	1 614 336 093	Brush Plate .	296,00	77	3	2 603 490 024	Torx Oval-Head Screw	47,00
19	2	1 616 B10 337	Switch Contact .	49,00	79	4	1 619 P07 062	Thread-Forming Screw .	33,00
24	1	1 617 000 6EJ	Toothed Shaft .	523,00	80	2	2 914 201 483	Torx Oval-Head Screw .	29,00
24/61	1	1 615 820 097	Switching Element .	29,00	101	1	1 614 449 014	Connecting Cable .	29,00
24/65	1	1 610 905 016	groove ball bearing .	138,00	105	1	1 614 643 027	Compression Spring .	56,00
26	1	1 617 000 6A5	Hammer Piston .	1.508,00	106	1	1 610 590 024	Protective Sleeve .	67,00
26/27	1	1 610 311 019	Striker .	238,00	109	2	1 613 435 014	Torx Oval-Head Screw	47,00
26/97	1	1 600 A01 TD0	Piston Pin .		120	1	1 602 025 07H	Auxiliary Handle .	481,00
26/56	1	1 610 210 121	O-Ring 17,0x3,0 MM	29,00	121	1	1 617 000 475	Support clamp .	79,00
26/71	2	1 610 100 016	Guide Disc .	44,00	124	1	1 611 316 021	Clamping Band Ø50 MM .	69,00
32	1	1 619 P12 076	Clamp Handle .	109,00	125	1	1 613 490 002	T-Head Bolt M8x40 MM .	72,00
32/46	1	1 619 P09 571	Driver Pin .	37,00	203	1	1 610 508 047	Protective Cap .	59,00
32/49	1	1 612 026 035	Switch Button RED	47,00	206	1	1 613 230 003	Ball Ø7,3 MM .	52,00
32/76	1	1 610 210 046	O-Ring 10,5x2,7 MM .	50,00	207	1	1 614 601 027	Retaining ring .	29,00
32/83	1	1 614 611 006	Compression Spring .	69,00	208	1	1 610 101 629	Retaining Washer .	29,00

Please observe: Repairing, modifying and testing of electro-tools are to be performed professionally. The safety regulations according to IEC, EN, VDE, AFNOR and other regulations of the individual countries are to be observed. Subject to change.

This price list supersedes all previous edition. Prices are subjected to change without any prior notice.

3 611 B67 103  
Issue Stand 15-01-08 **Fig./Abb. 2**



Modifications reserved  
Änderungen vorbehalten  
Modifications réservées  
Salvo modificaciones

2 / 2

Model: 3 611 B67 1F0 = 230

Date:

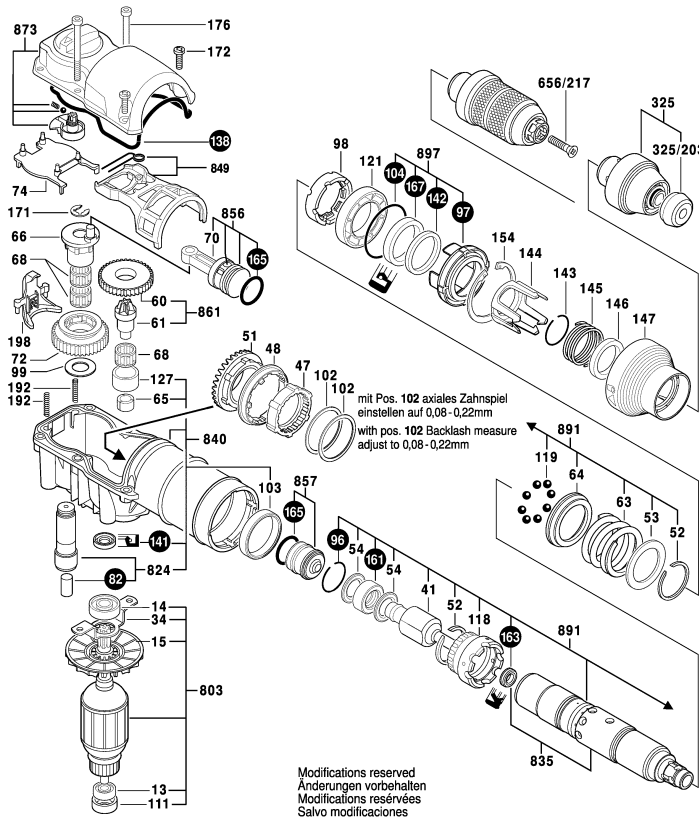
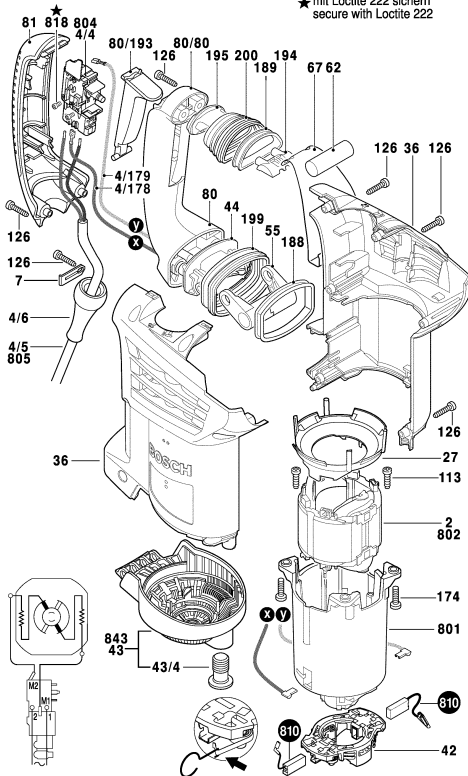
Item	Pc	Order no.	Description	LP in INR	Item	Pc	Order no.	Description	LP in INR
209	1	1 610 102 638	Friction Washer .	87,00	340/78	3	2 603 490 022	Screw 4x16 .	29,00
211	1	2 916 540 012	Retaining ring DIN	29,00	688	1	1 613 001 009	Depth-Gauge SW 6x210	164,00
321	1	1 617 000 6CA	Toolholder .	3.240,00	801	1	1 617 000 6BS	Motor Housing .	660,00
321/22	1	1 616 312 004	Cylindrical Gear .	274,00	803	1	1 619 P12 114	Armature set 230V .	1.294,00
321/28	1	1 613 124 098	Striker Pin .	481,00	811	1	1 617 000 525	Carbon-Brush Set .	153,00
321/33	1	1 610 590 020	Holding Jacket .	85,00	811	1	1 607 000 485	Carbon-Brush Set 10 x 1	1.499,00
321/34	1	1 610 190 067	Supporting Disc .	29,00	820	1	1 617 000 6BT	Intermediate Flange .	603,00
321/37	3	1 613 100 019	Straight Pin	47,00	821	1	1 617 000 6C9	Tool Holding Fixture .	2.276,00
321/38	1	1 600 A00 8AG	Catch Disk .	92,00	822	1	1 602 025 08X	Auxiliary Handle .	567,00
321/42	1	1 610 102 084	Thrust Ring .	91,00	823	1	1 617 000 6BW	Gear Sleeve .	496,00
321/46	1	1 610 390 068	Guide Bushing .	525,00	825	1	1 617 000 6CB	Tool Holding Fixture .	385,00
321/50	1	1 614 615 008	Compression Spring .	98,00	828	1	1 617 000 697	Striker Pin .	960,00
321/58	2	1 610 210 105	O-Ring 18,0x3,5 MM .	109,00	830	1	1 617 000 6BX	Drive bearing .	1.508,00
321/59	1	1 600 A00 9VC	Shaft Seal .	138,00	861	1	1 615 820 097	Switching Element .	29,00
321/60	1	1 610 210 209	O-Ring 9,5x3,5 MM .	47,00	870	1	1 613 523 011	Drill Chuck Shank 1/2",	371,00
321/72	1	1 604 601 027	Retaining ring .	29,00	870/2	1	2 603 421 226	Countersunk-Head Screw	41,00
321/86	1	1 614 601 034	Retaining ring .	29,00	871	1	1 608 571 069	Chuck Ø1,5-13 MM, 1/2" .	403,00
321/87	1	1 604 601 028	Retaining ring A22 DIN	29,00	872	1	2 607 950 007	Chuck Wrench SG2 .	79,00
340	1	1 617 000 6BY	Gear Housing .	894,00	891	1	1 617 000 6BZ	Weight .	330,00
340/39	1	1 605 500 2CF	Cover .	141,00	895	1	1 615 438 431	Lock for 1 615 438 429 + 1	29,00
340/48	1	1 611 098 008	Tab Washer .	60,00	896	1	1 615 430 001	Grease Tube 225 ML .	535,00
340/63	1	1 610 910 063	Needle bearing	155,00	897	1	1 615 430 002	Grease Tube 225 ML .	2.725,00
340/64	1	1 610 390 069	Bushing .	110,00					
340/68	1	1 610 283 036	Rotary shaft lip seal .	149,00					

3 611 C32 185  
Issue 1  
Stand 20-06-08

**Fig./Abb. 1**

● = Pos. 899 1 617 000 897

★ mit Loctite 222 sichern  
secure with Loctite 222



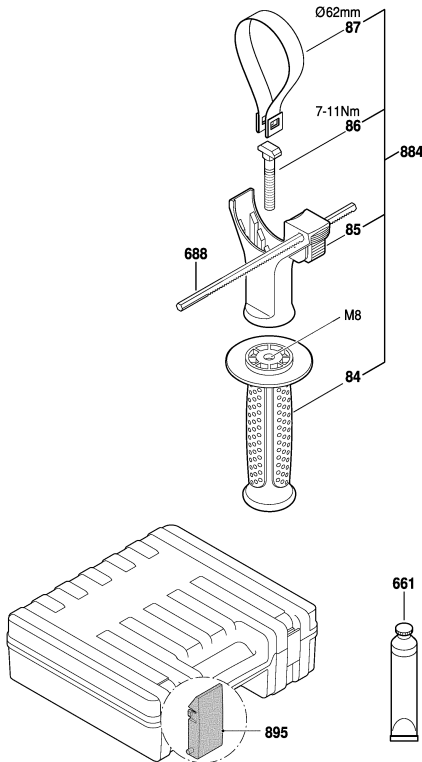
Modifications reserved  
Änderungen vorbehalten  
Modifications réservées  
Salvo modificaciones

Model: 3 611 C32 1K5 = 230

Date:

Item	Pc	Order no.	Description	LP in INR	Item	Pc	Order no.	Description	LP in INR
2	1	1 619 P08 340	Field 230V .	1.238,00	60	1	1 616 317 076	Cylindrical Gear .	393,00
4/4	1	1 617 200 127	Switch .	751,00	61	1	1 616 333 046	Pinion .	488,00
4/5	1	1 614 460 026	Power supply cord EU	924,00	62	1	1 610 026 002	Damping rubber .	46,00
4/6	1	1 600 703 034	Grommet Ø7,3-Ø8,6x66	74,00	63	1	1 614 611 026	Compression Spring .	139,00
4/178	1	1 614 412 055	Connecting Cable .	43,00	64	1	1 616 409 024	Clutch Ring .	263,00
4/179	1	1 614 412 056	Connecting Cable .	39,00	65	1	1 610 301 007	Plain bearing .	30,00
7	1	1 601 302 017	Fastening Clamp .	29,00	66	1	1 616 455 006	Eccentric .	1.369,00
13	1	2 600 905 032	Ball Bearing 7x19x6 .	161,00	67	1	1 616 232 006	Leaf Spring .	180,00
14	1	1 610 905 036	groove ball bearing	107,00	68	3	1 610 913 021	Needle-Roller Assembly .	78,00
15	1	1 616 610 100	Fan .	96,00	70	1	1 612 001 041	Connecting Rod .	480,00
27	1	1 610 591 043	Air-Deflector Ring BLACK	30,00	72	1	1 619 P11 452	Eccentric Cog Wheel .	1.047,00
34	1	1 611 322 004	Fixing Plate .	81,00	74	1	1 614 336 075	Support Plate .	30,00
36	1	1 615 104 049	Housing Section .	1.003,00	80/80	1	1 615 133 033	Handle BLUE	378,00
41	1	1 619 P11 442	Striker Pin .	786,00	80/193	1	1 612 026 126	Switch-Pawl RED	29,00
42	1	1 614 336 072	Brush Holder .	640,00	81	1	1 617 000 6AE	Handle Cover BLACK	328,00
43/4	1	1 613 490 007	Clamp Screw .	46,00	82	1	1 610 205 010	Felt Seal .	30,00
44	1	1 614 611 025	Rocker Foot BLACK	57,00	84	1	1 602 025 07H	Auxiliary Handle .	481,00
47	1	1 616 328 049	Gear Sleeve .	293,00	85	1	1 618 040 087	Support clamp .	191,00
48	1	1 610 290 085	Clutch Sleeve .	963,00	86	1	1 613 490 002	T-Head Bolt M8x40 MM .	72,00
51	1	1 616 333 044	Crown Gear .	1.709,00	87	1	1 611 316 019	Clamping Band Ø62 MM .	117,00
52	2	1 614 601 061	Spring retaining ring .	59,00	96	1	1 614 601 060	Retaining ring .	50,00
53	1	1 610 102 634	Supporting Disc .	75,00	97	1	1 610 314 005	Sealing Sleeve .	41,00
54	2	1 610 101 020	Stop Disc .	121,00	98	1	1 610 211 019	Spacer Sleeve .	34,00
55	2	1 612 099 001	Rocker Arm BLACK	57,00	99	1	1 610 101 626	Supporting Disc 1,0 MM	30,00

3 611 C32 185  
Issue Stand 14-05-21 **Fig./Abb. 2**



Änderungen vorbehalten  
Modifications reserved  
Modificaciones reservadas  
Salvo modificaciones

2 / 3

Model: 3 611 C32 1K5 = 230 Date:

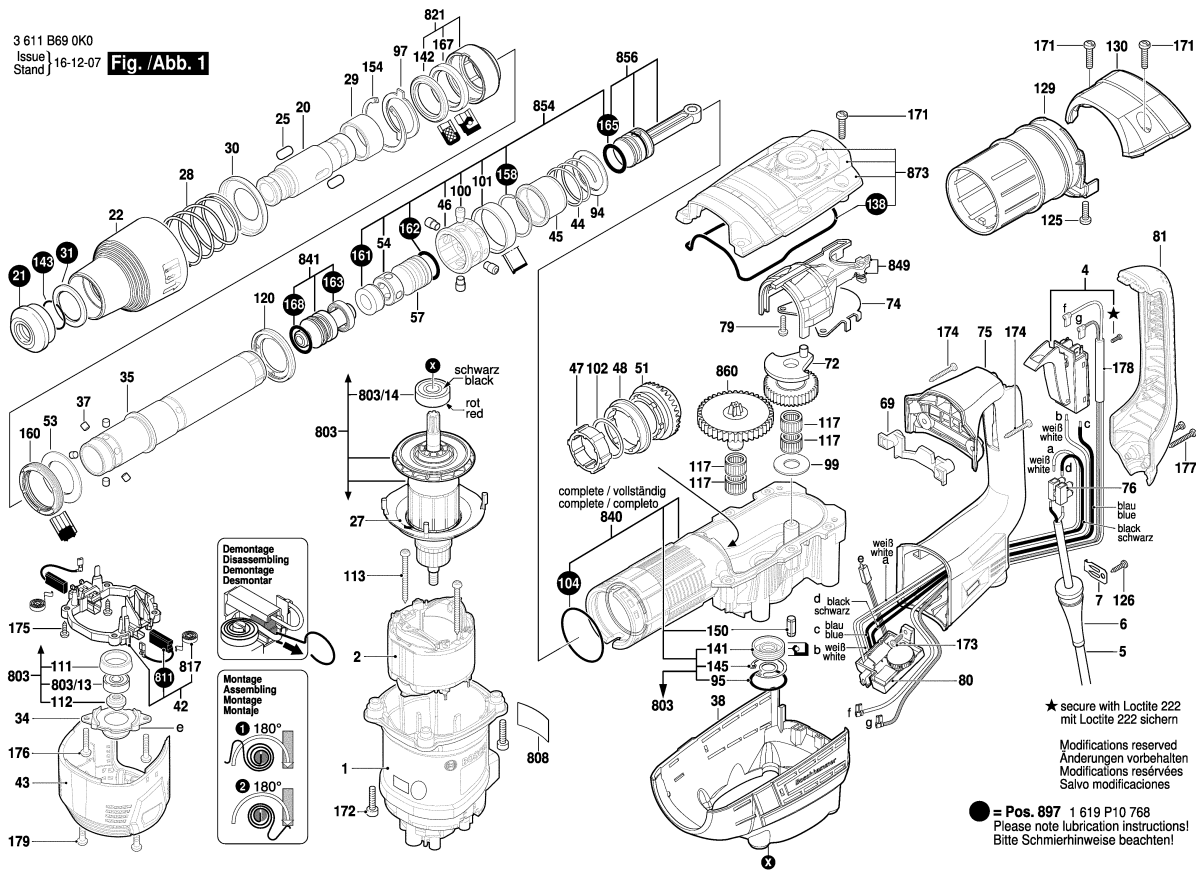
Item	Pc	Order no.	Description	LP in INR	Item	Pc	Order no.	Description	LP in INR
102	2	1 610 102 079	Shim 0,8 MM THICK	49,00	167	1	1 610 283 030	Rotary shaft lip seal DIN	215,00
102	2	1 610 102 080	Shim 0,9 MM THICK	50,00	171	1	2 916 080 911	Locking Washer .	49,00
102	2	1 610 102 081	Shim 1,0 MM THICK	61,00	172	4	1 613 490 013	Thread-forming tap. Screw	50,00
103	1	1 610 200 027	Plain bearing .	106,00	174	4	1 613 490 014	Thread-forming tap. Screw	49,00
104	1	1 610 210 196	O-Ring 46,0x3,5 MM .	49,00	176	2	2 912 738 178	Socket head cap screw .	30,00
111	1	1 600 502 023	Intermediate Ring .	67,00	188	1	1 610 209 008	Grip-Spring Tensioning E .	29,00
113	2	1 613 435 038	Lens Head Screw .	50,00	189	1	1 610 209 009	Clamping Piece .	30,00
118	1	1 616 455 007	Clutch Sleeve .	1.704,00	192	2	1 614 611 016	Compression Spring .	50,00
119	8	1 903 230 013	Ball DIN 5401-Ø7MM-III-ST	69,00	194	1	1 610 099 008	Screw Plate .	58,00
121	1	1 610 200 028	Plain bearing .	211,00	195	1	1 610 099 009	Clamping Piece .	30,00
126	11	2 603 490 023	Torx Oval-Head Screw	29,00	198	1	1 612 099 000	Switch Slide .	30,00
127	1	1 610 422 021	Bushing .	102,00	199	1	1 610 284 002	Bellows .	143,00
138	1	1 611 015 058	Sealing Frame .	106,00	200	1	1 610 284 001	Bellows .	72,00
141	1	1 600 A00 89A	Rotary shaft lip seal .	209,00	325	1	1 619 P10 517	Tool Holding Fixture .	1.942,00
142	1	1 610 205 012	Felt Washer .	50,00	325/203	1	1 610 508 047	Protective Cap .	59,00
143	1	2 916 540 015	Retaining ring DIN 7993-28	50,00	656/217	1	2 603 421 229	Countersunk-Head Screw	49,00
144	1	1 610 241 001	Collar .	30,00	661	1	1 615 430 010	Grease Tube 30 ML .	114,00
145	1	1 614 611 023	Compression Spring .	50,00	688	1	1 613 001 008	Depth-Gauge SW 6x330	358,00
146	1	1 610 200 029	Backup ring .	77,00	801	1	1 615 108 150	Motor Housing BLACK	585,00
147	1	1 610 390 056	Guide Sleeve BLACK	78,00	803	1	1 614 010 252	Armature With Fan 230V .	3.567,00
154	1	1 614 601 062	Spring retaining ring .	61,00	810	1	1 614 321 079	Carbon-Brush Set .	358,00
161	1	1 610 290 092	Damping Ring .	168,00	818	2	2 603 410 001	Socket head cap screw	49,00
163	1	1 600 A00 9VC	Shaft Seal .	138,00	824	1	1 613 123 013	Eccentric Shaft .	502,00
165	2	1 610 210 199	O-Ring 21,0x3,5 MM .	50,00	835	1	1 615 806 229	Hammer Pipe .	4.156,00

Please observe: Repairing, modifying and testing of electro-tools are to be performed professionally. The safety regulations according to IEC, EN, VDE, AFNOR and other regulations of the individual countries are to be observed. Subject to change.  
This price list supersedes all previous edition. Prices are subjected to change without any prior notice.



3 611 B69 0K0  
Issue / Stand 16-12-07

**Fig. / Abb. 1**



Model: 3 611 B69 0K0 = 220

Date:

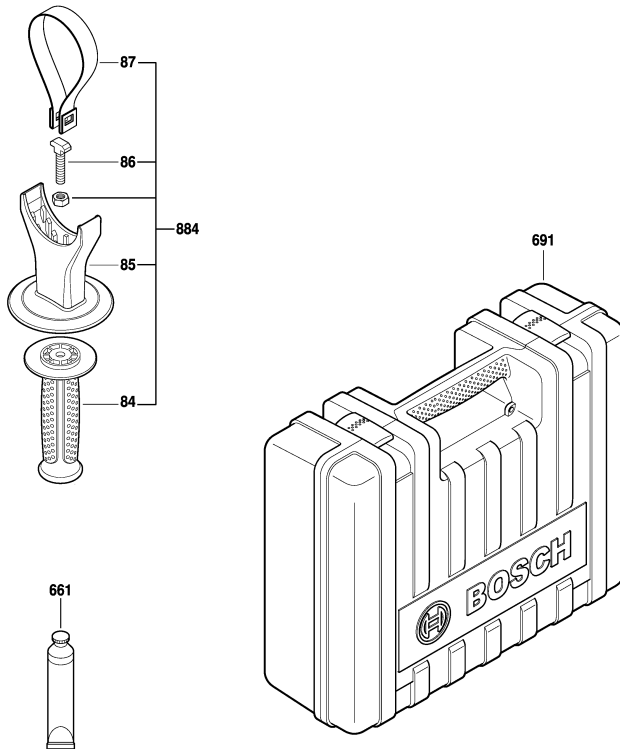
Item	Pc	Order no.	Description	LP in INR	Item	Pc	Order no.	Description	LP in INR
1	1	1 619 P07 704	Motor Housing .	886,00	47	1	1 610 300 064	Gear Sleeve .	121,00
2	1	1 619 P08 323	Field 220-240V .	1.285,00	48	1	1 616 334 012	Clutch Sleeve .	88,00
4	1	1 619 P10 396	Switch .	1.057,00	51	1	1 616 333 041	Crown Gear .	1.619,00
5	1	1 607 000 227	Power supply cord EU	2.652,00	53	1	1 610 290 068	Support Disc .	146,00
6	1	1 619 P07 722	Grommet .	75,00	54	1	1 619 P11 329	Guide Bushing .	398,00
7	1	1 601 302 019	Fastening Clamp .	62,00	57	1	1 618 710 091	Striker .	822,00
20	1	1 619 P10 164	Toolholder .	2.094,00	69	1	1 610 099 004	Retaining Bracket .	112,00
21	1	1 619 P07 829	Protective Cap .	137,00	72	1	1 600 A01 4S9	Eccentric Cog Wheel .	3.297,00
22	1	1 619 P10 160	Protection Sleeve .	972,00	74	1	1 611 921 001	Guide Plate .	73,00
25	2	1 619 P07 742	Stopping Device .	298,00	75	1	1 619 P10 176	Handle .	2.094,00
27	1	1 619 P07 739	Air-Deflector Ring .	90,00	76	1	1 619 P11 754	Terminal Block .	73,00
28	1	1 614 621 000	Compression Spring .	69,00	79	2	1 613 435 015	Torx Oval-Head Screw	51,00
29	1	1 619 P10 163	Bushing .	372,00	80	1	1 619 P09 589	Speed governor .	2.233,00
30	1	1 619 P10 162	Supporting Disc .	96,00	81	1	1 619 P10 177	Handle Cover .	951,00
31	1	1 619 P07 743	Supporting Disc .	215,00	84	1	1 602 025 07H	Auxiliary Handle .	481,00
34	1	1 619 P10 165	Flange .	104,00	85	1	1 619 P07 774	Support clamp .	286,00
35	1	1 619 P10 167	Hammer Pipe .	4.327,00	86	1	1 613 490 002	T-Head Bolt M8x40 MM .	72,00
37	6	1 619 P10 377	Cylindrical Roller .	66,00	87	1	1 619 P07 776	Clamping Band .	114,00
38	1	1 619 P10 168	Covering hood .	731,00	94	1	1 610 102 056	Friction Washer .	72,00
42	1	1 619 P07 754	Brush Holder .	559,00	95	1	1 610 210 173	O-Ring 32,0x1,5 MM .	45,00
43	1	1 619 P10 171	Fan Cover .	562,00	97	1	1 610 031 005	Locking Washer .	113,00
44	1	1 619 P10 381	Compression Spring .	99,00	99	1	1 610 102 059	Support Disc .	71,00
45	1	1 610 499 070	Control Bushing .	478,00	100	4	1 613 120 022	Driving Pin .	54,00
46	1	1 619 P10 172	Perforated Ring .	95,00	101	1	1 610 499 073	Retaining snap ring .	188,00

Please observe: Repairing, modifying and testing of electro-tools are to be performed professionally. The safety regulations according to IEC, EN, VDE, AFNOR and other regulations of the individual countries are to be observed. Subject to change.

This price list supersedes all previous edition. Prices are subjected to change without any prior notice.



3 611 B69 0K0  
Issue } 17-03-29  
Stand } **Fig./Abb. 2**



Änderungen vorbehalten  
Modifications reserved  
Modificacions reservadas  
Salvo modificaciones

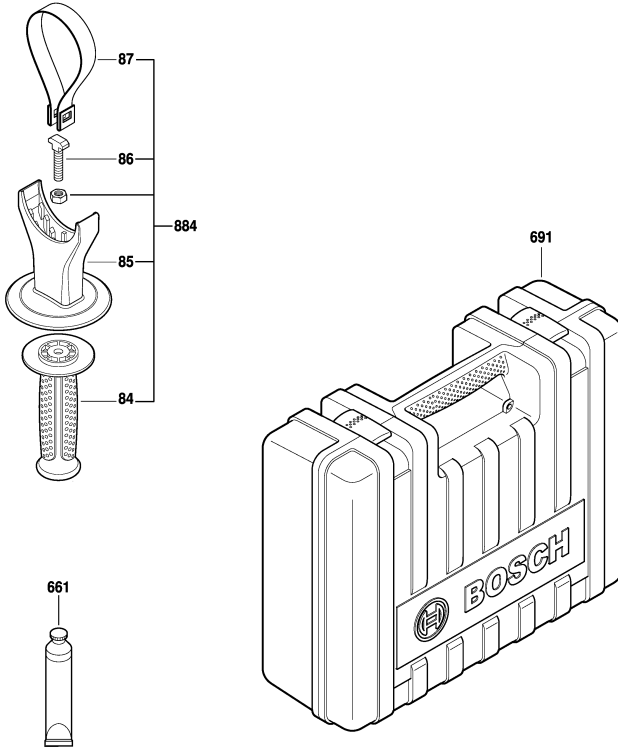
2 / 3

Model: 3 611 B69 0K0 = 220 Date:

Item	Pc	Order no.	Description	LP in INR	Item	Pc	Order no.	Description	LP in INR
102	1	1 610 102 057	Shim 0,3 MM .	50,00	165	1	1 610 210 079	O-Ring 22,0x4,0 MM .	84,00
102	1	1 610 102 058	Shim 0,2 MM .	50,00	167	1	1 610 283 033	Rotary shaft lip seal .	96,00
104	1	1 610 210 160	O-Ring 52,0x2,0 MM .	49,00	168	1	1 610 210 144	O-Ring 22,0x3,0 MM .	47,00
111	1	1 610 290 064	Bushing .	47,00	171	4	1 619 P07 816	Torx Oval-Head Screw	34,00
112	1	1 619 P10 179	Ring Magnet .	221,00	172	4	1 613 435 013	Torx Oval-Head Screw	45,00
113	2	1 613 435 009	Tapping Screw	49,00	173	1	2 910 611 019	Tapping Screw DIN	29,00
117	4	1 610 913 004	Needle-Roller Assembly	81,00	174	4	1 613 435 012	Torx Oval-Head Screw	45,00
120	1	1 610 590 019	Stop Sleeve .	318,00	175	4	1 619 P00 228	Screw .	105,00
125	2	1 613 435 014	Torx Oval-Head Screw	47,00	176	2	1 613 435 012	Torx Oval-Head Screw	45,00
126	1	2 910 211 019	Tapping Screw DIN	30,00	177	2	1 619 P07 821	Screw ST3,9x32 SILVER	34,00
129	1	1 619 P10 181	Holding Sleeve .	350,00	178	1	1 619 P10 286	Connecting Cable .	180,00
130	1	1 619 P10 182	Cover .	172,00	179	2	1 619 P07 815	Screw .	34,00
138	1	1 611 015 053	Sealing Frame .	158,00	661	1	1 615 430 010	Grease Tube 30 ML .	114,00
141	1	1 610 290 066	Rotary shaft lip seal .	244,00	691	1	1 605 438 1D1	Carrying Case .	
142	1	1 619 P10 106	Rotary shaft lip seal .	140,00	803	1	1 619 P10 769	Armature 220-240V .	3.070,00
143	1	1 614 601 021	Retaining ring DIN	55,00	803/13	1	1 610 900 026	groove ball bearing 8x24x8	209,00
145	1	1 610 119 012	Spring retaining ring .	49,00	803/14	1	1 610 905 041	groove ball bearing	220,00
150	1	2 917 790 174	Slotted Spring Pin .	37,00	811	1	1 617 014 138	Carbon-Brush Set .	349,00
154	1	2 916 660 023	Spring retaining ring DIN	64,00	817	2	1 614 652 004	Spiral Spring .	279,00
158	1	1 614 601 070	Retaining ring .	63,00	821	1	1 619 P10 749	Bushing .	980,00
160	1	1 610 290 095	Damping Ring .	322,00	840	1	1 619 P10 770	Impact Mechanism	5.249,00
161	1	1 610 290 094	Damping Ring .	304,00	841	1	1 619 P10 752	Striker Pin .	1.835,00
162	1	1 610 210 204	O-Ring 22,5x3,5 MM .	73,00	849	1	1 617 000 839	Control Fork .	829,00
163	1	1 610 290 065	Seal Ring .	175,00	854	1	1 619 P10 847	Guide Bushing .	2.513,00

Please observe: Repairing, modifying and testing of electro-tools are to be performed professionally. The safety regulations according to IEC, EN, VDE, AFNOR and other regulations of the individual countries are to be observed. Subject to change.  
This price list supersedes all previous edition. Prices are subjected to change without any prior notice.

3 611 B69 0K0  
Issue / Stand } 17-03-29 **Fig./Abb. 2**



Änderungen vorbehalten  
Modifications reserved  
Modifications réservées  
Salvo modificaciones

Model: 3 611 B69 0K0 = 220

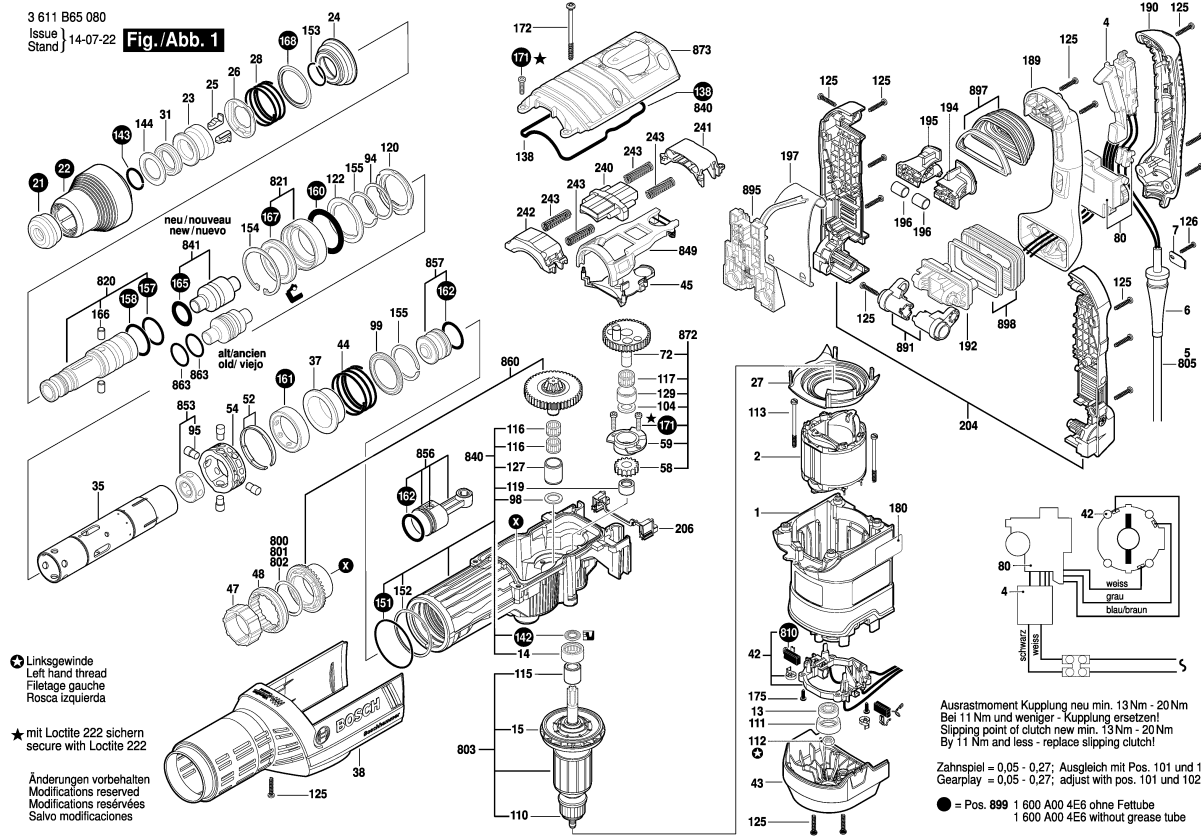
Date:

Item	Pc	Order no.	Description	LP in INR	Item	Pc	Order no.	Description	LP in INR
856	1	1 619 P10 765	Hammer Piston .	1.116,00					
860	1	1 619 P10 766	Spur Wheel Clutch .	2.932,00					
873	1	1 619 P10 767	Housing Cover .	1.973,00					
884	1	1 619 P07 778	Auxiliary Handle .	893,00					
897	1	1 619 P10 768	Wear and Tear Part Set .	1.353,00					

Please observe: Repairing, modifying and testing of electro-tools are to be performed professionally. The safety regulations according to IEC, EN, VDE, AFNOR and other regulations of the individual countries are to be observed. Subject to change.  
This price list supersedes all previous edition. Prices are subjected to change without any prior notice.

3 611 B65 080  
Issue  
Stand } 14-07-22

**Fig./Abb. 1**



⊗ Linksgewinde  
Left hand thread  
Filetage gauche  
Rosca izquierda

★ mit Loctite 222 sichern  
secure with Loctite 222

Änderungen vorbehalten  
Modifications reserved  
Modificaciones reservadas  
Salvo modificaciones

Austrastromt Kupplung neu min. 13 Nm - 20 Nm  
Bei 11 Nm und weniger - Kupplung ersetzen!  
Slipping point of clutch new min. 13 Nm - 20 Nm  
By 11 Nm and less - replace slipping clutch!

Zahnspiel = 0,05 - 0,27; Ausgleich mit Pos. 101 und 102  
Gearplay = 0,05 - 0,27; adjust with pos. 101 und 102

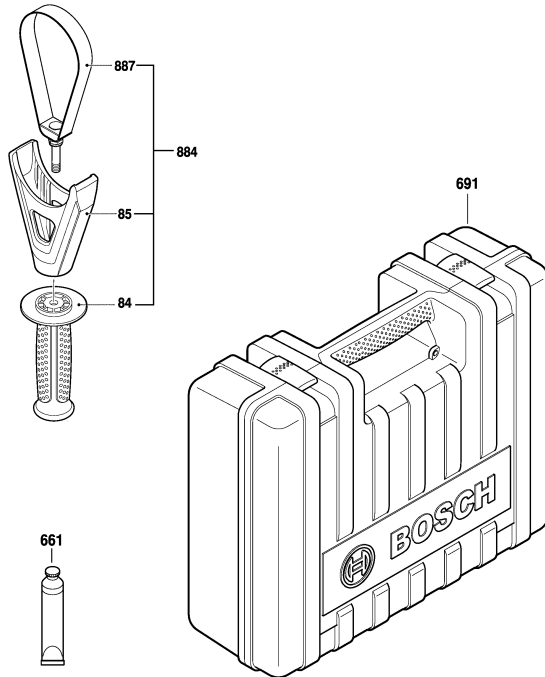
● = Pos. 899 1 600 A00 4E6 ohne Fetttube  
1 600 A00 4E6 without grease tube

Model: 3 611 B65 0K0 = 230

Date:

Item	Pc	Order no.	Description	LP in INR	Item	Pc	Order no.	Description	LP in INR
1	1	1 615 108 165	Motor Housing .	1.442,00	44	1	1 614 621 020	Compression Spring .	159,00
2	1	1 614 220 124	Field 220-240V .	1.627,00	45	1	1 610 591 052	Holding-Down-Appliance .	92,00
4	1	1 617 200 130	Switch .	1.493,00	47	1	1 610 300 076	Gear Sleeve .	419,00
5	1	1 614 460 098	Power supply cord .		48	1	1 619 990 177	Clutch Sleeve .	489,00
6	1	1 610 703 053	Grommet Ø9,7-Ø12x89	64,00	52	1	1 610 224 015	Retaining snap ring .	47,00
7	1	1 601 302 018	Fastening Clamp .	50,00	54	1	1 600 A01 9Z4	Spacer Tube .	216,00
9	2	1 601 11C 0U7	Manufacturer's nameplate .	0,00	58	1	1 616 317 620	Cylindrical Gear .	559,00
13	1	1 610 900 026	groove ball bearing 8x24x8	209,00	59	1	1 615 805 074	Bearing Pedestal .	805,00
14	1	1 610 910 089	Needle-Roller Bearing .	666,00	72	1	1 616 317 090	Eccentric Cog Wheel .	3.630,00
15	1	1 616 610 109	Fan .	504,00	80	1	1 607 233 459	Speed governor .	3.166,00
21	1	1 610 508 038	Protective Cap .	97,00	84	1	1 602 025 07H	Auxiliary Handle .	481,00
22	1	1 610 591 051	Protection Sleeve .	384,00	85	1	1 618 040 095	Support clamp .	383,00
23	1	1 610 520 006	Stop Sleeve .	741,00	94	1	1 610 290 111	Supporting Disc .	140,00
24	1	1 610 500 025	Headed Bush .	358,00	95	4	1 613 120 023	Driving Pin .	270,00
25	2	1 612 300 027	Stopping Device .	563,00	98	1	1 610 101 015	Shim ring 1,0 MM THICK	40,00
26	1	1 600 A01 9WL	Indexing Disk .	272,00	99	1	1 600 220 029	Backup ring .	145,00
27	1	1 600 591 05C	Air-Deflector Ring .	125,00	104	1	1 610 190 027	Stop Disc .	156,00
28	1	1 614 621 010	Compression Spring .	87,00	110	1	1 610 190 073	Seal Ring .	44,00
31	1	1 610 290 129	Damping Ring .	118,00	111	1	1 610 290 046	Bushing .	47,00
35	1	1 615 806 249	Hammer Pipe .	5.561,00	112	1	1 613 300 007	Hex Nut .	47,00
37	1	1 610 322 018	Control Bushing .	556,00	113	2	1 613 412 001	Tapping Screw B 4,8x68	41,00
38	1	1 615 190 177	Covering hood .	2.190,00	115	1	1 610 300 086	Bushing .	292,00
42	1	1 614 336 090	Brush Holder .	1.536,00	116	2	1 610 913 029	Needle-Roller Assembly .	138,00
43	1	1 615 500 435	Brush-Cover .	402,00	117	1	1 610 913 023	Needle-Roller Assembly .	419,00

3 611 B65 080  
Issue } 17-03-29  
Stand } **Fig./Abb. 2**



Änderungen vorbehalten  
Modifications reserved  
Modificacions reservadas  
Salvo modificaciones

2 / 3

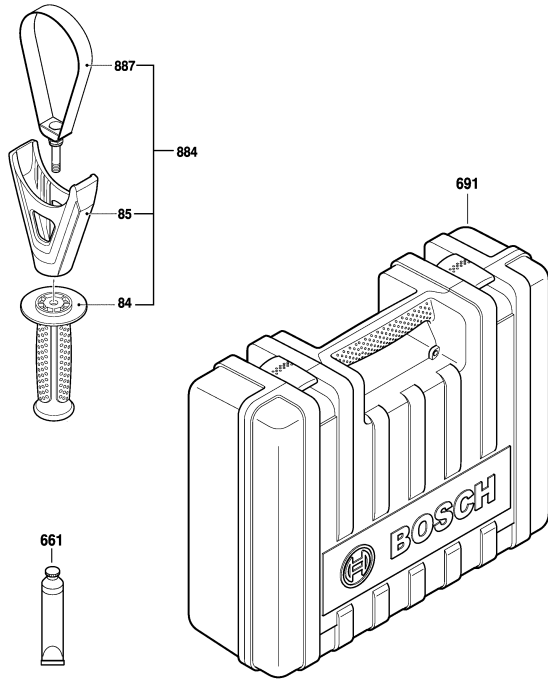
Model: 3 611 B65 0K0 = 230 Date:

Item	Pc	Order no.	Description	LP in INR	Item	Pc	Order no.	Description	LP in INR
119	1	1 610 910 081	Needle-Roller Bearing .	445,00	168	1	1 610 206 027	Packing Washer .	55,00
120	1	1 610 190 080	Spacer Tube .	836,00	171	4	1 613 414 026	Torx socket button screw .	47,00
122	1	1 610 290 128	Spacer Ring .	159,00	172	4	1 613 435 041	Torx Oval-Head Screw .	54,00
125	16	1 613 435 040	Torx Oval-Head Screw .	45,00	175	4	2 603 490 021	Torx Oval-Head Screw	29,00
126	1	2 603 490 023	Torx Oval-Head Screw	29,00	189	1	1 615 133 038	Handle .	1.116,00
127	1	1 610 300 079	Bushing .	148,00	190	1	1 615 500 438	Handle Cover .	583,00
129	1	1 610 300 080	Bushing .	164,00	192	1	1 614 611 028	Rocker Foot .	193,00
138	1	1 611 015 064	Sealing Frame .	279,00	194	1	1 610 099 018	Screw Plate .	123,00
142	1	1 610 290 112	Rotary shaft lip seal .	153,00	195	1	1 610 099 019	Screw Plate .	123,00
143	1	1 614 601 072	Retaining ring .	47,00	196	2	1 610 026 004	Damping rubber .	43,00
144	1	1 610 103 025	Supporting Disc .	176,00	197	1	1 616 232 000	Leaf Spring .	432,00
151	1	1 610 210 222	O-Ring .	45,00	204	1	1 615 102 162	Rear Housing Section .	811,00
152	1	1 614 601 073	Retaining ring .	55,00	206	1	1 612 386 006	Holding strip .	44,00
153	1	2 916 540 017	Retaining ring DIN 7993 A	29,00	240	1	1 600 A00 0K3	Counterweight .	406,00
154	1	2 916 660 027	Spring retaining ring DIN	151,00	241	1	1 615 190 181	Guide Piece .	81,00
155	2	1 614 601 074	Retaining ring .	60,00	242	1	1 615 190 182	Guide Piece .	81,00
157	1	1 610 210 103	O-Ring 33,0x2,0 MM .	107,00	243	4	1 614 621 013	Compression Spring .	42,00
158	1	1 610 210 224	O-Ring .	47,00	661	1	1 615 430 010	Grease Tube 30 ML .	114,00
160	1	1 610 210 246	O-Ring .	99,00	691	1	1 615 438 51A	Carrying Case .	
161	1	1 610 210 227	Damping Ring .	481,00	801	1	1 610 102 096	Shim 0,45 MM .	57,00
162	2	1 600 210 080	O-Ring .	158,00	802	1	1 610 102 095	Shim 0,30 MM .	44,00
165	1	1 610 290 125	Seal Ring .	669,00	803	1	1 614 010 267	Armature 230V .	7.398,00
166	6	1 613 200 020	Cylindrical Roller .	104,00	810	1	1 617 014 145	Carbon-Brush Set .	697,00
167	1	1 610 290 12A	Rotary shaft lip seal .	136,00	820	1	1 618 597 102	Toolholder .	7.058,00

Please observe: Repairing, modifying and testing of electro-tools are to be performed professionally. The safety regulations according to IEC, EN, VDE, AFNOR and other regulations of the individual countries are to be observed. Subject to change.  
This price list supersedes all previous edition. Prices are subjected to change without any prior notice.

 <b>BOSCH</b> Power Tools	<b>Rotary Hammer</b>	<b>Model</b> <b>GBH 8-45 DV</b> <b>3 611 B65 0K0   BO</b>
---	----------------------	---

3 611 B65 080  
Issue } 17-03-29 **Fig./Abb. 2**  
Stand }



Änderungen vorbehalten  
Modifications reserved  
Modifications réservées  
Salvo modificaciones

3 / 3

Model: 3 611 B65 0K0 = 230	Date:
----------------------------	-------

Item	Pc	Order no.	Description	LP in INR	Item	Pc	Order no.	Description	LP in INR
821	1	1 610 508 058	Plain bearing .	1.116,00					
840	1	1 617 000 A29	Impact Mechanism	9.963,00					
841	1	1 617 000 A4R	Striker Pin .	2.105,00					
849	1	1 617 000 A31	Control Fork .	955,00					
853	1	1 610 231 004	Guide Bushing .	1.558,00					
856	1	1 617 000 A32	Hammer Piston .	1.980,00					
857	1	1 617 000 A33	Striker .	1.396,00					
860	1	1 607 000 C3S	Spur Wheel Clutch .	8.596,00					
863	1	1 610 210 229	O-Ring .	90,00					
872	1	1 617 000 A35	Eccentric .	5.064,00					
873	1	1 617 000 A36	Housing Cover .	2.373,00					
884	1	1 612 025 004	Auxiliary Handle .	2.443,00					
887	1	1 617 000 807	Clamping Band Ø87 MM .	774,00					
891	1	1 612 099 005	Rocker Arm .	697,00					
895	1	1 613 120 024	Diaphragm .	1.536,00					
897	1	1 610 415 005	Bellows .	2.357,00					
898	1	1 610 415 004	Bellows .	2.376,00					
899	1	1 600 A00 4E6	Service package .	3.152,00					

Please observe: Repairing, modifying and testing of electro-tools are to be performed professionally. The safety regulations according to IEC, EN, VDE, AFNOR and other regulations of the individual countries are to be observed. Subject to change.  
This price list supersedes all previous edition. Prices are subjected to change without any prior notice.

3 611 B66 000  
Issue [ 20-07-07  
Stand] **Fig./Abb. 1**

Austrastmoment  
Slipping point of clutch  
Couple de glissement  
Momento de desenganamiento  
Vers. A: 17-19 Nm  
Vers. B: 19-21 Nm

Modifications reserved  
Änderungen vorbehalten  
Modifications réservées  
Salvo modificaciones

Anzugsmomente  
Torque values  
Couple de serrage  
Pares de apriete

Pos. 112 = 22 - 26 Nm  
Pos. 113 = 3,5 - 4,0 Nm  
Pos. 125 = 2,0 - 2,6 Nm  
Pos. 126 = 2,0 - 2,6 Nm  
Pos. 170 = 4,0 - 4,5 Nm  
Pos. 171 = 6,0 - 8,0 Nm  
Pos. 172 = 6,0 - 8,0 Nm  
Pos. 173 = 2,7 - 3,3 Nm  
Pos. 175 = 1,7 - 2,3 Nm

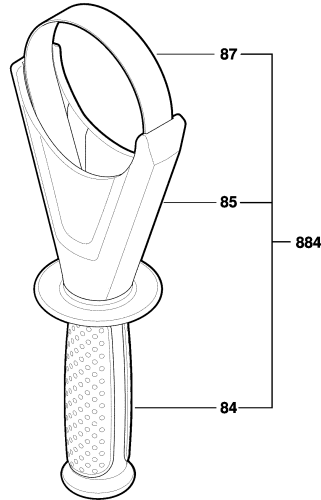
● = Pos. 899 1607000C4G ohne Fetttube  
1607000C4G without grease tube

Model: 3 611 B66 000 = 230

Date:

Item	Pc	Order no.	Description	LP in INR	Item	Pc	Order no.	Description	LP in INR
1	1	1 615 108 172	Motor Housing .	1.194,00	48	1	1 619 990 179	Clutch Sleeve .	358,00
2	1	1 604 220 23P	Field 230V .	2.976,00	51	1	1 616 333 053	Crown Gear .	3.070,00
4	1	1 617 200 130	Switch .	1.493,00	54	1	1 600 A00 218	Spacer Tube .	167,00
6	1	1 610 703 053	Grommet Ø9,7-Ø12x89	64,00	59	1	1 615 805 079	Bearing Pedestal .	469,00
7	1	1 601 302 018	Fastening Clamp .	50,00	61	1	1 600 A00 15E	grease distributor .	145,00
9	1	1 601 11A 48A	Manufacturer's nameplate .		66	1	1 600 210 246	Rubber Ring .	112,00
15	1	1 616 610 114	Fan .	377,00	67	1	1 600 A00 0XS	Eccentric Shaft .	623,00
16	1	1 600 A00 15D	Clamp ring .	86,00	68	1	1 600 A00 15F	Pickup Clip .	112,00
20	1	1 618 597 105	Toolholder .	7.528,00	69	1	1 613 100 040	Piston Pin .	140,00
21	1	1 600 A00 1XC	Protective Cap .	185,00	70	1	1 600 A00 1Y6	Connecting Rod .	767,00
22	1	1 610 591 054	Protection Sleeve .	306,00	72	1	1 616 317 622	Eccentric Cog Wheel .	1.461,00
23	1	1 610 520 007	Stop Sleeve .	644,00	74	1	1 600 A00 0XT	Eccentric Bolt .	132,00
24	1	1 610 500 026	Headed Bush .	298,00	80	1	1 607 233 461	Speed governor .	3.019,00
25	2	1 612 300 025	Stopping Device .	365,00	84	1	1 602 025 07H	Auxiliary Handle .	481,00
26	1	1 610 290 027	Indexing Disk .	129,00	85	1	1 618 040 097	Support clamp .	218,00
27	1	1 600 591 056	Air-Deflector Ring .	86,00	87	1	1 611 316 038	Clamping Band .	262,00
28	1	1 614 621 017	Compression Spring .	166,00	95	4	1 613 120 025	Driving Pin .	175,00
31	1	1 610 290 123	Damping Ring .	167,00	99	1	1 600 A00 5BD	Supporting Disc .	356,00
37	1	1 610 322 019	Control Bushing .	311,00	111	1	1 615 801 027	Bushing .	132,00
38	1	1 615 190 186	Covering hood .	1.429,00	112	1	1 613 300 009	Hex Nut .	113,00
43	1	1 615 500 447	Brush-Cover .	436,00	113	2	1 603 435 07A	Torx Oval-Head Screw .	37,00
44	1	1 614 621 016	Compression Spring .	170,00	116	1	1 600 905 035	groove ball bearing	304,00
45	1	1 610 591 053	Holding-Down-Appliance .	90,00	119	2	1 600 900 041	groove ball bearing .	132,00
47	1	1 610 300 082	Gear Sleeve .	321,00	120	1	1 610 190 078	Spacer bushing .	207,00

3 611 B66 000  
Issue | 15-09-25  
Stand | Fig./Abb. 2



Modifications reserved  
Änderungen vorbehalten  
Modifications réservées  
Salvo modificaciones

2 / 3

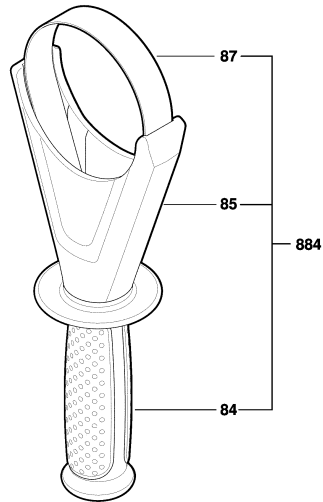
Model: 3 611 B66 000 = 230 Date:

Item	Pc	Order no.	Description	LP in INR	Item	Pc	Order no.	Description	LP in INR
121	1	1 615 805 080	Plain bearing .	704,00	167	1	1 610 290 124	Rotary shaft lip seal .	279,00
122	1	1 610 290 122	Spacer Ring .	148,00	168	1	1 600 A00 1XD	Seal Ring .	125,00
125	15	1 613 435 040	Torx Oval-Head Screw .	45,00	170	3	1 600 A00 15H	Torx socket button screw .	37,00
126	1	2 603 490 023	Torx Oval-Head Screw	29,00	171	2	1 613 414 026	Torx socket button screw .	47,00
132	1	1 605 500 44M	Cover .	50,00	172	4	1 613 435 041	Torx Oval-Head Screw .	54,00
133	1	1 610 205 016	Felt .	51,00	173	1	1 613 490 024	Torx Oval-Head Screw	43,00
138	1	1 611 015 065	Sealing Frame .	209,00	175	2	1 603 435 07D	Torx Oval-Head Screw .	70,00
141	1	1 610 290 119	Shaft Seal .	195,00	189	1	1 615 133 038	Handle .	1.116,00
143	1	1 614 601 071	Retaining ring .	44,00	190	1	1 615 500 438	Handle Cover .	583,00
144	1	1 610 101 023	Supporting Disc .	218,00	192	1	1 614 611 028	Rocker Foot .	193,00
151	1	1 610 210 236	O-Ring .	140,00	194	1	1 600 A00 1XE	Screw Plate .	92,00
152	1	1 614 601 022	Retaining ring .	31,00	195	1	1 600 A00 1XF	Screw Plate .	86,00
153	1	2 916 540 018	Retaining ring DIN	29,00	196	1	1 600 A00 2PC	Damping rubber .	140,00
154	1	2 916 660 040	Spring retaining ring DIN	45,00	197	1	1 616 232 000	Leaf Spring .	432,00
155	1	1 614 601 080	Spring retaining ring .	80,00	199	1	1 610 284 012	Bellows .	279,00
156	1	1 600 150 01V	Spring retaining ring .	251,00	200	1	1 610 284 013	Bellows .	279,00
157	1	1 610 210 238	O-Ring .	140,00	201	1	1 610 209 015	Clamping element .	140,00
158	1	1 610 210 239	Rubber Ring .	140,00	202	1	1 610 209 016	Clamping element .	140,00
160	1	1 610 210 240	Damping Ring .	209,00	204	1	1 615 102 164	Rear Housing Section .	672,00
161	1	1 610 210 241	Damping Ring .	636,00	206	1	1 612 386 007	Retaining Part .	50,00
162	2	1 610 210 237	O-Ring .	167,00	211	1	1 600 A00 8AB	Magnet .	140,00
163	2	1 610 210 242	Seal Ring .	536,00	212	2	1 614 621 012	Compression Spring .	70,00
165	1	1 600 A00 0XU	Seal Fastener .	140,00	240	1	1 600 A00 0XV	Counterweight .	711,00
166	8	1 613 200 022	Cylindrical Roller .	50,00	242	2	1 615 190 187	Guide Piece .	61,00

Please observe: Repairing, modifying and testing of electro-tools are to be performed professionally. The safety regulations according to IEC, EN, VDE, AFNOR and other regulations of the individual countries are to be observed. Subject to change.

This price list supersedes all previous edition. Prices are subjected to change without any prior notice.

3 611 B66 000  
Issue | 15-09-25  
Stand | Fig./Abb. 2



Modifications reserved  
Änderungen vorbehalten  
Modifications réservées  
Salvo modificaciones

3 / 3

Model: 3 611 B66 000 = 230 Date:

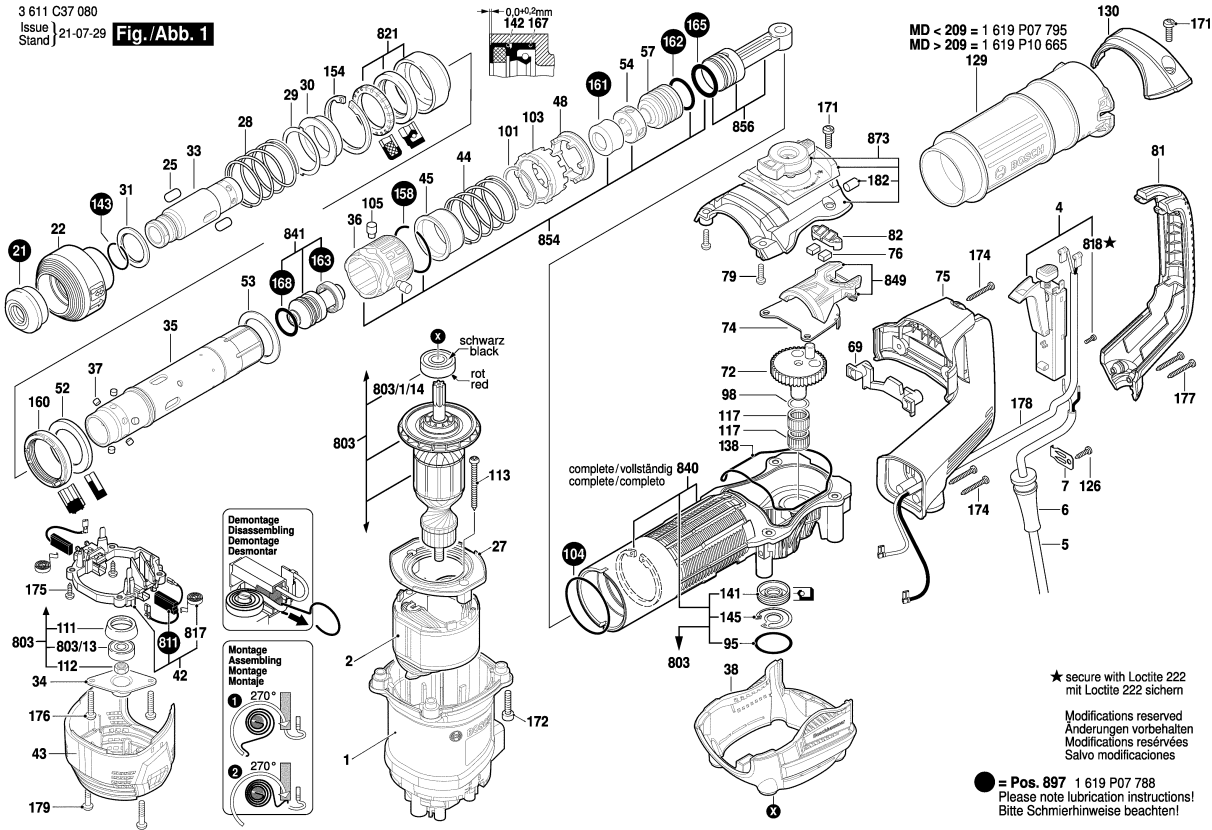
Item	Pc	Order no.	Description	LP in INR	Item	Pc	Order no.	Description	LP in INR
243	4	1 614 621 018	Compression Spring .	50,00	895	1	1 607 000 C4F	Diaphragm .	1.031,00
244	1	1 600 A00 13J	Plug Housing .	70,00	899	1	1 607 000 C4G	Service package .	3.079,00
691	1	1 615 438 705	Carrying Case .						
803	1	1 607 000 C3Y	Armature assembly 230V .	8.903,00					
805	1	1 617 000 723	Power supply cord .	3.769,00					
808	1	1 601 11A 3H5	Nameplate .						
810	1	1 607 000 C3Z	Carbon-Brush Set .	789,00					
813	1	1 607 000 C40	groove ball bearing .	1.122,00					
814	1	1 607 000 C41	groove ball bearing .	1.313,00					
820	1	1 607 000 C42	Tool Holder Set .	9.603,00					
821	1	1 607 000 C5H	Brush Holder .	1.034,00					
835	1	1 607 000 C43	Hammer Pipe .	8.660,00					
840	1	1 607 000 C44	Impact Mechanism	11.659,00					
841	1	1 607 000 C45	Striker Pin .	2.227,00					
849	1	1 607 000 C46	Control Fork .	706,00					
853	1	1 607 000 C47	Guide Bushing .	2.333,00					
856	1	1 607 000 C48	Hammer Piston .	1.410,00					
857	1	1 607 000 C49	Striker .	1.994,00					
859	1	1 607 000 C4A	Bearing Pedestal .	2.058,00					
860	1	1 607 000 C4B	Spur Wheel Clutch .	7.331,00					
872	1	1 607 000 C4C	Eccentric .	5.696,00					
873	1	1 607 000 C4D	Housing Cover .	3.686,00					
884	1	1 607 000 C4E	Auxiliary Handle .	2.065,00					
891	1	1 612 099 005	Rocker Arm .	697,00					

Please observe: Repairing, modifying and testing of electro-tools are to be performed professionally. The safety regulations according to IEC, EN, VDE, AFNOR and other regulations of the individual countries are to be observed. Subject to change.  
This price list supersedes all previous edition. Prices are subjected to change without any prior notice.



3 611 C37 080  
Issue 21-07-29  
Stand

**Fig./Abb. 1**



1 / 2

Model: 3 611 C37 0F0 = 230

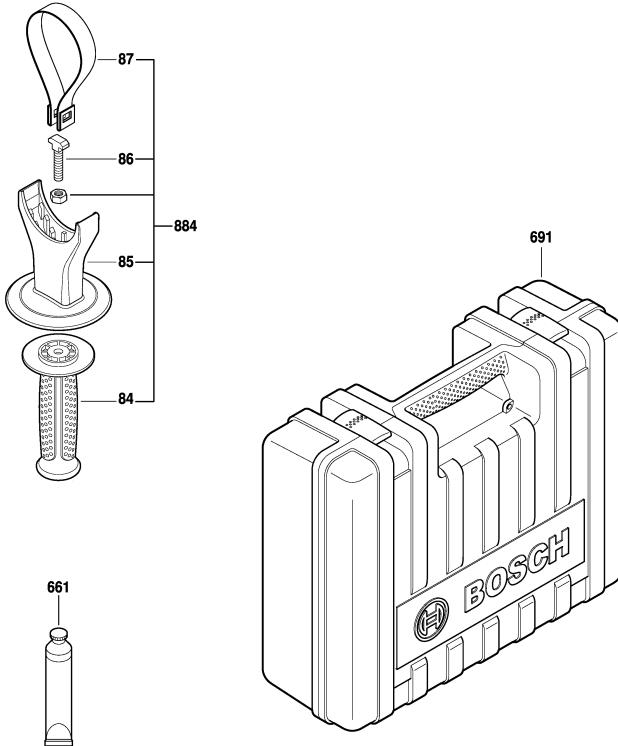
Date:

Item	Pc	Order no.	Description	LP in INR	Item	Pc	Order no.	Description	LP in INR
1	1	1 619 P07 704	Motor Housing .	886,00	52	1	1 619 P07 738	Stop Sleeve .	228,00
2	1	1 619 P05 379	Field 220-240V .	1.428,00	53	1	1 619 P07 792	Supporting Disc .	58,00
4	1	1 619 P07 720	Switch .	1.120,00	54	1	1 610 231 001	Guide Bushing .	490,00
5	1	1 619 P15 735	Power supply cord 230V	1.001,00	57	1	1 619 P07 762	Striker .	1.040,00
6	1	1 619 P07 722	Grommet .	75,00	69	1	1 610 099 004	Retaining Bracket .	112,00
7	1	1 601 302 019	Fastening Clamp .	62,00	74	1	1 619 P07 772	Guide Plate .	92,00
21	1	1 619 P07 829	Protective Cap .	137,00	75	1	1 619 P07 708	Handle .	568,00
22	1	1 619 P07 724	Protection Sleeve .	825,00	76	2	1 619 P07 789	Magnet .	133,00
25	2	1 619 P07 742	Stopping Device .	298,00	79	2	1 613 435 015	Torx Oval-Head Screw	51,00
27	1	1 619 P07 739	Air-Deflector Ring .	90,00	81	1	1 619 P07 709	Handle Cover .	532,00
28	1	1 614 621 000	Compression Spring .	69,00	82	1	1 619 P07 786	Support bracket .	29,00
29	1	1 619 P10 522	Washer .	30,00	84	1	1 602 025 07H	Auxiliary Handle .	481,00
30	1	1 619 P07 715	Supporting Disc .	351,00	85	1	1 619 P07 774	Support clamp .	286,00
31	1	1 619 P07 743	Supporting Disc .	215,00	86	1	1 613 490 002	T-Head Bolt M8x40 MM .	72,00
33	1	1 619 P07 748	Toolholder .	1.725,00	87	1	1 619 P07 776	Clamping Band .	114,00
34	1	1 610 516 013	Flange .	62,00	95	1	1 610 210 173	O-Ring 32,0x1,5 MM .	45,00
35	1	1 619 P07 734	Hammer Pipe .	3.519,00	98	1	1 610 101 015	Shim ring 1,0 MM THICK	40,00
36	1	1 619 P07 702	Intermediate Sleeve .	123,00	101	1	1 610 224 009	Retaining ring .	54,00
37	6	1 619 P07 749	Cylindrical Roller .	58,00	103	1	1 619 P07 781	Bushing .	415,00
38	1	1 619 P07 710	Covering hood BLUE	489,00	104	1	1 619 P07 740	O-Ring .	109,00
42	1	1 619 P07 754	Brush Holder .	559,00	105	4	1 619 P07 746	Driving Pin .	217,00
43	1	1 619 P07 711	Fan Cover BLACK	444,00	111	1	1 610 290 064	Bushing .	47,00
45	1	1 619 P07 756	Control Bushing .	408,00	112	1	1 613 300 008	Hex Nut DIN 936-M8x1-8 .	46,00
48	1	1 619 P07 780	Clutch Sleeve .	237,00	113	2	1 613 435 009	Tapping Screw	49,00

Please observe: Repairing, modifying and testing of electro-tools are to be performed professionally. The safety regulations according to IEC, EN, VDE, AFNOR and other regulations of the individual countries are to be observed. Subject to change.  
This price list supersedes all previous edition. Prices are subjected to change without any prior notice.

3 611 C37 080  
Issue  
Stand 19-02-07

**Fig./Abb. 2**



Änderungen vorbehalten  
Modifications reserved  
Modificacions reservadas  
Salvo modificaciones

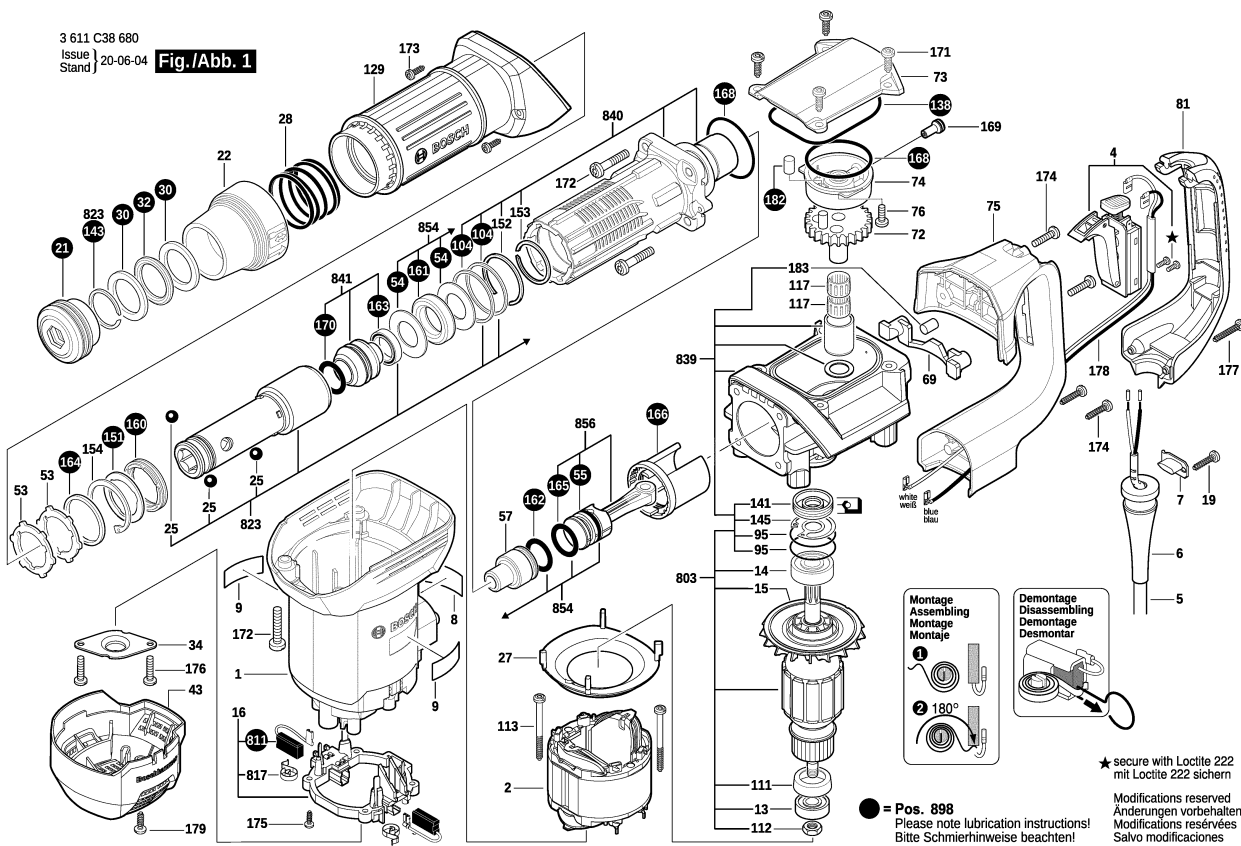
2 / 2

Model: 3 611 C37 0F0 = 230 Date:

Item	Pc	Order no.	Description	LP in INR	Item	Pc	Order no.	Description	LP in INR
117	2	1 619 P07 713	Needle-Roller Assembly .	70,00	182	1	1 619 P09 862	Felt Seal .	35,00
126	1	2 910 211 019	Tapping Screw DIN	30,00	661	1	1 615 430 010	Grease Tube 30 ML .	114,00
129	1	1 619 P10 665	Holding Sleeve .	437,00	691	1	1 605 438 1D1	Carrying Case .	
130	1	1 619 P07 796	Cover .	200,00	803	1	1 619 P07 761	Armature 220-240V .	4.261,00
138	1	1 619 P07 797	Sealing Frame .	155,00	803/13	1	1 610 900 026	groove ball bearing 8x24x8	209,00
141	1	1 610 290 066	Rotary shaft lip seal .	244,00	803/1/14	1	1 610 905 028	groove ball bearing	482,00
143	1	1 614 601 021	Retaining ring DIN	55,00	811	1	1 617 014 138	Carbon-Brush Set .	349,00
145	1	1 610 119 012	Spring retaining ring .	49,00	817	2	1 614 652 004	Spiral Spring .	279,00
154	1	1 619 P07 801	Clip .	201,00	818	2	2 910 011 082	Socket head cap screw	71,00
158	1	1 619 P07 751	Retaining ring .	29,00	821	1	1 619 P07 768	Bushing .	984,00
160	1	1 619 P07 806	Damping Ring .	265,00	840	1	1 619 P10 667	Impact Mechanism	5.683,00
161	1	1 610 290 093	Damping rubber .	54,00	841	1	1 619 P07 839	Striker .	1.095,00
162	1	1 610 210 091	O-Ring 24,0x4,0 MM .	100,00	849	1	1 619 P07 798	Control Fork .	167,00
163	1	1 610 290 065	Seal Ring .	175,00	854	1	1 619 P07 773	Guide Bushing .	719,00
165	1	1 610 210 153	O-Ring 25,0x4,0 MM .	79,00	856	1	1 619 P07 775	Hammer Piston .	745,00
168	1	1 610 210 144	O-Ring 22,0x3,0 MM .	47,00	873	1	1 619 P07 799	Housing Cover .	1.212,00
171	4	1 619 P07 816	Torx Oval-Head Screw	34,00	884	1	1 619 P07 778	Auxiliary Handle .	893,00
172	4	1 613 435 013	Torx Oval-Head Screw	45,00	897	1	1 619 P07 788	Wear and Tear Part Set .	1.351,00
174	4	1 613 435 012	Torx Oval-Head Screw	45,00					
175	4	1 619 P00 228	Screw .	105,00					
176	2	1 613 435 012	Torx Oval-Head Screw	45,00					
177	2	1 619 P07 821	Screw ST3,9x32 SILVER	34,00					
178	1	1 619 P07 822	Connection Cable .	233,00					
179	2	1 619 P07 815	Screw .	34,00					

Please observe: Repairing, modifying and testing of electro-tools are to be performed professionally. The safety regulations according to IEC, EN, VDE, AFNOR and other regulations of the individual countries are to be observed. Subject to change.

This price list supersedes all previous edition. Prices are subjected to change without any prior notice.



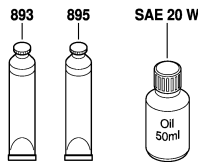
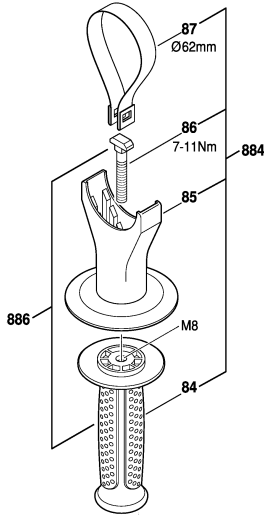
Model: 3 611 C38 6F0 = 220	Date:
----------------------------	-------

Item	Pc	Order no.	Description	LP in INR	Item	Pc	Order no.	Description	LP in INR
1	1	1 619 P10 301	Motor Housing .	648,00	55	1	1 610 290 067	Retaining snap ring .	
2	1	1 619 P14 777	Field 220V .	1.132,00	57	1	1 619 P14 474	Striker .	162,00
4	1	1 619 P09 019	Switch .	465,00	69	1	1 610 099 004	Retaining Bracket .	112,00
5	1	1 619 P15 735	Power supply cord 230V	1.001,00	72	1	1 619 P14 477	Eccentric Cog Wheel .	590,00
6	1	1 610 703 053	Grommet Ø9,7-Ø12x89	64,00	73	1	1 619 P14 241	Housing Cover .	290,00
7	1	1 601 302 019	Fastening Clamp .	62,00	74	1	1 619 P14 481	Holding-Down-Appliance .	69,00
8	1	1 619 P15 116	Nameplate .		75	1	1 619 P08 778	Handle .	369,00
9	2	1 619 P13 299	Manufacturer's nameplate		76	1	1 613 435 015	Torx Oval-Head Screw	51,00
13	1	1 610 900 026	groove ball bearing 8x24x8	209,00	81	1	1 619 P08 780	Handle Cover .	175,00
14	1	1 610 905 028	groove ball bearing	482,00	84	1	1 602 025 07H	Auxiliary Handle .	481,00
15	1	1 616 610 085	Fan .	136,00	85	1	1 618 040 074	Support clamp .	152,00
16	1	1 619 P14 465	Brush Holder .	624,00	86	1	1 613 490 002	T-Head Bolt M8x40 MM .	72,00
19	1	2 910 211 019	Tapping Screw DIN	30,00	87	1	1 611 316 019	Clamping Band Ø62 MM .	117,00
21	1	1 619 P14 480	Dust Cap .	139,00	95	2	1 610 210 173	O-Ring 32,0x1,5 MM .	45,00
22	1	1 619 P08 758	Protection Sleeve .	388,00	104	2	1 619 P08 783	Seal Ring .	55,00
25	3	1 903 230 016	Ball 10 MM III DIN 5401ST	118,00	111	1	1 610 290 064	Bushing .	47,00
27	1	1 619 P09 017	Air-Deflector Ring .	64,00	112	1	1 613 300 008	Hex Nut DIN 936-M8x1-8 .	46,00
28	1	1 619 P08 759	Compression Spring .	55,00	113	2	1 613 435 009	Tapping Screw	49,00
30	2	1 619 P08 760	Supporting Disc .	55,00	117	2	1 610 913 004	Needle-Roller Assembly	81,00
32	1	1 619 P08 761	Damping Ring .	35,00	129	1	1 619 P10 302	Cover Sleeve .	271,00
34	1	1 610 516 013	Flange .	62,00	138	1	1 619 P08 785	Sealing Frame .	55,00
43	1	1 619 P08 767	Fan Cover .	272,00	141	1	1 610 290 066	Rotary shaft lip seal .	244,00
53	2	1 619 P14 688	Washer .	64,00	143	1	1 619 P08 752	Retainer .	55,00
54	1	1 619 P08 769	Stop Disc .	40,00	145	1	1 610 119 012	Spring retaining ring .	49,00

Please observe: Repairing, modifying and testing of electro-tools are to be performed professionally. The safety regulations according to IEC, EN, VDE, AFNOR and other regulations of the individual countries are to be observed. Subject to change.  
This price list supersedes all previous edition. Prices are subjected to change without any prior notice.

3 611 C38 680  
Issue Stand 19-12-11

**Fig./Abb. 2**



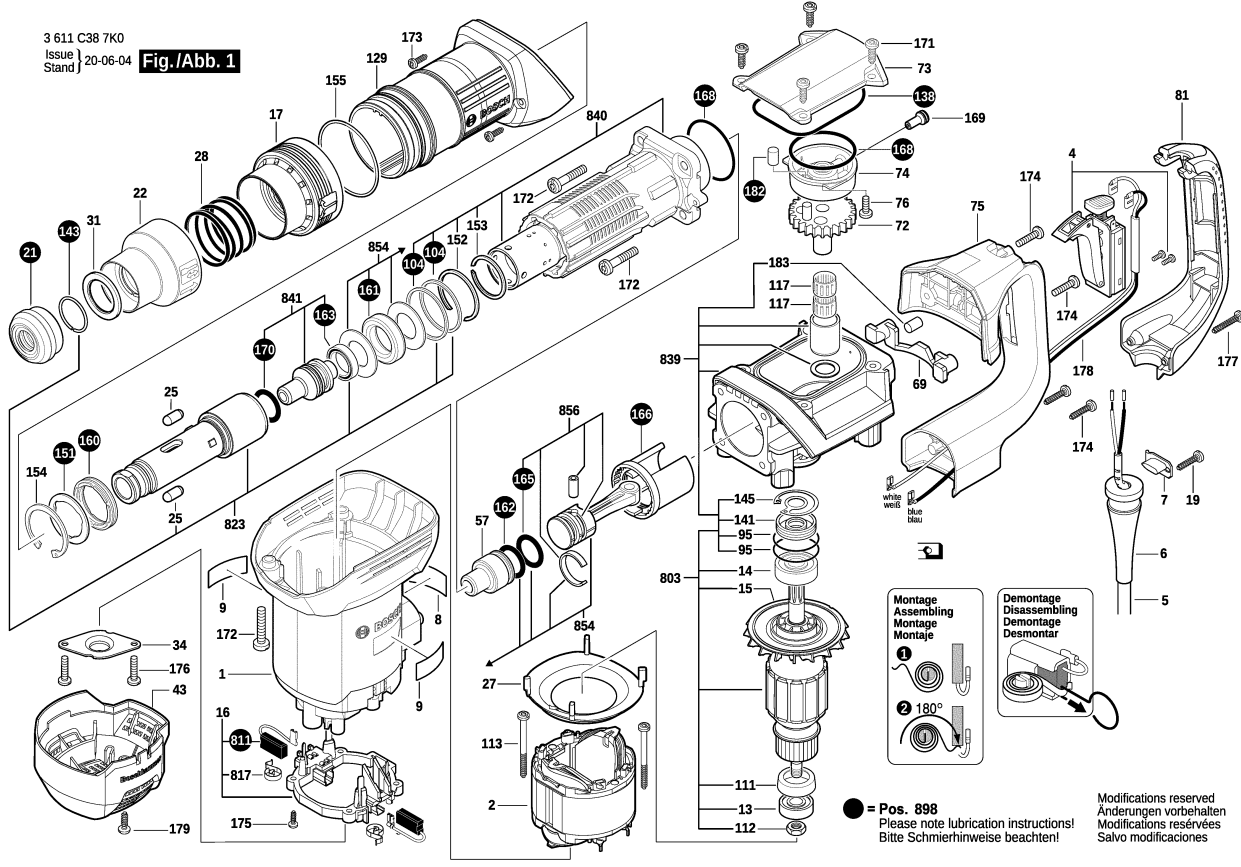
Modifications reserved  
Änderungen vorbehalten  
Modifications réservées  
Salvo modificaciones

2 / 2

Model: 3 611 C38 6F0 = 220

Date:

Item	Pc	Order no.	Description	LP in INR	Item	Pc	Order no.	Description	LP in INR
151	1	1 619 P14 464	Stop Disc .	69,00	183	1	1 619 P09 862	Felt Seal .	35,00
152	1	1 619 P14 463	Retaining ring .	64,00	803	1	1 619 P15 112	Armature 220V .	2.576,00
153	1	1 614 601 030	Retaining ring .	68,00	811	1	1 617 014 138	Carbon-Brush Set .	349,00
154	1	2 916 660 019	Spring retaining ring DIN	75,00	817	2	1 614 652 004	Spiral Spring .	279,00
160	1	1 619 P08 787	Damping Ring .	32,00	823	1	1 619 P14 923	Toolholder .	1.478,00
161	1	1 619 P14 753	Damping Ring .	46,00	839	1	1 619 P14 924	Gear Housing .	1.247,00
162	1	1 610 210 163	O-Ring 22,0x3,5 MM .	67,00	840	1	1 619 P14 926	Impact Mechanism	1.514,00
163	1	1 610 290 125	Seal Ring .	669,00	841	1	1 619 P14 928	Striker Pin .	705,00
164	1	1 619 P14 689	Damping Ring .	29,00	854	1	1 619 P14 929	Stop Disc .	266,00
165	1	1 610 210 079	O-Ring 22,0x4,0 MM .	84,00	856	1	1 619 P14 930	Hammer Piston .	370,00
166	1	1 619 P14 462	Sealing Ring .	46,00	884	1	1 619 P14 935	Auxiliary Handle .	370,00
168	2	1 619 P08 792	O-Ring .	35,00	886	1	1 617 000 459	Auxiliary Handle M8	410,00
169	1	1 619 P14 461	Rubber Plug .	29,00	893	1	1 615 430 002	Grease Tube 225 ML .	2.725,00
170	1	1 619 P14 472	O-Ring .	46,00	895	1	1 615 430 015	Grease Tube 225 ML .	1.023,00
171	4	1 613 435 014	Torx Oval-Head Screw	47,00	898	1	1 619 P14 932	Wear and Tear Part Set .	1.950,00
172	8	1 613 435 013	Torx Oval-Head Screw	45,00					
173	2	1 619 P01 380	Screw 4x14 .	27,00					
174	4	1 613 435 012	Torx Oval-Head Screw	45,00					
175	4	1 619 P00 228	Screw .	105,00					
176	2	1 613 435 012	Torx Oval-Head Screw	45,00					
177	2	1 603 435 051	Tapping Screw ST3,9x32	44,00					
178	1	1 619 P10 286	Connecting Cable .	180,00					
179	2	1 619 P07 815	Screw .	34,00					
182	1	1 619 P00 831	Felt Seal .	29,00					

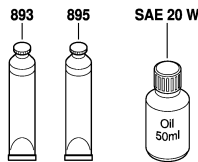
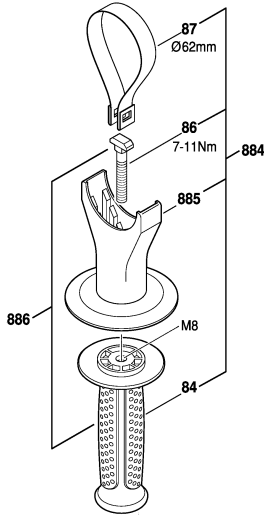


Model: 3 611 C38 7F0 = 230	Date:
----------------------------	-------

Item	Pc	Order no.	Description	LP in INR	Item	Pc	Order no.	Description	LP in INR
1	1	1 619 P10 301	Motor Housing .	648,00	72	1	1 619 P14 477	Eccentric Cog Wheel .	590,00
2	1	1 619 P14 777	Field 220V .	1.132,00	73	1	1 619 P14 241	Housing Cover .	290,00
4	1	1 619 P08 754	Switch .	465,00	74	1	1 619 P14 481	Holding-Down-Appliance .	69,00
5	1	1 619 P15 735	Power supply cord 230V	1.001,00	75	1	1 619 P08 778	Handle .	369,00
6	1	1 610 703 053	Grommet Ø9,7-Ø12x89	64,00	76	1	1 613 435 015	Torx Oval-Head Screw	51,00
7	1	1 601 302 019	Fastening Clamp .	62,00	81	1	1 619 P08 780	Handle Cover .	175,00
8	1	1 619 P15 620	Nameplate .		84	1	1 602 025 07H	Auxiliary Handle .	481,00
9	2	1 619 P13 299	Manufacturer's nameplate		86	1	1 613 490 002	T-Head Bolt M8x40 MM .	72,00
13	1	1 610 900 026	groove ball bearing 8x24x8	209,00	87	1	1 611 316 019	Clamping Band Ø62 MM .	117,00
14	1	1 610 905 028	groove ball bearing	482,00	95	2	1 610 210 173	O-Ring 32,0x1,5 MM .	45,00
15	1	1 616 610 085	Fan .	136,00	104	2	1 619 P08 783	Seal Ring .	55,00
16	1	1 619 P14 465	Brush Holder .	624,00	111	1	1 610 290 064	Bushing .	47,00
17	1	1 619 P15 392	Ratchet Sleeve .	416,00	112	1	1 613 300 008	Hex Nut DIN 936-M8x1-8 .	46,00
19	1	2 910 211 019	Tapping Screw DIN	30,00	113	2	1 613 435 009	Tapping Screw	49,00
21	1	1 610 508 038	Protective Cap .	97,00	117	2	1 619 P07 713	Needle-Roller Assembly .	70,00
22	1	1 619 P15 321	Protection Sleeve .	388,00	129	1	1 619 P15 396	Cover Sleeve .	271,00
25	2	1 612 300 034	Stopping Device .	77,00	138	1	1 619 P08 785	Sealing Frame .	55,00
27	1	1 619 P09 017	Air-Deflector Ring .	64,00	141	1	1 610 290 066	Rotary shaft lip seal .	244,00
28	1	1 619 P15 323	Compression Spring .	55,00	143	1	1 614 601 021	Retaining ring DIN	55,00
31	1	1 610 251 006	Supporting Disc .	153,00	145	1	1 610 119 012	Spring retaining ring .	49,00
34	1	1 610 516 013	Flange .	62,00	151	1	1 619 P14 464	Stop Disc .	69,00
43	1	1 619 P08 767	Fan Cover .	272,00	152	1	1 619 P14 463	Retaining ring .	64,00
57	1	1 619 P14 474	Striker .	162,00	153	1	1 614 601 030	Retaining ring .	68,00
69	1	1 610 099 004	Retaining Bracket .	112,00	154	1	2 916 660 019	Spring retaining ring DIN	75,00

3 611 C38 7K0  
Issue Stand 19-11-14

**Fig./Abb. 2**



Modifications reserved  
Änderungen vorbehalten  
Modifications réservées  
Salvo modificaciones

2 / 2

Model: 3 611 C38 7F0 = 230

Date:

Item	Pc	Order no.	Description	LP in INR	Item	Pc	Order no.	Description	LP in INR
155	1	1 619 P15 397	Retaining ring .	55,00	823	1	1 619 P15 816	Toolholder .	1.478,00
160	1	1 619 P08 787	Damping Ring .	32,00	839	1	1 619 P14 924	Gear Housing .	1.247,00
161	1	1 619 P14 753	Damping Ring .	46,00	840	1	1 619 P15 817	Impact Mechanism	2.699,00
162	1	1 610 210 163	O-Ring 22,0x3,5 MM .	67,00	841	1	1 619 P15 818	Striker Pin .	785,00
163	1	1 610 290 065	Seal Ring .	175,00	854	1	1 619 P14 929	Stop Disc .	266,00
165	1	1 610 210 079	O-Ring 22,0x4,0 MM .	84,00	856	1	1 619 P14 930	Hammer Piston .	370,00
166	1	1 619 P14 462	Sealing Ring .	46,00	884	1	1 619 P14 935	Auxiliary Handle .	370,00
168	2	1 619 P08 792	O-Ring .	35,00	885	1	1 618 040 074	Support clamp .	152,00
169	1	1 619 P14 461	Rubber Plug .	29,00	886	1	1 617 000 459	Auxiliary Handle M8	410,00
170	1	1 610 210 144	O-Ring 22,0x3,0 MM .	47,00	893	1	1 615 430 002	Grease Tube 225 ML .	2.725,00
171	4	1 613 435 014	Torx Oval-Head Screw	47,00	895	1	1 615 430 015	Grease Tube 225 ML .	1.023,00
172	8	1 613 435 013	Torx Oval-Head Screw	45,00	898	1	1 619 P15 819	Wear and Tear Part Set .	2.030,00
173	2	1 619 P01 380	Screw 4x14 .	27,00					
174	4	1 613 435 012	Torx Oval-Head Screw	45,00					
175	4	1 619 P00 228	Screw .	105,00					
176	2	1 613 435 012	Torx Oval-Head Screw	45,00					
177	2	1 603 435 051	Tapping Screw ST3,9x32	44,00					
178	1	1 619 P15 164	Connecting Cable .	175,00					
179	2	1 619 P07 815	Screw .	34,00					
182	1	1 619 P09 862	Felt Seal .	35,00					
183	1	1 619 P09 862	Felt Seal .	35,00					
803	1	1 619 P15 112	Armature 220V .	2.576,00					
811	1	1 617 014 138	Carbon-Brush Set .	349,00					
817	2	1 614 652 004	Spiral Spring .	279,00					

Please observe: Repairing, modifying and testing of electro-tools are to be performed professionally. The safety regulations according to IEC, EN, VDE, AFNOR and other regulations of the individual countries are to be observed. Subject to change.

This price list supersedes all previous edition. Prices are subjected to change without any prior notice.

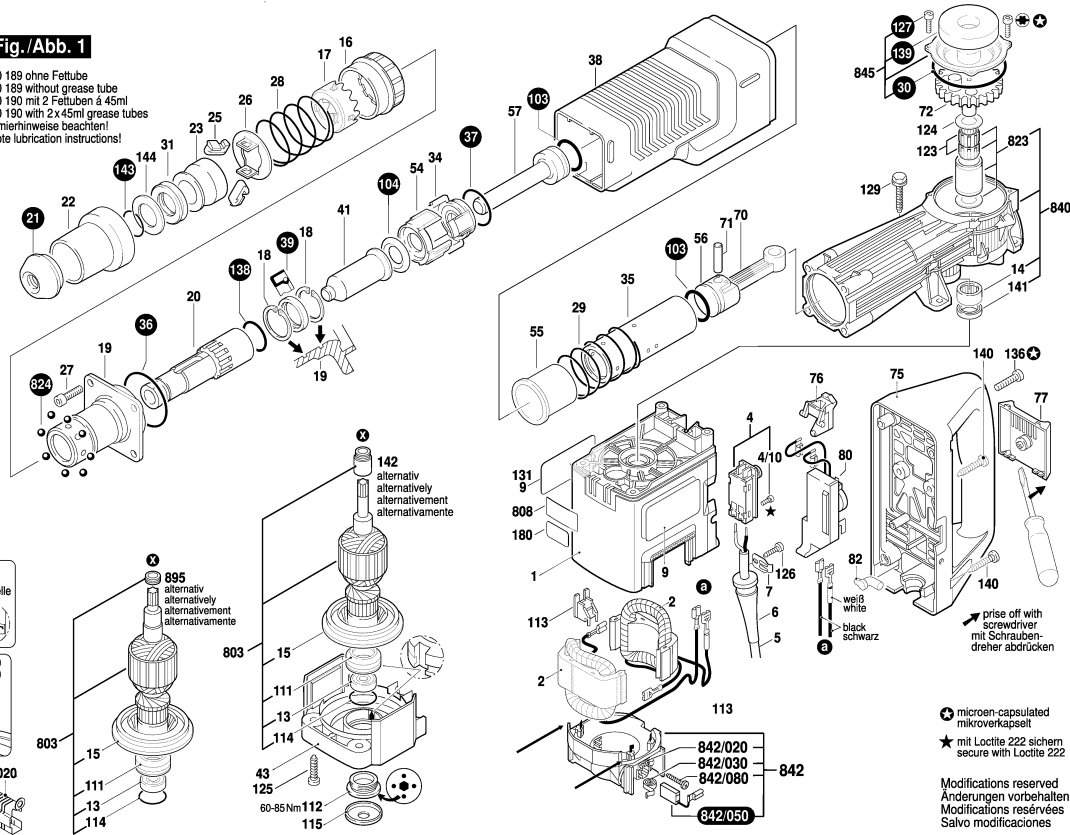
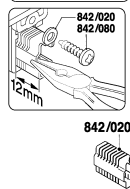
3 611 C16 8F0

Issue  
Stand } 18-08-07

**Fig./Abb. 1**

- = Pos. 897 1 617 000 189 ohne Fetttube  
1 617 000 189 without grease tube
- = Pos. 898 1 617 000 190 mit 2 Fettuben à 45ml  
1 617 000 190 with 2 x 45ml grease tubes  
Bitte Schmierhinweise beachten!  
Please note lubrication instructions!

Feder vorspannen  
ressort pré-contraint  
tensión previa del muelle  
Spring tension



- micro-encapsulated  
mikroverkapselt
  - ★ mit Loctite 222 sichern  
secure with Loctite 222
- Modifications reserved  
Anderungen vorbehalten  
Modifications réservées  
Salvo modificaciones

1 619 973 155

1 / 2

Model: 3 611 C16 8F0 = 220

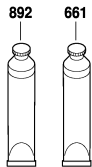
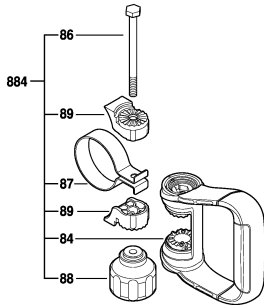
Date:

Item	Pc	Order no.	Description	LP in INR	Item	Pc	Order no.	Description	LP in INR
1	1	1 615 108 091	Motor Housing BLUE	1.217,00	30	1	1 610 210 147	O-Ring 79,5x2,65 MM .	29,00
2	1	1 619 P12 250	Field .	2.678,00	31	1	1 610 290 026	Damping Ring .	81,00
4	1	1 617 200 048	Switch .	554,00	34	1	1 610 390 029	Spacer Tube .	375,00
4/10	1	2 910 011 088	Socket head cap screw	29,00	35	1	1 619 P13 967	Hammer Pipe .	3.061,00
5	1	1 619 P15 856	Power supply cord .		36	1	1 610 210 127	O-Ring 64,0x2,5 MM .	48,00
6	1	1 610 703 053	Grommet Ø9,7-Ø12x89	64,00	37	1	1 610 210 128	O-Ring 35,0x3,0 MM .	48,00
7	1	1 601 302 019	Fastening Clamp .	62,00	38	1	1 615 190 093	Covering hood .	763,00
9	1	1 619 P15 073	Manufacturer's nameplate .		39	1	1 610 283 030	Rotary shaft lip seal DIN	215,00
13	1	2 610 909 310	groove ball bearing .	419,00	41	1	1 618 710 071	Striker Pin .	554,00
14	1	1 610 910 089	Needle-Roller Bearing .	666,00	43	1	1 615 808 083	Bearing cover BLUE	485,00
15	1	1 616 610 083	Fan .	607,00	54	1	1 610 190 019	Control Disc .	94,00
16	1	1 610 499 022	Ratchet Sleeve .	83,00	55	1	1 610 420 005	Control Bushing .	436,00
17	1	1 610 590 004	Retaining snap ring .	381,00	56	1	1 618 700 064	Hammer Piston .	143,00
18	2	1 610 119 010	Spring retaining ring .	97,00	57	1	1 618 710 062	Striker .	1.165,00
19	1	1 619 P13 963	Clamping-Flange .	3.185,00	70	1	1 612 001 033	Connecting Rod .	207,00
20	1	1 619 P13 964	Toolholder .	3.648,00	71	1	1 613 101 006	Straight Pin .	69,00
21	1	1 610 508 025	Protective Cap .	124,00	72	1	1 600 A01 2Y7	Eccentric Cog Wheel .	2.565,00
22	1	1 610 499 023	Protection Sleeve .	127,00	75	1	1 615 132 082	Handle BLACK	1.730,00
23	1	1 610 521 011	Stop Sleeve .	570,00	76	1	1 612 026 049	Control Lever .	62,00
25	2	1 612 300 025	Stopping Device .	365,00	77	1	1 612 026 048	Shift Plate GRAY	180,00
26	1	1 619 P16 141	Indexing Disk .		80	1	1 607 233 5CV	Speed governor 220-240V .	1.309,00
27	4	2 910 151 246	Hex Socket Head Cap	29,00	82	1	1 615 510 000	Light Conductor .	29,00
28	1	1 614 621 002	Compression Spring .	72,00	84	1	1 602 025 08D	Auxiliary Handle .	2.075,00
29	1	1 614 621 003	Compression Spring .	75,00	86	1	2 911 021 267	Hex Screw .	46,00

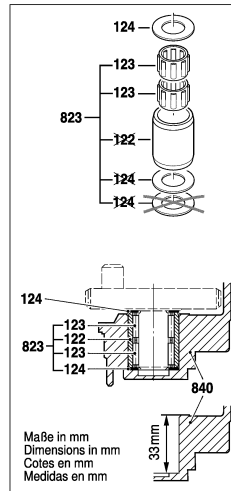
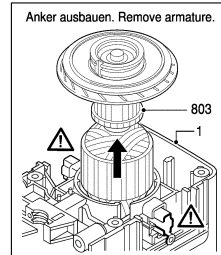
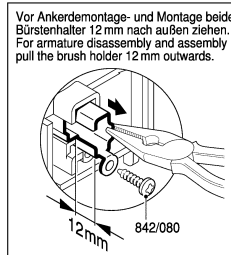
Please observe: Repairing, modifying and testing of electro-tools are to be performed professionally. The safety regulations according to IEC, EN, VDE, AFNOR and other regulations of the individual countries are to be observed. Subject to change.

This price list supersedes all previous edition. Prices are subjected to change without any prior notice.

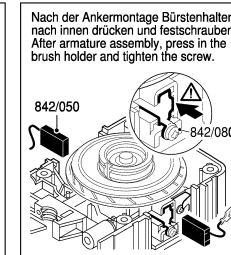
3 611 C16 8F0  
Issue | 18-08-08 **Fig./Abb. 2**  
Stand



Änderungen vorbehalten  
Modifications reserved  
Modificaciones reservadas  
Salvo modificaciones



Maße in mm  
Dimensions in mm  
Cotes en mm  
Medidas en mm



2 / 2

Model: 3 611 C16 8F0 = 220

Date:

Item	Pc	Order no.	Description	LP in INR	Item	Pc	Order no.	Description	LP in INR
87	1	1 611 316 010	Clamping Band .	120,00	144	1	1 610 102 029	Supporting Disc .	100,00
88	1	1 613 349 017	Star Knob M8 BLACK	277,00	180	1	1 611 110 855	Sticker .	
89	2	1 600 A00 748	Clamping Piece .	37,00	661	1	1 615 430 010	Grease Tube 30 ML .	114,00
103	2	1 610 210 122	O-Ring 30,0x5,0 MM .	112,00	803	1	1 619 P15 184	Armature 220-240V .	5.600,00
104	1	1 610 210 123	O-Ring 22,0x11,0 MM .	81,00	808	1	1 619 P14 242	Nameplate .	
111	1	3 610 501 500	Bushing .	634,00	823	1	1 617 000 403	Needle-Roller Assembly .	936,00
112	1	3 613 461 500	Threaded Ring .	151,00	824	1	1 617 000 240	Ball DIN 5401-6,5MM-III-ST	138,00
113	2	1 610 009 007	Spacer .	47,00	840	1	1 617 000 969	Impact Mechanism	6.629,00
114	1	1 610 210 139	O-Ring 30,0x2,5 MM .	45,00	842	1	1 600 A00 5AF	Brush Holder .	1.515,00
115	1	1 610 508 027	Protective Cap BLACK	29,00	842/020	2	1 614 336 017	Brush Guide .	186,00
123	2	1 610 913 013	Needle-Roller Assembly .	155,00	842/030	2	1 614 652 004	Spiral Spring .	279,00
124	1	1 610 101 608	Thrust Bearing Disc .	47,00	842/050	1	1 617 014 126	Carbon-Brush Set .	342,00
125	4	1 613 435 010	Torx Oval-Head Screw	45,00	842/050	1	1 607 000 481	Carbon-Brush Set 10 x 1	3.416,00
126	1	2 603 490 022	Screw 4x16 .	29,00	842/080	2	2 910 611 012	Tapping Screw DIN	29,00
127	4	2 914 551 117	Microencapsulated Screw	47,00	845	1	1 617 000 418	Housing Cover .	357,00
129	4	1 613 433 001	Screw and washer	29,00	884	1	1 602 025 08E	Auxiliary Handle .	2.352,00
131	1	1 619 P15 106	Manufacturer's nameplate		892	1	1 615 430 014	Grease Tube 45 ML .	189,00
136	2	1 613 490 029	Torx Oval-Head Screw	30,00	895	1	3 613 344 500	Oil Return Ring .	554,00
138	1	1 610 210 130	O-Ring 32,0x2,5 MM .	111,00	897	1	1 617 000 189	Wear and Tear Part Set .	1.369,00
139	1	1 610 108 020	Felt Washer .	253,00	898	1	1 617 000 190	Wear and Tear Part Set .	1.876,00
140	4	1 613 435 010	Torx Oval-Head Screw	45,00					
141	1	1 610 290 028	Rotary shaft lip seal .	78,00					
142	1	1 610 300 063	Bushing .	346,00					
143	1	2 916 540 017	Retaining ring DIN 7993 A	29,00					

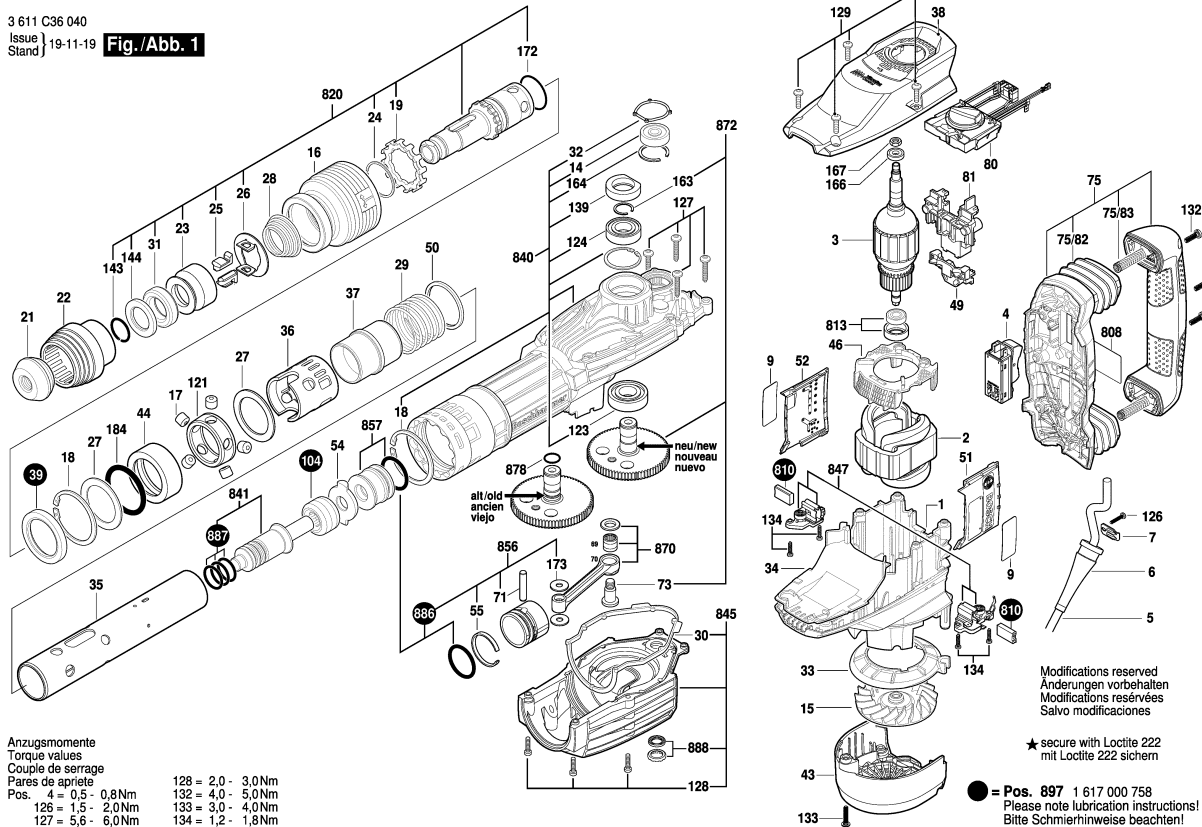
Please observe: Repairing, modifying and testing of electro-tools are to be performed professionally. The safety regulations according to IEC, EN, VDE, AFNOR and other regulations of the individual countries are to be observed. Subject to change.

This price list supersedes all previous edition. Prices are subjected to change without any prior notice.



3 611 C36 040  
Issue 19-11-19  
Stand

**Fig./Abb. 1**



Anzugsmomente  
Torque values  
Couple de serrage  
Pares de apriete  
Pos. 4 = 0,5 - 0,8Nm  
126 = 1,5 - 2,0Nm  
127 = 5,6 - 6,0Nm  
128 = 2,0 - 3,0Nm  
132 = 4,0 - 5,0Nm  
133 = 3,0 - 4,0Nm  
134 = 1,2 - 1,8Nm

Modifications reserved  
Änderungen vorbehalten  
Modifications réservées  
Salvo modificaciones

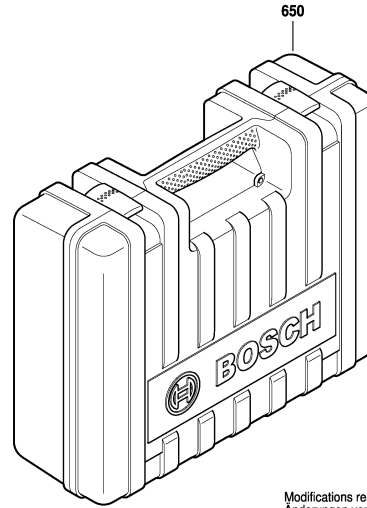
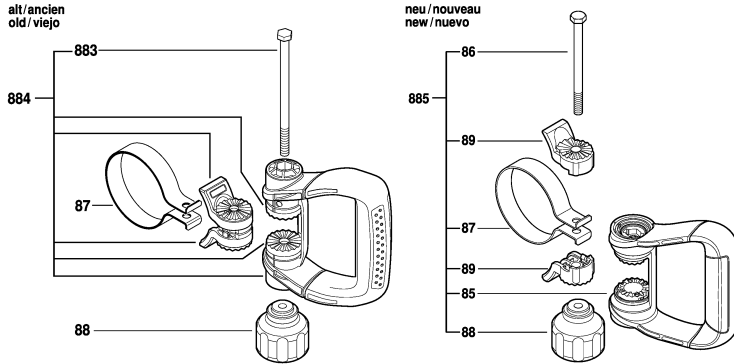
★ secure with Loctite 222  
mit Loctite 222 sichern

● = Pos. 897 1 617 000 758  
Please note lubrication instructions!  
Bitte Schmierhinweise beachten!

Model: 3 611 C36 0K0 = 220	Date:
----------------------------	-------

Item	Pc	Order no.	Description	LP in INR	Item	Pc	Order no.	Description	LP in INR
1	1	1 615 108 157	Motor Housing .	1.794,00	31	1	1 610 290 106	Damping Ring .	80,00
2	1	1 604 220 52F	Field 230V .	4.218,00	32	1	1 610 210 214	Sealing Frame .	61,00
3	1	1 614 011 120	Armature 230V .	8.532,00	33	1	1 610 591 047	Air-Deflector Ring .	169,00
4	1	1 607 200 244	Switch .	1.047,00	34	1	1 610 591 048	Air Path .	91,00
5	1	1 614 460 098	Power supply cord .		35	1	1 615 806 243	Hammer Pipe .	6.665,00
6	1	1 610 703 053	Grommet Ø9,7-Ø12x89	64,00	36	1	1 610 190 066	Perforated Ring .	166,00
7	1	1 601 302 018	Fastening Clamp .	50,00	37	1	1 610 420 006	Control Bushing .	1.353,00
9	1	1 601 11C 0U4	Manufacturer's nameplate .		38	1	1 615 190 173	Covering hood .	812,00
14	1	1 600 905 028	groove ball bearing .	224,00	39	1	1 610 283 052	Rotary shaft lip seal .	322,00
15	1	1 616 610 106	Fan .	659,00	43	1	1 615 500 426	Brush-Cover .	616,00
16	1	1 610 499 076	Guide Sleeve .	747,00	44	1	1 610 322 017	Guide Sleeve .	963,00
17	5	1 613 103 012	Locking Bolt .	91,00	46	1	1 615 500 427	Holding-Down-Appliance .	168,00
18	2	1 610 224 011	Spring retaining ring .	87,00	49	1	1 604 477 020	Plug Holder .	80,00
19	1	1 616 490 071	Carrier .	299,00	50	1	1 610 206 028	Stop Ring .	160,00
21	1	1 610 508 025	Protective Cap .	124,00	51	1	1 615 500 424	Housing Cover .	166,00
22	1	1 610 499 078	Protection Sleeve .	166,00	52	1	1 615 500 425	Housing Cover .	166,00
23	1	1 610 520 005	Stop Sleeve .	616,00	54	1	1 610 190 069	Control Disc .	1.027,00
24	1	1 614 601 020	Retaining ring .	51,00	55	1	1 610 500 024	Retaining snap ring .	48,00
25	2	1 612 300 025	Stopping Device .	365,00	71	1	1 613 101 014	Straight Pin .	103,00
26	1	1 610 290 105	Indexing Disk .	91,00	73	1	1 610 320 015	Eccentric Bolt .	420,00
27	2	1 610 101 024	Stop Disc .	90,00	75	1	1 615 132 132	Handle .	2.990,00
28	1	1 614 621 014	Conical helical spring .	91,00	75/82	2	1 610 415 003	Bellows .	801,00
29	1	1 614 621 015	Compression Spring .	160,00	75/83	2	1 614 621 009	Compression Spring .	340,00
30	1	1 611 015 063	Sealing Frame .	226,00	80	1	1 617 233 052	Speed governor .	3.288,00

3 611 C36 040  
Issue } 17-03-29  
Stand } **Fig./Abb. 2**



Modifications reserved  
Änderungen vorbehalten  
Modificaciones reservadas  
Salvo modificaciones

2 / 2

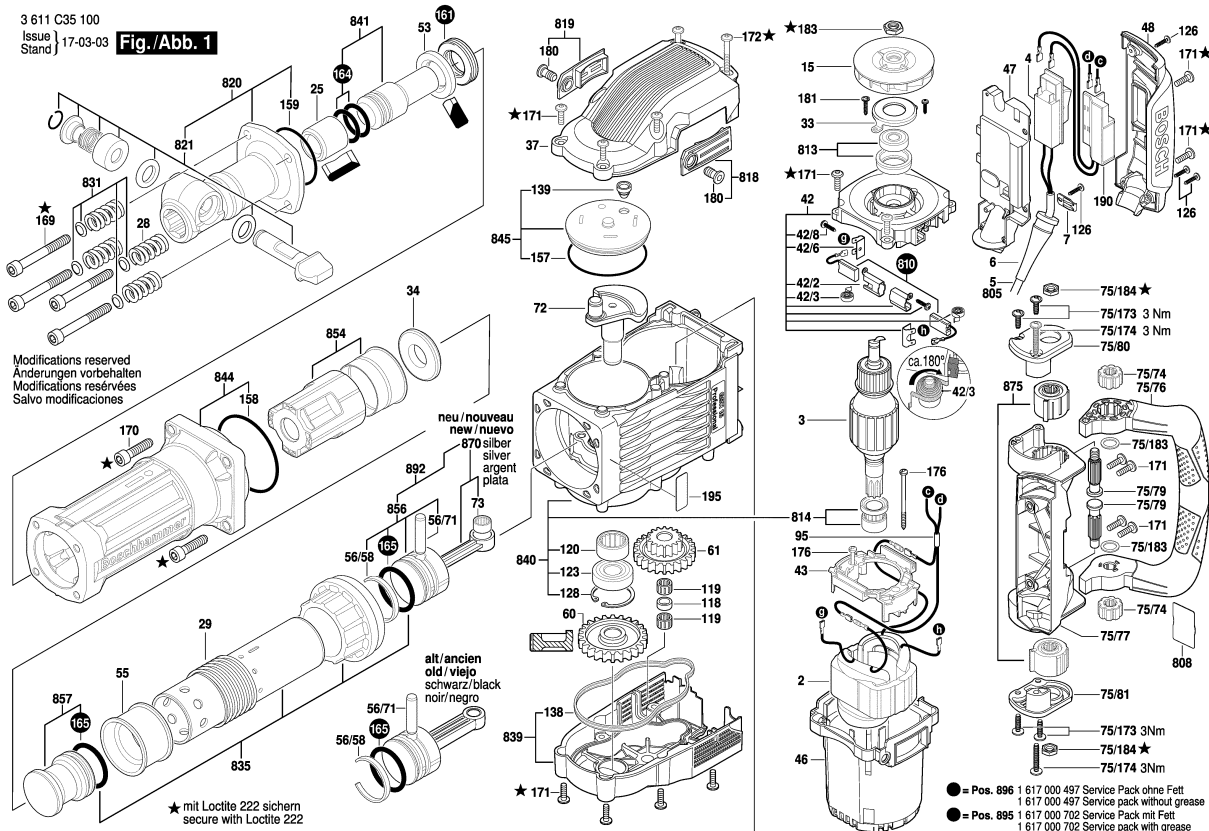
Model: 3 611 C36 0K0 = 220

Date:

Item	Pc	Order no.	Description	LP in INR	Item	Pc	Order no.	Description	LP in INR
81	1	1 611 038 018	Inserted Part .	166,00	172	1	1 610 210 216	O-Ring .	53,00
85	1	1 602 025 081	Auxiliary Handle .	2.446,00	173	2	1 610 100 021	Disc .	46,00
86	1	2 911 021 267	Hex Screw .	46,00	184	1	1 610 210 218	Damping Ring .	257,00
87	1	1 600 A01 BH0	Clamping Band .	259,00	650	1	1 615 438 492	Carrying Case .	
88	1	1 613 349 017	Star Knob M8 BLACK	277,00	810	1	1 617 000 750	Carbon Brush .	496,00
89	2	1 600 A00 8BL	Clamping Piece .	43,00	813	1	1 617 000 744	groove ball bearing .	697,00
104	1	1 610 210 219	Damper .	1.673,00	820	1	1 617 000 745	Toolholder .	5.681,00
121	1	1 610 200 032	Retaining snap ring .	1.124,00	840	1	1 617 000 746	Impact Mechanism	11.958,00
123	1	1 610 900 033	groove ball bearing	747,00	841	1	1 617 000 747	Striker Pin .	2.644,00
124	1	1 610 900 034	groove ball bearing	524,00	845	1	1 617 000 748	Gear Cover .	2.990,00
126	1	2 603 490 023	Torx Oval-Head Screw	29,00	847	1	1 617 000 749	Brush Holder .	1.752,00
127	4	1 613 490 022	Torx Oval-Head Screw	47,00	856	1	1 617 000 751	Hammer Piston .	1.271,00
128	6	1 613 414 026	Torx socket button screw .	47,00	857	1	1 617 000 752	Striker .	1.494,00
129	6	1 613 490 024	Torx Oval-Head Screw	43,00	870	1	1 617 000 753	Connecting Rod .	1.377,00
132	6	1 613 490 025	Torx Oval-Head Screw	47,00	872	1	1 600 A00 5A4	Eccentric Cog Wheel .	4.063,00
133	3	1 613 490 026	Torx Oval-Head Screw	47,00	878	1	1 610 210 215	O-Ring .	47,00
134	4	1 613 490 027	Torx Oval-Head Screw	47,00	883	1	1 613 490 019	Hex Screw .	91,00
139	1	1 610 209 017	Felt Washer .	103,00	884	1	1 602 025 08T	Auxiliary Handle .	3.288,00
143	1	1 614 601 071	Retaining ring .	44,00	885	1	1 602 025 08J	Auxiliary Handle .	3.736,00
144	1	1 610 101 023	Supporting Disc .	218,00	886	1	1 617 000 755	O-Ring .	345,00
163	1	1 610 224 012	Spring retaining ring .	46,00	887	1	1 617 000 756	O-Ring .	387,00
164	1	1 610 224 013	Spring retaining ring .	47,00	888	1	1 617 000 757	Parts Set .	361,00
166	1	1 610 209 011	Solenoid Ring .	209,00	897	1	1 617 000 758	Wear and Tear Part Set .	2.605,00
167	1	2 915 050 107	Hex Nut DIN 439-BM8-04 .	47,00					

3 611 C35 100  
Issue [ 17-03-03  
Stand ]

**Fig./Abb. 1**



1 / 3

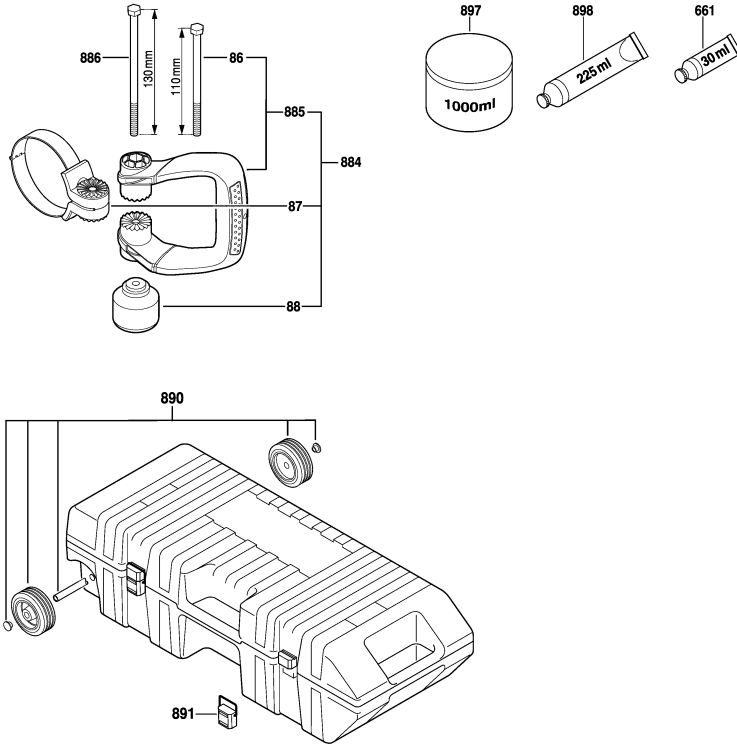
Model: 3 611 C35 1K0 = 230

Date:

Item	Pc	Order no.	Description	LP in INR	Item	Pc	Order no.	Description	LP in INR
2	1	1 604 220 52M	Field 220-240V .	4.467,00	56/71	1	1 613 101 012	Piston Pin .	147,00
3	1	1 614 011 117	Armature 220-240V .	9.627,00	60	1	1 616 317 086	Cylindrical Gear .	3.490,00
4	1	1 607 200 244	Switch .	1.047,00	61	1	1 616 317 093	Cylindrical Gear .	4.213,00
6	1	1 610 703 053	Grommet Ø9,7-Ø12x89	64,00	72	1	1 600 A01 4TW	Eccentric Shaft .	4.791,00
7	1	1 601 302 018	Fastening Clamp .	50,00	73	1	1 600 A00 14G	Needle bearing .	225,00
15	1	1 616 610 102	Fan .	681,00	75/74	2	1 613 060 049	Splined coupling .	329,00
25	1	1 610 300 070	Guide Ring .	877,00	75/76	1	1 618 045 022	Strap-Shaped Handle .	2.690,00
28	4	1 614 614 006	Compression Spring .	177,00	75/77	1	1 615 805 069	Bearing Pedestal .	1.146,00
29	1	1 614 614 007	Compression Spring .	258,00	75/79	2	1 613 060 050	Toothed Shaft .	357,00
33	1	1 611 006 008	Holding Plate .	329,00	75/80	1	1 615 500 376	Bearing cover .	289,00
34	1	1 610 102 635	Supporting Disc .	455,00	75/81	1	1 615 500 377	Bearing cover .	289,00
37	1	1 615 500 380	Fan Cover .	1.442,00	75/173	4	1 613 490 008	Torx Oval-Head Screw	30,00
42	1	1 614 336 078	Brush Holder .	1.783,00	75/174	2	1 613 490 009	Torx Oval-Head Screw	46,00
42/2	2	1 614 336 017	Brush Guide .	186,00	75/183	2	2 916 280 013	Supporting Disc	30,00
42/3	2	1 614 652 007	Spiral Spring .	144,00	75/184	2	1 613 349 021	Hex Nut .	59,00
42/6	2	1 611 390 005	Connector .	151,00	86	1	2 911 021 267	Hex Screw .	46,00
42/8	4	2 912 401 412	Tapping Screw .	46,00	87	1	1 600 A00 AR5	Clamping Band .	1.227,00
43	1	1 610 508 054	Spacer .	67,00	88	1	1 613 349 017	Star Knob M8 BLACK	277,00
46	1	1 615 106 053	Motor Housing .	1.433,00	95	1	1 614 448 038	Connecting Cable .	152,00
47	1	1 618 000 028	Base Plate .	515,00	118	1	1 610 520 003	Spacer Tube .	86,00
48	1	1 615 500 383	Housing Cover .	1.159,00	119	2	1 610 913 020	Needle-Roller Assembly .	70,00
53	1	1 610 190 058	Stop Disc .	500,00	120	1	1 610 910 092	Needle-Roller Bearing	1.116,00
55	1	1 610 506 019	Control Bushing .	1.248,00	123	1	1 610 900 030	groove ball bearing	623,00
56/58	1	1 610 500 023	Retaining snap ring .	186,00	126	4	2 603 490 023	Torx Oval-Head Screw	29,00

Please observe: Repairing, modifying and testing of electro-tools are to be performed professionally. The safety regulations according to IEC, EN, VDE, AFNOR and other regulations of the individual countries are to be observed. Subject to change. This price list supersedes all previous edition. Prices are subjected to change without any prior notice.

3 611 C35 100  
Issue Stand 14-09-15 **Fig./Abb. 2**



Modifications reserved  
Änderungen vorbehalten  
Modifications réservées  
Salvo modificaciones

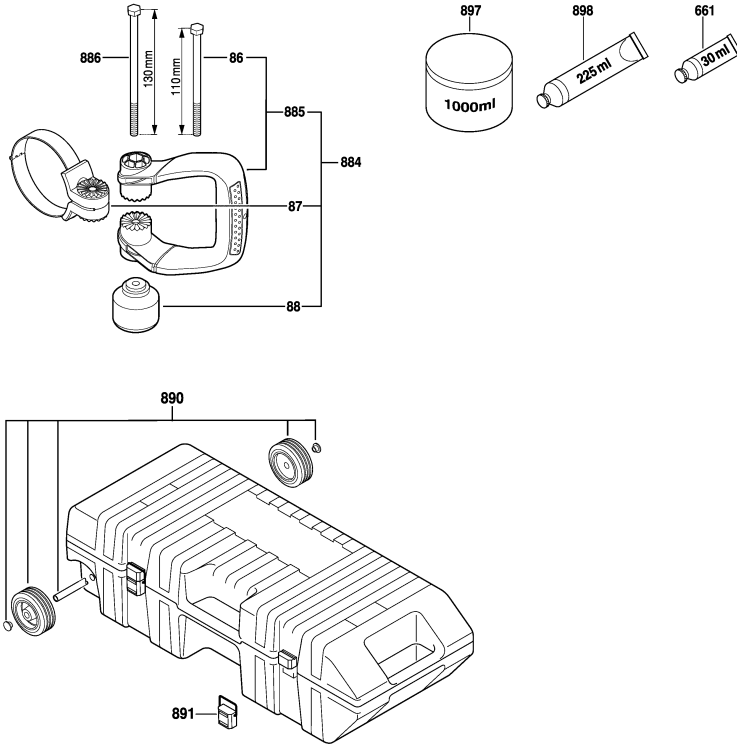
2 / 3

Model: 3 611 C35 1K0 = 230 Date:

Item	Pc	Order no.	Description	LP in INR	Item	Pc	Order no.	Description	LP in INR
128	1	2 916 660 021	Spring retaining ring	118,00	814	1	1 617 000 481	Bearing .	1.074,00
138	1	1 611 015 059	Sealing Frame .	101,00	818	1	1 617 000 482	Brush-Cover .	175,00
139	1	1 610 508 050	Plug .	61,00	819	1	1 617 000 483	Brush-Cover .	175,00
157	1	1 610 210 192	O-Ring .	84,00	820	1	1 617 000 722	Toolholder .	16.919,00
158	1	1 610 210 191	O-Ring .	84,00	821	1	1 617 000 721	Locking Bolt Set .	3.907,00
159	1	1 600 210 005	O-Ring 66,0x3,0 MM .	63,00	831	1	1 617 000 A4Z	Plain Washer .	486,00
161	1	1 610 290 118	Damping Ring .	168,00	835	1	1 617 000 709	Guide Tube .	9.314,00
164	2	1 610 210 194	O-Ring .	70,00	839	1	1 617 000 489	Gear Cover .	3.582,00
165	2	1 610 210 195	O-Ring .	215,00	840	1	1 617 000 490	Gear Housing .	20.261,00
169	4	1 613 414 022	Hex Socket Head Cap	114,00	841	1	1 617 000 491	Striker Pin .	3.152,00
170	4	1 613 414 023	Hex Socket Head Cap	46,00	844	1	1 617 000 492	Hammer Pipe .	7.164,00
171	18	1 613 490 010	Torx Oval-Head Screw	46,00	845	1	1 617 000 710	Sealing cap .	583,00
172	2	1 613 490 011	Torx Oval-Head Screw	46,00	854	1	1 617 000 740	Spacer Tube .	1.131,00
176	2	1 603 435 036	Tapping Screw 4,8x78 MM,	52,00	856	1	1 607 000 C3N	Hammer Piston .	1.617,00
180	2	1 613 490 007	Clamp Screw .	46,00	857	1	1 617 000 495	Striker .	2.525,00
181	2	2 603 490 022	Screw 4x16 .	29,00	870	1	1 607 000 C3P	Connecting Rod .	812,00
183	1	1 613 349 020	Hex Nut .	61,00	875	1	1 617 000 496	Rubber Torsion-Bar .	2.207,00
190	1	1 614 503 007	Suppression Filter .	1.308,00	884	1	1 602 025 08K	Auxiliary Handle .	2.631,00
195	1	1 611 110 D43	Sticker .		885	1	1 605 132 163	Handle .	1.364,00
661	1	1 615 430 010	Grease Tube 30 ML .	114,00	886	1	2 911 011 270	Hex Screw DIN	37,00
805	1	1 617 000 723	Power supply cord .	3.769,00	890	1	1 617 000 716	Wheel Set .	2.149,00
808	1	1 601 11A 3H3	Nameplate .		891	1	1 617 000 715	Lock .	430,00
810	1	1 617 014 143	Carbon-Brush Set .	699,00	892	1	1 607 000 C3M	Hammer Piston .	2.149,00
813	1	1 617 000 480	Bearing .	479,00	895	1	1 617 000 702	Wear and Tear Part Set .	2.194,00

Please observe: Repairing, modifying and testing of electro-tools are to be performed professionally. The safety regulations according to IEC, EN, VDE, AFNOR and other regulations of the individual countries are to be observed. Subject to change.  
This price list supersedes all previous edition. Prices are subjected to change without any prior notice.

3 611 C35 100  
Issue 14-09-15  
Stand **Fig./Abb. 2**



Modifications reserved  
Änderungen vorbehalten  
Modifications réservées  
Salvo modificaciones

3 / 3

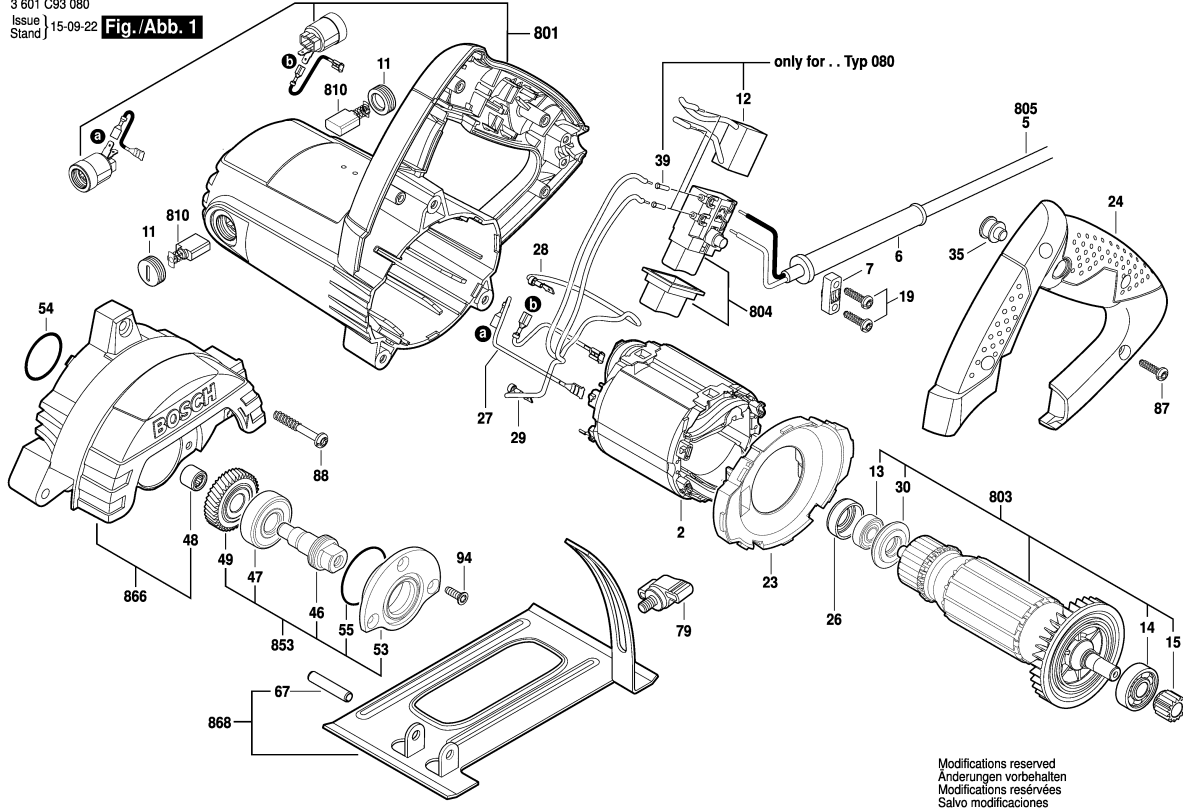
Model: 3 611 C35 1K0 = 230 Date:

Item	Pc	Order no.	Description	LP in INR	Item	Pc	Order no.	Description	LP in INR
896	1	1 617 000 497	Wear and Tear Part Set .	1.003,00					
897	1	1 615 430 016	Lubricating Grease 1000	3.417,00					
898	1	1 615 430 015	Grease Tube 225 ML .	1.023,00					

Please observe: Repairing, modifying and testing of electro-tools are to be performed professionally. The safety regulations according to IEC, EN, VDE, AFNOR and other regulations of the individual countries are to be observed. Subject to change.  
This price list supersedes all previous edition. Prices are subjected to change without any prior notice.

3 601 C93 080  
Issue  
Stand 15-09-22

**Fig./Abb. 1**



Modifications reserved  
Änderungen vorbehalten  
Modifications réservées  
Salvo modificaciones

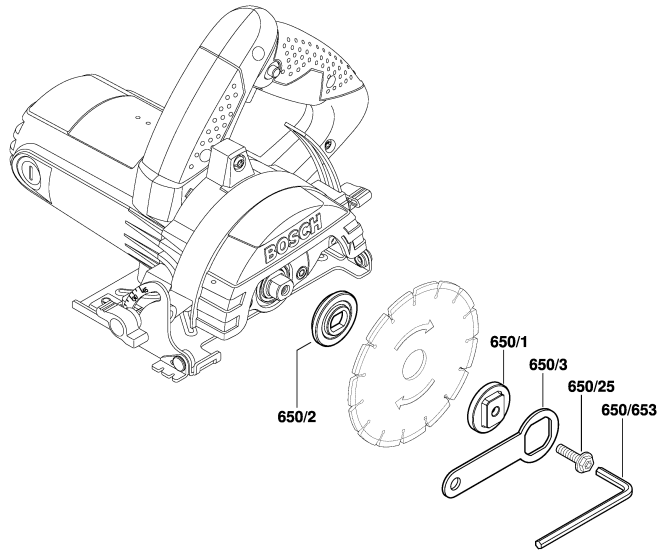
Model: 3 601 C93 0F1 = 220

Date:

Item	Pc	Order no.	Description	LP in INR	Item	Pc	Order no.	Description	LP in INR
2	1	1 619 P08 330	Field 230V .	485,00	87	4	2 603 490 022	Screw 4x16 .	29,00
5	1	1 604 460 752	Power supply cord EU		88	3	1 619 P06 301	Torx Oval-Head Screw	35,00
6	1	F 002 G31 081	Grommet .	29,00	94	3	1 619 P07 062	Thread-Forming Screw .	33,00
7	1	1 619 P06 313	Cable Clip .	29,00	650/1	1	1 619 P06 295	Washer .	50,00
11	2	1 619 P06 286	Insulating Cap .	75,00	650/2	1	1 619 P07 057	Retaining Washer .	116,00
13	1	2 600 905 032	Ball Bearing 7x19x6 .	161,00	650/3	1	1 619 P10 156	Chuck Wrench .	40,00
15	1	F 000 618 002	Cylindrical Gear .	139,00	650/25	1	1 619 P00 278	Hex Screw .	58,00
23	1	1 619 P10 017	Air-Deflector Ring .	44,00	650/653	1	2 610 364 015	Hexagon Socket Screw	105,00
24	1	1 619 P10 018	Handle Cover .	59,00	801	1	1 619 P10 367	Housing Set .	271,00
26	1	1 619 P06 227	Rubber Ring .	29,00	803	1	1 619 P10 368	Armature set 230V .	825,00
27	1	1 600 A00 Z84	Connecting Cable .		804	1	1 619 P10 369	Switch .	134,00
28	1	1 600 A00 Z85	Connecting Cable .		810	1	1 619 P10 371	Carbon-Brush Set .	86,00
29	1	1 600 A00 Z86	Connecting Cable .		853	1	1 619 P07 457	Spindle Assembly .	513,00
30	1	1 619 P04 476	Sealing disk .	33,00	868	1	1 619 P13 158	Base Plate .	328,00
35	1	1 619 P06 293	Protecting Cover .	33,00					
46	1	F 000 619 026	Spindle .	163,00					
47	1	1 619 P00 352	groove ball bearing .	233,00					
48	1	1 600 200 029	Plain bearing .	29,00					
49	1	F 000 617 024	Cylindrical Gear .	182,00					
53	1	1 619 P07 061	Bearing Flange .	136,00					
54	1	F 000 640 007	O-Ring .	35,00					
55	1	F 000 640 008	O-Ring .	35,00					
67	1	2 917 760 156	Slotted Spring Pin 6x32	35,00					
79	1	1 603 480 02E	Wing Screw .	46,00					

Please observe: Repairing, modifying and testing of electro-tools are to be performed professionally. The safety regulations according to IEC, EN, VDE, AFNOR and other regulations of the individual countries are to be observed. Subject to change. This price list supersedes all previous edition. Prices are subjected to change without any prior notice.

3 601 C93 080  
Issue Stand 12-08-31 **Fig./Abb. 2**



Modifications reserved  
Änderungen vorbehalten  
Modifications réservées  
Salvo modificaciones

2 / 2

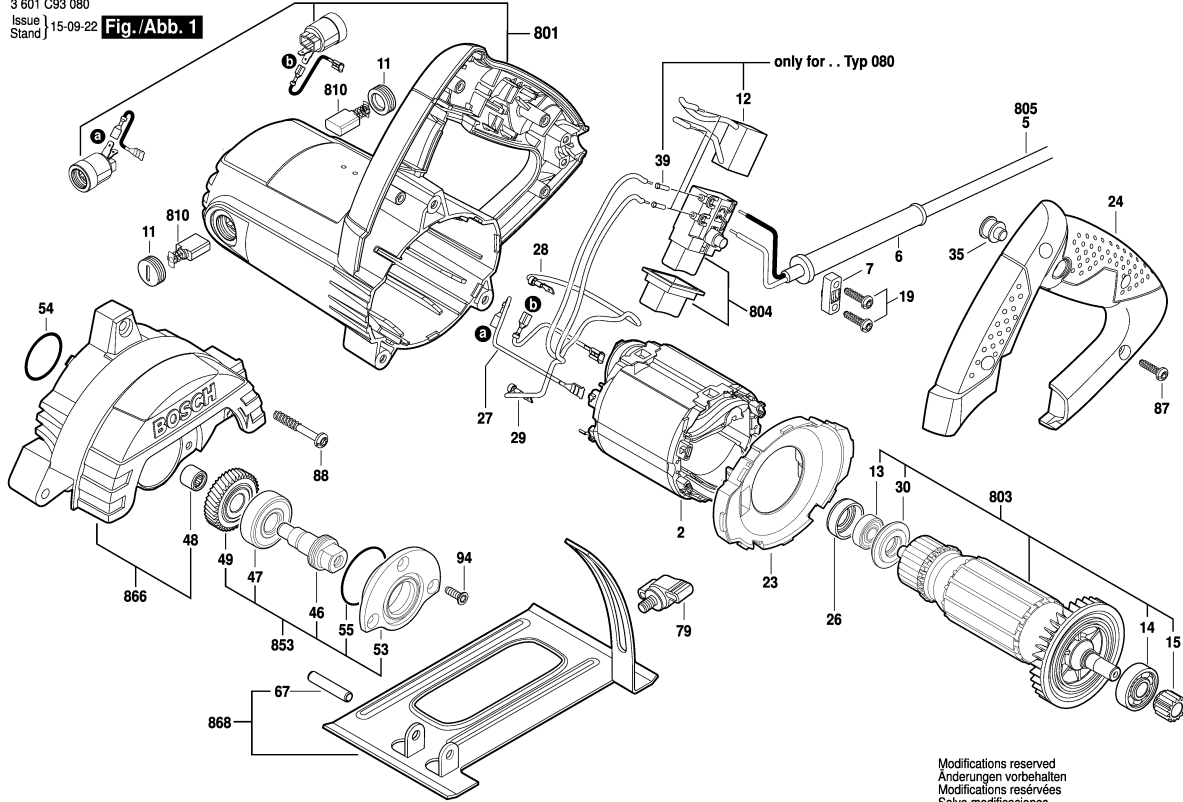
Model: 3 601 C93 0F1 = 220	Date:
----------------------------	-------

Item	Pc	Order no.	Description	LP in INR	Item	Pc	Order no.	Description	LP in INR

Please observe: Repairing, modifying and testing of electro-tools are to be performed professionally. The safety regulations according to IEC, EN, VDE, AFNOR and other regulations of the individual countries are to be observed. Subject to change.  
This price list supersedes all previous edition. Prices are subjected to change without any prior notice.

3 601 C93 080  
Issue  
Stand | 15-09-22

**Fig./Abb. 1**



Modifications reserved  
Änderungen vorbehalten  
Modifications réservées  
Salvo modificaciones

Model: 3 601 C93 1F1 = 220

Date:

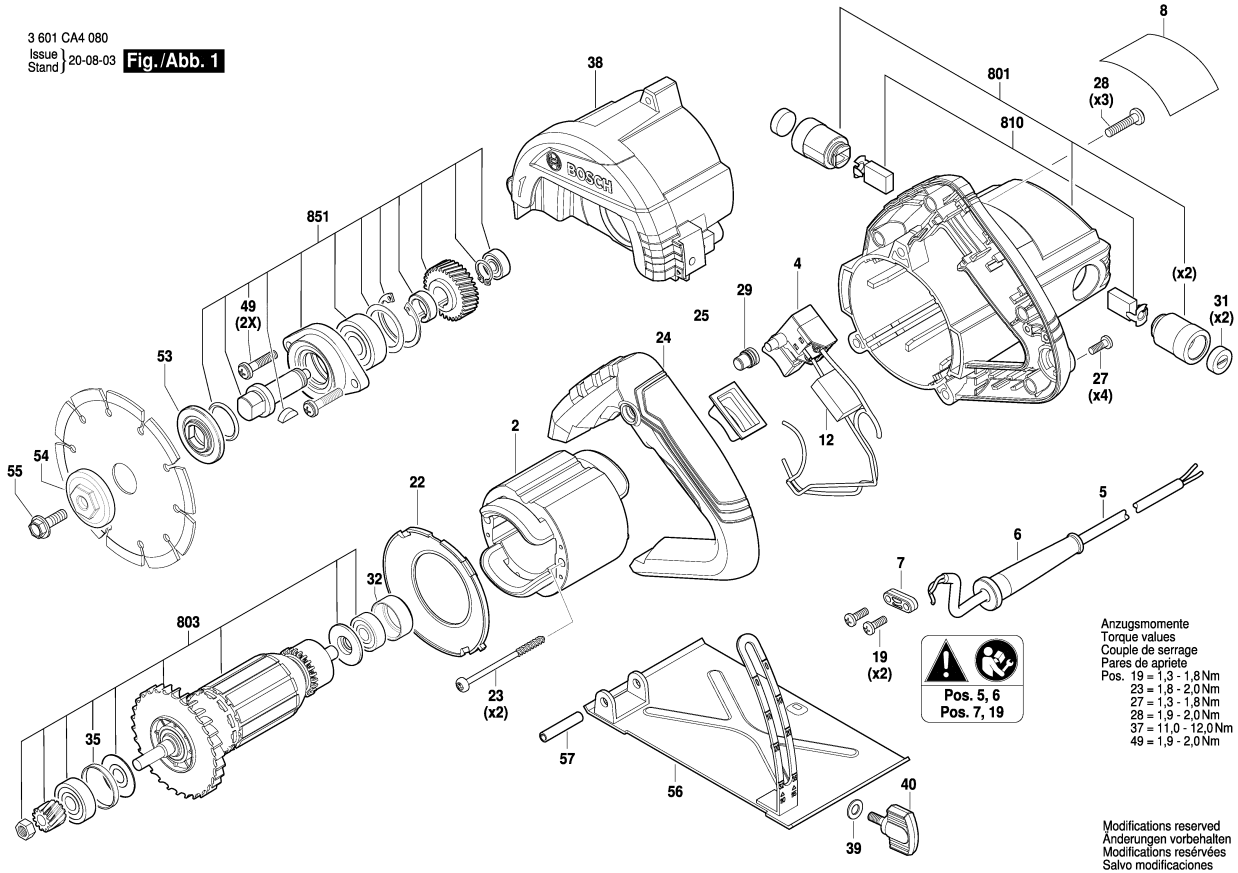
Item	Pc	Order no.	Description	LP in INR	Item	Pc	Order no.	Description	LP in INR
2	1	1 619 P08 330	Field 230V .	485,00	87	4	2 603 490 022	Screw 4x16 .	29,00
5	1	1 604 460 752	Power supply cord EU		88	3	1 619 P06 301	Torx Oval-Head Screw	35,00
6	1	F 002 G31 081	Grommet .	29,00	94	3	1 619 P07 062	Thread-Forming Screw .	33,00
7	1	1 619 P06 313	Cable Clip .	29,00	650/1	1	1 619 P06 295	Washer .	50,00
11	2	1 619 P06 286	Insulating Cap .	75,00	650/2	1	1 619 P07 057	Retaining Washer .	116,00
13	1	2 600 905 032	Ball Bearing 7x19x6 .	161,00	650/3	1	1 619 P10 156	Chuck Wrench .	40,00
15	1	F 000 618 002	Cylindrical Gear .	139,00	650/25	1	1 619 P00 278	Hex Screw .	58,00
23	1	1 619 P10 017	Air-Deflector Ring .	44,00	650/653	1	2 610 364 015	Hexagon Socket Screw	105,00
24	1	1 619 P10 018	Handle Cover .	59,00	801	1	1 619 P10 367	Housing Set .	271,00
26	1	1 619 P06 227	Rubber Ring .	29,00	803	1	1 619 P10 368	Armature set 230V .	825,00
27	1	1 600 A00 Z84	Connecting Cable .		804	1	1 619 P10 369	Switch .	134,00
28	1	1 600 A00 Z85	Connecting Cable .		810	1	1 619 P10 371	Carbon-Brush Set .	86,00
29	1	1 600 A00 Z86	Connecting Cable .		853	1	1 619 P07 457	Spindle Assembly .	513,00
30	1	1 619 P04 476	Sealing disk .	33,00	866	1	1 619 P13 508	Gear Housing .	568,00
35	1	1 619 P06 293	Protecting Cover .	33,00	868	1	1 619 P13 509	Base Plate .	327,00
46	1	F 000 619 026	Spindle .	163,00					
47	1	1 619 P00 352	groove ball bearing .	233,00					
48	1	1 600 200 029	Plain bearing .	29,00					
49	1	F 000 617 024	Cylindrical Gear .	182,00					
53	1	1 619 P07 061	Bearing Flange .	136,00					
54	1	F 000 640 007	O-Ring .	35,00					
55	1	F 000 640 008	O-Ring .	35,00					
67	1	2 917 760 156	Slotted Spring Pin 6x32	35,00					
79	1	1 603 480 02E	Wing Screw .	46,00					

Please observe: Repairing, modifying and testing of electro-tools are to be performed professionally. The safety regulations according to IEC, EN, VDE, AFNOR and other regulations of the individual countries are to be observed. Subject to change. This price list supersedes all previous edition. Prices are subjected to change without any prior notice.





3 601 CA4 080  
Issue Stand 20-08-03 **Fig./Abb. 1**



1 / 1

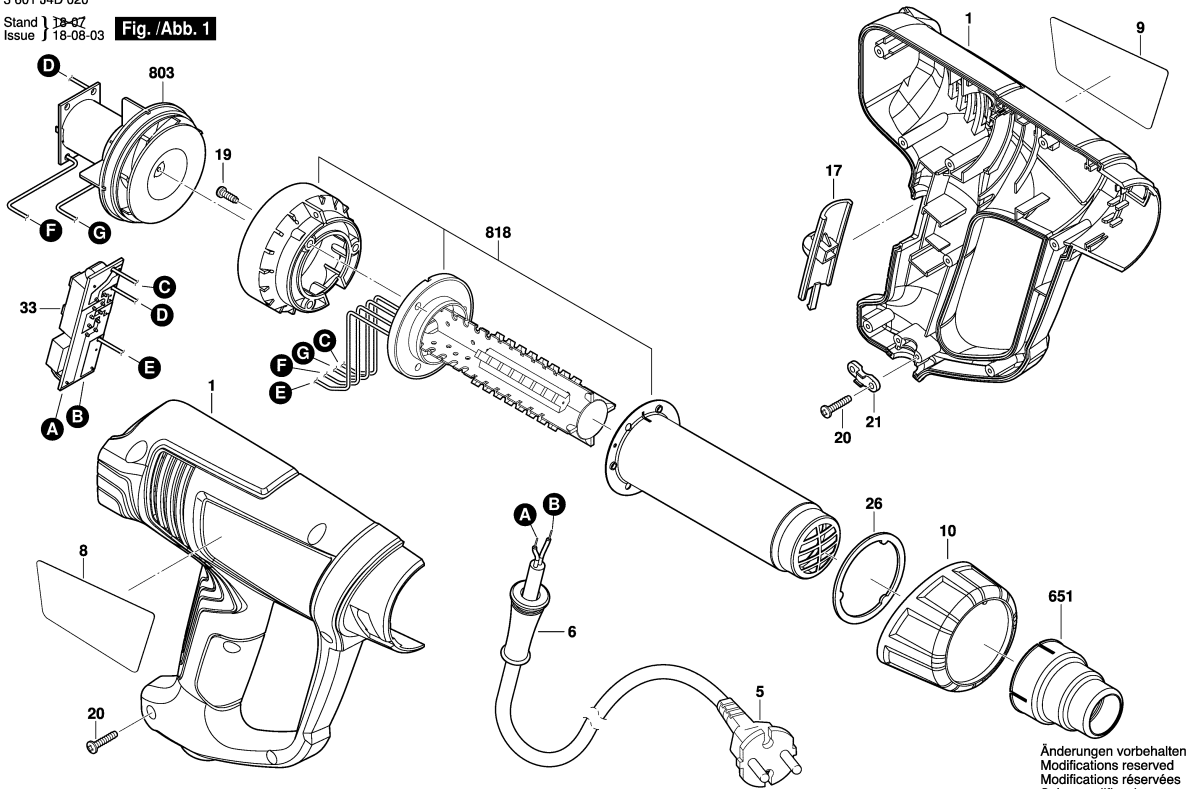
Model: 3 601 CA4 1F0 = 220

Date:

Item	Pc	Order no.	Description	LP in INR	Item	Pc	Order no.	Description	LP in INR
2	1	1 619 PB5 750	Field .	897,00	55	1	1 619 PB5 789	Bolt .	28,00
4	1	1 619 PB5 623	Switch .	150,00	56	1	1 619 PB7 285	Base .	205,00
5	1	1 619 PB7 280	Power supply cord .		57	1	1 619 PB5 791	Slotted Spring Pin .	28,00
6	1	1 619 PB5 767	Cord guard .	28,00	801	1	1 619 PB5 911	Housing Set .	395,00
7	1	1 619 PB5 768	Cable Clip .	28,00	803	1	1 619 PB7 286	Armature assembly .	1.216,00
8	1	1 619 PB7 281	Nameplate .		810	1	1 619 PB5 915	Carbon Brush .	100,00
12	1	1 619 PB5 771	Capacitor .	28,00	851	1	1 619 PB7 287	spindle assembly .	561,00
19	2	1 619 PB5 793	Screw .	28,00					
22	1	1 619 PB5 763	Air-Deflector Ring .	28,00					
23	2	1 619 PB5 794	Screw .	28,00					
24	1	1 619 PB5 764	Handle .	100,00					
25	1	1 619 PB5 772	Cap .	146,00					
27	4	1 619 PB5 795	Screw .	28,00					
28	3	1 619 PB5 796	Screw .	28,00					
29	1	1 619 PB5 773	Cap .	28,00					
31	2	1 619 PB5 756	Insulating Cap .	28,00					
32	1	1 619 PB5 775	Bearing Sleeve .	28,00					
35	1	1 619 PB5 778	Rectangular Ring .	34,00					
38	1	1 619 PB7 282	Gear Box .	457,00					
39	1	1 619 PB5 780	Washer .	28,00					
40	1	1 619 PB5 792	Wing Screw .	28,00					
49	2	1 619 PB5 798	Screw .	28,00					
53	1	1 619 PB5 787	Clamping Flange .	28,00					
54	1	1 619 PB5 788	Clamping Flange .	34,00					

3 601 J4D 020  
Stand } 18-07  
Issue } 18-08-03

**Fig. /Abb. 1**



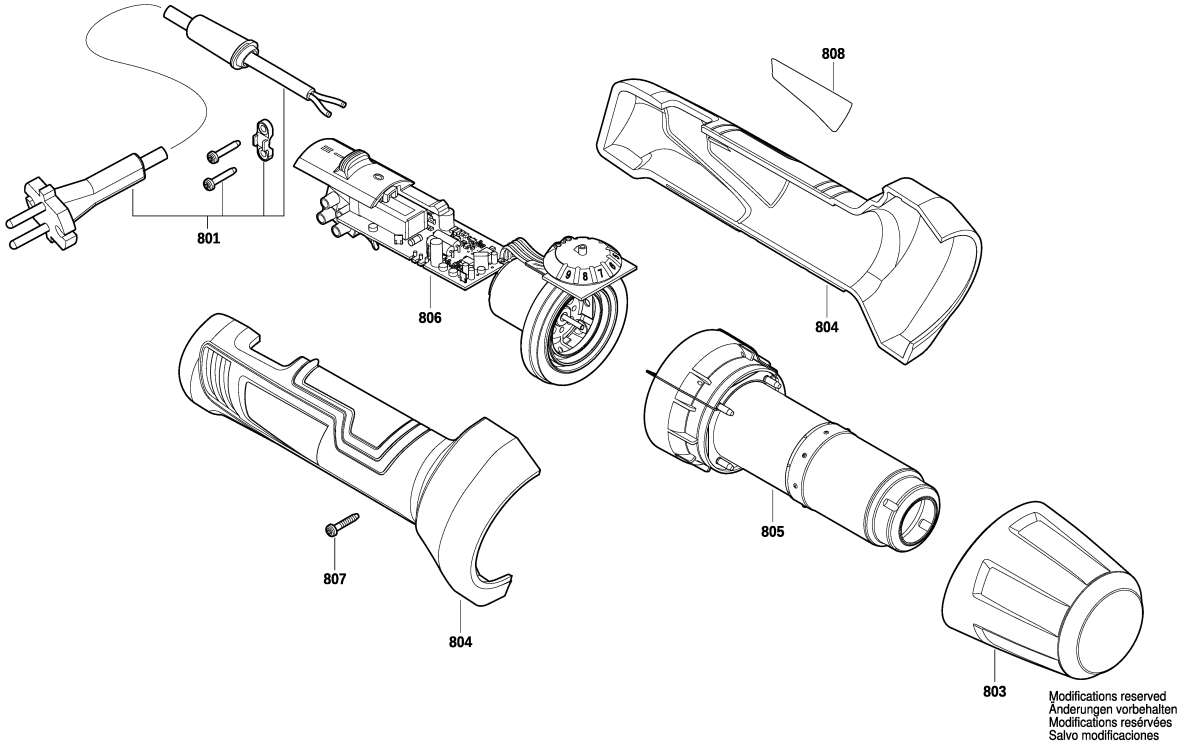
Änderungen vorbehalten  
Modifications reserved  
Modifications réservées  
Salvo modificaciones

Model: 3 601 J4D 0F0 = 230	Date:
----------------------------	-------

Item	Pc	Order no.	Description	LP in INR	Item	Pc	Order no.	Description	LP in INR
1	1	1 619 PB2 409	Housing Set .	435,00					
5	1	1 619 PB5 390	Power supply cord .						
6	1	1 619 PB2 792	Grommet .	29,00					
8	1	1 619 PB2 794	Nameplate .						
9	1	1 619 PB2 793	Manufacturer's nameplate						
10	1	1 619 PB2 411	Protective Tube .	114,00					
17	1	1 619 PB2 412	Switch Slide .	52,00					
19	3	1 619 PB2 799	Pan head screw .	51,00					
20	7	1 619 PB2 800	Pan head screw .	51,00					
21	1	1 619 PB2 801	Fastening Clamp .	51,00					
26	1	1 619 PB2 807	Locating ring .	51,00					
33	1	1 619 PB3 834	Switch Kit .	282,00					
651	1	1 619 PB2 931	Hot air nozzle .	204,00					
803	1	1 619 PB2 788	Motor .	674,00					
818	1	1 619 PB2 798	Heating Element .	707,00					

Please observe: Repairing, modifying and testing of electro-tools are to be performed professionally. The safety regulations according to IEC, EN, VDE, AFNOR and other regulations of the individual countries are to be observed. Subject to change.  
This price list supersedes all previous edition. Prices are subjected to change without any prior notice.

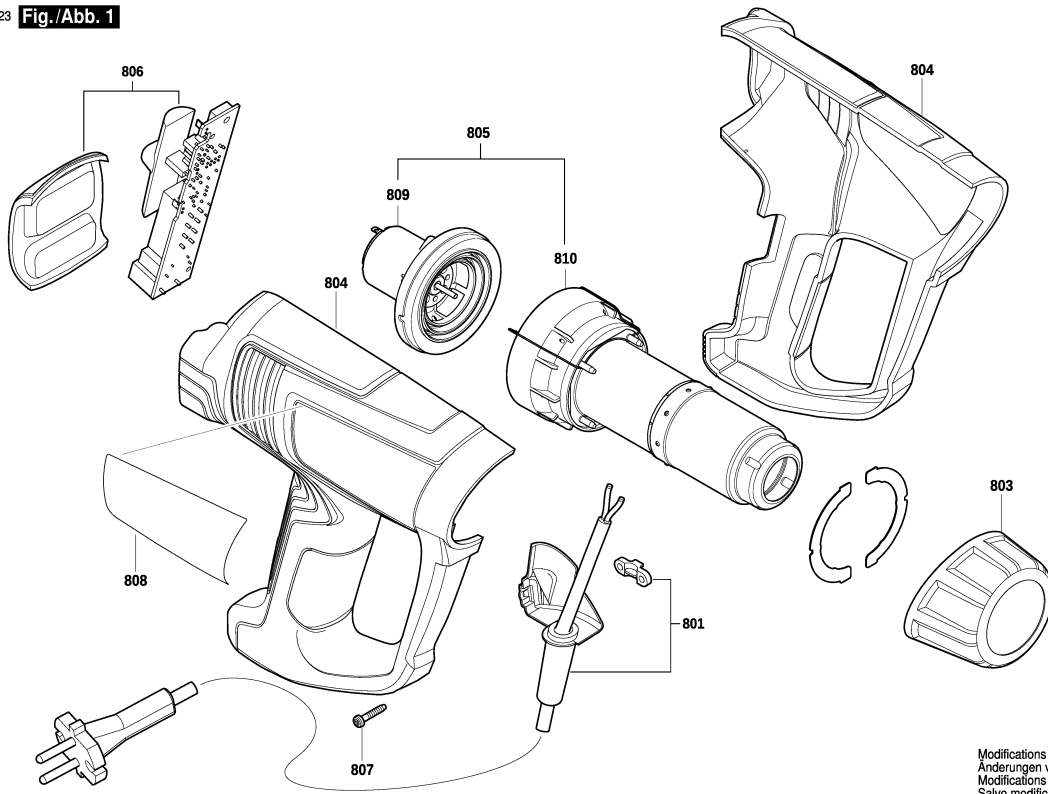
3 601 BA6 400  
ISSUE 18-01-26  
Stand } **Fig./Abb. 1**



Model: 3 601 BA6 400 = 230					Date:				
Item	Pc	Order no.	Description	LP in INR	Item	Pc	Order no.	Description	LP in INR
801	1	1 607 000 CW0	Power supply cord .	1.371,00					
803	1	1 607 000 D03	Protective Tube .	446,00					
804	1	1 607 000 CZ9	Housing .	1.333,00					
805	1	1 607 000 D2K	Heating Element .	2.987,00					
806	1	1 607 000 D00	Printed Circuit Board .	2.633,00					
807	1	1 607 000 CZ8	Screw .	43,00					
808	1	1 607 000 D43	Nameplate .						

Please observe: Repairing, modifying and testing of electro-tools are to be performed professionally. The safety regulations according to IEC, EN, VDE, AFNOR and other regulations of the individual countries are to be observed. Subject to change.  
This price list supersedes all previous edition. Prices are subjected to change without any prior notice.

3 601 BA6 200  
ISSUE | 19-08-23  
Stand | **Fig./Abb. 1**



Modifications reserved  
Änderungen vorbehalten  
Modifications réservées  
Salvo modificaciones

1 / 1

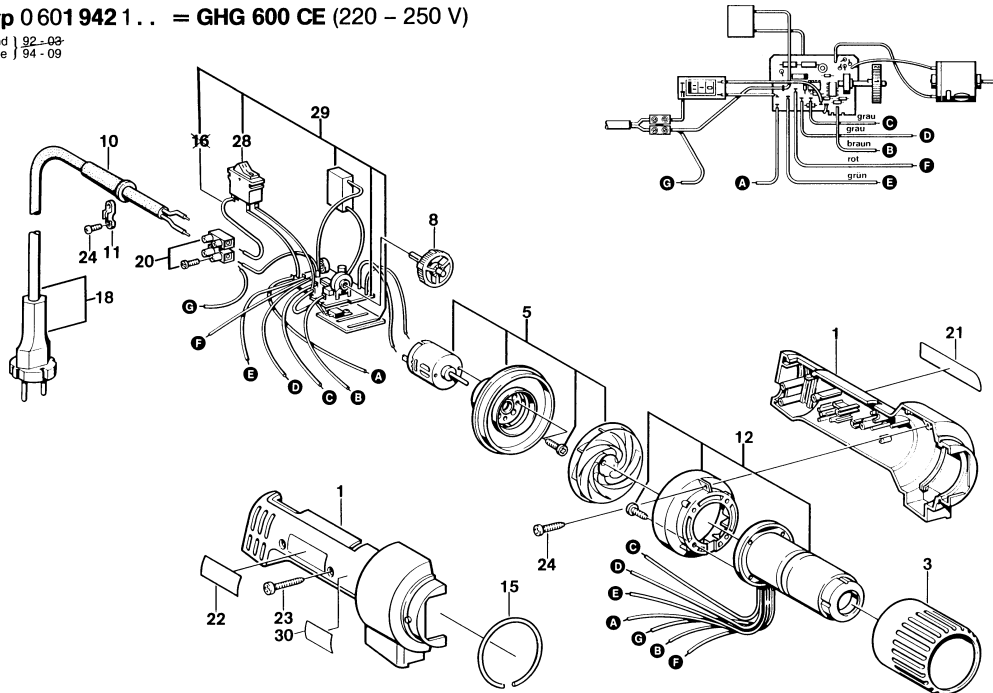
Model: 3 601 BA6 2K0 = 230							Date: _____		
----------------------------	--	--	--	--	--	--	-------------	--	--

Item	Pc	Order no.	Description	LP in INR	Item	Pc	Order no.	Description	LP in INR
801	1	1 607 000 CW0	Power supply cord .	1.371,00					
803	1	1 607 000 D0H	Protective Tube .	326,00					
804	1	1 607 000 D0C	Housing .	1.291,00					
805	1	1 607 000 D1V	Motor .	3.072,00					
806	1	1 607 000 D0D	Printed Circuit Board .	3.542,00					
807	1	1 607 000 CW1	Screw .	29,00					
808	1	1 607 000 D4A	Nameplate .						
809	1	1 600 A01 N64	Motor .	801,00					
810	1	1 600 A01 N6C	Heating Element .	2.389,00					

Please observe: Repairing, modifying and testing of electro-tools are to be performed professionally. The safety regulations according to IEC, EN, VDE, AFNOR and other regulations of the individual countries are to be observed. Subject to change.  
This price list supersedes all previous edition. Prices are subjected to change without any prior notice.

Typ 0 601 942 1.. = GHG 600 CE (220 – 250 V)

Stand | 92-09  
Issue | 94-09



Änderungen vorbehalten  
Modifications reserved  
Modificaciones reservadas  
Salvo modificaciones  
Robert Bosch GmbH  
Geschäftsbereich Elektrowerkzeuge  
D 70745 Leinfelden-Echterdingen

1 / 2

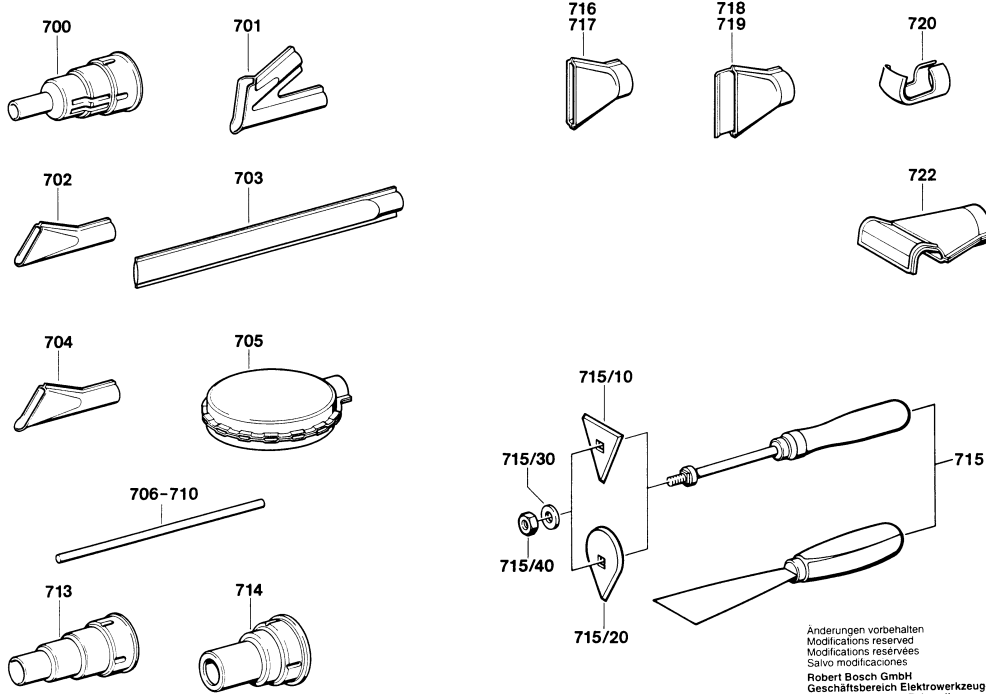
Model: 0 601 942 103 = 230

Date:

Item	Pc	Order no.	Description	LP in INR	Item	Pc	Order no.	Description	LP in INR
1	1	1 609 202 271	Motor Housing BLUE	947,00	707	1	1 609 201 808	Welding Rod Ø 4 MM .	
3	1	1 609 201 484	Protective Tube .	281,00	708	1	1 609 201 809	Welding Rod Ø 4 MM .	
5	1	1 609 202 269	DC motor 100-240V .	1.427,00	709	1	1 609 201 810	Welding Rod Ø 4 MM .	
8	1	1 609 202 272	Thumbwheel .	143,00	710	1	1 609 201 811	Welding Rod Ø 4 MM .	
10	1	1 609 202 793	Grommet .	108,00	711	1	1 609 201 812	Shrinkable Tube 2,4-4,8	
11	1	1 609 201 487	Fastening Clamp .		712	1	1 609 201 813	Shrinkable Tube 4,8-9,5	
12	1	1 609 202 261	Cylindrical Heating Elem	2.941,00	715	1	1 609 390 450	Parts Set 75 MM .	
15	1	1 609 201 490	Retaining ring	56,00	715/10	1	1 609 201 745	Blade .	
18	1	3 607 030 489	Power supply cord .	3.150,00	715/20	1	1 609 201 746	Blade .	
20	1	1 609 390 042	connecting terminal	109,00	715/30	1	2 916 011 015	Plain Washer 8,4 DIN	
21	1	1 601 110 596	Manufacturer's nameplate .		715/40	1	2 915 011 009	Hex Nut DIN 934-M8-8-A .	45,00
22	1	1 601 110 597	Nameplate .		716	1	1 609 390 451	Wide Angle Nozzle 75 MM .	
23	2	2 910 615 507	Tapping Screw DIN	28,00	717	1	1 609 201 795	Flat Suction Nozzle 50 MM	
24	3	2 910 614 406	Tapping Screw DIN	28,00	718	1	1 609 390 452	Flat-Spray Nozzle 75 MM .	
28	1	1 609 202 264	On-Off Switch .	444,00	719	1	1 609 201 796	Flat-Spray Nozzle 50 MM .	
29	1	1 609 202 266	Printed-Board Assembly	2.706,00	720	1	1 609 390 453	Cylindrical-Spray Nozzle .	
30	1	1 601 110 265	Reference Plate .		722	1	1 609 201 751	Angular Jet Nozzle .	
700	1	1 609 201 797	Reduction Nozzle Ø 22/9						
701	1	1 609 201 798	Welding Nozzle Ø 9 MM .						
702	1	1 609 201 799	Flat Suction Nozzle Ø 9						
703	1	1 609 201 800	Cutting Nozzle Ø 9 MM .						
704	1	1 609 201 801	Welding Nozzle Ø 9 MM .						
705	1	1 609 201 802	Welding Nozzle .						
706	1	1 609 201 807	Welding Rod Ø 4 MM .						

**Typ 0 601 942 1.. = GHG 600 CE**

Stand | 92-03  
Issue | 94-09



Änderungen vorbehalten  
Modifications reserved  
Modifications réservées  
Salvo modificaciones  
Robert Bosch GmbH  
Geschäftsbereich Elektrowerkzeuge  
D 70745 Leinfelden-Echterdingen

Model: 0 601 942 103 = 230

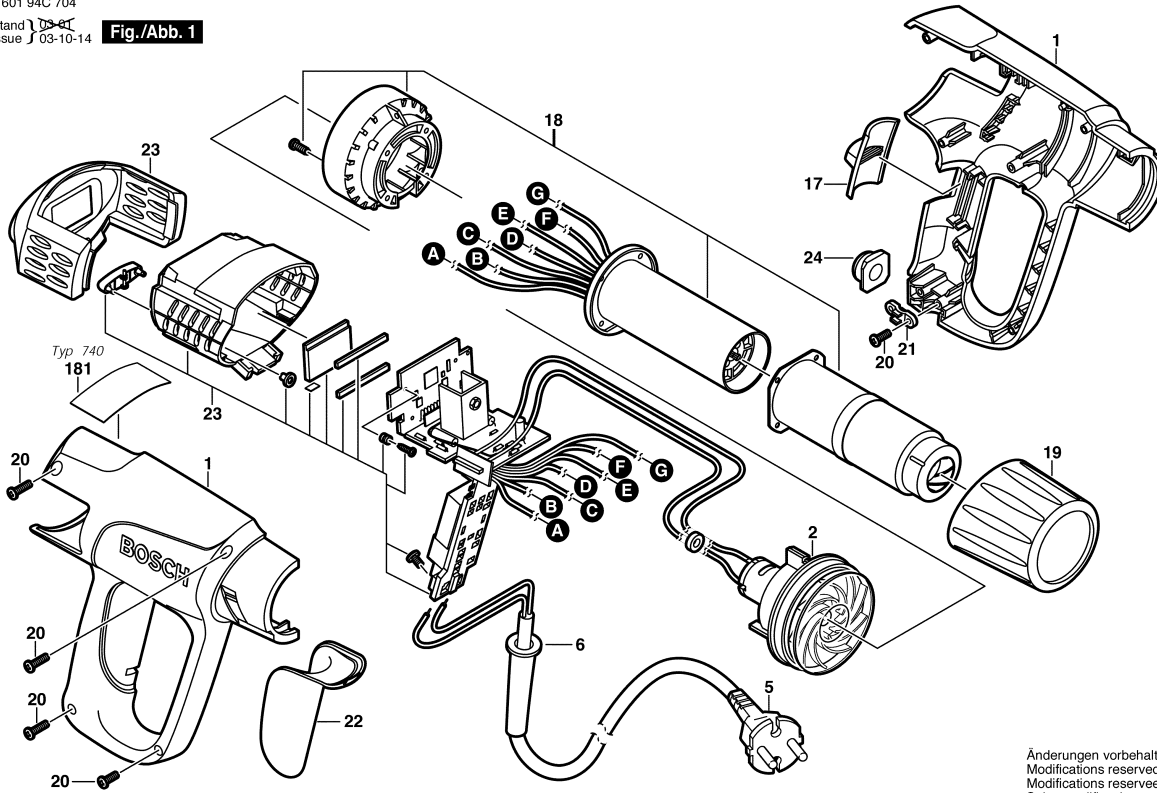
Date:

Item	Pc	Order no.	Description	LP in INR	Item	Pc	Order no.	Description	LP in INR

0 601 94C 704

Stand 03-11  
Issue 03-10-14

Fig./Abb. 1



Änderungen vorbehalten  
Modifications reserved  
Modifications reserves  
Salvo modificaciones

1 / 1

Model: 0 601 94C 750 = 230

Date:

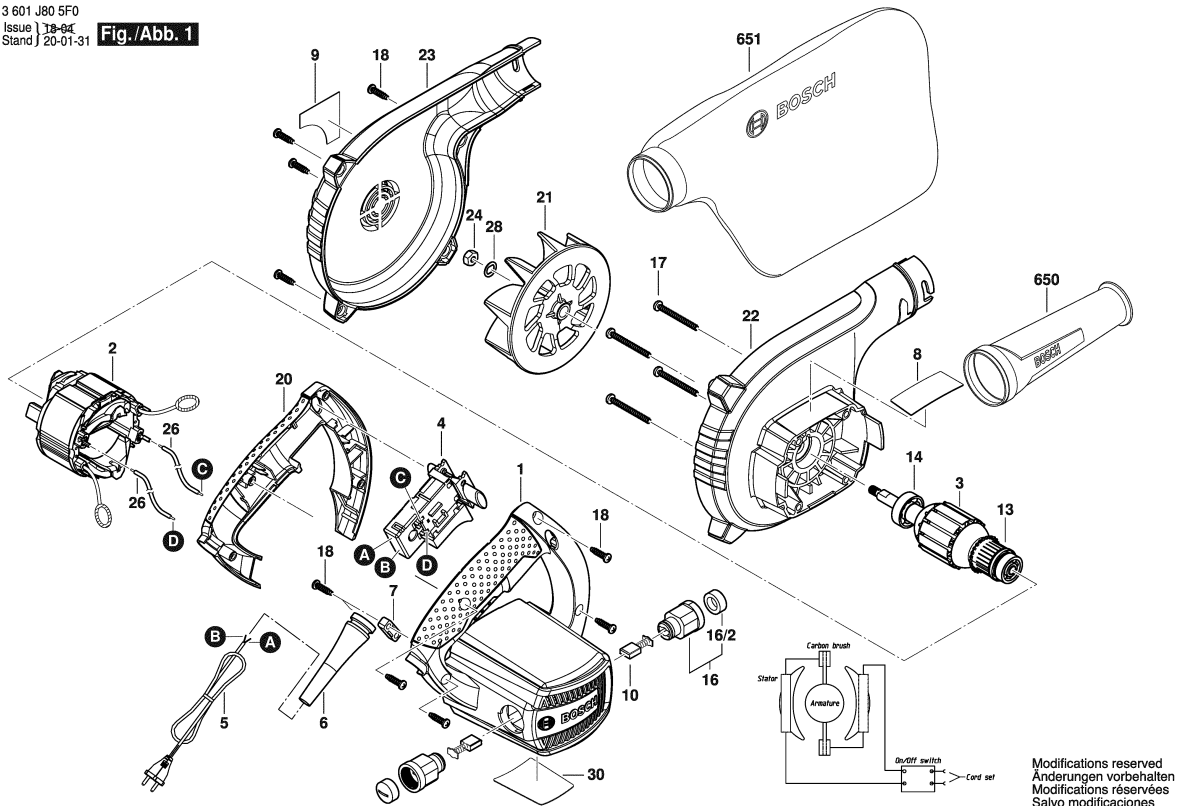
Item	Pc	Order no.	Description	LP in INR	Item	Pc	Order no.	Description	LP in INR
1	1	1 609 203 K45	Housing Section .						
2	1	1 609 202 611	DC motor 115-240V .	793,00					
5	1	1 609 203 964	Power supply cord I 2,5m						
6	1	1 609 202 606	Grommet .	64,00					
17	1	1 609 203 H66	Switch Button .	178,00					
18	1	1 609 203 H67	Heating Element 220-230V	2.265,00					
19	1	1 609 203 H61	Protective Tube .	323,00					
20	7	2 910 615 407	Tapping Screw DIN	28,00					
21	1	1 609 203 102	Fastening Clamp .	46,00					
22	1	1 609 203 H62	Cap-Handle .	521,00					
23	1	1 609 203 L51	Connecting Block 115-240V	3.990,00					
24	1	1 609 203 H65	Rubber Base .	42,00					

Please observe: Repairing, modifying and testing of electro-tools are to be performed professionally. The safety regulations according to IEC, EN, VDE, AFNOR and other regulations of the individual countries are to be observed. Subject to change. This price list supersedes all previous edition. Prices are subjected to change without any prior notice.



3 601 J80 5F0  
Issue | 18-04  
Stand | 20-01-31

**Fig./Abb. 1**



Modifications reserved  
Änderungen vorbehalten  
Modifications réservées  
Salvo modificaciones

1 / 1

Model: 3 601 J80 5F0 = 230

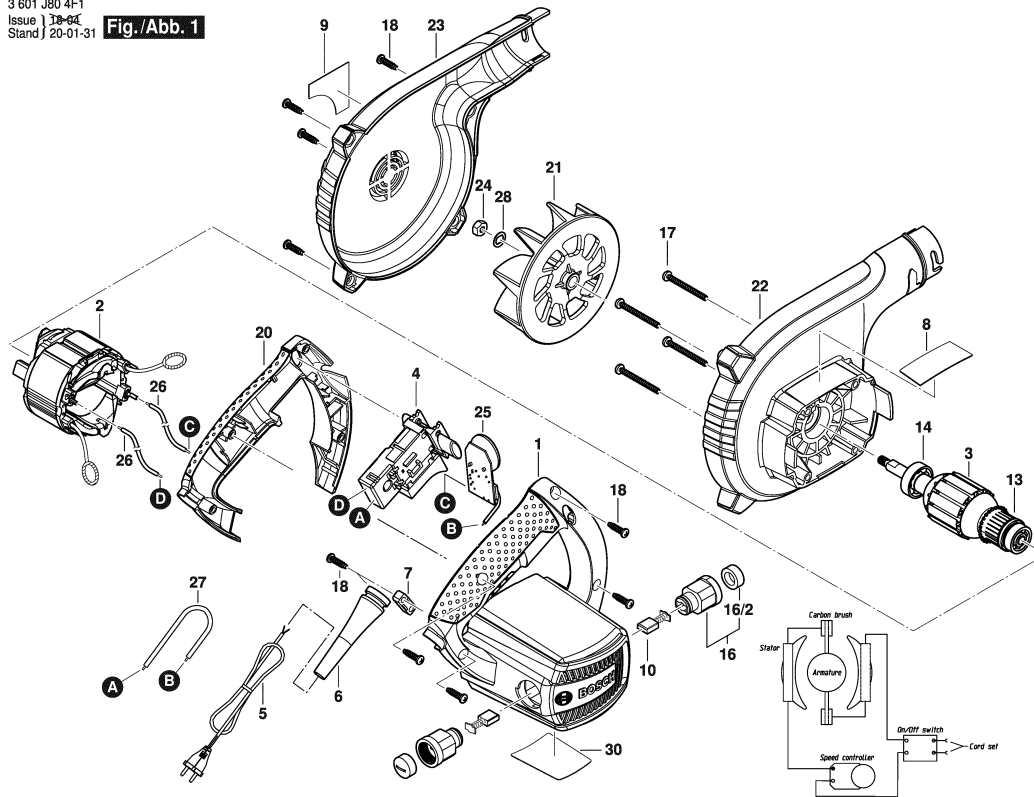
Date:

Item	Pc	Order no.	Description	LP in INR	Item	Pc	Order no.	Description	LP in INR
1	1	1 605 108 29C	Motor Housing .	222,00	650	1	1 605 190 265	Nozzle .	393,00
2	1	1 604 220 56J	Field .	702,00	651	1	1 605 411 034	Dust Bag .	574,00
3	1	1 604 010 B92	Armature .	617,00					
4	1	2 607 200 637	On-Off Switch .	248,00					
5	1	1 604 460 264	Power supply cord EU	697,00					
6	1	2 600 703 017	Grommet Ø6,4-Ø7,2x76	70,00					
7	1	2 601 035 001	Cable Clip .	43,00					
8	1	1 601 11A 5BY	Nameplate .						
9	1	1 601 11C 2A4	Label GBL 620 .						
10	1	1 604 321 129	Carbon Brush .	115,00					
13	1	1 900 905 018	Ball Bearing 7x22x7 .	57,00					
14	1	1 900 905 025	Ball Bearing 9x26x8 .	87,00					
16/1	1	1 600 A00 187	Brush Holder .	136,00					
16/2	1	1 600 A00 188	Brush Holder .	64,00					
17	4	2 914 201 712	Screw 4x40MM .	30,00					
18	10	F 002 G31 025	Screw .	30,00					
20	1	1 605 132 15A	Handle .	89,00					
21	1	1 606 610 16T	Fan .	110,00					
22	1	1 600 A00 15N	Fan Housing .	209,00					
23	1	1 600 A00 15P	Fan Cover .	153,00					
24	1	1 613 300 006	Hex Nut M6 .	30,00					
26	2	1 600 A00 FT2	Connecting Cable .	54,00					
28	1	1 600 100 036	Cover Disc .	72,00					
30	1	1 601 118 N89	Warning Plate .						

Please observe: Repairing, modifying and testing of electro-tools are to be performed professionally. The safety regulations according to IEC, EN, VDE, AFNOR and other regulations of the individual countries are to be observed. Subject to change.  
This price list supersedes all previous edition. Prices are subjected to change without any prior notice.

3 601 J80 4F1  
Issue | 18-04  
Stand | 20-01-31

**Fig./Abb. 1**



Modifications reserved  
Änderungen vorbehalten  
Modifications réservées  
Salvo modificaciones

1 / 2

Model: 3 601 J80 4F6 = 220 Date:

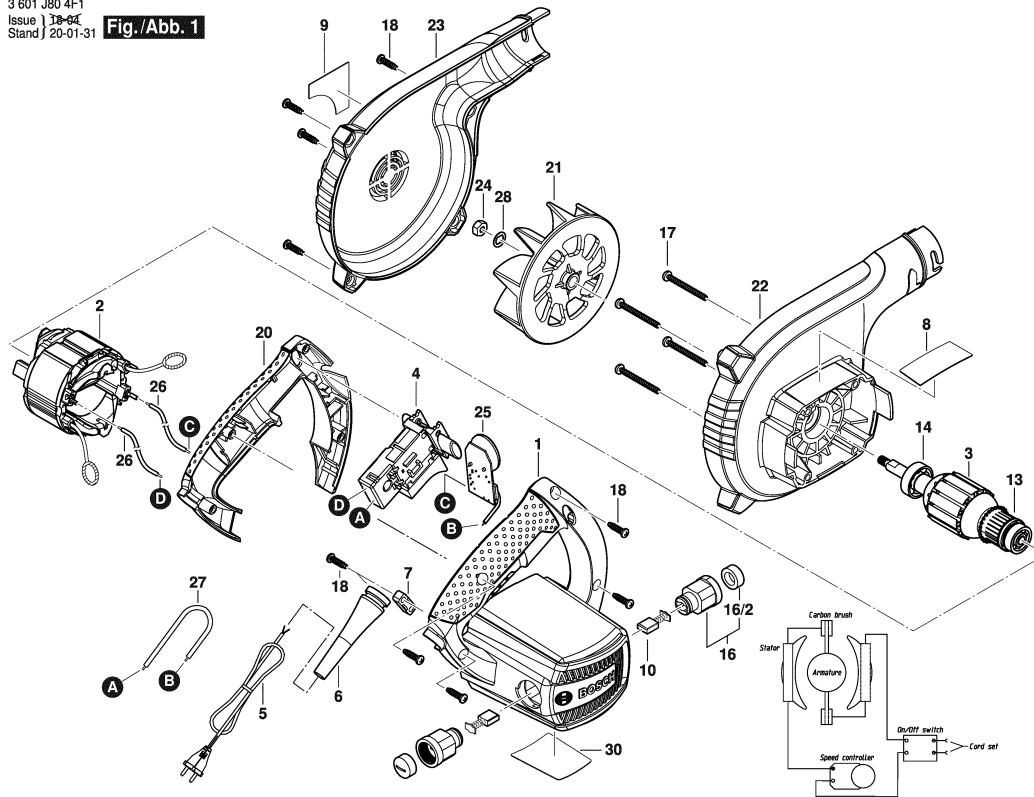
Item	Pc	Order no.	Description	LP in INR	Item	Pc	Order no.	Description	LP in INR
1	1	1 605 108 29B	Motor Housing .	298,00	28	1	1 600 100 036	Cover Disc .	72,00
2	1	1 604 220 439	Field 220-240V .	786,00	30	1	1 601 118 N89	Warning Plate .	
3	1	1 604 010 B1E	Armature 230V .	727,00	650	1	1 605 190 265	Nozzle .	393,00
4	1	2 607 200 637	On-Off Switch .	248,00	651	1	1 605 411 034	Dust Bag .	574,00
5	1	1 604 460 244	Power supply cord GB		653	1	1 619 PA9 088	Extension Tube .	252,00
6	1	2 600 703 017	Grommet Ø6,4-Ø7,2x76	70,00	654	1	1 619 PA9 089	Nozzle .	279,00
7	1	2 601 035 001	Cable Clip .	43,00	655	1	1 619 PA9 228	Flexible Connection .	389,00
8	1	6 082 942 F9Z	Nameplate .		656	1	1 619 PA9 087	Nozzle .	279,00
9	1	1 601 11C 02M	Label GBL 800 E Heavy		657	1	1 600 A01 595	Adapter .	136,00
10	1	1 604 321 129	Carbon Brush .	115,00					
13	1	1 900 905 018	Ball Bearing 7x22x7 .	57,00					
14	1	1 900 905 025	Ball Bearing 9x26x8 .	87,00					
16	1	1 600 A00 187	Brush Holder .	136,00					
16/2	1	F 002 G31 065	Insulating Cap .	29,00					
17	4	2 914 201 712	Screw 4x40MM .	30,00					
18	10	F 002 G31 025	Screw .	30,00					
20	1	1 605 132 159	Handle .	140,00					
21	1	1 606 610 156	Fan .	140,00					
22	1	1 600 A00 15N	Fan Housing .	209,00					
23	1	1 600 A00 15P	Fan Cover .	153,00					
24	1	1 613 300 006	Hex Nut M6 .	30,00					
25	1	1 607 233 593	Controller .	782,00					
26	1	1 600 A00 FT2	Connecting Cable .	54,00					
27	1	1 604 413 008	Connecting Cable .	45,00					

Please observe: Repairing, modifying and testing of electro-tools are to be performed professionally. The safety regulations according to IEC, EN, VDE, AFNOR and other regulations of the individual countries are to be observed. Subject to change.  
This price list supersedes all previous edition. Prices are subjected to change without any prior notice.



3 601 J80 4F1  
Issue | 18-94  
Stand | 20-01-31

**Fig./Abb. 1**



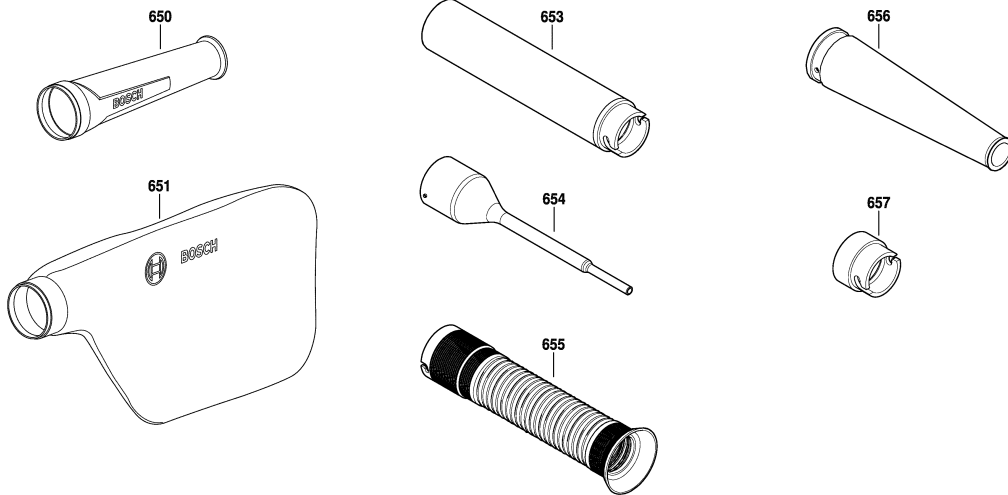
Modifications reserved  
Änderungen vorbehalten  
Modifications réservées  
Salvo modificaciones

1 / 2

Model: 3 601 J80 4F7 = 230 Date:

Item	Pc	Order no.	Description	LP in INR	Item	Pc	Order no.	Description	LP in INR
1	1	1 605 108 29B	Motor Housing .	298,00	651	1	1 605 411 034	Dust Bag .	574,00
2	1	1 604 220 439	Field 220-240V .	786,00	653	1	1 619 PA9 088	Extension Tube .	252,00
3	1	1 604 010 B1E	Armature 230V .	727,00	654	1	1 619 PA9 089	Nozzle .	279,00
4	1	2 607 200 637	On-Off Switch .	248,00	655	1	1 619 PA9 228	Flexible Connection .	389,00
5	1	1 604 460 287	Power supply cord I/BR		656	1	1 619 PA9 087	Nozzle .	279,00
6	1	2 600 703 017	Grommet Ø6,4-Ø7,2x76	70,00	657	1	1 600 A01 595	Adapter .	136,00
7	1	2 601 035 001	Cable Clip .	43,00					
10	1	1 604 321 129	Carbon Brush .	115,00					
13	1	1 900 905 018	Ball Bearing 7x22x7 .	57,00					
14	1	1 900 905 025	Ball Bearing 9x26x8 .	87,00					
16	1	1 600 A00 187	Brush Holder .	136,00					
16/2	1	F 002 G31 065	Insulating Cap .	29,00					
17	4	2 914 201 712	Screw 4x40MM .	30,00					
18	10	F 002 G31 025	Screw .	30,00					
20	1	1 605 132 159	Handle .	140,00					
21	1	1 606 610 156	Fan .	140,00					
22	1	1 600 A00 15N	Fan Housing .	209,00					
23	1	1 600 A00 15P	Fan Cover .	153,00					
24	1	1 613 300 006	Hex Nut M6 .	30,00					
25	1	1 607 233 593	Controller .	782,00					
26	1	1 600 A00 FT2	Connecting Cable .	54,00					
28	1	1 600 100 036	Cover Disc .	72,00					
30	1	1 601 118 N89	Warning Plate .						
650	1	1 605 190 265	Nozzle .	393,00					

3 601 J80 4F1  
Issue } 18-04-25  
Stand } **Fig. /Abb. 2**



Änderungen vorbehalten  
Modifications reserved  
Modifications réservées  
Salvo modificaciones

2 / 2

Model: 3 601 J80 4F7 = 230

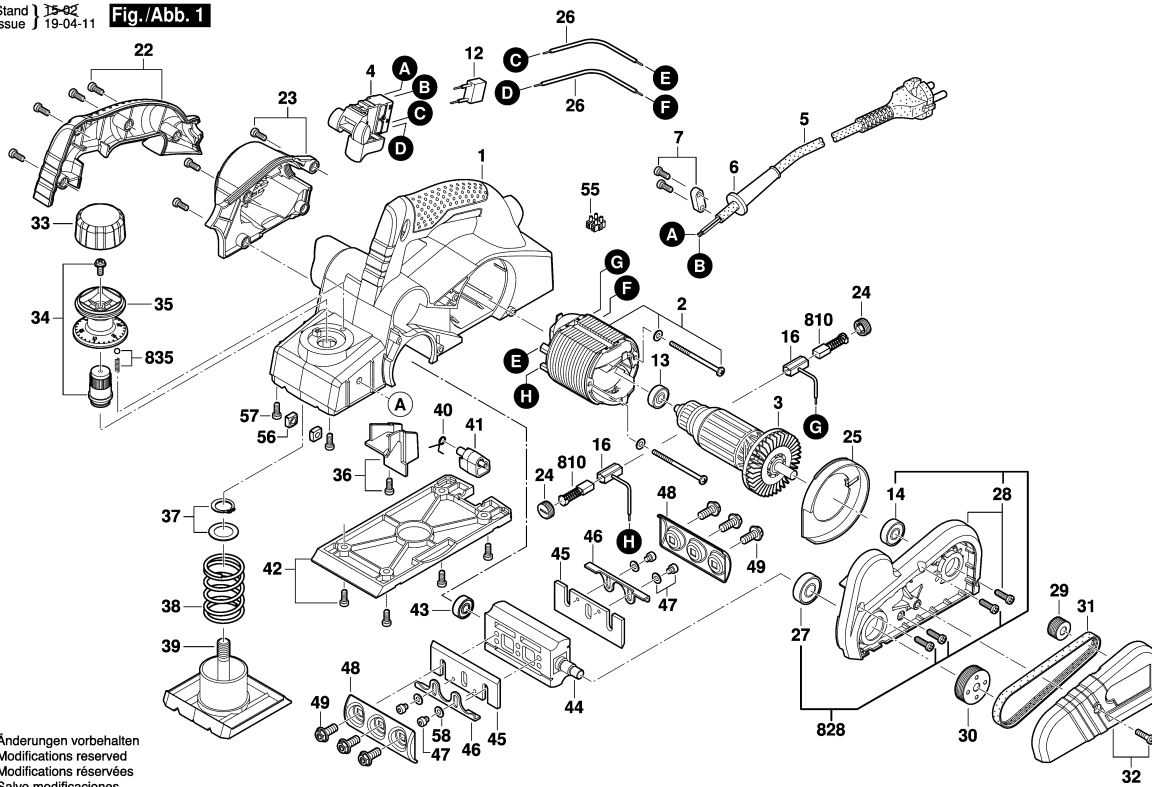
Date:

Item	Pc	Order no.	Description	LP in INR	Item	Pc	Order no.	Description	LP in INR

Please observe: Repairing, modifying and testing of electro-tools are to be performed professionally. The safety regulations according to IEC, EN, VDE, AFNOR and other regulations of the individual countries are to be observed. Subject to change. This price list supersedes all previous edition. Prices are subjected to change without any prior notice.

3 601 E96 080  
Stand | 15-02  
Issue | 19-04-11

**Fig./Abb. 1**



Änderungen vorbehalten  
Modifications reserved  
Modifications réservées  
Salvo modificaciones

1 / 2

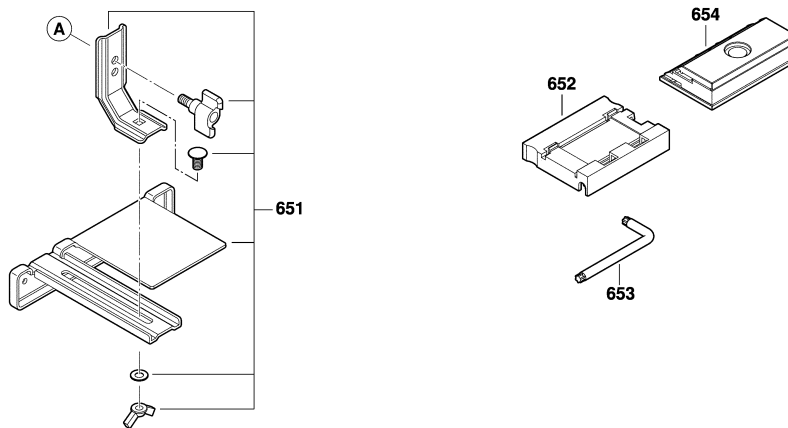
Model: 3 601 E96 0K0 = 230

Date:

Item	Pc	Order no.	Description	LP in INR	Item	Pc	Order no.	Description	LP in INR
1	1	1 619 PA7 989	Motor Housing .	877,00	35	1	1 619 PA8 005	Adjustment Knob .	86,00
2	1	1 619 PA7 991	Field 220-240V .	651,00	36	1	1 619 PA7 990	Cover .	68,00
3	1	1 619 PA7 993	Armature 220-240V .	824,00	37	1	1 619 PA8 007	Retaining snap ring .	38,00
4	1	1 619 PA7 983	Switch Kit .	292,00	38	1	1 619 PA8 008	Compression Spring .	50,00
5	1	1 619 PA7 979	Power supply cord .		39	1	1 619 PA8 009	Adjusting Plate .	347,00
6	1	1 619 PA8 026	Grommet .	36,00	40	1	1 619 PA8 011	Spring .	29,00
7	1	1 619 PA7 982	Clamping Piece .	36,00	41	1	1 619 PA8 012	Knife Guard .	46,00
12	1	1 619 PA7 985	Suppression Capacitor .	90,00	42	1	1 619 PA8 010	Base Plate .	444,00
13	1	1 619 PA7 994	groove ball bearing .	91,00	43	1	2 600 905 051	groove ball bearing 7x19x6	189,00
14	1	1 619 PA7 998	groove ball bearing .	91,00	44	1	1 619 PA8 013	Cutting Head .	671,00
16	2	1 619 PA7 995	Carbon Brush Holder .	91,00	45	2	2 609 110 357	Planing Knife .	209,00
22	1	1 619 PA7 986	Handle .	156,00	46	2	2 602 316 001	Stop Holding Device .	58,00
23	1	1 619 PA7 987	Cover .	177,00	47	4	2 603 433 001	Torx Oval-Head Screw .	46,00
24	2	1 619 PA7 988	Brush-Cover .	50,00	48	2	2 609 110 064	Clamping jaws .	155,00
25	1	1 619 PA7 992	Air-Deflector Ring .	67,00	49	6	2 609 110 084	Straining Screw .	29,00
26	1	1 619 PA7 981	Connecting Cable .	41,00	55	1	1 619 PA8 720	Socket .	29,00
27	1	1 619 PA7 999	groove ball bearing .	111,00	56	2	2 603 320 004	Square Nut M6 .	49,00
28	1	1 619 PA8 035	Bearing Flange .	430,00	57	1	1 619 PA8 722	Screw .	29,00
29	1	1 619 PA8 000	Pulley .	95,00	58	4	2 916 069 088	Spring Washer .	49,00
30	1	1 619 PA8 001	Pulley .	95,00	651	1	1 619 PA8 020	Guide Bracket .	441,00
31	1	1 619 PB5 920	V-Belt .	253,00	652	1	2 607 970 002	Feeler Gauge .	140,00
32	1	1 619 PA8 003	Gear Cover .	100,00	653	2	2 607 950 025	Hexagon-Socket Key .	69,00
33	1	1 619 PA8 004	Cover .	67,00	654	1	2 608 133 002	Blade Sharpening Device .	209,00
34	1	1 619 PA8 006	Cap Nut .	66,00	810	1	2 609 120 398	Carbon Brush .	266,00

Please observe: Repairing, modifying and testing of electro-tools are to be performed professionally. The safety regulations according to IEC, EN, VDE, AFNOR and other regulations of the individual countries are to be observed. Subject to change.  
This price list supersedes all previous edition. Prices are subjected to change without any prior notice.

3 601 E96 080  
Stand | 15-01-20  
Issue } **Fig. /Abb. 2**



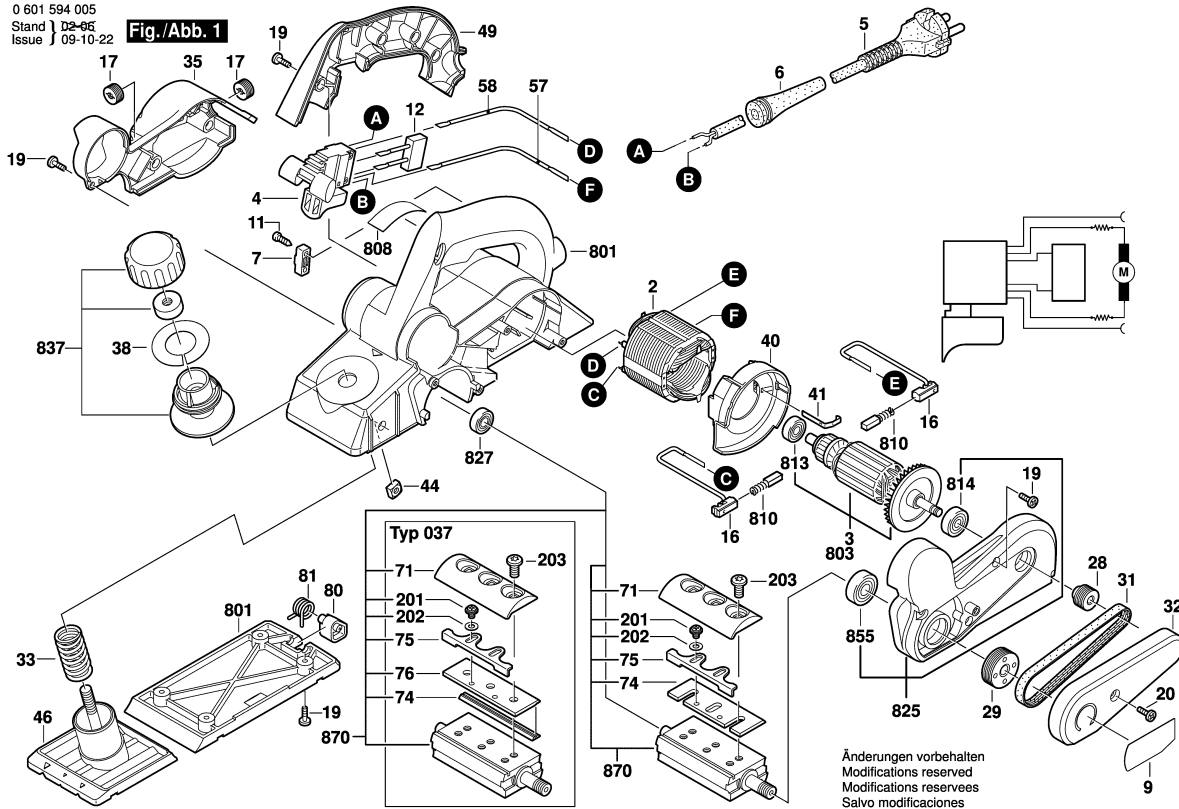
Änderungen vorbehalten  
Modifications reserved  
Modifications réservées  
Salvo modificaciones

Model: 3 601 E96 0K0 = 230 Date:

Item	Pc	Order no.	Description	LP in INR	Item	Pc	Order no.	Description	LP in INR
828	1	1 619 PA7 997	Bearing Flange .	766,00					
835	1	1 619 PB4 296	Spring .	28,00					

0 601 594 005  
Stand | 02-06  
Issue | 09-10-22

**Fig./Abb. 1**



1 / 2

Model: 0 601 594 060 = 220

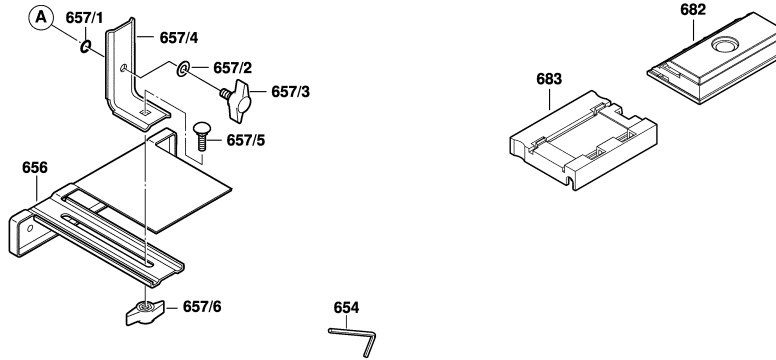
Date:

Item	Pc	Order no.	Description	LP in INR	Item	Pc	Order no.	Description	LP in INR
2	1	2 604 220 480	Field 230-240V .	738,00	58	1	2 604 448 118	Connecting Cable L=213	47,00
4	1	1 607 200 157	Switch .	241,00	71	2	2 609 110 064	Clamping jaws .	155,00
5	1	1 604 460 264	Power supply cord EU	697,00	74	2	2 609 110 357	Planing Knife .	209,00
6	1	2 600 703 017	Grommet Ø6,4-Ø7,2x76	70,00	75	2	2 602 316 001	Stop Holding Device .	58,00
7	1	2 601 035 001	Cable Clip .	43,00	80	1	2 609 100 088	Knife Guard .	140,00
9	1	2 609 130 735	Manufacturer's nameplate .		81	1	2 609 110 109	Spring .	57,00
11	2	2 910 611 020	Tapping Screw DIN	43,00	201	4	2 603 433 001	Torx Oval-Head Screw .	46,00
16	2	2 604 449 055	Carbon Brush Holder .	58,00	202	4	2 916 069 088	Spring Washer .	49,00
17	2	2 609 100 087	Cover .	29,00	203	6	2 609 110 084	Straining Screw .	29,00
19	14	2 910 611 020	Tapping Screw DIN	43,00	654	1	2 607 950 025	Hexagon-Socket Key .	69,00
20	1	2 609 110 155	Screw .	29,00	656	1	2 608 005 015	Stop Bracket .	331,00
28	1	2 609 110 268	Pulley .	75,00	682	1	2 608 133 002	Blade Sharpening Device .	209,00
29	1	2 609 110 267	Pulley .	112,00	683	1	2 607 970 002	Feeler Gauge .	140,00
31	1	2 609 100 410	V-Belt .	241,00	801	1	2 609 100 141	Motor Housing BLUE	1.339,00
32	1	2 609 100 024	Gear Cover .	94,00	803	1	2 609 199 269	Armature 230-240V .	1.257,00
33	1	2 609 110 077	Compression Spring .	70,00	808	1	2 609 133 494	Nameplate .	
35	1	2 609 100 132	Brush-Cover .	140,00	810	1	2 609 120 398	Carbon Brush .	266,00
38	1	2 609 130 205	Sticker .	52,00	813	1	2 600 905 051	groove ball bearing 7x19x6	189,00
40	1	2 609 100 028	Air-Deflector Ring .	68,00	814	1	2 600 905 052	groove ball bearing 8x22x7	210,00
41	1	2 601 329 053	Contact Strap .	49,00	825	1	2 609 110 174	Bearing Flange .	1.139,00
44	2	2 603 320 004	Square Nut M6 .	49,00	827	1	2 600 905 051	groove ball bearing 7x19x6	189,00
46	1	2 609 110 058	Adjusting Plate .	489,00	837	1	2 609 160 066	Adjusting Nut .	52,00
49	1	2 609 100 022	Handle Cover BLUE	206,00	855	1	2 600 905 064	groove ball bearing	328,00
57	1	2 604 448 181	Connecting Cable L=233	58,00	870	1	2 609 110 160	Planer Head .	2.649,00

Please observe: Repairing, modifying and testing of electro-tools are to be performed professionally. The safety regulations according to IEC, EN, VDE, AFNOR and other regulations of the individual countries are to be observed. Subject to change.  
This price list supersedes all previous edition. Prices are subjected to change without any prior notice.



0 601 594 005  
Stand Issue } 20-06-04 **Fig. /Abb. 2**



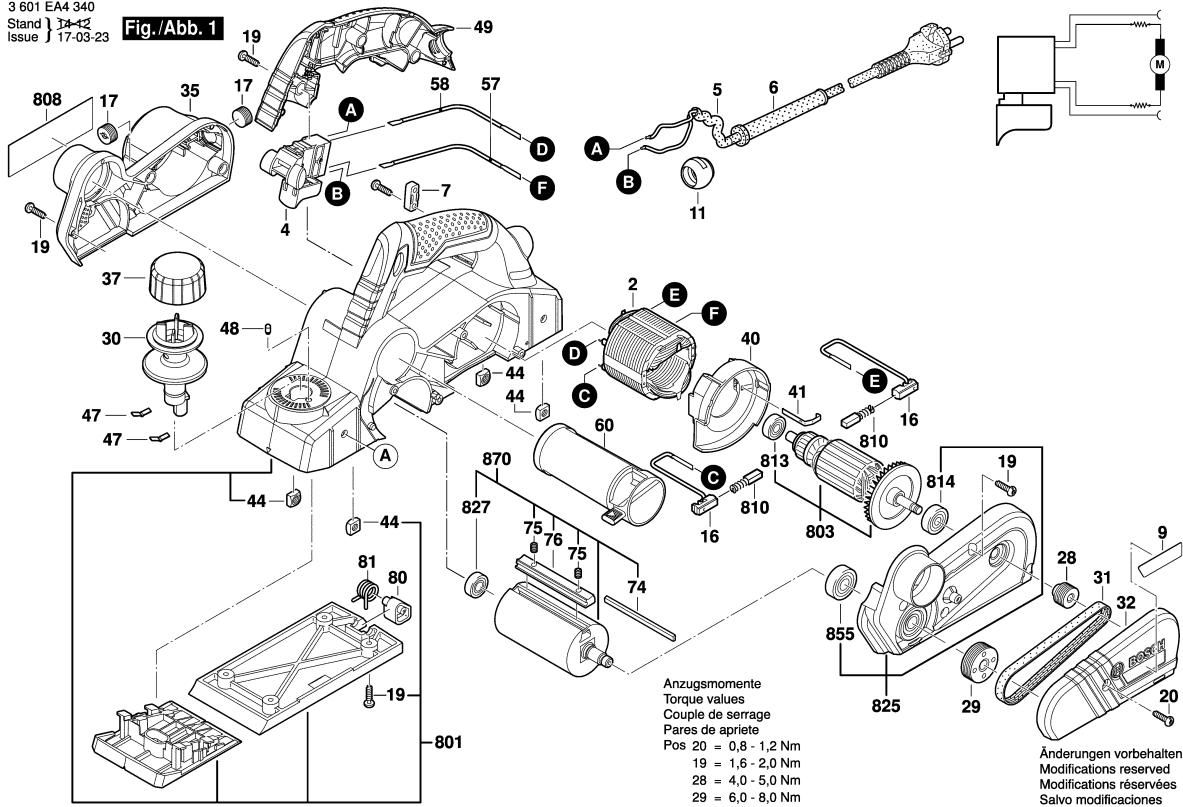
Änderungen vorbehalten  
Modifications reserved  
Modifications réservées  
Salvo modificaciones

Model: 0 601 594 060 = 220 Date:

Item	Pc	Order no.	Description	LP in INR	Item	Pc	Order no.	Description	LP in INR

3 601 EA4 340  
Stand | 14-12  
Issue | 17-03-23

**Fig./Abb. 1**



1 / 2

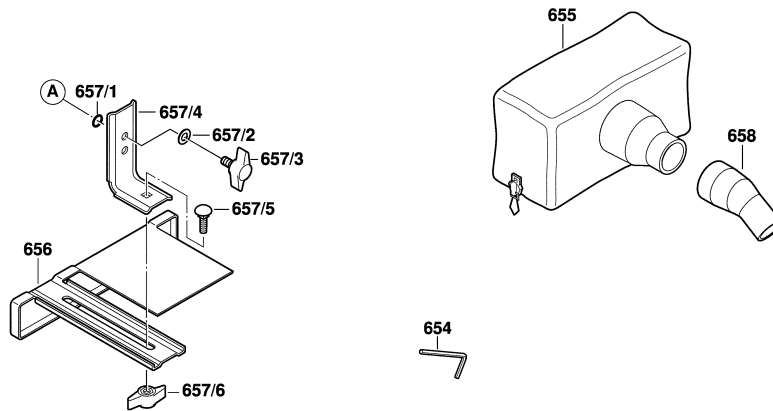
Model: 3 601 EA4 370 = 230

Date:

Item	Pc	Order no.	Description	LP in INR	Item	Pc	Order no.	Description	LP in INR
2	1	2 604 220 480	Field 230-240V .	738,00	58	1	2 604 448 118	Connecting Cable L=213	47,00
4	1	1 607 200 30F	Switch .	320,00	60	1	2 609 100 148	Deflector Pipe BLACK	423,00
5	1	1 604 460 196	Power supply cord GB		74	1	2 608 635 341	Planing Knife .	397,00
6	1	2 600 703 012	Grommet Ø6,5-Ø6,9x95	63,00	75	2	2 603 400 016	Set screw .	46,00
7	1	2 601 035 001	Cable Clip .	43,00	76	1	2 603 111 001	Gripping Wedge .	415,00
11	1	2 609 100 929	Ball Joint .	63,00	80	1	2 609 100 088	Knife Guard .	140,00
16	2	2 604 449 055	Carbon Brush Holder .	58,00	81	1	2 609 110 109	Spring .	57,00
17	2	2 609 100 087	Cover .	29,00	654	1	1 907 950 003	Offset Screwdriver DIN 911	30,00
19	16	2 603 490 022	Screw 4x16 .	29,00	655	1	2 609 170 013	Dust Bag .	1.408,00
20	1	2 609 112 128	Screw .	30,00	656	1	2 608 005 015	Stop Bracket .	331,00
28	1	2 609 110 268	Pulley .	75,00	657/1	1	1 610 210 043	O-Ring 4,0x1,5 MM .	42,00
29	1	2 609 110 267	Pulley .	112,00	657/2	1	2 916 011 014	Plain Washer DIN 125-A	51,00
30	1	2 609 101 576	Rotary Knob .	202,00	657/3	1	2 603 480 003	Wing Screw M 6x16 MM .	52,00
31	1	2 609 100 410	V-Belt .	241,00	657/4	1	1 601 332 018	Stop Bracket .	95,00
32	1	2 609 101 439	Belt Cover .	154,00	657/5	1	2 910 281 201	Round-Head Bolt DIN	30,00
35	1	2 609 101 403	Brush-Cover .	285,00	657/6	1	2 609 199 008	Wing Nut .	105,00
37	1	2 609 101 440	Cap-Handle .	89,00	658	1	2 609 101 408	Adapter module .	93,00
40	1	2 609 100 028	Air-Deflector Ring .	68,00	801	1	2 609 199 975	Motor Housing .	1.341,00
41	1	2 601 329 053	Contact Strap .	49,00	803	1	2 609 199 946	Armature set 230-240V .	1.157,00
44	2	2 603 320 004	Square Nut M6 .	49,00	808	1	1 600 A00 Y95	Nameplate .	
47	2	2 601 254 000	Ratchet Spring .	48,00	810	1	2 609 120 637	Carbon-Brush Set .	172,00
48	1	2 600 590 006	Ratchet Cap .	49,00	813	1	2 600 905 051	groove ball bearing 7x19x6	189,00
49	1	2 609 101 517	Handle Cover .	164,00	814	1	2 600 905 052	groove ball bearing 8x22x7	210,00
57	1	2 604 448 181	Connecting Cable L=233	58,00	825	1	2 609 199 949	Bearing Flange .	740,00

Please observe: Repairing, modifying and testing of electro-tools are to be performed professionally. The safety regulations according to IEC, EN, VDE, AFNOR and other regulations of the individual countries are to be observed. Subject to change.  
This price list supersedes all previous edition. Prices are subjected to change without any prior notice.

3 601 EA4 340  
Stand 15-07  
Issue 17-03-24 **Fig. /Abb. 2**



Änderungen vorbehalten  
Modifications reserved  
Modifications réservées  
Salvo modificaciones

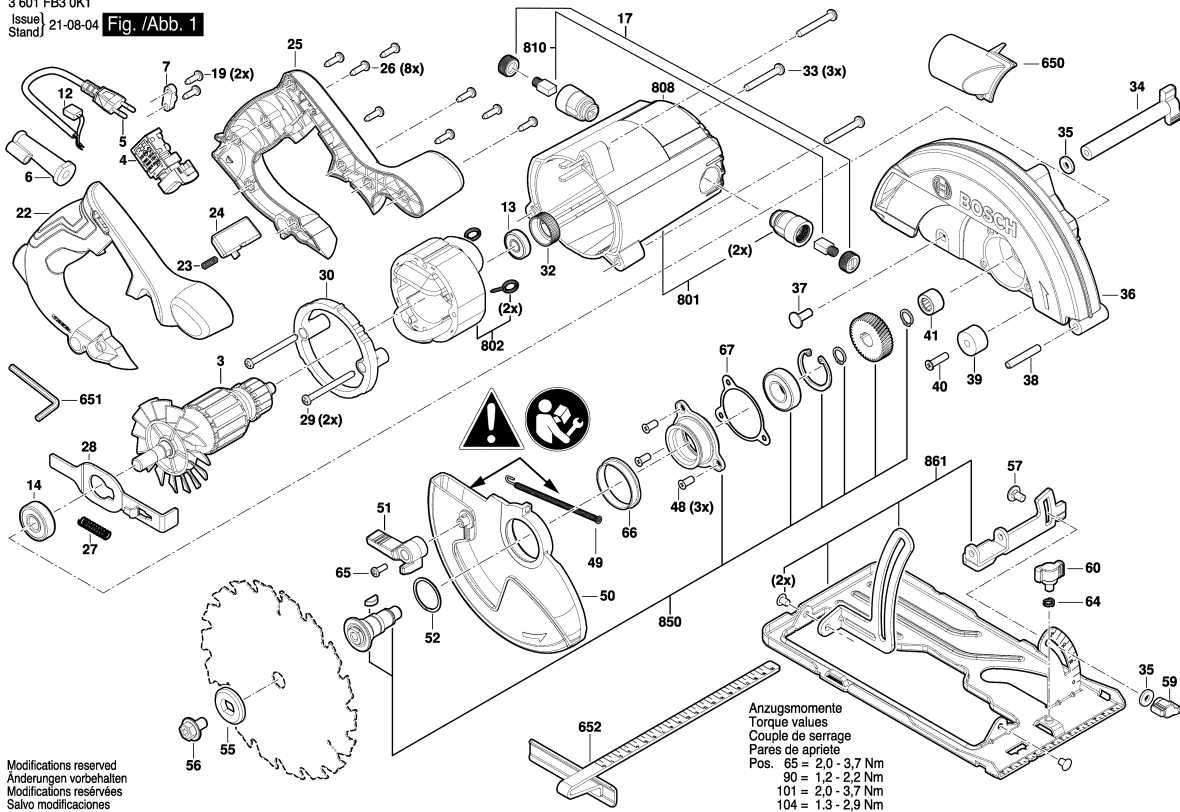
2 / 2

Model: 3 601 EA4 370 = 230					Date:				
Item	Pc	Order no.	Description	LP in INR	Item	Pc	Order no.	Description	LP in INR
827	1	2 600 905 051	groove ball bearing 7x19x6	189,00					
855	1	2 600 905 064	groove ball bearing	328,00					
870	1	2 609 110 193	Planer Head .	2.255,00					

Please observe: Repairing, modifying and testing of electro-tools are to be performed professionally. The safety regulations according to IEC, EN, VDE, AFNOR and other regulations of the individual countries are to be observed. Subject to change.  
This price list supersedes all previous edition. Prices are subjected to change without any prior notice.

3 601 FB3 0K1

Issue / Stand / Fig. / Abb. 1



Modifications reserved  
Änderungen vorbehalten  
Modificaciones reservadas  
Salvo modificaciones

Model: 3 601 FB3 0F0 = 230

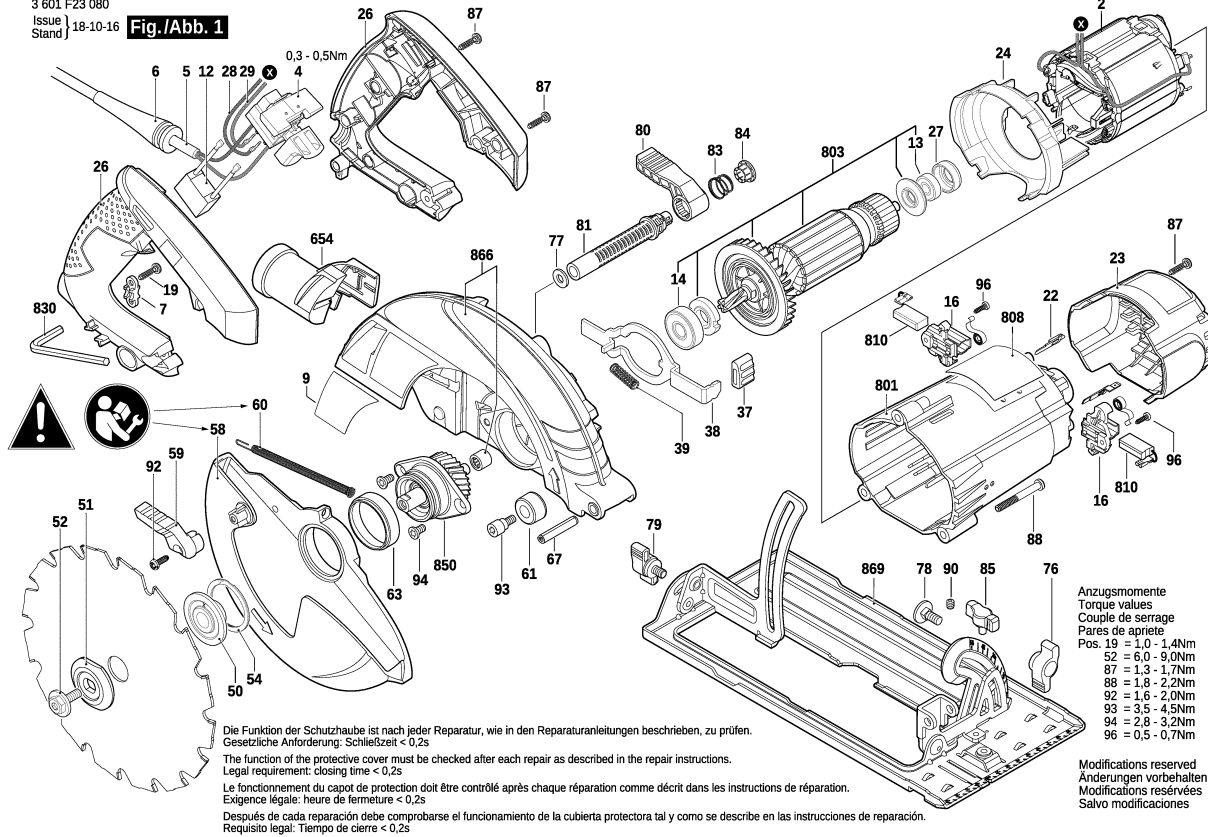
Date:

Item	Pc	Order no.	Description	LP in INR	Item	Pc	Order no.	Description	LP in INR
3	1	1 604 010 B9J	Armature .	1.235,00	37	1	1 600 A00 8RK	Bolt .	47,00
4	1	1 619 PB3 945	Switch .	275,00	38	1	1 604 652 02A	Spiral Spring .	64,00
5	1	1 619 PB4 777	Power supply cord .		39	1	1 600 A00 8SA	Rubber Base .	105,00
6	1	1 600 703 04F	Grommet .	47,00	40	1	1 603 430 01K	Screw .	29,00
7	1	1 600 A00 8RB	Fastening Clamp .	29,00	41	1	1 600 A00 8RL	groove ball bearing .	119,00
12	1	1 619 PB3 946	Suppression Filter .	68,00	48	3	1 603 430 01L	Screw .	29,00
13	1	1 600 A01 4HC	Bearing .	105,00	49	1	1 604 652 02M	Spiral Spring .	29,00
14	1	1 600 A01 4GF	Bearing .	147,00	50	1	1 600 A01 4FF	Lower guard .	549,00
17	2	1 605 500 2A8	Cover .	75,00	51	1	1 600 A01 4FE	Lever .	29,00
19	2	1 603 430 01F	Screw .	29,00	52	1	1 600 A00 8RT	Loop .	64,00
22	1	1 605 132 17U	Handle .	189,00	55	1	1 600 A00 8RV	Flange .	205,00
23	1	1 604 652 025	Spiral Spring .	29,00	56	1	1 619 PB4 471	Screw .	97,00
24	1	1 600 A01 4F6	Button .	29,00	57	1	1 600 A00 8RZ	Bolt .	29,00
25	1	1 605 132 17V	Handle .	274,00	59	1	1 600 A01 4FR	Knob .	29,00
26	8	1 603 430 01G	Screw .	29,00	60	1	1 600 A01 4FS	Knob .	29,00
27	1	1 604 652 026	Spiral Spring .	29,00	64	1	1 604 652 028	Spiral Spring .	29,00
28	1	1 600 A01 4FA	Guide Bracket .	64,00	65	1	1 603 430 01N	Screw .	29,00
29	2	1 603 430 01H	Screw .	29,00	66	1	1 600 A01 4FT	Washer .	29,00
30	1	1 600 591 06N	Air-Deflector Ring .	75,00	67	1	1 600 A01 78V	Sealing Plate .	29,00
32	1	1 600 460 039	Bearing Sleeve .	29,00	650	1	1 619 PB6 988	Vacuum Adapter .	
33	3	1 603 430 01J	Screw .	29,00	651	1	1 600 A00 8S7	Hexagon Socket Wrench .	110,00
34	1	1 600 A01 4FM	Shift-Lever Knob .	29,00	652	1	1 600 A01 4HJ	Guide .	75,00
35	2	1 600 A00 8RH	Washer .	29,00	801	1	1 619 PB4 034	Motor Housing .	658,00
36	1	1 619 PB6 389	Upper guard .	1.085,00	802	1	1 607 000 D17	Field .	705,00



3 601 F23 080  
ISSUE 18-10-16  
Stand

**Fig./Abb. 1**



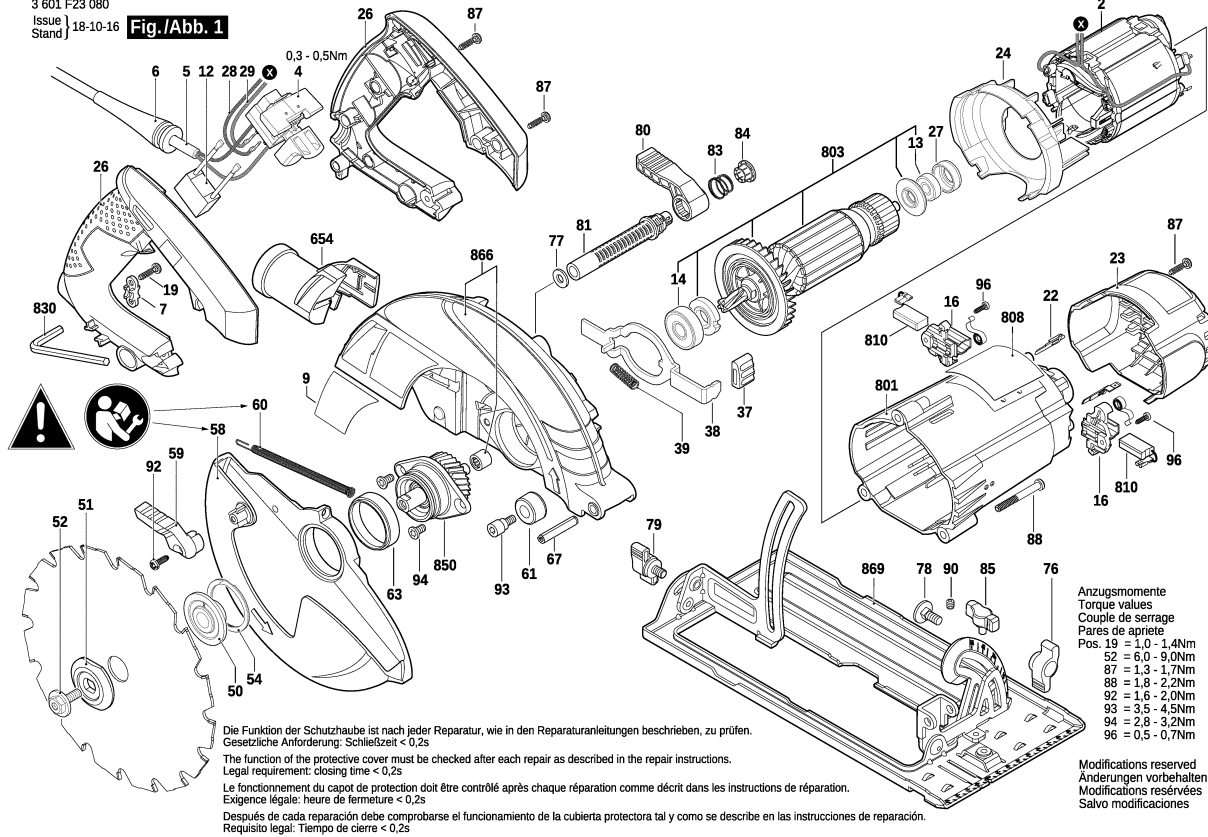
Model: 3 601 F23 0K0 = 230

Date:

Item	Pc	Order no.	Description	LP in INR	Item	Pc	Order no.	Description	LP in INR
2	1	1 619 P04 474	Field 230V .	1.206,00	58	1	1 600 A00 XZ6	Pivoting Blade Guard .	767,00
4	1	1 619 P06 206	Switch .	461,00	59	1	1 619 P06 235	Lever .	47,00
5	1	2 604 460 277	Power supply cord I/BR	1.357,00	60	1	1 619 P06 334	Extension Spring .	85,00
6	1	2 600 703 017	Grommet Ø6,4-Ø7,2x76	70,00	61	1	1 619 P06 236	Bumper BLACK	29,00
7	1	1 619 P06 313	Cable Clip .	29,00	63	1	1 619 P06 237	Flange Bushing .	29,00
9	1	1 619 P31 104	Manufacturer's nameplate .		67	1	2 917 800 253	Coiled Spring Pin DIN ISO	47,00
13	1	1 619 P00 456	Ball Bearing 7x19x6 MM .	57,00	76	1	1 619 P06 244	Wing Nut .	47,00
14	1	1 619 P06 374	Bearing Cover Plate .	219,00	77	1	2 916 011 014	Plain Washer DIN 125-A	51,00
16	2	1 619 P13 417	Brush Holder .	67,00	78	1	1 619 P06 211	Round-Head Bolt .	29,00
19	2	2 603 490 021	Torx Oval-Head Screw	29,00	79	1	1 619 P06 316	Wing Screw .	47,00
22	2	1 619 P06 213	Right Angle Plug .	29,00	80	1	1 619 P06 245	Lever .	97,00
23	1	1 619 P06 218	End cap BLACK	221,00	81	1	1 619 P07 620	Adjustment rod .	158,00
24	1	1 619 P06 219	Baffle .	44,00	83	1	1 619 X01 792	Spring BLACK	29,00
26	1	1 619 P06 220	Set Of Handles .	627,00	84	1	2 610 918 145	Cover .	29,00
27	1	1 619 P06 227	Rubber Ring .	29,00	85	1	1 619 P01 618	Wing Screw BLACK	29,00
28	1	1 619 P06 221	Connecting Cable .	61,00	87	8	2 603 490 022	Screw 4x16 .	29,00
29	1	1 619 P06 222	Connecting Cable .	61,00	88	3	2 610 925 864	Screw .	29,00
37	1	1 619 P06 225	Cap .	29,00	90	1	1 619 P04 540	Adjusting Screw BLACK	29,00
38	1	1 619 P06 226	Guide Bracket .	123,00	92	1	1 619 P01 678	Screw .	29,00
39	1	1 619 P01 642	Compression Spring .	61,00	93	1	1 619 P06 246	Screw .	29,00
50	1	1 619 P06 230	Washer .	156,00	94	2	2 610 924 687	Countersunk-Head Screw .	29,00
51	1	1 619 P06 231	Locking Washer .	207,00	96	2	1 619 P06 252	Torx Oval-Head Screw .	29,00
52	1	1 619 P06 232	Screw .	61,00	654	1	1 619 P06 204	Vacuum Adapter .	98,00
54	1	1 619 P06 238	Locking Washer .	29,00	801	1	1 619 P06 372	Motor Housing BLUE	697,00

3 601 F23 080  
ISSUE  
Stand 18-10-16

Fig./Abb. 1



Model: 3 601 F23 0K0 = 230

Date:

Item	Pc	Order no.	Description	LP in INR
803	1	1 619 P06 345	Armature set 230V .	2.285,00
808	1	1 619 P06 380	Nameplate .	67,00
810	1	1 619 P06 346	Carbon-Brush Set .	360,00
830	1	1 619 P14 506	Offset Screwdriver .	29,00
850	1	1 619 P06 392	Gear .	1.084,00
866	1	1 619 P07 286	Protective Cover .	1.396,00
869	1	1 619 P06 391	Base Plate .	1.536,00

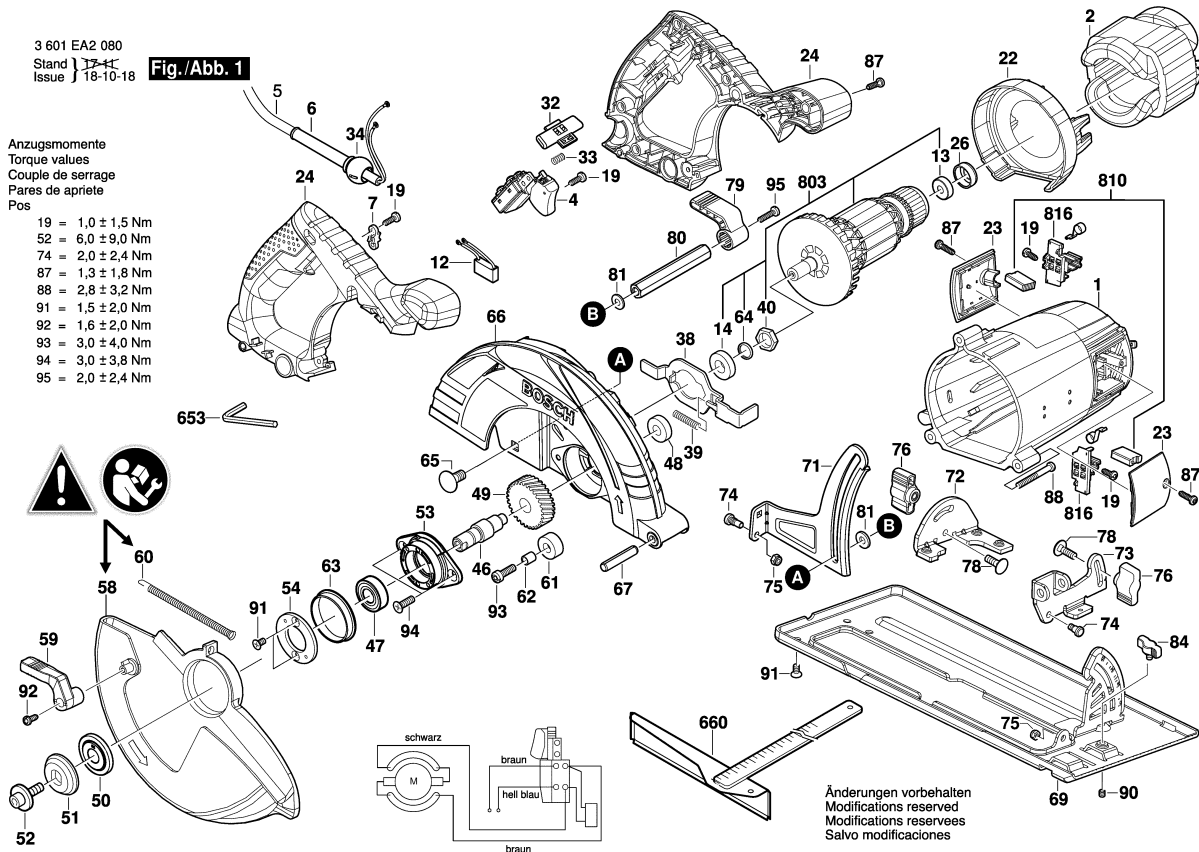
Item	Pc	Order no.	Description	LP in INR

3 601 EA2 080  
Stand 17 ± 1  
Issue 18-10-18

**Fig./Abb. 1**

Anzugsmomente  
Torque values  
Couple de serrage  
Pares de apriete  
Pos

- 19 = 1,0 ± 1,5 Nm
- 52 = 6,0 ± 9,0 Nm
- 74 = 2,0 ± 2,4 Nm
- 87 = 1,3 ± 1,8 Nm
- 88 = 2,8 ± 3,2 Nm
- 91 = 1,5 ± 2,0 Nm
- 92 = 1,6 ± 2,0 Nm
- 93 = 3,0 ± 4,0 Nm
- 94 = 3,0 ± 3,8 Nm
- 95 = 2,0 ± 2,4 Nm



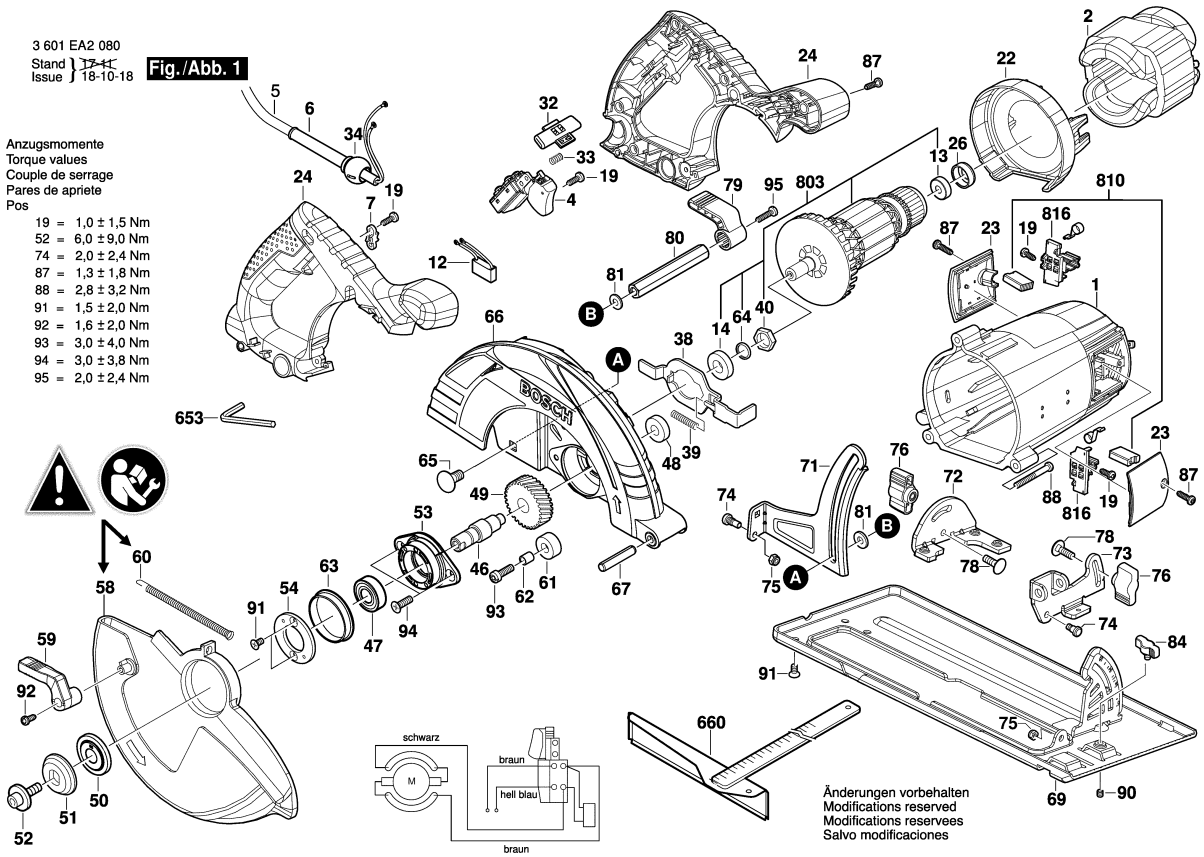
1 / 2

Model: 3 601 EA2 0F0 = 220

Date:

Item	Pc	Order no.	Description	LP in INR	Item	Pc	Order no.	Description	LP in INR
1	1	1 619 P10 219	Motor Housing .	741,00	51	1	1 619 P01 626	Locking Washer .	97,00
2	1	1 619 P08 335	Field 230V .	2.166,00	52	1	1 619 P01 634	Clamp Screw .	42,00
4	1	1 607 200 286	Switch .	738,00	53	1	1 619 P01 628	Bearing Flange .	322,00
5	1	1 619 P02 327	Power supply cord .		54	1	1 619 P01 629	Retaining Plate .	51,00
6	1	2 600 703 013	Grommet Ø7,6-Ø8,2x95	67,00	58	1	1 600 A00 XZ2	Pivoting Blade Guard .	591,00
7	1	1 619 P01 104	Cable Clip .	29,00	59	1	1 619 P01 631	Lever .	61,00
12	1	1 619 P01 137	Suppression Filter .	155,00	60	1	1 619 P01 632	Extension Spring .	64,00
13	1	2 610 017 348	groove ball bearing .	120,00	61	1	1 619 P01 633	Bumper .	30,00
14	1	1 619 P06 095	groove ball bearing .	119,00	62	1	1 619 P02 580	Spacer Tube .	37,00
19	5	2 603 490 021	Torx Oval-Head Screw	29,00	63	1	1 619 P01 635	Flange Bushing .	42,00
22	1	1 619 P10 224	Baffle .	71,00	64	1	1 619 P10 650	Washer .	51,00
23	2	1 618 B00 802	Sealing cap .	33,00	65	1	1 619 P06 522	Stud bolt .	42,00
24	1	1 619 P10 220	Set Of Handles .	823,00	66	1	1 619 P10 222	Protective Guard .	2.168,00
26	1	1 600 206 030	Rubber Ring .	45,00	67	1	2 917 780 185	Slotted Spring Pin DIN	68,00
32	1	1 619 P01 157	Change-Over Switch RED	41,00	69	1	1 619 P10 227	Base Plate .	1.735,00
33	1	2 610 935 251	Compression Spring .	40,00	71	1	1 619 P10 230	Depth-Gauge .	162,00
34	1	1 619 P01 637	Strain-Relief Clamp .	29,00	72	1	1 619 P10 228	Support bracket .	138,00
38	1	1 619 P01 620	Guide Bracket .	109,00	73	1	1 619 P10 229	Hinge .	155,00
39	1	1 619 P01 642	Compression Spring .	61,00	74	2	2 610 923 224	Shoulder Screw .	39,00
40	1	1 619 P10 226	Bushing .	82,00	75	2	2 915 061 003	Hex Nut DIN 985-M 5-8-A .	60,00
46	1	1 619 P01 623	Shaft .	352,00	76	2	1 619 P01 636	Wing Nut .	42,00
47	1	1 900 905 279	groove ball bearing	313,00	78	2	2 910 281 201	Round-Head Bolt DIN	30,00
48	1	1 900 905 173	groove ball bearing	102,00	79	1	1 619 P01 668	Adjusting Lever .	29,00
49	1	1 619 P10 221	Gear .	685,00	80	1	1 600 A00 Z5N	Rod .	129,00





Model: 3 601 EA2 0F0 = 220

Date:

Item	Pc	Order no.	Description	LP in INR
81	1	2 916 021 013	Plain Washer 8-ST .	29,00
84	1	1 619 P01 618	Wing Screw BLACK	29,00
87	8	2 603 490 022	Screw 4x16 .	29,00
88	3	2 610 925 864	Screw .	29,00
90	1	1 619 P04 540	Adjusting Screw BLACK	29,00
91	5	1 619 P01 677	Screw M5x10-H .	43,00
92	1	1 619 P01 678	Screw .	29,00
93	1	1 619 P01 679	Screw .	40,00
94	2	1 619 P01 680	Screw M6x20-H .	43,00
95	1	1 619 P01 673	Screw .	29,00
653	1	2 610 364 015	Hexagon Socket Screw	105,00
660	1	1 619 X01 612	Mitre Fence .	124,00
803	1	1 619 P10 475	Armature set 230V .	3.222,00
810	1	1 619 P10 476	Carbon-Brush Set .	303,00
816	2	1 604 336 048	Brush Holder .	161,00

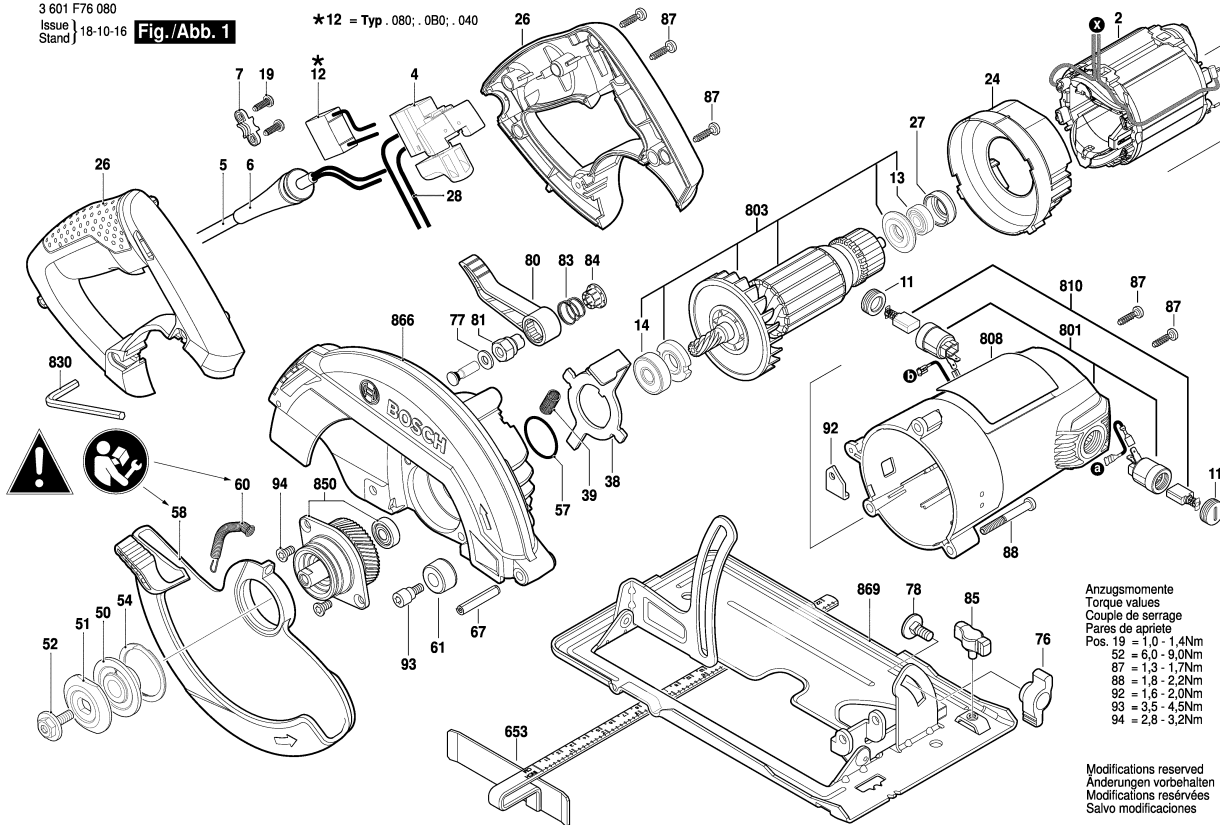
Item	Pc	Order no.	Description	LP in INR

Please observe: Repairing, modifying and testing of electro-tools are to be performed professionally. The safety regulations according to IEC, EN, VDE, AFNOR and other regulations of the individual countries are to be observed. Subject to change.  
This price list supersedes all previous edition. Prices are subjected to change without any prior notice.

3 601 F76 080  
Issue / Stand 18-10-16

**Fig./Abb. 1**

\*12 = Typ . 080; . 080; . 040



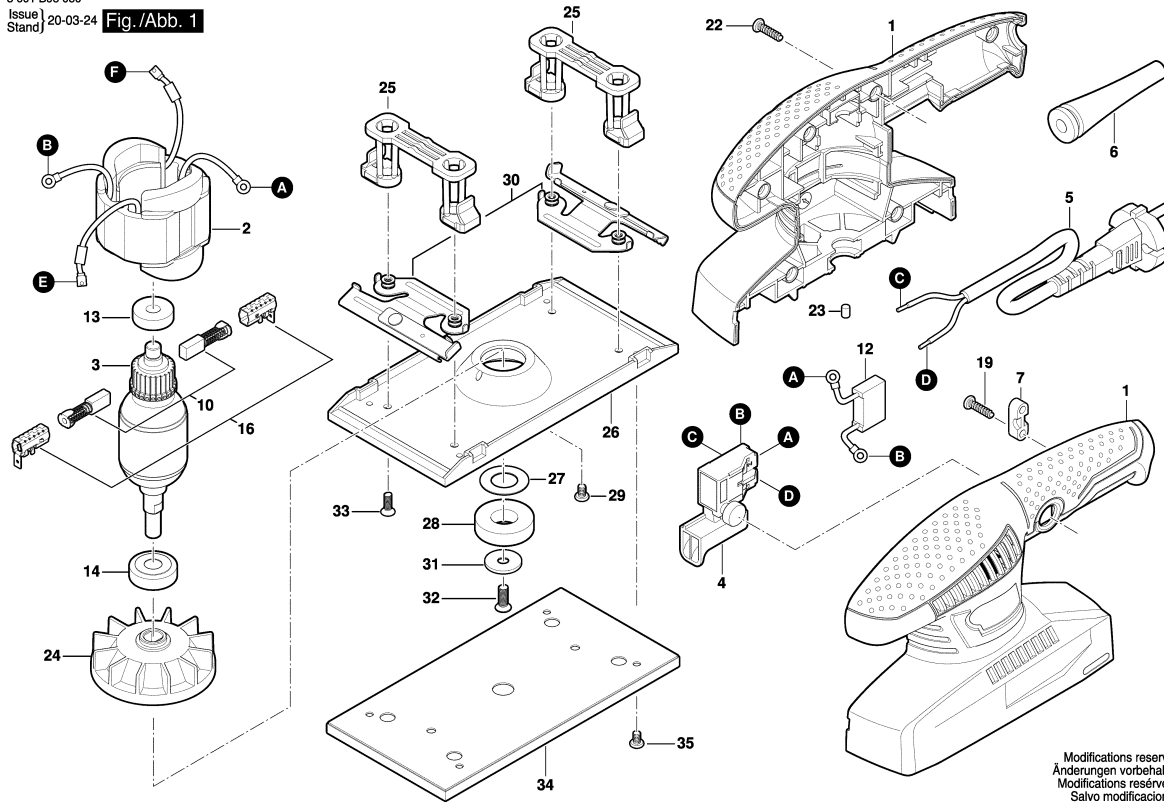
1 / 1

Model: 3 601 F76 0F0 = 220

Date:

Item	Pc	Order no.	Description	LP in INR	Item	Pc	Order no.	Description	LP in INR
2	1	1 619 P08 314	Field 230V .	1.021,00	67	1	1 619 P10 608	Slotted Spring Pin .	29,00
4	1	1 619 P09 971	Switch .	419,00	76	1	1 619 P06 244	Wing Nut .	47,00
5	1	2 604 460 277	Power supply cord I/BR	1.357,00	77	1	2 916 021 013	Plain Washer 8-ST .	29,00
6	1	2 600 703 017	Grommet Ø6,4-Ø7,2x76	70,00	78	1	1 619 P06 211	Round-Head Bolt .	29,00
7	1	1 619 P06 313	Cable Clip .	29,00	80	1	1 619 P10 037	Lever .	48,00
11	2	1 619 P06 286	Insulating Cap .	75,00	81	1	1 619 P09 798	Nut .	53,00
13	1	1 619 P00 456	Ball Bearing 7x19x6 MM .	57,00	83	1	1 619 X01 792	Spring BLACK	29,00
14	1	1 900 905 173	groove ball bearing	102,00	84	1	2 610 918 145	Cover .	29,00
19	2	2 603 490 021	Torx Oval-Head Screw	29,00	85	1	1 619 P01 618	Wing Screw BLACK	29,00
24	1	1 619 P09 797	Baffle .	108,00	87	6	2 603 490 022	Screw 4x16 .	29,00
26	1	1 619 P09 801	Set Of Handles .	476,00	88	3	2 610 925 864	Screw .	29,00
27	1	1 619 P06 227	Rubber Ring .	29,00	92	1	1 619 P09 874	Support plate .	39,00
28	1	1 619 P10 065	Connecting Cable .	42,00	93	1	1 619 P06 246	Screw .	29,00
29	1	1 619 P09 987	Connecting Cable .	27,00	94	2	2 610 924 687	Countersunk-Head Screw .	29,00
38	1	1 619 P09 795	Guide Bracket .	39,00	653	1	1 619 X05 789	Parallel-Guide .	204,00
39	1	2 610 936 576	Compression Spring .	38,00	801	1	1 619 P10 061	Motor Housing BLUE	502,00
50	1	1 619 P06 230	Washer .	156,00	803	1	1 619 P10 062	Armature set 230V .	1.586,00
51	1	1 619 P10 086	Locking Washer .	95,00	808	1	1 619 P09 997	Nameplate .	
52	1	1 619 P06 232	Screw .	61,00	810	1	1 619 P10 063	Carbon-Brush Set .	191,00
54	1	1 619 P06 238	Locking Washer .	29,00	830	1	1 619 P14 506	Offset Screwdriver .	29,00
57	1	F 000 640 007	O-Ring .	35,00	850	1	1 619 P10 066	Gear .	747,00
58	1	1 619 P09 803	Pivoting Blade Guard .	371,00	866	1	1 619 P10 067	Protective Cover .	1.185,00
60	1	1 619 P09 794	Extension Spring .	83,00	869	1	1 619 P10 064	Base Plate .	1.146,00
61	1	1 619 P06 236	Bumper BLACK	29,00					

3 601 B98 0B0  
Issue / Stand 20-03-24 Fig./Abb. 1



Modifications reserved  
Änderungen vorbehalten  
Modificaciones reservadas  
Salvo modificaciones

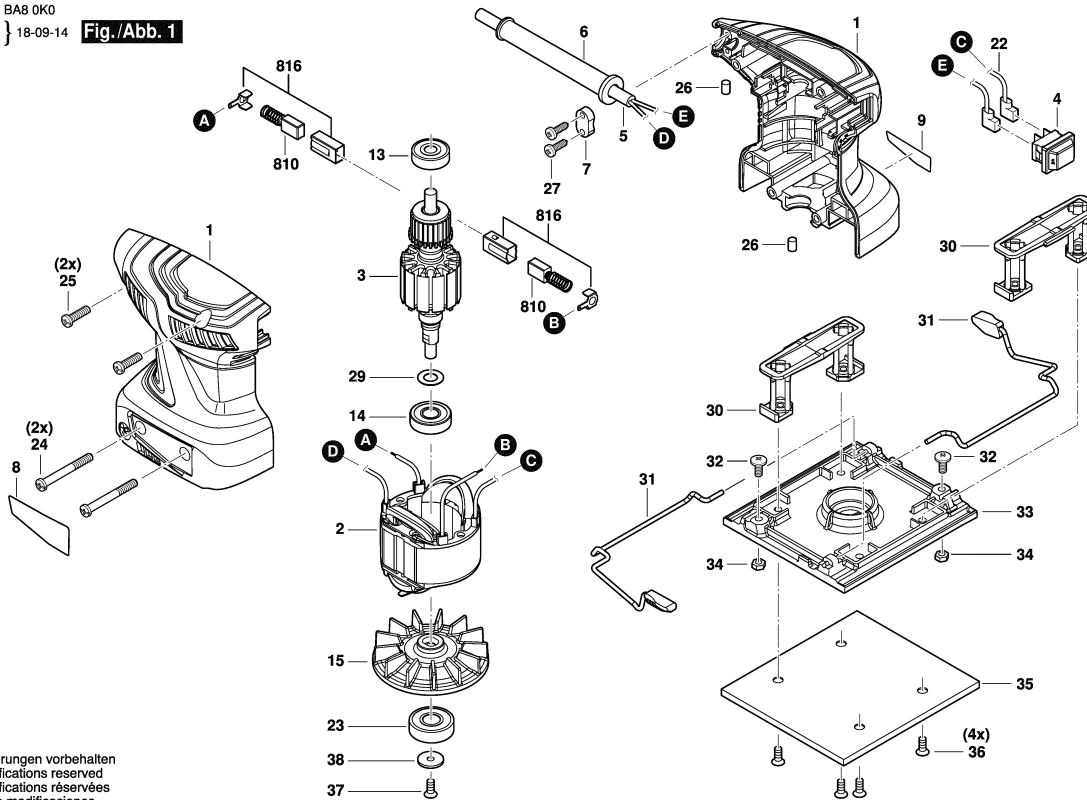
1 / 1

Model: 3 601 B98 0K0 = 230

Date:

Item	Pc	Order no.	Description	LP in INR	Item	Pc	Order no.	Description	LP in INR
1	1	1 619 PA7 626	Housing Set .	580,00	33	4	1 619 PA7 651	Screw .	38,00
2	1	1 619 PA7 627	Field assembly 220-240V .	617,00	34	1	1 619 PA7 652	Foam Panel .	193,00
3	1	1 619 PA7 629	Armature 220-240V .	719,00	35	4	1 619 PA7 653	Screw .	36,00
4	1	1 619 PA7 631	Switch .	229,00					
5	1	1 619 PA7 801	Power supply cord .	287,00					
6	1	1 619 PA7 633	Grommet .	36,00					
7	1	1 619 PA7 634	Clip .	36,00					
10	1	1 619 PA7 635	Carbon-Brush Set .	190,00					
12	1	1 619 PA7 636	Suppression Capacitor .	36,00					
13	1	1 619 PA7 637	Bearing .	105,00					
14	1	1 619 PA7 638	Bearing .	67,00					
16	1	1 619 PA7 639	Carbon Brush Holder .	112,00					
19	2	1 619 PA7 640	Screw .	36,00					
22	6	1 619 PA7 641	Screw .	36,00					
23	4	1 619 PA7 642	Rubber Pad .	36,00					
24	1	1 619 PA7 643	Fan .	153,00					
25	2	1 619 PA6 314	Support .	116,00					
26	1	1 619 PA7 644	Baseplate .	337,00					
27	1	1 619 PA7 645	Plain Washer .	36,00					
28	1	1 619 PA7 646	Bearing .	122,00					
29	2	1 619 PA7 647	Screw .	36,00					
30	1	1 619 PA7 648	Clamp .	182,00					
31	1	1 619 PA7 649	Plain Washer .	36,00					
32	1	1 619 PA7 650	Screw .	36,00					

3 601 BA8 0K0  
Stand } 18-09-14 **Fig./Abb. 1**



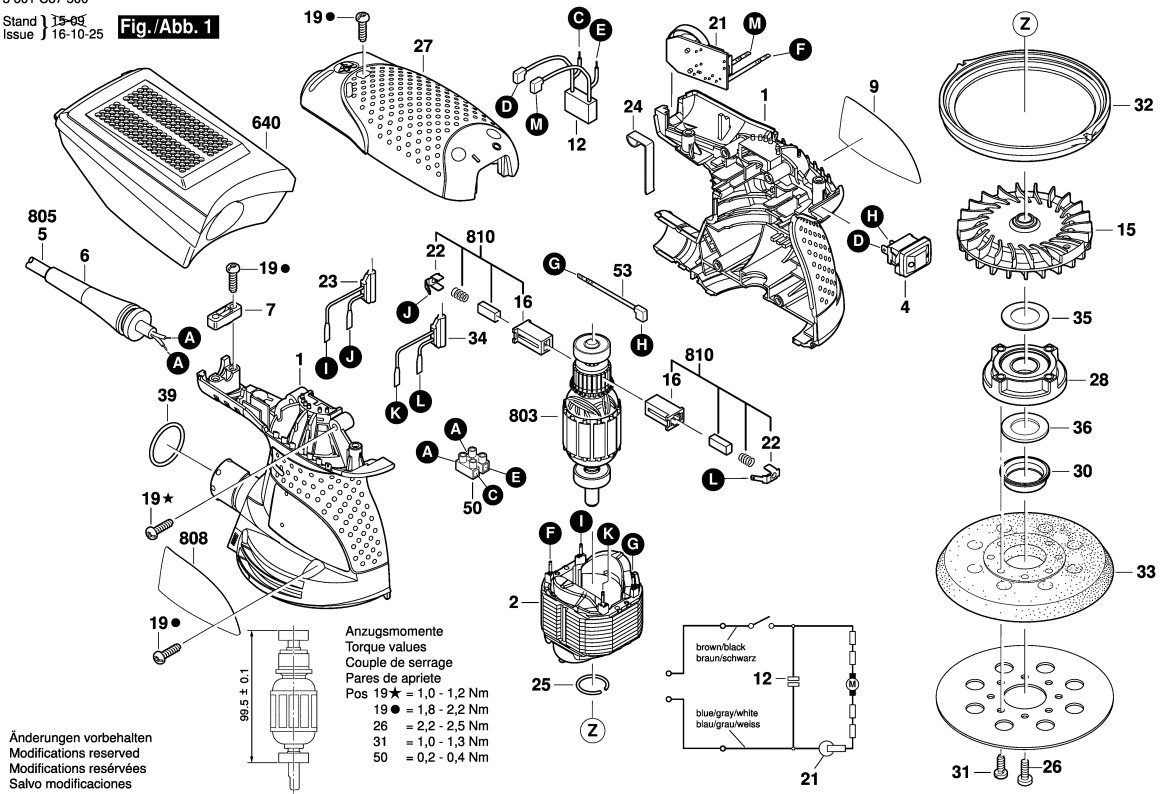
Änderungen vorbehalten  
Modifications reserved  
Modificaciones reservadas  
Salvo modificaciones

Model: 3 601 BA8 0F0 = 220 Date:

Item	Pc	Order no.	Description	LP in INR	Item	Pc	Order no.	Description	LP in INR
1	1	1 605 108 2HV	Motor Housing .	408,00	35	1	1 600 A01 4L4	Pad .	144,00
2	1	1 604 220 577	Field .	372,00	36	4	1 603 430 05V	Screw .	36,00
3	1	1 604 010 B9N	Armature .	568,00	37	1	1 603 430 05W	Screw .	36,00
4	1	1 607 200 35P	Switch .	200,00	38	1	1 600 A01 4L0	Washer .	36,00
5	1	1 619 PB3 088	Power supply cord .	408,00	810	1	1 619 PB3 111	Carbon-Brush Set .	143,00
6	1	1 600 703 04Y	Grommet .	48,00	816	1	1 607 031 2E0	Brush Holder .	
7	1	1 600 A01 4UJ	Fastening Clamp .	36,00					
8	1	1 619 PB3 091	Nameplate .						
9	1	1 601 11C 2JZ	Nameplate .						
13	1	1 600 900 07K	Ball Bearing .	61,00					
14	1	1 600 900 07L	Ball Bearing .	61,00					
15	1	1 607 000 CX3	Fan .	252,00					
22	2	1 604 477 023	Blade terminal .	96,00					
23	1	1 600 900 07M	Ball Bearing .	255,00					
24	2	1 603 430 05G	Screw .	36,00					
25	2	1 603 430 05S	Screw .	36,00					
26	2	1 600 A01 4UH	Pin .	36,00					
27	2	1 603 430 05T	Screw .	36,00					
29	1	1 600 A01 4KZ	Washer .	36,00					
30	2	1 600 A01 4L1	Bracket .	101,00					
31	2	1 600 A01 4L2	Clamp .	96,00					
32	2	1 603 430 05U	Screw .	36,00					
33	1	1 600 A01 4L3	base plate .	144,00					
34	2	1 600 A01 4UK	Nut .	36,00					

3 601 C87 500  
Stand | 15-09  
Issue | 16-10-25

**Fig./Abb. 1**



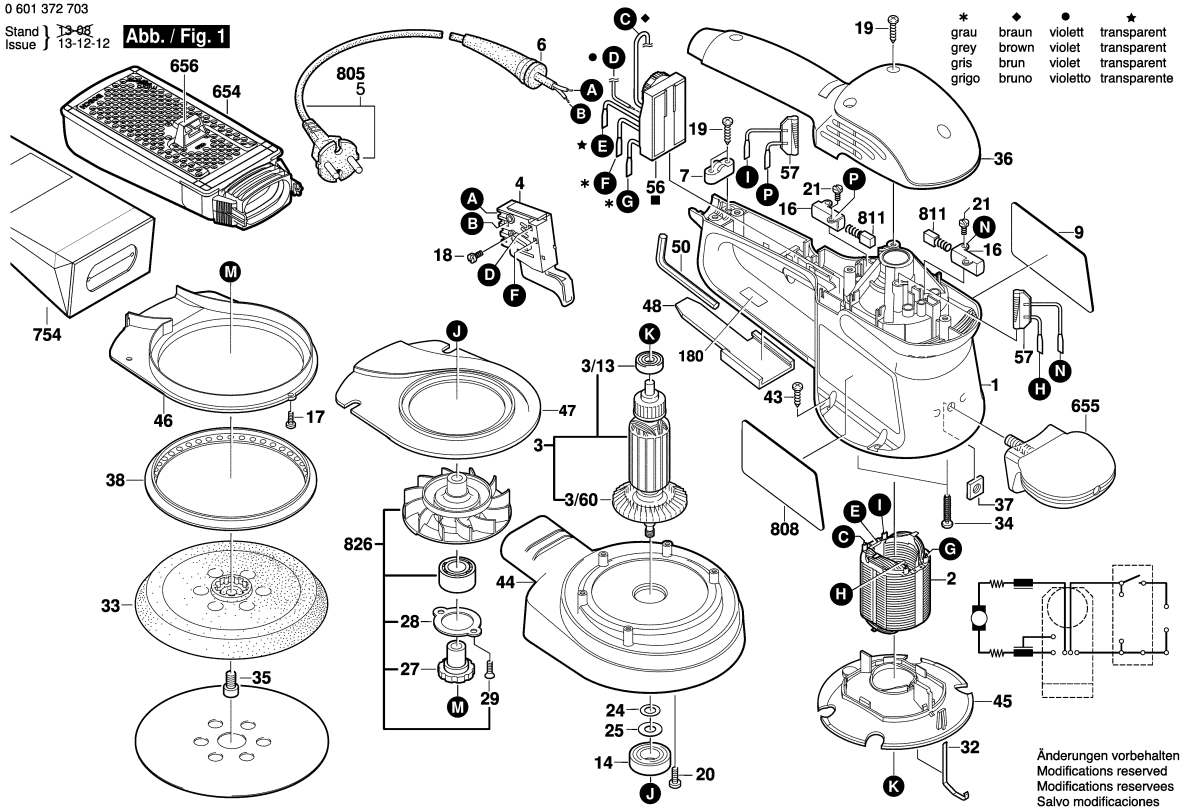
Änderungen vorbehalten  
Modifications reserved  
Modificaciones reservadas  
Salvo modificaciones

Model: 3 601 C87 5K0 = 230 Date:

Item	Pc	Order no.	Description	LP in INR	Item	Pc	Order no.	Description	LP in INR
1	1	2 609 100 539	Housing .	548,00	36	1	2 609 170 084	Felt .	44,00
2	1	2 609 120 299	Stator 230V .	705,00	39	1	1 610 210 045	O-Ring 23,0x3,0 MM .	41,00
4	1	1 607 200 190	Switch .	349,00	50	1	2 610 910 009	Connection Block .	80,00
6	1	2 600 703 017	Grommet Ø6,4-Ø7,2x76	70,00	53	1	2 609 120 284	Connecting Cable .	53,00
7	1	1 611 035 005	Cable Clip .	42,00	640	1	2 609 199 176	Dust container .	697,00
9	1	2 609 131 502	Manufacturer's nameplate		803	1	2 609 199 164	Armature 230V .	2.094,00
12	1	2 609 120 282	Suppression Filter .	150,00	805	1	1 607 000 387	Power supply cord CN	266,00
15	1	2 609 110 637	Fan .	1.098,00	808	1	2 609 131 530	Nameplate .	
16	2	2 610 320 548	Brush Holder .	66,00	810	1	2 609 120 199	Carbon-Brush Set .	266,00
19	9	2 603 490 022	Screw 4x16 .	29,00					
21	1	2 609 120 266	Speed governor .	1.064,00					
22	2	2 610 329 896	connecting terminal .	40,00					
23	1	2 609 120 290	Suppression Filter .	98,00					
24	1	2 601 329 043	Contact Strap .	44,00					
25	1	2 916 540 005	Retaining ring DIN 7993-A8	29,00					
26	1	2 610 918 116	Torx Oval-Head Screw .	98,00					
27	1	2 609 100 538	Housing Cover .	305,00					
28	1	2 609 100 862	Bearing Flange .	315,00					
30	1	2 609 100 633	Cover .	57,00					
31	4	2 610 915 161	Screw .	29,00					
32	1	2 609 170 077	Friction Ring .	66,00					
33	1	1 600 A01 CU1	Rubber Backing Pad .	504,00					
34	1	2 609 120 291	Suppression Filter .	98,00					
35	1	2 609 110 724	Washer .	43,00					

0 601 372 703  
Stand | 13-06  
Issue | 13-12-12

Abb. / Fig. 1



Änderungen vorbehalten  
Modifications reserved  
Modifications reserves  
Salvo modificaciones

1 / 2

Model: 0 601 372 750 = 230

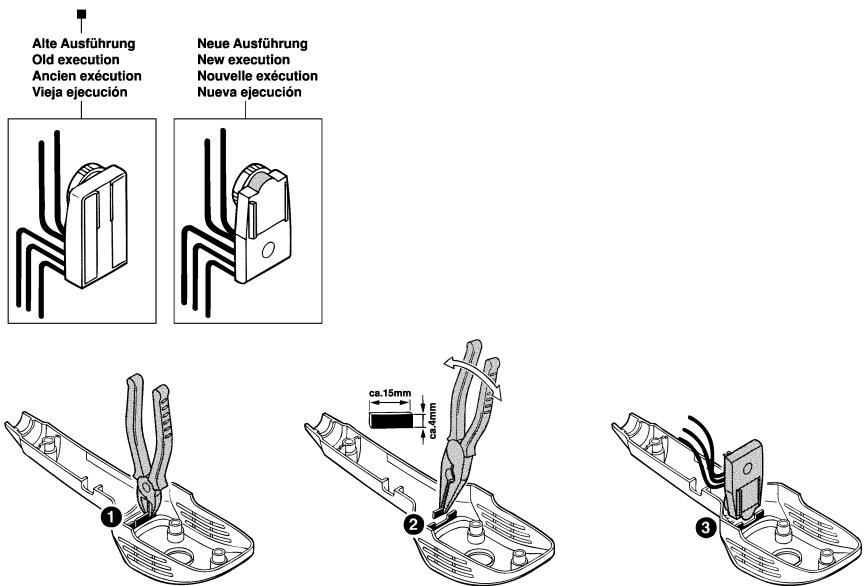
Date:

Item	Pc	Order no.	Description	LP in INR	Item	Pc	Order no.	Description	LP in INR
1	1	2 605 104 410	Housing Section BLUE	710,00	35	1	1 600 A01 5G7	Hex Socket Head Cap	46,00
2	1	2 604 220 529	Field 230-240V .	1.239,00	36	1	2 605 500 124	Housing Cover BLUE	407,00
3	1	2 604 011 028	Armature 220-240V .	2.476,00	37	1	2 915 121 006	Square Nut DIN 562-M6-04	71,00
3/13	1	2 600 905 051	groove ball bearing 7x19x6	189,00	38	1	1 600 A00 JE7	Friction Ring .	125,00
3/60	1	2 606 610 076	Fan .	114,00	43	4	2 603 435 042	Thread-forming tap. Screw	49,00
4	1	2 607 200 260	Switch .	361,00	44	1	2 600 282 015	Suction Hood .	898,00
5	1	2 604 460 284	Power supply cord I / BR		45	1	2 601 328 047	Air-Deflector Ring .	145,00
6	1	2 600 703 017	Grommet Ø6,4-Ø7,2x76	70,00	46	1	2 601 328 048	Suction Piece .	213,00
7	1	2 601 035 001	Cable Clip .	43,00	47	1	2 601 328 049	Suction Piece .	213,00
9	1	2 601 116 496	Manufacturer's nameplate .		48	1	2 601 035 002	Pusher .	143,00
14	1	2 600 905 034	groove ball bearing .	400,00	50	1	2 610 364 015	Hexagon Socket Screw	105,00
16	2	2 604 337 016	Brush Holder .	54,00	56	1	2 607 230 119	Speed governor 230-240V .	1.188,00
17	3	2 603 435 089	Torx Oval-Head Screw	54,00	57	2	2 604 465 090	Suppression Filter .	199,00
18	2	2 603 410 001	Socket head cap screw	49,00	654	1	2 605 411 193	Dust Chamber .	1.420,00
19	6	2 603 490 022	Screw 4x16 .	29,00	655	1	2 602 026 069	Auxiliary Handle BLACK	427,00
20	2	1 600 A00 RD6	Special Screw .	71,00	656	1	2 605 702 039	Adapter .	322,00
21	4	2 603 490 017	Torx Oval-Head Screw	70,00	754	1	2 605 411 069	Dust Bag 1 PIECE	427,00
24	1	2 600 101 047	Shim 0,3 MM .	77,00	808	1	2 601 119 212	Marking Plate .	
25	1	2 600 100 041	Plain Washer DIN	48,00	811	1	1 607 014 117	Carbon Brush .	285,00
27	1	2 600 328 026	Carrier .	248,00	826	1	2 606 610 903	Fan .	1.929,00
28	1	2 600 190 060	Tab Washer .	46,00					
29	2	3 603 391 003	Thread-forming tap. Screw	48,00					
32	1	2 601 329 053	Contact Strap .	49,00					
33	1	2 608 601 106	Backing Pad Ø150 .	817,00					

0 601 372 703

Stand | 99-01  
 Issue | 99-10-08

**Abb./Fig. 2**



Änderungen vorbehalten  
 Modifications reserved  
 Modifications reserves  
 Salvo modificaciones

Model: 0 601 372 750 = 230	Date:
----------------------------	-------

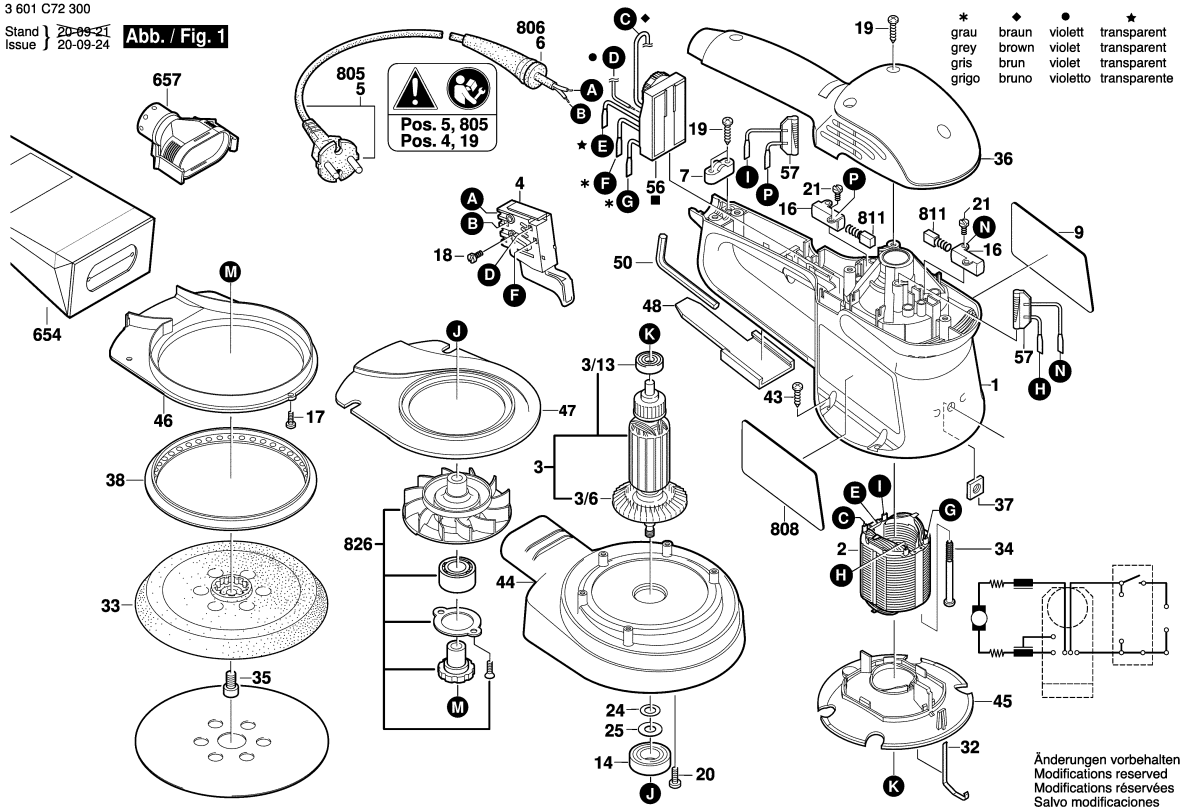
Item	Pc	Order no.	Description	LP in INR	Item	Pc	Order no.	Description	LP in INR

Please observe: Repairing, modifying and testing of electro-tools are to be performed professionally. The safety regulations according to IEC, EN, VDE, AFNOR and other regulations of the individual countries are to be observed. Subject to change.  
 This price list supersedes all previous edition. Prices are subjected to change without any prior notice.

3 601 C72 300

Stand | 20-09-21  
Issue | 20-09-24

Abb. / Fig. 1



Änderungen vorbehalten  
Modifications reserved  
Modifications réservées  
Salvo modificaciones

1 / 1

Model: 3 601 C72 8F0 = 230

Date:

Item	Pc	Order no.	Description	LP in INR	Item	Pc	Order no.	Description	LP in INR
1	1	2 605 104 410	Housing Section BLUE	710,00	43	4	2 603 435 042	Thread-forming tap. Screw	49,00
2	1	2 604 220 529	Field 230-240V .	1.239,00	44	1	2 600 282 015	Suction Hood .	898,00
3	1	2 604 011 028	Armature 220-240V .	2.476,00	45	1	2 601 328 047	Air-Deflector Ring .	145,00
3/13	1	2 600 905 086	groove ball bearing 7x19x6	215,00	46	1	2 601 328 048	Suction Piece .	213,00
3/60	1	2 606 610 076	Fan .	114,00	47	1	2 601 328 049	Suction Piece .	213,00
4	1	2 607 200 260	Switch .	361,00	48	1	2 601 035 002	Pusher .	143,00
7	1	2 601 035 001	Cable Clip .	43,00	50	1	2 610 364 015	Hexagon Socket Screw	105,00
9	1	1 601 11C 3VA	Manufacturer's nameplate		56	1	2 607 230 119	Speed governor 230-240V .	1.188,00
14	1	2 600 905 034	groove ball bearing .	400,00	57	2	2 604 465 090	Suppression Filter .	199,00
16	2	2 604 337 016	Brush Holder .	54,00	654	1	2 605 411 069	Dust Bag 1 PIECE	427,00
17	3	2 603 435 089	Torx Oval-Head Screw	54,00	657	1	2 600 306 012	Adapter .	343,00
18	2	2 603 410 001	Socket head cap screw	49,00	805	1	1 607 000 386	Power supply cord EU	1.263,00
19	6	2 603 490 022	Screw 4x16 .	29,00	806	1	2 600 703 017	Grommet Ø6,4-Ø7,2x76	70,00
20	2	1 600 A00 RD6	Special Screw .	71,00	808	1	1 601 11A 84C	Nameplate .	
21	4	2 603 490 017	Torx Oval-Head Screw	70,00	811	1	1 607 014 117	Carbon Brush .	285,00
24	1	2 600 101 047	Shim 0,3 MM .	77,00	826	1	1 600 A02 30T	Fan .	1.845,00
25	1	2 600 100 041	Plain Washer DIN	48,00					
32	1	2 601 329 053	Contact Strap .	49,00					
33	1	2 608 614 075	Backing Pad Ø150 .						
34	2	2 603 435 086	Tapping Screw .	26,00					
35	1	1 600 A01 5G7	Hex Socket Head Cap	46,00					
36	1	2 605 500 124	Housing Cover BLUE	407,00					
37	1	2 915 121 006	Square Nut DIN 562-M6-04	71,00					
38	1	1 600 A00 JE7	Friction Ring .	125,00					

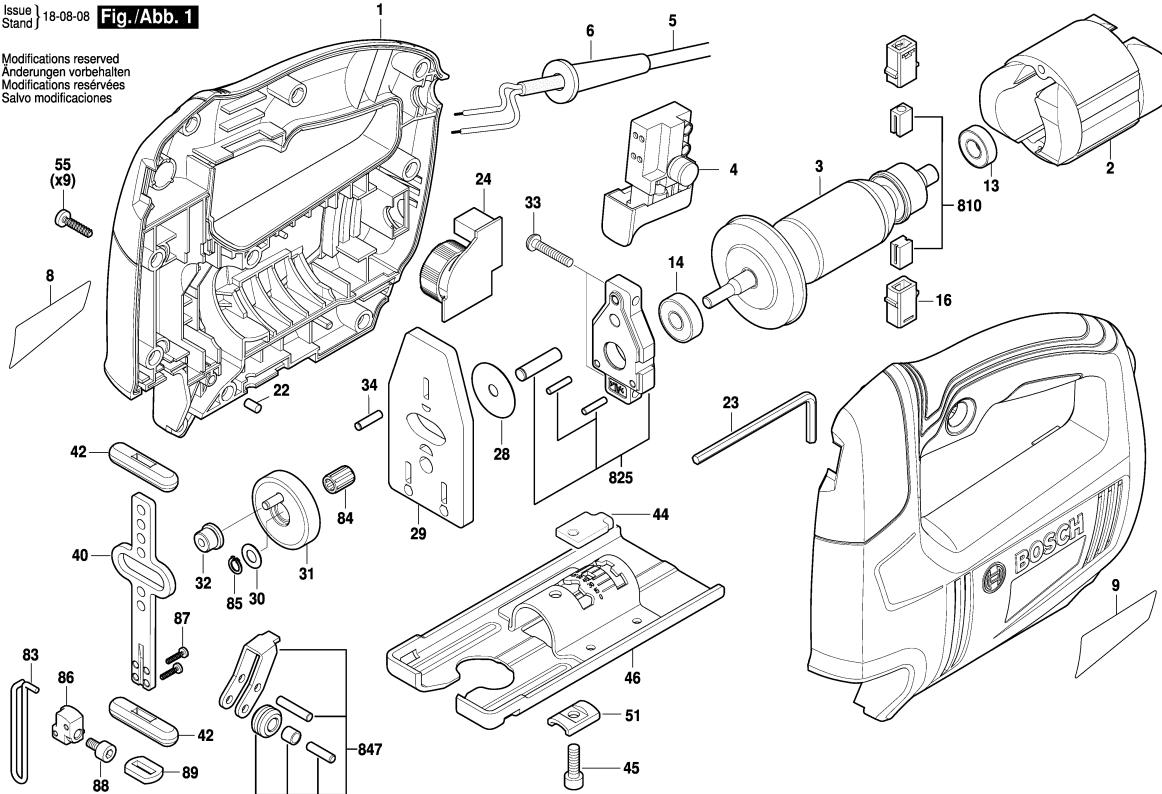
Please observe: Repairing, modifying and testing of electro-tools are to be performed professionally. The safety regulations according to IEC, EN, VDE, AFNOR and other regulations of the individual countries are to be observed. Subject to change.  
This price list supersedes all previous edition. Prices are subjected to change without any prior notice.



3 601 EA8 000  
Issue 18-08-08  
Stand

**Fig./Abb. 1**

Modifications reserved  
Änderungen vorbehalten  
Modifications réservées  
Salvo modificaciones



1 / 1

Model: 3 601 EA8 0F0 = 220

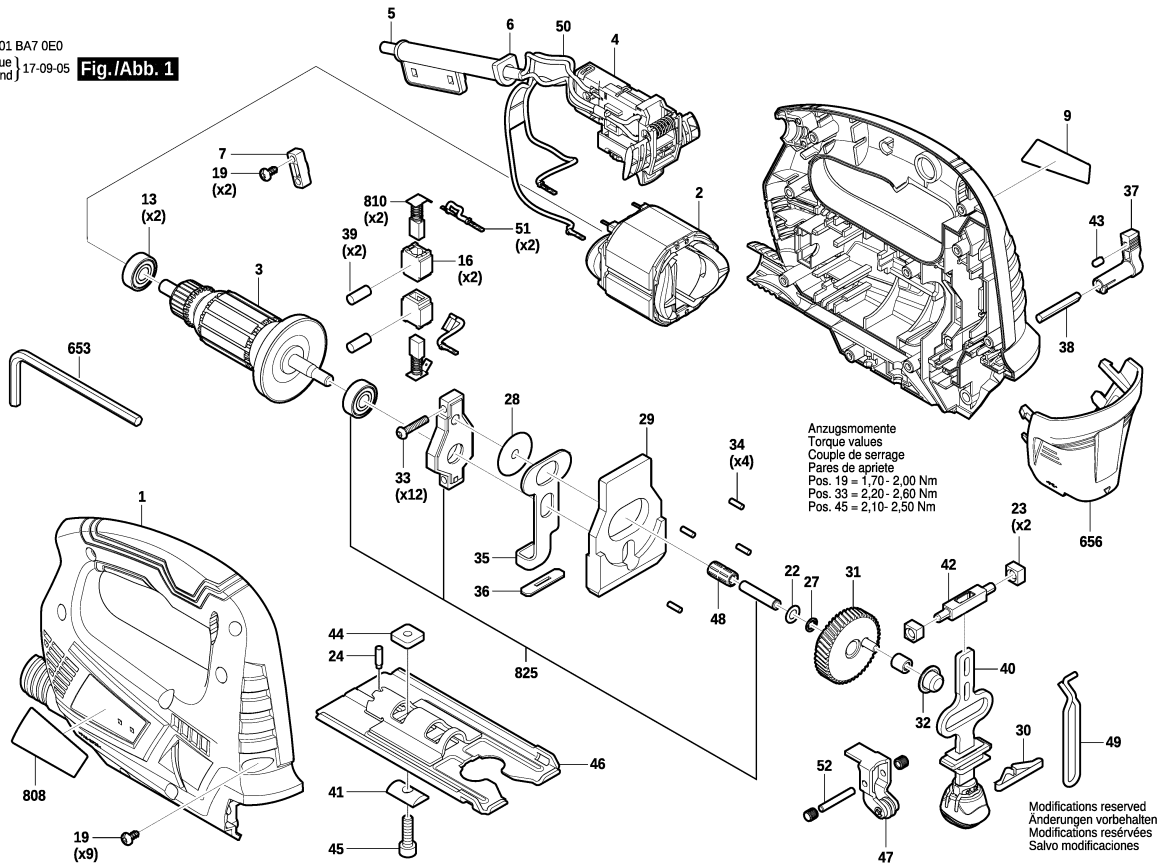
Date:

Item	Pc	Order no.	Description	LP in INR	Item	Pc	Order no.	Description	LP in INR
1	1	1 605 108 2H9	Motor Housing .	576,00	45	1	1 603 430 05E	Screw .	33,00
2	1	1 604 220 575	Field .	571,00	46	1	1 600 A01 4UT	Base Plate .	231,00
3	1	1 604 010 B9L	Armature .	695,00	51	1	1 600 A01 4CD	Bracket .	33,00
4	1	1 607 200 35M	Switch .	204,00	55	9	1 603 430 05F	Screw .	33,00
5	1	1 619 PB5 628	Power supply cord .		83	1	1 600 A01 4UR	Clip .	33,00
6	1	1 600 703 04X	Grommet .	73,00	84	1	1 600 A01 4KR	Needle bearing .	36,00
8	1	1 619 PB3 095	Nameplate .		85	1	1 600 150 036	Spring Lock Washer .	36,00
9	1	1 601 11C 2K0	Sticker .		86	1	1 600 A01 4CC	Blade Holder .	132,00
13	1	1 600 900 07U	Ball Bearing .	69,00	87	2	1 603 430 05C	Screw .	36,00
14	1	1 600 900 07V	Ball Bearing .	67,00	88	1	1 603 430 05D	Screw .	36,00
16	2	1 600 A01 4KN	Brush Holder .	68,00	89	1	1 600 A01 4US	Seal .	36,00
22	1	1 600 A01 4KL	Rubber .	30,00	810	1	1 619 PB3 118	Carbon-Brush Set .	85,00
23	1	1 600 A01 4UP	Offset Screwdriver .	30,00	825	1	1 619 PB3 162	Intermediate Bearing .	149,00
24	1	1 607 233 5G5	Speed governor .	340,00	847	1	1 619 PB3 166	Bracket .	85,00
28	1	1 600 A01 4KU	Washer .	30,00					
29	1	1 600 A01 4KV	Counter Weight .	184,00					
30	1	1 600 150 035	Spring Lock Washer .	30,00					
31	1	1 600 A01 4KW	Gear .	204,00					
32	1	1 600 300 11Y	Bushing .	48,00					
33	2	1 603 430 05B	Screw .	33,00					
34	1	1 603 123 06P	Detent Pin .	33,00					
40	1	1 600 A01 4KM	Bracket .	96,00					
42	2	1 600 300 11X	Bushing .	66,00					
44	1	1 600 A01 4C9	Nut .	33,00					

Please observe: Repairing, modifying and testing of electro-tools are to be performed professionally. The safety regulations according to IEC, EN, VDE, AFNOR and other regulations of the individual countries are to be observed. Subject to change.  
This price list supersedes all previous edition. Prices are subjected to change without any prior notice.

3 601 BA7 0E0  
ISSUE }  
Stand } 17-09-05

**Fig./Abb. 1**



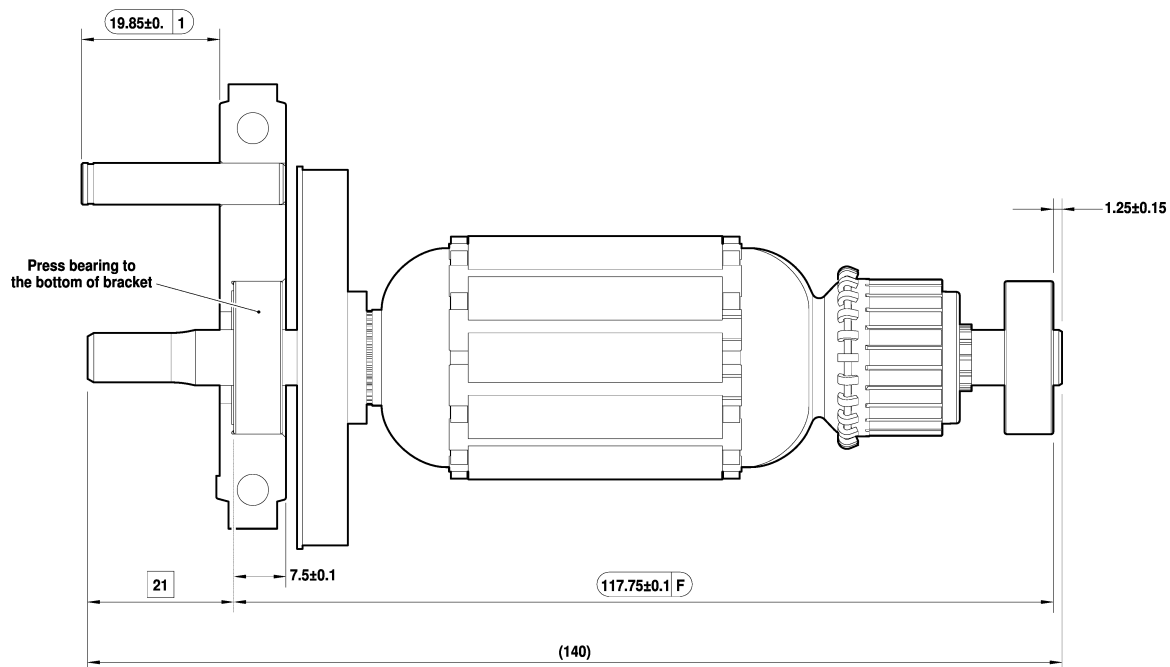
1 / 3

Model: 3 601 BA7 0F0 = 220

Date:

Item	Pc	Order no.	Description	LP in INR	Item	Pc	Order no.	Description	LP in INR
1	1	1 619 P14 032	Housing Section .	632,00	36	1	1 619 X04 574	Seal .	40,00
2	1	1 619 P13 750	Field .	519,00	37	1	1 619 P14 053	Change-Over Switch .	83,00
3	1	1 619 P13 749	Armature .	736,00	38	1	1 619 P07 156	Control Shaft .	47,00
4	1	2 607 200 678	Switch .	378,00	39	2	1 619 X01 409	Holding Pin .	37,00
5	1	1 619 P14 311	Power supply cord .		40	1	1 619 P14 045	Lifting Rod .	506,00
6	1	1 619 P14 642	Grommet Ø 7mm .	43,00	41	1	1 619 P14 056	Profile Beading .	59,00
6	1	1 619 P14 642	Grommet Ø 7mm .	43,00	42	1	1 619 P14 049	Plain bearing .	114,00
7	1	2 601 035 001	Cable Clip .	43,00	43	1	2 600 590 006	Ratchet Cap .	49,00
9	1	1 619 P14 036	Manufacturer's nameplate .		44	1	1 619 P07 163	fixing plate .	72,00
13	2	2 600 905 110	groove ball bearing 8x22x7	235,00	45	1	1 619 X04 887	Hex Socket Head Cap	54,00
16	2	1 619 X02 735	Brush Holder .	161,00	46	1	1 619 P14 050	Base Plate .	315,00
19	11	2 603 490 022	Screw 4x16 .	29,00	47	1	1 619 P14 051	Roller Lever .	340,00
22	1	1 619 P14 682	Shim .	61,00	48	1	1 619 P14 677	Needle-Roller Assembly .	114,00
23	2	1 619 P14 055	Insert .	83,00	49	1	1 619 P14 058	Protecting Cover .	88,00
24	1	2 603 120 019	Detent Pin .	37,00	50	1	1 619 P14 063	Cable Set .	88,00
27	1	1 619 X07 569	Spring retaining ring .	36,00	51	2	1 619 P14 277	Cable .	100,00
28	1	1 619 P01 396	Shim .	27,00	52	1	1 619 P07 159	Bearing bolt .	33,00
29	1	1 619 P14 042	Counterweight .	313,00	653	1	2 610 364 015	Hexagon Socket Screw	105,00
30	1	1 619 P14 636	Coiled Spring .	59,00	656	1	1 619 P14 054	Covering hood .	90,00
31	1	1 619 P14 043	Eccentric Cog Wheel .	452,00	808	1	1 619 P14 760	Nameplate .	
32	1	2 600 914 022	Needle bearing .	164,00	810	1	1 619 P13 476	Carbon-Brush Set .	133,00
33	2	2 609 110 610	Cyl Head tapping screw .	41,00	825	1	1 619 P14 685	Bracket .	398,00
34	4	2 603 201 020	Bearing bolt .	37,00	895	1	3 605 430 003	Grease Tube Albida .	1.444,00
35	1	1 619 P14 052	Fork Lever .	100,00					

3 601 BA7 0E0  
ISSUE 17-08-18  
Stand } **Fig./Abb. 2**



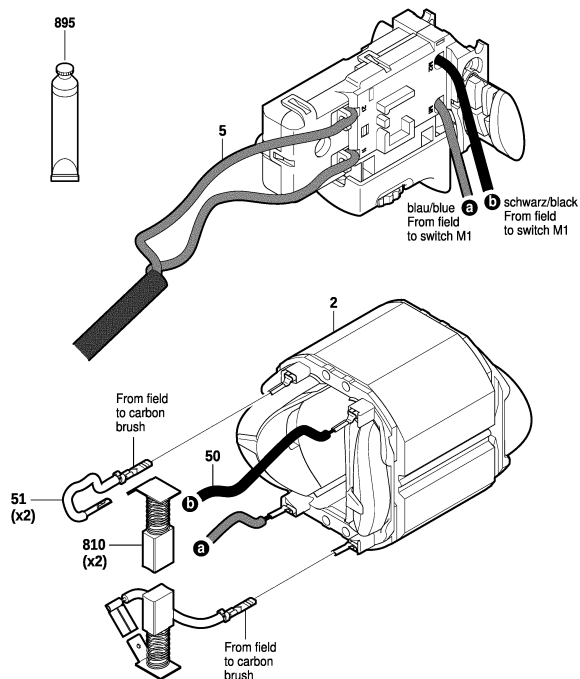
Modifications reserved  
Änderungen vorbehalten  
Modifications réservées  
Salvo modificaciones

Model: 3 601 BA7 0F0 = 220

Date:

Item	Pc	Order no.	Description	LP in INR	Item	Pc	Order no.	Description	LP in INR

3 601 BA7 0E0  
ISSUE }  
Stand } 17-09-05 **Fig./Abb. 3**



Modifications reserved  
Änderungen vorbehalten  
Modifications réservées  
Salvo modificaciones

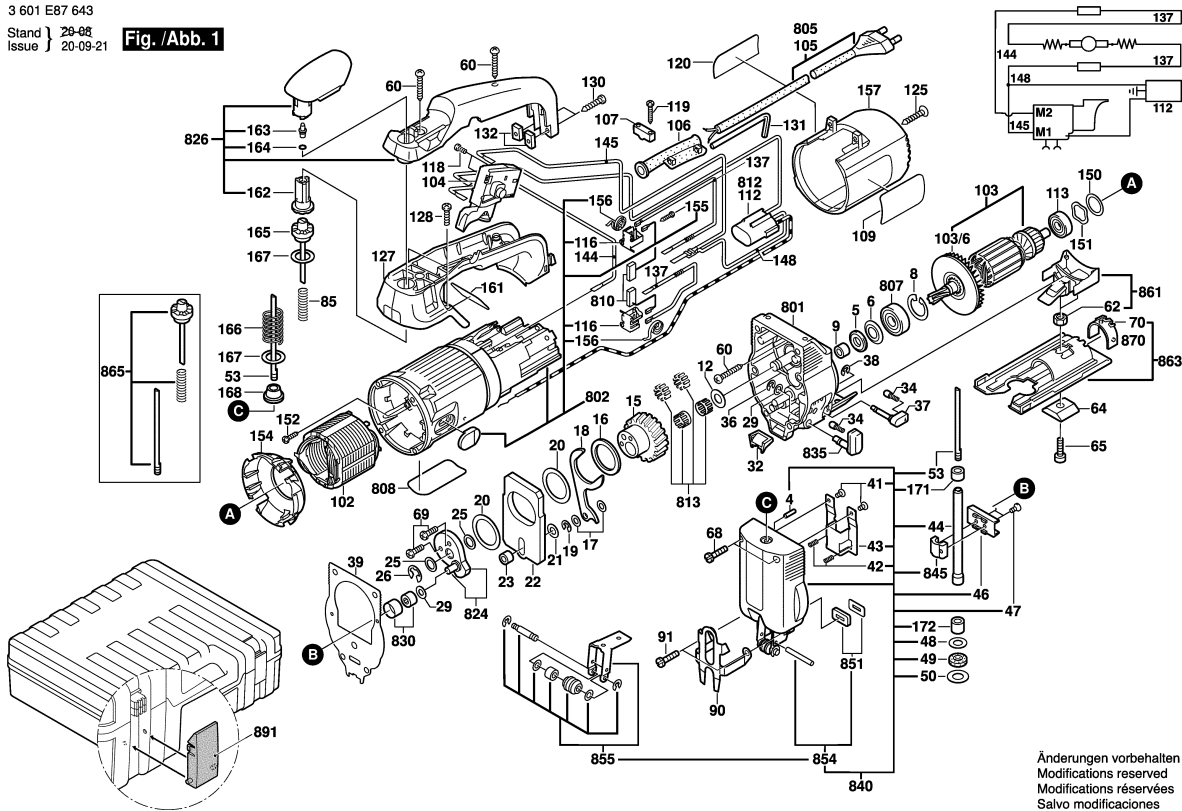
Model: 3 601 BA7 0F0 = 220	Date: _____
----------------------------	-------------

Item	Pc	Order no.	Description	LP in INR	Item	Pc	Order no.	Description	LP in INR

Please observe: Repairing, modifying and testing of electro-tools are to be performed professionally. The safety regulations according to IEC, EN, VDE, AFNOR and other regulations of the individual countries are to be observed. Subject to change. This price list supersedes all previous edition. Prices are subjected to change without any prior notice.

3 601 E87 643  
Stand | 29-08  
Issue | 20-09-21

**Fig. / Abb. 1**



Änderungen vorbehalten  
Modifications reserved  
Modifications réservées  
Salvo modificaciones

1 / 3

Model: 3 601 E87 655 = 230

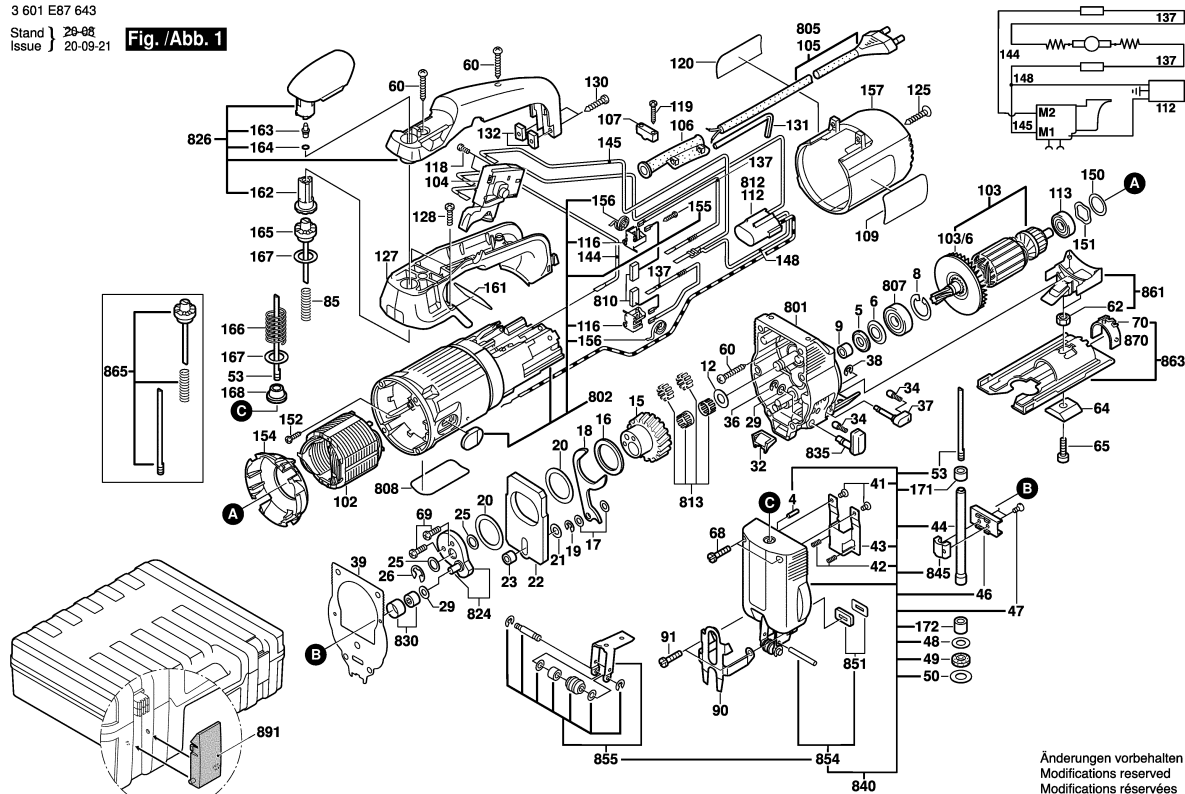
Date:

Item	Pc	Order no.	Description	LP in INR	Item	Pc	Order no.	Description	LP in INR
4	2	1 619 P00 429	Bolt .	27,00	29	2	2 600 100 568	Shim 0,5 MM .	43,00
5	1	2 600 108 077	Felt Washer .	41,00	29	1	2 600 100 569	Shim 1,0 MM .	44,00
6	1	2 600 500 002	Cupped Washer .	43,00	32	1	2 602 305 042	Air Eliminator .	43,00
8	1	1 619 P00 428	Spring retaining ring .	27,00	34	2	2 600 590 006	Ratchet Cap .	49,00
9	1	2 600 400 008	Receptacle .	43,00	36	1	1 619 P00 444	Locking Washer .	27,00
12	1	2 600 101 616	Shim 0,5 MM .	41,00	37	1	2 602 026 037	Rotary Knob BLACK	39,00
15	1	1 619 P02 581	Eccentric Cog Wheel .	746,00	38	2	2 600 116 006	Spring retaining ring .	38,00
16	1	2 600 102 653	Shim 1,0 MM .	44,00	39	1	2 601 015 050	Seal .	43,00
17	1	2 600 100 515	Shim 0,3 MM .	44,00	41	2	2 603 410 048	Thread-forming tap. Screw	49,00
17	1	2 600 100 516	Shim 0,5 MM .	41,00	42	2	2 604 613 000	Compression Spring .	44,00
18	1	2 601 923 004	Fork Lever .	66,00	43	1	1 616 B00 224	Guide Bracket .	81,00
19	1	2 916 080 907	Locking Washer 4 DIN	27,00	44	1	1 619 P12 765	Lifting Rod .	523,00
20	2	2 600 102 652	Shim 0,5 MM .	44,00	46	1	1 619 P12 767	Sliding Piece .	163,00
21	1	2 600 100 625	Shim 0,1 MM .	44,00	47	2	2 603 421 040	Countersunk-Head Screw	44,00
21	1	2 600 100 626	Shim 0,2 MM .	43,00	48	1	2 600 112 031	Supporting Disc 0,5 MM .	44,00
21	2	2 600 100 627	Shim 0,3 MM .	40,00	49	1	2 600 290 017	Seal Ring 0,5 MM .	119,00
21	2	2 600 100 628	Shim 0,5 MM .	43,00	50	1	2 600 101 612	Shim 0,5 MM .	44,00
22	1	2 601 098 003	Counterweight .	257,00	53	1	2 603 490 011	Clamp Screw .	200,00
23	1	2 600 309 009	Spacer Sleeve .	44,00	60	6	1 619 P00 106	Screw .	27,00
25	2	2 600 100 575	Shim 0,2 MM .	119,00	62	2	2 915 011 007	Hex Nut DIN 934-M6-8-A .	69,00
25	2	2 600 100 576	Shim 0,3 MM .	43,00	64	1	2 601 030 019	Profile Beading .	67,00
25	2	2 600 100 577	Shim 0,5 MM .	44,00	65	1	2 910 141 197	Hex Socket Head Cap	27,00
26	1	1 619 P00 443	Locking Washer .	48,00	68	4	1 619 P01 380	Screw 4x14 .	27,00
29	1	2 600 100 607	Shim 0,3 MM .	49,00	69	2	2 914 551 176	Microencapsulated Screw	27,00

Please observe: Repairing, modifying and testing of electro-tools are to be performed professionally. The safety regulations according to IEC, EN, VDE, AFNOR and other regulations of the individual countries are to be observed. Subject to change.  
This price list supersedes all previous edition. Prices are subjected to change without any prior notice.

3 601 E87 643  
Stand | 29-08  
Issue | 20-09-21

**Fig. / Abb. 1**



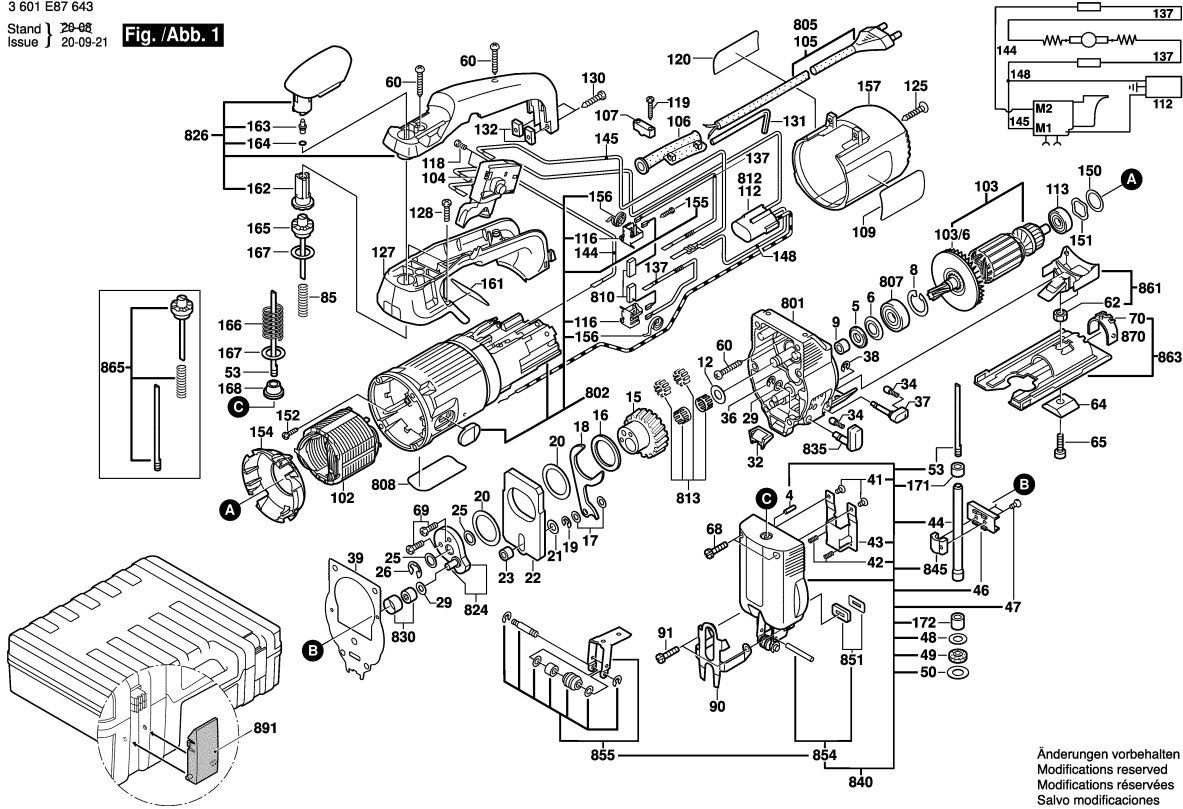
Änderungen vorbehalten  
Modifications reserved  
Modifications réservées  
Salvo modificaciones

Model: 3 601 E87 655 = 230 Date:

Item	Pc	Order no.	Description	LP in INR	Item	Pc	Order no.	Description	LP in INR
85	1	2 604 610 040	Compression Spring .	43,00	150	1	2 600 101 027	Shim washer 0,3 MM .	41,00
90	1	2 601 322 021	Safety Device .	114,00	151	1	2 600 150 004	Shim .	41,00
91	2	2 910 011 128	Socket head cap screw	27,00	152	4	2 603 435 015	Cross Recessed-Head	43,00
102	1	2 604 220 447	Field 230-240V .	704,00	154	1	2 601 328 045	Cover Disc .	109,00
103	1	2 604 010 578	Armature 230-240V .	1.700,00	155	4	1 619 P00 220	Torx Oval-Head Screw	29,00
103/6	1	2 606 610 049	Fan .	189,00	156	2	2 604 652 009	Spiral Spring .	43,00
104	1	2 607 200 190	Switch .	1.513,00	157	1	2 600 508 038	Housing Cover BLUE	252,00
105	1	1 607 000 385	Power supply cord EU	860,00	161	1	2 610 907 133	Label .	
106	1	2 600 703 027	Grommet Ø6,5-Ø6,9x95	41,00	162	1	2 606 491 011	Ratchet .	73,00
107	1	2 601 035 001	Cable Clip .	43,00	163	1	2 600 423 006	Carrier Bracket .	43,00
109	1	1 619 P31 119	Manufacturer's nameplate .		164	1	1 619 P06 265	O-Ring .	27,00
113	1	1 900 905 018	Ball Bearing 7x22x7 .	57,00	165	1	2 606 491 014	Coupling Half .	326,00
116	2	1 600 A00 3G4	Brush Holder .	126,00	166	1	2 604 617 004	Compression Spring .	27,00
118	2	2 603 410 001	Socket head cap screw	49,00	167	2	1 619 P00 446	Shim .	27,00
119	2	2 610 315 386	Screw ST3,9x19 .	38,00	168	1	2 600 421 001	Guide Sleeve .	43,00
120	1	2 601 118 526	Reference Plate SHADOW		171	1	2 600 301 046	Sintered-Metal Bushing .	94,00
125	1	2 910 601 321	Tapping Screw DIN	56,00	172	1	2 600 301 045	Bushing .	88,00
127	1	2 602 025 060	Strap-Shaped Handle .	378,00	801	1	2 605 808 917	Gear Housing .	2.016,00
128	2	2 603 410 054	Thread-forming tap. Screw	27,00	802	1	1 619 P00 775	Motor Housing .	554,00
130	2	1 619 P07 366	Screw and washer	29,00	807	1	2 600 905 039	groove ball bearing 9x24x7	252,00
131	1	2 610 364 015	Hexagon Socket Screw	105,00	808	1	1 619 P08 975	Nameplate .	
132	2	2 603 320 001	Square Nut M4 .	43,00	810	1	2 604 320 912	Carbon-Brush Set .	236,00
137	2	2 604 448 034	Connecting Cable L=88	43,00	812	1	2 607 329 129	Suppression Filter .	286,00
144	2	1 614 431 010	Cable L=233 MM WHITE	38,00	813	1	2 607 001 130	Needle-Roller Cage .	169,00

3 601 E87 643  
Stand | 29-08  
Issue | 20-09-21

**Fig. / Abb. 1**



Änderungen vorbehalten  
Modifications reserved  
Modifications réservées  
Salvo modificaciones

Model: 3 601 E87 655 = 230

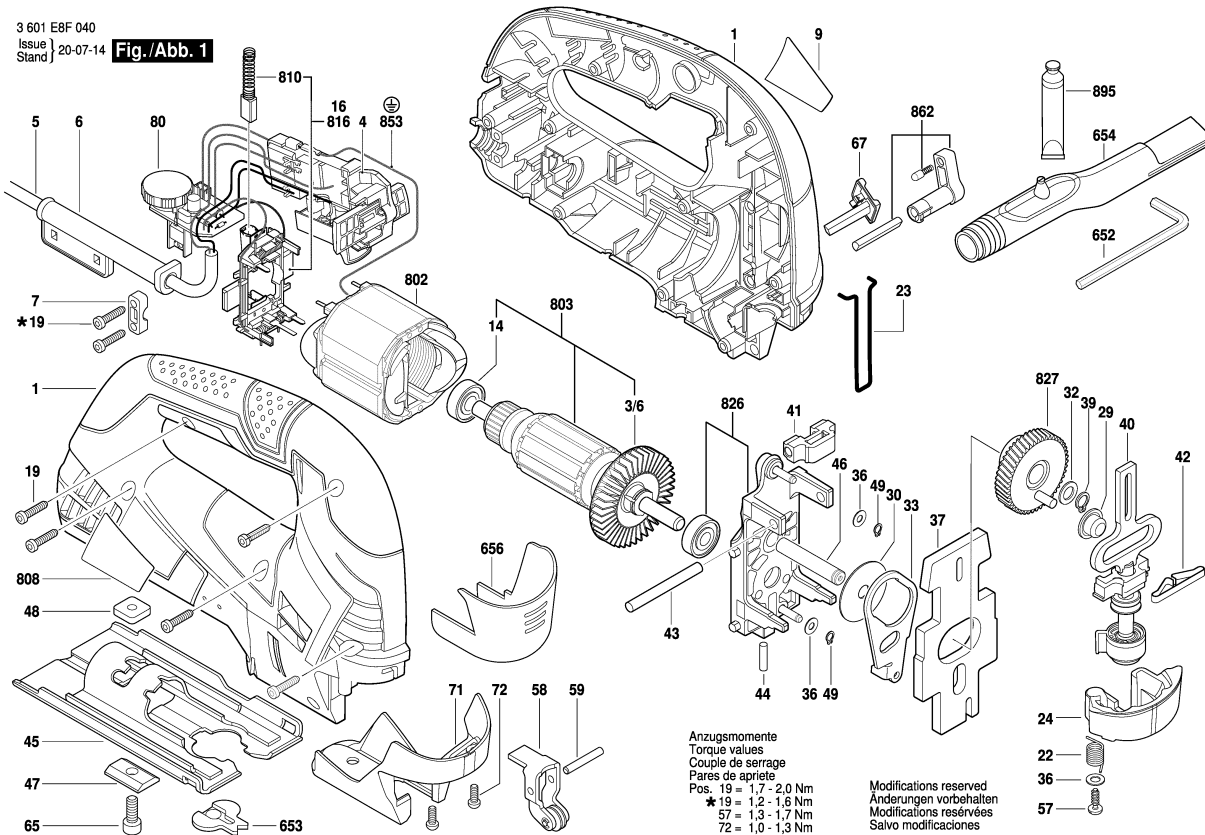
Date:

Item	Pc	Order no.	Description	LP in INR
824	1	2 601 072 901	Eccentric Disc .	235,00
826	1	2 602 025 901	Strap-Shaped Handle .	369,00
830	1	2 600 917 900	Needle bearing .	242,00
835	1	2 602 026 036	Rotary Knob BLACK	133,00
840	1	1 619 P00 776	Coupling Half .	1.924,00
845	1	1 619 P06 451	Clamping Saddle .	78,00
851	1	2 601 015 901	Sealing Plate .	82,00
854	1	1 619 P00 777	Roller Lever .	411,00
855	1	1 619 P01 375	Roller Set .	290,00
861	1	2 605 500 900	Fan Cover .	73,00
863	1	2 601 016 903	Base Plate .	673,00
870	1	2 601 328 044	Scale Plate .	43,00
891	1	1 619 P01 393	Latch .	30,00

Item	Pc	Order no.	Description	LP in INR

3 601 E8F 040  
Issue  
Stand } 20-07-14

**Fig./Abb. 1**



Anzugsmomente  
Torque values  
Couple de serrage  
Pares de apriete  
Pos. 19 = 1,7 - 2,0 Nm  
★ 19 = 1,2 - 1,6 Nm  
57 = 1,3 - 1,7 Nm  
72 = 1,0 - 1,3 Nm

Modifications reserved  
Änderungen vorbehalten  
Modifications réservées  
Salvo modificaciones

Model: 3 601 E8F 0F0 = 230 Date:

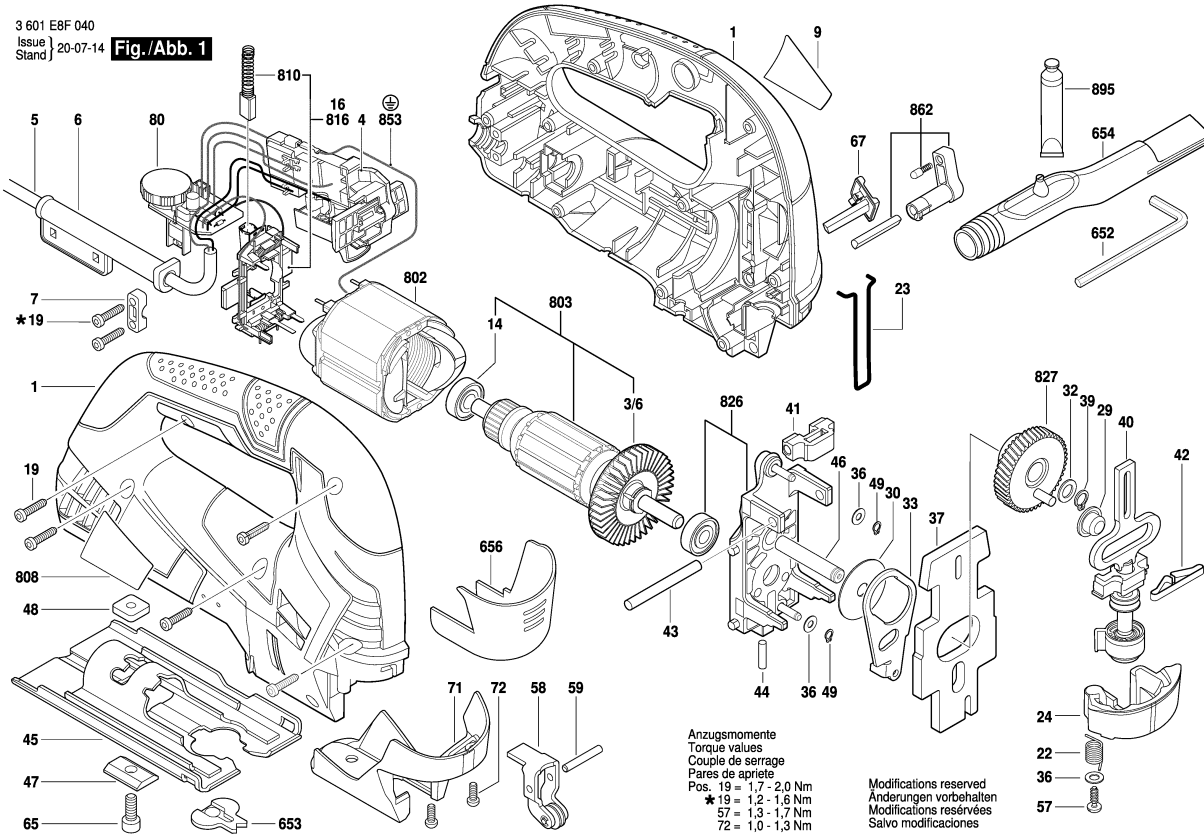
Item	Pc	Order no.	Description	LP in INR	Item	Pc	Order no.	Description	LP in INR
1	1	1 619 P07 126	Housing Section DARK	1.605,00	45	1	1 619 P07 162	base plate .	721,00
3/6	1	2 606 610 123	Fan .	39,00	46	1	1 619 P07 138	Bearing bolt .	177,00
4	1	2 607 200 669	Switch .	550,00	47	1	2 601 030 019	Profile Beading .	67,00
5	1	1 619 P15 853	Power supply cord .		48	1	1 619 P07 163	fixing plate .	72,00
6	1	2 600 703 026	Grommet Ø8,2-Ø9,4x95	62,00	49	2	2 916 640 001	Spring retaining ring DIN	28,00
7	1	2 601 035 001	Cable Clip .	43,00	57	1	1 619 P02 848	Torx Oval-Head Screw	28,00
9	1	1 619 P16 143	Manufacturer's nameplate .		58	1	1 619 P13 426	Roller Lever .	646,00
14	1	2 600 905 110	groove ball bearing 8x22x7	235,00	59	1	1 619 P07 159	Bearing bolt .	33,00
19	11	2 603 490 022	Screw 4x16 .	29,00	65	1	2 910 141 197	Hex Socket Head Cap	27,00
22	1	1 619 P07 152	Torsion Spring .	96,00	67	1	1 619 P07 158	Switch Slide .	69,00
23	1	1 619 P07 128	Protecting Cover .	162,00	71	1	1 605 500 2CJ	Cover .	754,00
24	1	1 619 P07 151	Lever Switch .	167,00	72	2	2 603 435 015	Cross Recessed-Head	43,00
29	1	2 600 914 022	Needle bearing .	164,00	80	1	1 619 P07 304	Speed governor .	1.657,00
30	1	1 619 P07 576	Shim .	136,00	652	1	2 610 364 015	Hexagon Socket Screw	105,00
32	1	2 600 101 077	Shim 0,5 MM .	41,00	653	1	2 601 016 065	Splintering Protector .	105,00
33	1	1 619 P07 137	Fork Lever .	208,00	654	1	1 619 P07 167	Suction Nozzle .	373,00
36	3	2 600 100 588	Shim 0,5 MM .	47,00	656	1	1 619 P07 166	Covering hood .	249,00
37	1	1 619 P07 133	Counterweight .	384,00	802	1	1 619 P09 155	Field 220V .	759,00
39	1	2 916 640 905	Spring retaining ring 8x0,8	46,00	803	1	1 619 P09 157	Armature 220V .	1.834,00
40	1	1 619 P07 147	Lifting Rod .	2.261,00	808	1	1 619 P16 120	Nameplate .	
41	1	1 619 P08 903	Plain bearing .	221,00	810	1	2 604 321 925	Carbon-Brush Set .	231,00
42	1	1 619 P11 327	Coiled Spring .	130,00	816	1	2 609 001 621	Brush Plate .	460,00
43	1	1 619 P07 139	Needle Roller .	105,00	826	1	1 619 P08 888	Bearing Bracket .	1.372,00
44	1	1 619 P07 143	Bearing bolt .	80,00	827	1	1 619 P08 889	Eccentric Cog Wheel .	804,00

Please observe: Repairing, modifying and testing of electro-tools are to be performed professionally. The safety regulations according to IEC, EN, VDE, AFNOR and other regulations of the individual countries are to be observed. Subject to change.  
This price list supersedes all previous edition. Prices are subjected to change without any prior notice.



3 601 E8F 040  
Issue  
Stand 20-07-14

Fig./Abb. 1



Model: 3 601 E8F 0F0 = 230

Date: \_\_\_\_\_

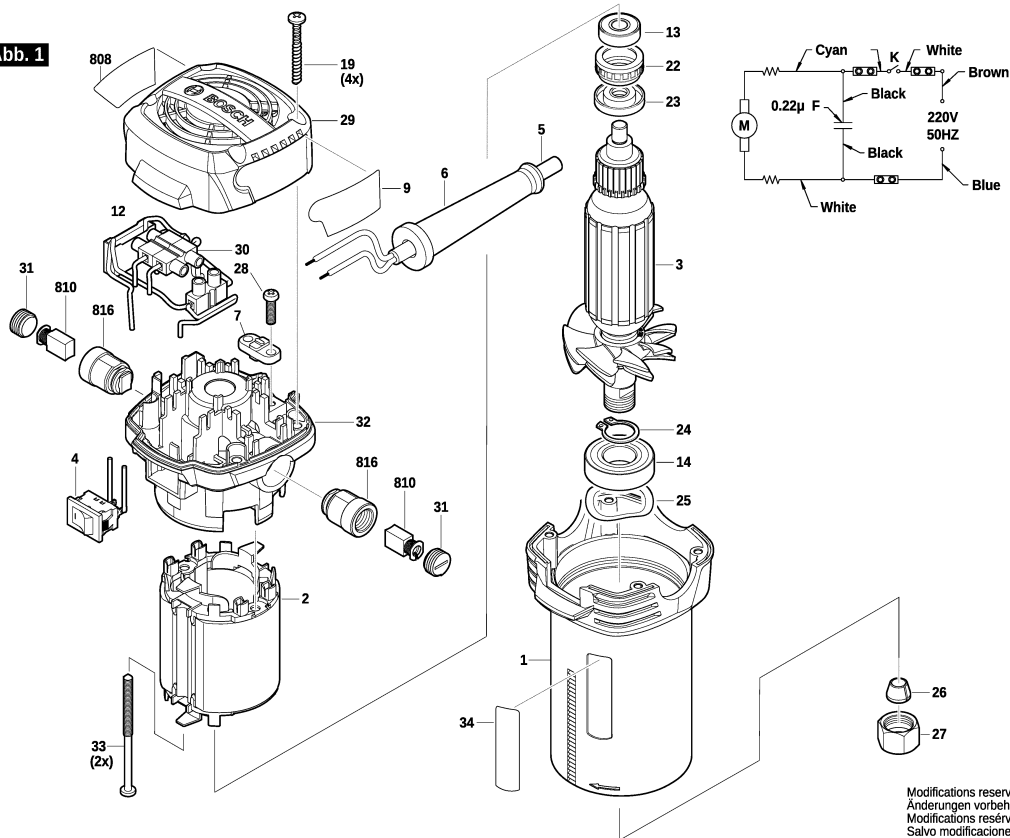
Item	Pc	Order no.	Description	LP in INR
853	1	1 619 P09 053	Earth Conductor .	208,00
862	1	1 619 P08 890	Change-Over Switch .	279,00
895	1	3 605 430 003	Grease Tube Albida .	1.444,00

Item	Pc	Order no.	Description	LP in INR

Please observe: Repairing, modifying and testing of electro-tools are to be performed professionally. The safety regulations according to IEC, EN, VDE, AFNOR and other regulations of the individual countries are to be observed. Subject to change.  
This price list supersedes all previous edition. Prices are subjected to change without any prior notice.

3 601 FA0 081  
ISSUE 21-08-24  
Stand

**Fig./Abb. 1**



1 / 3

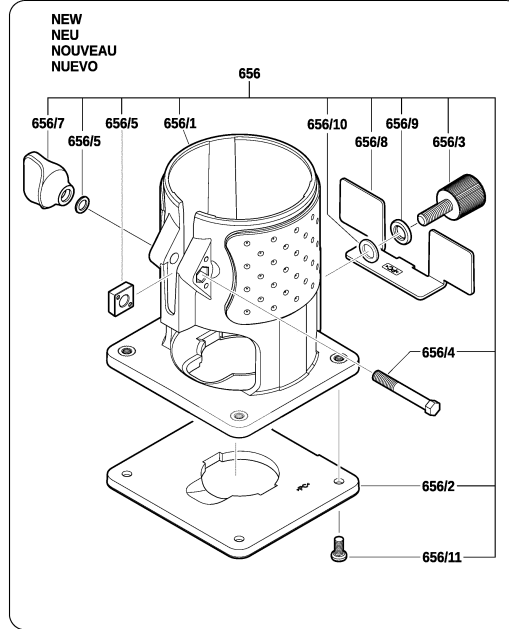
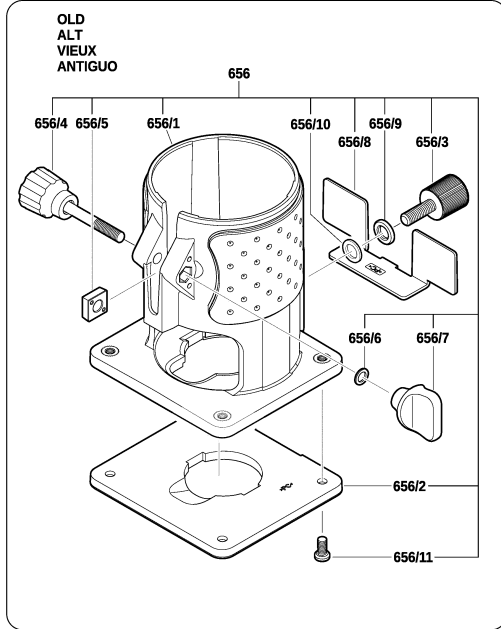
Model: 3 601 FA0 0F1 = 230

Date:

Item	Pc	Order no.	Description	LP in INR	Item	Pc	Order no.	Description	LP in INR
1	1	1 619 PB2 368	Motor Housing .	340,00	34	1	1 619 PB3 004	Scale .	30,00
2	1	1 619 PB3 028	Field assembly 220~240V .	749,00	653	1	1 619 PB2 378	Guide Piece .	67,00
3	1	1 619 PB3 031	Armature 220~240V .	1.033,00	654	1	1 619 PB3 022	End stop .	536,00
4	1	1 619 PB3 034	Switch .	171,00	654/1	1	1 619 PB3 064	Guide Plate .	140,00
5	1	1 619 PB3 037	Power supply cord .	216,00	654/2	1	1 619 PB3 065	Guide .	140,00
6	1	1 619 PB3 045	Grommet .	30,00	654/3	1	1 619 PB3 066	Screw .	30,00
7	1	1 619 PB3 046	Clip .	30,00	654/4	1	1 619 PB3 067	Toothed lock washer .	30,00
9	1	1 619 PB3 002	Manufacturer's nameplate		654/5	1	1 619 PB3 068	Plate .	30,00
12	1	1 619 PB3 048	Suppression Capacitor .	51,00	654/6	1	1 619 PB2 371	Wing Screw .	67,00
13	1	1 619 PB3 049	groove ball bearing .	144,00	654/7	1	1 619 PB3 069	Screw .	30,00
14	1	1 619 PB3 050	groove ball bearing .	252,00	654/8	1	1 619 PB3 070	Bushing .	30,00
19	4	1 619 PB3 052	Screw .	30,00	654/9	1	1 619 PB3 071	Plain Washer .	30,00
22	1	1 619 PB3 053	Bearing Sleeve .	51,00	654/10	1	1 619 PB3 072	Corrugated Washer .	30,00
23	1	1 619 PB3 054	Backup ring .	30,00	654/11	1	1 619 PB2 372	Wing Screw .	51,00
24	1	1 619 PB3 055	Spacer Ring .	30,00	655	1	1 619 PB3 021	Edge Guide .	337,00
25	1	1 619 PB3 056	Corrugated Washer .	30,00	655/1	1	1 619 PB3 073	Edge Guide .	96,00
26	1	1 619 PB3 058	Collet 6mm .	61,00	655/2	1	1 619 PB3 074	Guide Bracket .	120,00
27	1	1 619 PB3 059	Union Nut .	83,00	655/3	1	1 619 PB3 075	Special Screw .	30,00
28	1	1 619 PB3 060	Clamp Screw .	30,00	655/4	1	1 619 PB3 076	Plain Washer .	30,00
29	1	1 619 PB2 366	Cover .	120,00	655/5	1	1 619 PB2 373	Wing Screw .	30,00
30	3	1 619 PB3 061	Terminal Block .	30,00	655/9	1	1 619 PB3 071	Plain Washer .	30,00
31	2	1 619 PB3 062	Brush-Cover .	30,00	655/10	1	1 619 PB3 072	Corrugated Washer .	30,00
32	1	1 619 PB2 367	Motor Housing .	171,00	656	1	1 619 PB2 369	Base .	696,00
33	2	1 619 PB3 063	Screw .	30,00	656/1	1	1 619 PB3 077	Base .	342,00

Please observe: Repairing, modifying and testing of electro-tools are to be performed professionally. The safety regulations according to IEC, EN, VDE, AFNOR and other regulations of the individual countries are to be observed. Subject to change.  
This price list supersedes all previous edition. Prices are subjected to change without any prior notice.

3 601 FA0 081  
Issue Stand 20-11-11 **Fig./Abb. 2**



Modifications reserved  
Änderungen vorbehalten  
Modifications réservées  
Salvo modificaciones

Model: 3 601 FA0 0F1 = 230

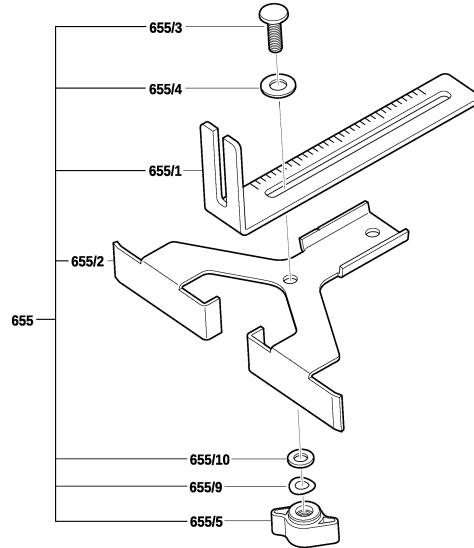
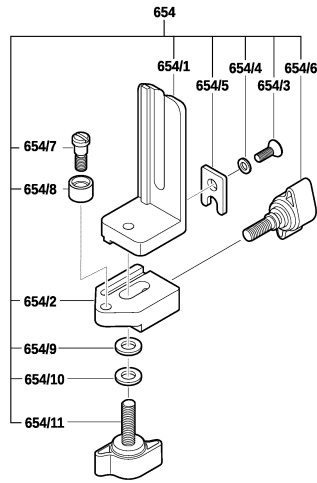
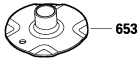
Date:

Item	Pc	Order no.	Description	LP in INR
656/2	1	1 619 PB3 078	Base Plate .	109,00
656/3	1	1 619 PB2 374	Knurled Thumbscrew .	51,00
656/4	1	1 619 PB2 375	Knob .	51,00
656/5	1	1 619 PB3 079	Spacer .	30,00
656/6	1	1 619 PB3 080	Plain Washer .	30,00
656/7	1	1 619 PB2 376	Knurled Thumbscrew .	51,00
656/8	1	1 619 PB3 083	Chip Deflector .	51,00
656/9	1	1 619 PB3 071	Plain Washer .	30,00
656/10	1	1 619 PB3 072	Corrugated Washer .	30,00
656/11	4	1 619 PB3 081	Screw .	30,00
808	1	1 619 PB2 989	Nameplate .	
810	1	1 619 PB3 047	Carbon-Brush Set .	136,00
816	1	1 619 PB3 051	Brush Holder .	72,00

Item	Pc	Order no.	Description	LP in INR

Please observe: Repairing, modifying and testing of electro-tools are to be performed professionally. The safety regulations according to IEC, EN, VDE, AFNOR and other regulations of the individual countries are to be observed. Subject to change.  
This price list supersedes all previous edition. Prices are subjected to change without any prior notice.

3 601 FA0 081  
ISSUE } 20-11-11  
Stand } **Fig./Abb. 3**



Modifications reserved  
Änderungen vorbehalten  
Modificaciones reservadas  
Salvo modificaciones

3 / 3

Model: 3 601 FA0 0F1 = 230

Date:

Item	Pc	Order no.	Description	LP in INR

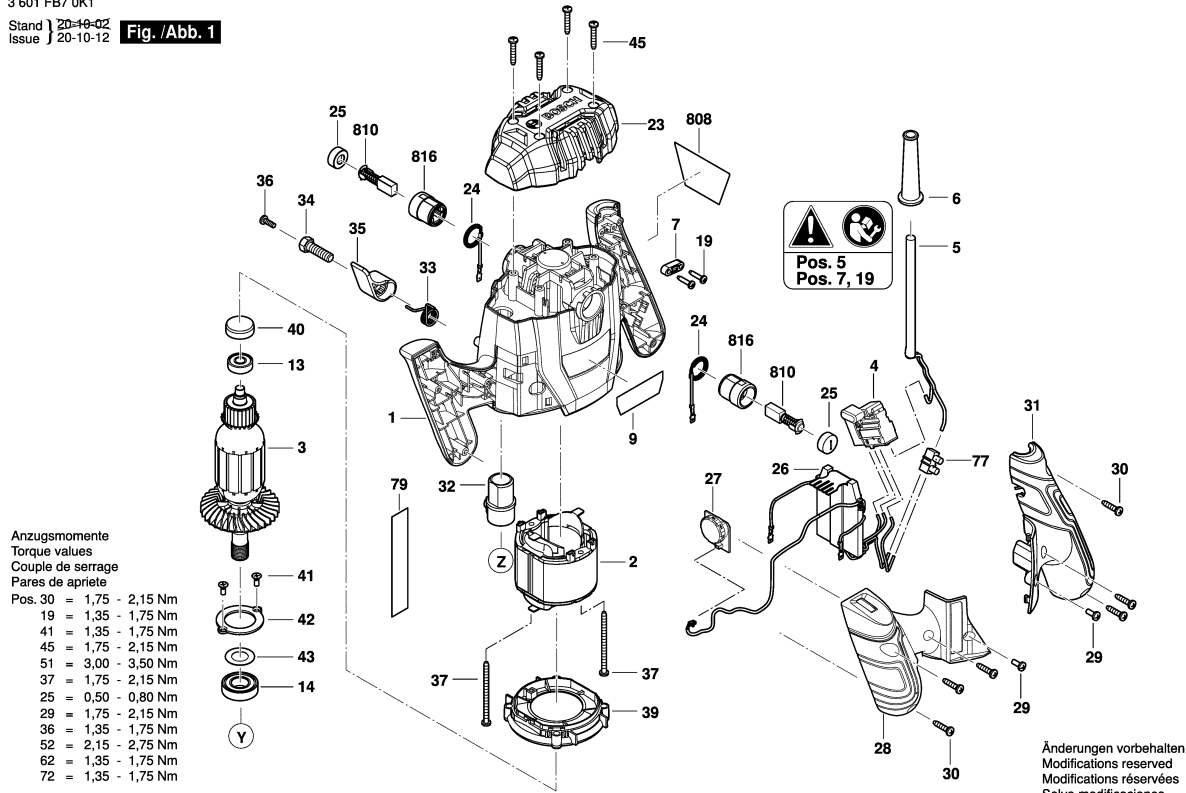
Item	Pc	Order no.	Description	LP in INR

Please observe: Repairing, modifying and testing of electro-tools are to be performed professionally. The safety regulations according to IEC, EN, VDE, AFNOR and other regulations of the individual countries are to be observed. Subject to change.

This price list supersedes all previous edition. Prices are subjected to change without any prior notice.

3 601 FB7 0K1  
Stand | 20-10-02  
Issue | 20-10-12

**Fig./Abb. 1**



1 / 2

Model: 3 601 FB7 0F0 = 230

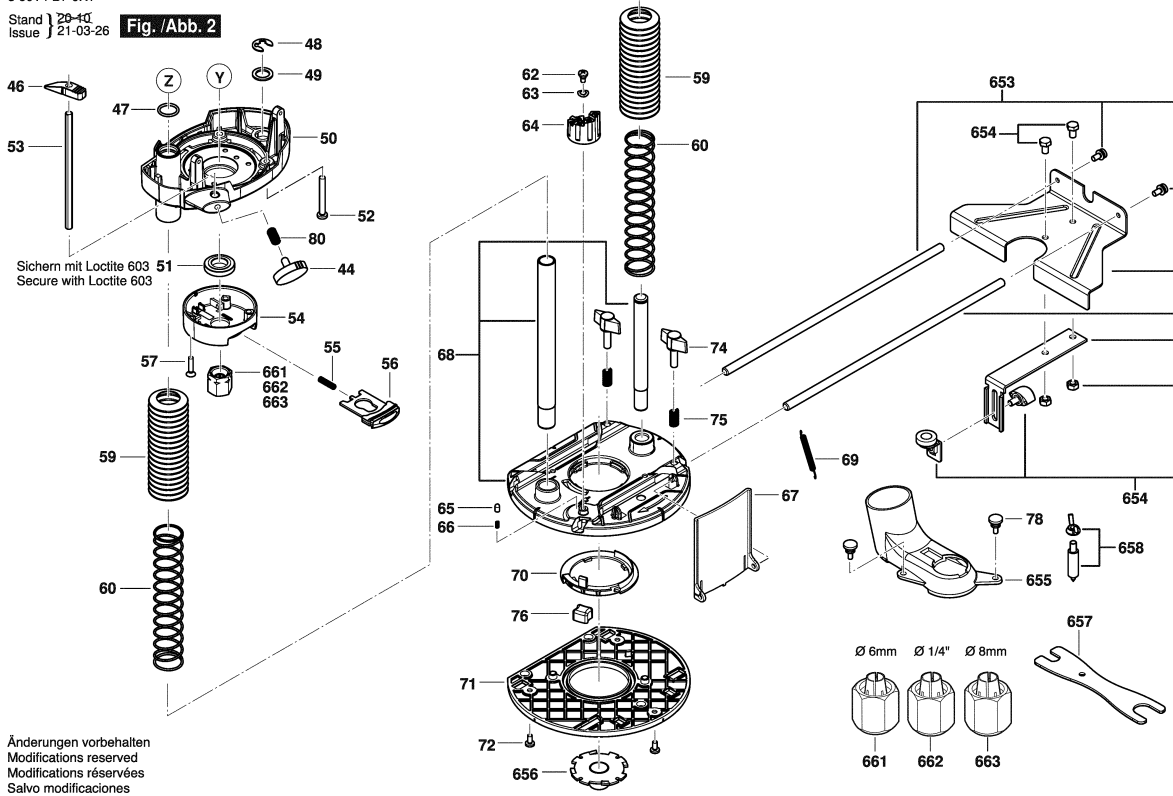
Date:

Item	Pc	Order no.	Description	LP in INR	Item	Pc	Order no.	Description	LP in INR
1	1	1 619 PB5 155	Motor Housing .	757,00	36	1	1 619 PB5 469	Screw .	28,00
2	1	1 619 PB5 441	Field assembly 220-240V,	793,00	37	2	1 619 PB5 470	Screw .	28,00
3	1	1 619 PB5 443	Armature 220-240V,	1.144,00	39	1	1 619 PB5 472	Air-Deflector Ring .	55,00
4	1	1 619 PB5 247	Switch .	239,00	40	1	1 619 PB5 473	Bearing Sleeve .	28,00
5	1	1 619 PB5 528	Power supply cord IND		41	2	1 619 PB5 474	Screw M4x10 .	28,00
6	1	1 619 PB5 453	Grommet .	28,00	42	1	1 619 PB5 475	Pressure Plate .	28,00
7	1	1 619 PB5 541	Clip .		43	1	1 619 PB5 476	Plain Washer .	28,00
9	1	1 619 PB5 414	Manufacturer's nameplate		44	1	1 619 PB5 477	Wing Screw .	55,00
13	1	1 619 PB5 456	groove ball bearing 608-2Z	89,00	45	4	1 619 PB5 478	Screw 4.2x25 .	28,00
14	1	1 619 PB5 457	groove ball bearing	131,00	46	1	1 619 PB5 158	Indicator .	28,00
19	2	1 619 PB5 459	Screw 3.5x16 .	28,00	47	2	1 619 PB5 479	Seal Ring .	28,00
23	1	1 619 PB5 154	Cover .	219,00	48	1	1 619 PB5 480	Retaining snap ring .	28,00
24	2	1 619 PB5 460	Extension Spring .	134,00	49	1	1 619 PB5 481	Plain Washer .	28,00
25	2	1 619 PB5 461	Insulating Cap .	28,00	50	1	1 619 PB5 482	Guide Bracket .	630,00
26	1	1 619 PB5 179	Printed Circuit Board	1.070,00	51	1	1 619 PB5 483	Special Nut .	65,00
27	1	1 619 PB5 462	Printed-Board Assembly .	305,00	52	4	1 619 PB5 484	Lock-Screw M5x40 .	28,00
28	1	1 619 PB5 156	Handle Cover .	264,00	53	1	1 619 PB5 485	Stop Lever .	32,00
29	2	1 619 PB5 463	Screw M4x10 .	28,00	54	1	1 619 PB5 486	Cover .	166,00
30	6	1 619 PB5 464	Screw .	28,00	55	1	1 619 PB5 487	Spiral Spring .	28,00
31	1	1 619 PB5 157	Handle Cover .	336,00	56	1	1 619 PB5 488	Stop Block .	70,00
32	1	1 619 PB5 465	Adjusting Screw .	166,00	57	4	1 619 PB5 489	Screw M4x18 .	28,00
33	1	1 619 PB5 466	Torsion Spring .	28,00	59	2	1 619 PB5 493	Corrugated Pipe .	32,00
34	1	1 619 PB5 467	Locating bolt .	134,00	60	2	1 619 PB5 494	Spiral Spring .	28,00
35	1	1 619 PB5 468	Locking Lever .	53,00	62	1	1 619 PB5 496	Screw M4x5 .	28,00

Please observe: Repairing, modifying and testing of electro-tools are to be performed professionally. The safety regulations according to IEC, EN, VDE, AFNOR and other regulations of the individual countries are to be observed. Subject to change.  
This price list supersedes all previous edition. Prices are subjected to change without any prior notice.

3 601 FB7 0K1  
Stand 29-10  
Issue 21-03-26

**Fig./Abb. 2**



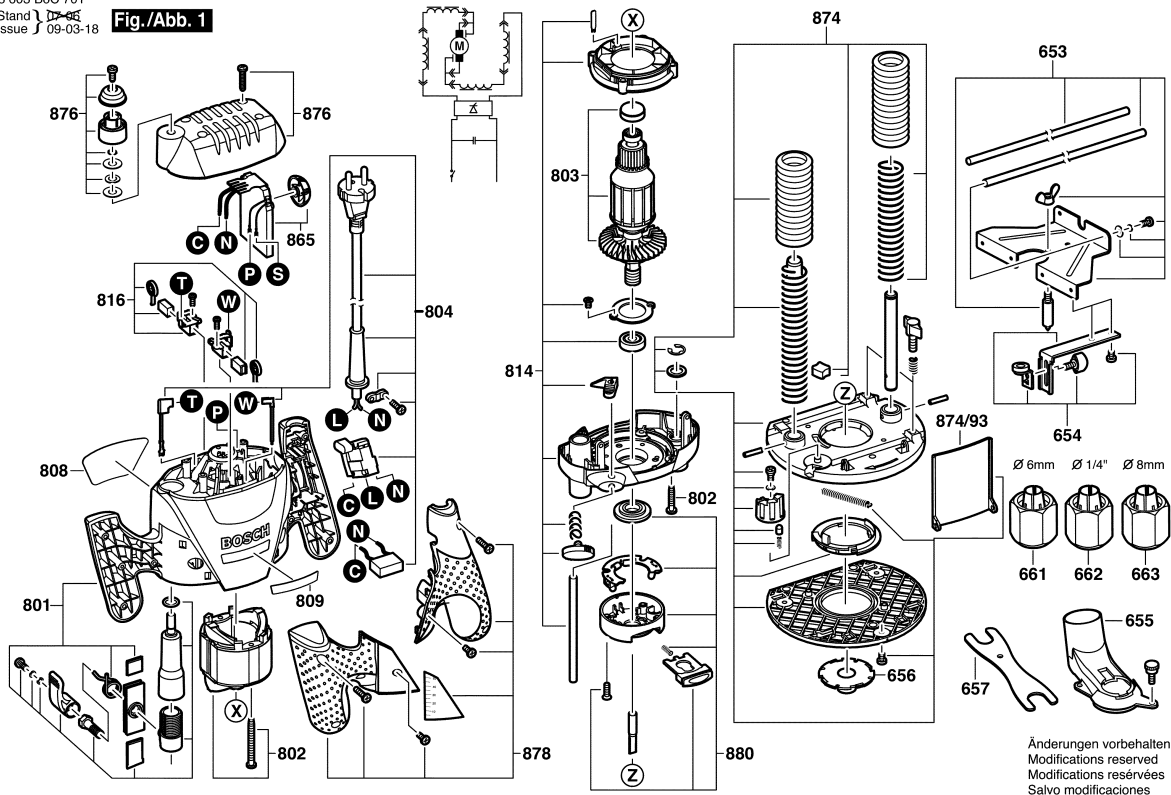
Model: 3 601 FB7 0F0 = 230

Date:

Item	Pc	Order no.	Description	LP in INR	Item	Pc	Order no.	Description	LP in INR
63	1	1 619 PB5 497	Spring Lock Washer .	28,00	662	1	1 619 PB5 491	Union Nut Ø ¼ Inch .	327,00
64	1	1 619 PB5 152	Gauge Block .	114,00	663	1	1 619 PB5 490	Union Nut Ø 8mm .	322,00
65	1	1 619 PB5 498	Capsule .	28,00	808	1	1 619 PB5 407	Nameplate .	
66	1	1 619 PB5 499	Spiral Spring .	28,00	810	1	1 619 PB5 455	Carbon-Brush Set .	97,00
67	1	1 619 PB5 500	Chip Deflector .	51,00	816	1	1 619 PB5 458	Brush Holder .	44,00
68	1	1 619 PB5 151	Base .	859,00					
69	1	1 619 PB5 501	Spiral Spring .	28,00					
70	1	1 619 PB5 502	Holding Plate .	105,00					
71	1	1 619 PB5 503	Base Plate .	244,00					
72	3	1 619 PB5 504	Screw .	28,00					
74	2	1 619 PB5 506	Wing Screw .	48,00					
75	2	1 619 PB5 507	Spiral Spring .	28,00					
76	1	1 619 PB5 508	Block .	28,00					
77	1	1 619 PB5 509	Terminal Block .	48,00					
78	2	1 619 PB5 510	Screw M4x8 .	38,00					
79	1	1 619 PB5 415	Label .						
80	1	1 619 PB7 042	Spiral Spring .						
653	1	1 619 PB5 511	Parallel-Guide .	397,00					
654	1	1 619 PB5 515	Guide .	180,00					
655	1	1 619 PB5 521	Suction Piece .	84,00					
656	1	1 619 PB5 522	Guide .	101,00					
657	1	1 600 A02 28G	Assembly Wrench .	107,00					
658	1	1 619 PB5 523	Center Pin .	68,00					
661	1	1 619 PB5 492	Union Nut Ø 6mm .	312,00					

3 603 B6C 701  
Stand 1 07-06  
Issue J 09-03-18

**Fig./Abb. 1**



1 / 1

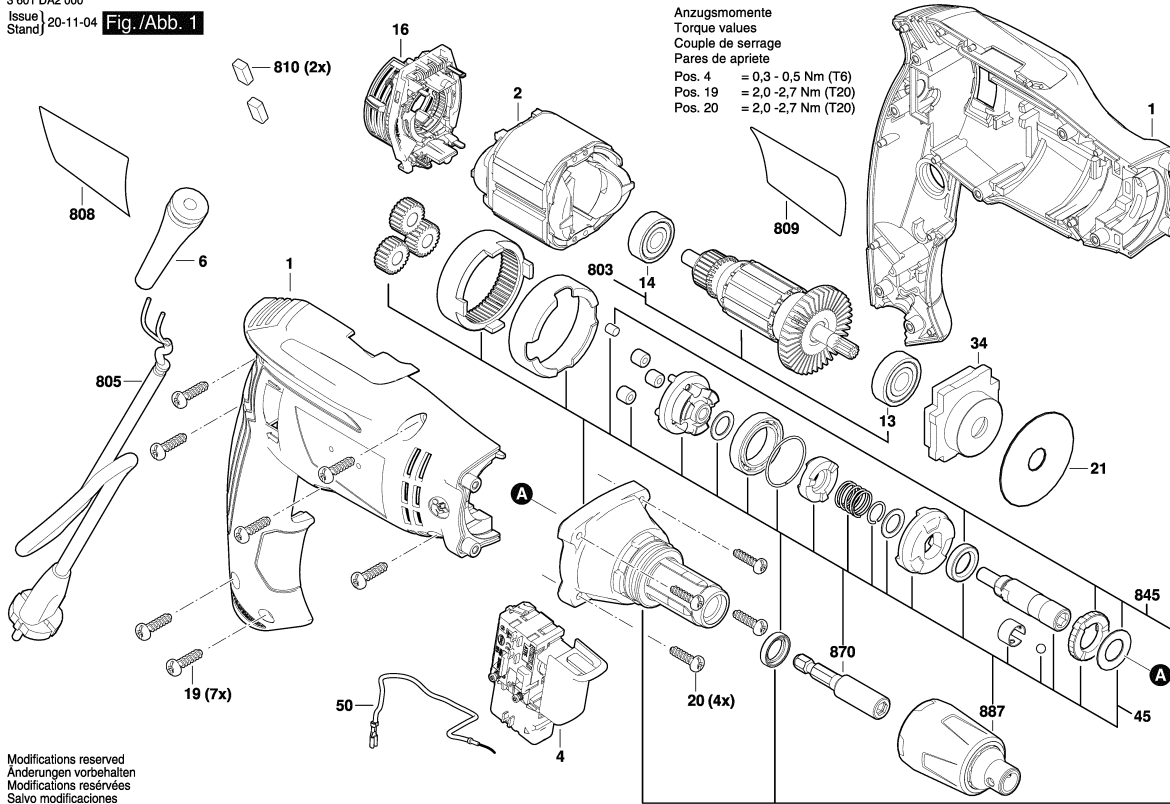
Model: 3 603 B6C 701 = 230

Date:

Item	Pc	Order no.	Description	LP in INR	Item	Pc	Order no.	Description	LP in INR
653	1	1 609 203 V37	Parallel-Guide .	476,00					
654	1	1 609 203 V38	Stud-type track roller .	164,00					
655	1	1 609 203 V32	Suction Piece .	182,00					
656	1	1 609 203 V39	Sleeve .	84,00					
657	1	1 600 A02 28G	Assembly Wrench .	107,00					
661	1	1 609 203 V41	Union Nut .	408,00					
662	1	1 609 203 V42	Union Nut .	408,00					
663	1	1 609 203 V43	Union Nut .	408,00					
801	1	1 609 203 W34	Motor Housing .	1.246,00					
802	1	1 609 203 V60	Field .						
803	1	1 609 203 V61	Armature .						
804	1	1 619 PB2 930	On-Off Switch .	814,00					
808	1	1 601 118 N14	Nameplate .						
809	1	1 601 118 N20	Manufacturer's nameplate						
814	1	1 609 203 V50	Guide Component .	1.327,00					
816	1	1 609 203 V51	Brush Holder .	353,00					
865	1	1 609 203 V62	Speed governor .	1.359,00					
874	1	1 609 203 V53	Base Plate .	1.626,00					
874/93	1	1 609 203 P06	Chip Deflector .	215,00					
876	1	1 609 203 W36	Housing Cover .	216,00					
878	1	1 609 203 V55	Handle Cover .	611,00					
880	1	1 609 203 W03	Pusher Housing .	928,00					

3 601 DA2 000  
Issue | 20-11-04  
Stand |

Fig./Abb. 1



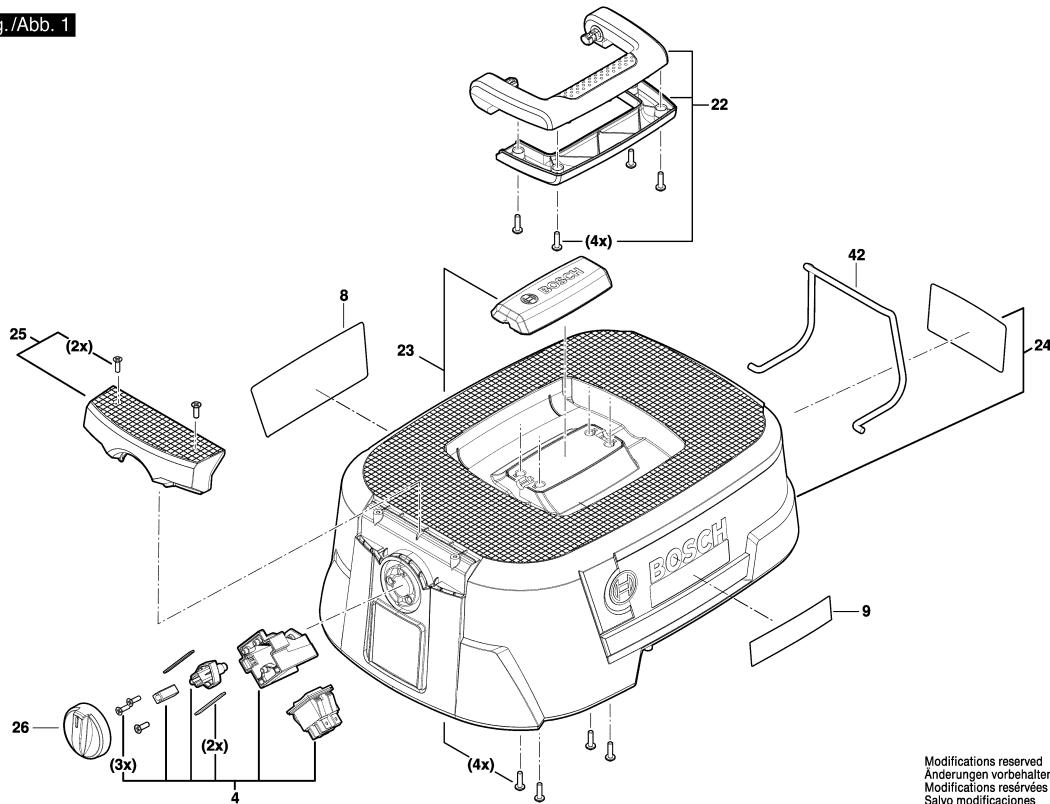
Model: 3 601 DA2 0F0 = 230

Date:

Item	Pc	Order no.	Description	LP in INR	Item	Pc	Order no.	Description	LP in INR
1	1	1 600 A00 N82	Housing .	723,00					
2	1	1 600 A00 N7Y	Stator .	817,00					
4	1	2 607 200 717	Switch .	785,00					
6	1	2 600 703 017	Grommet Ø6,4-Ø7,2x76	70,00					
13	1	1 900 905 021	groove ball bearing 9x24x7	129,00					
14	1	2 609 110 491	Ball Bearing .	38,00					
16	1	2 609 199 403	Brush Plate .	494,00					
19	7	2 603 490 022	Screw 4x16 .	29,00					
20	4	2 603 490 022	Screw 4x16 .	29,00					
21	1	2 609 111 419	Friction Washer .	63,00					
34	1	1 600 A01 MN8	Bearing Bracket .	345,00					
45	1	1 600 A01 37V	Gear Unit .	2.703,00					
50	1	1 600 A02 0XW	Earth Conductor .	188,00					
803	1	1 607 000 E46	Armature set Anker Set						
805	1	1 604 460 781	Power supply cord IND .						
808	1	1 601 11A 5FJ	Nameplate .						
809	1	6 082 942 MV5	Nameplate GTB 650 .						
810	1	2 610 391 290	Carbon-Brush Set .	79,00					
845	1	1 607 000 E4F	Gear Housing .	835,00					
870	1	1 600 A01 A4D	Depth-Gauge .	506,00					
887	1	2 609 111 664	Toolholder .	275,00					



3 601 J7C 0K0  
Issue 19-05-29  
Stand Fig./Abb. 1



Modifications reserved  
Änderungen vorbehalten  
Modifications réservées  
Salvo modificaciones

1 / 5

Model: 3 601 J7C 0F0 = 230

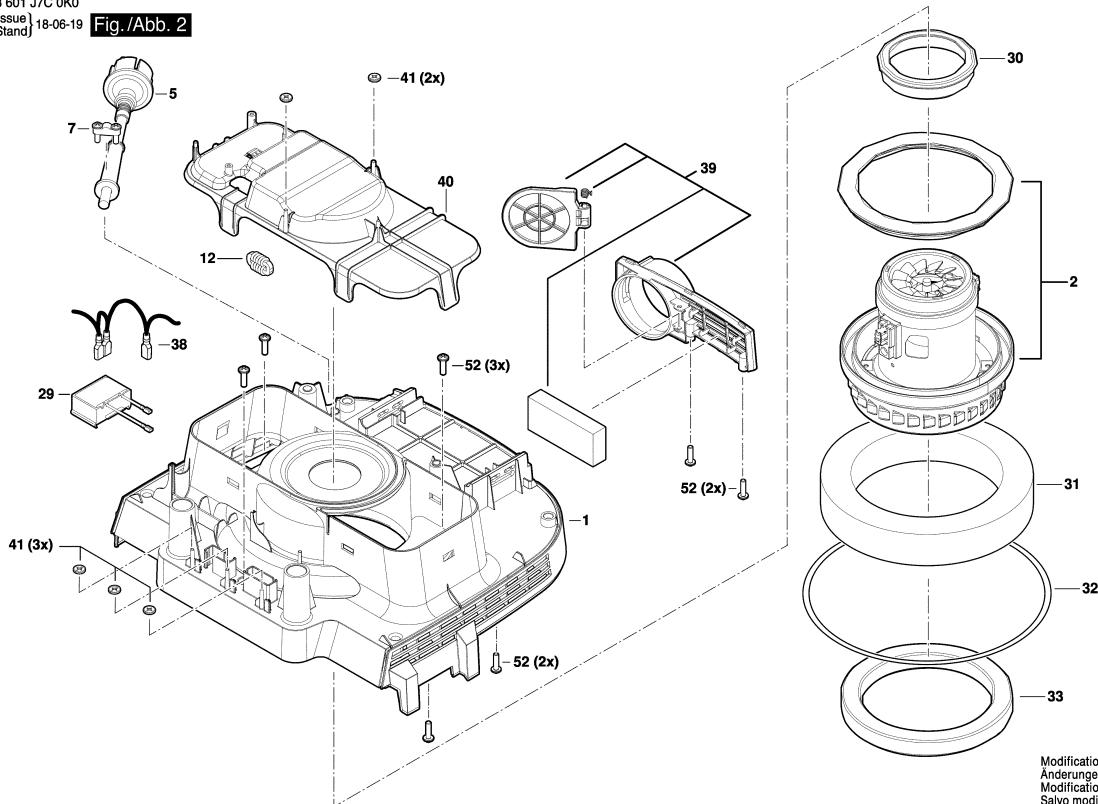
Date:

Item	Pc	Order no.	Description	LP in INR	Item	Pc	Order no.	Description	LP in INR
1	1	1 619 PB3 211	Motor Housing .	821,00	37	2	1 619 PB3 272	Latch .	292,00
2	1	1 619 PB3 212	Motor .	3.298,00	38	1	1 619 PB3 273	Cable .	177,00
4	1	1 619 PA7 289	Switch Kit .	371,00	39	1	1 619 PA7 306	Valve .	134,00
5	1	1 619 PB5 905	Power supply cord .		40	1	1 619 PB3 274	Cover .	153,00
7	1	1 619 PA7 304	Clamping Piece .	33,00	41	1	1 619 PB3 275	Clamping Ring .	36,00
8	1	1 619 PB3 232	Nameplate .		42	1	1 619 PB3 276	Mounting Bracket .	239,00
9	1	1 619 PB3 249	Nameplate GAS 12-25 .		43	1	1 619 PB3 277	Housing .	1.060,00
12	1	1 619 PB3 252	Inductor .	399,00	44	1	1 619 PB3 278	Seal .	136,00
22	1	1 619 PA7 266	Handle .	162,00	44	1	1 619 PA7 316	Filter holder .	218,00
23	1	1 619 PA7 268	Cover .	184,00	45	1	1 619 PB3 279	Seal .	118,00
24	1	1 619 PA7 269	Cover .	31,00	46	1	1 619 PB3 280	Seal .	136,00
24	1	1 619 PB3 253	Hood .	1.756,00	47	1	1 619 PB3 281	Filter Bracket .	535,00
25	1	1 619 PA7 268	Cover .	184,00	48	1	1 619 PB3 282	Filter .	1.148,00
26	1	1 619 PA7 290	Rotary Knob .	50,00	49	1	1 619 PA7 316	Filter holder .	218,00
29	1	1 619 PB3 264	Capacitor .	399,00	50	1	1 619 PB3 283	Filter .	1.185,00
30	1	1 619 PB3 265	Cushion .	419,00	51	1	1 619 PB3 284	Filter .	226,00
31	1	1 619 PB3 266	Sponge .	113,00	52	15	1 619 PB3 285	Tapping Screw .	36,00
32	1	1 619 PB3 267	Seal .	136,00	53	1	1 619 PB3 255	Rope .	239,00
33	1	1 619 PB3 268	Seal .	289,00	651	1	1 619 PB3 826	Hose staubsaugen	1.287,00
33	1	1 619 PA7 304	Clamping Piece .	33,00	652	1	1 619 PA7 325	Suction Pipe .	95,00
34	1	1 619 PB3 269	Container .	2.124,00	653	1	1 619 PA7 324	Suction Pipe .	801,00
35	2	1 619 PB3 270	Caster Wheel .	713,00	654	1	1 619 PA7 327	floor nozzle .	430,00
35	1	1 619 PA7 306	Valve .	134,00	655	1	1 619 PA7 328	Crevice Nozzle .	128,00
36	2	1 619 PB3 271	Wheel .	980,00	657	1	1 619 PB3 827	Dust Bag .	298,00

Please observe: Repairing, modifying and testing of electro-tools are to be performed professionally. The safety regulations according to IEC, EN, VDE, AFNOR and other regulations of the individual countries are to be observed. Subject to change.

This price list supersedes all previous edition. Prices are subjected to change without any prior notice.

3 601 J7C 0K0  
Issue 18-06-19  
Stand) Fig./Abb. 2



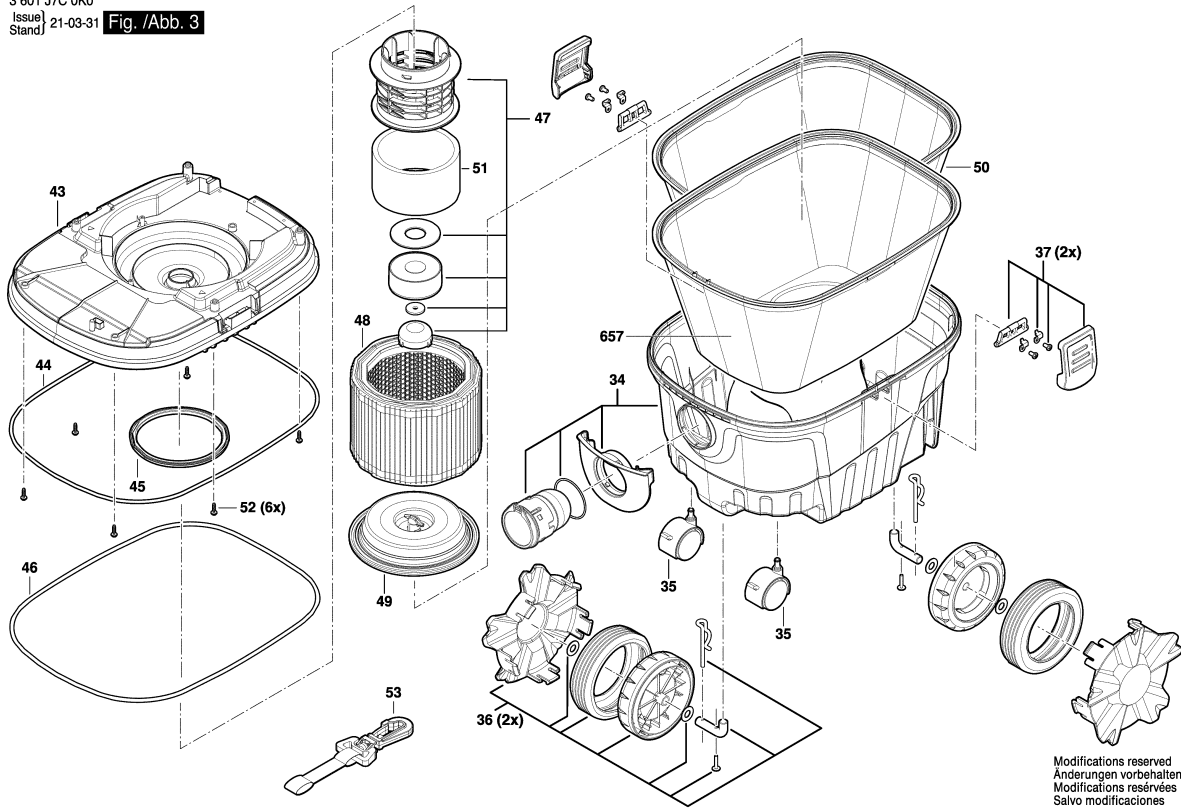
Modifications reserved  
Änderungen vorbehalten  
Modifications réservées  
Salvo modificaciones

Model: 3 601 J7C 0F0 = 230 Date:

Item	Pc	Order no.	Description	LP in INR	Item	Pc	Order no.	Description	LP in INR
658	1	1 619 PA7 326	Adapter .	308,00					
659	1	1 619 PB4 751	Dust Bag .						
660	1	1 619 PB4 750	Hose .						
666	1	1 607 000 EC3	Hose ausblasen						

Please observe: Repairing, modifying and testing of electro-tools are to be performed professionally. The safety regulations according to IEC, EN, VDE, AFNOR and other regulations of the individual countries are to be observed. Subject to change. This price list supersedes all previous edition. Prices are subjected to change without any prior notice.

3 601 J7C 0K0  
Issue 21-03-31  
Stand Fig./Abb. 3



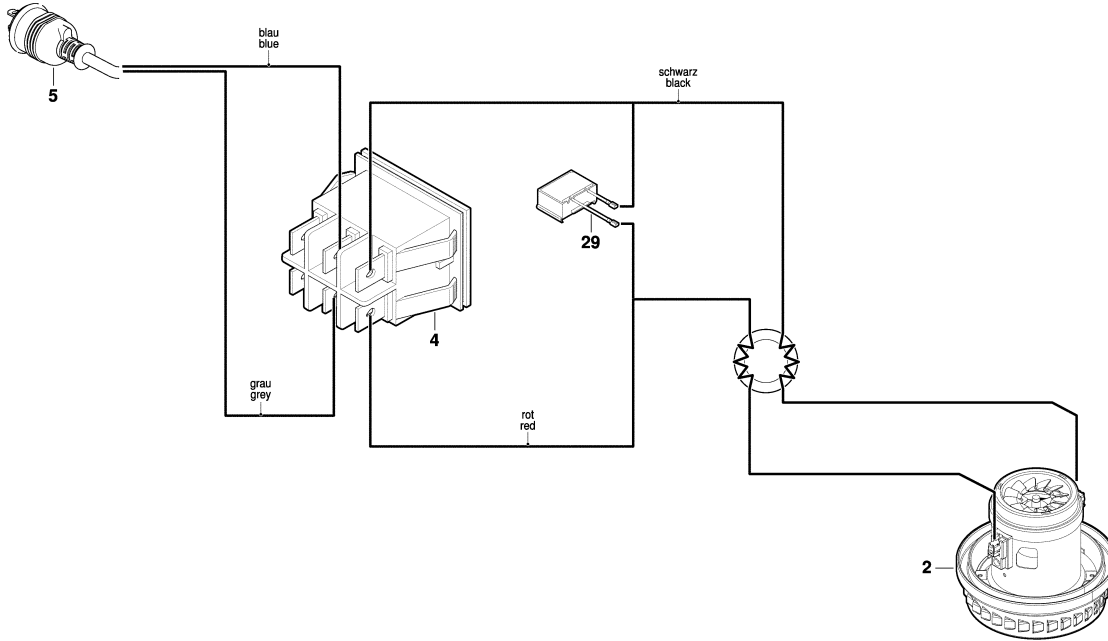
Modifications reserved  
Änderungen vorbehalten  
Modifications réservées  
Salvo modificaciones

Model: 3 601 J7C 0F0 = 230 Date:

Item	Pc	Order no.	Description	LP in INR	Item	Pc	Order no.	Description	LP in INR

Please observe: Repairing, modifying and testing of electro-tools are to be performed professionally. The safety regulations according to IEC, EN, VDE, AFNOR and other regulations of the individual countries are to be observed. Subject to change.  
This price list supersedes all previous edition. Prices are subjected to change without any prior notice.

3 601 J7C 0K0  
Issue 19-05-29  
Stand | Fig. /Abb. 4



Modifications reserved  
Änderungen vorbehalten  
Modifications réservées  
Salvo modificaciones

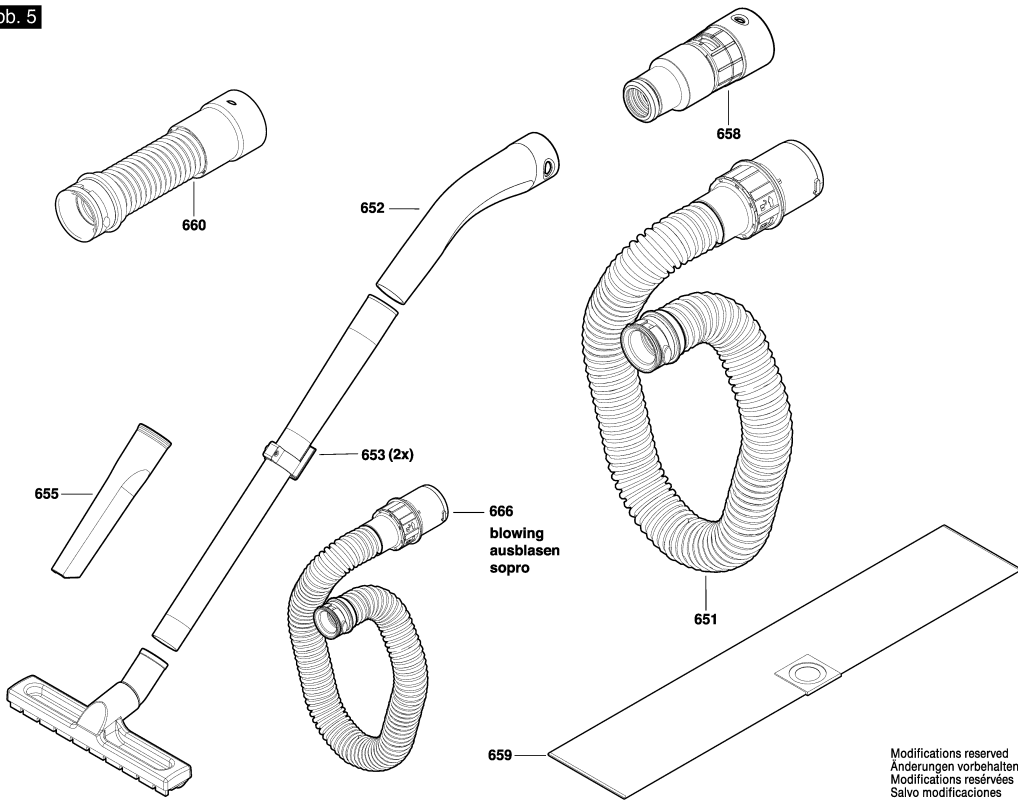
4 / 5

Model: 3 601 J7C 0F0 = 230

Date:

Item	Pc	Order no.	Description	LP in INR	Item	Pc	Order no.	Description	LP in INR

3 601 J7C 0K0  
Issue } 21-10-22 Fig./Abb. 5  
Stand



Modifications reserved  
Änderungen vorbehalten  
Modifications réservées  
Salvo modificaciones

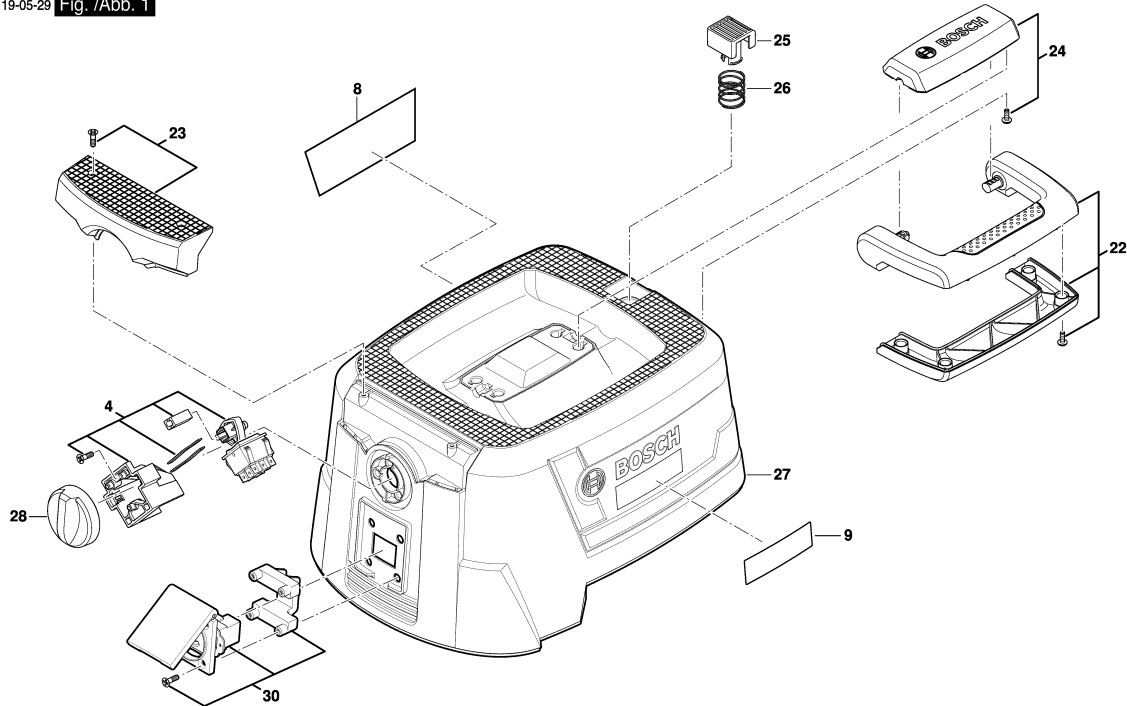
Model: 3 601 J7C 0F0 = 230

Date:

Item	Pc	Order no.	Description	LP in INR	Item	Pc	Order no.	Description	LP in INR

Please observe: Repairing, modifying and testing of electro-tools are to be performed professionally. The safety regulations according to IEC, EN, VDE, AFNOR and other regulations of the individual countries are to be observed. Subject to change. This price list supersedes all previous edition. Prices are subjected to change without any prior notice.

3 601 JE5 100  
Issue 19-05-29  
Stand Fig. /Abb. 1



Modifications reserved  
Änderungen vorbehalten  
Modifications réservées  
Salvo modificaciones

1 / 5

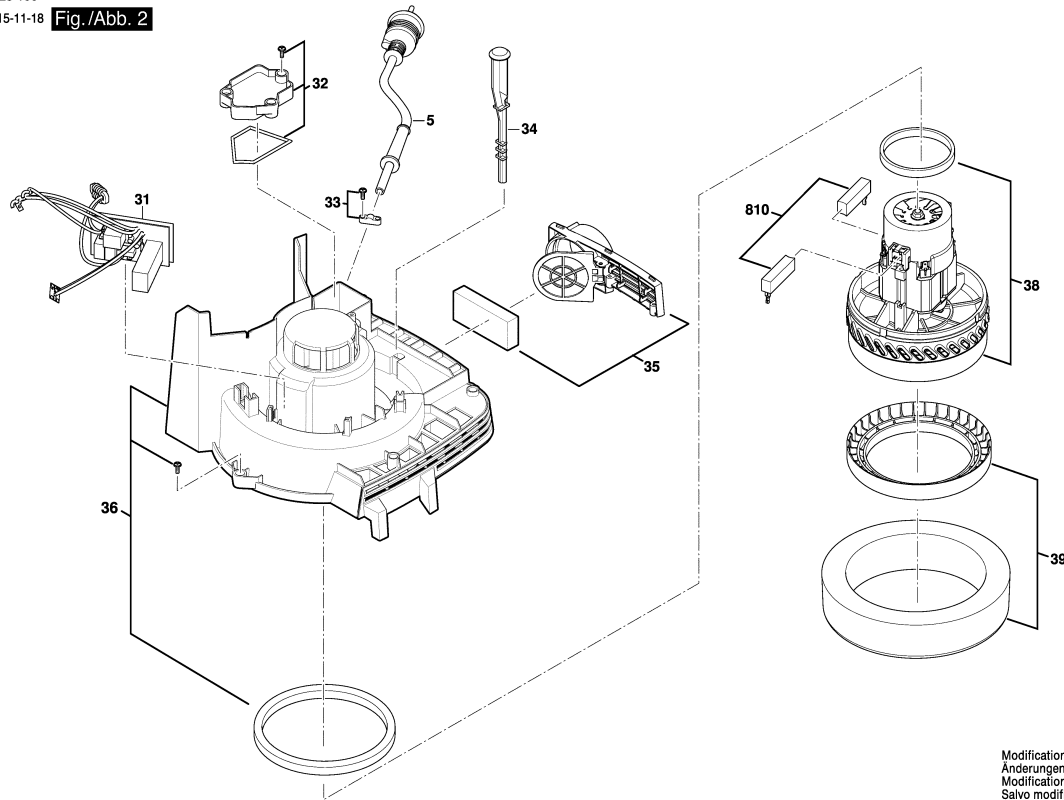
Model: 3 601 JE5 1F0 = 230 Date:

Item	Pc	Order no.	Description	LP in INR	Item	Pc	Order no.	Description	LP in INR
4	1	1 600 A01 ZM8	Switch Kit .	562,00	44	1	1 619 PA7 316	Filter holder .	218,00
5	1	1 619 PB5 633	Power supply cord .		45	2	1 619 PA7 318	Latch .	211,00
8	1	1 619 PB5 637	Nameplate .		46	2	1 619 PA7 319	Caster Wheel .	183,00
9	1	1 619 PB2 133	Manufacturer's nameplate		47	2	1 619 PA7 320	Caster Wheel .	216,00
22	1	1 619 PA7 266	Handle .	162,00	48	1	1 619 PA7 331	Container .	1.195,00
23	1	1 619 PA7 267	Cover .	136,00	50	1	1 619 PA7 410	Filter Bracket .	275,00
24	1	1 619 PA7 269	Cover .	31,00	61	1	1 619 PA8 370	Filter bag .	239,00
25	1	1 619 PA7 270	Button .	31,00	651	1	1 619 PA7 322	Hose staubsaugen	1.627,00
26	1	1 619 PA7 271	Compression Spring .	31,00	652	1	1 619 PA7 325	Suction Pipe .	95,00
27	1	1 619 PA7 280	Hood .	1.234,00	653	2	1 619 PA7 324	Suction Pipe .	801,00
28	1	1 619 PA7 290	Rotary Knob .	50,00	654	1	1 619 PA7 327	floor nozzle .	430,00
30	1	1 619 PB5 634	Socket .		655	1	1 619 PA7 328	Crevice Nozzle .	128,00
31	1	1 600 A01 ZN0	Electronics Module .	1.773,00	656	1	1 619 PA7 285	Filter .	135,00
32	1	1 619 PA7 301	Seal .	51,00	657	1	1 619 PA7 329	Dust Bag .	59,00
33	1	1 619 PA7 304	Clamping Piece .	33,00	658	1	1 619 PA7 326	Adapter .	308,00
34	1	1 619 PA7 305	Connecting Rod .	34,00	666	1	1 607 000 EC3	Hose ausblasen	
35	1	1 619 PA7 306	Valve .	134,00	810	1	1 619 PA7 345	Carbon-Brush Set .	354,00
36	1	1 619 PA7 307	Motor Housing .	928,00					
38	1	1 619 PA7 310	Motor .	3.577,00					
39	1	1 619 PA7 311	Seal Kit .	319,00					
40	1	1 619 PA7 312	Seal .	34,00					
41	1	1 619 PA7 313	Housing .	673,00					
42	1	1 619 PA7 314	Seal Ring .	107,00					
43	1	1 619 PA7 315	Filter .	588,00					

Please observe: Repairing, modifying and testing of electro-tools are to be performed professionally. The safety regulations according to IEC, EN, VDE, AFNOR and other regulations of the individual countries are to be observed. Subject to change.  
This price list supersedes all previous edition. Prices are subjected to change without any prior notice.

3 601 JE5 100  
Issue | 15-11-18  
Stand |

Fig./Abb. 2



Modifications reserved  
Änderungen vorbehalten  
Modifications réservées  
Salvo modificaciones

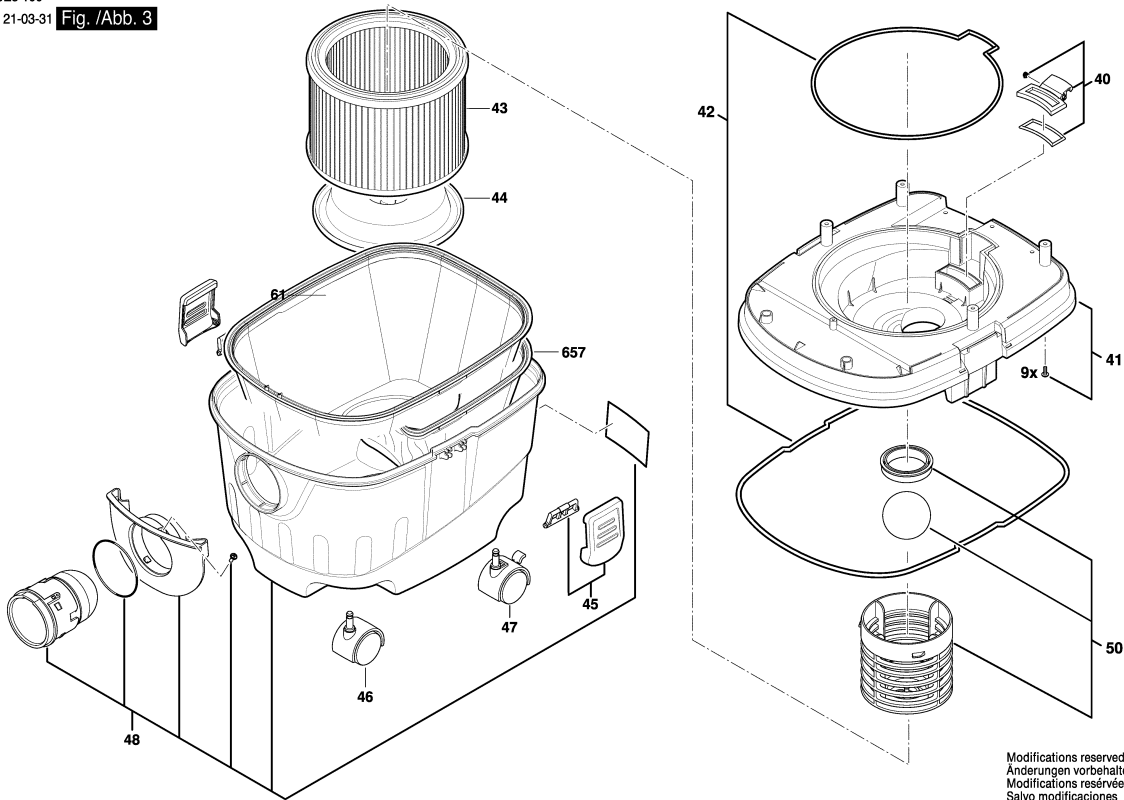
Model: 3 601 JE5 1F0 = 230

Date:

Item	Pc	Order no.	Description	LP in INR

Item	Pc	Order no.	Description	LP in INR

3 601 JE5 100  
Issue 21-03-31  
Stand Fig./Abb. 3



Modifications reserved  
Änderungen vorbehalten  
Modifications réservées  
Salvo modificaciones

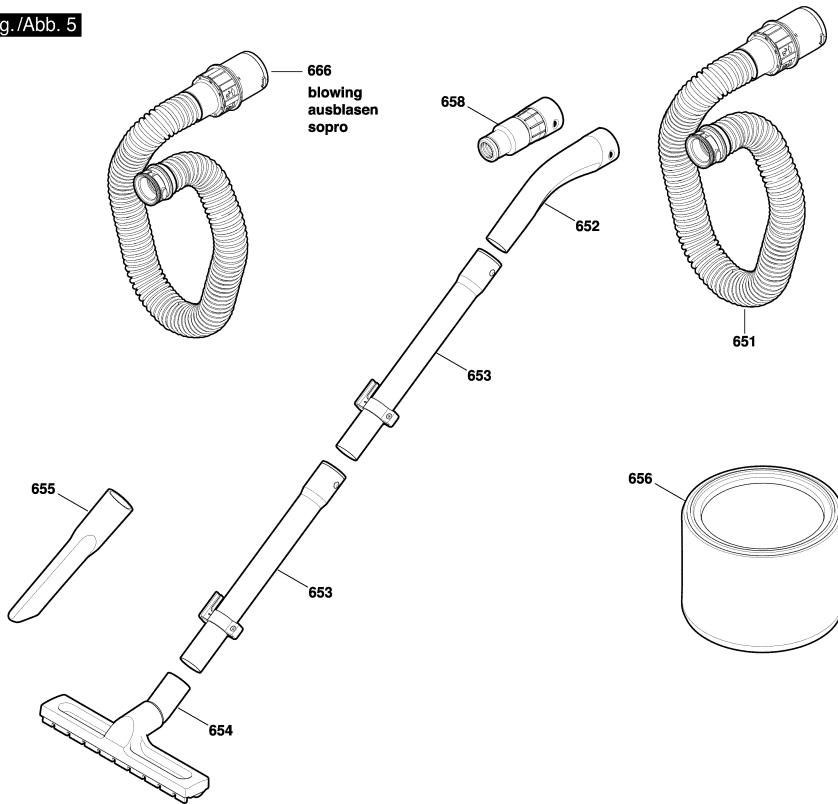
Model: 3 601 JE5 1F0 = 230 Date:

Item	Pc	Order no.	Description	LP in INR	Item	Pc	Order no.	Description	LP in INR





3 601 JE5 100  
Issue | 21-10-22 Fig./Abb. 5  
Stand



Modifications reserved  
Änderungen vorbehalten  
Modifications réservées  
Salvo modificaciones

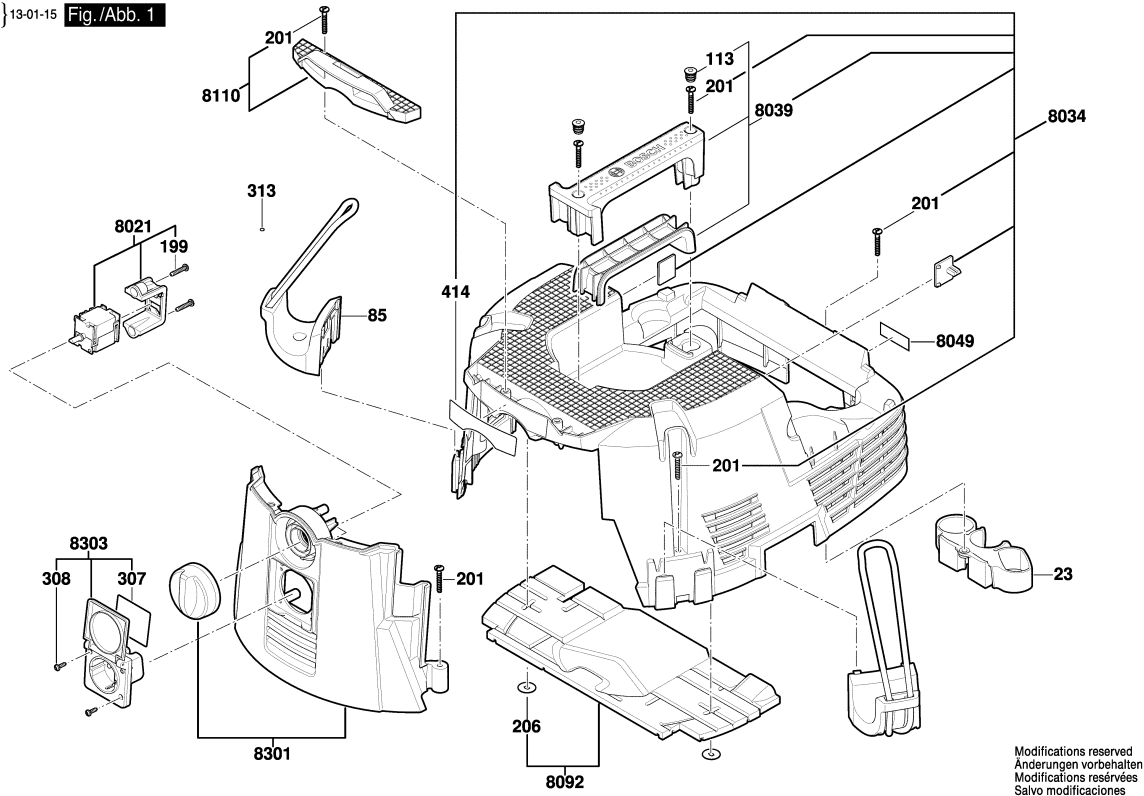
Model: 3 601 JE5 1F0 = 230

Date:

Item	Pc	Order no.	Description	LP in INR	Item	Pc	Order no.	Description	LP in INR

Please observe: Repairing, modifying and testing of electro-tools are to be performed professionally. The safety regulations according to IEC, EN, VDE, AFNOR and other regulations of the individual countries are to be observed. Subject to change. This price list supersedes all previous edition. Prices are subjected to change without any prior notice.

3 601 JC3 000  
Issue 19-01-15  
Stand Fig./Abb. 1



1 / 6

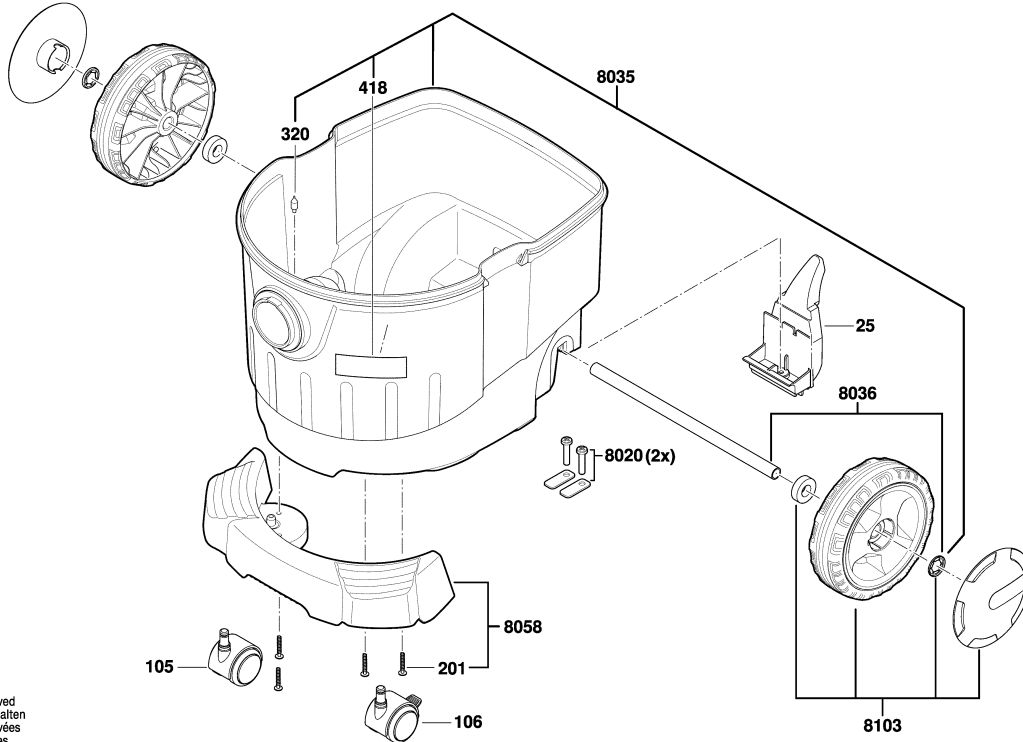
Model: 3 601 JC3 0F0 = 230

Date:

Item	Pc	Order no.	Description	LP in INR	Item	Pc	Order no.	Description	LP in INR
15	1	2 609 200 487	Housing .	1.184,00	208	2	2 609 200 481	Fastening Part .	47,00
23	1	2 609 200 453	Support .	189,00	215	4	2 609 200 397	Lens Head Screw .	70,00
24	2	2 609 200 425	Locking Piece .	198,00	250	1	2 609 200 454	Clamping Ring .	71,00
25	1	2 609 200 452	Support .	221,00	251	1	2 609 200 497	Suction Pipe .	469,00
28	1	2 609 200 423	Clamping Piece .	212,00	255	1	2 609 200 455	Nozzle .	1.497,00
29	1	2 609 200 390	Support .	640,00	259	1	2 609 200 462	Nozzle .	301,00
37	2	2 609 200 427	Sensor .	349,00	260	1	2 609 200 496	Socket .	1.685,00
47	1	2 609 200 483	Spring .	299,00	307	1	1 619 PB6 632	Sticker 1800W .	
72	1	2 609 200 420	Seal .	349,00	308	2	2 609 200 438	Screw .	70,00
80	1	2 609 200 489	Motor Housing .	1.842,00	313	1	2 609 200 486	Electrical accessories .	728,00
85	2	2 609 200 436	Hose Holder .	1.478,00	320	1	2 609 200 456	Bolt .	80,00
99	1	2 609 200 424	Cord .	290,00	322	2	2 609 200 461	Fastening Part .	70,00
100	1	2 609 200 392	O-Ring .	47,00	414	1	2 609 200 441	Sticker .	
101	1	2 609 200 482	O-Ring .	70,00	418	1	2 609 200 490	Plate .	197,00
105	1	2 609 200 450	Caster Wheel .	559,00	419	1	2 609 200 498	Warning Plate .	
106	1	2 609 200 451	Caster Wheel .	697,00	420	2	2 609 200 478	Manufacturer's nameplate	
113	6	2 609 200 406	Plug .	70,00	8020	1	1 607 000 D8X	Support .	204,00
124	1	2 609 200 569	Ferrite Core .	150,00	8021	1	2 609 200 388	Switch .	1.780,00
125	1	2 609 200 479	Switch .	88,00	8031	1	2 609 200 493	Housing .	5.662,00
154	1	1 619 PB6 629	Power Cable IND .		8032	1	2 609 200 477	Cover .	3.576,00
190	1	2 607 432 025	Filter .	1.825,00	8033	1	2 609 200 391	Cover .	2.185,00
199	4	2 609 200 422	Screw .	548,00	8034	1	2 609 200 430	Hood .	4.139,00
201	15	2 609 200 410	Screw .	70,00	8035	1	2 609 200 488	Container .	4.816,00
206	5	2 609 200 414	Positioning Element .	70,00	8036	1	2 609 200 458	Axle .	592,00

Please observe: Repairing, modifying and testing of electro-tools are to be performed professionally. The safety regulations according to IEC, EN, VDE, AFNOR and other regulations of the individual countries are to be observed. Subject to change.  
This price list supersedes all previous edition. Prices are subjected to change without any prior notice.

3 601 JC3 000  
Issue Stand 19-01-21 Fig./Abb. 2



Modifications reserved  
Änderungen vorbehalten  
Modifications réservées  
Salvo modificaciones

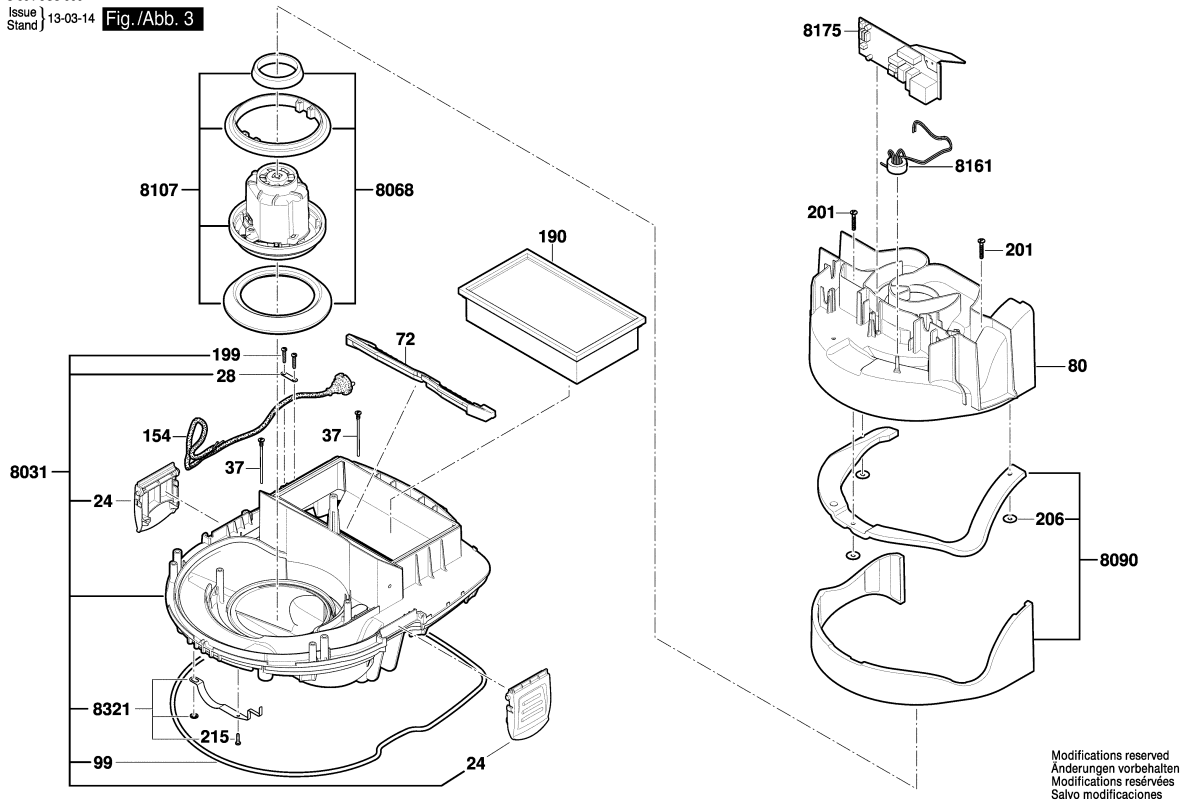
2 / 6

Model: 3 601 JC3 0F0 = 230 Date:

Item	Pc	Order no.	Description	LP in INR	Item	Pc	Order no.	Description	LP in INR
8039	1	2 609 200 444	Handle .	733,00					
8049	1	1 619 PB6 631	Nameplate GAS 35 L SFC+						
8058	1	2 609 200 449	Bumper .	1.382,00					
8068	1	2 609 200 431	Seal Kit .	1.132,00					
8075	1	2 609 200 480	Valve Plate .	4.143,00					
8090	1	2 609 200 413	Sound Insulation Mat .	837,00					
8092	1	2 609 200 437	Sound Insulation Mat .	507,00					
8103	1	2 609 200 432	Wheel .	1.249,00					
8107	1	2 609 200 415	Motor .	8.615,00					
8110	1	2 609 200 435	Holder .	502,00					
8111	1	2 609 200 407	Holder .	556,00					
8113	1	2 609 200 405	Fastening parts kit .	505,00					
8115	1	2 609 200 393	Filter Cover .	858,00					
8161	1	2 609 200 412	Cable .	490,00					
8162	1	2 609 200 570	Cable .	68,00					
8175	1	2 609 200 386	Wafer .	3.718,00					
8257	1	2 608 000 A09	Hose .	4.886,00					
8301	1	2 609 200 484	Operator Panel .	1.505,00					
8321	1	2 609 200 428	Spring Housing .	646,00					

Please observe: Repairing, modifying and testing of electro-tools are to be performed professionally. The safety regulations according to IEC, EN, VDE, AFNOR and other regulations of the individual countries are to be observed. Subject to change.  
This price list supersedes all previous edition. Prices are subjected to change without any prior notice.

3 601 JC3 000  
Issue Stand 13-03-14 Fig./Abb. 3



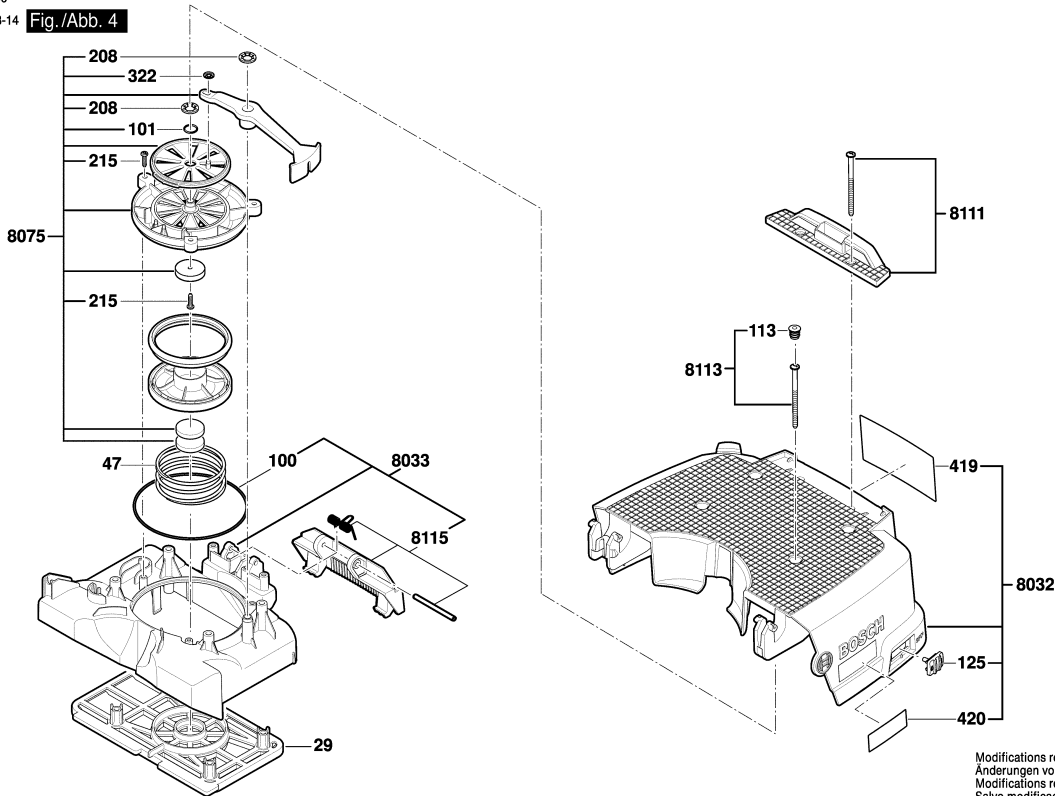
3 / 6

Model: 3 601 JC3 0F0 = 230					Date:				
Item	Pc	Order no.	Description	LP in INR	Item	Pc	Order no.	Description	LP in INR

Please observe: Repairing, modifying and testing of electro-tools are to be performed professionally. The safety regulations according to IEC, EN, VDE, AFNOR and other regulations of the individual countries are to be observed. Subject to change. This price list supersedes all previous edition. Prices are subjected to change without any prior notice.

3 601 JC3 000  
Issue Stand | 13-03-14

Fig./Abb. 4



Modifications reserved  
Änderungen vorbehalten  
Modifications réservées  
Salvo modificaciones

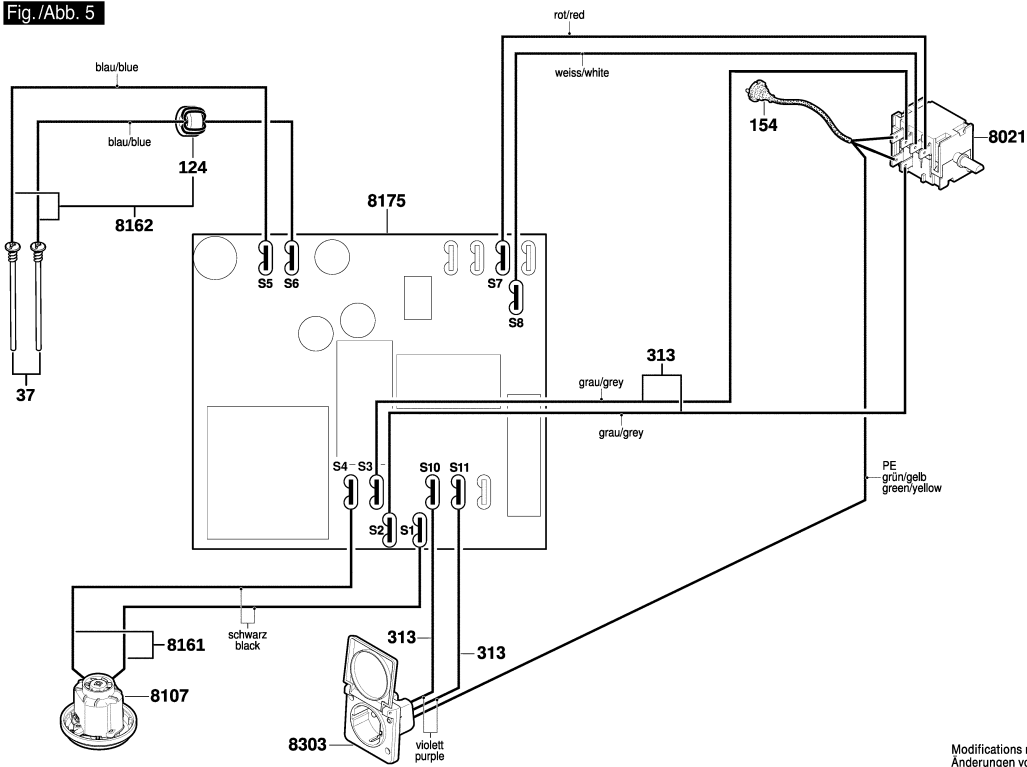
Model: 3 601 JC3 0F0 = 230

Date:

Item	Pc	Order no.	Description	LP in INR	Item	Pc	Order no.	Description	LP in INR

Please observe: Repairing, modifying and testing of electro-tools are to be performed professionally. The safety regulations according to IEC, EN, VDE, AFNOR and other regulations of the individual countries are to be observed. Subject to change. This price list supersedes all previous edition. Prices are subjected to change without any prior notice.

3 601 JC3 000  
Issue Stand 14-02-17 **Fig./Abb. 5**



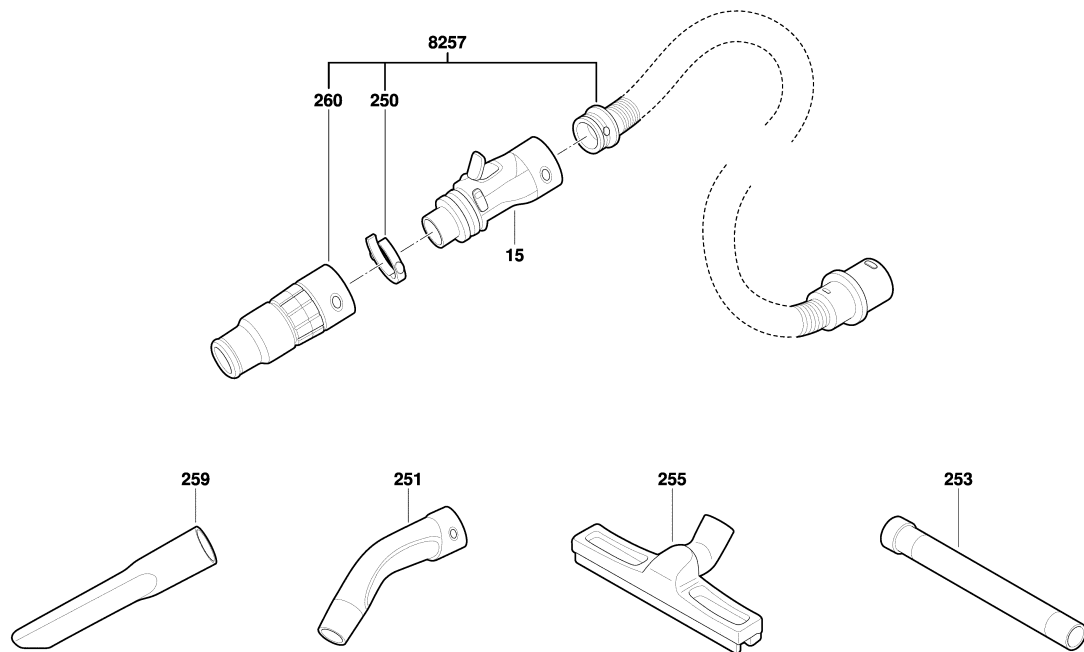
Modifications reserved  
Änderungen vorbehalten  
Modifications réservées  
Salvo modificaciones

Model: 3 601 JC3 0F0 = 230 Date:

Item	Pc	Order no.	Description	LP in INR	Item	Pc	Order no.	Description	LP in INR

Please observe: Repairing, modifying and testing of electro-tools are to be performed professionally. The safety regulations according to IEC, EN, VDE, AFNOR and other regulations of the individual countries are to be observed. Subject to change. This price list supersedes all previous edition. Prices are subjected to change without any prior notice.

3 601 JC3 000  
Issue Stand } 19-07-03  
Fig./Abb. 6



Modifications reserved  
Änderungen vorbehalten  
Modifications réservées  
Salvo modificaciones

6 / 6

Model: 3 601 JC3 0F0 = 230

Date:

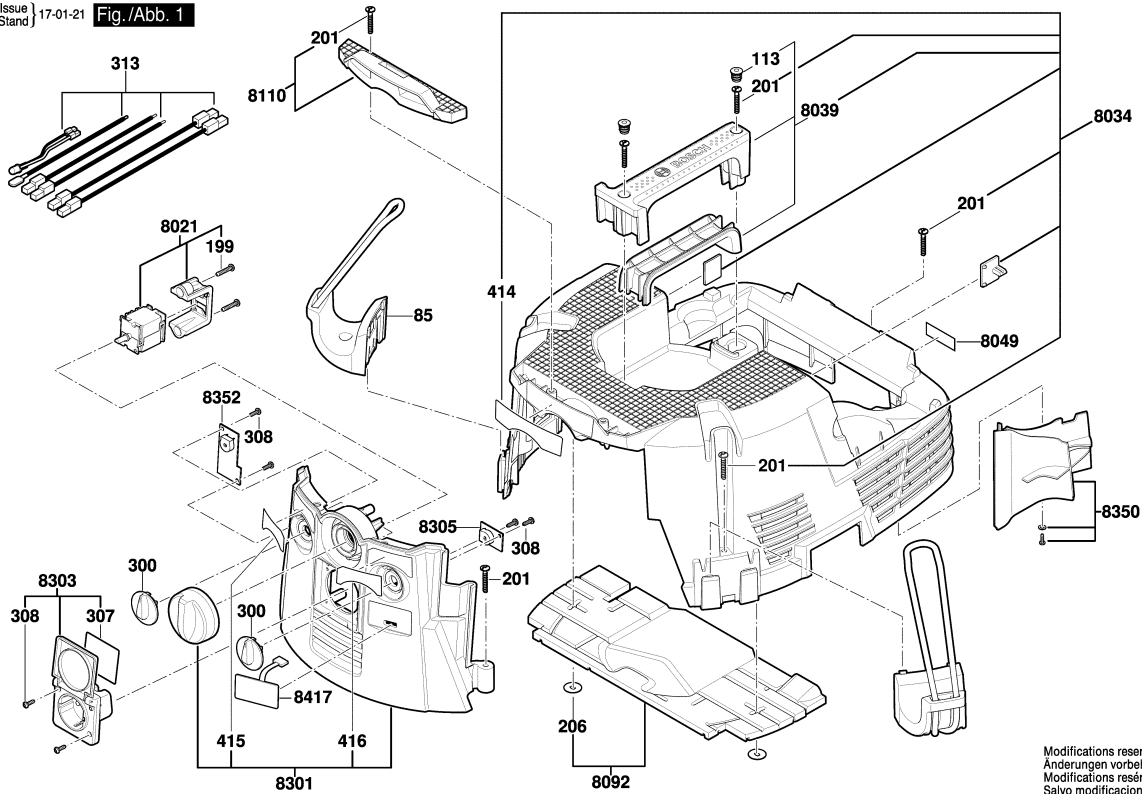
Item	Pc	Order no.	Description	LP in INR	Item	Pc	Order no.	Description	LP in INR

Please observe: Repairing, modifying and testing of electro-tools are to be performed professionally. The safety regulations according to IEC, EN, VDE, AFNOR and other regulations of the individual countries are to be observed. Subject to change.  
This price list supersedes all previous edition. Prices are subjected to change without any prior notice.



3 601 JC3 300  
Issue  
Stand } 17-01-21

Fig./Abb. 1



1 / 6

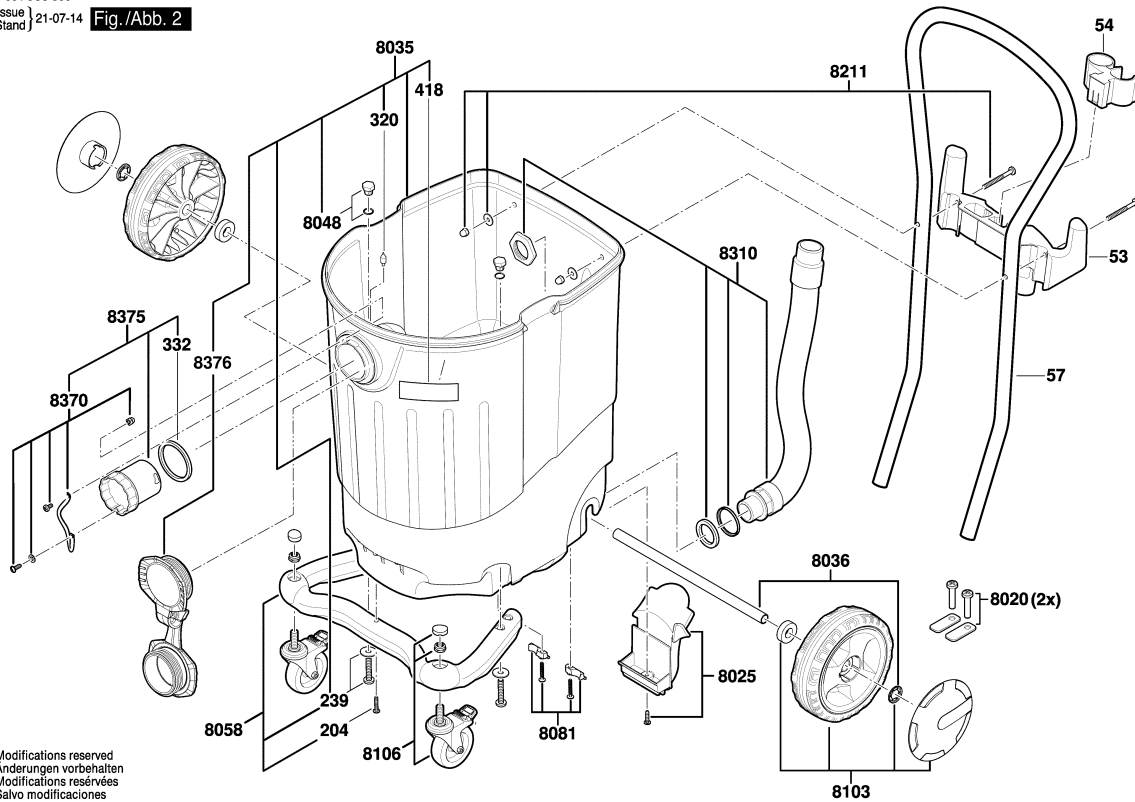
Model: 3 601 JC3 3F0 = 240

Date:

Item	Pc	Order no.	Description	LP in INR	Item	Pc	Order no.	Description	LP in INR
24	2	2 609 200 425	Locking Piece .	198,00	210	1	2 609 200 399	Serrated Lock-Washer .	70,00
27	1	2 609 200 401	Magnet .	173,00	215	4	2 609 200 397	Lens Head Screw .	70,00
28	1	2 609 200 423	Clamping Piece .	212,00	239	2	1 603 430 0AN	Screw .	46,00
29	1	2 609 200 390	Support .	640,00	250	1	2 609 200 454	Clamping Ring .	71,00
37	2	2 609 200 427	Sensor .	349,00	251	1	2 608 000 A13	Pipe Elbow .	600,00
47	1	2 609 200 483	Spring .	299,00	253	1	2 608 000 A15	Suction Pipe .	1.396,00
53	1	2 609 200 464	Support .	528,00	255	1	2 609 200 455	Nozzle .	1.497,00
54	1	2 609 200 465	Support .	347,00	259	1	2 609 200 462	Nozzle .	301,00
57	1	2 609 200 466	Strap-Shaped Handle .	2.897,00	260	1	2 609 200 463	Socket .	2.116,00
72	1	2 609 200 420	Seal .	349,00	300	2	2 609 200 445	Rotary Knob .	47,00
80	1	2 609 200 409	Motor Housing .	1.826,00	307	1	1 619 PB6 632	Sticker 1800W .	
85	2	2 609 200 436	Hose Holder .	1.478,00	308	7	2 609 200 438	Screw .	70,00
99	1	2 609 200 424	Cord .	290,00	313	1	2 609 200 439	Electrical accessories .	773,00
100	1	2 609 200 392	O-Ring .	47,00	320	1	2 609 200 456	Bolt .	80,00
113	6	2 609 200 406	Plug .	70,00	322	2	2 609 200 461	Fastening Part .	70,00
124	1	2 609 200 569	Ferrite Core .	150,00	332	1	2 609 200 457	Seal Ring .	107,00
154	1	1 619 PB6 629	Power Cable IND .		351	1	2 609 200 408	Horn .	911,00
170	1	2 609 200 460	Magnet .	2.727,00	353	1	2 609 200 411	Hose .	416,00
190	1	2 607 432 026	Filter .	4.391,00	414	1	2 609 200 441	Sticker .	
199	4	2 609 200 422	Screw .	548,00	415	1	2 609 200 442	Sticker .	
201	13	2 609 200 410	Screw .	70,00	416	1	2 609 200 443	Sticker .	
204	1	2 609 200 470	Screw .	70,00	418	1	2 609 200 459	Plate .	197,00
205	1	2 609 200 400	Screw .	70,00	419	1	2 609 200 403	Warning Plate .	
206	5	2 609 200 414	Positioning Element .	70,00	420	2	2 609 200 475	Manufacturer's nameplate .	

Please observe: Repairing, modifying and testing of electro-tools are to be performed professionally. The safety regulations according to IEC, EN, VDE, AFNOR and other regulations of the individual countries are to be observed. Subject to change.  
This price list supersedes all previous edition. Prices are subjected to change without any prior notice.

3 601 JC3 300  
Issue Stand 21-07-14 Fig./Abb. 2



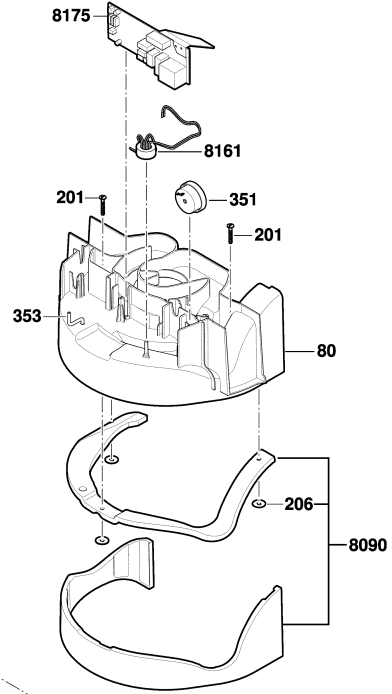
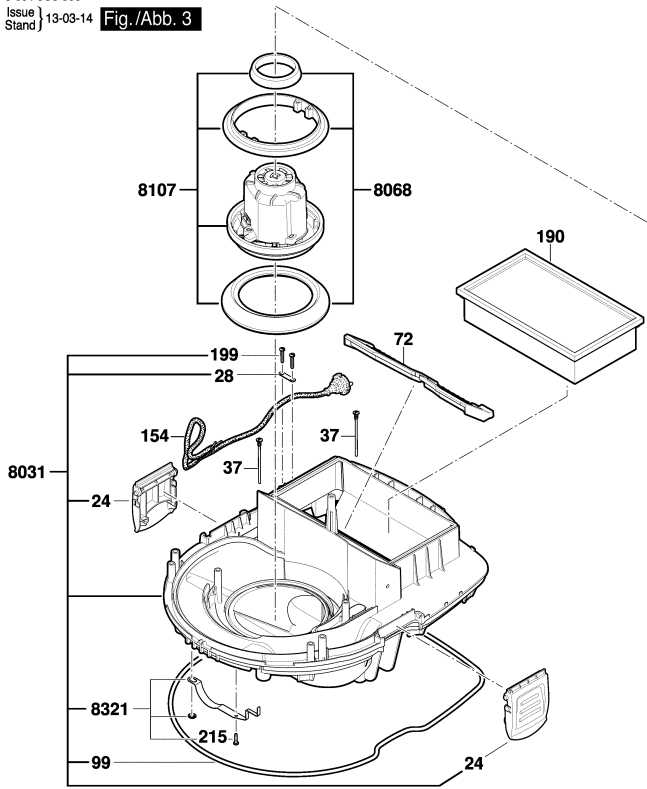
Modifications reserved  
Änderungen vorbehalten  
Modifications réservées  
Salvo modificaciones

2 / 6

Model: 3 601 JC3 3F0 = 240 Date:

Item	Pc	Order no.	Description	LP in INR	Item	Pc	Order no.	Description	LP in INR
8021	1	2 609 200 388	Switch .	1.780,00	8160	1	2 609 200 398	Magnet .	3.805,00
8025	1	2 609 200 473	Support .	609,00	8161	1	2 609 200 412	Cable .	490,00
8030	1	2 609 200 396	Valve Plate .	1.592,00	8162	1	1 600 A01 A4J	Cable .	474,00
8031	1	2 609 200 421	Housing .	6.327,00	8175	1	2 609 200 384	Wafer .	9.430,00
8032	1	2 609 200 474	Cover .	3.793,00	8211	1	2 609 200 418	Fastening parts kit .	527,00
8033	1	2 609 200 391	Cover .	2.185,00	8257	1	2 608 000 A06	Hose .	8.376,00
8034	1	2 609 200 430	Hood .	4.139,00	8301	1	2 609 200 440	Operator Panel .	1.824,00
8035	1	1 600 A02 8XX	Container .	7.502,00	8305	1	2 609 200 383	Wafer .	1.676,00
8036	1	2 609 200 458	Axle .	592,00	8310	1	2 609 200 395	Drainage Fitting .	1.522,00
8039	1	2 609 200 444	Handle .	733,00	8321	1	2 609 200 428	Spring Housing .	646,00
8048	1	2 609 200 468	Fastening parts kit .	431,00	8350	1	2 609 200 433	Molded Part .	464,00
8049	1	1 619 PB6 636	Nameplate GAS 55 M AFC		8352	1	2 609 200 382	Wafer .	4.764,00
8058	1	1 600 A02 8XW	Caster Wheel .	2.410,00	8370	1	2 609 200 417	Coupling .	484,00
8068	1	2 609 200 431	Seal Kit .	1.132,00	8375	1	2 609 200 416	Coupling .	1.216,00
8081	1	2 609 200 472	Support .	542,00	8376	1	1 600 A01 A4L	Connection Piece .	1.011,00
8090	1	2 609 200 413	Sound Insulation Mat .	837,00	8417	1	2 609 200 387	Foil keyboard .	2.068,00
8092	1	2 609 200 437	Sound Insulation Mat .	507,00					
8103	1	2 609 200 432	Wheel .	1.249,00					
8106	1	2 609 200 471	Caster Wheel .	1.866,00					
8107	1	2 609 200 415	Motor .	8.615,00					
8110	1	2 609 200 435	Holder .	502,00					
8111	1	2 609 200 407	Holder .	556,00					
8113	1	2 609 200 405	Fastening parts kit .	505,00					
8115	1	2 609 200 393	Filter Cover .	858,00					

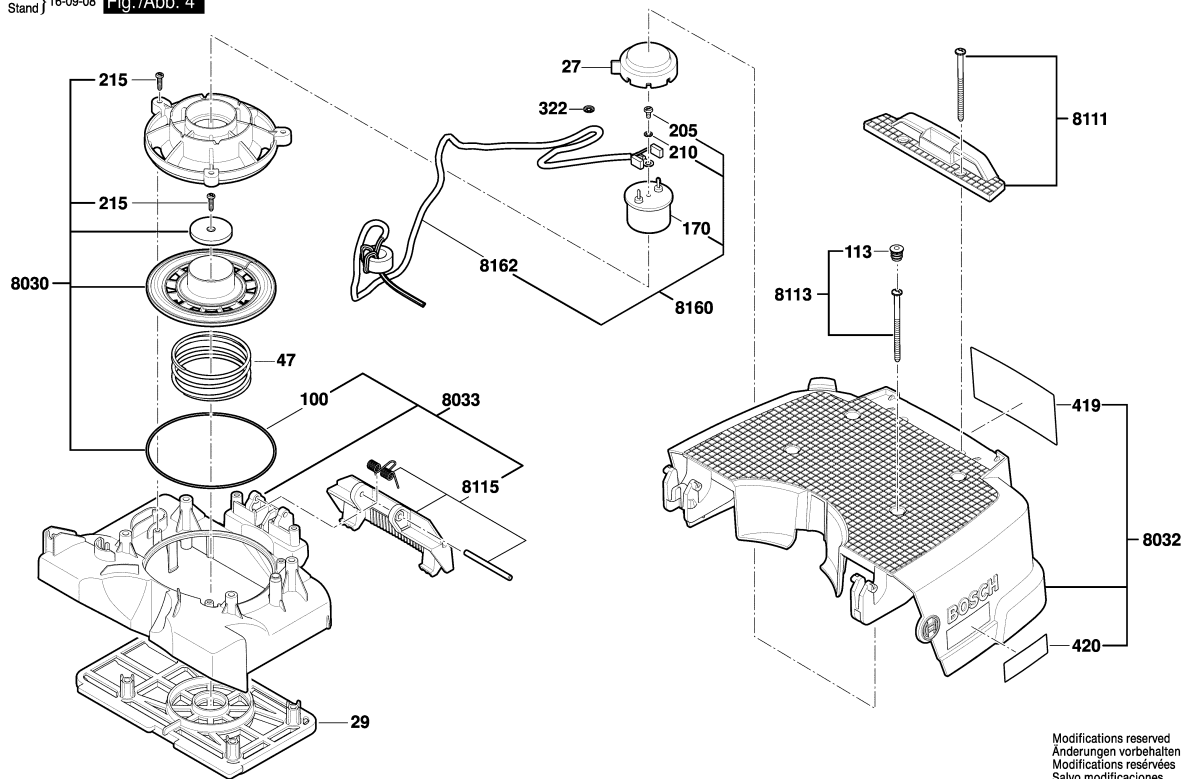
3 601 JC3 300  
Issue Stand 13-03-14 Fig./Abb. 3



Modifications reserved  
Änderungen vorbehalten  
Modifications réservées  
Salvo modificaciones

Model: 3 601 JC3 3F0 = 240					Date:				
Item	Pc	Order no.	Description	LP in INR	Item	Pc	Order no.	Description	LP in INR

3 601 JC3 300  
Issue Stand } 16-09-08 **Fig./Abb. 4**



Modifications reserved  
Änderungen vorbehalten  
Modifications réservées  
Salvo modificaciones

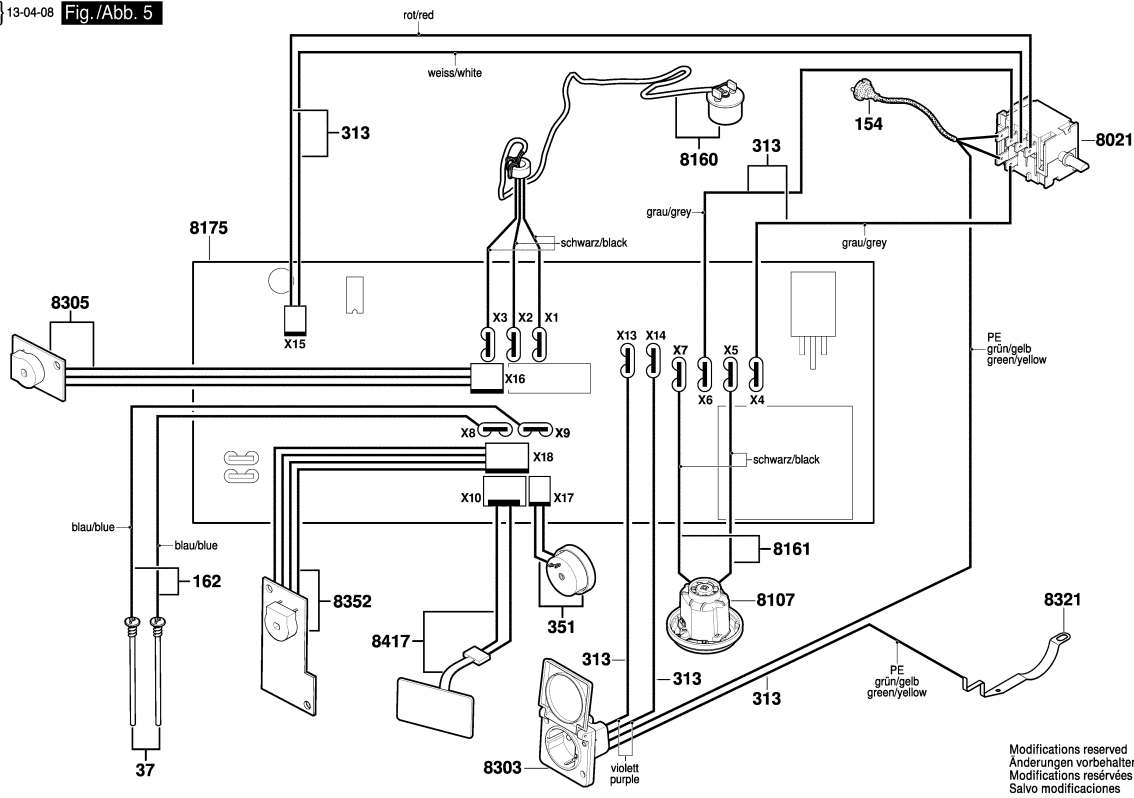
Model: 3 601 JC3 3F0 = 240

Date:

Item	Pc	Order no.	Description	LP in INR	Item	Pc	Order no.	Description	LP in INR

3 601 JC3 300  
Issue  
Stand

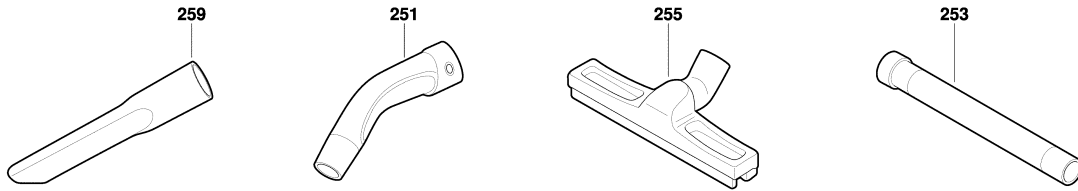
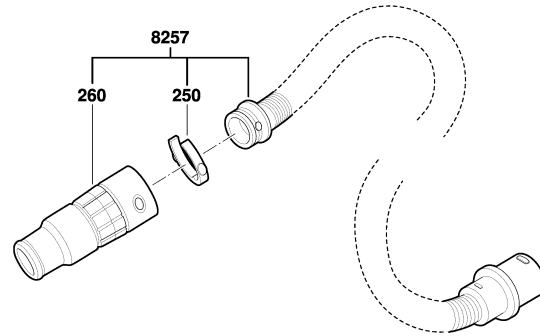
Fig./Abb. 5



Model: 3 601 JC3 3F0 = 240 Date:

Item	Pc	Order no.	Description	LP in INR	Item	Pc	Order no.	Description	LP in INR

3 601 JC3 300  
Issue Stand 13-02-20 **Fig./Abb. 6**



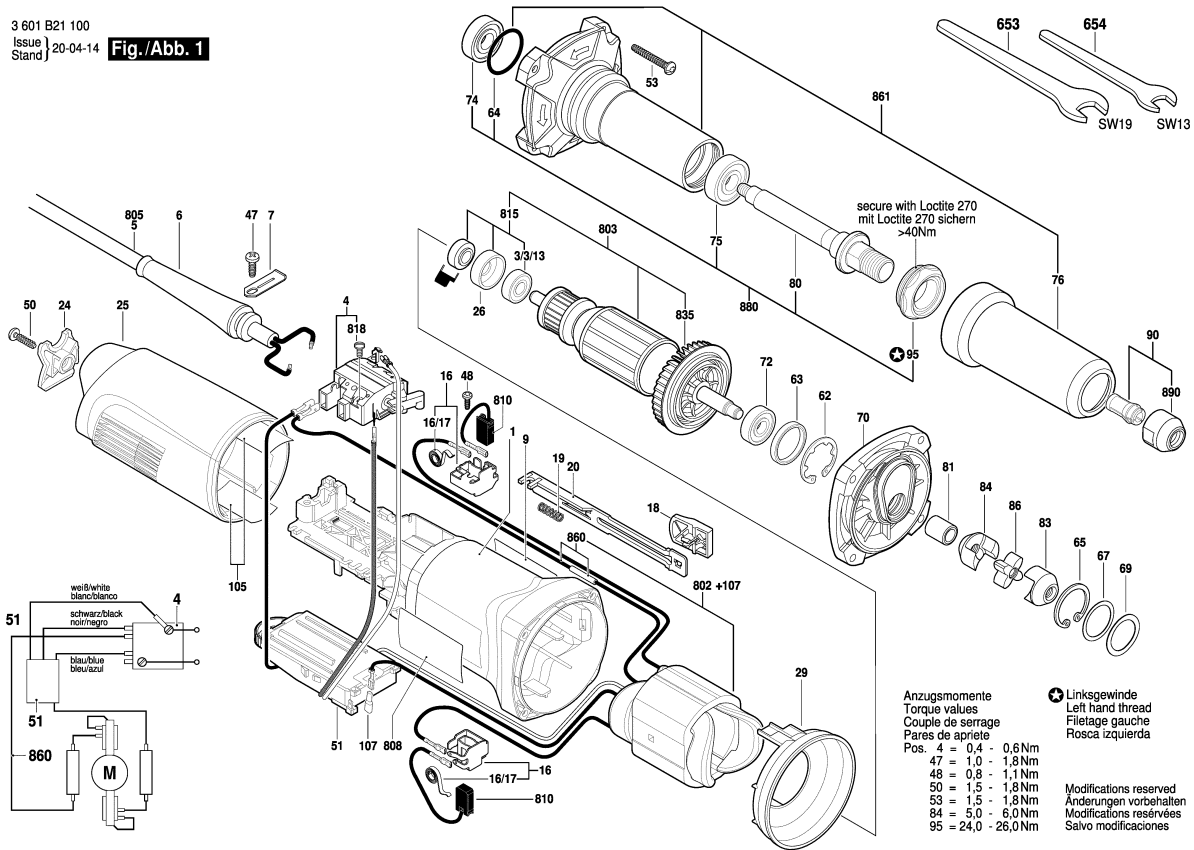
Modifications reserved  
Änderungen vorbehalten  
Modifications réservées  
Salvo modificaciones

Model: 3 601 JC3 3F0 = 240	Date:
----------------------------	-------

Item	Pc	Order no.	Description	LP in INR	Item	Pc	Order no.	Description	LP in INR

Please observe: Repairing, modifying and testing of electro-tools are to be performed professionally. The safety regulations according to IEC, EN, VDE, AFNOR and other regulations of the individual countries are to be observed. Subject to change.  
This price list supersedes all previous edition. Prices are subjected to change without any prior notice.

3 601 B21 100  
Issue / Stand | 20-04-14 **Fig./Abb. 1**



Anzugsmomente  
Torque values  
Couple de serrage  
Pares de apriete  
Pos. 4 = 0,4 - 0,6 Nm  
47 = 1,0 - 1,8 Nm  
48 = 0,8 - 1,1 Nm  
50 = 1,5 - 1,8 Nm  
53 = 1,5 - 1,8 Nm  
84 = 5,0 - 6,0 Nm  
95 = 24,0 - 26,0 Nm

Linksgewinde  
Left hand thread  
Filetage gauche  
Rosca izquierda

Modifications reserved  
Änderungen vorbehalten  
Modificaciones reservadas  
Salvo modificaciones

1 / 2

Model: 3 601 B21 100 = 230

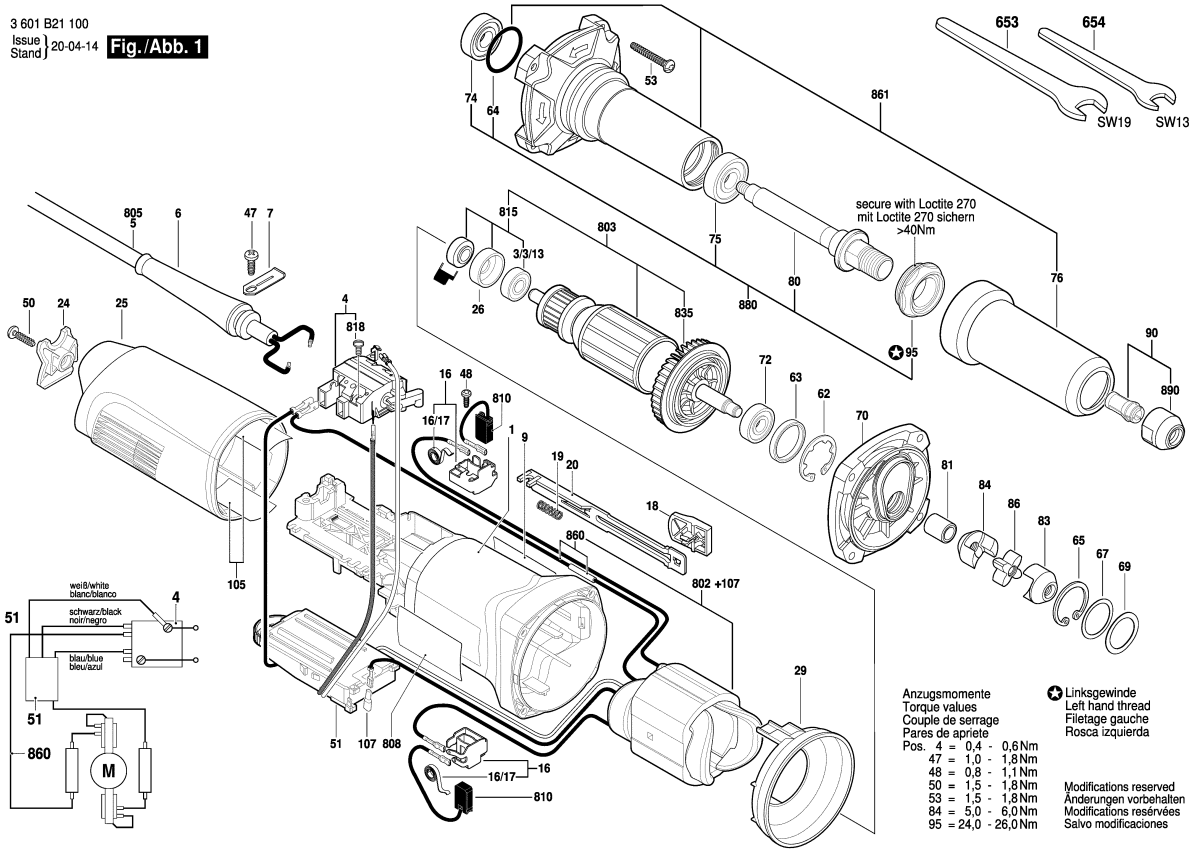
Date:

Item	Pc	Order no.	Description	LP in INR	Item	Pc	Order no.	Description	LP in INR
1	1	3 605 108 224	Motor Housing .	279,00	67	1	3 600 150 011	Shim .	49,00
3/3/13	1	2 600 905 032	Ball Bearing 7x19x6 .	161,00	69	1	1 710 102 601	Shim 0,10 MM .	64,00
4	1	1 607 200 199	Switch .	364,00	70	1	3 605 700 186	Intermediate Flange .	2.158,00
6	1	1 600 703 040	Grommet .	68,00	72	1	1 600 905 032	groove ball bearing 8x22x7	80,00
7	1	1 601 302 017	Fastening Clamp .	29,00	74	1	3 600 905 156	groove ball bearing	496,00
9	1	3 601 110 594	Manufacturer's nameplate .		75	1	3 600 905 157	groove ball bearing .	496,00
16	2	1 601 323 025	Brush Holder .	91,00	76	1	3 605 500 194	Protective Sleeve .	279,00
16/17	1	1 604 652 013	Spiral Spring .	43,00	80	1	3 603 523 070	Grinding Spindle .	
18	1	1 602 026 088	Switch Handle .	30,00	81	1	3 600 400 034	Spacer Sleeve .	137,00
19	1	1 604 611 026	Compression Spring .	37,00	83	1	3 606 445 047	Coupling Half .	832,00
20	1	1 602 319 010	Adjusting Slide BLACK	47,00	84	1	3 606 445 047	Coupling Half .	832,00
24	1	1 605 500 227	Cover .	61,00	86	1	3 606 337 242	Carrier .	29,00
25	1	1 605 500 251	Housing Cover DARK	213,00	90	1	3 607 030 474	Clamping Unit Ø6 MM .	892,00
26	1	1 600 206 036	Rubber Ring .	45,00	95	1	3 600 328 043	Flange .	918,00
29	1	1 600 591 025	Air-Deflector Ring .	71,00	105	2	1 601 008 005	Insulating Plate .	80,00
47	1	2 603 490 021	Torx Oval-Head Screw	29,00	107	1	1 600 712 030	Insulating Part .	44,00
48	2	1 613 435 034	Lens Head Screw 3x10 ST	140,00	653	1	3 607 950 024	Single-Head Eng. Wrench	308,00
50	1	2 603 490 023	Torx Oval-Head Screw	29,00	654	1	3 607 950 025	Single-Head Eng. Wrench	266,00
51	1	1 607 233 452	Speed governor .	3.159,00	802	1	3 607 030 475	Pole Shoe 230V .	2.422,00
53	4	2 603 490 026	Lens Head Screw 4x32 .	29,00	803	1	3 607 030 476	Armature 230V .	3.298,00
62	1	1 600 119 011	Retaining clip .	49,00	805	1	1 607 000 392	Power supply cord EU	3.528,00
63	1	1 600 206 025	Rubber Ring .	65,00	808	1	1 601 11A 3H3	Nameplate .	
64	1	1 610 210 101	O-Ring 26,0x2,0 MM	62,00	810	1	1 607 014 176	Carbon-Brush Set .	231,00
65	1	2 916 660 010	Spring retaining ring DIN	29,00	810	1	1 607 000 482	Carbon-Brush Set	2.249,00

Please observe: Repairing, modifying and testing of electro-tools are to be performed professionally. The safety regulations according to IEC, EN, VDE, AFNOR and other regulations of the individual countries are to be observed. Subject to change.

This price list supersedes all previous edition. Prices are subjected to change without any prior notice.

3 601 B21 100  
Issue | 20-04-14  
Stand | Fig./Abb. 1



2 / 2

Model: 3 601 B21 100 = 230 Date:

Item	Pc	Order no.	Description	LP in INR	Item	Pc	Order no.	Description	LP in INR
815	1	1 607 000 378	Parts Set .	269,00					
818	1	2 910 110 048	Pan head screw DIN	30,00					
835	1	1 606 610 129	Fan .	61,00					
860	1	1 604 448 023	Connecting Cable .	44,00					
861	1	3 607 031 668	Spindle Housing .	3.159,00					
880	1	3 607 031 667	Grinding Spindle .	5.449,00					
890	1	3 603 313 006	Round Nut .	346,00					

Please observe: Repairing, modifying and testing of electro-tools are to be performed professionally. The safety regulations according to IEC, EN, VDE, AFNOR and other regulations of the individual countries are to be observed. Subject to change. This price list supersedes all previous edition. Prices are subjected to change without any prior notice.

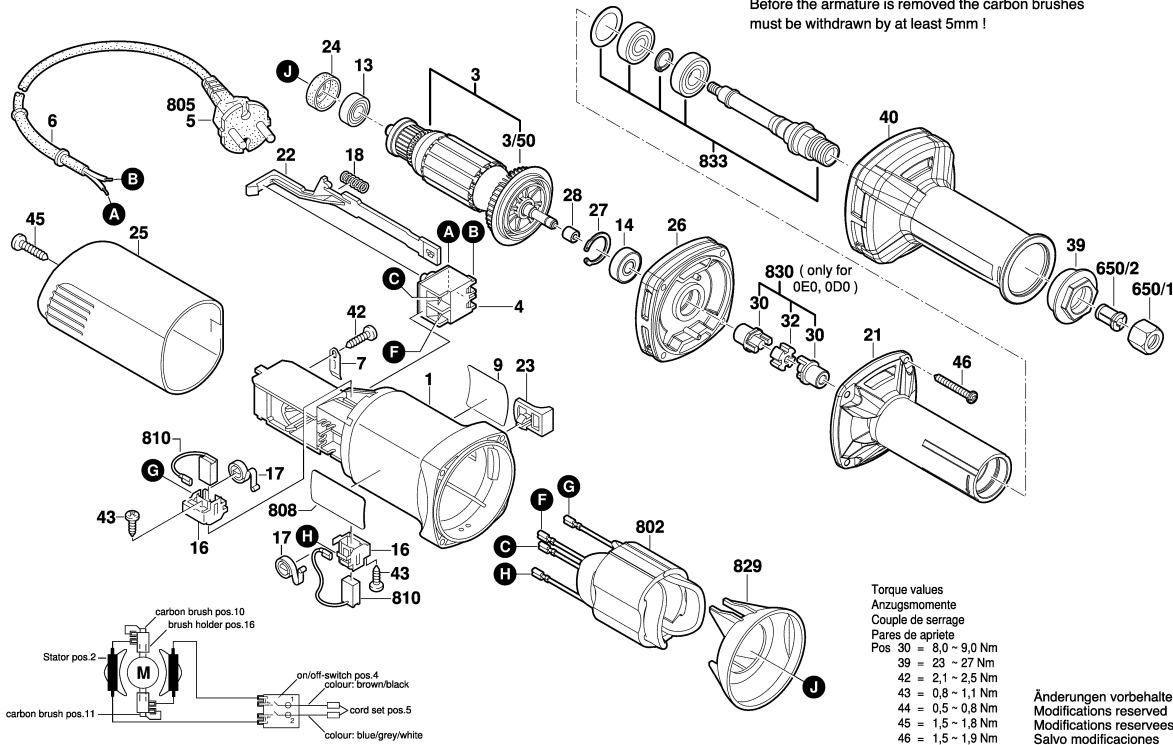


3 601 B24 0K0  
Stand | 12-02  
Issue | 17-12-01

**Fig./Abb. 1**

**Gerad - Verzahnung**

● Vor Demontage des Ankers  
Kohlebürsten 5mm zurückziehen !  
Before the armature is removed the carbon brushes  
must be withdrawn by at least 5mm !



Torque values  
Anzugsmomente  
Couples de serrage  
Pares de apriete  
Pos 30 = 8,0 ~ 9,0 Nm  
39 = 23 ~ 27 Nm  
42 = 2,1 ~ 2,5 Nm  
43 = 0,8 ~ 1,1 Nm  
44 = 0,5 ~ 0,8 Nm  
45 = 1,5 ~ 1,8 Nm  
46 = 1,5 ~ 1,9 Nm

Änderungen vorbehalten  
Modifications reserved  
Modificaciones reservadas  
Salvo modificaciones

1 / 1

Model: 3 601 B24 0K0 = 230

Date:

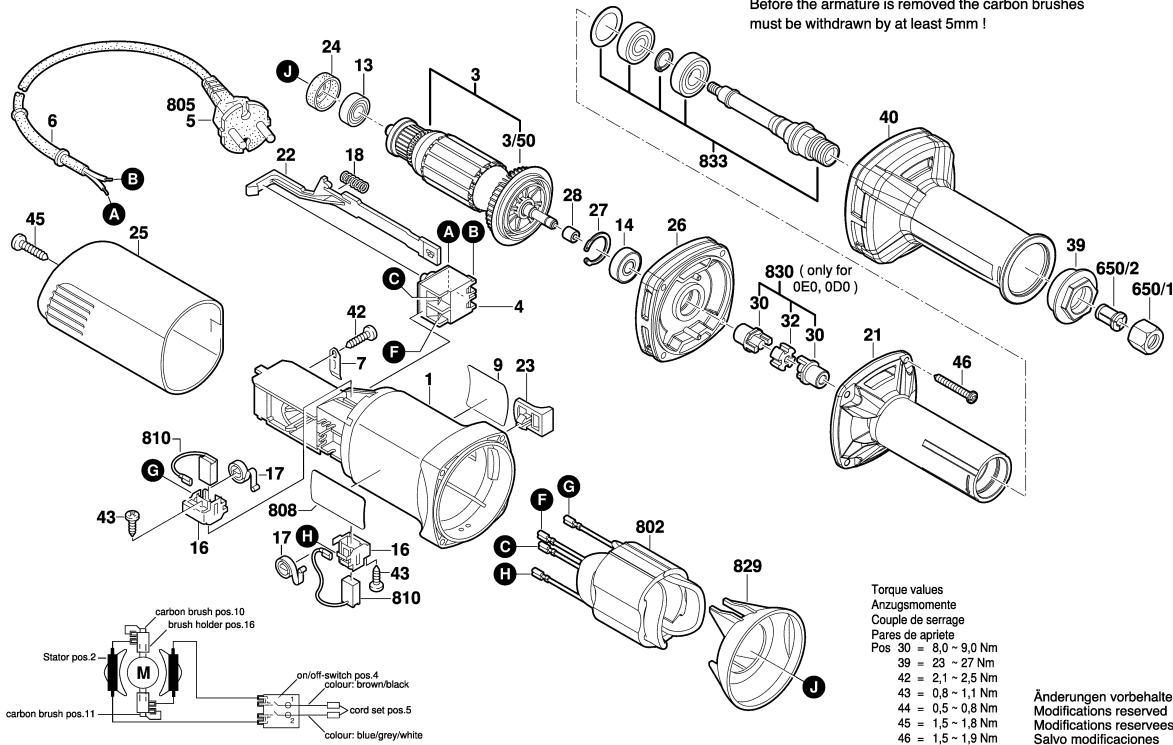
Item	Pc	Order no.	Description	LP in INR	Item	Pc	Order no.	Description	LP in INR
1	1	1 619 P11 358	Motor Housing .	815,00	42	1	2 609 110 052	Special Screw .	44,00
3	1	1 619 P08 203	Armature 230V .	1.155,00	43	2	1 619 P00 220	Torx Oval-Head Screw	29,00
3/50	1	1 606 610 141	Fan .	29,00	45	1	2 910 611 020	Tapping Screw DIN	43,00
4	1	1 607 200 179	On-Off Switch .	180,00	46	4	1 619 P09 269	Torx Oval-Head Screw .	33,00
6	1	2 600 703 012	Grommet Ø6,5-Ø6,9x95	63,00	650/1	1	1 619 P09 252	Lock nut .	351,00
7	1	1 601 302 017	Fastening Clamp .	29,00	650/2	1	1 619 P10 661	Collet .	194,00
9	1	1 619 P09 523	Manufacturer's nameplate		802	1	1 619 P09 833	Field 230V .	930,00
13	1	1 619 P08 829	groove ball bearing .	206,00	805	1	1 607 000 387	Power supply cord CN	266,00
14	1	1 619 P00 455	Ball Bearing .	35,00	808	1	1 619 P09 488	Nameplate .	
16	2	1 619 P01 811	Brush Holder .	29,00	810	1	1 607 014 145	Carbon-Brush Set .	91,00
17	2	1 604 652 013	Spiral Spring .	43,00	829	1	1 600 591 023	Air-Deflector Ring .	33,00
18	1	1 604 611 031	Compression Spring .	67,00	833	1	1 619 P09 253	Spindle Assembly .	1.359,00
21	1	1 619 P10 235	Spindle Housing .	1.019,00					
22	1	1 602 319 009	Adjusting Slide .	29,00					
23	1	1 619 P02 762	Switch Button BLACK	29,00					
24	1	1 600 502 023	Intermediate Ring .	67,00					
25	1	1 619 P09 255	Housing Cover BLUE	340,00					
26	1	1 619 P09 256	Intermediate Flange .	545,00					
27	1	1 619 P09 261	Retaining snap ring .	32,00					
28	1	1 619 P09 434	Sleeve Ring .	114,00					
30	2	1 619 P09 263	Connector .	190,00					
32	1	1 619 P09 262	Adjusting Ring .	35,00					
39	1	1 619 P11 770	Cap Nut .	157,00					
40	1	1 619 P09 268	Protective Sleeve .	157,00					

3 601 B24 0K0  
Stand | 12-02  
Issue | 17-12-01

**Fig./Abb. 1**

**Gerad - Verzahnung**

● Vor Demontage des Ankers  
Kohlebürsten 5mm zurückziehen !  
Before the armature is removed the carbon brushes  
must be withdrawn by at least 5mm !



Torque values  
Anzugsmomente  
Couple de serrage  
Pares de apriete  
Pos 30 = 8,0 - 9,0 Nm  
39 = 23 - 27 Nm  
42 = 2,1 - 2,5 Nm  
43 = 0,8 - 1,1 Nm  
44 = 0,5 - 0,8 Nm  
45 = 1,5 - 1,8 Nm  
46 = 1,5 - 1,9 Nm

Änderungen vorbehalten  
Modifications reserved  
Modificaciones reservadas  
Salvo modificaciones

1 / 1

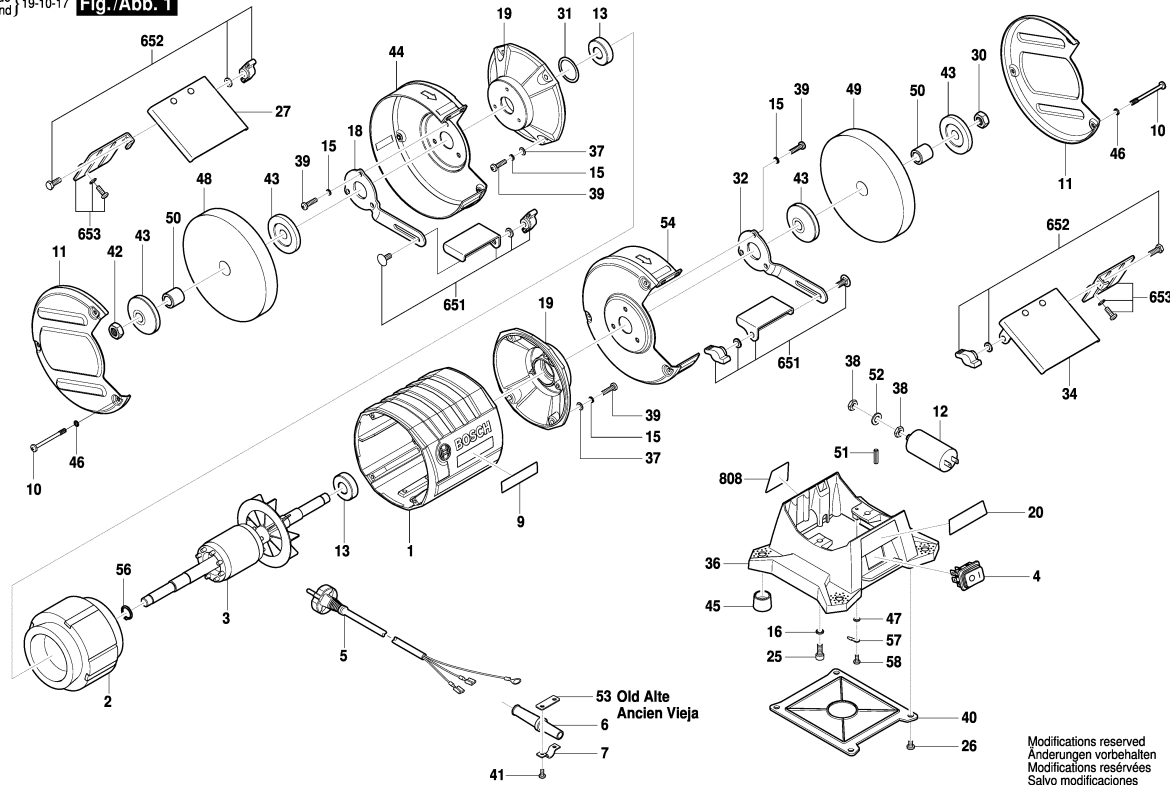
Model: 3 601 B24 1K0 = 230

Date:

Item	Pc	Order no.	Description	LP in INR	Item	Pc	Order no.	Description	LP in INR
1	1	1 619 P11 358	Motor Housing .	815,00	42	1	2 609 110 052	Special Screw .	44,00
3	1	1 619 P08 212	Armature 220-240V .	1.563,00	43	2	1 619 P00 220	Torx Oval-Head Screw	29,00
3/50	1	1 606 610 141	Fan .	29,00	45	1	2 910 611 020	Tapping Screw DIN	43,00
4	1	1 607 200 179	On-Off Switch .	180,00	46	4	1 619 P09 269	Torx Oval-Head Screw .	33,00
6	1	2 600 703 012	Grommet Ø6,5-Ø6,9x95	63,00	650/1	1	1 619 P09 252	Lock nut .	351,00
7	1	1 601 302 017	Fastening Clamp .	29,00	650/2	1	1 619 P10 661	Collet .	194,00
9	1	1 619 P09 527	Manufacturer's nameplate		802	1	1 619 P09 888	Field 230V .	1.223,00
13	1	1 619 P08 829	groove ball bearing .	206,00	805	1	1 607 000 387	Power supply cord CN	266,00
14	1	1 619 P00 455	Ball Bearing .	35,00	808	1	1 619 P09 502	Nameplate .	
16	2	1 619 P01 811	Brush Holder .	29,00	810	1	1 607 014 145	Carbon-Brush Set .	91,00
17	2	1 604 652 013	Spiral Spring .	43,00	829	1	1 600 591 023	Air-Deflector Ring .	33,00
18	1	1 604 611 031	Compression Spring .	67,00	833	1	1 619 P09 253	Spindle Assembly .	1.359,00
21	1	1 619 P10 235	Spindle Housing .	1.019,00					
22	1	1 602 319 009	Adjusting Slide .	29,00					
23	1	1 619 P02 762	Switch Button BLACK	29,00					
24	1	1 600 502 023	Intermediate Ring .	67,00					
25	1	1 619 P09 255	Housing Cover BLUE	340,00					
26	1	1 619 P09 256	Intermediate Flange .	545,00					
27	1	1 619 P09 261	Retaining snap ring .	32,00					
28	1	1 619 P09 434	Sleeve Ring .	114,00					
30	2	1 619 P09 263	Connector .	190,00					
32	1	1 619 P09 262	Adjusting Ring .	35,00					
39	1	1 619 P11 770	Cap Nut .	157,00					
40	1	1 619 P09 863	Protective Sleeve .	398,00					

3 601 B7A 300  
Issue  
Stand } 19-10-17

**Fig./Abb. 1**



1 / 2

Model: 3 601 B7A 3F0 = 230

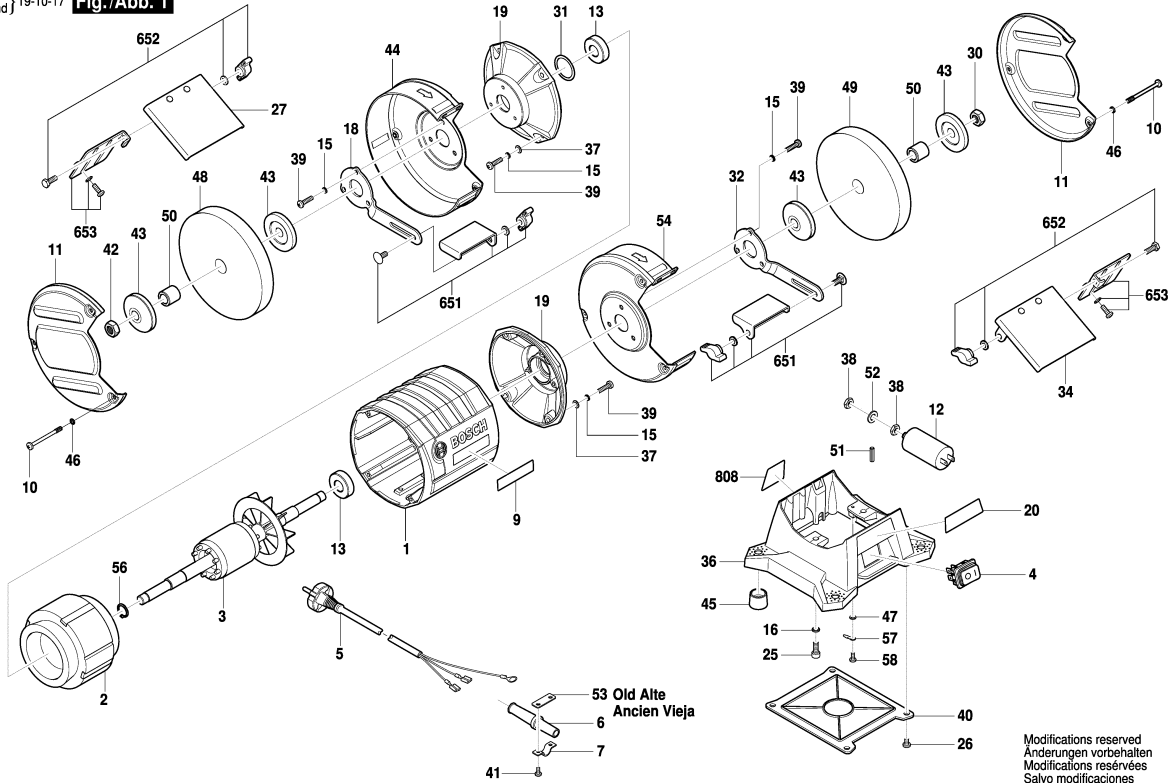
Date:

Item	Pc	Order no.	Description	LP in INR	Item	Pc	Order no.	Description	LP in INR
1	1	1 619 PB1 466	Motor Housing .	1.272,00	36	1	1 619 PB1 534	Base .	680,00
2	1	1 619 PB1 468	Field assembly .	2.900,00	37	8	1 619 PB1 536	Plain Washer .	37,00
3	1	1 619 PB1 470	Armature .	1.866,00	38	2	1 619 PB1 537	Hex thin nut .	37,00
4	1	1 619 PB1 472	Switch .	238,00	39	14	1 619 PB1 538	Screw .	37,00
5	1	1 619 PB1 474	Power supply cord .	419,00	40	1	1 619 PB1 539	Base Plate .	63,00
6	1	1 619 PB1 480	Grommet .	62,00	41	2	1 619 PB1 541	Pan head screw .	37,00
7	1	1 619 PB1 481	Clip .	37,00	42	1	1 619 PB1 542	Hex Nut .	38,00
9	1	1 619 PB1 498	Manufacturer's nameplate		43	4	1 619 PB1 543	Clamping Flange .	181,00
10	6	1 619 PB1 500	Screw .	29,00	44	1	1 619 PB1 545	Protective Cover .	445,00
11	2	1 619 PB1 502	Lateral Guard .	463,00	45	4	1 619 PB1 547	Supporting foot .	70,00
12	1	1 619 PB1 504	Suppression Capacitor .	294,00	46	6	1 619 PB1 548	Spring Washer .	37,00
13	2	1 619 PB1 506	groove ball bearing .	205,00	47	1	1 619 PB1 549	Toothed lock washer .	37,00
15	14	1 619 PB1 508	Spring Washer .	37,00	48	1	1 619 PB1 446	Grinding Wheel 150 mm	391,00
16	2	1 619 PB1 509	Spring Washer .	37,00	49	1	1 619 PB1 448	Grinding Wheel 150 mm	391,00
18	1	1 619 PB1 511	Support Plate .	117,00	50	1	1 619 PB1 550	Reduction Sleeve .	61,00
19	2	1 619 PB1 513	End Shield .	578,00	51	1	1 619 PB1 552	Terminal Screw .	52,00
20	1	1 619 PB1 515	Warning Label .		52	1	1 619 PB1 553	Toothed lock washer .	37,00
25	2	1 619 PB1 521	Screw .	37,00	53	1	1 619 PB1 554	Support Plate .	37,00
26	4	1 619 PB1 522	Pan head screw .	37,00	54	1	1 619 PB1 555	Protective Cover .	445,00
27	1	1 619 PB1 523	Protective Glass .	98,00	56	1	1 619 PB1 558	Spacer Ring .	37,00
30	1	1 619 PB1 526	Hex Nut .	38,00	57	1	1 619 PB1 668	Spring Washer .	37,00
31	1	1 619 PB1 527	Corrugated Washer .	37,00	58	1	1 619 PB1 780	Pan head screw .	37,00
32	1	1 619 PB1 529	Support Plate .	117,00	651	1	1 619 PB1 781	Support Plate .	471,00
34	1	1 619 PB1 532	Protective Glass .	98,00	652	1	1 619 PB1 782	Screw .	98,00

Please observe: Repairing, modifying and testing of electro-tools are to be performed professionally. The safety regulations according to IEC, EN, VDE, AFNOR and other regulations of the individual countries are to be observed. Subject to change.  
This price list supersedes all previous edition. Prices are subjected to change without any prior notice.

3 601 B7A 300  
Issue  
Stand 19-10-17

Fig./Abb. 1



Modifications reserved  
Änderungen vorbehalten  
Modifications réservées  
Salvo modificaciones

Model: 3 601 B7A 3F0 = 230

Date:

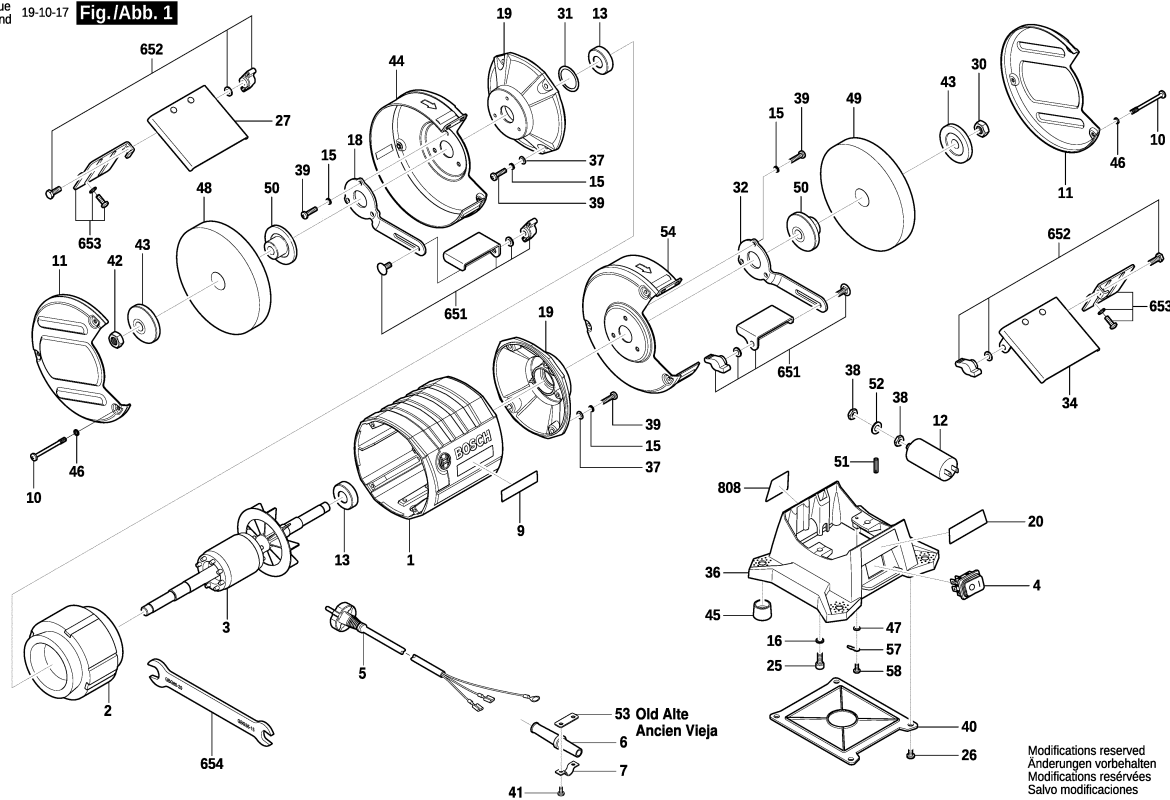
Item	Pc	Order no.	Description	LP in INR
653	1	1 619 PB1 783	Guard Plate .	226,00
808	1	1 619 PB2 017	Nameplate .	

Item	Pc	Order no.	Description	LP in INR

Please observe: Repairing, modifying and testing of electro-tools are to be performed professionally. The safety regulations according to IEC, EN, VDE, AFNOR and other regulations of the individual countries are to be observed. Subject to change.  
This price list supersedes all previous edition. Prices are subjected to change without any prior notice.

3 601 B7A 400  
Issue  
Stand 19-10-17

**Fig./Abb. 1**



1 / 2

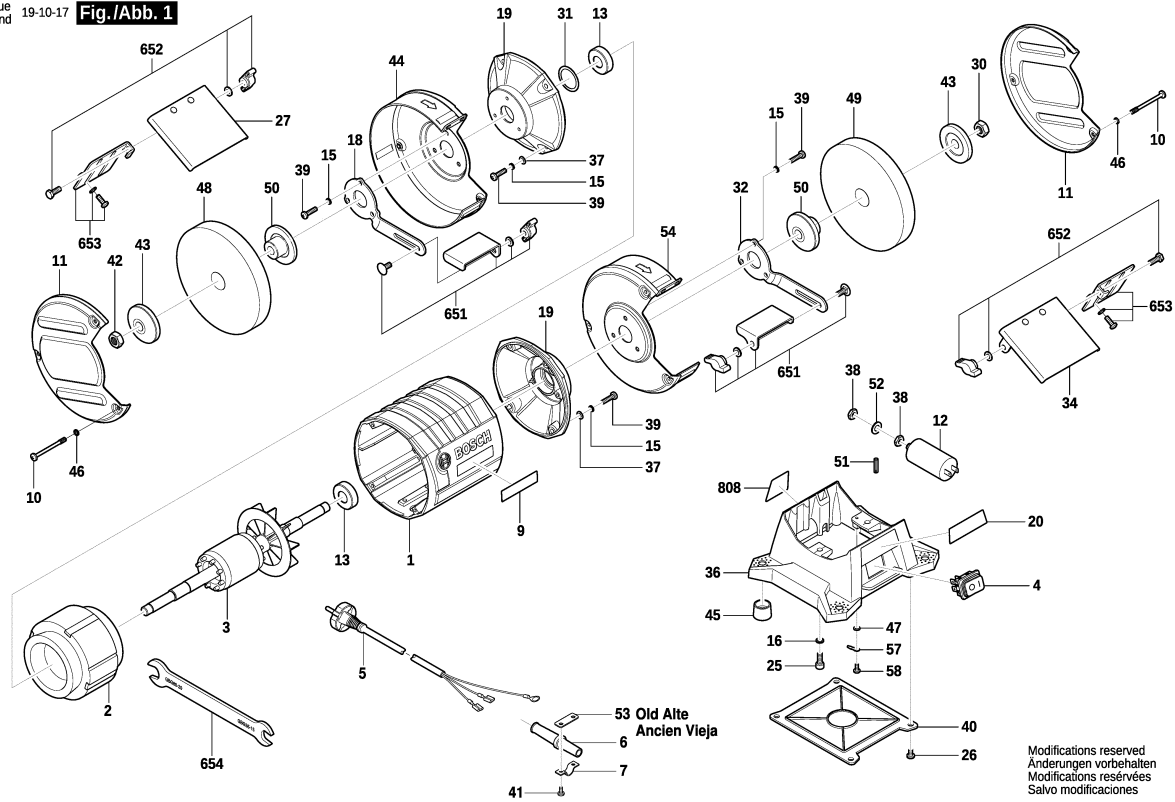
Model: 3 601 B7A 4F0 = 220 Date:

Item	Pc	Order no.	Description	LP in INR	Item	Pc	Order no.	Description	LP in INR
1	1	1 619 PB1 467	Motor Housing .	1.555,00	36	1	1 619 PB1 535	Base .	941,00
2	1	1 619 PB1 469	Field assembly .	5.180,00	37	8	1 619 PB1 536	Plain Washer .	37,00
3	1	1 619 PB1 471	Armature .	3.108,00	38	2	1 619 PB1 537	Hex thin nut .	37,00
4	1	1 619 PB1 472	Switch .	238,00	39	14	1 619 PB1 538	Screw .	37,00
5	1	1 619 PB1 474	Power supply cord .	419,00	40	1	1 619 PB1 540	Base Plate .	108,00
6	1	1 619 PB1 480	Grommet .	62,00	41	2	1 619 PB1 541	Pan head screw .	37,00
7	1	1 619 PB1 481	Clip .	37,00	42	1	1 619 PB1 542	Hex Nut .	38,00
9	1	1 619 PB1 499	Manufacturer's nameplate		43	2	1 619 PB1 544	Clamping Flange .	385,00
10	6	1 619 PB1 501	Screw .	37,00	44	1	1 619 PB1 546	Protective Cover .	784,00
11	2	1 619 PB1 503	Lateral Guard .	965,00	45	4	1 619 PB1 547	Supporting foot .	70,00
12	1	1 619 PB1 505	Suppression Capacitor .	393,00	46	6	1 619 PB1 548	Spring Washer .	37,00
13	2	1 619 PB1 507	groove ball bearing .	231,00	47	1	1 619 PB1 549	Toothed lock washer .	37,00
15	14	1 619 PB1 508	Spring Washer .	37,00	48	1	1 619 PB1 447	Grinding Wheel .	1.027,00
16	2	1 619 PB1 509	Spring Washer .	37,00	49	1	1 619 PB1 449	Grinding Wheel .	1.027,00
18	1	1 619 PB1 512	Support Plate .	164,00	50	1	1 619 PB1 551	Clamping Flange .	579,00
19	2	1 619 PB1 514	End Shield .	893,00	51	1	1 619 PB1 552	Terminal Screw .	52,00
20	1	1 619 PB1 516	Warning Label .		52	1	1 619 PB1 553	Toothed lock washer .	37,00
25	2	1 619 PB1 521	Screw .	37,00	53	1	1 619 PB1 554	Support Plate .	37,00
26	4	1 619 PB1 522	Pan head screw .	37,00	54	1	1 619 PB1 556	Protective Cover .	803,00
27	1	1 619 PB1 523	Protective Glass .	98,00	57	1	1 619 PB1 668	Spring Washer .	37,00
30	1	1 619 PB1 526	Hex Nut .	38,00	58	1	1 619 PB1 780	Pan head screw .	37,00
31	1	1 619 PB1 528	Corrugated Washer .	37,00	651	1	1 619 PB1 781	Support Plate .	471,00
32	1	1 619 PB1 530	Support Plate .	153,00	652	1	1 619 PB1 782	Screw .	98,00
34	1	1 619 PB1 532	Protective Glass .	98,00	653	1	1 619 PB1 783	Guard Plate .	226,00

Please observe: Repairing, modifying and testing of electro-tools are to be performed professionally. The safety regulations according to IEC, EN, VDE, AFNOR and other regulations of the individual countries are to be observed. Subject to change.  
This price list supersedes all previous edition. Prices are subjected to change without any prior notice.

3 601 B7A 400  
Issue  
Stand 19-10-17

Fig./Abb. 1



Modifications reserved  
Änderungen vorbehalten  
Modifications réservées  
Salvo modificaciones

Model: 3 601 B7A 4F0 = 220

Date:

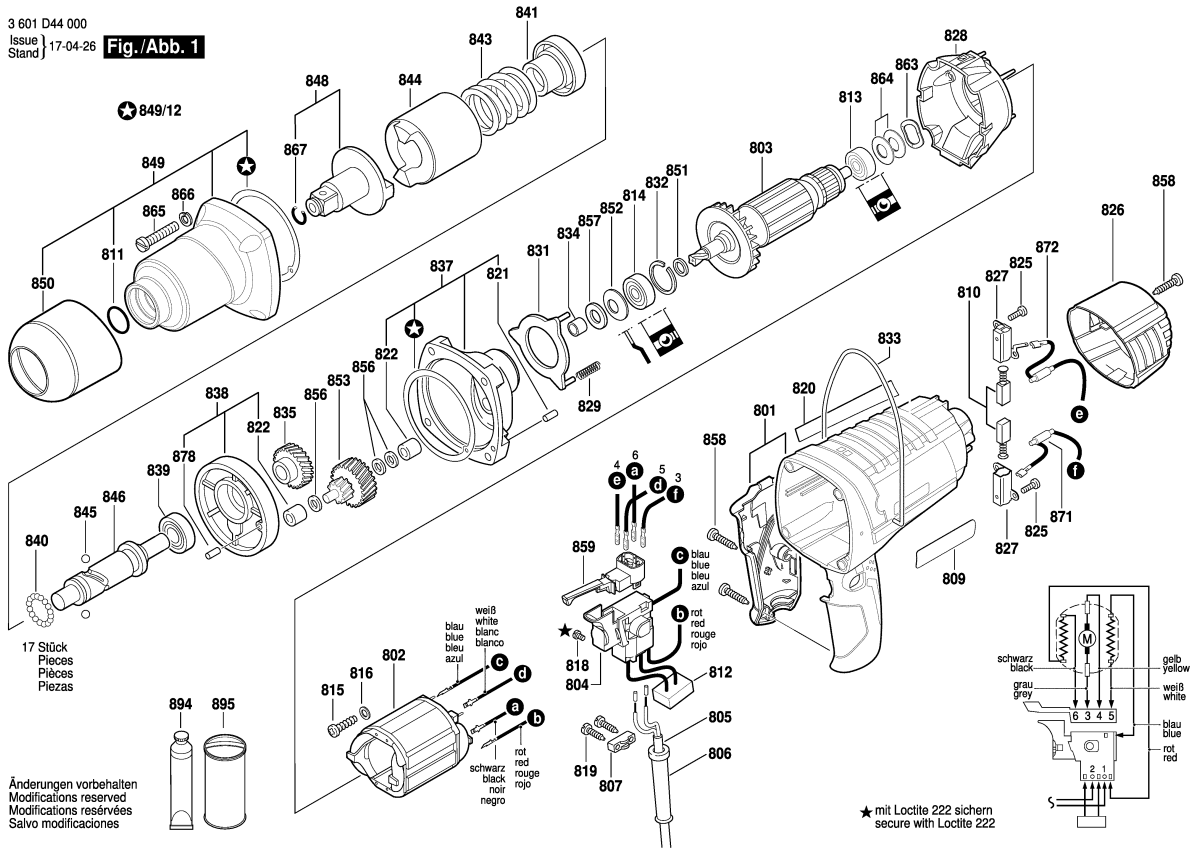
Item	Pc	Order no.	Description	LP in INR
654	1	1 619 PB1 581	Assembly Wrench .	119,00
808	1	1 619 PB2 025	Nameplate .	

Item	Pc	Order no.	Description	LP in INR

Please observe: Repairing, modifying and testing of electro-tools are to be performed professionally. The safety regulations according to IEC, EN, VDE, AFNOR and other regulations of the individual countries are to be observed. Subject to change. This price list supersedes all previous edition. Prices are subjected to change without any prior notice.

3 601 D44 000  
Issue  
Stand 17-04-26

**Fig./Abb. 1**



1 / 2

Model: 3 601 D44 000 = 230

Date:

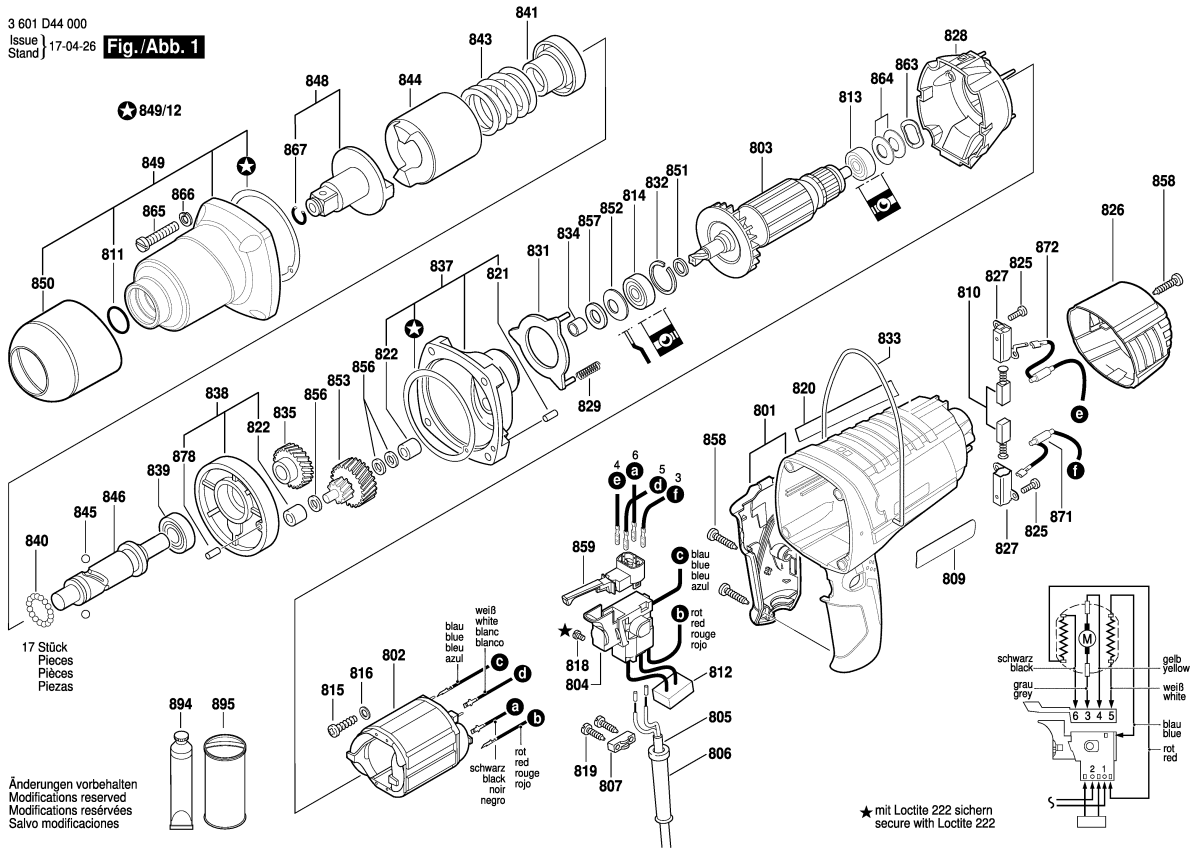
Item	Pc	Order no.	Description	LP in INR	Item	Pc	Order no.	Description	LP in INR
801	1	1 619 PA2 434	Motor Housing .	2.233,00	829	3	1 619 PA2 990	Compression Spring .	70,00
802	1	1 619 PA2 435	Field 220-230V .	2.373,00	831	1	1 619 PA2 448	Supporting Disc .	180,00
803	1	1 619 PA2 436	Armature 220-230V .	4.049,00	832	1	2 916 660 008	Spring retaining ring DIN	49,00
804	1	1 607 200 252	On-Off Switch .	2.094,00	833	1	1 619 PA2 449	Suspension Loop .	347,00
805	1	1 607 000 227	Power supply cord EU	2.652,00	834	1	1 619 PA2 991	Receptacle .	409,00
806	1	1 619 PA2 888	Grommet .	66,00	835	1	1 619 PA2 450	Cylindrical Gear .	1.676,00
807	1	1 619 PA2 889	Cable Clip .	62,00	837	1	1 619 PA2 451	Intermediate Bearing .	2.563,00
809	1	1 619 PA2 437	Manufacturer's nameplate		838	1	1 619 PA2 452	Intermediate Flange .	1.973,00
810	1	1 619 PA2 438	Carbon-Brush Set .	381,00	839	1	1 900 900 287	groove ball bearing	206,00
811	1	1 619 PA2 989	O-Ring .	84,00	840	17	1 903 230 007	Ball DIN 5401-4 MM-III-ST .	70,00
812	1	1 619 PA2 439	Suppression Capacitor .	253,00	841	1	1 619 PA2 992	Bushing .	1.550,00
813	1	1 900 905 018	Ball Bearing 7x22x7 .	57,00	843	1	1 619 PA2 993	Compression Spring .	837,00
814	1	2 600 905 021	groove ball bearing 9x24x7	349,00	844	1	1 619 PA2 994	Striker .	9.213,00
815	2	1 619 PA2 440	Screw .	70,00	845	2	1 903 230 013	Ball DIN 5401-Ø7MM-III-ST	69,00
816	2	1 619 PA2 441	Spring Washer .	70,00	846	1	1 619 PA2 995	Drive Shaft .	5.583,00
818	2	1 619 PA2 442	Screw .	70,00	848	1	1 619 PA2 453	Tool Holding Fixture .	7.678,00
819	2	1 619 PA2 443	Screw .	70,00	849	1	1 619 PA2 454	Impact Mechanism	4.037,00
820	1	1 619 PA2 444	Nameplate .		849/12	2	1 619 PA3 949	mat seal .	218,00
821	1	2 917 500 095	Straight Pin 4 H 8x12 DIN 7	44,00	850	1	1 619 PA2 455	Protective Cover .	1.089,00
822	2	2 600 914 010	Needle-Roller Bearing Ø6	87,00	851	1	1 619 PA2 996	Spacer Ring .	70,00
825	4	1 619 PA2 445	Screw .	70,00	852	1	1 619 PA2 997	Cupped Washer .	70,00
826	1	1 619 PA2 446	Housing Cover .	559,00	853	1	1 619 PA2 456	Toothed Shaft .	2.513,00
827	2	1 619 PA2 890	Brush Holder .	218,00	856	4	1 619 PA2 457	Shim .	70,00
828	1	1 619 PA2 447	Air-Deflector Ring .	345,00	857	1	1 619 PA2 998	Felt Washer .	70,00

Please observe: Repairing, modifying and testing of electro-tools are to be performed professionally. The safety regulations according to IEC, EN, VDE, AFNOR and other regulations of the individual countries are to be observed. Subject to change.

This price list supersedes all previous edition. Prices are subjected to change without any prior notice.

3 601 D44 000  
Issue  
Stand | 17-04-26

Fig./Abb. 1



2 / 2

Model: 3 601 D44 000 = 230

Date:

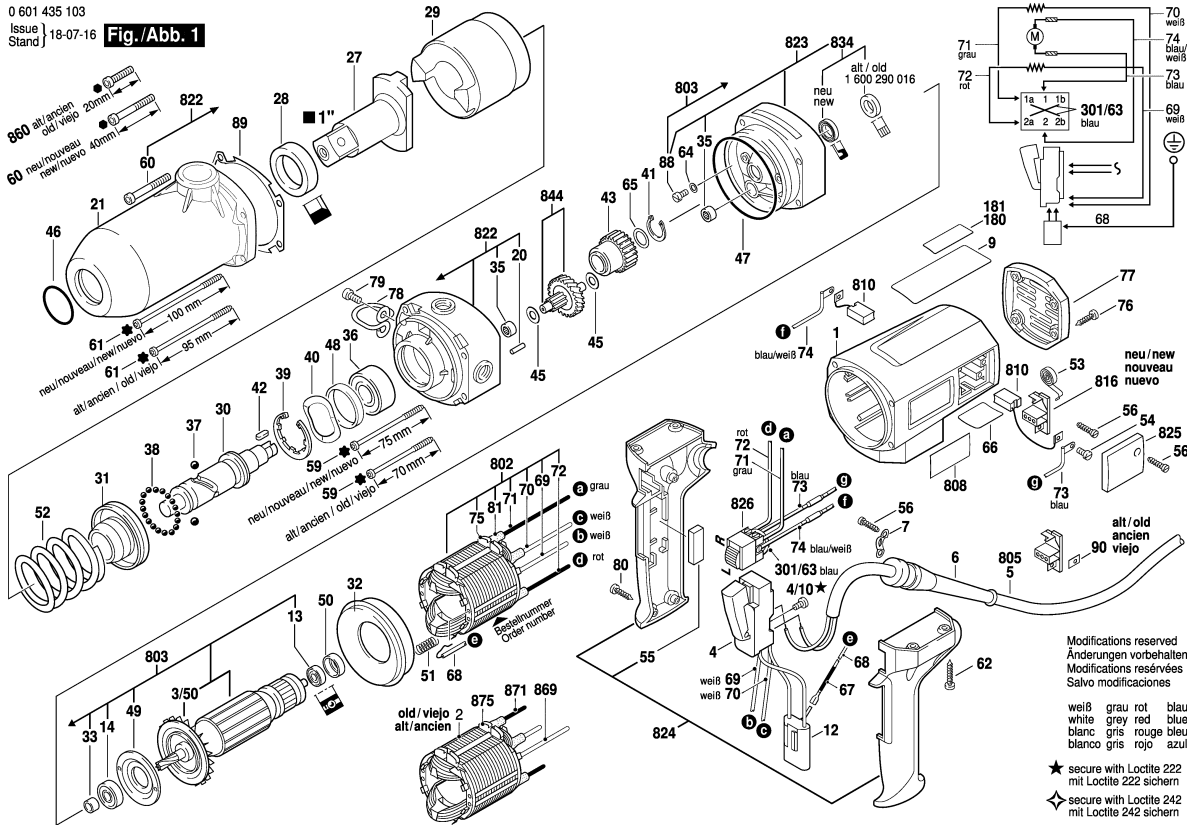
Item	Pc	Order no.	Description	LP in INR
858	4	1 619 PA2 458	Screw .	70,00
859	1	2 607 200 176	Change-Over Switch .	870,00
863	1	2 600 150 004	Shim .	41,00
864	2	1 619 PA2 999	Shim .	44,00
865	4	1 619 PA2 459	Screw .	60,00
866	4	2 916 690 004	Spring Lock Washer DIN	44,00
867	1	1 619 PA3 000	Retaining ring .	70,00
871	1	1 619 PA2 460	Suppressor Box .	233,00
872	1	1 619 PA2 891	Suppressor Box .	233,00
878	1	2 917 500 101	Straight Pin 4 H 8x24 DIN 7	58,00
894	1	1 615 430 020	Grease Tube 225 ML .	1.438,00
895	1	3 605 430 003	Grease Tube Albida .	1.444,00

Item	Pc	Order no.	Description	LP in INR



0 601 435 103  
Issue  
Stand | 18-07-16

**Fig./Abb. 1**



1 / 2

Model: 0 601 435 103 = 230

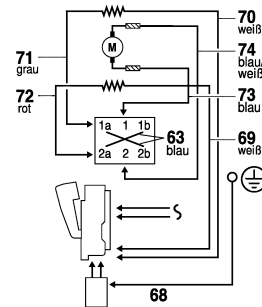
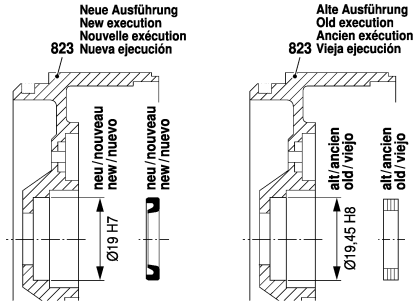
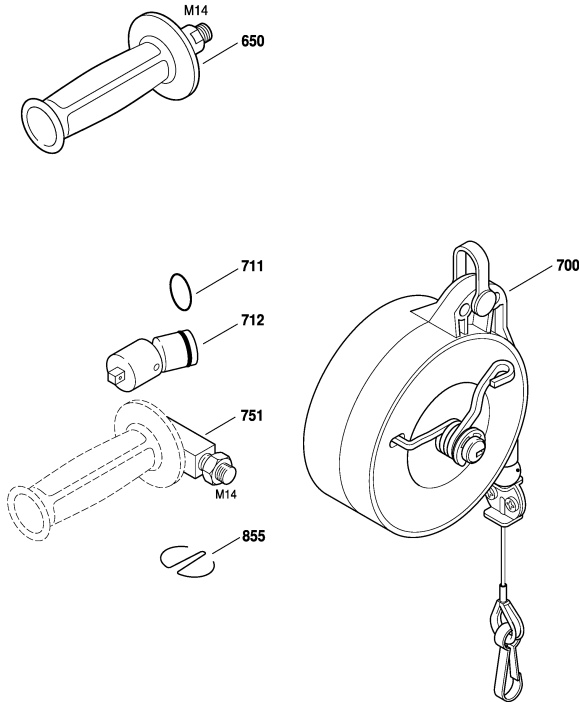
Date:

Item	Pc	Order no.	Description	LP in INR	Item	Pc	Order no.	Description	LP in INR
1	1	3 605 108 091	Motor Housing BLUE	1.260,00	40	1	1 600 150 009	Spring Washer	496,00
3/50	1	1 606 610 122	Fan .	126,00	41	1	2 916 650 006	Retaining clip DIN	49,00
4	1	1 607 200 079	Switch .	1.445,00	42	1	1 902 300 083	Parallel Key DIN	49,00
4/10	4	2 910 011 082	Socket head cap screw	71,00	43	1	3 606 301 006	Cylindrical Gear Z=25 .	3.489,00
6	1	3 600 703 011	Grommet Ø9,2-Ø12x120	189,00	45	2	1 600 100 617	Shim 0,5 MM THICK	49,00
7	1	1 601 302 014	Fastening Clamp .	123,00	46	1	3 600 210 131	O-Ring 35,0x3,0 MM .	99,00
9	1	3 601 110 614	Sticker .		47	1	1 600 210 005	O-Ring 66,0x3,0 MM .	63,00
12	1	2 607 329 096	Suppression Filter .	321,00	48	1	1 600 206 022	Rubber Ring .	60,00
13	1	2 600 905 032	Ball Bearing 7x19x6 .	161,00	49	1	3 605 500 043	Bearing cover .	511,00
14	1	3 600 905 131	groove ball bearing 9x26x8	317,00	50	1	1 600 502 011	Intermediate Ring .	46,00
20	1	2 917 500 119	Straight Pin DIN 7-5H8x14 .	60,00	51	2	1 604 613 006	Compression Spring .	43,00
21	1	3 605 806 222	Spindle Bearing .	7.889,00	52	1	3 604 610 059	Compression Spring .	1.116,00
27	1	1 606 455 054	Coupling Half .	9.962,00	53	2	1 604 652 02K	Spiral Spring .	
28	1	3 600 202 019	Spacer Ring .	2.107,00	54	2	3 603 435 045	Socket head cap screw .	44,00
29	1	1 608 710 028	Striker .	19.393,00	55	2	3 602 317 025	Insulating Strip .	70,00
30	1	1 603 124 106	Drive Shaft .	9.869,00	56	6	2 910 211 019	Tapping Screw DIN	30,00
31	1	3 600 220 019	Backup ring .	4.864,00	59	2	3 603 435 040	Lens Head Screw .	49,00
32	1	1 600 502 019	Air-Deflector Ring .	100,00	60	2	2 910 151 170	Hex Socket Head Cap	43,00
33	1	3 600 300 042	Intermediate Ring .	544,00	61	2	3 603 435 041	Lens Head Screw .	49,00
35	2	1 600 910 018	Needle bearing Ø8xØ12x8	119,00	62	4	3 603 435 027	Tapping Screw 5x30 .	63,00
36	1	1 900 905 281	groove ball bearing	1.396,00	64	2	3 600 120 013	Plain Washer DIN	70,00
37	2	1 903 230 015	Ball DIN 5401-9 MM III-ST .	72,00	65	1	1 600 101 600	Shim washer 0,4 MM	84,00
38	18	1 903 230 009	Ball DIN 5401-5 G28 .	63,00	66	1	3 601 110 370	Sticker .	
39	1	1 600 119 004	Spring retaining ring .	115,00	67	1	1 600 712 027	Shrinkable Tube .	68,00

Please observe: Repairing, modifying and testing of electro-tools are to be performed professionally. The safety regulations according to IEC, EN, VDE, AFNOR and other regulations of the individual countries are to be observed. Subject to change.  
This price list supersedes all previous edition. Prices are subjected to change without any prior notice.

0 601 435 103  
Issue 10-09-29  
Stand

**Fig./Abb. 2**



weiß white  
grau grey  
rot red  
blau blue  
blanc blanco  
gris gris  
rouge rouge  
bleu bleu  
azul azul

Modifications reserved  
Änderungen vorbehalten  
Modifications réservées  
Salvo modificaciones

Model: 0 601 435 103 = 230

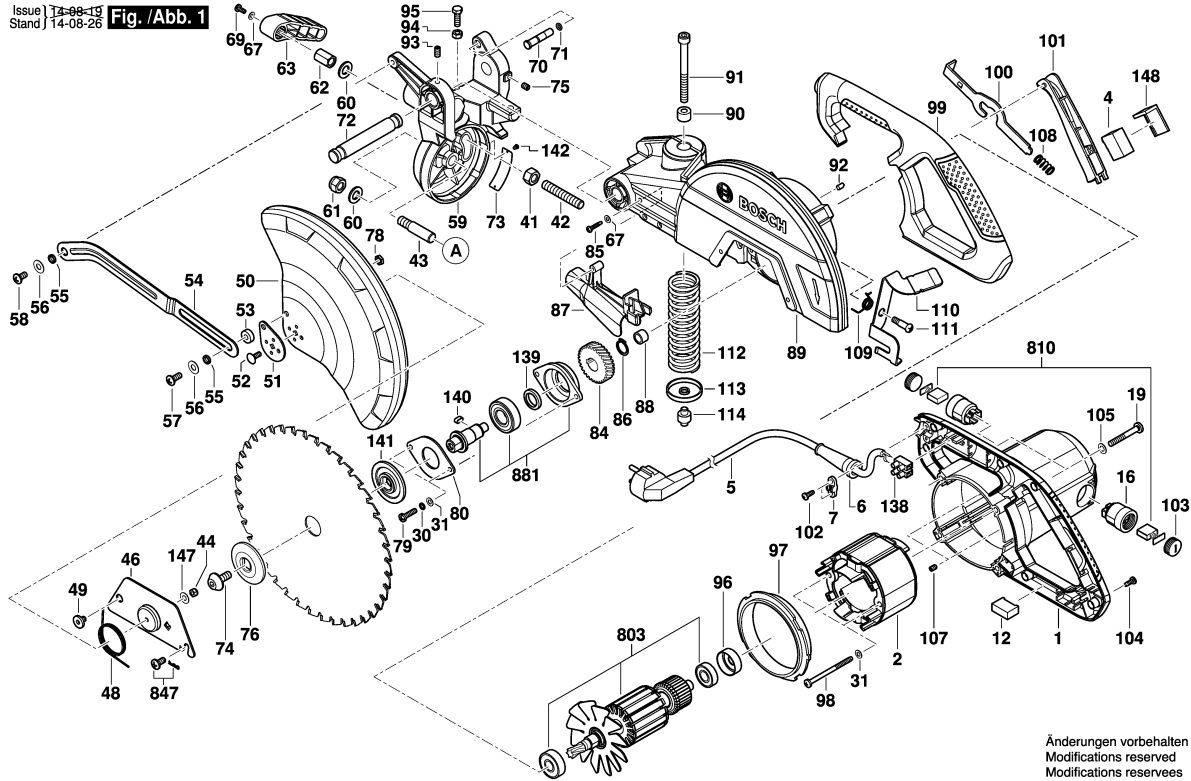
Date:

Item	Pc	Order no.	Description	LP in INR
68	1	3 604 448 044	Elec. Cable W/Connection	84,00
69	1	3 604 438 025	Connecting Cable L=470	94,00
70	1	1 604 438 012	Connecting Cable L=330	72,00
71	1	3 604 460 135	Connecting Cable L=330	1.701,00
72	1	3 604 438 008	Connecting Cable L=160	1.858,00
73	1	3 604 503 036	Suppression Filter L=300	279,00
74	1	3 604 503 037	Suppression Filter L=150	279,00
75	4	3 601 025 003	Wire Guide .	40,00
76	4	2 914 201 527	Torx Oval-Head Screw .	68,00
77	1	3 605 500 062	Sealing cap BLACK	228,00
78	1	3 601 310 013	Suspension Loop .	586,00
79	2	2 910 131 193	Hex Socket Head Cap	68,00
80	3	2 914 201 508	Torx Oval-Head Screw .	126,00
81	4	3 600 707 022	Shrinkable Tube .	70,00
88	2	3 603 435 045	Socket head cap screw .	44,00
89	1	3 601 023 010	Seal .	279,00
90	2	1 601 030 022	Tab Washer .	44,00
301/63	2	3 604 412 002	Connecting Cable L=60	131,00
650	1	1 602 025 022	Auxiliary Handle M14	627,00
650	1	1 602 025 030	Auxiliary Handle M14,	626,00
700	1	0 607 950 926	Spring Pull 8-10 KG	
712	1	1 608 500 009	Ball Joint 1", 100 MM .	
751	1	1 603 527 017	Threaded Fitting M14, L=70	
802	1	3 604 220 138	Field 220-230V .	3.770,00

Item	Pc	Order no.	Description	LP in INR
803	1	3 604 010 071	Armature 220-230V .	6.282,00
805	1	1 607 000 227	Power supply cord EU	2.652,00
808	1	1 601 11A 3H3	Nameplate .	
810	1	3 607 014 012	Carbon-Brush Set .	729,00
816	2	3 604 336 012	Brush Holder .	252,00
822	1	3 607 031 648	Gear Housing .	6.330,00
823	1	3 605 806 168	Intermediate Flange .	4.109,00
824	1	3 605 132 064	Handle BLUE	3.489,00
825	2	3 605 500 060	Sealing cap BLUE	68,00
826	1	3 607 200 000	Switch .	1.116,00
834	1	3 600 290 070	Rotary shaft lip seal .	603,00
844	1	1 607 000 C6N	Gear Shaft .	6.540,00
860	2	3 603 414 028	Hex Socket Head Cap	70,00
869	1	3 604 460 009	Connecting Cable L=450	128,00
871	1	1 604 438 013	Connecting Cable L=345	113,00
875	4	1 601 025 001	Wire Guide .	63,00

3 601 M29 080  
Issue | 14-08-19  
Stand | 14-08-26

**Fig./Abb. 1**



Änderungen vorbehalten  
Modifications reserved  
Modifications reserves  
Salvo modificaciones

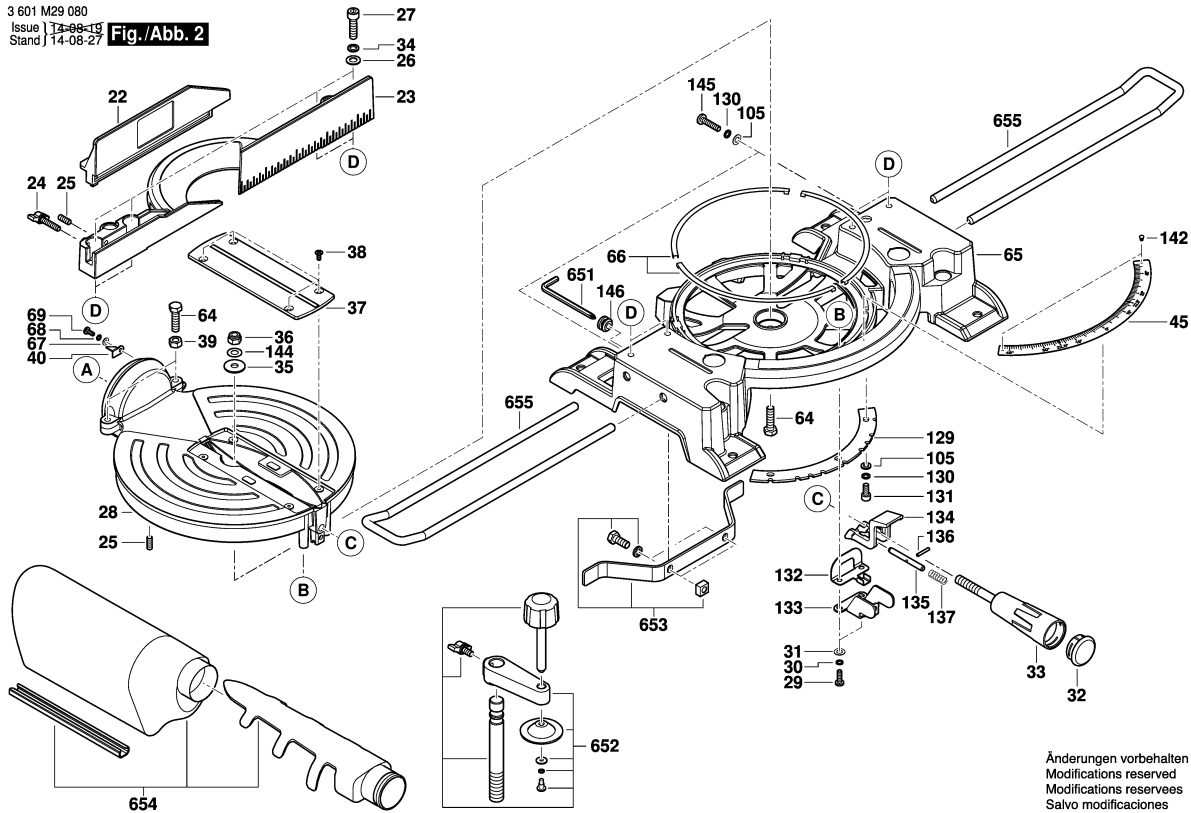
Model: 3 601 M29 0K0 = 230

Date:

Item	Pc	Order no.	Description	LP in INR	Item	Pc	Order no.	Description	LP in INR
1	1	1 619 PA7 071	Motor Housing .	1.181,00	37	1	1 619 PA6 938	Insert .	145,00
2	1	1 619 PA6 835	Field 220-240V .	2.673,00	38	4	1 619 PA6 939	Countersunk-Head Screw .	61,00
4	1	1 619 PA6 703	Switch .	520,00	39	1	1 619 PA6 940	Nut .	61,00
5	1	1 619 PA7 075	Power supply cord .	505,00	40	1	1 619 PA6 941	Pointer .	40,00
6	1	1 619 PA7 081	Grommet .	61,00	41	1	1 619 PA6 942	Nut .	40,00
7	1	1 609 203 J01	Fastening Clamp .	40,00	42	1	1 619 PA6 943	Set screw .	61,00
12	1	1 619 PA7 095	Suppression Capacitor .	85,00	43	1	1 619 PA6 944	Pivot Shaft .	85,00
16	2	1 619 PA6 920	Brush Holder .	253,00	44	1	1 619 PA6 945	Self-locking nut .	40,00
19	4	1 619 PA7 002	Pan head screw .	145,00	45	1	1 619 PA6 922	Scale .	40,00
22	1	1 619 PA6 924	Mitre Fence .	529,00	46	1	1 619 PA6 946	Guard Plate .	164,00
23	1	1 619 PA6 925	Mitre Fence .	1.163,00	48	1	1 619 PA6 948	Torsion Spring .	40,00
24	1	1 619 PA6 926	Wing Screw .	40,00	49	1	1 619 PA6 949	Special Screw .	40,00
25	2	1 619 PA6 927	Set screw .	40,00	50	1	1 619 PA6 950	Protective Cover .	529,00
26	4	1 619 PA6 928	Plain Washer .	36,00	51	1	1 619 PA6 951	Guard Plate .	61,00
27	4	1 619 PA6 929	Hex Socket Head Cap	84,00	52	1	1 619 PA6 952	Special Screw .	61,00
28	1	1 619 PA6 930	Table .	2.739,00	53	1	1 619 PA6 953	Bushing .	40,00
29	2	1 619 PA6 931	Pan head screw .	40,00	54	1	1 619 PA6 954	Linkage .	211,00
30	4	1 619 PA6 932	Spring Washer .	40,00	55	2	1 619 PA6 955	Bushing .	61,00
31	6	1 619 PA6 933	Plain Washer .	61,00	56	2	1 619 PA6 956	Plain Washer .	40,00
32	1	1 619 PA6 934	Cover .	40,00	57	1	1 619 PA6 957	Pan head screw .	40,00
33	1	1 619 PA6 935	Knob .	223,00	58	1	1 619 PA6 958	Special Screw .	40,00
34	4	1 619 PA6 921	Spring Washer .	61,00	59	1	1 619 PA6 959	Bearing Block .	1.079,00
35	1	1 619 PA6 936	Plain Washer .	40,00	60	2	1 619 PA6 960	Plain Washer .	40,00
36	1	1 619 PA6 937	Self-locking nut .	40,00	61	1	1 619 PA6 961	Self-locking nut .	40,00

3 601 M29 080  
Issue | 14-08-19  
Stand | 14-08-27

**Fig./Abb. 2**



2 / 3

Model: 3 601 M29 0K0 = 230

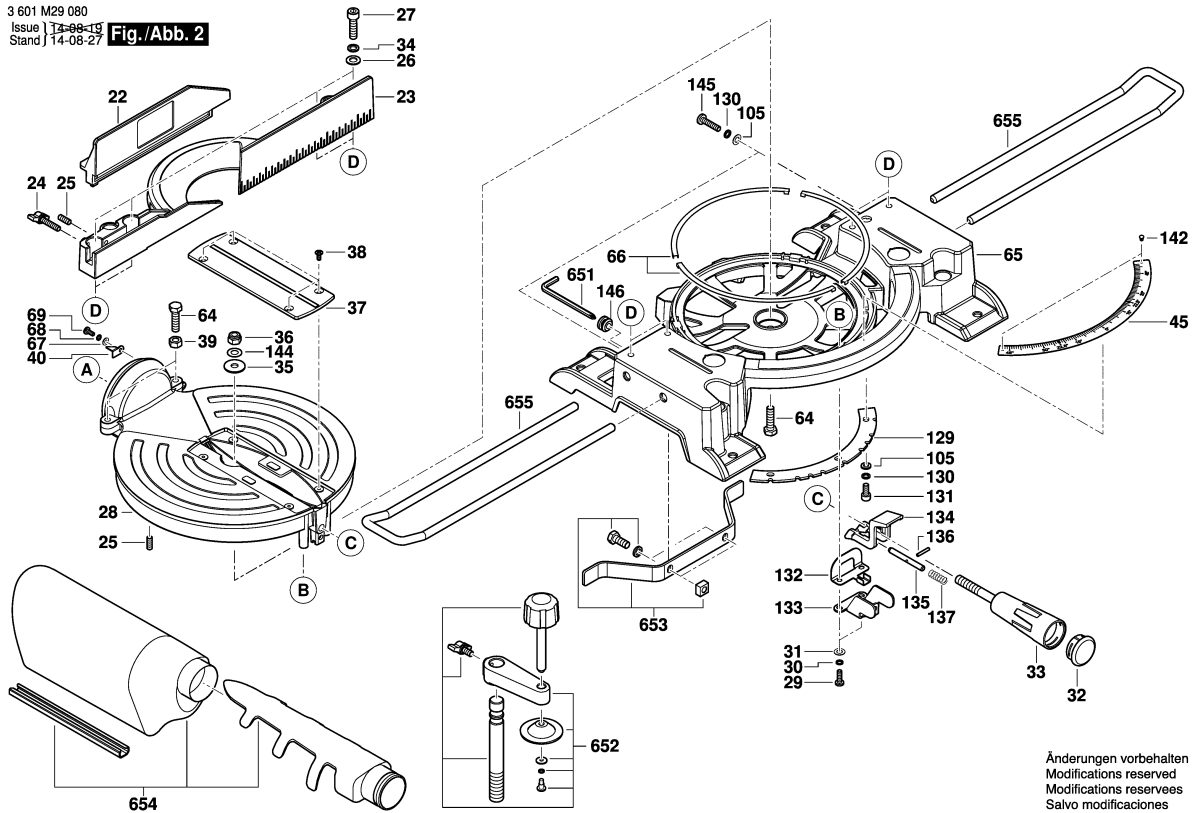
Date:

Item	Pc	Order no.	Description	LP in INR	Item	Pc	Order no.	Description	LP in INR
62	1	1 619 PA6 962	Locking nut .	85,00	90	1	1 619 PA6 986	Bushing .	40,00
63	1	1 619 PA6 963	Lever .	85,00	91	1	1 619 PA6 987	Hex Screw .	40,00
64	3	1 619 PA6 964	Hex Screw .	85,00	92	1	1 619 PA6 988	Spacer Pin .	40,00
65	1	1 619 PA6 965	Base .	3.438,00	93	1	1 619 PA6 989	Set screw .	40,00
66	3	1 619 PA6 923	Sliding Plate .	164,00	94	1	1 619 PA6 990	Nut .	40,00
67	3	1 619 PA6 966	Plain Washer .	40,00	95	1	1 619 PA6 991	Hex Screw .	40,00
68	1	1 619 PA6 967	Spring Washer .	40,00	96	1	1 619 PA6 992	Rubber Ring .	63,00
69	2	1 619 PA6 968	Pan head screw .	40,00	97	1	1 619 PA6 993	Air-Deflector Ring .	85,00
70	1	1 619 PA6 969	Detent Pin .	61,00	98	2	1 619 PA6 994	Pan head screw .	145,00
71	1	1 619 PA6 970	O-Ring .	40,00	99	1	1 619 PA6 995	Handle .	438,00
72	1	1 619 PA6 971	Pivot Shaft .	145,00	100	1	1 619 PA6 996	shaft lock .	85,00
73	1	1 619 PA6 972	Scale .	84,00	101	1	1 619 PA6 997	Trigger .	87,00
74	1	1 619 P03 482	Bolt .	28,00	102	2	1 619 PA6 998	Pan head screw .	40,00
75	1	1 619 PA7 349	Set screw .	40,00	103	2	1 619 PA6 999	Brush-Cover .	40,00
76	1	1 619 PA6 973	Clamping Flange .	151,00	104	7	1 619 PA7 000	Pan head screw .	40,00
78	1	1 619 PA7 034	Nut .	40,00	105	9	1 619 PA7 001	Plain Washer .	40,00
79	2	1 619 PA6 975	Pan head screw .	40,00	107	2	1 619 PA7 003	Set screw .	40,00
80	1	1 619 PA6 976	Bearing cover .	61,00	108	1	1 619 PA7 004	Compression Spring .	40,00
84	1	1 619 PA6 980	Helical Gear .	520,00	109	1	1 619 PA7 005	Torsion Spring .	40,00
85	1	1 619 PA6 981	Pan head screw .	40,00	110	1	1 619 PA7 006	Locking Lever .	145,00
86	1	1 619 PA6 982	Spring retaining ring .	40,00	111	1	1 619 PA7 007	Special Screw .	40,00
87	1	1 619 PA6 983	Dust Separator .	40,00	112	1	1 619 PA7 008	Compression Spring .	438,00
88	1	1 619 PA6 984	Needle bearing .	87,00	113	1	1 619 PA7 009	Spring Holder .	61,00
89	1	1 619 PA6 985	Safety Guard .	2.236,00	114	1	1 619 PA7 010	Positioning Pin .	40,00

Please observe: Repairing, modifying and testing of electro-tools are to be performed professionally. The safety regulations according to IEC, EN, VDE, AFNOR and other regulations of the individual countries are to be observed. Subject to change. This price list supersedes all previous edition. Prices are subjected to change without any prior notice.

3 601 M29 080  
Issue | 14-08-19  
Stand | 14-08-27

**Fig./Abb. 2**

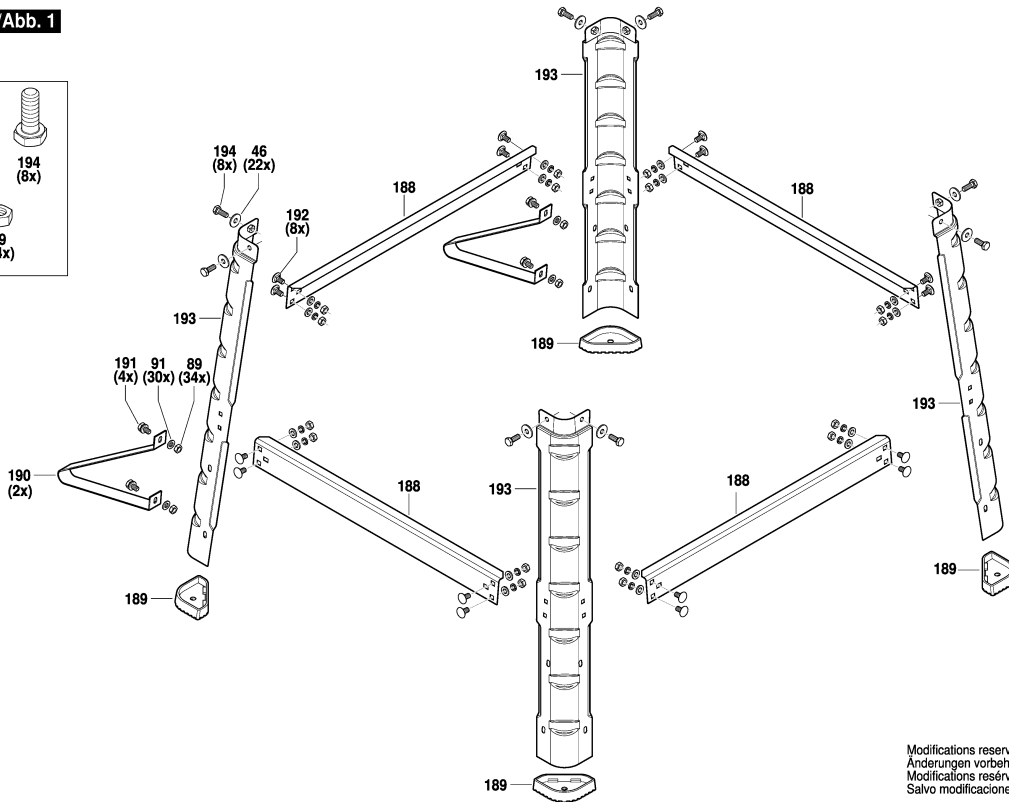
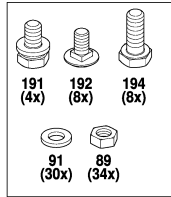


Model: 3 601 M29 0K0 = 230

Date:

Item	Pc	Order no.	Description	LP in INR	Item	Pc	Order no.	Description	LP in INR
129	1	1 619 PA7 011	Angle Plate .	145,00	655	2	1 619 PA6 916	Extension Stand .	545,00
130	5	1 619 PA7 012	Spring Washer .	40,00	803	1	1 619 PA7 056	Armature 220-240V .	4.431,00
131	3	1 619 PA7 013	Hex Socket Head Cap	40,00	810	1	1 619 PA7 057	Carbon-Brush Set .	747,00
132	1	1 619 PA7 014	Locking Plate .	40,00	847	1	1 619 PA7 058	Special Screw .	40,00
133	1	1 619 PA7 015	Bracket .	84,00	881	1	1 619 PA7 032	Spindle .	545,00
134	1	1 619 PA7 016	Push rod .	61,00					
135	1	1 619 PA7 017	Locking Bar .	61,00					
136	1	1 619 PA7 018	Locking pin .	85,00					
137	1	1 619 PA7 019	Compression Spring .	40,00					
138	1	1 619 PA7 020	Plug Connector .	61,00					
139	1	1 619 PA7 021	Bushing .	40,00					
140	1	1 619 PA7 022	Parallel Key .	40,00					
141	1	1 619 PA7 023	Clamping Flange .	217,00					
142	4	1 619 PA7 024	Rivet .	40,00					
144	1	1 619 PA7 026	Spring Washer .	40,00					
145	2	1 619 PA7 027	Pan head screw .	40,00					
146	1	1 619 PA7 028	Holder .	40,00					
147	1	1 619 PA7 029	Plain Washer .	40,00					
148	1	1 619 PA7 030	Spacer .	41,00					
149	1	1 619 PA7 031	Cable Set .	145,00					
651	1	1 619 PA7 036	Hexagon Socket Wrench .	85,00					
652	1	1 619 PA7 037	Clamp .	438,00					
653	1	1 619 PA7 046	Support Plate .	145,00					
654	1	1 619 PA7 051	Dust Bag .	260,00					

3 601 M45 000  
Issue Stand | 21-01-07 **Fig./Abb. 1**



Modifications reserved  
Änderungen vorbehalten  
Modifications réservées  
Salvo modificaciones

1 / 7

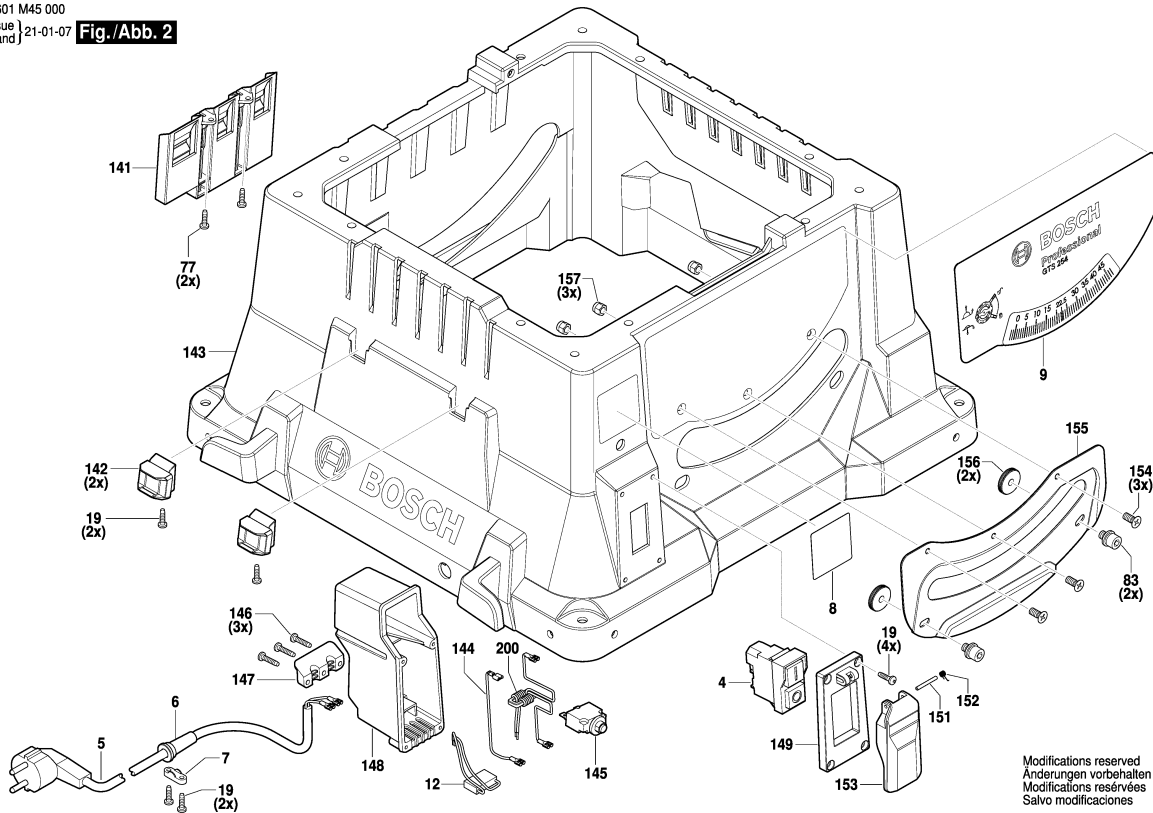
Model: 3 601 M45 0F0 = 230

Date:

Item	Pc	Order no.	Description	LP in INR	Item	Pc	Order no.	Description	LP in INR
2	1	1 604 220 58V	Field .	1.947,00	50	1	1 600 A02 2DV	Plate .	28,00
4	1	1 607 200 37L	Switch .	843,00	51	1	1 600 A02 2C9	Screw .	28,00
5	1	1 619 PB6 262	Power Cable IND .		54	1	1 600 A02 2CX	Locking Lever .	131,00
6	1	1 600 703 05B	Grommet .	28,00	55	1	1 600 A02 2CY	Guard .	262,00
7	2	1 600 A02 2BY	Clamp .	28,00	57	1	1 600 A02 2F1	Riving Knife .	339,00
8	1	1 601 11A 8G8	Nameplate .		58	1	1 600 A02 2CN	Bolt .	39,00
9	1	1 601 11C 3WM	Sticker .		67	1	1 600 A02 2DM	Stop Plate .	36,00
12	1	1 619 PB6 256	Suppression Capacitor .	174,00	68	1	1 600 A02 2DN	Stop Plate .	40,00
13	1	1 600 900 09G	groove ball bearing .	219,00	69	1	1 619 PB7 208	Insert .	496,00
19	10	1 603 430 08V	Screw .	28,00	70	1	1 600 A02 2F2	Clip .	125,00
23	3	1 600 A02 2CF	Nut .	28,00	71	1	1 603 430 08Z	Screw .	28,00
27	1	1 600 A02 2DZ	Plug .	28,00	72	1	1 605 500 2HL	Cover .	28,00
28	1	1 600 A02 2EG	End stop .	411,00	73	1	1 600 A02 2F5	Table top .	809,00
32	2	1 600 A02 2CM	Bolt .	28,00	74	1	1 600 A02 2ET	Base .	301,00
33	1	1 600 A02 2E0	Plug .	28,00	75	4	1 603 430 090	Screw .	28,00
34	4	1 600 A02 2C0	Knob .	28,00	76	1	1 600 A02 2E1	Plug .	28,00
35	6	1 603 430 08W	Screw .	28,00	77	13	1 603 430 091	Screw .	28,00
43	1	1 600 A02 2BT	Locking Pin .	40,00	78	1	1 600 A02 2F6	Table top .	4.175,00
44	1	1 600 A02 2FM	Clamping Lever .	79,00	79	2	1 600 A02 2ED	Handle .	39,00
45	1	1 600 A02 2FN	Wheel .	28,00	80	1	1 600 A02 2DD	Seat .	209,00
46	22	1 600 A02 2CC	Gasket .	28,00	81	4	1 603 430 092	Screw .	28,00
47	5	1 603 430 09P	Screw .	35,00	82	2	1 600 A02 2DE	Seat .	43,00
48	1	1 600 A02 2ES	Bracket .	69,00	83	6	1 603 430 093	Screw .	28,00
49	2	1 603 430 08Y	Spring .	28,00	84	1	1 600 A02 2C3	Torsion Spring .	28,00

Please observe: Repairing, modifying and testing of electro-tools are to be performed professionally. The safety regulations according to IEC, EN, VDE, AFNOR and other regulations of the individual countries are to be observed. Subject to change.  
This price list supersedes all previous edition. Prices are subjected to change without any prior notice.

3 601 M45 000  
Issue Stand 21-01-07 **Fig./Abb. 2**



Modifications reserved  
Änderungen vorbehalten  
Modifications réservées  
Salvo modificaciones

2 / 7

Model: 3 601 M45 0F0 = 230

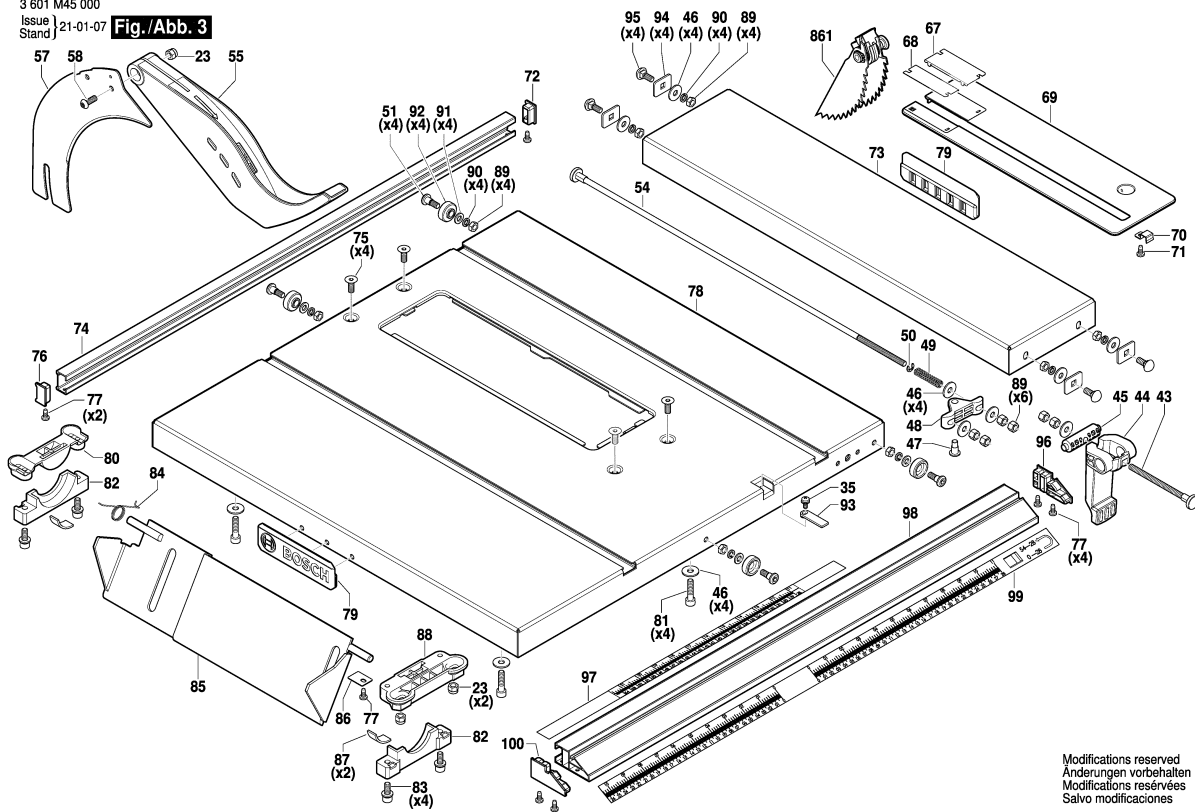
Date:

Item	Pc	Order no.	Description	LP in INR	Item	Pc	Order no.	Description	LP in INR
85	1	1 600 A02 2CZ	Guard .	194,00	113	1	1 600 A02 2FR	Output Shaft .	183,00
86	1	1 600 A02 2D0	Guard .	28,00	114	1	1 603 430 09R	Screw .	28,00
87	2	1 600 A02 2F7	Shim .	28,00	115	1	1 600 A02 2BL	Crown Gear .	744,00
88	1	1 600 A02 2DF	Seat .	265,00	116	1	1 600 A02 2BK	Riving Knife .	58,00
89	34	1 600 A02 2CG	Nut .	28,00	117	1	1 600 A02 2F4	Circlip .	28,00
90	24	1 600 150 03M	Spring Washer .	28,00	119	2	1 603 430 096	Screw .	28,00
91	30	1 600 A02 2BM	Washer .	28,00	120	1	1 600 A02 2DG	Seat .	293,00
92	4	1 600 A02 2F8	Scale Wheel .	28,00	121	1	1 600 A02 2FS	Pad .	28,00
93	1	1 600 A02 2F9	Indicator .	28,00	122	1	1 600 A02 2DH	Seat .	135,00
94	4	1 600 A02 2DP	mounting plate .	28,00	123	1	1 600 A02 2DU	Plate .	1.209,00
95	4	1 600 A02 2CP	Bolt .	28,00	124	1	1 600 A02 2CL	Nut .	69,00
96	1	1 600 A02 2E2	Plug .	28,00	126	4	1 603 430 097	Screw .	28,00
97	1	1 600 A02 2EP	Scale .	67,00	127	1	1 619 PB7 258	Shroud .	75,00
98	1	1 600 A02 2EU	Base .	834,00	128	2	1 603 430 098	Screw .	28,00
99	1	1 600 A02 2ER	Scale .	40,00	129	1	1 600 A02 2FU	Washer .	28,00
100	1	1 600 A02 2E3	Plug .	28,00	130	2	1 600 A02 2E8	Cap .	28,00
101	4	1 600 A02 2CD	Gasket .	28,00	131	1	1 605 500 2HN	Cover .	65,00
102	1	1 605 500 2HM	Cover .	496,00	132	1	1 600 A02 2EL	Connecting Wire .	85,00
103	1	1 603 430 094	Screw .	66,00	133	2	1 600 A02 2BN	Washer .	28,00
105	1	1 600 A02 2FA	Flange .	67,00	134	2	1 603 430 099	Screw .	28,00
107	1	1 619 PB6 279	Flange .	173,00	135	1	1 600 A02 2EA	Sleeve .	28,00
108	1	1 600 A02 2DY	Plate .	70,00	136	1	1 600 A02 2D8	Rod .	233,00
109	4	1 603 430 095	Screw .	28,00	137	2	1 606 333 2FF	Bevel Gear .	165,00
112	1	1 600 A02 2FP	Woodruff Key .	28,00	138	2	1 603 430 09A	Screw .	28,00

Please observe: Repairing, modifying and testing of electro-tools are to be performed professionally. The safety regulations according to IEC, EN, VDE, AFNOR and other regulations of the individual countries are to be observed. Subject to change.  
This price list supersedes all previous edition. Prices are subjected to change without any prior notice.

3 601 M45 000  
Issue  
Stand | 21-01-07

**Fig./Abb. 3**



Modifications reserved  
Änderungen vorbehalten  
Modifications réservées  
Salvo modificaciones

Model: 3 601 M45 0F0 = 230

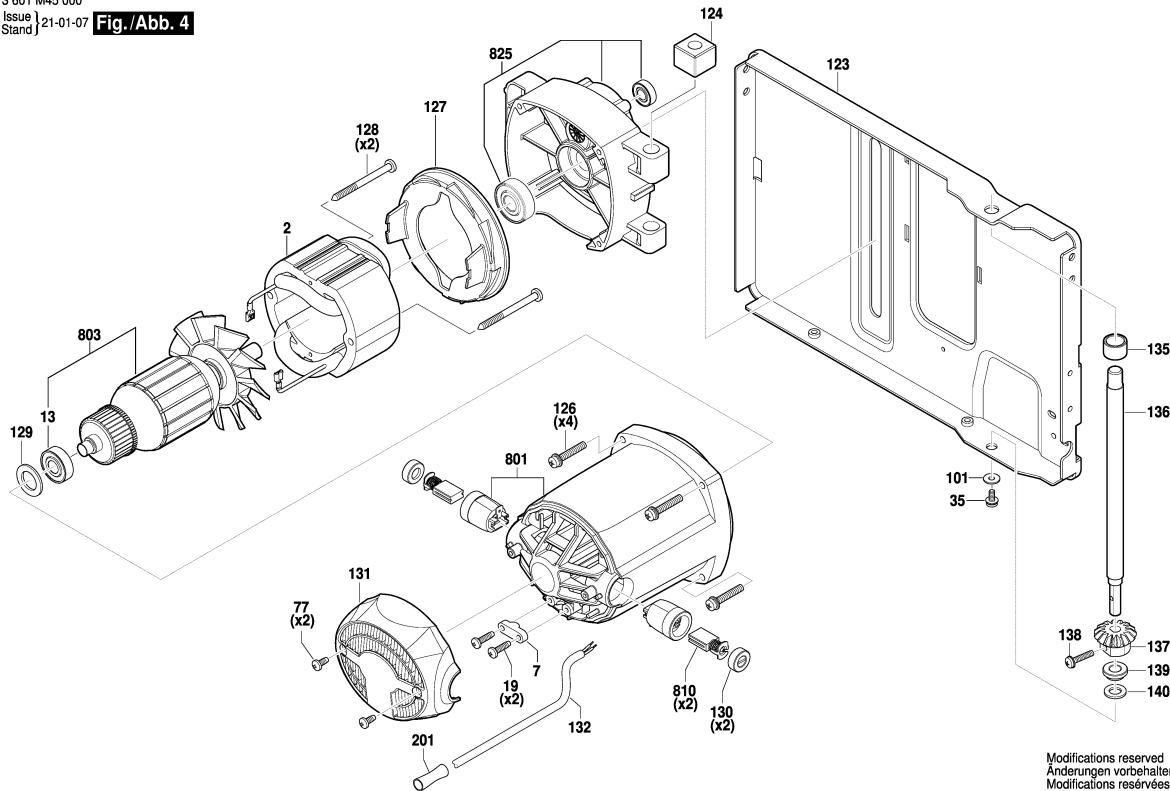
Date:

Item	Pc	Order no.	Description	LP in INR	Item	Pc	Order no.	Description	LP in INR
139	1	1 600 A02 2EB	Sleeve .	28,00	164	1	1 600 A02 2FF	Lever .	59,00
140	1	1 600 A02 2BP	Washer .	28,00	165	1	1 603 430 09E	Screw .	28,00
141	1	1 600 A02 2FY	Equipment Holder .	77,00	166	1	1 600 A02 2CK	Nut .	54,00
142	2	1 600 A02 2DJ	Seat .	28,00	167	1	1 600 A02 2BS	Washer .	43,00
143	1	1 600 A02 2FZ	Body .	2.907,00	168	1	1 600 A02 2D1	Pointer .	28,00
144	1	1 604 400 01P	Cable .	36,00	169	1	1 600 A02 2FG	Shaft .	117,00
145	1	1 600 A02 2G5	Protection .	174,00	170	5	1 603 430 09F	Screw .	28,00
146	3	1 603 430 09B	Screw .	28,00	171	1	1 600 A02 2DA	Rod .	182,00
147	1	1 600 A02 2FD	Bracket .	28,00	172	1	1 600 A02 2EC	Sleeve .	28,00
148	1	1 600 A02 2DK	Seat .	171,00	173	1	1 600 A02 2DS	Plate .	107,00
149	1	1 600 A02 2D6	Switch Cover .	45,00	174	1	1 600 A02 2DL	Seat .	135,00
151	1	1 600 A02 2BW	Pin .	28,00	175	4	1 603 430 09G	Screw .	28,00
152	1	1 600 A02 2C4	Switch Spring .	28,00	176	1	1 600 A02 2E4	Plug .	28,00
153	1	1 600 A02 2EZ	Trigger .	43,00	177	1	1 600 A02 5F9	Plate .	135,00
154	3	1 603 430 09C	Screw .	28,00	178	1	1 600 A02 2E5	Plug .	28,00
155	1	1 600 A02 2DT	Plate .	399,00	179	2	1 603 430 09H	Screw .	28,00
156	2	1 600 A02 2CH	Nut .	28,00	188	4	1 600 A02 2EX	Frame .	822,00
157	3	1 600 A02 2CJ	Nut .	28,00	189	4	1 600 A02 2EY	Supporting foot .	28,00
158	1	1 600 A02 2E9	Cap .	28,00	190	2	1 600 A02 2FK	Support .	262,00
159	1	1 605 132 19G	Handle .	40,00	191	4	1 603 430 09L	Screw .	28,00
160	1	1 603 430 09D	Screw .	28,00	192	8	1 603 430 09M	Screw .	28,00
161	1	1 600 A02 2FE	Wheel .	84,00	193	4	1 600 A02 2FV	Table Leg .	1.867,00
162	2	1 600 A02 2BR	Washer .	28,00	194	8	1 603 430 09N	Screw .	28,00
163	1	1 600 A02 2C7	Spring .	28,00	195	1	1 600 A02 2D7	Push rod .	84,00

Please observe: Repairing, modifying and testing of electro-tools are to be performed professionally. The safety regulations according to IEC, EN, VDE, AFNOR and other regulations of the individual countries are to be observed. Subject to change.  
This price list supersedes all previous edition. Prices are subjected to change without any prior notice.



3 601 M45 000  
Issue Stand | 21-01-07 **Fig./Abb. 4**



Modifications reserved  
Änderungen vorbehalten  
Modificacions reservadas  
Salvo modificaciones

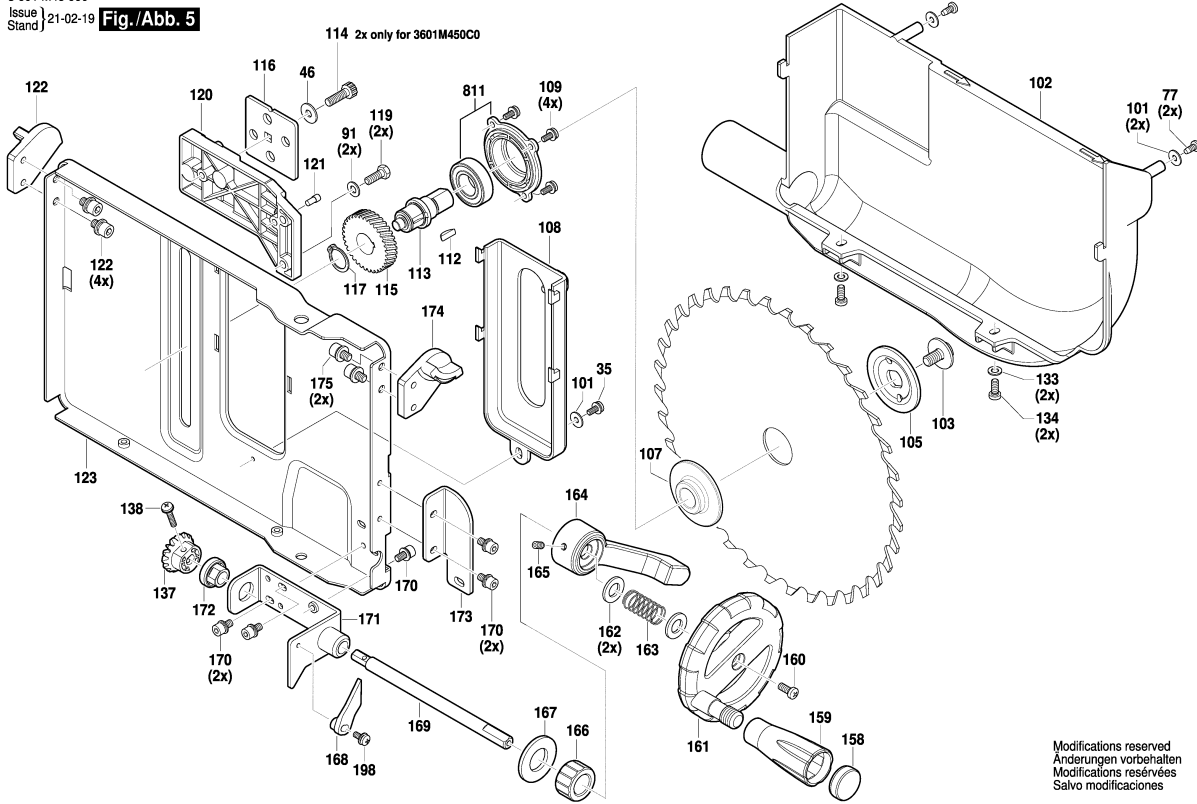
Model: 3 601 M45 0F0 = 230	Date:
----------------------------	-------

Item	Pc	Order no.	Description	LP in INR	Item	Pc	Order no.	Description	LP in INR
196	1	1 600 A02 2FW	Gripping Wedge .	65,00					
197	1	1 600 A02 2FX	Assembly Wrench .	69,00					
198	1	1 603 430 0A7	Screw .	28,00					
199	1	1 600 A02 5FA	Spring .	28,00					
200	1	1 619 PB6 257	Inductor .	87,00					
201	3	1 600 A02 5FB	Tube .	52,00					
801	1	1 619 PB6 273	Motor Housing .	672,00					
803	1	1 619 PB7 256	Armature .	3.038,00					
810	1	1 619 PB6 280	Carbon-Brush Set .	293,00					
811	1	1 619 PB6 276	Bearing cover .	224,00					
825	1	1 619 PB7 259	Gear Housing .	642,00					
830	1	1 619 PB6 271	Edge Guide .	2.141,00					
861	1	1 619 PB6 270	Pawl .	444,00					
881	1	1 619 PB6 272	Mitre Fence .	664,00					

Please observe: Repairing, modifying and testing of electro-tools are to be performed professionally. The safety regulations according to IEC, EN, VDE, AFNOR and other regulations of the individual countries are to be observed. Subject to change. This price list supersedes all previous edition. Prices are subjected to change without any prior notice.

3 601 M45 000  
Issue Stand 21-02-19

Fig./Abb. 5



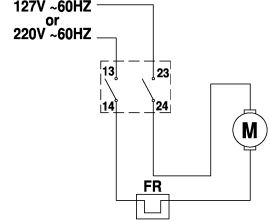
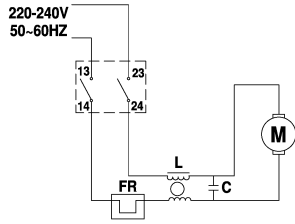
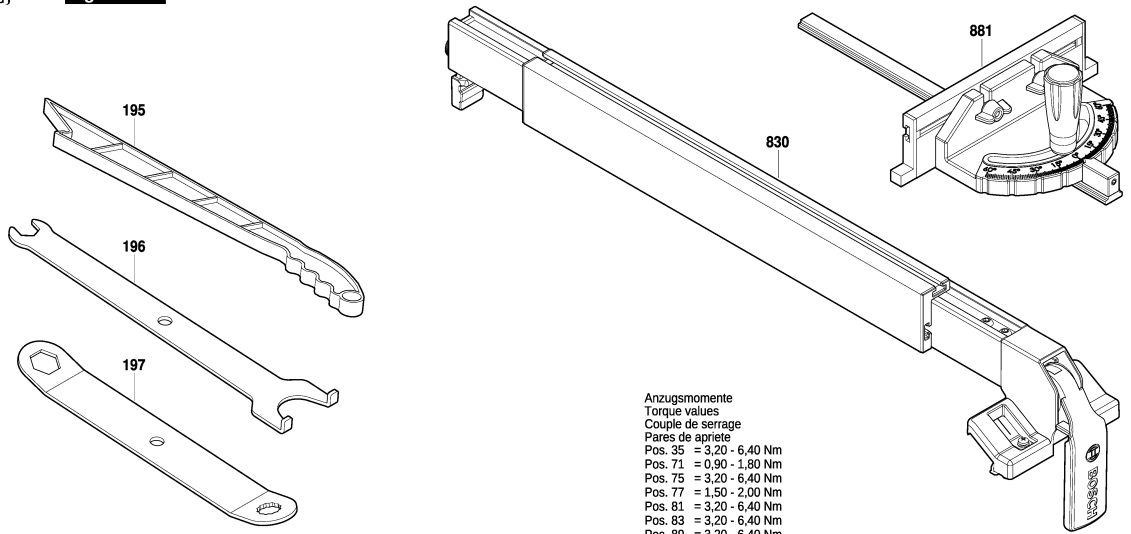
Model: 3 601 M45 0F0 = 230

Date:

Item	Pc	Order no.	Description	LP in INR	Item	Pc	Order no.	Description	LP in INR

Please observe: Repairing, modifying and testing of electro-tools are to be performed professionally. The safety regulations according to IEC, EN, VDE, AFNOR and other regulations of the individual countries are to be observed. Subject to change. This price list supersedes all previous edition. Prices are subjected to change without any prior notice.

3 601 M45 000  
Issue Stand 21-01-07 **Fig./Abb. 6**



- Anzugsmomente  
Torque values  
Couple de serrage  
Pares de apriete
- Pos. 35 = 3,20 - 6,40 Nm
  - Pos. 71 = 0,90 - 1,80 Nm
  - Pos. 75 = 3,20 - 6,40 Nm
  - Pos. 77 = 1,50 - 2,00 Nm
  - Pos. 81 = 3,20 - 6,40 Nm
  - Pos. 83 = 3,20 - 6,40 Nm
  - Pos. 89 = 3,20 - 6,40 Nm
  - Pos. 103 = 7,50 - 15,0 Nm
  - Pos. 109 = 0,90 - 1,80 Nm
  - Pos. 119 = 3,20 - 6,40 Nm
  - Pos. 126 = 1,80 - 3,60 Nm
  - Pos. 128 = 1,50 - 2,00 Nm
  - Pos. 134 = 1,80 - 3,60 Nm
  - Pos. 138 = 0,90 - 1,80 Nm
  - Pos. 146 = 1,50 - 2,00 Nm
  - Pos. 154 = 1,80 - 3,60 Nm
  - Pos. 156 = 3,20 - 6,40 Nm
  - Pos. 157 = 1,80 - 3,60 Nm
  - Pos. 160 = 1,80 - 3,60 Nm
  - Pos. 165 = 1,80 - 3,60 Nm
  - Pos. 170 = 1,80 - 3,60 Nm
  - Pos. 175 = 3,20 - 6,40 Nm

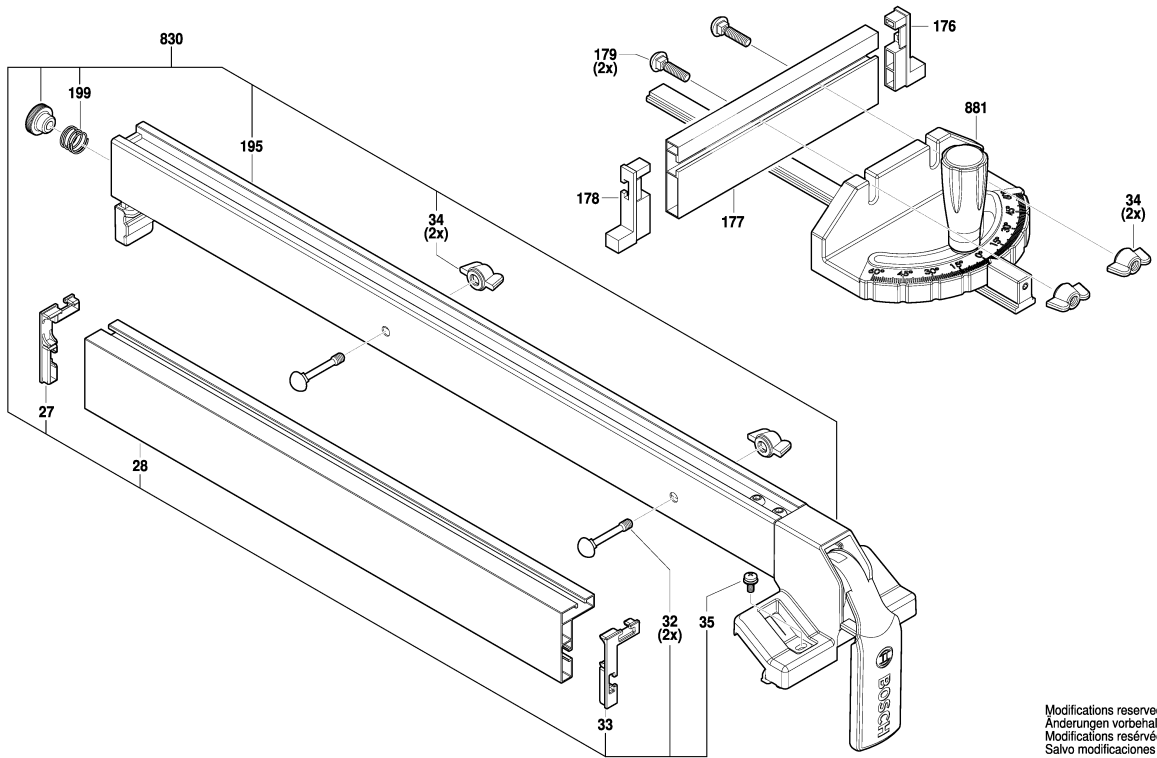
Modifications reserved  
Änderungen vorbehalten  
Modifications réservées  
Salvo modificaciones

Model: 3 601 M45 0F0 = 230										Date:									
----------------------------	--	--	--	--	--	--	--	--	--	-------	--	--	--	--	--	--	--	--	--

Item	Pc	Order no.	Description	LP in INR	Item	Pc	Order no.	Description	LP in INR

Please observe: Repairing, modifying and testing of electro-tools are to be performed professionally. The safety regulations according to IEC, EN, VDE, AFNOR and other regulations of the individual countries are to be observed. Subject to change.  
This price list supersedes all previous edition. Prices are subjected to change without any prior notice.

3 601 M45 000  
Issue Stand 21-01-15 **Fig./Abb. 7**



Modifications reserved  
Änderungen vorbehalten  
Modifications réservées  
Salvo modificaciones

7 / 7

Model: 3 601 M45 0F0 = 230

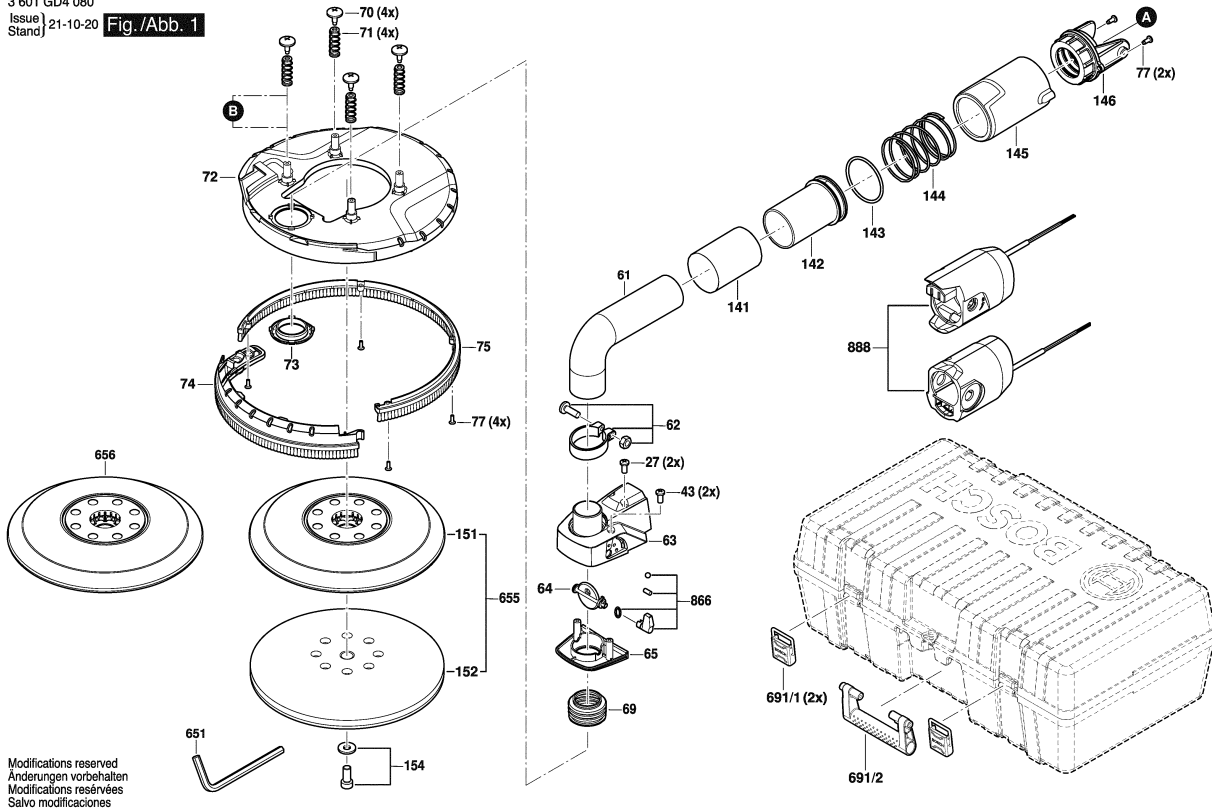
Date:

Item	Pc	Order no.	Description	LP in INR	Item	Pc	Order no.	Description	LP in INR

Please observe: Repairing, modifying and testing of electro-tools are to be performed professionally. The safety regulations according to IEC, EN, VDE, AFNOR and other regulations of the individual countries are to be observed. Subject to change.  
This price list supersedes all previous edition. Prices are subjected to change without any prior notice.

3 601 GD4 080  
Issue 21-10-20  
Stand

Fig./Abb. 1



Modifications reserved  
Änderungen vorbehalten  
Modifications réservées  
Salvo modificaciones

Model: 3 601 GD4 0F0 = 230

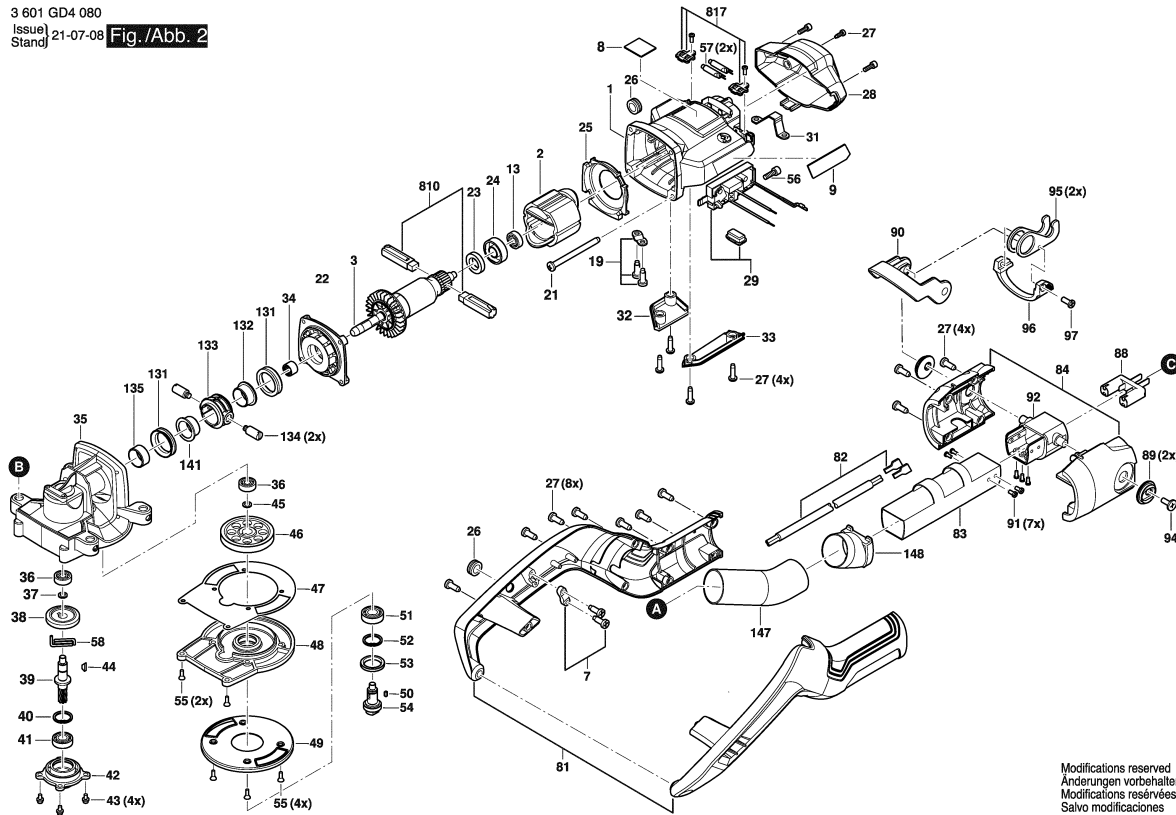
Date:

Item	Pc	Order no.	Description	LP in INR	Item	Pc	Order no.	Description	LP in INR
1	1	1 619 PB5 941	Motor Housing .	287,00	35	1	1 619 PB5 966	Gear Housing .	702,00
2	1	1 619 PB5 942	Field .	1.086,00	36	2	1 619 PB5 967	groove ball bearing .	185,00
3	1	1 619 PB5 943	Armature .	1.851,00	37	1	1 619 PB5 968	Retaining ring .	28,00
4	1	1 619 PB5 944	Switch .	287,00	38	1	1 619 PB5 969	Crown Gear .	447,00
5	1	1 619 PB6 068	Power supply cord .		39	1	1 619 PB5 970	Transmission Shaft .	312,00
6	1	1 619 PB5 946	Grommet .	28,00	40	1	1 619 PB5 971	Retaining ring .	28,00
7	2	1 619 PB6 021	Fastening Clamp .	28,00	41	1	1 619 PB5 972	groove ball bearing .	479,00
8	1	1 619 PB6 058	Nameplate .		42	1	1 619 PB5 973	Bearing Flange .	160,00
9	1	1 619 PB5 948	Manufacturer's nameplate		43	6	1 619 PB5 974	Cross Recessed-Head	28,00
13	1	1 619 PB5 950	groove ball bearing .	428,00	44	1	1 619 PB5 975	Woodruff Key .	28,00
19	1	1 619 PB5 952	Fastening Clamp .	28,00	45	1	1 619 PB5 976	Retaining ring .	28,00
21	2	1 619 PB6 082	Tapping Screw .	28,00	46	1	1 619 PB5 977	Cylindrical Gear .	638,00
22	1	1 619 PB5 953	Bearing Flange .	766,00	47	1	1 619 PB5 978	Sealing Disc .	28,00
23	1	1 619 PB5 954	Magnet .	506,00	48	1	1 619 PB5 979	Bearing Flange .	249,00
24	1	1 619 PB5 955	Mounting Sleeve .	28,00	49	1	1 619 PB5 980	Sealing Plate .	64,00
25	1	1 619 PB5 956	Air-Deflector Ring .	28,00	50	1	1 619 PB5 981	Output Shaft .	243,00
26	2	1 619 PB5 957	Grommet .	28,00	51	1	1 619 PB5 982	groove ball bearing .	574,00
27	42	1 619 PB5 958	Tapping Screw .	28,00	52	1	1 619 PB5 983	Retaining ring .	28,00
28	1	1 619 PB5 959	Housing Cover .	128,00	53	1	1 619 PB5 984	Dust seal .	64,00
29	1	1 619 PB5 960	Electronic Assembly .	1.596,00	54	1	1 619 PB5 985	Flat Key .	28,00
31	1	1 619 PB5 962	Workpiece support .	28,00	55	10	1 619 PB6 017	Countersunk-Head Screw .	28,00
32	1	1 619 PB5 963	Housing Cover .	51,00	56	4	1 619 PB6 018	Cross Recessed-Head	28,00
33	1	1 619 PB5 964	Housing Cover .	57,00	57	2	1 619 PB6 084	Inductor .	89,00
34	1	1 619 PB5 965	Needle bearing .	316,00	58	1	1 607 000 E8V	Spring .	28,00

Please observe: Repairing, modifying and testing of electro-tools are to be performed professionally. The safety regulations according to IEC, EN, VDE, AFNOR and other regulations of the individual countries are to be observed. Subject to change.

This price list supersedes all previous edition. Prices are subjected to change without any prior notice.

3 601 GD4 080  
Issue/Stand 21-07-08 Fig./Abb. 2



Modifications reserved  
Änderungen vorbehalten  
Modifications réservées  
Salvo modificaciones

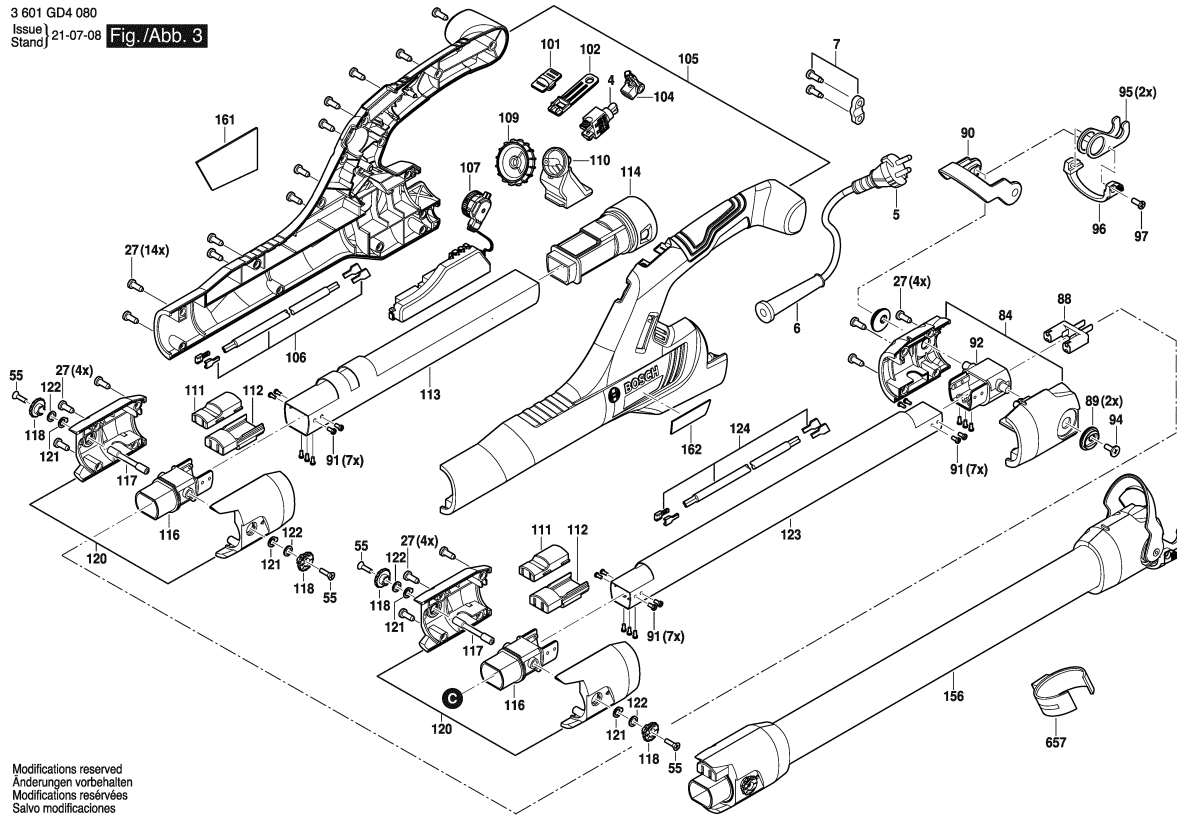
2 / 3

Model: 3 601 GD4 0F0 = 230 Date:

Item	Pc	Order no.	Description	LP in INR	Item	Pc	Order no.	Description	LP in INR
61	1	1 619 PB5 986	Corrugated Pipe .	638,00	96	2	1 619 PB6 015	Connecting piece .	166,00
62	1	1 619 PB5 987	locking ring .	57,00	97	4	1 619 PB6 016	Countersunk-Head Screw .	28,00
63	1	1 619 PB5 988	Control Housing .	128,00	101	1	1 619 PB6 019	Switch Button .	28,00
64	1	1 619 PB5 989	Valve Insert .	64,00	102	1	1 619 PB6 020	Adjusting Slide .	28,00
65	1	1 619 PB5 990	Housing Cover .	28,00	104	1	1 619 PB6 022	Cantilever .	28,00
69	1	1 619 PB5 994	Corrugated Pipe .	64,00	105	1	1 619 PB6 023	Handle .	574,00
70	4	1 619 PB5 995	Cross Recessed-Head	28,00	106	1	1 619 PB6 024	Connection Cable .	128,00
71	4	1 619 PB5 996	Spring .	28,00	107	1	1 619 PB6 025	Speed governor .	2.713,00
72	1	1 619 PB5 997	Covering hood .	574,00	109	1	1 619 PB6 027	Flow Governor .	39,00
73	1	1 619 PB5 998	Pressure Plate .	28,00	110	1	1 619 PB6 028	Intermediate housing .	57,00
74	1	1 619 PB5 999	Strip brush .	510,00	111	2	1 619 PB6 029	Socket housing .	28,00
75	1	1 619 PB6 000	Strip brush .	766,00	112	2	1 619 PB6 030	plastic covering .	28,00
77	6	1 619 PB6 087	Tapping Screw .	28,00	113	1	1 619 PB6 031	Aluminum Tubing .	702,00
81	1	1 619 PB6 001	Support Frame .	1.277,00	114	1	1 619 PB6 032	Hose Coupling .	128,00
82	1	1 619 PB6 002	Connection Cable .	141,00	116	2	1 619 PB6 034	Mounting Bracket .	268,00
83	1	1 619 PB6 003	Aluminum Tubing .	447,00	117	2	1 619 PB6 035	Cam Shaft .	383,00
84	2	1 619 PB6 004	plastic covering .	223,00	118	4	1 619 PB6 036	Cam .	249,00
88	2	1 619 PB6 008	plug-in connector .	160,00	120	2	1 619 PB6 037	plastic covering .	223,00
89	4	1 619 PB6 009	Cam .	166,00	121	4	1 619 PB6 038	Shim ring .	28,00
90	2	1 619 PB6 010	hand lever .	121,00	122	4	1 619 PB6 039	Felt Pad .	28,00
91	28	1 619 PB6 011	Cross Recessed-Head	28,00	123	1	1 619 PB6 006	Aluminum Tubing .	1.532,00
92	2	1 619 PB6 012	Mounting Bracket .	179,00	124	1	1 619 PB6 007	Connection Cable .	160,00
94	4	1 619 PB6 083	Screw .	28,00	131	2	1 619 PB6 040	Rubber Buffer .	28,00
95	4	1 619 PB6 014	Hook .	50,00	132	2	1 619 PB6 041	bushing .	28,00

Please observe: Repairing, modifying and testing of electro-tools are to be performed professionally. The safety regulations according to IEC, EN, VDE, AFNOR and other regulations of the individual countries are to be observed. Subject to change.  
This price list supersedes all previous edition. Prices are subjected to change without any prior notice.

3 601 GD4 080  
Issue 21-07-08  
Stand Fig./Abb. 3



Modifications reserved  
Änderungen vorbehalten  
Modifications réservées  
Salvo modificaciones

3 / 3

Model: 3 601 GD4 0F0 = 230

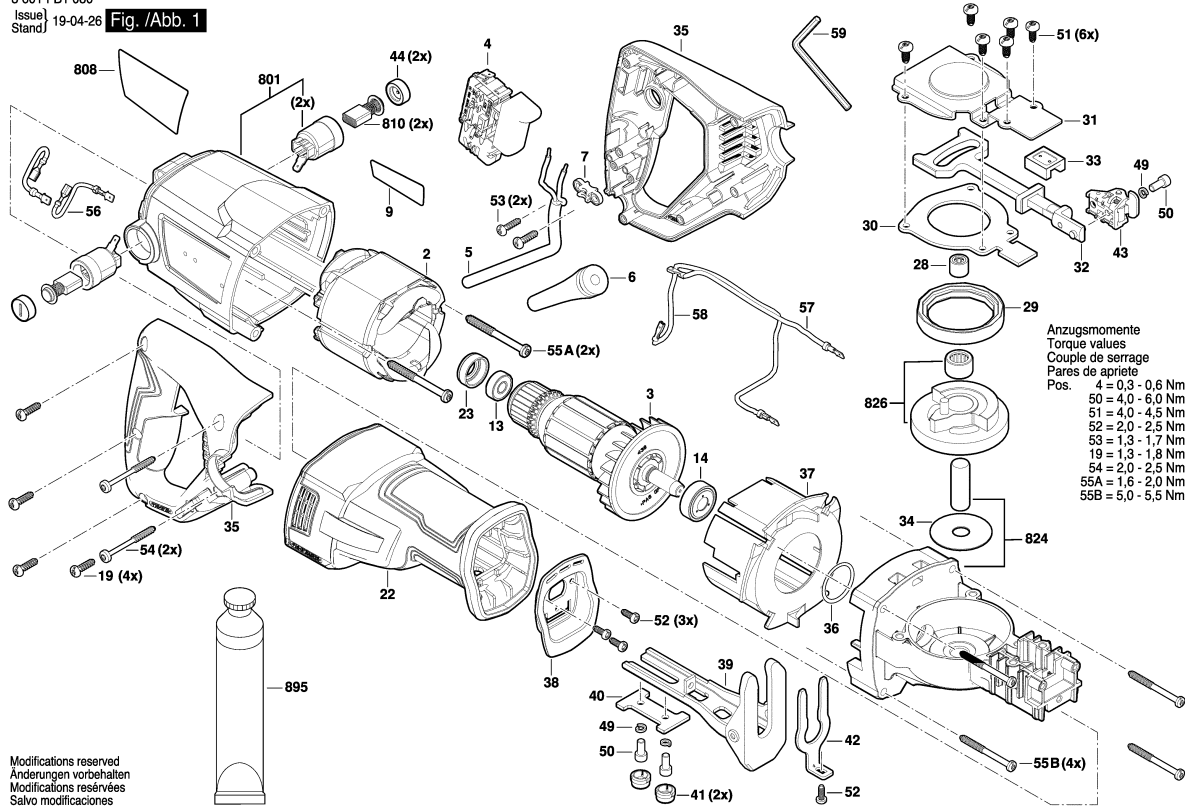
Date:

Item	Pc	Order no.	Description	LP in INR	Item	Pc	Order no.	Description	LP in INR
133	1	1 619 PB6 042	knob sleeve .	223,00	817	1	1 619 PB6 081	Pressure Plate .	28,00
134	2	1 619 PB6 043	Straight Pin .	64,00	866	1	1 619 PB6 085	operation button .	57,00
135	1	1 619 PB6 086	Spring .		888	1	1 607 000 E8U	Connector .	894,00
141	1	1 619 PB6 044	Protective Suit .	319,00					
142	1	1 619 PB6 045	Threaded Bushing .	141,00					
143	1	1 619 PB6 046	Seal Ring .	28,00					
144	1	1 619 PB6 047	Spring .	64,00					
145	1	1 619 PB6 048	Glide Bushing .	77,00					
146	1	1 619 PB6 049	Hose Coupling .	89,00					
147	1	1 619 PB6 050	Corrugated Pipe .	638,00					
148	1	1 619 PB6 051	Hose Coupling .	77,00					
151	1	1 619 PB6 052	Backing Pad .						
152	1	1 619 PB6 053	Intermediate Layer .						
154	1	1 619 PB6 055	Socket head cap screw .	28,00					
156	1	1 607 000 E57	Handle Bar .						
161	1	1 619 PB6 063	Nameplate .						
162	1	1 619 PB6 066	Manufacturer's nameplate						
651	1	1 619 PB6 075	Hexagon Socket Screw	51,00					
655	1	1 607 000 E5X	Rubber Backing Pad .						
656	1	1 619 PB6 056	Backing Pad .						
657	3	1 619 PB6 088	Clip .	57,00					
691/1	2	1 619 PB6 089	Latch .	122,00					
691/2	1	1 619 PB6 090	Handle .	145,00					
810	1	1 607 000 E7H	Carbon-Brush Set .	469,00					

Please observe: Repairing, modifying and testing of electro-tools are to be performed professionally. The safety regulations according to IEC, EN, VDE, AFNOR and other regulations of the individual countries are to be observed. Subject to change.  
This price list supersedes all previous edition. Prices are subjected to change without any prior notice.

3 601 FB1 080  
Issue /  
Stand 19-04-26

Fig. /Abb. 1



Modifications reserved  
Änderungen vorbehalten  
Modifications réservées  
Salvo modificaciones

1 / 1

Model: 3 601 FB1 0F0 = 220

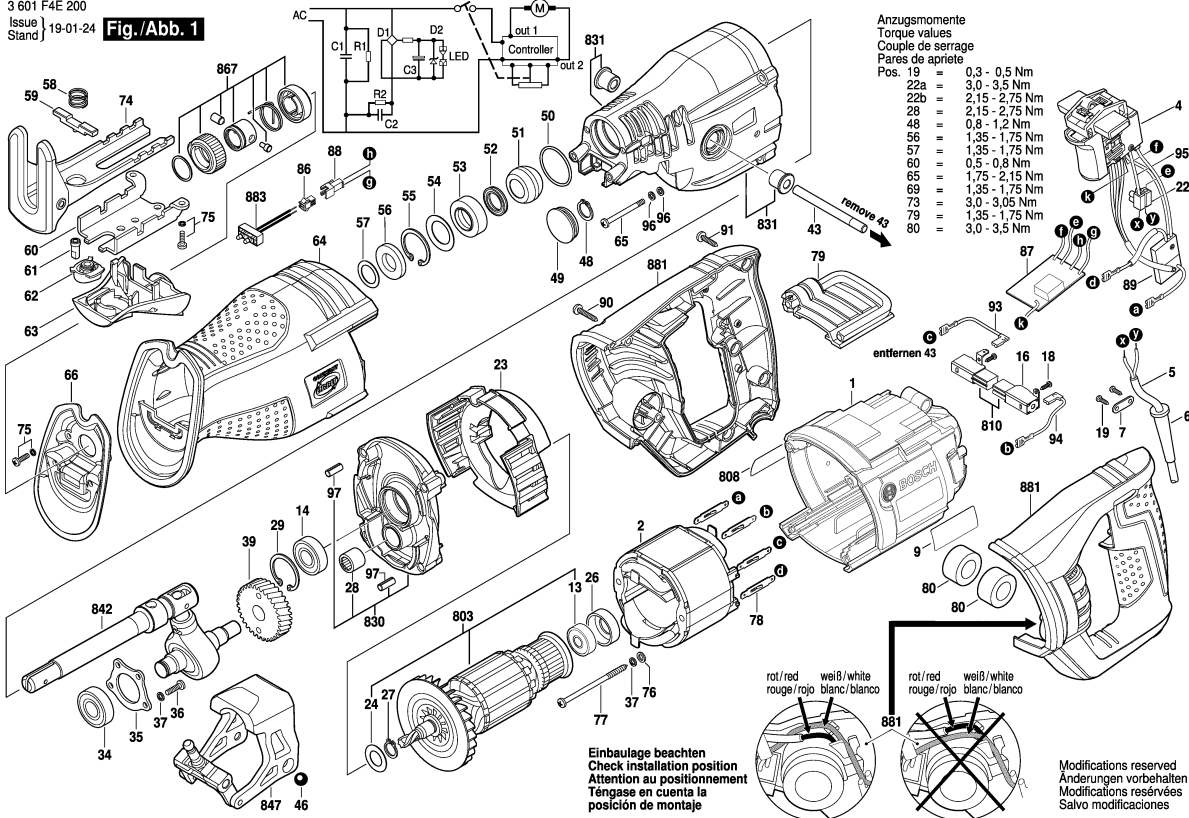
Date:

Item	Pc	Order no.	Description	LP in INR	Item	Pc	Order no.	Description	LP in INR
2	1	1 604 220 53J	Field .	1.322,00	40	1	1 619 P14 206	Plate .	193,00
3	1	1 604 010 B7E	Armature .	2.424,00	41	1	1 619 P14 207	Cover .	169,00
4	1	1 607 200 358	Switch .	932,00	42	1	1 619 P14 196	Plate .	255,00
5	1	1 619 P15 859	Power supply cord Ind 2,65		43	1	1 619 P14 424	Quick-Clamping Device .	916,00
6	1	2 600 703 018	Grommet Ø7,3-Ø8,6x76	27,00	44	2	1 619 P06 286	Insulating Cap .	75,00
7	1	1 619 P06 313	Cable Clip .	29,00	49	3	2 916 683 006	Spring Lock Washer DIN	78,00
9	1	1 619 P15 154	Manufacturer's nameplate		50	3	1 619 P11 432	Hex Socket Head Cap	48,00
13	1	1 619 P00 456	Ball Bearing 7x19x6 MM .	57,00	51	6	1 613 435 015	Torx Oval-Head Screw	51,00
14	1	1 619 P10 481	Ball Bearing .	110,00	52	4	1 619 P01 678	Screw .	29,00
19	4	2 603 490 023	Torx Oval-Head Screw	29,00	53	2	2 603 490 022	Screw 4x16 .	29,00
22	1	1 619 P13 893	Insulating Sleeve .	806,00	54	2	1 619 X00 658	Screw .	29,00
23	1	1 619 P06 227	Rubber Ring .	29,00	55	6	1 619 P01 508	Screw .	38,00
28	1	2 600 914 017	Needle bearing Ø6/12 MM .	534,00	56	2	1 619 P07 060	Connecting Cable .	55,00
29	1	1 619 P13 916	Thrust Ring .	140,00	57	1	1 619 P14 209	Connecting Cable .	79,00
30	1	1 619 P13 910	Cover Plate .	255,00	58	1	1 619 P14 210	Connecting Cable .	87,00
31	1	1 619 P14 211	Cover Plate .	453,00	59	1	1 619 P11 420	Hexagon Socket Wrench .	86,00
32	1	1 619 P13 911	Lifting Rod .	1.646,00	801	1	1 619 P15 313	Motor Housing .	567,00
33	1	1 619 P13 907	Bushing .	91,00	808	1	1 619 P16 115	Nameplate .	
34	1	1 619 P14 546	Shim .	176,00	810	1	1 619 P10 063	Carbon-Brush Set .	191,00
35	1	1 619 P13 896	Set Of Handles .	682,00	824	1	1 619 P15 315	Gear Housing .	1.386,00
36	1	F 000 640 007	O-Ring .	35,00	826	1	1 619 P15 317	Bevel Gear Set .	1.448,00
37	1	1 619 P14 673	Air-Deflector Ring .	292,00	895	1	3 605 430 003	Grease Tube Albida .	1.444,00
38	1	1 619 P14 201	Protective Cover .	299,00					
39	1	1 619 P14 202	Supporting foot .	587,00					



3 601 F4E 200  
Issue Stand | 19-01-24

**Fig./Abb. 1**



Anzugsmomente  
Torque values  
Couple de serrage  
Pares de apriete

Pos. 19	= 0,3 - 0,5 Nm
22a	= 3,0 - 3,5 Nm
22b	= 2,15 - 2,75 Nm
28	= 2,15 - 2,75 Nm
48	= 0,8 - 1,2 Nm
56	= 1,35 - 1,75 Nm
57	= 1,35 - 1,75 Nm
60	= 0,5 - 0,8 Nm
65	= 1,75 - 2,15 Nm
69	= 1,35 - 1,75 Nm
73	= 3,0 - 3,05 Nm
79	= 1,35 - 1,75 Nm
80	= 3,0 - 3,5 Nm

Einbaulage beachten  
Check installation position  
Attention au positionnement  
Téngase en cuenta la posición de montaje

Modifications reserved  
Änderungen vorbehalten  
Modifications réservées  
Salvo modificaciones

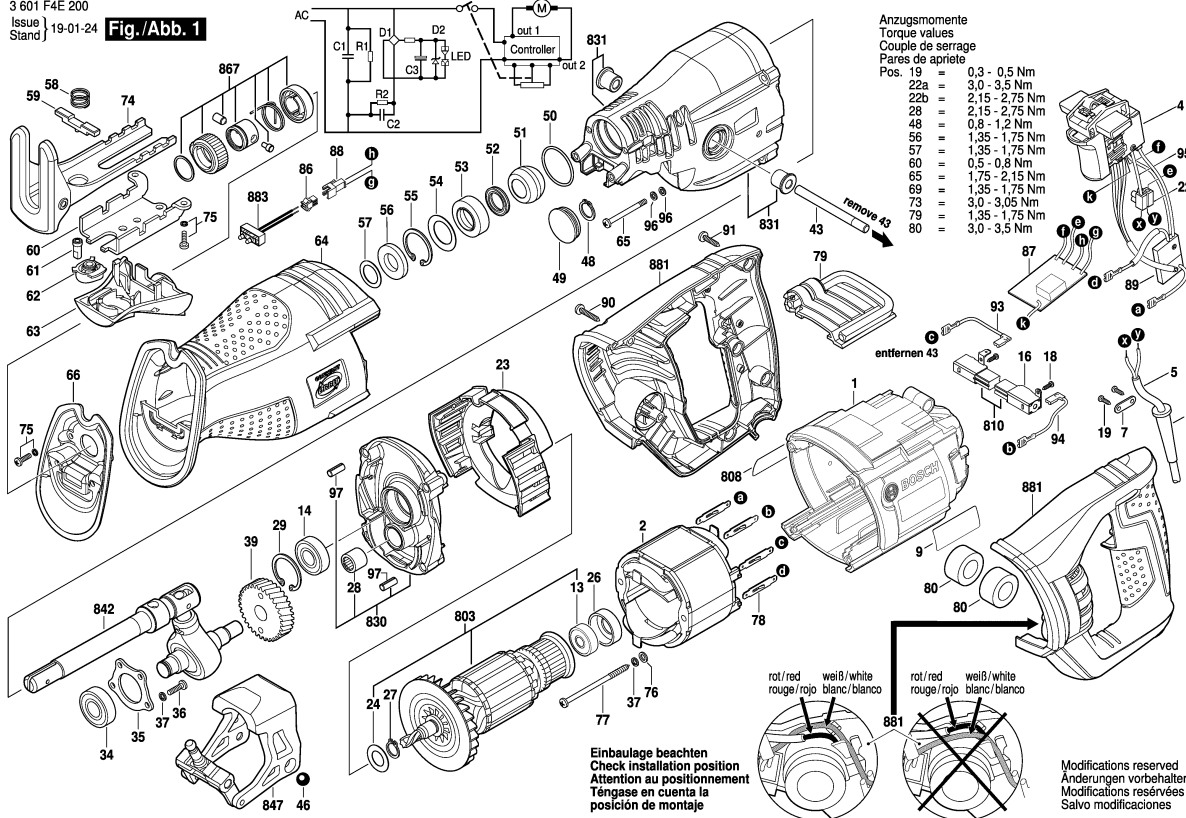
Model: 3 601 F4E 2K0 = 230

Date:

Item	Pc	Order no.	Description	LP in INR	Item	Pc	Order no.	Description	LP in INR
1	1	2 610 013 221	Motor Housing .	618,00	46	2	2 610 013 240	steel ball .	34,00
2	1	2 610 015 551	Stator 230-240V .	1.474,00	48	1	2 610 009 983	Retaining clip .	29,00
4	1	2 610 013 496	Switch .	1.207,00	49	1	2 610 009 982	Sealing cap .	50,00
5	1	2 610 957 172	Power supply cord .		50	1	2 610 009 981	O-Ring .	34,00
6	1	2 610 956 866	Cord guard .	33,00	51	1	2 610 009 980	Bushing .	127,00
7	1	2 610 010 008	Clamp Bracket .	29,00	52	1	2 610 009 979	Seal Ring .	466,00
13	1	2 610 010 004	Ball Bearing .	192,00	53	1	2 610 009 978	Sintered-Metal Bushing .	133,00
14	1	2 610 956 889	groove ball bearing .	197,00	54	1	2 610 009 976	Spring Washer .	81,00
16	2	2 610 956 874	Brush Holder .	70,00	55	1	2 610 009 975	Retaining clip .	34,00
18	4	2 610 010 013	Thread-forming tap. Screw	29,00	56	1	2 610 009 974	Felt Washer .	34,00
19	2	2 610 956 867	Tapping Screw .	29,00	57	1	2 610 009 973	Washer .	34,00
22	1	2 610 956 870	Terminal Block .	72,00	58	1	2 610 010 016	Compression Spring .	32,00
23	1	2 610 013 223	Baffle .	231,00	59	1	2 610 009 989	Clamp .	108,00
24	1	2 610 010 000	Washer .	29,00	60	1	2 610 009 962	Support Plate .	112,00
26	1	2 610 013 249	Bearing Sleeve .	34,00	61	1	2 610 013 232	Shaft .	71,00
27	1	2 610 010 001	Retaining clip .	29,00	62	1	2 610 013 233	Push Button .	34,00
28	1	2 610 009 997	Needle-Roller Bearing .	101,00	63	1	2 610 013 234	Housing Cover .	54,00
29	1	2 610 009 995	Retaining clip .	37,00	64	1	2 610 010 032	Insulating Sleeve .	903,00
34	1	2 610 009 986	Ball Bearing .	237,00	65	4	2 610 013 498	Thread-forming tap. Screw	95,00
35	1	2 610 009 987	Retaining Plate .	81,00	66	1	2 610 015 554	Cover Plate .	111,00
36	4	2 610 009 988	Thread-forming tap. Screw	34,00	74	1	2 610 010 015	Supporting foot .	507,00
37	6	1 619 P04 820	Spring Washer .	29,00	75	8	2 610 010 036	Screw .	34,00
39	1	2 610 009 994	Conversion Gear .	388,00	76	2	2 610 010 025	Locking Washer .	32,00
43	1	2 610 013 237	Dowel pin .	81,00	77	2	2 610 010 006	Thread-forming tap. Screw	34,00

3 601 F4E 200  
Issue 19-01-24  
Stand

**Fig./Abb. 1**



2 / 2

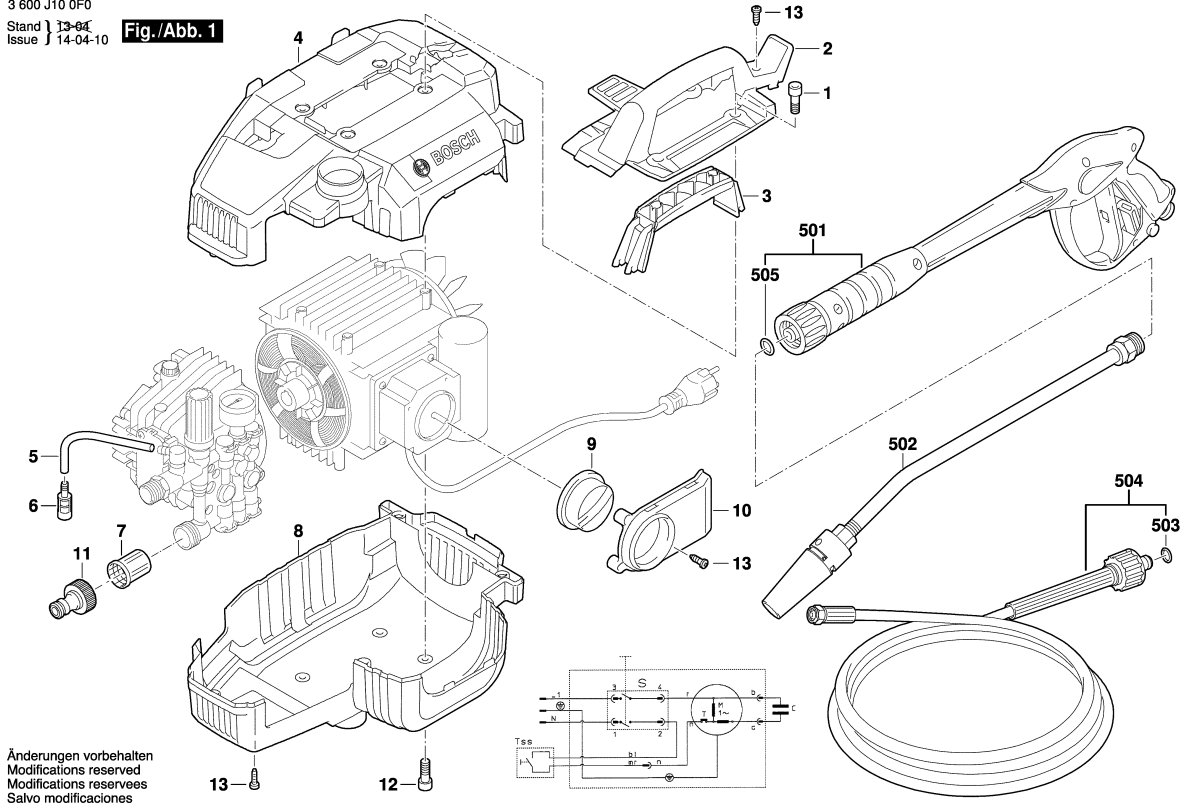
Model: 3 601 F4E 2K0 = 230

Date:

Item	Pc	Order no.	Description	LP in INR	Item	Pc	Order no.	Description	LP in INR
78	8	2 610 956 878	connecting terminal .	37,00					
79	1	2 610 015 555	Suspension Loop .	305,00					
80	2	2 610 013 242	Grommet .	51,00					
86	1	1 619 P04 831	Receptacle .	42,00					
87	1	2 610 015 627	Circuit Unit .	350,00					
88	1	2 610 015 628	Connector .	33,00					
89	1	1 619 PA2 367	Electronics Module .	1.177,00					
90	2	2 610 956 864	Tapping Screw .	29,00					
91	4	2 610 956 865	Tapping Screw .	57,00					
93	1	2 610 014 645	Connecting Cable .	34,00					
94	1	2 610 014 646	Connecting Cable .	33,00					
95	3	2 610 015 549	Lead Wire .	112,00					
96	8	2 610 015 548	Spring Washer .	31,00					
97	2	2 610 021 275	Split Pin .	58,00					
803	1	2 610 015 637	Armature set 230-240V .	2.884,00					
808	1	1 619 PA2 374	Nameplate .						
810	1	2 610 013 260	Carbon-Brush Set .	377,00					
830	1	2 610 013 244	Bearing Bracket .	834,00					
831	1	2 610 013 248	Front Housing .	1.926,00					
842	1	2 610 013 227	Spindle Assembly .	3.652,00					
847	1	2 610 013 246	Counterweight .	2.848,00					
867	1	2 610 010 029	Blade Holder .	745,00					
881	1	2 610 013 245	Set Of Handles .	1.212,00					
883	1	2 610 015 638	Electronic Assembly .	332,00					

3 600 J10 0F0  
Stand 1 13-04  
Issue 14-04-10

**Fig./Abb. 1**



Änderungen vorbehalten  
Modifications reserved  
Modificaciones reservadas  
Salvo modificaciones

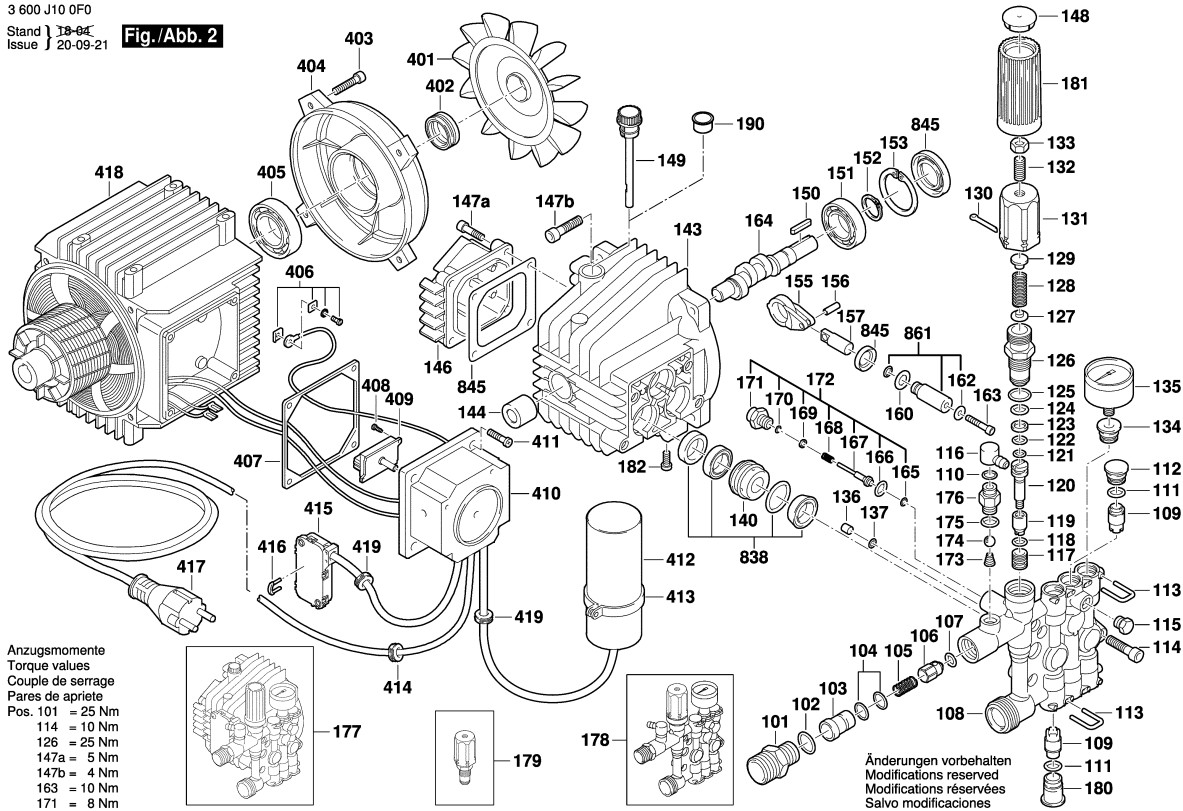
Model: 3 600 J10 0F0 = 220

Date:

Item	Pc	Order no.	Description	LP in INR	Item	Pc	Order no.	Description	LP in INR
1	4	F 016 L72 000	Screw .	40,00	112	2	F 016 L72 024	Plug .	241,00
2	1	F 016 L72 001	Handle .	326,00	113	6	F 016 L72 025	Retaining clip .	110,00
3	1	F 016 L72 002	Cover .	337,00	114	4	F 016 L72 026	Screw .	40,00
4	1	F 016 L72 003	Housing .	548,00	115	1	F 016 L72 027	Plug .	161,00
5	1	F 016 L72 004	Hose .	184,00	116	1	F 016 L72 028	Nipple .	105,00
6	1	F 016 L72 005	Filter .	147,00	117	1	F 016 L72 029	Plug .	425,00
7	1	F 016 L73 591	Filter .	66,00	118	1	F 016 L72 030	O-Ring .	64,00
8	1	F 016 L72 007	Housing .	548,00	119	1	F 016 L72 031	Piston .	657,00
9	1	F 016 L72 008	Knob .	191,00	120	1	F 016 L72 032	Piston .	603,00
10	1	F 016 L72 009	Safety Cover .	353,00	121	1	F 016 L72 033	O-Ring .	64,00
11	1	F 016 L72 010	Hose Coupling .	128,00	122	1	F 016 L72 030	O-Ring .	64,00
12	4	F 016 L72 011	Screw .	33,00	123	1	F 016 L72 034	Spacer Ring .	87,00
13	7	F 016 L72 012	Screw .	40,00	124	1	F 016 L72 035	O-Ring .	40,00
101	1	F 016 F04 380	Adapter .	537,00	125	1	F 016 L72 014	O-Ring .	64,00
102	1	F 016 L72 014	O-Ring .	64,00	126	1	F 016 L72 036	Piston Guide .	730,00
103	1	F 016 L72 015	Injector .	573,00	127	1	F 016 L72 037	Wobble Plate .	178,00
104	2	F 016 L72 016	O-Ring .	64,00	128	1	F 016 L72 038	Spring .	164,00
105	1	F 016 L72 017	Spring .	227,00	129	1	F 016 L72 039	Wobble Plate .	101,00
106	1	F 016 L72 018	Valve Insert .	505,00	130	1	F 016 L72 040	Pin .	54,00
107	1	F 016 L72 019	O-Ring .	29,00	131	1	F 016 L72 041	Insert .	688,00
108	1	F 016 L72 020	Pump head .	3.698,00	132	1	F 016 L72 042	Plug .	40,00
109	6	F 016 L72 021	Valve .	204,00	133	1	F 016 L72 043	Nut .	40,00
110	1	F 016 L72 022	O-Ring .	40,00	134	1	F 016 L72 044	Plug .	663,00
111	6	F 016 L72 023	O-Ring .	40,00	135	1	F 016 L72 045	Pressure gauge .	723,00

3 600 J10 0F0  
Stand 1 9-04  
Issue 20-09-21

Fig./Abb. 2



Anzugsmomente  
Torque values  
C couple de serrage  
Pares de apriete  
Pos. 101 = 25 Nm  
114 = 10 Nm  
126 = 25 Nm  
147a = 5 Nm  
147b = 4 Nm  
163 = 10 Nm  
171 = 8 Nm

Änderungen vorbehalten  
Modifications reserved  
Modifications réservées  
Salvo modificaciones

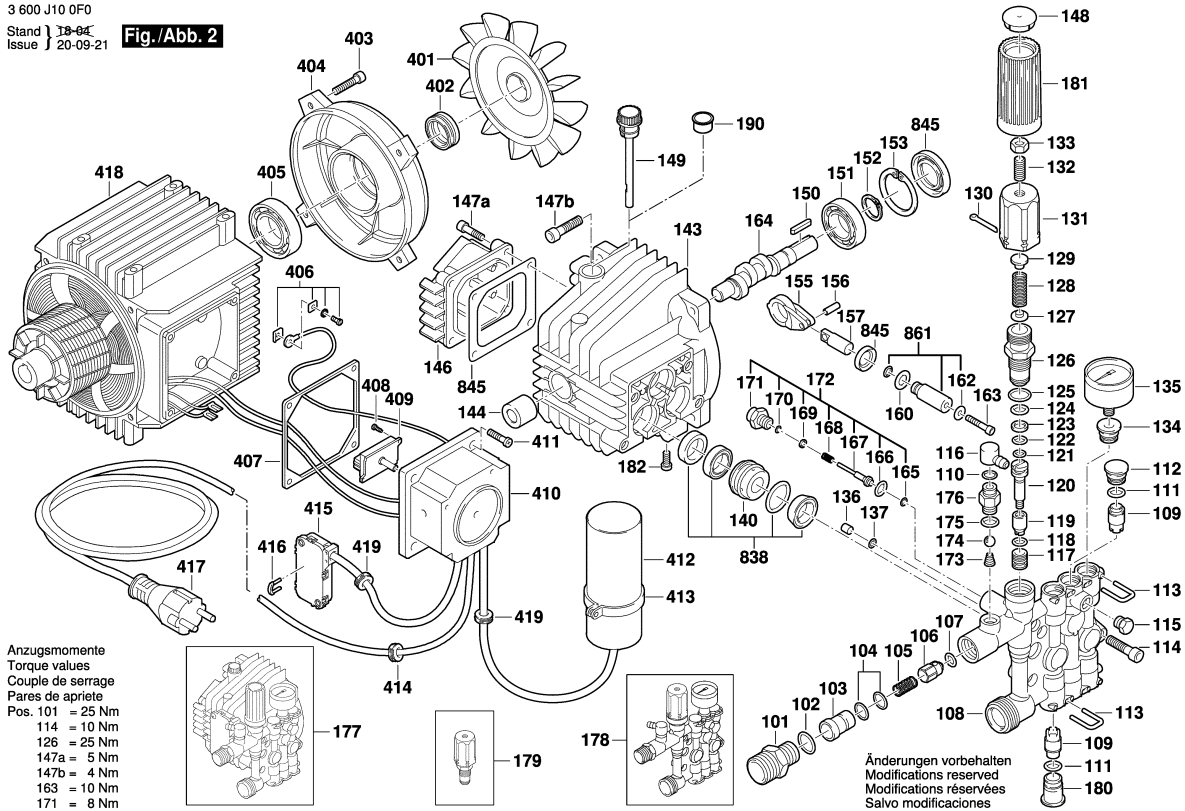
Model: 3 600 J10 0F0 = 220

Date:

Item	Pc	Order no.	Description	LP in INR	Item	Pc	Order no.	Description	LP in INR
136	1	F 016 L72 046	Plug .	205,00	169	1	F 016 L72 068	Plain Washer .	63,00
137	1	F 016 L72 047	O-Ring .	40,00	170	1	F 016 L72 069	O-Ring .	40,00
140	3	F 016 L72 048	Piston Guide .	233,00	171	1	F 016 L72 070	Adapter .	284,00
143	1	F 016 L72 049	Pump unit .	2.085,00	172	1	F 016 L72 071	Adapter .	671,00
144	1	F 016 L72 050	Bushing .	428,00	173	1	F 016 L72 072	Spring .	40,00
146	1	F 016 L72 051	Cover .	479,00	174	1	F 016 L72 073	Ball .	40,00
147	8	F 016 L72 052	Screw .	33,00	175	1	F 016 L72 074	O-Ring .	40,00
148	1	F 016 L72 053	Plug .	63,00	176	1	F 016 L72 075	Adapter .	485,00
149	1	F 016 L72 054	Plug .	430,00	177	1	F 016 F04 328	Pump .	13.946,00
150	1	F 016 L72 055	Key .	86,00	178	1	F 016 F04 329	Pump head .	8.567,00
151	1	F 016 L72 056	Ball Bearing .	395,00	179	1	F 016 F04 330	Valve .	1.685,00
152	1	F 016 L72 057	Retaining ring .	40,00	180	3	F 016 L72 076	Plug .	316,00
153	1	F 016 L72 058	Retaining ring .	113,00	181	1	F 016 L72 077	Rotary Handle .	112,00
155	3	F 016 L72 059	Connecting Rod .	246,00	182	1	F 016 L72 078	Screw .	29,00
156	3	F 016 L72 060	Pin .	63,00	190	1	1 619 PB2 107	Plug .	48,00
157	3	F 016 L72 061	Pin .	498,00	401	1	F 016 L72 079	Fan .	200,00
160	1	F 016 F04 356	Washer .	67,00	402	1	F 016 L72 080	Seal .	54,00
162	3	F 016 L72 062	Plain Washer .	39,00	403	4	F 016 L72 081	Screw .	33,00
163	3	F 016 L72 063	Screw .	86,00	404	1	F 016 L72 082	Cover .	586,00
164	1	F 016 L72 064	Crankshaft .	980,00	405	1	F 016 L72 083	Ball Bearing .	578,00
165	1	F 016 L72 065	O-Ring .	40,00	406	1	F 016 L72 084	Clamp .	116,00
166	1	F 016 L72 030	O-Ring .	64,00	407	1	F 016 L72 085	Seal .	86,00
167	1	F 016 L72 066	Pin .	370,00	408	2	F 016 L72 086	Screw .	33,00
168	1	F 016 L72 067	Spring .	113,00	409	1	F 016 L72 087	Switch .	1.062,00

3 600 J10 0F0  
Stand 19-04  
Issue 20-09-21

Fig./Abb. 2



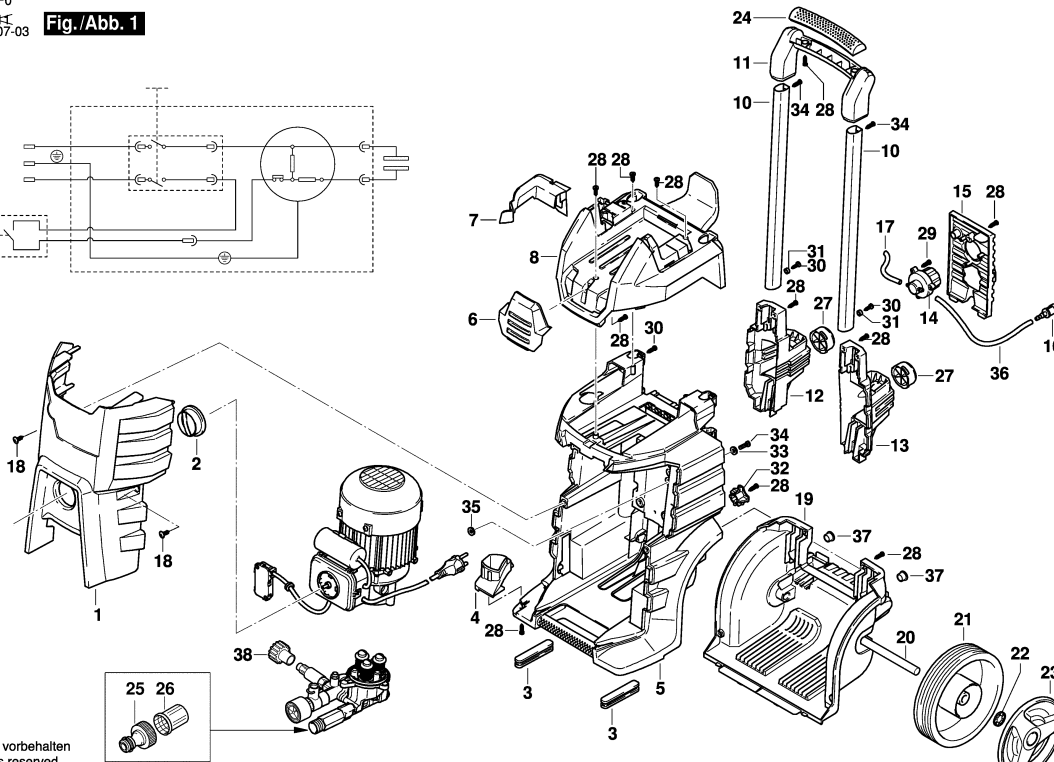
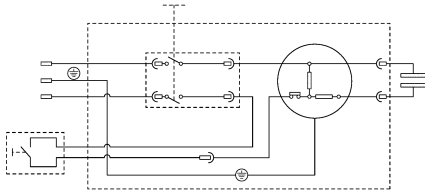
3 / 3

Model: 3 600 J10 0F0 = 220

Date:

Item	Pc	Order no.	Description	LP in INR	Item	Pc	Order no.	Description	LP in INR
410	1	F 016 L72 088	Housing .	228,00					
411	4	F 016 L72 089	Screw .	33,00					
412	1	F 016 L72 090	Condenser .	595,00					
413	1	F 016 L72 091	Clamp .	99,00					
414	1	F 016 L72 092	Grommet .	186,00					
415	1	F 016 L72 093	Electronic Module .	1.939,00					
416	1	F 016 L72 094	Clamp .	337,00					
417	1	F 016 F04 353	Power supply cord MAL	1.315,00					
418	1	F 016 F04 331	Motor .	12.153,00					
419	2	F 016 L72 096	Grommet .	186,00					
501	1	F 016 L72 097	Trigger .	1.783,00					
502	1	F 016 L72 098	Wide Angle Nozzle .	1.427,00					
503	1	F 016 L72 099	O-Ring .	64,00					
504	1	F 016 F04 523	Hose .	4.411,00					
505	1	F 016 L72 101	O-Ring .	64,00					
838	1	F 016 F04 320	Seal .	685,00					
845	1	F 016 F04 321	Seal .	452,00					
861	1	F 016 F04 322	Piston 3 Stück .	877,00					

3 600 J10 8F0  
Stand | 15-11  
Issue | 19-07-03 **Fig./Abb. 1**



Änderungen vorbehalten  
Modifications reserved  
Modifications réservées  
Salvo modificaciones

1 / 5

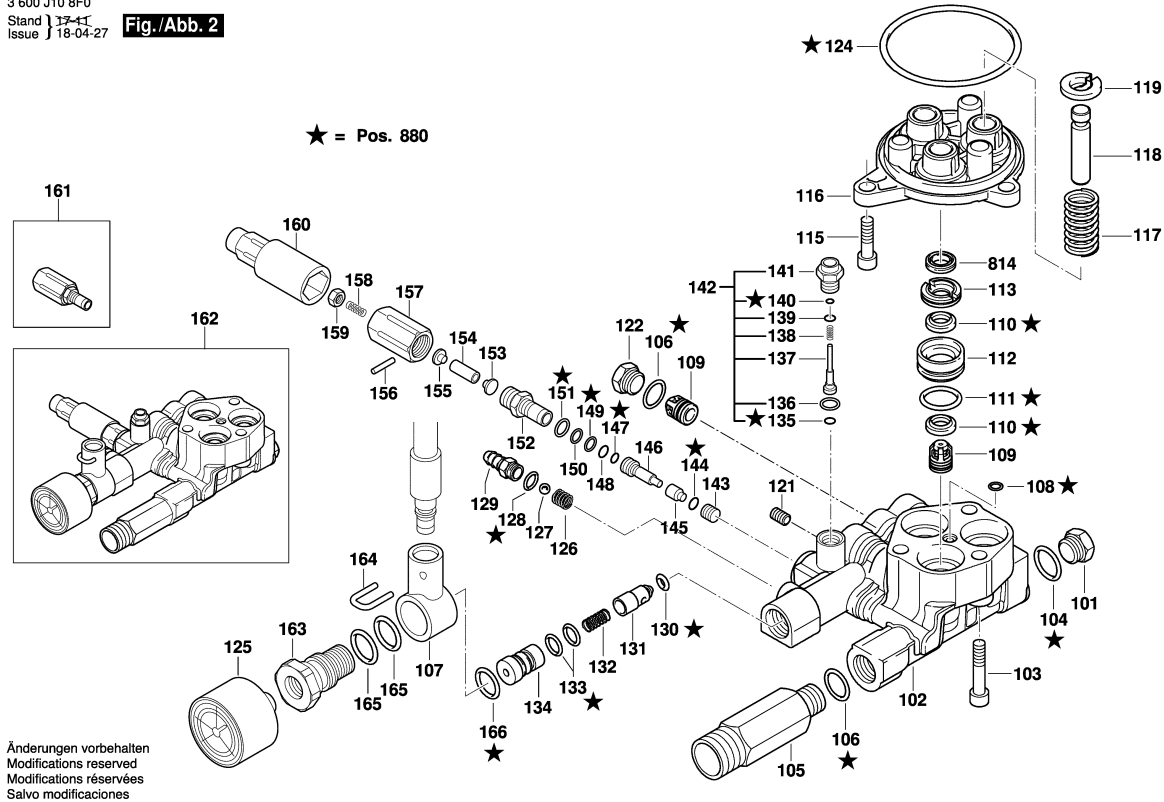
Model: 3 600 J10 8F0 = 230

Date:

Item	Pc	Order no.	Description	LP in INR	Item	Pc	Order no.	Description	LP in INR
1	1	F 016 L73 329	Lance .	1.471,00	26	1	F 016 L73 591	Filter .	66,00
2	1	F 016 L72 008	Knob .	191,00	27	2	F 016 L72 119	Rubber Base .	297,00
3	2	F 016 L73 028	Rubber Base .	377,00	28	15	F 016 L72 012	Screw .	40,00
4	1	F 016 L73 029	Accessory Deposit .	300,00	29	3	F 016 L72 187	Screw .	35,00
5	1	F 016 L73 284	Housing .	2.718,00	30	4	F 016 L73 337	Retaining Screw .	59,00
6	1	F 016 L73 031	Cover .	292,00	31	2	F 016 L73 051	Plain Washer .	145,00
7	1	F 016 L73 032	Hook .	348,00	32	1	F 016 L72 109	Grommet .	79,00
8	1	F 016 L73 033	Housing part .	1.472,00	33	4	F 016 L72 120	Plain Washer .	98,00
10	2	F 016 L73 356	Rod .	673,00	34	6	F 016 L73 711	Screw .	29,00
11	1	F 016 L73 036	Handle .	684,00	35	4	F 016 L73 100	Vibration Damper .	117,00
12	1	F 016 L73 037	Accessory Deposit .	570,00	36	1	F 016 L73 338	Suction Pipe .	154,00
13	1	F 016 L73 038	Accessory Deposit .	575,00	37	1	F 016 L73 278	Plug .	79,00
14	1	F 016 L73 039	Adjustment Knob .	377,00	38	1	F 016 L72 169	Rotary Knob .	624,00
15	1	F 016 L73 040	Cover Plate .	497,00	39	4	F 016 L73 710	Screw .	35,00
16	1	F 016 L73 041	Water filter .	309,00	101	1	F 016 L72 124	Plug .	284,00
17	1	F 016 L73 239	Suction Pipe .	118,00	102	1	F 016 L72 170	Pump head .	6.575,00
18	2	F 016 L73 053	Screw .	79,00	103	3	F 016 L72 126	Screw .	81,00
19	1	F 016 L73 044	Housing .	2.038,00	104	1	F 016 L72 035	O-Ring .	40,00
20	1	F 016 L73 045	Wheel Shaft .	554,00	105	1	F 016 F04 381	Adapter .	755,00
21	2	F 016 L73 046	Wheel .	2.038,00	106	5	F 016 L72 014	O-Ring .	64,00
22	2	F 016 L73 047	Plain Washer .	107,00	107	1	F 016 L73 357	Adapter .	909,00
23	2	F 016 L73 048	Cover .	502,00	108	1	F 016 L72 074	O-Ring .	40,00
24	1	F 016 L72 122	Safety Cover .	403,00	109	6	F 016 L72 129	Valve .	408,00
25	1	F 016 L72 010	Hose Coupling .	128,00	110	6	F 016 L72 130	Seal .	124,00

Please observe: Repairing, modifying and testing of electro-tools are to be performed professionally. The safety regulations according to IEC, EN, VDE, AFNOR and other regulations of the individual countries are to be observed. Subject to change.  
This price list supersedes all previous edition. Prices are subjected to change without any prior notice.

3 600 J10 8F0  
Stand | 17-11  
Issue | 18-04-27 **Fig./Abb. 2**



2 / 5

Model: 3 600 J10 8F0 = 230

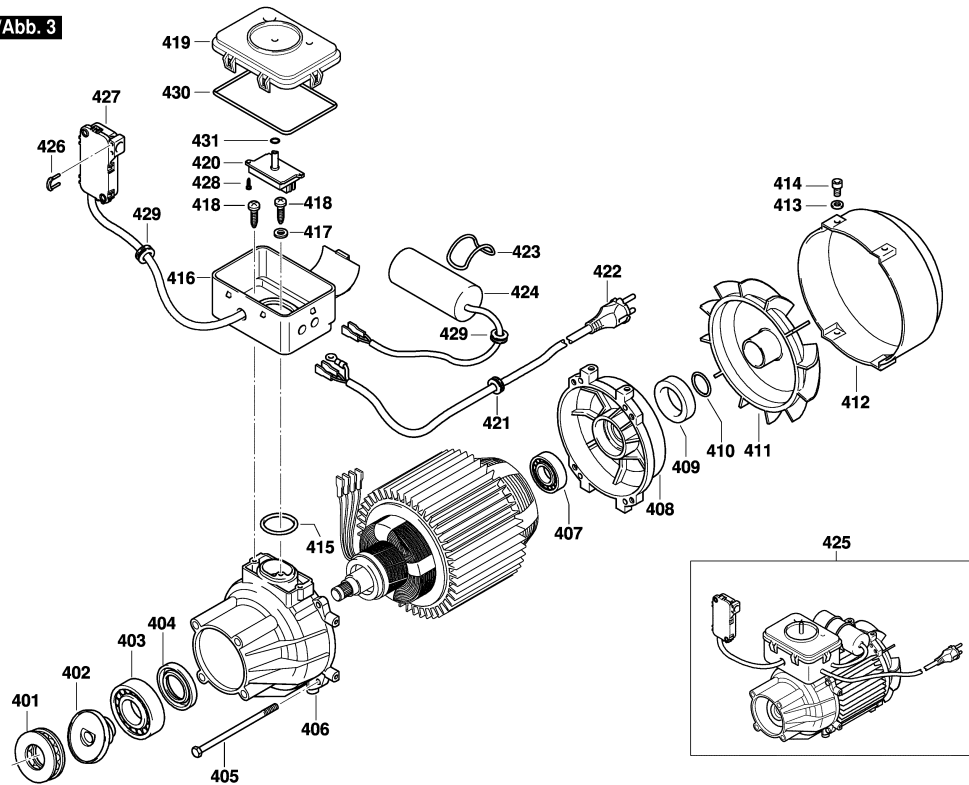
Date:

Item	Pc	Order no.	Description	LP in INR	Item	Pc	Order no.	Description	LP in INR
111	3	F 016 L72 131	O-Ring .	64,00	138	1	F 016 L72 067	Spring .	113,00
112	3	F 016 L72 132	Bushing .	536,00	139	1	F 016 L72 068	Plain Washer .	63,00
113	3	F 016 L72 133	Bushing .	294,00	140	1	F 016 L72 069	O-Ring .	40,00
115	3	F 016 L72 134	Screw .	102,00	141	1	F 016 L72 070	Adapter .	284,00
116	1	F 016 L72 135	Piston Guide .	785,00	142	1	F 016 L72 071	Adapter .	671,00
117	3	F 016 L72 136	Spring .	158,00	143	1	F 016 L72 174	Threaded Bushing .	694,00
118	1	F 016 F04 323	Piston 3 Stück .	769,00	144	1	F 016 L72 030	O-Ring .	64,00
119	3	F 016 L72 137	Wobble Plate .	105,00	145	1	F 016 L72 031	Piston .	657,00
121	1	F 016 L72 139	Screw .	337,00	146	1	F 016 L72 032	Piston .	603,00
122	1	F 016 L72 138	Plug .	305,00	147	1	F 016 L72 033	O-Ring .	64,00
124	1	F 016 L72 141	O-Ring .	87,00	148	1	F 016 L72 030	O-Ring .	64,00
125	1	F 016 L72 045	Pressure gauge .	723,00	149	1	F 016 L72 034	Spacer Ring .	87,00
126	1	F 016 L72 072	Spring .	40,00	150	1	F 016 L72 035	O-Ring .	40,00
127	1	F 016 L72 073	Ball .	40,00	151	1	F 016 L72 014	O-Ring .	64,00
128	1	F 016 L72 074	O-Ring .	40,00	152	1	F 016 L72 036	Piston Guide .	730,00
129	1	F 016 L72 143	Nipple .	294,00	153	1	F 016 L72 037	Wobble Plate .	178,00
130	1	F 016 L72 019	O-Ring .	29,00	154	1	F 016 L72 038	Spring .	164,00
131	1	F 016 L72 018	Valve Insert .	505,00	155	1	F 016 L72 039	Wobble Plate .	101,00
132	1	F 016 L72 017	Spring .	227,00	156	1	F 016 L72 040	Pin .	54,00
133	2	F 016 L72 016	O-Ring .	64,00	157	1	F 016 L72 041	Insert .	688,00
134	1	F 016 L73 332	Injector .	508,00	158	1	F 016 L72 042	Plug .	40,00
135	1	F 016 L72 065	O-Ring .	40,00	159	1	F 016 L72 043	Nut .	40,00
136	1	F 016 L72 030	O-Ring .	64,00	160	1	F 016 L73 290	Knob .	305,00
137	1	F 016 L72 066	Pin .	370,00	161	1	F 016 F04 355	Valve .	2.855,00

Please observe: Repairing, modifying and testing of electro-tools are to be performed professionally. The safety regulations according to IEC, EN, VDE, AFNOR and other regulations of the individual countries are to be observed. Subject to change.  
This price list supersedes all previous edition. Prices are subjected to change without any prior notice.

3 600 J10 8F0  
Stand | 15-02  
Issue | 18-04-26

**Fig./Abb. 3**



Änderungen vorbehalten  
Modifications reserved  
Modifications réservées  
Salvo modificaciones

3 / 5

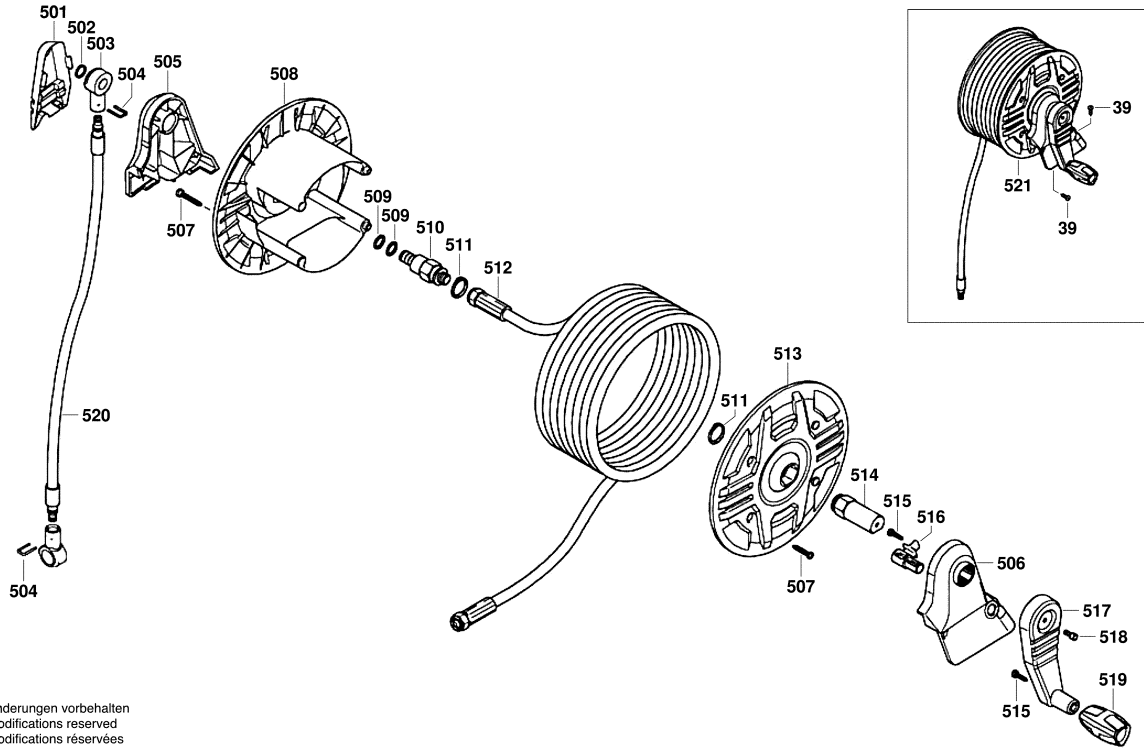
Model: 3 600 J10 8F0 = 230 Date:

Item	Pc	Order no.	Description	LP in INR	Item	Pc	Order no.	Description	LP in INR
162	1	F 016 L73 333	Pump head .	8.863,00	420	1	F 016 L72 087	Switch .	1.062,00
163	1	F 016 L73 362	Plug .	746,00	421	1	F 016 L72 092	Grommet .	186,00
164	1	F 016 L73 360	Clamp .	232,00	422	1	F 016 L73 344	Power supply cord .	2.038,00
165	2	F 016 L72 219	O-Ring .	40,00	423	1	F 016 L72 163	O-Ring .	79,00
166	1	F 016 L73 709	O-Ring .	40,00	424	1	F 016 L72 178	Condenser .	399,00
401	1	F 016 L72 144	Ball Bearing .	513,00	425	1	F 016 L73 365	Motor .	19.614,00
402	1	F 016 L72 176	Wobble Plate .	430,00	426	1	F 016 L72 094	Clamp .	337,00
403	1	F 016 L72 146	Ball Bearing .	581,00	427	1	F 016 L72 093	Electronic Module .	1.939,00
404	1	F 016 L73 063	Rotary shaft lip seal .	202,00	428	2	F 016 L72 086	Screw .	33,00
405	4	F 016 L72 177	Screw .	102,00	429	2	F 016 L72 096	Grommet .	186,00
406	1	F 016 L72 149	Pump .	1.986,00	430	1	F 016 L72 260	O-Ring .	202,00
407	1	F 016 L72 150	Ball Bearing .	528,00	431	1	F 016 L73 343	O-Ring .	46,00
408	1	F 016 L72 151	Cover .	814,00	501	1	F 016 L73 367	Cover .	194,00
409	1	F 016 L72 152	Seal .	86,00	502	1	F 016 L73 368	Ring .	43,00
410	1	F 016 L72 153	O-Ring .	64,00	503	1	F 016 L73 369	Adapter .	909,00
411	1	F 016 L72 154	Fan .	326,00	504	2	F 016 L73 370	Clamp .	229,00
412	1	F 016 L73 065	Air Duct .	521,00	505	1	F 016 L73 371	Cover .	460,00
413	2	F 016 L72 156	Plain Washer .	58,00	506	1	F 016 L73 346	Adapter .	812,00
414	2	F 016 L72 157	Screw .	35,00	507	1	F 016 L73 373	Screw .	35,00
415	1	F 016 L72 158	O-Ring .	58,00	508	1	F 016 L73 374	Cover .	715,00
416	1	F 016 L72 159	Housing .	480,00	509	2	F 016 L72 101	O-Ring .	64,00
417	1	F 016 L72 160	Plain Washer .	58,00	510	1	F 016 L73 375	Adapter .	1.592,00
418	3	F 016 L72 161	Screw .	35,00	511	1	F 016 L72 286	Ring .	39,00
419	1	F 016 L73 339	Cover .	299,00	512	1	F 016 L73 376	High-Pressure Hose .	3.467,00

Please observe: Repairing, modifying and testing of electro-tools are to be performed professionally. The safety regulations according to IEC, EN, VDE, AFNOR and other regulations of the individual countries are to be observed. Subject to change.  
This price list supersedes all previous edition. Prices are subjected to change without any prior notice.



3 600 J10 8F0  
Stand 17-11  
Issue 17-12-07 **Fig./Abb. 4**



Änderungen vorbehalten  
Modifications reserved  
Modifications réservées  
Salvo modificaciones

Model: 3 600 J10 8F0 = 230 Date:

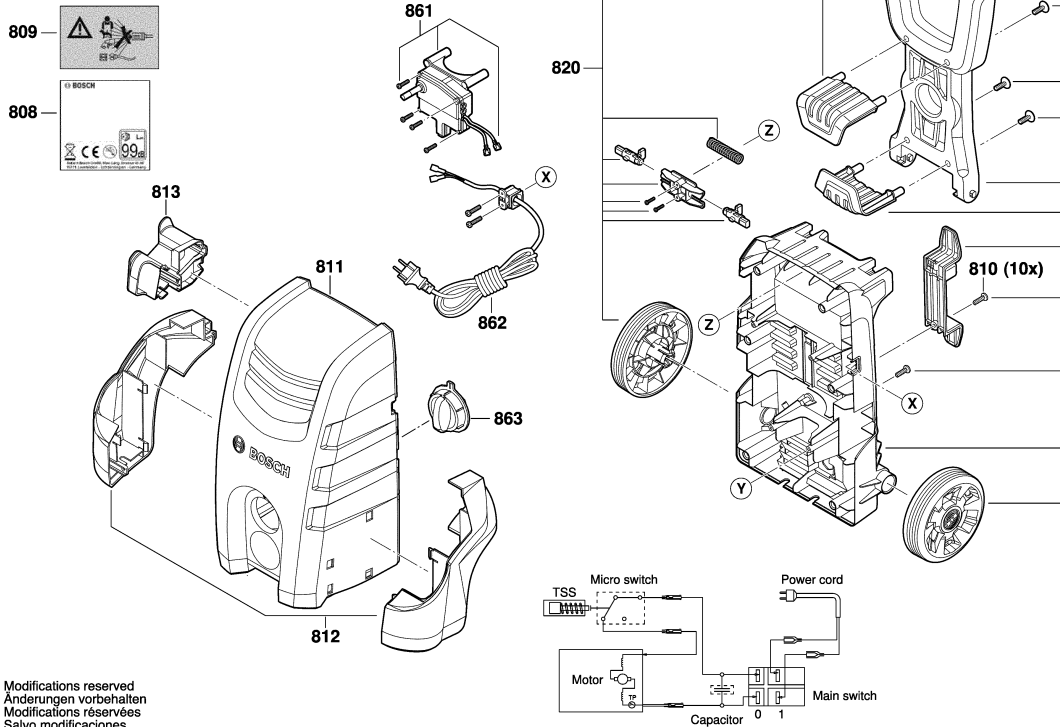
Item	Pc	Order no.	Description	LP in INR	Item	Pc	Order no.	Description	LP in INR
513	1	F 016 L73 377	Cover .	631,00					
514	1	F 016 L73 378	Hub .	924,00					
515	1	F 016 L73 053	Screw .	79,00					
516	1	F 016 L72 282	Hook .	233,00					
517	1	F 016 L73 379	Lever .	462,00					
518	1	F 016 L72 203	Screw .	39,00					
519	1	F 016 L73 380	Knob .	145,00					
520	1	F 016 L73 381	High-Pressure Hose .	1.452,00					
521	1	F 016 L73 382	Hose Reel Carrier .	11.136,00					
601	1	F 016 L73 068	Trigger .	1.731,00					
601/1	1	1 619 PA9 742	Trigger .	474,00					
601/2	1	1 619 PA9 743	Spring .	249,00					
601/3	1	1 619 PA9 744	Lock .	329,00					
602	1	F 016 L73 327	Jet Pipe .	2.155,00					
602/815	1	1 619 PB2 119	O-Ring 9,5x1,5 .	29,00					
603	1	F 016 L73 384	Roto Jet Fan Lance .	3.501,00					
603/815	1	1 619 PB2 119	O-Ring 9,5x1,5 .	29,00					
611	1	F 016 L73 351	Filter .	1.377,00					
612	1	F 016 L73 352	Filter .	1.178,00					
814	1	F 016 F04 324	Seal .	494,00					
880	1	F 016 L73 387	Wear and Tear Part Set .	584,00					

Please observe: Repairing, modifying and testing of electro-tools are to be performed professionally. The safety regulations according to IEC, EN, VDE, AFNOR and other regulations of the individual countries are to be observed. Subject to change.  
This price list supersedes all previous edition. Prices are subjected to change without any prior notice.



3 600 HA7 140  
Stand | 17-08  
Issue | 18-04-05

**Fig. /Abb. 1**



Modifications reserved  
Änderungen vorbehalten  
Modifications réservées  
Salvo modificaciones

1 / 3

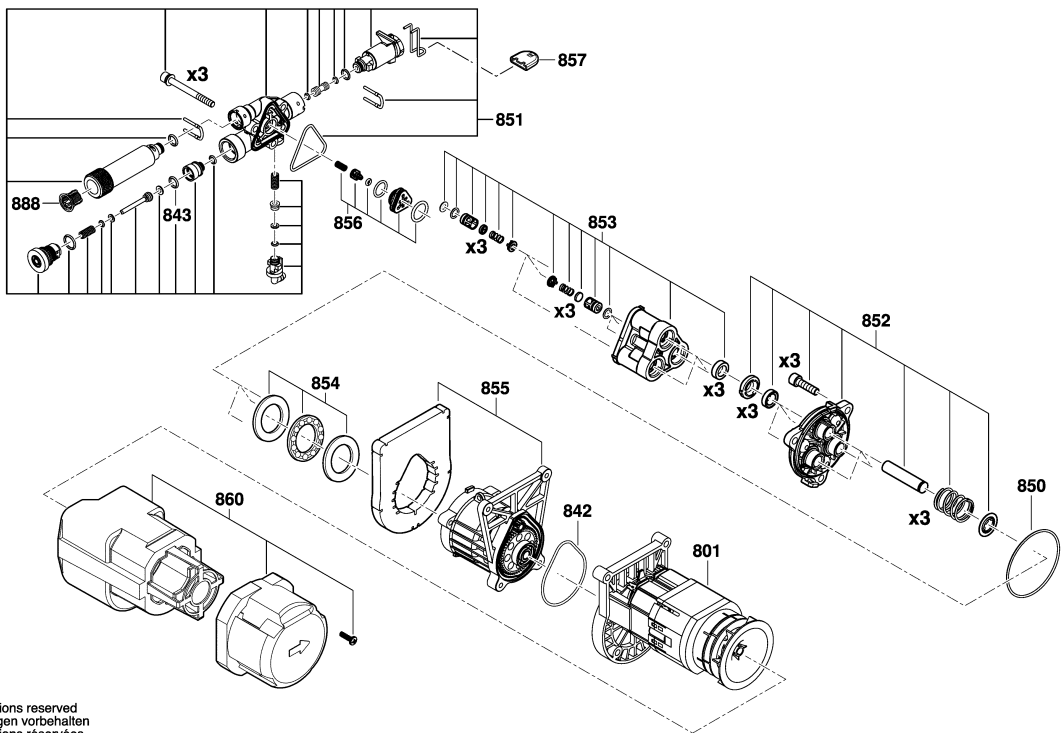
Model: 3 600 HA7 1F0 = 230

Date:

Item	Pc	Order no.	Description	LP in INR	Item	Pc	Order no.	Description	LP in INR
801	1	F 016 F04 456	Motor .	3.546,00	871	1	F 016 F05 280	Trigger .	1.024,00
808	1	F 016 F05 083	Nameplate .		872	1	F 016 F05 135	Lance .	337,00
809	1	F 016 F05 435	Warning Label .		883	1	F 016 F05 013	High-Pressure Hose 5 m .	659,00
810	10	F 016 F04 810	Torx SH cap screw .	43,00	884	1	F 016 F05 492	Hose Coupling .	94,00
811	1	F 016 F04 449	front cover .	1.285,00	885	1	F 016 F04 671	Nozzle And Holder Assy .	
812	1	F 016 F04 451	front cover .	276,00	886	1	F 016 F04 461	Patio cleaning head .	1.394,00
813	1	F 016 F04 452	front cover .	163,00	888	1	F 016 F05 661	Water filter .	96,00
820	1	F 016 F04 454	Cover .	1.384,00					
843	1	F 016 F05 402	O-Ring .	46,00					
842	1	F 016 F05 637	O-Ring Ø 63 x 2,65 mm .						
845	1	F 016 F04 438	Hose .	163,00					
850	1	F 016 F04 459	O-Ring .	239,00					
851	1	F 016 F04 443	Pump head .	860,00					
852	1	F 016 F04 441	Piston Guide .	105,00					
853	1	F 016 F04 440	Pump unit .	557,00					
854	1	F 016 F04 803	Thrust Bearing .	166,00					
855	1	F 016 F04 446	Gear Box .	1.441,00					
856	1	F 016 F04 460	Non-Return Valve .	237,00					
857	1	F 016 F04 681	Clip .	38,00					
860	1	F 016 F05 450	Motor cover .						
861	1	F 016 F04 439	Switch Box .	1.907,00					
862	1	F 016 F04 486	Power supply cord IND .	659,00					
863	1	F 016 F04 613	Switch Actuator .	953,00					
870	1	F 016 F04 458	Seal Kit .	234,00					

3 600 HA7 140  
 Stand | 29-05  
 Issue | 21-10-21

**Fig. /Abb. 2**



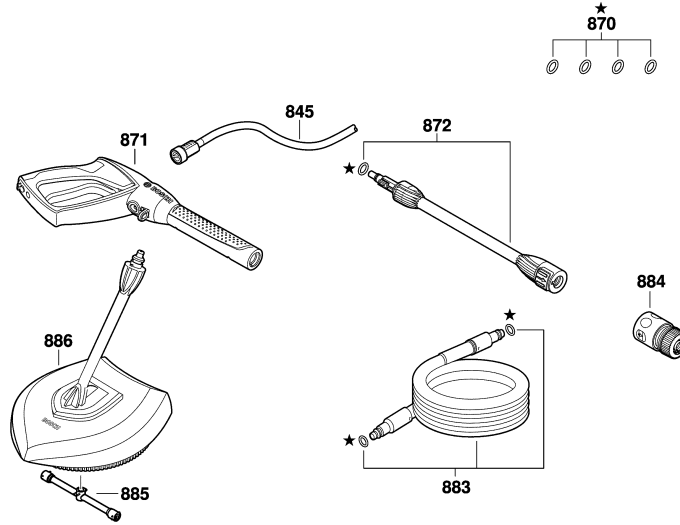
Modifications reserved  
 Änderungen vorbehalten  
 Modifications réservées  
 Salvo modificaciones

Model: 3 600 HA7 1F0 = 230	Date:
----------------------------	-------

Item	Pc	Order no.	Description	LP in INR	Item	Pc	Order no.	Description	LP in INR

Please observe: Repairing, modifying and testing of electro-tools are to be performed professionally. The safety regulations according to IEC, EN, VDE, AFNOR and other regulations of the individual countries are to be observed. Subject to change.  
 This price list supersedes all previous edition. Prices are subjected to change without any prior notice.

3 600 HA7 140  
Stand | 17-08  
Issue | 18-06-22 **Fig. /Abb. 3**

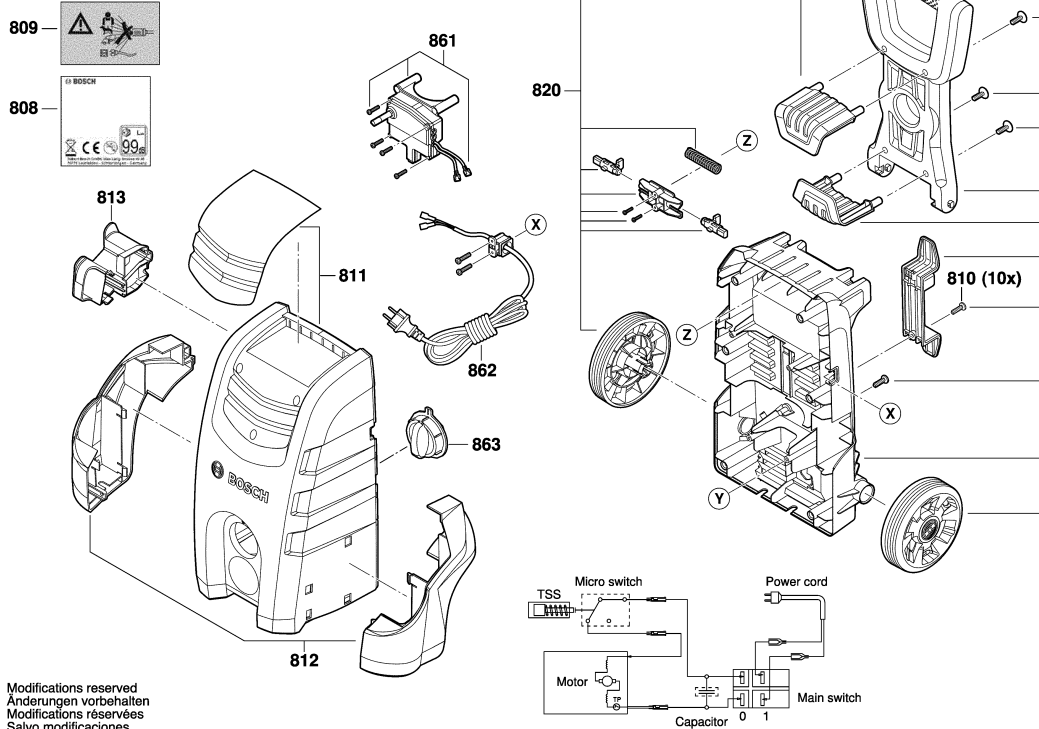


Modifications reserved  
Änderungen vorbehalten  
Modifications réservées  
Salvo modificaciones

Model: 3 600 HA7 1F0 = 230					Date:				
Item	Pc	Order no.	Description	LP in INR	Item	Pc	Order no.	Description	LP in INR

Please observe: Repairing, modifying and testing of electro-tools are to be performed professionally. The safety regulations according to IEC, EN, VDE, AFNOR and other regulations of the individual countries are to be observed. Subject to change.  
This price list supersedes all previous edition. Prices are subjected to change without any prior notice.

3 600 HA7 240  
Stand 1 17-06  
Issue J 18-04-05 **Fig./Abb. 1**



Modifications reserved  
Änderungen vorbehalten  
Modifications réservées  
Salvo modificaciones

1 / 3

Model: 3 600 HA7 2F0 = 230 Date:

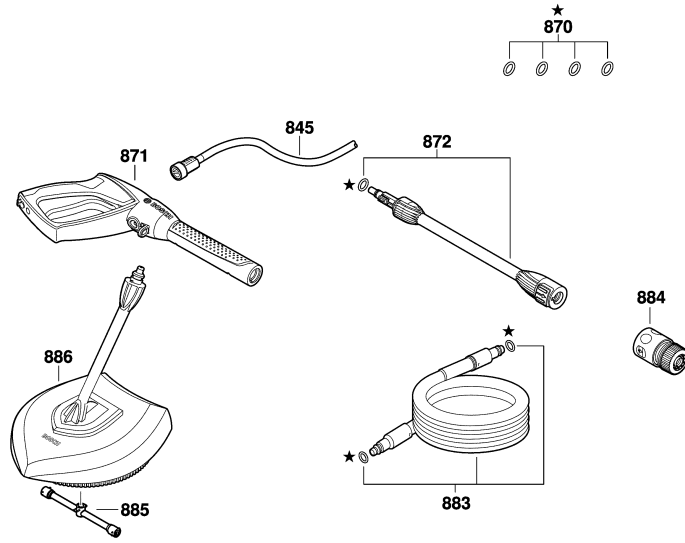
Item	Pc	Order no.	Description	LP in INR	Item	Pc	Order no.	Description	LP in INR
801	1	F 016 F04 457	Motor .	4.591,00	871	1	F 016 F05 280	Trigger .	1.024,00
808	1	F 016 F05 088	Nameplate .		872	1	F 016 F05 135	Lance .	337,00
809	1	F 016 F05 240	rotator .		883	1	F 016 F04 585	High-Pressure Hose 6 m .	913,00
810	10	F 016 F04 810	Torx SH cap screw .	43,00	884	1	F 016 F05 492	Hose Coupling .	94,00
811	1	F 016 F04 450	front cover .	1.285,00	885	1	F 016 F04 672	Nozzle And Holder Assy .	254,00
812	1	F 016 F04 451	front cover .	276,00	886	1	F 016 F04 461	Patio cleaning head .	1.394,00
813	1	F 016 F04 452	front cover .	163,00	888	1	F 016 F05 661	Water filter .	96,00
820	1	F 016 F04 454	Cover .	1.384,00					
843	1	F 016 F05 402	O-Ring .	46,00					
842	1	F 016 F05 637	O-Ring Ø 63 x 2,65 mm .						
845	1	F 016 F04 438	Hose .	163,00					
850	1	F 016 F04 459	O-Ring .	239,00					
851	1	F 016 F04 444	Pump head .	920,00					
852	1	F 016 F04 441	Piston Guide .	105,00					
853	1	F 016 F04 440	Pump unit .	557,00					
854	1	F 016 F05 023	Thrust Bearing .	482,00					
855	1	F 016 F04 447	Gear Box .	1.366,00					
856	1	F 016 F04 460	Non-Return Valve .	237,00					
857	1	F 016 F04 681	Clip .	38,00					
860	1	F 016 F04 614	Motor cover .	200,00					
861	1	F 016 F04 439	Switch Box .	1.907,00					
862	1	F 016 F04 486	Power supply cord IND .	659,00					
863	1	F 016 F04 613	Switch Actuator .	953,00					
870	1	F 016 F04 458	Seal Kit .	234,00					

Please observe: Repairing, modifying and testing of electro-tools are to be performed professionally. The safety regulations according to IEC, EN, VDE, AFNOR and other regulations of the individual countries are to be observed. Subject to change.  
This price list supersedes all previous edition. Prices are subjected to change without any prior notice.



3 600 HA7 240  
Stand 1 17-08  
Issue 18-06-22

**Fig./Abb. 3**



Modifications reserved  
Änderungen vorbehalten  
Modifications réservées  
Salvo modificaciones

3 / 3

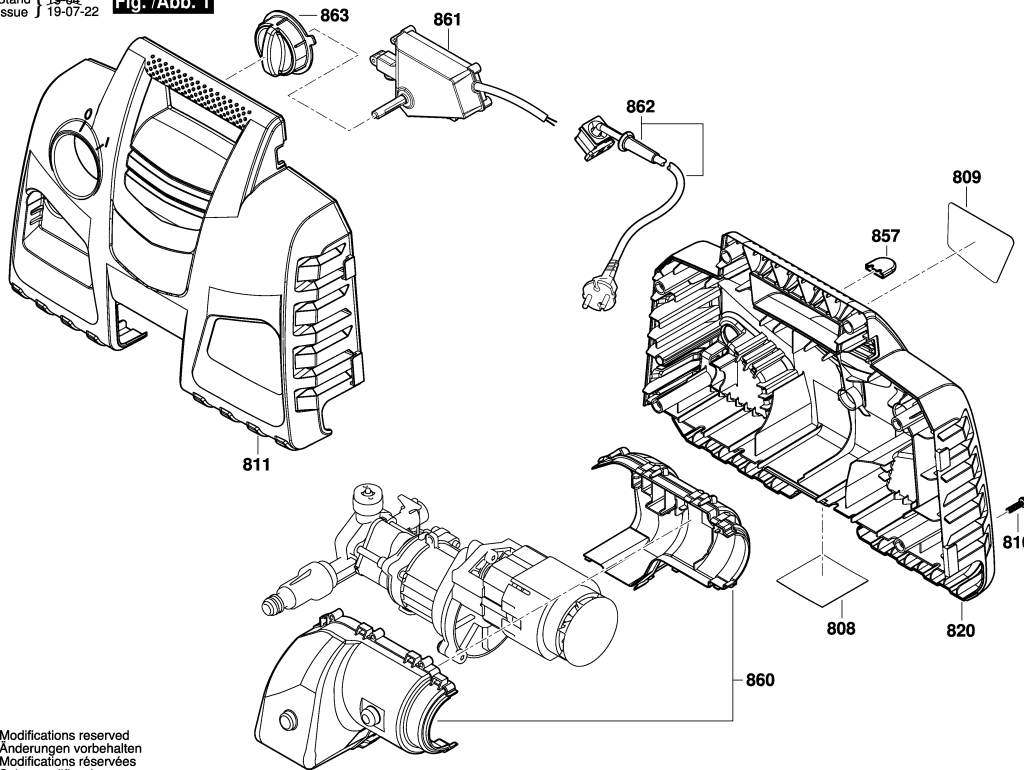
Model: 3 600 HA7 2F0 = 230				Date:					
Item	Pc	Order no.	Description	LP in INR	Item	Pc	Order no.	Description	LP in INR

Please observe: Repairing, modifying and testing of electro-tools are to be performed professionally. The safety regulations according to IEC, EN, VDE, AFNOR and other regulations of the individual countries are to be observed. Subject to change.  
This price list supersedes all previous edition. Prices are subjected to change without any prior notice.



3 600 HA7 E40  
Stand | 19-04  
Issue | 19-07-22

**Fig./Abb. 1**



Modifications reserved  
Änderungen vorbehalten  
Modifications réservées  
Salvo modificaciones

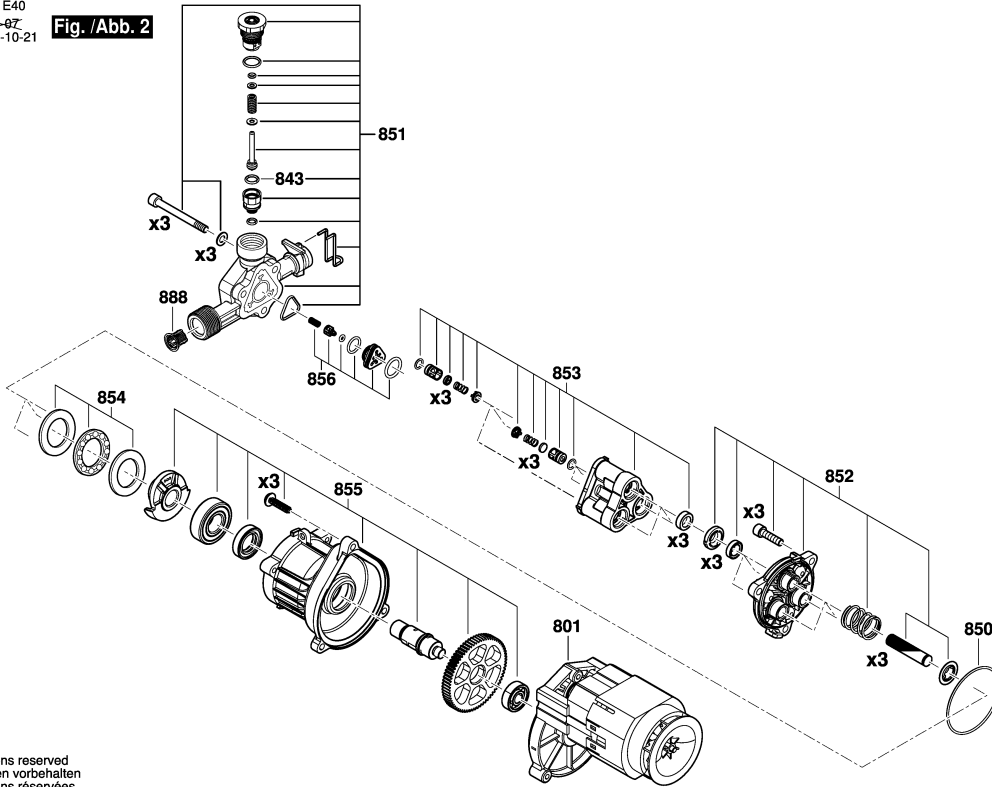
1 / 3

Model: 3 600 HA7 EF0 = 230 Date:

Item	Pc	Order no.	Description	LP in INR	Item	Pc	Order no.	Description	LP in INR
801	1	F 016 F05 124	Motor .	2.118,00	882	1	F 016 F05 136	Water filter .	96,00
808	1	F 016 F05 074	Nameplate .		883	1	F 016 F04 583	High-Pressure Hose 3 m .	840,00
809	1	F 016 F05 125	Warning Label .		884	1	F 016 F05 492	Hose Coupling .	94,00
810	7	F 016 F04 810	Torx SH cap screw .	43,00	888	1	F 016 F05 661	Water filter .	96,00
811	1	F 016 F05 126	front cover .	769,00					
820	1	F 016 F05 127	Cover .	625,00					
843	1	F 016 F05 402	O-Ring .	46,00					
850	1	F 016 F04 459	O-Ring .	239,00					
851	1	F 016 F04 801	Pump head .	485,00					
852	1	F 016 F05 171	Piston Guide .	385,00					
853	1	F 016 F04 798	Pump unit .	403,00					
854	1	F 016 F04 803	Thrust Bearing .	166,00					
855	1	F 016 F05 129	Gear Box .	920,00					
856	1	F 016 F04 809	Non-Return Valve .	41,00					
857	1	F 016 F04 681	Clip .	38,00					
860	1	F 016 F05 130	Motor cover .	252,00					
861	1	F 016 F05 257	Switch Box .	625,00					
862	1	F 016 F05 174	Power supply cord .	792,00					
863	1	F 016 F04 805	Switch Actuator .	1.274,00					
870	1	F 016 F04 458	Seal Kit .	234,00					
871	1	F 016 F05 131	Trigger .	845,00					
879	1	F 016 F05 036	Bottle 450ml .	482,00					
880	1	F 016 F05 132	High pressure foam nozzle	330,00					
881	1	F 016 F04 795	Retaining clip .	33,00					

Please observe: Repairing, modifying and testing of electro-tools are to be performed professionally. The safety regulations according to IEC, EN, VDE, AFNOR and other regulations of the individual countries are to be observed. Subject to change.  
This price list supersedes all previous edition. Prices are subjected to change without any prior notice.

3 600 HA7 E40  
Stand | 19-8Z  
Issue | 21-10-21 **Fig./Abb. 2**



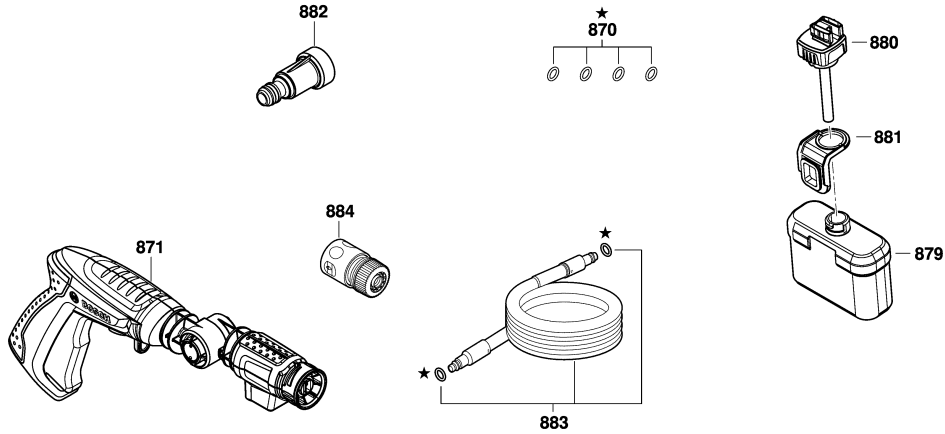
Modifications reserved  
Änderungen vorbehalten  
Modifications réservées  
Salvo modificaciones

Model: 3 600 HA7 EF0 = 230 Date:

Item	Pc	Order no.	Description	LP in INR	Item	Pc	Order no.	Description	LP in INR

Please observe: Repairing, modifying and testing of electro-tools are to be performed professionally. The safety regulations according to IEC, EN, VDE, AFNOR and other regulations of the individual countries are to be observed. Subject to change.  
This price list supersedes all previous edition. Prices are subjected to change without any prior notice.

3 600 HA7 E40  
 Stand | 19-04  
 Issue | 19-07-22 **Fig. /Abb. 3**



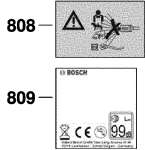
Modifications reserved  
 Änderungen vorbehalten  
 Modifications réservées  
 Salvo modificaciones

Model: 3 600 HA7 EF0 = 230	Date:
----------------------------	-------

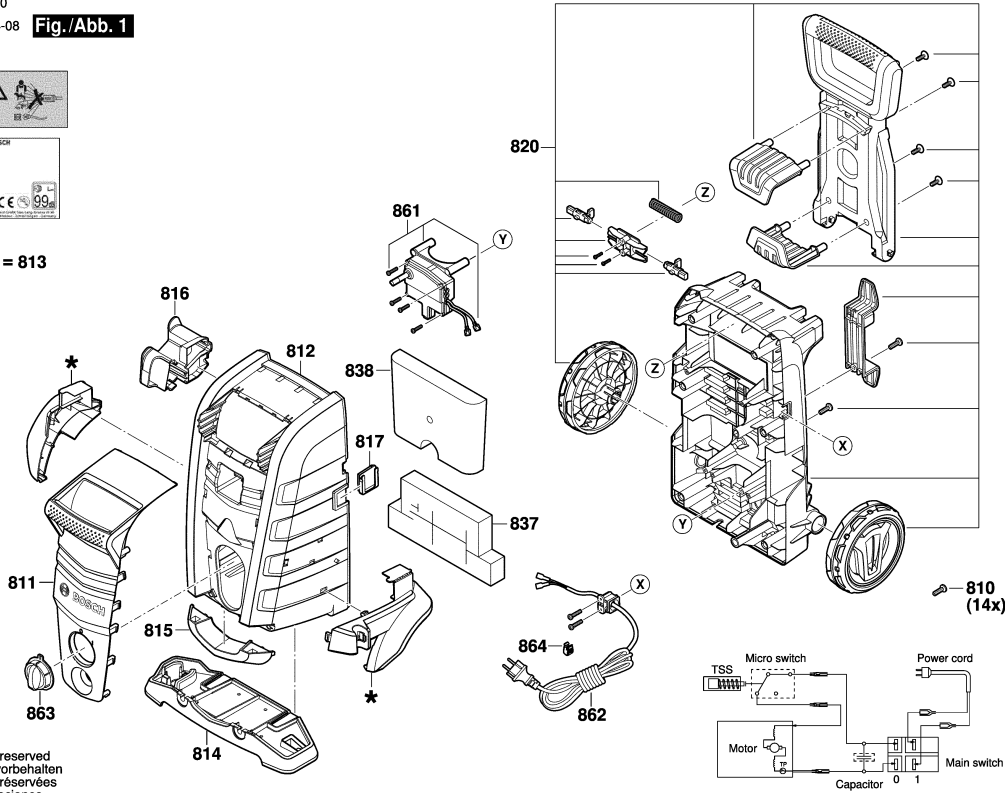
Item	Pc	Order no.	Description	LP in INR	Item	Pc	Order no.	Description	LP in INR

Please observe: Repairing, modifying and testing of electro-tools are to be performed professionally. The safety regulations according to IEC, EN, VDE, AFNOR and other regulations of the individual countries are to be observed. Subject to change.  
 This price list supersedes all previous edition. Prices are subjected to change without any prior notice.

3 600 HA7 A40  
Stand | 19-04-08 **Fig./Abb. 1**



\* = 813



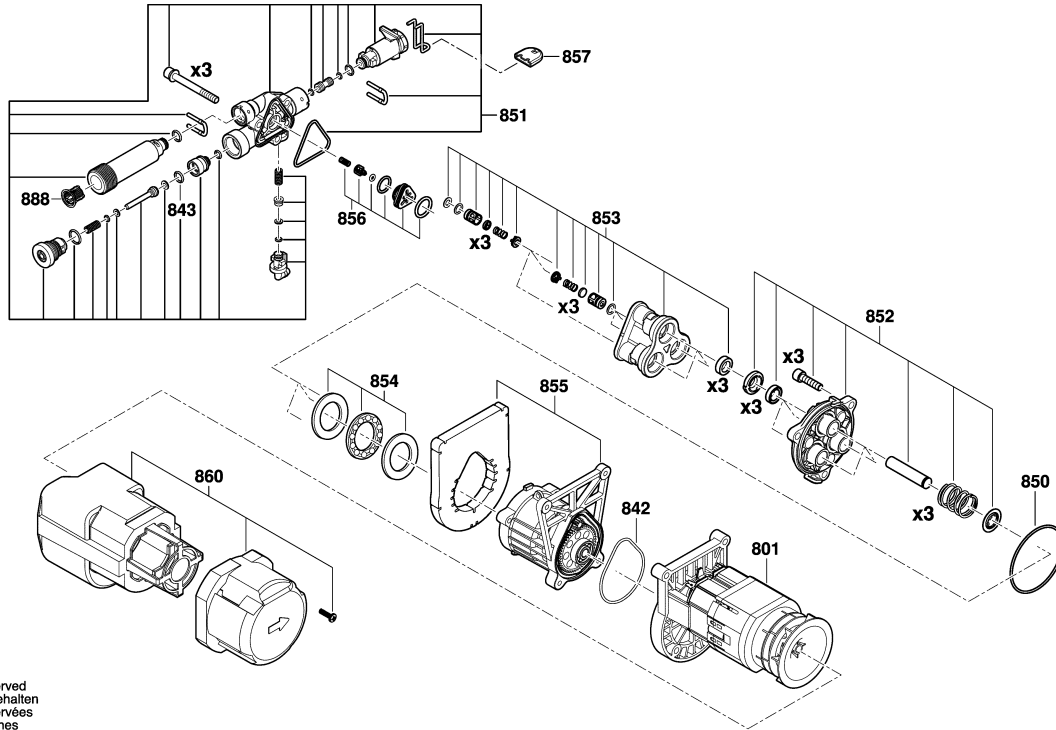
Modifications reserved  
Änderungen vorbehalten  
Modifications réservées  
Salvo modificaciones

Model: 3 600 HA7 AF0 = 230

Date:

Item	Pc	Order no.	Description	LP in INR	Item	Pc	Order no.	Description	LP in INR
842	1	F 016 F05 637	O-Ring Ø 63 x 2,65 mm .		860	1	F 016 F05 008	Motor cover .	312,00
801	1	F 016 F05 016	Motor .	3.004,00	861	1	F 016 F04 439	Switch Box .	1.907,00
808	1	F 016 F05 085	Nameplate .		862	1	F 016 F04 486	Power supply cord IND .	659,00
809	1	F 016 F05 583	Warning Label .		863	1	F 016 F04 613	Switch Actuator .	953,00
810	14	F 016 F04 810	Torx SH cap screw .	43,00	864	1	F 016 F05 432	Clip .	54,00
811	1	F 016 F05 002	front cover .	645,00	870	1	F 016 F04 458	Seal Kit .	234,00
812	1	F 016 F05 003	front cover .	1.086,00	871	1	F 016 F05 280	Trigger .	1.024,00
813	1	F 016 F05 004	front cover .	1.086,00	872	1	F 016 F05 135	Lance .	337,00
814	1	F 016 F05 005	front cover .	1.086,00	876	1	F 016 F05 573	3-in-1-nozzle RED	
815	1	F 016 F05 006	front cover .	125,00	879	1	F 016 F05 036	Bottle 450ml .	482,00
816	1	F 016 F04 452	front cover .	163,00	880	1	F 016 F05 020	High pressure foam nozzle	349,00
817	1	F 016 F05 007	Clip .	36,00	881	1	F 016 F04 795	Retaining clip .	33,00
820	1	F 016 F05 262	Cover .	1.086,00	883	1	F 016 F05 013	High-Pressure Hose 5 m .	659,00
837	1	F 016 F05 018	Foam Panel .	336,00	884	1	F 016 F05 492	Hose Coupling .	94,00
838	1	F 016 F05 019	Foam Panel .	336,00	888	1	F 016 F05 661	Water filter .	96,00
843	1	F 016 F05 402	O-Ring .	46,00					
850	1	F 016 F04 459	O-Ring .	239,00					
851	1	F 016 F05 012	Pump head .	664,00					
852	1	F 016 F04 441	Piston Guide .	105,00					
853	1	F 016 F05 011	Pump unit .	530,00					
854	1	F 016 F04 803	Thrust Bearing .	166,00					
855	1	F 016 F05 010	Gear Box .	1.055,00					
856	1	F 016 F04 460	Non-Return Valve .	237,00					
857	1	F 016 F04 681	Clip .	38,00					

3 600 HA7 A40  
Stand | 20-10-10  
Issue | 21-10-21 **Fig./Abb. 2**



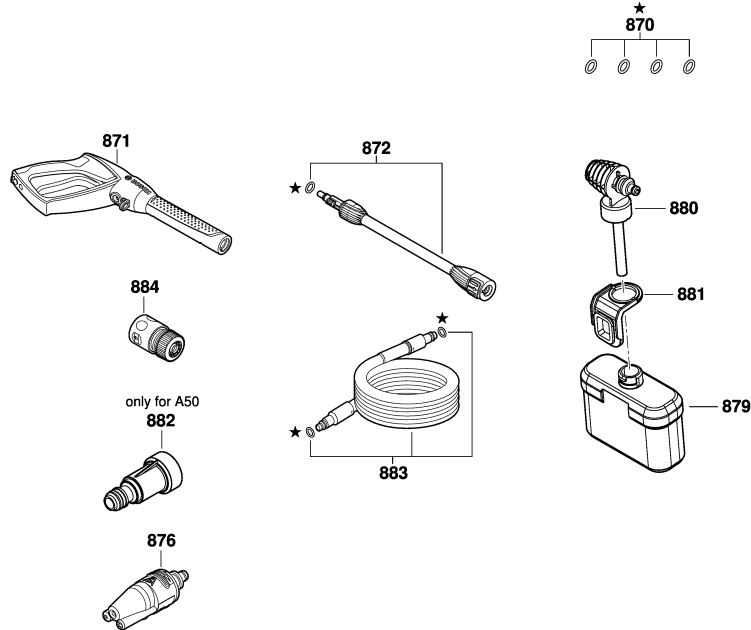
Modifications reserved  
Änderungen vorbehalten  
Modifications réservées  
Salvo modificaciones

Model: 3 600 HA7 AF0 = 230 Date:

Item	Pc	Order no.	Description	LP in INR	Item	Pc	Order no.	Description	LP in INR

3 600 HA7 A40  
Stand | 19-08  
Issue | 20-02-27

**Fig. /Abb. 3**



Modifications reserved  
Änderungen vorbehalten  
Modifications réservées  
Salvo modificaciones

Model: 3 600 HA7 AF0 = 230

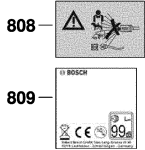
Date:

Item	Pc	Order no.	Description	LP in INR	Item	Pc	Order no.	Description	LP in INR

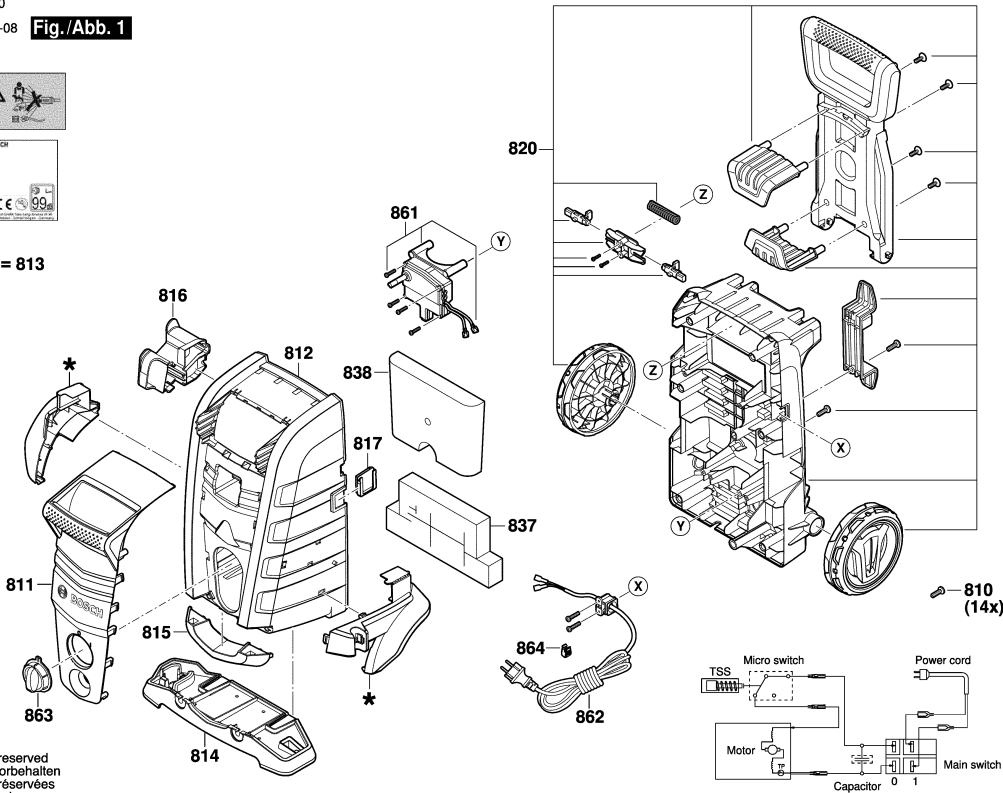
Please observe: Repairing, modifying and testing of electro-tools are to be performed professionally. The safety regulations according to IEC, EN, VDE, AFNOR and other regulations of the individual countries are to be observed. Subject to change.  
This price list supersedes all previous edition. Prices are subjected to change without any prior notice.

3 600 HA7 B40

Stand Issue | 19-04-08 **Fig./Abb. 1**



\* = 813



Modifications reserved  
Änderungen vorbehalten  
Modifications réservées  
Salvo modificaciones

1 / 3

Model: 3 600 HA7 BK0 = 230

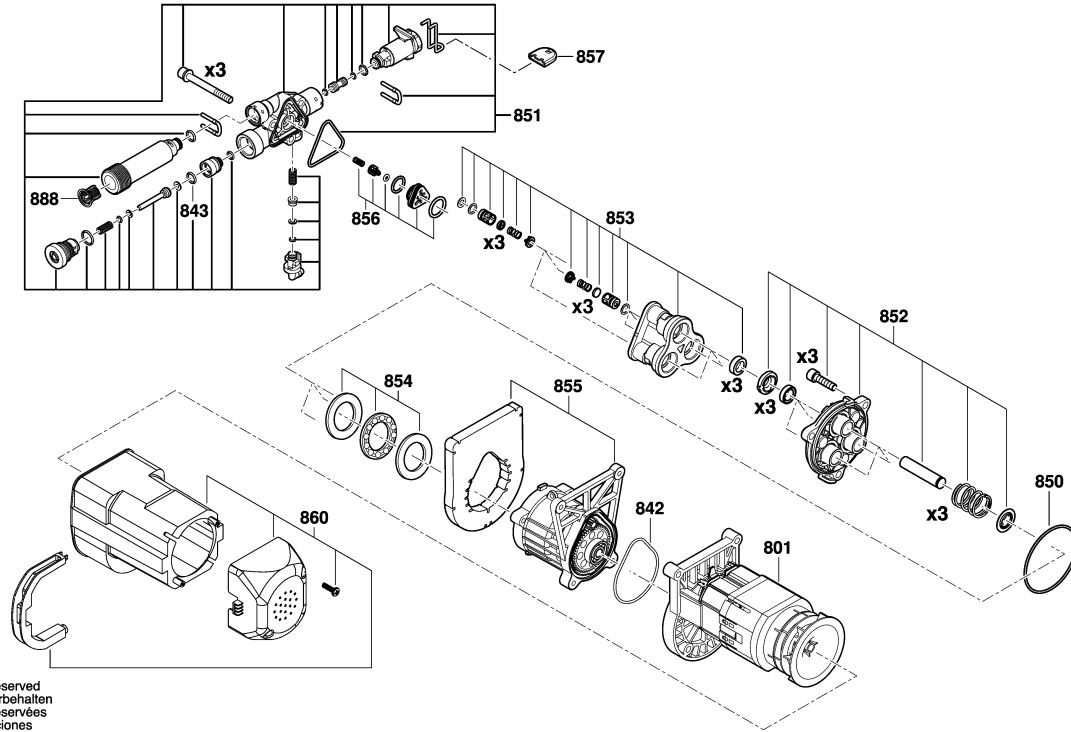
Date:

Item	Pc	Order no.	Description	LP in INR	Item	Pc	Order no.	Description	LP in INR
801	1	F 016 F05 027	Motor .	4.316,00	860	1	F 016 F04 614	Motor cover .	200,00
808	1	F 016 F05 090	Nameplate .		861	1	F 016 F04 439	Switch Box .	1.907,00
809	1	F 016 F05 583	Warning Label .		862	1	F 016 F04 484	Power supply cord EU .	689,00
810	14	F 016 F04 810	Torx SH cap screw .	43,00	863	1	F 016 F04 613	Switch Actuator .	953,00
811	1	F 016 F05 022	front cover .	514,00	864	1	F 016 F05 432	Clip .	54,00
812	1	F 016 F05 003	front cover .	1.086,00	870	1	F 016 F04 458	Seal Kit .	234,00
813	1	F 016 F05 004	front cover .	1.086,00	871	1	F 016 F05 280	Trigger .	1.024,00
814	1	F 016 F05 005	front cover .	1.086,00	872	1	F 016 F05 135	Lance .	337,00
815	1	F 016 F05 006	front cover .	125,00	876	1	F 016 F05 573	3-in-1-nozzle RED	
816	1	F 016 F04 452	front cover .	163,00	879	1	F 016 F05 036	Bottle 450ml .	482,00
817	1	F 016 F05 007	Clip .	36,00	880	1	F 016 F05 020	High pressure foam nozzle	349,00
820	1	F 016 F05 262	Cover .	1.086,00	881	1	F 016 F04 795	Retaining clip .	33,00
837	1	F 016 F05 018	Foam Panel .	336,00	883	1	F 016 F05 025	High-Pressure Hose 6m .	769,00
838	1	F 016 F05 019	Foam Panel .	336,00	884	1	F 016 F05 492	Hose Coupling .	94,00
842	1	F 016 F05 637	O-Ring Ø 63 x 2,65 mm .		888	1	F 016 F05 661	Water filter .	96,00
843	1	F 016 F05 402	O-Ring .	46,00					
850	1	F 016 F04 459	O-Ring .	239,00					
851	1	F 016 F05 024	Pump head .	724,00					
852	1	F 016 F04 441	Piston Guide .	105,00					
853	1	F 016 F04 440	Pump unit .	557,00					
854	1	F 016 F05 023	Thrust Bearing .	482,00					
855	1	F 016 F04 447	Gear Box .	1.366,00					
856	1	F 016 F04 460	Non-Return Valve .	237,00					
857	1	F 016 F04 681	Clip .	38,00					

Please observe: Repairing, modifying and testing of electro-tools are to be performed professionally. The safety regulations according to IEC, EN, VDE, AFNOR and other regulations of the individual countries are to be observed. Subject to change. This price list supersedes all previous edition. Prices are subjected to change without any prior notice.

3 600 HA7 BK0  
Stand 1 29-10  
Issue J 21-10-21

**Fig./Abb. 2**



Modifications reserved  
Änderungen vorbehalten  
Modifications réservées  
Salvo modificaciones

2 / 3

Model: 3 600 HA7 BK0 = 230

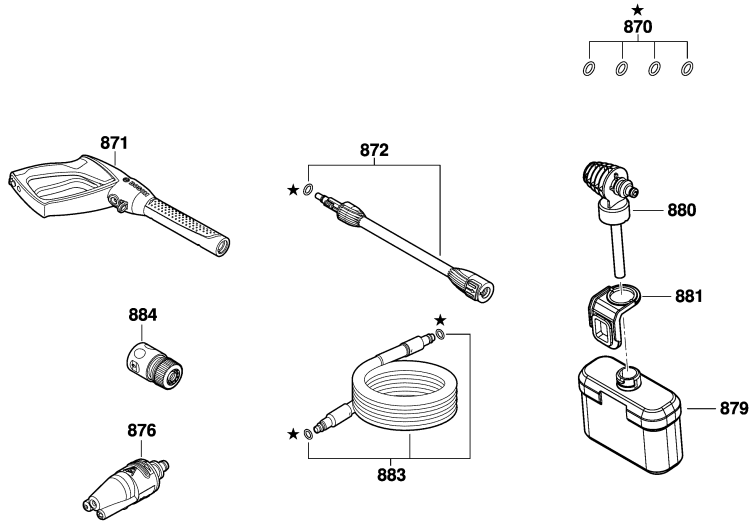
Date:

Item	Pc	Order no.	Description	LP in INR

Item	Pc	Order no.	Description	LP in INR



3 600 HA7 B40  
Stand | 19-07  
Issue | 19-08-16 **Fig. /Abb. 3**



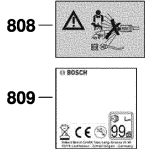
Modifications reserved  
Änderungen vorbehalten  
Modifications réservées  
Salvo modificaciones

3 / 3

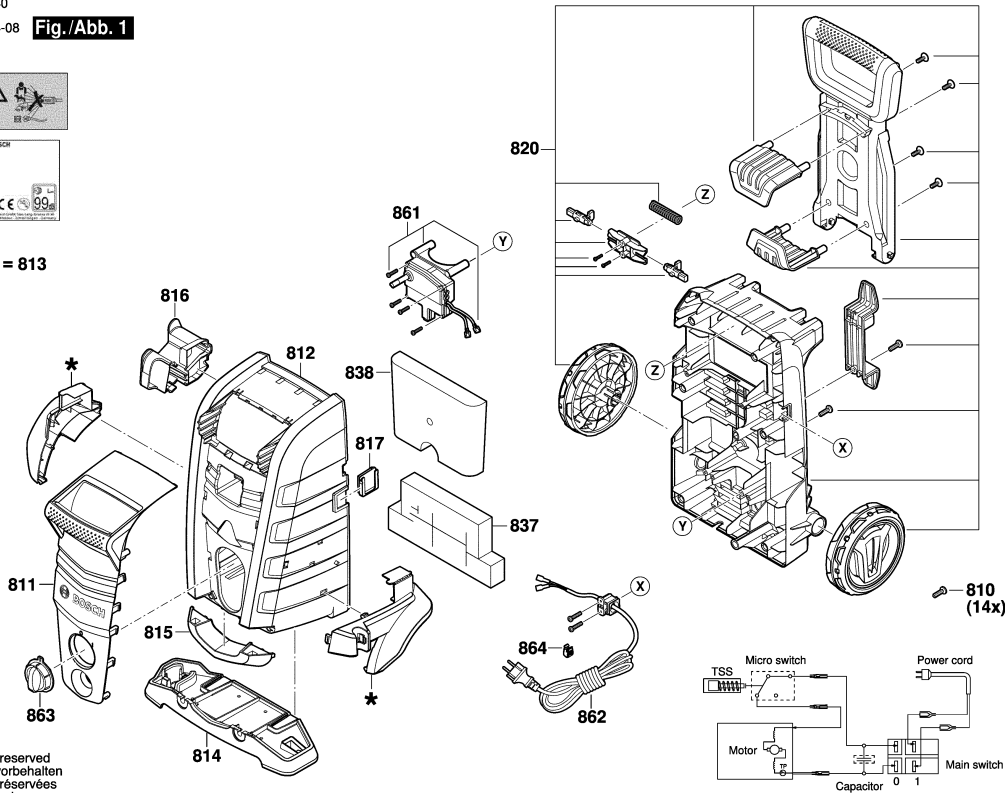
Model: 3 600 HA7 BK0 = 230					Date:				
Item	Pc	Order no.	Description	LP in INR	Item	Pc	Order no.	Description	LP in INR

3 600 HA7 C40  
Stand Issue | 19-04-08

**Fig./Abb. 1**



\* = 813



Modifications reserved  
Änderungen vorbehalten  
Modifications réservées  
Salvo modificaciones

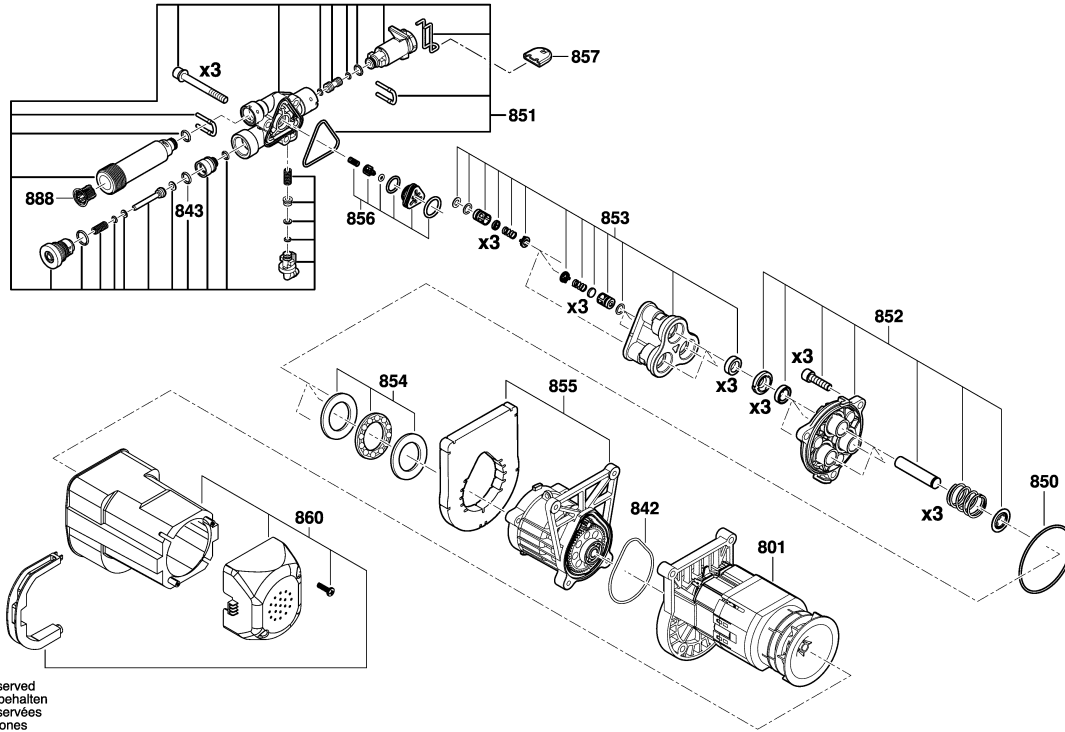
Model: 3 600 HA7 CF0 = 230

Date:

Item	Pc	Order no.	Description	LP in INR	Item	Pc	Order no.	Description	LP in INR
801	1	F 016 F05 034	Motor .	4.907,00	860	1	F 016 F04 614	Motor cover .	200,00
808	1	F 016 F05 035	Nameplate .		861	1	F 016 F04 439	Switch Box .	1.907,00
809	1	F 016 F05 583	Warning Label .		862	1	F 016 F04 486	Power supply cord IND .	659,00
810	14	F 016 F04 810	Torx SH cap screw .	43,00	863	1	F 016 F04 613	Switch Actuator .	953,00
811	1	F 016 F05 260	front cover .	620,00	864	1	F 016 F05 432	Clip .	54,00
812	1	F 016 F05 003	front cover .	1.086,00	870	1	F 016 F04 458	Seal Kit .	234,00
813	1	F 016 F05 004	front cover .	1.086,00	871	1	F 016 F05 280	Trigger .	1.024,00
814	1	F 016 F05 005	front cover .	1.086,00	872	1	F 016 F05 135	Lance .	337,00
815	1	F 016 F05 006	front cover .	125,00	876	1	F 016 F05 572	3-in-1-nozzle GREEN	
816	1	F 016 F04 452	front cover .	163,00	879	1	F 016 F05 036	Bottle 450ml .	482,00
817	1	F 016 F05 007	Clip .	36,00	880	1	F 016 F05 029	High pressure foam nozzle	336,00
820	1	F 016 F05 262	Cover .	1.086,00	881	1	F 016 F04 795	Retaining clip .	33,00
837	1	F 016 F05 018	Foam Panel .	336,00	883	1	F 016 F05 032	High-Pressure Hose 7m .	822,00
838	1	F 016 F05 019	Foam Panel .	336,00	884	1	F 016 F05 492	Hose Coupling .	94,00
842	1	F 016 F05 637	O-Ring Ø 63 x 2,65 mm .		888	1	F 016 F05 661	Water filter .	96,00
843	1	F 016 F05 402	O-Ring .	46,00					
850	1	F 016 F04 459	O-Ring .	239,00					
851	1	F 016 F05 024	Pump head .	724,00					
852	1	F 016 F04 441	Piston Guide .	105,00					
853	1	F 016 F04 440	Pump unit .	557,00					
854	1	F 016 F05 023	Thrust Bearing .	482,00					
855	1	F 016 F05 031	Gear Box .	1.023,00					
856	1	F 016 F04 460	Non-Return Valve .	237,00					
857	1	F 016 F04 681	Clip .	38,00					

3 600 HA7 C40  
Stand | 29-10-  
Issue | 21-10-21

Fig. /Abb. 2



Modifications reserved  
Änderungen vorbehalten  
Modifications réservées  
Salvo modificaciones

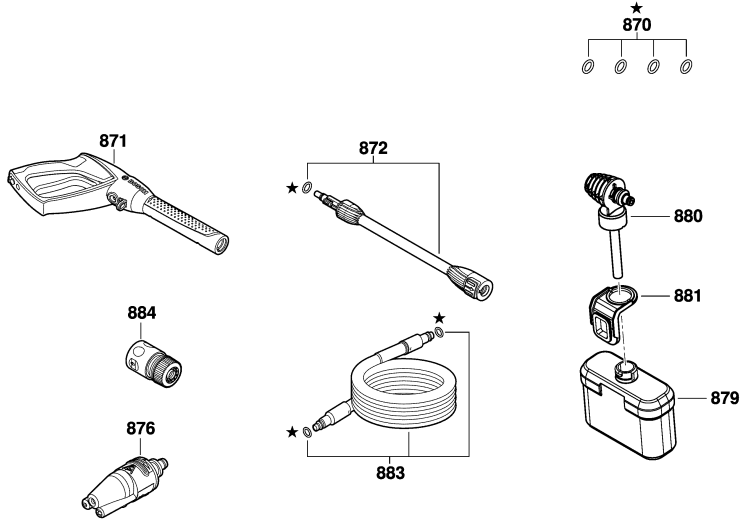
Model: 3 600 HA7 CF0 = 230

Date:

Item	Pc	Order no.	Description	LP in INR	Item	Pc	Order no.	Description	LP in INR

Please observe: Repairing, modifying and testing of electro-tools are to be performed professionally. The safety regulations according to IEC, EN, VDE, AFNOR and other regulations of the individual countries are to be observed. Subject to change. This price list supersedes all previous edition. Prices are subjected to change without any prior notice.

3 600 HA7 C40  
Stand | 19-07  
Issue | 19-08-16 **Fig. /Abb. 3**



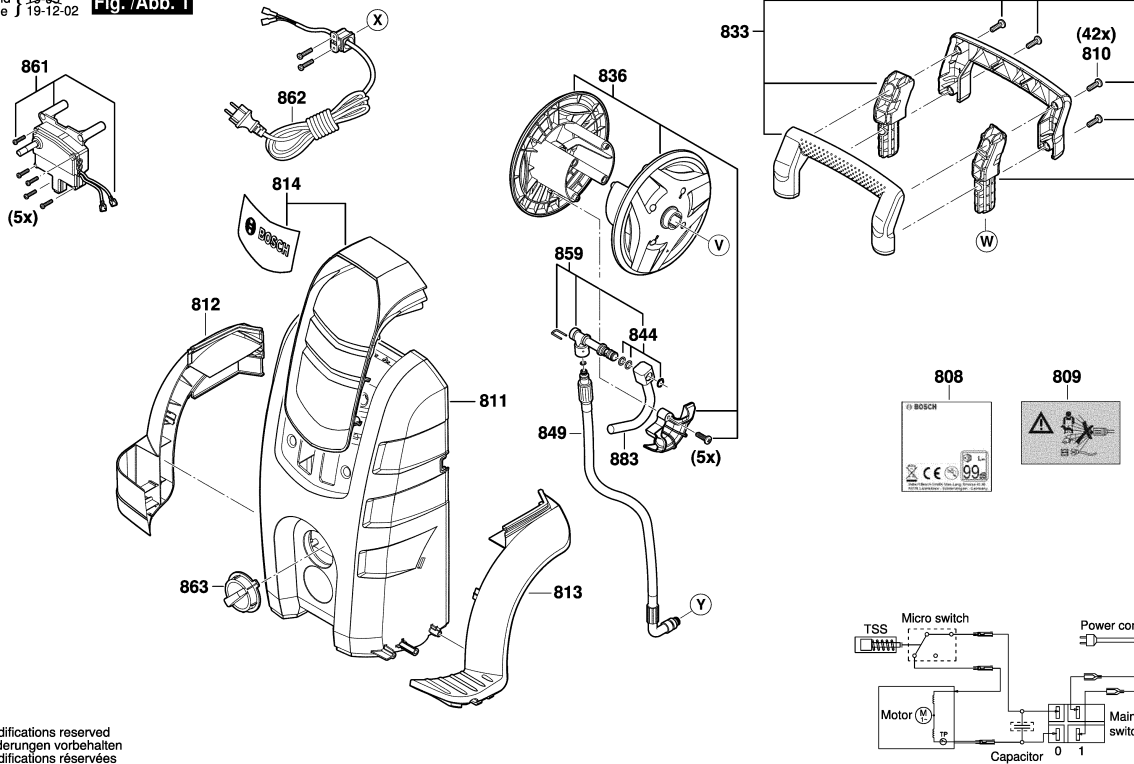
Modifications reserved  
Änderungen vorbehalten  
Modifications réservées  
Salvo modificaciones

3 / 3

Model: 3 600 HA7 CF0 = 230 Date:

Item	Pc	Order no.	Description	LP in INR	Item	Pc	Order no.	Description	LP in INR

3 600 HA7 D40  
Stand | 19-05  
Issue | 19-12-02 **Fig. /Abb. 1**



Modifications reserved  
Änderungen vorbehalten  
Modifications réservées  
Salvo modificaciones

1 / 4

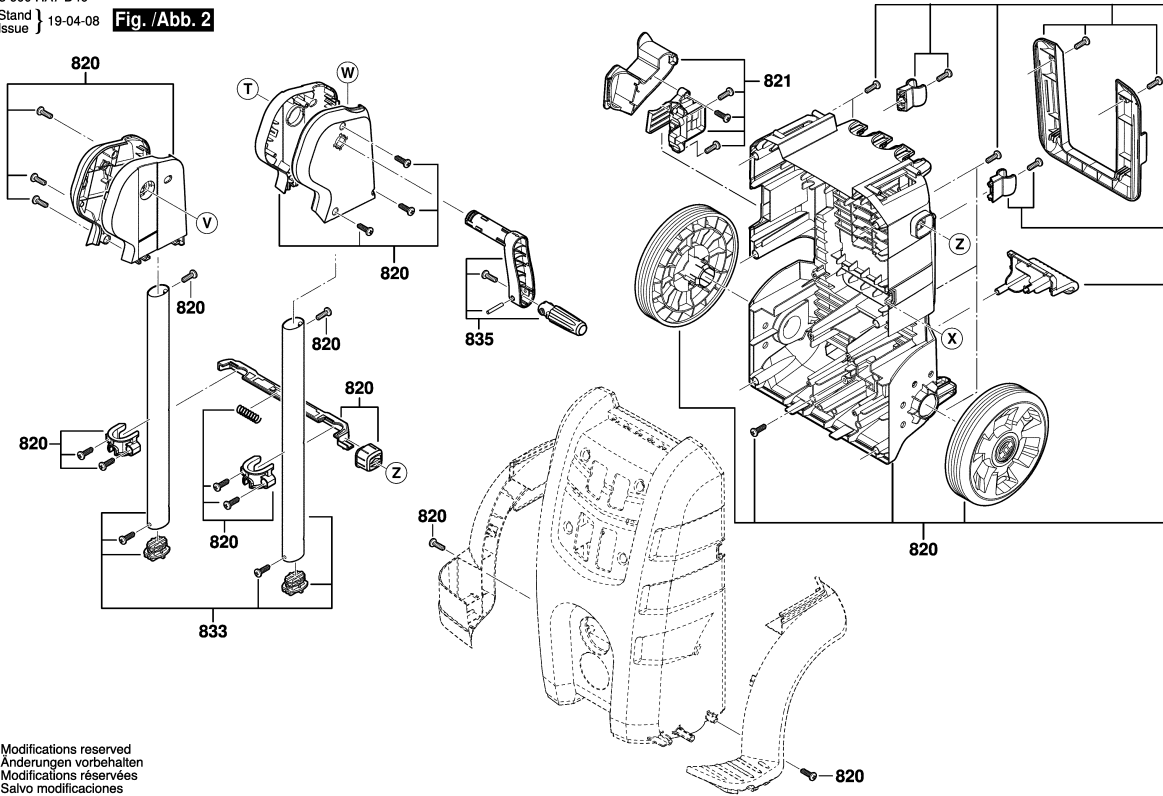
Model: 3 600 HA7 DF0 = 230 Date:

Item	Pc	Order no.	Description	LP in INR	Item	Pc	Order no.	Description	LP in INR
801	1	F 016 F04 644	Motor .	5.922,00	859	1	F 016 F04 651	Connector .	3.816,00
808	1	F 016 F05 356	Nameplate .		860	1	F 016 F04 652	Motor cover .	342,00
809	1	F 016 F05 436	Warning Label .		861	1	F 016 F04 636	Switch Box .	2.033,00
810	42	F 016 F04 810	Torx SH cap screw .	43,00	862	1	F 016 F04 639	Power supply cord IND .	1.115,00
811	1	F 016 F05 357	front cover .	1.745,00	863	1	F 016 F04 613	Switch Actuator .	953,00
812	1	F 016 F04 616	front cover .	249,00	864	1	F 016 L73 871	Clip .	361,00
813	1	F 016 F04 617	front cover .	230,00	865	1	F 016 F05 184	Capacitor .	452,00
814	1	F 016 F05 358	front cover .	624,00	866	1	F 016 F04 646	Bearing set .	337,00
820	1	F 016 F04 623	Cover .	2.673,00	870	1	F 016 F04 458	Seal Kit .	234,00
821	1	F 016 F05 359	Cover .	636,00	871	1	F 016 F05 512	Trigger .	1.417,00
833	1	F 016 F05 104	Handle .	953,00	872	1	F 016 F05 281	Lance .	548,00
835	1	F 016 F04 649	Set Of Handles .	398,00	874	1	F 016 F05 361	Wide Angle Nozzle WHITE	249,00
836	1	F 016 F04 666	Hose Reel Carrier .	1.722,00	875	1	F 016 F05 362	Nozzle WHITE	444,00
843	1	F 016 F05 402	O-Ring .	46,00	879	1	F 016 F05 279	Bottle .	323,00
844	1	3 600 HA7 D40	High Pressure Cleaner .		880	1	F 016 F05 560	Nozzle Durchmesser 1,10	
844	1	F 016 F05 403	O-Ring Kit .	58,00	883	1	F 016 F04 667	High-Pressure Hose 8m .	1.529,00
847	1	F 016 F05 046	Wobble Plate .	649,00	884	1	F 016 F05 492	Hose Coupling .	94,00
849	1	F 016 F05 360	High-Pressure Hose 0,4m .	1.121,00	888	1	F 016 F05 661	Water filter .	96,00
850	1	F 016 F04 459	O-Ring .	239,00					
851	1	F 016 F04 643	Pump head .	1.045,00					
852	1	F 016 F04 642	Piston Guide .	705,00					
853	1	F 016 F04 440	Pump unit .	557,00					
856	1	F 016 F04 460	Non-Return Valve .	237,00					
858	1	F 016 F04 627	Pump Mounting .	206,00					

Please observe: Repairing, modifying and testing of electro-tools are to be performed professionally. The safety regulations according to IEC, EN, VDE, AFNOR and other regulations of the individual countries are to be observed. Subject to change.  
This price list supersedes all previous edition. Prices are subjected to change without any prior notice.

3 600 HA7 D40  
Stand  
Issue } 19-04-08

**Fig. /Abb. 2**



Modifications reserved  
Änderungen vorbehalten  
Modifications réservées  
Salvo modificaciones

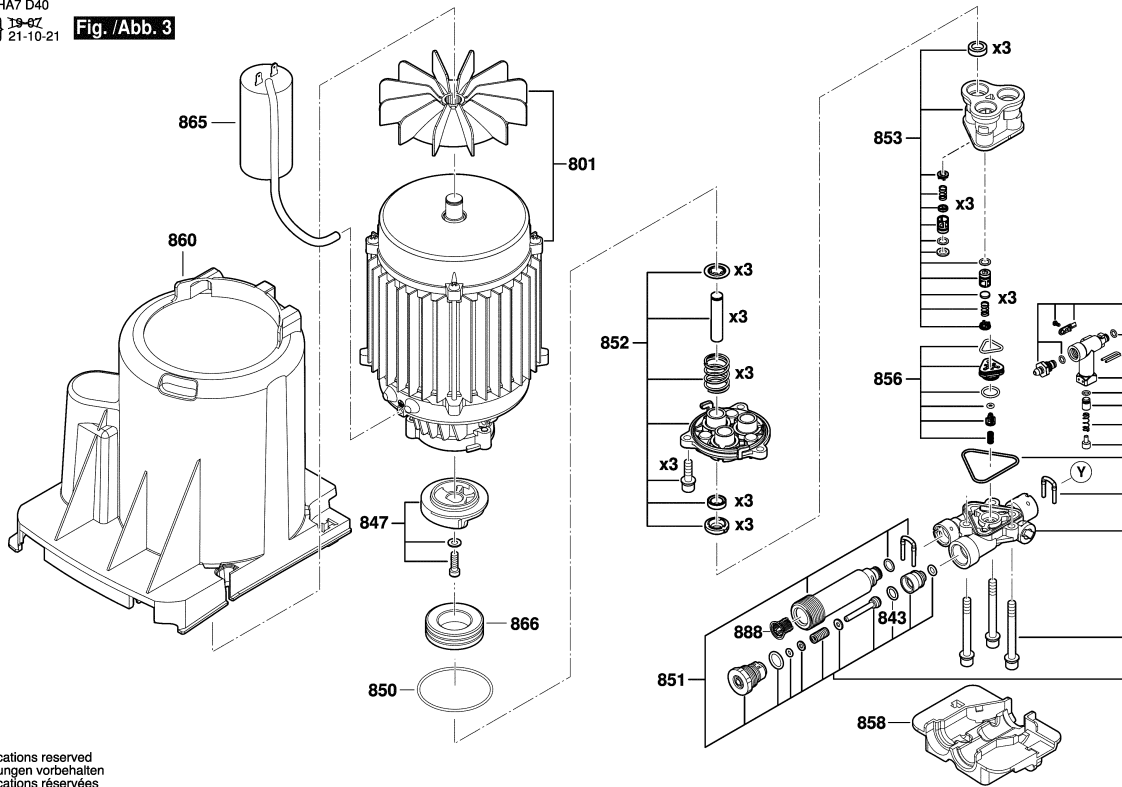
Model: 3 600 HA7 DF0 = 230

Date:

Item	Pc	Order no.	Description	LP in INR	Item	Pc	Order no.	Description	LP in INR

Please observe: Repairing, modifying and testing of electro-tools are to be performed professionally. The safety regulations according to IEC, EN, VDE, AFNOR and other regulations of the individual countries are to be observed. Subject to change.  
This price list supersedes all previous edition. Prices are subjected to change without any prior notice.

3 600 HA7 D40  
Stand | 19-02  
Issue | 21-10-21 **Fig. /Abb. 3**



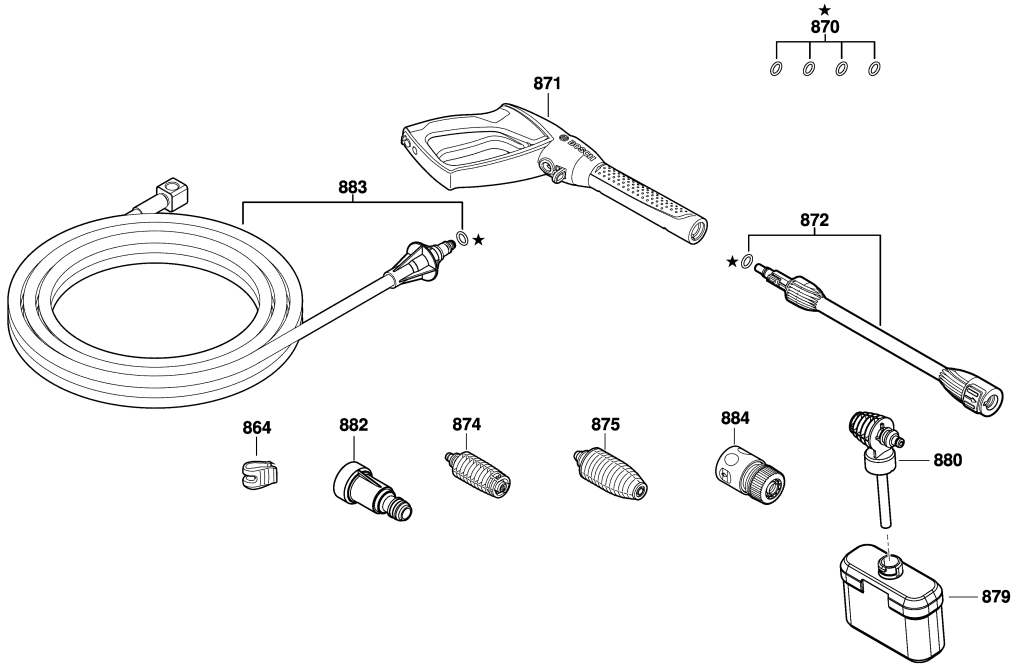
Modifications reserved  
Änderungen vorbehalten  
Modifications réservées  
Salvo modificaciones

Model: 3 600 HA7 DF0 = 230 Date:

Item	Pc	Order no.	Description	LP in INR	Item	Pc	Order no.	Description	LP in INR

Please observe: Repairing, modifying and testing of electro-tools are to be performed professionally. The safety regulations according to IEC, EN, VDE, AFNOR and other regulations of the individual countries are to be observed. Subject to change.  
This price list supersedes all previous edition. Prices are subjected to change without any prior notice.

3 600 HA7 D40  
Stand 19-08  
Issue J 21-10-21 **Fig. /Abb. 4**



Modifications reserved  
Änderungen vorbehalten  
Modifications réservées  
Salvo modificaciones

Model: 3 600 HA7 DF0 = 230

Date:

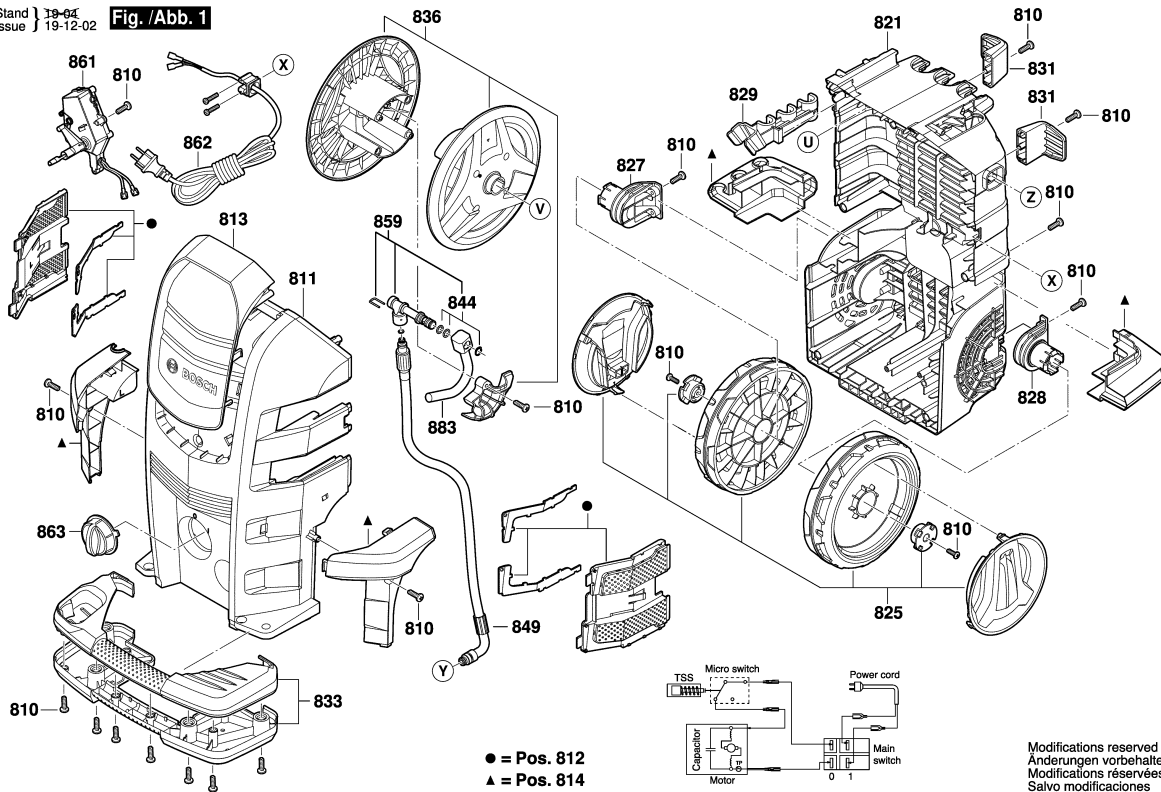
Item	Pc	Order no.	Description	LP in INR	Item	Pc	Order no.	Description	LP in INR

Please observe: Repairing, modifying and testing of electro-tools are to be performed professionally. The safety regulations according to IEC, EN, VDE, AFNOR and other regulations of the individual countries are to be observed. Subject to change. This price list supersedes all previous edition. Prices are subjected to change without any prior notice.



3 600 HA7 740  
Stand | 19-04  
Issue | 19-12-02

**Fig. /Abb. 1**

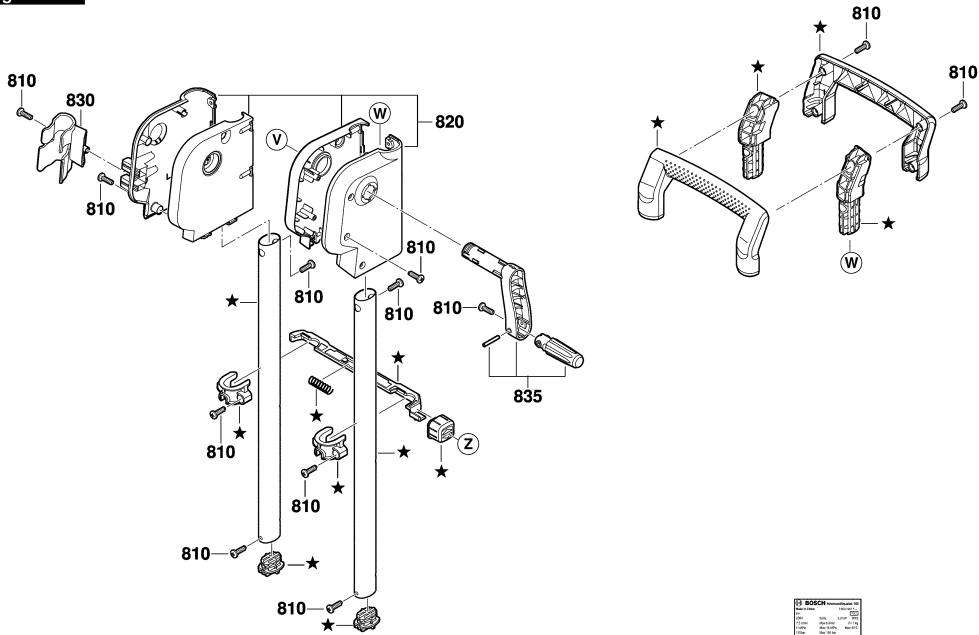


Model: 3 600 HA7 7F0 = 230

Date:

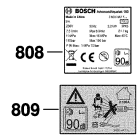
Item	Pc	Order no.	Description	LP in INR	Item	Pc	Order no.	Description	LP in INR
801	1	F 016 F05 476	Motor .	10.091,00	848	4	F 016 F05 477	Washer .	550,00
808	1	F 016 L73 831	Nameplate .		849	1	F 016 F05 511	High-Pressure Hose .	1.141,00
809	1	F 016 F05 437	Warning Label .		850	1	F 016 F05 454	Seal Kit .	36,00
810	47	F 016 F04 810	Torx SH cap screw .	43,00	851	1	F 016 F05 465	Pump head .	293,00
811	1	F 016 F05 452	front cover .	2.094,00	852	1	F 016 F04 947	Piston Guide .	921,00
812	1	F 016 F05 453	front cover .	2.094,00	853	1	F 016 F05 463	Pump unit .	668,00
813	1	F 016 F05 455	front cover .	694,00	856	1	F 016 F05 464	Non-Return Valve .	233,00
814	1	F 016 F05 457	front cover .	638,00	859	1	F 016 F04 651	Connector .	3.816,00
820	1	F 016 F05 466	Cover .	389,00	860	1	F 016 F05 451	Motor cover .	611,00
821	1	F 016 F05 472	Cover .	1.431,00	861	1	F 016 F05 460	Switch Box .	721,00
822	1	F 016 F05 475	Cover .	168,00	862	1	F 016 F05 482	Power supply cord .	1.388,00
825	1	F 016 F05 469	Wheel .	554,00	863	1	F 016 F04 805	Switch Actuator .	1.274,00
827	1	F 016 F05 470	Axle .	81,00	864	1	F 016 L73 871	Clip .	361,00
828	1	F 016 F05 473	Axle .	69,00	865	1	F 016 F05 184	Capacitor .	452,00
829	1	F 016 F05 458	Hook .	361,00	866	1	F 016 F05 478	Bearing set .	400,00
830	1	F 016 F05 471	Hook .	61,00	867	1	F 016 F05 479	Fan .	389,00
831	2	F 016 F05 474	Hook .	61,00	868	4	F 016 F05 459	Cap .	361,00
833	1	F 016 F05 456	Handle .	389,00	870	1	F 016 F04 458	Seal Kit .	234,00
834	1	F 016 F05 467	Handle .	1.141,00	871	1	F 016 F05 512	Trigger .	1.417,00
835	1	F 016 F04 649	Set Of Handles .	398,00	872	1	F 016 F05 281	Lance .	548,00
836	1	F 016 F05 468	Hose Reel Carrier .	320,00	874	1	F 016 F05 493	Fixed fan jet nozzle 60°	380,00
843	1	F 016 F05 402	O-Ring .	46,00	877	1	F 016 F05 494	Vario Jet Fan Lance .	543,00
844	1	F 016 F05 403	O-Ring Kit .	58,00	878	1	F 016 F05 495	Roto Jet Fan Lance .	499,00
847	1	F 016 F05 462	Wobble Plate .	191,00	879	1	F 016 F05 279	Bottle .	323,00

3 600 HA7 740  
Stand 19-04-15  
Issue } **Fig. /Abb. 2**



Modifications reserved  
Änderungen vorbehalten  
Modifications réservées  
Salvo modificaciones

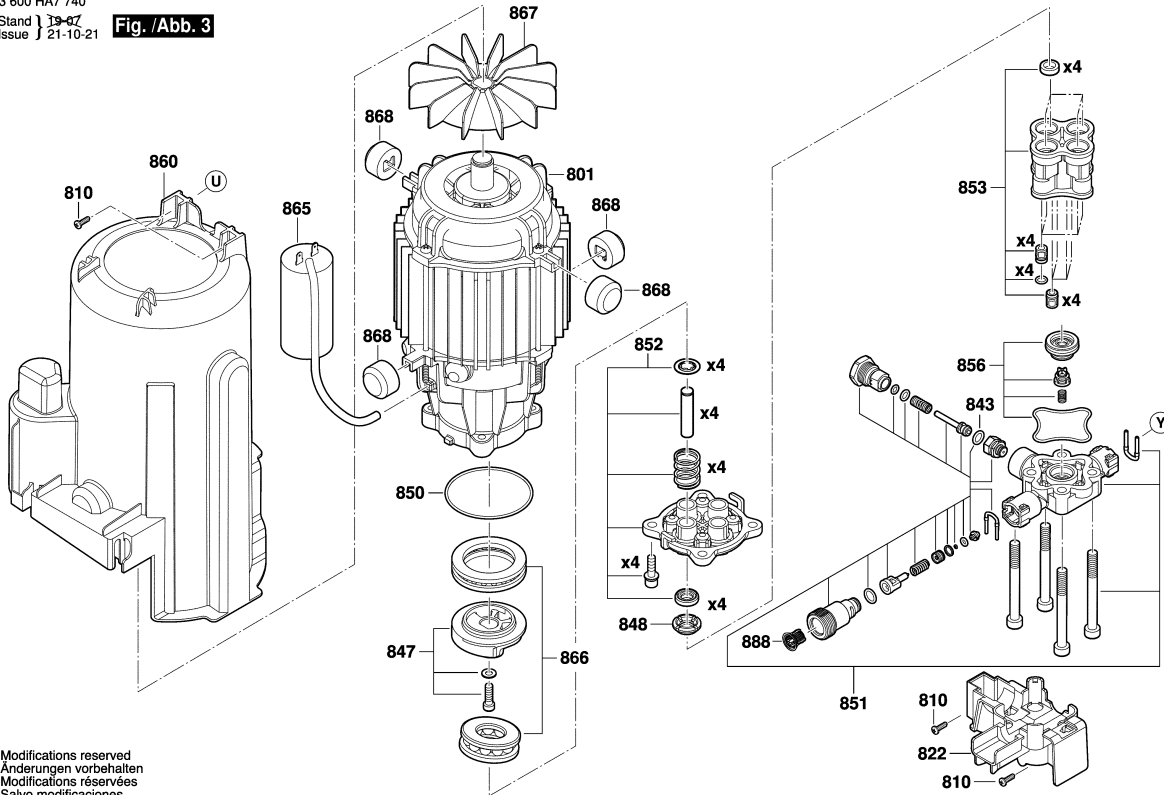
★ = Pos. 834



Model: 3 600 HA7 7F0 = 230					Date:				
Item	Pc	Order no.	Description	LP in INR	Item	Pc	Order no.	Description	LP in INR
880	1	F 016 F05 555	Nozzle .	363,00					
883	1	F 016 F04 667	High-Pressure Hose 8m .	1.529,00					
884	1	F 016 F05 492	Hose Coupling .	94,00					
888	1	F 016 F05 661	Water filter .	96,00					

Please observe: Repairing, modifying and testing of electro-tools are to be performed professionally. The safety regulations according to IEC, EN, VDE, AFNOR and other regulations of the individual countries are to be observed. Subject to change. This price list supersedes all previous edition. Prices are subjected to change without any prior notice.

3 600 HA7 740  
Stand 1 19-07  
Issue J 21-10-21 **Fig. /Abb. 3**



Modifications reserved  
Änderungen vorbehalten  
Modifications réservées  
Salvo modificaciones

3 / 4

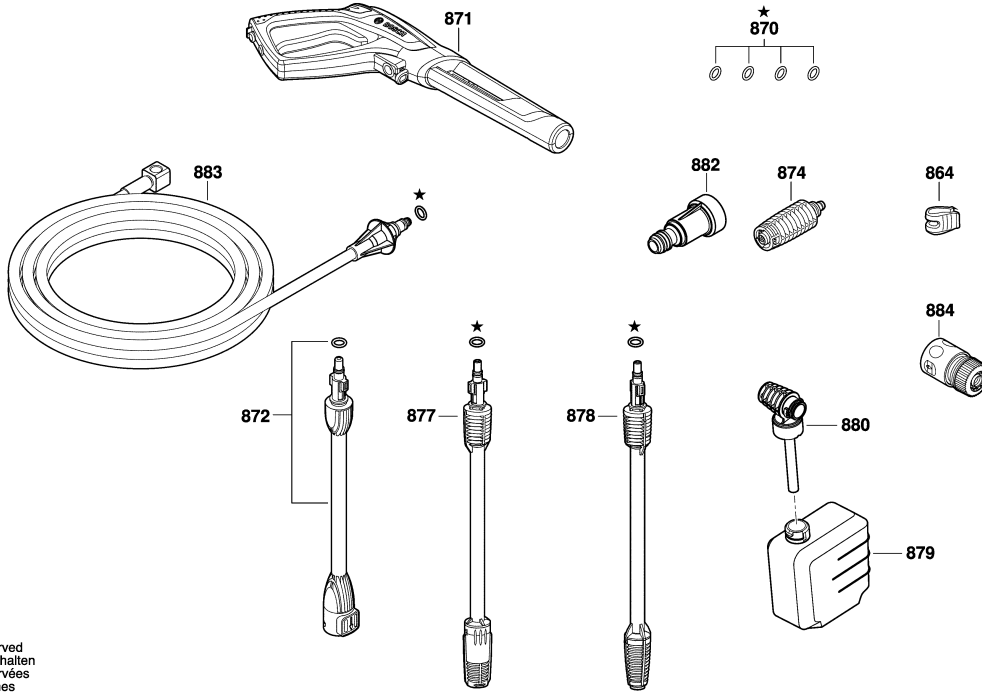
Model: 3 600 HA7 7F0 = 230

Date:

Item	Pc	Order no.	Description	LP in INR

Item	Pc	Order no.	Description	LP in INR

3 600 HA7 740  
Stand | 19-07  
Issue | 21-10-21 Fig. /Abb. 4



Modifications reserved  
Änderungen vorbehalten  
Modifications réservées  
Salvo modificaciones

4 / 4

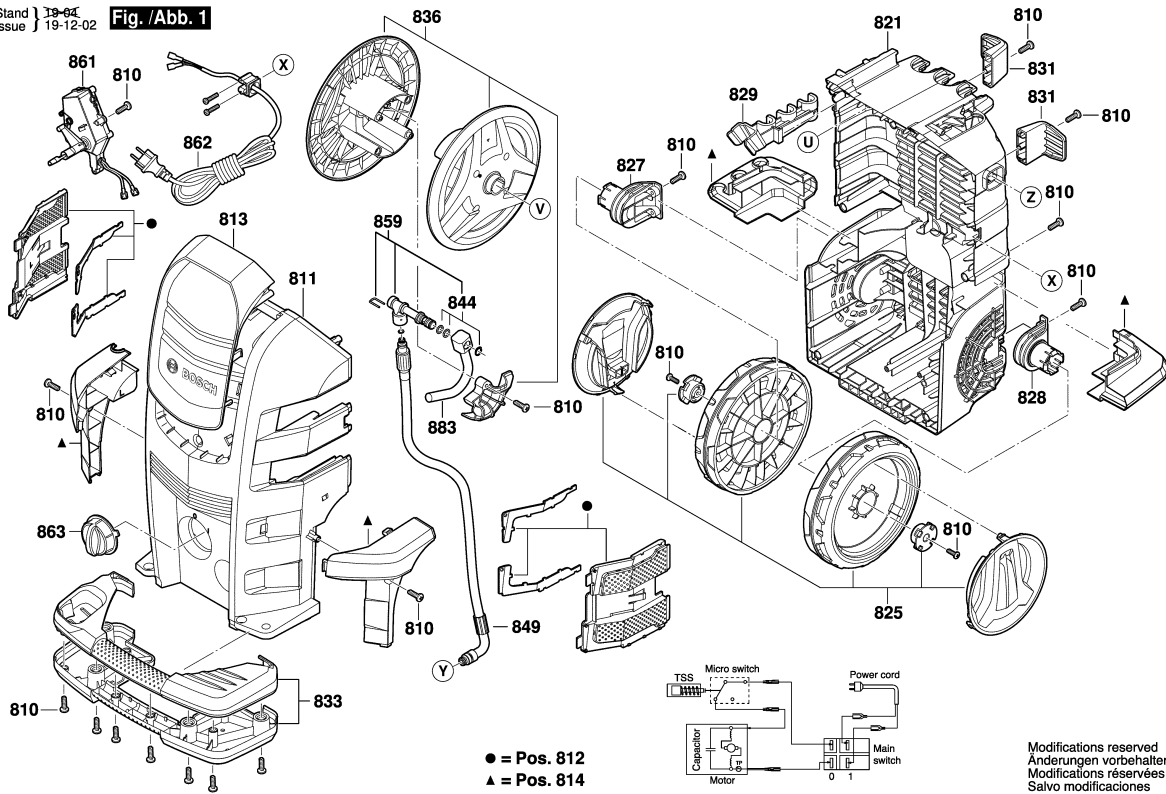
Model: 3 600 HA7 7F0 = 230 Date:

Item	Pc	Order no.	Description	LP in INR	Item	Pc	Order no.	Description	LP in INR

Please observe: Repairing, modifying and testing of electro-tools are to be performed professionally. The safety regulations according to IEC, EN, VDE, AFNOR and other regulations of the individual countries are to be observed. Subject to change. This price list supersedes all previous edition. Prices are subjected to change without any prior notice.

3 600 HA7 840  
Stand 19-04  
Issue 19-12-02

**Fig. /Abb. 1**



Modifications reserved  
Änderungen vorbehalten  
Modifications réservées  
Salvo modificaciones

Model: 3 600 HA7 8F0 = 230

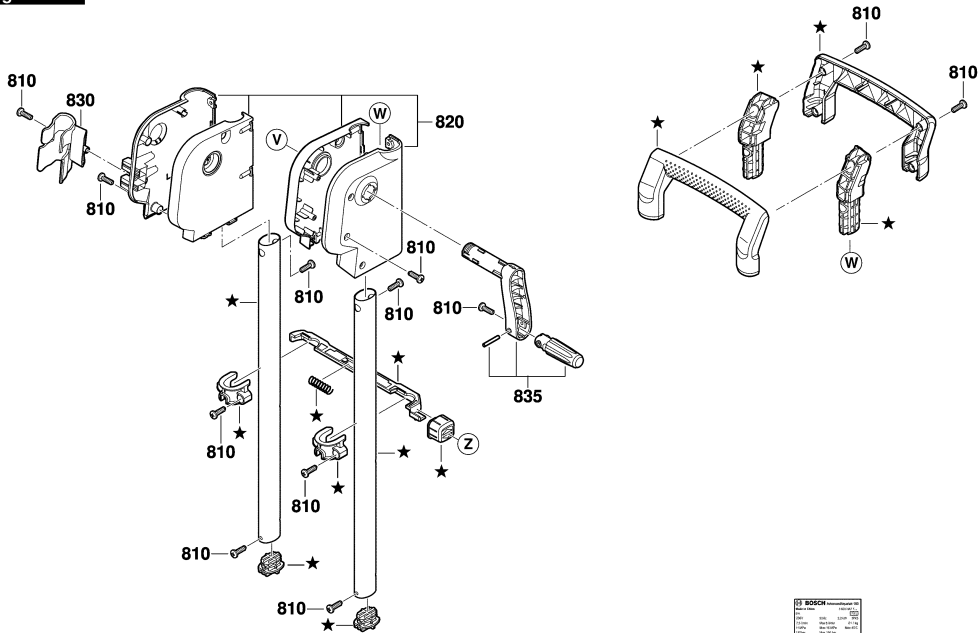
Date:

Item	Pc	Order no.	Description	LP in INR	Item	Pc	Order no.	Description	LP in INR
801	1	F 016 F05 487	Motor .	11.046,00	847	1	F 016 F05 486	Wobble Plate .	249,00
808	1	F 016 F05 102	Nameplate .		848	4	F 016 F05 488	Washer .	751,00
809	1	F 016 F05 438	Warning Label .		849	1	F 016 F05 511	High-Pressure Hose .	1.141,00
810	47	F 016 F04 810	Torx SH cap screw .	43,00	850	1	F 016 F05 454	Seal Kit .	36,00
811	1	F 016 F05 452	front cover .	2.094,00	851	1	F 016 F05 465	Pump head .	293,00
812	1	F 016 F05 483	front cover .		852	1	F 016 F04 947	Piston Guide .	921,00
813	1	F 016 F05 562	front cover .		853	1	F 016 F05 463	Pump unit .	668,00
814	1	F 016 F05 457	front cover .	638,00	856	1	F 016 F05 464	Non-Return Valve .	233,00
820	1	F 016 F05 466	Cover .	389,00	859	1	F 016 F04 651	Connector .	3.816,00
821	1	F 016 F05 472	Cover .	1.431,00	860	1	F 016 F04 946	Motor cover .	554,00
822	1	F 016 F05 475	Cover .	168,00	861	1	F 016 F05 460	Switch Box .	721,00
825	1	F 016 F05 469	Wheel .	554,00	862	1	F 016 F05 490	Power supply cord .	
827	1	F 016 F05 470	Axle .	81,00	863	1	F 016 F04 805	Switch Actuator .	1.274,00
828	1	F 016 F05 473	Axle .	69,00	864	1	F 016 F05 501	Clip .	
829	1	F 016 F05 458	Hook .	361,00	865	1	F 016 F05 185	Capacitor .	674,00
830	1	F 016 F05 471	Hook .	61,00	866	1	F 016 F05 478	Bearing set .	400,00
831	2	F 016 F05 474	Hook .	61,00	867	1	F 016 F05 479	Fan .	389,00
833	1	F 016 F05 456	Handle .	389,00	868	4	F 016 F05 459	Cap .	361,00
834	1	F 016 F05 467	Handle .	1.141,00	870	1	F 016 F04 458	Seal Kit .	234,00
835	1	F 016 F04 649	Set Of Handles .	398,00	871	1	F 016 F05 512	Trigger .	1.417,00
836	1	F 016 F05 468	Hose Reel Carrier .	320,00	872	1	F 016 F05 281	Lance .	548,00
843	1	F 016 F05 402	O-Ring .	46,00	874	1	F 016 F05 496	Fixed fan jet nozzle 60°	894,00
844	1	F 016 F05 403	O-Ring Kit .	58,00	877	1	F 016 F05 498	Vario Jet Fan Lance .	894,00
846	4	F 016 F05 502	Washer .		878	1	F 016 F05 499	Roto Jet Fan Lance .	921,00

3 600 HA7 840

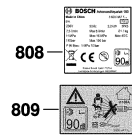
Stand Issue } 19-04-15

**Fig. /Abb. 2**



★ = Pos. 834

Modifications reserved  
Änderungen vorbehalten  
Modifications réservées  
Salvo modificaciones



2 / 4

Model: 3 600 HA7 8F0 = 230 Date:

Item	Pc	Order no.	Description	LP in INR	Item	Pc	Order no.	Description	LP in INR
879	1	F 016 F05 279	Bottle .	323,00					
880	1	F 016 F05 555	Nozzle .	363,00					
883	1	F 016 F05 510	High-Pressure Hose .	3.054,00					
884	1	F 016 F05 492	Hose Coupling .	94,00					
888	1	F 016 F05 661	Water filter .	96,00					

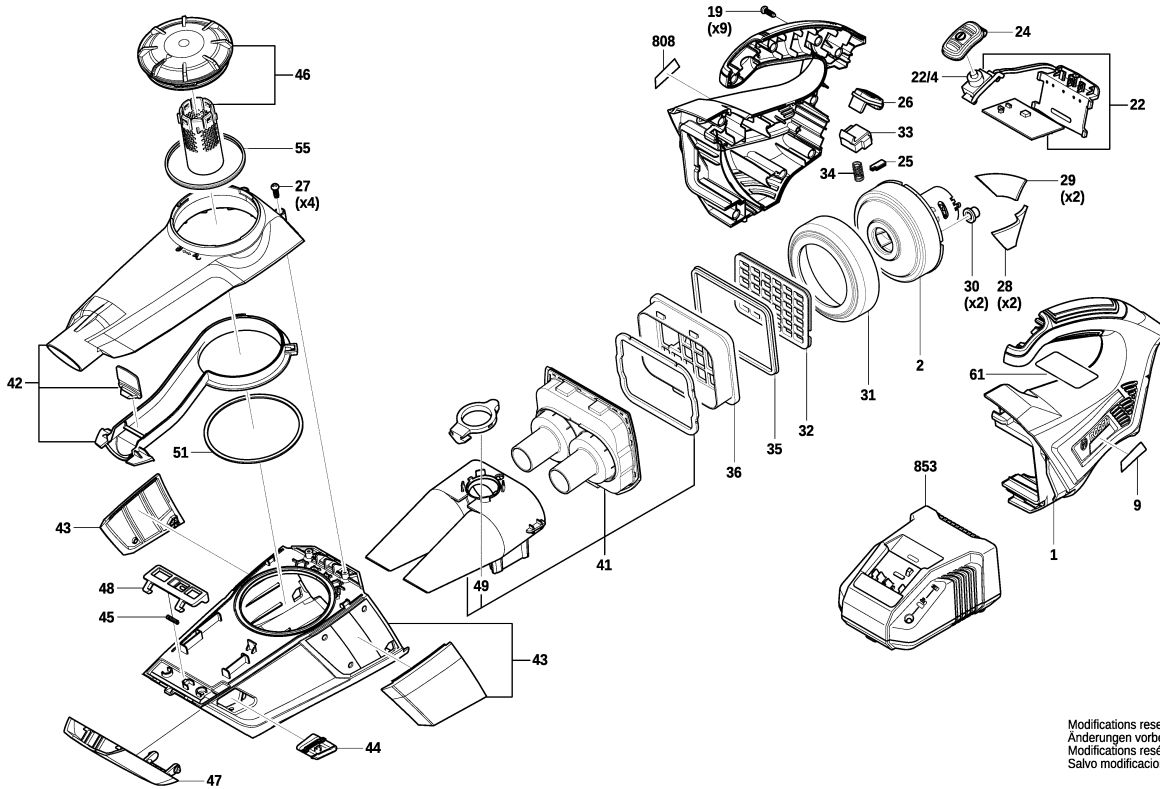
Please observe: Repairing, modifying and testing of electro-tools are to be performed professionally. The safety regulations according to IEC, EN, VDE, AFNOR and other regulations of the individual countries are to be observed. Subject to change. This price list supersedes all previous edition. Prices are subjected to change without any prior notice.







3 601 JC6 200  
Issue } 18-07-02  
Stand } **Fig./Abb. 1**



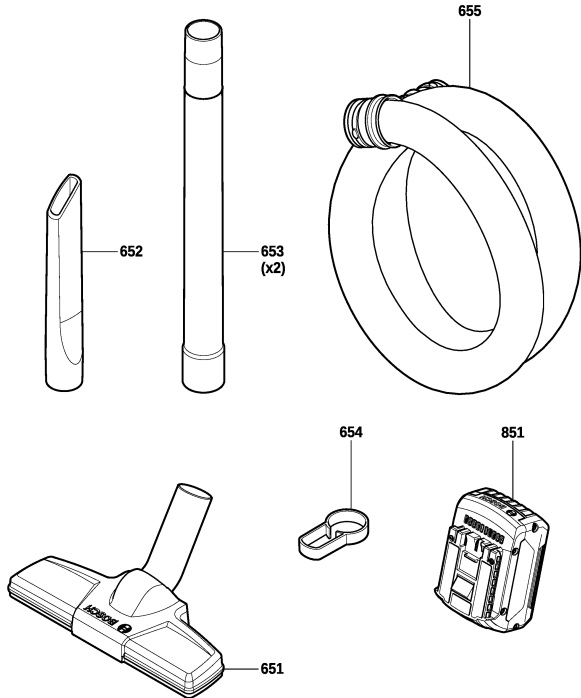
Modifications reserved  
Änderungen vorbehalten  
Modifications réservées  
Salvo modificaciones

1 / 2

Model: 3 601 JC6 2L0 = 18 Date:

Item	Pc	Order no.	Description	LP in INR	Item	Pc	Order no.	Description	LP in INR
1	1	1 619 PB2 076	Motor Housing .	926,00	46	1	1 619 PB2 101	Cover .	58,00
2	1	1 619 PB2 077	DC motor .	1.128,00	47	1	1 619 PB2 095	front cover .	123,00
9	1	1 619 PB2 065	Manufacturer's nameplate		48	1	1 619 PB2 096	Sliding Block .	27,00
19	9	1 619 PB2 078	Tapping Screw .	27,00	49	1	1 619 PB2 097	Seal .	27,00
22	1	1 619 PB0 706	Electronic Module .	1.228,00	51	1	1 619 PB2 098	Sealing Ring .	27,00
22/4	1	2 607 202 358	On-Off Switch .	444,00	55	1	1 619 PB2 100	Sealing Ring .	27,00
24	1	1 619 PB2 079	Switch Button .	48,00	651	1	1 619 PA9 899	floor nozzle .	283,00
25	1	1 619 PB2 080	Seal .	27,00	652	1	1 619 PA9 897	Crevice Nozzle .	27,00
26	1	1 619 PB2 081	Push-Button .	27,00	653	1	1 619 PA9 898	Suction Tube .	56,00
27	4	1 619 PB2 082	Tapping Screw .	27,00	654	1	1 619 PB2 102	Holder .	27,00
28	2	1 619 PB2 083	Sponge .	27,00	655	1	1 619 PB2 039	Hose .	80,00
29	2	1 619 PB2 084	Sponge .	27,00	808	1	1 619 PB2 156	Nameplate .	
30	1	1 619 PB2 085	Rubber Pad .	27,00	851	1	1 607 A35 0BZ	Battery Pack EU GBA 18V	
31	1	1 619 PB2 086	Sealing Cover .	42,00	851	1	1 607 A35 0BZ	Battery Pack EU GBA 18V	
32	1	1 619 PB2 087	Grid .	27,00	851	1	1 607 A35 0BG	Battery Pack EU GBA 18V	
33	1	1 619 PB2 088	Stop Block .	27,00	851	1	1 607 A35 0B2	Battery Pack 18V 3.0Ah Li	
34	1	1 619 PB2 089	Contact strap .	27,00	851	1	2 607 336 815	Battery Pack BBS MR 18V,	10.804,00
35	1	1 619 PB2 090	Sealing Ring .	27,00	851	1	2 607 337 069	Battery Pack BBS MR,	
36	1	1 619 PB2 034	Filter .	244,00	851	1	2 607 337 263	Battery Pack GBA 18V 6.0	
41	1	1 619 PB2 091	Dust Separator .	271,00	851	1	1 607 A35 0AT	Battery Pack GBA 18V	
42	1	1 619 PB2 099	Inlet Cover .	192,00	851	1	1 607 A35 0F7	Battery Pack GBA 18V	
43	1	1 619 PB2 092	Dust Chamber .	479,00	853	1	2 607 225 439	Fast Charger CN	
44	1	1 619 PB2 093	Button .	27,00	853	1	2 607 225 937	Charger CN GAL 1880 CV	
45	1	1 619 PB2 094	Contact strap .	27,00					

3 601 JC6 200  
Issue 17-06-22  
Stand Fig./Abb. 2



Modifications reserved  
Änderungen vorbehalten  
Modifications réservées  
Salvo modificaciones

Model: 3 601 JC6 2L0 = 18

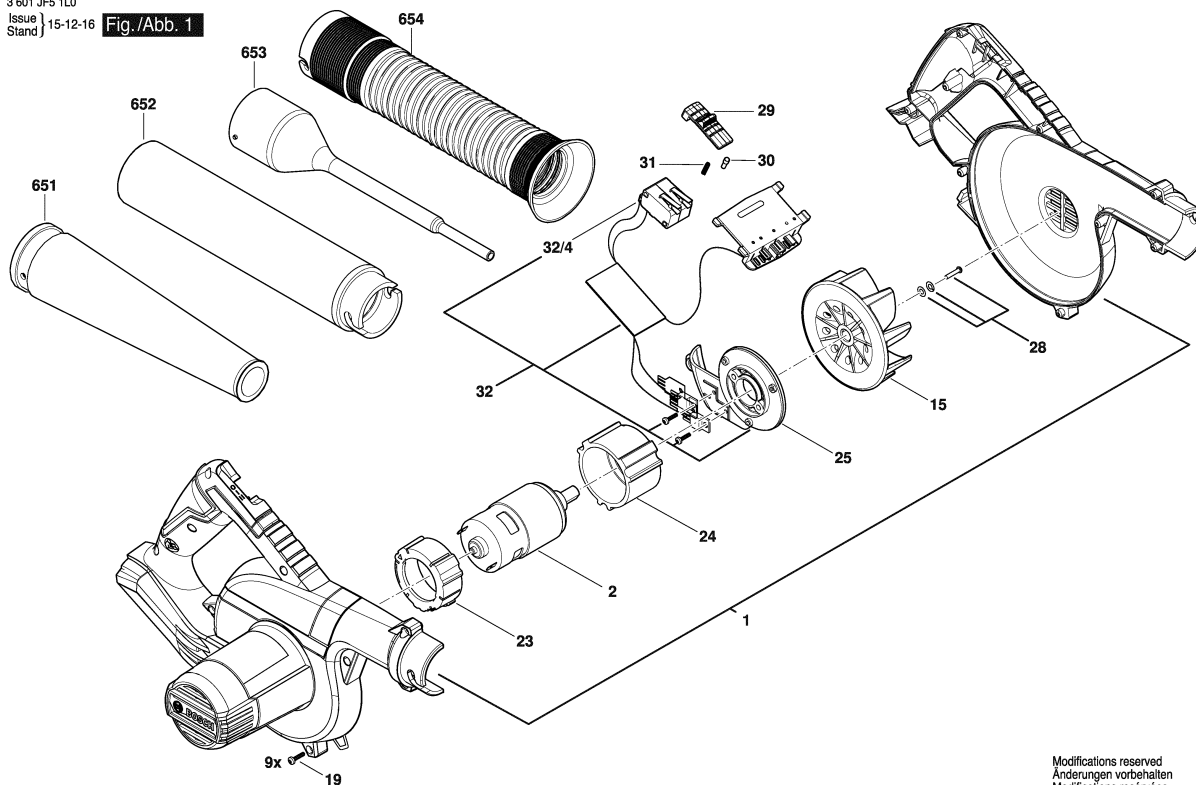
Date:

Item	Pc	Order no.	Description	LP in INR	Item	Pc	Order no.	Description	LP in INR

Please observe: Repairing, modifying and testing of electro-tools are to be performed professionally. The safety regulations according to IEC, EN, VDE, AFNOR and other regulations of the individual countries are to be observed. Subject to change. This price list supersedes all previous edition. Prices are subjected to change without any prior notice.

3 601 JF5 1L0  
Issue } 15-12-16  
Stand }

Fig./Abb. 1



Modifications reserved  
Änderungen vorbehalten  
Modifications réservées  
Salvo modificaciones

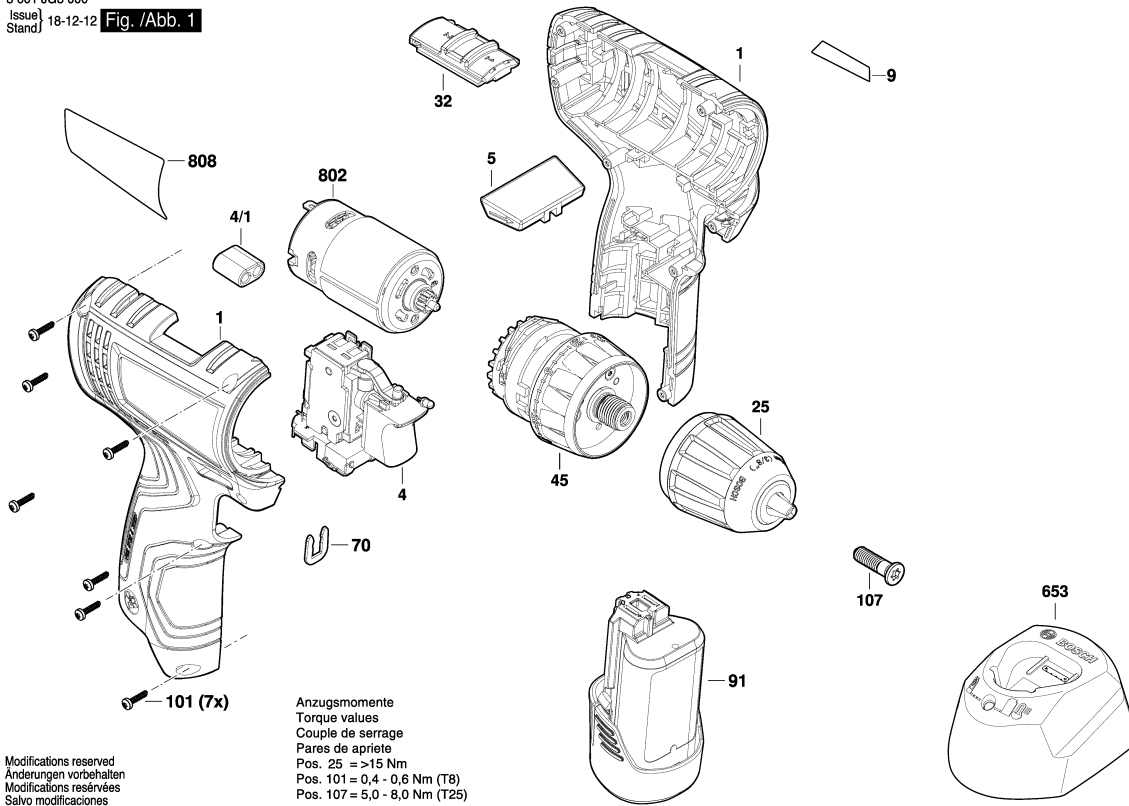
1 / 1

Model: 3 601 JF5 1L0 = 18 Date:

Item	Pc	Order no.	Description	LP in INR	Item	Pc	Order no.	Description	LP in INR
1	1	1 619 PA9 070	Motor Housing .	1.320,00					
2	1	1 619 PA9 071	DC motor .	1.639,00					
15	1	1 619 PA9 073	Fan .	304,00					
19	1	1 619 PA9 074	Tapping Screw 13 x .	35,00					
23	1	1 619 PA9 075	Motor Cradle .	178,00					
24	1	1 619 PA9 076	Motor Cradle .	228,00					
28	1	1 619 PA9 080	Pan head screw .	28,00					
29	1	1 619 PA9 081	Switch Slide .	46,00					
30	1	1 619 PA9 082	Guide Pin .	62,00					
31	1	1 619 PA9 083	Contact strap .	62,00					
32	1	1 619 PA9 085	Electronics Module .	1.962,00					
32/4	2	2 607 202 322	On-Off Switch .	436,00					
651	1	1 619 PA9 087	Nozzle .	279,00					
652	1	1 619 PA9 088	Extension Tube .	252,00					
653	1	1 619 PA9 089	Nozzle .	279,00					
654	1	1 619 PA9 228	Flexible Connection .	389,00					

Please observe: Repairing, modifying and testing of electro-tools are to be performed professionally. The safety regulations according to IEC, EN, VDE, AFNOR and other regulations of the individual countries are to be observed. Subject to change.  
This price list supersedes all previous edition. Prices are subjected to change without any prior notice.

3 601 JG8 000  
Issue/Stand 18-12-12 Fig./Abb. 1



Modifications reserved  
Änderungen vorbehalten  
Modifications réservées  
Salvo modificaciones

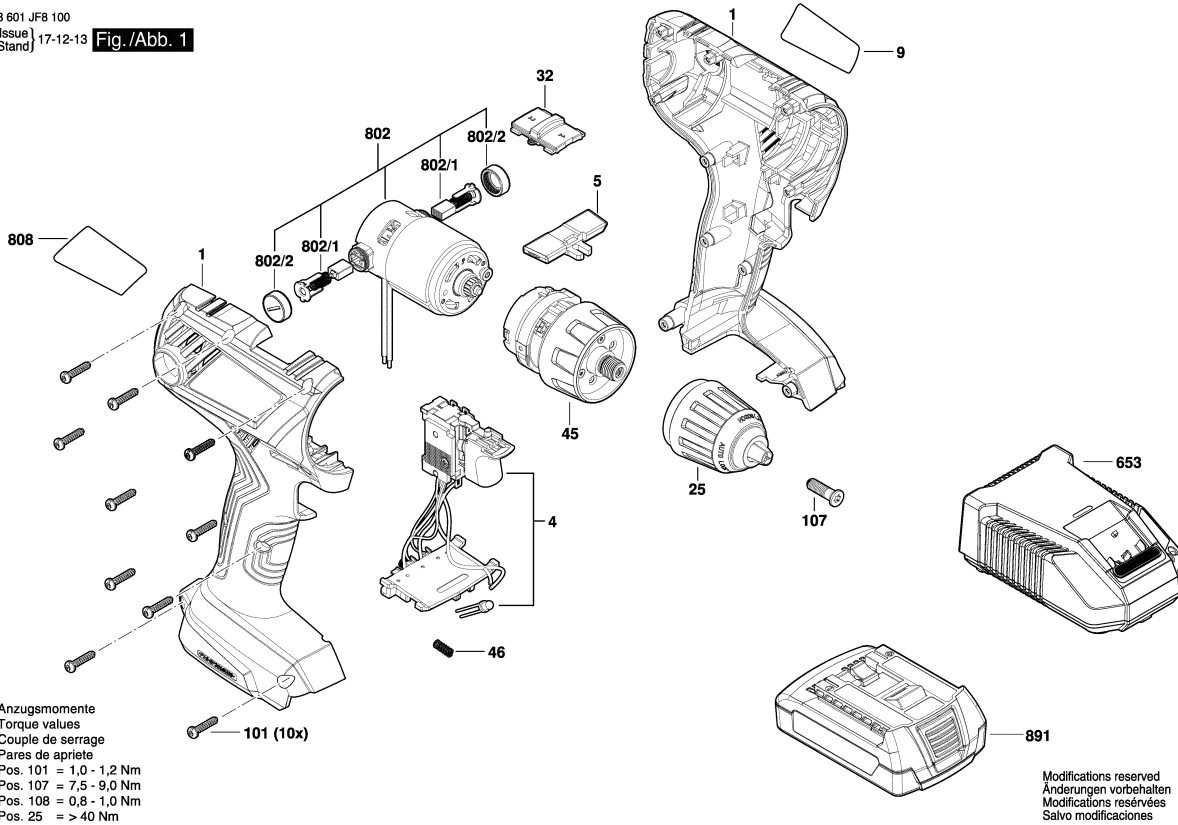
1 / 1

Model: 3 601 JG8 080 = 12

Date:

Item	Pc	Order no.	Description	LP in INR	Item	Pc	Order no.	Description	LP in INR
1	1	1 605 806 5M0	Housing .	306,00					
4	1	2 607 202 520	Switch Assembly .	913,00					
4/1	1	1 607 502 694	Ferrite .	29,00					
5	1	1 600 A01 6SU	Changeover Lever .	29,00					
9	1	1 601 11C 2UV	Manufacturer's nameplate .						
25	1	1 600 A01 03S	Keyless Chuck .	696,00					
32	1	2 609 199 279	Switchover Unit .	120,00					
45	1	1 600 A01 2MN	Gear Box .	1.156,00					
70	1	2 609 110 838	Clip .	27,00					
91	1	1 607 A35 0C5	Battery Pack GBA 12V						
91	1	1 607 A35 0C9	Battery Pack GBA 10.8V						
91	1	1 607 A35 0DY	Battery Pack GBA 12V						
101	7	2 609 111 496	Screw .	35,00					
107	1	2 603 421 229	Countersunk-Head Screw	49,00					
653	1	1 600 A00 HR1	Fast Charger EU GAL	938,00					
653	1	1 600 A00 HR3	Fast Charger GB GAL	947,00					
653	1	1 600 A00 HR0	Fast Charger CN GAL 1230						
653	1	2 607 226 195	Fast Charger GAL 12V-20						
653	1	2 607 226 189	Fast Charger GB GAL						
802	1	1 607 000 D7K	Motor Spare Parts Set .	525,00					
808	1	1 601 11A 6LE	Nameplate .						

3 601 JF8 100  
Issue 17-12-13  
Stand Fig./Abb. 1



Anzugsmomente  
Torque values  
Couple de serrage  
Pares de apriete  
Pos. 101 = 1,0 - 1,2 Nm  
Pos. 107 = 7,5 - 9,0 Nm  
Pos. 108 = 0,8 - 1,0 Nm  
Pos. 25 = > 40 Nm

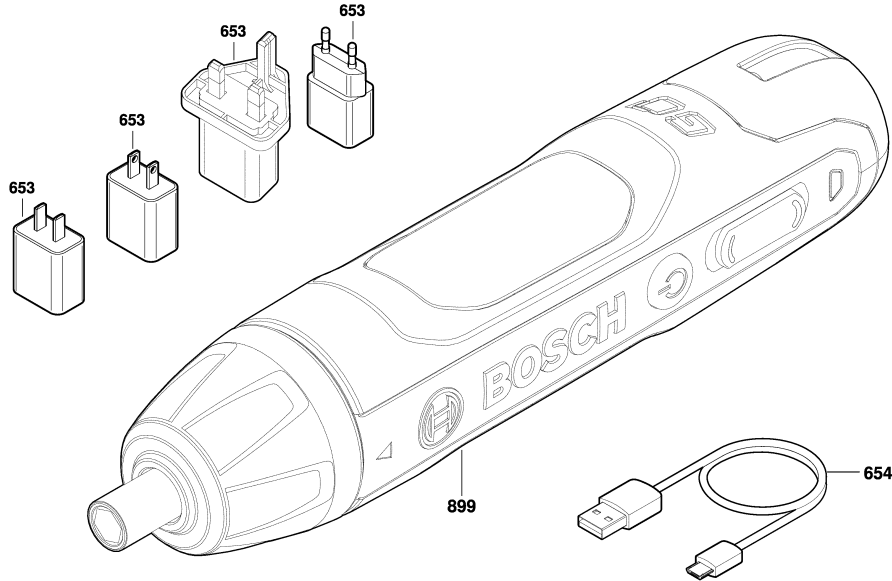
Modifications reserved  
Änderungen vorbehalten  
Modificaciones reservadas  
Salvo modificaciones

Model: 3 601 JF8 1K0 = 18 Date:

Item	Pc	Order no.	Description	LP in INR	Item	Pc	Order no.	Description	LP in INR
1	1	2 609 101 741	Housing .	524,00					
4	1	2 607 202 330	Electronics Module .	1.349,00					
5	1	2 609 101 484	Adjusting lever .	35,00					
9	1	2 609 138 606	Manufacturer's nameplate						
25	1	2 609 112 190	Keyless Chuck .	657,00					
32	1	2 609 199 812	Switchover Unit .	95,00					
45	1	1 600 A00 P8Z	Gear Box .	1.220,00					
46	1	1 609 280 477	Compression Spring .	48,00					
802	1	1 607 A35 0BG	Battery Pack EU GBA 18V						
101	10	2 609 110 201	Torx Flat-Head Screw 3x16	27,00					
107	1	2 603 421 229	Countersunk-Head Screw	49,00					
653	1	2 607 226 283	Fast Charger UK GAL						
653	1	2 607 226 537	Fast Charger IND GAL						
802	1	1 607 022 66N	DC motor 18V .	1.073,00					
802/1	1	1 607 000 CZ1	Carbon-Brush Set .	180,00					
802/2	1	2 609 199 049	Sealing cap .	259,00					
808	1	1 601 11A 6YN	Nameplate .						
891	1	1 607 A35 0BZ	Battery Pack EU GBA 18V						
891	1	1 607 A35 0BG	Battery Pack EU GBA 18V						

Please observe: Repairing, modifying and testing of electro-tools are to be performed professionally. The safety regulations according to IEC, EN, VDE, AFNOR and other regulations of the individual countries are to be observed. Subject to change. This price list supersedes all previous edition. Prices are subjected to change without any prior notice.

3 601 JH2 100  
Issue/Stand 21-05-06 Fig./Abb. 1



Modifications reserved  
Änderungen vorbehalten  
Modifications réservées  
Salvo modificaciones

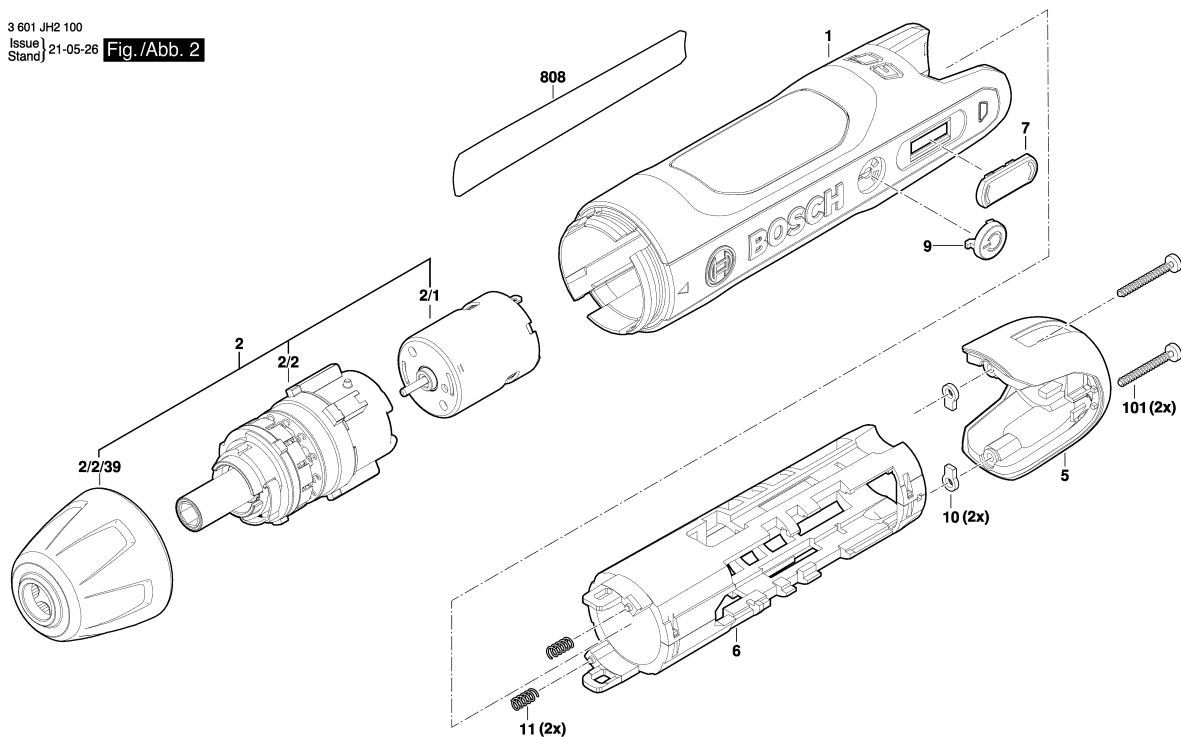
1 / 2

Model: 3 601 JH2 100 = 3.6 Date:

Item	Pc	Order no.	Description	LP in INR	Item	Pc	Order no.	Description	LP in INR
1	1	1 605 806 5W7	Housing .	301,00					
2	1	1 600 A01 B9G	drive module .	1.338,00					
2/1	1	1 607 022 66W	DC motor .	794,00					
2/2	1	1 600 A01 M8Z	Planetary Gear Train .	685,00					
2/2/39	1	1 600 A01 T91	Clutch Ring .	243,00					
5	1	1 605 806 5Y1	Cell Cover .	213,00					
6	1	1 600 A01 B9J	Cell cluster .	293,00					
7	1	1 600 A01 C8X	Change-Over Switch .	98,00					
9	1	1 600 A01 C7L	Button .	139,00					
10	2	1 600 A01 M4B	Clip .	77,00					
11	2	1 600 A01 RH6	Spring .	77,00					
101	2	1 600 A01 TA7	Pan head screw .	86,00					
653	1	2 609 120 713	Charger EU 100-240V 5V	266,00					
653	1	2 609 120 718	Charger GB 100-240V 5V						
653	1	1 607 000 CH1	Charger Asien 230/5V .	312,00					
653	1	1 600 A01 3A3	Charger Taiwan 3,6V .						
653	1	2 609 120 716	Charger KR 100-240V 5V						
654	1	1 607 000 CG9	USB cable .	107,00					
808	1	1 601 11A 75E	Nameplate .						
899	1	1 607 000 E6X	Cordless Drill Driver .						

Please observe: Repairing, modifying and testing of electro-tools are to be performed professionally. The safety regulations according to IEC, EN, VDE, AFNOR and other regulations of the individual countries are to be observed. Subject to change.  
This price list supersedes all previous edition. Prices are subjected to change without any prior notice.

3 601 JH2 100  
Issue Stand) 21-05-26 Fig./Abb. 2



Anzugsmomente  
Torque values  
Couple de serrage  
Pares de apriete  
Pos. 101 = 0,25 - 0,45 Nm

Modifications reserved  
Änderungen vorbehalten  
Modifications réservées  
Salvo modificaciones

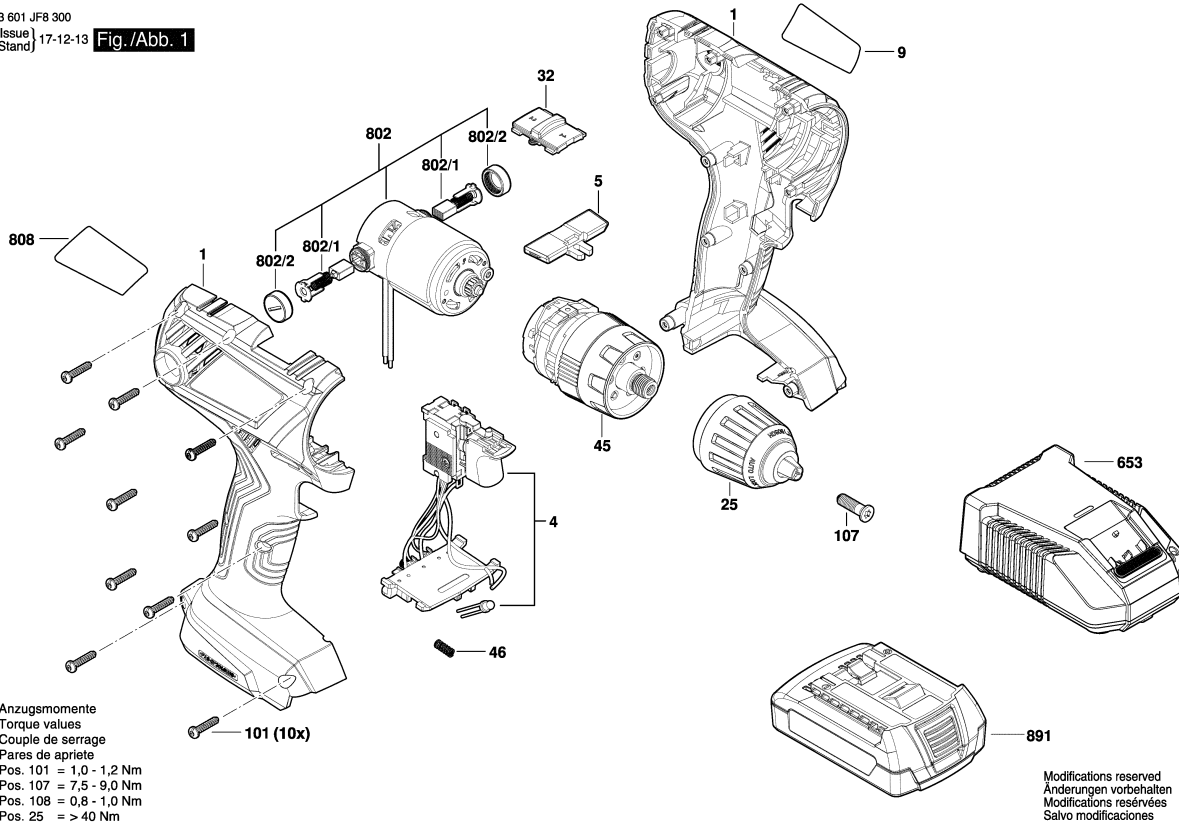
2 / 2

Model: 3 601 JH2 100 = 3.6 Date: \_\_\_\_\_

Item	Pc	Order no.	Description	LP in INR	Item	Pc	Order no.	Description	LP in INR

Please observe: Repairing, modifying and testing of electro-tools are to be performed professionally. The safety regulations according to IEC, EN, VDE, AFNOR and other regulations of the individual countries are to be observed. Subject to change.  
This price list supersedes all previous edition. Prices are subjected to change without any prior notice.

3 601 JF8 300  
Issue / Stand | 17-12-13 Fig./Abb. 1



1 / 1

Model: 3 601 JF8 3K0 = 18 Date:

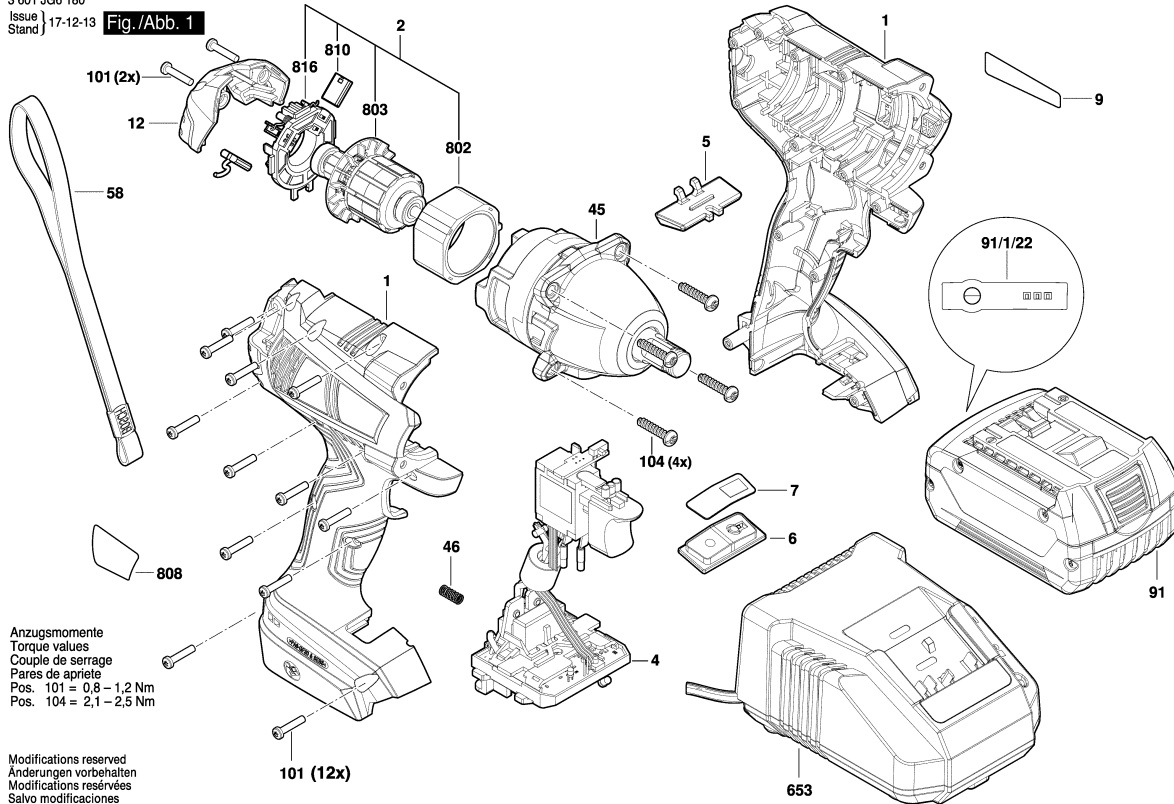
Item	Pc	Order no.	Description	LP in INR	Item	Pc	Order no.	Description	LP in INR
1	1	2 609 101 741	Housing .	524,00					
4	1	2 607 202 330	Electronics Module .	1.349,00					
5	1	2 609 101 484	Adjusting lever .	35,00					
9	1	2 609 138 608	Manufacturer's nameplate						
25	1	2 609 112 190	Keyless Chuck .	657,00					
32	1	2 609 199 812	Switchover Unit .	95,00					
45	1	1 600 A00 P90	Gear Box .	1.636,00					
46	1	1 609 280 477	Compression Spring .	48,00					
101	10	2 609 110 201	Torx Flat-Head Screw 3x16	27,00					
107	1	2 603 421 229	Countersunk-Head Screw	49,00					
653	1	2 607 226 283	Fast Charger UK GAL						
653	1	2 607 226 537	Fast Charger IND GAL						
802	1	1 607 022 66N	DC motor 18V .	1.073,00					
802/1	1	1 607 000 CZ1	Carbon-Brush Set .	180,00					
802/2	1	2 609 199 049	Sealing cap .	259,00					
808	1	1 601 11A 6YC	Nameplate .						
891	1	1 607 A35 0BZ	Battery Pack EU GBA 18V						
891	1	1 607 A35 0BG	Battery Pack EU GBA 18V						

Please observe: Repairing, modifying and testing of electro-tools are to be performed professionally. The safety regulations according to IEC, EN, VDE, AFNOR and other regulations of the individual countries are to be observed. Subject to change. This price list supersedes all previous edition. Prices are subjected to change without any prior notice.



3 601 JG6 180  
Issue  
Stand } 17-12-13

Fig./Abb. 1



Anzugsmomente  
Torque values  
Couple de serrage  
Pares de apriete  
Pos. 101 = 0,8 – 1,2 Nm  
Pos. 104 = 2,1 – 2,5 Nm

Modifications reserved  
Änderungen vorbehalten  
Modificaciones reservadas  
Salvo modificaciones

1 / 2

Model: 3 601 JG6 1K0 = 18

Date:

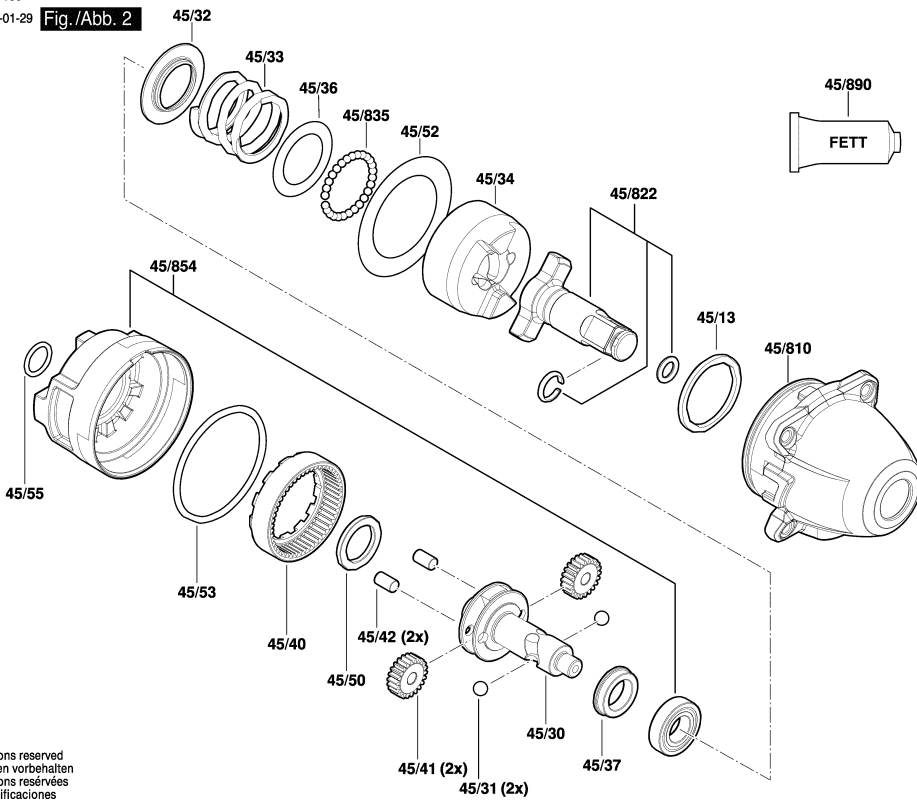
Item	Pc	Order no.	Description	LP in INR	Item	Pc	Order no.	Description	LP in INR
1	1	2 609 101 560	Housing .	624,00	45/810	1	2 609 199 938	Front Housing .	605,00
2	1	2 609 120 731	DC motor .	1.895,00	45/822	1	1 600 A01 4Z3	Coupling Half .	465,00
4	1	2 609 199 892	Electronics Module .	1.775,00	45/835	1	2 609 112 136	steel ball .	51,00
5	1	2 609 101 784	Adjusting lever .	29,00	45/854	1	2 609 199 937	Flange Housing .	102,00
6	1	2 609 101 785	Button .	29,00	45/890	1	1 600 A00 2NE	Grease Tube 45 ml .	1.399,00
7	1	2 609 138 369	Label .		46	1	1 609 280 477	Compression Spring .	48,00
9	1	2 609 138 417	Manufacturer's nameplate		58	1	2 609 100 301	Strap .	30,00
12	1	2 609 101 783	Cover .	29,00	91	1	2 607 336 815	Battery Pack BBS MR 18V,	10.804,00
45	1	2 609 199 838	Gear Box .	2.649,00	91/1/22	1	2 601 115 537	Sticker .	
45/13	1	2 609 111 873	Washer .	49,00	101	14	2 609 110 201	Torx Flat-Head Screw 3x16	27,00
45/30	1	2 609 112 012	Jack Shaft .	426,00	104	4	2 609 110 327	Screw .	29,00
45/31	2	2 609 110 332	Ball .	27,00	653	1	2 607 226 251	Fast Charger EU GAL	
45/32	1	2 609 111 582	Washer .	70,00	653	1	2 607 226 537	Fast Charger IND GAL	
45/33	1	2 609 112 003	Spring .	118,00	653	1	2 607 226 253	Fast Charger GB GAL	
45/34	1	2 609 111 555	Striker .	496,00	802	1	1 600 A00 0E0	Stator .	569,00
45/36	1	2 609 110 320	Washer .	57,00	803	1	1 600 A01 2PA	Rotor .	784,00
45/37	1	2 609 170 206	Damper .	82,00	808	1	1 600 A01 23X	Nameplate .	
45/40	1	2 609 111 519	Ring Gear .	151,00	810	1	1 604 321 174	Carbon-Brush Set .	259,00
45/41	2	2 609 112 231	Planet Gear .	29,00	816	1	1 600 A00 P98	Brush Holder .	416,00
45/42	2	2 609 112 105	Dowel pin .	27,00					
45/50	1	2 609 112 002	Washer .	111,00					
45/52	1	2 609 112 104	Washer .	108,00					
45/53	1	2 609 170 274	O-Ring .	108,00					
45/55	1	2 609 170 243	O-Ring .	29,00					

Please observe: Repairing, modifying and testing of electro-tools are to be performed professionally. The safety regulations according to IEC, EN, VDE, AFNOR and other regulations of the individual countries are to be observed. Subject to change.

This price list supersedes all previous edition. Prices are subjected to change without any prior notice.

3 601 JG6 180  
Issue  
Stand } 18-01-29

Fig./Abb. 2



Modifications reserved  
Änderungen vorbehalten  
Modificaciones reservadas  
Salvo modificaciones

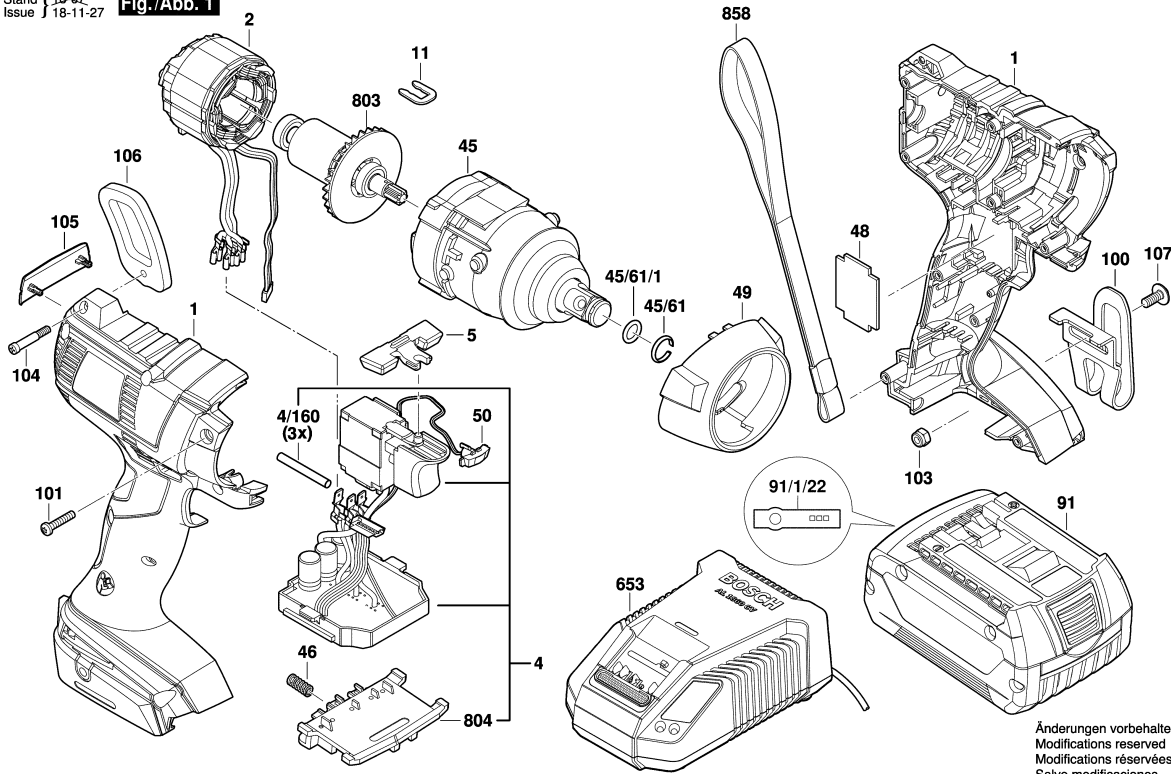
Model: 3 601 JG6 1K0 = 18

Date:

Item	Pc	Order no.	Description	LP in INR	Item	Pc	Order no.	Description	LP in INR

3 601 JD8 180  
Stand 1 18-07  
Issue J 18-11-27

**Fig./Abb. 1**



1 / 2

Model: 3 601 JD8 1F0 = 18/220

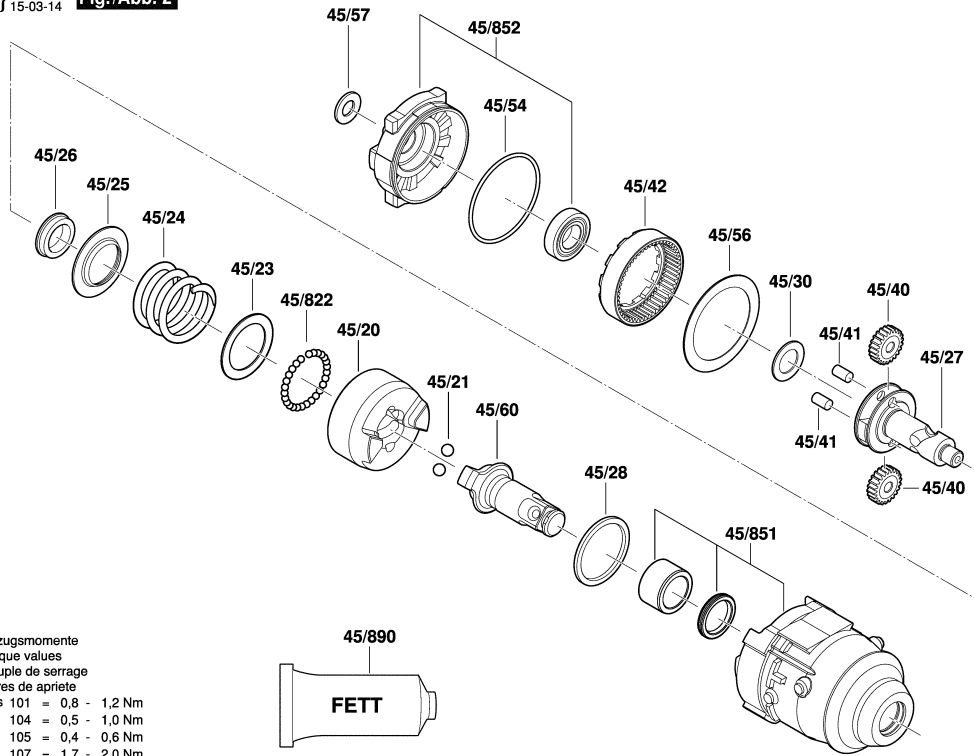
Date:

Item	Pc	Order no.	Description	LP in INR	Item	Pc	Order no.	Description	LP in INR
1	1	2 609 101 346	Housing .	705,00	45/61/1	1	2 609 170 273	Rubber Ring .	39,00
2	1	1 619 P08 594	Stator .	1.207,00	45/822	1	2 609 112 136	steel ball .	51,00
4	1	1 600 A00 19T	Electronics Module .	3.779,00	45/851	1	2 609 199 972	Gear Housing .	944,00
4/160	3	1 619 P15 186	Shrinkable Tube .	29,00	45/852	1	2 609 199 973	Housing .	387,00
5	1	2 609 101 067	Adjusting lever .	27,00	45/890	1	1 600 A00 2NE	Grease Tube 45 ml .	1.399,00
11	1	2 609 110 838	Clip .	27,00	46	1	1 609 280 477	Compression Spring .	48,00
45	1	2 609 199 585	Gear Box .	3.169,00	48	1	2 609 136 324	Protection .	27,00
45/20	1	2 609 111 555	Striker .	496,00	49	1	2 609 170 222	Protective Ring .	199,00
45/21	2	2 609 110 332	Ball .	27,00	50	1	2 609 101 083	Lens .	27,00
45/23	1	2 609 110 320	Washer .	57,00	91	1	2 607 336 815	Battery Pack BBS MR 18V,	10.804,00
45/24	1	2 609 111 711	Compression Spring .	167,00	91/1/22	1	2 601 115 537	Sticker .	
45/25	1	2 609 111 582	Washer .	70,00	100	1	2 609 111 584	Clip .	130,00
45/26	1	2 609 170 206	Damper .	82,00	101	9	2 609 110 201	Torx Flat-Head Screw 3x16	27,00
45/27	1	2 609 111 556	Jack Shaft .	780,00	103	2	2 609 110 835	Nut .	27,00
45/28	1	2 609 111 873	Washer .	49,00	104	1	2 609 111 446	Pan head screw .	27,00
45/30	1	2 609 111 851	Washer .	51,00	105	1	2 609 101 393	Color clip .	43,00
45/40	2	2 609 111 560	Planet Gear .	251,00	106	1	2 609 170 196	Protector .	52,00
45/41	2	2 609 112 105	Dowel pin .	27,00	107	1	2 609 110 834	Screw .	60,00
45/42	1	2 609 111 519	Ring Gear .	151,00	653	1	2 607 225 321	Charger EU 230/14,4-18V,	4.542,00
45/54	1	2 609 170 156	O-Ring .	65,00	653	1	2 607 225 329	Fast Charger RC	4.522,00
45/56	1	2 609 111 841	Washer .	169,00	803	1	2 609 199 757	Rotor 18V .	1.625,00
45/57	1	2 609 170 204	Seal Ring .	61,00	804	1	1 609 280 478	Contact retainer .	444,00
45/60	1	2 609 111 518	Coupling Half .	840,00	858	1	2 609 100 301	Strap .	30,00
45/61	1	2 609 112 053	Clip Fastener .	27,00					

Please observe: Repairing, modifying and testing of electro-tools are to be performed professionally. The safety regulations according to IEC, EN, VDE, AFNOR and other regulations of the individual countries are to be observed. Subject to change.  
This price list supersedes all previous edition. Prices are subjected to change without any prior notice.

3 601 JD8 180  
Stand 1 14-12  
Issue J 15-03-14

**Fig./Abb. 2**



Anzugsmomente  
Torque values  
Couple de serrage  
Pares de apriete  
Pos 101 = 0,8 - 1,2 Nm  
104 = 0,5 - 1,0 Nm  
105 = 0,4 - 0,6 Nm  
107 = 1,7 - 2,0 Nm

Änderungen vorbehalten  
Modifications reserved  
Modifications réservées  
Salvo modificaciones

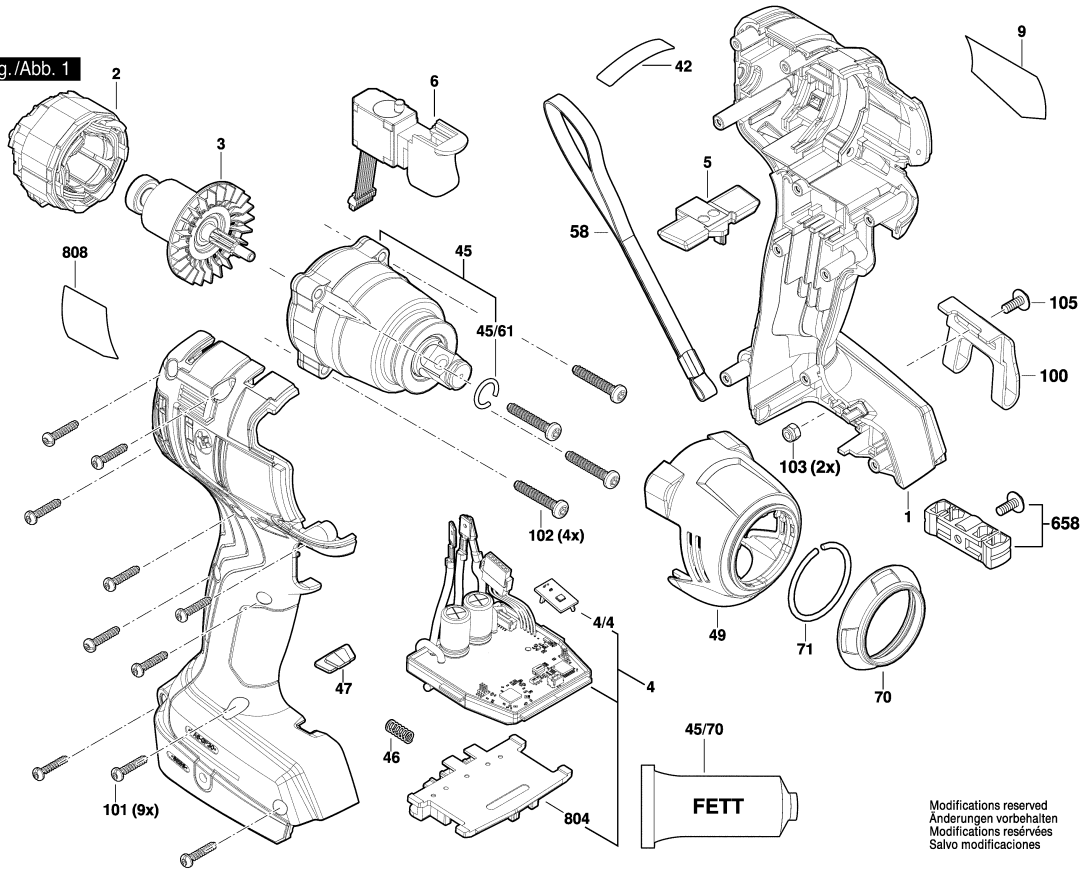
Model: 3 601 JD8 1F0 = 18/220 Date:

Item	Pc	Order no.	Description	LP in INR	Item	Pc	Order no.	Description	LP in INR

Please observe: Repairing, modifying and testing of electro-tools are to be performed professionally. The safety regulations according to IEC, EN, VDE, AFNOR and other regulations of the individual countries are to be observed. Subject to change. This price list supersedes all previous edition. Prices are subjected to change without any prior notice.

3 601 JJ2 300  
Issue  
Stand 19-10-24

Fig./Abb. 1



Modifications reserved  
Änderungen vorbehalten  
Modifications réservées  
Salvo modificaciones

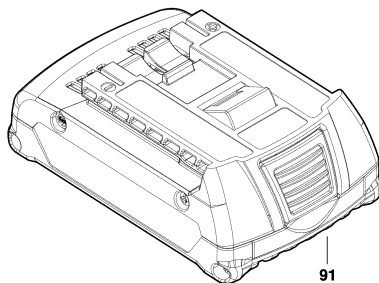
1 / 2

Model: 3 601 JJ2 380 = 18

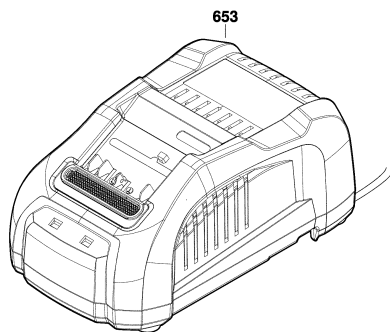
Date:

Item	Pc	Order no.	Description	LP in INR	Item	Pc	Order no.	Description	LP in INR
1	1	1 605 806 5Y4	Housing .	537,00	804	1	1 609 280 820	Contact retainer 18V .	274,00
2	1	1 619 P15 347	Stator .	1.216,00	808	1	1 601 11A 8RK	Nameplate .	
3	1	1 619 P14 405	Rotor .	993,00					
4	1	1 607 233 5LH	Electronics Module .	3.482,00					
4/4	1	1 607 503 839	Printed Circuit Board .	300,00					
5	1	1 600 A01 N9M	Changeover Lever .	176,00					
6	1	2 607 202 501	Switch .	553,00					
9	1	1 601 11C 32H	Manufacturer's nameplate .						
42	1	1 601 11C 37H	Sticker .	28,00					
45	1	1 600 A01 C6F	Gear Box .	2.877,00					
45/61	1	0 618 800 045	Retaining ring .						
45/70	1	1 600 A00 2NE	Grease Tube 45 ml .	1.399,00					
46	1	1 609 280 477	Compression Spring .	48,00					
47	1	1 600 A00 0LE	Lens .	15,00					
49	1	1 600 A00 J37	Cover .	230,00					
58	1	2 609 100 301	Strap .	30,00					
70	1	1 600 A01 1DL	Protective Cap .	189,00					
71	1	1 604 601 037	Retaining ring .	155,00					
100	1	2 609 111 584	Clip .	130,00					
101	9	2 609 110 201	Torx Flat-Head Screw 3x16	27,00					
102	4	0 618 800 04W	Torx Flat-Head Screw .	169,00					
103	2	2 609 110 835	Nut .	27,00					
105	1	2 609 110 834	Screw .	60,00					
658	1	2 609 199 748	Bit holder .	79,00					

3 601 JJ2 300  
Issue Stand 19-10-24 Fig./Abb. 2



91



653

Modifications reserved  
Änderungen vorbehalten  
Modifications réservées  
Salvo modificaciones

Model: 3 601 JJ2 380 = 18						Date:			
---------------------------	--	--	--	--	--	-------	--	--	--

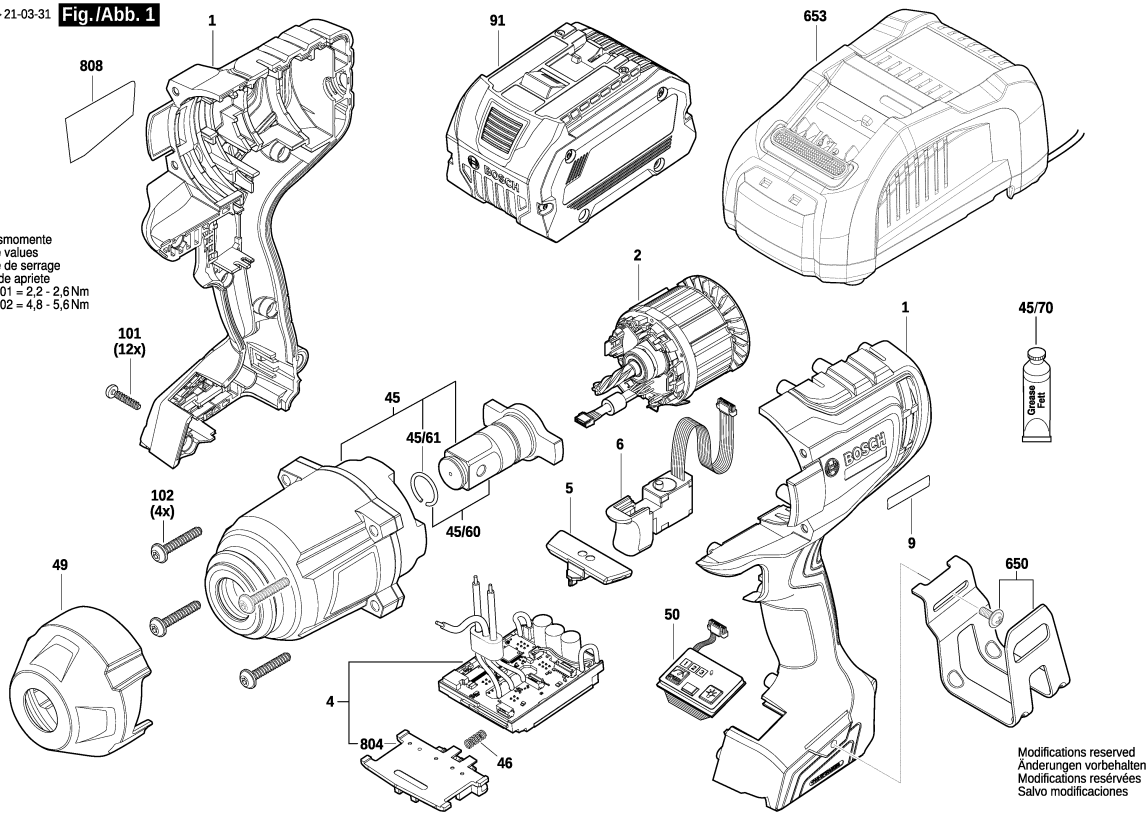
Item	Pc	Order no.	Description	LP in INR	Item	Pc	Order no.	Description	LP in INR

Please observe: Repairing, modifying and testing of electro-tools are to be performed professionally. The safety regulations according to IEC, EN, VDE, AFNOR and other regulations of the individual countries are to be observed. Subject to change.  
This price list supersedes all previous edition. Prices are subjected to change without any prior notice.

3 601 JJ8 500  
ISSUE } 21-03-31  
Stand }

**Fig./Abb. 1**

Anzugsmomente  
Torque values  
Couple de serrage  
Pares de apriete  
Pos. 101 = 2,2 - 2,6 Nm  
102 = 4,8 - 5,6 Nm



Modifications reserved  
Änderungen vorbehalten  
Modifications réservées  
Salvo modificaciones

1 / 1

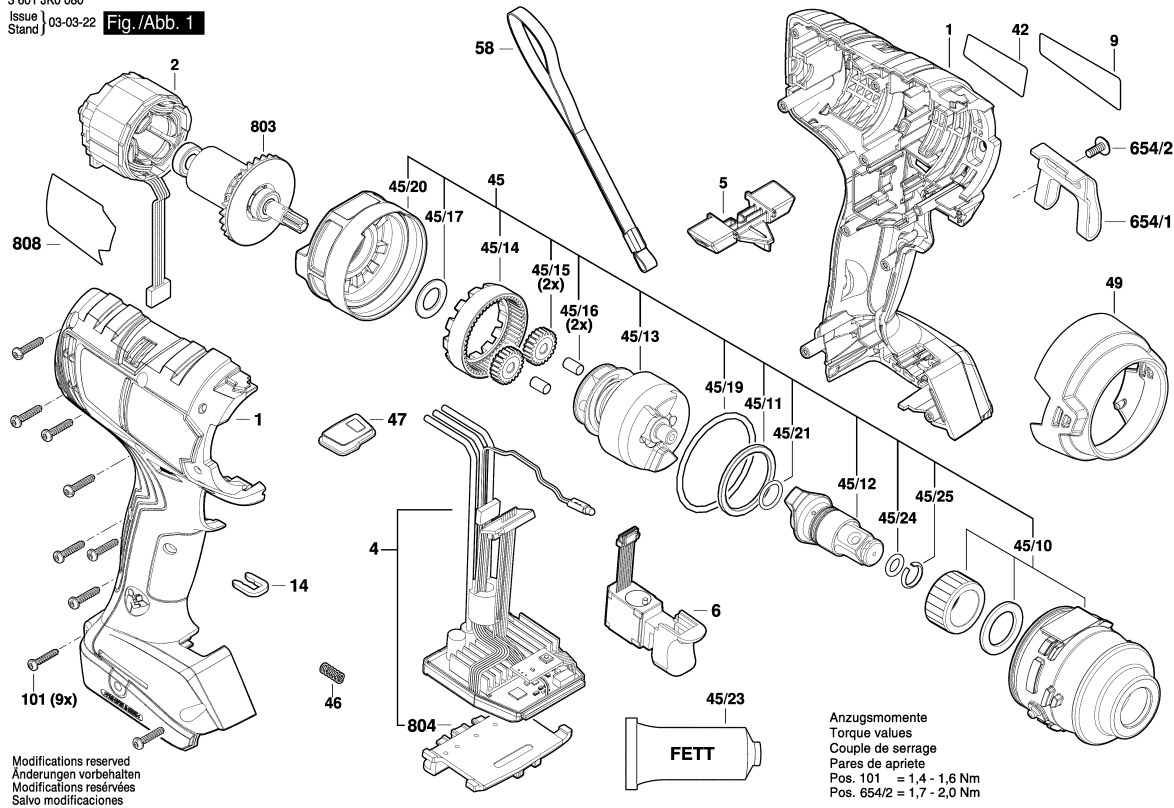
Model: 3 601 JJ8 5L0 = 18

Date:

Item	Pc	Order no.	Description	LP in INR	Item	Pc	Order no.	Description	LP in INR
1	1	1 605 806 64U	Housing .	1.520,00					
2	1	1 607 022 67X	DC motor .	5.971,00					
4	1	1 607 233 5LG	Electronic Module .	8.072,00					
5	1	1 600 A01 P3K	Changeover Lever .	298,00					
6	1	2 607 202 501	Switch .	553,00					
9	1	1 601 11C 3U5	Manufacturer's nameplate .						
45	1	1 600 A01 RJ5	Gear Box .	8.372,00					
45/60	1	1 600 A02 6PP	Coupling Half .	1.163,00					
45/61	1	1 604 601 03K	Retaining ring .	374,00					
45/70	1	1 600 A00 2NE	Grease Tube 45 ml .	1.399,00					
46	1	1 609 280 477	Compression Spring .	48,00					
49	1	1 600 A01 R1M	Cap .	652,00					
50	1	1 607 233 5MR	Electronic Module .	1.851,00					
91	1	2 607 337 069	Battery Pack BBS MR,						
101	12	2 603 490 023	Torx Oval-Head Screw	29,00					
102	4	1 603 435 098	Torx Oval-Head Screw	263,00					
650	1	1 600 A02 3G7	Clip .	308,00					
653	1	2 607 226 537	Fast Charger IND GAL						
804	1	1 609 280 820	Contact retainer 18V .	274,00					
808	1	1 600 A02 499	Type Label .						

3 601 JK0 080  
Issue  
Stand 03-03-22

Fig./Abb. 1



Modifications reserved  
Änderungen vorbehalten  
Modifications réservées  
Salvo modificaciones

1 / 2

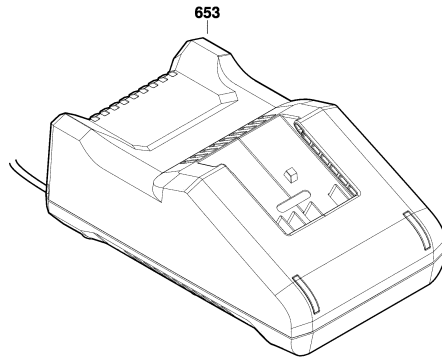
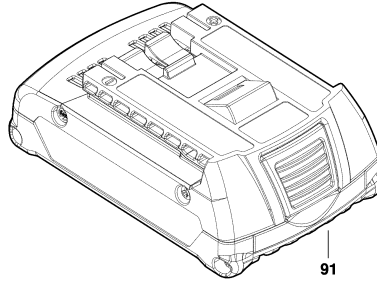
Model: 3 601 JK0 080 = 18 Date:

Item	Pc	Order no.	Description	LP in INR	Item	Pc	Order no.	Description	LP in INR
1	1	1 600 A02 4SC	Housing Assembly .	486,00	47	1	1 600 A02 3VT	Button .	146,00
2	1	1 619 P15 409	Stator .	766,00	49	1	1 600 A01 YB7	Rubber Cap .	155,00
4	1	1 600 A02 3VS	Printed-Board Assembly .	3.980,00	58	1	2 609 100 301	Strap .	30,00
5	1	1 600 A01 YV1	Changeover Lever .	116,00	91	1	1 607 A35 0BG	Battery Pack EU GBA 18V	
6	1	2 607 202 509	Switch .	1.133,00	91	1	2 607 337 069	Battery Pack BBS MR,	
9	1	1 607 000 E1R	Manufacturer's nameplate		101	9	2 609 110 618	Screw .	28,00
14	1	2 609 110 537	Clip .	43,00	653	1	2 607 226 537	Fast Charger IND GAL	
42	1	1 601 11C 3ND	Sticker .		653	1	2 607 226 267	Fast Charger CN GAL	
45	1	1 600 A01 PN1	Gear Box .	2.673,00	653	1	2 607 226 253	Fast Charger GB GAL	
45/10	1	1 605 806 61K	Gear Housing .	594,00	653	1	2 607 226 251	Fast Charger EU GAL	
45/11	1	1 600 A01 R7G	Washer .	43,00	654/1	1	2 609 111 584	Clip .	130,00
45/12	1	1 600 A01 ZK6	Coupling Half .	615,00	654/2	1	2 609 110 834	Screw .	60,00
45/13	1	1 600 A01 ZK8	Jack Shaft .	1.239,00	803	1	1 600 A01 RX5	Rotor .	1.008,00
45/14	1	1 600 A02 4SG	Ring Gear .	342,00	804	1	1 609 280 478	Contact retainer .	444,00
45/15	2	2 609 111 560	Planet Gear .	251,00	808	1	1 601 11A 754	Type Label .	
45/16	2	2 609 112 105	Dowel pin .	27,00					
45/17	1	2 609 111 851	Washer .	51,00					
45/19	1	2 609 170 274	O-Ring .	108,00					
45/20	1	1 600 A02 3VV	Flange Housing .	317,00					
45/21	1	2 609 170 243	O-Ring .	29,00					
45/23	1	1 600 A00 2NE	Grease Tube 45 ml .	1.399,00					
45/24	1	2 609 170 273	Rubber Ring .	39,00					
45/25	1	2 609 112 053	Clip Fastener .	27,00					
46	1	1 609 280 477	Compression Spring .	48,00					

Please observe: Repairing, modifying and testing of electro-tools are to be performed professionally. The safety regulations according to IEC, EN, VDE, AFNOR and other regulations of the individual countries are to be observed. Subject to change.  
This price list supersedes all previous edition. Prices are subjected to change without any prior notice.



3 601 JK0 080  
Issue  
Stand } 21-02-18 Fig./Abb. 2



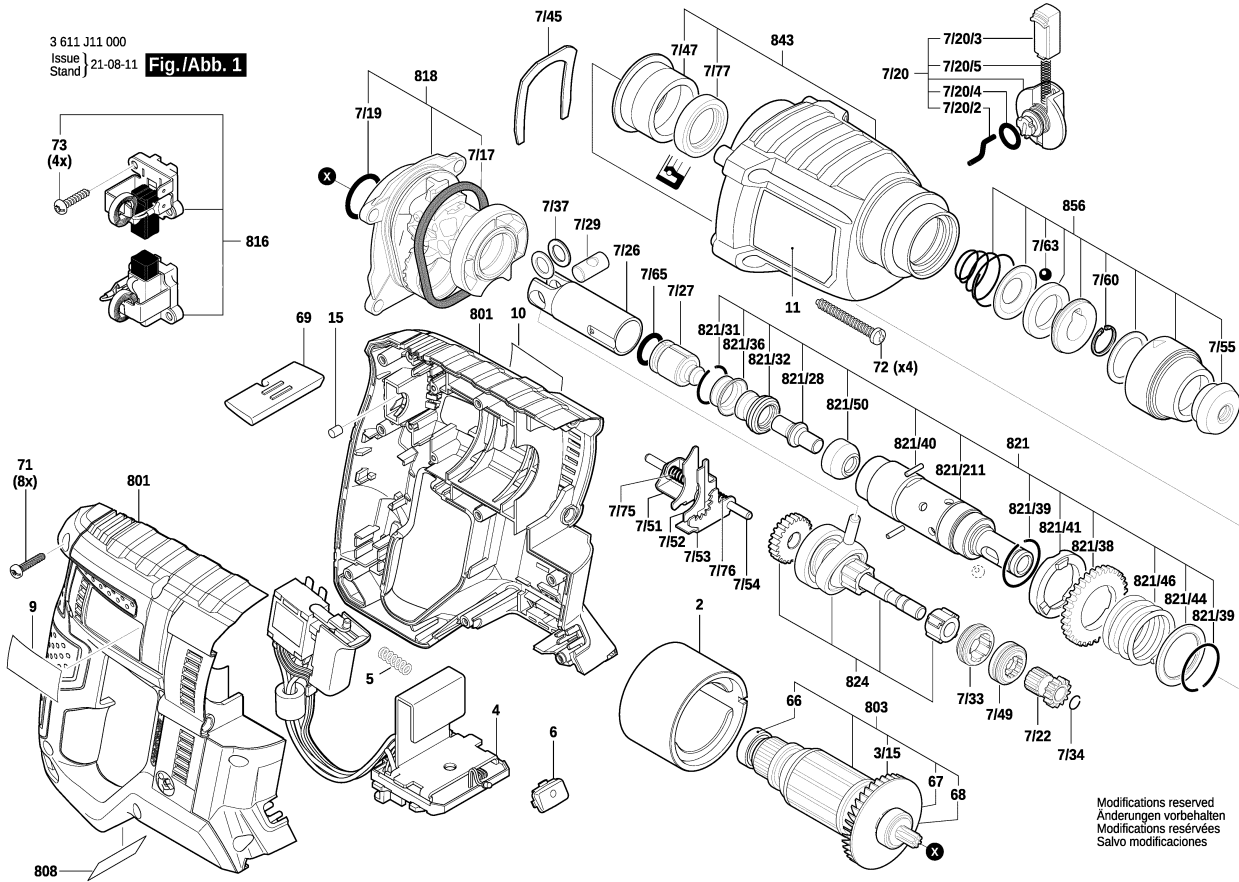
Modifications reserved  
Änderungen vorbehalten  
Modifications réservées  
Salvo modificaciones

2 / 2

Model: 3 601 JK0 080 = 18 Date:

Item	Pc	Order no.	Description	LP in INR	Item	Pc	Order no.	Description	LP in INR

Please observe: Repairing, modifying and testing of electro-tools are to be performed professionally. The safety regulations according to IEC, EN, VDE, AFNOR and other regulations of the individual countries are to be observed. Subject to change.  
This price list supersedes all previous edition. Prices are subjected to change without any prior notice.

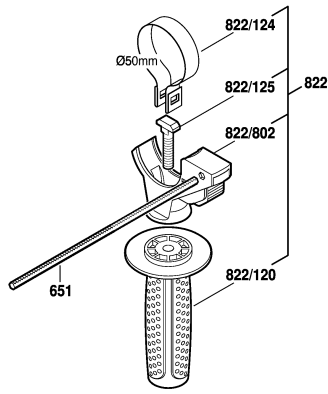


Model: 3 611 J11 0K0 = 18/230	Date:
-------------------------------	-------

Item	Pc	Order no.	Description	LP in INR	Item	Pc	Order no.	Description	LP in INR
2	1	1 619 P13 742	Field .	428,00	7/53	1	1 610 021 005	Shift Plate .	36,00
3/15	1	2 610 909 077	axial flow fan .	29,00	7/54	1	1 613 023 005	Guide Rod .	43,00
4	1	1 600 A00 F9H	Electronic Module .	2.449,00	7/55	1	1 610 508 052	Protective Cap .	44,00
5	1	2 604 690 055	Compression Spring .	29,00	7/60	1	1 614 601 077	Spring retaining ring .	55,00
6	1	1 619 P13 744	Lens .	29,00	7/63	1	1 903 230 013	Ball DIN 5401-Ø7MM-III-ST	69,00
7/17	1	1 610 290 108	O-Ring .	42,00	7/65	1	1 610 210 244	O-Ring 13,0x3,0 MM .	54,00
7/19	1	1 610 210 184	O-Ring 22,0x2,5 MM .	29,00	7/75	1	1 614 643 025	Compression Spring .	29,00
7/20	1	1 612 026 151	Clamp Handle BLACK	67,00	7/76	1	1 614 643 023	Compression Spring .	29,00
7/20/2	1	1 614 690 009	Driver Pin .	27,00	7/77	1	1 619 P09 722	Shaft Seal .	78,00
7/20/3	1	1 612 026 035	Switch Button RED	47,00	9	1	1 619 P13 760	Manufacturer's nameplate	
7/20/4	1	1 610 210 046	O-Ring 10,5x2,7 MM .	50,00	10	1	1 619 P13 761	Manufacturer's nameplate	
7/20/5	1	1 614 611 006	Compression Spring .	69,00	15	1	2 603 100 056	Damping rubber .	51,00
7/22	1	1 616 328 053	Gear Sleeve .	85,00	66	2	1 900 905 029	Ball Bearing 8x22x7 .	38,00
7/26	1	1 618 700 083	Hammer Piston .	155,00	67	1	1 610 905 047	groove ball bearing .	84,00
7/27	1	1 618 710 085	Striker .	96,00	68	1	1 600 100 037	Plain Washer .	29,00
7/29	1	1 613 100 034	Piston Pin .	29,00	69	1	1 619 P13 747	Change-Over Switch .	29,00
7/33	1	1 615 820 103	Switching Element .	54,00	71	8	2 603 490 023	Torx Oval-Head Screw	29,00
7/34	1	1 619 P00 829	Retaining ring .	29,00	72	4	1 619 P09 645	Torx Oval-Head Screw .	29,00
7/37	2	1 610 100 016	Guide Disc .	44,00	73	4	1 619 P06 252	Torx Oval-Head Screw .	29,00
7/45	1	1 611 016 003	Holding Plate .	56,00	651	1	1 613 001 009	Depth-Gauge SW 6x210	164,00
7/47	1	1 610 202 031	Plain bearing .	206,00	653	1	2 607 336 815	Battery Pack BBS MR 18V,	10.804,00
7/49	1	1 615 820 104	Switching Element .	84,00	653	1	1 607 A35 0B2	Battery Pack 18V 3.0Ah Li	
7/51	1	1 610 021 004	Shift Plate .	36,00	654	1	2 607 226 251	Fast Charger EU GAL	
7/52	1	1 610 021 006	Shift Plate .	42,00	654	1	2 607 225 323	Charger GB 230/10,8-18V,	2.797,00

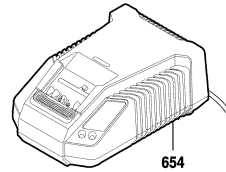
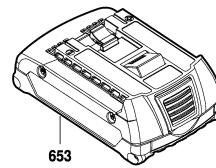
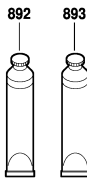
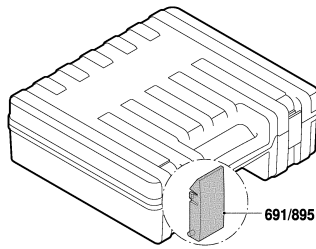
3 611 J11 000  
Issue  
Stand } 20-08-19

**Fig./Abb. 2**



Pos 7\*  
Auslastmoment 28,0 - 8,0 Nm  
Slipping point of clutch 28,0 - 8,0 Nm  
Couple de glissement 28,0 - 8,0 Nm  
Momento de desenganamiento 28,0 - 8,0 Nm

Anzugsmomente  
Torque values  
Couple de serrage  
Pares de apriete  
Pos. 71 = 1,6 - 2,0 Nm  
72 = 2,2 - 2,7 Nm  
73 = 1,0 - 1,3 Nm  
822/12 = 2,7 - 4,7 Nm



Modifications reserved  
Änderungen vorbehalten  
Modifications réservées  
Salvo modificaciones

2 / 2

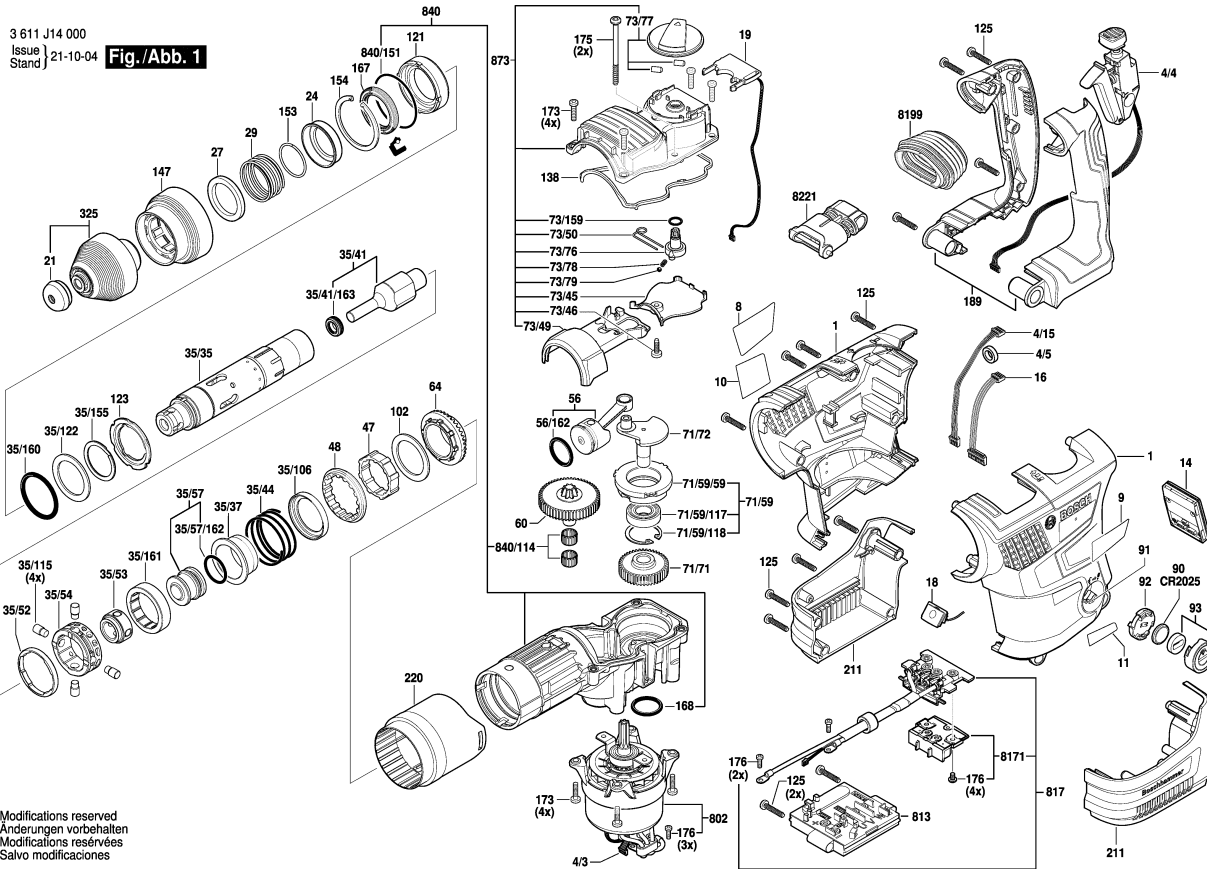
Model: 3 611 J11 0K0 = 18/230

Date:

Item	Pc	Order no.	Description	LP in INR	Item	Pc	Order no.	Description	LP in INR
654	1	2 607 225 329	Fast Charger RC	4.522,00	822/124	1	1 611 316 021	Clamping Band Ø50 MM .	69,00
654	1	2 607 225 431	Fast Charger RC		822/125	1	1 613 490 002	T-Head Bolt M8x40 MM .	72,00
654	1	2 607 225 425	Fast Charger GB	2.839,00	822/802	1	1 617 000 475	Support clamp .	79,00
691/895	2	1 619 P14 336	Latch .	89,00	824	1	1 617 000 6BC	Jack Shaft .	1.210,00
801	1	1 619 P14 446	Motor Housing .	919,00	843	1	1 619 P09 186	Gear Housing .	701,00
803	1	1 619 P14 346	Armature .	1.317,00	856	1	1 617 000 6EP	Protection Sleeve .	244,00
808	1	1 619 P14 599	Nameplate .		892	1	1 615 430 020	Grease Tube 225 ML .	1.438,00
816	1	1 619 P14 345	Carbon-Brush Set .	261,00	893	1	1 615 430 001	Grease Tube 225 ML .	535,00
818	1	1 619 P09 616	Intermediate Flange .	876,00					
821	1	1 619 P09 617	Hammer Pipe .	1.667,00					
821/28	1	1 613 124 084	Striker Pin .	31,00					
821/31	1	1 619 P09 816	Retaining ring .	29,00					
821/32	1	1 619 P07 426	Rubber Bushing .	91,00					
821/36	1	1 610 551 008	Holding Plate .	44,00					
821/38	1	1 616 317 084	Cylindrical Gear .	327,00					
821/39	2	1 614 601 055	Retaining ring .	29,00					
821/40	2	1 613 100 032	Straight Pin .	29,00					
821/41	1	1 610 102 072	Ratchet Disc .	109,00					
821/44	1	1 610 102 092	Friction Washer .	29,00					
821/46	1	1 614 630 003	Compression Spring .	29,00					
821/50	1	1 619 P11 562	Guide Bushing .	131,00					
821/211	1	1 619 P09 815	Hammer Pipe .	770,00					
822	1	1 602 025 08X	Auxiliary Handle .	567,00					
822/120	1	1 602 025 07H	Auxiliary Handle .	481,00					

Please observe: Repairing, modifying and testing of electro-tools are to be performed professionally. The safety regulations according to IEC, EN, VDE, AFNOR and other regulations of the individual countries are to be observed. Subject to change.

This price list supersedes all previous edition. Prices are subjected to change without any prior notice.



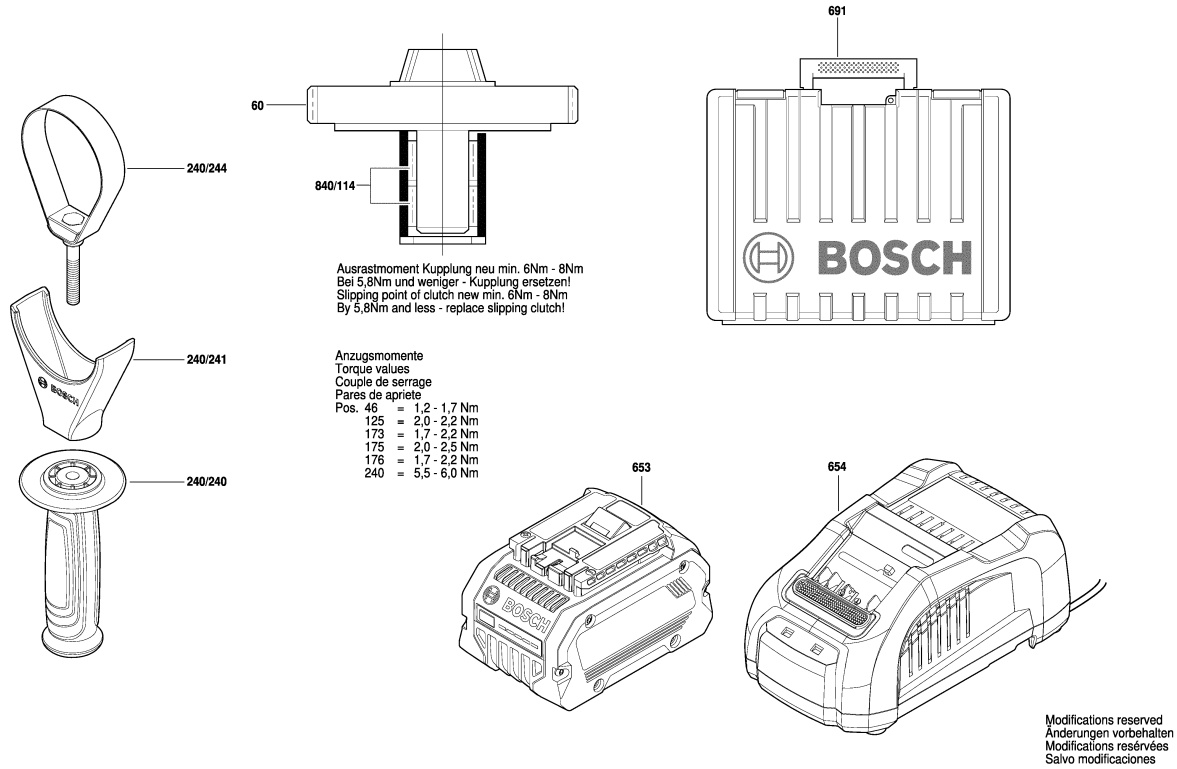
Model: 3 611 J14 080 = 18

Date:

Item	Pc	Order no.	Description	LP in INR	Item	Pc	Order no.	Description	LP in INR
1	1	1 605 806 5LW	Housing Section .	1.397,00	35/53	1	1 600 A00 30F	Stop Bushing .	596,00
4/3	1	1 607 503 565	Ribbon cable .	190,00	35/54	1	1 600 A01 S20	Spacer Tube .	188,00
4/4	1	2 607 202 360	Switch .	1.175,00	35/57	1	1 600 A01 B3F	Striker .	503,00
4/5	1	1 600 A02 4AU	Ferrite .	248,00	35/57/16	1	1 600 210 096	O-Ring .	207,00
4/15	1	1 607 233 5EP	Electronic Module .	1.176,00	35/106	1	1 600 A00 30W	Supporting Disc .	308,00
8	1	1 601 11A 3H5	Nameplate .		35/115	4	1 603 123 04B	Driving Pin .	152,00
9	1	1 601 11C 325	Manufacturer's nameplate .		35/122	1	1 600 A00 305	Stop Disc .	106,00
10	1	1 601 11C 322	Sticker .		35/155	1	1 600 150 02Y	Spring retaining ring .	83,00
11	1	1 601 11C 328	Reference Plate .		35/160	1	1 600 210 05S	Damping Ring .	125,00
14	1	1 607 233 5EP	Electronic Module .	1.176,00	35/161	1	1 600 A00 30L	Damping Ring .	420,00
16	1	1 607 503 567	Ribbon cable .	191,00	47	1	1 600 A00 48K	Gear Sleeve .	216,00
18	1	1 607 233 5FP	Electronics Module .	149,00	48	1	1 600 A01 9TP	Clutch Sleeve .	163,00
19	1	1 607 233 5EH	Electronics Module .	243,00	56	1	1 600 A01 B3D	Hammer Piston .	543,00
21	1	1 610 508 047	Protective Cap .	59,00	56/162	1	1 600 210 096	O-Ring .	207,00
22	1	1 600 A00 2YF	Protection Sleeve .		60	1	1 600 A00 33N	Coupling .	2.616,00
24	1	1 600 A00 DJ5	Collar Sleeve .	117,00	64	1	1 600 A00 39T	Crown Gear .	1.814,00
27	1	1 600 A01 A7R	Backup ring .	227,00	71/59	1	1 600 A01 B36	Bearing Pedestal .	1.093,00
29	1	1 604 612 01L	Compression Spring .	230,00	71/59/59	1	1 600 A01 00Y	Bearing Pedestal .	738,00
35/35	1	1 600 A00 DH3	Hammer Pipe .	4.184,00	71/59/11	1	1 900 905 162	groove ball bearing	444,00
35/37	1	1 600 A00 30R	Control Bushing .	496,00	71/59/11	1	2 916 660 013	Retaining clip DIN	47,00
35/41	1	1 600 A00 220	Striker Pin .	1.045,00	71/71	1	1 600 A01 1GY	Eccentric Cog Wheel .	527,00
35/41/16	1	1 610 290 065	Seal Ring .	175,00	71/72	1	1 600 A01 00X	Eccentric Shaft .	288,00
35/44	1	1 604 612 00N	Compression Spring .	87,00	73/45	1	1 600 A01 9XJ	Support Plate .	78,00
35/52	1	1 600 A01 SR3	Retaining snap ring .	91,00	73/46	1	1 603 435 08V	Thread-forming tap. Screw	28,00

3 611 J14 000  
Issue  
Stand } 21-07-06

**Fig./Abb. 2**

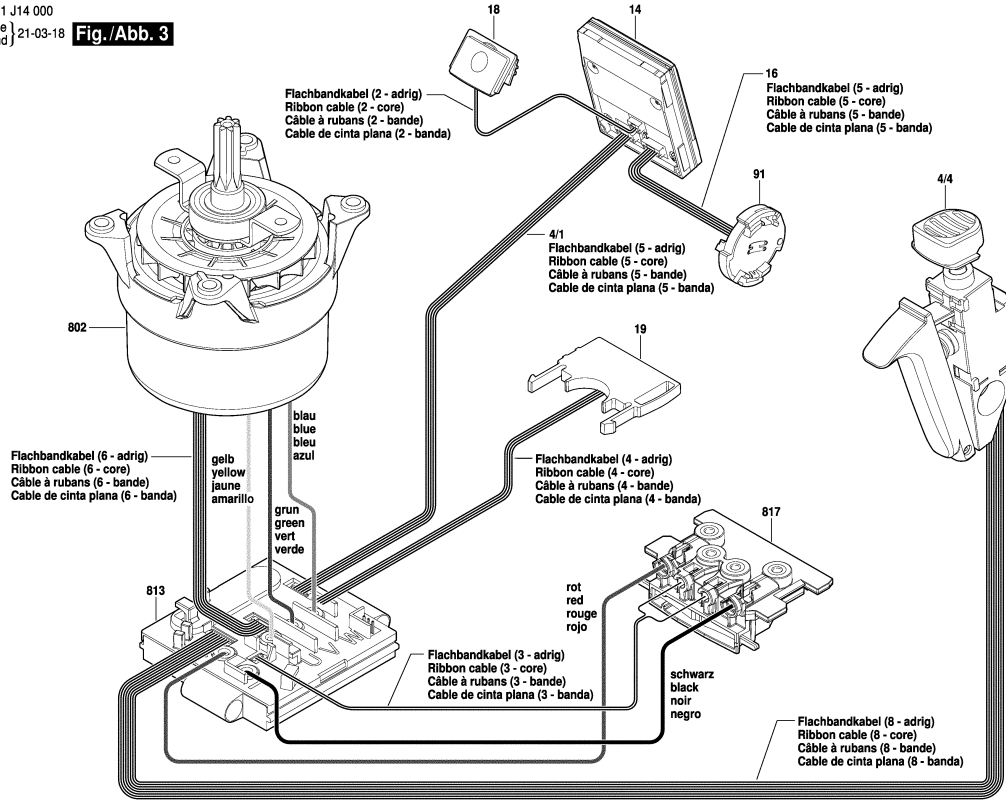


2 / 3

Model: 3 611 J14 080 = 18 Date:

Item	Pc	Order no.	Description	LP in INR	Item	Pc	Order no.	Description	LP in INR
73/49	1	1 600 A00 3YK	Control Fork .	116,00	173	8	1 603 435 091	Torx Oval-Head Screw .	28,00
73/50	1	1 604 651 01F	Coiled Spring .	28,00	175	2	1 600 A01 NON	Torx socket button screw .	28,00
73/76	1	1 600 A01 4A7	Shift Curve .	28,00	176	9	1 603 430 03T	Screw .	28,00
73/77	1	1 602 026 10B	Clamp Handle .	87,00	189	1	1 605 132 18X	Handle .	774,00
73/78	1	1 614 611 024	Compression Spring .	28,00	211	1	1 605 108 2HP	Cover Plate .	611,00
73/79	1	1 903 230 007	Ball DIN 5401-4 MM-III-ST .	70,00	220	1	1 600 A01 2MV	Cover Pipe .	290,00
73/159	1	1 610 210 198	O-Ring 9,0x3,0 MM .	28,00	240/240	1	1 602 025 09C	Auxiliary Handle .	545,00
90	1	1 600 A00 92A	Cell .		240/241	1	1 600 A01 341	Support clamp .	220,00
91	1	1 600 A01 6CZ	Electronics Module .	394,00	240/244	1	1 600 A01 E9C	Clamping Band .	375,00
92	1	1 600 A01 3WF	Electronics Module .	270,00	325	1	1 618 597 12G	Tool Holding Fixture .	2.470,00
93	1	1 605 500 2GJ	Cover .	108,00	691	1	1 605 438 1G2	Carrying Case .	
102	1	1 600 A00 48H	Shim ring 1.4 mm .	68,00	802	1	1 607 000 DL7	DC motor .	5.672,00
102	1	1 600 A00 48G	Shim ring 1.5 mm .	68,00	813	1	1 607 000 E53	Electronic Module .	
102	1	1 600 A00 48F	Shim ring 1.6 mm .	69,00	817	1	1 607 000 DNO	Contact retainer .	1.577,00
121	1	1 600 A01 B3G	Plain bearing .	944,00	840	1	1 607 000 DL9	Impact Mechanism	4.887,00
123	1	1 600 A00 307	Support Disc .	373,00	840/114	2	1 600 A01 N8S	Needle-Roller Assembly .	259,00
125	16	2 603 490 023	Torx Oval-Head Screw	29,00	840/151	1	1 600 210 060	O-Ring .	28,00
138	1	1 600 A00 4DH	Sealing Frame .	133,00	873	1	1 600 A01 E0A	Housing Cover .	2.251,00
144	1	1 610 103 025	Supporting Disc .	176,00	8171	1	1 607 000 DL8	Contact retainer .	848,00
147	1	1 600 A00 DH2	Guide Sleeve .	166,00	8199	1	1 607 000 E61	Boot .	
153	1	1 600 150 02C	Retaining ring .	28,00	8221	1	1 607 000 E60	Decoupling Element .	
154	1	1 600 150 02X	Spring retaining ring .	76,00					
167	1	1 600 A00 308	Shaft Seal .	336,00					
168	1	1 610 283 047	Rotary shaft lip seal .	115,00					

3 611 J14 000  
Issue / Stand ) 21-03-18 **Fig./Abb. 3**



Modifications reserved  
Änderungen vorbehalten  
Modifications réservées  
Salvo modificaciones

3 / 3

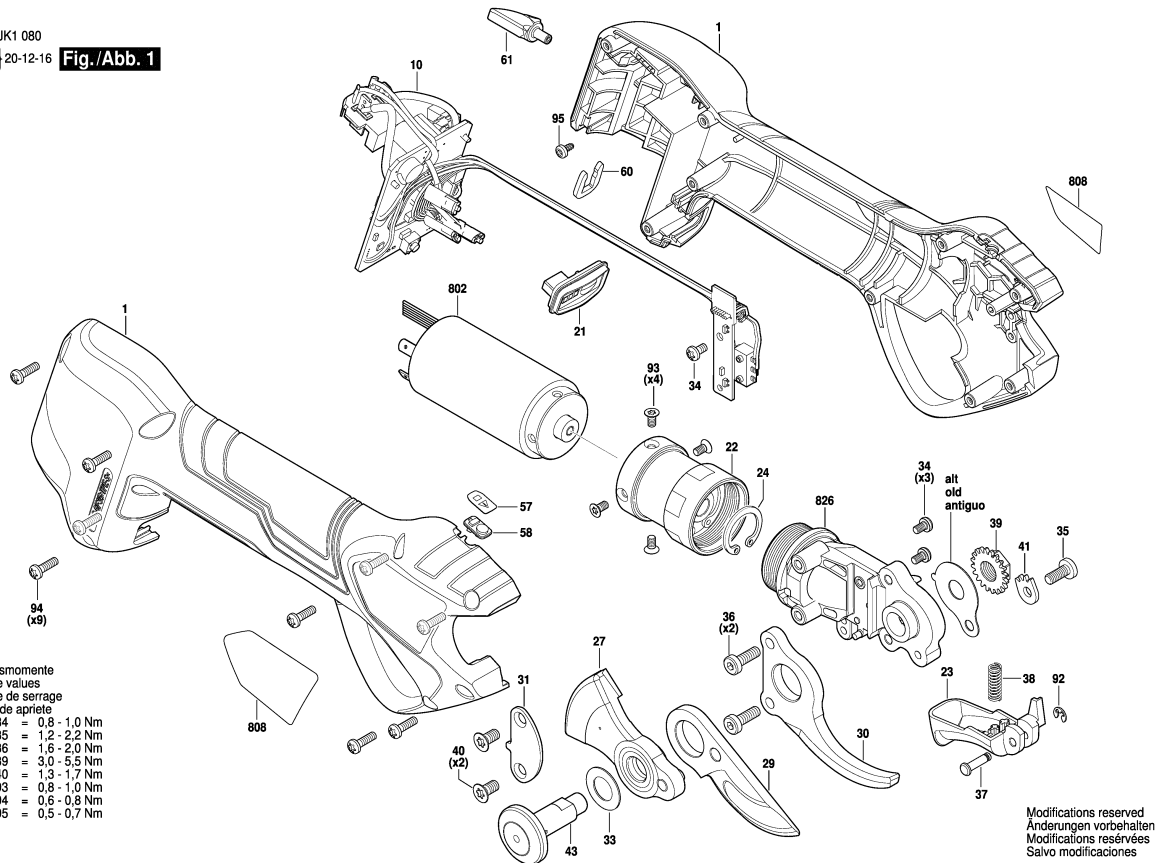
Model: 3 611 J14 080 = 18

Date:

Item	Pc	Order no.	Description	LP in INR	Item	Pc	Order no.	Description	LP in INR

3 601 JK1 080  
Issue Stand 20-12-16 **Fig./Abb. 1**

Anzugsmomente  
Torque values  
Couple de serrage  
Pares de apriete  
Pos. 34 = 0,8 - 1,0 Nm  
35 = 1,2 - 2,2 Nm  
36 = 1,6 - 2,0 Nm  
39 = 3,0 - 5,5 Nm  
40 = 1,3 - 1,7 Nm  
93 = 0,8 - 1,0 Nm  
94 = 0,6 - 0,8 Nm  
95 = 0,5 - 0,7 Nm

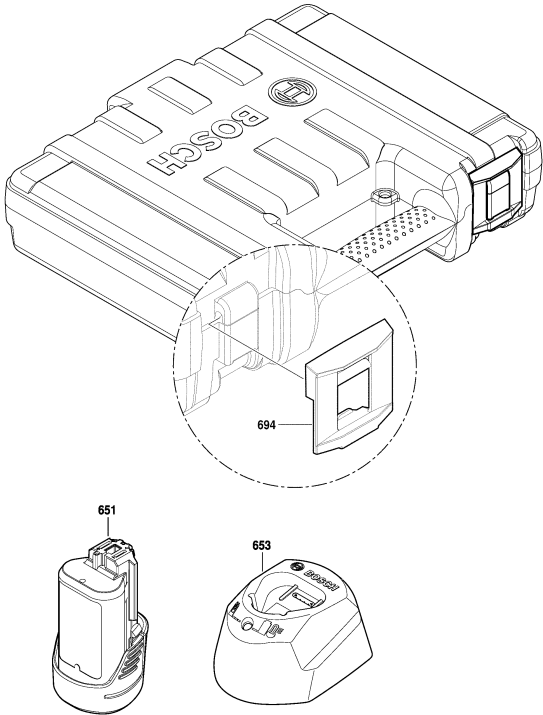


1 / 2

Model: 3 601 JK1 0L0 = 12 Date:

Item	Pc	Order no.	Description	LP in INR	Item	Pc	Order no.	Description	LP in INR
1	1	1 619 P15 717	Housing Section .	444,00	92	1	1 619 P00 445	Retaining ring .	28,00
10	1	1 619 P15 722	Electronic Module .	2.240,00	93	4	3 608 875 340	Countersunk-Head Screw .	46,00
21	1	1 619 P15 952	plastic covering .	107,00	94	9	1 619 P00 220	Torx Oval-Head Screw	29,00
22	1	1 619 P15 723	Gear Box .	1.665,00	95	1	2 609 001 139	Oval-Head Screw .	46,00
23	1	1 619 P15 724	Trigger .	97,00	651	1	1 607 A35 0C5	Battery Pack GBA 12V	
24	1	2 916 669 005	Spring retaining ring .	87,00	653	1	2 607 226 541	Fast Charger IND GAL	
27	1	1 619 P15 727	Bevel Gear .	582,00	653	1	2 607 226 189	Fast Charger GB GAL	
29	1	1 619 P15 729	Cutting Knife .	465,00	653	1	2 607 226 187	Fast Charger EU GAL	
30	1	1 619 P15 730	Blade .	549,00	694	1	1 619 P01 393	Latch .	30,00
31	1	1 619 P15 731	Cover Plate .	99,00	802	1	1 619 P16 098	Motor assembly .	2.135,00
33	1	2 600 101 616	Shim 0,5 MM .	41,00	808	1	1 619 P17 105	Nameplate .	
34	3	2 603 414 048	Torx SH cap screw	43,00	826	1	1 619 P16 099	Bearing Bracket .	646,00
35	1	2 603 413 035	Oval-Head Screw M4x8 .	28,00					
36	2	1 619 P01 678	Screw .	29,00					
37	1	1 619 P15 733	Bolt .	99,00					
38	1	2 610 935 251	Compression Spring .	40,00					
39	1	1 619 P15 875	Locking nut .	103,00					
40	2	1 619 P11 989	Screw .	51,00					
41	1	1 619 P15 876	Locking Plate .	92,00					
43	1	1 619 P15 734	Shaft .	190,00					
57	1	1 619 P15 956	Sticker .						
58	1	1 619 P15 963	Dust Separator .	88,00					
60	1	1 619 P08 646	Clip .	28,00					
61	1	1 619 P15 103	Nameplate .						

3 601 JK1 080  
Issue } 20-08-12 **Fig./Abb. 2**  
Stand }



Modifications reserved  
Änderungen vorbehalten  
Modifications réservées  
Salvo modificaciones

Model: 3 601 JK1 0L0 = 12 Date:

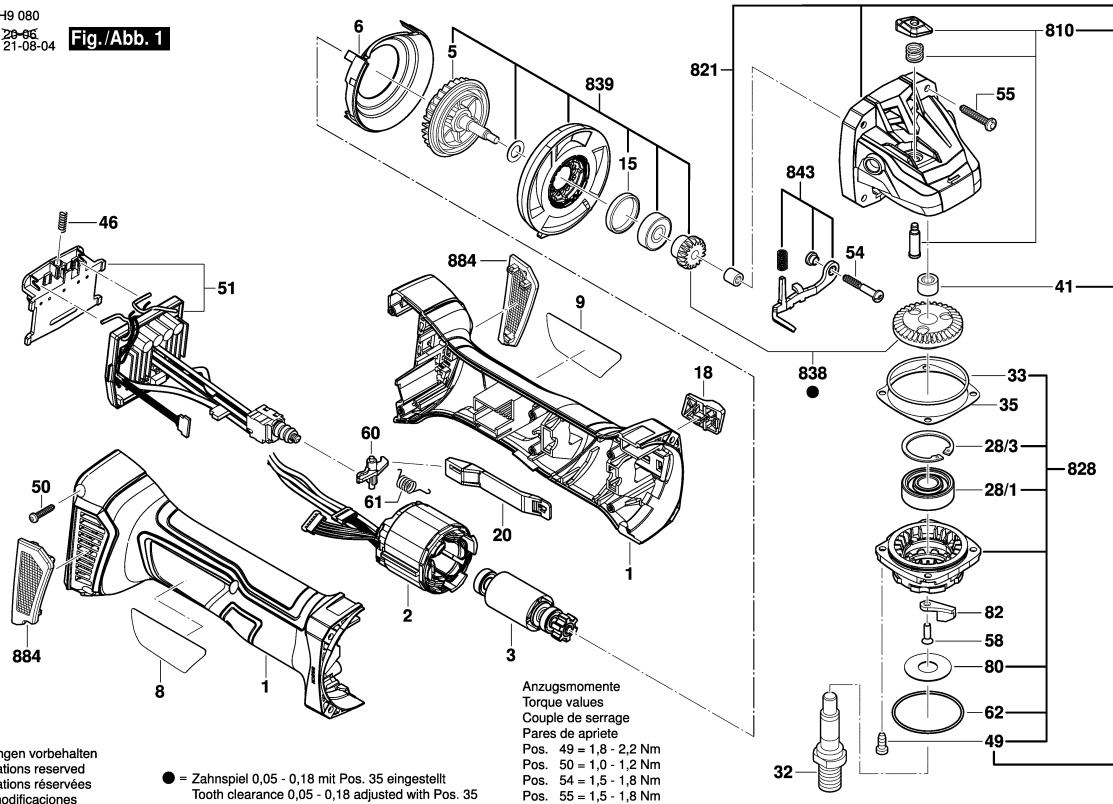
Item	Pc	Order no.	Description	LP in INR	Item	Pc	Order no.	Description	LP in INR

Please observe: Repairing, modifying and testing of electro-tools are to be performed professionally. The safety regulations according to IEC, EN, VDE, AFNOR and other regulations of the individual countries are to be observed. Subject to change. This price list supersedes all previous edition. Prices are subjected to change without any prior notice.



3 601 JH9 080  
Stand 1 29-05  
Issue 1 21-08-04

Fig./Abb. 1



Änderungen vorbehalten  
Modifications reserved  
Modifications réservées  
Salvo modificaciones

● = Zahnspiel 0,05 - 0,18 mit Pos. 35 eingestellt  
Tooth clearance 0,05 - 0,18 adjusted with Pos. 35

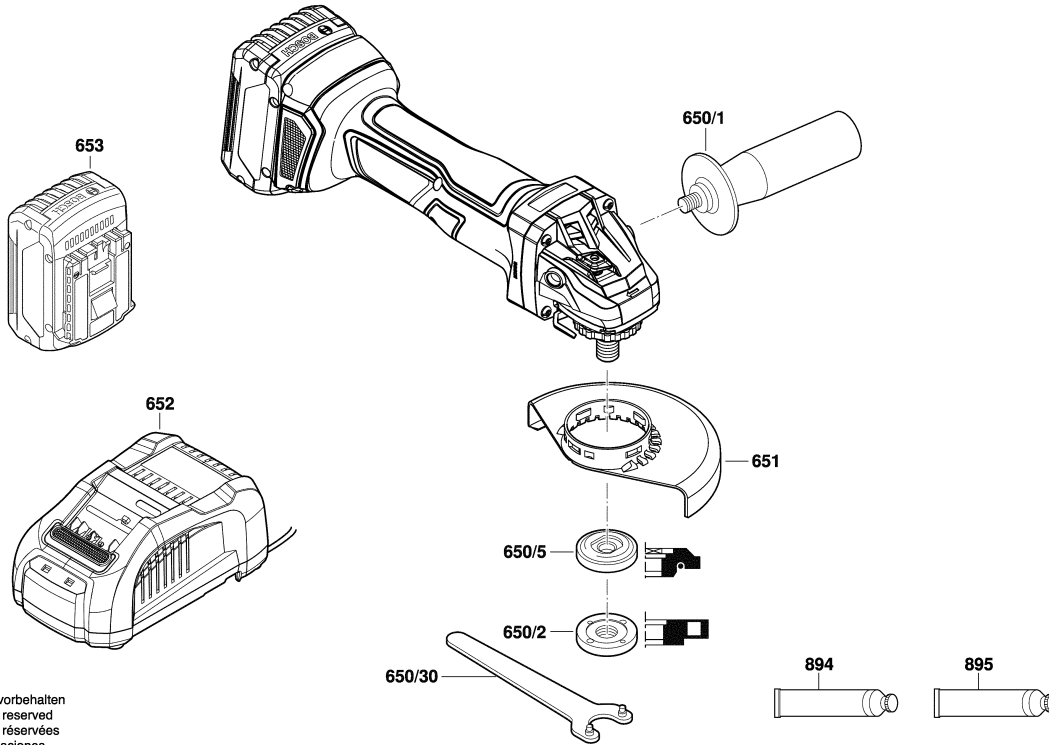
Anzugsmomente  
Torque values  
Couple de serrage  
Pares de apriete  
Pos. 49 = 1,8 - 2,2 Nm  
Pos. 50 = 1,0 - 1,2 Nm  
Pos. 54 = 1,5 - 1,8 Nm  
Pos. 55 = 1,5 - 1,8 Nm

1 / 2

Model: 3 601 JH9 0K0 = 18 Date:

Item	Pc	Order no.	Description	LP in INR	Item	Pc	Order no.	Description	LP in INR
1	1	1 619 P15 044	Motor Housing .	457,00	60	1	1 619 P15 795	Reverse-Transfer Lever .	68,00
2	1	1 600 A01 A6N	Stator .	868,00	61	1	1 619 P15 806	Torsion Spring .	58,00
3	1	1 600 A01 A6S	Rotor .	1.016,00	62	1	1 600 210 038	O-Ring 38,0x1,5 MM .	72,00
5	1	1 619 P15 054	Fan .	98,00	80	1	1 619 P09 390	Cover Disc .	68,00
6	1	1 600 591 065	Air-Deflector Ring .	123,00	82	1	1 602 002 014	Stopper .	85,00
8	1	1 619 P15 790	Nameplate .		650/1	1	1 619 P10 681	Auxiliary Handle .	171,00
9	1	1 619 P15 781	Manufacturer's nameplate .		650/1	1	1 619 P16 111	Auxiliary Handle .	142,00
15	1	1 600 206 025	Rubber Ring .	65,00	650/2	1	1 619 P09 976	Round Nut With 2 Holes .	51,00
18	1	1 619 P15 338	Switch Handle .	76,00	650/5	1	1 619 P12 159	Clamping-Flange	48,00
20	1	1 619 P15 050	Adjusting Slide .	77,00	650/30	1	2 609 110 015	Pin-Type Face-Wrench .	47,00
28/1	1	1 619 P07 440	Ball Bearing .	208,00	651	1	1 619 P14 537	Protective Cover .	237,00
28/3	1	2 916 660 013	Retaining clip DIN	47,00	652	1	2 607 225 921	Charger EU GAL 1880 CV	5.004,00
32	1	1 603 523 111	Grinding Spindle M10,	158,00	652	1	2 607 225 923	Charger GB 230/10,8-18V,	
33	1	1 619 P02 820	O-Ring 44,0x1,0 MM .	29,00	652	1	2 607 226 251	Fast Charger EU GAL	
35	1	1 619 P02 821	Shim 0,1 MM .	29,00	653	1	2 607 337 069	Battery Pack BBS MR,	
35	1	1 619 P02 822	Shim 0,2 MM .	29,00	653	1	1 607 A35 0AT	Battery Pack GBA 18V	
41	1	1 600 200 029	Plain bearing .	29,00	810	1	1 619 P16 236	Push Button .	117,00
46	1	1 609 280 477	Compression Spring .	48,00	821	1	1 619 P16 237	Gear Housing .	644,00
49	4	1 619 P11 118	Thread-forming tap. Screw	35,00	828	1	1 619 P11 098	Bearing Flange .	525,00
50	6	2 609 110 201	Torx Flat-Head Screw 3x16	27,00	838	1	1 619 P16 240	Gear Unit .	367,00
51	1	1 600 A01 NC3	Electronics Module .	2.749,00	839	1	1 619 P16 234	Bevel Gear Shaft .	695,00
54	1	2 603 490 025	Torx Oval-Head Screw	30,00	843	1	1 619 P11 076	Catch Lever .	133,00
55	3	1 619 P01 066	Torx Oval-Head Screw	29,00	884	1	1 607 000 CA9	Filter Unit .	444,00
58	1	1 603 435 075	Thread-forming tap. Screw	37,00	894	1	1 615 430 020	Grease Tube 225 ML .	1.438,00

3 601 JH9 080  
Stand  
Issue } 20-09-21 **Fig./Abb. 2**



Änderungen vorbehalten  
Modifications reserved  
Modifications réservées  
Salvo modificaciones

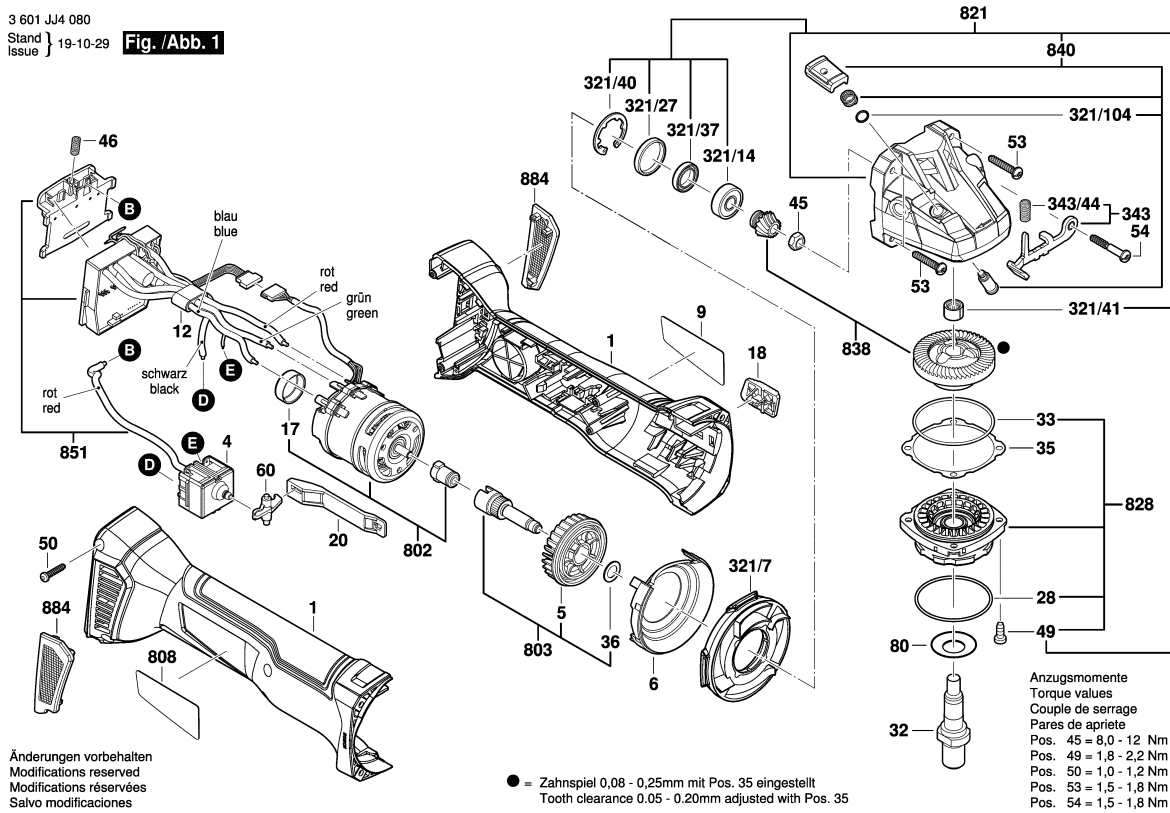
2 / 2

Model: 3 601 JH9 0K0 = 18 Date:

Item	Pc	Order no.	Description	LP in INR	Item	Pc	Order no.	Description	LP in INR
895	1	1 605 430 003	Grease Tube 225 ML .	1.554,00					

Please observe: Repairing, modifying and testing of electro-tools are to be performed professionally. The safety regulations according to IEC, EN, VDE, AFNOR and other regulations of the individual countries are to be observed. Subject to change.  
This price list supersedes all previous edition. Prices are subjected to change without any prior notice.

3 601 JJ4 080  
Stand } 19-10-29 **Fig./Abb. 1**  
Issue }



Änderungen vorbehalten  
Modifications reserved  
Modificaciones reservadas  
Salvo modificaciones

● = Zahnspiel 0,08 - 0,25mm mit Pos. 35 eingestellt  
Tooth clearance 0.05 - 0.20mm adjusted with Pos. 35

Anzugsmomente  
Torque values  
Couple de serrage  
Pares de apriete  
Pos. 45 = 8,0 - 12 Nm  
Pos. 49 = 1,8 - 2,2 Nm  
Pos. 50 = 1,0 - 1,2 Nm  
Pos. 53 = 1,5 - 1,8 Nm  
Pos. 54 = 1,5 - 1,8 Nm

1 / 2

Model: 3 601 JJ4 0K0 = 18

Date:

Item	Pc	Order no.	Description	LP in INR	Item	Pc	Order no.	Description	LP in INR
1	1	1 619 P15 334	Motor Housing .	992,00	80	1	1 619 P09 390	Cover Disc .	68,00
4	1	2 607 202 328	Switch .	670,00	321/7	1	1 600 591 05N	Air Distributor .	102,00
5	1	1 606 610 16E	Fan .	144,00	321/14	1	1 619 P09 955	groove ball bearing .	77,00
6	1	1 600 591 065	Air-Deflector Ring .	123,00	321/27	1	1 600 206 025	Rubber Ring .	65,00
9	1	1 619 P15 337	Manufacturer's nameplate .		321/37	1	1 600 A00 P17	Holder .	45,00
12	1	1 600 A00 RK2	Ferrite .	102,00	321/40	1	1 600 119 011	Retaining clip .	49,00
17	1	1 600 100 P12	Cover .	75,00	321/41	1	1 600 200 029	Plain bearing .	29,00
18	1	1 619 P15 338	Switch Handle .	76,00	321/104	1	1 600 210 044	O-Ring 4,5x1,0 MM BLUE	30,00
20	1	1 619 P16 511	Adjusting Slide .	28,00	343	1	1 607 000 742	Catch Lever .	241,00
28	1	3 600 210 109	O-Ring 47,0x1,5 MM .	49,00	343/44	1	1 604 611 042	Compression Spring .	30,00
32	1	1 603 523 111	Grinding Spindle M10,	158,00	650/1	1	1 619 P10 681	Auxiliary Handle .	171,00
33	1	1 600 210 035	O-Ring 46,0x1,1 MM .	50,00	650/2	1	1 619 P09 976	Round Nut With 2 Holes .	51,00
35	1	1 600 136 013	Shim 0,1 MM THICK	70,00	650/3	1	1 619 P08 928	Pin-Type Face-Wrench .	36,00
35	1	1 600 136 014	Shim 0,2 MM THICK	70,00	650/5	1	1 619 P12 159	Clamping-Flange	48,00
35	1	1 600 136 015	Shim 0,3 MM THICK	67,00	651	1	1 600 A01 2JH	Protective Cover .	155,00
35	1	1 600 136 020	Shim 0,15 MM THICK	82,00	652	1	2 607 225 921	Charger EU GAL 1880 CV	5.004,00
36	1	1 610 100 023	Washer .	45,00	652	1	2 607 225 923	Charger GB 230/10,8-18V,	
45	1	1 603 300 016	Hex Nut M7, SW10 .	50,00	652	1	2 607 226 251	Fast Charger EU GAL	
46	1	1 609 280 477	Compression Spring .	48,00	653	1	2 607 337 069	Battery Pack BBS MR,	
49	4	2 914 491 410	Thread-forming tap. Screw	30,00	653	1	1 607 A35 0AT	Battery Pack GBA 18V	
50	4	2 609 110 201	Torx Flat-Head Screw 3x16	27,00	802	1	1 607 000 CA4	Motor .	4.051,00
53	3	1 619 P01 066	Torx Oval-Head Screw	29,00	803	1	1 607 000 CA5	Bevel Gear Shaft .	386,00
54	1	2 603 490 025	Torx Oval-Head Screw	30,00	808	1	1 619 P15 477	Nameplate .	
60	1	1 600 A00 P18	Reverse-Transfer Lever .	45,00	821	1	1 607 000 CA6	Gear Housing .	842,00

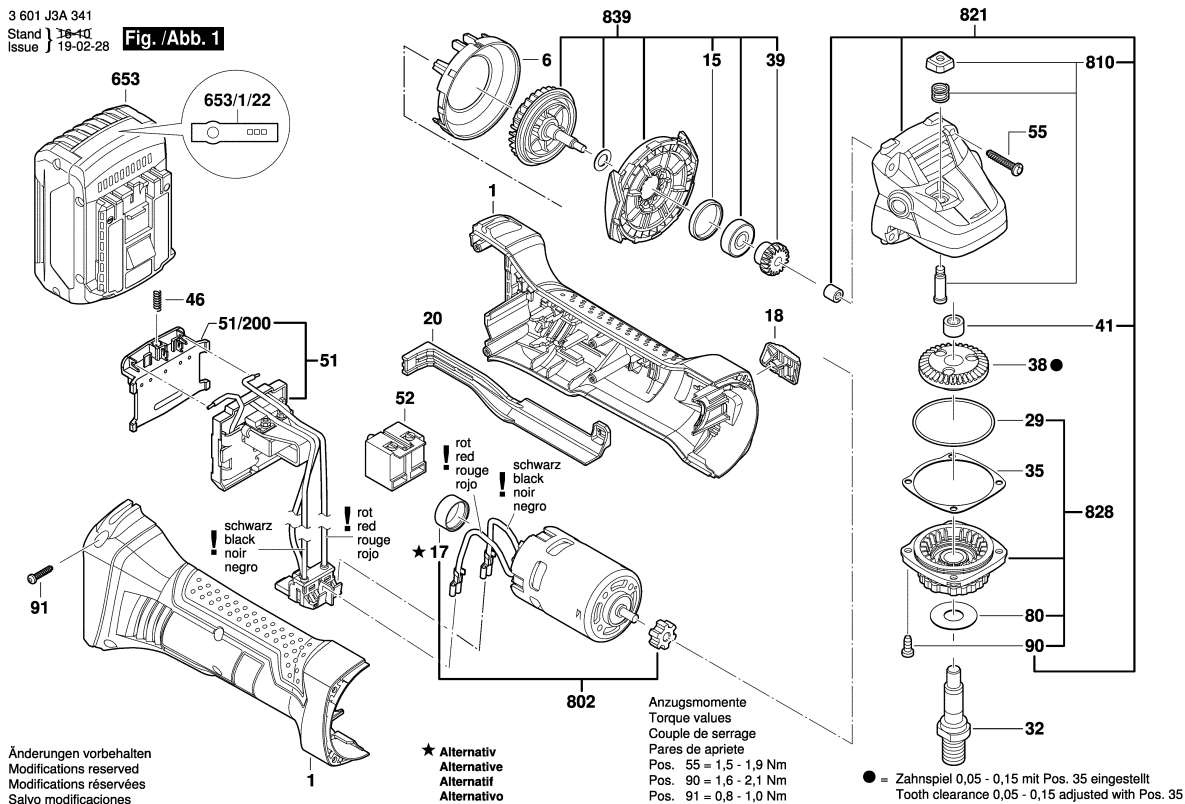
Please observe: Repairing, modifying and testing of electro-tools are to be performed professionally. The safety regulations according to IEC, EN, VDE, AFNOR and other regulations of the individual countries are to be observed. Subject to change.

This price list supersedes all previous edition. Prices are subjected to change without any prior notice.



3 601 J3A 341  
Stand 18-11  
Issue 19-02-28

**Fig./Abb. 1**



Model: 3 601 J3A 382 = 18/220 Date:

Item	Pc	Order no.	Description	LP in INR	Item	Pc	Order no.	Description	LP in INR
1	1	1 605 108 282	Housing Section BLUE	685,00	652	1	2 607 226 267	Fast Charger CN GAL	
6	1	1 600 591 046	Air-Deflector Ring .	50,00	652	1	2 607 225 439	Fast Charger CN	
9	1	1 619 P31 073	Manufacturer's nameplate .		653	1	2 607 336 815	Battery Pack BBS MR 18V,	10.804,00
15	1	1 600 206 025	Rubber Ring .	65,00	653	1	1 607 A35 0BG	Battery Pack EU GBA 18V	
17	1	1 600 A00 1PY	Cover .	35,00	653	1	2 607 337 069	Battery Pack BBS MR,	
18	1	1 619 P02 812	Switch Button .	26,00	653/1/22	1	2 601 115 537	Sticker .	
20	1	1 619 P12 305	Adjusting Slide .	46,00	802	1	1 617 000 6B0	DC motor 18V .	3.396,00
29	1	1 619 P02 820	O-Ring 44,0x1,0 MM .	29,00	810	1	1 619 P02 873	Push-Button .	59,00
32	1	1 619 P06 419	Grinding Spindle M 14, SW	377,00	821	1	1 617 000 6B2	Gear Housing .	1.446,00
35	1	1 619 P02 821	Shim 0,1 MM .	29,00	828	1	1 617 000 6B3	Bearing Flange .	313,00
35	1	1 619 P02 822	Shim 0,2 MM .	29,00	839	1	1 600 A00 M8J	Set Of Gearwheels .	1.421,00
38	1	1 619 P12 306	Crown Gear .	197,00	891	1	1 602 025 09T	Auxiliary Handle .	107,00
39	1	1 619 P12 307	Bevel Gear .	105,00	892	1	1 603 345 043	Round Nut M14 .	108,00
41	1	1 600 200 029	Plain bearing .	29,00	893	1	1 619 P08 927	Pin-Type Face-Wrench .	175,00
46	1	1 609 280 477	Compression Spring .	48,00	895	1	2 605 703 014	Clamping Flange	102,00
51	1	1 607 233 340	Electronics Module .	2.188,00	895/2	1	1 600 210 039	O-Ring 20,35x1,78 MM .	29,00
51/200	1	1 609 280 478	Contact retainer .	444,00	896	1	1 615 430 020	Grease Tube 225 ML .	1.438,00
52	1	2 607 202 071	On-Off Switch .	413,00	897	1	1 605 430 003	Grease Tube 225 ML .	1.554,00
55	4	2 603 490 024	Torx Oval-Head Screw	47,00					
80	1	1 619 P09 390	Cover Disc .	68,00					
90	4	1 603 435 068	Thread-forming tap. Screw	42,00					
91	4	1 619 P00 219	Tapping Screw .	44,00					
651	1	1 600 A00 XU7	Protective Cover Ø125 MM	542,00					
652	1	2 607 225 325	Fast Charger AUS	4.445,00					



Bosch original greases and oils. Tested and recommended for Bosch power tools.

# Basic guide to correct use of greases and oils in repair

You will find detailed lubrication instructions in the spare part documentation on the **internet** or on our **Service DVD**.



**BOSCH**



## What purpose do lubricants serve in a power tool?

Lubricants perform many important tasks: friction and wear reduction, power transfer, cooling, vibration damping, sealing, and corrosion protection. As with all machine parts, lubricants are also subject to aging and wear. They become dirty, overheat or dry out. When this happens, or during every necessary wear repair, they have to be replaced or replenished.

## Not all greases are the same, and not all oils are the same.

In addition to a base oil, lubricants usually contain additives which give them certain characteristics.

- ▶ Fluidity
- ▶ Oxidation resistance
- ▶ Friction characteristic.

The base oil and the additives are precisely tailored to each other and to the relevant requirements of use. Original greases and oils from Bosch are developed especially for Bosch Power Tools and meet the same high quality standard as the tools themselves.

## What has to be observed when greasing and oiling during repairs?

Bosch original greases and oils must not be mixed with each other, nor under any circumstances with non-recommended greases and oils. The specified quantities and the lubrication instructions for each tool must be observed at all times.



## Your advantages at a glance

Using Bosch original greases and oils during repair pays off:

- ▶ The components of the tool deliver optimum performance
- ▶ Abrasion and wear of the parts are as low as possible
- ▶ The operating time between service intervals is increased
- ▶ The service life of the tool is maximised

**How to ensure that you always have the right greases and oils in stock.**

We have compiled a selection of the most common lubricants for repairing tools from various product groups. You can therefore order any quantity of the required lubricants to meet your individual requirements.

**Note**

Repairs must be performed only by trained experts.

To ensure correct use of greases and oils during repair, please always observe the tool-specific lubrication instructions in our service documentation on the internet or on our Service DVD.

**Common lubricants: suitable for most tools within a product group. These should be available at every workshop.\***

Lubricant	Lubricant part numbers						Small angle grinders *	Large angle grinders *	Rotary hammers 1-4kg *	Rotary hammers >= 5kg *	Demolition hammers <12kg *	Impact drill *	Drill/drivers *	Jigsaws *
	30 ml	45 ml	50 ml	225 ml	1000 ml	5 kg								
Gearbox grease		1 615 430 005		1 615 430 001	1 615 430 007		x	x	x	x	x	x	x	
Special gearbox grease		1 615 430 014		1 615 430 015	1 615 430 016			x	x	x				
Special grease				1 615 430 002				x	x	x	x	x		
Special gearbox grease				1 605 430 003			x	x			x	x		
Gearbox grease				1 615 430 017	1 615 430 018		x							
Ball bearing grease/Roller bearing grease				1 615 430 020			x	x	x	x	x	x	x	
Gearbox grease				3 605 430 002		3 605 430 010					x	x		
Gearbox grease/Special grease				3 605 430 003			x				x	x	x	
Gearbox grease/High-temperature grease				3 605 430 004									x	
Special grease				3 605 430 009				x	x					
Special oil			1 615 437 509 1 615 437 511 1 615 437 512		1 615 430 019			x	x	x				
Special oil					1 615 430 012			x						
Hydraulic oil					3 605 430 008		x				x	x	x	
Grease for shanks of accessories	1 615 430 010							x	x	x				

\*Please always observe the tool-specific lubrication instructions in our service documentation on the internet or on our Service DVD.

**You will find current offers for ordering lubricants in a stock-up set on the extranet.**



**How to find the right grease and oil on the internet and extranet.**

You will find all instructions for the greases and oils recommended by Bosch in our spare part documentation. Please note: Repairs must be performed only by trained experts.

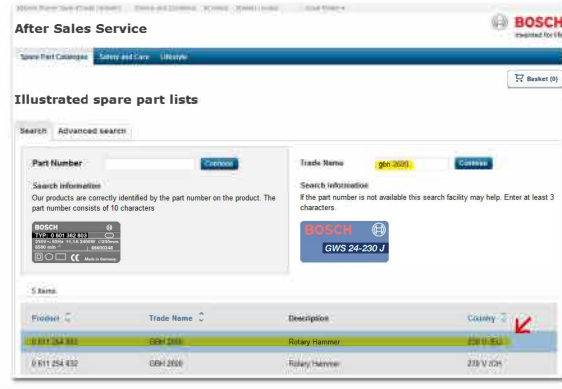
**Step 1**

Use our spare part search via your access to the extranet: <http://partner.bosch.de/ew/uk> or on the internet at: [www.bosch-professional.co.uk](http://www.bosch-professional.co.uk)



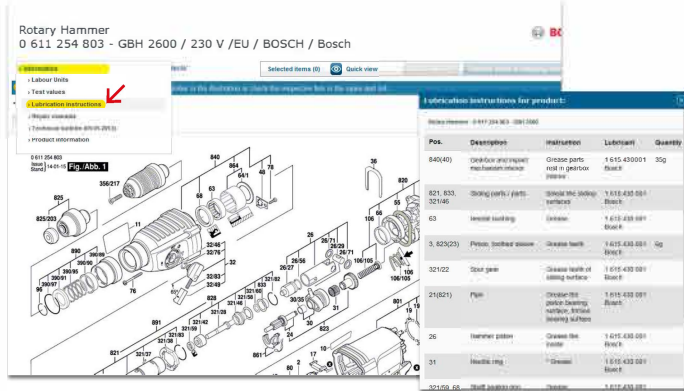
**Step 2**

Search for the right spare part list for your tool (by trade name or part number)



**Step 3**

Under "Technical information" -> "Lubrication instructions" you will find the detailed instructions.



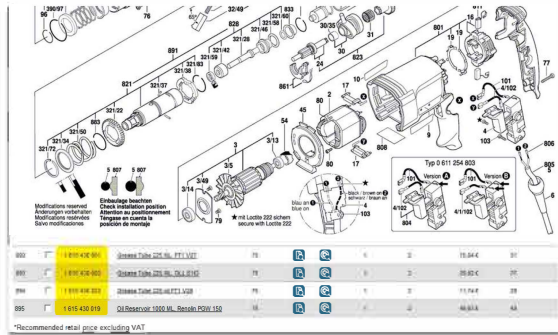
**There you will find:**

- ▶ the 10-digit part number for the suitable grease/oil
- ▶ the position number with which you can easily find the parts you have to lubricate on the spare part drawing
- ▶ the quantity of grease/oil required to perform a repair
- ▶ additional instructions on how to correctly grease/oil the parts during repair.

**Please note:** Make a note of the 10-digit part number for your spare part order

**Step 4**

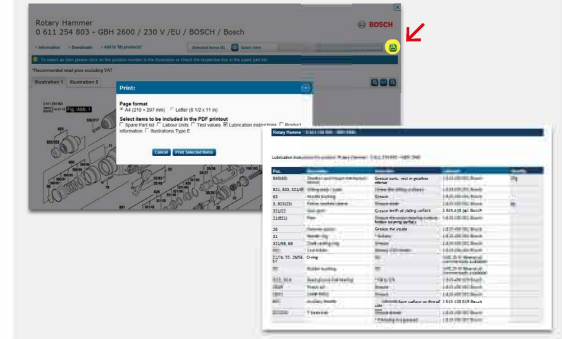
Order the right grease/oil straightaway with your spare part order.



**Our tip**

**Do you repair this type of tool quite often? Do you need the information about greasing/oiling as a printout directly at your workplace?**

Then simply print the tool-specific drawing and the accompanying lubrication instruction, and you will have all the important information at a glance.



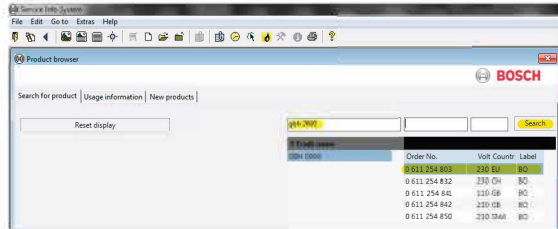
Search for the part number in the spare part list of the tool or via the "Spare part information" category. Add it to your shopping basket.

### How to find the right grease and oil on the Service DVD.

You will find all instructions for the greases and oils recommended by Bosch in our spare part documentation. Please note: Repairs must be performed only by trained experts.

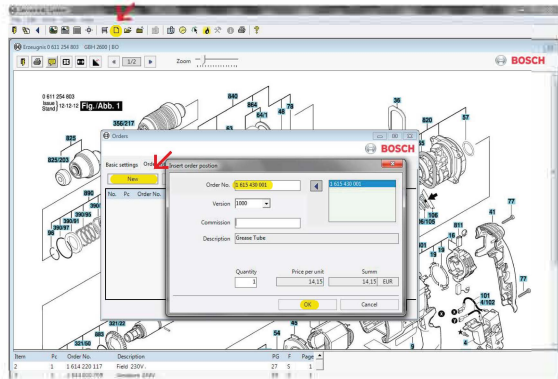
#### Step 1

Use our Service DVD and search for the right spare part list for your tool (by trade name or part number).



#### Step 3

Order the right grease/oil straightaway with your spare part order.



Simply add the part number to your spare part order.

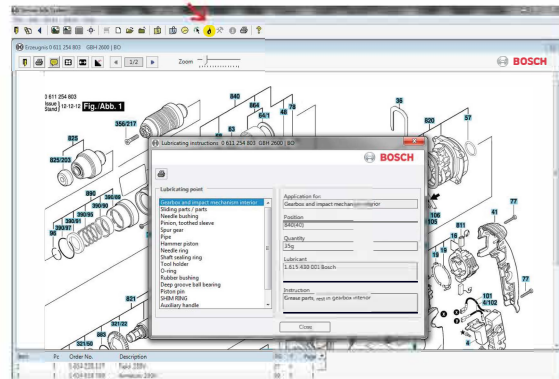
#### Step 2

The oil drop ( ) guides you directly to the tool-specific lubrication instructions.

There you will find:

- ▶ the 10-digit part number for the suitable grease/oil
- ▶ the position number with which you can easily find the parts you have to lubricate on the spare part drawing
- ▶ the quantity of grease/oil required to perform a repair
- ▶ additional instructions on how to correctly grease/oil the parts during repair.

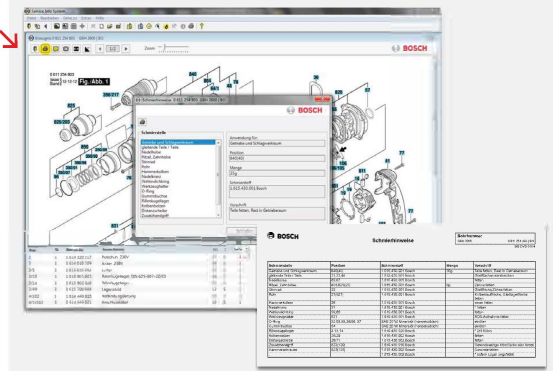
**Please note:** Make a note of the 10-digit part number for your spare part order



### Our tip

**Do you repair this type of tool quite often? Do you need the information about greasing/oiling as a printout directly at your workplace?**

Then simply print the tool-specific drawing and the accompanying lubrication instruction, and you will have all the important information at a glance.





# BOSCH



## SERVICE

### BOSCH SERVICE CENTRE



TOOL GROUP (टूल ग्रुप)	LABOUR CHARGE - लेबर चार्ज	
	Minor Repairs (छोटे रिपेयर)	Major Repairs (बड़े रिपेयर)
<b>SAG, Drills, Impact Drills, Blowers, Cordless...</b> GWS 600, 750, 900... GSB 10, 13, 501, 600... GBM 6, 10, 13-2... GGS 3000, 5000, 28... GBL 620, 800, GHG 500, 630... GSB, GSR, GDR, GDS, GDX...	₹ 100	₹ 150
<b>LAG, Bench Grinder...</b> GWS 18, 2000, 20, 23, 24, 26... GBR 15, GBG 35, 60... GPO 12, 950...	₹ 150	₹ 275
<b>Rotary Hammers 2, 3Kg, Jig Saw, Circular Saw...</b> GBH 200, 2-18, 2-26, 2-28, 3-28... GKS 235, GSA 1100, 1300, GST 65, 85, 150... GDS 18, GEX 125, 150... GAS 35, 55...	₹ 150	₹ 250
<b>Aquatak, Nibbler, Shear, Planners, Sanders, Router...</b> Aquatak 100, 110, 120, 130... GNA, GSC... GHO 10, 26, 32, 6500... GSS 140, 2300... GKF 550, POF 1400...	₹ 150	₹ 250
<b>Bench Top, Heavy Duty Drills, Chain Saw...</b> GCO 200, 220, 14-24... GCM 10, 12... GBM 23, 32... GKE 35...	₹ 200	₹ 300
<b>Demolition Hammer, Rotary Hammers 4, 5, 8Kg...</b> GSH 5, 500... GBH 4, 5, 8-45...	₹ 200	₹ 300
<b>Demolition Hammer, Rotary Hammers 10Kg...</b> GSH 11, 12, 16 & 27... GBH 11, 12... GTS 10J...	₹ 200	₹ 375
<b>Core Cutters, HPW...</b> GDB 180, 350... GHP 5-13, 5-65, 75, 8-15XD...	₹ 250	₹ 400

#### Note

1. The above chart gives the labour cost rate of common tools.
2. The Service Center will charge labour cost to the customers as per the above chart only.
3. For tools other than the one mentioned in the chart, labour cost should be charged by referring to the appropriate Tool Group.

#### नोट

1. उपरोक्त चार्ट सामान्य टूल्स के लेबर खर्च रेट देता है।
2. सर्विस सेंटर केवल उपरोक्त चार्ट के अनुसार ही ग्राहकों से लेबर खर्च चार्ज करेगा।
3. चार्ट में अंकित टूल्स के अलावा अन्य टूल्स के लिए, लेबर खर्च समुचित टूल ग्रुप को देखकर चार्ज किया जाना चाहिए।

Issued in Customer Interest by Bosch Power Tools, Service  
(बॉश पावर टूल्स, सर्विस द्वारा ग्राहक हित में जारी)





# BOSCH

## BOSCH for ALL



## AFFORDABLE SPARE PARTS

Description	Part Number	Application	Features
<b>Drill Chuck 1,0-10 mm</b> <b>Drill Chuck 13mm</b> <b>Drill Chuck Shank 1/2" SDS-Plus</b>	<b>1608571079</b> <b>1619PA1689</b> <b>1613523011</b>	10mm Impact Drill 13mm Impact Drill SDS Adaptor for 2kg Hammer	<ul style="list-style-type: none"> <li>Secure drill bit clamping for any Job</li> <li>Easy handling: Jaws are conveniently tightened and loosened with a key</li> <li>Less Vibrations in Tool</li> </ul>
<b>Power Supply Cord</b> <b>Power Supply Cord</b>	<b>F002G30101</b> <b>F002G31006</b>	Any Product (Upto 900W) Any Product (Upto 2000W)	<ul style="list-style-type: none"> <li>6A / 2-Core Cable, 3 meter length with Moulded 2-Pin plug</li> <li>16A / 3-Core Cable, 4.15 meter length with Moulded 3-Pin plug</li> <li>* (current supply shall be with 2core cable, 2-pin plug until stock lasts)</li> </ul>
<b>Chuck Wrench</b> <b>Hex Screw (L-Nut)</b> <b>Insulating Cap</b>	<b>1619P10156</b> <b>1619P00278</b> <b>1619P06286</b>	Marble Cutter (4" and 5") Marble Cutter (4" and 5") Marble Cutter (4" and 5")	<ul style="list-style-type: none"> <li>Long Life</li> <li>Strong Clamping Force</li> <li>Easy to Use</li> </ul>
<b>Grease Tube 225 ML .</b> <b>Grease Tube</b> <b>Grease Tube 225 ML .</b> <b>Oil Reservoir</b>	<b>1615430001</b> <b>1615430010</b> <b>1615430020</b> <b>1615430019</b>	All Hammers All Hammers and Chisel Lubrication All Grinders and Saws (Gear grease) For GSH and High Pressure Washer range	<ul style="list-style-type: none"> <li>Less wear &amp; tear of mechanical components</li> <li>Enhance tool life</li> <li>Works smooth at high rpm &amp; temperature</li> <li>Reduces friction of mechanical components</li> </ul>
<b>pin type face-wrench</b> <b>clamping flange M 10</b> <b>Round nut</b>	<b>2609110015</b> <b>1605703113</b> <b>1619P09976</b>	AG4 Grinder AG4 Grinder AG4 Grinder	<ul style="list-style-type: none"> <li>High Quality Steel</li> <li>Strong Clamping Force</li> <li>Less Wear &amp; Tear</li> </ul>
<b>Bevel</b> <b>Gear Set</b>	<b>1600A0292J</b>	AG4 Grinder	<ul style="list-style-type: none"> <li>Less Vibration</li> <li>High Durability</li> </ul>
<b>Groove Ball Bearing (RE)</b> <b>Groove Ball Bearing (FE)</b>	<b>1619P00456</b> <b>1619P11240</b>	AG4 Grinder AG4 Grinder	<ul style="list-style-type: none"> <li>Double Sealed Bearing</li> <li>Self Lubricated</li> </ul>
<b>On off Switch</b>	<b>1607200179</b>	AG4 Grinder	<ul style="list-style-type: none"> <li>High Durability</li> </ul>
<b>V Belt</b>	<b>2609100410</b>	All Planners	<ul style="list-style-type: none"> <li>Less Vibration</li> </ul>
<b>Switch Contact</b>	<b>1611329024</b>	2Kg Hammers	<ul style="list-style-type: none"> <li>Copper Contact</li> </ul>
<b>Impact Housing</b> <b>Stopping Device</b>	<b>1617000969</b> <b>1612300025</b>	For 11Kg Demolition Hammer For 11Kg Demolition Hammer	<ul style="list-style-type: none"> <li>Long Life</li> <li>High Durability</li> </ul>

### Bosch Hai to BEST Hai

Click below for further spares e-catalogue:

<https://www.boschtoolservice.com/in/en/boschprof/spareparts/search>

**Bosch Limited Power Tools Division**

PA-AT Complex, Hosur Road  
Adugodi, Bangalore-560030

[www.facebook.com/BoschPTIndia](http://www.facebook.com/BoschPTIndia)



Customer Contact Center

**1800 425 8665**

Email: [bpt@in.bosch.com](mailto:bpt@in.bosch.com)

[www.bosch-pt.co.in](http://www.bosch-pt.co.in)

**Creating a brand footprint through  
world-class service and customer delight!**



**Bosch Limited**  
Power Tools Division

📍 PA-AT Complex, Hosur Road, Adugodi, Bengaluru - 560030.  
☎ 080-22999189, 22999778 Toll Free No. : 1800 425 8665

🌐 [www.boschindia.com](http://www.boschindia.com)  
📧 [bpt@in.bosch.com](mailto:bpt@in.bosch.com)