



PARTS CATALOGUE

YFM350XP (5NF4) U49

YFM350XPC (5NF5) CALIFORNIA

YFM350XP (5NF6) CANADA

YFM350X (5NF6) FRANCE

YFM350X (5NF4) JAPAN



A4

FOREWORD

This Parts Catalogue is related to the parts for the model(s) in the below frame. When you are ordering replacement parts, please refer to this Parts Catalogue and quote both part numbers and part names correctly.

YFM350XP/YFM350X(5NF4), YFM350XPC(5NF5),
YFM350XP/YFM350X(5NF6)

1. Modifications or additions which have been made after issue of the Parts Catalogue will be announced in the Yamaha Parts News.
It is advisable that you make necessary corrections to the Parts Catalogue according to the Yamaha Parts News.

2. Abbreviations

The Following abbreviations are used in this Parts Catalogue.

- “UR” Use specified parts number.
- “UN” Use as many as needed.
- “AP” Alternate Parts
- “LM” Local Made (Parts need to be ordered locally)
- “F#” Frame No. (Applicable machine No.)

3. Parts, which are to be supplied in an assembly, are listed with a dot(.) in front of the part name as shown below.

EXAMPLE

- CARBURETOR ASSY
- .JET, PILOT
- .NOZZLE, MAIN

4. Number of component for assembly

The numeral appearing to the right of each component part indicates the quantity of parts for each assembly unit.

EXAMPLE

PART NO.	DESCRIPTION	Q'TY	REMARKS
2F5-83310-60	FRONT FLASHER LIGHT ASSY	2	
115-83311-60	.BULB (6V-18W)	1	
1M1-83309-60	.REFLECTOR	1	

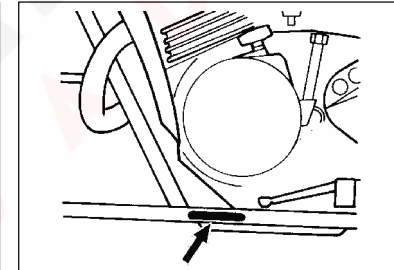
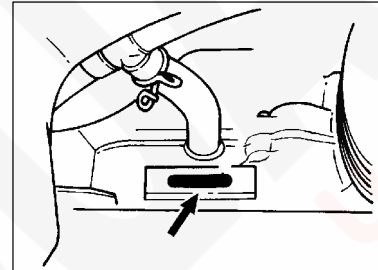
5. Applicable colors of graphics are represented in the “REMARKS” as shown below.

PART NO.	DESCRIPTION	Q'TY	REMARKS
2N4-24110-00-X5	FUEL TANK COMP.	2	MXR
3J1-24240-10	.GRAPHIC, FUEL TANK	1	FOR MXR

6. Applicable Serial No.

Engine Serial No.

Frame Serial No.



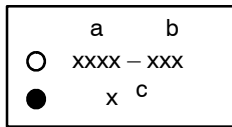
7. Note that the illustrations for reference in finding parts numbers, not to be used for assembling. When assembling, please use the applicable service manual.

8. The asterisk (*) before a reference number indicates modification items after the first edition.

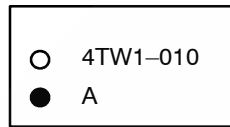
MODEL LABEL

(1) A label called "Model Label" is affixed in the location as indicated in (3) below.
When using this parts catalogue, please be sure to cross-refer the "model code – production code No." in the catalogue to the "model code – production code No." indicated on the Model Label affixed onto the product concerned.

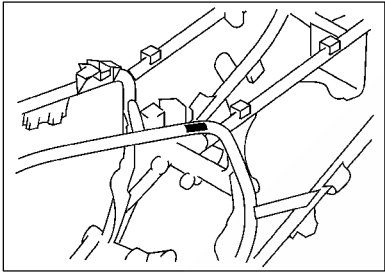
(2) "Model Label" Indication



a: Model Type Code
b: Production Code No.
c: Colouring Type



(3) Model Label Affixing Location



(4) Model Code – Production Code Number of Model Listed in This Parts Catalog

Model Code	Production Code No.	Country (destination)	Model Code	Production Code No.	Country (destination)
5NF4	010	U49			
	020	JAPAN			
5NF5	010	CALIFORNIA			
5NF6	010	CANADA			
	020	FRANCE			

(5) Colouring Information

Model Code	Colouring type code	Colour code	Colour Name	Abbreviation
5NF4 5NF5 5NF6	A	0583	DEEP PURPLISH BLUE SOLID E	DPBSE
5NF4 5NF5 5NF6	B	0033	YAMAHA BLACK	YB

CONTENTS

ENGINE

CYLINDER HEAD	B2
CYLINDER	B4
CRANKSHAFT. PISTON	B5
VALVE	B7
CAMSHAFT. CHAIN	B8
OIL PUMP	B9
INTAKE	B10
CARBURETOR	B11
EXHAUST	B13
CRANKCASE	B14
CRANKCASE COVER 1	B15
STARTER CLUTCH	C3
CLUTCH	C4
TRANSMISSION	C6
SHIFT CAM. FORK	C8

CHASSIS

FRAME	C10
FRONT FENDER	C11
REAR FENDER	C12
SIDE COVER	C13
REAR ARM	C14
REAR SUSPENSION	D2
STEERING	D4
FRONT SUSPENSION. WHEEL	D6
FUEL TANK	D8
SEAT	D9
FRONT WHEEL	D10
FRONT BRAKE CALIPER	D11

REAR WHEEL	D12
REAR BRAKE	D14
STEERING HANDLE. CABLE	D15
FRONT MASTER CYLINDER	E4
STAND. FOOTREST	E5
REAR MASTER CYLINDER	E6
GUARD	E7
GENERATOR	E8
STARTING MOTOR	E9
HEADLIGHT	E10
TAILLIGHT	E11
HANDLE SWITCH. LEVER	E12
ELECTRICAL 1	E14
ELECTRICAL 2	F2
EMBLEM.LABEL 1	F3
EMBLEM.LABEL 2	F4
EMBLEM.LABEL 3	F6
EMBLEM.LABEL 4	F7

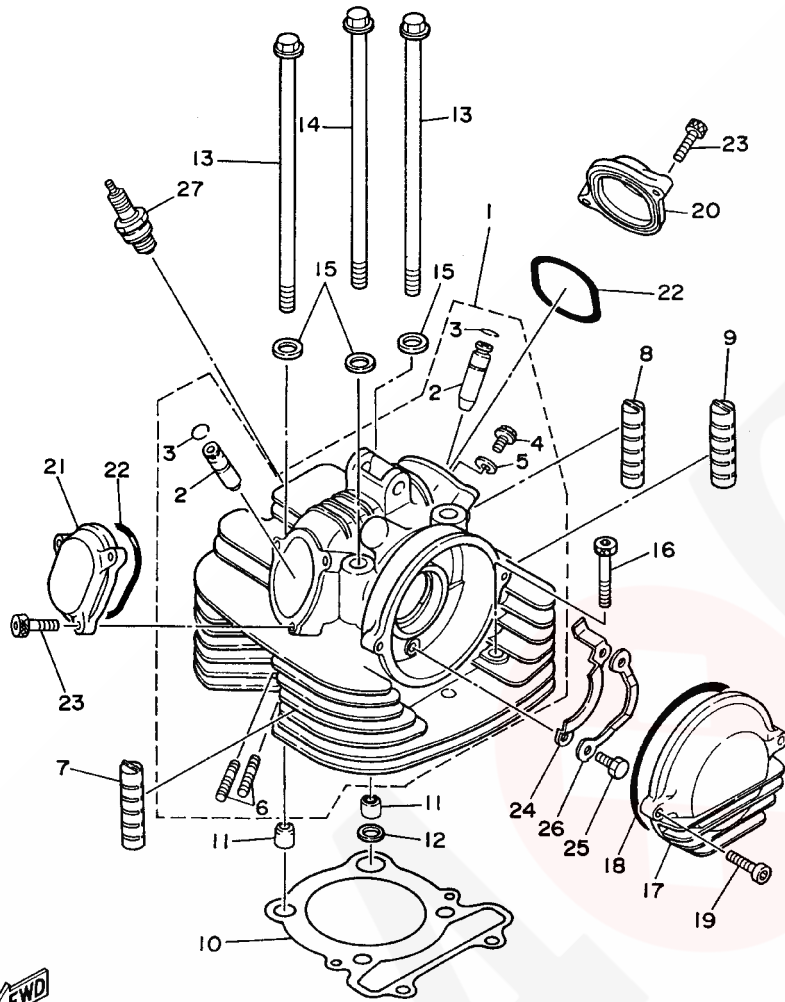
ALTERNATE PARTS

ALTERNATE (ENGINE)	F8
--------------------------	----

INDEX

NUMERICAL INDEX	M1
-----------------------	----

FIG. 1 CYLINDER HEAD

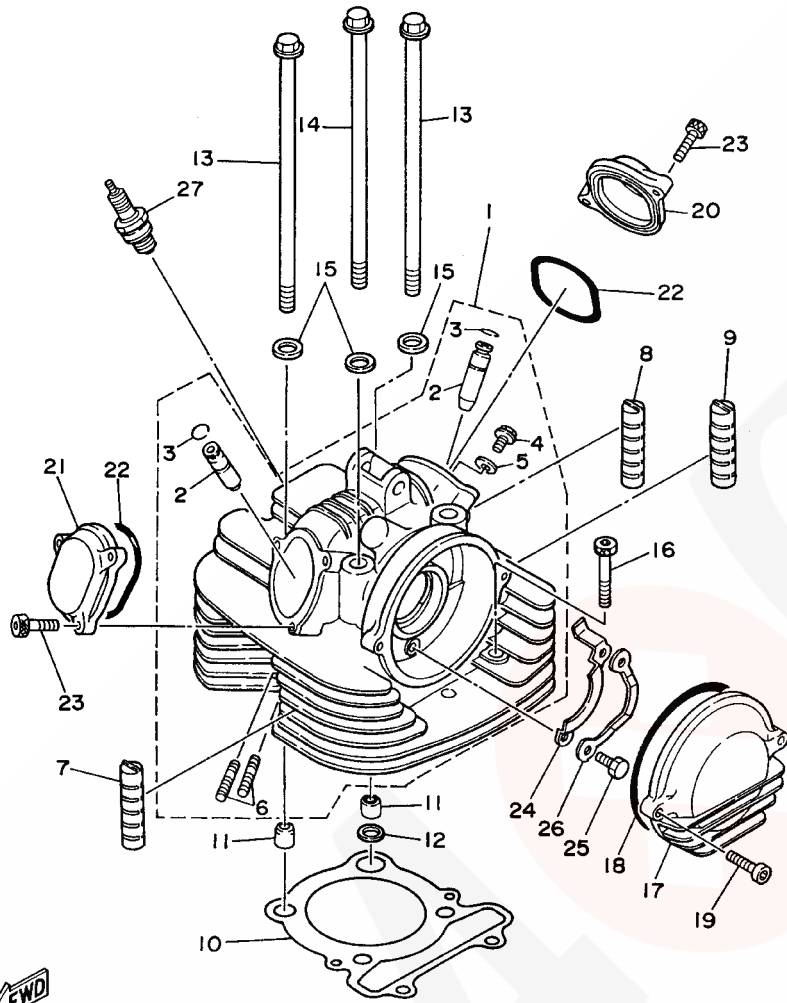



3HP1100-9010

REF. NO.	PART NO.	DESCRIPTION	U49	CAL	CAN	FRA	JPN	REMARKS
1	1UY-11110-02	CYLINDER HEAD ASSY	1	1	1	1	1	
2	3Y1-11133-11	.GUIDE, INTAKE VALVE	2	2	2	2	2	
3	93440-12052	.CIRCLIP	2	2	2	2	2	
4	90401-06001	.BOLT, UNION	1	1	1	1	1	
5	90430-06192	.GASKET	1	1	1	1	1	
6	90116-06503	.BOLT, STUD	2	2	2	2	2	
7	3Y1-11127-00	ABSORBER 3	8	8	8	8	8	
8	31G-11161-00	ABSORBER 1	2	2	2	2	2	
9	31G-11127-00	ABSORBER 3	2	2	2	2	2	
10	1UY-11181-00	GASKET, CYLINDER HEAD 1	1	1	1	1	1	
11	99530-14016	PIN, DOWEL	2	2	2	2	2	
12	90430-14240	GASKET	1	1	1	1	1	
13	90105-10421	BOLT, FLANGE	2	2	2	2	2	
14	90105-10422	BOLT, FLANGE	2	2	2	2	2	
15	90201-10128	WASHER, PLATE	4	4	4	4	4	
16	91317-08050	BOLT	2	2	2	2	2	
17	3Y1-11185-00	COVER, CYLINDER HEAD SIDE 1	1	1	1	1	1	
18	93211-06635	O-RING	1	1	1	1	1	
19	91317-06025	BOLT	2	2	2	2	2	
20	2NL-11186-00	COVER, CYLINDER HEAD SIDE 2	1	1	1	1	1	
21	2NL-11187-00	COVER, CYLINDER HEAD SIDE 3	1	1	1	1	1	
22	93210-57634	O-RING	2	2	2	2	2	
23	91317-06020	BOLT	5	5	5	5	5	
24	3Y1-1111F-00	PLATE	1	1	1	1	1	
25	97007-06012	BOLT	2	2	2	2	2	
26	90215-06162	WASHER, LOCK	1	1	1	1	1	
27	94701-00333	PLUG, SPARK (NGK DR8EA)	1	1	1	1	1	

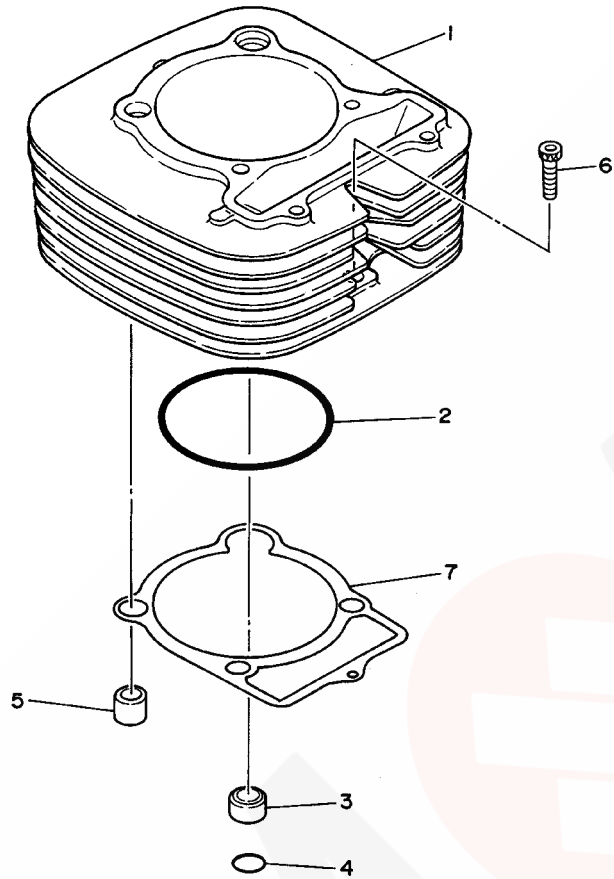
FIG. 1 CYLINDER HEAD

REF. NO.	PART NO.	DESCRIPTION	U49	CAL	CAN	FRA	JPN	REMARKS
27	94703-00333	PLUG, SPARK (NGK DR8EA)					1	



3HP1100-9010

FIG. 2 CYLINDER



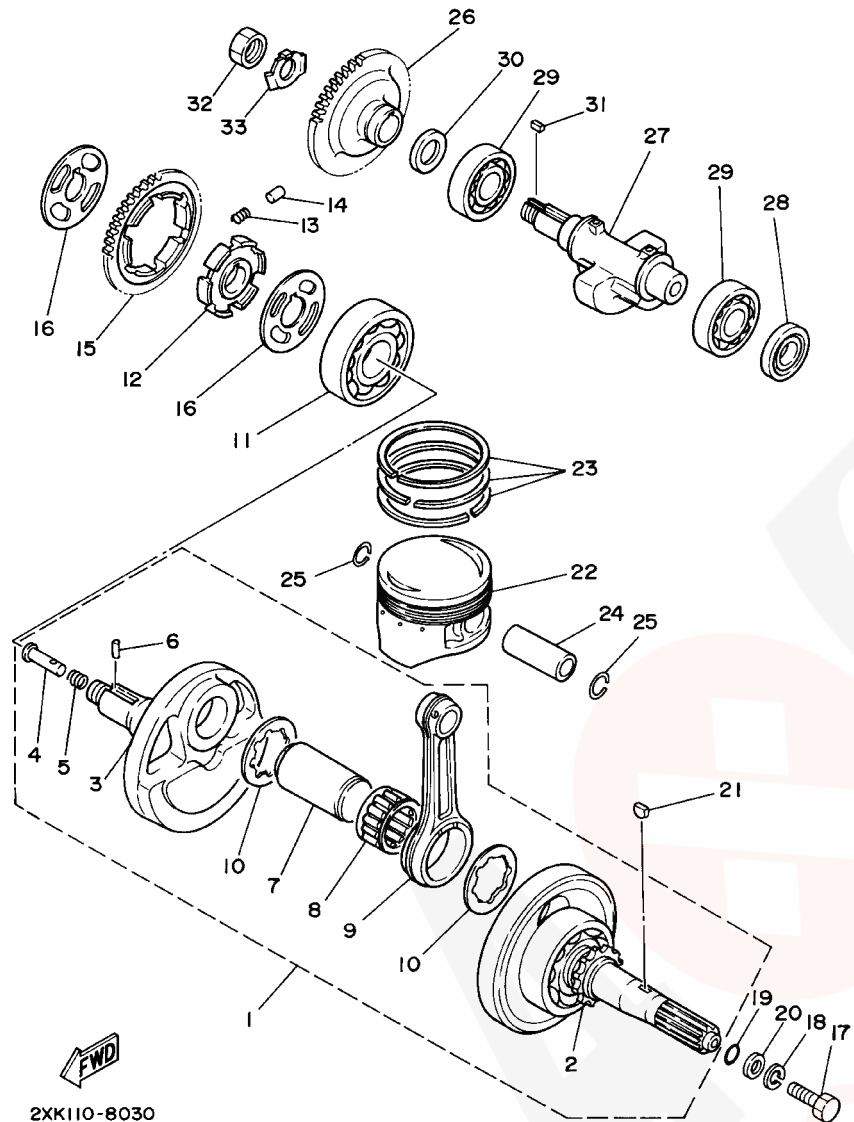
REF. NO.	PART NO.	DESCRIPTION	U49	CAL	CAN	FRA	JPN	REMARKS
1	1UY-11310-03	CYLINDER	1	1	1	1	1	
2	93210-86509	O-RING	1	1	1	1	1	
3	90387-16547	COLLAR	1	1	1	1	1	
4	93210-18322	O-RING	1	1	1	1	1	
5	99530-14016	PIN, DOWEL	1	1	1	1	1	
6	91317-06030	BOLT	1	1	1	1	1	
7	4KB-11351-00	GASKET, CYLINDER	1	1	1	1	1	



IUY110-7020

B4

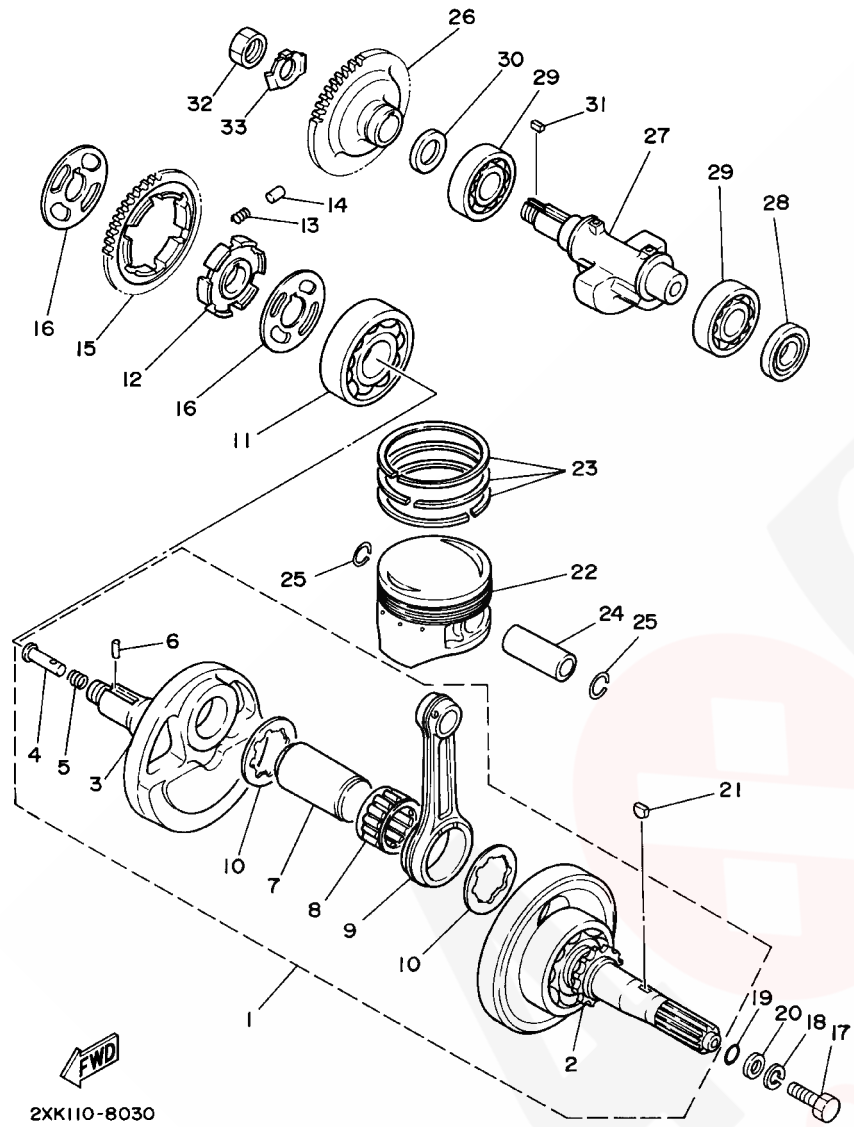
FIG. 3 CRANKSHAFT. PISTON



REF. NO.	PART NO.	DESCRIPTION	U49	CAL	CAN	FRA	JPN	REMARKS
1	1UY-11400-00	CRANKSHAFT ASSY	1	1	1	1	1	
2	1UY-W1141-00	.CRANK 1	1	1	1	1	1	
3	1UY-11422-00	.CRANK 2	1	1	1	1	1	
4	90240-07105	.PIN, CLEVIS	1	1	1	1	1	
5	90501-07629	.SPRING, COMPRESSION	1	1	1	1	1	
6	93602-13177	.PIN, DOWEL	1	1	1	1	1	
7	30X-11681-00	.PIN, CRANK 1	1	1	1	1	1	
8	93310-633T5	.BEARING	1	1	1	1	1	
9	1UY-11651-00	.ROD, CONNECTING	1	1	1	1	1	
10	90209-33253	.WASHER	2	2	2	2	2	
11	93306-30622	BEARING (6306SH4 SPECIAL)	1	1	1	1	1	
12	30X-11496-00	BOSS, BUFFER	1	1	1	1	1	
13	90501-22721	SPRING, COMPRESSION	6	6	6	6	6	
14	93605-10090	PIN, DOWEL	3	3	3	3	3	
15	3Y1-11531-02	GEAR, BALANCE WT	1	1	1	1	1	
16	30X-11565-00	WASHER, BEARING COVER	2	2	2	2	2	
17	90101-10568	BOLT	1	1	1	1	1	
18	92907-10100	WASHER, SPRING	1	1	1	1	1	
19	93210-16290	O-RING	1	1	1	1	1	
20	90201-107F8	WASHER, PLATE	1	1	1	1	1	
21	90280-05048	KEY, WOODRUFF	1	1	1	1	1	
22	1UY-11631-01-Y0	PISTON (STD)	1	1	1	1	1	
	1UY-11636-01	PISTON (0.50MM O/S)	1	1	1	1	1	AP
	1UY-11638-01	PISTON (1.00MM O/S)	1	1	1	1	1	AP
23	4GB-11610-00	PISTON RING SET (STD)	1	1	1	1	1	
	4GB-11610-20	PISTON RING SET (0.50MM O/S)	1	1	1	1	1	AP
	4GB-11610-40	PISTON RING SET (1.00MM O/S)	1	1	1	1	1	AP

B5

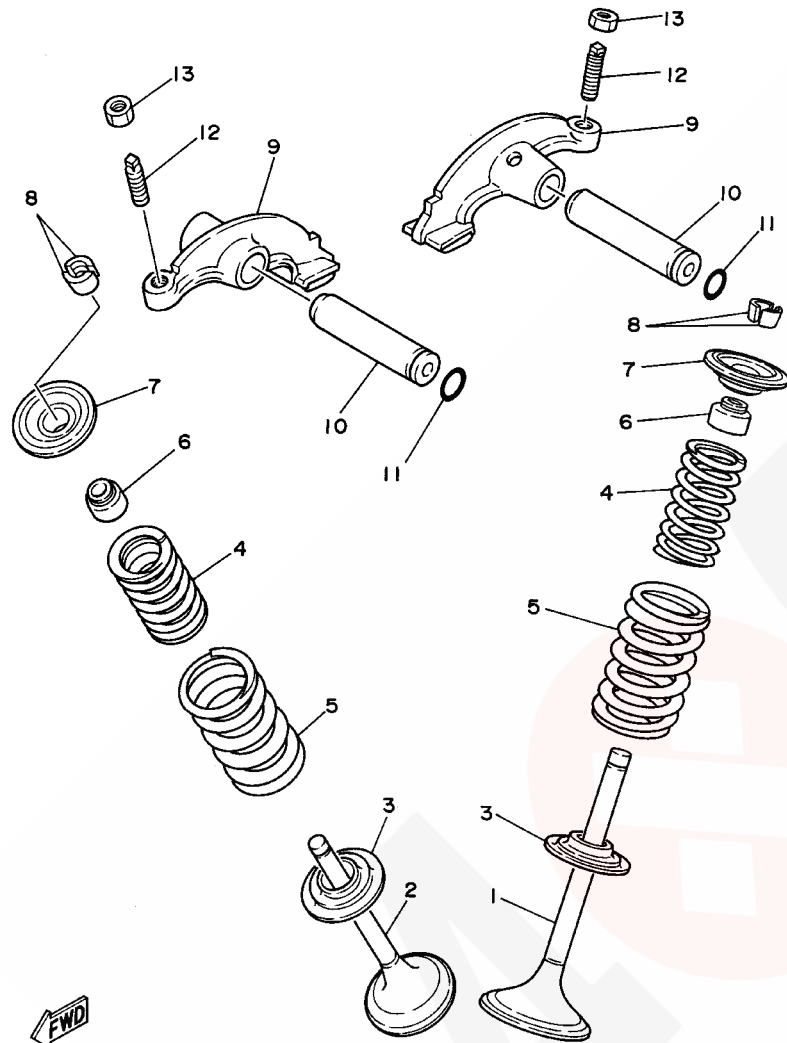
FIG. 3 CRANKSHAFT. PISTON



REF. NO.	PART NO.	DESCRIPTION	U49	CAL	CAN	FRA	JPN	REMARKS
24	55V-11633-00	PIN, PISTON	1	1	1	1	1	
25	93450-19095	CIRCLIP	2	2	2	2	2	
26	1UY-11536-01	GEAR, DRIVE	1	1	1	1	1	
27	1UY-11454-00	WEIGHT 1	1	1	1	1	1	
28	93101-25106	OIL SEAL	1	1	1	1	1	
29	93306-20532	BEARING	2	2	2	2	2	
30	90201-207G6	WASHER, PLATE	1	1	1	1	1	
31	90282-05034	KEY, STRAIGHT	1	1	1	1	1	
32	90170-16326	NUT	1	1	1	1	1	
33	90215-16270	WASHER, LOCK	1	1	1	1	1	

B6

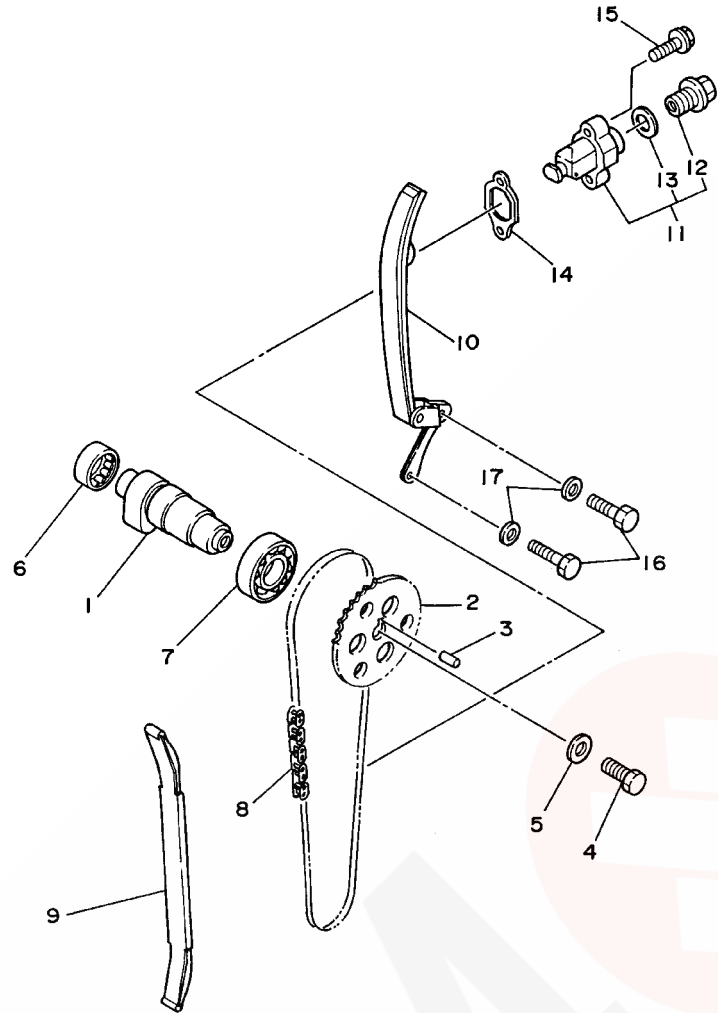
FIG. 4 VALVE



3GD3110-9040

REF. NO.	PART NO.	DESCRIPTION	U49	CAL	CAN	FRA	JPN	REMARKS
1	1UY-12111-01	VALVE, INTAKE	1	1	1	1	1	
2	1UY-12121-01	VALVE, EXHAUST	1	1	1	1	1	
3	3Y1-12116-00	SEAT, VALVE SPRING	2	2	2	2	2	
4	1UY-12113-01	SPRING, VALVE INNER	2	2	2	2	2	
5	1UY-12114-01	SPRING, VALVE OUTER	2	2	2	2	2	
6	1J7-12119-01	SEAL, VALVE STEM	2	2	2	2	2	
7	3Y1-12117-01	RETAINER, VALVE SPRING	2	2	2	2	2	
8	1J7-12118-00	COTTER, VALVE	4	4	4	4	4	
9	3GD-12151-00	ARM, VALVE ROCKER	2	2	2	2	2	
10	3Y1-12156-00	SHAFT, ROCKER 2	2	2	2	2	2	
11	93210-09165	O-RING	2	2	2	2	2	
12	31G-12159-02	SCREW, VALVE ADJUSTING	2	2	2	2	2	
13	31G-12158-00	NUT, LOCK	2	2	2	2	2	

FIG. 5 CAMSHAFT. CHAIN

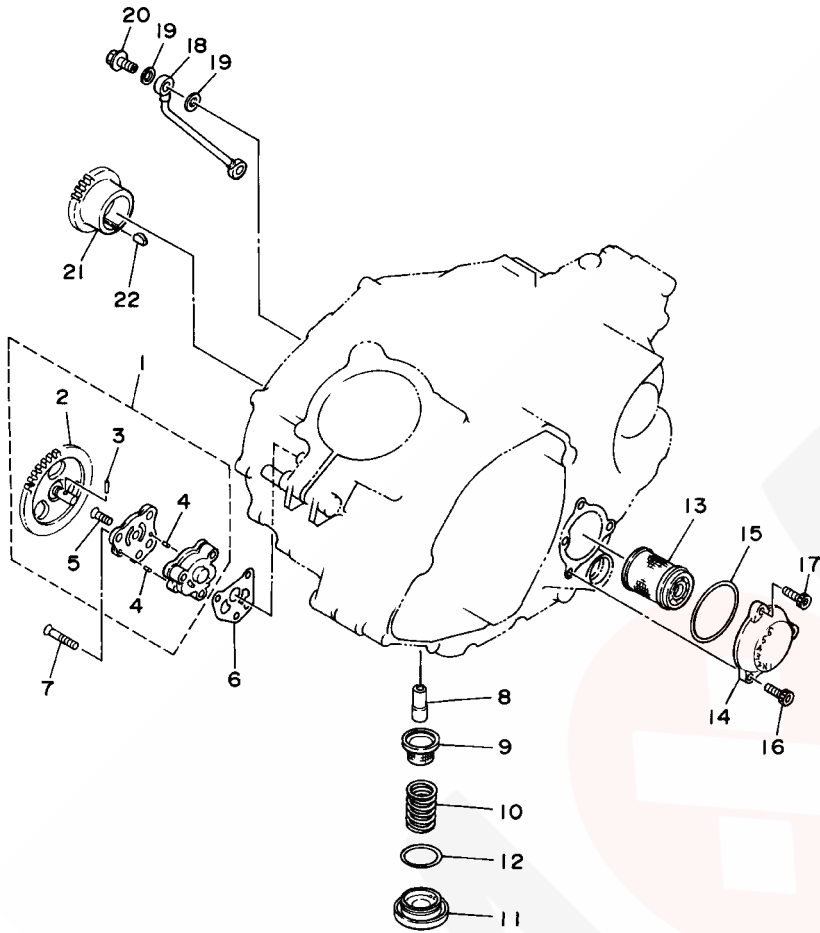


 3HP1100-9050

REF. NO.	PART NO.	DESCRIPTION	U49	CAL	CAN	FRA	JPN	REMARKS
1	1UY-12170-00	CAMSHAFT ASSY 1	1	1	1	1	1	
2	3HN-12176-00	SPROCKET, CAM CHAIN	1	1	1	1	1	
3	93604-10011	PIN, DOWEL	1	1	1	1	1	
4	90101-10303	BOLT	1	1	1	1	1	
5	90201-10591	WASHER, PLATE	1	1	1	1	1	
6	93315-32516	BEARING	1	1	1	1	1	
7	93306-00515	BEARING	1	1	1	1	1	
8	94500-02090	CHAIN (BF05M 90L)	1	1	1	1	1	
9	3Y1-12231-01	GUIDE, STOPPER 1	1	1	1	1	1	
10	1UY-12241-00	GUIDE, STOPPER 2	1	1	1	1	1	
11	31G-12210-01	TENSIONER ASSY, CAM CHAIN	1	1	1	1	1	
12	31G-12222-00	.PLUG	1	1	1	1	1	
13	31G-12214-00	.GASKET	1	1	1	1	1	
14	3GD-12213-00	GASKET, TENSIONER CASE	1	1	1	1	1	
15	95027-06025	BOLT, FLANGE	2	2	2	2	2	
16	97027-06016	BOLT	2	2	2	2	2	
17	92907-06600	WASHER, PLATE	2	2	2	2	2	

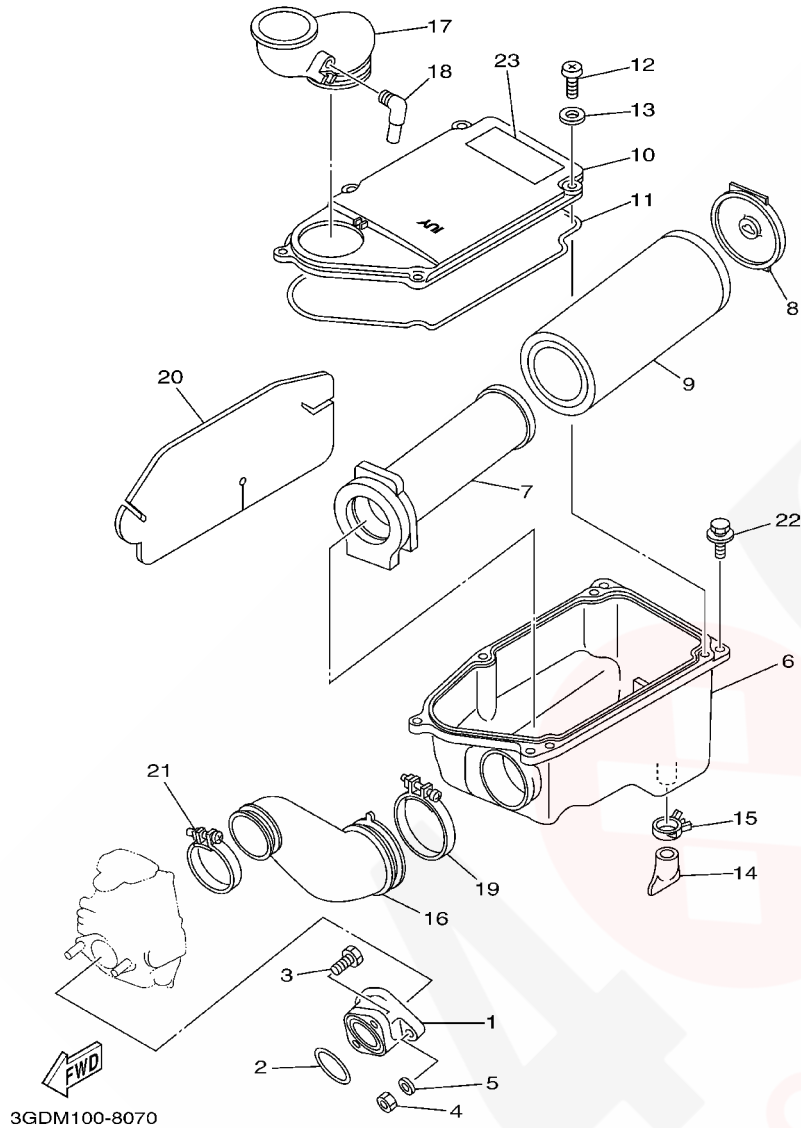
FIG. 6 OIL PUMP

REF. NO.	PART NO.	DESCRIPTION	U49	CAL	CAN	FRA	JPN	REMARKS
1	1UY-13300-00	OIL PUMP ASSY	1	1	1	1	1	
2	1UY-13326-00	.GEAR, PUMP DRIVEN 2	1	1	1	1	1	
3	93603-12030	.PIN, DOWEL	1	1	1	1	1	
4	93603-07073	.PIN, DOWEL	2	2	2	2	2	
5	90151-06010	.SCREW, COUNTERSUNK	1	1	1	1	1	
6	3GD-13329-00	GASKET, PUMP COVER	1	1	1	1	1	
7	98707-06030	SCREW, FLAT HEAD	3	3	3	3	3	
8	2XK-13416-00	PIPE, OIL 1	1	1	1	1	1	
9	51Y-13411-00	STRAINER, OIL	1	1	1	1	1	
10	90501-18576	SPRING, COMPRESSION	1	1	1	1	1	
11	30X-15351-00	PLUG, DRAIN	1	1	1	1	1	
12	93210-35520	O-RING	1	1	1	1	1	
13	1UY-13440-02	ELEMENT ASSY, OIL CLEANER	1	1	1	1	1	
14	3GD-13447-00	COVER, OIL ELEMENT	1	1	1	1	1	
15	93210-54175	O-RING	1	1	1	1	1	
16	91317-06020	BOLT	2	2	2	2	2	
17	90110-06136	BOLT, HEXAGON SOCKET HEAD	1	1	1	1	1	
18	1UY-13161-01	PIPE, DELIVERY 1	1	1	1	1	1	
19	90430-08119	GASKET	4	4	4	4	4	
20	90401-08117	BOLT, UNION	2	2	2	2	2	
21	1UY-13324-00	GEAR, PUMP DRIVE	1	1	1	1	1	
22	90280-05013	KEY, WOODRUFF	1	1	1	1	1	



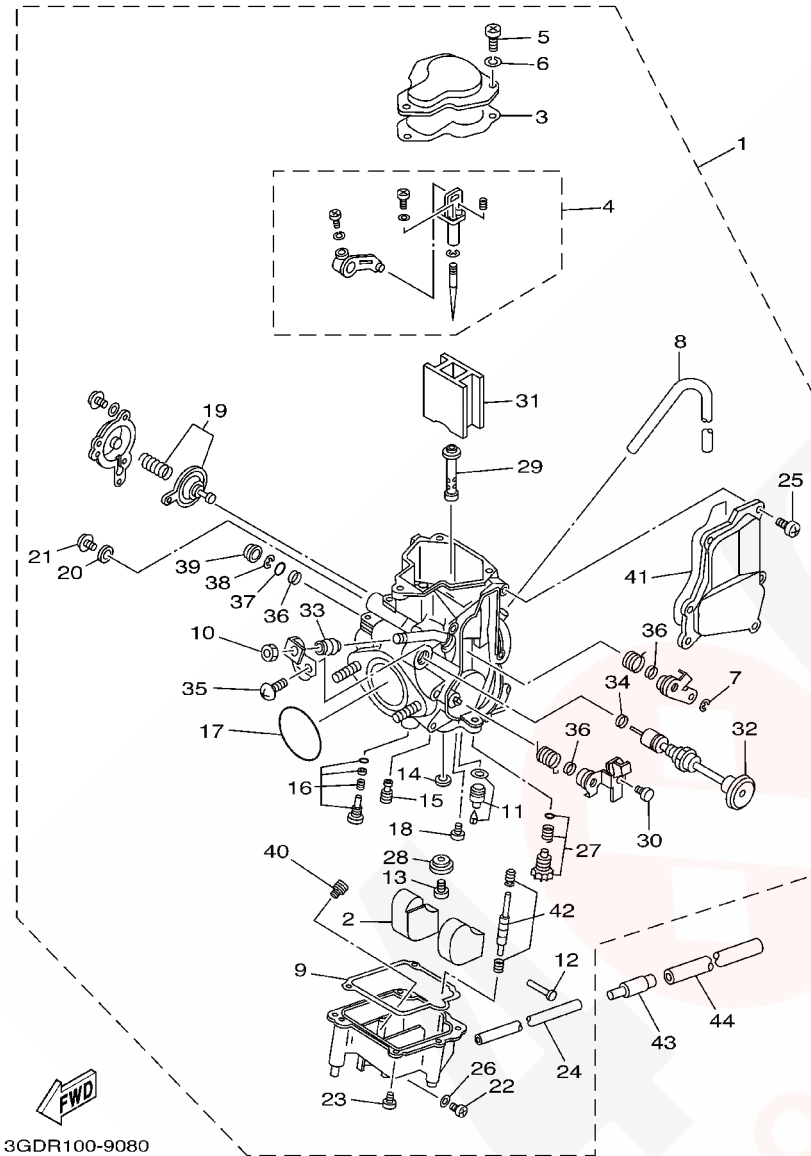
3GD1110-9060

FIG. 7 INTAKE



REF. NO.	PART NO.	DESCRIPTION	U49	CAL	CAN	FRA	JPN	REMARKS
1	1UY-13586-02	JOINT, CARBURETOR 1	1	1	1	1	1	
2	93210-44545	O-RING	1	1	1	1	1	
3	91317-08025	BOLT	2	2	2	2	2	
4	95307-08600	NUT	2	2	2	2	2	
5	90201-08085	WASHER, PLATE	4	4	4	4	4	
6	1UY-14411-02	CASE, AIR CLEANER 1	1	1	1	1	1	
7	1UY-14458-01	GUIDE	1	1	1	1	1	
8	1UY-14468-00	PLATE,ELEMENT FITTING	1	1	1	1	1	
9	1UY-14451-00	ELEMENT, AIR CLEANER	1	1	1	1	1	
10	1UY-14412-01	CAP, CLEANER CASE 1	1	1	1	1	1	
11	10M-14457-00	SEAL	1	1	1	1	1	
12	98507-05016	SCREW, PAN HEAD	5	5	5	5	5	
13	92907-05600	WASHER, PLATE	5	5	5	5	5	
14	59V-14457-00	SEAL	1	1	1	1	1	
15	90467-22080	CLIP	1	1	1	1	1	
16	1UY-14453-00	JOINT, AIR CLEANER 1	1	1	1	1	1	
17	1UY-14437-02	DUCT	1	1	1	1	1	
18	31A-14419-00	PIPE	1	1	1	1	1	
19	90460-75020	CLAMP, HOSE	1	1	1	1	1	
20	3GD-1442F-00	PROTECTOR	1	1	1	1	1	
21	90460-56105	CLAMP, HOSE	1	1	1	1	1	
22	90119-06063	BOLT, WITH WASHER	3	3	3	3	3	
23	3GD-2179T-20	PLATE, EPA 3(CALIFORNIA)	1					FOR CALIFORNIA

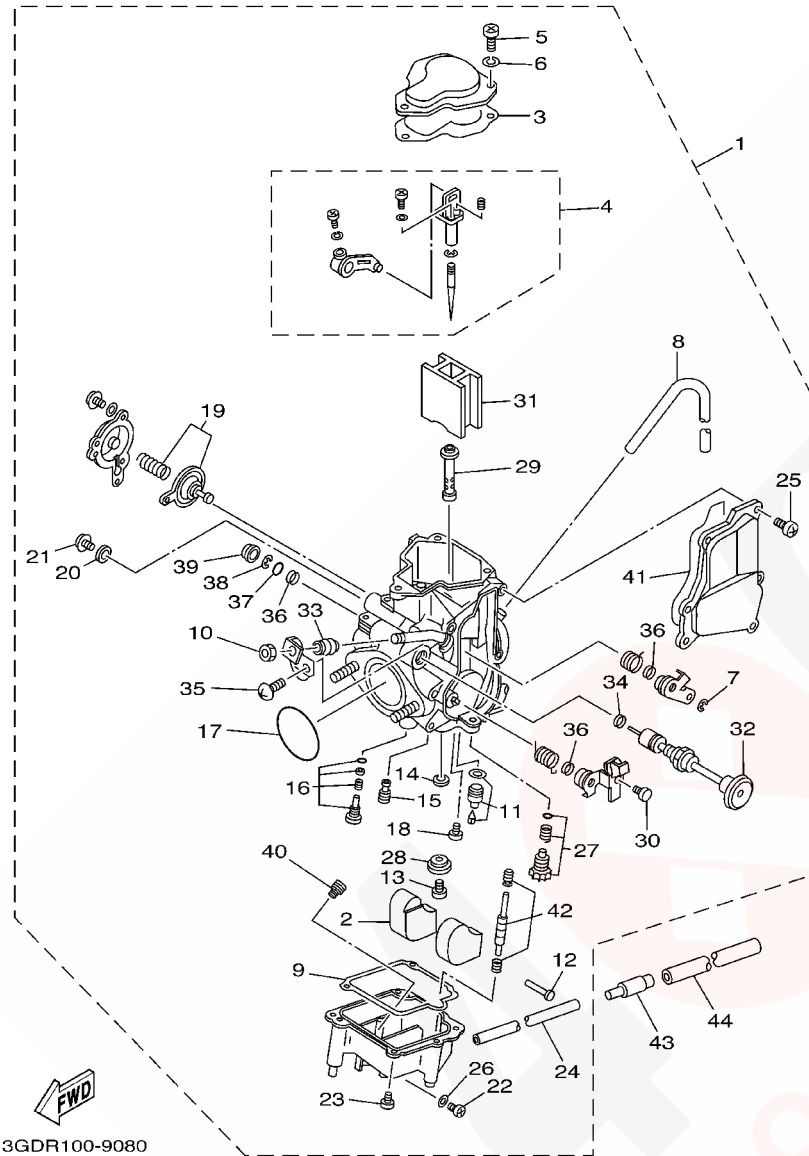
FIG. 8 CARBURETOR



3GDR100-9080

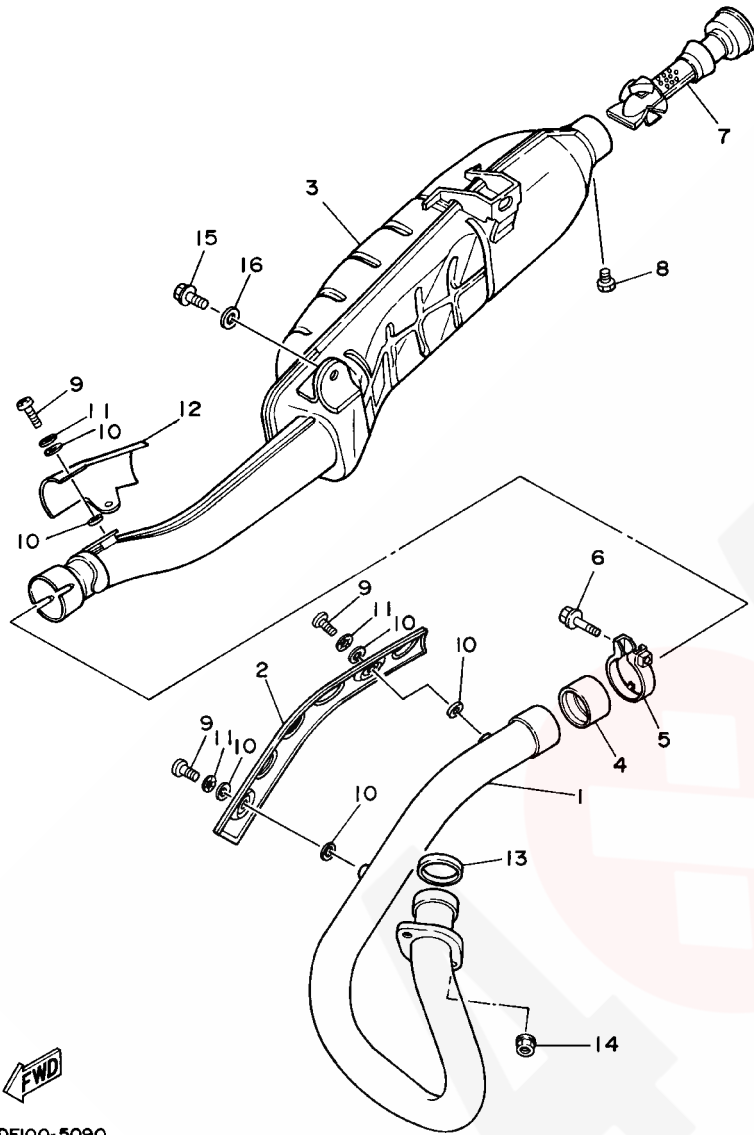
REF. NO.	PART NO.	DESCRIPTION	U49	CAL	CAN	FRA	JPN	REMARKS
1	3GD-14101-00	CARBURETOR ASSY 1	1		1	1	1	
	3GD-14101-10	CARBURETOR ASSY 1		1				
2	2VA-14185-00	.FLOAT	1	1	1	1	1	
3	1UY-14198-00	.GASKET	1	1	1	1	1	
4	1UY-1490J-00	.NEEDLE SET	1		1	1	1	
	3GD-1490J-10	.NEEDLE SET		1				
5	98511-04010	.SCREW, PAN HEAD	3	3	3	3	3	
6	92902-04100	.WASHER, SPRING	3	3	3	3	3	
7	737-14137-00	.CLIP	1	1	1	1	1	
8	1UY-14197-00	.PIPE	1	1	1	1	1	
9	1UY-14147-00	.O-RING	1	1	1	1	1	
10	802-14161-00	.NUT, CABLE ADJUSTING	1	1	1	1	1	
11	1UY-14107-25	.NEEDLE VALVE SET	1	1	1	1	1	
12	537-14186-00	.PIN, FLOAT	1	1	1	1	1	
13	620-14231-29	.JET, MAIN (#145)	1	1	1	1	1	
14	137-14153-00	.WASHER, MAIN JET	1	1	1	1	1	
15	4G0-14142-42	.JET, PILOT (# 42.5)	1	1	1	1	1	
16	21V-14105-00	.PILOT SCREW SET	1	1	1	1	1	
17	1YW-14147-00	.O-RING	1	1	1	1	1	
18	1FN-14565-00	.SCREW	1	1	1	1	1	
19	26H-1490H-00	.DIAPHRAGM SET 5	1	1	1	1	1	
20	59V-14962-00	.WASHER	1	1	1	1	1	
21	92502-06008	.SCREW, PAN HEAD	1	1	1	1	1	
22	2L1-14191-00	.PLUG, DRAIN	1	1	1	1	1	
23	98502-04012	.SCREW, PAN HEAD	4	4	4	4	4	
24	21V-14196-00	.PIPE	1	1	1	1	1	
25	1UY-14565-00	.SCREW	6	6	6	6	6	

FIG. 8 CARBURETOR



REF. NO.	PART NO.	DESCRIPTION	U49	CAL	CAN	FRA	JPN	REMARKS
26	214-14147-00	.O-RING	1	1	1	1	1	
27	2VA-14103-00	.THROTTLE SCREW SET	1	1	1	1	1	
28	5V7-14153-00	.WASHER, MAIN JET	1	1	1	1	1	
29	1UY-14141-36	.NOZZLE, MAIN	1		1	1	1	
	3GD-14141-36	.NOZZLE, MAIN		1				
30	1UY-14155-00	.GUIDE, CABLE	1	1	1	1	1	
31	1UY-14112-00	.VALVE, THROTTLE 1	1	1	1	1	1	
32	1UY-14993-00	.PLUNGER, STARTER	1	1	1	1	1	
33	22F-14173-00	.COVER, PLUNGER CAP	1	1	1	1	1	
34	2A2-14997-00	.SEAL	3	3	3	3	3	
35	98502-04010	.SCREW, PAN HEAD	1	1	1	1	1	
36	2A2-14997-00	.SEAL	3	3	3	3	3	
37	22F-14126-00	.GASKET	1	1	1	1	1	
38	812-14137-00	.CLIP	1	1	1	1	1	
39	36X-14169-00	.CAP	1	1	1	1	1	
40	1HX-14231-63	.JET, MAIN (#315)	1	1	1	1	1	
41	2HR-14147-00	.O-RING	1	1	1	1	1	
42	1UY-14504-00	.ROD SET	1	1	1	1	1	
43	24W-14193-00	PIPE	1	1	1	1	1	
44	91A20-07010	TUBE, FLEXIBLE VINYL	1	1	1	1	1	

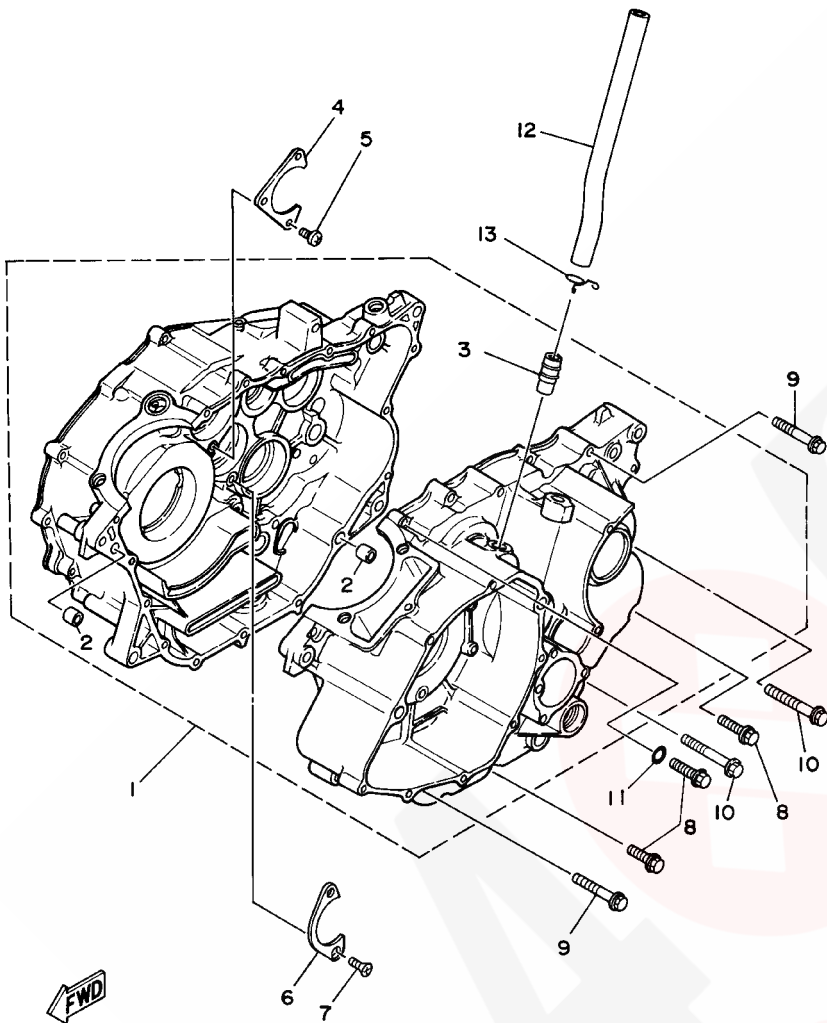
FIG. 9 EXHAUST



REF. NO.	PART NO.	DESCRIPTION	U49	CAL	CAN	FRA	JPN	REMARKS
1	1UY-14611-02	PIPE, EXHAUST 1	1	1	1	1	1	
2	1YW-14628-00	PROTECTOR, EXHAUST PIPE	1	1	1	1	1	
3	1UY-14711-04	MUFFLER 1	1	1	1	1	1	
4	3YF-14755-00	GASKET, SILENCER	1	1	1	1	1	
5	1UY-14715-00	BAND, MUFFLER	1	1	1	1	1	
6	95817-08045	BOLT, FLANGE	1	1	1	1	1	
7	21V-14752-00	PIPE, OUTLET	1	1	1	1	1	
8	97007-06008	BOLT	1	1	1	1	1	
9	98907-06010	SCREW, BIND	4	4	4	4	4	
10	4BD-14766-00	WASHER, PROTECTOR	8	8	8	8	8	
11	90206-06090	WASHER, WAVE	4	4	4	4	4	
12	1UY-14718-00	PROTECTOR, MUFFLER 1	1	1	1	1	1	
13	3GD-14613-00	GASKET, EXHAUST PIPE	1	1	1	1	1	
14	90179-06668	NUT	2	2	2	2	2	
15	95817-08016	BOLT, FLANGE	3	3	3	3	3	
16	90201-08326	WASHER, PLATE	3	3	3	3	3	

FWD
3GDF100-5090

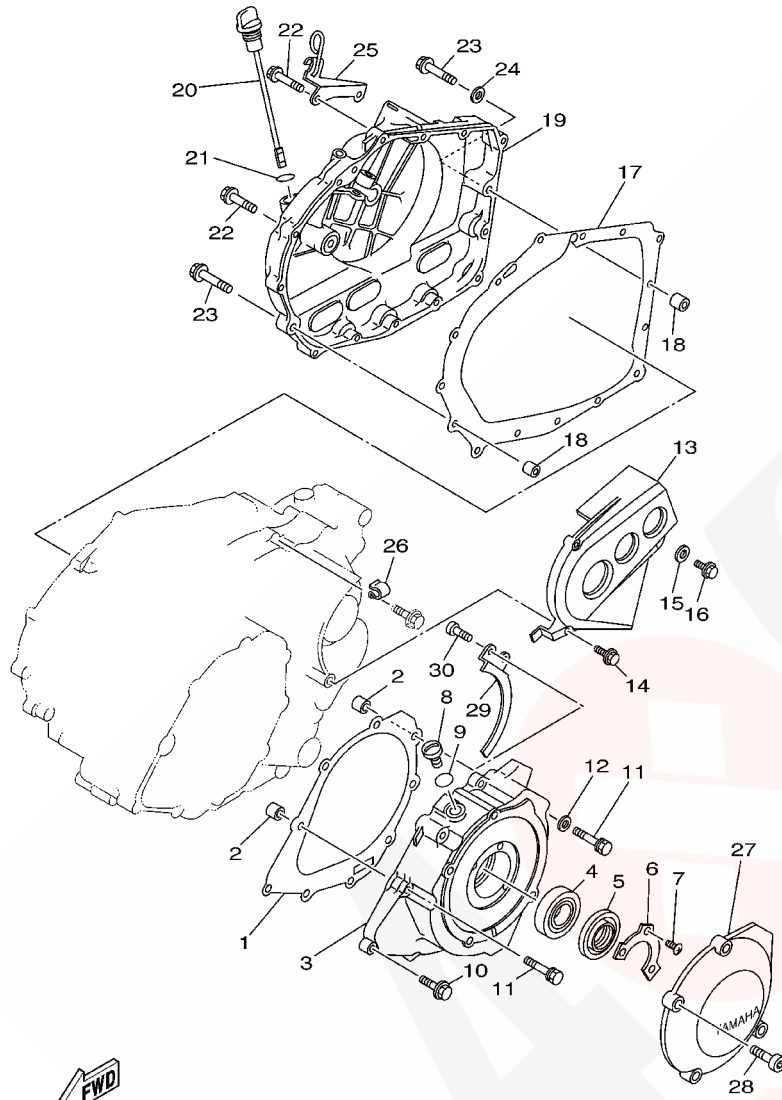
FIG. 10 CRANKCASE



3GD1110-9100

REF. NO.	PART NO.	DESCRIPTION	U49	CAL	CAN	FRA	JPN	REMARKS
1	3GD-15100-00	CRANKCASE ASSY	1	1	1	1	1	
2	99530-12016	.PIN, DOWEL	2	2	2	2	2	
3	371-11167-01	.PIPE, BREATHER 2	1	1	1	1	1	
4	3R4-15381-00	PLATE, BEARING COVER	1	1	1	1	1	
5	98507-06012	SCREW, PAN HEAD	3	3	3	3	3	
6	1UY-15383-00	PLATE, BEARING COVER	1	1	1	1	1	
7	98707-06016	SCREW, FLAT HEAD	2	2	2	2	2	
8	95027-06030	BOLT, FLANGE	8	8	8	8	8	
9	95027-06050	BOLT, FLANGE	6	6	6	6	6	
10	95027-06060	BOLT, FLANGE	2	2	2	2	2	
11	90430-06014	GASKET	1	1	1	1	1	
12	90445-16594	HOSE (L230)	1	1	1	1	1	
13	90467-14015	CLIP	1	1	1	1	1	

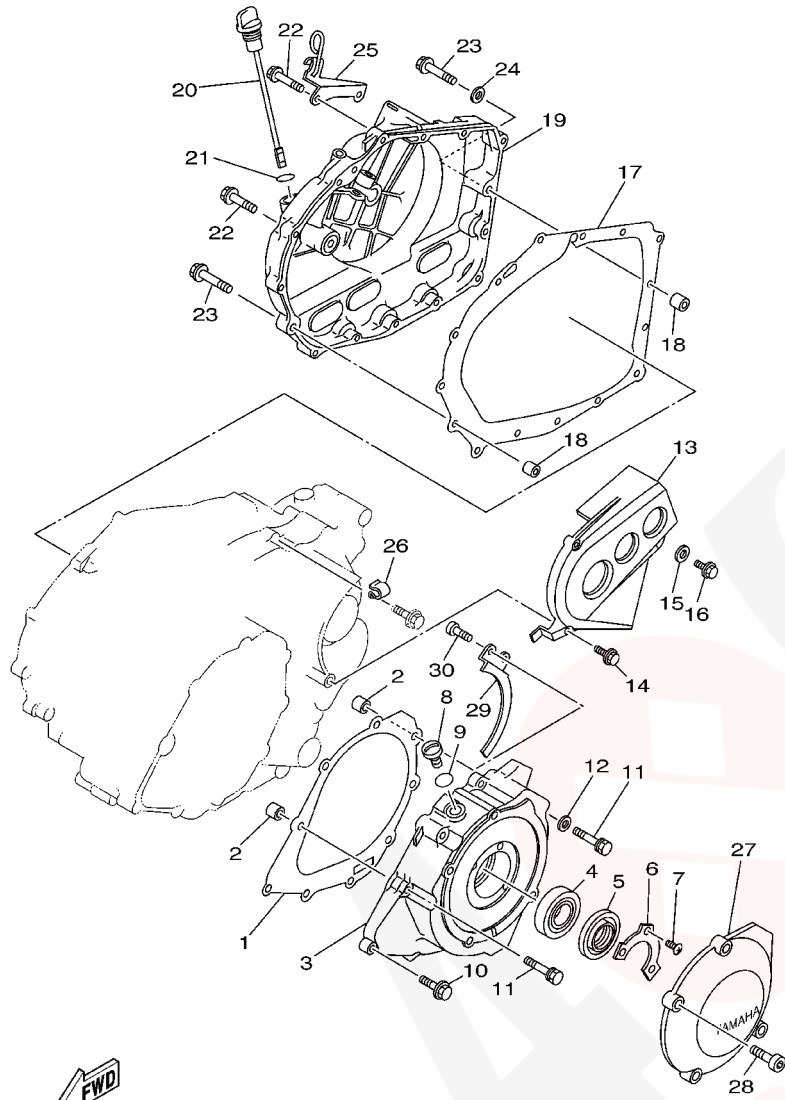
FIG. 11 CRANKCASE COVER 1



3GDU100-0110

REF. NO.	PART NO.	DESCRIPTION	U49	CAL	CAN	FRA	JPN	REMARKS
1	3GD-15451-00	GASKET, CRANKCASE COVER 1	1	1	1	1	1	
2	99530-12016	PIN, DOWEL	2	2	2	2	2	
3	3GD-15787-02	ADAPTOR	1	1	1	1	1	
4	93306-07801	BEARING	1	1	1	1	1	
5	93102-28476	OIL SEAL	1	1	1	1	1	
6	1UY-15719-00	WASHER, THRUST	1	1	1	1	1	
7	90151-05023	SCREW, COUNTERSUNK	3	3	3	3	3	
8	90340-14117	PLUG, STRAIGHT SCREW	1	1	1	1	1	
9	93210-14369	O-RING	1	1	1	1	1	
10	95027-06025	BOLT, FLANGE	4	4	4	4	4	
11	95027-06045	BOLT, FLANGE	5	5	5	5	5	
12	90430-06014	GASKET	1	1	1	1	1	
13	1UY-15421-00	COVER, CRANKCASE 2	1	1	1	1	1	
14	95027-06020	BOLT, FLANGE	2	2	2	2	2	
15	90201-06380	WASHER, PLATE	1	1	1	1	1	
16	95027-06016	BOLT, FLANGE	1	1	1	1	1	
17	3GD-15461-00	GASKET, CRANKCASE COVER 2	1	1	1	1	1	
18	99530-12016	PIN, DOWEL	2	2	2	2	2	
19	3GD-15431-10	COVER, CRANKCASE 3	1	1	1	1	1	
20	1UY-15362-01	PLUG, OIL LEVEL	1	1	1	1	1	
21	93210-19522	O-RING	1	1	1	1	1	
22	95027-06030	BOLT, FLANGE	13	13	13	13	13	
23	95027-06040	BOLT, FLANGE	2	2	2	2	2	
24	90430-06014	GASKET	1	1	1	1	1	
25	1UY-15441-00	HOLDER, CLUTCH CABLE	1	1	1	1	1	
26	90465-08122	CLAMP	2	2	2	2	2	
27	3GD-15411-00	COVER, CRANKCASE 1	1	1	1	1	1	

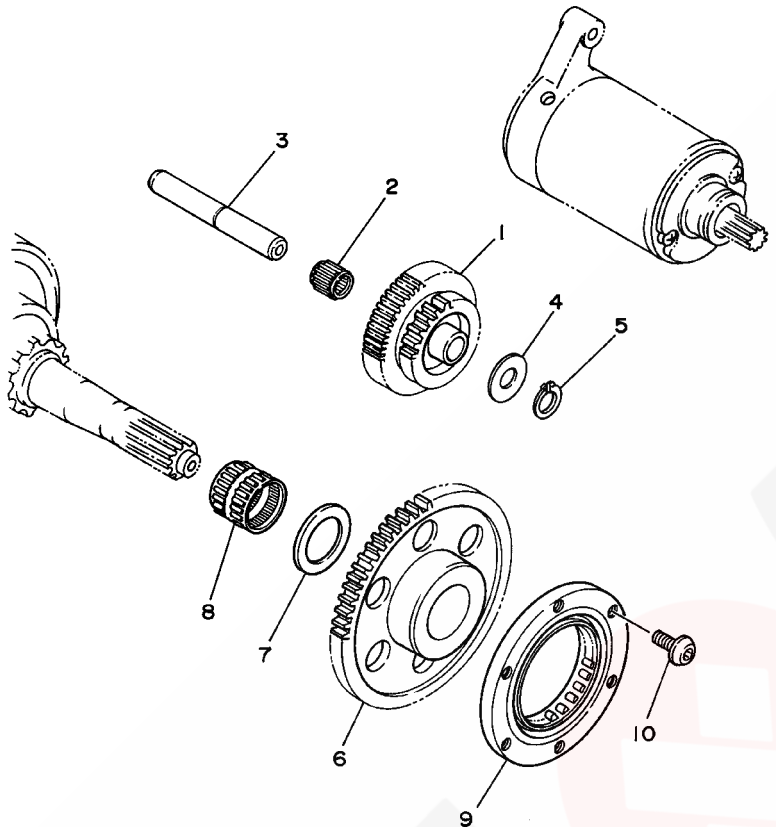
FIG. 11 CRANKCASE COVER 1




3GDU100-0110

REF. NO.	PART NO.	DESCRIPTION	U49	CAL	CAN	FRA	JPN	REMARKS
28	91317-06025	BOLT	4	4	4	4	4	
29	1UY-81175-01	STOPPER 1	1	1	1	1	1	
30	98507-06012	SCREW, PAN HEAD	2	2	2	2	2	

FIG. 12 STARTER CLUTCH



REF. NO.	PART NO.	DESCRIPTION	U49	CAL	CAN	FRA	JPN	REMARKS
1	1UY-15512-00	GEAR, IDLER 1	1	1	1	1	1	
2	93310-212L6	BEARING	2	2	2	2	2	
3	1UY-15521-02	SHAFT 1	1	1	1	1	1	
4	90201-123K4	WASHER, PLATE	1	1	1	1	1	
5	99009-12400	CIRCLIP	1	1	1	1	1	
6	1UY-15517-01	GEAR, IDLER 2	1	1	1	1	1	
7	90201-25291	WASHER, PLATE	1	1	1	1	1	
8	93310-225N0	BEARING	1	1	1	1	1	
9	1UY-15590-01	STARTER ONE-WAY ASSY	1	1	1	1	1	
10	90149-08329	SCREW	6	6	6	6	6	

 36D3100-9120

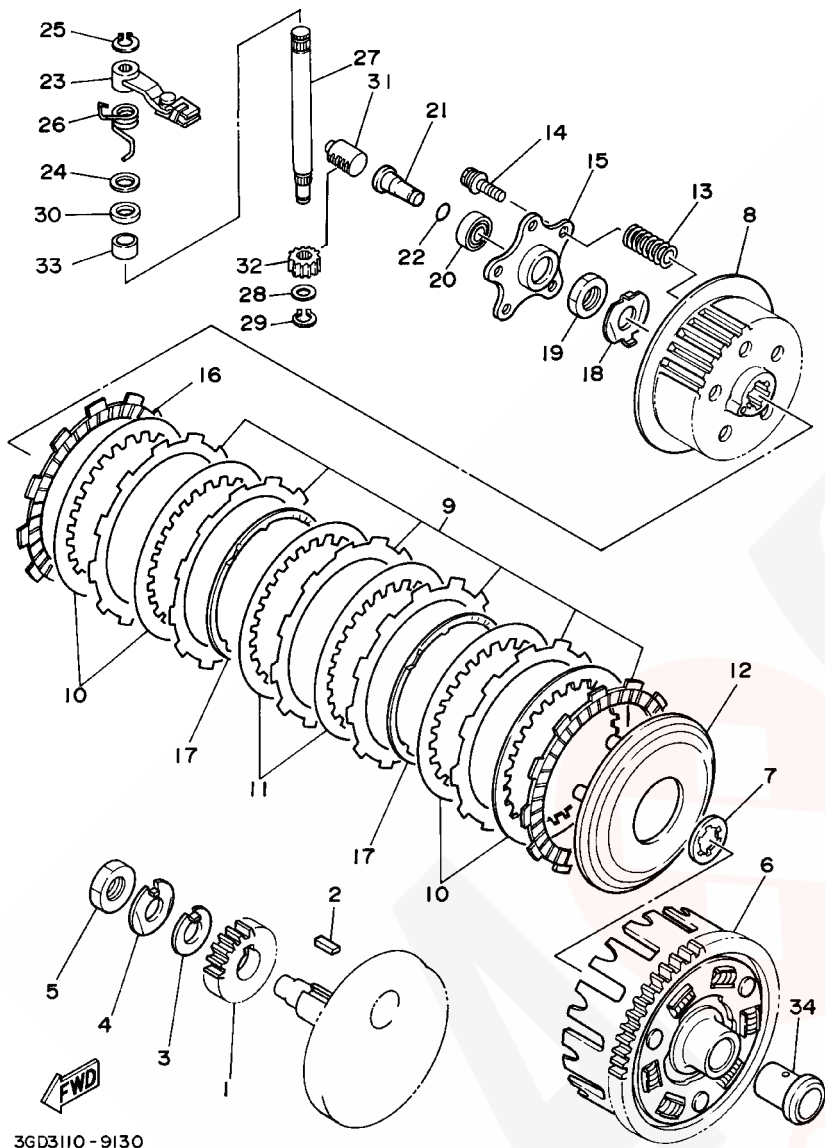
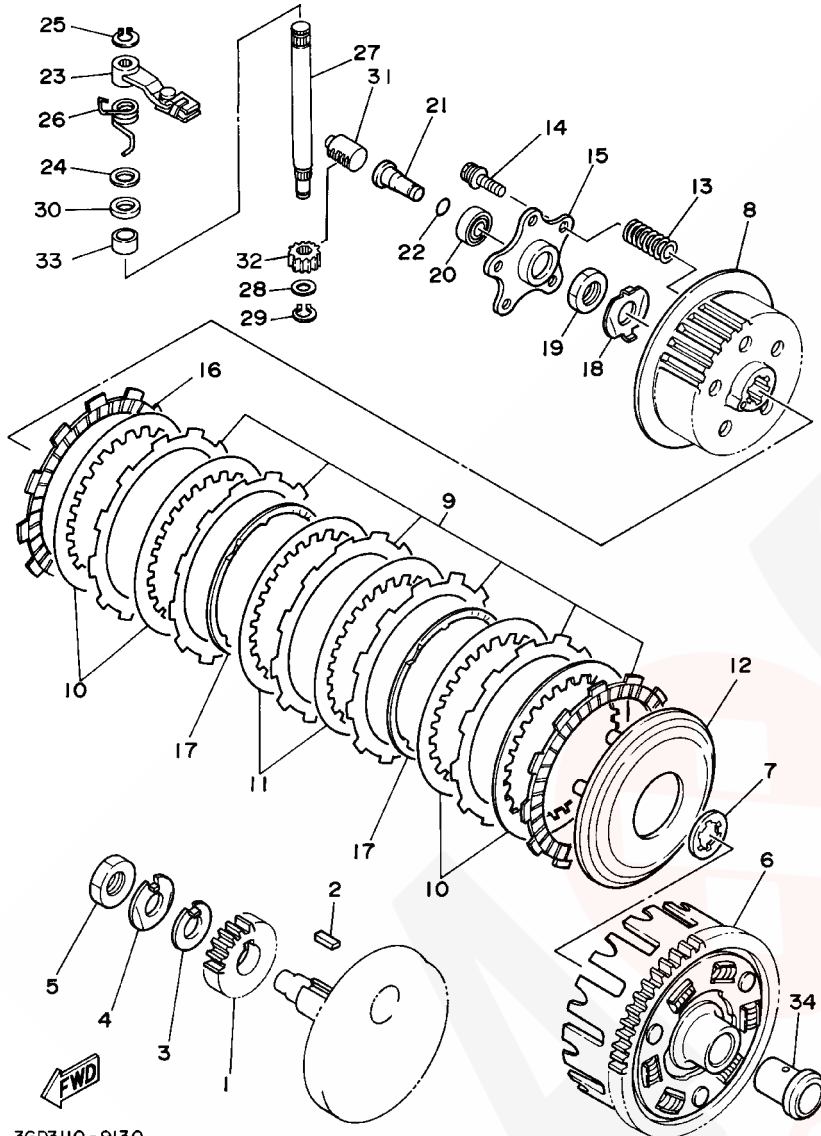


FIG. 13 CLUTCH

REF. NO.	PART NO.	DESCRIPTION	U49	CAL	CAN	FRA	JPN	REMARKS
1	1UY-16111-10	GEAR, PRIMARY DRIVE	1	1	1	1	1	
2	90282-07057	KEY, STRAIGHT	1	1	1	1	1	
3	90215-16156	WASHER, LOCK	1	1	1	1	1	
4	90215-16222	WASHER, LOCK	1	1	1	1	1	
5	90170-16343	NUT	1	1	1	1	1	
6	2NL-16150-00	PRIMARY DRIVEN GEAR COMP.(76T)	1	1	1	1	1	
7	30X-16154-00	PLATE, THRUST 1	1	1	1	1	1	
8	1UY-16371-02	BOSS, CLUTCH	1	1	1	1	1	
9	5Y1-16331-01	PLATE, FRICTION 2	6	6	6	6	6	
10	168-16325-00	PLATE, CLUTCH 2 (T1.6)	4	4	4	4	4	
11	3J2-16324-00	PLATE, CLUTCH 1	2	2	2	2	2	
12	1UY-16351-00	PLATE, PRESSURE 1	1	1	1	1	1	
13	90501-231E9	SPRING, COMPRESSION	5	5	5	5	5	
14	90159-06123	SCREW, WITH WASHER	5	5	5	5	5	
15	1UY-16352-00	PLATE, PRESSURE 2	1	1	1	1	1	
16	31A-16321-01	PLATE, FRICTION	1	1	1	1	1	
17	5Y1-16383-00	SPRING, CLUTCH BOSS	2	2	2	2	2	
18	90215-16258	WASHER, LOCK	1	1	1	1	1	
19	90170-16326	NUT	1	1	1	1	1	
20	93306-00006	BEARING (B6000)	1	1	1	1	1	
21	1UY-16358-00	PLATE, PUSH	1	1	1	1	1	
22	93210-06422	O-RING	1	1	1	1	1	
23	1UY-16340-00	PUSH LEVER ASSY	1	1	1	1	1	
24	90201-12163	WASHER, PLATE	1	1	1	1	1	
25	99001-09600	CIRCLIP	1	1	1	1	1	
26	90508-16713	SPRING, TORSION	1	1	1	1	1	
27	1UY-16382-00	AXLE, PUSH LEVER	1	1	1	1	1	

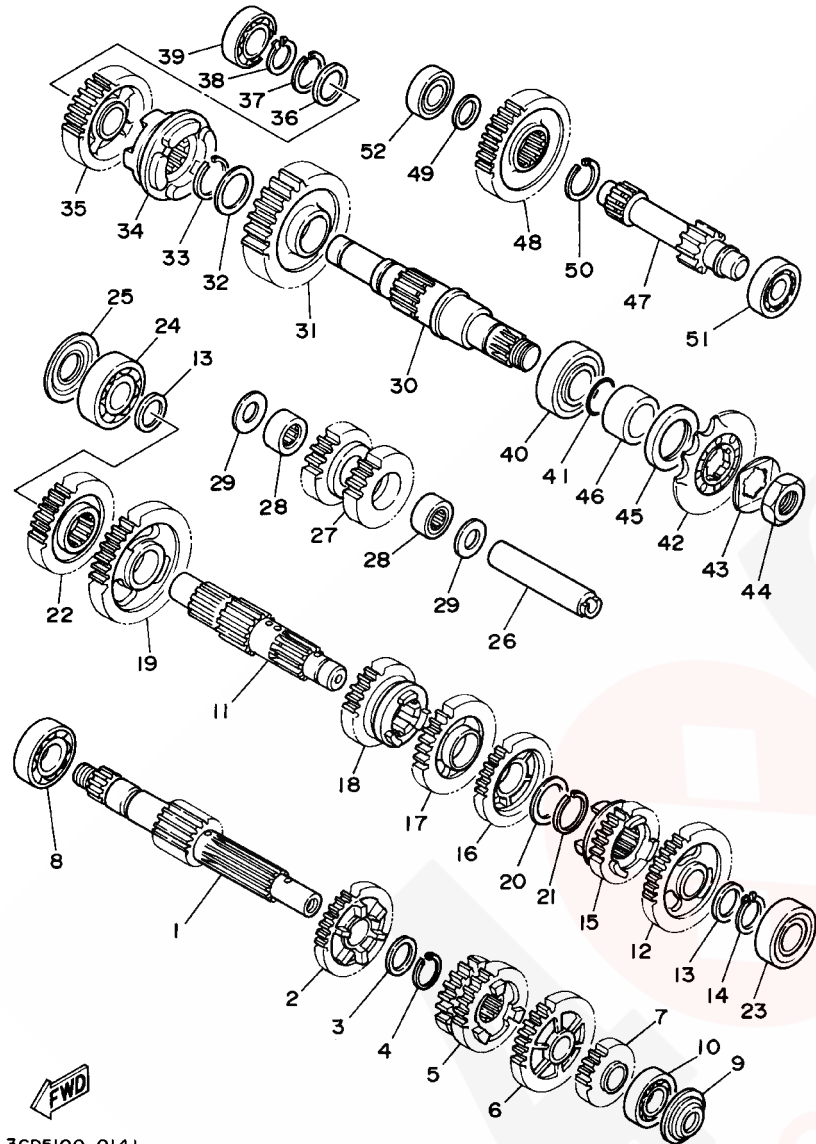
FIG. 13 CLUTCH



3GD3110-9130

REF. NO.	PART NO.	DESCRIPTION	U49	CAL	CAN	FRA	JPN	REMARKS
28	90201-08085	WASHER, PLATE	1	1	1	1	1	
29	99001-07600	CIRCLIP	1	1	1	1	1	
30	93102-12224	OIL SEAL	1	1	1	1	1	
31	1UY-16356-00	ROD, PUSH 1	1	1	1	1	1	
32	3LD-16398-00	PINION, RELEAS	1	1	1	1	1	
33	90386-12093	BUSH	1	1	1	1	1	
34	1UY-16181-00	SPACER 1	1	1	1	1	1	

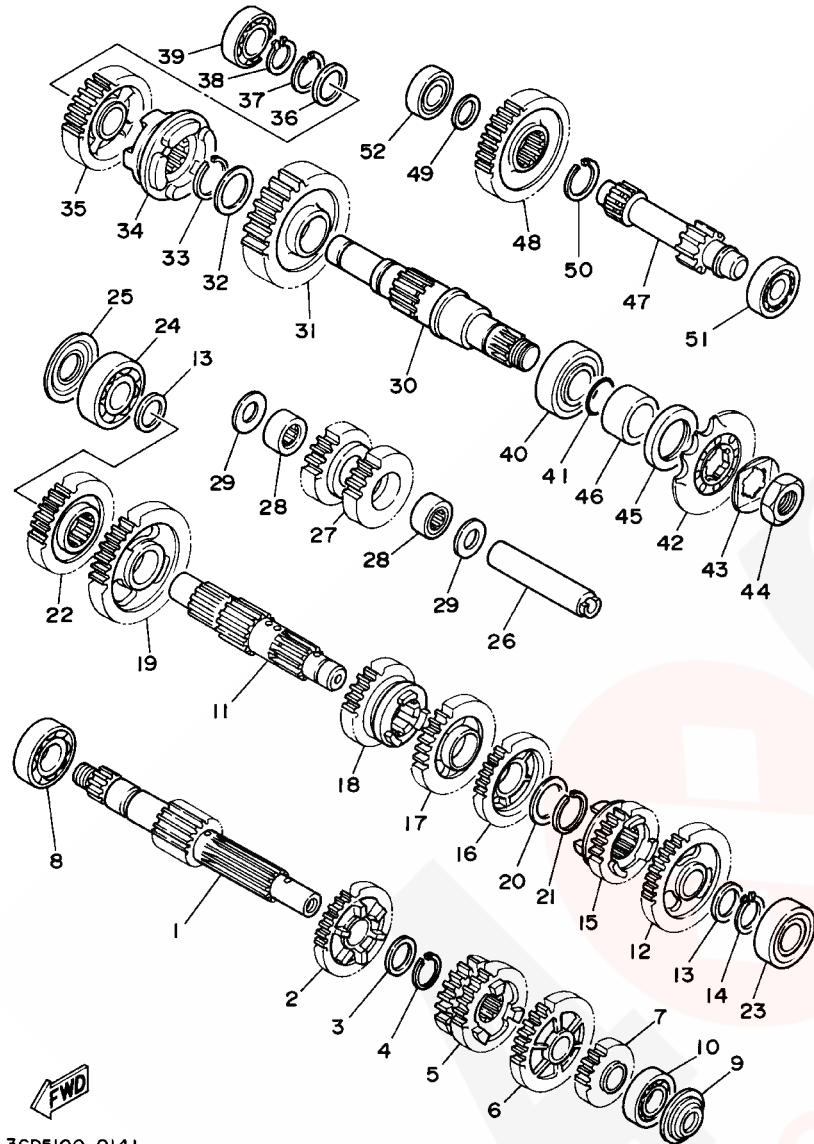
FIG. 14 TRANSMISSION



3GD5100-0141

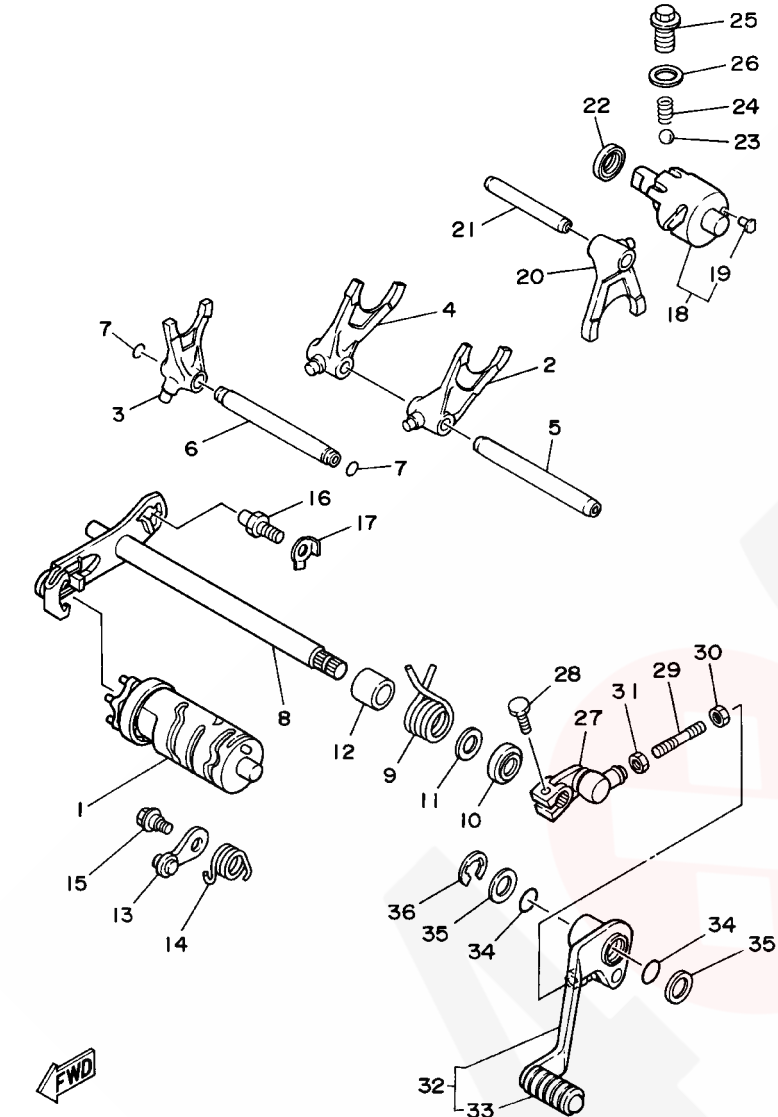
REF. NO.	PART NO.	DESCRIPTION	U49	CAL	CAN	FRA	JPN	REMARKS
1	1UY-17411-01	AXLE, MAIN	1	1	1	1	1	
2	1UY-17151-00	GEAR, 5TH PINION (28T)	1	1	1	1	1	
3	90209-18208	WASHER	1	1	1	1	1	
4	93410-22039	CIRCLIP	1	1	1	1	1	
5	1UY-17131-00	GEAR, 3RD PINION (26T)	1	1	1	1	1	
6	1UY-17161-01	GEAR, 6TH PINION (29T)	1	1	1	1	1	
7	1UY-17121-00	GEAR, 2ND PINION (20T)	1	1	1	1	1	
8	93306-27202	BEARING	1	1	1	1	1	
9	93104-17094	OIL SEAL	1	1	1	1	1	
10	93306-20301	BEARING	1	1	1	1	1	
11	1UY-17421-01	AXLE, DRIVE	1	1	1	1	1	
12	1UY-17221-00	GEAR, 2ND WHEEL (33T)	1	1	1	1	1	
13	90201-203E7	WASHER, PLATE	2	2	2	2	2	
14	93410-20038	CIRCLIP	1	1	1	1	1	
15	1UY-17261-00	GEAR, 6TH WHEEL	1	1	1	1	1	
16	1UY-17241-00	GEAR, 4TH WHEEL (27T)	1	1	1	1	1	
17	1UY-17231-01	GEAR, 3RD WHEEL (29T)	1	1	1	1	1	
18	1UY-17251-00	GEAR, 5TH WHEEL (25T)	1	1	1	1	1	
19	1UY-17211-00	GEAR, 1ST WHEEL (36T)	1	1	1	1	1	
20	90201-256E6	WASHER, PLATE (T=0.9)	1	1	1	1	1	
21	93440-25084	CIRCLIP	1	1	1	1	1	
22	1UY-17123-00	GEAR, HIGH PINION (27T)	1	1	1	1	1	
23	93306-20401	BEARING (B6204)	1	1	1	1	1	
24	93306-30424	BEARING (B6304A3)	1	1	1	1	1	
25	93104-20068	OIL SEAL	1	1	1	1	1	
26	1UY-17432-01	AXLE, IDLE	1	1	1	1	1	
27	1UY-17223-01	GEAR, HIGH WHEEL	1	1	1	1	1	

FIG. 14 TRANSMISSION



REF. NO.	PART NO.	DESCRIPTION	U49	CAL	CAN	FRA	JPN	REMARKS
*28	93311-51554	BEARING	2	2	2	2	2	
29	90201-150U6	WASHER, PLATE	2	2	2	2	2	
30	1UY-17523-00	SHAFT	1	1	1	1	1	
31	1UY-17253-00	GEAR, REVERSE WHEEL 2	1	1	1	1	1	
32	90201-28665	WASHER, PLATE	1	1	1	1	1	
33	93440-28062	CIRCLIP	1	1	1	1	1	
34	1UY-17285-00	CLUTCH, DOG	1	1	1	1	1	
35	1UY-17582-00	GEAR, MIDDLE DRIVE	1	1	1	1	1	
36	90201-22793	WASHER, PLATE	1	1	1	1	1	
37	93410-22039	CIRCLIP	1	1	1	1	1	
38	93410-20038	CIRCLIP	1	1	1	1	1	
39	93306-00431	BEARING	1	1	1	1	1	
40	93306-20501	BEARING (B6205)	1	1	1	1	1	
41	93210-22164	O-RING	1	1	1	1	1	
42	93834-13030	SPROCKET,DRIVE 13T(23X1746130)	1	1	1	1	1	
43	90215-21239	WASHER, LOCK	1	1	1	1	1	
44	90179-20255	NUT	1	1	1	1	1	
45	93102-35393	OIL SEAL	1	1	1	1	1	
46	90387-257N4	COLLAR	1	1	1	1	1	
47	1UY-17431-00	AXLE, COUNTER	1	1	1	1	1	
48	1UY-17243-00	GEAR, REVERSE WHEEL 1	1	1	1	1	1	
49	90201-17255	WASHER, PLATE	1	1	1	1	1	
50	93440-25084	CIRCLIP	1	1	1	1	1	
51	93306-20301	BEARING	1	1	1	1	1	
52	93306-00308	BEARING (B6003)	1	1	1	1	1	

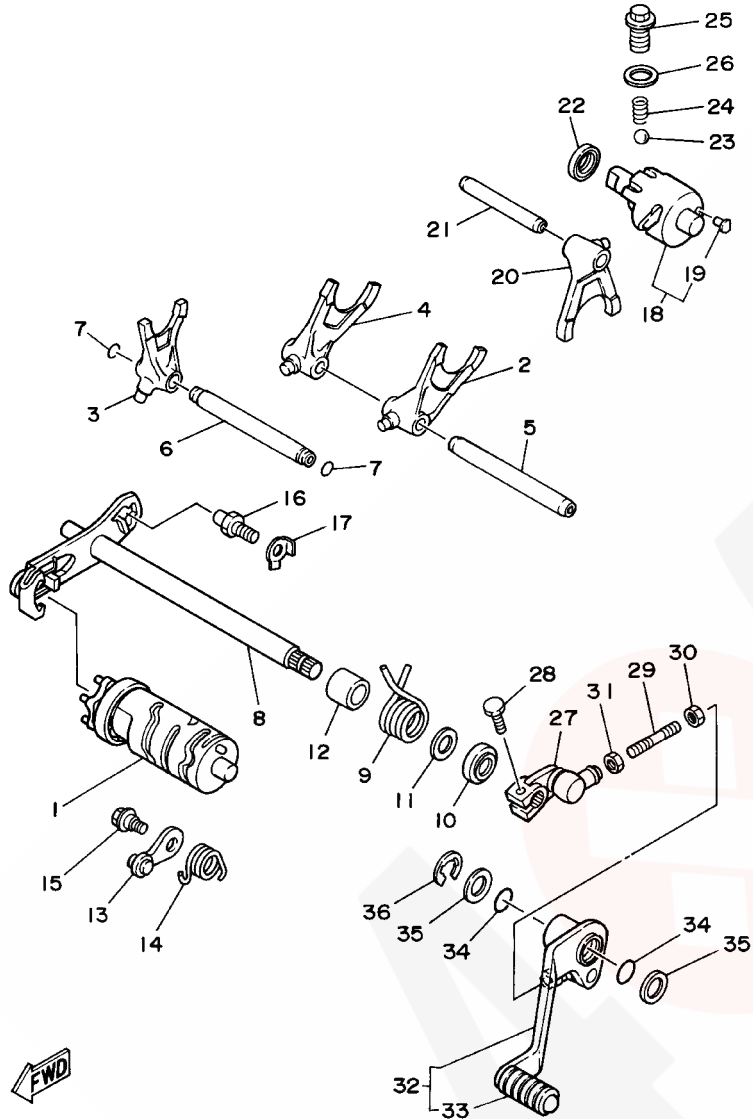
FIG. 15 SHIFT CAM. FORK



3GD1110-9150

REF. NO.	PART NO.	DESCRIPTION	U49	CAL	CAN	FRA	JPN	REMARKS
1	1UY-18540-00	SHIFT CAM ASSY	1	1	1	1	1	
2	1YW-18511-00	FORK, SHIFT 1	1	1	1	1	1	
3	4GB-18512-00	FORK, SHIFT 2	1	1	1	1	1	
4	1UY-18513-00	FORK, SHIFT 3	1	1	1	1	1	
5	1UY-18531-00	BAR, SHIFT FORK GUIDE 1	1	1	1	1	1	
6	4GB-18531-00	BAR, SHIFT FORK GUIDE 1	1	1	1	1	1	
7	93210-07590	O-RING	2	2	2	2	2	
8	1UY-18101-01	SHIFT SHAFT ASSY	1	1	1	1	1	
9	90508-32711	SPRING, TORSION	1	1	1	1	1	
10	93102-14209	OIL SEAL	1	1	1	1	1	
11	90201-14691	WASHER, PLATE	1	1	1	1	1	
12	90560-14284	SPACER	1	1	1	1	1	
13	1UY-18140-00	STOPPER LEVER ASSY	1	1	1	1	1	
14	90508-25712	SPRING, TORSION	1	1	1	1	1	
15	90109-063F7	BOLT	1	1	1	1	1	
16	4G0-18127-00	STOPPER, SCREW	1	1	1	1	1	
17	90215-08260	WASHER, LOCK	1	1	1	1	1	
18	3GD-18420-00	SHIFTER ASSY	1	1	1	1	1	
19	3GH-18542-00	.POINT, NEUTRAL	1	1	1	1	1	
20	1UY-18311-00	FORK, SHIFT 1	1	1	1	1	1	
21	2A6-18531-00	BAR, SHIFT FORK GUIDE 1	1	1	1	1	1	
22	93102-15212	OIL SEAL	1	1	1	1	1	
23	93503-08007	BALL	1	1	1	1	1	
24	90501-10353	SPRING, COMPRESSION	1	1	1	1	1	
25	90105-14367	BOLT, FLANGE	1	1	1	1	1	
26	90430-14194	GASKET	1	1	1	1	1	
27	1UY-18112-01	ARM, SHIFT	1	1	1	1	1	

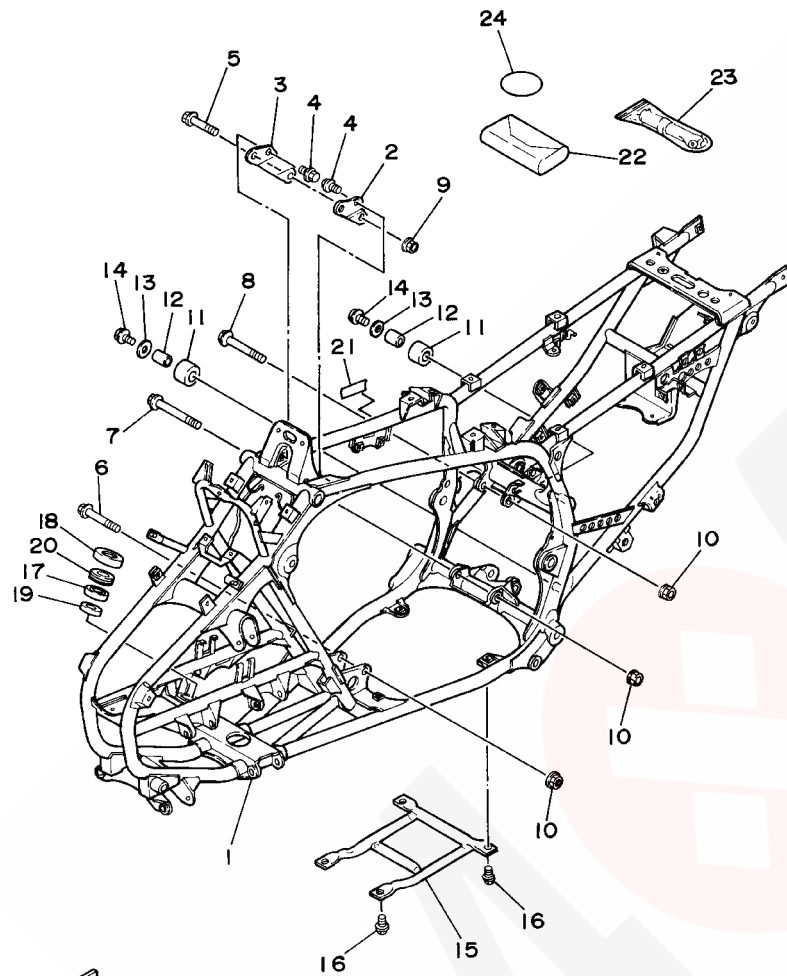
FIG. 15 SHIFT CAM. FORK



3GD1110-9150

REF. NO.	PART NO.	DESCRIPTION	U49	CAL	CAN	FRA	JPN	REMARKS
28	97017-06020	BOLT	1	1	1	1	1	
29	2XK-18115-00	ROD, SHIFT	1	1	1	1	1	
30	90170-06289	NUT	1	1	1	1	1	
31	95307-06700	NUT	1	1	1	1	1	
32	1UY-18110-00	SHIFT PEDAL ASSY	1	1	1	1	1	
33	132-18113-01	.COVER, SHIFT PEDAL	1	1	1	1	1	
34	93210-15414	O-RING	2	2	2	2	2	
35	90201-15797	WASHER, PLATE	2	2	2	2	2	
36	93430-12008	CIRCLIP	1	1	1	1	1	

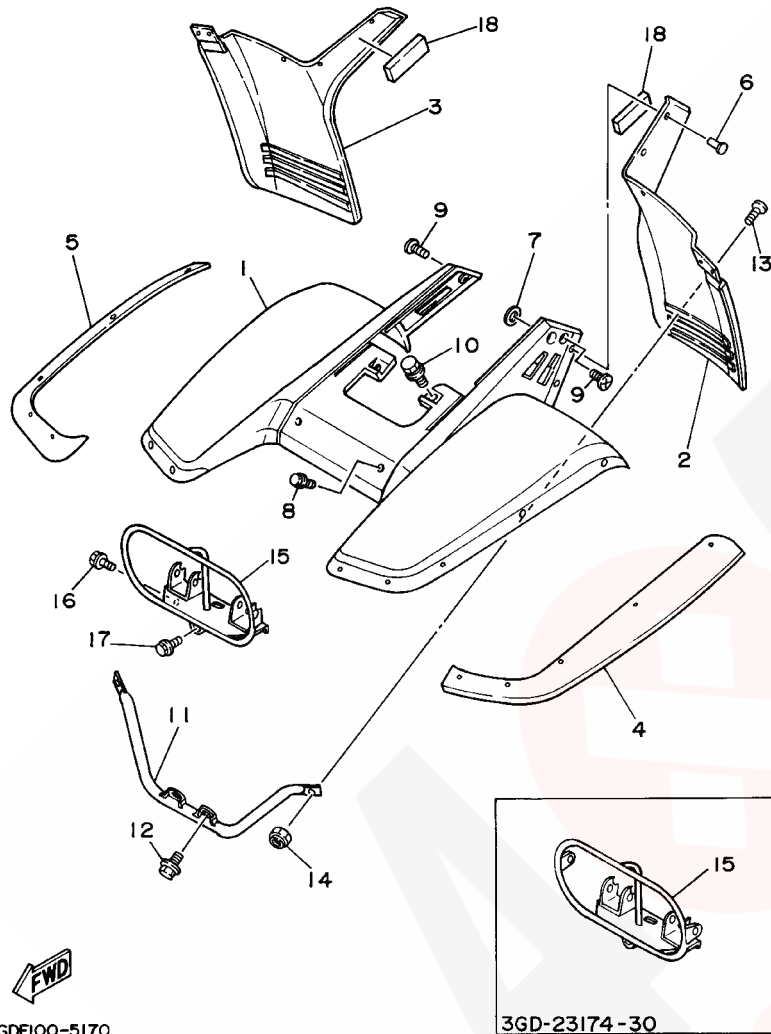
FIG. 16 FRAME




3GDF100-5160

REF. NO.	PART NO.	DESCRIPTION	U49	CAL	CAN	FRA	JPN	REMARKS
1	3GD-21110-22-35	FRAME COMP.	1	1	1	1	1	
2	1UY-21315-00	STAY, ENGINE 2	1	1	1	1	1	
3	1UY-21316-00	STAY, ENGINE 3	1	1	1	1	1	
4	95817-08012	BOLT, FLANGE	4	4	4	4	4	
5	95817-08055	BOLT, FLANGE	1	1	1	1	1	
6	90105-10323	BOLT, FLANGE	1	1	1	1	1	
7	90105-10409	BOLT, FLANGE	1	1	1	1	1	
8	90105-10480	BOLT, FLANGE	1	1	1	1	1	
9	90179-08577	NUT	1	1	1	1	1	
10	95607-10200	NUT, SELF-LOCKING	3	3	3	3	3	
11	30X-22178-00	TENSIONER	2	2	2	2	2	
12	4V4-22184-00	BUSH	2	2	2	2	2	
13	90201-08753	WASHER, PLATE	2	2	2	2	2	
14	95827-08012	BOLT, FLANGE	2	2	2	2	2	
15	1UY-21471-00	PROTECTOR, ENGINE	1	1	1	1	1	
16	95827-08012	BOLT, FLANGE	4	4	4	4	4	
17	93306-20331	BEARING	1	1	1	1	1	
18	93102-25081	OIL SEAL	1	1	1	1	1	
19	93102-25099	OIL SEAL	1	1	1	1	1	
20	2GU-23872-00	HOLDER, BEARING	1	1	1	1	1	
21	1UY-26137-00	LABEL	1	1	1	1	1	
22	2XK-28100-00	TOOL KIT	1	1	1	1	1	
23	1NV-2811A-01	GAUGE, AIR	1	1	1	1	1	
24	93210-41041	O-RING	1	1	1	1	1	

FIG. 17 FRONT FENDER

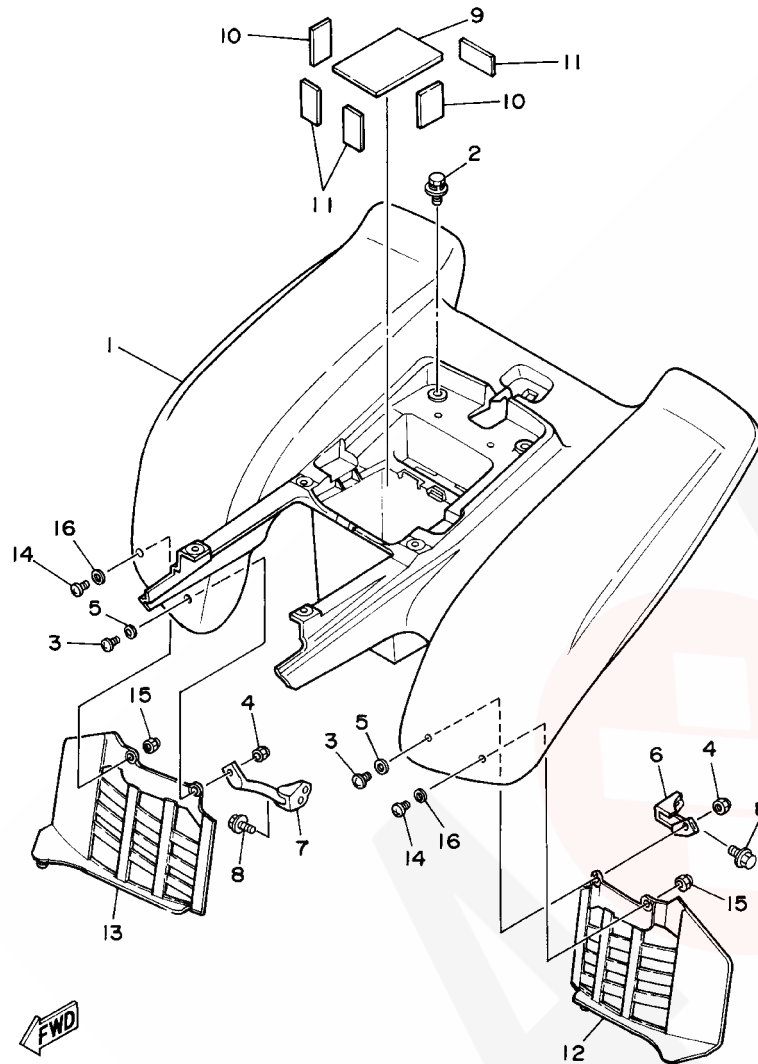


REF. NO.	PART NO.	DESCRIPTION	U49	CAL	CAN	FRA	JPN	REMARKS
1	3GD-W2151-G2	FRONT FENDER COMP.	1	1				UR FOR YB
	3GD-W215C-G2	FRONT FENDER COMP 2			1			UR FOR YB
	3GD-W215B-G2	FRONT FENDER COMP. 2				1		UR FOR YB
	3GD-W2151-F2	FRONT FENDER COMP.	1	1			1	UR FOR DPBSE
	3GD-W215C-F2	FRONT FENDER COMP 2			1			UR FOR DPBSE
	3GD-W215B-F2	FRONT FENDER COMP. 2				1		UR FOR DPBSE
2	3GD-W2153-11	FLAP ASSY1	1	1	1			
	3GD-W2154-11	FLAP ASSY1					1	
	3GD-W2153-21	FLAP ASSY1					1	
3	1UY-21561-00	FLAP 2	1	1		1	1	
	3GD-W2156-D1	FLAP ASSY2			1			FOR CANADA
4	1UY-21551-00	FENDER, OVER	1	1	1	1	1	
5	1UY-21555-00	FENDER, OVER 2	1	1	1	1	1	
6	90267-48014	RIVET, BLIND	18	18	18	18	18	
7	90201-04325	WASHER, PLATE	18	18	18	18	18	
8	90119-06044	BOLT, WITH WASHER	2	2	2	2	2	
9	90110-05201	BOLT, HEXAGON SOCKET HEAD	4	4	4	4	4	
10	90119-06044	BOLT, WITH WASHER	2	2	2	2	2	
11	1UY-21513-00	STAY, FENDER 1	1	1	1	1	1	
12	95827-06010	BOLT, FLANGE	2	2	2	2	2	
13	90149-06184	SCREW	2	2	2	2	2	
14	95607-06100	NUT, U	2	2	2	2	2	
15	3GD-23174-20	STAY, HEADLIGHT	1	1			1	
	3GD-23174-30	STAY, HEADLIGHT				1	1	
16	95827-06010	BOLT, FLANGE	2	2	2	2	2	
17	95827-08012	BOLT, FLANGE	1	1	1	1	1	
18	1UY-21747-00	DAMPER	2	2	2	2	2	

3GD-F100-5170

3GD-23174-30

FIG. 18 REAR FENDER

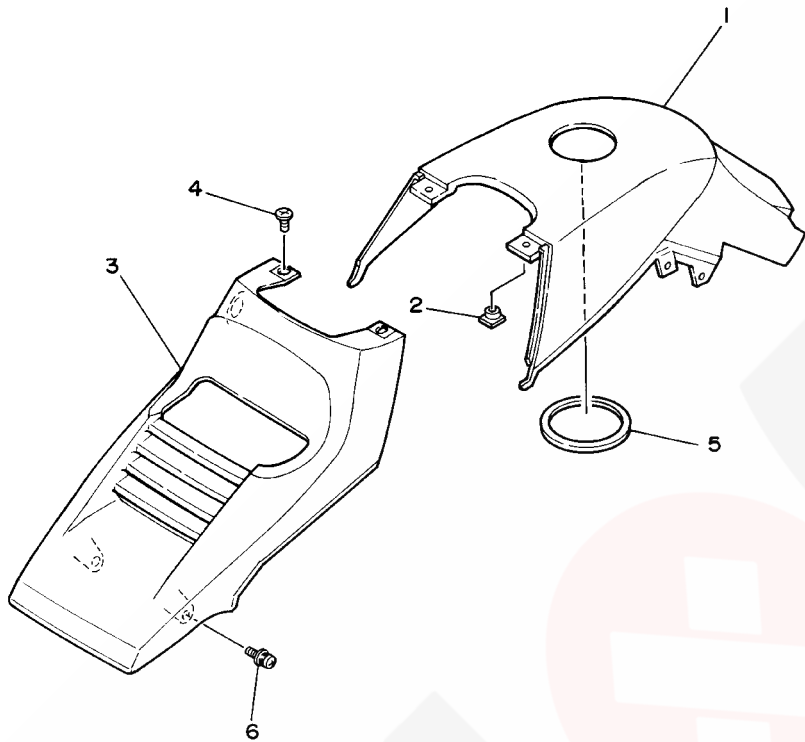


3GD5100-0180

REF. NO.	PART NO.	DESCRIPTION	U49	CAL	CAN	FRA	JPN	REMARKS
1	3GD-W2161-D2	REAR FENDER COMP.	1	1		1		UR FOR YB
	3GD-W216C-D1	REAR FENDER COMP 2			1			UR FOR YB
	3GD-W2161-F1	REAR FENDER COMP.	1	1		1	1	UR FOR DPBSE
	3GD-W216C-F1	REAR FENDER COMP 2			1			UR FOR DPBSE
2	90119-06056	BOLT, WITH WASHER	8	8	8	8	8	
3	90150-06037	SCREW, ROUND HEAD	2	2	2	2	2	
4	95607-06100	NUT, U	2	2	2	2	2	
5	92907-06200	WASHER	2	2	2	2	2	
6	1UY-21613-00	STAY, FENDER 1	1	1	1	1	1	
7	1UY-21614-00	STAY, FENDER 2	1	1	1	1	1	
8	95827-06010	BOLT, FLANGE	2	2	2	2	2	
9	1UY-21639-00	DAMPER 2	1	1	1	1	1	
10	29W-82123-00	SEAT, BATTERY	2	2	2	2	2	
11	1UY-21638-00	DAMPER 1	3	3	3	3	3	
12	3GD-21691-00	FLAP	1	1	1	1	1	
13	3GD-21621-00	FLAP	1	1	1	1	1	
14	90149-06306	SCREW	2	2	2	2	2	
15	95607-06100	NUT, U	2	2	2	2	2	
16	92907-06200	WASHER	2	2	2	2	2	

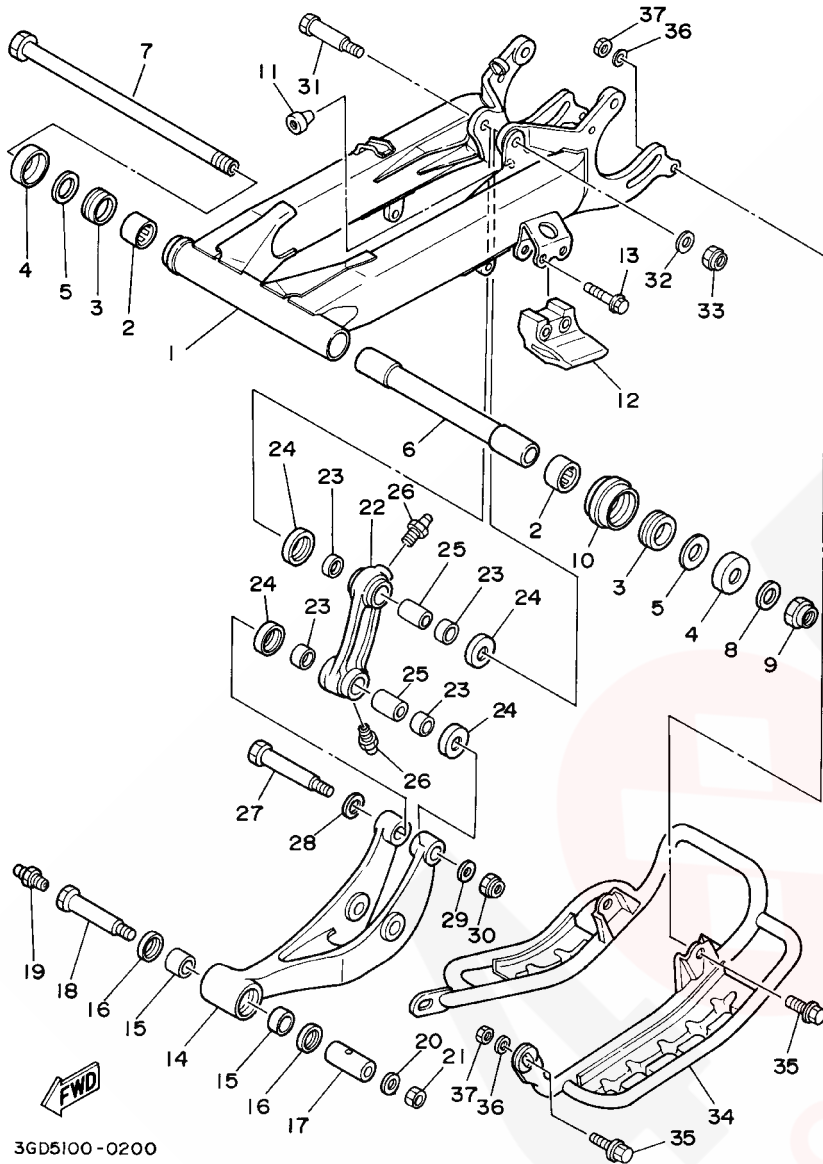
FIG. 19 SIDE COVER

REF. NO.	PART NO.	DESCRIPTION	U49	CAL	CAN	FRA	JPN	REMARKS
1	3GD-2171A-A0	COVER, TOP	1	1	1	1	1	UR FOR DPBSE
	1UY-2171A-10	COVER, TOP	1	1	1	1		UR FOR YB
2	90183-05024	NUT, SPRING	6	6	6	6	6	
3	3GD-23391-B0	PANEL, FRONT	1	1	1	1	1	UR FOR DPBSE
	3GD-23391-90	PANEL, FRONT	1	1	1	1		UR FOR YB
4	90110-05201	BOLT, HEXAGON SOCKET HEAD	2	2	2	2	2	
5	1UY-21778-00	DAMPER, LOCATING 1	1	1	1	1	1	
6	90159-06082	SCREW, WITH WASHER	2	2	2	2	2	



3GD5100-0190

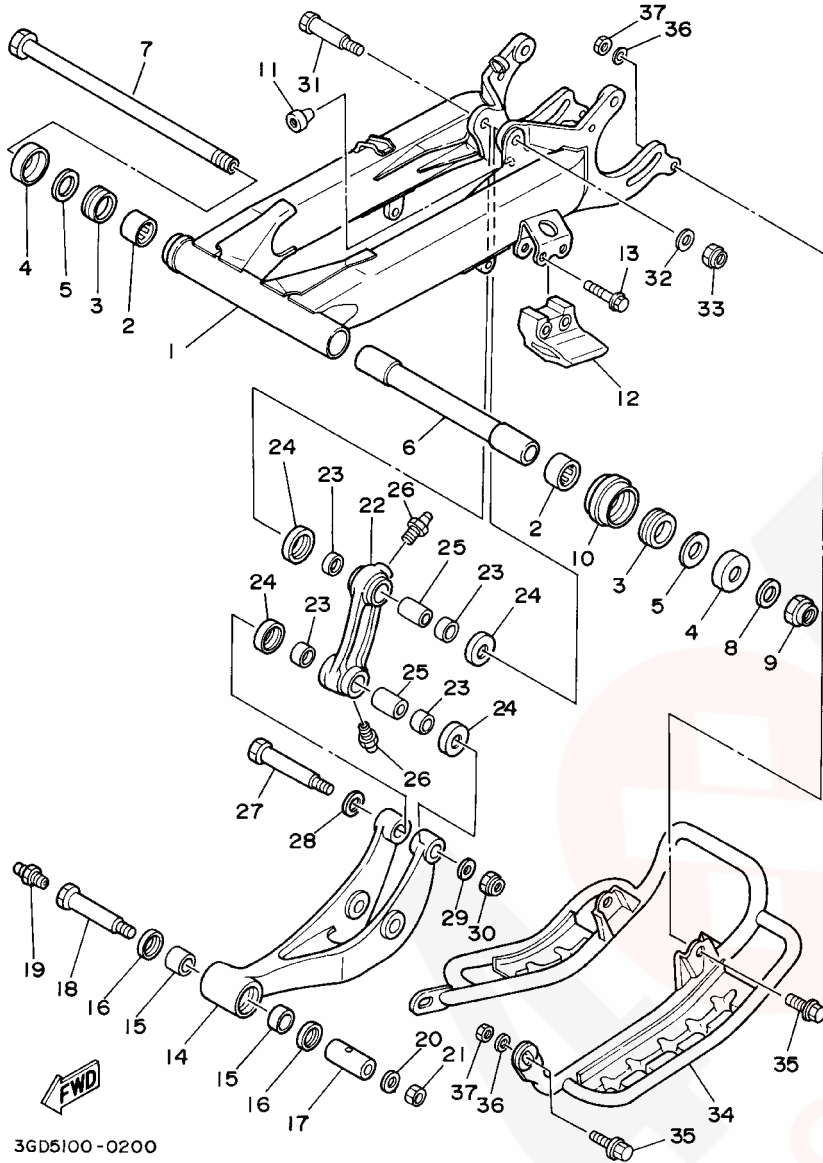
FIG. 20 REAR ARM



3GD5100-0200

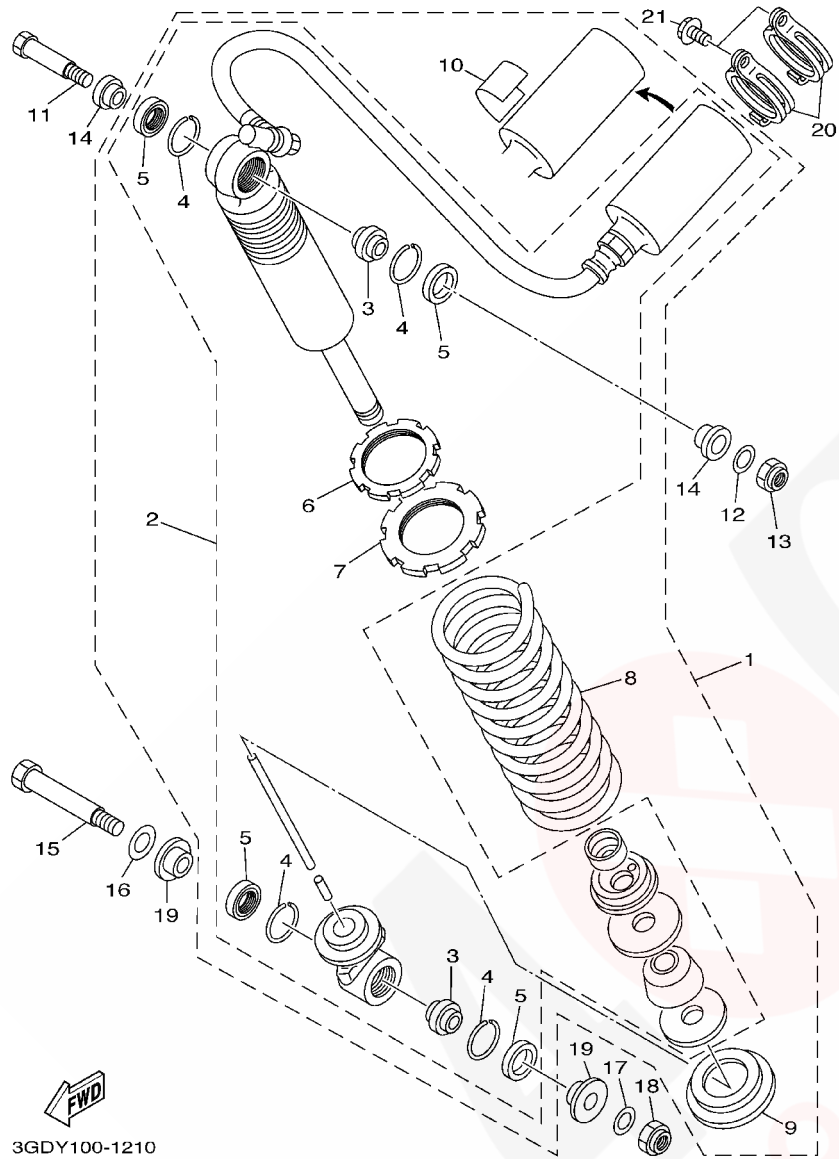
REF. NO.	PART NO.	DESCRIPTION	U49	CAL	CAN	FRA	JPN	REMARKS
1	3GD-22110-20-35	REAR ARM COMP.	1	1	1	1	1	
2	93317-22237	BEARING	2	2	2	2	2	
3	93108-35004	OIL SEAL (35-41-8)	2	2	2	2	2	
4	2K6-22128-01	COVER, THRUST 1	2	2	2	2	2	
5	90201-244A9	WASHER, PLATE (2.05T)	2	2	2	2	2	
6	3GD-22184-00	BUSH	1	1	1	1	1	
7	1UY-22141-01	SHAFT, PIVOT	1	1	1	1	1	
8	90201-160F6	WASHER, PLATE	1	1	1	1	1	
9	90185-16127	NUT, SELF-LOCKING	1	1	1	1	1	
10	1UY-22151-00	SEAL, GUARD	1	1	1	1	1	
11	4N0-27114-00	STOPPER, MAIN STAND	1	1	1	1	1	
12	38W-22199-00	SUPPORT, CHAIN	1	1	1	1	1	
13	95807-08040	BOLT, FLANGE	2	2	2	2	2	
14	1UY-2217A-00	ARM, RELAY	1	1	1	1	1	
15	90383-20033	BUSH, FORMED	2	2	2	2	2	
16	93109-20076	OIL SEAL	2	2	2	2	2	
17	90387-125N9	COLLAR	1	1	1	1	1	
18	90109-10752	BOLT	1	1	1	1	1	
19	93700-06004	NIPPLE, GREASE	1	1	1	1	1	
20	90201-10430	WASHER, PLATE	1	1	1	1	1	
21	90185-10120	NUT, SELF-LOCKING	1	1	1	1	1	
22	1UY-2217F-00	ROD, CONNECTING 1	1	1	1	1	1	
23	90383-20032	BUSH, FORMED	4	4	4	4	4	
24	23X-22129-00	COVER, THRUST 2	4	4	4	4	4	
25	90387-125N8	COLLAR	2	2	2	2	2	
26	93700-06004	NIPPLE, GREASE	2	2	2	2	2	
27	90109-102A6	BOLT	1	1	1	1	1	

FIG. 20 REAR ARM



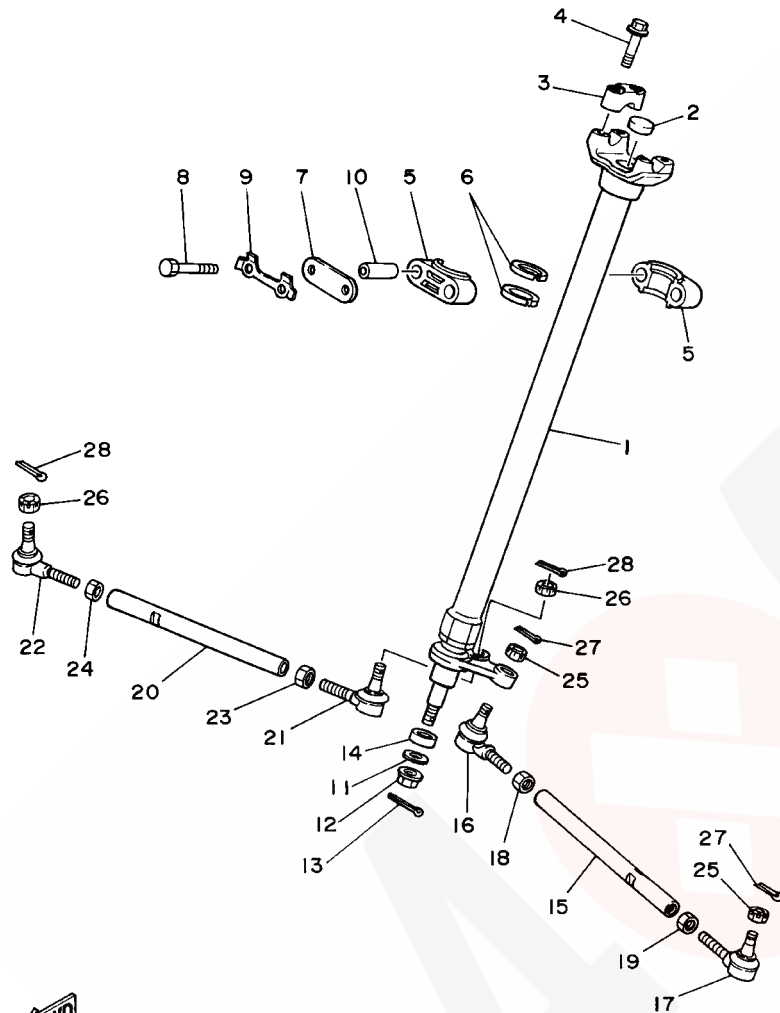
REF. NO.	PART NO.	DESCRIPTION	U49	CAL	CAN	FRA	JPN	REMARKS
28	90201-120E6	WASHER, PLATE	1	1	1	1	1	
29	90201-100E9	WASHER, PLATE	1	1	1	1	1	
30	90185-10120	NUT, SELF-LOCKING	1	1	1	1	1	
31	90109-102A7	BOLT	1	1	1	1	1	
32	90201-10430	WASHER, PLATE	1	1	1	1	1	
33	90185-10120	NUT, SELF-LOCKING	1	1	1	1	1	
34	3GD-2219X-00	COVER	1	1	1	1	1	
35	95827-08025	BOLT, FLANGE	4	4	4	4	4	
36	92907-08600	WASHER, PLATE	4	4	4	4	4	
37	95607-08100	NUT, U	4	4	4	4	4	

FIG. 21 REAR SUSPENSION



REF. NO.	PART NO.	DESCRIPTION	U49	CAL	CAN	FRA	JPN	REMARKS
1	2XK-22210-10-36	SHOCK ABSORBER ASSY, REAR	1	1				UR FOR DPBSE
	2XK-22210-10-P2	SHOCK ABSORBER ASSY, REAR	1	1				UR FOR YB
	2XK-22210-20-36	SHOCK ABSORBER ASSY, REAR			1			UR FOR DPBSE
	2XK-22210-20-P2	SHOCK ABSORBER ASSY, REAR			1			UR FOR YB
	2XK-22210-30-36	SHOCK ABSORBER ASSY, REAR				1		UR FOR DPBSE
	2XK-22210-30-P1	SHOCK ABSORBER ASSY, REAR				1		UR FOR YB
	2XK-22210-40-36	SHOCK ABSORBER ASSY, REAR					1	
2	2XK-22201-00	.DAMPER SUB ASSY	1	1	1	1	1	
3	93399-99916	..BEARING	2	2	2	2	2	
4	93440-30113	..CIRCLIP	4	4	4	4	4	
5	93104-18077	..OIL SEAL	4	4	4	4	4	
6	1RK-22215-00	..RING, COVER	1	1	1	1	1	
7	38W-22223-00	..SEAT, SPRING LOWER	1	1	1	1	1	
8	38W-22212-10-36	..SPRING	1	1	1	1	1	UR FOR DPBSE
	38W-22212-10-P2	..SPRING	1	1	1	1	1	UR FOR YB
9	22W-22214-01	..GUIDE, SPRING 1	1	1	1	1	1	
10	4AA-22259-40	..LABEL, WARNING					1	
	4AA-22259-50	..LABEL, WARNING					1	
	4AA-22259-70	..LABEL, WARNING			1			
	4AA-22259-80	..LABEL, WARNING	1	1				
11	90109-10704	BOLT	1	1	1	1	1	
12	90201-10430	WASHER, PLATE	1	1	1	1	1	
13	90185-10120	NUT, SELF-LOCKING	1	1	1	1	1	
14	90387-127G8	COLLAR	2	2	2	2	2	
15	90109-102A6	BOLT	1	1	1	1	1	
16	90201-120E6	WASHER, PLATE	1	1	1	1	1	
17	90201-100E9	WASHER, PLATE	1	1	1	1	1	

FIG. 22 STEERING

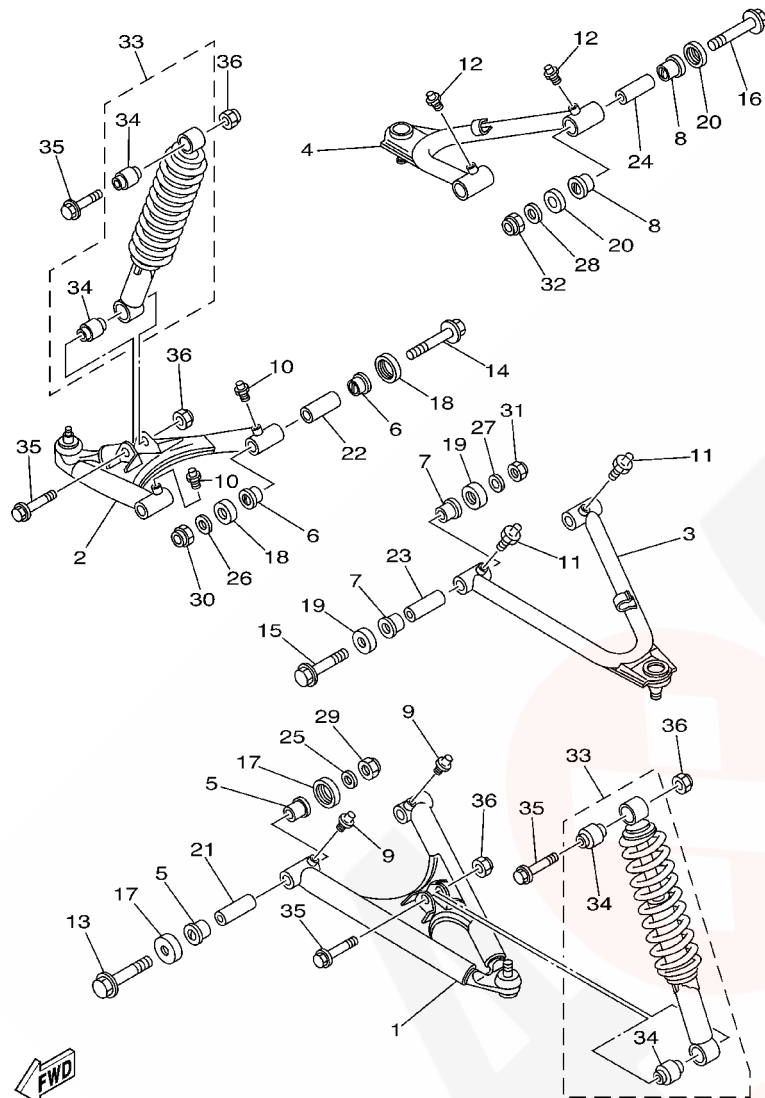


FWD
3GDK100-7220

REF. NO.	PART NO.	DESCRIPTION	U49	CAL	CAN	FRA	JPN	REMARKS
1	3GD-23813-20	COLUMN, STEERING 2	1	1	1	1	1	
2	90336-28053	PLUG, TAPER	1	1	1	1	1	
3	8K1-23814-00	HOLDER, HANDLE	2	2	2	2	2	
4	95827-08035	BOLT, FLANGE	4	4	4	4	4	
5	1UY-23812-00	PLANE BEARING, STEERING	2	2	2	2	2	
6	93112-31011	OIL SEAL	2	2	2	2	2	
7	3GD-23868-01	BRACKET, STEERING LOWER	1	1	1	1	1	
8	97027-08060	BOLT	2	2	2	2	2	
9	1UY-23894-01	WASHER, LOCK 1	1	1	1	1	1	
10	90387-090R0	COLLAR	2	2	2	2	2	
11	90201-10774	WASHER, PLATE	1	1	1	1	1	
12	90185-10115	NUT, SELF-LOCKING	1	1	1	1	1	
13	91401-20020	PIN, COTTER	1	1	1	1	1	
14	90387-176R6	COLLAR	1	1	1	1	1	
15	3GD-23831-00	ROD, TIE	1	1	1	1	1	
16	1UY-23841-01	JOINT, UNIVERSAL 1	1	1	1	1	1	
17	1UY-23845-01	JOINT, UNIVERSAL 2	1	1	1	1	1	
18	95307-10700	NUT	1	1	1	1	1	
19	90170-10186	NUT	1	1	1	1	1	(L.H. THREAD)
20	3GD-23831-00	ROD, TIE	1	1	1	1	1	
21	1UY-23841-01	JOINT, UNIVERSAL 1	1	1	1	1	1	
22	1UY-23845-01	JOINT, UNIVERSAL 2	1	1	1	1	1	
23	95307-10700	NUT	1	1	1	1	1	
24	90170-10186	NUT	1	1	1	1	1	(L.H. THREAD)
25	90171-10046	NUT, CASTLE	2	2	2	2	2	
26	90171-10046	NUT, CASTLE	2	2	2	2	2	
27	91401-20020	PIN, COTTER	2	2	2	2	2	

D4

FIG. 23 FRONT SUSPENSION. WHEEL

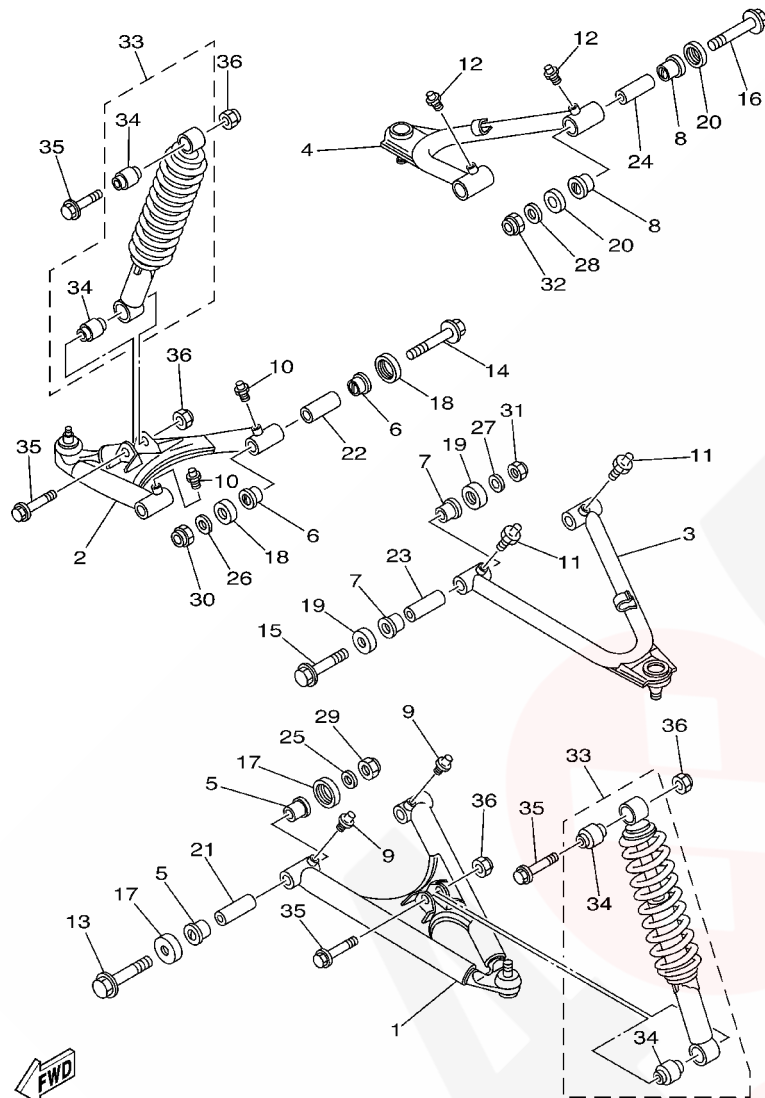


5NF4100-2230

REF. NO.	PART NO.	DESCRIPTION	U49	CAL	CAN	FRA	JPN	REMARKS
1	3GD-23570-00-35	FRONT LOWER ARM COMP. (LEFT)	1	1	1	1	1	
2	3GD-23580-00-35	FRONT LOWER ARM COMP. (RIGHT)	1	1	1	1	1	
3	3GD-23540-00-35	FRONT UPPER ARM COMP. (LEFT)	1	1	1	1	1	
4	3GD-23550-00-35	FRONT UPPER ARM COMP. (RIGHT)	1	1	1	1	1	
5	90381-15088	BUSH, SOLID	4	4	4	4	4	
6	90381-15088	BUSH, SOLID	4	4	4	4	4	
7	90381-15088	BUSH, SOLID	4	4	4	4	4	
8	90381-15088	BUSH, SOLID	4	4	4	4	4	
9	93700-06004	NIPPLE, GREASE	2	2	2	2	2	
10	93700-06004	NIPPLE, GREASE	2	2	2	2	2	
11	93700-06004	NIPPLE, GREASE	2	2	2	2	2	
12	93700-06004	NIPPLE, GREASE	2	2	2	2	2	
13	90105-10034	BOLT, FLANGE	2	2	2	2	2	
14	90105-10034	BOLT, FLANGE	2	2	2	2	2	
15	90105-10034	BOLT, FLANGE	2	2	2	2	2	
16	90105-10034	BOLT, FLANGE	2	2	2	2	2	
17	1UY-23517-00	COVER, THRUST 1	4	4	4	4	4	
18	1UY-23517-00	COVER, THRUST 1	4	4	4	4	4	
19	1UY-23517-00	COVER, THRUST 1	4	4	4	4	4	
20	1UY-23517-00	COVER, THRUST 1	4	4	4	4	4	
21	90387-101R3	COLLAR	2	2	2	2	2	
22	90387-101R3	COLLAR	2	2	2	2	2	
23	90387-101R3	COLLAR	2	2	2	2	2	
24	90387-101R3	COLLAR	2	2	2	2	2	
25	90201-10430	WASHER, PLATE	2	2	2	2	2	
26	90201-10430	WASHER, PLATE	2	2	2	2	2	
27	90201-10430	WASHER, PLATE	2	2	2	2	2	

D6

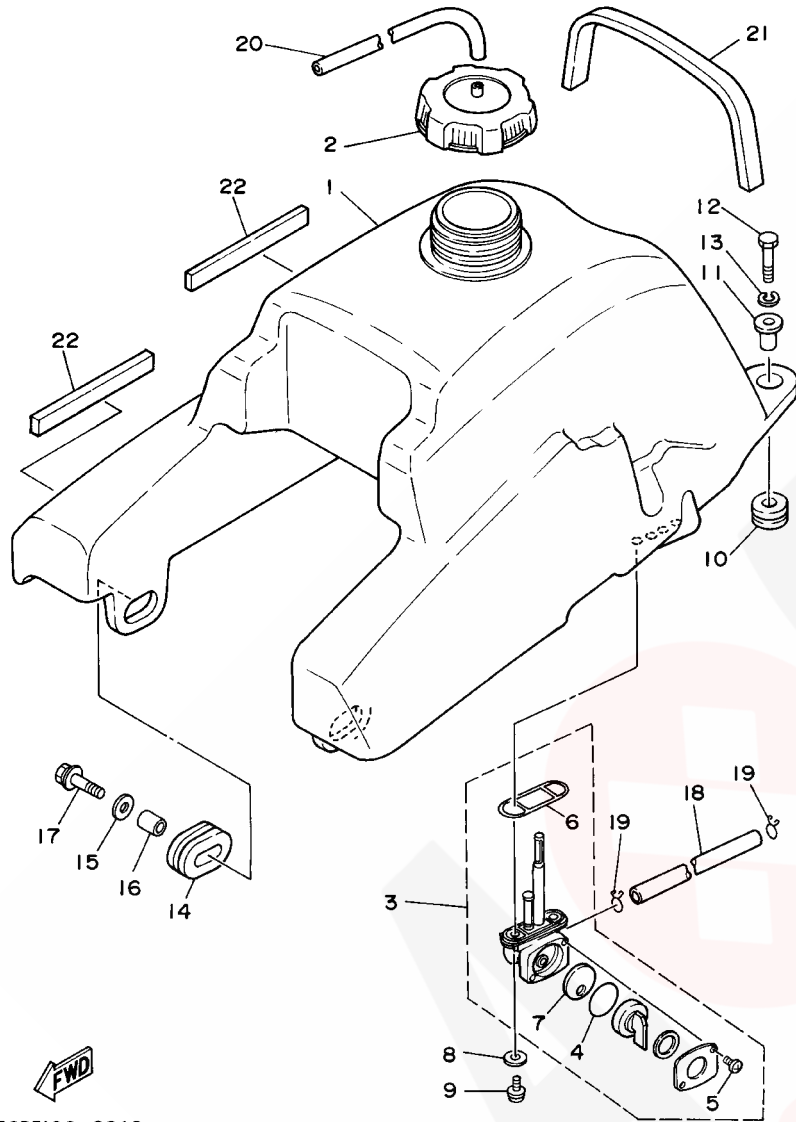
FIG. 23 FRONT SUSPENSION. WHEEL



5NF4100-2230

REF. NO.	PART NO.	DESCRIPTION	U49	CAL	CAN	FRA	JPN	REMARKS
28	90201-10430	WASHER, PLATE	2	2	2	2	2	
29	90185-10060	NUT, SELF-LOCKING	2	2	2	2	2	
30	90185-10060	NUT, SELF-LOCKING	2	2	2	2	2	
31	90185-10060	NUT, SELF-LOCKING	2	2	2	2	2	
32	90185-10060	NUT, SELF-LOCKING	2	2	2	2	2	
33	3GD-23350-00-36	SHOCK ABSORBER ASSY	2	2	2	2	2	UR FOR DPBSE
	3GD-23350-00-P2	SHOCK ABSORBER ASSY	2	2	2	2	2	UR FOR YB
34	2XJ-2331R-00	.DAMPER, BUSH B	1	1	1	1	1	
35	90105-10388	BOLT, FLANGE	4	4	4	4	4	
36	90185-10060	NUT, SELF-LOCKING	4	4	4	4	4	

FIG. 24 FUEL TANK

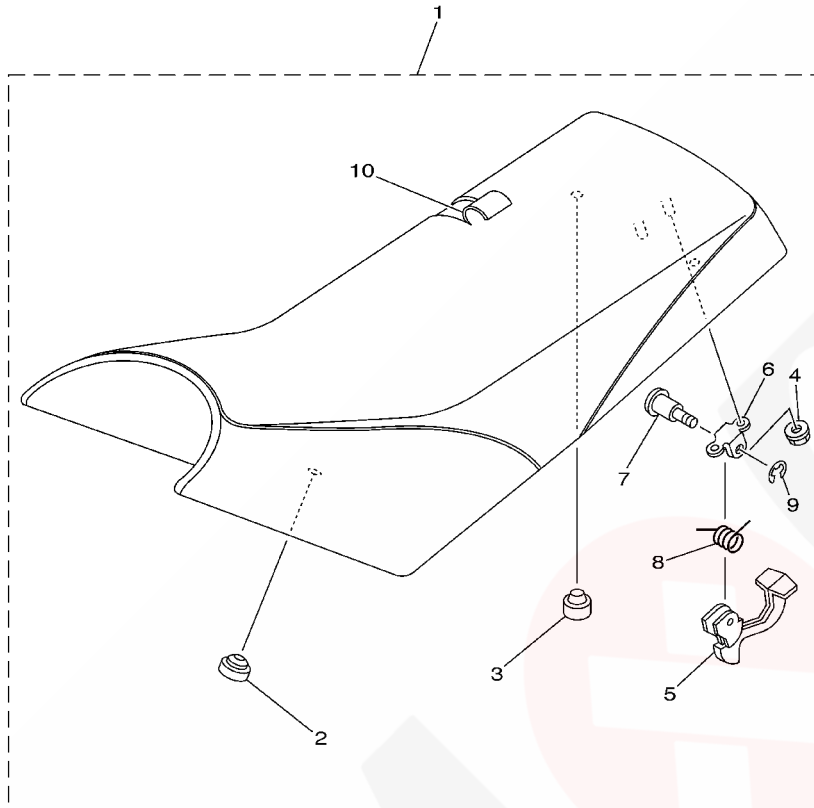


3GD5100-0240

REF. NO.	PART NO.	DESCRIPTION	U49	CAL	CAN	FRA	JPN	REMARKS
1	1UY-24110-01	FUEL TANK COMP.	1	1	1	1	1	
2	5KM-24610-00	CAP ASSY	1	1	1	1	1	
3	21V-24500-10	FUEL COCK ASSY 1	1	1	1	1	1	
4	3AJ-24534-00	.SEAL, COCK	1	1	1	1	1	
5	97801-03008	.SCREW, PAN HEAD	2	2	2	2	2	
6	4X8-24512-00	.O-RING	1	1	1	1	1	
7	3AJ-24523-00	.VALVE PACKING	1	1	1	1	1	
8	90202-05193	WASHER, PLATE	2	2	2	2	2	
9	90149-06011	SCREW	2	2	2	2	2	
10	90480-18290	GROMMET	2	2	2	2	2	
11	90387-066H4	COLLAR	2	2	2	2	2	
12	97007-06030	BOLT	2	2	2	2	2	
13	92907-06100	WASHER, SPRING	2	2	2	2	2	
14	90480-01400	GROMMET	2	2	2	2	2	
15	90201-060L5	WASHER, PLATE	2	2	2	2	2	
16	90387-07598	COLLAR	2	2	2	2	2	
17	90119-06073	BOLT, WITH WASHER	2	2	2	2	2	
18	90445-11663	HOSE (L170)	1	1	1	1	1	
19	90467-10008	CLIP	2	2	2	2	2	
20	90445-084J1	HOSE (L420)	1	1	1	1	1	
21	1UY-2414H-00	DAMPER, PLATE 1	1	1	1	1	1	
22	3GD-24181-00	DAMPER, LOCATING 1	2	2	2	2	2	

FIG. 25 SEAT

REF. NO.	PART NO.	DESCRIPTION	U49	CAL	CAN	FRA	JPN	REMARKS
1	5NF-24710-00	SINGLE SEAT ASSY	1	1	1	1	1	
2	22W-24741-00	.PAD, SEAT	2	2	2	2	2	
3	371-27114-00	.STOPPER, MAIN STAND	2	2	2	2	2	
4	95707-06500	.NUT, FLANGE	2	2	2	2	2	
5	3GD-24776-00	.LEVER, SEAT	1	1	1	1	1	
6	4K0-24775-00	.BRACKET, SEAT LEVER	1	1	1	1	1	
7	4K0-24774-00	.PIN	1	1	1	1	1	
8	90508-20454	.SPRING, TORSION	1	1	1	1	1	
9	93430-04002	.CIRCLIP	1	1	1	1	1	
10	5NF-2470F-00	.COVER, SEAT	1	1	1	1	1	



5NF4100-2250

D9

FIG. 26 FRONT WHEEL

REF. NO.	PART NO.	DESCRIPTION	U49	CAL	CAN	FRA	JPN	REMARKS
1	2XK-25180-10-HM	WHEEL COMP.	1	1	1	1	1	
2	94107-102Y4	TIRE (AT22X7-10 KT701)	1	1	1	1	1	DUNLOP
3	93900-00022	VALVE, RIM	1	1	1	1	1	TAIHEIYO
4	2XK-25180-10-HM	WHEEL COMP.	1	1	1	1	1	
5	94107-102Y4	TIRE (AT22X7-10 KT701)	1	1	1	1	1	DUNLOP
6	93900-00022	VALVE, RIM	1	1	1	1	1	TAIHEIYO
7	3GD-25111-01	HUB, FRONT	2	2	2	2	2	
8	90114-10007	.BOLT, SERRATION	4	4	4	4	4	
9	1UY-25117-00	SPACER, BEARING	2	2	2	2	2	
10	93306-00406	BEARING (B6004Z)	2	2	2	2	2	UR NTN
	93306-00438	BEARING	2	2	2	2	2	UR NIHON SEIKO
11	93306-20227	BEARING	2	2	2	2	2	
12	93105-26026	OIL SEAL	2	2	2	2	2	
13	93102-22216	OIL SEAL	2	2	2	2	2	
14	95707-10500	NUT, FLANGE	8	8	8	8	8	
15	92907-10200	WASHER, PLAIN	8	8	8	8	8	
16	90387-150R1	COLLAR	2	2	2	2	2	
17	90201-14586	WASHER, PLATE	2	2	2	2	2	
18	90171-14020	NUT, CASTLE	2	2	2	2	2	
19	91401-30025	PIN, COTTER	2	2	2	2	2	
20	3GD-25127-10	COVER, PLATE	2	2	2	2	2	
21	3GD-23501-00	STEERING KNUCKLE ASSY (LEFT)	1	1	1	1	1	
22	3GD-23502-00	STEERING KNUCKLE ASSY (RIGHT)	1	1	1	1	1	
23	90171-10046	NUT, CASTLE	2	2	2	2	2	
24	90171-10046	NUT, CASTLE	2	2	2	2	2	
25	91401-20020	PIN, COTTER	2	2	2	2	2	
26	91401-20020	PIN, COTTER	2	2	2	2	2	

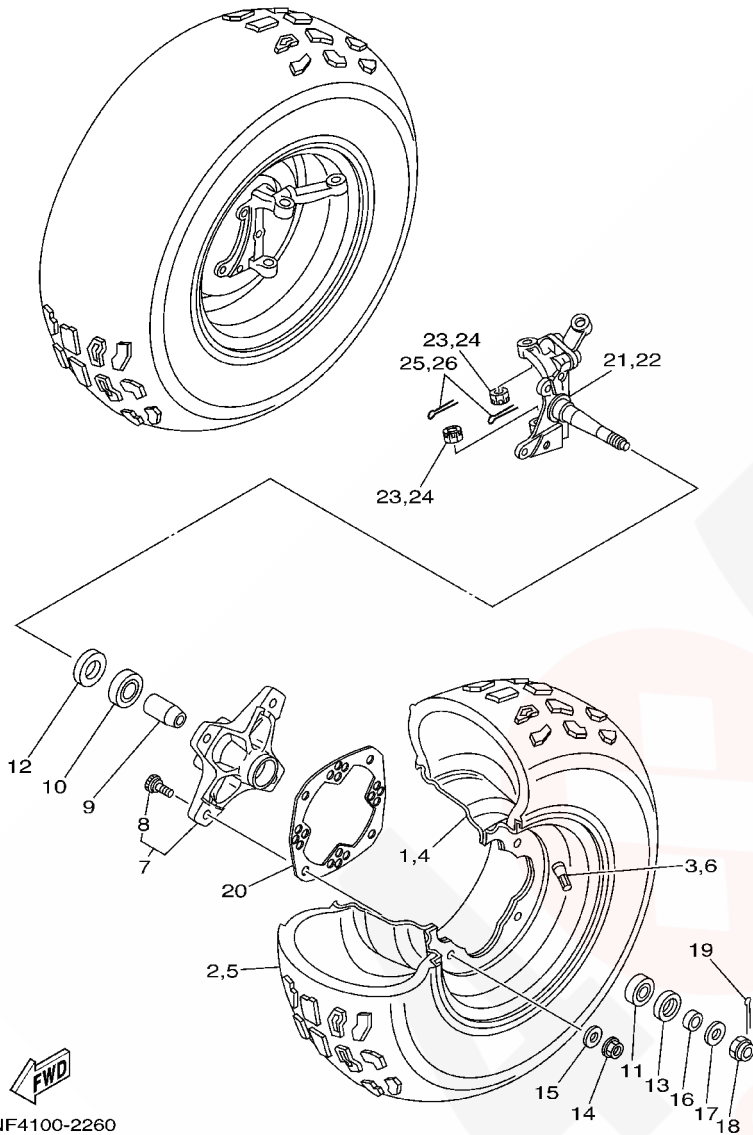
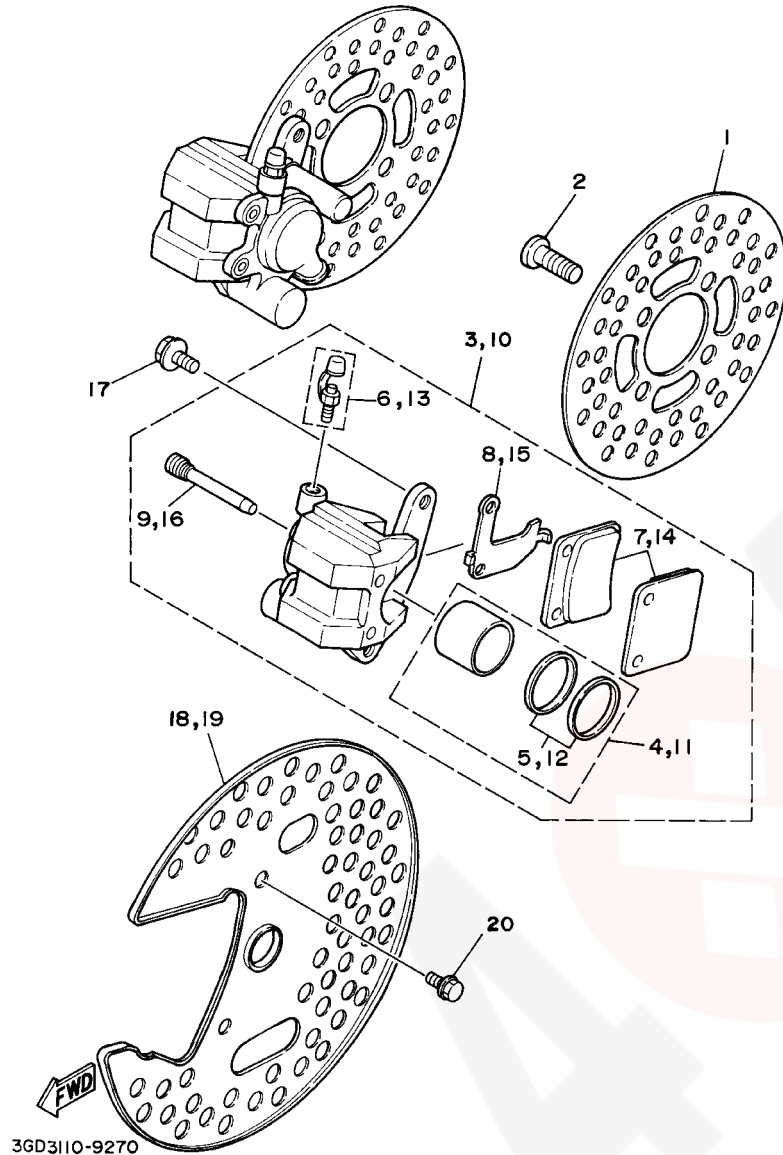
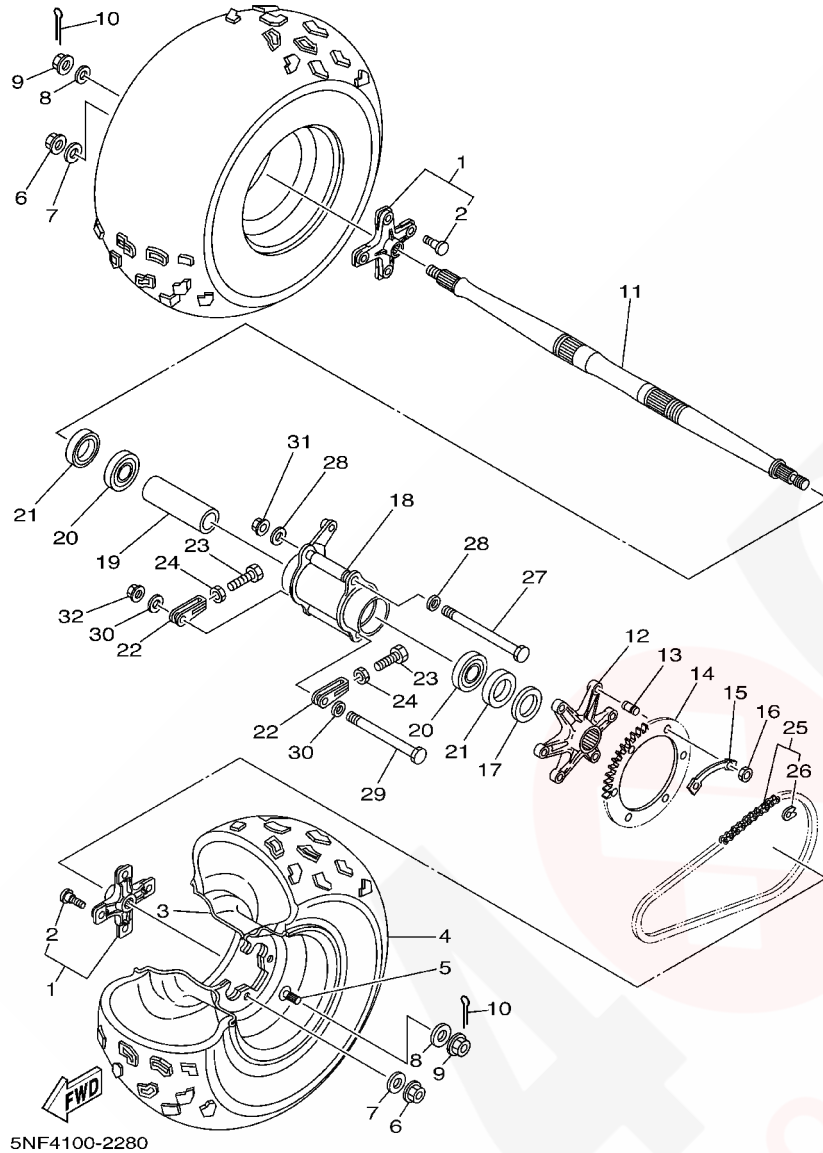


FIG. 27 FRONT BRAKE CALIPER



REF. NO.	PART NO.	DESCRIPTION	U49	CAL	CAN	FRA	JPN	REMARKS
1	3GD-2582T-00	DISC, BRAKE	2	2	2	2	2	
2	90149-08268	SCREW	8	8	8	8	8	
3	5LP-2580T-00	CALIPER ASSY (LEFT)	1	1	1	1	1	
4	3GD-W0057-00	.PISTON ASSY, CALIPER	1	1	1	1	1	
5	3GD-W0047-00	..CALIPER SEAL KIT	1	1	1	1	1	
6	1UY-W0048-50	.BLEED SCREW KIT	1	1	1	1	1	
7	5LP-W0045-00	.BRAKE PAD KIT	1	1	1	1	1	
8	3GD-25827-00	.SHIM, CALIPER	1	1	1	1	1	
9	3GD-25933-00	.PIN, PAD	2	2	2	2	2	
10	5LP-2580U-00	CALIPER ASSY (RIGHT)	1	1	1	1	1	
11	3GD-W0057-00	.PISTON ASSY, CALIPER	1	1	1	1	1	
12	3GD-W0047-00	..CALIPER SEAL KIT	1	1	1	1	1	
13	1UY-W0048-50	.BLEED SCREW KIT	1	1	1	1	1	
14	5LP-W0045-00	.BRAKE PAD KIT	1	1	1	1	1	
15	3GD-25828-00	.SHIM, CALIPER	1	1	1	1	1	
16	3GD-25933-00	.PIN, PAD	2	2	2	2	2	
17	90105-08538	BOLT, FLANGE	4	4	4	4	4	
18	3GD-2514A-10	RING, WHEEL 1 (LEFT)	1	1	1	1	1	
19	3GD-2515A-10	RING, WHEEL 2 (RIGHT)	1	1	1	1	1	
20	95807-06010	BOLT, FLANGE	4	4	4	4	4	

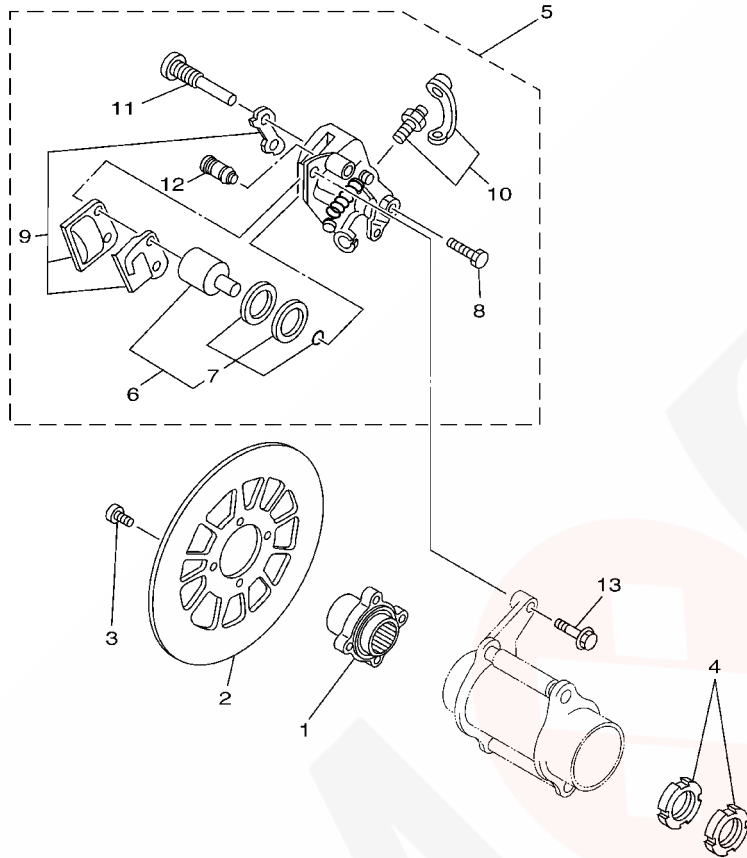
FIG. 28 REAR WHEEL



5NF4100-2280

REF. NO.	PART NO.	DESCRIPTION	U49	CAL	CAN	FRA	JPN	REMARKS
1	5LP-25383-00	COLLAR, WHEEL	2	2	2	2	2	
2	90114-10009	.BOLT, SERRATION	4	4	4	4	4	
3	2XK-25390-01-HM	REAR WHEEL COMP.	2	2	2	2	2	
4	94110-090X4	TIRE (AT22X10-9*KT775B T/L N)	2	2	2	2	2	DUNLOP
5	93900-00022	VALVE, RIM	2	2	2	2	2	TAIHEIYO
6	95707-10500	NUT, FLANGE	8	8	8	8	8	
7	92907-10200	WASHER, PLAIN	8	8	8	8	8	
8	90201-14226	WASHER, PLATE	2	2	2	2	2	
9	90171-14037	NUT, CASTLE	2	2	2	2	2	
10	91401-30030	PIN, COTTER	2	2	2	2	2	
11	3GD-25381-00	AXLE, WHEEL	1	1	1	1	1	
12	3GD-25386-00	COLLAR, SPROCKET AXLE	1	1	1	1	1	
13	90116-08507	BOLT, STUD	6	6	6	6	6	
14	2XJ-25440-20	SPROCKET, DRIVEN (40T)	1	1	1	1	1	
15	2XJ-25412-00	WASHER	3	3	3	3	3	
16	90170-08258	NUT	6	6	6	6	6	
17	1UY-25367-00	COVER, HUB DUST	1	1	1	1	1	
18	3GD-25311-11-35	HUB, REAR	1	1	1	1	1	
19	2XK-25317-00	SPACER, BEARING	1	1	1	1	1	
20	93306-00804	BEARING	2	2	2	2	2	
21	93102-48370	OIL SEAL	2	2	2	2	2	
22	3GD-25388-00	PULLER, CHAIN 1	2	2	2	2	2	
23	90101-08777	BOLT	2	2	2	2	2	
24	95307-08600	NUT	2	2	2	2	2	
25	94581-87098	CHAIN (DID520V 98L)	1	1	1	1	1	
26	94681-08011	.JOINT, CHAIN(D.I.D 520V6-FJ)	1	1	1	1	1	
27	90101-12695	BOLT	1	1	1	1	1	

FIG. 29 REAR BRAKE

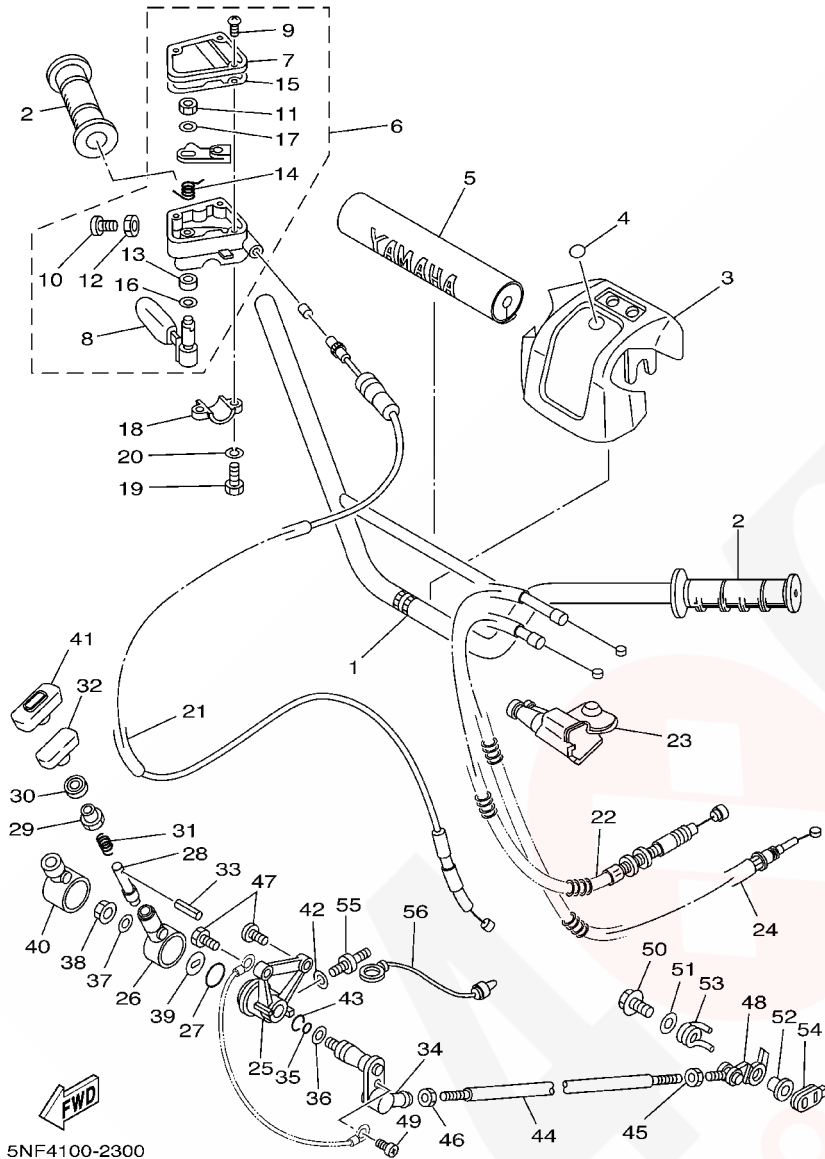


REF. NO.	PART NO.	DESCRIPTION	U49	CAL	CAN	FRA	JPN	REMARKS
1	2XK-25712-00	BRACKET, DISC	1	1	1	1	1	
2	3GD-2582W-00	DISC, REAR BRAKE 2	1	1	1	1	1	
3	90109-081F0	BOLT	4	4	4	4	4	
4	90170-38377	NUT	2	2	2	2	2	
5	1UY-2580W-00	CALIPER ASSY, REAR 2	1	1	1	1	1	
6	1UY-W0057-50	.PISTON ASSY, CALIPER	1	1	1	1	1	
7	1UY-W0047-50	..CALIPER SEAL KIT	1	1	1	1	1	
8	1UY-25972-51	.ADJUSTBOLT	1	1	1	1	1	
9	1UY-W0046-00	.BRAKE PAD KIT 2	1	1	1	1	1	
10	1UY-W0048-50	.BLEED SCREW KIT	1	1	1	1	1	
11	1UY-25924-51	.PIN, PAD	2	2	2	2	2	
12	1UY-25917-51	.BOOT, CALIPER	2	2	2	2	2	
13	90105-08440	BOLT, FLANGE	2	2	2	2	2	



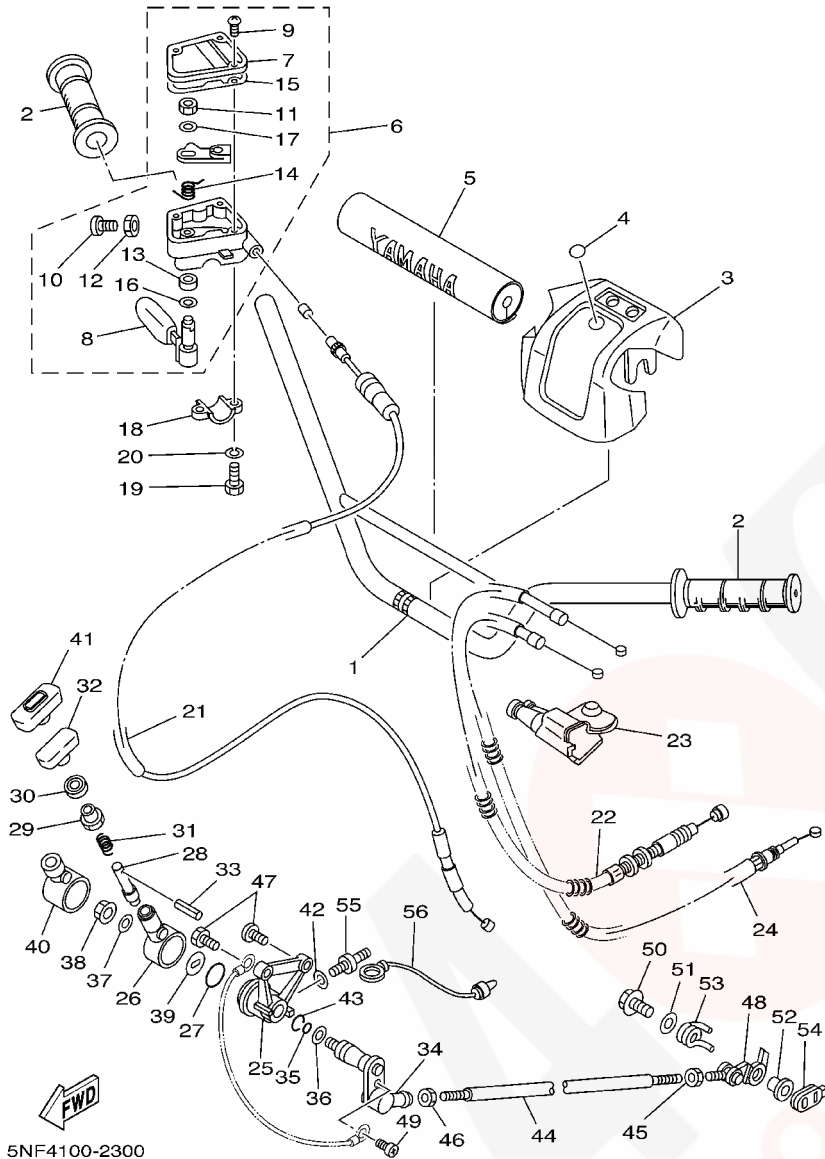
3GDM100-8290

FIG. 30 STEERING HANDLE. CABLE



REF. NO.	PART NO.	DESCRIPTION	U49	CAL	CAN	FRA	JPN	REMARKS
1	5NF-26111-00	HANDLEBAR	1	1	1	1	1	
2	5LP-26241-00	GRIP	2	2	2	2	2	
3	3GD-26124-10	PROTECTOR, HANDLEBAR	1	1	1	1	1	
4	5GT-2836B-10	TUNING FORK MARK	1	1	1	1	1	
5	5NF-2622K-00	PROTECTOR 1	1	1	1	1	1	
6	1NV-26250-01	THROTTLE LEVER ASSY	1	1	1	1	1	
7	1NV-2628F-00	.CAP, GEAR	1	1	1	1	1	
8	1NV-2625G-01	.LEVER, THROTTLE	1	1	1	1	1	
9	98507-05012	.SCREW, PAN HEAD	3	3	3	3	3	
10	98507-05020	.SCREW, PAN HEAD	1	1	1	1	1	
11	95607-05100	.NUT, U	1	1	1	1	1	
12	95307-05700	.NUT	1	1	1	1	1	
13	93104-09025	.OIL SEAL	1	1	1	1	1	
14	1NV-26304-00	.SPRING	1	1	1	1	1	
15	1NV-2628G-00	.GASKET	1	1	1	1	1	
16	1NV-26129-00	.WASHER	1	1	1	1	1	
17	1NV-26398-00	.WASHER	1	1	1	1	1	
18	4V4-82913-00	HOLDER, LEVER LOWER 1	1	1	1	1	1	
19	98507-05020	SCREW, PAN HEAD	2	2	2	2	2	
20	92907-05100	WASHER, SPRING	2	2	2	2	2	
21	3GD-26311-01	CABLE, THROTTLE 1	1	1	1	1	1	
22	1UY-26335-00	CABLE, CLUTCH	1	1	1	1	1	
23	1UY-2637A-01	COVER, HANDLE LEVER 2	1	1	1	1	1	
24	1UY-26341-02	CABLE, BRAKE	1	1	1	1	1	
25	2XK-26151-10	BODY, REVERSE LEVER	1	1	1	1	1	
26	1UY-26152-00	LEVÉR, RÉVERSE	1	1	1	1	1	
27	93210-29147	O-RING	1	1	1	1	1	

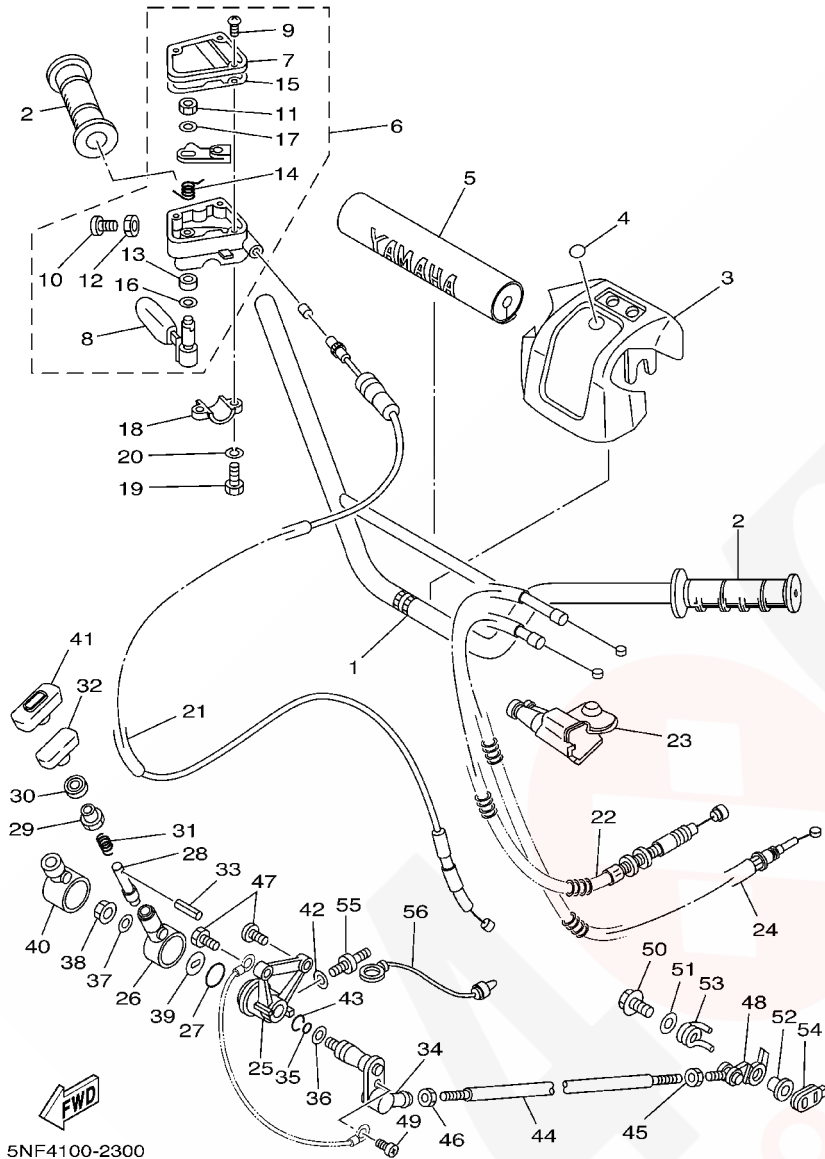
FIG. 30 STEERING HANDLE. CABLE



5NF4100-2300

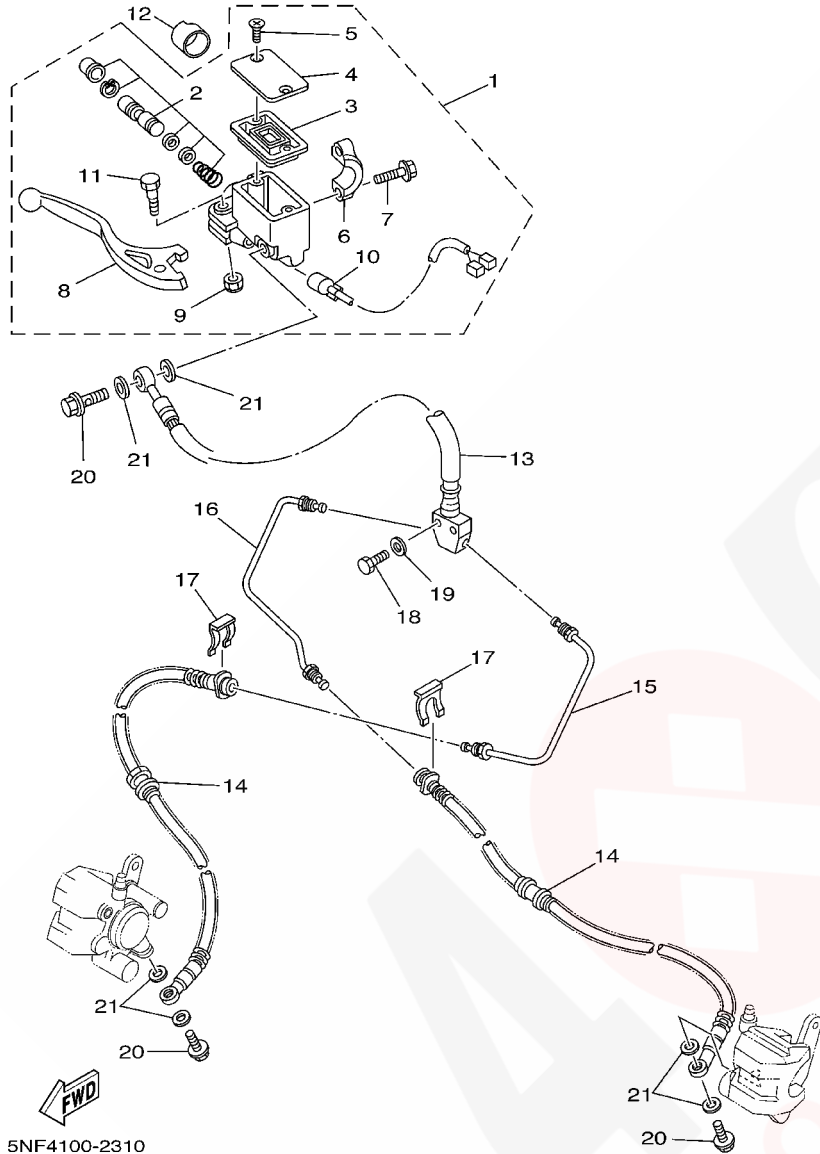
REF. NO.	PART NO.	DESCRIPTION	U49	CAL	CAN	FRA	JPN	REMARKS
28	2XK-26154-00	STOPPER, LEVER	1	1	1	1	1	
29	1UY-26161-00	COVER, SHIFT SPRING	1	1	1	1	1	
30	93109-08050	OIL SEAL	1	1	1	1	1	
31	90501-102E5	SPRING, COMPRESSION	1	1	1	1	1	
32	1UY-26157-00	LEVER, LOCK	1	1	1	1	1	
33	91609-40016	PIN, SPRING	1	1	1	1	1	
34	2XK-26162-10	SHAFT, LINK	1	1	1	1	1	
35	93210-10096	O-RING	1	1	1	1	1	
36	90202-14037	WASHER, PLATE	1	1	1	1	1	
37	90201-064J1	WASHER, PLATE	1	1	1	1	1	
38	95707-06500	NUT, FLANGE	1	1	1	1	1	
39	1UY-26158-00	PLATE, SIDE 1	1	1	1	1	1	
40	1UY-26372-00	COVER, HANDLE LEVER 1	1	1	1	1	1	
41	1UY-26153-00	GRIP, LEVER	1	1	1	1	1	
42	90201-12790	WASHER, PLATE	1	1	1	1	1	
43	93210-14104	O-RING	1	1	1	1	1	
44	3GD-26166-00	ROD, JOINT	1	1	1	1	1	
45	95317-06700	NUT	1	1	1	1	1	
46	90170-06289	NUT	1	1	1	1	1	
47	92017-08020	BOLT, BUTTON HEAD	2	2	2	2	2	
48	2XK-26165-00	LEVER 2	1	1	1	1	1	
49	98507-04008	SCREW, PAN HEAD	1	1	1	1	1	
50	95817-06035	BOLT, FLANGE	1	1	1	1	1	
51	90201-06008	WASHER, PLATE	1	1	1	1	1	
52	90387-063W7	COLLAR	1	1	1	1	1	
53	90508-35764	SPRING, TORSION	1	1	1	1	1	
54	4SH-18198-00	LEVER	1	1	1	1	1	

FIG. 30 STEERING HANDLE. CABLE



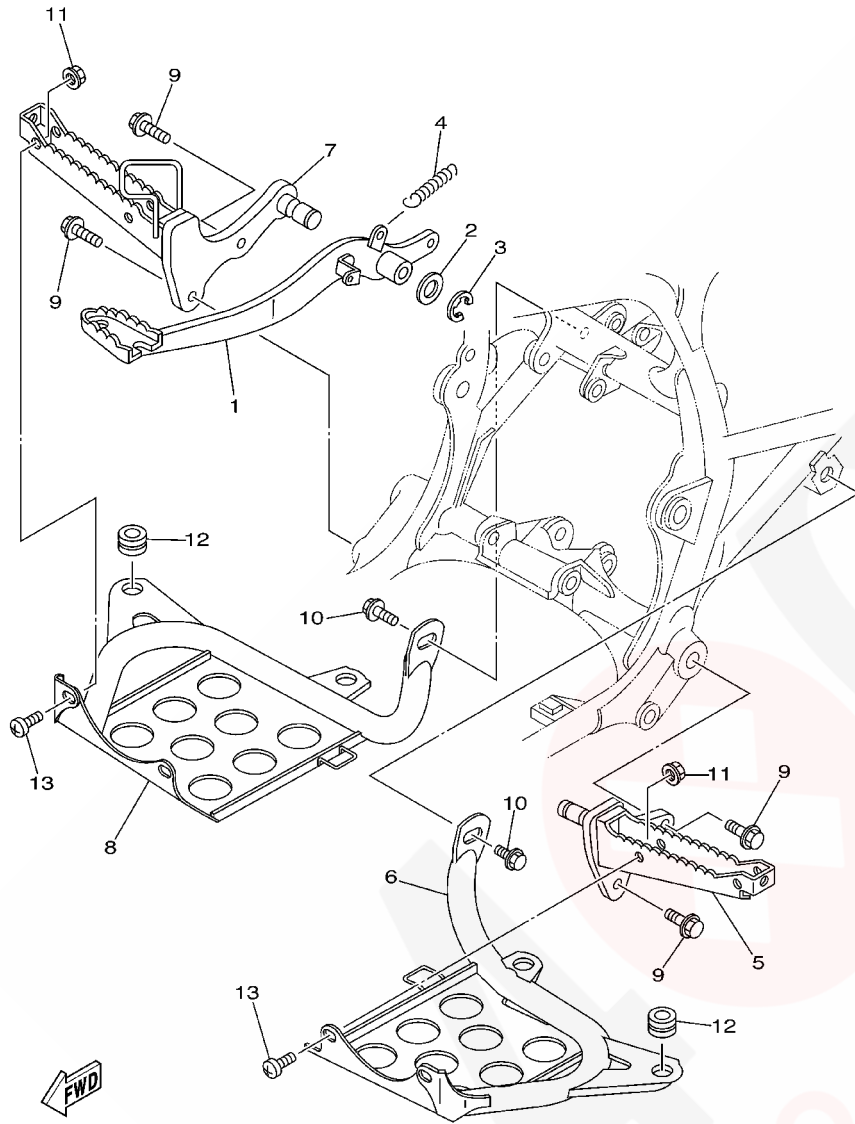
REF. NO.	PART NO.	DESCRIPTION	U49	CAL	CAN	FRA	JPN	REMARKS
55	4KD-82540-00	NEUTRAL SWITCH ASSY	1	1	1	1	1	
56	2XK-82507-00	WIRE, LEAD	1	1	1	1	1	

FIG. 31 FRONT MASTER CYLINDER



REF. NO.	PART NO.	DESCRIPTION	U49	CAL	CAN	FRA	JPN	REMARKS
1	5LP-2583T-01	MASTER CYLINDER ASSY	1	1	1	1	1	
2	5LP-W0041-00	.CYLINDER KIT, MASTER	1	1	1	1	1	
3	4L0-25854-00	.DIAPHRAGM, RESERVOIR	1	1	1	1	1	
4	5LP-25852-01	.CAP, RESERVOIR	1	1	1	1	1	
5	4NK-2589H-00	.SCREW	2	2	2	2	2	
6	5LP-25867-00	.BRACKET, MASTER CYLINDER	1	1	1	1	1	
7	5MV-25833-00	.BOLT, FITTING	2	2	2	2	2	
8	5LP-83922-00	.LEVER 2	1	1	1	1	1	
9	95604-06100	.NUT, U	1	1	1	1	1	
10	5LP-83980-00	.FRONT STOP SWITCH ASSY	1	1	1	1	1	
11	5MV-2589F-00	.BOLT, LEVER	1	1	1	1	1	
12	1UY-26259-00	COLLAR	1	1	1	1	1	
13	3GD-25872-02	HOSE, BRAKE 1	1	1	1	1	1	
14	3GD-25873-02	HOSE, BRAKE 2	2	2	2	2	2	
15	3GD-25871-00	PIPE, BRAKE	1	1	1	1	1	
16	3GD-25882-00	PIPE, BRAKE 2	1	1	1	1	1	
17	2GU-25866-00	CIRCLIP	2	2	2	2	2	
18	97027-08025	BOLT	1	1	1	1	1	
19	92907-08600	WASHER, PLATE	1	1	1	1	1	
20	90401-10159	BOLT, UNION	3	3	3	3	3	
21	90201-10118	WASHER, PLATE	6	6	6	6	6	

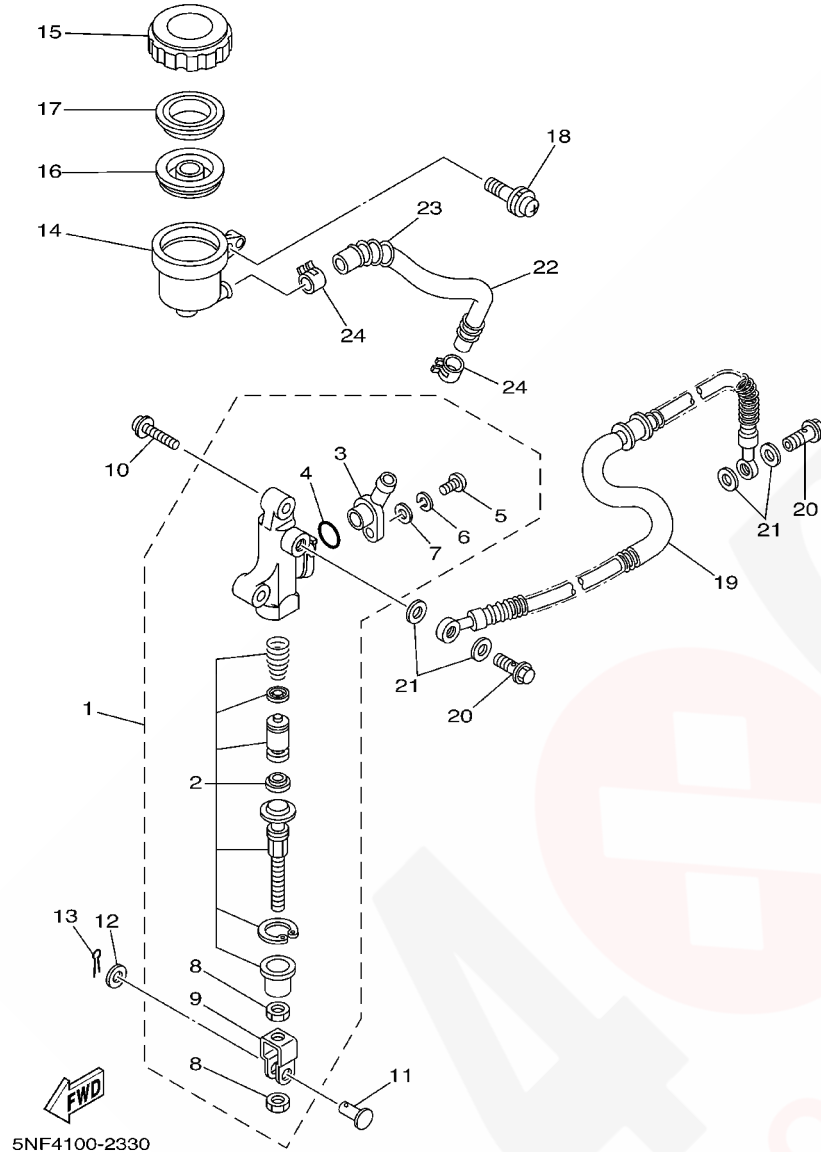
FIG. 32 STAND. FOOTREST



5NF4100-2320

REF. NO.	PART NO.	DESCRIPTION	U49	CAL	CAN	FRA	JPN	REMARKS
1	3GD-27211-40	PEDAL, BRAKE	1	1	1	1	1	
2	90201-15797	WASHER, PLATE	1	1	1	1	1	
3	93430-12008	CIRCLIP	1	1	1	1	1	
4	90506-20380	SPRING, TENSION	1	1	1	1	1	
5	5NF-27411-00	FOOTREST 1	1	1	1	1	1	
6	3GD-27445-00	PLATE 1	1	1	1	1	1	
7	5NF-27421-00	FOOTREST 2	1	1	1	1	1	
8	3GD-27446-00	PLATE 2	1	1	1	1	1	
9	95817-10025	BOLT, FLANGE	4	4	4	4	4	
10	95827-08016	BOLT, FLANGE	2	2	2	2	2	
11	95707-08500	NUT, FLANGE	4	4	4	4	4	
12	90480-18411	GROMMET	4	4	4	4	4	
13	92017-08016	BOLT, BUTTON HEAD	4	4	4	4	4	

FIG. 33 REAR MASTER CYLINDER

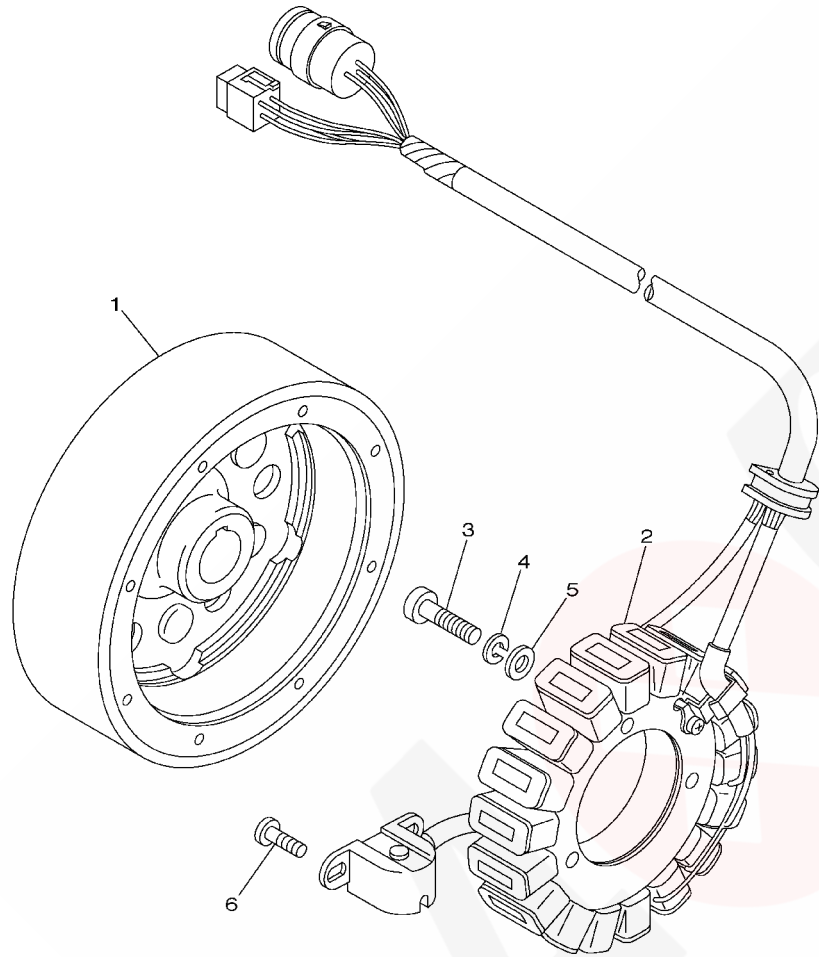


5NF4100-2330

REF. NO.	PART NO.	DESCRIPTION	U49	CAL	CAN	FRA	JPN	REMARKS
1	3GD-2583V-10	RR. MASTER CYLINDER ASSY.	1	1	1	1	1	
2	3GD-W0042-50	.CYLINDER KIT, MASTER	1	1	1	1	1	
3	29L-2582A-50	.JOINT	1	1	1	1	1	
4	93210-15620	.O-RING	1	1	1	1	1	
5	98506-04012	.SCREW, PAN HEAD	1	1	1	1	1	
6	92906-04100	.WASHER, SPRING	1	1	1	1	1	
7	92906-04600	.WASHER, PLATE	1	1	1	1	1	
8	4SS-27218-00	.NUT	2	2	2	2	2	
9	2YK-27222-00	.JOINT	1	1	1	1	1	
10	92017-08030	BOLT, BUTTON HEAD	2	2	2	2	2	
11	90240-08013	PIN, CLEVIS	1	1	1	1	1	
12	90201-08083	WASHER, PLATE	1	1	1	1	1	
13	91401-16012	PIN, COTTER	1	1	1	1	1	
14	47X-25894-00	TANK, RESERVOIR	1	1	1	1	1	
15	2KF-25852-50	CAP, RESERVOIR	1	1	1	1	1	
16	360-25854-01	DIAPHRAGM, RESERVOIR	1	1	1	1	1	
17	2GU-25855-00	BUSH,DIAPHRAGM	1	1	1	1	1	
18	90159-06056	SCREW, WITH WASHER	1	1	1	1	1	
19	3GD-25874-02	HOSE, BRAKE	1	1	1	1	1	
20	90401-10159	BOLT, UNION	2	2	2	2	2	
21	90201-10118	WASHER, PLATE	4	4	4	4	4	
22	1UY-25895-00	HOSE, RESERVOIR	1	1	1	1	1	
23	90501-102E8	SPRING, COMPRESSION	1	1	1	1	1	
24	90467-14057	CLIP	2	2	2	2	2	

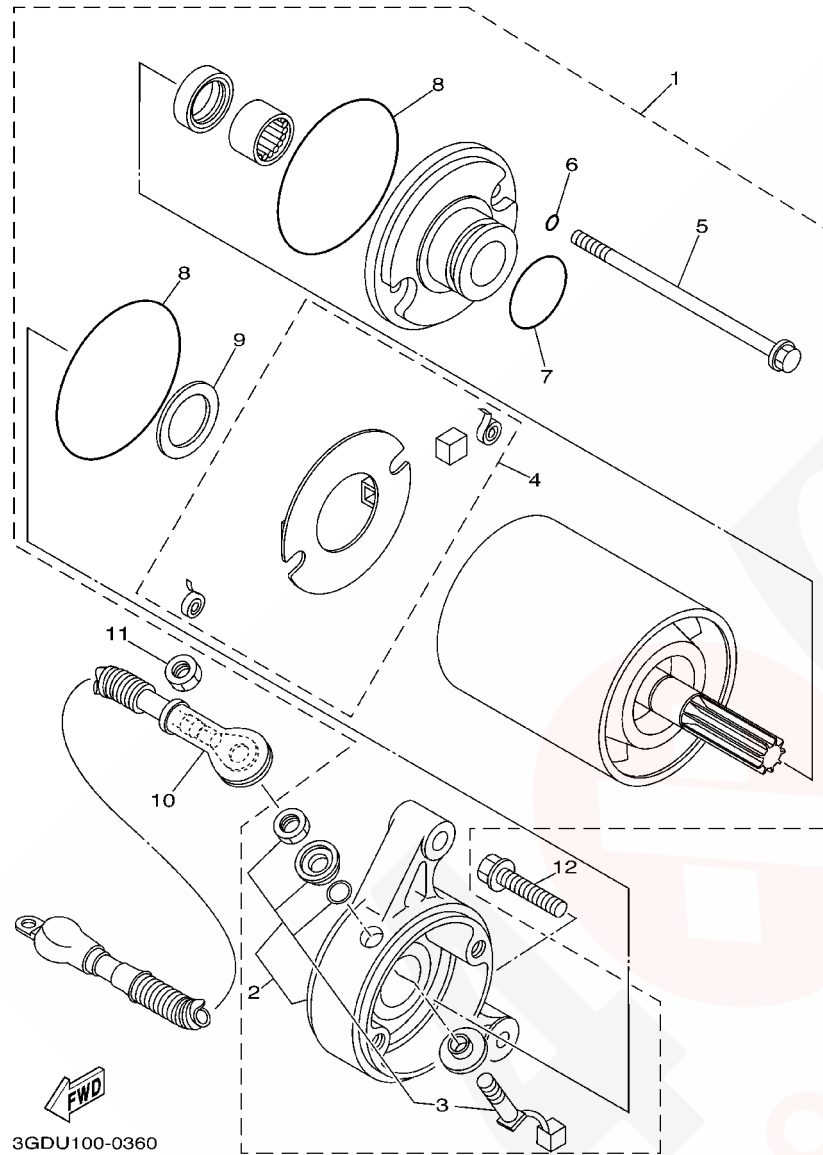
FIG. 35 GENERATOR

REF. NO.	PART NO.	DESCRIPTION	U49	CAL	CAN	FRA	JPN	REMARKS
1	5NF-81450-00	ROTOR ASSY	1	1	1	1	1	
2	5NF-81410-00	STATOR ASSY	1	1	1	1	1	
3	98507-06030	SCREW, PAN HEAD	3	3	3	3	3	
4	92907-06100	WASHER, SPRING	3	3	3	3	3	
5	92907-06600	WASHER, PLATE	3	3	3	3	3	
6	98507-05014	SCREW, PAN HEAD	2	2	2	2	2	



5NF4100-2351

FIG. 36 STARTING MOTOR

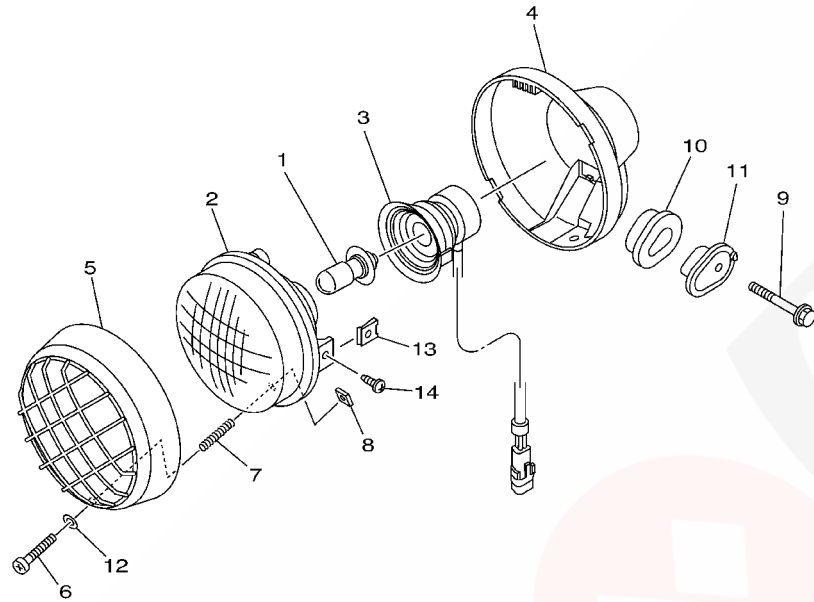


REF. NO.	PART NO.	DESCRIPTION	U49	CAL	CAN	FRA	JPN	REMARKS
1	1UY-81890-00	MOTOR ASSY	1	1	1	1	1	
2	1UY-81820-51	.REAR BRACKET ASSY	1	1	1	1	1	
3	1UY-81818-50	..BLUSH AND BOLT	1	1	1	1	1	
4	8L6-81840-50	.BRUSH HOLDER ASSY	1	1	1	1	1	
5	3GD-81826-00	.BOLT, THROUGH	2	2	2	2	2	
6	8L6-81847-50	.O-RING	2	2	2	2	2	
7	1UY-81847-50	.O-RING	1	1	1	1	1	
8	4H7-81844-50	.O-RING	2	2	2	2	2	
9	4H7-81843-50	.WASHER 1	1	1	1	1	1	
10	1UY-81815-50	CORD, STARTER MOTOR	1	1	1	1	1	
11	95302-06600	NUT	1	1	1	1	1	
12	95027-06030	BOLT, FLANGE	2	2	2	2	2	

3GDU100-0360



FIG. 37 HEADLIGHT

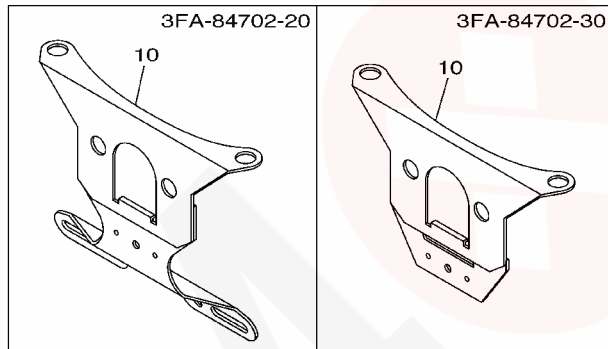
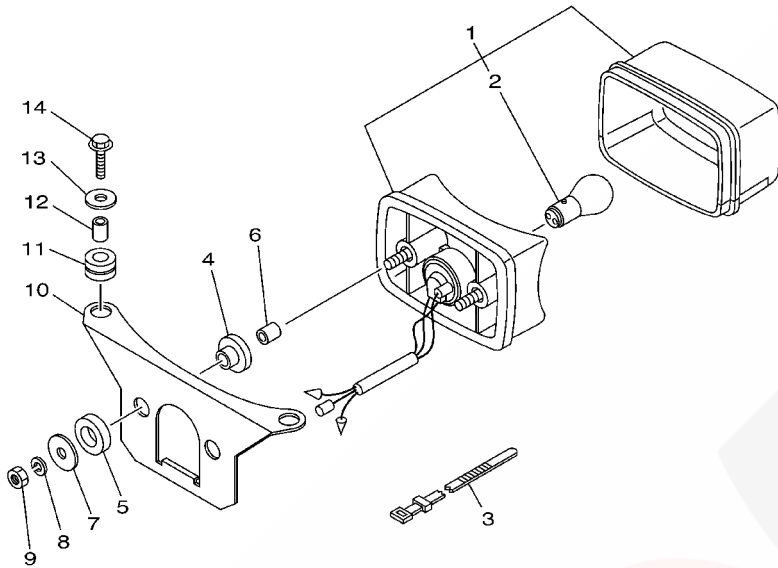


REF. NO.	PART NO.	DESCRIPTION	U49	CAL	CAN	FRA	JPN	REMARKS
1	4KB-84314-00	BULB (12V30/30W)	2	2	2	2	2	
2	5KM-84320-00	LENS ASSY	2	2	2	2	2	
3	5EH-84340-00	SOCKET CORD ASSY 1	2	2	2	2	2	
4	2GU-84330-70	BODY ASSY	2	2	2	2	2	YB
5	4KB-84169-00	GUARD, HEADLIGHT	2	2	2	2	2	
6	2GU-84331-00	SCREW, RIM ADJUSTING	2	2	2	2	2	
7	2GU-84332-00	SPRING, SCREW	2	2	2	2	2	
8	2GU-84334-00	NUT, ADJUSTING	2	2	2	2	2	
9	95807-08055	BOLT, FLANGE	2	2	2	2	2	
10	3GD-84345-00	DAMPER, HEADLIGHT	4	4	4	4	4	
11	2GU-84338-00	COLLAR, BODY FITTING	4	4	4	4	4	
12	4KB-84344-00	WASHER, PLAIN	2	2	2	2	2	
13	4KB-84117-00	NUT	4	4	4	4	4	
14	4KB-84526-00	SCREW	4	4	4	4	4	

5NF4100-2370

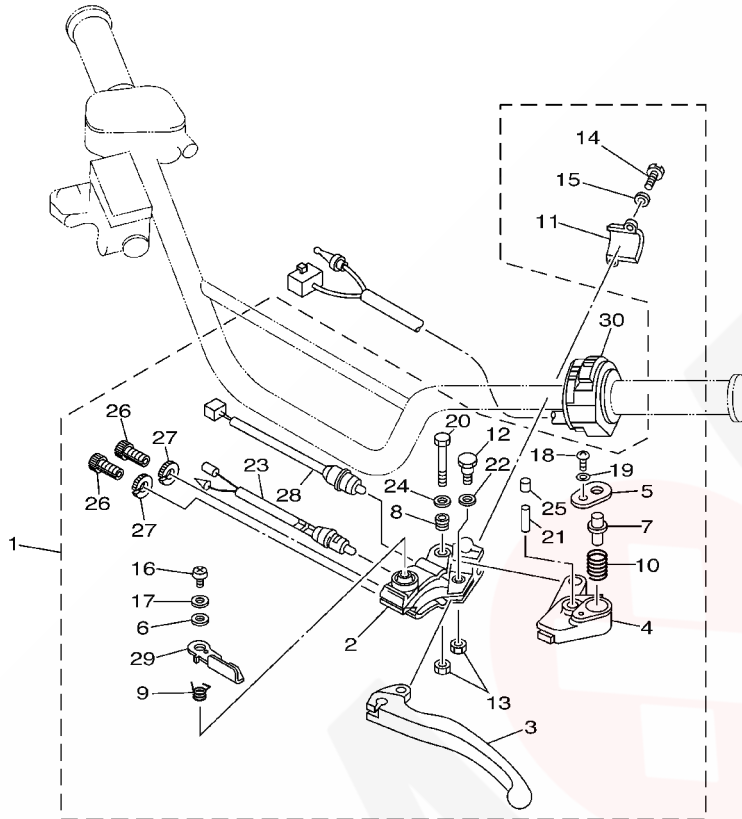
FIG. 38 TAILLIGHT

REF. NO.	PART NO.	DESCRIPTION	U49	CAL	CAN	FRA	JPN	REMARKS
1	3FA-84710-00	TAILLIGHT UNIT ASSY	1	1	1	1	1	
2	1A2-84714-41	.BULB (12V-21/5W)	1	1	1	1	1	
3	437-83936-01	BAND, SWITCH CORD	1	1	1	1	1	
4	90480-14088	GROMMET	2	2	2	2	2	
5	90202-14077	WASHER, PLATE	2	2	2	2	2	
6	90387-06595	COLLAR	2	2	2	2	2	
7	90201-06074	WASHER, PLATE	2	2	2	2	2	
8	92907-06100	WASHER, SPRING	2	2	2	2	2	
9	95307-06600	NUT	2	2	2	2	2	
10	3FA-84702-10	BRACKET, TAILLIGHT	1	1			1	
	3FA-84702-20	BRACKET, TAILLIGHT			1			
	3FA-84702-30	BRACKET, TAILLIGHT				1		
11	90480-14555	GROMMET	2	2	2	2	2	
12	90387-065L7	COLLAR	2	2	2	2	2	
13	90201-06071	WASHER, PLATE	2	2	2	2	2	
14	95807-06025	BOLT, FLANGE	2	2	2	2	2	



5KJ7100-2320

FIG. 39 HANDLE SWITCH. LEVER

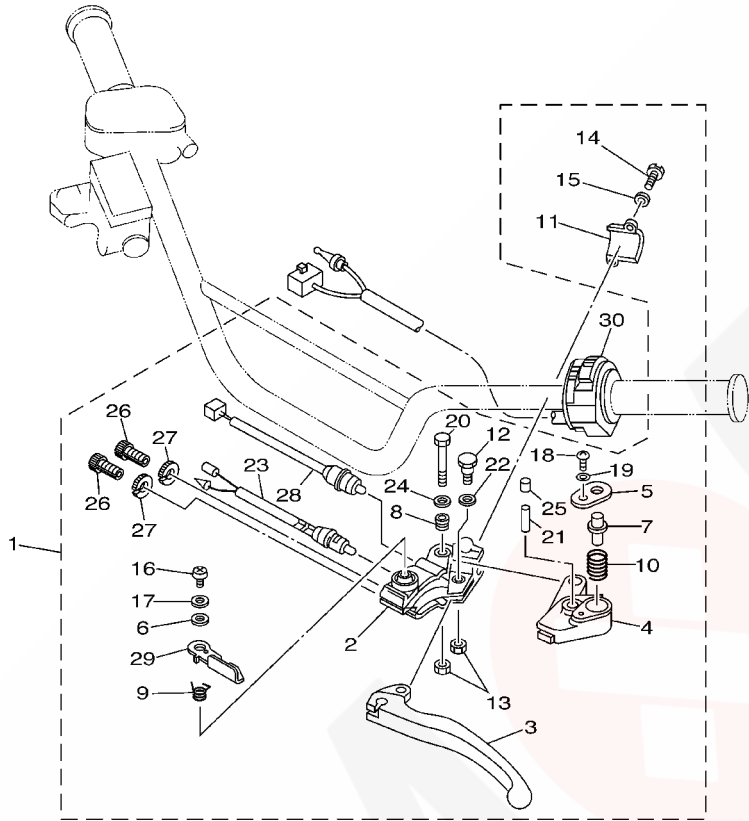


5NF4100-2390

REF. NO.	PART NO.	DESCRIPTION	U49	CAL	CAN	FRA	JPN	REMARKS
1	5LP-82910-00	LEVER HOLDER ASSY (LEFT)	1	1	1	1	1	
2	4KB-82911-00	.HOLDER, LEVER 1	1	1	1	1	1	
3	5LP-83912-00	.LEVER 1	1	1	1	1	1	
4	1UY-83922-01	.LEVER 2	1	1	1	1	1	
5	1UY-83935-00	.COVER	1	1	1	1	1	
6	1UY-83909-00	.WASHER, SPECIAL	1	1	1	1	1	
7	1UY-83967-00	.PIN, LOCK 1	1	1	1	1	1	
8	1UY-83913-00	.COLLAR, LEVER 1	1	1	1	1	1	
9	1UY-83966-00	.SPRING, RETURN	1	1	1	1	1	
10	1UY-83962-00	.SPRING	1	1	1	1	1	
11	2XJ-82913-00	.HOLDER, LEVER LOWER 1	1	1	1	1	1	
12	90109-06576	.BOLT	1	1	1	1	1	
13	95607-06100	.NUT, U	2	2	2	2	2	
14	97027-06025	.BOLT	2	2	2	2	2	
15	92907-06600	.WASHER, PLATE	2	2	2	2	2	
16	98507-05010	.SCREW, PAN HEAD	1	1	1	1	1	
17	92907-05600	.WASHER, PLATE	1	1	1	1	1	
18	98507-03008	.SCREW, PAN HEAD	1	1	1	1	1	
19	92907-03600	.WASHER	1	1	1	1	1	
20	97007-06040	.BOLT	1	1	1	1	1	
21	91690-40022	.PIN, SPRING	1	1	1	1	1	
22	90201-082A9	.WASHER, PLATE	1	1	1	1	1	
23	1UY-82917-00	.SWITCH	1	1	1	1	1	
24	92907-06200	.WASHER	1	1	1	1	1	
25	1UY-83956-00	.CAP 1	1	1	1	1	1	
26	90123-08046	.BOLT	2	2	2	2	2	
27	90179-08148	.NUT	2	2	2	2	2	

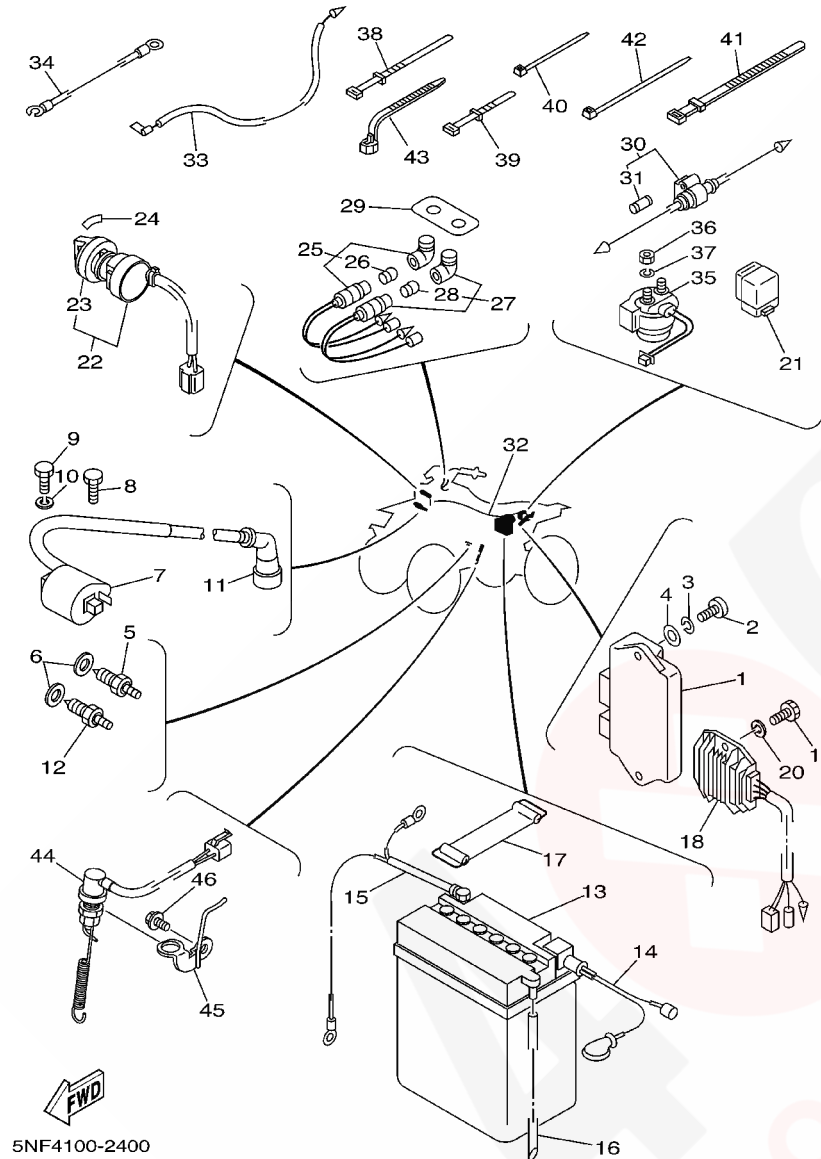
FIG. 39 HANDLE SWITCH. LEVER

REF. NO.	PART NO.	DESCRIPTION	U49	CAL	CAN	FRA	JPN	REMARKS
28	4KB-82917-00	.SWITCH	1	1	1	1	1	
29	4KB-83965-00	.LEVER, LOCK	1	1	1	1	1	
30	4KB-83973-00	SWITCH, HANDLE 3	1	1	1	1	1	



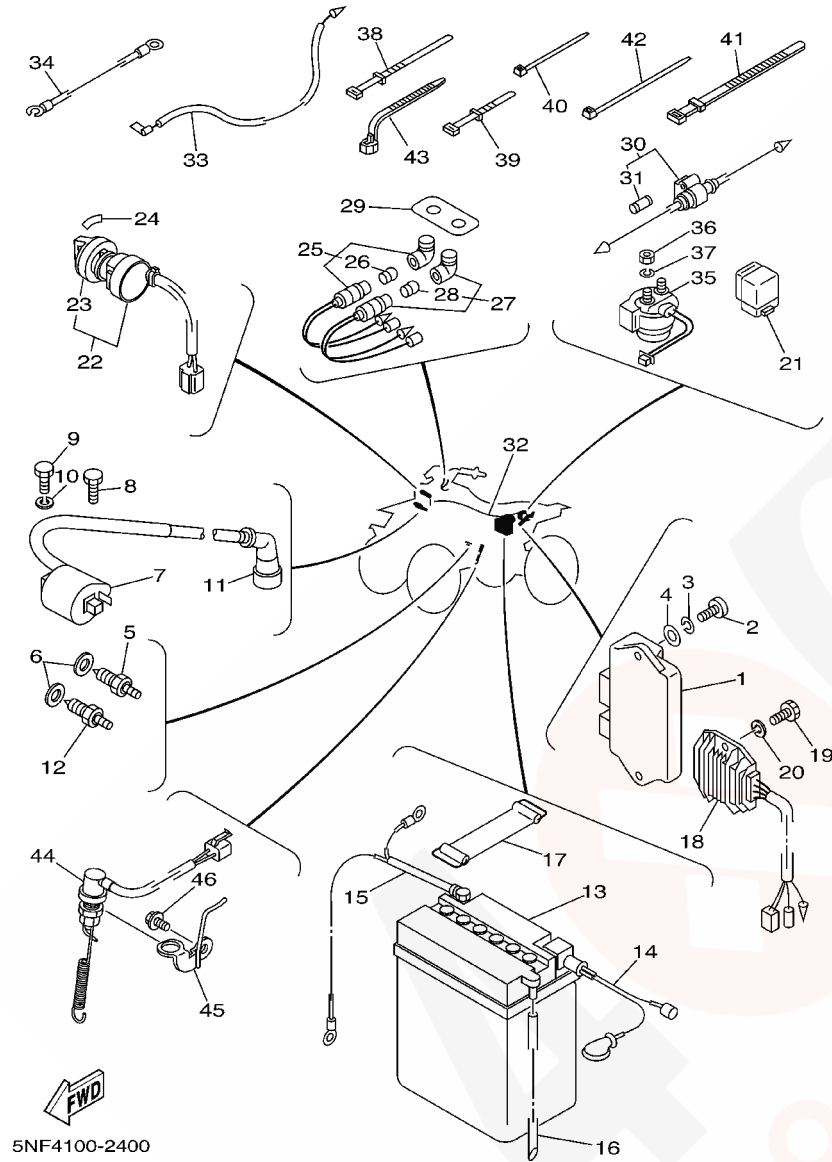
5NF4100-2390

FIG. 40 ELECTRICAL 1



REF. NO.	PART NO.	DESCRIPTION	U49	CAL	CAN	FRA	JPN	REMARKS
1	5NF-85540-00	C.D.I. UNIT ASSY	1	1	1	1	1	
2	98507-06020	SCREW, PAN HEAD	2	2	2	2	2	
3	92907-06100	WASHER, SPRING	2	2	2	2	2	
4	92907-06600	WASHER, PLATE	2	2	2	2	2	
5	3GB-82540-01	NEUTRAL SWITCH ASSY	1	1	1	1	1	
6	90430-10148	GASKET	2	2	2	2	2	
7	5KM-82310-00	IGNITION COIL ASSY	1	1	1	1	1	
8	90109-06723	BOLT	1	1	1	1	1	
9	97007-06020	BOLT	1	1	1	1	1	
10	92907-06100	WASHER, SPRING	1	1	1	1	1	
11	1UY-82370-20	PLUG CAP ASSY	1	1	1	1	1	
12	3GD-82540-11	NEUTRAL SWITCH ASSY	1	1	1	1	1	
13	1UY-82110-61	BATTERY ASSY	1	1	1	1		
	90793-25032	BATTERY ASSY (GS 12CZ-4A-2)					1	
14	1UY-82115-00	WIRE, PLUS LEAD	1	1	1	1	1	
15	3GD-82116-00	WIRE, MINUS LEAD	1	1	1	1	1	
16	90445-08048	HOSE (L730)	1	1	1	1	1	
17	337-82131-00	BAND, BATTERY	1	1	1	1	1	
18	4KB-81960-10	RECTIFIER & REGULATOR ASSY	1	1	1	1	1	
19	97007-06020	BOLT	2	2	2	2	2	
20	92907-06600	WASHER, PLATE	2	2	2	2	2	
21	3GD-81950-01	RELAY ASSY	1	1	1	1	1	
22	5LP-82510-00	MAIN SWITCH ASSY	1	1	1	1	1	
23	3HN-82579-00	.CAP, KEY	1	1	1	1	1	
24	29U-83585-10	LABEL	1	1	1	1	1	
25	24W-83530-10	PILOT LIGHT ASSY	1	1	1	1	1	GREEN
26	123-83516-21	.BULB (12V-3.4W)	1	1	1	1	1	

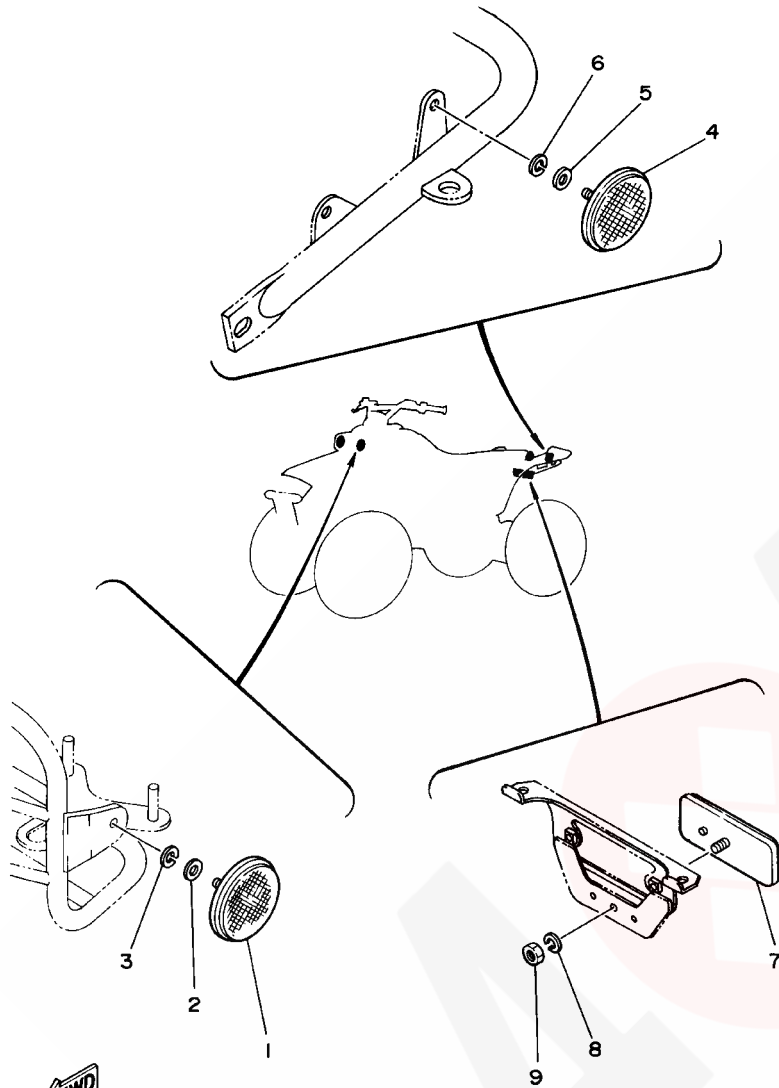
FIG. 40 ELECTRICAL 1



5NF4100-2400

REF. NO.	PART NO.	DESCRIPTION	U49	CAL	CAN	FRA	JPN	REMARKS
27	52G-83530-10	PILOT LIGHT ASSY	1	1	1	1	1	RED
28	123-83516-21	.BULB (12V-3.4W)	1	1	1	1	1	
29	1UY-83585-00	LABEL	1	1	1	1	1	
30	1UY-82150-00	FUSE HOLDER ASSY	1	1	1	1	1	
31	1UY-82151-00	.FUSE	2	2	2	2	2	
32	5NF-82590-00	WIRE HARNESS ASSY	1	1	1	1	1	
33	3HN-82541-00	WIRE, LEAD	1	1	1	1	1	
34	3GD-82509-10	WIRE, SUB LEAD	1	1	1	1	1	
35	4KD-81940-00	STARTER RELAY ASSY	1	1	1	1	1	
36	95307-06700	NUT	2	2	2	2	2	
37	92907-06100	WASHER, SPRING	2	2	2	2	2	
38	437-83936-01	BAND, SWITCH CORD	4	4	4	4	4	
39	437-83936-11	BAND, SWITCH CORD	4	4	4	4	4	
40	90465-10098	CLAMP	1	1	1	1	1	
41	3TB-83936-00	BAND, SWITCH CORD	1	1	1	1	1	
42	90464-16061	CLAMP	1	1	1	1	1	
43	90464-15195	CLAMP	1	1	1	1	1	
44	5NF-82530-00	STOP SWITCH ASSY	1	1	1	1	1	
45	3GD-2144G-10	STAY, STOP SWITCH	1	1	1	1	1	
46	95807-06010	BOLT, FLANGE	1	1	1	1	1	

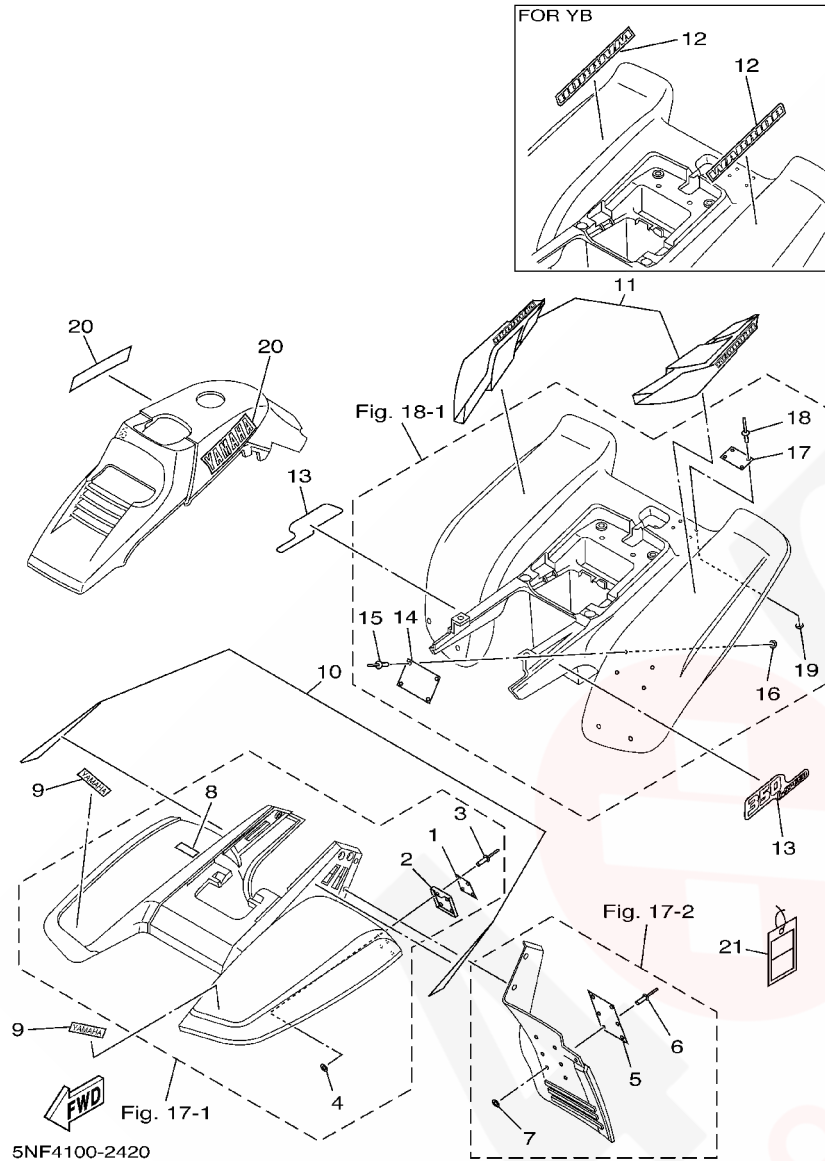
FIG. 41 ELECTRICAL 2



REF. NO.	PART NO.	DESCRIPTION	U49	CAL	CAN	FRA	JPN	REMARKS
1	2EK-85111-00	REFLECTOR, FRONT 1			2	2		
2	92907-05200	WASHER			2	2		
3	92907-05100	WASHER, SPRING			2	2		
4	449-85131-02	REFLECTOR, REAR 1			2	2		
5	92907-05200	WASHER			2	2		
6	92907-05100	WASHER, SPRING			2	2		
7	3Y6-85130-02	REAR REFLECTOR ASSY			1	1		
8	92907-05100	WASHER, SPRING			1	1		
9	95307-05600	NUT			1	1		

3GD2100-9420

FIG. 42 EMBLEM.LABEL 1



REF. NO.	PART NO.	DESCRIPTION	U49	CAL	CAN	FRA	JPN	REMARKS
1	5FE-21697-01	LABEL, CAUTION 2	1	1				
2	3JM-21591-40	STAY, PLATE FITTING 2	1	1				UR FOR YB
	3JM-21591-10	STAY, PLATE FITTING 2	1	1				UR FOR DPBSE
3	90267-32198	RIVET, BLIND	4	4				
4	90201-03313	WASHER, PLATE	4	4				
5	5FE-21568-01	LABEL, WARNING	1	1				
6	90267-32004	RIVET, BLIND	6	6				
7	90201-03313	WASHER, PLATE	6	6				
8	3GD-2151E-A0	LABEL 2	1	1				
9	3GD-2153E-00	EMBLEM, YAMAHA	2	2				UR FOR DPBSE
	3GD-2153E-10	EMBLEM, YAMAHA	2	2				UR FOR YB
10	3GD-2157A-20	GRAPHIC SET, FRONT FENDER	1	1				UR FOR DPBSE
	3GD-2157A-30	GRAPHIC SET, FRONT FENDER	1	1				UR FOR YB
11	3GD-2165B-30	GRAPHIC SET, REAR FENDER	1	1				FOR DPBSE
12	5NF-2163G-00	EMBLEM 1	2	2				FOR YB
13	3GD-21784-20	EMBLEM 4	2	2				UR FOR DPBSE
	3GD-21784-30	EMBLEM 4	2	2				UR FOR YB
14	3GD-21696-31	LABEL, CAUTION	1	1				
15	90267-32004	RIVET, BLIND	4	4				
16	90201-03313	WASHER, PLATE	4	4				
17	5FE-2151H-01	LABEL 5	1	1				
18	90267-32004	RIVET, BLIND	4	4				
19	90201-03313	WASHER, PLATE	4	4				
20	99241-00200	EMBLEM, YAMAHA	2	2				UR FOR DPBSE
	99246-00200	EMBLEM, YAMAHA	2	2				UR FOR YB
21	5LP-2819R-00	TAG, WARNING	1	1				

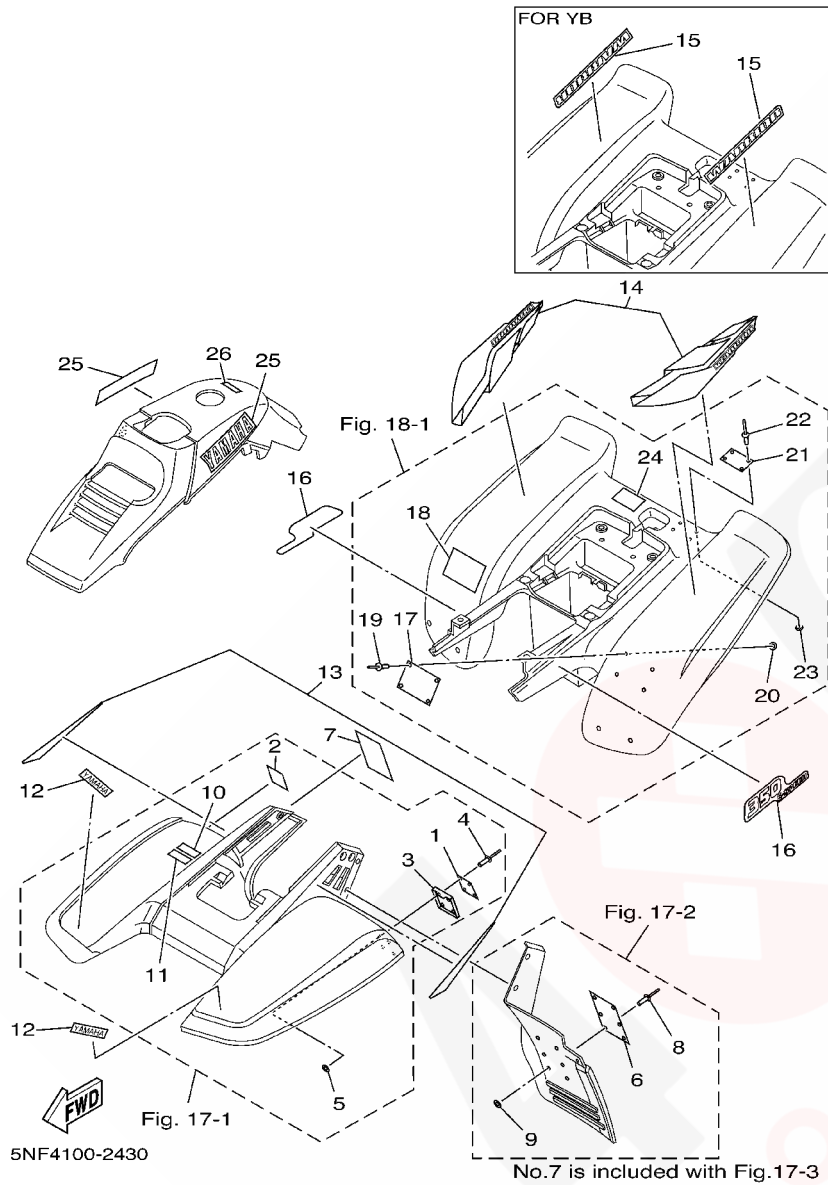


FIG. 43 EMBLEM.LABEL 2

REF. NO.	PART NO.	DESCRIPTION	U49	CAL	CAN	FRA	JPN	REMARKS
1	5FE-21697-01	LABEL, CAUTION 2			1			
2	3JM-21697-10	LABEL, CAUTION 2			1			FRENCH
3	3JM-21591-40	STAY, PLATE FITTING 2			1			UR FOR YB
	3JM-21591-10	STAY, PLATE FITTING 2			1			UR FOR DPBSE
4	90267-32198	RIVET, BLIND			4			
5	90201-03313	WASHER, PLATE			4			
6	5FE-21568-01	LABEL, WARNING			1			
7	4WU-21568-10	LABEL, WARNING			1			FRENCH
8	90267-32004	RIVET, BLIND			6			
9	90201-03313	WASHER, PLATE			6			
10	3GD-2151E-A0	LABEL 2			1			
11	3GD-2151E-B0	LABEL 2			1			
12	3GD-2153E-00	EMBLEM, YAMAHA			2			UR FOR DPBSE
	3GD-2153E-10	EMBLEM, YAMAHA			2			UR FOR YB
13	3GD-2157A-20	GRAPHIC SET, FRONT FENDER			1			UR FOR DPBSE
	3GD-2157A-30	GRAPHIC SET, FRONT FENDER			1			UR FOR YB
14	3GD-2165B-30	GRAPHIC SET, REAR FENDER			1			FOR DPBSE
15	5NF-2163G-00	EMBLEM 1			2			FOR YB
16	3GD-21784-20	EMBLEM 4			2			UR FOR DPBSE
	3GD-21784-30	EMBLEM 4			2			UR FOR YB
17	3GD-21696-31	LABEL, CAUTION			1			
18	3GD-21696-B0	LABEL, CAUTION			1			
19	90267-32004	RIVET, BLIND			4			
20	90201-03313	WASHER, PLATE			4			
21	5FE-2151H-01	LABEL 5			1			
22	90267-32004	RIVET, BLIND			4			
23	90201-03313	WASHER, PLATE			4			

FIG. 43 EMBLEM.LABEL 2

REF. NO.	PART NO.	DESCRIPTION	U49	CAL	CAN	FRA	JPN	REMARKS
24	4WU-2151H-10	LABEL 5			1			FRENCH
25	99241-00200	EMBLEM, YAMAHA			2			UR FOR DPBSE
	99246-00200	EMBLEM, YAMAHA			2			UR FOR YB
26	4SH-2416E-00	LABEL, CAUTION CANADA			1			

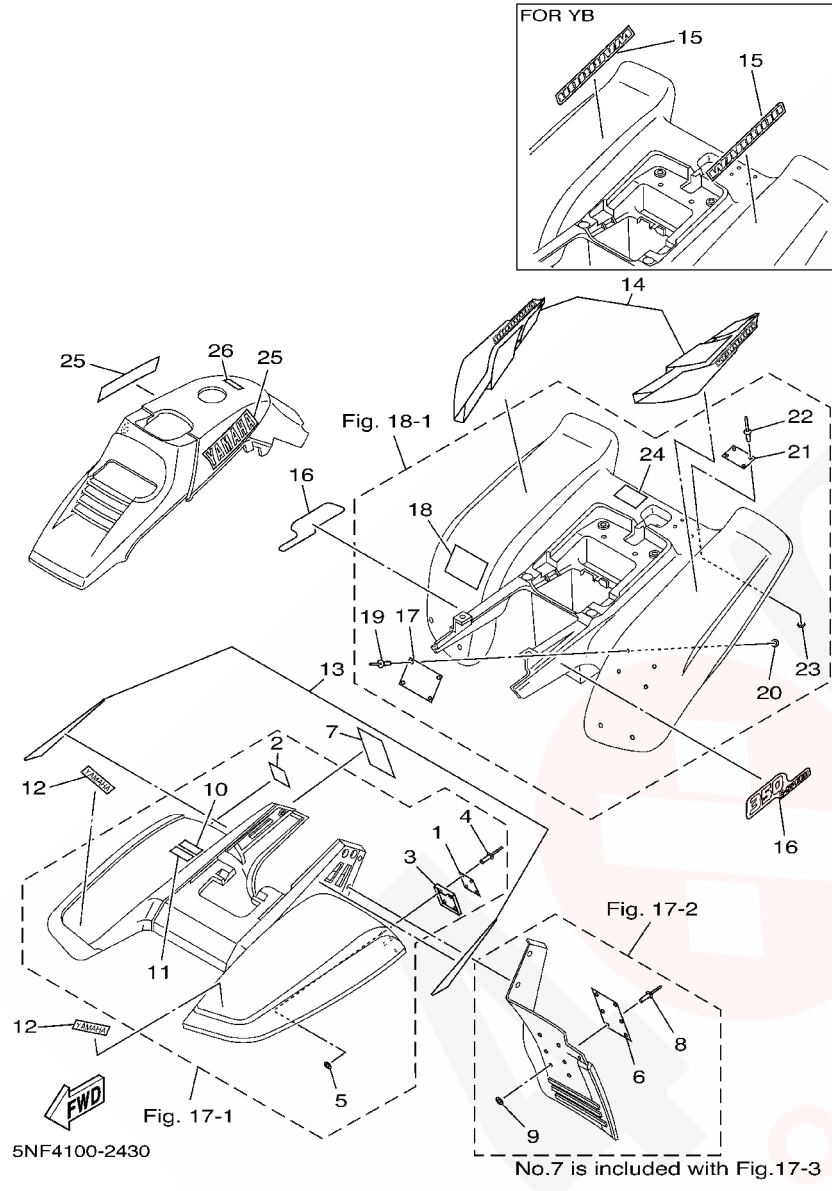
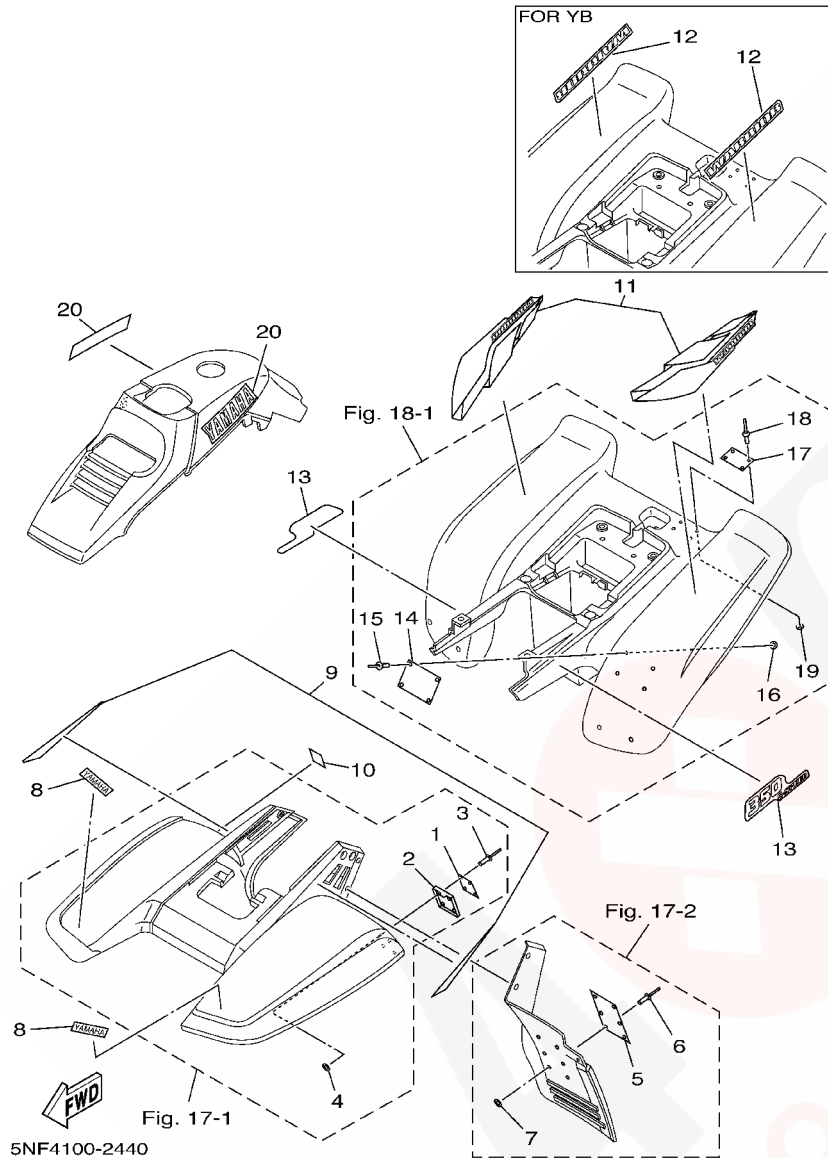
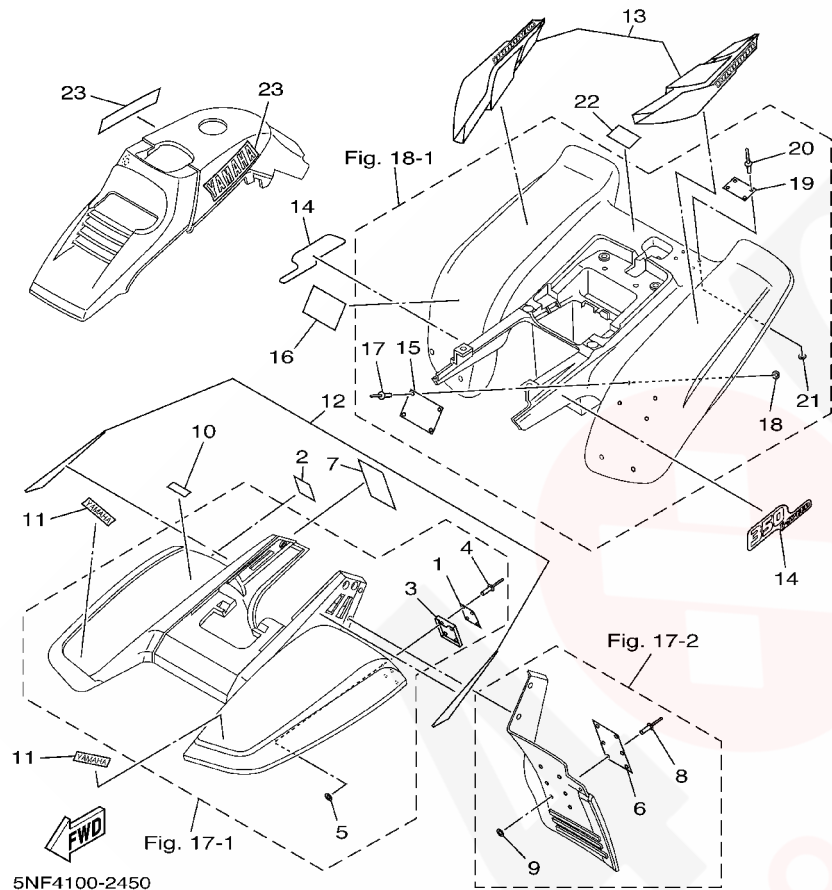


FIG. 44 EMBLEM.LABEL 3



REF. NO.	PART NO.	DESCRIPTION	U49	CAL	CAN	FRA	JPN	REMARKS
1	5FK-21697-00	LABEL, CAUTION 2					1	
2	3JM-21591-40	STAY, PLATE FITTING 2					1	UR FOR YB
	3JM-21591-10	STAY, PLATE FITTING 2					1	UR FOR DPBSE
3	90267-32198	RIVET, BLIND					4	
4	90201-03313	WASHER, PLATE					4	
5	5FK-21568-00	LABEL, WARNING					1	
6	90267-32004	RIVET, BLIND					6	
7	90201-03313	WASHER, PLATE					6	
8	3GD-2153E-00	EMBLEM, YAMAHA					2	UR FOR DPBSE
	3GD-2153E-10	EMBLEM, YAMAHA					2	UR FOR YB
9	3GD-2157A-20	GRAPHIC SET, FRONT FENDER					1	UR FOR DPBSE
	3GD-2157A-30	GRAPHIC SET, FRONT FENDER					1	UR FOR YB
10	4GB-2155A-00	MARK,EC					1	
11	3GD-2165B-30	GRAPHIC SET,REAR FENDER					1	FOR DPBSE
12	5NF-2163G-00	EMBLEM 1					2	FOR YB
13	3GD-21784-20	EMBLEM 4					2	UR FOR DPBSE
	3GD-21784-30	EMBLEM 4					2	UR FOR YB
14	5NF-21696-M0	LABEL, CAUTION					1	
15	90267-32004	RIVET, BLIND					4	
16	90201-03313	WASHER, PLATE					4	
17	5FK-2151H-00	LABEL 5					1	
18	90267-32004	RIVET, BLIND					4	
19	90201-03313	WASHER, PLATE					4	
20	99241-00200	EMBLEM, YAMAHA					2	UR FOR DPBSE
	99246-00200	EMBLEM, YAMAHA					2	UR FOR YB

FIG. 45 EMBLEM.LABEL 4

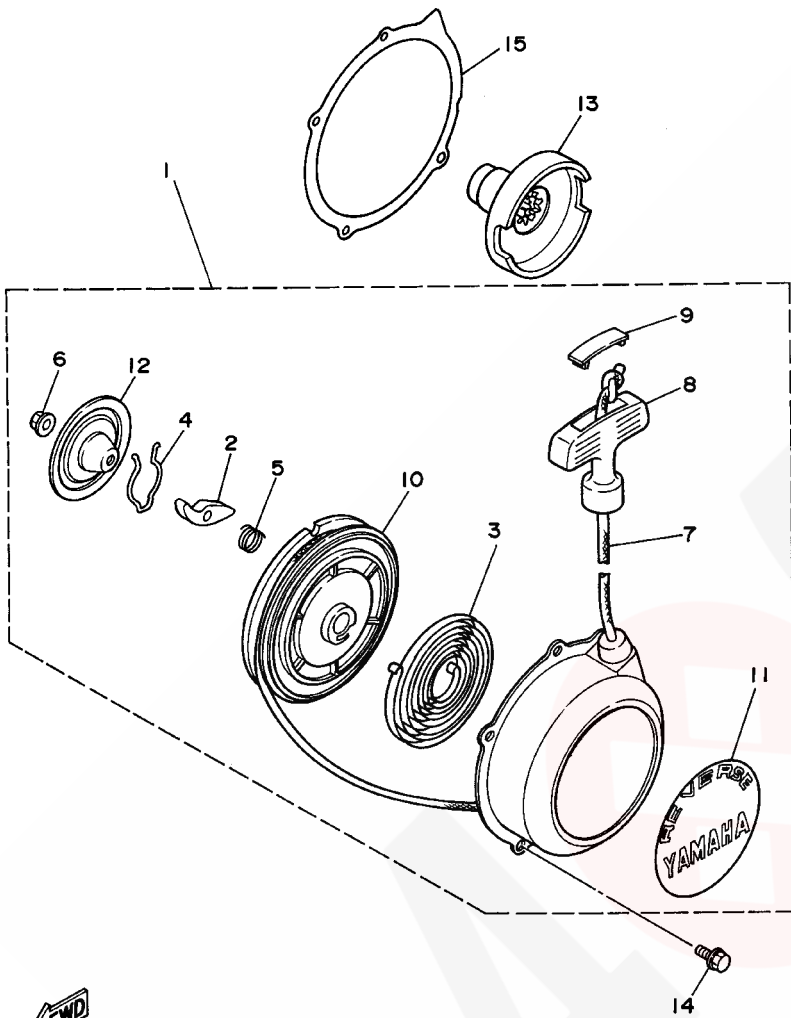


REF. NO.	PART NO.	DESCRIPTION	U49	CAL	CAN	FRA	JPN	REMARKS
1	5FE-21697-01	LABEL, CAUTION 2					1	
2	4SH-21697-00	LABEL, CAUTION 2					1	
3	3JM-21591-10	STAY, PLATE FITTING 2					1	
4	90267-32198	RIVET, BLIND					4	
5	90201-03313	WASHER, PLATE					4	
6	5FE-21568-11	LABEL, WARNING					1	
7	4SH-21568-00	LABEL, WARNING					1	
8	90267-32004	RIVET, BLIND					6	
9	90201-03313	WASHER, PLATE					6	
10	3GD-2151E-C0	LABEL 2					1	
11	3GD-2153E-00	EMBLEM, YAMAHA					2	
12	3GD-2157A-20	GRAPHIC SET, FRONT FENDER					1	
13	3GD-2165B-30	GRAPHIC SET, REAR FENDER					1	
14	3GD-21784-20	EMBLEM 4					2	
15	3GD-21696-31	LABEL, CAUTION					1	
16	3GD-21696-C0	LABEL, CAUTION					1	
17	90267-32004	RIVET, BLIND					4	
18	90201-03313	WASHER, PLATE					4	
19	5FE-2151H-01	LABEL 5					1	
20	90267-32004	RIVET, BLIND					4	
21	90201-03313	WASHER, PLATE					4	
22	4LB-2151H-01	LABEL 5					1	
23	99241-00200	EMBLEM, YAMAHA					2	

5NF4100-2450

FIG. 46 ALTERNATE (ENGINE)

REF. NO.	PART NO.	DESCRIPTION	U49	CAL	CAN	FRA	JPN	REMARKS
1	1UY-15710-20	STARTER ASSY	1	1	1	1	1	AP
2	21V-15741-00	.PAWL, DRIVE	1	1	1	1	1	
3	21V-15713-00	.SPRING, STARTER	1	1	1	1	1	
4	21V-15715-00	.SPRING, FRICTION	1	1	1	1	1	
5	21V-15767-00	.SPRING	1	1	1	1	1	
6	95702-06500	.NUT, FLANGE	1	1	1	1	1	
7	21V-15751-00	.WIRE, STARTER	1	1	1	1	1	
8	3X3-15755-00	.HANDLE, STARTER	1	1	1	1	1	
9	21V-15779-00	.COVER	1	1	1	1	1	
10	24W-15714-00	.DRUM, SHEAVE	1	1	1	1	1	
11	5GH-15443-00	.EMBLEM	1	1	1	1	1	
12	1UY-15716-00	.PLATE, DRIVE	1	1	1	1	1	
13	1UY-15723-00	PULLEY, STARTER	1	1	1	1	1	AP
14	95027-06012	BOLT, FLANGE	4	4	4	4	4	AP
15	3GD-15699-00	GASKET	1	1	1	1	1	AP



FWD
1UY110-7120

NUMERICAL INDEX

PART NO.	GRID NO.	PART NO.	GRID NO.	PART NO.	GRID NO.	PART NO.	GRID NO.	PART NO.	GRID NO.	PART NO.	GRID NO.
5LP-W0041-00	E - 4	1UY-11631-01-YO	B - 5	1UY-14147-00	B - 11	3GD-15100-00	B - 14	1UY-17123-00	C - 6	4WU-2151H-10	F - 5
3GD-W0042-50	E - 6	55V-11633-00	B - 6	1YW-14147-00	B - 11	30X-15351-00	B - 9	1UY-17131-00	C - 6	5FE-2151H-01	F - 3
5LP-W0045-00	D - 11	1UY-11636-01	B - 5	2HR-14147-00	B - 12	1UY-15362-01	B - 15	1UY-17151-00	C - 6		F - 4
1UY-W0046-00	D - 14	1UY-11638-01	B - 5	214-14147-00	B - 12	3R4-15381-00	B - 14	1UY-17161-01	C - 6		F - 7
1UY-W0047-50	D - 14	1UY-11651-00	B - 5	137-14153-00	B - 11	1UY-15383-00	B - 14	1UY-17211-00	C - 6	5FK-2151H-00	F - 6
3GD-W0047-00	D - 11	30X-11681-00	B - 5	5V7-14153-00	B - 12	3GD-15411-00	B - 15	1UY-17221-00	C - 6	1UY-21513-00	C - 11
1UY-W0048-50	D - 11	1UY-12111-01	B - 7	1UY-14155-00	B - 12	1UY-15421-00	B - 15	1UY-17223-01	C - 6	3GD-2153E-00	F - 3
	D - 14	1UY-12113-01	B - 7	802-14161-00	B - 11	3GD-15431-10	B - 15	1UY-17231-01	C - 6		F - 4
1UY-W0057-50	D - 14	1UY-12114-01	B - 7	36X-14169-00	B - 12	1UY-15441-00	B - 15	1UY-17241-00	C - 6		F - 6
3GD-W0057-00	D - 11	3Y1-12116-00	B - 7	22F-14173-00	B - 12	5GH-15443-00	F - 8	1UY-17243-00	C - 7		F - 7
1UY-W1141-00	B - 5	3Y1-12117-01	B - 7	2VA-14185-00	B - 11	3GD-15451-00	B - 15	1UY-17251-00	C - 6	3GD-2153E-10	F - 3
3GD-W215B-F2	C - 11	1J7-12118-00	B - 7	537-14186-00	B - 11	3GD-15461-00	B - 15	1UY-17253-00	C - 7		F - 4
3GD-W215B-G2	C - 11	1J7-12119-01	B - 7	2L1-14191-00	B - 11	1UY-15512-00	C - 3	1UY-17261-00	C - 6		F - 6
3GD-W215C-F2	C - 11	1UY-12121-01	B - 7	24W-14193-00	B - 12	1UY-15517-01	C - 3	1UY-17285-00	C - 7	4GB-2155A-00	F - 6
3GD-W215C-G2	C - 11	3GD-12151-00	B - 7	21V-14196-00	B - 11	1UY-15521-02	C - 3	1UY-17411-01	C - 6	1UY-21551-00	C - 11
3GD-W2151-F2	C - 11	3Y1-12156-00	B - 7	1UY-14197-00	B - 11	1UY-15590-01	C - 3	1UY-17421-01	C - 6	1UY-21555-00	C - 11
3GD-W2151-G2	C - 11	31G-12158-00	B - 7	1UY-14198-00	B - 11	3GD-15699-00	F - 8	1UY-17431-00	C - 7	1UY-21561-00	C - 11
3GD-W2153-11	C - 11	31G-12159-02	B - 7	1HX-14231-63	B - 12	1UY-14231-20	F - 8	1UY-17432-01	C - 6	4SH-21568-00	F - 7
3GD-W2153-21	C - 11	1UY-12170-00	B - 8	620-14231-29	B - 11	21V-15713-00	F - 8	1UY-17523-00	C - 7	4WU-21568-10	F - 4
3GD-W2154-11	C - 11	3HN-12176-00	B - 8	1UY-14411-02	B - 10	24W-15714-00	F - 8	1UY-17582-00	C - 7	5FE-21568-01	F - 3
3GD-W2156-D1	C - 11	31G-12210-01	B - 8	1UY-14412-01	B - 10	21V-15715-00	F - 8	1UY-18101-01	C - 8		F - 4
3GD-W216C-D1	C - 12	3GD-12213-00	B - 8	31A-14419-00	B - 10	1UY-15716-00	F - 8	1UY-18110-00	C - 9	5FE-21568-11	F - 7
3GD-W216C-F1	C - 12	31G-12214-00	B - 8	3GD-1442F-00	B - 10	1UY-15719-00	B - 15	1UY-18112-01	C - 8	5FK-21568-00	F - 6
3GD-W2161-D2	C - 12	31G-12222-00	B - 8	1UY-14437-02	B - 10	1UY-15723-00	F - 8	132-18113-01	C - 9	3GD-2157A-20	F - 3
3GD-W2161-F1	C - 12	3Y1-12231-01	B - 8	1UY-14451-00	B - 10	21V-15741-00	F - 8	2XK-18115-00	C - 9		F - 4
3Y1-1111F-00	B - 2	1UY-12241-00	B - 8	1UY-14453-00	B - 10	21V-15751-00	F - 8	4G0-18127-00	C - 8		F - 6
1UY-11110-02	B - 2	1UY-13161-01	B - 9	10M-14457-00	B - 10	3X3-15755-00	F - 8	1UY-18140-00	C - 8		F - 7
3Y1-11127-00	B - 2	1UY-13300-00	B - 9	59V-14457-00	B - 10	21V-15767-00	F - 8	4SH-18198-00	E - 2	3GD-2157A-30	F - 3
31G-11127-00	B - 2	1UY-13324-00	B - 9	1UY-14458-01	B - 10	21V-15779-00	F - 8	1UY-18311-00	C - 8		F - 4
3Y1-11133-11	B - 2	1UY-13326-00	B - 9	1UY-14468-00	B - 10	3GD-15787-02	B - 15	3GD-18420-00	C - 8		F - 6
31G-11161-00	B - 2	3GD-13329-00	B - 9	1UY-14504-00	B - 12	1UY-16111-10	C - 4	1YW-18511-00	C - 8	3JM-21591-10	F - 3
371-11167-01	B - 14	51Y-13411-00	B - 9	1FN-14565-00	B - 11	2NL-16150-00	C - 4	4GB-18512-00	C - 8		F - 4
1UY-11181-00	B - 2	2XK-13416-00	B - 9	1UY-14565-00	B - 11	30X-16154-00	C - 4	1UY-18513-00	C - 8		F - 6
3Y1-11185-00	B - 2	1UY-13440-02	B - 9	1UY-14611-02	B - 13	1UY-16181-00	C - 5	1UY-18531-00	C - 8		F - 7
2NL-11186-00	B - 2	3GD-13447-00	B - 9	3GD-14613-00	B - 13	31A-16321-01	C - 4	2A6-18531-00	C - 8	3JM-21591-40	F - 3
2NL-11187-00	B - 2	1UY-13586-02	B - 10	1YW-14628-00	B - 13	3J2-16324-00	C - 4	4GB-18531-00	C - 8		F - 4
1UY-11310-03	B - 4	3GD-14101-00	B - 11	1UY-14711-04	B - 13	168-16325-00	C - 4	1UY-18540-00	C - 8		F - 6
4KB-11351-00	B - 4	3GD-14101-10	B - 11	1UY-14715-00	B - 13	5Y1-16331-01	C - 4	3GH-18542-00	C - 8	1UY-21613-00	C - 12
1UY-11400-00	B - 5	2VA-14103-00	B - 12	1UY-14718-00	B - 13	1UY-16340-00	C - 4	3GD-21110-22-35	C - 10	1UY-21614-00	C - 12
1UY-11422-00	B - 5	21V-14105-00	B - 11	21V-14752-00	B - 13	1UY-16351-00	C - 4	1UY-21315-00	C - 10	3GD-21621-00	C - 12
1UY-11454-00	B - 6	1UY-14107-25	B - 11	3YF-14755-00	B - 13	1UY-16352-00	C - 4	1UY-21316-00	C - 10	5NF-2163G-00	F - 3
30X-11496-00	B - 5	1UY-14112-00	B - 12	4BD-14766-00	B - 13	1UY-16356-00	C - 5	3GD-2144G-10	E - 15		F - 4
3Y1-11531-02	B - 5	22F-14126-00	B - 12	26H-1490H-00	B - 11	1UY-16358-00	C - 4	1UY-21471-00	C - 10		F - 6
1UY-11536-01	B - 6	737-14137-00	B - 11	1UY-1490J-00	B - 11	1UY-16371-02	C - 4	3GD-2151E-A0	F - 3	1UY-21638-00	C - 12
30X-11565-00	B - 5	812-14137-00	B - 12	3GD-1490J-10	B - 11	1UY-16382-00	C - 4		F - 4	1UY-21639-00	C - 12
4GB-11610-00	B - 5	1UY-14141-36	B - 12	59V-14962-00	B - 11	5Y1-16383-00	C - 4	3GD-2151E-B0	F - 4	3GD-2165B-30	F - 3
4GB-11610-20	B - 5	3GD-14141-36	B - 12	1UY-14993-00	B - 12	3LD-16398-00	C - 5	3GD-2151E-C0	F - 7		F - 4
4GB-11610-40	B - 5	4G0-14142-42	B - 11	2A2-14997-00	B - 12	1UY-17121-00	C - 6	4LB-2151H-01	F - 7		F - 6

NUMERICAL INDEX

PART NO.	GRID NO.	PART NO.	GRID NO.	PART NO.	GRID NO.	PART NO.	GRID NO.	PART NO.	GRID NO.	PART NO.	GRID NO.
3GD-2165B-30	F- 7	22W-22214-01	D- 2	3GD-25127-10	D- 10	1NV-26129-00	D- 15	1UY-81820-51	E- 9	3TB-83936-00	E- 15
3GD-21691-00	C- 12	1RK-22215-00	D- 2	3GD-2514A-10	D- 11	1UY-26137-00	C- 10	3GD-81826-00	E- 9	437-83936-01	E- 11
3GD-21696-B0	F- 4	38W-22223-00	D- 2	3GD-2515A-10	D- 11	2XK-26151-10	D- 15	8L6-81840-50	E- 9		E- 15
3GD-21696-C0	F- 7	4AA-22259-40	D- 2	2XK-25180-10-HM	D- 10	1UY-26152-00	D- 15	4H7-81843-50	E- 9	437-83936-11	E- 15
3GD-21696-31	F- 3	4AA-22259-50	D- 2	3GD-25311-11-35	D- 12	1UY-26153-00	E- 2	4H7-81844-50	E- 9	1UY-83956-00	E- 12
	F- 4	4AA-22259-70	D- 2	2XK-25317-00	D- 12	2XK-26154-00	E- 2	1UY-81847-50	E- 9	1UY-83962-00	E- 12
	F- 7	4AA-22259-80	D- 2	1UY-25367-00	D- 12	1UY-26157-00	E- 2	8L6-81847-50	E- 9	4KB-83965-00	E- 13
5NF-21696-M0	F- 6	1UY-22262-00	D- 3	3GD-25381-00	D- 12	1UY-26158-00	E- 2	1UY-81890-00	E- 9	1UY-83966-00	E- 12
3JM-21697-10	F- 4	3GD-23174-20	C- 11	5LP-25383-00	D- 12	1UY-26161-00	E- 2	4KD-81940-00	E- 15	1UY-83967-00	E- 12
4SH-21697-00	F- 7	3GD-23174-30	C- 11	3GD-25386-00	D- 12	2XK-26162-10	E- 2	3GD-81950-01	E- 14	4KB-83973-00	E- 13
5FE-21697-01	F- 3	2XJ-2331R-00	D- 7	3GD-25388-00	D- 12	2XK-26165-00	E- 2	4KB-81960-10	E- 14	5LP-83980-00	E- 4
	F- 4	3GD-23350-00-P2	D- 7	2XK-25390-01-HM	D- 12	3GD-26166-00	E- 2	1UY-82110-61	E- 14	4KB-84117-00	E- 10
	F- 7	3GD-23350-00-36	D- 7	2XJ-25412-00	D- 12	5NF-2622K-00	D- 15	1UY-82115-00	E- 14	4KB-84169-00	E- 10
5FK-21697-00	F- 6	3GD-23391-B0	C- 13	2XJ-25440-20	D- 12	5LP-26241-00	D- 15	3GD-82116-00	E- 14	4KB-84314-00	E- 10
1UY-2171A-10	C- 13	3GD-23391-90	C- 13	2XK-25712-00	D- 14	1NV-2625G-01	D- 15	29W-82123-00	C- 12	5KM-84320-00	E- 10
3GD-2171A-A0	C- 13	3GD-23501-00	D- 10	5LP-2580T-00	D- 11	1NV-26250-01	D- 15	337-82131-00	E- 14	2GU-84330-70	E- 10
1UY-21747-00	C- 11	3GD-23502-00	D- 10	5LP-2580U-00	D- 11	1UY-26259-00	E- 4	1UY-82150-00	E- 15	2GU-84331-00	E- 10
1UY-21778-00	C- 13	1UY-23517-00	D- 6	1UY-2580W-00	D- 14	1NV-2628F-00	D- 15	1UY-82151-00	E- 15	2GU-84332-00	E- 10
3GD-21784-20	F- 3	3GD-23540-00-35	D- 6	29L-2582A-50	E- 6	1NV-2628G-00	D- 15	5KM-82310-00	E- 14	2GU-84334-00	E- 10
	F- 4	3GD-23550-00-35	D- 6	3GD-2582T-00	D- 11	1NV-26304-00	D- 15	1UY-82370-20	E- 14	2GU-84338-00	E- 10
	F- 6	3GD-23570-00-35	D- 6	3GD-2582W-00	D- 14	3GD-26311-01	D- 15	2XK-82507-00	E- 3	5EH-84340-00	E- 10
	F- 7	3GD-23580-00-35	D- 6	3GD-25827-00	D- 11	1UY-26335-00	D- 15	3GD-82509-10	E- 15	4KB-84344-00	E- 10
3GD-21784-30	F- 3	1UY-23812-00	D- 4	3GD-25828-00	D- 11	1UY-26341-02	D- 15	5LP-82510-00	E- 14	3GD-84345-00	E- 10
	F- 4	3GD-23813-20	D- 4	5LP-2583T-01	E- 4	1UY-2637A-01	D- 15	5NF-82530-00	E- 15	4KB-84526-00	E- 10
	F- 6	8K1-23814-00	D- 4	3GD-2583V-10	E- 6	1UY-26372-00	E- 2	3GB-82540-01	E- 14	3FA-84702-10	E- 11
3GD-2179T-20	B- 10	3GD-23831-00	D- 4	5MV-25833-00	E- 4	1NV-26398-00	D- 15	3GD-82540-11	E- 14	3FA-84702-20	E- 11
3GD-22110-20-35	C- 14	1UY-23841-01	D- 4	2KF-25852-50	E- 6	371-27114-00	D- 9	4KD-82540-00	E- 3	3FA-84702-30	E- 11
2K6-22128-01	C- 14	1UY-23845-01	D- 4	5LP-25852-01	E- 4	4N0-27114-00	C- 14	3HN-82541-00	E- 15	3FA-84710-00	E- 11
23X-22129-00	C- 14	3GD-23868-01	D- 4	360-25854-01	E- 6	3GD-27211-40	E- 5	3HN-82579-00	E- 14	1A2-84714-41	E- 11
1UY-22141-01	C- 14	2GU-23872-00	C- 10	4L0-25854-00	E- 4	4SS-27218-00	E- 6	5NF-82590-00	E- 15	2EK-85111-00	F- 2
1UY-22151-00	C- 14	1UY-23894-01	D- 4	2GU-25855-00	E- 6	2YK-27222-00	E- 6	5LP-82910-00	E- 12	3Y6-85130-02	F- 2
1UY-2217A-00	C- 14	1UY-24110-01	D- 8	2GU-25866-00	E- 4	5NF-27411-00	E- 5	4KB-82911-00	E- 12	449-85131-02	F- 2
1UY-2217F-00	C- 14	1UY-2414H-00	D- 8	5LP-25867-00	E- 4	5NF-27421-00	E- 5	2XJ-82913-00	E- 12	5NF-85540-00	E- 14
30X-22178-00	C- 10	4SH-2416E-00	F- 5	3GD-25871-00	E- 4	3GD-27445-00	E- 5	4V4-82913-00	D- 15	90101-08777	D- 12
3GD-22184-00	C- 14	3GD-24181-00	D- 8	3GD-25872-02	E- 4	3GD-27446-00	E- 5	1UY-82917-00	E- 12	90101-10303	B- 8
4V4-22184-00	C- 10	21V-24500-10	D- 8	3GD-25873-02	E- 4	2XK-28100-00	C- 10	4KB-82917-00	E- 13	90101-10568	B- 5
3GD-2219X-00	C- 15	4X8-24512-00	D- 8	3GD-25874-02	E- 6	1NV-2811A-01	C- 10	123-83516-21	E- 14	90101-10689	D- 13
38W-22199-00	C- 14	3AJ-24523-00	D- 8	3GD-25882-00	E- 4	5LP-2819R-00	F- 3		E- 15	90101-12695	D- 12
2XK-22201-00	D- 2	3AJ-24534-00	D- 8	5MV-2589F-00	E- 4	5GT-2836B-10	D- 15	24W-83530-10	E- 14	90105-08440	D- 14
2XK-22210-10-P2	D- 2	5KM-24610-00	D- 8	4NK-2589H-00	E- 4	1UY-28415-00	E- 7	52G-83530-10	E- 15	90105-08538	D- 11
2XK-22210-10-36	D- 2	5NF-2470F-00	D- 9	47X-25894-00	E- 6	3GD-2845N-00-35	E- 7	1UY-83585-00	E- 15	90105-10034	D- 6
2XK-22210-20-P2	D- 2	5NF-24710-00	D- 9	1UY-25895-00	E- 6	3GD-2845R-00	E- 7	29J-83585-10	E- 14	90105-10323	C- 10
2XK-22210-20-36	D- 2	22W-24741-00	D- 9	1UY-25917-51	D- 14	3GD-2845R-10	E- 7	1UY-83909-00	E- 12	90105-10388	D- 7
2XK-22210-30-P1	D- 2	4K0-24774-00	D- 9	1UY-25924-51	D- 14	1UY-81175-01	C- 2	5LP-83912-00	E- 12	90105-10409	C- 10
2XK-22210-30-36	D- 2	4K0-24775-00	D- 9	3GD-25933-00	D- 11	5NF-81410-00	E- 8	1UY-83913-00	E- 12	90105-10421	B- 2
2XK-22210-40-36	D- 2	3GD-24776-00	D- 9	1UY-25972-51	D- 14	5NF-81450-00	E- 8	1UY-83922-01	E- 12	90105-10422	B- 2
38W-22212-10-P2	D- 2	3GD-25111-01	D- 10	5NF-26111-00	D- 15	1UY-81815-50	E- 9	5LP-83922-00	E- 4	90105-10480	C- 10
38W-22212-10-36	D- 2	1UY-25117-00	D- 10	3GD-26124-10	D- 15	1UY-81818-50	E- 9	1UY-83935-00	E- 12	90105-14367	C- 8

NUMERICAL INDEX

PART NO.	GRID NO.	PART NO.	GRID NO.	PART NO.	GRID NO.	PART NO.	GRID NO.	PART NO.	GRID NO.	PART NO.	GRID NO.
90109-063F7	C - 8	90179-12588	D - 13	90201-14586	D - 10	90387-063W7	E - 2	90501-10353	C - 8	92907-06600	B - 8
90109-06576	E - 12	90179-20255	C - 7	90201-14691	C - 8	90387-065L7	E - 11	90501-18576	B - 9		E - 12
90109-06723	E - 14	90183-05024	C - 13	90201-150U6	C - 7	90387-06595	E - 11	90501-22721	B - 5		E - 14
90109-081F0	D - 14	90185-10060	D - 7	90201-15797	C - 9	90387-066H4	D - 8	90501-231E9	C - 4		E - 8
90109-102A6	C - 14	90185-10115	D - 4		E - 5	90387-07598	D - 8	90506-20380	E - 5	92907-08600	C - 15
	D - 2	90185-10120	C - 14	90201-160F6	C - 14	90387-090R0	D - 4	90508-16713	C - 4		E - 4
90109-102A7	C - 15		C - 15	90201-17255	C - 7	90387-101R3	D - 6	90508-20454	D - 9	92907-10100	B - 5
90109-10704	D - 2		D - 2	90201-203E7	C - 6	90387-125N8	C - 14	90508-25712	C - 8	92907-10200	D - 10
90109-10752	C - 14		D - 3	90201-207G6	B - 6	90387-125N9	C - 14	90508-32711	C - 8		D - 12
90110-05201	C - 11	90185-16127	C - 14	90201-22793	C - 7	90387-126H8	D - 3	90508-35764	E - 2	93101-25106	B - 6
	C - 13	90201-03313	F - 3	90201-244A9	C - 14	90387-127G8	D - 2	90560-14284	C - 8	93102-12224	C - 5
90110-06136	B - 9		F - 4	90201-25291	C - 3	90387-150R1	D - 10	90793-25032	E - 14	93102-14209	C - 8
90114-10007	D - 10		F - 6	90201-256E6	C - 6	90387-16547	B - 4	91A20-07010	B - 12	93102-15212	C - 8
90114-10009	D - 12		F - 7	90201-28665	C - 7	90387-176R6	D - 4	91317-06020	B - 2	93102-22216	D - 10
90116-06503	B - 2	90201-04325	C - 11	90202-05193	D - 8	90387-257N4	C - 7		B - 9	93102-25081	C - 10
90116-08507	D - 12	90201-060L5	D - 8	90202-14037	E - 2	90401-06001	B - 2	91317-06025	B - 2	93102-25099	C - 10
90119-06044	C - 11	90201-06008	E - 2	90202-14077	E - 11	90401-08117	B - 9		C - 2	93102-28476	B - 15
90119-06056	C - 12	90201-06071	E - 11	90206-06090	B - 13	90401-10159	E - 4	91317-06030	B - 4	93102-35393	C - 7
90119-06063	B - 10	90201-06074	E - 11	90209-18208	C - 6		E - 6	91317-08025	B - 10	93102-48370	D - 12
90119-06073	D - 8	90201-06380	B - 15	90209-33253	B - 5	90430-06014	B - 14	91317-08050	B - 2	93104-09025	D - 15
90123-08046	E - 12	90201-064J1	E - 2	90215-06162	B - 2		B - 15	91401-16012	E - 6	93104-17094	C - 6
90149-06011	D - 8	90201-08083	E - 6	90215-08260	C - 8	90430-06192	B - 2	91401-20020	D - 10	93104-18077	D - 2
90149-06184	C - 11	90201-08085	B - 10	90215-16156	C - 4	90430-08119	B - 9		D - 4	93104-20068	C - 6
90149-06306	C - 12		C - 5	90215-16222	C - 4	90430-10148	E - 14		D - 5	93105-26026	D - 10
90149-08268	D - 11	90201-082A9	E - 12	90215-16258	C - 4	90430-14194	C - 8	91401-30025	D - 10	93108-35004	C - 14
90149-08329	C - 3	90201-08326	B - 13	90215-16270	B - 6	90430-14240	B - 2	91401-30030	D - 12	93109-08050	E - 2
90150-06037	C - 12	90201-08753	C - 10	90215-21239	C - 7	90445-08048	E - 14	91609-40016	E - 2	93109-20076	C - 14
90151-05023	B - 15	90201-100E9	C - 15	90240-07105	B - 5	90445-084J1	D - 8	91690-40022	E - 12	93112-31011	D - 4
90151-06010	B - 9		D - 2	90240-08013	E - 6	90445-11663	D - 8	92017-08016	E - 5	93210-06422	C - 4
90159-06056	E - 6	90201-10118	E - 4	90267-32004	F - 3	90445-16594	B - 14	92017-08020	E - 2	93210-07590	C - 8
90159-06082	C - 13		E - 6		F - 4	90460-56105	B - 10	92017-08030	E - 6	93210-09165	B - 7
90159-06123	C - 4	90201-10128	B - 2		F - 6	90460-75020	B - 10	92502-06008	B - 11	93210-10096	E - 2
90170-06289	C - 9	90201-10430	C - 14	90267-32198	F - 7	90464-15195	E - 15	92902-04100	B - 11	93210-14104	E - 2
	E - 2		C - 15		F - 3	90464-16061	E - 15	92906-04100	E - 6	93210-14369	B - 15
90170-08258	D - 12		D - 2		F - 4	90465-08122	B - 15	92906-04600	E - 6	93210-15414	C - 9
90170-10186	D - 4		D - 6		F - 6	90465-10098	E - 15	92907-03600	E - 12	93210-15620	E - 6
90170-16326	B - 6		D - 7		F - 7	90467-10008	D - 8	92907-05100	D - 15	93210-16290	B - 5
	C - 4	90201-10591	B - 8	90267-48014	C - 11	90467-14015	B - 14		F - 2	93210-18322	B - 4
90170-16343	C - 4	90201-106F2	D - 13	90280-05013	B - 9	90467-14057	E - 6	92907-05200	F - 2	93210-19522	B - 15
90170-38377	D - 14	90201-107F8	B - 5	90280-05048	B - 5	90467-22080	B - 10	92907-05600	B - 10	93210-22164	C - 7
90171-10046	D - 10	90201-10774	D - 4	90282-05034	B - 6	90480-01400	D - 8		E - 12	93210-29147	D - 15
	D - 4	90201-120E6	C - 15	90282-07057	C - 4	90480-14088	E - 11	92907-06100	D - 8	93210-35520	B - 9
90171-14020	D - 10		D - 2	90336-28053	D - 4	90480-14555	E - 11		E - 11	93210-41041	C - 10
90171-14037	D - 12	90201-12163	C - 4	90340-14117	B - 15	90480-18290	D - 8		E - 14	93210-44545	B - 10
90179-06668	B - 13	90201-123K4	C - 3	90381-15088	D - 6	90480-18411	E - 5		E - 15	93210-54175	B - 9
90179-08148	E - 12	90201-126A7	D - 13	90383-20032	C - 14	90501-07629	B - 5		E - 8	93210-57634	B - 2
90179-08577	C - 10	90201-12790	E - 2	90383-20033	C - 14	90501-102E5	E - 2	92907-06200	C - 12	93210-86509	B - 4
90179-10247	D - 13	90201-14226	D - 12	90386-12093	C - 5	90501-102E8	E - 6		E - 12	93211-06635	B - 2

NUMERICAL INDEX

PART NO.	GRID NO.	PART NO.	GRID NO.	PART NO.	GRID NO.	PART NO.	GRID NO.	PART NO.	GRID NO.	PART NO.	GRID NO.
93306-00006	C- 4	93900-00022	D- 12	95817-06035	E- 2	99241-00200	F- 3				
93306-00308	C- 7	94107-102Y4	D- 10	95817-08012	C- 10		F- 5				
93306-00406	D- 10	94110-090X4	D- 12	95817-08016	B- 13		F- 6				
93306-00431	C- 7	94500-02090	B- 8	95817-08045	B- 13		F- 7				
93306-00438	D- 10	94581-87098	D- 12	95817-08055	C- 10	99246-00200	F- 3				
93306-00515	B- 8	94681-08011	D- 12	95817-10025	E- 5		F- 5				
93306-00804	D- 12	94701-00333	B- 2	95827-06010	C- 11		F- 6				
93306-07801	B- 15	94703-00333	B- 3			99530-12016	B- 14				
93306-20227	D- 10	95027-06012	F- 8	95827-06016	D- 3		B- 15				
93306-20301	C- 6	95027-06016	B- 15	95827-08012	C- 10	99530-14016	B- 2				
	C- 7	95027-06020	B- 15				B- 4				
	C- 10	95027-06025	B- 15								
93306-20331	C- 10		B- 8	95827-08016	E- 7						
93306-20401	C- 6		B- 14		E- 7						
93306-20501	C- 7	95027-06030	B- 14								
93306-20532	B- 6		B- 15	95827-08025	C- 15						
93306-27202	C- 6		E- 9	95827-08035	D- 4						
93306-30424	C- 6	95027-06040	B- 15	97007-06008	B- 13						
93306-30622	B- 5	95027-06045	B- 15	97007-06012	B- 2						
93310-212L6	C- 3	95027-06050	B- 14	97007-06020	E- 14						
93310-225N0	C- 3	95027-06060	B- 14	97007-06030	D- 8						
93310-633T5	B- 5	95302-06600	E- 9	97007-06040	E- 12						
93311-51554	C- 7	95307-05600	F- 2	97017-06020	C- 9						
93315-32516	B- 8	95307-05700	D- 15	97027-06016	B- 8						
93317-22237	C- 14	95307-06600	E- 11	97027-06025	E- 12						
93399-99916	D- 2	95307-06700	C- 9	97027-08025	E- 4						
93410-20038	C- 6		E- 15	97027-08060	D- 4						
	C- 7	95307-08600	B- 10	97801-03008	D- 8						
93410-22039	C- 6		D- 12	98502-04010	B- 12						
	C- 7	95307-10700	D- 4	98502-04012	B- 11						
93430-04002	D- 9	95317-06700	E- 2	98506-04012	E- 6						
93430-12008	C- 9	95604-06100	E- 4	98507-03008	E- 12						
	E- 5	95607-05100	D- 15	98507-04008	E- 2						
93440-12052	B- 2	95607-06100	C- 11	98507-05010	E- 12						
93440-25084	C- 6		C- 12	98507-05012	D- 15						
	C- 7		E- 12	98507-05014	E- 8						
93440-28062	C- 7	95607-08100	C- 15	98507-05016	B- 10						
93440-30113	D- 2	95607-10200	C- 10	98507-05020	D- 15						
93450-19095	B- 6	95702-06500	F- 8	98507-06012	B- 14						
93503-08007	C- 8	95707-06500	D- 9		C- 2						
93602-13177	B- 5		E- 2	98507-06020	E- 14						
93603-07073	B- 9	95707-08500	E- 5	98507-06030	E- 8						
93603-12030	B- 9	95707-10500	D- 10	98511-04010	B- 11						
93604-10011	B- 8		D- 12	98707-06016	B- 14						
93605-10090	B- 5	95807-06010	D- 11	98707-06030	B- 9						
93700-06004	C- 14		E- 15	98907-06010	B- 13						
	D- 6	95807-06025	E- 11	99001-07600	C- 5						
93834-13030	C- 7	95807-08040	C- 14	99001-09600	C- 4						
93900-00022	D- 10	95807-08055	E- 10	99009-12400	C- 3						