

# Illustrated Parts List for VMAC System V900130

Ford 2015-2011 F250-F550 6.7L  
Power Stroke Diesel

1 – Kit Pack List .....	2
1 – Kit Pack List (Cont'd) .....	4
2 – Fastener Pack, 3800975 .....	6
2 – Fastener Pack (cont'd), 3800975 .....	8
2 – Fastener Pack (cont'd), 3800975 .....	10
2 – Fastener Pack (cont'd), 3800975 .....	12
3 – Compressor Assembly, P120161 .....	14
4 – Compressor Sub Components, P120162.....	16
5 – Inlet Valve Sub Components, 9200578.....	17
6 – Main Bracket Assembly, 4800655.....	18
7 – Cooler Assembly, 4800542 .....	20
8 – Assembly, Remote Filter, 4800656 .....	21
9 – VR70 Tank, 9200430.....	22
10 – Assembly, Bracket, Battery Cable, 4800659.....	24
11 – Assy, Upper Rad Hose, 4800663.....	25

**NOTE: Drawings are not to scale.**  
Document 1930230 Changes and Revisions

Revision	Revision Details	Revised by	Checked by				Implemented
			Eng.		Tech.	Qual.	
			Mech.	Elec.			
B	ECN 15-008	RAR	SC	-	RD	-	27APR2015
C	ECN 15-052	RAR	MH	-	RD	-	27APR2015
D	ECN 15-059	RAR	JR	-	RD	-	27MAY2015
E	ECN 15-059	RAR	CH	-	RF	-	30OCT2015
F	ECN 17-058: 4800663 UPDATED	CAM	JKR	-	BDJ	AMG	20APR2017
G	ECN 17-176	CJH	KRM	-	RB	AWG	11Oct2017

## 1 – Kit Pack List

Item #	Part #	Qty	Description Item
1	1610103	1	BELT, K060810
2	4800655	1	ASSEMBLY, MAIN BRACKET
3	4800659	1	ASSEMBLY, BRACKET, BATTERY CABLE
4	1800226	1	PULLEY, CRANK, FORD 6.7 VR70
5	1200610	1	MOUNT, BATTERY BOX
6	2200181	1	BATTERY BOX, FORD
7	2200182	1	BATTERY COVER, FORD
8	4800656	1	ASSEMBLY, REMOTE FILTER
9	1200793	1	BRACKET, STEERING RESERVOIR
10	1200798	1	BRACKET, CAC, ALIGNMENT
11	1200799	1	BRACKET, HOOK
12	1200800	1	BRACKET, CAC, TOP
13	3200449	1	ADAPTOR, INTAKE, FORD 6.7
14	1930060	1	MANUAL, OWNERS GENERIC, VR70 & VR150
15	1930229	1	MANUAL, INSTALLATION, V900130
16	1930230	1	ILLUSTRATED PARTS LIST, V900130
17	4800666	1	SYS ID & OP INSTR, V900130
18	3800975	1	FASTENER PACK, V900130
19	1752094	1	HOSE, CRIMPED, 1/2" X 94"
20	1752042	1	HOSE, CRIMPED, 1/2" X 42"
21	1771108	1	HOSE, CRIMPED, 3/4" X 108"
22	4800663	1	ASSY, UPPER RAD HOSE
23	1710849	1	HOSE, MODIFIED (1700632)
24	1720700	1	TUBE, CONNECTOR, 3"
25	1700633	1	ELBOW, COBRA HEAD, 90DEG
26	1720696	1	TUBE, ELBOW, 3"
27	1720697	1	ASSY, TUBE, CAC

**VMAC – Vehicle Mounted Air Compressors**

Toll Free: 1-888-241-2289

Local: 1-250-740-3200

Fax: 1-250-740-3201

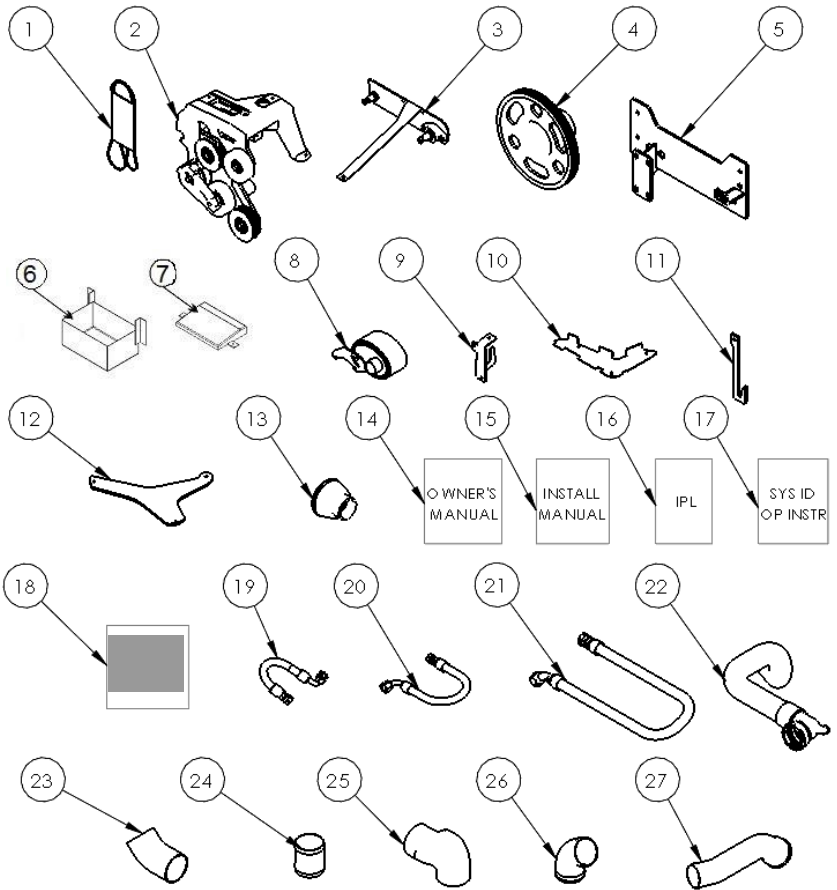


Figure 1 - Kit Pack List

## 1 – Kit Pack List (Cont'd)

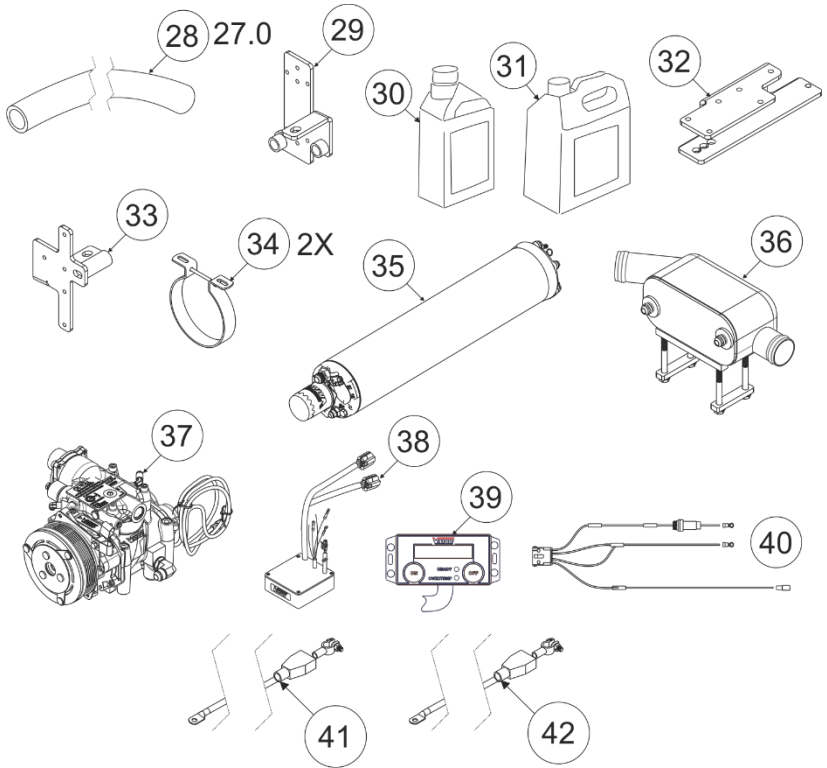
Item #	Part #	Qty	Description Item
28	1700034	27.0	HOSE, HEATER BLACK 150PSI, 1
29	1200598	1	MOUNT, BRACKET, FRONT
30	A700091	1	OIL, VR, 1L, HIGH PERFORMANCE
31	A700094	1	OIL, VR, 4L, HIGH PERFORMANCE
32	1200614	1	MOUNT, TANK STRAP REAR
33	1200615	1	MOUNT, TANK STRAP FRONT
34	2200105	2	CLAMP, MOUNTING BRACKET C, 6
35	9200430	1	TANK, VR70 DRESSED INT OIL FILTER
36	4800542	1	ASSEMBLY, COOLER
37	P120161	1	ASSEMBLY, COMPRESSOR, W/ INLET VALVE
38	3560228	1	VRTC, V900130
39	3550723	1	VR CONTROL BOX
40	3550739	1	INTERFACE CABLE, FORD 6.4L
41	3550895	1	CABLE, BATTERY, POSITIVE
42	3550896	1	CABLE, BATTERY, NEGATIVE

**VMAC – Vehicle Mounted Air Compressors**

Toll Free: 1-888-241-2289

Local: 1-250-740-3200

Fax: 1-250-740-3201



**Figure 2 - Kit Pack List (cont'd)**

## 2 – Fastener Pack, 3800975

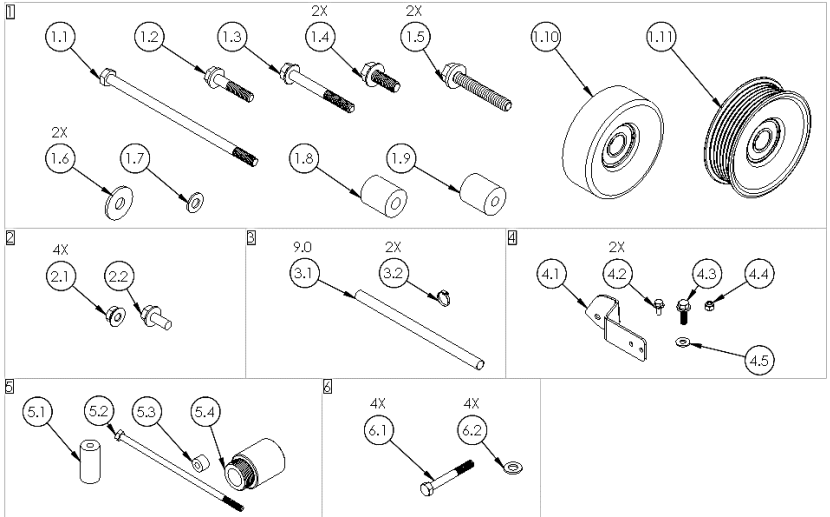
Item #	Part #	Qty	Description
1	3800976	1	FASTENER PACK, MAIN BRACKET
1.1	1520589	1	BOLT, HHCS, PL, GR10.9, M8X1.25X170MM
1.2	1520588	1	BOLT, HHCS, PL, G10.9, FL M8X1.25X40MM
1.3	1520618	1	BOLT, HHCS FL, PL, M8 X 1.25 X 70
1.4	1520563	2	BOLT, HHCS FLPL G8.8 M10 X 1.50 X 25
1.5	1520552	2	BOLT, HHCS, FLHD, M10 X 1.50 X 60
1.6	1570496	2	WASHER, FENDER, 10MM X 30MM
1.7	1570067	1	WASHER, SAE, 5/16
1.8	1400373	1	SPACER
1.9	1400376	1	SPACER
1.10	1300031	1	IDLER, SERP, BACK, FLANGE, 90MM
1.11	1300030	1	IDLER, SERP, 6 RIB, FLANGE, 90MM
2	3800977	1	FAST PACK, BRACKET, BATTERY CABLE
2.1	1560516	4	NUT, M6 X 1.0 FL PL
2.2	1520590	1	BOLT, HHCS, M6 X 1 X 14 FL PL
3	3800978	1	FASTENER PACK, FILTER, REMOTE
3.1	1700586	9.0	HOSE, FLEX/NITRILE AIR INTAKE 1.5"
3.2	2200062	2	CLAMP, HOSE HS24
4	3800979	1	FASTENER PACK, FAN SHROUD
4.1	1200794	1	BRACKET, BRACE, FAN SHROUD
4.2	1520590	2	BOLT, HHCS, M6 X 1 X 14 FL PL
4.3	1520591	1	BOLT, HHCS, M8-1.25 X 25, G10.9 FL PL
4.4	1560407	1	NUT, NYLOCK, M8
4.5	1570476	1	WASHER, 5/16 ID X ¾ OD
5	3800980	1	FASTENER PACK, FAN
5.1	1400374	1	SPACER, FAN WIRE
5.2	1520587	1	BOLT, HHCS, PL, GR10.9, M8 X 1.25 X 200MM
5.3	1400394	1	SPACER, FAN WIRE, OUTER
5.4	3400075	1	SPACER, FAN, M40X2.0 RH
6	3800772	1	FASTPACK, CRANK PULLEY
6.1	1520585	4	BOLT, HCS, M12-1.5 X 60, GR10.9
6.2	1570492	4	WASHER, FLAT, M12, PLATED

**VMAC – Vehicle Mounted Air Compressors**

Toll Free: 1-888-241-2289

Local: 1-250-740-3200

Fax: 1-250-740-3201



**Figure 3 - Fastener Packs**

**2 – Fastener Pack (cont'd), 3800975**

Item #	Part #	Qty	Description
7	3800982	1	FASTENER PACK, COMPRESSOR
7.1	1540521	3	BOLT, SHCS, PL, M8 X 1.25 X 110
7.2	4800662	1	ASSEMBLY, PRESSURE TRANSDUCER
7.2.1	3500288	1	SENSOR, PRESSURE
7.3	2200202	1	CLAMP, STRAP 7/8
7.4	1540494	1	BOLT, SHCS, M8 X 1.25 X 90, G12.9
7.5	1700571	5.5	TUBE, TEFLON, PTFE, 3/16"OD X 1/8"ID
7.6	1700581	4.0	LOOM, SPLIT PLASTIC, ¼, HIGH TEMP
7.7	1560515	1	NUT, M8 X 1.25 FL PL
7.8	1700605	8.0	WRAP, HEAT PROTECTION, 1/2"
8	3800983	1	FASTENER PACK, STEERING RES BRACKET
8.1	1520590	3	BOLT, HHCS, M6 X 1 X 14 FL PL
8.2	1560438	3	NUT, NYLOCK, M6
8.3	1570491	1	WASHER, FLAT, M6, PLATED
8.4	1570498	2	WASHER, FENDER, ¼ X 1
9	3800984	1	FASTENER PACK, UPPER RAD HOSE
9.1	2200043	1	CLAMP, HS36
10	3800985	1	FASTENER PACK, CAC TUBE HOT SIDE
10.1	2200226	2	CLAMP, TBOLT, 86-94MM
11	3800986	1	FASTENER PACK, CAC TUBE COLD SIDE
11.1	2200232	2	CLAMP, T-BOLT, 67-75MM
11.2	2200226	1	CLAMP, TBOLT, 86-94MM
11.3	2200225	1	CLAMP, TBOLT, 77-85MM
11.4	1700640	1	HOSE, 2.5" SILICONE

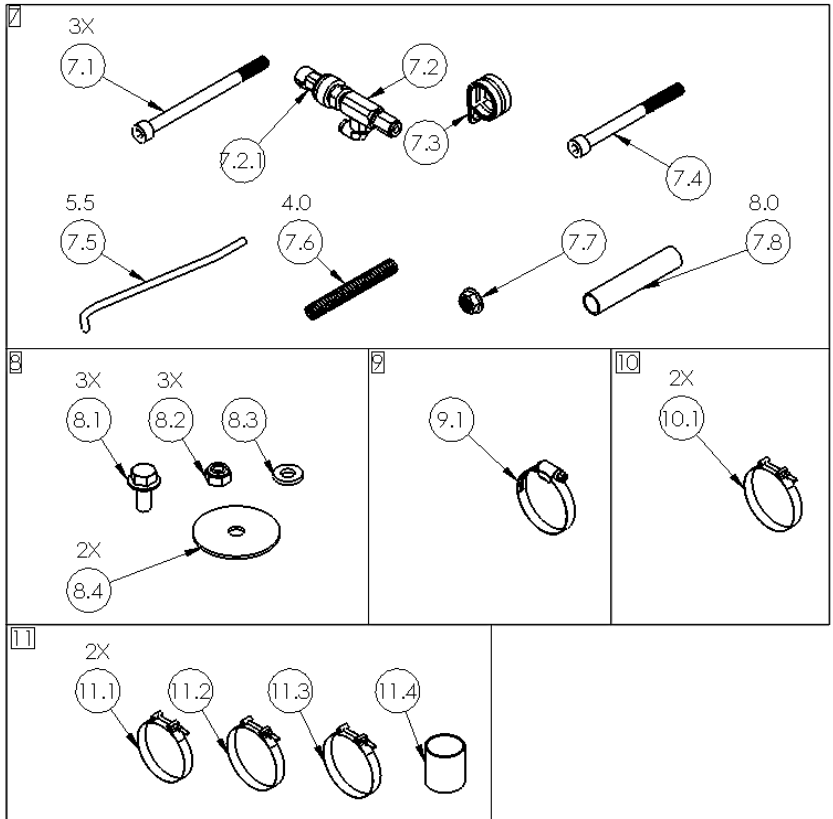
**VMAC – Vehicle Mounted Air Compressors**

Toll Free: 1-888-241-2289

Local: 1-250-740-3200

Fax: 1-250-740-3201





**Figure 4 - Fastener Packs (cont'd)**

**2 – Fastener Pack (cont'd), 3800975**

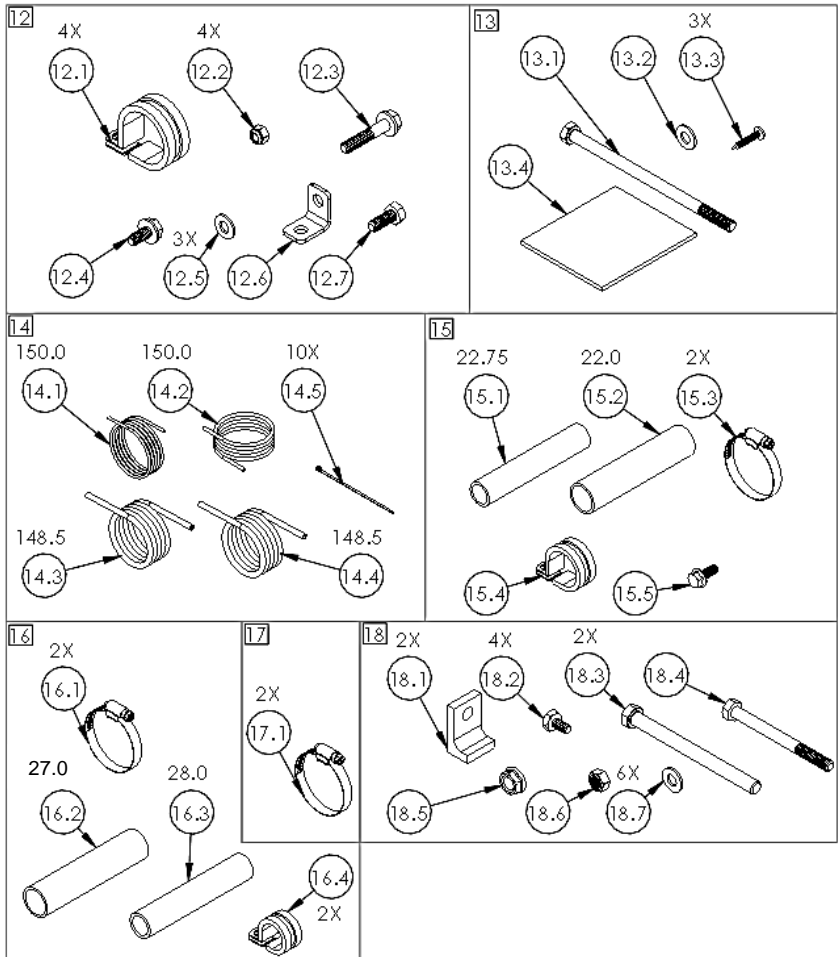
Item #	Part #	Qty	Description
12	3800996	1	FAST PACK, DISCHARGE TO AOST
12.1	2200083	4	CLAMP, C R.I., 1 ¼
12.2	1560407	4	NUT, NYLOCK, M8
12.3	1520588	1	BOLT, HHCS, PL, G10.9, FL M8X1.25X40MM
12.4	1520570	1	BOLT, HHCS, FL LK PL, M8X1.25X16
12.5	1570067	3	WASHER, SAE, 5/16
12.6	1200813	1	BRACKET, DISCHARGE STRAP
12.7	1520573	1	BOLT,HHCS, M8-1.25 X 20, G10.9 PL
13	3800994	1	FAST PACK, CAC
13.1	1520594	1	BOLT, HHCS G8.8, M8 X 1.25 X 150
13.2	1570067	1	WASHER, SAE, 5/16
13.3	1500449	3	SCREW,PAN PHILLIPS 8 X 1 SMS(18.8)
13.4	5800137	1	RUBBER PAD, CAC GUARD
14	3801011	1	FAST PACK, TEFLON HOSE
14.1	1700571	150.0	TUBE, TEFLON, PTFE, 3/16"OD X 1/8"ID
14.2	1700570	150.0	TUBE, TEFLON, PTFE, ¼"OD
14.3	1700581	148.5	LOOM, SPLIT PLASTIC, ¼, HIGH TEMP
14.4	1700581	148.5	LOOM, SPLIT PLASTIC, ¼, HIGH TEMP
14.5	2200039	10	TIE, NYLON MD, 7"
15	3801012	1	FAST PACK, CAC STRAIGHT SPIGOT
15.1	1700177	22.75	HOSE, HEATER, ¾
15.2	1700648	22.0	LOOM, MESH, 1"
15.3	2200029	2	CLAMP, HOSE HS10
15.4	2200210	1	CLAMP, STRAP, 1 ½
15.5	1520627	1	BOLT, HHCS, FL PL, M8 X 1.25 X 20
16	3801013	1	FAST PACK, CAC 90DEG SPIGOT
16.1	2200029	2	CLAMP, HOSE, HS10
16.2	1700648	27.0	LOOM, MESH, 1"
16.3	1700177	28.0	HOSE, HEATER, ¾
16.4	2200131	2	CLAMP, C.R.I., 1
17	3801014	1	FAST PACK, COOLER
17.1	2200027	2	CLAMP, HOSE HS32
18	3800782	1	FASTPACK, MOUNT, VR70 TANK
18.1	1200563	2	CLIP, TANK MOUNT
18.2	1510349	4	BOLT, HHCS NC G8 PL, 5/16 X ½
18.3	1510538	2	BOLT, HHCS NC FUL-PL3/8 X 4 ½ IN
18.4	1520459	1	BOLT, HHCS G10.9, M8 X 1.25 X 90
18.5	1550504	1	NUT, FLANGE LOCK NC, CASE HARDN 3/8
18.6	1560008	1	NUT, HEX PL, M8 X 1.25
18.7	1570067	6	WASHER, SAE, 5/16

**VMAC – Vehicle Mounted Air Compressors**

Toll Free: 1-888-241-2289

Local: 1-250-740-3200

Fax: 1-250-740-3201



**Figure 5 - Fastener Packs (cont'd)**

**2 – Fastener Pack (cont'd), 3800975**

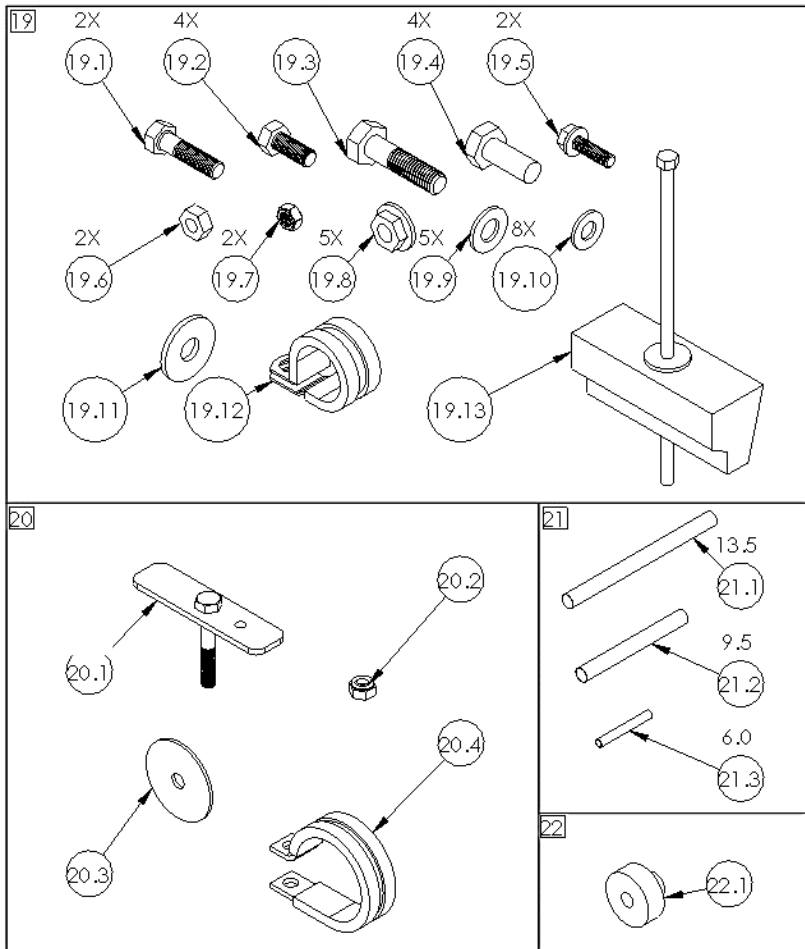
Item #	Part #	Qty	Description
19	3801015	1	FAST PACK, BATTERY
19.1	1510065	2	BOLT, HHCS NC G8 PL, 5/16 X 2
19.2	1510173	4	BOLT, HHCS NC G8 PL, 5/16 X ¾
19.3	1520012	1	BOLT, HHCS G10.9, M10 X 1.5 X 45
19.4	1520096	4	BOLT, HHCS, G10.9, M10 X 1.5 X 25
19.5	1520583	2	BOLT, HHCS, FL, M6 X 1.0 X 20
19.6	1550066	2	NUT, HEX NC, 5/16
19.7	1560510	2	NUT, M6X1.0 ZINC PL
19.8	1560512	5	NUT, FLANGE PL, M10 X 1.5
19.9	1570044	5	WASHER, ALLOY PL SAE, 3/8
19.10	1570067	8	WASHER, SAE, 5/16
19.11	1570496	1	WASHER, FENDER, 10MM X 30MM
19.12	2200131	1	CLAMP, C.R.I., 1
19.13	2200183	1	BOLT AND SPACER, BATTERY, FORD
20	3801019	1	FAST PACK, DISCHARGE HOSE STRAP
20.1	1200812	1	BRACKET, STRAP
20.2	1560438	1	NUT, NYLOCK, M6
20.3	1570402	1	WASHER, FENDER, ¼
20.4	2200046	1	CLAMP, STRAP, 1 5/8
21	3801046	1	FAST PACK, HEAT WRAP
21.1	1700645	13.5	WRAP, HEAT PROTECTION, 1"
21.2	1700645	9.5	WRAP, HEAT PROTECTION, 1"
21.3	1700605	6.0	WRAP, HEAT PROTECTION, 1/2"
22	3801064	1	FAST PACK, DUAL ALT OPTIOON
22.1	1400389	1	SPACER, IDLER 10MM BOLT

**VMAC – Vehicle Mounted Air Compressors**

Toll Free: 1-888-241-2289

Local: 1-250-740-3200

Fax: 1-250-740-3201



**Figure 6 - Fastener Packs (cont'd)**

### 3 – Compressor Assembly, P120161

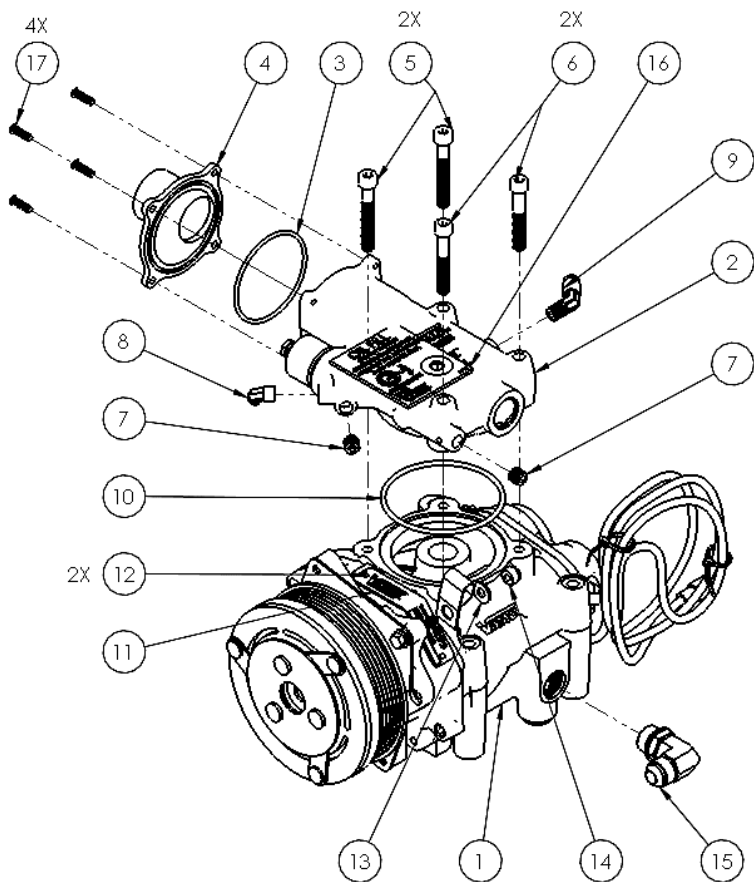
Item #	Part #	Qty	Description
1	P120162	1	ASSEMBLY, COMPRESSOR
2	9200578	1	INLET VALVE, BASIC INTERGRATED REG.
3	5830070	1	O-RING, VITON, 2 9/16 ID X 3/32
4	3200354	1	ADAPTER, REMOTE FILTER
5	1540530	2	BOLT, SHCS, M8 X 1.25 X 55, G12.9 PLT
6	1540550	2	BOLT, SHCS, M8 X 1.25 X 50, G12.9 PLT
7	4300076	2	PIPE FTG, PLUG SKT HEAD, 1/8
8	5000165	1	ELBOW, 90, BRASS NPT-POLY, 1/8-3/16
9	5000158	1	ELBOW, BRASS 45 DEG NPT-POLY 1/8-1/4
10	5830004	1	O-RING, VITON 3 1/8 ID X 1/8
11	4400295	1	LABEL, VR70 NAME PLATE
12	1500355	2	SCREW, LONG R DRIVE, 2-3/16
13	1570038	1	WASHER, FLAT SAE, ¼
14	1550029	1	NUT, NYLOCK NC, ¼
15	4900203	1	CONN, STEEL, 90, #8 MJIC - #8 MORB
16	4400411	1	LABEL, OIL WARRANTY TAG
17	1500533	4	SCREW, BUTTON HCS, 10-32 X 5/8 PL

**VMAC – Vehicle Mounted Air Compressors**

Toll Free: 1-888-241-2289

Local: 1-250-740-3200

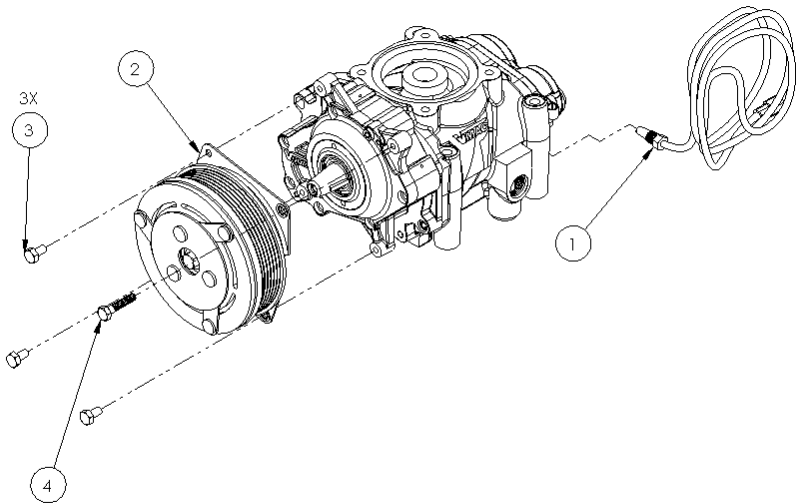
Fax: 1-250-740-3201



**Figure 7 - Compressor Assembly**

## 4 – Compressor Sub Components, P120162

Item #	Part #	Qty	Description
1	3550682	1	PROBE, ASSY, THERMISTOR, SHORT
2	P200044	1	CLUTCH, COMPLETE, 6 GROOVE, 5.12
3	1510344	3	BOLT, HHCS NC G8 PL, ¼ X ½
4	1510520	1	BOLT, HHCS NC FL LK, ¼ X 1 ¼



**Figure 8 - Compressor Sub Components**

**VMAC – Vehicle Mounted Air Compressors**

Toll Free: 1-888-241-2289

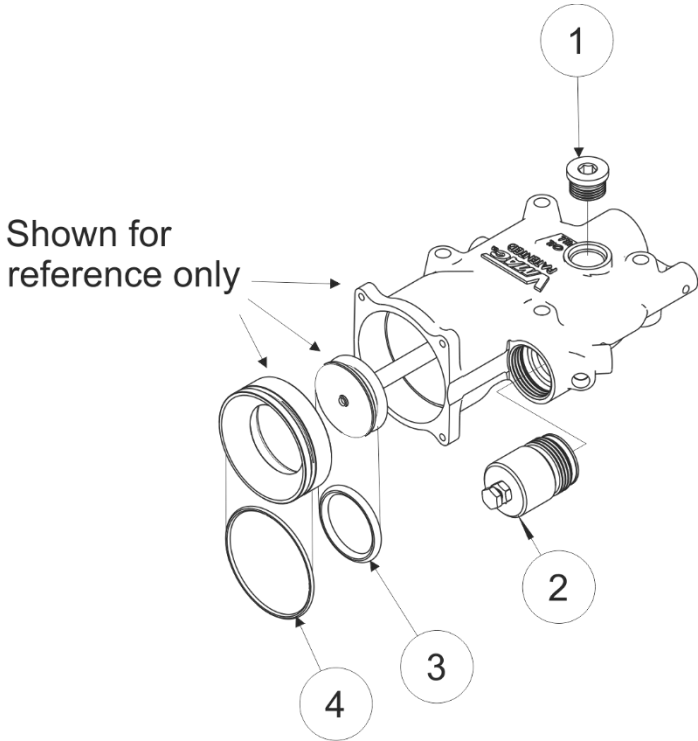
Local: 1-250-740-3200

Fax: 1-250-740-3201



## 5 – Inlet Valve Sub Components, 9200578

Item #	Part #	Qty	Description
1	4900045	1	PLUG, STEEL HEX SAE/O-RING PORT
2	A700137	1	ACCESSORY PACK, REGULATOR ASSEMBLY
3	5830130	1	O-RING, VITON, 1 3/8 ID X 3/16
4	5830002	1	O-RING, VITON, 2 3/8 ID X 3/32



**Figure 9 - Inlet Valve Sub Components**

**VMAC – Vehicle Mounted Air Compressors**

Toll Free: 1-888-241-2289

Local: 1-250-740-3200

Fax: 1-250-740-3201

**6 – Main Bracket Assembly, 4800655**

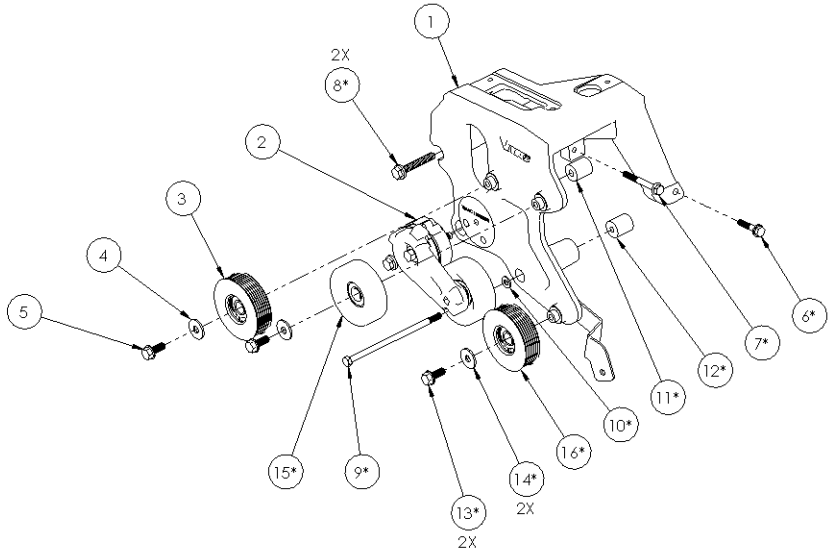
Item #	Part #	Qty	Description
1	1100203	1	BRACKET, MAIN, V900130
2	3300036	1	TENSIONER 7C3Z-6B209-D
3	1300030	1	IDLER, SERP, 6 RIB, FLANGE, 90MM
4	1570496	1	WASHER, FENDER, 10MM X 30MM
5	1520563	1	BOLT, HHCS, FLHD, M10 X 1.50 X 25
6*	1520588	1	BOLT, HHCS, PL, G10.9, FL M8 X 1.25 X 40MM
7*	1520618	1	BOLT, HHCS, FL, PL, M8 X 1.25 X 70
8*	1520552	2	BOLT, HHCS, FLHD, M10 X 1.50 X 60
9*	1520589	1	BOLT, HHCS, PL, GR10.9, M8X1.25X170MM
10*	1570067	1	WASHER, SAE, 5/16
11*	1400373	1	SPACER
12*	1400376	1	SPACER
13*	1520563	2	BOLT, HHCS FLPL G8.8 M10 X 1.50 X 25
14*	1570496	2	WASHER, FENDER, 10MM X 30MM
15*	1300031	1	IDLER, SERP, BACK, FLANGE, 90MM
16*	1300030	1	IDLER, SERP, 6 RIB, FLANGE, 90MM
17**	1200794	1	BRACKET, BRACE, FAN SHROUD
18**	1520590	2	BOLT, HHCS, M6 X 1.0 X 14 FL PL

**VMAC – Vehicle Mounted Air Compressors**

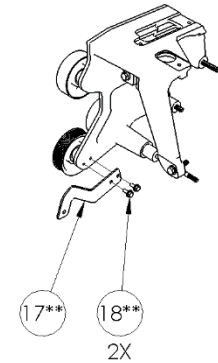
Toll Free: 1-888-241-2289

Local: 1-250-740-3200

Fax: 1-250-740-3201



\*LOCATED IN MAIN BRACKET FASTENER PACK (3800976)

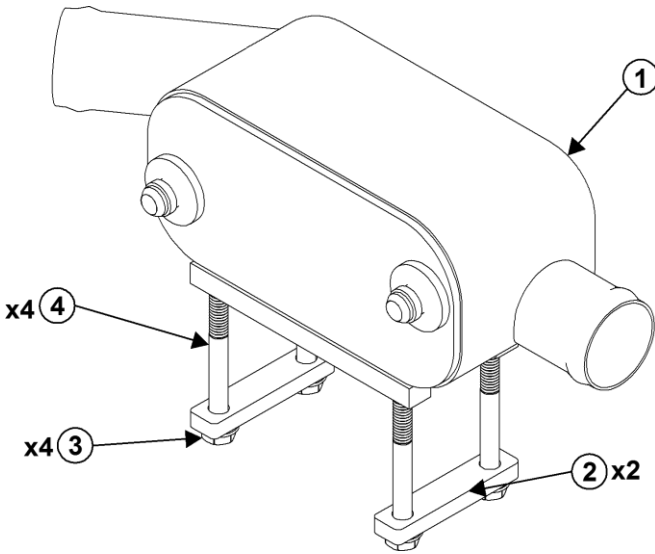


\*\*LOCATED IN FAN SHROUD FASTENER PACK (3800979)

**Figure 10 - Main Bracket Assembly**

# 7 – Cooler Assembly, 4800542

Item #	Part #	Qty	Description
1	9200456	1	COOLER
2	1200517	2	DRILLED PLATE
3	1570044	4	WASHER, ALLOY PL SAE, 3/8
4	1520011	4	BOLT, HHCS G10.9, M10 X 1.5 X 90

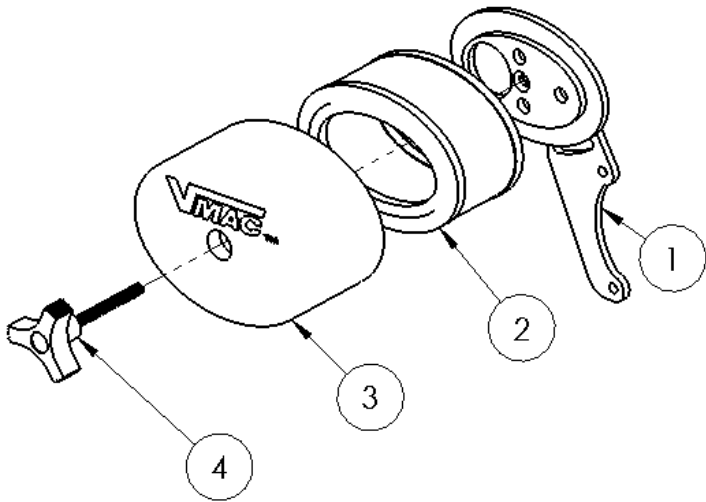


**Figure 11 - Cooler Assembly**

**VMAC – Vehicle Mounted Air Compressors**  
Toll Free: 1-888-241-2289  
Local: 1-250-740-3200  
Fax: 1-250-740-3201

## 8 – Assembly, Remote Filter, 4800656

Item #	Part#	Qty	Description
1	1200791	1	WELDMENT, REMOTE FILTER
2	3600037	1	ELEMENT, FILTER, PAPER
3	3600066	1	COVER, AIR FILTER, PLASTIC
4	1500686	1	FASTENER, COVER, AIR FILTER



**Figure 12 - Remote Filter Assembly**

**VMAC – Vehicle Mounted Air Compressors**

Toll Free: 1-888-241-2289

Local: 1-250-740-3200

Fax: 1-250-740-3201

**9 – VR70 Tank, 9200430**

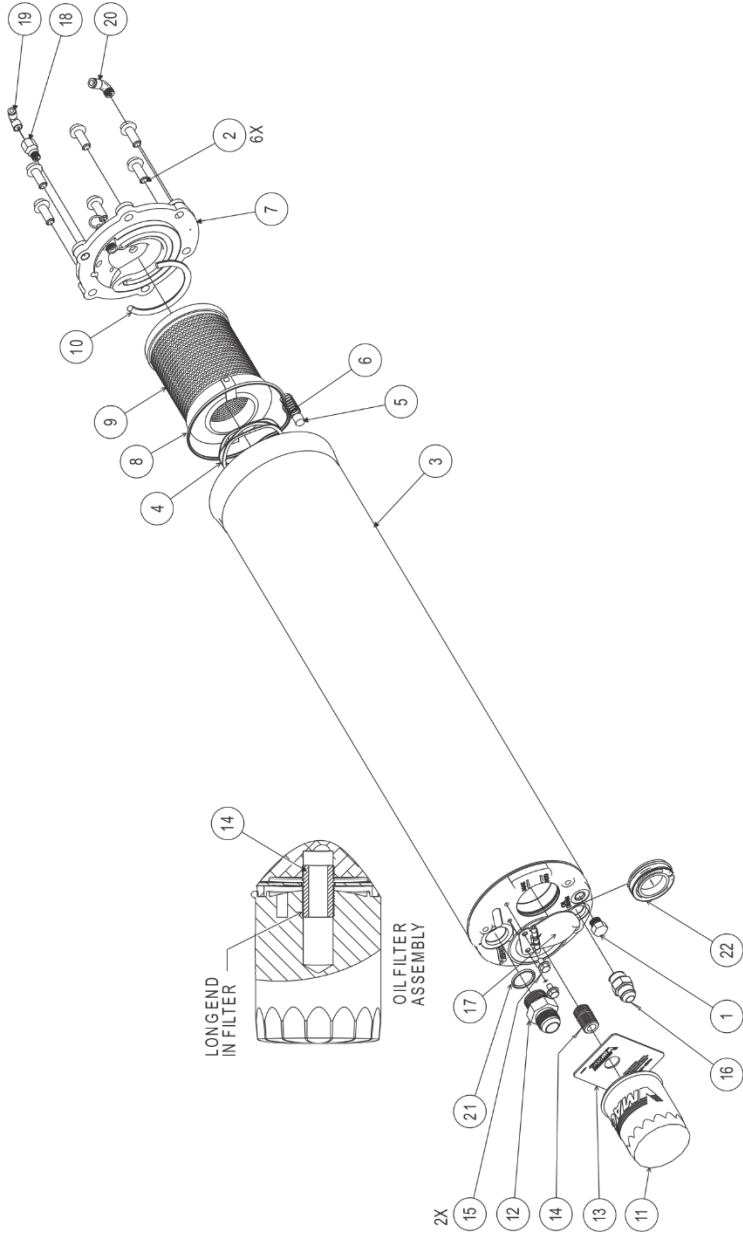
Item #	Part #	Qty	Description
1	4900106	1	PLUG, STEEL, #5 ORB, HEX (VITON-O)
2	1510086	6	BOLT, HHCS NC G5 FL LK, 3/8 X 1
3	9200378	1	TANK, OIL SEPARATOR
4	5840078	1	SPRING, WAVE
5	3600090	1	THIMBLE, SCREEN
6	5840069	1	SPRING, COMPRESSION, FL 1.5", OD .54
7	9200437	1	ASSEMBLY, BLOWDOWN CAP
8	5830066	1	O-RING, VITON, 4 3/4 ID X 1/8
9	3600036	1	ELEMENT, SEP, COALESCING
10	3600064	1	SEAL, TANK REAR CAP
11	9200039	1	OIL FILTER, VR 3.250 SHORT
12	4900128	1	FITTING, 12ORB -12JIC, STEEL
13	4400401	1	LABEL, OIL FILTER TAG
14	4900035	1	NIPPLE, STEEL STR THRD, 3/4 - 16
15	1520646	2	BOLT, HHCS G10.9, M6 X 1 X 10 FL PL
16	4900200	1	CONN, STRAIGHT, #8 MORB X #8 MJIC
17	5800142	1	COVER, SIGHT GLASS
18	5000160	1	ADAPTOR, BRASS, 1/8-1/8 NPT
19	5000165	1	ELBOW, 90, BRASS NPT-POLY, 1/8-3/16
20	5000020	1	ELBOW, BRASS NPT-POLY, 1/8-1/4
21	5830133	1	O-RING, VITON, #12
22	A700061	1	PYREX WINDOW KIT

**VMAC – Vehicle Mounted Air Compressors**

Toll Free: 1-888-241-2289

Local: 1-250-740-3200

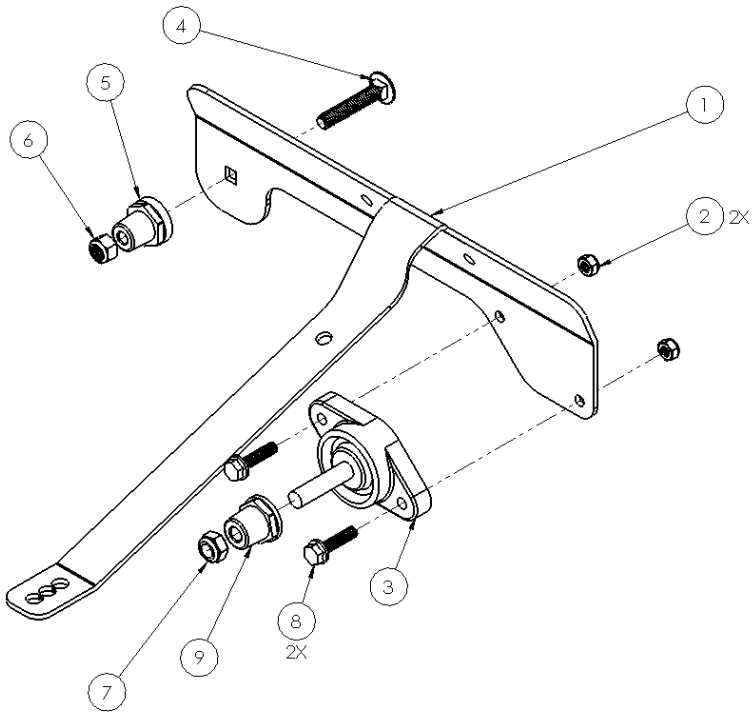
Fax: 1-250-740-3201



**Figure 13- VR70 Tank**

# 10 – Assembly, Bracket, Battery Cable, 4800659

Item #	Part#	Qty	Description
1	1200789	1	BRACKET, BATTERY CABLE POST
2	1560438	2	NUT, NYLOCK, M6
3	3501035	1	POST, CABLE CONNECTOR, 3/8" STUD, RED
4	1510548	1	BOLT, CRGEM NC GR2, PL 5/16 X 1.75
5	3200455	1	POST, BATT, NEG, BRASS
6	1550084	1	NUT, NYLOCK NC PL, 5/16
7	1550006	1	NUT, NYLOCK NC PL, 3/8
8	1520625	2	BOLT, HHCS, FL, M6 X 1.0 X 25
9	3200456	1	POST, BATT, POS, BRASS



**Figure 14 - Battery Cable Bracket Assembly**

**VMAC – Vehicle Mounted Air Compressors**

Toll Free: 1-888-241-2289

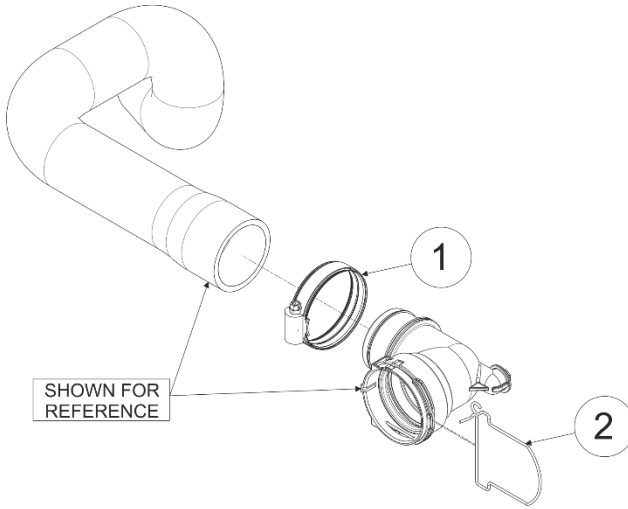
Local: 1-250-740-3200

Fax: 1-250-740-3201



## 11 – Assy, Upper Rad Hose, 4800663

Item #	Part#	Qty	Description
1	2200249	1	CLAMP, HD GEAR, 2.25-2.75
2	5840089	1	CLIP, COOLANT CONNECTOR



**Figure 15 - Upper Rad Hose Assembly**

**VMAC – Vehicle Mounted Air Compressors**

Toll Free: 1-888-241-2289

Local: 1-250-740-3200

Fax: 1-250-740-3201