

SMITH BEARING®

Product Catalog

**Cam Followers, Needle Bearings,
Track Rollers & Special Assemblies for
Aerospace & Industrial Applications**

SMITH BEARING®
a registered trademark of
ABC accurate bushing co.



Accuracy is Our Best Policy



Aerospace
Bearings & Components

Stainless Steel
Corrosion Resistant Bearings

Industrials
Cam Followers & Needle Bearings

Smith-Trax®
Track Rollers & Guide Rails

SMITH BEARING® is a registered trademark of

A:BC accurate bushing co.

CORPORATE HEADQUARTERS

443 North Avenue
Garwood • NJ • 07027 • USA

tel: **908.789.1121**

fax: **908.789.9429**

800.932.0076

www.**accuratebushing.com**

Smith Bearing® is a registered trademark of Accurate Bushing Company. With over 50 years experience in designing and manufacturing precision needle roller bearings, we can handle your requirements for aerospace and industrial bearings, as well as custom manufactured special bearings, assemblies, and bushings.



In this catalog you will find our complete range of precision bearings including:

Cam Follower Needle Roller Bearings in Inch & Metric sizes, Stainless Steel Cam Followers for special corrosive applications, Cam Followers with self-lubricating engineered plastic bushings, **Smith-Trax®** with tapered roller bearings and deep-groove ball bearings for high-thrust load applications, Aerospace and Military approved Needle Roller Bearings for engine and airframe applications, Spherical Plain Bearings, Drill Jig Bushings and Specialty Aerospace products and assemblies.

As well as our existing product line, we are ready to assist you with the manufacture of custom made products, precision machine components and assemblies. **ISO 9001 and AS 9100 registered.**

Smith Bearing® serves the global market place with a network of Industrial and Aerospace distributors, manufacturing plants and sales offices throughout the world. The structure of our operation affords us the ability to give highly personalized attention to every customer. Most importantly, this structure gives us the ability to respond immediately to our customers request as well as providing highly cost-effective products.

Email: sales@smithbearing.com Phone: **800.932.0076**

Standard & Custom Bearings and Special Assemblies for Aerospace & Industrial Applications

All products in this catalog subject to Accurate Bushing Company terms and conditions, a copy of which is available in the back of this catalog or may be requested from the customer service department.

SMITH Bearing, SMITH-TRAX, & SMITH-ALIGN are registered trademarks of Accurate Bushing Company.
Copyright © 2014 Accurate Bushing Company. All rights reserved.

SMITH BEARING®

is a registered trademark of ABC • Accurate Bushing Company

Needle Rollers, Bushings, Track Rollers and Special Assemblies for Aerospace & Industrial Applications

Cam Followers (Needle Rollers) Yoke Type & Stud Type

Inch Sizes or Metric Sizes • High Quality Bearing Steel or Corrosion Resistant Stainless Steel

Manufactured from High Quality Bearing Grade Steel or optional Corrosion Resistant Stainless Steel; Needle Roller Bearings are the preferred choice for applications that exhibit radial loads. Needle Roller Bearings are not intended for applications with axial or thrust loads. For extremely high load or high impact applications, the Heavy Stud version is available (HR Series). Selection of the optional Crowned Outer Race allows for angular misalignment between the bearing and track surface. Sealed and pre-greased versions are the most common but are also available in non-sealed for running in oil. Standard sizes range from 1/2" to 6". We specialize in Custom Engineered Cam Followers to fit specific applications.



SMITH-TRAX® Track Rollers and Smith Rail

Inch Sizes or Metric Sizes • High Quality Bearing Steel or Corrosion Resistant Stainless Steel

Manufactured from High Carbon Steel or Corrosion Resistant Stainless Steel; the Internal Tapered Roller or Angular Contact Ball Bearing design allows our SMITH-TRAX® Track Rollers to be used on applications that have both high radial and high axial loads. The Outer Race design is available in a Plain Straight, Flanged, or V-Shaped style. The SMITH-TRAX® Series are available in either a Stud or Yoke style to support virtually all applications. Standard sizes range from 1" to 11 1/2". Special configurations for high temperature applications, or manufactured from Corrosion Resistant Stainless Steel are available upon request. Hardened and Precision Ground Smith Guide Rails are available in multiple lengths and configurations.



Aerospace Bearings




AS21438 • AS24461 • AS21439 • AS21432 • AS24465 • AS21447 • AS24466 • AS5927 • AS5928 • AS5929
(MS21438) (MS24461) (MS21439) (MS21432) (MS24465) (MS21447) (MS24466)



We are approved to manufacture bearings to Military and Aerospace specifications. The bearings we produce meet the standards of AS-39901. Our engine bearings are currently used in thrust reversers, after burners and divergent nozzles. Our airframe bearings are used in flap-tracks, canopies and landing gear.



Section 1: CAM FOLLOWERS **STUD Type & YOKE Type (Needle Rollers)**



The **CR, HR & YR** Series Needle Roller Bearings are an excellent choice for any applications that have radial loads. Standard sizes range from 1/2" to 6"

Inch Sizes	Stud Type	Non-Crowned Outer Race		Crowned Outer Race	
	Screwdriver Slot • Unsealed	CR	12	CR-C	20
	Screwdriver Slot • Sealed	CR-X	12	CR-XC	20
	Hex-Drive • Unsealed	CR-B	13	CR-BC	21
	Hex-Drive • Sealed	CR-XB	13	CR-XBC	21
	Hex-Drive with Eccentric Bushing	CR-XBE	14	CR-XBEC	15

Inch Sizes	Heavy Stud Type	Non-Crowned Outer Race		Crowned Outer Race	
	Screwdriver Slot • Unsealed	HR	16	HR-C	22
	Screwdriver Slot • Sealed	HR-X	16	HR-XC	22
	Hex-Drive • Unsealed	HR-B	17	HR-BC	23
	Hex-Drive • Sealed	HR-XB	17	HR-XBC	23

Inch Sizes	Yoke Type	Non-Crowned Outer Race		Crowned Outer Race	
	Unsealed	YR	18	YR-C	24
	Sealed	YR-X	18	YR-XC	24



The **DCR & DYR** Series use two rows of Heavy Rollers to handle more extreme radial loads.

Inch Sizes	Double Row • Heavy Roller	Non-Crowned Outer Race		Crowned Outer Race	
	Stud Type	DCR	26	DCR-C	26
	Yoke Type	DYR	27	DYR-C	27

STAINLESS STEEL

Corrosion Resistant




The **CR-XB-SS** & **YR-XB-SS** Series are ideal for applications in harsh environments.

Inch Sizes	Stud Type		
	Hex-Drive • Sealed	CR-XB-SS	30
Inch Sizes	Yoke Type		
	Sealed	YR-X-SS	31
Interchange Tables • INCH Sizes • Stainless			32

With





NON-METALLIC BUSHING

In the **BCR** & **BYR** Series, the rolling elements are replaced with a Self-lubricating Non-metallic Bushing

Inch Sizes	Stud Type		
	Screwdriver Slot • Unsealed	BCR	33
	Screwdriver Slot • Sealed	BCR-X	33
	Hex-Drive • Unsealed	BCR-B	34
	Hex-Drive • Sealed	BCR-XB	34
Inch Sizes	Yoke Type		
	Unsealed	BYR	35
	Sealed	BYR-X	35
Interchange Tables • INCH Sizes • Non-Metallic Bushing			36

METRIC

The **MCR** & **MYR** Series are standard duty Metric size Cam Followers & Yoke Rollers

Stud Type	(Available with Cylindrical or Crowned Outer Race, Hex-Drive & Eccentric)		
	Caged • Unsealed	MCR	37-38
	Caged • Sealed	MCR-S	37-38
	Full Compliment • Unsealed	MCRV	37-38
	Full Compliment • Sealed	MCRV-S	37-38
Yoke Type	(Available with Cylindrical or Crowned Outer Race)		
	Caged • Unsealed	MYR	39
	Caged • Sealed	MYR-S	39
	Full Compliment • Unsealed	MYRV	39
	Full Compliment • Sealed	MYRV-S	39
Double Row • Heavy Roller	(Available with Cylindrical or Crowned Outer Race)		
	Stud • Full Compliment	NUKR	40
	Yoke • Full Compliment	MUTD	41

The **NUKR** & **MUTD** are for heavy duty applications







Interchange Tables • METRIC • Stud & Yoke Type			42
---	--	--	----

Table of Contents

Section 2: SMITH-TRAX® Bearings

(with Deep Groove Ball Bearings or Tapered Roller Bearings)




Heavy Duty Track Rollers with Internal Tapered Roller Bearings or Deep Groove Ball Bearings handle Extreme radial & axial loads.

		INCH Sizes		METRIC Sizes	
	Plain • Stud Type	PCR	44	MPCR	52
	Flanged • Stud Type	FCR	45	MFCR	53
	V-Groove • Stud Type	VCR	46	MVCR	54
	Plain • Yoke Type	PYR	47	MPYR	55
	Flange • Yoke Type	FYR	48	MFYR	56
	V-Groove • Yoke Type	VYR	49	MVYR	57

Interchange Tables • Smith-Trax®

INCH	50
METRIC	58

Section 3: Ancillary Bearings

	Yoke Type	CHAIN ROLLERS	60
	Spherical Plain Bearings	GEZ	61
	Inner Ring Races & Interchange	IRR	62-64

Section 4: AEROSPACE Bearings

These Airframe Bearings meet the standards of AS-39901 and are use in Flap-Track, Canopies and Landing Gear.

Airframe Needle Bearings Introduction

66-67



AS21438
YAF Series
(MS21438)

Track Rollers • Single Row

68



AS21439
YAT Series
(MS21439)

Track Rollers • Double Row

68



AS24465
YAD Series
(MS24465)

Track Rollers • Single Row

69



AS24466
YAF Series
(MS24466)

Track Rollers • Double Row

69



AS24461
YAG Series
(MS24461)

Single Row

70-71



AS21432
HRS Series
(MS21432)

Integral Stud

72



AS21447
CHRS Series
(MS21447)

Integral Stud • Crowned

73



AS5927
YAF-XD Series

Stainless Steel • Track Rollers • Single Row

73



AS5928
YAT-XD Series

Stainless Steel • Track Rollers • Double Row

74



AS5929
CHRS-XD Series

Stainless Steel • Integral Stud • Crowned

74

Interchange Tables • Aerospace Bearings

76-77

Section 5: Drill Jig Bushings



Type "P"	Headless Press-Fit	82-83
Type "H"	Head Press-Fit	84-85
Type "F"	Fixed Renewable	86-87
Type "SF"	Slip-Fixed Renewable	88-89
Type "L"	Headless Liner	90
Type "HL"	Head Liner	91
Miscellaneous Hardware		92

Section 6: Interchange Tables

Cam Followers (Needle Rollers) Yoke & Stud Type • Inch & Metric	94-99
Smith-Trax®	100-101
Aerospace	102-103

Blank Notes Pages	104-107
Terms & Conditions	108

Inch Size Cam Followers (Needle Rollers)



CR & YR Series

Stud & Yoke Type Cam Followers

The CR & YR Series Needle Roller Bearings are recommended where running loads and shock loads are moderate. Bearing capacity of the CR Stud Type Series is limited by the moderately sized stud. Manufactured from High-Alloy Bearing quality steel.

- Hex Drive or Screwdriver Slot (for the CR Stud Type)
- Choice of Non-Crowned or Crowned Outer Race
- Eccentric Bushing option for added positional alignment on Stud versions
- Sealed or Unsealed



HR Series

Heavy Stud Type Cam Followers

The HR Series have a larger diameter stud and are recommended for applications with high running loads and/or heavy shocks where deflection should be held to a minimum. Rollers and outer races are identical to the standard CR Series. Manufactured from High-Alloy bearing quality steel.

- Sealed or Unsealed
- Hex Drive or Screwdriver Slot
- Choice of Non-Crowned or Crowned Outer Race

Corrosion Resistant



CR-XB-SS & YR-X-SS

Stainless Steel Cam Followers

Manufactured from 440 Stainless Steel. These bearings are intended for applications in harsh environments that require increased corrosion resistance. Excellent choice for outdoor use or for applications such as food production facilities that require frequent wash-down and cleaning. Food grade grease is available.

- Hex Drive (for the CR Stud Type)
- Eccentric Bushing option for added positional alignment on Stud versions
- Choice of Non-Crowned or Crowned Outer Race



DCR & DYR Series

Double Row Heavy Duty Cam Followers

The DCR & DYR Series are designed with a Double Row of Heavy Duty Rollers, thicker Outer Rings and special Full-contact Seals for improved grease retention.

- Choice of Non-Crowned or Crowned Outer Race



BCR & BYR Series

Non-Metallic Bushing

Our Standard Needle Rollers are replaced with a Non-Metallic engineered Plastic Bushing which eliminates or reduces the need for bearing lubrication. These bearings are intended for self-lubricated applications. Continuous feed oil lubrication can be used in order to reduce wear.

- Sealed or Unsealed
- Hex Drive or Screwdriver Slot (for the BCR Stud Type)
- Eccentric Bushing option for added positional alignment on Stud versions
- Choice of Non-Crowned or Crowned Outer Race

Metric Size Cam Followers (Needle Rollers)

MCR & MYR Series

Stud & Yoke Type Cam Followers

The MCR & MYR Metric Needle Roller Bearings are recommended where running loads and shock loads are moderate. Bearing capacity of the MCR Stud Type Series is limited by the moderately sized stud. Manufactured from High-Alloy Bearing quality steel.

- Hex Drive or Screwdriver Slot for the MCR Stud Type
- Choice of Crowned or Cylindrical Outer Race
- Eccentric Bushing option for added positional alignment on Stud versions
- Sealed or Unsealed
- Caged or Full Compliment



MUTD & NUKR Series

Double Row Heavy Duty Cam Followers

The MUTD & NUKR are made with a Double Row of Heavy Rollers for extremely high load applications. These Heavy Duty Bearings are assembled with Metallic side shields helping to retain grease and keep out contaminants.

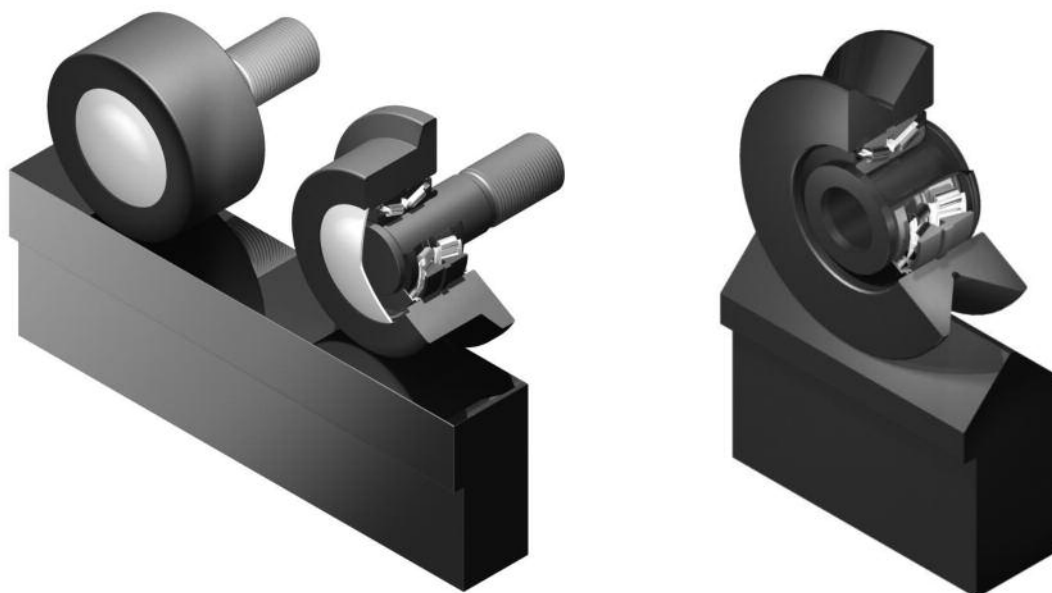
- NUKR
 - ◆ Hex Drive or Screwdriver Slot for the Stud Type
 - ◆ Eccentric Bushing option for added positional alignment on Stud versions
- MUTD
 - ◆ Choice of Crowned or Cylindrical Outer Race



SMITH-Trax® Bearings

Bearing shown riding on a **SMITH-RAIL**
(Also available in Metric sizes)

Smith-Trax® come in various styles and sizes such as Plain Straight, Flanged and V-Groove. **Smith-Trax®** are designed to handle increased axial and radial loads by using Tapered Roller Bearings and Deep-Groove Ball Bearings.





IRR Series

Inner Ring Races are hardened and ground and are used as Bushings or Sleeves. They are complete with Radial Oil Holes and an Annular Lubrication Groove.



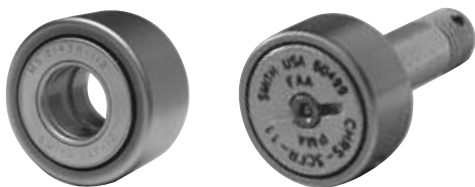
GEZ Bearings

Spherical Plain Bearings are assembled units, which consist of a Spherical O.D. Inner Ring and Spherical I.D. Outer Ring. Both Inner and Outer Rings are Phosphate treated and coated with Molybdenum Disulphide.



Chain Roller Series (Yoke style)

Yoke Type Chain Rollers are typically used in fork lift style equipment or other chain guide applications which may require a double flanged outer ring design.



Aerospace Bearings

Smith Aircraft Bearings have been designed to meet the standards of the aerospace industry and conform to military and other appropriate national standards.



Drill Jig Bushings

ABC Drill Jig Bushings are manufactured to ANSI standard tolerances and produced from select steels known for their long wear and stability. Special bushings are available.



Specialty Bearings

We will manufacture custom designed bearings in small and large quantities to meet your specifications. Please contact our engineering department with your requirements.

Some common options are:

- High temperature
- Fully-threaded
- Left handed Thread
- Specialty Grease
- Urethane coating
- Hex hole at thread end

MACHINERY & TESTING FACILITIES

Smith Bearing® has a fully-integrated manufacturing facility capable of producing high-precision needle roller bearings for both the Aerospace and Industrial market. Our computerized (CNC) grinding and precision machining centers, considered to be the most advanced in the industry are capable of manufacturing a wide range of products to exacting tolerances in order to meet the needs of our customers. Our advanced metallurgical department routinely verifies and tests all raw materials, plating and heat-treating processes used in the manufacturing of our products. This careful analysis and scrutiny in each phase of our procedure assures proper conformance to all Aerospace requirements and guarantees that only materials meeting our rigid standards are used in **Smith Bearing®** products.

ENGINEERING

Extensive experience in our engineering department allows **Smith Bearing®** to work closely with end-users and OEMs (original equipment manufactures) in order to offer the best solution for their bearing requirements. **Smith Bearing®** engineers have extensive knowledge of available metallurgies so that they may offer customers their experience to determine the best suitable material for a special design and application. Smith manufactures bearings in a wide range of materials including high-carbon alloy steels, stainless steels, tool steels, and other exotic alloys.

CUSTOM ASSEMBLIES

Smith Bearing® has the ability to manufacture a variety of custom bearing assemblies. Typically this entails the precision machining of a bearing housing and the assembly of needle or ball bearings into the housing. By controlling the entire design and manufacturing process of a custom order, Smith Bearing® guarantees the quality, performance, and delivery of an assembly. Smith Bearing® performs all aspects of such projects from design to finish including the machining process, applications of special coatings and plating, assembling and testing of the final product.

QUALITY & DEPENDABILITY

Smith Bearing® has received both **ISO 9001** and **AS 9100** quality registrations in recognition of our continued commitment to world-class quality control systems. Our quality system is recognized by General Electric, Lockheed, Boeing Aircraft Corporation, British Aerospace, as well as many other military and aerospace companies. Our Military bearings meet the requirements of **Mil-B-3990 (SAE AS 39901)**. This level of quality certifications and approvals assures our customers unequalled dependability of our products.



Cam Followers – Stud & Yoke Type

SMITH Cam Followers are anti-friction needle roller bearings developed for use in cam or track roller applications. They were specifically designed and built to handle intermittent shock and heavy loads. Full compliment (non-caged) needle bearings maximize the radial load carrying capability while the soft inner core of the stud gives these cam followers the ability to absorb extreme shock loads without fracturing.

In addition to standard models, special bearings are manufactured to customer specification for unique applications. It is often found that the use of special bearings reduces machine costs and improves performance. We have the ability to economically manufacture custom bearings in small or large volumes. Please call us to discuss your special applications.

Material Selection

The common material selection for needle roller bearings are high-strength bearing steel (SAE 52100) or carburized low-carbon alloy steels. These materials give us an excellent combination of strength and economy and are more than sufficient for the majority of industrial applications.

High-Temperature & Corrosive Applications:

In extreme applications where bearings are being subjected to high-temperature or corrosive environments, alternative materials or special platings must be considered.

Smith Bearing® manufactures needle roller bearings in a wide variety of high-temperature and corrosive resistant exotic alloys including **440-C stainless steel** and **M-50, M-2, M-10 tool steels**.

Corrosion resistant plating is effective when using bearings in corrosive environments. Non-bearing surfaces such as inner races and end washers are cadmium plated to resist corrosion. The outer races of the bearings are typically hard-chrome plated to resist wear as well as corrosion.

Construction of Standard Needle Rollers

Cam Follower materials and finishes are selected to provide a minimum of friction and to assure dependable performance for the required service life.

OUTER RACES are manufactured from a High-carbon chrome-alloy bearing steel (SAE 52100), hardened and ground.

INNER RACES are manufactured from low-carbon alloy steel, carburized, and case hardened on the raceway area. This gives the inner race two very key characteristics. **1):** Tremendous strength and forgiveness when subject to tensile, shear, and other bending stresses and **2):** extreme hardness on the wear area for long bearing life. The studs are metallurgically designed not to fracture or fail when subject to intermittent shock and heavy loads found in cam follower applications.

NEEDLE ROLLERS are made from high-carbon chrome bearing steel. They are through-hardened, ground and lapped for ultimate life and performance.

RETAINING WASHERS are made from low-carbon alloy steel, and case-hardened. This gives both a hardened and smooth internal surface that is desirable for proper cam follower performance. The soft core of the end washer resists fracture during use.

Various Needle Rollers - Stud & Yoke Type



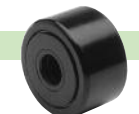
REGULAR STUD TYPE CR Series

are recommended where loads and shock are moderate. Bearing capacity on the CR Series is limited by their moderately sized stud. See capacity ratings.



HEAVY STUD TYPE HR Series

are recommended for applications with high-loads and/or heavy shock and where deflection should be held to a minimum. Rollers and outer races are identical to the standard CR Series.



YOKE TYPE YR Series

have similar internal construction to the stud type CR Series except the inner race is made for shaft or clevis mounting. Heavier loads can be supported by the yoke mounting arrangement, since stud deflection is removed from consideration.



HEX-DRIVE SOCKET Add Suffix "B"

are favorable for most applications where the bearing is installed in a blind or threaded hole. The Hex-drive allows for more secure installation and easier removal of the cam follower.



SCREWDRIVER SLOT Standard

Screw-driver slot configuration is normally sufficient for most applications.

Cam Followers – Stud & Yoke Type

ECCENTRIC CAM FOLLOWERS

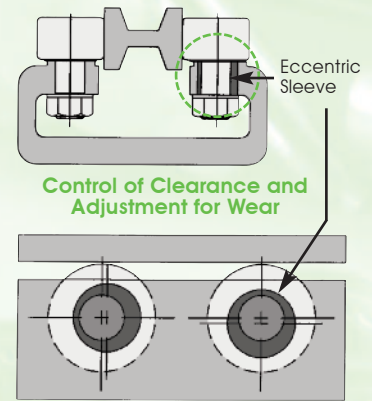


Add Suffix "E"

The eccentric sleeve allows for easy radial positioning for stud-type cam followers.

Eccentric Sleeves Allow for Radial Location Adjustment of Cam Followers

Cam Followers with a Press Fit **Eccentric Sleeve** provide correct alignment and adjustment without costly preparation of close tolerance mounting holes and members. They eliminate problems of clearances, preloading and wear compensation and assure load sharing in multiple cam follower applications. The hex-drive socket allows positive torque for locking and adjustment. A lock nut will normally provide adequate clamping to hold bearing and eccentric sleeve in their proper position. When permanent locking of eccentric sleeve is required, drill through the housing, eccentric sleeve, and bearing stud and secure with a dowel or set-screw.



Control of Clearance and Adjustment for Wear

In-line Adjustment Allows Greater Location Tolerance for Mounting Holes

CROWNED CAM FOLLOWERS



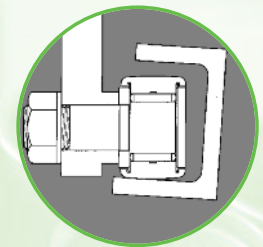
Add Suffix "C"

Crowned outer races are recommended when the track is not precisely aligned and square with the cam follower. Crowned outer races reduce undesirable thrust loads on the rollers when track-bearing misalignment happens to occur. This increases life and reliability of the bearing.

Available in stud type and yoke type cam followers.

Crowned Outer Races Reduce Edge Loading when Bearing & Track are Misaligned

Unwanted edge loading of needle bearings causes skewing and end-thrusting of the needles which contribute to premature bearing failure. In situations where it is difficult to obtain perfect alignment, crowned bearing O.D.'s provide compensation for misalignment between the cam follower and the surface of a slanted track or cam. The outer crowned radius also eliminates skidding of the outer race when bearing is in contact with a flat circular cam.



SEALED CAM FOLLOWERS



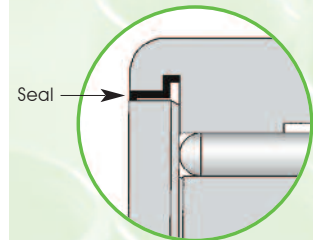
Add Suffix "X"

Seals provide an effective means of protection from outside contamination and ensure lubricant retention.

Available in stud type and yoke type cam followers.

Seals Provide Protection Against Contamination & Loss of Lubricant

Sealed cam followers are furnished with molded-acetyl full-contact seals contained within the outer race undercuts at both ends of the bearing. This low-friction seal material keeps drag to a minimum and is unaffected by corrosive agents or lubricants. A small vent hole in the seals allows for purging during re-lubrication without causing seal displacement. The outer race is provided with a machined groove in the bore, which acts as a grease reservoir to extend time periods between re-lubrication. All sealed bearings are dimensionally interchangeable with the unsealed configuration of the same series.



Typical Seal Configuration

Cam Followers – Stud & Yoke Type

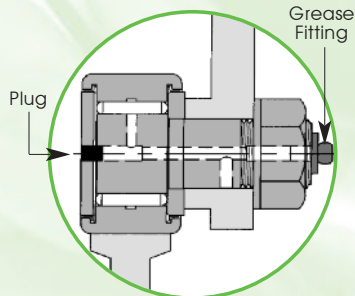


Fig. 1 Lubrication Through Thread-End

Fig. 1 shows the re-lubrication path through the threaded-end of the stud (white area). The head-end is properly closed off using one of the two plugs provided with each cam follower. Due to diameter constraints of the stud, smaller cam followers cannot be re-lubricated through the threaded-end.

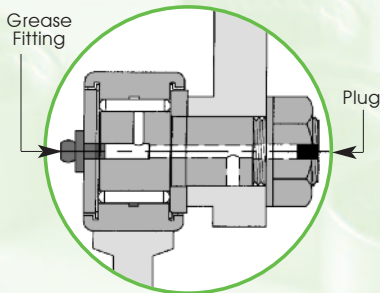


Fig. 2 Lubrication Through Head-End

Fig. 2 shows the re-lubrication path through the head-end of the stud (white area). The threaded-end is properly closed off using one of the two the plugs provided with each cam follower.

Note: Stud cam followers with hex-drive socket can only be re-lubricated through threaded-end. See dimensional charts.

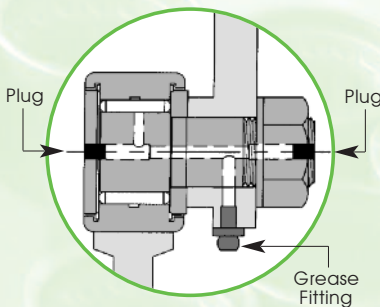


Fig. 3 Lubrication Through Center-Hole

Fig. 3 shows the re-lubrication path through the cross-drilled hole in the stud of the cam follower (white area). A grease fitting must be installed in the housing of the equipment. In this case, the threaded-end and head-end are properly closed off using both of the plugs provided with each cam follower.

Lubrication

Cam Followers and Yoke Rollers are supplied with a high-quality petroleum-based lithium grease containing extreme pressure and corrosive resistant additives. This lubricant is suitable for most bearing applications within a temperature range of -30 °F to 250 °F. Re-lubrication in service can be accomplished with any non soap based roller bearing grease or oil. Special greases or oils can be specified if required.

Frequency of lubrication will depend upon the speed of bearing rotation, contaminants present in the application and the type of lubricant used. In continuously rotating applications, constant oil lubrication or frequent grease lubrication may be necessary.

Stud-Type Cam Followers can be re-lubricated in three areas: through either end of the stud (head-end or threaded-end) or through the cross-drilled hole in the stud. The four smallest size cam followers (CR-1/2, CR-9/16, CR-5/8, CR-11/16) can be re-lubricated through the head-end only due to the diameter constraints of the stud. The axial lubrication hole in the stud is linked to a radial hole in the raceway of the bearing allowing the lubricant to reach the needles. The ends of the stud are counter-bored and precision-reamed to accept a drive-type lubrication grease fitting (not furnished). Two precision-machined plugs are supplied with each cam follower and should be pressed into the unused re-lubrication holes in the end of the studs. The housing that the cam follower is mounted into serves to block the cross-drilled re-lubrication hole in the stud when the re-lubrication hole is not being used. (See Fig 1 & 2).

Yoke Rollers can be re-lubricated through the oil holes that are drilled in the inner race of the bearing. The mounting pin that supports the bearing must be drilled so that lubrication hole lines up with the oil hole in the bearing.

For grease re-lubrication of the **CR** Series and **HR** Series Cam Followers, the following drive type fittings are suggested:

Cam Follower Size	Lubrication Fitting
CR-1/2 to CR-11/16 HR-1/2 to HR-5/8	1/8" Alemite Fitting #3019
CR-3/4 to CR-23/4 HR-3/4 to HR-23/4	3/16" Alemite Fitting #1728-B, #1633, #1645-B, #3005, #3006, #3009, #3012-BB
CR-3 to CR-4 HR-3 to HR-4	1/4" Alemite Fitting #1743 or #1743-B
CR-5 to CR-6	1/4" N.P.T. fitting

Cam Followers – Stud & Yoke Type

Mounting Stud-Type Cam Followers

Proper cam follower mounting requires a close precision fit between the stud and housing bore. We recommend using bore sizes provided in the dimensional tables. An arbor press is the preferred means of stud installation with pressure applied to the central area of the stud, not to the outer flange edges.

In positioning the cam follower, the end washer should be firmly supported by the shoulder of the machine member, which must be square with the centerline of the stud. The shoulder should be at least as large as the minimum boss diameter given in the dimensional tables as denoted by the "E" dimension (**Fig. 4**). It is also important that the alignment be maintained between the bearing axis and the cam or track surface to prevent edge loading of the bearing outer race. The dimensional tables list the recommended torque to be applied to the nut. Excessive torque, in particular with small sizes, may damage the internal elements. Torque value for lubricated threads should be reduced by half the value given in the dimensional tables.

Mounting Yoke-Type Cam Followers

The mounting of yoke rollers should provide for endwise clamping to prevent axial movement and displacement of the end washer. The end washer should be firmly supported by a flat housing shoulder, which must be square with the centerline of the bearing. The shoulder should be at least as large as the minimum clamping diameter shown in the dimensional tables as denoted by the "E" dimension (**Fig. 5**) to provide adequate washer support.

The recommended shaft diameters listed in the dimensional tables provide for either a slip or press fit. In applications with extreme loads, the stud should be heat-treated and press-fit into the bearing bore. With moderate loads, a hardened stud should be used but a slip-fit is sufficient. In lightly loaded applications, a slip-fit may be used with a non-hardened stud.

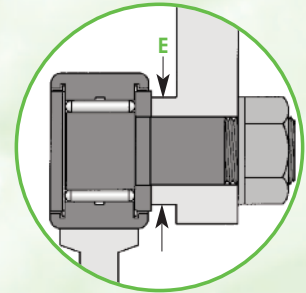


Fig. 4 Mounting of a Stud Type Cam Follower

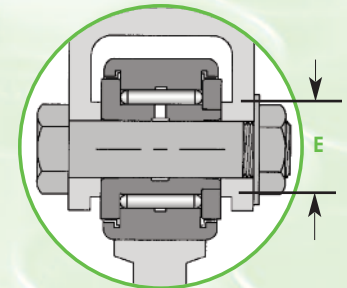


Fig. 5 Mounting of a Yoke Type Cam Follower

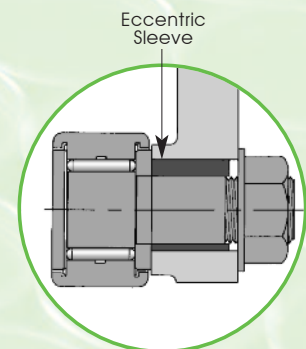


Fig. 6 Mounting of a Stud Type Cam Follower with Eccentric Sleeve

Bearing Life & Load Calculations

Bearing Life

Properly selected bearings that have been suitably mounted and lubricated will operate for extended periods of time with minimal wear until the fatigue life of the rolling elements is reached. Fatigue life of a bearing is reached when "spalling" or flaking of the contact surfaces (rolling element and raceway) occur from repeated stresses. Once the fatigue life of the rolling element or raceway is reached, wear and ultimate failure of the bearing will occur very rapidly. The purpose is to select the proper type and size of bearing for the intended application in order to optimize performance and operating life.

The life of a bearing can be defined in terms of hours of operation or number of revolutions the bearing will endure before failure. We need to keep in mind that some variations between individual bearings that look identical do exist. The most common definition of bearing life as defined by the ABMA (American Bearing Manufacturer's Association) is referred to as the **L₁₀ life**. The "**L₁₀ life**" of a bearing is the number of hours that 90% of a group of seemingly identical bearings will operate prior to fatigue failure occurring. The **L₁₀ life** can also be expressed in the number of revolutions when the speed is known. When selecting a bearing the machine designer should select an appropriate **L₁₀ life** for the particular application.

Note: Larger bearings will have a longer expected life than smaller bearings under identical conditions. Heavier loads will decrease the expected life of a bearing. Therefore, to maximize operating life, the largest bearing possible should be used. See equations to right.

Bearing Size and Selection

Once the type of bearing for a specific application has been selected, the designer must then choose the size of bearing required for the application. The larger the bearing the larger the load it is capable of handling. The **Basic Dynamic Rating (BDR)**, or its equivalent is an indication of how much dynamic load a given bearing size can handle. This rating is a reference value only and is based on an **L₁₀ life** of 500 hours at a rotation speed of 33^{1/3} RPM. In actual practice, the bearing should never be subjected to more than 50% of this value. The **Maximum Static Capacity** is the largest static load that can be applied to the bearing before the rolling elements become permanently deformed. For stud type cam followers, the maximum static capacity is the largest static load that can be applied before the stud will bend or deform.

The life expectancy (**L₁₀ life**) in hours of a bearing can be calculated by using the following formula:

$$L_{10} = \frac{16,666}{N} \left(\frac{BDR}{P} \right)^{10/3}$$

The **Basic Dynamic Rating (BDR)** required for a given application can be calculated by using following formula:

$$BDR = .054 \times P \times (L_{10} \times N)^{.3}$$

L₁₀ = Life of the bearing in hours of operation

BDR = Basic Dynamic Rating of the bearing

P = Radial Load (lbs)

N = Speed (RPM)

Bearing Life & Load Calculations

Example 1:

Determine the **L₁₀ life** of a **CR-7/8** cam follower operating at a speed of **500 RPM** under a load of **750 lbs**:

Find the **Basic Dynamic Rating (BDR)** in the specification page for the **CR-7/8** cam follower:

BDR (Basic Dynamic Rating) = 2140 lbs

From the given formula:

$$L_{10} = \frac{16,666}{N} \left(\frac{BDR}{P} \right)^{10/3}$$

$$L_{10} = \frac{16,666}{500} \left(\frac{2140}{750} \right)^{10/3}$$

L₁₀ = 1098 hrs.

Note: This shows the expected operating life for the **CR-7/8** under the above conditions is 1098 hours. If a longer life span is desired and room for installation permits, a larger bearing with a higher Basic Dynamic Rating (BDR) could be selected. For example: a

CR-1 1/4 cam follower with a BDR (Basic Dynamic Rating) of **4470 lbs** will operate for 12,794 hours in the identical application.

Example 2:

Determine the required **Basic Dynamic Rating (BDR)** for a bearing that will be operating at **1000 RPM** with an applied load of **400 lbs**. The machine designer has determines that the application requires an **L₁₀ life** of **15,000 hrs**.

From the given formula:

$$BDR = .054 \times P \times (L_{10} \times N)^{.3}$$

$$BDR = .054 \times 400 \times (15,000 \times 1,000)^{.3}$$

BDR = 3071 lbs

Note: A **CR-1 1/4** cam follower with a Basic Dynamic Rating (BDR) of **4470 lbs** would be chosen for this application.

If A **CR-1** cam follower with a Basic Dynamic Rating (BDR) of **3030 lbs** were used, the operating life would be reduced to **14,226 hrs**. See Example 1.

Bearing Life Calculations using Speed Factor & Life Factor Charts

An alternative method for determining the **L₁₀ life** or the desired **Basic Dynamic Rating (BDR)** required for a particular application is by using the **SPEED Factor** and **LIFE Factor** charts. Use given formula below:

BDR = Applied Load x (SF) Speed Factor x (LF) Life Factor

Example 3:

Determine the **Basic Dynamic Rating (BDR)** for a bearing that will be operating at **250 RPM** with an applied load of **2000 lbs**. The required **L₁₀ life** for the application is **600 hrs**.

From the given formula above and using Speed and Life Charts below:

BDR = Applied Load x (SF) Speed Factor x (LF) Life Factor

BDR = 2000 x 1.83 x 1.064

BDR = 3895 lbs

Speed Factors Chart

RPM	SF	RPM	SF
33 1/3	1.000	1200	2.940
40	1.056	1300	3.000
50	1.120	1400	3.070
60	1.193	1500	3.125
70	1.249	1600	3.200
80	1.300	1700	3.250
90	1.347	1800	3.310
100	1.390	1900	3.365
125	1.499	2000	3.420
150	1.570	2100	3.460
175	1.644	2200	3.520
200	1.712	2400	3.610
250	1.830	2600	3.700
300	1.935	2800	3.780
350	2.025	3000	3.860
400	2.105	3200	3.930
450	2.185	3400	4.010
500	2.250	3600	4.070
600	2.380	3800	4.150
700	2.490	4000	4.210
800	2.590	4200	4.270
900	2.690	4400	4.330
1000	2.780	4600	4.380
1100	2.850	4800	4.440

Life Factors Chart

L ₁₀ Life (hrs)	LF	L ₁₀ Life (hrs)	LF
500	1.000	16,000	2.83
600	1.064	18,000	2.93
700	1.102	20,000	3.03
800	1.151	25,000	3.24
900	1.193	30,000	3.42
1000	1.231	35,000	3.57
1200	1.300	40,000	3.73
1400	1.362	45,000	3.86
1600	1.417	50,000	3.98
1800	1.468	60,000	4.21
2000	1.515	70,000	4.41
2500	1.620	80,000	4.59
3000	1.712	90,000	4.75
3500	1.793	100,000	4.90
4000	1.866	120,000	5.18
4500	1.933	140,000	5.43
5000	1.995	160,000	5.65
6000	2.110	180,000	5.85
7000	2.210	200,000	6.04
8000	2.300	220,000	6.20
9000	2.380	240,000	6.38
10000	2.460	260,000	6.54
12000	2.600	280,000	6.68
14000	2.720	300,000	6.81

Shock Load

The load ratings for bearings are based on smooth and uniformly applied loads. When the load on the bearing is such that shock or vibration is present the bearing capacity must be increased. Use the load classification chart to adjust the actual load to the effective load that is seen by the bearing. The actual bearing load should be multiplied by the relevant factor when calculating bearing life or when determining the required BDR (Basic Dynamic Rating) for the application.

Load Classification Chart

Load Classification	Factor
Uniform and Smooth	1.0
Light Shock	1.5
Moderate Shock	2.0
Heavy Shock	3.0

Example:

If a bearing is subjected to a 600 lb load under "moderate shock" conditions, a 1200 lb load should be assumed for bearing selection purposes.

Track Capacity

In normal applications cam followers and yoke rollers operate against a track, cam or rail on a piece of machinery or equipment. The **Track Capacity** is the maximum load that a steel track of a given tensile strength will withstand without plastic deformation or brinelling of the track surface when operating with a particular size bearing. Track capacities increase with larger bearings due to the increase in contact surface. The following tables allow you to determine the track capacities for steel tracks of various hardness and tensile strengths when used with different size cam followers and yoke rollers. When using crowned bearings assume 80% of the value for track capacities due to a decrease in contact area between the track and bearing outer race.

To determine the **Track Capacity** for a particular track of given hardness or tensile strength and bearing size, multiply the Capacity Factor in Table 2 by the Track Capacity in Table 1.

Example:

Track Hardness = **32 Rockwell "C"**

Bearing Size = **1¹/₂**

To determine the **Track Capacity** multiply the Capacity Factor in Table 2 by the Track Capacity in Table 1.

Track Capacity = .61 x 3475 lbs. = 2120 lbs

Table 1

Basic Bearing Size	Track Capacity @ 180,000 P.S.I.
1/2	515
9/16	570
5/8	710
11/16	850
3/4	1050
7/8	1190
1	1560
1 1/8	1750
1 1/4	2425
1 3/8	2650
1 1/2	3475
1 5/8	3760
1 3/4	4640
1 7/8	4960
2	6725
2 1/4	7560
2 1/2	9640
2 3/4	12560
3	13750
3 1/4	14900
3 1/2	18800
4	20600
5	36400
6	52000

Table 2

Track Tensile	Rockwell "C" Hardness	Capacity Factor
120,000	26	.45
140,000	32	.61
160,000	36	.79
180,000	40	1.00
200,000	44	1.24
220,000	47	1.50
240,000	50	1.78

Bearing Weights (lbs)

Bearing Size	CR Series	HR Series	YR Series
1/2	.03	.03	-
9/16	.04	-	-
5/8	.05	.05	-
11/16	.06	-	-
3/4	.08	.08	.06
7/8	.10	.10	.08
1	.17	.20	.15
1 1/8	.20	.24	.17
1 1/4	.32	.38	.24
1 3/8	.38	.44	.30
1 1/2	.55	.69	.41
1 5/8	.61	.75	.50
1 3/4	.88	1.00	.64
1 7/8	.97	1.38	.80
2	1.41	1.56	1.05
2 1/4	1.69	1.88	1.32
2 1/2	2.50	2.75	1.80
2 3/4	3.00	3.19	2.25
3	4.00	4.56	3.10
3 1/4	4.50	5.19	3.62
3 1/2	6.42	7.01	4.95
4	9.46	10.83	7.05
5	19.60	-	14.34
6	32.75	-	20.25

Hexagonal Wrench Sizes

Bearing Size	Hex Wrench Size
1/2	1/8
9/16	1/8
5/8	1/8
11/16	1/8
3/4	3/16
7/8	3/16
1	1/4
1 1/8	1/4
1 1/4	1/4
1 3/8	1/4
1 1/2	5/16
1 5/8	5/16
1 3/4	5/16
1 7/8	5/16
2	7/16
2 1/4	7/16
2 1/2	1/2
2 3/4	1/2
3	5/8
3 1/4	5/8
3 1/2	5/8
4	3/4
5	1
6	1

High Temperature Applications:

When using bearings at elevated temperatures the subsequent load ratings will be reduced. Standard bearings manufactured from SAE-52100 Bearing Steel will lose 10% of their rating when operating at 400 °F. **Smith Bearing®** specializes in manufacturing bearings from exotic alloys designed for high-strength, corrosion-resistance or elevated temperatures. The temperature chart below demonstrates the different specialty alloys that are available and the effect that temperature has on the load rating.

Temperature Effect on % Load Rating (approx. percentages, ref. only)

MATERIALS	Temperature °F						
	200	300	400	500	600	700	800
M-50 Tool Steel	100	100	97	96	96	95	90
M-2 Tool Steel	100	100	100	100	100	100	98
M-10 Tool Steel	100	100	100	100	100	100	97
440-C	100	95	90	86	80	72	60
SAE 52-100	100	97	90	75	50	25	15

TOLERANCE CHART for Metric Bearings
MCR-Series, MYR-Series, NUKR-Series, MUTD-Series

Cylindrical Roller Diameter "D"

SIZE		TOLERANCE	
Over	Including	Maximum	Minimum
6 mm	18 mm	0	-0.008 mm
18 mm	30 mm	0	-0.009 mm
30 mm	50 mm	0	-0.010 mm
50 mm	80 mm	0	-0.013 mm
80 mm	120 mm	0	-0.015 mm

Crowned Roller Diameter "D"

SIZE		TOLERANCE	
Over	Including	Maximum	Minimum
6 mm	120 mm	0	-0.050 mm

Stud Diameter "d"

SIZE		TOLERANCE	
Over	Including	Maximum	Minimum
2 mm	6 mm	0	-0.012 mm
6 mm	10 mm	0	-0.015 mm
10 mm	18 mm	0	-0.018 mm
18 mm	30 mm	0	-0.021 mm

Bore Diameter "d" for Yoke Rollers

SIZE		TOLERANCE	
Over	Including	Maximum	Minimum
2 mm	17 mm	0	-0.008 mm
17 mm	30 mm	0	-0.010 mm
30 mm	50 mm	0	-0.012 mm
50 mm	80 mm	0	-0.015 mm
80 mm	120 mm	0	-0.200 mm



Cam Followers

INCH & METRIC SIZES
YOKE & STUD TYPE



Cam Followers & Yoke Rollers

Metric Cam Followers & Yoke Rollers

**Cam Followers
with Non-metallic Self-lubricating
Engineered Plastic Bushing**

Stainless Steel Cam Followers

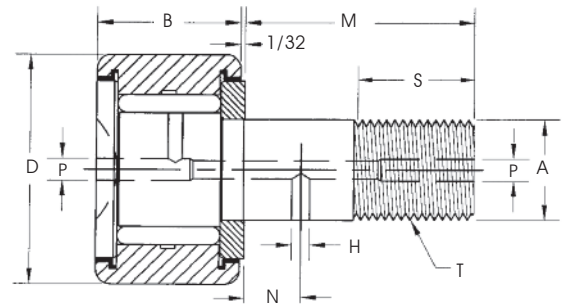
**Heavy Duty Double Row
Cam Followers**

CR & CR-X

Regular Stud

Screwdriver Slot

Regular Stud with
Screw-Driver Slot
Sealed or Unsealed
X = Sealed

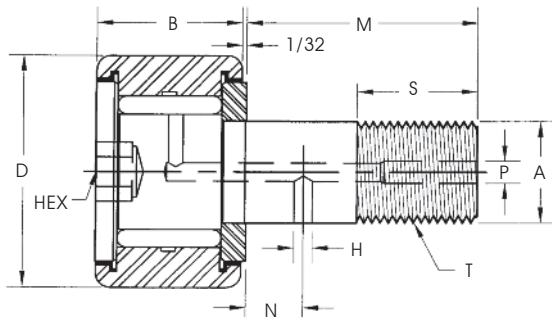


Dimensional Data (inches)

SMITH Bearing® Number		D Roller O.D. +.000 -.001	B Roller Width +.000 -.005	A Stud Dia. +.001 -.000	M Stud Length	S Eff. Thread Min.	T Thread U.N.F. Class 2A	N Oil Hole Location	H Oil Hole Dia.	P Lube Fitting Size	E† Min. Boss. Dia.	Recom. Bore +.0005 -.0000	Recom. Torque (lbs-in)	Basic Dynamic Rating (lbs)	Max. Static Capacity (lbs)
UNSEALED	SEALED														
CR-1/2A	CR-1/2-AX	.500	.344	.190	1/2	1/4	10-32	-	-	*1/8	19/64	.1900	20	870	720
CR-1/2	CR-1/2-X	.500	.375		5/8									970	
CR-9/16	CR-9/16-X	.5625	.406	.250	5/8	5/16	1/4-28	-	-	*1/8	23/64	.2500	50	1210	1250
CR-5/8A	CR-5/8-AX	.625			3/4									1320	
CR-5/8	CR-5/8-X	.625													
CR-11/16	CR-11/16-X	.6875													
CR-3/4	CR-3/4-X	.750	.500	.375	7/8	3/8	3/8-24	1/4	3/32	3/16	1/2	.3750	120	2140	2260
CR-7/8	CR-7/8-X	.875													
CR-1	CR-1-X	1.000	.625	.4375	1	1/2	7/16-20	1/4	3/32	3/16	5/8	.4375	350	3030	3100
CR-1 1/8	CR-1 1/8-X	1.125													
CR-1 1/4	CR-1 1/4-X	1.250	.750	.500	1 1/4	5/8	1/2-20	5/16	3/32	3/16	3/4	.5000	500	4470	4300
CR-1 3/8	CR-1 3/8-X	1.375													
CR-1 1/2	CR-1 1/2-X	1.500	.875	.625	1 1/2	3/4	5/8-18	3/8	3/32	3/16	57/64	.6250	1000	5560	5730
CR-1 5/8	CR-1 5/8-X	1.625													
CR-1 3/4	CR-1 3/4-X	1.750	1.000	.750	1 3/4	7/8	3/4-16	7/16	3/32	3/16	1 3/64	.7500	2000	7870	7950
CR-1 7/8	CR-1 7/8-X	1.875													
CR-2	CR-2-X	2.000	1.250	.875	2	1	7/8-14	1/2	5/32	3/16	1 13/64	.8750	2200	10370	10700
CR-2 1/4	CR-2 1/4-X	2.250													
CR-2 1/2	CR-2 1/2-X	2.500	1.500	1.000	2 1/4	1 1/8	1-14	9/16	5/32	3/16	1 5/16	1.0000	3000	15280	16650
CR-2 3/4	CR-2 3/4-X	2.750													
CR-3	CR-3-X	3.000	1.750	1.250	2 1/2	1 1/4	1 1/4-12	5/8	1/4	1/4	1 3/4	1.2500	5000	20200	25200
CR-3 1/4	CR-3 1/4-X	3.250													
CR-3 1/2	CR-3 1/2-X	3.500	2.000	1.375	2 3/4	1 3/8	1 3/8-12	11/16	1/4	1/4	2	1.3750	6000	29660	31800
CR-4	CR-4-X	4.000	2.250	1.500	3 1/2	1 1/2	1 1/2-12	3/4	1/4	1/4	2 1/4	1.5000	7000	35980	45100
	CR-5-XB	Available in Hex Hole Configuration only. (See next page)													
	CR-6-XB														

* Relubricate through head end only.

† See Page 5 in Engineering Section.



CR-B & CR-XB

Regular Stud

Hex-Drive Socket

Regular Stud
with Hex-Drive Socket
Sealed or Unsealed
X = Sealed

Dimensional Data (inches)

SMITH Bearing® Number		D Roller O.D. +.000 -.001	B Roller Width +.000 -.005	A Stud Dia. +.001 -.000	M Stud Length	S Eff. Thread Min.	T Thread U.N.F. Class 2A	HEX Size	N Oil Hole Location	H Oil Hole Dia.	P Lube Fitting Size ▲	E† Min Boss. Dia.	Recom. Bore +.0005 -.0000	Recom. Torque (lbs-in)	Basic Dynamic Rating (lbs)	Max Static Capacity (lbs)
UNSEALED	SEALED															
CR-1/2-B	CR-1/2-XB	.500	.375	.190	5/8	1/4	10-32	1/8	-	-	▲▲	19/64	.1900	20	970	720
CR-5/8-B	CR-5/8-XB	.625	.4375	.250	3/4	5/16	1/4-28	1/8	-	-	▲▲	23/64	.2500	50	1320	1250
CR-3/4-B	CR-3/4-XB	.750	.500	.375	7/8	3/8	3/8-24	3/16	1/4	3/32	3/16	1/2	.3750	120	2140	2200
CR-7/8-B	CR-7/8-XB	.875														
CR-1-B	CR-1-XB	1.000	.625	.4375	1	1/2	7/16-20	1/4	1/4	3/32	3/16	5/8	.4375	350	3030	3100
CR-1 1/8-B	CR-1 1/8-XB	1.125														
CR-1 1/4-B	CR-1 1/4-XB	1.250	.750	.500	1 1/4	5/8	1/2-20	1/4	5/16	3/32	3/16	3/4	.5000	500	4470	4300
CR-1 3/8-B	CR-1 3/8-XB	1.375														
CR-1 1/2-B	CR-1 1/2-XB	1.500	.875	.625	1 1/2	3/4	5/8-18	5/16	3/8	3/32	3/16	5/8	.6250	1000	5560	5730
CR-1 5/8-B	CR-1 5/8-XB	1.625														
CR-1 3/4-B	CR-1 3/4-XB	1.750	1.000	.750	1 3/4	7/8	3/4-16	5/16	7/16	3/32	3/16	1 1/8	.7500	2000	7870	7950
CR-1 7/8-B	CR-1 7/8-XB	1.875														
CR-2-B	CR-2-XB	2.000	1.250	.875	2	1	7/8-14	7/16	1/2	5/32	3/16	1 1/4	.8750	2200	10370	10700
CR-2 1/4-B	CR-2 1/4-XB	2.250														
CR-2 1/2-B	CR-2 1/2-XB	2.500	1.500	1.000	2 1/4	1 1/8	1-14	1/2	9/16	5/32	3/16	1 5/8	1.0000	3000	15280	16650
CR-2 3/4-B	CR-2 3/4-XB	2.750														
CR-3-B	CR-3-XB	3.000	1.750	1.250	2 1/2	1 1/4	1 1/4-12	5/8	5/8	1/4	1/4	1 3/4	1.2500	5000	20200	25260
CR-3 1/4-B	CR-3 1/4-XB	3.250														
CR-3 1/2-B	CR-3 1/2-XB	3.500	2.000	1.375	2 3/4	1 3/8	1 3/8-12	5/8	11/16	1/4	1/4	2	1.3750	6000	24660	31800
CR-4-B	CR-4-XB	4.000	2.250	1.500	3 1/2	1 1/2	1 1/2-12	3/4	3/4	1/4	1/4	2 1/4	1.5000	7000	35980	45100
	CR-5-XB	5.000	2.750	2.000	5 1/16	2 9/16	2-12	1	-	-	1/4	3	2.0000	7500	49750	56900
	CR-6-XB	6.000	3.250	2.500	6	3	2 1/2-12	1	-	-	1/4	3 1/2	2.5000	7500	71400	94000

▲ Relubricate through threaded end only.

▲▲ Cannot be relubricated.

† See Page 5 in Engineering Section.

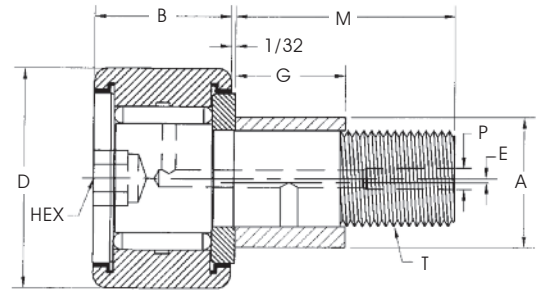
CR-XBE

Eccentric Stud

Hex-Drive Socket

Eccentric Stud
with Hex-Drive Socket
Sealed

X = Sealed



Dimensional Data (inches)

SMITH Bearing® Number	D Roller O.D. + .000 - .001	B Roller Width + .000 - .005	A Eccentric Bushing O.D. ± .001	G Eccentric Bushing † Length + .000 - .010	E Eccentricity ± .005	M Stud Length Class 2A	T Thread U.N.F.	HEX Size	P Lube Fitting ▲	Basic Dynamic Rating (lbs)
SEALED										
CR-1/2-XBE	.500	.375	.250	.375	.010	5/8	10-32	1/8	▲▲	970
CR-5/8-XBE	.625	.437	.375	.437	.015	3/4	1/4-28	1/8	▲▲	1320
CR-3/4-XBE	.750	.500	.500	.500	.030	7/8	3/8-24	3/16	3/16	2140
CR-7/8-XBE	.875									
CR-1-XBE	1.000	.625	.625	.500	.030	1	7/16-20	1/4	3/16	3030
CR-1 1/8-XBE	1.125									
CR-1 1/4-XBE	1.250	.750	.687	.625	.030	1 1/4	1/2-20	1/4	3/16	4470
CR-1 3/8-XBE	1.375									
CR-1 1/2-XBE	1.500	.875	.875	.750	.030	1 1/2	5/8-18	5/16	3/16	5560
CR-1 5/8-XBE	1.625									
CR-1 3/4-XBE	1.750	1.000	1.000	.875	.030	1 3/4	3/4-16	5/16	3/16	7870
CR-1 7/8-XBE	1.875									
CR-2-XBE	2.000	1.250	1.187	1.000	.030	2	7/8-14	7/16	3/16	10370
CR-2 1/4-XBE	2.250									
CR-2 1/2-XBE	2.500	1.500	1.375	1.125	.030	2 1/4	1-14	1/2	3/16	15280
CR-2 3/4-XBE	2.750									

▲ Relubricate through threaded end only.

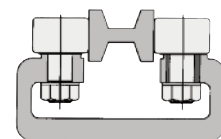
▲▲ Cannot be relubricated.

† Housing thickness should be a minimum of .010 longer than bushing length to provide positive clamping.

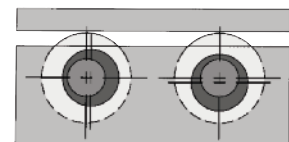
NOTE: Also available in Screwdriver version.

Adjustment for More Precise Positioning of Cam Followers

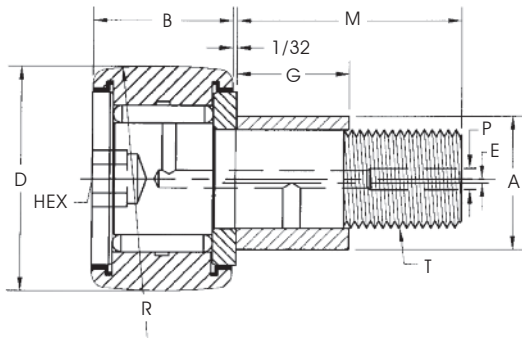
Cam Followers with a press fit eccentric bushing sleeve provide correct alignment and adjustment without costly preparation of close tolerance mounting holes and members. They eliminate problems of clearances, preloading and wear compensation and assure load sharing in multiple cam follower applications. The Hex-drive socket allows positive torque for locking and adjustment. A lock nut provides adequate clamping to hold bearing in desired position in most applications. Where more positive positioning or permanent locking is required, drill through the housing into the bushing and stud for doweling or set-screw.



Control of Clearance and Adjustment for Wear



In-line Adjustment Allows Greater Location Tolerance for Mounting Holes



CR-XBEC

Crowned • Eccentric Stud

Hex-Drive Socket

Eccentric Stud with Crowned Outer Race
Hex-Drive Socket
Sealed
X = Sealed

Dimensional Data (inches)

SMITH Bearing® Number	D Roller O.D. +.000 - .001	B Roller Width +.000 - .005	A Eccentric Bushing O.D. ± .001	G Eccentric Bushing † Length +.000 - .010	E Eccentricity ± .005	M Stud Length	T Thread U.N.F. Class 2A	HEX Size	P Lube Fitting Size ▲	Basic Dynamic Rating (lbs)	R Crown Radius (Inches)
SEALED											
CR-1/2-XBEC	.500	.375	.250	.375	.010	5/8	10-32	1/8	▲▲	970	7
CR-5/8-XBEC	.625	.4375	.375	.437	.015	3/4	1/4-28	1/8	▲▲	1320	8
CR-3/4-XBEC	.750	.500	.500	.500	.030	7/8	3/8-24	3/16	3/16	2140	10
CR-7/8-XBEC	.875										
CR-1-XBEC	1.000	.625	.625	.500	.030	1	7/16-20	1/4	3/16	3030	12
CR-1 1/8-XBEC	1.125										
CR-1 1/4-XBEC	1.250	.750	.687	.625	.030	1 1/4	1/2-20	1/4	3/16	4470	14
CR-1 3/8-XBEC	1.375										
CR-1 1/2-XBEC	1.500	.875	.875	.750	.030	1 1/2	5/8-18	5/16	3/16	5560	20
CR-1 5/8-XBEC	1.625										
CR-1 3/4-XBEC	1.750	1.000	1.000	.875	.030	1 3/4	3/4-16	5/16	3/16	7870	20
CR-1 7/8-XBEC	1.875										
CR-2-XBEC	2.000	1.250	1.187	1.000	.030	2	7/8-14	7/16	3/16	10370	24
CR-2 1/4-XBEC	2.250										
CR-2 1/2-XBEC	2.500	1.500	1.375	1.125	.030	2 1/4	1-14	1/2	3/16	15280	30
CR-2 3/4-XBEC	2.750										

▲ Relubricate through threaded end only.

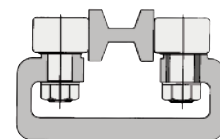
▲▲ Cannot be relubricated.

† Housing thickness should be a minimum of .010 longer than bushing length to provide positive clamping.

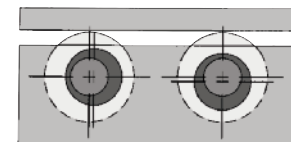
NOTE: Also available in Screwdriver version.

Adjustment for More Precise Positioning of Cam Followers

Hex-drive Socket Cam Followers with a press fit eccentric bushing sleeve provide correct alignment and adjustment without costly preparation of close tolerance mounting holes and members. They eliminate problems of clearances, preloading and wear compensation and assure load sharing in multiple cam follower applications. The Hex-drive socket allows positive torque for locking and adjustment. A lock nut provides adequate clamping to hold bearing in desired position in most applications. Where more positive positioning or permanent locking is required, drill through the housing into the bushing and stud for doweling or set-screw.



Control of Clearance and Adjustment for Wear



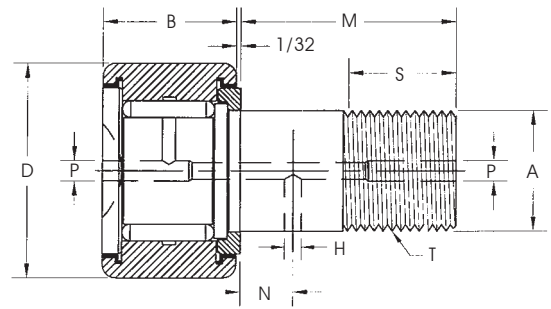
In-line Adjustment Allows Greater Location Tolerance for Mounting Holes

HR & HR-X

Heavy Stud

Screwdriver Slot

Heavy Stud with
Screw-Driver Slot
Sealed or Unsealed
X = Sealed

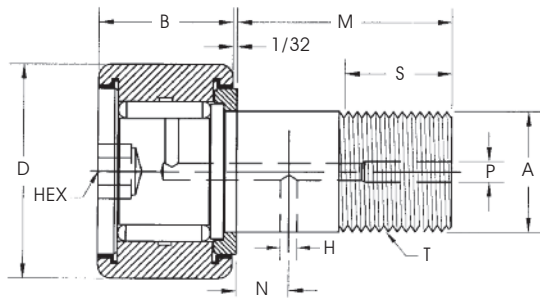


Dimensional Data (inches)

SMITH Bearing® Number		D Roller O.D. +.000 -.001	B Roller Width +.000 -.005	A Stud Dia. +.001 -.000	M Stud Length	S Eff. Thread Min.	T Thread U.N.F. Class 2A	N Oil Hole Location	H Oil Hole Dia.	P Lube Fitting Size	E† Min Boss. Dia.	Recom. Bore +.0005 -.0000	Recom. Torque (lbs-in)	Basic Dynamic Rating (lbs)	Max Static Capacity (lbs)
UNSEALED	SEALED														
HR-1/2	HR-1/2-X	.500	.375	.250	5/8	1/4	1/4-28	-	-	*1/8	19/64	.2500	50	970	1590
HR-5/8	HR-5/8-X	.625	.437	.3125	3/4	5/16	5/16-24	-	-	*1/8	23/64	.3125	75	1210	2500
HR-3/4	HR-3/4-X	.750	.500	.4375	7/8	3/8	7/16-20	1/4	3/32	3/16	1/2	.4375	300	2140	4150
HR-7/8	HR-7/8-X	.875													
HR-1	HR-1-X	1.000	.625	.625	1	1/2	5/8-18	1/4	3/32	3/16	3/4	.6250	500	2850	6200
HR-1 1/8	HR-1 1/8-X	1.125													
HR-1 1/4	HR-1 1/4-X	1.250	.750	.750	1 1/4	5/8	3/4-16	5/16	3/32	3/16	7/8	.7500	1000	4060	8600
HR-1 3/8	HR-1 3/8-X	1.375													
HR-1 1/2	HR-1 1/2-X	1.500	.875	.875	1 1/2	3/4	7/8-14	3/8	3/32	3/16	15/16	.8750	2000	5330	11300
HR-1 5/8	HR-1 5/8-X	1.625													
HR-1 3/4	HR-1 3/4-X	1.750	1.000	1.000	1 3/4	7/8	1-14	7/16	3/32	3/16	1 3/32	1.0000	2500	7600	15870
HR-1 7/8	HR-1 7/8-X	1.875													
HR-2	HR-2-X	2.000	1.250	1.125	2	1	1 1/8-12	1/2	5/32	3/16	1 7/32	1.1250	3000	10050	22000
HR-2 1/4	HR-2 1/4-X	2.250													
HR-2 1/2	HR-2 1/2-X	2.500	1.500	1.250	2 1/4	1 1/8	1 1/4-12	9/16	5/32	3/16	1 5/16	1.2500	4000	15280	33000
HR-2 3/4	HR-2 3/4-X	2.750													
HR-3	HR-3-X	3.000	1.750	1.500	2 1/2	1 1/4	1 1/2-12	5/8	5/32	1/4	1 3/4	1.5000	5000	20200	49900
HR-3 1/4	HR-3 1/4-X	3.250													
HR-3 1/2	HR-3 1/2-X	3.500	2.000	1.750	2 3/4	1 3/8	1 3/4-12	11/16	5/32	1/4	1 15/16	1.7500	6000	29660	63300
HR-4	HR-4-X	4.000	2.250	2.000	3 1/2	1 1/2	2-12	3/4	5/32	1/4	2 1/4	2.0000	8000	35980	90000

* Relubricate through head end only.

† See Page 5 in Engineering Section.



HR-B & HR-XB

Heavy Stud

Hex-Drive Socket

Heavy Stud with Hex-Drive Socket Sealed or Unsealed
X = Sealed

Dimensional Data (inches)

SMITH Bearing® Number		D Roller O.D. +.000 -.001	B Roller Width +.000 -.005	A Stud Dia. +.001 -.000	M Stud Length	S Eff. Thread Min.	T Thread U.N.F. Class 2A	HEX Size	N Oil Hole Location	H Oil Hole Dia.	P Lube Fitting Size ▲	E† Min Boss. Dia.	Recom. Bore +.0005 -.0000	Recom. Torque (lbs-in)	Basic Dynamic Rating (lbs)	Max Static Capacity (lbs)
UNSEALED	SEALED															
HR-1/2-B	HR-1/2-XB	.500	.375	.250	5/8	1/4	1/4-28	1/8	-	-	▲▲	19/64	.2500	50	970	1590
HR-5/8-B	HR-5/8-XB	.625	.437	.3125	3/4	5/16	5/16-24	1/8	-	-	▲▲	23/64	.3125	75	1210	2500
HR-3/4-B	HR-3/4-XB	.750	.500	.4375	7/8	3/8	7/16-20	3/16	1/4	3/32	3/16	1/2	.4375	300	2140	4150
HR-7/8-B	HR-7/8-XB	.875														
HR-1-B	HR-1-XB	1.000	.625	.625	1	1/2	5/8-18	1/4	1/4	3/32	3/16	3/4	.6250	500	2850	6200
HR-1 1/8-B	HR-1 1/8-XB	1.125														
HR-1 1/4-B	HR-1 1/4-XB	1.250	.750	.750	1 1/4	5/8	3/4-16	1/4	5/16	3/32	3/16	7/8	.7500	1000	4060	8600
HR-1 3/8-B	HR-1 3/8-XB	1.375														
HR-1 1/2-B	HR-1 1/2-XB	1.500	.875	.875	1 1/2	3/4	7/8-14	5/16	3/8	3/32	3/16	15/16	.8750	2000	5330	11300
HR-1 5/8-B	HR-1 5/8-XB	1.625														
HR-1 3/4-B	HR-1 3/4-XB	1.750	1.000	1.000	1 3/4	7/8	1-14	5/16	7/16	3/32	3/16	1 3/32	1.0000	2500	7600	15870
HR-1 7/8-B	HR-1 7/8-XB	1.875														
HR-2-B	HR-2-XB	2.000	1.250	1.125	2	1	1 1/8-12	7/16	1/2	5/32	3/16	1 7/32	1.1250	3000	10050	22000
HR-2 1/4-B	HR-2 1/4-XB	2.250														
HR-2 1/2-B	HR-2 1/2-XB	2.500	1.500	1.250	2 1/4	1 1/8	1 1/4-12	1/2	9/16	5/32	3/16	1 5/16	1.2500	4000	15280	33000
HR-2 3/4-B	HR-2 3/4-XB	2.750														
HR-3-B	HR-3-XB	3.000	1.750	1.500	2 1/2	1 1/4	1 1/2-12	5/8	5/8	5/32	1/4	1 3/4	1.5000	5000	20200	49900
HR-3 1/4-B	HR-3 1/4-XB	3.250														
HR-3 1/2-B	HR-3 1/2-XB	3.500	2.000	1.750	2 3/4	1 3/8	1 3/4-12	5/8	11/16	5/32	1/4	1 15/16	1.7500	6000	29660	63300
HR-4-B	HR-4-XB	4.000	2.250	2.000	3 1/2	1 1/2	2-12	3/4	3/4	5/32	1/4	2 1/4	2.0000	8000	35980	90000

▲ Relubricate through threaded end only.

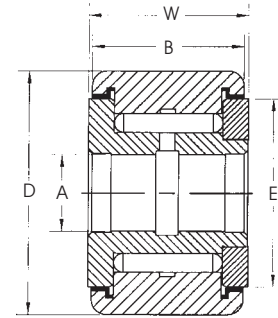
▲▲ Cannot be relubricated.

† See Page 5 in Engineering Section.

YR & YR-X

Yoke Type

for Shaft Mounting
Sealed or Unsealed
X = Sealed

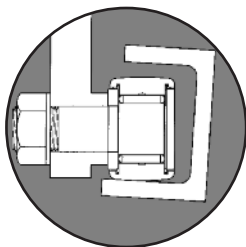
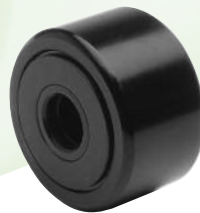


Dimensional Data (inches)

SMITH Bearing® Number		D Roller O.D. +.000 -.001	A Bore Nominal	Tolerance	B Roller Width +.000 -.005	W Overall Width +.005 -.010	E Min Clamping Dia.	Recommended Shaft Dia.				Basic Dynamic Rating (lbs)	Max Static Capacity (lbs)
UNSEALED	SEALED							Slip Fit		Press Fit			
								Max.	Min.	Max.	Min.		
YR-3/4	YR-3/4-X	.750	.2500	+0.0002 -0.0004	.500	.5625	1/2	.2497	.2493	.2505	.2501	2140	4170
YR-7/8	YR-7/8-X	.875											
YR-1	YR-1-X	1.000	.3125		.625	.6875	5/8	.3122	.3118	.3130	.3126	3030	6200
YR-1 1/8	YR-1 1/8-X	1.125											
YR-1 1/4	YR-1 1/4-X	1.250	.3750		.750	.8125	3/4	.3747	.3743	.3755	.3751	4470	8600
YR-1 3/8	YR-1 3/8-X	1.375											
YR-1 1/2	YR-1 1/2-X	1.500	.4375		.875	.9375	57/64	.4372	.4368	.4380	.4376	5560	11300
YR-1 5/8	YR-1 5/8-X	1.625											
YR-1 3/4	YR-1 3/4-X	1.750	.5000		1.000	1.0625	1 3/64	.4997	.4993	.5007	.5003	7870	15870
YR-1 7/8	YR-1 7/8-X	1.875											
YR-2	YR-2-X	2.000	.6250		1.250	1.3125	1 13/64	.6247	.6243	.6257	.6253	10370	22000
YR-2 1/4	YR-2 1/4-X	2.250											
YR-2 1/2	YR-2 1/2-X	2.500	.7500	1.500	1.5625	1 5/16	.7497	.7493	.7507	.7503	15280	33000	
YR-2 3/4	YR-2 3/4-X	2.750											
YR-3	YR-3-X	3.000	1.0000	1.750	1.8125	1 3/4	.9996	.9992	1.0008	1.0003	20200	49900	
YR-3 1/4	YR-3 1/4-X	3.250											
YR-3 1/2	YR-3 1/2-X	3.500	1.1250	+0.0001 -0.0005	2.000	2.0625	2	1.1246	1.1241	1.1258	1.1253	24660	63300
YR-4	YR-4-X	4.000	1.2500		2.250	2.3125	2 1/4	1.2496	1.2491	1.2508	1.2503	35980	90000
	YR-5-X	5.000	1.7500		2.750	2.8750	3	1.7496	1.7491	1.7508	1.7503	49750	136000
	YR-6-X	6.000	2.2500		3.250	3.3750	3 1/2	2.2496	2.2491	2.2508	2.2503	71400	162000

Crowned Cam Followers

INCH SIZES
YOKE & STUD TYPE



CROWNED BEARINGS

Add Suffix "C"

are recommended where the track or cam may impart excessive thrust loading on the bearing due to misalignment.

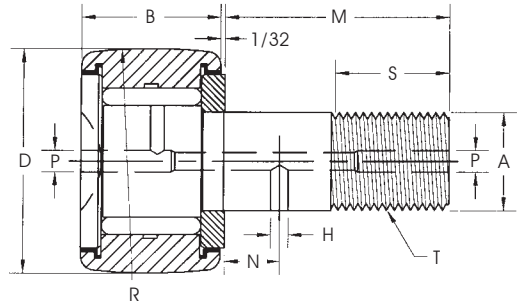
Unwanted edge loading of needle bearings causes skewing and end-thrusting of the needles which contribute to premature bearing failure. In situations where it is difficult to obtain perfect alignment, crowned bearing O.D.'s provide compensation for misalignment between the cam follower and the surface of a slanted track or cam. The outer crowned radius also eliminates skidding of the outer race when bearing is in contact with a flat circular cam.

CR-C & CR-XC

Crowned • Regular Stud

Screwdriver Slot

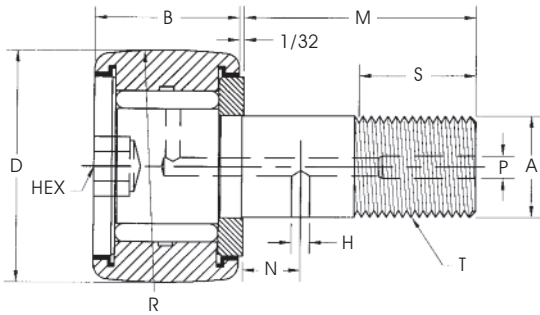
Regular Stud
with Crowned Outer Race
Screw-Driver Slot
Sealed or Unsealed
X = Sealed



Dimensional Data (inches)

SMITH Bearing® Number		D Roller O.D. +.000 -.001	B Roller Width +.000 -.005	A Stud Dia. +.001 -.000	M Stud Length	S Eff. Thread Min.	T Thread U.N.F. Class 2A	N Oil Hole Location	H Oil Hole Dia.	P Lube Fitting Size	E† Min. Boss. Dia.	Recom. Bore +.0005 -.0000	Recom. Torque (lbs-in)	Basic Dynamic Rating (lbs)	Max Static Capacity (lbs)	R Crown Radius (Inches)
UNSEALED	SEALED															
CR-1/2A-C	CR-1/2A-XC	.500	.3440		1/2									870		
CR-1/2-C	CR-1/2-XC	.500	.3750	.190	5/8	1/4	10-32	-	-	*1/8	19/64	.1900	20	970	720	7
CR-9/16-C	CR-9/16-XC	.5625														
CR-5/8A-C	CR-5/8A-XC	.625	.4060		5/8									1210		
CR-5/8-C	CR-5/8-XC	.625	.4375	.250	3/4	5/16	1/4-28	-	-	*1/8	23/64	.2500	50	1320	1250	8
CR-11/16-C	CR-11/16-XC	.6875														
CR-3/4-C	CR-3/4-XC	.750	.5000	.375	7/8	3/8	3/8-24	1/4	3/32	3/16	1/2	.3750	120	2140	2200	10
CR-7/8-C	CR-7/8-XC	.875														
CR-1-C	CR-1-XC	1.000	.6250	.4375	1	1/2	7/16-20	1/4	3/32	3/16	5/8	.4375	350	3030	3100	12
CR-1 1/8-C	CR-1 1/8-XC	1.125														
CR-1 1/4-C	CR-1 1/4-XC	1.250	.7500	.500	1-1/4	5/8	1/2-20	5/16	3/32	3/16	3/4	.5000	500	4470	4300	14
CR-1 3/8-C	CR-1 3/8-XC	1.375														
CR-1 1/2-C	CR-1 1/2-XC	1.500	.8750	.625	1-1/2	3/4	5/8-18	3/8	3/32	3/16	57/64	.6250	1000	5560	5730	20
CR-1 5/8-C	CR-1 5/8-XC	1.625														
CR-1 3/4-C	CR-1 3/4-XC	1.750	1.0000	.750	1 3/4	7/8	3/4-16	7/16	3/32	3/16	1 3/64	.7500	2000	7870	7950	20
CR-1 7/8-C	CR-1 7/8-XC	1.875														
CR-2-C	CR-2-XC	2.000	1.2500	.875	2	1	7/8-14	1/2	5/32	3/16	1 13/64	.8750	2200	10370	10700	24
CR-2 1/4-C	CR-2 1/4-XC	2.250														
CR-2 1/2-C	CR-2 1/2-XC	2.500	1.5000	1.000	2 1/4	1 1/8	1-14	9/16	5/32	3/16	1 5/16	1.0000	3000	15280	16650	30
CR-2 3/4-C	CR-2 3/4-XC	2.750														
CR-3-C	CR-3-XC	3.000	1.7500	1.250	2 1/2	1 1/4	1 1/4-12	5/8	1/4	1/4	1 3/4	1.2500	5000	20200	25200	30
CR-3 1/4-C	CR-3 1/4-XC	3.250														
CR-3 1/2-C	CR-3 1/2-XC	3.500	2.0000	1.375	2 3/4	1 3/8	1 3/8-12	11/16	1/4	1/4	2	1.3750	6000	29660	31800	30
CR-4-C	CR-4-XC	4.000	2.2500	1.500	3 1/2	1 1/2	1 1/2-12	3/4	1/4	1/4	2 1/4	1.5000	7000	35980	45100	30
	CR-5-XBC	Available only in Hex Hole Configuration.														
	CR-6-XBC															

* Relubricate through head end only.
† See Page 5 in Engineering Section.



CR-BC & CR-XBC

Crowned • Regular Stud

Hex-Drive Socket

Regular Stud
with Crowned Outer Race
Hex-Drive Socket
Sealed or Unsealed
X = Sealed

For **Eccentric Sleeve** Add Suffix "E"
Example: **CR-XBEC**. See Page 15.

Dimensional Data (inches)

SMITH Bearing® Number		D Roller O.D. +.000 -.001	B Roller Width +.000 -.005	A Stud Dia. +.001 -.000	M Stud Length	S Eff. Thread Min.	T Thread U.N.F. Class 2A	HEX Size	N Oil Hole Location	H Oil Hole Dia.	P Lube Fitting Size ▲	E† Min Boss. Dia.	Recom. Bore +.0005 -.0000	Recom. Torque (lbs-in)	Basic Dynamic Rating (lbs)	Max Static Capacity (lbs)	R Crown Radius (Inches)
UNSEALED	SEALED																
CR-1/2-BC	CR-1/2-XBC	.500	.3750	.190	5/8	1/4	10-32	1/8	-	-	▲▲	19/64	.1900	20	970	720	7
CR-5/8-BC	CR-5/8-XBC	.625	.4375	.250	3/4	5/16	1/4-28	1/8	-	-	▲▲	23/64	.2500	50	1320	1250	8
CR-3/4-BC	CR-3/4-XBC	.750	.5000	.3750	7/8	3/8	3/8-24	3/16	1/4	3/32	3/16	1/2	.3750	120	2140	3200	10
CR-7/8-BC	CR-7/8-XBC	.875															
CR-1-BC	CR-1-XBC	1.000	.6250	.4375	1	1/2	7/16-20	1/4	1/4	3/32	3/16	5/8	.4375	350	3030	3100	12
CR-1 1/8-BC	CR-1 1/8-XBC	1.125															
CR-1 1/4-BC	CR-1 1/4-XBC	1.250	.7500	.5000	1 1/4	5/8	1/2-20	1/4	5/16	3/32	3/16	3/4	.5000	500	4470	4300	14
CR-1 3/8-BC	CR-1 3/8-XBC	1.375															
CR-1 1/2-BC	CR-1 1/2-XBC	1.500	.8750	.6250	1 1/2	3/4	5/8-18	5/16	3/8	3/32	3/16	57/64	.6250	1000	5560	5730	20
CR-1 5/8-BC	CR-1 5/8-XBC	1.625															
CR-1 3/4-BC	CR-1 3/4-XBC	1.750	1.0000	.7500	1 3/4	7/8	3/4-16	5/16	7/16	3/32	3/16	1 3/64	.7500	2000	7870	7950	20
CR-1 7/8-BC	CR-1 7/8-XBC	1.875															
CR-2-BC	CR-2-XBC	2.000	1.2500	.8750	2	1	7/8-14	7/16	1/2	5/32	3/16	1 13/64	.8750	2200	10370	10700	24
CR-2 1/4-BC	CR-2 1/4-XBC	2.250															
CR-2 1/2-BC	CR-2 1/2-XBC	2.500	1.5000	1.0000	2 1/4	1 1/8	1-14	1/2	9/16	5/32	3/16	1 5/16	1.0000	3000	15280	16650	30
CR-2 3/4-BC	CR-2 3/4-XBC	2.750															
CR-3-BC	CR-3-XBC	3.000	1.7500	1.2500	2 1/2	1 1/4	1 1/4-12	5/8	5/8	1/4	1/4	1 3/4	1.2500	5000	20200	25260	30
CR-3 1/4-BC	CR-3 1/4-XBC	3.250															
CR-3 1/2-BC	CR-3 1/2-XBC	3.500	2.0000	1.3750	2 3/4	1 3/8	1 3/8-12	5/8	11/16	1/4	1/4	2	1.3750	6000	29660	31800	30
CR-4-BC	CR-4-XBC	4.000	2.2500	1.5000	3 1/2	1 1/2	1 1/2-12	3/4	3/4	1/4	1/4	2 1/4	1.5000	7000	35980	45100	30
CR-5-BC	CR-5-XBC	5.000	2.7500	2.0000	5 1/16	2 9/16	2-12	1	-	-	1/4 NPT	3	2.0000	7500	49750	56900	48
CR-6-BC	CR-6-XBC	6.000	3.2500	2.2500	6	3	2 1/2-12	1	-	-	1/4 NPT	3 1/2	2.5000	7500	71400	94000	56

▲ Relubricate through threaded end only.

▲▲ Cannot be relubricated.

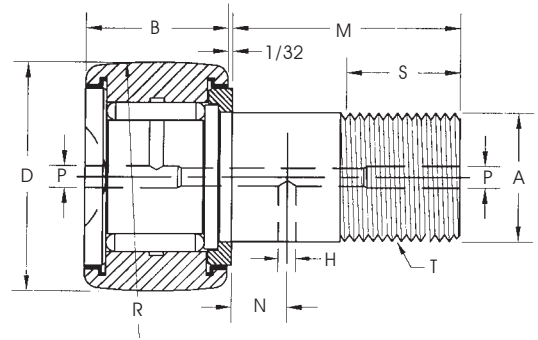
† See Page 5 in Engineering Section.

HR-C & HR-XC

Crowned • Heavy Stud

Screwdriver Slot

Heavy Stud
with Crowned Outer Race
Screw-Driver Slot
Sealed or Unsealed
X = Sealed

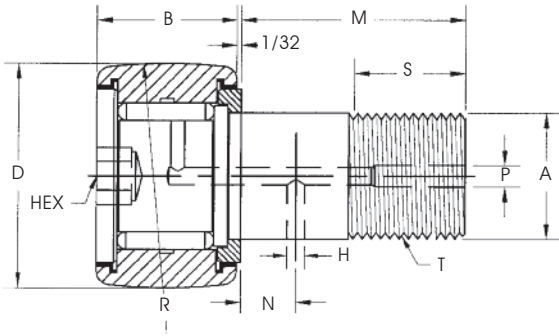


Dimensional Data (inches)

SMITH Bearing® Number		D Roller O.D. +.000 -.001	B Roller Width +.000 -.005	A Stud Dia. +.001 -.000	M Stud Length	S Eff. Thread Min.	T Thread U.N.F. Class 2A	N Oil Hole Location	H Oil Hole Dia.	P Lube Fitting Size	E† Min. Boss. Dia.	Recom. Bore +.0005 -.0000	Recom. Torque (lbs-in)	Basic Dynamic Rating (lbs)	Max Static Capacity (lbs)	R Radius Crown (Inches)
UNSEALED	SEALED															
HR-1/2-C	HR-1/2-XC	.500	.375	.250	5/8	1/4	1/4-28	-	-	*1/8	19/64	.2500	50	970	1590	7
HR-5/8-C	HR-5/8-XC	.625	.437	.3125	3/4	5/16	5/16-24	-	-	*1/8	23/64	.3125	75	1210	2500	8
HR-3/4-C	HR-3/4-XC	.750	.500	.4375	7/8	3/8	7/16-20	1/4	3/32	3/16	1/2	.4375	300	2140	4150	10
HR-7/8-C	HR-7/8-XC	.875														
HR-1-C	HR-1-XC	1.000	.625	.625	1	1/2	5/8-18	1/4	3/32	3/16	3/4	.6250	500	2850	6200	12
HR-1 1/8-C	HR-1 1/8-XC	1.125														
HR-1 1/4-C	HR-1 1/4-XC	1.250	.750	.750	1 1/4	5/8	3/4-16	5/16	3/32	3/16	7/8	.7500	1000	4060	8690	14
HR-1 3/8-C	HR-1 3/8-XC	1.375														
HR-1 1/2-C	HR-1 1/2-XC	1.500	.875	.875	1 1/2	3/4	7/8-14	3/8	3/32	3/16	15/16	.8750	2000	5330	11300	20
HR-1 5/8-C	HR-1 5/8-XC	1.625														
HR-1 3/4-C	HR-1 3/4-XC	1.750	1.000	1.000	1 3/4	7/8	1-14	7/16	3/32	3/16	1 3/32	1.000	2500	7600	15870	20
HR-1 7/8-C	HR-1 7/8-XC	1.875														
HR-2-C	HR-2-XC	2.000	1.250	1.125	2	1	1 1/8-12	1/2	5/32	3/16	1 7/32	1.1250	3000	10050	22000	24
HR-2 1/4-C	HR-2 1/4-XC	2.250														
HR-2 1/2-C	HR-2 1/2-XC	2.500	1.500	1.250	2 1/4	1 1/8	1 1/4-12	9/16	5/32	3/16	1 5/16	1.2500	4000	15280	33000	30
HR-2 3/4-C	HR-2 3/4-XC	2.750														
HR-3-C	HR-3-XC	3.000	1.750	1.500	2 1/2	1 1/4	1 1/2-12	5/8	5/32	1/4	1 3/4	1.5000	5000	20200	49900	30
HR-3 1/4-C	HR-3 1/4-XC	3.250														
HR-3 1/2-C	HR-3 1/2-XC	3.500	2.000	1.750	2 3/4	1 3/8	1 3/4-12	11/16	5/32	1/4	1 15/16	1.7500	6000	29660	63300	30
HR-4-C	HR-4-XC	4.000	2.250	2.000	3 1/2	1 1/2	2-12	3/4	5/32	1/4	2 1/4	2.0000	8000	35980	90000	30

* Cannot be relubricated through threaded end.

† See Page 5 in Engineering Section.



HR-BC & HR-XBC

Crowned • Heavy Stud

Hex-Drive Socket

Heavy Stud
with Crowned Outer Race
Hex-Drive Socket
Sealed or Unsealed
X = Sealed

Dimensional Data (inches)

SMITH Bearing® Number		D Roller O.D. +.000 -.001	B Roller Width +.000 -.005	A Stud Dia. +.001 -.000	M Stud Length	S Eff. Thread Min.	T Thread U.N.F. Class 2A	HEX Size	N Oil Hole Location	H Oil Hole Dia.	P Lube Fitting Size ▲	† Min Boss. Dia.	Recom. Bore +.0005 -.0000	Recom. Torque (lbs-in)	Basic Dynamic Rating (lbs)	Max Static Capacity (lbs)	R Crown Radius (Inches)
UNSEALED	SEALED																
HR-1/2-BC	HR-1/2-XBC	.500	.375	.2500	5/8	1/4	1/4-28	1/8	-	-	▲▲	19/64	.2500	50	970	1590	7
HR-5/8-BC	HR-5/8-XBC	.625	.437	.3125	3/4	5/16	5/16-24	1/8	-	-	▲▲	23/64	.3125	75	1210	2500	8
HR-3/4-BC	HR-3/4-XBC	.750	.500	.4375	7/8	3/8	7/16-20	3/16	1/4	3/32	3/16	1/2	.4375	300	2140	4150	10
HR-7/8-BC	HR-7/8-XBC	.875															
HR-1-BC	HR-1-XBC	1.000	.625	.6250	1	1/2	5/8-18	1/4	1/4	3/32	3/16	3/4	.6250	500	2850	6200	12
HR-1 1/8-BC	HR-1 1/8-XBC	1.125															
HR-1 1/4-BC	HR-1 1/4-XBC	1.250	.750	.7500	1 1/4	5/8	3/4-16	1/4	5/16	3/32	3/16	7/8	.7500	1000	4060	8600	14
HR-1 3/8-BC	HR-1 3/8-XBC	1.375															
HR-1 1/2-BC	HR-1 1/2-XBC	1.500	.875	.8750	1 1/2	3/4	7/8-14	5/16	3/8	3/32	3/16	15/16	.8750	2000	5330	11300	20
HR-1 5/8-BC	HR-1 5/8-XBC	1.625															
HR-1 3/4-BC	HR-1 3/4-XBC	1.750	1.000	1.0000	1 3/4	7/8	1-14	5/16	7/16	3/32	3/16	1 3/32	1.0000	2500	7600	15870	20
HR-1 7/8-BC	HR-1 7/8-XBC	1.875															
HR-2-BC	HR-2-XBC	2.000	1.250	1.1250	2	1	1 1/8-12	7/16	1/2	5/32	3/16	1 7/32	1.1250	3000	10050	22000	24
HR-2 1/4-BC	HR-2 1/4-XBC	2.250															
HR-2 1/2-BC	HR-2 1/2-XBC	2.500	1.500	1.2500	2 1/4	1 1/8	1 1/4-12	1/2	9/16	5/32	3/16	1 5/16	1.2500	4000	15280	33000	30
HR-2 3/4-BC	HR-2 3/4-XBC	2.750															
HR-3-BC	HR-3-XBC	3.000	1.750	1.5000	2 1/2	1 1/4	1 1/2-12	5/8	5/8	5/32	1/4	1 3/4	1.5000	5000	20200	49900	30
HR-3 1/4-BC	HR-3 1/4-XBC	3.250															
HR-3 1/2-BC	HR-3 1/2-XBC	3.500	2.000	1.7500	2 3/4	1 3/8	1 3/4-12	5/8	11/16	5/32	1/4	1 15/16	1.7500	6000	29660	63000	30
HR-4-BC	HR-4-XBC	4.000	2.250	2.0000	3 1/2	1 1/2	2-12	3/4	3/4	5/32	1/4	2 1/4	2.0000	8000	35980	90000	30

▲ Relubricate through threaded end only.

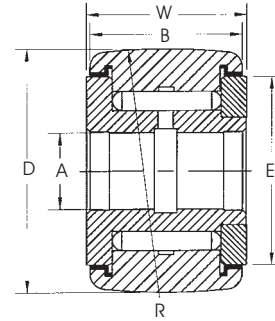
▲▲ Cannot be relubricated.

† See Page 5 in Engineering Section.

YR-C & YR-XC

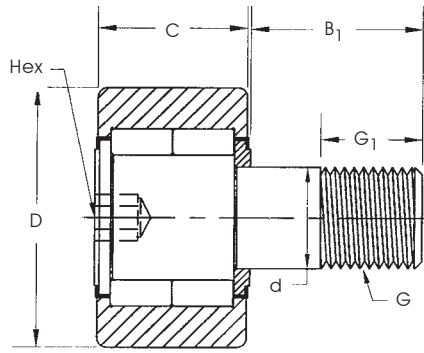
Crowned • Yoke Type

Crowned Outer Race
for Shaft Mounting
Sealed or Unsealed
X = Sealed



Dimensional Data (inches)

SMITH Bearing® Number		D Roller O.D. +.000 -.001	A Bore Nominal	Tolerance	B Roller Width +.000 -.005	W Overall Width +.005 -.010	E Min Clamping Dia.	Recommended Shaft Dia.				Basic Dynamic Rating (lbs)	Max Static Capacity (lbs)	R Crown Radius (Inches)
UNSEALED	SEALED							Slip Fit		Press Fit				
								Max.	Min.	Max.	Min.			
YR-3/4-C	YR-3/4-XC	.750	.2500	+0.002 -0.004	.500	.5625	1/2	.2497	.2493	.2505	.2501	2140	4170	10
YR-7/8-C	YR-7/8-XC	.875												
YR-1-C	YR-1-XC	1.000	.3125	+0.002 -0.004	.625	.6875	5/8	.3122	.3118	.3130	.3126	3030	6200	12
YR-1 1/8-C	YR-1 1/8-XC	1.125												
YR-1 1/4-C	YR-1 1/4-XC	1.250	.3750	+0.002 -0.004	.750	.8125	3/4	.3747	.3743	.3755	.3751	44700	8600	14
YR-1 3/8-C	YR-1 3/8-XC	1.375												
YR-1 1/2-C	YR-1 1/2-XC	1.500	.4375	+0.002 -0.004	.875	.9375	57/64	.4372	.4368	.4380	.4376	5560	11300	20
YR-1 5/8-C	YR-1 5/8-XC	1.625												
YR-1 3/4-C	YR-1 3/4-XC	1.750	.5000	+0.002 -0.004	1.000	1.0625	1 3/64	.4997	.4993	.5007	.5003	7870	15870	20
YR-1 7/8-C	YR-1 7/8-XC	1.875												
YR-2-C	YR-2-XC	2.000	.6250	+0.002 -0.004	1.250	1.3125	1 13/64	.6247	.6243	.6257	.6253	10370	22000	24
YR-2 1/4-C	YR-2 1/4-XC	2.250												
YR-2 1/2-C	YR-2 1/2-XC	2.500	.7500	+0.002 -0.004	1.500	1.5625	1 5/16	.7497	.7493	.7507	.7503	15280	33000	30
YR-2 3/4-C	YR-2 3/4-XC	2.750												
YR-3-C	YR-3-XC	3.000	1.0000	+0.001 -0.005	1.750	1.8125	1 3/4	.9996	.9992	1.0008	1.0003	20200	49900	30
YR-3 1/4-C	YR-3 1/4-XC	3.250												
YR-3 1/2-C	YR-3 1/2-XC	3.500	1.1250	+0.001 -0.005	2.000	2.0625	2	1.1246	1.1241	1.1258	1.1253	29660	63300	30
YR-4-C	YR-4-XC	4.000												
	YR-5-XC	5.000	1.7500	+0.001 -0.005	2.750	2.8750	3	1.7496	1.7491	1.7508	1.7503	49750	136000	48
	YR-6-XC	6.000	2.2500											



DCR

Double Row • Heavy Roller

Stud Type

Shielded • Full Complement

Hex-Drive Socket

General Information

The **SMITH DCR** series is designed to meet higher performance requirements than standard single row needle roller bearings. Bearings are provided with a double row of **Heavy Duty Rollers**, thicker outer ring and full contact seals for improved grease retention and longer life. Consult our Engineering Department for special variations.

Bearings are dimensionally interchangeable, however internal design varies between manufacturers.

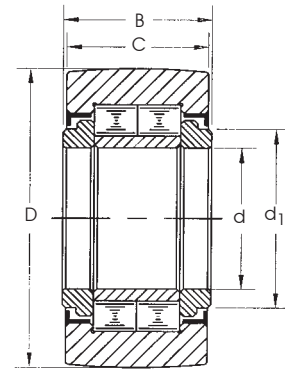
INTERCHANGE

SMITH®	RBC
DCR-1 ¹ / ₂	RBC-1 ¹ / ₂
DCR-1 ⁵ / ₈	RBC-1 ⁵ / ₈
DCR-1 ³ / ₄	RBC-1 ³ / ₄
DCR-1 ⁷ / ₈	RBC-1 ⁷ / ₈
DCR-2	RBC-2
DCR-2 ¹ / ₄	RBC-2 ¹ / ₄
DCR-2 ¹ / ₂	RBC-2 ¹ / ₂
DCR-2 ³ / ₄	RBC-2 ³ / ₄
DCR-3	RBC-3
DCR-3 ¹ / ₄	RBC-3 ¹ / ₄
DCR-3 ¹ / ₂	RBC-3 ¹ / ₂
DCR-4	RBC-4
DCR-5	RBC-5
DCR-6	RBC-6

Dimensional Data (inches)

SMITH Bearing® Number	D Roller O.D. +.000 -0.001	C Roller Width +.000 -0.005	d Stud Dia. +.001 -0.000	B1 Stud Length	G1 Eff. Thread Min.	G Thread U.N.F. Class 2A	HEX Size	Bearing Dynamic Capacity (lbs)	Bearing Static Capacity (lbs)	Max. Allow Load (lbs)	Track Capacity at 40RC (lbs)	Max. Clamp Torque (lbs-ft)
SEALED												
DCR-1 ¹ / ₂	1.500	.875	.625	1.500	.750	5/8-18	3/8	5,660	6,180	2,470	3,260	32
DCR-1 ⁵ / ₈	1.625	.875	.625	1.500	.750	5/8-18	3/8	5,660	6,180	2,890	3,530	32
DCR-1 ³ / ₄	1.750	1.000	.750	1.750	.875	3/4-16	3/8	8,400	10,800	3,200	4,460	62
DCR-1 ⁷ / ₈	1.875	1.000	.750	1.750	.875	3/4-16	3/8	8,400	10,800	3,910	4,750	62
DCR-2	2.000	1.250	.875	2.000	1.000	7/8-14	1/2	12,800	17,700	5,400	6,400	75
DCR-2 ¹ / ₄	2.250	1.250	.875	2.000	1.000	7/8-14	1/2	12,800	17,700	6,800	7,200	75
DCR-2 ¹ / ₂	2.500	1.500	1.000	2.250	1.125	1-14	9/16	17,300	20,800	9,000	9,200	108
DCR-2 ³ / ₄	2.750	1.500	1.000	2.250	1.125	1-14	9/16	17,300	20,800	10,800	10,200	108
DCR-3	3.000	1.750	1.250	2.500	1.250	1 ¹ / ₄ -12	5/8	29,700	40,200	14,700	13,100	166
DCR-3 ¹ / ₄	3.250	1.750	1.250	2.500	1.250	1 ¹ / ₄ -12	5/8	29,700	40,200	17,500	14,100	166
DCR-3 ¹ / ₂	3.500	2.000	1.375	2.750	1.375	1 ³ / ₈ -12	5/8	37,000	49,500	21,000	17,000	208
DCR-4	4.000	2.250	1.500	3.500	1.500	1 ¹ / ₂ -12	3/4	46,700	58,800	23,400	21,600	250
DCR-5	5.000	2.750	2.000	5.062	1.563	2-12	1	72,400	98,400	43,300	34,420	250
DCR-6	6.000	3.250	2.500	6.000	3.000	2 ¹ / ₂ -12	1	93,800	160,000	59,500	50,500	250

- 1) Add suffix "C" for Crowned Outer Race. Example: **DCR-2-C**.
- 2) Lubrication Holes available upon request.
- 3) Available Unsealed upon request.

DYR**Double Row • Heavy Roller****Yoke Type****Shielded • Full Complement****INTERCHANGE**

SMITH®	RBC
DYR-1 ¹ / ₂	RBV-1 ¹ / ₂
DYR-1 ⁵ / ₈	RBV-1 ⁵ / ₈
DYR-1 ³ / ₄	RBV-1 ³ / ₄
DYR-1 ⁷ / ₈	RBV-1 ⁷ / ₈
DYR-2	RBV-2
DYR-2 ¹ / ₄	RBV-2 ¹ / ₄
DYR-2 ¹ / ₂	RBV-2 ¹ / ₂
DYR-2 ³ / ₄	RBV-2 ³ / ₄
DYR-3	RBV-3
DYR-3 ¹ / ₄	RBV-3 ¹ / ₄
DYR-3 ¹ / ₂	RBV-3 ¹ / ₂
DYR-4	RBV-4
DYR-5	RBV-5
DYR-6	RBV-6

General Information

The **SMITH DYR** series is designed to meet higher performance requirements than standard single row needle roller bearings. Bearings are provided with a double row of **Heavy Duty Rollers**, thicker outer ring and full contact seals for improved grease retention and longer life. Consult our Engineering Department for special variations.

Bearings are dimensionally interchangeable, however internal design varies between manufacturers.

Dimensional Data (inches)

SMITH Bearing® Number	D Roller O.D. +.000 -.001	d Bore Diameter	Tolerance	C Roller Width +.000 -.005	B Overall Width +.005 -.010	d1 Shoulder Diameter	Bearing Dynamic Capacity (lbs)	Bearing Static Capacity (lbs)	Max Allow. Load (lbs)	Track Capacity at 40 RC (lbs)
SEALED										
DYR-1 ¹ / ₂	1.500	.4375	+.0002 -.0004	.875	.9375	.750	5,660	6,180	3,200	3,260
DYR-1 ⁵ / ₈	1.625	.4375		.875	.9375	.750	5,660	6,180	3,420	3,530
DYR-1 ³ / ₄	1.750	.500		1.000	1.0625	1.000	8,400	10,800	4,100	4,460
DYR-1 ⁷ / ₈	1.875	.500		1.000	1.0625	1.000	8,400	10,800	5,480	4,750
DYR-2	2.000	.625		1.250	1.3125	1.125	12,800	17,700	7,050	6,400
DYR-2 ¹ / ₄	2.250	.625		1.250	1.3125	1.125	12,800	17,700	10,980	7,200
DYR-2 ¹ / ₂	2.500	.750		1.500	1.5625	1.250	17,300	20,800	13,300	9,200
DYR-2 ³ / ₄	2.750	.750	1.500	1.5625	1.250	17,300	20,800	17,200	10,200	
DYR-3	3.000	1.000	+.0001 -.0005	1.750	1.8125	1.500	29,700	40,200	18,800	13,100
DYR-3 ¹ / ₄	3.250	1.000		1.750	1.8125	1.500	29,700	40,200	26,200	14,100
DYR-3 ¹ / ₂	3.500	1.125		2.000	2.0625	1.625	37,000	49,500	28,700	17,000
DYR-4	4.000	1.250		2.250	2.3125	1.750	46,700	58,800	30,500	21,600
DYR-5	5.000	1.750		2.750	2.8750	2.250	72,400	98,400	56,600	34,420
DYR-6	6.000	2.250		3.250	3.3750	3.000	93,800	160,000	76,000	50,500

- 1) Add suffix "C" for Crowded Outer Race. Example: **DYR-2-C**.
- 2) Lubrication Holes available upon request.
- 3) Available Unsealed upon request.

INTERCHANGE TABLES

Unsealed Cam Followers

Regular Stud • Unsealed

SMITH®	McGill	RBC	Torrington
CR - 1/2-A	CF - 1/2-N	—	CR - 8
CR - 1/2	CF - 1/2	S - 16	CR - 8-1
CR - 9/16	CF - 9/16	S - 18	—
CR - 5/8-A	CF - 5/8-N	—	CR - 10
CR - 5/8	CF - 5/8	S - 20	CR - 10-1
CR - 11/16	CF - 11/16	S - 22	—
CR - 3/4	CF - 3/4	S - 24	CR - 12
CR - 7/8	CF - 7/8	S - 28	CR - 14
CR - 1	CF - 1	S - 32	CR - 16
CR - 1 1/8	CF - 1 1/8	S - 36	CR - 18
CR - 1 1/4	CF - 1 1/4	S - 40	CR - 20
CR - 1 3/8	CF - 1 3/8	S - 44	CR - 22
CR - 1 1/2	CF - 1 1/2	S - 48	CR - 24
CR - 1 5/8	CF - 1 5/8	S - 52	CR - 26
CR - 1 3/4	CF - 1 3/4	S - 56	CR - 28
CR - 1 7/8	CF - 1 7/8	S - 60	CR - 30
CR - 2	CF - 2	S - 64	CR - 32
CR - 2 1/4	CF - 2 1/4	S - 72	CR - 36
CR - 2 1/2	CF - 2 1/2	S - 80	CR - 40
CR - 2 3/4	CF - 2 3/4	S - 88	CR - 44
CR - 3	CF - 3	S - 96	CR - 48
CR - 3 1/4	CF - 3 1/4	S - 104	CR - 52
CR - 3 1/2	CF - 3 1/2	S - 112	CR - 56
CR - 4	CF - 4	S - 128	CR - 64
CR - 5	CF - 5	S - 160	CR - 80
CR - 6	CF - 6	S - 192	CR - 96

Heavy Stud • Unsealed

SMITH®	McGill	RBC
HR - 1/2	CFH - 1/2	H-16
HR - 5/8	CFH - 5/8	H-20
HR - 3/4	CFH - 3/4	H-24
HR - 7/8	CFH - 7/8	H-28
HR - 1	CFH - 1	H-32
HR - 1 1/8	CFH - 1 1/8	H-36
HR - 1 1/4	CFH - 1 1/4	H-40
HR - 1 3/8	CFH - 1 3/8	H-44
HR - 1 1/2	CFH - 1 1/2	H-48
HR - 1 5/8	CFH - 1 5/8	H-52
HR - 1 3/4	CFH - 1 3/4	H-56
HR - 1 7/8	CFH - 1 7/8	H-60
HR - 2	CFH - 2	H-64
HR - 2 1/4	CFH - 2 1/4	H-72
HR - 2 1/2	CFH - 2 1/2	H-80
HR - 2 3/4	CFH - 2 3/4	H-88
HR - 3	CFH - 3	H-96
HR - 3 1/4	CFH - 3 1/4	H-104
HR - 3 1/2	CFH - 3 1/2	H-112
HR - 4	CFH - 4	H-128

Yoke Roller • Unsealed

SMITH®	McGill	RBC	Torrington
YR - 3/4	CYR - 3/4	Y-24	YCR - 12
YR - 7/8	CYR - 7/8	Y-28	YCR - 14
YR - 1	CYR - 1	Y-32	YCR - 16
YR - 1 1/8	CYR - 1 1/8	Y-36	YCR - 18
YR - 1 1/4	CYR - 1 1/4	Y-40	YCR - 20
YR - 1 3/8	CYR - 1 3/8	Y-44	YCR - 22
YR - 1 1/2	CYR - 1 1/2	Y-48	YCR - 24
YR - 1 5/8	CYR - 1 5/8	Y-52	YCR - 26
YR - 1 3/4	CYR - 1 3/4	Y-56	YCR - 28
YR - 1 7/8	CYR - 1 7/8	Y-60	YCR - 30
YR - 2	CYR - 2	Y-64	YCR - 32
YR - 2 1/4	CYR - 2 1/4	Y-72	YCR - 36
YR - 2 1/2	CYR - 2 1/2	Y-80	YCR - 40
YR - 2 3/4	CYR - 2 3/4	Y-88	YCR - 44
YR - 3	CYR - 3	Y-96	YCR - 48
YR - 3 1/4	CYR - 3 1/4	Y-104	YCR - 52
YR - 3 1/2	CYR - 3 1/2	Y-112	YCR - 56
YR - 4	CYR - 4	Y-128	YCR - 64
YR - 5	CYR - 5	Y-160	YCR - 80
YR - 6	CYR - 6	Y-192	YCR - 96

Optional Features	SMITH®	McGill	RBC	Torrington
Hex-Drive	Add Suffix "B"	Add Suffix "B"	Add Suffix "W"	Add Prefix "B"
Eccentric	Add Suffix "E"	Add Suffix "E"	Add Suffix "X"	Add Prefix "E"
Crowned O.D.	Add Suffix "C"	Add Prefix "C"	Add Prefix "C"	Add Prefix "C"

INTERCHANGE TABLES

Sealed Cam Followers

Regular Stud • Sealed

SMITH®	McGill	RBC	Torrington
CR - 1/2-AX	CF - 1/2-N-S	—	CRS - 8
CR - 1/2-X	CF - 1/2-S	S - 16 -L	CRS - 8-1
CR - 9/16-X	CF - 9/16-S	S - 18 -L	—
CR - 5/8-AX	CF - 5/8-N-S	—	CRS - 10
CR - 5/8-X	CF - 5/8-S	S - 20 -L	CRS - 10-1
CR - 11/16-X	CF - 11/16-S	S - 22 -L	—
CR - 3/4-X	CF - 3/4-S	S - 24 -L	CRS - 12
CR - 7/8-X	CF - 7/8-S	S - 28 -L	CRS - 14
CR - 1-X	CF - 1-S	S - 32 -L	CRS - 16
CR - 1 1/8-X	CF - 1 1/8-S	S - 36 -L	CRS - 18
CR - 1 1/4-X	CF - 1 1/4-S	S - 40 -L	CRS - 20
CR - 1 3/8-X	CF - 1 3/8-S	S - 44 -L	CRS - 22
CR - 1 1/2-X	CF - 1 1/2-S	S - 48 -L	CRS - 24
CR - 1 5/8-X	CF - 1 5/8-S	S - 52 -L	CRS - 26
CR - 1 3/4-X	CF - 1 3/4-S	S - 56 -L	CRS - 28
CR - 1 7/8-X	CF - 1 7/8-S	S - 60 -L	CRS - 30
CR - 2-X	CF - 2-S	S - 64 -L	CRS - 32
CR - 2 1/4-X	CF - 2 1/4-S	S - 72 -L	CRS - 36
CR - 2 1/2-X	CF - 2 1/2-S	S - 80 -L	CRS - 40
CR - 2 3/4-X	CF - 2 3/4-S	S - 88 -L	CRS - 44
CR - 3-X	CF - 3-S	S - 96 -L	CRS - 48
CR - 3 1/4-X	CF - 3 1/4-S	S - 104-L	CRS - 52
CR - 3 1/2-X	CF - 3 1/2-S	S - 112-L	CRS - 56
CR - 4-X	CF - 4-S	S - 128-L	CRS - 64
CR - 5-X	CF - 5-S	S - 160-L	CRS - 80
CR - 6-X	CF - 6-S	S - 192-L	CRS - 96

Heavy Stud • Sealed

SMITH®	McGill	RBC
HR - 1/2-X	CFH - 1/2-S	H-16 -L
HR - 5/8-X	CFH - 5/8-S	H-20 -L
HR - 3/4-X	CFH - 3/4-S	H-24 -L
HR - 7/8-X	CFH - 7/8-S	H-28 -L
HR - 1-X	CFH - 1-S	H-32 -L
HR - 1 1/8-X	CFH - 1 1/8-S	H-36 -L
HR - 1 1/4-X	CFH - 1 1/4-S	H-40 -L
HR - 1 3/8-X	CFH - 1 3/8-S	H-44 -L
HR - 1 1/2-X	CFH - 1 1/2-S	H-48 -L
HR - 1 5/8-X	CFH - 1 5/8-S	H-52 -L
HR - 1 3/4-X	CFH - 1 3/4-S	H-56 -L
HR - 1 7/8-X	CFH - 1 7/8-S	H-60 -L
HR - 2-X	CFH - 2-S	H-64 -L
HR - 2 1/4-X	CFH - 2 1/4-S	H-72 -L
HR - 2 1/2-X	CFH - 2 1/2-S	H-80 -L
HR - 2 3/4-X	CFH - 2 3/4-S	H-88 -L
HR - 3-X	CFH - 3-S	H-96 -L
HR - 3 1/4-X	CFH - 3 1/4-S	H-104 -L
HR - 3 1/2-X	CFH - 3 1/2-S	H-112 -L
HR - 4-X	CFH - 4-S	H-128 -L

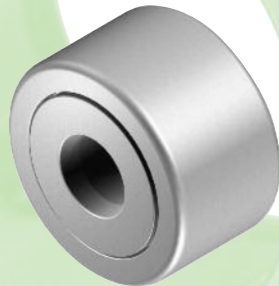
Yoke Roller • Sealed

SMITH®	McGill	RBC	Torrington
YR - 3/4-X	CYR - 3/4-S	Y-24 -L	YCRS - 12
YR - 7/8-X	CYR - 7/8-S	Y-28 -L	YCRS - 14
YR - 1-X	CYR - 1-S	Y-32 -L	YCRS - 16
YR - 1 1/8-X	CYR - 1 1/8-S	Y-36 -L	YCRS - 18
YR - 1 1/4-X	CYR - 1 1/4-S	Y-40 -L	YCRS - 20
YR - 1 3/8-X	CYR - 1 3/8-S	Y-44 -L	YCRS - 22
YR - 1 1/2-X	CYR - 1 1/2-S	Y-48 -L	YCRS - 24
YR - 1 5/8-X	CYR - 1 5/8-S	Y-52 -L	YCRS - 26
YR - 1 3/4-X	CYR - 1 3/4-S	Y-56 -L	YCRS - 28
YR - 1 7/8-X	CYR - 1 7/8-S	Y-60 -L	YCRS - 30
YR - 2-X	CYR - 2-S	Y-64 -L	YCRS - 32
YR - 2 1/4-X	CYR - 2 1/4-S	Y-72 -L	YCRS - 36
YR - 2 1/2-X	CYR - 2 1/2-S	Y-80 -L	YCRS - 40
YR - 2 3/4-X	CYR - 2 3/4-S	Y-88 -L	YCRS - 44
YR - 3-X	CYR - 3-S	Y-96 -L	YCRS - 48
YR - 3 1/4-X	CYR - 3 1/4-S	Y-104-L	YCRS - 52
YR - 3 1/2-X	CYR - 3 1/2-S	Y-112-L	YCRS - 56
YR - 4-X	CYR - 4-S	Y-128-L	YCRS - 64
YR - 5-X	CYR - 5-S	Y-160-L	YCRS - 80
YR - 6-X	CYR - 6-S	Y-192-L	YCRS - 96

Optional Features	SMITH®	McGill	RBC	Torrington
Hex-Drive	Add Suffix "B"	Add Suffix "B"	Add Suffix "W"	Add Prefix "B"
Eccentric	Add Suffix "E"	Add Suffix "E"	Add Suffix "X"	Add Prefix "E"
Crowned O.D.	Add Suffix "C"	Add Prefix "C"	Add Prefix "C"	Add Prefix "C"

**CR-XB-SS**

Stud Type

**YR-X-SS**

Yoke Type

Stainless Steel Cam Followers

INCH SIZES

YOKE & STUD TYPE

CORROSION RESISTANT

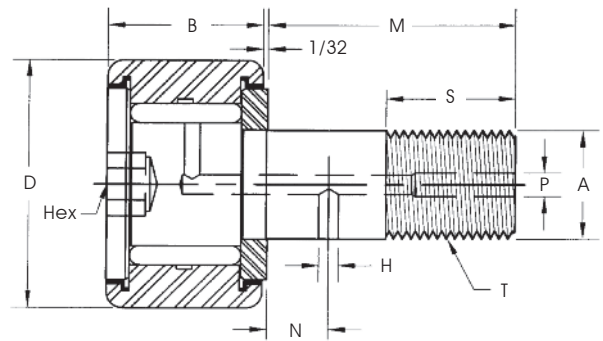
CR-XB-SS & YR-X-SS Stainless Steel Cam Followers

Manufactured from 440 Stainless Steel. These bearings are intended for applications in harsh environments that require increased corrosion resistance. Excellent choice for outdoor use or for applications such as food production facilities that require frequent wash-down and cleaning.

- Choice of Non-Crowned or Crowned Outer Race
- Hex Drive for the CR Stud Type
- Eccentric Bushing option for added positional alignment on Stud versions
- Choice of high-temperature, food grade or other specialty greases available upon request

CR-XB-SS**Stainless Steel****Stud Type****Hex-Drive**

Stainless Steel
Stud Type with
Hex-Drive Socket
X = Sealed

**CORROSION RESISTANT****General Information**

The **SMITH CR-XB-SS** and **YR-X-SS** Series of Cam Followers are manufactured from **440 Stainless Steel** for applications requiring increased corrosion resistance. Consult our Engineering Department for special configurations, sizes and materials to meet your needs.

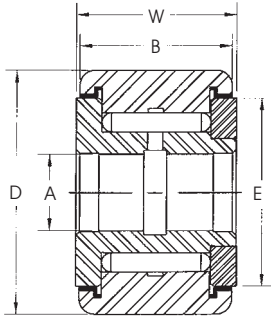
Dimensional Data (inches)

SMITH Bearing® Number	D Roller O.D. +.000 -.001	B Roller Width +.000 -.005	A Stud Dia. +.001 -.000	M Stud Length	S Eff. Thread Min.	T Thread U.N.F. Class 2A	N Oil Hole Location	H Oil Hole Dia.	P Lube Fitting Size ▲	Hex Size	E† Min Boss. Dia.	Recom. Bore +.0005 -.0000	Basic Dynamic Rating (lbs)
SEALED													
CR-1/2-XB-SS	.500	.375	.190	5/8	1/4	10-32	-	-	▲▲	1/8	19/64	.190	475
CR-5/8-XB-SS	.625	.4375	.250	3/4	5/16	1/4-28	-	-	▲▲	1/8	23/64	.250	695
CR-3/4-XB-SS	.750	.500	.375	7/8	3/8	3/8-24	1/4	3/32	3/16	3/16	1/2	.375	1,245
CR-7/8-XB-SS	.875	.500	.375	3/4	3/8	3/8-24	1/4	3/32	3/16	3/16	1/2	.375	1,245
CR-1-XB-SS	1.000	.625	.4375	1	1/2	7/16-20	1/4	3/32	3/16	1/4	5/8	.4375	1,560
CR-1 1/8-XB-SS	1.125	.625	.4375	1	1/2	7/16-20	1/4	3/32	3/16	1/4	5/8	.4375	1,560
CR-1 1/4-XB-SS	1.250	.750	.500	1 1/4	5/8	1/2-20	5/16	3/32	3/16	1/4	3/4	.500	2,750
CR-1 3/8-XB-SS	1.375	.750	.500	1 1/4	5/8	1/2-20	5/16	3/32	3/16	1/4	3/4	.500	2,750
CR-1 1/2-XB-SS	1.500	.875	.625	1 1/2	3/4	5/8-18	3/8	3/32	3/16	5/16	57/64	.625	3,390
CR-1 5/8-XB-SS	1.625	.875	.625	1 1/2	3/4	5/8-18	3/8	3/32	3/16	5/16	57/64	.625	3,390
CR-1 3/4-XB-SS	1.750	1.000	.750	1 3/4	7/8	3/4-16	7/16	3/32	3/16	5/16	1 3/64	.750	4,470
CR-1 7/8-XB-SS	1.875	1.000	.750	1 3/4	7/8	3/4-16	7/16	3/32	3/16	5/16	1 3/64	.750	4,470
CR-2-XB-SS	2.000	1.250	.875	2	1	7/8-14	1/2	5/32	3/16	7/16	1 13/64	.875	5,660
CR-2 1/4-XB-SS	2.250	1.250	.875	2	1	7/8-14	1/2	5/32	3/16	7/16	1 13/64	.875	5,660
CR-2 1/2-XB-SS	2.500	1.500	1.000	2 1/4	1 1/8	1-14	9/16	5/32	3/16	1/2	1 5/16	1.000	7,959
CR-2 3/4-XB-SS	2.750	1.500	1.000	2 1/4	1 1/4	1-14	9/16	5/32	3/16	1/2	1 5/16	1.000	7,959
CR-3-XB-SS	3.000	1.750	1.250	2 1/2	1 1/4	1 1/4-12	5/8	1/4	1/4	5/8	1 3/4	1.250	10,486

▲ Relubricate through threaded end only.

▲▲ Cannot be relubricated.

† See Page 5 in Engineering Section.



CORROSION RESISTANT

YR-X-SS

Stainless Steel

Yoke Type

Stainless Steel
Yoke Type
for Shaft Mounting
X = Sealed

General Information

The **SMITH CR-XB-SS** and **YR-X-SS** Series of Cam Followers are manufactured from **440 Stainless Steel** for applications requiring increased corrosion resistance. Consult our Engineering Department for special configurations, sizes and materials to meet your needs.

Dimensional Data (inches)

SMITH Bearing® Number	D Roller O.D. +.000 -.001	A Bore Nominal +.0002 -.0004	B Roller Width +.000 -.005	W Overall Width +.005 -.010	E Min Clamping Diameter	Recommended Shaft Dia. Transition Fits				Basic Dynamic Rating (lbs)
						Slip Fit		Press Fit		
						Max	Min	Max	Min	
YR-3/4-X-SS	.750	.250	.500	.5625	1/2	.2497	.2493	.2505	.2501	1,160
YR-7/8-X-SS	.875	.250	.500	.5625	1/2	.2497	.2493	.2505	.2501	1,160
YR-1-X-SS	1.000	.3125	.625	.6875	5/8	.3122	.3118	.3130	.3126	1,560
YR-1 1/8-X-SS	1.125	.3125	.625	.6875	5/8	.3122	.3118	.3130	.3126	1,560
YR-1 1/4-X-SS	1.250	.375	.750	.8125	3/4	.3747	.3743	.3755	.3751	2,750
YR-1 3/8-X-SS	1.375	.375	.750	.8125	3/4	.3747	.3743	.3755	.3751	2,750
YR-1 1/2-X-SS	1.500	.4375	.875	.9375	57/64	.4372	.4368	.4380	.4376	3,390
YR-1 5/8-X-SS	1.625	.4375	.875	.9375	57/64	.4372	.4368	.4380	.4376	3,390
YR-1 3/4-X-SS	1.750	.500	1.000	1.0625	1 3/64	.4997	.4993	.5007	.5003	4,470
YR-1 7/8-X-SS	1.875	.500	1.000	1.0625	1 3/64	.4997	.4993	.5007	.5003	4,470
YR-2-X-SS	2.000	.625	1.250	1.3125	1 13/64	.6247	.6243	.6257	.6253	5,660
YR-2 1/4-X-SS	2.250	.625	1.250	1.3125	1 13/64	.6247	.6243	.6257	.6253	5,660
YR-2 1/2-X-SS	2.500	.750	1.500	1.5625	1 5/16	.7497	.7493	.7507	.7503	7,959
YR-2 3/4-X-SS	2.750	.750	1.500	1.5625	1 5/16	.7497	.7493	.7507	.7503	7,959
YR-3-X-SS	3.000	1.000	1.750	1.8125	1 3/4	.9996	.9992	1.0008	1.0003	10,486

INTERCHANGE TABLES

Stainless Steel Cam Followers

Stainless Steel Stud Hex-Drive

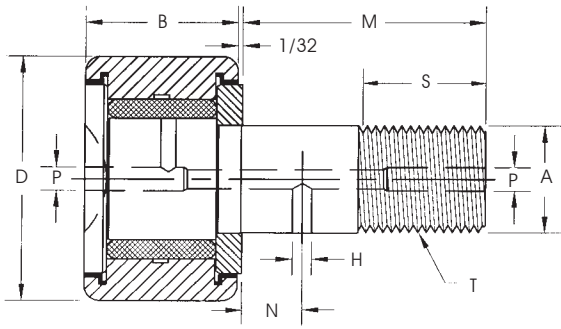
SMITH®	McGill	Carter
CR-1/2-XB-SS	CF-1/2-SB-CR	SC-16-SB
CR-5/8-XB-SS	CF-5/8-SB-CR	SC-20-SB
CR-3/4-XB-SS	CF-3/4-SB-CR	SC-24-SB
CR-7/8-XB-SS	CF-7/8-SB-CR	SC-28-SB
CR-1-XB-SS	CF-1-SB-CR	SC-32-SB
CR-1 1/8-XB-SS	CF-1 1/8-SB-CR	SC-36-SB
CR-1 1/4-XB-SS	CF-1 1/4-SB-CR	SC-40-SB
CR-1 3/8-XB-SS	CF-1 3/8-SB-CR	SC-44-SB
CR-1 1/2-XB-SS	CF-1 1/2-SB-CR	SC-48-SB
CR-1 5/8-XB-SS	CF-1 5/8-SB-CR	SC-52-SB
CR-1 3/4-XB-SS	CF-1 3/4-SB-CR	SC-56-SB
CR-1 7/8-XB-SS	CF-1 7/8-SB-CR	SC-60-SB
CR-2-XB-SS	CF-2-SB-CR	SC-64-SB
CR-2 1/4-XB-SS	CF-2 1/4-SB-CR	SC-72-SB
CR-2 1/2-XB-SS	CF-2 1/2-SB-CR	—
CR-2 3/4-XB-SS	CF-2 3/4-SB-CR	—
CR-3-XB-SS	CF-3-SB-CR	—
CR-4-XB-SS	CF-4-SB-CR	—

Yoke Type

SMITH®	McGill	Carter
YR-3/4-X-SS	CYR-3/4-S-CR	SY-24-S
YR-7/8-X-SS	CYR-7/8-S-CR	SY-28-S
YR-1-X-SS	CYR-1-S-CR	SY-32-S
YR-1 1/8-X-SS	CYR-1 1/8-S-CR	SY-36-S
YR-1 1/4-X-SS	CYR-1 1/4-S-CR	SY-40-S
YR-1 3/8-X-SS	CYR-1 3/8-S-CR	SY-44-S
YR-1 1/2-X-SS	CYR-1 1/2-S-CR	SY-48-S
YR-1 5/8-X-SS	CYR-1 5/8-S-CR	SY-52-S
YR-1 3/4-X-SS	CYR-1 3/4-S-CR	SY-56-S
YR-1 7/8-X-SS	CYR-1 7/8-S-CR	SY-60-S
YR-2-X-SS	CYR-2-S-CR	SY-64-S
YR-2 1/4-X-SS	—	SY-72-S

Coding for Features

Features	SMITH®	McGILL	Carter
Sealed	add suffix "X"	add suffix "S"	add suffix "S"
Hex-Drive	add suffix "B"	add suffix "B"	add suffix "B"



NON-METALLIC BUSHING

BCR & BCR-X

Non-Metallic Bushing

Stud Type

Screwdriver Slot

Stud Type with Non-Metallic Bushing
Screwdriver Slot
Sealed or Unsealed
X = Sealed

General Information

The **SMITH BCR** and **BYR** Series replace the standard steel needle rollers with a **non-metallic**, self-lubricating, engineered plastic bushing which eliminates or reduces the need for bearing lubrication. This product is available in **Sealed, Crowned & Eccentric Stud** type. The Load Capacity is based on speed used. Consult our Engineering Department for load calculations. Max allowable temperature 250°F typical. Higher temperature versions available.

Dimensional Data (inches)

SMITH Bearing® Number		D Roller O.D. +.000 -0.001	B Roller Width +.000 -0.005	A Stud Dia. +.001 -0.000	M Stud Length +.005 -0.0005	S Eff. Thread Min.	T Thread U.N.F. Class 2A	N Oil Hole Location	H Oil Hole Dia.	P Lube Fitting Size	E Min. Boss Dia.	Recom. Bore +.0005 -0.0005
UNSEALED	SEALED											
BCR-1/2	BCR-1/2-X	.500	.375	.190	5/8	1/4	10-32	-	-	1/8	19/64	.190
BCR-5/8	BCR-5/8-X	.625	.4375	.250	3/4	5/16	1/4-28	-	-	1/8	23/64	.250
BCR-3/4	BCR-3/4-X	.750	.500	.375	7/8	3/8	3/8-24	1/4	3/32	3/16	1/2	.375
BCR-7/8	BCR-7/8-X	.875	.500	.375	7/8	3/8	3/8-24	1/4	3/32	3/16	1/2	.375
BCR-1	BCR-1-X	1.000	.625	.4375	1	1/2	7/16-20	1/4	3/32	3/16	5/8	.4375
BCR-1 1/8	BCR-1 1/8-X	1.125	.625	.4375	1	1/2	7/16-20	1/4	3/32	3/16	5/8	.4375
BCR-1 1/4	BCR-1 1/4-X	1.250	.750	.500	1 1/4	5/8	1/2-20	5/16	3/32	3/16	3/4	.500
BCR-1 3/8	BCR-1 3/8-X	1.375	.750	.500	1 1/4	5/8	1/2-20	5/16	3/32	3/16	3/4	.500
BCR-1 1/2	BCR-1 1/2-X	1.500	.875	.625	1 1/2	3/4	5/8-18	3/8	3/32	3/16	57/64	.625
BCR-1 5/8	BCR-1 5/8-X	1.625	.875	.625	1 1/2	3/4	5/8-18	3/8	3/32	3/16	57/64	.625
BCR-1 3/4	BCR-1 3/4-X	1.750	1.000	.750	1 3/4	7/8	3/4-16	7/16	3/32	3/16	13/64	.750
BCR-1 7/8	BCR-1 7/8-X	1.875	1.000	.750	1 3/4	7/8	3/4-16	7/16	3/32	3/16	13/64	.750
BCR-2	BCR-2-X	2.000	1.250	.875	2	1	7/8-14	1/2	5/32	3/16	113/64	.875
BCR-2 1/4	BCR-2 1/4-X	2.250	1.250	.875	2	1	7/8-14	1/2	5/32	3/16	113/64	.875
BCR-2 1/2	BCR-2 1/2-X	2.500	1.500	1.000	2 1/4	1 1/8	1-14	9/16	5/32	3/16	15/16	1.000
BCR-2 3/4	BCR-2 3/4-X	2.750	1.500	1.000	2 1/4	1 1/8	1-14	9/16	5/32	3/16	15/16	1.000
BCR-3	BCR-3-X	3.000	1.750	1.250	2 1/2	1 1/4	1 1/4-12	5/8	1/4	1/4	1 3/4	1.250

- 1) Add suffix **"C"** for Crowned. Example for Unsealed and Crowned: **BCR-1/2-C**. Example for Sealed and Crowned: **BCR-1/2-XC**.
- 2) Add suffix **"E"** for Eccentric. Example for Unsealed and Eccentric: **BCR-1/2-E**. Example for Sealed and Eccentric: **BCR-1/2-XE**.

NOTE: Bushing type bearings are designed for operation without lubrication at service temperature from -40° F to 200° F (250° F for short duration)

BCR-B & BCR-XB

Non-Metallic Bushing

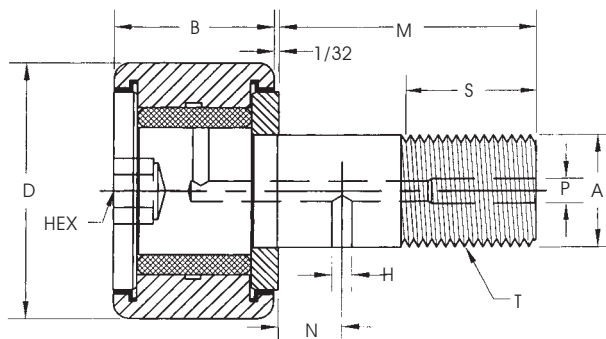
Stud Type

Hex-Drive

Stud Type with Non-Metallic Bushing
Hex-Drive Socket Sealed or Unsealed
X = Sealed



NON-METALLIC BUSHING



General Information

The **SMITH BCR** and **BYR** Series replace the standard steel needle rollers with a **non-metallic**, self-lubricating, engineered plastic bushing which eliminates or reduces the need for bearing lubrication. This product is available in **Sealed, Crowned & Eccentric Stud** type. The Load Capacity is based on speed used. Consult our Engineering Department for load calculations. Max allowable temperature 250°F typical. Higher temperature versions available.

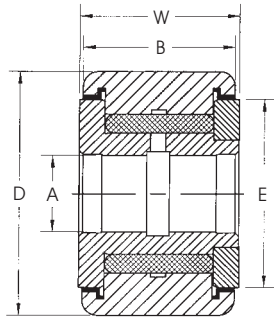
Dimensional Data (inches)

SMITH Bearing® Number		D Roller O.D. +.000 -.001	B Roller Width +.000 -.005	A Stud Dia. +.001 -.000	M Stud Length +.005 -.0005	S Eff. Thread Min.	T Thread U.N.F. Class 2A	N Oil Hole Location	H Oil Hole Dia.	P Lube Fitting Size	E† Min. Boss Dia.	Recom. Bore +.0005 -.0005
UNSEALED	SEALED											
BCR-1/2-B	BCR-1/2-XB	.500	.375	.190	5/8	1/4	10-32	-	-	1/8	19/64	.190
BCR-5/8-B	BCR-5/8-XB	.625	.4375	.250	3/4	5/16	1/4-28	-	-	1/8	23/64	.250
BCR-3/4-B	BCR-3/4-XB	.750	.500	.375	7/8	3/8	3/8-24	1/4	3/32	3/16	1/2	.375
BCR-7/8-B	BCR-7/8-XB	.875	.500	.375	7/8	3/8	3/8-24	1/4	3/32	3/16	1/2	.375
BCR-1-B	BCR-1-XB	1.000	.625	.4375	1	1/2	7/16-20	1/4	3/32	3/16	5/8	.4375
BCR-1 1/8-B	BCR-1 1/8-XB	1.125	.625	.4375	1	1/2	7/16-20	1/4	3/32	3/16	5/8	.4375
BCR-1 1/4-B	BCR-1 1/4-XB	1.250	.750	.500	1 1/4	5/8	1/2-20	5/16	3/32	3/16	3/4	.500
BCR-1 3/8-B	BCR-1 3/8-XB	1.375	.750	.500	1 1/4	5/8	1/2-20	5/16	3/32	3/16	3/4	.500
BCR-1 1/2-B	BCR-1 1/2-XB	1.500	.875	.625	1 1/2	3/4	5/8-18	3/8	3/32	3/16	57/64	.625
BCR-1 5/8-B	BCR-1 5/8-XB	1.625	.875	.625	1 1/2	3/4	5/8-18	3/8	3/32	3/16	57/64	.625
BCR-1 3/4-B	BCR-1 3/4-XB	1.750	1.000	.750	1 3/4	7/8	3/4-16	7/16	3/32	3/16	1 3/64	.750
BCR-1 7/8-B	BCR-1 7/8-XB	1.875	1.000	.750	1 3/4	7/8	3/4-16	7/16	3/32	3/16	1 3/64	.750
BCR-2-B	BCR-2-XB	2.000	1.250	.875	2	1	7/8-14	1/2	5/32	3/16	1 13/64	.875
BCR-2 1/4-B	BCR-2 1/4-XB	2.250	1.250	.875	2	1	7/8-14	1/2	5/32	3/16	1 13/64	.875
BCR-2 1/2-B	BCR-2 1/2-XB	2.500	1.500	1.000	2 1/4	1 1/8	1-14	9/16	5/32	3/16	1 5/16	1.000
BCR-2 3/4-B	BCR-2 3/4-XB	2.750	1.500	1.000	2 1/4	1 1/8	1-14	9/16	5/32	3/16	1 5/16	1.000
BCR-3-B	BCR-3-XB	3.000	1.750	1.250	2 1/2	1 1/4	1 1/4-12	5/8	1/4	1/4	1 3/4	1.250

- 1) Add suffix "C" for Crowned. Example for Unsealed and Crowned: **BCR-1/2-BC**. Example for Sealed and Crowned: **BCR-1/2-XBC**.
- 2) Add suffix "E" for Eccentric. Example for Unsealed and Eccentric: **BCR-1/2-BE**. Example for Sealed and Eccentric: **BCR-1/2-XBE**.

NOTE: Bushing type bearings are designed for operation without lubrication at service temperature from -40° F to 200° F (250° F for short duration)

† See Page 5 in Engineering Section.



NON-METALLIC BUSHING

BYR & BYR-X

Non-Metallic Bushing

Yoke Type

Yoke Type with Non-Metallic Bushing for Shaft Mounting Sealed or Unsealed X = Sealed

General Information

The **SMITH BCR** and **BYR** Series replace the standard steel needle rollers with a **non-metallic**, self-lubricating, engineered plastic bushing which eliminates or reduces the need for bearing lubrication. This product is available in **Sealed, Crowned & Eccentric Stud** type. The Load Capacity is based on speed used. Consult our Engineering Department for load calculations. Max allowable temperature 250°F typical. Higher temperature versions available

Dimensional Data (inches)

SMITH Bearing® Number		D Roller +.000 -.001	A Bore Nominal +.0002 -.0004	B Roller Width +.000 -.005	W Overall Width +.005 -.010	E Min Clamping Dia.	Recommended Shaft Diameter			
UNSEALED	SEALED						Slip Fit		Press Fit	
							Max	Min	Max	Max
BYR-3/4	BYR-3/4-X	.750	.250	.500	.5625	1/2	.2497	.2493	.2505	.2501
BYR-7/8	BYR-7/8-X	.875	.250	.500	.5625	1/2	.2497	.2493	.2505	.2501
BYR-1	BYR-1-X	1.000	.3125	.625	.6875	5/8	.3122	.3118	.3130	.3126
BYR-1 1/8	BYR-1 1/8-X	1.125	.3125	.625	.6875	5/8	.3122	.3118	.3130	.3126
BYR-1 1/4	BYR-1 1/4-X	1.250	.375	.750	.8125	3/4	.3747	.3743	.3755	.3751
BYR-1 3/8	BYR-1 3/8-X	1.375	.375	.750	.8125	3/4	.3747	.3743	.3755	.3751
BYR-1 1/2	BYR-1 1/2-X	1.500	.4375	.875	.9375	57/64	.4372	.4368	.4380	.4376
BYR-1 5/8	BYR-1 5/8-X	1.625	.4375	.875	.9375	57/64	.4372	.4368	.4380	.4376
BYR-1 3/4	BYR-1 3/4-X	1.750	.500	1.000	1.0625	13/64	.4997	.4993	.5007	.5003
BYR-1 7/8	BYR-1 7/8-X	1.875	.500	1.000	1.0625	13/64	.4997	.4993	.5007	.5003
BYR-2	BYR-2-X	2.000	.625	1.250	1.3125	113/64	.6247	.6243	.6257	.6253
BYR-2 1/4	BYR-2 1/4-X	2.250	.625	1.250	1.3125	113/64	.6247	.6243	.6257	.6253
BYR-2 1/2	BYR-2 1/2-X	2.500	.750	1.500	1.5625	15/16	.7497	.7493	.7507	.7503
BYR-2 3/4	BYR-2 3/4-X	2.750	.750	1.500	1.5625	15/16	.7497	.7493	.7507	.7503
BYR-3	BYR-3-X	3.000	1.000	1.750	1.8125	13/4	.9996	.9992	1.0008	1.0003

1) Add suffix "C" for Crowned. Example for Unsealed and Crowned: **BYR-1/2-C**. Example for Sealed and Crowned: **BYR-1/2-XC**.

NOTE: Bushing type bearings are designed for operation without lubrication at service temperature from -40° F to 200° F (250° F for short duration)

I N T E R C H A N G E T A B L E S

Cam Followers with

Non-Metallic Bushing**Stud Type Screw-Driver Slot**

SMITH®	McGill	Carter
BCR-1/2	BCF-1/2	N/A
BCR-5/8	BCF-5/8	N/A
BCR-11/16	BCF-11/16	N/A
BCR-3/4	BCF-3/4	N/A
BCR-7/8	BCF-7/8	N/A
BCR-1	BCF-1	N/A
BCR-11/8	BCF-11/8	N/A
BCR-11/4	BCF-11/4	N/A
BCR-13/8	BCF-13/8	N/A
BCR-11/2	BCF-11/2	N/A
BCR-15/8	BCF-15/8	N/A
BCR-13/4	BCF-13/4	N/A
BCR-17/8	BCF-17/8	N/A
BCR-2	BCF-2	N/A
BCR-21/4	BCF-21/4	N/A
BCR-21/2	BCF-21/2	N/A
BCR-23/4	BCF-23/4	N/A
BCR-3	BCF-3	N/A

Stud Type Hex Socket

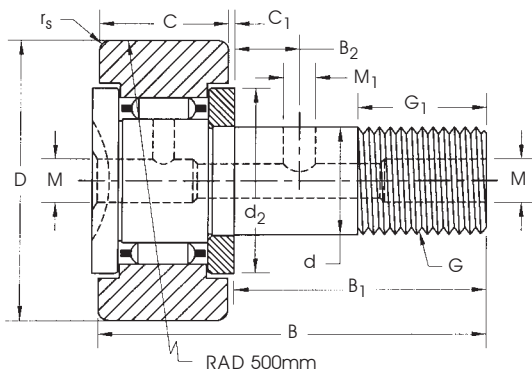
SMITH®	McGill	Carter
BCR-1/2-B	BCF-1/2-B	SFH-16-A
BCR-5/8-B	BCF-5/8-B	SFH-20-A
BCR-11/16-B	BCF-11/16-B	SFH-22-A
BCR-3/4-B	BCF-3/4-B	SFH-24-A
BCR-7/8-B	BCF-7/8-B	SFH-28-A
BCR-1-B	BCF-1-B	SFH-32-A
BCR-11/8-B	BCF-11/8-B	SFH-36-A
BCR-11/4-B	BCF-11/4-B	SFH-40-A
BCR-13/8-B	BCF-13/8-B	SFH-44-A
BCR-11/2-B	BCF-11/2-B	SFH-48-A
BCR-15/8-B	BCF-15/8-B	SFH-52-A
BCR-13/4-B	BCF-13/4-B	SFH-56-A
BCR-17/8-B	BCF-17/8-B	SFH-60-A
BCR-2-B	BCF-2-B	SFH-64-A
BCR-21/4-B	BCF-21/4-B	SFH-72-A
BCR-21/2-B	BCF-21/2-B	SFH-80-A
BCR-23/4-B	BCF-23/4-B	SFH-88-A
BCR-3-B	BCF-3-B	SFH-96-A

Yoke Type

SMITH®	McGill	Carter
BYR-3/4	BCYR-3/4	NYR-24-A
BYR-7/8	BCYR-7/8	NYR-28-A
BYR-1	BCYR-1	NYR-32-A
BYR-11/8	BCYR-11/8	NYR-36-A
BYR-11/4	BCYR-11/4	NYR-40-A
BYR-13/8	BCYR-13/8	NYR-44-A
BYR-11/2	BCYR-11/2	NYR-48-A
BYR-15/8	BCYR-15/8	NYR-52-A
BYR-13/4	BCYR-13/4	NYR-56-A
BYR-17/8	BCYR-17/8	NYR-60-A
BYR-2	BCYR-2	NYR-64-A
BYR-21/4	BCYR-21/4	NYR-72-A
BYR-21/2	BCYR-21/2	NYR-80-A
BYR-23/4	BCYR-23/4	NYR-88-A
BYR-3	BCYR-3	NYR-96-A

Coding for Other Features

Optional Feature	SMITH®	McGILL
Sealed	add suffix "X"	add suffix "S"



MCR & MCR-S
MCRV & MCRV-S

Single Row
Stud Type

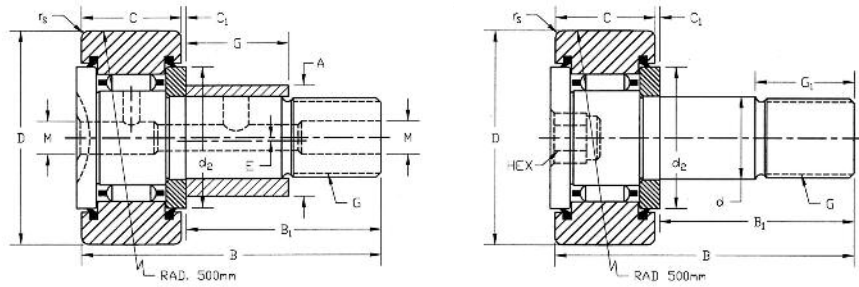
- MCR Caged Unsealed
- MCR-S Caged Sealed
- MCRV Full Complement Unsealed
- MCRV-S Full Complement Sealed

SMITH Bearing® Number		Dimensions (mm) <i>(For Tolerances, See chart in Engineering Section)</i>													Basic Load Ratings				Max Speed* (rpm)	Mass (grams)
															dyn Newtons		Track Roller dyn Newtons			
SCREWDRIVER SLOT	HEX DRIVE	D	d	C**	r _s	B	B ₁	B ₂	G	G ₁	M	M ₁	C ₁	d ₂	C	C ₀	C _w	C _{ow}	n	g
MCR-13	MCR-13-B	13	5	9	0.3	23	13	-	M5 x 0.8	7.5	3.1†	-	0.6	9	2450	2300	2100	1700	20000	20
MCR-13-S	MCR-13-SB														16000					
MCRV-13	MCRV-13-B														4600	4200	3700	3400	9000	22
MCRV-13-S	MCRV-13-SB														9000					
MCR-16	MCR-16-B	16	6	11	0.15	28	16	-	M6 x 1	8	4†	-	0.6	12	3800	3750	3150	3300	22000	20
MCR-16-S	MCR-16-SB														16000					
MCRV-16	MCRV-16-B														6400	8500	4850	6500	8500	22
MCRV-16-S	MCRV-16-SB														8500					
MCR-19	MCR-19-B	19	8	11	0.15	32	20	-	M8 x 1.25	10	4†	-	0.6	14	4250	4600	3500	3900	20000	31
MCR-19-S	MCR-19-SB														14000					
MCRV-19	MCRV-19-B														7300	10800	5500	7900	7000	35
MCRV-19-S	MCRV-19-SB														7000					
MCR-22	MCR-22-B	22	10	12	0.30	36	23	-	M10 x 1	12	4	-	0.6	17	5700	6500	4450	5200	16000	48
MCR-22-S	MCR-22-SB														11000					
MCRV-22	MCRV-22-B														8600	12900	6300	9100	6000	49
MCRV-22-S	MCRV-22-SB														6000					
MCR-26	MCR-26-B	26	10	12	0.30	36	23	-	M10 x 1	12	4	-	0.6	17	5700	6500	5100	6200	16000	62
MCR-26-S	MCR-26-SB														11000					
MCRV-26	MCRV-26-B														8600	12900	7300	11300	6000	65
MCRV-26-S	MCRV-26-SB														6000					
MCR-30	MCR-30-B	30	12	14	0.60	40	25	6	M12 x 1.5	13	6	3	0.6	23	8100	9700	6800	8400	11000	92
MCR-30-S	MCR-30-SB														8300					
MCRV-30	MCRV-30-B														12200	19000	9500	14600	4500	95
MCRV-30-S	MCRV-30-SB														4500					
MCR-32	MCR-32-B	32	12	14	0.60	40	25	6	M12 x 1.5	13	6	3	0.6	23	8100	9700	7100	9000	11000	104
MCR-32-S	MCR-32-SB														8300					
MCRV-32	MCRV-32-B														12200	19000	10000	15800	4500	105
MCRV-32-S	MCRV-32-SB														4500					
MCR-35	MCR-35-B	35	16	18	0.60	52	32.5	8	M16 x 1.5	17	6	3	0.8	27	12900	19000	9700	14100	7000	182
MCR-35-S	MCR-35-SB														7000					
MCRV-35	MCRV-35-B														18300	35000	12800	23000	3400	184
MCRV-35-S	MCRV-35-SB														3400					
MCR-40	MCR-40-B	40	18	20	1.00	58	36.5	8	M18 x 1.5	19	6	3	0.8	32	14200	20400	10900	15500	6000	262.8
MCR-40-S	MCR-40-SB														6000					
MCRV-40	MCRV-40-B														21000	39500	14800	26500	2900	264.8
MCRV-40-S	MCRV-40-SB														2900					

† Relubricate through head end only.

MCR & MCR-S
MCRV & MCRV-S
 Single Row
 Stud Type

(continued)



(chart continued from preceding page)

SMITH Bearing® Number		Dimensions (mm)													Basic Load Ratings				Max Speed* (rpm)	Mass (grams)
		<i>(For Tolerances, See chart in Engineering Section)</i>													dyn Newtons	stat Newtons	Track dyn Newtons	Roller stat Newtons		
SCREWDRIVER SLOT	HEX DRIVE	D	d	c**	r _s	B	B ₁	B ₂	G	G ₁	M	M ₁	C ₁	d ₂	C	C ₀	C _w	C _{ow}	n	g
MCR-47	MCR-47-B	47	20	24	1.0	66	40.5	9	M20x1.5	21	8	4	0.8	37	19500	32000	15500	25500	4900	406
MCR-47-S	MCR-47-SB														4900					
MCRV-47	MCRV-47-B														28000	59000	20600	42000	2600	410
MCRV-47-S	MCRV-47-SB														2600					
MCR-52	MCR-52-B	52	20	24	1.0	66	40.5	9	M20x1.5	21	8	4	0.8	37	19500	32000	16800	28500	4900	481
MCR-52-S	MCR-52-SB														4900					
MCRV-52	MCRV-52-B														28000	59000	22500	48000	2600	485
MCRV-52-S	MCRV-52-SB														2600					
MCR-62	MCR-62-B	62	24	29	1.0	80	49.5	11	M24x1.5	25	8	4	0.8	44	30500	53000	26500	47500	3800	818
MCR-62-S	MCR-62-SB														3800					
MCRV-62	MCRV-62-B														41500	91000	34000	76000	2200	830
MCRV-62-S	MCRV-62-SB														2200					
MCR-72	MCR-72-B	72	24	29	1.1	80	49.5	11	M24x1.5	25	8	4	0.8	44	30500	53000	28000	53000	3800	1068
MCR-72-S	MCR-72-SB														3800					
MCRV-72	MCRV-72-B														41500	91000	37000	85000	2200	1073
MCRV-72-S	MCRV-72-SB														2200					
MCR-80	MCR-80-B	80	30	35	1.1	100	63.0	15	M30x1.5	32	8	4	1.0	53	45000	85000	39500	77000	2600	1610
MCR-80-S	MCR-80-SB														2600					
MCRV-80	MCRV-80-B														60000	142000	49500	120000	1700	1621
MCRV-80-S	MCRV-80-SB														1700					
MCR-85	MCR-85-B	85	30	35	1.1	100	63.0	15	M30x1.5	32	8	4	1.0	53	45000	85000	40500	80000	2600	1800
MCR-85-S	MCR-85-SB														2600					
MCRV-85	MCRV-85-B														60000	142000	44000	120000	1700	1820
MCRV-85-S	MCRV-85-SB														1700					
MCR-90	MCR-90-B	90	30	35	1.1	100	63.0	15	M30x1.5	32	8	4	1.0	53	45000	85000	41500	83000	2600	2010
MCR-90-S	MCR-90-SB														2600					
MCRV-90	MCRV-90-B														60000	142000	53000	130000	1700	2030
MCRV-90-S	MCRV-90-SB														1700					

1) Standard bearing has **Crowned Roller Outside Diameter** – For Straight Cylindrical Outside Roller Diameter, add suffix "C." Example: **MCR-16-C**

2) Add suffix "B" for hex-drive socket. Example: **MCR-16-B**

3) Add suffix "E" for eccentric collar. Example: **MCR-16-E**

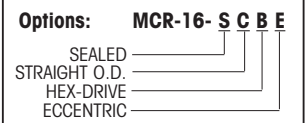
4) The basic load rating C and C₀ apply if the bearing outer ring (with cylindrical outside surface) is mounted in a housing bore with the normal rolling bearing fit. When used as a track roller, the load rating C_w and C_{ow} apply.

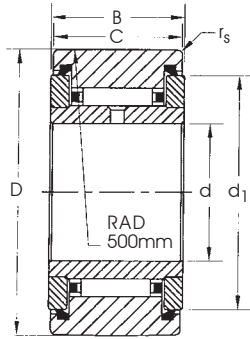
5) *Limiting Speed for grease lubrication: For oil lubrication speed may be increased by up to 30%.

6) ** Tolerance for "C" Raceway Width is +0.00/-0.12 mm

† Relubricate through head end only.

For Dimensional Tolerances, see Metric Tolerance Chart in Engineering Section.





MYR & MYR-S
MYRV & MYRV-S

Single Row
Yoke Type

- MYR** Caged Unsealed
- MYR-S** Caged Sealed
- MYRV** Full Complement Unsealed
- MYRV-S** Full Complement Sealed

SMITH Bearing® Number Add suffix "S" for Sealed	Dimensions (mm) <i>(For Tolerances, See chart in Engineering Section)</i>						Basic Load Ratings				Max Speed* (rpm)	Mass (grams)
							dyn Newtons		Track Roller dyn Newtons			
	d	D	B	C**	r _s	d ₁	C	C ₀	C _w	C _{ow}	n	g
MYR-5	5	16	12	11	0.15	12	3800	3750	3150	3300	22000	14
MYRV-5							6400	8500	4850	6500	8500	15
MYR-6	6	19	12	11	0.15	14	4250	4600	3500	3900	20000	20
MYRV-6							7300	10800	5500	7900	7000	21
MYR-8	8	24	15	14	0.30	19	6800	7700	5500	6400	15000	41
MYRV-8							10400	15600	7800	11400	5500	42
MYR-10	10	30	15	14	0.60	23	8100	9700	6800	8400	11000	64
MYRV-10							12200	19000	9500	14600	4500	65
MYR-12	12	32	15	14	0.60	25	8700	11000	6900	8800	9000	71
MYRV-12							13200	21700	9700	15400	3900	72
MYR-15	15	35	19	18	0.60	27	12900	19000	9700	14100	7000	103
MYRV-15							18300	35000	12800	23000	3400	105
MYR-17	17	40	21	20	1.00	32	14200	20400	10900	15500	6000	144
MYRV-17							21000	39500	14800	26500	2900	152
MYR-20	20	47	25	24	1.00	37	19500	32000	15500	25500	4900	246
MYRV-20							28000	59000	20600	42000	2600	254
MYR-25	25	52	25	24	1.00	42	21200	38000	15400	26500	3600	275
MYRV-25							31000	72000	20500	44000	2100	285
MYR-30	30	62	29	28	1.00	51	34000	59000	23600	38500	2600	470
MYRV-30							48500	108000	30500	63000	1700	481
MYR-35	35	72	29	28	1.10	58	37000	69000	25500	44500	2000	635
MYRV-35							53000	127000	33000	73000	1400	647
MYR-40	40	80	32	30	1.10	66	49000	94000	33000	59000	1700	805
MYRV-40							66000	159000	41000	90000	1300	890
MYR-45	45	85	32	30	1.10	72	51000	101000	32500	59000	1500	910
MYRV-45							61000	112000	41000	90000	1200	935
MYR-50	50	90	32	30	1.10	76	52000	108000	32000	59000	1300	960
MYRV-50							72000	191000	40500	93000	1000	990

- 1) **Standard bearing has Crowned Roller Outside Diameter** – For Straight Cylindrical Outside Roller Diameter, add suffix "C." Example: **MYR-5-C**
- 2) Add suffix "S" for sealed. Example for Sealed: **MYR-5-S**
- 3) The basic load rating C and C₀ apply if the bearing outer ring (with cylindrical outside surface) is mounted in a housing bore with the normal rolling bearing fit. When used as a track roller, the load rating C_w and C_{ow} apply.
- 4) *Limiting Speed for grease lubrication: For oil lubrication speed may be increased by up to 30%. For Sealed bearings, speed in chart should be reduced by 30%.
- 5) ** Tolerance for "C" Raceway Width is +0.00/-0.12 mm

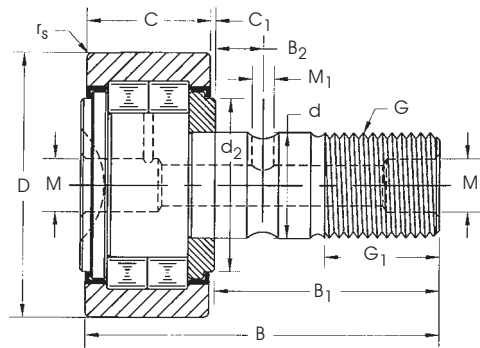
For Dimensional Tolerances, see Metric Tolerance Chart in Engineering Section.

NUKR

Double Row • Heavy Rollers

Stud Type

Shielded • Full Complement



NUKR bearings are standard with 500 mm **Crowned Outer Race**

SMITH Bearing® Number	Dimensions (mm) <i>(For Tolerances, See chart in Engineering Section)</i>												Basic Load Ratings				Max Speed* (rpm)	Mass (grams)	
	D	d	C**	rs	B	B ₁	B ₂	G	G ₁	M	M ₁	C ₁	d ₂	dyn	stat	Track Roller			
														C	C ₀	C _w	C _{ow}	dyn Newtons	stat Newtons
NUKR-35	35	16	18	0.6	52	32.5	8	M16x1.5	17	6	3	0.8	21	23,000	27,000	16,000	18,300	6,500	176
NUKR-40	40	18	20	1	58	36.5	8	M18x1.5	19	6	3	0.8	23	24,800	31,000	18,500	22,800	5,500	257
NUKR-47	47	20	24	1	66	40.5	9	M20x1.5	21	8	4	0.8	27	39,000	50,000	28,000	34,500	4,200	380
NUKR-52	52	20	24	1	66	40.5	9	M20x1.5	21	8	4	0.8	31	43,500	60,000	29,000	37,500	3,400	450
NUKR-62	62	24	29	1	80	49.5	11	M24x1.5	25	8	4	0.8	38	59,000	79,000	40,500	51,000	2,600	795
NUKR-72	72	24	29	1.1	80	49.5	11	M24x1.5	25	8	4	0.8	44	65,000	93,000	45,000	61,000	2,100	1,200
NUKR-80	80	30	35	1.1	100	63	15	M30x1.5	32	8	4	1	47	95,000	133,000	67,000	93,000	1,800	1,800
NUKR-85	85	30	35	1.1	100	63	15	M30x1.5	32	8	4	1	47	96,000	133,000	67,000	93,000	1,800	1,740
NUKR-90	90	30	35	1.1	100	63	15	M30x1.5	32	8	4	1	47	95,000	133,000	77,000	110,000	1,800	2,300

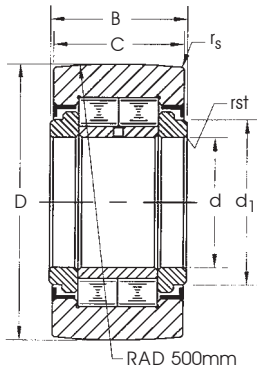
- 1) The basic load rating C and C₀ apply if the bearing outer ring (with cylindrical outside surface) is mounted in a housing bore with the normal rolling bearing fit. When used as a track roller, the load rating C_w and C_{ow} apply.
- 2) *Limiting Speed for grease lubrication: For oil lubrication speed may be increased by up to 30%.
- 3) ** Tolerance for "C" Raceway Width is +0.00/-0.12 mm
- 4) Add suffix "B" for hex-drive socket. Example for Hex-drive: **NUKR-35-B**
- 5) Add suffix "E" for eccentric sleeve. Example for Eccentric Sleeve: **NUKR-35-E**
- 6) Standard bearings have crowned outer race.
For straight cylindrical outer race add suffix "C". Example for straight cylindrical outer race: **NUKR-35-C**

For Dimensional Tolerances, see Metric Tolerance Chart in Engineering Section.

INTERCHANGE TABLE

Double Row • Heavy Rollers
Shielded • Full Complement

SMITH® • INA	McGILL
NUKR-35	MCFD-35
NUKR-40	MCFD-40
NUKR-47	MCFD-47
NUKR-52	MCFD-52
NUKR-62	MCFD-62
NUKR-72	MCFD-72
NUKR-80	MCFD-80
NUKR-85	MCFD-85
NUKR-90	MCFD-90



MUTD

Double Row • Heavy Rollers

Yoke Type

Shielded • Full Complement

SMITH Bearing® Number	Dimensions (mm) <i>(For Tolerances, See chart in Engineering Section)</i>							Basic Load Ratings				Max Speed* (rpm) n	Mass (grams) g
	d	D	B	C**	r _s	rst	d ₁	dyn	stat	Track Roller			
								Newtons C	Newtons C ₀	dyn Newtons C _w	stat Newtons C _{ow}		
MUTD-15-D	15	35	19	18	0.6	0.3	20	23,000	27,000	16,000	18,300	6,500	99
MUTD-17-D	17	40	21	20	1	0.3	22	24,800	31,000	18,500	22,800	5,500	147
MUTD-1542-D	15	42	19	18	0.6	0.3	20	23,000	27,000	19,400	23,800	6,500	158
MUTD-1747-D	17	47	21	20	1	0.3	22	24,800	31,000	21,300	28,000	5,500	220
MUTD-20-D	20	47	25	24	1	0.3	27	39,000	50,000	28,000	35,000	4,200	245
MUTD-2052-D	20	52	25	24	1	0.3	27	39,000	50,000	31,500	41,000	4,200	321
MUTD-25-D	25	52	25	24	1	0.3	31	43,500	60,000	29,000	37,500	3,400	281
MUTD-2562-D	25	62	25	24	1	0.3	31	43,500	60,000	35,500	50,000	3,400	450
MUTD-30-D	30	62	29	28	1	0.3	38	59,000	79,000	40,000	51,000	2,600	465
MUTD-3072-D	30	72	29	28	1	0.3	38	59,000	79,000	48,000	65,000	2,600	697
MUTD-35-D	35	72	29	28	1.1	0.6	44	65,000	93,000	45,000	61,000	2,100	630
MUTD-3580-D	35	80	29	28	1.1	0.6	44	65,000	93,000	51,000	72,000	2,100	836
MUTD-40-D	40	80	32	30	1.1	0.6	51	90,000	134,000	56,000	76,000	1,600	816
MUTD-45-D	45	85	32	30	1.1	0.6	55	95,000	147,000	56,000	79,000	1,400	883
MUTD-4090-D	40	90	32	30	1.1	0.6	51	90,000	134,000	66,000	96,000	1,600	1,129
MUTD-50-D	50	90	32	30	1.1	0.6	60	100,000	161,000	57,000	81,000	1,300	950
MUTD-45100-D	45	100	32	30	1.1	0.6	55	95,000	147,000	72,000	108,000	1,400	1,396
MUTD-50110-D	50	110	32	30	1.1	0.6	60	100,000	161,000	76,000	121,000	1,300	1,690

- 1) The basic load rating C and C₀ apply if the bearing outer ring (with cylindrical outside surface) is mounted in a housing bore with the normal rolling bearing fit. When used as a track roller, the load rating C_w and C_{ow} apply.
- 2) **Standard bearing has Crowned Roller Outside Diameter** – For **Straight Cylindrical Outside Roller Diameter**, add suffix “SD”
Example: **MUTD-15-SD**
- 3) *Limiting Speed is given for a lightly loaded bearing with oil lubrication.
- 4) ** Tolerance for “SD” Raceway Width is +0.00/-0.12 mm

INTERCHANGE TABLE

Double Row • Heavy Rollers
Shielded • Full Complement

SMITH®	McGILL	INA
MUTD-15-D	MCYRD-15	NUTR-15
MUTD-17-D	MCYRD-17	NUTR-17
MUTD-1542-D	MCYRD-1542	NUTR-1542
MUTD-1747-D	MCYRD-1747	NUTR-1747
MUTD-20-D	MCYRD-20	NUTR-20
MUTD-2052-D	MCYRD-2052	NUTR-2052
MUTD-25-D	MCYRD-25	NUTR-25
MUTD-2562-D	MCYRD-2562	NUTR-2562
MUTD-30-D	MCYRD-30	NUTR-30
MUTD-3072-D	MCYRD-3072	NUTR-3072
MUTD-35-D	MCYRD-35	NUTR-35
MUTD-3580-D	MCYRD-3580	NUTR-3580
MUTD-40-D	MCYRD-40	NUTR-40
MUTD-45-D	MCYRD-45	NUTR-45
MUTD-4090-D	MCYRD-4090	NUTR-4090
MUTD-50-D	MCYRD-50	NUTR-50
MUTD-45100-D	MCYRD-45100	NUTR-45100
MUTD-50110-D	MCYRD-50110	NUTR-50110

I N T E R C H A N G E T A B L E S

Metric Cam Followers

STUD TYPE – Caged & Full Complement

SMITH®		McGILL		INA • SKF • NTN		IKO • THK	
Caged	Full Complement	Caged	Full Complement	Caged	Full Complement	Caged	Full Complement
MCR-13	MCRV-13	MCFR-13	MCF-13	–	–	CF5	–
MCR-16	MCRV-16	MCFR-16	MCF-16	KR-16	KRV-16	CF6R	CF6VR
MCR-19	MCRV-19	MCFR-19	MCF-19	KR-19	KRV-19	CF8R	CF8VR
MCR-22	MCRV-22	MCFR-22	MCF-22	KR-22	KRV-22	–	–
–	–	MCFR-22-A	MCF-22A	–	–	CF10R	CF10VR
MCR-26	MCRV-26	MCFR-26	MCF-26	KR-26	KRV-26	–	–
–	–	MCFR-26-A	MCF-26A	–	–	CF10-1R	CF10-1VR
MCR-30	MCRV-30	MCFR-30	MCF-30	KR-30	KRV-30	CF12R	CF12VR
MCR-32	MCRV-32	MCFR-32	MCF-32	KR-32	KRV-32	CF12-1R	CF12-1VR
MCR-35	MCRV-35	MCFR-35	MCF-35	KR-35	KRV-35	CF16R	CF16VR
MCR-40	MCRV-40	MCFR-40	MCF-40	KR-40	KRV-40	–	–
–	–	MCFR-40-A	MCF-40A	–	–	CF18R	CF18VR
MCR-47	MCRV-47	MCFR-47	MCF-47	KR-47	KRV-47	–	–
–	–	MCFR-47-A	MCF-47A	–	–	CF20-1R	CF20-1VR
MCR-52	MCRV-52	MCFR-52	MCF-52	KR-52	KRV-52	–	–
–	–	MCFR-52-A	MCF-52A	–	–	CF20R	CF20VR
MCR-62	MCRV-62	MCFR-62	MCF-62	KR-62	KRV-62	–	–
–	–	MCFR-62-A	MCF-62A	–	–	CF24R	CF24VR
MCR-72	MCRV-72	MCFR-72	MCF-72	KR-72	KRV-72	–	–
–	–	MCFR-72-A	MCF-72A	–	–	CF24-1R	CF24-1VR
MCR-80	MCRV-80	MCFR-80	MCF-80	KR-80	KRV-80	CF30R	CF30VR
MCR-85	MCRV-85	MCFR-85	MCF-85	KR-85	–	CF30-1R	CF30-1VR
MCR-90	MCRV-90	MCFR-90	MCF-90	KR-90	KRV-90	CF30-2R	CF30-2VR

Coding for Other Cam Followers and Yoke Roller Types

Optional Features	SMITH®	McGILL	INA • SKF	IKO	THK	NTN
Sealed	add suffix "S"	add suffix "S"	add suffix "PP"	add suffix "UU"	add suffix "UU"	add suffix "LL"
Cylindrical O.D.	add suffix "C"	add suffix "X"	add suffix "X"	remove suffix "R"	remove suffix "R"	add suffix "X"
Hex-Drive	add suffix "B"	add suffix "B"	add suffix "SK"	add suffix "B"	add suffix "A"	add suffix "H"
Eccentric	add suffix "E"	add prefix "E"	add prefix "E"	add prefix "E"		

YOKE TYPE – Caged & Full Complement

SMITH®		McGILL		INA • SKF • NTN		IKO • THK	
Caged	Full Complement	Caged	Full Complement	Caged	Full Complement	Caged	Full Complement
MYR-5	MYRV-5	MCYRR-5	MCYR-5	NATR-5	NATV-5	NART-5R	NART-5VR
MYR-6	MYRV-6	MCYRR-6	MCYR-6	NATR-6	NATV-6	NART-6R	NART-6VR
MYR-8	MYRV-8	MCYRR-8	MCYR-8	NATR-8	NATV-8	NART-8R	NART-8VR
MYR-10	MYRV-10	MCYRR-10	MCYR-10	NATR-10	NATV-10	NART-10R	NART-10VR
MYR-12	MYRV-12	MCYRR-12	MCYR-12	NATR-12	NATV-12	NART-12R	NART-12VR
MYR-15	MYRV-15	MCYRR-15	MCYR-15	NATR-15	NATV-15	NART-15R	NART-15VR
MYR-17	MYRV-17	MCYRR-17	MCYR-17	NATR-17	NATV-17	NART-17R	NART-17VR
MYR-20	MYRV-20	MCYRR-20	MCYR-20	NATR-20	NATV-20	NART-20R	NART-20VR
MYR-25	MYRV-25	MCYRR-25	MCYR-25	NATR-25	NATV-25	NART-25R	NART-25VR
MYR-30	MYRV-30	MCYRR-30	MCYR-30	NATR-30	NATV-30	NART-30R	NART-30VR
MYR-35	MYRV-35	MCYRR-35	MCYR-35	NATR-35	NATV-35	NART-35R	NART-35VR
MYR-40	MYRV-40	MCYRR-40	MCYR-40	NATR-40	NATV-40	NART-40R	NART-40VR
MYR-45	MYRV-45	MCYRR-45	MCYR-45	NATR-45	–	NART-45R	NART-45VR
MYR-50	MYRV-50	MCYRR-50	MCYR-50	NATR-50	NATV-50	NART-50R	NART-50VR

Smith-Trax[®]

INCH & METRIC SIZES

Introduction

SMITH-TRAX[®] were designed for applications with a combination of both radial and axial loads. The **SMITH-TRAX[®]** Bearings use tapered roller bearings or deep groove ball bearings to handle this combination of radial and thrust loads. This bearing system is more effective at supporting axial loads than needle rollers found in standard cam followers.

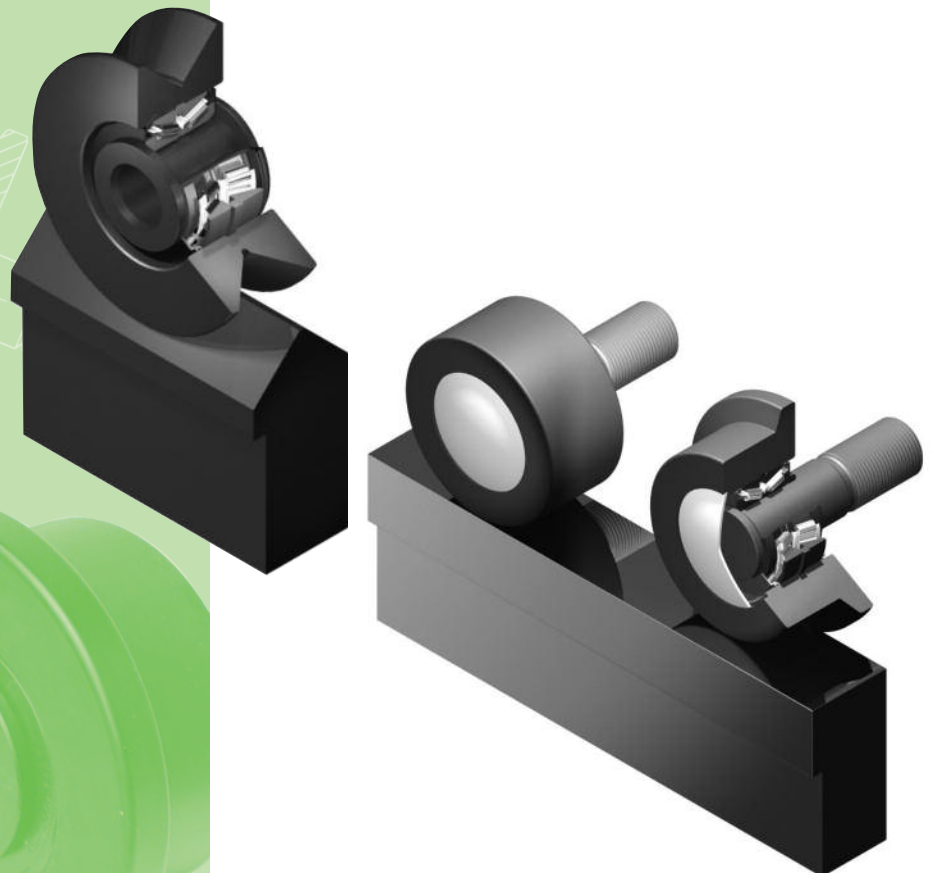
Special seals are used in **SMITH-TRAX[®]** Bearings so they can be used in contaminated environments. A metal expansion plug closes off the back end of the bearing to allow for a large lubrication reservoir.

SMITH-TRAX[®] Bearings are available in Inch and Metric sizes in Stud or Yoke Type versions. There are four different configurations available to meet a wide range of applications available:

Plain O.D. Handle thrust or radial loads. Load can ride against O.D. or face of bearing.

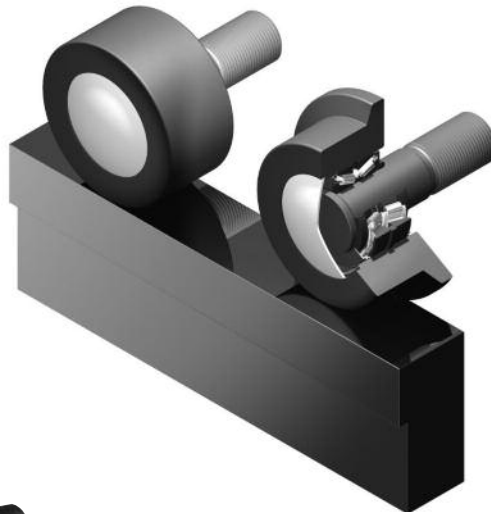
Flanged O.D. Designed for side guiding, where the intended load can ride up against the flange.

V-Groove Designed for operation on V-shaped tracks. V-shaped tracks will not allow contaminants to build up as easily as they would on a flat and level track.



Smith-Trax[®]

INCH & METRIC SIZES



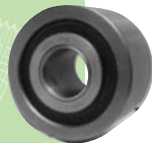
PCR Plain • Stud Type



FCR Flanged • Stud Type



VCR V-Grooved • Stud Type



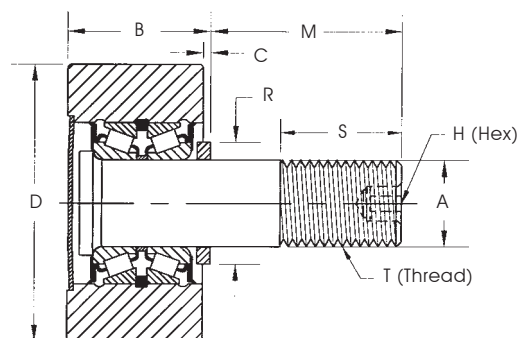
PYR Plain • Yoke Type



FYR Flanged • Yoke Type



VYR V-Grooved • Yoke Type



PCR

Plain Stud Type

SMITH-TRAX®

General Information

The **Smith-Trax®** Series bearings are designed to handle both axial and radial loads by using **Tapered Roller Bearings** or **Deep Groove Ball Bearings**. These bearings should be used when standard needle roller bearings are not sufficient to handle the thrust load found in certain applications. Consult our Engineering Department for special requirements.

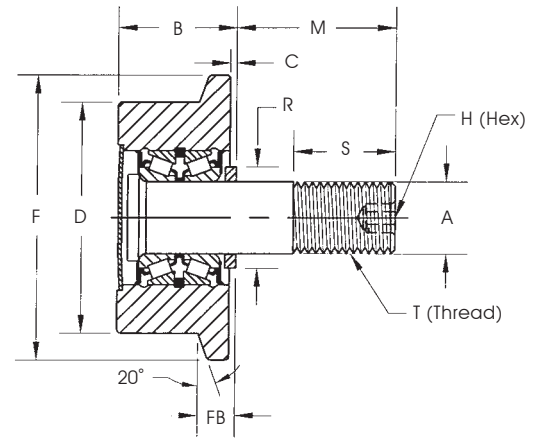
Dimensional Data (inches)

SMITH Bearing® Number	BEARING TYPE TRB-Tapered Roller Bearing BB-Ball Bearing	D Roller O.D.	B Roller Width	A Stud Diameter	M Stud Length	S Eff. Thread Min	T Thread U.N.F. Class 2A	H Hex Size	C Shoulder Length	R Shoulder Width or End Plate Diameter	Radial Basic Dynamic Rating (lbs) 500 hrs. 33 rpm.	Dynamic Thrust Load Rating (lbs) 500 hrs. 33 rpm.	Max Static Capacity (lbs)
		+0.000 -0.001		+0.001 -0.000									
PCR-1	BB	1.000	0.781	0.437	1	1/2	7/16-20	3/16	0.031	0.500	630	140	230
PCR-1 1/8	BB	1.125	0.781	0.437	1	1/2	7/16-20	3/16	0.031	0.500	630	140	230
PCR-1 1/4	BB	1.250	0.844	0.500	1 1/4	5/8	1/2-20	5/16	0.031	0.625	1,350	370	600
PCR-1 3/8	BB	1.375	0.844	0.500	1 1/4	5/8	1/2-20	5/16	0.031	0.625	1,350	370	600
PCR-1 1/2	BB	1.500	1.187	.625	1 1/2	3/4	5/8-18	5/16	0.062	1.750	2,520	1,320	1,370
PCR-1 3/4	BB	1.750	1.187	.750	1 3/4	7/8	3/4-16	5/16	0.062	1.000	2,520	1,320	1,370
PCR-2	BB	2.000	1.687	.875	2	1 1/8	7/8-14	5/16	0.062	1.000	3,490	1,830	2,000
PCR-2 1/4	BB	2.250	1.687	.875	2	1 1/8	7/8-14	5/16	0.062	1.000	3,490	1,830	2,000
PCR-2 1/2	BB	2.500	1.687	1.000	2 1/4	1 1/2	1-14	7/16	0.062	1.250	5,120	2,680	3,120
PCR-2 3/4	BB	2.750	1.687	1.000	2 1/4	1 1/2	1-14	7/16	0.062	1.250	5,120	2,680	3,120
PCR-3	TRB	3.000	2.000	1.250	2 1/2	1 3/4	1 1/4-12	1/2	0.062	1.750	14,300	5,790	16,000
PCR-3 1/4	TRB	3.250	2.000	1.250	2 1/2	1 3/4	1 1/4-12	1/2	0.062	1.750	14,300	5,790	16,000
PCR-3 1/2	TRB	3.500	2.000	1.250	2 3/4	1 3/4	1 1/4-12	1/2	0.062	1.750	14,300	5,790	16,000
PCR-4	TRB	4.000	2.000	1.250	2 3/4	1 3/4	1 1/4-12	1/2	0.062	1.750	14,300	5,790	16,000
PCR-4 1/2	TRB	4.500	2.000	1.250	2 3/4	1 3/4	1 1/4-12	1/2	0.062	1.750	14,300	5,790	16,000
PCR-5	TRB	5.000	3.000	2.000	4 1/2	2 1/2	2-12	5/8	0.062	3.250	35,800	13,300	40,000
PCR-6	TRB	6.000	3.000	2.500	5 1/2	3 1/4	2 1/2-12	5/8	0.062	3.250	35,800	14,200	62,000
PCR-7	TRB	7.000	3.000	2.500	5 1/2	3 1/4	2 1/2-12	5/8	0.062	3.250	35,800	14,200	62,000
PCR-8	TRB	8.000	3.000	2.500	5 1/2	3 1/4	2 1/2-12	5/8	0.062	3.250	35,800	14,200	62,000

FCR

Flanged Stud Type

SMITH-TRAX®

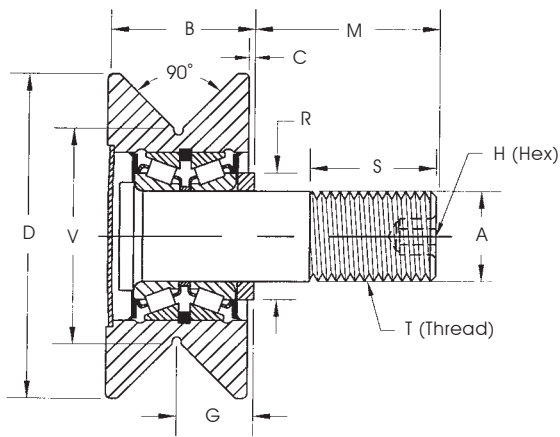


General Information

The **Smith-Trax®** Series bearings are designed and to handle both axial and radial loads by using **Tapered Roller Bearings** or **Deep Groove Ball Bearings**. These bearings should be used when standard needle roller bearings are not sufficient to handle the thrust load found in certain applications. Consult our Engineering Department for special requirements.

Dimensional Data (inches)

SMITH Bearing® Number	BEARING TYPE TRB-Tapered Roller Bearing BB-Ball Bearing	D	F	B	FB	A	M	S	T	H	C	R	Radial Basic Dynamic Rating (lbs) 500 hrs. 33 rpm.	Dynamic Thrust Load Rating (lbs) 500 hrs. 33 rpm.	Max Static Capacity (lbs)
		Roller O.D.	Flange O.D.	Roller Width	Flange Width	Stud Dia. +.000 -.001	Stud Length	Eff. Thread Min	Thread U.N.F. Class 2A	Hex Size	Shoulder Length	Shoulder or End Plate Dia.			
FCR-1	BB	1.000	1 ³ / ₈	2 ⁵ / ₃₂	7/ ₃₂	0.437	1	1/2	7/16-20	3/16	0.031	1/2	630	140	230
FCR-1 ¹ / ₈	BB	1.125	1 ¹ / ₂	2 ⁷ / ₃₂	7/ ₃₂	0.437	1	1/2	7/16-20	3/16	0.031	1/2	630	140	230
FCR-1 ¹ / ₄	BB	1.250	1 ⁹ / ₁₆	2 ⁷ / ₃₂	7/ ₃₂	0.500	1 ¹ / ₄	5/8	1/2-20	5/16	0.031	5/8	1,350	370	600
FCR-1 ³ / ₈	BB	1.375	1 ¹¹ / ₁₆	2 ⁷ / ₃₂	7/ ₃₂	0.500	1 ¹ / ₄	5/8	1/2-20	5/16	0.031	5/8	1,350	370	600
FCR-1 ¹ / ₂	BB	1.500	2 ³ / ₁₆	1 ³ / ₁₆	1 ¹ / ₃₂	.625	1 ¹ / ₂	3/4	5/8-18	5/16	0.062	3/4	2,520	1,320	1,370
FCR-1 ³ / ₄	BB	1.750	2 ⁷ / ₁₆	1 ³ / ₁₆	1 ¹ / ₃₂	.750	1 ³ / ₄	7/8	3/4-16	5/16	0.062	1	2,520	1,320	1,370
FCR-2	BB	2.000	2 ¹¹ / ₁₆	1 ¹¹ / ₁₆	1 ⁹ / ₃₂	.875	2	1 ¹ / ₈	7/8-14	5/16	0.062	1	3,490	1,830	2,000
FCR-2 ¹ / ₄	BB	2.250	2 ¹⁵ / ₁₆	1 ¹¹ / ₁₆	1 ⁹ / ₃₂	.875	2	1 ¹ / ₈	7/8-14	5/16	0.062	1	3,490	1,830	2,000
FCR-2 ¹ / ₂	BB	2.500	3 ³ / ₁₆	1 ¹¹ / ₁₆	1 ⁹ / ₃₂	1.000	2 ¹ / ₄	1 ¹ / ₂	1-14	7/16	0.062	1 ¹ / ₄	5,120	2,680	3,120
FCR-2 ³ / ₄	BB	2.750	3 ⁷ / ₁₆	1 ¹¹ / ₁₆	1 ⁹ / ₃₂	1.000	2 ¹ / ₄	1 ¹ / ₂	1-14	7/16	0.062	1 ¹ / ₄	5,120	2,680	3,120
FCR-3	TRB	3.000	3 ¹⁵ / ₁₆	2	1 ⁹ / ₃₂	1.250	2 ¹ / ₂	1 ³ / ₄	1 ¹ / ₄ -12	1/2	0.062	1 ³ / ₄	14,300	5,790	16,000
FCR-3 ¹ / ₄	TRB	3.250	4 ³ / ₁₆	2	1 ⁹ / ₃₂	1.250	2 ¹ / ₂	1 ³ / ₄	1 ¹ / ₄ -12	1/2	0.062	1 ³ / ₄	14,300	5,790	16,000
FCR-3 ¹ / ₂	TRB	3.500	4 ⁷ / ₁₆	2	1 ⁹ / ₃₂	1.250	2 ³ / ₄	1 ³ / ₄	1 ¹ / ₄ -12	1/2	0.062	1 ³ / ₄	14,300	5,790	16,000
FCR-4	TRB	4.000	4 ¹⁵ / ₁₆	2	1 ⁹ / ₃₂	1.250	2 ³ / ₄	1 ³ / ₄	1 ¹ / ₄ -12	1/2	0.062	1 ³ / ₄	14,300	5,790	16,000
FCR-4 ¹ / ₂	TRB	4.500	5 ⁷ / ₁₆	2	1 ⁹ / ₃₂	1.250	2 ³ / ₄	1 ³ / ₄	1 ¹ / ₄ -12	1/2	0.062	1 ³ / ₄	14,300	5,790	16,000
FCR-5	TRB	5.000	5 ¹⁵ / ₁₆	3	2 ³ / ₃₂	2.000	4 ¹ / ₂	2 ¹ / ₂	2-12	5/8	0.062	3 ¹ / ₄	35,800	13,300	40,000
FCR-6	TRB	6.000	6 ¹⁵ / ₁₆	3	2 ³ / ₃₂	2.500	5 ¹ / ₂	3 ¹ / ₄	2 ¹ / ₂ -12	5/8	0.062	3 ¹ / ₄	35,800	14,200	62,000
FCR-7	TRB	7.000	7 ¹⁵ / ₁₆	3	2 ³ / ₃₂	2.500	5 ¹ / ₂	3 ¹ / ₄	2 ¹ / ₂ -12	5/8	0.062	3 ¹ / ₄	35,800	14,200	62,000
FCR-8	TRB	8.000	8 ¹⁵ / ₁₆	3	2 ³ / ₃₂	2.500	5 ¹ / ₂	3 ¹ / ₄	2 ¹ / ₂ -12	5/8	0.062	3 ¹ / ₄	35,800	14,200	62,000



VCR

V-Groove Stud Type

SMITH-TRAX®

General Information

The **Smith-Trax®** Series bearings are designed to handle both axial and radial loads by using **Tapered Roller Bearings** or **Deep Groove Ball Bearings**. These bearings should be used when standard needle roller bearings are not sufficient to handle the thrust load found in certain applications. Consult our Engineering Department for special requirements.

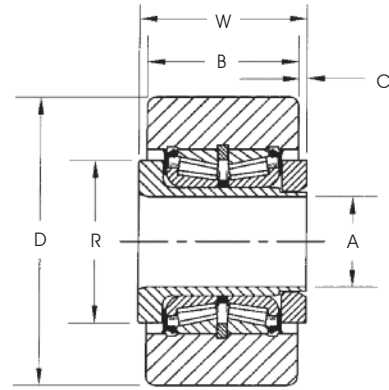
Dimensional Data (inches)

SMITH Bearing® Number	BEARING TYPE	D Outside Roller O.D.	V Point Dia.	B Roller Width	G Center of V-Groove	A Stud Dia. +.001 -.000	M Stud Length	S Eff. Thread Min	T Thread U.N.F. Class 2A	H Hex Size	C Shoulder Length	R Shoulder or End Plate Dia.	Radial Basic Dynamic Rating (lbs) 500 hrs. 33 rpm.	Dynamic Thrust Load Rating (lbs) 500 hrs. 33 rpm.	Max Static Capacity (lbs)
	TRB-Tapered Roller Bearing BB-Ball Bearing														
VCR-1½	BB	1.500	1.125	25/32	25/64	0.437	1	1/2	7/16-20	3/16	0.031	1/2	630	140	230
VCR-2	BB	2.000	1.375	27/32	27/64	0.500	1¼	5/8	1/2-20	3/16	0.031	5/8	1,350	370	600
VCR-2½	BB	2.500	1.500	15/16	11/16	0.750	1¾	7/8	3/4-16	5/16	0.062	1	2,760	680	1,100
VCR-3½	TRB	3.500	2.250	111/16	7/8	0.875	2	1½	7/8-14	5/16	0.062	1	3,490	1,830	2,000
VCR-3½-4	TRB	3.500	2.250	2	7/8	0.750	2	1½	3/4-16	5/16	0.062	1¼	8,900	3,200	7,250
VCR-4½	TRB	4.500	3.000	2	1	1.250	2½	1¾	1¼-12	1/2	0.062	1¾	14,300	5,790	16,000
VCR-5½	TRB	5.500	4.000	2	1	1.250	2¾	1¾	1¼-12	1/2	0.062	1¾	14,300	5,790	16,000
VCR-6½	TRB	6.500	5.000	3	1½	2.000	4½	2½	2-12	5/8	0.062	3¼	35,800	13,300	40,000
VCR-7½	TRB	7.500	6.000	3	1½	2.500	5½	3¼	2½-12	5/8	0.062	3¼	35,800	14,200	62,000
VCR-8½	TRB	8.500	7.000	3	1½	2.500	5½	3¼	2½-12	5/8	0.062	3¼	35,800	14,200	62,000

PYR

Plain Yoke Type

SMITH-TRAX®



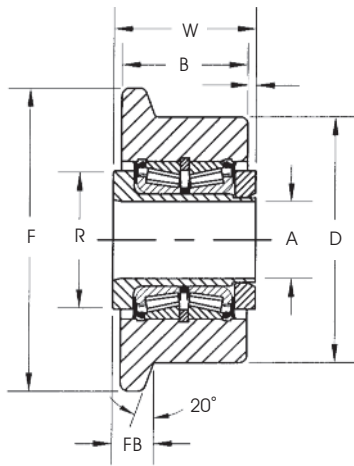
General Information

The **Smith-Trax®** Series bearings are designed to handle both axial and radial loads by using **Tapered Roller Bearings** or **Deep Groove Ball Bearings**. These bearings should be used when standard needle roller bearings are not sufficient to handle the thrust load found in certain applications. Consult our Engineering Department for special requirements.

Dimensional Data (inches)

SMITH Bearing® Number	BEARING TYPE	D Roller O.D. +.000 -0.001	B Roller Width	A Bore Diameter +.0005* -0.0000	W Overall Width +.005 -0.010	C Shoulder Length	R Shoulder or End Plate Diameter	Radial Basic Dynamic Rating (lbs) 500 hrs. 33 rpm.	Dynamic Thrust Load Rating (lbs) 500 hrs. 33 rpm.
	TRB-Tapered Roller Bearing BB-Ball Bearing								
PYR-1½	BB	1.500	0.875	0.437	0.937	0.031	7/8	1,850	480
PYR-1¾	BB	1.750	1.000	0.500	1.063	0.031	1	1,850	480
PYR-2	BB	2.000	1.250	0.625	1.313	0.031	1 1/8	3,400	1,120
PYR-2¼	BB	2.250	1.250	0.625	1.313	0.031	1 1/8	3,400	1,120
PYR-2½	TRB	2.500	1.500	0.750	1.562	0.031	1 1/4	11,000	4,600
PYR-3	TRB	3.000	1.750	1.000	1.813	0.031	1 3/4	14,300	5,790
PYR-3¼	TRB	3.250	1.750	1.000	1.813	0.031	1 3/4	14,300	5,790
PYR-3½	TRB	3.500	2.000	1.125	2.063	0.031	2	17,600	5,790
PYR-4	TRB	4.000	2.250	1.250	2.313	0.031	2 1/4	17,600	5,790
PYR-5	TRB	5.000	2.750	1.750	2.875	0.062	3 1/2	33,300	13,300
PYR-6	TRB	6.000	3.250	2.250	3.375	0.062	3 1/2	35,800	14,200
PYR-7	TRB	7.000	3.750	*2.750	3.875	0.062	4 1/4	42,400	17,400
PYR-8	TRB	8.000	4.250	*3.255	4.500	0.125	4 3/4	83,700	39,000
PYR-9	TRB	9.000	5.500	*3.750	5.000	0.125	5 1/2	134,230	147,000
PYR-10	TRB	10.000	6.500	*4.250	5.000	0.125	6 1/2	138,240	196,000

*Tolerance on "A" Bore Diameter for PYR-7 to PYR-10 is (+0.001/-0.000)



FYR
Flanged Yoke Type

SMITH-TRAX®

General Information

The **Smith-Trax®** Series bearings are designed to handle both axial and radial loads by using **Tapered Roller Bearings** or **Deep Groove Ball Bearings**. These bearings should be used when standard needle roller bearings are not sufficient to handle the thrust load found in certain applications. Consult our Engineering Department for special requirements.

Dimensional Data (inches)

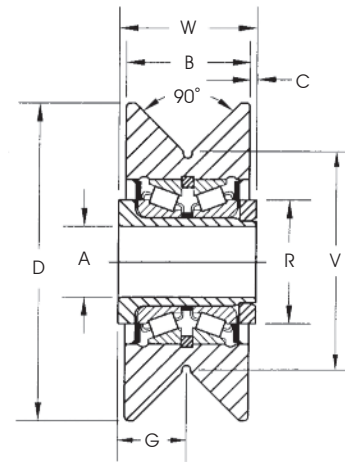
SMITH Bearing® Number	BEARING TYPE	D Roller O.D.	F Flange O.D.	B Roller Width	FB Flange Width	A Bore Diameter +.0005* -.0000	W Overall Width +.005 -.010	C Shoulder Length	R Shoulder or End Plate Diameter	Radial Basic Dynamic Rating (lbs) 500 hrs. 33 rpm.	Dynamic Thrust Load Rating (lbs) 500 hrs. 33 rpm.
	TRB-Tapered Roller Bearing BB-Ball Bearing										
FYR-1½	BB	1.500	2 ³ / ₁₆	0.872	7 ⁷ / ₃₂	0.437	0.937	0.031	7 ⁷ / ₈	1,850	480
FYR-1¾	BB	1.750	2 ⁷ / ₁₆	1.000	1 ¹ / ₄	0.500	1.063	0.031	1	1,850	480
FYR-2	BB	2.000	2 ¹¹ / ₁₆	1.250	5 ⁵ / ₁₆	0.625	1.313	0.031	1 ¹ / ₈	3,400	1,120
FYR-2¼	BB	2.250	2 ¹⁵ / ₁₆	1.250	5 ⁵ / ₁₆	0.625	1.313	0.031	1 ¹ / ₈	3,400	1,120
FYR-2½	TRB	2.500	3 ³ / ₁₆	1.500	1 ¹ / ₂	0.750	1.562	0.031	1 ¹ / ₄	10,880	4,570
FYR-3	TRB	3.000	3 ¹⁵ / ₁₆	1.750	1 ⁹ / ₃₂	1.000	1.812	0.031	1 ³ / ₄	14,300	5,790
FYR-3¼	TRB	3.250	4 ³ / ₁₆	1.750	1 ⁹ / ₃₂	1.000	1.812	0.031	1 ³ / ₄	14,300	5,790
FYR-3½	TRB	3.500	4 ⁷ / ₁₆	2.000	1 ⁹ / ₃₂	1.125	2.062	0.031	2	17,600	5,790
FYR-4	TRB	4.000	4 ¹⁵ / ₁₆	2.250	1 ⁹ / ₃₂	1.250	2.312	0.031	2 ¹ / ₄	17,600	5,790
FYR-5	TRB	5.000	5 ¹⁵ / ₁₆	2.750	2 ³ / ₃₂	1.750	2.875	0.062	3 ¹ / ₂	33,300	13,300
FYR-6	TRB	6.000	6 ¹⁵ / ₁₆	3.250	2 ³ / ₃₂	2.250	3.375	0.062	3 ¹ / ₂	35,800	14,200
FYR-7	TRB	7.000	7 ¹⁵ / ₁₆	3.750	2 ³ / ₃₂	*2.750	3.875	0.062	4 ¹ / ₄	42,400	17,400
FYR-8	TRB	8.000	8 ¹⁵ / ₁₆	4.250	2 ³ / ₃₂	*3.255	4.500	0.125	4 ³ / ₄	83,700	39,000
FYR-9	TRB	9.000	9 ¹⁵ / ₁₆	4.750	2 ³ / ₃₂	*3.755	5.000	0.125	5 ¹ / ₂	134,230	147,000
FYR-10	TRB	10.000	10 ¹⁵ / ₁₆	5.250	2 ³ / ₃₂	*4.255	5.000	0.125	6 ¹ / ₂	138,240	196,000

*Tolerance on "A" Bore Diameter for FYR-7 to FYR-10 is (+0.001/-0.000)

VYR

V-Groove Yoke Style

SMITH-TRAX®



General Information

The **Smith-Trax®** Series bearings are designed to handle both axial and radial loads by using **Tapered Roller Bearings** or **Deep Groove Ball Bearings**. These bearings should be used when standard needle roller bearings are not sufficient to handle the thrust load found in certain applications. Consult our Engineering Department for special requirements.

Dimensional Data (inches)

SMITH Bearing® Number	BEARING TYPE TRB-Tapered Roller Bearing BB-Ball Bearing	D Roller O.D.	B Roller Width	A Bore Diameter +.0005 * -.0000	W Overall Width +.005 -.010	V Point Diameter	G Center of V-Groove	C Shoulder Length	R Shoulder or End Plate Diameter 33 rpm.	Radial Basic Dynamic Rating (lbs) 500 hrs. 33 rpm.	Dynamic Thrust Load Rating (lbs) 500 hrs.
VYR-2½	BB	2.500	0.875	0.437	0.937	1.500	0.468	0.031	0.875	1,850	480
VYR-3	BB	3.000	1.250	0.625	1.312	2.000	0.656	0.031	1.125	3,400	1,120
VYR-3½	BB	3.500	1.500	0.750	1.562	2.250	0.781	0.031	1.250	5,590	1,560
VYR-3¾	TRB	3.750	1.500	0.750	1.562	2.500	0.781	0.031	1.250	10,880	4,570
VYR-4½	TRB	4.500	1.750	1.000	1.813	3.000	0.906	0.031	1.750	14,300	5,790
VYR-5	TRB	5.000	2.000	1.125	2.063	3.500	1.031	0.031	2.000	17,600	5,790
VYR-5½	TRB	5.500	2.250	1.250	2.313	4.000	1.156	0.031	2.250	17,600	5,790
VYR-6½	TRB	6.500	2.750	1.750	2.875	5.000	1.438	0.031	3.500	35,800	14,200
VYR-7½	TRB	7.500	3.250	2.250	3.375	6.000	1.688	0.031	3.500	35,800	14,200
VYR-8½	TRB	8.500	3.750	*2.750	3.875	7.000	1.938	0.031	4.250	42,400	17,400
VYR-9½	TRB	9.500	4.250	*3.255	4.500	8.000	2.250	0.125	4.750	†	34,770
VYR-10½	TRB	10.500	4.750	*3.755	5.000	9.000	2.500	0.125	5.500	†	38,690
VYR-11½	TRB	11.500	5.250	*4.255	5.500	10.000	2.750	0.125	6.500	†	42,610

*Tolerance on "A" Bore Diameter for VYR-8½ to VYR-11½ is (+0.001/-0.000)

† Exceeds Static Capacity



PCR

FCR

VCR

PYR

FYR

VYR

INCH SIZES

SMITH-TRAX® Interchange

Track Roller Bearings

Plain Track Rollers

SMITH®	McGill	Osborn	PCI
PCR-1 ¹ / ₂	PCF-1 ¹ / ₂	PLR-1 ¹ / ₂	PTR-1.50
PCR-1 ³ / ₄	PCF-1 ³ / ₄	PLR-1 ³ / ₄	PTR-1.75
PCR-2	PCF-2	PLR-2	PTR-2.00
PCR-2 ¹ / ₄	PCF-2 ¹ / ₄	PLR-2 ¹ / ₄	PTR-2.25
PCR-2 ³ / ₄	PCF-2 ³ / ₄	PLR-2 ³ / ₄	PTR-2.75
PCR-3	PCF-3	PLR-3	PTR-3.00
PCR-3 ¹ / ₄	PCF-3 ¹ / ₄	PLR-3 ¹ / ₄	PTR-3.25
PCR-3 ¹ / ₂	PCF-3 ¹ / ₂	PLR-3 ¹ / ₂	PTR-3.50
PCR-4	PCF-4	PLR-4	PTR-4.00
PCR-4 ¹ / ₂	PCF-4 ¹ / ₂	PLR-4 ¹ / ₂	PTR-4.50
PCR-5	PCF-5	PLR-5	PTR-5.00
PCR-6	PCF-6	PLR-6	PTR-6.00
PCR-7	PCF-7	PLR-7	PTR-7.00
PCR-8	PCF-8	PLR-8	PTR-8.00

Flanged Track Rollers

SMITH®	McGill	Osborn	PCI
FCR-1 ¹ / ₂	FCF-1 ¹ / ₂	FLR-1 ¹ / ₂	FTR-1.50
FCR-1 ³ / ₄	FCF-1 ³ / ₄	FLR-1 ³ / ₄	FTR-1.75
FCR-2	FCF-2	FLR-2	FTR-2.00
FCR-2 ¹ / ₄	FCF-2 ¹ / ₄	FLR-2 ¹ / ₄	FTR-2.25
FCR-2 ¹ / ₂	FCF-2 ¹ / ₂	FLR-2 ¹ / ₂	FTR-2.50
FCR-2 ³ / ₄	FCF-2 ³ / ₄	FLR-2 ³ / ₄	FTR-2.75
FCR-3	FCF-3	FLR-3	FTR-3.00
FCR-3 ¹ / ₄	FCF-3 ¹ / ₄	FLR-3 ¹ / ₄	FTR-3.25
FCR-3 ¹ / ₂	FCF-3 ¹ / ₂	FLR-3 ¹ / ₂	FTR-3.50
FCR-4	FCF-4	FLR-4	FTR-4.00
FCR-4 ¹ / ₂	FCF-4 ¹ / ₂	FLR-4 ¹ / ₂	FTR-4.50
FCR-5	FCF-5	FLR-5	FTR-5.00
FCR-6	FCF-6	FLR-6	FTR-6.00
FCR-7	FCF-7	FLR-7	FTR-7.00
FCR-8	FCF-8	FLR-8	FTR-8.00

V-Grooved Track Rollers

SMITH	McGill	Osborn	PCI
VCR-3 ¹ / ₂	VCF-3 ¹ / ₂	VLR-3 ¹ / ₂	VTR-3.50
VCR-4 ¹ / ₂	VCF-4 ¹ / ₂	VLR-4 ¹ / ₂	VTR-4.50
VCR-5 ¹ / ₂	VCF-5 ¹ / ₂	VLR-5 ¹ / ₂	VTR-5.50
VCR-6 ¹ / ₂	VCF-6 ¹ / ₂	VLR-6 ¹ / ₂	VTR-6.50
VCR-7 ¹ / ₂	VCF-7 ¹ / ₂	VLR-7 ¹ / ₂	VTR-7.50
VCR-8 ¹ / ₂	VCF-8 ¹ / ₂	VLR-8 ¹ / ₂	VTR-8.50

Yoke Track Roller Bearings

Plain Yoke Rollers

SMITH®	Osborn	PCI
PYR-3	PLRY-3	PTRY-3.00
PYR-3 ¹ / ₄	PLRY-3 ¹ / ₄	PTRY-3.25
PYR-3 ¹ / ₂	PLRY-3 ¹ / ₂	PTRY-3.50
PYR-4	PLRY-4	PTRY-4.00
PYR-5	PLRY-5	PTRY-5.00
PYR-6	PLRY-6	PTRY-6.00
PYR-7	PLRY-7	PTRY-7.00
PYR-8	PLRY-8	PTRY-8.00

Flanged Yoke Rollers

SMITH®	Osborn	PCI
FYR-3	FLRY-3	FTRY-3.00
FYR-3 ¹ / ₄	FLRY-3 ¹ / ₄	FTRY-3.25
FYR-3 ¹ / ₂	FLRY-3 ¹ / ₂	FTRY-3.50
FYR-4	FLRY-4	FTRY-4.00
FYR-5	FLRY-5	FTRY-5.00
FYR-6	FLRY-6	FTRY-6.00
FYR-7	FLRY-7	FTRY-7.00
FYR-8	FLRY-8	FTRY-8.00

V-Grooved Yoke Rollers

SMITH®	Osborn	PCI
VYR-4 ¹ / ₂	VLRY-4 ¹ / ₂	VTRY-4.50
VYR-5 ¹ / ₂	VLRY-5 ¹ / ₂	VTRY-5.50
VYR-6 ¹ / ₂	VLRY-6 ¹ / ₂	VTRY-6.50
VYR-7 ¹ / ₂	VLRY-7 ¹ / ₂	VTRY-7.50
VYR-8 ¹ / ₂	VLRY-8 ¹ / ₂	VTRY-8.50

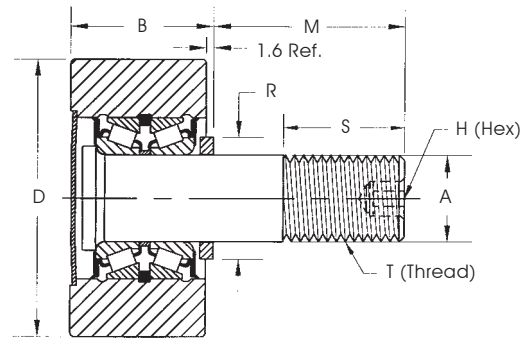
Coding for Other Track Rollers

Optional Feature	SMITH®	Osborn	McGILL	PCI
Eccentric Collar	add suffix "E"	add prefix "E"	add prefix "E"	add prefix "E"

MPCR

Plain Stud Style

SMITH-TRAX®

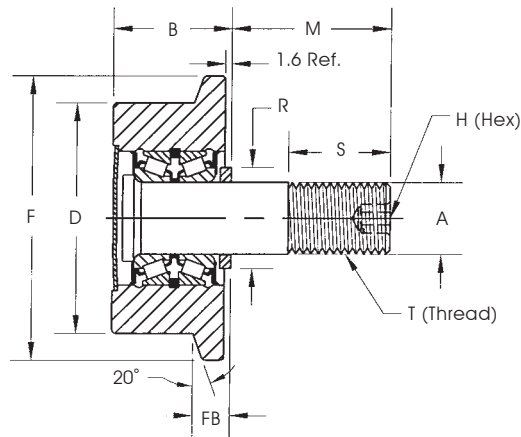


General Information

The **Smith-Trax®** Series bearings are designed and manufactured to handle increased axial and radial loads by using **Tapered Roller Bearings** or **Deep Groove Ball Bearings**. These bearings should be used when standard needle roller bearings are not sufficient to handle the thrust load found in certain applications. Consult our Engineering Department for special requirements.

Dimensional Data (mm)

SMITH Bearing® Number	BEARING TYPE	D Roller O.D.	B Roller Width	A Stud Diameter	M Stud Length	S Eff. Thread Min	T Thread	H Hex Size	R Shoulder Width or End Plate Diameter	Radial Basic Dynamic Rating (N) 500 hrs. 33 rpm.	Dynamic Thrust Load Rating (N) 500 hrs. 33 rpm.	Max Static Capacity (N)
	TRB-Tapered Roller Bearing BB-Ball Bearing	+0.00 -0.02		+0.00 -0.02								
MPCR-26	BB	26	20.0	10	23.0	13	M10 X 1	4	13.1	2,790	1,720	1,000
MPCR-30	BB	30	20.0	12	25.0	14	M12 X 1.5	4	15.9	2,790	1,720	1,000
MPCR-32	BB	32	22.0	12	25.0	14	M12 X 1.5	8	15.9	6,000	3,700	2,680
MPCR-35	BB	35	22.0	16	32.5	18	M16 X 1.5	8	19.1	6,000	3,700	2,680
MPCR-40	BB	40	30.0	14	40.0	26	M14 X 2	8	18.0	12,200	7,560	4,900
MPCR-47	BB	47	27.6	20	40.5	21	M20 X 1.5	8	25.5	12,200	7,560	4,900
MPCR-50	BB	50	40.0	16	50.0	35	M16 X 2	8	23.0	17,000	10,600	7,200
MPCR-52	BB	52	33.6	20	40.5	21	M20 X 1.5	8	25.5	17,000	10,600	7,200
MPCR-62	BB	62	44.0	24	58.0	35	M24 X 3	8	32.0	23,100	14,200	10,100
MPCR-72	TRB	72	44.0	24	49.5	25	M24 X 1.5	8	32.0	48,400	17,840	33,900
MPCR-76	TRB	76	52.0	30	69.5	40	M30 X 3.5	8	44.5	63,600	25,700	89,000
MPCR-80	TRB	80	52.0	30	69.5	40	M30 X 3.5	8	44.5	63,600	25,700	89,000
MPCR-85	TRB	85	52.0	30	69.5	40	M30 X 3.5	8	44.5	63,600	25,700	89,000
MPCR-90	TRB	90	52.0	30	69.5	40	M30 X 3.5	8	44.5	63,600	25,700	89,000
MPCR-100	TRB	100	52.0	30	80.0	50	M30 X 3.5	8	44.5	63,600	25,700	89,000
MPCR-125	TRB	125	76.0	48	105.0	60	M48 X 5	12	82.5	148,100	58,500	238,000
MPCR-150	TRB	150	76.0	64	140.0	82	M64 X 6	12	82.5	159,000	63,000	251,000
MPCR-200	TRB	200	76.0	64	140.0	82	M64 X 6	12	82.5	159,000	63,000	251,000



MFCR
Flanged Stud Type
 SMITH-TRAX®

General Information

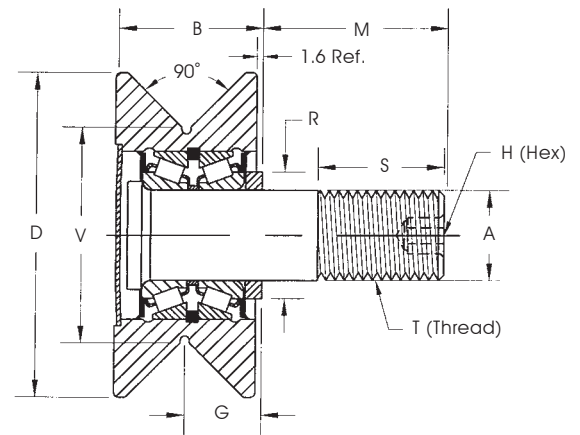
The **Smith-Trax®** Series bearings are designed and manufactured to handle increased axial and radial loads by using **Tapered Roller Bearings** or **Deep Groove Ball Bearings**. These bearings should be used when standard needle roller bearings are not sufficient to handle the thrust load found in certain applications. Consult our Engineering Department for special requirements.

Dimensional Data (mm)

SMITH Bearing® Number	BEARING TYPE TRB-Tapered Roller Bearing BB-Ball Bearing	D Roller O.D.	F Flange O.D.	B Roller Width	FB Flange Width	A Stud Dia. +0.00 -0.02	M Stud Length	S Eff. Thread Min.	T Thread	H Hex Size	R Shoulder or End Plate Dia.	Radial Basic Dynamic Rating (N) 500 hrs. 33 rpm.	Dynamic Thrust Load Rating (N) 500 hrs. 33 rpm.	Max Static Capacity (N)
MFCR-26	BB	26	35	20	5	10	23	13	M10 x 1	4	13.1	2,790	1,720	1,000
MFCR-30	BB	30	40	20	5	12	25	14	M12 x 1.5	4	15.9	2,790	1,720	1,000
MFCR-32	BB	32	42	23	5	12	25	14	M12 x 1.5	8	15.9	6,000	3,700	2,680
MFCR-35	BB	35	46	23	5	16	32.55	18	M16 x 1.5	8	19.1	6,000	3,700	2,680
MFCR-40	BB	40	54	30	8.8	14	40	26	M14 x 2	8	18	12,200	7,560	4,900
MFCR-47	BB	47	61	27.6	7.8	20	40.5	21	M20 x 1.5	8	25.5	12,200	7,560	4,900
MFCR-50	BB	50	68	40	14	16	50	35	M16 x 2	8	23	17,000	10,600	7,200
MFCR-52	BB	52	66	33.6	10.8	20	40.5	21	M20 x 1.5	8	25.5	17,000	10,600	7,200
MFCR-62	BB	62	78	44	14	24	58	35	M24 x 3	8	32	23,100	14,200	10,100
MFCR-72	TRB	72	90	44	14	24	49.5	25	M24 x 1.5	8	32	23,100	14,200	10,100
MFCR-76	TRB	76	98	52	14	30	69.5	40	M30 x 3.5	8	44.5	63,600	25,700	89,000
MFCR-80	TRB	80	102	52	14	30	69.5	40	M30 x 3.5	8	44.5	63,600	25,700	89,000
MFCR-85	TRB	85	107	52	14	30	69.5	40	M30 x 3.5	8	44.5	63,600	25,700	89,900
MFCR-90	TRB	90	112	52	14	30	69.5	40	M30 x 3.5	8	44.5	63,600	25,700	89,900
MFCR-100	TRB	100	125	52	14	30	80	50	M30 x 3.5	8	44.5	63,600	25,700	89,900
MFCR-125	TRB	125	148	76	18	48	105	60	M48 x 5	12	82.5	148,100	58,500	230,800
MFCR-150	TRB	150	173	76	18.3	64	140	82	M64 x 6	12	82.5	159,000	63,000	251,000
MFCR-200	TRB	200	223	76	18.3	64	140	82	M64 x 6	12	82.5	159,000	63,000	251,000

MVCR
V-Groove Stud Style

SMITH-TRAX®

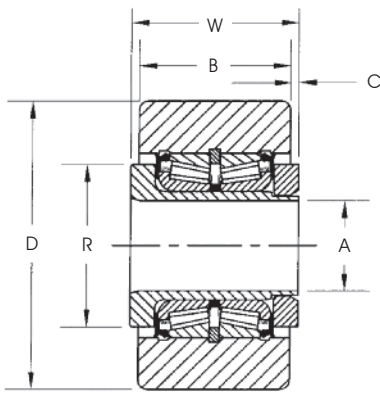


General Information

The **Smith-Trax®** Series bearings are designed and manufactured to handle increased axial and radial loads by using **Tapered Roller Bearings** or **Deep Groove Ball Bearings**. These bearings should be used when standard needle roller bearings are not sufficient to handle the thrust load found in certain applications. Consult our Engineering Department for special requirements.

Dimensional Data (mm)

SMITH Bearing® Number	BEARING TYPE	D Outside Roller O.D.	V Point Dia.	B Roller Width	G Center of V-Groove	A Stud Dia. +0.00 -0.02	M Stud Length	S Eff. Thread Min.	T Thread	H Hex Size	R Shoulder or End Plate Dia.	Radial Basic Dynamic Rating (N) 500 hrs. 33 rpm.	Dynamic Thrust Load Rating (N) 500 hrs. 33 rpm.	Max Static Capacity (N)
	TRB-Tapered Roller Bearing BB-Ball Bearing													
MVCR-26	BB	40	26	20	10	10	23.0	13	M10 x 1	4	13.1	2,790	1,720	1,000
MVCR-32	BB	50	32	22	11	12	25.0	14	M12 x 1.5	8	15.9	6,000	3,700	2,680
MVCR-40	BB	60	40	33	17	14	40.0	26	M14 x 2	8	18	6,000	3,700	2,680
MVCR-62	TRB	90	62	44.5	23	24	58.0	35	M24 x 3	8	32	23,100	14,200	10,100
MVCR-76	TRB	120	76	50.5	26	30	69.5	40	M30 x 3.5	8	44.5	63,600	25,700	89,000
MVCR-100	TRB	140	100	50.5	26	30	80.0	50	M30 x 3.5	8	44.5	63,600	25,700	89,000
MVCR-125	TRB	165	125	76	37.8	48	105.0	50	M48 x 5	12	82.5	148,100	58,500	230,800



MPYR
Plain Yoke Style

SMITH-TRAX®

General Information

The **Smith-Trax®** Series bearings are designed and manufactured to handle increased axial and radial loads by using **Tapered Roller Bearings** or **Deep Groove Ball Bearings**. These bearings should be used when standard needle roller bearings are not sufficient to handle the thrust load found in certain applications. Consult our Engineering Department for special requirements.

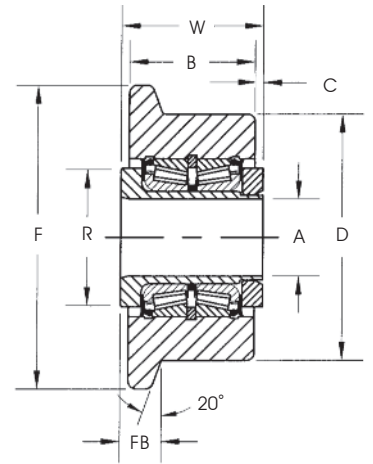
Dimensional Data (mm)

SMITH Bearing® Number	BEARING TYPE TRB-Tapered Roller Bearing	D Roller O.D. +0.00 -0.02	B Roller Width	A Bore Diameter +0.00 -0.02	W Overall Width	C Shoulder Length	R Shoulder or End Plate Diameter 33 rpm.	Radial Basic Dynamic Rating (N) 500 hrs. 33 rpm.	Dynamic Thrust Load Rating (N) 500 hrs.
MPYR-40	BB	40	22	10	23	0.5	22.00	8,220	3,460
MPYR-50	BB	50	32	15	33	0.5	28.00	15,140	4,980
MPYR-62	TRB	62	38	20	40	1.0	32.00	48,400	17,800
MPYR-76	TRB	76	44	25	46	1.0	44.50	63,500	25,700
MPYR-80	TRB	80	44	25	46	1.0	44.50	63,500	25,700
MPYR-85	TRB	85	44	25	46	1.0	44.50	63,500	25,700
MPYR-90	TRB	90	54	30	56	1.0	57.20	78,200	25,600
MPYR-100	TRB	100	54	30	56	1.0	57.20	78,200	25,600
MPYR-125	TRB	125	68	45	71	1.5	82.60	148,100	58,500
MPYR-150	TRB	150	70	55	73	1.5	88.90	159,000	63,000
MPYR-200	TRB	125	68	45	71	1.5	82.60	148,100	58,500
MPYR-250	TRB	150	70	55	73	1.5	88.90	159,000	63,000

MFYR

Flange Yoke Style

SMITH-TRAX®

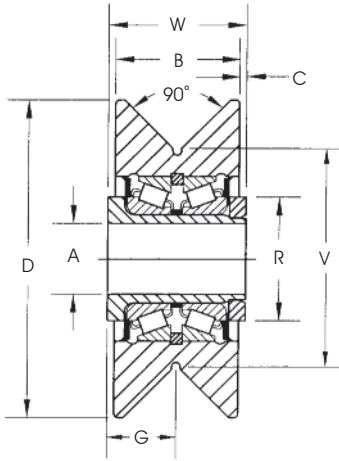


General Information

The **Smith-Trax®** Series bearings are designed and manufactured to handle increased axial and radial loads by using **Tapered Roller Bearings** or **Deep Groove Ball Bearings**. These bearings should be used when standard needle roller bearings are not sufficient to handle the thrust load found in certain applications. Consult our Engineering Department for special requirements.

Dimensional Data (mm)

SMITH Bearing® Number	BEARING TYPE TRB-Tapered Roller Bearing BB-Ball Bearing	D Roller O.D.	F Flange O.D.	B Roller Width	FB Flange Width	A Bore Diameter +0.00 -0.02	W Overall Width	C Shoulder Length	R Shoulder or End Plate Diameter 33 rpm.	Radial Basic Dynamic Rating (N) 500 hrs. 33 rpm.	Dynamic Thrust Load Rating (N) 500 hrs.	Max Static Capacity (Newtons)
MFYR-40	BB	40	54	22	6.0	10	23	0.5	22.0	8,200	2,140	3,460
MFYR-50	BB	50	68	32	10.0	15	33	0.5	28.0	15,140	4,980	8,070
MFYR-62	TRB	62	78	38	14.0	20	40	1.0	32.0	48,400	178,00	20,300
MFYR-76	TRB	76	98	44	13.5	25	46	1.0	44.5	63,500	25,700	53,400
MFYR-80	TRB	80	102	44	13.5	25	46	1.0	44.5	63,500	25,700	53,400
MFYR-85	TRB	85	107	44	13.5	25	46	1.0	44.5	63,500	25,700	53,400
MFYR-90	TRB	90	112	54	13.5	30	56	1.0	57.2	78,200	25,600	58,300
MFYR-100	TRB	100	122	54	13.5	30	56	1.0	57.2	78,200	25,600	58,300
MFYR-125	TRB	125	148	68	18.2	45	71	1.5	82.6	148,100	58,500	144,600
MFYR-150	TRB	150	173	70	18.3	55	73	1.5	88.9	159,000	63,000	147,000
MFYR-200	TRB	200	223	76	18.2	70	79	1.5	108.0	188,600	77,400	215,000
MFYR-250	TRB	250	273	76	18.2	70	79	1.5	108.0	188,600	77,400	215,000



MVYR

V-Groove Yoke Style

SMITH-TRAX®

General Information

The **Smith-Trax®** Series bearings are designed and manufactured to handle increased axial and radial loads by using **Tapered Roller Bearings** or **Deep Groove Ball Bearings**. These bearings should be used when standard needle roller bearings are not sufficient to handle the thrust load found in certain applications. Consult our Engineering Department for special requirements.

Dimensional Data (mm)

SMITH Bearing® Number	BEARING TYPE	D Roller O.D.	B Groove Dia.	A Bore Diameter +0.00 -0.02	W Overall Width	V Point Diameter	G Center of V-Groove	C Shoulder Length	R Shoulder or End Plate Diameter	Radial Basic Dynamic Rating (N) 500 hrs. 33 rpm.	Dynamic Thrust Load Rating (N) 500 hrs. 33 rpm.
	TRB-Tapered Roller Bearing BB-Ball Bearing										
MVYR-40	BB	60	22	10	23	40	11.5	0.5	22.0	8,220	2,140
MVYR-50	BB	75	32	15	33	50	16.5	0.5	28.0	15,140	4,980
MVYR-62	TRB	90	38	20	40	62	22	1.0	32.0	48,400	17,800
MVYR-76	TRB	110	44	25	46	76	23	1.0	44.5	63,600	25,700
MVYR-100	TRB	140	54	30	56	100	28	1.0	57.2	78,200	25,600
MVYR-125	TRB	165	68	45	71	125	36	1.5	82.6	148,100	58,500
MVYR-150	TRB	190	70	55	73	150	37	1.5	88.9	159,200	63,000
MVYR-200	TRB	240	76	70	79	200	40	1.5	108.0	188,600	77,400
MVYR-250	TRB	290	76	70	79	250	40	1.5	108.0	188,600	77,400

METRIC SIZES



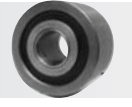
MPCR



MFCR



MVCR



MPYR



MFYR



MVYR

Track Roller Bearings

Plain Track Rollers

SMITH®	Osborn
MPCR-26	HPC-26
MPCR-30	HPC-30
MPCR-32	HPC-32
MPCR-35	HPC-35
MPCR-40	HPC-40
MPCR-47	HPC-47
MPCR-50	HPC-50
MPCR-52	HPC-52
MPCR-62	HPC-62
MPCR-72	HPC-72
MPCR-76	HPC-76
MPCR-80	HPC-80
MPCR-85	HPC-85
MPCR-90	HPC-90
MPCR-100	HPC-100
MPCR-125	HPC-125
MPCR-150	HPC-150
MPCR-200	HPC-200

V-Grooved Track Rollers

SMITH®	Osborn
MVCR-26	HPV-26
MVCR-32	HPV-32
MVCR-40	HPV-40
MVCR-62	HPV-62
MVCR-76	HPV-76
MVCR-100	HPV-100
MVCR-125	HPV-125

Flanged Track Rollers

SMITH®	Osborn
MFCR-26	HPJ-26
MFCR-30	HPJ-30
MFCR-32	HPJ-32
MFCR-35	HPJ-35
MFCR-40	HPJ-40
MFCR-47	HPJ-47
MFCR-50	HPJ-50
MFCR-52	HPJ-52
MFCR-62	HPJ-62
MFCR-72	HPJ-72
MFCR-76	HPJ-76
MFCR-80	HPJ-80
MFCR-85	HPJ-85
MFCR-90	HPJ-90
MFCR-100	HPJ-100
MFCR-125	HPJ-125
MFCR-150	HPJ-150
MFCR-200	HPJ-200

Yoke Track Roller Bearings

Plain Yoke Rollers

SMITH®	Osborn
MPYR-62	HPCA-62
MPYR-76	HPCA-76
MPYR-80	HPCA-80
MPYR-85	HPCA-85
MPYR-90	HPCA-90
MPYR-100	HPCA-100
MPYR-125	HPCA-125
MPYR-150	HPCA-150
MPYR-200	HPCA-200
MPYR-250	HPCA-250

V-Grooved Yoke Rollers

SMITH®	Osborn
MVYR-62	HPVA-62
MVYR-76	HPVA-76
MVYR-100	HPVA-100
MVYR-125	HPVA-125
MVYR-150	HPVA-150
MVYR-200	HPVA-200
MVYR-250	HPVA-250

Flanged Yoke Rollers

SMITH®	Osborn
MFYR-62	HPJA-62
MFYR-76	HPJA-76
MFYR-80	HPJA-80
MFYR-85	HPJA-85
MFYR-90	HPJA-90
MFYR-100	HPJA-100
MFYR-125	HPJA-125
MFYR-150	HPJA-150
MFYR-200	HPJA-200
MFYR-250	HPJA-250

Coding for Other Track Rollers

Optional Feature	SMITH®	Osborn
Eccentric Collar	add suffix "E"	add prefix "E"

Ancillary Bearings



Chain Roller Series

Yoke Type



GEZ Series

Spherical Plain Bearings
with Fractured Outer Race



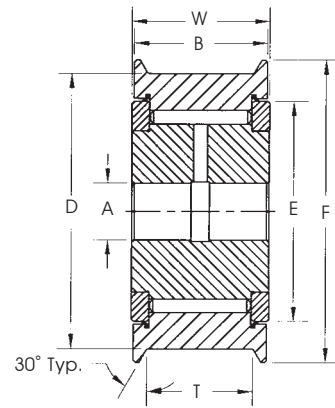
IRR Series

Inner Ring Races

CHAIN ROLLERS

Yoke Type

For Shaft Mounting

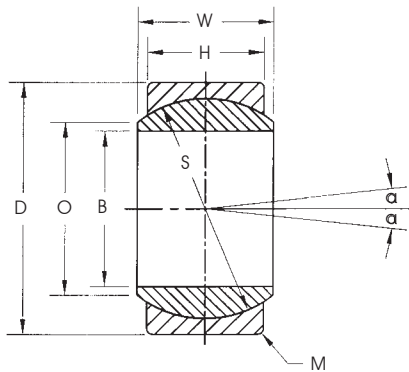


General Information

SMITH YOKE TYPE Special Chain Roller bearings are manufactured for various industrial applications. Typical uses are in forklift style equipment or other chain guide applications which may require a double-flanged outer ring design. The table shown is intended as a guide to indicate basic typical sizes. Consult our Engineering Department for special design needs.

Dimensional Data (inches)

SMITH Bearing® Number	D Roller O.D. +.005 -.005	F Flange O.D. +.005 -.005	A Bore Diameter +.0003 -.0003	B Roller Width	W Overall Width	T Track Width	E Minimum Clamping Diameter	Basic Dynamic Capacity (lbs)
YR-2 ¹ / ₂ -18	2.375	2.75	.7449	1.810	1.873	1.440	1.74	16,000
YR-2 ¹ / ₂ -28	2.375	2.75	.7685	1.810	1.870	1.440	1.74	16,000
YR-2 ¹ / ₂ -30	2.375	2.75	.7449	1.810	1.870	1.440	1.74	16,000
YR-6757-2	2.375	2.75	.7449	1.810	1.870	1.440	1.74	16,000
YR-6265-X	2.990	3.38	.7501	1.510	1.564	1.160	2.12	8,750
YR-6636-X	3.150	3.86	.9840	1.850	1.909	1.280	2.25	13,304
YR-6634-X	3.543	4.25	1.3780	1.850	1.909	1.280	2.75	15,432
YR-6757-1	3.745	4.12	.7449	1.810	1.870	1.440	1.74	16,000
YR-4-X-5	3.750	4.13	.7685	1.810	1.870	1.440	3.00	32,000
YR-6635	4.094	3.86	.9840	1.850	1.909	1.280	2.25	13,304



GEZ

Spherical Plain Bearings

Metal to Metal
Fractured Race

General Information

SMITH GEZ (inch size) and **GE** (metric size) **Plain Spherical Bearings** are assembled units, which consist of a spherical O.D. inner ring and a spherical I.D. outer ring. Both inner and outer rings are phosphate treated and coated with Molybdenum disulphide.

INCH Size Bearings

Dimensional Data (inches)

SMITH Bearing® Number	B Bore Diameter +.0000 -.0005	D Outer Diameter +.0000 -.0005	H Race Width +.000 -.005	W Overall Ball Width +.000 -.005	O Ball Flat Dia. (Ref)	M Race Chamfer (Min)	S Ball Diameter (Ref)	α Max Mis-align Angle	Max Radial Static Load Capacity (lbs)	Approx. Weight (lbs)
GEZ12ES	.5000	.875	.375	.437	.551	.032	.709	6.0	9,330	.044
GEZ15ES	.6250	1.0625	.469	.547	.703	.040	.906	6.0	14,726	.079
GEZ19ES	.7500	1.250	.562	.656	.844	.040	1.083	6.0	21,358	.126
GEZ22ES	.8750	1.4375	.656	.765	.974	.040	1.260	6.0	28,552	.193
GEZ25ES	1.0000	1.625	.750	.875	1.103	.040	1.417	6.0	37,320	.276
GEZ31ES	1.2500	2.000	.937	1.093	1.382	.040	1.772	6.0	58,453	.516
GEZ34ES	1.3750	2.1875	1.031	1.187	1.516	.040	1.929	6.0	69,694	.770
GEZ38ES	1.5000	2.4375	1.125	1.312	1.703	.040	2.165	6.0	84,308	.934
GEZ44ES	1.7500	2.8125	1.312	1.531	1.984	.040	2.520	6.0	114,658	1.430
GEZ50ES	2.0000	3.1875	1.500	1.750	2.266	.048	2.874	6.0	150,629	2.070
GEZ63ES	2.5000	3.9375	1.875	2.187	2.833	.048	3.583	6.0	236,061	4.090
GEZ69ES	2.7500	4.375	2.062	2.406	3.110	.048	3.937	6.0	281,025	5.380
GEZ76ES	3.0000	4.750	2.250	2.625	3.406	.048	4.331	6.0	337,230	6.870

METRIC Size Bearings

Dimensional Data (mm)

SMITH Bearing® Number	B Bore Diameter +.000 -.015	D Outer Diameter +.000 -.015	H Race Width +.00 -.15	W Overall Ball Width +.00 -.15	O Ball Flat Dia. (Ref)	M Race Chamfer (Min)	S Ball Diameter (Ref)	α Max Mis-align Angle	Radial Static Load Capacity (Newtons)	Approx. Weight (kilograms)
GE30ES	30	47	18	22	34	0.6	40.7	6	310,000	0.16
GE40ES	40	62	22	28	45	1.0	53.0	7	500,000	0.32
GE45ES	45	68	25	32	50	1.0	60.0	7	640,000	0.46
GE50ES	50	75	28	35	55	1.0	66.0	6	780,000	0.56

IRR INNER RING RACES

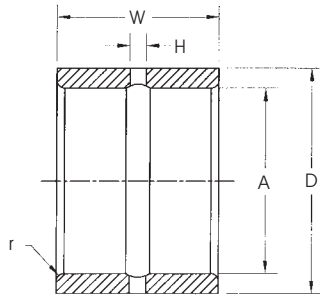


General Information

SMITH IRR Inner Ring Races are hardened and ground and are used as bushings or sleeves. Typical material is **52100 Bearing Steel**. They are complete with radial oil holes and an annular lubrication groove. Consult our Engineering Department for special configurations, sizes and materials.

Dimensional Data (inches)

SMITH Bearing® Number	A Bore Diameter I.D.		D Outside Diameter		W Width +.000 -.005	H Hole Diameter	r Max Fillet for Shaft
	Nominal	Tolerance +0.0000	Nominal	Tolerance +0.0000			
IRR-3/8	.3750	-0.0004	.6245	-0.0004	1.010	3/32	.025
IRR-3/8-1	.3750	-0.0004	.6245	-0.0004	.760	3/32	.025
IRR-7/16	.4375	-0.0004	.6245	-0.0004	.760	3/32	.025
IRR-1/2-1	.5000	-0.0004	.7493	-0.0005	1.010	1/8	.040
IRR-1/2	.5000	-0.0004	.7493	-0.0005	.760	1/8	.040
IRR-9/16	.5625	-0.0004	.7493	-0.0005	.760	1/8	.040
IRR-5/8-1	.6250	-0.0004	.8743	-0.0005	1.010	1/8	.040
IRR-5/8	.6250	-0.0004	.8743	-0.0005	.760	1/8	.040
IRR-11/16	.6875	-0.0004	.8743	-0.0005	.760	1/8	.040
IRR-3/4	.7500	-0.0004	.9993	-0.0005	1.010	1/8	.040
IRR-3/4-3	.7500	-0.0004	.9993	-0.0005	.760	1/8	.040
IRR-13/16	.8125	-0.0005	.9993	-0.0005	1.010	1/8	.040
IRR-13/16-2	.8125	-0.0005	.9993	-0.0005	.760	1/8	.040
IRR-7/8-1	.8750	-0.0005	1.1241	-0.0005	1.260	1/8	.040
IRR-7/8	.8750	-0.0005	1.1241	-0.0005	1.010	1/8	.040
IRR-15/16-1	.9375	-0.0005	1.1241	-0.0005	1.260	1/8	.040
IRR-15/16	.9375	-0.0005	1.1241	-0.0005	1.010	1/8	.040
IRR-1-2	1.0000	-0.0005	1.2491	-0.0006	1.260	1/8	.040
IRR-1	1.0000	-0.0005	1.2491	-0.0006	1.010	1/8	.040
IRR-1 1/16	1.0625	-0.0005	1.3741	-0.0006	1.260	1/8	.040
IRR-1 1/8-2	1.1250	-0.0005	1.3741	-0.0006	1.260	1/8	.040
IRR-1 1/8	1.1250	-0.0005	1.3741	-0.0006	1.010	1/8	.040
IRR-1 3/16	1.1875	-0.0005	1.4990	-0.0006	1.260	1/8	.060
IRR-1 1/4	1.2500	-0.0005	1.4990	-0.0006	1.260	1/8	.060
IRR-1 1/4-4	1.2500	-0.0005	1.4990	-0.0006	1.010	1/8	.060
IRR-1 5/16	1.3125	-0.0005	1.6240	-0.0006	1.260	1/8	.060
IRR-1 5/16-1	1.3125	-0.0005	1.6240	-0.0006	1.010	1/8	.060
IRR-1 3/8-2	1.3750	-0.0005	1.7490	-0.0006	1.260	1/8	.060
IRR-1 3/8	1.3750	-0.0005	1.6240	-0.0006	1.260	1/8	.060
IRR-1 7/16	1.4375	-0.0005	1.7490	-0.0006	1.260	1/8	.060
IRR-1 1/2	1.5000	-0.0005	1.7490	-0.0006	1.260	1/8	.060
IRR-1 1/2-1	1.5000	-0.0005	1.7490	-0.0006	1.010	1/8	.060
IRR-1 9/16-1	1.5625	-0.0005	1.9989	-0.0007	1.260	1/8	.060
IRR-1 9/16	1.5625	-0.0005	1.8740	-0.0006	1.260	1/8	.060
IRR-1 5/8	1.6250	-0.0005	1.9989	-0.0007	1.260	1/8	.060
IRR-1 5/8-3	1.6250	-0.0005	1.9364	-0.0007	1.260	1/8	.060
IRR-1 5/8-1	1.6250	-0.0005	1.9989	-0.0007	1.010	1/8	.060
IRR-1 11/16	1.6875	-0.0005	1.9989	-0.0007	1.260	1/8	.060
IRR-1 3/4	1.7500	-0.0005	2.2489	-0.0007	1.760	3/16	.060



IRR

INNER RING RACES

(continued)

Dimensional Data (inches)

SMITH Bearing® Number	A Bore Diameter I.D.		D Outside Diameter		W Width +.000 -.005	H Hole Diameter	r Max Fillet for Shaft
	Nominal	Tolerance +0.0000	Nominal	Tolerance +0.0000			
IRR-1 ³ / ₄ -2	1.7500	-0.0005	2.2489	-0.0007	1.510	3/16	.060
IRR-1 ⁷ / ₈	1.8750	-0.0005	2.2489	-0.0007	1.760	3/16	.060
IRR-1 ⁵ / ₁₆	1.9375	-0.0005	2.4989	-0.0007	1.760	3/16	.080
IRR-2	2.0000	-0.0005	2.4989	-0.0007	1.760	3/16	.080
IRR-2-1	2.0000	-0.0005	2.4989	-0.0007	1.510	3/16	.080
IRR-2 ¹ / ₈	2.1250	-0.0006	2.4989	-0.0007	1.760	3/16	.080
IRR-2 ³ / ₁₆	2.1875	-0.0006	2.7489	-0.0007	1.760	3/16	.080
IRR-2 ¹ / ₄	2.2500	-0.0006	2.7489	-0.0007	1.760	3/16	.080
IRR-2 ¹ / ₄ -1	2.2500	-0.0006	2.7489	-0.0007	1.510	3/16	.080
IRR-2 ³ / ₈	2.3750	-0.0006	2.9989	-0.0007	1.760	3/16	.080
IRR-2 ⁷ / ₁₆	2.4375	-0.0006	2.9989	-0.0007	1.760	3/16	.080
IRR-2 ¹ / ₂	2.2500	-0.0006	2.9989	-0.0007	1.760	3/16	.080
IRR-2 ¹ / ₂ -1	2.2500	-0.0006	2.9989	-0.0007	1.510	3/16	.080
IRR-2 ⁵ / ₈	2.6250	-0.0006	3.2487	-0.0009	1.760	3/16	.080
IRR-2 ³ / ₄	2.7500	-0.0006	3.2487	-0.0009	1.760	3/16	.080
IRR-2 ⁷ / ₈	2.8750	-0.0006	3.4987	-0.0009	2.010	1/4	.080
IRR-2 ¹⁵ / ₁₆	2.9375	-0.0006	3.4987	-0.0009	2.010	1/4	.080
IRR-3	3.0000	-0.0006	3.4987	-0.0009	2.010	1/4	.080
IRR-3-1	3.0000	-0.0006	3.4987	-0.0009	1.760	1/4	.080
IRR-3 ¹ / ₈	3.1250	-0.0006	3.7487	-0.0009	2.010	1/4	.100
IRR-3 ¹ / ₄	3.2500	-0.0006	3.7487	-0.0009	2.010	1/4	.100
IRR-3 ³ / ₈	3.3750	-0.0008	3.9985	-0.0009	2.010	1/4	.100
IRR-3 ¹ / ₂	3.5000	-0.0008	3.9985	-0.0009	2.010	1/4	.100
IRR-3 ⁵ / ₈	3.6250	-0.0008	4.2485	-0.0009	2.010	1/4	.100
IRR-3 ³ / ₄	3.7500	-0.0008	4.2485	-0.0009	2.010	1/4	.100
IRR-3 ⁷ / ₈	3.8750	-0.0008	4.4985	-0.0009	2.260	1/4	.100
IRR-4	4.0000	-0.0008	4.9985	-0.0010	2.260	1/4	.100
IRR-4 ¹ / ₄	4.2500	-0.0008	4.9985	-0.0010	2.260	1/4	.100
IRR-4 ¹ / ₂	4.5000	-0.0008	5.4985	-0.0010	3.015	1/4	.100
IRR-4 ¹ / ₂ -1	4.5000	-0.0008	5.4985	-0.0010	2.515	1/4	.100
IRR-5	5.0000	-0.0010	5.9983	-0.0010	3.015	5/16	.120
IRR-5-1	5.0000	-0.0010	5.9983	-0.0010	2.515	5/16	.120
IRR-5 ¹ / ₂	5.5000	-0.0010	6.4983	-0.0010	3.015	5/16	.120
IRR-5 ¹ / ₂ -1	5.5000	-0.0010	6.4983	-0.0010	2.515	5/16	.120
IRR-6	6.0000	-0.0010	7.2481	-0.0012	3.015	5/16	.120
IRR-6 ¹ / ₂	6.5000	-0.0010	7.7481	-0.0012	3.015	5/16	.120
IRR-7	7.0000	-0.0010	8.2481	-0.0012	3.015	5/16	.120
IRR-7 ¹ / ₂	7.5000	-0.0012	8.7480	-0.0012	3.015	5/16	.160
IRR-8	8.0000	-0.0012	9.2480	-0.0012	3.015	5/16	.160

INTERCHANGE TABLES

IRR Inner Ring Races

INTERCHANGE Inner Ring Races

SMITH®	McGill	RBC	Torrington	INA
IRR-3/8-1	MI-6-N		IR-061012	PI-061012
IRR-3/8	MI-6			
IRR-7/16	MI-7-N			
IRR-1/2	MI-8-N	IR-7153	IR-081212	PI-081212
IRR-1/2-1	MI-8	IR-7154	IR-081216	PI-081216
IRR-9/16	MI-9-N	IR-7153-C		
IRR-5/8	MI-10-N	IR-7173	IR-101412	PI-101412
IRR-5/8-1	MI-10	IR-7174	IR-101416	PI-101416
IRR-11/16	MI-11-N	IR-7173-C	IR-111412	
IRR-3/4-3	MI-12-N	IR-7193	IR-121612	PI-121612
IRR-3/4	MI-12	IR-7194	IR-121616	PI-121616
IRR-13/16-2	MI-13-N			
IRR-13/16	MI-13	IR-7194-C	IR-131616	
IRR-7/8	MI-14-N	IR-7214	IR-141816	PI-141816
IRR-7/8-1	MI-14	IR-7215	IR-141820	PI-141820
IRR-15/16	MI-15-N		IR-151816	
IRR-15/16-1	MI-15	IR-7215-C	IR-151820	
IRR-1	MI-16-N	IR-7234	IR-162016	PI-162016
IRR-1-2	MI-16	IR-7235	IR-162020	PI-162020
IRR-11/16	MI-17	IR-7255-D		
IRR-11/8-2	MI-18-N	IR-7254	IR-182216	PI-182216
IRR-11/8	MI-18	IR-7255	IR-182220	PI-182220
IRR-13/16	MI-19	IR-7275	IR-192420	
IRR-11/4-4	MI-20-N		IR-202416	PI-202416
IRR-11/4	MI-20	IR-7275-C	IR-202420	PI-202420
IRR-15/16-1	MI-21-N	IR-7294	IR-212616	PI-212616
IRR-15/16	MI-21	IR-7295	IR-212620	
IRR-13/8	MI-22-4S	IR-7295-C	IR-222620	PI-222620
IRR-13/8-2	MI-22		IR-222820	
IRR-17/16	MI-23	IR-7315	IR-232820	PI-232820
IRR-11/2-1	MI-24-N		IR-242816	PI-242816
IRR-11/2	MI-24	IR-7315-C	IR-242820	PI-242820
IRR-19/16	MI-25-4S	IR-7335	IR-253020	PI-253020
IRR-19/16-1	MI-25		IR-253220	
IRR-15/8-3	MI-26-2S	IR-7345		
IRR-15/8-1	MI-26-N			
IRR-15/8	MI-26	IR-7355-D	IR-263220	
IRR-111/16	MI-27	IR-7355	IR-273220	PI-273220
IRR-13/4-2	MI-28-N	IR 8406	IR-283624	PI-283624
IRR-13/4	MI-28	IR 8407	IR-283628	PI-283628

(Continued)

SMITH®	McGill	RBC	Torrington	INA
IRR-17/8	MI-30	IR-8407-C1		
IRR-15/16	MI-31	IR-8447	IR-314028	
IRR-2-1	MI-32-N	IR-8446-C	IR-324024	PI-324024
IRR-2	MI-32	IR-8447-C	IR-324028	
IRR-21/8	MI-34	IR-8447-C1		
IRR-23/16	MI-35	IR-8447	IR-354428	
IRR-21/4-1	MI-36-N	IR-8476-C	IR-364424	PI-364424
IRR-21/4	MI-36	IR-8477-C	IR-364428	
IRR-23/8	MI-38	IR-8517	IR-384828	
IRR-27/16	MI-39			
IRR-21/2-1	MI-40-N	IR-8516-C	IR-404824	PI-404824
IRR-21/2	MI-40	IR-8517-C	IR-404828	
IRR-25/8	MI-42	IR-9567-D		
IRR-23/4	MI-44	IR-9567	IR-445228	IR-445228
IRR-27/8	MI-46			
IRR-215/16	MI-47	IR-9608	IR-475632	
IRR-3-1	MI-48-N			
IRR-3	MI-48	IR-9608-C	IR-485632	PI-485632
IRR-31/8	MI-50	IR-9648	IR-506032	
IRR-31/4	MI-52	IR-9648-C	IR-526032	
IRR-33/8	MI-54	IR-9688	IR-546432	
IRR-31/2	MI-56	IR-9688-C	IR-566432	
IRR-35/8	MI-58	IR-9728-C		
IRR-33/4	MI-60	IR-9728-C1	IR-606832	
IRR-37/8	MI-62	IR-6769-C		
IRR-4	MI-64	IR-6849	IR-648036	
IRR-41/4	MI-68	IR-6849-C	IR-688036	
IRR-41/2-1	MI-72-N	IR-6918	IR-728840	
IRR-41/2	MI-72	IR-6919	IR-728848	
IRR-5-1	MI-80-N	IR-6925	IR-809640	
IRR-5	MI-80	IR-6926	IR-809648	
IRR-51/2-1	MI-88-N	IR-6935	IR-8810440	
IRR-51/2	MI-88	IR-6936	IR-8810448	
IRR-6	MI-96	IR-2326	IR-9611648	
IRR-61/2	MI-104	IR-2426	IR-10412448	
IRR-7	MI-112	IR-2526	IR-11213248	
IRR-71/2	MI-120	IR-2626	IR-12014048	
IRR-8	MI-128	IR-2726	IR-12814848	

Aerospace Bearings



AS21438
YAF Series
(MS21438)

AS21439
YAT Series
(MS21439)

AS24465
YAD Series
(MS24465)

AS24466
YAF Series
(MS24466)

AS24461
YAG Series
(MS24461)

AS21432
HRS Series
(MS21432)

AS21447
CHRS Series
(MS21447)

AS5927
YAF-XD Series

AS5928
YAT-XD Series

AS5929
CHRS-XD Series



Aerospace Bearings

Introduction

Smith Aircraft Bearings presented in this section have been designed to meet the standards of the aerospace industry and conform to military and other appropriate national standards. When selecting these bearings for your application, it is recommended that you review the engineering data provided, along with any appropriate military or national specifications.

Smith Bearing® has been a leader in the design and manufacture of specialized bearings for the unique requirements of jet engines. We have kept pace with the ever increasing demands for anti-friction bearings to operate at higher temperatures. Thrust reversers, afterburners, and divergent nozzles are some of the areas in which **Smith Bearing®** Bearings are currently functioning. Contact our engineering department for recommendations and design assistance.

Military Qualifications

The products listed meet the military requirements of **SAE AS 39901**

Smith Aircraft Bearings are marked with the bearing designation including bearing type code. Many of these bearings are supplied pre-lubricated to meet the OEM's special requirements. When ordering, attention must be paid to the original manufacturers parts list requirements so that proper identification can be provided.

Federal Aviation Administration Parts Manufacturing Approval FAA PMA

Smith manufactures bearings to meet the provisions of the Federal Aviation Regulations (**FAR**) for Parts Manufacturing Approval (**PMA**).

Smith Bearing® maintains an active list identifying all of our **FAA PMA** parts and where they are applicable. This list is available upon request.

Bearing Selection

YAF (AS21438) & YAT (AS21439)

YAF and **YAT** Series Yoke Type bearings have heavy outer ring sections and were designed for application as track rollers where the bearing O.D. is unsupported. These bearings will support heavy rolling or oscillating loads in cam or track roller applications. The **YAF-Series (single row)** needle bearings have a crowned outer race. The **YAT-Series (double row)** needle bearings have large blended outside corner radiuses to help distribute stresses. The outer race is hard-chrome plated and all other exposed surfaces are cadmium plated for corrosion protection. These bearings can be re-lubricated thru the inner ring bore. When mounting, care should be taken to properly support the end plates to eliminate the possibility of bearing separation due to thrust loads. These bearings are dimensionally interchangeable with the corresponding **YAD** and **YAS** Series.

YAD (AS24465) & YAS (AS24466)

YAD and **YAS** Series Yoke Type bearings are dimensionally similar to the **YAF** and **YAT** Series. These bearings were designed for track roller applications where the outer race of the bearing is unsupported. They will handle heavy rolling or oscillating motion. The outer race is hard-chrome plated and all other exposed surfaces are cadmium plated for corrosion protection. The bearing is held together using a swedged ring inserted around the inside of the end washers. These bearings are generally considered for replacement in existing applications. For new applications and current designs use the **YAF** and **YAT** Series.

YAG (AS24461)

YAG Series Yoke Type bearings were designed for applications where the bearing is mounted inside the housing. These bearings handle slow rotating or oscillating motions. All external surfaces except the bore are cadmium plated for corrosion protection. The bearing is held together using a swedged ring inserted around the inside of the end washer.

HRS (AS21432) & CHRS (AS21447)

HRS and **CHRS** Series Stud Type bearings are of non-separable construction and are used in applications involving high-static loads or oscillating motion. The **HRS-Series - straight cylindrical outer race** and the **CHRS-Series - crowned outer race** were designed for airframe usage in flap tracks, canopies, and landing gear. When misalignment is a concern, the **CHRS (crowned)** Series is preferred. The outer races are hard-chrome plated and all other exposed surfaces are cadmium plated for corrosion protection.

Aerospace Bearings

Load Ratings

Aircraft Static Capacity (ASC)

is the maximum load which can be placed on a housing mounted needle roller bearing without seriously brinelling the raceways (approx. 0.0001 inch deep) or deforming the rolling elements.

Limit Load Rating

is the maximum static load that can be applied without impairing the subsequent function of the bearing.

Ultimate Static Fracture Load Rating

is a minimum of 1.5 times the Limit Load Rating

Track Roller Bearings

YAF, YAT, YAD, and **YAS** Series bearings are designed for use as a Track Roller and therefore operate with an unsupported outer race. For this reason deformation of the outer race must be taken into consideration. The dynamic rating method used for track roller bearings is the **Rating as a Track Roller** which equals $1/3$ **ASC** (Aircraft Static Capacity). The **Limit Load Rating** for track roller bearings equals $4/9$ **ASC** (Aircraft Static Capacity).

HRS and **CHRS** Series bearings with integral stud are designed for use as a track roller. For these bearings the **Limit Load Rating** equals $2/3$ **ASC** (Aircraft Static Capacity).

Housing Mounted Bearings:

YAG Series bearings must be mounted inside a housing and are not used as a track roller. For these types of bearings the **Ultimate Load Rating** is equal to the **ASC** (Aircraft Static Capacity). The **Limit Load Rating** equals $2/3$ **ASC** (Aircraft Static Capacity).

Smith Aircraft & Military Bearings

SMITH Bearing® Model	Description	SAE Standard	Military Standard	ABMA Number	NAS Standard
YAF	Yoke Type • Single Row • Track Roller	AS21438	MS21438	N/A	N/A
YAT	Yoke Type • Double Row • Track Roller	AS21439	MS21439	N/A	N/A
YAD	Yoke Type • Single Row • Track Roller	AS24465	MS24465	NBF	NAS 502
YAS	Yoke Type • Double Row • Track Roller	AS24466	MS24466	NBL	NAS 503
YAG	Yoke Type • Housing Mounted	AS24461	MS24461	NBC	NAS 505
HRS	Stud Type • Track Roller	AS21432	MS21432	HRS	NAS 562
CHRS	Stud Type • Crowned • Track Roller	AS21447	MS21447	CHRS	N/A
YAF-XD	SS • Yoke Type • Single Row • Track Roller	AS5927	N/A	N/A	N/A
YAT-XD	SS • Yoke Type • Double Row • Track Roller	AS5928	N/A	N/A	N/A
CHRS-XD	SS • Stud Type • Crowned • Track Roller	AS5929	N/A	N/A	N/A

Temperature

Unsealed aircraft bearings can be operated at temperatures up to 400 °F provided that suitable lubrication is present. Higher temperature exposure will result in loss of capacity. The operating temperature for sealed bearings is limited to 250 °F due to the seal material.

Stainless Steel

Smith Bearing® produces Stainless Steel airframe bearings which are dimensionally interchangeable to our standard line of bearings listed in this section. The special grade of stainless steel used has extremely high strength and corrosion resistance. Material used is per AMS 5925 or AMS 5898 for inner races, outer races, studs and rolls and AMS 5621 for end washers. Consult our engineering department for exact specifications and applications.

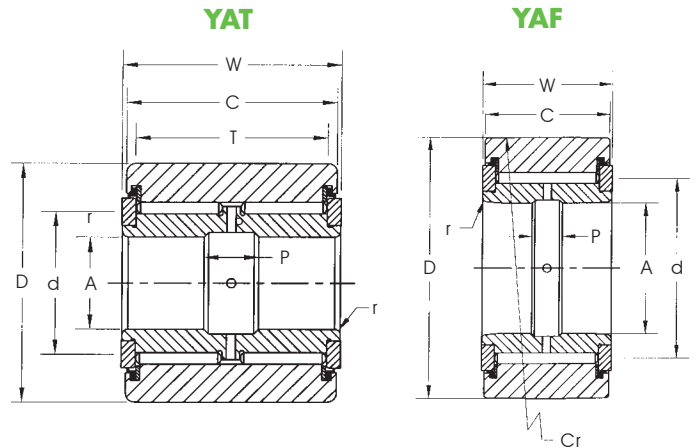


AS21438 (MS21438)

YAF SERIES • Single Row

AS21439 (MS21439)

YAT SERIES • Double Row



General Information

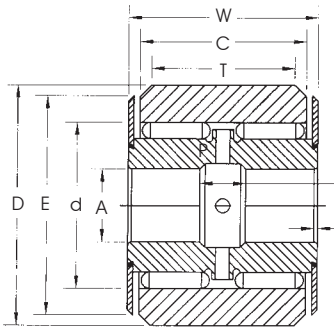
The **YAF Single Row** & **YAT Double Row** Series bearings are manufactured in accordance with **AS21438** & **AS21439** standards. The bearings are used in track roller applications with each bearing consisting of an inner race, outer race, needle rollers, end washers & thrust seals. Relubrication holes and grooves are provided. For wear and corrosion protection the outer ring surface is hard-chrome plated. Other exposed surfaces are cadmium or zinc-nickel plated. Inner rings may be black-oxide coated. Consult our Engineering Department for further specific requirements and special designs.

These bearings can be produced from stainless steel grade AMS 5898 & AMS 5925.

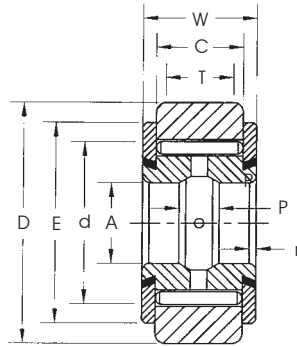
Dimensional Data (inches)

SMITH Bearing® Number	AS/MS Number Military	A Bore +.0000 -.0007	D Roller O.D. +.0000 -.0010	W Overall Width +.000 -.005	C Outer Race Width +.000 -.005	T Track Contact Width Min.	Cr Crown radius	d Min. Clamp Dia.	P Lube Groove Width	r Radius	Limit Load Rating (lbf)	Rating As A Track Roller (lbf)	Track Capacity 40HRC (lbf)	Recommended Shaft Diameter				Weight Approx. (lbs)
														Slip Fit		Press Fit		
														Max	Min	Max	Min	
YAF-03	21438-103	0.1900	0.7500	0.312	0.280	-	10.000	0.438	3/32	0.022	1200	900	290	0.1894	0.1889	0.1902	0.1897	0.030
YAF-04	21438-104	0.2500	0.8750	0.375	0.345	-	10.000	0.516	1/8	0.022	1910	1430	575	0.2494	0.2489	0.2502	0.2497	0.051
YAF-06	21438-106	0.3750	1.0625	0.500	0.455	-	10.000	0.672	3/16	0.022	3600	2700	1000	0.3744	0.3739	0.3752	0.3747	0.103
YAF-08	21438-108	0.5000	1.3125	0.625	0.580	-	12.500	0.844	3/16	0.032	5780	4300	1785	0.4994	0.4989	0.5002	0.4997	0.187
YAF-10	21438-110	0.6250	1.5000	0.750	0.705	-	17.500	0.953	1/4	0.032	8530	6400	2600	0.6244	0.6239	0.6252	0.6247	0.279
YAF-12	21438-112	0.7500	1.7500	1.000	0.950	-	25.000	1.109	1/4	0.032	14200	10700	4050	0.7494	0.7489	0.7502	0.7497	0.520
YAF-14	21438-114	0.8750	2.0000	1.125	1.075	-	27.500	1.219	1/4	0.032	19300	14400	5350	0.8744	0.8739	0.8752	0.8747	0.749
YAF-20	21438-120	1.2500	2.5000	1.250	1.200	-	30.000	1.625	3/8	0.032	25300	18900	7100	1.2494	1.2488	1.2503	1.2497	1.160
YAF-24	21438-124	1.5000	3.0000	1.500	1.440	-	60.000	1.984	3/8	0.032	37900	28400	10900	1.4994	1.4988	1.5003	1.4997	2.360
YAF-28	21438-128	1.7500	3.4375	1.500	1.440	-	60.000	2.281	3/8	0.032	44100	33000	12400	1.7494	1.7488	1.7503	1.7497	2.710
YAF-32	21438-132	2.0000	3.8750	1.500	1.440	-	60.000	2.562	3/8	0.032	48900	36700	14000	1.9994	1.9987	2.0003	1.9996	3.420
YAF-36	21438-136	2.2500	4.3125	1.500	1.440	-	60.000	2.859	3/8	0.032	55000	41200	15600	2.2494	2.2487	2.2503	2.2496	4.230
YAF-40	21438-140	2.5000	4.7500	1.500	1.440	-	60.000	3.109	3/8	0.032	59900	44900	17200	2.4994	2.4987	2.5003	2.4996	5.140
YAF-44	21438-144	2.7500	5.0000	1.500	1.440	-	60.000	3.344	3/8	0.032	64800	48600	18100	2.7494	2.7487	2.7503	2.7496	5.490
YAT-06	21439-106	0.3750	1.1250	1.000	0.940	0.750	-	0.672	3/16	0.032	7130	5370	2600	0.3744	0.3739	0.3752	0.3747	0.239
YAT-08	21439-108	0.5000	1.3750	1.250	1.190	1.000	-	0.891	1/4	0.032	12500	9370	4250	0.4994	0.4989	0.5002	0.4997	0.437
YAT-10	21439-110	0.6250	1.6250	1.500	1.440	1.125	-	1.109	3/8	0.032	19900	15000	5650	0.6244	0.6239	0.6252	0.6247	0.728
YAT-12	21439-112	0.7500	1.8750	1.750	1.690	1.375	-	1.281	3/8	0.032	28500	21400	7950	0.7494	0.7489	0.7502	0.7497	1.130

YAS



YAD



AS24465 (MS24465)

YAD SERIES • Single Row

AS24466 (MS24466)

YAS SERIES • Double Row

General Information

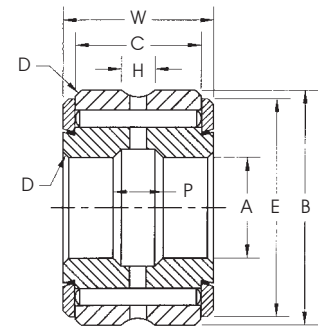
The **YAD Single Row** & **YAS Double Row** Series bearings are manufactured in accordance with **AS24465** & **AS24466** standards. The bearings are used in track roller applications with each bearing consisting of an inner race, outer race, needle rollers, end washers & thrust seals. Relubrication holes and grooves are provided. For corrosion protection the outer ring surface is hard chrome plated while all other exposed surfaces are cadmium or zinc-nickel plated. Consult our Engineering Department for further specific requirements and special designs.

Dimensional Data (inches)

SMITH Bearing® Number	AS/MS Military Number	ABMA Number	A Bore +0.000 -0.007	D Roller O.D. +0.000 -0.010	W Overall Width +0.00 -0.05	C Outer Race Width +0.00 -0.05	T Track Contact Width Min	E End Ring Dia.	d Min. Clamp Dia.	P Lube Groove Width	r Radius or 45° Chamfer	Limit Load Rating (lbf)	Rating As A Track Roller (lbf)	Track Capacity 40HRC (lbf)	Recommended Shaft Diameter				Weight Approx. (lbs)
															Slip Fit		Press Fit		
															Max	Min	Max	Min	
YAD-03	24465-3	3NBF512YJ	0.1900	0.7500	0.312	0.218	0.125	0.688	0.438	3/32	0.022	1200	900	290	0.1894	0.1889	0.1902	0.1897	0.029
YAD-04	24465-4	4NBF614YJ	0.2500	0.8750	0.375	0.281	0.218	0.750	0.516	1/8	0.022	1910	1430	575	0.2494	0.2489	0.2502	0.2497	0.049
YAD-06	24465-6	6NBF817YJ	0.3750	1.0625	0.500	0.375	0.312	0.938	0.672	3/16	0.022	3600	2700	1000	0.3744	0.3739	0.3752	0.3747	0.980
YAD-08	24465-8	8NBF1021YJ	0.5000	1.3125	0.625	0.500	0.438	1.188	0.844	3/16	0.032	5780	4300	1785	0.4994	0.4989	0.5002	0.4997	0.178
YAD-10	24465-10	10NBF1224YJ	0.6250	1.5000	0.750	0.625	0.562	1.375	0.953	1/4	0.032	8530	6400	2600	0.6244	0.6239	0.6252	0.6247	0.266
YAD-12	24465-12	12NBF1628YJ	0.7500	1.7500	1.000	0.875	0.750	1.625	1.109	1/4	0.032	14200	10700	4050	0.7494	0.7489	0.7502	0.7497	0.495
YAD-14	24465-14	14NBF1832YJ	0.8750	2.0000	1.125	1.000	0.875	1.875	1.219	1/4	0.032	19300	14400	5350	0.8744	0.8739	0.8752	0.8747	0.713
YAD-20	24465-20	20NBF2040YJ	1.2500	2.5000	1.250	1.049	0.938	1.906	1.625	3/8	0.032	25300	18900	7100	1.2494	1.2488	1.2503	1.2497	1.060
YAD-24	24465-24	24NBF2448YJ	1.5000	3.0000	1.500	1.229	1.172	2.875	1.984	3/8	0.032	37900	28400	10900	1.4994	1.4988	1.5003	1.4997	2.070
YAD-28	24465-28	28NBF2455YJ	1.7500	3.4375	1.500	1.229	1.172	3.312	2.281	3/8	0.032	44100	33000	12400	1.7494	1.7488	1.7503	1.7497	2.710
YAD-32	24465-32	32NBF2462YJ	2.0000	3.8750	1.500	1.229	1.172	3.750	2.562	3/8	0.032	48900	36700	14000	1.9994	1.9987	2.0003	1.9996	3.420
YAD-36	24465-36	36NBF2469YJ	2.2500	4.3125	1.500	1.229	1.172	4.188	2.859	3/8	0.032	55000	41200	15600	2.2494	2.2487	2.2503	2.2496	4.230
YAD-40	24465-40	40NBF2476YJ	2.5000	4.7500	1.500	1.229	1.172	4.625	3.109	3/8	0.032	59900	44900	17200	2.4994	2.4987	2.5003	2.4996	5.140
YAD-44	24465-44	44NBF2480YJ	2.7500	5.0000	1.500	1.229	1.172	4.875	3.344	3/8	0.032	64800	48600	18100	2.7494	2.7487	2.7503	2.7496	5.490
YAS-06	24466-6	6NBL1618YJ	0.3750	1.1250	1.000	0.875	0.750	1.000	0.672	3/16	0.032	7130	5370	2600	0.3744	0.3739	0.3752	0.3747	0.228
YAS-08	24466-8	8NBL2022YJ	0.5000	1.3750	1.250	1.125	1.000	1.250	0.891	1/4	0.032	12500	9370	4250	0.4994	0.4989	0.5002	0.4997	0.416
YAS-10	24466-10	10NBL2426YJ	0.6250	1.6250	1.500	1.375	1.125	1.500	1.109	3/8	0.032	19900	15000	5650	0.6244	0.6239	0.6252	0.6247	0.693
YAS-12	24466-12	12NBL2830YJ	0.7500	1.8750	1.750	1.625	1.375	1.750	1.281	3/8	0.032	28500	21400	7950	0.7494	0.7489	0.7502	0.7497	1.180

AS24461 (MS24461)

YAG SERIES • Single Row



General Information

The **YAG Series Airframe Bearings** are manufactured in accordance with **AS24461** standards. The O.D. of these bearings are cadmium plated and designed to be mounted inside a housing. Each bearing consists of an inner race, outer race, needle rollers & end washers. Relubrication holes and grooves are provided. For corrosion protection all external surfaces except the bore are cadmium plated. Inner race grooves are omitted from the -3, -4, and -5 sizes due to bolt strength limitations. Consult our Engineering department for further specific requirements and special designs.

Dimensional Data (inches)

SMITH Bearing® Number	AS/MS Military Number	ABMA Number	A Bore +.0000 -.0007	B Roller O.D. +.0000 -.0010	W Overall Width +.000 -.005	C Outer Race Width +.000 -.005	D Radius or 45° Chamfer	E End Ring Dia.	H Outer Race Groove Width	P Inner Ring Lube Width	d Min Clamp Dia.	Limit Load Rating (lbf)	Aircraft Static Capacity (lbf)	Weight Approx (lbs)
YAG-03-C	24461-3	3NBC511ZP	0.1900	0.6875	0.312	0.218	0.022	0.625	1/16	-	0.438	1800	2700	0.028
YAG-04-C	24461-4	4NBC612ZP	0.2500	0.7500	0.375	0.281	0.022	0.688	11/16	-	0.516	2870	4300	0.040
YAG-05-C	24461-5	5NBC713ZP	0.3125	0.8125	0.437	0.344	0.022	0.750	3/32	-	0.516	4070	6100	0.057
YAG-06	24461-6	6NBC914YZP	0.3750	0.8750	0.562	0.469	0.022	0.812	1/8	3/16	0.641	6330	9500	0.075
YAG-07	24461-7	7NBC1015YZP	0.4375	0.9375	0.625	0.531	0.032	0.875	1/8	3/16	0.703	8000	12000	0.097
YAG-08	24461-8	8NBC1012YZP	0.5000	1.1250	0.750	0.656	0.032	1.031	1/8	3/16	0.844	11600	17400	0.165
YAG-09	24461-9	9NBC1419YZP	0.5625	1.1875	0.875	0.781	0.032	1.094	5/32	3/16	0.891	15000	22500	0.207
YAG-10	24461-10	10NBC1620YZP	0.6250	1.2500	1.000	0.906	0.032	1.156	5/32	1/4	0.953	18900	28300	0.252
YAG-12	24461-12	12NBC1822YZP	0.7500	1.3750	1.125	1.000	0.032	1.281	5/32	1/4	1.078	23900	35800	0.336
YAG-14	24461-14	14NBC2026YZP	0.8750	1.6250	1.250	1.125	0.032	1.500	5/32	3/8	1.250	30500	45800	0.423
YAG-16	24461-16	16NBC2028YZP	1.0000	1.7500	1.250	1.125	0.032	1.625	5/32	3/8	1.375	33900	50900	0.510
YAG-20	24461-20	20NBC2032YZP	1.2500	2.0000	1.250	1.049	0.032	1.906	5/32	3/8	1.625	37900	56800	0.600
YAG-24	24461-24	24NBC2036YZP	1.5000	2.2500	1.250	1.049	0.032	2.156	5/32	3/8	1.875	44200	66300	0.710
YAG-28	24461-28	28NBC2040YZP	1.7500	2.5000	1.250	1.049	0.032	2.406	5/32	3/8	2.125	50500	75700	0.780
YAG-32	24461-32	32NBC2044YZP	2.0000	2.7500	1.250	1.049	0.032	2.656	5/32	3/8	2.375	56800	85200	0.880
YAG-36	24461-36	36NBC2048YZP	2.2500	3.0000	1.250	1.049	0.032	2.906	5/32	3/8	2.625	63100	94600	0.980
YAG-40	24461-40	40NBC2052YZP	2.5000	3.2500	1.250	1.049	0.032	3.156	5/32	3/8	2.875	69400	104100	1.060
YAG-44	24461-44	44NBC2056YZP	2.7500	3.5000	1.250	1.049	0.032	3.406	5/32	3/8	3.125	75700	113500	1.150
YAG-48	24461-48	44NBC2060YZP	3.0000	3.7500	1.250	1.049	0.032	3.656	5/32	3/8	3.375	82000	123000	1.240
YAG-52	24461-52	52NBC2064YZP	3.2500	4.0000	1.250	1.049	0.032	3.906	5/32	3/8	3.641	88300	132500	1.340
YAG-56	24461-56	56NBC2070YZP	3.5000	4.3750	1.250	1.049	0.044	4.219	5/32	3/8	3.969	96700	145100	1.730
YAG-60	24461-60	60NBC2074YZP	3.7500	4.6250	1.250	1.049	0.044	4.469	5/32	3/8	4.219	103000	154500	1.840
YAG-64	24461-64	64NBC2078YZP	4.0000	4.8750	1.250	1.049	0.044	4.719	5/32	3/8	4.469	109000	164000	1.990

AS24461 (MS24461)

YAG SERIES • Single Row

(continued)

“A” Bore Tolerance

YAG-3 to YAG 52	+0.0000 / -0.0007
YAG-56 to YAG 64	+0.0000 / -0.0008

“D” Outer Diameter Tolerance

YAG-3 to YAG 16	+0.0000 / -0.0005
YAG-23 to YAG 36	+0.0000 / -0.0006
YAG-40 to YAG 60	+0.0000 / -0.0008
YAG 64	+0.0000 / -0.0010

Chart continued from previous page

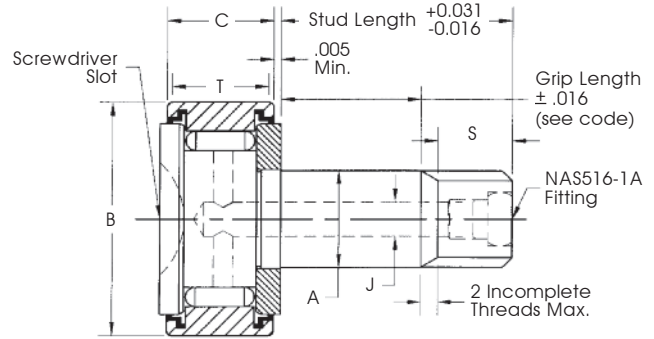
Recommended Shaft Diameter				Recommended Housing Bore Diameter			
Slip Fit		Press Fit		Slip Fit		Press Fit	
Max	Min	Max	Min	Max	Min	Max	Min
0.1894	0.1889	0.1902	0.1897	0.6867	0.6872	0.6874	0.6879
0.2494	0.2489	0.2502	0.2497	0.7492	0.7497	0.7499	0.7504
0.3119	0.3114	0.3127	0.3122	0.8117	0.8122	0.8124	0.8129
0.3744	0.3739	0.3752	0.3747	0.8742	0.8747	0.8749	0.8754
0.4369	0.4364	0.4377	0.4372	0.9367	0.9372	0.9374	0.9379
0.4994	0.4989	0.5002	0.4997	1.1242	1.1247	1.1249	1.1254
0.5619	0.5614	0.5627	0.5622	1.1867	1.1872	1.1874	1.1879
0.6244	0.6239	0.6252	0.6247	1.2492	1.2497	1.2499	1.2504
0.7494	0.7489	0.7502	0.7497	1.3741	1.3747	1.3749	1.3755
0.8744	0.8739	0.8752	0.8747	1.6241	1.6247	1.6249	1.6255
0.9994	0.9989	1.0002	0.9997	1.7491	1.7497	1.7499	1.7505
1.2494	1.2488	1.2503	1.2497	1.9991	1.9997	1.9999	2.0005
1.4994	1.4988	1.5003	1.4997	2.2488	2.2496	2.2499	2.2507
1.7494	1.7488	1.7503	1.7497	2.4988	2.4996	2.4999	2.5007
1.9994	1.9987	2.0003	1.9996	2.7488	2.7496	2.7499	2.7507
2.2494	2.2487	2.2503	2.2496	2.9988	2.9996	2.9999	3.0007
2.4994	2.4987	2.5003	2.4996	3.2485	3.2495	3.2498	3.2508
2.7494	2.7487	2.7503	2.7496	3.4985	3.4995	3.4998	3.5008
2.9994	2.9987	3.0003	2.9996	3.7485	3.7495	3.7498	3.7508
3.2494	3.2486	3.2504	3.2496	3.9985	3.9995	3.9998	4.0008
3.4994	3.4986	3.5004	3.4996	4.3735	4.3745	4.3748	4.3758
3.7494	3.7486	3.7504	3.7496	4.6235	4.6245	4.6248	4.6258
3.9994	3.9986	4.0004	3.9996	4.8735	4.8745	4.8748	4.8758

AS21432 (MS21432)

HRS SERIES

NAS562

Integral Stud Type



General Information

The **HRS Series Integral Stud Type** airframe bearings are manufactured in accordance with **AS21432** standards. The bearings consist of an inner stud, outer race, needle rollers, end washer and if required, seals. Relubrication holes and fittings are optional as shown below. For corrosion protection the outer race is hard-chrome plated while all other exposed surfaces are cadmium or zinc-nickel plated. Consult our Engineering Department for special variations.

Coding Example:

AS21432 - 8 FEE 20 AG
(MS21432)

Cam Follower Need Bearing 1.125" roller, 0.0500" stud, sealed bearing, lubricator in flanged end of stud, 1.2500 grip length

G = Mil-G-81322 grease; no code = Mil-G-23827 grease.

A = No cotter pin hole (Not required for types T or TEE) Omit for cotter pin hole.

Grip length in .0625 inch increments.

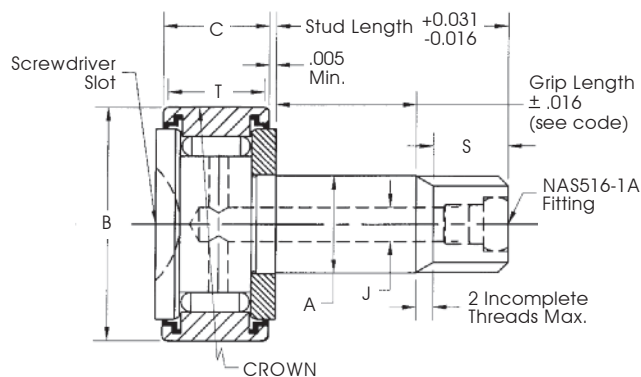
Bearing | FEE = sealed with lubricator in flanged end of stud
| TEE = sealed with lubricator in threaded end of stud, no cotter pin hole.
| R = sealed bearing without lubrication

Stud diameter in 0.0625" increments.

Document Number

Dimensional Data (inches)

SMITH Bearing® Number	AS/MS Bearing Number	NAS562 Number	A Stud Dia. +.0000 -0.0015	B Roller O.D. +.0010 -0.0005	C Roller Width +.000 -0.005	D Min	S Thread Length	Thread Size	P Cotter Pin Hole Dia.	T Track Contact Length (Min)	J Dia. (Ref)	Track Capacity 40HRC (lbf)	Limit Load Rating (lbf)	Load Rating As A Track Roller (lbf)	Housing Bore Diameter For Stud	
															Max	Min
HRS1	21432-3	NAS562-3	0.1900	0.5000	0.281	0.211	0.344	10-32	0.070	0.230	N/A	385	790	395	0.1905	0.1900
HRS2	21432-4	NAS562-4	0.2500	0.6875	0.281	0.224	0.344	1/4-28	0.076	0.232	0.076	525	940	470	0.2505	0.2500
HRS3	21432-5	NAS562-5	0.3125	0.7500	0.344	0.234	0.359	5/16-24	0.076	0.290	0.076	725	1,660	830	0.3125	0.3120
HRS4	21432-6	NAS562-6	0.3750	0.8750	0.469	0.265	0.359	3/8-24	0.106	0.380	0.106	1,100	2,720	1,360	0.3755	0.3750
HRS5	21432-7	NAS562-7	0.4375	1.0000	0.531	0.283	0.422	7/16-20	0.106	0.430	0.106	1,425	3,860	1,930	0.4375	0.4370
HRS6	21432-8	NAS562-8	0.5000	1.1250	0.656	0.314	0.422	1/2-20	0.106	0.530	0.106	1,975	6,080	3,040	0.5005	0.5000



AS21447 (MS21447)

CHRS SERIES

Integral Stud Type

Crowned

General Information

The **CHRS** Series **Integral Stud Type** airframe bearings are manufactured in accordance with **AS21447** standards. The outer races on the CHRS Series are **Crowned**. The bearings consist of an inner stud, outer race, needle rollers, end washer, and if required seals. Relubrication holes and fittings are optional as shown below. For corrosion protection the outer race is hard-chrome plated while all other exposed surfaces are cadmium or zinc-nickel plated. Consult our Engineering Department for special variations.

Coding Example:

AS21447 - 8 F 20 A G
(MS21447)

Cam Follower needle bearing 1.1250" roller, stud, sealed with crown radius on the O.D. Lubrication in flanged end of stud. 1.250 grip length 1.672 stud length without cotter pin hole, with Mil-G-23827 grease.

G = Mil-G-81322 grease; no designator = Mil-G-23827 grease.

A = No cotter pin hole (Not required for type T) Omit for cotter pin hole.

Grip length in .0625 inch increments.

Bearing | F = Lubrication in flanged end of stud
| T = Lubrication in threaded end of stud. No cotter pin hole.
| R = sealed bearing without lubrication

Stud diameter in 0.0625" increments.

Document Number

Dimensional Data (inches)

SMITH Bearing® Number	AS/MS Bearing Number	A Stud Dia. +.0000 -.0015	B Roller O.D. +.0010 -.0005	C Roller Width +.000 -.005	D (Min)	S Thread Length	Thread Size	P Cotter Pin Hole Dia.	T Track Contact Length (Min)	J Dia. (Ref)	Track Capacity 40HRC (lbf)	Limit Load Rating (lbf)	Load Rating As A Track Roller (lbf)	Housing Bore Diameter For Stud	
														Max	Min
CHRS1	21447-3	0.1900	0.5000	0.281	0.211	0.344	10-32	0.070	0.230	None	385	790	395	0.1905	0.1900
CHRS2	21447-4	0.2500	0.6875	0.281	0.224	0.344	1/4-28	0.076	0.230	0.076	525	940	470	0.2505	0.2500
CHRS3	21447-5	0.3125	0.7500	0.344	0.234	0.359	5/16-24	0.076	0.290	0.076	725	1,660	830	0.3125	0.3120
CHRS4	21447-6	0.3750	0.8750	0.469	0.265	0.359	3/8-24	0.106	0.380	0.106	1,100	2,720	1,360	0.3755	0.3750
CHRS5	21447-7	0.4375	1.0000	0.531	0.283	0.422	7/16-20	0.106	0.430	0.106	1,425	3,860	1,930	0.4375	0.4370
CHRS6	21447-8	0.5000	1.1250	0.656	0.314	0.422	1/2-20	0.106	0.530	0.106	1,975	6,080	3,040	0.5005	0.5000

AS5927

YAF-XD SERIES

Stainless Steel

Single Row

AS5928

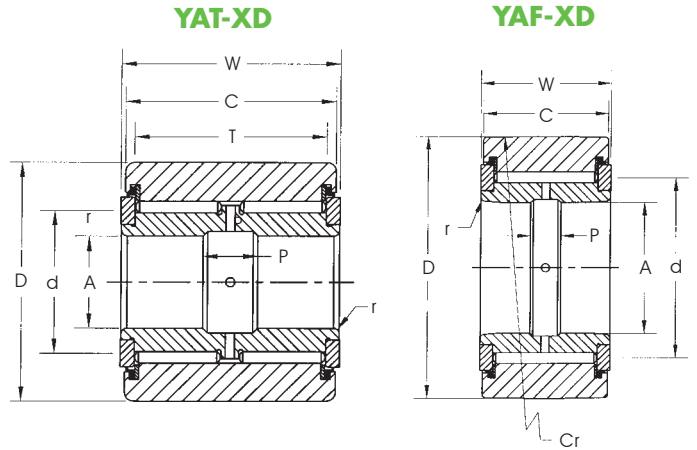
YAT-XD SERIES

Stainless Steel

Double Row



Corrosion Resistant



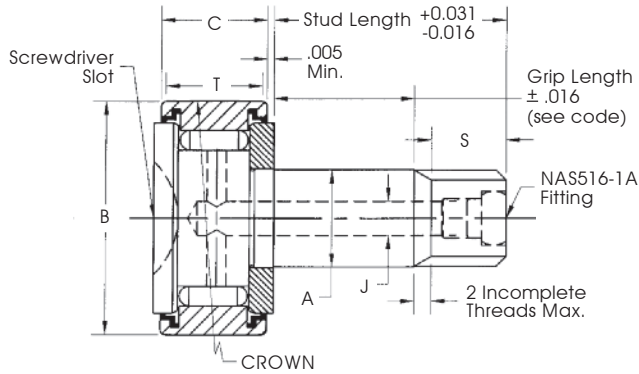
General Information

The **YAF-XD Single Row** & **YAT-XD Double Row** Series bearings are manufactured in accordance with **AS5927** & **AS5928** standards. The bearings are used in track roller applications with each bearing consisting of an inner race, outer race, needle rollers, end washers & thrust seals. Relubrication holes and grooves are provided. The materials for the components are made from corrosion resistant stainless steel. Consult our Engineering Department for further specific requirements and special designs.

Produced from stainless steel grade AMS 5898 & AMS 5925.

Dimensional Data (inches)

SMITH Bearing® Number	AS Military Number	A Bore +.0000 -.0007	D Roller O.D. +.0000 -.0010	W Overall Width +.000 -.005	C Outer Race Width +.000 -.005	T Track Contact Width Min.	Cr Crown radius	d Min. Clamp Dia.	P Lube Groove Width	r Radius	Limit Load Rating (lbf)	Rating As A Track Roller (lbf)	Track Capacity 40HRC (lbf)	Recommended Shaft Diameter				Weight Approx. (lbs)
														Slip Fit		Press Fit		
														Max	Min	Max	Min	
YAF-03-XD	5927-103	0.1900	0.7500	0.312	0.280	-	10.000	0.438	3/32	0.022	1200	900	290	0.1894	0.1889	0.1902	0.1897	0.030
YAF-04-XD	5927-104	0.2500	0.8750	0.375	0.345	-	10.000	0.516	1/8	0.022	1910	1430	575	0.2494	0.2489	0.2502	0.2497	0.051
YAF-06-XD	5927-106	0.3750	1.0625	0.500	0.455	-	10.000	0.672	3/16	0.022	3600	2700	1000	0.3744	0.3739	0.3752	0.3747	0.103
YAF-08-XD	5927-108	0.5000	1.3125	0.625	0.580	-	12.500	0.844	3/16	0.032	5780	4300	1785	0.4994	0.4989	0.5002	0.4997	0.187
YAF-10-XD	5927-110	0.6250	1.5000	0.750	0.705	-	17.500	0.953	1/4	0.032	8530	6400	2600	0.6244	0.6239	0.6252	0.6247	0.279
YAF-12-XD	5927-112	0.7500	1.7500	1.000	0.950	-	25.000	1.109	1/4	0.032	14200	10700	4050	0.7494	0.7489	0.7502	0.7497	0.520
YAF-14-XD	5927-114	0.8750	2.0000	1.125	1.075	-	27.500	1.219	1/4	0.032	19300	14400	5350	0.8744	0.8739	0.8752	0.8747	0.749
YAF-20-XD	5927-120	1.2500	2.5000	1.250	1.200	-	30.000	1.625	3/8	0.032	25300	18900	7100	1.2494	1.2488	1.2503	1.2497	1.160
YAF-24-XD	5927-124	1.5000	3.0000	1.500	1.440	-	60.000	1.984	3/8	0.032	37900	28400	10900	1.4994	1.4988	1.5003	1.4997	2.360
YAF-28-XD	5927-128	1.7500	3.4375	1.500	1.440	-	60.000	2.281	3/8	0.032	44100	33000	12400	1.7494	1.7488	1.7503	1.7497	2.710
YAF-32-XD	5927-132	2.0000	3.8750	1.500	1.440	-	60.000	2.562	3/8	0.032	48900	36700	14000	1.9994	1.9987	2.0003	1.9996	3.420
YAF-36-XD	5927-136	2.2500	4.3125	1.500	1.440	-	60.000	2.859	3/8	0.032	55000	41200	15600	2.2494	2.2487	2.2503	2.2496	4.230
YAF-40-XD	5927-140	2.5000	4.7500	1.500	1.440	-	60.000	3.109	3/8	0.032	59900	44900	17200	2.4994	2.4987	2.5003	2.4996	5.140
YAF-44-XD	5927-144	2.7500	5.0000	1.500	1.440	-	60.000	3.344	3/8	0.032	64800	48600	18100	2.7494	2.7487	2.7503	2.7496	5.490
YAT-06-XD	5928-106	0.3750	1.1250	1.000	0.940	0.750	-	0.672	3/16	0.032	7130	5370	2600	0.3744	0.3739	0.3752	0.3747	0.239
YAT-08-XD	5928-108	0.5000	1.3750	1.250	1.190	1.000	-	0.891	1/4	0.032	12500	9370	4250	0.4994	0.4989	0.5002	0.4997	0.437
YAT-10-XD	5928-110	0.6250	1.6250	1.500	1.440	1.125	-	1.109	3/8	0.032	19900	15000	5650	0.6244	0.6239	0.6252	0.6247	0.728
YAT-12-XD	5928-112	0.7500	1.8750	1.750	1.690	1.375	-	1.281	3/8	0.032	28500	21400	7950	0.7494	0.7489	0.7502	0.7497	1.130



Corrosion Resistant

AS5929

CHRS-XD SERIES

Stainless Steel

Integral Stud Type

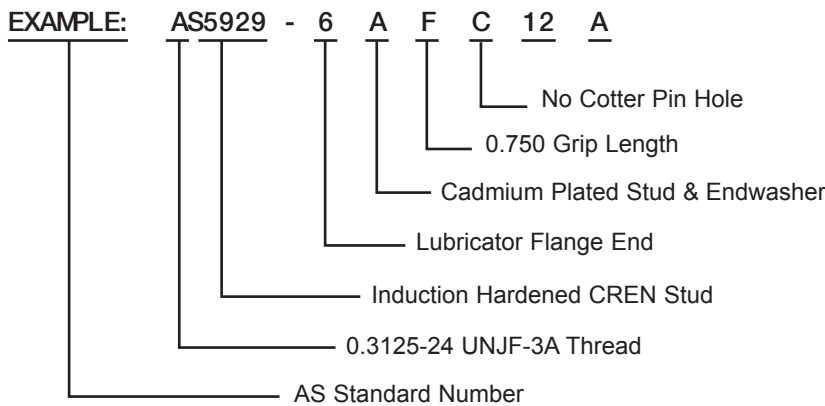
Crowned

General Information

The **CHRS-XD** Series **Integral Stud Type** airframe bearings are manufactured in accordance with **AS5929** standards. The outer races on the CHRS Series are **Crowned**. The bearings consist of an inner stud, outer race, needle rollers, end washer, and if required seals. Relubrication holes and fittings are optional as shown below. The materials for the components are made from corrosion resistant stainless steel. Consult our Engineering Department for special variations.

Produced from stainless steel grade AMS 5898, AMS 5925 & ASM 5930.

Coding Example:



Dimensional Data (inches)

SMITH Bearing® Number	AS Bearing Number	A Stud Dia. +.0000 -0.015	B Roller O.D. +.0010 -0.005	C Roller Width +.000 -0.005	D (Min)	S Thread Length	Thread Size	P Cotter Pin Hole Dia.	T Track Contact Length (Min)	J Dia. (Ref)	Track Capacity 40HRC (lbf)	Limit Load Rating (lbf)	Load Rating As A Track Roller (lbf)	Housing Bore Diameter For Stud	
														Max	Min
CHRS1-XD	5929-3	0.1900	0.5000	0.281	0.211	0.344	10-32	0.070	0.230	None	385	790	395	0.1905	0.1900
CHRS2-XD	5929-4	0.2500	0.6875	0.281	0.224	0.344	1/4-28	0.076	0.230	0.076	525	940	470	0.2505	0.2500
CHRS3-XD	5929-5	0.3125	0.7500	0.344	0.234	0.359	5/16-24	0.076	0.290	0.076	725	1,660	830	0.3125	0.312
CHRS4-XD	5929-6	0.3750	0.8750	0.469	0.265	0.359	3/8-24	0.106	0.380	0.106	1,100	2,720	1,360	0.3755	0.3750
CHRS5-XD	5929-7	0.4375	1.0000	0.531	0.283	0.422	7/16-20	0.106	0.430	0.106	1,425	3,860	1,930	0.4375	0.4370
CHRS6-XD	5929-8	0.5000	1.1250	0.656	0.314	0.422	1/2-20	0.106	0.530	0.106	1,975	6,080	3,040	0.5005	0.5000

AS/MS MILITARY Standard Number	TORRINGTON Number	McGILL Number	SMITH® Number
24465-3	3NBF512YJ	3NBF512YJ	YAD-03
24465-4	4NBF614YJ	4NBF614YJ	YAD-04
24465-6	6NBF817YJ	6NBF817YJ	YAD-06
24465-8	8NBF1021YJ	8NBF1021YJ	YAD-08
24465-10	10NBF1224YJ	10NBF1224YJ	YAD-10
24465-12	12NBF1628YJ	12NBF1628YJ	YAD-12
24465-14	14NBF1832YJ	14NBF1832YJ	YAD-14
24465-20	20NBF2040YJ	20NBF2040YJ	YAD-20
24465-24	24NBF2448YJ	24NBF2448YJ	YAD-24
24465-28	28NBF2455YJ	28NBF2455YJ	YAD-28
24465-32	32NBF2462YJ	32NBF2462YJ	YAD-32
24465-36	36NBF2469YJ	36NBF2469YJ	YAD-36
24465-40	40NBF2476YJ	40NBF2476YJ	YAD-40
24465-44	44NBF2480YJ	44NBF2476YJ	YAD-44
24466-6	6NBL1618YJ	6NBL1618YJ	YAS-06
24466-8	8NBL2022YJ	8NBL2022YJ	YAS-08
24466-10	10NBL2426YJ	10NBL2426YJ	YAS-10
24466-12	12NBL2830YJ	12NBL2830YJ	YAS-12
21432-3	HRS-1C	HRS-1C	HRS-1C
21432-4	HRS-2C	HRS-2C	HRS-2C
21432-5	HRS-3C	HRS-3C	HRS-3C
21432-6	HRS-4C	HRS-4C	HRS-4C
21432-7	HRS-5C	HRS-5C	HRS-5C
21432-8	HRS-6C	HRS-6C	HRS-6C
21447-3	CHRS-1C	CHRS-1C	CHRS-1C
21447-4	CHRS-2C	CHRS-2C	CHRS-2C
21447-5	CHRS-3C	CHRS-3C	CHRS-3C
21447-6	CHRS-4C	CHRS-4C	CHRS-4C
21447-7	CHRS-5C	CHRS-5C	CHRS-5C
21447-8	CHRS-6C	CHRS-6C	CHRS-6C
21438-103	ATF-3	3 AFC 512	YAF-03
21438-104	ATF-4	4 AFC 614	YAF-04
21438-106	ATF-6	6 AFC 817	YAF-06
21438-108	ATF-8	8 AFC 1021	YAF-08
21438-110	ATF-10	10 AFC 1224	YAF-10
21438-112	ATF-12	12 AFC 1628	YAF-12

INTERCHANGE TABLES

AS/MS MILITARY Standard Number	TORRINGTON Number	McGILL Number	SMITH® Number
21438-114	ATF-14	14 AFC 1832	YAF-14
21438-120	ATF-20	20 AFC 2040	YAF-20
21438-124	ATF-24	24 AFC 2448	YAF-24
21438-128	ATF-28	28 AFC 2455	YAF-28
21438-132	ATF-32	32 AFC 2462	YAF-32
21438-136	ATF-36	36 AFC 2469	YAF-36
21438-140	ATF-40	40 AFC 2476	YAF-40
21438-144	ATF-44	44 AFC 2480	YAF-44
21439-106	ATL-6	6 AL 1618	YAT-06
21439-108	ATL-8	8 AL 2022	YAT-08
21439-110	ATL-10	10 AL 2426	YAT-10
21439-112	ATL-12	12 AL 2830	YAT-12
24461-3	3NBC511ZP	3NBC511ZP	YAG-03-C
24461-4	4NBC612ZP	4NBC612ZP	YAG-04-C
24461-5	5NBC713ZP	5NBC713ZP	YAG-05-C
24461-6	6NBC914YZP	6NBC914YZP	YAG-06
24461-7	7NBC1015YZP	7NBC1015YZP	YAG-07
24461-8	8NBC1218YZP	8NBC1218YZP	YAG-08
24461-9	9NBC1419YZP	9NBC1419YZP	YAG-09
24461-10	10NBC1620YZP	10NBC1620YZP	YAG-10
24461-12	12NBC1822YZP	12NBC1822YZP	YAG-12
24461-14	14NBC2026YZP	14NBC2026YZP	YAG-14
24461-16	16NBC2028YZP	16NBC2028YZP	YAG-16
24461-20	20NBC2032YZP	20NBC2032YZP	YAG-20
24461-24	24NBC2036YZP	24NBC2036YZP	YAG-24
24461-28	28NBC2040YZP	28NBC2040YZP	YAG-28
24461-32	32NBC2044YZP	32NBC2044YZP	YAG-32
24461-36	36NBC2048YZP	36NBC2048YZP	YAG-36
24461-40	40NBC2052YZP	40NBC2052YZP	YAG-40
24461-44	44NBC2056YZP	44NBC2056YZP	YAG-44
24461-48	48NBC2060YZP	48NBC2060YZP	YAG-48
24461-52	52NBC2064YZP	52NBC2064YZP	YAG-52
24461-56	56NBC2070YZP	56NBC2070YZP	YAG-56
24461-60	60NBC2074YZP	60NBC2074YZP	YAG-60
24461-64	64NBC2078YZP	64NBC2078YZP	YAG-64

Drill Jig Bushings

Type P
Headless
Press Fit Style



Type H
with Head
Press Fit Style



Type F
Fixed
Renewable



Type F
Slip-Fixed
Renewable



Type L
Headless
Liner



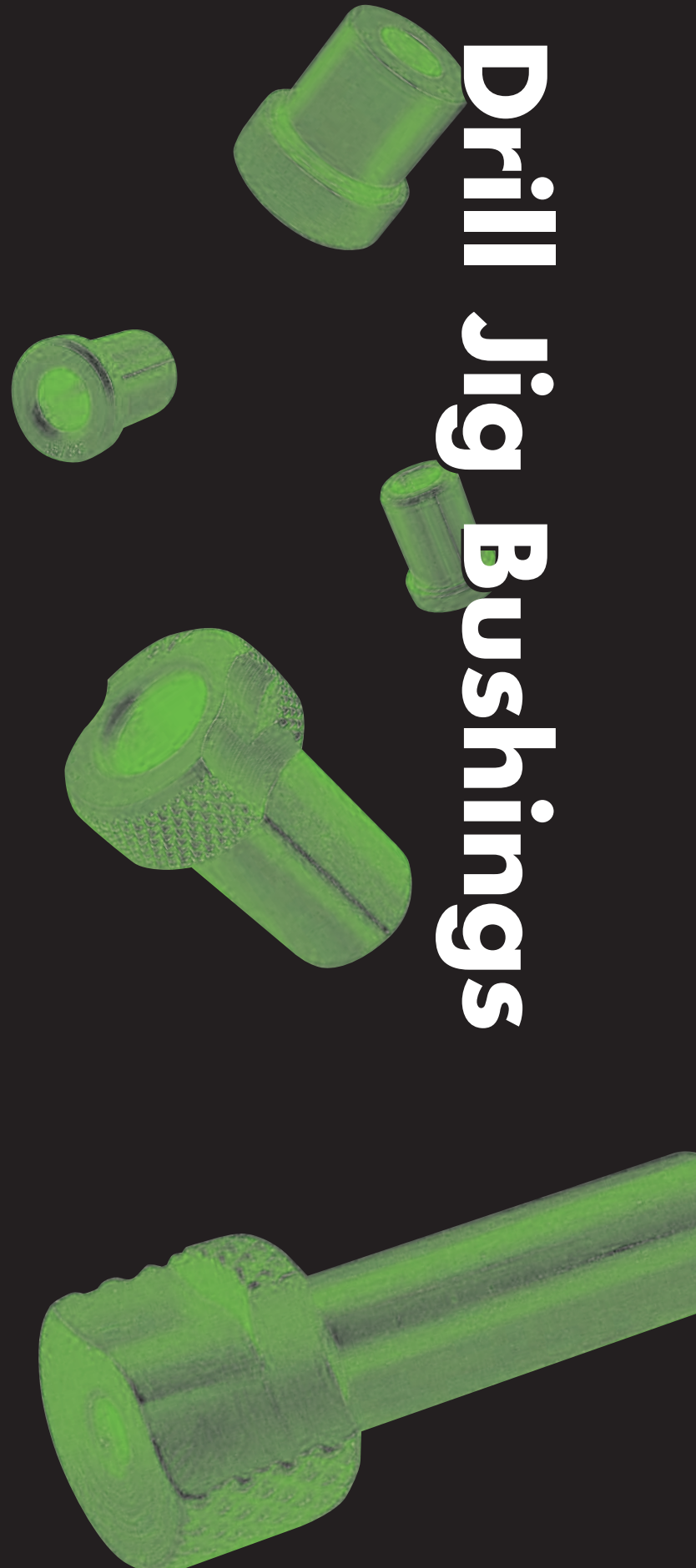
Type HL
with Head
Liner



Type LS
Lockscrew for
Standard
Renewable Bushings



Type TW
Lockscrew for
Thinwall
Renewable Bushings



Fractional, Letter & Number Drill Sizes

Millimeter & Decimal Equivalent

Size	Decimal	Millimeter
#80	.0135	.3429
	.0138	.3505
#79	.0145	.3683
1/64	.0156	.3962
	.0157	.3988
#78	.0160	.4064
	.0177	.4496
#77	.0180	.4572
	.0197	.5004
#76	.0200	.5080
	.0217	.5512
#75	.0210	.5334
	.0236	.5994
#74	.0225	.5715
#73	.0240	.6096
#72	.0250	.6350
	.0256	.6502
#71	.0260	.6604
	.0276	.7010
#70	.0280	.7112
#69	.0292	.7417
	.0295	.7493
#68	.0310	.7874
1/32	.0312	.7925
	.0315	.8001
#67	.0320	.8128
#66	.0333	.8382
	.0335	.8509
#65	.0350	.8890
	.0354	.8992
#64	.0360	.9296
#63	.0370	.9398
	.0374	.9499
#62	.0380	.9652
#61	.0390	.9906
	.0394	1.0076
#60	.0400	1.0160
#59	.0410	1.0414
	.0413	1.0490
#58	.0420	1.0668
#57	.0430	1.0922
	.0433	1.0998
	.0453	1.1506
#56	.0465	1.1811
3/64	.0469	1.1913
	.0472	1.1989
	.0492	1.2497
#55	.0512	1.3005
	.0520	1.3208
	.0531	1.3487
#54	.0550	1.3970
	.0551	1.3995
	.0571	1.4503
	.0591	1.5011
#53	.0595	1.5113
	.0610	1.5494
1/16	.0625	1.5875
	.0629	1.5977
#52	.0635	1.6129
	.0650	1.6510
	.669	1.6993
#51	.0670	1.7018
	.0689	1.7501
#50	.0700	1.7780
	.0709	1.8009
	.0728	1.8481
#49	.0730	1.8542
	.0748	1.8999
#48	.0760	1.9304
	.0768	1.9507
5/64	.0781	1.9837
#47	.0785	1.9939
	.0787	1.9989
	.0807	2.0498
#46	.0810	2.0574
#45	.0820	2.0828
	.0827	2.1006
	.0846	2.1488
#44	.0860	2.1844
	.0866	2.1996
	.0886	2.2504
#43	.0890	2.2606
	.0905	2.2987
	.0925	2.3495
#42	.0935	2.3749
3/32	.0937	2.3799
	.0945	2.4003
#41	.0960	2.4384
	.0965	2.4511
#40	.0980	2.4892
	.0984	2.4994
#39	.0995	2.5273
	.1004	2.5502
#38	.1015	2.5781
	.1024	2.6009
#37	.1040	2.6416
	.1043	2.6492

Size	Decimal	Millimeter
#36	.1063	2.7000
	.1065	2.7089
	.1083	2.7508
7/64	.1094	2.7788
#35	.1100	2.7940
	.1102	2.7991
#34	.1110	2.8194
#33	.1130	2.8702
	.1142	2.9007
#32	.1160	2.9464
	.1181	2.9997
#31	.1200	3.0480
	.1220	3.0988
1/8	.1250	3.1750
	.1260	3.2004
	.1280	3.2512
#30	.1285	3.2639
	.1299	3.2995
	.1339	3.4011
#29	.1360	3.4544
	.1378	3.5001
#28	.1405	3.5687
9/64	.1406	3.5712
	.1417	3.5992
#27	.1440	3.6576
	.1457	3.7008
#26	.1470	3.7338
	.1477	3.7516
#25	.1495	3.7973
	.1496	3.7998
#24	.1520	3.8608
	.1535	3.8989
#23	.1540	3.9116
5/32	.1562	3.9675
#22	.1570	3.9878
	.1575	4.0005
#21	.1590	4.0386
#20	.1610	4.2926
	.1614	4.0996
	.1654	4.2012
#19	.1660	4.2316
	.1674	4.2352
	.1693	4.3002
#18	.1695	4.3053
11/64	.1719	4.3663
#17	.1730	4.3942
	.1732	4.3942
#16	.1770	4.4958
	.1771	4.4983
#15	.1800	4.5720
	.1811	4.5999
#14	.1820	4.6228
#13	.1850	4.6990
	.1870	4.7498
13/64	.1875	4.7625
#12	.1890	4.8006
#11	.1910	4.8514
	.1929	4.8997
#10	.1935	4.9149
#9	.1960	4.9784
	.1968	4.9987
#8	.1990	5.0546
	.2008	5.1003
#7	.2010	5.1054
13/64	.2031	5.1587
#6	.2040	5.1816
	.2047	5.1994
#5	.2055	5.2197
	.2067	5.2502
	.2087	5.3009
#4	.2090	5.3086
	.2126	5.4000
#3	.2130	5.6210
	.2165	5.4991
7/32	.2187	5.5550
	.2205	5.6007
#2	.2210	5.6134
	.2244	5.6998
	.2264	5.7567
#1	.2280	5.7912
	.2283	5.7988
	.2323	5.9004
A	.2340	5.9436
15/64	.2344	5.9538
	.2362	5.9999
B	.2380	6.0452
	.2401	6.0985
C	.2420	6.1468
	.2441	6.2001
D	.2460	6.2484
	.2461	6.2509
	.2480	6.2992
1/4	.2500	6.3500
	.2520	6.4008
	.2559	6.4999
F	.2570	6.5278
	.2598	6.5989

Size	Decimal	Millimeter
G	.2610	6.6294
	.2638	6.7005
17/64	.2656	6.7462
	.2658	6.7513
H	.2660	6.7564
	.2677	6.7796
I	.2716	6.8986
	.2720	6.9088
J	.2756	7.0002
	.2770	7.0358
K	.2795	7.0993
9/32	.2810	7.1374
	.2812	7.1425
	.2835	7.2009
	.2855	7.2517
	.2874	7.3000
L	.2900	7.3660
	.2913	7.3990
M	.2950	7.4930
	.2953	7.5006
19/64	.2969	7.5413
	.2992	7.5997
N	.3020	7.6708
	.3031	7.6987
	.3051	7.7495
	.3071	7.8003
	.3110	7.8994
5/16	.3125	7.9375
	.3150	8.0010
O	.3160	8.0264
	.3189	8.1001
	.3228	8.1991
P	.3230	8.2042
	.3248	8.2499
	.3268	8.3007
21/64	.3281	8.3337
	.3307	8.3998
Q	.3320	8.4328
	.3346	8.4988
	.3386	8.6004
R	.3390	8.6106
	.3425	8.6995
11/32	.3437	8.7300
	.3445	8.7503
	.3465	8.8011
S	.3480	8.8392
	.3504	8.9916
	.3543	8.9992
T	.3580	9.0932
	.3583	9.1008
23/64	.3594	9.1288
	.3622	9.1999
	.3642	9.3071
	.3661	9.3119
U	.3680	9.3472
	.3701	9.4233
	.3740	9.4996
3/8	.3750	9.5250
V	.3770	9.5758
	.3780	9.6012
	.3819	9.7003
	.3839	9.7511
	.3858	9.7993
W	.3860	9.8044
	.3898	9.9009
25/64	.3906	9.9212
	.3937	10.0000
X	.3970	10.0838
Y	.4040	10.2616
13/32	.4062	10.3175
Z	.4130	10.4902
	.4134	10.5004
27/64	.4219	10.7163
	.4330	10.9982
7/16	.4375	11.1125
	.4528	11.5011
29/64	.4531	11.5087
15/32	.4687	11.9050
	.4724	11.9990
31/64	.4844	12.3038
	.4921	12.4993
1/2	.5000	12.7000
	.5119	13.0023
33/64	.5156	13.0962
17/32	.5312	13.4925
	.5315	13.5001
35/64	.5469	13.8913
	.5512	14.0005
9/16	.5625	14.2875
	.5709	14.5009
37/64	.5781	14.6837
	.5906	15.0012
19/32	.5937	15.0800
39/64	.6094	15.4788
	.6102	15.8750
5/8	.6250	15.8750
	.6299	15.9995

Size	Decimal	Millimeter
41/64	.6406	16.2712
	.6496	16.4998
21/32	.6562	16.6675
	.6693	17.0002
43/64	.6719	17.0663
11/16	.6875	17.4625
	.6890	17.5006
45/64	.7031	17.8587
	.7087	18.0010
23/32	.7187	18.2550
	.7283	18.4988
47/64	.7344	18.6538
	.7480	18.9992
3/4	.7500	19.0500
49/64	.7656	19.4462
	.7677	19.4996
25/32	.7812	19.8425
	.7874	20.0000
51/64	.7969	20.2413
	.8071	20.5003
13/16	.8125	20.6375
	.8268	21.0007
53/64	.8281	21.0337
27/32	.8437	21.4300
	.8465	21.5409
55/64	.8594	21.8288
	.8661	21.9989
7/8	.8750	22.2250
	.8858	22.4993
57/64	.8906	22.6212
	.9055	22.8740
29/32	.9062	23.0175
59/64	.9219	23.4163
	.9252	23.5001
15/16	.9375	23.8125
	.9449	24.0005
61/64	.9531	24.2087
	.9646	24.5008
31/32	.9687	24.6049
	.9843	25.0012
63/64	.9844	25.0038
1	1.0000	25.4000
1-1/64	1.0156	25.7962
1-1/32	1.0312	26.1925
1-3/64	1.0469	26.5913
1-1/16	1.0625	26.9812
1-5/64	1.0781	27.3837
1-3/32	1.0937	27.7780
1-7/64	1.1094	28.1788
1-1/8	1.1250	28.5750
1-9/64	1.1406	28.9712
1-5/32	1.1562	29.3675
1-11/64	1.1719	29.7663
1-3/16	1.1875	30.1625
1-13/64	1.2031	30.5587
1-7/32	1.2187	30.9550
1-15/64	1.2344	31.3538
1-1/4	1.2500	31.7500
1-17/64	1.2656	32.1462
1-9/32	1.2812	32.5425
1-19/64	1.2969	32.9413
1-5/16	1.3125	33.3375
1-21/64	1.3281	33.7337
1-11/32	1.3437	34.1300
1-23/64	1.3594	34.5288
1-3/8	1.3750	34.9250
1-25/64	1.3906	35.3212
1-13/32	1.4062	35.7175
1-27/64	1.4219	36.1163
1-7/16	1.4375	36.5125
1-29/64	1.4531	36.9087
1-15/32	1.4687	37.3050
1-31/64	1.4844	37.7038
1-1/2	1.5000	38.1000
1-33/64	1.5156	38.4962
1-17/32	1.5312	38.8925
1-35/64	1.5469	39.2913
1-9/16	1.5625	39.6812
1-37/64	1.5781	40.0837
1-19/32	1.5937	40.4800
1-39/64	1.6094	40.8788
1-5/8	1.6250	41.2750
1-41/64	1.6406	41.6712
1-21/32	1.6562	42.0675
1-43/64	1.6719	42.4663

General Information

TECHNICAL DATA

I.D. Tolerances - ABC ANSI Standard

Standard Drill Sizes	I.D.	Tolerance
#80 to 1/4	Nominal	+ .0001 to + .0004
Over 1/4 to 3/4	Nominal	+ .0001 to + .0005
Over 3/4 to 1 1/2	Nominal	+ .0002 to + .0006
Over 1 1/2	Nominal	+ .0003 to + .0007

Standard Sizes

Standard sizes in a given I.D. range are sizes listed in the decimal equivalent chart either as a fraction, number or letter size. Any other decimal millimeter size within a given range is considered **"special"** and will be priced accordingly.

Special Bushings

When a special unlisted hole size is required, or a special outside diameter or length is required, the bushing becomes a **"special"** and will be priced accordingly.

When the bushing is not standard and has dimensions not according to the catalog, make sure that the length and O.D. are specified as well as the I.D. For Head-Type bushings, specify the head dimensions. Also, where tolerances are to be different from the catalog tolerances, be sure to include the tolerances required.

Materials

Drill bushings are manufactured from **C1144 stress-proof steel**, or other high carbon steels known for their long wear and stability. Specialty steels are available upon request.

Hardness

62-64 Rockwell C

Lead

All finish ground press-fit bushings have a concentric ground lead for exact alignment in press-fit starting.

Countersink

For drill entry end - a blended radius.

Counterbore

Certain bushings are relived in the I.D., depending on the bore-to-length ratio. They can also be supplied without counterbore. This type of bushing will be priced as a **"special"**. To order with **counterbore**, add the prefix letter **"C"** to the symbol.

When using drill bushings with special tools, such as reamers, counterbores, taps, pilots, etc., it would be an advantage if the exact hole size is specified—instead of the tool size. This is important since the tolerance and the clearance of these tools vary according to application.

By processing these **"special"** from semi-finished blanks, prompt service is assured at reasonable prices. All **"special"** bushings will be priced from the factory.

Ordering Information

HOW TO ORDER - EXAMPLES

Add Inside Diameter Size to ANSI Symbol

Example:

- P-10-5-#77** 5/32" Nominal O.D.
5/16" Length
with #77 (.0180) Inside Diameter
- P-12-4-1/16** 3/16" Nominal O.D.
1/4" Length
with 1/16" (.0625) Inside Diameter
- P-10-5- .0191** 5/32" Nominal O.D.
5/16" Length
with .0191" Inside Diameter

Suggestions for Ordering

Complete tolerance and dimensional data on all **ANSI** and **ABC** standard bushings are given in this catalog. See **Fractional Decimal Drill Size Chart** on preceding page for list of standard drill sizes and decimal equivalents. In specifying a drill size, use the number, letter, fractional or decimal size. In specifying decimally, indicate the size in four places;

Example: use .1875, not .187. We would consider .187 as .1870, which would be special.

Terms

Net 30 Days,

F.O.B. Garwood, New Jersey 07027 USA

Pricing - Prices subject to change without notice

For current price information, call or fax our Sales Department at:

Tel. **908.789.1121** Fax. **908.789.9429**
www.**accuratebushing.com**

Return of Bushings

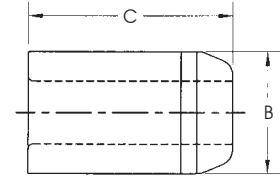
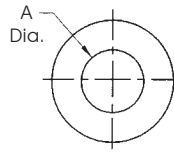
Special bushings are non-returnable. Full credit will be given for standard bushings if they are returned **freight prepaid** to the factory within **two weeks** after the date of shipment.

For orders exceeding \$100 U.S., written authorization must be obtained from the factory prior to return shipment.

Headless Press-Fit

Type P

Finish Ground & Unground O.D.



Inside Diameter Range Size (A)	Outside Diameter		Length Inches (C)	ANSI Symbol†	Price Code
	Finish Ground Size	Unground Size			
#80 - #70 (.0135 - .0280)	.1578 .1575	5/32"	.171	P-10-4	203
			.169	P-10-5	209
				P-10-6	211
				P-10-8	214
#69 - 3/64" (.0292 - .0469)	.1578 .1575	5/32"	.171	P-10-4	190
			.169	P-10-5	193
				P-10-6	195
				P-10-8	199
				P-10-12	209
#55 - 1/16" (.0520 - .0625)	.1578 .1575	5/32"	.171	P-10-4	166
			.169	P-10-5	170
				P-10-6	173
				P-10-8	174
#55 - 1/16" (.0520 - .0625)	.1891 .1888	3/16"	.206	P-10-12	182
			.203		
#52 - #39 (.0635 - .0995)	.1891 .1888	3/16"	.206	P-12-4	166
			.203	P-12-5	170
				P-12-6	173
				P-12-8	174
				P-12-10	179
				P-12-12	182
#80 - #70 (.0135 - .0280)	.2046 .2043	13/64"	.219	P-12-4	119
			.216	P-12-5	125
				P-12-6	127
				P-12-8	130
				P-12-10	132
				P-12-12	135
#69 - 3/64" (.0292 - .0469)	.2046 .2043	13/64"	.219	P-13-4	190
			.216	P-13-5	193
				P-13-6	195
				P-13-8	199
				P-13-12	209
#55 - 1/16" (.0520 - .0625)	.2046 .2043	13/64"	.219	P-13-4	166
			.216	P-13-5	170
				P-13-6	173
				P-13-8	174
				P-13-12	182
				P-13-16	195
#52 - #39 (.0635 - .0995)	.2046 .2043	13/64"	.219	P-13-4	119
			.216	P-13-5	125
				P-13-6	128
				P-13-8	130
				P-13-12	135
				P-13-16	140

Inside Diameter Range Size (A)	Outside Diameter		Length Inches (C)	ANSI Symbol†	Price Code
	Finish Ground Size	Unground Size			
#40 - 9/64" (.0980 - .1406)	.2516 .2513	1/4"	.265	P-16-4	115
			.260	P-16-5	118
				P-16-6	122
				P-16-8	125
				P-16-10	128
				P-16-12	131
				P-16-16	136
				P-16-22	169
				P-16-24	174
				P-16-28	179
1/8" - #10 (.1250 - .1935)	.3141 .3138	5/16"	.327	P-20-4	110
			.322	P-20-5	112
				P-20-6	113
				P-20-8	114
				P-20-10	115
				P-20-12	117
				P-20-16	119
				P-20-22	140
				P-20-24	150
				P-20-28	159
#10 - #1 (.1935 - .2280)	.3766 .3763	3/8"	.390	P-24-4	105
			.385	P-24-5	106
				P-24-6	109
				P-24-8	110
				P-24-10	112
				P-24-12	113
3/16" - F (.1875 - .2570)	.4078 .4075	13/32"	.421	P-24-16	118
			.416		
A - L (.2340 - .2900)	.4392 .4389	7/16"	.421	P-26-4	105
			.416	P-26-5	106
				P-26-6	109
				P-26-8	110
				P-26-12	113
				P-26-16	118
3/16" - 0 (.1875 - .3160)	.5017 .5014	1/2"	.520	P-26-12	125
			.515	P-26-16	131
				P-26-22	136
				P-26-24	136
				P-26-28	136
				P-26-34	193

† All bushings are finished ground unless the letter "U" appears with the bushings type or the ANSI symbol.

* Counterbored, leaving correct drill bearing and chip clearance. Metric sizes are available.

Headless Press-Fit

Type P

Finish Ground & Unground O.D.

Chart continued from previous page

Inside Diameter Range Size (A)	Outside Diameter (B)		Length Inches (C)	ANSI Symbol†	Price Code
	Finish Ground Size	Unground Size			
M – 11/32" (.2950 – .3437)	.5642 .5639	9/16"	1/4	P-36-4	110
			5/16	P-36-5	105
			3/8	P-36-6	107
			1/2	P-36-8	107
			5/8	P-36-10	109
			3/4	P-36-12	110
			1	P-36-16	112
5/16" – 7/16" (.3125 – .4375)	.6267 .6264	5/8"	1/4	P-40-4	110
			5/16	P-40-5	105
			3/8	P-40-6	107
			1/2	P-40-8	107
			5/8	P-40-10	109
			3/4	P-40-12	110
			1	P-40-16	112
			1 1/4	P-40-20	124
			1 3/8	P-40-22	124
			1 1/2	P-40-24	126
			1 3/4	P-40-28	131
			2 1/8	P-40-34	141
			5/16" – 17/32" (.3125 – .5312)	.7518 .7515	3/4"
5/16	P-48-5	106			
3/8	P-48-6	110			
1/2	P-48-8	110			
5/8	P-48-10	112			
3/4	P-48-12	112			
1	P-48-16	114			
1 1/4	P-48-20	125			
1 3/8	P-48-22	125			
1 1/2	P-48-24	128			
1 3/4	P-48-28	132			
2 1/8	P-48-34	142			
2 1/2	P-48-40	193			
1/2" – 21/32" (.5000 – .6562)	.8768 .8765	7/8"			
			3/8	P-56-6	121
			1/2	P-56-8	115
			5/8	P-56-10	117
			3/4	P-56-12	117
			1	P-56-16	119
			1 1/4	P-56-20	124
			1 3/8	P-56-22	124
			1 1/2	P-56-24	128
			1 3/4	P-56-28	133
			2 1/8	P-56-34	141
2 1/2	P-56-40	151			
1/2" – 49/64" (.5000 – .7656)	1.0018 1.0015	1"	1/2	P-64-8	117
			5/8	P-64-10	117
			3/4	P-64-12	117
			1	P-64-16	120
			1 1/4	P-64-20	124
			1 3/8	P-64-22	124
			1 1/2	P-64-24	130
			1 3/4	P-64-28	135
			2 1/8	P-64-34	141
			2 1/2	P-64-40	151
			3	P-64-48	199

Inside Diameter Range Size (A)	Outside Diameter (B)		Length Inches (C)	ANSI Symbol†	Price Code
	Finish Ground Size	Unground Size			
49/64" – 27/32" (.7656 – .8437)	1.1270 1.1267	1 1/8"	1/2	P-72-8	140
			5/8	P-72-10	136
			3/4	P-72-12	131
			1	P-72-16	140
			1 1/2	P-72-20	148
			1 1/2	P-72-24	152
			1 3/4	P-72-28	159
55/64" – 15/16" (.8594 – .9375)	1.2520 1.2517	1 1/4"	5/8	P-80-10	136
			3/4	P-80-12	131
			1	P-80-16	140
			1 3/8	P-80-20	148
			1 1/2	P-80-24	152
			1 3/4	P-80-28	159
			2	P-80-32	171
5/8" – 1 1/32" (.6250 – 1.0312)	1.3772 1.3768	1 3/8"	1/2	P-88-8	141
			5/8	P-88-10	138
			3/4	P-88-12	131
			1	P-88-16	141
			1 1/4	P-88-20	149
			1 3/8	P-88-22	149
			1 1/2	P-88-24	153
			1 3/4	P-88-28	161
			2	P-88-32	173
			2 1/8	P-88-34	174
2 1/2	P-88-40	185			
3	P-88-48	222			
1 1/64" – 1 1/8" (1.0156 – 1.1250)	1.5022 1.5018	1 1/2"	3/4	P-96-12	156
			1	P-96-16	149
			1 1/4	P-96-20	156
			1 1/2	P-96-24	163
			1 3/4	P-96-28	166
			2	P-98-32	182
1" – 1 25/64" (1.0000 – 1.3906)	1.7523 1.7519	1 3/4"	2 1/4	P-98-36	188
			3/4	P-112-12	156
			1	P-112-16	149
			1 3/8	P-112-22	156
			1 1/2	P-112-24	163
1 3/8" – 1 49/64" (1.3750 – 1.7656)	2.2525 2.2521	2 1/4"	1 3/4	P-112-28	166
			2 1/8	P-112-34	182
			2 1/2	P-112-40	193
			3	P-112-48	240
			1	P-144-16	167
			1 3/8	P-144-22	178
1 3/8" – 1 49/64" (1.3750 – 1.7656)	2.2525 2.2521	2 1/4"	1 1/2	P-144-24	183
			1 3/4	P-144-28	187
			2 1/8	P-144-34	204
			2 1/2	P-144-40	216
			3	P-144-48	253

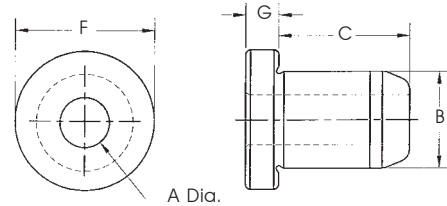
† All bushings are finished ground unless the letter "U" appears with the bushings type or the ANSI symbol.

* Counterbore, leaving correct drill bearing and chip clearance. Metric sizes are available.

Head Press-Fit

Type H

Finish Ground & Unground O.D.



Inside Diameter Range Size (A)	Outside Diameter (B)		Length Inches (C)	ANSI Symbol†	Price Code
	Finish Ground Size	Unground Size			
#80 - #70 (.0135 - .0280)	.1578 .1575	5/32"	1/4	H-10-4	209
			5/16	H-10-5	211
			*3/8	H-10-6	215
			*1/2	H-10-8	217
#69 - 3/64" (.0292 - .0469)	.1578 .1575	5/32"	1/4	H-10-4	193
			5/16	H-10-5	195
			*3/8	H-10-6	199
			*1/2	H-10-8	202
#55 - 1/16" (.0520 - .0625)	.1578 .1575	5/32"	1/4	H-10-4	171
			5/16	H-10-5	173
			3/8	H-10-6	174
			*1/2	H-10-8	175
#80 - #70 (.0135 - .0280)	.2046 .2043	13/64"	1/4	H-13-4	209
			5/16	H-13-5	211
			*3/8	H-13-6	215
			*1/2	H-13-8	217
#69 - 3/64" (.0292 - .0469)	.2046 .2043	13/64"	1/4	H-13-4	193
			5/16	H-13-5	195
			*3/8	H-13-6	199
			*1/2	H-13-8	202
#55 - 1/16" (.0520 - .0625)	.2046 .2043	13/64"	1/4	H-13-4	171
			5/16	H-13-5	173
			3/8	H-13-6	174
			*1/2	H-13-8	175
#52 - #39 (.0635 - .0995)	.2046 .2043	13/64"	*3/4	H-13-12	186
			*1	H-13-16	200
			1/4	H-13-4	132
			5/16	H-13-5	133
#40 - 9/64" (.0980 - .1406)	.2516 .2513	1/4"	3/8	H-13-6	136
			*1/2	H-13-8	138
			*3/4	H-13-12	147
			*1	H-13-16	165
			1/4	H-16-4	125
			5/16	H-16-5	128
			3/8	H-16-6	131
			*1/2	H-16-8	132
1/8" - #10 (.1250 - .1935)	.3141 .3138	5/16"	*5/8	H-16-10	138
			*3/4	H-16-12	145
			*1	H-16-16	163
			*1 3/8	H-16-22	199
			*1 1/2	H-16-24	208
			1/4	H-20-4	115
5/16	H-20-5	118			
3/8	H-20-6	121			
1/2	H-20-8	122			
5/8	H-20-10	123			
3/4	H-20-12	124			
*1	H-20-16	133			
*1 3/8	H-20-22	170			
*1 1/2	H-20-24	183			

Inside Diameter Range Size (A)	Outside Diameter (B)		Length Inches (C)	ANSI Symbol†	Price Code
	Finish Ground Size	Unground Size			
#10 - #1 (.1935 - .2280)	.3766 .3763	3/8"	1/4	H-24-4	113
			5/16	H-24-5	115
			3/8	H-24-6	117
			1/2	H-24-8	118
			5/8	H-24-10	120
			3/4	H-24-12	121
3/16" - F (.1875 - .2570)	.4078 .4075	13/32"	*1	H-24-16	130
			1/4	H-26-4	113
			5/16	H-26-5	114
			3/8	H-26-6	117
			1/2	H-26-8	118
			3/4	H-26-12	121
A - L (.2340 - .2900)	.4392 .4389	7/16"	*1	H-26-16	130
			*1 3/8	H-26-22	136
			*1 1/2	H-26-24	143
			*1 3/4	H-26-28	150
			1/4	H-28-4	113
			5/16	H-28-5	115
3/16" - O (.1875 - .3160)	.5017 .5014	1/2"	3/8	H-28-6	117
			1/2	H-28-8	118
			5/8	H-28-10	120
			3/4	H-28-12	121
			*1	H-28-16	130
			*1 3/8	H-28-22	136
M - 11/32" (.2950 - .3437)	.5642 .5639	9/16"	*1 1/2	H-28-24	143
			*1 3/4	H-28-28	150
			1/4	H-32-4	113
			5/16	H-32-5	114
			3/8	H-32-6	117
			1/2	H-32-8	118
M - 11/32" (.2950 - .3437)	.5642 .5639	9/16"	3/4	H-32-12	121
			*1	H-32-16	130
			*1 3/8	H-32-22	136
			*1 1/2	H-32-24	143
			*1 3/4	H-32-28	150
			1/4	H-36-4	117
5/16	H-36-5	113			
3/8	H-36-6	115			
1/2	H-36-8	115			
5/8	H-36-10	117			
3/4	H-36-12	117			
1	H-36-16	121			

† All bushings are finished ground unless the letter "U" appears with the bushings type or the ANSI symbol.

* Counterbore, leaving correct drill bearing and chip clearance. Metric sizes are available.

Head Press-Fit

Type H

Finish Ground & Unground O.D.

Continued from previous page

Inside Diameter Range Size (A)	Outside Diameter		Length Inches (C)	ANSI Symbol†	Price Code
	Finish Ground Size (B)	Unground Size			
5/16" – 7/16" (.3125 – .4375)	.6267 .6264	5/8"	1/4	H-40-4	117
			5/16	H-40-5	113
			3/8	H-40-6	114
			1/2	H-40-8	114
			5/8	H-40-10	117
			3/4	H-40-12	117
			1	H-40-16	121
			1 3/8	H-40-22	136
			1 1/2	H-40-24	140
			1 3/4	H-40-28	145
			2 1/8	H-40-34	154
5/16" – 17/32" (.3125 – .5312)	.7518 .7515	3/4"	1/4	H-48-4	121
			5/16	H-48-5	115
			3/8	H-48-6	117
			1/2	H-48-8	117
			5/8	H-48-10	119
			3/4	H-48-12	121
			1	H-48-16	125
			1 1/4	H-48-20	138
			1 3/8	H-48-22	138
			1 1/2	H-48-24	141
			1 3/4	H-48-28	146
2 1/8	H-48-34	156			
1/2" – 21/32" (.5000 – .6562)	.8768 .8765	7/8"	1/2	H-56-8	126
			5/8	H-56-10	126
			3/4	H-56-12	127
			1	H-56-16	130
			1 1/4	H-56-20	135
			1 3/8	H-56-22	135
			1 1/2	H-56-24	141
			1 3/4	H-56-28	149
			2 1/8	H-56-34	156
			2 1/2	H-56-40	172
			1/2" – 49/64" (.5000 – .7656)	1.0018 1.0015	1"
3/4	H-64-12	128			
1	H-64-16	132			
1 3/8	H-64-22	136			
1 1/2	H-64-24	147			
1 3/4	H-64-28	153			
2 1/8	H-64-34	166			
2 1/2	H-64-40	181			
3	H-64-48	230			

Inside Diameter Range Size (A)	Outside Diameter		Length Inches (C)	ANSI Symbol†	Price Code
	Finish Ground Size (B)	Unground Size			
55/64" – 15/16" (.8594 – .9375)	1.2520 1.2517	1 1/4"	5/8	H-80-10	153
			3/4	H-80-12	151
			1	H-80-16	158
			1 1/4	H-80-20	166
			1 1/2	H-80-24	174
			1 3/4	H-80-28	181
5/8" – 1-1/32" (.6250 – 1.0312)	1.3772 1.3768	1 3/8"	2	P-80-32	192
			1/2	H-88-8	159
			3/4	H-88-12	152
			1	H-88-16	160
			1 3/8	H-88-22	168
			1 1/2	H-88-24	175
1" – 1-25/64" (1.0000 – 1.3906)	1.7523 1.7519	1 3/4"	1 3/4	H-88-28	182
			2 1/8	H-88-34	195
			2 1/2	H-88-40	210
			3	H-88-48	246
			3/4	H-112-12	187
			1	H-112-16	177
1-3/8" – 1-49/64" (1.3750 – 1.7656)	2.2525 2.2521	2 1/4"	1 3/8	H-112-22	187
			1 1/2	H-112-24	191
			1 3/4	H-112-28	196
			2 1/8	H-112-34	212
			2 1/2	H-112-40	224
			3	H-112-48	258
1-3/8" – 1-49/64" (1.3750 – 1.7656)	2.2525 2.2521	2 1/4"	1	H-144-16	205
			1 3/8	H-144-22	219
			1 1/2	H-144-24	223
			1 3/4	H-144-28	233
			2 1/8	H-144-34	243
			2 1/2	H-144-40	250
1-3/8" – 1-49/64" (1.3750 – 1.7656)	2.2525 2.2521	2 1/4"	3	H-144-48	268

ANSI HEAD PRESS-FIT
HEAD DIMENSIONS

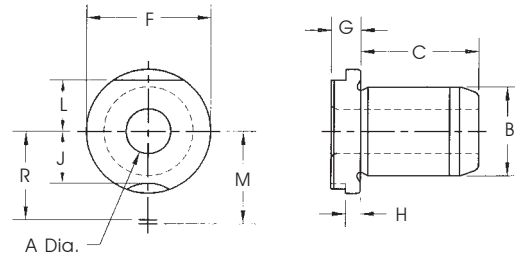
Body O.D. (B)	(F)	(G)
5/32"	1/4"	3/32"
13/64"	19/64"	3/32"
1/4"	23/64"	3/32"
5/16"	27/64"	1/8"
3/8"	1/2"	3/32"
13/32"	1/2"	5/32"
7/16"	9/16"	3/32"
1/2"	39/64"	7/32"
9/16"	11/16"	3/32"
5/8"	51/64"	7/32"
3/4"	59/64"	7/32"
7/8"	17/64"	1/4"
1"	115/64"	5/16"
1 1/4"	1 1/2"	1/4"
1 3/8"	1 39/64"	3/8"
1 3/4"	1 63/64"	3/8"
2 1/4"	2 31/64"	3/8"

† All bushings are finished ground unless the letter "U" appears with the bushings type or the ANSI symbol.

* Counterbore, leaving correct drill bearing and chip clearance. Metric sizes are available.

Fixed Renewable Type F

Finish Ground O.D.



Inside Diameter Range Size (A)	Outside Diameter Finish Ground Size (B)	Length Inches (C)	ANSI Symbol	Price Code	Lock Screw Clamps
#80 – #70 (.0135 – .0280)	3/16" .1875 .1873	*1/4	F-12-4	233	LS-O
		*5/16	F-12-5	235	
		*3/8	F-12-6	237	
		*1/2	F-12-8	238	
#69 – 3/64" (.0292 – .0469)	3/16" .1875 .1873	1/4	F-12-4	214	LS-O
		*5/16	F-12-5	216	
		*3/8	F-12-6	219	
		*1/2	F-12-8	221	
#55 – 1/16" (.0520 – .0625)	3/16" .1875 .1873	1/4	F-12-4	182	LS-O
		*5/16	F-12-5	184	
		*3/8	F-12-6	186	
		*1/2	F-12-8	187	
		*5/8	F-12-10	191	
		*3/4	F-12-12	197	
#52 – #40 (.0635 – .0980)	3/16" .1875 .1873	1/4	F-12-4	141	LS-O
		*5/16	F-12-5	142	
		3/8	F-12-6	144	
		*1/2	F-12-8	147	
		*5/8	F-12-10	151	
#39 – 9/64" (.0995 – .1400)	1/4" .2500 .2498	1/4	F-16-4	136	TW-2
		5/16	F-16-5	136	
		*3/8	F-16-6	138	
		*1/2	F-16-8	141	
		*5/8	F-16-10	146	
#80 – #70 (.0135 – .0280)	5/16" .3125 .3123	*1/4	F-20-4	233	FC-O1 LS-1 RC-O1
		*5/16	F-20-5	235	
		*3/8	F-20-6	237	
		*1/2	F-20-8	238	
		*3/4	F-20-12	260	
#69 – 3/64" (.0292 – .0469)	5/16" .3125 .3123	*5/16	F-20-5	216	LS-1 FC-O1 FC-11 RC-O1
		*3/8	F-20-6	220	
		*1/2	F-20-8	221	
		*3/4	F-20-12	230	
#55 – 1/16" (.0520 – .0625)	5/16" .3125 .3123	*5/16	F-20-5	184	LS-1 FC-O1 FC-11 RC-O1
		*3/8	F-20-6	186	
		*1/2	F-20-8	187	
		*3/4	F-20-12	197	
#52 – #43 (.0635 – .0890)	5/16" .3125 .3123	5/16	F-20-5	142	LS-1 FC-O1 FC-11 RC-O1
		*3/8	F-20-6	144	
		*1/2	F-20-8	147	
		*3/4	F-20-12	154	
		*1	F-20-16	172	
#42 – #31 (.0935 – .1200)	5/16" .3125 .3123	5/16	F-20-5	136	LS-1 FC-O1 FC-11 RC-O1
		3/8	F-20-6	138	
		*1/2	F-20-8	141	
		*3/4	F-20-12	150	
		*1	F-20-16	163	
		*1 3/8	F-20-22	185	

Inside Diameter Range Size (A)	Outside Diameter Finish Ground Size (B)	Length Inches (C)	ANSI Symbol	Price Code	Lock Screw Clamps
1/8" – #10 (.1250 – .1935)	5/16" .3125 .3123	5/16	F-20-5	135	LS-1 FC-O1 FC-11 RC-O1
		3/8	F-20-6	136	
		1/2	F-20-8	139	
		5/8	F-20-10	143	
		*3/4	F-20-12	148	
		*1	F-20-16	161	
		*1 3/8	F-20-22	184	
#10 – #1 (.1935 – .2280)	3/8" .3750 .3748	1/4	F-24-4	117	TW-2
		5/16	F-24-5	120	
		3/8	F-24-6	122	
		1/2	F-24-8	125	
		5/8	F-24-10	126	
		*1	F-24-16	135	
A – L (.2340 – .2900)	7/16" .4375 .4373	1/4	F-28-4	117	TW-2
		5/16	F-28-5	120	
		3/8	F-28-6	122	
		1/2	F-28-8	125	
		5/8	F-28-10	126	
		*1	F-28-16	135	
#28 – 3/16" (.1405 – .1875)	1/2" .5000 .4998	5/16	F-32-5	126	LS-1 FC-O1 FC-11 RC-O1
		3/8	F-32-6	128	
		1/2	F-32-8	130	
		*3/4	F-32-12	135	
		*1	F-32-16	142	
		*1 3/8	F-32-22	152	
		*1 1/2	F-32-24	157	
#12 – 11/32" (.1890 – .3437)	1/2" .5000 .4998	*1 3/4	F-32-28	164	LS-1 FC-O1 FC-11 RC-O1
		5/16	F-32-5	120	
		3/8	F-32-6	122	
		1/2	F-32-8	124	
		3/4	F-32-12	128	
		*1	F-32-16	135	
		*1 3/8	F-32-22	147	
M – 11/32" (.2950 – .3437)	9/16" .5625 .5623	*1 1/2	F-32-24	150	TW-2
		*1 3/4	F-32-28	155	
		1/4	F-36-4	117	
		5/16	F-36-5	120	
		3/8	F-36-6	122	
		1/2	F-36-8	125	
		5/8	F-36-10	126	TW-2
		3/4	F-36-12	128	
		1	F-36-16	135	

* Counterbore, leaving correct drill bearing and chip clearance. Metric sizes are available.

Fixed Renewable

Type F

Finish Ground O.D.

Continued from previous page

Inside Diameter Range Size (A)	Outside Diameter Finish Ground Size (B)	Length Inches (C)	ANSI Symbol	Price Code	Lock Screw Clamps
S - 7/16" (.3480 - .4375)	5/8" .6250 .6248	3/8	F-40-6	123	TW-2
		1/2	F-40-8	123	
		5/8	F-40-10	125	
		3/4	F-40-12	126	
		1	F-40-16	130	
		1 1/4	F-40-20	147	
9/32" - 9/16" (.2812 - .5625)	3/4" .7500 .7498	3/8	F-48-6	122	FC-01 FC-11 LS-1 RC-01
		1/2	F-48-8	123	
		3/4	F-48-12	126	
		1	F-48-16	130	
		1 3/8	F-48-22	147	
		1 1/2	F-48-24	151	
		1 3/4	F-48-28	156	
		2 1/8	F-48-40	166	
		*2 1/2	F-48-28	226	
*3	F-48-48	257			
35/64" - 21/32" (.5469 - .6562)	7/8" .8750 .8748	1/2	F-56-8	135	TW-7
		5/8	F-56-10	136	
		3/4	F-56-12	136	
		1	F-56-16	141	
		1 1/4	F-56-22	148	
		1 1/2	F-56-24	152	
15/32" - 25/32" (.4687 - .7812)	1" 1.0000 .9998	1/2	F-64-8	135	FC-02 FC-12 LS-2 RC-02
		3/4	F-64-12	136	
		1	F-64-16	141	
		1 3/8	F-64-22	148	
		1 1/2	F-64-24	153	
		1 3/4	F-64-28	161	
		2 1/8	F-64-34	177	
		2 1/2	F-64-40	234	
		3	F-64-48	259	

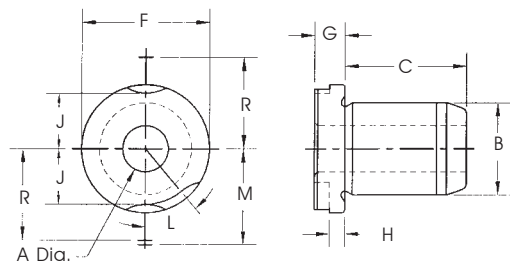
Inside Diameter Range Size (A)	Outside Diameter Finish Ground Size (B)	Length Inches (C)	ANSI Symbol	Price Code	Lock Screw Clamps
23/32" - 1 1/16" (.7187 - 1.0625)	1 3/8" 1.3750 1.3747	3/4	F-88-12	164	LS-2 RC-02
		1	F-88-16	175	
		1 3/8	F-88-22	184	
		1 1/2	F-88-24	190	
		1 3/4	F-88-28	198	
		2 1/8	F-88-34	212	
		2 1/2	F-88-40	244	
		3	F-88-48	266	
31/32" - 1 13/32" (.9687 - 1.4062)	1 3/4" 1.7500 1.7497	3/4	F-112-12	202	FC-3 FC-13 LS-3 RC-03
		1	F-112-16	191	
		1 3/8	F-112-22	202	
		1 1/2	F-112-24	210	
		1 3/4	F-112-28	220	
		2 1/8	F-112-34	233	
		2 1/2	F-112-40	252	
		3	F-112-48	266	
1 11/32" - 1 7/8" (1.3437 - 1.8750)	2 1/4" 2.2500 2.2496	3/4	F-144-12	239	FC-3 FC-13 LS-3 RC-03
		1	F-144-16	228	
		1 3/8	F-144-22	239	
		1 1/2	F-144-24	243	
		1 3/4	F-144-28	245	
		2 1/8	F-144-34	256	
		2 1/2	F-144-40	263	
		3	F-144-48	271	

* Counterbore, leaving correct drill bearing and chip clearance. Metric sizes are available.

Body O.D. (B)	DIMENSIONAL DATA ANSI FIXED RENEWABLE HEAD DIMENSIONS							Lock Screw
	(F)	(G)	(H)	(J)	(L)	(M)	(R)	
3/16"	5/16"	3/16"	3/32"	3/32"			17/64"	LS-0
1/4"	7/16"	1/4"	1/8"	9/64"			23/64"	TW-2
5/16"	35/64"	1/4"	1/8"	11/64"	11/64"	5/8"	1/2"	LS-1
3/8"	5/8"	1/4"	1/8"	15/64"			29/64"	TW-2
7/16"	5/8"	1/4"	1/8"	15/64"			29/64"	TW-2
1/2"	51/64"	1/4"	1/8"	19/64"	17/64"	3/4"	5/8"	LS-1
9/16"	7/8"	1/4"	1/8"	23/64"			37/64"	TW-2
5/8"	7/8"	1/4"	1/8"	23/64"			37/64"	TW-2
3/4"	1 3/64"	1/4"	1/8"	27/64"	25/64"	7/8"	3/4"	LS-1
7/8"	1 1/4"	3/8"	3/16"	31/64"			53/64"	TW-7
1"	1 27/64"	3/8"	3/16"	19/32"	1/2"	17/64"	59/64"	LS-2
1 3/8"	1 51/64"	3/8"	3/16"	25/32"	11/16"	119/64"	17/64"	LS-2
1 3/4"	2 19/64"	3/8"	3/16"	1"	7/8"	141/64"	1 25/64"	LS-3
2 1/4"	2 51/64"	3/8"	3/16"	1 1/4"	1 1/8"	1 57/64"	1 41/64"	LS-3

Slip-Fixed Renewable Type SF

Finish Ground O.D.



Inside Diameter Range Size (A)	Outside Diameter Finish Ground Size (B)	Length Inches (C)	ANSI Symbol	Price Code	Lock Screw Clamps
#80 - #70 (.0135 - .0280)	3/16"	*1/4	SF-12-4	233	LS-O
		*5/16	SF-12-5	235	
		*3/8	SF-12-6	237	
		*1/2	SF-12-8	238	
		*5/8	SF-12-10	248	
		*3/4	SF-12-12	260	
#69 - 3/64" (.0292 - .0469)	3/16"	1/4	SF-12-4	214	LS-O
		*5/16	SF-12-5	216	
		*3/8	SF-12-6	219	
		*1/2	SF-12-8	221	
		*5/8	SF-12-10	225	
		*3/4	SF-12-12	230	
#55 - 1/16" (.0520 - .0625)	3/16"	1/4	SF-12-4	182	LS-O
		*5/16	SF-12-5	184	
		*3/8	SF-12-6	186	
		*1/2	SF-12-8	187	
		*5/8	SF-12-10	191	
		*3/4	SF-12-12	197	
#52 - #40 (.0635 - .0980)	3/16"	1/4	SF-12-4	141	LS-O
		*5/16	SF-12-5	143	
		*3/8	SF-12-6	144	
		*1/2	SF-12-8	147	
		*5/8	SF-12-10	151	
		*3/4	SF-12-12	154	
#39 - 9/64" (.0995 - .1406)	1/4"	1/4	SF-16-4	136	TW-2
		5/16	SF-16-5	136	
		*3/8	SF-16-6	138	
		*1/2	SF-16-8	141	
		*5/8	SF-16-10	146	
		*3/4	SF-16-12	150	
#80 - #70 (.0135 - .0280)	5/16"	*1/4	SF-20-4	233	LS-1 RC-01 RK-01 RK-11
		*5/16	SF-20-5	235	
		*3/8	SF-20-6	237	
		*1/2	SF-20-8	238	
		*3/4	SF-20-12	260	
		#69 - 3/64" (.0292 - .0469)	5/16"	*5/16	
*3/8	SF-20-6	219			
*1/2	SF-20-8	221			
*3/4	SF-20-12	230			
#55 - 1/16" (.0520 - .0625)	5/16"	*5/16	SF-20-5	184	LS-1 RC-01 RK-01 RK-11
		*3/8	SF-20-6	186	
		*1/2	SF-20-8	187	
		*3/4	SF-20-12	197	
#52 - #43 (.0635 - .0890)	5/16"	5/16	SF-20-5	142	LS-1 RC-01 RK-01 RK-11
		*3/8	SF-20-6	144	
		*1/2	SF-20-8	147	
		*3/4	SF-20-12	154	
		*1	SF-20-16	172	
#42 - #31 (.0935 - .1200)	5/16"	5/16	SF-20-5	136	LS-1 RC-01 RK-01 RK-11
		3/8	SF-20-6	138	
		*1/2	SF-20-8	141	
		*3/4	SF-20-12	150	
		*1	SF-20-16	163	
		*1 3/8	SF-20-22	185	

Inside Diameter Range Size (A)	Outside Diameter Finish Ground Size (B)	Length Inches (C)	ANSI Symbol	Price Code	Lock Screw Clamps
1/8" - #10 (.1250 - .1935)	5/16"	5/16	SF-20-5	135	LS-1 RC-01 RK-01 RK-11
		3/8	SF-20-6	136	
		1/2	SF-20-8	139	
		5/8	SF-20-10	143	
		*3/4	SF-20-12	148	
		*1	SF-20-16	161	
#10 - #1 (.1935 - .2280)	3/8"	*1 3/8	SF-20-22	184	TW-2
		1/4	SF-24-4	117	
		5/16	SF-24-5	120	
		*3/8	SF-24-6	122	
		1/2	SF-24-8	125	
		5/8	SF-24-10	126	
A - L (.2340 - .2900)	7/16"	3/4	SF-24-12	128	TW-2
		*1	SF-24-16	135	
		1/4	SF-28-4	117	
		5/16	SF-28-5	120	
		3/8	SF-28-6	122	
		1/2	SF-28-8	125	
#28 - 3/16" (.1405 - .1875)	1/2"	5/8	SF-28-10	126	LS-1 RC-01 RK-01 RK-11
		*1	SF-28-12	128	
		5/16	SF-32-5	126	
		3/8	SF-32-6	128	
		1/2	SF-32-8	130	
		*3/4	SF-32-12	135	
#12 - 11/32" (.1890 - .3437)	1/2"	*1	SF-32-16	143	LS-1 RC-01 RK-01 RK-11
		*1 3/8	SF-32-22	152	
		*1 1/2	SF-32-24	157	
		*1 3/4	SF-32-28	164	
		5/16	SF-32-5	120	
		3/8	SF-32-6	122	
M - 11/32" (.2950 - .3437)	9/16"	1/2	SF-32-12	128	TW-2
		*1	SF-32-16	135	
		*1 3/8	SF-32-22	147	
		*1 1/2	SF-32-24	150	
		*1 3/4	SF-32-28	155	
		*2 1/8	SF-32-34	221	
	9/16"	1/4	SF-36-4	117	TW-2
		5/16	SF-36-5	120	
		3/8	SF-36-6	122	
		1/2	SF-36-8	125	
		5/8	SF-36-10	126	
		1	SF-36-12	128	

* Counterbore, leaving correct drill bearing and chip clearance. Metric sizes are available.

Slip-Fixed Renewable
Type SF

Finish Ground O.D.

Continued from previous page

Range Size (A)	Finish Ground Size (B)	Length Inches (C)	ANSI Symbol	Price Code	Lock Screw Clamps
5 - 7/16" (.3480 - .4375)	5/8" .6250 .6248	3/8	SF-40-6	123	TW-2
		1/2	SF-40-8	123	
		5/8	SF-40-10	125	
		3/4	SF-40-12	126	
		1	SF-40-16	129	
		1 1/4	SF-40-20	147	
9/32" - 9/16" (.2812 - .5625)	3/4" .7500 .7498	3/8	SF-48-6	122	LS-1 RC-01 RK-01 RK-11
		1/2	SF-48-8	123	
		3/4	SF-48-12	126	
		1	SF-48-16	130	
		1 3/8	SF-48-22	147	
		1 1/2	SF-48-24	151	
		1 3/4	SF-48-28	156	
		2 1/8	SF-48-34	166	
		*2 1/2	SF-48-40	226	
*3	SF-48-48	257			
35/64" - 21/32" (.5469 - .6562)	7/8" .8750 .8748	1/2	SF-56-8	135	TW-7
		5/8	SF-56-10	136	
		3/4	SF-56-12	137	
		1	SF-56-16	141	
		1 3/8	SF-56-20	148	
		1 1/2	SF-56-24	153	
15/32" - 25/32" (.4687 - .7812)	1" 1.0000 .9998	1/2	SF-64-8	135	LS-2 RC-02 RK-2 RK-12
		3/4	SF-64-12	136	
		1	SF-64-16	141	
		1 3/8	SF-64-22	148	
		1 1/2	SF-64-24	152	
		1 3/4	SF-64-28	161	
		2 1/8	SF-64-34	177	
		2 1/2	SF-64-40	234	
3	SF-64-48	259			

Inside Diameter Range Size (A)	Outside Diameter Finish Ground Size (B)	Length Inches (C)	ANSI Symbol	Price Code	Lock Screw Clamps
23/32" - 1 1/16" (.7187 - 1.0625)	1 3/8" 1.3750 1.3747	3/4	SF-88-12	164	LS-2 RC-02 RK-2 RK-13
		1	SF-88-16	175	
		1 3/8	SF-88-22	184	
		1 1/2	SF-88-24	190	
		1 3/4	SF-88-28	198	
		2 1/8	SF-88-34	212	
		2 1/2	SF-88-40	244	
		3	SF-88-48	266	
3 1/32" - 1 13/32" (.9687 - 1.4062)	1 3/4" 1.7500 1.7497	3/4	SF-112-12	202	LS-3 RC-03 RK-3 RK-13
		1	SF-112-16	191	
		1 3/8	SF-112-22	202	
		1 1/2	SF-112-24	210	
		1 3/4	SF-112-28	220	
		2 1/8	SF-112-34	233	
		2 1/2	SF-112-40	252	
		3	SF-112-48	267	
1 11/32" - 1 7/8" (1.3437 - 1.8750)	2 1/4" 2.2500 2.2496	3/4	SF-144-12	239	LC-3 RC-03 RK-3 RK-13
		1	SF-144-16	228	
		1 3/8	SF-144-22	239	
		1 1/2	SF-144-24	243	
		1 3/4	SF-144-28	245	
		2 1/8	SF-144-34	256	
		2 1/2	SF-144-40	263	
		3	SF-144-48	271	

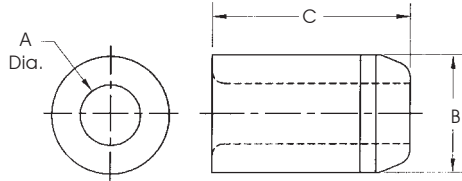
* Counterbore, leaving correct drill bearing and chip clearance. Metric sizes are available.

Body O.D. (B)	DIMENSIONAL DATA ANSI FIXED RENEWABLE HEAD DIMENSIONS							Lock Screw
	(F)	(G)	(H)	(J)	(L)	(M)	(R)	
3/16"	5/16"	3/16"	3/32"	3/32"	55°		17/64"	LS-0
1/4"	7/16"	1/4"	3/32"	9/64"	30°		21/64"	TW-2
5/16"	35/64"	1/4"	1/8"	11/64"	65°	5/8"	1/2"	LS-1
3/8"	5/8"	1/4"	1/8"	15/64"	30°		29/64"	TW-2
7/16"	5/8"	1/4"	1/8"	15/64"	30°		29/64"	TW-2
1/2"	51/64"	1/4"	1/8"	19/64"	65°	3/4"	5/8"	LS-1
9/16"	7/8"	1/4"	1/8"	21/64"	30°		37/64"	TW-2
5/8"	7/8"	1/4"	1/8"	21/64"	30°		37/64"	TW-2
3/4"	13/64"	1/4"	1/8"	27/64"	50°	7/8"	3/4"	LS-1
7/8"	11/4"	3/8"	3/16"	33/64"	30°		53/64"	TW-7
1"	127/64"	3/8"	3/16"	19/32"	35°	17/64"	59/64"	LS-2
1 3/8"	151/64"	3/8"	3/16"	25/32"	30°	119/64"	17/64"	LS-2
1 3/4"	219/64"	3/8"	3/16"	1"	30°	141/64"	125/64"	LS-3
2 1/4"	251/64"	3/8"	3/16"	1 1/4"	25°	157/64"	141/64"	LS-3

Headless Liner

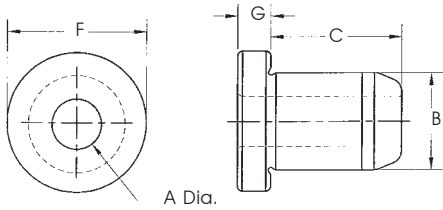
Type L

Finish Ground & Unground O.D.



Inside Diameter Range Size (A)	Outside Diameter		Length Inches (C)	ANSI Symbol†	Price Code
	Finish Ground Size (B)	Unground Size			
3/16" (.1876 – .1879)	.3141 .3138	5/16"	.327	L-20-4	110
			.322	L-20-5	112
				L-20-6	113
				L-20-8	114
				L-20-10	115
				L-20-12	117
1/4" (.2501 – .2504)	.4392 .4389	7/16"	.453	L-28-4	105
			.448	L-28-5	106
				L-28-6	109
				L-28-8	110
				L-28-10	112
				L-28-12	113
5/16" (.3126 – .3129)	.5017 .5014	1/2"	.520	L-32-4	105
			.515	L-32-5	106
				L-32-6	109
				L-32-8	110
				L-32-10	112
				L-32-12	113
				L-32-16	118
				L-32-22	125
5/16" (.3126 – .3129)	.5642 .5639	9/16"	.582	L-36-4	110
			.577	L-36-5	105
				L-36-6	107
				L-36-8	107
				L-36-10	109
				L-36-12	110
				L-36-16	112
3/8" (.3751 – .3754)	.6267 .6264	5/8"	.645	L-40-4	110
			.640	L-40-5	105
				L-40-6	107
				L-40-8	107
				L-40-10	109
				L-40-12	110
				L-40-16	112
7/16" (.4377 – .4380)	.6267 .6264	5/8"	.645	L-40-4	110
			.640	L-40-5	105
				L-40-6	107
				L-40-8	107
				L-40-10	109
				L-40-12	110
				L-40-16	112
1/2" (.5002 – .5005)	.7518 .7515	3/4"	.770	L-48-5	106
			.765	L-48-6	110
				L-48-8	110
				L-48-12	112
				L-48-16	114
				L-48-22	125
				L-48-24	128
				L-48-28	132
				L-48-34	142
9/16" (.5627 – .5630)	.8768 .8765	3/4"	.895	L-56-5	119
			.890	L-56-6	121
				L-56-8	115
				L-56-10	117
				L-56-12	117
				L-56-16	119
				L-56-20	124

Range Size (A)	Finish Ground Size		Length Inches (C)	ANSI Symbol†	Price Code
	Unground Size	Unground Size			
5/8" (.6252 – .6255)	.8768 .8765	7/8"	.895	L-56-5	119
			.890	L-56-6	121
				L-56-8	115
				L-56-10	117
				L-56-12	117
				L-56-16	119
3/4" (.7503 – .7506)	1.0018 1.0015	1"	1.020	L-64-8	117
			1.015	L-64-12	117
				L-64-16	120
				L-64-22	124
				L-64-24	130
				L-64-28	135
				L-64-34	141
				L-64-40	151
7/8" (.8754 – .8757)	1.2520 1.2517	1 1/4"	1.270	L-80-8	140
			1.265	L-80-10	136
				L-80-12	131
				L-80-16	140
				L-80-20	148
				L-80-24	152
1" (1.0004 – 1.0007)	1.3772 1.3768	1 3/8"	1.395	L-88-8	141
			1.390	L-88-12	131
				L-88-16	141
				L-88-22	149
				L-88-24	153
				L-88-28	161
				L-88-34	174
				L-88-40	185
1 3/8" (1.3756 – 1.3760)	1.7523 1.7519	1 3/4"	1.770	L-112-12	156
			1.765	L-112-16	149
				L-112-22	156
				L-112-24	163
				L-112-28	166
				L-112-34	182
				L-112-40	193
				L-112-48	240
1 3/4" (1.7508 – 1.7512)	2.2525 2.2521	2 1/4"	2.270	L-144-12	178
			2.265	L-144-16	167
				L-144-22	178
				L-144-24	183
				L-144-28	187
				L-144-34	204
				L-144-40	216
				L-144-48	253
2 1/4" (2.2510 – 2.2515)	2.7526 2.7522	2 3/4"	2.770	L-176-12	188
			2.765	L-176-16	178
				L-176-22	189
				L-176-24	194
				L-176-28	201
				L-176-34	212
				L-176-40	225
				L-176-48	255



Head Liner

Type HL

Finish Ground & Unground O.D.

Inside Diameter Range Size (A)	Outside Diameter		Length Inches (C)	ANSI Symbol†	Price Code
	Finish Ground Size (B)	Unground Size (B)			
5/16" (.3126 – .3129)	.5017 .5014	1/2"	5/16	HL-32-5	114
			3/8	HL-32-6	117
			1/2	HL-32-8	117
			3/4	HL-32-12	121
			1	HL-32-16	135
1/2" (.5002 – .5005)	.7518 .7515	3/4"	1 3/8	HL-32-22	149
			5/16	HL-48-5	115
			3/8	HL-48-6	117
			1/2	HL-48-8	117
			3/4	HL-48-12	121
			1	HL-48-16	128
			1 3/8	HL-48-22	136
			1 1/2	HL-48-24	141
3/4" (.7503 – .7506)	1.0018 1.0015	1"	1 3/4	HL-48-28	147
			2 1/8	HL-48-34	156
			1/2	HL-64-8	126
			3/4	HL-64-12	130
			1	HL-64-16	133
			1 3/8	HL-64-22	136
			1 1/2	HL-64-24	143
			1 3/4	HL-64-28	151
1" (1.0004 – 1.0007)	1.3772 1.3768	1 3/8"	2 1/8	HL-64-34	161
			2 1/2	HL-64-40	177
			3	HL-64-48	228
			1/2	HL-88-8	144
			3/4	HL-88-12	136
			1	HL-88-16	144
			1 3/8	HL-88-22	150
			1 1/2	HL-88-24	153
1 3/8" (1.3756 – 1.3760)	1.7523 1.7519	1 3/4"	1 3/4	HL-88-28	161
			2 1/8	HL-88-34	171
			2 1/2	HL-88-40	185
			3	HL-88-48	246
			3/4	HL-112-12	158
			1	HL-112-16	163
			1 3/8	HL-112-22	170
			1 1/2	HL-112-24	176
1 3/4" (2.2510 – 2.2515)	2.2525 2.2521	2 1/4"	1 3/4	HL-112-28	182
			2 1/8	HL-112-34	195
			2 1/2	HL-112-40	210
			3	HL-112-48	261
			3/4	HL-144-12	191
			1	HL-144-16	184
			1 3/8	HL-144-22	192
			1 1/2	HL-144-24	198
2 1/4" (2.2510 – 2.2515)	2.7526 2.7522	2 3/4"	1 3/4	HL-144-28	205
			2 1/8	HL-144-34	218
			2 1/2	HL-144-40	231
			3	HL-144-48	264
			3/4	HL-176-12	216
			1	HL-176-16	203
			1 3/8	HL-176-22	218
			1 1/2	HL-176-24	222
2 1/4" (2.2510 – 2.2515)	2.770 2.765	2 3/4"	1 3/4	HL-176-28	229
			2 1/8	HL-176-34	241
			2 1/2	HL-176-40	249
			3	HL-176-48	270

ANSI HEAD LINER HEAD DIMENSIONS

Body O.D. (B)	(F)	(G)
1/2"	5/8"	3/32"
3/4"	7/8"	3/32"
1	1 1/8"	1/8"
1 3/8"	1 1/2"	1/8"
1 3/4"	1 7/8"	3/16"
2 1/4"	2 3/8"	3/16"
2 3/4"	2 7/8"	3/16"

I.D. TOLERANCES ABS & ANSI STANDARD

Standard Drill Sizes	I.D.	Tolerance
3/16" – 3/8"	Nominal	+ .0001" – + .0004"
7/16" – 5/8"	Nominal	+ .0002" – + .0005"
3/4"	Nominal	+ .0003" – + .0006"
7/8" – 1"	Nominal	+ .0004" – + .0007"
1 3/8"	Nominal	+ .0006" – + .0010"
1 3/4"	Nominal	+ .0008" – + .0012"
2 1/4"	Nominal	+ .0010" – + .0015"

† All bushings are finished ground unless the letter "U" appears with the bushings type or the ANSI symbol.

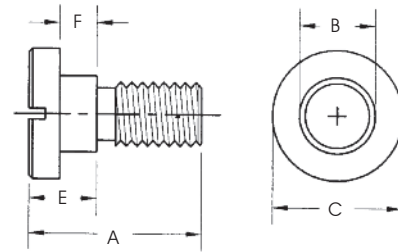
MISCELLANEOUS HARDWARE

Lock Screws for
ANSI Carbide and
Extended Renewable
Bushings

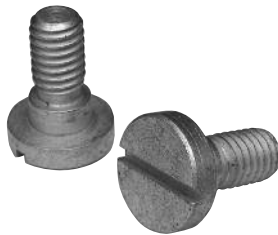


Type LS Series

Standard Part No.	(A)	(B)	(C)	(E)	(F)	Thread
LS-0	7/16"	3/16"	5/16"	.100	.097"	8-32
LS-1	5/8"	3/8"	5/8"	1/4"	.035"	5/16-18
LS-2	7/8"	3/8"	5/8"	3/8"	.197"	5/16-18
LS-3	1"	7/16"	3/4"	3/8"	.197"	3/8-16
LS-4	1 1/16"	7/16"	3/4"	7/16"	.228"	3/8-16
LS-5	1 1/8"	7/16"	3/4"	1/2"	.260"	3/8-16

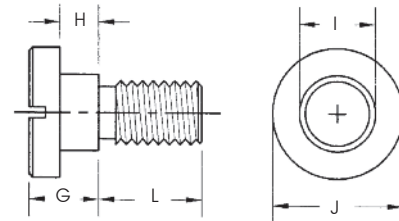


Lock Screws for
Thin Wall Renewable
Bushings



Type TW Series

Slotted Part No.	(G)	(H)	(I)	(J)	(L)	Thread
TW-1	3/16"	3/32"	3/16"	5/16"	1/4"	8-32
TW-2	1/4"	1/8"	1/4"	3/8"	1/4"	10-32
TW-3	3/8"	3/16"	1/4"	7/16"	5/16"	10-32
TW-4	1/2"	1/4"	3/8"	9/16"	3/8"	5/16-18
TW-5	5/8"	5/16"	3/8"	5/8"	3/8"	5/16-18
TW-7	3/8"	3/16"	3/8"	5/8"	3/8"	5/16-18



Custom Bushings and Accessories Manufactured to Your Requirements

Miscellaneous Hardware

- Round Clamps – for "F" Type Renewable Bushings
- Extended Range Bushings – Finish Ground and Unground O.D.
- Oil Groove – Applications that require lubrication
- Thin Wall Bushings

SMITH BEARING® is a registered trademark of ABC • Accurate Bushing Company

CAM FOLLOWERS (Needle Roller Yoke Type & Stud Type)

INCH Sizes - Yoke Type & Stud Type • Unsealed	94
INCH Sizes - Yoke Type & Stud Type • Sealed	95
Stainless Steel	96
Non-Metallic Bushing	97
METRIC Sizes - Yoke Type & Stud Type	98
MUTD Metric Yoke • Double Row • Heavy Roller • Full Complement	99
NUKR Metric Stud • Double Row • Heavy Roller • Full Complement	99

SMITH-TRAX®

Inch Smith®-Trax	100
Metric Smith®-Trax	101

AEROSPACE Bearings

AS21438/YAF	Airframe Track Rollers Needle Bearings • Single Row
AS21439/YAT	Airframe Track Rollers Needle Bearings • Double Row
AS24465/YAD	Airframe Track Rollers Needle Bearings • Single Row
AS24466/YAS	Airframe Track Rollers Needle Bearings • Double Row
AS24461/YAG	Bearings, Roller, Needle, Heavy Duty • Single Row
AS21432/HRS	Airframe Integral Stud
AS21447/CHRS	Airframe Integral Stud • Crowned

102-103

INTERCHANGE TABLES

Unsealed Cam Followers

Regular Stud • Unsealed

SMITH®	McGill	RBC	Torrington
CR - 1/2-A	CF - 1/2-N	—	CR - 8
CR - 1/2	CF - 1/2	S - 16	CR - 8-1
CR - 9/16	CF - 9/16	S - 18	—
CR - 5/8-A	CF - 5/8-N	—	CR - 10
CR - 5/8	CF - 5/8	S - 20	CR - 10-1
CR - 11/16	CF - 11/16	S - 22	—
CR - 3/4	CF - 3/4	S - 24	CR - 12
CR - 7/8	CF - 7/8	S - 28	CR - 14
CR - 1	CF - 1	S - 32	CR - 16
CR - 1 1/8	CF - 1 1/8	S - 36	CR - 18
CR - 1 1/4	CF - 1 1/4	S - 40	CR - 20
CR - 1 3/8	CF - 1 3/8	S - 44	CR - 22
CR - 1 1/2	CF - 1 1/2	S - 48	CR - 24
CR - 1 5/8	CF - 1 5/8	S - 52	CR - 26
CR - 1 3/4	CF - 1 3/4	S - 56	CR - 28
CR - 1 7/8	CF - 1 7/8	S - 60	CR - 30
CR - 2	CF - 2	S - 64	CR - 32
CR - 2 1/4	CF - 2 1/4	S - 72	CR - 36
CR - 2 1/2	CF - 2 1/2	S - 80	CR - 40
CR - 2 3/4	CF - 2 3/4	S - 88	CR - 44
CR - 3	CF - 3	S - 96	CR - 48
CR - 3 1/4	CF - 3 1/4	S - 104	CR - 52
CR - 3 1/2	CF - 3 1/2	S - 112	CR - 56
CR - 4	CF - 4	S - 128	CR - 64
CR - 5	CF - 5	S - 160	CR - 80
CR - 6	CF - 6	S - 192	CR - 96

Heavy Stud • Unsealed

SMITH®	McGill	RBC
HR - 1/2	CFH - 1/2	H-16
HR - 5/8	CFH - 5/8	H-20
HR - 3/4	CFH - 3/4	H-24
HR - 7/8	CFH - 7/8	H-28
HR - 1	CFH - 1	H-32
HR - 1 1/8	CFH - 1 1/8	H-36
HR - 1 1/4	CFH - 1 1/4	H-40
HR - 1 3/8	CFH - 1 3/8	H-44
HR - 1 1/2	CFH - 1 1/2	H-48
HR - 1 5/8	CFH - 1 5/8	H-52
HR - 1 3/4	CFH - 1 3/4	H-56
HR - 1 7/8	CFH - 1 7/8	H-60
HR - 2	CFH - 2	H-64
HR - 2 1/4	CFH - 2 1/4	H-72
HR - 2 1/2	CFH - 2 1/2	H-80
HR - 2 3/4	CFH - 2 3/4	H-88
HR - 3	CFH - 3	H-96
HR - 3 1/4	CFH - 3 1/4	H-104
HR - 3 1/2	CFH - 3 1/2	H-112
HR - 4	CFH - 4	H-128

Yoke Roller • Unsealed

SMITH®	McGill	RBC	Torrington
YR - 3/4	CYR - 3/4	Y-24	YCR - 12
YR - 7/8	CYR - 7/8	Y-28	YCR - 14
YR - 1	CYR - 1	Y-32	YCR - 16
YR - 1 1/8	CYR - 1 1/8	Y-36	YCR - 18
YR - 1 1/4	CYR - 1 1/4	Y-40	YCR - 20
YR - 1 3/8	CYR - 1 3/8	Y-44	YCR - 22
YR - 1 1/2	CYR - 1 1/2	Y-48	YCR - 24
YR - 1 5/8	CYR - 1 5/8	Y-52	YCR - 26
YR - 1 3/4	CYR - 1 3/4	Y-56	YCR - 28
YR - 1 7/8	CYR - 1 7/8	Y-60	YCR - 30
YR - 2	CYR - 2	Y-64	YCR - 32
YR - 2 1/4	CYR - 2 1/4	Y-72	YCR - 36
YR - 2 1/2	CYR - 2 1/2	Y-80	YCR - 40
YR - 2 3/4	CYR - 2 3/4	Y-88	YCR - 44
YR - 3	CYR - 3	Y-96	YCR - 48
YR - 3 1/4	CYR - 3 1/4	Y-104	YCR - 52
YR - 3 1/2	CYR - 3 1/2	Y-112	YCR - 56
YR - 4	CYR - 4	Y-128	YCR - 64
YR - 5	CYR - 5	Y-160	YCR - 80
YR - 6	CYR - 6	Y-192	YCR - 96

Optional Features	SMITH®	McGill	RBC	Torrington
Hex-Drive	Add Suffix "B"	Add Suffix "B"	Add Suffix "W"	Add Prefix "B"
Eccentric	Add Suffix "E"	Add Suffix "E"	Add Suffix "X"	Add Prefix "E"
Crowned O.D.	Add Suffix "C"	Add Prefix "C"	Add Prefix "C"	Add Prefix "C"

INTERCHANGE TABLES

Sealed Cam Followers

Regular Stud • Sealed

SMITH®	McGill	RBC	Torrington
CR - 1/2-AX	CF - 1/2-N-S	—	CRS - 8
CR - 1/2-X	CF - 1/2-S	S - 16 -L	CRS - 8-1
CR - 9/16-X	CF - 9/16-S	S - 18 -L	—
CR - 5/8-AX	CF - 5/8-N-S	—	CRS - 10
CR - 5/8-X	CF - 5/8-S	S - 20 -L	CRS - 10-1
CR - 11/16-X	CF - 11/16-S	S - 22 -L	—
CR - 3/4-X	CF - 3/4-S	S - 24 -L	CRS - 12
CR - 7/8-X	CF - 7/8-S	S - 28 -L	CRS - 14
CR - 1-X	CF - 1-S	S - 32 -L	CRS - 16
CR - 1 1/8-X	CF - 1 1/8-S	S - 36 -L	CRS - 18
CR - 1 1/4-X	CF - 1 1/4-S	S - 40 -L	CRS - 20
CR - 1 3/8-X	CF - 1 3/8-S	S - 44 -L	CRS - 22
CR - 1 1/2-X	CF - 1 1/2-S	S - 48 -L	CRS - 24
CR - 1 5/8-X	CF - 1 5/8-S	S - 52 -L	CRS - 26
CR - 1 3/4-X	CF - 1 3/4-S	S - 56 -L	CRS - 28
CR - 1 7/8-X	CF - 1 7/8-S	S - 60 -L	CRS - 30
CR - 2-X	CF - 2-S	S - 64 -L	CRS - 32
CR - 2 1/4-X	CF - 2 1/4-S	S - 72 -L	CRS - 36
CR - 2 1/2-X	CF - 2 1/2-S	S - 80 -L	CRS - 40
CR - 2 3/4-X	CF - 2 3/4-S	S - 88 -L	CRS - 44
CR - 3-X	CF - 3-S	S - 96 -L	CRS - 48
CR - 3 1/4-X	CF - 3 1/4-S	S - 104 -L	CRS - 52
CR - 3 1/2-X	CF - 3 1/2-S	S - 112 -L	CRS - 56
CR - 4-X	CF - 4-S	S - 128 -L	CRS - 64
CR - 5-X	CF - 5-S	S - 160 -L	CRS - 80
CR - 6-X	CF - 6-S	S - 192 -L	CRS - 96

Heavy Stud • Sealed

SMITH®	McGill	RBC
HR - 1/2-X	CFH - 1/2-S	H-16 -L
HR - 5/8-X	CFH - 5/8-S	H-20 -L
HR - 3/4-X	CFH - 3/4-S	H-24 -L
HR - 7/8-X	CFH - 7/8-S	H-28 -L
HR - 1-X	CFH - 1-S	H-32 -L
HR - 1 1/8-X	CFH - 1 1/8-S	H-36 -L
HR - 1 1/4-X	CFH - 1 1/4-S	H-40 -L
HR - 1 3/8-X	CFH - 1 3/8-S	H-44 -L
HR - 1 1/2-X	CFH - 1 1/2-S	H-48 -L
HR - 1 5/8-X	CFH - 1 5/8-S	H-52 -L
HR - 1 3/4-X	CFH - 1 3/4-S	H-56 -L
HR - 1 7/8-X	CFH - 1 7/8-S	H-60 -L
HR - 2-X	CFH - 2-S	H-64 -L
HR - 2 1/4-X	CFH - 2 1/4-S	H-72 -L
HR - 2 1/2-X	CFH - 2 1/2-S	H-80 -L
HR - 2 3/4-X	CFH - 2 3/4-S	H-88 -L
HR - 3-X	CFH - 3-S	H-96 -L
HR - 3 1/4-X	CFH - 3 1/4-S	H-104 -L
HR - 3 1/2-X	CFH - 3 1/2-S	H-112 -L
HR - 4-X	CFH - 4-S	H-128 -L

Yoke Roller • Sealed

SMITH®	McGill	RBC	Torrington
YR - 3/4-X	CYR - 3/4-S	Y-24 -L	YCRS - 12
YR - 7/8-X	CYR - 7/8-S	Y-28 -L	YCRS - 14
YR - 1-X	CYR - 1-S	Y-32 -L	YCRS - 16
YR - 1 1/8-X	CYR - 1 1/8-S	Y-36 -L	YCRS - 18
YR - 1 1/4-X	CYR - 1 1/4-S	Y-40 -L	YCRS - 20
YR - 1 3/8-X	CYR - 1 3/8-S	Y-44 -L	YCRS - 22
YR - 1 1/2-X	CYR - 1 1/2-S	Y-48 -L	YCRS - 24
YR - 1 5/8-X	CYR - 1 5/8-S	Y-52 -L	YCRS - 26
YR - 1 3/4-X	CYR - 1 3/4-S	Y-56 -L	YCRS - 28
YR - 1 7/8-X	CYR - 1 7/8-S	Y-60 -L	YCRS - 30
YR - 2-X	CYR - 2-S	Y-64 -L	YCRS - 32
YR - 2 1/4-X	CYR - 2 1/4-S	Y-72 -L	YCRS - 36
YR - 2 1/2-X	CYR - 2 1/2-S	Y-80 -L	YCRS - 40
YR - 2 3/4-X	CYR - 2 3/4-S	Y-88 -L	YCRS - 44
YR - 3-X	CYR - 3-S	Y-96 -L	YCRS - 48
YR - 3 1/4-X	CYR - 3 1/4-S	Y-104 -L	YCRS - 52
YR - 3 1/2-X	CYR - 3 1/2-S	Y-112 -L	YCRS - 56
YR - 4-X	CYR - 4-S	Y-128 -L	YCRS - 64
YR - 5-X	CYR - 5-S	Y-160 -L	YCRS - 80
YR - 6-X	CYR - 6-S	Y-192 -L	YCRS - 96

Optional Features	SMITH®	McGill	RBC	Torrington
Hex-Drive	Add Suffix "B"	Add Suffix "B"	Add Suffix "W"	Add Prefix "B"
Eccentric	Add Suffix "E"	Add Suffix "E"	Add Suffix "X"	Add Prefix "E"
Crowned O.D.	Add Suffix "C"	Add Prefix "C"	Add Prefix "C"	Add Prefix "C"

Stainless Steel Cam Followers

Stainless Steel Stud Hex-Drive

SMITH®	McGill	Carter
CR-1/2-XB-SS	CF-1/2-SB-CR	SC-16-SB
CR-5/8-XB-SS	CF-5/8-SB-CR	SC-20-SB
CR-3/4-XB-SS	CF-3/4-SB-CR	SC-24-SB
CR-7/8-XB-SS	CF-7/8-SB-CR	SC-28-SB
CR-1-XB-SS	CF-1-SB-CR	SC-32-SB
CR-1 1/8-XB-SS	CF-1 1/8-SB-CR	SC-36-SB
CR-1 1/4-XB-SS	CF-1 1/4-SB-CR	SC-40-SB
CR-1 3/8-XB-SS	CF-1 3/8-SB-CR	SC-44-SB
CR-1 1/2-XB-SS	CF-1 1/2-SB-CR	SC-48-SB
CR-1 5/8-XB-SS	CF-1 5/8-SB-CR	SC-52-SB
CR-1 3/4-XB-SS	CF-1 3/4-SB-CR	SC-56-SB
CR-1 7/8-XB-SS	CF-1 7/8-SB-CR	SC-60-SB
CR-2-XB-SS	CF-2-SB-CR	SC-64-SB
CR-2 1/4-XB-SS	CF-2 1/4-SB-CR	SC-72-SB
CR-2 1/2-XB-SS	CF-2 1/2-SB-CR	-
CR-2 3/4-XB-SS	CF-2 3/4-SB-CR	-
CR-3-XB-SS	CF-3-SB-CR	-
CR-4-XB-SS	CF-4-SB-CR	-

Yoke Type

SMITH®	McGill	Carter
YR-3/4-X-SS	CYR-3/4-S-CR	SY-24-S
YR-7/8-X-SS	CYR-7/8-S-CR	SY-28-S
YR-1-X-SS	CYR-1-S-CR	SY-32-S
YR-1 1/8-X-SS	CYR-1 1/8-S-CR	SY-36-S
YR-1 1/4-X-SS	CYR-1 1/4-S-CR	SY-40-S
YR-1 3/8-X-SS	CYR-1 3/8-S-CR	SY-44-S
YR-1 1/2-X-SS	CYR-1 1/2-S-CR	SY-48-S
YR-1 5/8-X-SS	CYR-1 5/8-S-CR	SY-52-S
YR-1 3/4-X-SS	CYR-1 3/4-S-CR	SY-56-S
YR-1 7/8-X-SS	CYR-1 7/8-S-CR	SY-60-S
YR-2-X-SS	CYR-2-S-CR	SY-64-S
YR-2 1/4-X-SS	-	SY-72-S

Coding for Other Features

Optional Feature	SMITH®	McGILL	Carter
Sealed	add suffix "X"	add suffix "S"	add suffix "S"
Hex-Drive	add suffix "B"	add suffix "B"	add suffix "B"

INTERCHANGE TABLES

Cam Followers with

Non-Metallic Bushing

Stud Type Screw-Driver Slot

SMITH®	McGill	Carter
BCR-1/2	BCF-1/2	N/A
BCR-5/8	BCF-5/8	N/A
BCR-11/16	BCF-11/16	N/A
BCR-3/4	BCF-3/4	N/A
BCR-7/8	BCF-7/8	N/A
BCR-1	BCF-1	N/A
BCR-11/8	BCF-11/8	N/A
BCR-11/4	BCF-11/4	N/A
BCR-13/8	BCF-13/8	N/A
BCR-11/2	BCF-11/2	N/A
BCR-15/8	BCF-15/8	N/A
BCR-13/4	BCF-13/4	N/A
BCR-17/8	BCF-17/8	N/A
BCR-2	BCF-2	N/A
BCR-21/4	BCF-21/4	N/A
BCR-21/2	BCF-21/2	N/A
BCR-23/4	BCF-23/4	N/A
BCR-3	BCF-3	N/A

Stud Type Hex-Drive

SMITH®	McGill	Carter
BCR-1/2-B	BCF-1/2-B	SFH-16-A
BCR-5/8-B	BCF-5/8-B	SFH-20-A
BCR-11/16-B	BCF-11/16-B	SFH-22-A
BCR-3/4-B	BCF-3/4-B	SFH-24-A
BCR-7/8-B	BCF-7/8-B	SFH-28-A
BCR-1-B	BCF-1-B	SFH-32-A
BCR-11/8-B	BCF-11/8-B	SFH-36-A
BCR-11/4-B	BCF-11/4-B	SFH-40-A
BCR-13/8-B	BCF-13/8-B	SFH-44-A
BCR-11/2-B	BCF-11/2-B	SFH-48-A
BCR-15/8-B	BCF-15/8-B	SFH-52-A
BCR-13/4-B	BCF-13/4-B	SFH-56-A
BCR-17/8-B	BCF-17/8-B	SFH-60-A
BCR-2-B	BCF-2-B	SFH-64-A
BCR-21/4-B	BCF-21/4-B	SFH-72-A
BCR-21/2-B	BCF-21/2-B	SFH-80-A
BCR-23/4-B	BCF-23/4-B	SFH-88-A
BCR-3-B	BCF-3-B	SFH-96-A

Yoke Type

SMITH®	McGill	Carter
BYR-3/4	BCYR-3/4	NYR-24-A
BYR-7/8	BCYR-7/8	NYR-28-A
BYR-1	BCYR-1	NYR-32-A
BYR-11/8	BCYR-11/8	NYR-36-A
BYR-11/4	BCYR-11/4	NYR-40-A
BYR-13/8	BCYR-13/8	NYR-44-A
BYR-11/2	BCYR-11/2	NYR-48-A
BYR-15/8	BCYR-15/8	NYR-52-A
BYR-13/4	BCYR-13/4	NYR-56-A
BYR-17/8	BCYR-17/8	NYR-60-A
BYR-2	BCYR-2	NYR-64-A
BYR-21/4	BCYR-21/4	NYR-72-A
BYR-21/2	BCYR-21/2	NYR-80-A
BYR-23/4	BCYR-23/4	NYR-88-A
BYR-3	BCYR-3	NYR-96-A

Coding for Other Features

Optional Feature	SMITH®	McGILL
Sealed	add suffix "X"	add suffix "S"

I N T E R C H A N G E T A B L E S

Metric Cam Followers

STUD TYPE – Caged & Full Complement

SMITH®		McGILL		INA · SKF · NTN		IKO · THK	
Caged	Full Complement	Caged	Full Complement	Caged	Full Complement	Caged	Full Complement
MCR-13	MCRV-13	MCFR-13	MCF-13	–	–	CF5	–
MCR-16	MCRV-16	MCFR-16	MCF-16	KR-16	KRV-16	CF6R	CF6VR
MCR-19	MCRV-19	MCFR-19	MCF-19	KR-19	KRV-19	CF8R	CF8VR
MCR-22	MCRV-22	MCFR-22	MCF-22	KR-22	KRV-22	–	–
–	–	MCFR-22-A	MCF-22A	–	–	CF10R	CF10VR
MCR-26	MCRV-26	MCFR-26	MCF-26	KR-26	KRV-26	–	–
–	–	MCFR-26-A	MCF-26A	–	–	CF10-1R	CF10-1VR
MCR-30	MCRV-30	MCFR-30	MCF-30	KR-30	KRV-30	CF12R	CF12VR
MCR-32	MCRV-32	MCFR-32	MCF-32	KR-32	KRV-32	CF12-1R	CF12-1VR
MCR-35	MCRV-35	MCFR-35	MCF-35	KR-35	KRV-35	CF16R	CF16VR
MCR-40	MCRV-40	MCFR-40	MCF-40	KR-40	KRV-40	–	–
–	–	MCFR-40-A	MCF-40A	–	–	CF18R	CF18VR
MCR-47	MCRV-47	MCFR-47	MCF-47	KR-47	KRV-47	–	–
–	–	MCFR-47-A	MCF-47A	–	–	CF20-1R	CF20-1VR
MCR-52	MCRV-52	MCFR-52	MCF-52	KR-52	KRV-52	–	–
–	–	MCFR-52-A	MCF-52A	–	–	CF20R	CF20VR
MCR-62	MCRV-62	MCFR-62	MCF-62	KR-62	KRV-62	–	–
–	–	MCFR-62-A	MCF-62A	–	–	CF24R	CF24VR
MCR-72	MCRV-72	MCFR-72	MCF-72	KR-72	KRV-72	–	–
–	–	MCFR-72-A	MCF-72A	–	–	CF24-1R	CF24-1VR
MCR-80	MCRV-80	MCFR-80	MCF-80	KR-80	KRV-80	CF30R	CF30VR
MCR-85	MCRV-85	MCFR-85	MCF-85	KR-85	–	CF30-1R	CF30-1VR
MCR-90	MCRV-90	MCFR-90	MCF-90	KR-90	KRV-90	CF30-2R	CF30-2VR

Coding for Other Cam Followers and Yoke Roller Types

Optional Features	SMITH®	McGILL	INA · SKF	IKO	THK	NTN
Sealed	add suffix "S"	add suffix "S"	add suffix "PP"	add suffix "UU"	add suffix "UU"	add suffix "LL"
Cylindrical O.D.	add suffix "C"	add suffix "X"	add suffix "X"	remove suffix "R"	remove suffix "R"	add suffix "X"
Hex-Drive	add suffix "B"	add suffix "B"	add suffix "SK"	add suffix "B"	add suffix "A"	add suffix "H"
Eccentric	add suffix "E"	add prefix "E"	add prefix "E"	add prefix "E"		

YOKE TYPE – Caged & Full Complement

SMITH®		McGILL		INA · SKF · NTN		IKO · THK	
Caged	Full Complement	Caged	Full Complement	Caged	Full Complement	Caged	Full Complement
MYR-5	MYRV-5	MCYRR-5	MCYR-5	NATR-5	NATV-5	NART-5R	NART-5VR
MYR-6	MYRV-6	MCYRR-6	MCYR-6	NATR-6	NATV-6	NART-6R	NART-6VR
MYR-8	MYRV-8	MCYRR-8	MCYR-8	NATR-8	NATV-8	NART-8R	NART-8VR
MYR-10	MYRV-10	MCYRR-10	MCYR-10	NATR-10	NATV-10	NART-10R	NART-10VR
MYR-12	MYRV-12	MCYRR-12	MCYR-12	NATR-12	NATV-12	NART-12R	NART-12VR
MYR-15	MYRV-15	MCYRR-15	MCYR-15	NATR-15	NATV-15	NART-15R	NART-15VR
MYR-17	MYRV-17	MCYRR-17	MCYR-17	NATR-17	NATV-17	NART-17R	NART-17VR
MYR-20	MYRV-20	MCYRR-20	MCYR-20	NATR-20	NATV-20	NART-20R	NART-20VR
MYR-25	MYRV-25	MCYRR-25	MCYR-25	NATR-25	NATV-25	NART-25R	NART-25VR
MYR-30	MYRV-30	MCYRR-30	MCYR-30	NATR-30	NATV-30	NART-30R	NART-30VR
MYR-35	MYRV-35	MCYRR-35	MCYR-35	NATR-35	NATV-35	NART-35R	NART-35VR
MYR-40	MYRV-40	MCYRR-40	MCYR-40	NATR-40	NATV-40	NART-40R	NART-40VR
MYR-45	MYRV-45	MCYRR-45	MCYR-45	NATR-45	–	NART-45R	NART-45VR
MYR-50	MYRV-50	MCYRR-50	MCYR-50	NATR-50	NATV-50	NART-50R	NART-50VR

I N T E R C H A N G E T A B L E S

Metric Cam Followers**Double Row • Heavy Rollers • Screwdriver Slot • Shielded • Full Complement**

SMITH® • INA	McGILL
NUKR-35	MCFD-35
NUKR-40	MCFD-40
NUKR-47	MCFD-47
NUKR-52	MCFD-52
NUKR-62	MCFD-62
NUKR-72	MCFD-72
NUKR-80	MCFD-80
NUKR-85	MCFD-85
NUKR-90	MCFD-90

**Double Row • Heavy Rollers • Yoke Type • Shielded • Full Complement**

SMITH®	McGILL	INA
MUTD-15	MCYRD-15	NUTR-15
MUTD-17	MCYRD-17	NUTR-17
MUTD-1542	MCYRD-1542	NUTR-1542
MUTD-1747	MCYRD-1747	NUTR-1747
MUTD-20	MCYRD-20	NUTR-20
MUTD-2052	MCYRD-2052	NUTR-2052
MUTD-25	MCYRD-25	NUTR-25
MUTD-2562	MCYRD-2562	NUTR-2562
MUTD-30	MCYRD-30	NUTR-30
MUTD-3072	MCYRD-3072	NUTR-3072
MUTD-35	MCYRD-35	NUTR-35
MUTD-3580	MCYRD-3580	NUTR-3580
MUTD-40	MCYRD-40	NUTR-40
MUTD-45	MCYRD-45	NUTR-45
MUTD-4090	MCYRD-4090	NUTR-4090
MUTD-50	MCYRD-50	NUTR-50
MUTD-45100	MCYRD-45100	NUTR-45100
MUTD-50110	MCYRD-50110	NUTR-50110



INCH SIZES



Track Roller Bearings

Plain Track Rollers

SMITH®	McGill	Osborn	PCI
PCR-1 ¹ / ₂	PCF-1 ¹ / ₂	PLR-1 ¹ / ₂	PTR-1.50
PCR-1 ³ / ₄	PCF-1 ³ / ₄	PLR-1 ³ / ₄	PTR-1.75
PCR-2	PCF-2	PLR-2	PTR-2.00
PCR-2 ¹ / ₄	PCF-2 ¹ / ₄	PLR-2 ¹ / ₄	PTR-2.25
PCR-2 ³ / ₄	PCF-2 ³ / ₄	PLR-2 ³ / ₄	PTR-2.75
PCR-3	PCF-3	PLR-3	PTR-3.00
PCR-3 ¹ / ₄	PCF-3 ¹ / ₄	PLR-3 ¹ / ₄	PTR-3.25
PCR-3 ¹ / ₂	PCF-3 ¹ / ₂	PLR-3 ¹ / ₂	PTR-3.50
PCR-4	PCF-4	PLR-4	PTR-4.00
PCR-4 ¹ / ₂	PCF-4 ¹ / ₂	PLR-4 ¹ / ₂	PTR-4.50
PCR-5	PCF-5	PLR-5	PTR-5.00
PCR-6	PCF-6	PLR-6	PTR-6.00
PCR-7	PCF-7	PLR-7	PTR-7.00
PCR-8	PCF-8	PLR-8	PTR-8.00

Flanged Track Rollers

SMITH®	McGill	Osborn	PCI
FCR-1 ¹ / ₂	FCF-1 ¹ / ₂	FLR-1 ¹ / ₂	FTR-1.50
FCR-1 ³ / ₄	FCF-1 ³ / ₄	FLR-1 ³ / ₄	FTR-1.75
FCR-2	FCF-2	FLR-2	FTR-2.00
FCR-2 ¹ / ₄	FCF-2 ¹ / ₄	FLR-2 ¹ / ₄	FTR-2.25
FCR-2 ¹ / ₂	FCF-2 ¹ / ₂	FLR-2 ¹ / ₂	FTR-2.50
FCR-2 ³ / ₄	FCF-2 ³ / ₄	FLR-2 ³ / ₄	FTR-2.75
FCR-3	FCF-3	FLR-3	FTR-3.00
FCR-3 ¹ / ₄	FCF-3 ¹ / ₄	FLR-3 ¹ / ₄	FTR-3.25
FCR-3 ¹ / ₂	FCF-3 ¹ / ₂	FLR-3 ¹ / ₂	FTR-3.50
FCR-4	FCF-4	FLR-4	FTR-4.00
FCR-4 ¹ / ₂	FCF-4 ¹ / ₂	FLR-4 ¹ / ₂	FTR-4.50
FCR-5	FCF-5	FLR-5	FTR-5.00
FCR-6	FCF-6	FLR-6	FTR-6.00
FCR-7	FCF-7	FLR-7	FTR-7.00
FCR-8	FCF-8	FLR-8	FTR-8.00

V-Grooved Track Rollers

SMITH	McGill	Osborn	PCI
VCR-3 ¹ / ₂	VCF-3 ¹ / ₂	VLR-3 ¹ / ₂	VTR-3.50
VCR-4 ¹ / ₂	VCF-4 ¹ / ₂	VLR-4 ¹ / ₂	VTR-4.50
VCR-5 ¹ / ₂	VCF-5 ¹ / ₂	VLR-5 ¹ / ₂	VTR-5.50
VCR-6 ¹ / ₂	VCF-6 ¹ / ₂	VLR-6 ¹ / ₂	VTR-6.50
VCR-7 ¹ / ₂	VCF-7 ¹ / ₂	VLR-7 ¹ / ₂	VTR-7.50
VCR-8 ¹ / ₂	VCF-8 ¹ / ₂	VLR-8 ¹ / ₂	VTR-8.50

Yoke Track Roller Bearings

Plain Yoke Rollers

SMITH®	Osborn	PCI
PYR-3	PLRY-3	PTRY-3.00
PYR-3 ¹ / ₄	PLRY-3 ¹ / ₄	PTRY-3.25
PYR-3 ¹ / ₂	PLRY-3 ¹ / ₂	PTRY-3.50
PYR-4	PLRY-4	PTRY-4.00
PYR-5	PLRY-5	PTRY-5.00
PYR-6	PLRY-6	PTRY-6.00
PYR-7	PLRY-7	PTRY-7.00
PYR-8	PLRY-8	PTRY-8.00

Flanged Yoke Rollers

SMITH®	Osborn	PCI
FYR-3	FLRY-3	FTRY-3.00
FYR-3 ¹ / ₄	FLRY-3 ¹ / ₄	FTRY-3.25
FYR-3 ¹ / ₂	FLRY-3 ¹ / ₂	FTRY-3.50
FYR-4	FLRY-4	FTRY-4.00
FYR-5	FLRY-5	FTRY-5.00
FYR-6	FLRY-6	FTRY-6.00
FYR-7	FLRY-7	FTRY-7.00
FYR-8	FLRY-8	FTRY-8.00

V-Grooved Yoke Rollers

SMITH®	Osborn	PCI
VYR-4 ¹ / ₂	VLRY-4 ¹ / ₂	VTRY-4.50
VYR-5 ¹ / ₂	VLRY-5 ¹ / ₂	VTRY-5.50
VYR-6 ¹ / ₂	VLRY-6 ¹ / ₂	VTRY-6.50
VYR-7 ¹ / ₂	VLRY-7 ¹ / ₂	VTRY-7.50
VYR-8 ¹ / ₂	VLRY-8 ¹ / ₂	VTRY-8.50

Coding for Other Track Rollers

Optional Feature	SMITH®	Osborn	McGILL	PCI
Eccentric Collar	add suffix "E"	add prefix "E"	add prefix "E"	add prefix "E"



METRIC SIZES

SMITH-TRAX® Interchange

Track Roller Bearings

Plain Track Rollers

SMITH®	Osborn
MPCR-26	HPC-26
MPCR-30	HPC-30
MPCR-32	HPC-32
MPCR-35	HPC-35
MPCR-40	HPC-40
MPCR-47	HPC-47
MPCR-50	HPC-50
MPCR-52	HPC-52
MPCR-62	HPC-62
MPCR-72	HPC-72
MPCR-76	HPC-76
MPCR-80	HPC-80
MPCR-85	HPC-85
MPCR-90	HPC-90
MPCR-100	HPC-100
MPCR-125	HPC-125
MPCR-150	HPC-150
MPCR-200	HPC-200

V-Grooved Track Rollers

SMITH®	Osborn
MVCR-26	HPV-26
MVCR-32	HPV-32
MVCR-40	HPV-40
MVCR-62	HPV-62
MVCR-76	HPV-76
MVCR-100	HPV-100
MVCR-125	HPV-125

Flanged Track Rollers

SMITH®	Osborn
MFCR-26	HPJ-26
MFCR-30	HPJ-30
MFCR-32	HPJ-32
MFCR-35	HPJ-35
MFCR-40	HPJ-40
MFCR-47	HPJ-47
MFCR-50	HPJ-50
MFCR-52	HPJ-52
MFCR-62	HPJ-62
MFCR-72	HPJ-72
MFCR-76	HPJ-76
MFCR-80	HPJ-80
MFCR-85	HPJ-85
MFCR-90	HPJ-90
MFCR-100	HPJ-100
MFCR-125	HPJ-125
MFCR-150	HPJ-150
MFCR-200	HPJ-200

Yoke Track Roller Bearings

Plain Yoke Rollers

SMITH®	Osborn
MPYR-62	HPCA-62
MPYR-76	HPCA-76
MPYR-80	HPCA-80
MPYR-85	HPCA-85
MPYR-90	HPCA-90
MPYR-100	HPCA-100
MPYR-125	HPCA-125
MPYR-150	HPCA-150
MPYR-200	HPCA-200
MPYR-250	HPCA-250

V-Grooved Yoke Rollers

SMITH®	Osborn
MVYR-62	HPVA-62
MVYR-76	HPVA-76
MVYR-100	HPVA-100
MVYR-125	HPVA-125
MVYR-150	HPVA-150
MVYR-200	HPVA-200
MVYR-250	HPVA-250

Flanged Yoke Rollers

SMITH®	Osborn
MFYR-62	HPJA-62
MFYR-76	HPJA-76
MFYR-80	HPJA-80
MFYR-85	HPJA-85
MFYR-90	HPJA-90
MFYR-100	HPJA-100
MFYR-125	HPJA-125
MFYR-150	HPJA-150
MFYR-200	HPJA-200
MFYR-250	HPJA-250

Coding for Other Track Rollers

Optional Feature	SMITH®	Osborn
Eccentric Collar	add suffix "E"	add prefix "E"

I N T E R C H A N G E T A B L E S

AS/MS MILITARY Standard Number	TORRINGTON Number	McGILL Number	SMITH® Number
24465-3	3NBF512YJ	3NBF512YJ	YAD-03
24465-4	4NBF614YJ	4NBF614YJ	YAD-04
24465-6	6NBF817YJ	6NBF817YJ	YAD-06
24465-8	8NBF1021YJ	8NBF1021YJ	YAD-08
24465-10	10NBF1224YJ	10NBF1224YJ	YAD-10
24465-12	12NBF1628YJ	12NBF1628YJ	YAD-12
24465-14	14NBF1832YJ	14NBF1832YJ	YAD-14
24465-20	20NBF2040YJ	20NBF2040YJ	YAD-20
24465-24	24NBF2448YJ	24NBF2448YJ	YAD-24
24465-28	28NBF2455YJ	28NBF2455YJ	YAD-28
24465-32	32NBF2462YJ	32NBF2462YJ	YAD-32
24465-36	36NBF2469YJ	36NBF2469YJ	YAD-36
24465-40	40NBF2476YJ	40NBF2476YJ	YAD-40
24465-44	44NBF2480YJ	44NBF2476YJ	YAD-44
24466-6	6NBL1618YJ	6NBL1618YJ	YAS-06
24466-8	8NBL2022YJ	8NBL2022YJ	YAS-08
24466-10	10NBL2426YJ	10NBL2426YJ	YAS-10
24466-12	12NBL2830YJ	12NBL2830YJ	YAS-12
21432-3	HRS-1C	HRS-1C	HRS-1C
21432-4	HRS-2C	HRS-2C	HRS-2C
21432-5	HRS-3C	HRS-3C	HRS-3C
21432-6	HRS-4C	HRS-4C	HRS-4C
21432-7	HRS-5C	HRS-5C	HRS-5C
21432-8	HRS-6C	HRS-6C	HRS-6C
21447-3	CHRS-1C	CHRS-1C	CHRS-1C
21447-4	CHRS-2C	CHRS-2C	CHRS-2C
21447-5	CHRS-3C	CHRS-3C	CHRS-3C
21447-6	CHRS-4C	CHRS-4C	CHRS-4C
21447-7	CHRS-5C	CHRS-5C	CHRS-5C
21447-8	CHRS-6C	CHRS-6C	CHRS-6C
21438-103	ATF-3	3 AFC 512	YAF-03
21438-104	ATF-4	4 AFC 614	YAF-04
21438-106	ATF-6	6 AFC 817	YAF-06
21438-108	ATF-8	8 AFC 1021	YAF-08
21438-110	ATF-10	10 AFC 1224	YAF-10
21438-112	ATF-12	12 AFC 1628	YAF-12

I N T E R C H A N G E T A B L E S

AS/MS MILITARY Standard Number	TORRINGTON Number	McGILL Number	SMITH® Number
21438-114	ATF-14	14 AFC 1832	YAF-14
21438-120	ATF-20	20 AFC 2040	YAF-20
21438-124	ATF-24	24 AFC 2448	YAF-24
21438-128	ATF-28	28 AFC 2455	YAF-28
21438-132	ATF-32	32 AFC 2462	YAF-32
21438-136	ATF-36	36 AFC 2469	YAF-36
21438-140	ATF-40	40 AFC 2476	YAF-40
21438-144	ATF-44	44 AFC 2480	YAF-44
21439-106	ATL-6	6 AL 1618	YAT-06
21439-108	ATL-8	8 AL 2022	YAT-08
21439-110	ATL-10	10 AL 2426	YAT-10
21439-112	ATL-12	12 AL 2830	YAT-12
24461-3	3NBC511ZP	3NBC511ZP	YAG-03-C
24461-4	4NBC612ZP	4NBC612ZP	YAG-04-C
24461-5	5NBC713ZP	5NBC713ZP	YAG-05-C
24461-6	6NBC914YZP	6NBC914YZP	YAG-06
24461-7	7NBC1015YZP	7NBC1015YZP	YAG-07
24461-8	8NBC1218YZP	8NBC1218YZP	YAG-08
24461-9	9NBC1419YZP	9NBC1419YZP	YAG-09
24461-10	10NBC1620YZP	10NBC1620YZP	YAG-10
24461-12	12NBC1822YZP	12NBC1822YZP	YAG-12
24461-14	14NBC2026YZP	14NBC2026YZP	YAG-14
24461-16	16NBC2028YZP	16NBC2028YZP	YAG-16
24461-20	20NBC2032YZP	20NBC2032YZP	YAG-20
24461-24	24NBC2036YZP	24NBC2036YZP	YAG-24
24461-28	28NBC2040YZP	28NBC2040YZP	YAG-28
24461-32	32NBC2044YZP	32NBC2044YZP	YAG-32
24461-36	36NBC2048YZP	36NBC2048YZP	YAG-36
24461-40	40NBC2052YZP	40NBC2052YZP	YAG-40
24461-44	44NBC2056YZP	44NBC2056YZP	YAG-44
24461-48	48NBC2060YZP	48NBC2060YZP	YAG-48
24461-52	52NBC2064YZP	52NBC2064YZP	YAG-52
24461-56	56NBC2070YZP	56NBC2070YZP	YAG-56
24461-60	60NBC2074YZP	60NBC2074YZP	YAG-60
24461-64	64NBC2078YZP	64NBC2078YZP	YAG-64

1. ACCEPTANCE BY BUYER

Acceptance of this sales order or quotation by buyer **IS EXPRESSLY LIMITED TO THE TERMS AND CONDITIONS HEREIN CONTAINED.** Any item or condition in any purchase order or other form in conflict with the terms or conditions of this sales order or quotation is hereby expressly rejected and shall not be binding on Seller. If these terms and conditions differ in any way from terms and conditions of Buyer's order, or other documentation, this document will be construed as a counteroffer and will not be deemed an acceptance of Buyer's terms and conditions which conflict herewith. This quotation may be withdrawn by Seller at any time prior to acceptance by Buyer of each and every term and condition hereof, and will expire automatically upon (90) days from the date hereof unless accepted by Buyer. On all orders, the prices shown and acknowledged at the time of entry will be subject to revision in accordance with Seller's price schedules in effect at time of shipment. All sales, contracts and orders become effective only when approved and accepted in writing by Seller on Seller's sales order or acknowledgment.

2. PRICES - Prices are

- a) subject to change without notice prior to acceptance of Buyer's order by Seller, unless quoted otherwise in writing by Seller.
- b) exclusive of all federal, state, municipal or other government excise, sales, use occupational or like taxes now in force or to be enacted in the future.
- c) subject to an increase equal in the amount to any tax the Seller may be required to collect or pay upon the sales of the items quoted.
- d) quoted F.O.B., place of manufacture.
- e) subject to change at any time by Seller in the event of any change in the Buyer's requirements or the terms and conditions of this quotation.

3. TERMS

- a) Invoices will be issued under date of shipment with terms of net thirty (30) days from date of invoice, subject to such change as Seller's home office may impose because of financial or credit conditions existing at time of shipment. In the event of an order for several units, each unit will be invoiced when shipped.
- b) Seller reserves the right to modify these terms for export business and special projects.

4. BUYERS CREDIT

If the financial responsibility of the Buyer becomes impaired or unsatisfactory to Seller or if Buyer is in default to Seller under this or any other contract, advance cash payment or satisfactory security shall be given by Buyer upon demand by Seller and shipments may be withheld until such payment or security is received.

5. SHIPPING ESTIMATES

- a) The shipping date shown in this sales order or quotation is approximate and dependent upon prior sales and circumstances beyond Seller's control.
- b) Shipping date will be computed from the date or receipt of all data required to enable complete engineering or acceptance of buyer's order as provided in Section 1 above, whichever is later.
- c) Every effort will be made to effect shipment within the time stated, but Seller will not be liable for any damages resulting directly or indirectly from fire, embargo, strikes, or acts of God, civil strife or insurrection, transportation delay, whether at place of manufacture or elsewhere, or from delay by reason of any rule, regulation or order of any governmental authority directly affecting delivery or from causes beyond seller's control.
- d) Any changes in customer's requirements will require confirmation or revision of estimated shipping date.

6. DELIVERY

All goods shall be shipped F.O.B. the stated shipping point. Seller shall have the right to select the carrier unless the carrier is designated by the Buyer and upon delivery of the goods by the Seller to the carrier, the carrier shall be deemed to be the agent of the Buyer and thereafter risk of loss shall be on the buyer.

7. WARRANTY

- a) Seller warrants that the Buyer will receive good title to the product and that such part of the product manufactured by the Seller will be free from defects which are not commercially acceptable in material and workmanship for a period of ninety (90) days from date of shipment, when used by the Buyer in accordance with the instructions as to maintenance and operation recommended by Seller. In no event shall this warranty extend to or obligate Seller in any way regarding parts or components in the product not actually manufactured by Seller, but Seller's warranty in respect to any such parts and components manufactured by others is hereby expressly limited to the warranty of the original manufacturer of such item or component. A copy of the original manufacturer's warranty of such items or products will be submitted to the Buyer upon request.
- b) This warranty is void and of no effect and Seller shall not be liable for any breach of warranty, express or implied. If the product or any part or component thereof shall have been repaired or altered by persons other than the Seller unless expressly authorized in writing by the Seller, or if the product is operated or installed contrary to Seller's instructions or subjected to misuse, negligence or accident.
- c) THERE ARE NO OTHER WARRANTIES THAT EXTEND BEYOND THE WARRANTY HEREIN CONTAINED and no statement, oral or written, inconsistent with this warranty is binding on Seller. No agent, employee or representative of the Seller has any authority to bind the Seller to any confirmation, representation or warranty concerning the product that is the subject of this quotation beyond that specifically included in this written quotation or sales order. Extension of or amendment of this warranty can be made only in writing by a authorized officer of the Seller.
- d) This warranty is made IN LIEU OF ALL OTHER WARRANTIES, EXPRESSED OR IMPLIED, including any warranty of MERCHANTABILITY or FITNESS for a particular purpose.
- e) Seller's remedy for breach of any warranty shall be limited as in the next section provided.

8. REMEDY FOR BREACH OF WARRANTY AND LIMITATION OF LIABILITY

- a) Seller agrees to repair or replace without cost any part of the product manufactured by the Seller that, for the period of ninety (90) days specified in Section 6 above, may prove upon Seller's inspection, to be defective in material or workmanship and not commercially acceptable.
- b) Seller shall have the option to inspect any parts claimed to be defective either at Seller's place of business or Buyer's place of business. No return shall be accepted unless Seller has had an opportunity to inspect the product or has expressly authorized the return.
- c) Under no circumstances shall Seller be liable for consequential or incidental damages resulting from any breach of warranty even though Seller may have been advised of the possibility of such damages. Seller's liability for breach of any warranty shall not exceed the purchase price of the product less the value of the product at any time of acceptance.

- d) Any claim for breach of Seller's warranty herein contained must be made in writing addressed to the Seller setting forth in sufficient detail to permit identification of the defect. Any claim for breach of warranty must be made within twelve (12) months after installation on Buyer's premises of the product. If not made within said twelve (12) month period it shall be conclusively deemed to have been waived.
- e) The remedies for breach of warranty herein contained shall be exclusive.

9. RESERVATION OF RIGHTS IN RESPECT TO SELLERS OTHER PRODUCTS

- a) Seller reserves the right to make improvements and changes in design upon its products without imposing any obligation to make such changes or improvements upon the product that is the subject of this order or on product previously manufactured and sold by it.

10. LIMITATION OF ACTIONS

Any action for breach of Seller's warranty must be commenced within twelve (12) months from the time the cause of actions accrues unless the period for action shall be extended by Seller in writing. In the interpretation of this limitation on action for breach of Seller's warranty, it is expressly agreed that there are no warranties of future performance of the product that extend the period of limitation herein contained for bringing an action.

11. CANCELLATION

In the event Buyer requests a Seller to stop work or cancel the order or any part thereof, cancellation charges shall be paid to Seller as follows:

- a) Any and all work that is complete on the date of notification in writing to stop work or to cancel shall be invoiced and paid in full.
- b) For work in process and any materials and supplies procured or for which definite commitments have been made by Seller in connection with the Buyer shall pay the actual costs and overhead expenses determined in accordance with good accounting practices.
- c) Buyer shall promptly instruct Seller as to the disposition of the product and the latter shall, if requested, hold the product for Buyer's account. All costs of storage, insurance handling, boxing or other costs in connection therewith shall be borne by the Buyer.

12. COMPLETE AGREEMENT

This quotation or sales order when accepted by the Buyer without condition and acknowledgment of receipt of the acceptance is given to the Buyer shall constitute the entire agreement between the Buyer and Seller and supersedes all proposals, oral or written and all other communications between the parties relating to the subject matter of this quotation. No alteration or addition to this quotation shall bind the Seller unless expressly assented to in writing by a duly authorized officer of the company.

SMITH BEARING® is a registered trademark of **A:BC** accurate bushing co.

Standard & Custom Bearings and Special Assemblies for Aerospace & Industrial Applications



CORPORATE HEADQUARTERS

443 North Avenue
Garwood • NJ • 07027 • USA

tel: **908.789.1121**

fax: **908.789.9429**

800.932.0076

www.smithbearing.com

www.accuratebushing.com

sales@smithbearing.com

All products in this catalog subject to Accurate Bushing Company terms and conditions, a copy of which is available in the back of this catalog or may be requested from the customer service department.

*SMITH Bearing, SMITH-TRAX, & SMITH-ALIGN are registered trademarks of Accurate Bushing Company.
Copyright © 2014 Accurate Bushing Company. All rights reserved.*

SMITH BEARING® is a registered trademark of

A:B:C accurate bushing co.



ABC • Accurate Bushing Company

CORPORATE HEADQUARTERS

443 North Avenue
Garwood • NJ • 07027 • USA

tel: **908.789.1121**

fax: **908.789.9429**

800.932.0076

www.**smithbearing.com**

www.**accuratebushing.com**

sales @smithbearing.com

