

BALDOR® • RELIANCE

Product Information Packet

VS1SP475-1B

VS1SP-D,480AC,3PH,75HP

Copyright © All product information within this document is subject to Baldor Electric Company copyright © protection, unless otherwise noted.

| Nameplate NP1876 | | | | | | | | | |
|------------------|-------------|-----------|--------|-----------|-----------|-----------|-----|------|----|
| CAT.NO. | VS1SP475-1B | | | | | | | | |
| SER.NO | | | | | | | | | |
| SPEC. | IN2044A11 | | | | | | | | |
| IN VAC | 480 | IN PH | 3 | IN HZ | 50/60 | | | | |
| OUT VAC | 480 | OUT PH | 3 | OUT HZ | 0-500 | | | | |
| | | S PWM KHZ | 2.5 | | | Q PWM KHZ | 8 | | |
| C FLA IN | 96 | V FLA IN | 124 | C FLA IN | 77 | V FLA IN | 96 | | |
| C HP OUT | 75 | V HP OUT | 100 | C HP OUT | 60 | V HP OUT | 75 | | |
| C KW OUT | 56 | V KW OUT | 74.6 | C KW OUT | 44.8 | V KW OUT | 56 | | |
| C FLA OUT | 96 | V FLA OUT | 124 | C FLA OUT | 77 | V FLA OUT | 96 | | |
| C PKA OUT | 168 | V PKA OUT | 155 | C PKA OUT | 135 | V PKA OUT | 120 | | |
| ENCL | 1 | IEC | IP20 | | | | | | |
| UL | LISTED | CUL | LISTED | CE | COMPLIANT | FCC | NO | IEEE | NO |
| | - | PATENT | - | | | | | | |

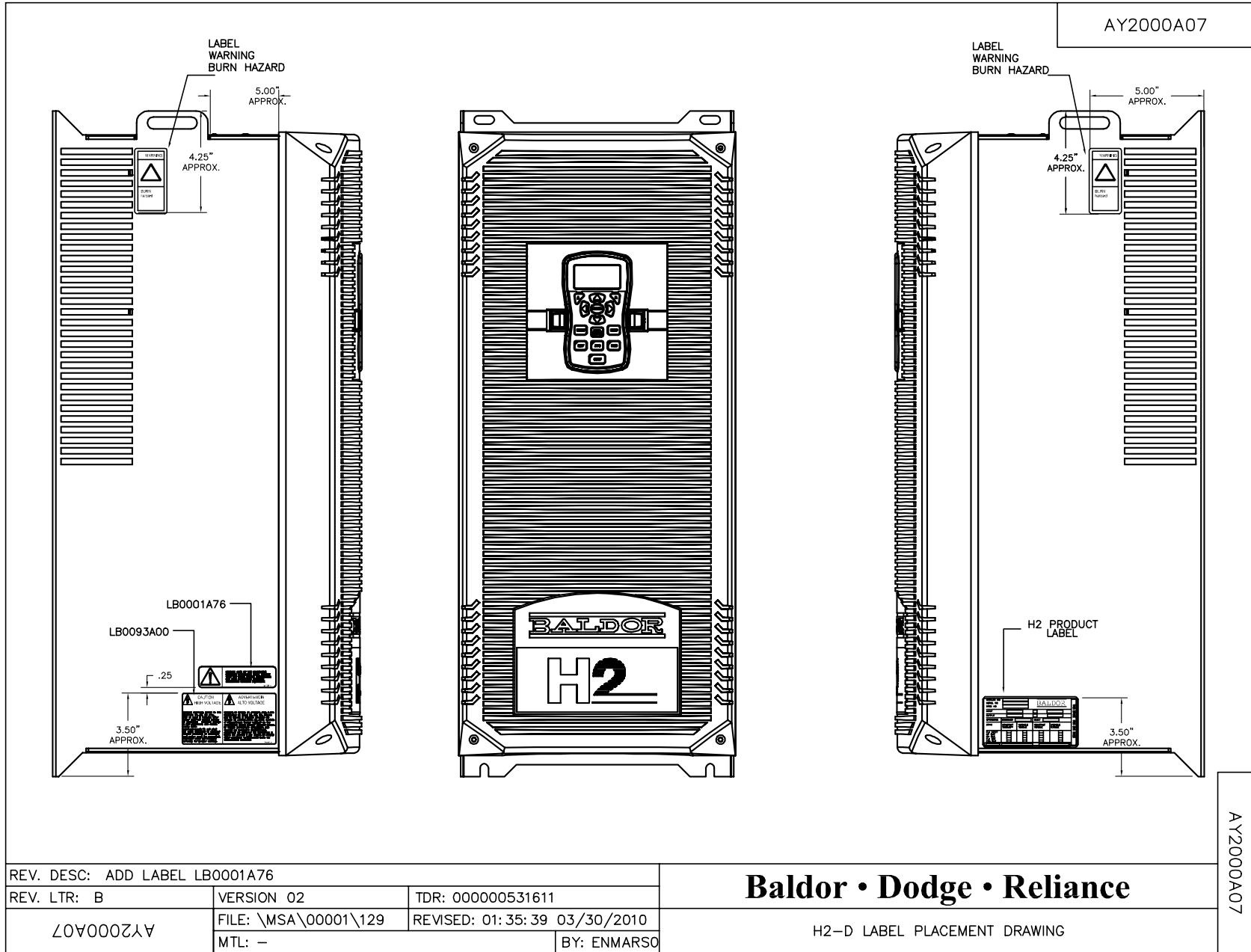
| Parts List | | |
|----------------|--|-----------|
| Part Number | Description | Quantity |
| 15XD0619A04 | PLASTITE 48-2, 6-19, PAN HEAD,1/4" LONG | 2.000 EA |
| 15XN0440A16 | 4-40 X 1.0 PH PAN HD MACHINE ZINC | 2.000 EA |
| 15XN0632A06 | 6-32X3/8 PH PAN HD MACHINE ZINC SC | 3.000 EA |
| 15XN0832A06 | SCREW 8/32 X 3/8-PHIL.PANHEAD MACHINE-ZI | 4.000 EA |
| 15XW0832A05 | PAN HEAD,8-32 TAPTITE,5/16" ZINC | 4.000 EA |
| 26XN0632A06 | 6-32X3/8 PH PAN HD MACH. ZINC W/SQ. CONE | 15.000 EA |
| 26XN0832A08 | 8-32X1/2 PH PAN HD MACH. ZINC W/SQ. CONE | 36.000 EA |
| 26XN1032A08 | 10-32X1/2 PH PAN HD MACH.ZINC W/SQ. CONE | 49.000 EA |
| 26XW1032A08 | 10-32 X 1/2 PHILLIPS HEAD TAPTITE-II (SI | 8.000 EA |
| HW7013A16 | M5X.8X16 PHIL PAN HEAD SEMS W/SPLIT&10OD | 20.000 EA |
| 26YN00040A012S | M4X12 PAN HD PHILLIPS SEMS,WITH SQUARE C | 6.000 EA |
| BB0007A00 | H2-D BUS BAR FOR BUS CONNECTION. | 2.000 EA |
| BB0007A01 | H2-D BUS BAR FOR SKIIP CONNECTION. | 3.000 EA |
| BE0521A00 | H2 CONTROLLER BASE | 1.000 EA |
| BE0521A01 | H2 CONTROLLER TOP | 1.000 EA |
| BE0550A00 | H2-D PLASTIC COVER | 1.000 EA |
| CC0001A12 | CAP,ALE,2900UF,420VDC,-10+20%,75C,STUD | 6.000 EA |
| DI0012A31 | THYRISTOR/DIODE MODULE | 3.000 EA |
| EB0489A00 | H2 KEYPAD TO CONTROL BOARD ADAPTER BOARD | 1.000 EA |
| EB0490B04SP | CONTROL BOARD, H2, OPEN LOOP | 1.000 EA |
| EB0546B04 | H2D INTERFACE BOARD,480V,75HP | 1.000 EA |
| EB0540B00 | BRAKE,IGBT PERSONALITY BOARD, H2 | 1.000 EA |
| EB0625A00 | H2-D, CAP BOARD, 480V | 1.000 EA |
| EH0011A15 | H2 CLAMP CONTROL WIRE | 3.000 EA |

| Parts List (continued) | | |
|------------------------|--|----------|
| Part Number | Description | Quantity |
| EF0079A05 | FAN,24VDC,172X150X50.8MM,302CFM W/CONN. | 2.000 EA |
| FI0046A01 | MOV ASSY, H2 D, WYE/DELTA COMBO, 460VAC | 1.000 EA |
| FM702WARR | H2 Warranty Registration 8/11 | 1.000 EA |
| HS0001A27 | H2-D ALUMINUM SWAGED FIN HEATSINK | 1.000 EA |
| HW1000A31 | 5/16 SAE FL WSHR NARROW, ID=.344, OD=.62 | 3.000 EA |
| HW1001A25 | LOCKWASHER 1/4, ZINC PLT .493 OD, .255 I | 2.000 EA |
| HW1001A31 | LOCKWASHER 5/16, ZINC PLT.591 OD, .319 I | 3.000 EA |
| HW2102A07 | STANDOFF,8MM HEX,M/F,L=17MM, NYLON | 6.000 EA |
| HW2107A02 | STANDOFF,1/4HEX,F/F,6-32,.625,BRASS/NICK | 4.000 EA |
| KT0102A01 | H2D SHEET METAL KIT | 1.000 EA |
| LB0093A00 | WARNING HIGH VOLTAGE,H2,ENGLISH/SPANISH | 1.000 EA |
| LB0188A00 | VS H2 B/C/D INVERTER COVER LABEL | 1.000 EA |
| LB0170A01 | BOX LABEL, 6 X 6, BLANK,WHITE | 1.000 EA |
| LB0001A68 | H2-D LEXAN TERMINAL BLOCK LABEL FOR BUS | 1.000 EA |
| LB0175A00 | H2-D TERMINAL BLOCK LABEL SHEET | 1.000 EA |
| LB0179A00 | WARNING LABEL, BURN HAZARD TO NOT TOUCH | 2.000 EA |
| LD0026A25 | CABLE, SCR GATE DRIVE | 1.000 EA |
| LD0026A05 | H2-D CABLE FOR CAP BD. MC SENSE | 1.000 EA |
| LD0026A06 | H2-D CABLE FOR MOTOR OVERTEMP | 1.000 EA |
| LD0026A07 | H2-D FAN CABLE,MALE DISC,1061 UL,22 AWG | 1.000 EA |
| LD0026A08 | H2-D LINEREACTOR TO INTERFACE BD CABLE | 1.000 EA |
| LD0026A09 | H2-D LINEREACTOR TO L1,L2,&L3 TB CABLE | 1.000 EA |
| LD0026A10 | H2-D CABLE FOR T1,T2,&T3 | 1.000 EA |
| LD0026A11 | H2-D CABLE B+,B-, & R2 | 1.000 EA |

| Parts List (continued) | | |
|------------------------|--|-----------|
| Part Number | Description | Quantity |
| LD0026A13 | H2-D GROUND STRAP | 1.000 EA |
| LD0096A00 | H2 KEYPAD BUCKET TO CONTROL BOARD CABLE | 1.000 EA |
| LD0097A00 | H2 KEYPAD TO KEYPAD BUCKET CABLE | 1.000 EA |
| LD6099A06 | BUS INDICATOR ASSY,LED | 1.000 EA |
| HW0037A00 | MICROPLASTICS #22MP05006 PLUG | 1.000 EA |
| HW3001A01 | D3019 BRASS WASHER(STIMP) | 1.000 EA |
| HW7011A16 | M6X16,PHPN,SEM W/SPLIT 12.5 DIA. FLAT SC | 24.000 EA |
| HW7013A12 | M5X.8X12 PHIL PAN HEAD SEMS W/SPL&10ODFL | 3.000 EA |
| KP0029A04SP | VS KEYPAD BLACK,STD SOFTWARE | 1.000 EA |
| LR0001A21 | H2-D REACTOR 100 AMP | 1.000 EA |
| MN764 | VS1SP Open Vector Control 11/10 | 1.000 EA |
| MS764 | VS1SP Vector Quick Start 10/10 | 1.000 EA |
| MH0001A75 | H2 NOMEX FOR MOV PACK F10037,39,&40 | 1.000 EA |
| MZ0003A01 | NOMEX, 2"X2", ADHESIVE BACKED,WITH NOTCH | 1.000 EA |
| MZ0003A00 | NOMEX, 2"X2", ADHESIVE BACKED | 1.000 EA |
| NP1876 | H2 NAMEPLATE FOR PM,SD,SP & GV DRIVES | 1.000 EA |
| RR0207A01 | 60 OHM 1500 WATT CARTRIDGE ASSEMBLY | 1.000 EA |
| TB0256A02 | NEUTRAL BAR, 4 POS, 2/0-14 | 1.000 EA |
| TB0265A00 | POWER BLOCK,1 POLE,3/0-14AWG,200A,600V | 6.000 EA |
| TB0256A01 | POWER BLOCK,1 POLE,2/0-14AWG,175A,600V | 3.000 EA |
| TL2000A00 | H2 TECHNICIANS BLADE SCREW DRIVER/YELLOW | 1.000 EA |
| TM0010A00 | THERMAL PAD, 2.4 X 4.8, 4 HOLE | 3.000 EA |
| TM0003A01 | THER.SUBSTRATE AL370-134 FOR POWER BLOCK | 4.000 EA |
| TP0014A00 | LINEAR TEMPERATURE SENSOR ASSY, 8.50 IN. | 1.000 EA |

| Parts List (continued) | | |
|------------------------|--|----------|
| Part Number | Description | Quantity |
| TX0044A20 | MODULE, 1200V 450A ASSEMBLY WITH BOARD | 3.000 EA |
| TX0097A03 | IGBT&DIODE,1.2KV,195A,FWD,HOLE,DRW | 1.000 EA |
| V6360003 | SOC HD CAP SCREW 1/4-20 | 2.000 EA |
| V6391206 | HEX BOLT 5/16-18 X 3/4 | 3.000 EA |
| V6401308 | NUT "K" TYPE 8-32 | 1.000 EA |
| V6910930 | BUS BAR,SEMI 1 SEMIKEON 30092551 | 2.000 EA |
| WD0004A00 | SANTOPRENE GROMMET FOR 28.3MM HOLE | 3.000 EA |
| WD0004A03 | SANTOPRENE GROMMET FOR34.6MM HOLE(1.362) | 1.000 EA |
| WD0004A04 | THERMOPLASTIC CONDUIT FITTING FOR 2.469 | 2.000 EA |
| LT0007A01 | DOCUMENT PACKAGE-ENVELOPE BEC-134 | 1.000 EA |
| PK2000A04 | H2-D PACKAGING BOX | 1.000 EA |
| PK5027A01 | WOODEN BASE ASSY, C-D RAC & E-SIZE DRIVE | 1.000 EA |
| LB0001A76 | H2 CAUTION LABEL FOR EARTHING CONDUCTOR | 1.000 EA |
| 10XL2510A24 | 1/4-10 X 1 1/2" LAG SCREW | 4.000 EA |
| HW1000A25 | 1/4 SAE FLAT WASHER (FS) | 4.000 EA |

| Accessories | | |
|-------------|-------------|------------|
| Part Number | Description | Multiplier |
| SW0115B30 | IHH-1.25 | P1 |

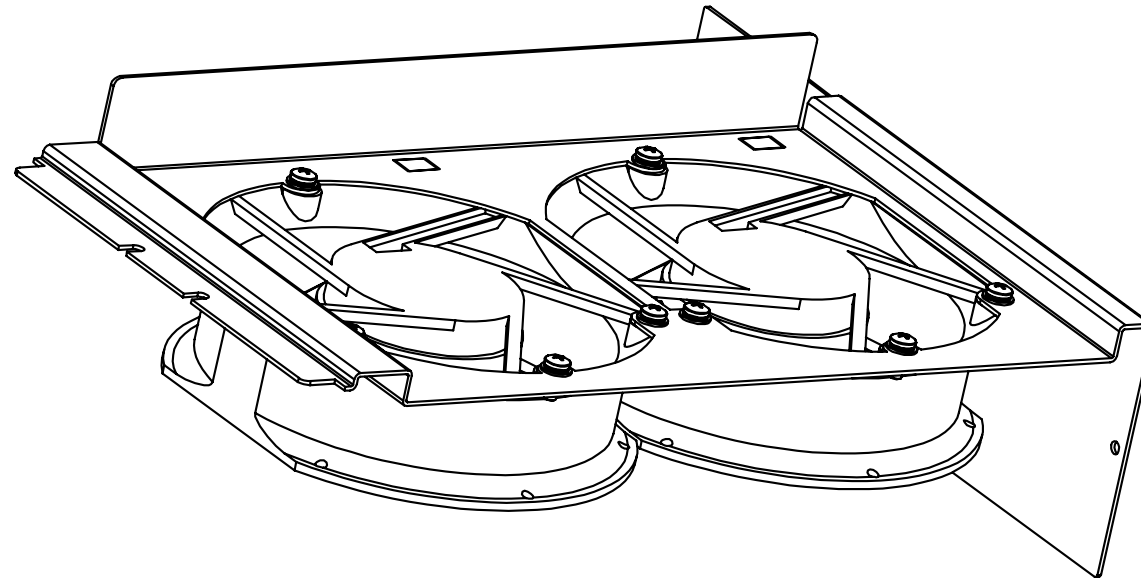


Baldor • Dodge • Reliance

H2-D LABEL PLACEMENT DRAWING

AY2000A07

AY2000A08



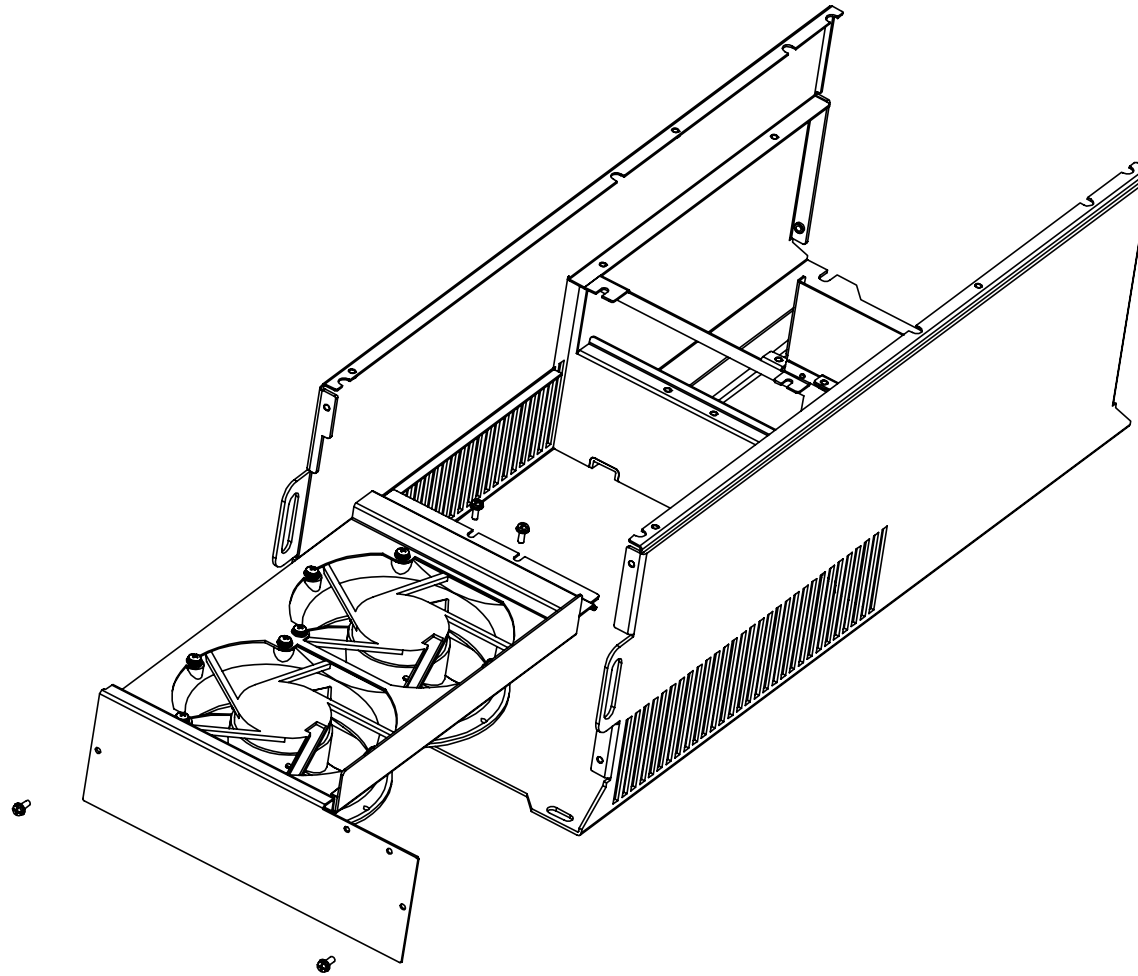
AY2000A08

| | | | |
|----------------|----------------------|------------------------------|--|
| REV. DESC: NEW | | | |
| REV. LTR: - | VERSION 00 | TDR: 000000428784 | |
| 80V0002LV | FILE: \MSA\00001\174 | REVISED: 10:07:27 04/24/2007 | |
| | MTL: - | BY: ENJIMDO | |

BALDOR ELECTRIC Co.

H2-D ASSEMBLY DRAWING

AY2000A08



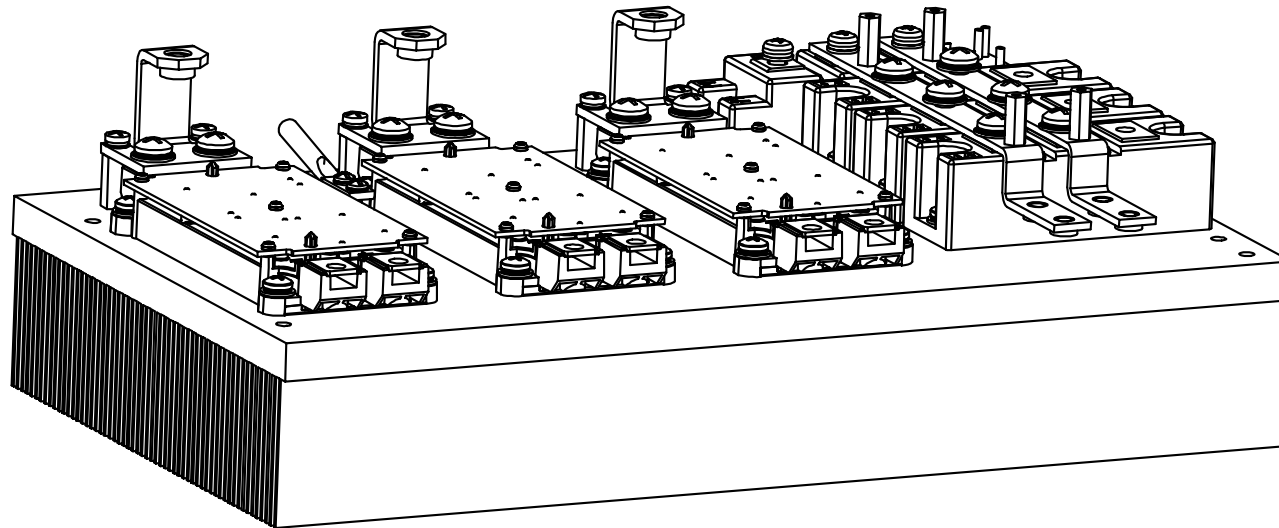
AY2000A08

| | | | |
|----------------|----------------------|------------------------------|--|
| REV. DESC: NEW | | | |
| REV. LTR: - | VERSION 00 | TDR: 000000428784 | |
| AY2000A08 | FILE: \MSA\00001\174 | REVISED: 10:07:29 04/24/2007 | |
| | MTL: - | BY: ENJIMDO | |

BALDOR ELECTRIC Co.

H2-D ASSEMBLY DRAWING

AY2000A08



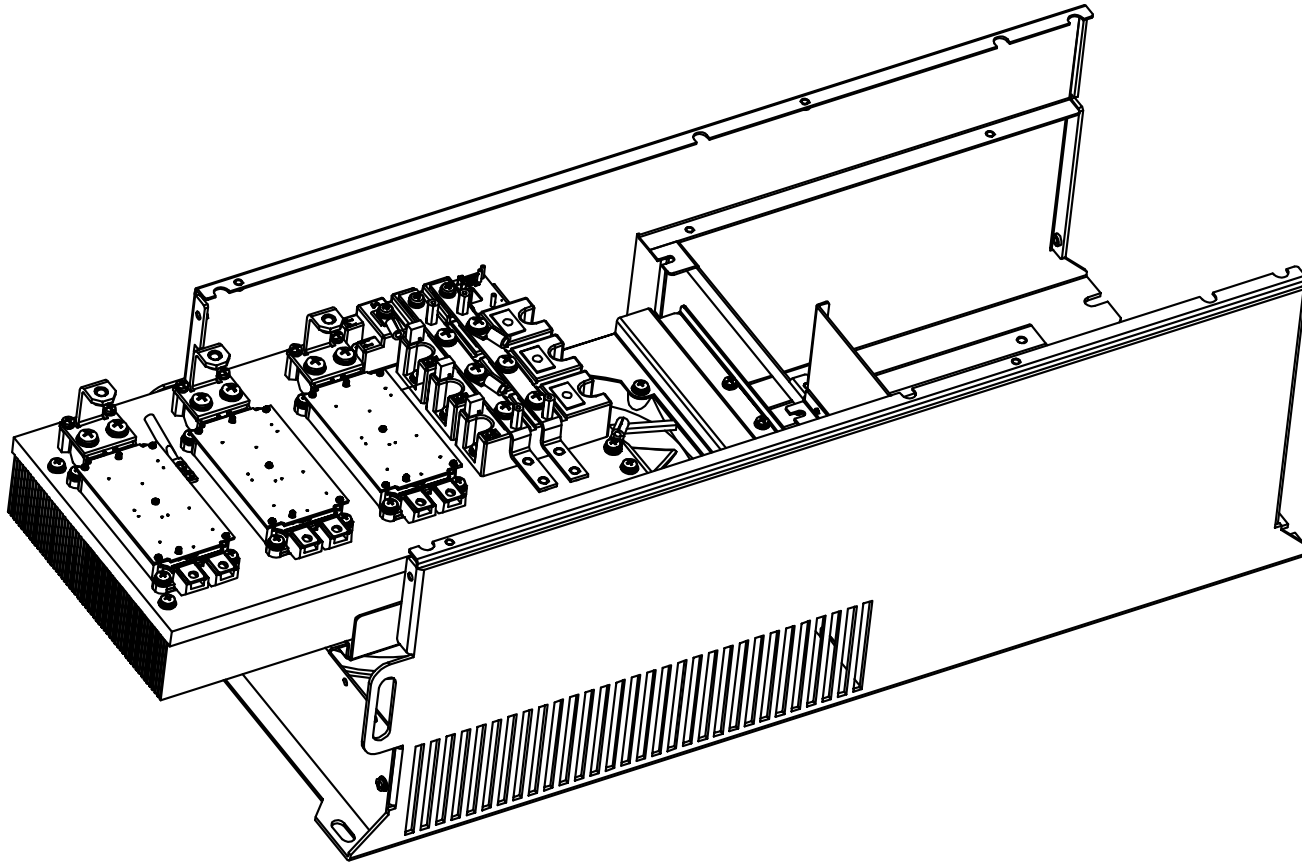
| | | | | | |
|----------------|--|----------------------|--|------------------------------|--|
| REV. DESC: NEW | | VERSION 00 | | TDR: 000000428784 | |
| REV. LTR: - | | FILE: \MSA\00001\174 | | REVISED: 10:07:32 04/24/2007 | |
| AY2000A08 | | MTL: - | | BY: ENJIMDO | |

BALDOR ELECTRIC Co.

H2-D ASSEMBLY DRAWING

AY2000A08

AY2000A08



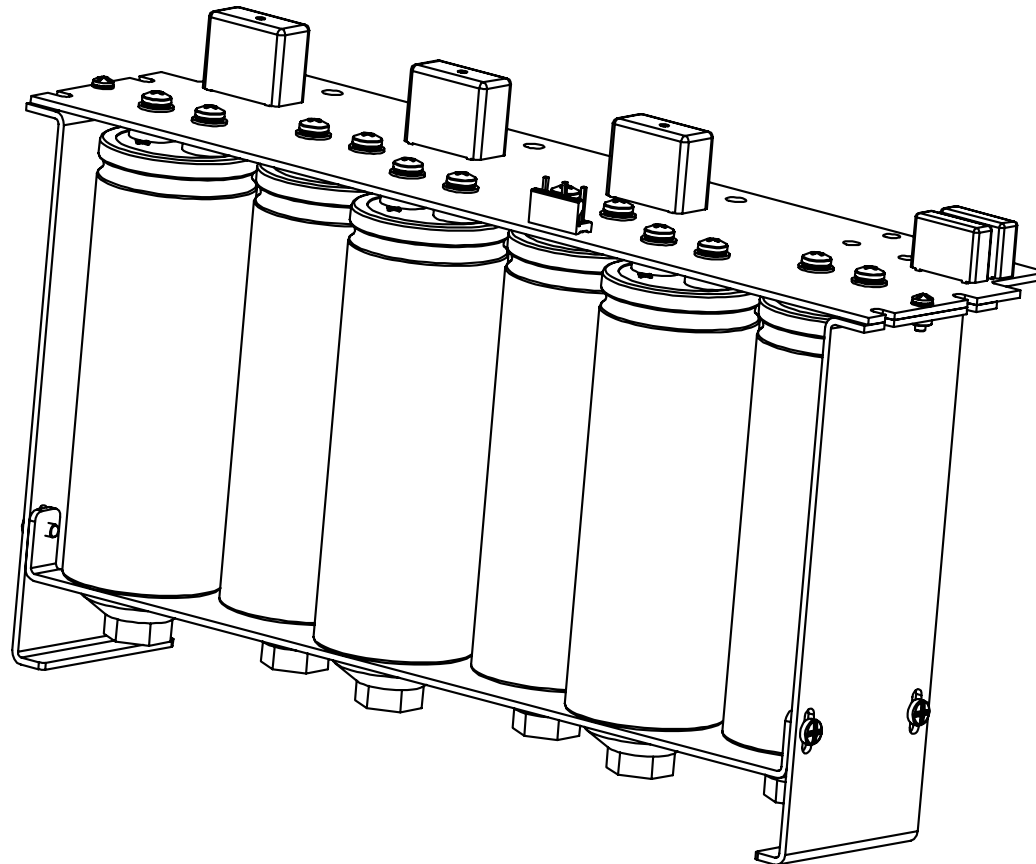
AY2000A08

| | | |
|----------------|----------------------|------------------------------|
| REV. DESC: NEW | VERSION 00 | TDR: 000000428784 |
| REV. LTR: - | FILE: \MSA\00001\174 | REVISED: 10:07:34 04/24/2007 |
| AY2000A08 | MTL: - | BY: ENJIMDO |

BALDOR ELECTRIC Co.

H2-D ASSEMBLY DRAWING

AY2000A08



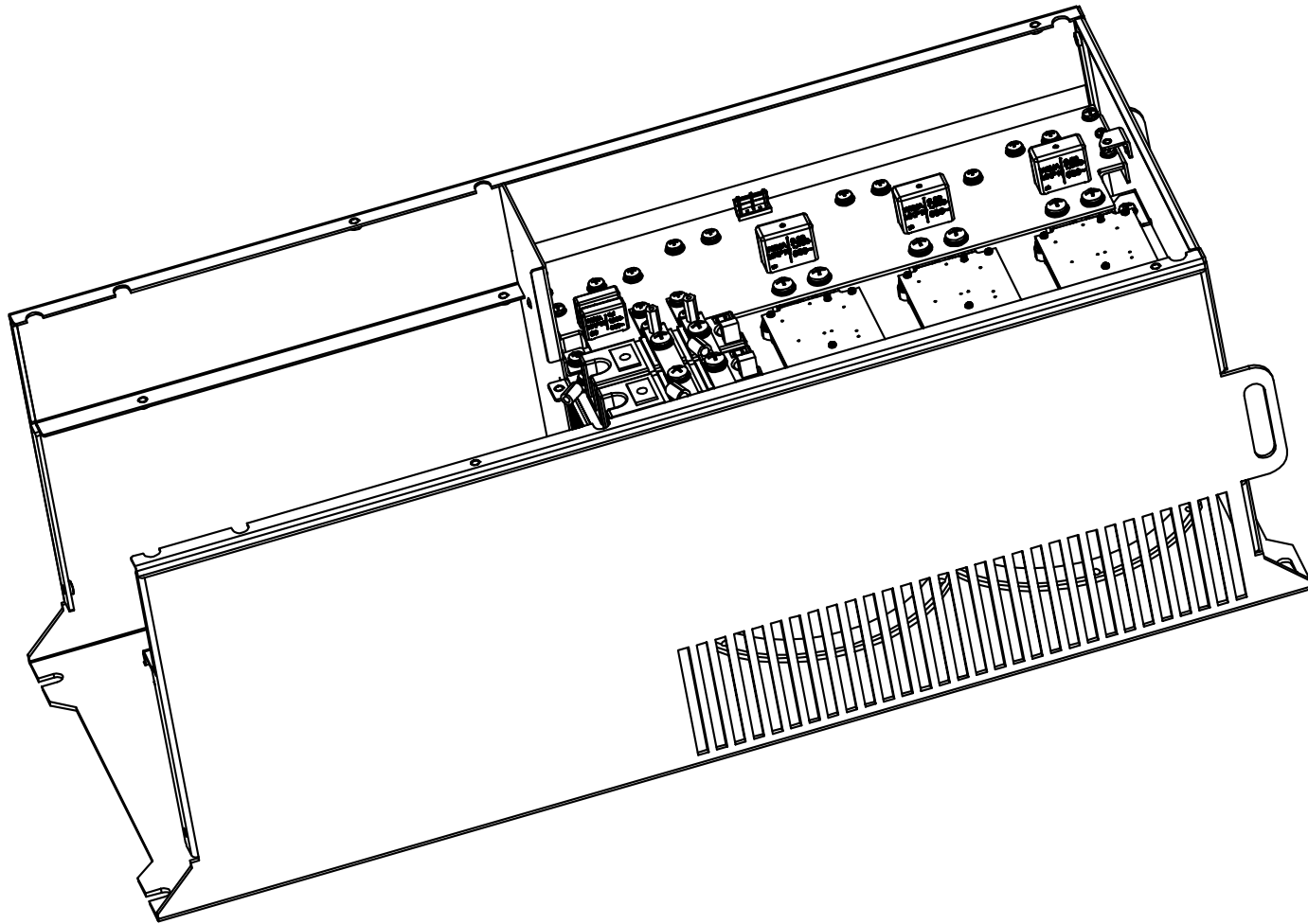
AY2000A08

| | | | |
|----------------|----------------------|------------------------------|--|
| REV. DESC: NEW | | | |
| REV. LTR: - | VERSION 00 | TDR: 000000428784 | |
| AY2000A08 | FILE: \MSA\00001\174 | REVISED: 10:07:37 04/24/2007 | |
| | MTL: - | BY: ENJIMDO | |

BALDOR ELECTRIC Co.

H2-D ASSEMBLY DRAWING

AY2000A08



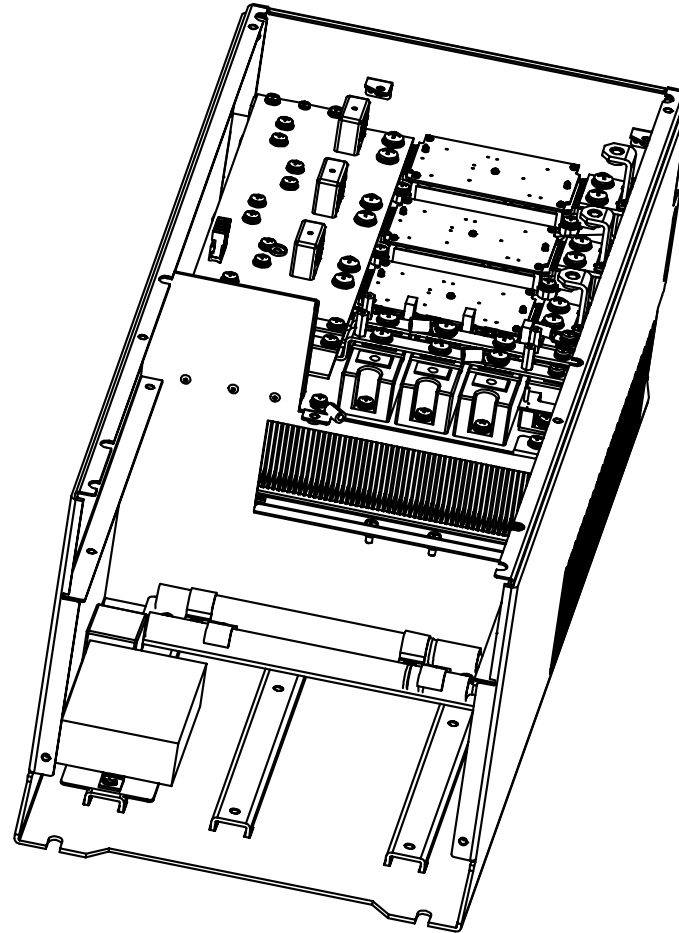
AY2000A08

| | | |
|----------------|----------------------|------------------------------|
| REV. DESC: NEW | VERSION 00 | TDR: 000000428784 |
| REV. LTR: - | FILE: \MSA\00001\174 | REVISED: 10:07:39 04/24/2007 |
| AY2000A08 | MTL: - | BY: ENJMDO |

BALDOR ELECTRIC Co.

H2-D ASSEMBLY DRAWING

AY2000A08



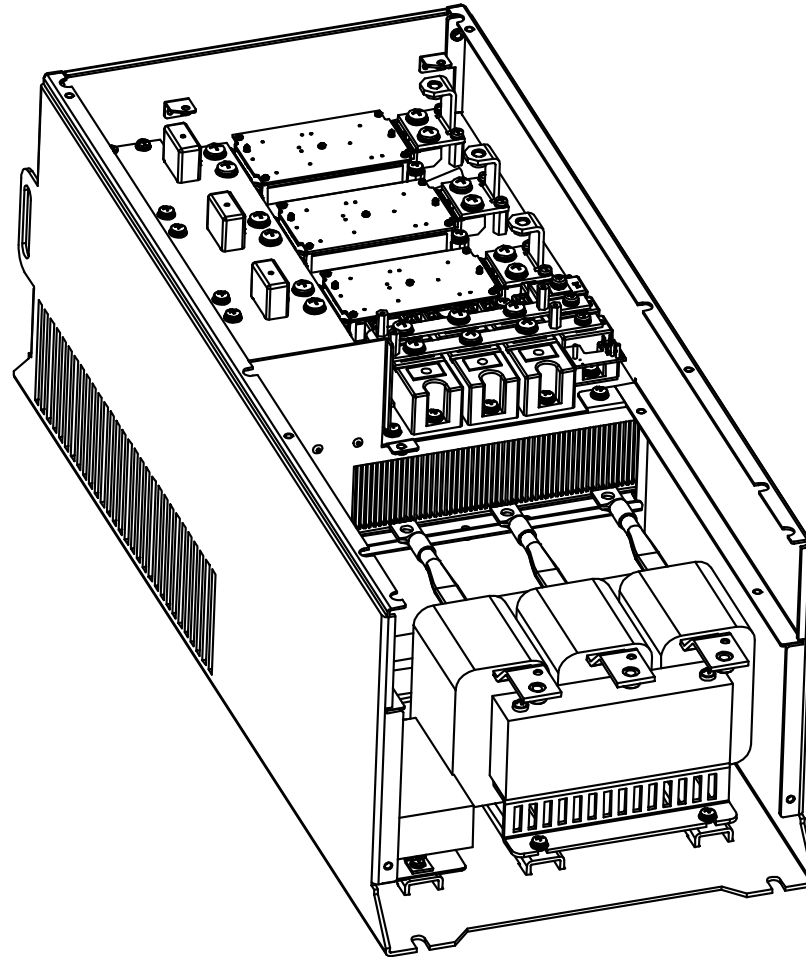
AY2000A08

| | | | |
|----------------|----------------------|------------------------------|--|
| REV. DESC: NEW | | | |
| REV. LTR: - | VERSION 00 | TDR: 000000428784 | |
| AY2000A08 | FILE: \MSA\00001\174 | REVISED: 10:07:42 04/24/2007 | |
| | MTL: - | BY: ENJIMDO | |

BALDOR ELECTRIC Co.

H2-D ASSEMBLY DRAWING

AY2000A08



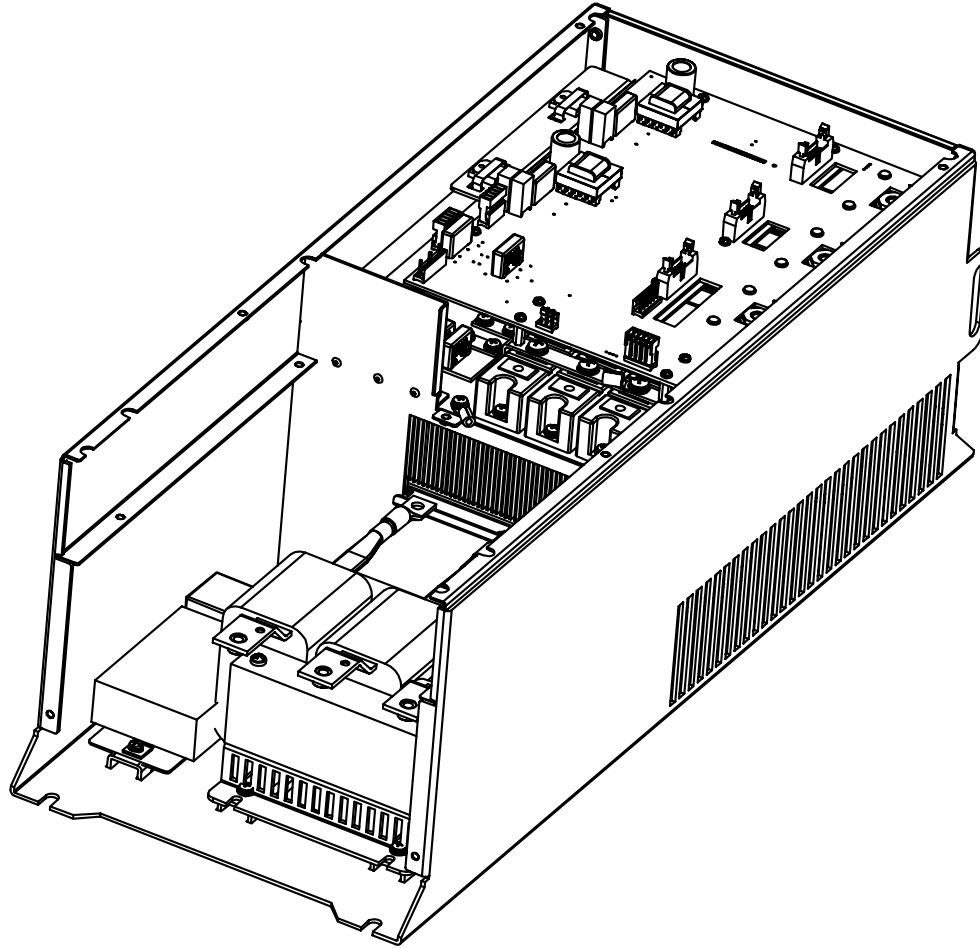
AY2000A08

| | | | |
|------------------------|----------------------|------------------------------|--|
| REV. DESC: NEW | | | |
| REV. LTR: - | VERSION 00 | TDR: 000000428784 | |
| 80V000ZLV AY2000A08 | FILE: \MSA\00001\174 | REVISED: 10:07:44 04/24/2007 | |
| | MTL: - | BY: ENJIMDO | |

BALDOR ELECTRIC Co.

H2-D ASSEMBLY DRAWING

AY2000A08



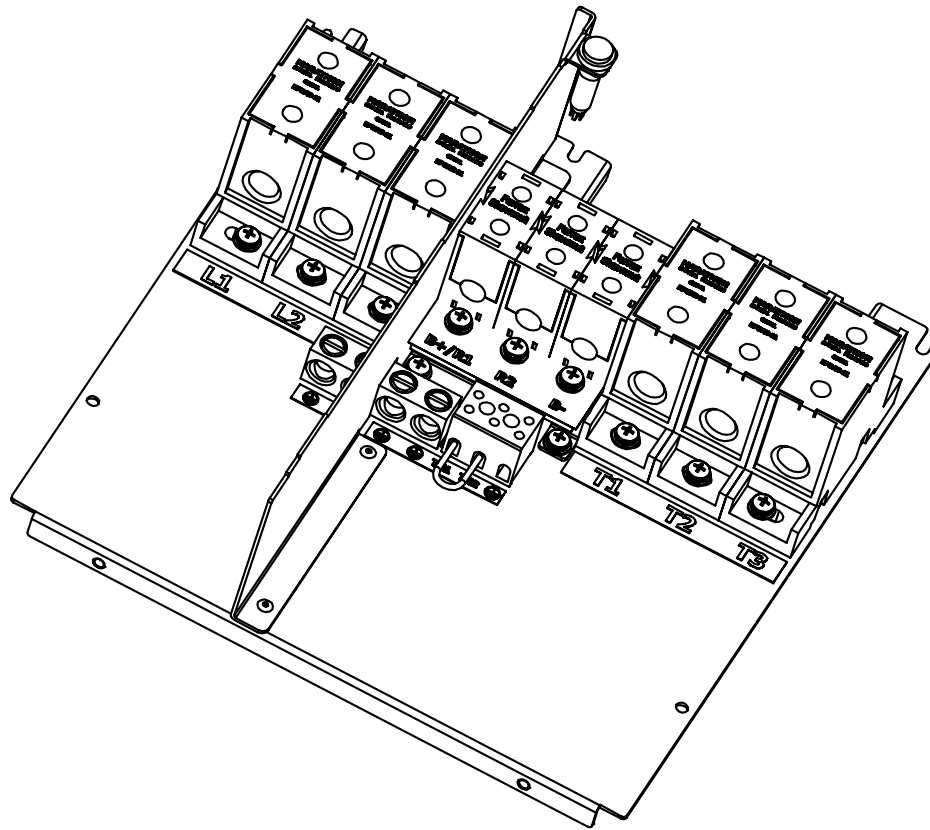
| | | | |
|----------------|----------------------|------------------------------|--|
| REV. DESC: NEW | | | |
| REV. LTR: - | VERSION 00 | TDR: 000000428784 | |
| AY2000A08 | FILE: \MSA\00001\174 | REVISED: 10:07:47 04/24/2007 | |
| | MTL: - | BY: ENJIMDO | |

BALDOR ELECTRIC Co.

H2-D ASSEMBLY DRAWING

AY2000A08

AY2000A08



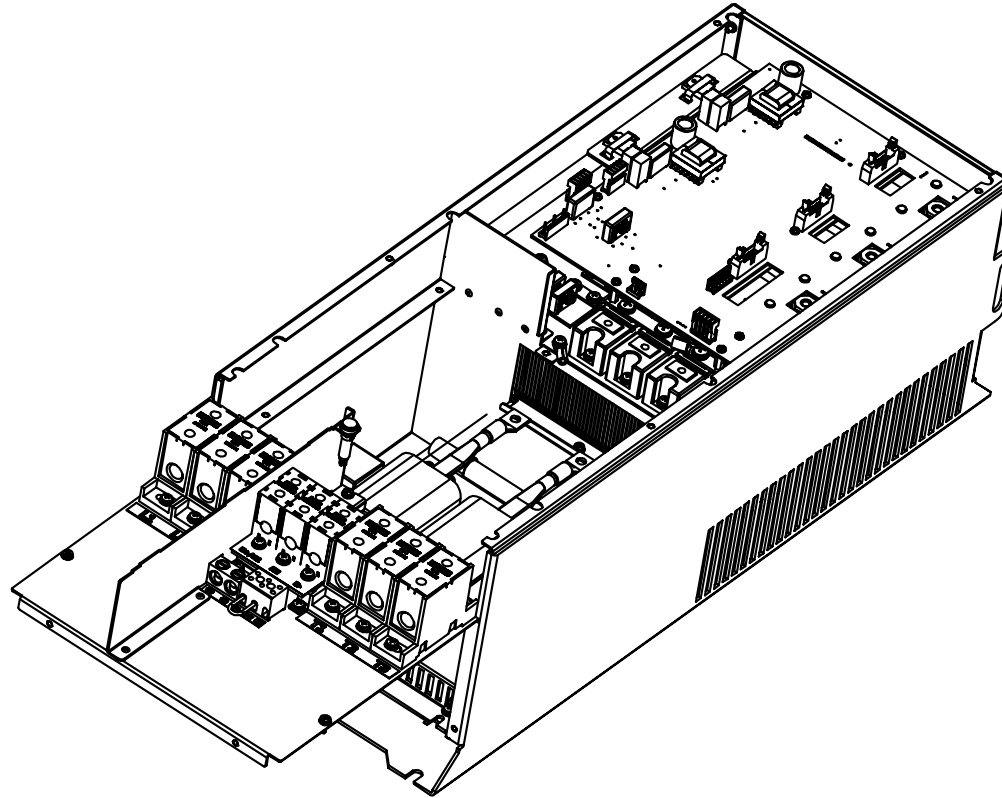
| | | | | | |
|----------------|--|----------------------|--|------------------------------|--|
| REV. DESC: NEW | | VERSION 00 | | TDR: 000000428784 | |
| REV. LTR: - | | FILE: \MSA\00001\174 | | REVISED: 10:07:50 04/24/2007 | |
| AY2000A08 | | MTL: - | | BY: ENJMDO | |

BALDOR ELECTRIC Co.

H2-D ASSEMBLY DRAWING

AY2000A08

AY2000A08



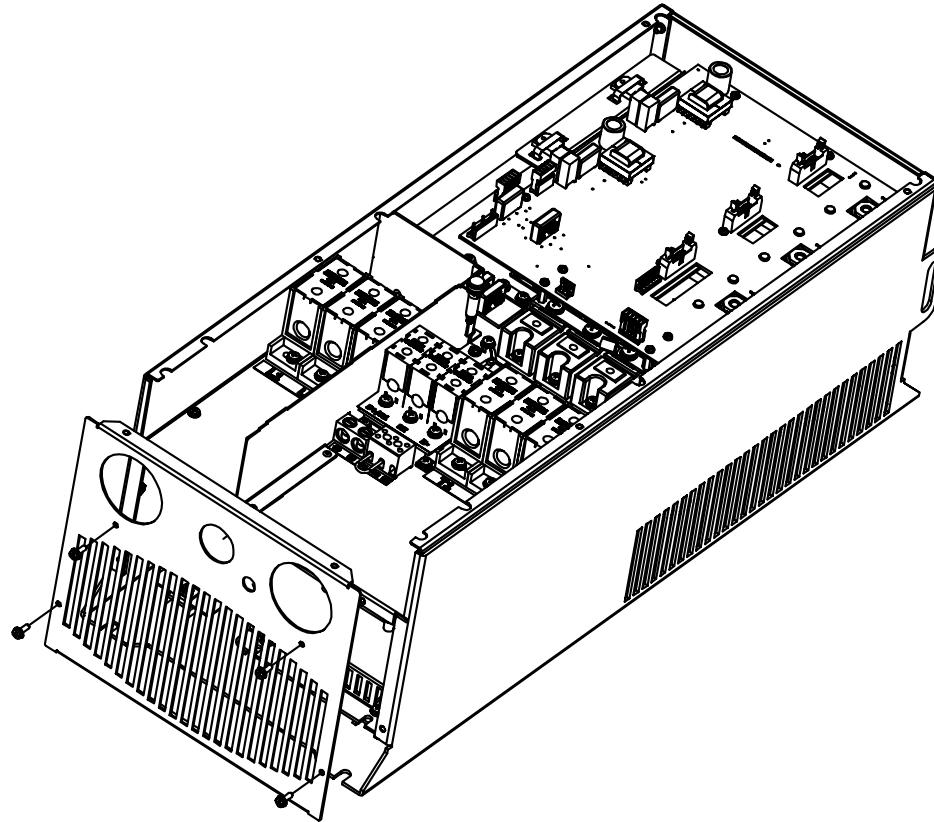
| | | | |
|----------------|----------------------|------------------------------|--|
| REV. DESC: NEW | | | |
| REV. LTR: - | VERSION 00 | TDR: 000000428784 | |
| AY2000A08 | FILE: \MSA\00001\174 | REVISED: 10:07:52 04/24/2007 | |
| | MTL: - | BY: ENJIMDO | |

BALDOR ELECTRIC Co.

H2-D ASSEMBLY DRAWING

AY2000A08

AY2000A08



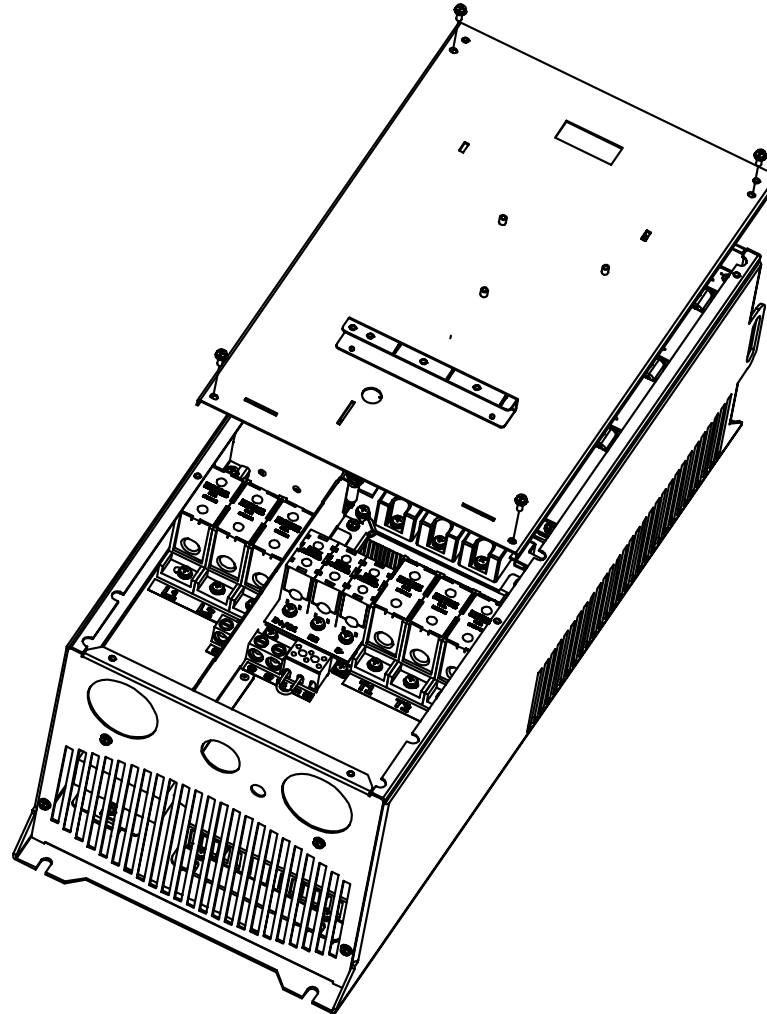
| | | | |
|----------------|----------------------|------------------------------|--|
| REV. DESC: NEW | | | |
| REV. LTR: - | VERSION 00 | TDR: 000000428784 | |
| AY2000A08 | FILE: \MSA\00001\174 | REVISED: 10:07:55 04/24/2007 | |
| | MTL: - | BY: ENJIMDO | |

BALDOR ELECTRIC Co.

H2-D ASSEMBLY DRAWING

AY2000A08

AY2000A08



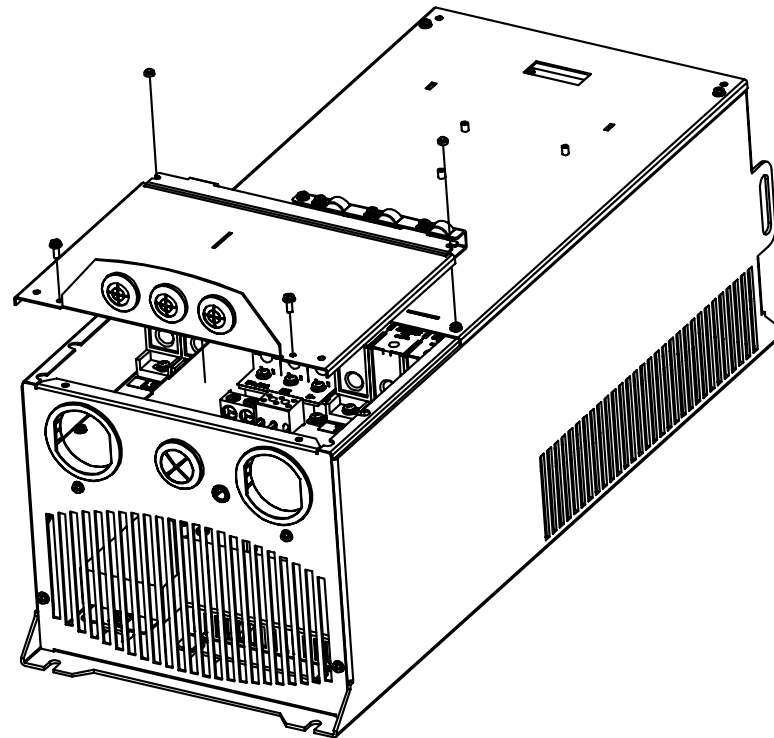
AY2000A08

| | | | |
|----------------|----------------------|------------------------------|--|
| REV. DESC: NEW | | | |
| REV. LTR: - | VERSION 00 | TDR: 000000428784 | |
| AY2000A08 | FILE: \MSA\00001\174 | REVISED: 10:07:58 04/24/2007 | |
| | MTL: - | BY: ENJIMDO | |

BALDOR ELECTRIC Co.

H2-D ASSEMBLY DRAWING

AY2000A08



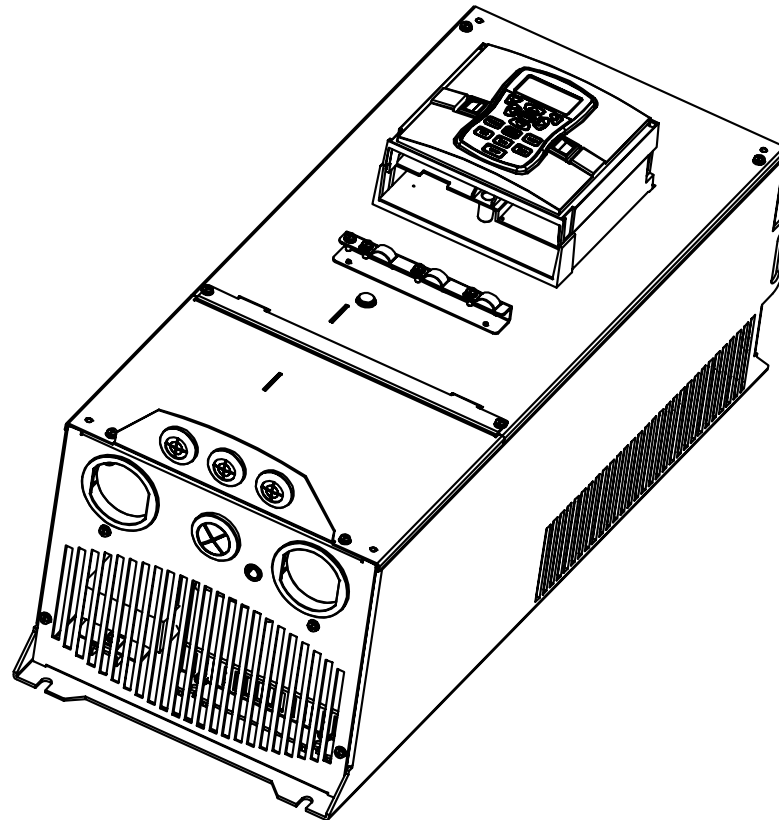
AY2000A08

| | | | |
|----------------|----------------------|------------------------------|--|
| REV. DESC: NEW | | | |
| REV. LTR: - | VERSION 00 | TDR: 000000428784 | |
| AY2000A08 | FILE: \MSA\00001\174 | REVISED: 10:08:01 04/24/2007 | |
| | MTL: - | BY: ENJIMDO | |

BALDOR ELECTRIC Co.

H2-D ASSEMBLY DRAWING

AY2000A08



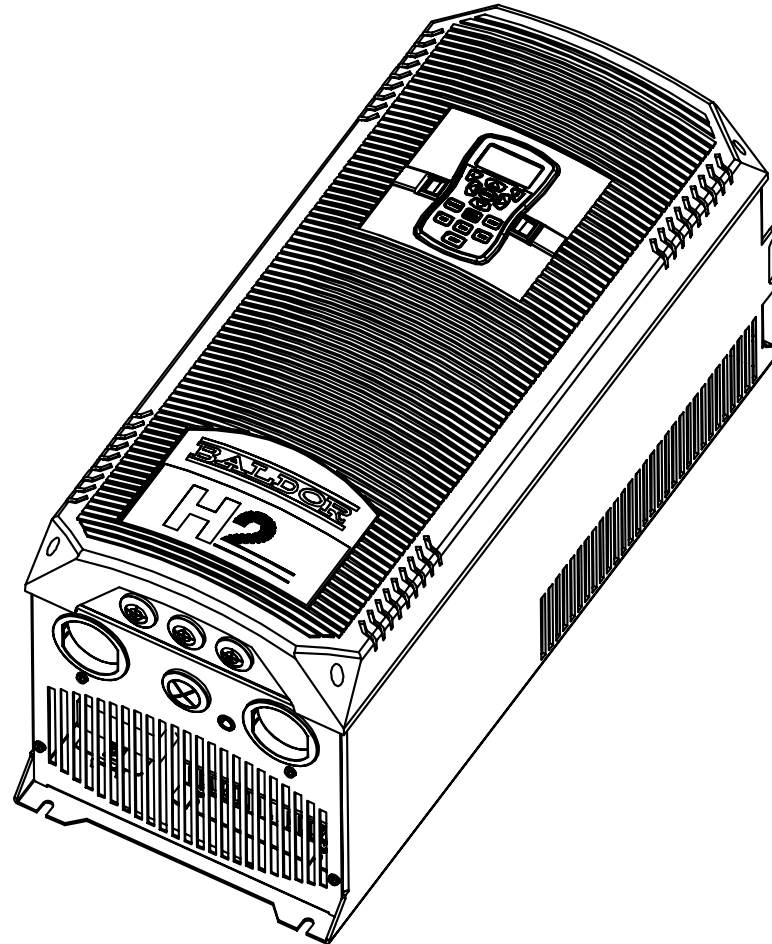
AY2000A08

| | | | |
|----------------|----------------------|------------------------------|--|
| REV. DESC: NEW | | | |
| REV. LTR: - | VERSION 00 | TDR: 000000428784 | |
| AY2000A08 | FILE: \MSA\00001\174 | REVISED: 10:08:03 04/24/2007 | |
| | MTL: - | BY: ENJIMDO | |

BALDOR ELECTRIC Co.

H2-D ASSEMBLY DRAWING

AY2000A08



AY2000A08

| | | | |
|----------------|----------------------|------------------------------|--|
| REV. DESC: NEW | | | |
| REV. LTR: - | VERSION 00 | TDR: 000000428784 | |
| AY2000A08 | FILE: \MSA\00001\174 | REVISED: 10:08:06 04/24/2007 | |
| | MTL: - | BY: ENJIMDO | |

BALDOR ELECTRIC Co.

H2-D ASSEMBLY DRAWING