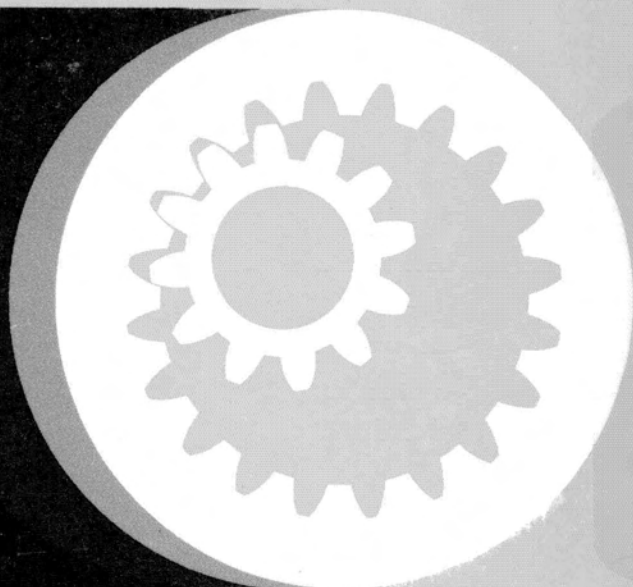


**300, 400, 600, 800
JDX4, JDX6, JDX8
Snowmobiles**

Serial No. 30,001-80,000



**PARTS
CATALOG**

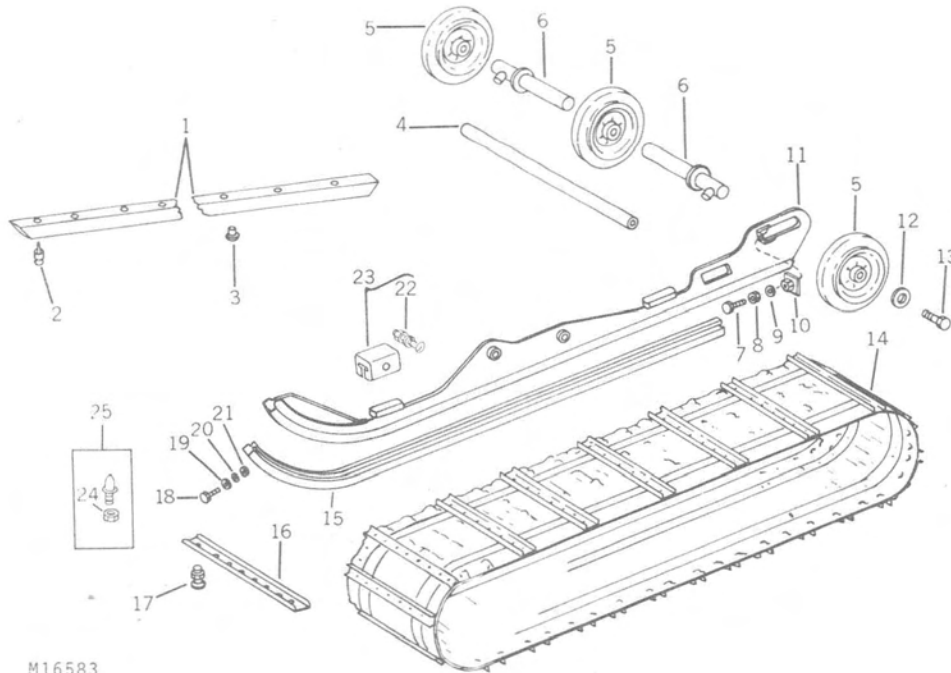


**Horicon Works
PC1479**

Litho in U.S.A. (Revised)

REAR IDLER, TRACK AND SLIDE RAILS
(JDX4, JDX6 AND JDX8)

M16583

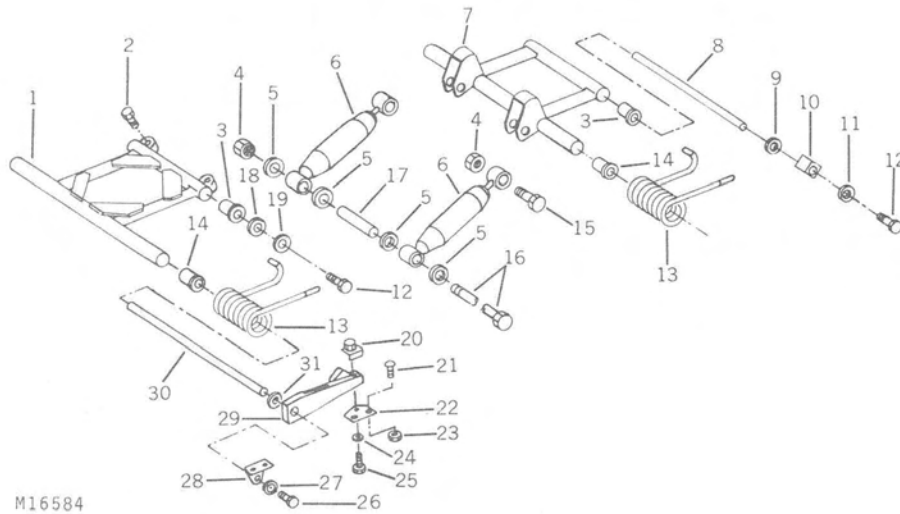


M16583

KEY	PART NO.	SERIAL NO.	DESCRIPTION
1	M 65673	(-)	STRIP, TUNNEL WEAR (2 USED) (SUB. M66249)
2	M 65674	(-)	RIVET, POP, 3/16" X 0.575" (6 USED)
3	M 65672	(-)	RIVET, SEMI-TUBULAR (8 USED)
4	M 64483	(-)	AXLE, REAR IDLER
5	AM 52952	(-)	WHEEL, IDLER (3 USED)
6	AM 53413	(-)	SPACER, WHEEL (2 USED)
7	19H 2418	(-)	SCREW, CAP, 3/8" X 3-3/4" (2 USED)
8	14H 812	(-)	NUT, 3/8" (2 USED)
9	12H 304	(-)	WASHER, LOCK, 3/8" (2 USED)
10	AM 53439	(-)	NUT, WELDED
11	AM 53423	(-)	SLIDE RAIL, L.H.
	AM 53422	(-)	SLIDE RAIL, R.H.
12	24H 1309	(-)	WASHER, 13/32" X 1-1/16" X 0.120" (2 USED)
13	19H 1731	(-)	SCREW, CAP, 3/8" X 1" (2 USED)
14	AM 54583	(-)	TRACK (SUB.FOR AM52784 AND AM53708)
15	M 64480	(-)	WEAR BAR, SLIDE (2 USED)
16	M 64335	(-)	BAR, GROUSER (24 USED) (SERVICE ONLY) (SUB. M66038)
17	AM 53418	(-)	KIT, GROUSER BAR (INCLUDES 50 NUTS AND BOLTS) (SERVICE ONLY)
18	19H 1949	(-)	SCREW, CAP, 5/16" X 2-1/2" (2 USED)
19	24H 1136	(-)	WASHER, 11/32" X 11/16" X 0.060" (4 USED)
20	24H 1887	(-)	WASHER, 11/32" X 1" X 0.134" (4 USED)
21	M 63277	(-)	NUT, LOCK, 5/16" (2 USED)
22	21H 1199	(-)	SCREW, MACHINE, NO. 10 X 1-3/4" (4 USED)
	24H 1722	(-)	WASHER, 7/32" X 5/8" X 0.060" (8 USED)
	M 63662	(-)	NUT, LOCK, NO. 10 (4 USED)
23	AM 53346	(-)	KIT, BUMPER
24	M 65217	(-)	NUT, STUD (SERVICE ONLY)
25	AM 53629	(-)	KIT, ICE STUD (INCLUDES 24 STUDS, 24 M65217 AND ONE AT14927 TUBE OF LOCTITE) (SERVICE ONLY) (SUB. AM54373)

**SLIDE RAIL PIVOTS AND SPRINGS
(JDX4, JDX6 AND JDX8)**

M16584



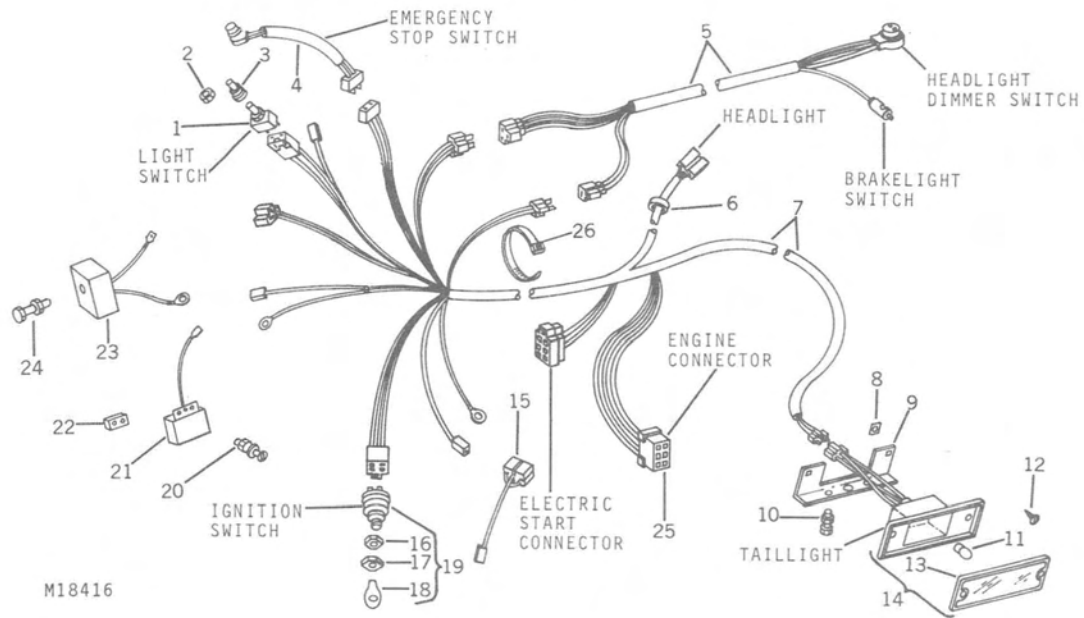
M16584

KEY	PART NO.	SERIAL NO.	DESCRIPTION
1	AM 53511	(-)	PIVOT, FRONT
2	R 61762	(-)	BOLT (2 USED)
3	M 63039	(-)	BEARING (4 USED)
4	M 64832	(-)	NUT, LOCK, 7/16" (3 USED)
5	M 65548	(-)	WASHER, 15/32" X 1-1/8" X 0.105" (4 USED)
6	AM 52674	(-)	ABSORBER, SHOCK (2 USED)
7	AM 52950	(-)	PIVOT, REAR
8	M 64481	(-)	SHAFT, LOWER (2 USED)
9	24H 1211	(-)	WASHER, 9/16" X 1-3/8" X 0.105" (4 USED)
10	M 64482	(-)	BEARING, REAR, SLIP (2 USED)
11	24H 1291	(-)	WASHER, 21/64" X 1-1/2" X 0.105" (2 USED)
12	19H 1813	(-)	SCREW, CAP, 5/16" X 5/8" (4 USED)
13	M 65667	(-)	SPRING, PIVOT, L.H. (2 USED)
	M 65666	(-)	SPRING, PIVOT, R.H. (2 USED)
14	M 64242	(-)	BEARING, UPPER PIVOT (4 USED)
15	19H 1899	(-)	SCREW, CAP, 7/16" X 2" (2 USED)
16	AM 52953	(-)	SHAFT, SHOCK ABSORBER
17	28H 1538	(-)	SPACER
18	24H 1341	(-)	WASHER, 17/32" X 15/16" X 0.060" (2 USED)
19	24H 1224	(-)	WASHER, 11/32" X 1" X 0.060" (2 USED)
20	AM 52666	(-)	CLIP, ADJUSTING ARM (4 USED)
21	03H 1268	(-)	BOLT, RD. HD., 5/16" X 3/4" (16 USED)
22	M 64218	(-)	PLATE, ADJUSTING (4 USED)
23	M 63277	(-)	NUT, LOCK, 5/16" (16 USED)
24	24H 1887	(-)	WASHER, 11/32" X 1" X 0.134" (4 USED)
25	19H 2440	(-)	SCREW, CAP, 5/16" X 2-1/2", FULL THREAD (FRONT ADJUSTING ARM) (2 USED)
	19H 3296	(-)	SCREW, CAP, 5/16" X 2" (REAR ADJUSTING ARM) (2 USED)
26	M 64553	(-)	BOLT, LOCKING, 7/16" X 1-1/8" (4 USED)
27	24H 1327	(-)	WASHER, 15/32" X 1-1/8" X 0.105" (4 USED)
28	M 64531	(-)	BRACKET, FRONT REINFORCEMENT, L.H.
	M 64530	(-)	BRACKET, FRONT REINFORCEMENT, R.H.
	M 64533	(-)	BRACKET, REAR REINFORCEMENT, L.H.
	M 64532	(-)	BRACKET, REAR REINFORCEMENT, R.H.
29	M 65480	(-)	ARM, ADJUSTING, R.H. (2 USED)
	M 65481	(-)	ARM, ADJUSTING, L.H. (2 USED)
30	M 64238	(-)	SHAFT, PIVOT (2 USED)
31	M 65685	(-)	WASHER (4 USED)

* SEE PAGE 91 FOR FIRM SUSPENSION SPRINGS

WIRING HARNESS, SWITCHES, TAILLIGHT AND VOLTAGE REGULATOR

M18416

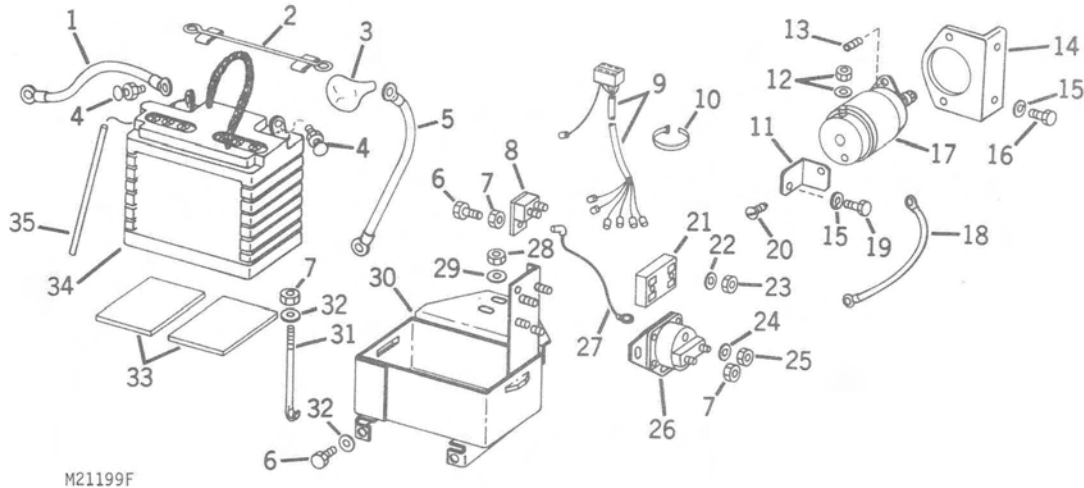


M18416

KEY	PART NO.	SERIAL NO.	DESCRIPTION
1	AM 52961	(-)	SWITCH, LIGHT
2	M 64593	(-)	NUT, LIGHT SWITCH
3	M 63297	(-)	BOOT, LIGHT SWITCH
4	AM 52312	(-)	SWITCH, EMERGENCY STOP
5	AM 52311	(-)	SWITCH, DIMMER AND BRAKE LIGHT
6	H 65107	(-)	GROMMET
7	AM 52887	(-)	HARNESS, WIRING
8	M 63775	(-)	GROMMET, PLASTIC (2 USED)
9	M 63776	(-)	BRACKET, TAILLIGHT
10	19H 1919	(-)	SCREW, CAP, 1/4" X 5/8" (2 USED)
	M 63707	(-)	NUT, LOCK, 1/4" (2 USED)
11	AM 52619	(-)	BULB (1035)
12	M 63450	(-)	SCREW, PAN HEAD, NO. 10 X 5/8" (2 USED)
13	M 63816	(-)	LENS, TAILLIGHT
14	AM 52305	(-)	TAILLIGHT, COMPLETE
15	AM 52960	(-)	COUPLER, WIRING HARNESS (MANUAL START)
16	M 63704	(-)	NUT, SWITCH, THIN (BEHIND INSTRUMENT PANEL)
17	M 63298	(-)	NUT, SWITCH, THICK (ABOVE INSTRUMENT PANEL)
18	M 63301	(-)	KEY, IGNITION (PACKAGE OF TWO)
19	AM 52053	(-)	SWITCH, IGNITION
20	21H 1148	(-)	SCREW, MACHINE, NO. 10 X 3/4" (2 USED)
	24H 1283	(-)	WASHER, 7/32" X 1/2" X 0.048" (2 USED)
	M 63662	(-)	NUT, LOCK, NO. 10 (2 USED)
21	AM 52886	(-)	REGULATOR, VOLTAGE (JDX4, JDX6, JDX8 AND 800)
22	M 64551	(-)	HEAT SINK, REGULATOR
23	AM 53378	(- 31132)	REGULATOR, VOLTAGE (300) (SUB. AM52886 AND M64551)
	AM 52886	(31133 -)	REGULATOR, VOLTAGE (300)
	AM 53378	(- 30314)	REGULATOR, VOLTAGE (400) (SUB. AM52886 AND M64551)
	AM 52886	(30314 -)	REGULATOR, VOLTAGE (400)
	AM 53378	(- 30513)	REGULATOR, VOLTAGE (600) (SUB. AM52886 AND M64551)
	AM 52886	(30514 -)	REGULATOR, VOLTAGE (600)
24	19H 1791	(-)	SCREW, CAP, 1/4" X 1-1/4"
	M 63707	(-)	NUT, LOCK, 1/4"
25	M 64208	(-)	COUPLER, PLASTIC
26	M 63300	(-)	STRAP, TIE (5 USED)
...	M 64833	(-)	PAD, VOLTAGE, REGULATOR (JDX4, JDX6 AND JDX8)

**ELECTRIC START KIT
(300)**

M21199F



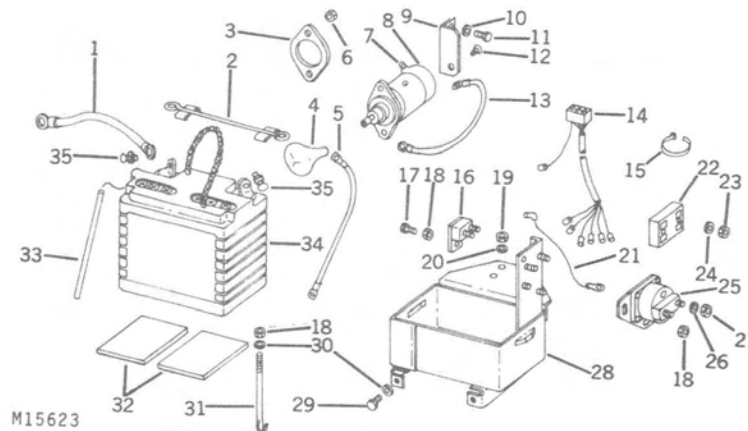
M21199F

KEY	PART NO.	SERIAL NO.	DESCRIPTION
1	AM 52468	-	CABLE, GROUND (SUB. AM31551)
2	AM 52187	-	HOLD-DOWN
3	M 41125	-	BOOT
4	03H 1701 14H 786	-	BOLT, RD. HD., 1/4" X 3/4" (2 USED) NUT, 1/4" (2 USED)
5	AM 52468	-	CABLE, POSITIVE (SUB. AM31551)
6	19H 1227	-	SCREW, CAP, 1/4" X 1/2" (3 USED)
7	B 14174	-	NUT, LOCK, 1/4" (6 USED)
8	AM 33621	-	BREAKER, CIRCUIT, 25 AMP
9	AM 52467	-	HARNES, WIRING
10	M 63300	-	STRAP, TIE
11	M 63887	-	BRACKET
12	14H 786 12H 297	-	NUT, 1/4" WASHER, LOCK, INTERNAL-TOOTH, 1/4"
13	19H 3053	-	SCREW, CAP, SOCKET HEAD, 5/16" X 1" (2 USED)
14	M 63889	-	BRACKET, FRONT
15	12H 303	-	WASHER, LOCK, 5/16" (3 USED)
16	19H 1849	-	SCREW, CAP, 5/16" X 1-1/4" (2 USED)
17	AM 52455	-	MOTOR, STARTER
18	AM 52618	-	CABLE, SOLENOID-TO-STARTER
19	19H 1905	-	SCREW, CAP, 5/16" X 1"
20	37H 24	-	SCREW, THREAD-CUTTING, 1/4" X 3/4"
21	AM 53557	-	RECTIFIER
22	12H 290	-	WASHER, LOCK, INTERNAL-TOOTH, NO. 8 (2 USED)
23	14H 605	-	NUT, NO. 8 (2 USED)
24	12H 291	-	WASHER, LOCK, INTERNAL-TOOTH, 5/16" (2 USED)
25	14H 785	-	NUT, 5/16" (2 USED)
26	AM 53945	-	SOLENOID
27	AM 33218	-	WIRE, LEAD
28	M 63277	-	NUT, LOCK, 5/16" (2 USED)
29	24H 1136	-	WASHER, 11/32" X 11/16" X 0.060" (2 USED)
30	AM 52516	-	BOX, BATTERY
31	M 63378	-	BOLT, HOLD-DOWN (2 USED)
32	24H 1287	-	WASHER, 9/32" X 5/8" X 0.060" (4 USED)
33	M 63708	-	PAD (2 USED)
34	AM 52050	-	BATTERY, 12-VOLT (NOT INCLUDED IN ELECTRIC START KIT)
35	...	-	DRAIN, 16" (406.4 MM) LONG (SUB. M63271) (CUT TO LENGTH)
..	AM 52472	-	KIT, ELECTRIC START (LESS BATTERY) (EXTRA EQUIPMENT)

NOTE: 300 SNOWMOBILE REQUIRES PURCHASE OF AM53116 RING GEAR FOR ELECTRIC START KIT

**ELECTRIC START KIT
(400, 600, JDX4, AND JDX6)**

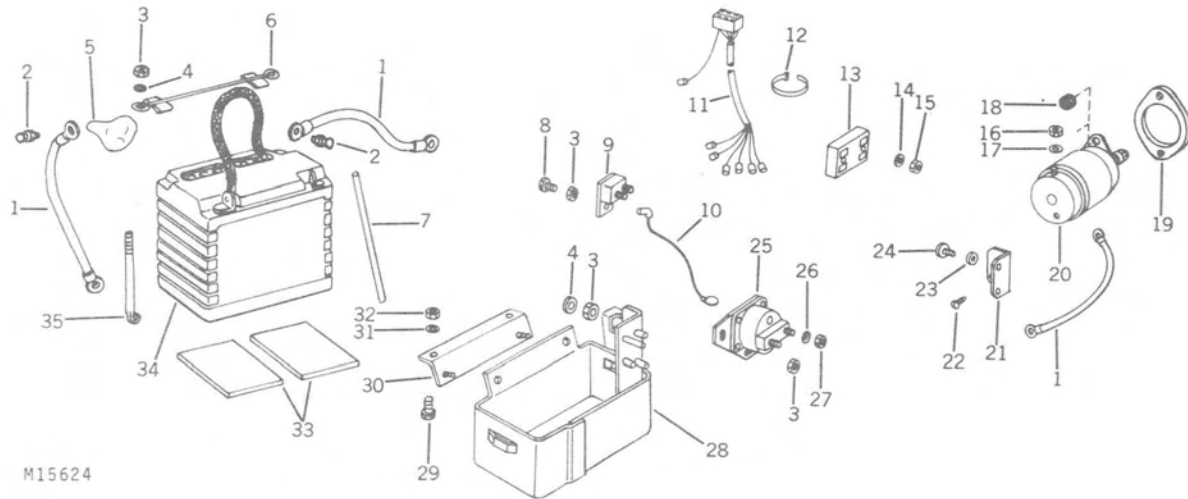
M15623



KEY	PART NO.	SERIAL NO.	DESCRIPTION
1	AM 30768	(-)	STRAP, GROUND
2	AM 52187	(-)	HOLD-DOWN, BATTERY
3	M 63795	(-)	SPACER
4	M 41125	(-)	BOOT
5	AM 52468	(-)	CABLE, BATTERY, POSITIVE (SUB. AM31551)
6	M 63924	(-)	NUT, FLANGE, 8 MM (2 USED)
7	14H 786 12H 297	(-)	NUT, 1/4"
8	AM 52454	(-)	WASHER, LOCK, INTERNAL-TOOTH, 1/4"
9	M 63848 M 63956	(-)	MOTOR, STARTER
10	12H 303	(-)	BRACKET, TAIL (400 AND 600)
11	19M 6887	(-)	BRACKET, TAIL (JDX4 AND JDX6)
12	37H 24	(-)	WASHER, LOCK, 5/16" (2 USED)
13	AM 52618	(-)	SCREW, CAP, 8 MM X 18 MM (2 USED)
14	AM 52467	(-)	SCREW, THREAD-CUTTING, 1/4" X 3/4"
15	M 63300	(-)	CABLE, SOLENOID-TO-STARTER
16	AM 33621	(-)	HARNESS, WIRING
17	19H 1227	(-)	STRAP, TIE
18	B 14174	(-)	BREAKER, CIRCUIT, 25 AMP
19	M 63277	(-)	SCREW, CAP, 1/4" X 1/2"
20	24H 1136	(-)	NUT, LOCK, 1/4" (5 USED)
21	AM 33218	(-)	NUT, LOCK, 5/16"
22	AM 53557	(-)	WASHER, 11/32" X 11/16" X 0.060"
23	14H 605	(-)	WIRE, LEAD
24	12H 290	(-)	RECTIFIER
25	AM 53945	(-)	NUT, NO. 8 (2 USED)
26	12H 291	(-)	WASHER, LOCK, INTERNAL-TOOTH, NO. 8 (2 USED)
27	14H 785	(-)	SOLENOID
28	AM 52516	(-)	WASHER, LOCK, INTERNAL-TOOTH, 5/16" (2 USED)
29	19H 1227	(-)	NUT, 5/16" (2 USED)
30	24H 1287	(-)	BOX, BATTERY
31	M 63378	(-)	SCREW, CAP, 1/4" X 1/2" (2 USED)
32	M 63708	(-)	WASHER, 9/32" X 5/8" X 0.060" (4 USED)
33	...	(-)	BOLT, BATTERY HOLD-DOWN (2 USED)
34	AM 52050	(-)	PAD, BATTERY (2 USED)
35	03H 1701 14H 786	(-)	DRAIN, 16" (406.4 MM) LONG (SUB. M63271) (CUT TO LENGTH)
..	AM 52335	(-)	BATTERY, 12-VOLT (NOT INCLUDED IN ELECTRIC START KIT)
		(-)	BOLT, RD. HD., 1/4" X 3/4" (2 USED)
		(-)	NUT, 1/4" (2 USED)
		(-)	KIT, ELECTRIC START (LESS BATTERY) (EXTRA EQUIPMENT)

**ELECTRIC START KIT
(800 AND JDX8)**

M15624

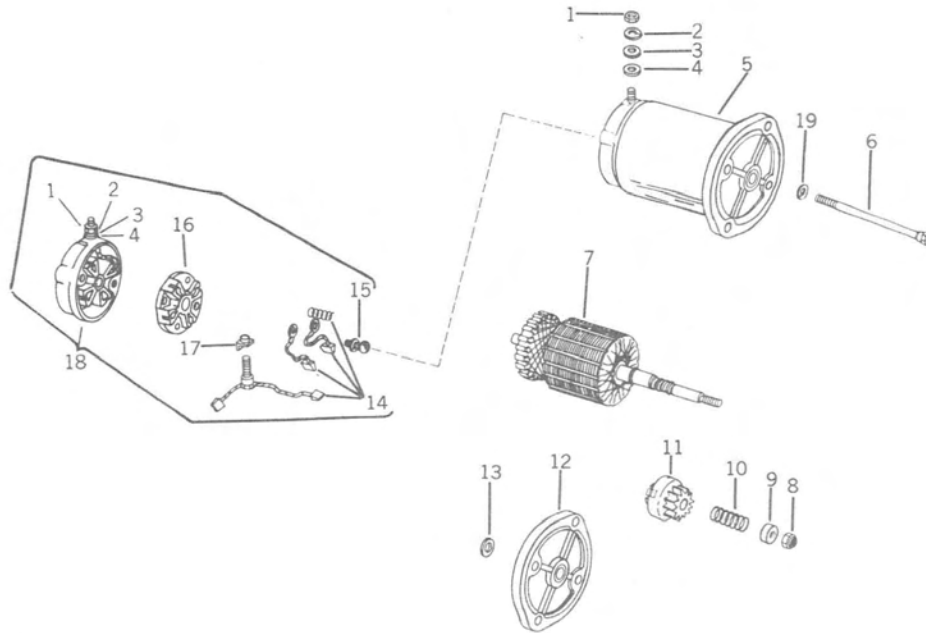


M15624

KEY	PART NO.	SERIAL NO.	DESCRIPTION
1	AM 52468	-	CABLE (3 USED) (SUB. AM31551)
2	03H 1701 14H 786	-	BOLT, RD. HD., 1/4" X 3/4" (2 USED) NUT, 1/4" (2 USED)
3	B 14174	-	NUT, LOCK, 1/4" (7 USED)
4	24H 1287	-	WASHER, 9/32" X 5/8" X 0.060" (4 USED)
5	M 41125	-	BOOT
6	AM 52187	-	HOLD-DOWN, BATTERY
7	...	-	DRAIN, 16" (406.4 MM) LONG (SUB. M63271) (CUT TO LENGTH)
8	19H 1227	-	SCREW, CAP, 1/4" X 1/2"
9	AM 33621	-	BREAKER, CIRCUIT, 25 AMP
10	AM 33218	-	WIRE, LEAD
11	AM 52467	-	HARNESS, WIRING
12	M 63300	-	STRAP, TIE
13	AM 52466	-	RECTIFIER
14	12H 290	-	WASHER, LOCK, INTERNAL-TOOTH, NO. 8 (2 USED)
15	14H 605	-	NUT, NO. 8 (2 USED)
16	14H 786	-	NUT, 1/4"
17	12H 297	-	WASHER, LOCK, INTERNAL-TOOTH, 1/4"
18	M 63924	-	NUT, FLANGE, 8 MM (2 USED)
19	M 63795	-	SPACER
20	AM 52454	-	MOTOR, STARTER
21	M 63956	-	BRACKET, TAIL
22	37H 24	-	SCREW, THREAD-CUTTING, 1/4" X 3/4"
23	12H 303	-	WASHER, LOCK, 5/16" (2 USED)
24	19M 6887	-	SCREW, SOCKET HEAD, 8 MM X 18 MM (2 USED)
25	AM 53945	-	SOLENOID
26	12H 291	-	WASHER, LOCK, INTERNAL-TOOTH, 5/16" (2 USED)
27	14H 785	-	NUT, 5/16" (2 USED)
28	AM 53502	-	BOX, BATTERY
29	19H 1813	-	SCREW, CAP, 5/16" X 5/8" (2 USED)
30	AM 53503	-	BRACKET, SUPPORT
31	24H 1136	-	WASHER, 11/32" X 11/16" X 0.060" (2 USED)
32	M 63277	-	NUT, LOCK, 5/16" (2 USED)
33	M 63708	-	PAD, BATTERY (2 USED)
34	AM 52050	-	BATTERY, 12-VOLT (NOT INCLUDED IN ELECTRIC START KIT)
35	M 63378	-	BOLT, BATTERY HOLD-DOWN (2 USED)
..	AM 53509	-	KIT, ELECTRIC START (LESS BATTERY) (EXTRA EQUIPMENT)

STARTER MOTOR (PERMANENT MAGNET FIELD)

M18417

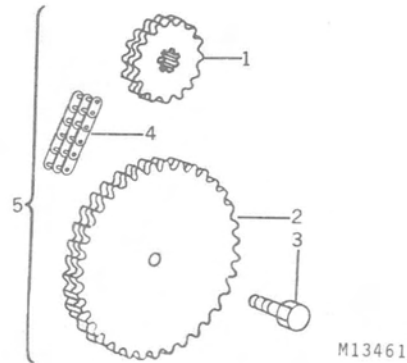


M18417

KEY	PART NO.	SERIAL NO.	DESCRIPTION
1	14H 786	(-)	NUT, 1/4"
2	12H 302	(-)	WASHER, LOCK, 1/4" (1 USED)
3	24H 1287	(-)	WASHER, 9/32" X 5/8" X 0.060"
4	M 41860	(-)	WASHER, INSULATING (2 USED)
5	AM 52454	(-)	MOTOR, STARTER COMPLETE (400, 600, 800, JDX4, JDX6 AND JDX8)
	AM 52455	(-)	MOTOR, STARTER, COMPLETE (300)
6	M 64100	(-)	BOLT, THRU (2 USED)
I 7	AM 52454	(-)	ARMATURE (400, 600, 800, JDX4, JDX6 AND JDX8) (SUB. FOR AM52519)
	AM 52523	(-)	ARMATURE (300) (SUB. AM52455)
I 8	M 63051	(-)	NUT (SUB. FOR M46798)
9	M 63859	(-)	SPACER, GEAR STOP
10	M 44781	(-)	SPRING, ANTI-DRIFT (400, 600, 800, JDX4, JDX6, AND JDX8)
	M 63754	(-)	SPRING, ANTI-DRIFT (300)
11	AM 52556	(-)	DRIVE ASSEMBLY (400, 600, 800, JDX4, JDX6 AND JDX8)
	AM 52559	(-)	DRIVE ASSEMBLY (300)
12	AM 52560	(-)	FLANGE, MOUNTING, END CAP
13	M 44788	(-)	WASHER, THRUST
14	AM 32851	(-)	KIT, BRUSH AND SPRING
15	21H 1104	(-)	SCREW, MACHINE, NO. 10 X 5/8" (4 USED)
	12H 295	(-)	WASHER, LOCK, INTERNAL-TOOTH, NO. 10 (4 USED)
16	M 47464	(-)	HOLDER, BRUSH
17	M 44795	(-)	BUSHING, INSULATING
18	AM 32852	(-)	CAP ASSEMBLY, COMMUTATOR END
19	12H 303	(-)	WASHER, LOCK, 5/16" (2 USED)

**HIGH-TORQUE AND HIGH ALTITUDE KITS
(300)**

M13461

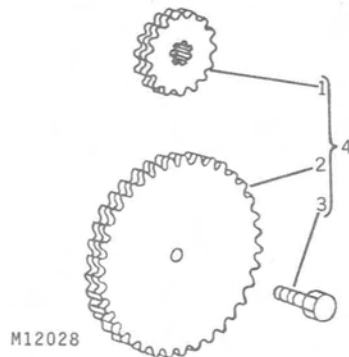


KEY	PART NO.	SERIAL NO.	DESCRIPTION
1	M 64602	(-)	SPROCKET, DRIVE, 15-TOOTH
2	M 64603	(-)	SPROCKET, DRIVEN, 40-TOOTH
3	M 63678	(-)	BOLT, LOCK, 3/8" X 1"
4	M 63125	(-)	CHAIN, DRIVE, 92 PITCH
5	AM 53097	(-)	KIT, HIGH-TORQUE (EXTRA EQUIPMENT)
..	AM 52724	(-)	KIT, HIGH ALTITUDE ROLLER ARM
..	M 64213	(-)	BRACKET, CAM (35°) HIGH ALTITUDE

* PARTS FOLLOWED BY AN ASTERISK MUST BE USED WITH AM53097 HIGH-TORQUE KIT FOR HIGH ALTITUDE.

**HIGH-TORQUE AND HIGH ALTITUDE KITS
(800, JDX6 AND JDX8)**

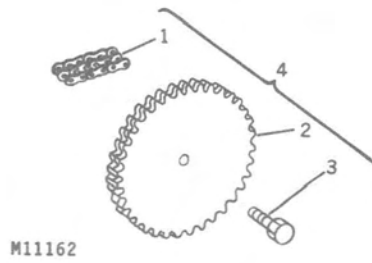
M12028



KEY	PART NO.	SERIAL NO.	DESCRIPTION
1	M 63224	(-)	SPROCKET, DRIVE, 16-TOOTH
2	M 63226	(-)	SPROCKET, DRIVEN, 39-TOOTH
3	M 63678	(-)	BOLT, LOCK, 3/8" X 1"
4	AM 52605	(-)	KIT, HIGH-TORQUE (EXTRA EQUIPMENT)

**HIGH-TORQUE AND HIGH ALTITUDE KITS
(400, 600 AND JDX4)**

M11162



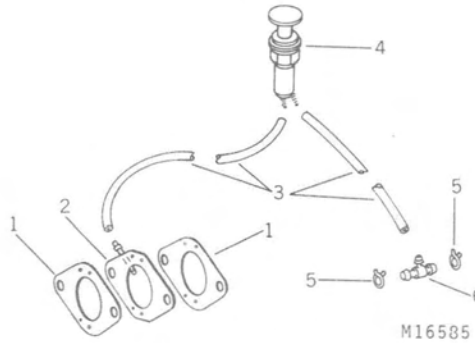
M11162

KEY	PART NO.	SERIAL NO.	DESCRIPTION
1	M 63125	(-)	CHAIN, DRIVE, 92-PITCH
2	M 63226	(-)	SPROCKET, 39-TOOTH
3	M 63678	(-)	BOLT, LOCK, 3/8" X 1"
4	AM 52270	(-)	KIT, HIGH-TORQUE (EXTRA EQUIPMENT)
..	AM 53003	* (-)	KIT, HIGH ALTITUDE ROLLER ARM

* PARTS FOLLOWED BY AN ASTERISK MUST BE USED WITH AM52270 HIGH-TORQUE KIT FOR HIGH ALTITUDE.

PRIMER KIT

M16585



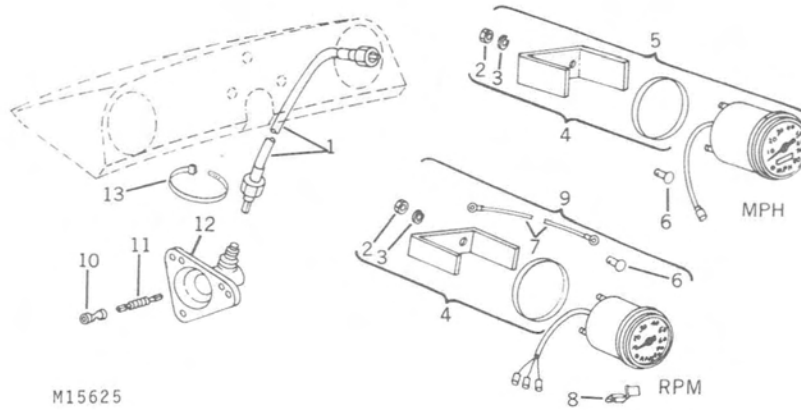
M16585

KEY	PART NO.	SERIAL NO.	DESCRIPTION
1	M 63952	* (-)	GASKET (2 USED)
2	M 65522	* (-)	PLATE, FLANGE (SERVICE ONLY)
3	...	* (-)	LINE, FUEL (SUB. M65595, 10 FT. (3.048 M) (CUT TO LENGTH)
4	...	* (-)	PRIMER (SUB. AM53446)
5	M 64254	* (-)	CLAMP, HOSE (2 USED)
6	M 65523	* (-)	FITTING, TEE

* KIT LISTED BELOW INCLUDES ONE INTERNAL-TOOTH WASHER, ONE NUT AND ALL PARTS FOLLOWED BY AN ASTERISK
 .. AM 53446 (-) KIT, PRIMER

SPEEDOMETER AND TACHOMETER

M15625



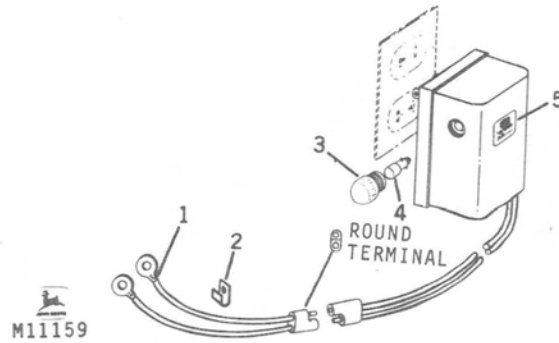
M15625

KEY	PART NO.	SERIAL NO.	DESCRIPTION
1	AM 52345	*	(-) CABLE, SPEEDOMETER
2	14H 7028	(-)	NUT, 5 MM (2 USED) (SERVICE ONLY)
3	12H 7011	(-)	WASHER, LOCK, 5 MM (2 USED) (SERVICE ONLY) (SUB. 12H246)
4	AM 52449	(-)	KIT, MOUNTING BRACKET (SERVICE ONLY)
5	AM 52343	*	(-) SPEEDOMETER (INCLUDES AM52449 AND AM52847)
6	AM 52847	(-)	BULB
7	AM 52549	(-)	WIRE, GROUNDING
8	AM 52175	(-)	CONNECTOR (3 USED)
9	AM 52346	(-)	KIT, TACHOMETER
	AM 53193	(55001 -)	KIT, TACHOMETER (400)
10	M 63306	*	(-) BUSHING
11	M 64142	*	(-) CORE, SPEEDOMETER
12	AM 52344	*	(-) DRIVE, SPEEDOMETER
13	M 63300	*	(-) STRAP, TIE (2 USED)
..	AM 53432	(-)	FUSE, 0.1 AMP. (NOT ILLUSTRATED)

* KIT LISTED BELOW INCLUDES ALL PARTS FOLLOWED BY AN ASTERISK:
 .. AM 52347 (-) KIT, SPEEDOMETER

BATTERY CHARGER

M11159



KEY	PART NO.	SERIAL NO.	DESCRIPTION
1	AM 32877	(-)	LEADS, BATTERY (ROUND TERMINAL)
2	N 10010	(-)	J-CLAMP
3	M 44212	(-)	LENS, INDICATOR
4	AM 32394	(-)	BULB (GE 44)
5	M 44216	(-)	DECAL, BATTERY CHARGER
..	AM 32400	(-)	KIT, CHARGER (SUB. AM36786)
..	AM 36786	(-)	KIT, BATTERY CHARGER, COMPLETE (CANADA ONLY)

TWO CYCLE OIL

KEY	PART NO.	SERIAL NO.	DESCRIPTION
..	PT 560	(-)	OIL, TWO CYCLE (1 U.S. PINT) (0.473 LITER)

HEAVY-DUTY SUSPENSION KIT (NOT ILLUSTRATED)

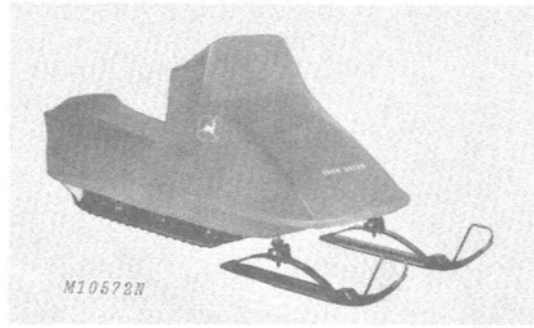
KEY	PART NO.	SERIAL NO.	DESCRIPTION
..	AM 52648	(-)	KIT, HEAVY-DUTY SUSPENSION (INCLUDES ONE M64262 REAR SPRING, R.H. ONE M64263 REAR SPRING L.H., THREE M64264 BOGIE AXLE SPRINGS AND THREE M64265 BOGIE AXLE SPRINGS)

**FIRM SUSPENSION SPRINGS (NOT ILLUSTRATED)
(JDX4, JDX6 AND JDX8)**

KEY	PART NO.	SERIAL NO.	DESCRIPTION
..	M 64240	(-)	SPRING, R.H. PIVOT ARM (2 USED)
..	M 64241	(-)	SPRING, L.H. PIVOT ARM (2 USED)

M10572N

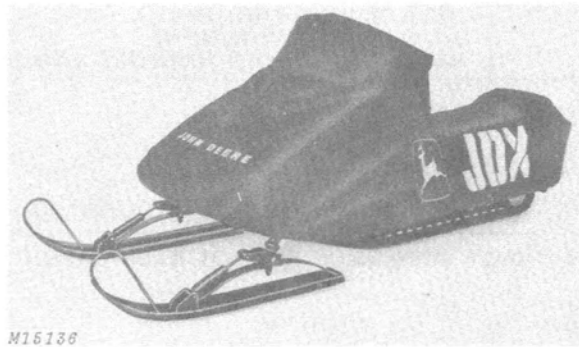
SNOWMOBILE COVER (GREEN)



KEY	PART NO.	SERIAL NO.	DESCRIPTION
I ..	AM 53094	(-)	COVER (300, 400, 500, 600 AND 800) (SUB. FOR AM52465)

M15136

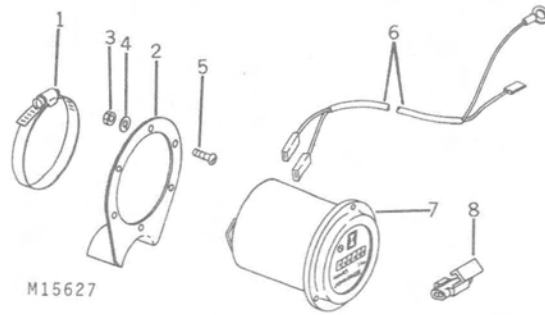
SNOWMOBILE COVER (BLACK)



KEY	PART NO.	SERIAL NO.	DESCRIPTION
..	AM 52658	(-)	COVER, SNOWMOBILE (JDX4, JDX6 AND JDX8 WITH OR WITHOUT BACKREST). (SUB. TY2904)

HOURMETER KIT

M15627



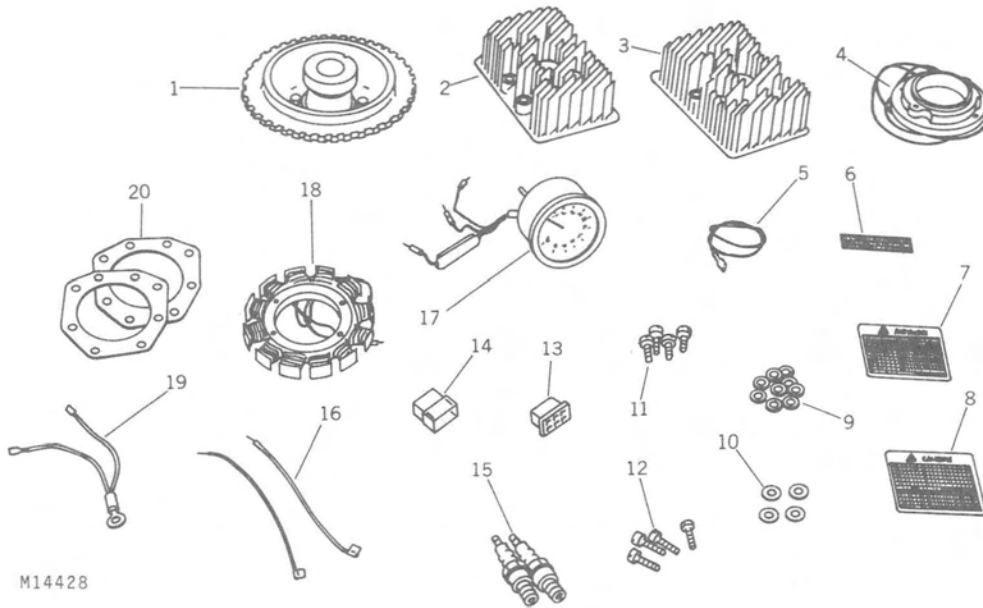
M15627

KEY	PART NO.	SERIAL NO.	DESCRIPTION
1	H 2742 B	(-)	CLAMP
2	M 44478	(-)	BRACKET, HOURMETER
3	14H 1026	(-)	NUT, NO. 6 (3 USED)
4	12H 314	(-)	WASHER, LOCK, NO. 6 (3 USED)
5	21H 1290	(-)	SCREW, MACHINE, NO. 6 X 1/2" (3 USED)
6	AM 32664	(-)	HARNESS, MAIN WIRING
7	AM 32060	(-)	HOURMETER (SUB. AM32500)
8	AM 52175	(-)	CONNECTOR, WIRE
..	AM 32500 *	(-)	KIT, HOURMETER COMPLETE (EXTRA EQUIPMENT)

* NOTE: USE ONLY WITH ELECTRIC START KIT.

CDI AND CYLINDER HEAD KIT
 1975 JDX8 (SN 30001-)
 1975 800 (SN 30001-)

M14428

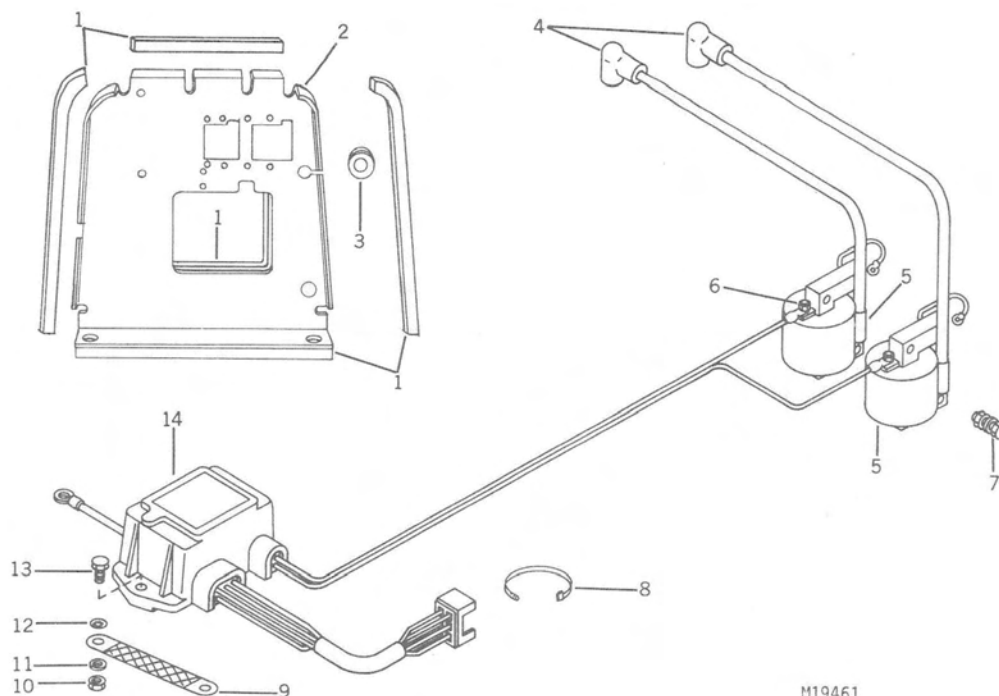


M14428

KEY	PART NO.	SERIAL NO.	DESCRIPTION
1	AM 54090	(-)	FLYWHEEL (WITH RING GEAR)
2	M 66544	(-)	HEAD, CYLINDER R.H.
3	M 66545	(-)	HEAD, CYLINDER L.H.
4	AM 53643	(-)	HOUSING, TRIGGER
5	AM 53642	(-)	WIRE, LEAD
6	M 66539	(-)	LABEL, SPARK PLUG RECOMMENDATION
7	M 66511	(-)	LABEL, CAUTION (FRENCH)
8	M 65985	(-)	LABEL, CAUTION
9	12H 246	(-)	WASHER, LOCK, NO. 10 (8 USED)
10	24M 7027	(-)	WASHER, 5.3 MM X 11 MM X 1 MM (4 USED)
11	21M 6070	(-)	SCREW, MACHINE 5 MM X 15 MM (4 USED)
12	21M 7143	(-)	SCREW, MACHINE 5 MM X 30 MM (4 USED)
13	M 65877	(-)	HOUSING, TAB
14	M 63589	(-)	HOUSING, RECEPTACLE
15	AM 53187	(-)	PLUG, SPARK (2 USED)
16	M 63300	(-)	STRAP, TIE (2 USED)
17	AM 53193	(-)	TACHOMETER (SEE PAGE 90 FOR PARTS)
18	AM 53647	(-)	STATOR ASSEMBLY
19	AM 53634	(-)	WIRE, LEAD
20	M 64675	(-)	GASKET, CYLINDER HEAD (2 USED)

CDI AND CYLINDER HEAD KIT
 1975 JDX8 (SN 30001-)
 1975 800 (SN 30001-)

M19461



M19461

KEY	PART NO.	SERIAL NO.	DESCRIPTION
1	...	-	FOAM, DEFLECTOR (SUB. AM54079 FOAM KIT)
2	M 66066	-	DEFLECTOR ASSEMBLY
3	M 65478	-	GROMMET
4	AM 53862	-	KIT, BOOT AND SPRING
5	AM 53645	-	COIL, IGNITION (2 USED)
6	14H 1026	-	NUT, NO. 6 (2 USED)
7	12H 321	-	WASHER, LOCK NO. 6 INTERNAL TOOTH (2 USED)
7	21H 985	-	SCREW, MACHINE NO. 10 X 1" (8 USED)
7	12H 295	-	WASHER, LOCK NO. 10 INTERNAL TOOTH (8 USED)
7	14H 631	-	NUT, NO. 10 (8 USED)
8	M 63300	-	STRAP, TIE
9	AM 52218	-	STRAP, GROUND
10	M 63707	-	NUT, LOCK 1/4" (2 USED)
11	24H 1287	-	WASHER, 9/32" X 5/8" X 0.060" (2 USED)
12	12H 297	-	WASHER, LOCK 1/4" INTERNAL TOOTH (2 USED)
13	19H 1914	-	SCREW, CAP, 1/4" X 1" (2 USED)
14	AM 53644	-	ELECTRONIC PACK

NUMERICAL INDEX

PART NO.	GRID	KEY	PAGE	PART NO.	GRID	KEY	PAGE	PART NO.	GRID	KEY	PAGE
AM 53548	J17	18	69	AM 52295	H5	16	7	AM 52468	K7	5	84
AM 53549	J17	14	69	AM 52296	H5	14	7	AM 52468	K8	5	85
M 66260	H15	2	17	AM 52297	H5	13	7	AM 52468	K9	1	86
1917 SC	J21	22	73	AM 52299	J17	4	69	AM 52472	K7	..	84
1917 SC	J22	21	74	AM 52305	K6	14	83	AM 52498	I25	7	52
	AM			AM 52311	K6	5	83	AM 52498	J1	2	53
				AM 52312	K6	4	83	AM 52515	I11	1	38
				AM 52313	H15	15A	17	AM 52516	K7	30	84
				AM 52313	H16	12A	18	AM 52516	K8	28	85
AM 30768	K8	1	85	AM 52314	H7	2	9	AM 52519	K10	7	87
AM 30965	J2	11	54	AM 52317	I11	3	38	AM 52520	H19	5	21
AM 31551	K7	1	84	AM 52321	H11	5	13	AM 52522	H23	11	25
AM 31551	K7	5	84	AM 52324	H7	7	9	AM 52523	K10	7	87
AM 31551	K8	5	85	AM 52325	H7	8	9	AM 52524	H23	10	25
AM 31551	K9	1	86	AM 52335	K8	..	85	AM 52525	H23	16	25
AM 32060	K16	7	93	AM 52343	K13	5	90	AM 52526	H23	13	25
AM 32394	K14	4	91	AM 52344	J25	10	77	AM 52527	H23	13	25
AM 32400	K14	..	91	AM 52344	K3	17	80	AM 52528	H23	13	25
AM 32500	K16	..	93	AM 52344	K13	12	90	AM 52529	H23	12	25
AM 32500	K16	7	93	AM 52345	K13	1	90	AM 52530	H23	12	25
AM 32664	K16	6	93	AM 52346	K13	9	90	AM 52531	H23	12	25
AM 32851	K10	14	87	AM 52354	H14	6	16	AM 52532	H23	18	25
AM 32852	K10	18	87	AM 52355	H14	2	16	AM 52533	H19	..	21
AM 32877	K14	1	91	AM 52356	H8	9	10	AM 52535	I20	2	47
AM 33218	K7	27	84	AM 52359	H24	6	26	AM 52536	I20	3	47
AM 33218	K8	21	85	AM 52359	H25	10	27	AM 52537	I20	5	47
AM 33218	K9	10	86	AM 52359	I1	6	28	AM 52538	I24	1	51
AM 33621	K7	8	84	AM 52359	I2	6	29	AM 52539	I24	3	51
AM 33621	K8	16	85	AM 52376	I18	12	45	AM 52545	I3	..	30
AM 33621	K9	9	86	AM 52380	I18	16	45	AM 52546	H20	..	22
AM 34566	J2	8	54	AM 52380	I21	10	48	AM 52546	H21	..	23
AM 34567	J2	9	54	AM 52380	I23	10	50	AM 52546	H22	..	24
AM 36786	K14	..	91	AM 52381	I18	15	45	AM 52549	K13	7	90
AM 52013	K2	11	79	AM 52381	I21	10	48	AM 52554	I17	7	44
AM 52014	K1	3	78	AM 52381	I23	10	50	AM 52556	K10	11	87
AM 52020	J24	13	76	AM 52396	I19	11	46	AM 52559	K10	11	87
AM 52021	J24	10	76	AM 52399	I23	1	50	AM 52560	K10	12	87
AM 52022	J24	13	76	AM 52400	I23	8	50	AM 52563	J25	4	77
AM 52023	J24	10	76	AM 52405	H24	12	26	AM 52567	I11	2	38
AM 52035	J23	12	75	AM 52405	H25	12	27	AM 52568	J13	2	65
AM 52039	J15	29	67	AM 52405	I1	12	28	AM 52603	J9	9	61
AM 52039	J16	24	68	AM 52405	I2	12	29	AM 52604	J9	3	61
AM 52050	K7	34	84	AM 52415	H8	1	10	AM 52605	K11	4	88
AM 52050	K8	34	85	AM 52416	H8	14	10	AM 52618	K7	18	84
AM 52050	K9	34	86	AM 52417	H8	12	10	AM 52618	K8	13	85
AM 52053	K6	19	83	AM 52418	I12	1	39	AM 52619	K6	11	83
AM 52062	H13	3	15	AM 52435	H13	24	15	AM 52626	J21	8	73
AM 52070	J21	9	73	AM 52449	K13	4	90	AM 52626	J22	8	74
AM 52070	J22	9	74	AM 52449	K13	5	90	AM 52631	J17	8	69
AM 52084	J23	2	75	AM 52451	H8	1	10	AM 52632	J17	5	69
AM 52133	H11	11	13	AM 52452	H8	14	10	AM 52632	J17	6	69
AM 52175	K13	8	90	AM 52453	H8	12	10	AM 52641	I20	9	47
AM 52175	K16	8	93	AM 52454	K8	8	85	AM 52641	I23	15	50
AM 52187	K7	2	84	AM 52454	K9	20	86	AM 52648	J24	..	76
AM 52187	K8	2	85	AM 52454	K10	5	87	AM 52648	K14	..	91
AM 52187	K9	6	86	AM 52454	K10	7	87	AM 52651	J20	14	72
AM 52218	I22	31	49	AM 52455	K7	17	84	AM 52658	K15	..	92
AM 52218	K18	9	95	AM 52455	K10	5	87	AM 52665	H11	..	13
AM 52234	J10	2	62	AM 52455	K10	7	87	AM 52666	K5	20	82
AM 52235	J10	1	62	AM 52463	J20	14	72	AM 52674	K5	6	82
AM 52258	J9	11	61	AM 52464	J24	8	76	AM 52722	I12	9	39
AM 52262	J9	15	61	AM 52465	K15	..	92	AM 52724	K11	..	88
AM 52270	K12	4	89	AM 52466	K9	13	86	AM 52784	K4	14	81
AM 52275	J17	5	69	AM 52467	K7	9	84	AM 52847	K13	5	90
AM 52286	J17	18	69	AM 52467	K8	14	85	AM 52847	K13	6	90
AM 52287	J17	19	69	AM 52467	K9	11	86	AM 52875	J9	16	61
AM 52291	H11	12	13	AM 52468	K7	1	84	AM 52876	J9	16	61

NUMERICAL INDEX - CONTINUED

PART NO.	GRID	KEY	PAGE	PART NO.	GRID	KEY	PAGE	PART NO.	GRID	KEY	PAGE
AM 52880	H15	6	17	AM 53015	I21	15	48	AM 53091	J12	1	64
AM 52880	H16	6	18	AM 53015	I23	15	50	AM 53092	I13	1	40
AM 52881	H15	6	17	AM 53016	I20	9	47	AM 53093	J9	3	61
AM 52881	H16	6	18	AM 53016	I21	15	48	AM 53094	K15	..	92
AM 52886	K6	21	83	AM 53016	I23	15	50	AM 53097	K11	5	88
AM 52886	K6	23	83	AM 53018	I20	9	47	AM 53114	I15	4	42
AM 52887	K6	7	83	AM 53018	I21	15	48	AM 53115	J2	12	54
AM 52888	H13	11	15	AM 53018	I23	15	50	AM 53116	H23	1	25
AM 52890	H5	21	7	AM 53019	I20	9	47	AM 53117	I15	6	42
AM 52891	H5	21	7	AM 53020	I20	9	47	AM 53118	I15	9	42
AM 52897	H9	2	11	AM 53021	J14	6	66	AM 53119	I17	8	44
AM 52899	H9	2	11	AM 53022	J14	1	66	AM 53165	I17	6	44
AM 52901	I11	9	38	AM 53031	I1	2	28	AM 53166	I17	12	44
AM 52902	H17	14	19	AM 53032	I1	3	28	AM 53167	I17	1	44
AM 52909	J24	11A	76	AM 53033	I1	1	28	AM 53168	I19	6	46
AM 52913	K3	4	80	AM 53034	H24	4	26	AM 53169	J5	9	57
AM 52917	H11	5	13	AM 53034	H25	5	27	AM 53170	I18	8	45
AM 52919	J24	11A	76	AM 53034	I1	5	28	AM 53187	K17	15	94
AM 52923	H17	14	19	AM 53034	I2	5	29	AM 53191	H15	25	17
AM 52930	H13	1	15	AM 53036	I6	13	33	AM 53191	H16	22	18
AM 52932	I12	7	39	AM 53037	I6	11	33	AM 53193	K13	9	90
AM 52950	K5	7	82	AM 53040	J7	10	59	AM 53193	K17	17	94
AM 52952	K4	5	81	AM 53041	I19	26	46	AM 53228	H9	1	11
AM 52953	K5	16	82	AM 53042	I19	24	46	AM 53228	H12	14	14
AM 52954	I11	4	38	AM 53043	I19	10	46	AM 53234	J5	..	57
AM 52955	I12	2	39	AM 53044	I19	27	46	AM 53234	J7	..	59
AM 52955	I13	5	40	AM 53045	I23	2	50	AM 53318	H15	16A	17
AM 52959	H10	8	12	AM 53046	I23	4	50	AM 53318	H16	13A	18
AM 52960	K6	15	83	AM 53047	I16	6	43	AM 53322	H15	20	17
AM 52961	K6	1	83	AM 53048	I6	..	33	AM 53324	H5	25	7
AM 52969	J19	71	71	AM 53049	I1	2	28	AM 53325	H5	25	7
AM 52971	H15	15B	17	AM 53052	I6	13	33	AM 53333	J15	20	67
AM 52971	H16	12B	18	AM 53052	J7	13	34	AM 53333	J16	14	68
AM 52973	H9	16	11	AM 53053	I6	11	33	AM 53337	H5	25	7
AM 52976	H9	13	11	AM 53053	I7	11	34	AM 53340	H10	7	12
AM 52977	H9	15	11	AM 53054	I6	..	33	AM 53341	H9	9	11
AM 52978	H9	16	11	AM 53055	H24	11	26	AM 53346	K4	23	81
AM 52979	H12	13	14	AM 53056	H24	2	26	AM 53357	H16	17	18
AM 52993	I17	13	44	AM 53057	H24	1	26	AM 53362	H17	1	19
AM 52995	J19	19	71	AM 53058	I4	13	31	AM 53367	H13	12	15
AM 52996	J19	1	71	AM 53059	I4	11	31	AM 53368	H13	5	15
AM 52997	J19	8	71	AM 53060	J5	9	57	AM 53369	H13	18	15
AM 52998	J19	7	71	AM 53061	I18	2	45	AM 53371	H19	..	21
AM 52998	J19	8	71	AM 53062	I18	7	45	AM 53376	J15	3	67
AM 52999	J19	4	71	AM 53063	I18	14	45	AM 53376	J16	3	68
AM 53000	J18	5	70	AM 53064	I18	8	45	AM 53377	J15	3	67
AM 53000	J19	6	71	AM 53065	I18	4	45	AM 53378	K6	23	83
AM 53001	I20	9	47	AM 53066	I21	2	48	AM 53380	H14	6	16
AM 53001	I21	15	48	AM 53067	I21	4	48	AM 53381	H14	2	16
AM 53001	I23	15	50	AM 53068	I21	1	48	AM 53392	H25	10	27
AM 53002	J18	14	70	AM 53069	I21	8	48	AM 53392	I1	6	28
AM 53002	J19	15	71	AM 53069	I23	1	50	AM 53398	H17	1	19
AM 53003	K12	..	89	AM 53069	I23	8	50	AM 53399	H17	1	19
AM 53004	J19	16	71	AM 53070	I16	10	43	AM 53407	J19	5	71
AM 53006	I20	9	47	AM 53071	I4	..	31	AM 53408	J19	2	71
AM 53006	I21	15	48	AM 53072	H24	2	26	AM 53409	H13	2	15
AM 53006	I23	15	50	AM 53073	H24	1	26	AM 53411	I14	3	41
AM 53007	I20	9	47	AM 53074	H20	1	22	AM 53412	I11	9	38
AM 53007	I21	15	48	AM 53075	I4	13	31	AM 53413	K4	6	81
AM 53007	I23	15	50	AM 53076	I4	11	31	AM 53417	J19	..	71
AM 53008	I20	9	47	AM 53077	I4	..	31	AM 53418	K4	17	81
AM 53008	I21	15	48	AM 53085	J12	2	64	AM 53419	J14	3	66
AM 53008	I23	15	50	AM 53086	J11	20	63	AM 53420	J14	3	66
AM 53011	J11	24	63	AM 53087	J11	17	63	AM 53422	K4	11	81
AM 53011	J15	12	67	AM 53088	J11	18	63	AM 53423	K4	11	81
AM 53014	I21	15	48	AM 53089	J11	5	63	AM 53424	J15	2	67
AM 53014	I23	15	50	AM 53090	J11	15	63	AM 53424	J16	2	68

NUMERICAL INDEX - CONTINUED

PART NO.	GRID	KEY	PAGE	PART NO.	GRID	KEY	PAGE	PART NO.	GRID	KEY	PAGE
AM 53426	I14	2	41	AM 53709	J15	..	67		AR		
AM 53432	K13	..	90	AM 53709	J16	..	68				
AM 53439	K4	10	81	AM 53733	J18	7	70	AR 21840	J13	5	65
AM 53440	H5	22	7	AM 53734	J18	6	70	AR 48236	H20	16	22
AM 53441	H5	22	7	AM 53735	J18	11	70	AR 48236	H21	17	23
AM 53442	H5	22	7	AM 53736	J18	4	70	AR 48236	H22	18	24
AM 53443	H5	22	7	AM 53737	J18	8	70				
AM 53446	J15	..	67	AM 53738	J18	18	70				
AM 53446	J15	31	67	AM 53738	J19	19	71		AT		
AM 53446	K12	4	89	AM 53741	J18	17	70				
AM 53462	J23	2	75	AM 53741	J19	18	71	AT 14927	K4	25	81
AM 53463	J19		71	AM 53758	J19	19	71				
AM 53476	J19		71	AM 53780	J24	12	76				
AM 53479	I10	24	37	AM 53781	J24	11B	76		B		
AM 53487	I23	15	50	AM 53787	I22	8	49				
AM 53488	I21	15	48	AM 53791	H21	..	23	B 14174	K7	7	84
AM 53488	I23	15	50	AM 53862	I22	9	49	B 14174	K8	18	85
AM 53501	J11	7	63	AM 53862	K18	4	95	B 14174	K9	3	86
AM 53502	K9	28	86	AM 53897	H15	15B	17				
AM 53503	K9	30	86	AM 53897	H16	12B	18				
AM 53509	K9	..	86	AM 53920	H13	3	15		H		
AM 53510	H9	11	11	AM 53921	I22	7	49				
AM 53511	K5	1	82	AM 53941	I20	9	47	H 2742 B	K16	1	93
AM 53516	I2	3	29	AM 53942	J18	1	70	H 64373	J21	13	73
AM 53517	I2	1	29	AM 53945	K7	26	84	H 64373	J22	12	74
AM 53518	H25	15	27	AM 53945	K8	25	85	H 65107	K6	6	83
AM 53518	I1	14	28	AM 53945	K9	25	86				
AM 53518	I2	14	29	AM 53948	J18	4	70				
AM 53519	I2	2	29	AM 53949	J18	3	70		JD		
AM 53520	I5	11	32	AM 53976	H25	15	27				
AM 53520	I7	11	34	AM 53976	I1	14	28	JD 8551	K3	5	80
AM 53521	I5	13	32	AM 53976	I2	14	29	JD 8555	J25	7	77
AM 53521	I7	13	34	AM 53977	H25	12	27	JD 8555	K3	11	80
AM 53522	H21	24	23	AM 53978	H25	3	27	JD 8562	J21	5	73
AM 53522	H22	1	24	AM 53979	H25	4	27	JD 8562	J22	5	74
AM 53523	J6	8	58	AM 53980	H25	1	27	JD 9217	J21	5	73
AM 53523	J8	5	60	AM 53981	I1	1	28	JD 9217	J22	5	74
AM 53524	I5	..	32	AM 53981	I2	1	29				
AM 53524	I7	..	34	AM 53982	I1	3	28		L		
AM 53525	I2	2	29	AM 53982	I2	3	29				
AM 53526	I1	3	28	AM 53983	I2	2	29				
AM 53526	I2	3	29	AM 53984	H21	24	23	L 1152 N	J17	13	69
AM 53527	I1	1	28	AM 53985	J6	7	58	L 1921 C	K3	9	80
AM 53527	I2	1	29	AM 53986	J6	8	58				
AM 53528	I7	..	34	AM 53988	I5	13	32		M		
AM 53546	J18	15	70	AM 53989	I6	13	33				
AM 53546	J19	16	71	AM 53989	I7	13	34				
AM 53550	I3	7	30	AM 54090	K17	1	94	M 2396 T	J2	5	54
AM 53557	K7	21	84	AM 54111	I2	2	29	M 17841	H15	24	17
AM 53557	K8	22	85	AM 54225	H25	1	27	M 17841	H16	21	18
AM 53578	H15	16B	17	AM 54225	I2	2	29	M 40333	H6	1	8
AM 53578	H16	13B	18	AM 54227	H20	..	22	M 40721	J11	22	63
AM 53629	K4	25	81	AM 54227	H21	..	23	M 41125	K7	3	84
AM 53634	I22	18	49	AM 54227	H22	..	24	M 41125	K8	4	85
AM 53634	K17	19	94	AM 54240	I22	33	49	M 41125	K9	5	86
AM 53642	I22	24	49	AM 54253	H16	12B	18	M 41435	H10	5	12
AM 53642	K17	5	94	AM 54306	J18	4	70	M 41860	K10	4	87
AM 53643	I22	1	49	AM 54373	K4	25	81	M 42010	I3	2	30
AM 53643	K17	4	94	AM 54387	I2	1	29	M 44212	K14	3	91
AM 53644	I22	33	49	AM 54390	I2	3	29	M 44216	K14	5	91
AM 53644	K18	14	95	AM 54391	I2	1	29	M 44478	K16	2	93
AM 53645	I22	15	49	AM 54392	I2	3	29	M 44781	K10	10	87
AM 53645	K18	5	95	AM 54393	I2	1	29	M 44788	K10	13	87
AM 53647	I22	6	49	AM 54422	H23	11	25	M 44795	K10	17	87
AM 53647	K17	18	94	AM 54583	K4	14	81	M 46798	K10	8	87
AM 53668	J11	7	63	AM 54630	I2	3	29	M 47217	J2	1	54
AM 53708	K4	14	81	AM 63069	I21	1	48	M 47218	J2	2	54

NUMERICAL INDEX - CONTINUED

PART NO.	GRID	KEY	PAGE	PART NO.	GRID	KEY	PAGE	PART NO.	GRID	KEY	PAGE
M 47219	J2	3	54	M 63224	J23	1	75	M 63339	J23	8	75
M 47221	J2	6	54	M 63224	K11	1	88	M 63341	J21	18	73
M 47222	J2	7	54	M 63225	J23	3	75	M 63341	J22	17	74
M 47223	J2	10	54	M 63226	J23	8	75	M 63341	J23	1	75
M 47464	K10	16	87	M 63226	K11	2	88	M 63342	J23	8	75
M 47470	H19	15	21	M 63226	K12	2	89	M 63348	H5	12	7
M 63009	K2	9	79	M 63227	J23	5	75	M 63348	H8	10	10
M 63010	K2	17	79	M 63228	J22	31	74	M 63368	H18	7	20
M 63012	K1	7	78	M 63228	J23	10	75	M 63370	H15	14	17
M 63014	K1	9	78	M 63229	J21	11	73	M 63370	H16	11	18
M 63015	K2	7	79	M 63229	J22	31	74	M 63378	K7	31	84
M 63016	K2	16	79	M 63232	H15	9	17	M 63378	K8	31	85
M 63017	K2	3	79	M 63232	H16	8	18	M 63378	K9	35	86
M 63018	K2	17	79	M 63236	K1	4	78	M 63389	H6	2	8
M 63019	K1	10	78	M 63237	K2	12	79	M 63389	H9	14	11
M 63022	H14	7	16	M 63247	H6	18	8	M 63440	H14	1	16
M 63023	H14	7	16	M 63248	H6	20	8	M 63440	H18	1	20
M 63036	J24	3	76	M 63258	J21	24	73	M 63440	I11	5	38
M 63039	J24	9	76	M 63259	J21	25	73	M 63440	I12	3	39
M 63039	K5	3	82	M 63270	J11	26	63	M 63440	I13	6	40
M 63040	J24	2	76	M 63270	J15	5	67	M 63440	K2	4	79
M 63041	J24	2	76	M 63270	J15	7	67	M 63449	H12	6	14
M 63049	H15	22	17	M 63270	J15	11	67	M 63450	H12	7	14
M 63049	H16	18	18	M 63270	J15	13	67	M 63450	K6	12	83
M 63050	H15	8	17	M 63270	J15	28	67	M 63458	J20	17	72
M 63050	H16	7	18	M 63270	J16	5	68	M 63459	J20	8	72
M 63051	K10	8	87	M 63270	J16	6	68	M 63537	I18	26	45
M 63052	H15	17	17	M 63270	J16	9	68	M 63537	I19	22	46
M 63052	H16	14	18	M 63270	J16	23	68	M 63538	I18	25	45
M 63059	H6	21	8	M 63271	K7	35	84	M 63540	H24	3	26
M 63108	K2	15	79	M 63271	K8	33	85	M 63540	I1	4	28
M 63109	K2	13	79	M 63271	K9	7	86	M 63541	H24	7	26
M 63110	H17	2	19	M 63277	H5	1	7	M 63541	H25	9	27
M 63111	H17	3	19	M 63277	H6	15	8	M 63541	I1	7	28
M 63112	H15	4	17	M 63277	H7	17	9	M 63541	I2	7	29
M 63112	H16	4	18	M 63277	H17	5	19	M 63542	H24	5	26
M 63113	H15	2	17	M 63277	J14	7	66	M 63542	H25	11	27
M 63113	H16	2	18	M 63277	J20	6	72	M 63542	I1	11	28
M 63115	H5	6	7	M 63277	J21	28	73	M 63542	I2	11	29
M 63115	H7	12	9	M 63277	J22	30	74	M 63546	H20	7	22
M 63115	H8	4	10	M 63277	J23	4	75	M 63547	H20	10	22
M 63115	H17	15	19	M 63277	J25	3	77	M 63547	H21	11	23
M 63117	H18	6	20	M 63277	K3	3	80	M 63547	H22	9	24
M 63118	H18	9	20	M 63277	K4	21	81	M 63548	H20	8	22
M 63121	J23	13	75	M 63277	K5	23	82	M 63548	H21	12	23
M 63122	J23	14	75	M 63277	K7	28	84	M 63548	H22	10	24
M 63125	J23	15	75	M 63277	K8	19	85	M 63549	H20	14	22
M 63125	K11	4	88	M 63277	K9	32	86	M 63552	H22	12	24
M 63125	K12	1	89	M 63278	H15	11	17	M 63552	I6	..	33
M 63127	J15	30	67	M 63279	H15	19	17	M 63553	I4	..	31
M 63127	J16	25	68	M 63279	H16	16	18	M 63553	I4	9	31
M 63132	J23	9	75	M 63297	K6	3	83	M 63554	I4	10	31
M 63135	J21	16	73	M 63298	K6	17	83	M 63555	I4	8	31
M 63137	J25	13	77	M 63300	J15	17	67	M 63555	I5	6	32
M 63138	J25	8	77	M 63300	J16	13	68	M 63555	I5	11	32
M 63138	K3	15	80	M 63300	K6	26	83	M 63555	I5	13	32
M 63139	J21	17	73	M 63300	K7	10	84	M 63555	I6	6	33
M 63139	J22	16	74	M 63300	K8	15	85	M 63555	I7	6	34
M 63147	H13	6	15	M 63300	K9	12	86	M 63555	I10	18	37
M 63161	H9	8	11	M 63300	K13	13	90	M 63562	H21	9	23
M 63174	H15	12	17	M 63300	K17	16	94	M 63562	H22	7	24
M 63177	H11	6	13	M 63300	K18	8	95	M 63562	I25	5	52
M 63199	H5	11	7	M 63301	K6	18	83	M 63568	I25	18	52
M 63210	J21	10	73	M 63306	J25	5	77	M 63568	J1	15	53
M 63210	J22	10	74	M 63306	K3	14	80	M 63572	H22	8	24
M 63214	H6	17	8	M 63306	K13	10	90	M 63572	I25	4	52
M 63224	J21	18	73	M 63338	J23	15	75	M 63576	J3	5	55

NUMERICAL INDEX - CONTINUED

PART NO.	GRID	KEY	PAGE	PART NO.	GRID	KEY	PAGE	PART NO.	GRID	KEY	PAGE
M 63577	J3	6	55	M 63699	J17	17	69	M 63892	H8	8	10
M 63580	J3	11	55	M 63699	J17	18	69	M 63900	H6	12	8
M 63581	J3	10	55	M 63701	J17	15	69	M 63900	H6	23	8
M 63583	J3	16	55	M 63704	K6	16	83	M 63903	H13	16	15
M 63584	J3	17	55	M 63705	H5	8	7	M 63904	J14	9	66
M 63585	J3	18	55	M 63707	H5	17	7	M 63905	H13	10	15
M 63586	J3	19	55	M 63707	H6	14	8	M 63906	H13	13	15
M 63587	I18	27	45	M 63707	H7	9	9	M 63919	J21	25	73
M 63588	I21	7	48	M 63707	H8	15	10	M 63919	J22	26	74
M 63589	I18	21	45	M 63707	H9	6	11	M 63920	J21	24	73
M 63589	I19	20	46	M 63707	H11	21	13	M 63920	J22	27	74
M 63589	I22	22	49	M 63707	H13	15	15	M 63921	J21	26	73
M 63589	K17	14	94	M 63707	H17	11	19	M 63921	J22	25	74
M 63590	I21	13	48	M 63707	I11	6	38	M 63924	K8	6	85
M 63590	I23	13	50	M 63707	I12	4	39	M 63924	K9	18	86
M 63593	I18	17	45	M 63707	I13	7	40	M 63929	H5	24	7
M 63593	I19	13	46	M 63707	I14	4	41	M 63931	H11	9	13
M 63594	J20	12	72	M 63707	J14	2	66	M 63932	J21	16	73
M 63603	I16	6	43	M 63707	J20	1	72	M 63932	J22	15	74
M 63605	I16	7	43	M 63707	K2	10	79	M 63939	H21	20	23
M 63615	I25	19	52	M 63707	K6	10	83	M 63939	H22	19	24
M 63615	J1	19	53	M 63707	K6	24	83	M 63940	H21	16	23
M 63616	J3	9	55	M 63707	K18	10	95	M 63940	H22	14	24
M 63617	I18	3	45	M 63708	K7	33	84	M 63940	I5	..	32
M 63618	I21	3	48	M 63708	K8	32	85	M 63940	I6	..	33
M 63618	I23	3	50	M 63708	K9	33	86	M 63952	K12	1	89
M 63621	I4	..	31	M 63709	H11	20	13	M 63954	I5	10	32
M 63621	I4	9	31	M 63711	H11	16	13	M 63954	I5	11	32
M 63626	I25	28	52	M 63711	H12	16	14	M 63954	I5	13	32
M 63626	J1	23	53	M 63725	I18	20	45	M 63954	I6	10	33
M 63636	I16	1	43	M 63725	I19	16	46	M 63954	I7	10	34
M 63637	I16	2	43	M 63725	I22	23	49	M 63956	K8	9	85
M 63640	I9	3	36	M 63728	I21	14	48	M 63956	K9	21	86
M 63640	I10	10	37	M 63728	I23	14	50	M 63961	I25	12	52
M 63643	I9	5	36	M 63738	H5	23	7	M 63961	J1	8	53
M 63643	I10	12	37	M 63754	K10	10	87	M 63962	I25	14	52
M 63650	J9	8	61	M 63775	H5	9	7	M 63962	J1	10	53
M 63651	J9	6	61	M 63775	H11	25	13	M 63963	I25	13	52
M 63655	H13	20	15	M 63775	K6	8	83	M 63963	J1	9	53
M 63662	H10	17	12	M 63776	K6	9	83	M 63966	I25	8	52
M 63662	H12	10	14	M 63795	K8	3	85	M 63966	J1	3	53
M 63662	K4	22	81	M 63795	K9	19	86	M 63967	I25	9	52
M 63662	K6	20	83	M 63796	H6	16	8	M 63967	J1	5	53
M 63667	J15	23	67	M 63797	H6	16	8	M 63968	I25	29	52
M 63667	J16	17	68	M 63803	H11	7	13	M 63969	I25	10	52
M 63672	H12	2	14	M 63804	H11	3	13	M 63969	J1	6	53
M 63673	H12	3	14	M 63806	H13	14	15	M 63970	I25	11	52
M 63674	H12	15	14	M 63807	H13	9	15	M 63970	J1	7	53
M 63676	K1	2	78	M 63809	K1	10	78	M 63971	I25	16	52
M 63678	J23	6	75	M 63810	K1	8	78	M 63971	J1	12	53
M 63678	K11	3	88	M 63812	H18	6	20	M 63972	I25	15	52
M 63678	K12	3	89	M 63813	I11	7	38	M 63972	J1	11	53
M 63679	J21	2	73	M 63813	I12	5	39	M 63973	I25	6	52
M 63679	J22	2	74	M 63813	I13	8	40	M 63973	J1	1	53
M 63683	H24	13	26	M 63816	K6	13	83	M 63976	I10	7	37
M 63683	H25	14	27	M 63817	H11	7	13	M 63977	I10	5	37
M 63683	I1	13	28	M 63820	H14	4	16	M 63978	I10	4	37
M 63683	I2	13	29	M 63848	K8	9	85	M 63979	I10	3	37
M 63685	J17	2	69	M 63859	K10	9	87	M 63980	I5	..	32
M 63686	J17	3	69	M 63861	H7	6	9	M 63980	I6	..	33
M 63687	J17	7	69	M 63865	J21	26	73	M 63980	I7	..	34
M 63689	J17	8	69	M 63876	H6	17	8	M 63980	I10	6	37
M 63689	J17	9	69	M 63883	H11	22	13	M 63981	I5	..	32
M 63690	J17	8	69	M 63885	H11	7	13	M 63981	I6	..	33
M 63690	J17	10	69	M 63887	K7	11	84	M 63981	I7	..	34
M 63691	J17	11	69	M 63888	H11	20	13	M 63981	I10	8	37
M 63698	J17	16	69	M 63889	K7	14	84	M 63984	I19	1	46

NUMERICAL INDEX - CONTINUED

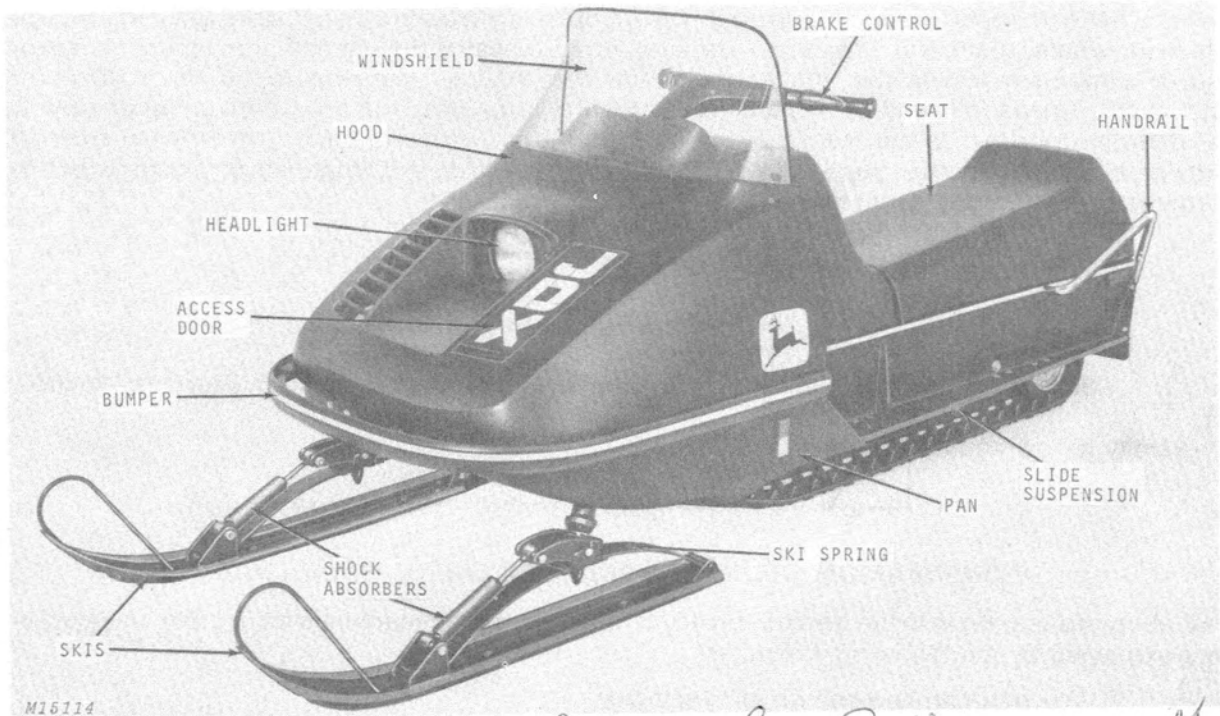
PART NO.	GRID	KEY	PAGE	PART NO.	GRID	KEY	PAGE	PART NO.	GRID	KEY	PAGE
M 63985	I19	23	46	M 64068	I8	2	35	M 64407	H15	20	17
M 63986	I21	12	48	M 64069	H19	11	21	M 64407	H16	20	18
M 63986	I22	10	49	M 64069	H23	4	25	M 64423	J24	1	76
M 63986	I23	12	50	M 64069	I15	2	42	M 64426	H6	13	8
M 63990	I16	5	43	M 64069	I24	6	51	M 64428	H6	4	8
M 63991	I16	8	43	M 64069	J4	2	56	M 64429	H6	4	8
M 63993	I16	9	43	M 64073	H7	1	9	M 64430	K3	8	80
M 63994	I16	3	43	M 64077	J15	21	67	M 64435	H6	6	8
M 63996	I3	..	30	M 64077	J16	26	68	M 64435	H17	13	19
M 63996	I3	6	30	M 64083	I17	15	44	M 64439	H11	18	13
M 63997	I3	..	30	M 64084	I15	8	42	M 64447	J24	1	76
M 63997	I3	8	30	M 64092	I15	7	42	M 64459	H6	7	8
M 63999	I9	4	36	M 64096	J15	15	67	M 64464	H6	8	8
M 63999	I10	11	37	M 64096	J16	7	68	M 64465	H6	8	8
M 64003	I10	23	37	M 64100	K10	6	87	M 64466	H6	5	8
M 64006	H19	4	21	M 64131	H8	7	10	M 64467	H6	5	8
M 64007	H19	13	21	M 64132	J9	10	61	M 64468	H9	12	11
M 64009	H19	14	21	M 64133	J9	13	61	M 64471	J22	4	74
M 64010	H19	16	21	M 64134	J9	7	61	M 64480	K4	15	81
M 64011	H19	15	21	M 64135	J9	5	61	M 64481	K5	8	82
M 64012	H19	17	21	M 64142	J25	9	77	M 64482	K5	10	82
M 64013	H19	7	21	M 64142	K3	16	80	M 64483	K4	4	81
M 64013	I17	11	44	M 64142	K13	11	90	M 64498	H18	3	20
M 64013	J4	8	56	M 64152	I3	1	30	M 64499	H18	3	20
M 64014	I8	8	35	M 64158	J9	2	61	M 64500	H18	3	20
M 64015	I8	6	35	M 64163	J13	7	65	M 64523	H12	12	14
M 64016	I3	..	30	M 64164	H11	4	13	M 64524	H6	12	8
M 64016	I8	7	35	M 64166	J13	7	65	M 64524	H6	23	8
M 64017	I3	..	30	M 64167	J13	1	65	M 64526	H10	22	12
M 64017	I3	11	30	M 64177	H21	10	23	M 64530	K5	28	82
M 64017	I8	9	35	M 64177	H22	20	24	M 64531	K5	28	82
M 64018	I3	..	30	M 64180	J13	7	65	M 64532	K5	28	82
M 64018	I8	4	35	M 64182	J13	7	65	M 64533	K5	28	82
M 64019	I8	5	35	M 64201	J17	1	69	M 64544	H9	10	11
M 64020	I8	3	35	M 64208	K6	25	83	M 64545	H9	10	11
M 64021	H23	9	25	M 64213	J17	14	69	M 64549	J17	20	69
M 64023	H23	8	25	M 64213	K11	..	88	M 64550	J18	22	70
M 64023	I3	..	30	M 64215	J25	13	77	M 64550	J19	23	71
M 64024	H23	6	25	M 64218	K5	22	82	M 64551	K6	22	83
M 64024	I3	..	30	M 64232	I18	24	45	M 64551	K6	23	83
M 64025	H23	5	25	M 64232	I19	21	46	M 64553	K5	26	82
M 64026	H23	14	25	M 64238	K5	30	82	M 64554	H9	10	11
M 64027	H23	15	25	M 64240	K14	..	91	M 64555	H9	10	11
M 64034	H23	19	25	M 64241	K14	..	91	M 64575	H13	23	15
M 64036	H23	20	25	M 64242	K5	14	82	M 64581	K1	1	78
M 64036	I3	..	30	M 64254	H20	..	22	M 64582	K1	6	78
M 64037	H23	21	25	M 64254	J11	25	63	M 64583	K1	5	78
M 64037	I3	..	30	M 64254	J15	4	67	M 64584	K1	1	78
M 64038	I15	5	42	M 64254	J16	4	68	M 64591	I3	5	30
M 64039	H23	7	25	M 64254	K12	5	89	M 64593	K6	2	83
M 64039	I3	..	30	M 64262	K2	15	79	M 64596	J4	3	56
M 64040	J4	6	56	M 64262	K14	..	91	M 64602	K11	1	88
M 64041	J4	4	56	M 64263	K2	13	79	M 64603	K11	2	88
M 64043	I20	7	47	M 64263	K14	..	91	M 64604	J19	12	71
M 64044	I20	4	47	M 64264	J24	2	76	M 64607	J18	12	70
M 64045	I20	6	47	M 64264	K14	..	91	M 64607	J19	13	71
M 64046	I20	8	47	M 64265	J24	2	76	M 64608	J18	20	70
M 64047	I24	5	51	M 64265	K14	..	91	M 64608	J19	21	71
M 64048	I24	4	51	M 64326	K1	6	78	M 64609	J18	19	70
M 64049	I24	8	51	M 64327	K1	5	78	M 64609	J19	20	71
M 64050	I24	13	51	M 64328	H20	15	22	M 64610	J18	21	70
M 64051	I24	9	51	M 64328	H21	18	23	M 64610	J19	22	71
M 64052	I24	12	51	M 64328	H22	17	24	M 64611	J18	15	70
M 64065	H19	3	21	M 64335	K4	16	81	M 64611	J18	16	70
M 64065	I24	16	51	M 64360	J24	6	76	M 64611	J19	17	71
M 64066	H19	9	21	M 64361	J24	6	76	M 64612	J18	10	70
M 64067	I24	10	51	M 64407	H15	13	17	M 64612	J19	10	71

NUMERICAL INDEX - CONTINUED

PART NO.	GRID	KEY	PAGE	PART NO.	GRID	KEY	PAGE	PART NO.	GRID	KEY	PAGE
M 64621	J11	4	63	M 64690	H22	12	24	M 65293	H11	23	13
M 64623	J13	6	65	M 64690	I4	..	31	M 65294	H11	23	13
M 64624	J13	3	65	M 64690	I5	..	32	M 65295	H11	23	13
M 64625	J13	4	65	M 64690	I7	..	34	M 65296	H11	23	13
M 64626	H11	17	13	M 64691	I4	1	31	M 65297	H11	23	13
M 64627	J24	4	76	M 64692	I4	5	31	M 65298	H11	23	13
M 64630	J15	6	67	M 64694	I6	15	33	M 65299	H11	23	13
M 64630	J16	8	68	M 64695	I6	14	33	M 65306	H10	1	12
M 64646	J15	16	67	M 64696	H20	6	22	M 65311	H10	3	12
M 64646	J16	12	68	M 64700	J11	9	63	M 65314	H10	2	12
M 64654	H5	15	7	M 64701	J11	11	63	M 65321	H7	16	9
M 64655	H24	10	26	M 64702	J11	19	63	M 65375	J21	3	73
M 64655	H25	6	27	M 64703	J11	12	63	M 65375	J22	3	74
M 64655	I1	10	28	M 64704	J11	14	63	M 65380	H18	2	20
M 64655	I2	10	29	M 64705	J11	6	63	M 65383	J21	15	73
M 64656	H21	4	23	M 64706	J11	23	63	M 65383	J22	14	74
M 64656	H22	2	24	M 64721	J1	21	53	M 65392	J15	22	67
M 64657	H21	23	23	M 64722	I3	10	30	M 65392	J16	18	68
M 64657	H22	24	24	M 64832	K5	4	82	M 65405	J3	15	55
M 64659	H21	19	23	M 64833	K6	..	83	M 65406	I25	23	52
M 64659	H22	16	24	M 64834	J9	14	61	M 65406	J1	16	53
M 64661	I6	..	33	M 64836	J9	14	61	M 65413	I5	..	32
M 64661	I6	9	33	M 64837	K3	7	80	M 65413	I5	7	32
M 64662	I6	..	33	M 64844	I13	4	40	M 65413	I7	..	34
M 64662	I6	12	33	M 64846	J5	3	57	M 65413	I7	7	34
M 64663	I6	3	33	M 64846	J7	2	59	M 65413	I10	19	37
M 64664	I4	..	31	M 64847	J5	5	57	M 65414	I25	24	52
M 64664	I4	6	31	M 64847	J7	4	59	M 65414	J1	21	53
M 64664	I6	..	33	M 64848	J5	6	57	M 65416	I25	10	52
M 64664	I6	7	33	M 64848	J7	5	59	M 65416	J1	6	53
M 64664	I9	9	36	M 64849	J3	7	55	M 65420	H10	6	12
M 64664	I10	19	37	M 64850	H20	..	22	M 65421	H10	20	12
M 64666	I25	26	52	M 64850	H22	..	24	M 65424	H10	21	12
M 64666	J1	4	53	M 64851	I15	3	42	M 65426	J20	13	72
M 64667	I25	25	52	M 64853	J3	8	55	M 65429	H12	11	14
M 64667	J1	22	53	M 64854	I16	5	43	M 65445	I12	8	39
M 64668	J7	9	59	M 64855	I16	4	43	M 65445	I13	3	40
M 64669	J3	1	55	M 64856	J5	8	57	M 65445	I14	1	41
M 64671	I23	7	50	M 64990	I13	2	40	M 65446	J9	4	61
M 64672	I10	9	37	M 65000	J11	8	63	M 65447	J14	4	66
M 64673	I6	15	33	M 65001	H8	6	10	M 65448	J14	4	66
M 64673	I7	15	34	M 65002	H7	15	9	M 65449	J11	27	63
M 64674	I6	14	33	M 65104	H12	4	14	M 65458	H13	26	15
M 64674	I7	14	34	M 65125	J15	19	67	M 65461	J15	1	67
M 64675	I6	..	33	M 65125	J16	16	68	M 65461	J16	1	68
M 64675	I6	9	33	M 65189	H15	21	17	M 65462	H11	8	13
M 64675	I7	..	34	M 65217	K4	24	81	M 65464	J15	14	67
M 64675	I7	9	34	M 65217	K4	25	81	M 65464	J16	11	68
M 64675	K17	20	94	M 65244	H14	4	16	M 65473	J19	2	71
M 64676	I19	25	46	M 65257	H10	22	12	M 65473	J19	11	71
M 64677	I4	1	31	M 65261	H10	11	12	M 65478	J14	5	66
M 64678	I4	5	31	M 65262	H10	11	12	M 65478	K18	3	95
M 64679	I4	..	31	M 65263	H10	11	12	M 65479	H9	20	11
M 64679	I4	12	31	M 65264	H10	11	12	M 65480	K5	29	82
M 64680	I4	3	31	M 65265	J20	5	72	M 65481	K5	29	82
M 64681	I4	..	31	M 65266	J20	5	72	M 65489	J16	10	68
M 64681	I4	14	31	M 65267	J20	5	72	M 65522	K12	2	89
M 64681	I9	8	36	M 65273	H11	8	13	M 65523	J15	8	67
M 64682	J5	8	57	M 65279	H13	7	15	M 65523	K12	6	89
M 64683	I18	1	45	M 65280	H12	5	14	M 65548	K5	5	82
M 64684	I16	4	43	M 65282	H10	9	12	M 65564	J21	10	73
M 64685	I16	3	43	M 65283	H10	12	12	M 65564	J22	10	74
M 64686	I16	11	43	M 65284	H10	19	12	M 65565	J22	26	74
M 64687	I9	6	36	M 65285	J15	18	67	M 65566	J22	27	74
M 64688	I9	7	36	M 65285	J16	15	68	M 65567	J22	25	74
M 64689	H20	14	22	M 65287	H10	11	12	M 65568	J21	16	73
M 64690	H20	13	22	M 65288	H12	1	14	M 65568	J22	15	74

NUMERICAL INDEX - CONTINUED

PART NO.	GRID	KEY	PAGE	PART NO.	GRID	KEY	PAGE	PART NO.	GRID	KEY	PAGE
M 65571	J21	17	73	M 66249	K4	1	81	R 30828	H13	8	15
M 65571	J22	16	74	M 66255	H15	8	17	R 32018	I17	10	44
M 65581	J21	4	73	M 66259	H5	4	7	R 61762	K5	2	82
M 65581	J22	4	74	M 66260	H15	2	17				
M 65584	J16	26	68	M 66260	H16	2	18				
M 65586	H16	10	18	M 66362	H25	13	27		S		
M 65594	J15	25	67	M 66364	H21	3	23				
M 65594	J16	20	68	M 66365	I5	16	32	S 3079 M	H9	7	11
M 65595	J15	9	67	M 66366	J1	22	53				
M 65595	J15	10	67	M 66367	J6	4	58				
M 65595	K12	3	89	M 66368	J6	5	58		T		
M 65603	H11	24	13	M 66369	J6	9	58				
M 65604	H11	24	13	M 66370	J3	1	55	T 15355	H10	13	12
M 65609	H5	26	7	M 66371	I5	14	32				
M 65610	H5	26	7	M 66371	I7	14	34				
M 65611	H5	26	7	M 66372	I6	14	33		U		
M 65649	H25	2	27	M 66372	I7	14	34				
M 65649	I2	4	29	M 66373	J3	17	55	U 17502	J21	12	73
M 65650	I5	14	32	M 66511	K17	7	94	U 17502	J22	11	74
M 65650	I7	14	34	M 66539	K17	6	94	U 42111	J21	12	73
M 65651	I5	15	32	M 66544	K17	2	94	U 42111	J22	11	74
M 65651	I7	15	34	M 66545	K17	3	94	U 42111	J25	15	77
M 65652	I5	..	32	M 66557	H25	2	27	U 42111	K3	10	80
M 65652	I5	9	32	M 66557	I2	4	29				
M 65652	I7	..	34	M 66751	H21	25	23				
M 65652	I7	9	34	M 66752	H21	26	23				
M 65653	I5	..	32	M 66825	H24	13	26				
M 65653	I5	12	32	M 66825	H25	14	27				
M 65653	I7	..	34	M 66825	I1	13	28				
M 65653	I7	12	34	M 66825	I2	13	29				
M 65654	I5	3	32	M 66826	H24	7	26				
M 65654	I7	3	34	M 66826	H25	9	27				
M 65656	J1	4	53	M 66826	I1	7	28				
M 65657	J6	7	58	M 66826	I2	7	29				
M 65657	J8	4	60	M 66945	H20	15	22				
M 65658	I10	4	37	M 66945	H21	18	23				
M 65660	I19	22	46	M 66945	H22	17	24				
M 65660	I22	34	49	M 66965	J18	11	70				
M 65661	I25	23	52	M 68275	I3	12	30				
M 65661	J1	16	53	M 80291	J21	4	73				
M 65666	K5	13	82	M 80293	J21	4	73				
M 65667	K5	13	82	M 80293	J22	4	74				
M 65672	K4	3	81	M 80293	J25	6	77				
M 65673	K4	1	81						N		
M 65674	K4	2	81								
M 65675	J15	32	67	N 10010	H9	5	11				
M 65675	J16	27	68	N 10010	K14	2	91				
M 65684	J18	9	70	N 31296	J21	6	73				
M 65684	J19	9	71	N 31296	J22	6	74				
M 65685	K5	31	82	N 132422	H14	13	16				
M 65686	H19	2	21						P		
M 65687	I3	9	30								
M 65688	I17	9	44								
M 65689	I17	14	44								
M 65877	I22	25	49								
M 65877	K17	13	94								
M 65975	J3	4	55	P 48338	H5	10	7				
M 65976	J3	16	55								
M 65977	J3	17	55								
M 65985	J6	10	58						PT		
M 65985	K17	8	94								
M 66038	K4	16	81	PT 560	K14	..	91				
M 66055	H11	23	13								
M 66056	H12	1	14						R		
M 66065	H11	23	13								
M 66066	J14	15	66								
M 66066	K18	2	95	R 11027	H13	21	15				



JDX4 Larry Prester 013000 M

John Deere JDX8 Snowmobile

Sale - 55163 M

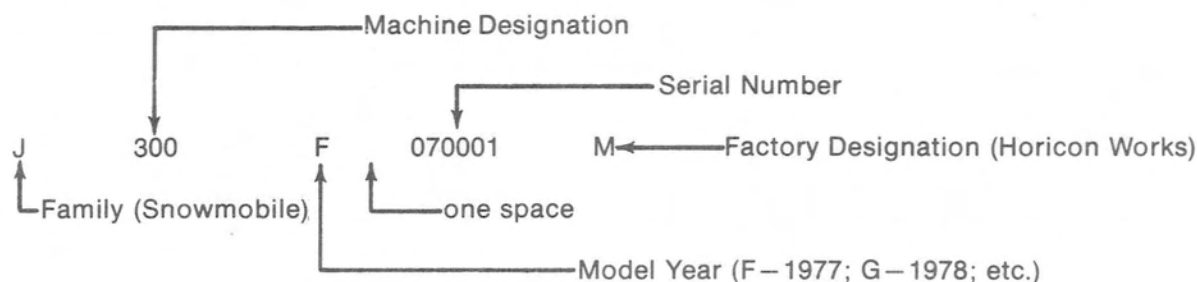
SNOWMOBILES IN THIS CATALOG

- 1975 Model 300 (Serial No. J300D 30001-55000)
- 1975 Model 400 (Serial No. J400D 30001-55000)
- 1975 Model 600 (Serial No. J600D 30001-55000)
- 1975 Model 800 (Serial No. J800D 30001-55000)
- 1975 Model JDX4 (Serial No. JDX4D 30001-55000)
- 1975 Model JDX6 (Serial No. JDX6D 30001-55000)
- 1975 Model JDX8 (Serial No. JDX8D 30001-55000)
- 1976 Model 300 (Serial No. J300E 55001-70000)
- 1976 Model 400 (Serial No. J400E 55001-70000)
- 1977 Model 300 (Serial No. J300F 70001-80000)

(Specifications and design subject to change without notice.)

AN EXPLANATION OF SERIAL NUMBER LISTING

An individual serial number is assigned to each snowmobile. On machines built after 1973, this number consists of thirteen letters, numbers, or spaces. The first letter indicates the "family of machine" (snowmobile); the next three numbers or letters, the "model or machine designation"; the letter in the fifth position indicates the "model year". This is followed by a space (for computer purposes) and a six-digit serial number and the letter "M" denoting Horicon as the factory of manufacture. When ordering parts, use only the six-digit serial on the snowmobile serial number plate. All parts listed in this catalog are identified by the snowmobile serial number rather than the engine serial number.



EXPLANATION OF SERIAL NUMBER OR YEAR LISTING

Serial number information is listed parenthetically to show on which machines each part can be used. These listings are explained by the following examples.

- () The part can be used on all machines.
- (000000-) The part can be used on all machines beginning with the serial number listed.
- (-000000) The part can be used on all machines up to and including serial number listed.
- (000000-000000) The part can be used on all machines between and including the serial numbers listed.

Where XXXXXX's are listed in place of a serial number it indicates a serial number change was made but the exact serial number had not been established when the catalog went to press.

EXPLANATION OF PARTS LISTED AS "SERVICE ONLY"

Certain parts in this catalog are listed in the description column as "Service Only". These parts serve as a replacement or additional part for service instead of the part originally furnished. The serial number shown lists the machines on which the "Service Only" part may be used.

SI UNITS OF MEASURE

Because John Deere sells its products world-wide, U.S. units of measure are shown with their respective Metric equivalents throughout this parts catalog. These equivalents are SI (International System) Units of Measure.

EXPLANATION OF CHANGE INDICATOR LINE

New and revised information is identified by vertical lines marked on the left-hand margin of revised pages. These lines indicate changes affecting the ordering of parts.

ALPHABETICAL INDEX

GRID		PAGE	GRID		PAGE
A					
H12	ACCESS PANELS	14	I6	CYL. HEAD 800 (SN. -33103)	33
J13	AIR INTAKE TUBE	65	I7	CYL. HEAD 800 (SN. 33104-)	34
J4	AIR SHROUD, 300	56	J8	CYLINDER COVER, JDX4 AND JDX8	60
J13	AIR SILENCER	65	J7	CYLINDER COVER, JDX6	59
B					
H8	BACKREST	10	J5	CYLINDER COVER, 600	57
K8	BATTERY BOX 400, 600, JDX4 AND JDX6	85	J8	CYLINDER COVER, 800 (33104-)	60
K9	BATTERY BOX 800 AND JDX8	86	I7	CYLINDER HEAD, JDX4 AND JDX8	34
K7	BATTERY BOX, 300	84	I6	CYLINDER HEAD, JDX6	33
K14	BATTERY CHARGER	91	I3	CYLINDER HEAD, 300	30
K8	BATTERY 400, 600, JDX4 AND JDX6	85	I4	CYLINDER HEAD, 600	31
K9	BATTERY 800 AND JDX8	86	I6	CYLINDER, JDX6	33
K7	BATTERY, 300	84	I3	CYLINDER, 300	30
K1	BEARING, IDLER WHEEL, 300, 400, 600, 800	78	I5	CYLINDERS (400 SERIAL NO. 55001-)	32
J20	BELT GUARD AND SHIELD	72	I6	CYLINDERS (800 SERIAL NO. -33103)	33
J24	BOGIE TUBES	76	I7	CYLINDERS (800 SERIAL NO. 33104-)	34
J24	BOGIES	76	I4	CYLINDERS, (400 SERIAL NO. -55000)	31
H13	BRAKE	15	I7	CYLINDERS, JDX4 AND JDX8	34
J21	BRAKE, 300, 400, 600, JDX4 AND JDX6	73	I4	CYLINDERS, 600	31
J22	BRAKE, 800 AND JDX8	74	D		
H6	BUMPER	8	J14	DEFLECTOR, HEAT	66
C					
J11	CARBURETOR, BENDIX 600	63	J19	DRIVE BELT 600-800-JDX4-JDX6-JDX8	71
J11	CARBURETOR, BENDIX, 400 (-55000)	63	J17	DRIVE BELT, 300	69
J9	CARBURETOR, WALBRO (400) (55001-)	61	J19	DRIVE BELT, 400 (-55000)	71
J9	CARBURETOR, WALBRO JDX6 AND JDX8	61	J18	DRIVE BELT, 400 (55001-)	70
J9	CARBURETOR, WALBRO 300, 800 AND JDX4	61	K3	DRIVE SHAFT (JDX4, JDX6 AND JDX8)	80
K17	CD1 AND CYL. HD. KIT (1975) 800, JDX8	94	J25	DRIVE SHAFT, 300, 400, 600 AND 800	77
K18	CD1 AND CYL. HD. KIT (1975) 800, JDX8	95	J19	DRIVE SHEAVE 600-800-JDX4-JDX6-JDX8	71
J23	CHAIN CASE	75	J17	DRIVE SHEAVE, SALSBURY 300	69
H13	CHOKE CONTROL	15	J19	DRIVE SHEAVE, 400 (-55000)	71
K8	CIRCUIT BREAKER 400, 600, JDX4 AND JDX6	85	J18	DRIVE SHEAVE, 400 (55001-)	70
K9	CIRCUIT BREAKER 800 AND JDX8	86	J23	DRIVE SPROCKET	75
K7	CIRCUIT BREAKER, 300	84	J21	DRIVE SPROCKET 600, JDX4 AND JDX6	73
I18	CONDENSER 400 (SN. -55000) (600)	45	J21	DRIVE SPROCKET, 300 AND 400	73
I19	CONDENSER 800, JDX4, JDX6 AND JDX8	46	J21	DRIVE SPROCKET, 600, JDX4 AND JDX6	73
I17	CONDENSER, 300	44	J22	DRIVE SPROCKET, 800 AND JDX8	74
H11	CONSOLE	13	K3	DRIVE WHEELS (JDX4, JDX6 AND JDX8)	80
H13	CONTROL, THROTTLE AND CHOKE	15	J25	DRIVE WHEELS, 300, 400, 600 AND 800	77
K15	COVER, SNOWMOBILE 300, 400, 500, 600,800	92	J19	DRIVEN SHEAVE 600-800-JDX4-JDX6-JDX8	71
K15	COVER, SNOWMOBILE, JDX4, JDX6 AND JDX8	92	J17	DRIVEN SHEAVE, SALSBURY 300	69
H20	CRANKCASE (400 SERIAL NO. -55000)	22	J19	DRIVEN SHEAVE, 400 (-55000)	71
H21	CRANKCASE (400 SERIAL NO. 55001-)	23	J18	DRIVEN SHEAVE, 400 (55001-)	70
H19	CRANKCASE, 300	21	E		
H20	CRANKCASE, 600	22	K8	ELEC. START KIT 400, 600, JDX4, JDX6	85
H22	CRANKCASE, 800, JDX4, JDX6 AND JDX8	24	K9	ELECTRIC START KIT 800 AND JDX8	86
H25	CRANKSHAFT (400 SERIAL NO. 55001-)	27	K7	ELECTRIC START KIT, 300	84
I1	CRANKSHAFT (800 SERIAL NO. -33103)	28	I22	ELECTRONIC PACK 400 (SN. 55001-)	49
I2	CRANKSHAFT (800 SERIAL NO. 33104-)	29	H20	ENG. COMPLETE 400 (SN. -55000)	22
H24	CRANKSHAFT, (400 SERIAL NO. -55000)	26	H21	ENG. COMPLETE 400 (SN. 55001-)	23
I2	CRANKSHAFT, JDX4 AND JDX8	29	H22	ENG. COMPLETE 800, JDX4, JDX6, JDX8	24
I1	CRANKSHAFT, JDX6	28	H18	ENGINE MOUNT	20
H23	CRANKSHAFT, 300	25	H20	ENGINE, COMPLETE 600	22
H24	CRANKSHAFT, 600	26	I9	EXHAUST MANIFOLD 400 (SN. -55000)	36
J5	CYL. COVER 400 (SN. -55000)	57	I10	EXHAUST MANIFOLD 400 (SN. 55001-)	37
J6	CYL. COVER 400 (SN. 55001-)	58	I9	EXHAUST MANIFOLD 600	36
J7	CYL. COVER 800 (SN. -33103)	59	I10	EXHAUST MANIFOLD 800, JDX4, JDX6, JDX8	37
I4	CYL. HEAD 400 (SN. -55000)	31	F		
I5	CYL. HEAD 400 (SN. 55001-)	32	I25	FAN (400 SERIAL NO. -55000) (600)	52
			J1	FAN (400 SERIAL NO. 55001-)	53

ALPHABETICAL INDEX - CONTINUED

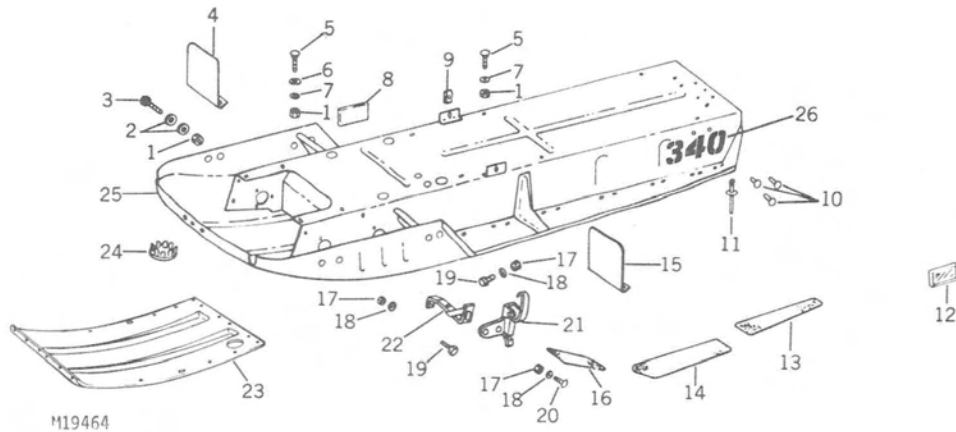
GRID		PAGE	GRID		PAGE
	L				
K6	LIGHT SWITCH	83	K8	RECTIFIER 400, 600, JDX4 AND JDX6	85
I19	LIGHTING COIL 800, JDX4, JDX6 AND JDX8	46	K9	RECTIFIER 800 AND JDX8	86
I17	LIGHTING COIL, 300	44	K7	RECTIFIER, 300	84
I18	LIGHTING COIL, 600	45	I10	REED VALVE	37
	M		I10	REED VALVE 800, JDX4, JDX6 AND JDX8	37
I10	MANIFOLD EXHAUST 800-JDX4-JDX6-JDX8	37	H23	RING GEAR, 300	25
I10	MANIFOLD, EXHAUST (400 SN. 55001-)	37	I2	RINGS, PISTON JDX4 AND JDX8	29
I9	MANIFOLD, EXHAUST 400 (SN. -55000)	36	I1	RINGS, PISTON JDX6	28
I9	MANIFOLD, EXHAUST 600	36	H23	RINGS, PISTON 300	25
I10	MANIFOLD, INTAKE (400 SN. 55001-)	37	H24	RINGS, PISTON 400 (SN. -55000)	26
I8	MANIFOLD, INTAKE 300	35	H25	RINGS, PISTON 400 (SN. 55001-)	27
I9	MANIFOLD, INTAKE 400 (SN. -55000)	36	H24	RINGS, PISTON 600	26
I9	MANIFOLD, INTAKE 600	36	I1	RINGS, PISTON 800 (SN. -33103)	28
I10	MANIFOLD, INTAKE 800-JDX4-JDX6-JDX8	37	I2	RINGS, PISTON 800 (SN. 33104-)	29
K10	MOTOR, STARTER	87	H14	ROD, TIE	16
K9	MOTOR, STARTER 800 AND JDX8	86		S	
K7	MOTOR, STARTER, 300	84	H7	SEAT	9
K8	MOTOR, STARTER, 400, 600, JDX4 AND JDX6	85	J21	SECONDARY SHAFT 600, JDX4 AND JDX6	73
H18	MOUNT, ENGINE	20	J21	SECONDARY SHAFT, 300 AND 400	73
I13	MUFFLER (400 SERIAL NO. 55001-)	40	J22	SECONDARY SHAFT, 800 AND JDX8	74
I12	MUFFLER (600 SERIAL NO. -55000)	39	J19	SHEAVE, DRIVE 600-800-JDX4-JDX6-JDX8	71
I13	MUFFLER, JDX4 AND JDX6	40	J19	SHEAVE, DRIVE, 400 (-55000)	71
I11	MUFFLER, 300	38	J18	SHEAVE, DRIVE, 400 (55001-)	70
I14	MUFFLER, 800 AND JDX8	41	J19	SHEAVE, DRIVEN 600-800-JDX4-JDX6-JDX8	71
	O		J19	SHEAVE, DRIVEN, 400 (-55000)	71
K14	OIL, TWO-CYCLE	91	J18	SHEAVE, DRIVEN, 400 (55001-)	70
	P		J17	SHEAVES, DRIVE & DRIVEN, 300	69
H12	PANEL, ACCESS	14	H15	SHOCK ABSORBER 300	17
H25	PISTON (400 SERIAL NO. 55001-)	27	H16	SHOCK ABSORBER, JDX4, JDX6 AND JDX8	18
I2	PISTON (800 SERIAL NO. 33104-)	29	H16	SHOCK ABSORBER, 400, 600, AND 800	18
I1	PISTON RINGS JDX6	28	H15	SKI 300	17
H24	PISTON RINGS 400 (SN. -55000)	26	H16	SKI, 400, 600, 800, JDX4, JDX6 AND JDX8	18
H25	PISTON RINGS 400 (SN. 55001-)	27	K5	SLIDE RAIL PIVOT, JDX4, JDX6, JDX8	82
I1	PISTON RINGS 800 (SN. -33103)	28	K5	SLIDE RAIL SPRINGS, JDX4, JDX6, JDX8	82
I2	PISTON RINGS 800 (SN. 33104-)	29	K4	SLIDE SUSPENSION, JDX4, JDX6 AND JDX8	81
I2	PISTON RINGS, JDX4 AND JDX8	29	H6	SNOW FLAP	8
H23	PISTON RINGS, 300	25	K9	SOLENOID 800 AND JDX8	86
H24	PISTON RINGS, 600	26	K8	SOLENOID, 400, 600, JDX4 AND JDX6	85
H24	PISTON 400 (SN. -55000) (600)	26	I21	SPARK PLUG (400 SERIAL NO. -55000)	48
I2	PISTON, JDX4 AND JDX8	29	I22	SPARK PLUG (400 SERIAL NO. 55001-)	49
H23	PISTON, 300	25	I20	SPARK PLUG, 300	47
K2	PIVOT ARM, REAR, 300, 400, 600, 800	79	I21	SPARK PLUG, 600	48
K5	PIVOT, SLIDE RAIL, JDX4, JDX6, JDX8	82	I23	SPARK PLUG, 800, JDX4, JDX6 AND JDX8	50
I17	POINT SET, BREAKER 300	44	K13	SPEEDOMETER KIT	90
I18	POINT SET, BREAKER 600	45	H15	SPINDLE 300	17
I18	POINTS, BREAKER 400 (SN. -55000)	45	H16	SPINDLE, JDX4, JDX6 AND JDX8	18
I19	POINTS, BREAKER 800, JDX4, JDX6, JDX8	46	H16	SPINDLE, 400, 600 AND 800	18
K12	PRIMER KIT	89	K14	SPRINGS, FIRM SUSPENSION, JDX4, JDX6	91
	R		K14	SPRINGS, FIRM SUSPENSION, JDX8	91
K4	REAR IDLER, JDX4, JDX6 AND JDX8	81	K2	SPRINGS, PIVOT ARM, 300, 400, 600, 800	79
J3	RECOIL STARTER, JDX4, JDX6 AND JDX8	55	K5	SPRINGS, SLIDE RAIL, JDX4, JDX6, JDX8	82
J2	RECOIL STARTER, 300	54	J23	SPROCKET, DRIVE	75
J3	RECOIL STARTER, 400, 600 AND 800	55	J21	SPROCKET, DRIVE 600, JDX4 AND JDX6	73
			J22	SPROCKET, DRIVE 800 AND JDX8	74
			J21	SPROCKET, DRIVE, 300 AND 400	73
			K10	STARTER MOTOR	87
			K8	STARTER MOTOR 400, 600, JDX4 AND JDX6	85
			K9	STARTER MOTOR 800 AND JDX8	86
			I22	STATOR ASSEMBLY 400 (SN. 55001-)	49
			I17	STATOR PLATE ASSEMBLY, 300	44
			I18	STATOR PLATE ASSEMBLY, 600	45
			I18	STATOR PLATE 400 (SN. -55000)	45
			I19	STATOR PLATE, 800, JDX4, JDX6, JDX8	46
			H17	STEERING SUPPORT	19

ALPHABETICAL INDEX - CONTINUED

<i>GRID</i>		<i>PAGE</i>	<i>GRID</i>	<i>PAGE</i>
K6	SWITCH, IGNITION	83		
K6	SWITCH, LIGHT	83		
T				
K13	TACHOMETER KIT	90		
K6	TAILLIGHT	83		
H13	THROTTLE CONTROL	15		
H14	TIE ROD	16		
J24	TRACK (300, 400, 600 AND 800)	76		
K4	TRACK, JDX4, JDX6 AND JDX8	81		
H5	TUNNEL	7		
V				
I10	VALVE, REED	37		
I10	VALVE, REED 800, JDX4, JDX6 AND JDX8	37		
K6	VOLTAGE REGULATOR	83		
W				
H16	WEAR ROD, JDX4, JDX6 AND JDX8	18		
H15	WEAR ROD, 300	17		
H16	WEAR ROD, 400, 600 AND 800	18		
K1	WHEEL, IDLER, REAR, 300, 400, 600, 800	78		
H11	WINDSHIELD	13		
K6	WIRING HARNESS, MAIN	83		

M19464

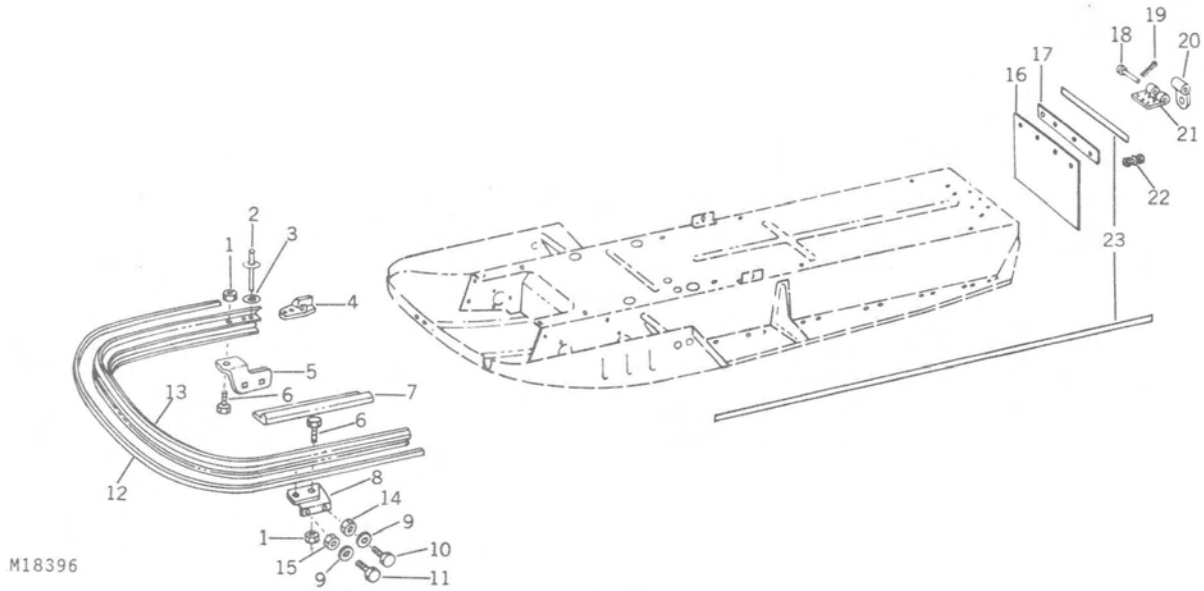
TUNNEL



KEY	PART NO.	SERIAL NO.	DESCRIPTION
1	M 63277	-	NUT, LOCK, 5/16" (7 USED)
2	24H 1720	-	WASHER, 1/4" X 3/4" X 0.060" (2 USED)
3	19H 1849	-	SCREW, CAP, 5/16" X 1-1/4"
4	M 66259	-	EXTENSION, FOOTREST, R.H.
5	03H 1268	-	BOLT, RD. HD., 5/16" X 3/4" (6 USED)
6	M 63115	-	WASHER, MODULE MOUNT (4 USED)
7	24H 1887	-	WASHER, 11/32" X 1" X 0.134" (6 USED)
8	M 63705	-	REFLECTOR, AMBER (2 USED)
9	M 63775	-	GROMMET, PLASTIC (2 USED)
10	P 48338	-	BUTTON, PLUG (6 USED)
11	M 63199	-	RIVET, POP, 3/16" X 5/16" (2 USED)
12	M 63348	-	REFLECTOR, RED (2 USED)
13	AM 52297	-	TREADS, FOOT, REAR, R.H. AND L.H.
14	AM 52296	-	TREADS, FOOT, CENTER R.H. AND L.H.
15	M 64654	-	EXTENSION, FOOTREST L.H. (300)
	M 64654	30492	EXTENSION, FOOTREST (JDX4)
	M 64654	30484	EXTENSION, FOOTREST (JDX6)
	M 64654	30834	EXTENSION, FOOTREST (JDX8)
16	AM 52295	-	TREADS, FOOT, FRONT R.H. AND L.H.
17	M 63707	-	NUT, LOCK, 1/4" (10 USED)
18	24H 1287	-	WASHER, 9/32" X 5/8" X 0.060" (10 USED)
19	19H 1948	-	SCREW, CAP 1/4" X 3/4" (6 USED)
20	03H 1701	-	BOLT, RD. HD., 1/4" X 3/4" (4 USED)
21	AM 52890	-	LATCH, HOOD R.H.
	AM 52891	-	LATCH, HOOD L.H.
22	AM 53440	-	BRACKET, TIE, R.H. (300, 400, 800, JDX4, JDX6, AND JDX8)
	AM 53441	-	BRACKET, TIE, R.H. (300, 400, 800, JDX4, JDX6, AND JDX8)
	AM 53442	-	BRACKET, TIE R.H. (600)
	AM 53443	-	BRACKET, TIE L.H. (600)
23	M 63738	-	REINFORCEMENT, PAN (SERVICE ONLY)
24	M 63929	-	BUTTON, PLUG
25	AM 53324	-	TUNNEL (300, 400 AND 800)
	AM 53325	-	TUNNEL (600)
	AM 53337	-	TUNNEL (JDX4, JDX6 AND JDX8)
26	M 65609	-	DECAL, "340" (JDX4) (2 USED)
	M 65610	-	DECAL, "400" (JDX6) (2 USED)
	M 65611	-	DECAL, "440" (JDX8) (2 USED)

BUMPER ASSEMBLY AND SNOW FLAP

M18396

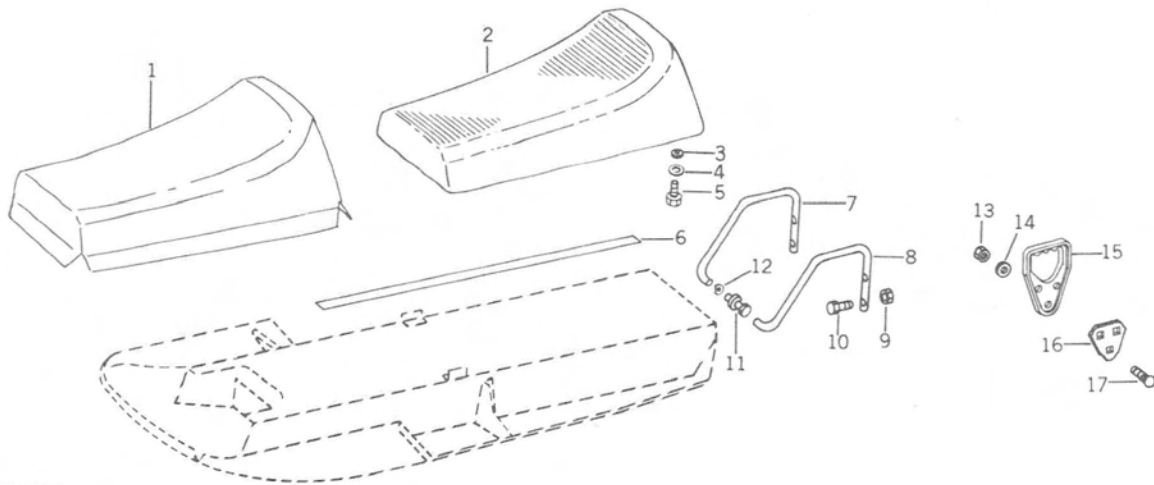


M18396

KEY	PART NO.	SERIAL NO.	DESCRIPTION
1	M 40333	(-)	NUT, LOCK, 1/4" (6 USED)
2	M 63389	(-)	RIVET, POP, 3/16" (4 USED)
3	24H 1283	(-)	WASHER, 7/32" X 1/2" X 0.048" (4 USED)
4	M 64428	(-)	PLATE, BUMPER END, R.H.
	M 64429	(-)	PLATE, BUMPER END, L.H.
5	M 64466	(-)	BRACKET, REAR BUMPER, R.H.
	M 64467	(-)	BRACKET, REAR BUMPER, L.H.
6	M 64435	(-)	SCREW, SOCKET HEAD (6 USED)
7	M 64459	(-)	SEAL, HOOD (2 USED)
8	M 64464	(-)	BRACKET, SIDE BUMPER, R.H.
	M 64465	(-)	BRACKET, SIDE BUMPER, L.H.
9	24H 1287	(-)	WASHER, 9/32" X 5/8" X 0.060" (2 USED)
	24H 1224	(-)	WASHER, 11/32" X 1" X 0.060" (3 USED)
10	19H 1948	(-)	SCREW, CAP, 1/4" X 3/4" (2 USED)
11	19H 2117	(-)	SCREW, CAP, 5/16" X 1-1/8" (2 USED)
12	...	(-)	STRIP, BUMPER TRIM (SUB. M63900) (YELLOW) 50 YD. (45 M) ROLL CUT TO LENGTH (300, 400, 600 AND 800)
...	...	(-)	STRIP, BUMPER TRIM (SUB. M64524) (WHITE) 50 YD. (45 M) ROLL CUT TO LENGTH (JDX4, JDX6 AND JDX8)
13	M 64426	(-)	BUMPER
14	M 63707	(-)	NUT, LOCK, 1/4" (2 USED)
15	M 63277	(-)	NUT, LOCK, 5/16" (2 USED)
16	M 63796	(-)	FLAP, SNOW, 15-1/2" (393.7 MM) (300, 400 AND 500)
	M 63797	(-)	FLAP, SNOW, 18" (457.2 MM) (600)
	M 63796	(-)	FLAP, SNOW, 15-1/2" (393.7 MM) (JDX4, JDX6 AND JDX8)
17	M 63876	(-)	STRAP, SNOW FLAP (300, 400, 800, JDX4, JDX6 AND JDX8)
	M 63214	(-)	STRAP, SNOW FLAP (600)
18	M 63247	(-)	PIN, HINGE
19	11H 233	(-)	PIN, COTTER, 3/32" X 1/2"
20	M 63248	(-)	HINGE, HITCH
21	M 63059	(-)	HINGE, TUNNEL
22	21H 1148	(-)	SCREW, MACHINE, NO. 10 X 3/4" (4 USED)
	24H 1283	(-)	WASHER, 7/32" X 1/2" X 0.048" (4 USED)
	12H 246	(-)	WASHER, LOCK, 3/16" (4 USED)
	14H 778	(-)	NUT, 3/16" (4 USED)
23	...	(-)	TAPE, REFLECTIVE (SUB. M63900) (YELLOW) 50 YD. (45 M) ROLL, CUT TO LENGTH (300, 400, 600 AND 800)
...	...	(-)	TAPE, REFLECTIVE (SUB. M64524) (WHITE) 50 YD. (45 M) ROLL, CUT TO LENGTH (JDX4, JDX6, AND JDX8)

REAR GRAB HANDLES AND SEAT

M18397

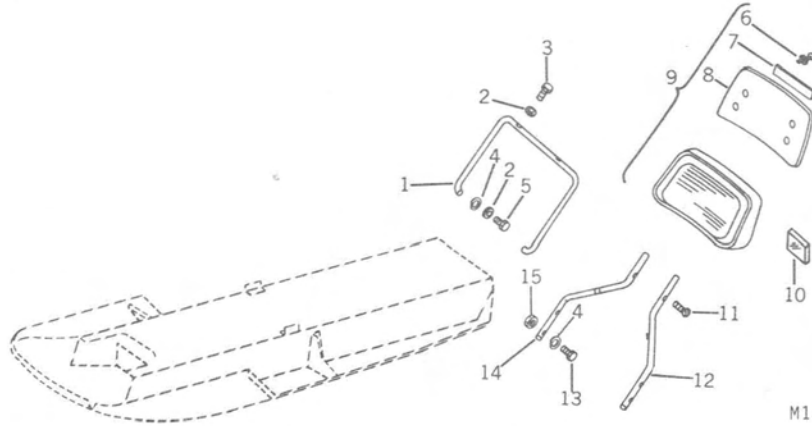


M18397

KEY	PART NO.	SERIAL NO.	DESCRIPTION
1	M 64073	(-)	COVER, REPLACEMENT SEAT
2	AM 52314	(-)	SEAT
3	24H 1287	(-)	WASHER, 9/32" X 5/8" X 0.060" (2 USED)
4	12H 297	(-)	WASHER, LOCK, INTERNAL-TOOTH, 1/4" (2 USED)
5	19H 1914	(-)	SCREW, CAP, 1/4" X 1" (2 USED)
6	...	(-)	TAPE, BLACK TUNNEL TOP (SUB. M63861) 50 YD. (45 M) ROLL, CUT AS REQUIRED (600 ONLY)
7	AM 52324	(-)	HANDLE, GRAB, R.H.
8	AM 52325	(-)	HANDLE, GRAB, L.H.
9	M 63707	(-)	NUT, LOCK, 1/4" (4 USED)
10	19H 1791	(-)	SCREW, CAP, 1/4" X 1-1/4" (4 USED)
11	19H 1948	(-)	SCREW, CAP, 1/4" X 3/4" (2 USED)
	12H 302	(-)	WASHER, LOCK, 1/4" (2 USED)
12	M 63115	(-)	WASHER, MODULE MOUNT (2 USED)
13	03H 1268	(-)	BOLT, RD. HD., 5/16" X 3/4" (6 USED)
14	24H 1224	(-)	WASHER, 11/32" X 1" X 0.060" (6 USED)
15	M 65002	(-)	HANDLE, GRAB (2 USED)
16	M 65321	(-)	PLATE, REINFORCEMENT (2 USED)
17	M 63277	(-)	NUT, LOCK, 5/16" (6 USED)

BACKREST AND HANDRAIL

M18398



M18398

KEY	PART NO.	SERIAL NO.	DESCRIPTION
1	AM 52451	*	HANDRAIL, BACKREST (300, 400, 800, JDX4, JDX6 AND JDX8)
	AM 52415	#	HANDRAIL, BACKREST (600)
2	12H 302	-	WASHER, LOCK, 1/4" (4 USED)
3	19H 1914	-	SCREW, CAP, 1/4" X 1" (2 USED)
4	M 63115	-	WASHER, MODULE MOUNT (2 USED)
5	19H 1948	-	SCREW, CAP, 1/4" X 3/4" (2 USED)
6	M 65001	-	SCREW, MACHINE, 1/4" X 1/4" (2 USED)
	12H 297	-	WASHER, LOCK, INTERNAL-TOOTH, 1/4" (2 USED)
7	M 64131	-	DECAL
8	M 63892	-	BACK PANEL, BACKREST
9	AM 52356	*#	BACKREST ASSEMBLY
10	M 63348	*#	REFLECTOR, RED (2 USED)
11	21H 1287	-	SCREW, MACHINE, 1/4" X 1-1/4" (2 USED)
12	AM 52453	*	SUPPORT, BACKREST, L.H. (300, 400, 800, JDX4, JDX6, AND JDX8)
	AM 52417	#	SUPPORT, BACKREST, L.H. (600)
13	19H 1791	-	SCREW, CAP, 1/4" X 1-1/4" (4 USED)
14	AM 52452	*	SUPPORT, BACKREST, R.H. (300, 400, 800, JDX4, JDX6 AND JDX8)
	AM 52416	#	SUPPORT, BACKREST, R.H. (600)
15	M 63707	-	NUT, LOCK, 1/4" (4 USED)

* KIT LISTED BELOW INCLUDES HARDWARE AND PARTS FOLLOWED BY AN ASTERISK

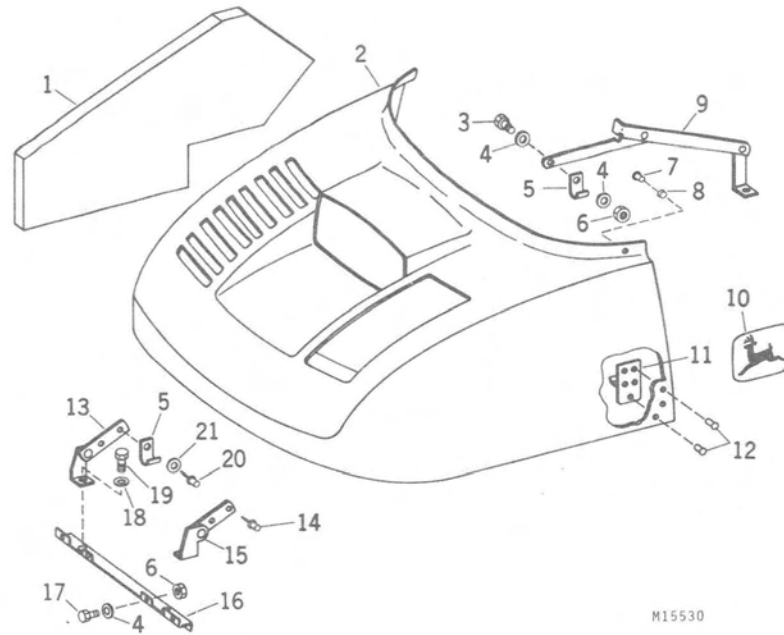
.. BM 21023 (-) KIT, BACKREST (300, 400, 800, JDX4, JDX6 AND JDX8)

KIT LISTED BELOW INCLUDES HARDWARE AND PARTS FOLLOWED BY A NUMBER SIGN

.. BM 21084 (-) KIT, BACKREST (600)

HOOD ASSEMBLY

M15530



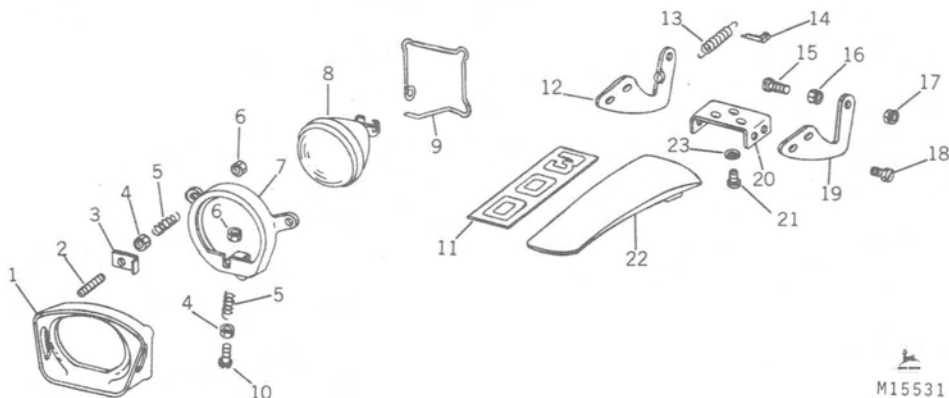
M15530

KEY	PART NO.	SERIAL NO.	DESCRIPTION
1	...	*	(-) SILENCER, HOOD, R.H. AND L.H. (SUB. AM53228 FOAM KIT)
2	AM 52897	(-)	HOOD (INCLUDES ALL PARTS MARKED WITH AN ASTERISK) (300, 400, 600 AND 800)
	AM 52899	(-)	HOOD (INCLUDES ALL PARTS MARKED WITH AN ASTERISK) (JDX4, JDX6, AND JDX8)
3	19H 1914	(-)	SCREW, CAP, 1/4" X 1"
4	24H 1287	(-)	WASHER, 9/32" X 5/8" X 0.060" (7 USED)
5	N 10010	*	J-CLAMP (2 USED)
6	M 63707	(-)	NUT, LOCK, 1/4" (5 USED)
7	S 3079	M *	RIVET (2 USED)
8	M 63161	(-)	BUMPER, RUBBER (2 USED)
9	AM 53341	(-)	SUPPORT, HOOD
10	M 64544	(-)	DECAL, R.H. (300, 400, 600 AND 800)
	M 64545	(-)	DECAL, L.H. (300, 400, 600 AND 800)
	M 64554	(-)	DECAL, R.H. (JDX4, JDX6 AND JDX8)
	M 64555	(-)	DECAL, L.H. (JDX4, JDX6, AND JDX8)
11	AM 53510	(-)	MOUNT, HOOD (2 USED)
12	M 64468	(-)	RIVET, 3/16" X 3/8" (8 USED) (SUB. M80364)
13	AM 52976	*	HINGE, HOOD, R.H.
14	M 63389	*	RIVET, POP, 3/16" X 43/64" (3 USED)
15	AM 52977	*	HINGE, HOOD, L.H.
16	AM 52973	(-)	BRACKET, HINGE (300, 400, 600 AND 800)
	AM 52978	(-)	BRACKET, HINGE (JDX4, JDX6 AND JDX8)
17	19H 1919	(-)	SCREW, CAP, 1/4" X 5/8" (4 USED)
18	24H 1136	(-)	WASHER, 11/32" X 11/16" X 0.060" (2 USED)
19	19H 1900	(-)	SCREW, CAP, 5/16" X 3/4" (2 USED)
20	M 65479	*	RIVET, POP, 3/16" X 53/64"
21	24H 1283	*	WASHER, 7/32" X 1/2" X 0.048"

SEE KEY 2

HEADLIGHT AND FUEL DOOR

M15531

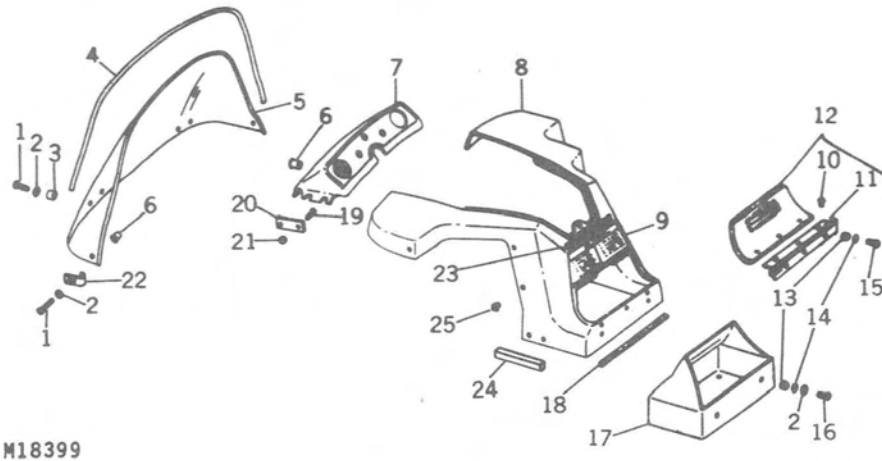


M15531

KEY	PART NO.	SERIAL NO.	DESCRIPTION
1	M 65306	-	BEZEL, LIGHT
2	M 65314	-	STUD, NO. 10 (2 USED)
3	M 65311	-	CLIP (2 USED)
4	14H 631	-	NUT, NO. 10 (3 USED)
5	M 41435	-	SPRING (3 USED)
6	M 65420	-	NUT, LOCK, NO. 10 (3 USED)
7	AM 53340	-	RING, LIGHT
8	AM 52959	-	HEADLIGHT
9	M 65282	-	RETAINER, HEADLIGHT
10	21H 997	-	SCREW, MACHINE, NO. 10 X 1-1/2"
11	M 65261	-	DECAL, "300" (300)
	M 65262	-	DECAL, "400" (400)
	M 65263	-	DECAL, "600" (600)
	M 65264	-	DECAL, "800" (800)
	M 65287	-	DECAL, "JDX" (JDX4, JDX6, AND JDX8)
12	M 65283	-	HINGE, INNER
13	T 15355	-	SPRING
14	11H 269	-	PIN, COTTER, 3/16" X 3/4"
15	21H 1312	-	SCREW, MACHINE, NO. 10 X 1" (2 USED)
16	14H 778	-	NUT, NO. 10 (2 USED)
17	M 63662	-	NUT, LOCK, NO. 10 (2 USED)
18	37H 42	-	SCREW, THREAD-CUTTING, NO. 10 X 3/8" (4 USED)
19	M 65284	-	HINGE, OUTER
20	M 65421	-	BRACKET, FUEL DOOR
21	M 65424	-	SCREW, THREAD-CUTTING, NO. 10 X 1/2" (3 USED)
22	M 65257	-	DOOR, FUEL ACCESS (300, 400, 600 AND 800)
	M 64526	-	DOOR, FUEL ACCESS (JDX4, JDX6 AND JDX8)
23	12H 295	-	WASHER, INTERNAL-TOOTH, NO. 10 (3 USED)

CONSOLE, GLOVE BOX, WINDSHIELD, AND INSTRUMENT PANEL

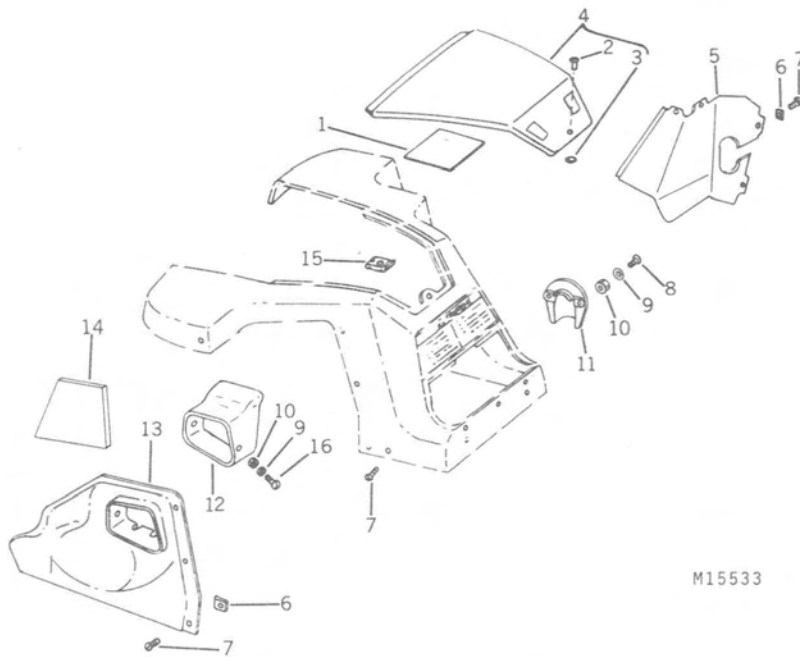
M18399



KEY	PART NO.	SERIAL NO.	DESCRIPTION
1	21H 985	(-)	SCREW, MACHINE, NO. 10 X 1" (6 USED)
2	24H 1722	(-)	WASHER, 7/32" X 5/8" X 0.060" (6 USED)
3	M 63804	(-)	BUMPER, RUBBER (2 USED)
4	M 64164	(-)	TRIM, WINDSHIELD, 62" (1.6 M) SERVICE ONLY
5	AM 52321	(-)	WINDSHIELD (300, 400, 600, AND 800)
	AM 52917	(-)	WINDSHIELD (JDX4, JDX6, AND JDX8)
6	M 63177	(-)	FASTENER, WINDSHIELD (6 USED)
7	M 63803	(-)	PANEL, INSTRUMENT (300)
	M 63817	(-)	PANEL, INSTRUMENT (800, JDX6 AND JDX8)
	M 63885	(-)	PANEL, INSTRUMENT (400, 600 AND JDX4)
8	M 65273	(-)	CONSOLE (300, 400, 800, JDX4, JDX6 AND JDX8)
	M 65462	(-)	CONSOLE (600)
9	M 63931	(-)	DECAL, CAUTION
10	...	(-)	RIVET, 3/16" X 7/32" (3 USED) (FOR SERVICE SUB. 21H 1017 NO. 10 X 3/8" MACHINE SCREW AND 14H778 NO. 10 NUT)
11	AM 52133	(-)	HINGE, GLOVE BOX DOOR
12	AM 52291	(-)	DOOR AND HINGE, GLOVE BOX
13	14H 778	(-)	NUT, 3/16" (5 USED)
14	12H 246	(-)	WASHER, LOCK (5 USED)
15	21H 1300	(-)	SCREW, MACHINE, NO. 10 X 3/8" (3 USED)
16	M 63711	(-)	SCREW, MACHINE, NO. 10 -24 X 5/8" (2 USED)
17	M 64626	(-)	BOX, GLOVE
18	M 64439	(-)	EDGING, CHANNEL
19	03H 1701	(-)	BOLT, RD. HD., 1/4" X 3/4" (4 USED)
20	M 63888	(-)	REINFORCEMENT, R.H.
	M 63709	(-)	REINFORCEMENT, L.H.
21	M 63707	(-)	NUT, LOCK, 1/4" (4 USED)
22	M 63883	(-)	RETAINER, WINDSHIELD (2 USED)
23	M 65296	(- 55000)	DECAL, IDENTIFICATION (300)
	M 66055	(55001 -)	DECAL, IDENTIFICATION (300)
	M 65297	(- 55000)	DECAL, IDENTIFICATION (400)
	M 66065	(55001 -)	DECAL, IDENTIFICATION (400)
	M 65298	(-)	DECAL, IDENTIFICATION (600)
	M 65299	(-)	DECAL, IDENTIFICATION (800)
	M 65293	(-)	DECAL, IDENTIFICATION (JDX4)
	M 65294	(-)	DECAL, IDENTIFICATION (JDX6)
	M 65295	(-)	DECAL, IDENTIFICATION (JDX8)
24	M 65603	(-)	SEAL, CONSOLE, 8-1/4" (215.9 MM) LONG
	M 65604	(-)	SEAL, CONSOLE, 6-1/2" (158.7 MM) (SUB. M65603) CUT TO LENGTH
25	M 63775	(-)	GROMMET (3 USED)
..	AM 52665	(-)	KIT, HARDWARE (FOR LARGE WINDSHIELD)

ACCESS PANELS

M15533

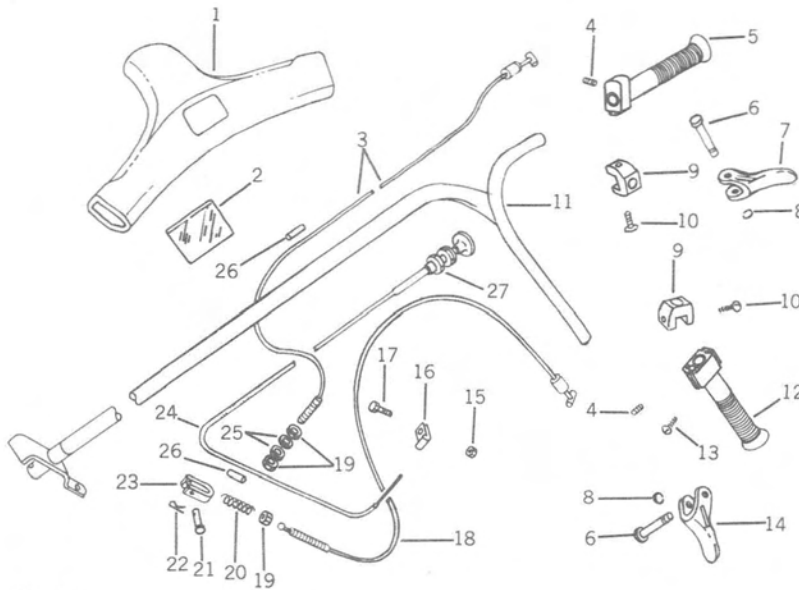


M15533

KEY	PART NO.	SERIAL NO.	DESCRIPTION
1	M 65288	(- 55000)	DECAL, INSTRUCTION
	M 66056	(55001 -)	DECAL, INSTRUCTION
2	M 63672	(-)	SCREW, SPECIAL
3	M 63673	(-)	WASHER, RETAINING
4	M 65104	(-)	DOOR, TOP ACCESS (INCLUDES HARDWARE)
5	M 65280	(-)	DOOR, ACCESS, R.H.
6	M 63449	(-)	NUT, SPEED (8 USED)
7	M 63450	(-)	SCREW, MACHINE, NO. 10 X 5/8" (10 USED)
8	21H 1019	(-)	SCREW, MACHINE, NO. 10 X 1/2" (2 USED)
9	24H 1722	(-)	WASHER, 7/32" X 5/8" X 0.060" (6 USED)
10	M 63662	(-)	NUT, LOCK, NO. 10 (6 USED)
11	M 65429	(-)	COVER, FUEL LINE (600 ONLY)
12	M 64523	(-)	DUCT, EXHAUST AIR
13	AM 52979	(-)	PANEL, ACCESS, L.H., SIDE
14	(-)	FOAM, DEFLECTOR (SUB. AM53228 FOAM SILENCER KIT)
15	M 63674	(-)	CLIP, SPRING
16	M 63711	(-)	SCREW, MACHINE, NO. 10 X 5/8" (4 USED)

HANDLEBAR, BRAKE, THROTTLE AND CHOKE CONTROLS

M15534

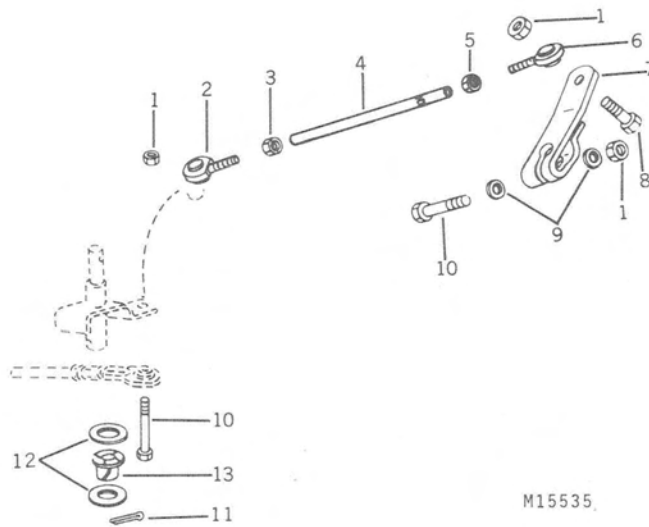


M15534

KEY	PART NO.	SERIAL NO.	DESCRIPTION
1	AM 52930	(-)	PAD, HANDLEBAR (INCLUDES HARDWARE)
2	AM 53409	(-)	PUSH NUTS (BAG OF 10)
3	AM 52062	(- 55000)	CABLE, THROTTLE
4	AM 53920	(55001 -)	CABLE, THROTTLE (300 AND 400)
5	22H 559	(-)	SCREW, CUP POINT, 1/4" X 5/16" (2 USED)
6	AM 53368	(-)	HANDGRIP, THROTTLE
7	M 63147	(-)	PIN, HANDLE (2 USED)
8	M 65279	(-)	LEVER, THROTTLE
9	R 30828	(-)	RING, SNAP (2 USED)
10	M 63807	(-)	CAP, HANDLE (2 USED)
11	M 63905	(-)	SCREW, THREAD CUTTING (4 USED)
12	AM 52888	(-)	HANDLEBAR
13	AM 53367	(-)	HANDGRIP, BRAKE
14	M 63906	(-)	SCREW, THREAD CUTTING
15	M 63806	(-)	HANDLE, BRAKE
16	M 63707	(-)	NUT, LOCK, 1/4"
17	M 63903	(-)	CLAMP, CHOKE CABLE
18	19H 1227	(-)	SCREW, CAP, 1/4" X 1/2"
19	AM 53369	(-)	CABLE, BRAKE
20	14H 882	(-)	NUT, JAM, 5/16" (4 USED)
21	M 63655	(-)	SPRING
22	R 11027	(-)	PIN, DRILLED
23	11H 266	(-)	PIN, COTTER, 1/16" X 1/2"
24	M 64575	(-)	CLEVIS
25	AM 52435	(-)	CONTROL, CHOKE
26	24H 1136	(-)	WASHER, 11/32" X 5/8" X 0.060" (2 USED)
27	M 65458	(-)	SEAL, CABLE (TWO PER PACKAGE) (400, 600, 800, JDX4, JDX6 AND JDX8) (2 USED)
27	24H 1307	(-)	WASHER, 13/32" X 1" X 0.060"

STEERING AND TIE ROD ASSEMBLY

M15535

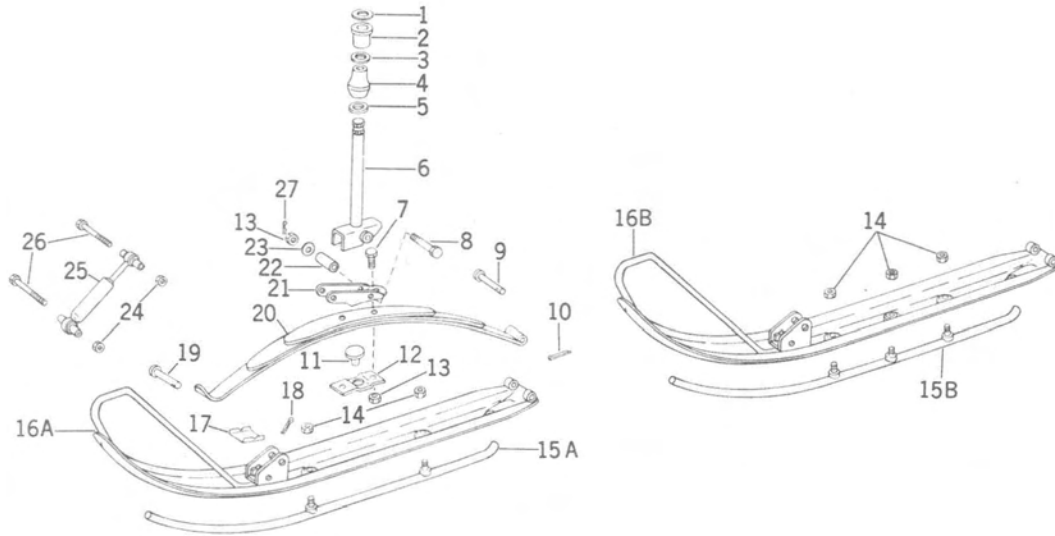


M15535

KEY	PART NO.	SERIAL NO.	DESCRIPTION
1	M 63440	(-)	NUT, LOCK, 3/8" (3 USED)
2	AM 53381	(- 55000)	BEARING, ROD END, L.H.
	AM 52355	(55001 -)	BEARING, ROD END, L.H.
3	14H 913	(-)	NUT, 3/8" L.H. THREADS
4	M 65244	(- 55000)	ROD, TIE
	M 63820	(55001 -)	ROD, TIE
5	14H 774	(-)	NUT, 3/8" R.H. THREADS
6	AM 53380	(- 55000)	BEARING, ROD END, R.H.
	AM 52354	(55001 -)	BEARING, ROD END, R.H.
7	M 63022	(-)	ARM, STEERING, R.H.
	M 63023	(-)	ARM, STEERING, L.H.
8	19H 1800	(-)	SCREW, CAP, 3/8" X 1-1/2"
9	24H 1682	(-)	WASHER, 13/32" X 5/8" X 0.120"
10	19H 1801	(-)	SCREW, CAP, 3/8" X 2" (3 USED)
11	11H 218	(-)	PIN, COTTER, 3/16" X 1-1/2"
12	24H 1844	(-)	WASHER, 1-1/32" X 1-3/8" X 0.060" (3 USED)
13	N 132422	(-)	BUSHING, NYLON

**SHOCK ABSORBER, SPINDLE AND SKI ASSEMBLY
(300)**

M18400



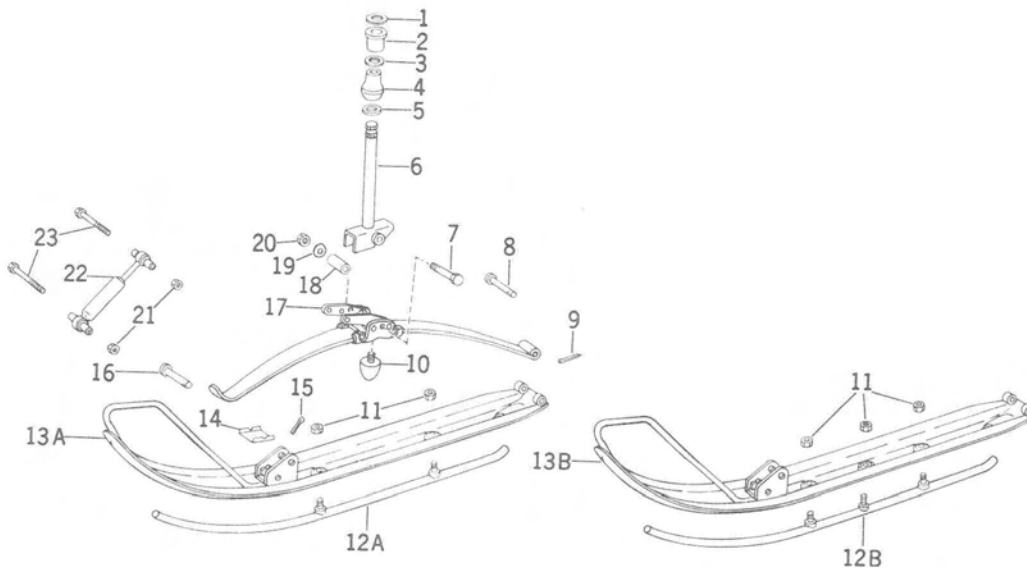
M18400

KEY	PART NO.	SERIAL NO.	DESCRIPTION
1	24H 1648	(-)	WASHER, 25/32" X 1-3/4" X 0.060"
2	M 66260	(-)	BUSHING (SUB. FOR M63113)
3	24H 1508	(-)	WASHER, 1-25/64" X 1-21/32" X 0.060"
4	M 63112	(-)	BUSHING, LOWER SPINDLE
5	24H 1648	(-)	WASHER, 25/32" X 1-3/4" X 0.060" (USE QUANTITY REQUIRED)
6	AM 52880	(-)	SPINDLE, R.H.
	AM 52881	(-)	SPINDLE, L.H.
7	19H 2309	* (-)	SCREW, CAP, 3/8" X 1-1/4" (2 USED)
8	M 63050	(- 55000)	BOLT, SKI, 3/8" X 3"
	M 66255	(55001 -)	BOLT, SKI
9	M 63232	(-)	PIN, REAR SPRING
10	11H 235	(-)	PIN, COTTER, 1/8" X 1/2"
11	M 63278	* (-)	BUMPER, SKI
12	M 63174	* (-)	RETAINER, SKI BUMPER
13	M 64407	(-)	NUT, LOCK, 3/8" (3 USED)
14	M 63370	(-)	NUT, FLANGED LOCK, 5/16" (3 USED)
15A	AM 52313	(- 55000)	ROD, WEAR (TEN PER CARTON)
15B	AM 53897	(55001 -)	ROD, WEAR (TEN PER CARTON)
	AM 52971	(-)	ROD, CARBIDE WEAR (ACCESSORY) (TWO PER CARTON)
16A	AM 53318	(- 55000)	SKI
16B	AM 53578	(55001 -)	SKI
17	M 63052	(-)	BLOCK, WEAR
18	11H 233	(-)	PIN, COTTER, 3/32" X 1/2"
19	M 63279	(-)	PIN, FRONT SPRING
20	AM 53322	(-)	SPRING ASSEMBLY (INCLUDES LEAF SPRINGS, TWO M64407 AND PARTS MARKED WITH AN ASTERISK)
21	M 65189	* (-)	SADDLE
22	M 63049	(-)	BUSHING, PIVOT
23	24H 1864	(-)	WASHER, 13/32" X 3/4" X 0.105"
24	M 17841	(-)	NUT, LOCK, 7/16" (2 USED)
25	AM 53191	(-)	SHOCK ABSORBER
26	19H 2347	(-)	SCREW, CAP, 7/16" X 3" (2 USED)
27	11H 211	(-)	PIN, COTTER, 1/8" X 3/4"

* SEE KEY 20.

**SHOCK ABSORBER, SPINDLE AND SKI ASSEMBLY
(400, 600, 800, JDX4, JDX6 AND JDX8)**

M18401

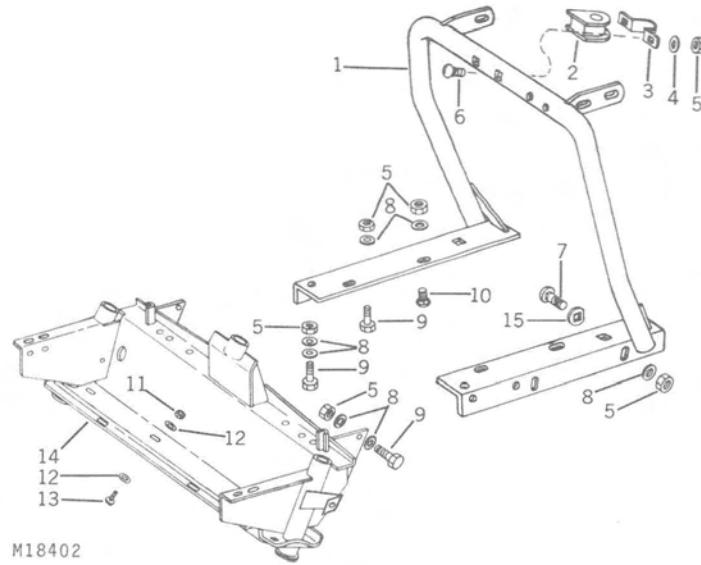


M18401

KEY	PART NO.	SERIAL NO.	DESCRIPTION
	1 24H 1648	-	WASHER, 25/32" X 1-3/4" X 0.060"
I	2 M 66260	-	BUSHING (SUB. FOR M63113)
	3 24H 1508	-	WASHER, 1-25/32" X 1-21/32" X 0.060"
	4 M 63112	-	BUSHING, LOWER SPINDLE
	5 24H 1648	-	WASHER, 25/32" X 1-3/4" X 0.060" (USE QUANTITY REQUIRED)
	6 AM 52880	-	SPINDLE, R.H.
	AM 52881	-	SPINDLE, L.H.
	7 M 63050	-	BOLT, SKI, 3/8" X 3"
	8 M 63232	-	PIN, REAR SPRING
	9 11H 235	-	PIN, COTTER, 1/8" X 1/2"
	10 M 65586	-	BUMPER, RUBBER
	11 M 63370	-	NUT, FLANGED LOCK, 5/16" (2 USED)
	12A AM 52313	- 55000	ROD, WEAR (TEN PER CARTON)
	12B AM 53897	55001 -	ROD, WEAR (TEN PER CARTON) (400) (SUB. AM54253)
	AM 52971	-	ROD, CARBIDE WEAR (ACCESSORY) (TWO PER CARTON)
	13A AM 53318	- 55000	SKI
	13B AM 53578	55001 -	SKI (400)
	14 M 63052	-	BLOCK, WEAR
	15 11H 233	-	PIN, COTTER, 3/32" X 1/2"
	16 M 63279	-	PIN, FRONT SPRING
	17 AM 53357	-	SPRING, ASSEMBLY
	18 M 63049	-	BUSHING, PIVOT
	19 24H 1864	-	WASHER, 13/32" X 3/4" X 0.105"
	20 M 64407	-	NUT, LOCK, 3/8"
	21 M 17841	-	NUT, LOCK, 7/16" (2 USED)
	22 AM 53191	-	SHOCK ABSORBER
	23 19H 2347	-	SCREW, CAP, 7/16" (2 USED)

STEERING SUPPORT AND FRONT FRAME

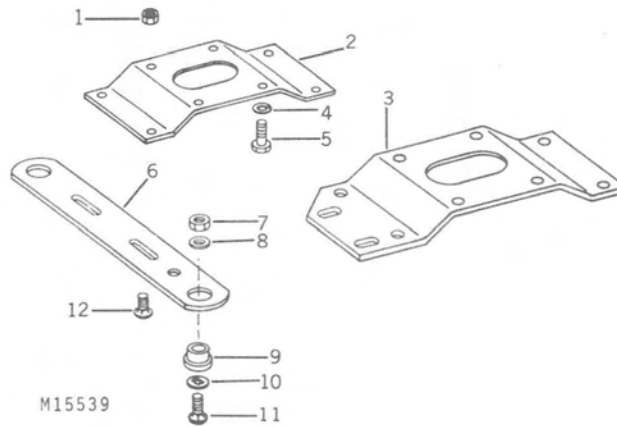
M18402



KEY	PART NO.	SERIAL NO.	DESCRIPTION
1	AM 53362	(-)	SUPPORT, STEERING (300)
	AM 53398	(-)	SUPPORT, STEERING (400, 800, JDX4, JDX6 AND JDX8)
	AM 53399	(-)	SUPPORT, STEERING (600)
2	M 63110	(-)	BEARING, STEERING COLUMN
3	M 63111	(-)	STRAP, BEARING
4	24H 1136	(-)	WASHER, 11/32" X 11/16" X 0.060" (4 USED)
5	M 63277	(-)	NUT, LOCK, 5/16"
6	19H 1906	(-)	SCREW, CAP, 5/16" X 1-1/2" (2 USED)
7	03H 1524	(-)	BOLT, RD. HD., 5/16" X 1" (2 USED)
8	24H 1887	(-)	WASHER, 11/32" X 1" X 0.134" (23 USED)
9	19H 1905	(-)	SCREW, CAP, 5/16" X 1" (8 USED)
10	03H 2139	(-)	BOLT, RD. HD., 5/16" X 1-1/4"
11	M 63707	(-)	NUT, LOCK, 1/4" (5 USED)
12	24H 1287	(-)	WASHER, 9/32" X 5/8" X 0.060" (10 USED)
13	M 64435	(-)	SCREW, SOCKET HEAD, 1/4" X 5/8" (5 USED)
14	AM 52902	(-)	FRAME, FRONT (300, 400, 800, JDX4, JDX6, AND JDX8)
	AM 52923	(-)	FRAME, FRONT (600)
15	M 63115	(55001 -)	WASHER, MODULE MOUNT (300 AND 400) (2 USED)

ENGINE MOUNT AND CROSS BARS

M15539

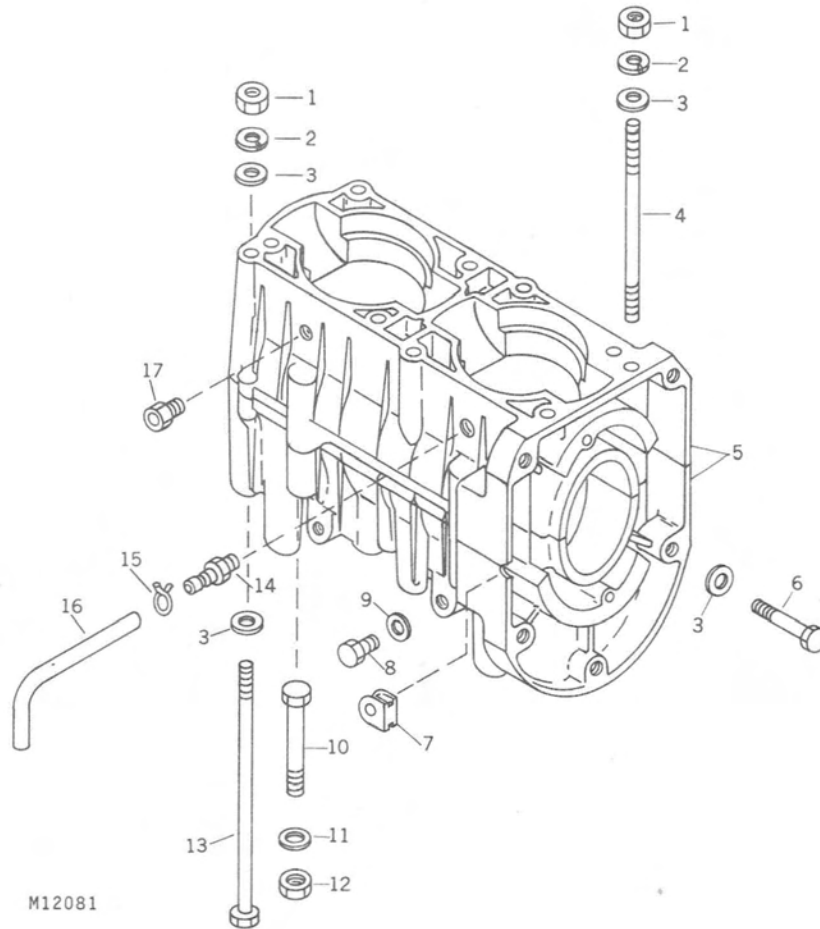


M15539

KEY	PART NO.	SERIAL NO.	DESCRIPTION
1	M 63440	(-)	NUT, LOCK, 3/8" (4 USED)
2	M 65380	(-)	MOUNT, ENGINE (800 AND JDX8)
3	M 64498	(-)	MOUNT, ENGINE (300)
	M 64499	- 55000	MOUNT, ENGINE (400 AND 600)
	M 64500	55001 -	MOUNT, ENGINE (400)
	M 64500	-	MOUNT, ENGINE (JDX4 AND JDX6)
4	12H 293	(-)	WASHER, LOCK, 7/16" (400, 600, 800, JDX4, JDX6, AND JDX8) (4 USED)
	12H 304	(-)	WASHER, LOCK, 3/8" (300)
5	19H 1773	(-)	SCREW, CAP, 7/16" X 1-1/8" (400, 600, 800, JDX4, JDX6, AND JDX8) (4 USED)
	19H 1731	(-)	SCREW, CAP, 3/8" X 1" (300)
6	M 63812	(-)	CROSS BAR, ENGINE (300, 400, 800, JDX4, JDX6, AND JDX8) (2 USED) (ONE USED, 600, REAR)
	M 63117	(-)	CROSS BAR, ENGINE (600, FRONT)
7	M 63368	(-)	NUT, LOCK, 1/2" (4 USED)
8	24H 1351	(-)	WASHER, 9/16" X 1-1/2" X 0.164" (4 USED)
9	M 63118	(-)	MOUNT, RUBBER (4 USED)
10	24H 1899	(-)	WASHER, 17/32" SQ. X 1-3/4" X 0.060" (2 USED)
11	03H 2113	(-)	BOLT, RD. HD., 1/2" X 2" (4 USED)
12	03H 1519	(-)	BOLT, RD. HD., 3/8" X 1" (4 USED)

**CRANKCASE
(300)**

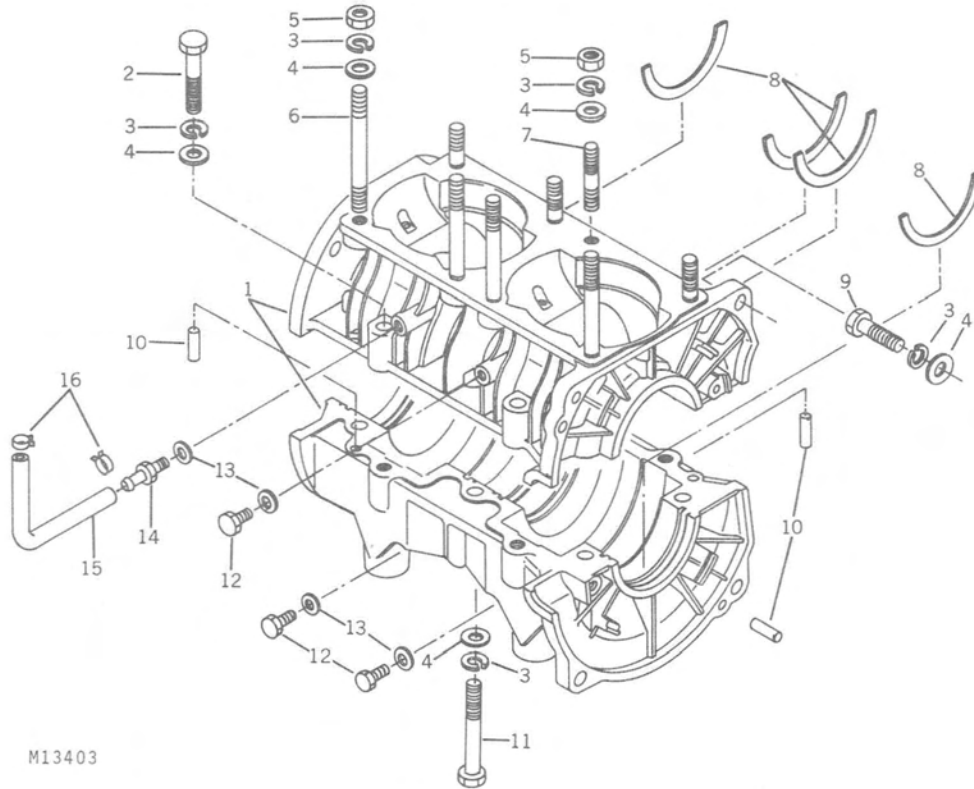
M12081



KEY	PART NO.	SERIAL NO.	DESCRIPTION
1	14H 785	(-)	NUT, 5/16" (6 USED)
2	M 65686	(-)	WASHER, LOCK, 5/16" (8 USED)
3	M 64065	(-)	WASHER, WAVE (18 USED)
4	M 64006	(-)	STUD, CRANKCASE (2 USED)
5	AM 52520	(-)	CRANKCASE ASSEMBLY, WITH DOWEL PIN
6	19H 1905	(-)	SCREW, CAP, 5/16" X 1" (4 USED)
7	M 64013	(-)	GROMMET, RUBBER (2 USED)
8	19H 2020	(-)	SCREW, CAP, 5/16" X 1/2" (2 USED)
9	M 64066	(-)	WASHER, COPPER, 5/16" (2 USED)
10	19H 1791	(-)	SCREW, CAP, 1/4" X 1-1/4" (4 USED)
11	M 64069	(-)	WASHER, WAVE, 1/4" (4 USED)
12	14H 786	(-)	NUT, 1/4" (4 USED)
13	M 64007	(-)	BOLT, CRANKCASE (6 USED)
14	M 64009	(-)	FITTING, IMPULSE TUBE
15	M 64011	(-)	CLAMP (2 USED) (SUB. M47470)
16	M 64010	(-)	TUBE, IMPULSE
17	M 64012	(-)	PLUG
..	AM 53371	(-)	ENGINE, COMPLETE
..	AM 52533	(-)	KIT, TOOL

CRANKCASE
(400 SERIAL NO. -55000) (600)

M13403

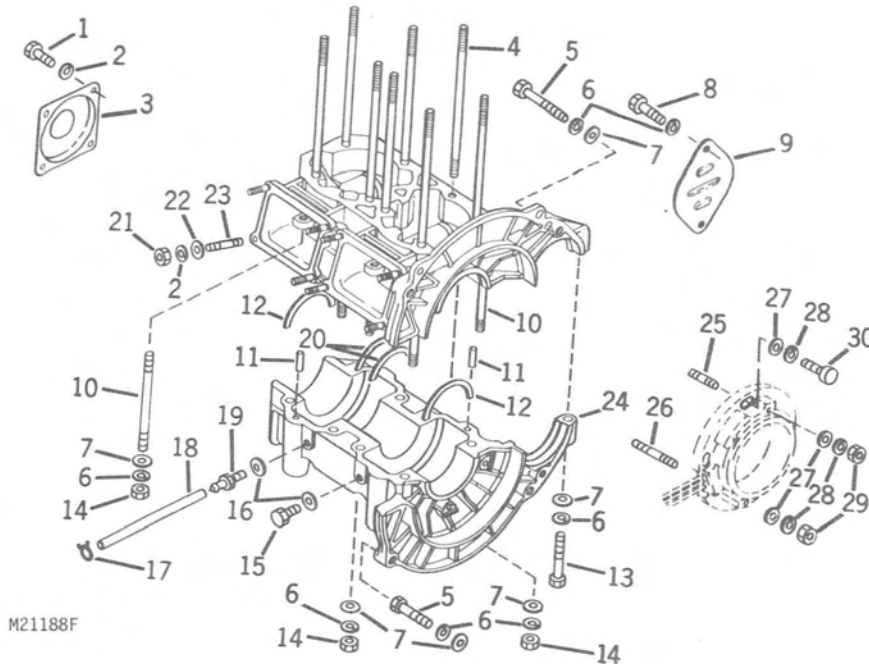


M13403

KEY	PART NO.	SERIAL NO.	DESCRIPTION
1	AM 53074	(-)	CRANKCASE ASSEMBLY
2	19M 7378	(-)	SCREW, CAP, 8 MM X 45 MM (6 USED)
3	12M 7008	(-)	WASHER, LOCK, 8 MM (22 USED)
4	24M 7095	(-)	WASHER, 8.4 MM X 15 MM X 1.5 MM (22 USED)
5	14M 7029	(-)	NUT, 8 MM (8 USED)
6	M 64696	(-)	STUD, LONG (4 USED)
7	M 63546	(-)	STUD, SHORT (4 USED)
8	M 63548	(-)	CLIP, BEARING RETAINING (4 USED)
9	19M 7377	(-)	SCREW, CAP, 8 MM X 28 MM (4 USED)
10	M 63547	(-)	PIN, DOWEL (4 USED)
11	19M 7270	(-)	SCREW, CAP, 8 MM X 65 MM (4 USED)
12	19M 6614	(-)	SCREW, CAP, 6 MM X 12 MM (3 USED)
13	M 64690	(-)	GASKET (4 USED)
14	M 63549	(-)	CONNECTOR, IMPULSE HOSE (400)
	M 64689	(-)	CONNECTOR, IMPULSE HOSE (600)
15	M 64328	(-)	HOSE, IMPULSE (CUT TO LENGTH) (SUB. M66945)
16	AR 48236	(-)	CLAMP (600) (2 USED)
..	M 64254	(-)	CLAMP, IMPULSE HOSE (400) (2 USED)
..	AM 52546	(-)	KIT, TOOL (SUB. AM54227)
..	M 64850	(-)	SEALANT, CRANKCASE HALVES, 3 OZ. TUBE

CRANKCASE
(400 SERIAL NO. 55001-)

M21188F

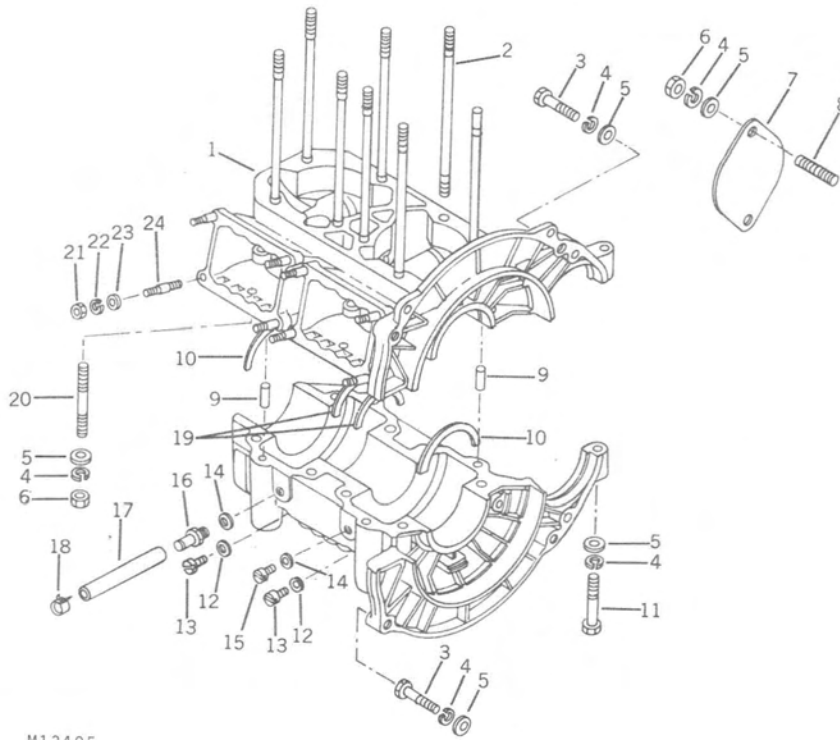


M21188F

KEY	PART NO.	SERIAL NO.	DESCRIPTION
1	19M 7159	(-)	SCREW, CAP 6 MM X 15 MM (4 USED)
2	12H 302	(-)	WASHER, LOCK, 1/4" (12 USED)
3	M 66364	(-)	PROTECTOR, OIL SEAL
4	M 64656	(-)	BOLT, STUD (8 USED)
5	19M 7298	(-)	SCREW, CAP 8 MM X 35 MM (3 USED)
6	12H 303	(-)	WASHER, LOCK, 5/16" (14 USED)
7	24M 7095	(-)	WASHER, 8.4 MM X 15 MM X 1.5 MM (14 USED)
8	19M 7139	(-)	SCREW, CAP, 8 MM X 20 MM (2 USED)
9	M 63562	(-)	PLATE
10	M 64177	(-)	BOLT, STUD (8 USED)
11	M 63547	(-)	PIN, KNOCK (2 USED)
12	M 63548	(-)	CIRCLIP (2 USED)
13	19M 7378	(-)	SCREW, CAP, 8 MM X 45 MM
14	14M 7029	(-)	NUT, 8 MM (10 USED)
15	19M 3125	(-)	SCREW, CAP 8 MM X 10 MM
16	M 63940	(-)	GASKET (2 USED)
17	AR 48236	(-)	CLAMP (2 USED)
18	M 64328	(-)	LINE, IMPULSE (SUB. M66945)
19	M 64659	(-)	CONNECTOR
20	M 63939	(-)	CIRCLIP (2 USED)
21	14M 7027	(-)	NUT, 6 MM (8 USED)
22	24M 7105	(-)	WASHER, 6 MM X 12 MM X 1.5 MM (8 USED)
23	M 64657	(-)	BOLT, STUD (8 USED)
24	AM 53984	(-)	CRANKCASE ASSEMBLY (BEGINNING ENGINE SN 7412000)
	AM 53522	(-)	CRANKCASE ASSEMBLY (BEGINNING ENGINE SN 56,000,000)
25	M 66751	(-)	BOLT, STUD (UPPER) (2 USED) (BEGINNING ENGINE SN 56,000,000)
26	M 66752	(-)	BOLT, STUD (LOWER) (2 USED) (BEGINNING ENGINE SN 56,000,000)
27	24M 7027	(-)	WASHER, 5.3 MM X 11 MM X 1 MM (4 USED)
28	12H 246	(-)	WASHER, LOCK NO. 10 (8 USED)
29	14M 7028	(-)	NUT, 5 MM (4 USED)
30	21M 6070	(-)	SCREW, MACHINE, 5 MM X 15 MM (4 USED) (BEGINNING ENGINE SN 7412000)
..	AM 53791	(55001 -)	ENGINE, COMPLETE
..	AM 52546	(-)	KIT, TOOL (SUB. AM54227)

**CRANKCASE
(800, JDX4, JDX6 AND JDX8)**

M13405

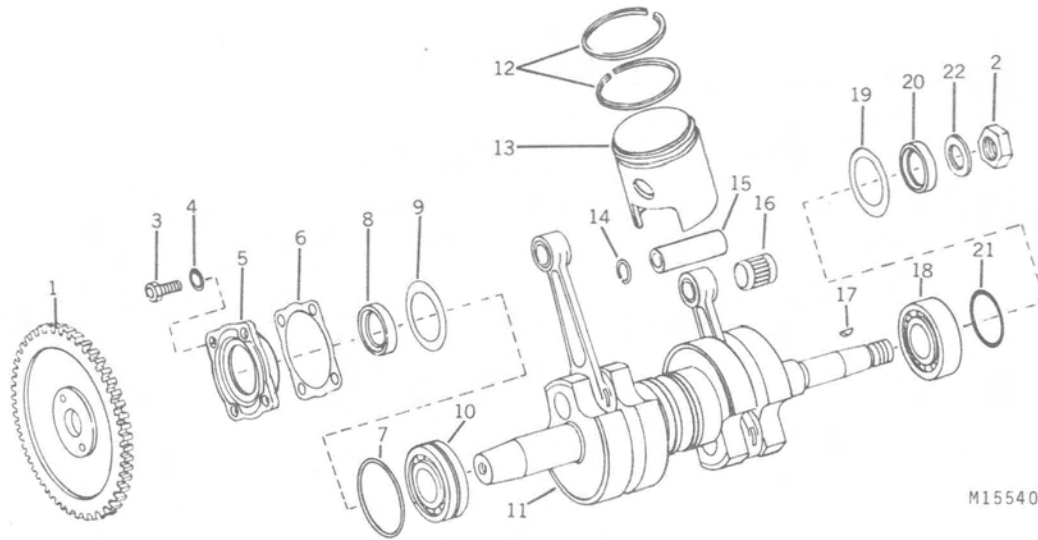


M13405

KEY	PART NO.	SERIAL NO.	DESCRIPTION
1	AM 53522	(-)	CRANKCASE ASSEMBLY
2	M 64656	(-)	BOLT, STUD (8 USED)
3	19M 7298	(-)	SCREW, CAP, 8 MM X 35 MM (3 USED)
4	12M 7008	(-)	WASHER, LOCK, 8 MM (14 USED)
5	24H 7095	(-)	WASHER, 8.4 MM X 15 MM X 1.5 MM (14 USED)
6	14M 7029	(-)	NUT, 8 MM (10 USED)
7	M 63562	(-)	PLATE, COVER
8	M 63572	(-)	STUD, COVER PLATE (2 USED)
9	M 63547	(-)	PIN, ALIGNMENT (2 USED)
10	M 63548	(-)	CLIP, BEARING RETAINER (2 USED)
11	19M 7378	(-)	SCREW, CAP, 8 MM X 45 MM
12	M 64690	(-)	GASKET, DRAIN BOLT (JDX4 AND JDX8) (2 USED)
	M 63552	33103	GASKET, DRAIN BOLT (800) (2 USED)
	M 64690	33104	GASKET, DRAIN BOLT (800) (2 USED)
	M 63552	(-)	GASKET, DRAIN BOLT (JDX6) (2 USED)
13	19M 6614	(-)	SCREW, CAP, 6 MM X 12 MM (2 USED)
14	M 63940	(-)	GASKET (2 USED)
15	19M 3125	(-)	SCREW, CAP, 8 MM X 10 MM
16	M 64659	(-)	CONNECTOR
17	M 64328	(-)	HOSE, IMPULSE (CUT TO LENGTH) (SUB. M66945)
18	AR 48236	(-)	CLAMP (2 USED)
19	M 63939	(-)	CLIP, BEARING RETAINER (2 USED)
20	M 64177	(-)	BOLT, STUD (8 USED)
21	14M 7027	(-)	NUT, 6 MM (8 USED)
22	12M 7012	(-)	WASHER, LOCK, 6 MM (8 USED)
23	24M 7105	(-)	WASHER, 6 MM X 12 MM X 1.5 MM (8 USED)
24	M 64657	(-)	BOLT, STUD (8 USED)
..	AM 52546	(-)	KIT, TOOL (SUB. AM54227)
..	M 64850	(-)	SEALANT, CRANKCASE HALVES, 3 OZ. TUBE

**PISTON, CRANKSHAFT, BEARINGS AND RING GEAR
(300)**

M15540



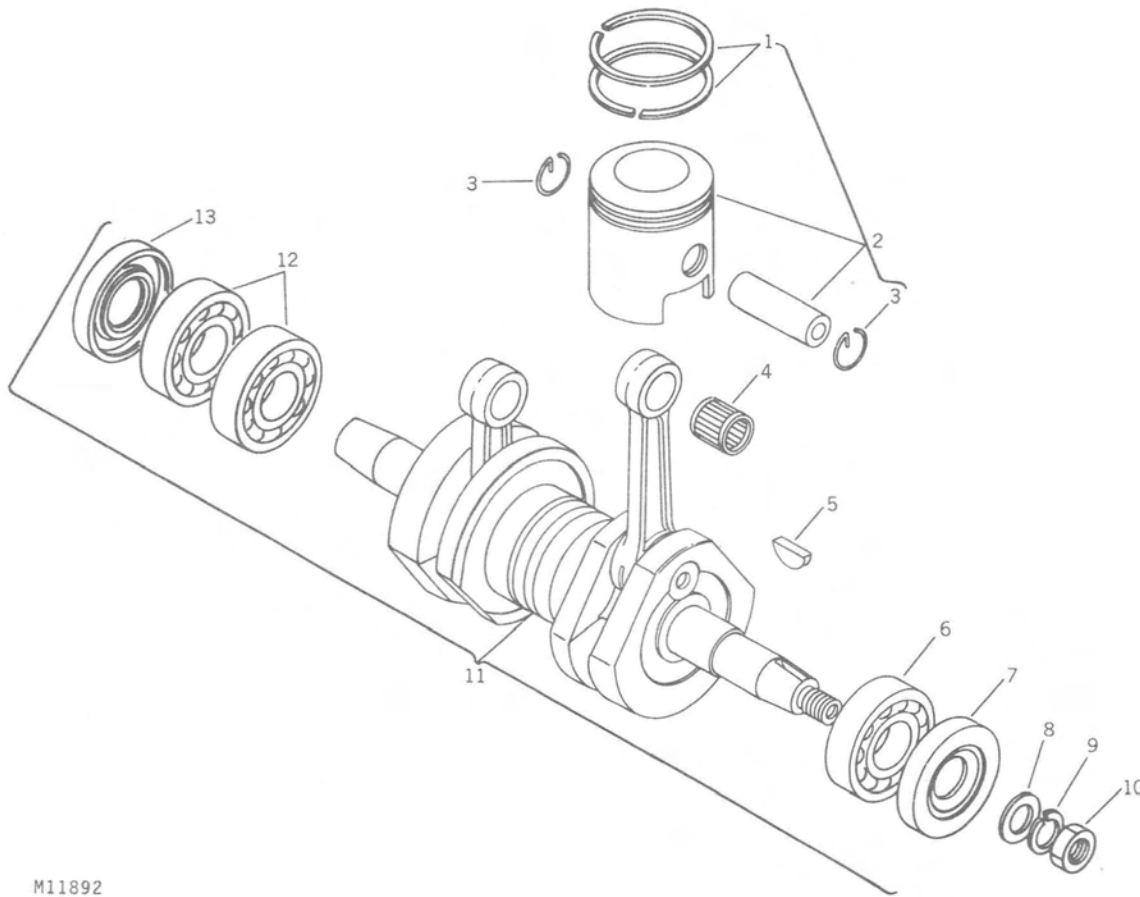
M15540

KEY	PART NO.	SERIAL NO.	DESCRIPTION
1	AM 53116	*	RING GEAR ASSEMBLY
2	14H 904	-	NUT, 3/4"
3	19H 1948	-	SCREW, CAP, 1/4" X 3/4" (4 USED)
4	M 64069	-	WASHER (4 USED)
5	M 64025	-	PLATE, BEARING
6	M 64024	-	GASKET, BEARING PLATE
7	M 64039	-	O-RING
8	M 64023	-	SEAL, OIL (PTO END)
9	M 64021	-	WASHER, SHIM, 0.006" (0.152 MM) (AMOUNT AS NEEDED)
10	AM 52524	-	BEARING (PTO END)
11	AM 54422	-	CRANKSHAFT (SUB. FOR AM52522)
12	AM 52529	-	KIT, PISTON RING (STANDARD)
	AM 52530	-	KIT, PISTON RING (0.020" (0.508 MM) OVERSIZE)
	AM 52531	-	KIT, PISTON RING (0.040" (1.016 MM) OVERSIZE)
13	AM 52526	-	PISTON ASSEMBLY (STANDARD)
	AM 52527	-	PISTON ASSEMBLY (0.020" (0.508 MM) OVERSIZE)
	AM 52528	-	PISTON ASSEMBLY (0.040" (1.016 MM) OVERSIZE)
14	M 64026	-	RING, RETAINING (4 USED)
15	M 64027	-	PIN, WRIST (2 USED)
16	AM 52525	-	BEARING, NEEDLE (2 USED)
17	26H 73	-	KEY, WOODRUFF
18	AM 52532	-	BEARING (FAN END)
19	M 64034	-	WASHER, SHIM, 0.006" (0.152 MM) (QUANTITY AS NEEDED)
20	M 64036	-	SEAL, FAN (FAN END)
21	M 64037	-	O-RING
22	24H 1746	-	WASHER, 25/32" X 1-1/8" X 0.120"

* RING GEAR REQUIRED ON 300 SNOWMOBILES WITH ELECTRIC START KIT ONLY

PISTON, CRANKSHAFT, AND BEARINGS
(400-SERIAL NO. -55000) (600)

M11892

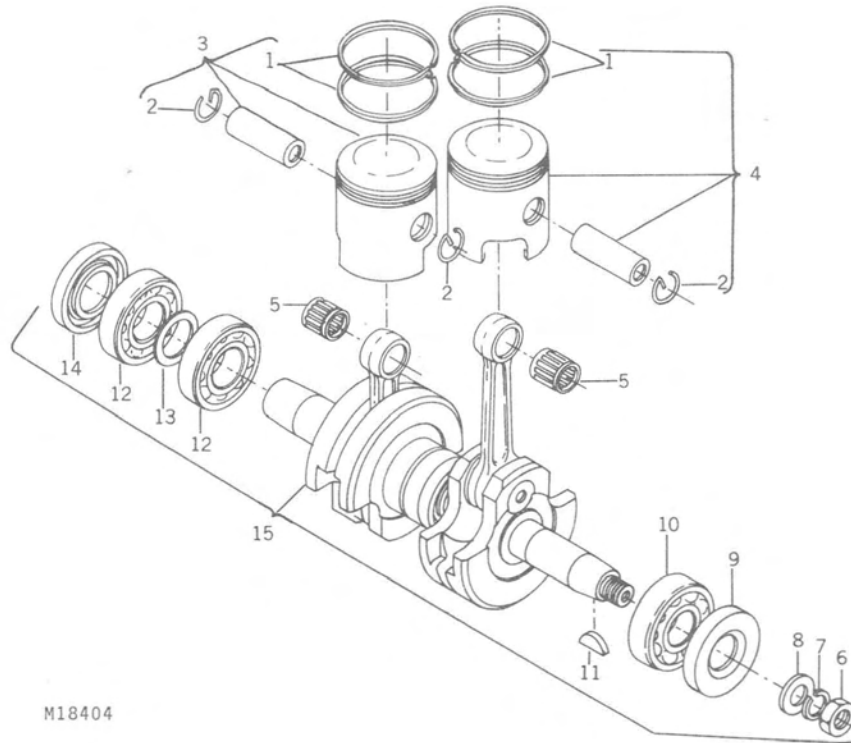


M11892

KEY	PART NO.	SERIAL NO.	DESCRIPTION
1	AM 53057	(-)	KIT, PISTON RING (400) (2 USED)
	AM 53073	(-)	KIT, PISTON RING (600) (2 USED)
2	AM 53056	(-)	PISTON ASSEMBLY (400) (2 USED)
	AM 53072	(-)	PISTON ASSEMBLY (600) (2 USED)
3	M 63540	(-)	RETAINER, PISTON PIN (4 USED)
4	AM 53034	(-)	BEARING, NEEDLE (2 USED)
5	M 63542	(-)	KEY, CRANKSHAFT
6	AM 52359	(-)	BEARING, BALL (FAN END)
7	M 63541	(-)	SEAL (FAN END) (SUB. M66826)
8	24M 7038	(-)	WASHER, 14 MM X 24 MM X 2.5 MM
9	12M 7009	(-)	WASHER, LOCK, 14 MM
10	M 64655	(-)	NUT
11	AM 53055	(-)	CRANKSHAFT ASSEMBLY
12	AM 52405	(-)	BEARING, BALL (PTO END) (2 USED)
13	M 63683	(-)	SEAL (PTO END) (SUB. M66825)

PISTON, CRANKSHAFT, AND BEARINGS
(400 SERIAL NO. 55001-)

M18404

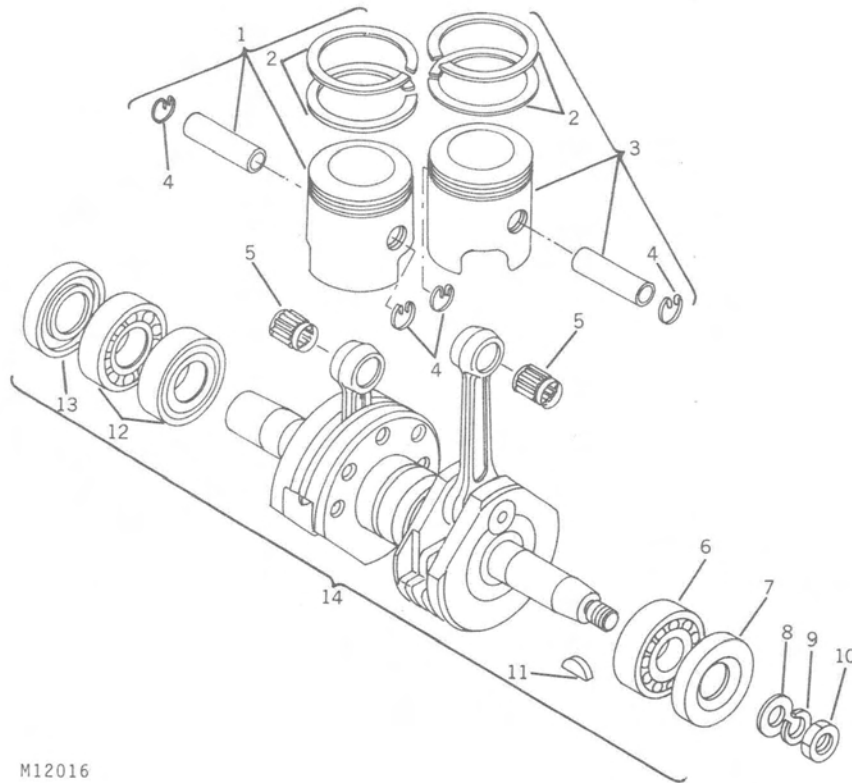


M18404

KEY	PART NO.	SERIAL NO.	DESCRIPTION
1	AM 53980	(-)	KIT, PISTON RING (SUB. AM54225)
2	M 65649	(-)	RETAINER, PISTON PIN (4 USED) (SUB. M66557)
3	AM 53978	(-)	PISTON ASSEMBLY L.H.
4	AM 53979	(-)	PISTON ASSEMBLY R.H.
5	AM 53034	(-)	BEARING, NEEDLE (2 USED)
6	M 64655	(-)	NUT, CRANKSHAFT
7	12H 317	(-)	WASHER, SPRING
8	24M 7038	(-)	WASHER, 14 MM X 24 MM X 3 MM
9	M 63541	(-)	SEAL, OIL (SUB. M66826)
10	AM 52359	(-)	BEARING, BALL (SUB. AM53392)
11	M 63542	(-)	KEY, WOODRUFF
12	AM 53977	(-)	BEARING, BALL (2 USED) (BEGINNING ENGINE SN 7412000)
	AM 52405	(-)	BEARING, BALL (2 USED) (BEGINNING ENGINE SN 56,000,000)
13	M 66362	(-)	SHIM
14	M 63683	(-)	SEAL, OIL (SUB. M66825)
15	AM 53976	(-)	CRANKSHAFT (SUB. FOR AM53518)

PISTON, CRANKSHAFT AND BEARINGS
(800-SERIAL NO. -33103) (JDX6)

M12016

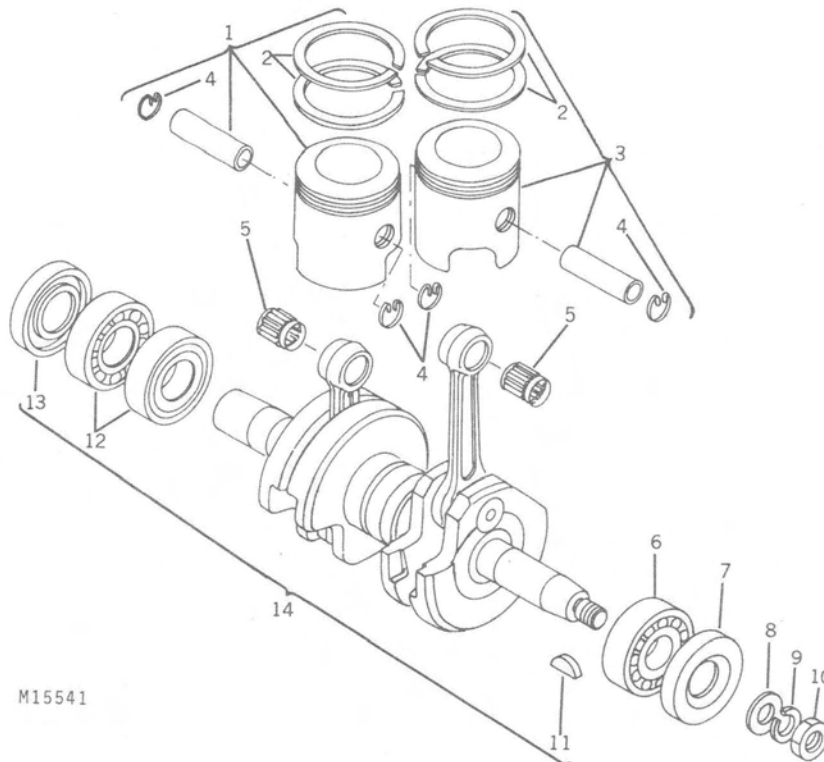


M12016

KEY	PART NO.	SERIAL NO.	DESCRIPTION
I 1	AM 53981	(- 33103)	PISTON (PTO END) (800) (SUB. FOR AM53527)
	AM 53033	(-)	PISTON ASSEMBLY (PTO END) (JDX6)
2	AM 53049	(- 33103)	KIT, PISTON RING (800) (2 USED)
	AM 53031	(-)	KIT, PISTON RING (JDX6) (2 USED)
I 3	AM 53982	(- 33103)	PISTON (FAN END) (800) (SUB. FOR AM53526)
	AM 53032	(-)	PISTON ASSEMBLY (FAN END) (JDX6)
4	M 63540	(-)	RETAINER, PISTON PIN
5	AM 53034	(-)	BEARING, NEEDLE (2 USED)
6	AM 52359	(-)	BEARING, CRANKSHAFT (FAN END) (SUB. AM53392)
7	M 63541	(-)	SEAL, OIL (FAN END) (SUB. M66826)
8	24M 7038	(-)	WASHER, 14 MM X 24 MM X 3 MM
9	12M 7009	(-)	WASHER, LOCK, 14 MM
10	M 64655	(-)	NUT, CRANKSHAFT
11	M 63542	(-)	KEY, WOODRUFF
12	AM 52405	(-)	BEARING, BALL (PTO END) (2 USED)
13	M 63683	(-)	SEAL, OIL (SUB. M66825)
I 14	AM 53976	(-)	CRANKSHAFT (SUB. FOR AM53518)

PISTON, CRANKSHAFT AND BEARINGS
(800-SERIAL NO. 33104-) (JDX4 AND JDX8)

M15541

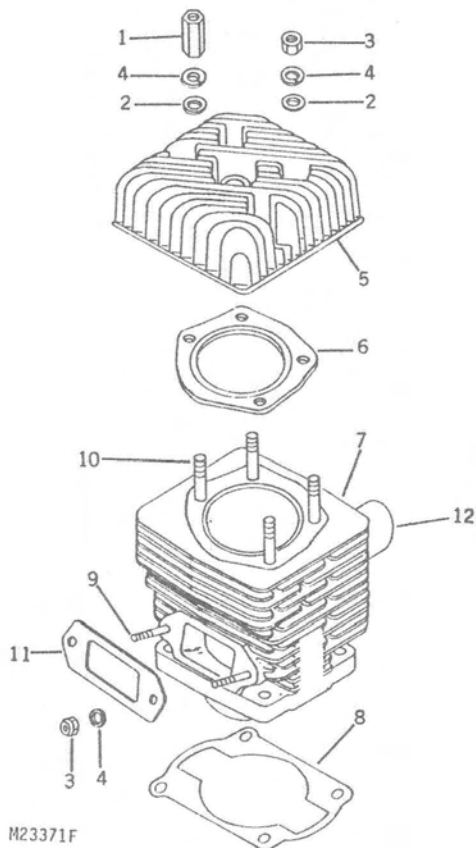


M15541

KEY	PART NO.	SERIAL NO.	DESCRIPTION
1	AM 54391	(-)	PISTON ASSEMBLY (PTO END) (JDX8) (SUB. FOR AM53527 AND AM53981)
	AM 54391	(33104 -)	PISTON ASSEMBLY (PTO END) (800) (SUB. FOR AM53527 AND AM53981)
	AM 53517	(-)	PISTON ASSEMBLY (PTO END) (JDX4) (SUB. AM54387)
2	AM 54393	(-)	PISTON (PTO END) 0.010" (0.254 MM) (JDX8 AND 800)
	AM 53525	(-)	KIT, PISTON RING (JDX8) (2 USED) (SUB. AM53983)
	AM 53525	(33104 -)	KIT, PISTON RING (800) (2 USED) (SUB. AM53983)
3	AM 53519	(-)	KIT, PISTON RING (JDX4) (2 USED) (SUB. AM54225)
	AM 54111	(-)	KIT, PISTON RING, 0.010" (0.254 MM) (2 USED) (JDX8 AND 800)
	AM 54390	(-)	PISTON ASSEMBLY (FAN END) (JDX8) (SUB. FOR AM53526 AND AM53982)
4	AM 54390	(33104 -)	PISTON ASSEMBLY (FAN END) (800) (SUB. FOR AM53526 AND AM53982)
	AM 53516	(-)	PISTON (FAN END) (JDX4) (SUB. AM54630)
	AM 54392	(-)	PISTON (FAN END) 0.010" (0.254 MM) (JDX8 AND 800)
4	M 65649	(-)	RETAINER, PISTON PIN (4 USED) (SUB. M66557)
5	AM 53034	(-)	BEARING, NEEDLE (2 USED)
6	AM 52359	(-)	BEARING, CRANKSHAFT (FAN END)
7	M 63541	(-)	SEAL, OIL (FAN END) (SUB. M66826)
8	24M 7038	(-)	WASHER, 14 MM X 24 MM X 3 MM
9	12M 7009	(-)	WASHER, LOCK, 14 MM
10	M 64655	(-)	NUT, CRANKSHAFT
11	M 63542	(-)	KEY, WOODRUFF
12	AM 52405	(-)	BEARING, BALL (PTO END) (2 USED)
13	M 63683	(-)	SEAL, OIL (SUB. M66825)
14	AM 53976	(-)	CRANKSHAFT (SUB. FOR AM53518)

**CYLINDERS, CYLINDER HEADS AND GASKETS
(300)**

M23371F

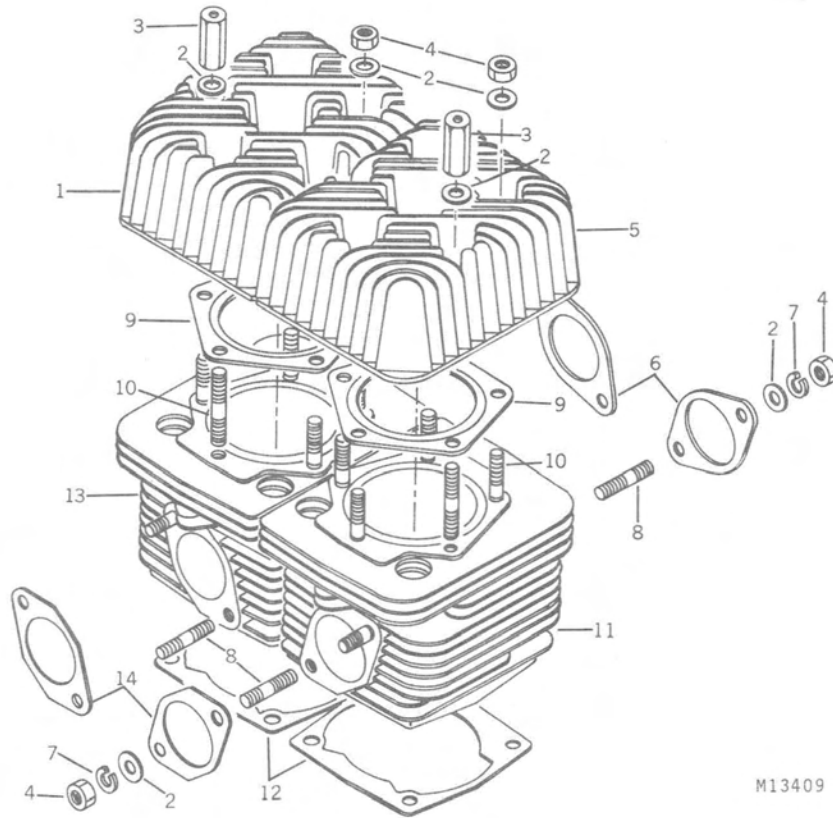


M23371F

KEY	PART NO.	SERIAL NO.	DESCRIPTION
1	M 64152	(-)	NUT, AIR SHROUD (2 USED)
2	M 42010	(-)	WASHER (8 USED)
3	14H 785	(-)	NUT, 5/16" (10 USED)
4	12H 303	(-)	WASHER, LOCK, 5/16" (10 USED)
5	M 64591	(-)	HEAD, CYLINDER (2 USED)
6	M 63996	(-)	GASKET, CYLINDER HEAD (2 USED)
7	AM 53550	(-)	CYLINDER BLOCK ASSEMBLY (2 USED)
8	M 63997	(-)	GASKET, CYLINDER BLOCK (2 USED)
9	M 65687	(-)	STUD, INTAKE MANIFOLD (4 USED)
10	M 64722	(-)	STUD, CYLINDER HEAD (8 USED)
11	M 64017	(-)	GASKET, CYLINDER BLOCK (2 USED)
12	M 68275	(-)	TUBE, EXHAUST
..	AM 52545	(-)	GASKET, SET (INCLUDES, TWO M63996, TWO M63997, ONE M64016, TWO M64017, TWO M64018, ONE M64023, ONE M64024, ONE M64036, ONE M64037 AND ONE M64039)

**CYLINDERS, CYLINDER HEADS AND GASKETS
(400 SERIAL NO. -55000) (600)**

M13409

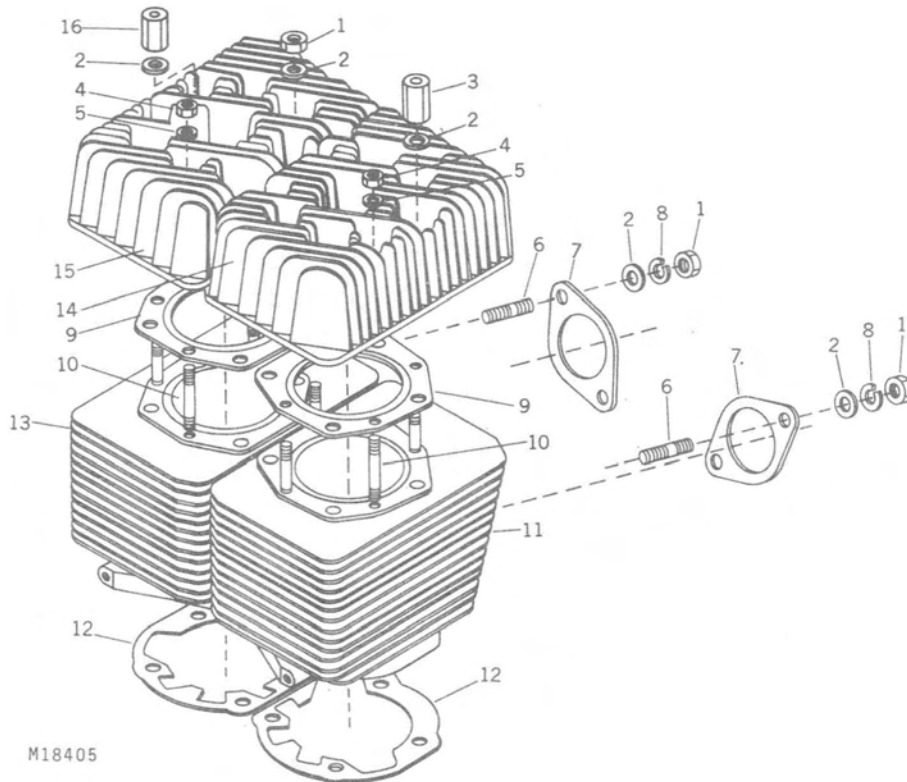


M13409

KEY	PART NO.	SERIAL NO.	DESCRIPTION
1	M 64677	(-)	HEAD, CYLINDER, L.H. (400)
	M 64691	(-)	HEAD, CYLINDER, L.H. (600)
2	24M 7095	(-)	WASHER, 8.4 MM X 15 MM X 1.5 MM (18 USED)
3	M 64680	(-)	NUT (2 USED)
4	14M 7029	(-)	NUT, 8 MM (16 USED)
5	M 64678	(-)	HEAD, CYLINDER R.H. (400)
	M 64692	(-)	HEAD, CYLINDER R.H. (600)
6	M 64664	(-)	GASKET, EXHAUST MANIFOLD (2 USED)
7	12M 7008	(-)	WASHER, LOCK 8 MM (8 USED)
8	M 63555	(-)	STUD (8 USED)
9	M 63553	(-)	GASKET, CYLINDER HEAD (400) (2 USED)
	M 63621	(-)	GASKET, CYLINDER HEAD (600) (2 USED)
10	M 63554	(-)	STUD, (10 USED)
11	AM 53059	(-)	CYLINDER ASSEMBLY, R.H. (400)
	AM 53076	(-)	CYLINDER ASSEMBLY, R.H. (600)
12	M 64679	(-)	GASKET, CYLINDER BASE (2 USED)
13	AM 53058	(-)	CYLINDER ASSEMBLY, L.H. (400)
	AM 53075	(-)	CYLINDER ASSEMBLY, L.H. (600)
14	M 64681	(-)	GASKET, INTAKE MANIFOLD (2 USED)
..	AM 53071	(-)	GASKET SET (400) (INCLUDES ONE M63553, ONE M64679, ONE M64664, ONE M64681 AND TWO M64690)
..	AM 53077	(-)	GASKET SET (600) (INCLUDES ONE M63621, ONE M64679, ONE M64664, ONE M64681 AND TWO M64690)

CYLINDERS, CYLINDER HEADS AND GASKETS
(400 SERIAL NO. 55001-)

M18405

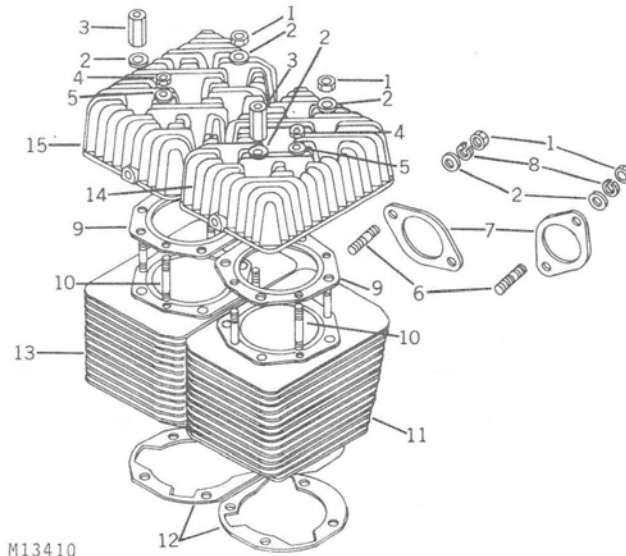


M18405

KEY	PART NO.	SERIAL NO.	DESCRIPTION
1	14M 7029	-	NUT, 8 MM (8 USED)
2	24M 7095	-	WASHER, 8.4 MM X 15 MM X 1.5 MM (12 USED)
3	M 65654	-	NUT, LONG (2 USED)
4	14M 7027	-	NUT, 6 MM (8 USED)
5	24M 7105	-	WASHER, 6MM X 12 MM X 1.5 MM (8 USED)
6	M 63555	-	BOLT, STUD (4 USED)
7	M 65413	-	GASKET, EXHAUST MANIFOLD (2 USED)
8	12H 303	-	WASHER, LOCK, 5/16" (4 USED)
9	M 65652	-	GASKET, CYLINDER HEAD (2 USED)
10	M 63954	-	BOLT, STUD (8 USED)
11	AM 53520	-	CYLINDER ASSEMBLY R.H. (INCLUDES M63555 AND M63954)
12	M 65653	-	GASKET, CYLINDER BASE
13	AM 53988	-	CYLINDER ASSEMBLY L.H. (BEGINNING ENGINE SN 7412000)
	AM 53521	-	CYLINDER ASSEMBLY L.H. (BEGINNING ENGINE SN 56,000,000)
14	M 66371	-	HEAD, CYLINDER R.H. (BEGINNING ENGINE SN 7412000)
	M 65650	-	HEAD, CYLINDER R.H. (BEGINNING ENGINE SN 56,000,000)
15	M 65651	-	HEAD, CYLINDER L.H.
16	M 66365	-	NUT, LONG (2 USED)
..	AM 53524	-	GASKET, SET (INCLUDES ONE M63940, ONE M63980, ONE M63981, ONE M64690, ONE M65413, ONE M65652, AND ONE M65653)

CYLINDER, CYLINDER HEADS AND GASKETS
 (800-SERIAL NO. -33,103)
 (JDX6)

M13410

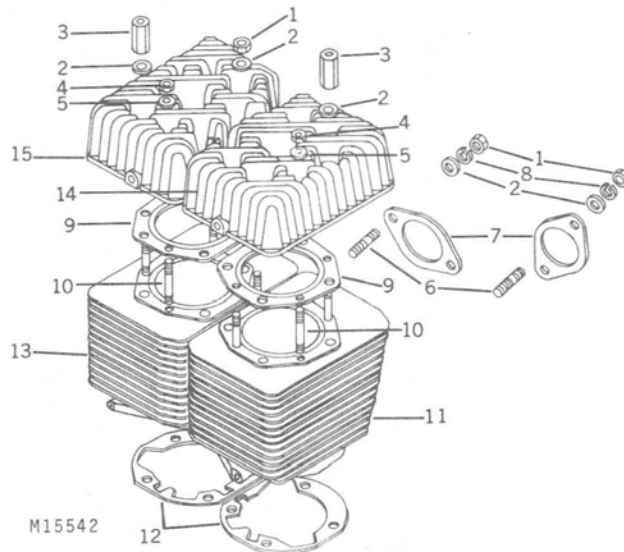


M13410

KEY	PART NO.	SERIAL NO.	DESCRIPTION
1	14M 7029	(-)	NUT, 8 MM (10 USED)
2	24M 7095	(-)	WASHER, 8.4 MM X 15 MM X 1.5 MM (12 USED)
3	M 64663	(-)	NUT, CYLINDER HEAD SPACER (2 USED)
4	14M 7027	(-)	NUT, 6 MM (8 USED)
5	24M 7105	(-)	WASHER, 6 MM X 12 MM X 1.5 MM (8 USED)
6	M 63555	(-)	STUD, EXHAUST MANIFOLD (4 USED)
7	M 64664	(-)	GASKET, EXHAUST MANIFOLD (2 USED)
8	12M 7008	(-)	WASHER, LOCK, 6 MM (4 USED)
9	M 64675	(- 33103)	GASKET, CYLINDER HEAD (800) (2 USED)
	M 64661	(-)	GASKET, CYLINDER HEAD (JDX6) (2 USED)
10	M 63954	(-)	BOLT, STUD (8 USED)
11	AM 53053	(- 33103)	CYLINDER ASSEMBLY (FAN END) (800)
	AM 53037	(-)	CYLINDER ASSEMBLY (FAN END) (JDX6)
12	M 64662	(-)	PACKING, CYLINDER (2 USED)
13	AM 53989	(- 33103)	CYLINDER (PTO END) (800) (SUB. FOR AM53052)
	AM 53036	(-)	CYLINDER ASSEMBLY (PTO END) (JDX6)
14	M 64674	(- 33103)	HEAD, CYLINDER (FAN END) (800) (SUB. M66372)
	M 64695	(-)	HEAD, CYLINDER (FAN END) (JDX6)
15	M 64673	(- 33103)	HEAD, CYLINDER (PTO END) (800)
	M 64694	(-)	HEAD, CYLINDER (PTO END) (JDX6)
..	AM 53054	(- 33103)	KIT, PACKING (800) (INCLUDES ONE M64675, ONE M64662, ONE M64664, ONE M63980, ONE M63981, TWO M63552, AND TWO M63940)
..	AM 53048	(-)	KIT, PACKING (JDX6) (INCLUDES ONE M64661, ONE M64662, ONE M64664, ONE M63980, ONE M63981, TWO M63552, AND TWO M63940)

**CYLINDER, CYLINDER HEADS AND GASKETS
(800-SERIAL NO. 33,104-) (JDX4 AND JDX8)**

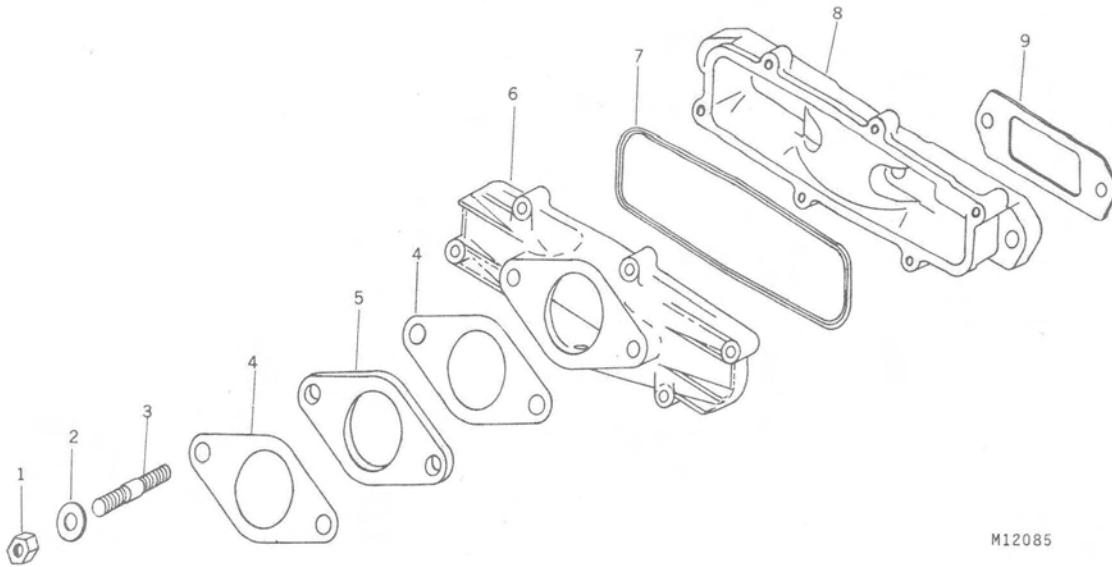
M15542



KEY	PART NO.	SERIAL NO.	DESCRIPTION
1	14M 7029	(-)	NUT, 8 MM (8 USED)
2	24M 7095	(-)	WASHER, 8.4 MM X 15 MM X 1.5 MM (12 USED)
3	M 65654	(-)	NUT, CYLINDER HEAD SPACER (4 USED)
4	14M 7027	(-)	NUT, 6 MM (8 USED)
5	24M 7105	(-)	WASHER, 6 MM X 12 MM X 1.5 MM (8 USED)
6	M 63555	(-)	STUD, EXHAUST MANIFOLD (4 USED)
7	M 65413	(-)	GASKET, EXHAUST MANIFOLD (2 USED)
8	12M 7008	(-)	WASHER, LOCK, 6 MM (4 USED)
9	M 64675	(-)	GASKET, CYLINDER HEAD (JDX8) (2 USED)
	M 64675	33104 -	GASKET, CYLINDER HEAD (800) (2 USED)
	M 65652	(-)	GASKET, CYLINDER HEAD (JDX4) (2 USED)
10	M 63954	(-)	BOLT, STUD (8 USED)
11	AM 53053	(-)	CYLINDER ASSEMBLY (FAN END) (JDX8)
	AM 53053	33104 -	CYLINDER ASSEMBLY (FAN END) (800)
	AM 53520	(-)	CYLINDER ASSEMBLY (FAN END) (JDX4)
12	M 65653	(-)	PACKING, CYLINDER (2 USED)
13	AM 53989	(-)	CYLINDER (PTO END) (JDX8) (SUB. FOR AM53052)
	AM 53989	33104 -	CYLINDER (PTO END) (800) (SUB. FOR AM53052)
	AM 53521	(-)	CYLINDER ASSEMBLY (PTO END) (JDX4)
14	M 64674	(-)	HEAD, CYLINDER (FAN END) (JDX8) (SUB. M66372)
	M 64674	33104 -	HEAD, CYLINDER (FAN END) (800) (SUB. M66372)
	M 65650	(-)	HEAD, CYLINDER (FAN END) (JDX4) (SUB. M66371)
15	M 64673	(-)	HEAD, CYLINDER (PTO END) (JDX8)
	M 64673	33104 -	HEAD, CYLINDER (PTO END) (800)
	M 65651	(-)	HEAD, CYLINDER (PTO END) (JDX4)
..	AM 53528	(-)	KIT, PACKING (JDX8) (INCLUDES ONE M63940, ONE M63980, ONE M63981, ONE M64690, ONE M65653, ONE M65413 AND ONE M64675) (2 USED)
..	AM 53528	(33104 -)	KIT, PACKING (800) (INCLUDES ONE M63940, ONE M63980, ONE M63981, ONE M64690, ONE M65653, ONE M65413, AND ONE M64675) (2 USED)
..	AM 53524	(-)	KIT, PACKING (JDX4) INCLUDES ONE M63940, ONE M63980, ONE M63981, ONE M64690, ONE M65652, ONE M65653 AND ONE M65413) (2 USED)

**INTAKE MANIFOLD
(300)**

M12085

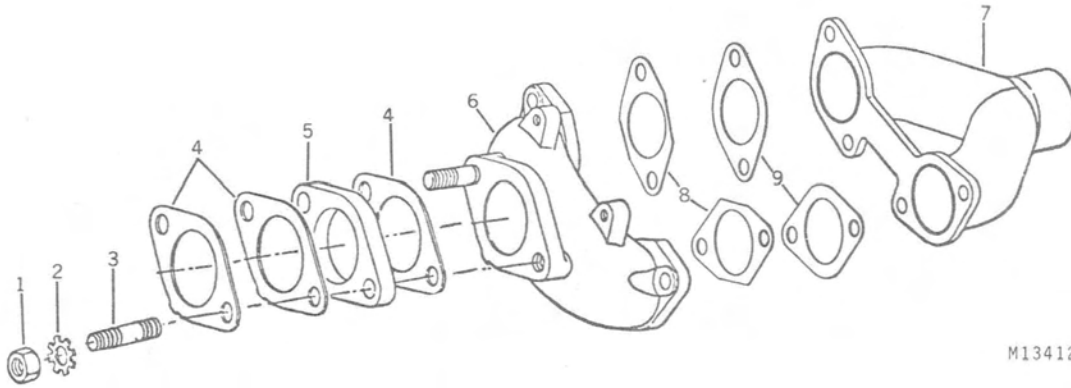


M12085

KEY	PART NO.	SERIAL NO.	DESCRIPTION
1	14H 812	(-)	NUT, 3/8" (2 USED)
2	M 64068	(-)	WASHER, WAVE, 3/8" (2 USED)
3	M 64020	(-)	STUD, 3/8" (2 USED)
4	M 64018	(-)	GASKET (2 USED)
5	M 64019	(-)	SPACER
6	M 64015	(-)	MANIFOLD, CARBURETOR
7	M 64016	(-)	O-RING
8	M 64014	(-)	MANIFOLD, CYLINDER BLOCK
9	M 64017	(-)	GASKET, CYLINDER BLOCK (2 USED)

INTAKE AND EXHAUST MANIFOLDS
 (400 SERIAL NO. -55000) (600)

M13412

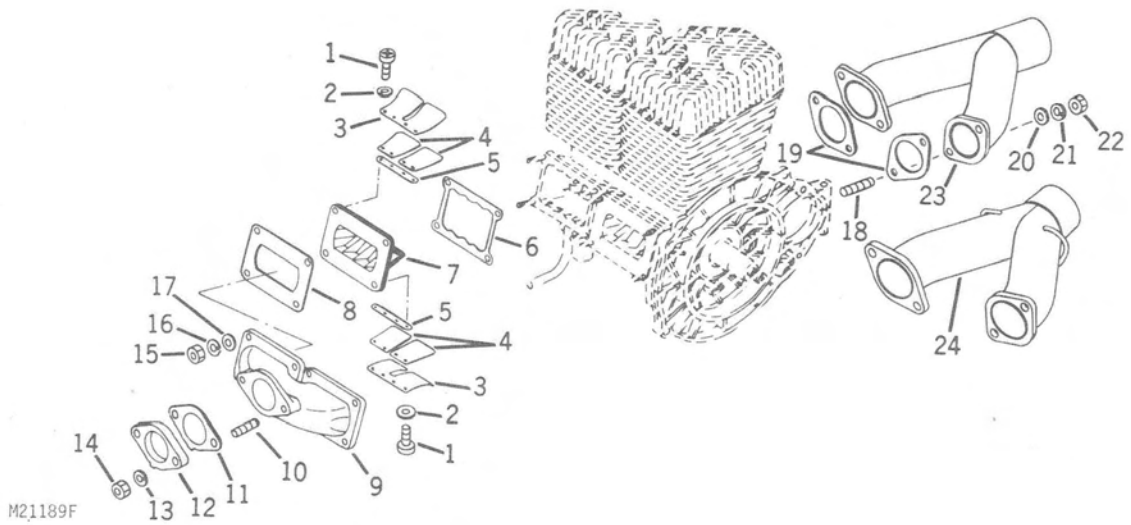


M13412

KEY	PART NO.	SERIAL NO.	DESCRIPTION
1	14M 7140	(-)	NUT (2 USED)
2	12M 7013	(-)	WASHER, INTERNAL-TOOTH, 10 MM (2 USED)
3	M 63640	(-)	STUD (2 USED)
4	M 63999	(-)	GASKET, CARBURETOR INTAKE (3 USED)
5	M 63643	(-)	INSULATOR
6	M 64687	(-)	MANIFOLD, INTAKE
7	M 64688	(-)	MANIFOLD, EXHAUST
8	M 64681	(-)	GASKET, INTAKE MANIFOLD (2 USED)
9	M 64664	(-)	GASKET, EXHAUST MANIFOLD (2 USED)

**INTAKE AND EXHAUST MANIFOLDS AND REED VALVE ASSEMBLY
(800, JDX4, JDX6 AND JDX8)
(400 SERIAL NO. 55001-)**

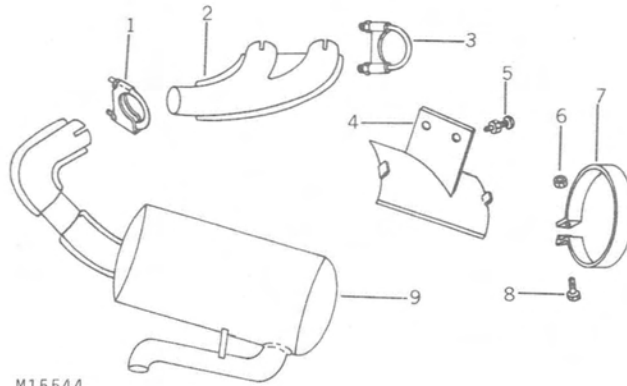
M21189F



KEY	PART NO.	SERIAL NO.	DESCRIPTION
1	21M 7044	-	SCREW, MACHINE, 3 MM X 6 MM (16 USED)
2	12H 233	-	WASHER, LOCK (16 USED)
3	M 63979	-	GUIDE, VALVE (4 USED)
4	M 65658	-	VALVE, REED (JDX4 AND JDX8) (8 USED)
	M 63978	- 33103	VALVE, REED (800) (8 USED)
	M 65658	33104 -	VALVE, REED (800) (8 USED)
	M 65658	55001 -	VALVE, REED (400) (8 USED)
	M 63978	-	VALVE, REED (JDX6) (8 USED)
5	M 63977	-	SHIM, VALVE (4 USED)
6	M 63980	-	PACKING, REED VALVE (2 USED)
7	M 63976	-	BODY, REED VALVE (2 USED)
8	M 63981	-	PACKING, REED VALVE (2 USED)
9	M 64672	-	MANIFOLD, INTAKE
10	M 63640	-	BOLT, STUD (2 USED)
11	M 63999	-	GASKET
12	M 63643	-	INSULATOR
13	12H 304	-	WASHER, LOCK, 3/8" (2 USED)
14	14M 7140	-	NUT, 10 MM (2 USED)
15	14M 7027	-	NUT, 6 MM (8 USED)
16	12H 302	-	WASHER, LOCK, 1/4" (8 USED)
17	24M 7105	-	WASHER, 6 MM X 12 MM X 1.5 MM (8 USED)
18	M 63555	-	STUD, EXHAUST MANIFOLD (4 USED)
19	M 65413	55001 -	GASKET, EXHAUST MANIFOLD (400)
	M 65413	-	GASKET, EXHAUST MANIFOLD (JDX4 AND JDX8) (2 USED)
	M 64664	- 30000	GASKET, EXHAUST MANIFOLD (800) (2 USED)
	M 65413	30001 -	GASKET, EXHAUST MANIFOLD (800) (2 USED)
	M 64664	-	GASKET, EXHAUST MANIFOLD (JDX6) (2 USED)
20	24M 7095	-	WASHER, 8.4 MM X 15 MM X 1.5 MM (12 USED)
21	12H 303	-	WASHER, LOCK, 5/16" (4 USED)
22	14M 7029	-	NUT, 8 MM (10 USED)
23	M 64003	-	MANIFOLD, EXHAUST (JDX4 AND JDX6)
	M 64003	55001 -	MANIFOLD, EXHAUST (400)
	M 64003	- 30000	MANIFOLD, EXHAUST (800)
24	AM 53479	30001 -	MANIFOLD, EXHAUST (800)
	AM 53479	-	MANIFOLD, EXHAUST (JDX8)

**MUFFLER ASSEMBLY
(300)**

M15544

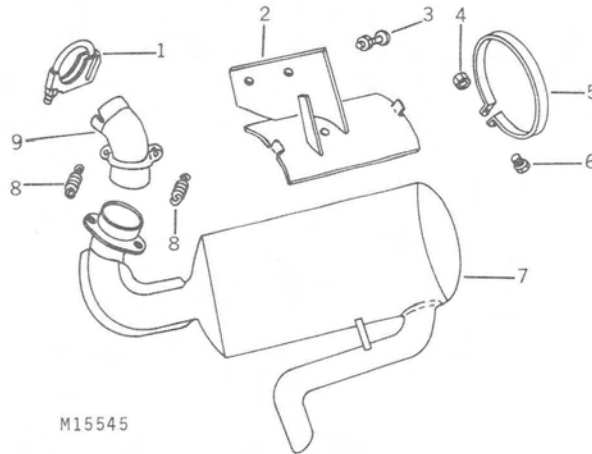


M15544

KEY	PART NO.	SERIAL NO.	DESCRIPTION
1	AM 52515	(-)	CLAMP, MUFFLER
2	AM 52567	(-)	MANIFOLD, EXHAUST
3	AM 52317	(-)	CLAMP, MUFFLER (2 USED)
4	AM 52954	(-)	BRACKET, MUFFLER
5	03H 1519	(-)	BOLT, RD. HD., 3/8" X 1" (2 USED)
	M 63440	(-)	NUT, LOCK, 3/8" (2 USED)
6	M 63707	(-)	NUT, LOCK, 1/4" (2 USED)
7	M 63813	(-)	BAND, MUFFLER (2 USED)
8	19H 1738	(-)	SCREW, CAP, 1/4" X 2" (2 USED)
I 9	AM 52901	(-)	MUFFLER (SUB. FOR AM53412)

MUFFLER ASSEMBLY
 (400 SERIAL NO. -55000) (600)

M15545

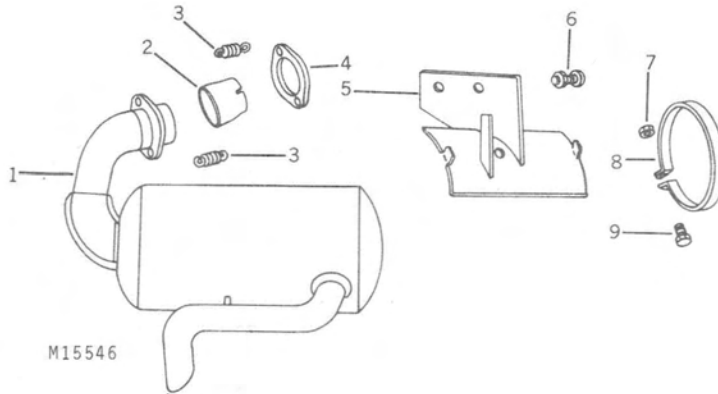


M15545

KEY	PART NO.	SERIAL NO.	DESCRIPTION
1	AM 52418	(-)	CLAMP, MUFFLER
2	AM 52955	(-)	BRACKET, MUFFLER
3	03H 1519	(-)	BOLT, RD. HD., 3/8" X 1" (2 USED)
	M 63440	(-)	NUT, LOCK, 3/8" (2 USED)
4	M 63707	(-)	NUT, LOCK, 1/4" (2 USED)
5	M 63813	(-)	BAND, MUFFLER (2 USED)
6	19H 1738	(-)	SCREW, CAP, 1/4" X 2" (2 USED)
7	AM 52932	(-)	MUFFLER
8	M 65445	(-)	SPRING (2 USED)
9	AM 52722	(-)	TUBE, ANGLE

MUFFLER ASSEMBLY
 (400 SERIAL NO. 55001-)
 (JDX4 AND JDX6)

M15546

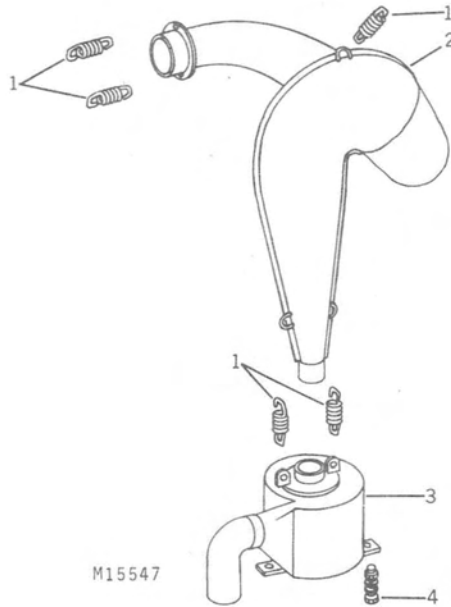


M15546

KEY	PART NO.	SERIAL NO.	DESCRIPTION
1	AM 53092	(-)	MUFFLER
2	M 64990	(-)	TUBE, ADAPTOR
3	M 65445	(-)	SPRING (2 USED)
4	M 64844	(-)	FLANGE
5	AM 52955	(-)	BRACKET, MUFFLER
6	03H 1480	(-)	BOLT, RD. HD., 3/8" X 1-1/4" (2 USED)
	M 63440	(-)	NUT, LOCK, 3/8" (2 USED)
7	M 63707	(-)	NUT, LOCK, 1/4" (2 USED)
8	M 63813	(-)	BAND, MUFFLER
9	19H 1738	(-)	SCREW, CAP, 1/4" X 2" (2 USED)

**MUFFLER ASSEMBLY
(800 AND JDX8)**

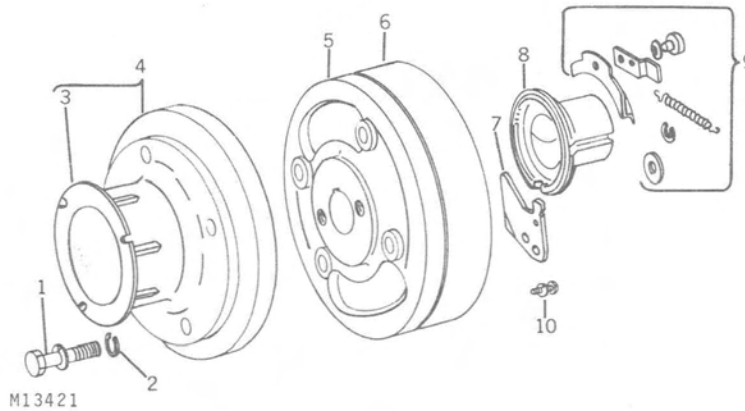
M15547



KEY	PART NO.	SERIAL NO.	DESCRIPTION
1	M 65445	(-)	SPRING (5 USED)
2	AM 53426	(-)	CHAMBER, EXPANSION
3	AM 53411	(-)	ATTENUATOR, EXHAUST
4	19H 1914	(-)	SCREW, CAP, 1/4" X 1" (2 USED)
	24H 1224	(-)	WASHER, 11/32" X 1" X 0.060" (2 USED)
	24H 1287	(-)	WASHER, 9/32" X 5/8" X 0.060" (2 USED)
	M 63707	(-)	NUT, LOCK, 1/4" (2 USED)

**FLYWHEEL AND IGNITION ADVANCE
(300)**

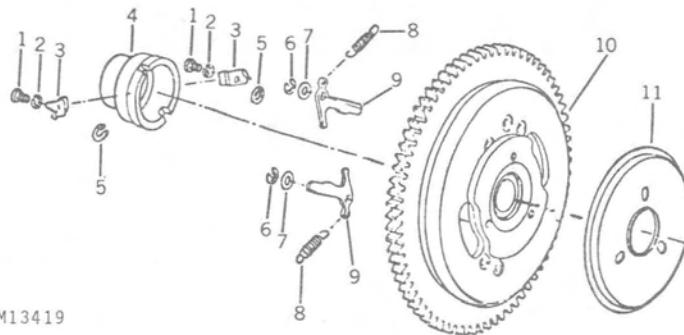
M13421



KEY	PART NO.	SERIAL NO.	DESCRIPTION
1	19H 1948 12H 302	(-)	SCREW, CAP, 1/4" X 3/4" (4 USED)
2	M 64069	(-)	WASHER, LOCK, 1/4" (4 USED)
3	M 64851	(-)	CUP, STARTER
4	AM 53114	(-)	STARTER, CUP AND SHEAVE ASSEMBLY
5	M 64038	(-)	HUB, FLYWHEEL
6	AM 53117	(-)	FLYWHEEL
7	M 64092	(-)	FLYWHEEL
8	M 64084	(-)	CAM
9	AM 53118	(-)	PARTS SET, FLYWEIGHT
10	21H 1142 12H 297	(-)	SCREW, MACHINE, 1/4" X 1/2" (4 USED)
		(-)	WASHER, LOCK, INTERNAL-TOOTH, 1/4" (4 USED)

FLYWHEEL AND IGNITION ADVANCE
(400 SERIAL NO. -55000) (600)

M13419

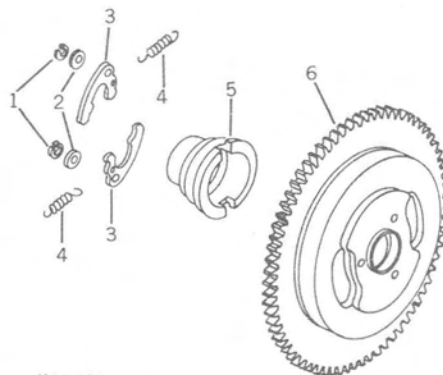


M13419

KEY	PART NO.	SERIAL NO.	DESCRIPTION
I 1	21M 1211	(-)	SCREW, MACHINE, 4 MM X 6 MM (2 USED)
2	12M 7031	(-)	WASHER, LOCK, 4 MM (2 USED)
3	M 64685	(-)	HOLDER, CAM (2 USED)
4	M 64684	(-)	CAM
5	M 63990	(-)	WASHER, SHIM (2 USED)
6	M 63603	(-)	E-RING (2 USED)
7	M 63605	(-)	WASHER (4 USED)
8	M 63991	(-)	SPRING, GOVERNOR (2 USED)
9	M 63993	(-)	WEIGHT, GOVERNOR (2 USED)
10	AM 53070	(-)	FLYWHEEL ASSEMBLY, INCLUDES RING GEAR
11	M 64686	(-)	PLATE

FLYWHEEL AND IGNITION ADVANCE
(800, JDX4, JDX6 AND JDX8)

M15548

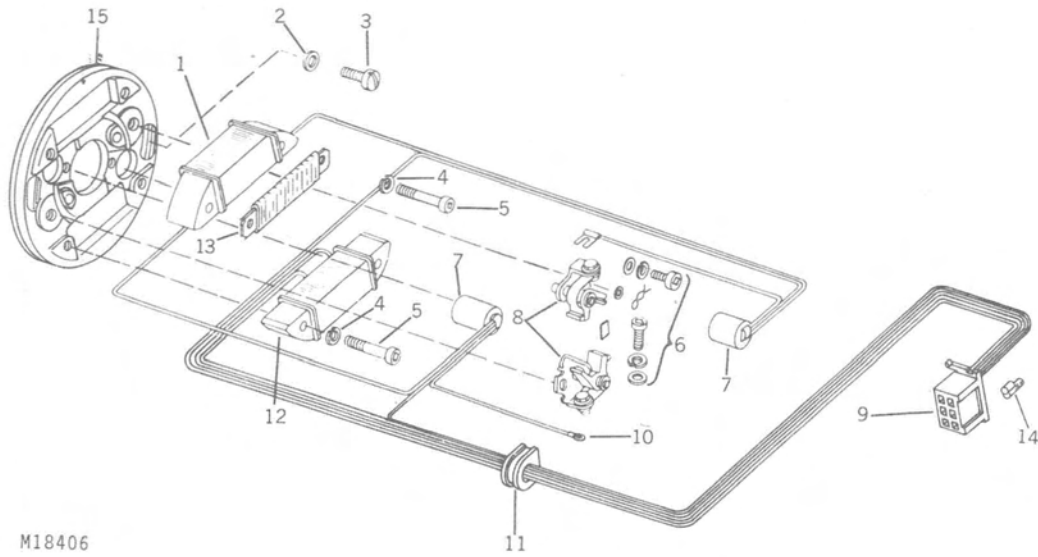


M15548

KEY	PART NO.	SERIAL NO.	DESCRIPTION
1	M 63636	(-)	E-RING (2 USED)
2	M 63637	(-)	WASHER (2 USED)
3	M 63994	(-)	WEIGHT, GOVERNOR (2 USED)
4	M 64855	(-)	SPRING, GOVERNOR (2 USED)
5	M 64854	(-)	CAM
6	AM 53047	(-)	FLYWHEEL, INCLUDES RING GEAR

**STATOR PLATE ASSEMBLY
(300)**

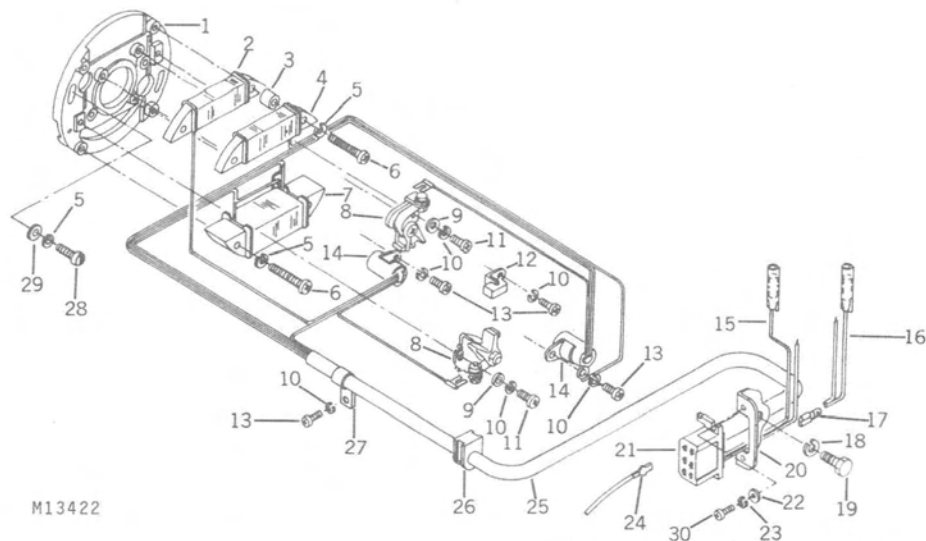
M18406



KEY	PART NO.	SERIAL NO.	DESCRIPTION
1	AM 53167	(-)	COIL, IGNITION
2	24H 1283	(-)	WASHER, 7/32" X 1/2" X 0.048" (2 USED)
3	21H 1317	(-)	SCREW, PAN HEAD, NO. 10 X 5/8" (2 USED)
4	12H 246	(-)	WASHER, LOCK (4 USED)
5	21M 7022	(-)	SCREW, MACHINE, 5 MM X 20 MM (4 USED)
6	AM 53165	(-)	PARTS SET, IGNITION (2 USED)
7	AM 52554	(-)	CONDENSER (2 USED)
8	AM 53119	(-)	SET, BREAKER POINTS (2 USED)
9	M 65688	(-)	COUPLER, PLASTIC
10	R 32018	(-)	EYELET
11	M 64013	(-)	GROMMET
12	AM 53166	(-)	COIL, LIGHTING (100 WATT)
13	AM 52993	(-)	COIL, LIGHTING (23 WATT)
14	M 65689	(-)	TERMINAL, SPADE (FEMALE) (5 USED)
15	M 64083	(-)	PLATE, ARMATURE

STATOR PLATE ASSEMBLY
(400 SERIAL NO. -55000) (600)

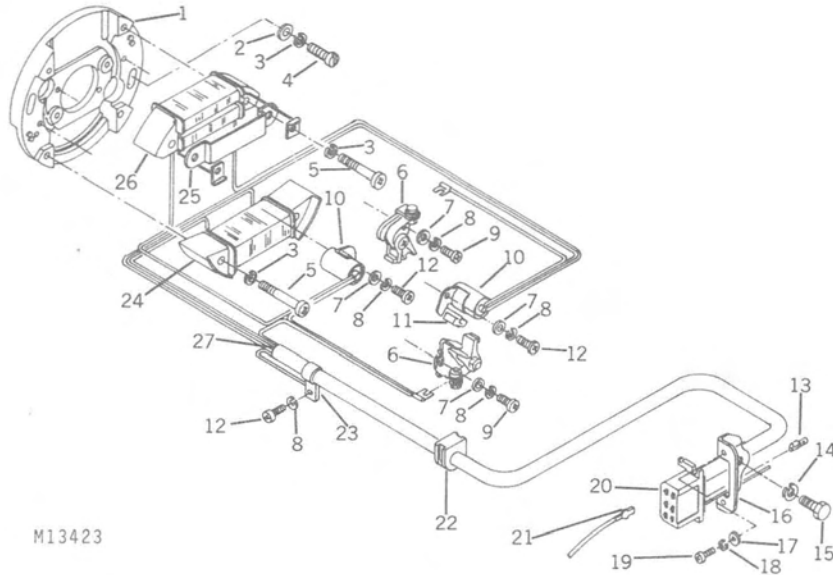
M13422



KEY	PART NO.	SERIAL NO.	DESCRIPTION
1	M 64683	(-)	PLATE, COIL
2	AM 53061	(-)	COIL, IGNITION GENERATING
3	M 63617	(-)	SPACER (2 USED)
4	AM 53065	(-)	COIL, IGNITION GENERATING
5	12M 7011	(-)	WASHER, LOCK (6 USED)
6	21M 7124	(-)	SCREW, MACHINE, 5 MM X 35 MM (4 USED)
7	AM 53062	(-)	COIL, LIGHTING
8	AM 53064	(-)	POINT SET, BREAKER (400) (2 USED)
	AM 53170	(-)	POINT SET, BREAKER (600) (2 USED)
9	24M 7117	(-)	WASHER, 4.3 MM X 9 MM (2 USED)
10	12M 7031	(-)	WASHER, LOCK, 4 MM (6 USED)
11	21M 7209	(-)	SCREW, MACHINE, 4 MM X 10 MM (2 USED)
12	AM 52376	(-)	FELT, OIL AND HOLDER
13	21M 1211	(-)	SCREW, MACHINE, 4 MM X 6 MM (4 USED)
14	AM 53063	(-)	CONDENSER (2 USED)
15	AM 52381	(-)	LEAD ASSEMBLY, NO. 2
16	AM 52380	(-)	LEAD ASSEMBLY, NO. 1
17	M 63593	(-)	CONNECTOR, SPADE (FEMALE) (5 USED)
18	12M 7012	(-)	WASHER, LOCK, 6 MM
19	19M 7560	(-)	SCREW, CAP, 6 MM X 15 MM
20	M 63725	(-)	HOLDER, COUPLER
21	M 63589	(-)	COUPLER
22	24M 7029	(-)	WASHER, 3.2 MM X 7 MM X 0.5 MM (2 USED)
23	12M 1621	(-)	WASHER, LOCK, 3 MM (2 USED)
24	M 64232	(-)	CONNECTOR, SPADE (MALE) (5 USED)
25	M 63538	(-)	PROTECTOR, IGNITION CABLE
26	M 63537	(-)	BUSHING, RUBBER
27	M 63587	(-)	CLAMP
28	21M 7022	(-)	SCREW, MACHINE, 5 MM X 20 MM (2 USED)
29	24M 7027	(-)	WASHER, 5.3 MM X 11 MM X 1 MM (2 USED)
30	21M 7201	(-)	SCREW, MACHINE, 3 MM X 8 MM (2 USED)

**STATOR PLATE ASSEMBLY
(800, JDX4, JDX6 AND JDX8)**

M13423

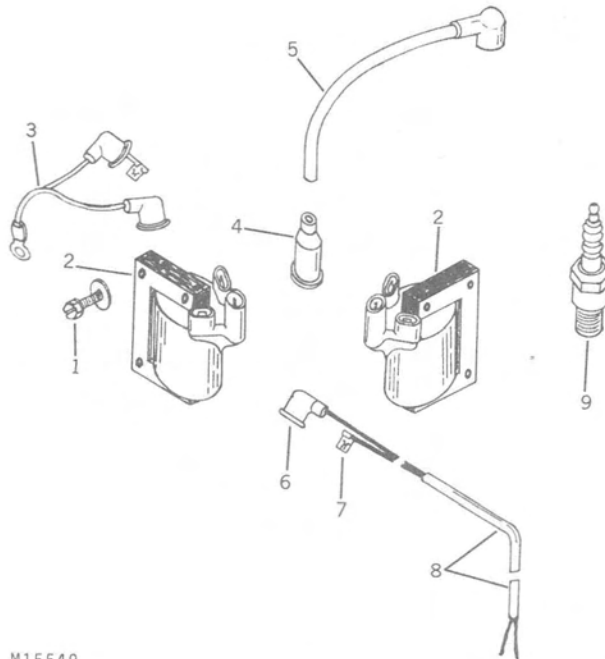


M13423

KEY	PART NO.	SERIAL NO.	DESCRIPTION
1	M 63984	-	PLATE, COIL
2	24M 7027	-	WASHER, 5.3 MM X 11 MM X 1 MM (2 USED)
3	12M 7011	-	WASHER, LOCK, 5 MM (4 USED)
4	21M 7022	-	SCREW, MACHINE, 5 MM X 20 MM (2 USED)
5	21M 7142	-	SCREW, MACHINE, 5 MM X 27 MM (4 USED)
6	AM 53168	-	POINT SET, BREAKER (2 USED)
7	24M 7117	-	WASHER, 4.3 MM X 9 MM (4 USED)
8	12M 7031	-	WASHER, LOCK, 4 MM (5 USED)
9	21M 1247	-	SCREW, MACHINE, 4 MM X 9 MM (2 USED)
10	AM 53043	-	CONDENSER (2 USED)
11	AM 52396	-	FELT, OIL
12	21M 1211	-	SCREW, MACHINE, 4 MM X 6 MM (3 USED)
13	M 63593	-	CONNECTOR, SPADE (FEMALE) (5 USED)
14	12M 7012	-	WASHER, LOCK, 6 MM
15	19M 7560	-	SCREW, CAP, 6 MM X 15 MM
16	M 63725	-	BRACKET, COUPLER
17	24M 7029	-	WASHER, 3.2 MM X 7 MM X 0.5 MM (2 USED)
18	12M 1621	-	WASHER, LOCK, 3 MM (2 USED)
19	21M 7201	-	SCREW, MACHINE, 3 MM X 8 MM (2 USED)
20	M 63589	-	COUPLER
21	M 64232	-	CONNECTOR, SPADE (MALE) (5 USED)
22	M 65660	-	BUSHING, RUBBER (JDX4 AND JDX8)
	M 63537	33103	BUSHING, RUBBER (800)
	M 65660	33104	BUSHING, RUBBER (800)
	M 63537	-	BUSHING, RUBBER (JDX6)
23	M 63985	-	CLAMP
24	AM 53042	-	COIL, LIGHTING
25	M 64676	-	PLATE
26	AM 53041	-	COIL, IGNITION, PRIMARY
27	AM 53044	-	LEAD WIRE AND PROTECTOR ASSEMBLY

**COILS AND IGNITION WIRES
(300)**

M15549



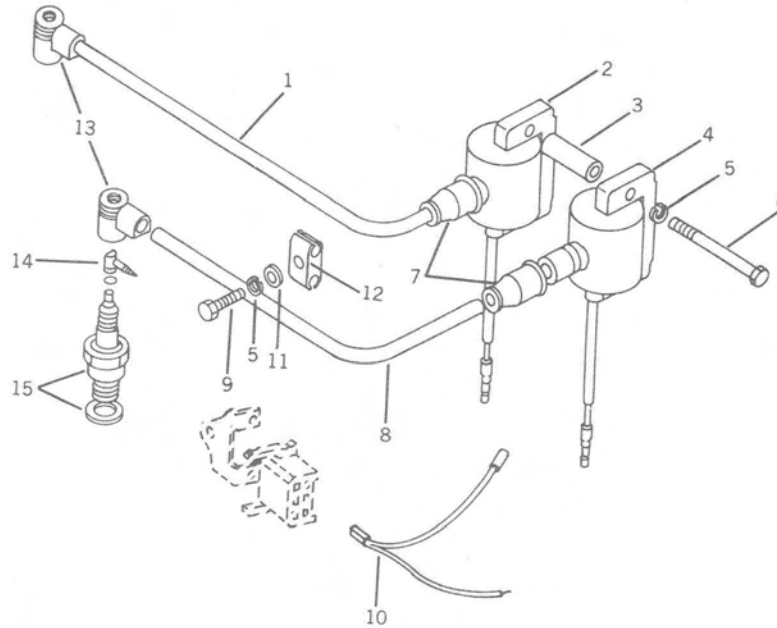
M15549

KEY	PART NO.	SERIAL NO.	DESCRIPTION
1	21H 1312 12H 295	(-)	SCREW, MACHINE, PAN HEAD, NO. 10 X 1" (4 USED)
2	AM 52535	(-)	WASHER, LOCK, INTERNAL-TOOTH, NO. 10 (4 USED)
3	AM 52536	(-)	COIL, IGNITION (2 USED)
4	M 64044	(-)	GROUND WIRE ASSEMBLY
5	AM 52537	(-)	BOOT, SPARK PLUG CABLE (2 USED)
6	M 64045	(-)	CABLE, SPARK PLUG (2 USED)
7	M 64043	(-)	BOOT, COIL (2 USED)
8	M 64046	(-)	CONNECTOR (2 USED)
9	AM 53007	(-)	SLEEVE, PROTECTION
	AM 53006	(-)	PLUG, SPARK (AC S42 XLR) (NORMAL)
	AM 53016 *	(-)	PLUG, SPARK (CHAMPION RN3) (NORMAL)
	AM 53941	(-)	PLUG, SPARK (CHAMPION RN3G) (NORMAL)
	AM 53008	(-)	PLUG, SPARK (CHAMPION QN3) (NORMAL)
	AM 53001	(-)	PLUG, SPARK (AC S41 XLR) (COLD)
	AM 52641 *	(-)	PLUG, SPARK (CHAMPION RN2) (COLD)
	AM 53018	(-)	PLUG, SPARK (CHAMPION RN59G) (COLD)
	AM 53019	(-)	PLUG, SPARK (AC S43 XLR) (HOT)
	AM 53020 *	(-)	PLUG, SPARK (AC S44 XLR) (HOT)
		(-)	PLUG, SPARK (CHAMPION RN4) (HOT)
		(-)	PLUG, SPARK (CHAMPION RN4G) (HOT)

* PREMIUM PLUG WITH PRECIOUS METAL (GOLD PALLADIUM) CENTER ELECTRODE

COILS AND IGNITION WIRES
(400 SERIAL NO. -55000) (600)

M12020



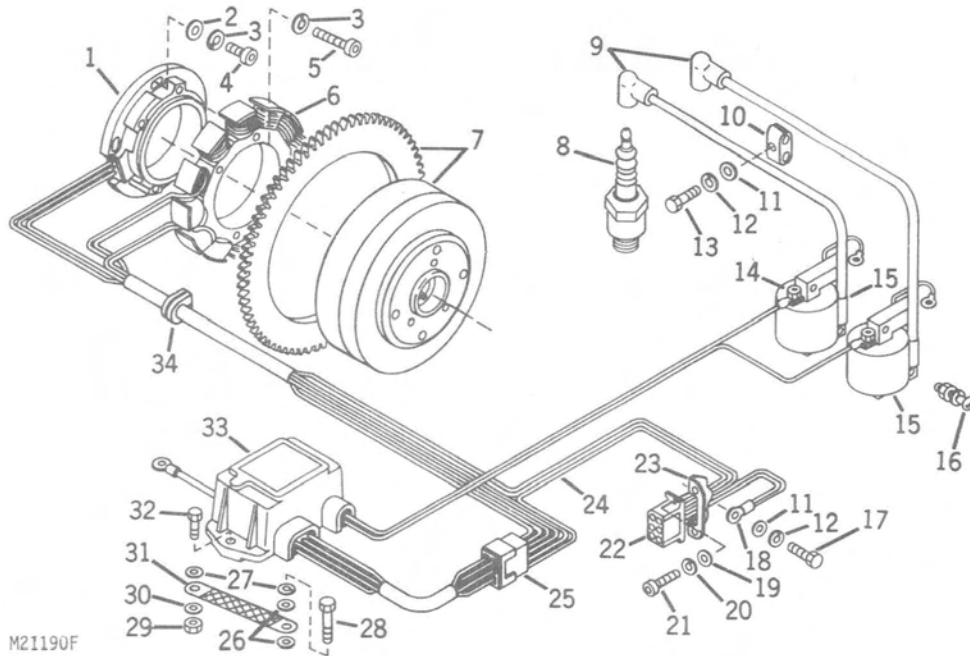
M12020

KEY	PART NO.	SERIAL NO.	DESCRIPTION
1	AM 53068	-	CABLE, IGNITION, NO. 1 (SUB. AM53069)
2	AM 53066	-	COIL, IGNITION NO. 1
3	M 63618	-	SPACER (2 USED)
4	AM 53067	-	COIL, IGNITION NO. 2
5	12M 7012	-	WASHER, LOCK, 6 MM (3 USED)
6	19M 5793	-	SCREW, CAP, 6 MM X 65 MM (2 USED)
7	M 63588	-	BOOT, IGNITION CABLE (2 USED)
8	AM 53069	-	CABLE, IGNITION NO. 2
9	19M 7077	-	SCREW, CAP, 6 MM X 22 MM
10	AM 52380	-	LEAD ASSEMBLY, NO. 1 (WHITE)
	AM 52381	-	LEAD ASSEMBLY, NO. 2 (RED)
11	24M 7105	-	WASHER, 6MM X 12 MM X 1.5 MM
12	M 63986	-	CLAMP
13	M 63590	-	CONNECTOR, SPARK PLUG (2 USED)
14	M 63728	-	SCREW, TERMINAL, SPARK PLUG (2 USED)
15	AM 53007	-	PLUG, SPARK (AC S42XLR) (NORMAL)
	AM 53006	-	PLUG, SPARK (CHAMPION RN3) (HOT)
	AM 53016 *	-	PLUG, SPARK (CHAMPION RN3G) (HOT)
	AM 53001	-	PLUG, SPARK (CHAMPION RN2) (NORMAL)
	AM 53008	-	PLUG, SPARK (AC S41XLR) (COLD)
	AM 53014	-	PLUG, SPARK (CHAMPION N57) (COLD)
	AM 53015 *	-	PLUG, SPARK (CHAMPION N57G) (COLD)
	AM 53018	-	PLUG, SPARK (AC S43XLR) (HOT)
	AM 53488 *	-	PLUG, SPARK (CHAMPION N2G) (NORMAL)

* PREMIUM PLUG WITH PRECIOUS METAL (GOLD PALLADIUM) CENTER ELECTRODE

**ELECTRONIC PACK, STATOR AND FLYWHEEL ASSEMBLY
400 (SERIAL NO. 55,001-)**

M21190F

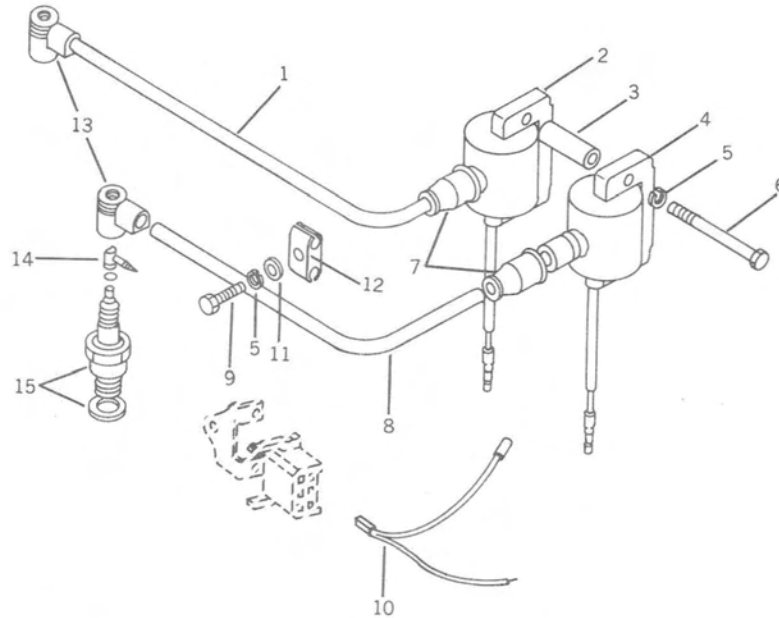


M21190F

KEY	PART NO.	SERIAL NO.	DESCRIPTION
1	AM 53643	-	HOUSING ASSEMBLY, TRIGGER
2	24M 7027	-	WASHER, 5.3 MM X 11 MM X 1 MM (4 USED)
3	12H 246	-	WASHER, LOCK NO. 10 (8 USED)
4	21M 6070	-	SCREW MACHINE 5 MM X 15 MM (4 USED)
5	21M 7143	-	SCREW, MACHINE 5 MM X 30 MM (4 USED)
6	AM 53647	-	ASSEMBLY, STATOR
7	AM 53921	-	ASSEMBLY, FLYWHEEL WITH RING GEAR
8	AM 53787	-	PLUG, SPARK (CHAMPION QN19V)
9	AM 53862	-	KIT, BOOT AND SPRING
10	M 63986	-	CLIP, CORD
11	24M 7105	-	WASHER, 6 MM X 12 MM X 1.5 MM (2 USED)
12	12H 302	-	WASHER, LOCK 1/4" (2 USED)
13	19M 7077	-	SCREW, CAP 6 MM X 20 MM
14	14H 1026	-	NUT, #6 (2 USED)
	12H 321	-	WASHER, LOCK #6 INTERNAL TOOTH
15	AM 53645	-	COIL, IGNITION (2 USED)
16	21H 985	-	SCREW, MACHINE NO. 10 X 1" (8 USED)
	12H 295	-	WASHER, LOCK NO. 10 INTERNAL TOOTH (8 USED)
	14H 631	-	NUT, NO. 10 (8 USED)
17	19M 7560	-	SCREW, CAP, 6 MM X 15 MM
18	AM 53634	-	ASSEMBLY, LEAD WIRE
19	24M 7029	-	WASHER, 3.2 MM X 7 MM X 0.5 MM (2 USED)
20	12H 233	-	WASHER, LOCK NO. 5 (2 USED)
21	21M 7201	-	SCREW, MACHINE, 3 MM X 8 MM (2 USED)
22	M 63589	-	HOUSING, RECEPTACLE
23	M 63725	-	HOLDER, COUPLER
24	AM 53642	-	ASSEMBLY, LEAD WIRE
25	M 65877	-	HOUSING, TERMINAL
26	24H 1720	-	WASHER, 1/4" X 3/4" X 0.060" (2 USED)
27	12H 297	-	WASHER, LOCK 1/4" INTERNAL TOOTH
28	19M 7160	-	SCREW, CAP 6 MM X 30 MM
29	14H 786	-	NUT, 1/4" (2 USED)
30	24H 1287	-	WASHER, 9/32" X 5/8" X 0.060" (2 USED)
31	AM 52218	-	STRAP, GROUND
32	19H 1914	-	SCREW, CAP 1/4" X 1" (2 USED)
33	AM 53644	-	ELECTRONIC PACK (SUB. AM54240)
34	M 65660	-	GROMMET

**COILS AND IGNITION WIRES
(800, JDX4, JDX6 AND JDX8)**

M12020



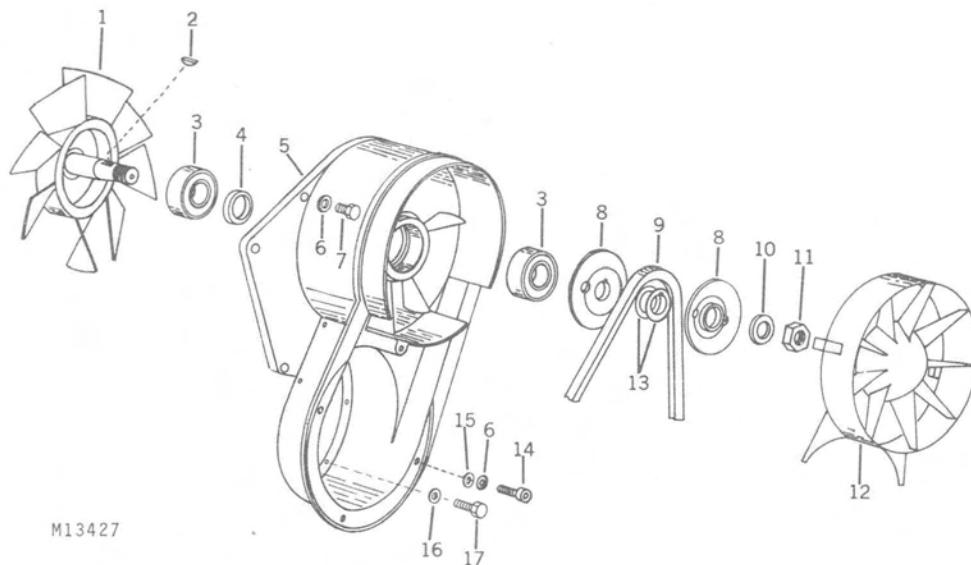
M12020

KEY	PART NO.	SERIAL NO.	DESCRIPTION
1	AM 52399	-	CABLE, IGNITION NO. 1 (SUB. AM53069)
2	AM 53045	-	COIL, IGNITION, NO. 1
3	M 63618	-	SPACER (2 USED)
4	AM 53046	-	COIL, IGNITION, NO. 2
5	12M 7012	-	WASHER, LOCK, 6 MM (3 USED)
6	19M 5793	-	SCREW, CAP, 6 MM X 65 MM (2 USED)
7	M 64671	-	BOOT, IGNITION, CABLE (2 USED)
8	AM 52400	-	CABLE, IGNITION NO. 2 (SUB. AM53069)
9	19M 7077	-	SCREW, CAP, 6 MM X 22 MM
10	AM 52380	-	LEAD ASSEMBLY, NO. 1 (WHITE)
	AM 52381	-	LEAD ASSEMBLY, NO. 2 (RED)
11	24M 7105	-	WASHER, 6 MM X 12 MM X 1.5 MM
12	M 63986	-	CLAMP
13	M 63590	-	CONNECTOR, SPARK PLUG (2 USED)
14	M 63728	-	SCREW, TERMINAL, SPARK PLUG (2 USED)
15	AM 53008	-	PLUG, SPARK (AC S41XLR) (COLD) (JDX4 AND JDX6)
	AM 53007	-	PLUG, SPARK (AC S42XLR) (NORMAL) (JDX4 AND JDX6)
	AM 53018	-	PLUG, SPARK (AC S43XLR) (HOT) (JDX4 AND JDX6)
	AM 53014	-	PLUG, SPARK (CHAMPION N57) (COLD)
	AM 53001	-	PLUG, SPARK (CHAMPION RN2) (NORMAL)
	AM 53006	-	PLUG, SPARK (CHAMPION RN3) (HOT)
	AM 53015	*	PLUG, SPARK (CHAMPION N57G) (COLD)
	AM 53488	*	PLUG, SPARK (CHAMPION N2G) (NORMAL)
	AM 53016	*	PLUG, SPARK (CHAMPION RN3G) (HOT)
	AM 53487	-	PLUG, SPARK (AC S40XLR) (COLD) (800 AND JDX8)
	AM 53008	-	PLUG, SPARK (AC S41XLR) (NORMAL) (800 AND JDX8)
	AM 53007	-	PLUG, SPARK (AC S42XLR) (HOT) (800 AND JDX8)
	AM 52641	*	PLUG, SPARK (CHAMPION N59G) (NORMAL) (800 AND JDX8)

* PREMIUM PLUG WITH PRECIOUS METAL (GOLD PALLADIUM) CENTER ELECTRODE

FAN HOUSING AND FAN
(300)

M13427

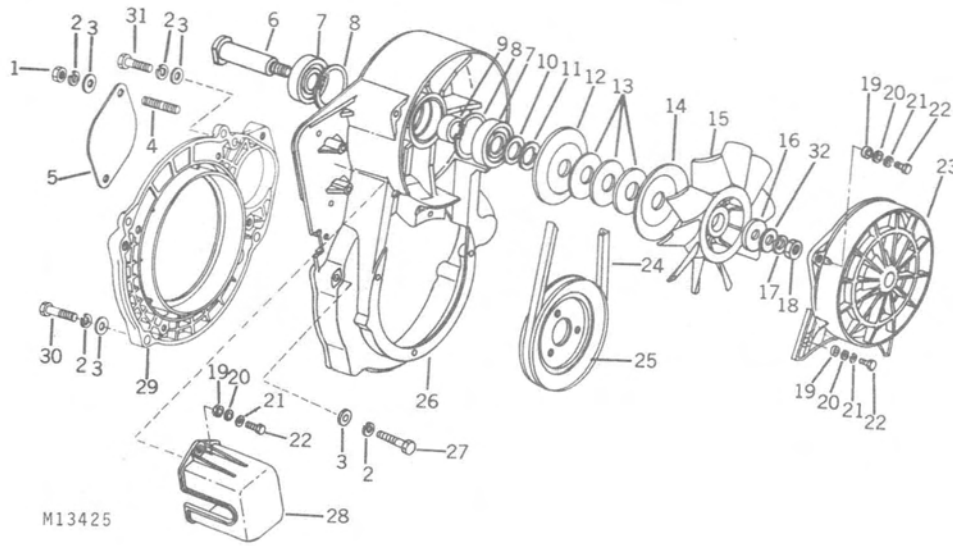


M13427

KEY	PART NO.	SERIAL NO.	DESCRIPTION
1	AM 52538	(-)	FAN AND AXLE ASSEMBLY
2	26H 73	(-)	KEY, WOODRUFF
3	AM 52539	(-)	BEARING, BALL (2 USED)
4	M 64048	(-)	SPACER
5	M 64047	(-)	HOUSING, FAN
6	M 64069	(-)	WASHER, WAVE (7 USED)
7	19H 1791	(-)	SCREW, CAP, 1/4" X 1-1/4" (3 USED)
8	M 64049	(-)	SHEAVE, HALF (2 USED)
9	M 64051	(-)	V-BELT
10	M 64067	(-)	WASHER, WAVE, 5/8"
11	14H 866	(-)	NUT, JAM, 5/8"
12	M 64052	(-)	SCREEN, AIR
13	M 64050	(-)	SHIM (AS REQUIRED)
14	19H 1948	(-)	SCREW, CAP, 1/4" X 3/4" (4 USED)
15	12H 302	(-)	WASHER, LOCK, 1/4" (4 USED)
16	M 64065	(-)	WASHER, WAVE (4 USED)
17	19H 2127	(-)	SCREW, CAP, 5/16" X 7/8" (4 USED)

FAN AND FAN DRIVE
(400 SERIAL NO. (-55000) (600)

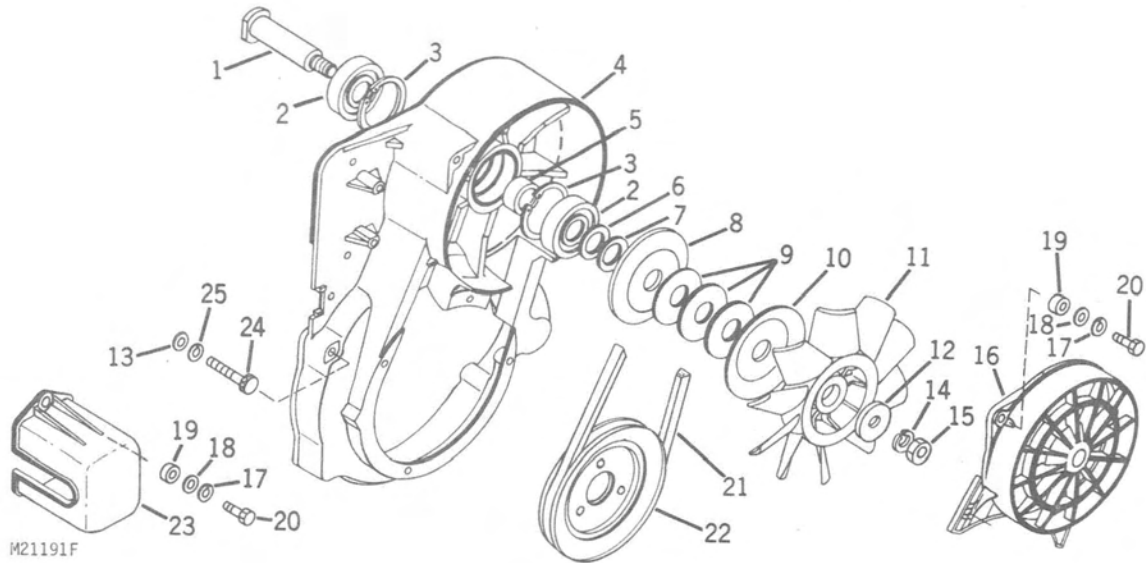
M13425



KEY	PART NO.	SERIAL NO.	DESCRIPTION
1	14M 7029	-	NUT, 8 MM (2 USED)
2	12M 7008	-	WASHER, LOCK, 8 MM (6 USED)
3	24M 7095	-	WASHER, 8.4 MM X 15 MM X 1.5 MM (6 USED)
4	M 63572	-	STUD (2 USED)
5	M 63562	-	PLATE, COVER
6	M 63973	-	SHAFT, FAN
7	AM 52498	-	BEARING, BALL (2 USED)
8	M 63966	-	RING, SNAP (2 USED)
9	M 63967	-	SPACER, BEARING
10	M 63969	-	WASHER, BACK-UP, THICK (SUB. M65416)
11	M 63970	-	WASHER, BACK-UP, THIN
12	M 63961	-	PULLEY, DRIVEN, INNER HALF
13	M 63963	-	SPACER (3 USED)
14	M 63962	-	PULLEY, DRIVEN, OUTER HALF
15	M 63972	-	FAN, COOLING
16	M 63971	-	SPACER, OUTER
17	12M 7014	-	WASHER, LOCK, 12 MM
18	M 63568	-	NUT
19	M 63615	-	SPACER (6 USED)
20	24M 7105	-	WASHER, 6 MM X 12 MM X 1.5 MM (6 USED)
21	12M 7012	-	WASHER, LOCK, 6 MM (6 USED)
22	19M 7560	-	SCREW, CAP, 6 MM X 15 MM (6 USED)
23	M 65661	-	GUARD, FAN (SUB. FOR M65406)
24	M 65414	-	BELT
25	M 64667	-	PULLEY, DRIVE
26	M 64666	-	COVER, FAN
27	19M 7378	-	SCREW, CAP, 8 MM X 45 MM
28	M 63626	-	COVER, COIL
29	M 63968	-	COVER, FAN CASE
30	19M 7298	-	SCREW, CAP, 8 MM X 35 MM (2 USED)
31	19M 7377	-	SCREW, CAP, 8 MM X 28 MM
32	24M 7111	-	WASHER, 13 MM X 25 MM X 3 MM

FAN AND FAN DRIVE
 (400, SERIAL NO. 55001-)
 (800, JDX4, JDX6 AND JDX8)

M21191F

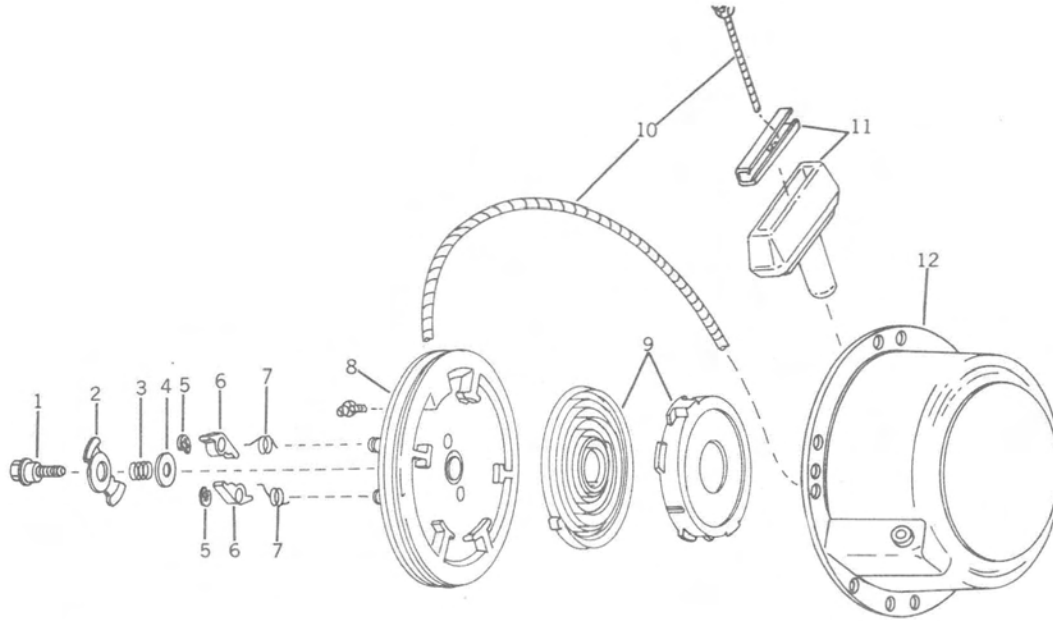


M21191F

KEY	PART NO.	SERIAL NO.	DESCRIPTION
1	M 63973	-	SHAFT, FAN
2	AM 52498	-	BEARING, FAN (2 USED)
3	M 63966	-	RING, SNAP (2 USED)
4	M 65656	-	COVER, FAN (400, JDX4 AND JDX8)
	M 64666	- 33103	COVER, FAN (800)
	M 65656	33104 -	COVER, FAN (800)
	M 64666	-	COVER, FAN (JDX6)
5	M 63967	-	SPACER, BEARING
6	M 65416	-	WASHER (THICK) (400, JDX4 AND JDX8)
	M 63969	- 33103	WASHER (THICK) (800)
	M 65416	-	WASHER (THICK) (800)
	M 63969	-	WASHER (THICK) (JDX6)
7	M 63970	-	WASHER (THIN)
8	M 63961	-	PULLEY, DRIVEN, INNER HALF
9	M 63963	-	SPACER, PULLEY (3 USED)
10	M 63962	-	PULLEY, DRIVEN, OUTER HALF
11	M 63972	-	FAN, COOLING
12	M 63971	-	SPACER, OUTSIDE
13	24M 7095	-	WASHER, 8.4 MM X 15 MM X 1.5 MM
14	12H 301	-	WASHER, LOCK, 1/2"
15	M 63568	-	NUT, FAN SHAFT
16	M 65661	-	GUARD, FAN (400, JDX4 AND JDX8)
	M 65661	-	GUARD, FAN (JDX6 AND 800) (SUB. FOR M65406)
17	12H 302	-	WASHER, LOCK, (6 USED)
18	24M 7105	-	WASHER, 6 MM X 12 MM X 1.5 MM (6 USED)
19	M 63615	-	SPACER (6 USED)
20	19M 7560	-	SCREW, CAP, 6 MM X 15 MM (6 USED)
21	M 64721	-	BELT (JDX4 AND JDX8)
	M 65414	- 33103	BELT (800)
	M 64721	33104 -	BELT (800)
	M 65414	-	BELT (400 AND JDX6)
22	M 64667	-	PULLEY, DRIVE
	M 64667	-	PULLEY, DRIVE 400 (BEGINNING ENGINE SN 56,000,000)
	M 66366	-	PULLEY, DRIVE 400 (BEGINNING ENGINE SN 7412000)
23	M 63626	-	COVER, COIL
24	19M 7378	-	BOLT, 8 MM X 45 MM
25	12H 303	-	WASHER, LOCK, 5/16"

RECOIL STARTER
(300)

M13428

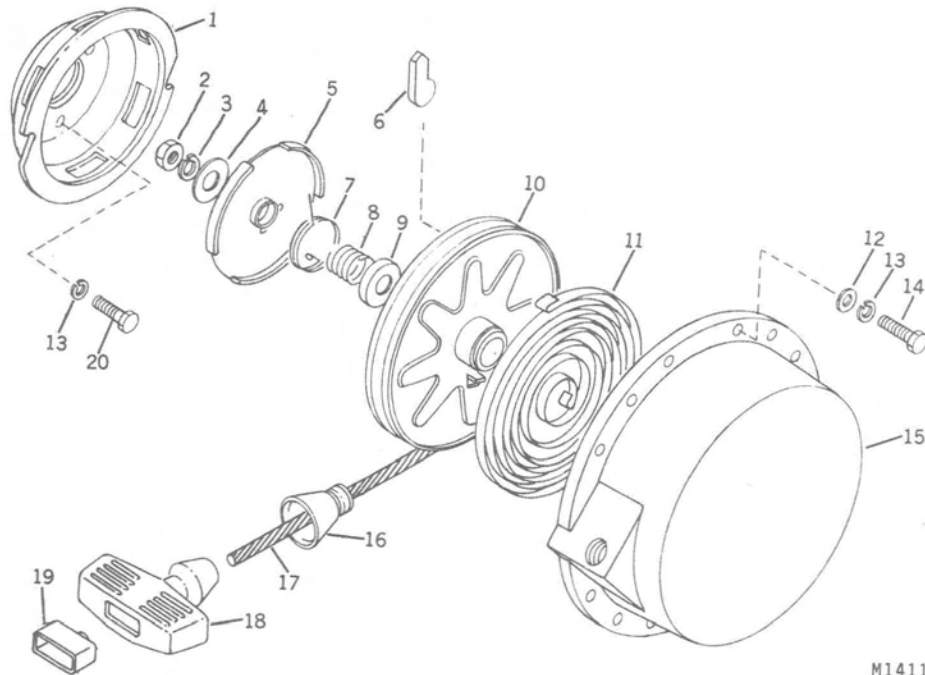


M13428

KEY	PART NO.	SERIAL NO.	DESCRIPTION
	1 M 47217	(-)	SCREW, CENTER
	2 M 47218	(-)	CAM, DOG
	3 M 47219	(-)	SPRING, BRAKE
I	4 24H 1287	(-)	WASHER, 9/32" X 5/8" X 0.060"
	5 M 2396 T	(-)	RING, RETAINER (2 USED)
	6 M 47221	(-)	DOG (2 USED)
	7 M 47222	(-)	SPRING, DOG (2 USED)
	8 AM 34566	(-)	PULLEY ASSEMBLY
	9 AM 34567	(-)	SPRING AND KEEPER ASSEMBLY
	10 M 47223	(-)	ROPE, STARTER
	11 AM 30965	(-)	HANDLE, STARTER
	12 AM 53115	(-)	HOUSING ASSEMBLY

RECOIL STARTER
(400, 600, 800, JDX4, JDX6 AND JDX8)

M14111

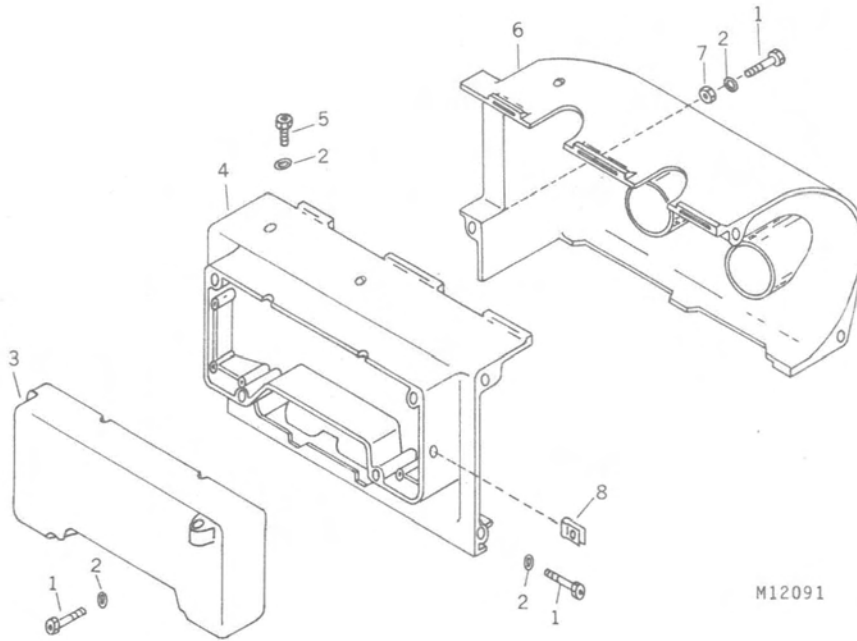


M14111

KEY	PART NO.	SERIAL NO.	DESCRIPTION
1	M 64669	(- 55000)	PULLEY, STARTER
	M 64669	(55001 -)	PULLEY, STARTER (400) (BEGINNING ENGINE SN 56,000,000)
	M 66370	(55001 -)	PULLEY, STARTER (400) (BEGINNING ENGINE SN 7412000)
2	14M 7059	(-)	NUT, 8 MM
3	12H 303	(-)	WASHER, LOCK, 5/16"
4	M 65975	(-)	WASHER
	M 63576	(-)	PLATE, FRICTION
6	63577	(-)	PAWL (3 USED)
7	64849	(-)	SPRING, RETURN
8	64853	(-)	SPRING
9	63616	(-)	WASHER
10	M 63581	(-)	REEL
11	M 63580	(-)	SPRING, MAIN
12	24M 7105	(-)	WASHER, 6 MM X 12 MM X 1.5 MM (4 USED)
13	12H 302	(-)	WASHER, LOCK, 1/4" (7 USED)
14	19M 7077	(-)	SCREW, CAP, 6 MM X 20 MM (4 USED)
15	M 65405	(-)	CASE
16	M 63583	(-)	GUIDE, ROPE
	M 65976	(55001 -)	GUIDE, ROPE (400)
17	M 63584	(-)	ROPE (SUB. M65977)
	M 65977	(55001 -)	ROPE (400) (SUB. FOR M66373)
18	M 63585	(-)	HANDLE
19	M 63586	(-)	LOCK, ROPE
20	19M 7560	(-)	SCREW, CAP, 6 MM X 15 MM (3 USED)

**AIR SHROUD
(300)**

M12091

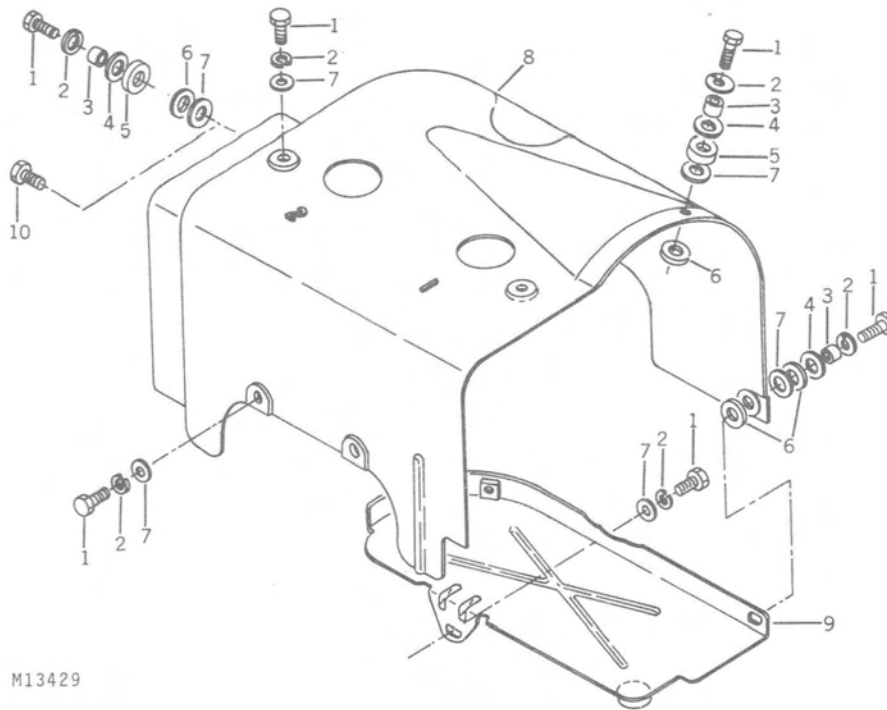


M12091

KEY	PART NO.	SERIAL NO.	DESCRIPTION
1	19H 1791	(-)	SCREW, CAP, 1/4" X 1-1/4" (6 USED)
2	M 64069	(-)	WASHER, WAVE, 1/4" (6 USED)
3	M 64596	(-)	COVER, COIL
4	M 64041	(-)	SHROUD, AIR INTAKE
5	19H 1227	(-)	SCREW, CAP, 1/4" X 1/2"
6	M 64040	(-)	SHROUD, AIR EXHAUST
7	14H 786	(-)	NUT, 1/4"
8	M 64013	(-)	GROMMET, RUBBER

CYLINDER COVER
(400 SERIAL NO. -55000) (600)

M13429

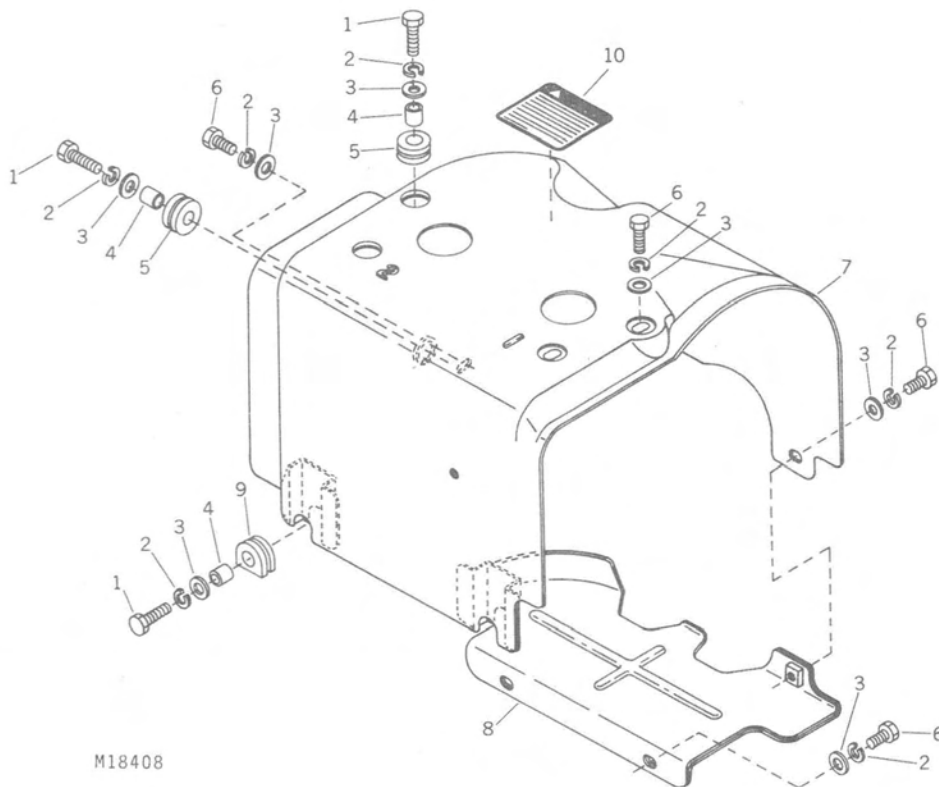


M13429

KEY	PART NO.	SERIAL NO.	DESCRIPTION
I 1	19M 7560	(-)	SCREW, CAP, 6 MM X 15 MM (7 USED 400) (8 USED 600)
2	12M 7012	(-)	WASHER, LOCK, 6 MM (8 USED 400) (5 USED 600)
3	M 64846	(-)	SPACER (600) (3 USED)
4	24M 7095	(-)	WASHER, 8.4 MM X 15 MM X 1.5 MM (600) (3 USED)
5	M 64847	(-)	GROMMET, RUBBER (600) (2 USED)
6	M 64848	(-)	GROMMET, RUBBER (600) (4 USED)
7	24M 7105	(-)	WASHER, 6 MM X 12 MM X 1.5 MM (8 USED 400) (6 USED 600)
8	M 64856	(-)	COVER, CYLINDER (600)
	M 64682	(-)	COVER, CYLINDER (400)
9	AM 53169	(-)	ADAPTOR, CYLINDER COVER (600)
	AM 53060	(-)	ADAPTOR, CYLINDER COVER (400)
10	19M 7077	(-)	SCREW, CAP, 6 MM X 22 MM (400)
..	AM 53234	(-)	KIT, ISOLATION, ENGINE SHROUD (SERVICE ONLY)

CYLINDER COVER
(400 SERIAL NO. 55001-)

M18408

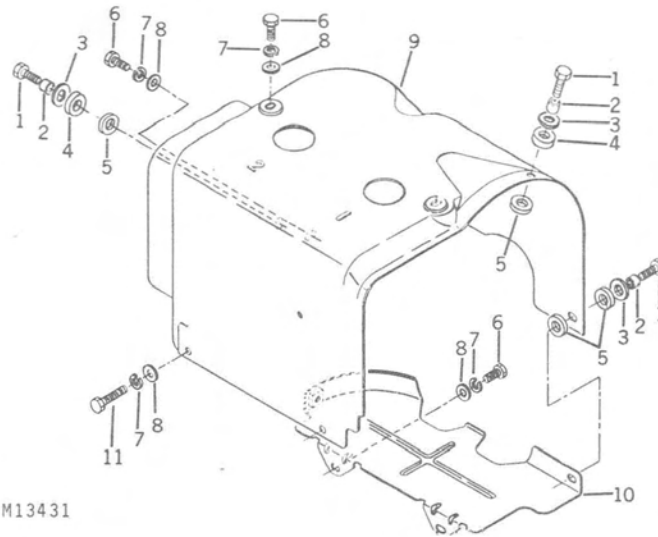


M18408

KEY	PART NO.	SERIAL NO.	DESCRIPTION
1	19M 7077	(-)	SCREW, CAP 6 MM X 22 MM (5 USED)
2	12H 302	(-)	WASHER, LOCK 1/4" (11 USED)
3	24M 7105	(-)	WASHER, 6 MM X 12 MM X 1.5 MM (11 USED)
4	M 66367	(-)	SPACER (5 USED)
5	M 66368	(-)	GROMMET (3 USED)
6	19M 6614	(-)	SCREW, CAP 6 MM X 12 MM (6 USED)
7	AM 53985	(-)	COVER, CYLINDER (BEGINNING ENGINE SN 7412000)
	M 65657	(-)	COVER, CYLINDER (BEGINNING ENGINE SN 56,000,000)
8	AM 53986	(-)	ADAPTOR, CYLINDER COVER (BEGINNING ENGINE SN 7412000)
	AM 53523	(-)	ADAPTOR, CYLINDER COVER (BEGINNING ENGINE SN 56,000,000)
9	M 66369	(-)	GROMMET (2 USED)
10	M 65985	(-)	LABEL, CAUTION

CYLINDER COVER
 (800-SERIAL NO. -33103) (JDX6)

M13431

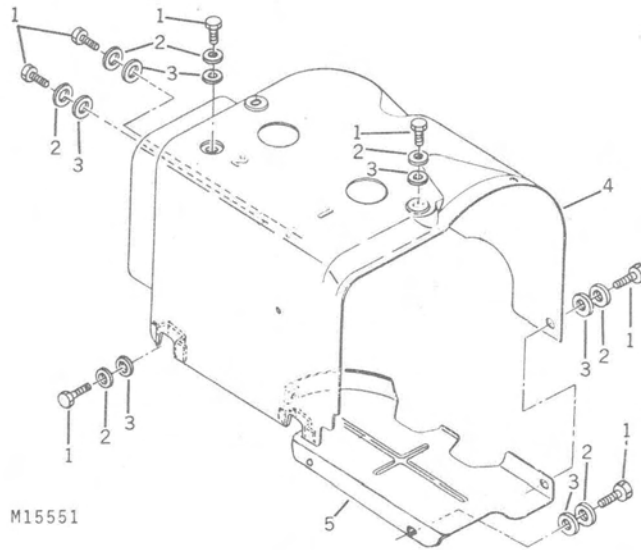


M13431

KEY	PART NO.	SERIAL NO.	DESCRIPTION
I	1 19M 7560	(-)	SCREW, CAP, 6 MM X 15 MM (3 USED)
	2 M 64846	(-)	SPACER (3 USED)
	3 24M 7095	(-)	WASHER, 8.4 MM X 15 MM X 1.5 MM (3 USED)
	4 M 64847	(-)	GROMMET, RUBBER (2 USED)
	5 M 64848	(-)	GROMMET, RUBBER (4 USED)
	6 19M 6614	(-)	SCREW, CAP, 6 MM X 12 MM (5 USED)
	7 12M 7012	(-)	WASHER, LOCK, 6 MM (7 USED)
	8 24M 7105	(-)	WASHER, 6 MM X 12 MM X 1.5 MM (7 USED)
	9 M 64668	(-)	COVER, CYLINDER
	10 AM 53040	(-)	ADAPTER, CYLINDER COVER
	11 19M 7160	(-)	SCREW, CAP, 6 MM X 30 MM (2 USED)
..	AM 53234	(-)	KIT, ISOLATION, ENGINE SHROUD (SERVICE ONLY)

CYLINDER COVER
 (800-SERIAL NO. 33104-) (JDX4 AND JDX8)

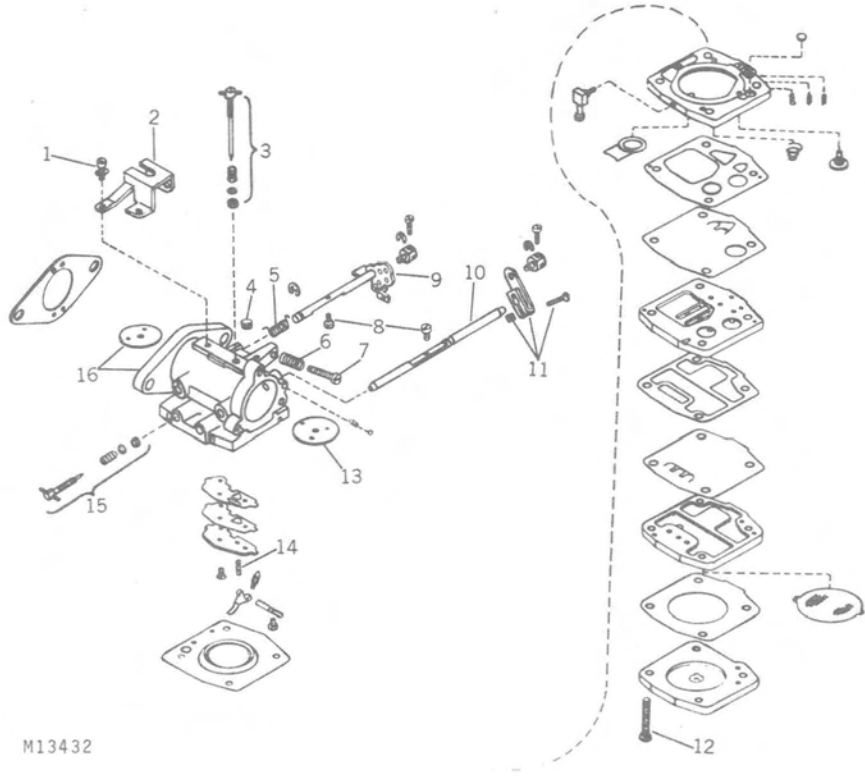
M15551



KEY	PART NO.	SERIAL NO.	DESCRIPTION
1	19M 6614	(-)	SCREW, CAP, 6 MM X 12 MM (11 USED)
2	12M 7012	(-)	WASHER, LOCK, 6 MM (11 USED)
3	24M 7105	(-)	WASHER, 6 MM X 12 MM X 1.5 MM (11 USED)
4	M 65657	(-)	COVER, CYLINDER
5	AM 53523	(-)	ADAPTOR, CYLINDER COVER

WALBRO CARBURETOR
 (300, 800, JDX4, JDX6 AND JDX8)
 (400 SERIAL NO. 55001-)

M13432



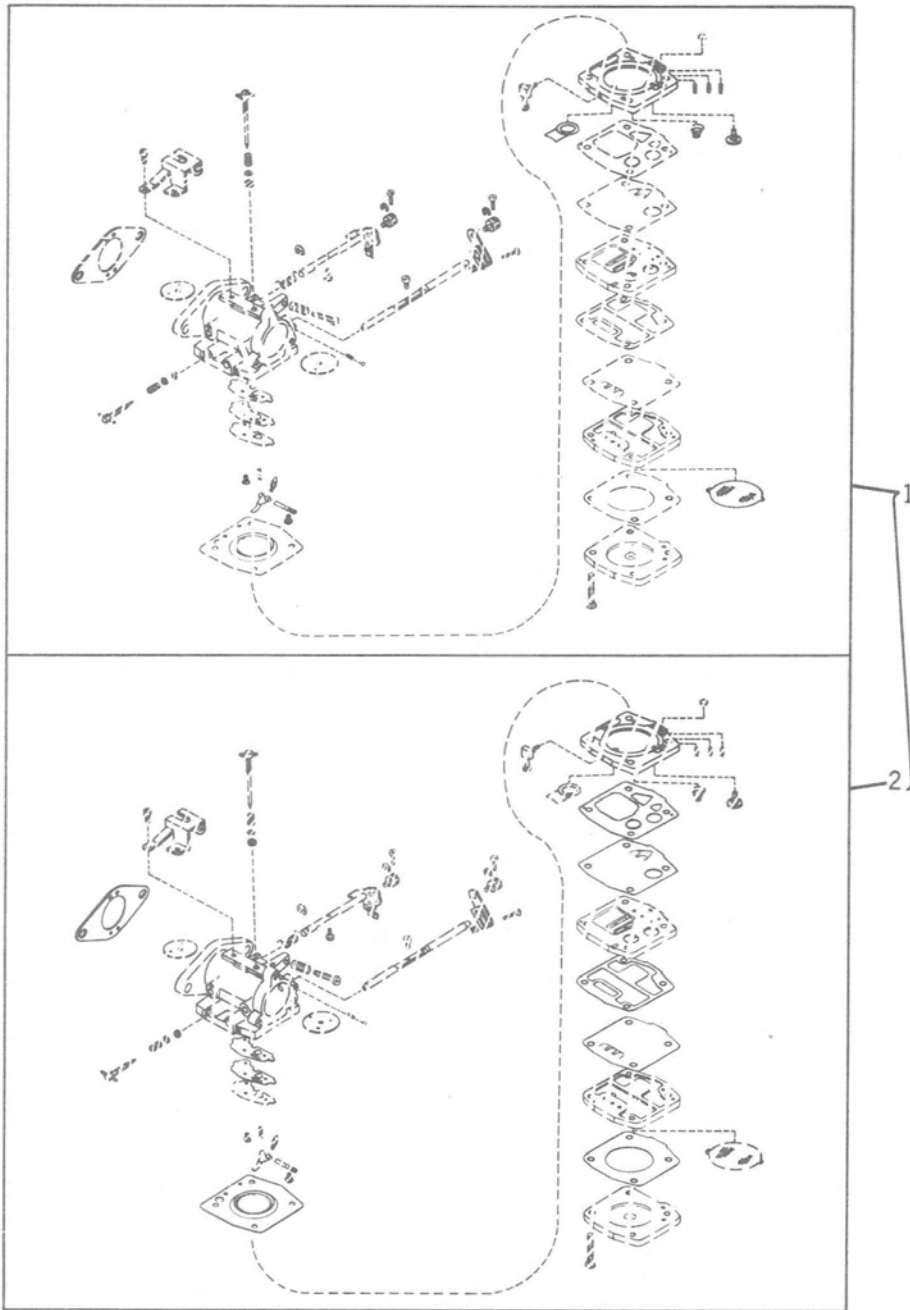
M13432

KEY	PART NO.	SERIAL NO.	DESCRIPTION
1	21H 971	(-)	SCREW, MACHINE, NO. 8 X 5/16" (2 USED)
	12H 290	(-)	WASHER, LOCK, INTERNAL-TOOTH, NO. 8 (2 USED)
2	M 64158	(-)	BRACKET, THROTTLE
3	AM 53093	(-)	NEEDLE ASSEMBLY, HIGH-SPEED MIXTURE (300)
	AM 52604	(-)	NEEDLE ASSEMBLY, HIGH-SPEED MIXTURE (400, 800, JDX4, JDX6 AND JDX8)
4	M 65446	(-)	PLUG, HEADLESS PIPE, 1/8"
5	M 64135	(-)	SPRING, THROTTLE RETURN
6	M 63651	(-)	SPRING, IDLE ADJUSTMENT
7	M 64134	(-)	SCREW, IDLE ADJUSTMENT
8	M 63650	(-)	SCREW, VALVE (3 USED)
9	AM 52603	(-)	SHAFT AND LEVER ASSEMBLY, THROTTLE
10	M 64132	(-)	SHAFT, CHOKE
11	AM 52258	(-)	LEVER ASSEMBLY, CHOKE
12	21H 1136	(-)	SCREW, MACHINE, NO. 10 X 1-1/2" (4 USED)
13	M 64133	(-)	VALVE, CHOKE
14	M 64836	(-)	SPRING, METERING LEVER (300)
	M 64834	(-)	SPRING, METERING LEVER (400, 800, JDX4, JDX6 AND JDX8)
15	AM 52262	(-)	NEEDLE ASSEMBLY, IDLE MIXTURE
16	AM 52875	(-)	CARBURETOR, COMPLETE (MODEL WRA-31) (400, 800, JDX4, JDX6 AND JDX8)
	AM 52876	(-)	CARBURETOR, COMPLETE (MODEL WDB-31) (300)

NOTE: SEE PAGE 62 FOR CARBURETOR KITS

WALBRO CARBURETOR AND DIAPHRAGM REPAIR KITS

M21192F

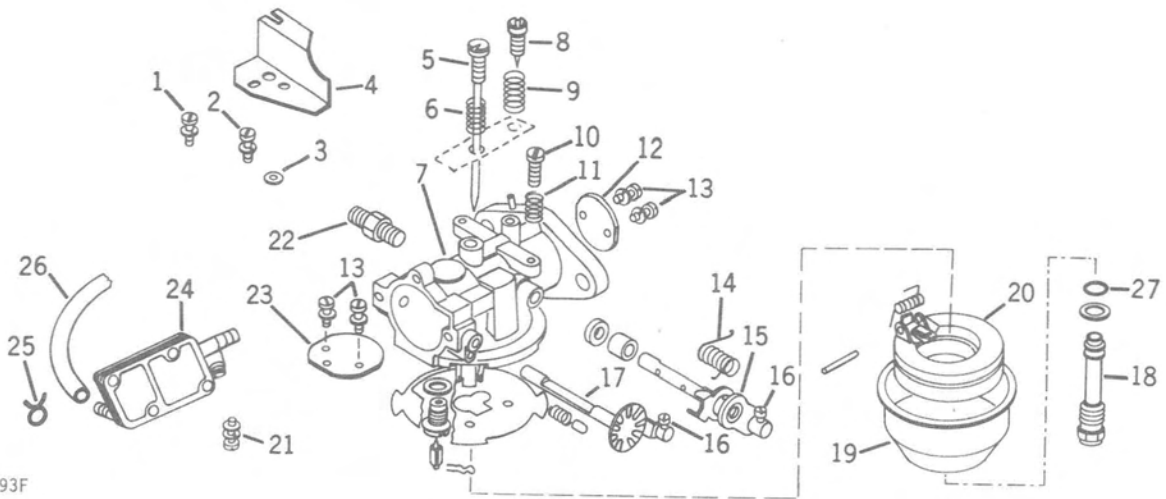


M21192F

KEY	PART NO.	SERIAL NO.	DESCRIPTION
1	AM 52235	(-)	KIT, CARBURETOR REPAIR
2	AM 52234	(-)	KIT, GASKET, DIAPHRAGM

BENDIX CARBURETOR AND FUEL PUMP
(400 SERIAL NO. -55000) (600)

M21193F



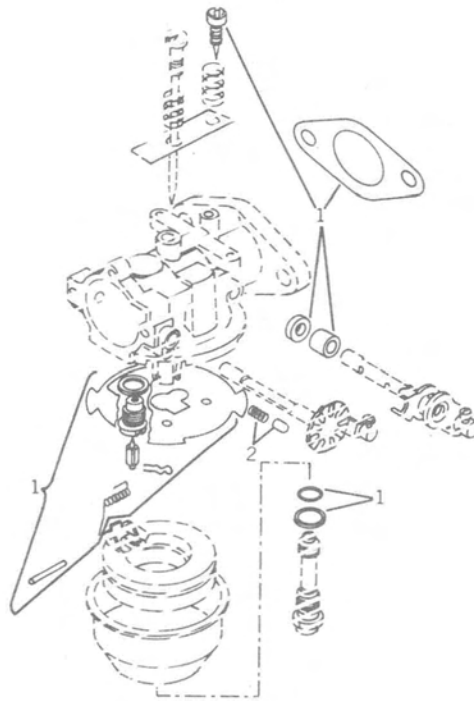
M21193F

KEY	PART NO.	SERIAL NO.	DESCRIPTION
1	21H 971	-	SCREW, MACHINE, NO. 8 X 5/16"
	12H 290	-	WASHER, LOCK, INTERNAL-TOOTH, NO. 8
2	21H 1337	-	SCREW, MACHINE, 1/4" X 1/2"
	12H 302	-	WASHER, LOCK, 1/4"
3	24H 1222	-	WASHER, 7/32" X 5/8" X 0.060"
4	M 64621	-	BRACKET, CABLE
5	AM 53089	-	JET ASSEMBLY, HIGH-SPEED AND IDLE
6	M 64705	-	SPRING
7	AM 53668	-	CARBURETOR, BENDIX (SUB. FOR AM53501)
8	M 65000	-	SCREW, LOW-SPEED ADJUSTING
9	M 64700	-	SPRING, LOW-SPEED SCREW
10	21H 1160	-	SCREW, THROTTLE STOP
11	M 64701	-	SPRING, THROTTLE STOP
12	M 64703	-	PLATE, THROTTLE
13	21H 1179	-	SCREW, MACHINE, NO. 5 X 3/8" (4 USED)
	12H 233	-	WASHER, LOCK (4 USED)
14	M 64704	-	SPRING, THROTTLE RETURN
15	AM 53090	-	SHAFT AND LEVER ASSEMBLY, THROTTLE
16	21H 1379	-	SCREW, MACHINE, NO. 8 X 1/4" (2 USED)
17	AM 53087	-	SHAFT AND LEVER ASSEMBLY, CHOKE
18	AM 53088	-	MAIN JET AND DISCHARGE TUBE ASSEMBLY
19	M 64702	-	BOWL, FUEL
20	AM 53086	-	FLOAT
21	21H 971	-	SCREW, MACHINE, NO. 8 X 5/16" (2 USED)
	12H 290	-	WASHER, LOCK, INTERNAL-TOOTH, NO. 8 (2 USED)
	24H 1722	-	WASHER, 7/32" X 5/8" X 0.060" (2 USED)
22	M 40721	-	CONNECTOR, FUEL LINE
23	M 64706	-	PLATE, CHOKE
24	AM 53011	-	PUMP, FUEL
25	M 64254	-	CLAMP, FUEL LINE (4 USED)
26	...	-	LINE, FUEL (SUB. M63270 10 FT. (3.048 M) LONG, CUT TO LENGTH
27	M 65449	-	O-RING

NOTE: SEE PAGE 64 FOR CARBURETOR KITS

BENDIX CARBURETOR REPAIR KITS

M13435

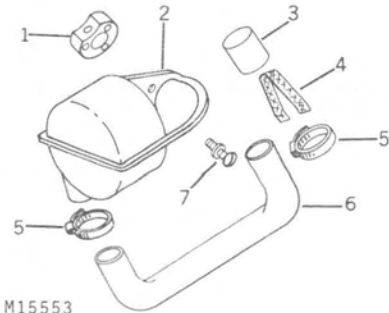


M13435

KEY	PART NO.	SERIAL NO.	DESCRIPTION
1	AM 53091	(-)	KIT, CARBURETOR
2	AM 53085	(-)	KIT, DETENT PIN AND SPRING

AIR INTAKE SILENCER AND TUBE

M15553

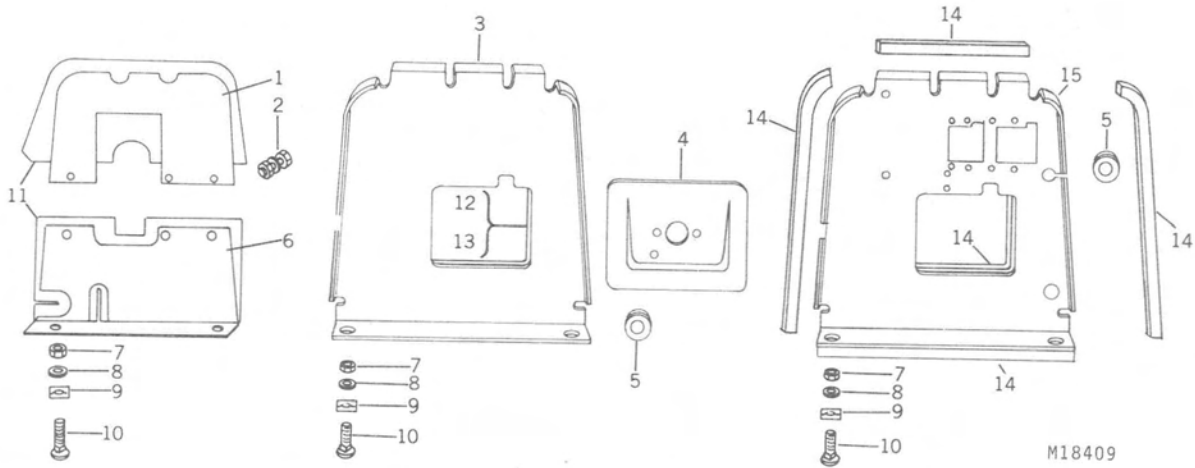


M15553

KEY	PART NO.	SERIAL NO.	DESCRIPTION
1	M 64167	(-)	SPACER, INTAKE (300)
2	AM 52568	(-)	SILENCER, AIR INTAKE
3	M 64624	(-)	FILTER, FOAM
4	M 64625	(-)	SCREEN
5	AR 21840	(-)	CLAMP, HOSE (2 USED)
6	M 64623	(-)	TUBE, INTAKE
7	M 64166	(-)	SCREW, LOCKING, 1/4" X 1-3/4" (300) (2 USED)
	M 64180	(-)	SCREW, LOCKING, 1/4" X 2" (300)
	M 64182	(- 55000)	SCREW, LOCKING, 1/4" X 1" (400 AND 600) (2 USED)
	M 64182	(55001 -)	SCREW, LOCKING 1/4" X 1" (400)
	M 64166	(- 55000)	SCREW, LOCKING 1/4" X 1-3/4" (400 AND 600)
	M 64163	(55001 -)	SCREW, LOCKING, 1/4" X 3/4" (400)
	M 64182	(- 55000)	SCREW, LOCKING, 1/4" X 1" (800, JDX4, JDX6 AND JDX8)
	M 64163	(- 55000)	SCREW, LOCKING, 1/4" X 3/4" (800, JDX4, JDX6 AND JDX8) (2 USED)
	24H 1286	(-)	WASHER, 9/32" X 1/2" X 0.060" (3 USED)

HEAT DEFLECTORS

M18409

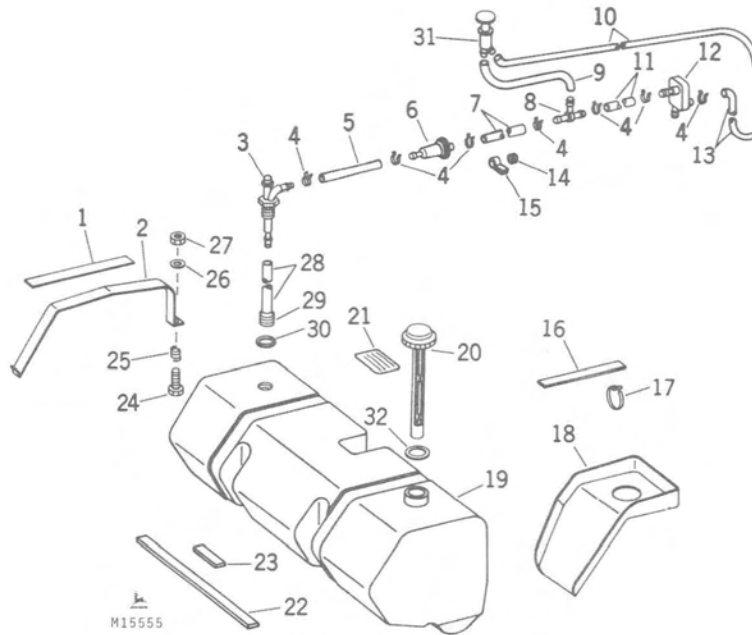


M18409

KEY	PART NO.	SERIAL NO.	DESCRIPTION
1	AM 53022	(-)	DEFLECTOR, UPPER (INCLUDES FOAM) (300)
2	19H 1948 24H 1287	(-)	SCREW, CAP, 1/4" X 1" (3 USED)
		(-)	WASHER, 9/32" X 5/8" X 0.060" (6 USED)
	M 63707	(-)	NUT, LOCK, 1/4" (3 USED)
3	AM 53419	(-)	DEFLECTOR ASSEMBLY (600)
	AM 53419	(- 55000)	DEFLECTOR ASSEMBLY (400)
	AM 53420	(-)	DEFLECTOR ASSEMBLY (JDX4, JDX6, JDX8 AND 800)
4	M 65447	(-)	DEFLECTOR PLATE (400, 600)
	M 65448	(-)	DEFLECTOR PLATE (JDX4, JDX6, JDX8 AND 800)
5	M 65478	(-)	GROMMET
6	AM 53021	(-)	DEFLECTOR, LOWER (INCLUDES FOAM) (300)
7	M 63277	(-)	NUT, LOCK, 5/16" (2 USED)
8	24H 1136	(-)	WASHER, 11/32" X 11/16" X 0.060" (2 USED)
9	M 63904	(-)	NUT, SPEED (2 USED)
10	03H 1268	(-)	BOLT, RD. HD., 5/16" X 3/4" (2 USED)
11	...	(-)	FOAM, DEFLECTOR (300) (SUB. AM53224 FOAM KIT)
12	...	(-)	FOAM, DEFLECTOR (600) (SUB. AM53547 FOAM KIT)
	...	(- 55000)	FOAM, DEFLECTOR (400) (SUB. AM53547 FOAM KIT)
13	...	(-)	FOAM, DEFLECTOR (800, JDX4, JDX6 AND JDX8) (SUB. AM53547 FOAM KIT)
14	...	(55001 -)	FOAM, DEFLECTOR (400) (SUB. AM54079 FOAM KIT)
15	M 66066	(55001 -)	DEFLECTOR ASSEMBLY (400)

FUEL TANK, LINES, GAUGE AND PUMP
(400 AND 600)

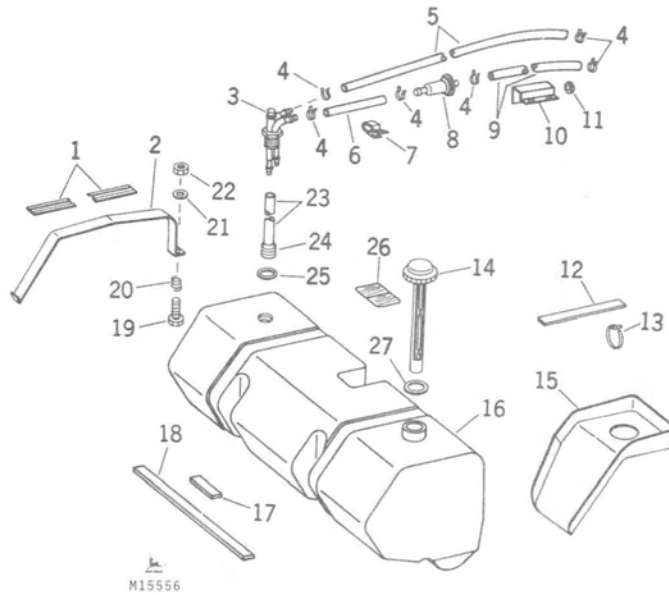
M15555



KEY	PART NO.	SERIAL NO.	DESCRIPTION
1	M 65461	(-)	PAD, FUEL TANK STRAP (2 USED)
2	AM 53424	(-)	STRAP, FUEL TANK (2 USED)
3	AM 53377	(-)	FITTING
4	AM 53376	55001 -	FITTING (400)
4	M 64254	(-)	CLAMP, HOSE
5	...	(-)	LINE, FUEL (SUB. M63270 10' (3.048 M) LENGTH)
6	M 64630	(-)	FILTER
7	...	(-)	LINE, FUEL (SUB. M63270 10' (3.048 M) LENGTH)
8	M 65523	- 55000	FITTING, TEE
9	...	(-)	LINE, FUEL PRIMER (SUB. M65595 10' (3.048 M) LENGTH)
10	...	(-)	LINE, FUEL PRIMER (SUB. M65595 10' (3.048 M) LENGTH)
11	...	(-)	LINE, FUEL (SUB. M63270 10' (3.048 M) LENGTH)
12	AM 53011	- 55000	PUMP, FUEL
13	...	(-)	LINE, FUEL (SUB. M63270 10' (3.048 M) LENGTH)
14	M 65464	(-)	GROMMET
15	M 64096	(-)	CLAMP, FUEL LINE
16	M 64646	- 55000	WRAP, FUEL LINE
17	M 63300	- 55000	TIE STRAP (2 USED)
18	M 65285	(-)	TRAY, SPILL
19	M 65125	(-)	TANK, FUEL
20	AM 53333	(-)	GAUGE, ASSEMBLY, FUEL
21	M 64077	(-)	LABEL, FUEL MIXTURE
22	M 65392	(-)	PAD, FUEL TANK
23	M 63667	(-)	PAD, FUEL TANK (2 USED)
24	03H 2280	(-)	BOLT, FULL THREAD, 5/16" X 2" (2 USED)
25	M 65594	(-)	SPRING (2 USED)
26	24H 1136	(-)	WASHER, 11/32" X 11/16" X 0.060" (2 USED)
27	14H 785	(-)	NUT, 5/16" (2 USED)
28	...	(-)	LINE, FUEL (SUB. M63270 10' (3.048 M) LENGTH)
29	AM 52039	(-)	PICKUP, FUEL (WITH SCREEN)
30	M 63127	(-)	GASKET
31	...	- 55000	PRIMER (INCLUDES NUT AND INTERNAL-TOOTH WASHER) (SUB. AM53446)
32	M 65675	(-)	GASKET
..	AM 53446	(-)	KIT, PRIMER (SEE PAGE 89)
..	AM 53709	(- 31562)	KIT, FUEL TANK VENT (400)
..	AM 53709	(- 30514)	KIT, FUEL TANK VENT (600)

**FUEL TANK, LINES AND GAUGE
(300, 800 JDX4, JDX6 AND JDX8)**

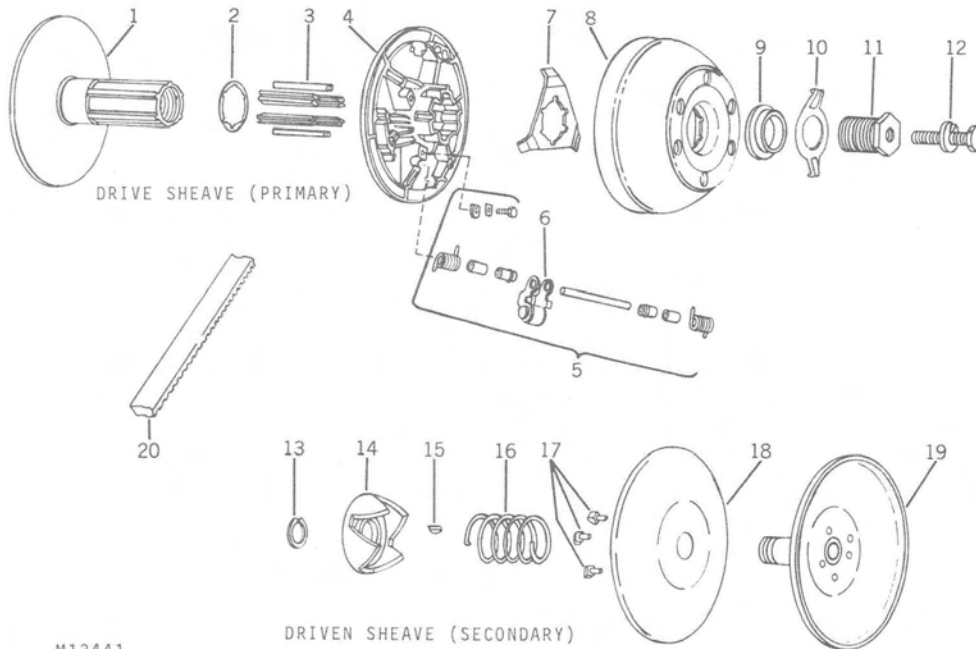
M15556



KEY	PART NO.	SERIAL NO.	DESCRIPTION
1	M 65461	-	PAD, FUEL TANK STRAP (2 USED)
2	AM 53424	-	STRAP, FUEL TANK (2 USED)
3	AM 53376	-	FITTING
4	M 64254	-	CLAMP, HOSE
5	...	-	LINE, FUEL (SUB. M63270 10' (3.048 M) LENGTH)
6	...	-	LINE, FUEL (SUB. M63270 10' (3.048 M) LENGTH)
7	M 64096	-	CLAMP, FUEL LINE
8	M 64630	-	FILTER
9	...	-	LINE, FUEL (SUB. M63270 10' (3.048 M) LENGTH)
10	M 65489	- 55000	SHIELD, FUEL LINE, HEAT (800 AND JDX8)
11	M 65464	-	GROMMET
12	M 64646	- 55000	WRAP, FUEL LINE (800 AND JDX8)
13	M 63300	- 55000	TIE, STRAP (2 USED)
14	AM 53333	-	GAUGE ASSEMBLY, FUEL
15	M 65285	-	TRAY, SPILL
16	M 65125	-	TANK, FUEL
17	M 63667	-	PAD, FUEL TANK (2 USED)
18	M 65392	-	PAD, FUEL TANK
19	03H 2280	-	BOLT, RD. HD., FULL THREAD, 5/16" X 2" (2 USED)
20	M 65594	-	SPRING (2 USED)
21	24H 1136	-	WASHER, 11/16" X 11/32" X 0.060" (2 USED)
22	14H 785	-	NUT, 5/16" (2 USED)
23	...	-	LINE, FUEL (SUB. M63270 10' (3.048 M) LENGTH)
24	AM 52039	-	PICKUP, FUEL (WITH SCREEN)
25	M 63127	-	GASKET
26	M 65584	-	LABEL, FUEL MIXTURE (800, JDX8)
	M 64077	-	LABEL, FUEL MIXTURE (300, JDX4, JDX6)
27	M 65675	-	GASKET
..	AM 53709	- 32527	KIT, FUEL TANK VENT (300)
..	AM 53709	- 32076	KIT, FUEL TANK VENT (800)
..	AM 53709	- 30130	KIT, FUEL TANK VENT (JDX4)
..	AM 53709	- 30170	KIT, FUEL TANK VENT (JDX6)
..	AM 53709	- 30250	KIT, FUEL TANK VENT (JDX8)

**SALSURY DRIVE AND DRIVEN SHEAVES
(300)**

M13441



M13441

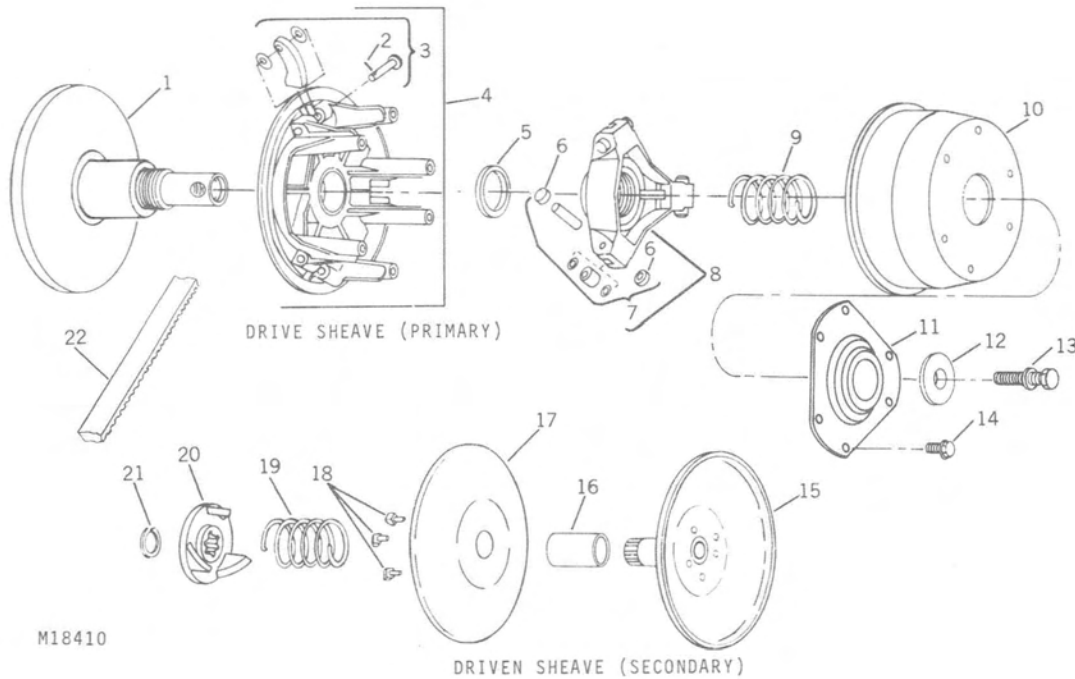
KEY	PART NO.	SERIAL NO.	DESCRIPTION
1	M 64201	*	FIXED FACE ASSEMBLY
2	M 63685	*	WASHER, IDLER BEARING
3	M 63686	*	LINER, SPLINE (6 USED)
4	AM 52299	*	FACE, ASSEMBLY
5	AM 52275	*	KIT, SPRINGS AND BUSHINGS (DOES NOT INCLUDE AM52632.)
6	AM 52632	*	KIT, ROLLER ARM ASSEMBLY AND BUSHINGS
7	M 63687	*	RETRACTOR
8	AM 52631	*	PLATE, RAMP ASSEMBLY (INCLUDES M63689 AND M63690)
9	M 63689	*	WASHER, RAMP PLATE CLAMP
10	M 63690	*	LOCK PLATE
11	M 63691	*	NUT, RAMP PLATE
12	19H 3271	-	SCREW, CAP, 1/2" X 4-3/4"
12H	301	-	WASHER, LOCK
13	L 1152 N	†	RING, RETAINING
14	M 64213	† (30001 - 30466)	BRACKET, CAM (35°)
	AM 53549	† (30467 -)	BRACKET, CAM (41°)
15	M 63701	†	KEY
16	M 63698	†	SPRING, INTERMEDIATE
17	M 63699	†	CAM, SLIPPER (3 USED)
18	AM 52286	† (30001 - 30466)	MOVABLE FACE AND SLIPPER CAM ASSEMBLY (INCLUDES M63699)
	AM 53548	† (30467 -)	MOVABLE FACE AND SLIPPER CAM ASSEMBLY (INCLUDES M63699)
19	AM 52287	†	FIXED FACE AND HUB ASSEMBLY
20	M 64549	(-)	BELT, DRIVE

* ASSEMBLY LISTED BELOW INCLUDES ALL PARTS FOLLOWED BY AN ASTERISK:
 .. AM 52430 (-) DRIVE, SHEAVE COMPLETE (PRIMARY)

† ASSEMBLIES LISTED BELOW INCLUDE ALL PARTS FOLLOWED BY A DAGGER:
 .. AM 52081 (30001 - 30466) DRIVEN, SHEAVE, COMPLETE (SECONDARY)
 .. AM 53400 (30467 -) DRIVEN, SHEAVE, COMPLETE (SECONDARY)

JOHN DEERE - COMET DRIVE AND DRIVEN SHEAVES
(400 SERIAL NO. 55001-)

M18410



M18410

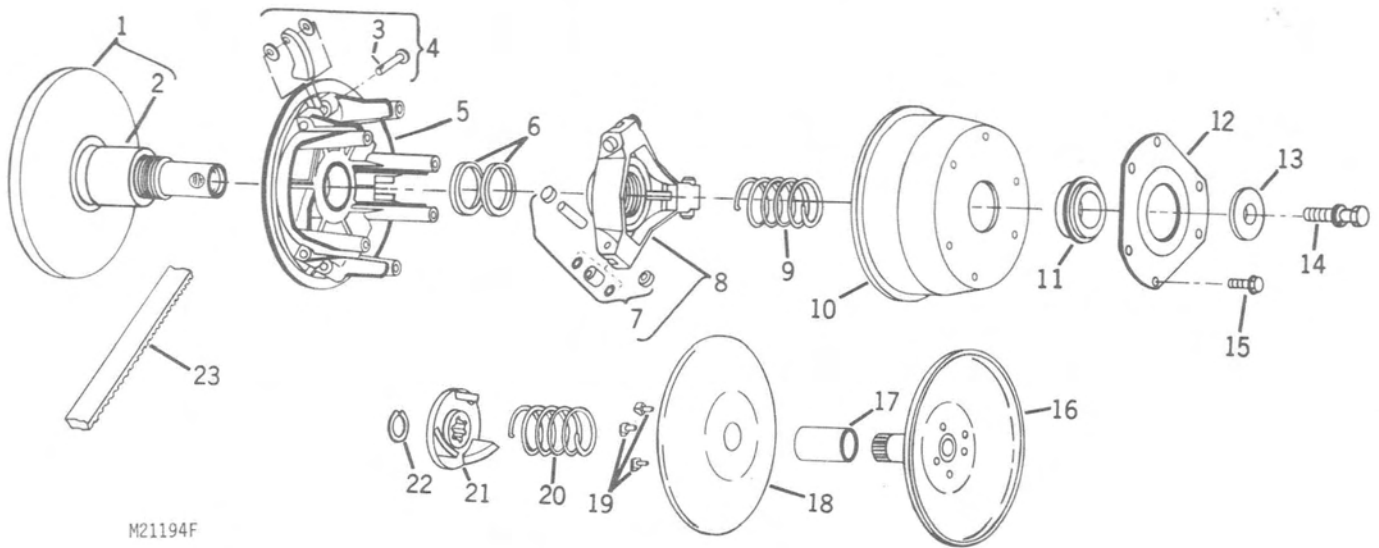
KEY	PART NO.	SERIAL NO.	DESCRIPTION
1	AM 53942	*	SHEAVE, FIXED FACE
2	34H 226	*	PIN, SPRING, 3/32" X 7/16" (3 USED)
3	AM 53949	*	KIT, ARM
4	AM 53948	*	SHEAVE, MOVABLE FACE (SUB. AM54306 AND AM53736)
5	AM 53000	*	KIT, WASHER
6	AM 53734	*	KIT, GUIDE BUTTON
7	AM 53733	*	KIT, ROLLER
8	AM 53737	*	KIT, SPIDER AND ROLLER
9	M 65684	*	SPRING (BLACK)
10	M 64612	*	COVER, CLUTCH
11	AM 53735	*	KIT, COVER PLATE (INCLUDES INSERT) (SUB. M66965)
12	M 64607	*	WASHER, PILOT
13	19H 3326	-	SCREW, CAP, 1/2" X 6-1/2"
	12H 301	-	WASHER, LOCK, 1/2"
14	AM 53002	*	KIT, LOCKING SCREW (CONTAINS SIX 1/4"-20 X 3/4" SCREWS)
15	AM 53546	†	SHEAVE AND POST, FIXED FACE (INCLUDES M64611)
16	M 64611	†	BUSHING
17	AM 53741	†	SHEAVE, MOVABLE
18	AM 53738	†	KIT, BUTTON
19	M 64609	†	SPRING (RED)
20	M 64608	†	CAM, FIXED, 34°
21	M 64610	†	RING, RETAINING (2 USED)
22	M 64550	-	BELT, DRIVE

* ASSEMBLY LISTED BELOW INCLUDES ALL PARTS FOLLOWED BY AN ASTERISK:
.. AM 53895 (-) DRIVE SHEAVE, COMPLETE (PRIMARY)

† ASSEMBLY LISTED BELOW INCLUDES ALL PARTS FOLLOWED BY A DAGGER:
.. AM 53896 (-) DRIVE SHEAVE, COMPLETE (SECONDARY)

JOHN DEERE-COMET DRIVE AND DRIVEN SHEAVES
 (400 SERIAL NO. -55000)
 (600, 800, JDX4, JDX6, AND JDX8)

M21194F



M21194F

KEY	PART NO.	SERIAL NO.	DESCRIPTION
1	AM 52996	*	SHEAVE, FIXED FACE
2	...	*	BUSHING (SUB. AM53408 BUSHING KIT) (INCLUDES M65473)
3	34H 226	*	PIN, SPRING, 3/32" X 7/16" (3 USED)
4	AM 52999	*	KIT, ARM
5	AM 53407	*	SHEAVE, MOVABLE FACE
6	AM 53000	*	KIT, WASHER
7	AM 52998	*	KIT, ROLLER
8	AM 52997	*	KIT, SPIDER AND ROLLER (INCLUDES AM52998)
9	M 65684	*	SPRING (BLACK)
10	M 64612	*	COVER, CLUTCH)
11	M 65473	*	BUSHING, CLUTCH SIDE
12	M 64604	*	PLATE, CLUTCH COVER
13	M 64607	*	WASHER, PILOT
14	19H 3289	-	SCREW, CAP, 1/2" X 6"
	12H 301	-	WASHER, LOCK, 1/2"
15	AM 53002	*	KIT, LOCKING SCREW (CONTAINS SIX 1/4" -20 X 3/4" SCREWS)
16	AM 53004	†	SHEAVE AND POST, FIXED FACE (400-600-JDX4 AND JDX6)
	AM 53546	#	SHEAVE AND POST, FIXED FACE (JDX8)
	AM 53004	†	SHEAVE AND POST, FIXED FACE (800)
	AM 53546	#	SHEAVE AND POST, FIXED FACE (800)
17	M 64611	†#	BUSHING
18	AM 53741	†#	SHEAVE, MOVABLE
19	AM 53738	†#	KIT, BUTTON (SUB. FOR AM52995)
20	M 64609	†#	SPRING (RED)
21	M 64608	†#	CAM, FIXED, 34°
22	M 64610	†#	RING, RETAINING (2 USED)
23	M 64550	-	BELT, DRIVE

* ASSEMBLY LISTED BELOW INCLUDES ALL PARTS FOLLOWED BY AN ASTERISK:

..	AM 53417	(-)	DRIVE SHEAVE, COMPLETE (PRIMARY)
..	AM 53417	(- 55000)	DRIVE SHEAVE, COMPLETE (PRIMARY) (400)

† ASSEMBLY LISTED BELOW INCLUDES ALL PARTS FOLLOWED BY A DAGGER:

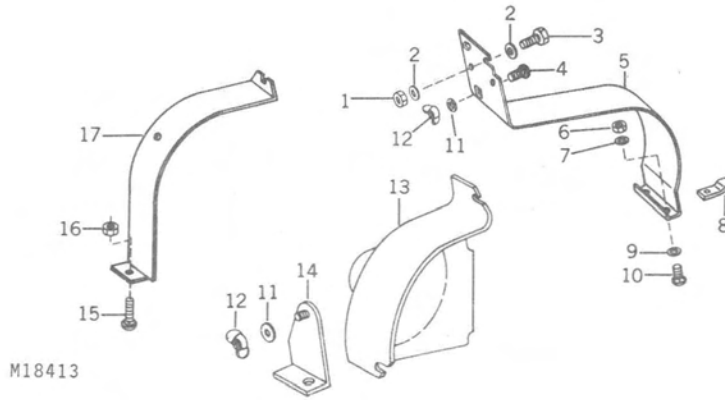
..	AM 52969	(-)	DRIVEN SHEAVE, COMPLETE (SECONDARY) (600-JDX4-JDX6)
..	AM 52969	(- 32075)	DRIVEN SHEAVE, COMPLETE (SECONDARY) (800)
..	AM 52969	(- 55000)	DRIVEN SHEAVE, COMPLETE (SECONDARY) (400)

ASSEMBLY LISTED BELOW INCLUDES ALL PARTS FOLLOWED BY A NUMBER SIGN

..	AM 53463	(32076 -)	DRIVEN SHEAVE, COMPLETE (SECONDARY) (800)
..	AM 53463	(-)	DRIVEN SHEAVE, COMPLETE (SECONDARY) (JDX8)
..	AM 53476	(-)	KIT, MOVABLE SHEAVE AND BUSHING

BELT SHIELD AND BELT GUARDS

M18413

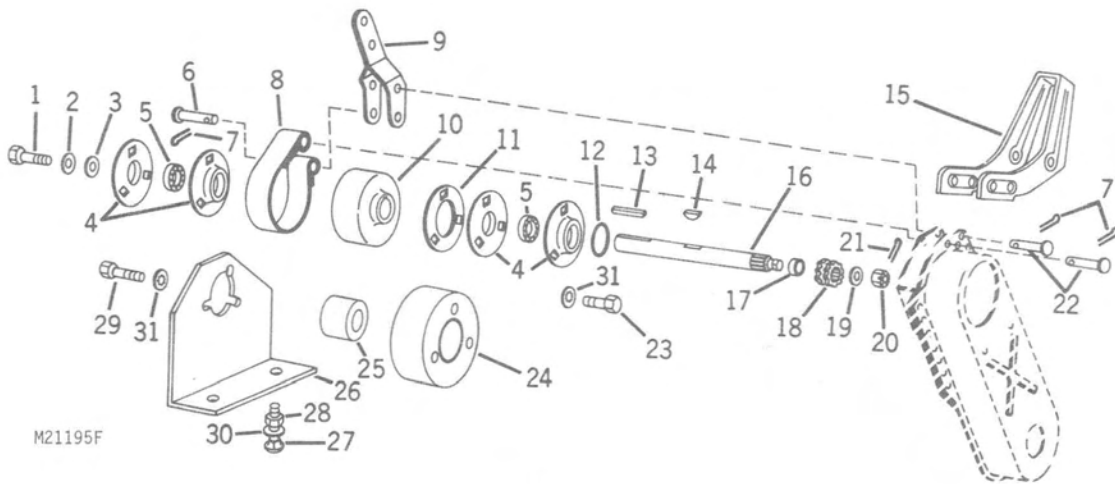


M18413

KEY	PART NO.	SERIAL NO.	DESCRIPTION
1	M 63707	(-)	NUT, LOCK, 1/4" (2 USED)
2	24H 1287	(-)	WASHER, 9/32" X 5/8" X 0.060" (4 USED)
3	19H 1898	(-)	SCREW, CAP, 1/4" X 1-1/2" (2 USED)
4	03H 1268	(-)	BOLT, RD. HD., 5/16" X 3/4" (2 USED)
5	M 65267	(-)	GUARD, BELT (800, JDX4, JDX6 AND JDX8)
	M 65266	(-)	GUARD, BELT (300)
	M 65265	(-)	GUARD, BELT (400 AND 600)
6	M 63277	(-)	NUT, LOCK, 5/16" (2 USED)
7	24H 1887	(-)	WASHER, 11/32" X 1" X 0.134" (2 USED)
8	M 63459	(-)	GUARD STOP
9	24H 1864	(-)	WASHER, 13/32" X 3/4" X 0.105"
10	03H 1524	(-)	BOLT, RD. HD., 5/16" X 1" (2 USED)
11	24H 1224	(-)	WASHER, 11/32" X 1" X 0.060" (2 USED)
12	M 63594	(-)	NUT, WING, 5/16"
13	M 65426	(- 55000)	SHIELD, BELT
14	AM 52463	(- 55000)	BRACKET, BELT SHIELD (600, 400 AND 300)
	AM 52651	(- 55000)	BRACKET, BELT SHIELD (800, JDX4, JDX6 AND JDX8)
15	03H 2280	(55001 -)	BOLT, RD. HD., FULL THREAD, 5/16" X 2"
16	14H 785	(55001 -)	NUT, 5/16"
17	M 63458	(55001 -)	GUARD, FRONT BELT

**BRAKE, SECONDARY SHAFT AND DRIVE SPROCKET
(300, 400, 600, JDX4 AND JDX6)**

M21195F

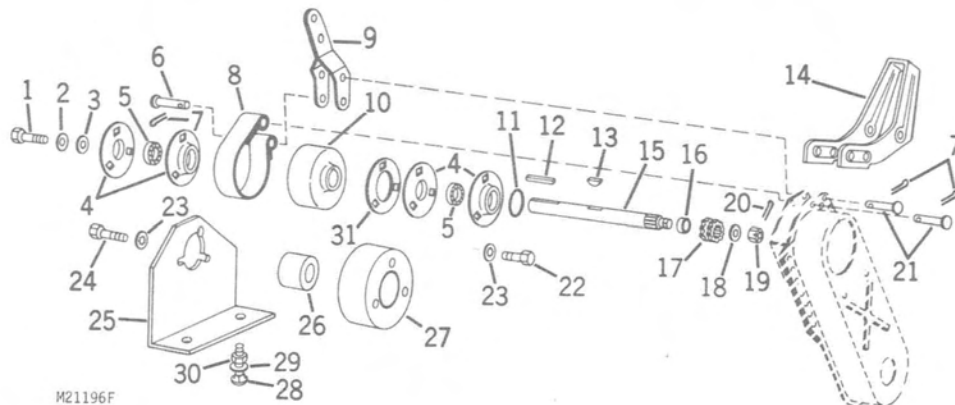


M21195F

KEY	PART NO.	SERIAL NO.	DESCRIPTION
1	19H 1949 19H 1907 19H 1913	(-)	SCREW, CAP, 5/16" X 1-1/4" (400) SCREW, CAP, 5/16" X 2-3/4" (600, JDX4, AND JDX6) SCREW, CAP, 5/16" X 2-1/4" (300)
2	M 63679	(-)	WASHER, SPRING
3	24H 1291 M 65375	(-)	WASHER, 21/64" X 1-1/2" X 0.105" (300) WASHER, CUP (JDX4, JDX6, 400 AND 600)
4	M 80291 M 65581	(-) 55001 -	FLANGE (4 USED) FLANGE (4 USED) (400) (SUB. M80293)
5	JD 9217 JD 8562	(-) 55001 -	BEARING (2 USED) BEARING (2 USED) (400)
6	N 31296	(-)	PIN, DRILLED
7	11H 233	(-)	PIN, COTTER, 3/32" X 1/2" (3 USED)
8	AM 52626	(-)	BAND, BRAKE
9	AM 52070	(-)	ARM, BRAKE
10	M 63210 M 65564	(-) 55001 -	PULLEY, BRAKE PULLEY, BRAKE (400)
11	M 63229	(-)	GASKET
12	U 17502 U 42111	(-) 55001 -	O-RING O-RING (400)
13	(-)	KEY, 3/16" SQ. X 3-3/8" (CUT FROM H64373 KEY STOCK) (400, 600, JDX4 AND JDX6)
14	26H 77	(-)	KEY, 3/16" SQ. X 3" (CUT FROM H64373 KEY STOCK) (300)
15	M 65383	(-)	KEY, WOODRUFF, 3/16" X 3/4"
16	M 63932 M 65568 M 63135	(-) 55001 - -	SUPPORT, BRAKE CABLE SHAFT, SECONDARY (300, 400, JDX4 AND JDX6) SHAFT, SECONDARY (400) SHAFT, SECONDARY (600)
17	M 63139 M 65571	(-) 55001 -	SPACER, SECONDARY SHAFT SPACER, SECONDARY SHAFT (400)
18	M 63224 M 63341	(-) -	SPROCKET, DRIVE, 16-TOOTH (300, 400, 600 AND JDX4) SPROCKET, DRIVE, 18-TOOTH (JDX6)
19	24H 1789	(-)	WASHER, 17/32" X 1-1/4" X 0.105"
20	14H 926	(-)	NUT, SLOTTED, 1/2"
21	11H 236	(-)	PIN, COTTER, 1/8" X 1"
22	1917 SC	(-)	PIN, 5/16" X 2-3/16" (2 USED)
23	19H 1813	(-)	SCREW, CAP, 5/16" X 5/8" (6 USED)
24	M 63920 M 63258	(-) -	SPACER, BEARING (JDX4 AND JDX6) SPACER, BEARING (600)
25	M 63919 M 63259	(-) -	SPACER, PULLEY (JDX4 AND JDX6) SPACER, PULLEY (600)
26	M 63921 M 63865	(-) -	BRACE, CASE (JDX4 AND JDX6) BRACE, CASE (600)
27	03H 1524	(-)	BOLT, RD. HD., 5/16" X 1" (2 USED)
28	M 63277	(-)	NUT, LOCK, 5/16"
29	19H 2117	(-)	SCREW, CAP, 5/16" X 1-1/8" (JDX4 AND JDX6) (3 USED)
30	24H 1224	(-)	WASHER, 11/32" X 1" X 0.060" (2 USED)
31	12H 291	(-)	WASHER, LOCK, INTERNAL-TOOTH, 5/16" (6 USED)

**BRAKE, SECONDARY SHAFT AND DRIVE SPROCKET
(800 AND JDX8)**

M21196F

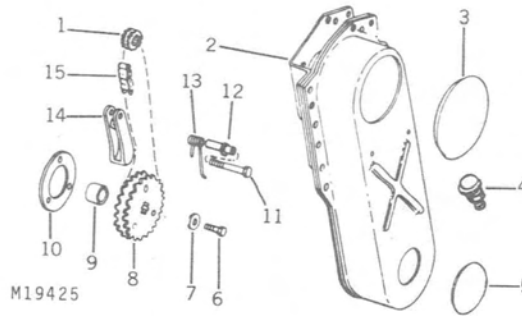


M21196F

KEY	PART NO.	SERIAL NO.	DESCRIPTION
1	19H 1907	-	SCREW, CAP, 5/16" X 2-3/4"
2	M 63679	-	WASHER, SPRING
3	M 65375	-	WASHER, CUP
4	M 64471	- 32075	FLANGE (800) (4 USED)
	M 65581	32076 -	FLANGE (800) (4 USED) (SUB. M80293)
	M 65581	-	FLANGE (JDX8) (4 USED) (SUB. M80293)
5	JD 9217	- 32075	BEARING (800) (2 USED)
	JD 8562	32076 -	BEARING (800) (2 USED)
	JD 8562	-	BEARING (JDX8) (2 USED)
6	N 31296	-	PIN, DRILLED
7	11H 233	-	PIN, COTTER, 3/32" X 1/2" (3 USED)
8	AM 52626	-	BAND, BRAKE
9	AM 52070	-	ARM, BRAKE
10	M 63210	- 32075	PULLEY, BRAKE (800)
	M 65564	32076 -	PULLEY, BRAKE (800)
	M 65564	-	PULLEY, BRAKE (JDX8)
11	U 17502	- 32075	O-RING (800)
	U 42111	32076 -	O-RING (800)
	U 42111	-	O-RING (JDX8)
12	...	-	KEY, 3/16" SQ. X 3-3/8" (CUT FROM H64373 KEY STOCK)
13	26H 77	-	KEY, WOODRUFF, 3/16" X 3/4"
14	M 65383	-	SUPPORT, BRAKE CABLE
15	M 63932	- 32075	SHAFT, SECONDARY, 3/4" (19.05 MM) O.D. (800)
	M 65568	32076 -	SHAFT, SECONDARY, 7/8" (22.23 MM) O.D. (800)
	M 65568	-	SHAFT, SECONDARY, 7/8" (22.23 MM) O.D. (JDX8)
16	M 63139	- 32075	SPACER, SECONDARY SHAFT (800)
	M 65571	32076 -	SPACER, SECONDARY SHAFT (800)
	M 65571	-	SPACER, SECONDARY SHAFT (JDX8)
17	M 63341	-	SPROCKET, DRIVE, 18-TOOTH
18	24H 1789	-	WASHER, 17/32" X 1-1/4" X 0.105"
19	14H 926	-	NUT, SLOTTED, 1/2"
20	11H 236	-	PIN, COTTER, 1/8" X 1"
21	1917 SC	-	PIN, 5/16" X 2-3/16" (2 USED)
22	19H 1813	-	SCREW, CAP, 5/16" X 5/8" (3 USED)
23	12H 291	-	WASHER, LOCK INTERNAL-TOOTH, 5/16" (6 USED)
24	19H 2117	-	SCREW, CAP, 5/16" X 1-1/2" (3 USED)
25	M 63921	- 32075	BRACE, CASE (800)
	M 65567	32076 -	BRACE, CASE (800)
	M 65567	-	BRACE, CASE (JDX8)
26	M 63919	- 32075	SPACER, PULLEY (800)
	M 65565	32076 -	SPACER, PULLEY (800)
	M 65565	-	SPACER, PULLEY (JDX8)
27	M 63920	- 32075	SPACER, BEARING (800)
	M 65566	32076 -	SPACER, BEARING (800)
	M 65566	-	SPACER, BEARING (JDX8)
28	03H 1524	-	BOLT, RD. HD., 5/16" X 1" (2 USED)
29	24H 1224	-	WASHER, 11/32" X 1" X 0.060" (2 USED)
30	M 63277	-	NUT, LOCK, 5/16" (2 USED)
31	M 63229	- 32075	GASKET (800)
	M 63228	32076 -	GASKET (800)
	M 63228	-	GASKET (JDX8)

CHAIN CASE, CHAIN AND DRIVE SPROCKET

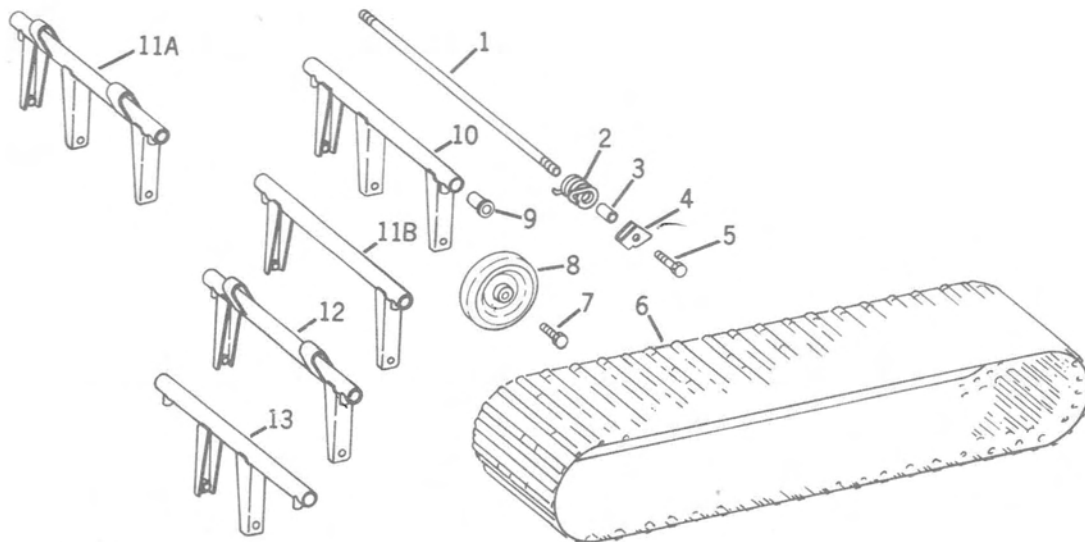
M19425



KEY	PART NO.	SERIAL NO.	DESCRIPTION
1	M 63341	(-)	SPROCKET, DRIVE, 18-TOOTH, (800, JDX6 AND JDX8)
	M 63224	(-)	SPROCKET, DRIVE, 16-TOOTH, (300, 400, 600 AND JDX4)
2	AM 52084	(- 55000)	CASE, CHAIN (300, 400, 600, JDX4 AND JDX6)
	AM 52084	(55001 -)	CASE, CHAIN (300)
	AM 52084	(- 32075)	CASE, CHAIN (800)
	AM 53462	(55001 -)	CASE, CHAIN (400)
	AM 53462	(32076 -)	CASE, CHAIN (800)
	AM 53462	(-)	CASE, CHAIN (JDX8)
3	M 63225	(-)	COVER, UPPER
4	03H 1524	(-)	BOLT, RD. HD., 5/16" X 1" (2 USED)
	M 63277	(-)	NUT, LOCK, 5/16" (2 USED)
5	M 63227	(-)	COVER, LOWER
6	M 63678	(-)	BOLT, LOCKING, 3/8" X 1"
7	24H 1718	(-)	WASHER, 13/32" X 5/8" X 0.134"
8	M 63342	(-)	SPROCKET, DRIVEN, 37-TOOTH (JDX6, JDX8 AND 800)
	M 63339	(-)	SPROCKET, DRIVEN, 35-TOOTH (JDX4, 400 AND 600)
	M 63226	(-)	SPROCKET, DRIVEN, 39-TOOTH (300)
9	M 63132	(-)	SPACER, SPROCKET
10	M 63228	(-)	GASKET, CASE, LOWER (2 USED)
11	19H 2334	(-)	SCREW, CAP, 1/4" X 2-1/2" (2 USED)
12	AM 52035	(-)	SPACER (2 USED)
13	M 63121	(-)	SPRING, TENSION (2 USED)
14	M 63122	(-)	BLOCK, TENSION (2 USED)
15	M 63125	(-)	CHAIN, DRIVE, 92-PITCH (ENDLESS) (300, 800, JDX6 AND JDX8)
	M 63338	(-)	CHAIN, DRIVE, 90-PITCH (ENDLESS) (400, 600 AND JDX4)

BOGIES, BOGIE TUBES AND TRACK
(300, 400, 600 AND 800)

M21197F

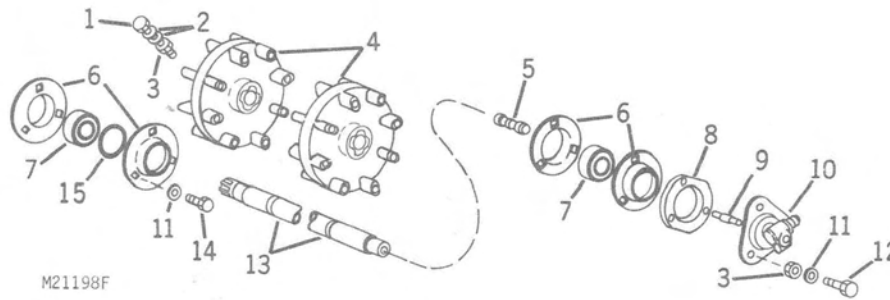


M21197F

KEY	PART NO.	SERIAL NO.	DESCRIPTION
1	M 64423	(-)	AXLE, BOGIE (300, 400 AND 800) (6 USED)
	M 64447	(-)	AXLE, BOGIE (600) (6 USED)
2	M 63040	(-)	SPRING, R.H. (6 USED-300, 400 AND 800) (3 USED-600)
	M 63041	(-)	SPRING, L.H. (6 USED-300, 400 AND 800) (3 USED-600)
	M 64264	(-)	SPRING, HEAVY-DUTY, R.H. (3 USED 600) (SERVICE ONLY 300, 400 AND 800)
	M 64265	(-)	SPRING, HEAVY-DUTY, L.H. (3 USED 600) (SERVICE ONLY 300, 400 AND 800)
3	M 63036	(-)	SPACER (12 USED)
4	M 64627	(-)	CLIP, LOCKING (12 USED)
5	19H 1905	(-)	SCREW, CAP, 5/16" X 1" (12 USED)
6	M 64360	(-)	TRACK, 15" (381.0 MM) (300, 400 AND 800)
	M 64361	(-)	TRACK, 18" (457.2 MM) (600)
7	19H 3267	(-)	SCREW, CAP, 3/8" X 1-5/8" (15 USED)
8	AM 52464	(-)	WHEELS, BOGIE (15 USED)
9	M 63039	(-)	BEARING (12 USED)
10	AM 52023	(-)	TUBE, 3-ARM (300, 400 AND 800) (2 USED)
	AM 52021	(-)	TUBE, 3-ARM (600) (2 USED)
11A	AM 52909	(- 55000	TUBE, 3-ARM (300, 400 AND 800)
	AM 52919	(- 55000	TUBE, 3-ARM (600)
11B	AM 53781	(55001 -	TUBE, 2-ARM (300 AND 400)
12	AM 53780	(55001 -	TUBE, 2-ARM (300 AND 400)
13	AM 52022	(-)	TUBE, 2-ARM (300, 400 AND 800) (3 USED)
	AM 52020	(-)	TUBE, 2-ARM (600) (3 USED)
..	AM 52648	(-)	KIT, HEAVY-DUTY SUSPENSION (EXTRA EQUIPMENT 300, 400 AND 800) (SEE PAGE 91)

**DRIVE WHEELS AND DRIVE SHAFT
(300, 400, 600 AND 800)**

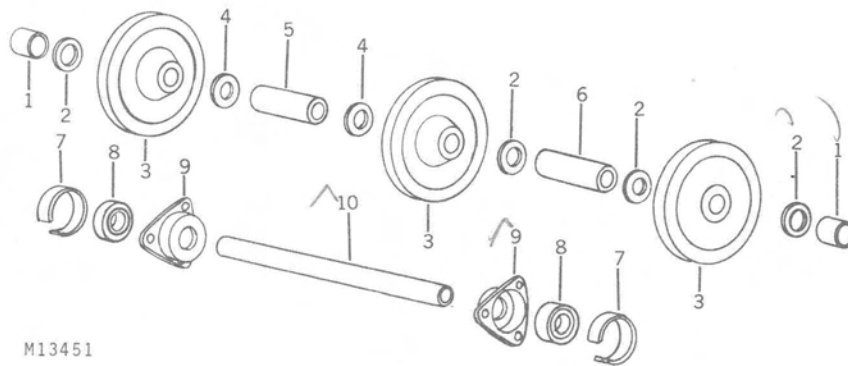
M21198F



KEY	PART NO.	SERIAL NO.	DESCRIPTION
1	19H 2657	(-)	SCREW, CAP, 5/16" X 3-1/8" (2 USED)
2	24H 1136	(-)	WASHER, 11/32" X 11/16" X 0.060" (4 USED)
3	M 63277	(-)	NUT, LOCK, 5/16" (5 USED)
4	AM 52563	(-)	WHEEL, DRIVE (2 USED)
5	M 63306	(-)	BUSHING, SPEEDOMETER DRIVE
6	M 80293	(-)	FLANGE (4 USED)
7	JD 8555	(-)	BEARING (2 USED)
8	M 63138	(-)	SPACER
9	M 64142	(-)	CORE, SPEEDOMETER (400, 600 AND 800)
10	AM 52344	(-)	DRIVE, SPEEDOMETER (400, 600 AND 800)
11	24H 1289	(-)	WASHER, 31/64" X 5/8" X 0.048" (6 USED)
12	19H 1849	(-)	SCREW, CAP, 5/16" X 1-1/4" (3 USED)
13	M 64215	(-)	SHAFT, DRIVE (300, 400 AND 800)
	M 63137	(-)	SHAFT, DRIVE (600)
14	19H 1905	(-)	SCREW, CAP, 5/16" X 1" (3 USED)
15	U 42111	(-)	O-RING

**REAR IDLER WHEELS AND BEARINGS
(300, 400, 600 AND 800)**

M13451

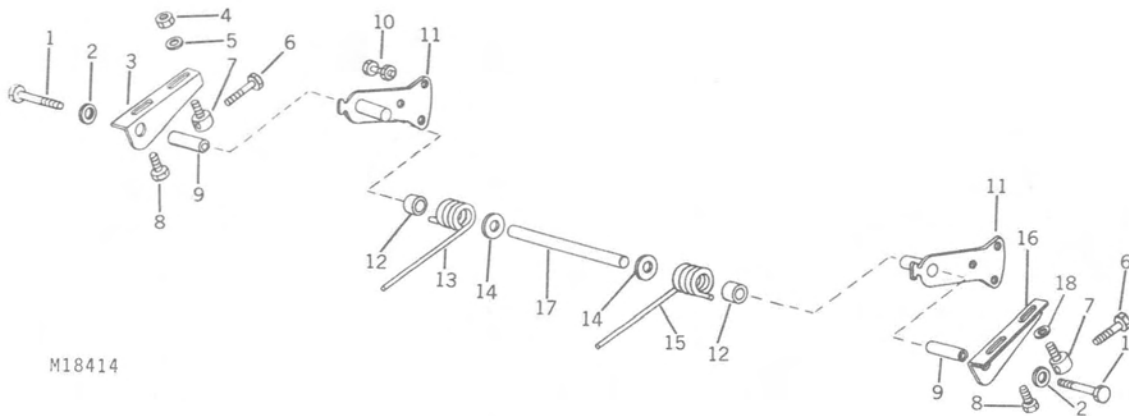


M13451

KEY	PART NO.	SERIAL NO.	DESCRIPTION
1	M 64584	(-)	SPACER, OUTER (300, 400 AND 800) (2 USED)
	M 64581	(-)	SPACER, OUTER (600) (2 USED)
2	M 63676	(-)	WASHER (4 USED)
3	AM 52014	(-)	WHEEL, IDLER (3 USED)
4	M 63236	(-)	WASHER, SPRING (2 USED)
5	M 64327	(-)	SPACER, WHEEL, L.H., 4-3/8" (111.1 MM) LONG (300, 400 AND 800)
	M 64583	(-)	SPACER, WHEEL, L.H., 4-13/16" (122.2 MM) LONG (600)
6	M 64326	(-)	SPACER, WHEEL, R.H., 3-5/8" (92.1 MM) LONG (300, 400 AND 800)
	M 64582	(-)	SPACER, WHEEL, R.H., 4-3/32" (104.0 MM) LONG (600)
7	M 63012	(-)	RETAINER, BEARING (2 USED)
8	M 63810	(-)	BEARING (2 USED)
9	M 63014	(-)	FLANGE, BEARING (2 USED)
10	M 63809	(-)	AXLE, BEARING (300, 400 AND 800)
	M 63019	(-)	AXLE, BEARING (600)

**REAR PIVOT ARM AND SPRINGS
(300, 400, 600 AND 800)**

M18414

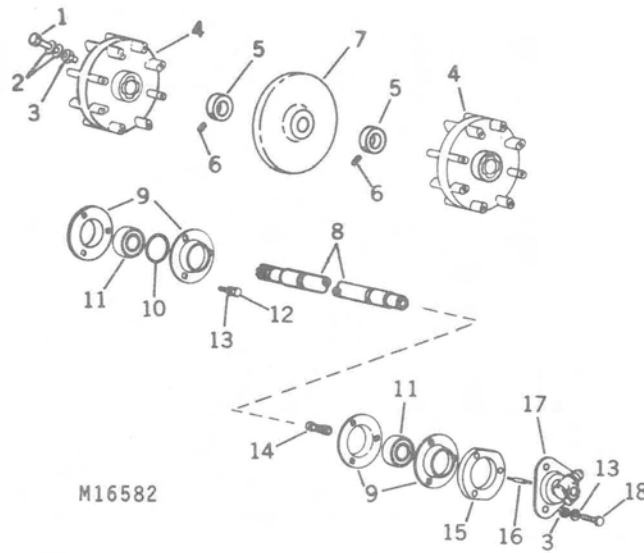


M18414

KEY	PART NO.	SERIAL NO.	DESCRIPTION
1	19H 2466	-	SCREW, CAP, 3/8" X 3-3/4" (2 USED)
2	12H 304	-	WASHER, LOCK, 3/8" (2 USED)
3	M 63017	-	BRACKET, ADJUSTING, L.H.
4	M 63440	-	NUT, LOCK, 3/8" (4 USED)
5	24H 1864	-	WASHER, 13/32" X 3/4" X 0.105" (4 USED)
6	19H 3235	-	SCREW, CAP, 5/16" X 2-1/2" (UNF FULL THREAD) (2 USED)
7	M 63015	-	STUD (2 USED)
8	19H 1731	-	SCREW, CAP, 3/8" X 1" (2 USED)
9	M 63009	-	BUSHING, REAR PIVOT (2 USED)
10	21H 992	-	SCREW, MACHINE, FLAT HEAD, 1/4" X 5/8" (6 USED)
	M 63707	-	NUT, LOCK, 1/4" (6 USED)
11	AM 52013	-	ARM, PIVOT (2 USED)
12	M 63237	-	SPACER, SPRING (2 USED)
13	M 63109	-	SPRING, REAR PIVOT, L.H. (SEE PAGE 91 FOR HEAVY-DUTY SPRINGS)
	M 64263	-	SPRING, REAR PIVOT, L.H. (HEAVY-DUTY) (600)
14	24H 1314	-	WASHER, 13/32" X 1-3/4" X 0.105" (2 USED)
15	M 63108	-	SPRING, REAR PIVOT, R.H. (SEE PAGE 91 FOR HEAVY-DUTY SPRINGS)
	M 64262	-	SPRING, REAR PIVOT, R.H. (HEAVY DUTY) (600)
16	M 63016	-	BRACKET, ADJUSTING, R.H.
17	M 63010	-	ROD, PIVOT ARM (300, 400 AND 800)
	M 63018	-	ROD, PIVOT ARM (600)
18	24H 1308	-	WASHER, 13/32" X 1" X 0.134" (2 USED)

**DRIVE WHEELS AND DRIVE SHAFT
(JDX4, JDX6, AND JDX8)**

M16582



M16582

KEY	PART NO.	SERIAL NO.	DESCRIPTION
1	19H 2657	-	SCREW, CAP, 5/16" X 3-1/8" (2 USED)
2	24H 1136	-	WASHER, 11/32" X 11/16" X 0.060" (4 USED)
3	M 63277	-	NUT, LOCK, 5/16" (5 USED)
4	AM 52913	-	WHEEL, DRIVE (2 USED)
5	JD 8551	-	COLLAR, LOCKING (2 USED)
6	22H 975	-	SCREW, SET, 5/16" X 5/16" (2 USED)
7	M 64837	-	WHEEL, IDLER
8	M 64430	-	SHAFT, DRIVE
9	L 1921 C	-	FLANGE (4 USED)
10	U 42111	-	O-RING
11	JD 8555	-	BEARING (2 USED)
12	19H 1905	-	SCREW, CAP, 5/16" X 1" (3 USED)
13	24H 1289	-	WASHER, 21/64" X 5/8" X 0.048" (6 USED)
14	M 63306	-	BUSHING, SPEEDOMETER DRIVE
15	M 63138	-	SPACER, BEARING
16	M 64142	-	CORE, SPEEDOMETER
17	AM 52344	-	DRIVE, SPEEDOMETER
18	19H 1849	-	SCREW, CAP, 5/16" X 1-1/4" (3 USED)