

1987 Arctic Cat Jag®-Panther®-Super Jag® Illustrated Parts Manual

ARCTIC CAT®

Get on it.



Table of Contents

Ski	1
Steering — Jag 340-Jag 440	2
Steering — Panther-Super Jag	3-4
Drive Train — Jag 340-Jag 440	5-6
Drive Train — Panther-Super Jag	7-8
Slide Rail and Track Assemblies — Jag 340-Jag 440	9
Slide Rail and Track Assemblies — Panther	10
Slide Rail and Track Assemblies — Super Jag	11
Rear Suspension Arm Assemblies — Jag 340-Jag 440-Panther	12
Rear Suspension Arm Assemblies — Super Jag	13
Belly Pan and Front Frame — Jag 340-Jag 440	14
Belly Pan and Front Frame — Panther-Super Jag	15
Hood Assembly — Jag 340-Jag 440	16
Hood Assembly — Panther-Super Jag	17
Console and Wiring — Jag 340-Jag 440	18
Console and Wiring — Panther	19
Console and Wiring — Super Jag	20
Body, Seat, Taillight, and Rear Bumper — Jag 340-Jag 440	21
Gas and Oil Tank — Jag 340-Jag 440	22
Body, Seat, and Gas Tank — Panther-Super Jag	23
Taillight, Toolbox, and Rear Bumper — Panther-Super Jag	24
Body Extension and Rack — Super Jag	25
Engine and Related Parts — Jag 340-Jag 440	26
Engine and Related Parts — Panther	27-28
Engine and Related Parts — Super Jag	29
Drive Clutch	30
Driven Clutch	31
Carburetor	32
Oil Pump	33
Intake Manifold — Jag 340	34
Intake Manifold — Jag 440-Super Jag	35
Intake Manifold — Panther	36
Cylinder Cowling — Jag 340	37
Cylinder Cowling — Jag 440-Super Jag	38
Cylinder Cowling — Panther	39
Crankcase and Cylinder — Jag 340	40
Piston and Crankshaft — Jag 340	41
Crankcase and Cylinder — Jag 440-Super Jag	42
Piston and Crankshaft — Jag 440-Super Jag	43
Crankcase and Cylinder — Panther	44
Piston and Crankshaft — Panther	45
Electrical	46
Magneto	47
Fan Housing — Jag 340-Jag 440-Super Jag	48
Cooling Fan — Jag 340-Jag 440-Super Jag	49
Fan Housing — Panther	50
Cooling Fan — Panther	51
Recoil Starter	52
Service Tools	53
Alternate Carburetor Parts	54
Related Items	55-56

NOTE: The illustrations used in this Parts Manual are for reference to replacement part numbers only and are not to be used for assembly. For assembly procedures use Arctco Service Manuals. Underlined part numbers are new numbers for the 1987 model year.

Service parts may be ordered through either Arctco, Inc. or Certified Parts Corporation.

Certified Parts Corp.
1111 West Racine Street
Janesville, WI 53545

Phone:
1-800-356-0777 U.S.
1-800-652-6979 WI

CERTIFIED PARTS

CORPORATION

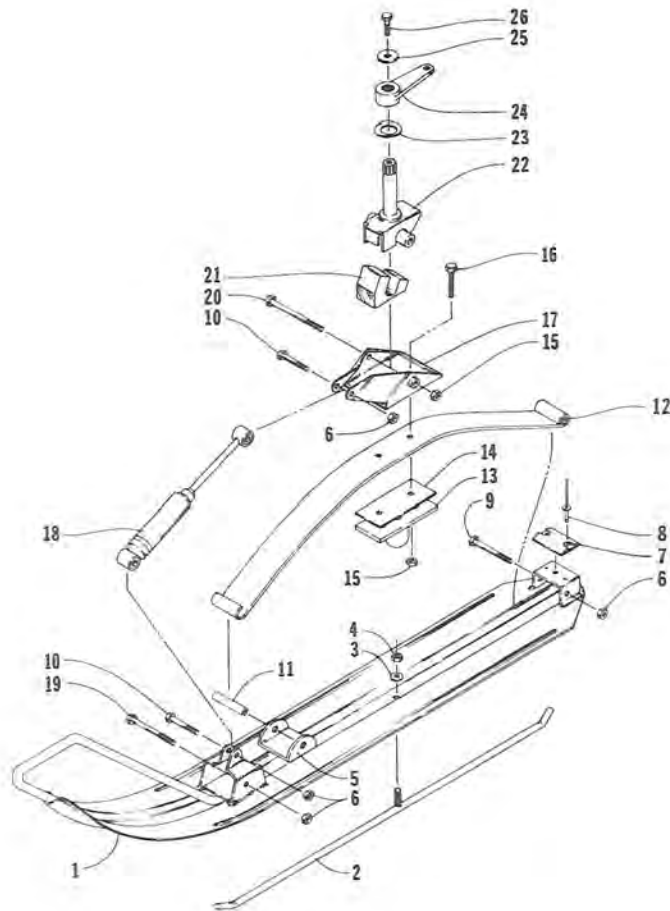
1111 W. RACINE ST.

JANESVILLE, WISCONSIN 53545

PHONE 608/752-9441

Printed September, 1986

Jag 340
 Jag 440
 Panther
 Super Jag



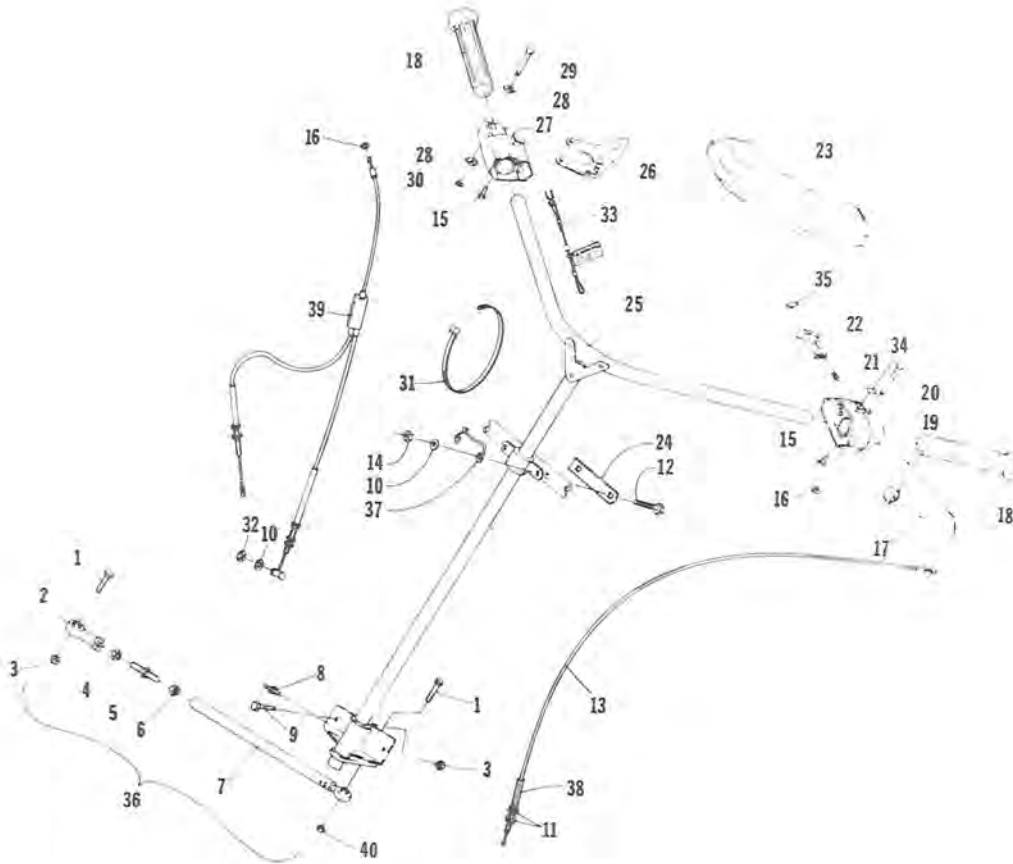
Ski

0727-019

Ref. No.	Part No.	Qty.	Description
1	0103-290	2	Ski
2	0103-286	2	Skag
3	8050-242	2	Washer
4	8040-426	2	Nut, Lock
5	0103-101	2	Saddle, Spring Slide
6	8040-486	8	Nut, Lock
7	0103-028	2	Bumper, Ski
8	8061-486	4	Rivet
9	8002-231	2	Screw, Cap
10	8002-227	4	Screw, Cap
11	0103-102	2	Sleeve
12	0103-338	2	Spring
13	0103-339	2	Block, Bump-out
14	0103-337	2	Liner, Interleaf

Ref. No.	Part No.	Qty.	Description
15	8040-546	6	Nut, Lock
16	0124-052	4	Screw, Cap
17	0103-344	1	Saddle-Right
	0103-345	1	Saddle-Left
18	0114-685	2	Shock Absorber
19	8002-232	2	Screw, Cap
20	0124-051	2	Screw, Cap
21	0103-349	2	Damper
22	0103-324	2	Spindle
23	0123-261	AR	Washer, Wave
24	0110-017	2	Arm, Spindle
25	0123-474	2	Washer
26	8012-130	2	Screw, Cap-Lock

Jag 340
Jag 440

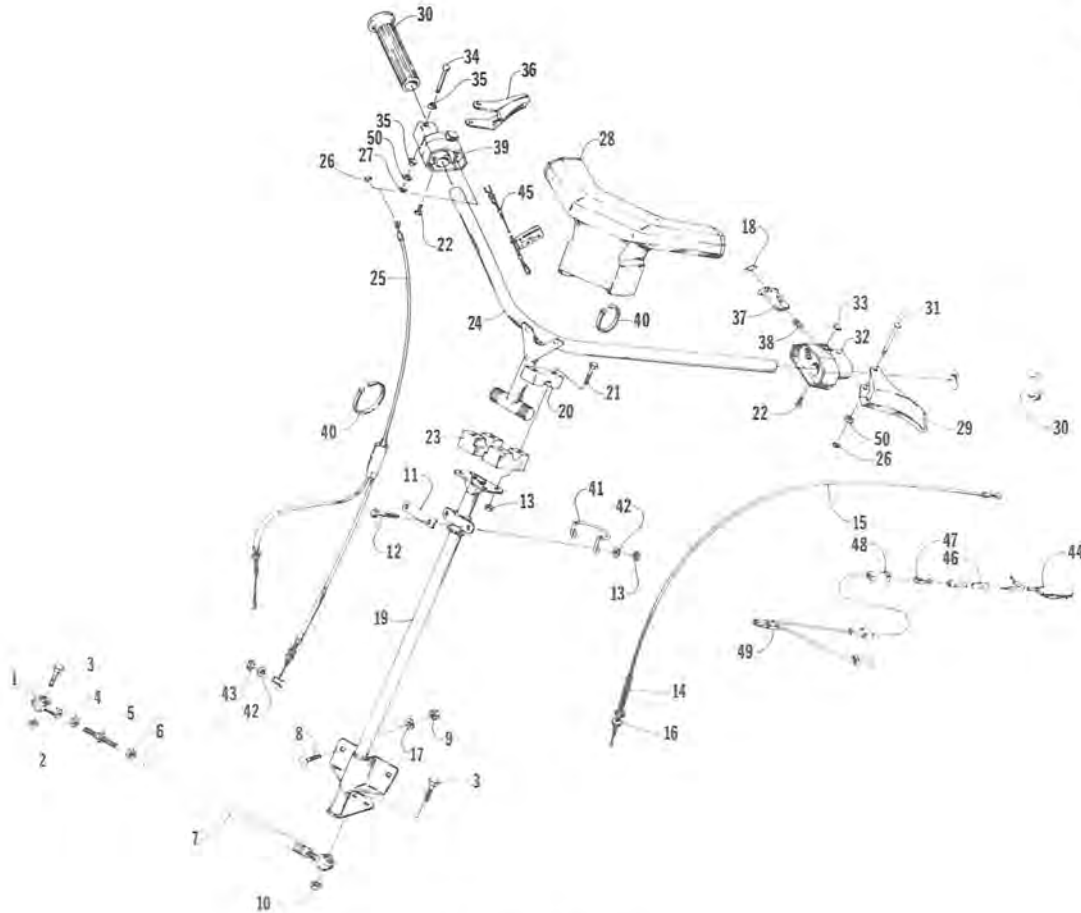


Steering

0727-338

Ref. No.	Part No.	Qty.	Description
1	0124-050	4	Screw, Cap
2	0105-236	2	End, Tie Rod
3	8040-486	3	Nut, Lock
4	0123-191	2	Nut, Jam
5	0105-305	2	Bolt, Tie Rod Adjust.
6	0123-379	2	Nut, Jam-L.H. Thread
7	0105-701	2	Tie Rod
8	0104-062	1	Fitting, Grease
9	8002-222	1	Screw, Cap
10	8050-217	3	Washer
11	0123-406	2	Nut, Flange
12	8002-046	2	Screw, Cap
13	0187-202	1	Cable, Brake
14	8040-366	2	Nut, Lock
15	0124-047	2	Screw, Tapping
16	0123-231	2	Ring, Retaining
17	0115-280	1	Lever, Brake
18	0117-793	2	Grip, Handlebar
19	0117-287	1	Switch, Brake
20	0123-927	1	Pin
21	0109-608	1	Spring

Ref. No.	Part No.	Qty.	Description
22	0115-278	1	Actuator, Parking Brake
23	0117-025	1	Pad, Handlebar
24	0105-203	1	Plate, Backing
25	0705-001	1	Handlebar
26	0115-570	1	Lever, Throttle
27	0117-335	1	Switch, Throttle
28	0123-919	2	Seal
29	0123-918	1	Pin
30	0123-810	1	Ring, Retaining
31	0123-788	AR	Tie, Cable
32	0124-057	1	E-Ring
33	0230-023	1	Plug, By-Pass
34	0212-188	1	Decal, Dimmer Switch
35	0211-919	1	Decal, Parking Brake
36	0113-100	2	Tie Rod Ass'y. (inc. 2, 4, 5, 6, & 7)
37	0117-769	1	Bracket, Cable
38	0109-194	1	Spring, Brake Cable
39	0687-002	1	Cable, Throttle (440)
	0687-009	1	Cable, Throttle (340)
40	0623-026	2	Nut, Flex



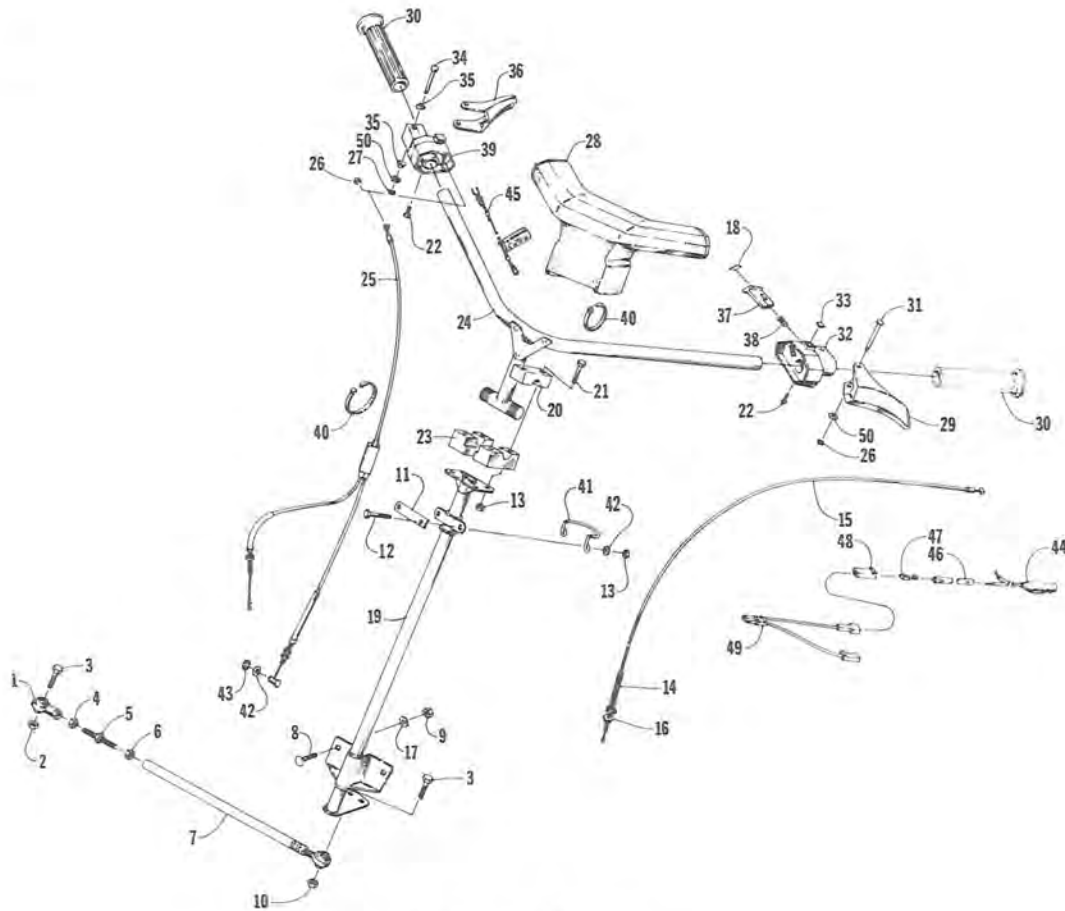
Steering

0727-340

Ref. No.	Part No.	Qty.	Description
1	0105-236	2	End, Tie Rod
2	8040-486	2	Nut, Lock
3	0124-050	2	Screw, Cap
4	0123-191	2	Nut, Jam
5	0105-305	2	Bolt, Tie Rod Adjust.
6	0123-379	2	Nut, Jam-L.H. Thread
7	0105-342	2	Tie Rod
8	0124-053	2	Bolt, Carriage
9	8040-426	2	Nut, Lock
10	0623-026	2	Nut, Flex
11	0105-203	1	Plate, Backing
12	8002-046	2	Screw, Cap
13	8040-366	6	Nut, Lock
14	0109-194	1	Spring, Brake Cable
15	0187-201	1	Cable, Brake
16	0123-406	2	Nut, Flange
17	8050-252	2	Washer
18	0611-049	1	Decal, Parking Brake
19	0105-391	1	Post, Handlebar
20	0105-350	2	Cap
21	8002-047	4	Screw, Cap
22	0124-047	2	Screw, Tapping (PA)
	0609-043	2	Screw, Tapping (SJ)
23	0105-351	1	Block, Adjusting
24	0105-376	1	Handlebar (PA)
	0705-016	1	Handlebar (SJ)
25	0187-076	1	Cable, Throttle
26	0123-231	2	Ring, Retaining
	0609-040	1	Ring, Retaining - Brake (SJ)

Ref. No.	Part No.	Qty.	Description
27	0123-810	1	Ring, Retaining (PA)
	0609-040	1	Ring, Retaining (SJ)
28	0115-748	1	Pad, Handlebar (PA)
	0705-023	1	Pad, Handlebar (SJ)
29	0115-280	1	Lever, Brake (PA)
	0609-042	1	Lever, Brake (SJ)
30	0117-793	2	Grip, Handlebar
31	0123-927	1	Pin (PA)
	0609-041	1	Pin (SJ)
32	0117-287	1	Switch, Brake (PA)
	0609-044	1	Switch, Brake (SJ)
33	0212-138	1	Decal, Dimmer Switch (PA)
	0611-154	1	Decal, Dimmer Switch (SJ)
34	0123-918	1	Pin (PA)
	0609-039	1	Pin (SJ)
35	0123-919	2	Seal (PA)
	0609-038	2	Seal (SJ)
36	0115-570	1	Lever, Throttle (PA)
	0609-018	1	Lever, Throttle (SJ)
37	0115-278	1	Actuator, Parking Brake (PA)
38	0109-608	1	Spring, Actuator (PA)
39	0117-335	1	Switch, Throttle (PA)
	0609-014	1	Switch, Throttle (SJ)
40	0123-788	AR	Tie, Cable
41	0117-769	1	Bracket, Cable Retaining
42	8050-217	3	Washer
43	0124-057	1	E-Ring
44	0115-356	2	Element, Handlebar Heater

**Panther
Super Jag**

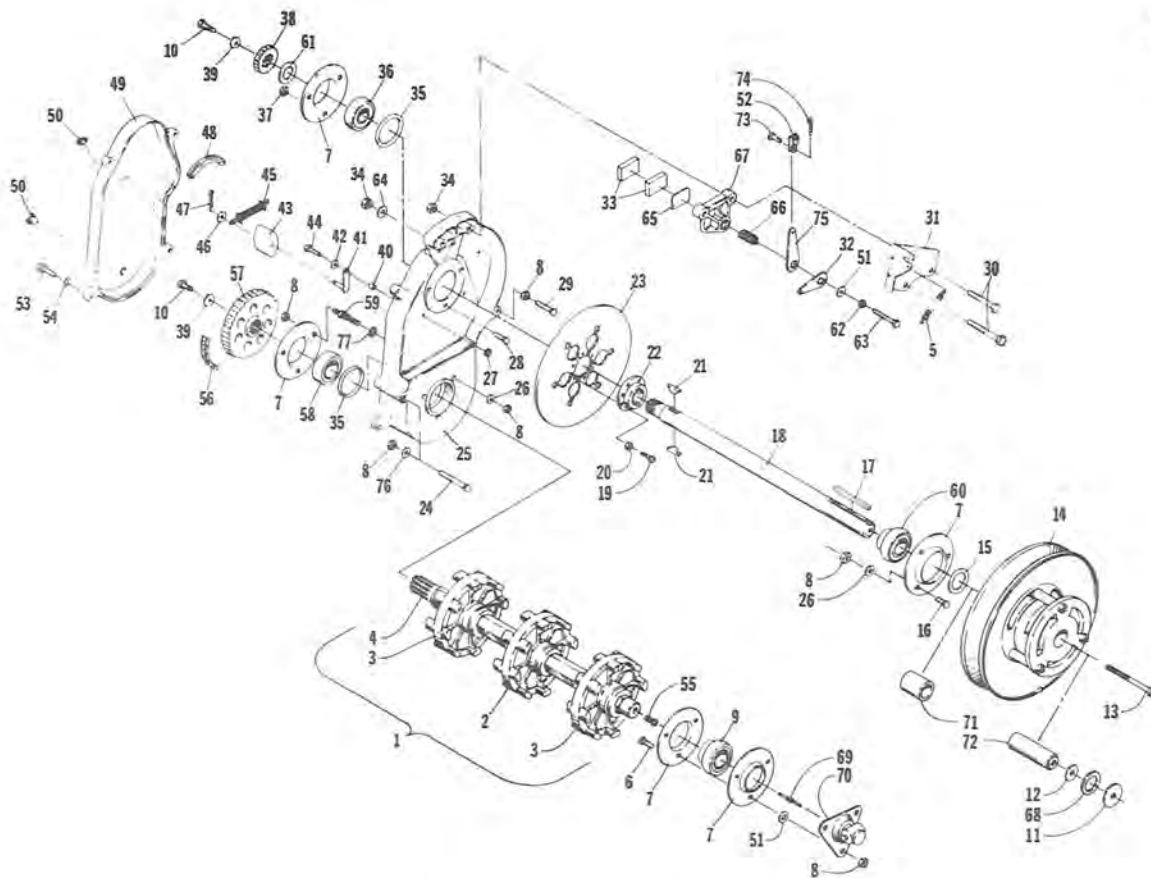


Steering

0727-340 (cont.)

Ref. No.	Part No.	Qty.	Description
45	0230-023	1	Plug, By-Pass (PA)
	0230-055	1	Plug, By-Pass (SJ)
46	1062-003	AR	Geon Tubing
47	0231-007	2	Terminal

Ref. No.	Part No.	Qty.	Description
48	0230-015	2	Connector
49	0230-030	1	Harness, Handwarmer
50	<u>0609-036</u>	2	Washer, Flat (SJ)



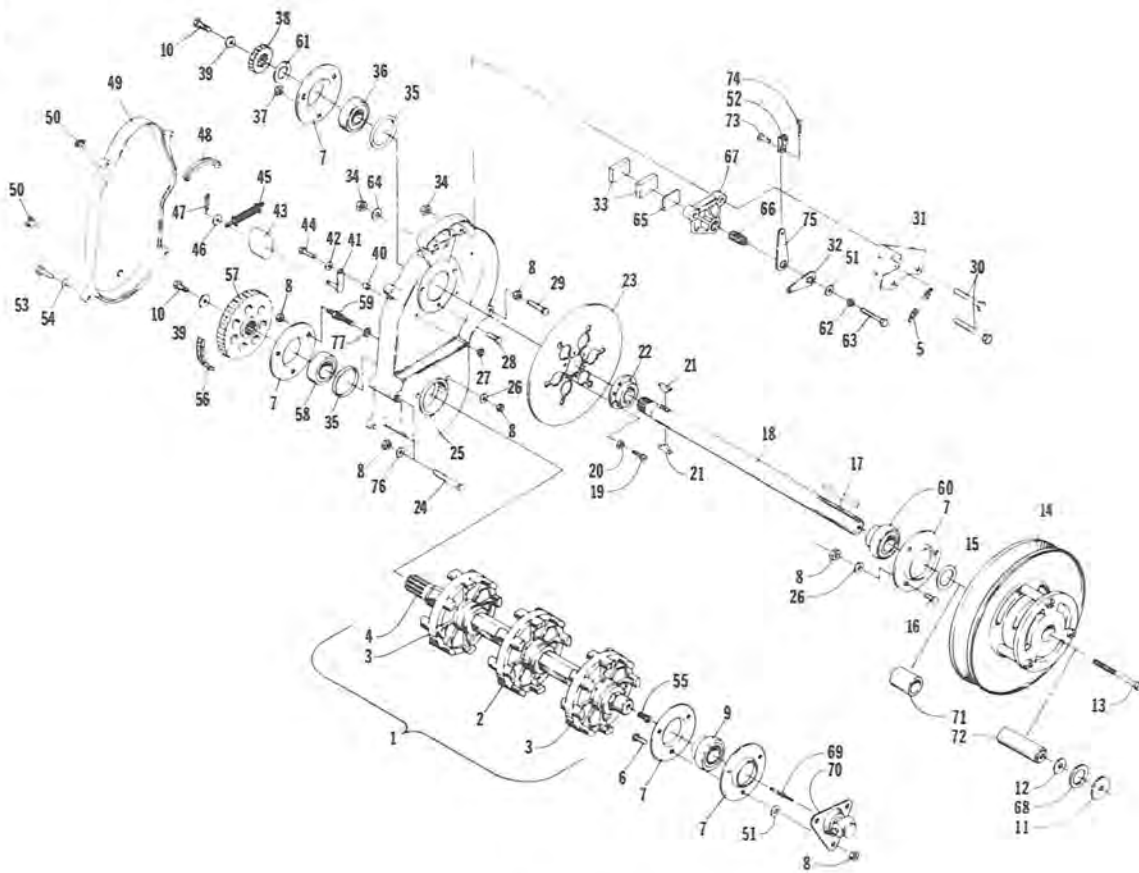
Drive Train

0727-349

Ref. No.	Part No.	Qty.	Description
1	0118-113	1	Driveshaft Ass'y. (inc. 2, 3, 4, & 55)
2	0102-296	1	Sprocket, Drive (inside) 8T
3	0102-500	2	Sprocket, Drive (outside) 8T
4	0228-046	1	Driveshaft
5	0117-792	1	Spring, Return
6	8011-132	3	Bolt, Carriage
7	0107-026	5	Plate, Flange
8	8040-426	14	Nut, Lock
9	0107-074	1	Bearing - 1" w/Collar
10	8012-222	2	Screw, Cap-Lock
11	0123-019	1	Washer
12	0123-053	AR	Washer
13	8012-142	1	Screw, Cap
14	0726-002	1	Clutch, Driven (440)
	0726-003	1	Clutch, Driven (340)
15	0123-263	AR	Washer
16	8011-130	3	Bolt, Carriage
17	0101-076	1	Key
18	0602-039	1	Shaft, Driven
19	8006-399	6	Screw, Cap-Socket
20	0123-430	6	Nut, Flex
21	0107-133	2	Key
22	0602-040	1	Hub
23	0109-867	1	Disc, Brake
24	8011-140	1	Bolt, Carriage
25	0107-722	1	Dropcase
26	8050-247	6	Washer
27	8041-366	3	Nut, Lock-Thin
28	0123-523	3	Bolt, Ribbed

Ref. No.	Part No.	Qty.	Description
29	8011-136	1	Bolt, Carriage
30	8002-228	2	Screw, Cap
31	0115-766	1	Bracket, Brake Cable
32	0117-870	1	Arm, Return Spring
33	0115-643	2	Puck, Brake
34	8040-486	2	Nut, Lock
35	0107-003	2	Seal
36	0107-223	1	Bearing - 7/8"
37	8041-426	3	Nut, Lock-Thin
38	0107-409	1	Sprocket-20T
39	0124-091	2	Washer, Pyramidal
40	0107-234	2	Bushing
41	0107-226	2	Pin, Link
42	8050-217	2	Washer
43	0107-228	2	Pad
44	8002-040	2	Screw, Cap
45	0707-026	1	Spring Assembly
46	8050-212	2	Washer
47	0123-082	2	Pin, Cotter
48	0107-214	1	Seal
49	0107-747	1	Cover, Dropcase
50	0123-333	2	Plug, Dropcase
51	8050-242	4	Washer
52	0117-867	1	Clevis
53	8002-132	4	Screw, Cap
54	8053-242	4	Washer, Ext. Lock
55	0120-247	1	Bushing, Speedometer
56	0107-215	1	Chain - 68P (440)
	0107-216	1	Chain - 70P (340)

Jag 340
Jag 440

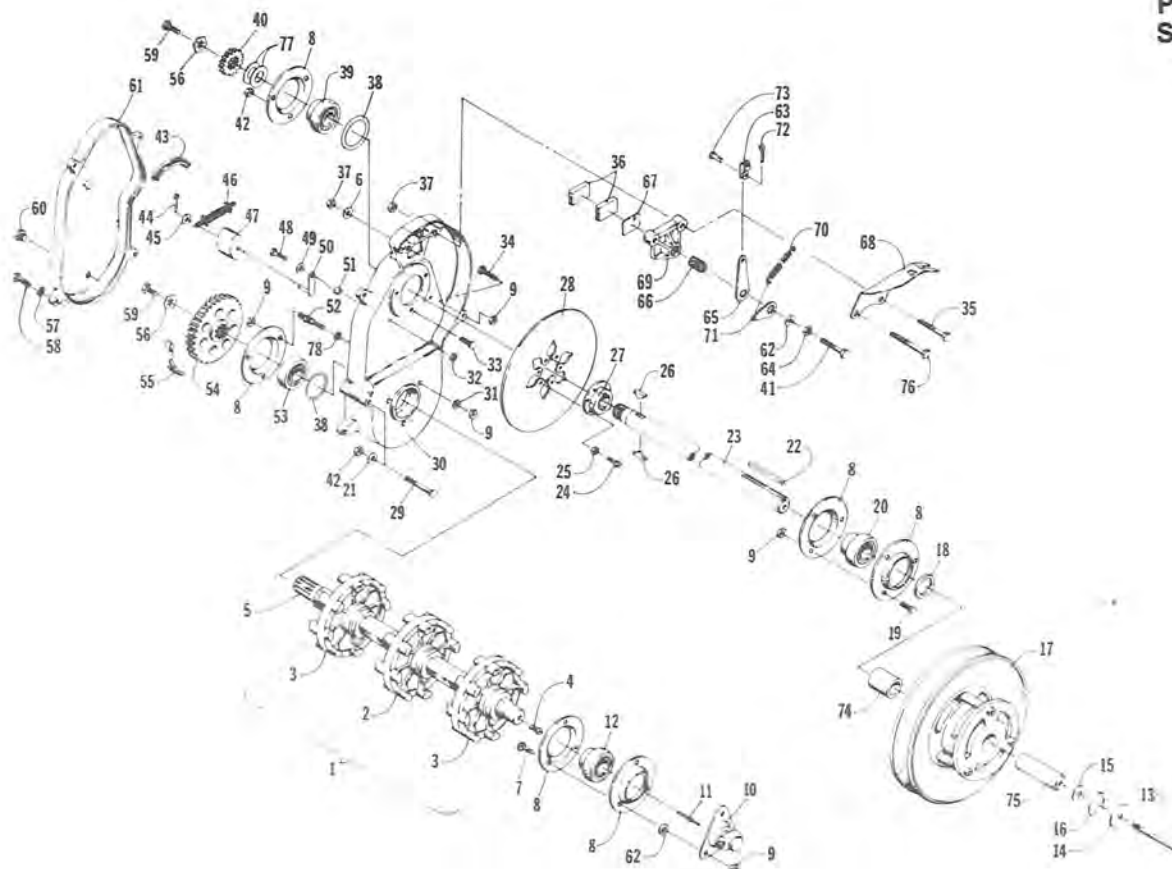


Drive Train

0727-349

Ref. No.	Part No.	Qty.	Description
57	0107-325	1	Sprocket - 35T (440)
	0107-220	1	Sprocket - 39T (340)
58	0107-224	1	Bearing - 1"
59	0107-233	3	Stud
60	0107-123	1	Bearing - 1" w/Collar
61	0123-694	AR	Washer
62	8042-426	1	Nut, Hex
63	0124-302	1	Screw, Cap
64	8050-277	1	Washer
65	0117-871	1	Plate, Backing
66	0117-864	1	Shaft

Ref. No.	Part No.	Qty.	Description
67	0219-282	1	Actuator
68	0123-578	AR	Washer
69	0120-248	1	Cable, Adapter (440)
70	0120-284	1	Adapter, Drive (440)
71	0148-230	1	Spacer
72	0148-231	1	Shaft, Stub
73	0117-869	1	Pin, Clevis
74	0117-868	1	Pin, Cotter
75	0117-865	1	Arm, Brake
76	8050-252	1	Washer
77	0607-025	3	O-Ring, Stud



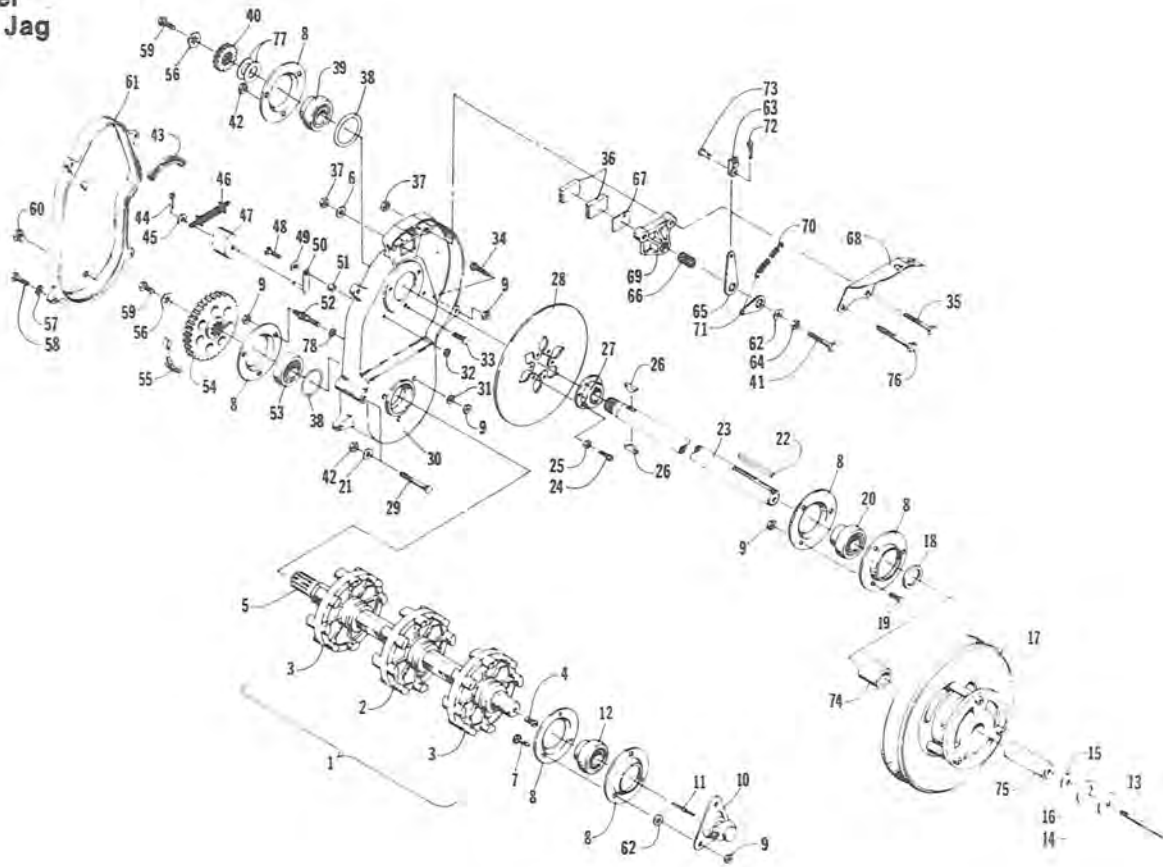
Drive Train

0727-350

Ref. No.	Part No.	Qty.	Description
1	0728-001	1	Driveshaft Ass'y. (inc. 2-5)
2	0102-296	1	•Sprocket, Drive (inside) 8T
3	0102-500	2	•Sprocket, Drive (outside) 8T
4	0120-247	1	•Bushing, Drive
5	0228-045	1	•Driveshaft
6	8050-277	4	Washer
7	8011-132	3	Bolt, Carriage
8	0107-026	6	Plate, Flange
9	8040-426	13	Nut, Lock
10	0120-284	1	Drive, Adapter
11	0120-248	1	Cable, Adapter
12	0107-074	1	Bearing - 1" w/Collar
13	8012-142	1	Screw, Cap-Lock
14	0123-019	1	Washer
15	0123-053	AR	Washer
16	0123-578	AR	Washer
17	0726-001	1	Clutch, Driven (PA)
	0726-002	1	Clutch, Driven (SJ)
18	0123-263	AR	Washer
19	8011-130	3	Bolt, Carriage
20	0107-123	1	Bearing - 1" w/Collar
21	8050-252	1	Washer
22	0101-076	1	Key
23	0602-038	1	Shaft, Driven
24	8006-399	6	Screw, Cap-Socket
25	0123-430	6	Nut, Lock
26	0107-133	2	Key
27	0602-040	1	Hub
28	0109-867	1	Disc, Brake

Ref. No.	Part No.	Qty.	Description
29	8011-141	1	Bolt, Carriage
30	0107-722	1	Dropcase
31	8050-247	3	Washer
32	8041-366	2	Nut, Lock-Thin
33	0123-523	3	Bolt, Ribbed
34	8002-137	1	Screw, Cap
35	8002-228	1	Screw, Cap
36	0115-643	2	Puck, Brake
37	8040-486	2	Nut, Lock
38	0107-003	2	Seal
39	0107-223	1	Bearing - 7/8"
40	0107-409	1	Sprocket-20T
41	0124-302	1	Screw, Cap-Lock
42	8041-426	4	Nut, Lock-Thin
43	0107-214	1	Seal
44	0123-082	2	Pin, Cotter
45	8050-212	2	Washer
46	0707-026	1	Spring Assembly
47	0107-228	2	Pad
48	8002-040	2	Screw, Cap
49	8050-217	2	Washer
50	0107-226	2	Pin, Link
51	0107-234	2	Bushing
52	0107-233	3	Stud
53	0107-224	1	Bearing - 1"
54	0107-325	1	Sprocket-35T
55	0107-215	1	Chain-68P
56	0124-091	2	Washer, Pyramidal
57	8053-242	3	Washer, Ext. Lock

**Panther
Super Jag**

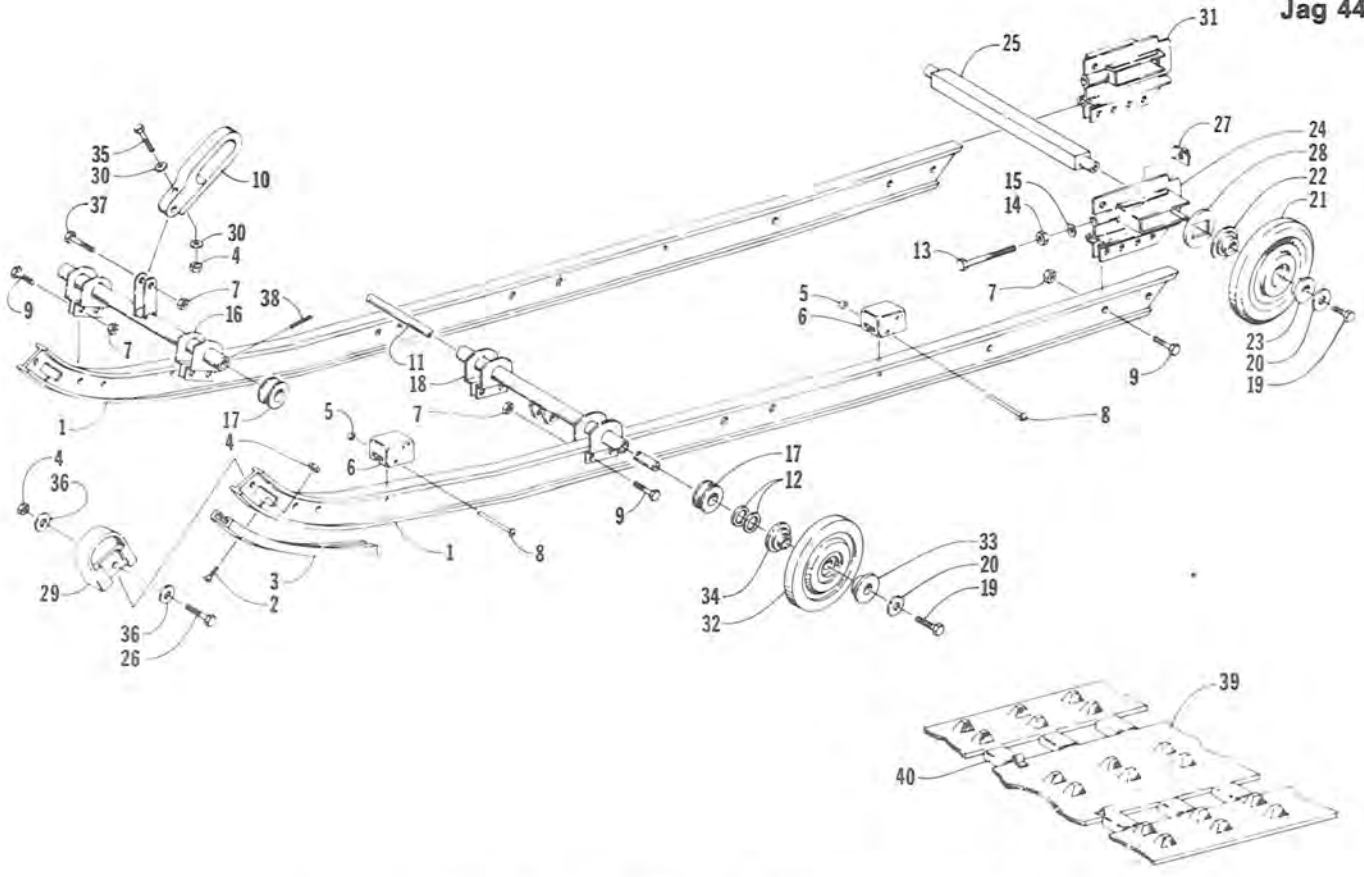


Drive Train

0727-350 (cont.)

Ref. No.	Part No.	Qty.	Description
58	8002-132	3	Screw, Cap
59	8012-222	2	Screw, Cap-Lock
60	0123-451	2	Plug, Dropcase
61	0107-747	1	Cover, Dropcase
62	8050-242	4	Washer
63	0117-867	1	Clevis
64	8042-426	1	Nut, Adjuster Bolt
65	0117-865	1	Lever, Actuator
66	0117-864	1	Shaft, Actuator
67	0117-871	1	Plate, Backing
68	0117-790	1	Bracket, Brake Cable

Ref. No.	Part No.	Qty.	Description
69	0219-282	1	Actuator, Brake
70	0117-792	1	Spring
71	0117-870	1	Arm, Brake Return Spring
72	0117-868	1	Pin, Cotter
73	0117-869	1	Pin, Clevis
74	0148-230	1	Spacer
75	0148-231	1	Shaft, Stub
76	8002-230	1	Screw, Cap
77	0123-694	AR	Washer
78	0607-025	3	O-Ring, Stud



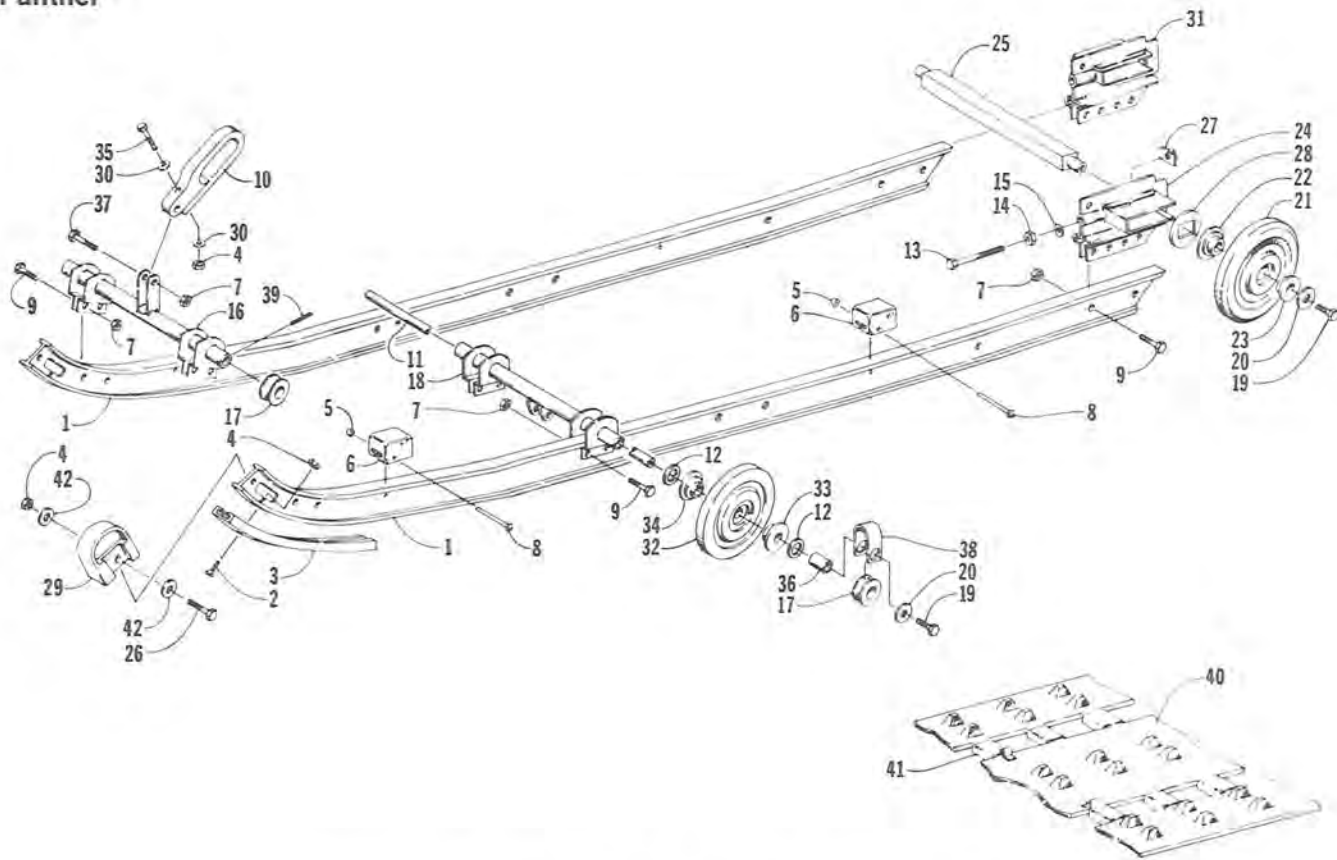
Slide Rail and Track Assemblies

0727-343

Ref. No.	Part No.	Qty.	Description
1	0604-098	2	Rail, Formed
2	0123-869	2	Screw, Machine
3	0604-108	2	Strip, Wear
4	8040-366	5	Nut, Lock
5	0123-766	4	Nut, Push
6	0104-631	4	Pad, Shock
7	8040-426	17	Nut, Lock
8	0123-767	4	Rivet, Solid
9	8002-131	12	Screw, Cap
10	0114-324	1	Stop, Arm
11	0604-046	1	Axle, Inner
12	0123-439	AR	Washer
13	0124-310	2	Screw, Cap
14	8042-486	2	Nut, Hex
15	8051-277	2	Washer, Lock
16	0704-029	1	Crossbrace, Front
17	0114-256	4	Roller, Suspension Spring
18	0704-030	1	Crossbrace, Shock Mount
19	8012-130	4	Screw, Cap-Lock
20	0123-019	4	Washer
21	0114-210	2	Wheel, Idler (inc. 22 & 23)

Ref. No.	Part No.	Qty.	Description
22	0104-342	2	● Insert, Wheel (inside)
23	0104-343	2	● Insert, Wheel (outside)
24	0114-120	1	Housing, Rear Axle
25	0114-128	1	Axle, Rear
26	8002-044	2	Screw, Cap
27	0104-838	2	Plate/Nut
28	0623-023	2	Washer, Rectangular
29	0114-255	2	Nose Piece, Rail
30	8050-222	2	Washer
31	0114-121	1	Housing, Rear Axle
32	0604-004	2	Wheel, Idler (inc. 33 & 34)
33	0104-341	2	● Insert, Wheel (outside)
34	0104-340	2	● Insert, Wheel (inside)
35	8002-048	1	Screw, Cap
36	8050-212	4	Washer, Flat
37	8002-135	1	Screw, Cap
38	8070-285	2	Pin, Spring
39	0102-288	1	Track Ass'y. (inc. 40) (440)
	0602-008	1	Track Ass'y. (inc. 40) (340)
40	0102-255	92	● Clip, Guide

Panther

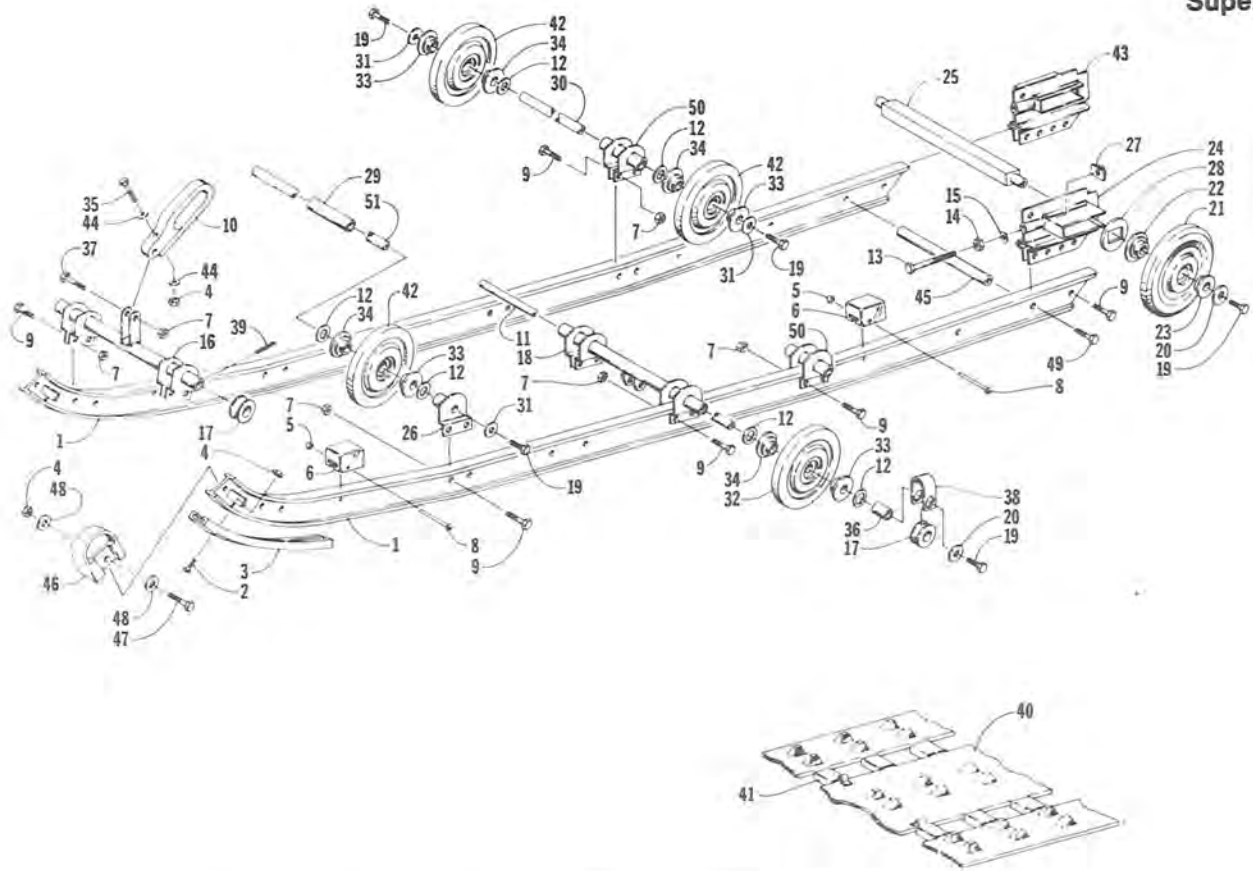


Slide Rail and Track Assemblies

0727-341

Ref. No.	Part No.	Qty.	Description
1	0604-096	2	Rail, Formed
2	0123-869	2	Screw, Machine
3	0604-108	2	Strip, Wear
4	8040-366	5	Nut, Lock
5	0123-766	4	Nut, Push
6	0104-631	4	Pad, Shock
7	8040-426	17	Nut, Lock
8	0123-767	4	Rivet, Solid
9	8002-131	12	Screw, Cap
10	0114-324	1	Stop, Arm
11	0604-081	1	Axle, Inner
12	0123-439	4	Washer
13	0124-310	2	Screw, Cap
14	8042-486	2	Nut, Hex
15	8051-277	2	Washer, Lock
16	0704-029	1	Crossbrace, Front
17	0114-256	4	Roller, Suspension Spring
18	0704-030	1	Crossbrace, Shock Mount
19	8012-130	4	Screw, Cap-Lock
20	0123-019	4	Washer
21	0114-210	2	Wheel, Idler (inc. 22 & 23)

Ref. No.	Part No.	Qty.	Description
22	0104-342	2	●Insert, Wheel (inside)
23	0104-343	2	●Insert, Wheel (outside)
24	0114-120	1	Housing, Rear Axle
25	0114-128	1	Axle, Rear
26	8002-044	2	Screw, Cap
27	0104-838	2	Plate/Nut
28	0623-023	2	Washer, Rectangular
29	0114-255	2	Nose Piece, Rail
30	8050-222	2	Washer
31	0114-121	1	Housing, Rear Axle
32	0604-004	2	Wheel, Idler (inc. 33 & 34)
33	0104-341	2	●Insert, Wheel (outside)
34	0104-340	2	●Insert, Wheel (inside)
35	8002-048	1	Screw, Cap
36	0604-080	2	Tube, Spring Roller
37	8002-135	1	Screw, Cap
38	0604-079	2	Strap, Spring Retainer
39	8070-285	2	Pin, Spring
40	0102-317	1	Track Ass'y. (inc. 41)
41	0102-255	92	●Clip, Guide
42	8050-212	4	Washer, Flat



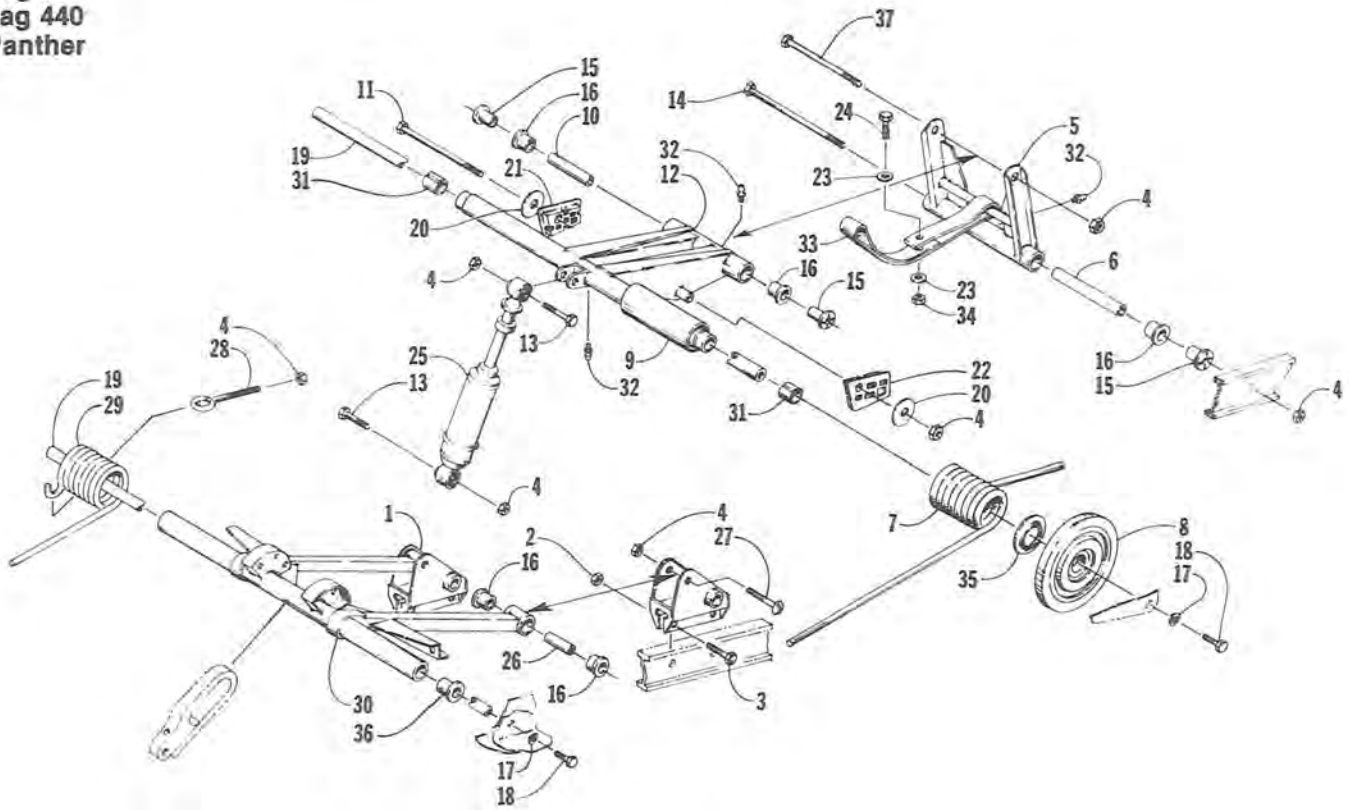
Slide Rail and Track Assemblies

0727-278

Ref. No.	Part No.	Qty.	Description
1	0604-111	2	Rail, Formed
2	0123-869	2	Screw, Machine
3	0604-112	2	Strip, Wear
4	8040-366	5	Nut, Lock
5	0123-766	4	Nut, Push
6	0104-631	4	Pad, Shock
7	8040-426	17	Nut, Lock
8	0123-767	4	Rivet, Solid
9	8002-131	18	Screw, Cap
10	0114-324	1	Stop, Arm
11	0604-081	1	Axle, Inner
12	0123-439	12	Washer
13	0124-310	2	Screw, Cap
14	8042-486	2	Nut, Hex
15	8051-277	2	Washer, Lock
16	0704-029	1	Crossbrace, Front
17	0114-256	4	Roller, Suspension Spring
18	0704-030	1	Crossbrace, Shock Mount
19	8012-130	10	Screw, Cap-Lock
20	0123-019	4	Washer
21	0114-210	2	Wheel, Idler (inc. 22 & 23)
22	0104-342	2	●Insert, Wheel (inside)
23	0104-343	2	●Insert, Wheel (outside)
24	0114-120	1	Housing, Rear Axle
25	0114-128	1	Axle, Rear
26	0114-253	2	Support, Auxiliary Wheel

Ref. No.	Part No.	Qty.	Description
27	0104-838	2	Plate/Nut
28	0623-023	2	Washer, Rectangular
29	0114-148	1	Spacer
30	0604-113	2	Axle, Idler Wheel
31	0123-260	6	Washer
32	0604-004	2	Wheel, Idler (inc. 33 & 34)
33	0104-341	8	●Insert, Wheel (outside)
34	0104-340	8	●Insert, Wheel (inside)
35	8002-048	1	Screw, Cap
36	0604-080	2	Tube, Spring Roller
37	8002-135	1	Screw, Cap
38	0604-079	2	Strap, Spring Retainer
39	8070-285	2	Pin, Spring
40	0602-001	1	Track Assembly (inc. 41)
41	0102-255	124	●Clip, Guide
42	0114-240	6	Wheel, Idler (inc. 33 & 34)
43	0114-121	1	Housing, Rear Axle
44	8050-222	2	Washer
45	0604-052	1	Support, Rear Rail
46	0114-255	2	Nose Piece, Rail
47	8002-044	2	Screw, Cap
48	8050-212	4	Washer, Flat
49	8012-132	2	Screw, Cap
50	0704-032	2	Bracket, Auxiliary Wheel
51	0114-133	1	Axle, Inner

Jag 340
 Jag 440
 Panther

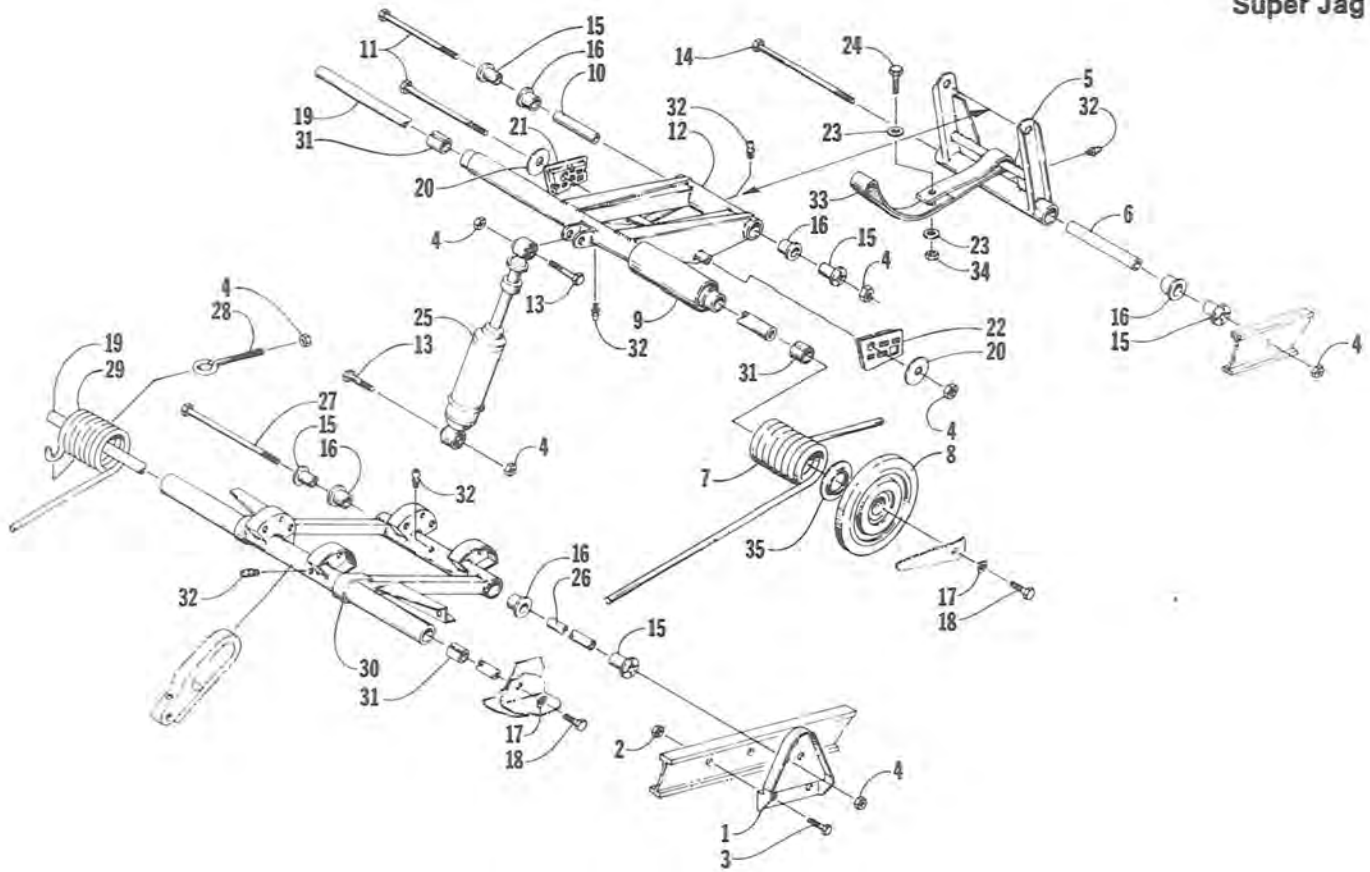


Rear Suspension Arm Assemblies

0727-344

Ref. No.	Part No.	Qty.	Description
1	0704-026	2	Bracket, Front Arm
2	8040-426	4	Nut, Lock
3	8002-131	4	Screw, Cap
4	8040-486	9	Nut, Lock
5	0704-031	1	Arm, Rear
6	0604-059	1	Axle
7	0604-054	1	Spring, Rear-Right
	0604-053	1	Spring, Rear-Left
8	0604-061	2	Wheel, Idler
9	0114-160	2	Sleeve, Spring
10	0604-070	1	Axle, Idler Arm
11	8002-237	1	Screw, Cap (Jag)
	8002-239	1	Screw, Cap (PA)
12	0704-028	1	Arm, Idler (PA)
	0704-024	1	Arm, Idler (Jag)
13	8002-227	2	Screw, Cap
14	0623-007	1	Screw, Cap
15	0603-061	4	Axle, Serrated
16	0104-386	8	Bushing
17	8051-277	4	Washer, Lock
18	8002-222	4	Screw, Cap
19	0114-163	2	Axle, Inner (PA)
	0114-229	2	Axle, Inner (Jag)

Ref. No.	Part No.	Qty.	Description
20	0123-331	2	Washer
21	0114-062	1	Block, Adjusting-Right
22	0114-063	1	Block, Adjusting-Left
23	8050-222	2	Washer, Flat
24	8002-043	1	Screw, Cap
25	0604-104	1	Shock Absorber
26	0104-629	2	Spacer, Front Arm
27	0623-061	2	Screw, Machine
28	2272-037	2	Eyebolt
29	0114-110	1	Spring, Front-Right
	0114-111	1	Spring, Front-Left
30	0704-027	1	Arm, Front (inc. 31) (PA)
	0704-025	1	Arm, Front (inc. 31) (Jag)
31	0603-073	2	• Bearing
32	0623-010	3	Fitting, Grease
33	0604-101	1	Strap, Limiter (PA)
	0604-120	1	Strap, Limiter (Jag)
34	8040-366	1	Nut, Lock
35	0604-119	2	Spacer, Spring (Jag)
36	0114-162	2	Bushing, Front Arm
37	8002-239	1	Screw, Cap



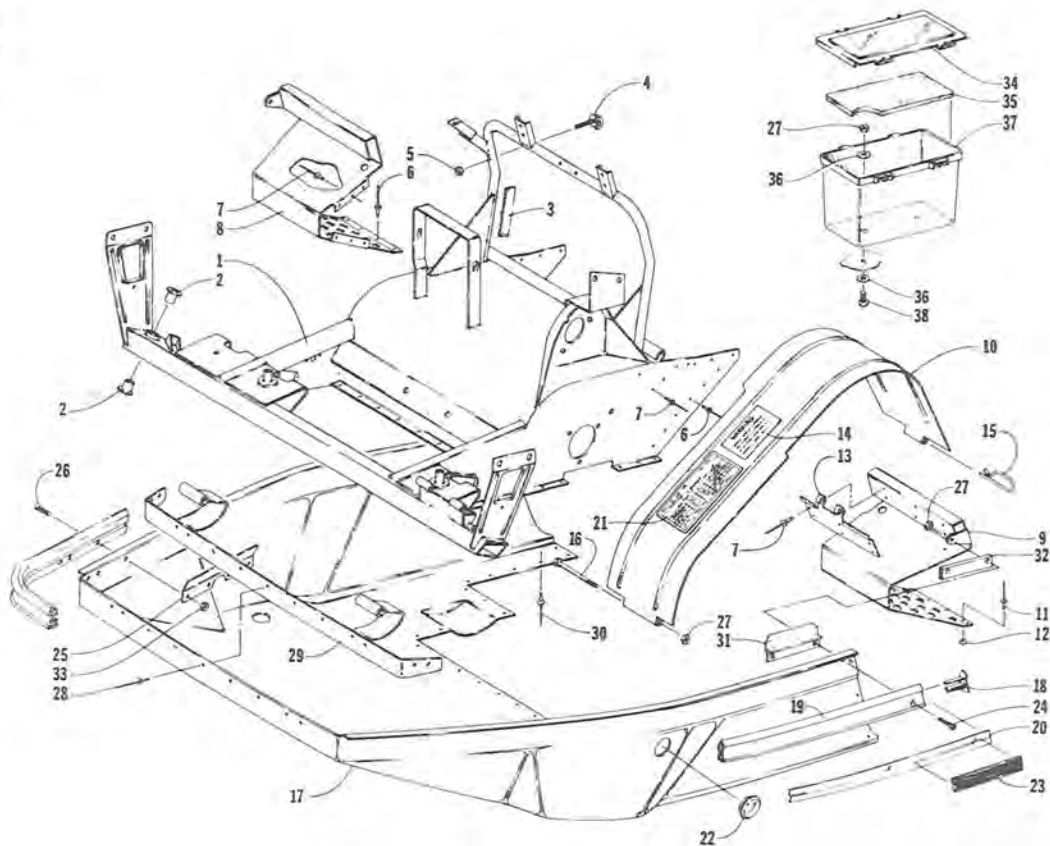
Rear Suspension Arm Assemblies

0727-280

Ref. No.	Part No.	Qty.	Description
1	0604-066	2	Bracket, Front Arm
2	8040-426	4	Nut, Lock
3	8002-131	4	Screw, Cap
4	8040-486	8	Nut, Lock
5	0704-031	1	Arm, Rear
6	0604-059	1	Axle
7	0604-118	1	Spring, Rear-Right
	0604-117	1	Spring, Rear-Left
8	0604-061	2	Wheel, Idler
9	0114-160	2	Sleeve, Spring
10	0604-070	1	Axle, Idler Arm
11	8002-239	2	Screw, Cap
12	0704-028	1	Arm, Idler
13	8002-227	2	Screw, Cap
14	0623-007	1	Screw, Cap
15	0603-061	6	Axle, Serrated
16	0104-386	6	Bushing
17	8051-278	4	Washer, Lock
18	8002-252	4	Screw, Cap

Ref. No.	Part No.	Qty.	Description
19	0114-163	2	Axle, Inner
20	0123-331	2	Washer
21	0114-062	1	Block Adjustment-Right
22	0114-063	1	Block Adjustment-Left
23	8050-222	2	Washer, Flat
24	8002-043	1	Screw, Cap
25	0604-109	1	Shock Absorber
26	0604-073	1	Axle, Front Arm
27	0623-033	1	Screw, Cap
28	2272-037	2	Eyebolt
29	0114-110	1	Spring, Front-Right
	0114-111	1	Spring, Front-Left
30	0704-033	1	Arm, Front (inc. 31)
31	0603-073	4	• Bearing
32	0623-010	5	Fitting, Grease
33	0604-101	1	Strap, Limiter
34	8040-366	1	Nut, Lock
35	0604-119	2	Spacer, Spring

Jag 340
Jag 440

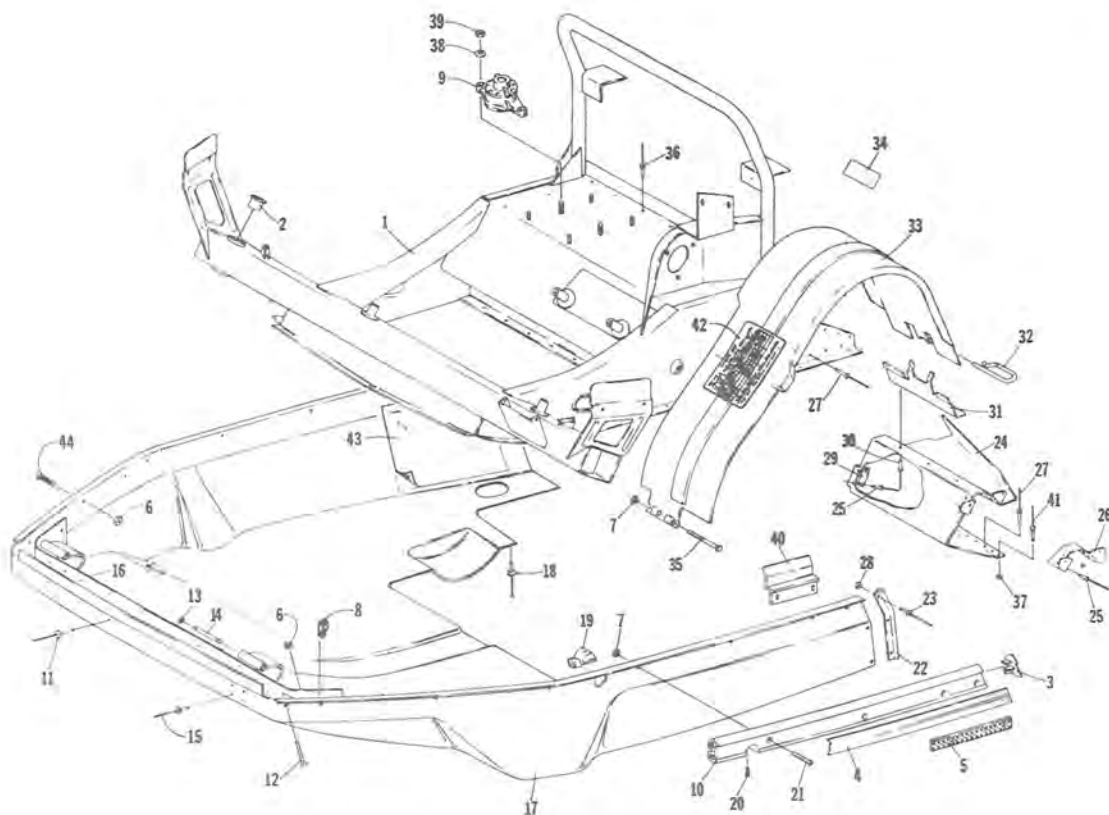


Belly Pan and Front Frame

0727-355

Ref. No.	Part No.	Qty.	Description
1	0108-400	1	Front End Ass'y. (inc. 2)
2	0105-303	4	• Bushing
3	0106-809	AR	Foam
4	0115-550	1	Bracket, Recoil Mtg.
5	8040-426	1	Nut, Lock
6	8060-504	34	Rivet
7	8060-506	18	Rivet
8	0116-904	1	Footrest - Right
9	0116-905	1	Footrest - Left
10	0107-974	1	Shield, Clutch
11	8060-708	4	Rivet
12	8050-152	4	Washer
13	0107-461	1	Plate, Clutch Shield
14	0212-514	1	Decal, Warning
15	0123-670	1	Pin, Hitch
16	8001-056	1	Screw, Cap
17	0706-091	1	Belly Pan
18	0115-702	1	Cap, End-Right
	0115-703	1	Cap, End-Left
19	0719-001	1	Bumper, Front

Ref. No.	Part No.	Qty.	Description
20	0212-539	2	Tape, Bumper
21	0611-191	1	Decal, Jet Chart (440)
	0611-185	1	Decal, Jet Chart (340)
22	0116-511	1	Plug
23	0117-856	2	Reflector, Front Bumper
24	0123-982	4	Screw, Machine
25	0106-932	2	Channel, Hood (Front)
26	0123-869	12	Screw, Machine
27	8040-366	15	Nut, Lock
28	8061-708	9	Rivet
29	0117-556	1	Hinge/Support Ass'y.
30	8061-706	33	Rivet
31	0115-635	2	Channel, Hood (Rear)
32	0606-011	2	Spacer, Footrest
33	8041-366	4	Nut, Lock-Thin
34	0106-766	1	Cover, Toolbox
35	0617-027	1	Foam Pad, Toolbox
36	8050-222	2	Washer
37	0706-094	1	Toolbox
38	8007-580	2	Screw, Machine



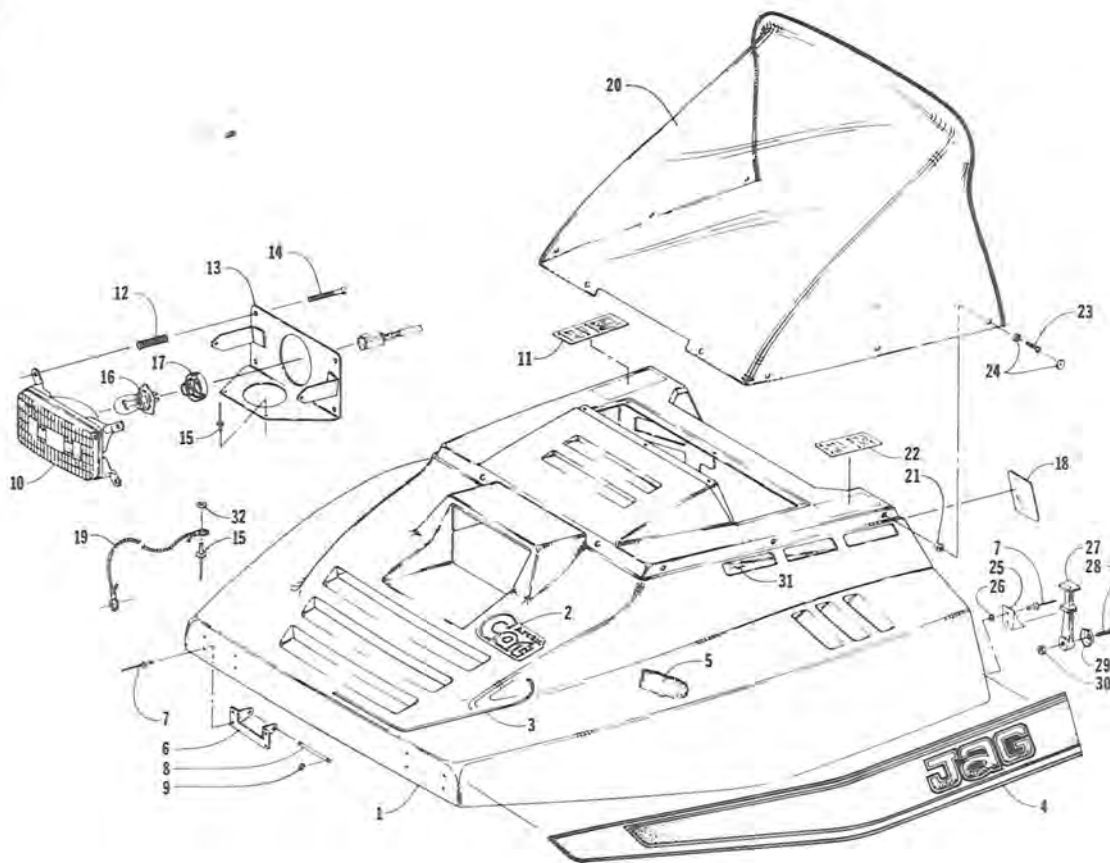
Belly Pan and Front Frame

0727-356

Ref. No.	Part No.	Qty.	Description
1	0707-019	1	Front End Ass'y. (inc. 2)
2	0105-303	4	• Bushing
3	0106-960	1	Cap, Bumper-Right
	0106-961	1	Cap, Bumper-Left
4	0611-037	1	Bumper Tape (PA)
	0212-539	2	Bumper Tape (SJ)
5	0117-856	2	Reflector, Front Bumper
6	8041-366	5	Nut, Lock-Thin
7	8040-366	14	Nut, Lock
8	3002-964	1	Clamp, Cable
9	0170-201	1	Pump, Fuel
10	0114-483	1	Bumper
11	8061-708	7	Rivet
12	0123-982	6	Screw, Machine
13	0123-551	4	E-Ring
14	0107-838	2	Pin, Hinge
15	8061-710	8	Rivet
16	0117-556	1	Hinge/Support Ass'y.
17	0606-122	1	Belly Pan w/o Exhaust Hole
18	8061-706	62	Rivet
19	0115-366	1	Plug
20	0623-016	1	Screw, Self-Tapping
21	0123-869	11	Screw, Machine
22	0115-402	2	Trim
23	8060-424	6	Rivet

Ref. No.	Part No.	Qty.	Description
24	0117-598	1	Footrest-Right
	0117-599	1	Footrest-Left
25	8060-686	12	Rivet
26	0117-066	1	Bracket-Right
	0117-067	1	Bracket-Left
	8060-704	34	Rivet
28	0123-149	6	Washer
29	0117-068	2	Gusset
30	0123-784	3	Rivet
31	0107-769	1	Bracket, Clutch Shield
32	0123-670	1	Pin, Hitch
33	0107-953	1	Shield, Clutch
34	0212-514	1	Decal, Warning
35	8002-052	1	Screw, Cap
36	8060-504	11	Rivet
37	8050-152	8	Washer
38	8050-157	2	Washer, Flat
39	8040-246	2	Nut, Lock
40	0115-635	2	Channel, Hood
41	8060-708	8	Rivet
42	0611-189	1	Decal, Jet Chart (PA)
	0611-191	1	Decal, Jet Chart (SJ)
43	0115-401	1	Tape, Alum. - Muffler
44	0123-383	1	Screw, Machine

Jag 340
Jag 440

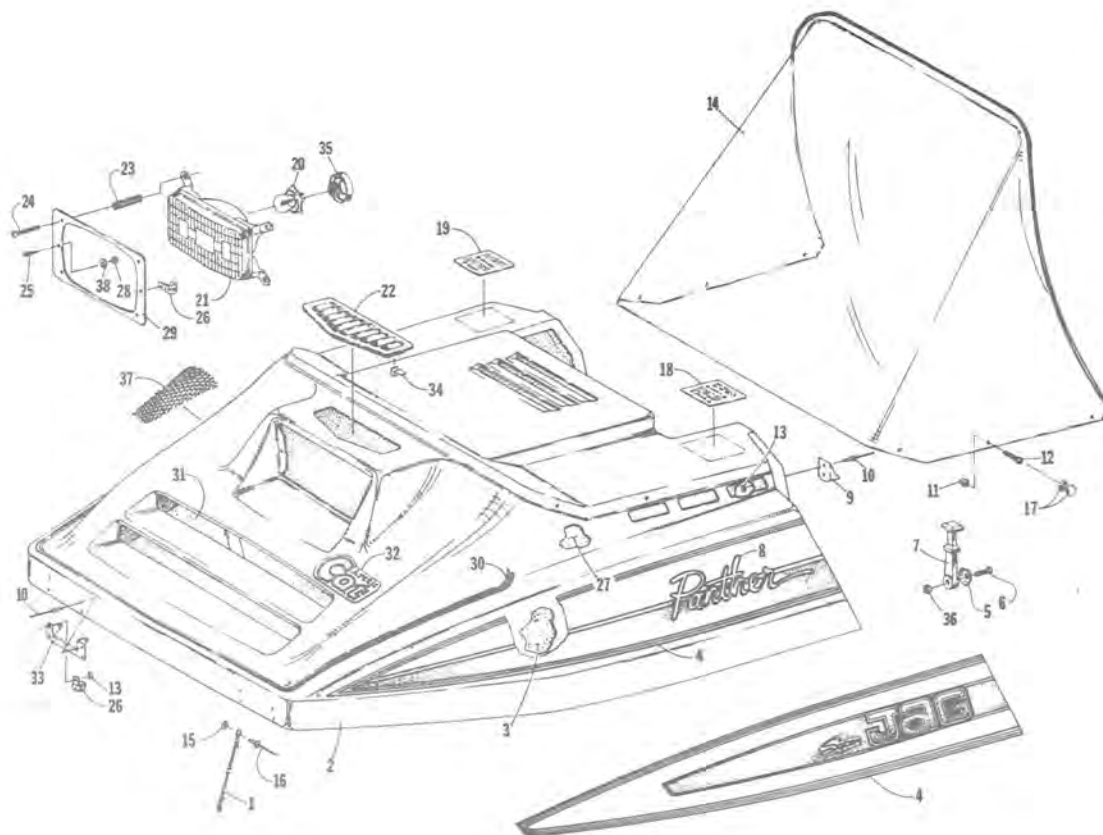


Hood Assembly

0727-361

Ref. No.	Part No.	Qty.	Description
1	0718-011	1	Hood (inc. 31)
	0718-017	1	Hood w/Decals (inc. 31)
2	0212-549	1	Decal, "Arctic Cat"
3	0611-103	AR	Pinstripe, Hood - 25'
4	0611-119	1	Decal, Hood - Left
	0611-120	1	Decal, Hood - Right
5	0617-001	1	Foam, Hood - Left
	0617-002	1	Foam, Hood - Right
6	0117-132	1	Hinge, Hood - Upper Right
	0117-133	1	Hinge, Hood - Upper Left
7	8060-430	12	Rivet
8	0107-838	2	Pin, Hinge
9	0123-551	4	Ring, Retaining
10	0109-716	1	Housing, Headlight
11	0611-006	1	Decal, Safety/Caution (English)
12	0123-614	4	Spring, Adjusting
13	0117-688	1	Bracket, Headlight
14	0623-051	4	Screw, Adjusting

Ref. No.	Part No.	Qty.	Description
15	8061-628	5	Rivet
16	0109-735	1	Bulb
17	0115-285	1	Holder, Cap
18	0611-180	1	Decal, Gas Warning
19	0115-527	1	Cable, Hood
20	0117-633	1	Windshield Ass'y.
21	0123-010	8	Nut, Expansion
22	0611-007	1	Decal, Safety/Caution (French)
23	0123-549	8	Screw, Machine
24	0124-054	8	Snap & Cap
25	0115-307	2	Cup, Latch
26	0123-149	4	Washer
27	0115-306	2	Strap, Latch
28	8007-582	2	Screw, Machine
29	0123-765	2	Washer, Cup
30	8040-366	2	Nut, Lock
31	0706-081	1	Duct, Air-Out
32	0450-131	1	Washer, Flat



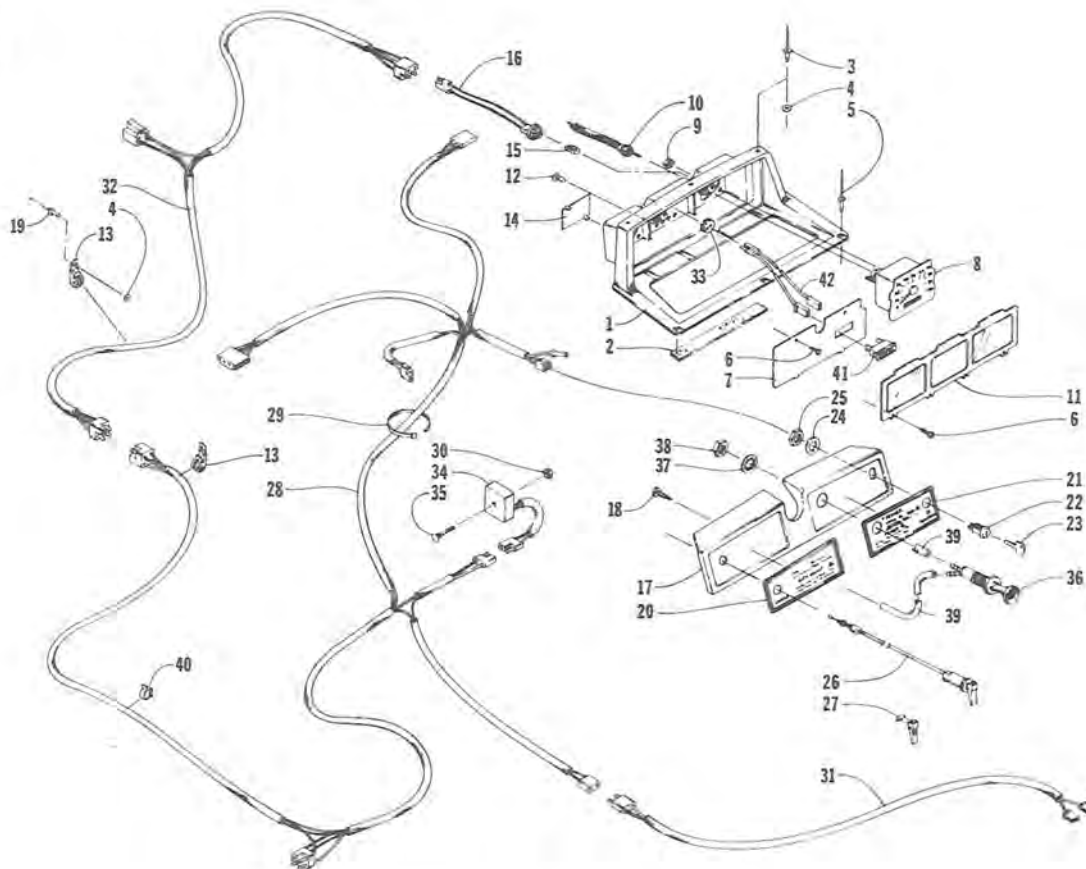
Hood Assembly

0727-362

Ref. No.	Part No.	Qty.	Description
1	0115-527	1	Cable, Hood
2	0718-013	1	Hood (inc. 27 & 31) (SJ)
	0718-010	1	Hood (inc. 27 & 31) (PA)
	0718-020	1	Hood w/Decals (inc. 27, 31, & 37) (SJ)
	0718-015	1	Hood w/Decals (inc. 27, 31, & 37) (PA)
3	0617-029	1	Foam, Side - Left
	0617-028	1	Foam, Side - Right
4	0611-122	1	Decal, Hood - Right (PA)
	0611-144	1	Decal, Hood - Right (SJ)
	0611-121	1	Decal, Hood - Left (PA)
	0611-143	1	Decal, Hood - Left (SJ)
5	0123-765	2	Washer, Cup
6	8007-582	2	Screw, Machine
7	0115-306	2	Strap, Latch
8	0611-061	2	Decal, "Panther"
9	0115-307	2	Cup, Latch
10	8060-430	12	Rivet
11	0123-010	9	Nut, Expansion
12	0123-549	9	Screw, Machine
13	0123-149	5	Washer
14	0606-110	1	Windshield
15	0450-131	1	Washer, Flat
16	8061-628	1	Rivet
17	0124-054	9	Snap & Cap
18	0611-140	1	Decal, Engine/Caution (PA)
	0212-154	1	Decal, Engine/Caution (SJ)

Ref. No.	Part No.	Qty.	Description
19	0611-141	1	Decal, Safety Check (PA)
	0611-179	1	Decal, Safety Check (SJ)
20	0109-735	1	Bulb
21	0109-716	1	Housing
22	0606-140	1	Vent (PA)
	0106-736	1	Vent (SJ)
23	0123-614	4	Spring, Adjusting
24	0623-051	4	Screw, Adjusting
25	8009-430	2	Screw, Machine
26	3002-964	2	Clamp, Cable
27	0706-076	1	Duct, Air
28	8040-246	2	Nut, Lock
29	0116-867	1	Bezel (SJ)
	0706-093	1	Bezel (PA)
30	0611-104	AR	Pinstripe, Hood 25' (PA)
	0611-106	AR	Pinstripe, Hood 25' (SJ)
31	0706-075	1	Duct, Engine
32	0611-044	1	Decal, "Arctic Cat"
33	0117-132	1	Hinge, Hood - Upper Right
	0117-133	1	Hinge, Hood - Upper Left
34	0123-596	4	Clip
35	0115-285	1	Holder, Cap
36	8040-366	2	Nut, Lock
37	0706-126	1	Guard, Vent
38	8050-157	2	Washer

Jag 340
Jag 440

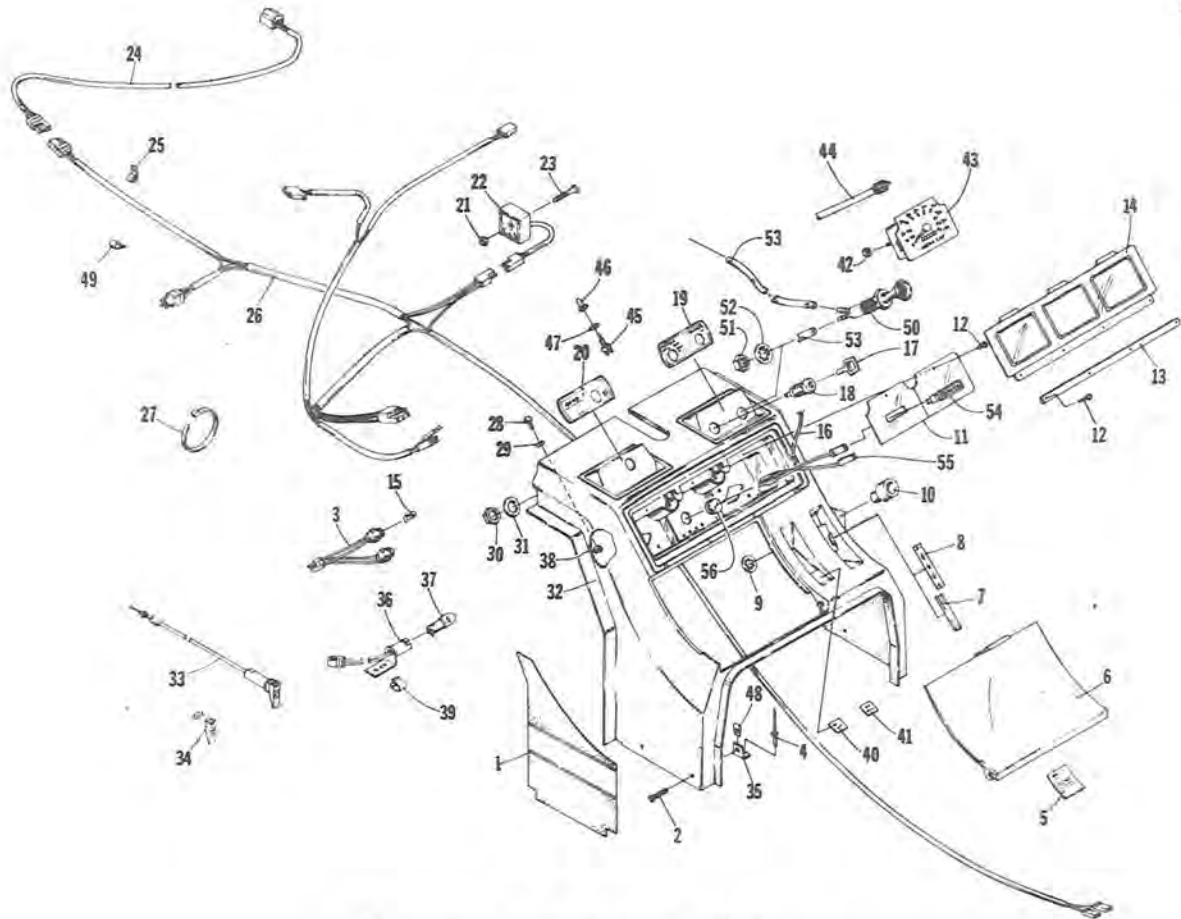


Console and Wiring

0727-352

Ref. No.	Part No.	Qty.	Description
1	0117-475	1	Panel, Instrument
2	0117-614	1	Foam, Panel
3	8060-426	3	Rivet
4	0123-149	4	Washer
5	8060-424	3	Rivet
6	0123-950	6	Screw, Tapping
7	0620-019	1	Plate, Inst. Panel (440)
	0620-025	1	Plate, Inst. Panel (340)
8	0620-015	1	Speedometer (440)
9	0123-700	2	Nut (440)
10	0120-700	1	Cable, Speedometer (440)
11	0117-557	1	Lens, Inst. Panel
12	0123-995	6	Rivet, Expansion
13	3002-964	4	Clamp, Cable
14	0115-530	AR	Plate, Cover (1 on 440, 2 on 340)
15	0230-020	2	Bulb (440)
16	0609-023	2	Socket, Assembly (440)
17	0606-023	1	Console (440)
	0117-635	1	Console (340)
18	0123-875	4	Screw, Self-Tapping
19	8060-430	1	Rivet
20	0611-055	1	Decal, Console - Left (440)
	0611-005	1	Decal, Console - Left (340)

Ref. No.	Part No.	Qty.	Description
21	0611-056	1	Decal, Console - Right (440)
	0611-004	1	Decal, Console - Right (340)
22	0117-045	1	Switch, Ignition
23	0115-300	1	Key
24	0123-899	1	Washer, Ignition
25	0123-900	1	Nut, Ignition
26	0687-003	1	Cable, Choke
27	0636-062	1	Kit, Choke Lever
28	0686-009	1	Harness, Main Ignition
29	0123-788	AR	Tie, Cable
30	8041-366	1	Nut, Thin-Lock
31	0115-458	1	Harness, Taillight
32	0686-008	1	Harness, Headlight
33	0620-027	1	Grommet
34	0232-020	1	Regulator, Voltage
35	0123-697	1	Screw, Ribbed Machine
36	0670-006	1	Primer, Fuel (440)
37	0623-017	1	Washer, Int. Lock (440)
38	0623-018	1	Nut, Jam (440)
39	0610-012	AR	Hose, Primer - 25' (440)
40	0123-394	1	Clip, Wiring Harness
41	0609-034	1	Lamp, Low Oil (440)
42	0686-011	1	Harness, Oil Lamp (440)



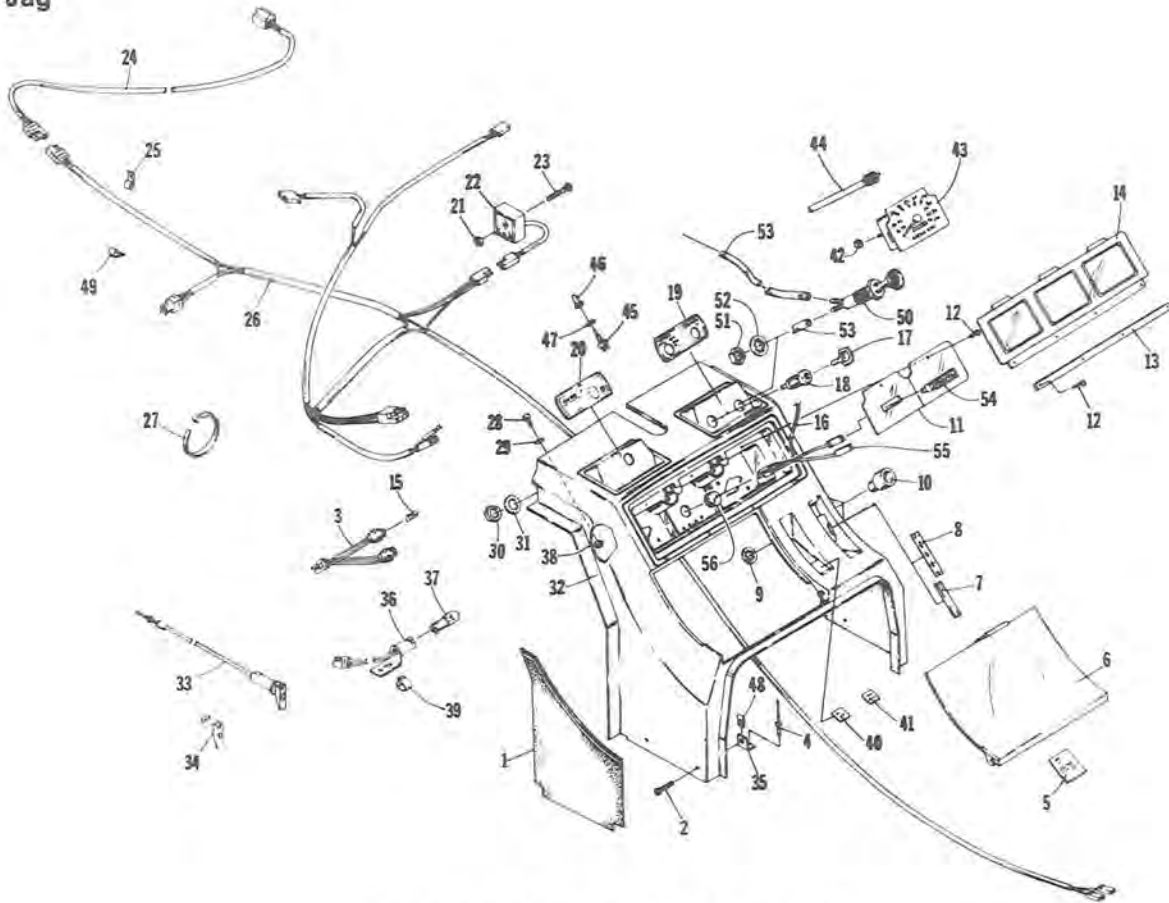
Console and Wiring

I727-353

Ref. No.	Part No.	Qty.	Description
1	0611-138	1	Decal - Right
	0611-137	1	Decal - Left
2	8008-607	4	Screw, Machine
3	0609-023	1	Socket Assembly
4	8060-484	8	Rivet
5	0611-164	1	Decal, Gas - "Warning"
6	0606-111	1	Door, Console
7	0117-170	1	Backing, Oil Gauge
8	0211-818	1	Decal, Oil Gauge
9	0123-579	1	Nut, Push
10	0116-469	1	Bushing, Recoil
11	0620-020	1	Plate, Console
12	0123-950	6	Screw, Tapping
13	0606-106	1	Strip, Trim
14	0117-385	1	Lens, Console
15	0230-020	2	Bulb
16	0211-815	1	Pinstripe
17	0115-300	1	Key
18	0117-045	1	Switch, Ignition
19	0611-050	1	Decal, Ignition
20	0611-048	1	Decal, Choke
21	8041-366	1	Nut, Thin-Lock
22	0232-020	1	Regulator, Voltage
23	8009-614	1	Screw, Machine
24	0115-334	1	Harness, Headlight
25	3002-964	4	Clamp, Cable
26	0686-010	1	Harness, Main Ignition
27	0123-788	AR	Tie, Cable
28	8007-315	2	Screw, Machine

Ref. No.	Part No.	Qty.	Description
29	8050-127	2	Washer
30	0123-900	1	Nut, Ignition
31	0123-899	1	Washer, Ignition
32	0706-077	1	Console
33	0687-003	1	Cable, Choke
34	0636-062	1	Kit, Choke Lever
35	0106-956	4	Bracket
36	0115-383	1	Light Assembly
37	0115-385	1	Bulb
38	8040-186	2	Nut, Lock
39	0123-987	1	Clip
40	0211-467	1	Decal, Gas Gauge
41	0211-466	1	Decal, Oil Gauge
42	0123-700	2	Nut
43	0620-015	1	Speedometer
44	0120-483	1	Cable, Speedometer
45	0115-355	1	Switch, Toggle
46	0123-983	1	Nut
47	0123-985	1	Washer, Int. Lock
48	0123-539	4	Nut, Speed
49	0123-394	2	Clip, Cable
50	0670-006	1	Primer, Fuel
51	0623-018	1	Nut, Jam
52	0623-017	1	Washer, Int. Lock
53	0610-012	AR	Hose, Primer - 25'
54	0609-034	1	Lamp, Low Oil
55	0686-011	1	Harness, Oil Lamp
56	0620-027	1	Grommet

Super Jag

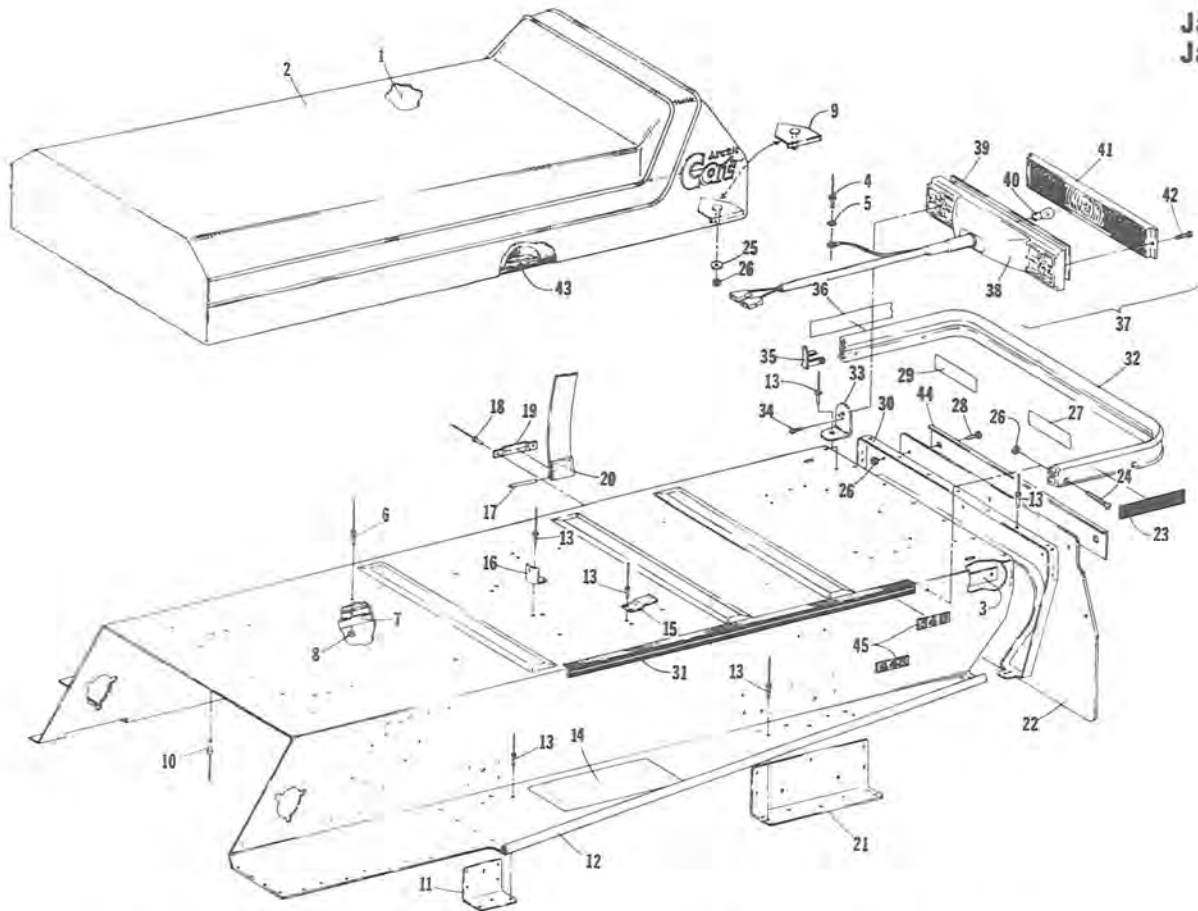


Console and Wiring

0727-354

Ref. No.	Part No.	Qty.	Description
1	0611-150	1	Decal - Right
	0611-149	1	Decal - Left
2	8008-607	4	Screw, Machine
3	0609-023	1	Socket Assembly
4	8060-484	8	Rivet
5	0611-164	1	Decal, Gas - "Warning"
6	0115-342	1	Door, Console
7	0117-170	1	Backing, Oil Gauge
8	0211-818	1	Decal, Oil Gauge
9	0123-579	1	Nut, Push
10	0116-469	1	Bushing, Recoil
11	0620-020	1	Plate, Console
12	0123-950	6	Screw, Tapping
13	0117-156	1	Strip, Trim
14	0117-385	1	Lens, Console
15	0230-020	2	Bulb
16	0211-815	1	Pinstripe
17	0115-300	1	Key
18	0117-045	1	Switch, Ignition
19	0611-050	1	Decal, Ignition
20	0611-048	1	Decal, Choke
21	8041-366	1	Nut, Thin-Lock
22	0232-020	1	Regulator, Voltage
23	0123-697	1	Bolt, Ribbed
24	0115-334	1	Harness, Headlight
25	3002-964	4	Clamp, Cable
26	0686-014	1	Harness, Main Ignition
27	0123-788	AR	Tie, Cable
28	8007-315	2	Screw, Machine

Ref. No.	Part No.	Qty.	Description
29	8050-127	2	Washer
30	0123-900	1	Nut, Ignition
31	0123-899	1	Washer, Ignition
32	0706-101	1	Console
33	0687-003	1	Cable, Choke
34	0636-062	1	Kit, Choke Lever
35	0106-956	4	Bracket
36	0115-383	1	Light Assembly
37	0115-385	1	Bulb
38	8040-186	2	Nut, Lock
39	0123-987	1	Clip
40	0211-467	1	Decal, Gas Gauge
41	0211-466	1	Decal, Oil Gauge
42	0123-700	2	Nut
43	0620-015	1	Speedometer
44	0120-483	1	Cable, Speedometer
45	0115-355	1	Switch, Toggle
46	0123-983	1	Nut
47	0123-985	1	Washer, Int. Lock
48	0123-539	4	Nut, Speed
49	0123-394	2	Clip, Cable
50	0670-006	1	Primer, Fuel
51	0623-018	1	Nut, Jam
52	0623-017	1	Washer, Int. Lock
53	0610-012	AR	Hose, Primer - 25'
54	0609-034	1	Lamp, Low Oil
55	0686-011	1	Harness, Oil Lamp
56	0620-027	1	Grommet



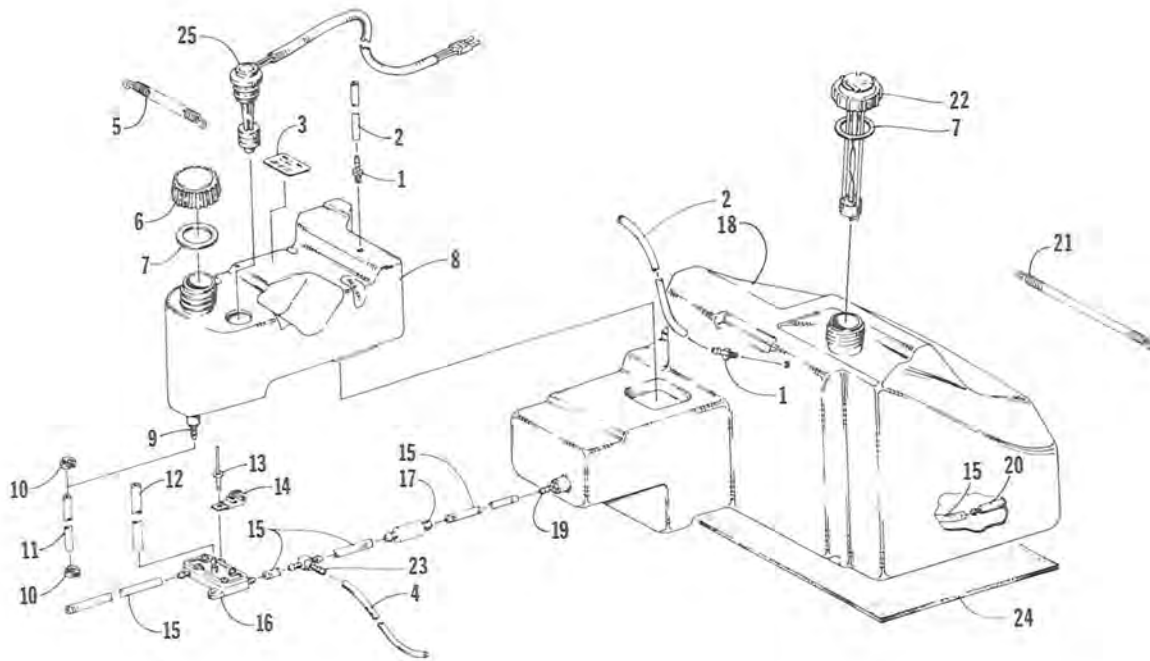
Body, Seat, Taillight, and Rear Bumper

0727-357

Ref. No.	Part No.	Qty.	Description
1	0706-083	1	Foam, Seat
2	0706-082	1	Cover, Seat (440)
	0706-092	1	Cover, Seat (340)
3	0115-331	2	Backing Plate, Bumper
4	8060-486	1	Rivet
5	8052-122	1	Washer, Int. Lock
6	8060-488	16	Rivet
7	0106-223	2	Strip, Wear
8	0123-149	16	Washer
9	0106-869	2	Plate, Seat
10	8060-510	4	Rivet
11	0117-014	2	Bracket, Front
12	0606-131	1	Body, Formed
13	8060-484	61	Rivet
14	0116-924	2	Pad, Safety
15	0116-977	2	Bracket, Seat
16	0116-949	2	Bracket, Gas Tank
17	0117-427	2	Pin, Strap
18	8060-704	4	Rivet
19	0106-728	2	Bracket
20	0606-014	1	Strap, Seat
21	0606-134	2	Bracket, Rear
22	0606-133	1	Snowflap
23	0117-860	2	Reflector, Red

Ref. No.	Part No.	Qty.	Description
24	0123-869	4	Screw, Machine
25	8050-217	2	Washer
26	8040-366	9	Nut, Lock
27	0212-520	1	Decal, "Towing Caution"
28	8011-070	3	Bolt, Carriage
29	0212-513	1	Decal (French)
30	0117-639	1	Plate, End
31	0212-537	2	Decal, Body
32	0117-433	1	Bumper, Rear
33	0116-971	2	Bracket, Mounting
34	0123-661	2	Screw, Tapping
35	0115-702	1	End Cap - Right
	0115-703	1	End Cap - Left
36	0212-538	1	Strip, Bumper
37	0709-001	1	Taillight Ass'y. (Inc. 38-42)
38	0709-002	1	• Housing
39	0117-042	1	• Gasket
40	0109-460	1	• Bulb
41	0116-406	1	• Lens
42	0124-080	2	• Screw, Tapping
43	0117-631	1	Board, Seat
44	0106-914	1	Cap, Snowflap
45	0211-173	2	Decal, "440" (440)
	0211-172	2	Decal, "340" (340)

Jag 340
Jag 440

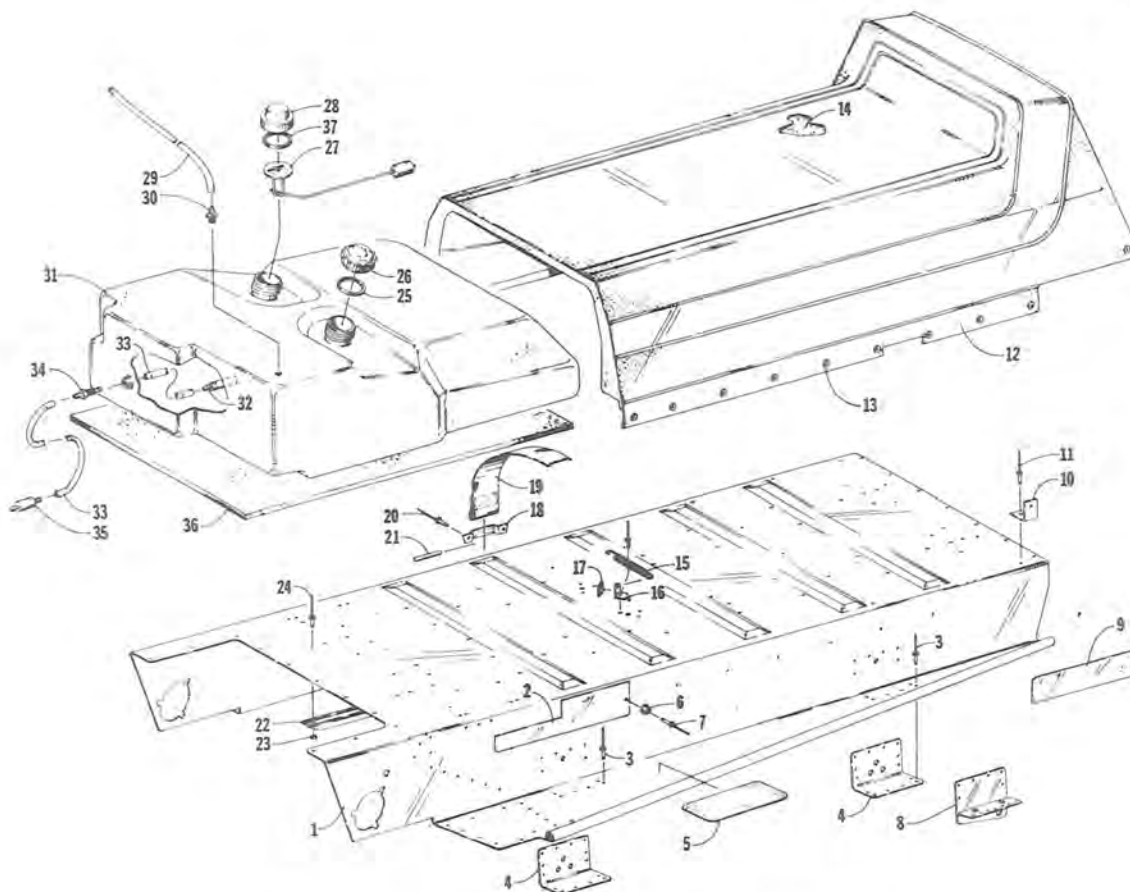


Gas and Oil Tank

0727-358
*Not Illustrated

Ref. No.	Part No.	Qty.	Description
1	0115-135	2	Vent, Tank
2	0610-010	AR	Hose, Vent - 25'
3	0611-113	1	Decal, Oil Tank
4	0610-012	AR	Hose, Primer - 25' (440)
5	0115-763	1	Spring, Retaining
6	0115-880	1	Cap, Oil Tank
7	0109-733	2	Seal, Cap
8	0670-025	1	Tank, Oil (440)
	0115-522	1*	Tank, Oil (340)
9	0115-739	1	Fitting, Outlet
10	0124-045	2	Clamp
11	0610-011	AR	Hose, Oil Line - 25'
12	0610-007	AR	Hose, Impulse - 25'
13	8061-710	2	Rivet

Ref. No.	Part No.	Qty.	Description
14	3002-964	1	Clamp
15	0610-017	AR	Hose, Gasline - 100'
	0610-008	AR	Hose, Gasline - 25'
16	0115-481	1	Pump, Fuel
17	0510-335	1	Filter, In-Line
18	0170-208	1	Tank, Gas (inc. 1, 15, 19, & 20)
19	0109-718	1	Fitting, Outlet
20	0510-358	1	Strainer, Gasline
21	0124-034	1	Spring, Retaining
22	0670-001	1	Cap, Gas (inc. one No. 7)
23	0670-007	1	Tee, Primer Line (440)
24	0115-564	1	Pad, Gas Tank
25	0609-031	1	Sensor, Low Oil
26*	0636-272	1	Kit, Fuel Pump Repair



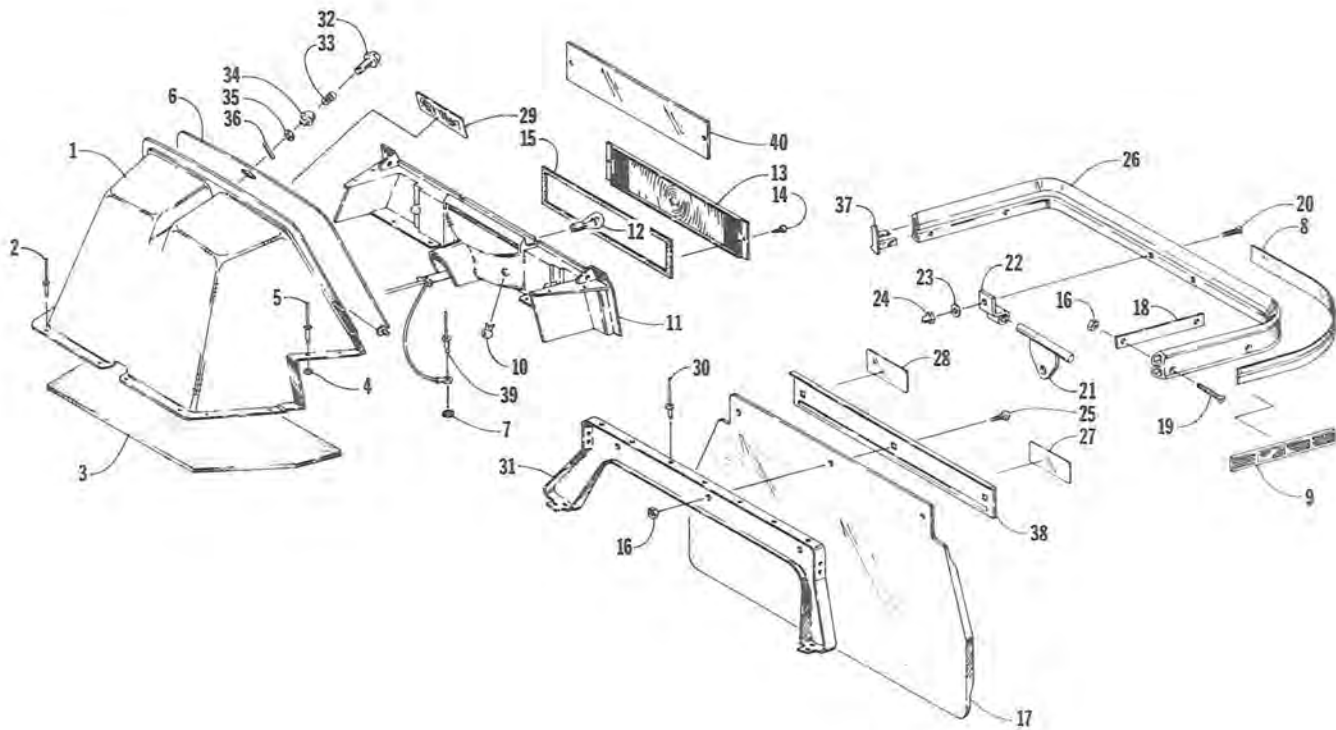
Body, Seat, and Gas Tank

D727-359

Ref. No.	Part No.	Qty.	Description
1	0606-109	1	Body, Formed (P/A)
	0606-093	1	Body, Formed (SJ)
2	0611-136	1	Decal, Front - Right (PA)
	0611-148	1	Decal, Front - Right (SJ)
	0611-135	1	Decal, Front - Left (PA)
	0611-147	1	Decal, Front - Left (SJ)
3	8060-482	50	Rivet
4	0106-930	4	Bracket, Mtg. (PA)
	0106-930	2	Bracket, Mtg. (SJ)
5	0116-924	2	Pad, Safety
6	0116-074	20	Snap (PA)
	0116-074	22	Snap (SJ)
7	8060-244	20	Rivet (PA)
	8060-244	22	Rivet (SJ)
8	0706-060	1	Bracket, Rear - Right (SJ)
	0706-059	1	Bracket, Rear - Left (SJ)
9	0611-142	2	Decal, Rear (PA)
10	0115-322	2	Bracket, Seat
11	8060-484	4	Rivet
12	0706-072	1	Cover, Seat (inc. 13) (PA)
	0706-107	1	Cover, Seat (inc. 13) (SJ)
13	0116-378	20	Snap (PA)
	0116-378	22	Snap (SJ)
14	0117-261	1	Foam

Ref. No.	Part No.	Qty.	Description
15	0123-808	1	Spring
16	0116-949	2	Bracket, Gas Tank
17	0106-809	2	Pad, Bracket
18	0106-728	2	Bracket, Strap
19	0114-472	1	Strap, Passenger
20	8060-704	4	Rivet
21	0117-427	2	Pin
22	0106-223	2	Strip, Wear
23	0123-149	20	Washer
24	8060-488	20	Rivet
25	0109-733	1	Seal, Gas Cap
26	0109-628	1	Cap, Gas (inc. 25)
27	0117-613	1	Gauge Assembly
28	0115-881	1	Cap, Gauge
29	0610-010	1	Hose, Vent
30	0115-135	1	Vent
31	0115-517	1	Tank, Gas (inc. 32-34)
32	0510-358	1	•Strainer
33	0610-017	AR	•Hose, Gasline - 100'
	0610-008	AR	•Hose, Gasline - 25'
34	0109-718	1	•Outlet, Tank
35	0510-335	1	Filter
36	0116-996	1	Pad, Gas Tank
37	0115-514	1	Seal, Gauge Cap

**Panther
Super Jag**

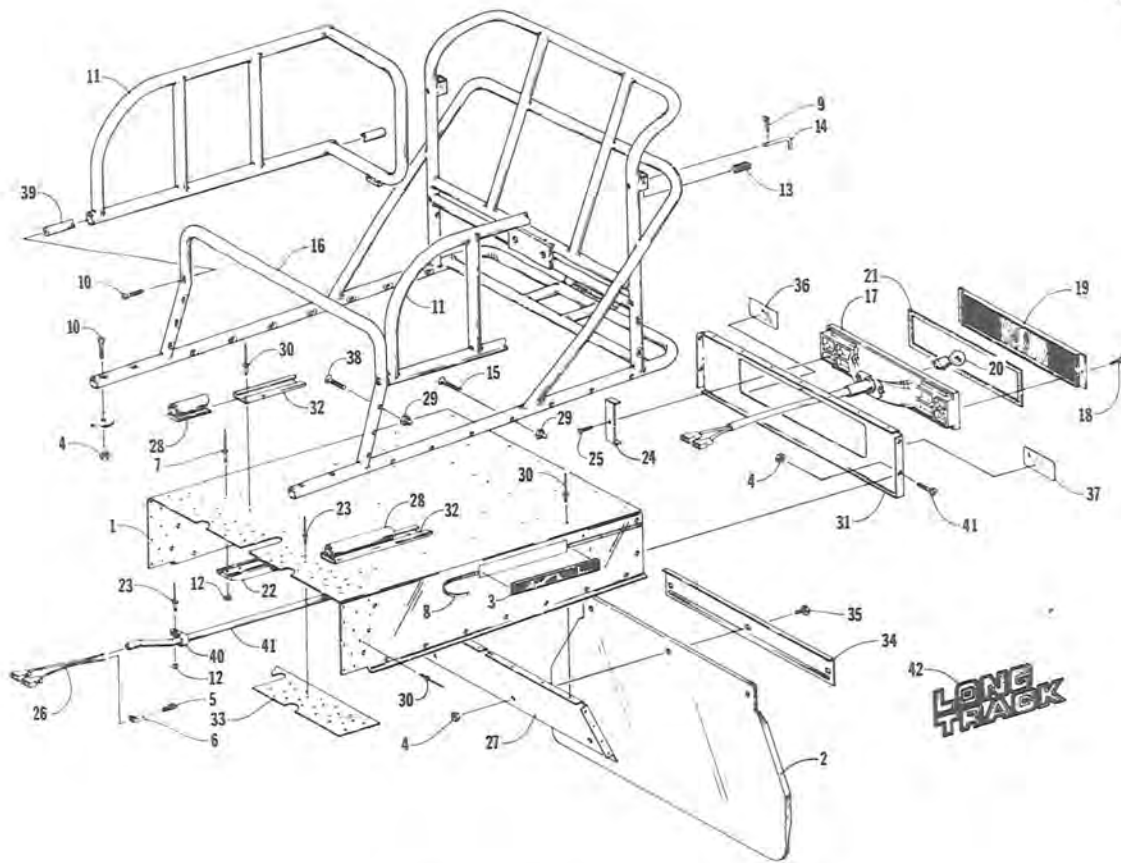


Taillight, Toolbox, and Rear Bumper

0727-360

Ref. No.	Part No.	Qty.	Description
1	0606-112	1	Shroud, Toolbox (PA)
	0606-063	1	Shroud, Toolbox (SJ)
2	8060-486	13	Rivet
3	0116-929	1	Pad, Toolbox
4	0123-149	4	Washer
5	8060-488	4	Rivet
6	0606-107	1	Door, Toolbox (PA)
	0115-312	1	Door, Toolbox (SJ)
7	8052-122	1	Washer, Int. Lock (PA)
8	0611-038	1	Strip, Bumper (Rear) (PA)
9	0117-860	2	Reflector, Red (PA)
10	0117-056	2	Lens
11	0709-005	1	Housing (PA)
	0609-012	1	Guard, Housing (SJ)
12	0109-460	1	Bulb (PA)
13	0116-406	1	Lens, Stoplight (PA)
14	0124-080	2	Screw, Metal
15	0117-042	1	Gasket (PA)
16	8040-366	AR	Nut, Lock (3 on SJ, 7 on PA)
17	0606-133	1	Snowflap (PA)
18	0115-331	2	Backing Plate, Bumper (PA)
19	0123-869	4	Screw, Machine (PA)
20	0123-645	2	Screw, Machine (PA)
21	0120-320	1	Hitch (PA)
22	0114-432	2	Bracket, Hitch (PA)

Ref. No.	Part No.	Qty.	Description
23	8050-252	2	Washer (PA)
24	0123-886	2	Nut, Nylon Cap (PA)
25	8011-070	3	Bolt, Carriage
26	0117-235	1	Bumper, Rear (PA)
27	0212-271	1	Decal, "Towing Caution" (English) (PA)
28	0212-133	1	Decal, "Towing Caution" (French) (PA)
29	0611-139	1	Decal, Toolbox "Panther" (PA)
	0611-145	1	Decal, Toolbox "Jag L/T (SJ)
30	8060-484	15	Rivet
31	0114-901	1	Plate, End (PA)
32	0115-341	1	Head, Latch (SJ)
	0606-105	1	Head, Latch (PA)
33	0115-340	1	Spring
34	0115-343	1	Base, Latch (SJ)
	0606-104	1	Base, Latch (PA)
35	0123-980	1	Ring, Retaining
36	8070-158	1	Pin, Spring
37	0115-702	1	End Cap - Right (PA)
	0115-703	1	End Cap - Left (PA)
38	0106-914	1	Cap, Snowflap (PA)
39	8061-486	1	Rivet
40	0606-067	1	Plate, Cover (SJ)



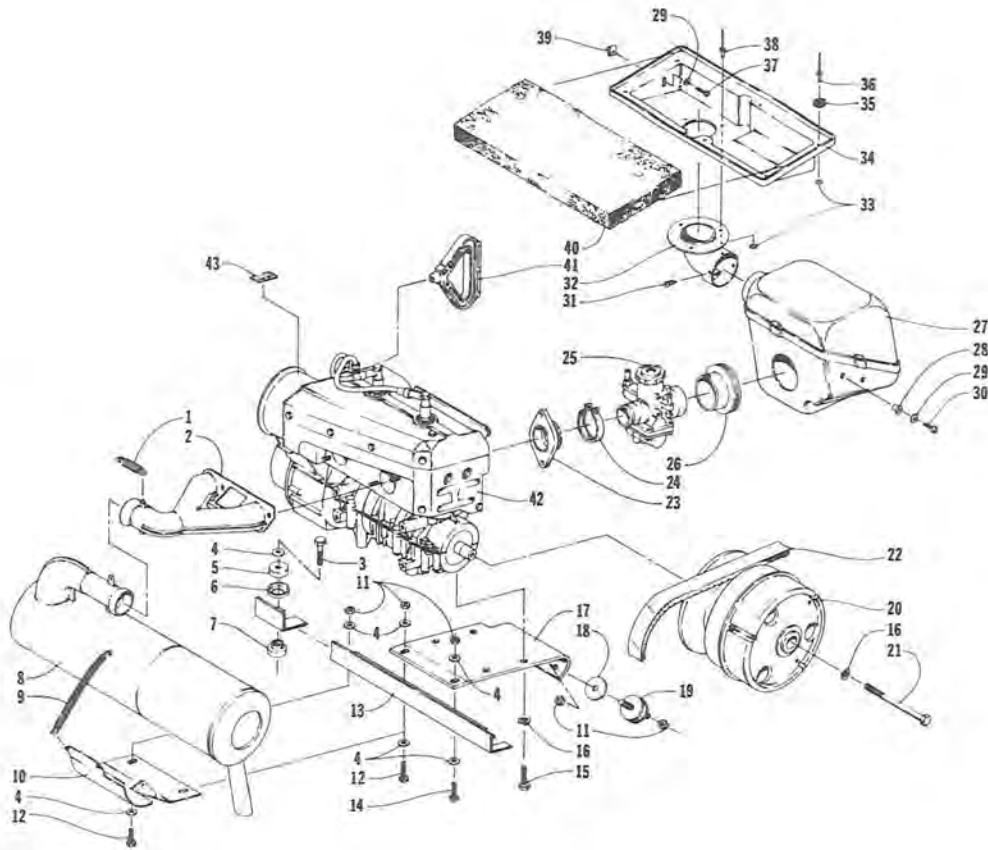
Body Extension and Rack

0727-366

Ref. No.	Part No.	Qty.	Description
1	0606-066	1	Extension, Tunnel
2	0606-133	1	Snowflap
3	0117-860	2	Reflector
4	8040-366	8	Nut, Lock
5	0231-008	2	Terminal, Female
6	0230-009	2	Body, Connector
7	8060-510	12	Rivet
8	0611-103	AR	Pinstripe - 25'
9	0123-082	2	Pin, Cotter
10	0623-035	12	Screw, Machine
11	0706-112	1	Side, Rack - Right
	0706-113	1	Side, Rack - Left
12	0123-149	15	Washer
13	0623-048	2	Spring, Latch
14	0606-098	2	Pin, Latch
15	0623-040	14	Screw, Machine-Truss Head
16	0706-111	1	Rack
17	0709-002	1	Taillight w/Socket Ass'y.
18	0124-080	2	Screw, Tapping
19	0116-406	1	Lens
20	0109-460	1	Bulb
21	0117-042	1	Gasket

Ref. No.	Part No.	Qty.	Description
22	0606-088	2	Strip, Wear
23	8060-506	71	Rivet
24	0117-764	2	Bracket
25	0123-661	2	Screw, Tapping
26	0686-005	1	Harness, Extension
27	0606-064	1	Guard, Taillight
28	0606-091	2	Bumper, Rubber
29	0123-108	20	Nut, Lock-Nylon Cap
30	8060-504	52	Rivet
31	0606-065	1	End Plate
32	0606-090	2	Guide, Bumper
33	0606-071	1	Plate, Backing
34	0106-914	1	Cap, Snowflap
35	8011-070	3	Bolt, Carriage
36	0611-214	1	Decal, "Towing Caution"
37	0611-215	1	Decal, (French)
38	0623-039	6	Screw, Machine
39	0606-078	2	Shaft, Side Pivot
40	0123-373	3	Clamp, Tube
41	0606-089	1	Tube, Wire Harness
42	0611-194	2	Decal, "Long Track"

Jag 340
Jag 440

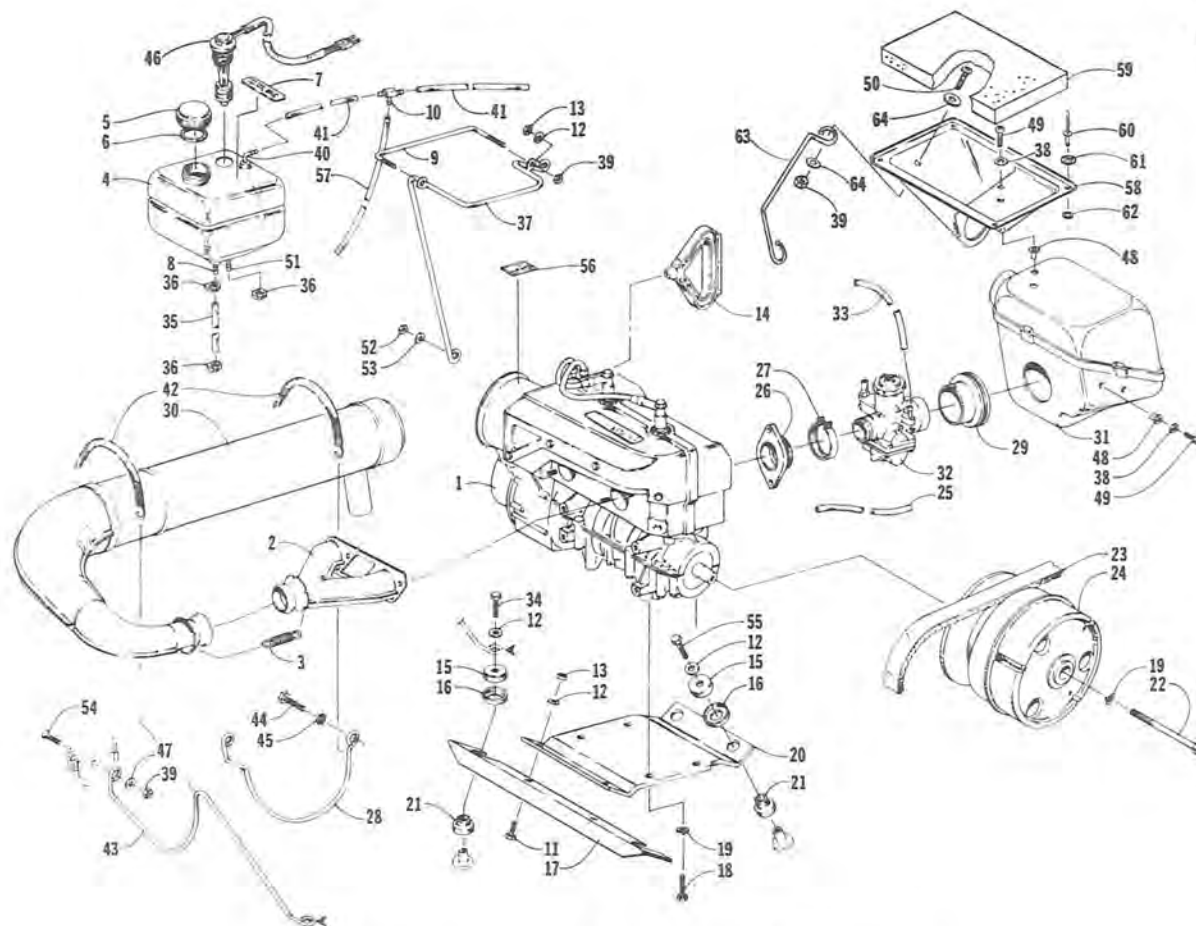


Engine and Related Parts

0727-135

Ref. No.	Part No.	Qty.	Description
1	0123-321	3	Spring
2	0112-564	1	Manifold, Exhaust (440)
	0612-033	1	Manifold, Exhaust (340)
3	8012-222	2	Screw, Cap-Lock
4	8050-277	8	Washer
5	0108-287	2	Mount, Female
6	0123-745	2	Washer, Cup
7	0108-286	2	Mount, Male
8	0112-570	1	Muffler (440)
	0612-032	1	Muffler (340)
9	0112-232	2	Spring, Extension
10	0112-611	1	Bracket, Muffler
11	8040-486	7	Nut, Lock
12	8002-224	2	Screw, Cap
13	0108-285	1	Support, Engine
14	8002-222	1	Screw, Cap
15	8002-404	4	Screw, Cap
16	8051-332	4	Washer, Lock
17	0608-007	1	Plate, Engine (440)
	0608-010	1	Plate, Engine (340)
18	0123-020	1	Spacer
19	0108-184	2	Mount, Engine
20	0725-014	1	Clutch, Drive (440)
	0725-012	1	Clutch, Drive (340)
21	8004-417	1	Screw, Cap
22	0227-100	1	Belt, Drive
23	0115-544	1	Flange, Mounting (440)
	0109-926	1	Flange, Mounting (340)

Ref. No.	Part No.	Qty.	Description
24	0109-709	1	Clamp (440)
	0109-715	1	Clamp (340)
25	0170-136	1	Carburetor, VM34-315 (440)
	0670-021	1	Carburetor, VM30-157A (340)
26	0115-638	1	Boot, Carb. (440)
	0115-678	1	Boot, Carb. (340)
27	0170-207	1	Silencer, Air-Ass'y.
28	0123-010	2	Nut, Expansion
29	8050-217	3	Washer
30	0123-549	2	Screw
31	0123-995	3	Rivet, Expansion
32	0115-701	1	Tube, Inlet
33	0123-149	9	Washer
34	0115-719	1	Chamber, Plenum
35	0117-988	6	Disc, Velcro
36	8060-226	6	Rivet
37	8007-610	1	Screw
38	8060-408	3	Rivet
39	0123-539	1	Nut, Speed
40	0115-717	1	Foam, Plenum
41	0109-946	1	Handle, Recoil
42	0662-016	1	Engine AG44A8 (440)
	0662-017	1	Engine AF34A6 (340)
43	0611-156	1	Decal, Engine (440)
	0611-170	1	Decal, Engine (340)



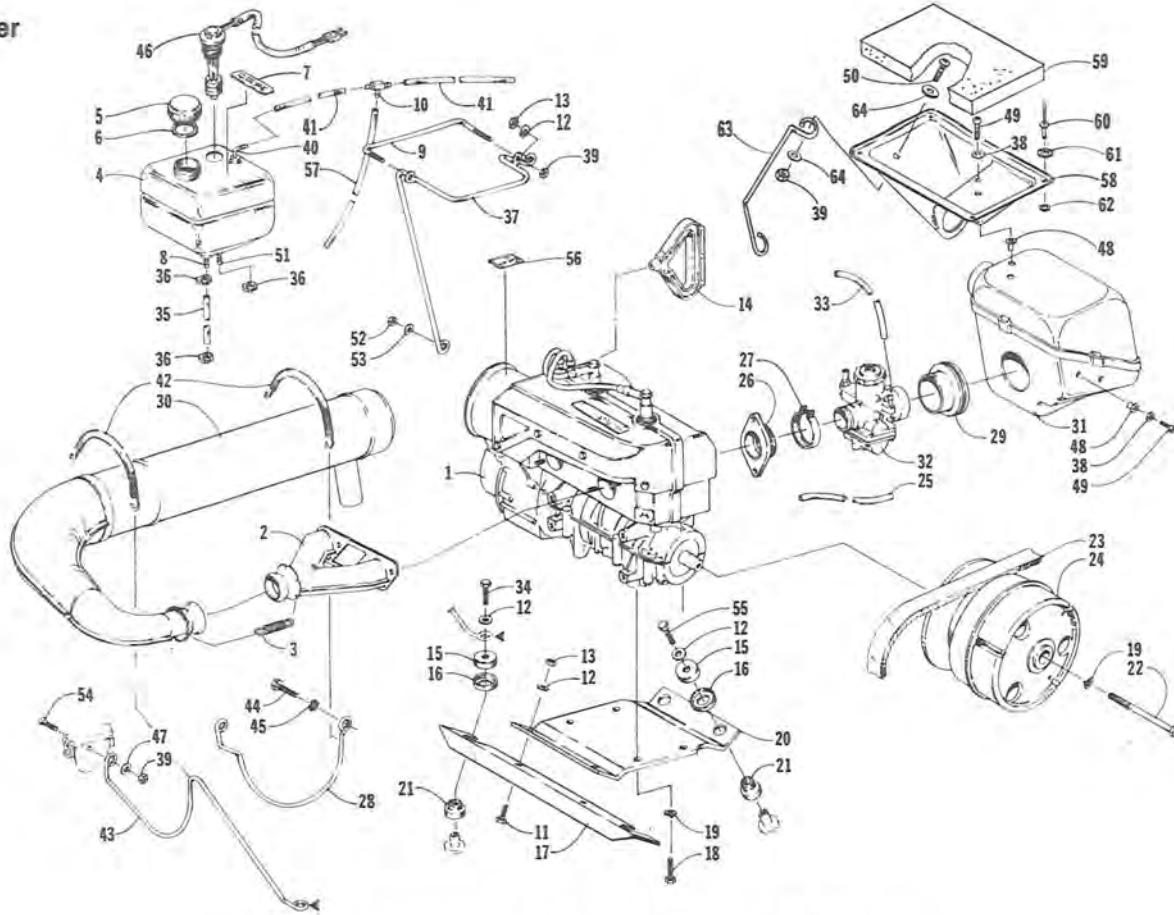
Engine and Related Parts

0727-363

Ref. No.	Part No.	Qty.	Description
1	0662-015	1	Engine AL50A6
2	0612-030	1	Manifold, Exhaust
3	0123-321	3	Spring
4	0670-024	1	Tank, Oil
5	0115-880	1	Cap, Tank
6	0109-733	1	Seal, Cap
7	0611-113	1	Decal, Oil Tank
8	0115-739	1	Fitting, Outlet
9	0117-809	1	Clamp
10	0670-026	1	Tee
11	8002-224	2	Screw, Cap
12	8050-277	7	Washer
13	8040-486	3	Nut, Lock
14	0109-946	1	Handle, Recoil
15	0108-199	4	Mount, Female
16	0123-745	4	Washer, Cup
17	0107-937	1	Angle, Engine Support
18	8002-404	4	Screw, Cap
19	8051-332	5	Washer, Lock
20	0108-264	1	Plate, Engine Mounting
21	0108-198	4	Mount, Male
22	8004-417	1	Screw, Cap
23	0227-030	1	Belt, Drive
24	0725-015	1	Clutch, Drive
25	0610-007	AR	Hose, Impulse - 25'
26	0115-544	1	Flange
27	0109-709	1	Clamp
28	0612-041	1	Bracket, Rear-Charger
29	0115-638	1	Boot

Ref. No.	Part No.	Qty.	Description
30	0612-040	1	Pulse Charger
31	0606-128	1	Silencer Assembly
32	0670-020	1	Carburetor VM34-371
33	0610-017	AR	Hose, Gasline - 100'
	0610-008	AR	Hose, Gasline - 25'
34	8012-224	1	Screw, Cap-Lock
35	0610-011	AR	Hose, Oil Line - 25'
36	0124-045	3	Clamp, Oil Line
37	0117-754	1	Bracket, Oil Tank
38	8050-157	6	Washer
39	8040-366	5	Nut, Lock
40	0115-607	1	Elbow, Oil Tank
41	0610-016	AR	Hose, Oil/Vent Line - 25'
42	0123-468	2	Spring
43	0114-612	1	Bracket, Front-Charger
44	8002-134	1	Screw, Cap
45	8050-247	1	Washer
46	0609-033	1	Sensor, Oil
47	8050-212	2	Washer, Flat
48	0123-010	4	Nut, Expansion
49	0123-549	4	Screw, Machine
50	8007-582	1	Screw, Machine
51	0115-519	1	Fitting
52	8041-426	1	Nut, Lock-Thin
53	8050-252	1	Washer
54	0123-982	2	Screw, Machine
55	8012-222	3	Screw, Cap-Lock
56	0611-155	1	Decal, Engine
57	0610-010	AR	Hose, Vent - 25'

Panther

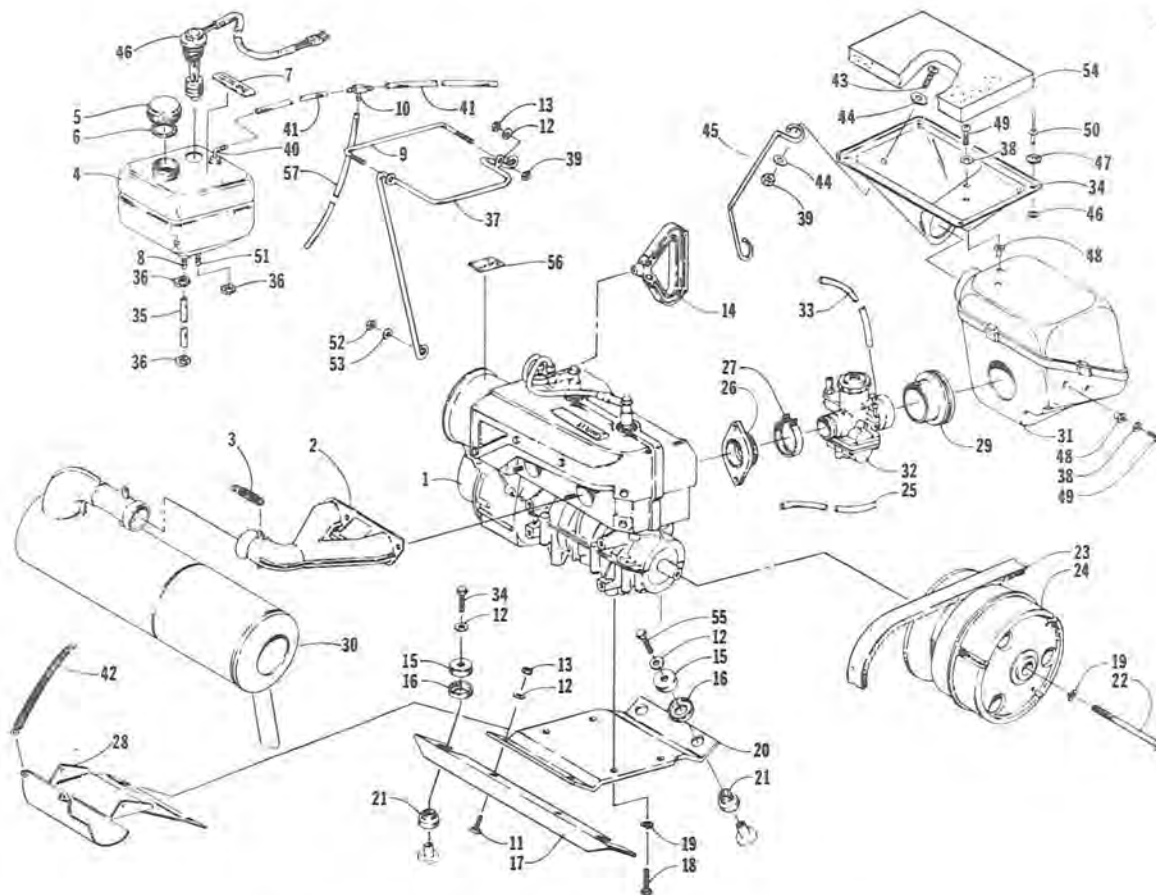


Engine and Related Parts

0727-363 (cont.)

Ref. No.	Part No.	Qty.	Description
58	<u>0606-125</u>	1	Plenum
59	<u>0617-025</u>	1	Foam, Air Intake
60	<u>8060-226</u>	4	Rivet
61	<u>0117-988</u>	4	Disc, Velcro

Ref. No.	Part No.	Qty.	Description
62	<u>0123-149</u>	4	Washer, Flat
63	<u>0606-126</u>	1	Support, Plenum
64	<u>8050-222</u>	2	Washer, Flat



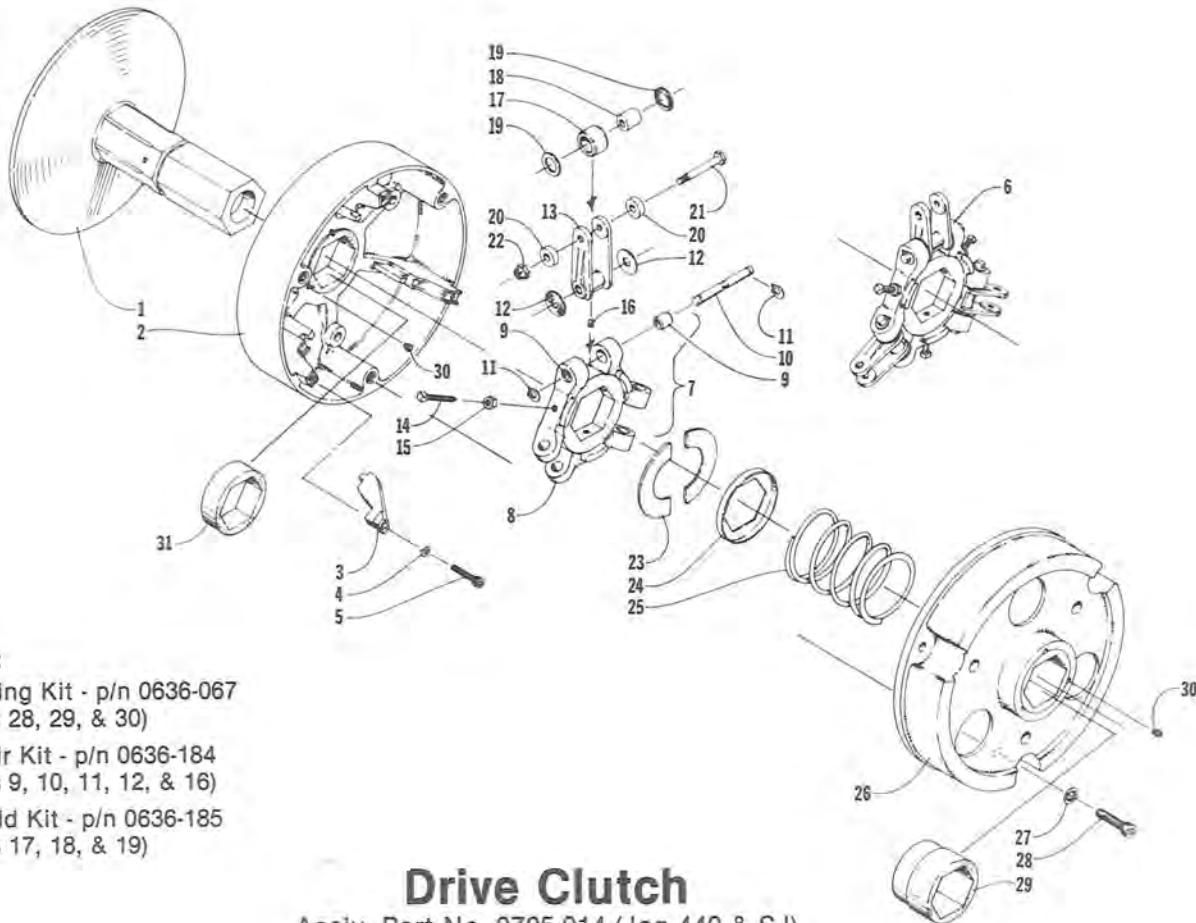
Engine and Related Parts

0727-364

Ref. No.	Part No.	Qty.	Description
1	0662-016	1	Engine AG44A8
2	0112-577	1	Manifold, Exhaust
3	0123-321	3	Spring
4	0670-024	1	Tank, Oil
5	0115-880	1	Cap, Tank
6	0109-733	1	Seal, Cap
7	0611-113	1	Decal, Oil Tank
8	0115-739	1	Fitting, Outlet
9	0117-809	1	Clamp
10	0670-026	1	Tee
11	8002-224	2	Screw, Cap
12	8050-277	7	Washer
13	8040-486	3	Nut, Lock
14	0109-946	1	Handle, Recoil
15	0108-199	4	Mount, Female
16	0123-745	4	Washer, Cup
17	0107-937	1	Angle, Engine Support
18	8002-404	4	Screw, Cap
19	8051-332	5	Washer, Lock
20	0108-270	1	Plate, Engine Mounting
21	0108-198	4	Mount, Male
22	8004-417	1	Screw, Cap
23	0227-030	1	Belt, Drive
24	0725-014	1	Clutch, Drive
25	0610-007	AR	Hose, Impulse - 25'
26	0115-544	1	Flange
27	0109-709	1	Clamp
28	0112-609	1	Bracket, Muffler
29	0115-638	1	Boot

Ref. No.	Part No.	Qty.	Description
30	0112-610	1	Muffler
31	0606-128	1	Silencer Assembly
32	0170-136	1	Carburetor VM34-315
33	0610-017	AR	Hose, Gasline - 100'
	0610-008	AR	Hose, Gasline - 25'
34	0606-125	1	Plenum
35	0610-011	AR	Hose, Oil Line - 25'
36	0124-045	3	Clamp, Oil Line
37	0117-754	1	Bracket, Oil Tank
38	8050-157	6	Washer
39	8040-366	5	Nut, Lock
40	0115-607	1	Elbow, Oil Tank
41	0610-016	AR	Hose, Oil/Vent Line - 25'
42	0112-232	2	Spring
43	8007-582	1	Screw, Machine
44	8050-222	2	Washer, Flat
45	0606-126	1	Support Plenum
46	0123-149	4	Washer, Flat
47	0117-988	4	Disc, Velcro
48	0123-010	4	Nut, Expansion
49	0123-549	4	Screw, Machine
50	8060-226	4	Rivet
51	0115-519	1	Fitting
52	8041-426	1	Nut, Lock-Thin
53	8050-252	1	Washer
54	0617-025	1	Foam, Air Intake
55	8012-222	4	Screw, Cap-Lock
56	0611-156	1	Decal, Engine
57	0610-010	AR	Hose, Vent - 25'

Jag 340
 Jag 440
 Panther
 Super Jag



Rebuild Kits:

- Clutch Bushing Kit - p/n 0636-067
 (inc. items 28, 29, & 30)
- Spider Repair Kit - p/n 0636-184
 (inc. items 9, 10, 11, 12, & 16)
- Roller Rebuild Kit - p/n 0636-185
 (inc. items 17, 18, & 19)

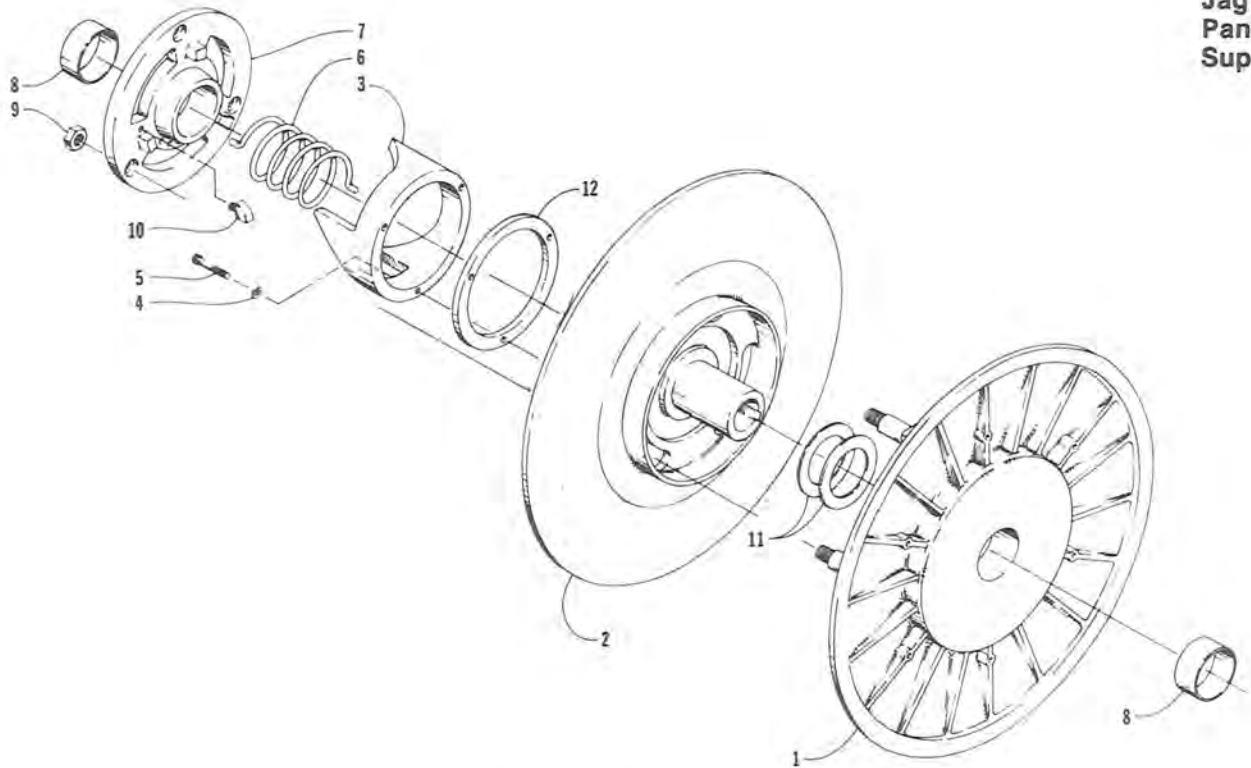
Drive Clutch

Ass'y. Part No. 0725-014 (Jag 440 & SJ)
 Ass'y. Part No. 0725-012 (Jag 340)
 Ass'y. Part No. 0725-015 (Panther)

0727-325
 *Not a Separate Service Part

Ref. No.	Part No.	Qty.	Description
1	0646-025	1	Sheave, Stationary (340 & 440, & SJ)
	0646-029	1	Sheave, Stationary (PA)
2	0146-204	1	Sheave, Movable (inc. 29 & 30)
3	0146-414	3	Ramp, Clutch (PA, SJ, & Jag 440)
	0646-026	3	Ramp, Clutch (Jag 340)
	0646-012	3	Ramp, High Altitude (PA)
4	8051-123	3	Washer, Lock
5	8005-342	3	Screw, Cap
6	0746-008	1	Spider Ass'y. (inc. 8-16)
7	0746-005	1	Spider w/Bearings (inc. 8 & 9)
8	*	1	••Spider
9	0646-001	6	••Bearing, Clutch Pin
10	0646-023	3	•Pin, Clutch Arm
11	0623-002	6	•Ring, Retaining
12	0646-006	6	•Washer, Thrust
13	0646-028	3	•Arm, Clutch
14	0123-622	3	•Screw, Set
15	8042-246	3	•Nut
16	8080-122	3	•Screw, Set
17	0146-421	3	Roller Ass'y.
18	0146-703	3	Bushing, Upper Clutch Drive
19	0146-522	6	Washer, Roller Bearing

Ref. No.	Part No.	Qty.	Description
20	0146-166	6	Weight, Clutch (Jag 340)
	0146-104	6	Weight, Clutch (440, PA, & SJ)
	0146-286	6	Weight, Clutch 4,000-8,000 ft Alt. (Jag 340, Jag 440, & SJ)
	0146-278	6	Weight, Clutch 4,000-8,000 ft Alt. (PA)
	0146-105	6	Weight, Clutch 8,000-10,000 ft Alt. (Jag 340 & Jag 440)
	0146-279	6	Weight, Clutch 8,000-10,000 ft Alt. (PA)
	0146-123	6	Weight, Clutch 8,000-10,000 ft Alt. (SJ)
21	0146-146	3	Pin, Upper - Clutch Arm
22	0123-430	3	Nut, Lock
23	0146-212	2	Ring, Split
24	0146-267	1	Washer, Cup
25	0146-068	1	Spring
26	0146-541	1	Housing (inc. 29 & 30)
27	8052-242	3	Washer, Lock (Int. Tooth)
28	8005-581	3	Screw, Cap
29	0146-555	1	Bearing, Hex. (Housing)
30	0123-617	6	Screw, Set
31	0146-197	1	Bearing, Hex (Movable Sheave)



Driven Clutch

Ass'y. Part No. 0726-003 (Jag 340)
 Ass'y. Part No. 0726-002 (Jag 440 & Super Jag)

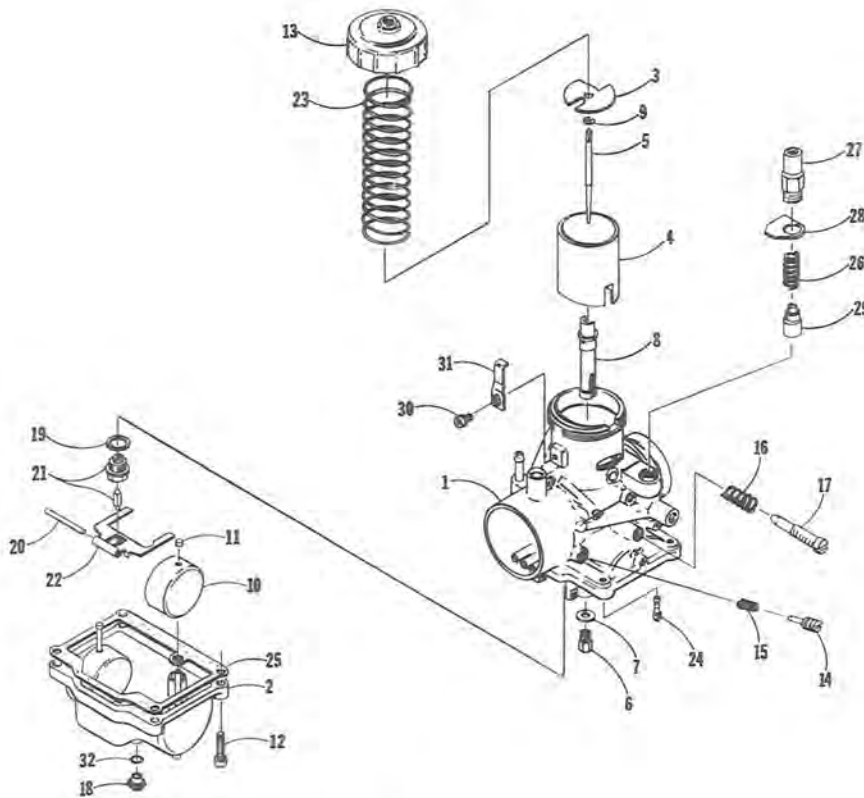
Ass'y. Part No. 0726-001 (Panther)

0727-365

Ref. No.	Part No.	Qty.	Description
1	0148-223	1	Sheave, Movable w/Bearing (inc. 8)
2	0148-233	1	Sheave, Stationary
3	0148-229	1	Bracket, Torque (48°) (340)
	0148-226	1	Bracket, Torque (49°) (440)
4	8051-152	3	Washer, Lock
5	8005-404	3	Screw, Cap-Socket
6	0148-176	1	Spring
7	0148-234	1	Bracket, Retainer
8	0148-175	2	Bearing
9	8040-426	3	Nut, Lock
10	0148-177	3	Button
11	0148-198	1	Washer T: .030
	0148-199	2	Washer T: .060
12	0148-237	1	Spacer, Drive Clutch (340)

Ref. No.	Part No.	Qty.	Description
1	0148-223	1	Sheave, Movable w/Bearing (inc. 8)
2	0148-233	1	Sheave, Stationary
3	0148-222	1	Bracket, Torque (51°)
4	8051-152	3	Washer, Lock
5	8005-404	3	Screw, Cap-Socket
6	0148-227	1	Spring
7	0148-234	1	Bracket, Retainer
8	0148-175	2	Bearing
9	8040-426	3	Nut, Lock
10	0148-177	3	Button
11	0148-199	2	Washer T: .060

Jag 340
 Jag 440
 Panther
 Super Jag



Carburetor

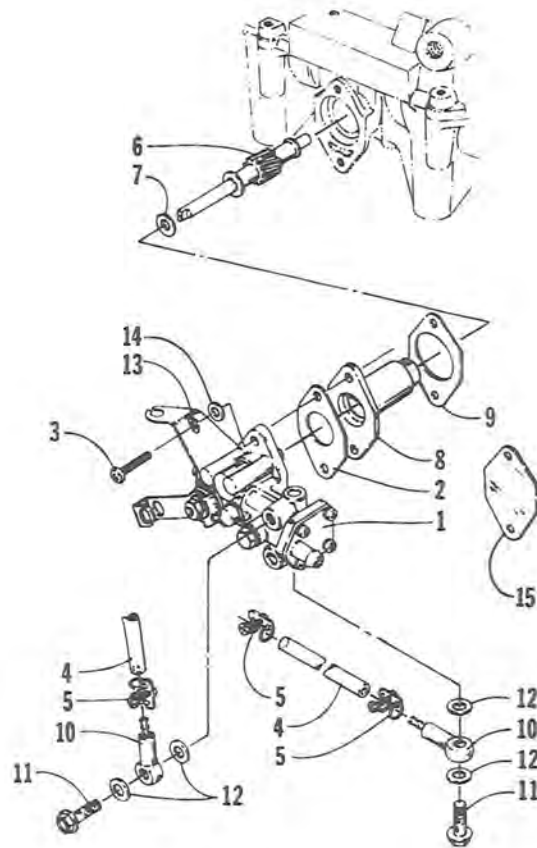
VM34-315 - Ass'y. Part No. 0170-136 (440)
 VM34-371 - Ass'y. Part No. 0670-020 (500)
 VM30-157A - Ass'y. Part No. 0670-021 (340)

0727-387
 *Not a Service Part

Ref. No.	Part No.	Qty.	Description
1	*	1	Mixing Body Ass'y.
2	6505-189	1	Float Chamber
3	6505-001	1	Plate
4	6505-500	1	Piston Valve CA 2.5 (440 & 500)
	6505-510	1	Piston Valve CA 3.0 (340)
5	6505-252	1	Jet Needle 6DH2-3 (440)
	6505-215	1	Jet Needle 6DH7-3 (500)
	6505-050	1	Jet Needle 5DP7-3 (340)
6	6505-128	1	Main Jet 300**
7	6505-006	1	Washer
8	6505-190	1	Needle Jet Q-0 166 (440)
	6505-433	1	Needle Jet P-8 166 (500)
	6505-164	1	Needle Jet P-4 169 (340)
9	6505-008	1	E-Ring
10	6505-009	2	Float
11	6505-010	2	Cap
12	6505-014	4	Screw, w/Spring Washer
13	6505-018	1	Top, Mixing Body
14	6505-019	1	Screw, Pilot Air
15	6505-020	1	Spring, Pilot Air
16	6505-021	1	Spring, Throttle Stop
			**Alternate Main Jets on Page 54

Ref. No.	Part No.	Qty.	Description
17	6505-022	1	Screw, Throttle Stop
18	6505-184	1	Screw, Drain
19	6505-024	1	Washer
20	6505-153	1	Pin, Float
21	6505-160	1	Needle Valve Ass'y. 1.5
22	6505-027	1	Arm, Float
23	6505-031	1	Spring, Piston Valve (440 & 500)
	6505-518	1	Spring, Piston Valve (340)
24	6505-310	1	Pilot Jet 22.5 (440)
	6505-503	1	Pilot Jet 27.5 (500)
	6505-075	1	Pilot Jet 25 (340)
25	6505-030	1	Gasket
26	6505-033	1	Spring, Starter Plunger
27	6505-188	1	Cap, Starter Plunger
28	6505-187	1	Washer
29	6505-035	1	Starter Plunger
30	6505-036	1	Screw, w/Spring Washer
31	6505-186	1	Plate
32	6505-243	1	O-Ring
33	6505-437	1	Washer, E-Ring

Jag 340
 Jag 440
 Panther
 Super Jag

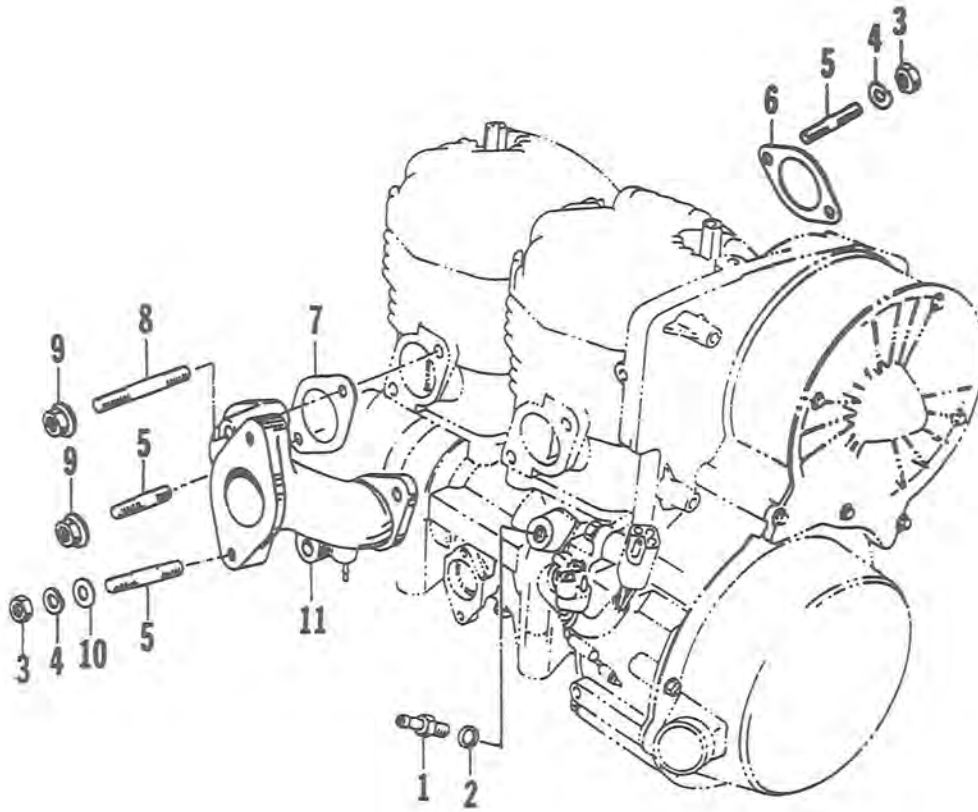


Oil Pump

0727-194

Ref. No.	Part No.	Qty.	Description
1	3003-184	1	Oil Pump Ass'y. (440 & 500)
	3003-279	1	Oil Pump Ass'y. (340)
2	3002-774	1	Gasket, Oil Pump
3	3003-102	2	Bolt
4	3003-310	2	Hose, Oil Pump
5	3003-218	4	Clip, Hose
6	3002-770	1	Gear, Driven
7	3002-749	1	Shim
8	3002-771	1	Retainer

Ref. No.	Part No.	Qty.	Description
9	3002-772	1	Gasket
10	3003-217	2	Valve, Check
11	3002-753	2	Union
12	3003-290	4	Gasket
13	3003-196	2	Washer, Lock
14	3003-197	2	Washer
15	0636-068	1	Kit, Non-Injection Plate

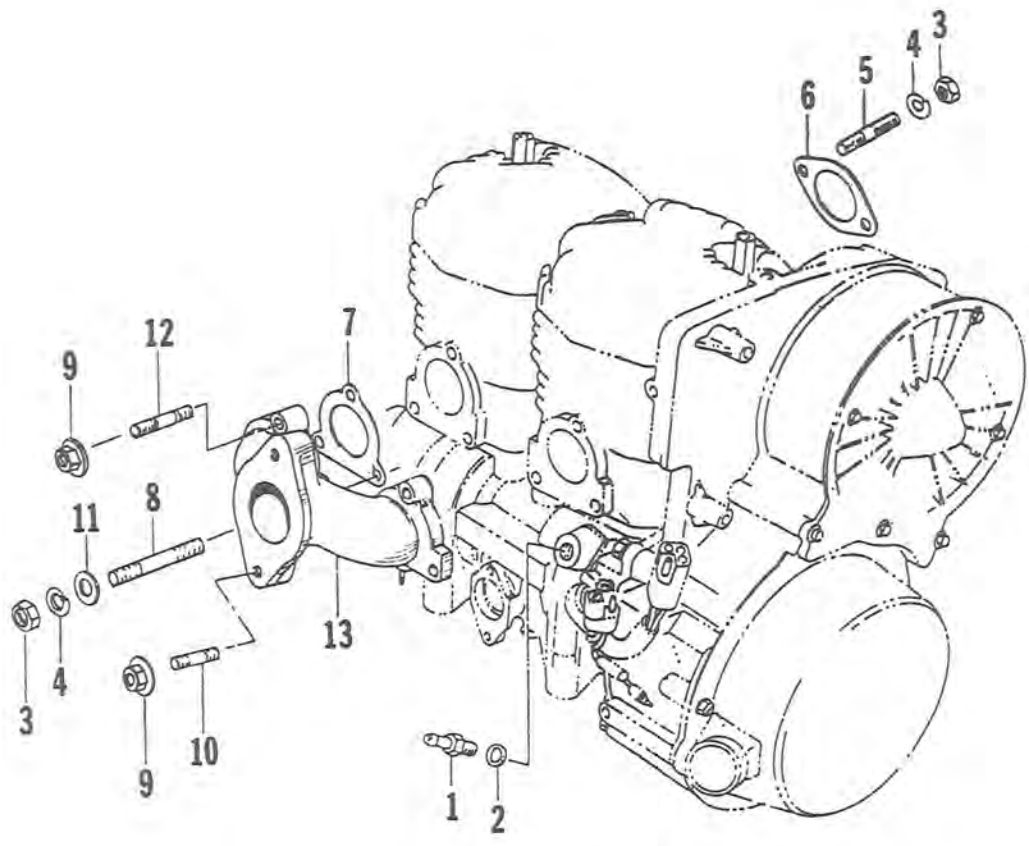


Intake Manifold

0727-295

Ref. No.	Part No.	Qty.	Description
1	3003-229	1	Union
2	3002-276	1	Gasket
3	3003-033	6	Nut
4	3003-078	6	Washer, Lock
5	3003-084	8	Bolt, Stud
6	3002-104	4	Gasket, Exhaust

Ref. No.	Part No.	Qty.	Description
7	3002-102	4	Gasket, Intake
8	3002-007	2	Bolt, Stud
9	3003-076	6	Nut w/Washer
10	3003-079	2	Bolt, Stud
11	3003-278	1	Manifold, Intake

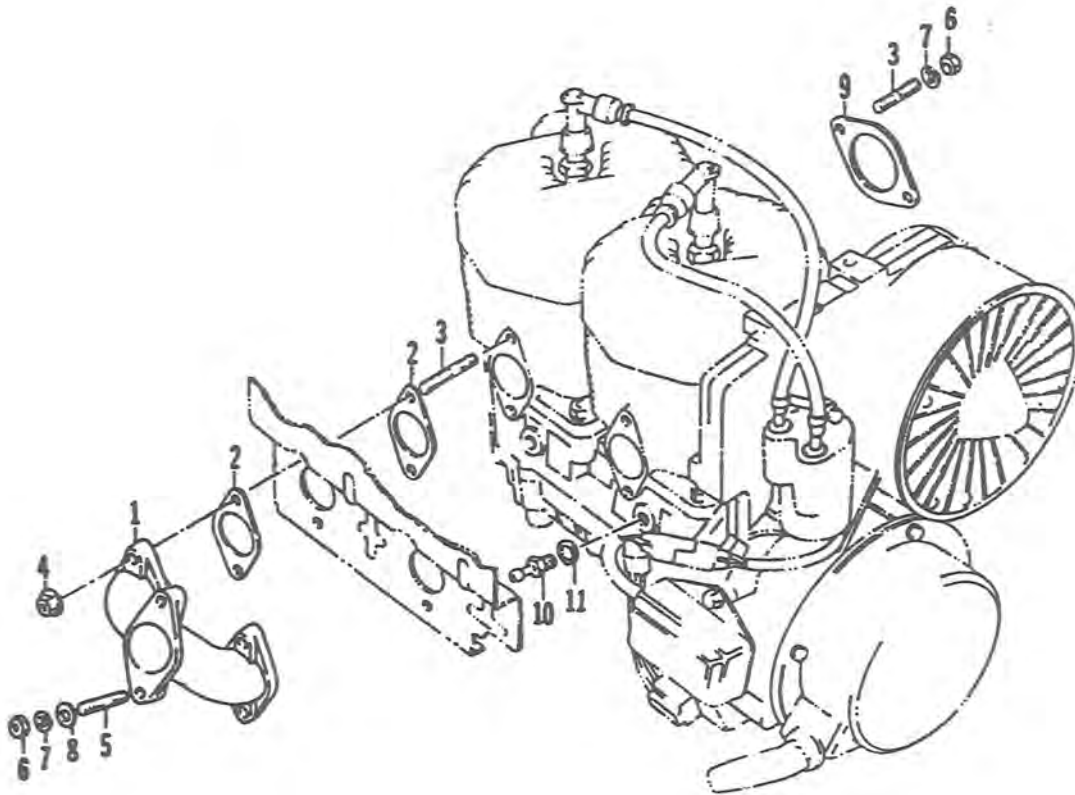


Intake Manifold

0727-284

Ref. No.	Part No.	Qty.	Description
1	3003-229	1	Union
2	3002-276	1	Gasket
3	3003-033	6	Nut
4	3003-078	6	Washer, Lock
5	3003-084	4	Bolt, Stud
6	3002-172	4	Gasket, Exhaust
7	3002-861	4	Gasket, Intake

Ref. No.	Part No.	Qty.	Description
8	3003-299	2	Bolt, Stud
9	3003-060	6	Nut w/Washer
10	3003-032	2	Bolt, Stud
11	3003-079	2	Washer
12	3003-085	4	Bolt, Stud
13	3003-166	1	Manifold, Intake

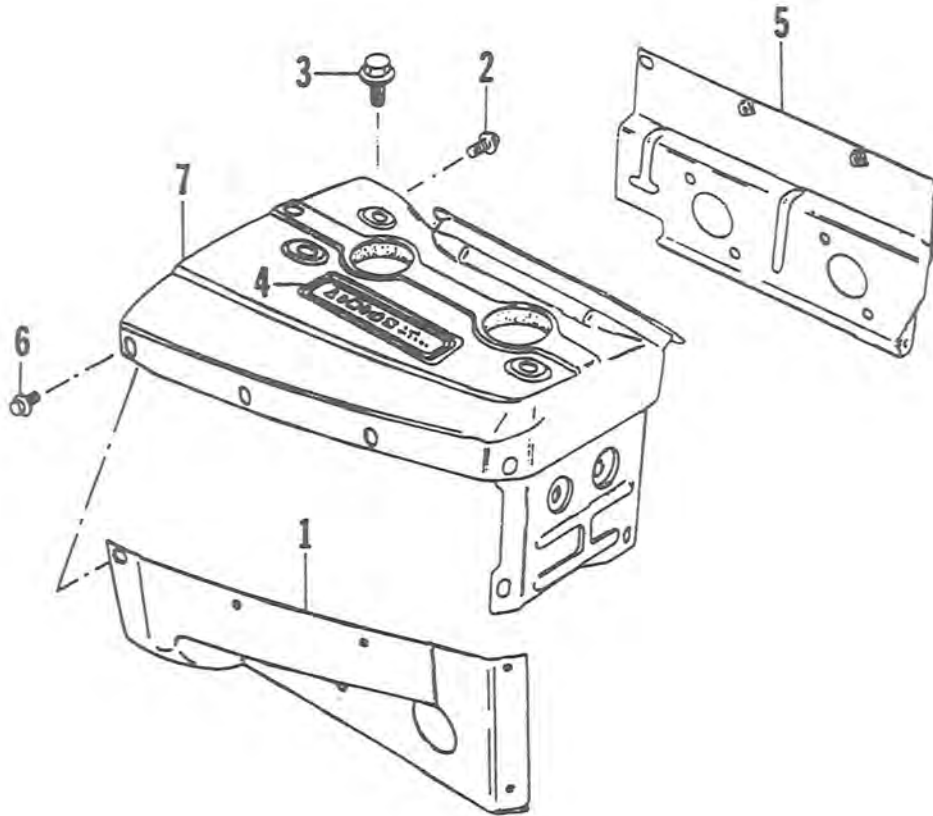


Intake Manifold

0727-080

Ref. No.	Part No.	Qty.	Description
1	3003-315	1	Manifold, Intake
2	3003-316	4	Gasket, Intake
3	3003-084	8	Bolt, Stud
4	3003-076	4	Nut
5	3003-032	2	Bolt, Stud
6	3003-033	6	Nut

Ref. No.	Part No.	Qty.	Description
7	3003-078	6	Washer, Lock
8	3003-079	2	Washer
9	3002-172	4	Gasket, Exhaust
10	3003-229	1	Union
11	3002-276	1	Gasket

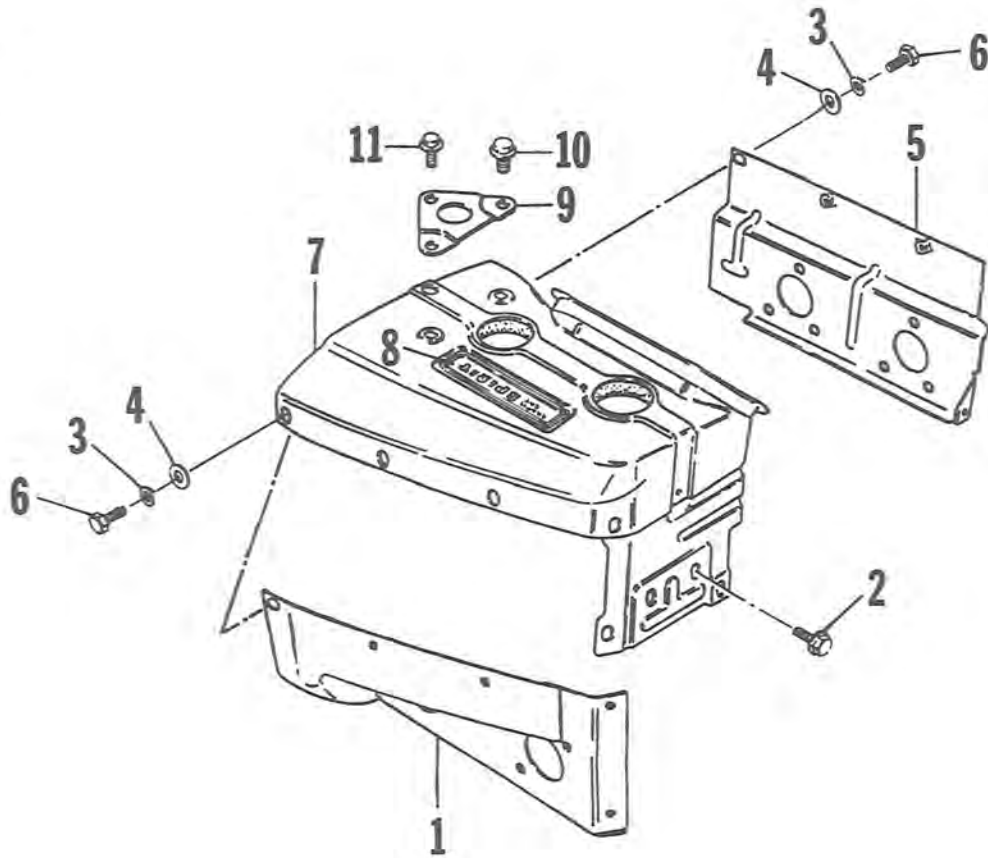


Cylinder Cowling

0727-299

Ref. No.	Part No.	Qty.	Description
1	3002-779	1	Cowling, Front
2	3003-068	10	Bolt
3	3003-143	4	Bolt
4	0212-283	1	Decal

Ref. No.	Part No.	Qty.	Description
5	3003-280	1	Cowling, Rear
6	3003-281	1	Bolt
7	3002-778	1	Cowling, Upper

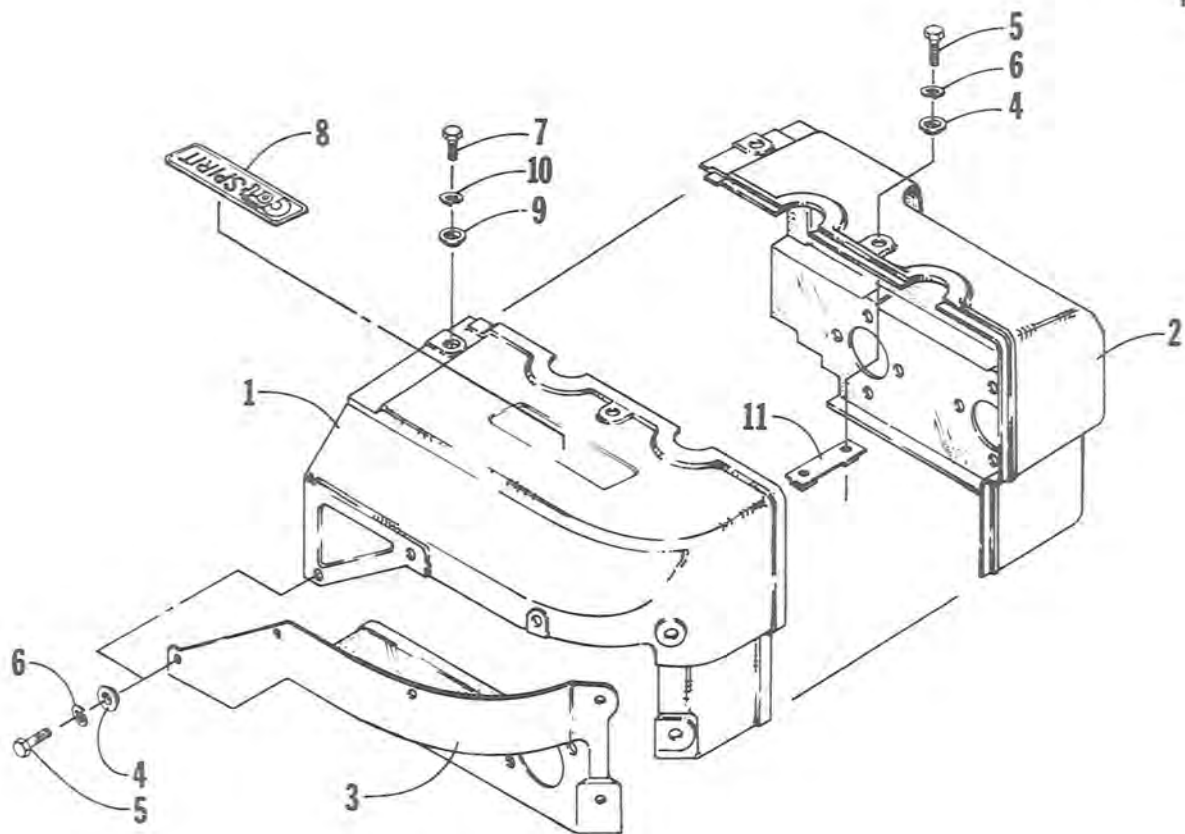


Cylinder Cowling

0727-050

Ref. No.	Part No.	Qty.	Description
1	3002-851	1	Cowling, Front
2	3003-068	10	Bolt
3	3003-020	2	Washer, Lock
4	3003-070	2	Washer
5	3002-852	1	Cowling, Rear
6	3003-071	2	Bolt

Ref. No.	Part No.	Qty.	Description
7	3002-850	1	Cowling, Upper
8	0212-283	1	Decal
9	3003-072	1	Bracket
10	3003-073	2	Bolt
11	3003-074	1	Bolt

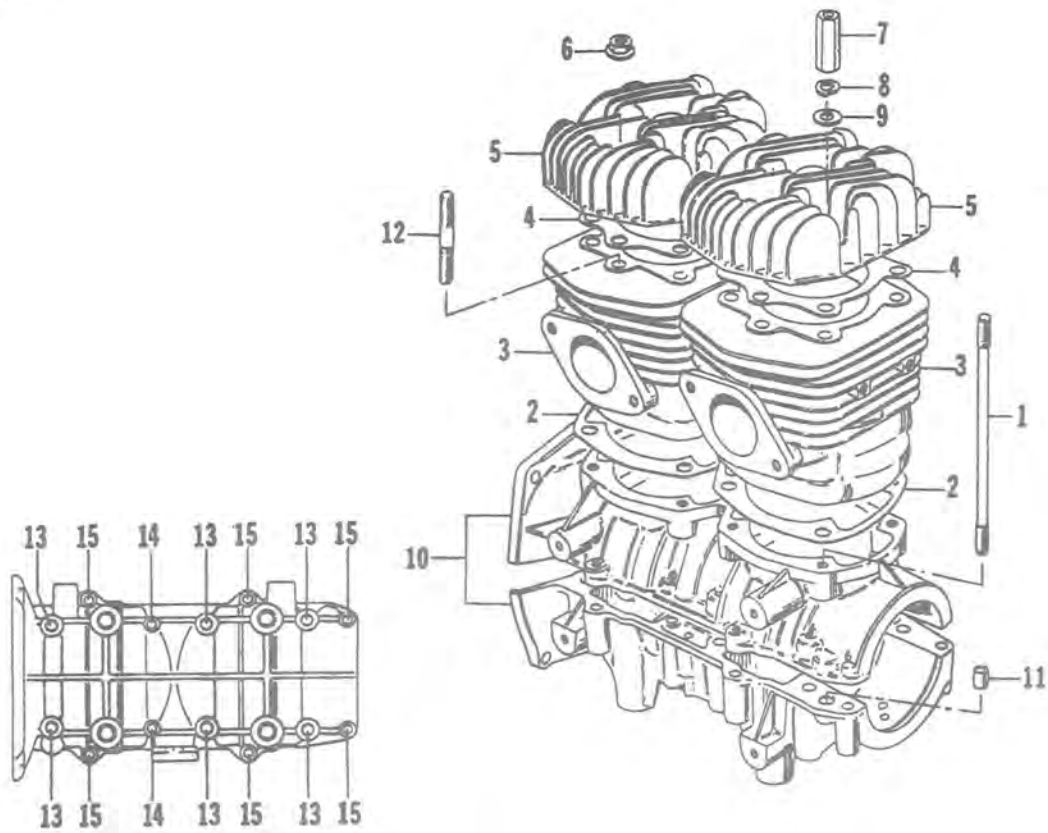


Cylinder Cowling

0727-202

Ref. No.	Part No.	Qty.	Description
1	3003-199	1	Cowling, Upper
2	3003-293	1	Cowling, Rear
3	3003-140	1	Cowling, Front
4	3003-141	10	Washer, Cowling
5	3003-068	10	Bolt
6	3003-020	10	Washer, Lock

Ref. No.	Part No.	Qty.	Description
7	3003-200	2	Bolt
8	0212-283	1	Decal
9	3003-142	2	Washer, Cowling
10	3003-078	2	Washer, Lock
11	3003-294	1	Stay, Cowling

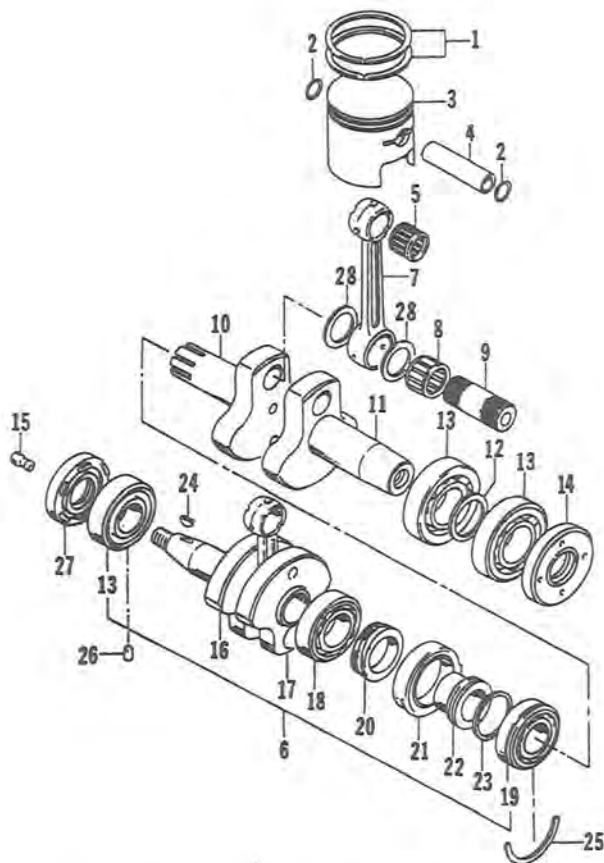


Crankcase and Cylinder

0727-293

Ref. No.	Part No.	Qty.	Description
1	3002-746	8	Bolt, Stud - Cylinder
2	3002-759	2	Gasket, Cylinder
3	3002-758	2	Cylinder
4	3002-757	2	Gasket, Cylinder Head
5	3002-756	2	Head, Cylinder
6	3003-076	9	Nut
7	3002-747	3	Nut
8	3003-078	3	Washer, Lock

Ref. No.	Part No.	Qty.	Description
9	3003-079	8	Washer
10	3003-272	1	Crankcase Assembly
11	3002-012	2	• Pin, Dowel
12	3003-271	4	• Bolt, Stud
13	3003-273	2	• Bolt
14	3003-082	2	• Bolt
15	3003-083	6	• Bolt

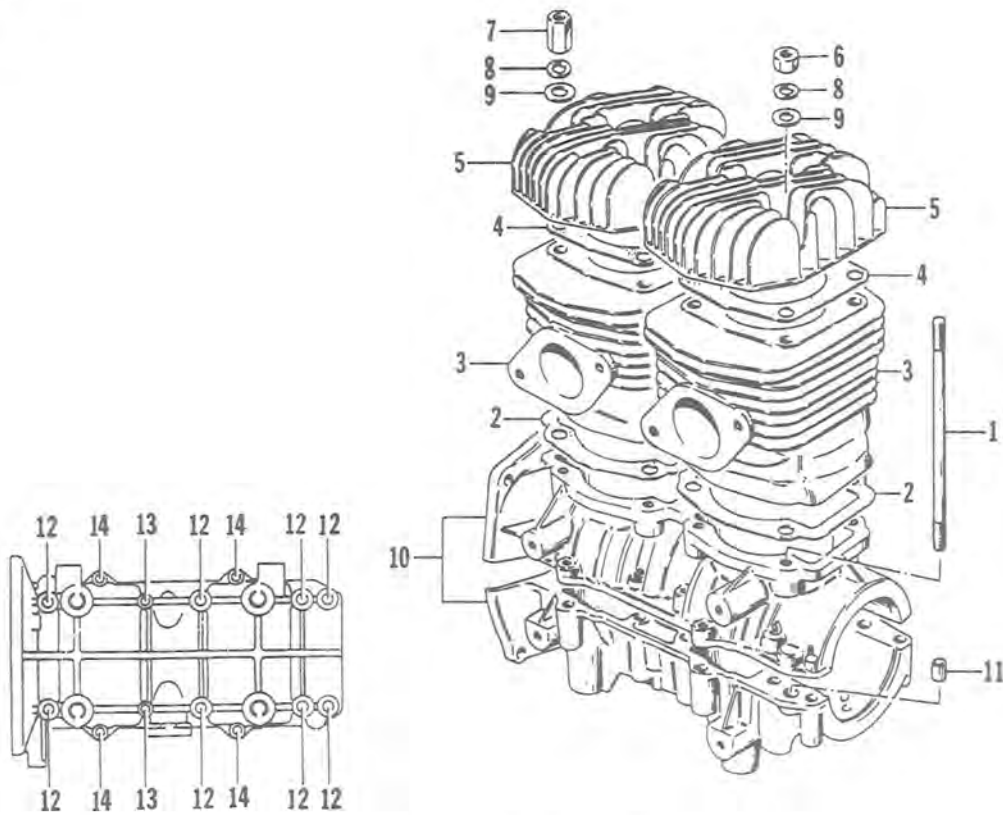


Piston and Crankshaft

0727-294

Ref. No.	Part No.	Qty.	Description
1	3002-740	2	Ring Set, Piston
2	3002-041	4	Circlip
3	3002-761	2	Piston
4	3003-274	2	Pin, Piston
5	3002-805	2	Bearing
6	3003-275	1	Crankshaft Ass'y. (inc. 7-13 & 15-23)
7	3002-762	2	Rod
8	3003-170	2	Bearing
9	3002-271	2	Pin, Crank
10	3002-766	1	Crankshaft - Middle
11	3002-275	1	Crankshaft - Left
12	3002-177	1	Shim
13	3002-624	2	Bearing
14	3002-717	1	Seal, Oil

Ref. No.	Part No.	Qty.	Description
15	3002-721	1	Bushing, Tach
16	3002-764	1	Crankshaft - Right
17	3002-765	1	Wave, Crankshaft
18	3002-029	2	Bearing, Crankshaft
19	3002-030	1	Bearing, Crankshaft
20	3002-847	1	Gear
21	3003-277	1	Retainer
22	3003-276	1	Race, Seal
23	3003-112	1	Ring, Seal
24	3002-018	1	Key
25	3002-043	1	C-Ring
26	3002-013	5	Pin, Dowel
27	3002-714	1	Oil Seal, Crankshaft - R.H.
28	3002-744	4	Washer, Thrust

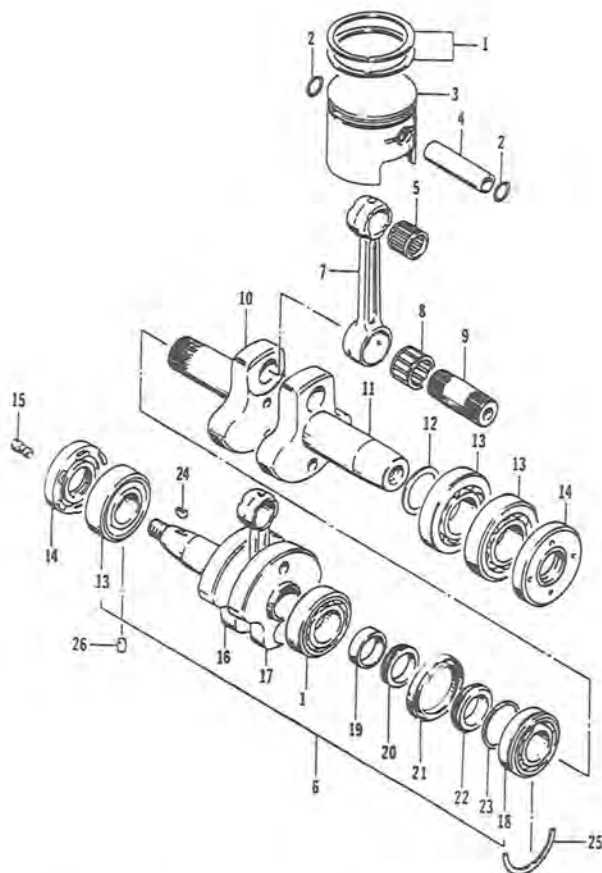


Crankcase and Cylinder

0727-285

Ref. No.	Part No.	Qty.	Description
1	3003-002	8	Bolt, Stud
2	3002-833	2	Gasket, Cylinder
3	3002-832	2	Cylinder
4	3002-831	2	Gasket, Head
5	3002-830	2	Head, Cylinder
6	3003-033	6	Nut (Hi 7.7)
7	3003-005	2	Nut (Hi 22.5)

Ref. No.	Part No.	Qty.	Description
8	8003-205	8	Washer, Lock
9	3003-079	8	Washer
10	3003-297	1	Crankcase (inc. 11-14)
11	3002-012	2	• Pin, Dowel
12	3003-080	8	• Bolt
13	3003-082	2	• Bolt
14	3003-083	4	• Bolt

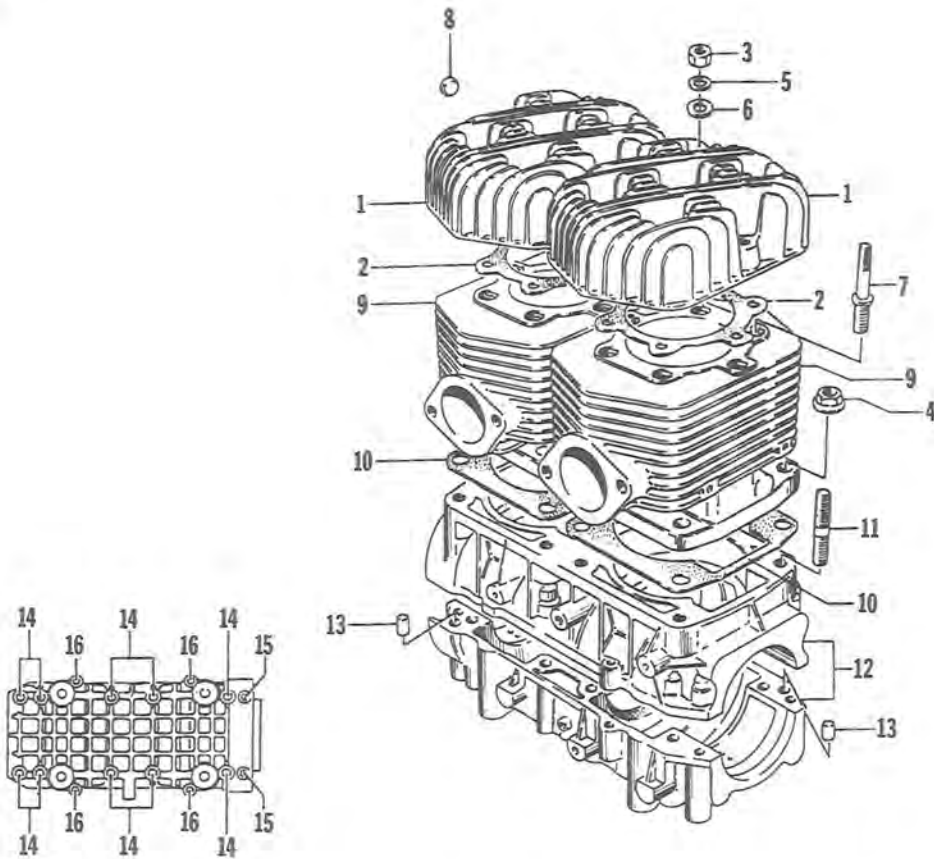


Piston and Crankshaft

0727-286

Ref. No.	Part No.	Qty.	Description
1	3002-742	2	Ring Set, Piston
2	3002-041	4	Circlip
3	3002-927	2	Piston
4	3003-298	2	Pin, Piston
5	3002-805	2	Bearing
6	3003-296	1	Crankshaft Ass'y. (inc. 7-13 & 15-23)
7	3002-837	2	Rod
8	3003-170	2	Bearing
9	3002-173	2	Pin, Crank
10	3002-841	1	Crankshaft - Middle
11	3002-842	1	Crankshaft - Left
12	3002-025	1	Washer - Left
13	3002-624	4	Bearing

Ref. No.	Part No.	Qty.	Description
14	3002-717	2	Seal, Oil
15	3002-721	1	Bushing, Tach
16	3002-839	1	Crankshaft - Right
17	3002-840	1	Wheel, Crankshaft
18	3002-790	1	Bearing
19	3002-827	1	Spacer
20	3002-847	1	Gear
21	3003-248	1	Retainer
22	3003-171	1	Race, Inner
23	3003-112	1	Ring, Seal
24	3002-018	1	Key
25	3002-043	1	C-Ring
26	3002-013	5	Pin, Dowel

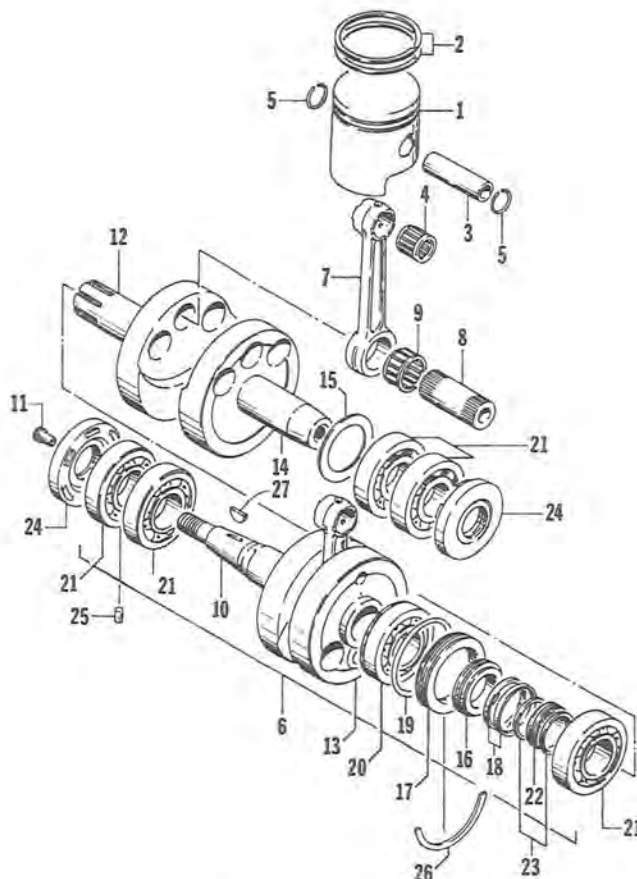


Crankcase and Cylinder

0727-191

Ref. No.	Part No.	Qty.	Description
1	3003-119	2	Head, Cylinder
2	3002-053	2	Gasket, Cylinder Head
3	3003-033	12	Nut
4	3003-059	8	Nut
5	3003-205	12	Washer, Lock
6	3003-079	12	Washer
7	3003-120	12	Bolt, Stud
8	<u>3003-286</u>	22	Pad, Cylinder

Ref. No.	Part No.	Qty.	Description
9	3003-121	2	Cylinder
10	3002-367	2	Gasket, Cylinder
11	3003-057	8	Bolt, Stud
12	3002-929	1	Crankcase Ass'y. (inc. 13-16)
13	3002-012	2	• Pin, Dowel
14	3003-254	10	• Bolt
15	3003-209	2	• Bolt
16	3003-083	4	• Bolt



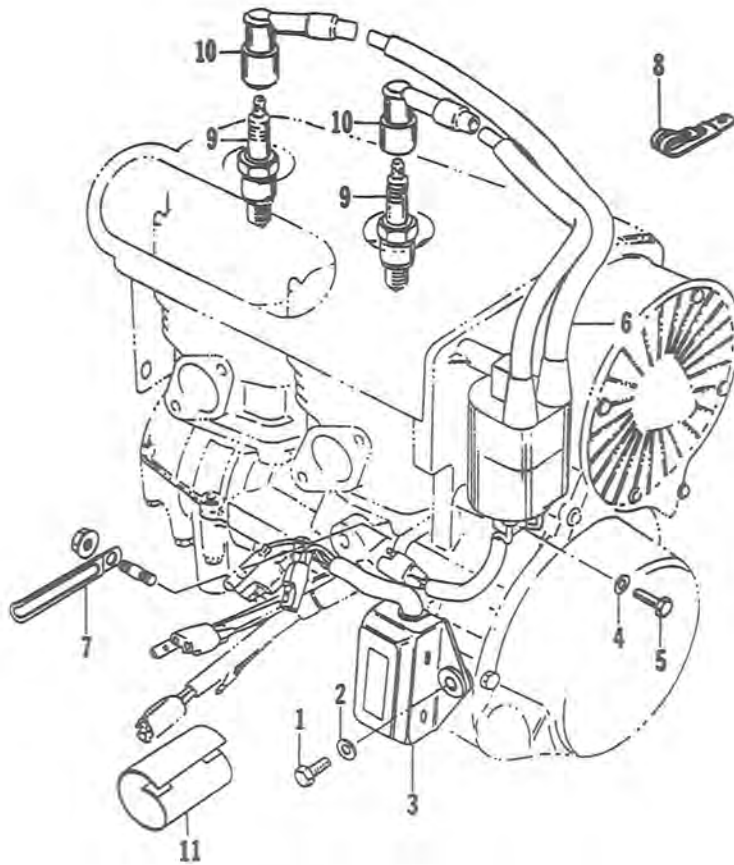
Piston and Crankshaft

0727-208

Ref. No.	Part No.	Qty.	Description
1	3002-856	2	Piston
2	3002-324	2	Ring, Piston
3	3002-647	2	Pin, Piston
4	3003-107	2	Bearing
5	3002-163	4	Circlip
6	3003-314	1	Crankshaft Ass'y. (inc. 7-24)
7	3002-166	2	•Rod, Connecting
8	3002-173	2	•Pin, Crank
9	3003-170	2	•Bearing
10	3002-532	1	•Crankshaft - Right
11	3002-721	1	•Bushing, Tachometer
12	3002-794	1	•Crankshaft - Middle
13	3002-795	1	•Wheel, Crankshaft
14	3002-535	1	•Crankshaft - Left

Ref. No.	Part No.	Qty.	Description
15	3002-025	1	•Washer
16	3002-797	1	•Race
17	3002-798	1	•Retainer
18	3003-112	2	•Ring
19	3002-036	1	•O-Ring
20	3002-790	1	•Bearing
21	3002-624	5	•Bearing
22	3002-847	1	•Gear
23	3002-827	2	•Spacer
24	3002-717	2	•Seal, Oil
25	3002-013	6	Pin, Dowel
26	3002-043	2	C-Ring
27	3002-018	1	Key

Jag 340
 Jag 440
 Panther
 Super Jag



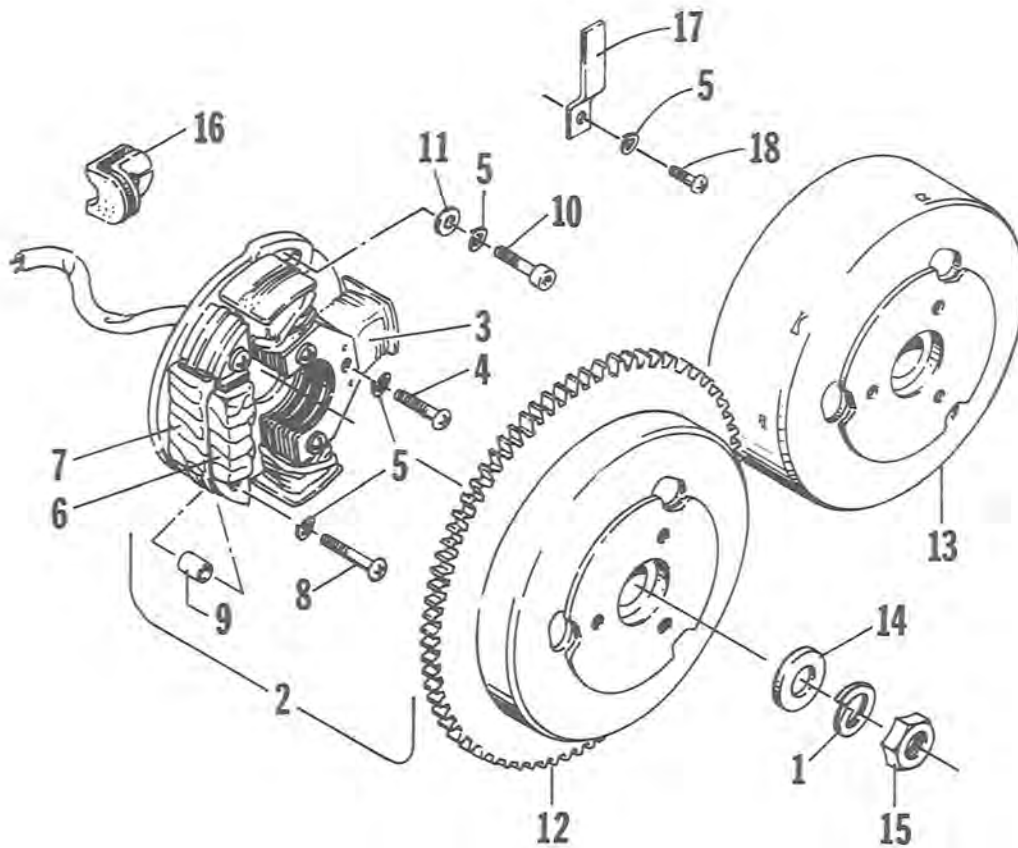
Electrical

0727-301

Ref. No.	Part No.	Qty.	Description
1	3003-029	2	Bolt
2	3003-030	2	Washer
3	3003-167	1	C.D. Unit
4	3003-020	2	Washer, Lock
5	3003-086	2	Bolt
6	3003-173	1	Coil, Ignition

Ref. No.	Part No.	Qty.	Description
7	3002-718	1	Clamp, Coil Wire
8	3003-250	1	Clamp, Tension Cord
9	0217-035	2	Spark Plug, BR-9ES (500 & 440)
	0217-034	2	Spark Plug, BR-8ES (340)
10	3003-175	2	Cap, Spark Plug
11	3003-282	1	Cover, Connector

Jag 340
 Jag 440
 Panther
 Super Jag



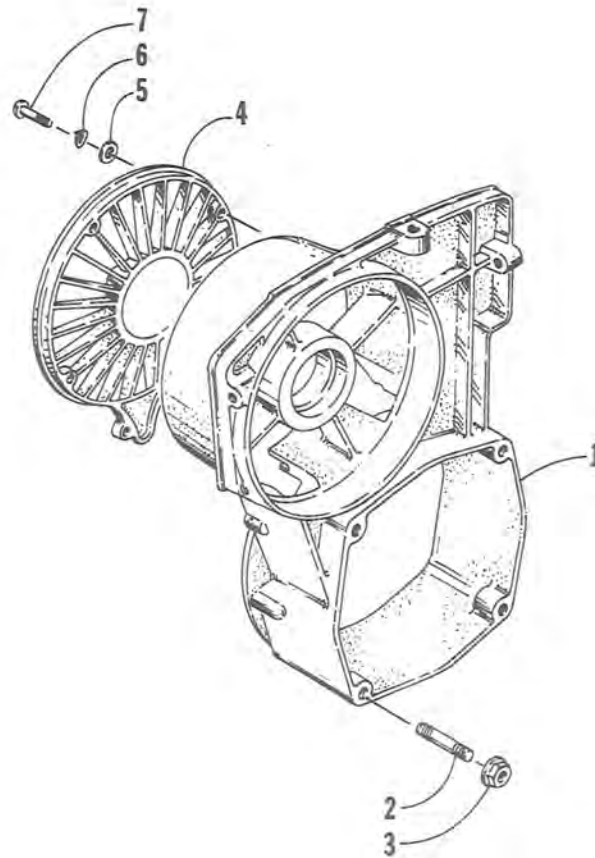
Magneto

0727-203

Ref. No.	Part No.	Qty.	Description
1	3003-154	1	Washer, Lock
2	3003-010	1	Stator Ass'y. (inc. 3-11)
3	3003-013	1	•Coil, Lighting
4	3003-067	3	•Screw
5	3003-206	8	•Washer, Lock
6	3003-014	1	•Coil, Primary A
7	3003-015	1	•Coil, Primary B
8	3012-095	2	•Screw
9	3002-201	2	•Spacer

Ref. No.	Part No.	Qty.	Description
10	3002-281	2	•Bolt
11	3002-282	2	•Washer
12	3003-137	1	Rotor Ass'y. (500)
13	3003-012	1	Rotor Ass'y. (340 & 440)
14	3002-023	1	Washer
15	3002-641	1	Nut
16	3003-115	1	Grommet (500)
	3002-585	1	Grommet (340 & 440)
17	3002-317	1	Clamp (500)
18	3000-727	1	Screw (500)

Jag 340
 Jag 440
 Super Jag

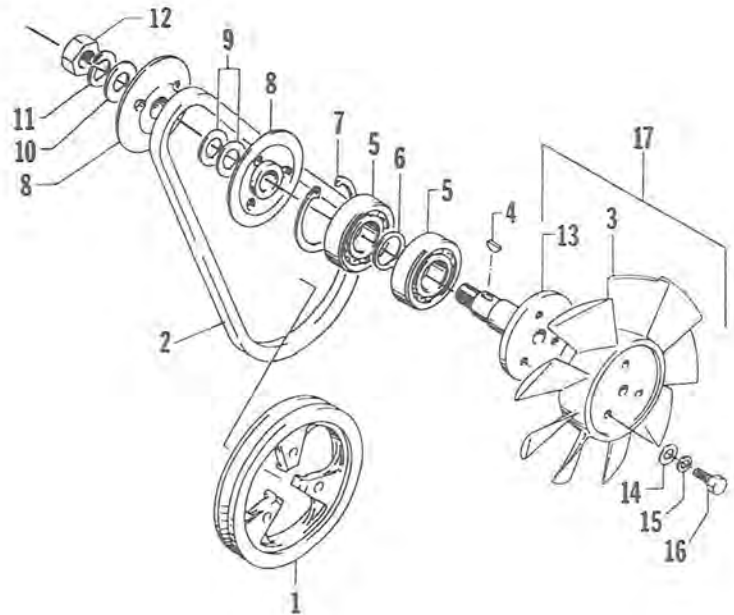
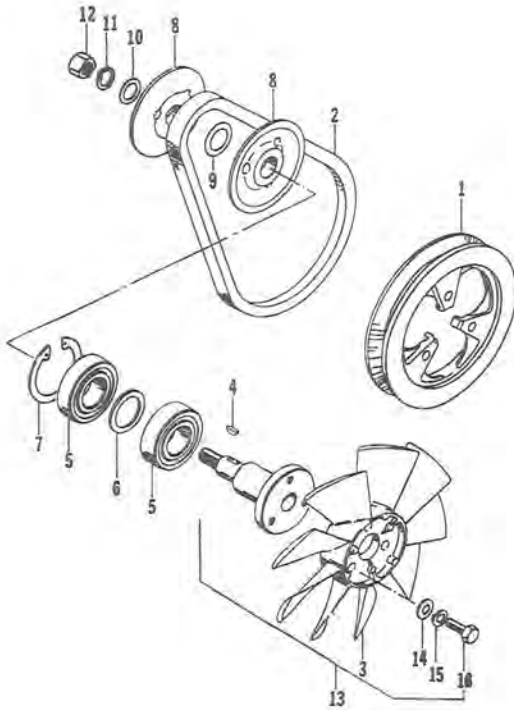


Fan Housing

0727-386

Ref. No.	Part No.	Qty.	Description
1	3003-176	1	Case, Cooling (440)
	3002-777	1	Case, Cooling (340)
2	3003-084	4	Bolt, Stud (440)
	3003-032	4	Bolt, Stud (340)
3	3003-076	4	Nut w/Washer
4	3002-853	1	Cover (440)
	3002-781	1	Cover (340)

Ref. No.	Part No.	Qty.	Description
5	3003-096	6	Washer
6	3003-097	6	Washer
7	3003-098	6	Screw (440)
	3003-131	6	Screw (340)



Cooling Fan

(340 F/C)

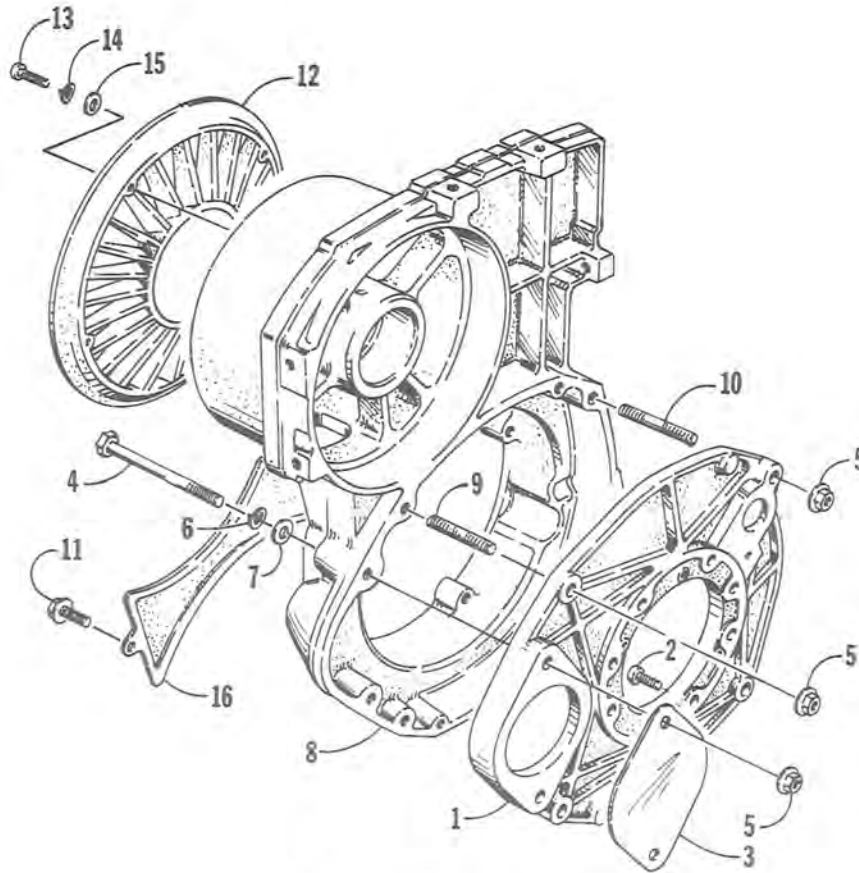
(440 F/C)

0727-298

0727-288

Ref. No.	Part No.	Qty.	Description
1	3002-154	1	Pulley, Drive
2	3002-783	1	Belt
3	3002-775	1	Fan
4	3002-755	1	Key
5	3002-750	2	Bearing
6	3002-179	1	Spacer
7	3002-745	1	Circlip
8	3002-782	2	Pulley Half
9	3002-728	0-6	Shim
10	3002-809	1	Washer
11	3003-053	1	Washer, Lock
12	3003-055	1	Nut
13	3003-283	1	Shaft and Fan Assembly
14	3003-023	3	Washer
15	3003-020	3	Washer, Lock
16	3003-095	3	Bolt

Ref. No.	Part No.	Qty.	Description
1	3002-154	1	Pulley, Drive
2	3002-854	1	Belt
3	3003-008	1	Fan
4	3002-755	1	Key
5	3002-750	2	Bearing
6	3002-179	1	Spacer
7	3002-745	1	Circlip
8	3002-782	2	Pulley Half
9	3002-728	0-6	Shim
10	3003-006	1	Washer
11	3003-053	1	Washer, Lock
12	3003-055	1	Nut
13	3003-009	1	Shaft
14	3003-030	3	Washer
15	3003-020	3	Washer, Lock
16	3003-095	3	Bolt
17	<u>3003-285</u>	1	Fan Assembly, Cooling

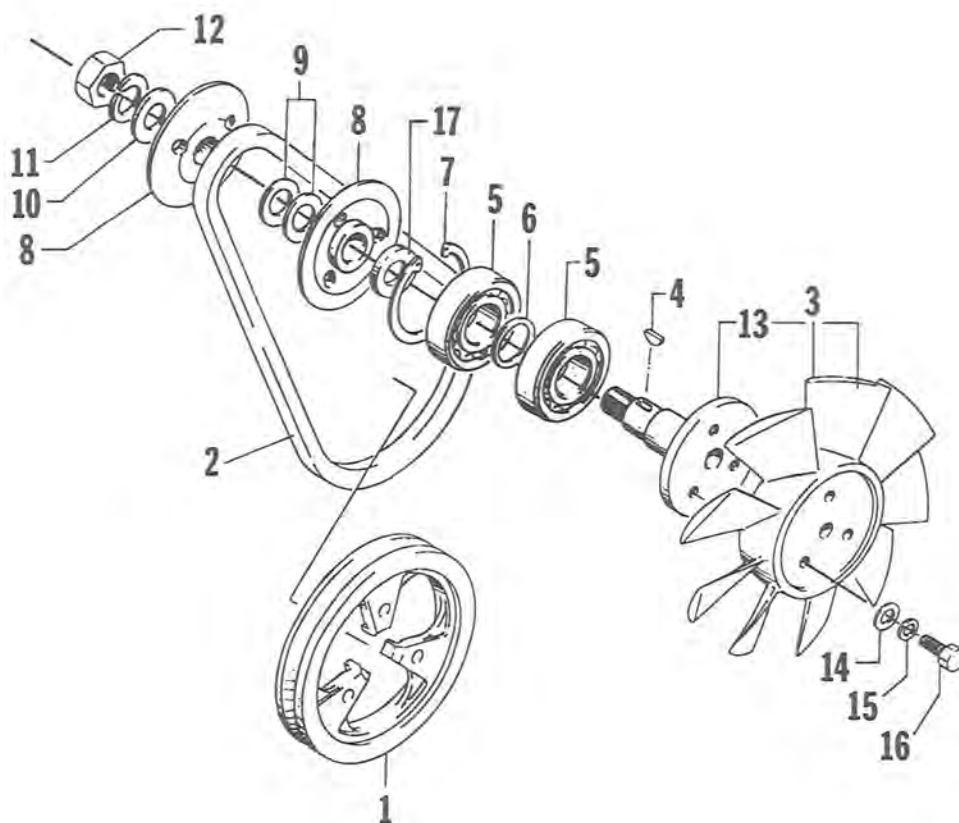


Fan Housing

0727-368

Ref. No.	Part No.	Qty.	Description
1	3002-561	1	Case, Magneto
2	3003-113	8	Screw
3	3000-145	1	Plate
4	3003-123	2	Bolt
5	3003-076	6	Nut
6	3003-078	2	Washer, Lock
7	3003-079	2	Washer
8	3003-127	1	Case, Cooling Fan

Ref. No.	Part No.	Qty.	Description
9	3003-032	2	Bolt, Stud
10	3003-084	1	Bolt, Stud
11	3003-068	2	Bolt
12	3002-153	1	Cover, Fan
13	3003-131	5	Screw
14	3003-097	5	Washer, Lock
15	3003-096	5	Washer
16	3002-152	1	Cover, Fan Belt



Cooling Fan

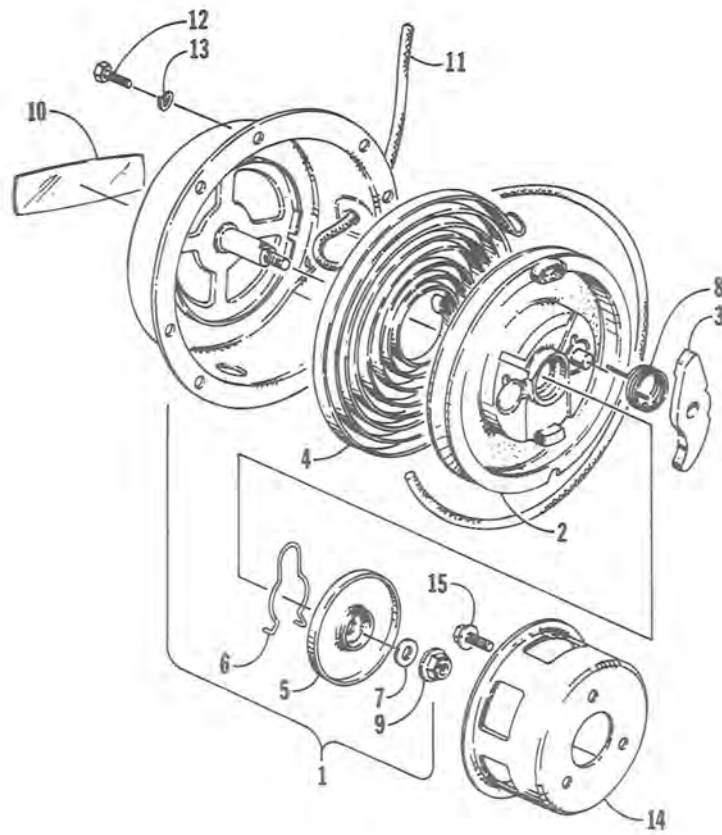
(500 F/C)

0727-199

Ref. No.	Part No.	Qty.	Description
1	3002-154	1	Pulley, Drive
2	3002-156	1	Belt
3	3003-008	1	Fan
4	3002-755	1	Key
5	3000-434	2	Bearing
6	3002-179	1	Spacer
7	3000-265	1	Circlip
8	3002-155	2	Pulley Half
9	3002-728	0-6	Shim

Ref. No.	Part No.	Qty.	Description
10	3003-156	1	Washer
11	3003-198	1	Washer, Lock
12	3003-155	1	Nut
13	3003-153	1	Shaft and Fan Assembly
14	3003-030	3	Washer
15	3003-020	3	Washer, Lock
16	3003-095	3	Bolt
17	3002-180	1	Spacer

Jag 340
 Jag 440
 Panther
 Super Jag



Recoil Starter

0727-369

Ref. No.	Part No.	Qty.	Description
1	3003-212	1	Starter Ass'y. (inc. 2-9)
2	3003-179	1	•Roller
3	3003-180	1	•Pawl
4	3002-921	1	•Spring
5	3003-181	1	•Plate, Drive
6	3003-182	1	•Spring
7	3003-054	1	•Washer
8	3003-183	1	•Spring

Ref. No.	Part No.	Qty.	Description
9	3003-220	1	•Nut
10	0212-283	1	Decal
11	3003-327	1	Rope, Starter
12	3003-003	4	Bolt
13	3003-190	4	Washer, Lock
14	3002-934	1	Pulley, Starter (500)
	3002-925	1	Pulley, Starter (340 & 440)
15	3003-101	3	Bolt

Service Tools

P/N	DESCRIPTION	SUPPLIER	P/N	DESCRIPTION	SUPPLIER
0133-043	Imprinter	Arctco-CPC	0644-010	Clutch Puller (Arctic)	Arctco-OTC
0144-003	Piston Pin Puller	Arctco-CPC	0644-012	Wrench, Cylinder Base 14mm	OTC
0144-007	Flywheel Spanner Wrench	Arctco-CPC	0644-013	Wrench, Cylinder Base 12mm	OTC
0144-009	Engine Timing Gauge	Arctco-CPC	0644-014	Track Stud Hole Drill	Arctco
0144-053	Multitester	Arctco-CPC	0644-016	Surface Plate	Arctco
0144-109	Ramp Grinding Holder	Arctco-CPC	0644-018	Stud Runner 6mm	Arctco
0144-110	Arctic Clutch Puller	CPC	0644-019	Stud Runner 8mm	Arctco
0144-113	Fan Holder	Arctco-CPC	0644-020	Stud Runner 10mm	Arctco
0144-122	Surface Plate	CPC	0644-022	V Blocks	Arctco
0144-127	Pressure Testing Kit	Arctco-CPC	0644-023	Carburetor Synchronizing Tool Adapters	Arctco
0144-135	Comet Clutch Puller	Comet	0644-027	Carburetor Synchronizing Tool	Arctco
0144-136	Comet Grunt Tool	Comet	0644-028	Engine Tachometer	Arctco
0144-301	Track Clip Tool	Arctco-OTC	0644-029	Flywheel Puller	Arctco
0144-302	Bearing Remover (Crankshaft)	Arctco-OTC	0644-030	Rear Shock Adjuster	Arctco-OTC
0144-303	Bearing Tool Adapter Kit	OTC	0644-031	Rear Spring Adjuster	Arctco-OTC
0144-305	Cylinder Hone Set	Arctco-OTC	0144-112	Flywheel Puller	CPC
0144-306	Ignition Test Plug	OTC	0144-080	Bearing Puller	CPC
0144-307	Mikuni Carburetor Tool Set	Arctco-OTC	0144-227	Clutch Alignment Bar	CPC
0144-308	Spark Tester	Arctco-OTC		Model 1L CDI Tester	ESI
0144-309	Snowmobile Dolly	Arctco-OTC	0133-417	Imprinter Ink Roller	Arctco
0355-109	Snowmobile Dolly	CPC	0644-033	Multitester	Arctco
0144-310	Flywheel Puller/Spanner Wrench	Arctco-OTC	0644-034	Engine Compression Tester	Arctco
0144-311	Rear Suspension Spring Tool	Arctco-OTC	0644-035	Ball Hone (60-64 mm)	Arctco
0636-069	Sealant, Gasket	Arctco	0644-036	Ball Hone (65-70 mm)	Arctco
0636-070	Sealer, Crankcase	Arctco	0644-037	Ball Hone (72-74 mm)	Arctco
0636-071	Adhesive, H/B Grip	Arctco	0644-038	T-nut Tool	Arctco
0636-092	Copper Coat	Arctco	0644-041	Rigid Hone	Arctco
0644-001	Spider Repair Tool Kit	Arctco-OTC	0644-042	Rigid Hone Stone Set (2.5-2.7 in.)	Arctco
0644-002	Shock Spring Installation Tool	Arctco-OTC	0644-043	Rigid Hone Stone Set (2.7-4.1 in.)	Arctco
0644-003	Clutch Alignment Bar	Arctco-OTC	0644-044	Alcohol Test Kit	Arctco
0644-005	Spider Removal Tool Set (Comet)	Arctco-OTC	0644-046	Ignition Analyzer	Arctco
0644-006	Arctic Clutch Bushing Installation Tool	Arctco-OTC	0134-971	RTV Silicone	CPC
0644-008	Timing Light	Arctco	0132-105	Gasket Compound	CPC
0644-009	Clutch Puller (Comet)	Arctco-OTC	0644-007	Oil Injection Usage Tool	Arctco
0144-135	Clutch Puller (Comet)	CPC			

Alternate Carburetor Parts

MIKUNI MAIN JETS AVAILABLE			
JET	P/N	JET	P/N
120	6505-270	340	6505-076
130	6505-216	350	6505-071
140	6505-217	360	6505-038
150	6505-168	370	6505-072
160	6505-064	380	6505-077
170	6505-065	390	6505-078
180	6505-056	400	6505-124
190	6505-066	410	6505-212
200	6505-144	420	6505-125
210	6505-145	430	6505-146
220	6505-137	440	6505-126
230	6505-067	450	6505-147
240	6505-079	460	6505-127
250	6505-068	470	6505-148
260	6505-017	480	6505-149
270	6505-069	490	6505-150
280	6505-080	500	6505-151
290	6505-123	530	6505-170
300	6505-128	560	6505-172
310	6505-136	580	6505-211
320	6505-074	590	6505-173
330	6505-070	620	6505-174
		680	6505-169

MIKUNI PILOT JETS AVAILABLE (VM-SERIES CARBURETORS)	
JET NO.	P/N
17.5	6505-218
20	6505-138
22.5	6505-310
25	6505-075
27.5	6505-503
30	6505-073
35	6505-029
40	6505-047
45	6505-278
52.5	6505-261
55	6505-255

MIKUNI INLET NEEDLE ASSEMBLIES AVAILABLE		
SEAT DIA.	CARB. SIZE (MM)	P/N
1.5 mm (Steel)	28, 30, 32, 34	6505-026
1.5 mm (Viton)	28, 30, 32, 34	6505-160
1.5 mm (Steel)	28 — 34 GVM	6505-245
1.5 mm (Steel)	36, 38, 40, 44	6505-103
1.5 mm (Viton)	36, 38, 40, 44	6505-171
1.8 mm (Viton)	36, 38, 40, 44	6505-175
2.0 mm (Viton)	36, 38, 40, 44	6505-176

MIKUNI PISTON VALVES AVAILABLE		
SLIDE	CARBURETOR SIZE (mm)	P/N
2.0	28-30	6505-048
3.0	28-30	6505-161
1.5	32-34	6505-256
2.0	32-34	6505-002
2.0	32-34	6505-257
2.5	32-34	6505-246
3.0	32-34	6505-222
3.5	32-34	6505-248
2.5	34	6505-500
3.0	34	6505-507
2.0	36	6505-177
2.5	38	6505-254
3.5	38	6505-436
4.0	38	6505-504
1.0	40-44	6505-092
2.0	40-44	6505-179
2.5	40-44	6505-253

MIKUNI NEEDLE JETS AVAILABLE	
NEEDLE JET	P/N
O-8 (182)	6505-181
P-0 (159)	6505-155
P-0 (166)	6505-007
P-0 (169)	6505-051
P-4 (159)	6505-221
P-4 (166)	6505-502
P-4 (169)	6505-164
P-6 (159)	6505-247
P-6 (166)	6505-268
P-6 (251)	6505-235
P-8 (159)	6505-259
P-8 (166)	6505-433
Q-0 (159)	6505-260
Q-0 (166)	6505-190
Q-2 (166)	6505-508
Q-4 (166)	6505-214
Q-5 (159)	6505-119
Q-6 (166)	6505-506
R-0 (166)	6505-505
AA-5 (244)	6505-099
BB-0 (224)	6505-182
BB-5 (224)	6505-180

MIKUNI JET NEEDLES AVAILABLE	
JET NEEDLE	P/N
6DH2	6505-252
6DH4	6505-003
6DH7	6505-215
6DH8	6505-236

Related Items

(Available from Arctco, Inc.)

NOTE: For a complete listing of related items, see the Accessories and Options Manual.

Copper Coat	0636-092	Plast/Fiber Polish	0636-174
Silicone Sealant	0636-069	Windshield Defogger	0636-176
Three Bond Crankcase Sealant	0636-070	Green Plastic Funnel	0636-056
Handlebar Grip Adhesive	0636-071	Aux. Gas Tank Tool Bag	0636-086
Operator's Manual	2254-345	Injection Oil (55 Gal)	0636-023
Safety Handbook	2254-347	Injection Oil (1 Gal)	0636-024
Parts Manual	2254-353	Injection Oil (1 qt)	0636-025
Service Manual	2254-351	50:1 Oil (55 Gal)	0636-026
Battery	0645-020	50:1 Oil (1 qt)	0636-027
Reverse Kit (39 Tooth Sprocket)	0636-099	20:1 Oil (1 qt)	0636-028
Reverse Kit (35 Tooth Sprocket)	0636-100	Chainlube (8 oz)	0636-029
Reverse Kit (39 Tooth Sprocket) (Jag)	0636-181	Fuel De-Icer (4 oz)	0636-030
Reverse Kit (35 Tooth Sprocket) (Jag)	0636-182	20:1 Oil (55 Gal)	0636-081
Saddlebag (Green)	0636-052	Chainlube (1 Gal)	0636-080
Saddlebag (Orange)	0636-057	Fuel De-Icer (8 oz)	0636-165
Safari Rack	0636-061	Chainlube (1 Gal)	0636-085
Backrest (Super Jag)	0636-104	Octane Booster (12 oz)	0636-175
Choke Lever Kit (w/o Insignia)	0636-062	Engine Preserver (12 oz)	0636-177
Belt Holder Kit	0352-127	Carbide Runner	0636-049
Non-Injection Throttle Cable (440 & 500)	0187-203	Ice Stud Kit, Steel 5/8	0636-045
Tool Box Kit	0352-126	Ice Stud Kit, Carbide 5/8	0636-046
Tool Kit (Inc. Strap & Plug)	0156-067	5/8 Steel Stud (Only)	0636-122
Paint, Black Hood	0652-003	3/4 Steel Stud (Only)	0636-123
Paint, Hood (Panther)	0652-006	5/8 Carbide Stud (Only)	0636-124
Paint, Black Metal	0652-004	3/4 Carbide Stud (Only)	0636-125
High Altitude Kit, 4,000-8,000 ft (Panther)	0636-131	T-Nuts	0636-126
High Altitude Kit, (Jag 340)	0636-073	Stud Washers	0636-127
High Altitude Kit, 8,000-10,000 ft (Jag)	0636-132	Stud Washer, Square	0636-144
Electric Start Kit (Jag)	0636-006	Ice Stud Kit, 3/4 Steel	0636-145
Electric Start Kit (Panther)	0636-087	Ice Stud Kit, 3/4 Carbide	0636-146
Machine Cover (Super Jag)	0636-118 ✓	Stud w/T-Nut, .700 Wedge	0636-147
Machine Cover, High Windshield (Panther)	0636-114 ✓	Star Stud w/Back Washer	0636-148
Machine Cover (Jag)	0636-110 ✓	Star Stud/Bolt & Nut	0636-149
Storage Machine Cover	0636-166 ✓	Hooker Kit/Carbide Nail	0636-150
High Windshield (Jag)	0636-121	Hooker Carbide Nail	0636-151
Tow Hitch Kit	0136-291	Hooker Steel Nail	0636-152
Fuel Primer Kit	0636-051	Hooker Wedge	0636-153
Gas Can, 6 U.S. Gal	0636-053	Hooker Plate, 3 Hole	0636-154
Spark Plug Caddy	0636-054	Hooker Washer	0636-155
Spark Plug Caddy, Rivet Mt.	0636-172	Stud 3/4 Carbide (Sharp)	0636-156
Thumb Warmer Kit	0636-178	Stud .700 Carbide (Sharp)	0636-157
Handlebar Warmer Kit	0636-058	Stud, Hooker/Carbide (Sharp)	0636-158
Non Injection Plate	0636-068	Stud 1.0 Steel Drag	0636-159
Wheel Kit	0636-167	Stud 1.0 Carbide (Sharp)	0636-160
Tether Switch	0636-078	Stud .875 Drag Hooker	0636-161
Rear View Mirror	0636-079	T-Nuts (Heat Treated)	0636-162
Mikuni Carb. Tool Kit	0636-072	T-Nuts (Short Shank)	0636-163
Deluxe Mirror	0636-171	Hooker Plates/2 Hole	0636-164
Main Jet Carrier	0636-169	Stud Clearance Kit	0636-265
Vinyl Conditioner	0636-173		

Related Items

(Available from CPC)

High Performance Clutch Bolt (102C)	2500Z0000	20:1 Oil (12-32 oz)	0134-124
High Performance Clutch Bolt (Hex Clutch Long)	2503Z0002	20:1 Oil (5 Gal)	0355-024
High Performance Clutch Bolt (Hex Clutch Extended Shaft)	2503Z0004	50:1 Oil (12-16 oz)	0355-018
High Performance Torque Arm	2503Z0000	50:1 Oil (5 Gal)	0355-023
High Performance Chain Adjuster	2503Z0001	50:1 Oil (15 Gal)	0355-863
High Performance Clutch Adjuster (102C0)	2500Z0001	50:1 Oil (50 Gal)	0355-138
High Performance Racing Fuel	1500F0000	Injection Oil (12-32 oz)	0350-845
Super Duty Cover (Jag)	0355-026	Injection Oil (4-5 qt)	0352-084
Super Duty Cover (Super Jag)	0355-034	Injection Oil (5 Gal)	0355-022
Arctic Cat Claws (Pkg. 48)	0134-859	Injection Oil (15 Gal)	0352-079
Arctic Cat Claws (Pkg. 250)	0358-070	Chainlube (12-8 oz)	0134-914
Arctic Cat Tri-Crown (Pkg. 24)	0134-981	Chainlube (4-1 Gal)	0134-916
Arctic Cat Tri-Crown (Pkg. 250)	0352-068	Chainlube (30 Gal)	0352-078
Arctic Cat Claws (Pkg. 24)	0134-933	Clutch Lube	0352-115
Arctic Cat Claws (Pkg. 250)	0352-069	Octane Booster	Cat. 3047
Arctic Cat Wedge Tip Stud (Pkg 10)	0136-039	RTV Silicone	0134-971
Arctic Cat Penetrator Tip Stud (Pkg. 20)	0136-070	Gasket Compound	0132-105
Arctic Cat Carbide Penetrator	0134-939	Spark Plug Caddy	0134-883
Arctic Cat Carbide Stud	0134-898	Black Metal Paint	0134-992
Arctic Cat Carbide Penetrator	0134-141	Black Aluminum Paint	0352-077
Arctic Cat Carbide Aluminum Backing Plate (Pkg. 48)	2503Z0005	Belt Holder	0120-119
Arctic Cat Locking Bolts (Pkg. 250)	0352-071	Halogen Headlight	0355-020
Arctic Cat Sno Pro Stud (Pkg. 12)	2503Z0006	Snowmobile Dolly	0355-019
Arctic Cat Consumer Carbide Skags	0350-846	Polyethelene Gas Can (2½ Gal)	Cat. 1843
Arctic Cat Thumb Warmer	0355-021	Polyethelene Gas Can (3 Gal)	Cat. 1844
Arctic Cat Internal Handlebar Warmer Kit	0136-892	Polyethelene Gas Can (5 Gal)	Cat. 1845
Arctic Cat External Handlebar Warmer Kit	0355-016	Polyethelene Gas Can (6 Gal)	Cat. 1846
Arctic Cat Rear View Mirror	0134-675	Steel Gas Can (2½ Gal)	Cat. 1854
		Steel Gas Can (5 Gal)	Cat. 1855
		Plastic Funnel Angles	Cat. 1847
		Flexible Funnel	Cat. 2900W0202
		Standard Funnel	0134-422