

ORIGINAL INSTRUCTIONS

G750A

Patent Number 5425164

HAND HYDRAULIC RIVETER
NSN 5120-01-432-9361

MANUAL



CHERRY®
AEROSPACE

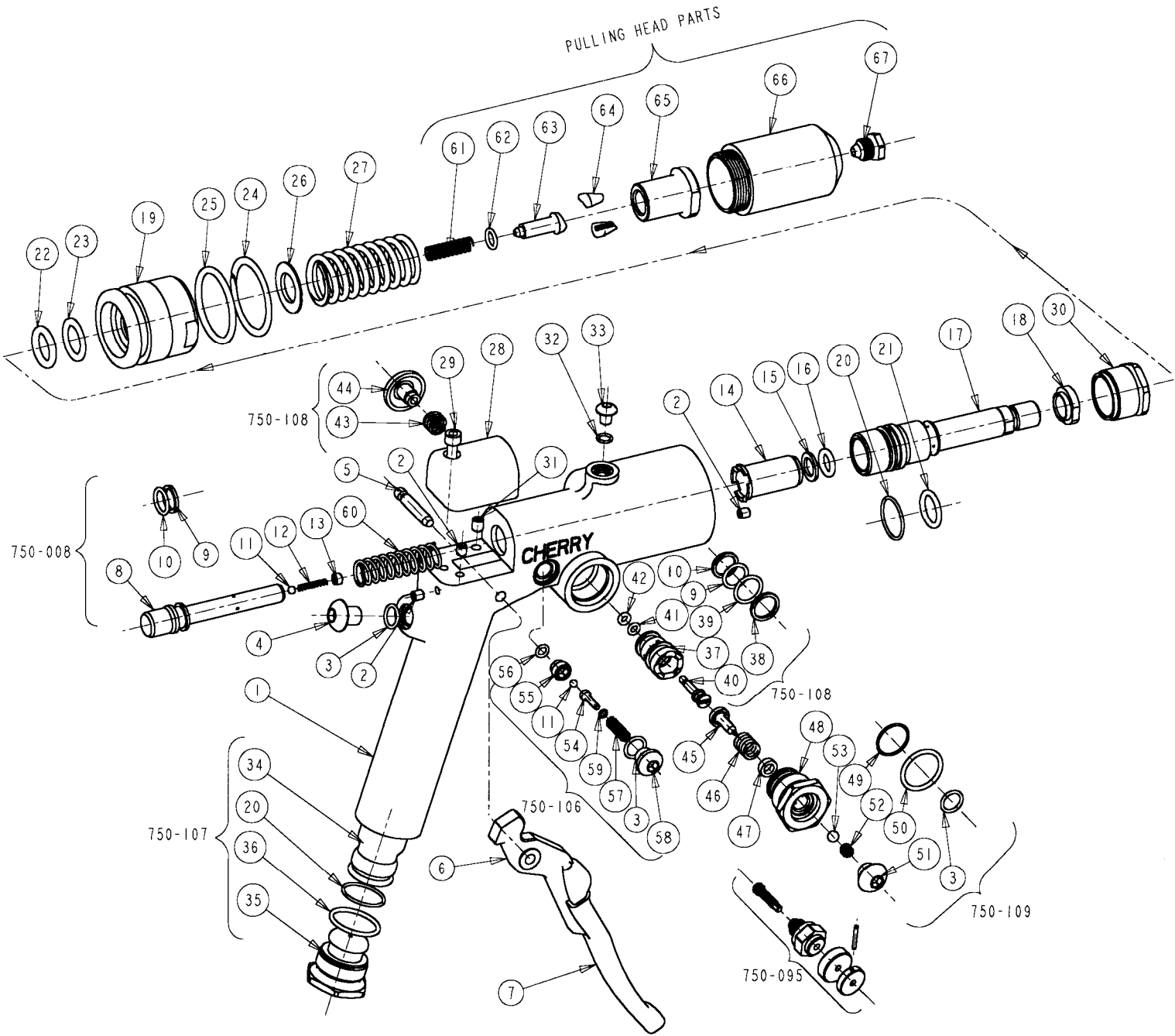
1224 East Warner Ave,
Santa Ana, Ca 92705
Tel: 1-714-545-5511
Fax: 1-714-850-6093
www.cherryaerospace.com

G750A PARTS LIS

ITEM NO. / DESCRIPTION		QTY
750-060 HANDLE SUBASSEMBLY		
1	750-061 MACHINED HOUSING	1
2	P-510 SET SCREW	3
3	P-383 O-RING	3
4	P-1322 CAP SCREW	1
5	750-031 PIN	1
6	750-012 LEVEL	1
7	P-1342 VINYL GRIP	1
750-008 PLUNGER SUBASSEMBLY		
8	150-029 PLUNGER	1
9	P-112 O-RING	2
10	P-650 BACK-UP RING	1
11	P-164 BALL	1
12	P-1332 SPRING	1
13	P-1333 HOLLOW LOCK	1
14	750-013 DRAWBAR INSERT	1
15	P-1346 BACK-UP RING	1
16	P-1007 O-RING	1
17	750-049 DRAWBAR	1
18	750-111 NUT, LOCK	1
19	750-015 PISTON	1
20	P-621 O-RING	1
21	P-945 O-RING	1
22	P-1344 O-RING	1
23	P-1345 BACK-UP RING	1
24	P-869 BACK-UP RING	1
25	P-299 O-RING	1
26	750-020 SPRING BASE	1
27	P-1315 SPRING, PISTON RETURN	1
28	750-028 SHELL	1
29	P-153 SOCKET HD. CAP SCREW	1
30	750-030 NUT	1
31	P-99 SET SCREW	1
32	P-1294 O-RING	1
33	P-573 CAP SCREW	1
750-107 BLADDER SUB-ASSEMBLY		
34	750-033 BLADDER	1
20	P-621 O-RING	1
35	750-091 VENT PLUG	1
36	P-1331 O-RING	1

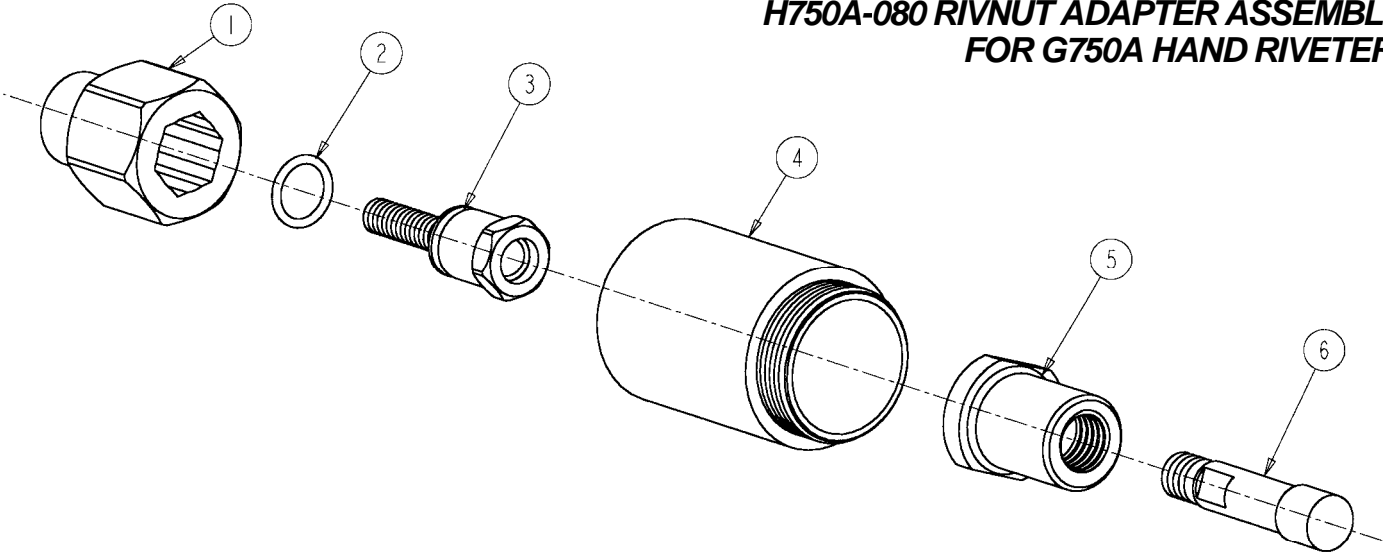
ITEM NO. / DESCRIPTION		QTY
750-060 HANDLE SUBASSEMBLY		
750 -108 VALVE, RETURN SUBASSEMBLY		
37	750-022 SHIFT SPOOL	1
38	P-919 BACK-UP RING	1
39	P-231 O-RING	1
40	750-023 POPPET	1
41	P-313 O-RING	1
42	P-1347 BACK-UP RING	1
9	P-112 O-RING	1
10	P-650 BACK-UP RING	1
43	P-1328 SPRING	1
44	RELEASED KNOB	1
45	750-025 SHIFT FIN	1
46	P-1320 SHIFT PRESSURE SPRING	1
47	750-036 SHIFT SPACER	1
750-109 VALVE, CHECK SUB-ASSEMBLY		
48	750-026 CARTRIDGE COVER	1
49	P-1324 O-RING	1
50	P-1334 C-RING	1
3	P-383 O-RING	1
51	750-027 SCREW	1
52	P-1321 VALVE CHECK SPRING	1
53	P-117 BALL	1
750-106 PRESSURE RELIEF VALVE		
54	750-065 BALL GUIDE	1
11	P-164 BALL 1	1
55	750-059 CHECK INSERT	1
56	P-925 O-RING	1
57	P-1383 SPRING	1
58	750-064 SAFETY CHECK SCREW	1
3	P-383 O-RING	1
59	P-1384 WASHER	1
60	P-1313 SPRING	1
750-071 PULLING HEAD CHERRYMAX OTHER ATTACHMENTS AVAILABLE		
61	P-1381 SPRING	1
62	P-832 O-RING	1
63	750-067 JAW FOLLOWER	1
64	701B18 JAWS, SET OF 2	1
65	750-066 COLLET	1
66	750-062 SLEEVE	1
67	750-019 NOSE PIECE	1

G750A EXPLODED VIEW

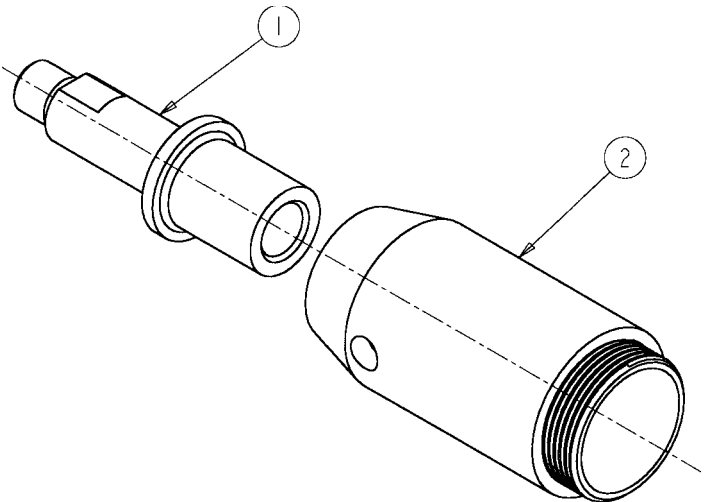


ADAPTERS & PULLING HEADS

H750A-080 RIVNUT ADAPTER ASSEMBLY FOR G750A HAND RIVETER



750A-088 ADAPTER

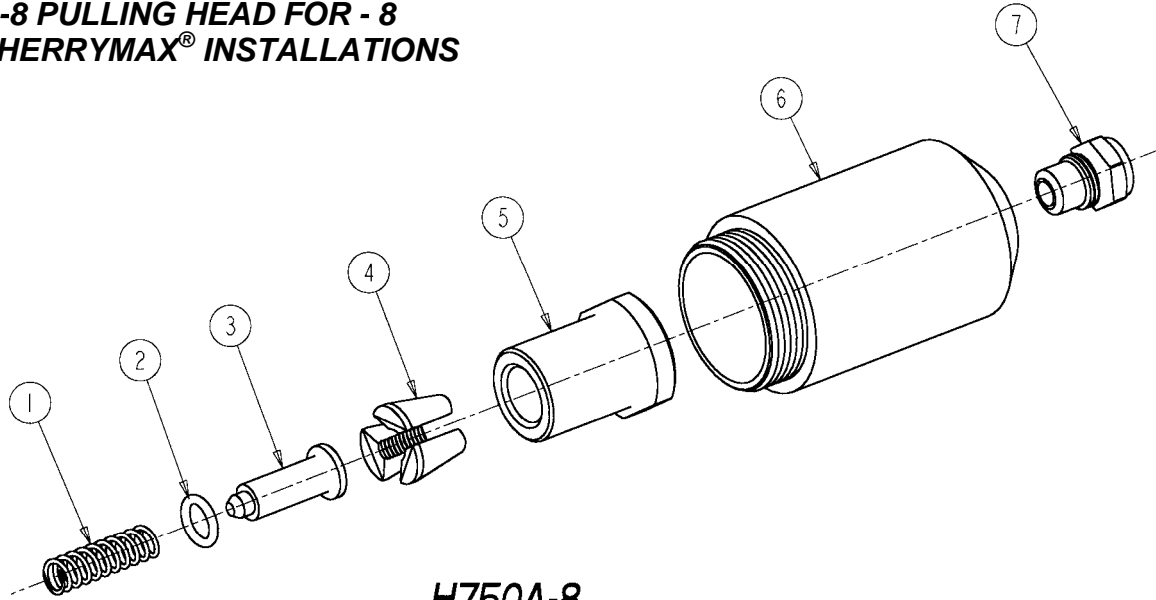


Note:
 This adapter is mounted on the G750A before attaching the H753A-456 Right Angle Pulling Head or the H781-456 Offset Pulling Head.

750A-088

ITEM NO.	REQ.	PART NO.	DESCRIPTION
2	1	750-090	SLEEVE, ADAPTER
1	1	750-089	ADAPTER, DRAWBAR

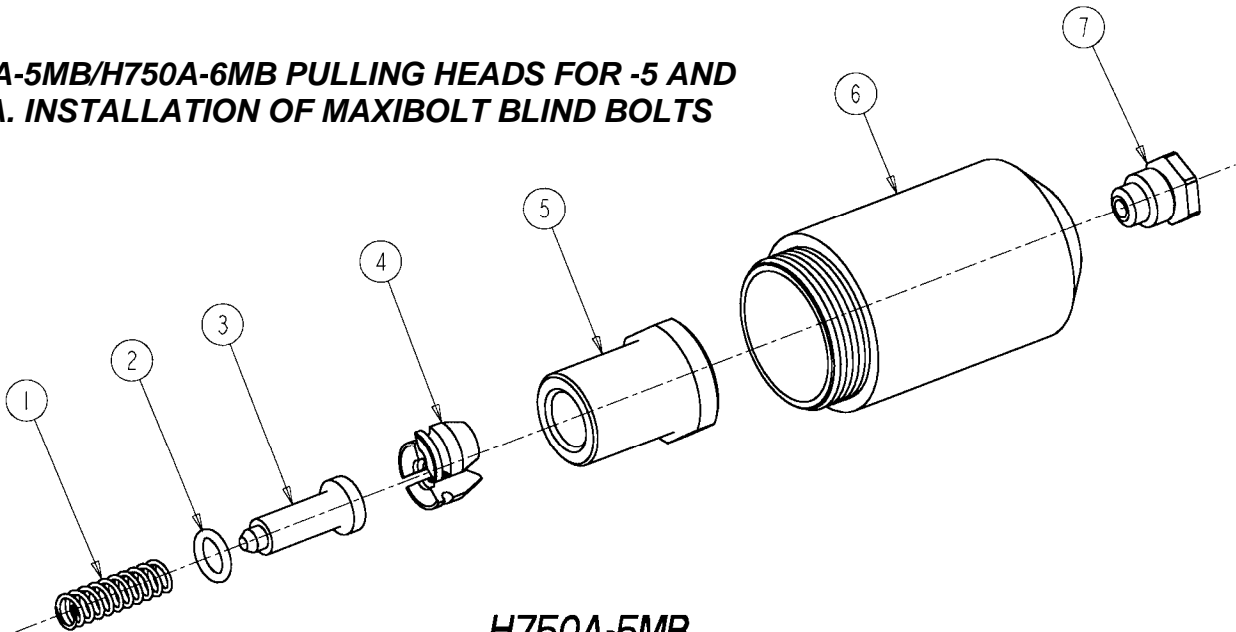
H750A-8 PULLING HEAD FOR - 8 DIA. CHERRYMAX® INSTALLATIONS



H750A-8

ITEM NO.	REQ.	PART NO.	DESCRIPTION
7	1	743A7-8Z	NOSEPIECE
6	1	750-062	SLEEVE
5	1	750-055	COLLET, 3 JAWS
4	1	743B54	JAW, SET OF 3
3	1	750-056	FOLLOWER, JAW
4	1	P-832	O-RING
1	1	P-1381	SPRING

H750A-5MB/H750A-6MB PULLING HEADS FOR -5 AND -6 DIA. INSTALLATION OF MAXIBOLT BLIND BOLTS



**H750A-5MB
H750A-6MB**

H750A-6MB	744C76	750-076
H750A-5MB	744C75	750-075
MODEL NUMBER	JAWS SET	NOSEPIECE

ITEM NO.	REQ.	PART NO.	DESCRIPTION
7	1	SEE TABLE	NOSEPIECE, MAXIBOLT
6	1	750-062	SLEEVE
5	1	750-068	COLLET, MAXIBOLT
4	1	SEE TABLE	JAW, SET OF 3
3	1	750-069	FOLLOWER, JAW
2	1	P-832	O-RING (.379, .239, .070)
1	1	P-1381	SPRING (.240, .029, 1.50)



G750A WITH RIVNUT ADAPTER

The G750A with Rivnut adapter permits installation of threaded inserts.



H753A-456 RIGHT ANGLE PULLING HEAD

The right angle nose assembly permits installation of -4, -5, -6 CherryMAX® rivets in many applications that are inaccessible to a straight head.

NSN 5130-01-393-2926



H782-() OFFSET PULLING HEAD

The offset nose assembly permits installation of different sizes of:

Pull through rivets, Bulb Type Blind Fasteners, Self Plugging Rivets, Blind Bolts, Single Action Wiredraw in limited access areas. See tool sheet for details.



H781-456 OFFSET PULLING HEAD

The offset nose assembly permits installation of -4, -5, -6 CherryMAX® rivets in limited access areas.

NSN 5130-01-393-2925

WARRANTY

Seller warrants the goods conform to applicable specifications and drawings and will be manufactured and inspected according to generally accepted practices of companies manufacturing industrial or aerospace fasteners. In the event of any breach of the foregoing warranty, Buyer's sole remedy shall be to return defective goods (after receiving authorization from Seller) for replacement or refund of the purchase price, at the Seller's option. Seller agrees to any freight costs in connection with the return of any defective goods, but any costs relating to removal of the defective or nonconforming goods or installation of replacement goods shall be Buyer's responsibility. SELLER'S WARRANTY DOES NOT APPLY WHEN ANY PHYSICAL OR CHEMICAL CHANGE IN THE FORM OF THE PRODUCT IS MADE BY BUYER.

THE FOREGOING EXPRESS WARRANTY AND REMEDY ARE EXCLUSIVE AND ARE IN LIEU OF ALL OTHER WARRANTIES AND REMEDIES; ANY IMPLIED WARRANTY AS TO QUALITY, FITNESS FOR PURPOSE, OR MERCHANTABILITY IS HEREBY SPECIFICALLY DISCLAIMED AND EXCLUDED BY SELLER. THIS WARRANTY IS VOID IF SELLER IS NOT NOTIFIED IN WRITING OF ANY REJECTION OF THE GOODS WITHIN ONE (1) YEAR AFTER INITIAL USE BY BUYER OF ANY POWER RIVETER OR NINETY (90) DAYS AFTER INITIAL USE OF ANY OTHER PRODUCT.

Seller shall not be liable under any circumstances for incidental, special or consequential damages arising in whole or in part from any breach by Seller, AND SUCH INCIDENTAL, SPECIAL, OR CONSEQUENTIAL DAMAGES ARE HEREBY EXPRESSLY EXCLUDED.

For more information please contact our Technical Services Department at Tel. 714-850-6022

LOCTITE® is a registered trademark of Henkel Corporation
 DEXRON® is a registered trademark of GM corporation.
 PARKER® is a trademark of Parker Hannifin Corporation
 LUBBRILATE® is a trademark of Fiske Brothers Refining Co.



CHERRY®
AEROSPACE

1224 East Warner Ave,
 Santa Ana, Ca 92705
 Tel: 1-714-545-5511
 Fax: 1-714-850-6093
 www.cherryaerospace.com