

Bosch Motorsport
Equipment for High Performance Vehicles
Edition 2011/1



BOSCH
Invented for life



Contacts

Europe

**Bosch Engineering GmbH
Motorsport**

Robert-Bosch-Allee 1
74232 Abstatt
Germany
Phone: +49 7062 911 79101
Fax: +49 7062 911 79104

United Kingdom:

**Robert Bosch Ltd
Motorsport**

Broadwater Park, North Orbital Road
Denham, Uxbridge
Middlesex UB9 5HJ
United Kingdom
Phone: +44 1895 83 8929
Fax: +44 1895 83 9019

France:

**Robert Bosch France S.A.S
Motorsport**

32, avenue Michelet
B.P. 170
F - 93404 Saint-Ouen Cedex
France
Phone: +33 1 40 10 77 14
Fax: +33 1 40 10 76 88

Asia Pacific

**Bosch Engineering Japan K.K.
Motorsport**

3-33-8 Tsuruya-cho, Kanagawa-ku,
Yokohama-shi
Kanagawa 221-0835
Japan
Phone: +81 45 410 1650
Fax: +81 45 410 1651

North and South America

**Bosch Engineering North America
Motorsports**

38000 Hills Tech Drive
Farmington Hills, MI 48331-3417
United States of America
Phone: +1 248 876 2977
Fax: +1 248 876 7373

For more information please visit www.bosch-motorsport.com
or send an email to motorsport@bosch.com

© Bosch Engineering GmbH, 2010
Modifications reserved.

Warning: It is strictly forbidden to use Bosch Motorsport products on public roads. They are only developed for use in racing on private closed courses!

Contents

Engine Control Units

Gasoline Engine Control Units

Engine Control Units Sport Line.....	8
ECU MS 3 Sport.....	10
ECU MS 4 Sport.....	12
ECU MS 4 Sport Package/ Sport Turbo Package.....	14
ECU MS 4.4 Sport.....	15
Engine Control Units Performance Line ..	17
ECU MS 5.0.....	19
ECU MS 5.1.....	21
ECU MS 5.5.....	23
ECU MS 5.2.....	25

Diesel Engine Control Units

ECU MS 15 Sport.....	27
ECU MS 15.1.....	29
ECU MS 15.2.....	31
ECU MS 12.....	33

Injection & Ignition

Diesel System Components

Diesel System Components.....	36
-------------------------------	----

Injection Valves

Injection Valve EV 6	39
Injection Valve EV 12	42
Injection Valve EV 14	44
Injection Valve EV 14i	48

HP Injection Valves

HP Injection Valve HDEV 5.....	50
--------------------------------	----

Power Stage Units

HPI 1.1.....	53
HPI 1.16 HV / HVD	55
NEW! HPI 5.....	56
Ignition Module IM 3.1 / 3.2	57
Ignition Module IM 4.....	60

Fuel Pumps

Fuel Pump FP 100	63
Fuel Pump FP 165	65
Fuel Pump FP 200	67
Fuel Pump FP 300/FP 300L.....	70
HP Fuel Pump HDP 5.....	73
HP Fuel Pump HDP 5-FD	74

Fuel Pressure Regulators

Fuel Pressure Regulator Mini/Mini M	75
Fuel Pressure Regulator Mini A	77
Fuel Pressure Regulator Mini 38.....	78
Fuel Pressure Regulator Mini 5.....	80

NEW! FPR Adaptor	82
HP Control Valve DSV.....	84

Ignition Coils

Double Fire Coil 3x2.....	85
Double Fire Coil 2x2.....	88
Twin Single Fire Coil 2x1.....	91
Single Fire Coil P35 / P35-T	94
Single Fire Coil P35-E / P35-TE	97
Single Fire Coil P50 / P50-M	100
Single Fire Coil P100-T	103
Single Fire Coil PS / PS-T	106
Single Fire Coil M	110
Single Fire Coil S22 / S22-T	113
Single Fire Coil S19.....	116
Single Fire Coil S16.....	119
Single Fire Coil S16-T	122

Spark Plugs

Spark Plugs.....	125
------------------	-----

Starters & Alternators

Starters

Starter 1.4 kW	128
Starter 1.7 kW	129
Starter 2.0 kW	130

Alternators

Alternator GCM1	131
NEW! Alternator B3	135

Sensors

Absolute Position Sensor

Absolute Position Sensor APS-C	140
--------------------------------------	-----

Dynamic Vehicle Sensors

Acceleration Sensor AM 600-2, AM 600-3	142
Yaw Rate Sensor YRS 3	144
Lean Angle Sensor LAS-1.....	146
Ride Height Sensor RHS.....	149

Gear Shift Sensors

Gear Shift Sensor GSS-2.....	151
Gear Shift Sensor GSS-M.....	153

Knock Sensors

Knock Sensor KS-P	155
Knock Sensor KS-R.....	157

Lambda Sensors

Lambda Sensor LSU 4.2	159
Lambda Sensor LSU 4.9.....	161
Lambda Sensor LSU 4.9D.....	163
Lambda Sensor Mini-LSU 4.9	165

Linear Potentiometers

Linear Potentiometer LP 10	167
Linear Potentiometer LP 25	169
Linear Potentiometer LP 25 twin	171
Linear Potentiometer LP 50	173
Linear Potentiometer LP 50 twin	175
Linear Potentiometer LP 75	177
Linear Potentiometer LP 75F	179
Linear Potentiometer LP 100	181
Linear Potentiometer LP 100F	183
Linear Potentiometer LP 150	185

Pressure Sensors Air

Pressure Sensor Air PSA-B	187
Pressure Sensor Air PSA-C	190
Pressure Sensor Air PSB-2	193
Pressure Sensor Air PSB-4	195
Pressure Sensor Air PSP	197
Pressure Sensor Air PST.....	199

Pressure Sensors Differential

Pressure Sensor Differential DP-A.....	202
Pressure Sensor Differential DP-C	204
Pitot Static Tube PT	206

Pressure Sensors Fluid

Pressure Sensor Fluid PSS-10	208
Pressure Sensor Fluid PSS-10R.....	210
Pressure Sensor Fluid PSS-100R.....	212
Pressure Sensor Fluid PSS-250R.....	214
Pressure Sensor Fluid PSC-10.....	216
Pressure Sensor Fluid PSC-10R	218
Pressure Sensor Fluid PSC-250R	220
Pressure Sensor Fluid PSM	222
Pressure Sensor Fluid PSM-S	224
Pressure Sensor Fluid PST-F	226

Rotary Potentiometers

Rotary Potentiometer RP 50-/130-/350-M	229
Rotary Potentiometer RP 55.....	231
Rotary Potentiometer RP 86.....	233
Rotary Potentiometer RP 100/130/308	235
Rotary Potentiometer RP 100 twin.....	237
Rotary Potentiometer Mini-RP 100-M...	240
Rotary Potentiometer RP 345-M.....	242
Rotary Potentiometer RP 360-H	244

Speed Sensors

Inductive Speed Sensor IA	247
Inductive Speed Sensor IA-C	250
Inductive Speed Sensor IS	253
Inductive Speed Sensor IS-M	256
Inductive Speed Sensor IS-C.....	259
Inductive Speed Sensor IS-T	262
Hall-Effect Speed Sensor HA-M	265
Hall-Effect Speed Sensor HA-P	267

Hall-Effect Speed Sensor Mini-HA-P	269
Hall-Effect Speed Sensor Mini-HA-P sealed.....	272
Hall-Effect Speed Sensor HA-D 90.....	275
NEW! Hall-Effect Speed Sensor HA-P2	277

Temperature Sensors

Temperature Sensor NTC M5-HS.....	280
Temperature Sensor NTC M6	282
Temperature Sensor NTC M6-H.....	284
Temperature Sensor NTC M6-HS.....	286
Temperature Sensor NTC M8	288
Temperature Sensor NTC M8-HS.....	290
Temperature Sensor NTC M12	292
Temperature Sensor NTC M12-H.....	294
Temperature Sensor NTC M12-L	296
NEW! Temperature Sensor PT 200E.....	298

Temperature Sensors Infrared

Temperature Sensor Infrared TI-16-r / TI-16-s	301
Temperature Sensor Infrared TI-100-s / TI-100-c.....	303

Thermocouple Probes

Thermocouple Probe TCP-K	305
Thermocouple Probe TCP-NF	307
Thermocouple Probe TCP-KA	309

Wire Potentiometers

Wire Potentiometer WP 35.....	311
Wire Potentiometer WP 50.....	313
Wire Potentiometer WP 75.....	315
Wire Potentiometer WP 100.....	317
Wire Potentiometer WP 120.....	319
Wire Potentiometer WP 125.....	321

Electronic Throttle Control

Electronic Throttle Grip ETG	324
NEW! Electronic Throttle Body ETB	326

Chassis & Brake Control

ABS M4 Kit.....	330
-----------------	-----

Displays

Display DDU Sport.....	334
Display DDU 4.....	336
Display DDU 6.....	337
Display DDU 8.....	338

Data Logging Systems

Data Loggers

Data Logger C Sport.....	342
CardMemory C 40 / C 40 Plus.....	344
Data Logging Accessories.....	345
Data Logging System DLS	346
CardMemory C 55.....	347
Modular Sensor Interface MSI 55.....	348

Data Logger C 60..... 349

Telemetry

Online Telemetry System Overview..... 351
 Telemetry Unit FM 40 352
 Pit Receiver Box 353
 Telemetry Accessories..... 358
 Burst Telemetry System Overview..... 360
 Burst Telemetry System 361

Lap Trigger Systems

Lap Trigger IR-02 363
 Lap Trigger HF 24 364

Software

Calibration

RaceCon 368
 Modas 369
 Modas Sport 370

Simulation

LapSim..... 371

Analysis

WinDarab..... 373

Accessories

Communication Interface

MSA-Box II 376

Handheld Test Devices

RS 2000 377

Expansion Modules

Lambdatronic LT4 378
 AWS LSU 4.9..... 380
 CAN Module EM-A6..... 382
 CAN Module EM-C 384
 CAN Module EM-H4 385
 CAN Module EM-I4..... 386
 Extended Module EM-LIN 387

Relay

Relay 25 A..... 390

Switches

Switches 392

Wiring Harnesses

Wiring Harnesses..... 393

Appendix

General Information 396
 Vibration Profile 1..... 396
 Vibration Profile 2..... 397
 Vibration Profile 3..... 397

Engine Control Units

Gasoline Engine Control Units

Engine Control Units Sport Line

The Sport Line introduces a simple and competitive start in the world of engine control units from Bosch Motorsport. In comparison with the Performance Line ECUs from Bosch Motorsport, the Sport Line devices have an optimized function range that make the initial start-up process much simpler.

The Sport Line has three different hardware platforms that vary in their amount of inputs/outputs and functionality that provide the optimal ECU to be selected for a given project's requirements. Additionally, each ECU in the Sport Line can be tailored to support certain project needs through various software options. To complete the entire entry level system, Bosch Motorsport offers a display unit with integrated logging capability, DDU Sport, and an external data logger, C Sport.

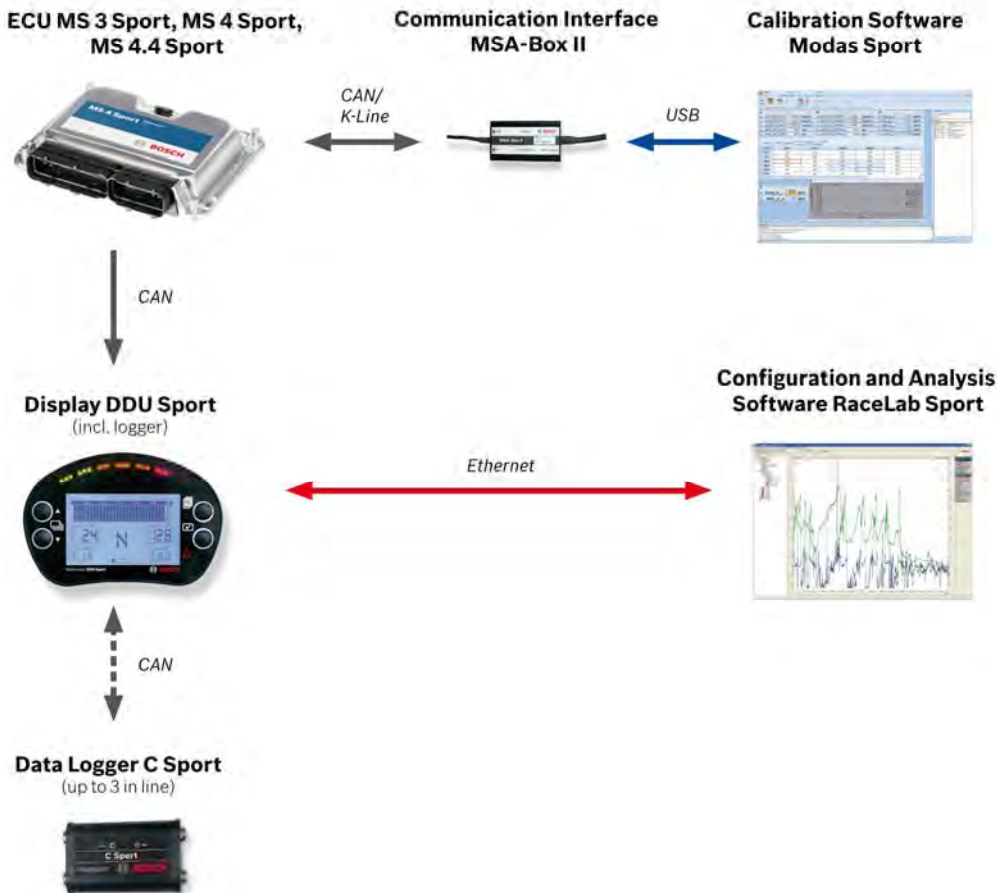
Overview ECUs Sport Line

	Sport		
			
	MS 3 Sport	MS 4 Sport	MS 4.4 Sport
Engine Layout	up to 6 cyl. 1 or 2 bank	up to 8 cyl. 1 or 2 bank	up to 10 cyl. 1 or 2 bank
Control Strategy	alpha/n	alpha/n	alpha/n
Dual Lambda Control	•	•	•
Turbo Boost Control	-	optional	optional
Knock Control	optional	optional	optional
Electronic Throttle Control	optional	optional	optional
Traction Control	optional	optional	optional
Proposed Bosch Logger	C Sport	C Sport	C Sport
Proposed Bosch Display	DDU Sport	DDU Sport	DDU Sport
Support of Gasoline Direct Injection	optional	optional	optional

Example for a typical Sport Line system

Depicted below is an example system layout for the ECUs of the Sport Line. The ECU is calibrated with the Modas Sport software. The communication interface, the MSA-Box II, connects to the PC over USB and to the ECU via a CAN/K-Line link. The display, the DDU Sport, is configured over Ethernet with the software RaceLab Sport. The ECU sends the desired measured variables to the display/logger via CAN interface. These variables can be displayed for the driver or logged for analysis. Downloading and analysing the data is also accomplished over Ethernet with the RaceLab Sport software. Alternatively up to three loggers can be connected in line to the display or the ECU; so the data capacity can be increased to 2 GB.

Gasoline Direct Injection (GDI)



ECU MS 3 Sport

The MS 3 Sport is the first Bosch engine management system to be manufactured with full hybrid technology. Therefore it is very small, lightly and robust against vibrations. The MS 3 Sport is suitable for engines with up to 6 cylinders and has internal ignition output stages. Two sensor inputs are available for vibration knock detection and knock control. Various engine parameters can be measured with different input channels and transferred via CAN interface to an optional data logger or dash display.



Application	
Engine layout	up to 6 cylinders, 2 bank
Control strategy	alpha/n
Lambda control	dual
Speed limiter	✓
Gear cut for sequential gear box	✓
Map switch (3 positions - each corresponds to different target lambda and spark maps)	✓
Fuel cut off	✓
Sequential fuel injection	✓
Asymmetric injection timing	✓
Asymmetric ignition timing	✓
Knock control	optional
Electronic throttle control	optional
Traction control	optional
Interface to Bosch Motorsport ABS M4 kit	✓
Support of 60-2 and 36-2 ignition trigger wheels	
Max. vibration	<i>Vibration Profile 3</i> (see Appendix or www.bosch-motorsport.com)

Mechanical Data	
Extremely small and flat aluminium pressure casting housing	
Four mounting points on housing	
2 connectors with high pin density	
Extremely shock and vibration proof hybrid technology	
Size	120 x 90 x 40 mm
Weight	250 g
Temperature range	-40 ... 125 °C

Connectors	
Mating connector I	D 261 205 139
Mating connector II	D 261 205 140

Software	
Modas Sport Calibration Software	inclusive
WinDarab Analysis Software	on request

Electrical Data	
Max. power consumption	10 W at 14 V
Inputs	
2 lambda sensor interfaces LSU	
4 inputs for Hall-effect wheel speed sensors	
1 input for inductive crankshaft sensor	
1 input for Hall-effect camshaft sensor	
17 analog inputs 0 ... 5 V	
2 knock sensor inputs	
6 digital inputs	
Outputs	
6 injection power stages	
6 ignition power stages	
16 power stages (2 A/1 A; low side; PWM)	
2 power stages for lambda heater	
1 H-bridge (5 A)	
2 sensor supply	5 V/100 mA
Communication interfaces	
1 K-line serial interface	
1 CAN interface for external communication	

Optional Accessories	
MSA-Box II	
Data logger C Sport	
Data logger C 40	
Data logger C 40 Plus	
Display DDU Sport (incl. logger)	
Display DDU 4	
Display DDU 6	

Optional Functionality	
Knock Control SW upgrade	F 01T A20 053-01
Electronic Throttle Control SW upgrade	F 01T A20 051-01
Traction Control SW upgrade	F 01T A20 052-01

Part Number	
MS 3 Sport	F 01T A20 067-01

ECU MS 4 Sport

The MS 4 Sport is an engine management system for high performance engines up to 8 cylinders. The system contains 8 ignition drivers for external power stages and 8 independent injection power stages. Two independent wide range lambda circuits allow lambda closed loop engine control. There is also a version for Turbo engines, Turbo GDI engines as well as for motorcycle engines available. Various engine parameters can be measured with different input channels and transferred via CAN interface to an optional data logger.



Application

Control strategy	alpha/n
Lambda control	dual
Speed limiter	✓
Gear cut for sequential gear box	✓
Map switch (3 positions - each corresponds to different target lambda and spark maps)	✓
Fuel cut off	✓
Asymmetric injection timing	✓
Asymmetric ignition timing	✓
Support of 60-2 and 36-2 ignition trigger wheels	
Max. vibration	<i>Vibration Profile 2</i> (see Appendix or www.bosch-motorsport.com)

Mechanical Data

Sheet-metal housing	
Each connector pin individually filtered	
Vibration damped circuit boards	
Size	180 x 162 x 46 mm
Weight	430 g
Temperature range	-40 ... 75 °C

Connectors

Mating connector I	D 261 205 344
Mating connector II	D 261 205 345

Electrical Data

Max. power consumption	30 W at 14 V
------------------------	--------------

Inputs

2 lambda sensor interfaces LSU
4 inputs for Hall-effect wheel speed sensors
1 input for inductive crankshaft sensor
1 input for Hall-effect camshaft sensor
18 analog inputs 0 ... 5 V
2 knock sensor inputs
7 digital inputs

Outputs

8 injection power stages	
8 ignition drivers	
20 power stages (2.7 A/0.6 A; low side; PWM)	
2 power stages for lambda heater	
1 H-bridge (5 A)	
2 sensor supply	5 V/100 mA

Communication interfaces

1 K-line serial interface
2 CAN interfaces for external communication

Software

Modas Sport Calibration Software	inclusive
WinDarab Analysis Software	on request

Optional Accessories
MSA-Box II
Data logger C Sport
Data logger C 40/C 40 Plus
Display DDU Sport (incl. Logger)
Display DDU 4
Display DDU 6
Injection power stage HPI 5
HP fuel pump HDP 5

Optional Functionality
Advanced Turbo Boost Control F 02U V00 781-01
Knock Control SW upgrade F 01T A20 053-01
Electronic Throttle Control SW upgrade F 01T A20 051-01
Traction Control SW upgrade F 01T A20 052-01
Variable Valve Timing VVT SW upgrade F 02U V00 395-01
Shift down (Blipper) SW upgrade F 02U V00 780-01 also compatible to MEGA-Line gear box control

Part Number
MS 4 Sport F 01T A20 049-01
MS 4 Sport Turbo F 01T A20 060-01
MS 4 Sport Turbo GDI F 01T A20 060-02 only in combination with Bosch Motorsport HPI 5
MS 4 Sport Motorcycle F 02U V00 024-01

MS 4 Sport Product Variations				
	MS 4 Sport	MS 4 Sport Turbo	MS 4 Sport Turbo GDI	MS 4 Sport Motorcycle
Application				
Engine layout	up to 8 cylinders, 2 bank	up to 8 cylinders, 2 bank	up to 6 cylinders, 2 bank	up to 4 cylinders, 2 bank
Support of Gasoline Direct Injection	-	-	+	-
Interface to Bosch Motorsport ABS M4 kit	+	+	+	-
Turbo boost control	-	+	+	-
Advanced Turbo boost control	-	optional	optional	-
Knock control	optional	optional	optional	-
Electronic throttle control	optional	optional	optional	-
Traction control	optional	optional	optional	-
Variable valve timing	optional	optional	optional	-
Shift down (Blipper)	optional	optional	optional	-

ECU MS 4 Sport Package/Sport Turbo Package

The package consists of the following components:

- MS 4 Sport or Sport Turbo Engine Control Unit
- Display DDU Sport with integrated data logger
- Software tools for calibration and data analysis



The key component of this package is the ECU capable of running engines up to 8 cylinders. The ECU includes eight ignition drives for external power stages and eight independent injection power stages. The ECU software set has been optimized to make calibration more approachable for less experienced users.

Various engine parameters can be measured with different input channels and transferred via the CAN interface to the DDU Sport Display. The integrated data memory stores up to 512 MB. One set of mating connectors for display and ECU is inclusive.

For communication between the PC and the ECU or the display, the MSA-Box II communication interface is required. Please note: The MSA-Box II is not part of the package.

Software

Modas Sport for ECU calibration

RaceLab Sport for Display configuration and data analysis

Optional Accessories

MSA-Box II F 02U V00 327-01

Part Number

MS 4 Sport Package **F 01T A20 048-01**

MS 4 Sport Turbo Package **F 01T A20 063-01**

ECU MS 4.4 Sport

The MS 4.4 Sport [1] is an engine management system for engines with up to 10 cylinders. The robust housing is provided with motorsport connectors. The system contains 10 ignition drivers for external power stages and 10 independent injection power stages. Four vibration sensor inputs allow knock detection and knock control. Two independent wide range lambda circuits allow lambda closed loop engine control. There is also a version for Turbo engines [2] available. The high number of analog channels allows for the logging of numerous engine and chassis parameters. Additionally the MS 4.4 Sport has 20 configurable pull-ups.



Application	
Engine layout	up to 10 cylinders, 2 bank
Control strategy	alpha/n
Lambda control	dual
Speed limiter	✓
Gear cut for sequential gear box	✓
Map switch (3 positions - each corresponds to different target lambda and spark maps)	✓
Fuel cut off	✓
Asymmetric injection timing	✓
Asymmetric ignition timing	✓
Turbo boost control	✓ [2]
Advanced turbo boost control	optional [2]
Knock control	optional
Electronic throttle control	optional
Traction control	optional
Variable valve timing	optional
Shift down (Blipper)	optional
Interface to Bosch Motorsport ABS M4 kit	✓
Support of 60-2 and 36-2 ignition trigger wheels (10-cylinders only 60-2!)	
Max. vibration	<i>Vibration Profile 1</i> (see Appendix or www.bosch-motorsport.com)

Mechanical Data	
Aluminium housing	
3 high pin density motorsport connectors	
165 pins, each pin individually filtered	
Vibration damped circuit boards	
Size	174 x 133 x 39 (23) mm
Weight	860 g
Temperature range	-40 ... 75 °C

Connectors	
Mating connector I	
AS 6-16-35 SA	F 02U 000 467-01
Mating connector II	
AS 6-16-35 SC	F 02U 000 469-01
Mating connector III	
AS 6-16-35-SB	F 02U 000 468-01

Software	
Modas Sport Calibration Software	inclusive
WinDarab Analysis Software	on request

Electrical Data	
Max. power consumption	20 W at 14 V
Inputs	
2 lambda sensor interfaces LSU	
4 inputs for Hall-effect wheel speed sensors	
1 input for inductive crankshaft sensor	
4 inputs for Hall-effect camshaft sensors	
39 inputs 0 ... 5 V (20 with configurable pullups)	
4 knock sensor inputs	
8 digital inputs	
Outputs	
10 injection power stages (2.2 A)	
10 ignition drivers for external power stages	
21 power stages (2.7 A/0.6 A; low side)	
2 power stages for lambda heater	
1 H-bridge (7 A)	
3 sensor supply	5 V/600 mA
Communication interfaces	
1 K-line serial interface	
2 CAN interfaces for external communication	

Optional Accessories	
MSA-Box II	
Data logger C Sport	
Data logger C 40/C 40 Plus	
Display DDU Sport (incl. Logger)	
Display DDU 4	
Display DDU 6	

Optional Functionality	
Knock Control SW upgrade	F 01T A20 053-01
Electronic Throttle Control SW upgrade	F 01T A20 051-01
Traction Control SW upgrade	F 01T A20 052-01
Variable Valve Timing VVT SW upgrade	F 02U V00 395-01
Advanced Turbo Boost Control	F 02U V00 781-01
Shift down (Blipper) SW upgrade	F 02U V00 780-01
compatible to MEGA-Line gear box control	





Part Number	
MS 4.4 Sport [1]	F 01T A20 068-01
MS 4.4 Sport Turbo [2]	F 01T A20 074-01

Engine Control Units Performance Line

The ECUs of the Performance Line offers individual solutions for various automotive and motorcycle applications. All MS 5 ECUs utilize a new software development process based on MATLAB® & Simulink® to significantly speed algorithm development. They also feature a high-end FPGA (Field Programmable Gate Array) for fast signal processing and flexible signal control. A PowerPC enables highly sophisticated control algorithms. Consistent software structure guarantees easy recognition of all software labels and functions across the complete ECU Performance Line. The Performance Line system is completed by use of the DDU 8 display and the C 60 external data logger.

The ECUs in the Performance Line are defined by a torque structure based engine control strategy: torque is used as the central variable for coordinating all requests (i.e. engine/vehicle speed limiter, traction control, etc.). The actual engine torque value is determined from the correcting variables (air charge, ignition angle, and/or cylinder reduction via fuel cut) by means of a torque model. This is then compared to the desired engine torque value to determine if any modification of the engine torque is needed. The torque based control strategy results in a precise and adaptable control of the engine.

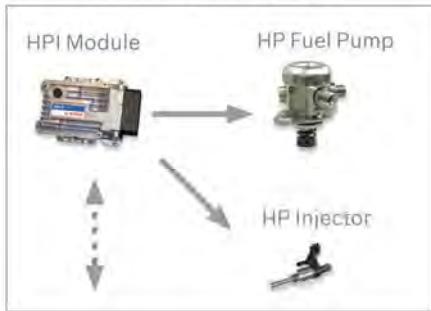
Overview ECUs Performance Line

	Performance			
				
	MS 5.0	MS 5.1	MS 5.5	MS 5.2
<i>Engine Layout</i>	up to 8 cyl. 1 or 2 bank	up to 8 cyl. 1 or 2 bank	up to 8 cyl. 1 or 2 bank	up to 12 cyl. 1 or 2 bank
<i>Control Strategy</i>	torque-structure based	torque-structure based	torque-structure based	torque-structure based
<i>Dual Lambda Control</i>	•	•	•	•
<i>Turbo Boost Control</i>	•	•	•	•
<i>Knock Control</i>	•	•	•	•
<i>Electronic Throttle Control</i>	•	•	•	•
<i>Traction Control</i>	•	•	•	•
<i>Proposed Bosch Logger</i>	C 60	C 60	integrated 2 GB logger	C 60
<i>Proposed Bosch Display</i>	DDU 8	DDU 8	DDU 8	DDU 8
<i>Support of Gasoline Direct Injection</i>	•	•	•	•

Example for a typical Performance Line system

Depicted below there is an example system layout for the ECUs of the Performance Line. The ECU is calibrated with the software Modas Sport. The communication interface, the MSA-Box II, connects to the PC over USB and to the ECU via a CAN/Ethernet link. The DDU 8 display is configured over Ethernet with the software RaceCon. The C 60 data logger is also configured with RaceCon. The logger and the ECU communicate over Ethernet. Downloading and analysing the data is accomplished with the data analysis software WinDarab. The data can be also transmitted over burst or online telemetry.

Gasoline Direct Injection (GDI)



ECU MS 5.0, MS 5.1, MS 5.5, MS 5.2



Communication Interface MSA-Box II



Calibration Software Modas Sport



Display DDU 8 or Logger C 60



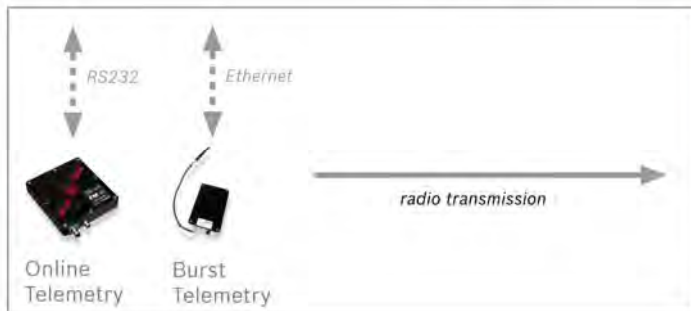
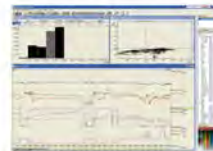
Configuration Software RaceCon



Ethernet

Ethernet

Data Analysis Software WinDarab



Telemetry

ECU MS 5.0

The MS 5.0 engine control unit manages gasoline engines up to 8 cylinders. As a member of our MS 5 family, it features a powerful digital processing core with floating point arithmetic and a high-end FPGA for ultimate performance and flexibility. The MS 5 family utilizes a new software development process based on MATLAB/Simulink. It significantly speeds algorithm development by using automatic code and documentation generation. Custom functions can be quickly and easily generated. The flexible hardware design allows the MS 5.0 to support complex or unusual engine or chassis configurations.



Application	
Engine layout	up to 8 cylinders, 2 bank
Control strategy	torque-structure based
Lambda control	with adaptation function
Speed limiter	✓
Gear cut for sequential gear box	✓
Map switch (3 steps)	✓
Fuel cut off	✓
Turbo boost control	✓
Knock control	✓
Electronic throttle control	✓
Traction control	✓
Injection timing	✓
Ignition timing	✓
Calibration interface	CCP via CAN or XCP via Ethernet
Interface to Bosch Data Logging System	
Max. Vibration	Vibration Profile 1 (see Appendix or www.bosch-motorsport.com)

Mechanical Data	
Dust and waterproof aluminium housing	
2 high pin density motorsport connectors	
132 pins, each pin individually filtered	
Vibration damped circuit boards	
Size	140 x 109 x 40.5 mm
Weight	650 g
Temp. range (at internal sensors)	-20 ... 85 °C

Connectors	
Mating connector I	
AS 6-18-35 SB	F 02U 000 474-01
Mating connector II	
AS 6-18-35 SN	F 02U 000 472-01

Software	
Modas Sport Calibration Software	inclusive
WinDarab Analysis Software	on request

Electrical Data	
Approx. power cons. (w/o loads)	9 W at 14 V
Power Supply	
Full operation	6.5 ... 18 V
Recommended	11 ... 14 V
Absolute maximum	6 ... 24 V
Inputs	
2 thermocouple exhaust gas temperature sensors	
2 lambda interfaces (LSU 4.9)	
1 crankshaft sensor (2-wire, inductive or Hall-effect)	
1 camshaft sensor (2-wire, inductive or Hall-effect)	
4 wheel speed sensors (inductive or Hall-effect)	
32 universal analog inputs 0 ... 5 V; 12 Bit	
4 analog inputs (angle synchronous or time synchronous triggering up to 250 ksps, 12 Bit)	
2 inputs for vibration knock sensors	
1 laptrigger input	
Outputs	
8 injection power stages	
8 ignition power stages (up to 10 A)	
12 power stages (2 A; low side; PWM)	
2 power stages (4 A; low side; PWM)	
1 H-bridge (5 A)	
2 sensor supplies 5 V/400 mA	
6 diagnostic outputs with selectable internal signals	
1 timebase synch-in/out	
Communication interfaces	
2 x 100 Mbps Ethernet interfaces	
2 x 1 Mbps CAN interfaces	

Application Hints	
Depending on your experiences with calibration of ECUs we recommend calibration support from Bosch Motorsport.	
Part Number	
MS 5.0	F 02U V00 326-03

ECU MS 5.1

The MS 5.1 engine control unit manages gasoline engines up to 8 cylinders. As a member of our MS 5 family, it features a powerful digital processing core with floating point arithmetic and a high-end FPGA for ultimate performance and flexibility. The MS 5 family utilizes a new software development process based on MATLAB/Simulink, which significantly speeds algorithm development by using automatic code and documentation generation. Custom functions can be quickly and easily generated. The flexible hardware design allows the MS 5.1 to support complex or unusual engine or chassis configurations.



Application	
Engine layout	up to 8 cylinders, 2 bank
Control strategy	torque-structure based
Lambda control	with adaptation function
Speed limiter	✓
Gear cut for sequential gear box	✓
Map switch (3 steps)	✓
Fuel cut off	✓
Turbo boost control	✓
Knock control	✓
Electronic throttle control	✓
Traction control	✓
Sequential fuel injection	✓
Asymmetric injection timing	optional
Asymmetric ignition timing	optional
Calibration interface	
	CCP via CAN or XCP via Ethernet
Interface to Bosch Data Logging System	
Max. Vibration	Vibration Profile 1 (see Appendix or www.bosch-motorsport.com)

Mechanical Data	
Aluminium housing	
3 high pin density motorsport connectors	
165 pins, each pin individually filtered	
Vibration suppression via multipoint fixed circuit boards	
Size	180 x 155 x 40 mm
Weight	1,060 g
Temp. range (at internal sensors)	-20 ... 85 °C

Connectors	
Mating connector I	
AS 6-16-35 SA	F 02U 000 467-01
Mating connector II	
AS 6-16-35 SB	F 02U 000 468-01
Mating connector III	
AS 6-16-35 SN	F 02U 000 466-01

Software	
Modas Sport Calibration Software	inclusive
WinDarab Analysis Software	on request

Electrical Data	
Approx. power cons. (w/o loads)	9 W at 14 V
Power Supply	
Operating range	6.5 ... 18 V
Recommended	11 ... 14 V
Absolute maximum	6 ... 24 V
Inputs	
2 thermocouple exhaust gas temperature sensors	
2 lambda interfaces (LSU 4.9)	
1 crankshaft sensor (2-wire, inductive or Hall-effect)	
1 camshaft sensor (2-wire, inductive or Hall-effect)	
2 turbo speed sensors (2-wire, inductive or Hall-effect)	
4 wheel speed sensors (inductive or Hall-effect)	
38 universal analog inputs 0 ... 5 V; 12 Bit	
4 analog inputs (angle synchronous or time synchronous triggering up to 250 ksps, 12 Bit)	
4 knock sensor inputs	
1 laptrigger input	
Outputs	
8 injection power stages	
8 ignition power stages (up to 20 A)	
20 power stages (2 A; low side; PWM)	
4 power stages (4 A; low side; PWM)	
2 H-bridges (5 A)	
3 sensor supplies 5 V/400 mA and 1x 10 V/200 mA	
1 protected Ubat output 1A	
6 diagnostic outputs with selectable internal signals	
1 timebase reference synch-in/out	
Communication interfaces	
2 x 100 Mbps Ethernet interfaces	
1 x RS232 serial interface	
3 x 1 Mbps CAN interfaces	

Application Hints	
Internal battery for data preservation included.	
Required service interval 12 months (internal battery is replaced).	
Depending on your experience with ECU calibration, we recommend calibration support from the experienced team at Bosch Motorsport.	
Part Number	
MS 5.1	F 01T A20 071-01

ECU MS 5.5

The MS 5.5 engine control unit manages gasoline engines up to 8 cylinders. As a member of our MS 5 family, it features a powerful digital processing core with floating point arithmetic and a high-end FPGA for ultimate performance and flexibility. The MS 5 family utilizes a new software development process based on MATLAB/Simulink. It significantly speeds algorithm development by using automatic code and documentation generation. Custom functions can be quickly and easily generated. The flexible hardware design allows the MS 5.5 to support complex or unusual engine or chassis configurations. The MS 5.5 has an internal 2 GB logger, presenting a cost efficient and weight optimized all-in-one solution.



Application	
Engine layout	up to 8 cylinders, 2 bank
Control strategy	torque-structure based
Lambda control	with adaptation function
Speed limiter	✓
Gear cut for sequential gear box	✓
Map switch (3 steps)	✓
Fuel cut off	✓
Turbo boost control	✓
Knock control	✓
Electronic throttle control	✓
Traction control	✓
Sequential fuel injection	✓
Asymmetric injection/ignition timing	optional
Calibration interface	CCP via CAN or XCP via Ethernet
Interface to Bosch Data Logging System	
Internal logger	2 GB
Max. Vibration	Vibration Profile 1 (see Appendix or www.bosch-motorsport.com)

Mechanical Data	
Aluminium housing	
3 high pin density motorsport connectors	
165 pins, each pin individually filtered	
Vibration suppression via multipoint fixed circuit boards	
Size	180 x 155 x 40 mm
Weight (approx.)	1,270 g
Temp. range (at internal sensors)	-20 ... 85 °C

Connectors	
Mating connector I	
AS 6-16-35 SA	F 02U 000 467-01
Mating connector II	
AS 6-16-35 SB	F 02U 000 468-01
Mating connector III	
AS 6-16-35 SN	F 02U 000 466-01

Software	
Modas Sport Calibration Software	inclusive
WinDarab Analysis Software	on request

Electrical Data

Approx. power cons. (w/o loads) 13 W at 14 V

Power Supply

Full operation 6.5 ... 18 V

Recommended 11 ... 14 V

Absolute maximum 6 ... 24 V

Inputs

2 thermocouple exhaust gas temperature sensors

2 lambda interfaces (LSU 4.9)

1 crankshaft sensor (2-wire, inductive or Hall-effect)

1 camshaft sensor (2-wire, inductive or Hall-effect)

2 turbo speed sensors (2-wire, inductive or Hall-effect)

4 wheel speed sensors (inductive or Hall-effect)

38 universal analog inputs 0 ... 5 V; 12 Bit

4 analog inputs (angle synchronous or time synchronous triggering up to 250 ksps, 12 Bit)

4 inputs for vibration knock sensors

1 laptrigger input

Outputs

8 injection power stages

8 ignition power stages (up to 20 A)

20 power stages (2 A; low side; PWM)

4 power stages (4 A; low side; PWM)

2 H-bridges (5 A)

3 sensor supplies 5 V/400 mA and 1x 10 V/200 mA

1 protected Ubat output 1A

6 diagnostic outputs with selectable internal signals

1 timebase synch-in/out

Communication interfaces

2 x 100 Mbps Ethernet interfaces

1 x RS232 serial interface

3 x 1 Mbps CAN interfaces

Application Hints

Internal battery for data preservation included.

Required service interval 12 months (internal battery is replaced).

Depending on your experiences with calibration of ECUs we recommend calibration support from Bosch Motorsport.

Part Number

MS 5.5

F 02U V00 285-01

ECU MS 5.2

The MS 5.2 engine control unit manages gasoline engines up to 12 cylinders. As a member of our MS 5 family, it features a powerful digital processing core with floating point arithmetic and a high-end FPGA for ultimate performance and flexibility. The MS 5 family utilizes a new software development process based on Matlab® & Simulink®. It significantly speeds algorithm development by using automatic code and documentation generation. Custom functions can be quickly and easily generated. The flexible hardware design allows the MS 5.2 to support complex or unusual engine or chassis configurations.



Application	
Engine layout	up to 12 cylinders, 2 bank
Control strategy	torque-structure based
Lambda control	with adaptation function
Speed limiter	✓
Gear cut for sequential gear box	✓
Map switch (3 positions - each corresponds to different target lambda and spark maps)	✓
Fuel cut off	✓
Turbo boost control	✓
Knock control	✓
Electronic throttle control	✓
Traction control	✓
Sequential fuel injection	✓
Asymmetric injection timing	optional
Asymmetric ignition timing	optional
Calibration interface	CCP via CAN or XCP via Ethernet
Interface to Bosch Data Logging System	
Max. Vibration	Vibration Profile 1 (see Appendix or www.bosch-motorsport.com)

Mechanical Data	
Dust and waterproof aluminium housing	
4 high pin density motorsport connectors	
220 pins, each pin individually filtered	
Vibration resistant circuit board mounting	
Size	200 x 170 x 36.5 mm
Weight (approx.)	1,260 g
Temp. range (at internal sensors)	-20 ... 85 °C

Connectors	
Mating connector I	
AS 6-16-35 SA	F 02U 000 467-01
Mating connector II	
AS 6-16-35 SB	F 02U 000 468-01
Mating connector III	
AS 6-16-35 SC	F 02U 000 469-01
Mating connector IIII	
AS 6-16-35 SN	F 02U 000 466-01

Software	
Modas Sport Calibration Software	inclusive
WinDarab Analysis Software	on request

Electrical Data

Power cons. (w/o loads) approx. 10 W at 14 V

Power Supply

Operating range 6.5 ... 18 V

Recommended 11 ... 14 V

Absolute maximum 6 ... 24 V

Inputs

2 thermocouple exhaust gas temperature sensors

2 lambda interfaces (LSU 4.9)

1 crankshaft sensor (2-wire, inductive or Hall-effect)

1 camshaft sensor (2-wire, inductive or Hall-effect)

2 turbo speed sensors (2-wire, inductive or Hall-effect)

4 wheel speed sensors (inductive or Hall-effect)

2 gearbox speed sensors (inductive or Hall-effect)

45 universal analog inputs 0 ... 5 V, 12 Bit

14 analog inputs (angle synchronous or time synchronous triggering up to 250 ksps, 12 Bit)

4 inputs for vibration knock sensors

1 laptrigger input

Outputs

12 injection power stages (peak & hold)

12 ignition power stages (up to 20 A)

16 power stages (2 A; low side; PWM)

4 power stages (4 A; low side; PWM)

4 H-bridge valve drivers (± 100 mA)

2 H-bridges (5 A)

3 sensor supplies 5 V/400 mA and 1x 10 V/100 mA

6 diagnostic outputs with selectable internal signals

12 outputs with configurable function (FPGA)

1 timebase reference synch-in/out

Communication interfaces

2 x 100 Mbps Ethernet interfaces

1 x RS232 serial interface

4 x 1 Mbps CAN interfaces

Application Hints

Internal battery for data preservation included.

Required service interval 12 months (internal battery is replaced).

Depending on your experiences with calibration of ECUs we recommend calibration support from Bosch Motorsport.

Part Number

MS 5.2

F 01T A20 069-01

Diesel Engine Control Units

ECU MS 15 Sport

The MS 15 Sport is an ECU for Diesel engines with up to 6 cylinders. It is developed for use in combination with Bosch solenoid injectors. The MS 15 Sport software is provided with an optimized function range. The MS 15 Sport is able to operate in a 12 V or 24 V system.



Application	
Engine layout	up to 6 cyl.
Injector types	solenoid valve injectors
Control strategy	quantity based
Injection timing	1 main injection
Turbo boost control	single Turbo
Lambda measurement	-
Traction control	-
Speed limiter	✓

Mechanical Data	
Dust and waterproof aluminium housing	
2 connectors with 60 and 94 pins	
6 housing fixation points	
Maximum dimensions	
without connectors	203 x 140 x 38 mm
with connectors	203 x 167 x 38 mm
Weight	approx. 725 g
ECU internal temperature range	-20 ... 75 °C

Connectors	
Connector K (vehicle: 94 pin)	D 261 205 353-01
Connector A (engine: 60 pin)	D 261 205 354-01

Included Features	
Complete SW documentation	
Calibration guide	
Incl. workbase and configuration of Modas Sport	
Preconfigured CAN-messages for DDU Sport	
Incl. configuration and evaluation tool Race Lab Sport with preconfigured settings	

Electrical Data	
Power consumption w/o inj.	approx. 5 W
Power consumption @ full load	approx. 120 W
Inputs	
1 input for inductive crankshaft sensor	
1 input for Hall-effect camshaft sensor	
2 inputs for redundant pedal position sensor	
6 analog inputs 0 ... 5 V:	
fuel: low system and rail pressure	
boost pressure	
oil pressure	
exhaust gas: pressure and temperature	
5 NTC temperature inputs:	
intake and boost air temperature	
fuel, coolant and oil temperature	
1 input for Hall vehicle speed sensor	
3 digital inputs:	
lap beacon, pit speed limiter and fuel reset	
1 internal ambient pressure sensor	
1 internal ECU temperature sensor	
Outputs	
6 injection power stages for solenoid injectors	
9 power stages	
main, fuel pump, glow plug and 2 fan relays	
fuel metering unit of high pressure pump	
turbo actuator (PWM 5.0 Amps)	
engine speed signal for tachometer	
diagnostic lamp	
Communication interfaces	
2 CAN interfaces	display / logger calibration software
1 K-Line	software download

Optional Functionality	
Pilot injection SW upgrade	F 02U V00 776-01
Pressure control valve PCV SW upgrade	F 02U V00 777-01

Part Number	
MS 15 Sport	F 02U V00 350-01

ECU MS 15.1

The MS 15.1 is an ECU for Diesel engines with up to 8 cylinders. It is developed for use with Bosch solenoid injectors.



Application	
Engine layout	up to 8 cyl.
Injector type	solenoid valve injectors
Control strategy	quantity based
Injection timing	2 pilot injections 2 main injection 1 post injection
Turbo boost control	single or Bi-Turbo
Lambda measurement	✓
Traction control	optional
Gear cut for sequential gearbox	✓
Speed limiter	✓
Optional function packages available	
Interface to Bosch Data Logging System	
Max. vibration	Vibration profile 1 (see Appendix or www.bosch-motorsport.com)

Mechanical Data	
Aluminium housing	
4 connectors in motorsports technology with high pin density, 187 pins	
Vibration damped circuit boards	
8 housing fixation points	
Size	210 x 36 x 199 mm
Weight	1,780 g
Temperature range	-40 ... 75 °C

Electrical Data	
Power consumption w/o inj.	approx. 5 W at 14 V
Power consumption	approx. 140 W at 14 V
Inputs	
2 inputs for thermocouple exhaust gas temp. sensors	
2 lambda interfaces LSU	
4 inputs for wheel speed sensors; basic design for inductive sensors	
4 inputs for turbo speed sensors; basic design for inductive sensors	
1 input for inductive crankshaft sensor	
1 input for Hall-effect camshaft sensor	
3 system inputs 0 ... 5 V	
13 universal inputs 0 ... 5 V, fixed pull-up	
27 universal inputs 0 ... 5 V, switchable pull-up	
3 digital inputs	
Outputs	
8 injection power stages	
12 power stages (low side)	
2 power stages for lambda heater	
2 H-bridge	
2 sensor supply 5 V/ system use	
3 sensor supply 5 V/300 mA	
3 sensor supply 10 V/100 mA	
Communication interfaces	
3 CAN interfaces (dash, application, customer use)	
2 firewire interfaces for external communication	

Connectors

Mating connector I	
AS 6-16-35 SN	F 02U 000 466-01
Mating connector II	
AS 6-16-35 SB	F 02U 000 468-01
Mating connector III	
AS 6-16-35 SC	F 02U 000 469-01
Mating connector IV	
AS 6-12-35 SD	F 02U 000 445-01

Software

Modas Sport Calibration Software	inclusive
WinDarab Analysis Software	on request

Optional Accessories

MSA-Box II
Data logger C55
Modular Sensor Interface MSI 55
Display DDU Sport (incl. logger)
Display DDU 4
Display DDU 6

Optional Functionality

Traction control SW upgrade	F 02U V00 778-01
Chassis SW upgrade	F 02U V00 779-01

Application Hints

Internal battery for data preservation included.

Required service interval 12 months (internal battery is replaced).

Depending on your experiences with calibration of Diesel ECUs we recommend calibration support from Bosch Motorsport.

Part Number

MS 15.1 solenoid injector	F 01T A20 022-01
---------------------------	-------------------------

ECU MS 15.2

The MS 15.2 is an ECU for Diesel engines with up to 6 cylinders. It is developed for use with Bosch piezo injectors.



Application	
Engine layout	up to 6 cyl.
Injector type	piezo injectors
Control strategy	quantity based
Injection timing	2 pilot injections 1 main injection 1 post injection
Turbo boost control	single or Bi-Turbo
Lambda measurement	✓
Traction control	optional
Gear cut for sequential gearbox	✓
Speed limiter	✓
Optional function packages available	
Interface to Bosch Data Logging System	
Max. vibration	Vibration profile 1 (see Appendix or www.bosch-motorsport.com)

Mechanical Data	
Aluminium housing	
4 connectors in motorsports technology with high pin density, 187 pins	
Vibration damped circuit boards	
8 housing fixation points	
Size	210 x 36 x 199 mm
Weight	1,780 g
Temperature range	-40 ... 75 °C

Electrical Data	
Power consumption w/o inj.	approx. 5 W at 14 V
Power consumption	approx. 140 W at 14 V
Inputs	
2 inputs for thermocouple exhaust gas temp. sensors	
2 lambda interfaces LSU	
4 inputs for wheel speed sensors; basic design for inductive sensors	
4 inputs for turbo speed sensors; basic design for inductive sensors	
1 input for inductive crankshaft sensor	
1 input for Hall-effect camshaft sensor	
3 system inputs 0 ... 5 V	
13 universal inputs 0 ... 5 V, fixed pullup	
27 universal inputs 0 ... 5 V, switchable pullup	
3 digital inputs	
Outputs	
6 injection power stages	
12 power stages (low side)	
2 power stages for lambda heater	
2 H-bridges	
2 sensor supply 5 V/ system use	
3 sensor supply 5 V/300 mA	
3 sensor supply 10 V/100 mA	
Communication interfaces	
3 CAN interfaces (dash, application, customer use)	
2 firewire interfaces for external communication	

Piezo Specific Functions
Voltage Control
Rail pressure dependent precontrol of the voltage difference between cut off voltage and stationary actuator voltage.
Closed-loop voltage control, injector individual.
Voltage precontrol to improve dynamic behavior.
Discharging Time Control
Voltage dependent precontrol of discharging current.
Closed-loop discharging time control, injector individual.
Discharging time precontrol to improve dynamic behavior.
IVA Injector Voltage Adjustment
Determination of injector voltage demand at reference rail pressure during injector inspection in plant before IQA-measurement.
Injector assignment of voltage setpoint curves within the ECU according to injector's IVA class.
Temperature Compensation
Determination of the temperature dependent changes of voltage demand.
Definition of a temperature dependent correction factor.
Multiplicative correction of the voltage setpoint.

Connectors	
Mating connector I	
AS 6-16-35 SA	F 02U 000 467-01
Mating connector II	
AS 6-16-35 SB	F 02U 000 468-01
Mating connector III	
AS 6-16-35 SC	F 02U 000 469-01
Mating connector IV	
AS 6-12-35 SD	F 02U 000 445-01

Software	
Modas Sport Calibration Software	inclusive
WinDarab Analysis Software	on request

Accessories
MSA-Box II
Data logger C 55
Modular Sensor Interface MSI 55
Display DDU Sport (incl. logger)
Display DDU 4
Display DDU 6

Optional Functionality	
Traction control SW upgrade	F 02U V00 778-01
Chassis SW upgrade	F 02U V00 779-01

Application Hints
Internal battery for data preservation included.
Required service interval 12 months (internal battery is replaced).
Depending on your experiences with calibration of Diesel ECUs we recommend calibration support from Bosch Motorsport.

Part Number	
MS 15.2 Piezo injector	F 01T A20 023-01

ECU MS 12

The MS 12 is the high-end ECU for Diesel engines. This ECU offers 12 Piezo injection power stages for use in up to a 12 cylinder engine. Various engine and chassis parameters can be measured with a high number of input channels. All measured data can be transferred via FireWire interface to an optional flash card data logger. Additional MSI 55 (Modular Sensor Interfaces) can be connected to increase the number of inputs. Gear box control strategies are optional.



Application	
Engine layout	up to 12 cyl.
Injector type	piezo injectors
Control strategy	quantity based
Injection timing	2 pilot injections 1 main injection 1 post injection
Turbo boost control (including variable VTG)	single or Bi-Turbo
Lambda measurement	✓
Traction control	✓
Launch control	✓
Gear cut for sequential gearbox	✓
Gearbox control	✓
Speed limiter	✓
Optional function packages available	
Interface to Bosch Data Logging System	
Max. vibration	Vibration profile 1 (see Appendix or www.bosch-motorsport.com)

Mechanical Data	
Aluminium housing	
5 connectors in motorsports technology with high pin density, 242 pins	
Each connector individually filtered	
Vibration damped circuit boards	
8 housing fixation points	
Size	240 x 200 x 57 mm
Weight	2,500 g
Operating temperature range	-20 ... 85 °C

Electrical Data

Power consumption without injection
approx. 5 W at 14 V

Power consumption @ 6500 rpm
max. 160 W at 14 V

Inputs

6 inputs for thermocouple sensors (e.g. exhaust gas temperature)

2 lambda interfaces LSU

4 inputs for wheel speed sensors; basic design for inductive sensors

2 gear box speed

4 inputs for turbo speed sensors; basic design for inductive sensors

2 inputs for inductive crankshaft sensor

1 input for Hall-effect camshaft sensor

3 system inputs 0 ... 5 V

16 PT1000

32 universal inputs 0 ... 5 V, switchable pullup

3 digital inputs

2 LVDT sensor interface

1 SSI interface

Outputs

12 injection power stages

24 power stages (low side)

2 power stages for lambda heater

6 H-bridges

2 sensor supply 5 V/ system use

3 sensor supply 5 V/300 mA

3 sensor supply 5 V/300 mA or 10 V/100 mA

Communication interfaces

2 K-Line serial interfaces

5 CAN interfaces (dash, application, customer use, switchable CAN load resistor)

2 firewire interfaces for external communication

Connectors

Mating connector I
AS 6-18-35 SA F 02U 000 473-01

Mating connector II
AS 6-18-35 SB F 02U 000 474-01

Mating connector III
AS 6-18-35 SC F 02U 000 475-01

Mating connector IV
AS 6-18-35 SN F 02U 000 472-01

Mating connector V
AS 6-12-35 SD F 02U 000 445-01

Piezo Specific Functions

Voltage Control

Rail pressure dependent precontrol of the voltage difference between cut off voltage and stationary actuator voltage.

Closed-loop voltage control, injector individual.

Voltage precontrol to improve dynamic behavior.

Discharging Time Control

Voltage dependent precontrol of discharging current.

Closed-loop discharging time control, injector individual.

Discharging time precontrol to improve dynamic behavior.

IVA Injector Voltage Adjustment

Determination of injector voltage demand at reference rail pressure during injector inspection in plant before IQA-measurement.

Injector assignment of voltage setpoint curves within the ECU according to injector's IVA class.

Temperature Compensation

Determination of the temperature dependent changes of voltage demand.

Definition of a temperature dependent correction factor.

Multiplicative correction of the voltage setpoint.

Software

WinDarab Analysis Software on request

Accessories

Data logger C 55

Modular Sensor Interface MSI 55

Display DDU 4

Display DDU 6

Application Hints

Internal battery for data preservation included.

Required service interval 12 months (internal battery is replaced).

Depending on your experiences with calibration of Diesel ECUs we recommend calibration support from Bosch Motorsport.

Part Number

MS 12 Piezo injector **on request**

Injection & Ignition

Diesel System Components

Diesel System Components



Injector CRI 2



HP fuel pump CP3



Rail



Injector CRI 3



Rail



Pressure sensor RDS



HP fuel pump CP4



Pressure control valve DRV

Component	Specification
Injector CRI 2	Solenoid, 6 - 8 holes, up to 1,500 ccm/min at 100 bar, up to 1,800 bar
Injector CRI 3	Piezo, 6 - 14 holes, up to 1,400 ccm/min at 100 bar, up to 2,200 bar
High pressure fuel pump CP3 / CP4	Pump with control valve and optional gear pump, up to 1,400 ccm/rev
Pressure control valve DRV	Pressure range up to 2,400 bar
Pressure limiting valve DBV	Pressure range up to 2,200 bar
Pressure sensor RDS	Pressure range up to 2,400 bar
Rails	Common rail for up to 6 cylinders per bank

The geometry and characteristics of Diesel engine components are more dependent upon the application than for gasoline engines. A single injector design will not fit all Diesel engines due to varying mechanical and nozzle geometry requirements. In addition, the injection system can vary from year to year even within the same make of car.

Bosch Motorsport uses the same technology for racing that was developed by Bosch for production vehicle applications. This includes both solenoid (magnetic) technology used in earlier systems, and the latest cutting-edge piezo technology.

Bosch Motorsport can offer a wide variety of modifications to fit the system to your specifications. These modifications include:

- Definition of suitable base components from other (or larger) engine applications.
- Adaptation of components for mating, fit and orientation to suit the selected application.
- Flow enhancement of injectors and rails.
- Injector nozzle adaptation (flow rate, number of holes, spray cone angle etc.).

Our goal is to offer the best balance of cost and performance for your application. This is why we offer different levels of modifications to choose from. Below is an example of the different levels for a 4-cylinder engine with 4 injectors, 1 high pressure pump, and a single fuel rail:

	1st Level	2nd Level	3rd Level
Description	series components with some minor modifications (e.g. series components from a bigger engine (e.g. pump) plus series injector with sample nozzle)	series components with modification (e.g. modified injector body with sample nozzle)	components manufactured completely to your specification (e.g. heavily modified series components or new products)
Functioning	Solenoid	Piezo	Piezo or Solenoid
Injectors	4 x 650.00 €	4 x 2,100.00 €	On request
High Pressure Pump	1,250.00 €	3,000.00 €	On request
Fuel Rail	500.00 €	1,000.00 €	On request
System Price	4,350.00 €	12,400.00 €	On request
	(Prices will be finalized in your personal offer once part numbers are defined)		

Additional remark:

Bosch Motorsport does not manufacture high pressure fuel lines, but we can assist you in finding a company that can build high pressure lines for your application.

When contacting us for more information on our Diesel components, please have the following information ready so that we may best determine components required for your application:

- The base engine / the car where this engine originally is installed
- Model year and type of car / engine
- The base output level and the desired output level for the engine

- If it is a Bosch application, the part numbers of the components
- Alternatively the car / engine manufacturer part number of the original injection system.

Please note:

If your engine is originally equipped with Bosch components, modifications will be easier than replacing third party components.

We reserve the right to assess a fee for applications where the component specification requires an extraordinary amount of time.

Injection Valves

Injection Valve EV 6

EV 6 injection valves are designed to inject the fuel as efficiently as possible into the intake manifold runner to achieve a homogeneous distribution of fuel in air flow.

EV 6 injection valves feature high corrosion resistance and excellent engine start characteristics. The hydraulic connections of all Bosch injection valves are compatible.



Application	
Fuel input	top-feed injector
Operating temperature	-40 ... 110°C
Permissible fuel temperatures	≤ 70°C
Climate-proof corresponding to saline fog test DIN 50 021	

Mechanical Data	
System pressure	max. 8 bar
Weight	≤ 55 g

Electrical Data	
Max. power supply	6 ... 16 V

Characteristic	
Housing design	standard, long
Connectors	Jetronic, Sumitomo and optional with motorsport connector
Spray type	C (single beam) or E (twin beam)
Flow rate at 3 bar	134 up to 962 cm ³ /min
Flow rate at 3 bar	92 up to 658 g/min (n-heptane)
Spray angle α	15° ... 70°
Bent angle γ	0° ... 20°
Coil resistance	1.2 ... 16 Ω

Application Hint	
Please ask for more information before ordering.	
Injectors with low resistance are only supplied with a peak and hold power stage.	

Examples of Series Production							
Flow rate at 3 bar (n-heptane)[g/min]	Flow rate at 3 bar [cm ³ /min]	Design	Type	Spray angle α_{80}	Bent angle γ	Coil resistance	Part number
116	170	S	C	15°	0°	14.5 Ω	0 280 156 194
261	382	L	C	15°	0°	12 Ω	0 280 155 868
261	382	L	E	20°	0°	12 Ω	0 280 155 830
269	393	L	E	15°	10°	12 Ω	0 280 156 063
310	453	S	C	20°	5°	12 Ω	0 280 156 012

More than 400 versions are available on request.

Examples for Motorsports

Flow rate at 3 bar (n-heptane) [g/min]	Flow rate at 3 bar [cm ³ /min]	Design	Type	Spray angle α_{80}	Bent angle γ	Coil resistance	Part number
261	382	S	C	70°	0°	12 Ω	B 280 431 127-07
364	533	S	C	25°	15°	12 Ω	B 280 431 128-04
364	533	S	C	70°	0°	12 Ω	B 280 431 129-03
493	721	S	C	70°	0°	1.2 Ω	B 280 431 131-02
658	962	S	C	25°	0°	12 Ω	B 280 434 499-02

Further special motorsport versions are available on request.

Some Examples


EV 6 CL 0 280 155 737



EV 6 EL 0 280 155 830



EV 6 CS 0 280 156 005



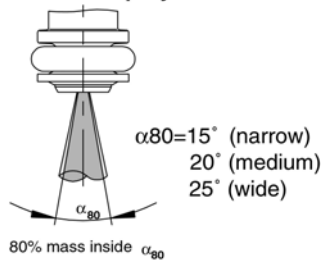
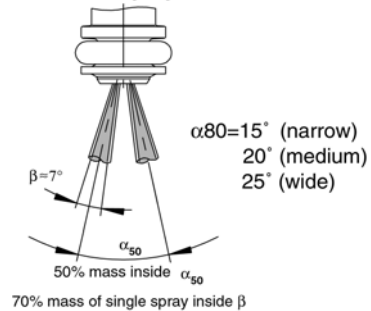
EV 6 CS B 280 431 127-07



EV 6 CS B 280 431 131-02

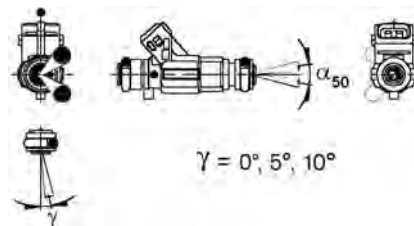
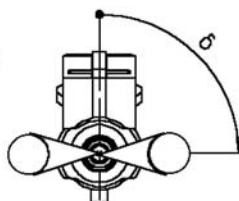


EV 6 CS B 280 434 499-01

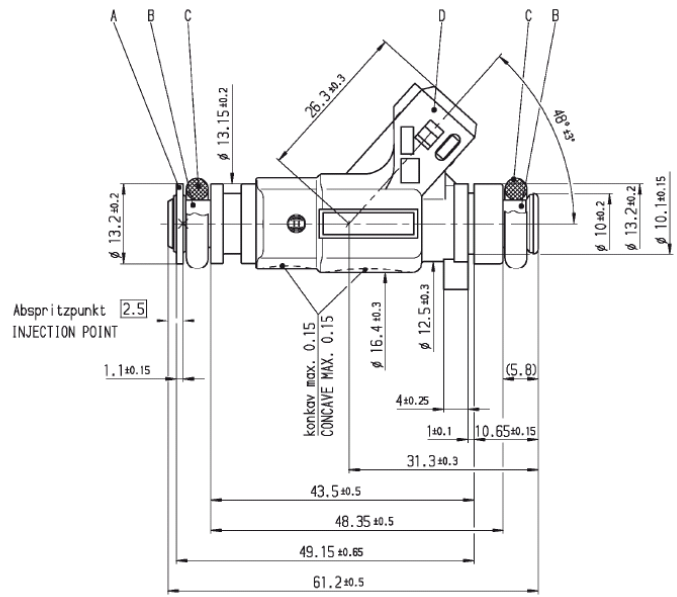
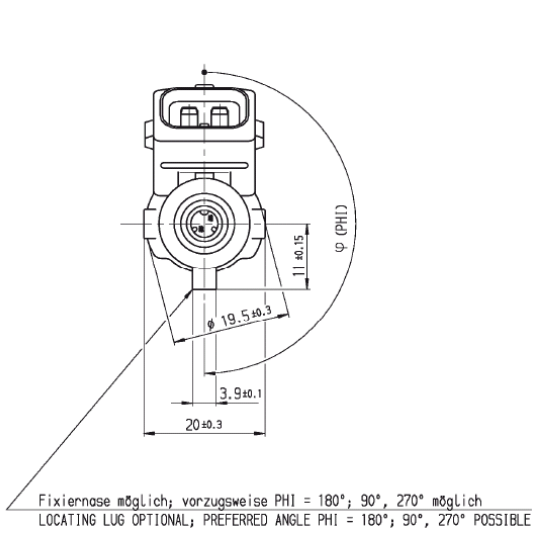
Spray Illustration
C: Conical Spray

E: 2-Spray


Angle between connection and spray level ($\delta = \text{delta}$):
 (only 2-spray preparation)

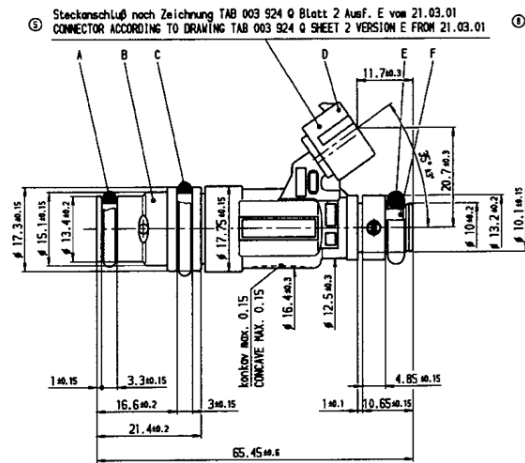
$\delta = 0^\circ - 360^\circ$ possible



EV 6 Standard



EV 6 Long



Injection Valve EV 12

EV 12 injection valves are EV 6 injection valves with an extended tip.

There is only one injector body size for the EV 12. Various delivery rates and spray-angles are available.



Application	
Fuel input	axial (top-feed)
Operating temperature	-40 ... 110°C
Permissible fuel temperatures	≤ 70°C
Climate-proof corresponding to saline fog test DIN 50 021	

Mechanical Data	
System pressure	max. 8 bar
Weight	40 g
Installation lengths	48 mm (total 81 mm)

Electrical Data	
Max. power supply	16 V

Characteristic	
Housing design	standard with extension
Connectors	Jetronic, Sumitomo and optional with motorsport connector
Spray type	C (single beam) or E (twin beam)
Flow rate at 3 bar	146 ... 1,023 cm ³ /min
Flow rate at 3 bar	59 ... 670 g/min (n-heptane)
Spray angle α	5° ... 60°
Bent angle γ	0° ... 17°
Coil resistance	11 ... 16 Ω

Application Hint	
Please ask for more information before ordering.	

Examples of Series Production							
Flow rate at 3 bar (n-heptane) [g/min]	Flow rate at 3 bar [cm ³ /min]	Design	Type	Spray angle α 80	Bent angle γ	Coil resistance	Part number
120	175	S	E	15°	10°	12 Ω	0 280 157 002
193	282	S	E	15°	10°	12 Ω	0 280 157 012
217	317	S	E	15°	10°	12 Ω	0 280 155 897
269	393	S	E	15°	10°	12 Ω	0 280 155 892
310	453	S	E	15°	10°	12 Ω	0 280 157 000

More than 30 versions are available on request.

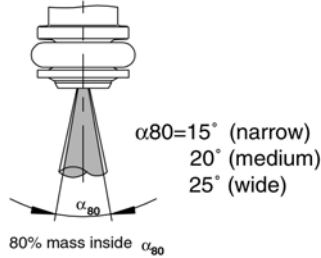
Some Examples



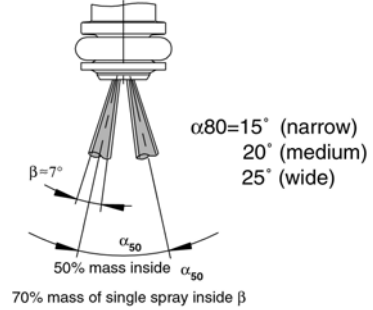
EV 12 E 0 280 155 892 EV 12 E 0 280 155 897 EV 12 E 0 280 157 000

Spray Illustration

C: Conical Spray

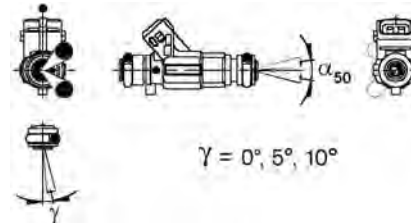
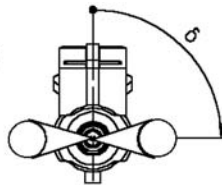


E: 2-Spray

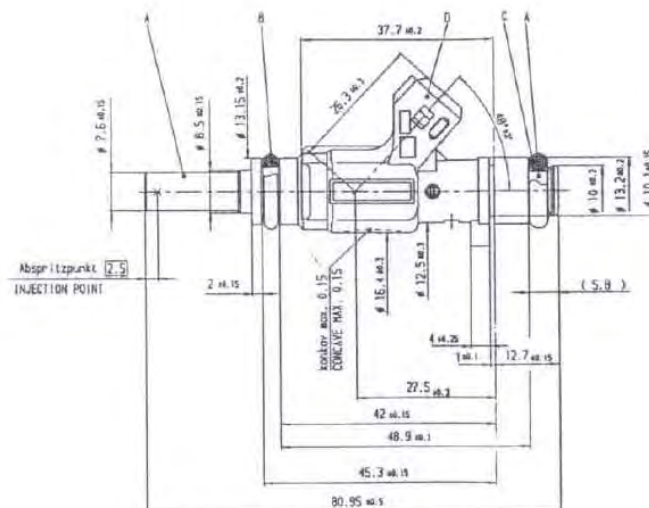


Angle between connection and spray level ($\delta = \text{delta}$):
(only 2-spray preparation)

$\delta = 0^\circ - 360^\circ$ possible



EV 12



Injection Valve EV 14

EV 14 injection valves are the latest revision of the EV 6 injection valve technology.

EV 14 is designed for a wide range of flow rates and spray patterns. Compact size and three standard versions simplify mounting in a variety of applications.



Application	
Fuel input	axial (top-feed)
Operating temperature	-40 ... 110 °C
Permissible fuel temperatures	≤ 70 °C
Climate-proof corresponding to saline fog test DIN 50 021	

Mechanical Data	
System pressure	max. 8 bar
Weight	≤ 30 g
Installation lengths	33.6, 48.65 or 60.65 mm

Electrical Data	
Max. power supply	16 V

Characteristic	
Housing design	compact, standard, long
Connectors	Jetronic, Sumitomo and motorsport connectors
Spray type	C (single beam) or E (twin beam)
Flow rate at 3 bar	146 up to 1,023 cm ³ /min
Flow rate at 3 bar	100 up to 700 g/min (n-heptane)
Spray angle α	15° ... 85°
Bent angle γ	0° ... 15°
Coil resistance	12 Ω

Application Hint	
Please ask for more information before ordering.	

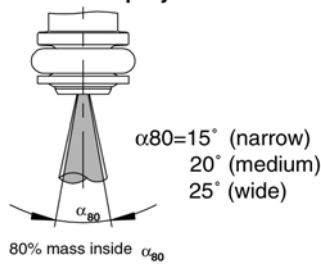
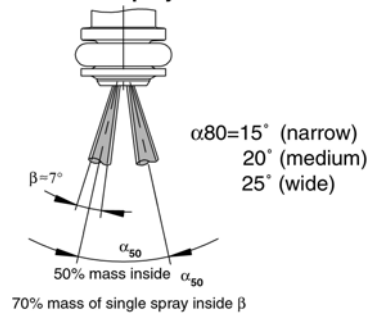
Examples of Series Production							
Flow rate at 3 bar (n-heptane) [g/min]	Flow rate at 3 bar [cm ³ /min]	Design	Type	Spray angle α	Bent angle γ	Coil resistance	Part number
116	170	L	C	15°	0°	12 Ω	0 280 158 110
116	170	S	E	15°	0°	12 Ω	0 280 158 200
150	219	L	C	20°	0°	12 Ω	0 280 158 107
150	219	S	E	19°	0°	12 Ω	0 280 158 013
237	347	KxT	C	20°	0°	12 Ω	0 280 158 038
237	347	L	E	22°	5°	12 Ω	0 280 158 116
372	543	SxT	E	25°	0°	12 Ω	0 280 158 123
670	980	KxT	C	30°	0°	12 Ω	0 280 158 040

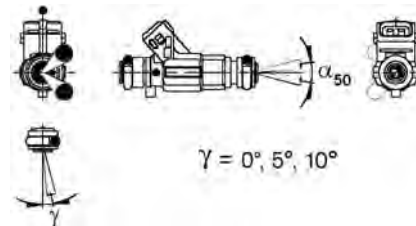
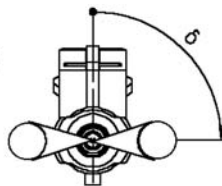
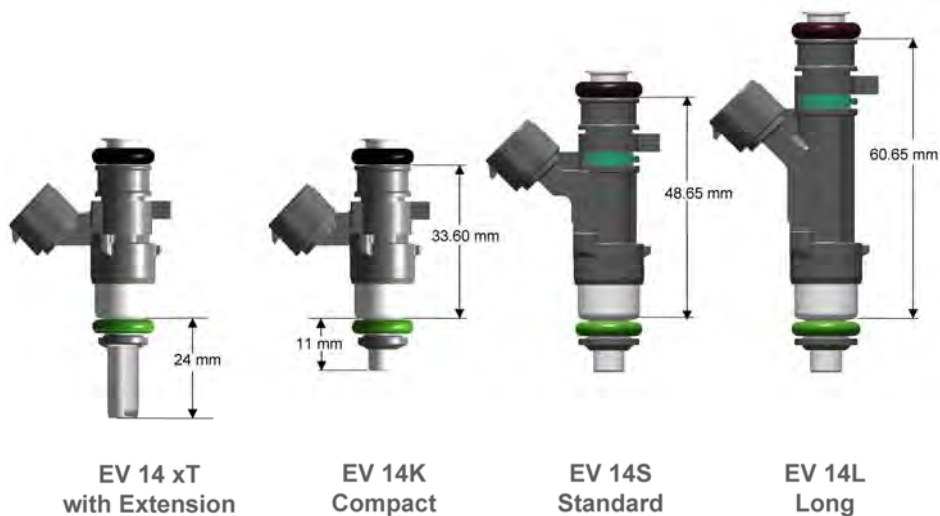
More than 200 additional versions are available on request.

Examples for Motorsports

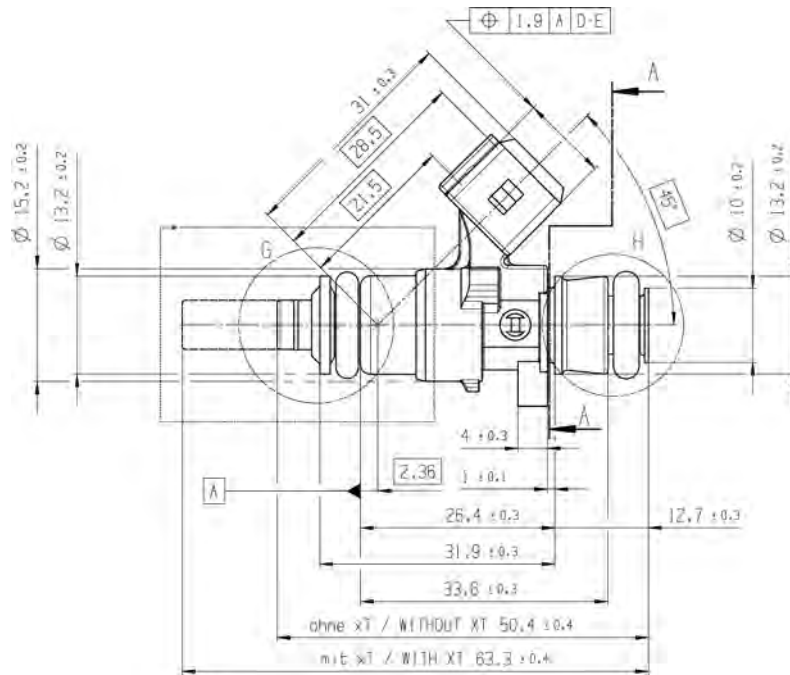
Flow rate at 3 bar (n-heptane) [g/min]	Flow rate at 3 bar [cm ³ /min]	Design	Type	Spray angle α_{80}	Bent angle γ	Coil resistance	Part number
387	566	S	C	70°	0°	12 Ω	B 280 436 038-09
387	566	S	C	25°	0°	12 Ω	B 280 436 038-10
503	736	S	C	70°	0°	12 Ω	B 280 436 038-07
503	736	S	C	25°	0°	12 Ω	B 280 436 038-08
697	1,019	S	E	20°	0°	12 Ω	B 280 436 469-01

Further special motorsport versions are available on request.

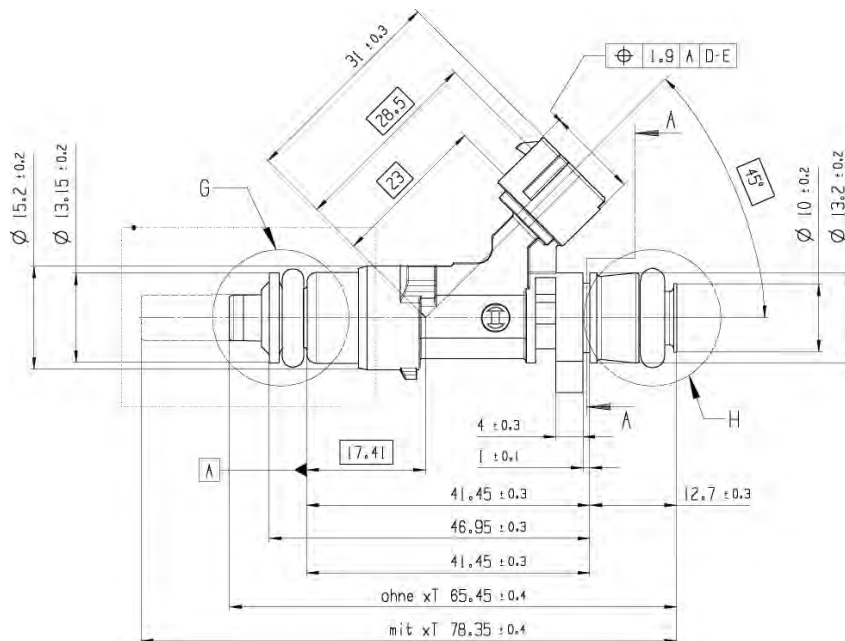
Spray Illustration
C: Conical Spray

E: 2-Spray

 Angle between connection and spray level ($\delta = \text{delta}$):
 (only 2-spray preparation)

 $\delta = 0^\circ - 360^\circ$ possible

EV 14 Types


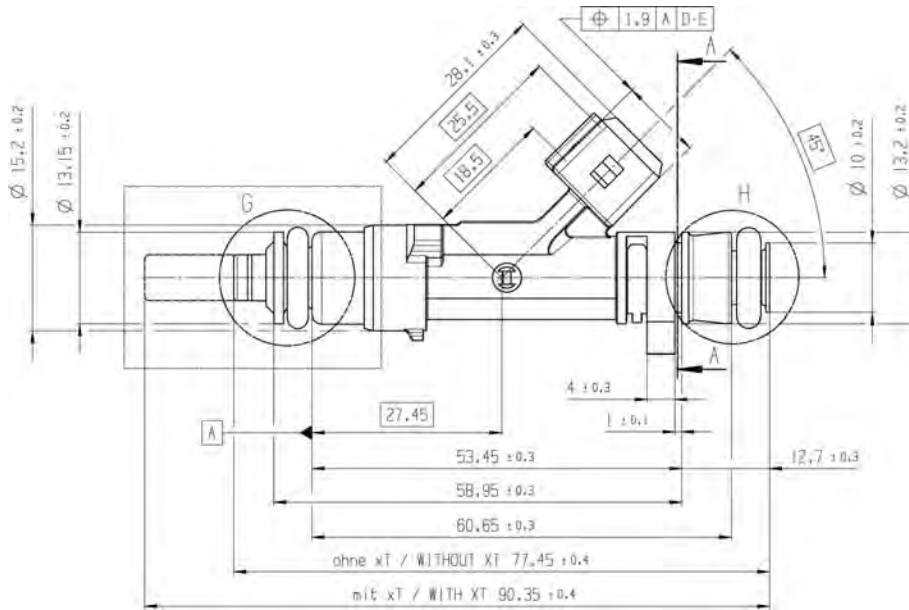
EV 14 Compact



EV 14 Standard



EV 14 Long



Injection Valve EV 14i

EV 14i injection valves are developed specially for motorsport applications.

The injection valve EV 14i is designed for a wide range of flow rates and spray patterns. Very compact size simplifies mounting in a variety of applications.



Application	
Fuel input	axial (top-feed)
Operating temperature	-40 ... 110 °C
Permissible fuel temperatures	≤ 70 °C
Climate-proof corresponding to saline fog test DIN 50 021	

Mechanical Data	
System pressure	max. 8 bar
Weight	≤ 20 g
Installation lengths	26.9 mm

Electrical Data	
Max. power supply	16 V

Characteristic	
Housing design	very compact
Connectors	some motorsport connectors
Spray type	C (single beam) or E (twin beam)
Flow rate at 3 bar	up to 1,023 cm ³ /min
Flow rate at 3 bar	up to 700 g/min (n-heptane)
Spray angle α	15° ... 85°
Bent angle γ	0° ... 15°
Coil resistance	2.3 Ω or 12 Ω

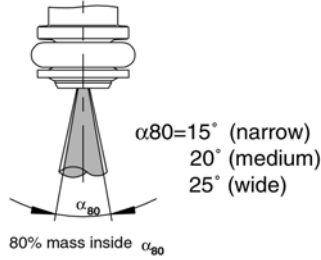
Application Hint	
Please ask for more information before ordering.	
Injectors with low resistance are only supplied with a peak and hold power stage.	

Some examples for EV 14i							
Flow rate at 3 bar (n-heptane) [g/min]	Flow rate at 3 bar [cm ³ /min]	Design	Type	Spray angle α 80	Bent angle γ	Coil resistance	Part number
213	311	i	C	80°	0°	12 Ω	on request
261	382	i	C	25°	0°	2.3 Ω	on request
261	382	i	C	35°	0°	2.3 Ω	on request
261	382	ixT	E	20°	15°	12 Ω	on request
261	382	i	C	35°	0°	12 Ω	F 02U V00 718-01
261	382	i	E	20°	0°	12 Ω	F 02U V00 724-01
310	453	i	C	35°	0°	12 Ω	on request

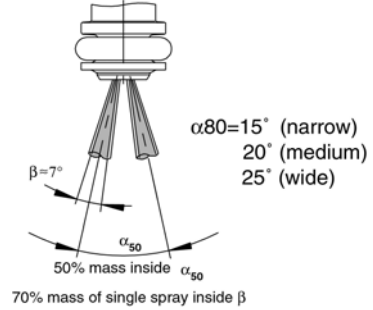
Further spray angles and flow rates are available on request.

Spray Illustration

C: Conical Spray

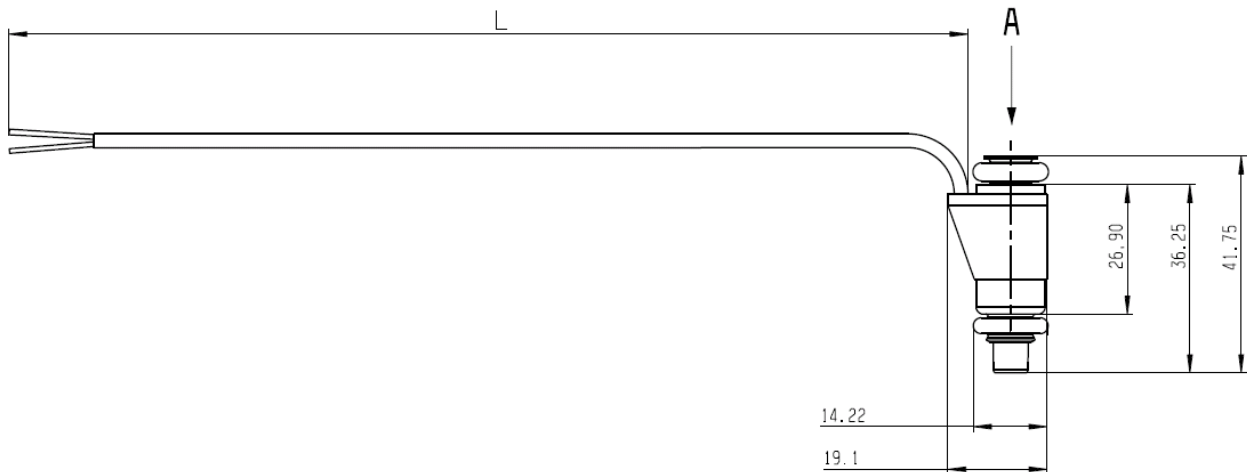
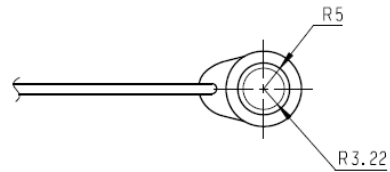
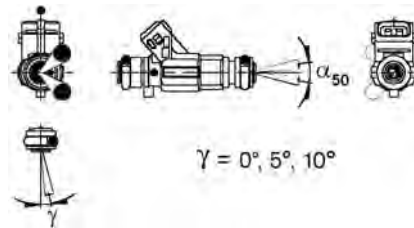
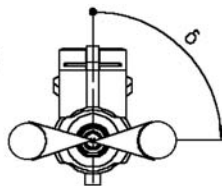


E: 2-Spray



Angle between connection and spray level ($\delta = \text{delta}$):
(only 2-spray preparation)

$\delta = 0^\circ - 360^\circ$ possible



HP Injection Valves

HP Injection Valve HDEV 5

The HDEV 5 is a high pressure injector, which is developed to be used as a port or a direct injection.

The function of the HDEV 5 is both to meter out the fuel and to obtain a well-defined mixture of fuel and air. It is an inward opening solenoid injector which is optimized regarding very short opening and closing times, which ensures a very stable linearity at short injection times.

The benefit of this injector is a high spray variability concerning spray angle and spray shape. Also the flow rate can be defined in a big range.



Application	
Application	308 ... 1,026 g/min @ 100 bar
Fuel input	top-feed-injector
Fuel	gasoline
Operating pressure	200 bar
Operating temperature range	-31 ... 130 °C
Storage temperature range	-40 ... 70 °C
Max. Vibration	600 m/s ²

Electrical Data	
Booster supply	65 ... 90 V
Booster current	13.2 A
Booster time	500 µs
Power supply	12 V
Pick-up current	9.6 A
Pick-up time	800 µs
Hold power supply	12 V
Hold current	3 A hysteresis 0.8 A
Coil resistance	1,500 mΩ

Mechanical Data	
Weight w/o wire	68 g
Diameter	20.7 mm
Length	87 mm

Characteristic	
Spray type	Multihole
Number of holes	4 ... 7 holes
Spray angle overall	110°
Spray angle single beam	8 ... 20°
Static flow tolerance	±5 %
Dynamic flow tolerance	±6 % @ t _i = 1.5 ms
Leakage	≤ 2.5 mm ³ /min @ 23 °C

Connectors and Wires	
Connector	Kompakt
Mating connector	A 928 000 453
Pin 1	Pos
Pin 2	Gnd
Pin 3	-
Pin 4	-
Pin 5	-

Application Hint

The injector has to be supplied by a Bosch Motorsport power stage (e.g. HPI 5 or HPI 1.16).

Listed electrical values may vary according to the application.

Bosch offers the spray targeting design according to the individual customer requirements.

If your application conditions will not match the listed performance data, please ask for consultancy at Bosch Motorsport.

In addition to the specific designed sample, Bosch offers cost effective production HDEV 5.2 on request.

The injector can be cleaned (mechanically or chemically) if the tip will not be damaged.

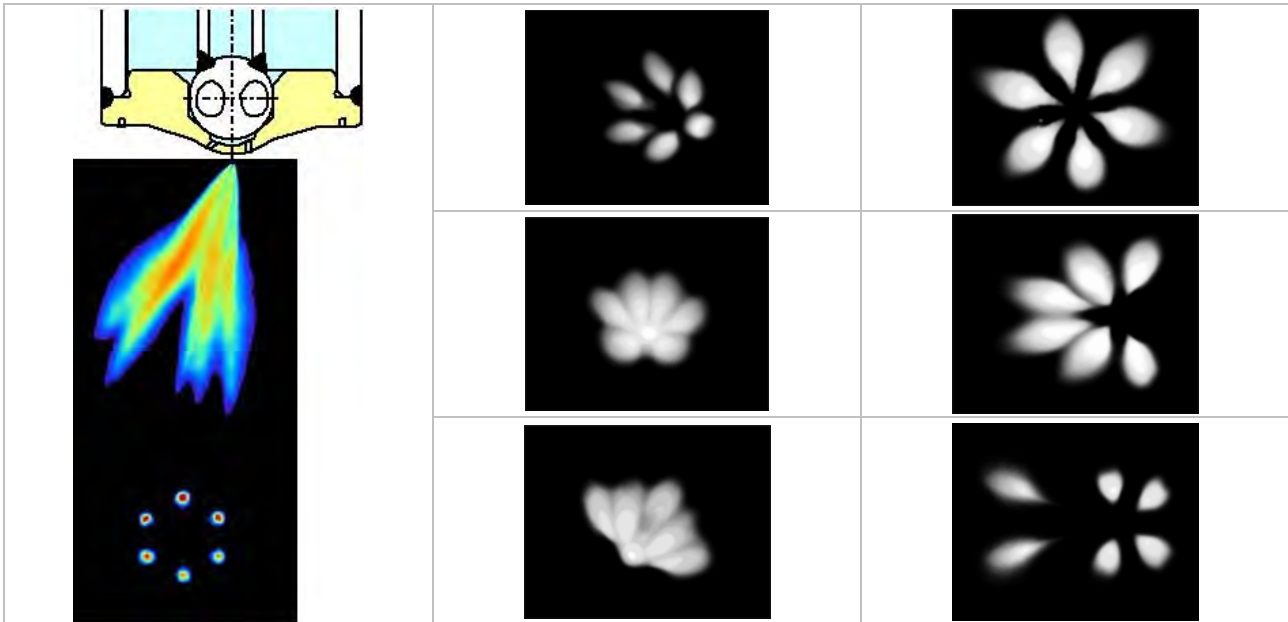
Do not use supersonic cleaning.

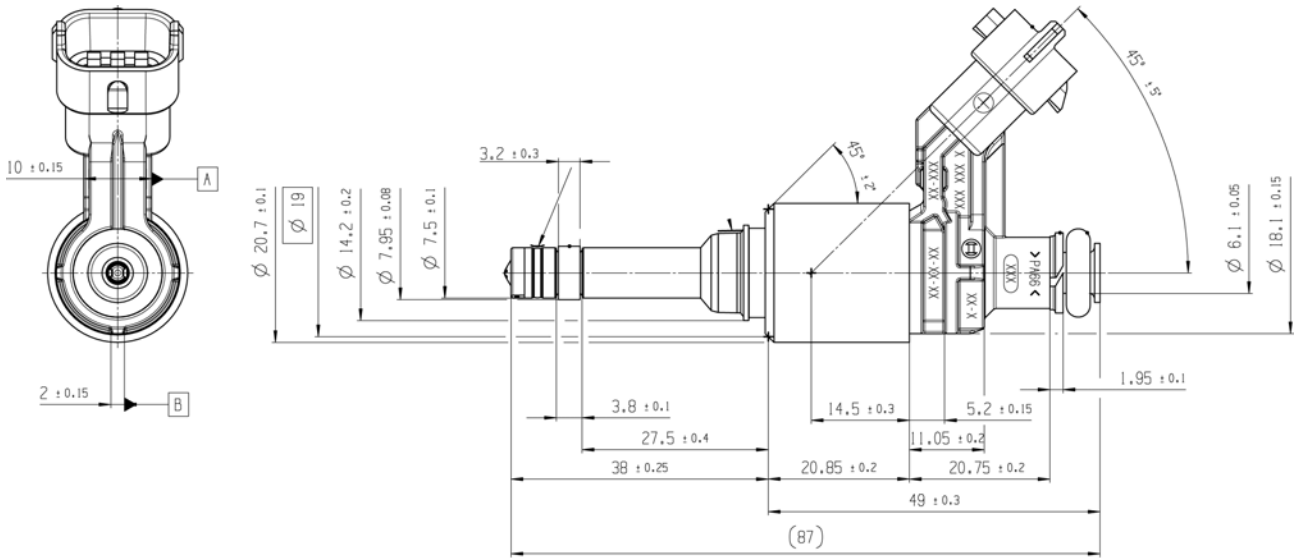
Please find further application hints in the offer drawing (<http://www.bosch-motorsport.com>).

Part Number

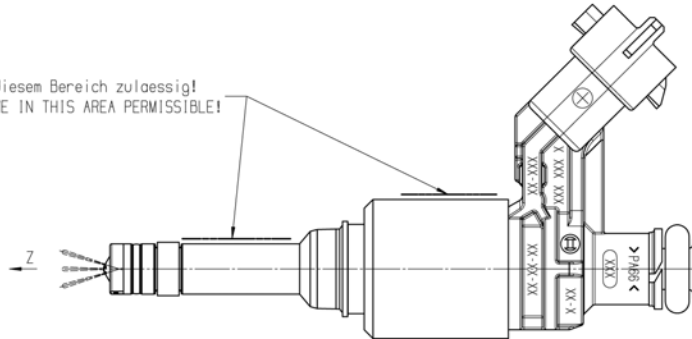
HDEV 5.2 **F 02U V00 868-01**

Examples of variations, further variations on request





Kennrinne in diesem Bereich zulässig!
IDENTITY GROOVE IN THIS AREA PERMISSIBLE!



Power Stage Units

HPI 1.1

The injector power stage HPI 1.1 is an instrument for driving injectors for gasoline direct injection. Combined with a suitable ECU up to 6 injectors can be driven. The injectors are gathered in 3 groups of 2 injectors each. Within a group only one injector can be switched on at the same time. The 3 groups are totally independent, so that overlapping injection of injectors of different groups is possible. Communication between main ECU and the HPI 1.1 is realized via CAN interface.



HPI 1.1 Active low

The injection control inputs of the HPI 1.1 Active low are inverting (Low = "ON") for operation with standard lowside power stages of automotive ECUs.

Application	
Max. number of cylinders	6
Max. rpm (4-cyl. operation)	9,000
Max. rpm (6-cyl. operation)	6,000
Optimised for Bosch high pressure injection valves HDEV 1/HDEV 5	
Max. vibration	<i>Vibration profile 2 (see Appendix or www.bosch-motorsport.com)</i>

Mechanical Data	
Sheet-metal housing	
Each connector pin individually filtered	
Vibration damped circuit boards	
Housing temperature	-25 ... 85 °C
Size	180 x 162 x 46 mm
Weight	430 g

Electrical Data	
Power supply	14 V
Operating voltage (normal operation)	11 ... 16 V
Operating voltage (engine start)	6 ... 18 V
Nominal voltage	14.0 V
Communication interfaces	
1 CAN (500 kBaud)	
1 K-Line	
Part Number	
HPI 1.1 Active low (for HDEV 1)	F 01T A20 000-01
HPI 1.1 Active low (for HDEV 5)	F 02U V00 030-01

HPI 1.1 Active high

The injection control inputs of the HPI 1.1 Active high are non-inverting (High = "ON").

Application	
Max. number of cylinders	6
Max. rpm (4-cyl. operation)	9,000
Max. rpm (6-cyl. operation)	6,000
Optimised for Bosch high pressure injection valves HDEV 1/HDEV 5	
Max. vibration	<i>Vibration profile 2 (see Appendix or www.bosch-motorsport.com)</i>

Mechanical Data	
Sheet-metal housing	
Each connector pin individually filtered	
Vibration damped circuit boards	
Housing temperature	-25 ... 85 °C
Size	180 x 162 x 46 mm
Weight	430 g

Electrical Data

Power supply	14 V
Operating voltage (normal operation)	11 ... 16 V
Operating voltage (engine start)	6 ... 18 V
Nominal voltage	14.0 V

Communication interfaces

1 CAN (500kBaud)
1 K-Line

Part Number

HPI 1.1 Active high (for HDEV 1)	F 01E B01 645-01
HPI 1.1 Active high (for HDEV 5)	F 02U V00 036-01

HPI 1.16 HV / HVD

In combination with a Bosch Motorsport ECU the HPI 1.16 Box enables the running of high pressure injection valves. The injector current is realised by a switched current regulation with booster period, pick-up period, holding period and recharging period. This HPI can be used for example in racing series like DTM, 24 h Le Mans, etc.

HPI 1.16 HV

External supply of booster voltage (90 V) is required.

Mechanical Data	
Max. number of cylinders	10
Dust and waterproof aluminium housing	
Filtered connectors in motorsport technology with high pin density	
Vibration damped printed circuit boards	
Flexible housing fixation points	
Size without connectors	135 x 101 x 43 mm
Weight	575 g
Communication interfaces	1 CAN, 1 K-Line

HPI 1.16 HVD

In addition the HPI 1.16 HVD has an internal voltage regulator.

Mechanical Data	
Max. number of cylinders	10
Dust and waterproof aluminium housing	
Filtered connectors in motorsport technology with high pin density	
Vibration damped printed circuit boards	
Flexible housing fixation points	
Size without connectors	135 x 101 x 43 mm
Weight	725 g
Communication interfaces	1 CAN, 1 K-Line



Conditions for Use	
Housing temperature	-25 ... 85 °C
Operating voltage	8 ... 18 V
Nominal voltage	14.0 V
Max. vibration	<i>Vibration profile 1</i> (see Appendix or www.bosch-motorsport.com)

Electrical Data	
Optimised for Bosch HP injection valves HDEV 5, HDEV 1	
Max. rpm	12,500

Part Number	
HPI 1.16 HV	F 01T A20 019

Conditions for Use	
Housing temperature	-25 ... 70 °C
Operating voltage	8 ... 18 V
Nominal voltage	14.0 V
Max. vibration	<i>Vibration profile 1</i> (see Appendix or www.bosch-motorsport.com)

Electrical Data	
Optimised for Bosch HP injection valves HDEV 5, HDEV 1	
Max. rpm	12,500
Internal voltage regulator	65 ... 90 V

Part Number	
HPI 1.16 HVD	F 01T A20 018

HPI 5

The injector power stage HPI 5 is an instrument for driving injectors and high pressure pumps for gasoline direct injection. Combined with a suitable ECU up to 8 injectors can be driven. The injectors are gathered in 4 groups of 2 injectors each. Within a group only one injector can be switched on at the same time. The 4 groups are totally independent, so that overlapping injection of injectors of different groups is possible. The high pressure pump power stage is designed to drive the Bosch high pressure pump HDP 5. Communication between main ECU and the HPI 5 is realized via CAN interface.



Application

Max. number of cylinders	8
Max. rpm	7,000
Optimised for Bosch high pressure injection valves HDEV 5 and Bosch high pressure pump HDP 5	

Mechanical Data

Dust and waterproof aluminium housing	
Each connector pin individually filtered	
Housing temperature	-25 ... 85 °C
Size (with connectors)	167.3 x 181 x 37.1 mm
Weight	700 g

Electrical Data

Power supply	14 V
Operating voltage (normal operation)	10 ... 16 V
Operating voltage (engine start)	6.5 ... 16 V
Nominal voltage	14 V

Communication interfaces

1 CAN (1 Mbaud)

Part Number

HPI 5 **F 02U V00 628-02**

Ignition Module IM 3.1 / 3.2

This ignition module IM is an external ignition power stage capable of supplying up to three non-transistorized ignition coils.

The IM input signal should be supplied by an ECU with ignition signal outputs in the range of 10 to 20 mA (e.g. MS 4 Sport/MS 4.4 Sport).

The IM unit combines the robustness of a high quality production part with good electrical performance to provide an ideal solution for adapting non-transistorized coils to an ECU without internal ignition driver stages.



IM 3.1 [1]

IM 3.2 [2]

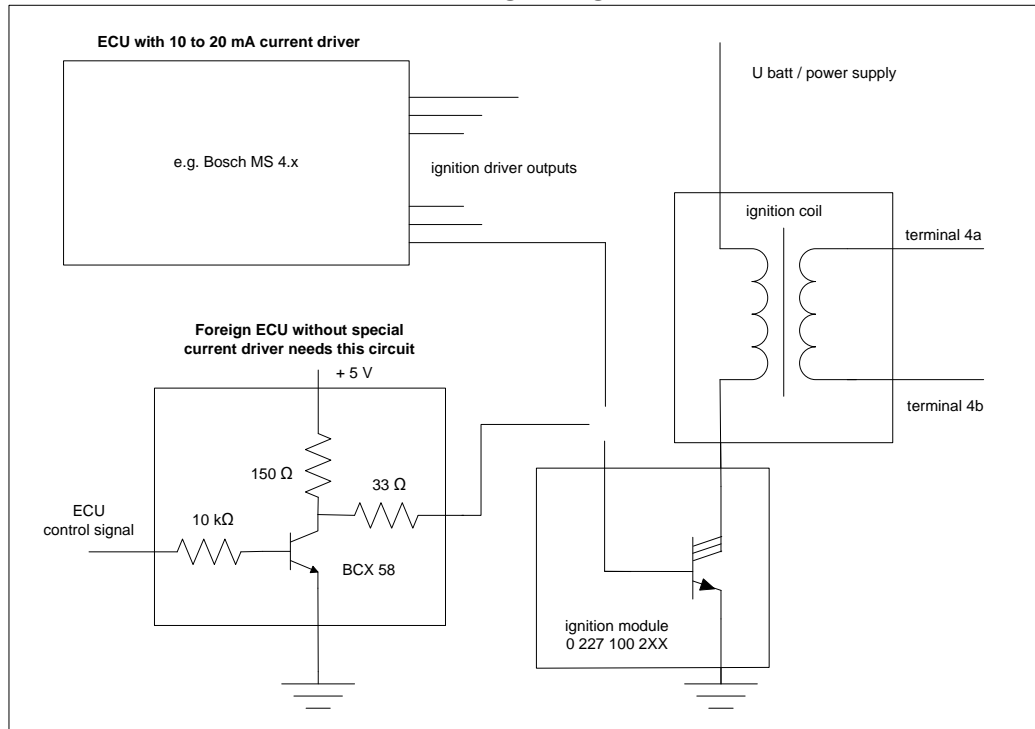
Application	
Primary current	≤ 8.5 A
Clamp voltage	380 V ±30 V
Operating temperature range @ measuring point	-40 ... 120 °C
Storage temperature range	-40 ... 130 °C
Max. vibration	400 m/s ² @ 5 ... 2,500 Hz

Electrical Data	
U _{Batt} typical	13.5 V
Voltage supply	6 ... 16.5 V
I _B high active on	min. 10 mA
I _B low off	0 mA
I _B	10 ... 22 mA
I _C typical	≤ 8.5 A
I _C max. @ T _U < 120 °C	< 10 A
U _{CE} satt @ I _C = 5 A	< 3 V
U _{CE} satt @ I _C max	< 9 V

Mechanical Data	
Size	[1] 70.5 x 68 x 20 mm [2] 71 x 48 x 21 mm
Weight w/o wire	47 g
Mounting	2 x M4 screws with spring washer

Characteristic	
Characteristic dwell time	see characteristic dwell time from the ignition coil used
Internal transistor	triple Darlington

Electronic circuit for connecting the ignition modules IM 3.1 / 3.2



Connectors

[1] Connector 1 Three Pin Connector @ 3.1

Connector	Bosch Jetronic 3-pin
Mating connector	D 261 205 289-01
Pin 1	Collector Transistor 1
Pin 2	Collector Transistor 2
Pin 3	Collector Transistor 3

[1] Connector 2 Four Pin Connector @ 3.1

Connector	Bosch Jetronic 4-pin
Mating connector	D 261 205 351-01
Pin 1	Basis Transistor 3
Pin 2	Gnd
Pin 3	Basis Transistor 2
Pin 4	Basis Transistor 1

[2] Connector 1 Seven Pin Connector @ 3.2

Connector	Bosch Jetronic 7-pin
Mating connector	F 02U B00 252-01
Pin 1	Collector Transistor 1
Pin 2	Basis Transistor 1
Pin 3	Collector Transistor 2
Pin 4	Gnd
Pin 5	Basis Transistor 2
Pin 6	Collector Transistor 3
Pin 7	Basis Transistor 3

Application Hint

The ignition modules 3.1 / 3.2 can be used with: Coil 2x2, 3x2, P35, P35-T and PS or comparable coils.

Please ensure that the connectors are safe from water.

The IM has to be mounted onto a cooling body. The mounting surface needs a planarity of 0.2 mm.

A heat conductive paste has to be used.

The IM 3.1 / 3.2 are designed for use with engine control units which have no integrated ignition transistor.

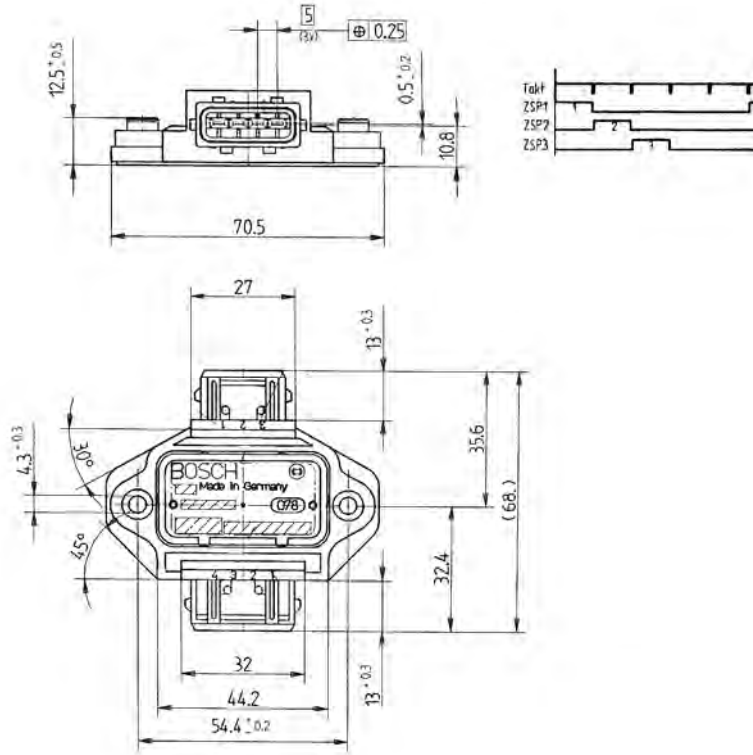
Please observe the specified limit values.

Please find further application hints in the offer drawing (<http://www.bosch-motorsport.com>).

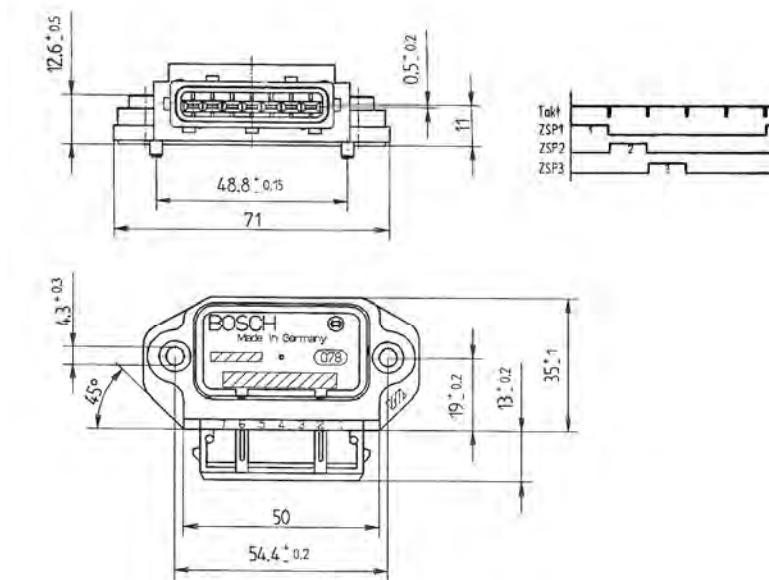
Part Number

Ignition Module IM 3.1 [1]	0 227 100 209
Ignition Module IM 3.2 [2]	0 227 100 203

Dimensions IM 3.1



Dimensions IM 3.2



Ignition Module IM 4

This ignition module IM is an external ignition power stage capable of supplying up to four non-transistorized ignition coils.

The IM input signal should be supplied by an ECU with ignition signal outputs in the range of 10 to 20 mA (e.g. MS 4 Sport/MS 4.4 Sport).

The IM unit combines the robustness of a high quality production part with good electrical performance to provide an ideal solution for adapting non-transistorized coils to an ECU without internal ignition driver stages.



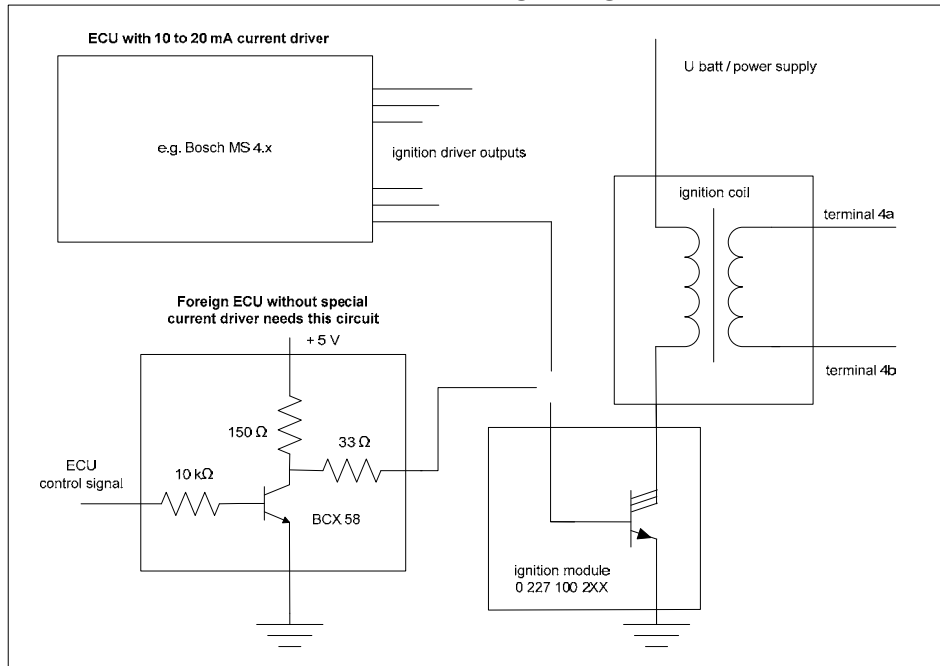
Application	
Primary current	≤ 8.5 A
Clamp voltage	380 V ±30 V
Operating temperature range @ measuring point	-40 ... 120 °C
Storage temperature range	-40 ... 130 °C
Max. vibration	400 m/s ² @ 5 ... 2,500 Hz

Electrical Data	
U _{Batt} typical	13.5 V
Voltage supply	6 ... 16.5 V
I _B high active on	min. 10 mA
I _B low off	0 mA
I _B	10 ... 22 mA
I _C typical	< 8.5 A
I _C max. @ T _U < 120 °C	< 10 A
U _{CE Satt} @ I _C = 5 A	< 3 V
U _{CE Satt} @ I _C max	< 9 V

Mechanical Data	
Size	70.5 x 68 x 20 mm
Weight w/o wire	54 g
Mounting	2 x M4 screws with spring washer

Characteristic	
Characteristic dwell time	see characteristic dwell time from the ignition coil used
Internal transistor	triple Darlington

Electronic circuit for connecting the ignition module IM 4


Connectors
Connector 1 Four Pin Connector

Connector	Bosch Jetronic 4-pin
Mating connector	D 261 205 351-01
Pin 1	Collector Transistor 4
Pin 2	Collector Transistor 3
Pin 3	Collector Transistor 2
Pin 4	Collector Transistor 1

Connector 2 Five Pin Connector

Connector	Bosch Jetronic 5-pin
Mating connector	D 261 205 352-01
Pin 1	Basis Transistor 1
Pin 2	Basis Transistor 2
Pin 3	Gnd
Pin 4	Basis Transistor 3
Pin 5	Basis Transistor 4

Application Hint

The ignition module 4 can be used with: Coils 2x2, 3x2, P35, P35-T and PS or comparable coils.

Please ensure that the connectors are safe from water.

The IM has to be mounted onto a cooling body. The mounting surface needs a planarity of 0.2 mm.

A heat conductive paste has to be used.

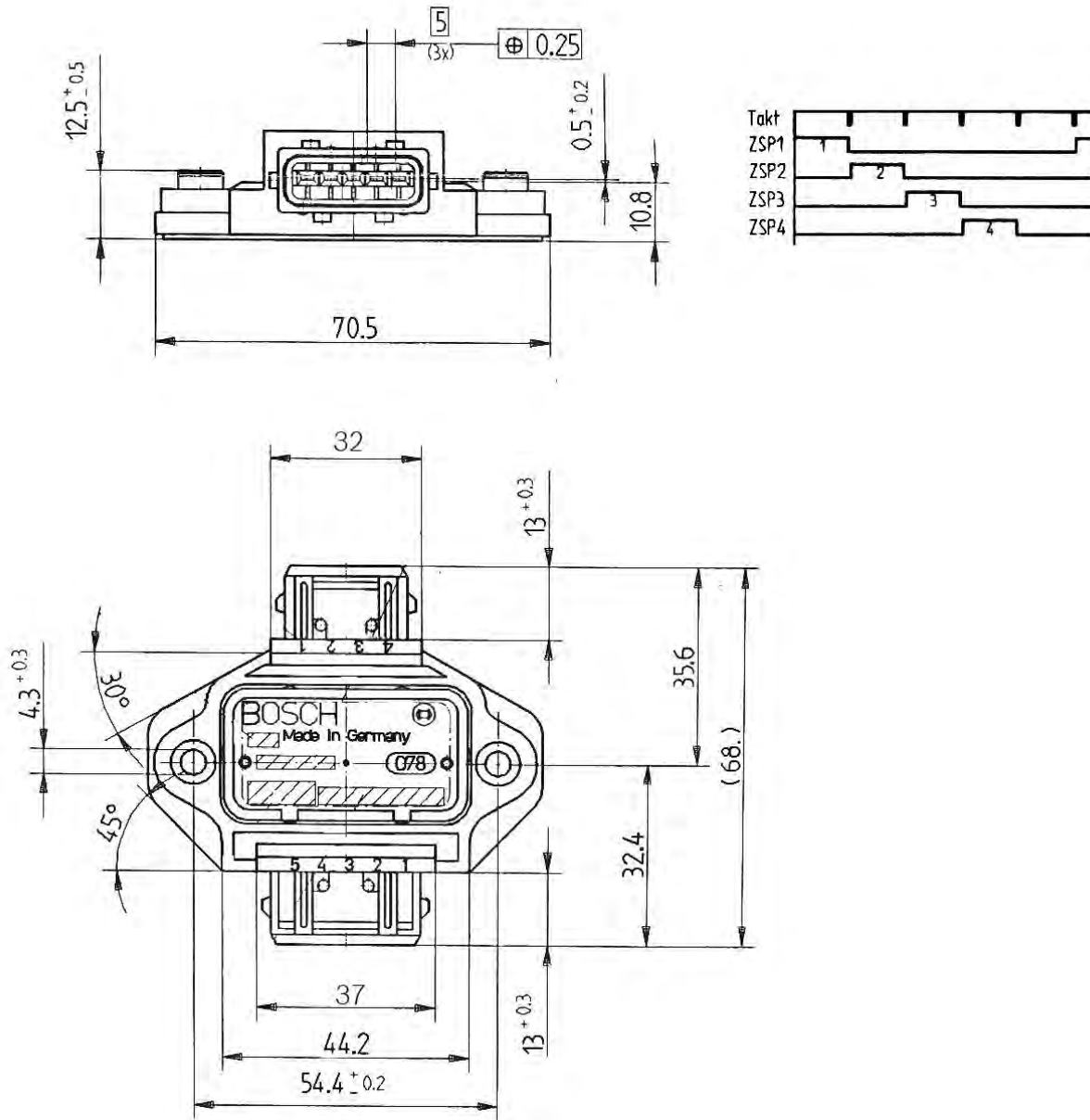
This ignition module is designed for use with engine control units which have no integrated ignition transistor.

Please observe the specified limit values.

Part Number

Ignition Module IM 4 **0 227 100 211**

Dimensions IM 4



Fuel Pumps

Fuel Pump FP 100

The FP 100 is an inline roller cell pump for the installation outside the fuel tank.

It is capable of providing 100 l/h at 5 bar. Bio-fuel can be delivered up to E85.

The main benefit of the FP 100 over a production type pump is the high delivery rate at high pressure.



Application	
Fuel delivery	> 100 l/h
Fuel pressure	5 bar
Pressure limiting valve	7 ... 12.5 bar rel.
Fuel compatibility	E85
Operating temperature range	-20 ... 90 °C
Storage temperature range	-40 ... 70 °C
Max. vibration	3 mm at 10 ... 18 Hz ≤ 40 m/s ² at 18 ... 60 Hz

Mechanical Data	
Diameter	54 mm
Length	185 mm
Weight	725 g
Mounting	clamping

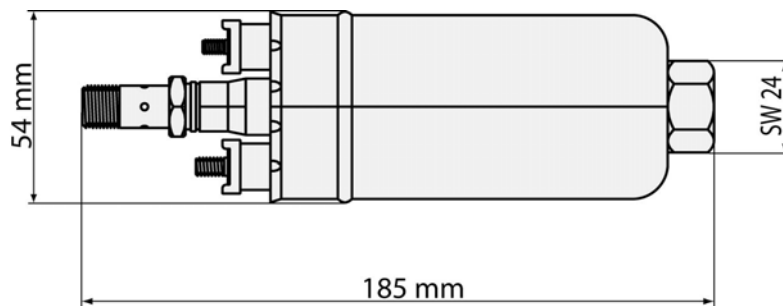
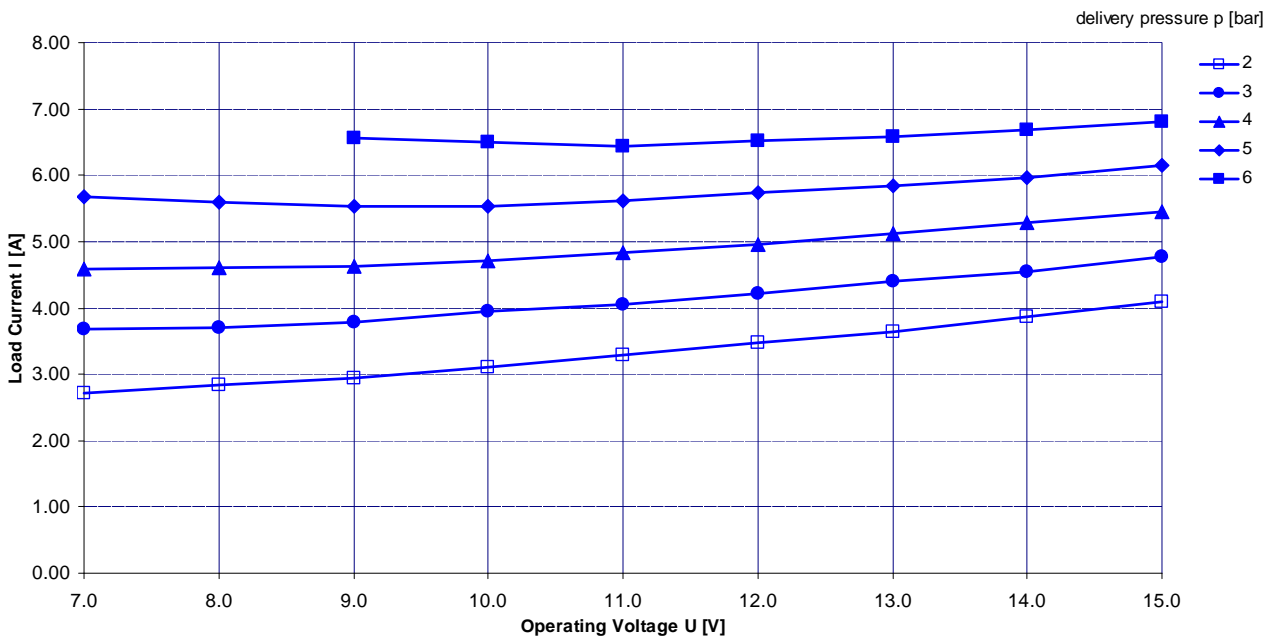
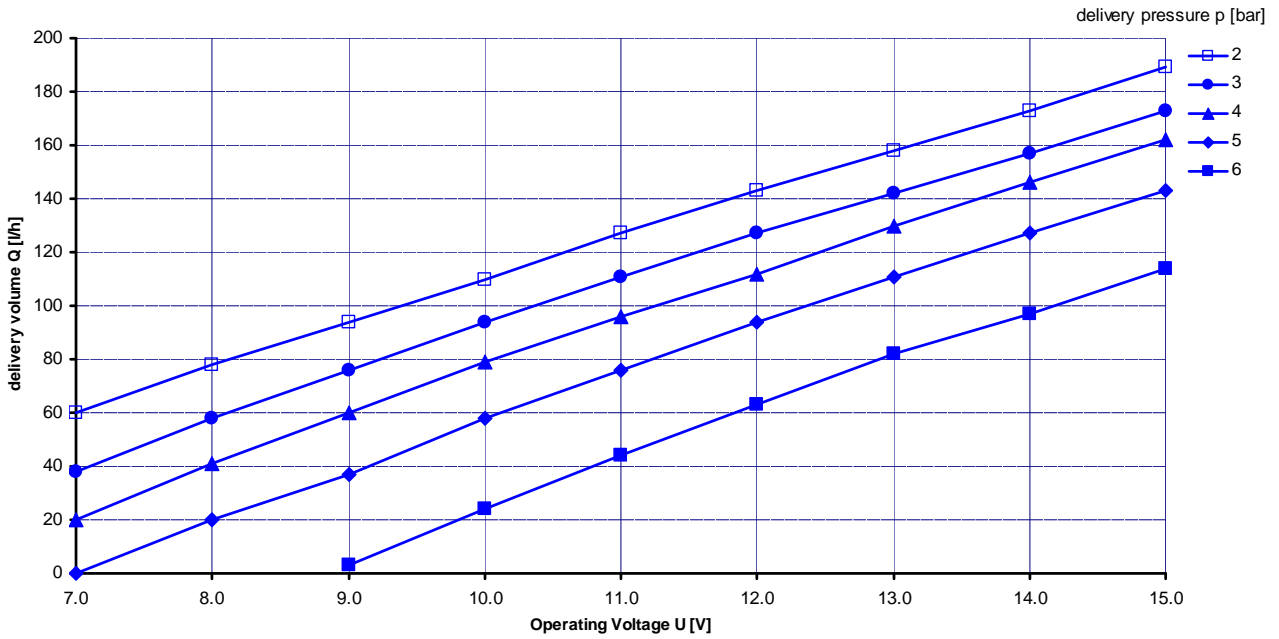
Electrical Data	
Delivery rate at 5 bar and 22 °C	118 ± 3 l/h
Supply voltage	6 ... 16.5 V
Operating voltage	13.8 V
Load current at 5 bar and 22 °C	6.0 ± 0.5 A

Characteristic	
Surface coating	none
Color	silver
Non-return valve	external
Fuel filtering	external, on pressure side

Connectors and Wires	
Electrical connector	+M4/-M5
Electrical mating connector	with ring wire M4 and M5
Mechanical connector intake side	M16x1.5
Mechanical connector pressure side	M12x1.5

Application Hint	
With E26/E85 or Diesel fuel run-time max. 500 h.	
For technical reasons the values may vary.	
Please use within the specified limit values only.	
Please find further application hints in the offer drawing (http://www.bosch-motorsport.com).	

Part Numbers	
FP 100	Y 580 701 456-03

Characteristic delivery rate FP 100


Fuel Pump FP 165

The FP 165 is an inline roller cell pump for the installation outside the fuel tank.

It is capable of providing 165 l/h at 5 bar. Bio-fuel can be delivered up to E85.

The FP 165 is a production type fuel pump, combining good quality at a low price.



Application	
Fuel delivery	> 165 l/h
Fuel pressure	5 bar
Pressure limiting valve	7 ... 12.5 bar rel.
Fuel compatibility	E85
Operating temperature range	-20 ... 90 °C
Storage temperature range	-40 ... 70 °C
Max. vibration	3 mm at 10 ... 18 Hz ≤ 40 m/s ² at 18 ... 60 Hz

Mechanical Data	
Diameter	60 mm
Length	168 mm
Weight	980 g
Mounting	clamping

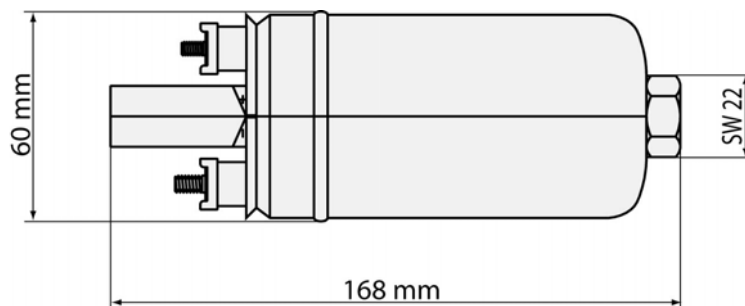
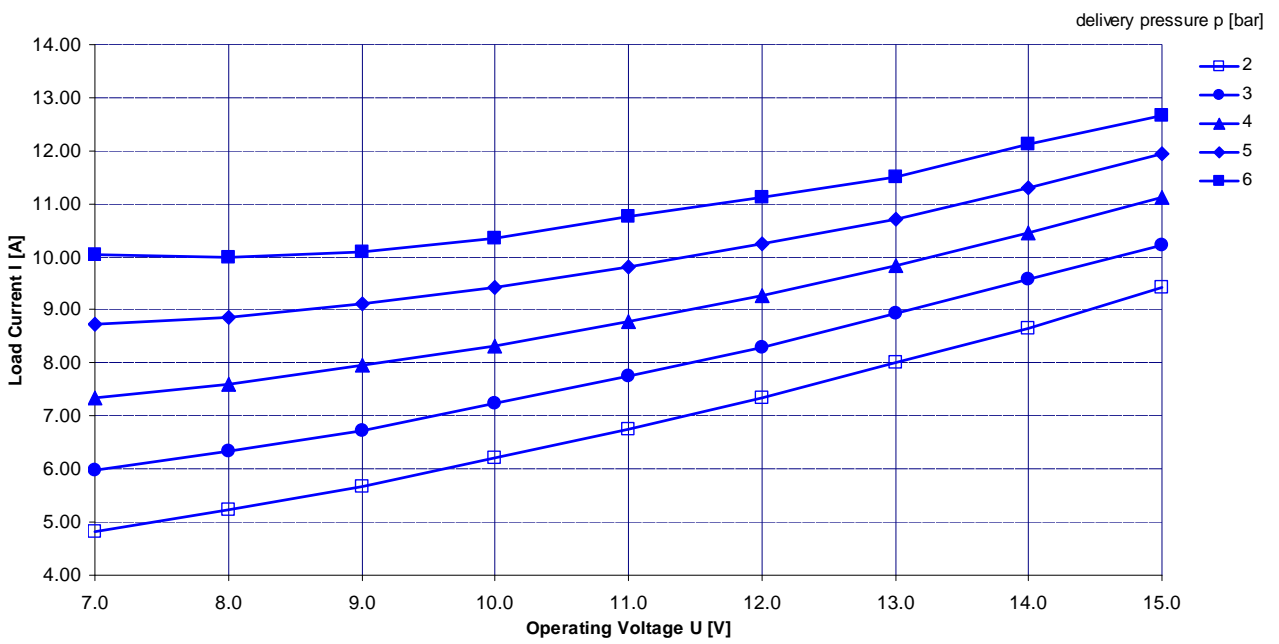
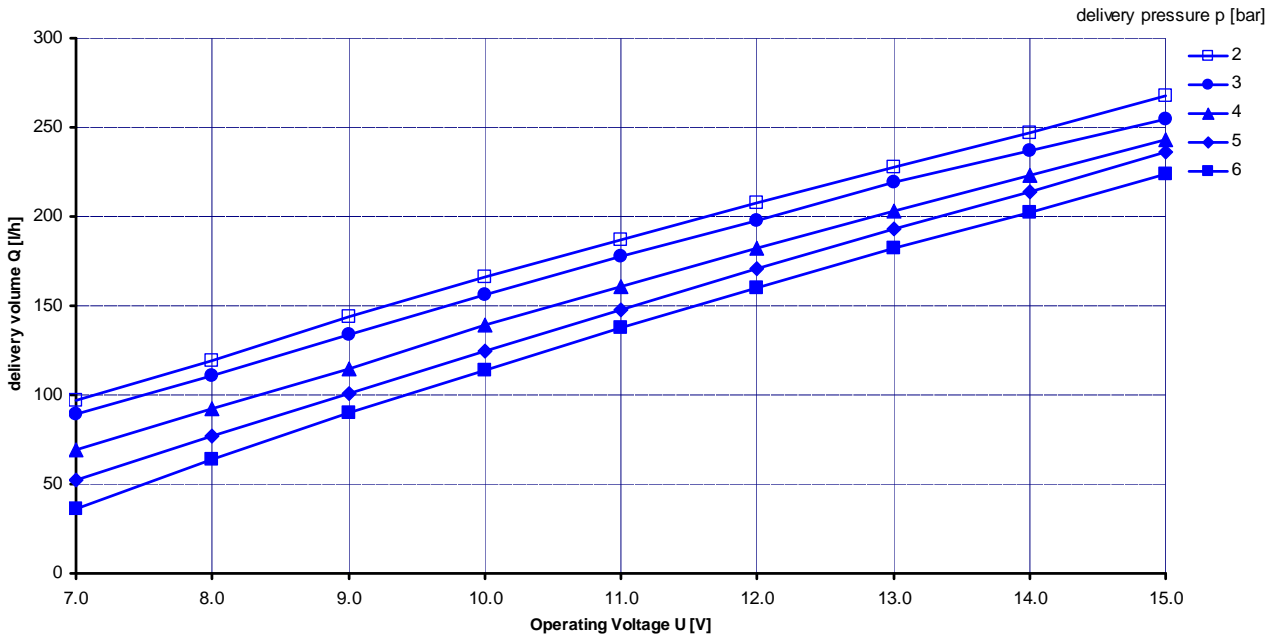
Electrical Data	
Delivery rate at 5 bar and 22 °C	205 ± 5 l/h
Supply voltage	6 ... 16.5 V
Operating voltage	13.8 V
Load current at 5 bar and 22 °C	11.0 ± 2 A

Characteristic	
Surface coating	none
Color	silver
Non-return valve	internal
Fuel filtering	external, on pressure side

Connectors and Wires	
Electrical connector	+M4/-M5
Electrical mating connector	with ring wire M4 and M5
Mechanical connector intake side	M14x1.5
Mechanical connector pressure side	M12x1.5

Application Hint	
With E26/E85 or Diesel fuel run-time max. 500 h.	
For technical reasons the values may vary.	
Please use within the specified limit values only.	
Please find further application hints in the offer drawing (http://www.bosch-motorsport.com).	

Part Numbers	
FP 165	0 580 254 979

Characteristic delivery rate FP 165


Fuel Pump FP 200

The FP 200 is an inline roller cell pump for the installation outside and inside the fuel tank.

It is capable of providing 200 l/h at 5 bar (8 bar). Bio-fuel can be delivered up to E85.

The FP 200 is one of the most popular aftermarket fuel pumps and excellent value for money.



Application	
Fuel delivery	> 200 l/h
Fuel pressure	[1] 5 bar [2] 8 bar
Hot delivery decrease @ 95 °C, 13 V, 5 bar	-30 l/h
Pressure limiting valve	10 ... 12 bar rel.
Fuel compatibility	E85
Operating temperature range	-20 ... 90 °C
Storage temperature range	-40 ... 70 °C
Max. vibration	3 mm at 10 ... 18 Hz ≤ 40 m/s ² at 18 ... 60 Hz

Mechanical Data	
Diameter	60 mm
Length	196 mm
Weight	1,030 g
Mounting	clamping

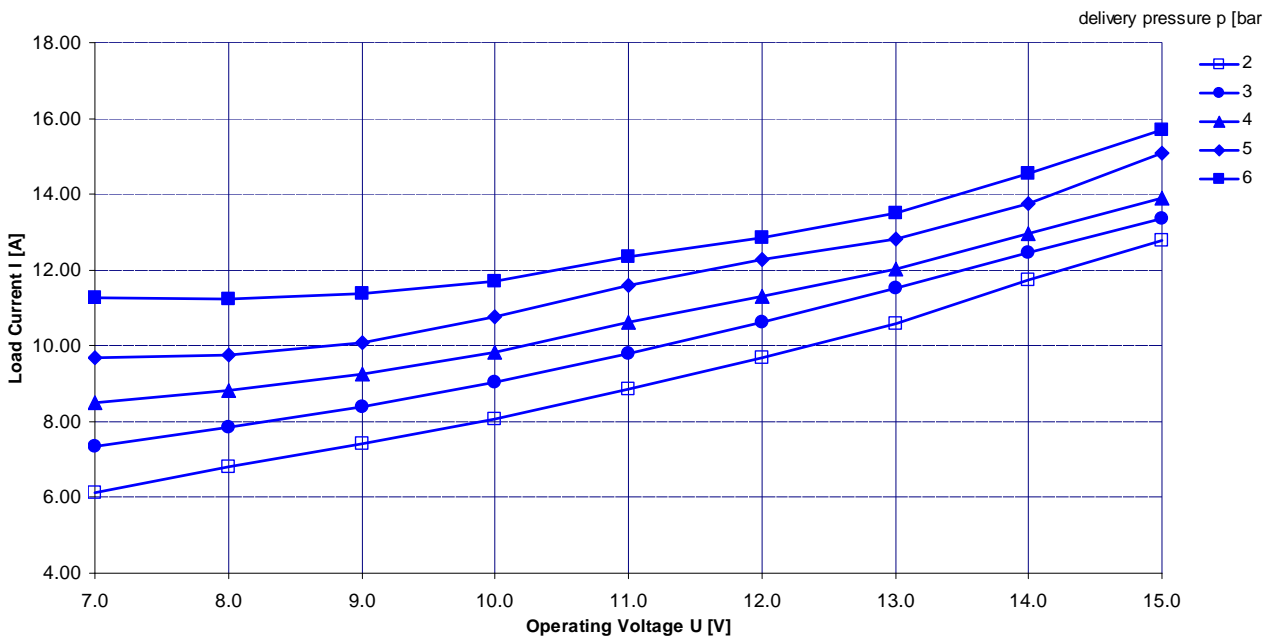
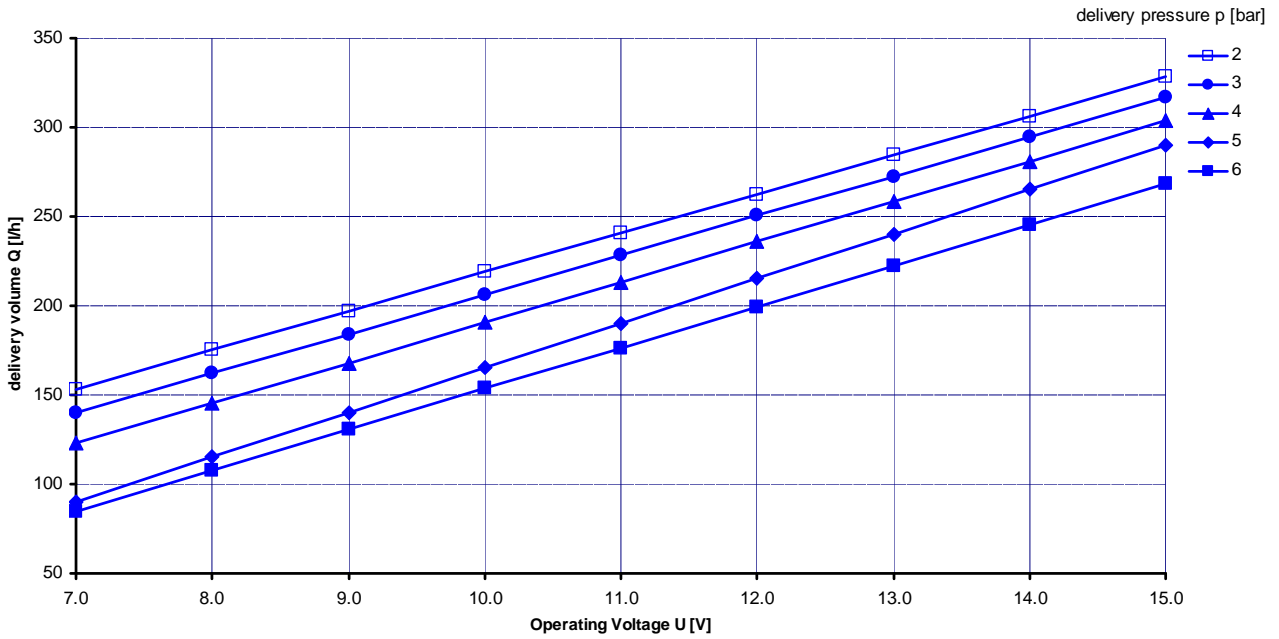
Electrical Data	
Delivery rate at 5 bar and 22 °C	[1] 260 ± 5 l/h
Delivery rate at 8 bar and 22 °C	[2] 220 ± 5 l/h
Supply voltage	6 ... 16.5 V
Operating voltage	13.8 V
Load current at 5 bar and 22 °C	[1] 14 ± 1 A
Load current at 8 bar and 22 °C	[2] 15 ± 1 A

Characteristic	
Surface coating	none
Color	silver
Non-return valve	external
Fuel filtering	external, on pressure side

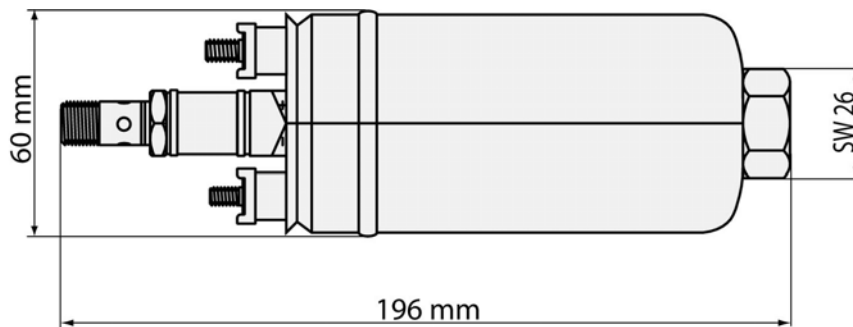
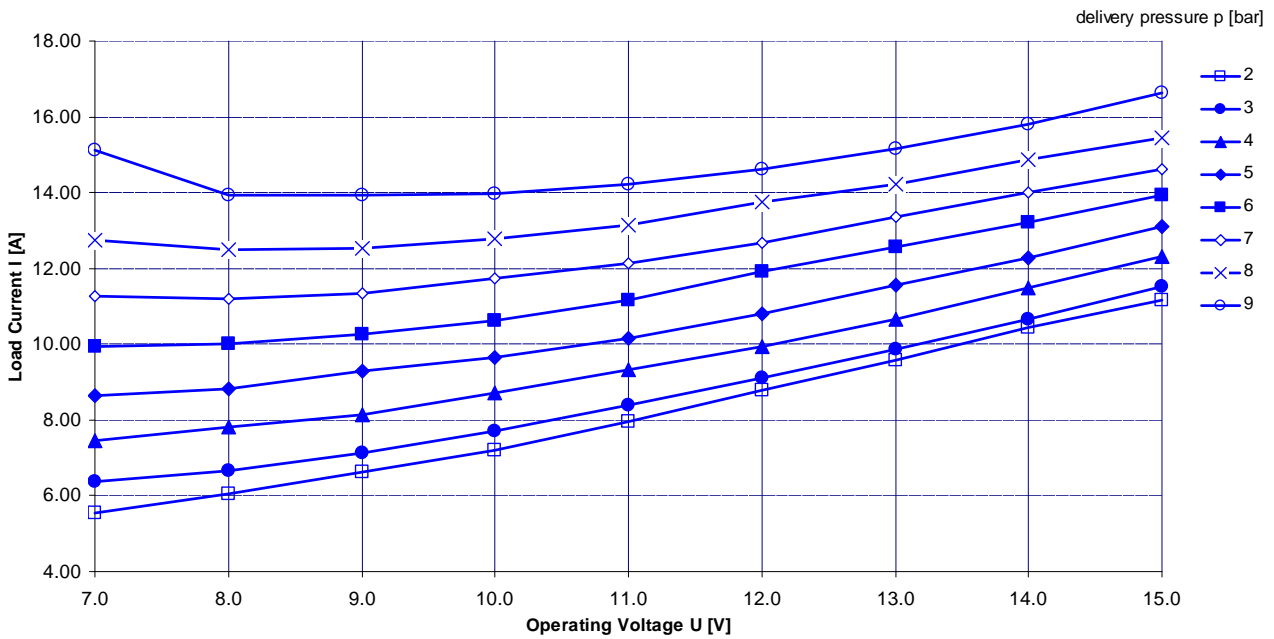
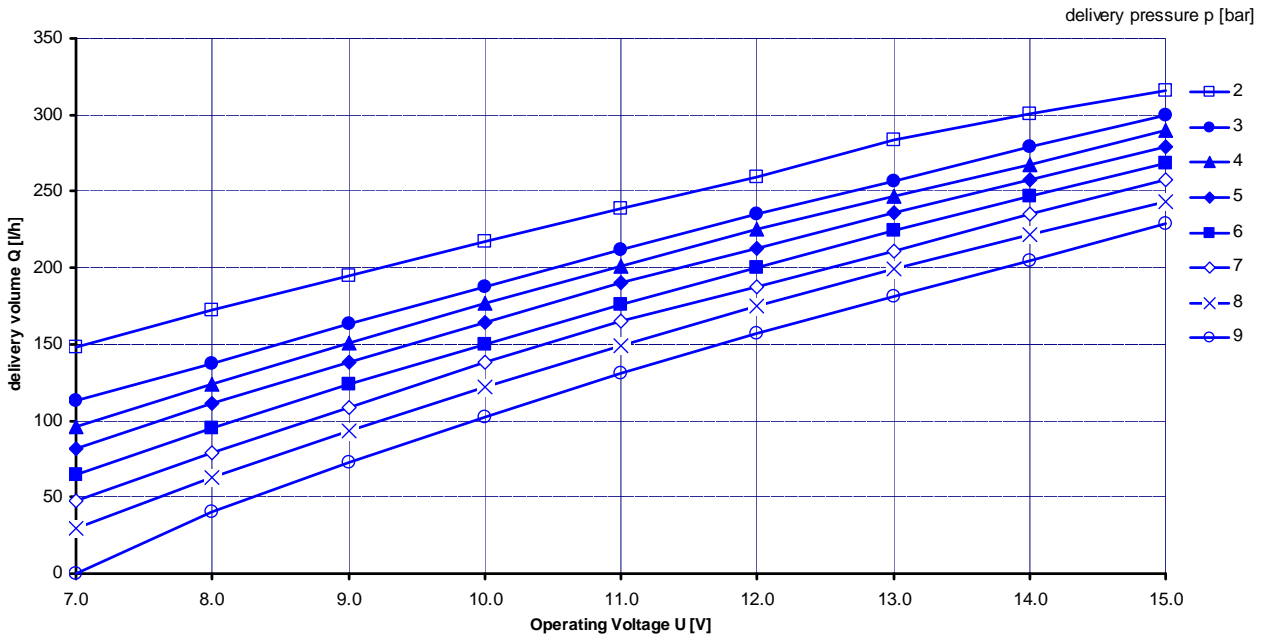
Connectors and Wires	
Electrical connector	+M6/-M5
Electrical mating connector	with ring wire M6 and M5
Mechanical connector intake side	M18x1.5
Mechanical connector pressure side	M12x1.5

Application Hint	
With E26/E85 or Diesel fuel run-time max. 500 h.	
For technical reasons the values may vary.	
Please use within the specified limit values only.	
Please find further application hints in the offer drawing (http://www.bosch-motorsport.com).	

Part Numbers	
FP 200 (5 bar)	[1] 0 580 254 044
FP 200 (8 bar)	[2] B 261 205 413-01

Characteristic delivery rate FP 200 (5 bar)


Characteristic delivery rate FP 200 (8 bar)



Fuel Pump FP 300/FP 300L

The FP 300 [1] represents the next generation of low-pressure inline fuel pumps. The internals of the pump are designed specifically for motorsport applications.

Higher fuel delivery (from modified rotor design), as well as an improved power-to-weight ratio are two of the advantages of this pump.

The pumps can be used for gasoline, Diesel and Bio-fuels. The FP 300L [2] has further weight reduction measures.



FP 300



FP 300L

Application	
Fuel delivery	>300 l/h
Fuel pressure	8 bar
Hot delivery decrease @ 95 °C, 13 V, 5 bar	-14.8 l/h (-4 %)
Pressure limiting valve	8.5 bar rel.
Fuel compatibility	E85/M100
Operating temperature range	-20 ... 90 °C
Storage temperature range	-40 ... 70 °C
Max. vibration	3 mm @ 10 ... 18 Hz ≤ 40 m/s ² @ 18 ... 60 Hz

Mechanical Data	
Diameter	50 mm
Length	174 mm
Weight	[1] 714 g [2] 670 g
Mounting	clamping

Electrical Data	
Delivery rate @ 5 bar and 22 °C	340 ± 1 l/h
Supply voltage	10 ... 16.5 V
Operating voltage	13.8 V
Load current @ 5 bar and 22 °C	17.3 ± 1 A

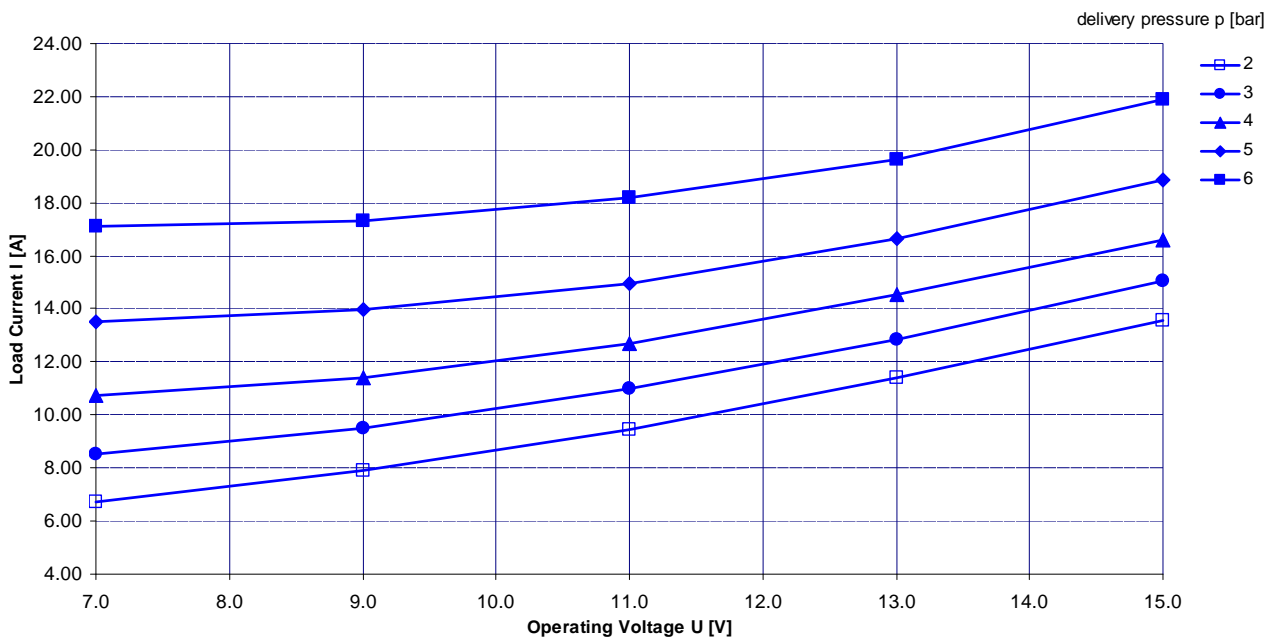
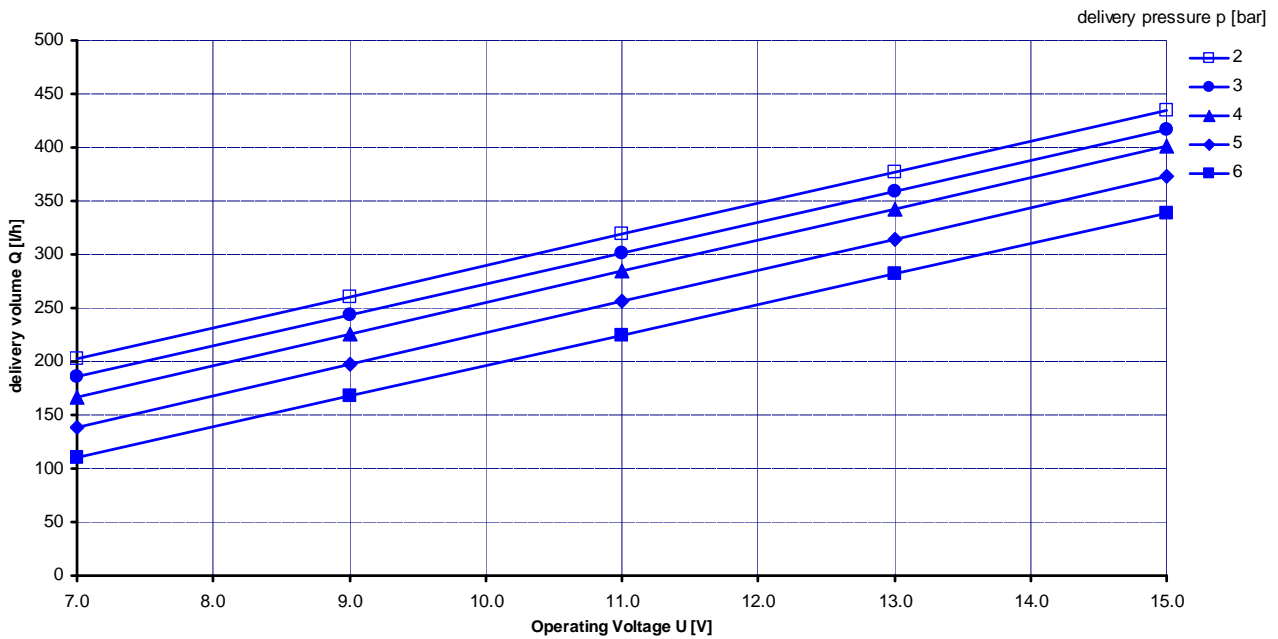
Characteristic	
Surface coating	anodized
Color	red
Non return valve	internal
Fuel filtering	internal

Connectors and Wires	
Electrical connector	+ M6/- M5
Electrical mating connector	with ring wire M6 and M5
Mechanical connector intake side	M18x1.5
Mechanical connector pressure side	M12x1.5

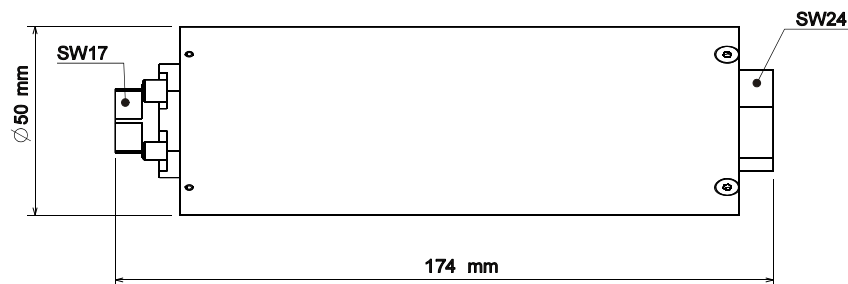
Application Hint	
Integrated pre-filter allows cleaning of filter by user.	
With E26/E85 or M100 fuel run-time max. 500 h.	
For technical reasons the values may vary.	
Please use only within the specified limit values.	
Please flush the pump with gasoline after use with Methanol fuel.	
Please find further application hints in the offer drawing (http://www.bosch-motorsport.com).	

Part Number	
FP 300	[1] B 261 205 366-01
FP 300L	[2] F 02U V00 636-01

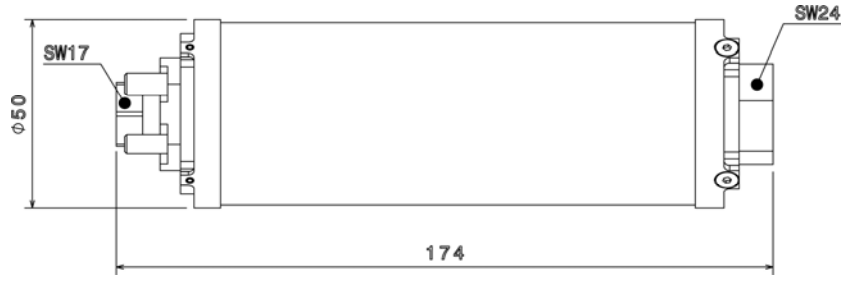
Characteristic delivery rate FP 300/FP 300L



Dimensions FP 300



Dimensions FP 300L



HP Fuel Pump HDP 5

The HDP 5 is a compact high pressure single piston pump. The design allows achieving a big delivery volume as well as high efficiency, as needed in motorsport applications. Variations in the number of cam lobes and cam lifts allow different flow requirements to be addressed.

The HDP 5 has an integrated demand control for metering the amount of fuel supplied into the high pressure fuel system and an overpressure relief valve to limit the maximum fuel pressure. By metering the fuel into the high pressure system no fuel return line into the tank is needed.



Mechanical Data	
Theoretical fuel delivery	0.5 ... 1.1 cm ³ / rot _{cam}
Nominal pressure	up to 200 bar
Weight	approx. 780 g
Max. speed at pump driveshaft	3,500 ... 4,650 min ⁻¹
Supply pressure	4 ... 7 bar
Mounting on cylinder head or adapter flange	
Operating temperature	-40 °C ... +120 °C
Storage temperature	-40 °C ... +70 °C
Compatible Fuels	unleaded fuels, E22, E85, M15
Fuel temperature	80 °C (short-term 130 °C)
Max. vibration	up to 600 m/s ²

Connections	
Fuel inlet connection	M14x1.5
High pressure connection	M14x1.5

Application Hint	
Please notice: Fuel delivery and maximum driveshaft speed depends on cam profile and type of tappet. Higher flow rates are only achievable at lower max. speeds.	
Available cam profiles on request.	

Part Numbers	
HDP 5 with integrated control valve	F 02U V00 818-01

HP Fuel Pump HDP 5-FD

The HDP 5-FD is a compact high pressure single piston pump. The design allows achieving a big delivery volume as well as high efficiency, as needed in motorsport applications. Variations in the number of cam lobes and cam lifts allow different flow requirements to be addressed.



Mechanical Data	
Theoretical fuel delivery	0.5 ... 1.1 cm ³ / rot _{cam}
Nominal pressure	up to 200 bar
Weight	approx. 780 g
Max. speed at pump driveshaft	3,500 ... 4,650 min ⁻¹
Supply pressure	4 ... 7 bar
Mounting on cylinder head or adapter flange	
Operating temperature	-40 °C ... +120 °C
Storage temperature	-40 °C ... +70 °C
Compatible Fuels	unleaded fuels, E22, E85, M15
Fuel temperature	80 °C (short-term 130 °C)
Max. vibration	up to 600 m/s ²

Connections	
Fuel inlet connection	M14x1.5
High pressure connection	M14x1.5

Application Hint	
Please notice: Fuel delivery and maximum driveshaft speed depends on cam profile and type of tappet. Higher flow rates are only achievable at lower max. speeds.	
Available cam profiles on request.	

Part Numbers	
HDP 5-FD	0 261 B11 223-01

Fuel Pressure Regulators

Fuel Pressure Regulator Mini/Mini M

Fuel pressure regulators are used to maintain constant fuel pressure at the injection valves.

We offer this regulator for gasoline as well as for methanol applications.

The main benefits of this regulator include a higher pressure range and a higher return flow rate in comparison to the production type regulators.



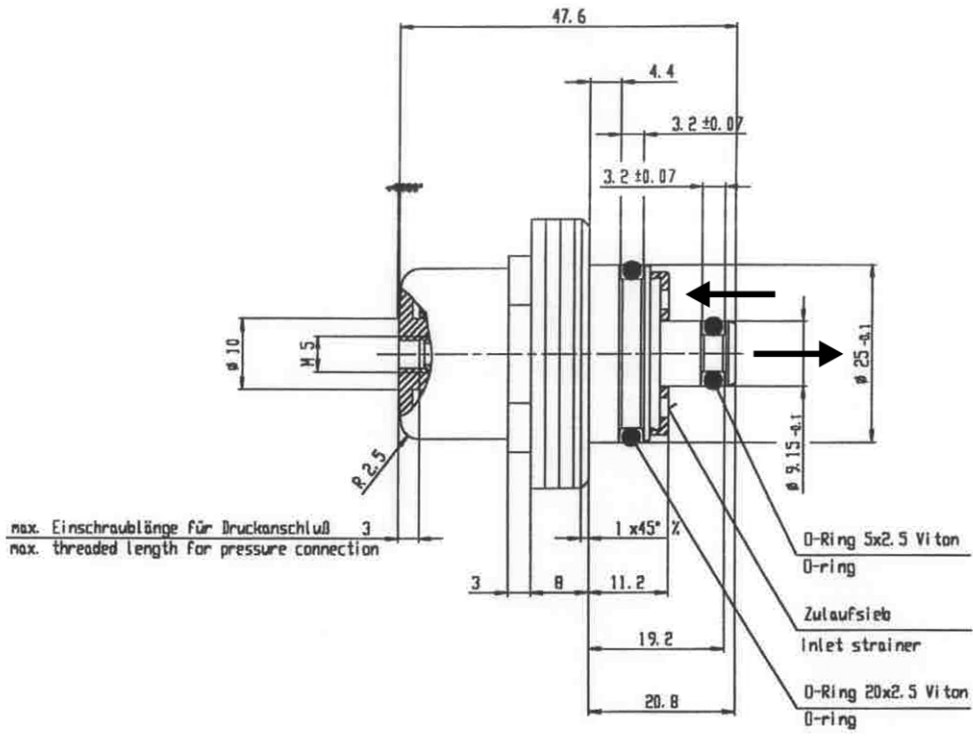
Application	
Pressure range	see Part Numbers
Reflow quantity	30 ... 400 l/h
Reference pressure connector	no
Fuel compatibility Mini	Gasoline, E85, M22
Fuel compatibility Mini M	Gasoline, E85, M100
Operating temperature range	-40 ... 120 °C
Storage temperature range	-40 ... 100 °C
Max. vibration	< 600 m/s ² @ 5 ... 250 Hz

Mechanical Data	
Diameter	37.9 mm
Weight	60 g
Mounting	fastening with a clip

Connectors and Wires	
Connector supply	diam. 25 mm, O-ring
Connector reflow	diam. 9.15 mm, O-ring

Application Hint	
Never run the regulator without the integrated filter.	
Please oil O-rings lightly with clean engine oil before the installation of the regulator.	
Please make a leaktest after the installation of the regulator.	
When the pressure regulator is removed and will be reused, the O-rings must be tested for fractures.	
Operation with air is not allowed.	

Part Number	
Mini, 2.5 bar	B 261 208 101-01
Mini, 3 bar	B 261 208 102-01
Mini, 3.5 bar	B 261 208 103-01
Mini, 4 bar	B 261 208 104-01
Mini, 5 bar	B 261 208 105-01
Mini, 6 bar	B 261 208 106-01
Mini, 7 bar	B 261 208 107-01
Mini, 8 bar	B 261 208 108-01
Mini, 10 bar	B 261 208 109-01
Mini M, 6 bar, Methanol version	B 261 208 121-01
Mini M, 8 bar, Methanol version	B 261 208 122-01
Mini M, 10 bar, Methanol version	B 261 208 123-01



Fuel Pressure Regulator Mini A

Fuel pressure regulators are used to maintain constant fuel pressure at the injection valves.

This regulator based on a production type regulator was specially designed for motorsport applications.

The main benefit of this regulator is the adjustability of the fuel pressure.



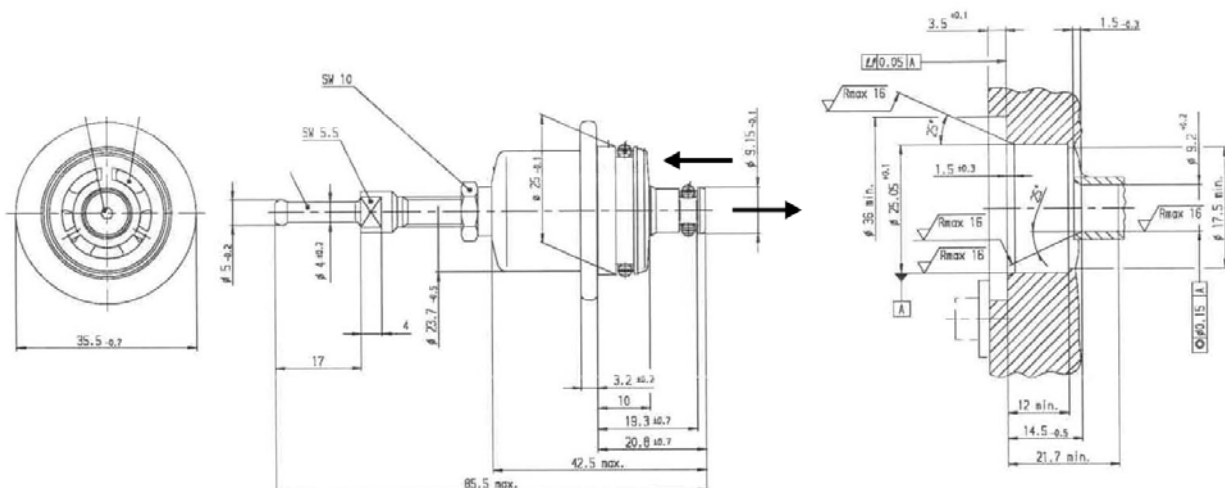
Application	
Pressure range	[1] 2.2 ... 3.5 bar [2] 3.5 ... 5.0 bar
Reflow quantity	15 ... 220 l/h
Reference pressure connector	diam. 5 mm, tube connector
Operating temperature range	-40 ... 120 °C
Storage temperature range	-40 ... 100 °C
Max. vibration	< 400 m/s ² @ 5 ... 250 Hz

Mechanical Data	
Diameter	34.9 mm
Weight	58 g
Mounting	fastening with a clip

Connectors and Wires	
Connector supply	diam. 25 mm, O-ring
Connector reflow	diam. 9.15 mm, O-ring

Application Hint	
The tube connector at the housing can be used to supply reference pressure to the regulator. This can be atmospheric pressure, air box pressure or manifold pressure.	
Never run the regulator without the integrated filter.	
Please oil O-rings lightly with clean engine oil before the installation of the regulator.	
Please perform a leak-test after the installation of the regulator.	
When the pressure regulator is removed and reused, the O-rings must be tested for fractures.	
Operation with air is not allowed.	

Part Number	
Mini A	[1] B 280 550 340-02
Mini A	[2] B 280 550 341-02



Fuel Pressure Regulator Mini 38

Fuel pressure regulators are used to maintain constant fuel pressure in the rail at the injection valves.

This production type fuel pressure regulator is designed for the integration into the fuel rail.

The main benefits of this regulator include the competitively priced high quality and a high return flow rate.



Application	
Pressure range	3.8 bar
Reflow quantity	15 ... 220 l/h
Reference pressure connector	diam. 5 mm, tube connector
Operating temperature range	-40 ... 120 °C
Storage temperature range	-40 ... 100 °C
Max. vibration	< 600 m/s ² @ 5 ... 250 Hz

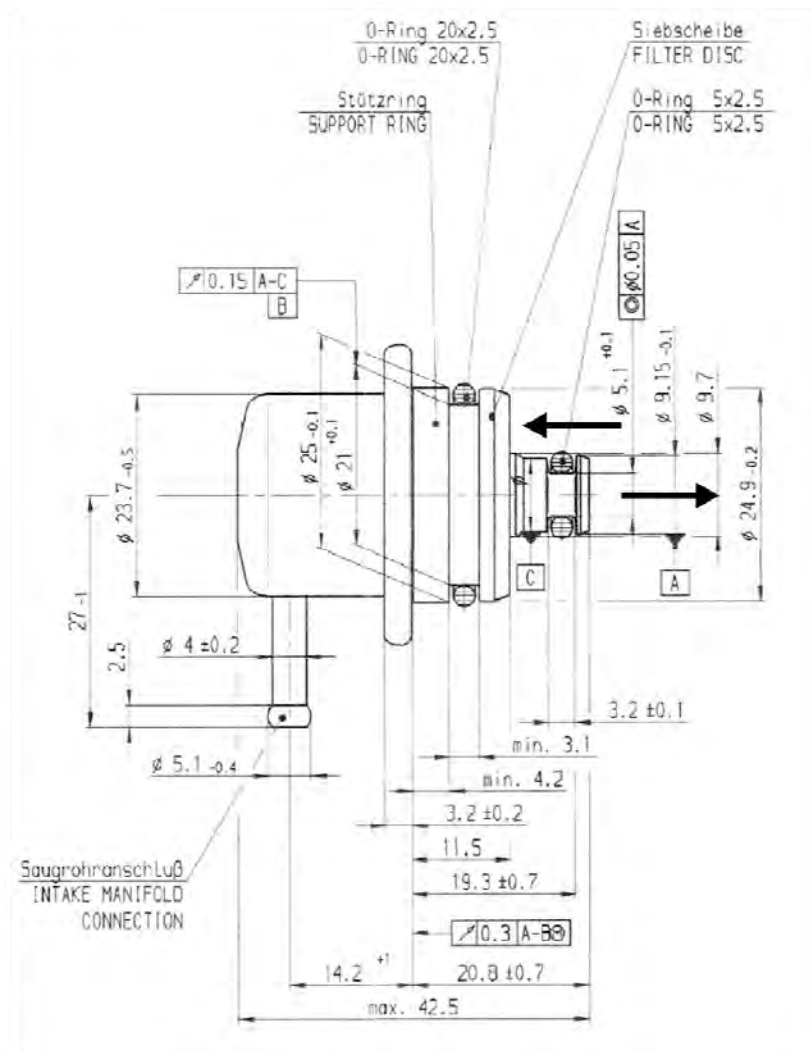
Mechanical Data	
Diameter	34.9 mm
Weight	48 g
Mounting	fastening with a clip

Characteristic	
Set pressure accuracy	± 2 %

Connectors and Wires	
Connector supply	diam. 25 mm, O-ring
Connector reflow	diam. 9.15 mm, O-ring

Application Hint	
The tube connector at the housing can be used to supply reference pressure to the regulator. This can be atmospheric pressure, air box pressure or manifold pressure.	
Never run the regulator without the integrated filter.	
Please oil O-rings lightly with clean engine oil before the installation of the regulator.	
Please perform a leak-test after the installation of the regulator.	
When the pressure regulator is removed and reused, the O-rings must be tested for fractures.	
Operation with air is not allowed.	

Part Number	
Mini 38	0 280 160 616



Fuel Pressure Regulator Mini 5

Fuel pressure regulators are used to maintain constant fuel pressure at the injection valves.

We modified this production type based regulator especially for motorsport use and increased the pressure level.

The main benefits of this regulator include the competitively priced high quality and the high return flow rate.



Application

Pressure range	5 bar
Reflow quantity	15 ... 220 l/h
Reference pressure connector	diam. 5 mm, tube connector
Fuel compatibility	Gasoline, E85/M15
Operating temperature range	-40 ... 120 °C
Storage temperature range	-40 ... 100 °C
Max. vibration	< 600 m/s ² @ 5 ... 250 Hz

Mechanical Data

Diameter	34.9 mm
Weight	48.5 g
Mounting	fastening with a clip

Characteristic

Set pressure accuracy	±2 % at 105 l/h
-----------------------	-----------------

Connectors and Wires

Connector supply	diam. 25 mm, O-ring
Connector reflow	diam. 9.15 mm, O-ring

Application Hint

The tube connector at the housing can be used to supply reference pressure to the regulator. This can be atmospheric pressure, air box pressure or manifold pressure.

Never run the regulator without the integrated filter.

Please oil O-rings lightly with clean engine oil before the installation of the regulator.

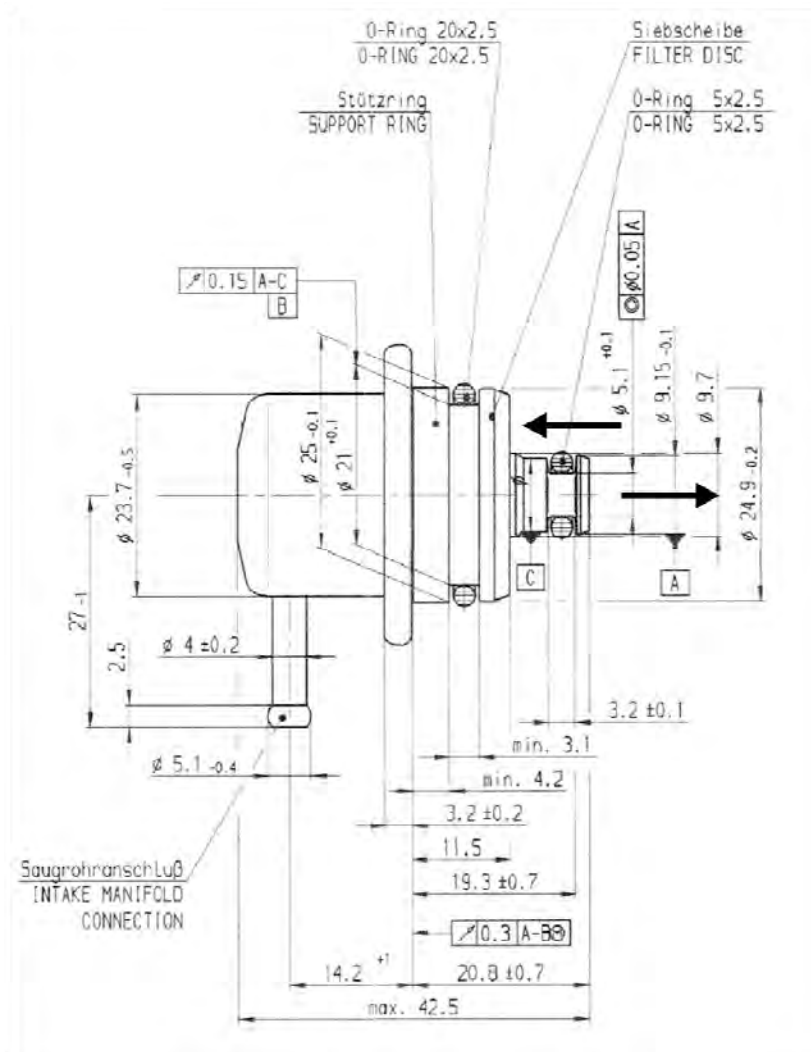
Please perform a leak-test after the installation of the regulator.

When the pressure regulator is removed and reused, the O-rings must be tested for fractures.

Operation with air is not allowed.

Part Number

Mini 5	0 280 B02 722-02
--------	-------------------------



FPR Adaptor

This adaptor offers the opportunity to convert a rail pressure regulator into an inline pressure regulator.

The adaptor is able to hold a production type regulator as well as a motorsport regulator.

Delivery **without** regulator.

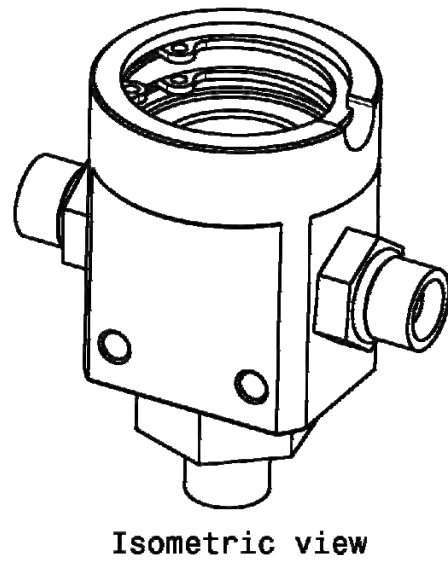
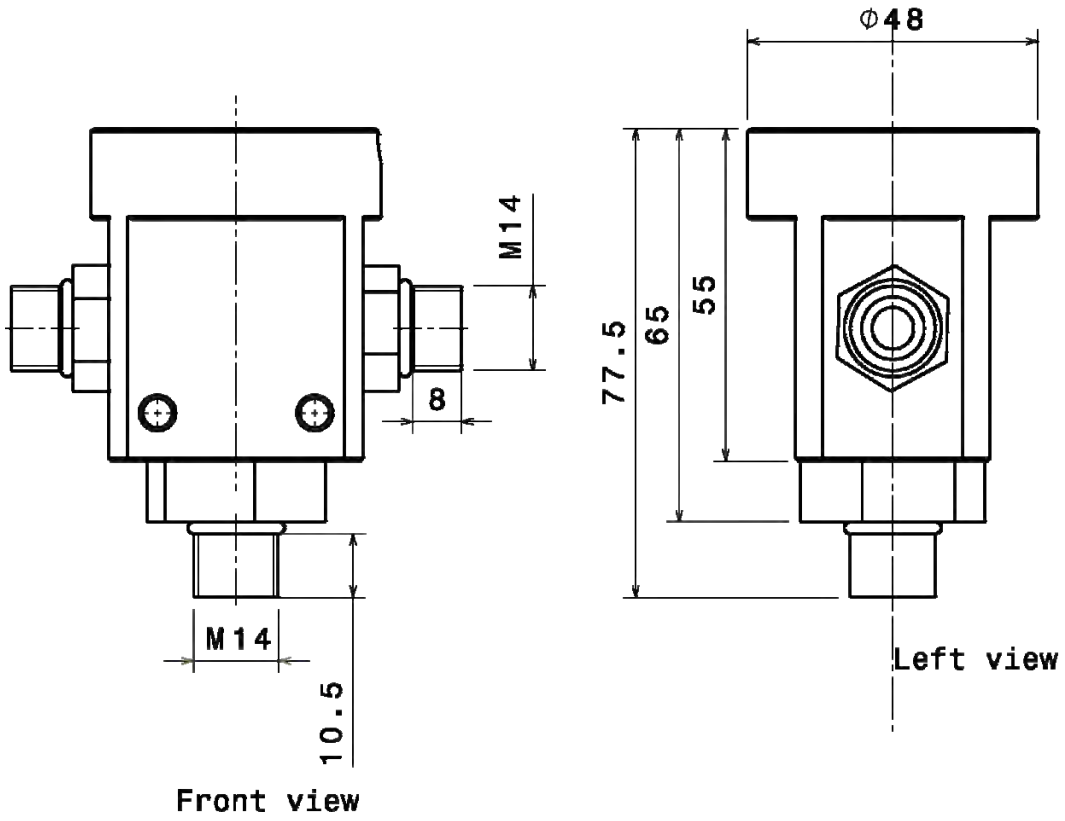


Application	
Fuel compatibility	Gasoline, E85/M100
Operating temperature range	-40 ... 120 °C
Storage temperature range	-40 ... 100 °C
Max. vibration	< 600 m/s ² @ 5 ... 250 Hz

Mechanical Data	
Diameter	50 mm
Length	100 mm
Weight	170 g
Mounting	screw fastening with M6 screws

Connectors and Wires	
Connector supply	2 x M14 x 1.5
Connector reflow	M14 x 1.5

Part Number	
FPR Adaptor	F 02U V00 735-01



HP Control Valve DSV

The DSV is specifically designed for regulation of pressure in the common rail of high pressure injection systems.

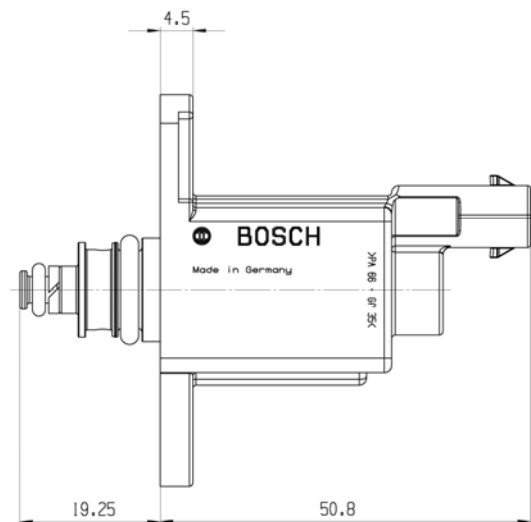
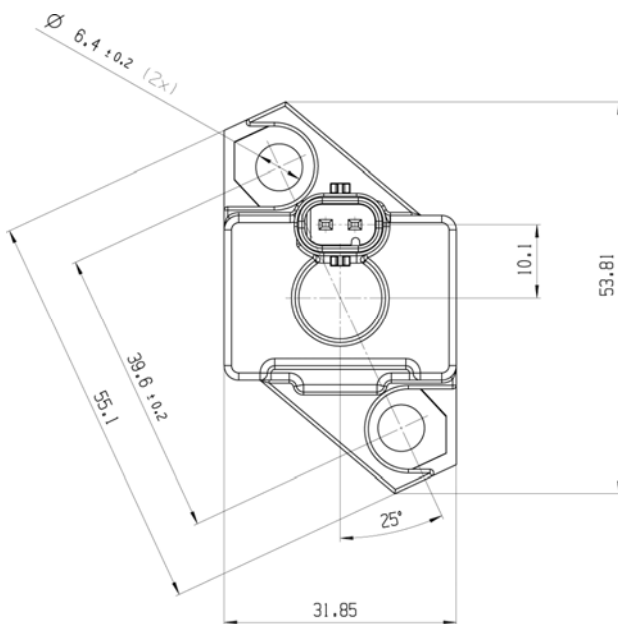


Mechanical Data	
Pressure range	10 ... 200 bar
Flow quantity	max. 220 l/h
Weight	135 g
Size	32 x 54 x 56 mm
Housing	Aluminium
Operating temperature	-20 ... 130 °C
Max. temperature of location	140 °C (max. 5 min)

Electrical Data	
Operation voltage	6.5 ... 18 V
Operation current	$I_{max} = 2.2 \text{ A}$

Connectors and Wires	
Connector	Bosch Compact

Part Number	
HP Control Valve DSV	0 261 540 011



Ignition Coils

Double Fire Coil 3x2

This dual spark ignition coil is designed for low-cost applications in 6-cylinder engines.

The advantage of this coil is that the ECU needs only three internal ignition power stages for supplying a 6-cylinder engine.

The double fire 3x2 coil benefits from series production ensuring robustness and low cost.



Application	
Spark energy	≤ 65 mJ
Primary current	≤ 8.0 A
Operating temperature range @ outer core	-20 ... 120 °C
Storage temperature range	-40 ... 100 °C
Max. vibration	≤ 200 m/s ² @ 5 ... 250 Hz

Electrical Data	
Primary resistance with cable	500 mΩ
Secondary resistance	12 kΩ
High voltage rise time	≤ 1.9 kV/μs
Max. high voltage @ 1 MΩ 10 pF	≤ 35 kV
Spark current	≤ 80 mA
Spark duration @ 1 kV 1MΩ	≤ 1.9 ms
Noise suppression	No
Suppression diode / EFU	No
Integrated power stage	No
Ion current signal	No

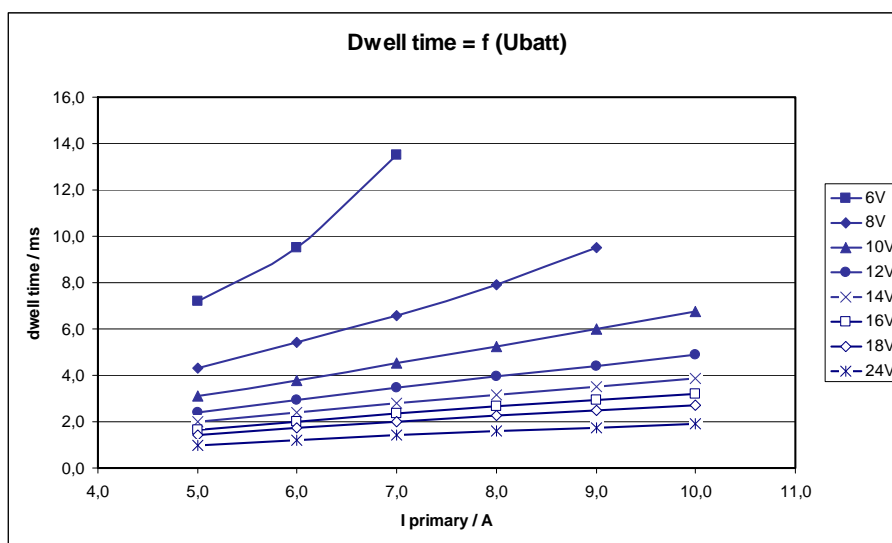
Mechanical Data	
Weight	1,490 g
Mounting	screw fastening

Communication	
Measured with power stage	IGBT IRG4BC40S (U _{ce} = 600 V)

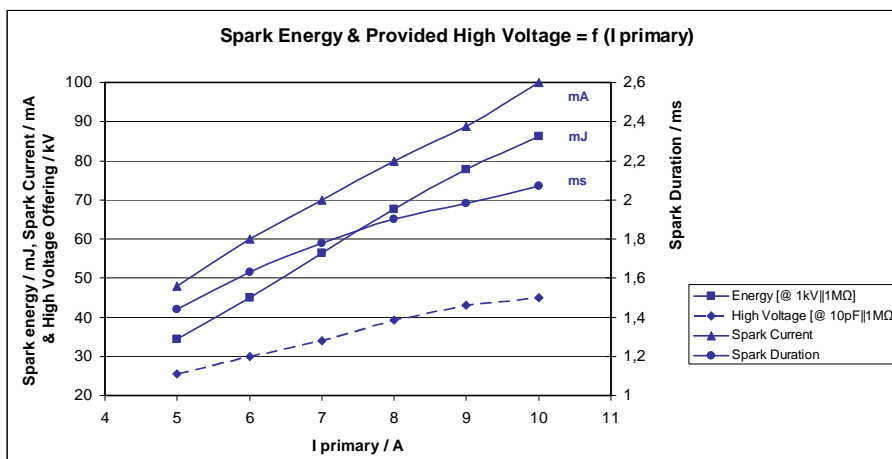
Characteristic Dwell Time [ms]

I primary	Ubatt									
	6 V	8 V	10 V	12 V	14 V	16 V	18 V	20 V	22 V	24 V
5.0 A	7.2	4.3	3.1	2.4	2.0	1.7	1.4	1.3	1.1	1.0
6.0 A	9.5	5.4	3.8	2.9	2.4	2.0	1.7	1.5	1.3	1.2
7.0 A	13.5	6.6	4.5	3.5	2.8	2.4	2.0	1.8	1.6	1.4
8.0 A		7.9	5.2	3.9	3.2	2.7	2.3	2.0	1.8	1.6
9.0 A		9.5	6.0	4.4	3.5	2.9	2.5	2.2	1.9	1.8
10.0 A			6.7	4.9	3.9	3.2	2.7	2.4	2.1	1.9

Measured values are without loom resistance. Loom resistance must be less than the primary resistance. The needed dwell time is to be verified through current measurement.


Characteristic Spark Energy & Provided High Voltage

	I primary [A]					
	5 A	6 A	7 A	8 A	9 A	10 A
Spark Energy [mJ]	34.4	45	56.5	67.6	77.7	86.2
Spark Duration [ms]	1.44	1.63	1.78	1.9	1.98	2.07
Spark Current [mA]	48	60	70	80	88.8	100
High Voltage [kV]	25.4	29.9	34	39.3	43	45



Connectors and Wires

Connector	Bosch Jetronic
Mating connector	D 261 205 351-01
Pin 1	Coil 3 ECU Ignition Driver Stage
Pin 2	Coil 2 ECU Ignition Driver Stage
Pin 3	Coil 1 ECU Ignition Driver Stage
Pin 4	Ubatt

Various motorsport and automotive connectors are available on request.

Application Hint

The coil can be directly mounted on the engine.

Ignition wires are needed to connect the coil with the spark plug, please pay attention that the spark plugs are connected in the correct ignition firing order. Numbers in the offer drawing or on the ignition coil are not the ignition firing order but the cylinders' order.

This coil is only for use with engine control units having two integrated ignition power stages, e.g. IGBT or BIP.

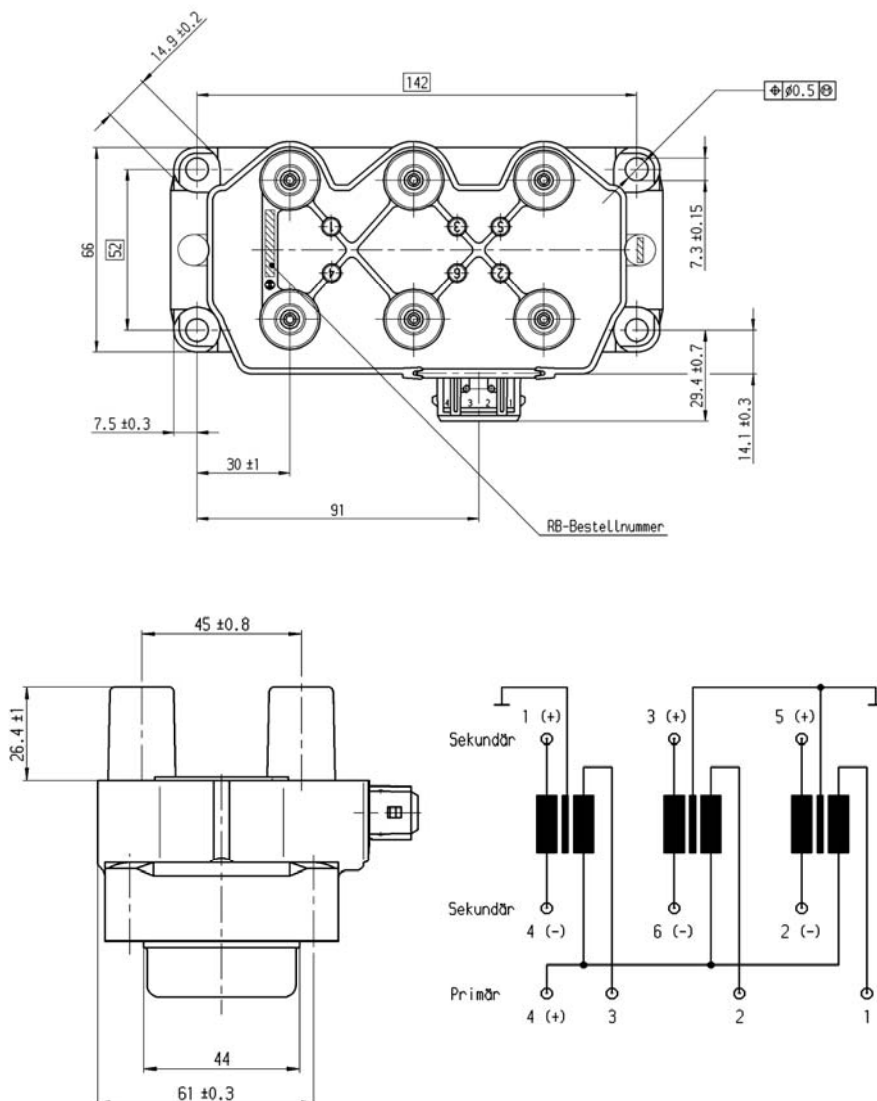
For technical reasons the values of the coils may vary.

Please use only within the specified limit values.

Please find further application hints in the offer drawing (<http://www.bosch-motorsport.com>).

Part Number

Coil 3x2

0 221 503 002


Double Fire Coil 2x2

This dual spark ignition coil is designed for low-cost applications in 4-cylinder engines.

The advantage of this coil is that the ECU needs only two internal ignition power stages to supply a 4-cylinder engine.

The double fire 2x2 coil benefits from series production ensuring robustness and low cost.



Application	
Spark energy	≤ 70 mJ
Primary current	≤ 8.0 A
Operating temperature range @ outer core	-20 ... 120 °C
Storage temperature range	-40 ... 100 °C
Max. vibration	≤ 200 m/s ² @ 5 ... 250 Hz

Electrical Data	
Primary resistance with wire	500 mΩ
Secondary resistance	13.3 kΩ
High voltage rise time	≤ 1.9 kV/μs
Max. high voltage @ 1 MΩ 10 pF	≤ 35 kV
Spark current	≤ 70 mA
Spark duration @ 1 kV 1 MΩ	≤ 2.2 ms
Noise suppression	No
Suppression diode / EFU	No
Integrated power stage	No
Ionic current signal	No

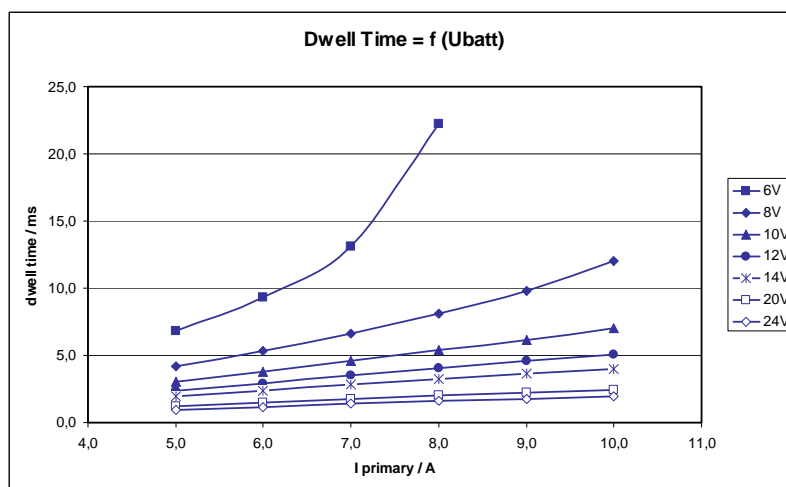
Mechanical Data	
Weight	916 g
Mounting	screw fastening

Characteristic	
Measured with power stage	IGBT IRG4BC40S (U _{ce} = 600 V)

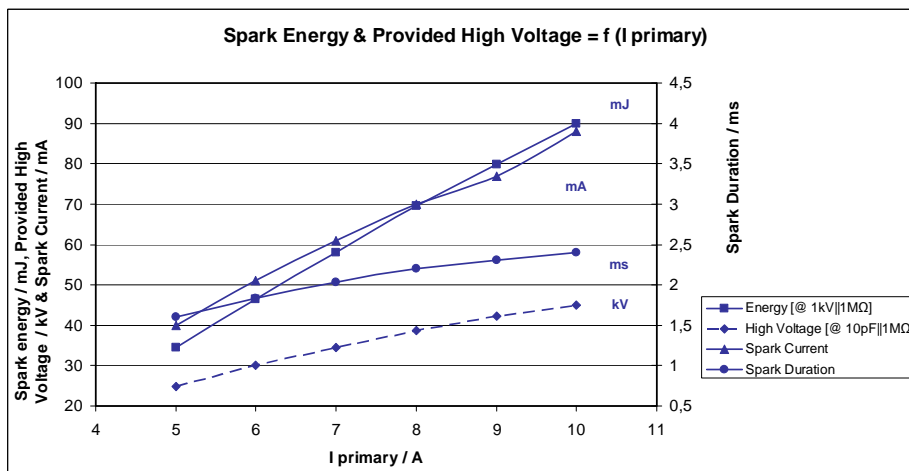
Characteristic Dwell Time [ms]

I primary	Ubatt									
	6 V	8 V	10 V	12 V	14 V	16 V	18 V	20 V	22 V	24 V
5.0 A	6.9	4.2	3.0	2.4	1.9	1.6	1.4	1.2	1.1	1.0
6.0 A	9.3	5.3	3.8	2.9	2.4	2.0	1.7	1.5	1.3	1.2
7.0 A	13.1	6.7	4.6	3.5	2.8	2.4	2.0	1.8	1.6	1.4
8.0 A	22.2	8.1	5.4	4.1	3.3	2.7	2.3	2.0	1.8	1.6
9.0 A	-	9.8	6.2	4.6	3.6	3.0	2.6	2.3	2.0	1.8
10.0 A	-	12.0	7.0	5.1	4.0	3.3	2.8	2.5	2.2	2.0

Measured values are without loom resistance. Loom resistance must be less than the primary resistance. The needed dwell time is to be verified through current measurement.


Characteristic Spark Energy & Provided High Voltage

	I primary					
	5 A	6 A	7 A	8 A	9 A	10 A
Spark energy [mJ]	34.5	46.5	58.0	69.6	79.9	89.9
Spark duration [ms]	1.6	1.83	2.03	2.2	2.31	2.4
Spark current [mA]	40	51	61	70	77	88
High voltage [kV]	24.9	30	34.5	38.6	42.2	45



Connectors and Wires

Connector	Bosch Jetronic
Mating connector	D 261 205 289-01
Pin 1	Coil 2 ECU Ignition Driver Stage
Pin 2	U _{batt}
Pin 3	Coil 1 ECU Ignition Driver Stage

Various motorsport and automotive connectors are available on request.

Please specify the required wire length with your order.

Application Hint

The coil can be directly mounted on the engine.

Ignition wires are needed to connect the coil with the spark plug, please pay attention that the spark plugs are connected in the correct ignition firing order. Numbers in the offer drawing or on the ignition coil are not the ignition firing order but the cylinders' order.

This coil is only for use with engine control units having two integrated ignition power stages, e.g. IGBT or BIP.

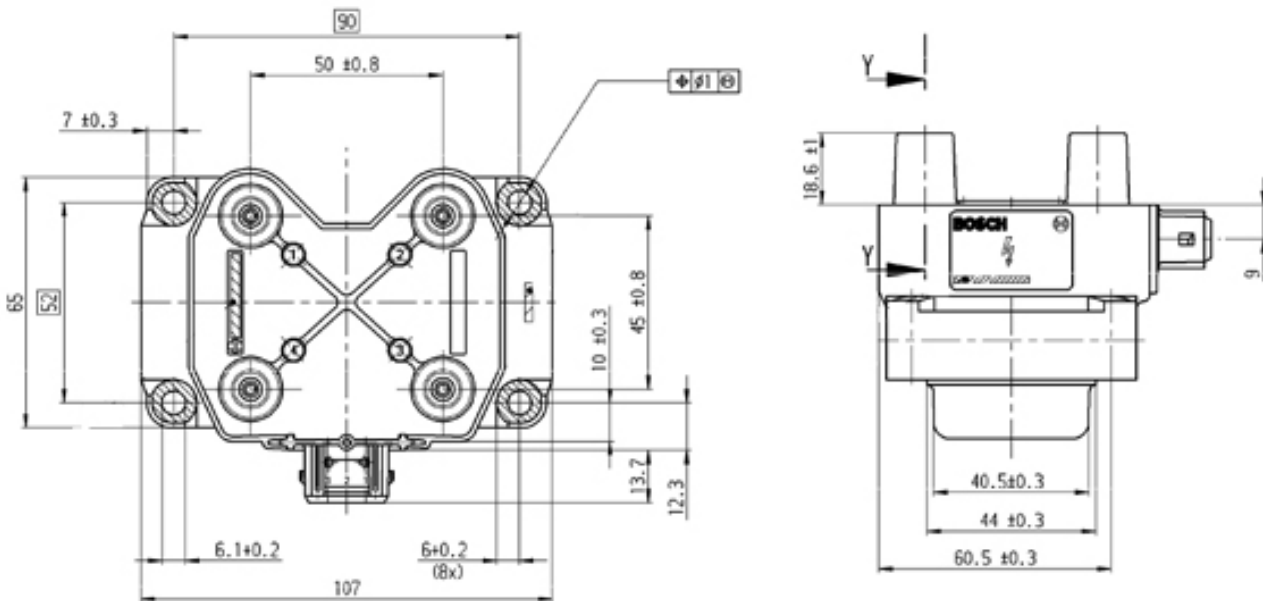
For technical reasons the values of the coils may vary.

Please use only within the specified limit values.

Please find further application hints in the offer drawing (<http://www.bosch-motorsport.com>).

Part Number

Coil 2x2 **0 221 503 407**



Twin Single Fire Coil 2x1

This ignition coil is specifically developed for engines with twin sparks.

The advantage of this coil is that are two separated coils in one housing. So the ignition can be parallel or serial - offset with some angular degrees.

This coil is a series coil, produced in great quantities. The advantages of coils from run production are low costs and robustness.



Application	
Spark energy	2 x ≤ 50 mJ
Primary current	2 x ≤ 7.5 A
Operating temperature range @ outer core	-20 ... 140 °C
Storage temperature range	-40 ... 110 °C
Max. vibration	≤ 400 m/s ² @ 5 ... 2,500 Hz

Electrical Data	
Primary resistance	420 mΩ
Secondary resistance	incapable of measurement
High voltage rise time	≤ 2.1 kV/μs
Max. high voltage @ 1 MΩ 10 pF	≤ 35 kV
Spark current	≤ 95 mA
Spark duration @ 1 kV 1 MΩ	≤ 1.14 ms
Noise suppression	no
Suppression diode / EFU	yes
Integrated power stage	no
Ionic current signal	no

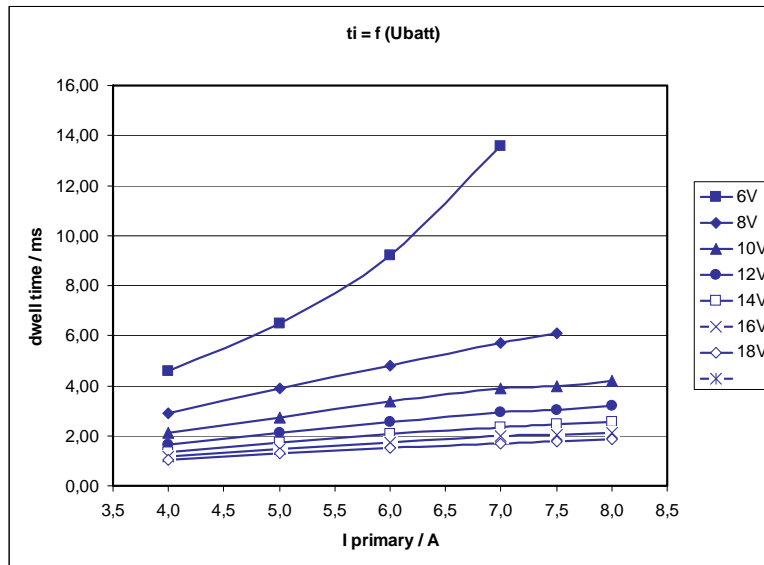
Mechanical Data	
Weight	496 g
Mounting	screw fastening

Characteristic	
Measured with power stage	IGBT IRG4BC40S (U _{ce} = 600 V)

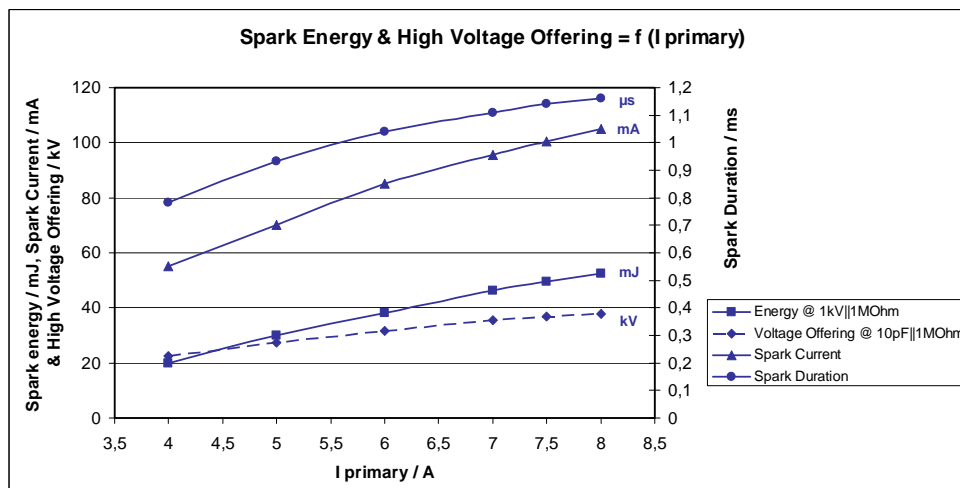
Characteristic Dwell Time [ms]

I primary	Ubatt						
	6 V	8 V	10 V	12 V	14 V	16 V	18 V
4.0 A	4.60	2.90	2.10	1.65	1.36	1.16	1.02
5.0 A	6.50	3.90	2.74	2.11	1.74	1.47	1.28
6.0 A	9.20	4.80	3.36	2.55	2.07	1.75	1.51
7.0 A	13.60	5,70	3,90	2,92	2,35	1,98	1,70
7.5 A		6.10	4.00	3.04	2.45	2.05	1.77
8.0 A		6.50	4.20	3.18	2.55	2.14	1.84

Measured values are without loom resistance. Loom resistance must be less than the primary resistance. The needed dwell time is to be verified through current measurement.


Characteristic Spark Energy & Provided High Voltage

	I primary [A]					
	4 A	5 A	6 A	7 A	7.5 A	8 A
Spark energy [mJ]	20	29.9	38	46.2	49.5	52.4
Spark duration [ms]	784	931	1,040	1,110	1,140	1,160
Spark current [mA]	55	70	85	90	95	105
High voltage [kV]	22.5	27.5	31.5	35.4	36.7	37.7



Connectors and Wires

Connector	Bosch Compact
Mating connector	D 261 205 335-01
Pin 1	Coil 2 (b) ECU Ignition Driver Stage
Pin 2	U _{batt}
Pin 3	Coil 1 (a) ECU Ignition Driver Stage

Various motorsport and automotive connectors are available on request.

Please specify the required wire length with your order.

Application Hint

The coil can be directly mounted on the engine.

Ignition cables are needed to connect the coil with the spark plug.

This coil is only for use with engine control units having integrated ignition power stages, e.g. IGBT or BIP.

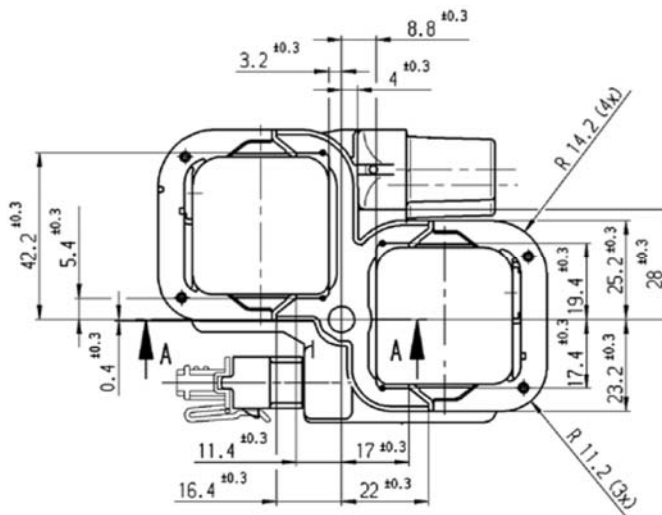
For technical reasons the values of the coils may vary.

Please use only within the specified limit values.

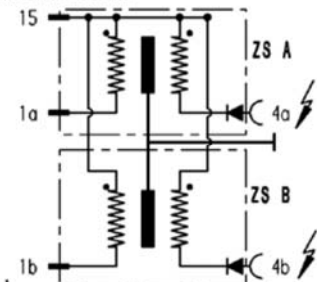
Please find further application hints in the offer drawing (<http://www.bosch-motorsport.com>).

Part Number

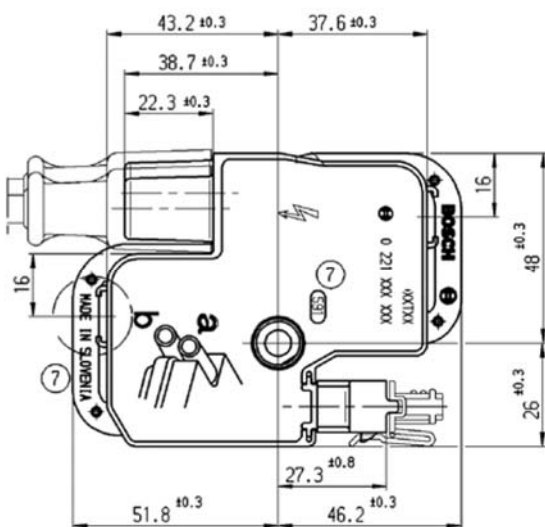
Coil 2x1 **0 221 503 035**



Schaltbild
CIRCUIT DIAGRAM



Achtung :
Primäranschluß führt gefährliche Spannung !
CAUTION :
PRIMARY CONNECTION HAS DANGEROUS VOLTAGE !



Single Fire Coil P35 / P35-T

This single fire coil is a low cost concept designed for direct mounting to the cylinder head.

The P35 coil [1] has no integrated power stage and is developed for use with ECUs that have integrated ignition transistors.

The P35-T [2] has an integrated transistor for use with ECUs that have ignition power stages with 10 mA to 20 mA current output.

The single fire coil benefits from series production ensuring robustness and low cost.



Application	
Spark energy	≤ 38 mJ
Primary current	≤ 7.5 A
Operating temperature range @ outer core	-20 ... 140 °C
Storage temperature range	-40 ... 100 °C
Max. vibration	≤ 400 m/s ² @ 5 ... 2,500 Hz

Electrical Data	
Primary resistance with wire	[1] 760 mΩ [2] Incapable of measurement
Secondary resistance	Incapable of measurement
High voltage rise time	≤ 2.0 kV/μs
Max. high voltage @ 1 MΩ 10 pF	≤ 34 kV
Spark current	≤ 90 mA
Spark duration @ 1 kV 1 MΩ	≤ 1.13 ms
Noise suppression	Inductive
Suppression diode / EFU	Yes
Integrated power stage	[1] No [2] Yes
Ionic current signal	No

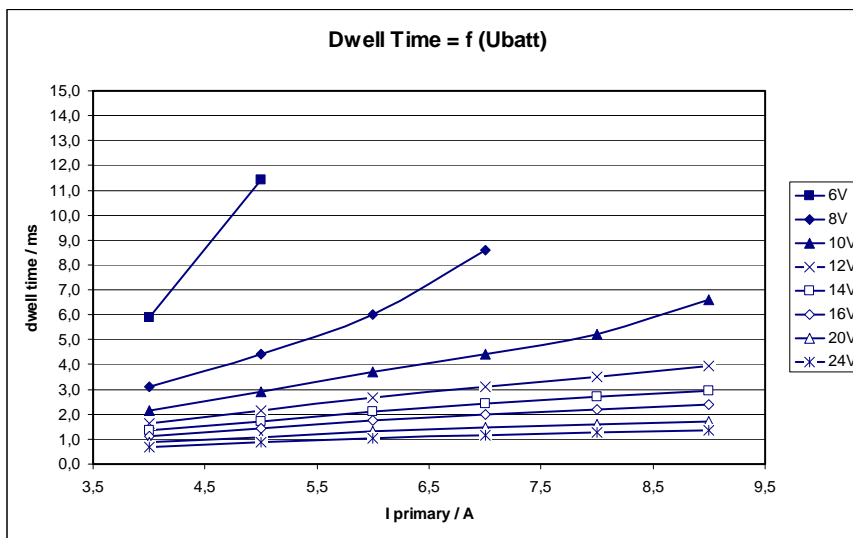
Mechanical Data	
Length	140.5 mm
Weight	194 ... 205 g
Mounting	screw fastening

Characteristic	
Measured with power stage	
	[1] IGBT IRG4BC40S (U _{ce} = 600 V)
	[2] BIP 373

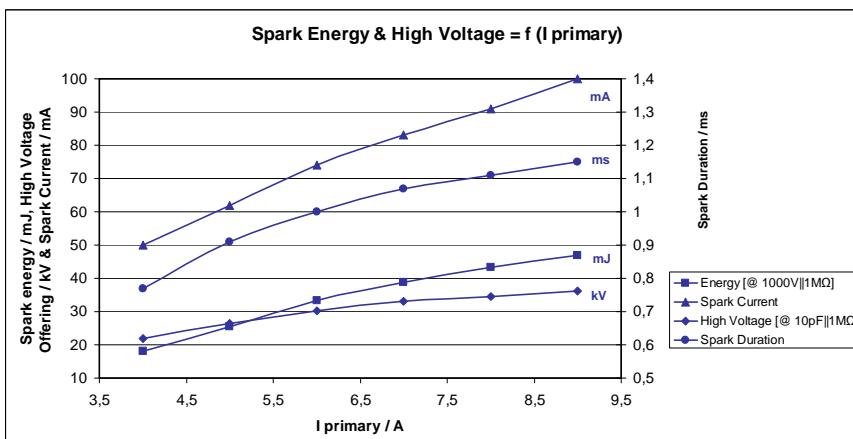
Characteristic Dwell Time [ms]

I primary	U batt									
	6 V	8 V	10 V	12 V	14 V	16 V	18 V	20 V	22 V	24 V
4.0 A	5.9	3.1	2.2	1.6	1.4	1.1	1.0	0.9	0.8	0.7
5.0 A	11.4	4.4	2.9	2.1	1.7	1.4	1.2	1.1	1.0	0.9
6.0 A		6.0	3.7	2.7	2.1	1.8	1.5	1.3	1.2	1.0
7.0 A		8.6	4.4	3.1	2.4	2.0	1.7	1.5	1.3	1.2
8.0 A			5.2	3.5	2.7	2.2	1.9	1.6	1.4	1.3
9.0 A			6.6	3.9	3.0	2.4	2.0	1.7	1.5	1.4

Measured values are without loom resistance. Loom resistance must be less than the primary resistance. The needed dwell time is to be verified through current measurement.


Characteristic Spark Energy & High Voltage

	I primary					
	4 A	5 A	6 A	7 A	8 A	9 A
Spark energy [mJ]	18	25.4	33.4	38.8	43.3	47
Spark duration [ms]	0.77	0.91	1	1.07	1.11	1.15
Spark current [mA]	50	62	74	83	91	100
High voltage [kV]	22	26.5	30.3	33	34.5	36.2



Connectors and Wires

Connector	Sumitomo
Mating connector	D 261 205 367
Pin 1	[1] ECU _{Ignition Driver Stage} [2] ECU _{Ignition Signal}
Pin 2	ECU _{Gnd}
Pin 3	U _{batt}
Various motorsport and automotive connectors are available on request.	
For spark plugs	ceramic diameter d = 10 mm
Spark plug connector	140.5 mm
Various motorsport and automotive connectors are available on request.	
Please specify the required wire with your order.	

Application Hint

During mounting of the spark plug please pay attention that full clamping and proper contacts are made to ensure safe connection between coil and spark plug.

For coils without "-T", please only use with engine control units with an integrated ignition power stage, e.g. IGBT IRG4BC40S.

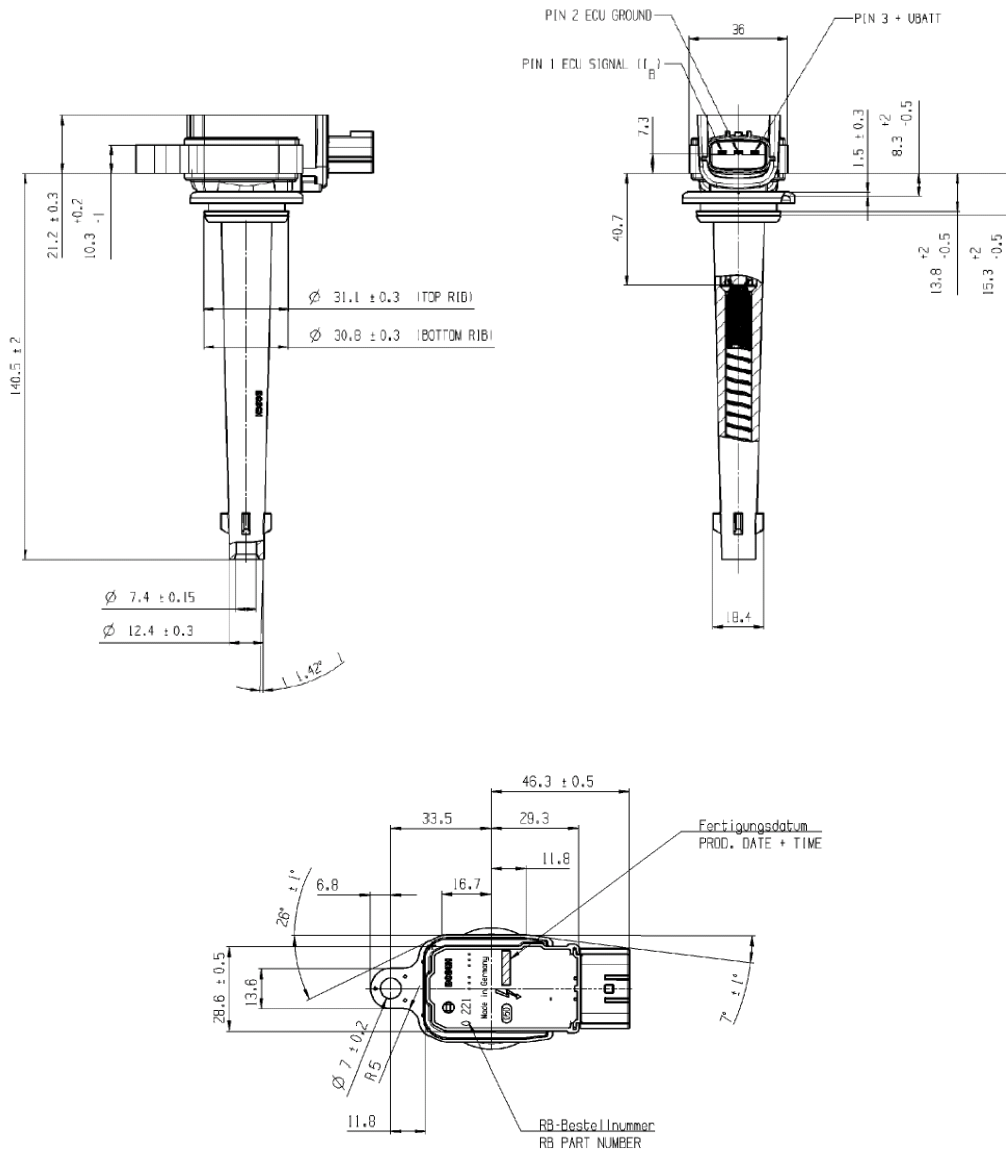
The coils with "-T", please only use with engine control units without integrated power stages.

For technical reasons the values of the coils may vary.

Please only use within specified limit values.

Part Number

Coil P35 [1]	0 221 504 030
Coil P35-T [2]	0 221 604 014



Single Fire Coil P35-E / P35-TE

For this single fire coil the customer can define the length of the spark plug connector.

The P35-E coil [1|2] has no integrated power stage and is developed for use with ECUs that have integrated ignition transistors.

The P35-TE [3|4] has an integrated transistor for use with ECUs that have ignition power stages with 10 mA to 20 mA current output.

The length of the spark plug connector can be defined by customer. The single fire coil benefits from series production ensuring robustness.



Application	
Spark energy	≤ 38 mJ
Primary current	≤ 7.5 A
Operating temperature range @ outer core	-20 ... 140 °C
Storage temperature range	-40 ... 100 °C
Max. vibration	≤ 400 m/s ² @ 5 ... 2,500 Hz

Electrical Data	
Primary resistance with wire	[1 2] 760 mΩ [3 4] Incapable of measurement
Secondary resistance	Incapable of measurement
High voltage rise time	≤ 2.0 kV/μs
Max. high voltage @ 1 MΩ 10 pF	≤ 34 kV
Spark current	≤ 90 mA
Spark duration @ 1 kV 1 MΩ	≤ 1.13 ms
Noise suppression	Inductive
Suppression diode / EFU	Yes
Integrated power stage	[1 2] No [3 4] Yes
Ionic current signal	No

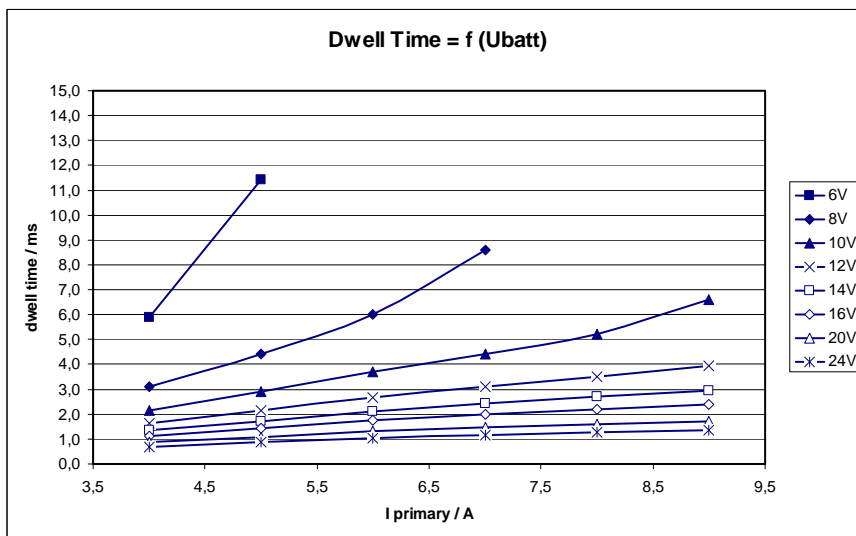
Mechanical Data	
Length	≤ 225 mm
Weight	194 ... 250 g
Mounting	screw fastening

Characteristic	
Measured with power stage	[1 2] IGBT IRG4BC40S (U _{ce} = 600 V) [3 4] BIP 373

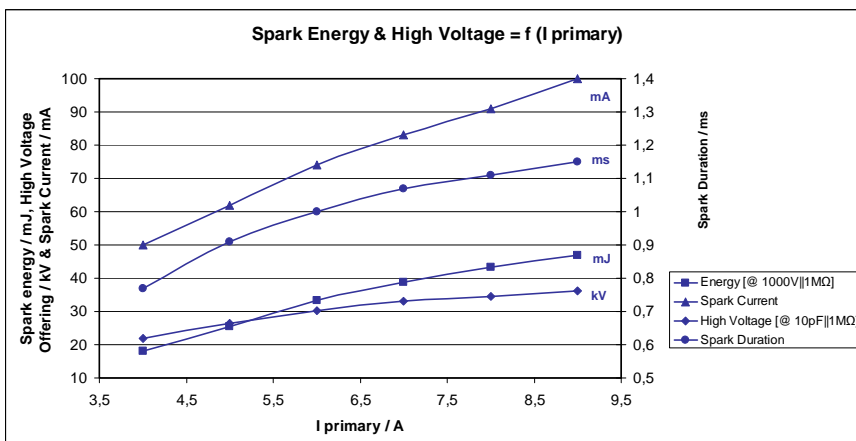
Characteristic Dwell Time [ms]

I primary	U batt									
	6 V	8 V	10 V	12 V	14 V	16 V	18 V	20 V	22 V	24 V
4.0 A	5.9	3.1	2.2	1.6	1.4	1.1	1.0	0.9	0.8	0.7
5.0 A	11.4	4.4	2.9	2.1	1.7	1.4	1.2	1.1	1.0	0.9
6.0 A		6.0	3.7	2.7	2.1	1.8	1.5	1.3	1.2	1.0
7.0 A		8.6	4.4	3.1	2.4	2.0	1.7	1.5	1.3	1.2
8.0 A			5.2	3.5	2.7	2.2	1.9	1.6	1.4	1.3
9.0 A			6.6	3.9	3.0	2.4	2.0	1.7	1.5	1.4

Measured values are without loom resistance. Loom resistance must be less than the primary resistance.
The needed dwell time is to be verified through current measurement.


Characteristic Spark Energy & High Voltage

	I primary					
	4 A	5 A	6 A	7 A	8 A	9 A
Spark energy [mJ]	18	25.4	33.4	38.8	43.3	47
Spark duration [ms]	0.77	0.91	1	1.07	1.11	1.15
Spark current [mA]	50	62	74	83	91	100
High voltage [kV]	22	26.5	30.3	33	34.5	36.2



Connectors and Wires

Connector	Sumitomo
Mating connector	D 261 205 367
Pin 1	[1 2] ECU Ignition Driver Stage [3 4] ECU Ignition Signal
Pin 2	ECU Gnd
Pin 3	Ubatt
Various motorsport and automotive connectors are available on request.	
For spark plugs	[1 3] ceramic diameter d = 8 mm [2 4] ceramic diameter d = 10 mm
Spark plug connector	85 ... 225 mm
Various motorsport and automotive connectors are available on request.	
Please specify the required wire and spark plug connector length with your order.	

Application Hint

During mounting of the spark plug please pay attention that full clamping and proper contacts are made to ensure safe connection between coil and spark plug.

Please pay attention to your spark plug, if it is a spark plug with a ceramic diameter 8 or 10 mm.

For coils without "-T", please only use with engine control units with an integrated ignition power stage, e.g. IGBT IRG4BC40S.

The coils with "-T", please only use with engine control units without integrated power stages.

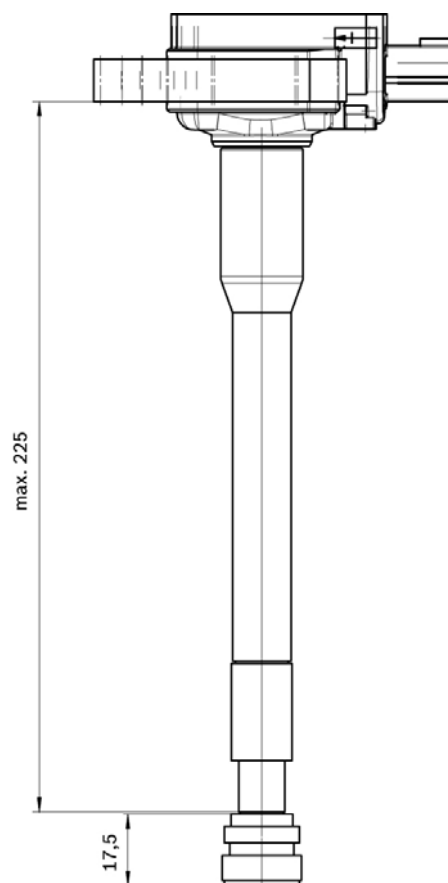
For technical reasons the values of the coils may vary.

Please only use within specified limit values.

Please find further application hints in the offer drawing (<http://www.bosch-motorsport.com>).

Part Number

Coil P35-E [1]	F 02U V00 235-01
Coil P35-E [2]	F 02U V00 440-01
Coil P35-TE [3]	F 02U V00 234-01
Coil P35-TE [4]	F 02U V00 439-01



Single Fire Coil P50 / P50-M

This single fire coil P50 [1] is a low cost concept designed for direct mounting to the cylinder-head. A high voltage ignition cable can optionally be connected to the secondary output terminal.

The mating ECU must have internal ignition power stages for each single fire coil.

The coil P50-M [2] is specifically for motorsport applications. This coil is operable in higher vibration environments.



Application	
Spark energy	≤ 50 mJ
Primary current	≤ 8.5 A
Operating temperature range @ outer core	-20 ... 140 °C
Storage temperature range	-40 ... 100 °C
Max. vibration	[1] ≤ 400 m/s ² @ 5 ... 2,000 Hz [2] ≤ 800 m/s ² @ 5 ... 2,000 Hz

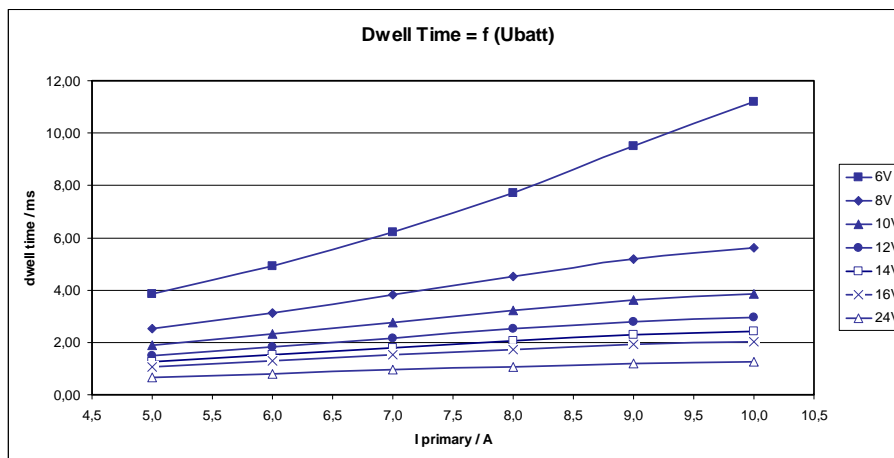
Electrical Data	
Primary resistance with wire	370 mΩ
Secondary resistance	incapable of measurement
High voltage rise time	≤ 3.0 kV/μs
Max. high voltage @ 1 MΩ 10 pF	≤ 35 kV
Spark current	≤ 92 mA
Spark duration @ 1kV 1MΩ	≤ 1.15 ms
Noise suppression	Yes, with spark plug connector
Suppression diode / EFU	Yes
Integrated power stage	No
Ionic current signal	No

Mechanical Data	
Weight	[1] 223 g [2] 265 g
Mounting	pluggable
Characteristic	
Measured with power stage	IGBT IRG4BC40S (U _{ce} = 600 V)

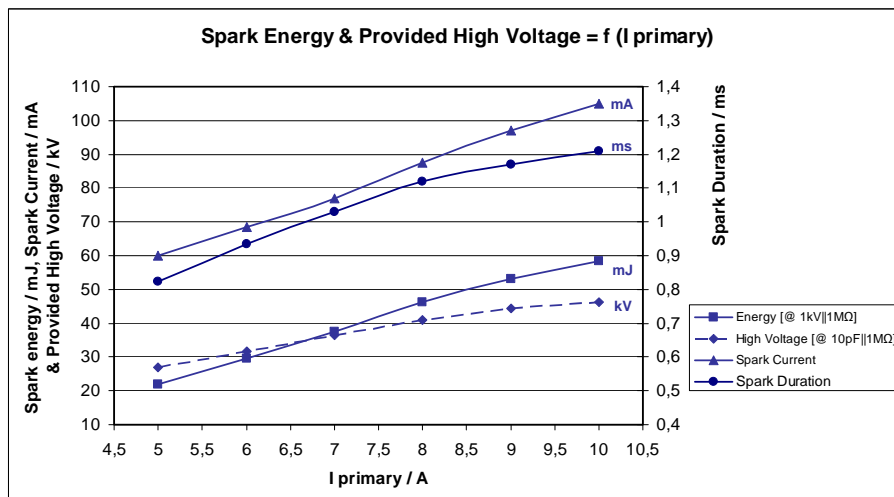
Characteristic Dwell Time [ms]

I primary	U _{batt}								
	6 V	8 V	10 V	12 V	14 V	16 V	18 V	24 V	30 V
5.0 A	3.84	2.54	1.90	1.51	1.26	1.07	0.94	0.68	0.53
6.0 A	4.93	3.14	2.33	1.84	1.52	1.30	1.13	0.81	0.63
7.0 A	6.20	3.81	2.76	2.17	1.79	1.53	1.32	0.95	0.74
8.0 A	7.70	4.51	3.21	2.51	2.06	1.74	1.51	1.08	0.84
9.0 A	9.50	5.17	3.62	2.80	2.29	1.93	1.67	1.19	0.93
10.0 A	11.20	5.61	3.87	2.97	2.42	2.04	1.77	1.26	0.98

Measured values are without loom resistance. Loom resistance must be less than the primary resistance. The needed dwell time is to be verified through current measurement.


Characteristic Spark Energy & Provided High Voltage

	I primary [A]					
	5 A	6 A	7 A	8 A	9 A	10 A
Spark energy [mJ]	22	29.7	37.5	46.3	53	58.4
Spark duration [ms]	0.82	0.93	1.03	1.12	1.17	1.21
Spark current [mA]	60	68.5	77	87.5	97	105
High voltage [kV]	26.8	31.6	36.4	40.9	44.4	46.3



Connectors and Wires

Connector	Bosch Compact
Mating connector	D 261 205 335-01
Pin 1	ECU Ignition Driver Stage
Pin 2	Gnd
Pin 3	U _{batt}
For spark plugs	ceramic diameter d = 10 mm
Various motorsport and automotive connectors are available on request.	

Application Hint

During mounting of the spark plug please pay attention that full clamping and proper contacts are made to ensure safe connection between coil and spark plug.

This coil is only for use with engine control units having an integrated ignition power stage, e.g. IGBT IRG4BC40S or BIP.

For technical reasons the values of the coils may vary.

Please only use within specified limit values.

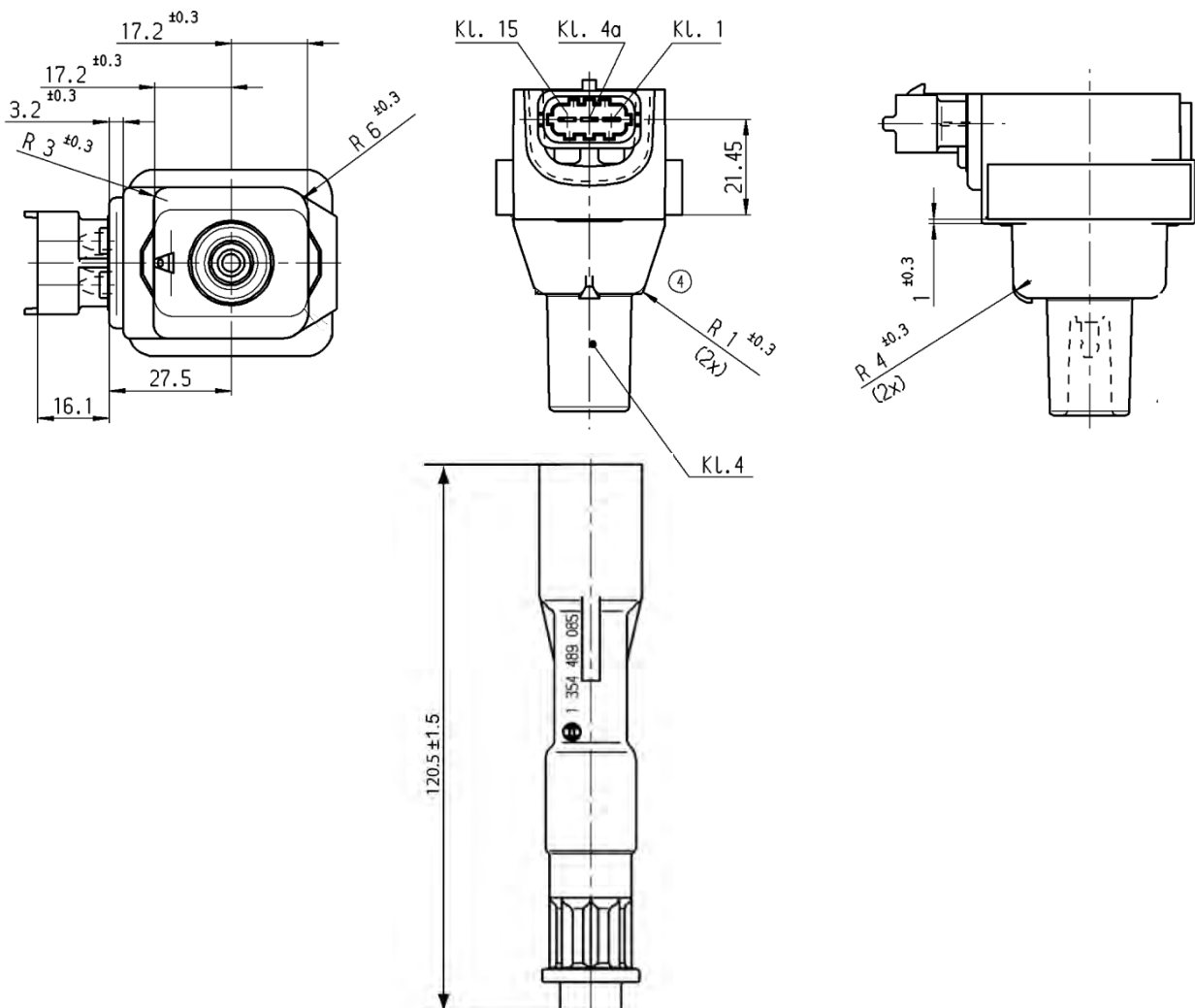
Please find further application hints in the offer drawing (<http://www.bosch-motorsport.com>).

Accessories

Accessory spark plug connector 1 354 489 085

Part Number

P50 [1]	0 221 504 001
P50-M [2]	B 261 208 315-01
incl. spark plug connector 1 354 489 085	



Single Fire Coil P100-T

The P100-T is a transistorized coil (integrated power stage BIP 355) developed for engines needing immense spark energy and long spark duration. The integrated power stage requires an ECU with ignition signal outputs in the range of 10 to 20 mA.

This single fire coil is designed for direct cylinder head mounting.

This coil benefits from series production ensuring robustness and low cost.



Application	
Spark energy	≤ 100 mJ
Primary current	≤ 7.5 A
Operating temperature range outer core	-20 ... 140 °C
Storage temperature range	-40 ... 100 °C
Max. vibration	≤ 400 m/s ² @ 5 ... 2,500 Hz

Electrical Data	
Primary resistance with/without cable	Incapable of measurement
Secondary resistance without noise suppression	Incapable of measurement
High voltage rise time	≤ 1.7 kV/μs
Max. high voltage @ 1 MΩ 10 pF	≤ 30 kV
Spark current	≤ 110 mA
Spark duration	≤ 1.9 ms
Noise suppression	inductive
Suppression diode / EFU	Yes
Integrated power stage	Yes
Ionic current signal	No

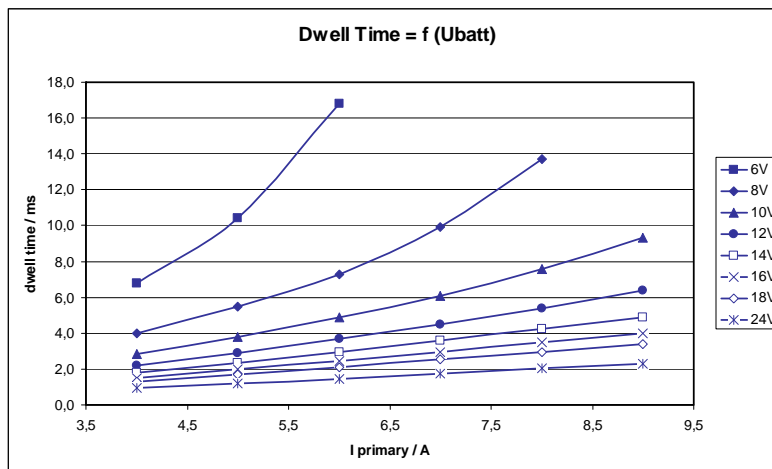
Mechanical Data	
Weight	353 g
Mounting	screw fastening

Characteristic	
Measured with power stage	BIP 355

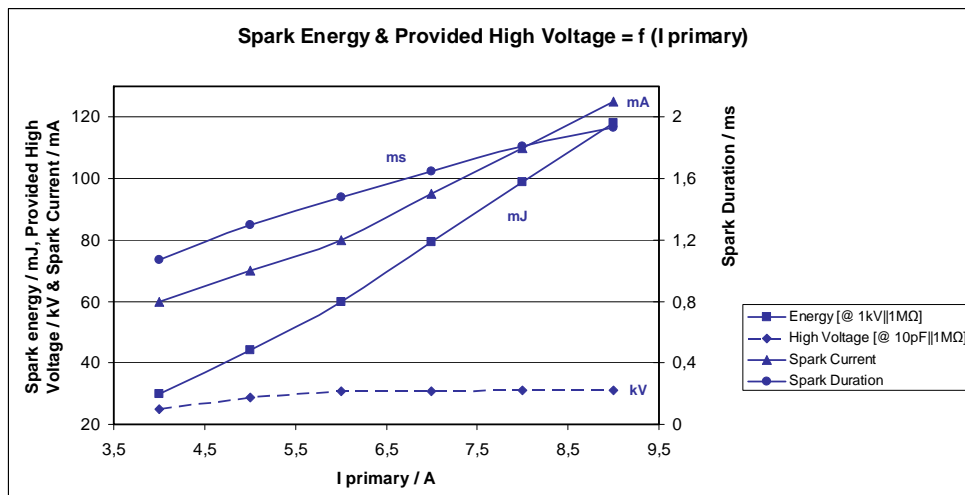
Characteristic Dwell time [ms]

I primary	U batt									
	6 V	8 V	10 V	12 V	14 V	16 V	18 V	20 V	22 V	24 V
4.0 A	6.8	4.0	2.9	2.2	1.8	1.5	1.3	1.2	1.0	0.9
5.0 A	10.4	5.5	3.8	2.9	2.4	2.0	1.7	1.5	1.3	1.2
6.0 A	16.8	7.3	4.9	3.7	2.9	2.5	2.1	1.8	1.6	1.5
7.0 A		9.9	6.1	4.5	3.6	3.0	2.5	2.2	2.0	1.8
8.0 A		13.7	7.6	5.4	4.2	3.5	3.0	2.6	2.3	2.0
9.0 A			9.3	6.4	4.9	4.0	3.4	2.9	2.6	2.3

Measured values are without loom resistance. Loom resistance must be less than the primary resistance. The needed dwell time is to be verified through current measurement.


Characteristic Spark Energy & Provided High Voltage

	I primary [A]					
	4 A	5 A	6 A	7 A	8 A	9 A
Spark Energy [mJ]	29.8	44.2	60	79.5	98.9	118
Spark Duration [ms]	1.07	1.3	1.48	1.65	1.81	1.93
Spark Current [mA]	60	70	80	95	110	125
High Voltage [kV]	24.9	28.6	30.7	30.9	31	31



Connectors and Wires

Connector	Bosch Compact
Mating connector	D 261 205 336-01
Pin 1	ECU Ignition Driver Stage
Pin 2	ECU Gnd
Pin 3	Engine Gnd
Pin 4	U _{batt}

Various motorsport and automotive connectors are available on request.

Please specify the required wire length with your order.

Application Hint

During mounting of the spark plug please pay attention that full clamping and proper contacts are made to ensure safe connection between coil and spark plug.

This coil has an integrated power stage, only use with engine control units with 10 to 20 mA current output driver.

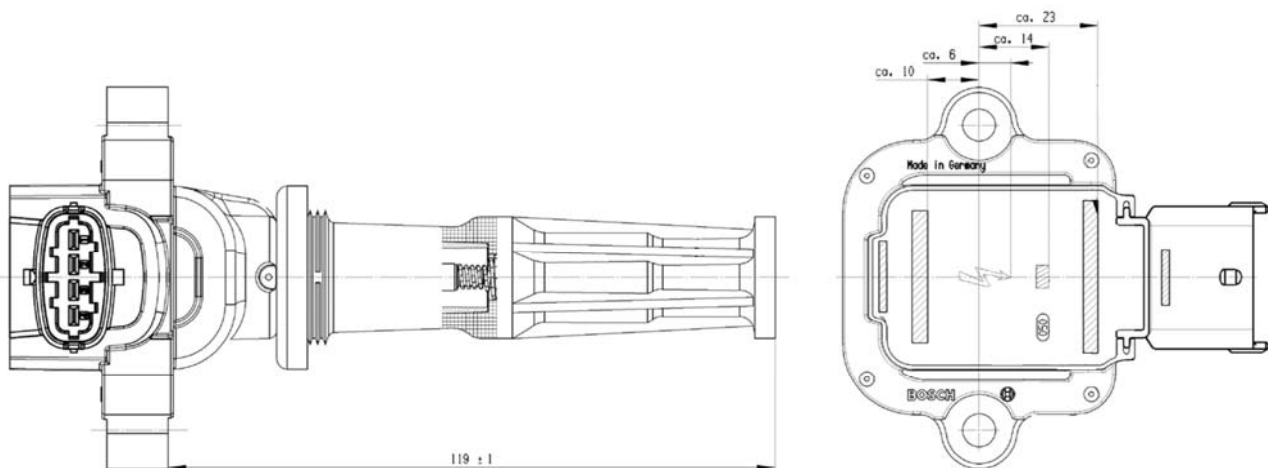
For technical reasons the values of the coils may vary.

Please only use within specified limit values.

Please find further application hints in the offer drawing (<http://www.bosch-motorsport.com>).

Part Number

Coil P100-T

0 221 604 006


Single Fire Coil PS / PS-T

These pencil coils are a basic low cost concept designed for cylinder head installation.

The PS coil [1] has no integrated power stage and is developed for use with ECUs that have integrated ignition transistors.

The PS-T [2] has an integrated transistor for use with ECUs that have ignition power stages with 10 mA to 20 mA current output.

The coils are only designed for spark plug shaft mounting. It is a basic concept for ignition applications.



Application	
Spark energy	≤ 42 mJ
Primary current	≤ 7.5 A
Operating temperature range outer core	-20 ... 140 °C
Storage temperature range	-40 ... 100 °C
Max. vibration	≤ 800 m/s ² @ 5 ... 2,500 Hz

Electrical Data	
Primary resistance with cable	[1] 570 mΩ [2] incapable of measurement
Secondary resistance	incapable of measurement
High voltage rise time	≤ 1.5 kV/μs
Max. high voltage @ 1 MΩ 10 pF	[1] ≤ 30 kV [2] ≤ 27 kV
Spark current	≤ 80 mA
Spark duration @ 1 kV 1 MΩ	≤ 1.1 ms
Noise suppression	Inductive
Suppression diode / EFU	Yes
Integrated power stage	[1] No [2] Yes
Ionic current signal	No

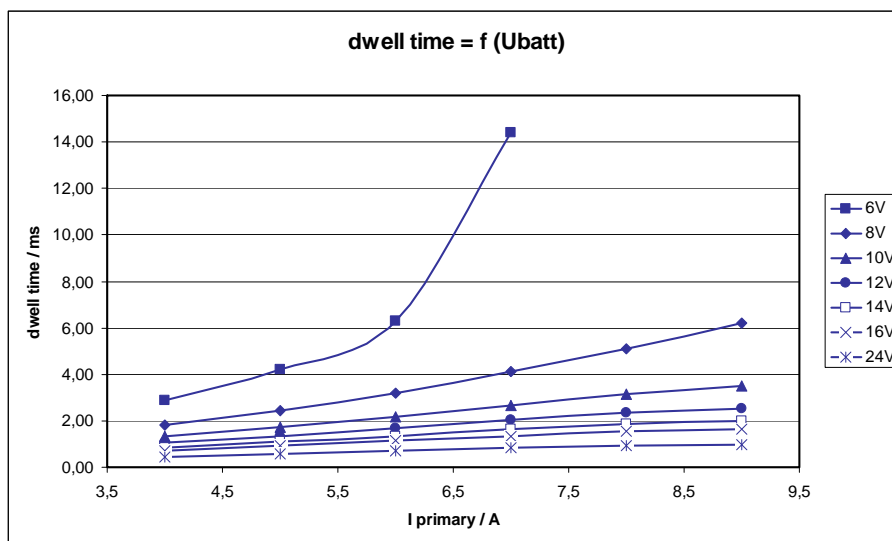
Mechanical Data	
Diameter	22 mm
Weight	[1] 189 g [2] 202 g
Mounting	screw fastening

Characteristic	
Measured with power stage	[1] IGBT IRG4BC40S (U _{ce} =600 V) respectively BIP372 [2] BIP 355

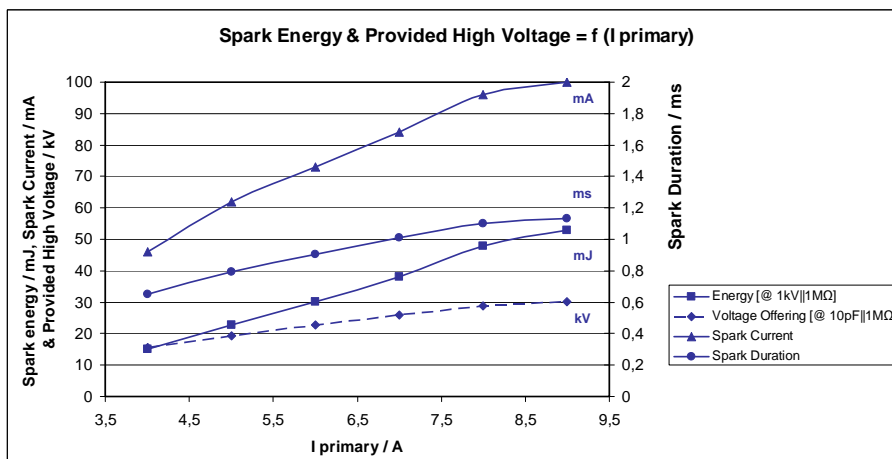
Characteristic Dwell Time [ms]

I primary	U _{batt}									
	6 V	8 V	10 V	12 V	14 V	16 V	18 V	20 V	22 V	24 V
4.0 A	2.90	1.83	1.33	1.05	0.86	0.73	0.64	0.56	0.50	0.46
5.0 A	4.20	2.45	1.74	1.35	1.11	0.93	0.82	0.71	0.64	0.58
6.0 A	6.30	3.17	2.18	1.68	1.35	1.14	0.98	0.86	0.77	0.70
7.0 A	14.40	4.10	2.68	2.02	1.62	1.35	1.16	1.02	0.91	0.82
8.0 A		5.10	3.16	2.33	1.85	1.54	1.32	1.15	1.02	0.92
9.0 A		6.20	3.49	2.53	1.99	1.65	1.41	1.23	1.09	0.98

Measured values are without loom resistance. Loom resistance must be less than the primary resistance.
The needed dwell time is to be verified through current measurement.


Spark Energy & Provided High Voltage

	I primary [A]					
	4 A	5 A	6 A	7 A	8 A	9 A
Spark energy [mJ]	15	22.8	30.2	38.2	47.9	52.9
Spark duration [ms]	0.65	0.793	0.904	1.01	1.101	1.13
Spark current [mA]	46	62	73	84	96	100
High voltage [kV]	15.6	19.3	22.7	26	28.8	30.2



Connectors and Wires

Connector	[1] AMP C-O-28 44 25 [2] Bosch Compact
Mating connector	[1] D 261 205 350-01 [2] D 261 205 336-01
Pin 1	[1] ECU collector [2] ECU Imp
Pin 2	[1] Engine Gnd [2] ECU Gnd
Pin 3	[1] U _{batt} [2] Engine Gnd
Pin 4	[1] n.a. [2] U _{batt}

Various motorsport and automotive connectors are available on request.

Please specify the required wire length with your order.

Application Hint

During mounting of the spark plug please pay attention that full clamping and proper contacts are made to ensure safe connection between coil and spark plug.

The coil PS is only for use with engine control units having an integrated ignition power stage, e.g. IGBT IRG4BC40S.

The coil PS-T is only for use with engine control units having current output drivers with 10 to 20 mA, e.g. MS 4.x or MS 4.x Sport.

For technical reasons the values of the coils may vary.

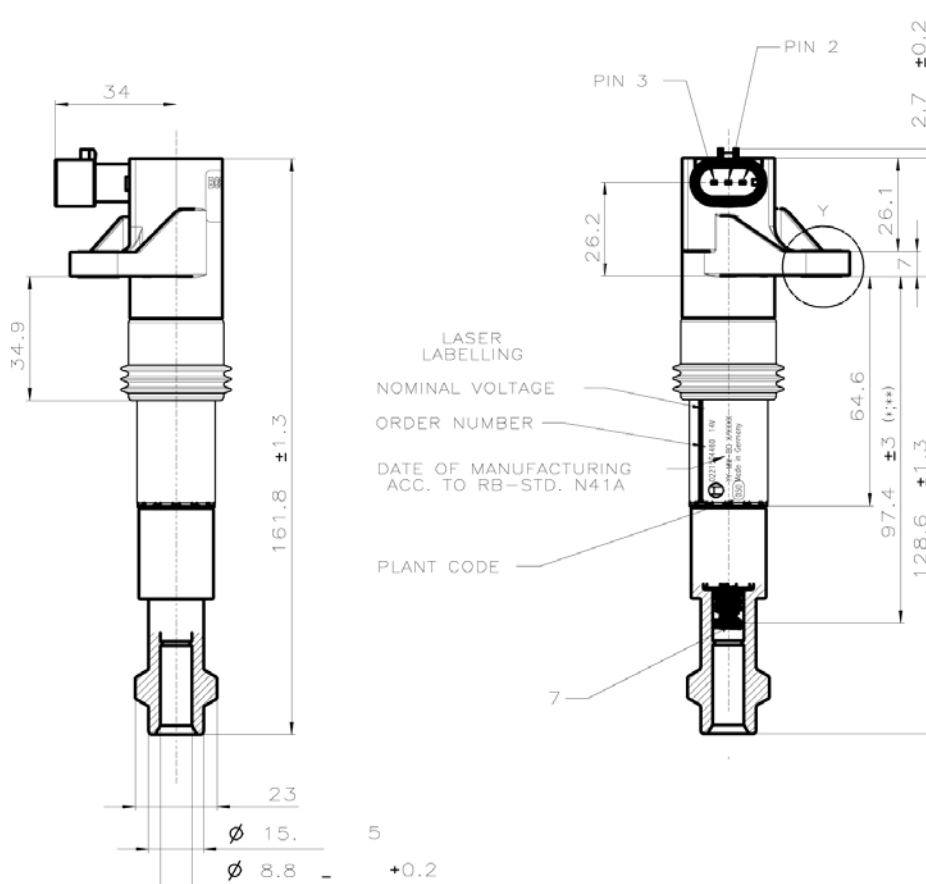
Please regard the specified limit values.

Please find further application hints in the offer drawing (<http://www.bosch-motorsport.com>).

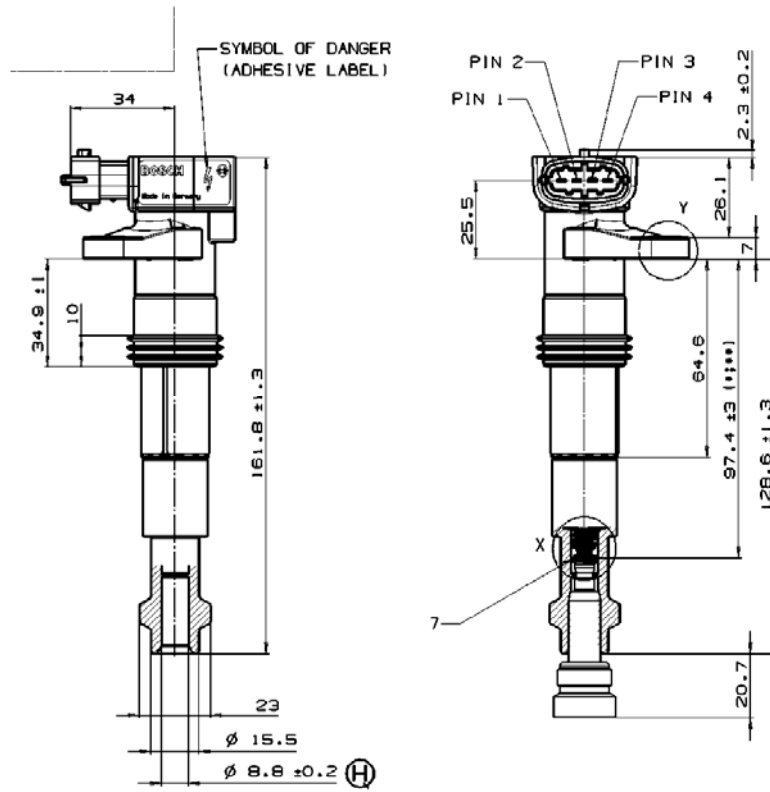
Part Number

Coil PS [1]	0 221 504 460
Coil PS-T [2]	0 221 604 103

Coil PS



Coil PS-T



Single Fire Coil M

This coil is the first ignition coil developed and designed specifically for motorsport use. Compared to a production based coil, the single fire coil M can operate in higher temperature and vibration environments.

An additional advantage of this coil is the ability to vary the length of the spark plug connector to customer requirements.

This coil is also available as double fire coil and in a DR-25 sleeve with multiple connector options.

Please note this coil is non-transistorized and must be used with an ECU that has integrated power-stages.



Application	
Spark energy	≤ 38 mJ
Primary current	≤ 10 A
Operating temperature range @ outer core	-20 ... 160 °C
Storage temperature range	-40 ... 100 °C
Max. vibration	≤ 800 m/s ² @ 5 ... 250 Hz

Electrical Data	
Primary resistance with cable	500 mΩ
Secondary resistance	Incapable of measurement
High voltage rise time	≤ 4.0 kV/μs
Max. high voltage @ 1 MΩ 10 pF	≤ 33 kV
Spark current	≤ 170 mA
Spark duration @ 1 kV 1 MΩ	≤ 0.53 ms
Noise suppression	without
Suppression diode / EFU	Yes
Integrated power stage	No
Ionic current signal	No

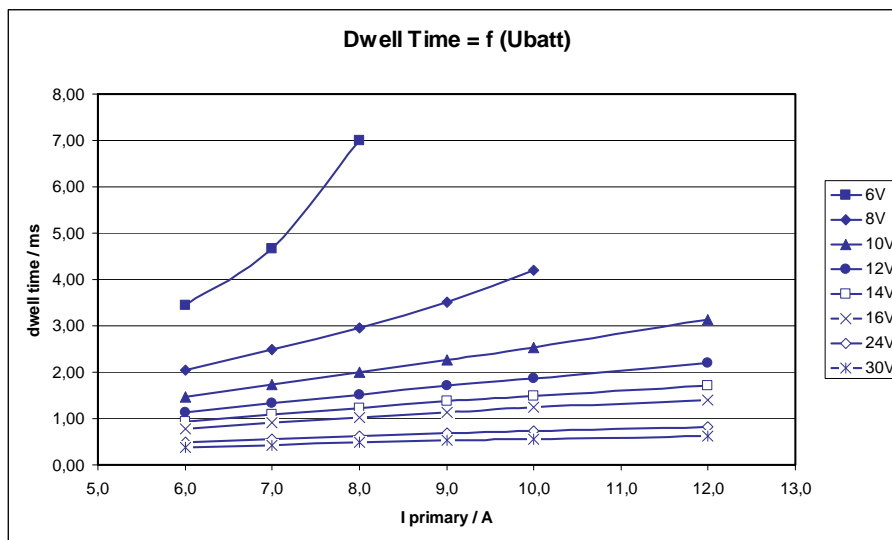
Mechanical Data	
Length	168 mm
Weight	180 g
Mounting	pluggable / pressed

Characteristic	
Measured with power stage	IGBT IRG4BC40S (U _{ce} = 600 V)

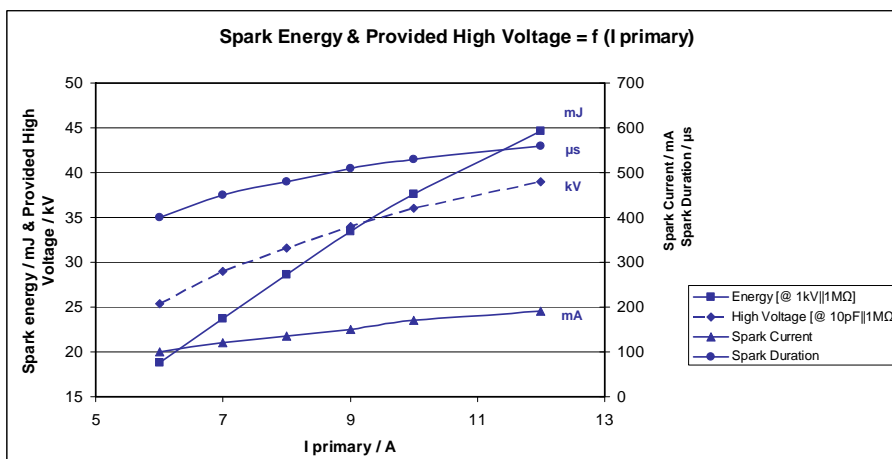
Characteristic Dwell Time [ms]

I primary	U _{batt}									
	6 V	8 V	10 V	12 V	14 V	16 V	18 V	24 V	27 V	30 V
6.0 A	3.45	2.05	1.47	1.14	0.93	0.79	0.68	0.48	0.42	0.37
7.0 A	4.66	2.48	1.73	1.33	1.09	0.91	0.78	0.55	0.48	0.43
8.0 A	7.00	2.96	2.00	1.52	1.23	1.03	0.88	0.62	0.54	0.48
9.0 A		3.52	2.27	1.71	1.37	1.14	0.98	0.68	0.60	0.53
10.0 A		4.20	2.54	1.87	1.50	1.24	1.05	0.74	0.64	0.57
12.0 A			3.13	2.19	1.72	1.41	1.19	0.83	0.72	0.63

Measured values are without loom resistance. Loom resistance must be less than the primary resistance.
The needed dwell time is to be verified through current measurement.


Characteristic Spark Energy & Provided High Voltage

	I primary					
	6 A	7 A	8 A	9 A	10 A	12 A
Spark energy [mJ]	18.8	23.7	28.6	33.4	37.6	44.6
Spark duration [μs]	400	450	480	510	530	560
Spark current [mA]	100	120	135	150	170	190
High voltage [kV]	25.4	29	31.6	34	36	39



Connectors and Wires

Connector	on request
Mating connector	on request
Pin 1	U _{batt} red
Pin 2	ECU _{ignition Driver Stage} white
Various motorsport and automotive connectors available on request.	
Wire length	15 ... 100 cm
Please specify the required wire length and the length of the spark plug connector with your order.	

Application Hint

During mounting of the spark plug please pay attention that full clamping and proper contacts are made to ensure safe connection between coil and spark plug.

This coil is only for use with engine control units having an integrated ignition power stage, e.g. IGBT IRG4BC40S or BIP.

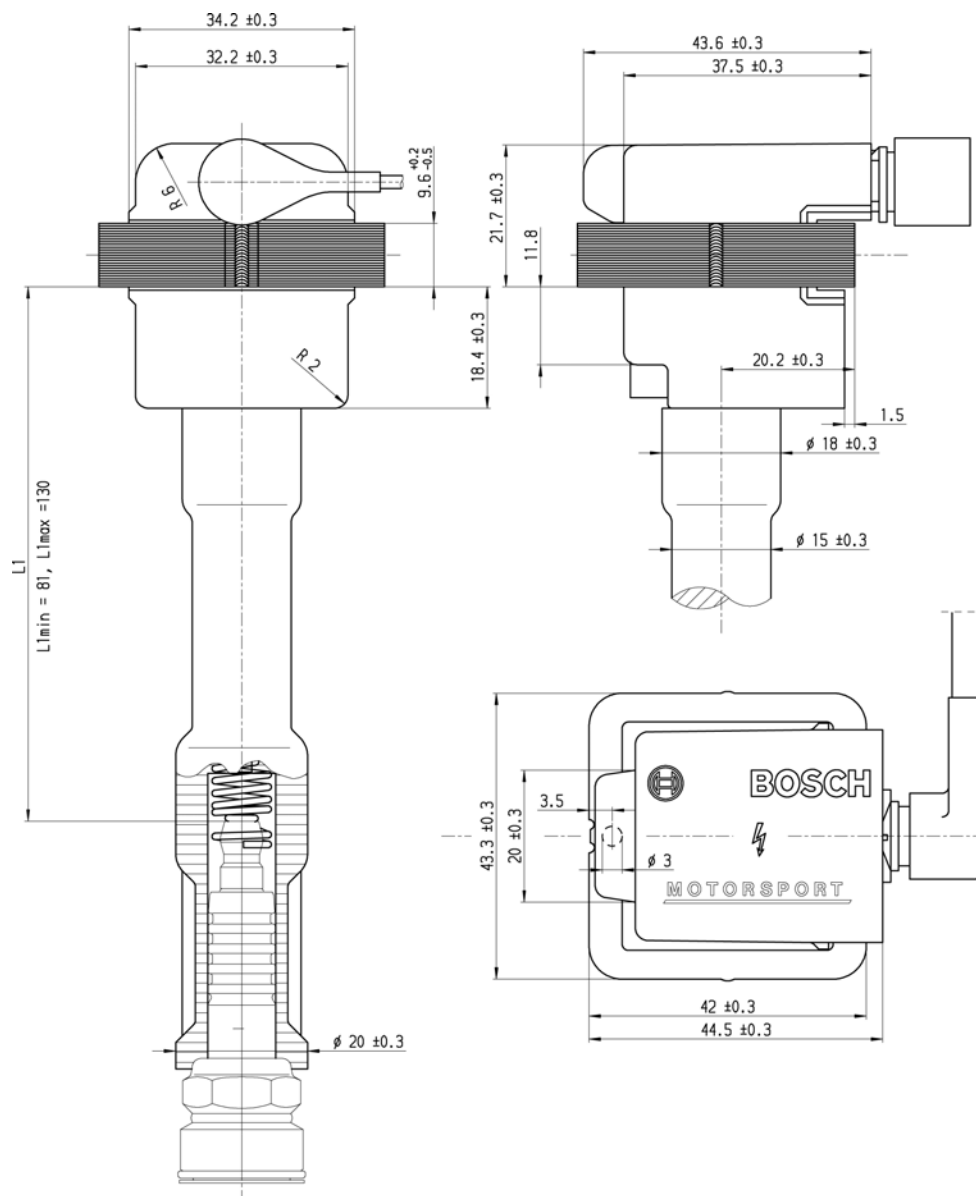
For technical reasons the values of the coils may vary.

Please regard the specified limit values.

Please find further application hints in the offer drawing (<http://www.bosch-motorsport.com>).

Part Number

Coil M **B 261 209 182-01**



Single Fire Coil S22 / S22-T

This single fire coil was developed for the use in high performance engines. It is designed to mount directly on the spark plug.

This coil optionally provides an ionic current measurement and an integrated ignition power stage. The design of the upper part (wire side) and the lower part (spark plug side) can be designed per customer specification.

The main benefits of this high performance coil are its robustness in hard racing applications and high energy efficiency.



Application	
Spark energy	≤ 60 mJ
Primary current	≤ 16 A
Operating temperature range @ outer core	[1] 0 ... 160 °C [2] 0 ... 150 °C
Storage temperature range	-40 ... 100 °C
Max. vibration	≤ 800 m/s ² @ 5 ... 2,500 Hz

Electrical Data	
Primary resistance with wire	[1] 330 mΩ [2] incapable of measurement
Secondary resistance	incapable of measurement
High voltage rise time	≤ 5.0 kV/μs
Max. high voltage @ 1 MΩ 10 pF	≤ 25 kV
Spark current	≤ 300 mA
Spark duration @ 1 kV 1 MΩ	≤ 0.43 ms
Noise suppression	inductive
Suppressor diode / EFU	Yes
Integrated power stage	[1] No [2] Yes
Ionic current signal	optional

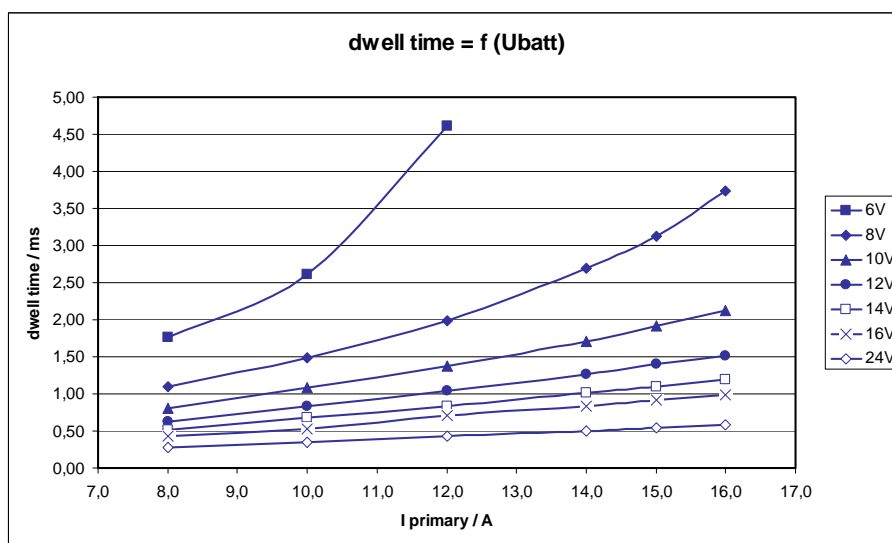
Mechanical Data	
Diameter	22 mm
Weight	150 g
Mounting	pluggable / pressed

Characteristic Data	
Measured with power stage	
[1]	IGBT IRG4BC40S (U _{ce} = 600V)
[2]	IGBT IRF5036S (U _{ce} = 400V)

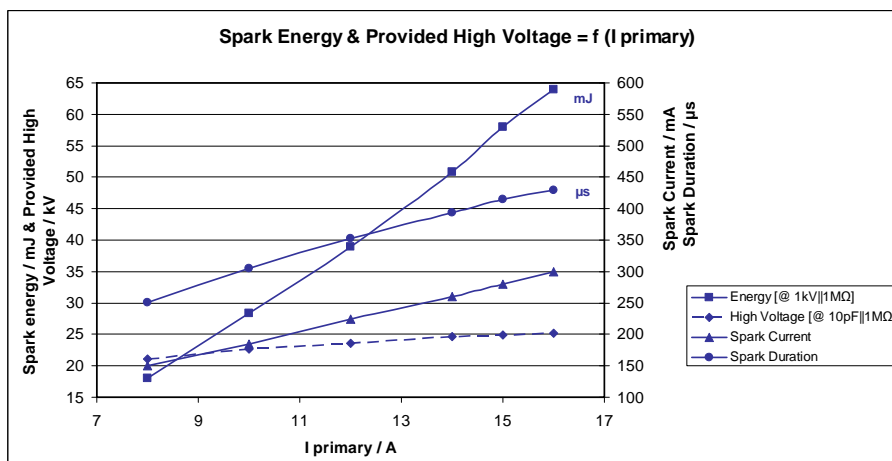
Characteristic Dwell Time [ms]

I primary	U _{batt}							
	6 V	8 V	10 V	12 V	14 V	16 V	20 V	24 V
8.0 A	1.76	1.10	0.80	0.62	0.51	0.44	0.34	0.27
10.0 A	2.61	1.49	1.08	0.83	0.68	0.53	0.44	0.35
12.0 A	4.61	1.99	1.37	1.04	0.84	0.70	0.53	0.43
14.0 A		2.70	1.71	1.27	1.01	0.84	0.63	0.50
15.0 A		3.12	1.91	1.40	1.10	0.91	0.68	0.54
16.0 A		3.74	2.12	1.52	1.19	0.99	0.73	0.58

Measured values are without loom resistance. Loom resistance must be less than the primary resistance.
The needed dwell time is to be verified through current measurement.


Characteristic Spark Energy & Provided High Voltage

	I primary					
	8 A	10 A	12 A	14 A	15 A	16 A
Spark Energy [mJ]	18.1	28.3	39	50.8	58	64
Spark Duration [μs]	251	305	353	394	415	430
Spark Current [mA]	150	185	225	260	280	300
High Voltage [kV]	21.1	22.7	23.6	24.6	24.9	25.2



Connectors and Wires

Connector	on request
Mating connector	on request
Pin 1	U _{batt} red
Pin 2	[1] ECU collector white [2] ECU Imp yellow
Pin 3	[1] Engine GND black [2] ECU GND blue
Pin 4	[1] optional ionic current signal screen cable white [2] Engine GND black
Pin 5	[1] n.a. [2] optional ionic current signal screen cable white
Various motorsport and automotive connectors are available on request.	
Wire size	AWG 20/22
Wire length	max. 100 cm
Please specify your required wire length with your order.	

Application Hint

During mounting of the spark plug please pay attention that full clamping and proper contacts are made to ensure safe connection between coil and spark plug.

For coils without "-T", please only use with engine control units with an integrated ignition power stage, e.g. IGBT IRG4BC40S.

For coils with "-T", please only use with engine control units without integrated power stages.

For technical reasons the values of the coils may vary.

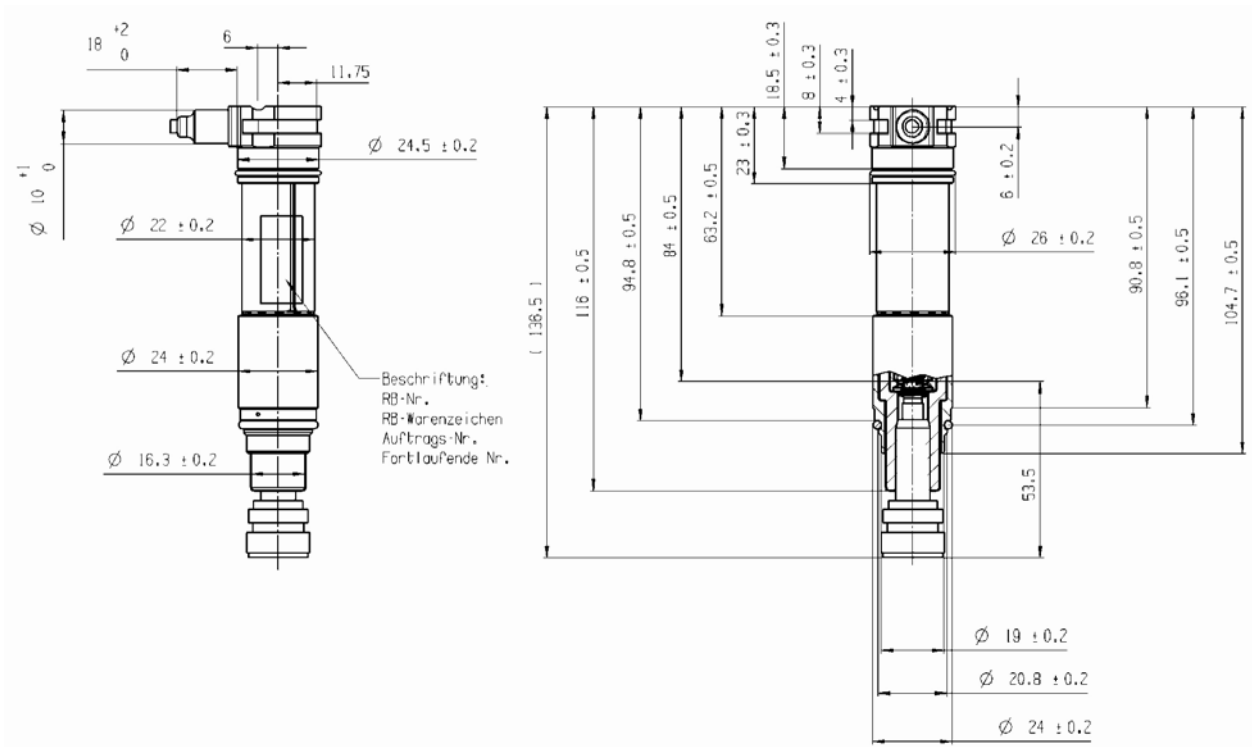
Please regard the specified limit values.

Operation with limit values of 16 A can reduce the life time of the ignition coil. In case of permanent operation please use 12 A. This will bring a spark energy of 40 mJ.

Please find further application hints in the offer drawing (<http://www.bosch-motorsport.com>).

Part Number

Coil S22 [1]	0 221 B00 115-01
Coil S22-T [2]	0 221 B00 116-01



Single Fire Coil S19

This single fire coil was developed for the use in Formula 1 high performance engines. It is designed to mount directly on the spark plug.

This coil optionally provides an ionic current measurement.

The design of the upper part (wire side) and the lower part (spark plug side) can be designed per customer specification.

The main benefits of this high performance coil are its robustness in hard racing applications and high energy efficiency.



Application	
Spark energy	≤ 34 mJ
Primary current	≤ 25 A
Operating temperature range @ outer core	0 ... 160 °C
Storage temperature range	-40 ... 100 °C
Max. vibration	≤ 800 m/s ² @ 5 ... 2,500 Hz

Electrical Data	
Primary resistance	200 mΩ
Secondary resistance	Incapable of measurement
High voltage rise time	≤ 7.5 kV/μs
Provided high voltage @ 1 MΩ 10 pF	≤ 33 kV
Spark current	≤ 320 mA
Spark duration @ 1 kV 1 MΩ	≤ 0.27 ms
Noise suppression	inductive
Suppressor diode / EFU	Yes
Integrated power stage	No
Ionic current signal	optional

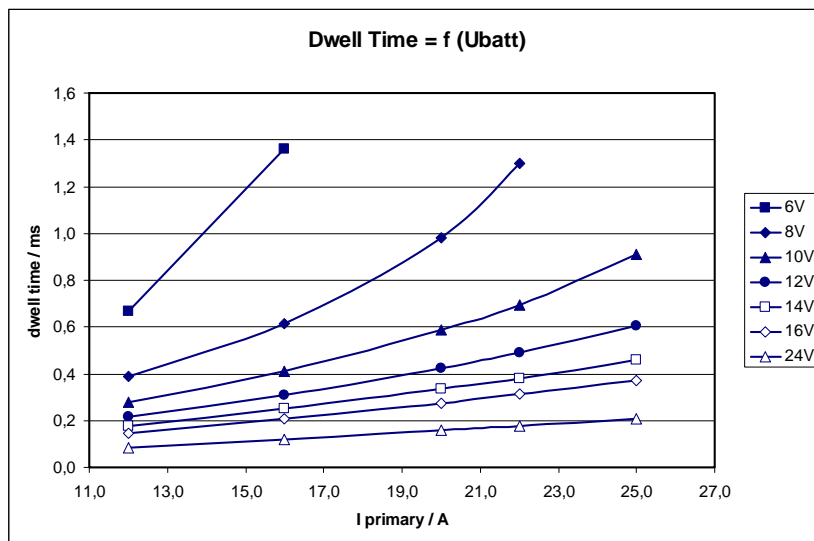
Mechanical Data	
Diameter	18.5 mm
Weight	100 g
Mounting	pluggable / pressed

Characteristic	
Measured with power stage	IGBT IRG4BC40S (U _{ce} = 600 V)

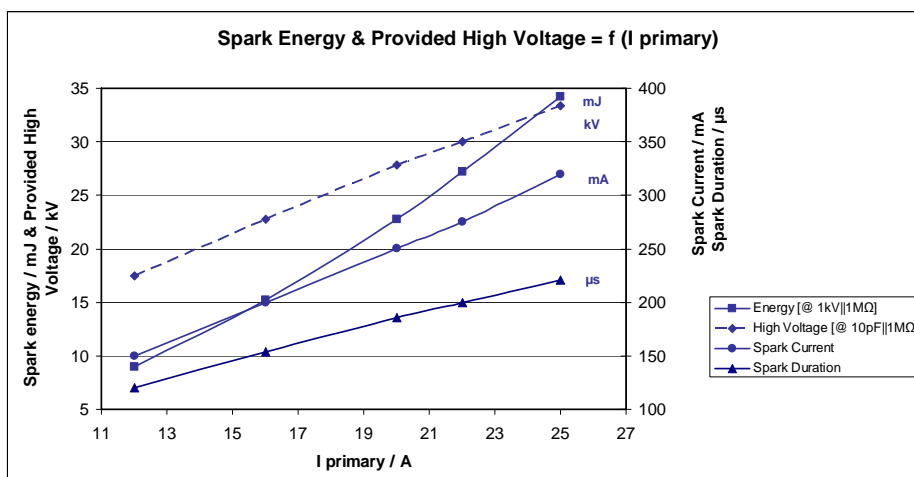
Characteristic Dwell Time [ms]

I primary	U batt								
	6 V	8 V	10 V	12 V	14 V	16 V	24 V	27 V	30 V
12.0 A	0.7	0.390	0.278	0.216	0.176	0.148	0.084	0.077	0.068
16.0 A	1.4	0.613	0.411	0.310	0.250	0.208	0.119	0.107	0.094
20.0 A		0.980	0.586	0.426	0.335	0.276	0.157	0.139	0.122
22.0 A		1.300	0.695	0.491	0.382	0.313	0.175	0.155	0.136
25.0 A			0.910	0.606	0.460	0.371	0.208	0.180	0.157

Measured values are without loom resistance. Loom resistance must be less than the primary resistance.
The needed dwell time is to be verified through current measurement.


Characteristic Spark Energy & Provided High Voltage

	I primary				
	12 A	16 A	20 A	22 A	25 A
Spark energy [mJ]	9	15.2	22.8	27.2	34.2
Spark duration [μs]	120	154	186	200	221
Spark current [mA]	150	200	250	275	320
High voltage [kV]	17.5	22.8	27.8	30	33.4



Connectors and Wires

Connector	on request
Mating connector	on request
Pin 1	U _{batt} red
Pin 2	ECU collector white
Pin 3	Engine GND black
Pin 4	optional ionic current signal screen wire white
Various motorsport and automotive connectors are available on request.	
Wire size	AWG 20/22
Wire length	max. 100 cm
Please specify the required wire length with your order.	

Application Hint

During mounting of the spark plug please pay attention that full clamping and proper contacts are made to ensure safe connection between coil and spark plug.

Please only use with engine control units with an integrated ignition power stage, e.g. IGBT IRG4BC40S.

For technical reasons the values of the coils may vary.

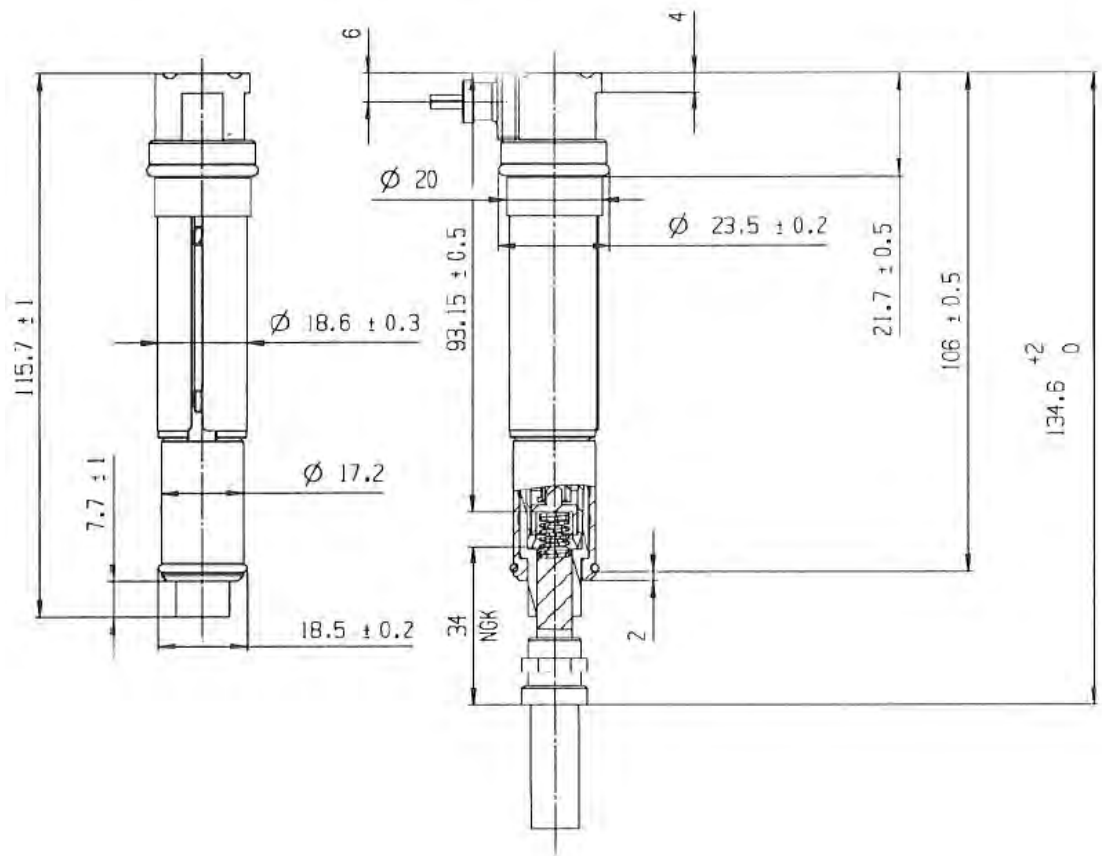
Please regard the specified limit values.

Please find further application hints in the offer drawing (<http://www.bosch-motorsport.com>).

Part Number

Single Fire Coil S19

0 221 B00 113-01



Single Fire Coil S16

This single fire coil was exclusively developed for the use in high performance engines. It is designed to mount directly on the spark plug.

This coil optionally provides an ionic current measurement.

The upper part (wire side) and the lower part (spark plug side) can be designed per customer specification.

The main benefits of this high performance coil are its robustness in hard racing applications and high energy efficiency.



Application	
Spark energy	≤ 28 mJ
Primary current	≤ 25 A
Operating temperature range @ outer core	0 ... 160 °C
Storage temperature range	-40 ... 100 °C
Max. vibration	≤ 800 m/s ² @ 5 ... 2,500 Hz

Electrical Data	
Primary resistance	230 mΩ
Secondary resistance	Incapable of measurement
High voltage rise time	≤ 9 kV/μs
Provided high voltage @ 1 MΩ 10 pF	≤ 25 kV
Spark current	≤ 460 mA
Spark duration @ 1 kV 1 MΩ	≤ 0.113 ms
Noise suppression	inductive
Suppressor diode / EFU	Yes
Integrated power stage	No
Ionic current signal	optional

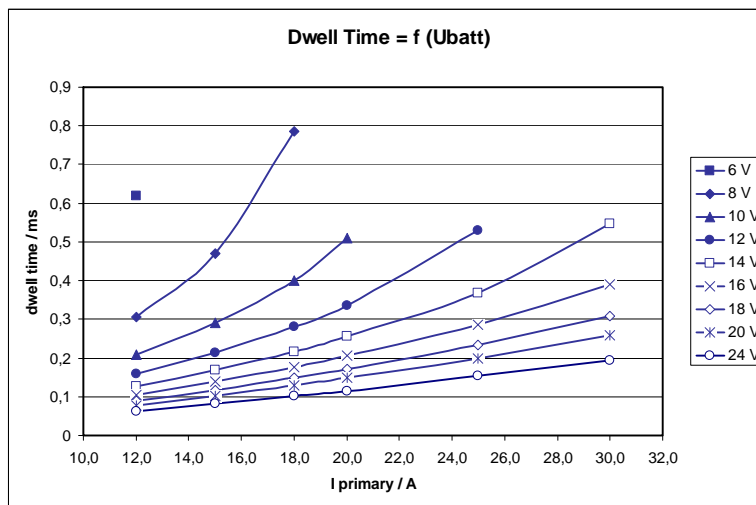
Mechanical Data	
Diameter	16 mm
Weight w/o wire	48 g
Mounting	pluggable / pressed

Characteristic	
Measured with power stage IGBT IRG4BC40S (U _{ce} = 600 V)	

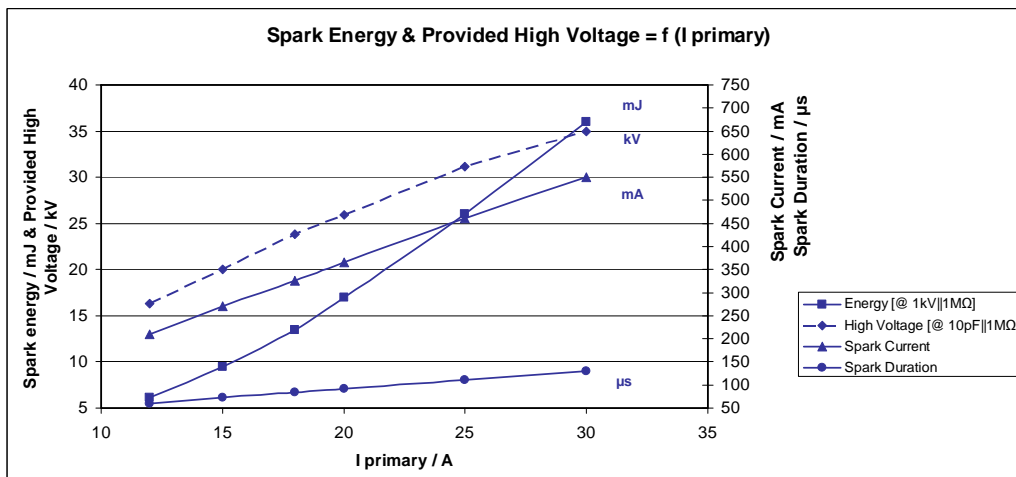
Characteristic Dwell Time [ms]

I primary	U batt								
	6 V	8 V	10 V	12 V	14 V	16 V	18 V	20 V	24 V
12.0 A	0.62	0.307	0.209	0.158	0.127	0.105	0.09	0.078	0.062
15.0 A		0.469	0.291	0.214	0.169	0.14	0.118	0.103	0.081
18.0 A		0.786	0.401	0.28	0.217	0.177	0.15	0.129	0.101
20.0 A			0.509	0.335	0.256	0.206	0.172	0.148	0.115
25.0 A				0.529	0.369	0.285	0.234	0.199	0.153
30.0 A				1.4	0.548	0.39	0.309	0.258	0.194

Measured values are without loom resistance. Loom resistance must be less than the primary resistance.
The needed dwell time is to be verified through current measurement.


Characteristic Spark Energy & Provided High Voltage

	I primary					
	12 A	15 A	18 A	20 A	25 A	30 A
Spark Energy [mJ]	6.1	9.5	13.5	17	26	36
Spark Duration [μs]	59	72	84	92	110	130
Spark Current [mA]	210	270	325	365	460	550
High Voltage [kV]	16.3	20	23.8	25.9	31.2	35



Connectors and Wires

Connector	on request
Mating connector	on request
Pin 1	U _{batt} red
Pin 2	ECU collector white
Pin 3	Engine GND black
Pin 4	optional ionic current signal screen wire white
Various motorsport and automotive connectors are available on request.	
Wire size	AWG 20/22
Wire length	max. 100 cm
For spark plugs	ceramic diameter d = 8 mm
Please specify the required wire length with your order.	

Application Hint

During mounting of the spark plug please pay attention that full clamping and proper contacts are made to ensure safe connection between coil and spark plug.

Please only use with engine control units with an integrated ignition power stage, e.g. IGBT IRG4BC40S.

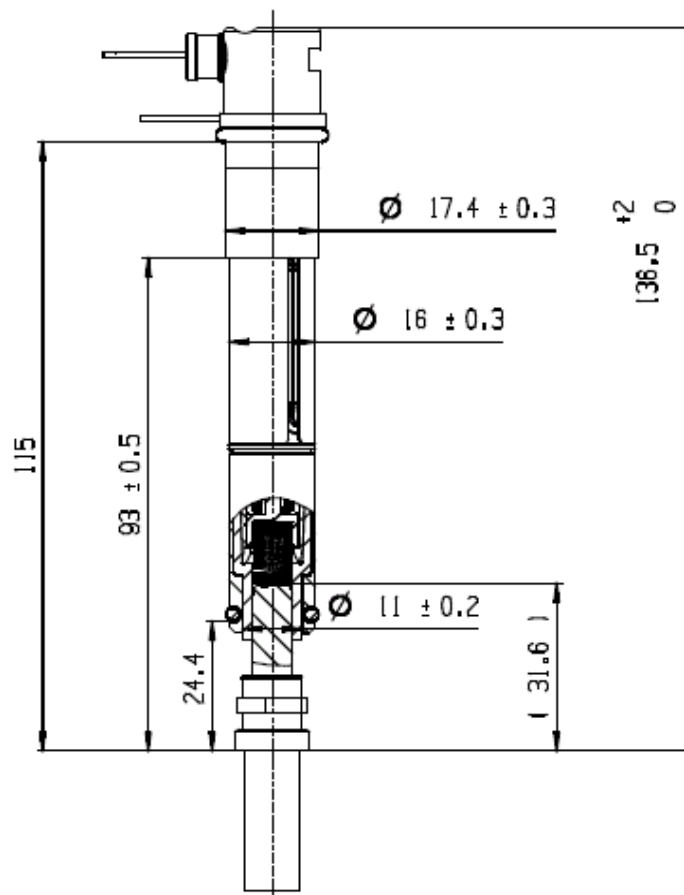
For technical reasons the values of the coils may vary.

Please regard the specified limit values.

Please find further application hints in the offer drawing (<http://www.bosch-motorsport.com>).

Part Number

Single Fire Coil S16

0 221 B00 111-01


Single Fire Coil S16-T

This single fire coil was exclusively developed for the use in high performance engines. It is designed to mount directly on the spark plug.

This coil optionally provides an ionic current measurement and an integrated ignition power stage.

The upper part (wire side) and the lower part (spark plug side) can be designed per customer specification.

The main benefits of this high performance coil are its robustness in hard racing applications and high energy efficiency.



Application	
Spark energy	≤ 28 mJ
Primary current	≤ 27 A
Operating temperature range @ outer core	0 ... 140 °C
Storage temperature range	-40 ... 100 °C
Max. vibration	≤ 800 m/s ² @ 5 ... 2,500 Hz

Electrical Data	
Primary resistance	incapable of measurement
Secondary resistance	incapable of measurement
High voltage rise time	≤ 4 kV/μs
Provided high voltage @ 1 MΩ 10 pF	≤ 22 kV
Spark current	≤ 375 mA
Spark duration @ 1 kV 1 MΩ	≤ 0.145 ms
Noise suppression	inductive
Suppressor diode / EFU	Yes
Integrated power stage	Yes
Ionic current signal	optional

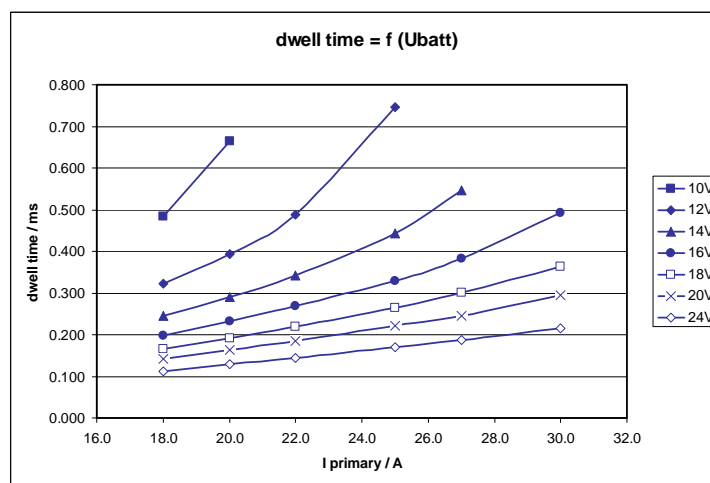
Mechanical Data	
Diameter	16 mm
Weight w/o wire	50 g
Mounting	pluggable / pressed

Characteristic	
Measured with power stage	IGBT IRF5036S (U _{ce} = 400 V)

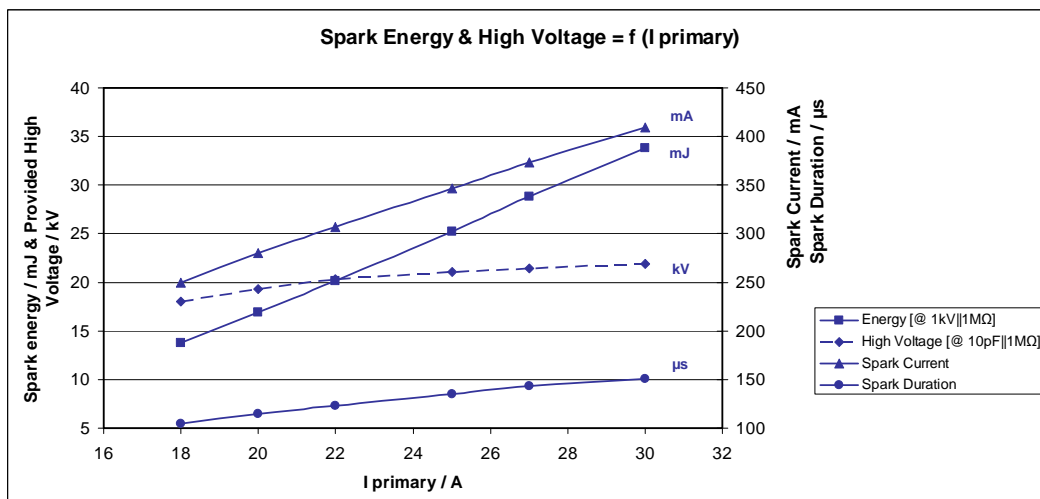
Characteristic Dwell Time [ms]

I primary [A]	U batt [V]						
	10 V	12 V	14 V	16 V	18 V	20 V	24 V
18.0 A	0.484	0.322	0.245	0.198	0.166	0.143	0.112
20.0 A	0.664	0.394	0.291	0.233	0.192	0.164	0.128
22.0 A		0.488	0.343	0.268	0.220	0.186	0.144
25.0 A		0.747	0.443	0.330	0.265	0.222	0.169
27.0 A			0.546	0.382	0.301	0.246	0.188
30.0 A				0.493	0.363	0.294	0.216

Measured values are without loom resistance. Loom resistance must be less than the primary resistance.
The needed dwell time is to be verified through current measurement.


Characteristic Spark Energy & Provided High Voltage

	I primary					
	18 A	20 A	22 A	25 A	27 A	30 A
Spark Energy [mJ]	13.8	16.9	20.1	25.2	28.8	33.8
Spark Duration [μs]	105	115	123	135	143	151
Spark Current [mA]	250	280	307	347	373	409
High Voltage [kV]	18	19.3	20.3	21.1	21.4	21.9



Connectors and Wires

Connector	on request
Mating connector	on request
Pin 1	U _{batt} red
Pin 2	ECU imp yellow
Pin 3	ECU GND blue
Pin 4	ECU GND black
Pin 5	optional ionic current signal screen wire white
Various motorsport and automotive connectors are available on request.	
Wire size	AWG 20/22
Wire length	max. 100 cm
For spark plugs	ceramic diameter d = 8 mm
Please specify the required wire length with your order.	

Application Hint

During mounting of the spark plug please pay attention that full clamping and proper contacts are made to ensure safe connection between coil and spark plug.

Please only use with engine control units without integrated power stages.

For technical reasons the values of the coils may vary.

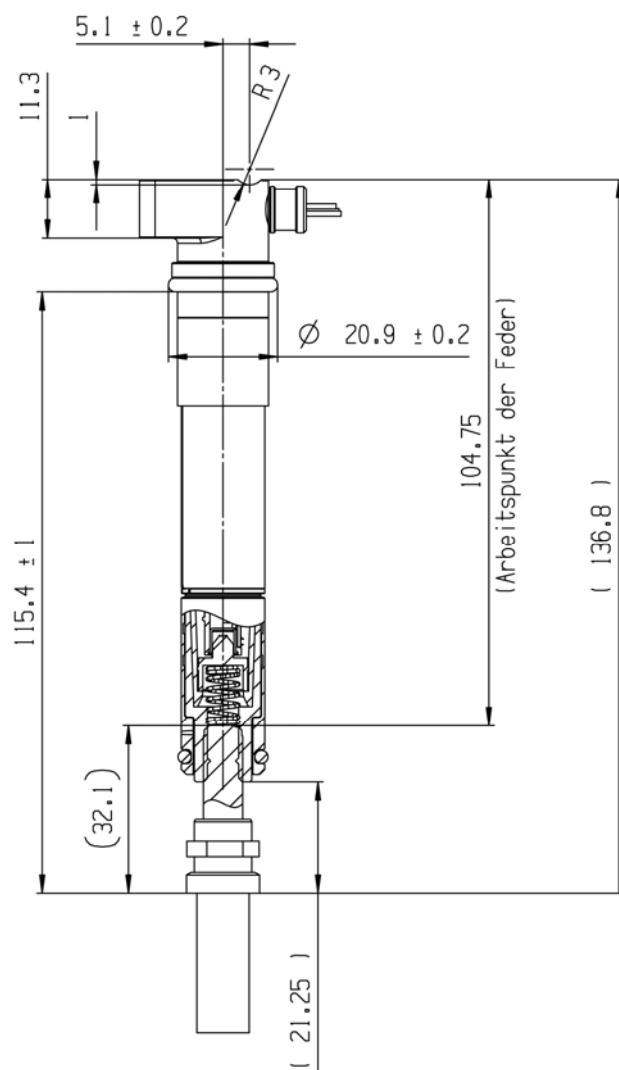
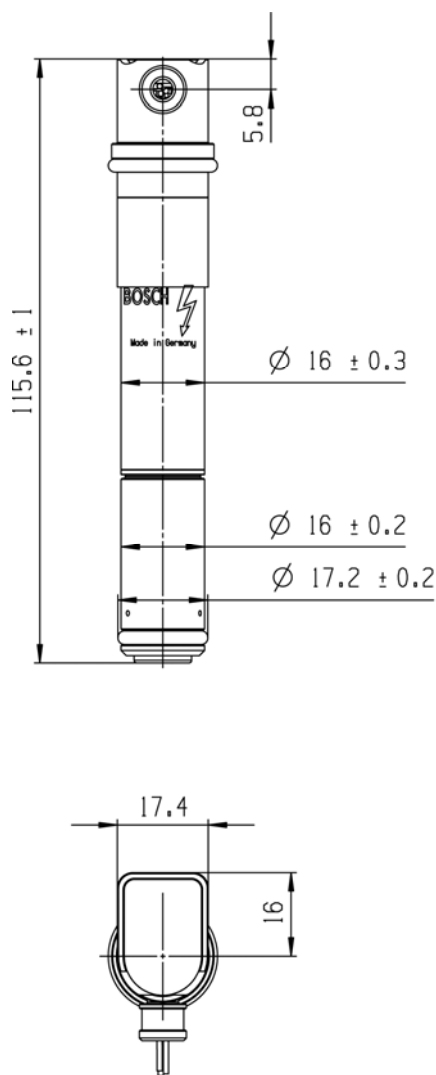
Please regard the specified limit values.

Please find further application hints in the offer drawing (<http://www.bosch-motorsport.com>).

Part Number

Single Fire Coil S16-T

0 221 B00 112-01



Spark Plugs

Spark Plugs

The engines of competition vehicles are exposed to high thermal stress because of running them at full load most of the time.

Spark plugs for this operating conditions often have precious metal center electrodes (platinum, silver) and a short insulator base. This causes a very small heat absorption and a good heat derivation through the center electrode.

Corresponding to the various field of operations we manufacture over 1400 different types of spark plugs in production. You can get these standard spark plugs from your local Bosch-service and most spare parts dealers. The range of products includes versions with various seats and threads, thread lengths and electrode positions, the design parts air-gap, surface-gap and surface-air-gap types. You can choose between versions with one to four ground electrodes, the center electrode can be made from various materials.

Moreover we offer special versions and small batches which you should not hesitate asking for.



Starters & Alternators

Starters

Starter 1.4 kW

This starter is specially constructed for motorsport demand. It is a pre-engaged drive starter, we offer it in clockwise and counter-clockwise version.

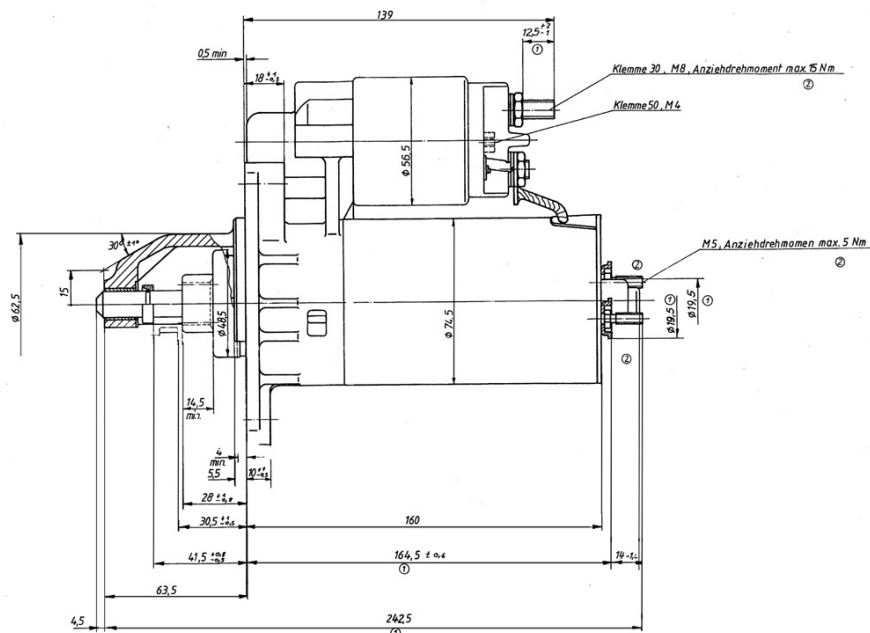
Further special versions on request.



Mechanical Data	
Weight	3,200 g
Revolutions	3,600 x 1/min
Modul	2/11

Conditions for Use	
Max. temperature	150 °C
Vibration	high protection

Electrical Data	
Performance	1.4 kW
Part Number	
Starter 1.4 kW	on request



Starter 2.0 kW

This starter is specially constructed for motorsport demand. It is a pre-engaged drive starter, we offer it in clockwise and counter-clockwise version.

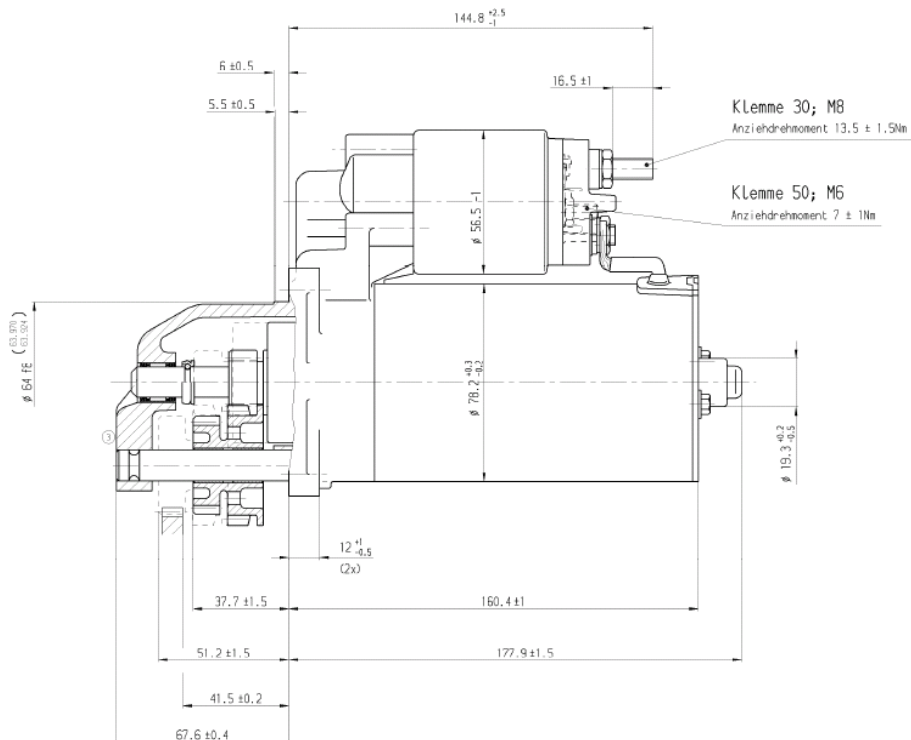
Further special versions on request.



Mechanical Data	
Weight	4,050 g
Revolutions	4,700 x 1/min
Transmission ratio	i 5.0
Modul	2/11

Conditions for Use	
Max. temperature	150 °C
Vibration	high protection

Electrical Data	
Performance	2.0 kW
Part Number	
Starter 2.0 kW	on request



Alternators

Alternator GCM1 110/130/140 A/140 A Nascar

This alternator is modified for motorsport demand and splash protected. The stator windings are handmade; the rotor is extra fine balanced. The alternators are e.g. used in Nascar. Clockwise and anticlockwise versions are possible, modifications are available on request.



Mechanical Data	
Case material	aluminium
Weight	3,400 g
Current regulator unit	integrated
Max. rotations	18,000 x 1/min
Diameter	108 mm
Length without shaft stub	128 mm
Distance between mounting points	154 mm

Application Hint

An external cooling can contribute to increase the performance. It will only be effective if the incoming air is 30 °Kelvin cooler than the ambient air. Otherwise, the restriction of the air flow will negate any cooling benefits. If these conditions are met, the cooling air should be distributed over the center axis at the rear of the alternator for optimal cooling. For the cooling air to be effective we must be sure that we do not encounter any vacuum effects. If there is a vacuum effect present the use of external blower fan will be required. Care should be taken that no excessive external contaminants are introduced into the cooling air stream. This could severely short the alternator service life. It would be prudent to perform comparative measurements on the alternator to determine the effectiveness of the external cooling air.

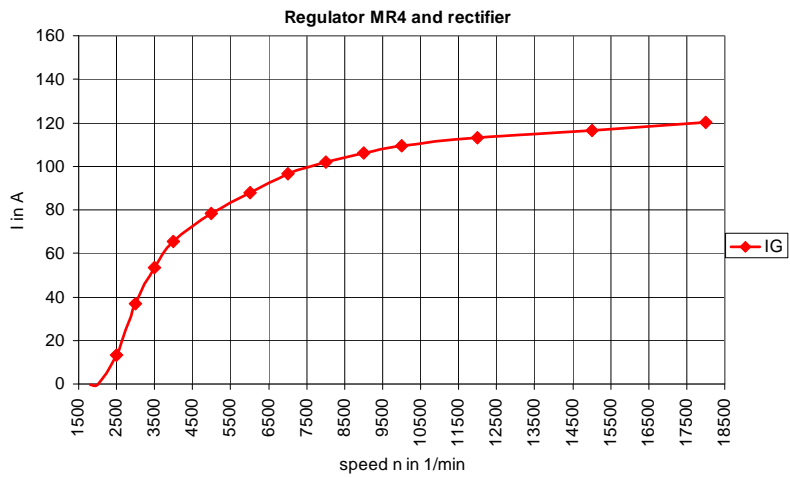
Electrical Data	
Rated current	110/130/140 A
Supply voltage	13.5 V
Cut-in speed	3,000 x 1/min
Coupling	screws
Battery B+	M6
Control lamp D+	flat-pin connector, see drawing
Internal D+ resistor	only GCM1 140 A Nascar

Conditions for Use	
Temperature range	-30 ... 90 °C
Vibration	high protection
Installation without rubber mounting	

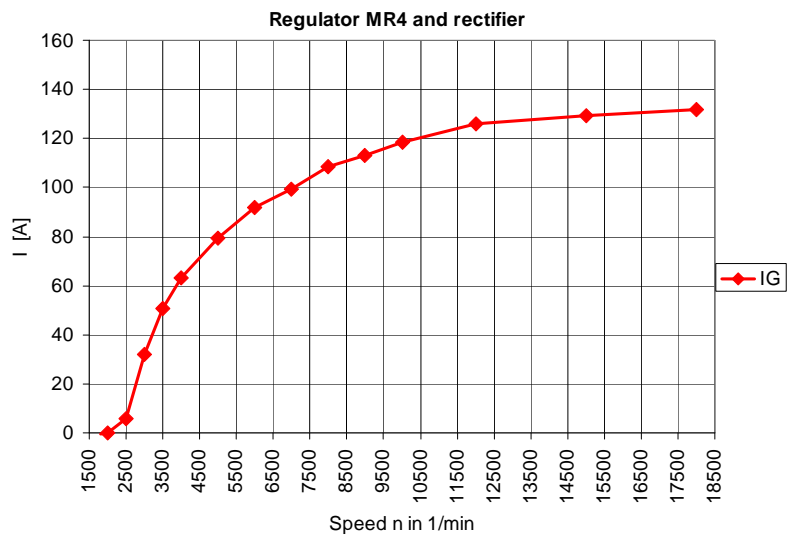
Part Numbers	
110 A	
Anticlockwise rotation	B 261 208 606-02
Clockwise rotation	B 261 208 607-03
130 A	
Anticlockwise rotation	B 261 208 604-02
Clockwise rotation	B 261 208 605-02
140 A	
Anticlockwise rotation	F 01E B01 857-02
Clockwise rotation	B 261 208 603-02
140 A Nascar	
Clockwise rotation	F 02U V00 004-05

Characteristic 110 A

Rpm	IG (A) at 90 °C
2000	0
2500	13
3000	37
3500	54
4000	65
5000	78
6000	88
7000	96
8000	102
9000	105
10000	108
12000	113
15000	117
18000	120

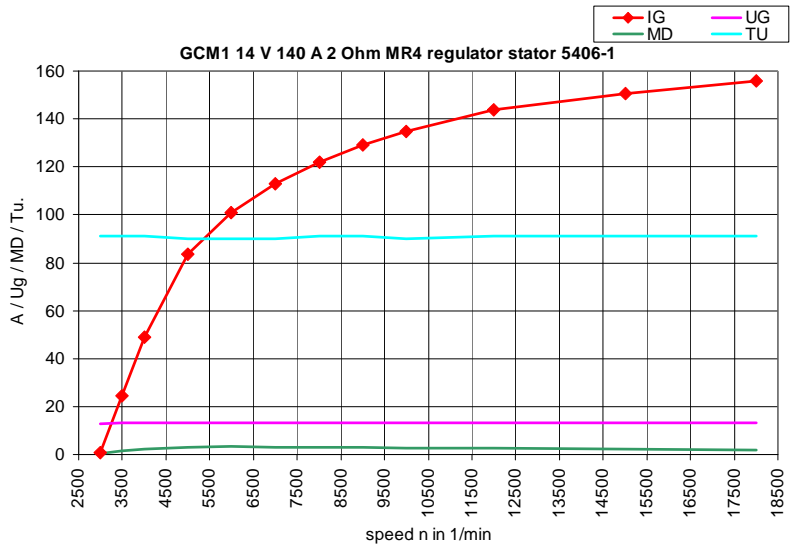

Characteristic 130 A

Rpm	IG (A) at 90 °C
2000	0
2500	6
3000	32
3500	51
4000	63
5000	80
6000	90
7000	98
8000	105
9000	111
10000	116
12000	121
15000	127
18000	131

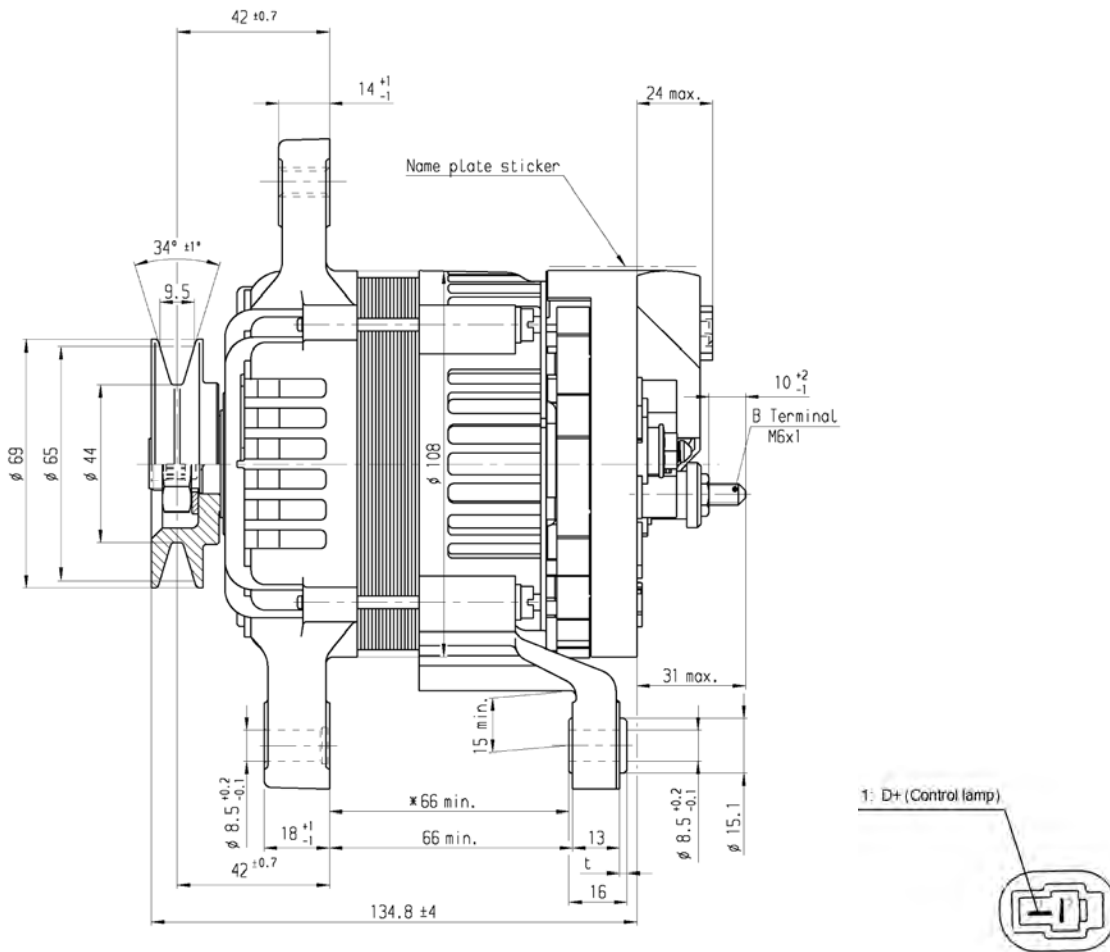


Characteristic 140 A/Nascar

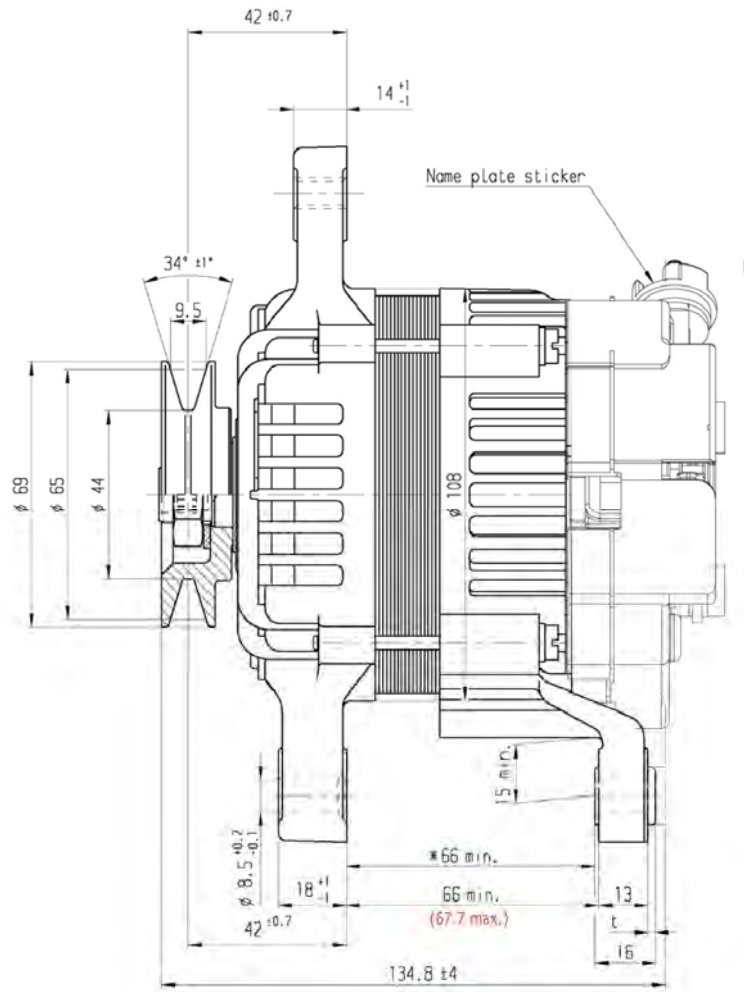
Rpm	IG (A) at 90 °C
2000	0
2500	0
3000	1
3500	25
4000	49
5000	83
6000	101
7000	113
8000	122
9000	129
10000	135
12000	144
15000	151
18000	156



Design 110/130/140 A



Design 140 A Nascar



Alternator B3

The B3 is a powerful 12 V alternator. It has a specially wound stator, high current diodes and an extra fine balanced rotor.

The alternator and the appropriate regulator build a system to generate electrical power by consuming mechanical power, delivered by the combustion engine via a belt driven pulley. The rotation of the pulley is transmitted to the rotor, that generates a rotation current in the stator. The rotating current (AC) is transformed through the rectifier in direct current (DC). The regulator controls the rotor current, and as consequence the alternator output through the B+ connection.

The main benefit of this alternator is the high power output in a small low weight package. Furthermore it is optimized concerning vibration endurance.



Application	
Application	210 A
Max. ambient temperature	105 °C
Max. ambient temperature (short-term)	120 °C
Rotating direction	clockwise

Mechanical Data	
Body material	Cast aluminium
Weight w/o pulley	4.8 kg
Max. rotorspeed	18,000 rpm
Moment of inertia	22 kgcm ²
Outer diameter w/o screw	136 mm
Length w/o pulley	117 mm
Battery B+ connection	M8x1.25
Tightening torque	22 Nm

Electrical Data	
Output voltage at 10 A	14.2 V
Temperature compensation	-10 mV/K
High temperature cut off derating	-250 mV/K
Excitation resistor	internal
Cut-in-speed	3,000 1/min

Application Hint

Ground connection for power and regulator is through the case. Ensure that the case has a high current, low resistance connection to vehicle ground.

Operating the alternator is only permitted with the installed regulator and a connected 12 V battery.

Output current specified at 6,000 rpm, 13.1 V, 25 °C inlet temperature and alternator steady-state-temperature.

The excitation current can also be realized by an external lamp.

Please find further application hints in the offer drawing (<http://www.bosch-motorsport.com>).

Characteristic

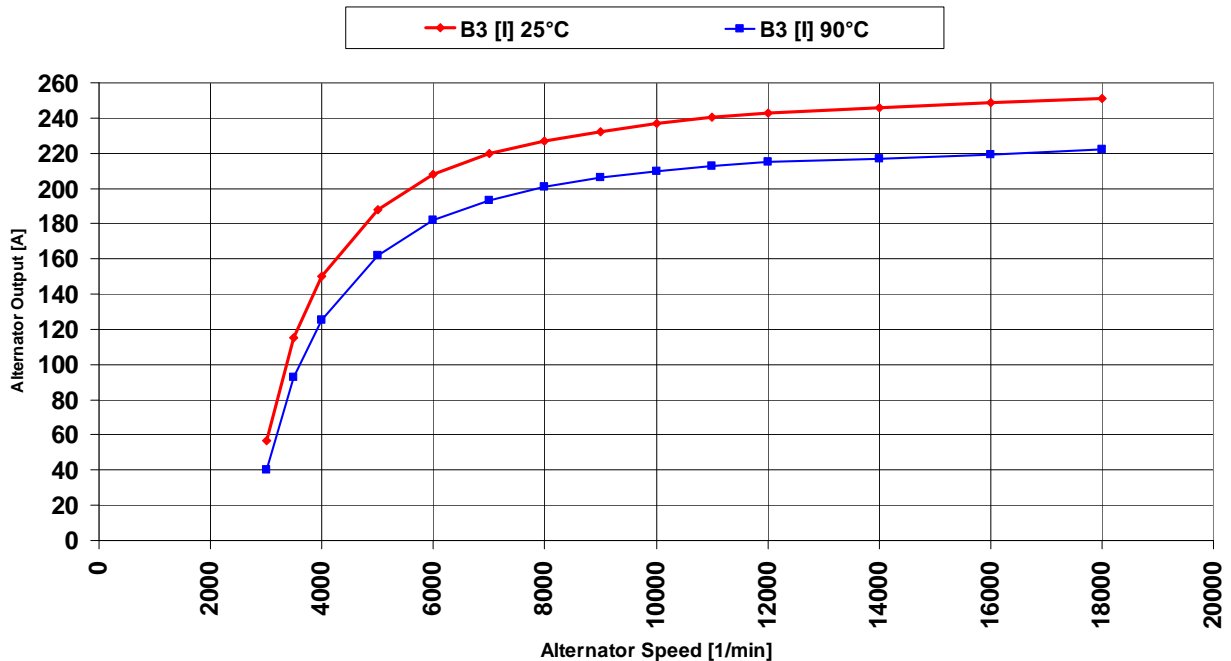
Rpm [1/min]	I _G [I] at 25 °C	I _G [I] at 90 °C
3,000	57	40
3,500	115	93
4,000	150	125
5,000	188	162
6,000	208	182
7,000	220	193
8,000	227	201
9,000	232	206
10,000	237	210
11,000	241	213
12,000	243	215
14,000	246	217
16,000	249	219
18,000	251	222

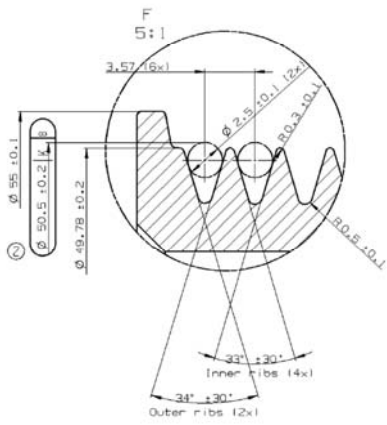
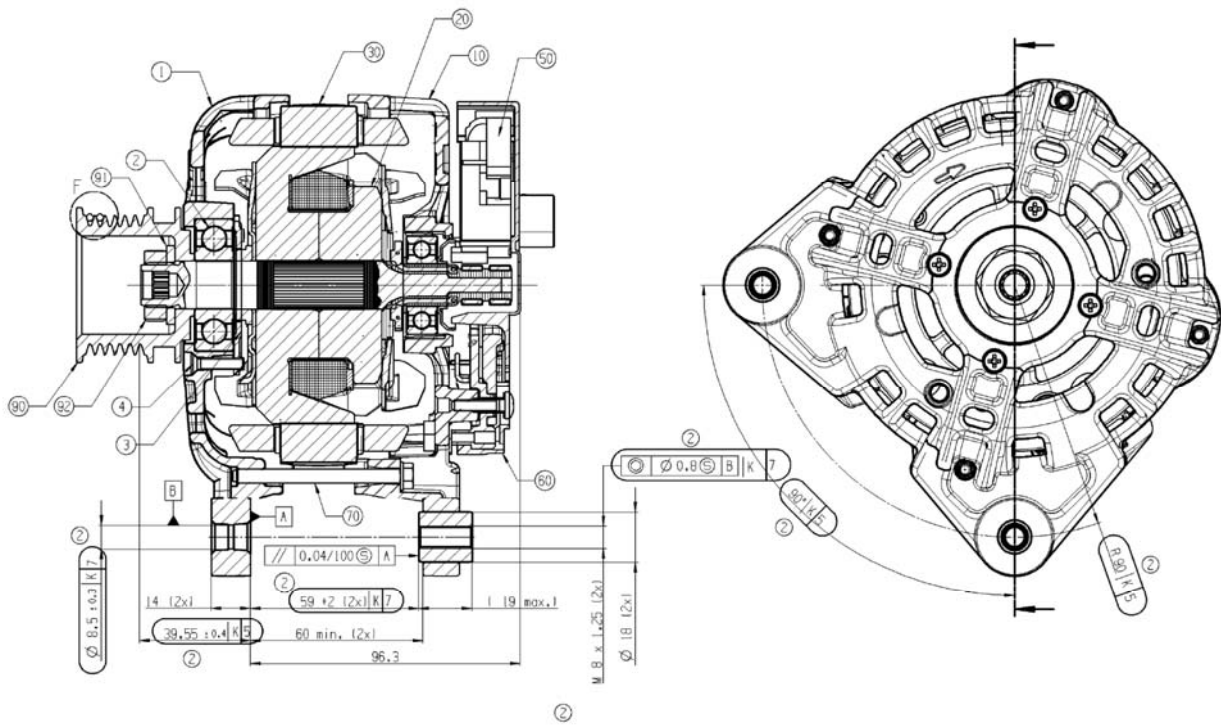
Please note: Measured with U=13.1 V and t=20 min

Part Numbers

Alternator B3

F 02U V00 646-01





Sensors

Absolute Position Sensor

Absolute Position Sensor APS-C

This sensor is designed to measure the absolute angular position of a still standing or rotating shaft.

The device uses Hall sensor technology to detect the magnetic flux density distribution of a magnet which is mounted frontal on the shaft. The absolute angle position value from the sensor is transmitted over CAN. The sensor can be calibrated and configured with hard- and software tools.

The main feature and benefit of this sensor is the combination of a contactless measuring principal, a wide temperature range and a motorsport connector.



Application	
Application	0 ... 360 °
Angle reference type	absolute
Measuring principle	Hall-effect
Operating temperature range	-40 ... 120 °C
Storage temperature range	-40 ... 120 °C
Communication link	CAN
Application tool	EM-C or RaceCon

Electrical Data	
Power supply U_s	(6.5 V) 10 ... 17 V
Current I_s	70 mA

Mechanical Data	
Fixation	3 x M5
Sealing	O-ring
Weight w/o wire	39 g
Size w/o wire	see Dimensions
Max. vibration	<i>Vibration Profile 1</i> (see Appendix or www.bosch-motorsport.com)

Characteristic	
Signal output	CAN
CAN Baudrate	1 Mbaud
CAN refresh rate	700 Hz
Signal resolution	0.703152 °

Connectors and Wires

Connector	ASU 6-03-05PB-HE
Mating connector	ASU 0-03-05SB-HE
Pin 1	Us
Pin 2	GND
Pin 3	CAN+
Pin 4	CAN-
Pin 5	Calibration Pin
Sleeve	DR-25
Wire size	AWG 24
Wire length	15 ... 100 cm

Various motorsport and automotive connectors are available on request.

Please specify the required wire length with your order.

Accessories

Magnet for APS-C	F 02U 002 465-01
------------------	-------------------------

Application Hint

The sensor is designed to measure the absolute angle of the camshaft e.g. quick start application.

The unit can be connected to any CAN system (1 MBaud).

The unit is secure from miss-pinning.

Before the first operation, the sensor has to be calibrated. Please connect the calibration pin to 12 V.

To meet the specifications and to avoid errors, the distance between sensor and the magnet has to be less than 2 mm.

To avoid measurement errors, the eccentricity between sensor and magnet has to be as small as possible (< 0.3 mm).

To change the CAN-ID of the sensor, it can be programmed by the external CAN module EM-C.

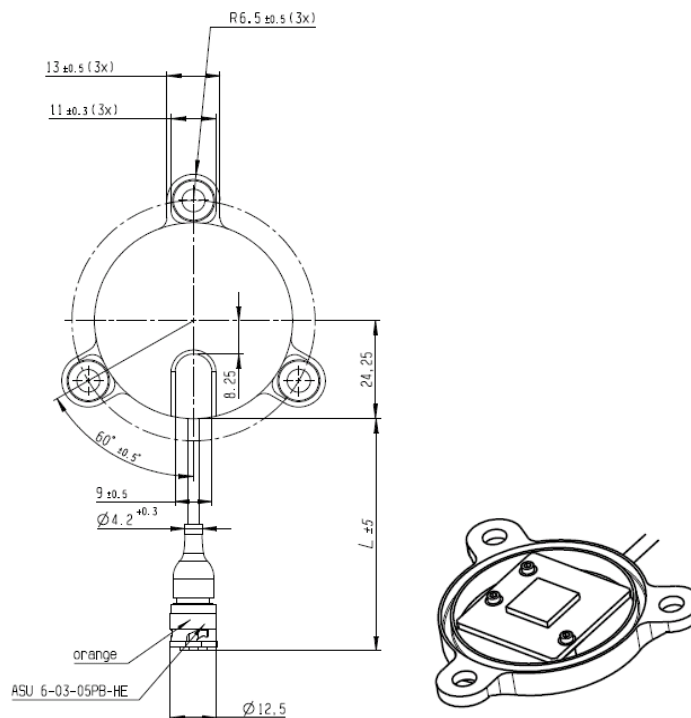
The angle position value can be set to zero via the external CAN module EM-C or by using the calibration pin.

Please note that for a correct functionality of the sensor a magnet with a material remanence of 1.03 Tesla is needed (not included, available on request).

Please find further application hints in the offer drawing (<http://www.bosch-motorsport.com>).

Part Number

APS-C	F 02U V00 086-01
-------	-------------------------



Dynamic Vehicle Sensors

Acceleration Sensor AM 600-2, AM 600-3

This sensor is designed to measure the physical effects of lateral acceleration in two/three axes (e.g. for analysis of acceleration and deceleration behaviour of race cars).

In order to achieve this, the sensor features two/three measuring elements for acceleration, in two/three integrated circuits. The sensing element consists of a micro machined sensor chip and an evaluation ASIC – allowing for high precision measurement applications.

The main benefits of this high performance coil are its robustness in hard racing applications and high energy efficiency.



Application	
Application	[1] x, y ± 4.5 g [2] x, y, z ± 4.5 g
Max. vibration	5000 m/s ² in operation
Storage temperature range	-55 ... 105 °C
Operating temperature range	-40 ... 85 °C

Electrical Data	
Power supply	5 V
Power supply max.	6 V
Full scale output	2.5 = 0 g; 440 mV/g
Supply current	7 mA
Supply current max.	12 mA

Mechanical Data	
Weight w/o wire	[1] 30 g [2] 50 g
Size	[1] 24 x 27 x 13.5 mm [2] 24 x 27 x 29.8 mm
Mounting	2 x M3
Tightening torque	2 Nm

Characteristic	
Sensitivity	440 mV/g
Offset	2,500 mV @ 0 g
Tolerance of sensitivity	± 3 %
Non-linearity of sensitivity	± 2 %

Connectors and Wires

Connector	ASL 6-06-05PA-HE
Mating connector	ASL 0-06-05SA-HE
Pin 1	Us
Pin 2	Gnd
Pin 3	[1] Sig _x [2] Sig _y
Pin 4	[1] Sig _y [2] Sig _x
Pin 5	[1] Scr [2] Sig _z
Various motorsport and automotive connectors are available on request.	
Sleeve	DR-25
Wire size	AWG 24
Wire length	15 ... 100 cm
Please specify the required wire length with your order.	

Application Hint

The AM 600 can be connected directly to most control units and data logging systems.

Please avoid abrupt temperature changes.

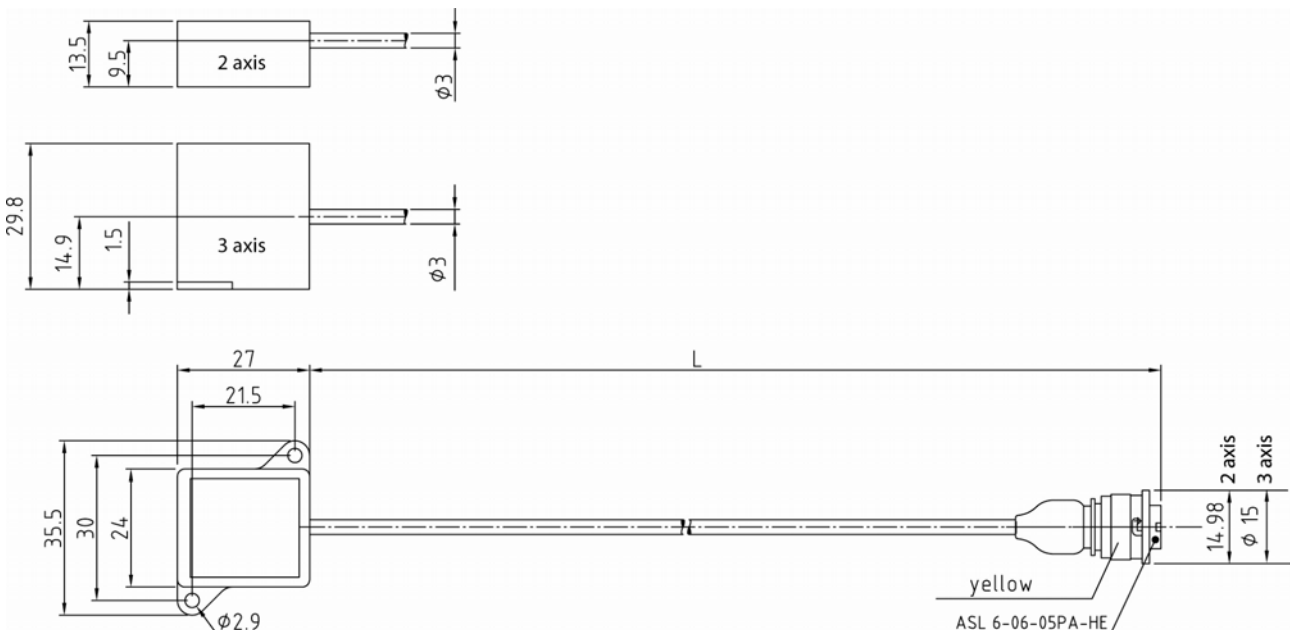
For mounting please use only the integrated fixed hole.

Please ensure that the environmental conditions do not exceed the sensor specifications.

Please find further application hints in the offer drawing (<http://www.bosch-motorsport.com>).

Part Numbers

[1] AM 600-2	B 261 209 311-04
[2] AM 600-3	B 261 209 313-02



Yaw Rate Sensor YRS 3

This sensor is designed to measure the physical effects of yawing, lateral and longitudinal acceleration. In order to achieve this, the sensor features both a measuring element for yaw rate and two for acceleration, with one appropriate integrated circuit.

A rotation around the third orthogonal axis, a yaw rate, creates a Coriolis force on the accelerometers, which is detected by the element. Apart from the measuring element for yaw rate, a pure surface micromachined measuring element for acceleration is utilised to measure the vehicles lateral and longitudinal acceleration. This enables a very precise application.

The main feature and benefit of this sensor is its wide measuring range, the standardized 1 Mbaud/s CAN-signal output and the combination of high quality production part and robust design.



Application	
Application I	±160 °/s
Application II	±4.1 g
Operating temperature range	-40 ... 85 °C

Electrical Data	
Power supply	7 ... 18 V
Max input current	130 mA
CAN speed	1 Mbaud/s

Mechanical Data	
Weight w/o wire	65 g
Size	34 x 80 x 84 mm

Characteristic Application I	
Measuring range	±160 °/s
Overrange limit	±1,000 °/s
Absolute resolution	0.1 °/s
Cut-off frequency (-3 dB)	15 Hz

Characteristic Application II	
Measuring range	±4.1 g
Overrange limit	±10 g
Absolute resolution	0.01 g
Cut-off frequency (-3 dB)	15 Hz

Connectors and Wires

Connector	AMP 114-18063-076
Mating connector	F 02U B00 435-01
Pin 1	GND
Pin 2	CANL
Pin 3	CANH
Pin 4	UBAT
Pin 5	-

CAN Parameters

Byte order	LSB (Intel)
CAN speed	1 Mbaud/s
Bit mask	Signed
Offset (all signals)	0x8000 hex
Quantisation Yaw Rate 1	0.005 [°/s/digit]
Quantisation Yaw Ang. Acc	0.125 [°/s ² /digit]
Quantisation Acc X-Axis	0.0001274 [g/digit]
Quantisation Acc Y-Axis	0.0001274 [g/digit]

Application Hint

The YRS 3 can be connected directly to most control units and data logging systems.

The sensor is protected against reverse polarity and short-circuit.

Please avoid abrupt temperature changes.

For mounting please use only the integrated fixing holes.

Please ensure that the environmental conditions do not exceed the sensor specifications.

Please find further application hints in the offer drawing (<http://www.bosch-motorsport.com>).

Part Number

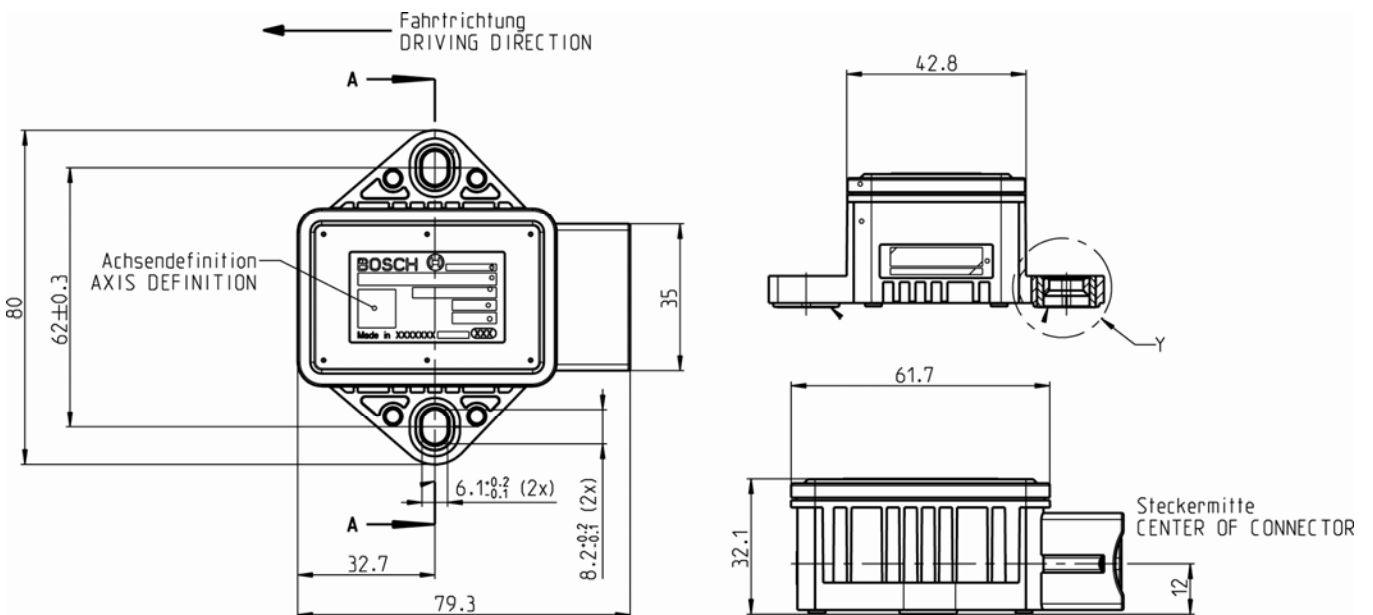
Yaw Rate Sensor YRS 3 **0 265 005 838**

CAN Message
CAN_ID_01 0x70

Byte	0	1	2	3	4	5	6	7
Value	Yaw Rate 1	Reserved	Reserved	Reserved	Acc Y Axis	Reserved	Reserved	Unused

CAN_ID_02 0x80

Byte	0	1	2	3	4	5	6	7
Value	Yaw Angular Acceleration	Reserved	Reserved	Reserved	Acc X Axis	Reserved	Reserved	Unused



Lean Angle Sensor LAS-1

This sensor is designed to measure the acceleration and the rate of turn in two axis (yaw rate Ω_z , roll rate Ω_x , lateral acceleration a_y and longitudinal acceleration a_z).

An internal diagnosis indicates too high vibrations or turning rates.

In combination with a MS 5 ECU and its algorithm a very precise lean angle of motorcycles can be calculated.

The main feature and benefit of this sensor is its wide measuring range, the standardized 1 Mbaud CAN-signal output and the combination of high quality production part and robust design.



Application	
Application I	± 163 °/s (roll rate/yaw rate)
Application II	± 4.1 g (X and Y acceleration)
Operating temperature range	-20 ... 85 °C

Electrical Data	
Power supply	7 ... 18 V
Max input current	200 mA
Power up time	< 150 ms

Connectors and Wires	
Connector	AMP 114-18063-076
Mating connector	F 02U B00 240-01
Pin 1	GND
Pin 2	CANL
Pin 3	CANH
Pin 4	UBAT

Mechanical Data	
Weight w/o wire	96 g
Size	33 x 98 x 91 mm

Characteristic Application I	
Measuring range	± 160 °/s
Overrange limit	$\pm 1,000$ °/s
Absolute resolution	0.1 °/s
Cut-off frequency (-3 dB)	15 Hz

Characteristic Application II	
Measuring range	± 4.1 g
Overrange limit	± 10 g
Absolute resolution	0.01 g
Cut-off frequency (-3 dB)	15 Hz

CAN Parameters

Byte order	Little endian, high-byte/low-byte, Intel
CAN speed	1 MBaud
CAN refresh rate	10 ms
Identifier length	11 bit
Bit mask	signed
Offset (all signals)	0x8000 hex
Quantisation Yaw Rate	0.005 [°/s/digit]
Quantisation Roll Rate	0.005 [°/s/digit]
Quantisation Acc X-Axis	0.0001274 [g/digit]
Quantisation Acc Y-Axis	0.0001274 [g/digit]
Conversion formula	
Yaw rate [°/s]	$(\text{Hex-value} - 8000 \text{ h}) * 0.005$ [°/s/digit]
Roll rate [°/s]	$(\text{Hex-value} - 8000 \text{ h}) * 0.005$ [°/s/digit]

Application Hint

Important: In order not to exceed the maximum vibration level, the mount should be damped and not resonate.

For measuring the yaw and roll rate the LAS-1 can be connected directly to most control units and data logging systems.

The lean angle of motorcycles can be calculated in a MS 5 with motorcycle functionality.

Please avoid abrupt temperature changes.

For mounting please use only the integrated fixing holes.

Please ensure that the environmental conditions do not exceed the sensor specifications.

Please find further application hints in the offer drawing (<http://www.bosch-motorsport.com>).

CAN Message
CAN_ID_01 0x174

Byte	0	1	2	3	4	5	6	7
Value	Yaw Rate		Yaw_STAT	Reserved	Acc Y		AccY_STAT	Unused

CAN_ID_02 0x178

Byte	0	1	2	3	4	5	6	7
Value	Roll Rate		Roll_STAT	Reserved	Acc X		AccX_STAT	Unused

Bit combination of sensor status
Yaw_STAT, Roll_STAT, AccY_STAT and AccX_STAT:

xx00 xxxx = signal in specification

xx01 xxxx = sensor not available

xx10 xxxx = signal failure

xx11 xxxx = reserved

x1xx xxxx = initialisation is running

x0xx xxxx = initialisation is ready

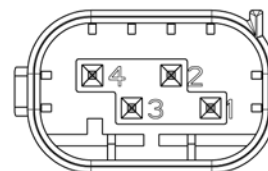
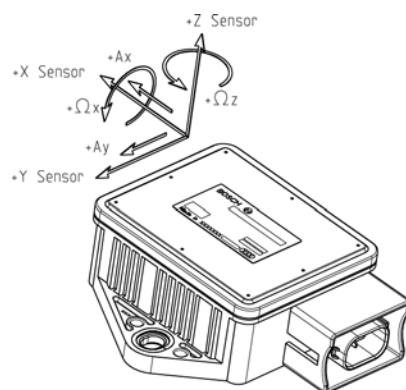
1xxx xxxx = reserved

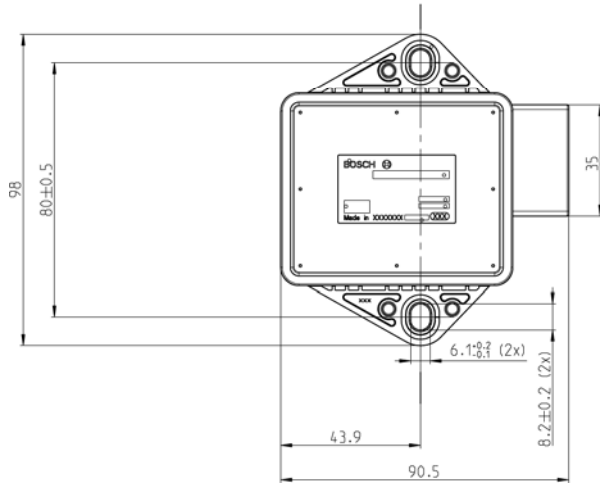
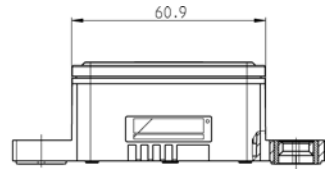
0xxx xxxx = reserved

Part Number

Lean Angle Sensor LAS-1

F 02U V00 657-01





Ride Height Sensor RHS

This sensor is designed to measure the distance to the ground.

To enable very precise measurement the sensor utilizes infrared measuring technology.

The main feature and benefit of this sensor is the combination of a durable, high quality production part design with a military spec connector.



Application	
Application	60 ... 140 mm
Operating temperature range	-10 ... 60 °C

Electrical Data	
Power supply	12 ... 24 V
Response time	5 ms
Input current	< 40 mA

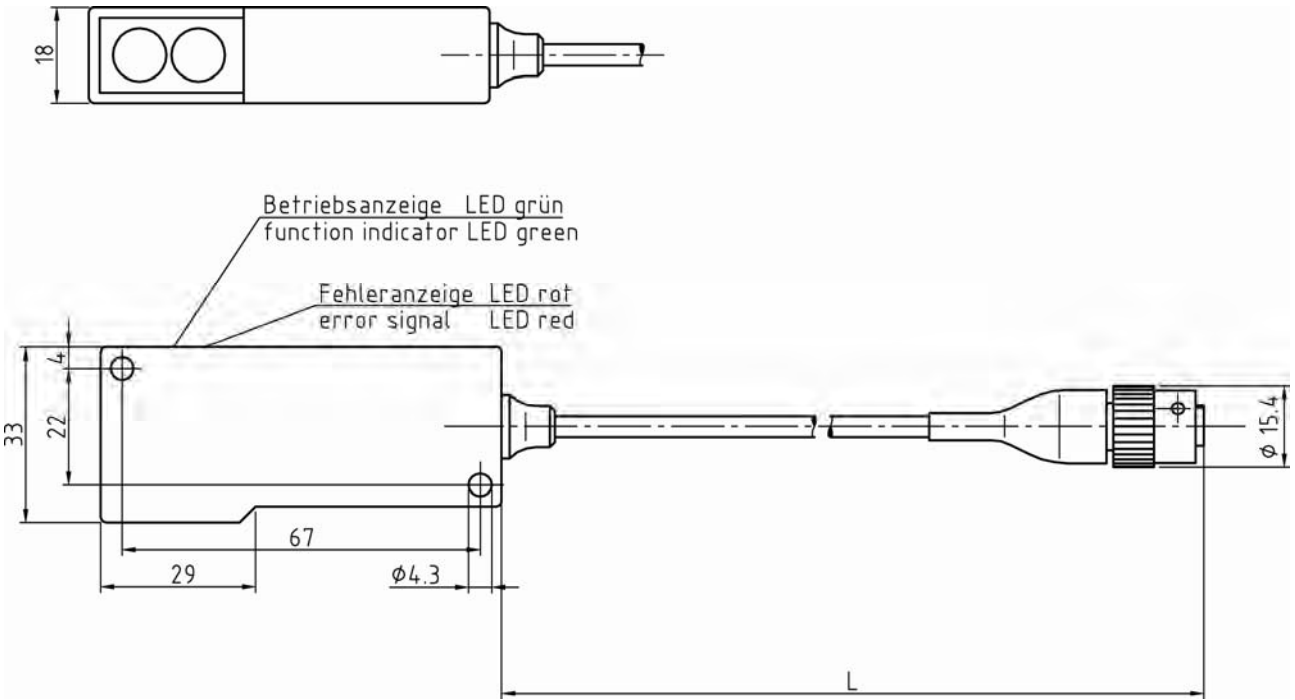
Connectors and Cables	
Connector	ASL 6-06-05PD-HE
Connector loom	ASL 0-06-05SD-HE
Pin 1	U _{Supply}
Pin 2	Gnd
Pin 3	Sig
Pin 4	-
Pin 5	-
Various military and automotive connectors on request.	
Sleeve	DR-25
Cable size	AWG 24
Cable length L	15 ... 100 cm
Please specify the requested cable length with your order.	

Mechanical Data	
Weight w/o cable	105 g
Size	75 x 33 x 18 mm
Housing	plastic, fibreglass
Protection class	IP 67

Characteristic	
Signal output	0,25 ... 4,75 V
Output current	500 µA (analog output)
Alarm output	PNP (200 mA)
Resolution	0,5 ... 1 mm
Linearity	1 % FS
Light source	IR
Max. allowed ambient light	< 10.000 lux
Wave length	660 nm

Application Hint	
The RHS can be connected directly to most control units and data logging systems.	
The measurable range of the sensor is 60 ... 140 mm.	
Please avoid abrupt temperature changes.	
Sensor should only be mounted via the integrated mounting hole.	
Please ensure that the environmental conditions do not exceed the sensor specifications.	
Further application hints can be found in the offer drawing (http://www.bosch-motorsport.com).	

Part Number	
RHS	B 261 209 674



Gear Shift Sensors

Gear Shift Sensor GSS-2

This sensor is designed to measure force relative to gear shifting in order to control the engine operation allowing the driver to maintain no-lift-shift/full throttle during shifting (up and down).

A circuit of precise resistors and an integrated amplifier supply a force dependent output voltage signal. As soon as this signal exceeds a certain threshold value in the ECU, the ignition and injection can be adjusted automatically according to the individual ECU application.



The main feature and benefit of this sensor is the combination of high quality production part and robust design with metal housing and motorsport spec connection. Furthermore this sensor has a dual way functionality.

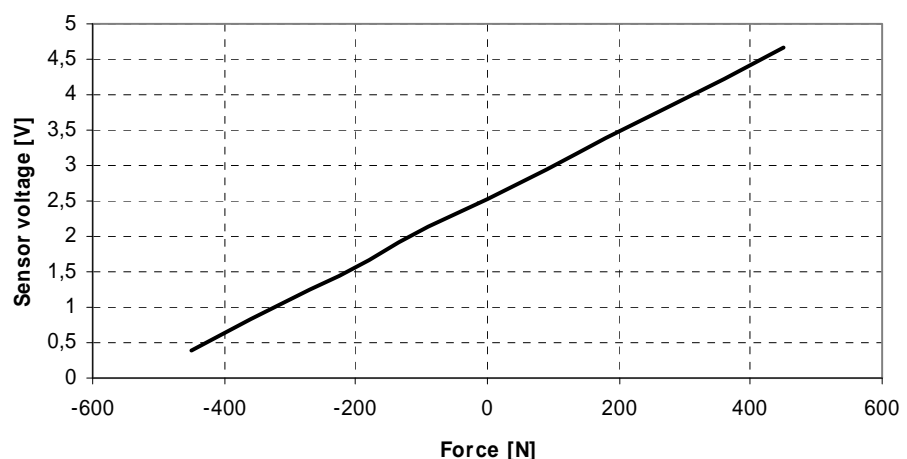
Application	
Application	-450 ... 450 N
Operating Temperature Range	0 ... 80 °C
Max. Vibration (stochastic peak level)	800 m/s ² @ 5 Hz ... 2 kHz

Electrical Data	
Supply voltage	12 V

Characteristic	
Signal Output	0,5 ... 4,5 V
Zero Output	2,5 V

Mechanical Data	
Weight w/o cable	90 g
Size	65 x 16 x 16 mm
Mounting	2 x M10x1
Tightening Torque	22 Nm
Mech. Range programmable up to	450 N
F _{max}	800 N
Mech. load limit	1800 N
Max. cycles @ 300 N	300 000 cycles

Force [N]	Voltage [V]
450	4,673
360	4,225
270	3,797
180	3,397
90	2,941
0	2,538
-90	2,141
-180	1,672
-270	1,255
-360	0,820
-450	0,402



Connectors and Cables

Connector	ASL 6-06-05PC-HE
Mating connector	ASL 0-06-05SC-HE
Pin 1	Us
Pin 2	Gnd
Pin 3	Sig
Pin 4	-
Pin 5	Scr
Various motorsport and automotive connectors on request.	
Sleeve	DR-25
Cable Size	AWG 24
Cable Length L	15 ... 100 cm
Please specify the requested cable length with your order.	

Application Hint

The GSS-2 can be connected directly to most control units and data logging systems.

Please avoid abrupt temperature changes.

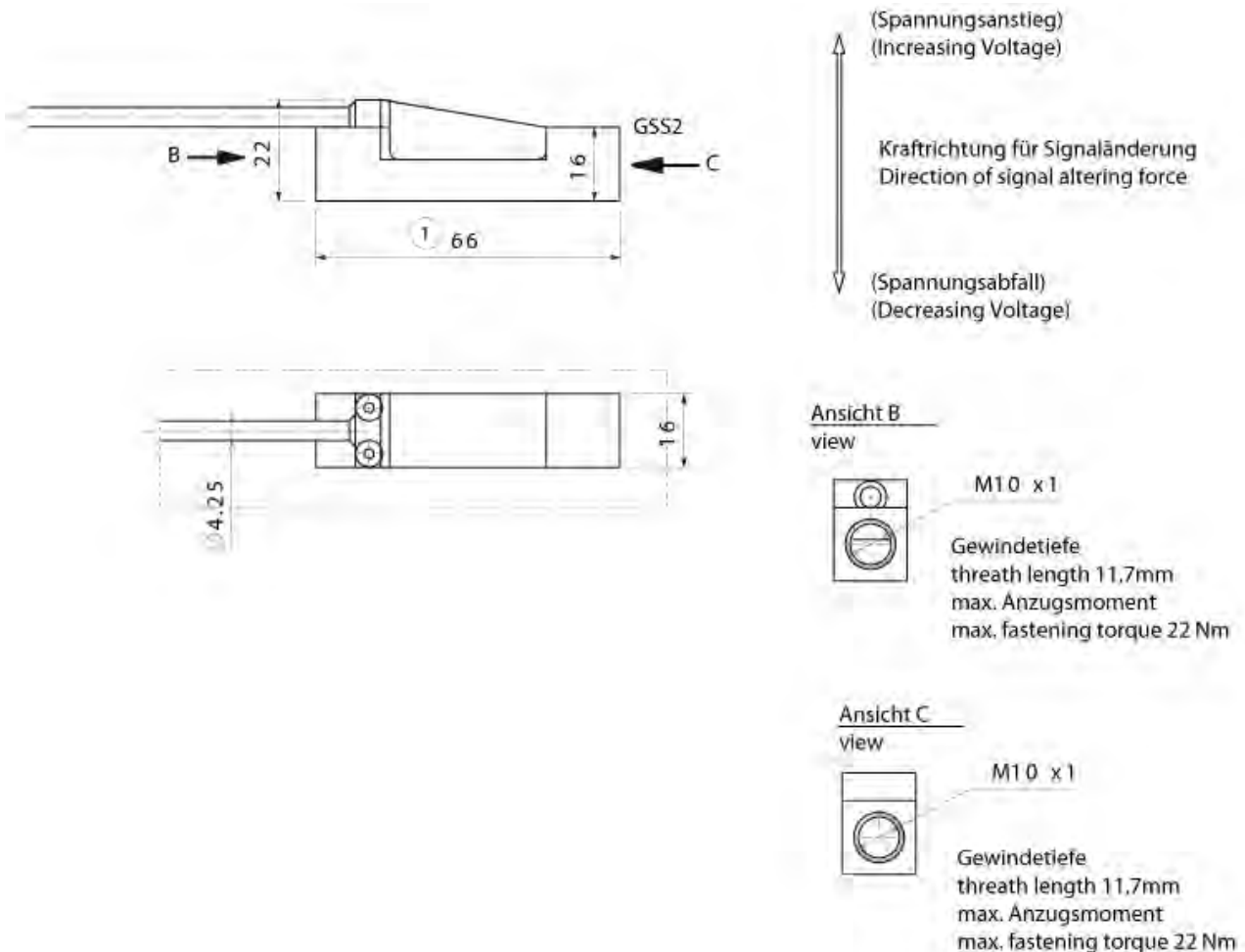
For mounting please use only the integrated thread.

Please ensure that the environmental conditions do not exceed the sensor specifications.

Please find further application hints in the offer drawing (<http://www.bosch-motorsport.com>).

Part Number

Gear Shift Sensor GSS-2 **B 261 209 227-01**



Gear Shift Sensor GSS-M

This sensor is specifically designed for the use with motorcycle applications. The sensor measures the relative force during gear shifting directly relaying data to the ECU in order to gain max power from rapid up or down shifting.

An electronic circuit composed of a precise strain gauge and an integrated amplifier supplies a force-dependent output signal. As soon as this signal exceeds a certain threshold, the ignition and injection can be adjusted automatically according to the individual ECU application. The carbon fibre housing achieves excellent protection for the electronics and reduces the overall weight of the sensor.

The main features and benefits of this sensor are its small dimensions, its minimal weight, its precise temperature compensation and its combination of high quality production and robust design with a motorsport spec connector.



Application

Application	-1,000 ... +1,000 N
Operating temperature range	0 ... 80 °C
Max. vibration (stochastic peak level)	800 m/s ² @ 5 Hz ... 2 kHz

Electrical Data

Power supply	12 V
--------------	------

Characteristic

Signal output	0.2 ... 4.8 V
Zero output	(20 ... 70 °C) 2.5 V ±100 mV

Mechanical Data

Weight	30 g
Size	51 x 36 x 16 mm
Mounting	2 x M6
Tightening torque	22 Nm
F _{max}	± 1,000 N
Mech. load limit	± 3,000 N

Connectors	
Connector	ASU 0-03-05PC-HE
Mating connector	ASU 6-03-05SC-HE
Pin 1	Us
Pin 2	Gnd
Pin 3	Sig
Pin 4	-
Pin 5	Scr

Application Hint

The GSS-M can be connected directly to most control units and data logging systems.

Please avoid abrupt temperature changes.

For mounting please use only the integrated thread.

Please ensure that the environmental conditions do not exceed the sensor specifications.

Please find further application hints in the offer drawing (<http://www.bosch-motorsport.com>).

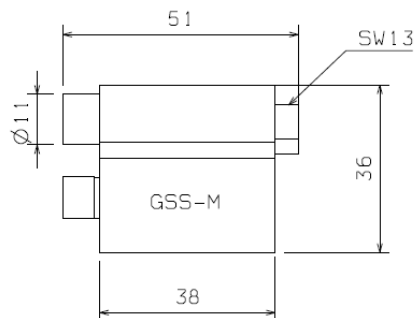
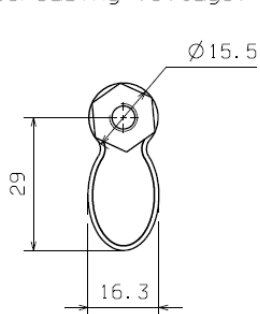
Part Number

Gear Shift Sensor GSS-M

F 02U V00 354-01

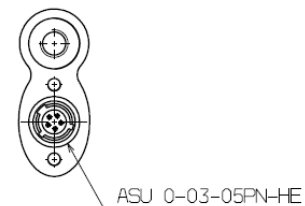
Kraftrichtung für Signaländerung Direction of signal altering force

$F_1 \longleftrightarrow F_2$
(Spannungsabfall)
(decreasing voltage)



M6 - right handed / Rechtsgewinde
Gewindetiefe
thread length: 15 mm
max. Anzugsmoment
max. fastening torque: 22 Nm

$F_1 \implies \longleftarrow F_2$
(Spannungsanstieg)
(increasing voltage)



M6 - right handed / Rechtsgewinde
Gewindetiefe
thread length: 10 mm
max. Anzugsmoment
max. fastening torque: 22 Nm

Knock Sensors

Knock Sensor KS-P

This sensor is used for detecting structural born vibrations in spark ignition engines due to uncontrolled combustion. This sensor is suitable for operation in extreme conditions.

Due to the inertia of the seismic mass, the sensor moves in correlation to the engine block vibration; this motion results in a compressive force which is converted into a voltage signal via a piezoceramic sensor element. As a result, upper and lower voltage thresholds can be defined directly correlating to an acceleration magnitude.

The main benefits of this sensor are its robust mechanical design, compact housing and precise determination of structure-related noise. The small packaging is accomplished by integrating the connector directly to the sensor.



Application	
Application	1 ... 20 kHz
Operating temperature range	-40 ... 130 °C
Storage temperature range	0 ... 100 °C
Max. vibration	≤ 800 m/s ²

Mechanical Data	
Male thread (for cast)	M8x25
Male thread (for Al)	M8x30
Installation torque	20 ± 5 Nm
Weight w/o wire	48 g
Protection	IP 54

Electrical Data

Range of frequency	1 ... 20 kHz
Sensitivity @ 5 kHz	26 ± 8 mV/g
Max. sensivity changing (life time)	-17 %
Linearity between 5 ... 15 kHz (from 5 kHz value)	-10 ... 20 %
Linearity between 15 ... 20 kHz (linear increasing with freq)	20 ... 50 %
Main resonance frequency	> 25 kHz
Impedance	> 1 MΩ
Temperature dependence of sensitivity	-0,06 mV/g °C
Capacity field	800 ... 1400 pF

Connectors and Wires

Connector	Y 280 A62 566A
Mating connector	D 261 205 337
Pin 1	Sig +
Pin 2	Sig -
Pin 3	Scr
Various motorsport and automotive connectors on request.	

Part Number

Knock Sensor KS-P	0 261 231 120
-------------------	----------------------

Application Hint

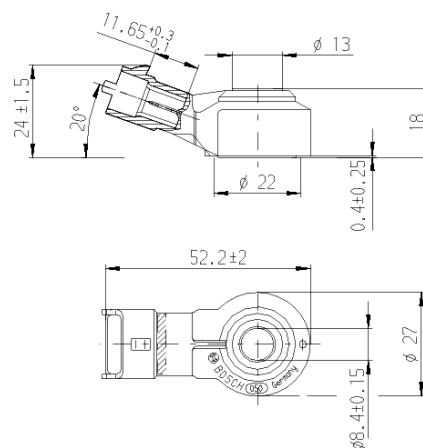
The KS-P sensor can be connected to all Bosch Motorsport ECUs featuring knock control.

The sensor must rest directly on the brass compression sleeve during operation.

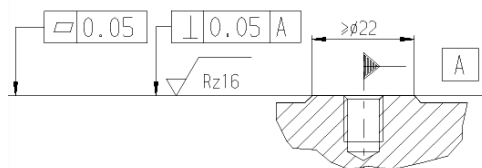
To ensure low-resonance coupling of the sensor to the measurement location, the contact surface must be clean and properly machined to provide a secure flush mounting.

The sensor cable is to be routed such that no resonance vibration can occur.

Please find further application hints in the offer drawing (<http://www.bosch-motorsport.com>).



Beispiel/EXEMPLE



Knock Sensor KS-R

This sensor is used for detecting structural born vibrations in spark ignition engines due to uncontrolled combustion. This sensor is suitable for operation in extreme conditions.

Due to the inertia of the seismic mass, the sensor moves in correlation to the engine block vibration; this motion results in a compressive force which is converted into a voltage signal via a piezoceramic sensor element. As a result, upper and lower voltage thresholds can be defined directly correlating to an acceleration magnitude.

The main benefits of this sensor are its robust mechanical design, compact housing and precise determination of structure-related noise. Connection to this sensor can be tailored to customer requirements through specified wire lengths and various connector options.



Application	
Application	1 ... 20 kHz
Operating temperature range	-40 ... 130 °C
Storage temperature range	0 ... 100 °C
Max. vibration	≤ 800 m/s ²

Mechanical Data	
Male thread (for cast)	M8 x 25
Male thread (for Al)	M8 x 30
Installation torque	20 ± 5 Nm
Weight w/o wire	82 g
Protection	IP 54

Electrical Data

Range of frequency	1 ... 20 kHz
Sensitivity @ 5 kHz	26 ± 8 mV/g
Max. sensivity changing (life time)	-17 %
Linearity between 5 ... 15 kHz (from 5 kHz value)	-10 ... 20 %
Linearity between 15 ... 20 kHz (linear increasing with freq)	20 ... 50 %
Main resonance frequency	> 25 kHz
Impedance	> 1 MΩ
Temperature dependence of sensitivity	-0,06 mV/g °C
Capacity field	800 ... 1400 pF

Application Hint

The KS-R sensor can be connected to all Bosch Motorsport ECU featuring knock control.

The sensor must rest directly on the brass compression sleeve during operation.

To ensure low-resonance coupling of the sensor to the measurement location, the contact surface must be clean and properly machined to provide a secure flush mounting.

The sensor cable is to be routed such that no resonance vibration can occur.

Please find further application hints in the offer drawing (<http://www.bosch-motorsport.com>).

Connectors and Wires

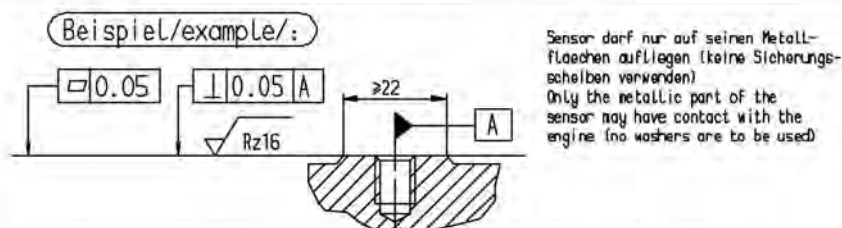
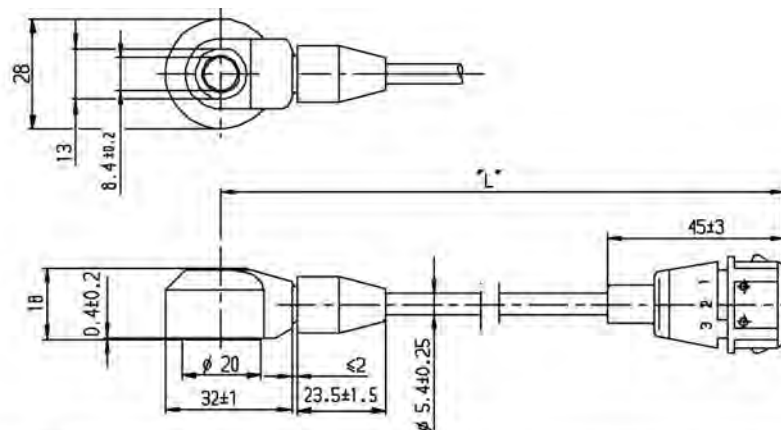
Connector	A 261 230 076
Mating connector	D 261 205 289
Pin 1	Sig +
Pin 2	Sig -
Pin 3	Scr
Sleeve	Elastomer
Wire size	AWG 24
Wire length L	50 cm

Various motorsport and automotive connectors on request.

Please specify the required wire length with your order.

Part Number

Knock Sensor KS-R **0 261 231 047**



Auflagefläche soll rotationssymmetrisch zur Gewindebohrung bearbeitet werden.
The contact surface must be machined rotationally symmetrical to the threaded bore.

Lambda Sensors

Lambda Sensor LSU 4.2

This sensor is designed to measure the oxygen content and Lambda value of exhaust gases in automotive engines (gasoline or Diesel).

The wide band lambda sensor LSU 4.2 is a planar ZrO₂ dual cell limiting current sensor with integrated heater. Its monotonic output signal in the range of $\lambda = 0.65$ to air makes the LSU capable of being used as an universal sensor for $\lambda = 1$ measurement as well as for other Lambda ranges. The connector module contains a trimming resistor, which defines the characteristic of the sensor. The LSU operates only in combination with a special LSU-IC, used in most Bosch Motorsport ECUs.

The main benefit of the LSU is the very robust design combined with the high Bosch production quality standard.



Application	
Application	0.65 λ ... ∞
Fuel compatibility	gasoline/Diesel
Exhaust gas temperature range (operating)	930 °C
Exhaust gas temperature range (max.)	< 1,030 °C
Hexagon temperature	< 570 °C
Cable and protective sleeve temperature	< 250 °C
Connector temperature	< 120 °C
Storage temperature range	-40 ... 100 °C
Max. vibration (stochastic peak level)	1,000 m/s ²

Mechanical Data	
Weight w/o wire	120 g
Length	84 mm
Thread	M18x1.5
Wrench size	22 mm
Tightening torque	40 ... 60 Nm

Electrical Data	
Power supply H+ nominal	9 V
Heater power steady state	10 W
Heater control frequency	> 2 Hz
Nominal resistance of Nernst cell	80 Ω
Max. current load for Nernst cell	10(DC)/250(AC) μ A

Characteristic

Signal output	Ip meas / Ua (AWS)
Accuracy @ $\lambda = 1$	1.016 ±0.007
Accuracy @ $\lambda = 0.8$	0.80 ±0.01
Accuracy @ $\lambda = 1.7$	1.70 ±0.05

Connectors and Wires

Connector	Y 928 K00 050
Mating connector	D 261 205 138
Pin 1	IP/APE
Pin 2	UN/RE
Pin 3	VM/IPN
Pin 4	Uh-/H-
Pin 5	Uh+/H+
Pin 6	IA/RT

Various motorsport and automotive connectors are available on request.

Please specify the required wire length with your order.

Application Hint

The LSU 4.2 can be connected to most Bosch Motorsport ECUs.

The lambda sensor should be installed at point which permits the measurement of a representative exhaust-gas mixture, which does not exceed the maximum permissible temperature.

Install at a point where the gas is as hot as possible.

Observe the maximum permissible temperature.

As far as possible install the sensor vertically (cable upwards).

The sensor is not to be fitted near to the exhaust pipe outlet, so that the influence of the outside air can be ruled out.

The exhaust-gas passage opposite the sensor must be free of leaks in order to avoid the effects of leak-air.

Protect the sensor against condensation water.

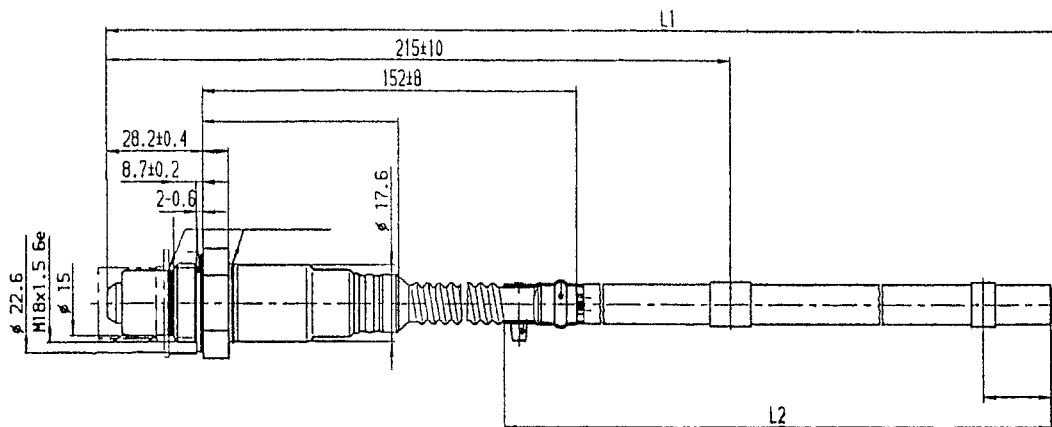
The sensor is not to be painted, nor is wax to be applied or any other forms of treatment. Use only the recommended grease for lubricating the thread.

Please find further application hints in the offer drawing (<http://www.bosch-motorsport.com>).

Part Number

LSU 4.2

0 258 006 065



Lambda Sensor LSU 4.9

This sensor is designed to measure the oxygen content and Lambda value of exhaust gases in automotive engines (gasoline or Diesel).

The wide band lambda sensor LSU 4.9 is a planar ZrO₂ dual cell limiting current sensor with integrated heater. Its monotonic output signal in the range of $\lambda = 0.65$ to air makes the LSU capable of being used as a universal sensor for $\lambda = 1$ measurement as well as for other λ ranges. The connector module contains a trimming resistor, which defines the characteristic of the sensor. The LSU operates only in combination with a special LSU-IC, used in most Bosch Motorsport ECUs and Lambda control units like LT4.

The main benefit of the LSU is the robust design combined with the high Bosch production quality standard.



Application	
Application	0.65 λ ... ∞
Fuel compatibility	gasoline/Diesel/E85
Exhaust gas pressure	< 4 bar
Exhaust gas temperature range (operating)	< 930 °C
Exhaust gas temperature range (max.)	< 1,030 °C
Hexagon temperature	< 600 °C
Cable and protective sleeve temperature	< 250 °C
Connector temperature	< 140 °C
Storage temperature range	-40 ... 100 °C
Max. vibration (stochastic peak level)	< 1,000 m/s ²

Mechanical Data	
Weight w/o wire	120 g
Length	84 mm
Thread	M18x1.5
Wrench size	22 mm
Tightening torque	40 ... 60 Nm

Electrical Data	
Power supply H+ nominal	7.5 V
System supply voltage	10.8 V ... 16.5 V
Heater power steady state	7.5 W
Heater control frequency	≥ 100 Hz
Nominal resistance of Nernst cell	300 Ω
Max current load for Nernst cell	250 μ A

Connectors and Wires

Connector	[1] 1 928 404 687 [2] AS 6-07-35PN
Mating connector	[1] D 261 205 356-01 [2] AS 0-07-35SN
Pin 1	IP / APE
Pin 2	VM / IPN
Pin 3	Uh- / H-
Pin 4	Uh+ / H
Pin 5	IA / RT
Pin 6	UN / RE
Sleeve	fiber glas / silicone coated
Wire size	AWG 24
Wire length L	32.5 cm
Various motorsport and automotive connectors are available on request.	
Please specify the required wire length with your order.	

Application Hint

The LSU 4.9 can be connected to most Bosch Motorsport ECUs and lambda control units like LT4.

The lambda sensor should be installed at point which permits the measurement of a representative exhaust-gas mixture, which does not exceed the maximum permissible temperature.

Install at a point where the gas is as hot as possible.

Observe the maximum permissible temperature.

As far as possible install the sensor vertically (wire upwards).

The sensor is not to be fitted near to the exhaust pipe outlet, so that the influence of the outside air can be ruled out.

The exhaust-gas passage opposite the sensor must be free of leaks in order to avoid the effects of leak-air.

Protect the sensor against condensation water.

The sensor is not to be painted, nor is wax to be applied or any other forms of treatment. Use only the recommended grease for lubricating the thread.

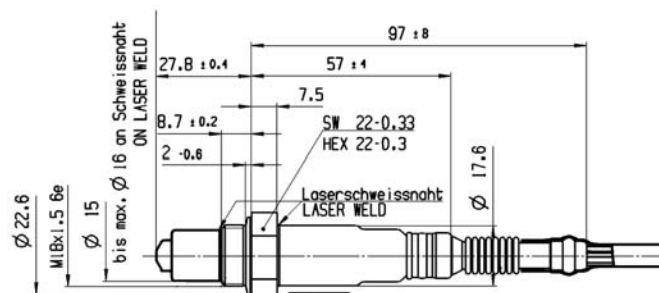
Please find further application hints in the offer drawing (<http://www.bosch-motorsport.com>).

Characteristic

Signal output	Ip meas / Ua (AWS)	
Accuracy @ $\lambda = 1.016$	1.016 \pm 0.007	
Accuracy @ $\lambda = 0.8$	0.80 \pm 0.01	
Accuracy @ $\lambda = 1.7$	1.70 \pm 0.05	
IP	Ua [V]	Lambda [λ]
-1.243	0.192	0.750
-0.927	0.525	0.800
-0.800	0.658	0.822
-0.652	0.814	0.850
-0.405	1.074	0.900
-0.183	1.307	0.950
-0.106	1.388	0.970
-0.040	1.458	0.990
0	1.500	1.003
0.015	1.515	1.010
0.097	1.602	1.050
0.193	1.703	1.100
0.250	1.763	1.132
0.329	1.846	1.179
0.671	2.206	1.429
0.938	2.487	1.701
1.150	2.710	1.990
1.385	2.958	2.434
1.700	3.289	3.413
2.000	3.605	5.391
2.150	3.762	7.506
2.250	3.868	10.119

Part Number

LSU 4.9	[1] 0 258 017 025
LSU 4.9	[2] B 261 209 358-02



Lambda Sensor LSU 4.9D

This sensor is designed to measure the oxygen content and Lambda value of exhaust gases in automotive engines. Due to its protective tube the LSU 4.9D is especially designed for Diesel applications.

The wide band lambda sensor LSU 4.9D is a planar ZrO₂ dual cell limiting current sensor with integrated heater. Its monotonic output signal in the range of $\lambda = 0.65$ to air makes the LSU capable of being used as an universal sensor for $\lambda = 1$ measurement as well as for other λ ranges. The connector module contains a trimming resistor, which defines the characteristic of the sensor. The LSU operates only in combination with a special LSU-IC, used in most Bosch Motorsport ECUs and Lambda control units like LT4.

The main benefit of the LSU is the robust design combined with the high Bosch production quality standard.



Application	
Application	0.65 λ ... ∞
Fuel compatibility	gasoline/Diesel/E85
Exhaust gas pressure	< 4 bar
Exhaust gas temperature range (operating)	< 930 °C
Exhaust gas temperature range (max.)	< 1,030 °C
Hexagon temperature	< 600 °C
Cable and protective sleeve temperature	< 250 °C
Connector temperature	< 140 °C
Storage temperature range	-40 ... 100 °C
Max. vibration (stochastic peak level)	< 1,000 m/s ²

Mechanical Data	
Weight w/o wire	120 g
Length	84 mm
Thread	M18x1.5
Wrench size	22 mm
Tightening torque	40 ... 60 Nm

Electrical Data	
Power supply H+ nominal	7.5 V
System supply voltage	10.8 V ... 16.5 V
Heater power steady state	7.5 W
Heater control frequency	\geq 100 Hz
Nominal resistance of Nernst cell	300 Ω
Max current load for Nernst cell	250 μ A

Connectors and Wires

Connector	1 928 404 682
Mating connector	09 4421 01
Pin 1	IP / APE
Pin 2	VM / IPN
Pin 3	Uh- / H-
Pin 4	Uh+ / H
Pin 5	IA / RT
Pin 6	UN / RE
Sleeve	fiber glas / silicone coated
Wire length L	30 ... 100 cm
Various motorsport and automotive connectors are available on request.	
Please specify the required wire length with your order.	

Application Hint

The LSU 4.9D can be connected to most Bosch Motorsport ECUs and lambda control units like LT4.

The lambda sensor should be installed at point which permits the measurement of a representative exhaust-gas mixture, which does not exceed the maximum permissible temperature.

Install at a point where the gas is as hot as possible.

Observe the maximum permissible temperature.

As far as possible install the sensor vertically (wire upwards).

The sensor is not to be fitted near to the exhaust pipe outlet, so that the influence of the outside air can be ruled out.

The exhaust-gas passage opposite the sensor must be free of leaks in order to avoid the effects of leak-air.

Protect the sensor against condensation water.

The sensor is not to be painted, nor is wax to be applied or any other forms of treatment. Use only the recommended grease for lubricating the thread.

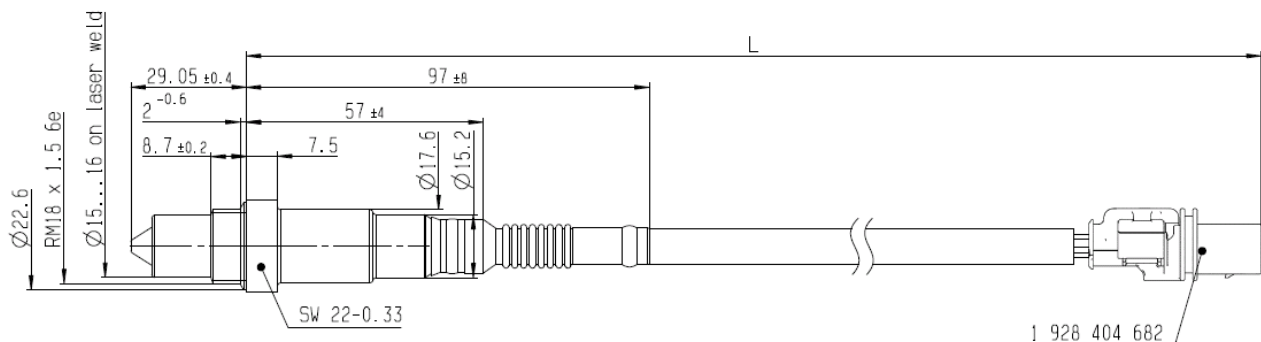
Please find further application hints in the offer drawing (<http://www.bosch-motorsport.com>)

Characteristic

Signal output	I _p meas / U _a (AWS)	
Accuracy @ λ = 1.016	1.016 ±0.007	
Accuracy @ λ = 0.8	0.80 ±0.01	
Accuracy @ λ = 1.7	1.70 ±0.05	
IP	U _a [V]	Lambda [λ]
-1.243	0.192	0.750
-0.927	0.525	0.800
-0.800	0.658	0.822
-0.652	0.814	0.850
-0.405	1.074	0.900
-0.183	1.307	0.950
-0.106	1.388	0.970
-0.040	1.458	0.990
0	1.500	1.003
0.015	1.515	1.010
0.097	1.602	1.050
0.193	1.703	1.100
0.250	1.763	1.132
0.329	1.846	1.179
0.671	2.206	1.429
0.938	2.487	1.701
1.150	2.710	1.990
1.385	2.958	2.434
1.700	3.289	3.413
2.000	3.605	5.391
2.150	3.762	7.506
2.250	3.868	10.119

Part Number

LSU 4.9D	0 281 004 135
----------	----------------------



Lambda Sensor Mini-LSU 4.9

This sensor is designed to measure the oxygen content and Lambda value of exhaust gases in automotive engines (gasoline or Diesel).

The wide band lambda sensor Mini-LSU 4.9 is a planar ZrO₂ dual cell limiting current sensor with integrated heater. Its monotonic output signal in the range of $\lambda = 0.65$ to air makes the LSU capable of being used as an universal sensor for $\lambda = 1$ measurement as well as for other Lambda ranges. The connector housing contains a trimming resistor, which defines the characteristic of the sensor. The LSU operates only in combination with a special LSU-IC, used in most Bosch Motorsport ECUs and lambda control units like LT4.

The main benefit of the Mini-LSU 4.9 is its very compact design in combination with the high quality Bosch production quality standard.



Application	
Application	0.65 ... ∞ lambda
Fuel	Gasoline/Diesel
Exhaust Gas Pressure	< 4 bar
Exhaust Gas Temperature Range (operating)	< 930 °C
Exhaust Gas Temperature Range (max.)	< 1,030 °C
Hexagon Temperature	< 1,050 °C
Cable and Protective Sleeve Temperature	< 250 °C
Connector Temperature	< 150 °C
Storage Temperature Range	-40 ... 100 °C
Max. Vibration (stochastic peak level)	< 1,000 m/s ²

Mechanical Data	
Weight w/o Cable	28 g
Length	60 mm
Thread	M16x1.5
Wrench Size	17 mm
Tightening Torque	60 Nm

Electrical Data	
Power Supply H+ Nominal	7.5 V
System Supply Voltage H+ (min)	10.8 V
Heater Power steady State	7.5 W
Heater Control Frequency	≥ 100 Hz
Nominal Resistance of Nernst Cell	300 Ohm
Max. Current Load for Nernst Cell	250 µA

Connectors and Cables

Connector	1 928 404 682
Connector Loom	09 4421 01
Pin 1	IP
Pin 2	VM
Pin 3	UH-
Pin 4	UH+
Pin 5	RT
Pin 6	UN
Sleeve	Fiber Glas / Silicone coated
Cable Size	AWG22
Cable Length L	30 ... 100 cm
Various motorsports and automotive connectors on request.	
Please specify the requested cable length with your order.	

Application Hint

The Mini-LSU 4.9 can be connected to most Bosch Motorsport ECUs and Lambda Control Units like LT4.

The lambda sensor should be installed at point which permits the measurement of a representative exhaust-gas mixture and which does not exceed the maximum permissible temperature.

Install at a point where the gas is as hot as possible.

Observe the maximum permissible temperature.

Sensors should be installed as close to vertical as possible (wire upwards).

The sensor is not to be fitted near to the exhaust pipe outlet, so that the influence of the outside air can be ruled out.

The exhaust system upstand and surrounding the sensor must be sealed in order to avoid the effects of leakage air.

Protect the sensor against condensation water. The sensor is not to be painted, nor is wax to be applied or any other forms of treatment. Use only the recommended grease for lubricating the thread.

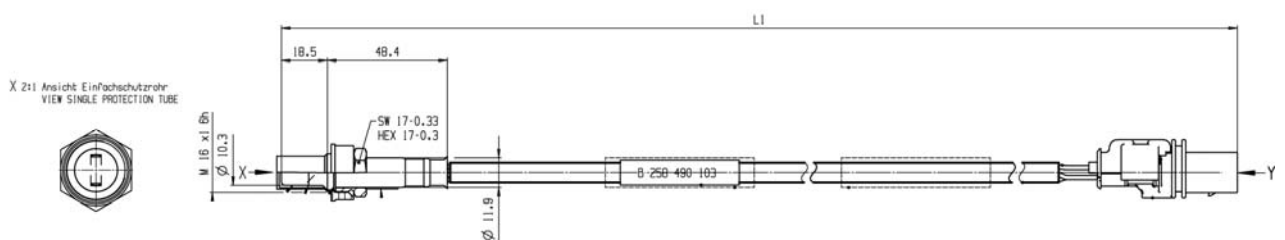
Please find further application hints in the offer drawing (<http://www.bosch-motorsport.com>).

Characteristic

Signal Output		Ip meas / Ua (AWS)
Accuracy @ $\lambda = 1$		1.016 \pm 0.007
Accuracy @ $\lambda = 0.8$		0.80 \pm 0.01
Accuracy @ $\lambda = 1.7$		1.70 \pm 0.05
IP	Ua [V]	Lambda
-1.243	0.192	0.750
-0.927	0.525	0.800
-0.800	0.658	0.822
-0.652	0.814	0.850
-0.405	1.074	0.900
-0.183	1.307	0.950
-0.106	1.388	0.970
-0.040	1.458	0.990
0.000	1.500	1.003
0.015	1.515	1.010
0.097	1.602	1.050
0.193	1.703	1.100
0.250	1.763	1.132
0.329	1.846	1.179
0.671	2.206	1.429
0.938	2.487	1.701
1.150	2.710	1.990
1.385	2.958	2.434
1.700	3.289	3.413
2.000	3.605	5.391
2.150	3.762	7.506
2.250	3.868	10.119

Part Number

Mini-LSU 4.9	B 258 490 103-20
--------------	-------------------------



Linear Potentiometers

Linear Potentiometer LP 10

The LP 10 is a linear potentiometer which is designed to measure the stabilizer movement.

Its operating mode is based on the linear tape potentiometer principle where the distance travelled between the moving ends to the wiper is proportional to the resistance between them.

The advantage of this LP is its precise and compact design with a hard metal housing and low power consumption.



Application	
Application	0 ... 10 mm
Temperature range	-20 ... 85 °C
Storage temperature range	-40 ... 85 °C

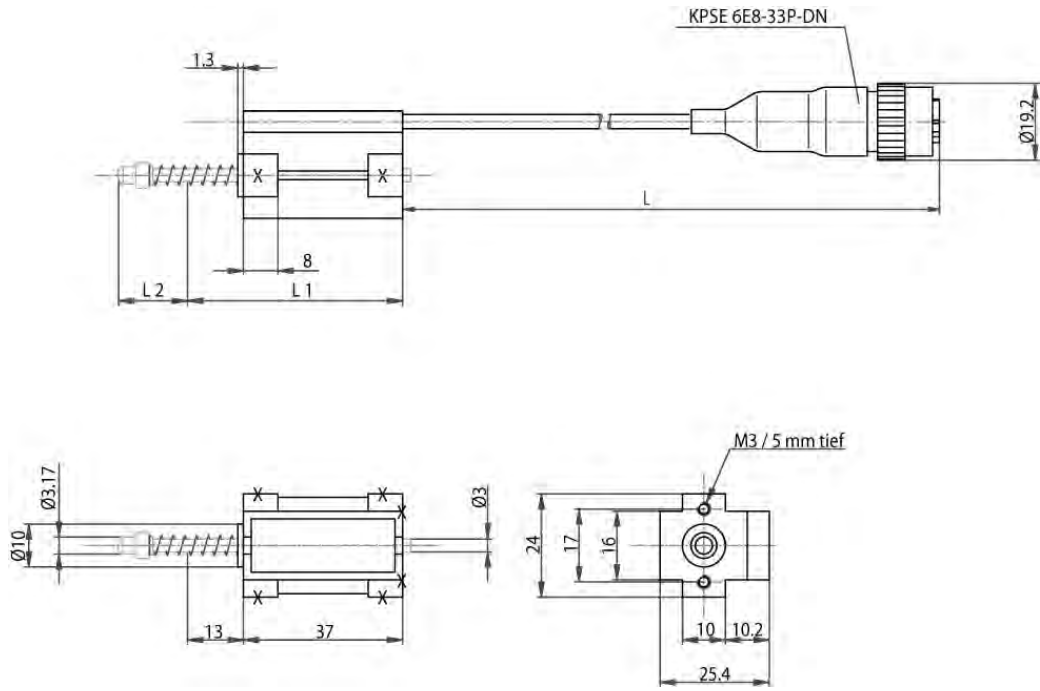
Electrical Data	
Power supply	5 V
Nominal resistance	1 kΩ
Resistance tolerance	20 %
Non-linearity	1 %
Max. current	1 mA

Connectors and Cables	
Connector	KPSE 6E8-33P-DN
Connector loom	KPSE 0E8-33S-DN
Pin 1	Us
Pin 2	Gnd
Pin 3	Sig
Sleeve	DR-25
Cable size	AWG 24
Cable length L	15 ... 25 cm

Mechanical Data	
Weight w/o cable	70 g
Min. length	50 mm
Mounting	2 x M3
Tightening torque	2 Nm

Application Hint	
The LP 10 can be connected directly to most electronic control units and data logging systems.	
Optional mounting modifications are available.	
Each mounting orientation is possible.	
Comes with a spring return shaft.	
Please find further application hints in the offer drawing (http://www.bosch-motorsport.com).	

Part Number	
LP 10	B 261 209 535-01



Linear Potentiometer LP 25

The LP 25 is a linear potentiometer which is designed to measure the gear position, throttle position or suspension movement.

Its operating mode is based on the linear tape potentiometer principle where the distance travelled between the moving ends to the wiper is proportional to the resistance between them.

The advantage of this LP is its precise and compact design with an anodised aluminium cylindrical housing and low power consumption.



Application	
Application	0 ... 25 mm
Temperature range	-40 ... 85 °C

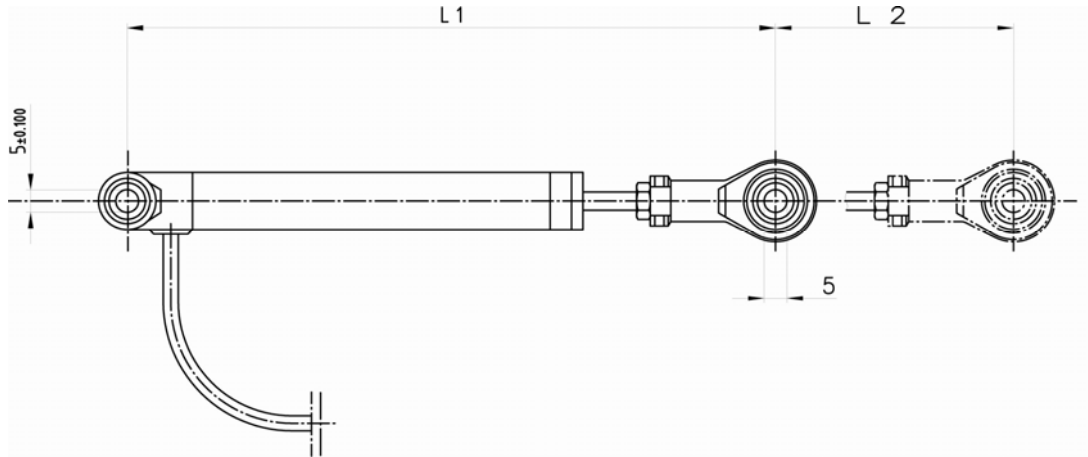
Electrical Data	
Power supply	5 V
Power supply max.	22 V
Nominal resistance	1 kΩ
Resistance tolerance	10 %
Non-linearity	0.25 %

Connectors and Cables	
Connector	ASL 6-06-05SA-HE
Connector loom	ASL 0-06-05PA-HE
Pin 1	Us
Pin 2	Gnd
Pin 3	Sig
Pin 4	-
Pin 5	-
Sleeve	DR-25
Cable size	AWG 24
Cable length L	15 ... 200 cm
Various motorsports and automotive connectors on request.	
Please specify the requested cable length with your order.	

Mechanical Data	
Weight w/o cable	68 g
Min. length	147 mm
Mounting	2 x M5
Tightening torque	10 Nm
Protection	IP65
Max. shaft velocity	1 m/sec

Application Hint	
The LP 25 can be connected directly to most electronic control units and data logging systems.	
Optional mounting modifications are available.	
Each mounting orientation is possible.	
Comes with a spring return shaft.	
Please find further application hints in the offer drawing (http://www.bosch-motorsport.com).	

Part Number	
LP 25	B 261 209 547



Linear Potentiometer LP 25 twin

The LP 25 twin is a linear potentiometer which is designed to measure the relative position of two point e.g. the gear position, throttle position or suspension movement and for use in electronic throttle control systems.

Its operating mode is based on the linear tape potentiometer principle where the distance travelled between the moving end to the wiper is proportional to the resistance between them.

The advantage of this LP is its precise and compact design with an anodised aluminium cylindrical housing, low power consumption and infinite resolution.



Application	
Application	0 ... 25 mm
Temperature range	-30 ... 100 °C

Electrical Data	
Power supply	5 V
Power supply max.	22 V
Nominal resistance	1 kΩ
Resistance tolerance	10 %
Non-linearity	0.25 %

Mechanical Data	
Weight w/o cable	60 g
Min. length	95 mm
Mounting	Ø 3 mm
Protection	IP66
Max. shaft velocity	< 10 m/sec

Application Hint	
The LP 25 twin can be connected directly to most electronic control units and data logging systems.	
Application where redundant signals are necessary to ensure system runs failsafe.	
Each mounting orientation is possible.	
Please find further application hints in the offer drawing (http://www.bosch-motorsport.com).	

Connectors and Cables

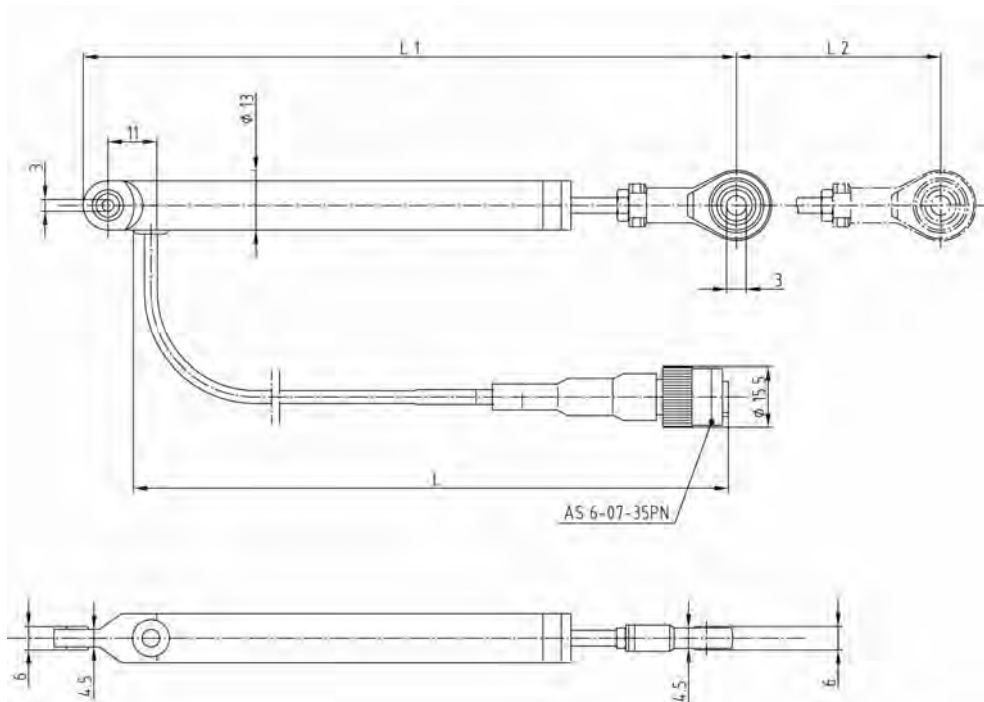
Connector	AS 6-07-35PN
Connector loom	AS 0-07-35SN
Pin 1	Us 1
Pin 2	Gnd 1
Pin 3	Sig 1
Pin 4	Us 2
Pin 5	Gnd 2
Pin 6	Sig 2
Sleeve	DR-25
Cable size	AWG 24
Cable length L	15 ... 25 cm

Various motorsports and automotive connectors on request.

Please specify the requested cable length with your order.

Part Number

LP 25 twin	B 261 209 858
------------	----------------------



Linear Potentiometer LP 50

The LP 50 is a linear potentiometer which is designed to measure the relative position of two point e.g. the gear position, throttle position or suspension movement.

The operating mode of this sensor is based on the linear tape potentiometer principle where the distance travelled between the moving end to the wiper is proportional to the resistance between them.

The advantage of this LP is its precise and compact design with an anodised aluminium cylindrical housing, low power consumption and infinite resolution.



Application	
Application	0 ... 50 mm
Temperature range	-40 ... 105 °C
Storage temperature range	-55 ... 125 °C
Max. vibration	100 m/s ² @ 10 ... 500 Hz

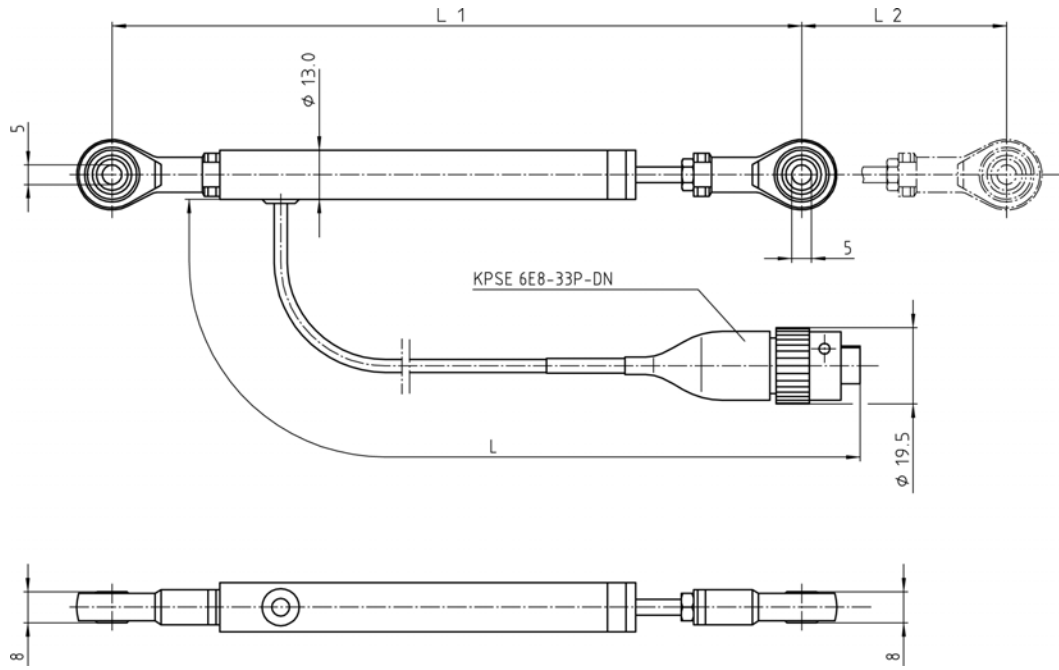
Mechanical Data	
Weight w/o cable	27 g
Min. length	172 mm
Mounting	2 x M5
Tightening torque	10 Nm
Protection	IP64
Max. shaft velocity	1.5 m/sec

Electrical Data	
Power supply	5 V
Power supply max.	42 V
Nominal resistance	4.7 kΩ
Resistance tolerance	20 %
Non-linearity	0.25 %
Max. current	1 mA

Connectors and Cables	
Connector	KPSE 6E8-33P-DN
Mating connector	KPSE 0E8-33S-DN
Pin 1	Us
Pin 2	Gnd
Pin 3	Sig
Sleeve	DR-25
Cable size	AWG 24
Cable length L	15 ... 25 cm
Various motorsport and automotive connectors on request.	
Please specify the requested cable length with your order.	

Application Hint	
The LP 50 can be connected directly to the most electronic control units and data logging systems.	
Ball joints at shaft end and case.	
Each mounting orientation is possible.	
Please find further application hints in the offer drawing (http://www.bosch-motorsport.com).	

Part Number	
LP 50	B 261 209 133-01



Linear Potentiometer LP 50 twin

The LP 50 twin is a linear potentiometer which is designed to measure the relative position of two point e.g. the gear position, throttle position or suspension movement and for use in electronic throttle control systems.

It works base on the linear tape potentiometer principle where the distance traveled between the moving end to the wiper is proportional to the resistance between them.

The advantage of this LP is its precise and compact design with an anodised aluminium cylindrical housing, low power consumption and infinite resolution.



Application	
Application	0 ... 50 mm
Temperature range	-30 ... 100 °C

Electrical Data	
Power supply	5 V
Power supply max.	< 45 V
Nominal resistance	2 kΩ
Resistance tolerance	10 %
Non-linearity	0.25 %

Mechanical Data	
Weight w/o cable	66 g
Min. length	120 mm
Mounting	Ø 3 mm
Protection	IP66
Max. shaft velocity	< 10 m/sec

Connectors and Cables	
Connector	AS 6-07-35PN
Connector loom	AS 0-07-35SN
Pin 1	Us 1
Pin 2	Gnd 1
Pin 3	Sig 1
Pin 4	Us 2
Pin 5	Gnd 2
Pin 6	Sig 2
Sleeve	DR-25
Cable size	AWG 24
Cable length L	15 ... 25 cm
Various motorsports and automotive connectors on request.	
Please specify the requested cable length with your order.	

Application Hint

The LP 50 twin can be connected directly to most electronic control units and data logging systems.

Application where redundant signals are necessary to ensure system runs failsafe.

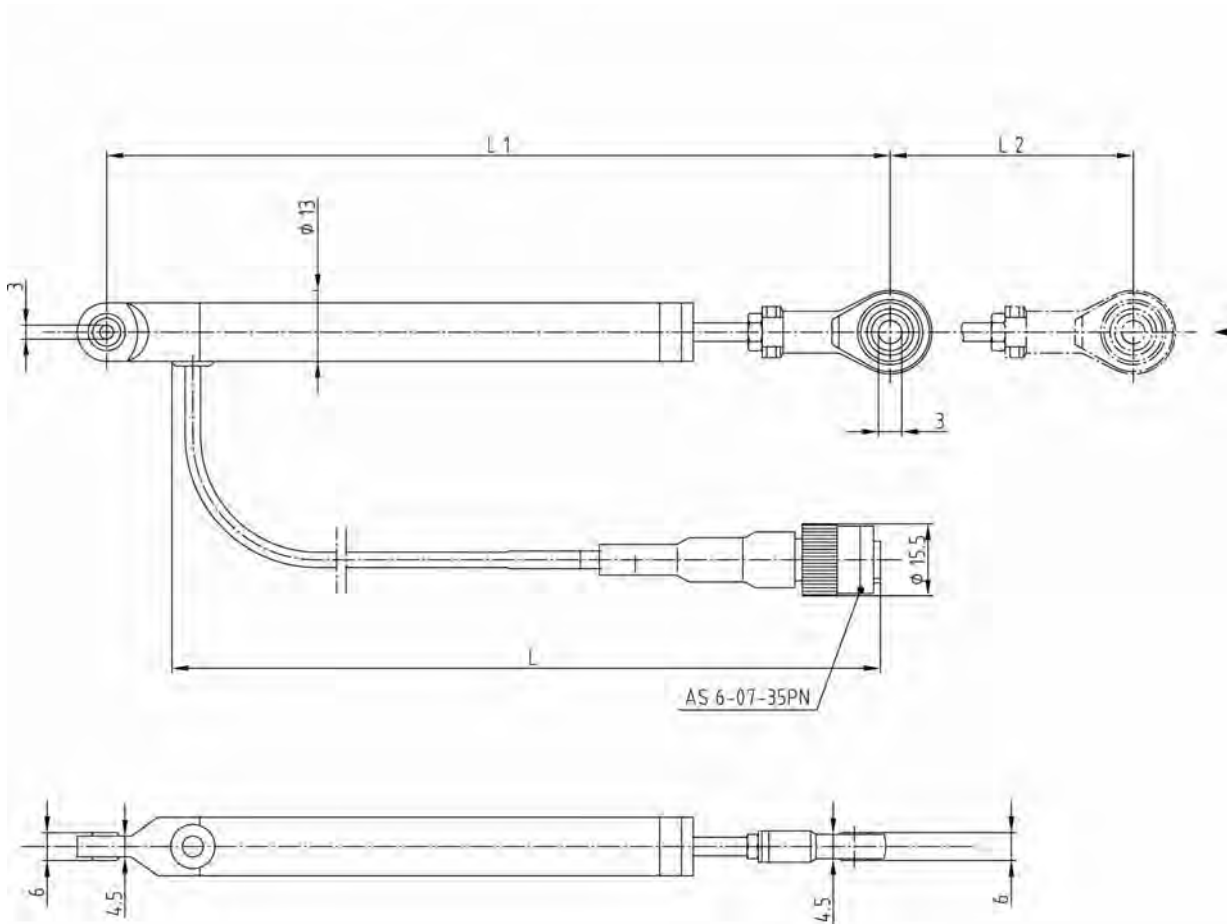
Each mounting orientation is possible.

Please find further application hints in the offer drawing (<http://www.bosch-motorsport.com>).

Part Number

LP 50 twin

B 261 209 859-01



Linear Potentiometer LP 75

The LP 75 is a linear potentiometer which is designed to measure the gear position, throttle position or suspension movement.

Its operating mode is based on the linear tape potentiometer principle where the distance travelled between the moving ends to the wiper is proportional to the resistance between them.

The advantage of this LP is its precise and compact design with hard metal housing and low power consumption.



Application	
Application	0 ... 75 mm
Temperature range	-30 ... 100 °C
Max. vibration	126 m/s ² @ 10 ... 12 kHz

Electrical Data	
Power supply	5 V
Power supply max.	67 V
Nominal resistance	3 kΩ
Resistance tolerance	10 %
Non-linearity	0.15 %

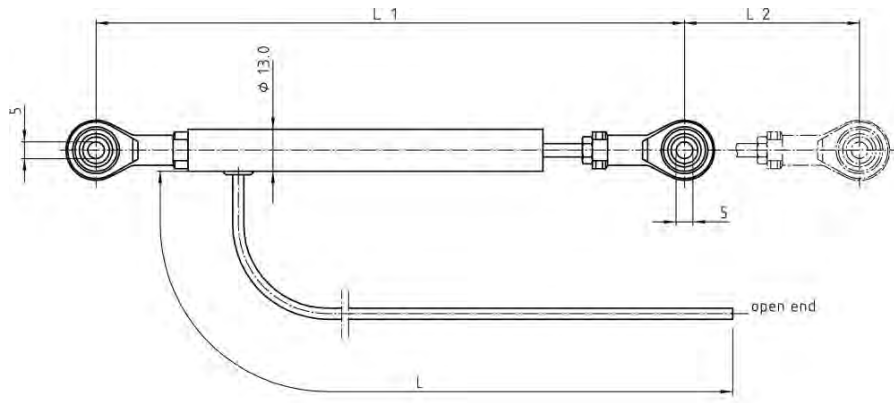
Connectors and Cables	
Connector	ASL 6-06-05PA-HE
Connector loom	ASL 0-06-05SA-HE
Pin 1	Us
Pin 2	Gnd
Pin 3	Sig
Pin 4	-
Pin 5	-
Sleeve	DR-25
Cable size	AWG 24
Cable length L	15 ... 25 cm
Various motorsports and automotive connectors on request.	
Please specify the requested cable length with your order.	

Mechanical Data	
Weight w/o cable	78 g
Min. length	223.6 mm
Mounting	2 x M5
Tightening torque	10 Nm
Protection	IP66
Max. shaft velocity	10 m/sec

Characteristic	
Signal output	0.5 ... 99.5 %

Application Hint	
The LP 75 can be connected directly to most electronic control units and data logging systems.	
Ball joints at shaft end and case.	
Each mounting orientation is possible.	
Please find further application hints in the offer drawing (http://www.bosch-motorsport.com).	

Part Number	
LP 75	B 261 209 856



Linear Potentiometer LP 75F

The LP 75F is a linear potentiometer which is designed to measure the gear position, throttle position or suspension movement.

The operating mode of this sensor is based on the linear tape potentiometer principle where the distance travelled between the moving end to the wiper is proportional to the resistance between them.

The advantage of this LP is its compact and lightweight design together with its wider operating temperature range.



Application	
Application	0 ... 75 mm
Temperature range	-30 ... 100 °C
Max. vibration	126 m/s ² @ 10 ... 12 kHz

Electrical Data	
Power supply	5 V
Power supply max.	67 V
Nominal resistance	3 kΩ
Resistance tolerance	10 %
Non-linearity	0.15 %

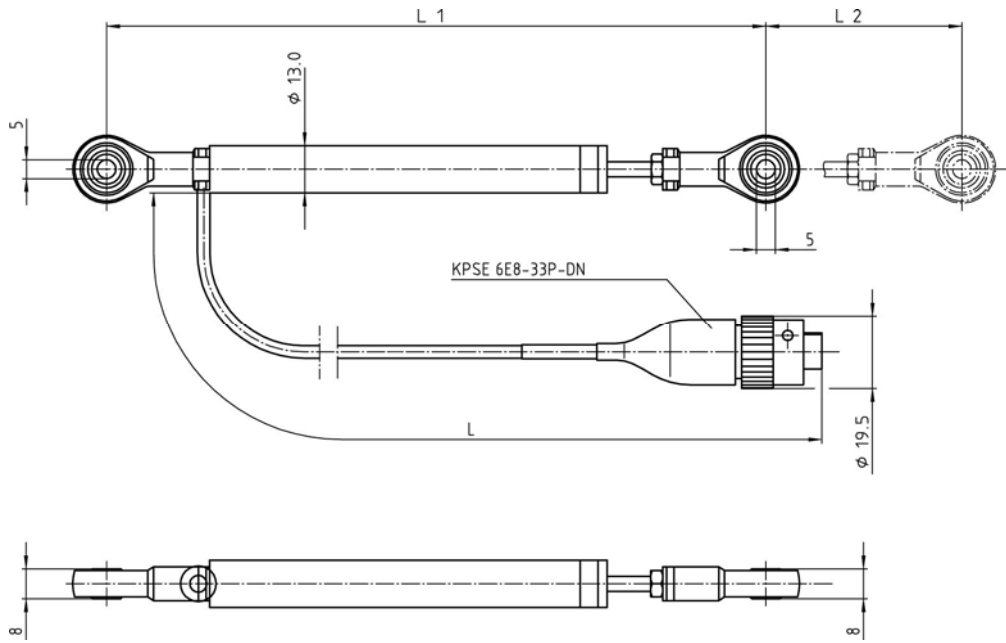
Connectors and Cables	
Connector	KPSE 6E8-33P-DN-A34
Connector loom	KPSE 0E8-33S-DN
Pin 1	Us
Pin 2	Gnd
Pin 3	Sig
Sleeve	DR-25
Cable size	AWG 24
Cable length L	15 ... 25 cm
Various motorsports and automotive connectors on request.	
Please specify the requested cable length with your order.	

Mechanical Data	
Weight w/o cable	78 g
Min. length	223.6 mm
Mounting	2 x M5
Tightening torque	10 Nm
Protection	IP66
Max. shaft velocity	10 m/sec

Characteristic	
Signal output	0.5 ... 99.5 %

Application Hint	
The LP 75F can be connected directly to most electronic control units and data logging systems.	
Each mounting orientation is possible.	
Please find further application hints in the offer drawing (http://www.bosch-motorsport.com).	

Part Number	
LP 75F	B 261 209 852-01



Linear Potentiometer LP 100

The LP 100 is a linear potentiometer which is designed to measure the relative position of two points e.g. the gear position, throttle position or suspension movement.

Its operating mode is based on the linear tape potentiometer principle where the distance travelled between the moving end to the wiper is proportional to the resistance between them.

The advantage of this LP is its precise and compact design with an anodised aluminium cylindrical housing, low power consumption and infinite resolution.



Application	
Application	0 ... 100 mm
Temperature range	-30 ... 100 °C
Max. vibration	126 m/s ² @ 10 ... 12kHz

Electrical Data	
Power supply	5 V
Power supply max.	74 V
Nominal resistance	4 kΩ
Resistance tolerance	10 %
Non-linearity	0.15 %

Mechanical Data	
Weight w/o cable	85 g
Min. length	284.6 mm
Mounting	2 x M5
Tightening torque	10 Nm
Protection	IP66
Max. shaft velocity	10 m/sec

Characteristic	
Signal output	0.5 ... 99.5 %

Application Hint	
The LP 100 can be connected directly with most electronic control units and data logging systems.	
Ball joints at shaft end and case.	
Each mounting orientation is possible.	
Please find further application hints in the offer drawing (http://www.bosch-motorsport.com).	

Connectors and Cables

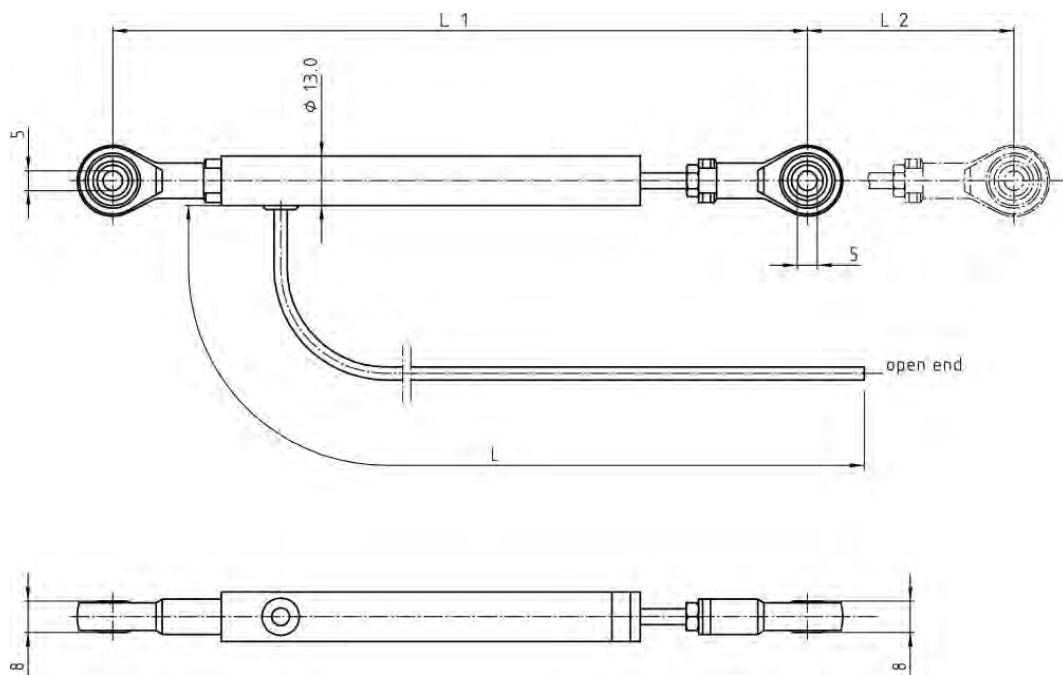
Connector	ASL 6-06-05PA-HE
Connector loom	ASL 0-06-05SA-HE
Pin 1	Us
Pin 2	Gnd
Pin 3	Sig
Pin 4	-
Pin 5	-
Sleeve	DR-25
Cable size	AWG 24
Cable length L	15 ... 25 cm

Various motorsports and automotive connectors on request.

Please specify the requested cable length with your order.

Part Number

LP 100	B 261 209 857-01
--------	-------------------------



Linear Potentiometer LP 100F

The LP 100F is a linear potentiometer which is designed to measure the gear position, throttle position or suspension movement.

Its operating mode is based on the linear tape potentiometer principle where the distance travelled between the moving ends to the wiper is proportional to the resistance between them.

The advantage of this LP is its compact and lightweight design together with its wider operating temperature range.



Application	
Application	0 ... 100 mm
Temperature range	-30 ... 85 °C
Max. vibration	126 m/s ² @ 10 ... 12 kHz

Electrical Data	
Power supply	5 V
Power supply max.	74 V
Nominal resistance	4 kΩ
Resistance tolerance	10 %
Non-linearity	0.15 %

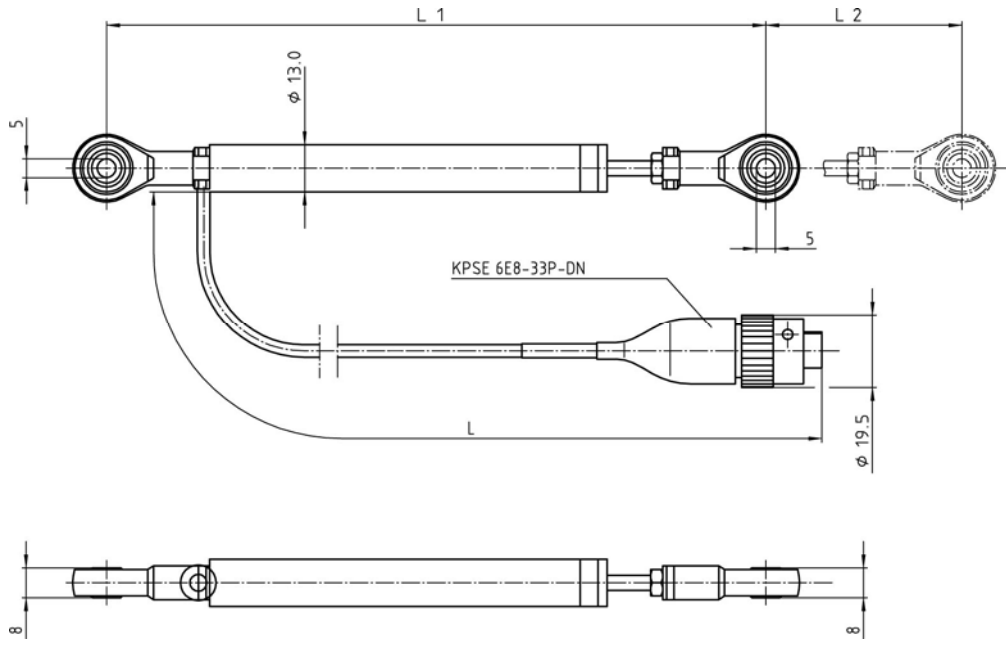
Connectors and Cables	
Connector	KPSE 6E8-33P-DN-A34
Connector loom	KPSE 0E8-33S-DN
Pin 1	Us
Pin 2	Gnd
Pin 3	Sig
Sleeve	DR-25
Cable size	AWG 24
Cable length L	15 ... 25 cm
Various motorsports and automotive connectors on request.	
Please specify the requested cable length with your order.	

Mechanical Data	
Weight w/o cable	85 g
Min. length	248.6 mm
Mounting	2 x M5
Tightening torque	10 Nm
Protection	IP65
Max. shaft velocity	10 m/sec

Characteristic	
Signal output	0.5 ... 99.5 %

Application Hint	
The LP 100F can be connected directly to most electronic control units and data logging systems.	
Each mounting orientation is possible.	
Please find further application hints in the offer drawing (http://www.bosch-motorsport.com).	

Part Number	
LP 100F	B 261 209 853-01



Linear Potentiometer LP 150

The LP 150 is a linear potentiometer which is designed to measure the relative position of two point e.g. the gear position, throttle position or suspension movement.

Its operating mode is based on the linear tape potentiometer principle where the distance travelled between the moving end to the wiper is proportional to the resistance between them.

The advantage of this LP is its precise and compact design with an anodised aluminium cylindrical housing, low power consumption and infinite resolution.



Application	
Application	0 ... 150 mm
Temperature range	-40 ... 85 °C

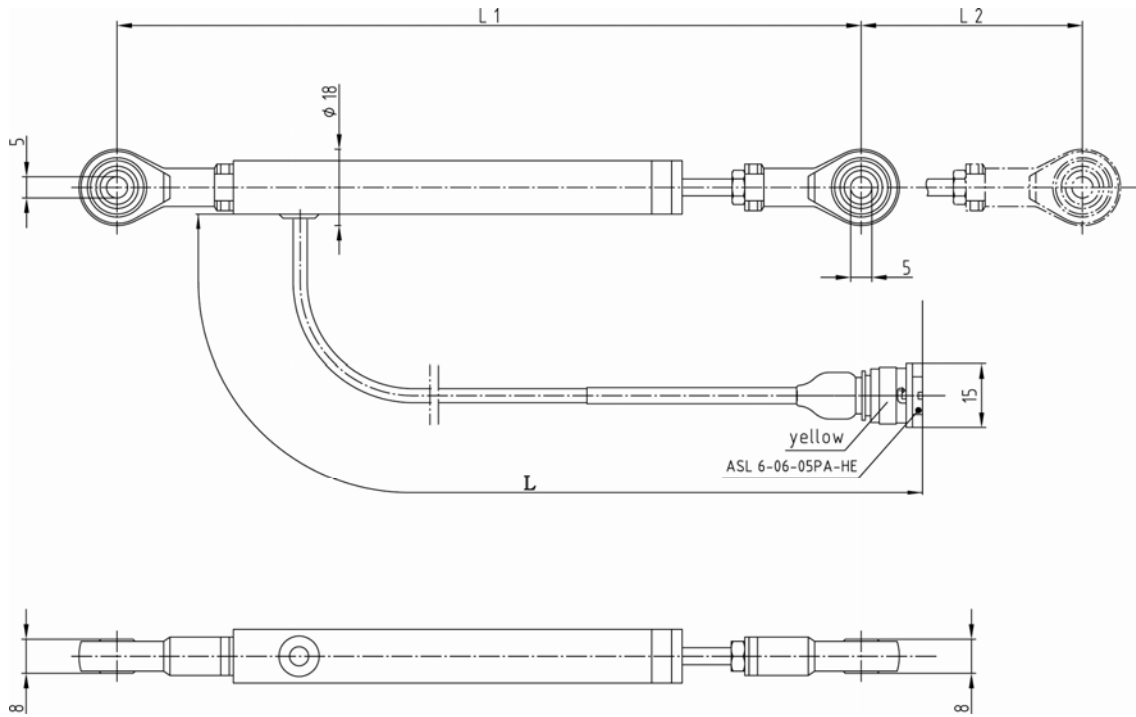
Electrical Data	
Power supply	5 V
Power supply max.	130 V
Nominal resistance	6 kΩ
Resistance tolerance	10 %
Non-linearity	0.15 %

Mechanical Data	
Weight w/o cable	118 g
Min. length	282 mm
Mounting	2 x M5
Tightening torque	10 Nm
Protection	IP65
Max. shaft velocity	1 m/sec

Connectors and Cables	
Connector	ASL 6-06-05PA-HE
Connector loom	ASL 0-06-05SA-HE
Pin 1	Us
Pin 2	Gnd
Pin 3	Sig
Pin 4	-
Pin 5	-
Sleeve	DR-25
Cable size	AWG 24
Cable length L	15 ... 25 cm
Various motorsports and automotive connectors on request.	
Please specify the requested cable length with your order.	

Application Hint	
The LP 150 can be connected directly to most electronic control units and data logging systems.	
Ball joints at shaft end and case.	
Each mounting orientation is possible.	
Please find further application hints in the offer drawing (http://www.bosch-motorsport.com).	

Part Number	
LP 150	B 261 209 534



Pressure Sensors Air

Pressure Sensor Air PSA-B

This sensor is designed to measure absolute air pressure, especially the air box pressure of gasoline or Diesel engines.

An integrated circuit combines a piezo-resistive sensor element and electronic systems for signal-amplification and temperature-compensation. The output of the sensor is an analog, ratiometric signal.

Two different pressure ranges are available (0.1 ... 1.15 bar or 0.2 ... 2.5 bar).

The main feature and benefit of this sensor is the combination of both high quality production part and motorsport connector.

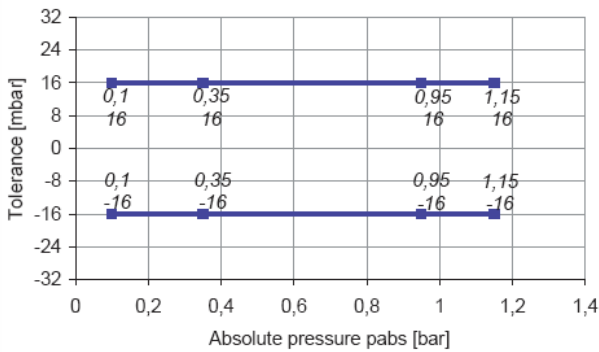
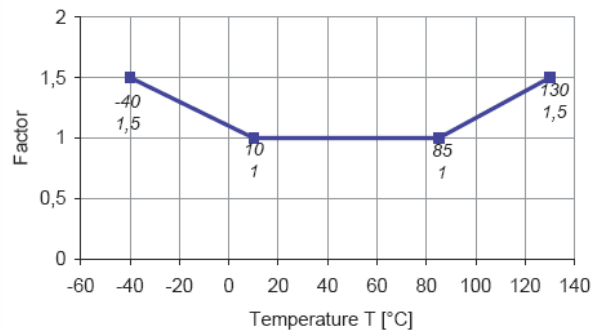
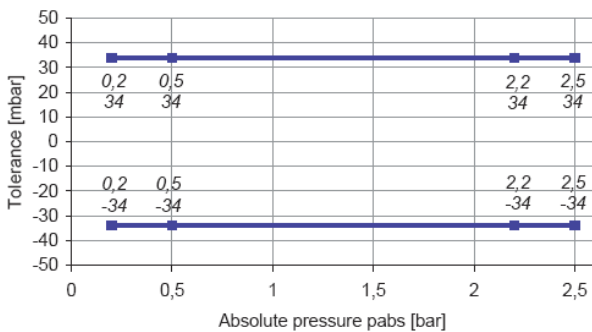
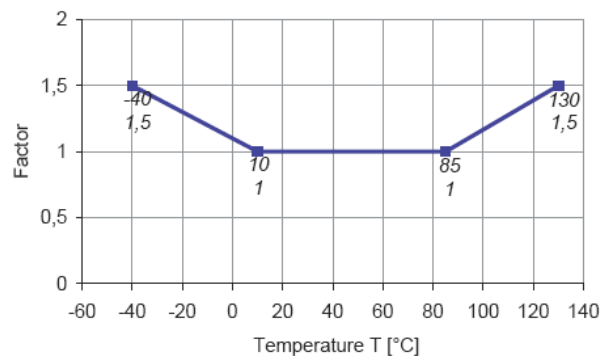


Application	
Application	[1] 0.1 ... 1.15 bar (a) [2] 0.2 ... 2.50 bar (a)
Pressure reference type	absolute
Max. pressure	5 bar
Operating temp. range	-40 ... 130 °C
Media temp. range	-40 ... 130 °C
Storage temp. range	-40 ... 130 °C
Max. vibration	280 m/s ² @ 200 Hz 125 m/s ² @ 440 Hz sine

Electrical Data	
Power Supply U_s	4.75 ... 5.25 V
Max. Power Supply	16 V
Full Scale Output U_a @ 5 V	0.3 ... 4.8 V
Current I_s	9 mA

Mechanical Data	
Mounting	M6
Fitting	12.05 mm
Weight w/o wire	17 g
Sealing	O-ring 7.59 x 2.62 mm

Characteristic	
Response time T10/90	1 ms
Compensated range	10 ... 85 °C
Tolerance (FS) @ $U_s = 5$ V	[1] ± 0.016 bar [2] ± 0.034 bar
Tolerance (FS)	[1] ± 1.39 % [2] ± 1.36 %
Sensitivity	[1] 4,040 mV/bar [2] 1,848 mV/bar
Offset	[1] -4.8 mV [2] 30.4 mV

Tolerance [1]

Expansion of Tolerance f(T) [1]

Tolerance [2]

Expansion of Tolerance f(T) [2]

Connectors and Wires

Connector	ASL 6-06-05PC-HE
Mating connector	ASL 0-06-05SC-HE
Pin 1	-
Pin 2	GND
Pin 3	SIG
Pin 4	Us
Pin 5	-
Various motorsport and automotive connectors are available on request.	
Sleeve	DR-25
Wire size	AWG 24
Wire length L	15 ... 100 cm
Please specify the requested wire length with your order.	

Application Hint

The PSA-B is designed for engines using ROZ95, ROZ98, M15, E22 and Diesel.

The sensor can be connected directly to most control units.

To avoid noise, an ECU-input circuit with a RC-lowpass filter ($\tau = 2$ ms) is recommended.

Use engine oil (5W40) as O-Ring grease (no silicone based grease).

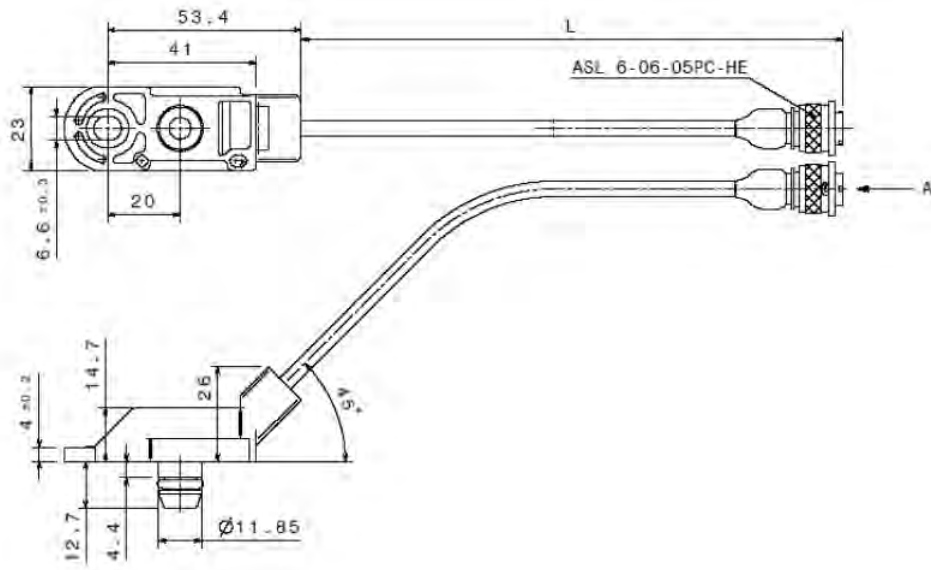
Avoid miss-pinning (max. 5 minutes @ $I = 0.3$ A).

Please find further application hints in the offer drawing (<http://www.bosch-motorsport.com>).

Free download of the sensor configuration file (*.sdf) for the Bosch Data Logging System (<http://www.bosch-motorsport.com>).

Part Numbers

PSA-B [1]	B 261 209 702-01
PSA-B [2]	B 261 209 710-01
Adapter for PSA-B	B 261 209 725-01



Pressure Sensor Air PSA-C

This sensor is designed to measure absolute air pressure, especially the air box pressure of gasoline or Diesel engines.

An integrated circuit combines a piezo-resistive sensor element and electronics for signal-amplification and temperature-compensation. Air pressure is supplied to the sensor via a tube connector. The output of the sensor is an analog, ratiometric signal.

The main feature and benefit of this sensor is the combination of the high quality of the production part and a low price.

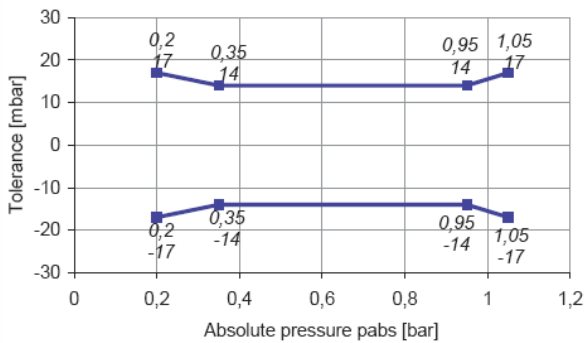
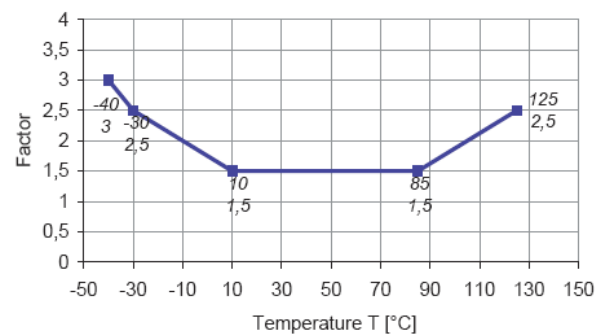
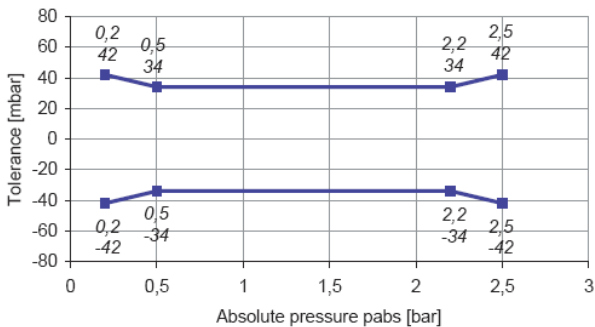
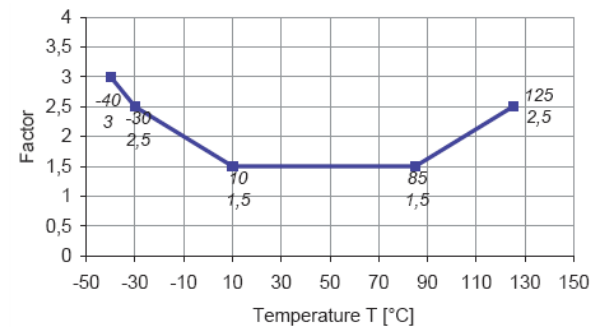


Application	
Application	[1] 0.2 ... 1.05 bar (a) [2] 0.2 ... 2.50 bar (a)
Pressure Reference Type	absolute
Max. Pressure	5 bar
Operating Temp. Range	-40 ... 130 °C
Media Temp. Range	-40 ... 130 °C
Storage Temp. Range	-40 ... 130 °C
Max. Vibration	20 m/s ² @ 10 ... 1,000 Hz

Electrical Data	
Power Supply U_s	4.75 ... 5.25 V
Max Power Supply U_s max.	16 V
Full Scale Output U_A @ 5 V	0.3 ... 4.8 V
Current I_s	9 mA

Mechanical Data	
Mounting	M6
Fitting	6 mm
Weight w/o Wire	40 g

Characteristic	
Response Time T10/90	10 ms
Compensated Range	10 ... 85 °C
Tolerance (FS) @ $U_s = 5$ V	[1] ± 0.017 bar [2] ± 0.042 bar
Tolerance (FS)	[1] ± 1.62 % [2] ± 1.68 %
Sensitivity	[1] 5,000 mV/bar [2] 1,532 mV/bar
Offset	[1] -600 mV [2] 724 mV

Tolerance [1]

Expansion of Tolerance f(T) [1]

Tolerance [2]

Expansion of Tolerance f(T) [2]

Connectors and Wires

Connector	Bosch Jetronic
Mating connector	D 261 205 289
Pin 1	U _s
Pin 2	GND
Pin 3	SIG
Pin 4	-
Pin 5	-
Various motorsport and automotive connectors are available on request.	
Please specify the required wire length with your order.	

Application Hint

The PSA-C is designed for engines using ROZ95, ROZ98, M15, E22 and Diesel.

Avoid liquid entering the measuring cell.

The sensor can be connected directly to most control units.

To avoid noise, an ECU-input circuit with a RC-lowpass filter ($\tau = 2$ ms) is recommended.

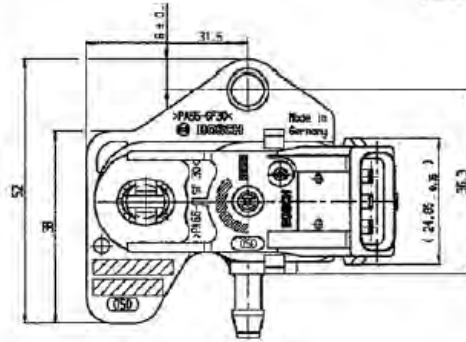
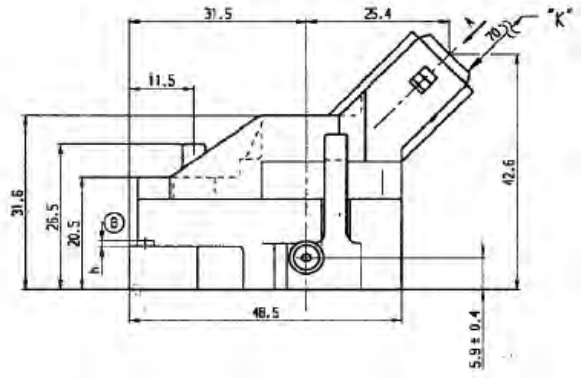
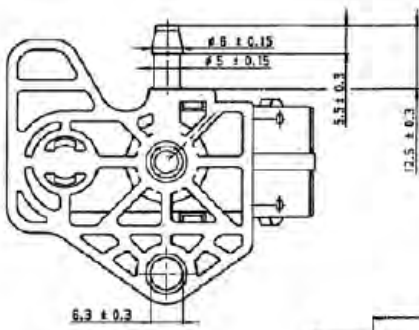
Avoid miss-pinning (max. 5 minutes @ I = 0.3 A).

Please find further application hints in the offer drawing (<http://www.bosch-motorsport.com>).

Free download of the sensor configuration file (*.sdf) for the Bosch Data Logging System (<http://www.bosch-motorsport.com>).

Part Numbers

PSA-C [1]	0 261 230 037
PSA-C [2]	0 281 002 389



Pressure Sensor Air PSB-2

This sensor is designed for precise measurements of absolute air pressure, especially the air box and boost pressure of gasoline or Diesel engines.

An integrated circuit combines a piezo-resistive sensor element and electronics for signal-amplification and temperature-compensation. The output of the sensor is an analog, ratiometric signal.

The main feature and benefit of this sensor is the combination of the high quality of the production part and an individual calibration. Each sensor is delivered with a calibration sheet to enable very small measurement tolerances.



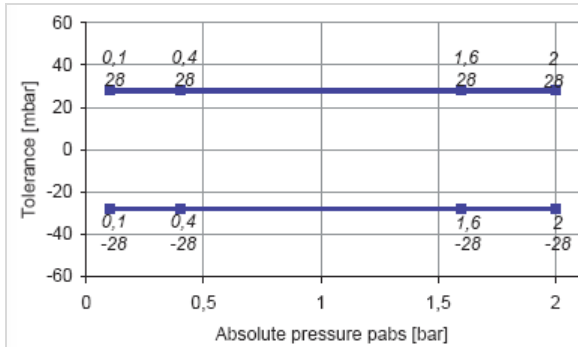
Application	
Application	0.1 ... 2.0 bar (a)
Pressure Reference Type	absolute
Max. Pressure	5 bar
Operating Temp. Range	-40 ... 130 °C
Media Temp. Range	-40 ... 130 °C
Storage Temp. Range	-40 ... 130 °C
Max. Vibration	280 m/s ² @ 200 Hz 125 m/s ² @ 440 Hz sine

Electrical Data	
Power Supply U_s	4.75 ... 5.25 V
Max Power Supply U_s max	16 V
Full Scale Output U_A @ 5 V	0.3 ... 4.8 V
Current I_s	9 mA

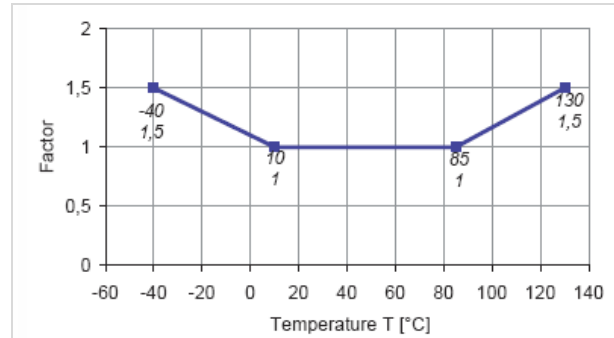
Mechanical Data	
Mounting	M6
Fitting	12,05 mm
Weight w/o Wire	17 g
Sealing	O-ring 7.59 x 2.62 mm

Characteristic	
Response Time T10/90	1 ms
Compensated Range	10 ... 85 °C
Tolerance (FS) @ $U_s = 5$ V	± 0.028 bar
Tolerance (FS)	± 1.4 %
Sensitivity	2236 mV/bar (an individual calibration sheet will be delivered)
Offset	176 mV (an individual calibration sheet will be delivered)

Tolerance



Expansion of Tolerance f(T)



Connectors and Wires

Connector	ASL 6-06-05PC-HE
Mating connector	ASL 0-06-05SC-HE
Pin 1	-
Pin 2	GND
Pin 3	SIG
Pin 4	Us
Pin 5	-

Various motorsport and automotive connectors are available on request.

Sleeve DR-25

Wire Size AWG 24

Wire Length L 15 ... 100 cm

Various motorsport and automotive connectors are available on request.

Please specify the required wire length with your order.

Application Hint

The PSB-2 is designed for engines using ROZ95, ROZ98, M15, E22 and Diesel.

The sensor can be connected directly to most control units.

To avoid noise, an ECU-input circuit with a RC-lowpass filter ($\tau = 2 \text{ ms}$) is recommended.

Use engine oil (5W40) as O-Ring grease (no silicone based grease).

Avoid miss-pinning (max. 5 minutes @ $I = 0.3 \text{ A}$).

To optimise the accuracy of this sensor, an individual calibration data sheet is delivered with each sensor.

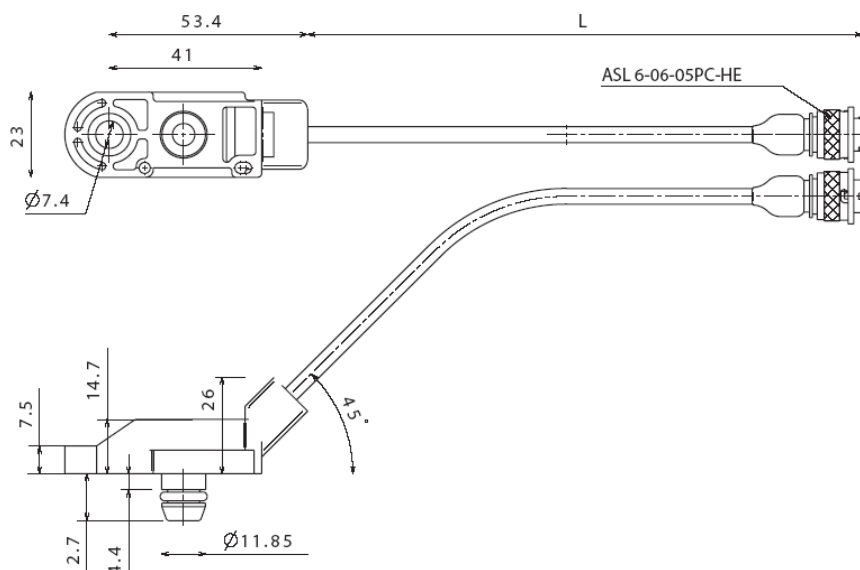
Please find further application hints in the offer drawing (<http://www.bosch-motorsport.com>).

Free download of the sensor configuration file (*.sdf) for the Bosch Data Logging System (<http://www.bosch-motorsport.com>).

Part Number

PSB-2

B 261 209 337



Pressure Sensor Air PSB-4

This sensor is designed to measure absolute air pressure, especially the air box and boost pressure of gasoline or Diesel engines over a wide range.

An integrated circuit combines a piezo-resistive sensor element, electronics for signal-amplification and temperature-compensation. The output of the sensor is an analog, ratiometric signal.

The main feature and benefit of this sensor is the combination of the high quality of the production part and an individual calibration. Each sensor is delivered with a calibration sheet to enable very small measurement tolerances. Furthermore the sensor has a very short response time.



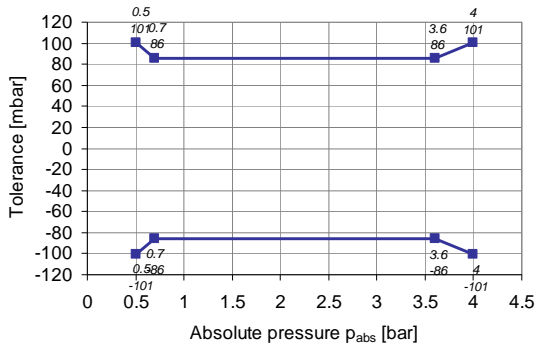
Application	
Application	0.5 ... 4 bar (a)
Pressure Reference Type	absolute
Max. Pressure	6 bar
Operating Temp. Range	-40 ... 130 °C
Media Temp. Range	-40 ... 130 °C
Storage Temp. Range	-40 ... 130 °C
Max. Vibration	20 m/s ² @ 10 ... 1,000 Hz

Electrical Data	
Power Supply U _s	4.5 ... 5.5 V
Max Power Supply U _s max.	16 V
Full Scale Output U _A @ 5 V	0.3 ... 4.8 V
Current I _s	9 mA

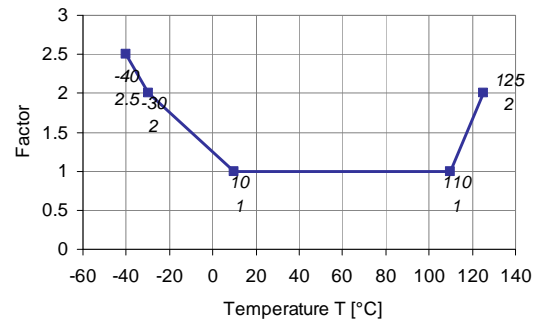
Mechanical Data	
Mounting	M6
Fitting	12.05 mm
Weight w/o Cable	20 g
Sealing	O-ring 7.59 x 2.62 mm

Characteristic	
Response Time T _{10/90}	0.2 ms
Compensated Range	0 ... 80 °C
Tolerance (FS) @ U _s = 5 V	± 0.056 bar
Tolerance (FS)	± 1.4 %
Sensitivity	1142 mV/bar (an individual calibration sheet will be delivered)
Offset	-71 mV (an individual calibration sheet will be delivered)

Tolerance



Expansion of Tolerance $f(T)$



Connectors and Wires

Connector	ASL 6-06-05PC-HE
Mating connector	ASL 0-06-05SC-HE
Pin 1	-
Pin 2	GND
Pin 3	SIG
Pin 4	Us
Pin 5	-
Various motorsport and automotive connectors are available on request.	
Sleeve	DR-25
Wire Size	AWG 24
Wire Length L	15 ... 100 cm
Please specify the required wire length with your order.	

Application Hint

The PSB-4 is designed for engines using ROZ95, ROZ98, M15, E22 and Diesel.

The sensor can be connected directly to most control units.

Use engine oil (5W40) as O-Ring grease (no silicone based grease).

Avoid miss-pinning (max. 5 minutes @ $I = 0.3$ A).

Please note that the 6mm tube connector has no function.

To optimize the accuracy of this sensor, an individual calibration sheet is delivered with each sensor.

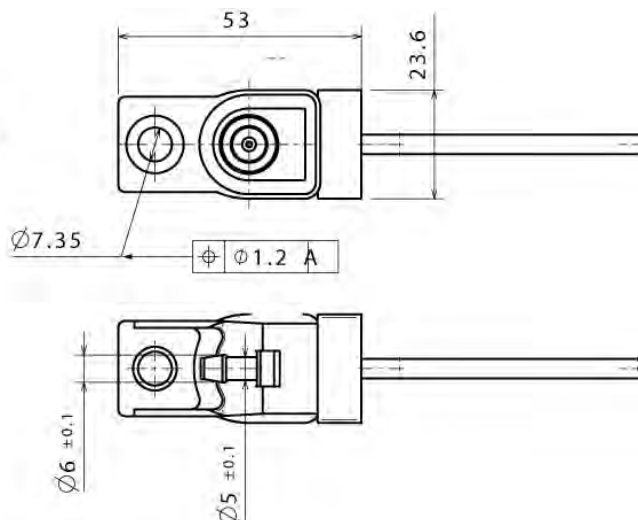
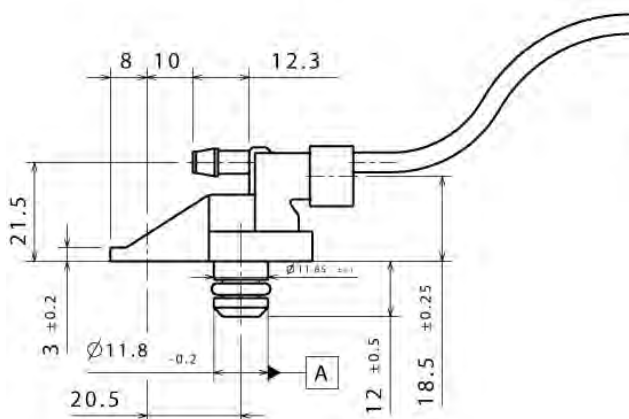
Please find further application hints in the offer drawing (<http://www.bosch-motorsport.com>).

Free download of the sensor configuration file (*.sdf) for the Bosch Data Logging System (<http://www.bosch-motorsport.com>).

Part Number

PSB-4

B 261 209 348-01



Pressure Sensor Air PSP

This sensor is designed to measure absolute air-pressure, especially the air box pressure of gasoline or Diesel engines.

An integrated circuit combines a piezo-resistive sensor element and an electronic for signal-amplification and temperature compensation. The output of the sensor is an analog, ratiometric signal.

The main feature and benefit of this sensor is the combination of both high quality production part and motorsport connector.



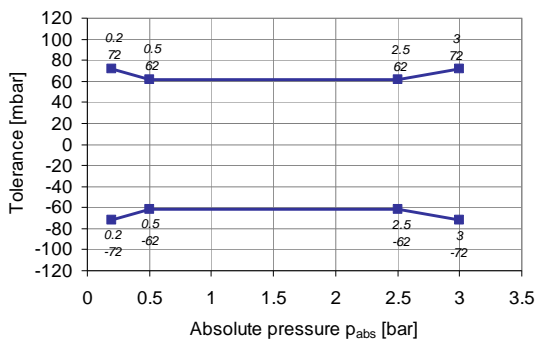
Application	
Application	0.2 ... 3 bar (a)
Pressure Reference Type	absolute
Max. Pressure	5 bar
Operating Temp. Range	-40 ... 125 °C
Media Temp. Range	-40 ... 125 °C
Storage Temp. Range	-40 ... 130 °C
Max. Vibration	0.19 mm @ 100 ... 200 Hz 250 m/s ² @ 200 ... 500 Hz

Electrical Data	
Power Supply U_s	4.5 ... 5.5 V
Max Power Supply U_s max	16 V
Full Scale Output U_A @ 5 V	0.3 ... 4.8 V
Current I_s	9 mA

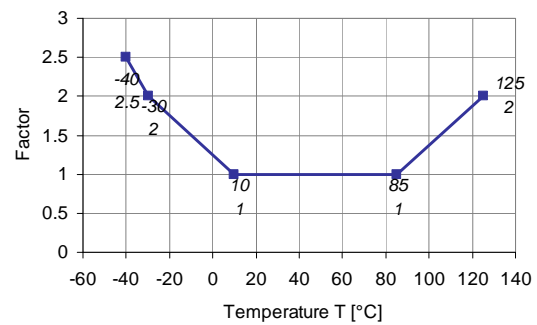
Mechanical Data	
Mounting	M6
Fitting	12.05 mm
Weight w/o Wire	17 g
Sealing	O-ring 7.59 x 2.62 mm

Characteristic	
Response Time T10/90	0.2 ms
Compensated Range	10 ... 85 °C
Tolerance (FS) @ $U_s = 5$ V	± 0.042 bar
Tolerance (FS)	± 1.4 %
Sensitivity	1,518 mV/bar
Offset	96 mV

Tolerance



Expansion of Tolerance f(T)



Connectors and Wires

Connector	ASL 6-06-05PC-HE
Mating connector	ASL 0-06-05SC-HE
Pin 1	-
Pin 2	GND
Pin 3	SIG
Pin 4	Us
Pin 5	-
Various motorsport and automotive connectors are available on request.	
Sleeve	DR-25
Wire Size	AWG 24
Wire Length L	15 ... 100 cm
Please specify the required wire length with your order.	

Application Hint

The PSP is designed for engines using ROZ95, ROZ98, M15, E22 and Diesel.

The sensor can be connected directly to most control units.

To avoid noise, an ECU-input circuit with a RC-lowpass filter ($\tau = 2$ ms) is recommended.

Use engine oil (5W40) as O-Ring grease (no silicone based grease).

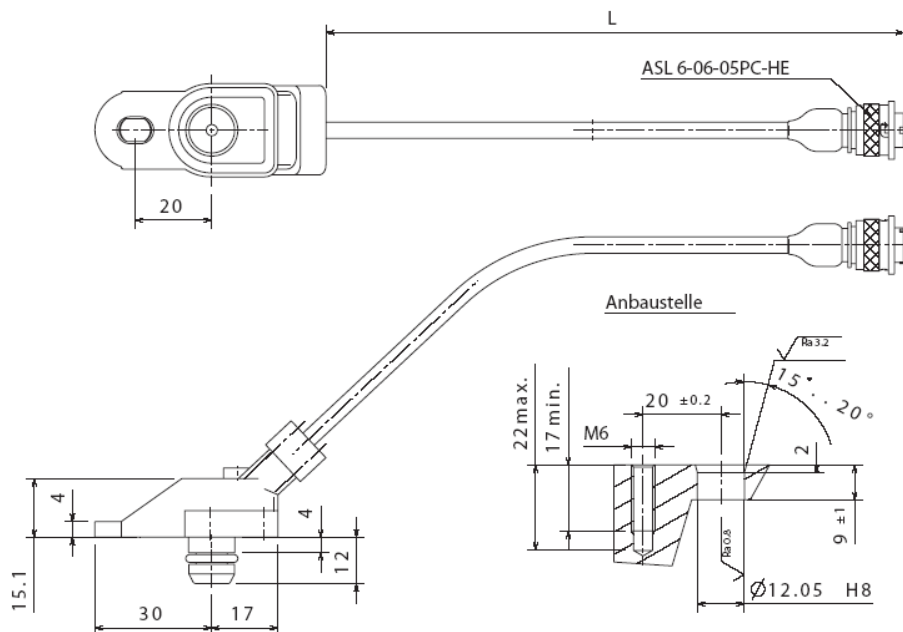
Avoid miss-pinning (max. 5 minutes @ $I = 0.3$ A).

Please find further application hints in the offer drawing (<http://www.bosch-motorsport.com>).

Free download of the sensor configuration file (*.sdf) for the Bosch Data Logging System (<http://www.bosch-motorsport.com>).

Part Number

PSP **B 261 209 690-01**



Pressure Sensor Air PST

This sensor is designed to measure absolute air pressure and air temperature, especially the air box pressure of gasoline or Diesel engines.

An integrated circuit combines a piezo-resistive sensor element, electronics for signal-amplification and temperature-compensation. The output of the sensor is an analog, ratiometric signal. A NTC resistance is used for temperature measurements.

The main feature of this sensor is the integration of two functions (air pressure and air temperature) in one housing. A further benefit of the PST is the high quality of the production part at a low price.



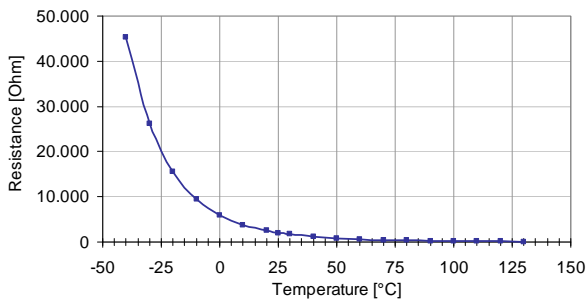
Application	
Application 1	0.1 ... 1.15 bar (a)
Application 2	-40 ... 125 °C
Pressure Reference Type	absolute
Max. Pressure	5 bar
Operating Temp. Range	-40 ... 125 °C
Media Temp. Range	-40 ... 125 °C
Storage Temp. Range	-40 ... 130 °C
Max. Vibration	0.19 mm @ 100 ... 200 Hz 250 m/s ² @ 200 ... 500 Hz sine

Mechanical Data	
Mounting	M6
Fitting	18 mm
Weight w/o Wire	30 g
Sealing	O-ring 13.95 x 2.62 mm

Electrical Data	
Power Supply U _s	4.5 ... 5.5 V
Max Power Supply U _s max.	16 V
Full Scale Output U _A @ 5 V	0.3 ... 4.8 V
Current I _s	9 mA

Characteristic Application 1

Response Time T10/90	0.2 ms
Compensated Range	10 ... 85 °C
Tolerance (FS) @ U _s = 5 V	± 0.016 bar
Tolerance (FS)	± 1.39 %
Sensitivity	4,047 mV/bar
Offset	-4.76 mV

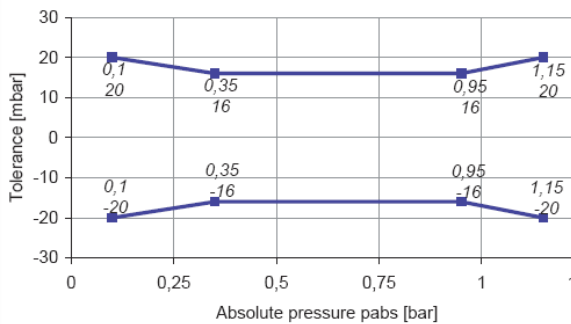


Characteristic Application 2

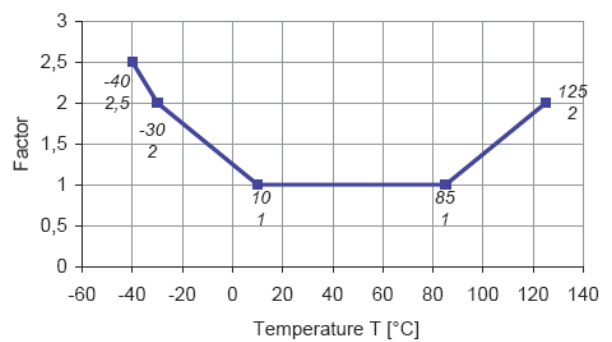
T [°C]	R [Ohm]
-40	45,313
-30	26,114
-20	15,462
-10	9,397
0	5,896
10	3,792
20	2,500
25	2,057
30	1,707
40	1,175
50	834
60	596
70	436
80	323
90	243
100	187
110	144
120	113
130	89

Resistance @ 20 °C	2.5 kOhm
Tolerance	5 %
Response Time τ_{63}	45 s @ air ; v = 6 m/s

Tolerance



Expansion of Tolerance f(T)



Connectors and Wires

Connector	Bosch Compact
Mating connector	D 261 205 336
Pin 1	Gnd
Pin 2	NTC
Pin 3	U _s
Pin 4	Pressure Sig
Pin 5	-

Various motorsport and automotive connectors are available on request.

Please specify the required wire length with your order.

Application Hint

The PST is designed for engines using ROZ95, ROZ98, M15, E22 and Diesel.

The sensor can be connected directly to most control units.

To avoid noise, an ECU-input circuit with a RC-lowpass filter ($\tau = 2$ ms) is recommended.

For the temperature measurement, a 1 kOhm pull-up at 5 V is recommended.

Use engine oil (5W40) as O-Ring grease (no silicone based grease).

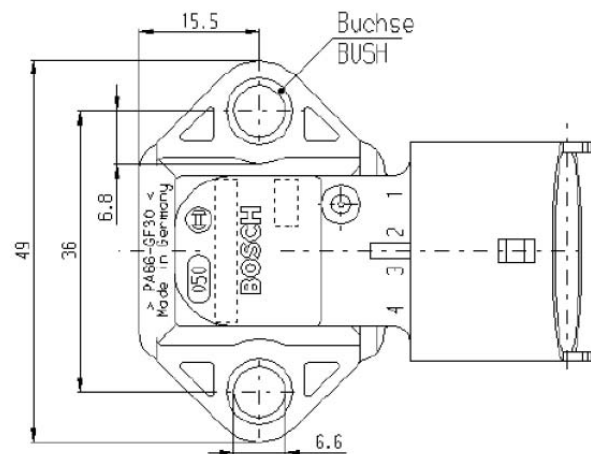
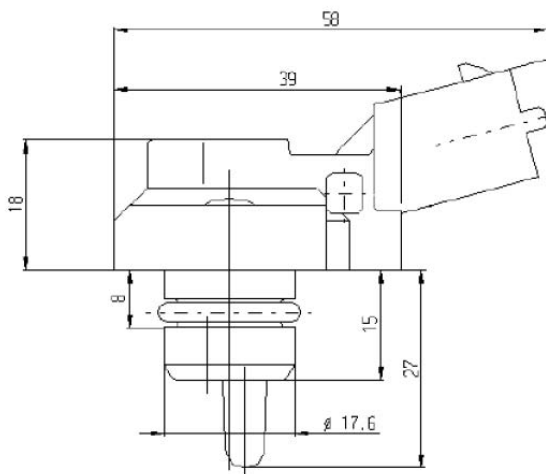
Avoid miss-pinning (max. 5 minutes @ I = 0.3 A).

Please find further application hints in the offer drawing (<http://www.bosch-motorsport.com>).

Free download of the sensor configuration file (*.sdf) for the Bosch Data Logging System (<http://www.bosch-motorsport.com>).

Part Number

Absolute Pressure Sensor PST **0 261 230 022**



Pressure Sensors Differential

Pressure Sensor Differential DP-A

This sensor is designed to measure the relative pressure of non-corrosive, non-ionic working gases e.g. dry air.

The sensor has two pressure connections for differential pressure measurements. A typical application is the measurement of air speed by using a pitot tube.

The main feature and benefit of this sensor is the combination of a high quality production part and robust design with metal housing and motorsport connector.



Application	
Application	0 ... 0.1 bar (r)
Pressure Reference Type	relative
Max. Pressure	1,4 bar
Operating Temp. Range	-20 ... 70 °C
Media Temp. Range	-20 ... 70 °C
Storage Temp. Range	-40 ... 85 °C
Max. Vibration	200 m/s ² , 10 ... 500 Hz

Electrical Data	
Power Supply U _s	4.8 ... 15 V
Max. Power Supply U _s max.	15 V
Full Scale Output U _A @ 5 V	0.5 ... 4.5 V
Current I _s	12 mA

Mechanical Data	
Mounting	M3x2
Fitting	4.5 mm
Installation Torque	2 Nm
Weight w/o Wire	58 g
Size	37(49) x 29(41) x 19 mm
Pressure Port	5 mm

Characteristic	
Response Time T _{10/90}	0.1 ms
Compensated Range	0 ... 50 °C
Thermal Effects @ 0 ... 50 °C rel to 25 °C	0.1 % FS/°C
Non-Linearity and Hysteresis	0.1 % FS
Long Term Stability (1 Mio cyl. or 1 year)	± 0.2 % FS
Sensitivity	40,000 mV/bar
Offset	500 mV

Connectors and Wires

Connector	ASL 6-06-05PC-HE
Mating connector	ASL 0-06-05SC-HE
Pin 1	Us
Pin 2	Gnd
Pin 3	Sig
Pin 4	-
Pin 5	-
Various motorsport and automotive connectors are available on request.	
Sleeve	DR-25
Wire Size	AWG 24
Wire Length L	15 ... 100 cm
Please specify the required wire length with your order.	

Application Hint

Media: Non-corrosive, non-ionic working gases, such as dry air and dry gases.

The DP-A can be connected directly to most control units.

Any mounting orientation is possible.

For a correct functionality be sure that the range of supplied pressure $P2 \geq P1$.

Please find further application hints in the offer drawing (<http://www.bosch-motorsport.com>).

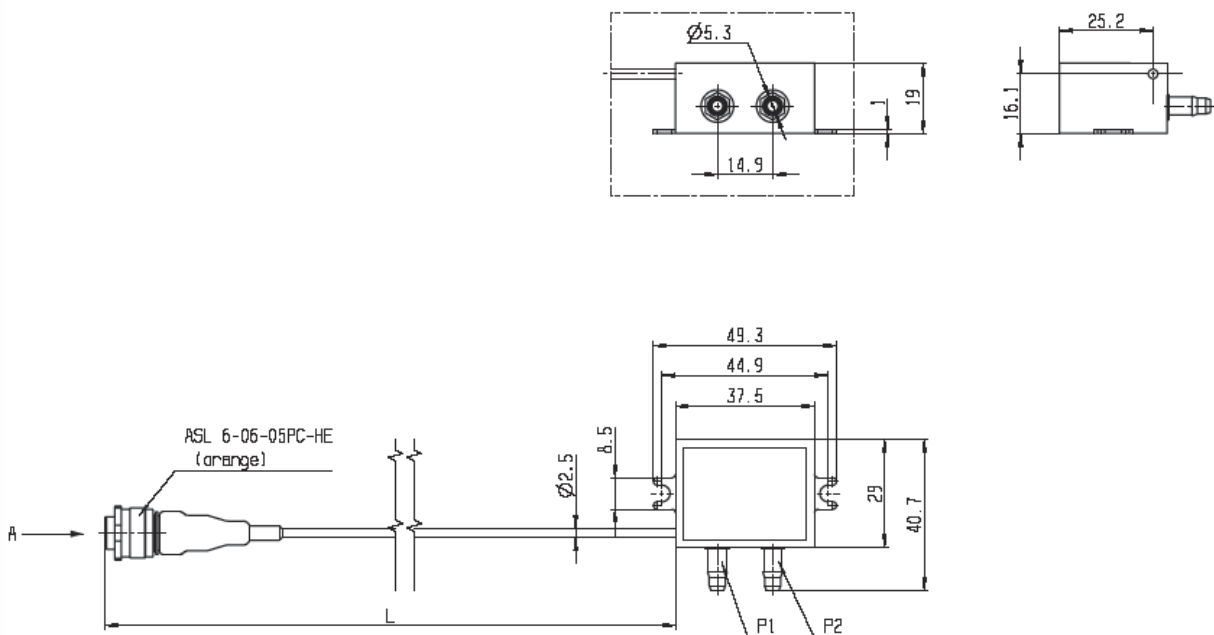
Free download of the sensor configuration file (*.sdf) for the Bosch Data Logging System (<http://www.bosch-motorsport.com>).

Accessories

Pitot static tube PT **B 261 209 700-01**

Part Numbers

DP-A **B 261 209 696**



Pressure Sensor Differential DP-C

This sensor is designed to measure the relative pressure of non-corrosive, non-ionic working gases e.g. dry air.

The sensor has two pressure connections for differential pressure measurements. A typical application is the measurement of air speed by using a pitot tube.

The main feature and benefit of this sensor is the combination of a high quality production part and robust design with metal housing and motorsport connector.



Application	
Application	0 ... 0.1 bar (r)
Pressure Reference Type	relative
Max. Pressure p _{absmax}	1.4 bar
Operating Temperature Range	-20 ... 70 °C
Media Temperature Range	-20 ... 70 °C
Storage Temperature Range	-40 ... 85 °C
Max. Vibration	200 m/s ² , 10 ... 500 Hz

Electrical Data	
Power supply U _s	4.8 ... 15 V
Max Power Supply U _s max.	15 V
Full Scale Output U _A	0.5 ... 4.5 V
Current I _s	12 mA

Mechanical Data	
Mounting	2 x M2.5
Fitting	2.6 mm
Installation Torque	2 Nm
Weight w/o Wire	24 g
Size	35 x 25(40) x 18 mm
Pressure Port	5 mm

Characteristic	
Response Time T _{10/90}	0.1 ms
Compensated Range	0 ... 50 °C
Thermal Effects @ 0 ... 50 °C rel to 25 °C	0.1 % FS/°C
Non-Linearity and Hysteresis	0.1 % FS
Long Term Stability (1 Mio cyl or 1 year)	± 0.2 % FS
Sensitivity	40 mV/mbar
Offset	500 mV

Connectors and Wires

Connector	ASL 6-06-05PC-HE
Mating connector	ASL 0-06-05SC-HE
Pin 1	Us
Pin 2	Gnd
Pin 3	Sig
Pin 4	-
Pin 5	-
Sleeve	DR-25
Wire Size	AWG 24
Wire Length L	15 ... 100 cm
Various motorsport and automotive connectors are available on request.	
Please specify the required wire length with your order.	

Application Hint

Media: Non-corrosive, non-ionic working gases, such as dry air and dry gases.

The DP-A can be connected directly to most control units.

Any mounting orientation is possible.

For a correct functionality be sure that the range of supplied pressure $P2 \geq P1$.

Please find further application hints in the offer drawing (<http://www.bosch-motorsport.com>).

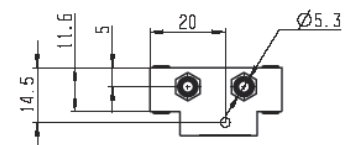
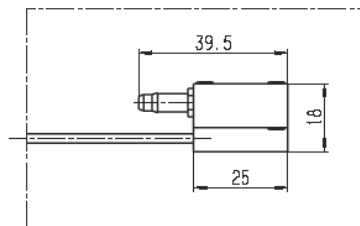
Free download of the sensor configuration file (*.sdf) for the Bosch Data Logging System (<http://www.bosch-motorsport.com>).

Accessories

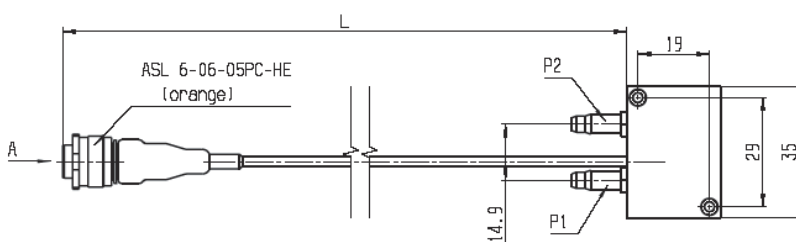
Pitot static tube PT **B 261 209 700-01**

Part Number

DP-C **B 261 209 701-01**



Auxiliary view A
Scale: 1:1



Pitot Static Tube PT

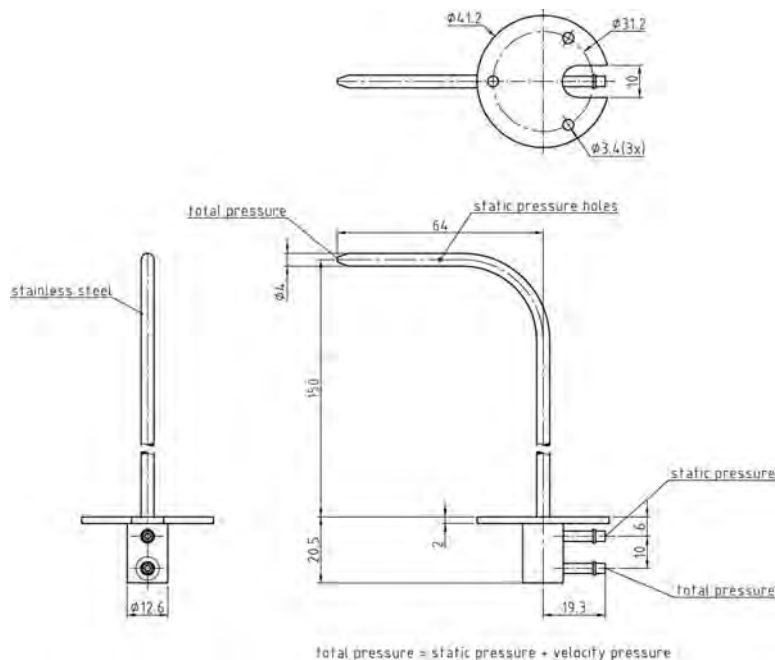
The pitot tube PT is designed to measure the vehicle speed relative to the surrounding air. Its main application is the aerodynamic car setup.

The pitot static tube consists basically of two concentric tubes. The ellipsoidal nose form has a single forward facing hole for sensing total pressure and a ring of side holes for sensing the static pressure. Measuring the difference of both pressures (see Bosch different pressure sensor), the velocity related to the air can be calculated.



Mechanical Data	
Weight	50 g
Height	150 mm

Part Number	
Pitot Static Tube PT	B 261 209 700



Application Hint

The standard formula for calculating the velocity from velocity pressure is:

$$V = 1.291 * \sqrt{P_v}$$

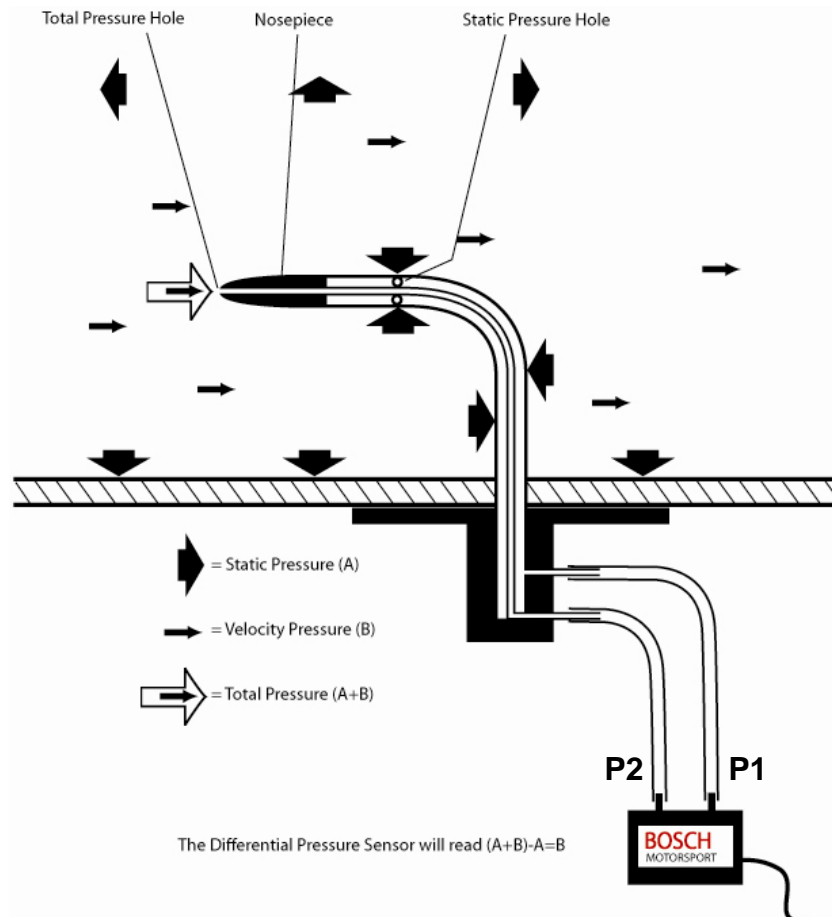
This is only valid for an air density of 1.2 kg/m³. For all other conditions, more complex equations have to be used.

V = velocity [m/s]

P_v = velocity pressure Pa [mbar] (Signal output of the differential pressure sensor)

The expression $\frac{100,000}{100,000 + P_s}$ is a correction for the static pressure in the duct and can be ignored, if P_s is less than 2,500 Pa.

Please find further application hints in the offer drawing (<http://www.bosch-motorsport.com>).

Principle of Operation


Pressure Sensors Fluid

Pressure Sensor Fluid PSS-10

This sensor is designed to measure absolute pressure of various kinds of media e.g. Diesel, gasoline, water, engine oil, transmission oil or air.

The sensor uses stainless steel measuring cells with piezo-resistive measuring bridges in thin layer technique. These are hermetically welded together with stainless steel pressure ports. This guarantees a complete media compatibility.

The main benefit of this sensor is the high quality of a production part at a low price. The sensor is available for two different supply voltage ranges.



Application	
Application	0.5 ... 11 bar (a)
Pressure Reference Type	absolute
Max. Pressure	20 bar
Operating Temp. Range	-40 ... 125 °C (140 °C)
Media Temp. Range	-40 ... 125 °C (140 °C)
Storage Temp. Range	-20 ... 50 °C
Bio fuel compatibility	-
Max. Vibration	100 m/s ² rms @ 10 ... 2,000 Hz

Electrical Data	
Power Supply U_s	[1] 4.75 ... 5.25 V [2] 8 ... 30 V
Max Power Supply U_s max	± 30 V
Full Scale Output U_A	[1] 10 ... 90 % U_s ratiometric [2] 0.5 ... 4.5 V non-ratiometric
Current I_s	8 mA

Mechanical Data	
Male Thread	M10x1
Wrench Size	17 mm
Installation Torque	15 Nm
Weight w/o Wire	45 g
Sealing	O-ring 7.65 x 1.63 mm

Characteristic	
Response Time T10/90	[1] 1.5 ms [2] 1.0 ms
Compensated Range	0 ... 90 °C
Tolerance (FS) @ $U_s = 5$ V	± 0.1 bar
Tolerance (FS)	± 1 %
Sensitivity	[1] 400 mV/bar @ $U_s = 5$ V [2] 400 mV/bar
Offset	[1] 100 mV @ $U_s = 5$ V [2] 100 mV

Connectors and Wires	
Connector	Bosch Compact
Mating connector	[1] D 261 205 339 [2] D 261 205 334
Pin 1	GND
Pin 2	SIG
Pin 3	Us
Pin 4	-
Pin 5	-
Sleeve	DR-25
Wire size	AWG 24
Wire length	13 ... 95 cm

Application Hint

The PSS-10 can be connected directly to most control units.

The sensor has a protection for over voltage, reverse polarity and short-circuit.

Please do not fix the sensor directly to the engine block to avoid undesired strong vibrations.

Each mounting orientation is possible.

The sensor meets all EMV, EMC and ESD automotive standards.

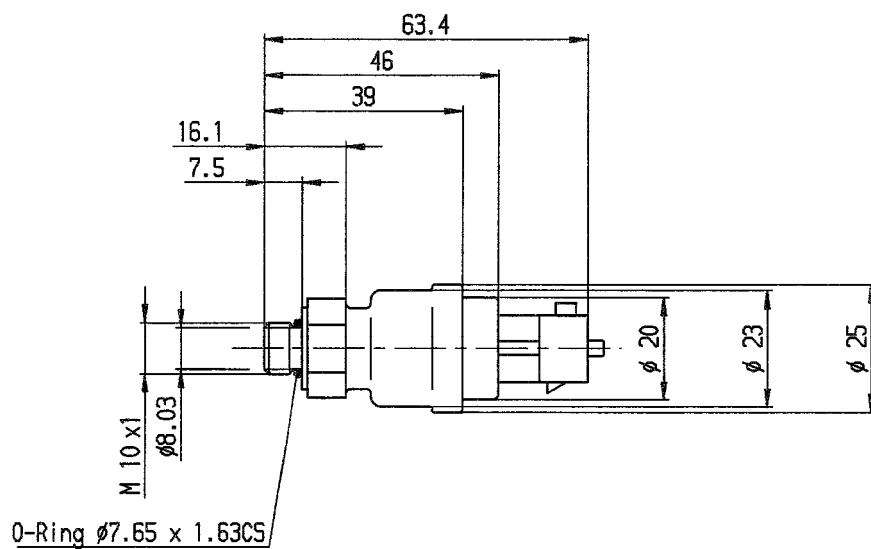
Please find further application hints in the offer drawing (<http://www.bosch-motorsport.com>).

Free download of the sensor configuration file (*.sdf) for the Bosch Data Logging System (<http://www.bosch-motorsport.com>).

Part Numbers

PSS-10 [1] **B 261 209 341-01**

PSS-10 [2] **B 261 209 064-01**



Pressure Sensor Fluid PSS-10R

This sensor is designed to measure the pressure of media in relation to the ambient pressure (e.g. Diesel, gasoline, water, engine oil, transmission oil, air). The sensor is available for two different supply voltage ranges.

The sensor uses stainless steel measuring cells with piezo-resistive measuring bridges in thin layer technique, which are hermetically welded together with stainless steel pressure ports. This guarantees a complete media compatibility.

The main benefit of this sensor is the high quality of a production part at a low price.



Application	
Application	0 ... 10 bar (r)
Pressure Reference Type	relative
Max. Pressure	20 bar
Operating Temp. Range	[1] -40 ... 125 °C (140 °C) [2] -40 ... 125 °C
Media Temp. Range	[1] -40 ... 125 °C (140 °C) [2] -40 ... 125 °C
Storage Temp. Range	-20 ... 50 °C
Bio fuel compatibility	-
Max. Vibration	100 m/s ² rms @ 10 ... 2,000 Hz

Electrical Data	
Power Supply U _S	[1] 4.75 ... 5.25 V [2] 8 ... 30 V
Max Power Supply U _S max	± 30 V
Full Scale Output U _A	[1] 10 ... 90 % U _S ratiometric [2] 0.5 ... 4.5 V non-ratiometric
Current I _S	8 mA

Mechanical Data	
Male Thread	M10x1
Wrench Size	17 mm
Installation torque	15 Nm
Weight w/o wire	45 g
Sealing	O-ring 7.65 x 1.63 mm

Characteristic	
Response Time T _{10/90}	[1] 1.5 ms [2] 1.0 ms
Compensated Range	0 ... 90 °C
Tolerance (FS) @ U _S = 5 V	± 0.1 bar
Tolerance (FS)	± 1 %
Sensitivity	[1] 400 mV/bar @ U _S = 5 V [2] 400 mV/bar
Offset	[1] 500 mV @ U _S = 5 V [2] 500 mV

Connectors and Wires

Connector	Bosch Compact
Mating connector	[1] D 261 205 339 [2] D 261 205 334
Pin 1	Gnd
Pin 2	Sig
Pin 3	Us
Pin 4	-
Pin 5	-
Sleeve	DR-25
Wire size	AWG 24
Wire length L	13 ... 95 cm
Various motorsport and automotive connectors are available on request.	
Please specify the required wire length with your order.	

Application Hint

The PSS-10R can be connected directly to most control units.

The sensor has a protection for over voltage, reverse polarity and short-circuit.

Please do not fix the sensor directly to the engine block to avoid undesired strong vibrations.

Each mounting orientation is possible.

The sensor meets all EMV, EMC and ESD automotive standards.

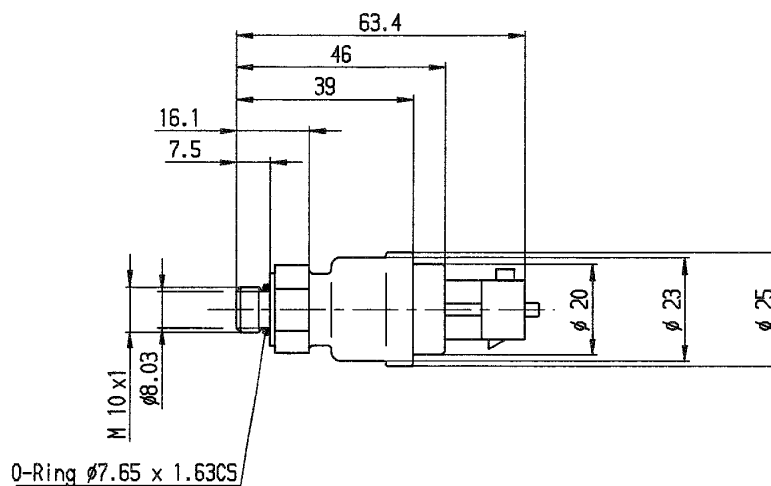
Please find further application hints in the offer drawing (<http://www.bosch-motorsport.com>).

Free download of the sensor configuration file (*.sdf) for the Bosch Data Logging System (<http://www.bosch-motorsport.com>).

Part Numbers

PSS-10R [1] **F 01T A21 312-01**

PSS-10R [2] **F 01T A21 307**



Pressure Sensor Fluid PSS-100R

This sensor is designed to measure the pressure of media in relation to the ambient pressure (e.g. Diesel, gasoline, water, engine oil, transmission oil or air). The sensor is available for two different supply voltage ranges.

The sensor uses stainless steel measuring cells with piezo-resistive measuring bridges in thin layer technique, which are hermetically welded together with stainless steel pressure ports. This guarantees a complete media compatibility.

The main feature of this sensor is the high quality of a production part at a low price.



Application	
Application	0 ... 100 bar (r)
Pressure Reference Type	relative
Max. Pressure	200 bar
Operating Temp. Range	[1] -40 ... 125 °C (140 °C) [2] -40 ... 125 °C
Media Temp. Range	[1] -40 ... 125 °C (140 °C) [2] -40 ... 125 °C
Storage Temp. Range	-20 ... 50 °C
Bio fuel compatibility	-
Max. Vibration	100 m/s ² rms @ 10 ... 2,000 Hz

Electrical Data	
Power Supply U_s	[1] 4.75 ... 5.25 V [2] 8 ... 30 V
Max Power Supply	± 30 V
Full Scale Output U_A	[1] 10 ... 90 % U_s ratiometric [2] 0.5 ... 4.5 V non-ratiometric
Current I_s	[1] 8 mA [2] 10 mA

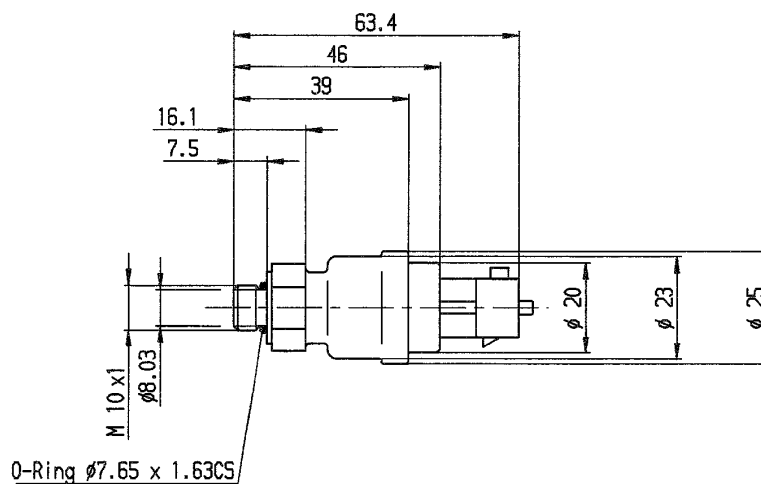
Mechanical Data	
Male Thread	M10x1
Wrench Size	17 mm
Installation Torque	15 Nm
Weight w/o Wire	45 g
Sealing	O-ring 7.65 x 1.63 mm

Characteristic	
Response Time T10/90	[1] 1.5 ms [2] 1.0 ms
Compensated Range	0 ... 90 °C
Tolerance (FS) @ $U_s = 5$ V	± 0.1 bar
Tolerance (FS)	± 1 %
Sensitivity	[1] 40 mV/bar @ $U_s = 5$ V [2] 40 mV/bar
Offset	[1] 500 mV @ $U_s = 5$ V [2] 500 mV

Connectors and Wires	
Connector	Bosch Compact
Mating connector	[1] D 261 205 339 [2] D 261 205 334
Pin 1	GND
Pin 2	SIG
Pin 3	Us
Sleeve	DR-25
Wire size	AWG 24
Wire length L	13 ... 95 cm
Various motorsport and automotive connectors are available on request.	
Please specify the required wire length with your order.	

Application Hint
The PSS-100R can be connected directly to most control units.
The sensor has a protection for over voltage, reverse polarity and short-circuit.
Please do not fix the sensor directly to the engine block to avoid undesired strong vibrations.
Each mounting orientation is possible.
The sensor meets all EMV, EMC and ESD automotive standards.
Please find further application hints in the offer drawing (http://www.bosch-motorsport.com).
Free download of the sensor configuration file (*.sdf) for the Bosch Data Logging System (http://www.bosch-motorsport.com).

Part Numbers	
PSS-100R [1]	B 261 209 347-01
PSS-100R [2]	F 01T A21 310



Pressure Sensor Fluid PSS-250R

This sensor is designed to measure the pressure of media in relation to the ambient pressure (e.g. Diesel, gasoline, water, engine oil, transmission oil or air). The sensor is available for two different supply voltage ranges.

The sensor uses stainless steel measuring cells with piezo-resistive measuring bridges in thin layer technique, which are hermetically welded together with stainless steel pressure ports. This guarantees a complete media compatibility.

The main benefit of this sensor is the high quality of a production part at a low price.



Application	
Application	0 ... 250 bar (r)
Pressure Reference Type	relative
Max. Pressure	500 bar
Operating Temp. Range	[1] -40 ... 125 °C (140 °C) [2] -40 ... 125 °C
Media Temp. Range	[1] -40 ... 125 °C (140 °C) [2] -40 ... 125 °C
Storage Temp. Range	-20 ... 50 °C
Bio fuel compatibility	-
Max. Vibration	100 m/s ² rms @ 10 ... 2,000 Hz
Electrical Data	
Power Supply U _s	[1] 4.75 ... 5.25 V [2] 8 ... 30 V
Max Power Supply U _s max	± 30 V
Full Scale Output U _A	[1] 10 ... 90 % U _s ratiometric [2] 0.5 ... 4.5 V non-ratiometric
Current I _s	8 mA

Mechanical Data	
Male Thread	M10x1
Wrench Size	17 mm
Installation torque	15 Nm
Weight w/o Wire	45 g
Sealing	O-ring 7.65 x 1.63 mm

Characteristic	
Response Time T _{10/90}	[1] 1.5 ms [2] 1.0 ms
Compensated Range	0 ... 90 °C
Tolerance (FS) @ U _s = 5 V	± 0,1 bar
Tolerance (FS)	± 1 %
Sensitivity	[1] 16 mV/bar @ U _s = 5 V [2] 16 mV/bar
Offset	[1] 500 mV @ U _s = 5 V [2] 500 mV

Connectors and Wires

Connector	Bosch Compact
Mating connector	[1] D 261 205 339 [2] D 261 205 334
Pin 1	GND
Pin 2	SIG
Pin 3	Us
Pin 4	-
Pin 5	-
Sleeve	DR-25
Wire size	AWG 24
Wire length L	13 ... 95 cm
Various motorsport and automotive connectors are available on request.	
Please specify the required wire length with your order.	

Application Hint

The PSS-250R can be connected directly to most control units.

The sensor has a protection for over voltage, reverse polarity and short-circuit.

Please do not fix the sensor directly to the engine block to avoid undesired strong vibrations.

Each mounting orientation is possible.

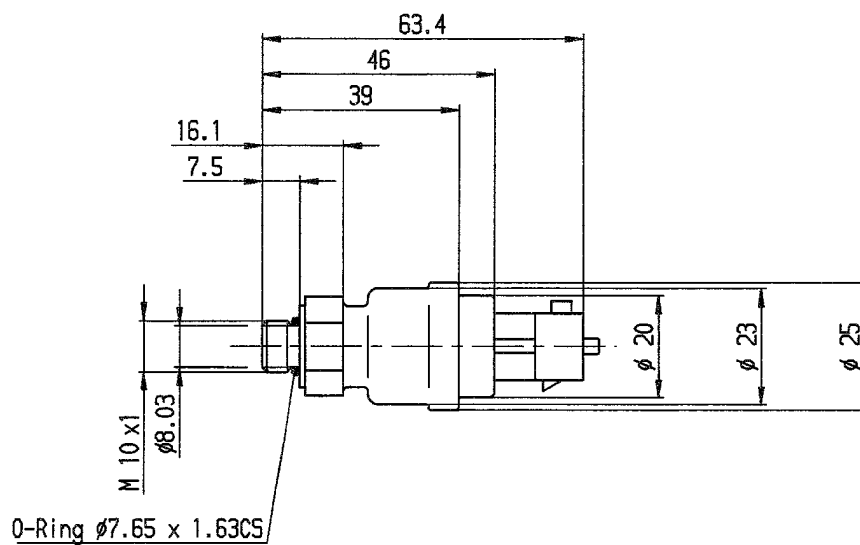
The sensor meets all EMV, EMC and ESD automotive standards.

Please find further application hints in the offer drawing (<http://www.bosch-motorsport.com>).

Free download of the sensor configuration file (*.sdf) for the Bosch Data Logging System (<http://www.bosch-motorsport.com>).

Part Number

PSS-250R [1]	B 261 209 965-01
PSS-250R [2]	B 261 209 067-01



Pressure Sensor Fluid PSC-10

This sensor is designed to measure absolute pressure of various kinds of media e.g. Diesel, gasoline, water, engine oil, transmission oil or air. The sensor is available for two different supply voltage ranges.

The sensor uses stainless steel measuring cells with piezo-resistive measuring bridges in thin layer technique, which are hermetically welded together with stainless steel pressure ports. This guarantees a complete media compatibility.

The main benefit of this sensor is the high quality of a production part at a low price.



Application	
Application	0.5 ... 11 bar (a)
Pressure Reference Type	absolute
Max. Pressure	20 bar
Operating Temp. Range	-40 ... 125 °C (140 °C)
Media Temp. Range	-40 ... 125 °C (140 °C)
Storage Temp. Range	-20 ... 50 °C
Bio fuel compatibility	-
Max. Vibration	100 m/s ² rms @ 10 ... 2,000 Hz

Electrical Data	
Power Supply U_s	[1] 4.75 ... 5.25 V [2] 8 ... 30 V
Max Power Supply	± 30 V
Full Scale Output U_A	[1] 10 ... 90 % U_s ratiometric [2] 0.5 ... 4.5 V non-ratiometric
Current I_s	8 mA

Mechanical Data	
Male Thread	M10x1
Wrench Size	17 mm
Installation Torque	15 Nm
Weight w/o Wire	45 g
Sealing	O-ring 7.65 x 1.63 mm

Characteristic	
Response Time T10/90	[1] 1.5 ms [2] 1.0 ms
Compensated Range	0 ... 90 °C
Tolerance (FS) @ $U_s = 5$ V	0.1 bar
Tolerance (FS)	± 1 %
Sensitivity	[1] 400 mV/bar @ $U_s = 5$ V [2] 400 mV/bar
Offset	[1] 100 mV @ $U_s = 5$ V [2] 100 mV

Connectors and Wires

Connector	ASL 6-06-05PC-HE
Mating connector	ASL 0-06-05SC-HE
Pin 1	[2] U _s
Pin 2	GND
Pin 3	SIG
Pin 4	[1] U _s
Pin 5	-
Sleeve	DR-25
Wire Size	AWG 24
Wire Length L	13 ... 95 cm

Various motorsport and automotive connectors are available on request.

Please specify the required wire length with your order.

Application Hint

The PSC-10 can be connected directly to most control units.

The sensor has a protection for over voltage, reverse polarity and short-circuit.

Please do not fix the sensor directly to the engine block to avoid undesired strong vibrations.

Each mounting orientation is possible.

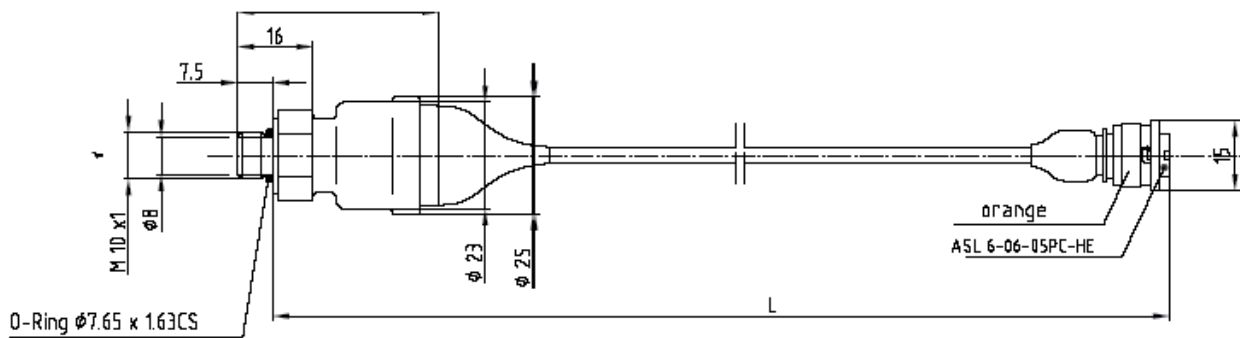
The sensor meets all EMV, EMC and ESD automotive standards.

Please find further application hints in the offer drawing (<http://www.bosch-motorsport.com>).

Free download of the sensor configuration file (*.sdf) for the Bosch Data Logging System (<http://www.bosch-motorsport.com>).

Part Numbers

PSC-10 [1]	F 01T A21 304-01
PSC-10 [2]	B 261 209 079-01



Pressure Sensor Fluid PSC-10R

This sensor is designed to measure the pressure of media in relation to the ambient pressure (e.g. Diesel, gasoline, water, engine oil, transmission oil or air). The sensor is available for two different supply voltage ranges.

The sensor uses stainless steel measuring cells with piezo-resistive measuring bridges in thin layer technique, which are hermetically welded together with stainless steel pressure ports. This guarantees a complete media compatibility.

The main feature and benefit of this sensor is the combination of both high quality production part and motorsport connector.



Application	
Application	0 ... 10 bar (r)
Pressure Reference Type	relative
Max. Pressure	20 bar
Operating Temp. Range	[1] -40 ... 125 °C (140 °C) [2] -40 ... 125 °C
Media Temp. Range	[1] -40 ... 125 °C (140 °C) [2] -40 ... 125 °C
Storage Temp. Range	-20 ... 50 °C
Bio fuel compatibility	-
Max. Vibration	100 m/s ² rms @ 10 ... 2,000 Hz
Electrical Data	
Power Supply U _s	[1] 4.75 ... 5.25 V [2] 8 ... 30 V
Max Power Supply U _s max.	± 30 V
Full Scale Output U _A	[1] 10 ... 90 % U _s ratiometric [2] 0.5 ... 4.5 V non-ratiometric
Current I _s	8 mA

Mechanical Data	
Male Thread	M10x1
Wrench Size	17 mm
Installation Torque	15 Nm
Weight w/o Cable	45 g
Sealing	O-ring 7.65 x 1.63 mm
Characteristic	
Response Time T _{10/90}	[1] 1.5 ms [2] 1.0 ms
Compensated Range	0 ... 90 °C
Tolerance (FS) @ U _s = 5 V	± 0.1 bar
Tolerance (FS)	± 1 %
Sensitivity	[1] 400 mV/bar @ U _s = 5 V [2] 400 mV/bar
Offset	[1] 500 mV @ U _s = 5 V [2] 500 mV

Connectors and Wires

Connector	ASL 6-06-05PC-HE
Mating connector	ASL 0-06-05SC-HE
Pin 1	[2] Us
Pin 2	GND
Pin 3	SIG
Pin 4	[1] Us
Pin 5	-
Sleeve	DR-25
Wire Size	AWG 24
Wire Length L	13 ... 95 cm

Various motorsport and automotive connectors are available on request.

Please specify the required wire length with your order.

Application Hint

The PSC-10R can be connected directly to most control units.

The sensor has a protection for over voltage, reverse polarity and short-circuit.

Please do not fix the sensor directly to the engine block to avoid undesired strong vibrations.

Each mounting orientation is possible.

The sensor meets all EMV, EMC and ESD automotive standards.

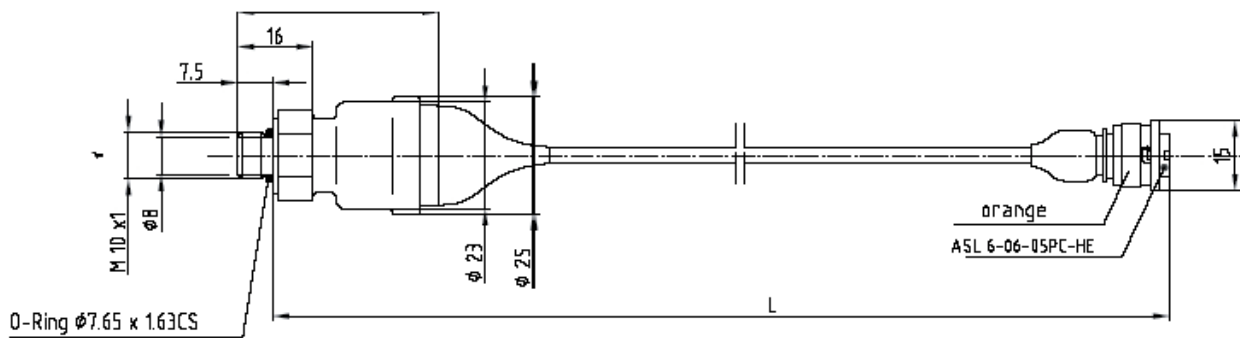
Please find further application hints in the offer drawing (<http://www.bosch-motorsport.com>).

Free download of the sensor configuration file (*.sdf) for the Bosch Data Logging System (<http://www.bosch-motorsport.com>).

Part Numbers

PSC-10R [1] **F 01T A21 303**

PSC-10R [2] **F 01T A21 305-01**



Pressure Sensor Fluid PSC-250R

This sensor is designed to measure the pressure of media in relation to the ambient pressure (e.g. Diesel, gasoline, water, engine oil, transmission oil or air). The sensor is available for two different supply voltage ranges.

The sensor uses stainless steel measuring cells with piezo-resistive measuring bridges in thin layer technique, which are hermetically welded together with stainless steel pressure ports. This guarantees a complete media compatibility.

The main feature and benefit of this sensor is the combination of both high quality production part and motorsport connector.



Application	
Application	0 ... 250 bar (r)
Pressure reference type	relative
Max. pressure	500 bar
Operating temp. range	[1] -40 ... 125 °C (140 °C) [2] -40 ... 125 °C
Media temp. range	[1] -40 ... 125 °C (140 °C) [2] -40 ... 125 °C
Storage temp. range	-20 ... 50 °C
Bio fuel compatibility	-
Max. vibration	100 m/s ² rms @ 10 ... 2,000 Hz
Electrical Data	
Power supply U _s	[1] 4.75 ... 5.25 V [2] 8 ... 30 V
Max power supply U _s max	± 30 V
Full scale output U _A	[1] 10 ... 90 % U _s ratiometric [2] 0.5 ... 4.5 V non-ratiometric
Current I _s	8 mA

Mechanical Data	
Male thread	M10x1
Wrench size	17 mm
Installation torque	15 Nm
Weight w/o wire	45 g
Sealing	O-ring 7.65 x 1.63 mm

Characteristic	
Response time T _{10/90}	[1] 1.5 ms [2] 1.0 ms
Compensated range	0 ... 90 °C
Tolerance (FS) @ U _s = 5 V	[1] ± 0.1 bar [2] ± 2.5 bar
Tolerance (FS)	± 1 %
Sensitivity	[1] 16 mV/bar @ U _s = 5 V [2] 16 mV/bar
Offset	[1] 500 mV @ U _s = 5 V [2] 500 mV

Connectors and Wires

Connector	ASL 6-06-05PC-HE
Mating connector	ASL 0-06-05SC-HE
Pin 1	Us
Pin 2	GND
Pin 3	SIG
Pin 4	-
Pin 5	-
Sleeve	DR-25
Wire size	AWG 24
Wire length L	13 ... 95 cm

Various motorsport and automotive connectors are available on request.

Please specify the required wire length with your order.

Application Hint

The PSC-250R can be connected directly to most control units.

The sensor has a protection for over voltage, reverse polarity and short-circuit.

Please do not fix the sensor directly to the engine block to avoid undesired strong vibrations.

Each mounting orientation is possible.

The sensor meets all EMV, EMC and ESD automotive standards.

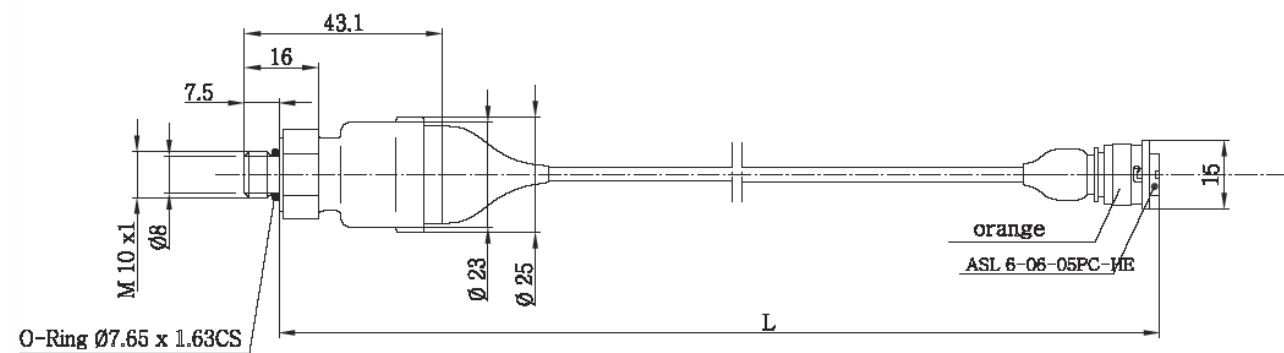
Please find further application hints in the offer drawing (<http://www.bosch-motorsport.com>).

Free download of the sensor configuration file (*.sdf) for the Bosch Data Logging System (<http://www.bosch-motorsport.com>).

Part Numbers

PSC-250R [1] **F 02U V00 430-01**

PSC-250R [2] **F 01T A21 306-01**



Pressure Sensor Fluid PSM

This sensor is designed to measure absolute pressure of various kinds of media e.g. Diesel, gasoline, water, engine oil, transmission oil or air. The sensor is available for two different supply voltage ranges.

The sensor utilises a flush metal diaphragm as a force collector. The force is transferred to a solid state piezo-resistive sensing element via a thin intervening film of noncompressible silicone oil. The housing is welded hermetically.

An individual calibration sheet will be delivered with each sensor.

The main feature and benefit of this sensor is a good protection against vibrations.



Application	
Application	[1] 0 ... 12 bar (a) [2] 0 ... 250 bar (a)
Pressure Reference Type	absolute
Max. Pressure	[1] 24 bar [2] 500 bar
Operating Temp. Range	-20 ... 120 °C
Media Temp. Range	-20 ... 120 °C
Storage Temp. Range	-20 ... 50 °C
Bio fuel compatibility	E85/M100
Max. Vibration	1,000 m/s ² max @ 5 ... 5,000 Hz (sine)

Mechanical Data	
Male Thread	M10x1
Wrench Size	16 mm
Installation Torque	10 Nm
Weight w/o Wire	24.5 g
Sealing	O-ring 7.65 x 1.63 mm

Electrical Data	
Power Supply U _s	8 ... 16 V
Full Scale Output U _A 4.9 V	± 1.5 %
Current I _s	25 mA

Characteristic

Compensated Range	0 ... 120 °C
Tolerance (FS) @ $U_s = 5\text{ V}$	[1] $\pm 0.12\text{ bar}$ [2] $\pm 2.50\text{ bar}$
Tolerance (FS)	$\pm 1\%$
Sensitivity/Offset	(an individual calibration sheet will be delivered)

Connectors and Wires

Connector	ASL 6-06-05PC-HE
Mating connector	ASL 0-06-05SC-HE
Pin 1	U_s
Pin 2	GND
Pin 3	SIG
Pin 4	-
Pin 5	SCR
Sleeve	Viton
Wire Size	AWG 24
Wire Length L	15 ... 100 cm

Various motorsport and automotive connectors are available on request.

Please specify the required wire length with your order.

Application Hint

The PSM can be connected directly to most control units.

Each mounting orientation is possible.

Please do not fix the sensor directly to the engine block to avoid undesired strong vibrations.

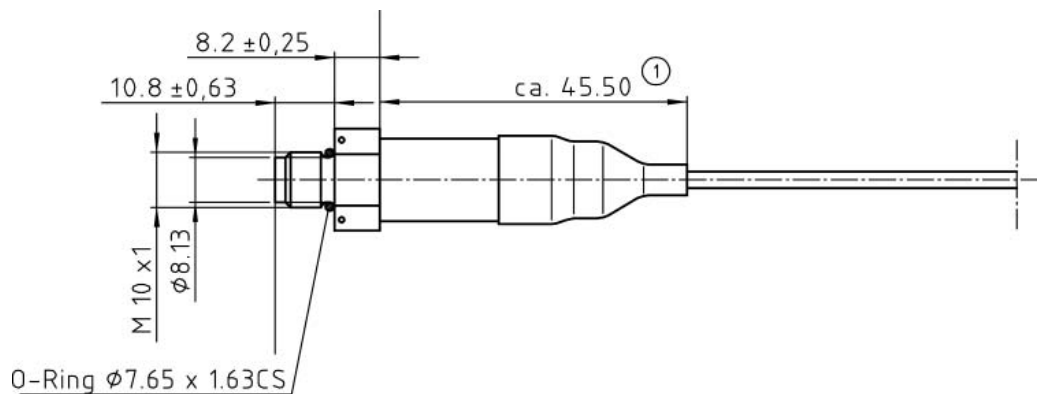
100 % relative humidity is possible.

The sensor meets all EMV, EMC and ESD automotive standards.

Please find further application hints in the offer drawing (<http://www.bosch-motorsport.com>).

Part Numbers

PSM [1]	B 261 209 331
PSM [2]	B 261 209 332-01



Pressure Sensor Fluid PSM-S

This sensor is designed to measure absolute pressure of various kinds of media e.g. Diesel, gasoline, water, engine oil, transmission oil or air.

The sensor utilises a flush metal diaphragm as a force collector. The force is transferred to a solid state piezo-resistive sensing element via a thin intervening film of noncompressible silicone oil. The housing is welded hermetically.

An individual calibration sheet will be delivered with each sensor.

The main feature and benefit of this sensor is a good protection against vibrations.



Application	
Application	[1] 0 ... 12 bar (a) [2] 0 ... 70 bar (a)
Pressure Reference Type	absolute
Max. Pressure pabs max	[1] 36 bar [2] 210 bar
Operating Temp. Range	-55 ... 140 °C
Media Temp. Range	-55 ... 140 °C
Storage Temp. Range	-20 ... 50 °C
Bio fuel compatibility	E85/M100
Max. Vibration	15,000 m/s ² max @ 5 ... 10,000 Hz (sine)

Mechanical Data	
Male Thread	M8x1
Wrench Size	13 mm
Installation Torque	6 Nm
Weight w/o Wire	20 g
Sealing	O-ring 6.07 x 1.62 mm

Electrical Data	
Power Supply U _s	8 ... 16 V
Full Scale Output U _A	4.7 V ± 1.5 %

Characteristic	
Compensated Range	0 ... 125 °C
Tolerance (FS) @ $U_s = 5\text{ V}$	[1] $\pm 0.24\text{ bar}$ [2] $\pm 0.7\text{ bar}$
Tolerance (FS)	[1] $\pm 2\%$ [2] $\pm 1\%$
Sensitivity/Offset	(an individual calibration sheet will be delivered)

Application Hint

The PSM-S can be connected directly to most control units.

Each mounting orientation is possible.

Please do not fix the sensor directly to the engine block to avoid undesired strong vibrations.

100 % relative humidity is possible.

The sensor meets all EMV, EMC and ESD automotive standards.

Please find further application hints in the offer drawing (<http://www.bosch-motorsport.com>).

Connectors and Wires

Connector	ASL 6-06-05PC-HE
Mating connector	ASL 0-06-05SC-HE
Pin 1	U_s
Pin 2	GND
Pin 3	SIG
Pin 4	-
Pin 5	SCR
Sleeve	Viton
Wire Size	AWG 24
Wire Length L	15 ... 100 cm

Various motorsport and automotive connectors are available on request.

Please specify the required wire length with your order.

Part Numbers

PSM-S [1]	F 01T A21 315-01
PSM-S [2]	F 01T A21 316-01



Pressure Sensor Fluid PST-F

This sensor is designed to measure absolute pressure and temperature of various kinds of fluids e.g. Diesel, gasoline, oil or transmission oil.

The PST-F is equipped with a piezo-resistive pressure sensor element integrated in a silicon chip together with signal processing electronics. The active surface of this chip is exposed to a reference vacuum. The temperature sensor element is a NTC-resistor.

The main feature of this sensor is the integration of two functions (fluid pressure and fluid temperature) in one housing.



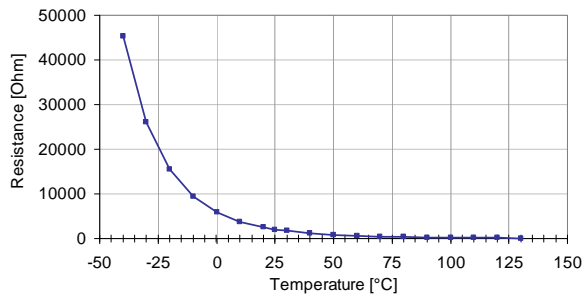
Application	
Application 1	0.5 ... 6 bar (a)
Application 2	-40 ... 125 °C
Reference	absolute
Max. pressure	20 bar
Operating temp. range	-40 ... 125 °C
Storage temp. range	-40 ... 130 °C
Biofuel compatibility	E22, M15
Max. vibration	40 m/s ² @ 1 ... 250 Hz 60 m/s ² @ 250 ... 2,600 Hz 40 m/s ² @ 260 ... 3,200 Hz

Electrical Data	
Power supply U_s	4.75 ... 5.25 V
Max power supply U_s max	16 V
Full scale output P	0.5 ... 4.5 V
Current I_s	9 mA

Mechanical Data	
Male thread	M6
Weight without wire	30 g
Wrench size	10 mm
Installation torque	11.5 Nm
Sealing	O-ring 13.95 x 2.62 mm

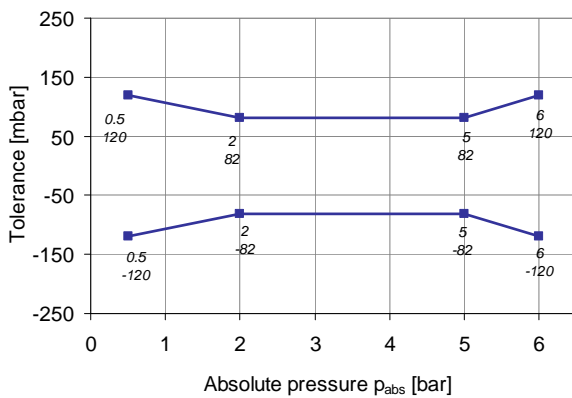
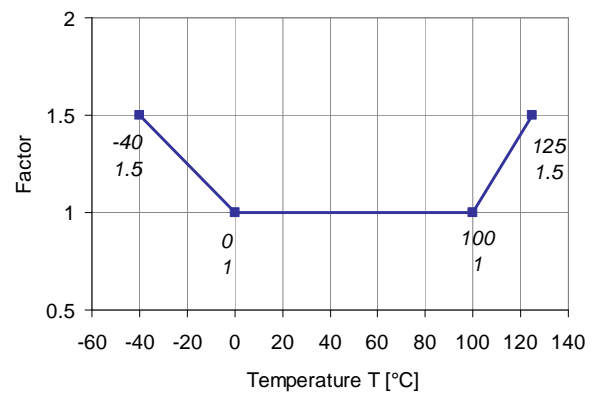
Characteristic Application 1

Response time T10/90	1 ms
Output load	10 kΩ
Sensitivity	727 mV/bar
Offset	500 mV


Characteristic Application 2

T [°C]	R [Ω]
-40	45,303
-30	26,108
-20	15,458
-10	9,395
0	5,671
10	3,791
20	2,499
30	1,706
40	1,174
50	834
60	595
70	436
80	322
90	243
100	187
110	144
120	113
125	100

 Response Time τ_{63} 45 s in air ; v = 6 m/s

Tolerance

Expansion of Tolerance


Connectors and Wires

Connector	Bosch Compact
Mating connector	D 261 205 336-01
Pin 1	Gnd
Pin 2	NTC
Pin 3	Us
Pin 4	Pressure Sig

Application Hint

The sensor can be connected directly to most control units.

Please do not fix the sensor directly to the engine block to avoid undesired strong vibrations.

To avoid noise, an ECU-input circuit with a RC-lowpass filter is recommended.
(R = 21 k Ω , C = 100 nF)

For the temperature measurement, a 1 k Ω pull-up at 5 V is recommended.

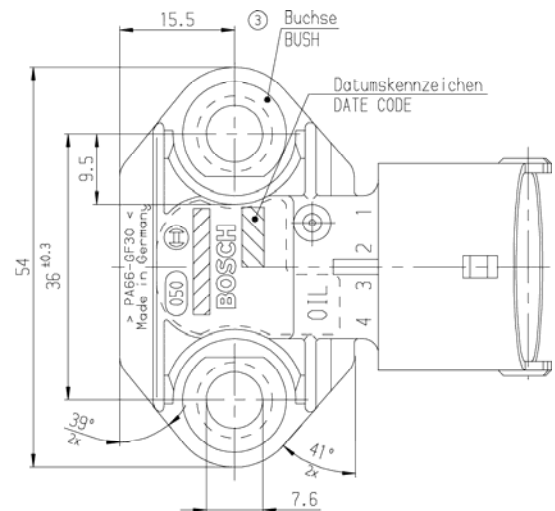
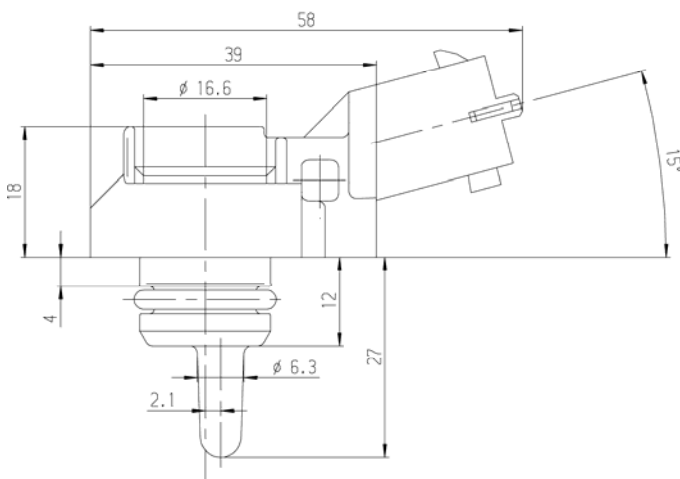
Please find further application hints in the offer drawing (<http://www.bosch-motorsport.com>)

Free download of the sensor configuration file (*.sdf) for the Bosch Data Logging System (<http://www.bosch-motorsport.com>).

Part Numbers

PST-F

0 261 230 147



Rotary Potentiometers

Rotary Potentiometer RP 50-/130-/350-M

This sensor is designed to measure rotational movement, e.g. throttle angle, spring travel, gearbox position or steering angle.

A throttle rotation moves an internal slider (wiper) on a resistive element which is supplied with voltage. Thus voltage proportional to the angle can be measured. The housing and the bearings are made of high temperature resistant plastic. The mounting plate is protected with a metal cover to ensure a good fixation. The sensors are fitted in a shrink down boot for additional protection.

The main benefit of these sensors is the combination of high accuracy, very robust aluminium housing and motorsport spec connection.



Application	
Application	[1] 0 ... 50° [2] 0 ... 130° [3] 0 ... 350°
Operating temperature range	-55 ... 125 °C

Electrical Data	
Power supply U_s	5 V
Maximal power supply	42 V
Total resistance	[1] 3 kΩ [2] 4 kΩ [3] 8 kΩ
Current I_s	1 μA
Max. allowable contact current	[1 3] 1 mA [2] 10 mA

Mechanical Data	
Weight w/o wire	38 g
Protection class	IP66
Mounting	2 x M4
Housing	aluminium alloy

Characteristic	
Direction of rotation	anti-clockwise
Both rotation directions are available on request.	
Redundancy	No

Connectors and Wires

Connector	[1 3] ASL 6-06-05PA-HE [2] KPTA 6E6-4P-C-DN
Mating connector	[1 3] ASL 0-06-05SA-HE [2] KPTA 1E6-4S-C-DN
Pin 1 (A)	U _s
Pin 2 (B)	Gnd
Pin 3 (C)	Sig
Pin 4 (D)	-
Pin 5 (E)	-
Sleeve	DR-25
Wire size	AWG 24
Wire length	16 ... 30 cm

Various motorsport and automotive connectors on request.

Please specify the required wire length with your order.

Application Hint

The products of the RP series can be connected directly to most control units.

The sensor has no internal mechanical stops.

Each mounting orientation is possible.

The sensor meets all EMV, EMC and ESD automotive standards.

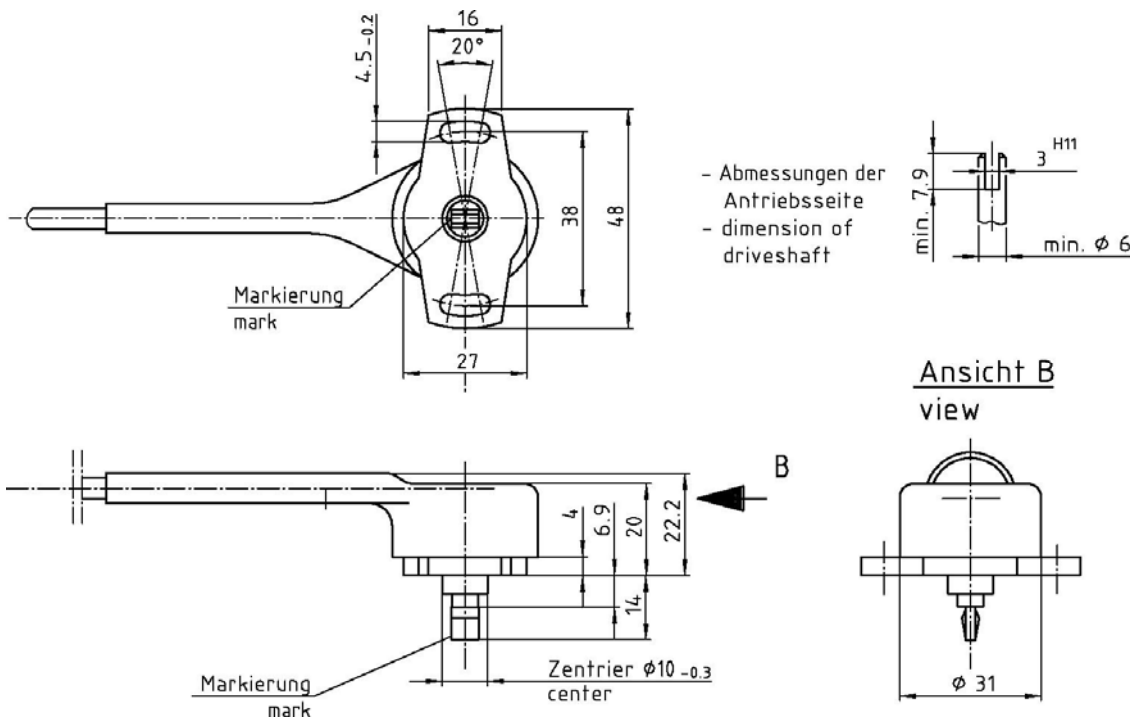
Please find further application hints in the offer drawing (<http://www.bosch-motorsport.com>).

Both rotation directions and other rotation angles available on request.

Free download of the sensor configuration file (*.sdf) for the Bosch Data Logging System (<http://www.bosch-motorsport.com>).

Part Number

RP 50-M [1]	B 261 209 571-01
RP 130-M [2]	B 261 209 576
RP 350-M [3]	B 261 209 577-01



Rotary Potentiometer RP 55

This sensor is designed to measure rotational movement, e.g. spring travel.

A rotation moves an internal slider (wiper) on a resistive element which is supplied with voltage. Thus a voltage proportional to the angle can be measured. The housing is made of shock resistant aluminium. The internals are made of high temperature resistant synthetic material.

The main benefit of this sensor is the special way of mounting with a quill shaft.



Application	
Application	0 ... 55°
Operating temperature range	-25 ... 75 °C
Storage temperature range	-25 ... 105 °C
Max. vibration	100 m/s ² @ 30 ... 500 Hz

Electrical Data	
Power supply Us	5 V
Total resistance	5 kΩ
Current Is	1 μA
Max. allowable contact current	10 mA

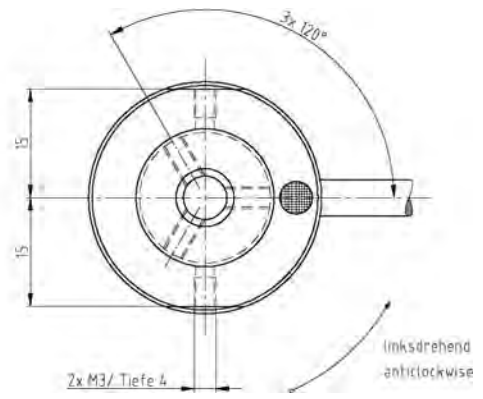
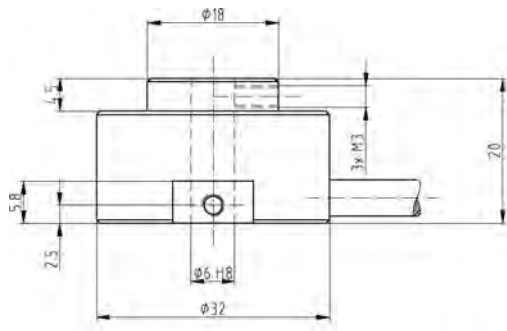
Connectors and Cables	
Connector	ASL 6-06-05PA-HE
Connector loom	ASL 0-06-05SA-HE
Pin 1	Us
Pin 2	Gnd
Pin 3	Sig
Pin 4	-
Pin 5	-
Sleeve	DR-25
Cable size	AWG 24
Cable length L	16 ... 30 cm
Various motorsports and automotive connectors are available on request.	
Please specify the requested cable length with your order.	

Mechanical Data	
Weight w/o cable	59 g
Protection class	IP63
Mounting	d _i 6 mm
Lifetime	5 x 10 ⁶ rotations
Housing	aluminium alloy

Characteristic	
Temp. coefficient	50 ppm/°K
Direction of rotation	Anti-Clockwise
Redundancy	No

Application Hint	
The products of the RP series can be connected directly to most control units.	
The sensor has no internal mechanical stops.	
Each mounting orientation is possible.	
The sensor meets all EMV, EMC and ESD automotive standards.	
Please find further application hints in the offer drawing (http://www.bosch-motorsport.com).	
Both rotation directions and other rotation angles are available on request.	
Free download of the sensor configuration file (*.sdf) for the Bosch Data Logging System (http://www.bosch-motorsport.com).	

Part Number	
RP 55	B 261 209 578-01



Rotary Potentiometer RP 86

This sensor is designed to measure rotational movement, e.g. throttle angle or spring travel.

A throttle rotation moves an internal slider (wiper) on a resistive element which is supplied with voltage. Thus voltage proportional to the angle can be measured. The housing and the bearings are made of high temperature resistant plastic.

The main benefit of this sensor is the combination of a high quality production part and extremely short dimensions.



Application	
Application	0 ... 86°
Angle between internal mechanical stops	95°
Operating temperature range	-40 ... 130 °C
Max. vibration	700 m/s ²

Electrical Data	
Power supply U_s	5 V
Max. power supply	42 V
Total resistance	2 k Ω \pm 20 %
Current I_s	18 μ A

Connectors and Cables	
Connector	Bosch Compact
Connector loom	D 261 205 334
Pin 1	U_s
Pin 2	Sig
Pin 3	Gnd
Various motorsports and automotive connectors on request.	
Various cable options are available on request.	
Please specify the requested cable length with your order.	

Mechanical Data	
Weight w/o cable	26 g
Mounting	2 x M4
Lifetime	2 x 10 ⁶ rotations
Housing	synthetic material

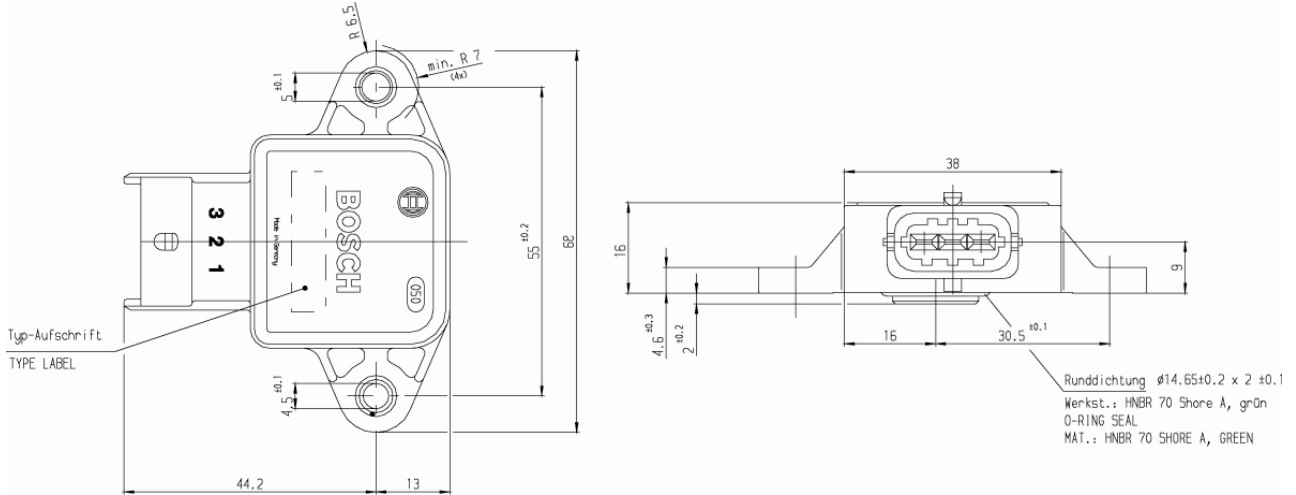
Characteristic	
Max. rotation speed	120 min ⁻¹
Direction of rotation	Anti-Clockwise
Both rotation directions are available on request.	
Redundancy	No

Application Hint	
The products of the RP series can be connected directly to most control units.	
The sensor has an internal mechanical stop and a \varnothing 14.65x2 sealing.	
Each mounting orientation is possible.	
The sensor meets all EMV, EMC and ESD automotive standards.	
Please find further application hints in the offer drawing (http://www.bosch-motorsport.com).	
Both rotation directions and other rotation angles available on request.	
Free download of the sensor configuration file (*.sdf) for the Bosch Data Logging System (http://www.bosch-motorsport.com).	

Part Number

RP 86

0 280 122 016



Rotary Potentiometer RP 100/130/308

This sensor is designed to measure rotational movement, e.g. throttle angle, spring travel, gearbox position or steering angle.

A throttle rotation moves an internal slider (wiper) on a resistive element which is supplied with voltage. Thus voltage proportional to the angle can be measured. The housing and the bearings are made of high temperature resistant plastic. The mounting plate is protected with a metal cover to ensure a good fixation. The sensor is fitted in a shrink down boot for additional protection.

The main benefit of this sensor is the combination of both high accuracy and motorsports spec connection.



Application	
Application	[1] 0 ... 100° [2] 0 ... 130° [3] 0 ... 308°
Operating temperature range	-40 ... 150 °C
Max. vibration	200 m/s ² @ 5 ... 2,000 Hz

Electrical Data	
Power supply Us	5 V
Maximal power supply	42 V
Total resistance	[1 2] 3 kΩ ±20 % [3] 5 kΩ ±20 %
Current Is	1 μA
Max. allowable contact current	10 mA

Mechanical Data	
Weight w/o cable	32 g
Protection class	IP65
Mounting	2 x M4
Lifetime	50 x 10 ⁶ rotations
Housing	synthetic material

Characteristic	
Max. rotation speed	120 min ⁻¹
Temp. coefficient	5 ppm/°K
Direction of rotation	anti-clockwise
Both rotation directions are available on request	
Redundancy	No

Connectors and Cables

Connector	ASL 6-06-05PA-HE
Connector loom	ASL 0-06-05SA-HE
Pin 1	U _s
Pin 2	Gnd
Pin 3	Sig
Pin 4	-
Pin 5	-
Sleeve	DR-25
Cable size	AWG 24
Cable length L	16 ... 30 cm
Various motorsports and automotive connectors on request.	
Please specify the requested cable length with your order.	

Application Hint

The products of the RP series can be connected directly to most control units.

The sensor has no internal mechanical stops.

Each mounting orientation is possible.

The sensor meets all EMV, EMC and ESD automotive standards.

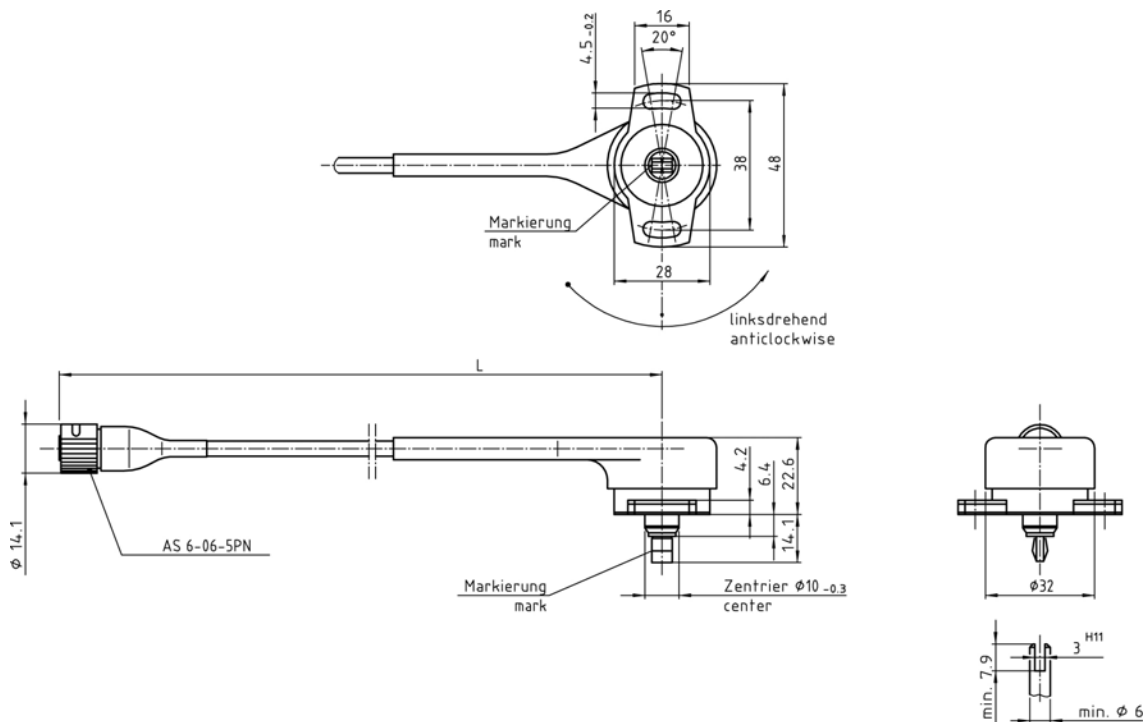
Please find further application hints in the offer drawing (<http://www.bosch-motorsport.com>).

Both rotation directions and other rotation angles available on request.

Free download of the sensor configuration file (*.sdf) for the Bosch Data Logging System (<http://www.bosch-motorsport.com>).

Part Number

RP 100 [1]	B 261 209 127-01
RP 130 [2]	B 261 209 128-02
RP 308 [3]	B 261 209 570-01



Rotary Potentiometer RP 100 twin

This sensor is designed to measure rotational movement, e.g. gearbox position or throttle angle.

A throttle rotation moves an internal slider (wiper) on a resistive element which is supplied with voltage. Thus voltage proportional to the angle can be measured. The housing and the bearings are made of high temperature resistant plastic. The mounting plate is protected with a metal cover to ensure a good fixation. The sensor is fitted in a shrink down boot for additional protection.

The main benefit of this sensor is the extremely high reliability through the redundant sensor design.

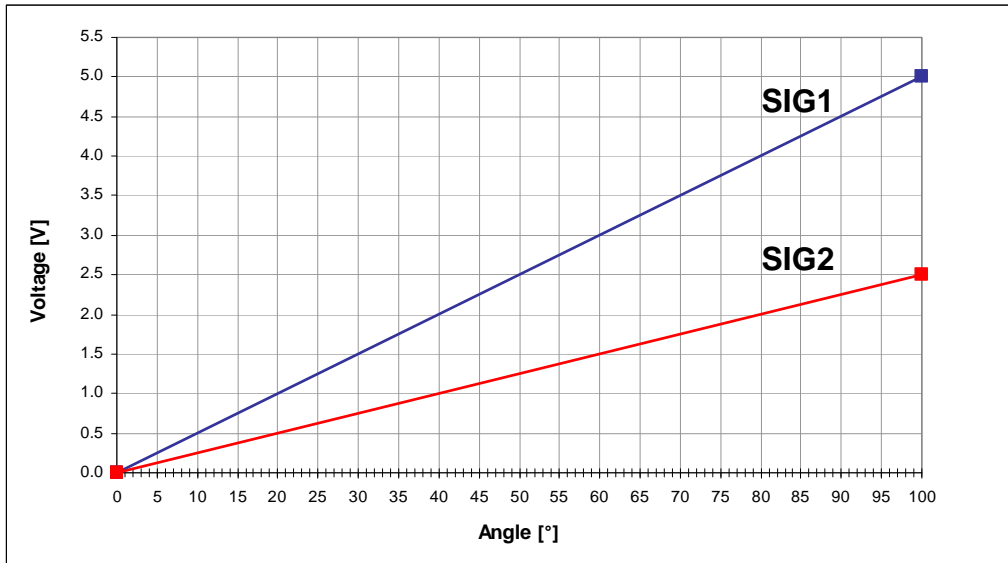


Application	
Application	0 ... 100°
Operating temperature range	-40 ... 150 °C
Max. vibration	200 m/s ² @ 5 ... 2,000 Hz

Electrical Data	
Power supply U _s	5 V
Maximal power supply	42 V
Total resistance	3 kΩ ±20 %
Current I _s	1 μA
Max. allowable contact current	10 mA

Mechanical Data	
Weight w/o wire	32 g
Protection class	IP65
Mounting	2 x M4
Lifetime	50 x 10 ⁶ rotations
Housing	synthetic material

Characteristic	
Max. rotation speed	120 min ⁻¹
Temp. coefficient	5 ppm/°K
Direction of rotation	anti-clockwise
Both rotation directions are available on request	
Redundancy	Yes



Connectors and Wires

Connector	AS 6-07-35PN
Mating connector	AS 0-07-35SN
Pin 1	Us
Pin 2	Gnd
Pin 3	Sig1
Pin 4	Us
Pin 5	Gnd
Pin 6	Sig2
Sleeve	DR-25
Wire size	AWG 24
Wire length L	16 ... 30 cm
Various motorsport and automotive connectors on request.	
Please specify the requested wire length with your order.	

Application Hint

The products of the RP series can be connected directly to most control units.

The sensor has no internal mechanical stops.

Each mounting orientation is possible.

The sensor meets all EMV, EMC and ESD automotive standards.

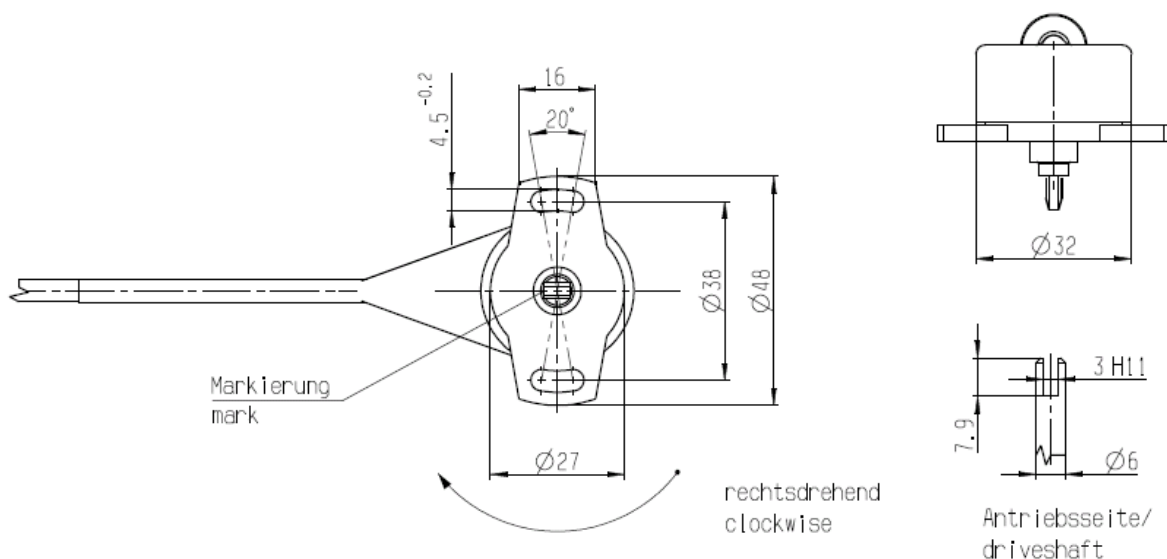
Please find further application hints in the offer drawing (<http://www.bosch-motorsport.com>).

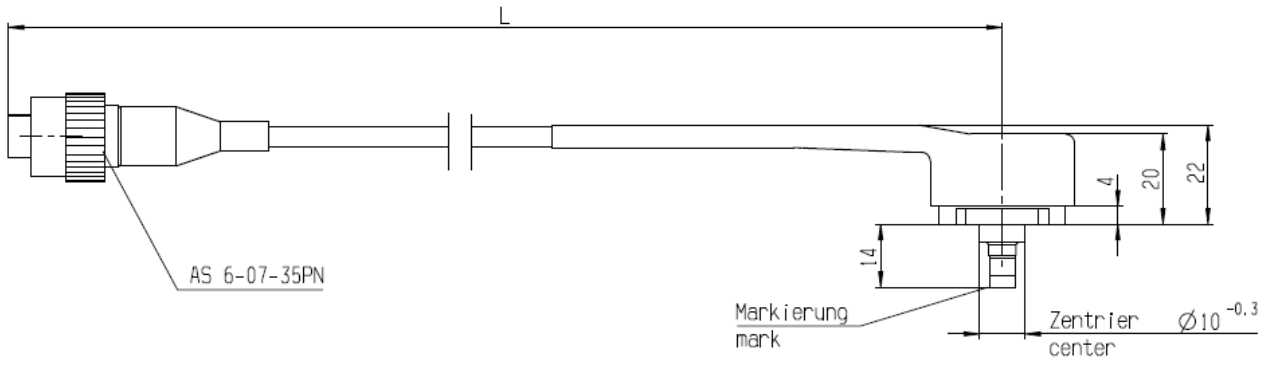
Both rotation directions and other rotation angles available on request.

Free download of the sensor configuration file (*.sdf) for the Bosch Data Logging System (<http://www.bosch-motorsport.com>).

Part Number

RP 100 twin **B 261 209 591-02**





Rotary Potentiometer Mini-RP 100-M

This sensor is designed to measure rotational movement, e.g. throttle angle or spring travel.

A throttle rotation moves an internal slider (wiper) on a resistive element which is supplied with voltage. Thus voltage proportional to the angle can be measured. The housing and the bearings are made of high temperature resistant plastic. The mounting plate is protected with a metal cover to ensure a good fixation. The sensor is fitted in a shrink down boot for additional protection.

The main benefit of this sensor is the combination of high accuracy, motorsports spec connection and a very small and robust aluminium housing.



Application	
Application	0 ... 100°
Operating temperature range	-40 ... 150 °C
Storage temperature range	0 ... 100 °C
Max. vibration	200 m/s ² @ 5 ... 2,000 Hz

Electrical Data	
Power supply U _s	5 V
Maximal power supply	42 V
Total resistance	3 kΩ ±20 %
Current I _s	1 μA
Max. allowable contact current	10 mA

Mechanical Data	
Weight w/o cable	32 g
Protection class	IP65
Mounting	2 x M4
Lifetime	50 x 10 ⁶ rotations
Housing	aluminium alloy

Characteristic	
Max. rotation speed	120 min ⁻¹
Temp. coefficient	5 ppm/°K
Direction of rotation	anti-clockwise
Both rotation directions are available on request.	
Redundancy	No

Connectors and Cables

Connector	ASL 6-06-05PA-HE
Connector loom	ASL 0-06-05SA-HE
Pin 1	Us
Pin 2	Gnd
Pin 3	Sig
Pin 4	-
Pin 5	-
Sleeve	DR-25
Cable size	AWG 24
Cable length L	16 ... 30 cm

Various motorsports and automotive connectors on request.

Please specify the requested cable length with your order.

Application Hint

The products of the RP series can be connected directly to most control units.

The sensor has no internal mechanical stops.

Each mounting orientation is possible.

The sensor meets all EMV, EMC and ESD automotive standards.

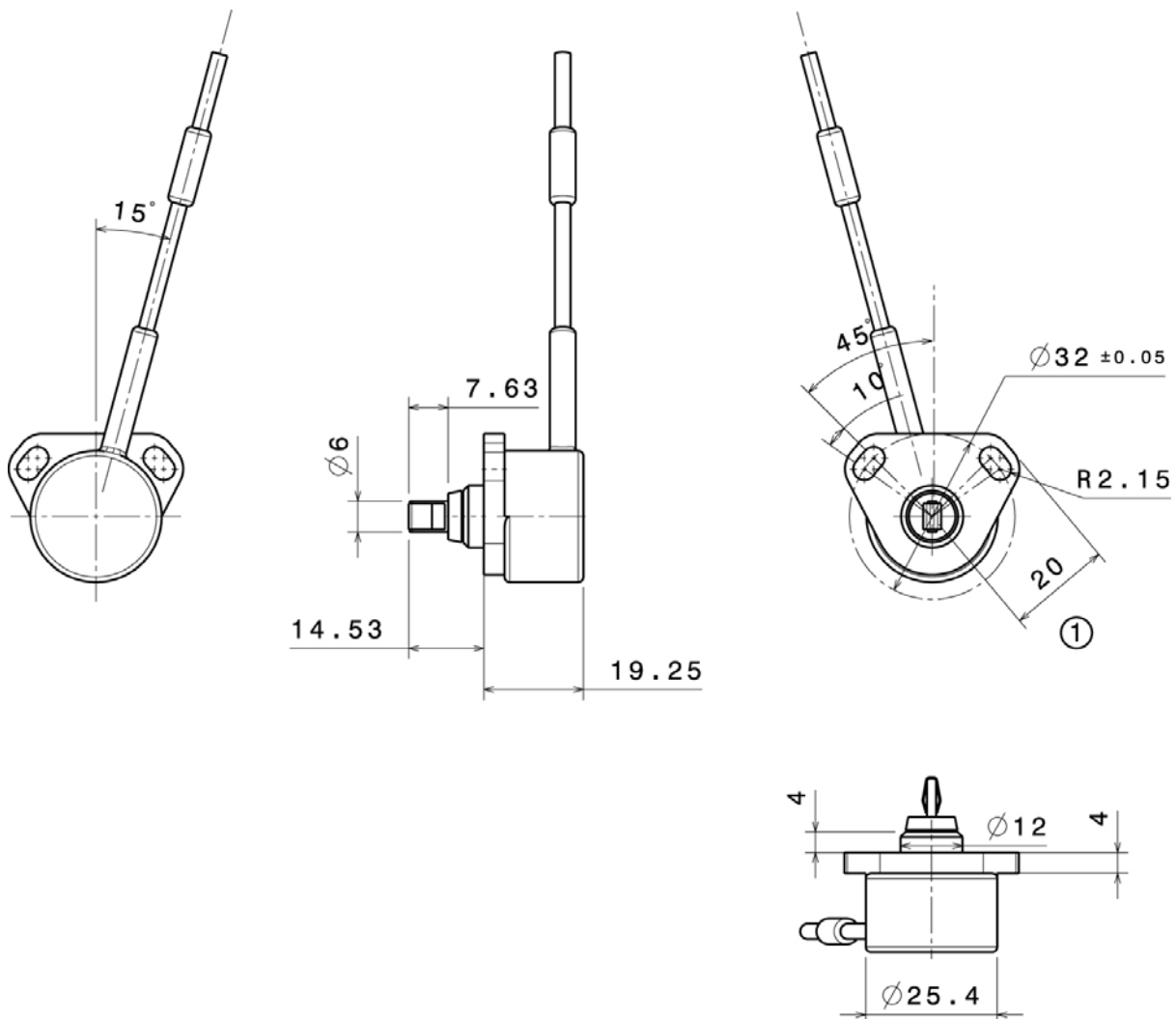
Please find further application hints in the offer drawing (<http://www.bosch-motorsport.com>).

Both rotation directions and other rotation angles available on request.

Free download of the sensor configuration file (*.sdf) for the Bosch Data Logging System (<http://www.bosch-motorsport.com>).

Part Number

Mini-RP 100-M

B 261 209 587-01


Rotary Potentiometer RP 345-M

This sensor is designed to measure rotational movement, e.g. throttle angle, spring travel, gearbox position or steering angle.

A throttle rotation moves an internal slider (wiper) on a resistive element which is supplied with voltage. Thus voltage proportional to the angle can be measured. The housing is made of shock resistant aluminium. The internal is made of high temperature resistant synthetic material. The mounting plate is protected with a metal cover to ensure a good fixation. The sensor is fitted in a shrink down boot for additional protection.

The main benefit of this sensor is the combination of both high accuracy and very tough aluminium housing.



Application	
Application	0 ... 345°
Operating temperature range	-40 ... 150 °C
Max. vibration	200 m/s ² @ 5 ... 2,000 Hz

Electrical Data	
Power supply U _s	5 V
Maximal power supply	42 V
Total resistance	5 kΩ ±20 %
Current I _s	1 μA
Max. allowable contact current	10 mA

Mechanical Data	
Weight w/o cable	32 g
Protection class	IP65
Mounting	2 x M4
Lifetime	50 x 10 ⁶ rotations
Housing	aluminium alloy

Characteristic	
Max. rotation speed	120 min ⁻¹
Temp. coefficient	5 ppm/°K
Direction of rotation	anti-clockwise
Both rotation directions are available on request.	
Redundancy	No

Connectors and Cables

Connector	ASL 6-06-05PA-HE
Connector loom	ASL 0-06-05SA-HE
Pin 1	Us
Pin 2	Gnd
Pin 3	Sig
Pin 4	-
Pin 5	-
Sleeve	DR-25
Cable size	AWG 24
Cable length L	16 ... 30 cm

Various motorsports and automotive connectors on request.

Please specify the requested cable length with your order.

Application Hint

The products of the RP series can be connected directly to most control units.

The sensor has no internal mechanical stops.

Each mounting orientation is possible.

The sensor meets all EMV, EMC and ESD automotive standards.

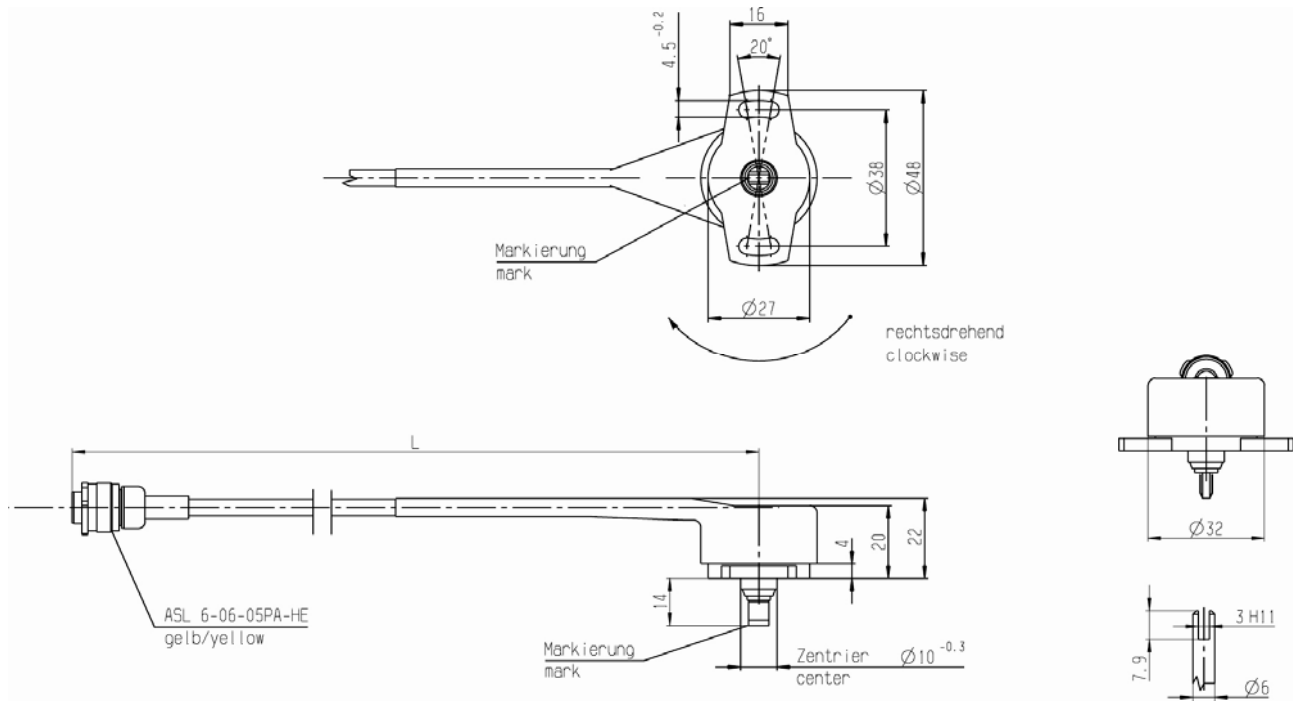
Please find further application hints in the offer drawing (<http://www.bosch-motorsport.com>).

Both rotation directions and other rotation angles available on request.

Free download of the sensor configuration file (*.sdf) for the Bosch Data Logging System (<http://www.bosch-motorsport.com>).

Part Number

RP 345-M

F 01T A21 400


Rotary Potentiometer RP 360-H

This sensor is designed to measure rotational movement, e.g. throttle angle, spring travel, gearbox position or steering angle.

The electronic is designed with a magnetic rotary sensor with Hall elements and digital signal processing. The angular position is provided by a two pole magnet integrated in the sensor shaft. A Hall effect sensor is disposed between two magnets in association with a movable specially formed ferromagnetic part. This is used to control flux in the sensor in order to produce a linearly varying output voltage dependent on the position.

The main benefit of this sensor is its contactless Hall effect technology and its robust design for motorsport applications. Other measurement ranges are available on request.

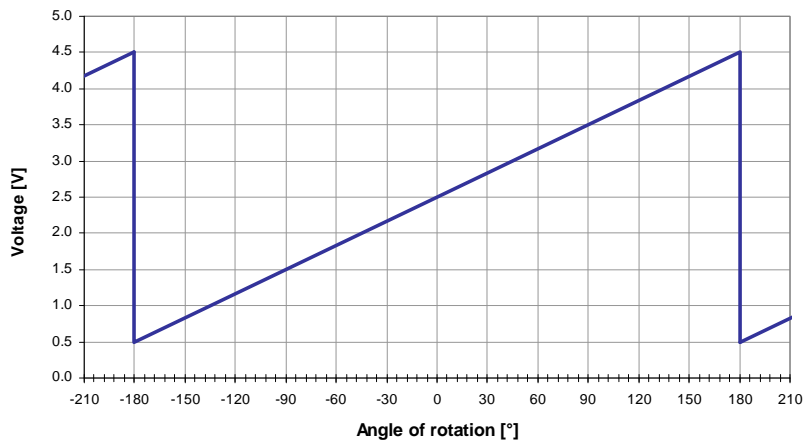


Application	
Application	0 ... 360°
Operating temperature range	-40 ... 140 °C (5 V supply)
Storage temperature range	-55 ... 140 °C
Max. vibration	200 m/s ² @ 5 ... 2,000 Hz

Electrical Data	
Power supply U _s	5 V regulated 9 V ... 30 V unregulated
Max. power supply	30 V
Total resistance	10 kΩ
Current I _s	< 12.5 mA
Resolution	0.025 % of measurement range
Output voltage range	0.5 ... 4.5 V
Output load	10 kΩ

Mechanical Data	
Weight w/o wire	< 35 g
Protection class	IP68
Mounting	2 x M4
Lifetime	20 x 10 ⁶ operations of ±75°
Housing	synthetic material

Characteristic	
Max. rotation speed	600 min ⁻¹
Temp. coefficient	< 30 ppm/°K in 5 V supply mode < 90 ppm/°K in 9 V ... 30 V supply mode
Direction of rotation	Anti-Clockwise
Both rotation directions are available on request.	
Redundancy	No



Connectors and Wires

Connector	ASL 6-06-05PA-HE
Mating connector	ASL 0-06-05SA-HE
Pin 1	Us
Pin 2	Gnd
Pin 3	Sig
Pin 4	-
Pin 5	-
Sleeve	DR-25
Wire size	AWG 22
Wire length L	16 cm
Various motorsport and automotive connectors are available on request.	
Please specify the required wire length with your order.	

Application Hint

The products of the RP series can be connected directly to most control units.

The sensor is designed with contactless Hall effect technology.

Any mounting orientation is possible.

Sensor is at mid point of electrical angle when shaft and wire exit are aligned as shown in the offer drawing.

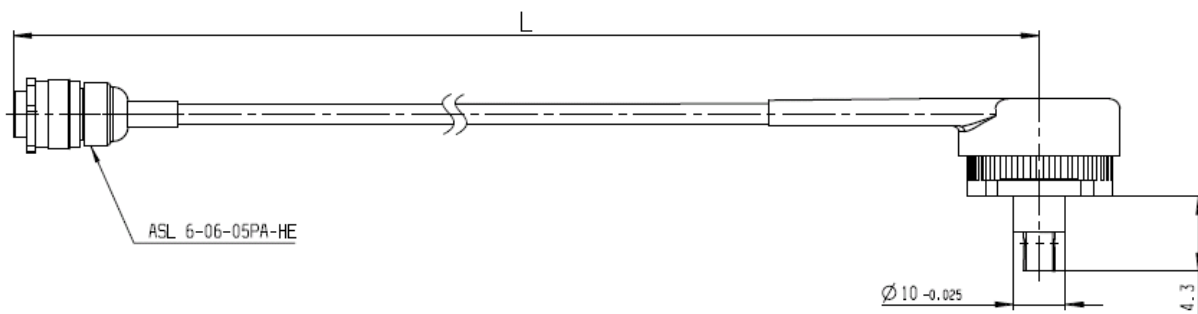
Operating temperature range for unregulated supply: -40 ... +137 °C (9 V supply). Derate upper temperature limit by 0.57 °C for every 1 V increase in supply, e.g. -40 ... +125 °C @ 30 V.

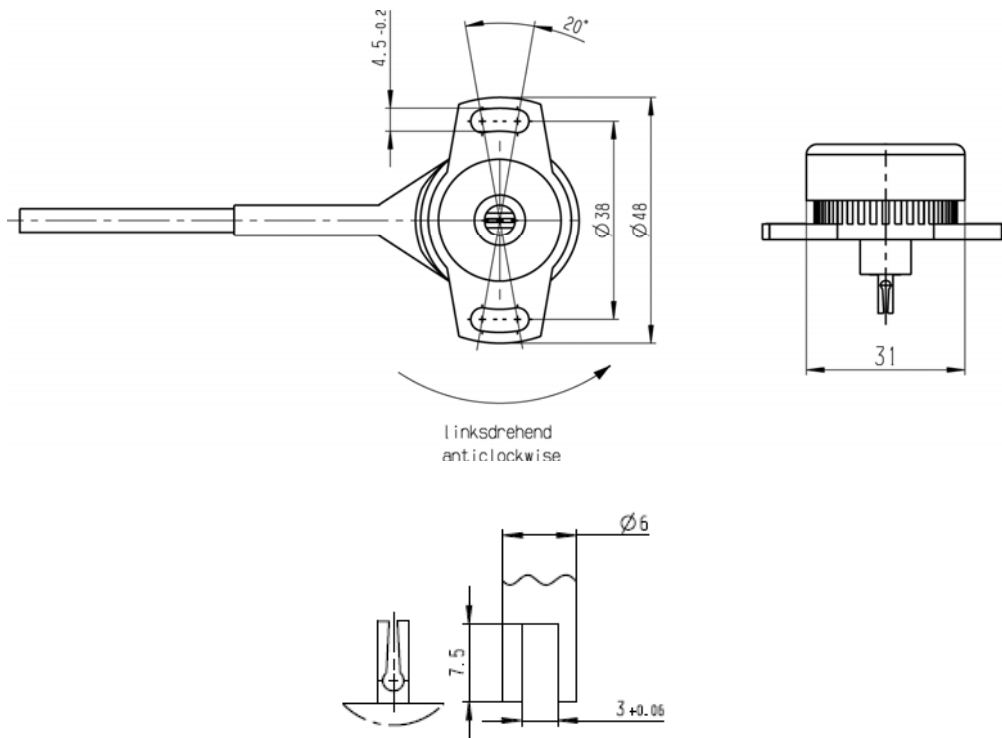
Both rotation directions and other measurement ranges are available on request.

Please find further application hints in the offer drawing (<http://www.bosch-motorsport.com>).

Part Number

RP 360-H

F 02U V00 641-01




Speed Sensors

Inductive Speed Sensor IA

This sensor is designed for incremental measurement of rotational speed (e.g. crankshaft or wheelspeed).

The inductive sensor consists of a bar magnet with a soft magnetic pole pin supporting an induction coil with two connections. When a ferromagnetic ring gear turns past this sensor, it generates a voltage in the coil which is directly proportional to the periodic variation in the magnetic flux. The rotational speed is reflected on a periodic interval between the voltage's zero transition points.

The main benefit of this sensor is the combination of a high quality production part and robust, high temperature resistance. Additionally the installation depth can be changed according to the customer request.



Application	
Application	speed
Max. frequency	≤ 15 kHz
Target wheel air gap AG	0.8 ± 0.3 mm
Operating temp. range (sensing head)	-40 ... 230 °C
Storage temperature range	0 ... 100 °C
Max. vibration	800 m/s ² max. 80 h

Electrical Data	
Coil resistance	1,200 Ω
Inductance max.	400 mH
Output voltage max.	190 V _{P-P}

Mechanical Data	
Magnetic pole	round
Bore diameter	12.5 mm
Weight w/o wire	30 g
Installation depth L2	32.2 mm

Environment	
Target wheel diameter D	160.43 mm
Thickness t	> 5 mm
Width of teeth b1	4.1 mm
Width of gap b2	4.3 mm
Depth of teeth h1	3.5 mm
Depth of teeth h2	1.75 mm
Number of teeth	60-2

Connectors and Wires

Connector	ASL 6-06-05SN-HE
Mating connector	ASL 0-06-05PN-HE
Pin 1	-
Pin 2	Gnd
Pin 3	Sig
Pin 4	-
Pin 5	Scr
Various motorsport and automotive connectors available on request.	
Sleeve	DR-25
Wire	AWG 24
Wire length L	10 ... 100 cm
Please specify the required wire length with your order.	

Application Hint

The inductive speed sensor IA is developed for wheels made of ferromagnetic material.

If a wheel with different dimensions is used (see Environment), the technical function has to be tested individually.

The installation depth L_2 can be changed individually according to customer request.

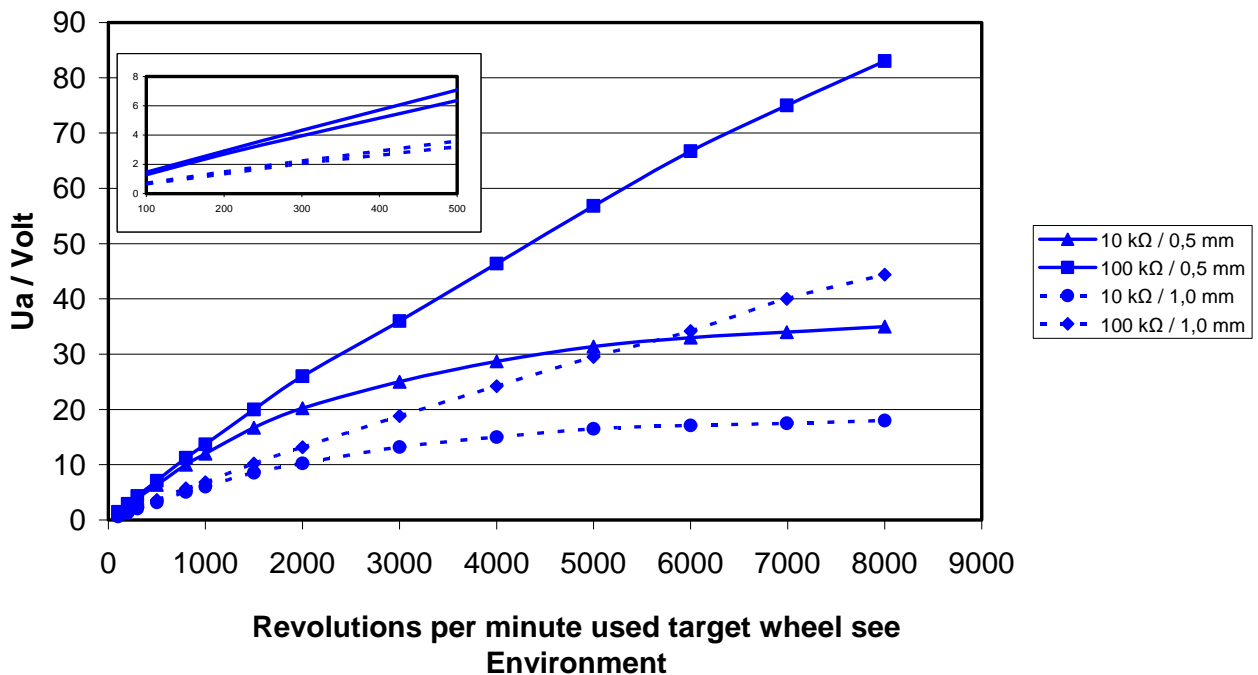
Please contact our technical consultancy for more information.

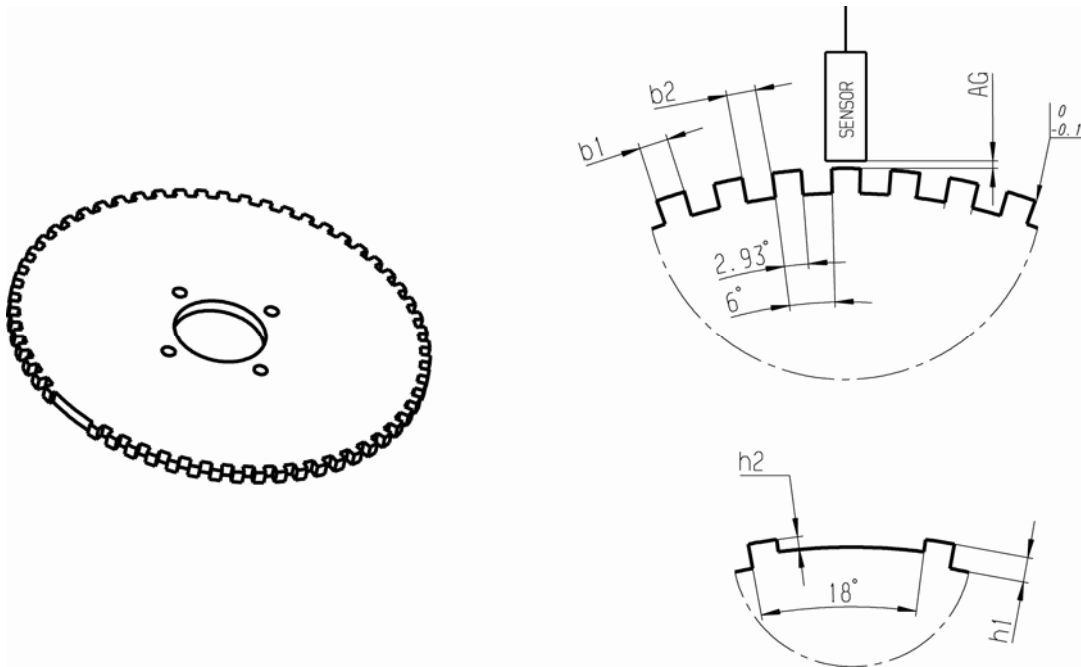
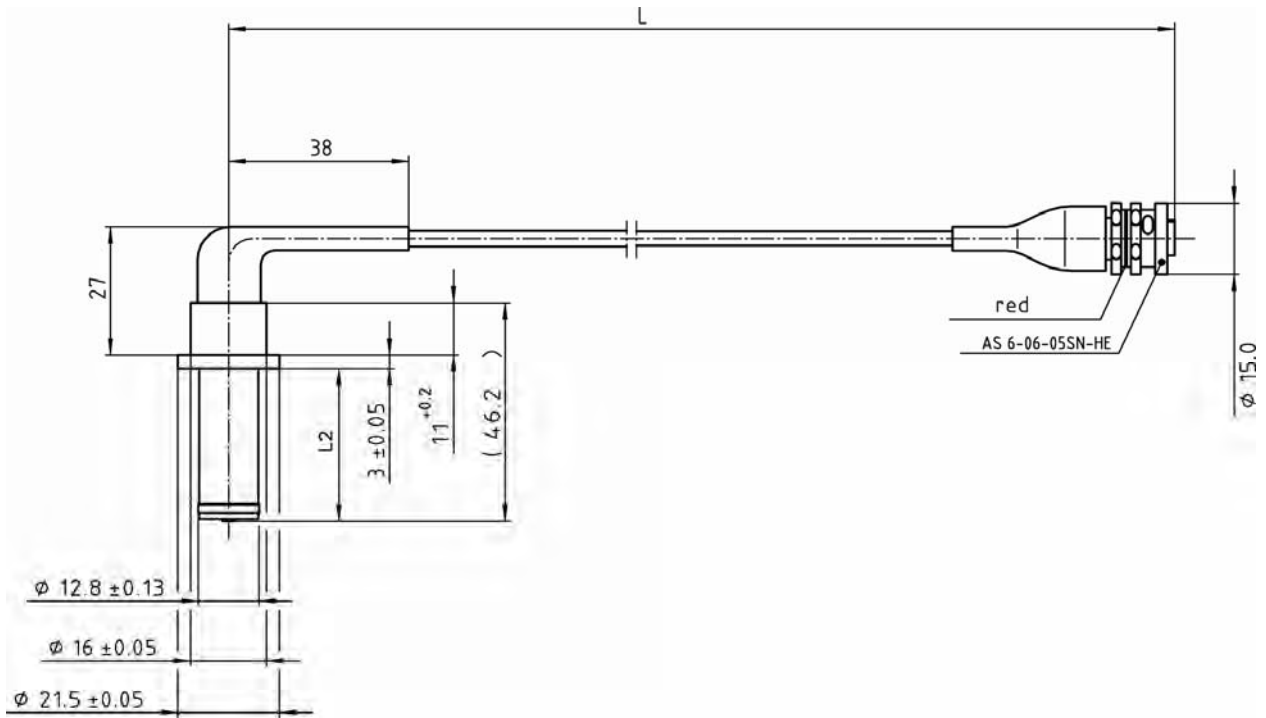
Please find further application hints in the offer drawing (<http://www.bosch-motorsport.com>).

Part Number

Inductive Speed Sensor IA **B 261 209 519-01**

$U_a = f(\text{rpm}, \text{airgap})$





Inductive Speed Sensor IA-C

This sensor is designed for incremental measurement of rotational speed (e.g. crankshaft or wheelspeed).

The inductive sensor consists of a bar magnet with a soft magnetic pole pin supporting an induction coil with two connections. When a ferromagnetic ring gear turns past this sensor, it generates a voltage in the coil which is directly proportional to the periodic variation in the magnetic flux. The rotational speed is reflected on a periodic interval between the voltage's zero transition points.

It is available in a DR-25 sleeve with various connector options.

The main benefit of this sensor is the combination of a high quality production part and robust, compact design.



Application	
Application	speed
Max. frequency	≤ 15 kHz
Target wheel air gap AG	0.8 ± 0.3 mm
Operating temp. range (sensing head)	-40 ... 130 °C
Storage temperature range	-40 ... 100 °C
Max. vibration	800 m/s ² max. 80 h

Electrical Data	
Coil resistance	860 Ω ± 10 %
Inductance max.	370 mH ± 15 %
Output voltage max.	200 V _{P-P}

Mechanical Data	
Magnetic pole	round
Bore diameter	18 mm
Tightening torque	8 Nm
Weight w/o wire	40 g
Installation depth L2	23.7 mm

Environment	
Target wheel diameter D	160.43 mm
Thickness t	> 5 mm
Width of teeth b1	4.1 mm
Width of gap b2	4.3 mm
Depth of teeth h1	3.5 mm
Depth of teeth h2	1.75 mm
Number of teeth	60-2

Connectors and Wires

Connector	1 928 404 227
Mating connector	D 261 205 335
Pin 1	Sig+
Pin 2	Sig-
Pin 3	Scr
Various motorsport and automotive connectors are available on request.	
Please specify the required wire length with your order.	

Application Hint

The inductive speed sensor IA-C is developed for wheels made of ferromagnetic material.

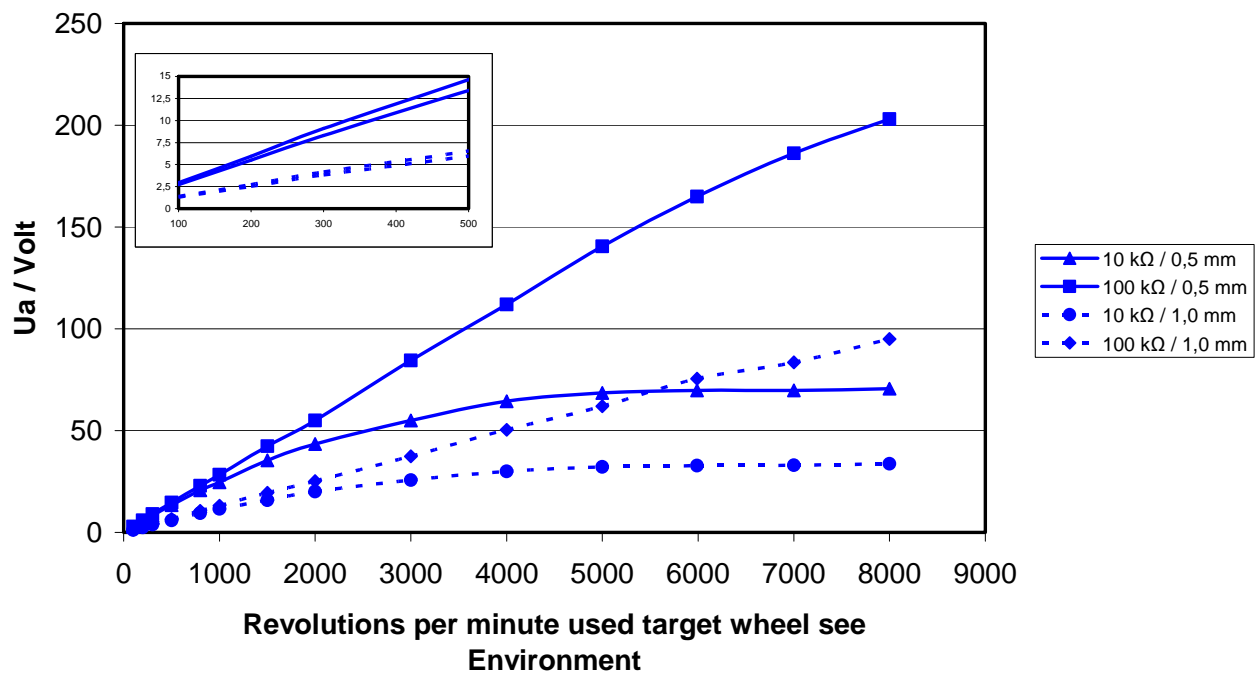
If a wheel with different dimensions is used (see Environment), the technical function has to be tested individually.

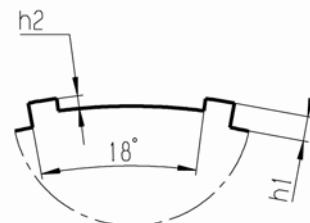
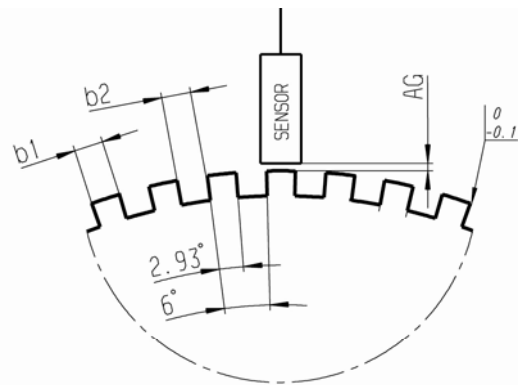
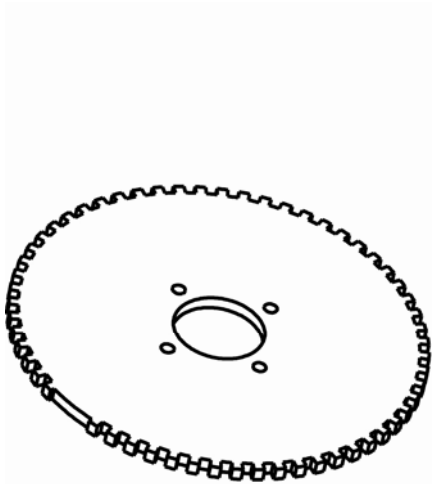
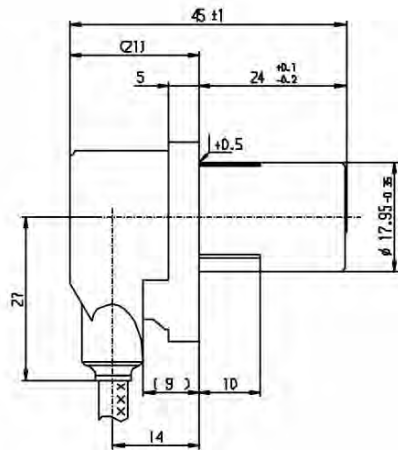
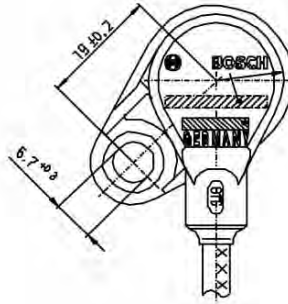
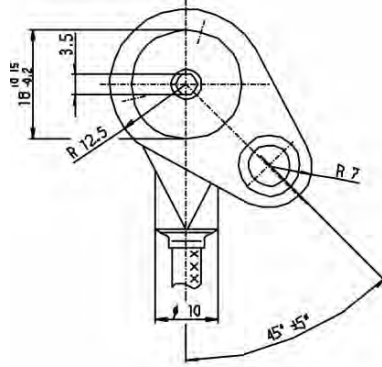
Please contact our technical consultancy for more information.

Please find further application hints in the offer drawing (<http://www.bosch-motorsport.com>).

Part Number

Inductive Speed Sensor IA-C **0 261 210 136**

 $U_a = f(\text{rpm, airgap})$




Inductive Speed Sensor IS

This sensor is designed for incremental measurement of rotational speed (e.g. crankshaft or wheelspeed).

The inductive sensor consists of a bar magnet with a soft magnetic pole pin supporting an induction coil with two connections. When a ferromagnetic ring gear turns past this sensor, it generates a voltage in the coil which is directly proportional to the periodic variation in the magnetic flux. The rotational speed is reflected on a periodic interval between the voltage's zero transition points.

The main benefit of this sensor is the combination of a high quality production part and robust, high temperature resistance. Additionally the installation depth can be changed according to the customer request.



Application	
Application	speed
Max. frequency	≤ 15 kHz
Target wheel air gap AG	0.8 ± 0.3 mm
Operating temp. range (sensing head)	-40 ... 230 °C
Storage temperature range	0 ... 100 °C
Max. vibration	800 m/s ² max. 80 h

Electrical Data	
Coil resistance	1,200 Ω
Inductance max.	400 mH
Output voltage max.	190 V P-P

Mechanical Data	
Magnetic pole	round
Bore diameter	12.5 mm
Tightening torque	8 Nm
Weight w/o wire	30 g
Installation depth L ₂	32.2 mm

Environment	
Target wheel diameter D	160.43 mm
Thickness t	> 5 mm
Width of teeth b ₁	4.1 mm
Width of gap b ₂	4.3 mm
Depth of teeth h ₁	3.5 mm
Depth of teeth h ₂	1.75 mm
Number of teeth	60-2

Connectors and Wires

Connector	ASL 6-06-05SN-HE
Mating connector	ASL 0-06-05PN-HE
Pin 1	-
Pin 2	Sig-
Pin 3	Sig+
Pin 4	-
Pin 5	Scr
Various motorsport and automotive connectors available on request.	
Sleeve	DR-25
Wire	AWG 24
Wire length L	10 ... 100 cm
Please specify the required wire length with your order.	

Application Hint

The inductive speed sensor IS is developed for wheels made of ferromagnetic material.

If a wheel with different dimensions is used (see Environment), the technical function has to be tested individually.

The installation depth L_2 can be changed individually according to customer request.

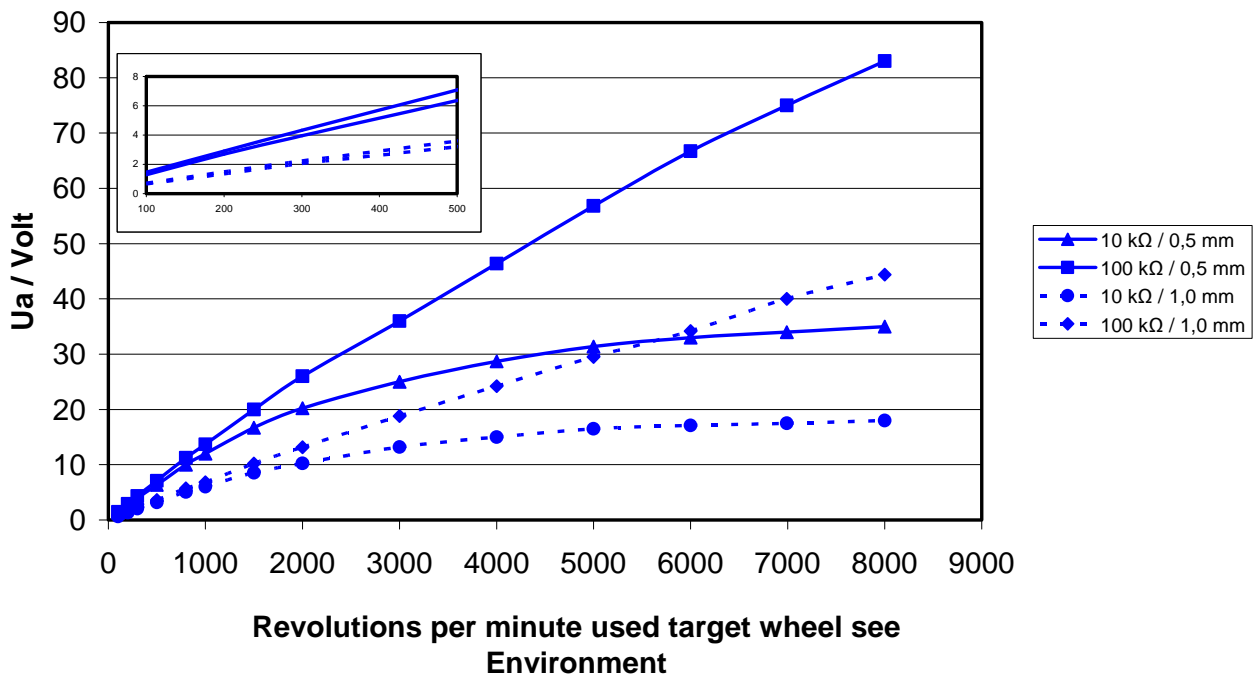
Please contact our technical consultancy for more information.

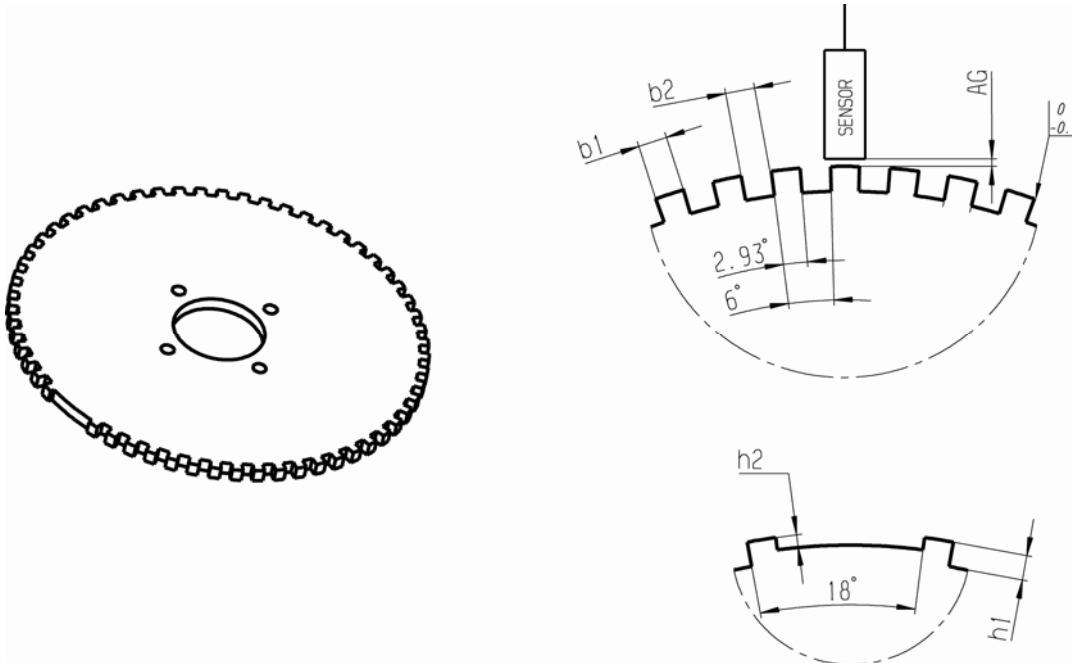
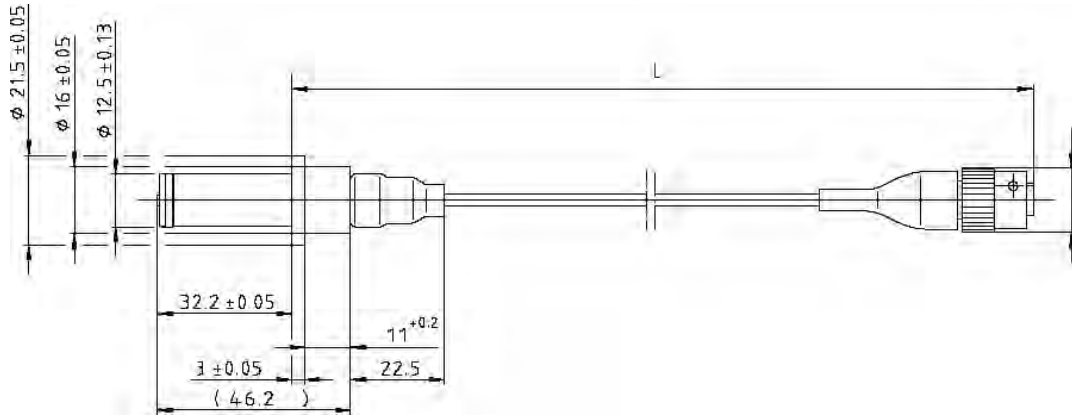
Please find further application hints in the offer drawing (<http://www.bosch-motorsport.com>).

Part Number

Inductive Speed Sensor IS **B 261 209 517-01**

$U_a = f(\text{rpm, airgap})$





Inductive Speed Sensor IS-M

This sensor is designed for incremental measurement of revolutions and angles at engine and chassis applications.

The inductive sensor consists of a bar magnet with a soft magnetic pole pin supporting an induction coil with two connections. When a ferromagnetic ring gear turns past this sensor, it generates a voltage in the coil which is directly proportional to the periodic variation in the magnetic flux. The rotational speed is reflected on a periodic interval between the voltage's zero transition points.

It is available in a DR-25 sleeve with various connectors options and different installation depths.

The main benefit of this sensor is the combination of both high quality production part and a robust, compact design.



Application	
Application	speed
Max. frequency	≤ 15 kHz
Target wheel air gap AG	0.5 ± 0.25 mm
Operating temp. range (sensing head)	-40 ... 225 °C
Storage temperature range	-40 ... 100 °C
Max. vibration	800 m/s ² max. 80 h
Electrical Data	
Coil resistance	390 Ω
Inductance max.	75 mH
Output voltage max.	55 V P-P

Mechanical Data	
Magnetic pole	round, 2.36 mm
Environment	
Target wheel diameter D	160.43 mm
Thickness t	> 5 mm
Width of teeth b1	4.1 mm
Width of gap b2	4.3 mm
Depth of teeth h1	3.5 mm
Depth of teeth h2	1.75 mm
Number of teeth	60-2

Connectors and Wires

Connector	ASL 6-06-05SN-HE
Mating connector	ASL 0-06-05PN-HE
Pin 1	-
Pin 2	Sig-
Pin 3	Sig+
Pin 4	-
Pin 4	-
Various motorsport and automotive connectors on request.	
Sleeve	DR-25
Wire	AWG 24
Wire length L	10 ... 100 cm
Various motorsport and automotive connectors are available on request.	
Please specify the required wire length with your order.	

Application Hint

The inductive speed sensor IS-M is developed for wheels made of ferromagnetic material.

If a wheel with different dimension has to be used (see Environment), the technical function has to be tested individually.

The installation depth can be changed individually according to the customer request.

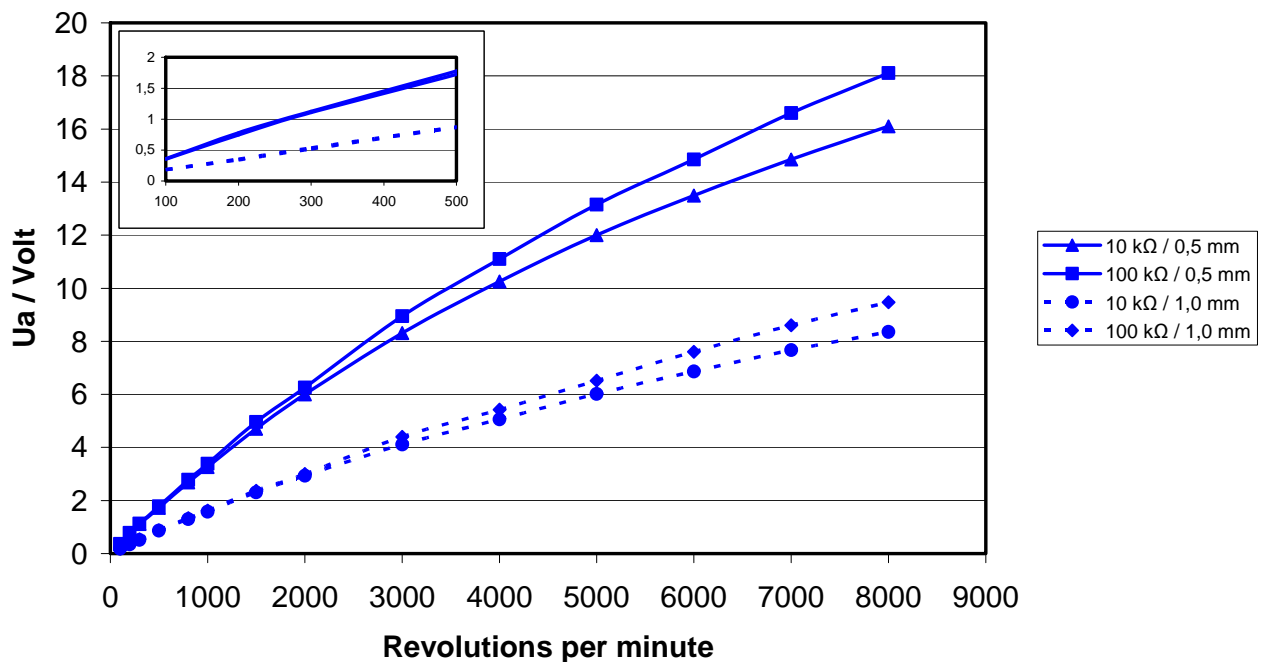
Please contact our technical consultancy for more information.

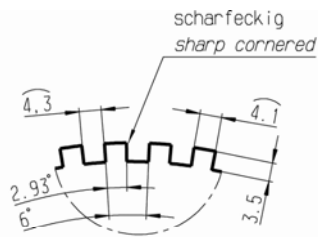
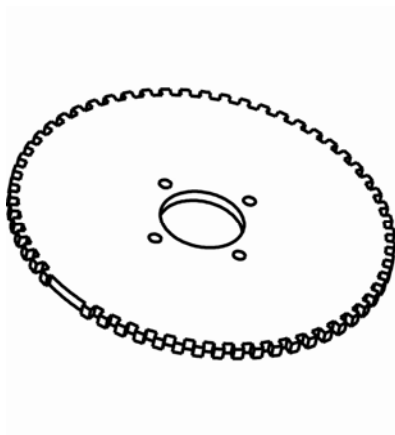
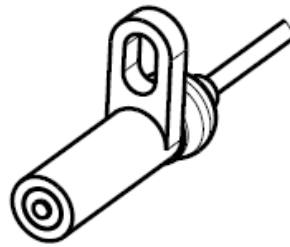
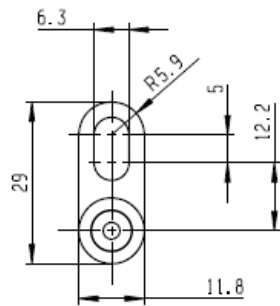
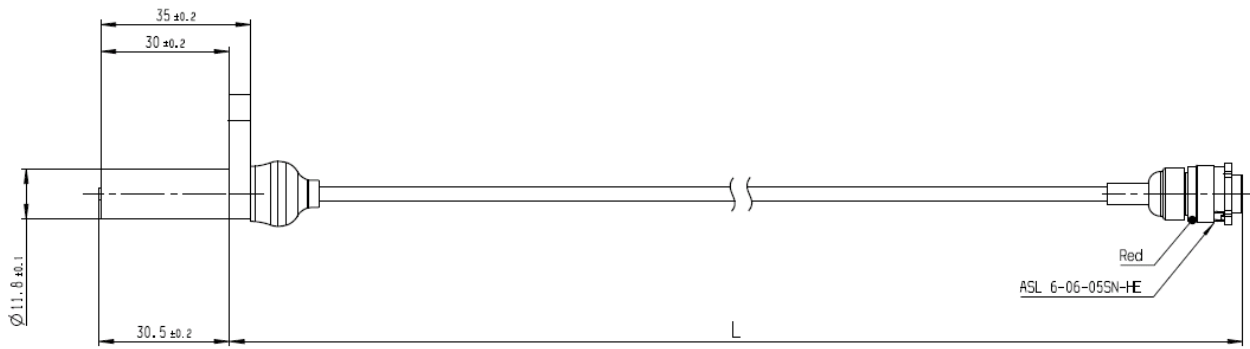
Please find further application hints in the offer drawing (<http://www.bosch-motorsport.com>).

Part Number

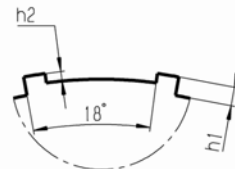
Inductive Speed Sensor IS-M **F 02U V00 693-01**

$$U_a = f(\text{rpm, airgap})$$





Detail A
Scale: 4:3



Detail B
Scale: 4:3

Inductive Speed Sensor IS-C

This sensor is designed for incremental measurement of rotational speed (e.g. crankshaft or wheelspeed).

The inductive sensor consists of a bar magnet with a soft magnetic pole pin supporting an induction coil with two connections. When a ferromagnetic ring gear turns past this sensor, it generates a voltage in the coil which is directly proportional to the periodic variation in the magnetic flux. The rotational speed is reflected on a periodic interval between the voltage's zero transition points.

The main benefit of this sensor is the combination of a high quality production part with very compact design, and high temperature resistance.



Application	
Application	speed
Max. frequency	≤ 15 kHz
Target wheel air gap AG	0.8 ± 0.3 mm
Operating temp. range (sensing head)	-40 ... 230 °C
Storage temperature range	0 ... 100 °C
Max. vibration	800 m/s ² max. 80 h

Electrical Data	
Coil resistance	340 Ω
Inductance max.	64 mH

Mechanical Data	
Magnetic pole	round
Bore diameter	12.9 mm
Tightening torque	8 Nm
Weight w/o wire	25 g
Installation depth L ₂	24.1 mm

Environment	
Target wheel diameter D	160.43 mm
Thickness t	> 5 mm
Width of teeth b ₁	4.1 mm
Width of gap b ₂	4.3 mm
Depth of teeth h ₁	3.5 mm
Depth of teeth h ₂	1.75 mm
Number of teeth	60-2

Connectors and Wires

Connector	ASL 6-06-05SN-HE
Mating connector	ASL 0-06-05PN-HE
Pin 1	-
Pin 2	GND
Pin 3	Sig
Pin 4	-
Pin 5	Scr
Various motorsport and automotive connectors are available on request.	
Sleeve	DR-25
Wire	AWG 24
Wire length	max. 50 cm
Please specify the required wire length with your order.	

Application Hint

The inductive speed sensor IS-C is developed for wheels made of ferromagnetic material.

If a wheel with different dimensions is used (see Environment), the technical function has to be tested individually.

This sensor is also available with a M10x1 male thread.

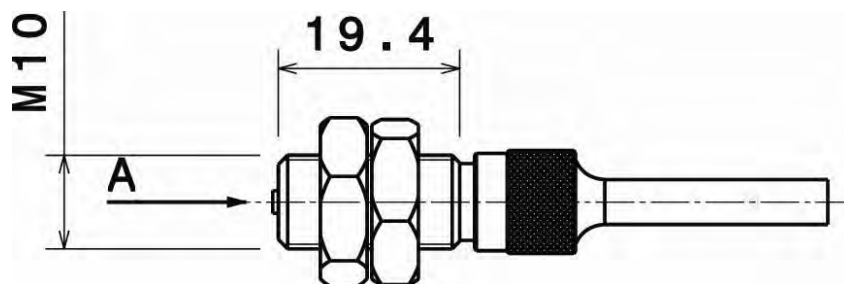
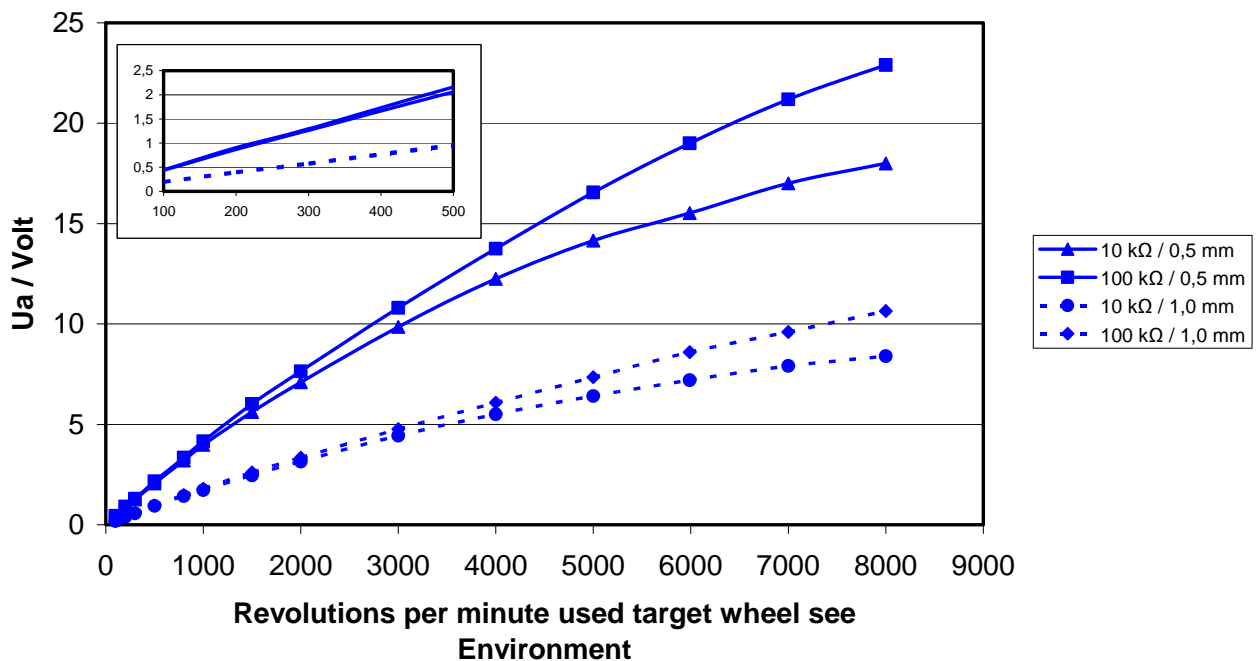
Please contact our technical consultancy for more information.

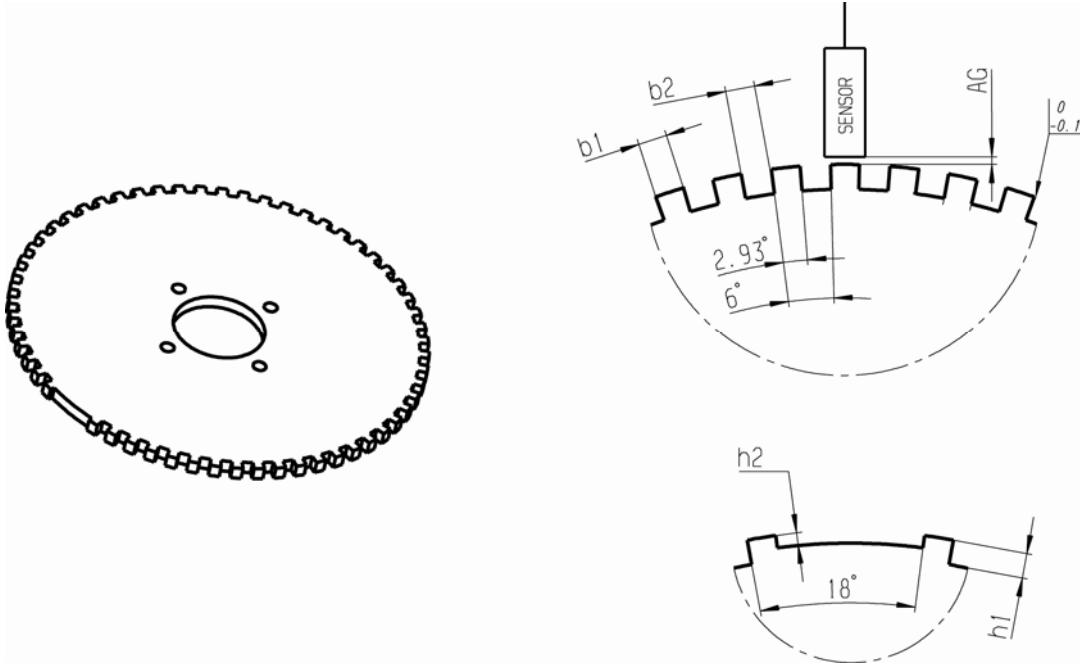
Please find further application hints in the offer drawing (<http://www.bosch-motorsport.com>).

Part Number

Inductive Speed Sensor IS-C **B 261 209 609**

$$U_a = f(\text{rpm, airgap})$$





Inductive Speed Sensor IS-T

This sensor is designed for incremental measurement of rotational speed of a turbo charger.

The inductive sensor consists of a bar magnet with a soft magnetic pole pin supporting an induction coil with two connections. When a ferromagnetic ring gear turns past this sensor, it generates a voltage in the coil which is directly proportional to the periodic variation in the magnetic flux. The rotational speed is reflected on a periodic interval between the voltage's zero transition points.

The main benefit of this sensor is robustness, a very compact design and high temperature resistance.



Application	
Application	speed
Target wheel air gap AG	0.5 mm
Operating temp. range (sensing head)	-40 ... 230 °C
Storage temperature range	0 ... 100 °C
Max. vibration	800 m/s ² max. 80 h

Mechanical Data	
Magnetic pole	round
Bore diameter	6.3 mm
Tightening torque	1.4 Nm
Weight w/o wire	14 g
Installation depth L ₂	20 mm

Environment	
Target wheel diameter D	160.43 mm
Thickness t	> 5 mm
Width of teeth b1	4.1 mm
Width of gap b2	4.3 mm
Depth of teeth h1	3.5 mm
Depth of teeth h2	1.75 mm
Number of teeth	60-2

Electrical Data	
Coil resistance	30 Ω
Inductance max.	2.6 mH

Connectors and Wires	
Connector	ASL 6-06-05SN-HE
Mating connector	ASL 0-06-05PN-HE
Pin 1	-
Pin 2	Gnd
Pin 3	Sig
Pin 4	-
Pin 5	Scr

Various motorsport and automotive connectors available on request.

Sleeve	DR-25
Wire	AWG 24
Wire length L	10 ... 100 cm

Please specify the required wire length with your order.

Application Hint

This inductive speed sensor IS-T is developed for wheels made of ferromagnetic material by turbo charger.

If a wheel with different dimensions is used (see Environment), the technical function has to be tested individually.

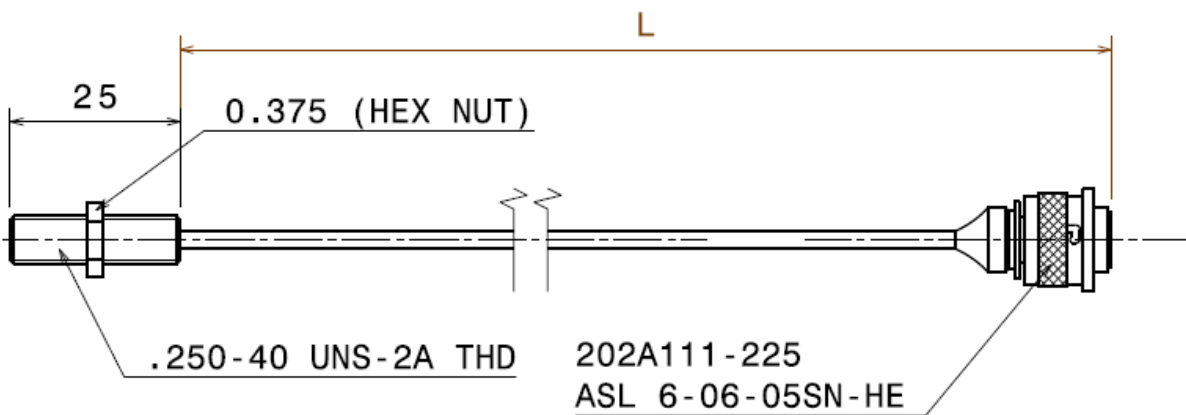
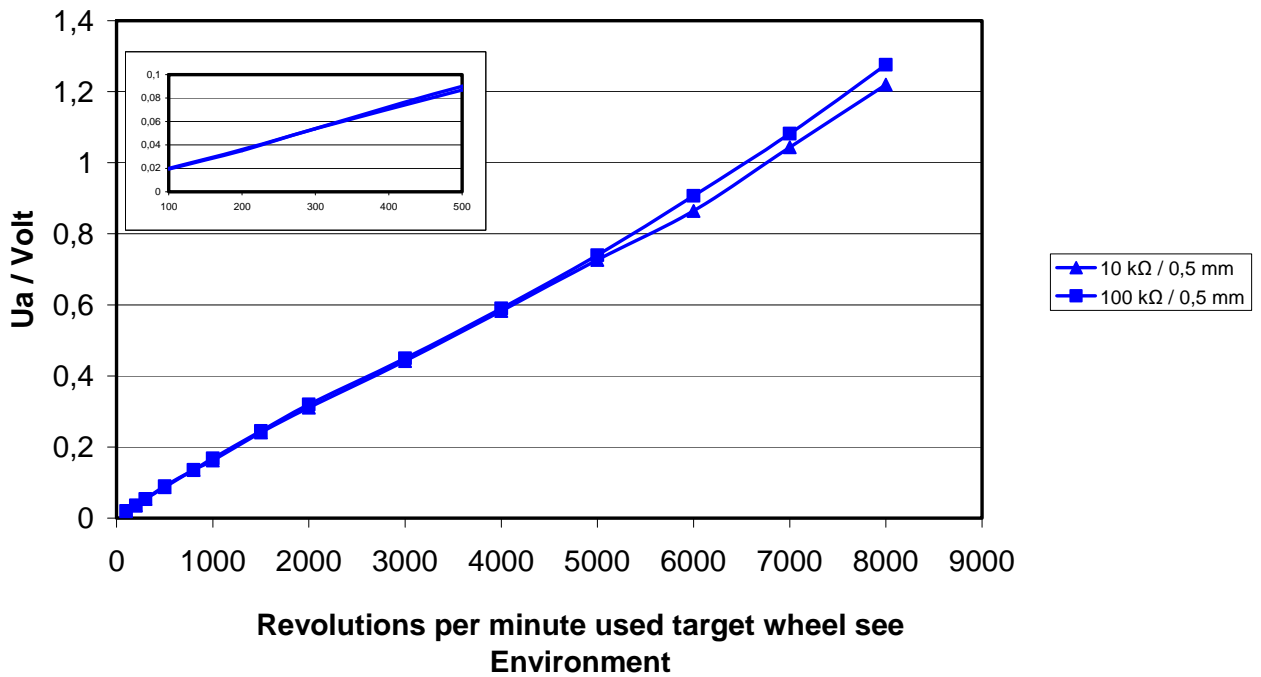
Please contact our technical consultancy for more information.

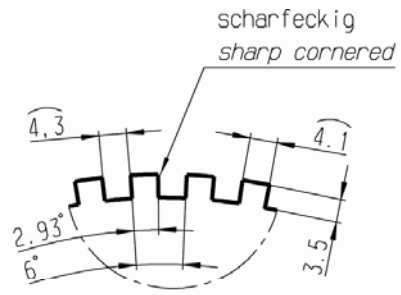
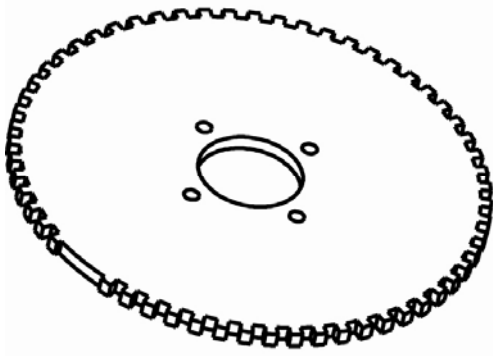
Please find further application hints in the offer drawing (<http://www.bosch-motorsport.com>).

Part Number

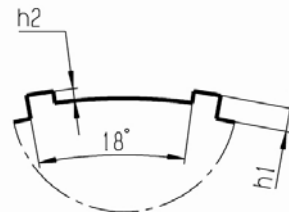
Speed Sensor IS-T **B 261 209 662-01**

$U_a = f(\text{rpm})$





Detail A
Scale: 4:3



Detail B
Scale: 4:3

Hall-Effect Speed Sensor HA-M

This sensor is designed for incremental measurement of rotational speed (e.g. camshaft, crankshaft or wheelspeed).

Due to the rotation of a ferromagnetic target wheel in front of the HA-M, the magnetic field is modulated at the place of the Hall probe. A Hall-effect sensor element with integrated signal conditioning circuit detects this change and generates a digital output signal. We offer this sensor with two different types of output: Active high and Active low.

The main feature and benefit of this sensor is the combination of a high quality production part and robust design with metal housing and motorsport connectors.



Application	
Application	speed
Max. frequency	≤ 10 kHz
Target wheel air gap	0.5 ... 1.5 mm
Temperature range	- 40 ... 160 °C
Output circuit	open collector for 1 kΩ
Output type	[1] Active low [2][3] Active high
External magnetic fields	< 1 mT
Max. vibration	1,200 m/s ² @ 10 Hz ... 2 kHz

Mechanical Data	
Weight w/o wire	12 g
Mounting	1 x M6
Bore diameter	11.8 mm
Installation depth L ₂	30 mm
Tightening torque	6 Nm

Electrical Data	
Power supply	5 ... 18 V
Current I _s	5 ... 18 mA

Connectors and Wires	
Connector	[1][2] ASU 6-03-03PN-HE [3] without connector
Mating connector	[1][2] ASU 0-03-03SN-HE [3] -
Pin 1	[1][2] U _s [3] U _s red
Pin 2	[1][2] Gnd [3] Gnd black
Pin 3	[1][2] Sig [3] Sig green
Various motorsport and automotive connectors available on request.	
Sleeve	DR-25
Wire size	AWG 24
Wire length	15 ... 100 cm
Please specify the required wire length with your order.	

Characteristic

Accuracy repeatability of the falling edge of tooth	< 4 % (≤ 6 kHz) < 8 % (≤ 10 kHz)
Signal output	0.52 V ... < U _s

Environment

Target wheel diameter D	162.34 mm
Thickness t	12.5 mm
Width of teeth b1	3.8 mm
Width of gap b2	4.7 mm
Width of sync. gap b3	20.79 mm
Depth of teeth h	3.4 mm
Number of teeth	60-2

Application Hint

The HA-M can be connected directly to most control units and data logging systems.

Please avoid abrupt temperature changes.

For mounting please use only the integrated plug.

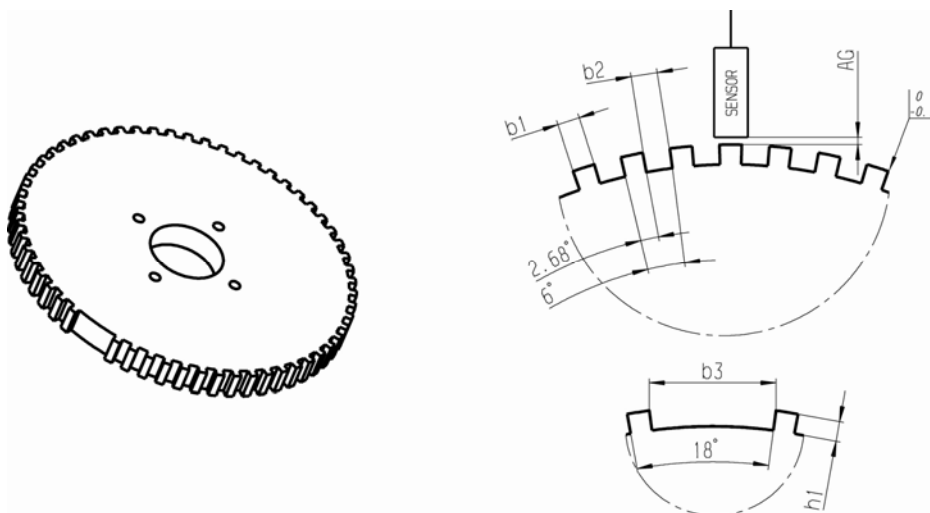
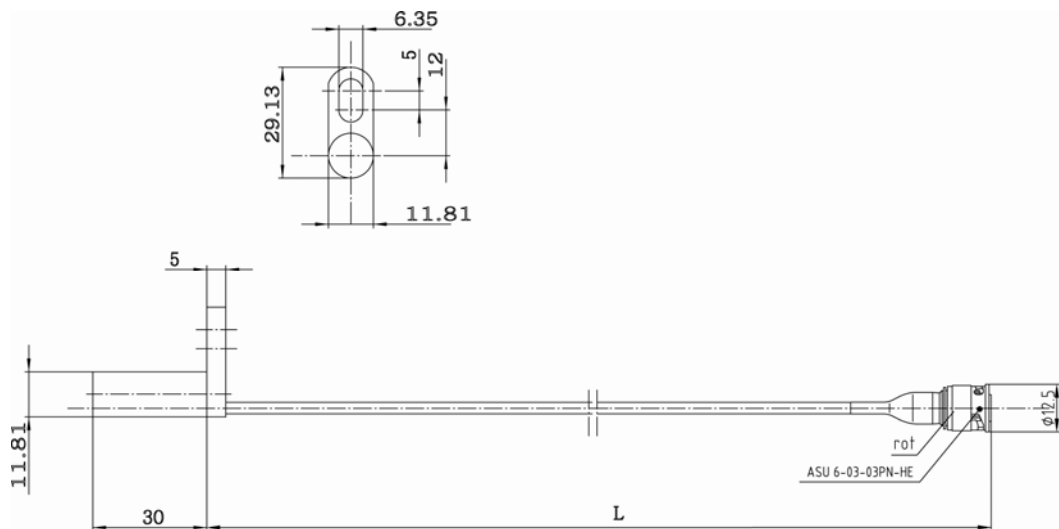
If a wheel with different dimensions is used (see Environment), the technical function has to be tested individually.

Please ensure that the environmental conditions do not exceed the sensor specifications.

Please find further application hints in the offer drawing (<http://www.bosch-motorsport.com>).

Part Numbers

Speed sensor HA-M	[1] B 261 209 283-01
Speed sensor HA-M	[2] B 261 209 295-01
Speed sensor HA-M	[3] F 02U V00 627-01



Hall-Effect Speed Sensor HA-P

This sensor is designed for incremental measurement of rotational speed (e.g. camshaft, crankshaft or wheelspeed).

Due to the rotation of a ferromagnetic target wheel in front of the HA-P, the magnetic field is modulated at the place of the Hall probe. A hall-effect sensor element with integrated signal conditioning circuit detects this change and generates a digital output signal.

The main feature and benefit of this sensor is the combination of a high quality production part and robust design with metal housing.



Application	
Application	speed
Max. frequency	≤ 10 kHz
Target wheel air gap	0.5 ... 1.4 mm
Temperature range	-40 ... 150 °C
Output type	active low
Output circuit	open collector for 1 kΩ
Max. vibration	1,000 m/s ² @ 10 Hz ... 2 kHz

Mechanical Data	
Weight w/o wire	70 g
Mounting	with screw 1 x M6
Bore diameter	18 mm
Installation depth L ₂	24 mm
Tightening torque	8 Nm

Characteristic	
Accuracy repeatability of the falling edge of tooth	< 1.5 % (≤ 6 kHz) < 2 % (≤ 10 kHz)
Signal output	0.4 V ... < U _s

Electrical Data	
Power supply	4.5 ... 24 V
Current I _s	10 mA

Connectors and Wires	
Connector	1 928 404 227
Mating connector	D 261 205 335
Pin 1	Gnd
Pin 2	Sig
Pin 3	U _s

Environment	
Target wheel diameter D	162.34 mm
Thickness t	12.5 mm
Width of teeth b ₁	3.8 mm
Width of gap b ₂	4.7 mm
Width of sync. gap b ₃	20.79 mm
Depth of teeth h	3.4 mm
Number of teeth	60-2

Application Hint

The HA-P can be connected directly to most control units and data logging systems.

Please avoid abrupt temperature changes.

For mounting please use only the integrated plug.

If a wheel with different dimensions is used (see Environment), the technical function has to be tested individually.

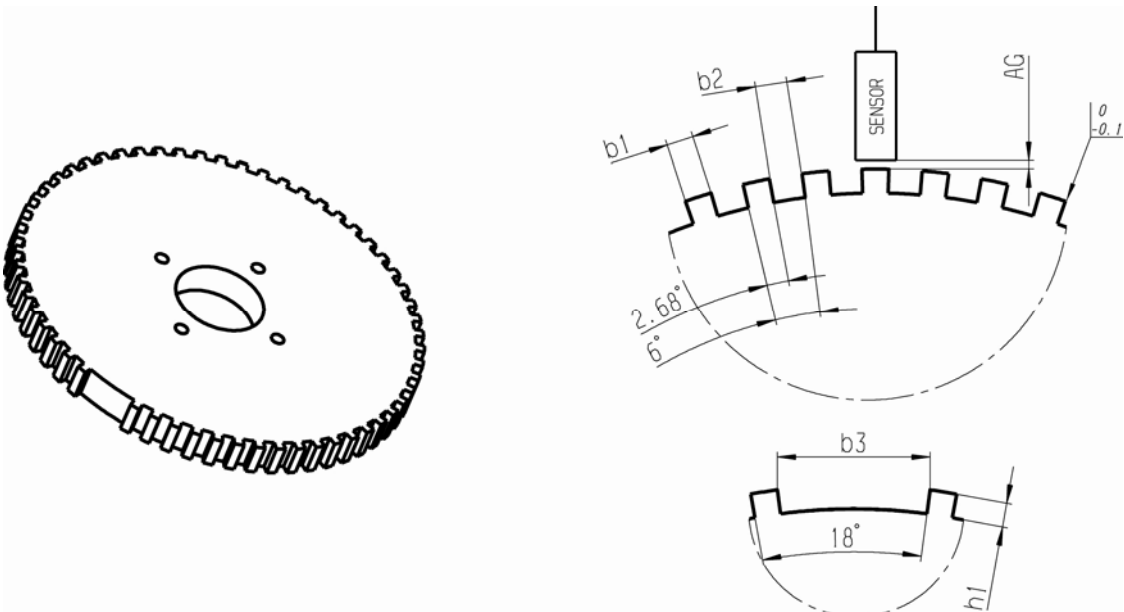
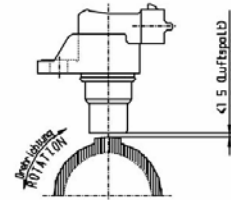
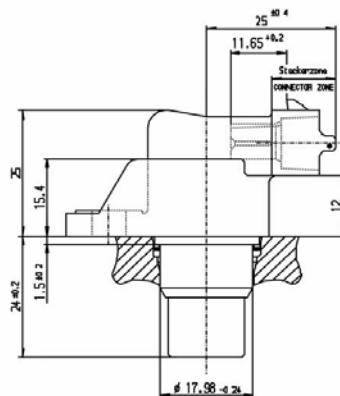
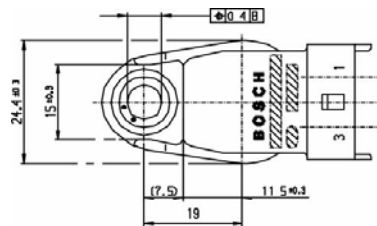
Please ensure that the environmental conditions do not exceed the sensor specifications.

Please find further application hints in the offer drawing (<http://www.bosch-motorsport.com>).

Part Numbers

Speed sensor HA-P

0 232 103 037



Hall-Effect Speed Sensor Mini-HA-P

This sensor is designed for incremental measurement of rotational speed (e.g. camshaft, crankshaft or wheelspeed).

Due to the rotation of a ferromagnetic target wheel in front of the Mini-HA-P, the magnetic field is modulated at the place of the Hall probe. A Hall-effect sensor element with integrated signal conditioning circuit detects this change and generates a digital output signal.

The main feature and benefit of this sensor is the combination of a high quality production part and robust design with a very small housing.



Application	
Application	speed
Max. frequency	≤ 10 kHz
Target wheel air gap	0.2 ... 1.5 mm
Temperature range	-40 ... 150 °C
Output circuit	open collector for 1 kΩ
Output type	Active low
External magnetic fields	≤ 0.3 mT
Max. vibration	1,200 m/s ² @ 10 Hz ... 2 kHz

Mechanical Data	
Weight w/o wire	19.2 g
Mounting	with screw 1 x M6
Bore diameter	11.5 mm
Installation depth L ₂	9 mm
Tightening torque	8 Nm

Characteristic	
Accuracy repeatability of the falling edge of tooth	< 3 % (≤ 6 kHz) < 5 % (≤ 10 kHz)
Signal output	0.4 V ... < U _s

Electrical Data	
Power supply	5 ... 18 V
Current I _s	10 mA

Connectors and Wires	
Connector	[1] ASL 6-06-05PC-HE [2] 1 234 482 092
Mating connector	[1] ASL 0-06-05SC-HE [2] F 02U B00 520-01
Pin 1	[1] U _s [2] Gnd
Pin 2	[1] Gnd [2] Sig
Pin 3	[1] Sig [2] U _s
Pin 4	[1] -
Pin 5	[1] -
Various motorsport and automotive connectors available on request.	
Sleeve	HT cable ø 5.2 mm
Wire size	AWG 20
Wire length L	< 27 cm
Please specify the required wire length with your order.	

Environment

Target wheel diameter D	162.34 mm
Thickness t	12.5 mm
Width of teeth b1	3.8 mm
Width of gap b2	4.7 mm
Width of sync. gap b3	20.79 mm
Depth of teeth h	3.4 mm
Number of teeth	60-2

Application Hint

The Mini-HA-P can be connected directly to most control units and data logging systems.

Please avoid abrupt temperature changes.

For mounting please use only the integrated plug.

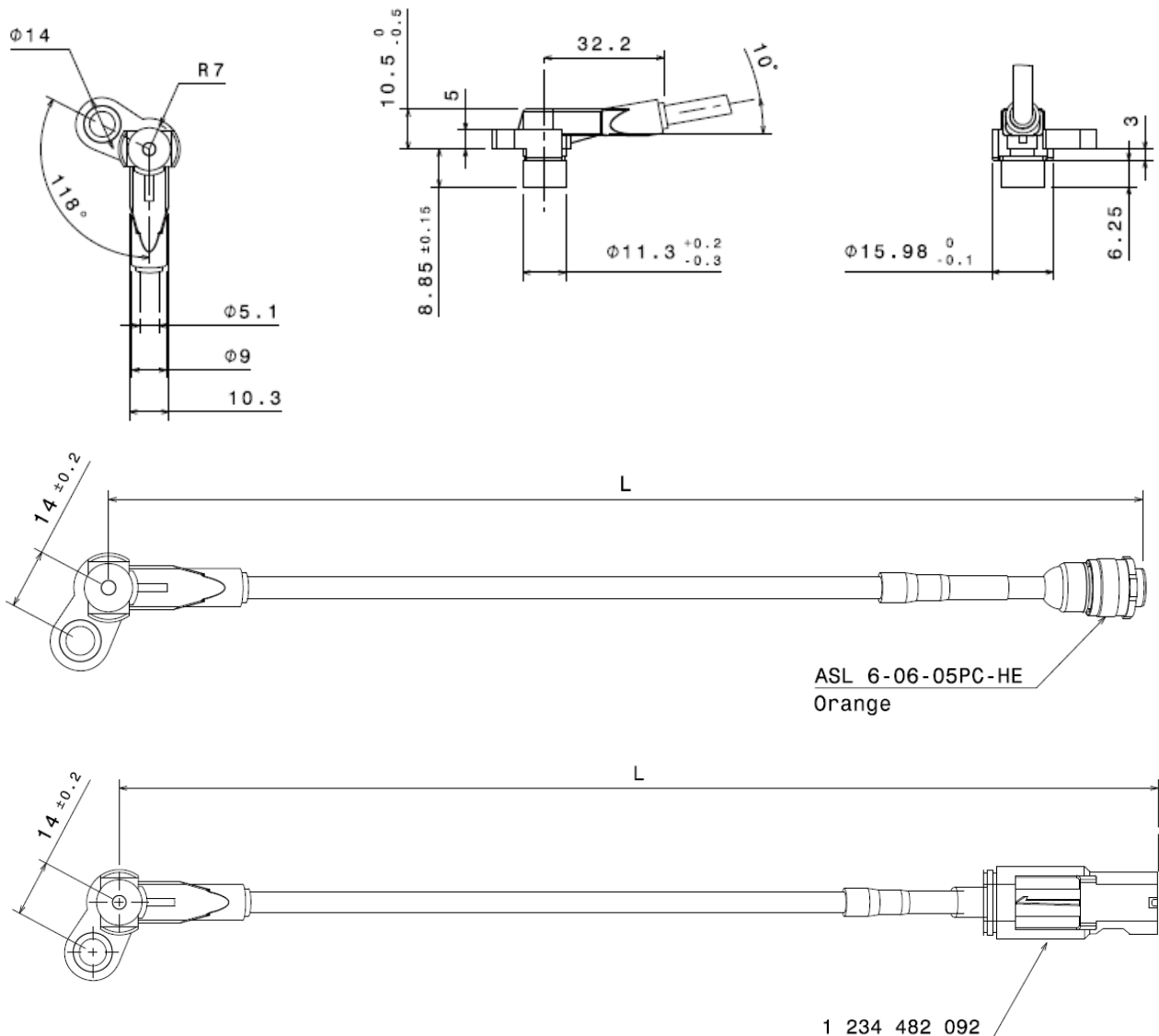
If a wheel with different dimensions is used (see Environment), the technical function has to be tested individually.

Please ensure that the environmental conditions do not exceed the sensor specifications.

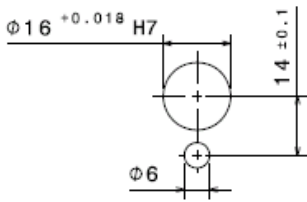
Please find further application hints in the offer drawing (<http://www.bosch-motorsport.com>).

Part Number

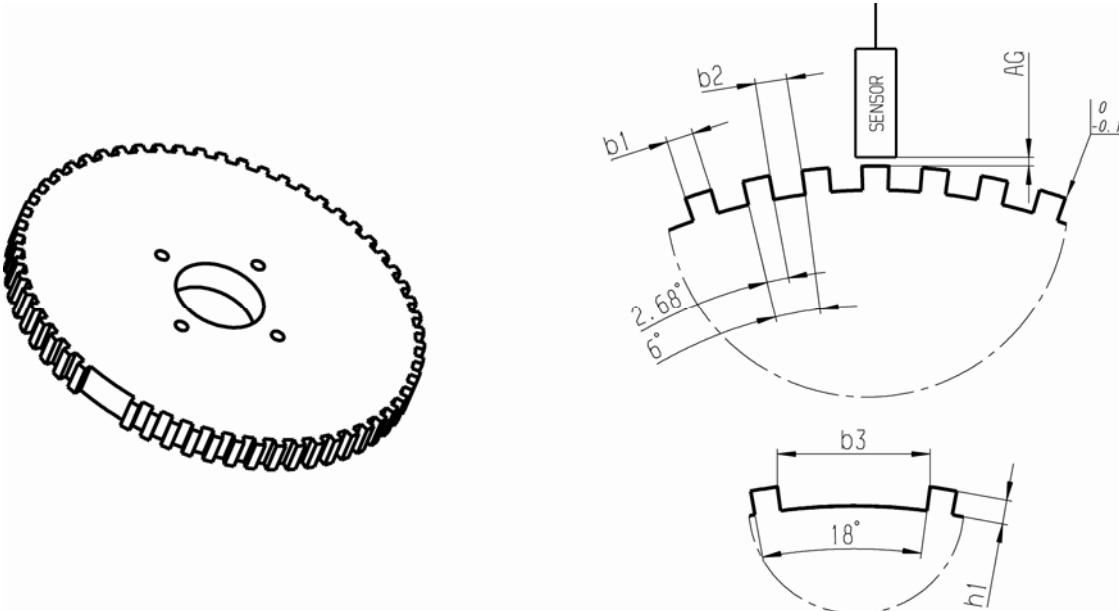
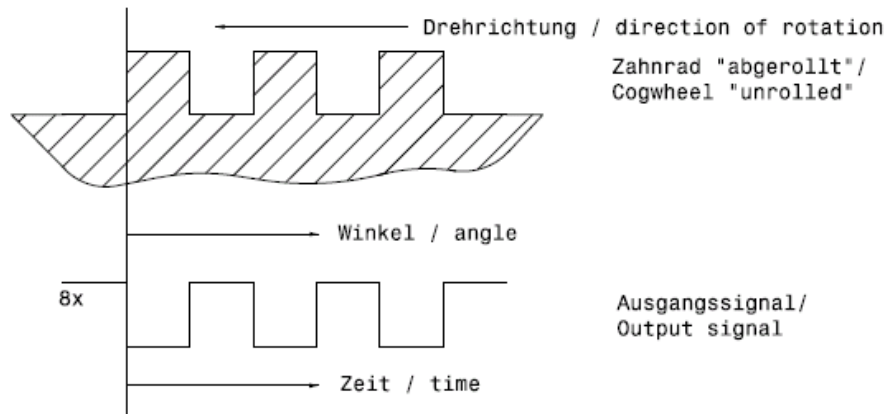
Speed Sensor Mini-HA-P [1]	F 02U V00 564-01
Speed Sensor Mini-HA-P [2]	F 02U V00 566-01



Einbauvorschrift
Mounting requirement



Signal-Definition
Signal definition



Hall-Effect Speed Sensor Mini-HA-P sealed

This sensor is designed for incremental measurement of rotational speed (e.g. camshaft, crankshaft or wheelspeed).

Due to the rotation of a ferromagnetic target wheel in front of the Mini-HA-P sealed, the magnetic field is modulated at the place of the Hall probe. A Hall-effect sensor element with integrated signal conditioning circuit detects this change and generates a digital output signal.

The main feature and benefit of this sensor is the combination of a high quality production part and robust design with a very small housing.



Application	
Application	speed
Max. frequency	≤ 10 kHz
Target wheel air gap	0.2 ... 1.5 mm
Temperature range	-40 ... 150 °C
Output circuit	open collector for 1 kΩ
Output type	active low
External magnetic fields	≤ 0.3 mT
Max. vibration	1,200 m/s ² @ 10 Hz ... 2 kHz

Mechanical Data	
Weight w/o wire	19.2 g
Mounting	with screw 1 x M6
Bore diameter	16 mm
Installation depth L ₂	12 mm
Tightening torque	8 Nm

Characteristic	
Accuracy repeatability of the falling edge of tooth	< 3 % (≤ 6 kHz) < 5 % (≤ 10 kHz)
Signal output	0.4 V ... < U _s

Electrical Data	
Power supply	5 ... 18 V
Current I _s	10 mA

Connectors and Wires	
Connector	[1] ASL 6-06-05PC-HE [2] without connector
Mating connector	[1] ASL 0-06-05SC-HE [2] -
Pin 1	[1] U _s [2] U _s red
Pin 2	[1] Gnd [2] Sig green
Pin 3	[1] Sig [2] Gnd black
Pin 4	[1] -
Pin 5	[1] -
Sleeve	HT wire ø 5.2 mm
Wire size	AWG 20
Wire length L	< 27 cm

Various motorsport and automotive connectors are available on request.

Please specify the required wire length with your order.

Environment	
Target wheel diameter D	162.34 mm
Thickness t	12.5 mm
Width of teeth b1	3.8 mm
Width of gap b2	4.7 mm
Width of sync. gap b3	20.79 mm
Depth of teeth h	3.4 mm
Number of teeth	60-2

Application Hint

The Mini-HA-P sealed can be connected directly to most control units and data logging systems.

Please avoid abrupt temperature changes.

For mounting please use only the integrated plug.

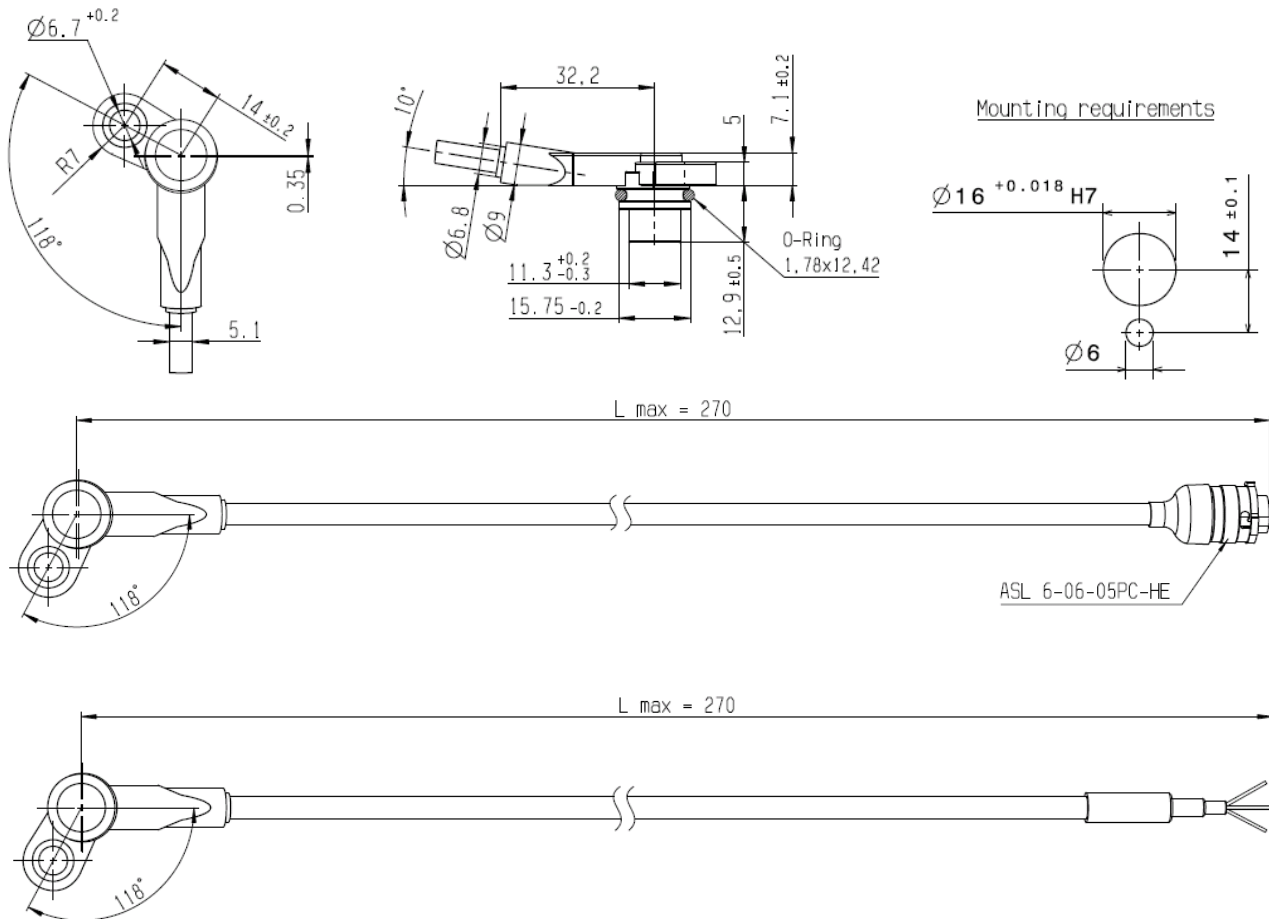
If a wheel with different dimensions is used (see Environment), the technical function has to be tested individually.

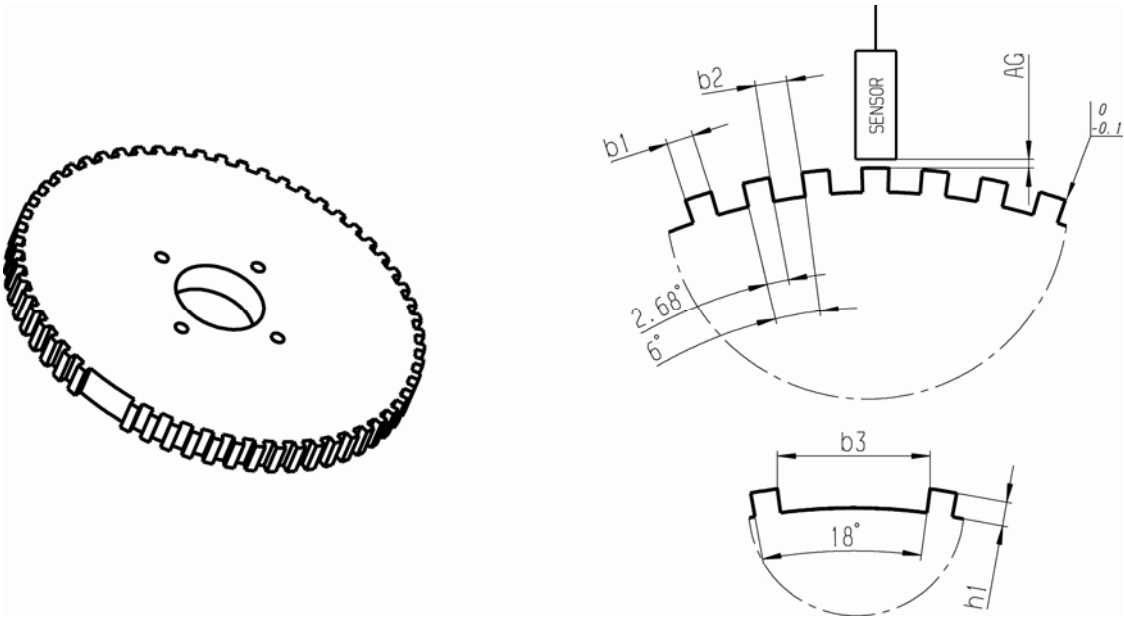
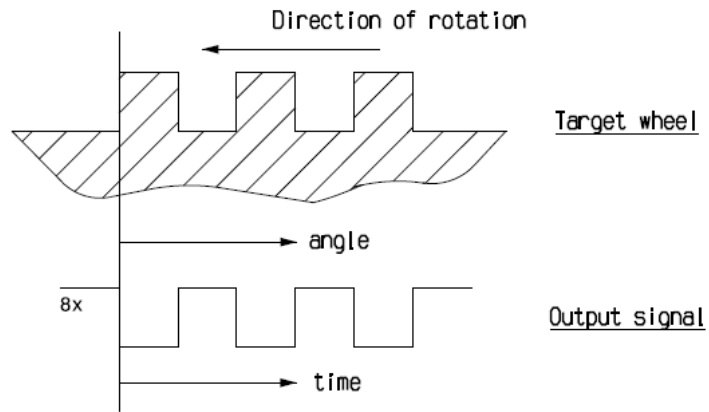
Please ensure that the environmental conditions do not exceed the sensor specifications.

Please find further application hints in the offer drawing (<http://www.bosch-motorsport.com>).

Part Number

Mini-HA-P sealed [1]	F 02U V00 500-01
Mini-HA-P sealed [2]	F 02U V00 570-01





Hall-Effect Speed Sensor HA-D 90

This sensor is designed for incremental measurement of rotational speed (e.g. camshaft, crankshaft or wheelspeed).

Due to the rotation of a ferromagnetic target wheel in front of the HA-D, the magnetic field is modulated at the place of the Hall probe.

The main feature and benefit of this sensor is a very good detection of the falling edge, due to a differential measuring method. This sensor is a combination of a high quality production part and robust design with a small housing.



Application	
Application	speed
Max. frequency	≤ 10 kHz
Target wheel air gap AG	0.4 ... 1.0 mm
Temperature range	-40 ... 150 °C
Output circuit	open collector for 1 kΩ
Output type	Active high
External magnetic fields	≤ 50 mT
Max. vibration	1,200 m/s ² @ 10 Hz ... 2 kHz

Connectors and Wires	
Connector	ASL 6-06-05PC-HE
Mating connector	ASL 0-06-05SC-HE
Pin 1	Us
Pin 2	Gnd
Pin 3	Sig
Pin 4	-
Pin 5	-
Various motorsport and automotive connectors available on request.	
Sleeve	DR-25
Wire size	AWG 24
Wire length L	15 ... 100 cm
Please specify the required wire length with your order.	

Mechanical Data	
Weight w/o wire	12 g
Mounting	with screw 1 x M6
Bore diameter	11.8 mm
Installation depth L ₂	30 mm
Tightening torque	6 Nm

Electrical Data	
Power supply	5 ... 18 V
Current I _s	20 mA

Characteristic	
Accuracy repeatability of the falling edge of tooth	< 1.0 % (≤ 6 kHz) < 1.5 % (≤ 10 kHz)
Signal output	0.52 V... < U _s

Environment	
Target wheel diameter D	162.34 mm
Thickness t	12.5 mm
Width of teeth b ₁	3.8 mm
Width of gap b ₂	4.7 mm
Width of sync. gap b ₃	20.79 mm
Depth of teeth h	3.4 mm
Number of teeth	60-2

Application Hint

The HA-D 90 can be connected directly to most control units and data logging systems

Please specify the angle between the mounting and the target wheel.

Please avoid abrupt temperature changes.

For mounting please use only the integrated plug.

If a wheel with different dimensions is used (see Environment), the technical function has to be tested individually.

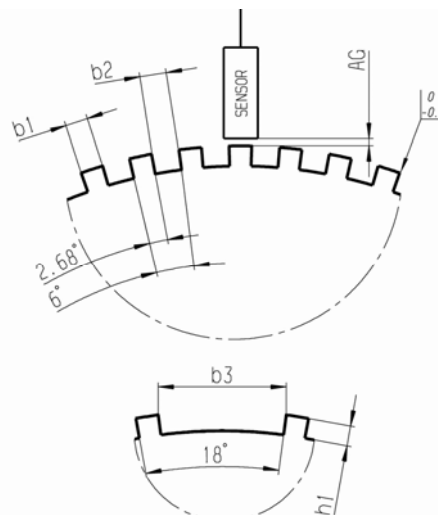
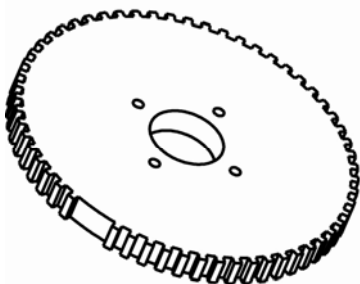
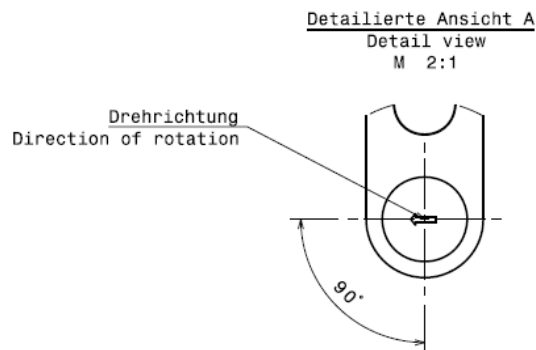
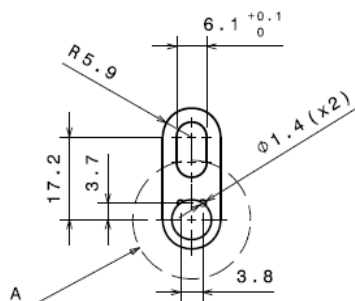
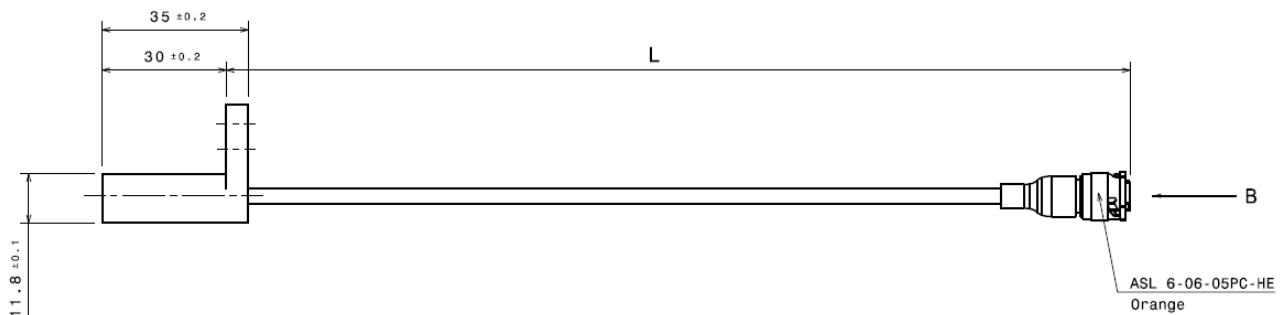
Please ensure that the environmental conditions do not exceed the sensor specifications.

Please find further application hints in the offer drawing (<http://www.bosch-motorsport.com>).

Part Number

Speed Sensor HA-D 90

F 02U V00 334-01



Hall-Effect Speed Sensor HA-P2

This sensor is designed for incremental measurement of rotational speed (e.g. camshaft, crankshaft or wheelspeed).

Due to the rotation of a ferromagnetic target wheel in front of the HA-P2, the magnetic field is modulated at the place of the Hall probe. A Hall-effect sensor element with integrated signal conditioning circuit detects this change and generates a digital output signal.

The main feature and benefit of this sensor is the combination of a high quality production part, robust design, very small housing and low weight.



Application	
Application	speed
Max. frequency	≤ 10 kHz
Target wheel air gap	0.5 ... 2.5 mm
Temperature range	-40 ... 160 °C
Output circuit	open collector for 1 kΩ
Output type	active low
External magnetic fields	< 0.1 mT
Max. vibration	400 m/s ² @ 10 Hz ... 2 kHz

Mechanical Data	
Weight w/o wire	12 g
Bore diameter	15 mm
Installation depth L ₂	15 mm
Mounting	with screw 1 x M6
Tightening torque	8 Nm

Characteristic	
Accuracy repeatability of the falling edge of tooth	up to 1.5 mm < 4 % (≤ 10 kHz)
	up to 2.5 mm < 8 % (≤ 10 kHz)
Signal output	0.4 V ... < U _s

Electrical Data	
Power supply U _s	4.75 ... 18 V
Current I _s	10 mA

Connectors and Wires	
Connector	Hirschmann 872-658-501 Cod.A
Mating connector	Hirschmann 872-858-501 Cod.A
Pin 1	U _s
Pin 2	Sig
Pin 3	Gnd

Various motorsport and automotive connectors available on request.

Environment	
Target wheel diameter D	162.34 mm
Thickness t	12.5 mm
Width of teeth b ₁	3.8 mm
Width of gap b ₂	4.7 mm
Width of sync. gap b ₃	20.79 mm
Depth of teeth h	3.4 mm
Number of teeth	60-2

Application Hint

The HA-P2 can be connected directly to most control units and data logging systems.

Please avoid abrupt temperature changes.

For mounting please use only the integrated plug.

If a wheel with different dimensions is used (see Environment), the technical function has to be tested individually.

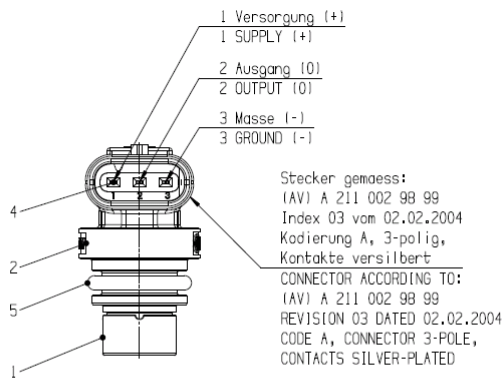
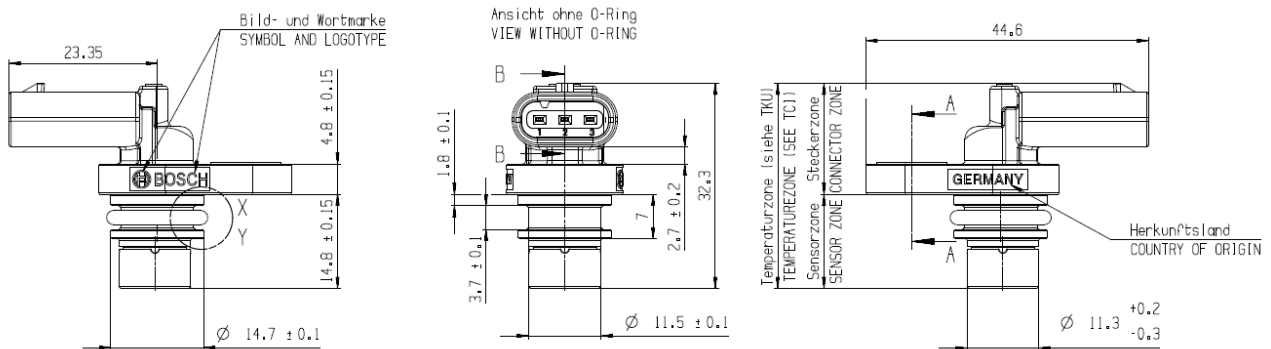
Please ensure that the environmental conditions do not exceed the sensor specifications.

Please find further application hints in the offer drawing (<http://www.bosch-motorsport.com>).

Part Number

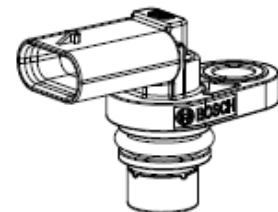
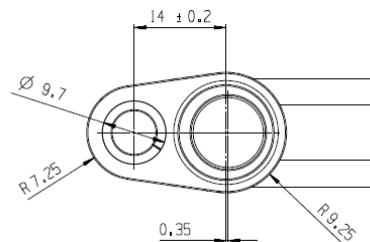
Speed Sensor Hall HA-P2

0 232 103 111

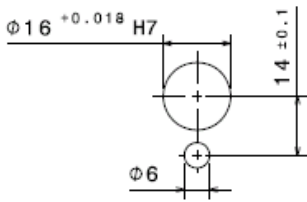


Steckverbindungseinzelteile:
Steckergehäuse gemäss Hirschmann 805-121-521
Kontakte gemäss Kostal 32124680890 in DOC00072546
Einzeladlerdichtungen gemäss DOC00072546

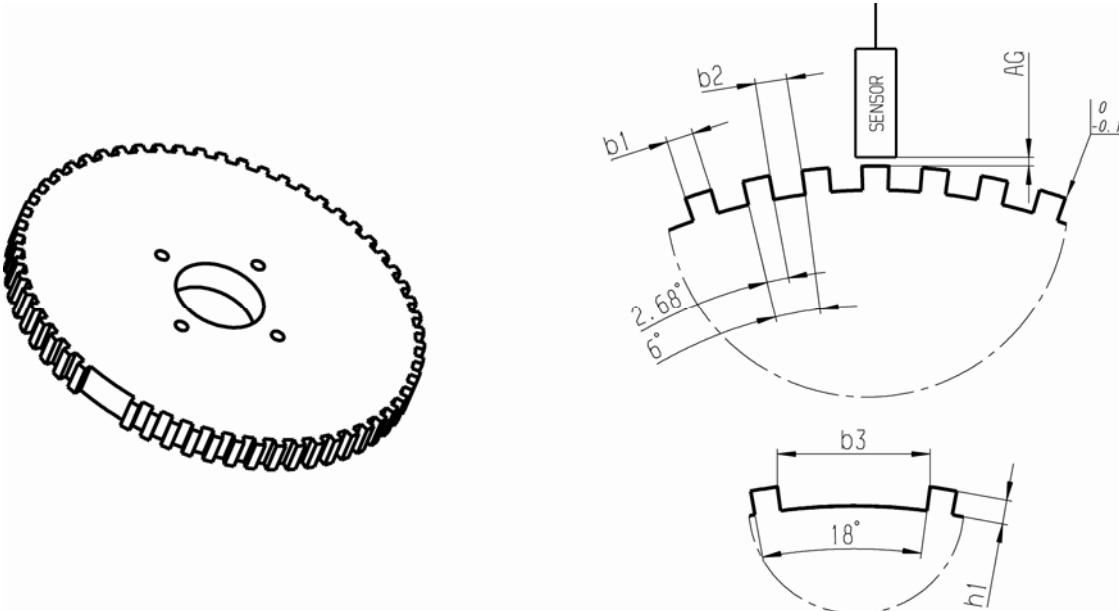
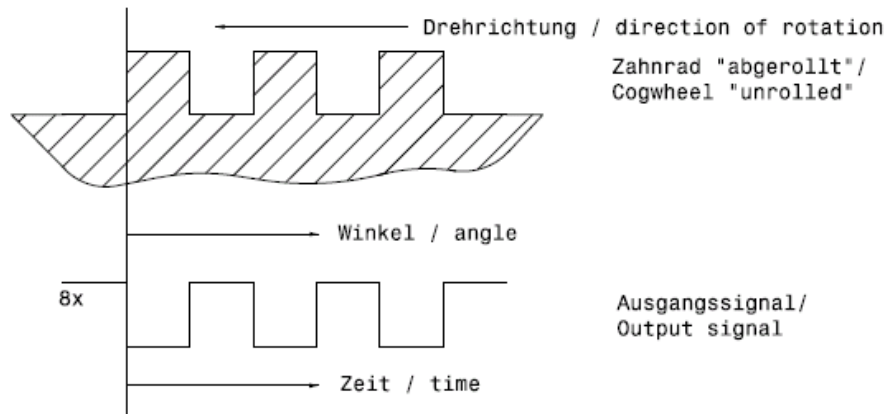
PLUG CONNECTION SYSTEM PARTS:
CONNECTOR HOUSING ACC. TO HIRSCHMANN 805-121-521
TERMINALS ACC. TO KOSTAL 32124680890 IN DOC00072546
SINGLE WIRE SEALS ACC. TO DOC00072546



Einbauvorschrift
Mounting requirement



Signal-Definition
Signal definition



Temperature Sensors

Temperature Sensor NTC M5-HS

This sensor is designed to measure temperatures up to 300 °C of oil, water, fuel or air. This signal is used as a control value for engine control units or as a measurement value which is logged in a data acquisition system.

The NTC-sensing element has a negative temperature coefficient. This means, that with increasing temperature the conductivity rises and the resistance decreases. To improve a good protection against the ambient temperature, the housing is made of stainless steel and partly filled with an isolation-paste.

The main benefit of the sensor is a very compact design and its very short response time.



Application	
Application	-55 ... 300 °C
Storage temperature range	0 ... 100 °C
Bio fuel compatibility	-

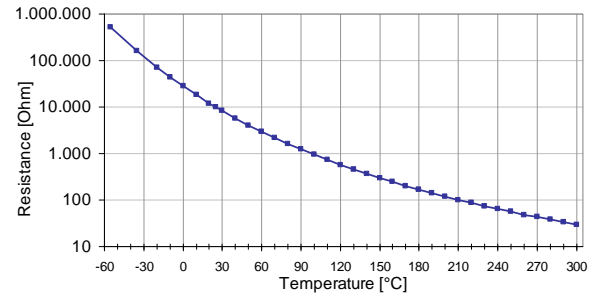
Electrical Data	
Characteristic	NTC
Nominal resistance	10 kΩ

Mechanical Data	
Male thread	M5x1
Wrench size	8 mm
Installation torque	8 Nm
Weight w/o wire	6 g
Sealing	O-Ring 4 x 1 mm

Characteristic	
Accuracy @ 25 °C (homogeneous cond.)	± 0.3 °C
Accuracy @ 100 °C (homogeneous cond.)	± 1.3 °C
Relative resistance tolerance @ 25 °C	1 %
Response time τ_{63}	< 4 s

Characteristic Application

T [°C]	R [Ω]
-55	519,910
-35	158,090
-20	71,668
-10	44,087
0	27,936
10	18,187
20	12,136
25	10,000
30	8,284
40	5,774
50	4,103
60	2,967
70	2,182
80	1,629
90	1,234
100	946.6
120	578.1
140	368.8
160	244.4
180	167.6
200	118.5
220	86.08
240	64.08
260	48.76
280	37.86
300	29.94


Connectors and Wires

Connector	ASL 6-06-05PN-HE
Mating connector	ASL 0-06-05SN-HE
Pin 1	-
Pin 2	Sig-
Pin 3	Sig+
Pin 4	-
Pin 5	-

Various motorsport and automotive connectors are available on request.

Wire size AWG 24

Wire length L 15 ... 50 cm

Please specify the required wire length with your order.

Application Hint

The NTC M5-HS can be connected directly to most control units using a pull-up resistance (typically 1 or 3 kOhm)

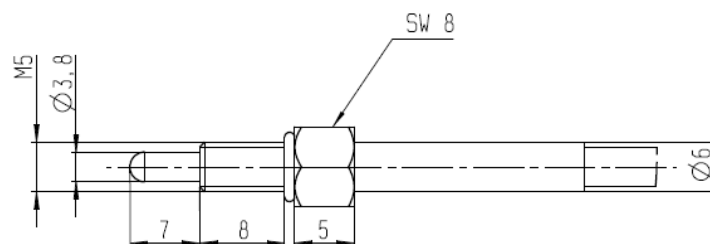
Any mounting orientation is possible.

Please find further application hints in the offer drawing (<http://www.bosch-motorsport.com>).

Free download of the sensor configuration file (*.sdf) for the Bosch Data Logging System (<http://www.bosch-motorsport.com>).

Part Number

Temperature Sensor NTC M5-HS **F 02U V00 510-01**



Temperature Sensor NTC M6

This sensor is designed to measure fluid temperatures e.g. oil, water or fuel. This signal may be used as a control value for engine control units or as a measurement value which is logged in a data acquisition system.

The NTC sensing element has a negative temperature coefficient. This means, that with increasing temperature the conductivity rises and the resistance decreases. The sensing element is a lacquer-coated thermistor disk which is connected via a copper-clad Fe wire to a AWG 24 wire. To improve the response time, the element is molded into a high performance heat paste.

The main benefit of the sensor is the combination of a high quality production part and a robust and compact design.



Application	
Application	-55 ... 125 °C
Storage Temperature Range	0 ... 100 °C
Bio fuel compatibility	-
Max. Vibration	800 m/s ² , 5 ... 500 Hz

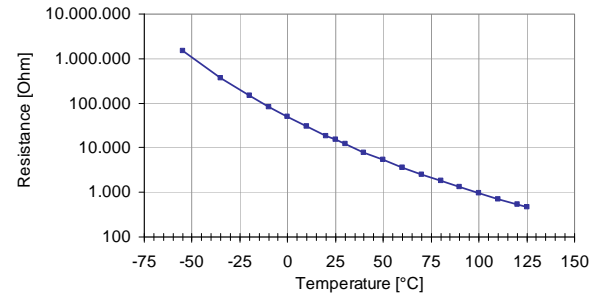
Electrical Data	
Characteristic	NTC
Max. Power @ 25 °C	200 mW
Nominal Resistance @ 25 °C	15 kOhm

Mechanical Data	
Male Thread	M6x1
Wrench Size	10 mm
Installation Torque	3 Nm
Weight w/o Cable	8.5 g
Sealing	O-Ring 4.47 x 1.78 mm

Characteristic	
Accuracy @ 25 °C	± 1.1 °C
Accuracy @ 100 °C	± 4.4 °C
Relative Resistance Tolerance @ 25 °C	± 5 %
Response Time τ_{63} in still water	< 9 s

Characteristic Application

T [°C]	R [Ω]
-55	1,493,300
-35	366,720
-20	145,880
-10	83,317
0	49,254
10	29,959
20	18,732
25	15,000
30	12,012
40	7,894
50	5,356
60	3,651
70	2,545
80	1,804
90	1,301
100	945
110	704
120	528
125	460


Connectors and Wires

Connector	ASL 6-06-05PN-HE
Mating connector	ASL 0-06-05SN-HE
Pin 1	-
Pin 2	Sig-
Pin 3	Sig+
Pin 4	-
Pin 5	-

Various motorsport and automotive connectors are available on request.

Wire Size AWG 24

Wire Length L 15 ... 50 cm

Please specify the requested wire length with your order.

Part Number

Temperature Sensor NTC M6 **B 261 209 386-01**

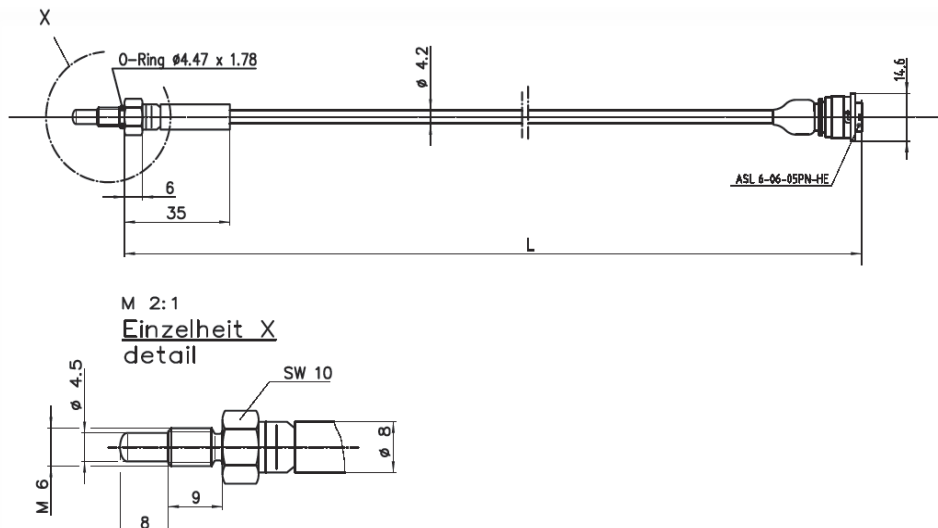
Application Hint

The NTC M6 can be connected directly to most control units using a pull-up resistor (typically 1 or 3 kOhm).

Any mounting orientation is possible.

Please find further application hints in the offer drawing (<http://www.bosch-motorsport.com>).

Free download of the sensor configuration file (*.sdf) for the Bosch Data Logging System (<http://www.bosch-motorsport.com>).



Temperature Sensor NTC M6-H

This sensor is designed to measure fluid temperatures e.g. oil, water or fuel. This signal may be used as a control value for engine control units or as a measurement value which is logged in a data acquisition system.

The NTC sensing element has a negative temperature coefficient. This means, that with increasing temperature the conductivity rises and the resistance decreases. The sensing element is a lacquer-coated thermistor disk which is connected via a copper-clad Fe wire to a AWG 24 wire. To improve the response time, the element is molded into a high performance heat paste.

The main benefit of the sensor is the combination of both high quality production part and a robust, compact design. It is especially designed to measure high temperatures (up to 300 °C).



Application

Application	-25 ... 300 °C
Storage temperature range	0 ... 100 °C
Bio fuel compatibility	-
Max. vibration	800 m/s ² , 5 ... 500 Hz

Electrical Data

Characteristic	NTC
Max. power at 25 °C	200 mW
Nominal resistance @ 25 °C	49.12 kΩ

Mechanical Data

Male thread	M6x1
Wrench size	10 mm
Installation torque	3 Nm
Weight w/o wire	8.5 g
Sealing	O-Ring 4.47 mm x 1.78 mm

Characteristic

Accuracy @ 25 °C	± 1.84 °C
Accuracy @ 100 °C	± 1.5 °C
Relative resistance tolerance @ 25 °C	8 %
Response time τ_{63} in still water	< 7 s

Characteristic Application

T [°C]	R [Ω]
-25	657,350
-15	365,040
0	162,210
10	98,322
25	49,120
40	26,065
60	12,140
80	6,119
100	3,300
120	1,885
140	1,132
160	710
180	463
200	312
220	217
240	155
260	113
280	85
300	64

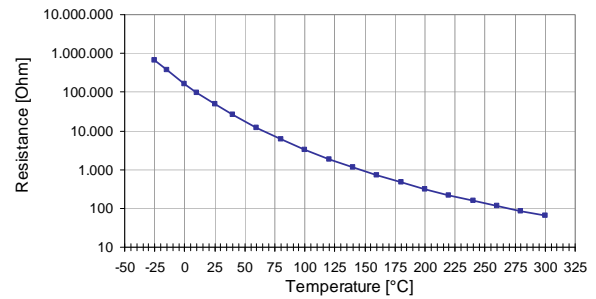
Application Hint

The NTC M6-H can be connected directly to most control units using a pull-up resistor (typically 1 or 3 kΩ).

Any mounting orientation is possible.

Please find further application hints in the offer drawing (<http://www.bosch-motorsport.com>).

Free download of the sensor configuration file (*.sdf) for the Bosch Data Logging System (<http://www.bosch-motorsport.com>).


Connectors and Wire

Connector	ASL 6-06-05PN-HE
Mating connector	ASL 0-06-05SN-HE
Pin 1	-
Pin 2	Sig-
Pin 3	Sig+
Pin 4	-
Pin 5	-

Various motorsport and automotive connectors are available on request.

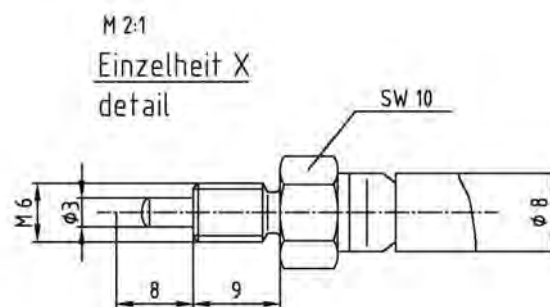
Wire size AWG 24

Wire length L 15 ... 50 cm

Please specify the required wire length with your order.

Part Number

NTC M6-H **B 261 209 989-01**



Temperature Sensor NTC M6-HS

This sensor is designed to measure temperatures up to 300 °C of oil, water, fuel or air. This signal is used as a control value for engine control units or as a measurement value which is logged in a data acquisition system.

The NTC-sensing element has a negative temperature coefficient. This means, that with increasing temperature the conductivity rises and the resistance decreases. To improve a good protection against the ambient temperature, the housing is made of stainless steel and partly filled with an isolation-paste.

The main benefit of the sensor is a very robust and compact design and its very short response time.



Application	
Application	-55 ... 300 °C
Storage temperature range	0 ... 100 °C
Bio fuel compatibility	-

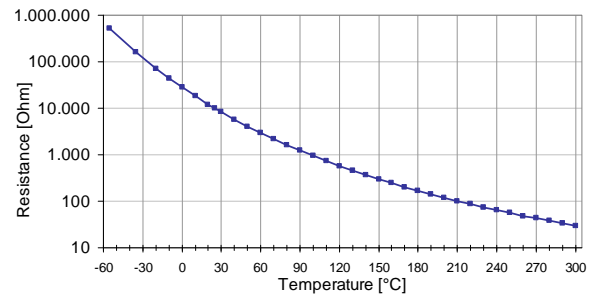
Electrical Data	
Characteristic	NTC
Nominal resistance @ 25 °C	10 kΩ

Mechanical Data	
Male thread	M6x1
Wrench size	10 mm
Installation torque	8 Nm
Weight w/o wire	6.5 g
Sealing	O-Ring 4.47 mm x 1.78 mm

Characteristic	
Accuracy @ 25 °C (homogeneous cond.)	± 0.3 °C
Accuracy @ 100 °C (homogeneous cond.)	± 1.3 °C
Relative resistance tolerance @ 25 °C	1 %
Response time τ_{63} in still water	< 4 s

Characteristic Application

T [°C]	R [Ω]
-55	519,910
-35	158,090
-20	71,668
-10	44,087
0	27,936
10	18,187
20	12,136
25	10,000
30	8,284
40	5,774
50	4,103
60	2,967
70	2,182
80	1,629
90	1,234
100	946.6
110	735.5
120	578.1
130	459.4
140	368.8
150	298.9
160	244.4
170	201.6
180	167.6
190	140.4
200	118.5
210	100.7
220	86.08
230	74.05
240	64.08
250	55.75
260	48.76
270	42.87
280	37.86
290	33.59
300	29.94


Connectors and Wires

Connector	ASL 6-06-05PN-HE
Mating connector	ASL 0-06-05SN-HE
Pin 1	-
Pin 2	Sig-
Pin 3	Sig+
Pin 4	-
Pin 5	-
Various motorsport and automotive connectors are available on request.	
Wire size	AWG 24
Wire length L	15 ... 50 cm
Please specify the required wire length with your order.	

Application Hint

The NTC M6-HS can be connected directly to most control units using a pull-up resistance (typically 1 or 3 kOhm).

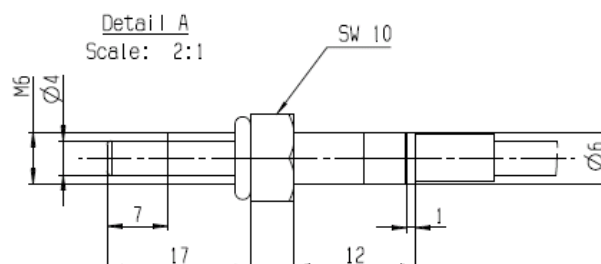
Any mounting orientation is possible.

Please find further application hints in the offer drawing (<http://www.bosch-motorsport.com>).

Free download of the sensor configuration file (*.sdf) for the Bosch Data Logging System (<http://www.bosch-motorsport.com>).

Part Number

Temperature Sensor NTC M6-HS **F 02U V00 486-01**



Temperature Sensor NTC M8

This sensor is designed to measure fluid temperatures e.g. oil, water or fuel. This signal may be used as a control value for engine control units or as a measurement value which is logged in a data acquisition system.

The NTC sensing element has a negative temperature coefficient. This means, that with increasing temperature the conductivity rises and the resistance decreases. The sensing element is a lacquer-coated thermistor disk which is connected via a copper-clad Fe wire to a AWG 24 wire. To improve the response time, the element is molded into a high performance heat paste.

The main benefit of the sensor is the combination of a high quality production part and a robust and compact design.



Application	
Application	-55 ... 125 °C
Storage Temp. Range	0 ... 100 °C
Bio fuel compatibility	-
Max. Vibration	800 m/s ² , 5 ... 500 Hz

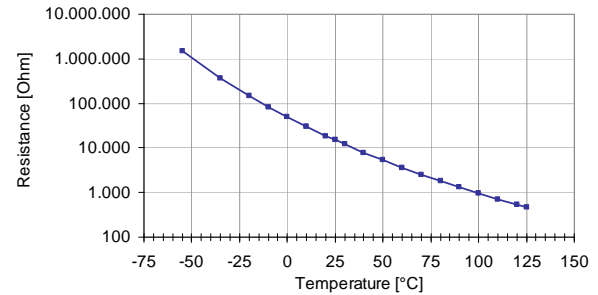
Electrical Data	
Characteristic	NTC
Max. Power at 25 °C	200 mW
Nominal Resistance @ 25 °C	15 kΩ

Mechanical Data	
Male Thread	M8x1
Wrench Size	12 mm
Installation Torque	3 Nm
Weight w/o Wire	10 g
Sealing	O-Ring 6.35 x 1.78 mm

Characteristic	
Accuracy @ 25 °C	± 1.1 °C
Accuracy @ 100 °C	± 4.4 °C
Relative Resistance Tolerance	± 5 %
Response Time τ_{63} in still water	< 11 s

Characteristic Application

T [°C]	R [Ω]
-55	1,493,300
-35	366,720
-20	145,880
-10	83,317
0	49,254
10	29,959
20	18,732
25	15,000
30	12,012
40	7,894
50	5,356
60	3,651
70	2,545
80	1,804
90	1,301
100	945
110	704
120	528
125	460


Connectors and Wires

Connector	ASL 6-06-05PN-HE
Mating connector	ASL 0-06-05SC-HE
Pin 1	-
Pin 2	Sig-
Pin 3	Sig+
Pin 4	-
Pin 5	-
Various motorsport and automotive connectors are available on request.	
Wire size	AWG 24
Wire length L	15 ... 50 cm
Please specify the required wire length with your order.	

Application Hint

The NTC M8 can be connected directly to most control units using a pull-up resistor (typically 1 or 3 kΩ).

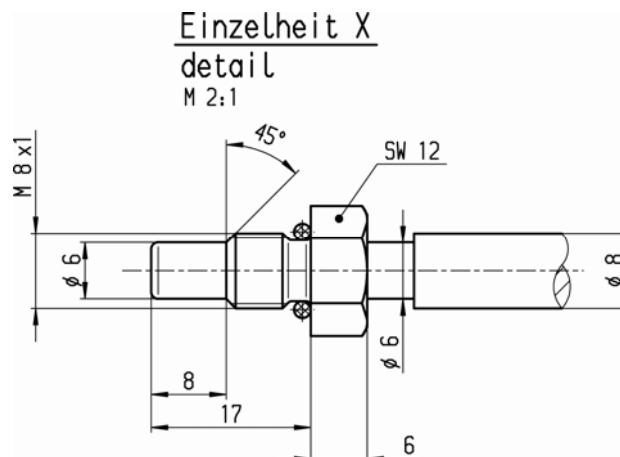
Any mounting orientation is possible.

Please find further application hints in the offer drawing (<http://www.bosch-motorsport.com>).

Free download of the sensor configuration file (*.sdf) for the Bosch Data Logging System (<http://www.bosch-motorsport.com>).

Part Number

NTC M8 **B 261 209 384-01**



Temperature Sensor NTC M8-HS

This sensor is designed to measure temperatures up to 300 °C of oil, water, fuel or air. This signal is used as a control value for engine control units or as a measurement value which is logged in a data acquisition system.

The NTC-sensing element has a negative temperature coefficient. This means, that with increasing temperature the conductivity rises and the resistance decreases. To improve a good protection against the ambient temperature, the housing is made of stainless steel and partly filled with an isolation-paste.

The main benefit of the sensor is a very robust design and its very short response time.



Application	
Application	-55 ... 300 °C
Storage temperature range	0 ... 100 °C
Bio fuel compatibility	-

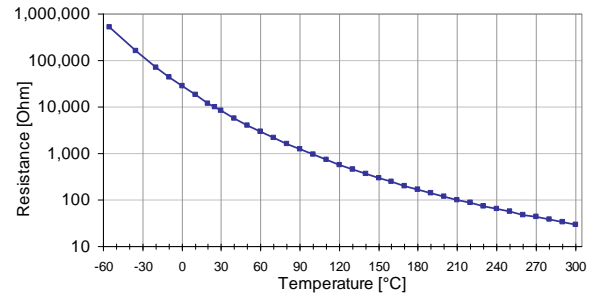
Electrical Data	
Characteristic	NTC
Nominal resistance	10 kΩ

Mechanical Data	
Male thread	M8x1
Wrench size	12 mm
Installation torque	8 Nm
Weight w/o wire	8 g
Sealing	O-Ring 6.35 x 1.78 mm

Characteristic	
Accuracy @ 25 °C (homogeneous cond.)	± 0.3 °C
Accuracy @ 100 °C (homogeneous cond.)	± 1.3 °C
Relative resistance tolerance @ 25 °C	1 %
Response time τ_{63}	< 4 s

Characteristic Application

T [°C]	R [Ω]
-55	519,910
-35	158,090
-20	71,668
-10	44,087
0	27,936
10	18,187
20	12,136
25	10,000
30	8,284
40	5,774
50	4,103
60	2,967
70	2,182
80	1,629
90	1,234
100	946.6
110	735.5
120	578.1
130	459.4
140	368.8
150	298.9
160	244.4
170	201.6
180	167.6
190	140.4
200	118.5
210	100.7
220	86.08
230	74.05
240	64.08
250	55.75
260	48.76
270	42.87
280	37.86
290	33.59
300	29.94


Connectors and Wires

Connector	ASL 6-06-05PN-HE
Mating connector	ASL 0-06-05SN-HE
Pin 1	-
Pin 2	Sig-
Pin 3	Sig+
Pin 4	-
Pin 5	-

Various motorsport and automotive connectors are available on request.

Wire size AWG 24

Wire length L 15 ... 50 cm

Please specify the required wire length with your order.

Application Hint

The NTC M8-HS can be connected directly to most control units using a pull-up resistance (typically 1 or 3 kOhm)

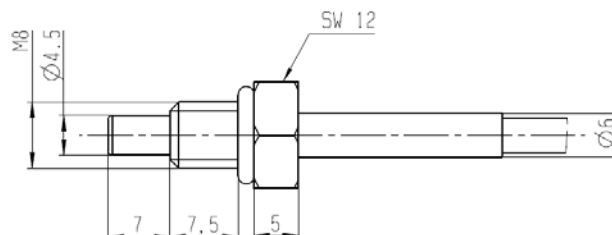
Any mounting orientation is possible.

Please find further application hints in the offer drawing (<http://www.bosch-motorsport.com>).

Free download of the sensor configuration file (*.sdf) for the Bosch Data Logging System (<http://www.bosch-motorsport.com>).

Part Number

Temperature Sensor NTC M8-HS **F 02U V00 509-01**

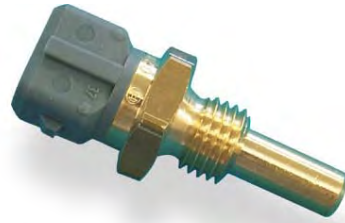


Temperature Sensor NTC M12

This sensor is designed to measure fluid temperatures e.g. oil, water or fuel. This signal may be used as a control value for engine control units or as a measurement value which is logged in a data acquisition system.

The NTC sensing element has a negative temperature coefficient. This means, that with increasing temperature the conductivity rises. The sensing element of the temperature sensor is made of semiconducting heavy metal oxide and oxidized mixed crystals, which are equipped with a protective housing.

The main benefit of the sensor is the combination of a high quality production part and a robust compact design.



Application	
Application	-40 ... 130 °C
Storage Temp. Range	0 ... 100 °C
Bio fuel compatibility	E85/M22
Max. Vibration	600 m/s ²

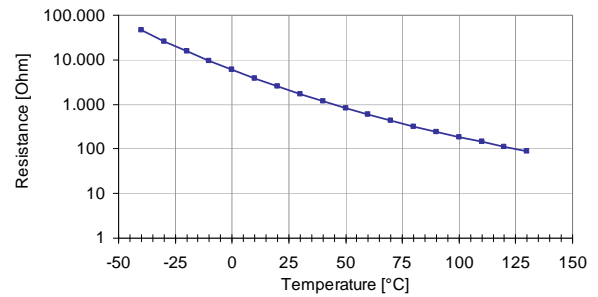
Electrical Data	
Characteristic	NTC
Nominal Resistance @ 20 °C	2.5 kΩ ± 5 %

Mechanical Data	
Male Thread	M12x1.5
Wrench Size	19 mm
Installation Torque	25 Nm
Weight w/o Wire	29 g
Sealing	not included

Characteristic	
Accuracy @ 25 °C	± 1.4 °C
Accuracy @ 100 °C	± 3.4 °C
Response Time τ_{63} in still water	< 15 s

Characteristic Application

T [°C]	R [Ω]
-40	45,313
-30	26,114
-20	15,462
-10	9,397
0	5,896
10	3,792
20	2,500
30	1,707
40	1,175
50	834
60	596
70	436
80	323
90	243
100	187
110	144
120	113
130	89


Connectors and Wires

Connector	Bosch Jetronic
Mating connector	D 261 205 288
Pin 1	SIG+
Pin 2	SIG-

Part Number

NTC M12	0 280 130 026
---------	----------------------

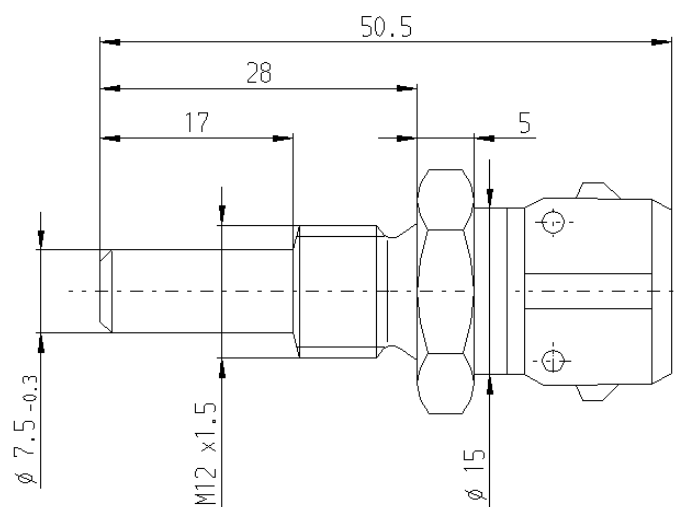
Application Hint

The NTC M12 can be connected directly to most control units using a pull-up resistor (typically 1 or 3 kΩ).

Each mounting orientation is possible.

Please find further application hints in the offer drawing (<http://www.bosch-motorsport.com>).

Free download of the sensor configuration file (*.sdf) for the Bosch Data Logging System (<http://www.bosch-motorsport.com>).



Temperature Sensor NTC M12-H

This sensor is designed to measure fluid temperatures e.g. oil, water or fuel. This signal may be used as a control value for engine control units or as a measurement value which is logged in a data acquisition system.

The NTC sensing element has a negative temperature coefficient. This means, that with increasing temperature the conductivity rises. The sensing element of the temperature sensor is made of semiconducting heavy metal oxide and oxidized mixed crystals, which are equipped with a protective housing.

The main benefit of the sensor is the combination of a high quality production part and a robust compact design.



Application	
Application	-40 ... 150 °C
Storage Temperature Range	-30 ... 60 °C
Bio fuel compatibility	E85/M22
Max. Vibration	300 m/s ²

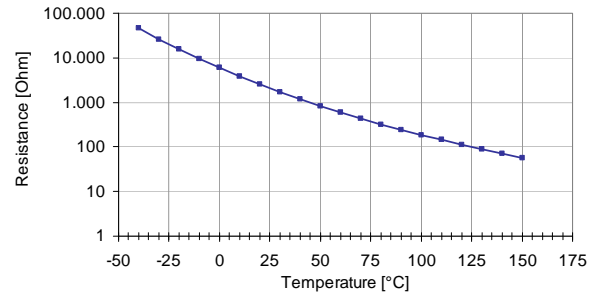
Electrical Data	
Characteristic	NTC
Nominal Resistance ±5 %	2.5 kΩ @ 20 °C

Mechanical Data	
Male Thread	M12x1.5
Wrench Size	19 mm
Installation Torque	18 Nm
Weight w/o Wire	28.3 g
Sealing	Al-washer

Characteristic	
Accuracy @ 25 °C	± 1.4 °C
Accuracy @ 100 °C	± 0.8 °C
Response Time τ_{63} in still water	< 15 s

Characteristic Application

T [°C]	R [Ω]
-40	45,313
-30	26,114
-20	15,462
-10	9,397
0	5,896
10	3,792
20	2,500
30	1,707
40	1,175
50	834
60	596
70	436
80	323
90	243
100	187
110	144
120	113
130	89
140	71
150	57


Connectors and Wires

Connector	Bosch Compact
Mating connector	D 261 205 337
Pin 1	Sig+
Pin 2	Sig-

Application Hint

The NTC M12-H can be connected directly to most control units using a pull-up resistor (typically 1 or 3 kOhm)

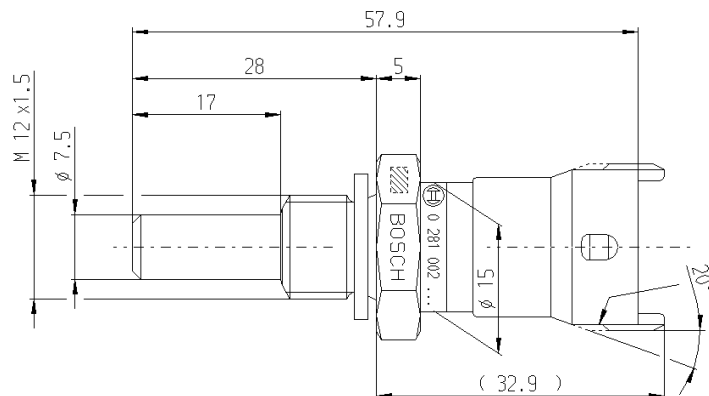
Any mounting orientation is possible.

Please find further application hints in the offer drawing (<http://www.bosch-motorsport.com>).

Free download of the sensor configuration file (*.sdf) for the Bosch Data Logging System (<http://www.bosch-motorsport.com>).

Part Number

NTC M12-H	0 281 002 170
-----------	----------------------



Temperature Sensor NTC M12-L

This sensor is designed to measure fluid temperatures e.g. oil, water or fuel. This signal may be used as a control value for engine control units or as a measurement value which is logged in a data acquisition system.

The NTC sensing element has a negative temperature coefficient. This means, that with increasing temperature the conductivity rises. The sensing element of the temperature sensor is made of semiconducting heavy metal oxide and oxidized mixed crystals, which are equipped with a protective housing.

The main benefit of the sensor is the combination of a high quality production part and a robust and compact design.



Application	
Application	-40 ... 140 °C
Storage Temperature Range	-30 ... 60 °C
Bio fuel compatibility	E85/M22
Max. Vibration	300 m/s ² , 50 ... 250 Hz

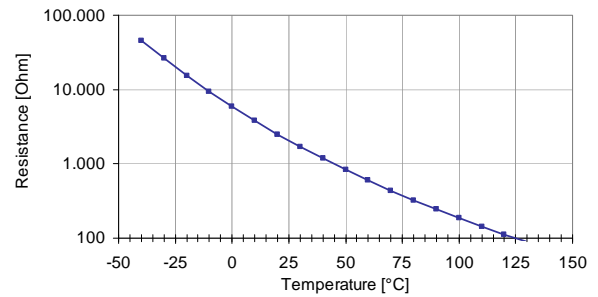
Electrical Data	
Characteristic	NTC
Nominal Resistance ± 5 %	2.5 kΩ @ 20 °C

Mechanical Data	
Male Thread	M12x1.5
Wrench Size	19 mm
Installation Torque	15 Nm
Weight w/o Wire	24.6 g
Sealing	not included

Characteristic	
Accuracy @ 25 °C	± 1.4 °C
Accuracy @ 100 °C	± 3.4 °C
Response Time τ_{63} in still water	< 10 s

Characteristic Application

T [°C]	R [Ω]
-40	45,313
-30	26,114
-20	15,462
-10	9,397
0	5,896
10	3,792
20	2,500
30	1,707
40	1,175
50	834
60	596
70	436
80	323
90	243
100	187
110	144
120	113
130	89
140	71


Connectors and Wires

Connector	Bosch Compact
Mating connector	D 261 205 288-01
Pin 1	Sig+
Pin 2	Sig-

Application Hint

The NTC M12-L can be connected directly to most control units using a pull-up resistor (typically 1 or 3 kOhm).

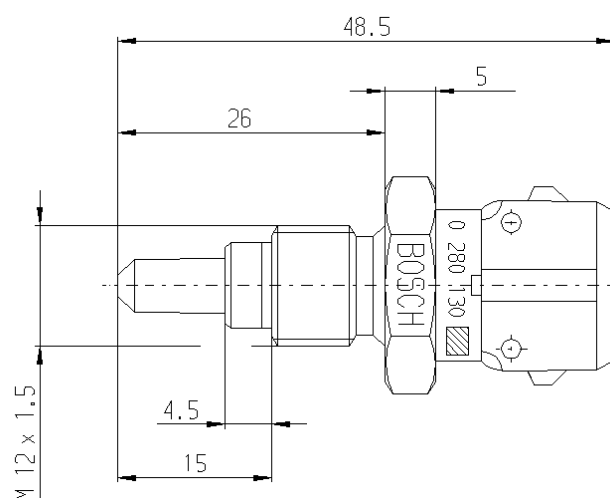
Any mounting orientation is possible.

Please find further application hints in the offer drawing (<http://www.bosch-motorsport.com>).

Free download of the sensor configuration file (*.sdf) for the Bosch Data Logging System (<http://www.bosch-motorsport.com>).

Part Number

NTC M12-L **0 280 130 039**



Temperature Sensor PT 200E

The PT 200E is designed to measure exhaust gas temperatures up to 1,000 °C.

The sensor element has a positive temperature coefficient. This means, that with increasing ambient temperature the conductivity decreases and the resistance rises. The opened housing exposes the sensor directly to the gas flow in order to improve its performance.

The main benefit of the sensor is a very robust and compact design and its wide measurement range.



Application	
Application	-40 ... 1,000 °C
Storage temp. range	0 ... 100 °C

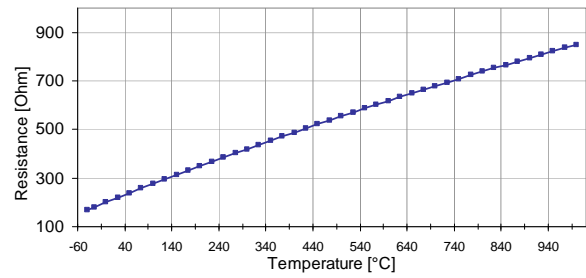
Electrical Data	
Characteristic	PTC

Connectors and Wires	
Connector	ASL 6-06-05PD-HE
Mating connector	ASL 0-06-05SD-HE
Pin 1	n.c.
Pin 2	Sig+
Pin 3	Sig-
Pin 4	n.c.
Pin 5	n.c.
Wire size	AWG 24
Wire length L	15 ... 100 cm
Please specify the required wire length with your order.	
Various motorsport and automotive connectors are available on request.	

Mechanical Data	
Male thread	M14x1.5
Wrench size	19 mm
Weight w/o wire	55 g

Characteristic	
Accuracy at -40 ... 200 °C	± 3 °C
Relative resistance tolerance at > 200 °C	± 1.5 %

Characteristic Application	
T [°C]	R [Ω]
-40	170
-25	181
0	201
25	220
50	239
75	257
100	276
150	313
200	349
250	385
300	420
350	454
400	488
450	521
500	554
550	586
600	618
650	649
700	679
750	709
800	738
850	767
900	795
950	822
1000	849



Application Hint

The PT 200E can be connected directly to most control units using a pull-up resistance (typically 1 or 3 kΩ).

Please check the offer drawing for a correct mounting orientation.

Please use the mounting part for a correct fixation of the sensor (not included, available on request).

Please find further application hints in the offer drawing (<http://www.bosch-motorsport.com>).

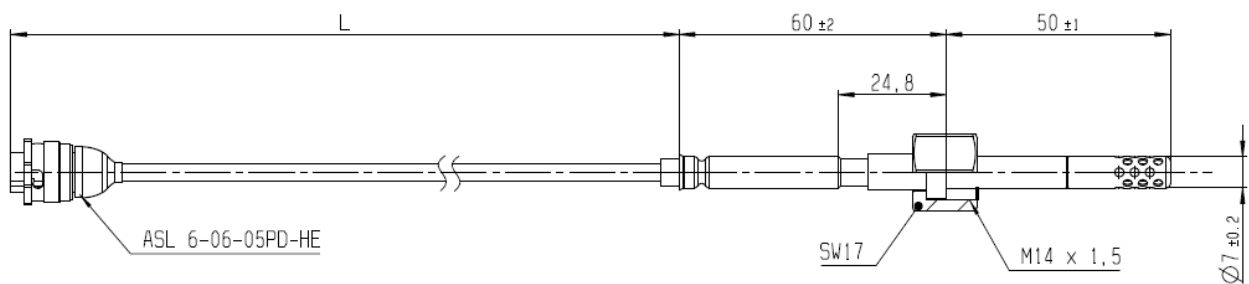
Free download of the sensor configuration file (*.sdf) for the Bosch Data Logging System (<http://www.bosch-motorsport.com>).

Accessories

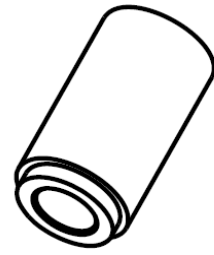
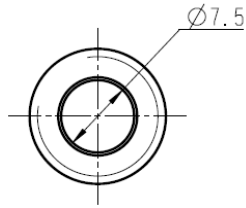
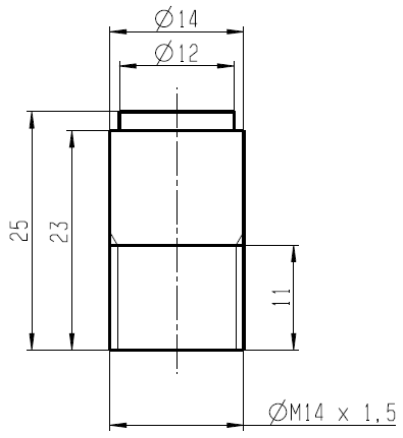
Mounting Part F 02U 000 847-01

Part Number

PT 200E **F 02U V00 811-01**



Mounting Part (optional)



Temperature Sensors Infrared

Temperature Sensor Infrared TI-16-r / TI-16-s

This infrared temperature sensor is designed for non-contact surface temperature measurement of various parts (e.g. tires or cylinder heads) based on IR radiation.

Using ruggedized silicon-coated optics with internal electronics and cabling packaged inside a stainless steel housing, this sensor measures the emitted infrared radiation of an object and calculates its temperature. The output signal has a linear characteristic (temperature vs. output voltage).

The main features of this sensor are its compact size, robust design, and high signal quality at a low cost. In addition, it offers the ability to change the temperature range, the output voltage and emissivity by request.



Application	
Application	0 ... 160 °C
Operating Temp. Range (sensing head)	-20 ... 120 °C
Operating Temp. Range (electronics)	-20 ... 70 °C
Storage Temperature Range	-40 ... 85 °C
Relative Humidity	10 ... 95 %
Max. Vibration any axis	30 m/s ² @ 11 ... 200 Hz 500 m/s ² , 11 ms shock

Mechanical Data	
Male Thread	M12x1 mm
Wrench Size	14 mm
Length Housing	28 mm
Weight with Wire 1 m	42 g

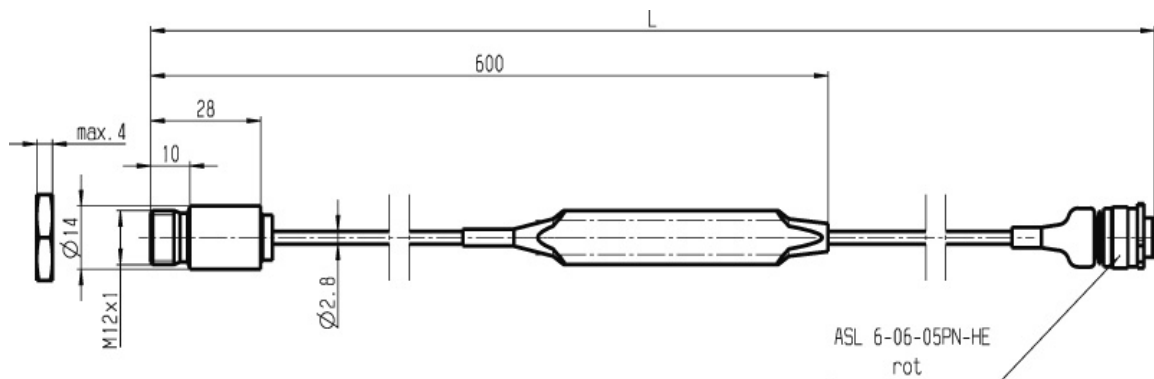
Electrical Data	
Power Supply U _s	5 ... 28 V
Max Power Supply U _s	28 V
Full Scale Output U _A	0 ... 5 V
Current I _s	9 mA

Characteristic	
Emissivity (predefined)	[1] 0.95 (rubber) [2] 0.80 (steel)
Optical Resolution	10 : 1
Spectral Range	8 ... 14 μm
Compensated Range	-20 ... 120 $^{\circ}\text{C}$
Temperature resolution @ $T_{\text{obj}} < 100\text{ }^{\circ}\text{C}$	0.1 $^{\circ}\text{C}$
System Accuracy @ 23 $^{\circ}\text{C}$ t_{amb} , or max. value	$\pm 1.5\text{ }^{\circ}\text{C}$ or 1.5 %
Repeatability @ 23 $^{\circ}\text{C}$ t_{amb} , or max. value	$\pm 0.75\text{ }^{\circ}\text{C}$ or 0.75 %
Sensitivity	31.25 mV/ $^{\circ}\text{C}$
Offset	0 mV

Connectors and Wires	
Connector	ASL 6-06-05PN-HE
Mating Connector	ASL 0-06-05SN-HE
Pin 1	Us
Pin 2	Gnd
Pin 3	Sig
Pin 4	Prg
Pin 5	Scr
Various motorsport and automotive connectors are available on request.	
Sleeve	Viton
Wire Size	AWG 26
Wire Length L	70 ... 100 cm
Please specify the requested wire length with your order.	

Application Hint
The TI-16 can be connected directly to most control units and data logging systems.
The temperature measurement range can be changed anywhere in the range of -20 $^{\circ}\text{C}$ to 1,000 $^{\circ}\text{C}$ per request.
The emissivity can be changed by request.
The predefined emissivity can differ from the real emissivity.
To determine the emissivity, please contact Bosch Motorsport for assistance.
The sensor is protected against reverse polarity and short-circuit.
Sensor can be mounted in any orientation.
Do not disconnect the electronics housing from the sensor.
The sensor meets the EMV qualification 89/336/EWG.
Please avoid abrupt temperature changes.
For mounting please use only the integrated thread.
Please ensure that the environmental conditions do not exceed the sensor specifications.
To clean the lens use only a soft, wet (water or water based glass cleaner) cloth -> NO DISSOLVER cleaner!
Please find further application hints in the offer drawing (http://www.bosch-motorsport.com).

Part Numbers	
TI-16-r [1]	F 01T A21 207-01
TI-16-s [2]	F 01T A21 209-01



Temperature Sensor Infrared TI-100-s / TI-100-c

This infrared temperature sensor is designed for non-contact surface temperature measurement of various parts (e.g. tires or cylinder heads) based on IR radiation.

Using ruggedized silicon-coated optics with internal electronics and cabling packaged inside a stainless steel housing, this sensor measures the emitted infrared radiation of an object and calculates its temperature. The output signal has a linear characteristic (temperature vs. output voltage).

The main features of this sensor are its compact size, robust design, and high signal quality at a low cost. In addition, it offers the ability to change the temperature range, the output voltage and emissivity by request.



Application	
Application	0 ... 1,000 °C
Operating Temp. Range (sensing head)	-20 ... 120 °C
Operating Temp. Range	-20 ... 70 °C (electronics)
Storage Temperature Range	-40 ... 85 °C
Relative Humidity	10 ... 95 %
Max. Vibration any axis	30 m/s ² @ 11 ... 200 Hz 500 m/s ² , 11 ms shock

Mechanical Data	
Male Thread	M12x1 mm
Wrench Size	14 mm
Length Housing	28 mm
Weight with Wire 1 m	42 g

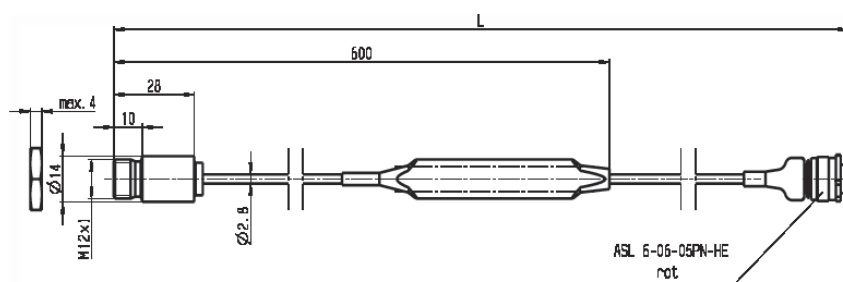
Electrical Data	
Power Supply U _s	5 ... 28 V
Max Power Supply U _s	28 V
Full Scale Output U _A	0 ... 5 V
Current I _s	9 mA

Characteristic	
Emissivity (pre defined)	[1] 0.80 (steel) [2] 0.75 (carbon)
Optical Resolution	10 : 1
Spectral Range	8 ... 14 μm
Compensated Range	-20 ... 120 $^{\circ}\text{C}$
Temperature resolution @ $T_{\text{obj}} < 100\text{ }^{\circ}\text{C}$	0.1 $^{\circ}\text{C}$
System Accuracy @ 23 $^{\circ}\text{C}$ t_{amb} , or max. value	$\pm 1.5\text{ }^{\circ}\text{C}$ or 1.5 %
Repeatability @ 23 $^{\circ}\text{C}$ t_{amb} , or max. value	$\pm 0.75\text{ }^{\circ}\text{C}$ or 0.75 %
Sensitivity	5 mV/ $^{\circ}\text{C}$
Offset	0 mV

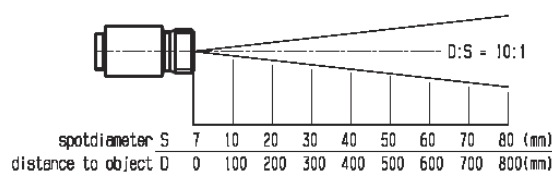
Connectors and Wires	
Connector	ASL 6-06-05PN-HE
Mating connector	ASL 0-06-05SN-HE
Pin 1	Us
Pin 2	Gnd
Pin 3	Sig
Pin 4	Prg
Pin 5	Scr
Various motorsport and automotive connectors are available on request.	
Sleeve	Viton
Wire Size	AWG 26
Wire Length L	70 ... 100 cm
Please specify the required wire length with your order.	

Application Hint
The TI-100 can be connected directly to most control units and data logging systems.
The temperature measurement range can be changed anywhere in the range of -20 $^{\circ}\text{C}$ to 1,000 $^{\circ}\text{C}$ per request.
The emissivity can be changed by request.
The predefined emissivity can differ from the real emissivity.
To determine the emissivity, please contact Bosch Motorsport for assistance.
The sensor is protected against reverse polarity and short-circuit.
Sensor can be mounted in any orientation.
Do not disconnect the electronics housing from the sensor.
The sensor meets the EMV qualification 89/336/EWG.
Please avoid abrupt temperature changes.
For mounting please use only the integrated thread.
Please ensure that the environmental conditions do not exceed the sensor specifications.
To clean the lens use only a soft, wet (water or water based glass cleaner) cloth -> NO DISSOLVER cleaner!
Please find further application hints in the offer drawing (http://www.bosch-motorsport.com).

Part Numbers	
TI-100-s (steel) [1]	F 01T A21 210-01
TI-100-c (carbon) [2]	F 01T A21 211-01



Optical chart



Thermocouple Probes

Thermocouple Probe TCP-K

This sensor is designed to measure exhaust gas temperatures up to 1,300 °C.

Thermocouples are temperature sensors, which generates a small temperature corresponding voltage, due to their thermo electrical behaviour, without any additional external energy. The mantle thermocouple has a metal mantle which includes two inner wires made of thermo material (NiCr-Ni). The wires are isolated.

The main feature and benefit of this sensor is a very quick response time, the combination of high quality production part and robust design with metal housing and motorsport connector.



Application	
Application	-200 ... 1,000 (1,300) °C
Max. Vibration	800 m/s ² @ 5 ... 500 Hz

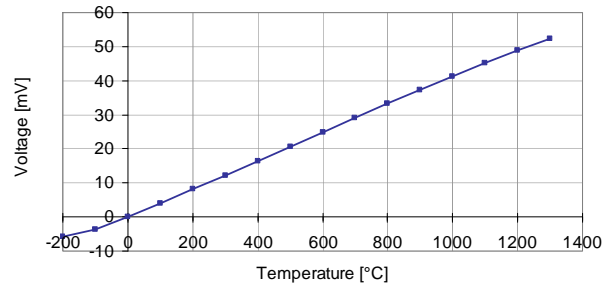
Electrical Data	
Voltage Supply	NiCr/Ni Typ K
Full Scale Output	DIN IEC 584-1

Mechanical Data	
Male Thread	see adapter
Wrench Size	see adapter
Installation Torque	see adapter
Weight with Wire	47 g
Sensor Tip Bend Radius	R 20

Connectors and Wires	
Connector	ASL 6-06-05PD-HE
Mating connector	ASL 0-06-05SD-HE
Pin 1	-
Pin 2	Sig+
Pin 3	Sig-
Pin 4	-
Pin 5	Src
Sleeve	DR-25
Wire Size	AWG 24
Wire Length L	15 ... 75 cm
Various motorsport and automotive connectors are available on request.	
Please specify the required wire length with your order.	

Characteristic Application

Accuracy (max. value)	$\pm 1.5 \text{ }^\circ\text{C}$ or $0.004 \cdot t$
T [°C]	U [mV]
-200	-5.891
-100	-3.554
0	0.000
100	4.096
200	8.138
300	12.209
400	16.397
500	20.644
600	24.905
700	29.129
800	33.275
900	37.326
1,000	41.276
1,100	45.119
1,200	48.838
1,300	52.410



Application Hint

The TCP-K can be connected to Bosch Motorsport ECUs with thermocouple inputs (w/o pull-up resistant) or to external devices, which amplify the sensor voltage.

Recommended max. continuous utilisation temperature 1,000 °C, short-term utilisation temperature 1,300 °C.

The sensor can be mounted individually according to the customer request.

The sensor tip is flexible/ bendable and can be fixed by a special adapter (B 261 209 159-01).

The length of the sensor tip can be modified on request.

Any mounting orientation is possible.

Please find further application hints in the offer drawing (<http://www.bosch-motorsport.com>).

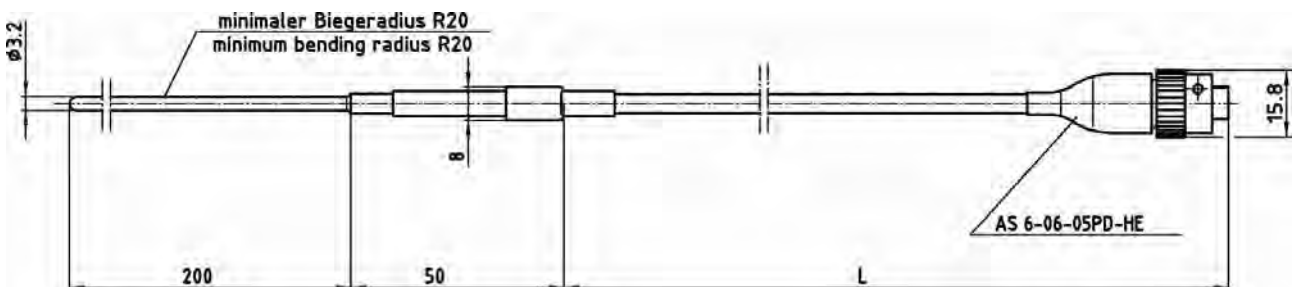
Free download of the sensor configuration file (*.sdf) for the Bosch Data Logging System (<http://www.bosch-motorsport.com>).

Accessories

Adapter TCP-K **B 261 209 159-01**

Part Number

TCP-K **B 261 209 385-01**



Thermocouple Probe TCP-NF

This sensor is designed to measure exhaust gas temperatures up to 1,100 °C.

Thermocouples are temperature sensors, which supply a temperature corresponding voltage, due to its thermoelectric behaviour, without any additional external energy. The mantle thermocouple has a metal mantle which includes two inner wires made of thermo material (NiCr-Ni). The wires are isolated. The voltage will be amplified by an integrated electronic, which is powered by 12 V and supplies an output signal from 0 ... 5 V.

The main feature and benefit of this sensor is the combination of high quality production part, robust design and the integrated amplifier.

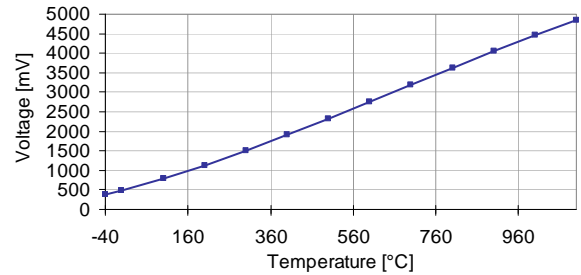


Application	
Application	-40 ... 1,100 °C
Usage temperature range	-40 ... 115 °C
Max. vibration	800 m/s ² @ 5... 500 Hz
Electrical Data	
Supply voltage U _s	12 V
Full scale output	0.5 ... 4.5 V

Mechanical Data	
Male thread	M12x1
Wrench size	17 mm
Installation torque	45 Nm
Weight with wire	110 g
Length	630 mm

Characteristic

Measuring range	-40 ... 1,100 °C
Response time	33 s
T [°C]	U [mV]
-40	372
0	485
100	790
200	1,135
300	1,513
400	1,912
500	2,327
600	2,752
700	3,183
800	3,615
900	4,046
1,000	4,473
1,100	4,845


Connectors and Wires

Connector	F 02U B00 292-01
Mating connector	D 261 205 357
Pin 1	Sig
Pin 2	Gnd
Pin 3	Us
Pin 4	-
Pin 5	-
Sleeve	DR-25
Wire size	AWG 24
Wire length	15 ... 75 cm

Application Hint

The TCP-NF can be connected to Bosch Motorsport ECUs with a 0 ... 5 V analog signal inputs or to external devices.

The sensor can be mounted individually according to the customer's request.

The signal output will be 0 V, if the sensor, the power, or the signal wire failed

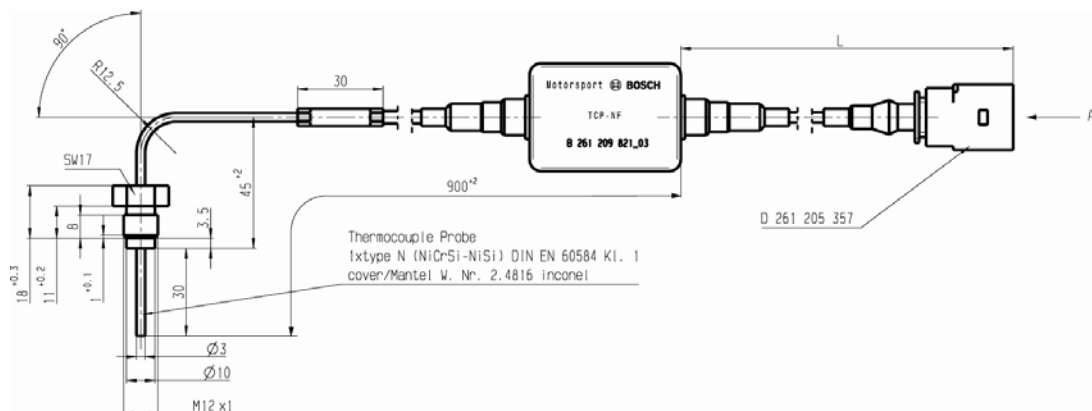
The signal output will be > 5 V, if the ground wire failed, or due to a short cut of the power and signal wire

Please find further application hints in the offer drawing (<http://www.bosch-motorsport.com>)

Free download of the sensor configuration file (*.sdf) for the Bosch Data Logging System (<http://www.bosch-motorsport.com>).

Part Number

Thermocouple Probe TCP-NF **B 261 209 821-03**



Thermocouple Probe TCP-KA

This sensor is designed to measure exhaust gas temperatures up to 1,250 °C.

Thermocouples are temperature sensors, which supply a temperature corresponding voltage, due to its thermoelectric behaviour, without any additional external energy source. The mantle thermocouple has a metal mantle which includes two inner wires made of thermomaterial (Ni CrSi - NiSi). The wires are isolated. The voltage is amplified by an electronic circuit, which is powered by 12 V and supplies an output signal from 0 to 5 V. Please note that the operating temperature of the external electronics is from 0 to 120 °C.

The main feature and benefit of this sensor is the combination of high quality production part, robust design and its integrated amplifier.



Application	
Application	0 ... 1,250 °C
Operating temp. range (ext. electronics)	0 ... 120 °C

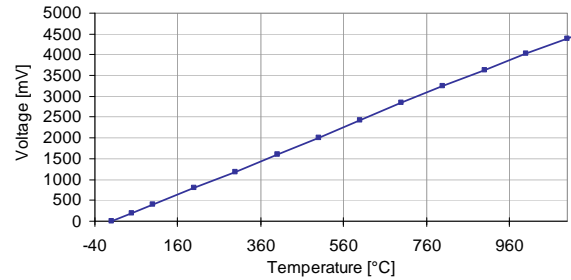
Mechanical Data	
Male thread	M12x1
Wrench size	17 mm
Installation torque	15 Nm
Weight with wire	85 g
Length	250 mm

Electrical Data	
Voltage supply	12 V
Full Scale output	0 ... 5 V

Connectors and Wires	
Connector	F 02U B00 292-01
Mating connector	D 261 205 357
Pin 1	Sig
Pin 2	Gnd
Pin 3	Us
Sleeve	DR-25
Wire size	AWG 24
Wire length L	15 ... 75 cm
Various motorsport and automotive connectors are available on request.	
Please specify the required wire length with your order.	

Characteristic Application

Measuring Range		0 ... 1,250 °C
T [°C]	U [mV]	
0	0	
50	197	
100	399	
200	793	
300	1,190	
400	1,598	
500	2,012	
600	2,427	
700	2,839	
800	3,243	
900	3,638	
1,000	4,022	
1,100	4,396	
1,200	4,759	
1,250	5,000	



Application Hint

The TCP-KA can be connected to Bosch Motorsport ECUs with a 0 ... 5 V analog signal input (w/o pull-up resistor) or to external data logging devices.

The sensor can be mounted individually according to the customer's request.

Please, note that the operating temperature range of the external electronics is from 0 to 120 °C.

Recommended bending radius of the wire of the sensor element is minimum 20 mm to ensure the sensor works properly and for a longer lifespan of the sensor.

Any mounting orientation is possible.

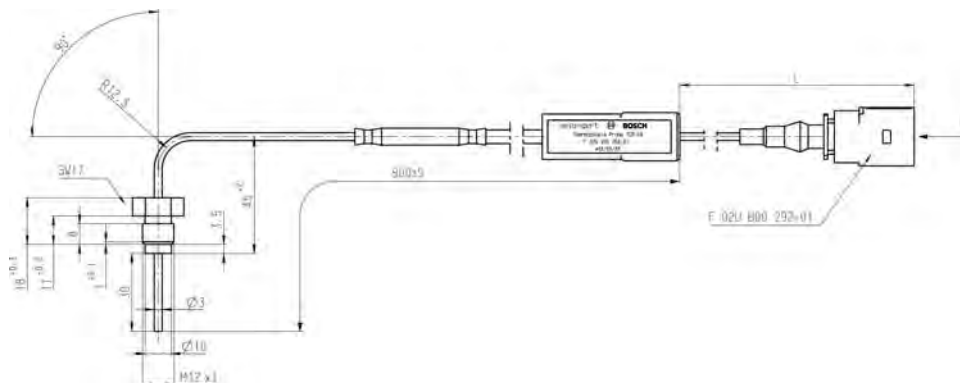
Please find further application hints in the offer drawing (<http://www.bosch-motorsport.com>).

Free download of the sensor configuration file (*.sdf) for Bosch Data Logging System (<http://www.bosch-motorsport.com>).

Part Number

TCP-KA

F 02U V00 264-01



Wire Potentiometers

Wire Potentiometer WP 35

The WP 35 is a wire potentiometer which is designed to measure position, direction, or rate of motion of moving mechanical components.

This sensor converts mechanical movement into electrical signal using a stainless steel cable wound on a threaded drum that is coupled to a precision rotary sensor. Hence the electrical output is proportional to the distance travelled.

The advantage of this WP is its compact style which allows for flexible and easy installation. Due to its small size, precise measurement is possible even in difficult applications.



Application	
Application	0 ... 38 mm
Temperature range	-65 ... 125 °C
Max. cable acceleration	290 m/s ²
Max. cable tension	1.7 N
Shock	1,000 m/s ² for 6 ms
Vibration	150 m/s ² @ 10 ... 2,000 Hz

Electrical Data	
Power supply	5 V
Power supply max.	35 V
Nominal resistance	5 kΩ
Resistance tolerance	10 %
Non-linearity	1 %
Max. current	12 mA

Mechanical Data	
Weight w/o cable	15 g
Possible mechanical range	38.1 mm
Mounting	2 x 2-56 UNC
Tightening torque	2.5 Nm
Life expectancy	5 x 10 ⁶ cycles
Protection	IP54
Dimensions	19.1 x 19.1 x 9.7 mm

Connectors and Cables

Connector	ASL 6-06-05PA-HE
Connector loom	ASL 0-06-05SA-HE
Pin 1	Us
Pin 2	Gnd
Pin 3	Sig
Pin 4	-
Pin 5	-
Sleeve	DR-25
Cable size	AWG 24
Cable length L	15 ... 45 cm
Various motorsports and automotive connectors on request.	
Please specify the requested cable length with your order.	

Application Hint

The WP 35 can be connected directly to most electronic control units and data logging systems.

Holder for specific mounting orientation is available on request.

The angle of the displacement cable should be in the range of $\pm 5 \dots 10^\circ$ from normal direction to avoid damaging the housing.

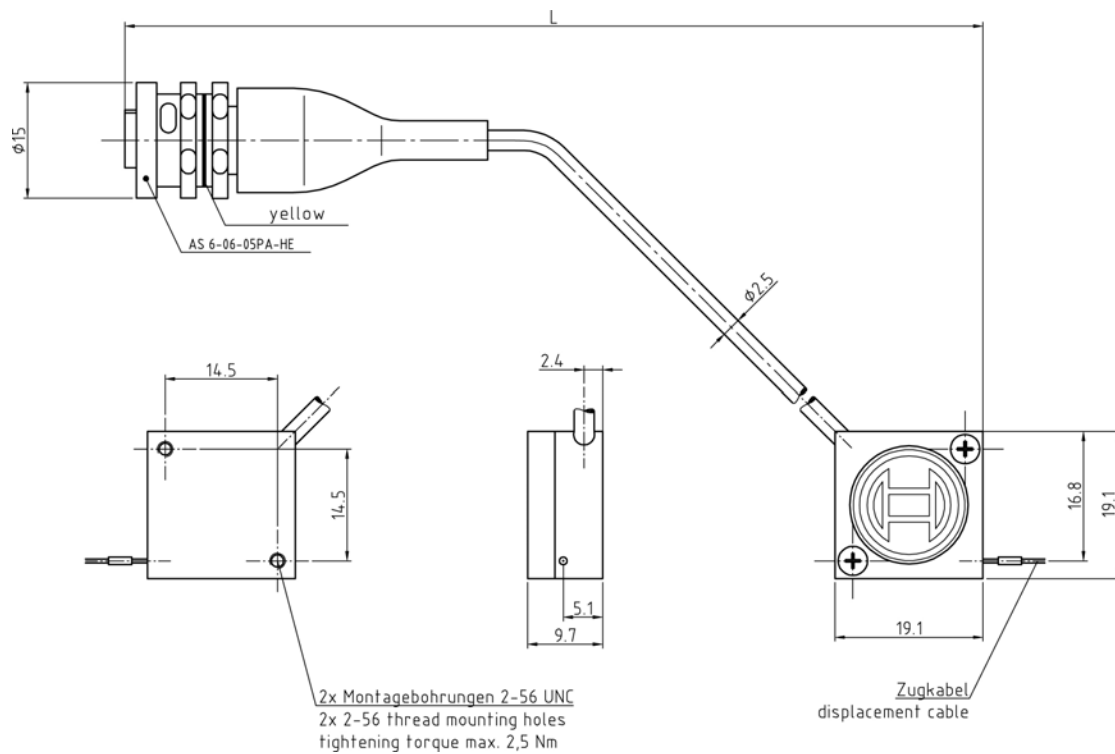
Do not allow the cable to snap back (freely retract). This will cause damage and void the warranty. Tension must be maintained on the cable at all times.

Please find further application hints in the offer drawing (<http://www.bosch-motorsport.com>).

Part Number

WP 35

B 261 209 541



Wire Potentiometer WP 50

The WP 50 is a wire potentiometer which is designed to measure position, direction, or rate of motion of moving mechanical components.

This sensor converts mechanical movement into electrical signal using a stainless steel cable wound on a threaded drum that is coupled to a precision rotary sensor. Hence the electrical output is proportional to the distance travelled.

The advantage of this WP is its compact style which allows for flexible and easy installation. Due to its small size, precise measurement is possible even in difficult applications.



Application	
Application	0 ... 50 mm
Temperature range	-65 ... 125 °C
Max. cable acceleration	400 m/s ²
Max. cable tension	3.3 N
Shock	1,000 m/s ² for 6 ms
Vibration	150 m/s ² 10 ... 2,000 Hz

Electrical Data	
Power supply	5 V
Power supply max.	35 V
Nominal resistance	5 kΩ
Resistance tolerance	10 %
Non-linearity	0.5 %
Max. current	12 mA

Mechanical Data	
Weight w/o cable	15 g
Possible mechanical range	50.8 mm
Mounting	2 x 2-56 UNC
Tightening torque	2.5 Nm
Life expectancy	100 x 10 ⁶ cycles
Protection	IP54
Dimensions	Ø 24.4 x 11.4 mm

Connectors and Cables

Connector	ASL 6-06-05PA-HE
Connector loom	ASL 0-06-05SA-HE
Pin 1	Us
Pin 2	Gnd
Pin 3	Sig
Pin 4	-
Pin 5	-
Sleeve	DR-25
Cable size	AWG 24
Cable length L	15 ... 45 cm
Various motorsports and automotive connectors on request.	
Please specify the requested cable length with your order.	

Application Hint

The WP 50 can be connected directly to most electronic control units and data logging systems.

Holder for specific mounting orientation is available on request.

The angle of the displacement cable should be in the range of $\pm 5 \dots 10^\circ$ from normal direction to avoid damaging the housing.

Do not allow the cable to snap back (freely retract). This will cause damage and void the warranty. Tension must be maintained on the cable at all times.

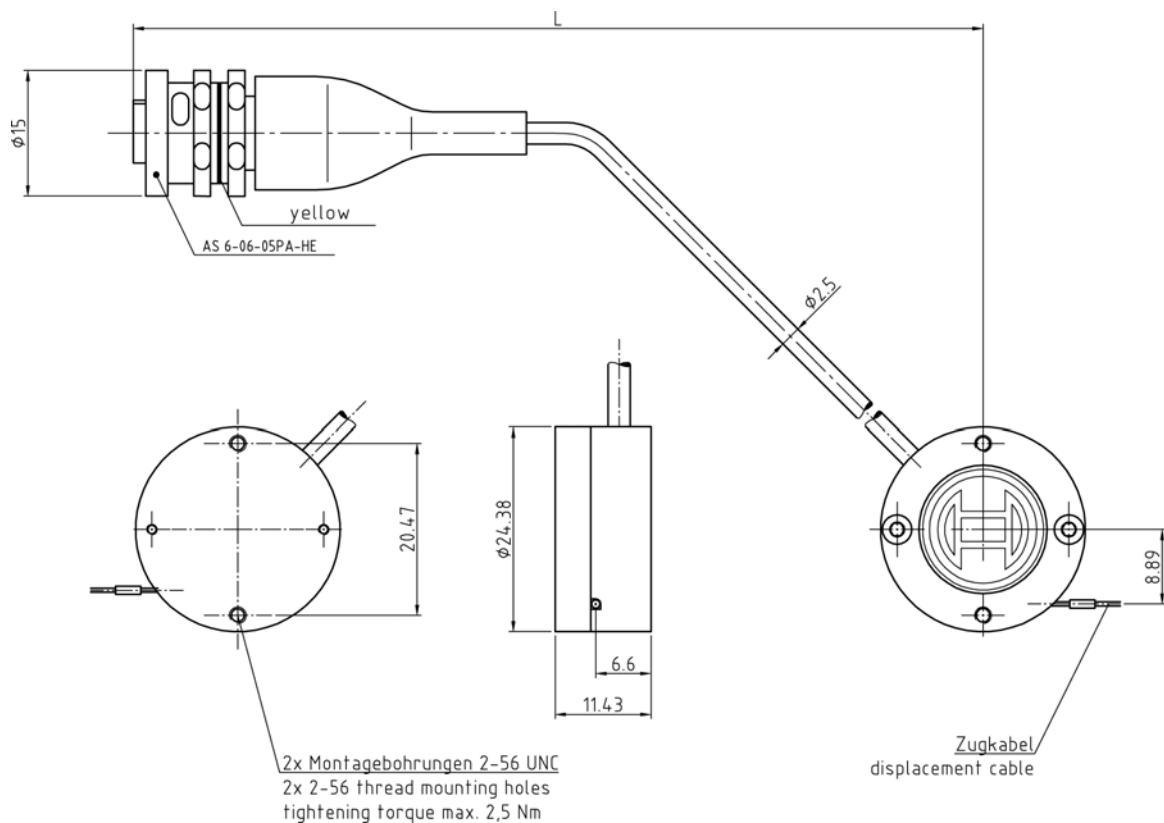
Repair service is available for this product.

Please find further application hints in the offer drawing (<http://www.bosch-motorsport.com>).

Part Number

WP 50

B 261 209 542



Wire Potentiometer WP 75

The WP 75 is a wire potentiometer which is designed to measure position, direction, or rate of motion of moving mechanical components.

This sensor converts mechanical movement into electrical signal using a stainless steel cable wound on a threaded drum that is coupled to a precision rotary sensor. Hence the electrical output is proportional to the distance travelled.

The advantage of this WP is its compact style which allows for flexible and easy installation. Due to its small size, precise measurement is possible even in difficult applications.



Application	
Application	0 ... 75 mm
Temperature range	-65 ... 125 °C
Max. cable acceleration	170 m/s ²
Max. cable tension	2.8 N
Shock	1,000 m/s ² for 6 ms
Vibration	150 m/s ² @ 10 ... 2,000 Hz

Electrical Data	
Power supply	5 V
Power supply max.	35 V
Nominal resistance	5 kΩ
Resistance tolerance	10 %
Non-linearity	0.5 %
Max. current	12 mA

Mechanical Data	
Weight w/o cable	28 g
Possible mechanical range	76.2 mm
Mounting	2 x 2-56 UNC
Tightening torque	2.5 Nm
Life expectancy	100 x 10 ⁶ cycles
Protection	IP54
Dimensions	Ø 24.4 x 11.4 mm

Connectors and Cables

Connector	ASL 6-06-05PA-HE
Connector loom	ASL 0-06-05SA-HE
Pin 1	Us
Pin 2	Gnd
Pin 3	Sig
Pin 4	-
Pin 5	-
Sleeve	DR-25
Cable size	AWG 24
Cable length L	15 ... 45 cm
Various motorsports and automotive connectors on request.	
Please specify the requested cable length with your order.	

Application Hint

The WP 75 can be connected directly to most electronic control units and data logging systems.

Holder for specific mounting orientation is available on request.

The angle of the displacement cable should be in the range of $\pm 5 \dots 10^\circ$ from normal direction to avoid damaging the housing.

Do not allow the cable to snap back (freely retract). This will cause damage and void the warranty. Tension must be maintained on the cable at all times.

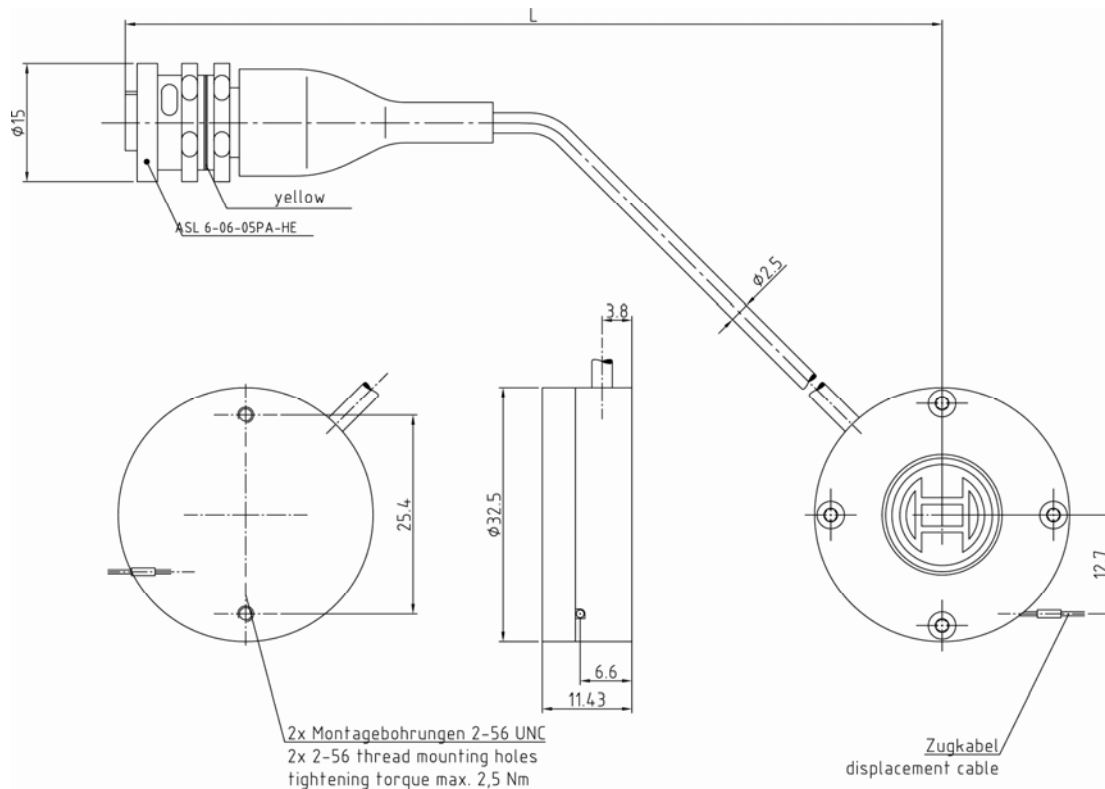
Repair service is available for this product.

Please find further application hints in the offer drawing (<http://www.bosch-motorsport.com>).

Part Number

WP 75

B 261 209 543



Wire Potentiometer WP 100

The WP 100 is a wire potentiometer which is designed to measure position, direction, or rate of motion of moving mechanical components.

This sensor converts mechanical movement into electrical signal using a stainless steel cable wound on a threaded drum that is coupled to a precision rotary sensor. Hence the electrical output is proportional to the distance travelled.

The advantage of this WP is its compact style which allows for flexible and easy installation. Due to its small size, precise measurement is possible even in difficult applications.



Application	
Application	0 ... 100 mm
Temperature range	-65 ... 125 °C
Max. cable acceleration	90 m/s ²
Max. cable tension	3.3 N
Shock	1,000 m/s ² for 6 ms
Vibration	150 m/s ² @ 10 ... 2,000 Hz

Electrical Data	
Power supply	5 V
Power supply max.	35 V
Nominal resistance	5 kΩ
Resistance tolerance	10 %
Non-linearity	0.5 %
Max. current	12 mA

Mechanical Data	
Weight w/o wire	57 g
Possible mechanical range	101.6 mm
Mounting	2 x 2-56 UNC
Tightening torque	2.5 Nm
Life expectancy	100 x 10 ⁶ cycles
Protection	IP54
Dimensions	Ø 43.3 x 12.5 mm

Connectors and Wires

Connector	ASL 6-06-05PA-HE
Mating connector	ASL 0-06-05SA-HE
Pin 1	Us
Pin 2	Gnd
Pin 3	Sig
Pin 4	-
Pin 5	-
Sleeve	DR-25
Wire size	AWG 24
Wire length L	15 ... 45 cm
Various motorsport and automotive connectors on request.	
Please specify the required wire length with your order.	

Application Hint

The WP 100 can be connected directly to most electronic control units and data logging systems.

Holder for specific mounting orientation is available on request.

The angle of the displacement cable should be in the range of $\pm 5 \dots 10^\circ$ from normal direction to avoid damaging the housing.

Do not allow the cable to snap back (freely retract). This will cause damage and void the warranty. Tension must be maintained on the cable at all times.

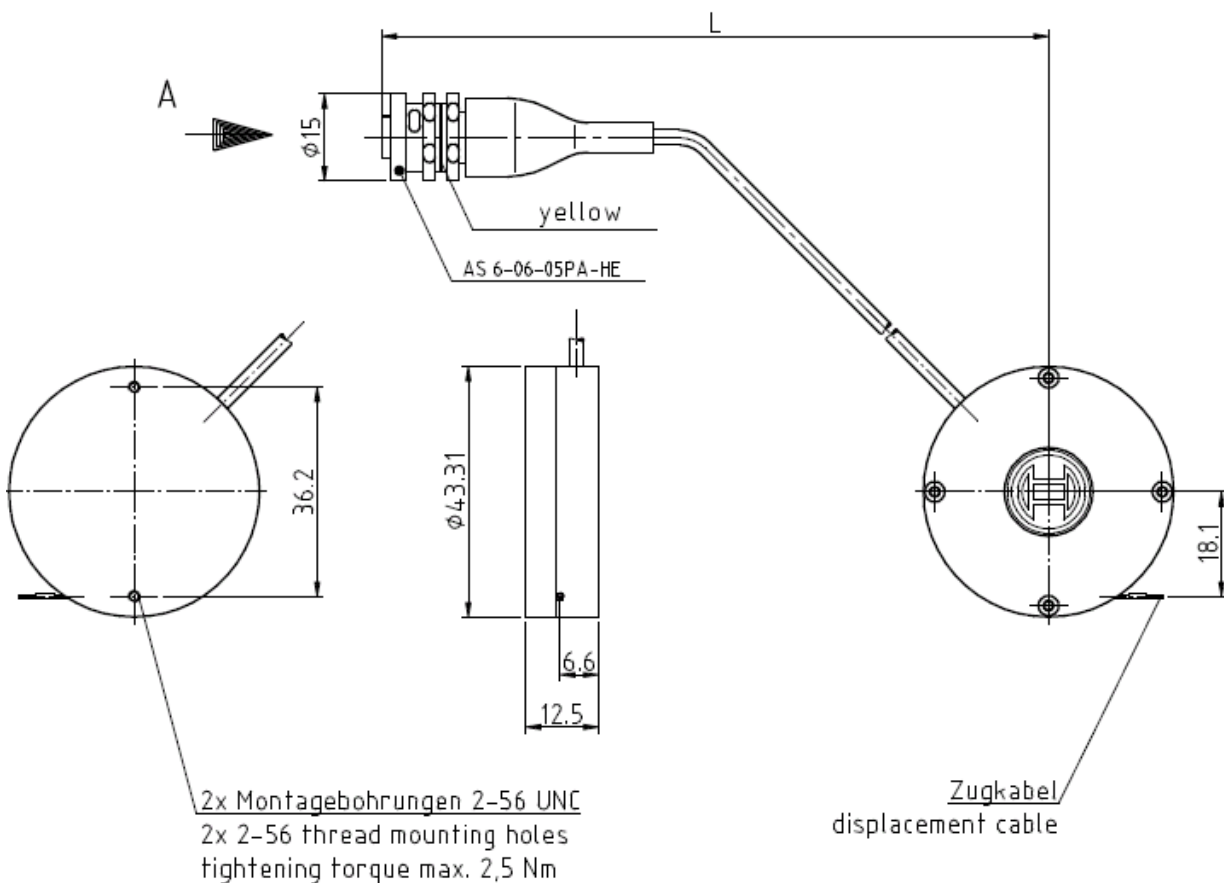
Repair service is available for this product.

Please find further application hints in the offer drawing (<http://www.bosch-motorsport.com>).

Part Number

WP 100

B 261 209 544



Wire Potentiometer WP 120

The WP 120 is a wire potentiometer which is designed to measure position, direction or rate of motion of moving mechanical components.

This sensor converts mechanical movement into electrical signal using a stainless steel cable wound on a threaded drum that is coupled to a precision rotary sensor. Hence the electrical output is proportional to the distance travelled.

The advantage of this WP is its compact style which allows for flexible and easy installation. Due to its small size, precise measurement is possible even in difficult applications.



Application	
Application	0 ... 120 mm
Temperature range	-15 ... 60 °C
Max. cable tension	2.2 N

Electrical Data	
Power supply	5 V
Power supply max.	25 V
Nominal resistance	1 kΩ
Resistance tolerance	0.15 %
Non-linearity	1 %

Mechanical Data	
Weight w/o cable	85 g
Possible mechanical range	120 mm
Mounting	2 x Ø 4 & Ø 4.8
Life expectancy	1 x 10 ⁶ cycles
Dimensions	45.7 x 44.5 x 59.7 mm

Connectors and Cables

Connector	ASL 6-06-05PA-HE
Connector loom	ASL 0-06-05SA-HE
Pin 1	Us
Pin 2	Gnd
Pin 3	Sig
Pin 4	-
Pin 5	-
Sleeve	DR-25
Cable size	AWG 24
Cable length L	15 ... 50 cm
Various motorsports and automotive connectors on request.	
Please specify the requested cable length with your order.	

Application Hint

The WP 120 can be connected directly to most electronic control units and data logging systems.

The angle of the displacement cable should be in the range of $\pm 5 \dots 10^\circ$ from normal direction to avoid damaging the housing.

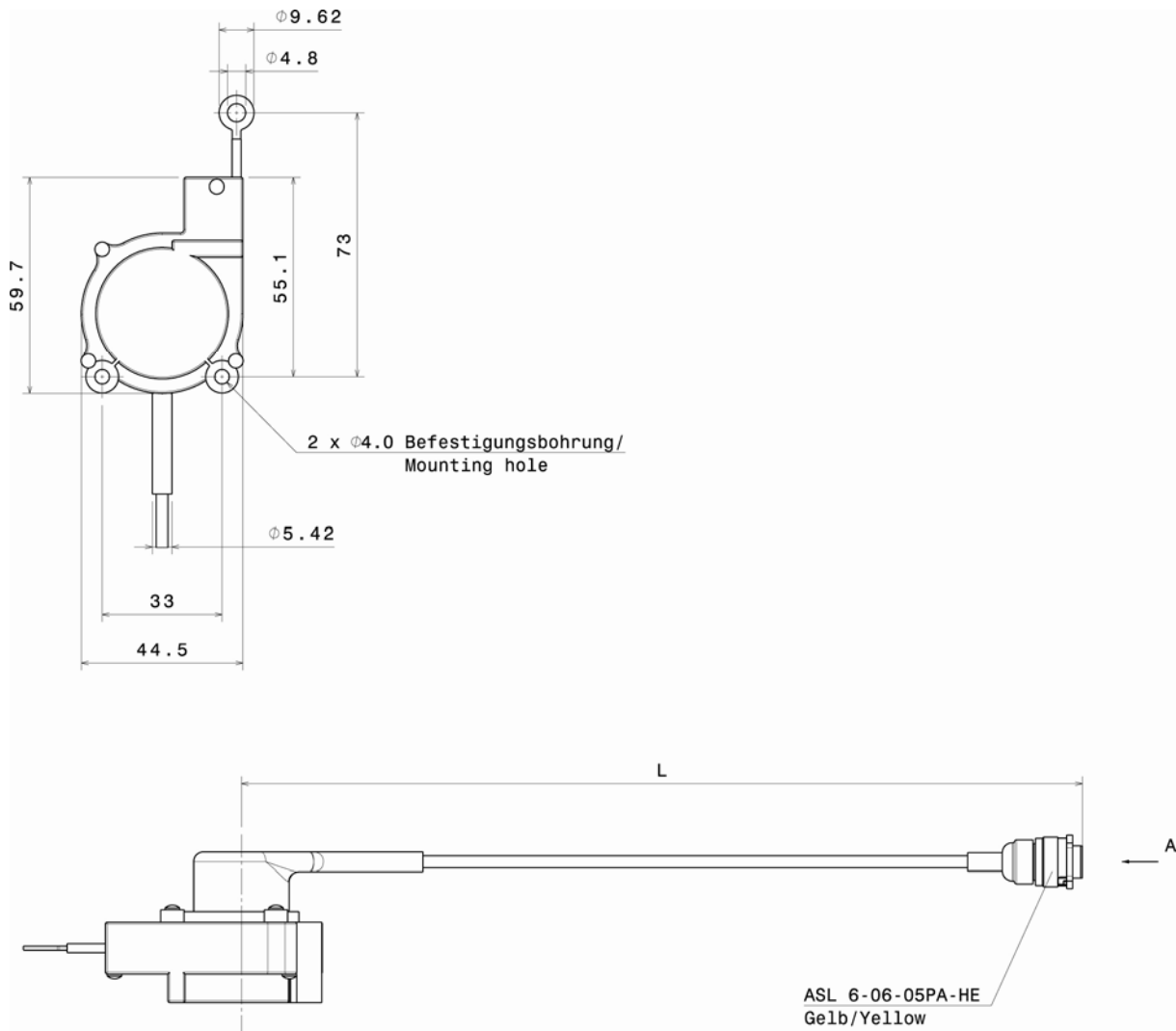
Do not allow the cable to snap back (freely retract). This will cause damage and void the warranty. Tension must be maintained on the cable at all times.

Please find further application hints in the offer drawing (<http://www.bosch-motorsport.com>).

Part Number

WP 120

F 01T A21 250



Wire Potentiometer WP 125

The WP 125 is a wire potentiometer which is designed to measure position, direction, or rate of motion of moving mechanical components.

This sensor converts mechanical movement into electrical signal using a stainless steel cable wound on a threaded drum that is coupled to a precision rotary sensor. Hence the electrical output is proportional to the distance travelled.

The advantage of this WP is its compact style which allows for flexible and easy installation. Due to its small size, precise measurement is possible even in difficult applications.



Application	
Application	0 ... 125 mm
Temperature range	-65 ... 125 °C
Max. cable acceleration	80 m/s ²
Max. cable tension	2.8 N
Shock	1,000 m/s ² for 6 ms
Vibration	150 m/s ² @ 10 ... 2,000 Hz

Electrical Data	
Power supply	5 V
Power supply max.	35 V
Nominal resistance	5 kΩ
Resistance tolerance	10 %
Non-linearity	0.5 %
Max. current	12 mA

Mechanical Data	
Weight w/o cable	85 g
Possible mechanical range	127.5 mm
Mounting	2 x 2-56 UNC
Tightening torque	2.5 Nm
Life expectancy	100 x 10 ⁶ cycles
Protection	IP54
Dimensions	Ø 50.5 x 13.2 mm

Connectors and Cables

Connector	ASL 6-06-05PA-HE
Connector loom	ASL 0-06-05SA-HE
Pin 1	Us
Pin 2	Gnd
Pin 3	Sig
Pin 4	-
Sleeve	DR-25
Cable size	AWG 24
Cable length L	15 ... 45 cm
Various motorsports and automotive connectors on request.	
Please specify the requested cable length with your order.	

Application Hint

The WP 125 can be connected directly to most electronic control units and data logging systems.

Holder for specific mounting orientation is available on request.

The angle of the displacement cable should be in the range of $\pm 5 \dots 10^\circ$ from normal direction to avoid damaging the housing.

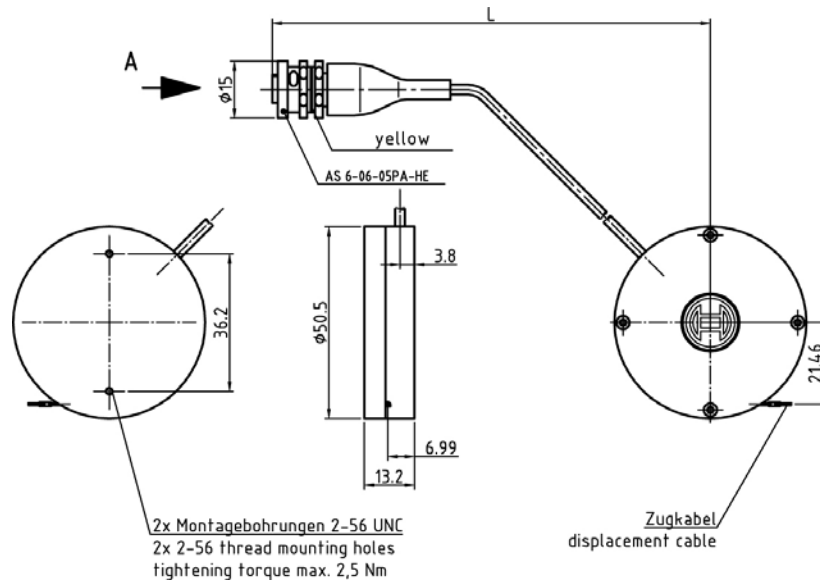
Do not allow the cable to snap back (freely retract). This will cause damage and void the warranty. Tension must be maintained on the cable at all times.

Please find further application hints in the offer drawing (<http://www.bosch-motorsport.com>).

Part Number

WP 125

B 261 209 545



Electronic Throttle Control

Electronic Throttle Grip ETG

Drive by wire system for motorcycles

This new Electronic Throttle Grip (ETG) eliminates the throttle cables connecting the throttle grip and the throttle body and replaces them with a single electrical connection.

The grip is spring loaded to return to the idle position where a damping element and 10° free play below the idle position provide optimal control and feel for the rider. The grip includes two redundant sets of magnetic sensors to ensure a maximum safety and reliability.

There is an integrated switch denoting three power settings for the bike: OFF, IGN ON and START.



Application	
Temperature range	0 ... 80 °C
Max. vibration	800 m/s ² @ 5 Hz ... 2 kHz

Mechanical Data	
Size of housing	80 x 60 x 160 mm
Weight	326 g
Mounting	handlebar ø 22.2 mm
Working angle + free play	60° + 10°
Tightening torque	4.5 Nm

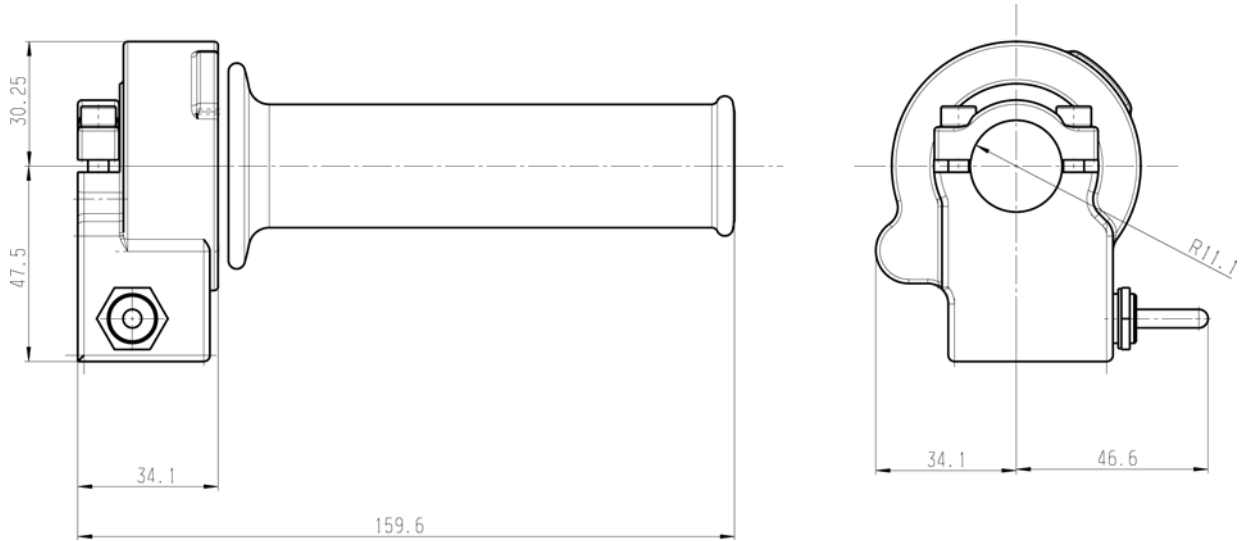
Electrical Data	
Supply voltage	2 x 5 V

Characteristic	
Output Signal I	0.15 V ... 2.325 V (0° ... 70°)
Output Signal II	0.3 V ... 4.65 V (0° ... 70°)

Application Hint	
The ETG can be connected directly to control units with ETC functionality.	
Please avoid abrupt temperature changes.	

Connector	
Connector	AS 6-10-35PN
Mating connector	AS 1-10-35SN
Pin 1	terminal 30
Pin 2	terminal 15
Pin 3	terminal 50 (Starter)
Pin 4	-
Pin 5	5 V supply (Signal I)
Pin 6	5 V supply (Signal II)
Pin 8	Gnd (Signal I)
Pin 9	Gnd (Signal II)
Pin 12	Signal I (screened)
Pin 13	Signal II (screened)

Part Number	
Electronic Throttle Grip ETG	F 02U V00 589-01



Electronic Throttle Body ETB

The electronic throttle body (ETB) is part of an electronic throttle control system (ETC). The ETC contains furthermore an electronic acceleration pedal or a redundant rotary potentiometer for a mechanical throttle body.

Different bore diameters are available on request.



Application

Temperature range	-40 ... 140 °C
Max. vibration	50 ... 250 m/s ² at 50 Hz ... 2 kHz

Mechanical Data

Size of housing	[1] 150 x 80 x 145 mm [2] 125 x 80 x 115 mm
Weight	[1] 950 g [2] 940 g
Tightening torque	10 Nm

Electrical Data

Supply voltage ETB	6 ... 16 V
Supply voltage sensor	5 ± 0.2 V
Max. allowed generator current	< 10.0 A

Characteristic

Output signal I	0 V ... 5 V (0° ... 90°)
Output signal II	5 V ... 0 V (0° ... 90°)
Air mass flow (p _{amb} = 1,000 mbar, Δp 600 mbar, 23 °C)	[1] 6,500 kg/h [2] 960 kg/h

Application Hint

The ETB can be connected directly to control units with ETC functionality.

An acceleration pedal sensor (e.g. RP 100 twin, B 261 209 591-02) is required.

Other bore diameters are available on request.

Please find further application hints in the offer drawing (<http://www.bosch-motorsport.com>).

Connector

Connector	AKD
Mating connector	D 261 205 356-01
Pin 1	Poti 1
Pin 2	[1] Poti + [2] Poti -
Pin 3	[1] Motor + [2] Motor -
Pin 4	Poti 2
Pin 5	[1] Motor - [2] Motor +
Pin 6	[1] Poti - [2] Poti +

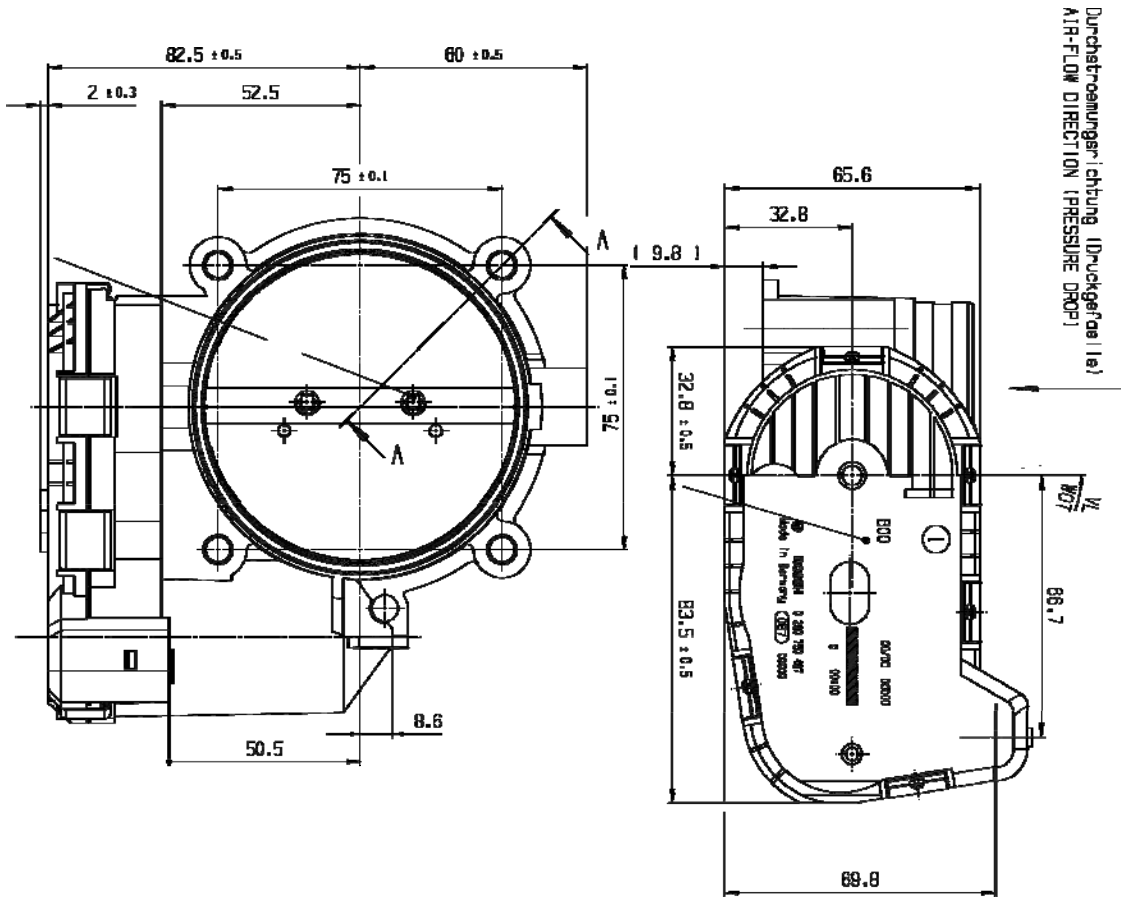
Various motorsport and automotive connectors are available on request.

Please specify the required wire length with your order.

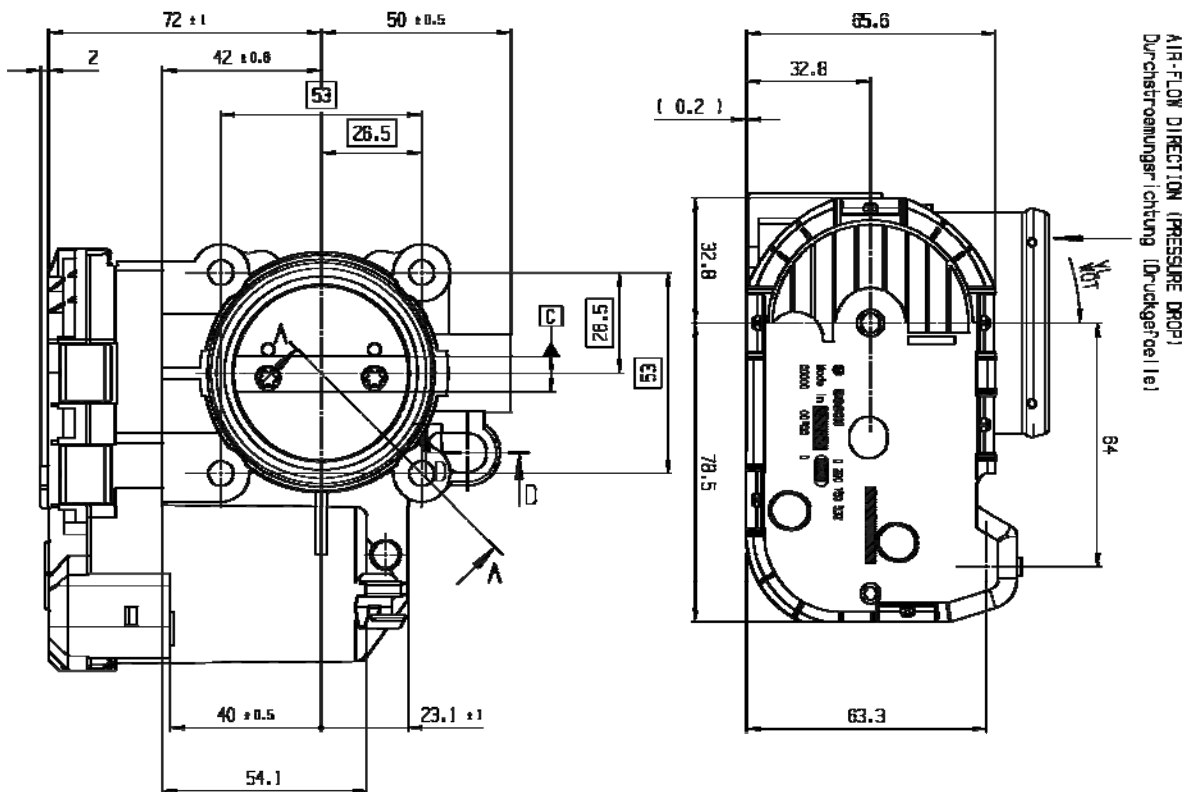
Part Number

ETB 82 mm anti-clockwise	[1] 0 280 750 487
ETB 46 mm clockwise	[2] 0 280 750 532

Dimensions ETB 82 mm



Dimensions ETB 46 mm



Chassis & Brake Control

ABS M4 Kit

The ABS M4 kit is developed for the operation in front, rear or 4-wheel drive vehicles. A vehicle specific wire harness is included in the kit. The ABS M4 is specifically adapted for motorsports use. Individual car parameters can be calibrated with a software free of charge.



Mechanical Data

Hydraulic unit with attached ECU

Dust and splash proof production housing	
Vibration damped circuit board	
38 pin connector	
2 hydraulic valves per wheel	
2 brake circuits (front and rear)	
2 hydraulic high pressure pumps	
2 hydraulic accumulators 3 ccm/each	
Standard fittings	2 x master cylinders M12x1 4 x brake cylinders M10x1
Size	125 x 80.3 x 129.6 mm
Weight	1,850 g
Operating temperature	-30 ... +130 °C
Max. shock	50 g less than 6 ms

Content of Kit

Hydraulic unit with attached ECU
Pressure sensor
Yaw/acceleration sensor
12 position function switch
4 wheel speed sensors DF11 standard
ABS warning light
Vehicle specific wire harness
Vibrations damping boards

Electrical Data

Power Supply and Consumption

Supply voltage	8 ... 16 V, max. 26 V for 5 min
Max. peak voltage	35 V for 200 ms
Power consumption	8 W stand-by, 230 W in operation

Inputs

4 active wheel speed DF11
Brake pressure (front brake circuit)
Longitudinal acceleration
Lateral acceleration
Yaw rate
12 position function switch
9 switch positions are preconfigured for different setups
2 switch positions programmable
1 switch for ABS function OFF
Brake light switch

Outputs

ABS warning light (MIL)
Control of internal ABS valves
Control of pump motor

Communication

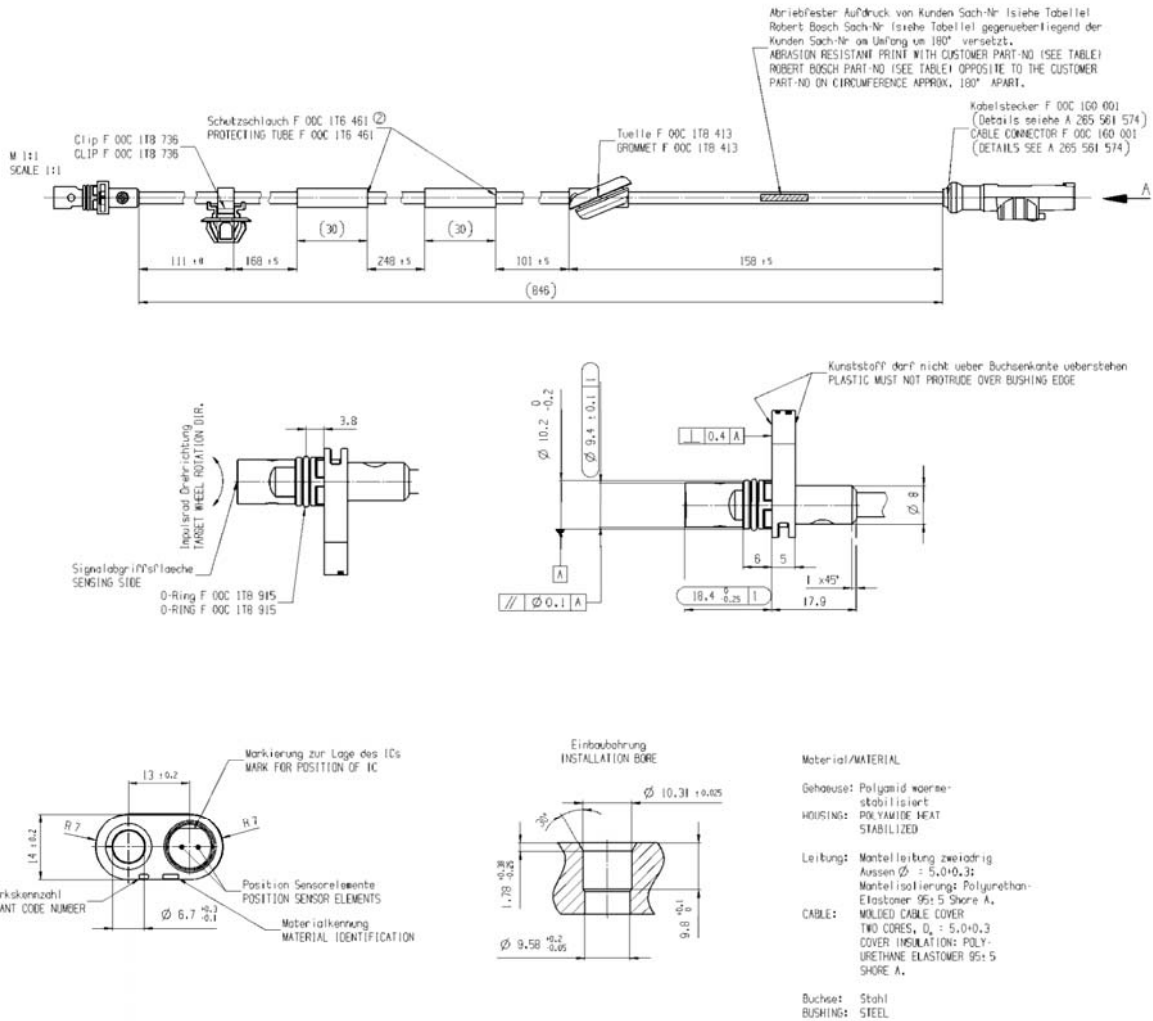
CAN interface

Optional Accessories

Data logger C Sport	F 01T A20 061-01
Display DDU Sport	F 01T A20 050-01
Communication interface MSA Box II	F 02U V00 327-01
Single wheelspeed signal splitter without connectors	F 02U V00 225-01
Single wheelspeed signal splitter with motorsport connectors	F 02U V00 209-01
Wheelspeed signal splitter with 2 motorsport connectors	F 02U V00 203-02
Wheelspeed signal splitter with 1 motorsport connector	F 02U V00 335-02
Adapter wire harness for connection of data logger C Sport	F 02U V00 309-01

Part Numbers

ABS M4-Kit 1 (Wire harness with motorsport connectors, customer-specific layout, wheel speed sensors with production-type connectors)	F 02U V00 289-01
ABS M4-Kit 2 (Wire harness with motorsport connectors, customer-specific layout, wheel speed sensors with motorsport connectors)	F 02U V00 290-01



Displays

Display DDU Sport

The DDU Sport is a light and compact dashboard unit with a high contrast monochrome display. Customised display configurations can be programmed to suit individual customer requirements. All illuminated components are dimmable.

For enhanced flexibility the DDU Sport can be interfaced to a range of stand-alone I/O modules that provide the driver with additional information or alternatively enable the driver to interface with multiple vehicle functions.

The display has an integrated logger with a memory capacity of 512 MB. Engine data of the ECU can be received via CAN interface.

Data acquisition and calibration software RaceLab Sport is inclusive.



Application	
LCD display / LED background light	
4 programmable pages	
Active area	91 x 56 mm
Resolution	240 x 128 pixel
Dot size	0.38 x 0.41 mm
Mounting	4 x M5 threads on reverse side
4 internal switches for operation (pages, mode, setting), available also on reverse side connectors	

Mechanical Data	
Dimensions	160 x 110 x 26 mm
Weight	433 g
Max. Vibration	<i>Vibration Profile 1</i> (see Appendix or www.bosch-motorsport.com)
Temperature	-10 ... 65 °C

Electrical Data
7 sequential shift LEDs
512 MB Data logger integrated
4 analog inputs (0 ... 5 V) 10 bit resolution
4 digital inputs (HL = 2.5 ... 32 V)
Real Time Clock
2 x CAN-Bus
1 x 100 Mbit LAN
Voltage supply range: 7,5 ... 35 V
Sensor supply: 5 V, 500 mA

Software
Data acquisition and calibration with RaceLab Sport via Ethernet

Connectors	
Mating connector straight, Binder Series 712	
3 x 99 0425 00 08	3 x F 02U 002 202-01
Mating connector angled, Binder Series 712	
3 x 99 0425 70 08	3 x F 02U 001 514-01
Connector 1 (red)	
Pin 1	Input, digital 1
Pin 2	Input, digital 2
Pin 3	Input, digital 3
Pin 4	Input, digital 4
Pin 5	Input, terminal 30
Pin 6	Input, terminal 15
Pin 7	Input/Output, GND
Pin 8	Output, Us
Connector 2 (green)	
Pin 1	Input, KEY4
Pin 2	Input, KEY3
Pin 3	Input, KEY2
Pin 4	Input, KEY1
Pin 5	Input, AIN3
Pin 6	Input, AIN2
Pin 7	Input, AIN1
Pin 8	Input, AIN0
Connector 3 (blue)	
Pin 1	Input/Output, CANB-LOW
Pin 2	Input/Output, CANB-HIGH
Pin 3	Input/Output, CANA-LOW
Pin 4	Input/Output, CANA-HIGH
Pin 5	Input, RX- LAN
Pin 6	Input, RX+ LAN
Pin 7	Output, TX- LAN
Pin 8	Output, TX+ LAN

Part Number
DDU Sport (without mating connectors) F 01T A20 050-01
DDU Sport (with mating connectors straight) F 01T A20 050-02
DDU Sport (with mating connectors angled) F 02U V00 426-01

Display DDU 4

The DDU 4 is a light and compact dashboard unit with a high contrast colour display. Up to 12 customized display pages can be programmed to suit individual customer requirements. All illuminated components are dimmable. Mathematic functions and alarms can be programmed and linked to display values and LEDs. Using the CAN interface the DDU 4 can be connected to any ECU.



Application	
1x active matrix TFT high contrast colour display	
Active area	111 x 83 mm
Resolution	320 x 240 pixel
Dot size	0.116 x 0.348 mm

Mechanical Data	
Dimensions	164 x 117 x 37 mm
Weight	753 g
Max. Vibration	Vibration Profile 1 (see Appendix or www.bosch-motorsport.com)
Temperature	-10 ... 75 °C
Display panel with optical double-sided antiglare coating for highest contrast and display accuracy.	

Electrical Data	
1 x CAN interface for communication with ECU via CCP and free configurable for any ECU messages	
5 LED shift indicators (5 drivers, open collector, 2.2 A)	
10 LED multi purpose indication lights	
Dedicated battery voltage measurement	

Software	
Configuration with RaceCon over MSA-Box	

Accessories	
Aluminium holder	F 01E B01 457
Carbon fibre holder	F 01E B01 458
External switches for page select and brightness adjustment	B 261 209 659
MSA-Box II	F 02U V00 327-01

Connectors	
Connector	AS 6-12-35PN
Pin 1	Ubatt
Pin 2	Serial_RXD
Pin 3	Serial_TXD
Pin 4	GND_shield
Pin 5	CAN1_HI
Pin 6	CAN1_LO
Pin 7	GND
Pin 8	AGND
Pin 9	ANA1
Pin 10	ANA2
Pin 11	ANA3
Pin 12	ANA4
Pin 13	ANA5
Pin 14	Ubatt out
Pin 15	UNI_OUT1
Pin 16	CAN2_HI
Pin 17	CAN2_LO
Pin 18	ANA6
Pin 19	ANA7
Pin 20	ANA8
Pin 21	ANA9
Pin 22	UNI_OUT2

Part Number	
DDU 4 incl. cable, without holder F 01E B01 461-01	

Display DDU 6

The DDU 6 is a light and compact, steering wheel mounted dashboard unit. It is equipped with a high contrast colour display. Up to 12 customized display configurations can be programmed to suit individual customer requirements. All illuminated components are dimmable.

Mathematic functions and alarms can be programmed and linked to display values and LEDs.

Using the CAN interface the DDU 6 can be connected to any ECU.



Application

1x active matrix TFT high contrast colour display	
Active area	54 x 72 mm
Resolution	240 x 320 pixel
6 analog channels	
Integrated switches for page select and brightness adjustment.	

Mechanical Data

Dimensions	165 x 104 x 32 mm
Weight	342 g
Max. Vibration	<i>Vibration profile 1</i> (see Appendix or www.bosch-motorsport.com)
Temperature	-10 ... 65 °C

Electrical Data

1 x CAN interface for communication with ECU via CCP and free configurable for any ECU messages	
5 LED shift indicators	
4 LED warning lights	

Connectors

Connector	AS 6-12-35PN
Pin 1	U _{batt}
Pin 2	GND
Pin 3	CAN1_HI
Pin 4	CAN1_LO
Pin 5	Serial_RXD
Pin 6	Serial_TXD

Software

Configuration with RaceCon over MSA-Box

Accessories

MSA-Box II **F 02U V00 327-01**

Part Number

DDU 6 **F 01E B01 459-01**

Display DDU 8

The display DDU 8 integrates a programmable full color dash board display with a data logging system for motorsports applications. This allows for synchronized acquisition and visualization of engine data from the ECU and chassis data from up to 24 analog and 4 digital input channels. Additional input devices can be connected via the Ethernet and CAN buses. Recorded data from the internal 2 GB flash memory can be downloaded via high-speed Ethernet or via wireless connection with the BT 60 burst telemetry system.

As a base system the DDU 8 is sold as display only. Software upgrades for the DDU 8 (field upgradable by entering a key) activate data logger functionality, additional recording on USB Flash drive, CCP-Master and additional input channels.



Application
800 x 480 pixel high resolution 5" full graphics color display
Multiple user configurable display pages
Multicolor (RGB) gearshift lights
8 kHz AD converters with digital low pass filter
Configurable math channels
User configurable CAN in/out messages
Up to 1,000 Hz acquisition rate for all channels
Online data compression
Up to 200 kB/s data acquisition rate
Up to 720 recording channels
1,000 kB/s upload rate
3-port network switch
Additional recording on USB Flash drive
CCP-Master, data acquisition from ECU that support CAN calibration protocol

Mechanical Data	
Size	161 x 111 x 31 (49) mm
Weight	675 g
Dust and splash water proof aluminium housing	
Operating temperature (internal)	-20 ... +60 °C
Max. vibration	Vibration profile 1 (see Appendix or www.bosch-motorsport.com)

Connectors	
Autosport connectors double density	2 x 41 pin
Mating connector (Red)	
AS DD 6-12-41SN	F 02U 002 216-01
Mating connector (Yellow)	
AS DD 6-12-41SA	F 02U 004 180-01

Software
Configuration via RaceCon over Ethernet or MSA-Box II

Accessories

External switch for page selection (12 step switch)	B 261 209 658
External switch for brightness adjustment or page selection (6 step switch)	B 261 209 659
USB Flash drive 2 GB, preformatted with Bosch File System (BFS)	F 02U V00 867-01
Ruggedized USB Flash drive and connector are available on request.	

Application Hints

Internal battery for data preservation included
Required service interval 12 months (internal battery is replaced)

Part Number

Display DDU 8	F 02U V00 320-03
Software Upgrade 1	
Data logger functionality	F 02U V00 701-01
Software Upgrade 2	
20 analog channels and yellow connector unlocked	F 02U V00 702-01
Software Upgrade 3	
CCP-Master (ASAP2 file from ECU manufacturer required)	F 02U V00 796-01
Software Upgrade 4 (requires Software Update 1)	
USB-Port unlocked (USB Flash drive 2 GB Bosch File System (BFS) format included, works with Bosch File System (BFS) preformatted USB Flash drive only)	F 02U V00 871-01

DDU 8 Feature List

	DDU 8 Base Display	Software Upgrade 1	Software Upgrade 2
Application			
Storage capacity		2 GB	
BT 60 burst telemetry support		+	
FM 40 long range telemetry support		+	
GPS input			+
Electrical Data			
Supply voltage	8 ... 18 V		
Max. power consumption (w/o loads)	14 W at 14 V		
Inputs			
Page/brightness selection	2		
Analog channels	4		20
Input range	0 ... 5 V		
Resolution	12 bit		
Switchable pull up resistor	3 kΩ		
Rotational channels (Input Hall/Inductive)			4
Outputs			
PWM outputs (Low side switch 2 A each)	4		
Sensor supply 5 V (350 mA each)	1		3
Sensor supply 10 V (350 mA each)			1
Sensor supply 12 V (1 A non regulated)			1
Communication interfaces			
CAN interfaces	2		
Ethernet 100BaseT	3		
RS232		Telemetry	GPS
Lap trigger input	1		

Data Logging Systems

Data Loggers

Data Logger C Sport

The data logger C Sport is a very compact and lightweight data logger. It offers analog and digital signals. The measured data is stored on an internal 512 MB memory. Engine data of the ECU can be received via CAN interface.

Acquisition and calibration software RaceLab Sport is inclusive.



Mechanical Data	
Size	102 x 62 x 27 mm
Weight	210 g
Aluminium housing	
Flexible housing fixation points	
Temperature range	-20 ... 65 °C
Max. vibration	<i>Vibration Profile 1 (see Appendix)</i>

Software	
Data acquisition and calibration with RaceLab Sport via Ethernet	

Electrical Data	
Max. power consumption	4 W at 14 V
Required power supply	7.5 ... 35 V
1 CAN Bus link (ECU)	
1 CAN Bus link (to cascade C Sport or attach DDU Sport)	
1 Ethernet connector (for PC connection)	
512 MB internal memory	
Real time clock	
4 digital inputs	
4 analog single ended inputs 16 bit resolution	
4 analog differential inputs 16 bit resolution	
1 digital output	

Compatible ECUs	
MS 3 Sport, MS 4 Sport, MS 4 Sport Turbo, MS 4.4, MS 4.4 Sport, MS 4.4 Sport Turbo	

Connectors

 Mating connector straight, Binder Series 712
 4 x 99 0425 00 08 4 x F 02U 002 202-01

 Mating connector angled, Binder Series 712
 4 x 99 0425 70 08 4 x F 02U 001 514-01

Connector 1 (bottom right)

Pin 1 Input, terminal 15

Pin 2 Input, terminal 30

Pin 3 Output

Pin 4 Output, TX+ LAN

Pin 5 Output, TX- LAN

Pin 6 Input, RX+ LAN

Pin 7 Input, RX- LAN

Pin 8 Input/Output, GND

Connector 2 (top right)

Pin 1 Input/output, CANB-LOW

Pin 2 Input/output, CANB-HIGH

Pin 3 Input, digital 1

Pin 4 Input, digital 2

Pin 5 Input, digital 3

Pin 6 Input, digital 4

Pin 7 Output, Us

Pin 8 Input/output, GND

Connector 3 (top left)

Pin 1 Input, analog 6+

Pin 2 Input, analog GND 5/6

Pin 3 Input, analog 7+

Pin 4 Input, analog 8+

Pin 5 Input, analog GND 7/8

Pin 6 Input, CANA-LOW

Pin 7 Input, CANA-HIGH

Pin 8 Input, analog 5+

Connector 4 (bottom left)

Pin 1 Diff. input, analog 1-

Pin 2 Diff. input, analog 2+

Pin 3 Diff. input, analog 2-

Pin 4 Diff. input, analog 3+

Pin 5 Diff. input, analog 3-

Pin 6 Diff. input, analog 4+

Pin 7 Diff. input, analog 4-

Pin 8 Diff. input, analog 1+

Part Number

 C Sport (without mating connectors)
F 01T A20 061-01

 C Sport (with mating connectors straight)
F 01T A20 061-02

 C Sport (with mating connectors angled)
F 02U V00 427-01

CardMemory C 40 / C 40 Plus

The CardMemory is a device used for data logging. The basic model C 40 is designed for data transfer via CAN for Bosch Motorsport ECUs. The extended model C 40 Plus is developed to read in additional 15 analog signals and 1 rev signal. The measured data are stored on a compact flash card (not included).



Mechanical Data

Aluminium housing	
Flexible housing fixation points	
Size	150 x 90 x 22 mm
Weight	330 g
ECU temperature	-40 ... 75 °C
Max. vibration	15 g sinus at 20 Hz ... 2 kHz for t < 5 h

Electrical Data

Max. power consumption	7 W at 14 V
1 microcontroller with 16 bit organisation	
1 CAN interface	
Real time clock	
Non volatile flash card memory	
Total calculation capacity approximately 10 MIPS	

Options

15 analog inputs with 10 bit resolution and 5 ms sample rate time (only C 40 Plus)	
1 inductive crankshaft sensor interface	
Sensor supply outputs	5 V/100 mA 10 V/100 mA
Calibration functions are realised with an additional software tool.	

Accessories

Flash card 128 MB	F 01E B01 105-01
Flash card 256 MB	F 01E B01 106-01
Flash card 512 MB	F 01E B01 107-01
Flash card 1,024 MB	F 01E B01 108-01
Memory adapter (incl.)	B 261 206 864-01
C 40 adapter cable	B 261 209 433

Compatible ECUs

MS 3 Sport, MS 4 Sport, MS 4 Sport Turbo, MS 4.4, MS 4.4 Sport, MS 4.4 Sport Turbo

Connectors

Mating connector C 40	AS0-14-35 SN
Mating connector C 40 Plus	AS0-14-35 SN

Application Hints

Internal battery for data preservation included.

Required service interval 12 months (internal battery is replaced).

Part Numbers

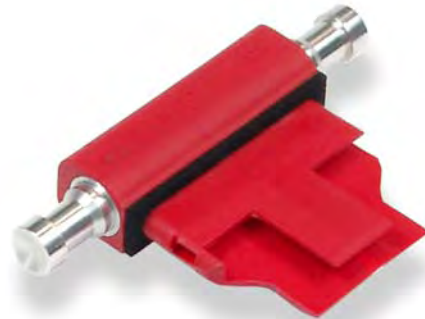
C 40	F 01T A20 403-01
C 40 Plus	B 261 206 860
C 40 Plus incl. chassis adjust	B 261 206 880-02
All C 40 incl. memory adapter B 261 206 864-01	
Upgrade C 40 to C 40 Plus	on request
Software chassis adjust	on request

Data Logging Accessories

Compact flash cards, adapters and drivers are necessary to use the Card memory. For some optional functions additional cables and software are on offer.

Compact flash cards are offered with a storage capacity of up to 2048 MB. The compact flash card adapter is used to insert the card to the PCMCIA slot of the PC for data download and card formatting.

In conjunction with the memory C40 Plus, a software tool for additional calibration functions is offered. Together with an individual cable harness it is possible to calibrate further sensors for chassis data logging. To connect memory C40 to the vehicle cable harness the special C40 adapter cable is necessary.



Conditions for Use	
Operating temperature	-40 ... 84 °C
Humidity	5 % to 95 %, non condensing
Vibration	15 g peak to peak
Shock	max. 2,0 g

Part Numbers	
Flash card 128 MB	F 01E B01 105-01
Flash card 256 MB	F 01E B01 106-01
Flash card 512 MB	F 01E B01 107-01
Flash card 1024 MB	F 01E B01 108-01
Flash card 2048 MB	F 01E B01 109-01
Memory adapter	B 261 206 864-01
Flash card adapter	B 261 205 814-01
Software Chassis Adjust	B 261 206 870
C40 adapter cable	B 261 209 433

Data Logging System DLS

System Overview

The Data Logging System (DLS) is a scalable, versatile, and flexible measurement system for conditioning and acquisition of sensor data in a race car. The DLS product family consists of several hardware and software components which allow easy adoption to various measurement requirements.

Core component of the DLS is the C 55 data logger. It performs system configuration and management tasks and also serves as a communication hub for the PC configuration software. The C 55 communicates via its network interfaces with the ECU and up to eight MSI 55 sensor interface boxes to enable synchronized acquisition of engine and chassis data. The MSI 55 sensor interfaces provide high quality signal conditioning and data conversion functionality.

Additionally the FM 40 telemetry transmitter and the BT 60 burst telemetry device can be connected.

Various CAN expansion modules can be connected to provide additional input channels or output functionality.

DLS Components	
Data logger, System manager	C 55
Burst telemetry	BT 60, BR 60
Online telemetry	FM 40
Modular Sensor Interface	MSI 55
Extended CAN Modules	EM-I4, EM-C, EM-A6, EM-H4
DLS configuration Software	RaceCon
System Software	RaceCon, WinDarab

Technical Details
High measuring accuracy by 12 bits A/D converter resolution and tenfold oversampling
High recording rate up to 1 ms
High recording duration by CF card up to 1 GB
Online compression of measurement data
Highly linear analog and digital filters
Modular concept allows scalable system
Synchronized acquisition of ECU and chassis channels
Connectivity and data transfer via telemetry
Online calibration and system diagnosis with RaceCon (included)

CardMemory C 55

The CardMemory C 55 is a device used for data logging and DLS system management. The measured data is stored on a removable compact flash card with a maximum capacity of 1,024 MB (flash card not included).

The C 55 supports two parallel measurement configurations and recording rates from 1 s to 1 ms. Data from different Bosch ECUs can be recorded via the Ethernet and FireWire buses. For sensor signal acquisition up to eight MSI 55 devices connected via FireWire are supported.

Long range as well as high-speed burst telemetry is possible utilizing the FM 40 and BT 60 devices.



Mechanical Data	
Size	157 x 92 x 30 mm
Weight	500 g
Aluminium housing	
Operating Temperature	-20 ... 65 °C
Max. vibration	<i>Vibration profile 1</i> (see Appendix or www.bosch-motorsport.com)

Electrical Data	
Max. power consumption	20 W at 14 V
1 CAN interface	
2 Fire wire interfaces	
2 Ethernet interfaces (100 MBit)	
Real time clock	
Non volatile flash card memory	

Accessories	
Flash card 256 MB	F 01E B01 106-01
Flash card 512 MB	F 01E B01 107-01
Flash card 1,024 MB	F 01E B01 108-01
Memory adapter	B 261 206 864-01

Compatible ECUs	
MS 5.0, MS 5.1, MS 5.5, MS 5.2, MS 15.1, MS 15.2	

Application Hints	
Internal battery for data preservation included.	
Required service interval 12 months (internal battery is replaced).	

Part Number	
CardMemory C 55	F 01E B01 630-01
(incl. memory adapter B 261 206 864-01)	

Modular Sensor Interface MSI 55

The MSI 55 is a high quality signal conditioning and data acquisition unit for analog and digital sensors.

The MSI 55 offers 16 configurable analog inputs. Each analog input channel features a 4th order analog prefilter, 10x oversampling and highly linear digital filtering. The cut-of frequency of the digital filters is automatically adjusted to match the acquisition rate. The latency of the digital filters is corrected during recoding, yielding zero filter delay in the recorded data. The evaluation of each MSI measurement channel is individually configurable. Data is sent via FireWire interface to the C 55 data logger.



Mechanical Data	
Size	120 x 117 x 38 mm
Weight	600 g
Aluminium housing	
Filtered connectors of motorsports design with high pin density	
Vibration damped printed circuit boards	
Operating temperature	-20 ... 65 °C
Max. vibration	15 g sinus at 1,200 Hz for t < 5 h

Electrical Data	
Max. power consumption	20 W at 14 V
16 bit digital signal processor, 150 MIPS	
Required power supply	8 ... 18 V
4 differential analog inputs with switchable amplifier and switchable pullup resistor	
12 single ended analog inputs with switchable pullup resistor	
All analog inputs offer analog and digital anti-aliasing filter and 12 bit ADC resolution	
4 frequency inputs 0 ... 25.5 kHz for inductive sensor / Hall-effect sensor	
2 digital I/O	
2 PWM outputs 100 mA	
5 V sensor power supply	
3 ... 10 V configurable sensor power supply	
12 V sensor power supply	
Freely configurable 1 Mbit CAN Bus	

Part Number	
MSI 55	F 01T A20 024-01

Data Logger C 60

The Data Logger C 60 is a compact and light weight data logging system for motorsport applications. This allows for synchronized acquisition of engine data from the ECU, and chassis data from up to 26 analog and 4 digital input channels. Additional input devices can be connected via Ethernet and CAN buses. Recorded data from the internal 2 GB flash memory can be downloaded via high speed Ethernet or via wireless connection with the BT 60 burst telemetry system.

As a base system the C 60 is sold as data logger only. The software upgrades for the C 60 (field upgradable by entering a key) activate additional recording on USB Flash drive, CCP-Master and additional input channels.



Application
8 kHz AD converters with digital low pass filter
Configurable math channels
User configurable CAN in/out messages
Up to 1,000 Hz acquisition rate for all channels
2 GB storage capacity
Online data compression
Up to 200 KB/s data acquisition rate
Up to 720 recording channels
1,000 KB/s upload rate
3-port network switch
BT 60 WLAN burst telemetry support
Additional recording on USB Flash drive
CCP-Master, data acquisition from ECU that support CAN calibration protocol

Mechanical Data	
Size	105 x 34.5 x 137.5 (149) mm
Weight	495 g
Dust and splash water proof aluminium housing	
Operating temperature (internal)	-20 ... +65 °C
Max. vibration	Vibration profile 1 (see Appendix or www.bosch-motorsport.com)

Accessories	
USB Flash drive 2 GB Bosch File System (BFS) preformatted	F 02U V00 867-01
Ruggedized USB Flash drive and connector are available on request.	

Application Hints
Internal battery for data preservation included.
Required service interval 12 months (internal battery is replaced).

Connectors

Autosport connectors double density	2 x 41 pin
Mating connector I AS DD 6-12-41SN	F 02U 002 216-01
Mating connector II AS DD 6-12-41SA	F 02U 004 180-01

Software

Configuration via RaceCon over Ethernet or MSA-Box II

Part Number

Data Logger C 60	F 02U V00 553-01
Software Upgrade 1 additional analog channels and second connector unlocked	F 02U V00 703-01
Software Upgrade 2 CCP-Master (ASAP2 file from ECU manufacturer required)	F 02U V00 797-01
Software Upgrade 3 USB-Port unlocked (USB Flash drive 2 GB Bosch File System (BFS) format included, works with Bosch File System (BFS) preformatted USB Flash drive only)	F 02U V00 872-01

C 60 Feature List

	C 60 Base Logger	Software Upgrade 1
Application		
Storage capacity	2 GB	
BT 60 burst telemetry support	+	
FM 40 long range telemetry support	+	
GPS input		+
Electrical Data		
Supply voltage	8 ... 18 V	
Max. power consumption (w/o loads)	10 W at 14 V	
Inputs		
Analog channels	6	20
Input range	0 ... 5 V	
Resolution	12 bit	
Switchable pull up resistor	3 kΩ	
Rotational channels (Input Hall/Inductive)		4
Outputs		
PWM outputs (low side switch 2 A each)	4	
Sensor supply 5 V (350 mA each)	1	3
Sensor supply 10 V (350 mA each)		1
Sensor supply 12 V (1 A non regulated)		1
Communication interfaces		
CAN interfaces	2	
Ethernet 100BaseT	3	
RS232	Telemetry	GPS
Lap trigger input	1	

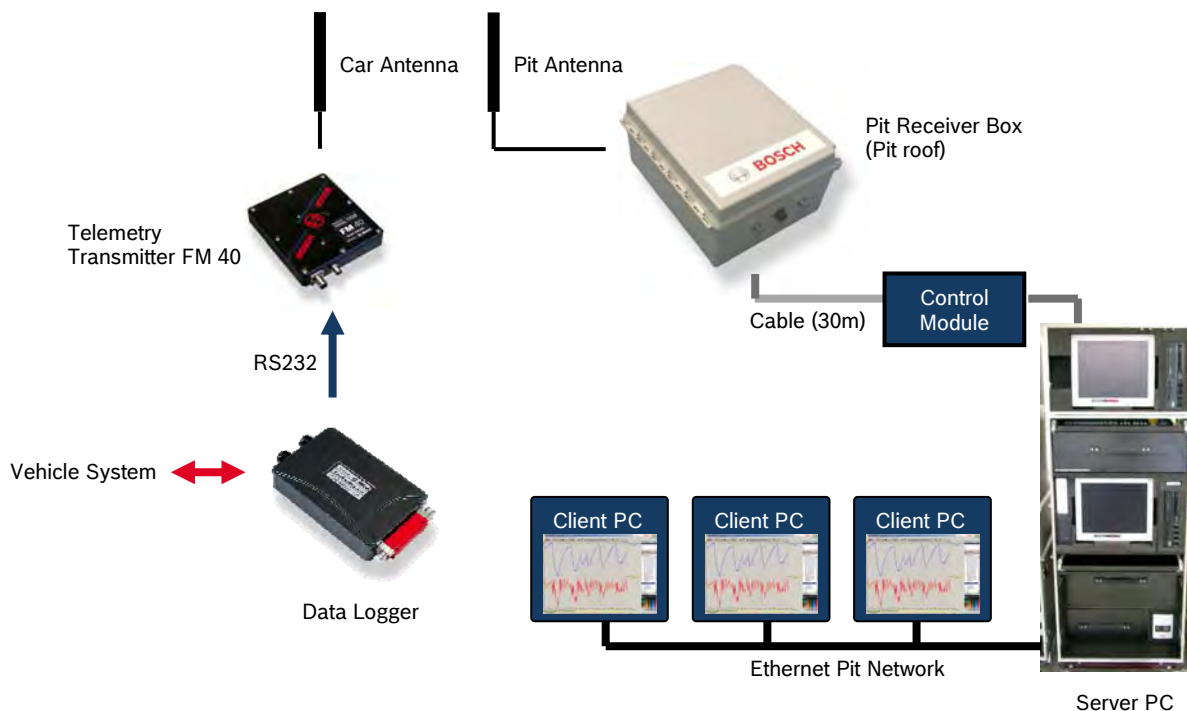
Telemetry

Online Telemetry System Overview

The Bosch Motorsport Online Telemetry System enables the transmission of online measurement data from a car on a racetrack. The vehicle part of the system consists of a data logger (C 40, C 55 or C 60) and the FM 40 telemetry transmitter. From the data logger data is sent via a RS232 connection to the FM 40. The FM 40 adds framing and error correction information to the data stream and modulates its RF output which is fed via an antenna cable to the TX antenna.

In the pits, the RF signal is picked up by a RX antenna connected to the pit receiver box. Inside the receiver box, the signal is filtered and amplified by a low noise filter amplifier. It is then sent to a UHF modem. The modem demodulates the data stream and performs error correction if necessary. The output stream passes the data converter and is transferred via a connection cable to the server PC in the garage. This PC decodes the car's telemetry stream and distributes the information over the pit network.

Due to the high transmission power of 1 ... 10 W of the Bosch FM 40 telemetry transmitter, near 100 % coverage is achieved on most tracks, even under race conditions with high RF interference.



Telemetry Unit FM 40

The FM 40 is a half-duplex radio modem suitable for real-time telemetry transmission from a car on the racetrack.

The unit is offered in different hardware versions for several frequency bands in the 430 ... 470 MHz range. Within the selected band, the transmission frequency is software programmable in a ± 1 MHz range. The high RF output power of up to 10 W gives excellent range and good track coverage.

From the data acquisition system transmit data is fed into the FM 40 via a RS232 interface. Typically the FM 40 is operated as an unidirectional telemetry transmitter. For other applications, half duplex bidirectional operation is also possible.



Mechanical Data	
Size	151 x 138 x 28 mm
Weight	720 g
Housing with LED indicators	
Car antenna compatible to existing Bosch telemetry systems.	

Conditions for Use	
Max. vibration	60 m/s ² @ 20 Hz ... 2 kHz
Temperature range	0 ... 60 °C
Max. power consumption	25 W at 14 V
International standard I-ETS 300 220, ETS 300 113, FCC	

Connectors	
RF	BNC female
Power / data	CGK SOT 8N35 PN

Electrical Data	
Half duplex radio modem (bidirectional)	
Internal data buffer and protocol management	
Frequency range	430 ... 470 MHz (hardware adjustable)
F(center) ± 1 MHz (software programmable)	
Transmission power	1 ... 10 W
Receiver sensitivity	-116 dBm error detection and forward error correction (FEC)
RF channel bandwidth	12,5 kHz @ 9.6 kbps 25 kHz @ 19.2 kbps
Data interface	RS232
Data rate	9.6 / 19.2 kbps
Required power supply	10 ... 18 V
Max. current	< 2,5 A

Part Number	
FM 40	B 261 208 898-01

Pit Receiver Box

The Pit Receiver Box integrates all electronic components necessary to receive telemetry data from a car equipped with a FM 40 transmitter in one weatherproof package. Typically the receiver box is mounted on the pit roof as close as possible to the RX antenna, thus minimizing cable loss. The connection cable to the receiving PC in the garage, which can be up to 50 m long, also supplies power to the Pit Receiver Box.

Different versions of the receiver box are offered to support several system configurations.



Mechanical data	
Weight	4.2 kg
Conditions for use	
Working temperature range	-20 ... + 50 °C
Max. distance receiver box to PC (with cable B 261 209 481)	50 m
Antenna connector	BNC (Jack) 50 Ω
Data and power connector	motorsports type

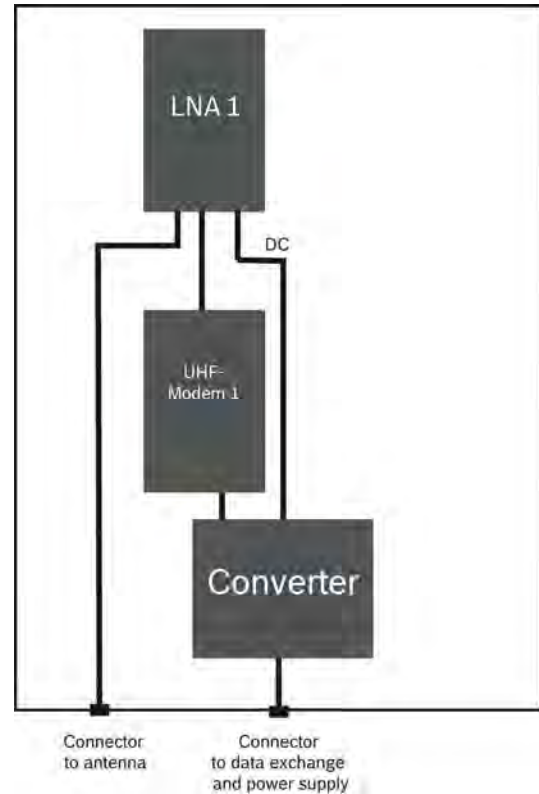
Electrical data	
Frequency range	400 ... 470 MHz
Working frequency band	$f_c \pm 1$ MHz
Channel spacing	12.5/25 kHz
Sensitivity	≤ -116 dBm @ BER 10^{-3}
Serial interface	RS232 (19.2 kBit/s, no parity, 8 data bit, 1 stop bit, no flow control)
Radio data rate	19.2 kbps (25 kHz channel) 9.6 kbps (12.5 kHz channel)
Operating voltage	12 V (10 ... 14 V)
Power consumption	approx. 7 W

Pit Receiver Box 1

The Pit Receiver Box 1 contains all electronic components and cables necessary to receive data from a single car, preassembled in a weatherproof box.

The external RX antenna is connected to a low noise filter amplifier (LNA 1). The amplified signal is then fed into the UHF receiver which decodes the data stream. The data converter is used to transmit the data via the connection cable to the server PC in the garage.

Part Number	
Pit Receiver Box 1	F 01T A20 451-01

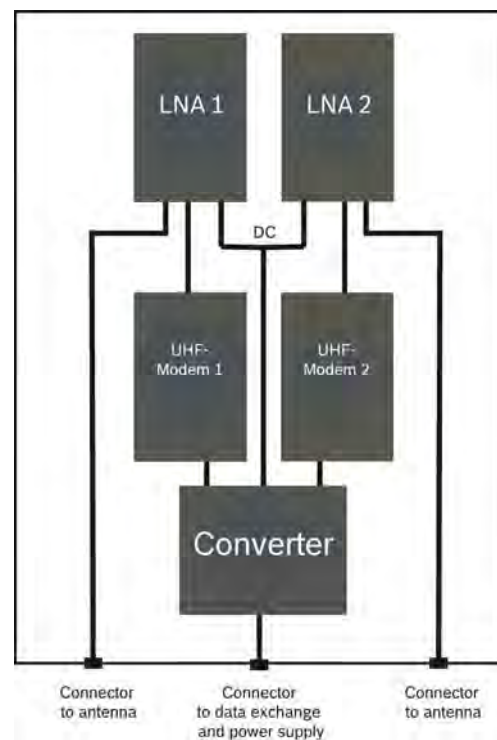


Pit Receiver Box 1/R

The Pit Receiver Box 1/R includes two separate receiver systems which enable the parallel reception of two telemetry data streams. Two RX antennas can be connected to the twin low noise filter amplifiers (LNA 1, LNA 2).

Typical application are the reception of telemetry data from two cars or a system configuration with one car and a telemetry relay station.

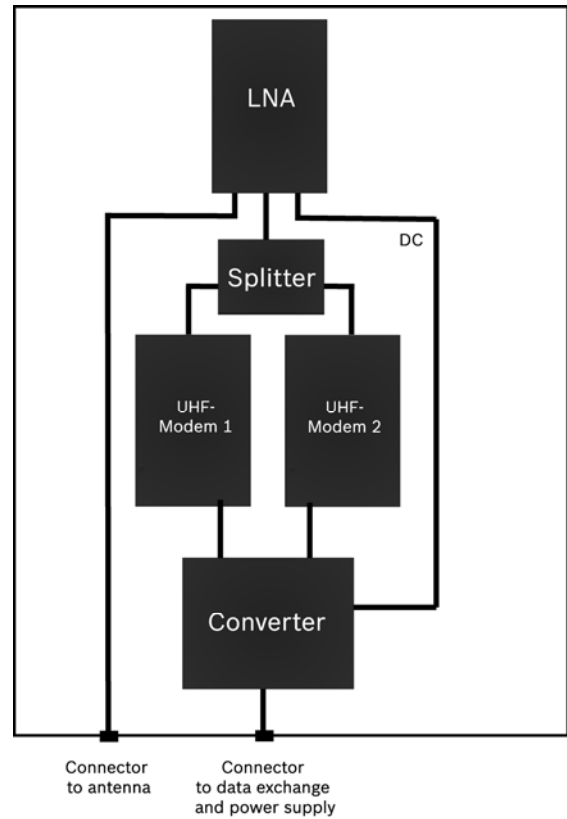
Part Number	
Pit Receiver Box 1/R	F 01T A20 453



Pit Receiver Box 2

The Pit Receiver Box 2 contains two UHF receivers fed by a single RX antenna and low noise filter amplifier (LNA). This enables parallel telemetry data reception from two cars, provided both transmitters operate in the same frequency band.

Part Number
Pit Receiver Box 2 F 01T A20 455



Pit Receiver Package 1/R and 1

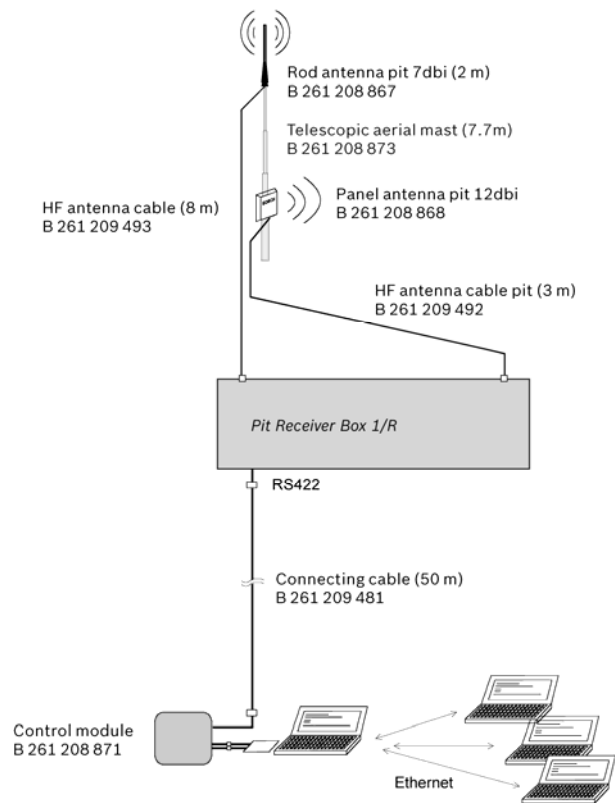
The Pit Receiver Packages 1/R and 1 contain antennas, rf cables, data cables and the controller box, i.e. everything that is required to start operation.

Part Number	
Pit Receiver Package 1/R	F 01T A20 454

Content Pit Receiver Package 1/R	
Pit Receiver Box 1/R	F 01T A20 453
HF antenna cable (8 m)	B 261 209 493
Rod antenna pit 7 dbi (2 m)	B 261 208 867
HF antenna cable pit (3 m)	B 261 209 492
Panel antenna pit 12 dBi	B 261 208 868
Connecting cable (50 m)	B 261 209 481
Control module RS232/RS422 pit	B 261 208 871
Telescopic aerial mast (7.7 m)	B 261 208 873

Part Number	
Pit Receiver Package 1	F 01T A20 452

Content Pit Receiver Package 1	
Pit Receiver Box 1	F 01T A20 451
HF antenna cable (8 m)	B 261 209 493
Rod antenna pit 7 dbi (2 m)	B 261 208 867
Connecting cable (50 m)	B 261 209 481
Control module RS232/RS422 pit	B 261 208 871
Telescopic aerial mast (7.7 m)	B 261 208 873

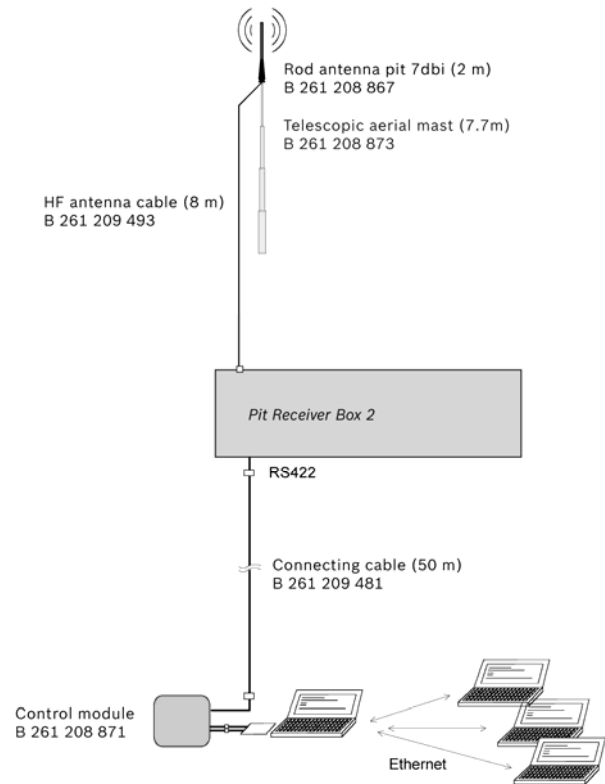


Pit Receiver Package 2

The Pit Receiver Package 2 contains antennas, rf cables, data cables and the controller box, i.e. everything that is required to start operations.

Part Number	
Pit Receiver Package 2	F 01T A20 456

Content Pit Receiver Package 2	
Pit Receiver Box 2	F 01T A20 455
HF antenna cable (8 m)	B 261 209 493
Rod antenna pit 7 dBi (2 m)	B 261 208 867
Connecting cable (50 m)	B 261 209 481
Control module RS232/RS422 pit	B 261 208 871
Telescopic aerial mast (7.7 m)	B 261 208 873



Telemetry Accessories

FM 40 Tester

The FM 40 Tester is used to check the performance of telemetry components installed in the car which includes the FM 40 in conjunction with the RF cable and the antenna. The FM 40 tester indicates RF output power as well as defective RF cables or car antennas enabling quick detection of faulty components.



Measurement range	
Transmission power	1 ... 15 (60) W
VSWR	1 ... 6
Frequency band	VHF / UHF

Connectors	
RF	BNC male / female

Part number	
FM 40 Tester	B 261 208 894-01

Telemetry Antenna Dummy Load

The telemetry antenna dummy load replaces the telemetry car antenna when running the FM 40 transmitter in the workshop or the garage. It reduces high power RF radiation.



Measurement range	
RF power	15 W
VSWR	1.1
Frequency band	VHF / UHF

Connectors	
RF	BNC male / female

Part number	
Telemetry Antenna Dummy Load	B 261 208 900-01

Telemetry Car Antenna

Rugged telemetry antennas for car mounting.



Dual Band

Single Band

Parameter	
Single Band Car Antenna	
Frequency band	UHF
Type	1/4λ
Pattern (hor.)	omni
Length	150 mm
Dual Band Car Antenna	
Frequency band	VHF / UHF
Gain	1/4λ / 5/8λ
Pattern (hor.)	omni
Length	440 mm

Connectors	
RF	BNC male

Part number	
Single Band Car Antenna	B 261 208 888
Dual Band Car Antenna	B 261 208 862-01

Antenna Cable Kit For car mounting

RF cable for the installation of telemetry antennas in the car. Intended for single hole mounting.



Measurement range	
Length	max. 2 m (tbd.)
Drill hole diameter	12,5 mm
Attenuation	max. 0.7 dB @ 2 m, 450 MHz

Connectors	
RF	BNC male / female

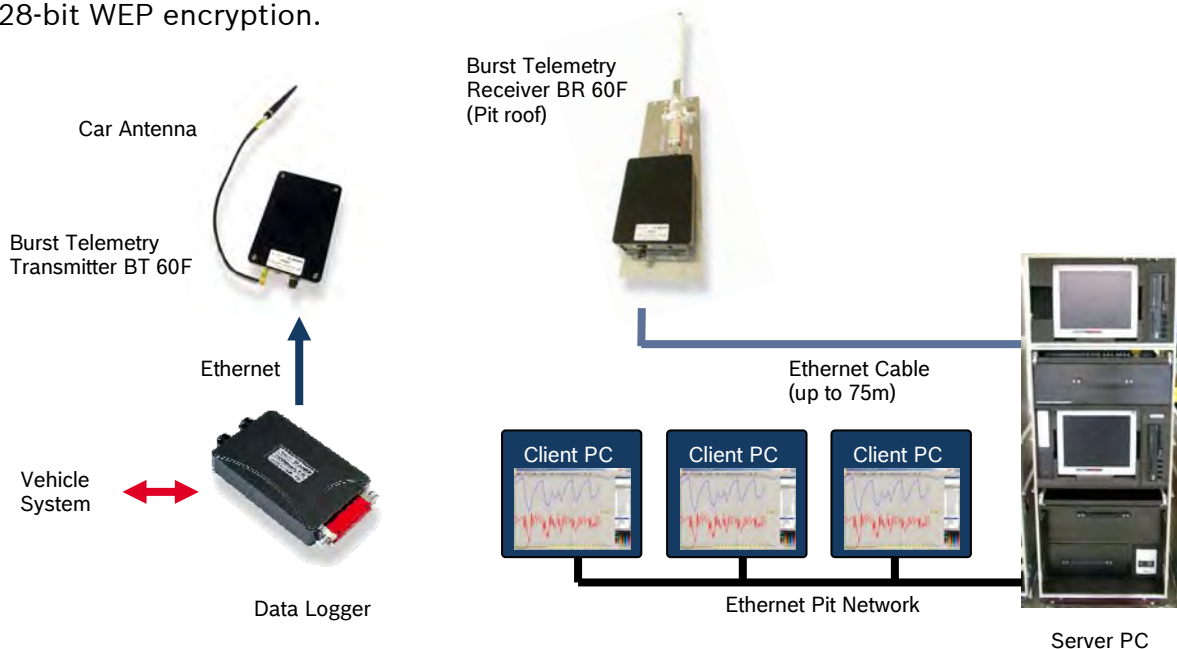
Part number	
Antenna Cable Kit	B 261 209 490-01

Burst Telemetry System Overview

The Bosch Motorsport Burst Telemetry System ideally complements the FM 40 long range telemetry. High-resolution measurement data, as stored in the data logger of the data acquisition system, is transferred automatically to the pit server PC when the car passes the pits or the car is in the garage. This gives two advantages: high resolution measurement data is already available in the pit network while the car is still out on track, enabling instant analysis and saving valuable track time. While the car is in the garage, the burst telemetry system gives a significant handling advantage: measurement data is transferred automatically to the pit server PC, e.g. after engine test runs.

The RF system operates in the license-free 5.1 ... 5.8 GHz ISM band. The 32 selectable non-overlapping channels allow great flexibility in channel selection. The robust OFDM transmission scheme in combination with the high-quality band filter yield excellent performance even in environments with high RF noise. Typically good data reception can be achieved in a radius of approx. 300 m around the pit station, depending on antenna location and track topology. If necessary, reception range can be extended by an optional remote receiver station.

During the running lap, the data acquisition system stores engine and chassis data in non-volatile memory. When a laptrigger is received, the current file is closed and data is prepared for burst transmission. As soon as the car reaches the reception range of the pit receiver, data transmission starts automatically. An intelligent algorithm chooses the lapfile to transmit and resumes transmission if the link has been interrupted. Typically 6 Mbytes of measurement data can be transferred per lap during a race. The bi-directional transmission scheme ensures error-free reception. Privacy of measurement data is ensured by 128-bit WEP encryption.



Burst Telemetry System Car Module BT 60F

The BT 60F car module is the vehicle component of the Bosch Motorsport Burst Telemetry System. The compact and lightweight unit receives measurement data via a 100 MBit Ethernet connection from the data acquisition system and communicates with the pit module over the RF antenna. The system operates in the 5.1 ... 5.8 GHz ISM band and offers 32 non-overlapping channels. An internal high quality band filter eliminates out-of-band RF noise, which enables fully encrypted high speed data transmission at 12 MBit under race conditions. Online diagnosis and performance monitoring is possible via the data acquisition system.



Mechanical Data	
Size	139 x 96 x 22 mm
Weight	370 g
Antenna Connector	SMA(f)
Interface Connector	AS008-35SA (Deutsch)

Conditions for Use	
Max. Vibration	Vibration profile 1 (see Appendix or www.bosch-motorsport.com)
Temperature range	-20 ... +85 °C
Max. power consumption	3.5 W
Radio air interface	IEEE 802.11a
Wireless approvals	FCC Part 15.247, IC RS210, CE
Encryption	WEP/WPA

Content BT60F Set	
Radio modem	F 02U V00 039-02
Antenna 5 dBi	F 02U V00 442-01
Antenna socket	F 02U V00 041-01
Antenna cable	F 02U V00 042-01

Electrical Data	
Radio modem	Full duplex (bidirectional)
Transmission power	+26 dBm
Receiver sensitivity	-91 dBm @ 12 Mbps
Frequency range	5.1 ... 5.8 GHz ISM Band
Air data rate	typ. 12 (max. 54) Mbps
Data interface	Ethernet TP10/100
Antenna	Gain = 3 dBi; omnidirectional
Power supply	8 ... 18 V
Rated current	0.25 A @ 12 VDC

Part Number	
BT 60F Set	F 02U V00 038-02

Pit Module BR 60F

The BR 60F pit module is the stationary component of the Bosch Motorsport Burst Telemetry System. The high gain omnidirectional antenna is mounted directly at the receiver, minimizing cable loss. The weatherproof housing allows outdoor mounting of the unit, e.g. on the pit roof. 12 V DC power and 100 MBit Ethernet connection to the pit server PC is supplied via the connecting cable, which can be up to 75m long. The system operates in the 5.1 ... 5.8 GHz ISM band and offers 32 non-overlapping channels. The high quality band filter eliminates out-of-band RF noise. This enables fully encrypted high speed data transmission at 12 MBit under race conditions. A directional antenna is available as an option.



Mechanical Data	
Size (overall incl. antenna)	705 x 145 x 47 mm
Weight	1,250 g
Interface Connector	AS008-35SA (Deutsch)

Conditions for Use	
Temperature range	-20 ... +85 °C
Max. power consumption	3.5 W
Radio air interface	IEEE 802.11a
Wireless approvals	FCC Part 15.247, IC RS210, CE
Encryption	WEP/WPA

Content BR 60F Set	
Radio modem	F 02U V00 048-01
Antenna	F 02U V00 131-01
Antenna filter	F 02U V00 132-01
Fitting system	F 02U V00 133-01
Interface cable to the pit PC	B 261 209 744-01

Electrical Data	
Radio modem	Full duplex (bidirectional)
Transmission power	+26 dBm
Receiver sensitivity	-91 dBm @ 12 Mbps
Frequency range	5.1 ... 5.8 GHz ISM Band
Air data rate	typ. 12 (max. 54) Mbps
Data interface	Ethernet TP10/100
Antenna	Gain = 10 dBi; omnidirectional
Power supply	8 ... 18 V
Rated current	0.25 A @ 12 VDC

Part Number	
BR 60F Set	F 02U V00 047-02

Lap Trigger Systems

Lap Trigger IR-02

This lap trigger system consists of an infrared transmitter station and a receiver installed in the car. The system allows an exact laptime measurement.

Section time measurement for comparison of different car setups is also available if several transmitters are used.

Notice: our old lap trigger IR is not compatible with IR-02. If both lap triggers are used at the same time, the transmitters have to be positioned with a minimum distance of 5 m.



Mechanical Data	
IR-02-Receiver	
Size	42 x 20 x 10 mm
Weight	39 g
Aluminium housing	
IR-02-Transmitter	
Size with diode	90 x 40 x 28 mm
Weight	124 g

Conditions for Use	
Working range	15 m
Ambient temperature	-25 ... 70 °C
Same height between receiver and transmitter	
Visibility connection between receiver and transmitter	
Avoid direct exposure to sunlight	

Electrical Data	
IR-02-Receiver	
Frequency codes	16
Supply voltage	8 ... 16 V
Output voltage	5 V
IR-02-Transmitter	
Frequency codes	16 plus 16 offset codes for section times
Supply voltage	8 ... 16 V

Part Numbers	
IR-02-Receiver	
KPSE 6E8 3AP DN A34	B 261 206 884-03
ASL-6-06-05PD-HE	B 261 206 887-01
KPTA 6E6-4P-C-DN	B 261 206 888-01
IR-02-Transmitter	B 261 206 890-01

Lap Trigger HF 24

This lap trigger system HF 24 consists of a high frequency transmitter station and a receiver which is installed in the car.

The system allows an exact lap time measurement. Section time measurement for comparison of different car setups is also available if several transmitters are used. We offer optionally a tripod for mounting the transmitter anywhere along the race track.



Mechanical Data

HF 24 Receiver

Size 125 x 37 x 28 mm

Weight 130 g

Internal antenna with radome

Aluminium housing

HF 24 Transmitter

Size 290 x 118 x 93 mm

Weight 1880 g

Tripod

Maximum height ~ 150 cm

Minimum height ~ 65 cm

Weight 1370 g

Conditions of Use

Working range up to 50 m

Ambient temperature -10 ... 85 °C

Power consumption HF 24 Receiver 0,8 W

Power consumption HF 24 Transmitter 1 W

Electrical Data

System

RF wideband chirp transmission

Working frequency band 2,40 ... 2,47 GHz

User codes 16

HF 24 Receiver

Sensitivity -92 dBm @ BER 10⁻³; 1 Mbps

Supply voltage 6,5 ... 30 V

Connector type ASL 606-05PD-HE

Pin 1 +12 V

Pin 2 GND

Pin 3 Trigger Out

Mechanical drawing Y 261 A25 087

HF 24 Transmitter

Transmission power 10 dBm

Transmitter antenna flat panel

Supply voltage 10 ... 30 V

Supply current 90 mA

Selection main / sub trigger

Low battery detection

Mechanical drawing Y 261 A25 038

Application Hints
HF 24 Transmitter

Before setting the main switch to ON, select the code and the working mode (main / sub trigger).

The transmitter reads the switches for code and main / sub trigger only once at power up.

After setting the main switch to ON the transmitter executes a 10 sec. self test and then the transmitter indicator begins to flash green, e.g. the transmitter is running.

The battery condition is permanently checked. If the battery level becomes critical, the "low bat indicator" becomes red. When the battery level drops below 10 V, the transmitter stops working. The green transmitter indicator stops flashing.

The transmitter should be placed at the border of the lane in a height of about 1.5 ... 2.0 m.

HF 24 Receiver

Before switching on the DC power the code has to be selected.

After switching ON the receiver executes a 10 sec. self test and then it turns into the working mode.

When a trigger is detected the output pin goes low for a certain time:

-20 msec low @ main trigger

-40 msec low @ sub trigger

Standard output configuration:

low side switch with $R = 3.3 \text{ k}\Omega$ (*) to +5 VDC
 (*) can be modified according to user demands

The white antenna radome must be turned to the transmitter side and should not be mounted behind metallic covers or carbon fiber filled elements.

Green indicator flashes when it detects a trigger condition.

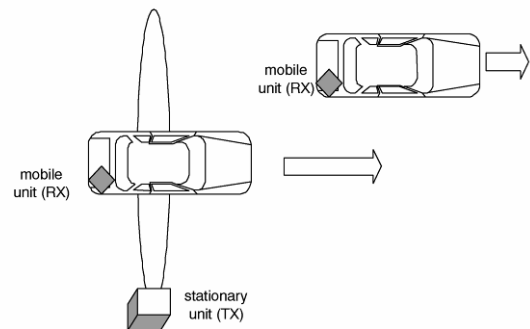
Function Description

The transmitter sends via the directional antenna coded signals across the race track.

The receiver at the race car checks permanently the team code and the signal parameters. If the trigger condition is detected the receiver generates the appropriate output signal (main/sub trigger).

The trigger point is located at broadside of the transmitter antenna.

After detecting the trigger point and releasing the trigger signal the receiver is passive for a period of two seconds avoiding a multiple trigger signal.


Part Numbers

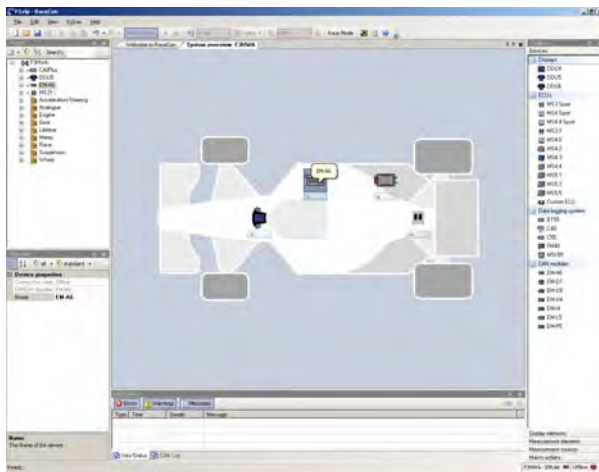
HF 24 Receiver	B 261 206 894-01
HF 24 Transmitter	B 261 206 895-01
Tripod	B 261 206 897

Software

Calibration

RaceCon

RaceCon is an all integrated software tool for configuration / calibration of Bosch Motorsport hardware products, such as ECUs, displays, loggers. The communication is based on Bosch Motorsport MSA-Box interface.



General Functions

- Calibration of ECU maps & curves
- ECU Datafile up- and download
- Parameterfile up- and download
- Diagnostic functionality for Bosch Motorsport ECUs
- Datafile / Workbase management
- Integrated flash functionality
- Configuration Bosch Motorsport Displays
- Integrated Bosch Sensor Database
- Configuration of Bosch Motorsport Data Loggers
- Configuration of Bosch Motorsport DLS System
- Configuration of Bosch Motorsport CAN Modules
- Communication via K-Line/CAN/Ethernet (KWP/CCP/XCP)
- CAN Communication-Log functionality (Baud rate changeable)
- Quick data access over Race Mode
- Intuitive design, easy to use

Required Hardware Components

PC:

- IBM PC Pentium/AMD Athlon compatible, min. 1.6 GHz
- Min. 2 GB RAM
- Min. 1 GB free HD space
- VGA / WGA monitor (min. 1,024 x 768)

Operating systems:

- Windows XP 32 Bit, Vista 32 Bit

Optional Accessories

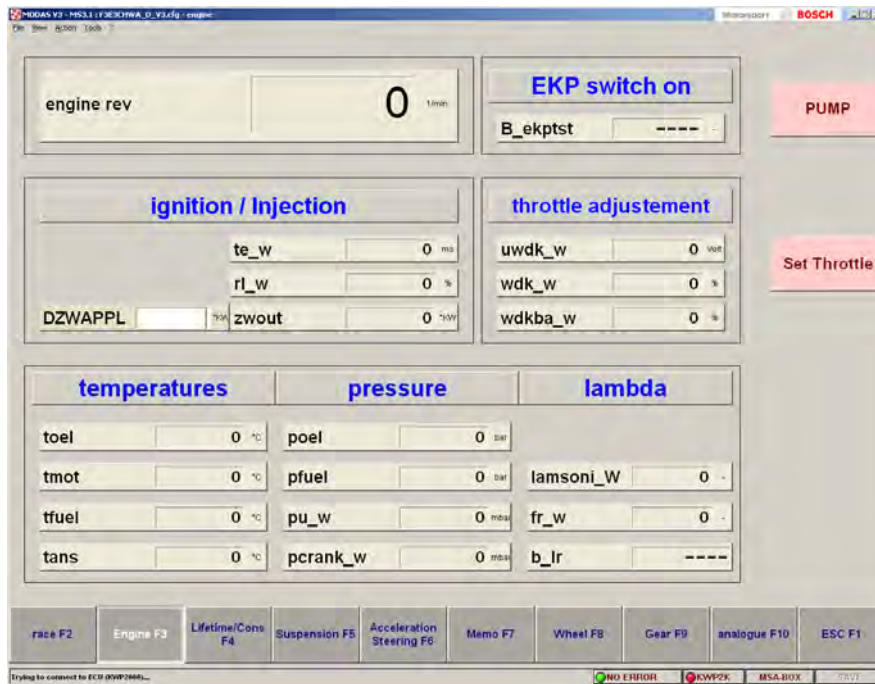
- | | |
|------------|------------------|
| MSA-Box II | F 02U V00 327-01 |
|------------|------------------|

Part Number

- | | |
|---------|--|
| RaceCon | bundled with Bosch Motorsport hardware |
|---------|--|

Modas

Modas is a software for measuring and calibrating defined engine values and curves. It is specially designed for racetrack use. Developing Modas we set great store by easy handling and quick access to the ECU.



General functions

Online measurement and calibration

Universal use for different ECUs

Modas facilitates operating and working in by using the Windows standard. In the office Modas is controlled by mouse or menu. If Modas is used in a mobile way a fast grip is possible by keyboard and shortcuts.

Required hardware components

PC

IBM PC compatible min. 1.6 GHz

Approx. 512 MB RAM

Approx. 100 MB free harddisc space

VGA monitor (1024 x 768 p)

Operating systems

Windows XP 32 Bit, Vista 32 Bit

Performance description

Project (Data) management

Visualisation, processing and management of calibration, measurement and documentation data

Programming system

Programming and management of calibration data

Calibration system

Visualisation and manipulation of parameters

Diagnosis system

Visualisation, processing, documentation and evaluation of diagnosis data

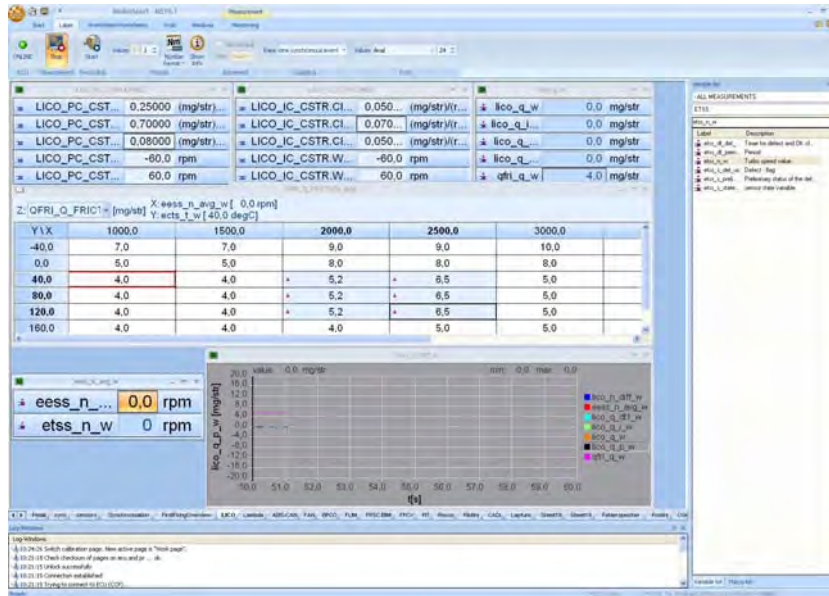
Part number

Modas V3

Free download at
www.bosch-motorsport.com

Modas Sport

Modas Sport is the calibrating tool for Bosch Motorsport ECUs. It integrates a lot of sensefull features to manage our engine control units at the dyno and the racetrack.



Feature Description

Calibration Tool for MS 3, MS 4.x, MS 5.x, MS 15, MS 3 Sport, MS 4 Sport, MS 15 Sport

Visualization, processing and management of calibration, measurement and documentation data

Measuring system

Numeric data visualization

Bitwise, decimal, hexadecimal data visualization

Recording of measurement data (needs WinDarab to analyze)

Oszilloskop (graphic data visualization)

Calibration system

Visualization and manipulation of parameters (calibration data)

Parameter File Manager

Data File Manager (Copy & Compare)

Macro Manager

Potiboard support integrated

Administration

Workbase Management

Integrated K-Line Flashing Tool

Intuitive design, easy to use, based on latest technology

Interface

CAN (CCP) / K-Line (KWP2000)

Required Hardware Components

PC

IBM PC compatible min. 1.6 GHz

Approx. 512 MB RAM

Approx. 100 MB free harddisc space

VGA monitor (1024 x 768 p)

Operating systems

Windows XP 32 Bit, Vista 32 Bit

Optional Accessories

MSA-Box II

F 02U V00 327-01

Windarab-Free Data Analysis Software on request

Part Number

Modas Sport

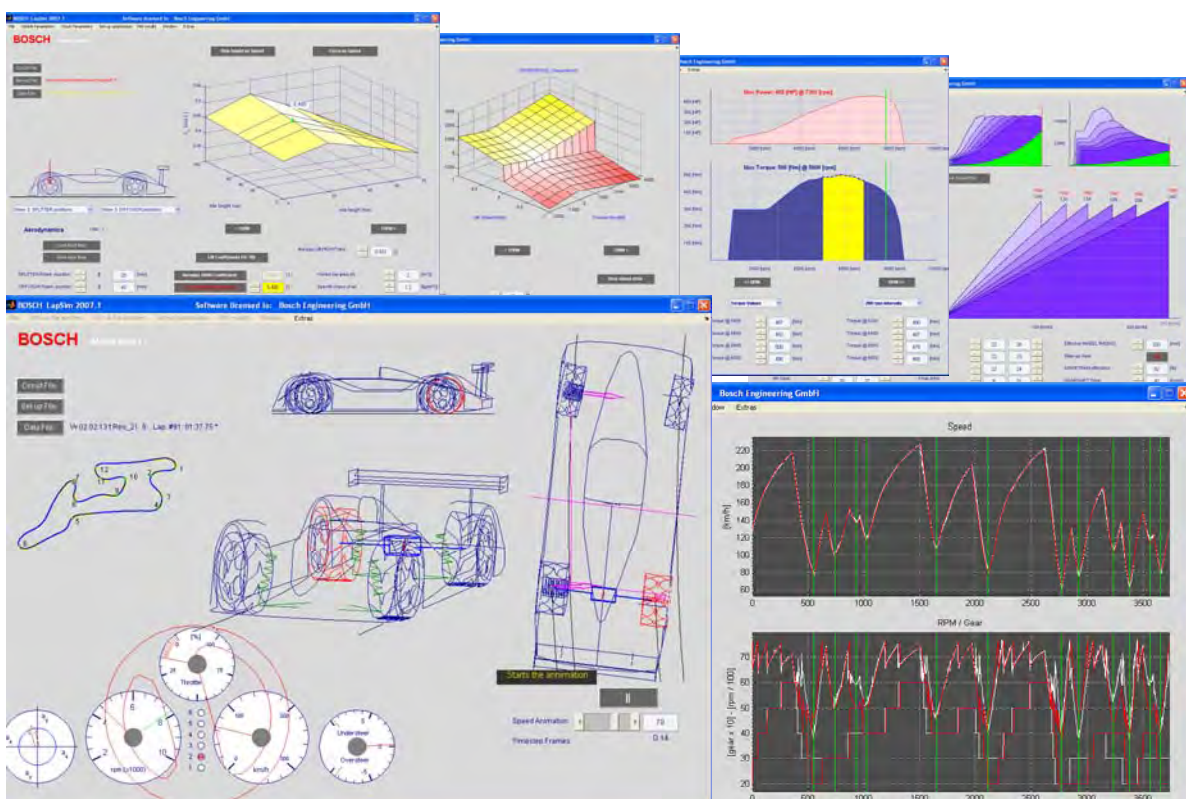
Free download at
www.bosch-motorsport.com

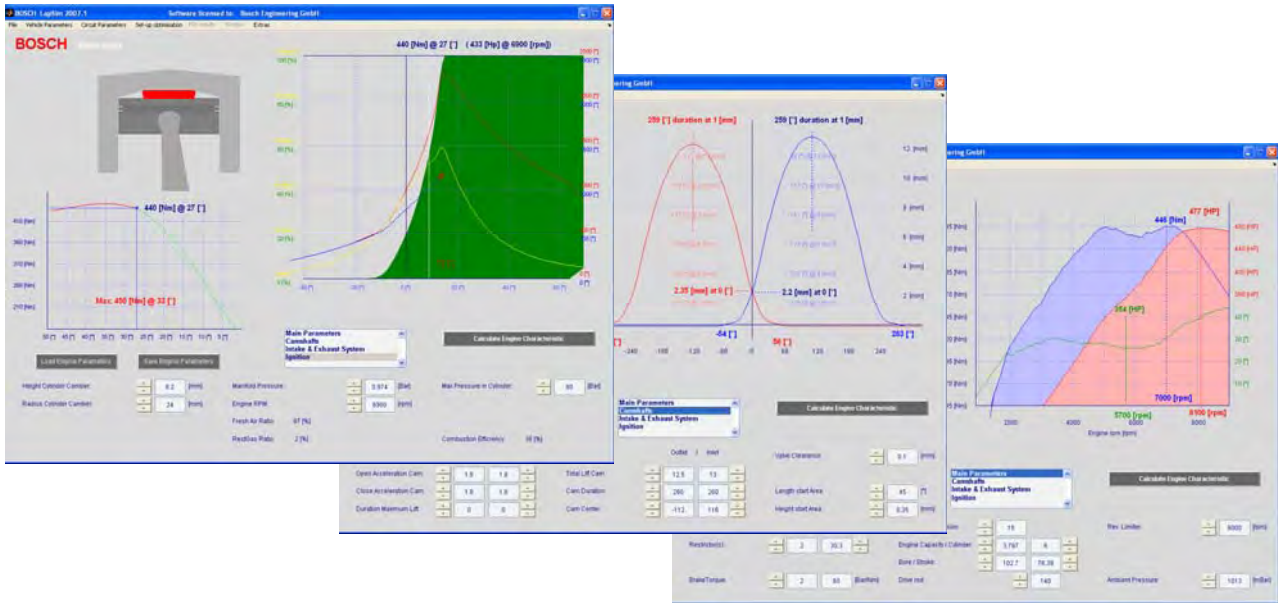
Simulation

LapSim

LapSim Chassis is both an analysis tool as well as a vehicle simulation program. By further processing the on-car recorded data, using parts of the simulation models, a much more profound analysis of the vehicle behaviour can be gained. Due to the direct link with the simulation model, vehicle parameters can be validated like aerodynamics, tyre behaviour, engine power, as well as driver performance. The visualisation of the vehicle behaviour creates a much easier and better understanding of the influence of several vehicle parameters on the performance independent of the technical background of the user.

LapSim Engine supplies an easy to use engine simulation package capable of generating a torque/power and a corresponding ignition curves out of the main parameters of an engine. The model is able to simulate any 4-stroke spark ignition (SI) race engine currently seen on the market, with or without air restrictor(s). To summarize, the engine software is aiming for 95% accuracy but 5% the effort of complex engine software packages. The engine software avoids a vast number of variables in order to define every engine detail, in order to improve usability as well as computational performance. The engine package is integrated in the lap simulation.





Data analysis

Post processing of the on-car recorded data with simulation models. Calculating vehicle handling state, aerodynamics, differential function, etc.

Determination of tyre parameters out of on-car recorded data. Possibility to analyse tyre performance over the laps.

Direct comparison between several outings and/or simulation model.

3D Animation of vehicle behaviour for a better and more thorough understanding.

By comparing recorded data with simulation data a validation possibility of vehicle parameters and vehicle functioning is made.

LapSim software adds all vehicle parameters to WinDarab Files and creates automatic database.

Chassis Simulation model

Practical Pacejka like tyre model. Tyre parameters can easily be determined out of on-car recorded data. No tyre data required.

Full vehicle model including limited slip (or visco-) differential

3D Aero maps

Ride height dependent suspension kinematics

Calculation time 3-4 times faster than real car

(PVI - 3 GHz)

Automatic set-up optimisation

Engine Simulation model

Engine model generates torque/power curve as well as ignition angle

Normally aspirate engines, with or without restrictor

2,3,4 and 5 valve cylinder heads

2-zone burn model in order to cope with all possible compression ratios and chamber geometries

Ignition point is determined by adjustable maximum pressure in cylinder

Fully adjustable camshaft profile

Engine model generates pressure curve over 720° crankshaft, which is integrated to calculate engine torque/power

10 seconds calculation time for 0 - 10.000 rpm range

Part numbers

LapSim Chassis Basic Version **Free download at www.bosch-motorsport.com**

LapSim Chassis License **B 261 206 432-01**

LapSim Engine License **F 01T A20 056-01**

LapSim Engine & Chassis License **F 01T A20 057-01**

Upgrade LapSim Engine License **F 01T A20 058**

Upgrade LapSim Chassis License **F 01T A20 059**

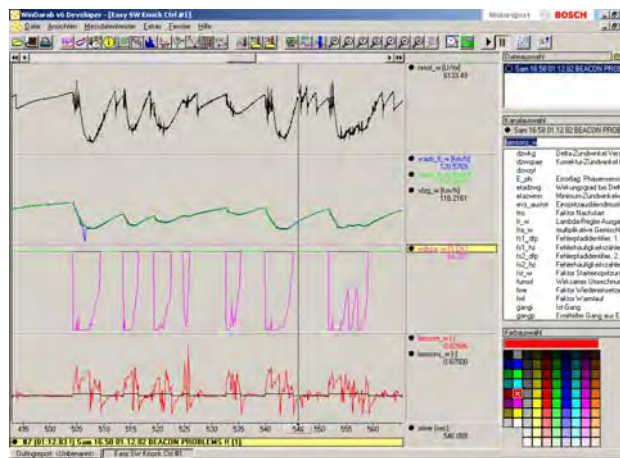
Update
LapSim Chassis or Engine **F 02U V00 287-01**

Update
LapSim Chassis & Engine **F 02U V00 288-01**

Analysis

WinDarab Data Analysis Software

WinDarab is an evaluation tool for monitoring and analyzing of logged data. It is Windows-based and specially designed for motorsports use. Depending on the functionality the software is available in different versions, WinDarab-Light and WinDarab-Expert. Additionally we offer a „Free“ version without dongle.



Data Evaluation

- Auto load and auto store
- Adjustable axis: time or distance
- Direct read-in of memory data without reader
- Graphic display of all measured and stored channels
- Various displays available (analog and digital)
- Number of displays available
- Various display set-ups selectable and storable
- Laptrigger signal included

Required hardware components

PC:

- IBM PC Pentium/AMD Athlon compatible, min. 1.6 GHz
- Min. 1 GB RAM
- Min. 1 GB free HD space
- VGA / WGA monitor (min. 1,024 x 768)

Operating systems:

Windows XP 32 Bit, Vista 32 Bit

Functionality

- Creating of race tracks
- Several segments adjustable for each race track
- Lap reports and lap comparison
- Inform displays
- Data extract and export

Functions

- Min./max. calculations
- Histograms
- Mathematical functions
- Filter functions incl. FFT
- x/y-plots

Data Comparison

- Calculation of differences lap by lap

Part Numbers

WinDarab-Free	on request
WinDarab-Light	F 01E B01 402-01
WinDarab-Expert	F 01E B01 418-01
Upgrade	on request

Encryption of data / access rights

The on-board recorded measuring data will be encrypted in the data logger via a so-called project key. Each project key belongs to a specified project or customer.

Reading or viewing data with WinDarab „Light“ or „Expert“, is only possible with a dongle with suitable key information on it.

Dongle-free working with WinDarab-Free

For basic data analyzing tasks we offer WinDarab-Free for free of costs. To ensure our customers data every WinDarab-Free installation has to be linked to the customer project keys. Please contact your customer support engineer for a customized WinDarab-Free Installation CD.

WinDarab-Free can be used till a WinDarab-Light or -Expert is installed on the PC. Afterwards the installation of WinDarab-Free is no longer executable.

WinDarab Feature List			
	Free	Light	Expert
Function			
Maximum number of opened files	2	4	unlimited
Maximum number of measuring data windows	1	2	unlimited
Maximum number of areas in measuring data windows	2	4	unlimited
Views - Histogram	•	•	•
Views - (x/y)-Plot	•	•	•
Views - Distribution	–	•	•
Views - Min/Max-Tables	–	•	•
Views - Fourier-Transformation	–	•	•
Views - Outing report	–	8/1*	unlimited
Views - Lap analysis	–	–	•
Views - Flowcharts	–	–	•
Views - Instrument Panel (numeric/bargraph/round scale)	•	•	•
User defined Physical Units	•	•	•
Language Support German/English	•	•	•
Racetrack generation via speed/lateral G or GPS	•	•	•
ASCII Export	•	•	•
Matlab Import (seperated tool)	•	•	•
Extras - Functions/Conditions	–	–	•
Extras - Differences	–	•	•
Extras - Settings - Comments	–	–	•
Measuring data window - Area channel name - View options	–	–	•
Desktop load/save	•	•	•
Telemetry	–	•	•

* 8 columns / 1 window

Accessories

Communication Interface

MSA-Box II

(Ethernet / K-Line / CAN Interface)

The MSA-Box II is the low cost unit for PC-supported calibration and configuration on Ethernet, K-Line or CAN interface of an ECU.

The MSA-Box II is coupled to the PC via the USB interface. This ensures a powerful and universal link to all common PCs. The coupling to the ECU is effected via Ethernet, K-Line or CAN of the diagnosis interface.



Mechanical Data

Size	84 x 38 x 25 mm
Temperature range	0 ... 70 °C

Electrical Data

Input voltage (vehicle side)	8 ... 32 V
Power consumption (powered from USB)	typ. 0.5 W
USB	USB 2.0, high speed (480 MBit/s)
Ethernet	100 MBit/s
K-Line	300 Bd ... up to 320 kBd
CAN	10 kBit/s ... 1 MBit/s

Operating System

Windows XP 32 Bit
Windows Vista 32 Bit

Details

Compact design
Fully suitable for motor vehicle use
Power supply through the connection to the ECU from board mains with galvanic separation
All inputs and outputs to the PC galvanically separated

Connectors and Wires

Connector	AS 6-12-35PN	F 02U 000 441-01
Mating connector	AS 0-12-35SN	F 02U 000 258-01
Pin 1	terminal 30 (permanent pos)	
Pin 2	terminal 15 (switched pos)	
Pin 3	GND	
Pin 4	CAN_High	
Pin 10	K-line	
Pin 8	RxD +	
Pin 9	RxD -	
Pin 11	TxD+	
Pin 12	TxD -	
Pin 16	CAN_Low	
Pin 22	SCR	
Diagnosis wire length	2 m	
USB wire length	0.5 m	

Part Number

MSA-Box II	F 02U V00 327-01
------------	-------------------------

Handheld Test Devices

RS 2000

With the RS 2000 you can simulate crank shaft-, cam shaft- and wheel-speed-signals quickly and comfortable.



Functions

Infinitely variable simulation of Hall- and inductive signal.

Adjustable on cylinder numbers from 4 to 12.

Usable for increment- and segment-systems.

Electrical data

Power supply 12 V

Part numbers

RS 2000 **B 261 206 862-01**

Wiring harness connector **B 261 206 451**

Expansion Modules

Lambdatronic LT4

The Lambdatronic LT4 provides controlled pumping current to supply up to 4 Bosch (Mini-)LSU 4.9. The lambda value, the sensor temperature and diagnostics are available via CAN and analog signal.

The LSU contains a Nernst and a pump cell. The lambda in the Nernst cell is controlled to $\lambda = 1.013$ independent of the oxygen contents on the emission side, through a current through the pump cell. The current proportional output voltage of the IC is a measure of the lambda value.

The main feature and benefit of this unit is the combination of the Bosch well known lambda IC and a very compact box size with motorsports specification. Furthermore the analog signal output can be configured freely.



Application	
Application	0.75 ... 10.12 λ
Compatible Sensor Type	Bosch (Mini-)LSU 4.9
Nr. of Channels	4
Heater	internal
Operating Temp Range (housing)	-20 ... 85 °C
Storage Temperature Range	-20 ... 85 °C
Communication Link	K-Line / CAN
Max. Vibration	<i>Vibration Profile 1</i> (see Appendix or www.bosch-motorsport.com)

Electrical Data	
Power Supply U_s	(6.5) 10 ... 17 V
Max Power Supply (1 min) U_s max	26 V
Thermal Dissipation Loss	3 W @ 14 V
Current I_s	5 A
Current I_s (Heating up)	26 A

Mechanical Data	
Weight with Cable	98 g
Sealing	100 % humidity
Mounting	Velcro
Size w/o Cable (w*l*h)	54 x 59 x 13 mm

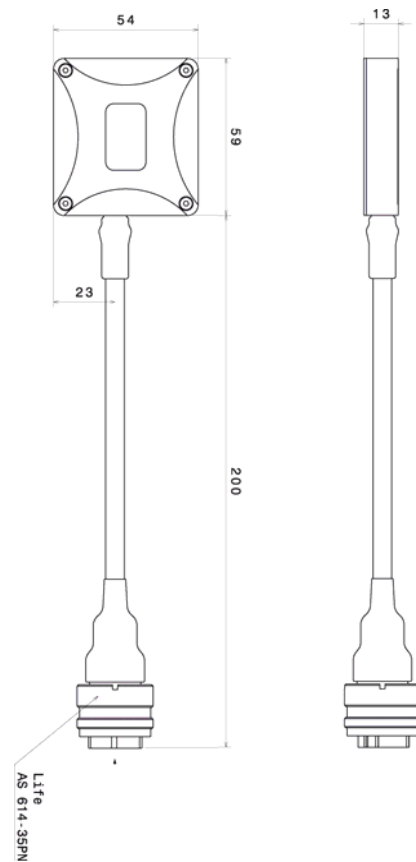
Characteristic	
Signal Output 1	CAN
Signal Output 2	4 x 0 ... 5 V
CAN- Baudrate	1 Mbaud
Signal Resolution	$2,5 * 10^{-4}$ lambda
Signal Sampling Rate	100 Hz
CAN Refresh Rate	100 Hz

Software	
Configuration with Modas	included

Connectors and Cables	
Connector	AS 6-14-35PN
Connector Loom	AS 1-14-35SN
Sleeve	Viton
Cable Size	26
Cable Length L	20 cm

Application Hint	
The LT4 is designed to supply 4 Bosch (Mini)-LSU 4.9.	
The unit can be connected to any CAN system (1 Mbaud) and analog measuring device.	
To avoid signal errors, a cable length of maximum 1,5 m between sensor and box is recommended.	
The unit is secure from miss-pinning.	
The reference ground (GND_REF) has to be connected either to the measuring device or to the system ground.	
A ground offset of 2 V (max.) between GND and GND_REF has not to be exceeded.	
See the LT4 function sheet for software documentation (CAN protocol e.g.).	
Please find further application hints in the offer drawing (http://www.bosch-motorsport.com).	

Part Number	
Lambdatronic LT4	F 01T A20 070-04



Pin	Function
1	+ 12 V (Battery +)
2	+ 12 V (Battery +)
3	Ground (Battery -)
4	Ground (Battery -)
5	K-Line Diagnostic Connection
6	CAN1 + (high)
7	CAN1 - (low)
8	Analog out 1
9	Analog out 2
10	Analog out 3
11	Analog out 4
12	Reference GND for anal. out
13	Shield
14	Pump Current LSU1 IP1
15	Virtual GND LSU1 VM1
16	Heater PWM LSU1 Uh-1
17	Heater (Batt +) LSU1 Uh+1
18	Setup Current LSU1 IA1
19	Nernst Voltage LSU1 UN1

Pin	Function
20	Pump Current LSU2 IP2
21	Virtual GND LSU2 VM2
22	Heater PWM LSU2 Uh-2
23	Heater (Batt +) LSU2 Uh+2
24	Setup Current LSU2 IA2
25	Nernst Voltage LSU2 UN2
26	UN1Pump Current LSU3 IP3
27	Virtual GND LSU3 VM3
28	Heater PWM LSU3 Uh-3
29	Heater (Batt +) LSU3 Uh+3
30	Setup Current LSU3 IA3
31	Nernst Voltage LSU3 UN3
32	Pump Current LSU4 IP4
33	Virtual GND LSU4 VM4
34	Heater PWM LSU4 Uh-4
35	Heater (Batt +) LSU4 Uh+4
36	Setup Current LSU4 IA4
37	Nernst Voltage LSU4 UN4

AWS LSU 4.9

The AWS LSU 4.9 is used in combination with the lambda sensor (Mini-)LSU 4.9. The box is able to supply two (Mini-)LSU 4.9 lambda sensors. It includes two heaters and converts each specific sensor signal into two separate lambda signals. Furthermore, the temperature of the sensor, the duty cycle of the heater and diagnosis of the probe is available. The signal output is via CAN-message.

Please note: Lambda sensors are not part of the AWS LSU 4.9.



Application	
Measuring range	0.6 ... 2.5 λ

Mechanical Data	
Weight	80 g
Size	38 x 43 x 16 mm
Cable length	150 mm
Operating temperature	10 ... 60 °C

Diagnosis	
λ _{Value} = 0,0069:	failed sensor (short cut or not connected)
λ _{Value} = 0,0686:	sensor did not reach 600 °C (up to 30 sec)
λ _{Value} = 0,1373:	heating periode

Electrical Data	
Power supply	5 ... 20 V
Rent consumption	120 mA at 12 V + heater current (max. 2 A per probe)
Channels	2 A/F
Resolution	0,01
Sampling rate	100 Hz per channel

CAN-ID

For each sensor, the following CAN-IDs will receive the A/F value as **16-bit unsigned Integer** and the heating value and the temperature values as **8-bit unsigned byte** (Motorola-type):

CAN-ID	Byte 0	Byte 1	Byte 2	Byte 3	Byte 4	Byte 5	Byte 6	Byte 7
0x290	A/F1		A/F2		Temp1	Temp2	Heat1	Heat2

$$A/F_{Value} = 0,001 * A/Fx$$

$$\begin{aligned} \lambda_{Value} &= A/F_{Value} / 14,57 \\ &= A/F_{Digits} / 14570 \\ &= A/F_{Digits} * 0,00006863418 \end{aligned}$$

$$Heat-Temp = Temp_{xDigits} * 2 + 496,9 \text{ °C}$$

Pin assignment life connector		
Pin	Name	Description
1	GND	Ground
2	GND LSU 1/2	Ground LSU heater
3	Vext	External power supply 5 ... 20 V
4	LSU heater	External power supply for LSU 1/2 heater
9	CAN H	CAN Bus high
10	CAN L	CAN Bus low
11	TxD	TxD serial interface
12	RxD	RxD serial interface

Pin assignment LSU-1/2 in connector		
Pin	Name	Description
1	LSU1 IP	Inv. Input of pump current amp
2	LSU1 VM	Virtual ground
3	GND heater 1	Ground for heater 1
4	Vext heater 1	External power supply 5 ... 20 V LSU1
5	LSU1 IA	Non Inv. input of pump current amp
6	LSU1 UN	Inv. input of pump current control
7	LSU2 IP	Non Inv. input of pump current amp
8	LSU2 VM	Virtual ground
9	GND heater 2	Ground for heater 2
10	Vext heater 2	External power supply 5 ... 20 V LSU2
11	LSU2 IA	Non Inv. input of pump current amp
12	LSU2 UN	Inv. input of pump current control

Accessories
Lambda Sensor LSU 4.9
Lambda Sensor LSU 4.9D
Lambda Sensor Mini-LSU 4.9

Part Number
AWS LSU 4.9 F 01E B01 622

CAN Module EM-A6

6 analog Channels

The extended module EM-A6 measures up to 6 analog channels, converts the values to a 10 bit format and combines them to a CAN-Message. The module has a CAN-Interface (CAN2.0 B) which is used for transmitting the information from and to the module.

Weight and space required for the wiring harness can be reduced by daisy-chaining multiple extended modules because power and communication lines are routed through the device.



Application	
Operating temperature range	-20 °C ... 85 °C

Mechanical Data	
Size	155 x 38 x 32.1 mm
Weight	153 g
Max. vibration	<i>Vibration Profile 1</i> (see Appendix or www.bosch-motorsport.com)

Electrical Data	
Power supply	10 V ... 18 V
Supply current (without load)	max. 80 mA
ADC resolution	10 Bit (4.8 mV)
Update rate	5 ms
CAN speed	1 MBaud

Communication/Configuration Interface	
CAN2.0 B, using interface MSA-Box II and RaceCon	
CAN-ID programmable via RaceCon	
Pull-ups switchable via RaceCon	

Loom Side Connector	
ASL606-05PN-HE red	
ASL606-05PD-HE green	
ASL606-05SN-HE red	

Connector ASL206-05SN-HE (red); ANAx	
Pin-No.	Function
1	UB_SG
2	AGND
3	ANA_INx
4	Vref50
5	N/C

Connector ASL206-05SD-HE (green), XOUT	
Pin-No.	Function
1	UBATT
2	GND
3	CAN-High
4	CAN-Low
5	GND

Connector ASL206-05PN-HE (red), XIN	
Pin-No.	Function
1	UBATT
2	GND
3	CAN-Low
4	CAN-High
5	GND

CAN Protocol

Byte order

Big endian (high-byte/low-byte, Motorola)

CAN Frame 1

Byte	0	1	2	3	4	5	6	7
Value	Row counter = 0	AD channel 1		AD channel 2		AD channel 3		unused

CAN Frame 2

Byte	0	1	2	3	4	5	6	7
Value	Row counter = 1	AD channel 4		AD channel 5		AD channel 6		unused

$$U [V] = \text{raw value} * 5 V / 1024$$
Application Hint

Please ask for compatibility of this CAN Module with your ECU.

Part Number

CAN Module EM-A6

F 01T A20 007-01

CAN Module EM-C

Module for programming APS-C

The extended EM-C module is part of the measurement equipment. It displays the current angle of the camshaft that is measured by the Bosch camshaft angle sensor APS-C and transmitted via CAN. The EM-C module receives this message and displays the angle (-180° ... +180°) in its bright red dot-matrix display.

Moreover, the EM-C module features a reset-button which, during engine assembly, enables the engine builder to precisely set the APS-C sensor reference to “zero” when the camshaft is at the desired “zero” position. The module has a 500 kBaud CAN-Interface (CAN 2.0 B) which is used for transmitting the information from and to the module.

The module is delivered with a connection adapter between housing and connector.



Mechanical Data

Size	94.2 x 30 x 24.2 mm
Weight	97 g

Electrical Data

Power supply	8 V ... 18 V
Supply current (100 % brightness, dots on)	max. 300 mA

Communication/Configuration Interface

CAN 2.0 B, using interface MSA-Box II and RaceCon	
Programmable CAN-ID	

Application Hint

Please ask for compatibility of this CAN Module with your ECU.

Connectors and Wires

Connector	ASL-006-05PN-HE
Mating connector	AS6-06-05SN-HE
Pin 1	UBATT
Pin 2	GND
Pin 3	CAN-Hi
Pin 4	CAN-LO
Pin 5	N/C

Part Number

CAN Module EM-C	F 01T A20 025
-----------------	----------------------

CAN Module EM-H4

4 Hall Speed sensors

The extended module EM-H4 acquires the signal periods of up to 4 Hall-effect speed sensors and transmits them as 16-bit values to a CAN-Interface (CAN2.0 B) in a single CAN-message.

The module is delivered with an adapter between housing and connector.



Application	
Operating Temperature Range	-20 ... 85 °C

Mechanical Data	
Max. Vibration	<i>Vibration Profile 1</i> (see Appendix or www.bosch-motorsport.com)
Size	85.4 x 32.3 x 17.1 mm

Electrical Data	
Power Supply	8 V ... 18 V
Supply Current	max. 70 mA
Input	10 ... 10,000 impulses/s

Communication/Configuration Interface	
CAN2.0 B, using interface MSA-Box II and RaceCon	
Programmable CAN-ID	
CAN speed	1 Mbaud
Update rate	10 ms

Loom Side Connector	
AS-6-10-35SN-HE	

CAN Protocol									
Byte order									
Big endian (high-byte/low-byte, Motorola)									
Byte	0	1	2	3	4	5	6	7	
Value	Front left	Front right	Rear left	Rear right					

Signal period [ms] = 3.2 μs * raw value / 1,000

Application Hint
Please ask for compatibility of this CAN Module with your ECU.

Connector AS-0-10-35PN-HE		
Pin-No.	Function	
1	UBATT	
2	GND	
3	N/C	
4	CAN-Hi	
5	CAN-LO	
6	Front left	
7	Front right	
8	Rear left	
9	Rear right	
10	GND	
11	SHIELD	
12	N/C	
13	N/C	

Part Number	
CAN Module EM-H4	F 01T A20 008-01

CAN Module EM-I4

4 inductive Speed Sensors

The extended module EM-I4 acquires the signal periods of up to 4 inductive speed sensors and transmits them as 16-bit values with 3.2µs quantization to a 1 MBaud CAN-Interface (CAN2.0 B) in a single CAN-message.

The module is delivered with an adapter between housing and connector.



Application

Operating Temperature -20 ... 85 °C

Mechanical Data

Max. Vibration *Vibration Profile 1*
(see Appendix or www.bosch-motorsport.com)

Size 85.4 x 32.3 x 17.1 mm

Electrical Data

Power Supply 8 V ... 18 V

Supply Current max. 70 mA

Input 10 to 10,000 impulses/s

Communication/Configuration Interface

CAN2.0 B, using interface MSA-Box II and RaceCon

Programmable CAN-ID

CAN speed 1 Mbaud

Update rate 10 ms

Loom Side Connector

AS-6-10-35SN-HE

CAN Protocol

Byte order
Big endian (high-byte/low-byte, Motorola)

Byte	0	1	2	3	4	5	6	7
Value	Front left	Front right	Rear left	Rear right				

Signal period [ms] = 3.2 µs * raw value / 1,000

Application Hint

Please ask for compatibility of this CAN Module with your ECU.

Connector AS-0-10-35PN-HE

Pin-No.	Function
1	UBATT
2	GND
3	N/C
4	CAN-Hi
5	CAN-LO
6	Front left
7	Front right
8	Rear left
9	Rear right
10	GND
11	SHIELD
12	N/C
13	N/C

Part Number

CAN Module EM-I4 **F 01T A20 009-01**

Extended Module EM-LIN

The extended module EM-LIN is a LIN-Master designed to allow an on-line adjustment of the alternator regulator parameters e.g. alternator voltage, load response time, cut-off speed and current limitation.

The EM-LIN is designed with a microcontroller in combination with a LIN and a CAN transceiver. The electronics power supply is managed by a voltage regulator. In addition, an analog input is accessible on one connector. Its robust aluminum housing provides an effective protection for the electronics.

Further functions (e.g. CAN function) and application specific software development is available on request.



Application	
Application	LIN Master
Compatible regulator type	Bosch LIN-regulator CR652
Operating temperature range	-20 ... 85 °C
Storage temperature range	-20 ... 85 °C

Mechanical Data	
Weight w/o wire	53 g
Size w/o wire	85 x 17.3 x 32 mm
Max. vibration	Vibration Profile 1 (see Appendix or www.bosch-motorsport.com)

Electrical Data	
Power supply	12 V
Max. power supply (1 min)	25 V

Application Hint	
Please ask for the compatibility with your Bosch regulator.	

Connectors and Wires	
Connector 1 (red)	
Connector	ASU 0-03-05PN-HE
Mating connector	ASU 6-03-05SN-HE
Pin 1	Us
Pin 2	Gnd
Pin 3	-
Pin 4	-
Pin 5	Config
Connector 2 (green)	
Connector	ASU 0-03-05SD-HE
Mating connector	ASU 6-03-05PD-HE
Pin 1	Us
Pin 2	Gnd
Pin 3	LIN
Please note: the EM-LIN must be powered by one connector only.	
Part Number	
Extended Module EM-LIN	F 02U V00 609-02

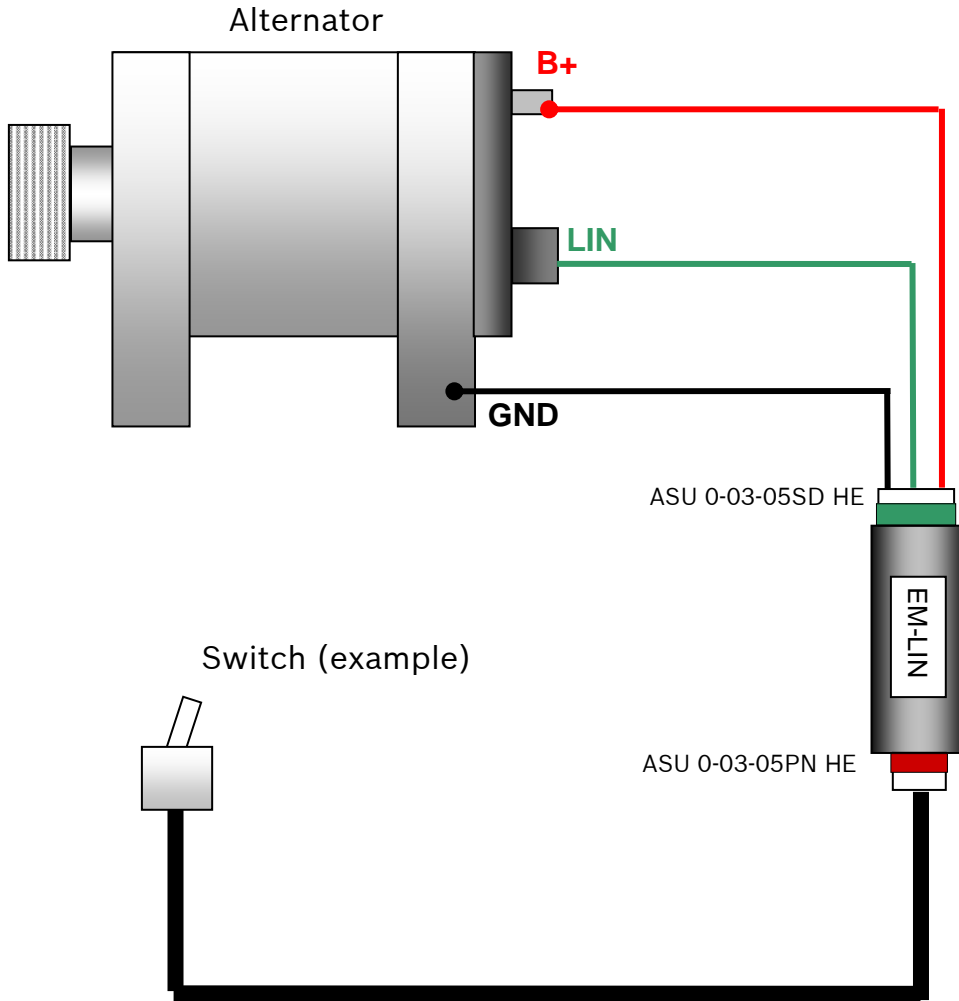


Illustration 1: Possible application to switch between two alternator voltage values

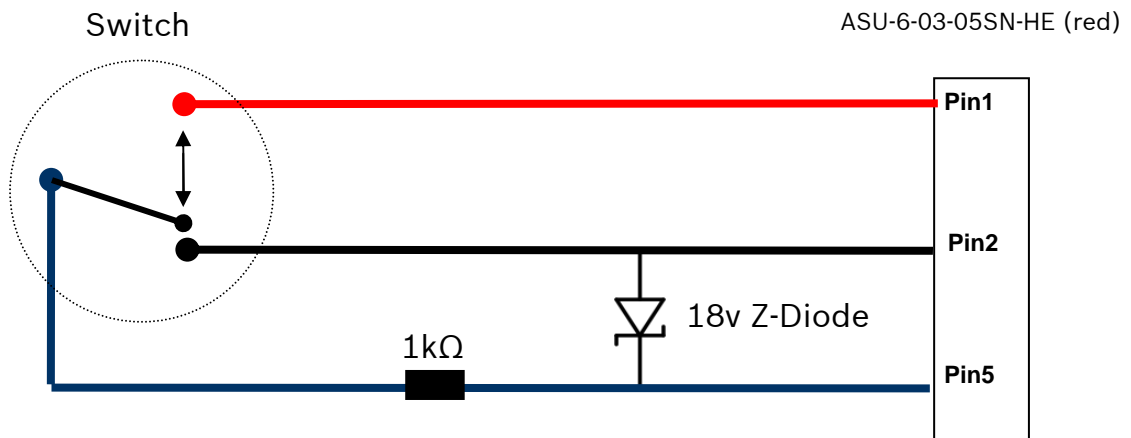
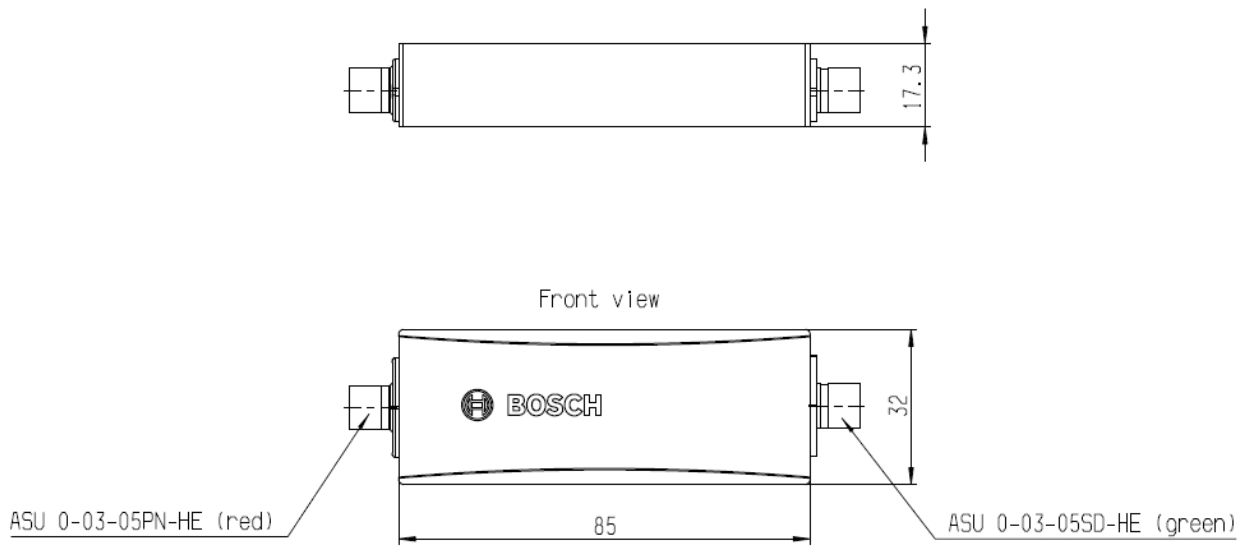


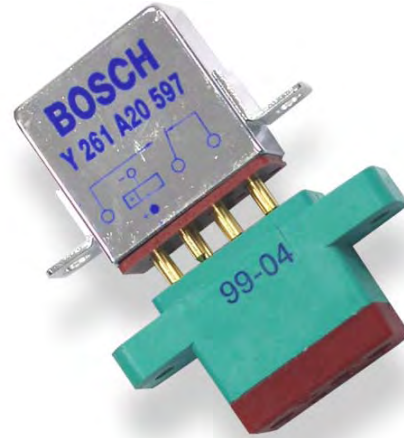
Illustration 2: Recommended switch design (example)



Relay

Relay 25 A

The relay 25 A is a miniature DC-contactor for electrical power control. The rated current is 25 A for secondary power distribution with high inrush current like hydraulic- and fuel motor loads. The base part allows a quick change of the relay.



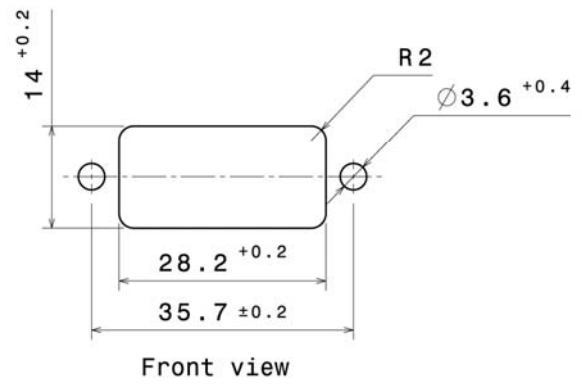
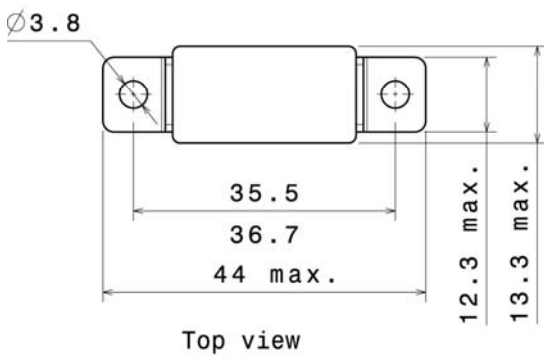
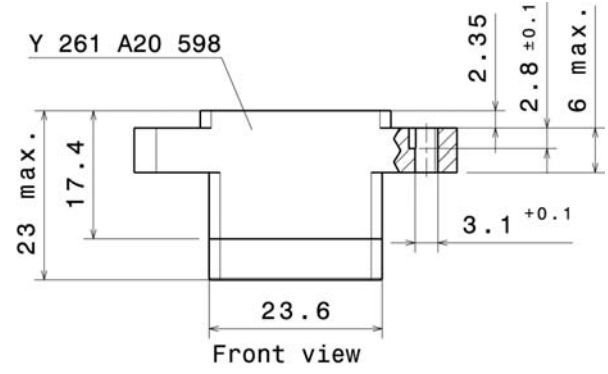
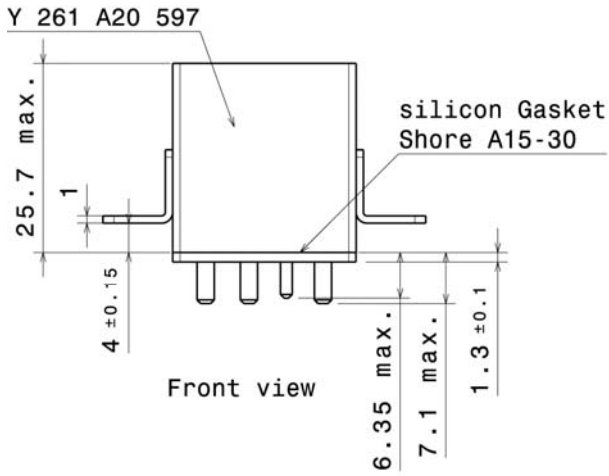
Mechanical Data	
Drill hole	3.1 mm
Weight	61 g

Conditions for use	
Temperature range	-45 ... 125 °C
Vibration	30 g/70 Hz ... 3 kHz
Shock	100 g (11 ms)

Electrical Data	
Power supply	12 ... 14.5 V
Min. switches	50,000
Coil resistance @ 25 °C	80 Ω
Max. current	25 A
Current vs. time characteristic (the relay shall be compatible with a 25 A circuit breaker)	

I [A]	t [s]
30 A	3,600 s (1 h)
50 A	5 s
100 A	1.2 s
250 A	0.2 s
350 A	0.1 s

Part Numbers	
Relay	Y 261 A20 597-01
Base	Y 261 A20 598-01

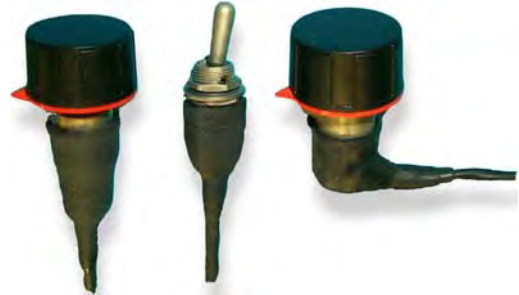


Switches

Switches

We offer a wide range of switches for the special demands of motorsport.

You can combine all types with every design and every connector cable equivalent to your individual requirement.



Type
For MAP Function
For display-toggle-function
3 steps for MAP-function
4 steps
4 steps for MAP-function
6 steps for display switch over
12 steps
Design
Straight
90° angled

Extras
With integrated resistor network
Lockable
Variable number of steps
Variable form of rotary waver switch
Without end stop

Application range
Motor functions
Dashboard functions
Display switch over
Display dimmer

Part numbers			
Model	Design	Connector	
12 steps	straight	ASL 6-06-05PN-HE	B 261 209 643-01
for MAP function	straight	ASL 6-06-05PN-HE	B 261 209 644-01
4 steps display dimmer DDU	straight	ASL 6-06-05PN-HE	B 261 209 646-01
4 steps LED dimmer DDU	straight	ASL 6-06-05PN-HE	B 261 209 647-01
6 steps display dimmer and switch over DDU	straight	ASL 6-06-05PN-HE	B 261 209 659-01
All models can be ordered with 90° angled.			

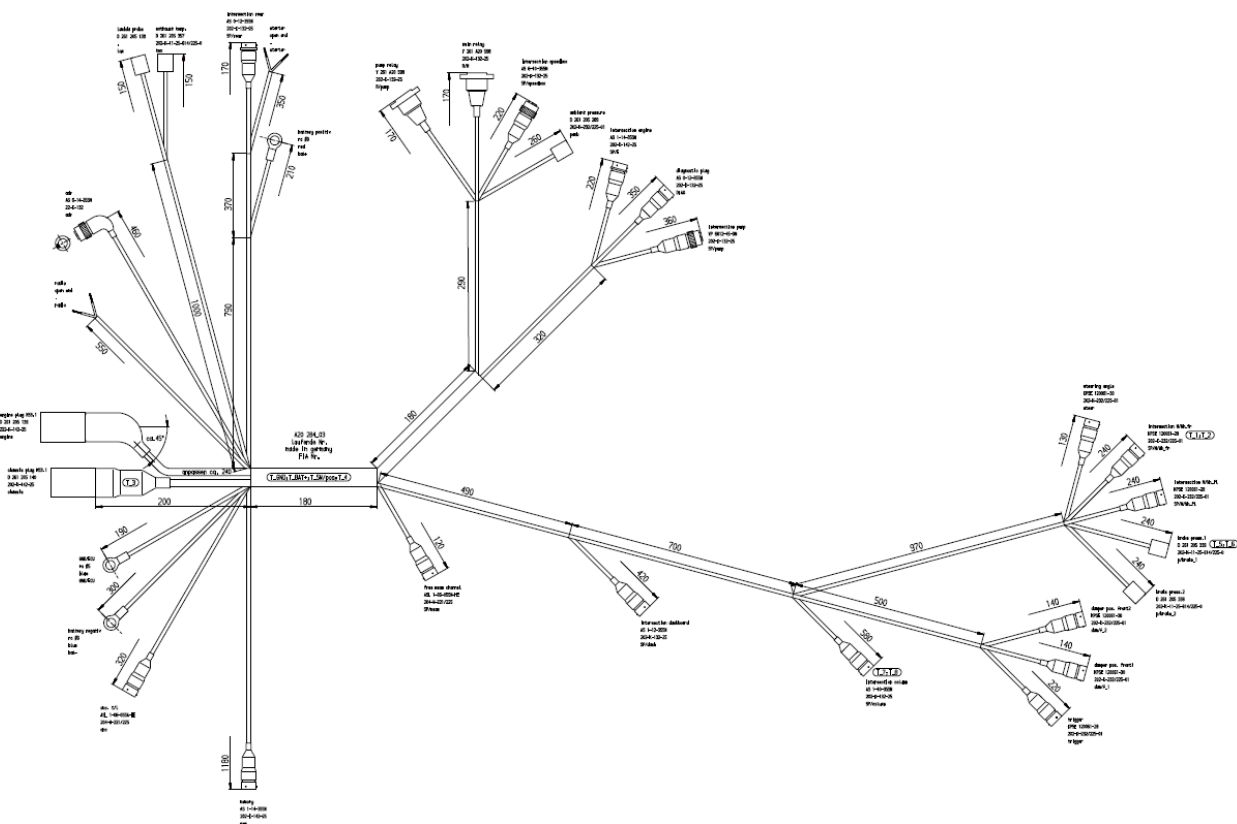
Wiring Harnesses

Wiring Harnesses

We offer special wiring harnesses for motorsport applications. Our portfolio contents layout, design and production of harnesses, sensors and actuators for motorsport requirements.

Moreover we offer consultancy of loom design and sensor definition. Design and production of prototypes up to mass production is also possible. We do 2D Layout documentation in exchangeable *.dxf, *.dwg file format.

Naturally we use motorsport connectors and switches and fuses from aviation and aerospace technology. Full shielded cables for maximum EMC protection are available. All looms are built with cables and wires in aviation and aerospace quality. All looms are tested on a high voltage test bench. Tests under defined vibration profiles are possible. We also offer several connectors on request.



Appendix

General Information

ESD, Handling and Transport

More and more of our products contain sensitive electronics and thus ESD sensitive parts. Please be mindful of the specifications concerning ESD as mentioned in DIN EN 61340. Please follow the regulations in handling with electronic devices during transporting, unpacking and working with the devices. Never grab into the connectors.

Battery

Some of the devices use Lithium-Ion batteries; see data sheets of our products. Abide by the maintenance cycle schedule to ensure correct operation. The required service interval is 12 months. Please use extra caution to be certain that the correct waste removal procedure of the battery is followed.

Installation

The correct installation extends reliability and durability. Please follow the specifications regarding temperature, humidity, vibration and liquid compatibility. For these specifications please refer to the data sheets of our products.

Vibration Profile 1

Broadband noise: 8h/Direction	
Frequency (Hz)	Acceleration density [(m/s ²) ² /Hz]
20	50.4
55	26.0
180	1.0
300	1.0
360	0.56
1,000	0.6
2,000	0.6
Effective Value a _{eff}	55.4 m/s ²

Sinus: 8h/Direction	
Frequency (Hz)	Acceleration [m/s ²]
100	50
180	200
250	200
350	60
2,000	60

Vibration Profile 2

Broadband noise: 8h/Direction	
Frequency (Hz)	Acceleration density [(m/s ²) ² /Hz]
10	10
50	10
66.7	1
100	1
1,000	0.1
Effective Value a _{eff}	26.9 m/s ²

Vibration Profile 3

Sinus		
Alteration rate of frequency: 1 oct./min		
Frequency [Hz]	Amplitude of acceleration [m/s ²]	Amplitude of oscillation lane [μm]
20	50	
85	50	
85		175
200		175
200	280	
220	280	
300	125	
440	125	

Broadband noise	
Frequency [Hz]	Acceleration density [(m/s ²) ² /Hz]
10	14.0
50	7.0
60	3.5
300	0.51
500	45.6
1,500	15.26
Effective Value a _{eff}	168 m/s ²

Bosch Engineering GmbH Motorsport

For more information please visit
www.bosch-motorsport.com
or send an email to
motorsport@bosch.com

© Bosch Engineering GmbH, 2010
Modifications reserved.

Warning: It is strictly forbidden to use Bosch Motorsport products on public roads. They are only developed for use in racing on private closed courses!



BOSCH

Invented for life