



www.Source1Parts.com

M3UF (S) SERIES EVAPORATOR UPFLOW COIL

HVAC SERVICE PARTS

Supersedes: 550.16-RP2.4Y (891)

035-17769-001 Rev. A (0802)

1 of 2

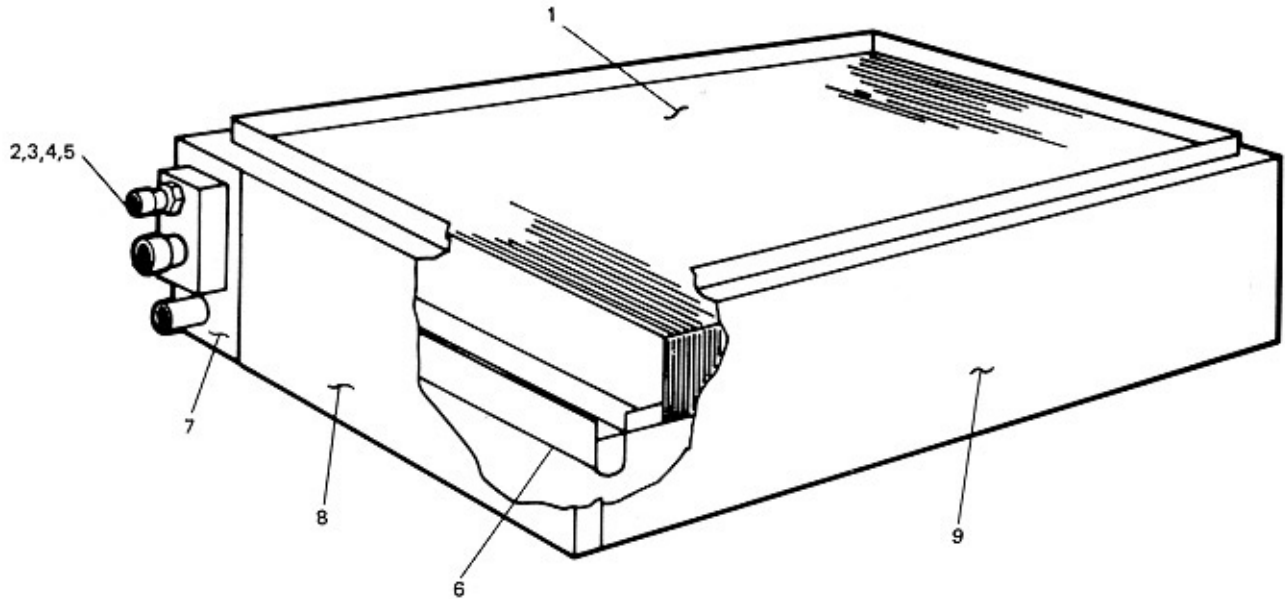


Figure 1 : EVAPORATOR UPFLOW COIL

FIG	ITEM	DESCRIPTION	M3UF024SA	M3UF032SA	M3UF044SA
1	1	Coil, Evaporator	373-04128-001	373-03934-001	373-04176-001
1	2	Coupling, Half (Liquid)	023-15208-000	023-15208-000	023-15208-000
1	3	Distributor, Liquid	023-15167-000	023-15167-000	023-14922-000
1	4	Flange, Mounting (Liquid)	073-01577-000	073-01577-000	073-01577-000
1	5	Orifice, Restrictor (See Note 1)	363-89132-053	363-89132-061	363-89132-069
1	6	Pan, Drain	363-61409-003	363-61409-005	363-61409-008
1	7	Panel, Connection	063-87299-001	063-87299-002	063-87299-003
1	8	Panel, Front	063-87344-001	063-87344-002	063-87344-003
1	9	Wrapper, Coil	063-87303-001	063-87303-002	063-87303-003
*	10	Trough, Drip (Quantity)	063-54607-000 (6)	063-54607-000 (8)	063-54607-000 (11)

<

NOTE: *Not Shown

New replacement parts shown in **bold** face type at the first printing of parts list dated 8/02.

Major components and suggested stocking items are shown with shaded item number.

"<" Across from row indicates a change in that row.

--- Not applicable to specified model.

1. Refer to Condenser Installation Instructions.

FIG	ITEM	DESCRIPTION	M3UF052SA	M3UF064SA
1	1	Coil, Evaporator	373-03936-001	373-04129-001
1	2	Coupling, Half (Liquid)	023-15170-000	023-15170-000
1	3	Distributor, Liquid	023-15168-000	023-15168-000
1	4	Flange, Mounting (Liquid)	073-01577-000	073-01577-000
1	5	Orifice, Restrictor (See Note 1)	363-89132-081	363-89132-087
1	6	Pan, Drain	363-61409-010	363-61409-013
1	7	Panel, Connection	063-87299-003	063-87299-003
1	8	Panel, Front	063-87344-004	063-87344-005
1	9	Wrapper, Coil	063-87303-004	063-87303-005
*1	10	Trough, Drip (Quantity)	063-54607-000 (13)	063-54607-000 (16)

<

NOTE: *Not ShownNew replacement parts shown in **bold** face type at the first printing of parts list dated 8/02.

Major components and suggested stocking items are shown with shaded item number.

“<” Across from row indicates a change in that row.

--- Not applicable to specified model.

1. Refer to Condenser Installation Instructions.



TO ORDER AUTHORIZED FACTORY REPLACEMENT PARTS - Contact your Source1 HVAC Parts Distributor or visit our website at www.Source1Parts.com for a Distributor and Dealer listing.