



www.Source1Parts.com

## M2UF (A) SERIES EVAPORATOR UPFLOW COIL

HVAC SERVICE PARTS

Supersedes: 550.16-RP2.1Y (185)

035-17765-001 Rev. A (0802)

1 of 2

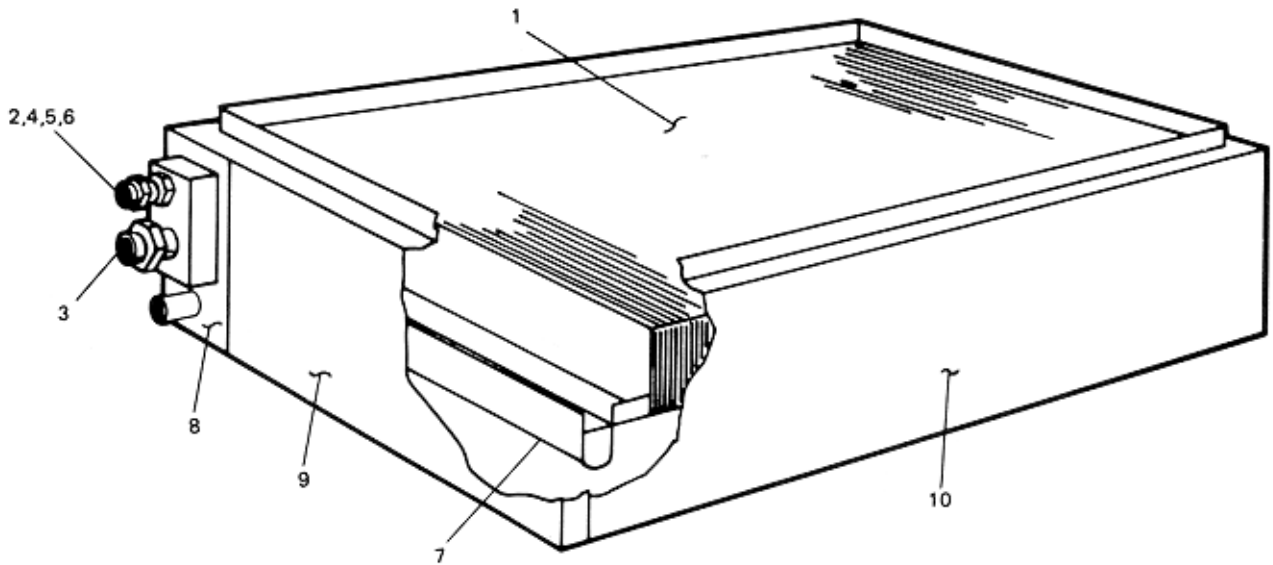


Figure 1 : EVAPORATOR UPFLOW COIL

FIG	ITEM	DESCRIPTION	M2UF024AA	M2UF032AA	M2UF044AA
1	1	Coil, Evaporator	363-61336-000	363-66500-000	363-61341-000
1	2	Coupling, Half (Liquid)	023-15166-000	023-15166-000	023-15166-000
1	3	Coupling, Half (Suction)	023-15146-000	023-15146-000	023-10859-000
1	4	Distributor, Liquid	023-15167-000	023-15167-000	023-15168-000
1	5	Flange, Mounting (Liquid)	023-08937-000	023-08937-000	023-08937-000
1	6	Orifice, Restrictor (See Note 1)	029-19387-002	029-19387-003	029-19387-011
1	7	Pan, Drain	363-61409-003	363-61409-005	363-61409-008
1	8	Panel, Connection	063-87300-000	063-87300-000	063-87300-000
1	9	Panel, Front	063-87344-001	063-87344-002	063-87344-003
1	10	Wrapper, Coil	063-87303-001	063-87303-002	063-87303-003
*	11	Trough, Drip (Quantity)	063-54607-000 (6)	063-54607-000 (8)	063-54607-000 (11)

<

**NOTE:** \*Not Shown

New replacement parts shown in **bold** face type at the first printing of parts list dated 8/02.

Major components and suggested stocking items are shown with shaded item number.

"<" Across from row indicates a change in that row.

--- Not applicable to specified model.

1. Refer to Condenser Installation Instructions.



FIG	ITEM	DESCRIPTION	M2UF052AA	M2UF064AA
1	1	Coil, Evaporator	363-66503-000	363-66506-000
1	2	Coupling, Half (Liquid)	023-15166-000	023-15166-000
1	3	Coupling, Half (Suction)	023-10864-000	023-10864-000
1	4	Distributor, Liquid	023-15168-000	023-15168-000
1	5	Flange, Mounting (Liquid)	023-08937-000	023-08937-000
1	6	Orifice, Restrictor (See Note 1)	029-19387-006	029-19387-007
1	7	Pan, Drain	363-61409-010	363-61409-013
1	8	Panel, Connection	063-87300-000	063-87300-000
1	9	Panel, Front	063-87344-004	063-87344-005
1	10	Wrapper, Coil	063-87303-004	063-87303-005
*	11	Trough, Drip (Quantity)	063-54607-000 (13)	063-54607-000 (16)

&lt;

**NOTE:** \*Not ShownNew replacement parts shown in **bold** face type at the first printing of parts list dated 8/02.

Major components and suggested stocking items are shown with shaded item number.

“&lt;” Across from row indicates a change in that row.

--- Not applicable to specified model.

1. Refer to Condenser Installation Instructions.



**TO ORDER AUTHORIZED FACTORY REPLACEMENT PARTS** - Contact your Source1 HVAC Parts Distributor or visit our website at [www.Source1Parts.com](http://www.Source1Parts.com) for a Distributor and Dealer listing.