



Linear Units



Helping you build a better machine, faster.



*Helping you build a better machine, **faster.***

Danaher Motion -

Helping you build a better machine, faster

Danaher Corporation combined over 30 industry-leading brands such as Kollmorgen, Thomson, Dover, Pacific Scientific, Portescap, Neff, Seidel and Bautz to establish a customer-focused motion control manufacturing company called Danaher Motion. We offer this powerful set of integrated motion control technologies under the Danaher Motion and Thomson brand names. We are a \$1B+ global motion control leader, unique in our ability to marshal decades of application experience and technical innovation to help you build better machines, faster.

Danaher Motion defines high standards of quality, innovation and technology. We enable improved machine performance and reliability while controlling costs. Our global manufacturing footprint, rapid customization and prototyping capabilities drive quick lead times. Unmatched application experience and design expertise empowers you to commission machines faster.

Consider your options in today's market for a motion control partner. Select Danaher Motion and join a team with over 6000 employees, over 60 years of application experience and 2000+ distributor locations around the globe. Danaher Motion serves industries as diverse as semiconductor, aerospace and defense, electric vehicle systems, packaging, printing, medical and robotics. We offer an unparalleled depth and breadth of motion control product solutions through a worldwide service and support infrastructure, field service engineers and support teams available when and where you need them.

The Danaher Business System -

Building sustainable competitive advantage into your business

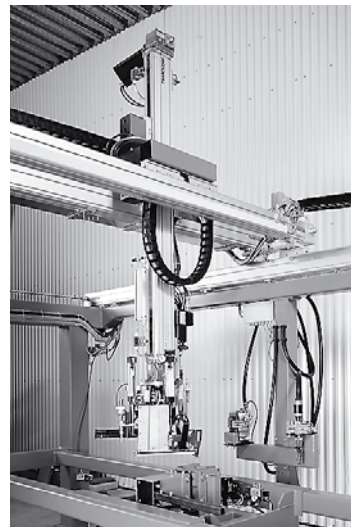
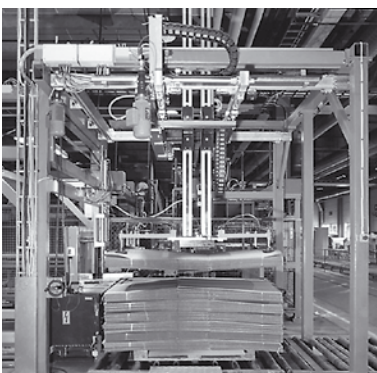
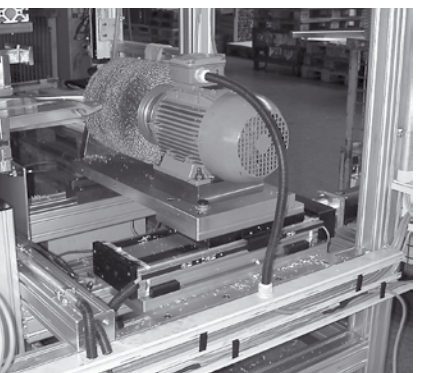
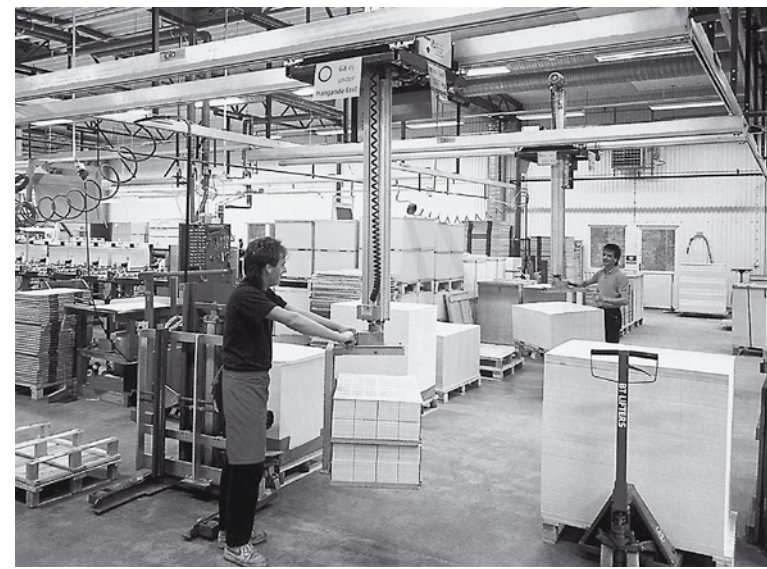
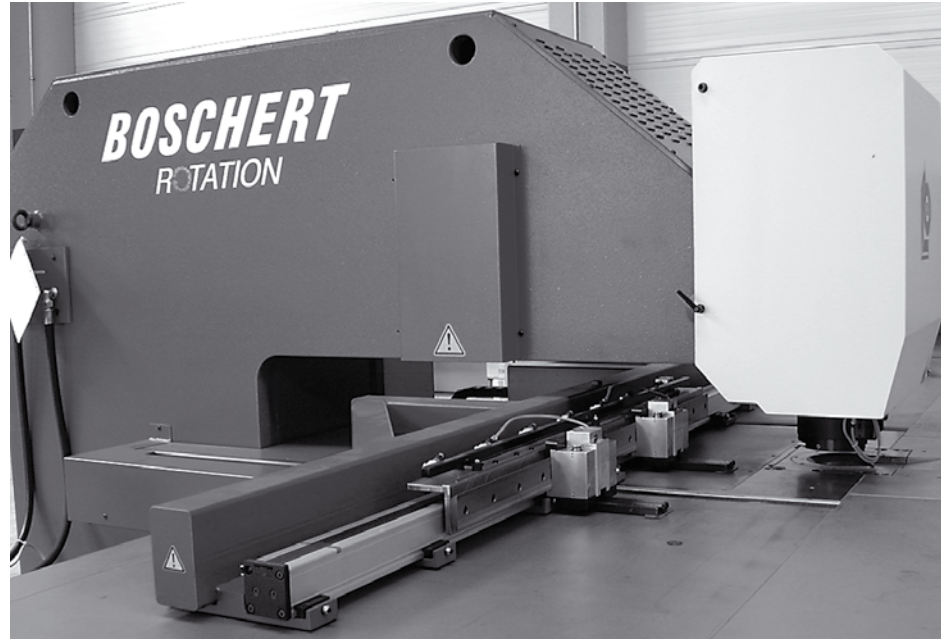
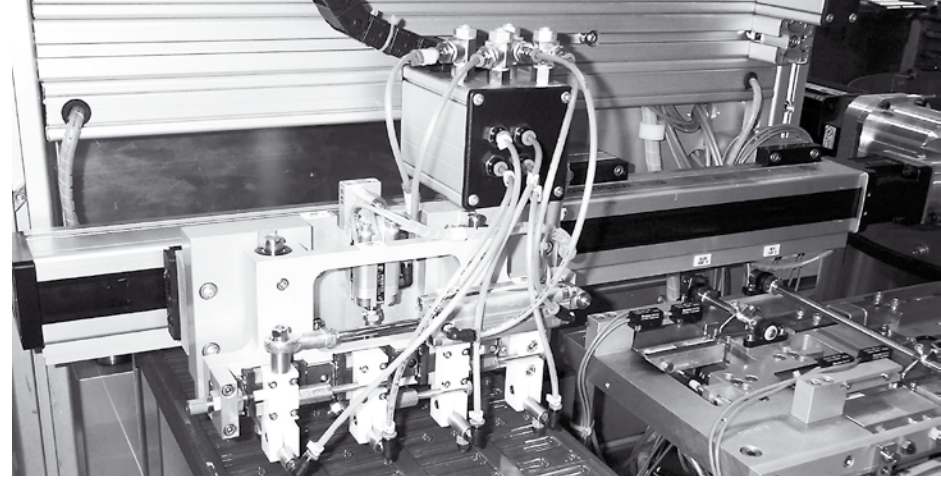
The Danaher Business System (DBS) was established to increase the value we bring to customers. It is a mature and successful set of tools we use daily to continually improve manufacturing operations and product development processes. DBS is based on the principles of Kaizen which continuously and aggressively eliminate waste in every aspect of our business. DBS focuses the entire organization on achieving breakthrough results that create competitive advantages in quality, delivery and performance – advantages that are passed on to you. Through these advantages Danaher Motion is able to provide you faster times to market as well as unsurpassed product selection, service, reliability and productivity.

Local Support Around the Globe



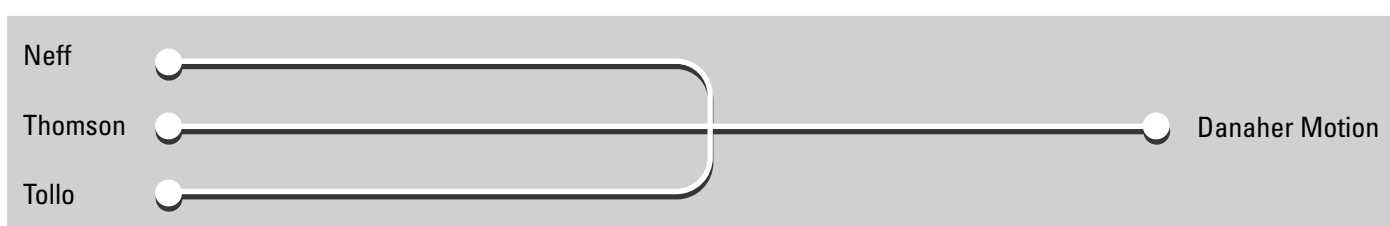
Table of Contents

Introduction	5	Linear Units with Belt Drive and Wheel Guide	97
Introduction.....	5	Introduction	97
How to Choose a Unit.....	6 - 7	Overview	98 - 99
Technical Introduction.....	8 - 11	WH50.....	100 - 101
Linear Units with Ball Screw Drive and Ball Guide.....	13	WH80.....	102 - 103
Introduction	13	WH120.....	104 - 105
Overview	14 - 15	MLSH60Z	106 - 107
WM40S	16 - 17	MLSH80Z	108 - 109
WM40D	18 - 19	Linear Lifting Units.....	111
WM60D	20 - 21	Introduction	111
WM60S	22 - 23	Overview	112 - 113
WM60X	24 - 25	WHZ50	114 - 115
WM80D	26 - 27	WHZ80	116 - 117
WM80S	28 - 29	Z2	118 - 119
WM120D	30 - 31	Z3	120 - 121
WV60	32 - 33	ZB	122 - 123
WV80	34 - 35	Linear Rod Units.....	125
WV120.....	36 - 37	Introduction	125
MLSM60D.....	38 - 39	Overview	126 - 127
MLSM80D.....	40 - 41	WZ60	128 - 129
2HBE10.....	42 - 43	WZ80	130 - 131
2HBE20.....	44 - 45	T90	132 - 133
Linear Units with Ball Screw Drive and Slide Guide.....	47	T130	134 - 135
Introduction	47	Accessories.....	137
Overview	48 - 49	Accessory index	137
WB40.....	50 - 51	Mounting Kits	138 - 143
WB60.....	52 - 53	Cover and Protection Kits.....	144 - 146
M55.....	54 - 55	Motors, Gears and Transmission Kits.....	147 - 171
M75.....	56 - 57	Electrical Feedback Devices	172 - 181
M100.....	58 - 59	Non Driven Units.....	182 - 187
M75D	60 - 61	Dynamic Servo Actuators	188
M100D	62 - 63	Multi Axis System Kits	189
Linear Units with Belt Drive and Ball Guide.....	65	Additional Technical Data	191
Introduction	65	Additional Technical Data Tables.....	191 - 195
Overview	66 - 67	Drive Calculations.....	196 - 197
WH40.....	68 - 69	Deflection Calculations.....	198 - 199
WM60Z	70 - 71	Ordering.....	201
WM80Z, standard carriage.....	72 - 73	How to Order	201
WM80Z, short carriage.....	74 - 75	Keys for Units with Ball Screw and Ball Guides.....	202 - 205
M55.....	76 - 77	Keys for Units with Ball Screw and Slide Guides.....	206 - 208
M75.....	78 - 79	Keys for Units with Belt Drive and Ball Guides.....	209 - 212
M100.....	80 - 81	Keys for Units with Belt Drive and Slide Guides.....	213
MLSM80Z	82 - 83	Keys for Units with Belt Drive and Wheel Guides.....	214 - 215
Linear Units with Belt Drive and Slide Guide.....	85	Keys for Linear Lifting Units	216 - 217
Introduction	85	Keys for Linear Rod Units	218
Overview	86 - 87	Keys for Non Driven Units	219 - 220
M50.....	88 - 89		
M55.....	90 - 91		
M75	92 - 93		
M100.....	94 - 95		



Introduction

Danaher Motions linear units range consists of products from world known brands such as Thomson, Neff and Tollo. These three companies have been a part of the linear unit development elite for decades and are now forming one group of products offered to the market under the brand name Danaher Motion. Regardless of your application you can be sure that Danaher Motion can offer you a product to match your linear motion needs.

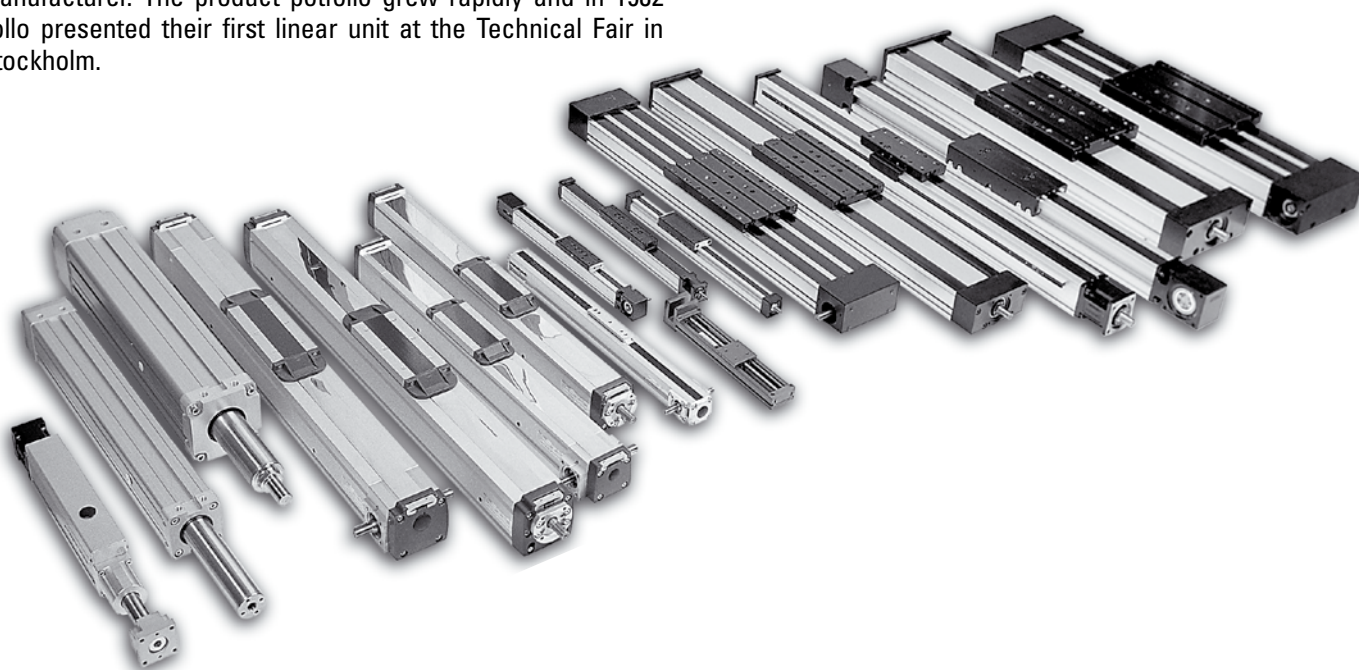


Neff was founded in 1905 offering products for the linear motion market and over the decades Neff has become a market leader the ball screw technology. The first linear unit from Neff was presented in 1981 at the FAMETA show in Stuttgart.

Thomson dates back to the 1940s when the first ball bushing bearing in the world was presented to the market. The product portfolio expanded and in the 1980s Thomson built their first complete linear unit.

Tollo was founded in 1981 and started as a lifting equipment manufacturer. The product portfolio grew rapidly and in 1982 Tollo presented their first linear unit at the Technical Fair in Stockholm.

Danaher Motion has now selected the most competitive products from each brand resulting in a state of the art product range. The range covers the smallest and most compact linear units to the biggest and most robust. Danaher Motion can match your linear motion needs with a wide range of ball screw and belt driven units using a variety of guide technologies, designed to work in harsh environments, at high speeds or in high precision systems.

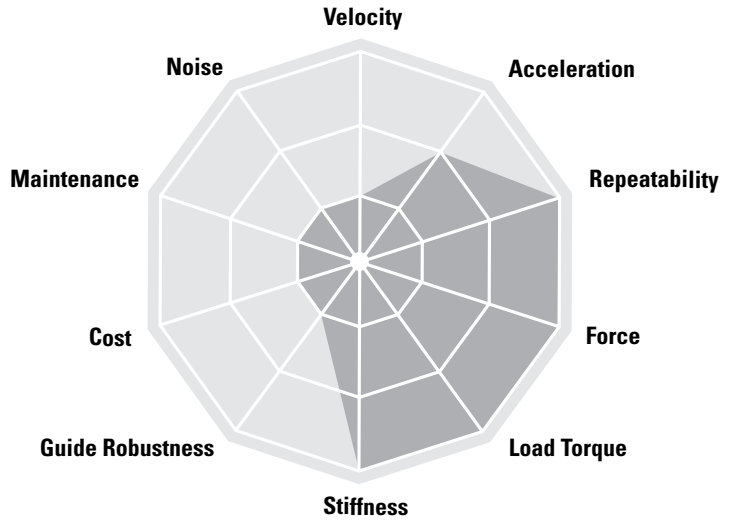


How to Choose a Unit

Danaher Motion offer a wide range of linear units, each designed for a specific purpose and with its own unique features. On www.danahermotion.com/PosSlides_LinUnits_advisor you can find a product advisor that will help you specify the unit you need, and our application engineers will be happy to help you with further technical advice.

The diagrams shown here give you a brief overview of the key strengths of each group.

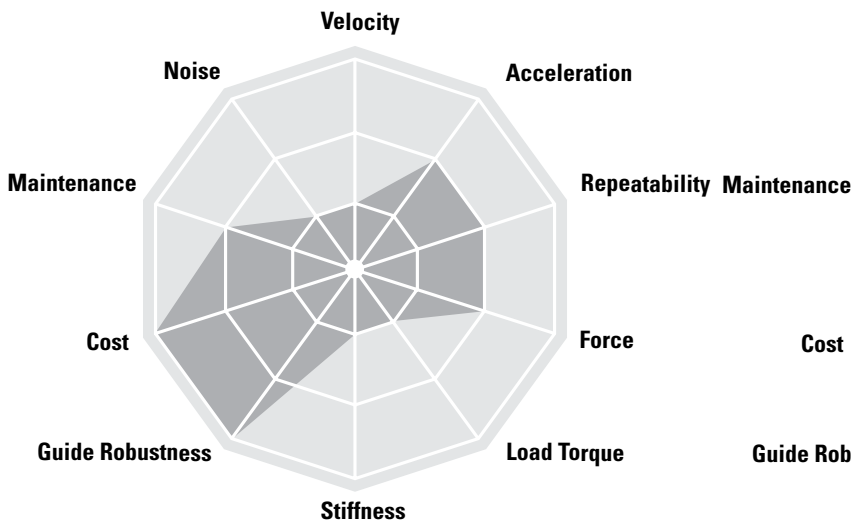
Ball Screw Driven, Ball Guided Units



Units designed for high thrust, payload, high precision and stiffness.

- Force up to 12000 N
- Repeatability down to 0,005mm

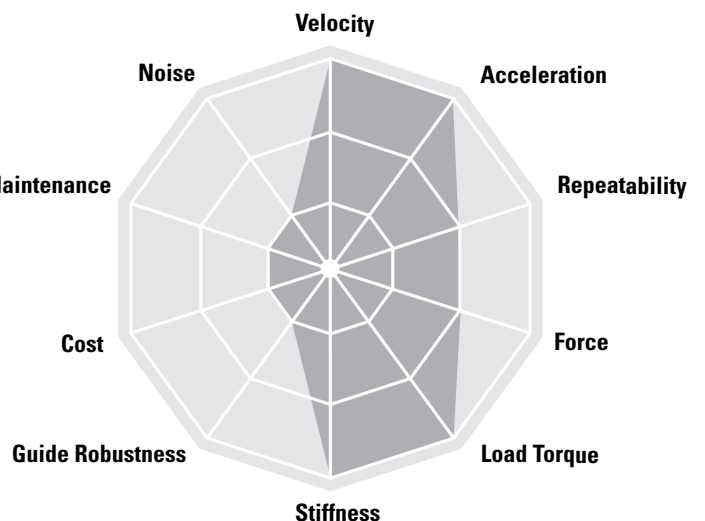
Ball Screw Driven, Slide Guided Units



Designed for low cost, high thrust operations in demanding environments.

- Cost efficient units
- Washdown protected versions
- Durable guide system

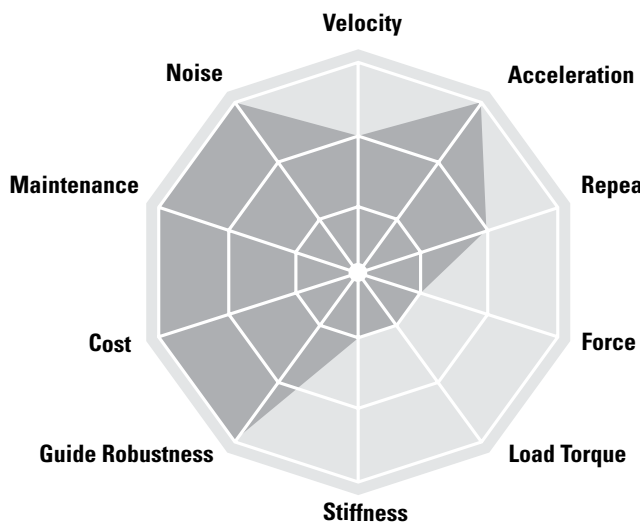
Belt Driven, Ball Guided Units



Smooth running units for dynamic applications with high speed, high acceleration and high loads requiring a long lifetime.

- Speed up to 5 m/s
- Acceleration up to 40 m/s²

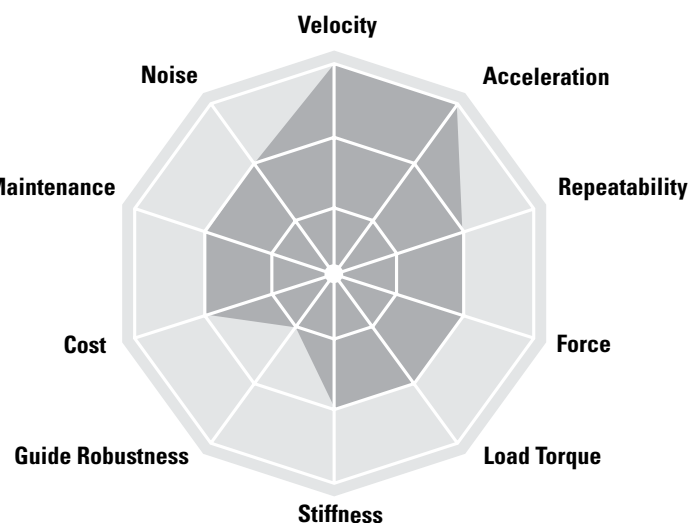
Belt Driven, Slide Guided Units



Units for dynamic applications requiring high speed, high acceleration, low maintenance and smooth travel.

- Cost efficient guide system
- Chemically protected versions

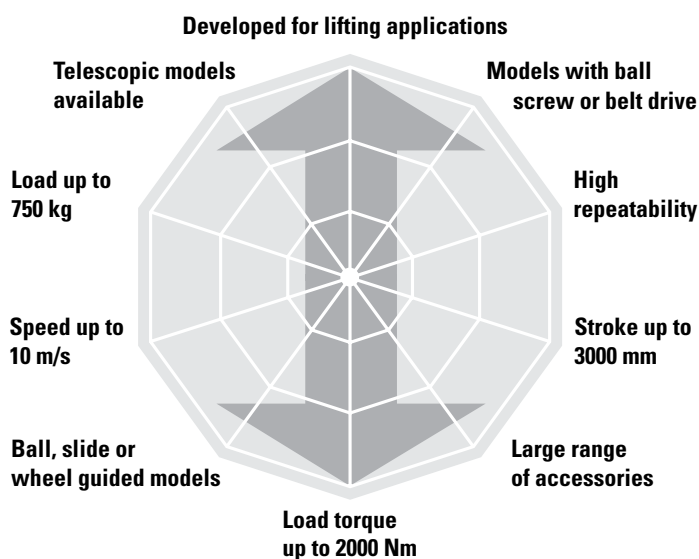
Belt Driven, Wheel Guided Units



Units for dynamic applications with high speed, high acceleration, smooth motion and medium to high loads.

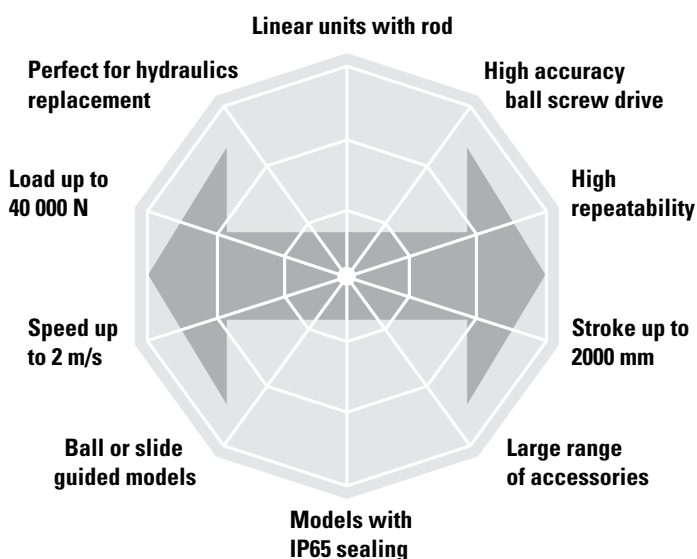
- Speed up to 10 m/s
- Acceleration up to 40 m/s²

Linear Lifting Units



Units for lifting applications. Often used in X-Y configurations in combination with other linear units.

Linear Rod Units

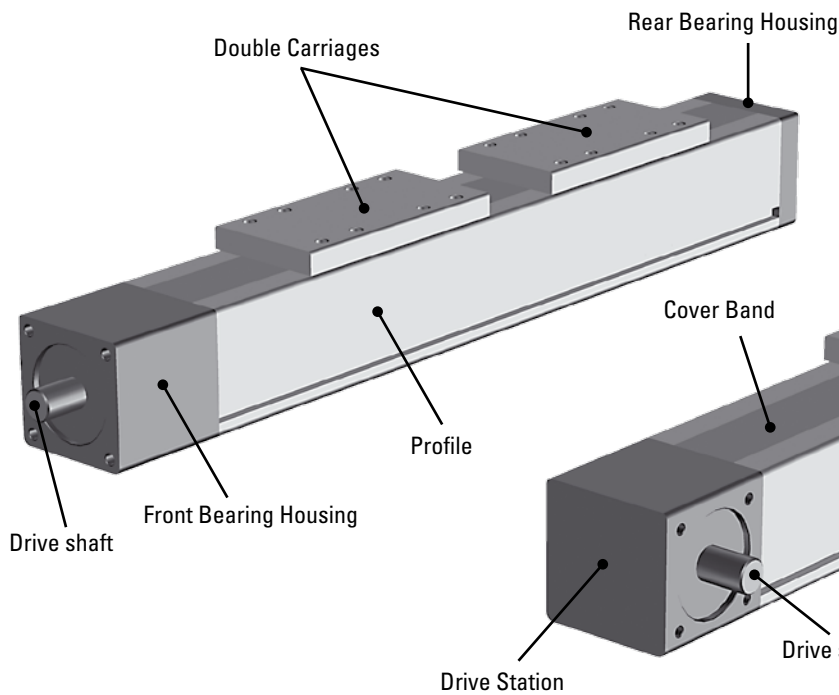


Units designed for lifting applications or for the replacement of hydraulic and pneumatic cylinders.

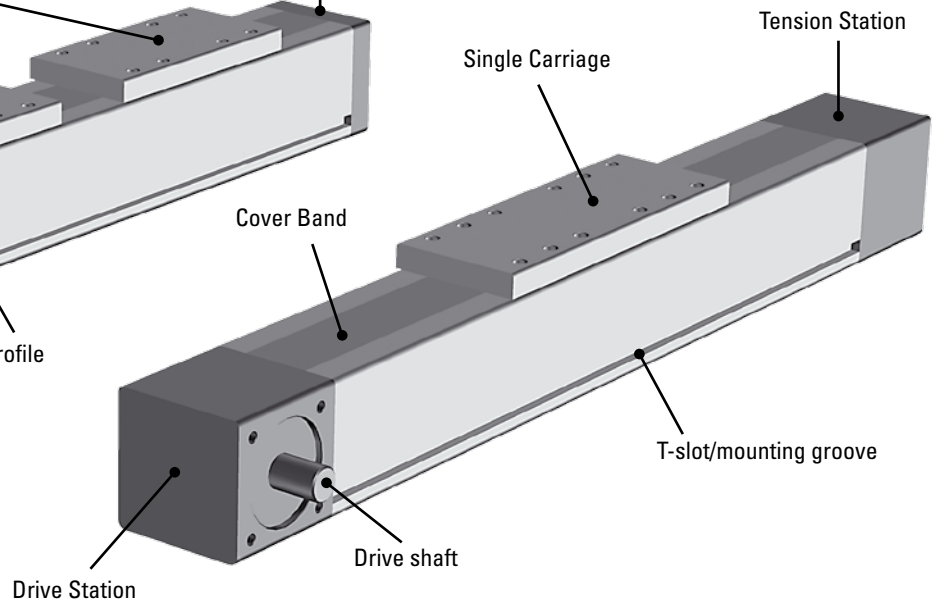
Technical Introduction

Basic Linear Unit Terminology

Screw Driven Unit

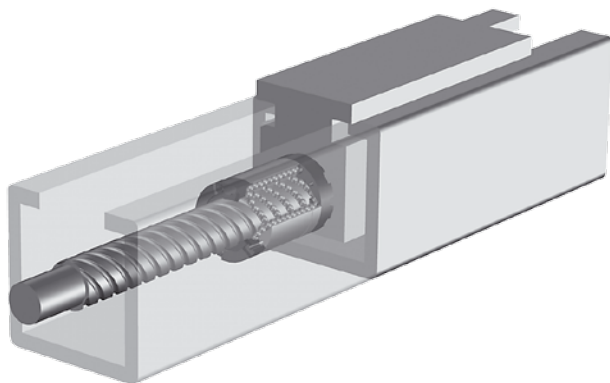


Belt Driven Unit



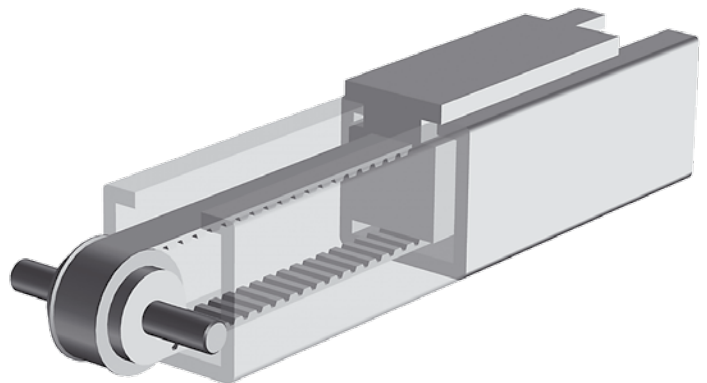
Ball Screw Drive

A ball screw is made up of a rotating screw and a moving ball nut. The ball nut is attached to the carriage of the unit. It does not have a normal thread, instead balls circulate inside the nut making it work as an efficient ball bearing that travels along the screw. Ball screws come in a large variety of leads, diameters and tolerance classes. The tolerance class (T3, T5, T7 or T9) indicates the lead tolerance of the screw. The lower the number, the higher the tolerance. High load capability and high accuracy are typical of ball screw driven units.



Belt Drive

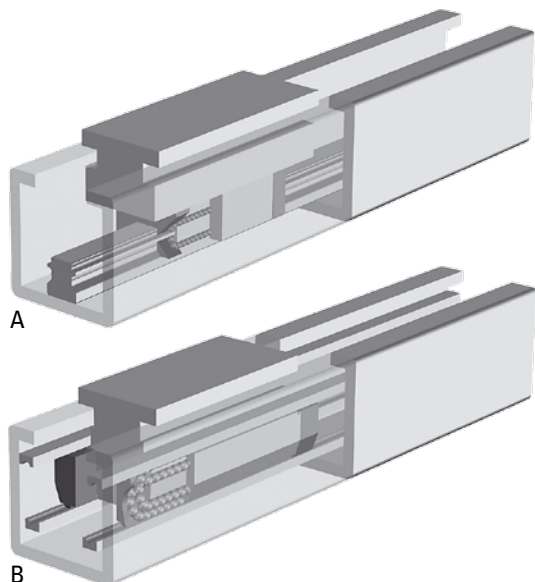
A belt drive consists of a toothed belt which is attached to the carriage of the unit. The belt runs between two pulleys positioned at either end of the profile. One pulley is attached to the motor while the other is mounted in a tensioning station. The belts are made of plastic reinforced with steel cords. High speeds, long stroke, low noise and low overall weight are typical features of belt driven units.



Technical Introduction

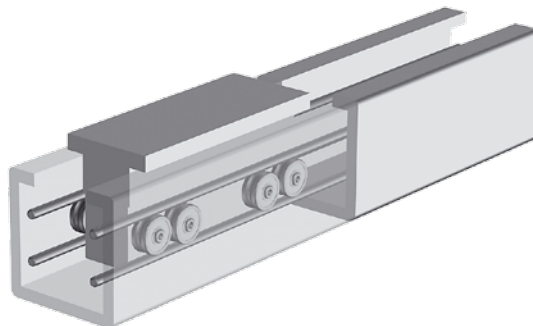
Ball Guides

A ball guide consists of a ball rail and a ball bushing. The ball rail is made of hardened steel and runs along the inside of the profile. The ball bushing is attached to the carriage of the unit and contains balls that roll against the rail. The balls in the bushing can be recirculating or have fixed ball positions depending on the type of ball guide. The recirculating type has a longer life and better load capability while the fixed type typically is much smaller. Danaher Motion uses three major types of ball guides in its linear units. Either the compact single rail type with recirculating ball bushing (A), the stronger double rail type also with recirculating ball bushings (B) or the fixed ball position ball bushings type (not shown) which require very little space and are used in the smallest units. Ball guides offer high accuracy, high loads and medium speed.



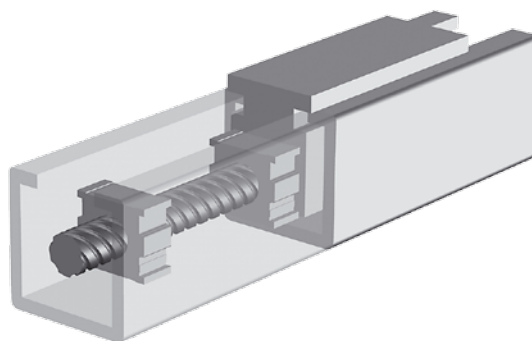
Wheel Guides

A wheel guide consists of ball bearing wheels that run on a hardened steel rail. Wheel guides are a simple and robust guiding method offering high speeds, high loads and medium accuracy.



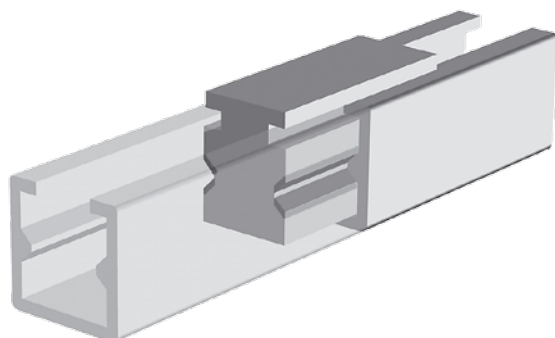
Screw Supports

Screw supports allow screw driven units to travel at high speed even when stroke becomes longer. The supports reduce the unsupported length of the screw, that otherwise would be subjected to vibrations. Screw supports come in single (one screw support on each side of the carriage) or double (two supports on each side) versions. Screw support units will have a slightly shorter stroke for a given overall length.



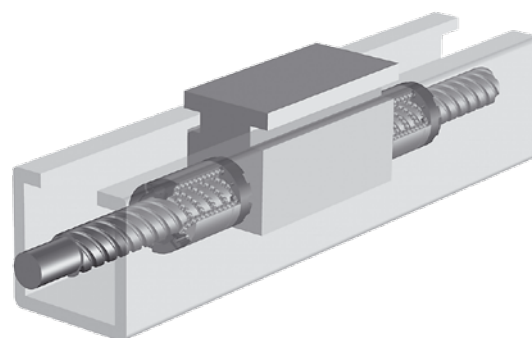
Slide Guides

A slide guide consist of a guide attached to the inside of the profile and a slide bushing attached to the carriage. The guide can be made of different materials (e.g. polished hardened steel, anodized aluminium) while the bushing is made of a polymer material. There are two types of bushings, fixed and prism. Prism bushings can move in relation to the guide which results in longer life and higher load capabilities. Slide bushings are silent, simple, reliable and robust and can be used in dirty and dusty environments. They are also resistant to shock loads, have a long life expectancy and require little or no maintenance.



Ball Screw Units with Double Ball Nuts

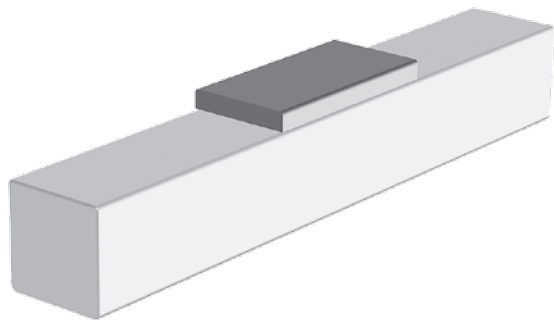
Using double ball nuts will increase the repeatability of the unit. The ball nuts are installed so that they are pre-tensioned against each other eliminating the play between the nuts and the screw. A double nut unit will have a slightly shorter stroke for a given overall length.



Technical Introduction

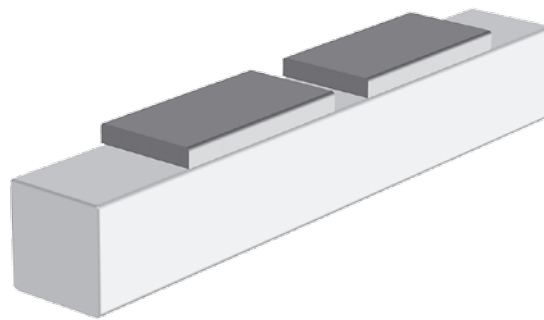
Single Carriage

Single carriage units have one carriage. Some linear unit models also have the option of long or short single carriage. The long carriage handle higher loads but will have a longer overall length for a given stroke.



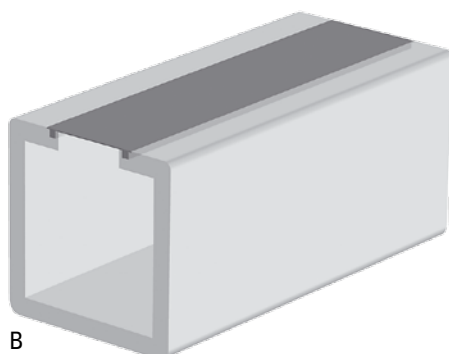
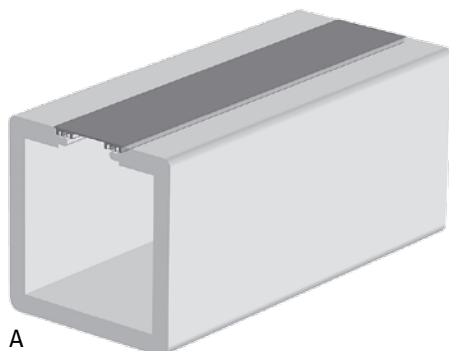
Double Carriages

Double carriage units have two carriages which gives them higher load capabilities than single carriage units. When ordering a double carriage unit the distance between the two carriages needs to be defined. This distance is called L_A or L_c depending on the model.



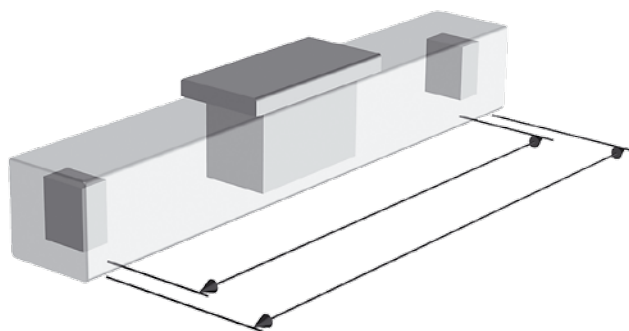
Cover Band

Cover bands are used on some units to protect them from the ingress of foreign objects through the opening in the profile where the carriage runs. They are made of plastic (A) or stainless steel (B). In the case of plastic the cover band seals the profile by snapping into small grooves running along the carriage opening. In the case of stainless steel the cover band seal the profile magnetically using magnet strips mounted on each side of the carriage opening. Some units equipped with cover bands also have a self-adjusting cover band tensioning mechanism. This eliminates any slack in the cover band that can occur from temperature changes, thus improving the sealing degree and the expected life of the cover band.



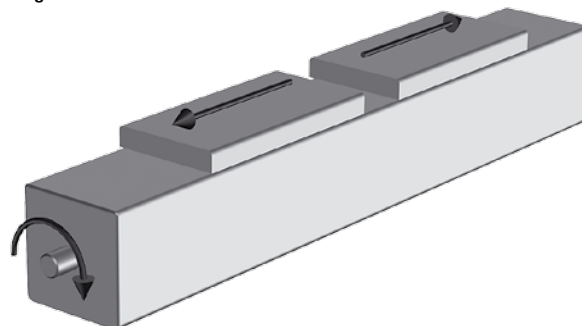
Theoretical Stroke and Practical Stroke

The theoretical maximum stroke (S_{max}) is the length that the carriage can travel from one end of the unit to the other. However, using the maximum stroke means that the carriage will collide with the ends of the profile. The practical stroke is therefore shorter. We recommend that you specify a unit that have at least 100 mm longer stroke than the maximum stroke you need so that the unit can stop before colliding with the ends and also allow for some adjustment of the unit position at the mounting.



Units with Left/right Moving Carriages

Units with left/right moving carriages have two carriages moving in opposite directions when the drive shaft is rotated. This type of unit has a ball screw where half of the screw has a left hand thread and the other half a right hand thread.



Technical Introduction

Maintenance

Most units require lubrication. General lubrication requirements can be found in the general specifications table on the product data pages. The lubrication intervals, grease qualities and specific lubrication instructions can be found in the installation and service manual of each unit. No other regular maintenance is needed except for normal cleaning and inspection. Units with a cover band may also require irregular cover band replacement due to wear. The belt in belt driven units should not require re-tensioning under normal operating conditions.

Mounting Position

Most units can be mounted in any direction. Any restrictions on mounting positions are shown on the product presentation pages at the beginning of each product category chapter. Even where units may be mounted in any direction there are some considerations. None of the units are self-locking which means that a vertical unit will drop the carriage/load if no external brake (such as a brake in the motor, etc.) is applied to the drive shaft of the unit. In the case of belt driven units care must be taken as the carriage/load will drop immediately in the case of a belt breakage. This is particularly important in vertical applications. All ball screw driven units are equipped with a safety nut to prevent the carriage/load being released in case of ball breakage.

Working Environment

All units are designed for use in normal industrial environments. Units which have an open profile (i.e. have no cover band) are more sensitive to dust, dirt and fluids. These units require some kind of cover if they are used in environments where dust, dirt or fluids are present. Optional bellows/shrouds are available for some of our open profile units. Enhanced wash-down or chemical protection can be ordered for our closed profile units. Please refer to the accessory pages. In all cases where a unit will be exposed to aggressive chemicals, heavy vibrations or other potentially harmful processes we recommend that you contact us for further advice.

Duty Cycle

All units are designed for a 100% duty cycle. However, where the unit runs at extreme load, speed, acceleration and temperature or for long operating periods the expected life time may be reduced.

Operation and Storage Temperature

Operational temperature limits can be found in the performance tables on the product data pages. Units can be stored or transported within the same temperature range. Please contact us if the unit will be exposed to higher/lower temperatures than recommended during storage or transportation

Load and Load Torque Values

For some units the load and load torque values are given for both the complete unit and the guiding system. The values for the complete unit are the values under which the unit can operate. The values for the guiding system should only be used when comparing different units and do not describe the actual performance of the complete unit.

Deflection of the Profile

Some units require support along the whole profile whilst some are self supporting over a specified span. Further details can be found on the product data pages. The recommended support intervals should be followed to minimise deflection of the unit. The maximum distance between the support points is shown on the product data pages. The deflection of the unit can also be calculated using the information in the Additional data and calculations chapter.

Lifetime Expectancy

When determining the lifetime for a linear unit it is necessary to evaluate all forces and moments that are acting on the unit. The data and formulas given in this catalogue serve as a basis for this. For a more detailed lifetime calculation please use our sizing and selection software. Please contact us for further guidance.

End of Stroke Limit Switches

If a unit runs at speed to the ends of its stroke there is a risk of damage. Damage can be prevented by using end of stroke limit switches to detect and engage a brake and/or cut power to the motor when the unit nears the end of the unit. You must ensure that there is sufficient distance between the end of stroke limit switch and the end of the unit, to allow the carriage to come to a complete stop before colliding with the end. The required stopping distance depends on the speed and the load and will have to be calculated for each application. The stopping distance must be taken into account when defining the necessary stroke.

Position Feedback

The position of the carriage/rod/lifting profile can be obtained in many ways. The most common way is to equip the unit with an encoder or to use a motor which has a built in feed back device (encoder, resolver, etc.). To many units there are encoders or/and encoder mounting kits available. See the accessory chapter.

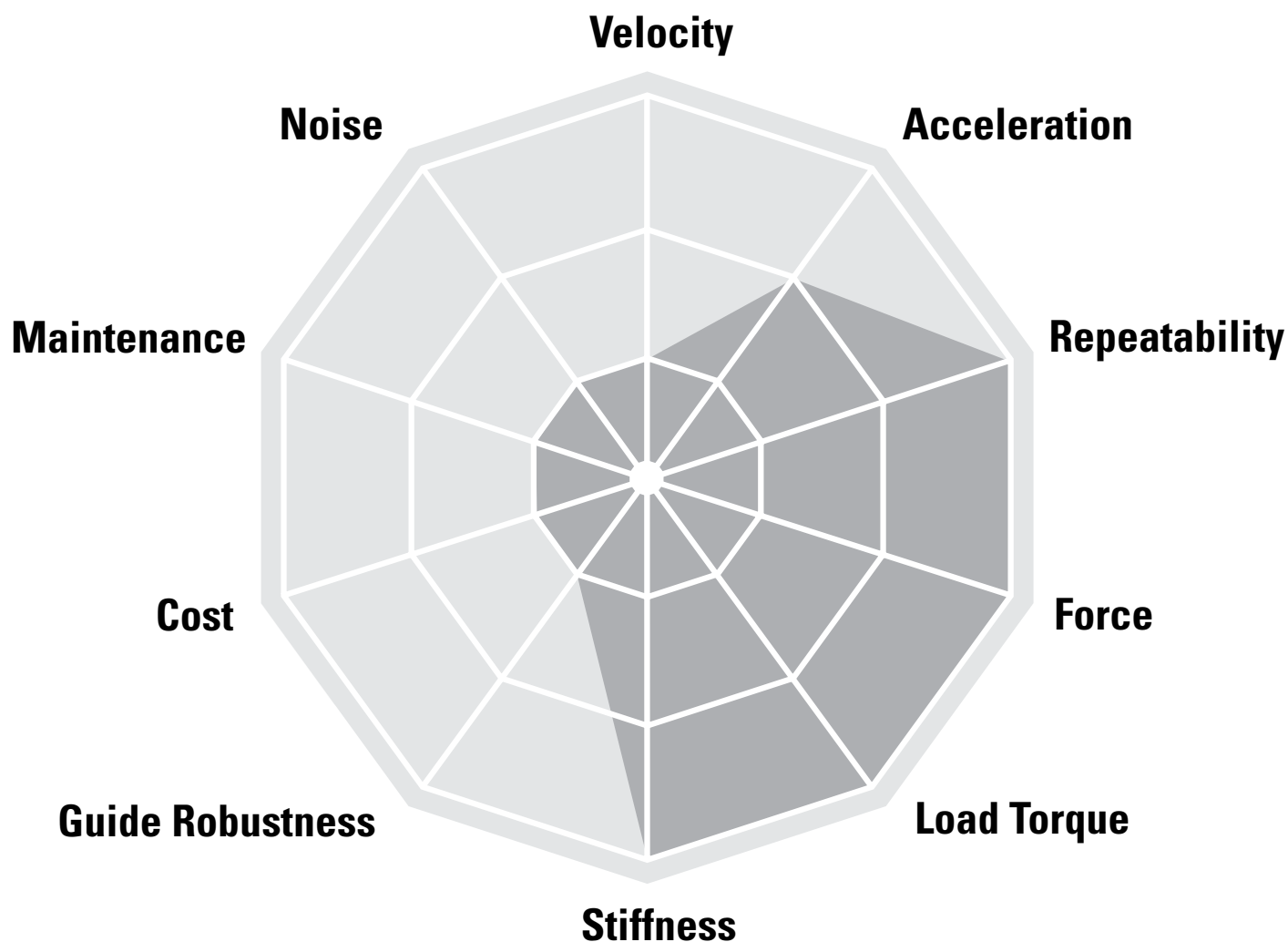
Packages and Multi Axis Kits

Danaher Motion can offer complete pre-defined packages (linear unit, gear and servo motor assembled and shipped with servo drive and cables) as well as mounting kits for the creation of two and three axis systems. Please contact us for further information.



Linear Units with Ball Screw Drive and Ball Guide

PowerLine, ForceLine, Microstage, AccuSlide



Typical Applications

Typical applications are where high accuracy and load capability is required but where speed is less important. Typical examples are machining operations and in the handling of heavy goods that need accurate positioning.

PowerLine WM

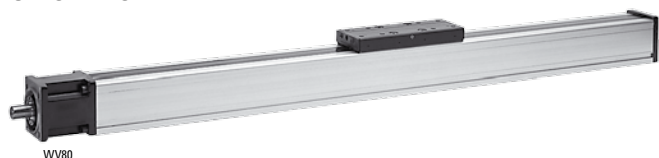


Features

- Can be installed in all directions
- Patented guide system
- Patented self-adjusting plastic cover band
- Patented screw support system

Parameter	WM40S	WM40D	WM60D	WM60S	WM60X	WM80D	WM80S	WM120D
Profile size (width × height) [mm]	40 × 40	40 × 40	60 × 60	60 × 60	60 × 60	80 × 80	80 × 80	120 × 120
Stroke length (S max), maximum [mm]	2000	2000	11000	5000	10340	11000	5000	11000
Linear speed, maximum [m/s]	0,25	0,25	2,5	2,5	0,25	2,5	2,5	2,0
Dynamic carriage load (Fz), maximum [N]	600	600	2000	1400	2000	3000	2100	6000
Remarks	single ball nut	double ball nuts	double ball nuts	single ball nut	left/right screw	double ball nuts	single ball nut	double ball nuts
Page	16	18	20	22	24	26	28	30

PowerLine WV



Features

- Can be installed in all directions
- Patented self-adjusting plastic cover band
- Patented screw support system
- The units require external guides

Parameter	WV60	WV80	WV120
Profile size (width × height) [mm]	60 × 60	80 × 80	120 × 120
Stroke length (S max), maximum [mm]	11000	11000	11000
Linear speed, maximum [m/s]	2,5	2,5	2,0
Dynamic carriage load (Fz), maximum [N]	-	-	-
Remarks	double ball nuts the units has no guides	double ball nuts the units has no guides	double ball nuts the units has no guides
Page	32	34	36

ForceLine MLSM



Features

- Can be installed in all directions
- Patented guide system
- Patented plastic cover band
- Patented screw support system

Parameter	MLSM60D	MLSM80D
Profile size (width × height) [mm]	160 × 65	240 × 85
Stroke length (S max), maximum [mm]	5500	5200
Linear speed, maximum [m/s]	2,5	2,0
Dynamic carriage load (Fz), maximum [N]	6000	8000
Remarks	double ball nuts	double ball nuts
Page	38	40

AccuSlide 2HBE



Features

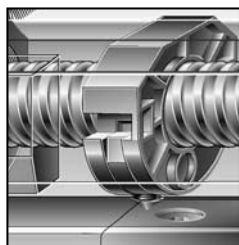
- Can be installed in all directions
- High load capabilities
- Low profile height
- Play free ball screw offer high repeatability

Parameter		2HBE10	2HBE20
Profile size (width × height)	[mm]	100 × 33,5	200 × 44
Stroke length (S max), maximum	[mm]	850	2800
Linear speed, maximum	[m/s]	0,5	1,3
Dynamic carriage load (Fz), maximum	[N]	8250	38000
Remarks		no cover band, bellows or shrouds option available	no cover band, bellows or shrouds option available
Page		42	44

WM-Series Technical Presentation

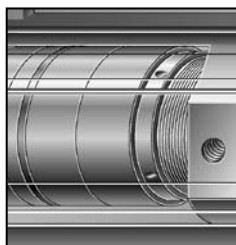
Screw support

Patented screw support system permits high speed at long stroke lengths while reducing the stroke with a minimum.



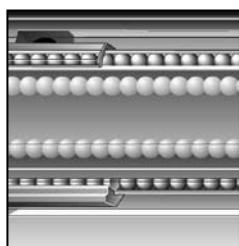
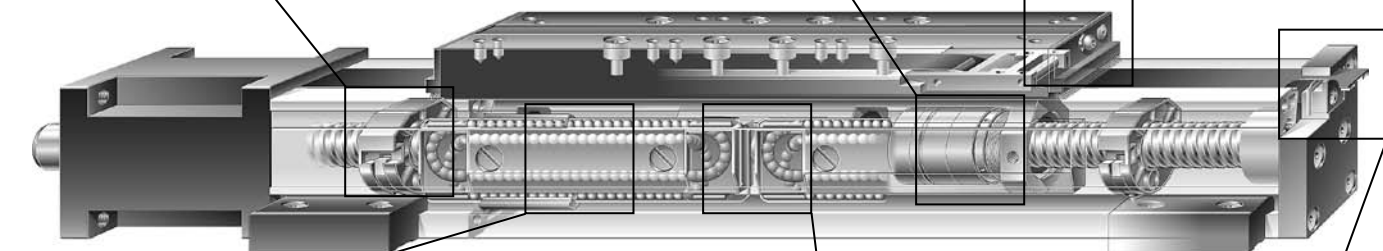
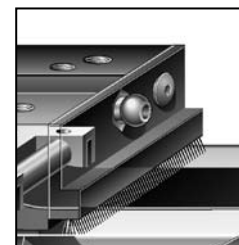
Double ball nuts

Double pre-tensioned ball nuts improve the accuracy and allows re-tensioning increasing the lifetime of the unit.



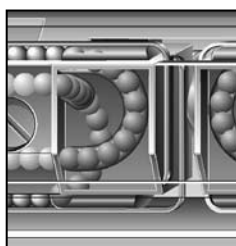
Central lubrication

One central lubrication point on the carriage services the entire unit resulting in a minimum maintenance required.



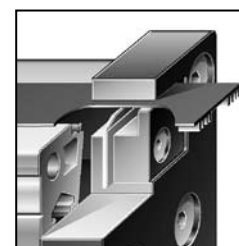
Ball guides

Integrated patented ball guides with hardened steel tracks for optimum performance.



Ball cages

The balls in the ball guides are protected by a ball cage which ensures a long life.



Cover band

The patented self-adjusting cover band protect the unit from the penetration of dirt, dust and liquids.

WM40S

Ball Screw Drive, Ball Guide, Single Ball Nut

- » Ordering key - see page 202
- » Accessories - see page 137
- » Additional data - see page 191

General Specifications

Parameter	WM40S
Profile size (w × h) [mm]	40 × 40
Type of screw	ball screw with single nut
Carriage sealing system	self-adjusting plastic cover band
Screw supports	included in all units that require screw supports
Lubrication	central lubrication of all parts that require lubrication
Included accessories	4 × mounting clamps

Performance Specifications

Parameter		WM40S
Stroke length (S max), maximum	[mm]	2000
Linear speed, maximum	[m/s]	0,25
Acceleration, maximum	[m/s ²]	20
Repeatability	[± mm]	0,02
Input speed, maximum	[rpm]	3000
Operation temperature limits	[°C]	0 – 80
Dynamic load (Fx), maximum	[N]	1000
Dynamic load (Fy), maximum	[N]	450 ¹ / 5300 ²
Dynamic load (Fz), maximum	[N]	600 ¹ / 6790 ²
Dynamic load torque (Mx), maximum	[Nm]	10 ¹ / 30 ²
Dynamic load torque (My), maximum	[Nm]	30 ¹ / 230 ²
Dynamic load torque (Mz), maximum	[Nm]	30 ¹ / 230 ²
Drive shaft force (Frd), maximum	[N]	100
Drive shaft torque (Mta), maximum	[Nm]	3
Ball screw diameter (do)	[mm]	12
Ball screw lead (p)	[mm]	5
Weight of unit with zero stroke	[kg]	1,50
of every 100 mm of stroke		0,30
of each carriage		0,36

¹ Value for the complete unit

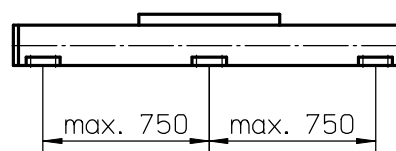
² Value for the ball guide only

Carriage Idle Torque (M_{idle}) [Nm]

Input speed [rpm]	Screw lead [mm]
	p = 5
150	0,3
1500	0,5
3000	0,8

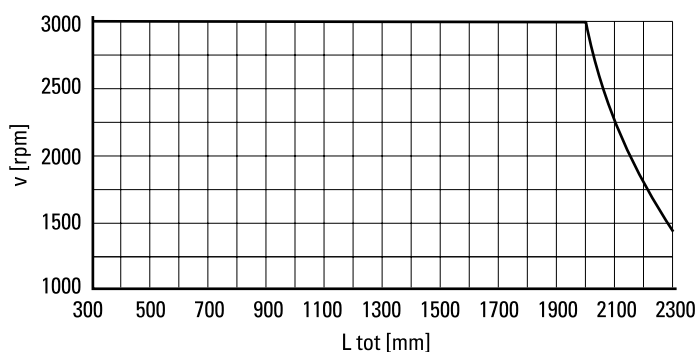
M_{idle} = the input torque needed to move the carriage with no load on it.

Deflection of the Profile

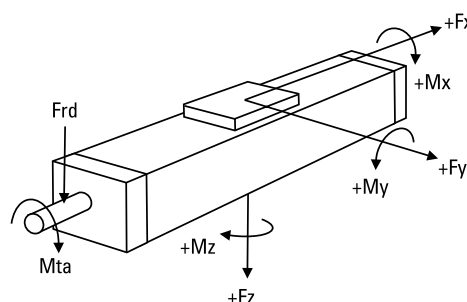


A mounting clamp must be installed at least at every 750 mm to be able to operate the maximum load. Less clamps may be required if less load is being operated, see the additional technical data for more information.

Critical Speed

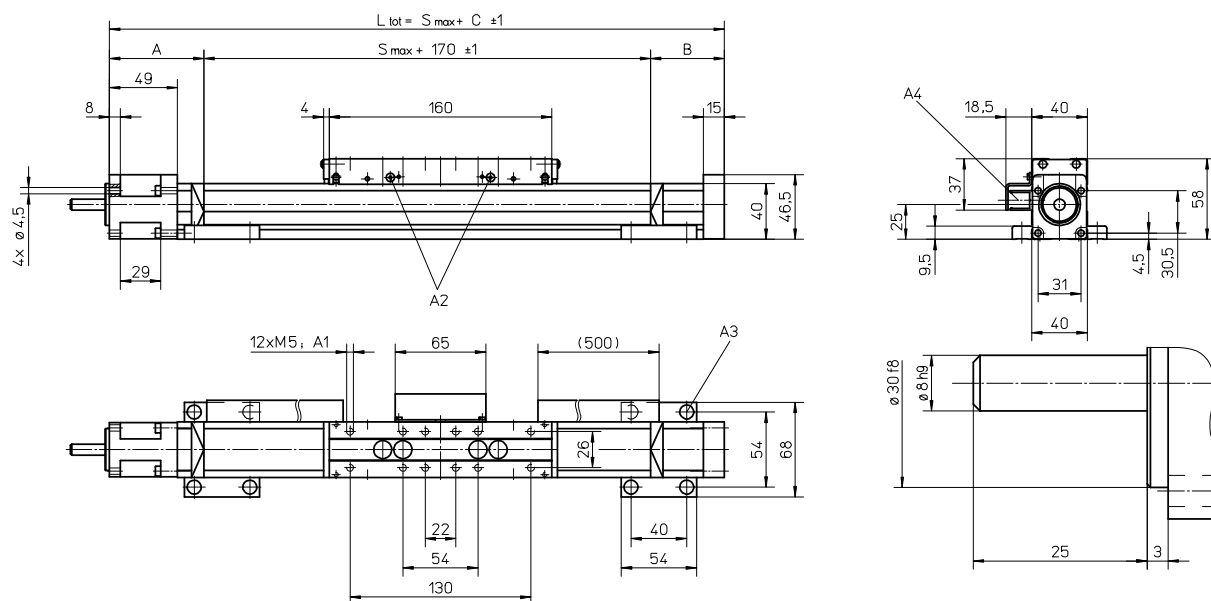


Definition of Forces



WM40S

Ball Screw Drive, Ball Guide, Single Ball Nut



A1: depth 7

A2: lubricating nipple on both sides DIN3405 D 1/A

A3: socket cap screw ISO4762-M5×12 8.8

A4: ENF inductive sensor rail option kit (optional)

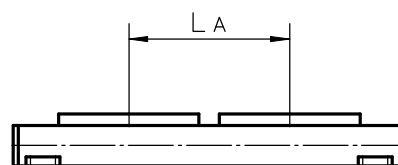
Stroke length (S max) [mm]	A [mm]	B [mm]	C [mm]
0 – 500 (0 – 450)	65	35	270 (320)
501 – 1100 (451 – 1050)	65	45	280 (330)
1101 – 2000 (1051 – 1950)	70	60	300 (350)

Values between brackets = for units with long carriage

Double Carriages

Parameter		WM40S
Minimum distance between carriages (L A)	[mm]	175
Dynamic load (F _y), maximum	[N]	900
Dynamic load (F _z), maximum	[N]	1200
Dynamic load torque (M _y), maximum	[Nm]	L A ¹ × 0,45
Dynamic load torque (M _z), maximum	[Nm]	L A ¹ × 0,6
Force required to move second carriage	[N]	40
Total length (L _{tot})	[mm]	S max + C + L A

¹ Value in mm



WM40D

Ball Screw Drive, Ball Guide, Double Ball Nuts, Long Carriage

- » Ordering key - see page 202
- » Accessories - see page 137
- » Additional data - see page 191

General Specifications

Parameter	WM40D
Profile size (w × h) [mm]	40 × 40
Type of screw	ball screw with double nuts
Carriage sealing system	self-adjusting plastic cover band
Screw supports	included in all units that require screw supports
Lubrication	central lubrication of all parts that require lubrication
Included accessories	4 × mounting clamps

Performance Specifications

Parameter		WM40D
Stroke length (S max), maximum	[mm]	1950
Linear speed, maximum	[m/s]	0,25
Acceleration, maximum	[m/s ²]	20
Repeatability	[± mm]	0,01
Input speed, maximum	[rpm]	3000
Operation temperature limits	[°C]	0 – 80
Dynamic load (Fx), maximum	[N]	1000
Dynamic load (Fy), maximum	[N]	450 ¹ / 5300 ²
Dynamic load (Fz), maximum	[N]	600 ¹ / 6790 ²
Dynamic load torque (Mx), maximum	[Nm]	10 ¹ / 30 ²
Dynamic load torque (My), maximum	[Nm]	30 ¹ / 230 ²
Dynamic load torque (Mz), maximum	[Nm]	30 ¹ / 230 ²
Drive shaft force (Frd), maximum	[N]	100
Drive shaft torque (Mta), maximum	[Nm]	3
Ball screw diameter (do)	[mm]	12
Ball screw lead (p)	[mm]	5
Weight of unit with zero stroke of every 100 mm of stroke of each carriage	[kg]	1,90 0,30 0,60

¹ Value for the complete unit

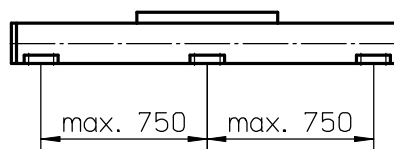
² Value for the ball guide only

Carriage Idle Torque (M_{idle}) [Nm]

Input speed [rpm]	Screw lead [mm]
	p = 5
150	0,4
1500	0,6
3000	0,9

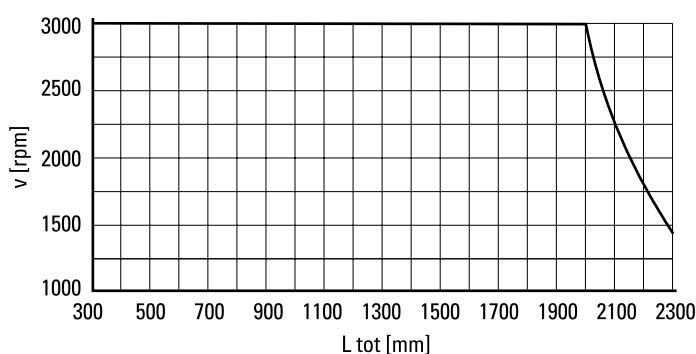
M_{idle} = the input torque needed to move the carriage with no load on it.

Deflection of the Profile

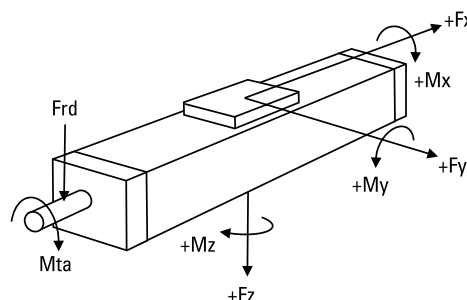


A mounting clamp must be installed at least at every 750 mm to be able to operate the maximum load. Less clamps may be required if less load is being operated, see the additional technical data for more information.

Critical Speed

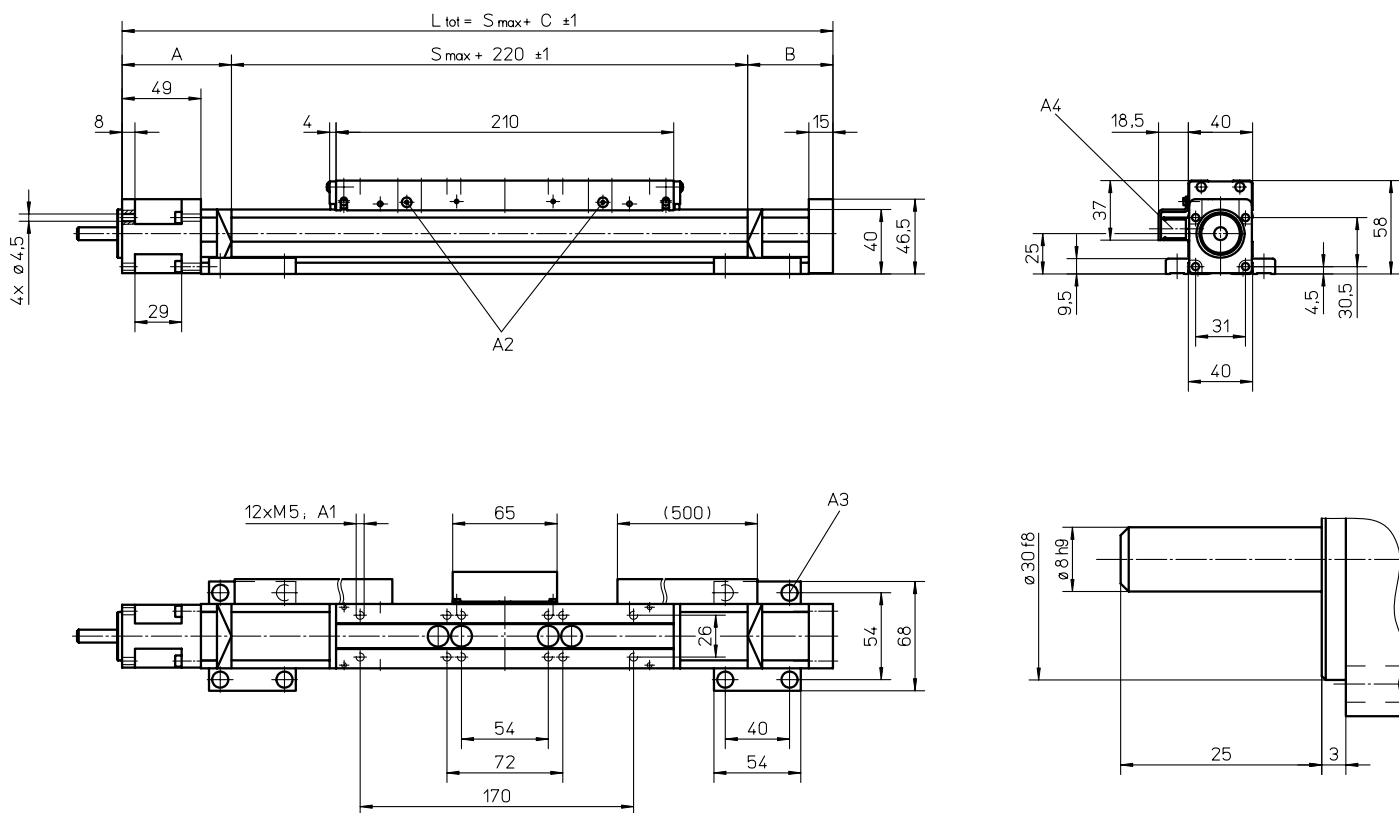


Definition of Forces



WM40D

Ball Screw Drive, Ball Guide, Double Ball Nuts, Long Carriage



A1: depth 6

A2: lubricating nipple on both sides DIN3405 D 1/A

A3: socket cap screw ISO4762-M5×12 8.8

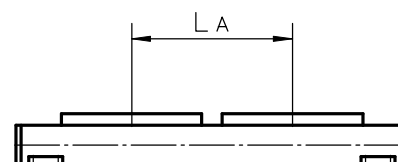
A4: ENF inductive sensor rail option kit (optional)

Stroke length (S max) [mm]	A [mm]	B [mm]	C [mm]
0 – 500	65	35	320
501 – 1100	65	45	330
1101 – 2000	70	60	350

Double Long Carriages

Parameter	WM40D
Minimum distance between carriages (L _A) [mm]	225
Dynamic load (F _y), maximum [N]	900
Dynamic load (F _z), maximum [N]	1200
Dynamic load torque (M _y), maximum [Nm]	L _A ¹ × 0,45
Dynamic load torque (M _z), maximum [Nm]	L _A ¹ × 0,6
Force required to move second carriage [N]	40
Total length (L _{tot}) [mm]	S max + C + L _A

¹ Value in mm



WM60D

Ball Screw Drive, Ball Guide, Double Ball Nuts

- » Ordering key - see page 202
- » Accessories - see page 137
- » Additional data - see page 191

General Specifications

Parameter	WM60D
Profile size (w × h) [mm]	60 × 60
Type of screw	ball screw with double nut
Carriage sealing system	self-adjusting plastic cover band
Screw supports	included in all units that require screw supports
Lubrication	central lubrication of all parts that require lubrication
Included accessories	4 × mounting clamps

Performance Specifications

Parameter		WM60D
Stroke length (S max), maximum screw lead 5, 20 mm screw lead 50 mm	[mm]	11000 5000
Linear speed, maximum	[m/s]	2,5
Acceleration, maximum	[m/s ²]	20
Repeatability	[± mm]	0,01
Input speed, maximum	[rpm]	3000
Operation temperature limits	[°C]	0 – 80
Dynamic load (F _x), maximum	[N]	4000
Dynamic load (F _y), maximum	[N]	2000 ¹ / 45980 ²
Dynamic load (F _z), maximum	[N]	2000 ¹ / 42320 ²
Dynamic load torque (M _x), maximum	[Nm]	100 ¹ / 740 ²
Dynamic load torque (M _y), maximum	[Nm]	200 ¹ / 2990 ²
Dynamic load torque (M _z), maximum	[Nm]	200 ¹ / 3250 ²
Drive shaft force (F _{rd}), maximum	[N]	500
Drive shaft torque (M _{ta}), maximum	[Nm]	35
Ball screw diameter (d _o)	[mm]	20
Ball screw lead (p)	[mm]	5, 20, 50
Weight of unit with zero stroke of every 100 mm of stroke of each carriage	[kg]	6,16 0,65 1,99

¹ Value for the complete unit

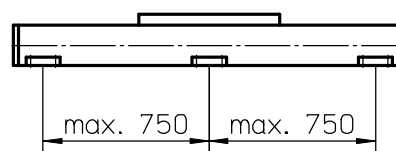
² Value for the ball guide only

Carriage Idle Torque (M_{idle}) [Nm]

Input speed [rpm]	Screw lead [mm]		
	p = 5	p = 20	p = 50
150	0,8	1,3	1,6
1500	1,4	2,0	2,4
3000	1,8	2,3	2,6

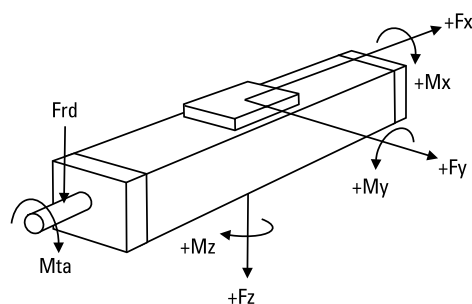
M_{idle} = the input torque needed to move the carriage with no load on it.

Deflection of the Profile



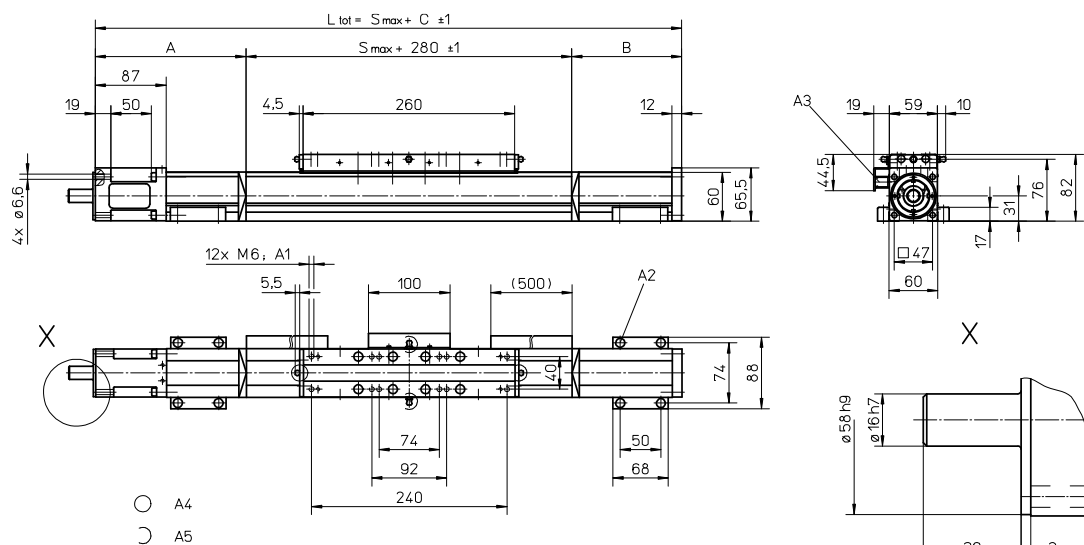
A mounting clamp must be installed at least at every 750 mm to be able to operate the maximum load. Less clamps may be required if less load is being operated, see the additional technical data for more information. Units with a profile length over 6300 mm consists of two profiles where the joint between the two profiles must be adequately supported on both sides.

Definition of Forces



WM60D

Ball Screw Drive, Ball Guide, Double Ball Nuts



A1: depth 11
 A2: socket cap screw ISO4762-M6x20 8.8
 A3: ENF inductive sensor rail option kit (optional)

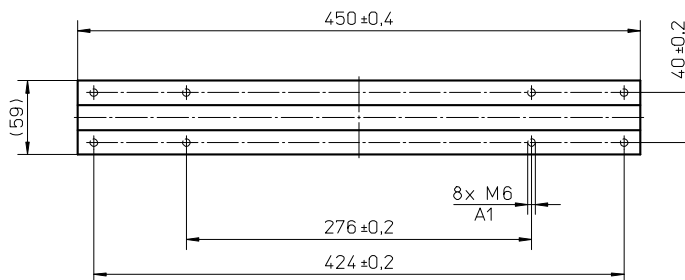
A4: tapered lubricating nipple to DIN71412 AM6 on fixed-bearing side as standard feature
 A5: can be changed over to one of the three alternative lubricating points by the customer

Stroke length (S max) [mm]	A [mm]	B [mm]	C [mm]
0 - 695 (0 - 505)	115	65	460 (650)
696 - 1335 (506 - 1145)	165	115	560 (750)
1336 - 2075 (1146 - 1885)	185	135	600 (790)
2076 - 2780 (1886 - 2590)	210	160	650 (840)

Stroke length (S max) [mm]	A [mm]	B [mm]	C [mm]
2781 - 3545 (2591 - 3355)	230	180	690 (880)
3546 - 4285 (3366 - 4095)	250	200	730 (920)
4286 - 5015 (4096 - 4825)	275	225	780 (970)
5016 - 11000 (4826 - 10810)	contact customer service		

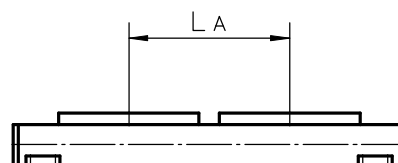
Values between brackets = for units with long carriage

Long Carriage		
Parameter		WM60D
Carriage length	[mm]	450
Dynamic load torque (My), maximum	[Nm]	500
Dynamic load torque (Mz), maximum	[Nm]	500
Weight	[kg]	3,1



A1: depth 11

Double Carriages		
Parameter		WM60D
Minimum distance between carriages (LA)	[mm]	335
Dynamic load (Fy), maximum	[N]	4000
Dynamic load (Fz), maximum	[N]	4000
Dynamic load torque (My), maximum	[Nm]	$L A^1 \times 2$
Dynamic load torque (Mz), maximum	[Nm]	$L A^1 \times 2$
Force required to move second carriage	[N]	200
Total length (L tot)	[mm]	$S_{max} + C + L A$



¹ Value in mm

WM60S

Ball Screw Drive, Ball Guide, Single Ball Nut, Short Carriage

- » Ordering key - see page 202
- » Accessories - see page 137
- » Additional data - see page 191

General Specifications

Parameter	WM60S
Profile size (w × h) [mm]	60 × 60
Type of screw	ball screw with single nut
Carriage sealing system	self-adjusting plastic cover band
Screw supports	included in all units that require screw supports
Lubrication	central lubrication of all parts that require lubrication
Included accessories	4 × mounting clamps

Performance Specifications

Parameter		WM60S
Stroke length (S max), maximum	[mm]	5000
Linear speed, maximum	[m/s]	2,5
Acceleration, maximum	[m/s ²]	10
Repeatability	[± mm]	0,02
Input speed, maximum	[rpm]	3000
Operation temperature limits	[°C]	0 – 80
Dynamic load (F _x), maximum	[N]	2800
Dynamic load (F _y), maximum	[N]	1400 ¹ / 25920 ²
Dynamic load (F _z), maximum	[N]	1400 ¹ / 23860 ²
Dynamic load torque (M _x), maximum	[Nm]	50 ¹ / 410 ²
Dynamic load torque (M _y), maximum	[Nm]	100 ¹ / 320 ²
Dynamic load torque (M _z), maximum	[Nm]	100 ¹ / 320 ²
Drive shaft force (F _{rd}), maximum	[N]	500
Drive shaft torque (M _{ta}), maximum	[Nm]	35
Ball screw diameter (d ₀)	[mm]	20
Ball screw lead (p)	[mm]	5, 20, 50
Weight	[kg]	
of unit with zero stroke		3,80
of every 100 mm of stroke		0,65
of each carriage		1,00

¹ Value for the complete unit

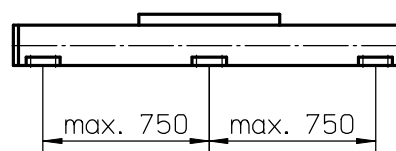
² Value for the ball guide only

Carriage Idle Torque (M_{idle}) [Nm]

Input speed [rpm]	Screw lead [mm]		
	p = 5	p = 20	p = 50
150	0,7	1,0	1,4
1500	1,1	1,6	2,0
3000	1,5	1,8	2,2

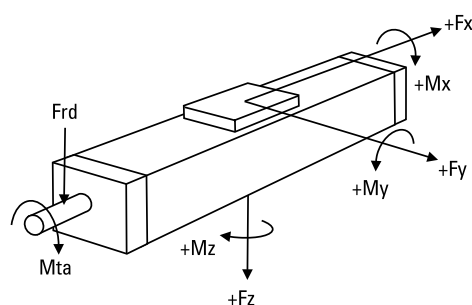
M_{idle} = the input torque needed to move the carriage with no load on it.

Deflection of the Profile



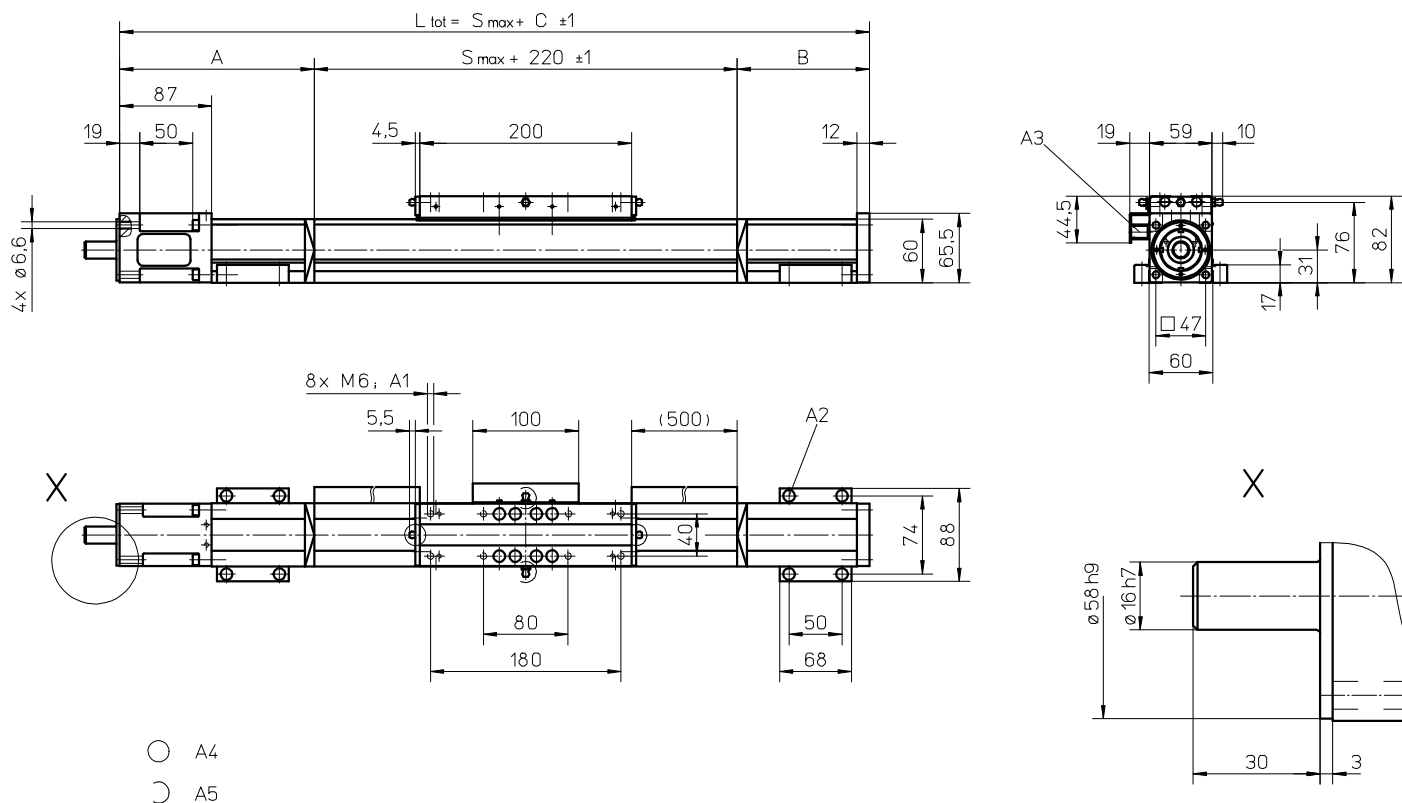
A mounting clamp must be installed at least at every 750 mm to be able to operate the maximum load. Less clamps may be required if less load is being operated, see the additional technical data for more information.

Definition of Forces



WM60S

Ball Screw Drive, Ball Guide, Single Ball Nut, Short Carriage



A1: depth 11
 A2: socket cap screw ISO4762-M6×20 8.8
 A3: ENF inductive sensor rail option kit (optional)

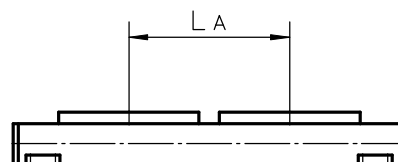
A4: tapered lubricating nipple to DIN71412 AM6 on fixed-bearing side as standard feature
 A5: can be changed over to one of the three alternative lubricating points by the customer

Stroke length (S max) [mm]	A [mm]	B [mm]	C [mm]
0 - 580	95	20	335
581 - 1140	110	60	390
1141 - 1805	130	80	430
1806 - 2460	155	105	480

Stroke length (S max) [mm]	A [mm]	B [mm]	C [mm]
2461 - 3125	175	125	520
3126 - 3780	200	150	570
3781 - 4445	220	170	610
4446 - 5000	240	190	650

Double Short Carriages

Parameter	WM60S
Minimum distance between carriages (L _A) [mm]	255
Dynamic load (F _y), maximum [N]	2800
Dynamic load (F _z), maximum [N]	2800
Dynamic load torque (M _y), maximum [Nm]	L _A ¹ × 1,4
Dynamic load torque (M _z), maximum [Nm]	L _A ¹ × 1,4
Force required to move second carriage [N]	180
Total length (L _{tot}) [mm]	S _{max} + C + L _A



¹ Value in mm

WM60X

Ball Screw Drive, Ball Guide, Left/right Moving Carriages

- » Ordering key - see page 202
- » Accessories - see page 137
- » Additional data - see page 191

General Specifications

Parameter	WM60X
Profile size (w × h) [mm]	60 × 60
Type of screw	ball screw with double nut
Carriage sealing system	self-adjusting plastic cover band
Screw supports	included in all units that require screw supports
Lubrication	central lubrication of all parts that require lubrication
Included accessories	4 × mounting clamps

Performance Specifications

Parameter		WM60X
Stroke length (S max), maximum	[mm]	10340
Linear speed, maximum	[m/s]	0,25
Acceleration, maximum	[m/s ²]	20
Repeatability	[± mm]	0,01
Input speed, maximum	[rpm]	3000
Operation temperature limits	[°C]	0 – 80
Dynamic load (F _x), maximum	[N]	4000
Dynamic load (F _y), maximum	[N]	2000 ¹ / 45980 ²
Dynamic load (F _z), maximum	[N]	2000 ¹ / 42320 ²
Dynamic load torque (M _x), maximum	[Nm]	100 ¹ / 740 ²
Dynamic load torque (M _y), maximum	[Nm]	200 ¹ / 2990 ²
Dynamic load torque (M _z), maximum	[Nm]	200 ¹ / 3250 ²
Drive shaft force (F _{rd}), maximum	[N]	500
Drive shaft torque (M _{ta}), maximum	[Nm]	35
Ball screw diameter (d _o)	[mm]	20
Ball screw lead (p)	[mm]	5
Weight	[kg]	
of unit with zero stroke		10,33
of every 100 mm of stroke		0,65
of each carriage		1,99

¹ Value for the complete unit

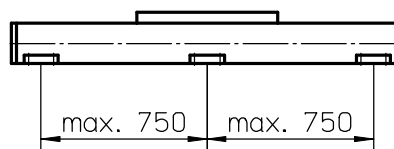
² Value for the ball guide only

Carriage Idle Torque (M_{idle}) [Nm]

Input speed [rpm]	Screw lead [mm]
	p = 5
150	1,6
1500	2,8
3000	3,6

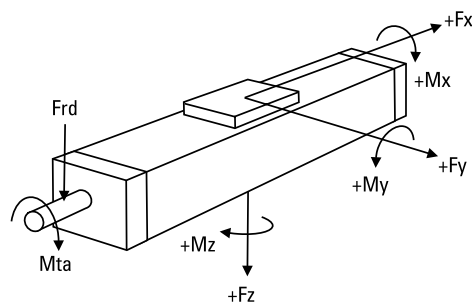
M_{idle} = the input torque needed to move the carriage with no load on it.

Deflection of the Profile



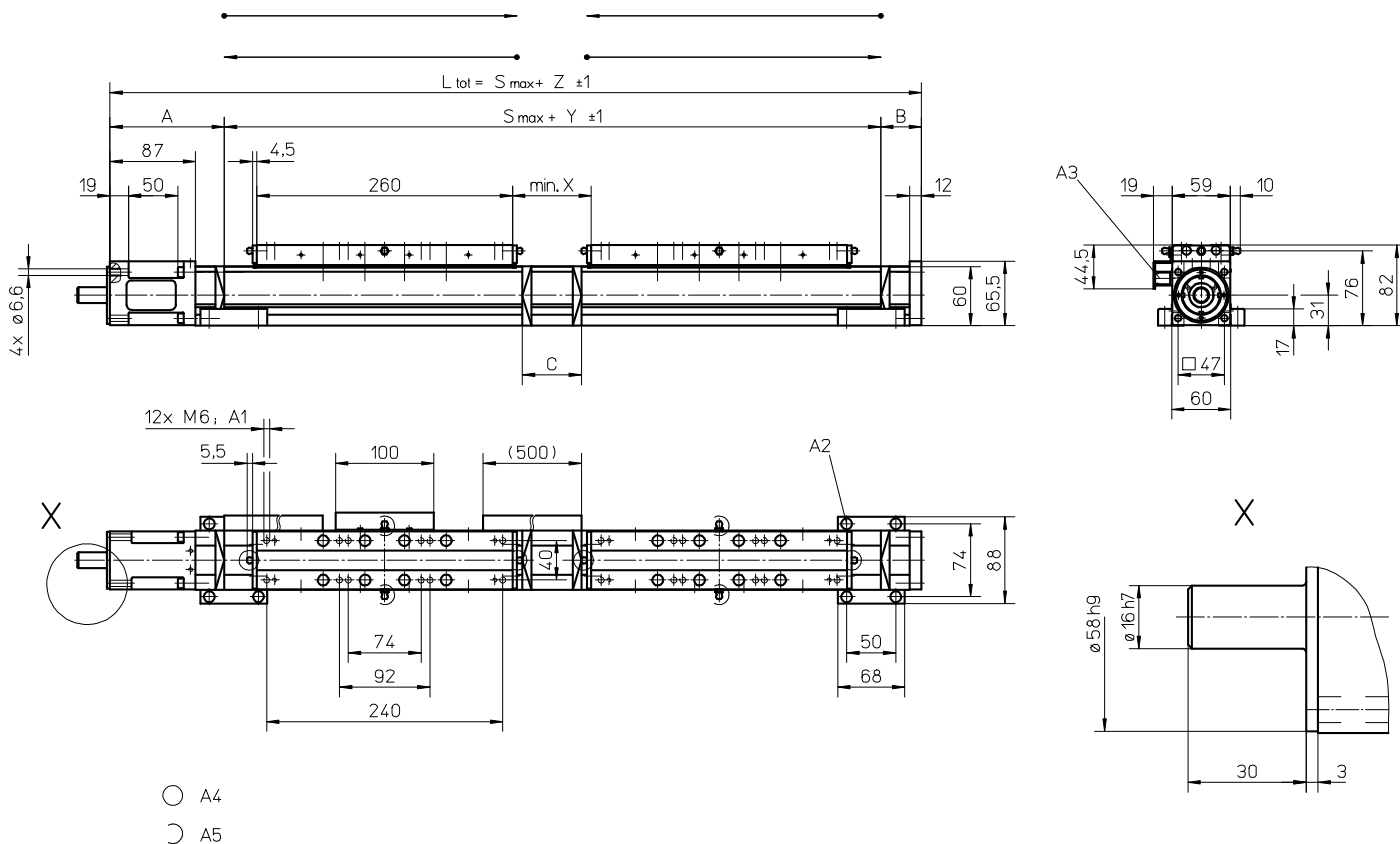
A mounting clamp must be installed at least at every 750 mm to be able to operate the maximum load. Less clamps may be required if less load is being operated, see the additional technical data for more information. Units with a profile length over 5400 mm consists of two profiles where the joint between the two profiles must be adequately supported on both sides.

Definition of Forces



WM60X

Ball Screw Drive, Ball Guide, Left/right Moving Carriages



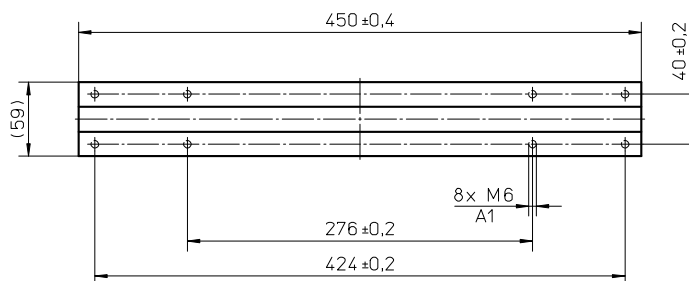
A1: depth 11
 A2: socket cap screw ISO4762-M6x20 8.8
 A3: ENF inductive sensor rail option kit (optional)

A4: tapered lubricating nipple to DIN71412 AM6 on fixed-bearing side as standard feature
 A5: can be changed over to one of the three alternative lubricating points by the customer

Stroke length (S max) [mm]	A [mm]	B [mm]	C [mm]	X [mm]	Y [mm]	Z [mm]
0 - 1390 (0 - 1200)	115	65	60	80	620	800
1391 - 2670 (1201 - 2480)	165	115	210	230	770	1050
2671 - 4150 (2481 - 3960)	185	135	250	270	810	1130
4151 - 5560 (3961 - 5370)	210	160	300	320	860	1230
5561 - 10340 (5371 - 10150)	contact customer service					

Values between brackets = for units with long carriage

Long Carriage		WM60X
Parameter		
Carriage length	[mm]	450
Dynamic load torque (My), maximum	[Nm]	500
Dynamic load torque (Mz), maximum	[Nm]	500
Weight	[kg]	3,1



A1: depth 11

WM80D

Ball Screw Drive, Ball Guide, Double Ball Nuts

- » Ordering key - see page 202
- » Accessories - see page 137
- » Additional data - see page 191

General Specifications

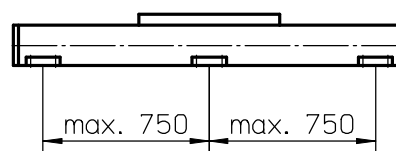
Parameter	WM80D
Profile size (w × h) [mm]	80 × 80
Type of screw	ball screw with double nuts
Carriage sealing system	self-adjusting plastic cover band
Screw supports	included in all units that require screw supports
Lubrication	central lubrication of all parts that require lubrication
Included accessories	4 × mounting clamps

Carriage Idle Torque (M_{idle}) [Nm]

Input speed [rpm]	Screw lead [mm]			
	p = 5	p = 10	p = 20	p = 50
150	1,1	1,5	1,8	2,3
1500	1,7	2,1	2,3	3,0
3000	2,1	2,5	2,6	3,6

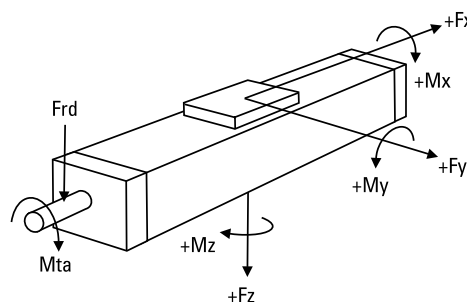
M_{idle} = the input torque needed to move the carriage with no load on it.

Deflection of the Profile



A mounting clamp must be installed at least at every 750 mm to be able to operate the maximum load. Less clamps may be required if less load is being operated, see the additional technical data for more information. Units with a profile length over 6300 mm consists of two profiles where the joint between the two profiles must be adequately supported on both sides.

Definition of Forces



Performance Specifications

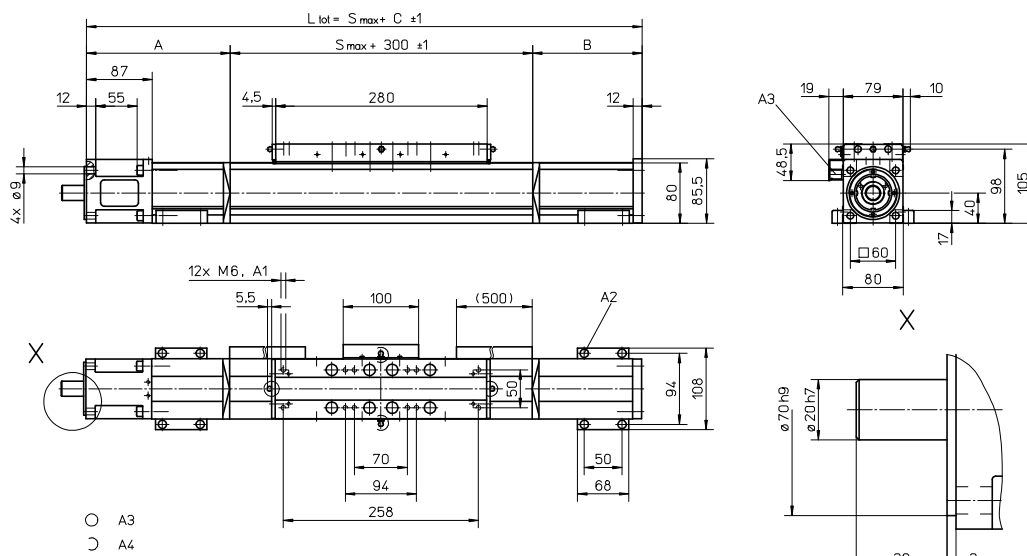
Parameter		WM80D
Stroke length (S max), maximum screw lead 5, 10, 20 mm	[mm]	11000
stroke lead 50 mm		5000
Linear speed, maximum	[m/s]	2,5
Acceleration, maximum	[m/s ²]	20
Repeatability	[± mm]	0,01
Input speed, maximum	[rpm]	3000
Operation temperature limits	[°C]	0 – 80
Dynamic load (Fx), maximum	[N]	5000
Dynamic load (Fy), maximum	[N]	3000 ¹ / 57420 ²
Dynamic load (Fz), maximum	[N]	3000 ¹ / 54950 ²
Dynamic load torque (Mx), maximum	[Nm]	350 ¹ / 1360 ²
Dynamic load torque (My), maximum	[Nm]	300 ¹ / 4230 ²
Dynamic load torque (Mz), maximum	[Nm]	300 ¹ / 4220 ²
Drive shaft force (Frd), maximum	[N]	700
Drive shaft torque (Mta), maximum	[Nm]	55
Ball screw diameter (d ₀)	[mm]	25
Ball screw lead (p)	[mm]	5, 10, 20, 50
Weight of unit with zero stroke	[kg]	11,57
of every 100 mm of stroke		1,08
of each carriage		4,26

¹ Value for the complete unit

² Value for the ball guide only

WM80D

Ball Screw Drive, Ball Guide, Double Ball Nuts



A1: depth 12 mm
 A2: socket cap screw ISO4762-M6x20 8.8
 A3: ENF inductive sensor rail option kit (optional)

A4: tapered lubricating nipple to DIN71412 AM6 on fixed-bearing side as standard feature
 A5: can be changed over to one of three alternative lubrication points by customer

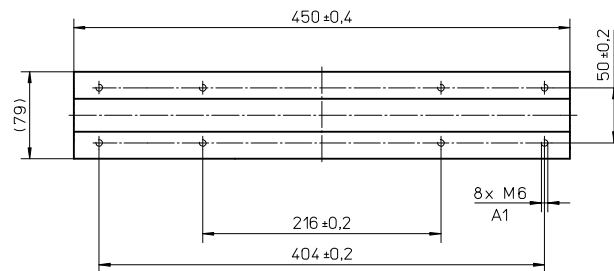
Stroke length (S max) [mm]	A [mm]	B [mm]	C [mm]
0 - 780 (0 - 610)	120	80	500 (670)
781 - 1535 (611 - 1365)	170	125	595 (765)
1536 - 2375 (1366 - 2205)	190	145	635 (805)
2376 - 3205 (2206 - 3035)	215	170	685 (855)

Stroke length (S max) [mm]	A [mm]	B [mm]	C [mm]
3206 - 4045 (3036 - 3875)	235	190	725 (895)
4046 - 4885 (3876 - 4715)	255	210	765 (935)
4886 - 5000 (4716 - 4830)	280	235	815 (985)
5001 - 11000 (4717 - 10830)	contact customer service		

Values between brackets = for units with long carriage

Long Carriage

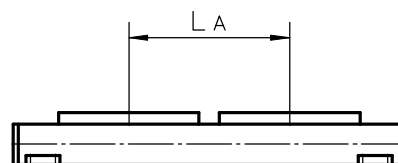
Parameter	WM80D
Carriage length [mm]	450
Dynamic load torque (My), maximum [Nm]	750
Dynamic load torque (Mz), maximum [Nm]	750
Weight [kg]	6,4



A1: depth 12 mm

Double Carriages

Parameter	WM80D
Minimum distance between carriages (L _A) [mm]	360
Dynamic load (F _y), maximum [N]	6000
Dynamic load (F _z), maximum [N]	6000
Dynamic load torque (M _y), maximum [Nm]	L A ¹ × 3
Dynamic load torque (M _z), maximum [Nm]	L A ¹ × 3
Force required to move second carriage [N]	250
Total length (L _{tot}) [mm]	S max + C + L A



¹ Value in mm

WM80S

Ball Screw Drive, Ball Guide, Singel Ball Nut, Short Carriage

- » Ordering key - see page 202
- » Accessories - see page 137
- » Additional data - see page 191

General Specifications

Parameter	WM80S
Profile size (w × h) [mm]	80 × 80
Type of screw	ball screw with single nut
Carriage sealing system	self-adjusting plastic cover band
Screw supports	included in all units that require screw supports
Lubrication	central lubrication of all parts that require lubrication
Included accessories	4 × mounting clamps

Performance Specifications

Parameter		WM80S
Stroke length (S max), maximum	[mm]	5000
Linear speed, maximum	[m/s]	2,5
Acceleration, maximum	[m/s ²]	20
Repeatability	[± mm]	0,02
Input speed, maximum	[rpm]	3000
Operation temperature limits	[°C]	0 – 80
Dynamic load (F _x), maximum	[N]	3500
Dynamic load (F _y), maximum	[N]	2100 ¹ / 37440 ²
Dynamic load (F _z), maximum	[N]	2100 ¹ / 35830 ²
Dynamic load torque (M _x), maximum	[Nm]	150 ¹ / 890 ²
Dynamic load torque (M _y), maximum	[Nm]	180 ¹ / 580 ²
Dynamic load torque (M _z), maximum	[Nm]	180 ¹ / 600 ²
Drive shaft force (F _{rd}), maximum	[N]	700
Drive shaft torque (M _{ta}), maximum	[Nm]	55
Ball screw diameter (d _o)	[mm]	25
Ball screw lead (p)	[mm]	5, 10, 20, 50
Weight	[kg]	
of unit with zero stroke		7,0
of every 100 mm of stroke		1,1
of each carriage		1,6

¹ Value for the complete unit

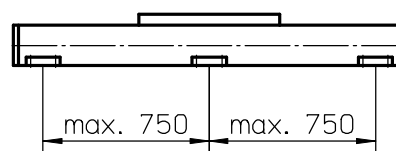
² Value for the ball guide only

Carriage Idle Torque (M_{idle}) [Nm]

Input speed [rpm]	Screw lead [mm]			
	p = 5	p = 10	p = 20	p = 50
150	0,9	1,1	1,3	2,0
1500	1,3	1,5	1,8	2,4
3000	1,7	1,8	2,0	2,9

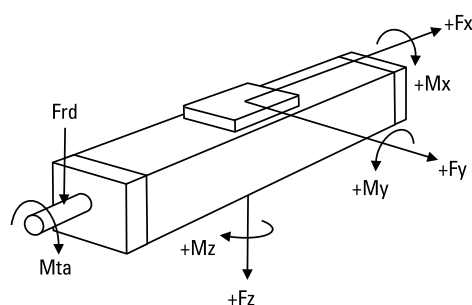
M_{idle} = the input torque needed to move the carriage with no load on it.

Deflection of the Profile



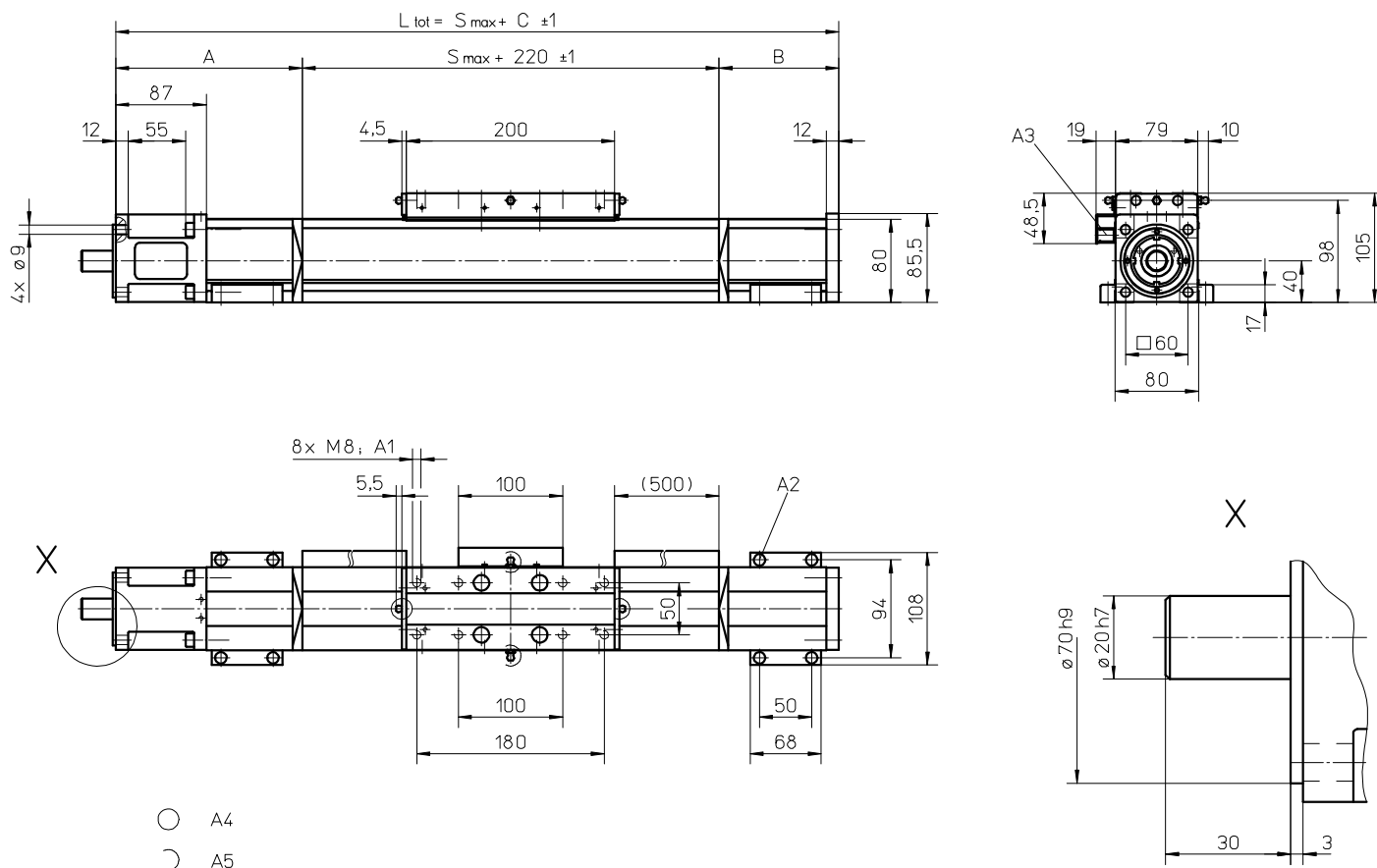
A mounting clamp must be installed at least at every 750 mm to be able to operate the maximum load. Less clamps may be required if less load is being operated, see the additional technical data for more information.

Definition of Forces



WM80S

Ball Screw Drive, Ball Guide, Singel Ball Nut, Short Carriage



A1: depth 12 mm
 A2: socket cap screw ISO4762-M6x20 8.8
 A3: ENF inductive sensor rail option kit (optional)

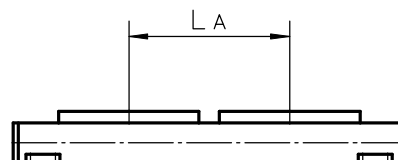
A4: tapered lubricating nipple to DIN71412 AM6 on fixed-bearing side as standard feature
 A5: can be changed over to one of three alternative lubrication points by customer

Stroke length (S max) [mm]	A [mm]	B [mm]	C [mm]
0 - 680	95	35	350
681 - 1310	125	80	425
1311 - 2065	150	105	475
2066 - 2830	170	125	515

Stroke length (S max) [mm]	A [mm]	B [mm]	C [mm]
2831 - 3590	195	150	565
3591 - 4355	215	170	605
4356 - 5000	235	190	645

Double Carriages

Parameter	WM80S
Minimum distance between carriages (L _A) [mm]	280
Dynamic load (F _y), maximum [N]	4200
Dynamic load (F _z), maximum [N]	4200
Dynamic load torque (M _y), maximum [Nm]	L A ¹ × 2,1
Dynamic load torque (M _z), maximum [Nm]	L A ¹ × 2,1
Force required to move second carriage [N]	225
Total length (L _{tot}) [mm]	S max + C + L A



¹ Value in mm

WM120D

Ball Screw Drive, Ball Guide, Double Ball Nuts

- » Ordering key - see page 202
- » Accessories - see page 137
- » Additional data - see page 191

General Specifications

Parameter	WM120D
Profile size (w × h) [mm]	120 × 120
Type of screw	ball screw with double nuts
Carriage sealing system	self-adjusting plastic cover band
Screw supports	included in all units that require screw supports
Lubrication	central lubrication of all parts that require lubrication
Included accessories	4 × mounting clamps

Performance Specifications

Parameter		WM120D
Stroke length (S max), maximum screw lead 5, 10, 20 mm screw lead 40 mm	[mm]	11000 5000
Linear speed, maximum	[m/s]	2,0
Acceleration, maximum	[m/s ²]	20
Repeatability	[± mm]	0,01
Input speed, maximum	[rpm]	3000
Operation temperature limits	[°C]	0 – 80
Dynamic load (F _x), maximum screw lead 5, 10, 20 mm screw lead 40 mm	[N]	12000 8000
Dynamic load (F _y), maximum	[N]	6000 ¹ / 74890 ²
Dynamic load (F _z), maximum	[N]	6000 ¹ / 71670 ²
Dynamic load torque (M _x), maximum	[Nm]	500 ¹ / 2890 ²
Dynamic load torque (M _y), maximum	[Nm]	600 ¹ / 6660 ²
Dynamic load torque (M _z), maximum	[Nm]	600 ¹ / 6960 ²
Drive shaft force (F _{rd}), maximum	[N]	1000
Drive shaft torque (M _{ta}), maximum	[Nm]	80
Ball screw diameter (d _o)	[mm]	32
Ball screw lead (p)	[mm]	5, 10, 20, 40
Weight of unit with zero stroke of every 100 mm of stroke of each carriage	[kg]	25,91 1,93 9,25

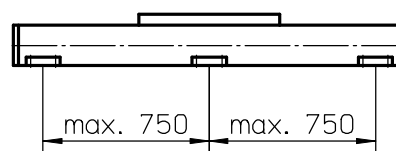
¹ Value for the complete unit
² Value for the ball guide only

Carriage Idle Torque (M_{idle}) [Nm]

Input speed [rpm]	Screw lead [mm]			
	p = 5	p = 10	p = 20	p = 40
150	1,4	2,0	2,3	2,4
1500	2,5	3,0	3,3	3,8
3000	3,0	3,7	4,0	4,3

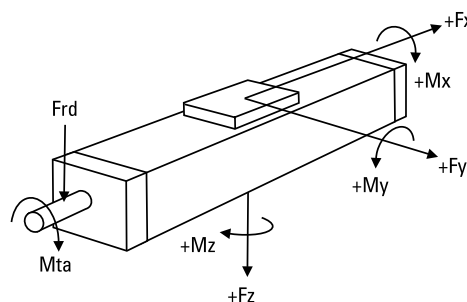
M_{idle} = the input torque needed to move the carriage with no load on it.

Deflection of the Profile



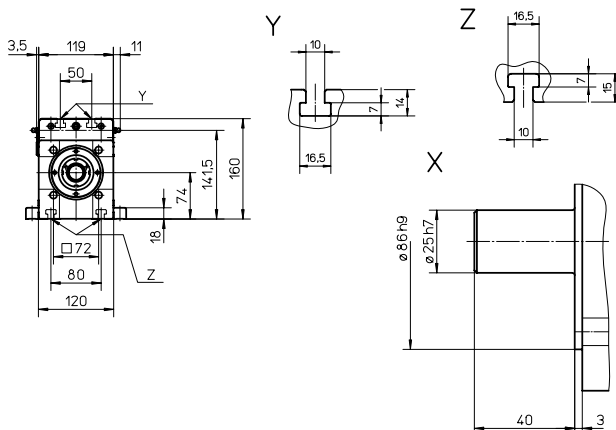
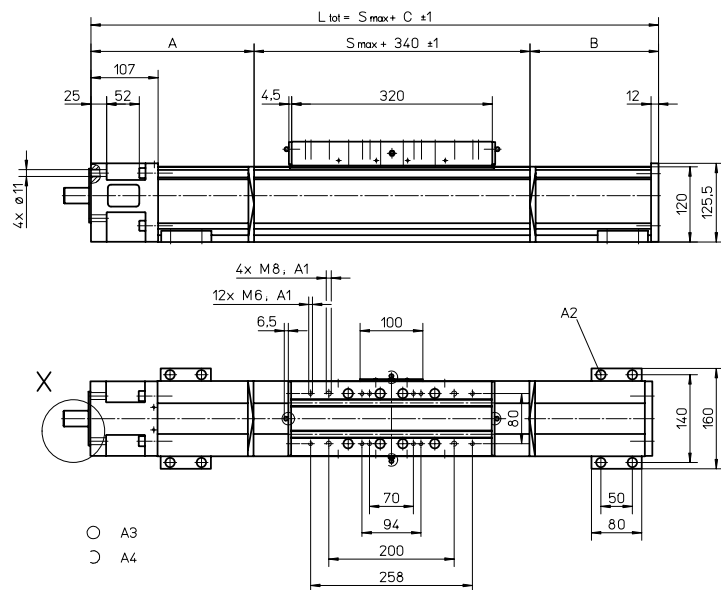
A mounting clamp must be installed at least at every 750 mm to be able to operate the maximum load. Less clamps may be required if less load is being operated, see the additional technical data for more information. Units with a profile length over 5400 mm consists of two profiles where the joint between the two profiles must be adequately supported on both sides.

Definition of Forces



WM120D

Ball Screw Drive, Ball Guide, Double Ball Nuts



A1: depth 22
 A2: socket cap screw ISO4762-M8x20 8.8

A3: tapered lubricating nipple to DIN71412 M8x1 on fixed-bearing side as standard feature
 A4: can be changed over to one of the three alternative lubricating points by the customer

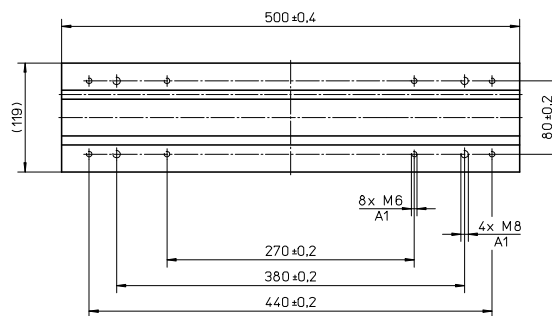
Stroke length (S max) [mm]	A [mm]	B [mm]	C [mm]
0 - 890 (0 - 710)	155	100	595 (775)
891 - 1695 (711 - 1515)	225	170	735 (815)
1696 - 2625 (1516 - 2445)	260	205	805 (985)
2626 - 3555 (2446 - 3375)	295	240	875 (1055)

Stroke length (S max) [mm]	A [mm]	B [mm]	C [mm]
3556 - 4485 (3376 - 4305)	330	275	945 (1125)
4486 - 5000 (4306 - 4820)	365	310	1015 (1195)
5001 - 11000 (4307 - 10820)	contact customer service		

Values between brackets = for units with long carriage

Long Carriage

Parameter	WM120D
Carriage length [mm]	500
Dynamic load torque (My), maximum [Nm]	1500
Dynamic load torque (Mz), maximum [Nm]	1500
Weight [kg]	14,2

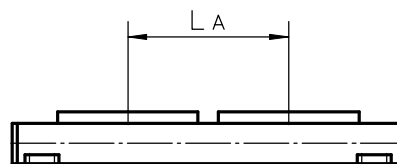


A1: depth 22

Double Carriages

Parameter	WM120D
Minimum distance between carriages (LA) [mm]	450
Dynamic load (Fy), maximum [N]	12000
Dynamic load (Fz), maximum [N]	12000
Dynamic load torque (My), maximum [Nm]	$L A^1 \times 6$
Dynamic load torque (Mz), maximum [Nm]	$L A^1 \times 6$
Force required to move second carriage [N]	300
Total length (L tot) [mm]	$S_{max} + C + L A$

¹ Value in mm



WV60

Ball Screw Drive, No Guides

- » Ordering key - see page 203
- » Accessories - see page 137
- » Additional data - see page 191

General Specifications

Parameter	WV60
Profile size (w × h) [mm]	60 × 60
Type of screw	ball screw with double nut
Carriage sealing system	self-adjusting plastic cover band
Screw supports	included in all units that require screw supports
Lubrication	central lubrication of all parts that require lubrication
Included accessories	4 × mounting clamps

Performance Specifications

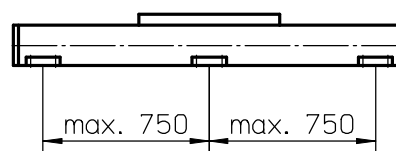
Parameter		WV60
Stroke length (S max), maximum screw lead 5, 20 mm screw lead 50 mm	[mm]	11000 5000
Linear speed, maximum	[m/s]	2,5
Acceleration, maximum	[m/s ²]	20
Repeatability	[± mm]	0,01
Input speed, maximum	[rpm]	3000
Operation temperature limits	[°C]	0 – 80
Dynamic load (F _x), maximum	[N]	4000
Dynamic load (F _y), maximum	[N]	0
Dynamic load (F _z), maximum	[N]	0
Dynamic load torque (M _x), maximum	[Nm]	0
Dynamic load torque (M _y), maximum	[Nm]	0
Dynamic load torque (M _z), maximum	[Nm]	0
Drive shaft force (F _{rd}), maximum	[N]	500
Drive shaft torque (M _{ta}), maximum	[Nm]	35
Ball screw diameter (d _o)	[mm]	20
Ball screw lead (p)	[mm]	5, 20, 50
Weight of unit with zero stroke of every 100 mm of stroke of each carriage	[kg]	4,72 0,55 1,42

Carriage Idle Torque (M_{idle}) [Nm]

Input speed [rpm]	Screw lead [mm]		
	p = 5	p = 20	p = 50
150	0,7	0,9	1,1
1500	1,3	1,5	1,5
3000	1,7	1,9	2,1

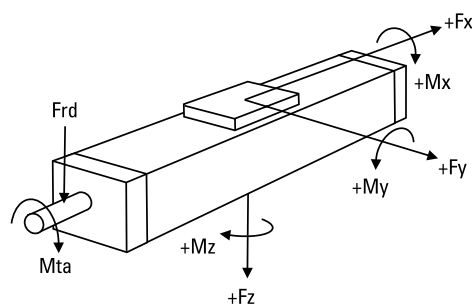
M_{idle} = the input torque needed to move the carriage with no load on it.

Deflection of the Profile



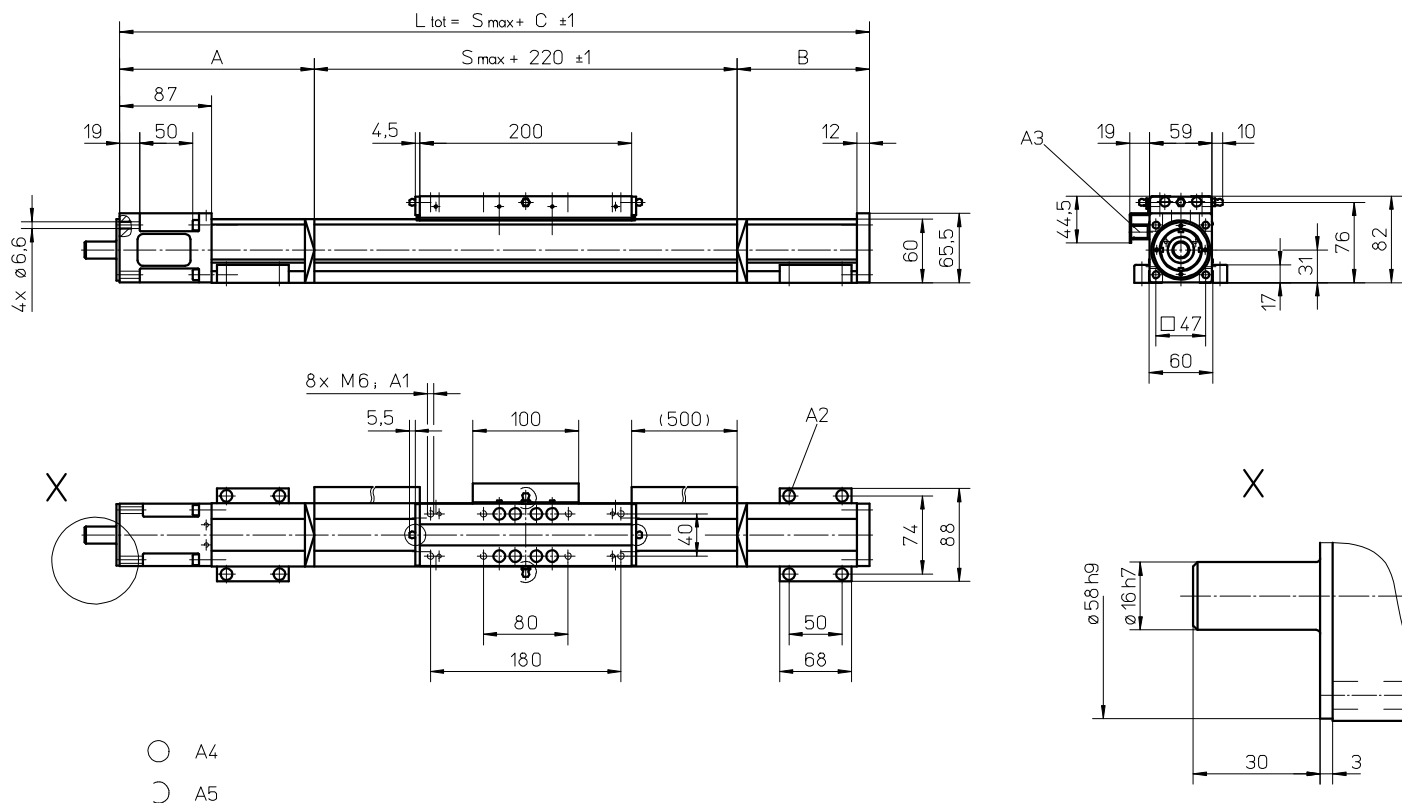
A mounting clamp must be installed at least at every 750 mm to be able to operate the maximum load. Less clamps may be required if less load is being operated, see the additional technical data for more information. Units with a profile length over 6300 mm consists of two profiles where the joint between the two profiles must be adequately supported on both sides.

Definition of Forces



WV60

Ball Screw Drive, No Guides



- A4
- A5

A1: depth 11
 A2: socket cap screw ISO4762-M6×20 8.8
 A3: ENF inductive sensor rail option kit (optional)

A4: tapered lubricating nipple to DIN71412 AM6 on fixed-bearing side as standard feature
 A5: can be changed over to one of the three alternative lubricating points by the customer

Stroke length (S max) [mm]	A [mm]	B [mm]	C [mm]
0 - 690	130	80	430
691 - 1415	155	105	480
1416 - 2155	175	125	520
2156 - 2885	200	150	570

Stroke length (S max) [mm]	A [mm]	B [mm]	C [mm]
2886 - 3625	220	170	610
3626 - 4355	245	195	660
4256 - 5095	265	215	700
5096 - 11000	contact customer service		

WV80

Ball Screw Drive, No Guides

- » Ordering key - see page 203
- » Accessories - see page 137
- » Additional data - see page 191

General Specifications

Parameter	WV80
Profile size (w × h) [mm]	80 × 80
Type of screw	ball screw with double nuts
Carriage sealing system	self-adjusting plastic cover band
Screw supports	included in all units that require screw supports
Lubrication	central lubrication of all parts that require lubrication
Included accessories	4 × mounting clamps

Performance Specifications

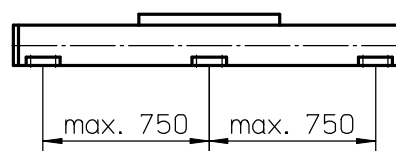
Parameter		WV80
Stroke length (S max), maximum screw lead 5, 10, 20 mm screw lead 50 mm	[mm]	11000 5000
Linear speed, maximum	[m/s]	2,5
Acceleration, maximum	[m/s ²]	20
Repeatability	[± mm]	0,01
Input speed, maximum	[rpm]	3000
Operation temperature limits	[°C]	0 – 80
Dynamic load (F _x), maximum	[N]	5000
Dynamic load (F _y), maximum	[N]	0
Dynamic load (F _z), maximum	[N]	0
Dynamic load torque (M _x), maximum	[Nm]	0
Dynamic load torque (M _y), maximum	[Nm]	0
Dynamic load torque (M _z), maximum	[Nm]	0
Drive shaft force (F _{rd}), maximum	[N]	700
Drive shaft torque (M _{ta}), maximum	[Nm]	55
Ball screw diameter (d ₀)	[mm]	25
Ball screw lead (p)	[mm]	5, 10, 20, 50
Weight of unit with zero stroke of every 100 mm of stroke of each carriage	[kg]	7,95 0,99 2,25

Carriage Idle Torque (M_{idle}) [Nm]

Input speed [rpm]	Screw lead [mm]			
	p = 5	p = 10	p = 20	p = 50
150	0,9	1,1	1,3	1,4
1500	1,6	1,9	2,1	2,3
3000	2,0	2,4	2,6	3,0

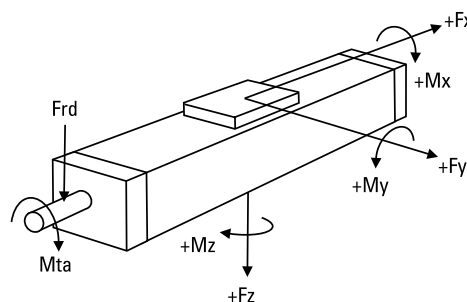
M_{idle} = the input torque needed to move the carriage with no load on it.

Deflection of the Profile



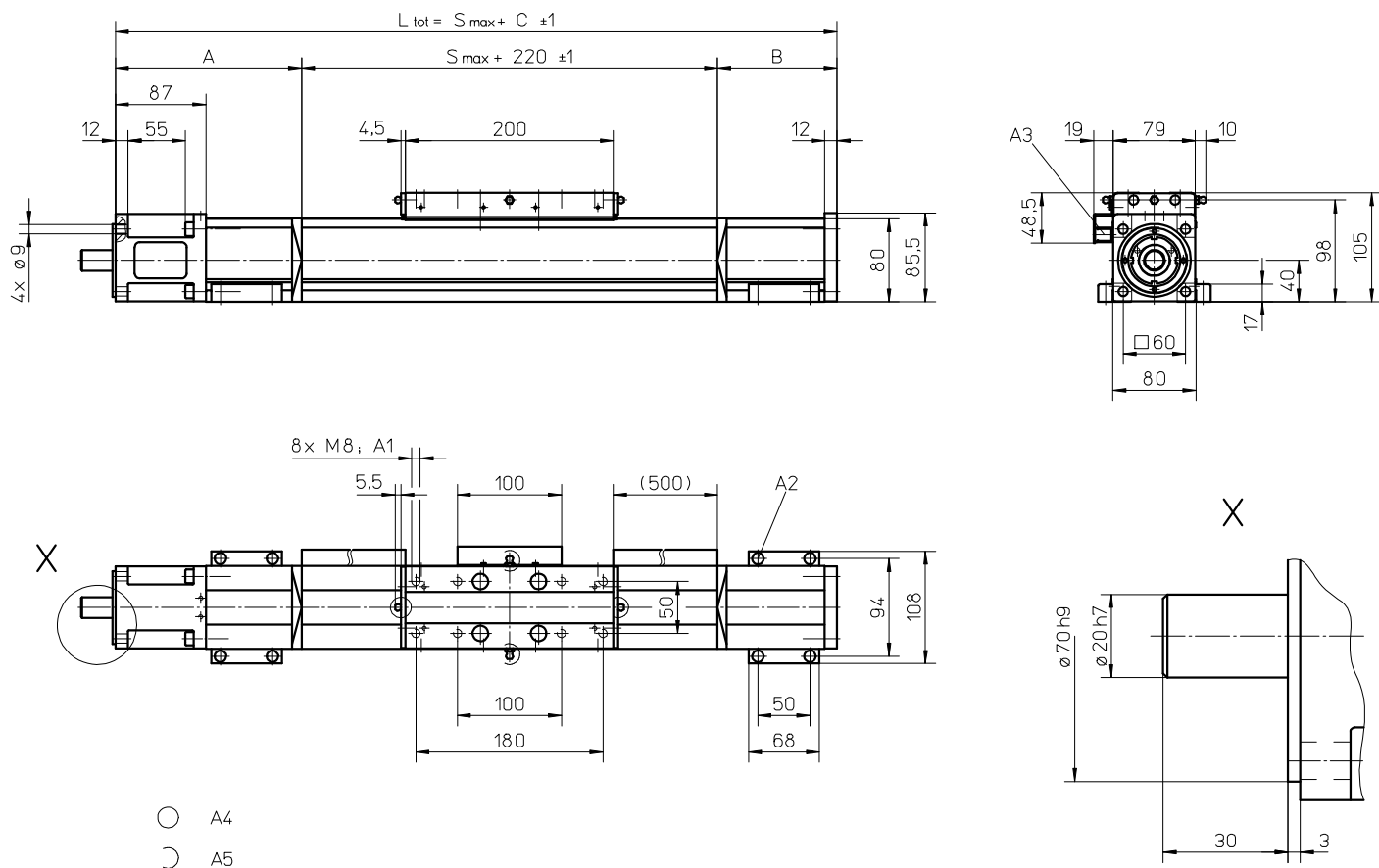
A mounting clamp must be installed at least at every 750 mm to be able to operate the maximum load. Less clamps may be required if less load is being operated, see the additional technical data for more information. Units with a profile length over 6300 mm consists of two profiles where the joint between the two profiles must be adequately supported on both sides.

Definition of Forces



WV80

Ball Screw Drive, No Guides



- A4
- ⊂ A5

A1: depth 12 mm
 A2: socket cap screw ISO4762-M6x20 8.8
 A3: ENF inductive sensor rail option kit (optional)

A4: tapered lubricating nipple to DIN71412 AM6 on fixed-bearing side as standard feature
 A5: can be changed over to one of three alternative lubrication points by customer

Stroke length (S max) [mm]	A [mm]	B [mm]	C [mm]
0 - 775	125	50	395
776 - 1670	145	95	460
1671 - 2505	170	115	505
2506 - 3340	190	140	550

Stroke length (S max) [mm]	A [mm]	B [mm]	C [mm]
3341 - 4175	210	160	590
4176 - 5015	235	180	635
5016 - 11000	contact customer service		

WV120

Ball Screw Drive, No Guides

- » Ordering key - see page 203
- » Accessories - see page 137
- » Additional data - see page 191

General Specifications

Parameter	WV120
Profile size (w × h) [mm]	120 × 120
Type of screw	ball screw with double nuts
Carriage sealing system	self-adjusting plastic cover band
Screw supports	included in all units that require screw supports
Lubrication	central lubrication of all parts that require lubrication
Included accessories	4 × mounting clamps

Performance Specifications

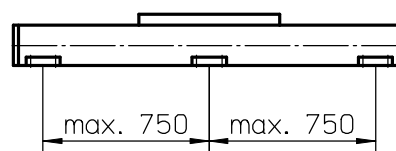
Parameter		WV120
Stroke length (S max), maximum screw lead 5, 10, 20 mm screw lead 40 mm	[mm]	11000 5000
Linear speed, maximum	[m/s]	2,0
Acceleration, maximum	[m/s ²]	20
Repeatability	[± mm]	0,01
Input speed, maximum	[rpm]	3000
Operation temperature limits	[°C]	0 – 80
Dynamic load (Fx), maximum screw lead 5, 10, 20 mm screw lead 40 mm	[N]	12000 8000
Dynamic load (Fy), maximum	[N]	0
Dynamic load (Fz), maximum	[N]	0
Dynamic load torque (Mx), maximum	[Nm]	0
Dynamic load torque (My), maximum	[Nm]	0
Dynamic load torque (Mz), maximum	[Nm]	0
Drive shaft force (Frd), maximum	[N]	1000
Drive shaft torque (Mta), maximum	[Nm]	80
Ball screw diameter (d ₀)	[mm]	32
Ball screw lead (p)	[mm]	5, 10, 20, 40
Weight of unit with zero stroke of every 100 mm of stroke of each carriage	[kg]	18,10 1,94 4,75

Carriage Idle Torque (M_{idle}) [Nm]

Input speed [rpm]	Screw lead [mm]			
	p = 5	p = 10	p = 20	p = 40
150	1,0	1,1	1,4	1,5
1500	2,1	2,2	2,5	2,8
3000	2,4	2,6	3,0	3,5

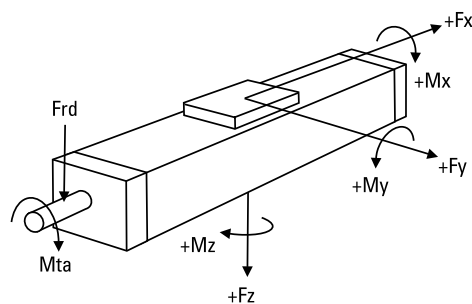
M_{idle} = the input torque needed to move the carriage with no load on it.

Deflection of the Profile



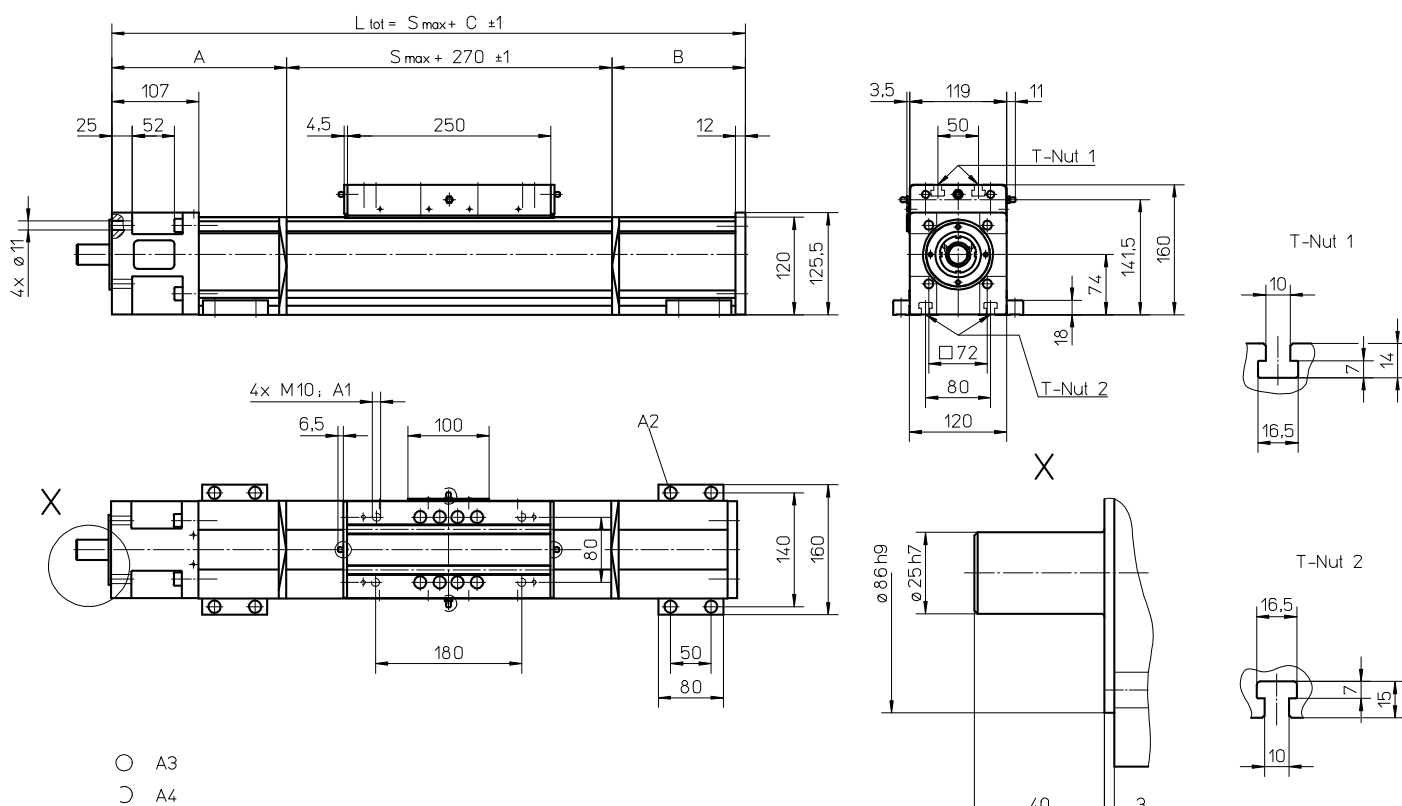
A mounting clamp must be installed at least at every 750 mm to be able to operate the maximum load. Less clamps may be required if less load is being operated, see the additional technical data for more information. Units with a profile length over 5400 mm consists of two profiles where the joint between the two profiles must be adequately supported on both sides.

Definition of Forces



WV120

Ball Screw Drive, No Guides



A1: depth 22
 A2: socket cap screw ISO4762-M8x20 8.8

A3: tapered lubricating nipple to DIN71412 M8x1 on fixed-bearing side as standard feature
 A4: can be changed over to one of the three alternative lubricating points by the customer

Stroke length (S max) [mm]	A [mm]	B [mm]	C [mm]
0 - 940	145	50	465
941 - 1860	180	120	570
1861 - 2790	215	155	640
2791 - 3720	250	190	710

Stroke length (S max) [mm]	A [mm]	B [mm]	C [mm]
3721 - 4650	285	225	780
4651 - 5000	320	255	845
5001 - 11000	contact customer service		

MLSM60D

Ball Screw Drive, Ball Guide

- » Ordering key - see page 204
- » Accessories - see page 137
- » Additional data - see page 191

General Specifications

Parameter	MLSM60D
Profile size (w × h) [mm]	160 × 65
Type of screw	ball screw with double nuts
Carriage sealing system	plastic cover band
Screw supports	included in all units that require screw supports
Lubrication	central lubrication of all parts that require lubrication
Included accessories	4 × mounting clamps

Performance Specifications

Parameter		MLSM60D
Stroke length (S max), maximum	[mm]	5500
Linear speed, maximum	[m/s]	2,5
Acceleration, maximum	[m/s ²]	20
Repeatability	[± mm]	0,01
Input speed, maximum	[rpm]	3000
Operation temperature limits	[°C]	0 – 80
Dynamic load (F _x), maximum	[N]	5000
Dynamic load (F _y), maximum	[N]	6000 ¹ / 55090 ²
Dynamic load (F _z), maximum	[N]	6000 ¹ / 55090 ²
Dynamic load torque (M _x), maximum	[Nm]	400 ¹ / 2890 ²
Dynamic load torque (M _y), maximum	[Nm]	460 ¹ / 4490 ²
Dynamic load torque (M _z), maximum	[Nm]	460 ¹ / 4490 ²
Drive shaft force (F _{rd}), maximum	[N]	350
Drive shaft torque (M _{ta}), maximum	[Nm]	60
Ball screw diameter (d _o)	[mm]	25
Ball screw lead (p)	[mm]	5, 10, 20, 50
Weight	[kg]	
of unit with zero stroke		14,40
of every 100 mm of stroke		1,65
of each carriage		5,70

¹ Value for the complete unit

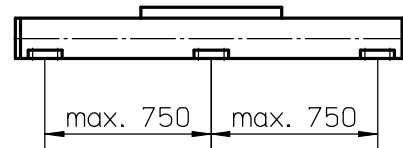
² Value for the ball guide only

Carriage Idle Torque (M_{idle}) [Nm]

Input speed [rpm]	Screw lead [mm]			
	p = 5	p = 10	p = 20	p = 50
150	1,0	1,6	1,9	2,7
1500	1,6	2,2	2,3	3,4
3000	2,0	2,6	2,6	4,0

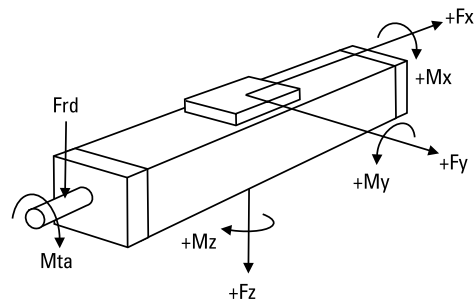
M_{idle} = the input torque needed to move the carriage with no load on it.

Deflection of the Profile



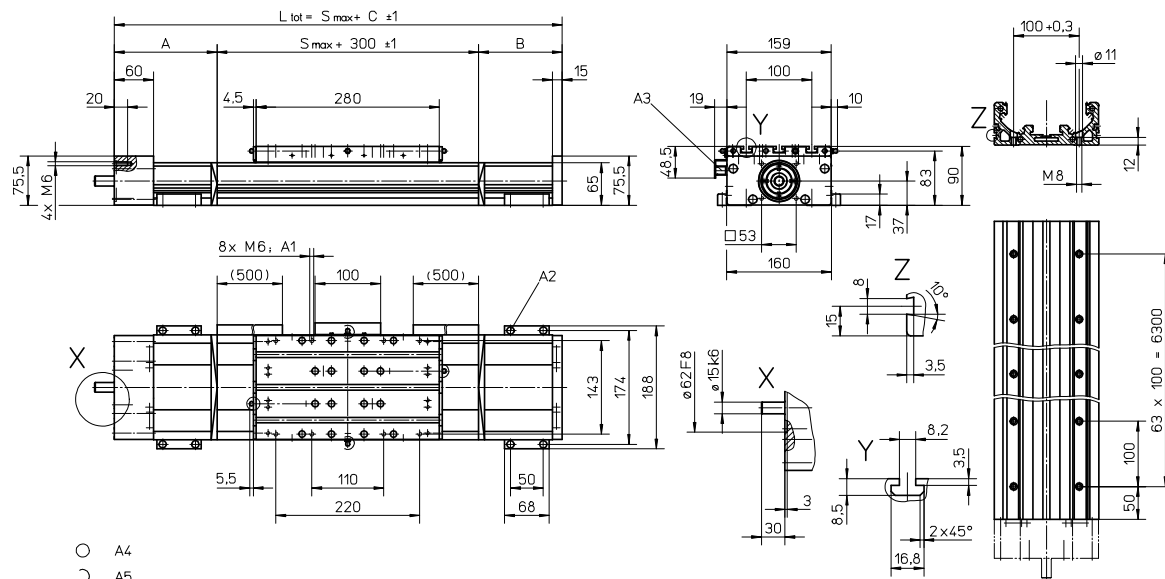
A mounting clamp must be installed at least at every 750 mm to be able to operate the maximum load. Less clamps may be required if less load is being operated, see the additional technical data for more information.

Definition of Forces



MLSM60D

Ball Screw Drive, Ball Guide



A1: depth 10
 A2: socket cap screw ISO4762-M6x20 8.8
 A3: ENF inductive sensor rail option kit (optional)

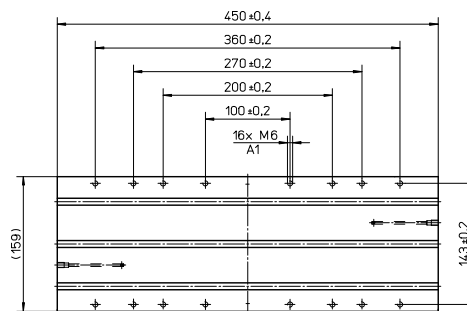
A4: tapered lubricating nipple to DIN71412 AM6 on fixed-bearing side as standard feature
 A5: can be changed over to one of the three alternative lubricating points by the customer

Stroke length (S max) [mm]	A [mm]	B [mm]	C [mm]
0 - 750 (0 - 580)	90	45	435 (605)
751 - 1220 (581 - 1050)	105	90	495 (665)
1221 - 1980 (1051 - 1810)	125	110	535 (705)
1981 - 2730 (1811 - 2560)	150	135	585 (765)

Stroke length (S max) [mm]	A [mm]	B [mm]	C [mm]
2731 - 3490 (2561 - 3320)	170	155	625 (795)
3491 - 4240 (3321 - 4070)	195	180	675 (845)
4241 - 5000 (4071 - 4830)	215	200	715 (885)
5001 - 5500 (4831 - 5330)	235	220	755 (925)

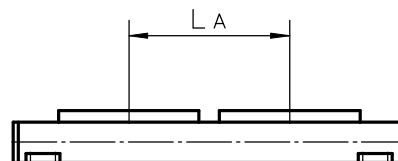
Values between brackets = for units with long carriage

Long Carriage		
Parameter		MLSM60D
Carriage length	[mm]	450
Dynamic load torque (My), maximum	[Nm]	940
Dynamic load torque (Mz), maximum	[Nm]	940
Weight	[kg]	6,5



A1: depth 10

Double Carriages		
Parameter		MLSM60D
Minimum distance between carriages (LA)	[mm]	320
Dynamic load (Fy), maximum	[N]	12000
Dynamic load (Fz), maximum	[N]	12000
Dynamic load torque (My), maximum	[Nm]	LA' × 6
Dynamic load torque (Mz), maximum	[Nm]	LA' × 6
Force required to move second carriage	[N]	270
Total length (L tot)	[mm]	S max + C + LA



¹ Value in mm

MLSM80D

Ball Screw Drive, Ball Guide

- » Ordering key - see page 204
- » Accessories - see page 137
- » Additional data - see page 191

General Specifications

Parameter	MLSM80D
Profile size (w × h) [mm]	240 × 85
Type of screw	ball screw with double nuts
Carriage sealing system	plastic cover band
Screw supports	included in all units that require screw supports
Lubrication	central lubrication of all parts that require lubrication
Included accessories	4 × mounting clamps

Performance Specifications

Parameter		MLSM80D
Stroke length (S max), maximum	[mm]	5200
Linear speed, maximum	[m/s]	2,0
Acceleration, maximum	[m/s ²]	20
Repeatability	[± mm]	0,01
Input speed, maximum	[rpm]	3000
Operation temperature limits	[°C]	0 – 80
Dynamic load (F _x), maximum screw lead 5, 10, 20 mm screw lead 40 mm	[N]	12000 8000
Dynamic load (F _y), maximum	[N]	8000 ¹ / 71860 ²
Dynamic load (F _z), maximum	[N]	8000 ¹ / 71860 ²
Dynamic load torque (M _x), maximum	[Nm]	780 ¹ / 5890 ²
Dynamic load torque (M _y), maximum	[Nm]	900 ¹ / 6640 ²
Dynamic load torque (M _z), maximum	[Nm]	900 ¹ / 6640 ²
Drive shaft force (F _{rd}), maximum	[N]	700
Drive shaft torque (M _{ta}), maximum	[Nm]	85
Ball screw diameter (d ₀)	[mm]	32
Ball screw lead (p)	[mm]	5, 10, 20, 40
Weight of unit with zero stroke of every 100 mm of stroke of each carriage	[kg]	29,5 2,7 11,5

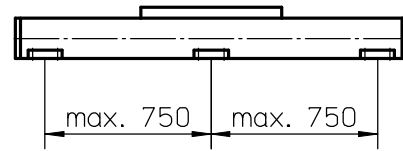
¹ Value for the complete unit
² Value for the ball guide only

Carriage Idle Torque (M_{idle}) [Nm]

Input speed [rpm]	Screw lead [mm]			
	p = 5	p = 10	p = 20	p = 40
150	1,6	2,2	2,5	2,8
1500	2,7	3,2	3,4	4,0
3000	3,2	4,0	4,2	4,5

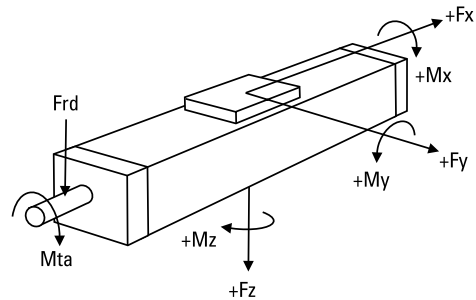
M_{idle} = the input torque needed to move the carriage with no load on it.

Deflection of the Profile



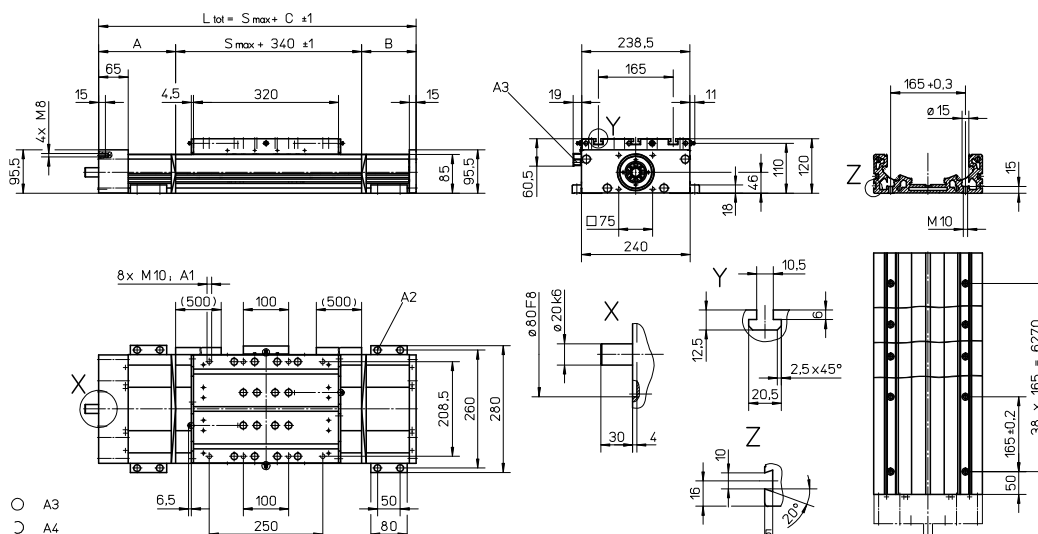
A mounting clamp must be installed at least at every 750 mm to be able to operate the maximum load. Less clamps may be required if less load is being operated, see the additional technical data for more information.

Definition of Forces



MLSM80D

Ball Screw Drive, Ball Guide



A1: depth 15
 A2: socket cap screw ISO4762-M8x20 8.8
 A3: ENF inductive sensor rail option kit (optional)

A4: tapered lubricating nipple to DIN71412 M8x1 on fixed-bearing side as standard feature
 A5: can be changed over to one of the three alternative lubricating points by the customer

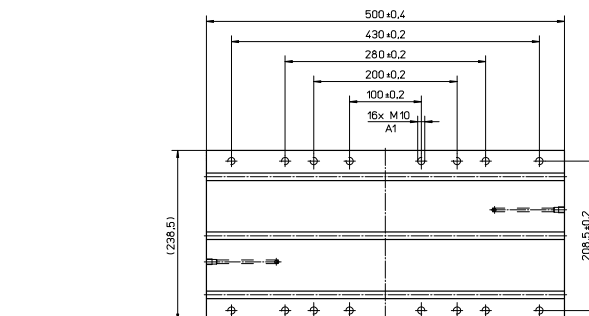
Stroke length (S max) [mm]	A [mm]	B [mm]	C [mm]
0 - 750 (0 - 570)	100	90	530 (710)
751 - 1140 (571 - 960)	130	120	590 (770)
1141 - 1880 (961 - 1700)	160	150	650 (830)
1881 - 2620 (1701 - 2440)	190	180	710 (890)

Stroke length (S max) [mm]	A [mm]	B [mm]	C [mm]
2621 - 3360 (2441 - 3180)	220	210	770 (950)
3361 - 4100 (3181 - 3920)	250	240	830 (1010)
4101 - 4840 (3921 - 4660)	280	270	890 (1070)
4841 - 5000 (4661 - 4820)	310	300	950 (1130)

Values between brackets = for units with long carriage

Long Carriage

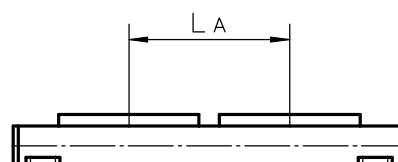
Parameter	MLSM80D
Carriage length [mm]	500
Dynamic load torque (My), maximum [Nm]	1750
Dynamic load torque (Mz), maximum [Nm]	1750
Weight [kg]	16



A1: depth 15

Double Carriages

Parameter	MLSM80D
Minimum distance between carriages (LA) [mm]	400
Dynamic load (Fy), maximum [N]	16000
Dynamic load (Fz), maximum [N]	16000
Dynamic load torque (My), maximum [Nm]	L A ¹ × 8
Dynamic load torque (Mz), maximum [Nm]	L A ¹ × 8
Force required to move second carriage [N]	350
Total length (L tot) [mm]	S max + C + L A



¹ Value in mm

2HBE10

Ball Screw Drive, Ball Guide

- » Ordering key - see page 205
- » Accessories - see page 137
- » Additional data - see page 191

General Specifications

Parameter	2HBE10
Profile size (w × h) [mm]	100 × 33,5
Type of screw	ball screw with double nut
Carriage sealing system	none
Screw supports	none
Lubrication	lubrication of screw and guides
Included accessories	none

Performance Specifications

Parameter		2HBE10
Stroke length (S max), maximum	[mm]	850
Linear speed, maximum	[m/s]	0,5
Acceleration, maximum	[m/s ²]	20
Repeatability	[± mm]	0,005
Input speed, maximum	[rpm]	3000
Operation temperature limits	[°C]	-20 – 70
Dynamic load (F _x), maximum	[N]	2500
Dynamic load (F _y), maximum	[N]	2065 ¹ / 8250 ²
Dynamic load (F _z), maximum	[N]	2065 ¹ / 8250 ²
Dynamic load torque (M _x), maximum	[Nm]	290 ¹ / 395 ²
Dynamic load torque (M _y), maximum	[Nm]	225 ¹ / 305 ²
Dynamic load torque (M _z), maximum	[Nm]	225 ¹ / 305 ²
Drive shaft force (F _{rd}), maximum	[N]	0
Drive shaft torque (M _{ta}), maximum	[Nm]	4,4
Ball screw diameter (d ₀)	[mm]	16
Ball screw lead (p)	[mm]	5, 10
Weight	[kg]	
of unit with zero stroke		2,59
of every 100 mm of stroke		0,69
of each carriage		0,82

¹ Value for the complete unit

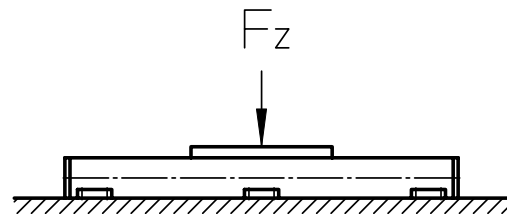
² Value for the ball guide only

Carriage Idle Torque (M_{idle}) [Nm]

Input speed [rpm]	Screw lead [mm]	
	p = 5	p = 10
150	0,1	0,1
1500	0,1	0,1
3000	0,1	0,1

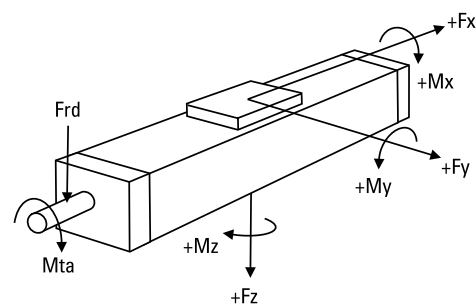
M_{idle} = the input torque needed to move the carriage with no load on it.

Deflection of the Profile



The unit must be continuously supported by a machined surface under its entire length.

Definition of Forces



2HBE20

Ball Screw Drive, Ball Guide

- » Ordering key - see page 205
- » Accessories - see page 137
- » Additional data - see page 191

General Specifications

Parameter	2HBE20
Profile size (w × h) [mm]	200 × 44
Type of screw	ball screw with double nut
Carriage sealing system	none
Screw supports	none
Lubrication	lubrication of screw and guides
Included accessories	none

Performance Specifications

Parameter		2HBE20
Stroke length (S max), maximum	[mm]	2800
Linear speed, maximum	[m/s]	1,3
Acceleration, maximum	[m/s ²]	20
Repeatability	[± mm]	0,005
Input speed, maximum	[rpm]	3000
Operation temperature limits	[°C]	-20 – 70
Dynamic load (F _x), maximum	[N]	5000
Dynamic load (F _y), maximum	[N]	9515 ¹ / 38000 ²
Dynamic load (F _z), maximum	[N]	9515 ¹ / 38000 ²
Dynamic load torque (M _x), maximum	[Nm]	2760 ¹ / 3770 ²
Dynamic load torque (M _y), maximum	[Nm]	2130 ¹ / 2910 ²
Dynamic load torque (M _z), maximum	[Nm]	2130 ¹ / 2910 ²
Drive shaft force (F _{rd}), maximum	[N]	0
Drive shaft torque (M _{ta}), maximum	[Nm]	22
Ball screw diameter (d ₀)	[mm]	25
Ball screw lead (p)	[mm]	5, 10, 25
Weight	[kg]	
of unit with zero stroke		13,32
of every 100 mm of stroke		1,70
of each carriage		4,47

¹ Value for the complete unit

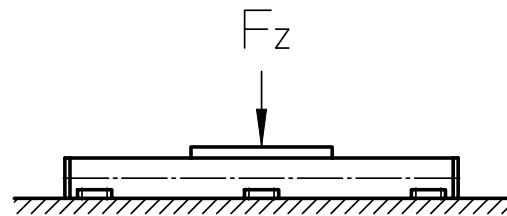
² Value for the ball guide only

Carriage Idle Torque (M_{idle}) [Nm]

Input speed [rpm]	Screw lead [mm]		
	p = 5	p = 10	p = 25
150	0,15	0,20	0,35
1500	0,16	0,21	0,38
3000	0,17	0,25	0,47

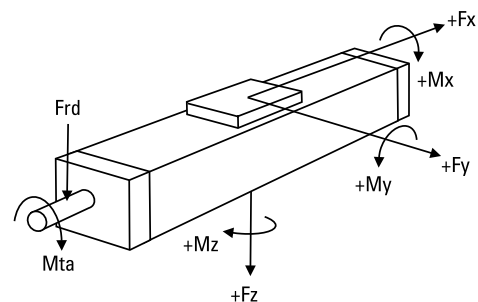
M_{idle} = the input torque needed to move the carriage with no load on it.

Deflection of the Profile



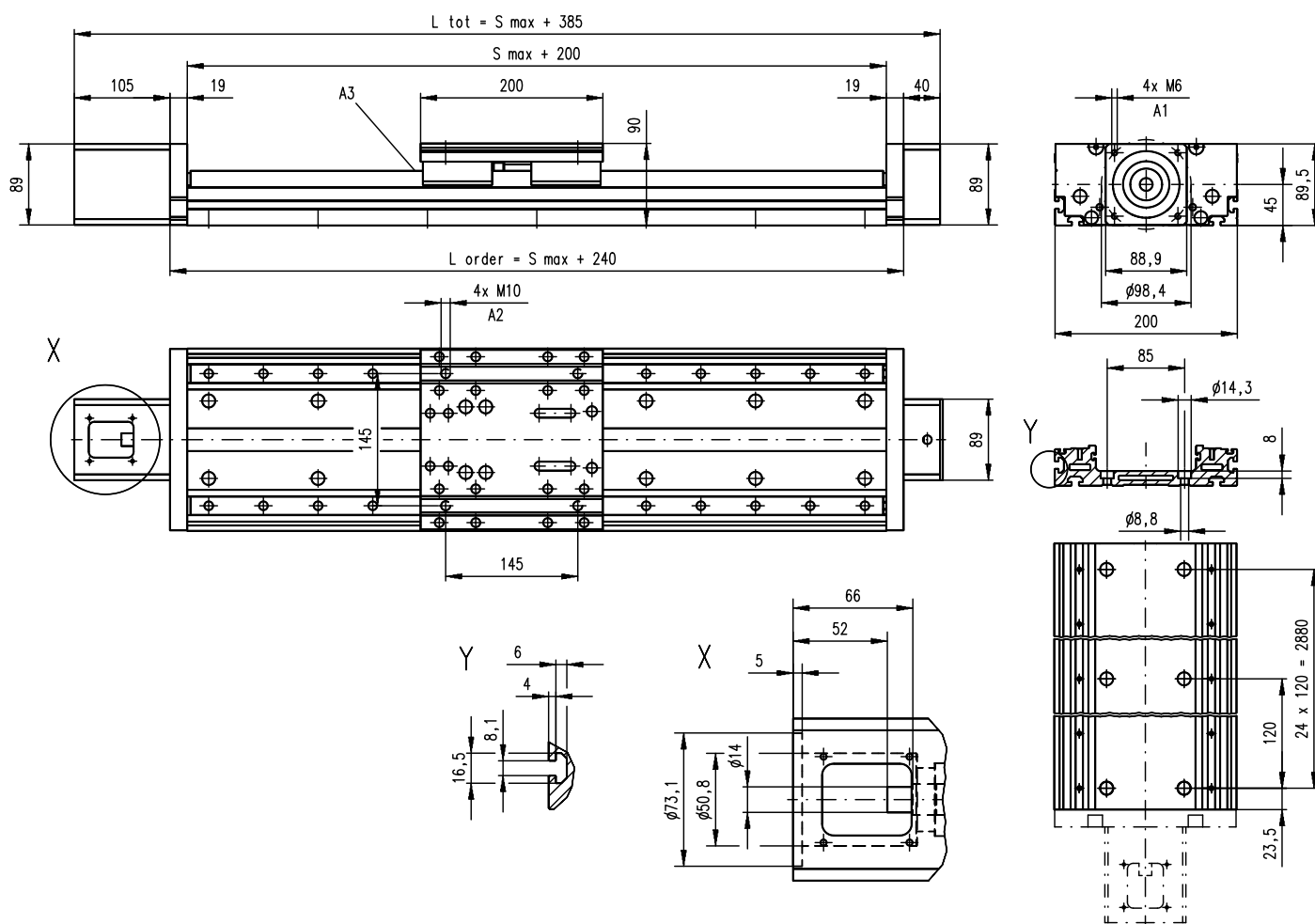
The unit must be continuously supported by a machined surface under its entire length.

Definition of Forces



2HBE20

Ball Screw Drive, Ball Guide

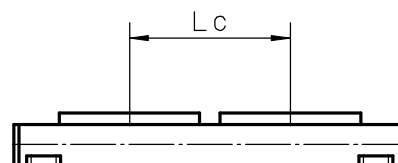


A1: depth 12
A2: depth 15 Heli coil

A3: lubrication nipple (using the unit with the nipple mounted makes stroke 10 mm shorter)

Double Carriages

Parameter		2HBE20
Minimum distance between carriages (Lc)	[mm]	210
Dynamic load (Fy), maximum	[N]	19030
Dynamic load (Fz), maximum	[N]	19030
Dynamic load torque (My), maximum	[Nm]	$Lc^1 \times 38$
Dynamic load torque (Mz), maximum	[Nm]	$Lc^1 \times 38$
Force required to move second carriage	[N]	17
Ordering length (L order)	[mm]	$S_{max} + Lc + 240$
Total length (L tot)	[mm]	$L_{order} + 145$
Weight of unit with zero stroke of carriages	[kg]	21,5 9,0

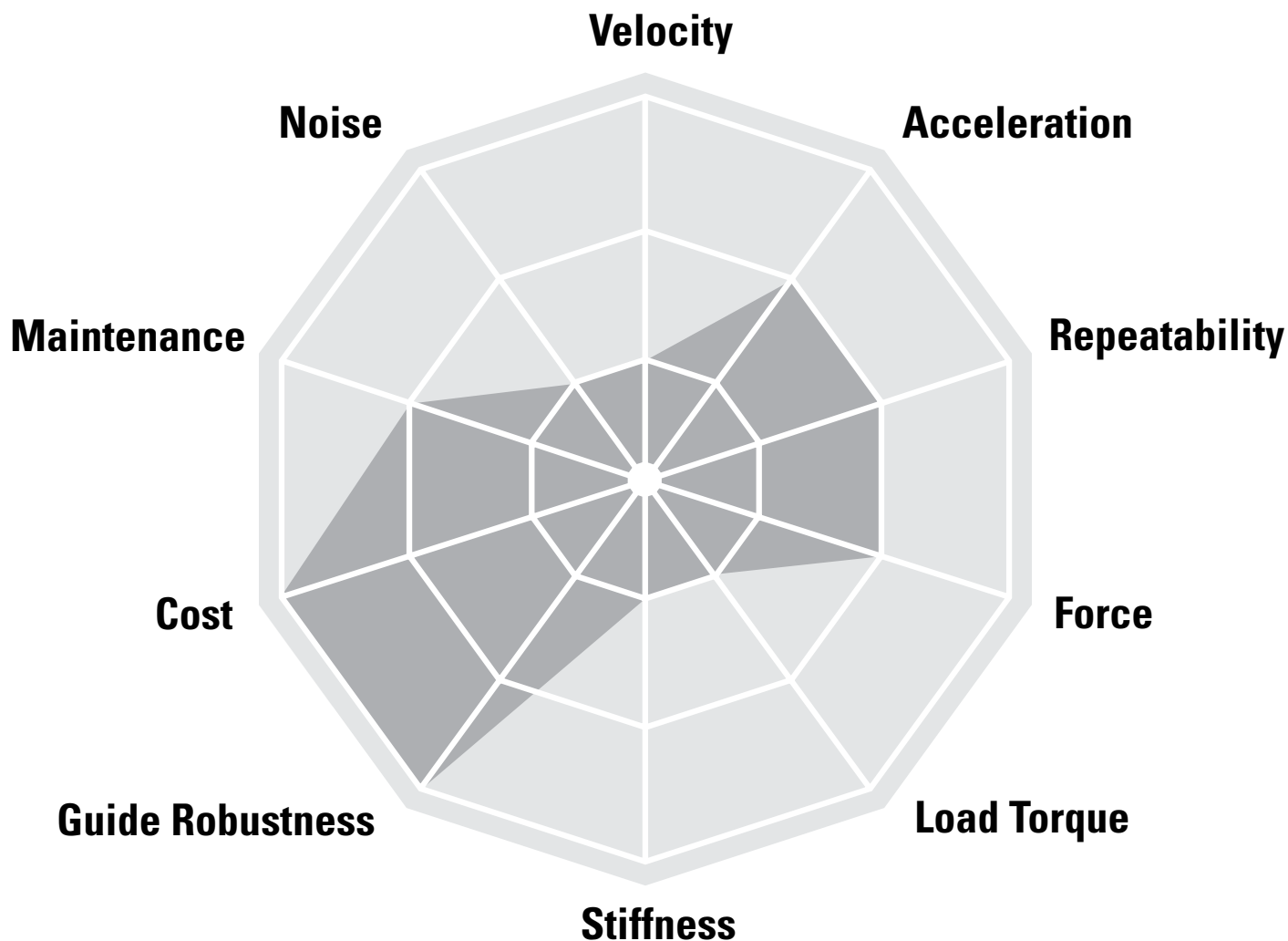


¹ Value in mm



Linear Units with Ball Screw Drive and Slide Guide

BaseLine, Movopart



Typical Applications

Typical applications are where low to medium loads need to be moved at low to medium speed. These units are also suited for harsh environments. Typical examples are all types of machines in the food, chemical, paper and wood working industry. Materials handling is another area where these units are ideal.

BaseLine WB



Features

- Can be installed in all directions
- Plastic cover band
- Robust external slide guides
- Ball screw or lead screw drive

Parameter		WB40	WB60
Profile size (width × height)	[mm]	40 × 37	60 × 59
Stroke length (S max), maximum	[mm]	1000	5200
Linear speed, maximum	[m/s]	0,25	1,0
Dynamic carriage load (Fz), maximum	[N]	250	650
Remarks		Ball screw or lead screw drive	Ball screw or lead screw drive
Page		50	52

Movopart M



Features

- Can be installed in all directions
- Self-adjusting stainless steel cover band
- Patented internal self-adjusting prism slide guides
- Wash down protected versions available

Parameter		M55	M75	M100
Profile size (width × height)	[mm]	58 × 55	86 × 75	108 × 100
Stroke length (S max), maximum	[mm]	3000	4000	6000
Linear speed, maximum	[m/s]	1,0	1,6	1,6
Dynamic carriage load (Fz), maximum	[N]	400	1485	3005
Remarks		single ball nut or composite nut	single ball nut or composite nut	single ball nut or composite nut
Page		54	56	58

Movopart MD



Features

- Can be installed in all directions
- Self-adjusting stainless steel cover band
- Patented internal self-adjusting prism slide guides
- Wash down protected versions available

Parameter		M75D	M100D
Profile size (width × height)	[mm]	86 × 75	108 × 100
Stroke length (S max), maximum	[mm]	3550	6000
Linear speed, maximum	[m/s]	1,6	1,6
Dynamic carriage load (Fz), maximum	[N]	1485	3005
Remarks		double ball nuts	double ball nuts
Page		60	62

WB-Series Technical Presentation

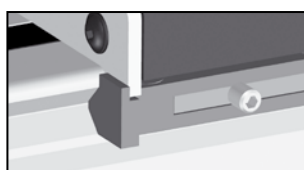
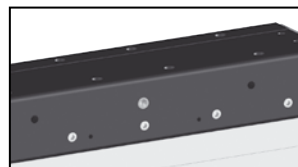
Cover band

The durable plastic cover band protect the interior of the unit from the penetration of dirt, dust and liquids.



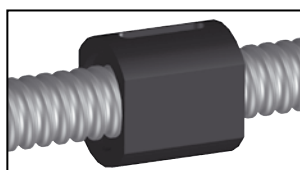
Central lubrication

One central lubrication point on the carriage services the entire unit resulting in a minimum maintenance required.



Slide guides

The robust and accurate slide guides can be easily replaced by the user whenever needed.



Drive

Select between the fast high precision ball screw or the robust lead screw with composite nut.



Screw support

The screw support system reduce noise and vibrations and permits high speed at long stroke lengths.

WB40

Ball Screw or Lead Screw Drive, Slide Guide

- » Ordering key - see page 206
- » Accessories - see page 137
- » Additional data - see page 192

General Specifications

Parameter	WB40
Profile size (w × h) [mm]	40 × 37
Type of screw	ball or lead screw with single nut
Carriage sealing system	plastic cover band
Screw supports	none
Lubrication	central lubrication of all parts that require lubrication
Included accessories	4 × mounting clamps

Performance Specifications

Parameter	WB40
Stroke length (S max), maximum [mm]	1000
Linear speed, maximum [m/s]	0,25
Acceleration, maximum [m/s ²]	5
Repeatability [± mm]	0,05
Input speed, maximum [rpm]	
Ball screw units	3000
Lead screw units with composite nut	1500
Operation temperature limits [°C]	0 – 80
Dynamic load (F _x), maximum ball screw units / lead screw units [N]	200 / 500
Dynamic load (F _y), maximum [N]	200 ¹
Dynamic load (F _z), maximum [N]	250 ¹
Dynamic load torque (M _x), maximum [Nm]	6 ¹
Dynamic load torque (M _y), maximum [Nm]	15 ¹
Dynamic load torque (M _z), maximum [Nm]	10 ¹
Drive shaft force (F _{rd}), maximum [N]	80
Drive shaft torque (M _{ta}), maximum [Nm]	1
Screw diameter (d ₀) [mm]	12
Screw lead (p) ball screw units / lead screw units [mm]	5 / 4, 8
Weight [kg]	
of unit with zero stroke	1,07
of every 100 mm of stroke	0,30
of each carriage	0,45

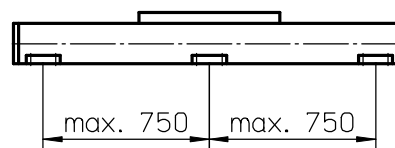
¹ Value for the complete unit

Carriage Idle Torque (M_{idle}) [Nm]

Input speed [rpm]	Screw lead [mm]		
	p = 4	p = 5	p = 8
150	-	0,02	-
1500	-	0,35	-
3000	-	0,50	-

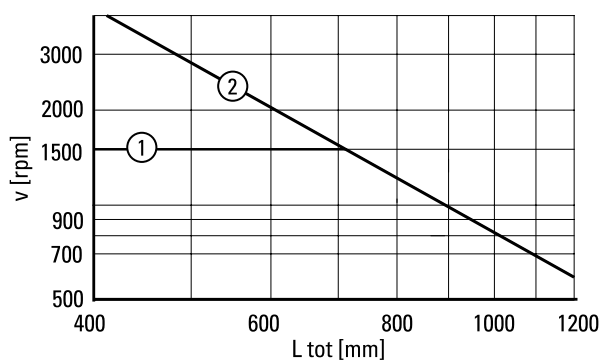
M_{idle} = the input torque needed to move the carriage with no load on it.

Deflection of the Profile



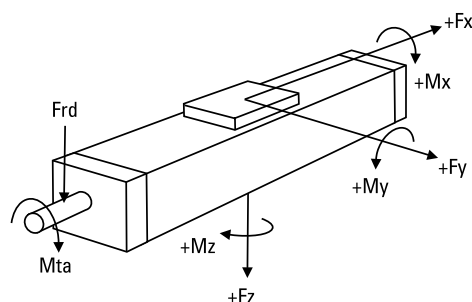
A mounting clamp must be installed at least at every 750 mm to be able to operate the maximum load. Less clamps may be required if less load is being operated, see the additional technical data for more information.

Critical Speed



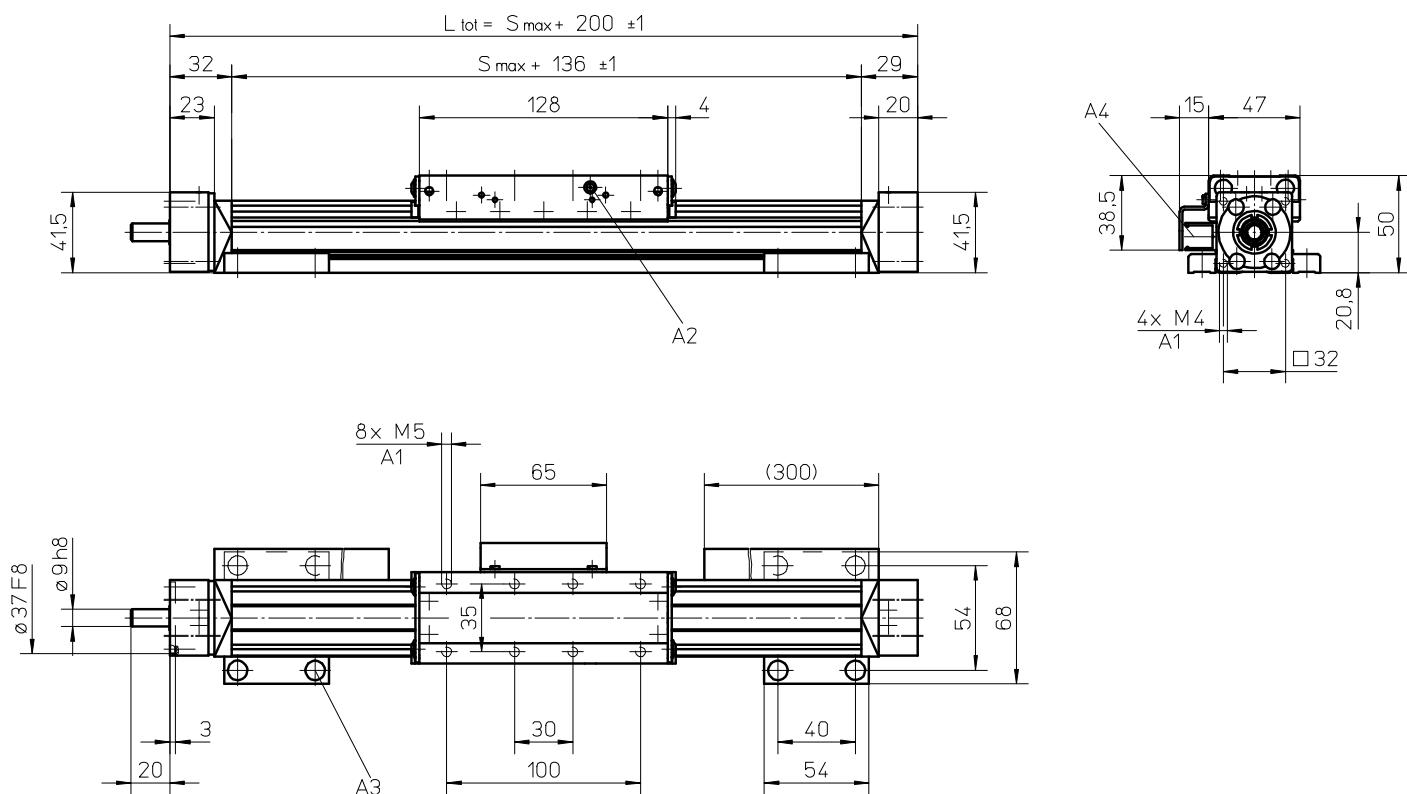
- 1: For lead screw units
- 2: For ball screw units

Definition of Forces



WB40

Ball Screw or Lead Screw Drive, Slide Guide



A1: depth 10
 A2: lubricating nipple DIN3405 D 1/A

A3: socket cap screw ISO4762-M5x20 8.8
 A4: ENF inductive sensor rail option kit (optional)

WB60

Ball Screw or Lead Screw Drive, Slide Guide

- » Ordering key - see page 206
- » Accessories - see page 137
- » Additional data - see page 192

General Specifications

Parameter	WB60
Profile size (w × h) [mm]	60 × 59
Type of screw	ball or lead screw with single nut
Carriage sealing system	plastic cover band
Screw supports	number of screw supports to be specified by customer at order
Lubrication	central lubrication of all parts that require lubrication
Included accessories	4 × mounting clamps

Performance Specifications

Parameter	WB60
Stroke length (S max), maximum [mm]	5200
Linear speed, maximum [m/s]	1,0
Acceleration, maximum [m/s ²]	5
Repeatability [± mm]	0,05
Input speed, maximum [rpm]	
Ball screw units	3000
Lead screw units with composite nut	1500
Operation temperature limits [°C]	0 – 80
Dynamic load (Fx), maximum ball screw units / lead screw units [N]	2500 / 2500
Dynamic load (Fy), maximum [N]	500 ¹
Dynamic load (Fz), maximum [N]	650 ¹
Dynamic load torque (Mx), maximum [Nm]	30 ¹
Dynamic load torque (My), maximum [Nm]	70 ¹
Dynamic load torque (Mz), maximum [Nm]	50 ¹
Drive shaft force (Frd), maximum [N]	150
Drive shaft torque (Mta), maximum [Nm]	17
Screw diameter (d ₀) [mm]	20
Screw lead (p) ball screw units / lead screw units [mm]	5, 20 / 8
Weight [kg]	
of unit with zero stroke	3,63
of every 100 mm of stroke	0,72
of each carriage	1,17

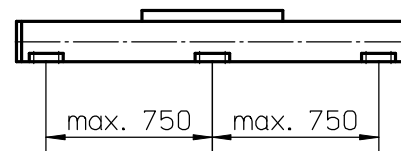
¹ Value for the complete unit

Carriage Idle Torque (M_{idle}) [Nm]

Input speed [rpm]	Screw lead [mm]		
	p = 5	p = 8	p = 20
150	0,5	-	0,7
1500	1,0	-	1,35
3000	1,5	-	1,8

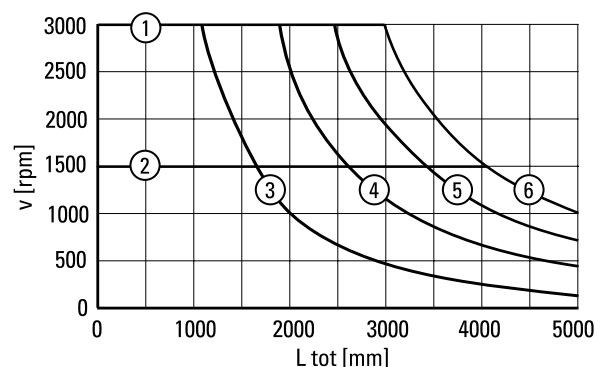
M_{idle} = the input torque needed to move the carriage with no load on it.

Deflection of the Profile



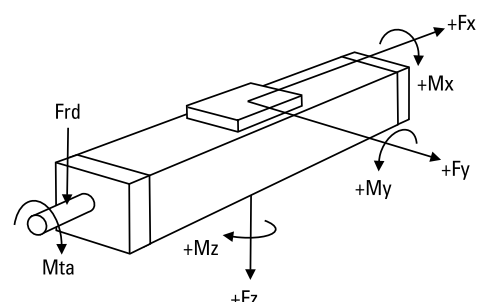
A mounting clamp must be installed at least at every 750 mm to be able to operate the maximum load. Less clamps may be required if less load is being operated, see the additional technical data for more information.

Critical Speed



- 1: Max. input speed for ball screw units
- 2: Max. input speed for lead screw units
- 3: No screw supports required
- 4: One pair of screw supports required
- 5: Two pairs of screw supports required
- 6: Three pairs of screw supports required

Definition of Forces



M55

Ball Screw Drive, Slide Guide

- » Ordering key - see page 207
- » Accessories - see page 137
- » Additional data - see page 192

General Specifications

Parameter	M55
Profile size (w × h) [mm]	58 × 55
Type of screw	ball screw with single nut
Carriage sealing system	self-adjusting steel cover band
Screw supports	number of screw supports to be specified by customer at order
Lubrication	lubrication of ball screw
Included accessories	none

Performance Specifications

Parameter		M55
Stroke length (S max), maximum	[mm]	3000
Linear speed, maximum	[m/s]	1,0
Acceleration, maximum	[m/s ²]	8
Repeatability	[± mm]	0,05
Input speed, maximum ball nut units / composite nut units	[rpm]	3000 / 1500
Operation temperature limits	[°C]	-20 – 70
Dynamic load (Fx), maximum ball nut units / composite nut units	[N]	1000 / 500
Dynamic load (Fy), maximum	[N]	400 ¹
Dynamic load (Fz), maximum	[N]	400 ¹
Dynamic load torque (Mx), maximum	[Nm]	9 ¹
Dynamic load torque (My), maximum	[Nm]	23 ¹
Dynamic load torque (Mz), maximum	[Nm]	23 ¹
Drive shaft force (Frd), maximum	[N]	200
Drive shaft torque (Mta), maximum	[Nm]	12
Screw diameter (d0)	[mm]	16
Screw lead (p) ball nut units / composite nut units	[mm]	5, 5,08, 10, 20 / 32
Weight of unit with zero stroke of every 100 mm of stroke of carriage of option single screw support of option double screw supports	[kg]	3,06 0,44 1,20 0,83 1,88

¹ Value for the complete unit

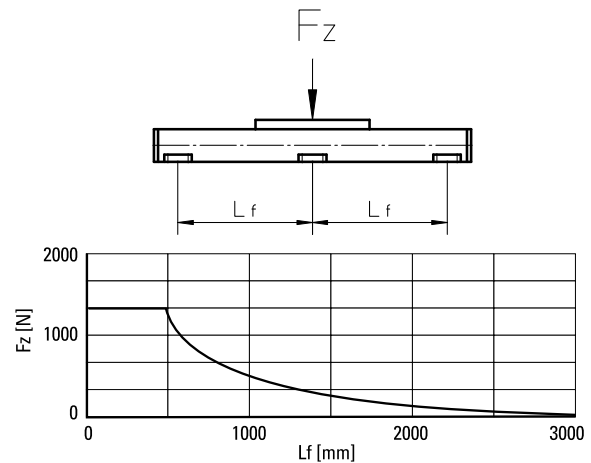
Carriage Idle Torque (M_{idle}) [Nm]

Input speed [rpm]	Screw lead [mm]				
	p = 5	p = 5,08	p = 10	p = 20	p = 32 ¹
500 - no screw supports	0,10	0,10	0,15	0,30	0,80
500 - with screw supports	0,13	0,13	0,27	0,45	1,00

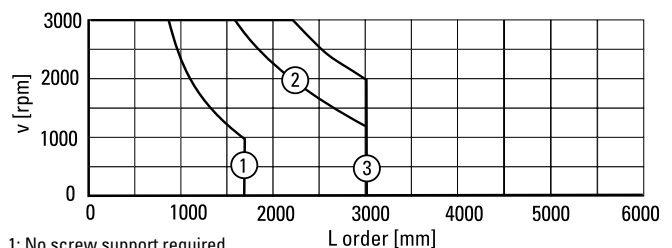
¹ Value for composite nut.

M_{idle} = the input torque needed to move the carriage with no load on it.

Deflection of the Profile

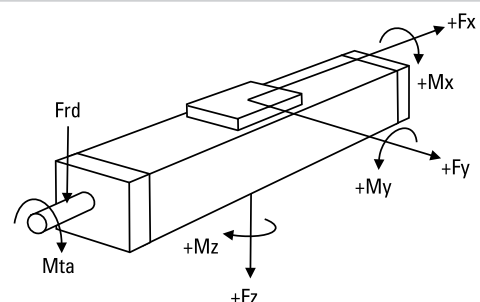


Critical Speed



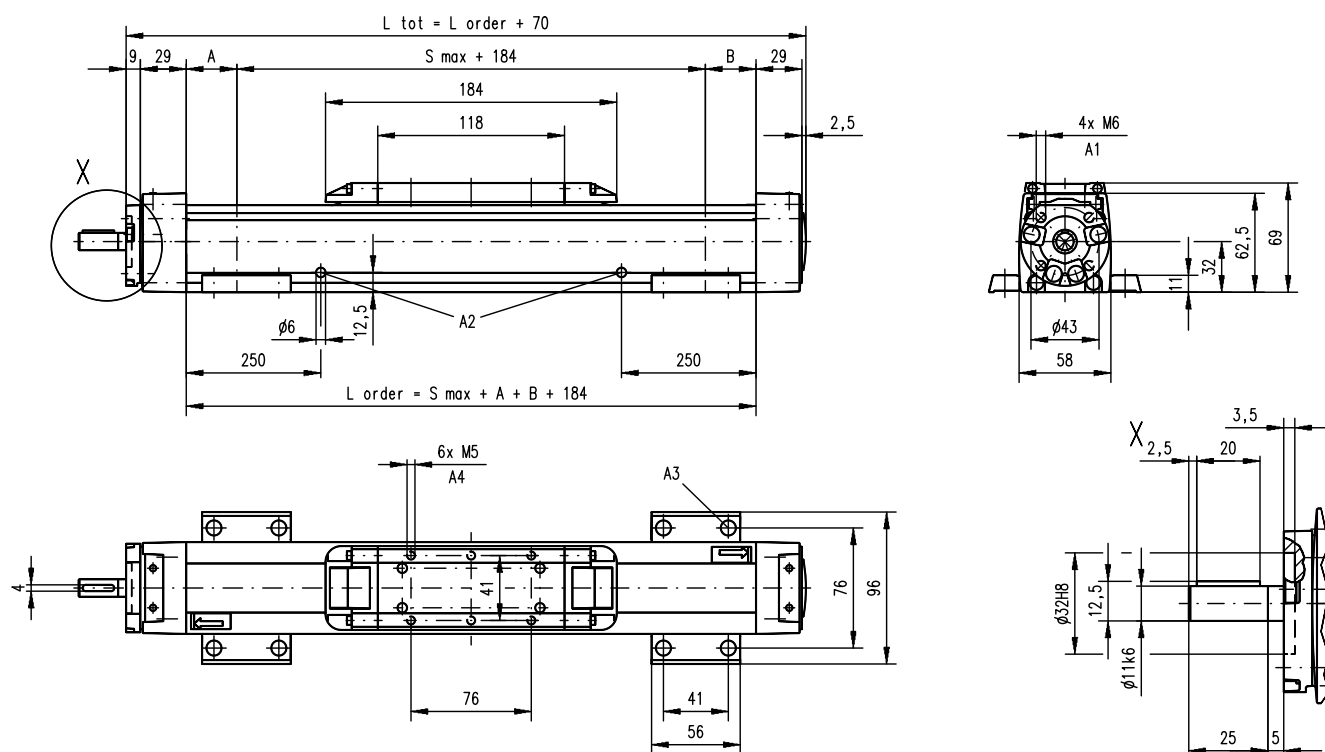
- 1: No screw support required
- 2: Single screw support required
- 3: Double screw supports required

Definition of Forces



M55

Ball Screw Drive, Slide Guide



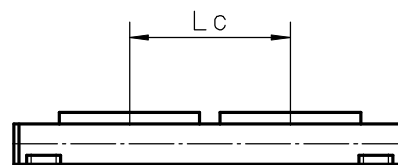
A1: depth 7,5, Heli coil
A2: lubrication holes

A3: ø9,5/ø5,5 for socket head cap screw M5
A4: depth 7,5, Heli coil

Screw support configuration	A [mm]	B [mm]	Ordering length (L order) [mm]	Total length (L tot) [mm]
No screw support	6	6	$L_{order} = S_{max} + A + B + 184$	$L_{tot} = L_{order} + 70$
Single screw support	32	32	$L_{order} = S_{max} + A + B + 184$	$L_{tot} = L_{order} + 70$
Double screw supports	83	83	$L_{order} = S_{max} + A + B + 184$	$L_{tot} = L_{order} + 70$

Double Carriages

Parameter		M55
Minimum distance between carriages (Lc)	[mm]	200
Dynamic load (Fy), maximum	[N]	600
Dynamic load (Fz), maximum	[N]	600
Dynamic load torque (My), maximum	[Nm]	$L_c^1 \times 0,3$
Dynamic load torque (Mz), maximum	[Nm]	$L_c^1 \times 0,3$
Force required to move second carriage	[N]	35
Weight of unit with zero stroke of carriages	[kg]	5,14 2,40



Screw support configuration	A [mm]	B [mm]	Ordering length (L order) [mm]	Total length (L tot) [mm]
No screw support	6	6	$L_{order} = S_{max} + A + B + L_c + 184$	$L_{tot} = L_{order} + 70$
Single screw support	32	32	$L_{order} = S_{max} + A + B + L_c + 184$	$L_{tot} = L_{order} + 70$
Double screw supports	83	83	$L_{order} = S_{max} + A + B + L_c + 184$	$L_{tot} = L_{order} + 70$

¹ Value in mm

M75

Ball Screw Drive, Slide Guide

- » Ordering key - see page 207
- » Accessories - see page 137
- » Additional data - see page 192

General Specifications

Parameter	M75
Profile size (w × h) [mm]	86 × 75
Type of screw	ball screw with single nut
Carriage sealing system	self-adjusting steel cover band
Screw supports	number of screw supports to be specified by customer at order
Lubrication	lubrication of ball screw
Included accessories	none

Performance Specifications

Parameter		M75
Stroke length (S max), maximum	[mm]	4000
Linear speed, maximum	[m/s]	1,6
Acceleration, maximum	[m/s ²]	8
Repeatability	[± mm]	0,05
Input speed, maximum ball nut units / composite nut units	[rpm]	5000 / 1500
Operation temperature limits	[°C]	-20 – 70
Dynamic load (Fx), maximum ball nut units / composite nut units	[N]	2500 / 1250
Dynamic load (Fy), maximum	[N]	1485 ¹
Dynamic load (Fz), maximum	[N]	1485 ¹
Dynamic load torque (Mx), maximum	[Nm]	49 ¹
Dynamic load torque (My), maximum	[Nm]	85 ¹
Dynamic load torque (Mz), maximum	[Nm]	85 ¹
Drive shaft force (Frd), maximum	[N]	600
Drive shaft torque (Mta), maximum	[Nm]	30
Screw diameter (d _o)	[mm]	20
Screw lead (p) ball nut units / composite nut units	[mm]	5, 12,7, 20 / 5
Weight	[kg]	
of unit with zero stroke		6,07
of every 100 mm of stroke		0,82
of carriage		1,70
of option single screw support		1,70
of option double screw supports		3,58

¹ Value for the complete unit

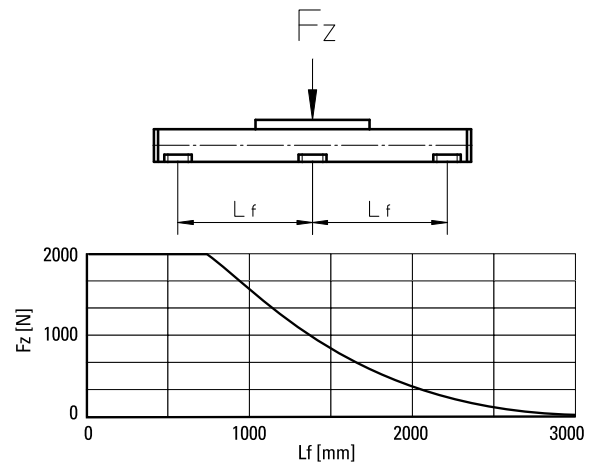
Carriage Idle Torque (M_{idle}) [Nm]

Input speed [rpm]	Screw lead [mm]			
	p = 5	p = 5 ¹	p = 12,7	p = 20
500 - no screw supports	0,10	0,20	0,24	0,37
500 - with screw supports	0,15	0,50	0,39	0,57

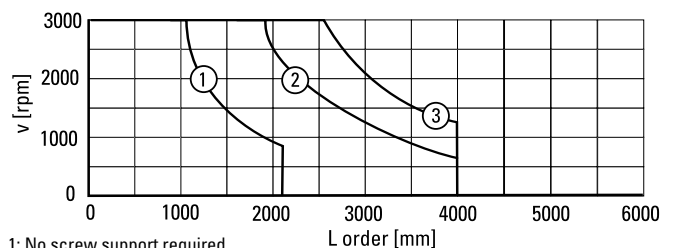
¹ Value for composite nut.

M_{idle} = the input torque needed to move the carriage with no load on it.

Deflection of the Profile



Critical Speed

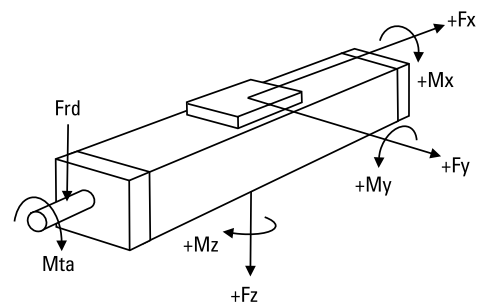


1: No screw support required

2: Single screw support required

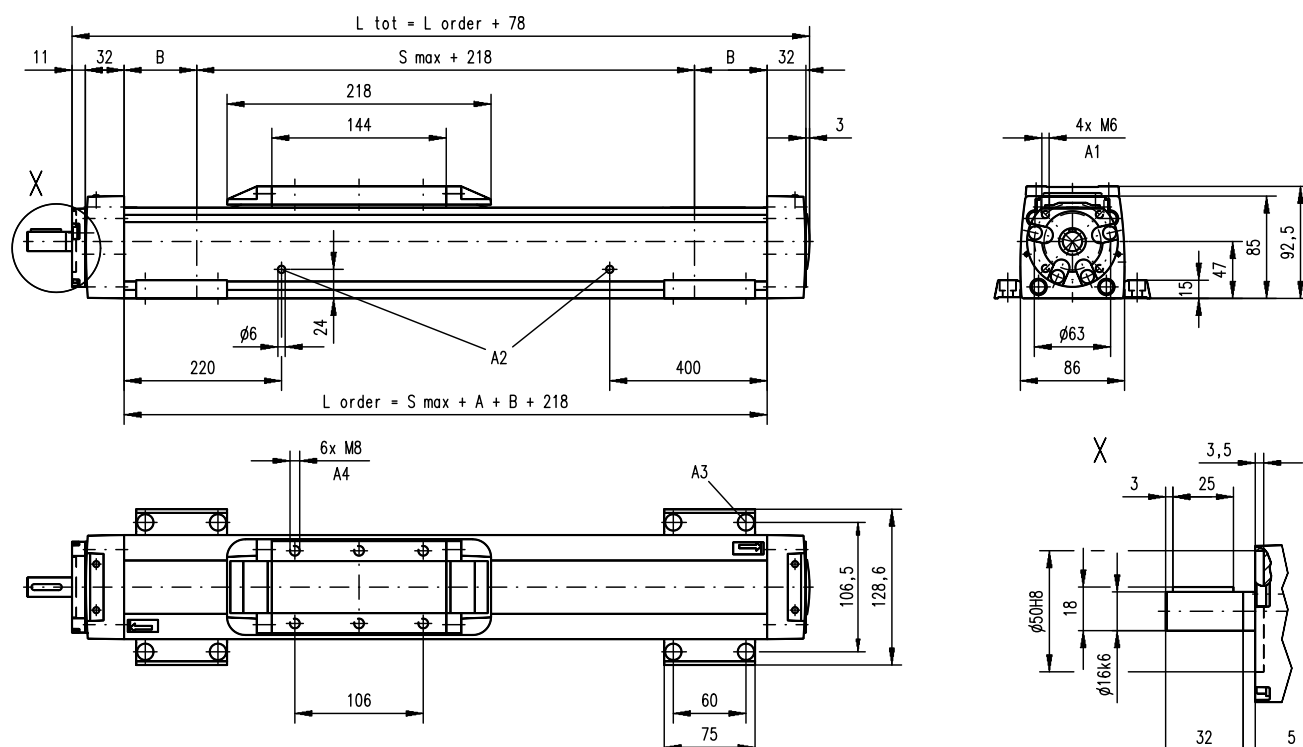
3: Double screw supports required

Definition of Forces



M75

Ball Screw Drive, Slide Guide



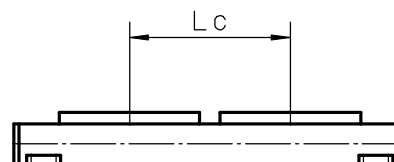
A1: depth 9, Heli coil
A2: lubrication holes

A3: ø13,5/ø8,5 for socket head cap screw M8
A4: depth 8, Heli coil

Screw support configuration	A [mm]	B [mm]	Ordering length (L order) [mm]	Total length (L tot) [mm]
No screw support	5	5	$L_{order} = S_{max} + A + B + 218$	$L_{tot} = L_{order} + 78$
Single screw support	60	60	$L_{order} = S_{max} + A + B + 218$	$L_{tot} = L_{order} + 78$
Double screw supports	126	126	$L_{order} = S_{max} + A + B + 218$	$L_{tot} = L_{order} + 78$

Double Carriages

Parameter	M75	
Minimum distance between carriages (Lc) [mm]		250
Dynamic load (Fy), maximum [N]		2227
Dynamic load (Fz), maximum [N]		2227
Dynamic load torque (My), maximum [Nm]		$L_c^1 \times 1,114$
Dynamic load torque (Mz), maximum [Nm]		$L_c^1 \times 1,114$
Force required to move second carriage [N]		40
Weight of unit with zero stroke of carriages [kg]		9,82 3,40



Screw support configuration	A [mm]	B [mm]	Ordering length (L order) [mm]	Total length (L tot) [mm]
No screw support	5	5	$L_{order} = S_{max} + A + B + L_c + 218$	$L_{tot} = L_{order} + 78$
Single screw support	60	60	$L_{order} = S_{max} + A + B + L_c + 218$	$L_{tot} = L_{order} + 78$
Double screw supports	126	126	$L_{order} = S_{max} + A + B + L_c + 218$	$L_{tot} = L_{order} + 78$

¹ Value in mm

M100

Ball Screw Drive, Slide Guide

» Ordering key - see page 207
 » Accessories - see page 137
 » Additional data - see page 192

General Specifications

Parameter	M100
Profile size (w × h) [mm]	108 × 100
Type of screw	ball screw with single nut
Carriage sealing system	self-adjusting steel cover band
Screw supports	number of screw supports to be specified by customer at order
Lubrication	lubrication of ball screw
Included accessories	none

Performance Specifications

Parameter		M100
Stroke length (S max), maximum	[mm]	6000
Linear speed, maximum	[m/s]	1,6
Acceleration, maximum	[m/s ²]	8
Repeatability	[± mm]	0,05
Input speed, maximum ball nut units / composite nut units	[rpm]	4000 / 1500
Operation temperature limits	[°C]	-20 – 70
Dynamic load (Fx), maximum ball nut units / composite nut units	[N]	5000 / 2000
Dynamic load (Fy), maximum	[N]	3005
Dynamic load (Fz), maximum	[N]	3005
Dynamic load torque (Mx), maximum	[Nm]	117
Dynamic load torque (My), maximum	[Nm]	279
Dynamic load torque (Mz), maximum	[Nm]	279
Drive shaft force (Frd), maximum	[N]	1000
Drive shaft torque (Mta), maximum	[Nm]	45
Screw diameter (d _o)	[mm]	25
Screw lead (p) ball nut units / composite nut units	[mm]	5, 10, 25 / 10, 25
Weight	[kg]	
of unit with zero stroke		12,87
of every 100 mm of stroke		1,42
of carriage		3,50
of option single screw support		1,86
of option double screw supports		4,42

¹ Value for the complete unit

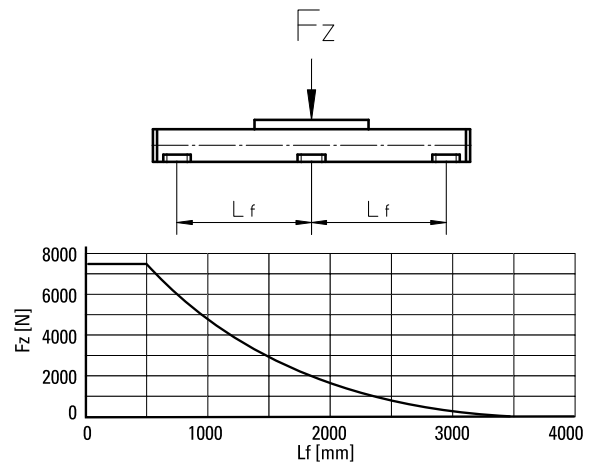
Carriage Idle Torque (M_{idle}) [Nm]

Input speed [rpm]	Screw lead [mm]				
	p = 5	p = 10	p = 10 ¹	p = 25	p = 25 ¹
500 - no screw supports	0,15	0,25	0,50	0,55	1,00
500 - with screw supports	0,25	0,40	0,80	0,85	1,30

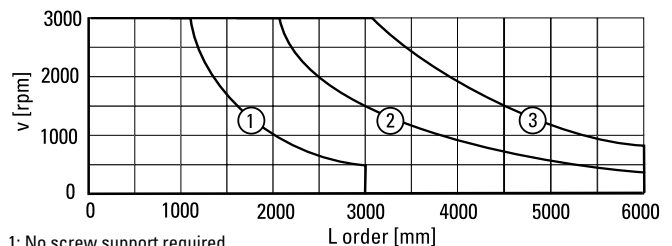
¹ Value for composite nut.

M_{idle} = the input torque needed to move the carriage with no load on it.

Deflection of the Profile



Critical Speed

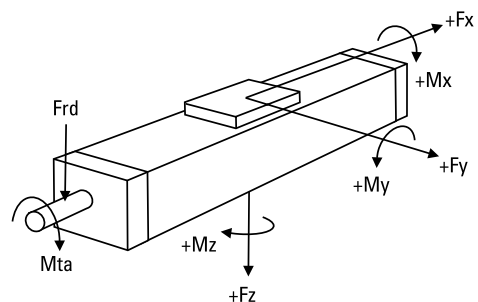


1: No screw support required

2: Single screw support required

3: Double screw supports required

Definition of Forces



M75D

Ball Screw Drive, Slide Guide, Double Ball Nuts

- » Ordering key - see page 208
- » Accessories - see page 137
- » Additional data - see page 192

General Specifications

Parameter	M75D
Profile size (w × h) [mm]	86 × 75
Type of screw	ball screw with double nut
Carriage sealing system	self-adjusting steel cover band
Screw supports	number of screw supports to be specified by customer at order
Lubrication	lubrication of ball screw
Included accessories	none

Performance Specifications

Parameter		M75D
Stroke length (S max), maximum	[mm]	3550
Linear speed, maximum	[m/s]	1,6
Acceleration, maximum	[m/s ²]	8
Repeatability	[± mm]	0,05
Input speed, maximum	[rpm]	5000
Operation temperature limits	[°C]	-20 – 70
Dynamic load (Fx), maximum	[N]	2500 ¹
Dynamic load (Fy), maximum	[N]	1485 ¹
Dynamic load (Fz), maximum	[N]	1485 ¹
Dynamic load torque (Mx), maximum	[Nm]	49 ¹
Dynamic load torque (My), maximum	[Nm]	85 ¹
Dynamic load torque (Mz), maximum	[Nm]	85 ¹
Drive shaft force (Frd), maximum	[N]	600
Drive shaft torque (Mta), maximum	[Nm]	30
Screw diameter (d ₀)	[mm]	20
Screw lead (p)	[mm]	5, 20
Weight	[kg]	
of unit with zero stroke		6,57
of every 100 mm of stroke		0,82
of carriage		1,70
of option single screw support		1,70
of option double screw supports		3,58

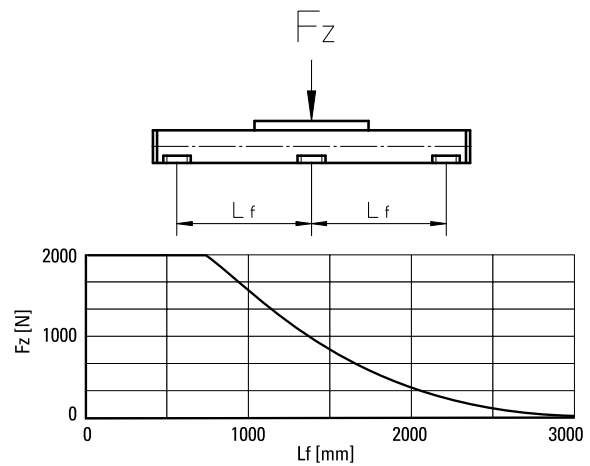
¹ Value for the complete unit

Carriage Idle Torque (M_{idle}) [Nm]

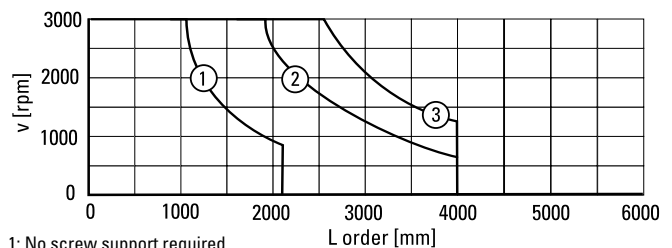
Input speed [rpm]	Screw lead [mm]	
	p = 5	p = 20
500 - no screw supports	0,15	0,5
500 - with screw supports	0,2	0,8

M_{idle} = the input torque needed to move the carriage with no load on it.

Deflection of the Profile

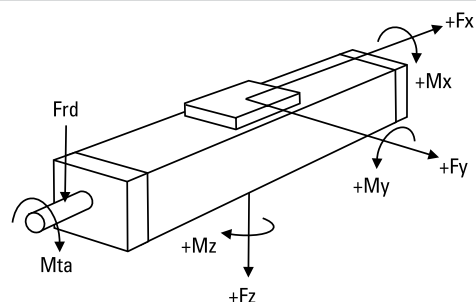


Critical Speed



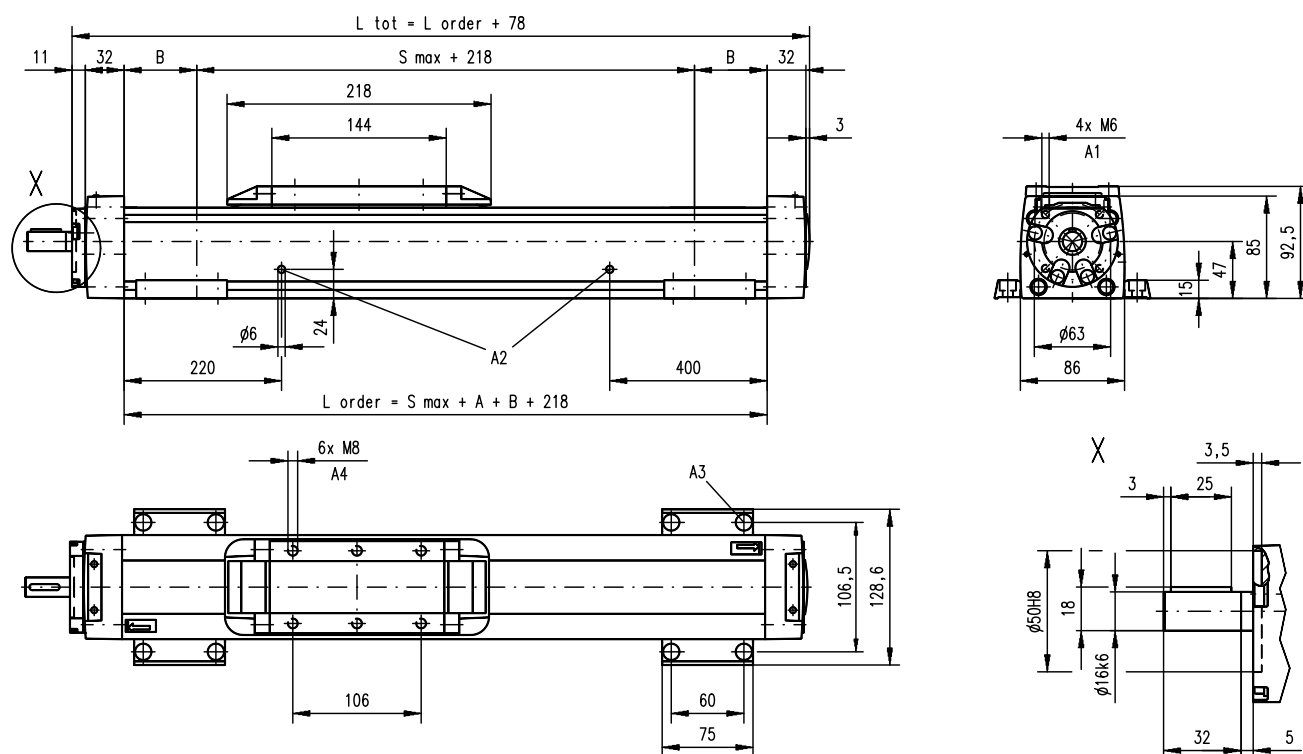
- 1: No screw support required
- 2: Single screw support required
- 3: Double screw supports required

Definition of Forces



M75D

Ball Screw Drive, Slide Guide, Double Ball Nuts



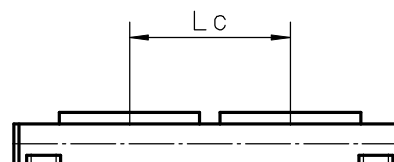
A1: depth 9, Heli coil
A2: lubrication holes

A3: ø13,5/ø8,5 for socket head cap screw M8
A4: depth 8, Heli coil

Screw support configuration	A [mm]	B [mm]	Ordering length (L order) [mm]	Total length (L tot) [mm]
No screw support	5	76	$L_{order} = S_{max} + A + B + 218$	$L_{tot} = L_{order} + 78$
Single screw support	60	151	$L_{order} = S_{max} + A + B + 218$	$L_{tot} = L_{order} + 78$
Double screw supports	126	216	$L_{order} = S_{max} + A + B + 218$	$L_{tot} = L_{order} + 78$

Double Carriages

Parameter	M75D	
Minimum distance between carriages (Lc) [mm]		250
Dynamic load (Fy), maximum [N]		2227
Dynamic load (Fz), maximum [N]		2227
Dynamic load torque (My), maximum [Nm]		$L_c^1 \times 1,114$
Dynamic load torque (Mz), maximum [Nm]		$L_c^1 \times 1,114$
Force required to move second carriage [N]		40
Weight of unit with zero stroke of carriages [kg]		6,92 3,4



Screw support configuration	A [mm]	B [mm]	Ordering length (L order) [mm]	Total length (L tot) [mm]
No screw support	5	76	$L_{order} = S_{max} + A + B + L_c + 218$	$L_{tot} = L_{order} + 78$
Single screw support	60	151	$L_{order} = S_{max} + A + B + L_c + 218$	$L_{tot} = L_{order} + 78$
Double screw supports	126	216	$L_{order} = S_{max} + A + B + L_c + 218$	$L_{tot} = L_{order} + 78$

¹ Value in mm

M100D

Ball Screw Drive, Slide Guide, Double Ball Nuts

- » Ordering key - see page 208
- » Accessories - see page 137
- » Additional data - see page 192

General Specifications

Parameter	M100D
Profile size (w × h) [mm]	108 × 100
Type of screw	ball screw with double nut
Carriage sealing system	self-adjusting steel cover band
Screw supports	number of screw supports to be specified by customer at order
Lubrication	lubrication of ball screw
Included accessories	none

Performance Specifications

Parameter		M100D
Stroke length (S max), maximum	[mm]	6000
Linear speed, maximum	[m/s]	1,6
Acceleration, maximum	[m/s ²]	8
Repeatability	[± mm]	0,05
Input speed, maximum	[rpm]	4000
Operation temperature limits	[°C]	-20 – 70
Dynamic load (Fx), maximum	[N]	5000
Dynamic load (Fy), maximum	[N]	3005 ¹
Dynamic load (Fz), maximum	[N]	3005 ¹
Dynamic load torque (Mx), maximum	[Nm]	117 ¹
Dynamic load torque (My), maximum	[Nm]	279 ¹
Dynamic load torque (Mz), maximum	[Nm]	279 ¹
Drive shaft force (Frd), maximum	[N]	100
Drive shaft torque (Mta), maximum	[Nm]	45
Screw diameter (d ₀)	[mm]	25
Screw lead (p)	[mm]	5, 10, 25
Weight	[kg]	
of unit with zero stroke		13,87
of every 100 mm of stroke		1,42
of carriage		3,50
of option single screw support		1,86
of option double screw supports		4,42

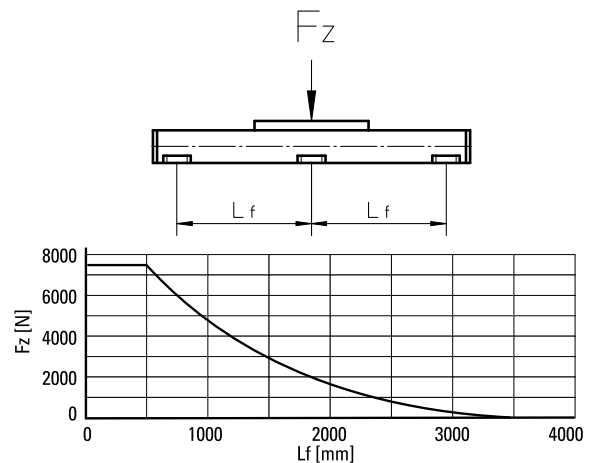
¹ Value for the complete unit

Carriage Idle Torque (M_{idle}) [Nm]

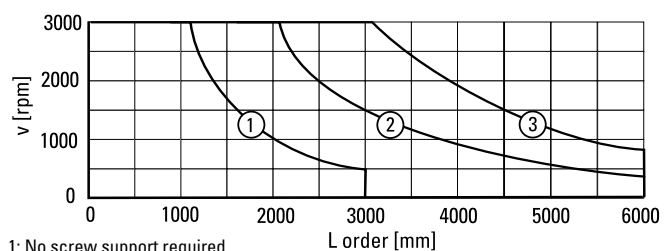
Input speed [rpm]	Screw lead [mm]		
	p = 5	p = 10	p = 25
500 - no screw supports	0,2	0,4	0,8
500 - with screw supports	0,4	0,6	1,3

M_{idle} = the input torque needed to move the carriage with no load on it.

Deflection of the Profile

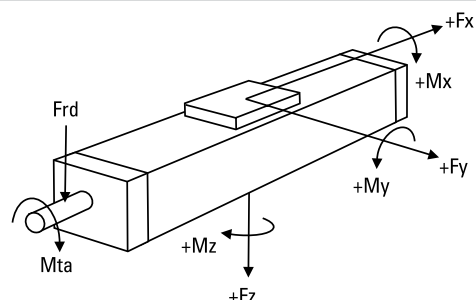


Critical Speed



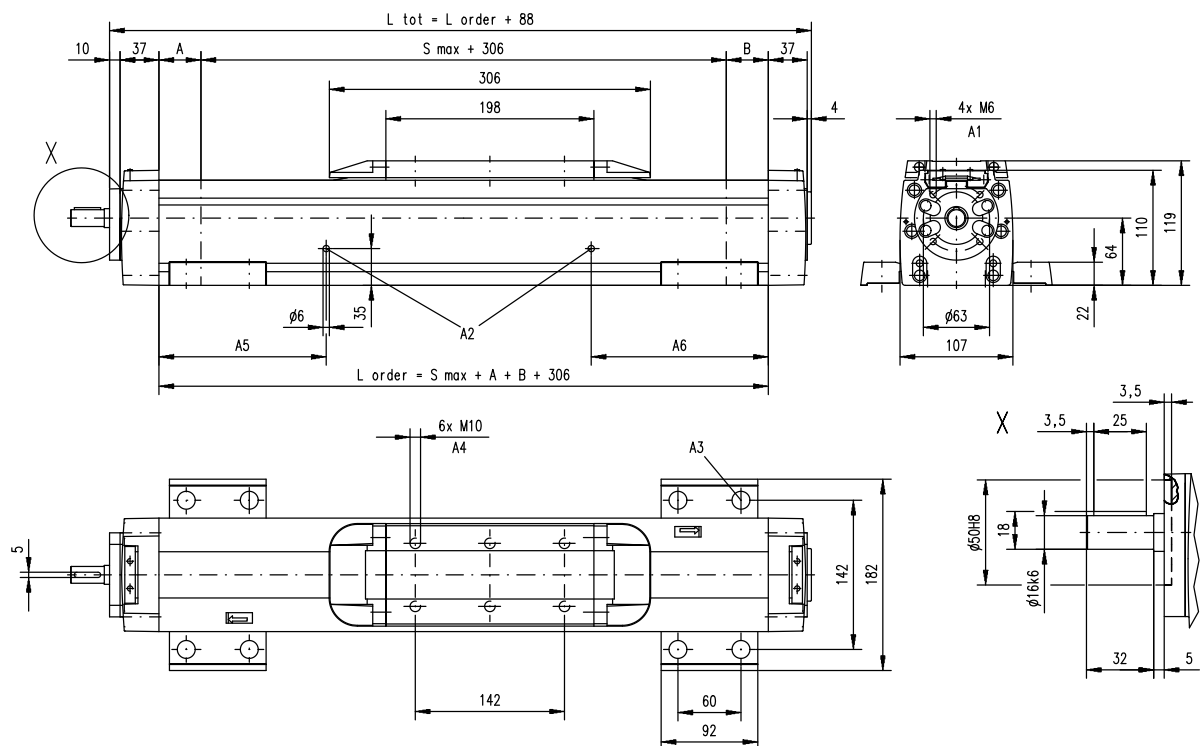
- 1: No screw support required
- 2: Single screw support required
- 3: Double screw supports required

Definition of Forces



M100D

Ball Screw Drive, Slide Guide, Double Ball Nuts



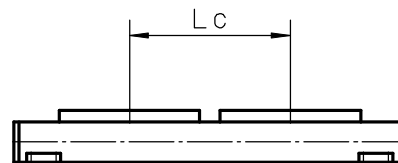
A1: depth 9, Heli coil
 A2: lubrication holes
 A3: $\phi 17/\phi 10,5$ for socket head cap screw M10

A4: depth 10, Heli coil
 A5: 100 (L order \leq 1 m), 320 (L order $>$ 1 m)
 A6: 100 (L order \leq 1 m), 430 (L order $>$ 1 m)

Screw support configuration	A [mm]	B [mm]	Ordering length (L order) [mm]	Total length (L tot) [mm]
No screw support	1	59	$L_{order} = S_{max} + A + B + 306$	$L_{tot} = L_{order} + 88$
Single screw support	31	117	$L_{order} = S_{max} + A + B + 306$	$L_{tot} = L_{order} + 88$
Double screw supports	86	172	$L_{order} = S_{max} + A + B + 306$	$L_{tot} = L_{order} + 88$

Double Carriages

Parameter	M100D
Minimum distance between carriages (Lc) [mm]	350
Dynamic load (Fy), maximum [N]	4508
Dynamic load (Fz), maximum [N]	4508
Dynamic load torque (My), maximum [Nm]	$L_c^1 \times 2,254$
Dynamic load torque (Mz), maximum [Nm]	$L_c^1 \times 2,254$
Force required to move second carriage [N]	45
Weight of unit with zero stroke of carriages [kg]	15,43



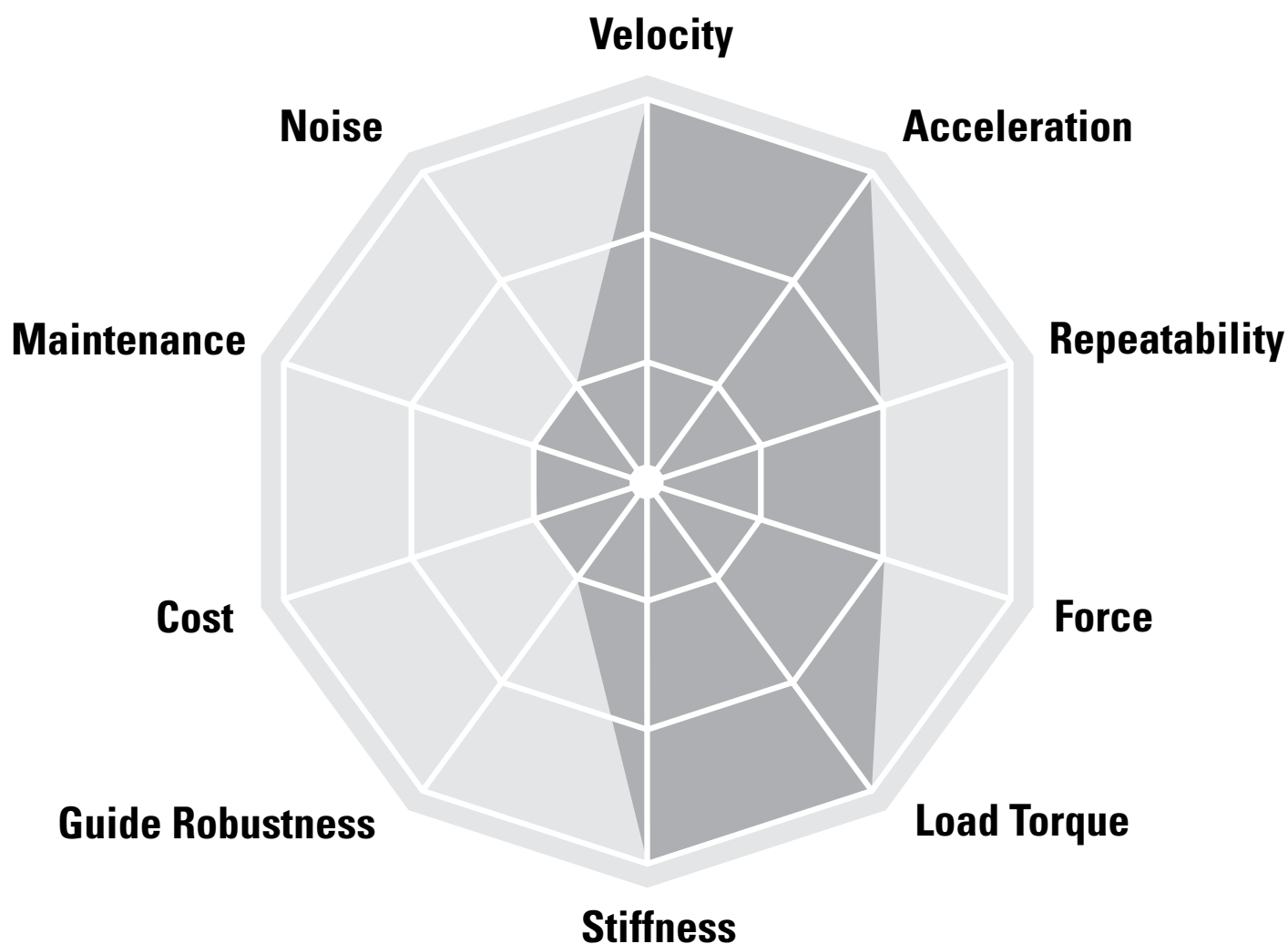
Screw support configuration	A [mm]	B [mm]	Ordering length (L order) [mm]	Total length (L tot) [mm]
No screw support	1	59	$L_{order} = S_{max} + A + B + L_c + 306$	$L_{tot} = L_{order} + 88$
Single screw support	31	117	$L_{order} = S_{max} + A + B + L_c + 306$	$L_{tot} = L_{order} + 88$
Double screw supports	86	172	$L_{order} = S_{max} + A + B + L_c + 306$	$L_{tot} = L_{order} + 88$

¹ Value in mm



Linear Units with Belt Drive and Ball Guide

SpeedLine, Movopart, ForceLine, Microstage



Typical Applications

Typical applications are where medium accuracy, speed and load capability is required. Typical examples are cutting, welding, glueing and assembly operations and in materials handling applications such as palletizing and pick and place operations.

SpeedLine WH



Features

- Can be installed in all directions
- Stroke up to 2 m
- Acceleration up to 40 m/s²
- Compact

Parameter		WH40
Profile size (width × height)	[mm]	40 × 40
Stroke length (S max), maximum	[mm]	2000
Linear speed, maximum	[m/s]	3,0
Dynamic carriage load (Fz), maximum	[N]	600
Remarks		no cover band
Page		68

PowerLine WMZ



Features

- Can be installed in all directions
- Stroke up to 5,5 m
- Speed up to 5 m/s
- Patented plastic cover band

Parameter		WM60Z	WM80Z
Profile size (width × height)	[mm]	60 × 60	80 × 80
Stroke length (S max), maximum	[mm]	4000	5500
Linear speed, maximum	[m/s]	2,5	5,0
Dynamic carriage load (Fz), maximum	[N]	1400	2100
Remarks			
Page		70	72

Movopart M



Features

- Can be installed in all directions
- Self-adjusting stainless steel cover band
- Stroke up to 12 m
- Wash down protected versions available

Parameter		M55	M75	M100
Profile size (width × height)	[mm]	58 × 55	86 × 75	108 × 100
Stroke length (S max), maximum	[mm]	7000	12000	12000
Linear speed, maximum	[m/s]	5,0	5,0	5,0
Dynamic carriage load (Fz), maximum	[N]	750	1750	4000
Remarks				
Page		76	78	80

ForceLine MLSM



Features

- Can be installed in all directions
- Patented plastic cover band
- High load capabilities
- Low profile height

Parameter		MLS80Z
Profile size (width × height)	[mm]	240 × 85
Stroke length (S max), maximum	[mm]	5900
Linear speed, maximum	[m/s]	5,0
Dynamic carriage load (Fz), maximum	[N]	6400
Remarks		
Page		82

WMZ-Series Technical Presentation

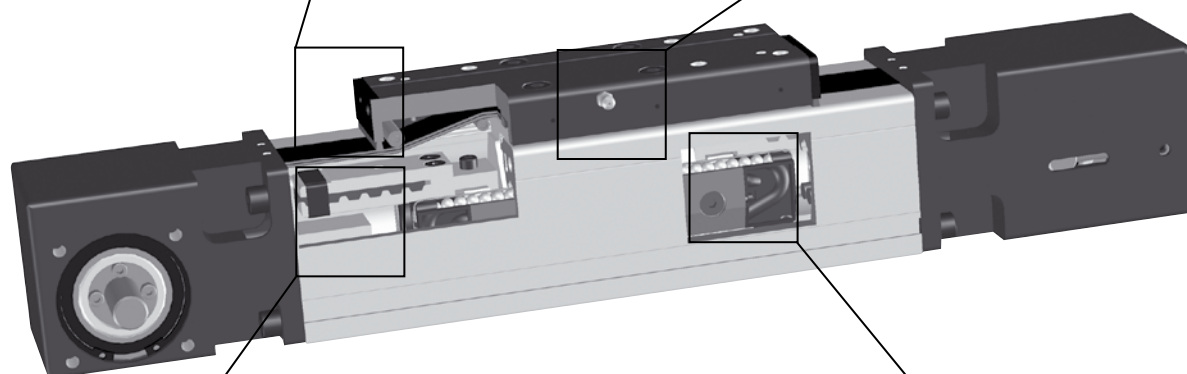
Cover band

The patented self-adjusting cover band protect the interior of the unit from the penetration of dirt, dust and liquids.



Central lubrication

One central lubrication point on the carriage services the entire unit resulting in a minimum maintenance required.



Belt drive

The belt is protected from the outside ensuring long, accurate and safe operation.



Ball guides

Integrated patented ball guides with hardened steel tracks for optimum performance.

WH40

Belt Drive, Ball Guide

- » Ordering key - see page 209
- » Accessories - see page 137
- » Additional data - see page 192

General Specifications

Parameter	WH40
Profile size (w × h) [mm]	40 × 40
Type of belt	10 AT 5
Carriage sealing system	none
Adjustable belt tensioning	the belt can be retensioned by the customer if necessary
Lubrication	central lubrication of all parts that require lubrication
Included accessories	4 × mounting clamps

Performance Specifications

Parameter		WH40
Stroke length (S max), maximum	[mm]	2000
Linear speed, maximum	[m/s]	3,0
Acceleration, maximum	[m/s ²]	40
Repeatability	[± mm]	0,05
Input speed, maximum	[rpm]	1800
Operation temperature limits	[°C]	0 – 80
Dynamic load (Fx), maximum	[N]	315 ¹
Dynamic load (Fy), maximum	[N]	450 ¹ / 5300 ²
Dynamic load (Fz), maximum	[N]	600 ¹ / 6790 ²
Dynamic load torque (Mx), maximum	[Nm]	10 ¹ / 32 ²
Dynamic load torque (My), maximum	[Nm]	30 ¹ / 190 ²
Dynamic load torque (Mz), maximum	[Nm]	30 ¹ / 190 ²
Drive shaft force (Frd), maximum	[N]	100
Drive shaft torque (Mta), maximum	[Nm]	6
Pulley diameter	[mm]	31,83
Stroke per shaft revolution	[mm]	100
Weight	[kg]	
of unit with zero stroke		1,19
of every 100 mm of stroke		0,15
of each carriage		0,28

¹ Value for the complete unit, also see diagram Force Fx

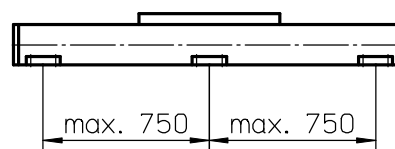
² Value for the ball guide only

Carriage Idle Torque, (M idle) [Nm]

Input speed [rpm]	Idle torque [Nm]
150	0,1
900	0,3
1800	0,6

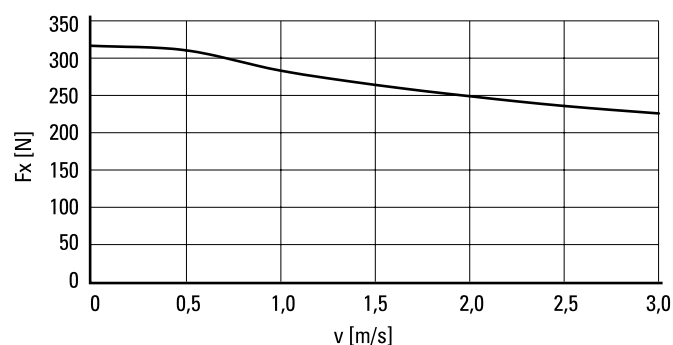
M idle = the input torque needed to move the carriage with no load on it.

Deflection of the Profile

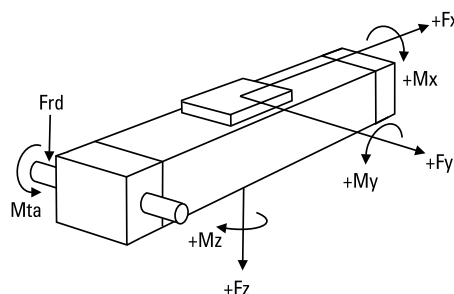


A mounting clamp must be installed at least at every 750 mm to be able to operate the maximum load. Less clamps may be required if less load is being operated, see the additional technical data for more information.

Force Fx as a Function of the Speed

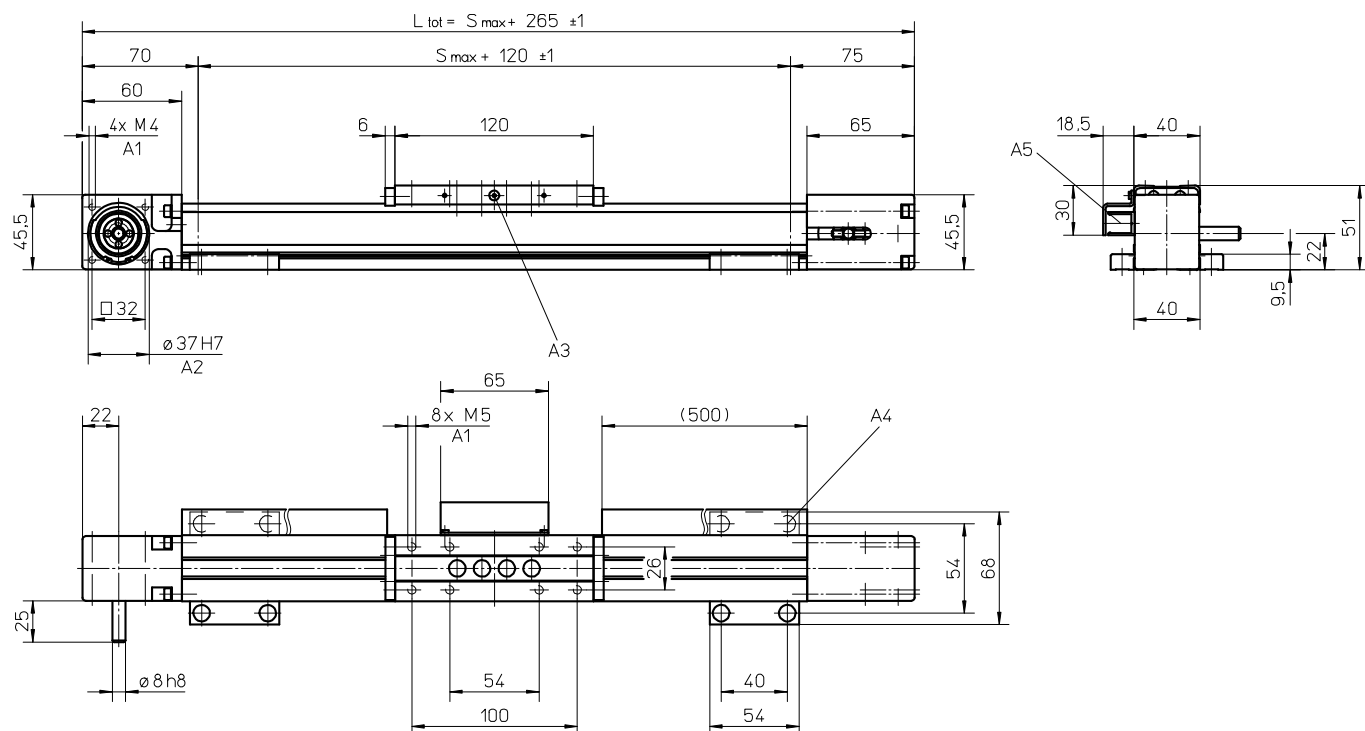


Definition of Forces



WH40

Belt Drive, Ball Guide

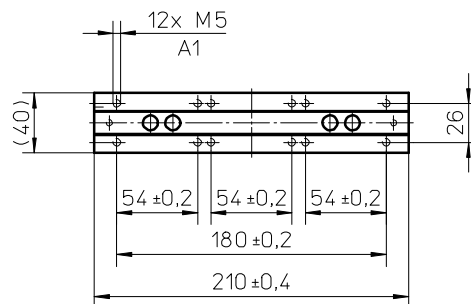


A1: depth 10
 A2: depth 3
 A3: lubricating nipple on both sides

A4: socket cap screw ISO4762-M5×12 8.8
 A5: ENF inductive sensor rail option kit (optional)

Long Carriage

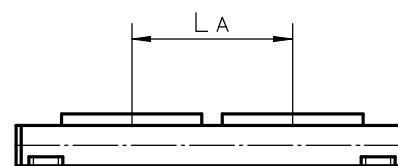
Parameter	WH40	
Carriage length	[mm]	210
Dynamic load torque (My), maximum	[Nm]	50
Dynamic load torque (Mz), maximum	[Nm]	50
Weight	[kg]	0,43



A1: depth 10

Double Carriages

Parameter	WH40	
Minimum distance between carriages (L _A)	[mm]	135
Dynamic load (F _y), maximum	[N]	900
Dynamic load (F _z), maximum	[N]	1200
Dynamic load torque (My), maximum	[Nm]	L A ¹ × 0,45
Dynamic load torque (Mz), maximum	[Nm]	L A ¹ × 0,60
Force required to move second carriage	[N]	2
Total length (L _{tot})	[mm]	S _{max} + 265 + L A



¹ Value in mm

WM60Z

Belt Drive, Ball Guide, Short Carriage

- » Ordering key - see page 210
- » Accessories - see page 137
- » Additional data - see page 192

General Specifications

Parameter	WM60Z
Profile size (w × h) [mm]	60 × 60
Type of belt	20 ATL 5
Carriage sealing system	self-adjusting plastic cover band
Adjustable belt tensioning	the belt can be retensioned by the customer if necessary
Lubrication	central lubrication of all parts that require lubrication
Included accessories	4 × mounting clamps

Performance Specifications

Parameter		WM60Z
Stroke length (S max), maximum	[mm]	4000
Linear speed, maximum	[m/s]	2,5
Acceleration, maximum	[m/s ²]	20
Repeatability	[± mm]	0,05
Input speed, maximum	[rpm]	1250
Operation temperature limits	[°C]	0 – 80
Dynamic load (Fx), maximum	[N]	850
Dynamic load (Fy), maximum	[N]	1400 ¹ / 25930 ²
Dynamic load (Fz), maximum	[N]	1400 ¹ / 23870 ²
Dynamic load torque (Mx), maximum	[Nm]	25 ¹ / 420 ²
Dynamic load torque (My), maximum	[Nm]	50 ¹ / 330 ²
Dynamic load torque (Mz), maximum	[Nm]	50 ¹ / 360 ²
Drive shaft force (Frd), maximum	[N]	150
Drive shaft torque (Mta), maximum	[Nm]	17
Pulley diameter	[mm]	38,20
Stroke per shaft revolution	[mm]	120
Weight	[kg]	
of unit with zero stroke		4,30
of every 100 mm of stroke		0,45
of each carriage		1,25

¹ Value for the complete unit, also see diagram Force Fx

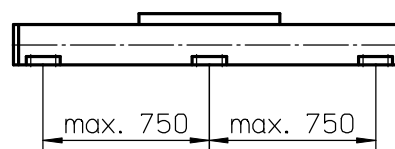
² Value for the ball guide only

Carriage Idle Torque, (M idle) [Nm]

Input speed [rpm]	Idle torque [Nm]
150	1,6
600	2,5
1250	3,0

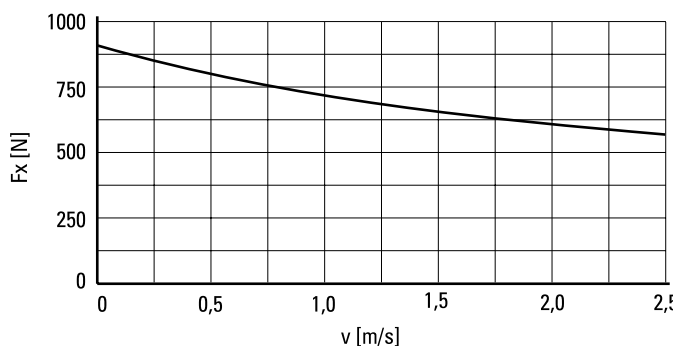
M idle = the input torque needed to move the carriage with no load on it.

Deflection of the Profile

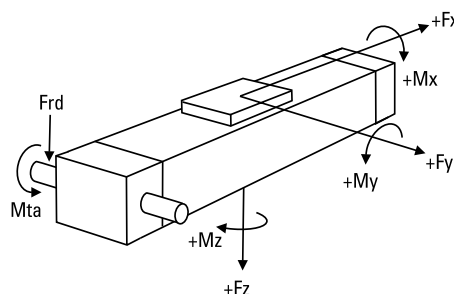


A mounting clamp must be installed at least at every 750 mm to be able to operate the maximum load. Less clamps may be required if less load is being operated, see the additional technical data for more information.

Force Fx as a Function of the Speed

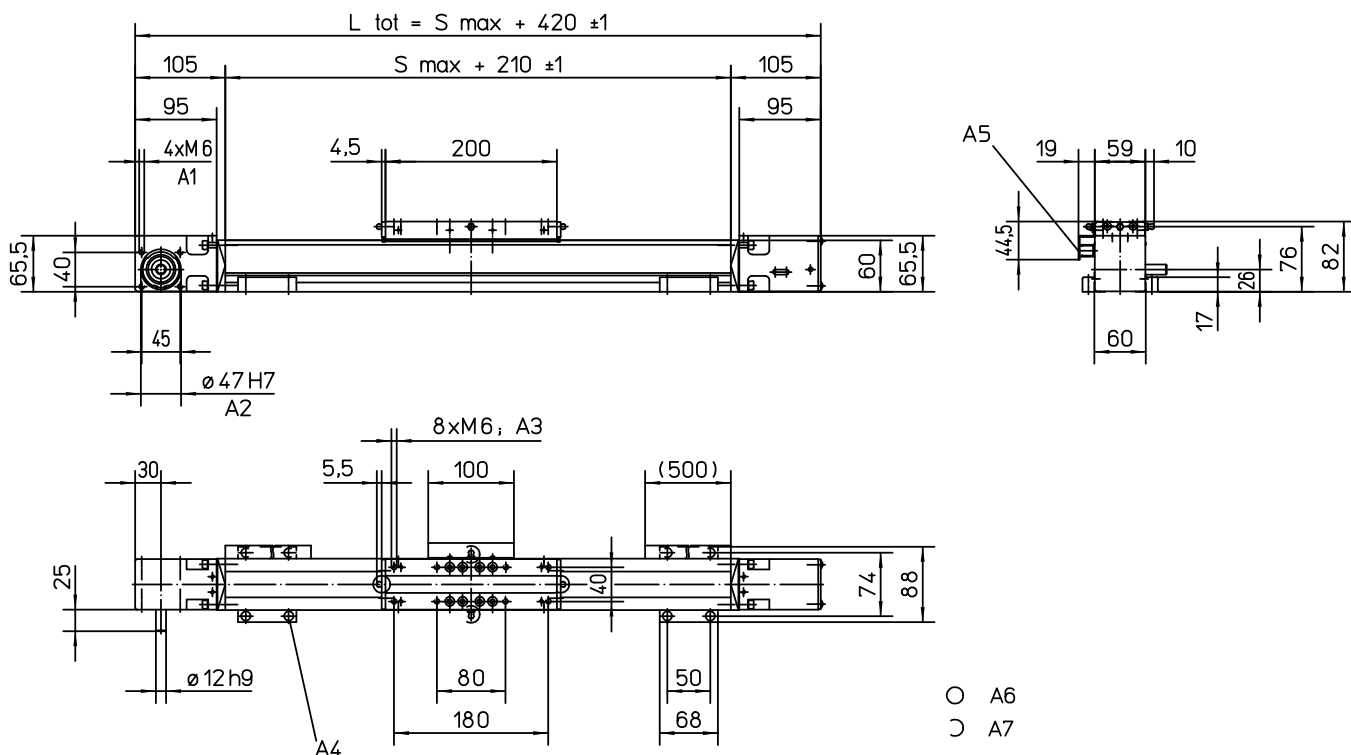


Definition of Forces



WM60Z

Belt Drive, Ball Guide, Short Carriage



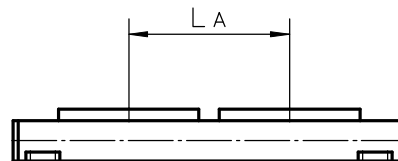
A1: depth 15
 A2: depth 4
 A3: depth 11
 A4: socket cap screw ISO4762-M6x20 8.8

A5: ENF inductive sensor rail option kit (optional)
 A6: tapered lubricating nipple to DIN71412 AM6 on fixed-bearing side as standard feature
 A7: can be changed over to one of three alternative lubrications points by the customer

Double Short Carriages

Parameter		WM60Z
Minimum distance between carriages (L _A)	[mm]	255
Dynamic load (F _y), maximum	[N]	2800
Dynamic load (F _z), maximum	[N]	2800
Dynamic load torque (M _y), maximum	[Nm]	L A ¹ × 1,4
Dynamic load torque (M _z), maximum	[Nm]	L A ¹ × 1,4
Force required to move second carriage	[N]	180
Total length (L _{tot})	[mm]	S max + 420 + L A

¹ Value in mm



WM80Z

Belt Drive, Ball Guide, Standard Carriage

- » Ordering key - see page 210
- » Accessories - see page 137
- » Additional data - see page 192

General Specifications

Parameter	WM80Z
Profile size (w × h) [mm]	80 × 80
Type of belt	25 AT 10
Carriage sealing system	self-adjusting plastic cover band
Adjustable belt tensioning	the belt can be retensioned by the customer if necessary
Lubrication	central lubrication of all parts that require lubrication
Included accessories	4 × mounting clamps

Performance Specifications

Parameter		WM80Z
Stroke length (S max), maximum	[mm]	5400
Linear speed, maximum	[m/s]	5,0
Acceleration, maximum	[m/s ²]	20
Repeatability	[± mm]	0,05
Input speed, maximum	[rpm]	885
Operation temperature limits	[°C]	0 – 80
Dynamic load (F _x), maximum	[N]	1470
Dynamic load (F _y), maximum	[N]	3000 ¹ / 57420 ²
Dynamic load (F _z), maximum	[N]	3000 ¹ / 54960 ²
Dynamic load torque (M _x), maximum	[Nm]	150 ¹ / 1370 ²
Dynamic load torque (M _y), maximum	[Nm]	300 ¹ / 4200 ²
Dynamic load torque (M _z), maximum	[Nm]	300 ¹ / 4390 ²
Drive shaft force (F _{rd}), maximum	[N]	600
Drive shaft torque (M _{ta}), maximum	[Nm]	40
Pulley diameter	[mm]	54,11
Stroke per shaft revolution	[mm]	170
Weight	[kg]	
of unit with zero stroke		11,2
of every 100 mm of stroke		0,8
of each carriage		3,4

¹ Value for the complete unit, also see diagram Force F_x

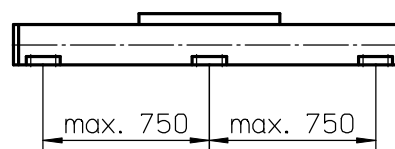
² Value for the ball guide only

Carriage Idle Torque, (M_{idle}) [Nm]

Input speed [rpm]	Idle torque [Nm]
150	6,5
450	7,7
885	9,3

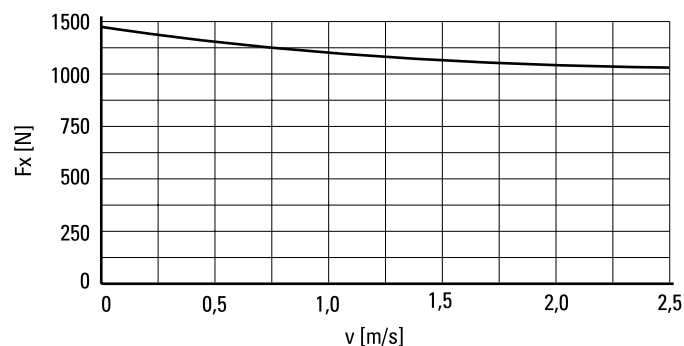
M_{idle} = the input torque needed to move the carriage with no load on it.

Deflection of the Profile

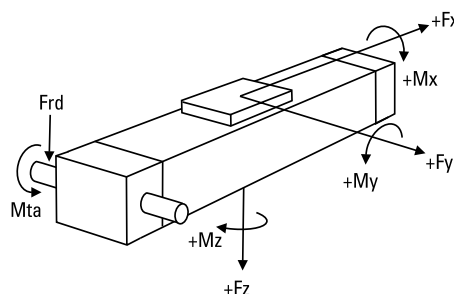


A mounting clamp must be installed at least at every 750 mm to be able to operate the maximum load. Less clamps may be required if less load is being operated, see the additional technical data for more information.

Force F_x as a Function of the Speed

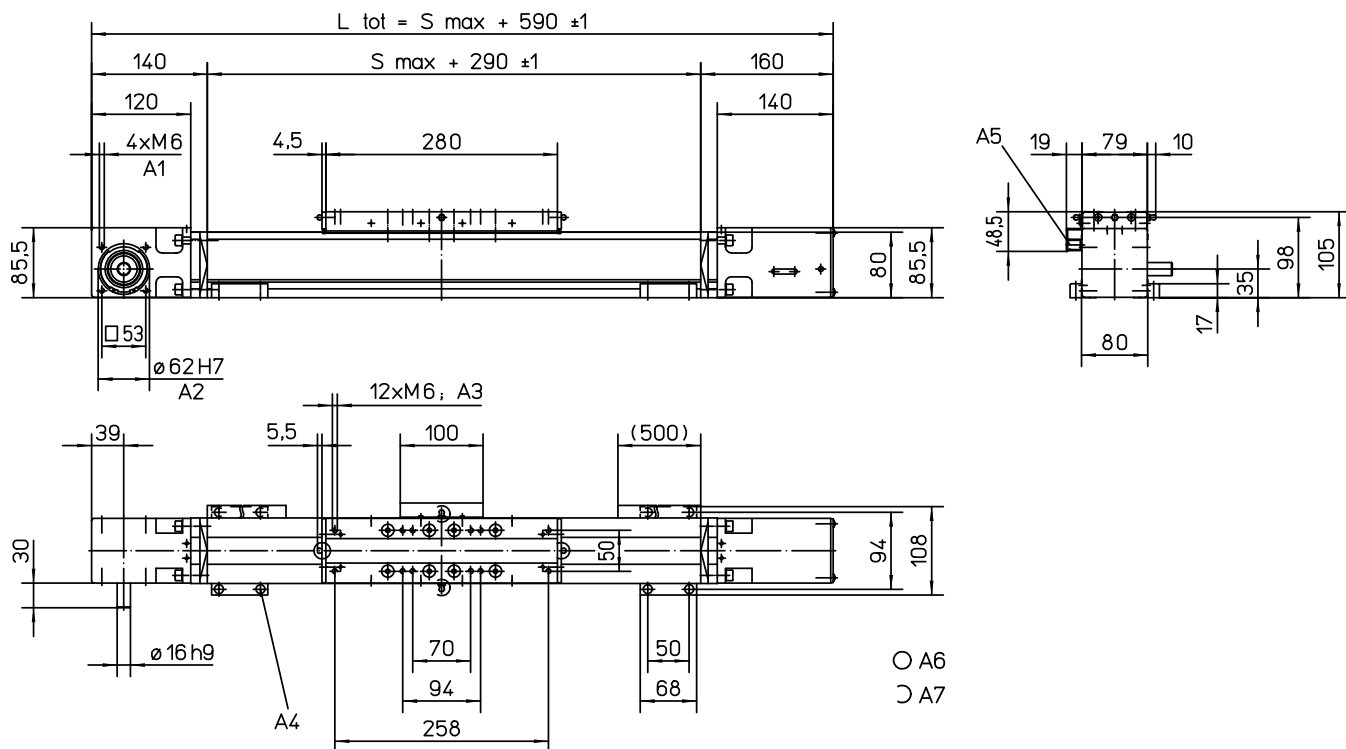


Definition of Forces



WM80Z

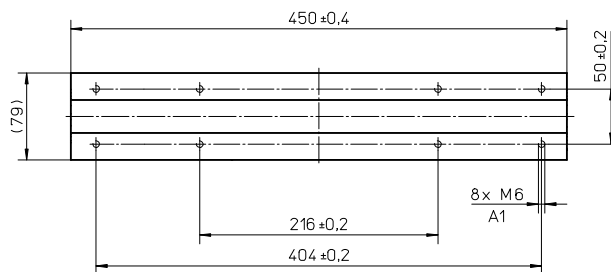
Belt Drive, Ball Guide, Standard Carriage



- A1: depth 15
- A2: depth 2,5
- A3: depth 12
- A4: socket cap screw ISO4762-M6x20 8.8

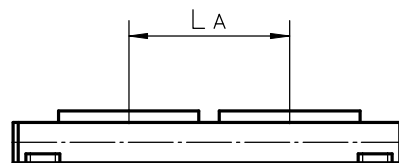
- A5: ENF inductive sensor rail option kit (optional)
- A6: tapered lubricating nipple to DIN71412 AM6 on fixed-bearing side as standard feature
- A7: can be changed over to one of three alternative lubrications points by the customer

Long Carriage		
Parameter		WM80Z
Carriage length	[mm]	450
Dynamic load torque (My), maximum	[Nm]	750
Dynamic load torque (Mz), maximum	[Nm]	750
Weight	[kg]	5,1



A1: depth 12 mm

Double Carriages		
Parameter		WM80Z
Minimum distance between carriages (LA)	[mm]	360
Dynamic load (Fy), maximum	[N]	6000
Dynamic load (Fz), maximum	[N]	6000
Dynamic load torque (My), maximum	[Nm]	$L A^1 \times 3$
Dynamic load torque (Mz), maximum	[Nm]	$L A^1 \times 3$
Force required to move second carriage	[N]	250
Total length (L tot)	[mm]	$S_{max} + 590 + L A$



¹ Value in mm

WM80Z

Belt Drive, Ball Guide, Short Carriage

- » Ordering key - see page 210
- » Accessories - see page 137
- » Additional data - see page 192

General Specifications

Parameter	WM80Z
Profile size (w × h) [mm]	80 × 80
Type of belt	25 AT 10
Carriage sealing system	self-adjusting plastic cover band
Adjustable belt tensioning	the belt can be retensioned by the customer if necessary
Lubrication	central lubrication of all parts that require lubrication
Included accessories	4 × mounting clamps

Performance Specifications

Parameter		WM80Z
Stroke length (S max), maximum	[mm]	5500
Linear speed, maximum	[m/s]	5,0
Acceleration, maximum	[m/s ²]	20
Repeatability	[± mm]	0,05
Input speed, maximum	[rpm]	885
Operation temperature limits	[°C]	0 – 80
Dynamic load (F _x), maximum	[N]	1470
Dynamic load (F _y), maximum	[N]	2100 ¹ / 37450 ²
Dynamic load (F _z), maximum	[N]	2100 ¹ / 35840 ²
Dynamic load torque (M _x), maximum	[Nm]	68 ¹ / 890 ²
Dynamic load torque (M _y), maximum	[Nm]	135 ¹ / 580 ²
Dynamic load torque (M _z), maximum	[Nm]	135 ¹ / 610 ²
Drive shaft force (F _{rd}), maximum	[N]	600
Drive shaft torque (M _{ta}), maximum	[Nm]	40
Pulley diameter	[mm]	54,11
Stroke per shaft revolution	[mm]	170
Weight	[kg]	
of unit with zero stroke		9,2
of every 100 mm of stroke		0,8
of each carriage		2,1

¹ Value for the complete unit, also see diagram Force F_x

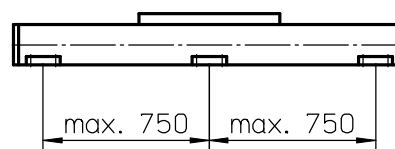
² Value for the ball guide only

Carriage Idle Torque, (M_{idle}) [Nm]

Input speed [rpm]	Idle torque [Nm]
150	4,0
450	5,4
885	6,2

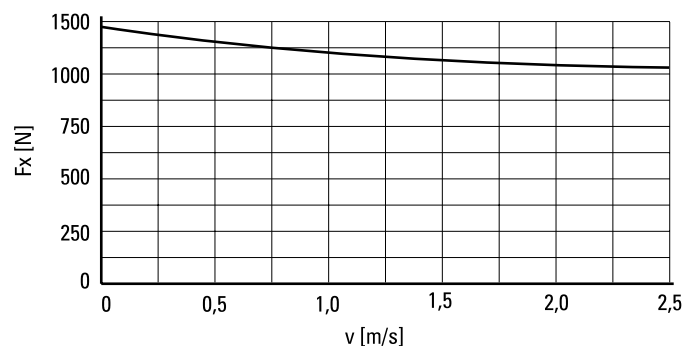
M_{idle} = the input torque needed to move the carriage with no load on it.

Deflection of the Profile

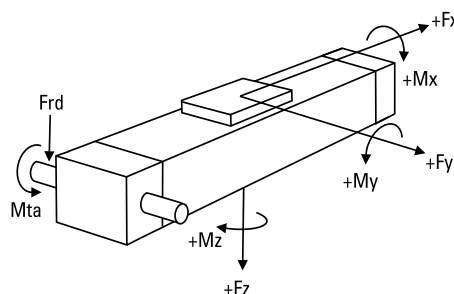


A mounting clamp must be installed at least at every 750 mm to be able to operate the maximum load. Less clamps may be required if less load is being operated, see the additional technical data for more information.

Force F_x as a Function of the Speed

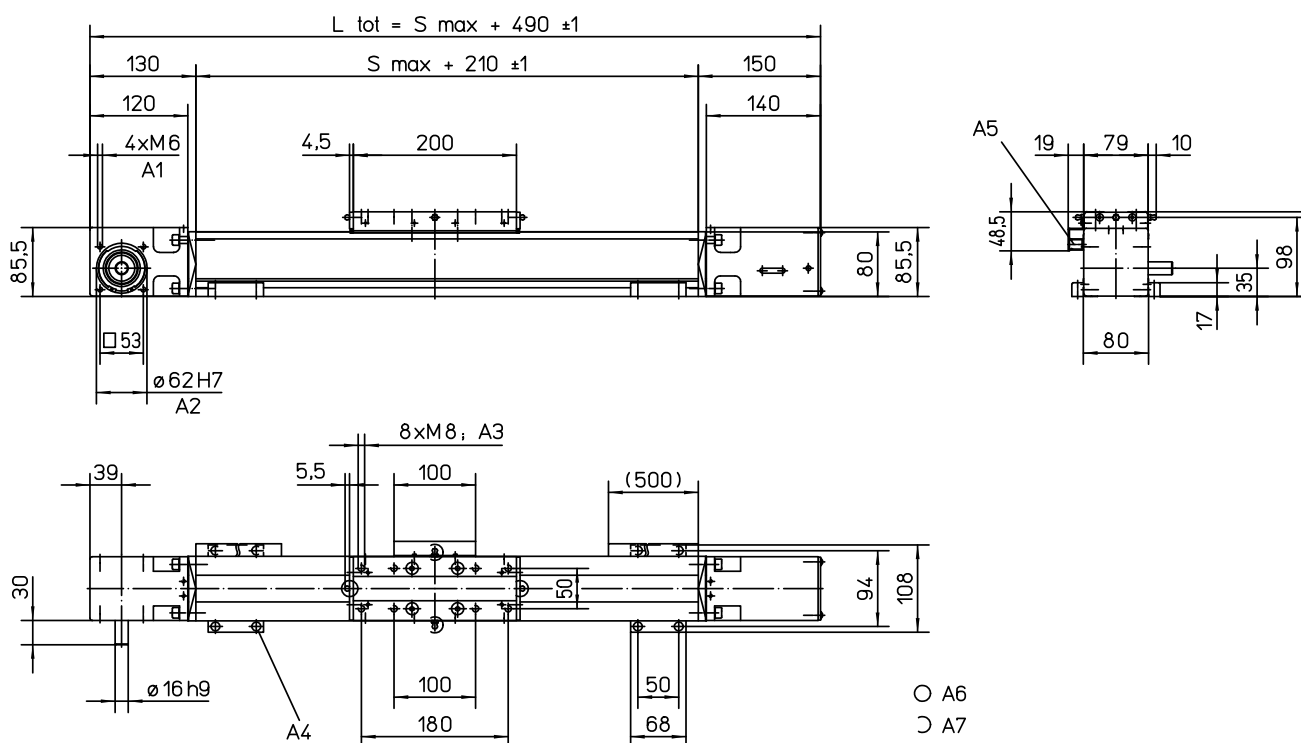


Definition of Forces



WM80Z

Belt Drive, Ball Guide, Short Carriage



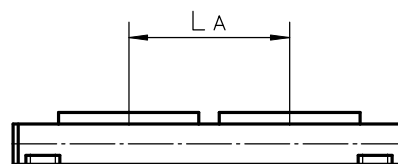
A1: depth 15
 A2: depth 2,5
 A3: depth 12
 A4: socket cap screw ISO4762-M6x20 8.8

A5: ENF inductive sensor rail option kit (optional)
 A6: tapered lubricating nipple to DIN71412 AM6 on fixed-bearing side as standard feature
 A7: can be changed over to one of three alternative lubrications points by the customer

Double Short Carriages

Parameter		WM80Z
Minimum distance between carriages (L _A)	[mm]	280
Dynamic load (F _y), maximum	[N]	4200
Dynamic load (F _z), maximum	[N]	4200
Dynamic load torque (M _y), maximum	[Nm]	L A ¹ × 2,1
Dynamic load torque (M _z), maximum	[Nm]	L A ¹ × 2,1
Force required to move second carriage	[N]	225
Total length (L _{tot})	[mm]	S max + 490 + L A

¹ Value in mm



M55

Belt Drive, Ball Guide

- » Ordering key - see page 211
- » Accessories - see page 137
- » Additional data - see page 192

General Specifications

Parameter	M55
Profile size (w × h) [mm]	58 × 55
Type of belt	22-STD SM5-HP
Carriage sealing system	self-adjusting steel cover band
Adjustable belt tensioning	the belt can be retensioned by the customer if necessary
Lubrication	lubrication of ball guide carriages
Included accessories	none

Performance Specifications

Parameter		M55
Stroke length (S max), maximum	[mm]	7000
Linear speed, maximum	[m/s]	5,0
Acceleration, maximum	[m/s ²]	40
Repeatability	[± mm]	0,1
Input speed, maximum	[rpm]	2850
Operation temperature limits	[°C]	-20 – 70
Dynamic load (F _x), maximum	[N]	
< 2,5 m/s		400
> 2,5 m/s		200
Dynamic load (F _y), maximum	[N]	750 ¹ / 5435 ²
Dynamic load (F _z), maximum	[N]	750 ¹ / 6968 ²
Dynamic load torque (M _x), maximum	[Nm]	5 ¹ / 49 ²
Dynamic load torque (M _y), maximum	[Nm]	29 ¹ / 212 ²
Dynamic load torque (M _z), maximum	[Nm]	29 ¹ / 212 ²
Drive shaft force (F _{rd}), maximum	[N]	200
Drive shaft torque (M _{ta}), maximum	[Nm]	12
Pulley diameter	[mm]	33,42
Stroke per shaft revolution	[mm]	105
Weight	[kg]	
of unit with zero stroke		4,80
of every 100 mm of stroke		0,53
of carriage		1,20

¹ Value for the complete unit

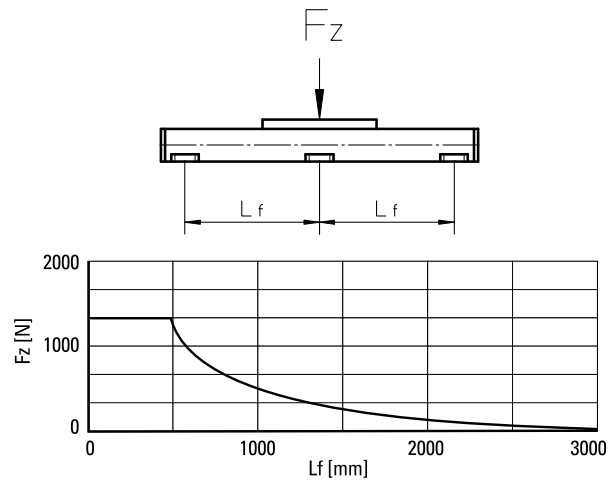
² Value for the ball guide only

Carriage Idle Torque (M_{idle}) [Nm]

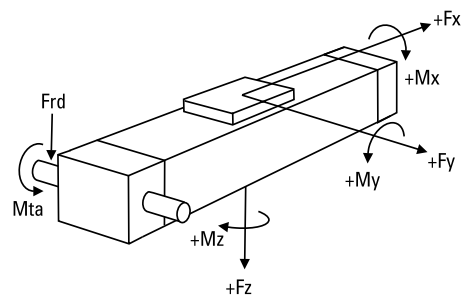
Input speed [rpm]	Single Carriage	Double Carriages
150	1,0	1,9

M_{idle} = the input torque needed to move the carriage with no load on it.

Deflection of the Profile



Definition of Forces



M75

Belt Drive, Ball Guide

- » Ordering key - see page 211
- » Accessories - see page 137
- » Additional data - see page 192

General Specifications

Parameter	M75
Profile size (w × h) [mm]	86 × 75
Type of belt	STD5-40
Carriage sealing system	self-adjusting steel cover band
Adjustable belt tensioning	the belt can be retensioned by the customer if necessary
Lubrication	lubrication of ball guide carriages
Included accessories	none

Performance Specifications

Parameter		M75
Stroke length (S max), maximum	[mm]	12000
Linear speed, maximum	[m/s]	5,0
Acceleration, maximum	[m/s ²]	40
Repeatability	[± mm]	0,1
Input speed, maximum	[rpm]	2300
Operation temperature limits	[°C]	-20 – 70
Dynamic load (F _x), maximum	[N]	
< 2,5 m/s		900
> 2,5 m/s		450
Dynamic load (F _y), maximum	[N]	1750 ¹ / 16413 ²
Dynamic load (F _z), maximum	[N]	1750 ¹ / 30968 ²
Dynamic load torque (M _x), maximum	[Nm]	16 ¹ / 150 ²
Dynamic load torque (M _y), maximum	[Nm]	84 ¹ / 743 ²
Dynamic load torque (M _z), maximum	[Nm]	84 ¹ / 787 ²
Drive shaft force (F _{rd}), maximum	[N]	600
Drive shaft torque (M _{ta}), maximum	[Nm]	30
Pulley diameter	[mm]	41,38
Stroke per shaft revolution	[mm]	130
Weight	[kg]	
of unit with zero stroke		7,50
of every 100 mm of stroke		0,88
of carriage		2,00

¹ Value for the complete unit

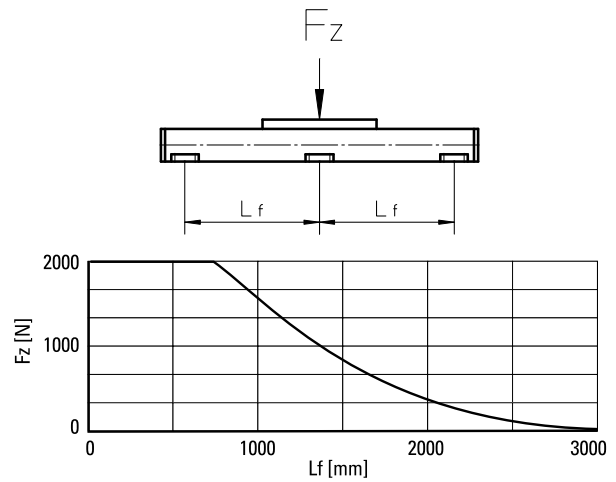
² Value for the ball guide only

Carriage Idle Torque (M_{idle}) [Nm]

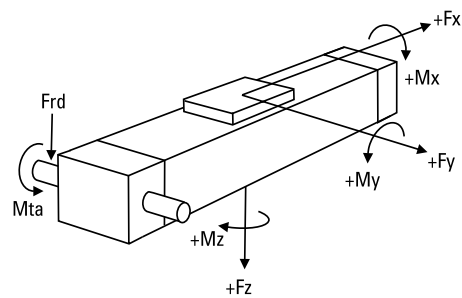
Input speed [rpm]	Single Carriage	Double Carriages
150	1,0	1,9

M_{idle} = the input torque needed to move the carriage with no load on it.

Deflection of the Profile

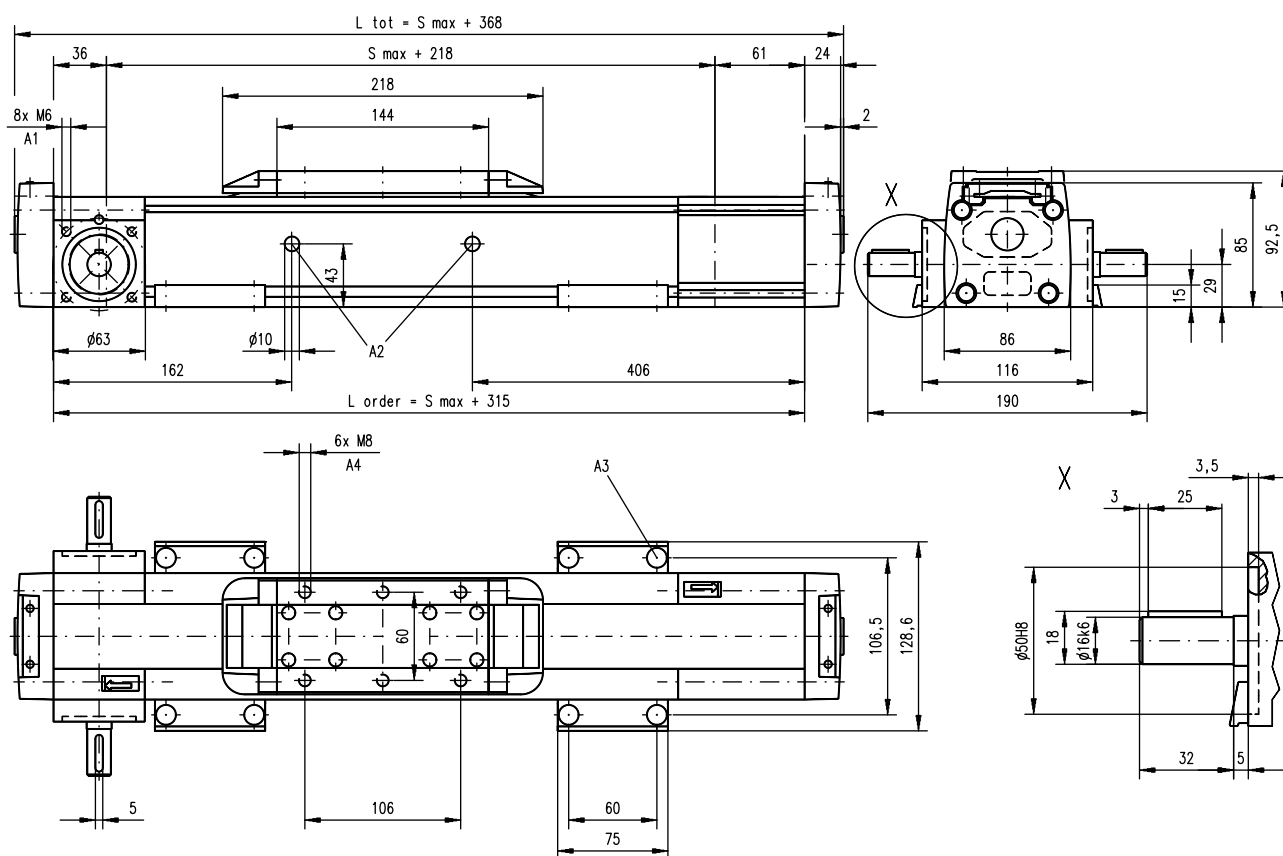


Definition of Forces



M75

Belt Drive, Ball Guide



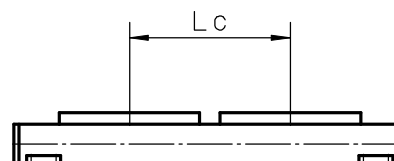
A1: depth 9, Heli coil
A2: lubrication holes

A3: $\phi 13,5/\phi 8,5$ for socket head cap screw M8
A4: depth 8, Heli coil

Double Carriages

Parameter		M75
Minimum distance between carriages (Lc)	[mm]	250
Dynamic load (Fy), maximum	[N]	2625
Dynamic load (Fz), maximum	[N]	2625
Dynamic load torque (My), maximum	[Nm]	$Lc^1 \times 1,313$
Dynamic load torque (Mz), maximum	[Nm]	$Lc^1 \times 1,313$
Force required to move second carriage	[N]	2
Ordering length (L order)	[mm]	$S_{max} + Lc + 315$
Total length (L tot)	[mm]	$L_{order} + 52$
Weight of unit with zero stroke of carriages	[kg]	11,67 4,00

¹ Value in mm



M100

Belt Drive, Ball Guide

- » Ordering key - see page 211
- » Accessories - see page 137
- » Additional data - see page 192

General Specifications

Parameter	M100
Profile size (w × h) [mm]	108 × 100
Type of belt	STD8-50
Carriage sealing system	self-adjusting steel cover band
Adjustable belt tensioning	the belt can be retensioned by the customer if necessary
Lubrication	lubrication of ball guide carriages
Included accessories	none

Performance Specifications

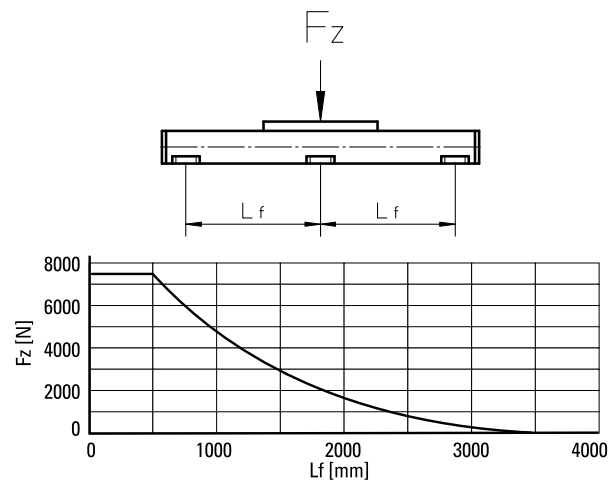
Parameter		M100
Stroke length (S max), maximum	[mm]	12000
Linear speed, maximum	[m/s]	5,0
Acceleration, maximum	[m/s ²]	40
Repeatability	[± mm]	0,1
Input speed, maximum	[rpm]	1700
Operation temperature limits	[°C]	-20 – 70
Dynamic load (F _x), maximum	[N]	
< 2,5 m/s		1250
> 2,5 m/s		625
Dynamic load (F _y), maximum	[N]	4000 ¹ / 26378 ²
Dynamic load (F _z), maximum	[N]	4000 ¹ / 49770 ²
Dynamic load torque (M _x), maximum	[Nm]	43 ¹ / 283 ²
Dynamic load torque (M _y), maximum	[Nm]	280 ¹ / 1742 ²
Dynamic load torque (M _z), maximum	[Nm]	280 ¹ / 1846 ²
Drive shaft force (F _{rd}), maximum	[N]	1000
Drive shaft torque (M _{ta}), maximum	[Nm]	45
Pulley diameter	[mm]	56,02
Stroke per shaft revolution	[mm]	176
Weight	[kg]	
of unit with zero stroke		11,61
of every 100 mm of stroke		1,43
of carriage		2,20

Carriage Idle Torque (M_{idle}) [Nm]

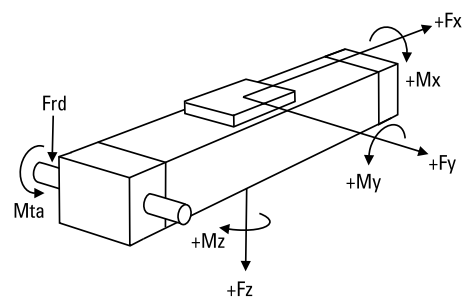
Input speed [rpm]	Single Carriage	Double Carriages
150	1,6	3,1

M_{idle} = the input torque needed to move the carriage with no load on it.

Deflection of the Profile

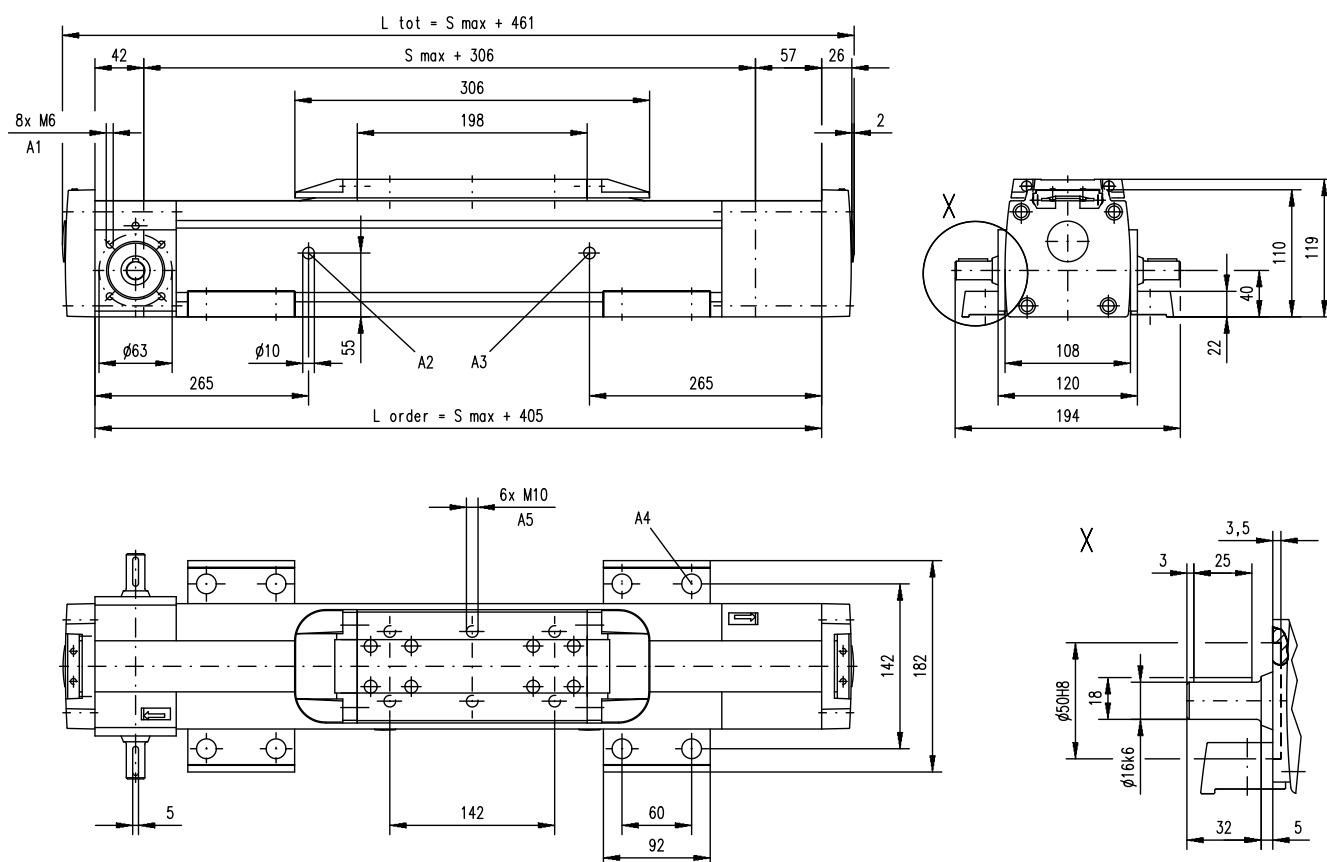


Definition of Forces



M100

Belt Drive, Ball Guide



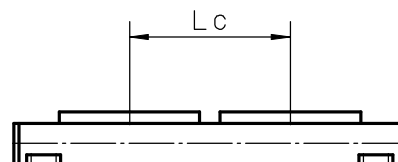
A1: depth 9, Heli coil
A2: lubrication hole

A3: lubrication hole (no hole if L order is < 856 mm)
A4: $\phi 17/\phi 10,5$ for socket head cap screw M10

Double Carriages

Parameter		M100
Minimum distance between carriages (Lc)	[mm]	350
Dynamic load (Fy), maximum	[N]	6000
Dynamic load (Fz), maximum	[N]	6000
Dynamic load torque (My), maximum	[Nm]	$Lc^1 \times 3$
Dynamic load torque (Mz), maximum	[Nm]	$Lc^1 \times 3$
Force required to move second carriage	[N]	2
Ordering length (L order)	[mm]	$S_{max} + Lc + 405$
Total length (L tot)	[mm]	$L_{order} + 56$
Weight of unit with zero stroke of carriages	[kg]	18,92 4,40

¹ Value in mm



MLSM80Z

Belt Drive, Ball Guide

- » Ordering key - see page 212
- » Accessories - see page 137
- » Additional data - see page 192

General Specifications

Parameter	MLSM80Z
Profile size (w × h) [mm]	240 × 85
Type of belt	75 ATL 10
Carriage sealing system	plastic cover band
Adjustable belt tensioning	the belt can be retensioned by the customer if necessary
Lubrication	central lubrication of all parts that require lubrication
Included accessories	4 × mounting clamps

Performance Specifications

Parameter		MLSM80Z
Stroke length (S max), maximum	[mm]	5900
Linear speed, maximum	[m/s]	5,0
Acceleration, maximum	[m/s ²]	20
Repeatability	[± mm]	0,05
Input speed, maximum	[rpm]	1500
Operation temperature limits	[°C]	0 – 80
Dynamic load (Fx), maximum	[N]	5000 ³
Dynamic load (Fy), maximum	[N]	6400 ¹ / 71860 ²
Dynamic load (Fz), maximum	[N]	6400 ¹ / 71860 ²
Dynamic load torque (Mx), maximum	[Nm]	600 ¹ / 5890 ²
Dynamic load torque (My), maximum	[Nm]	720 ¹ / 6640 ²
Dynamic load torque (Mz), maximum	[Nm]	720 ¹ / 6640 ²
Drive shaft force (Frd), maximum	[N]	700
Drive shaft torque (Mta), maximum	[Nm]	150
Pulley diameter	[mm]	63,66
Stroke per shaft revolution	[mm]	200
Weight of unit with zero stroke	[kg]	30,8
of every 100 mm of stroke		2,2
of each carriage		9,6

¹ Value for the complete unit

² Value for the ball guide only

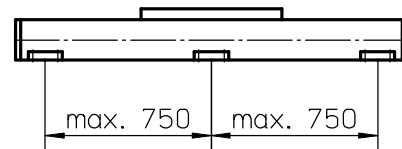
³ See diagram Force Fx

Carriage Idle Torque, (M_{idle}) [Nm]

Input speed [rpm]	Idle torque [Nm]
150	8,5
750	12
1500	14,5

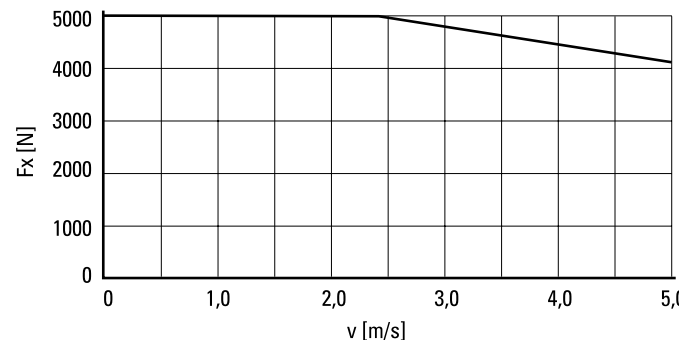
M_{idle} = the input torque needed to move the carriage with no load on it.

Deflection of the Profile

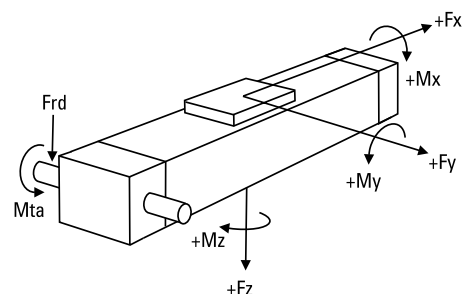


A mounting clamp must be installed at least at every 750 mm to be able to operate the maximum load. Less clamps may be required if less load is being operated, see the additional technical data for more information.

Force Fx as a Function of the Speed

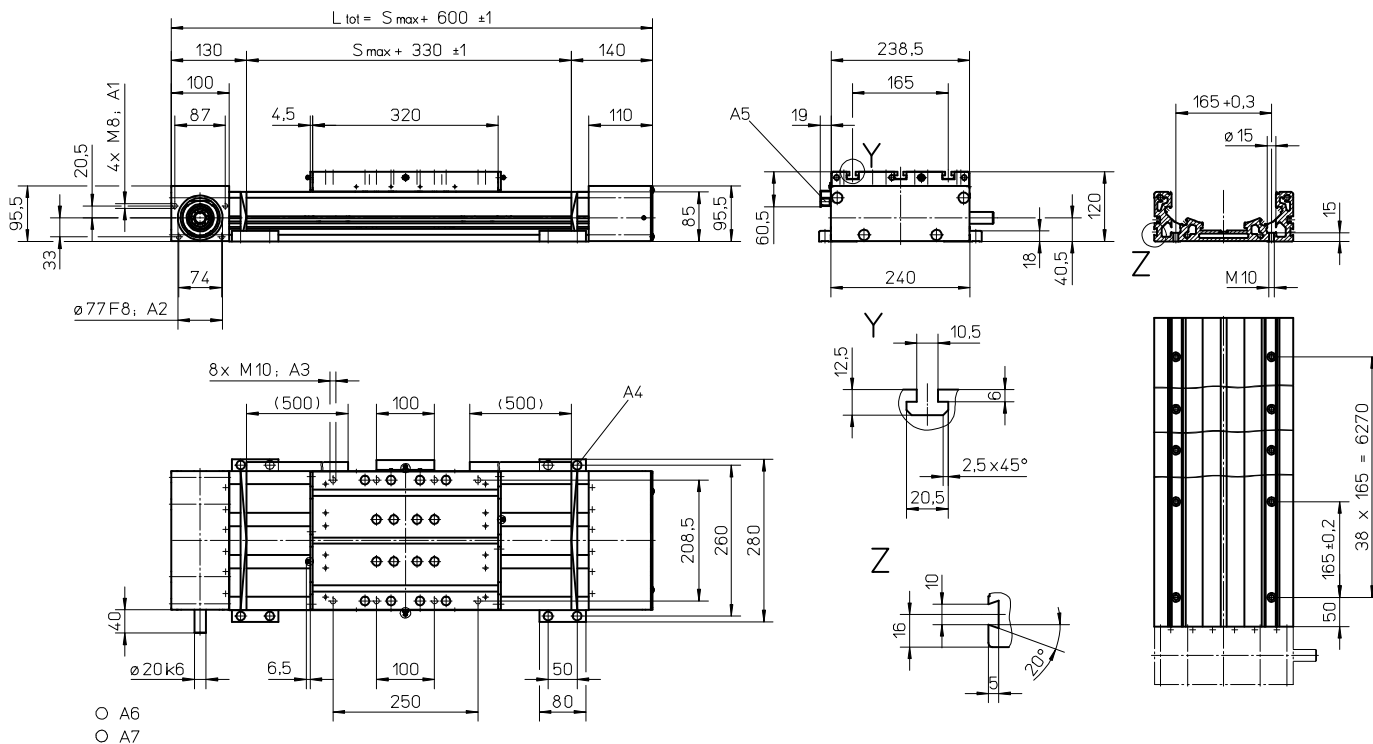


Definition of Forces



MLSM80Z

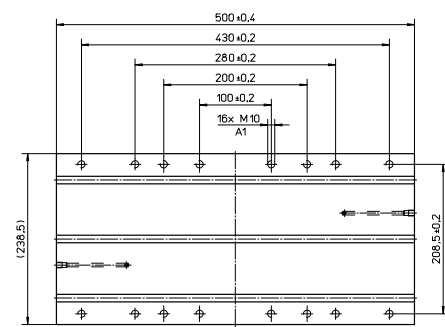
Belt Drive, Ball Guide



- A1: depth 18
- A2: depth 4
- A3: depth 15
- A4: socket cap screw ISO4762-M8x20 8.8

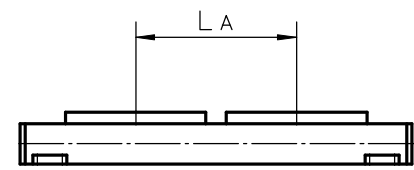
- A5: ENF inductive sensor rail option kit (optional)
- A6: tapered lubricating nipple to DIN71412 M8x1 on fixed-bearing side as standard feature
- A7: can be changed over to one of the three alternative lubricating points by the customer

Long Carriage		
Parameter	MLSM80Z	
Carriage length	[mm]	500
Dynamic load torque (My), maximum	[Nm]	1400
Dynamic load torque (Mz), maximum	[Nm]	1400
Weight	[kg]	14



A1: depth 15

Double Carriages		
Parameter	MLSM80Z	
Minimum distance between carriages (LA)	[mm]	400
Dynamic load (Fy), maximum	[N]	12800
Dynamic load (Fz), maximum	[N]	12800
Dynamic load torque (My), maximum	[Nm]	$L_{A1} \times 6,4$
Dynamic load torque (Mz), maximum	[Nm]	$L_{A1} \times 6,4$
Force required to move second carriage	[N]	350
Total length (L tot)	[mm]	$S_{max} + 600 + L_{A1}$

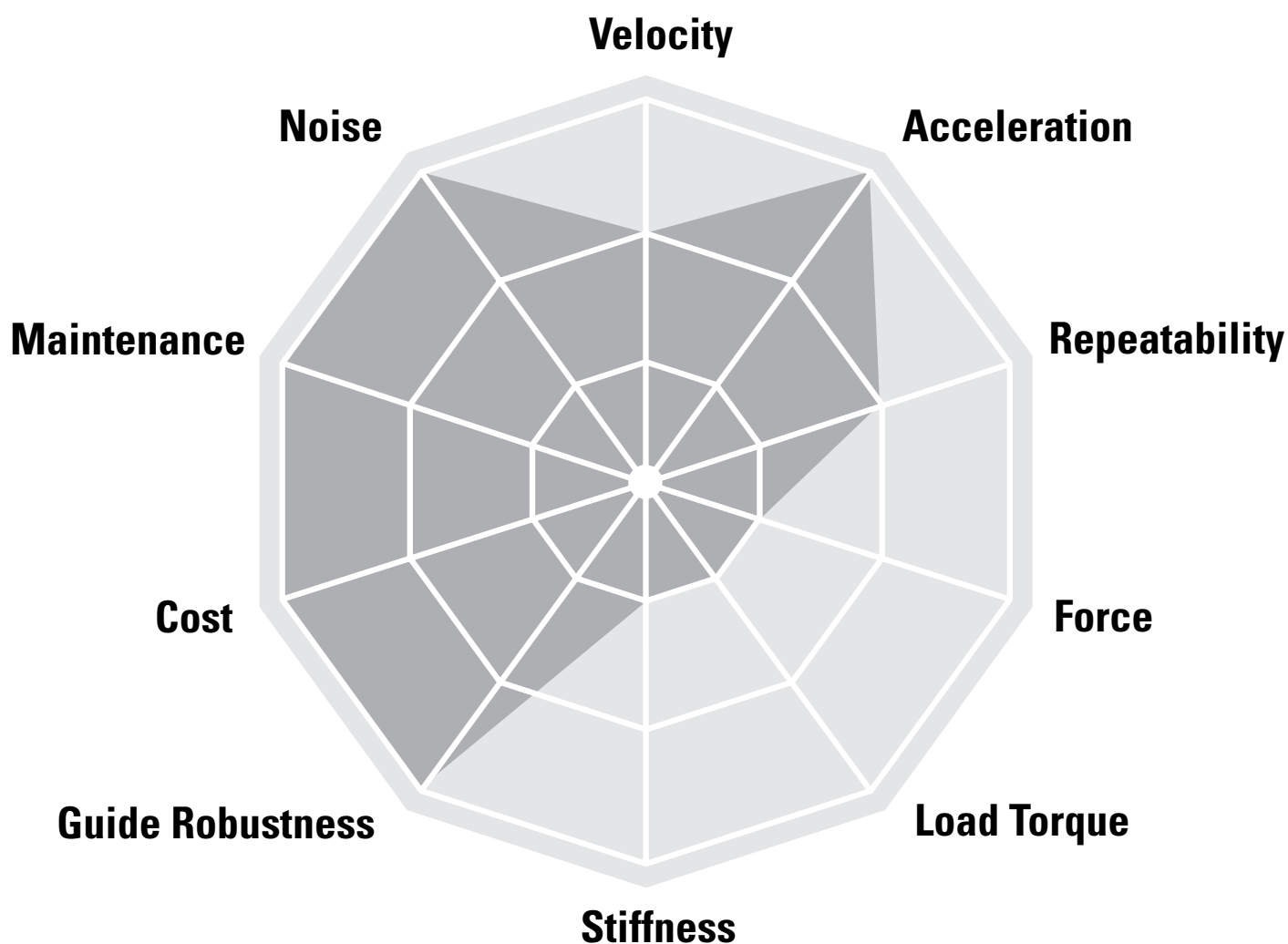


¹ Value in mm



Linear Units with Belt Drive and Slide Guide

Movopart



Typical Applications

Typical applications are where low loads need to be moved at medium speed and high acceleration at low cost. These units are suited to harsh environments. Typical examples are for machines in the food, chemical, paper and wood working industry, in materials handling, cutting, scanning and printing applications.

Movopart M



Features

- Can be installed in all directions
- Patented self-adjusting prism slide guides
- Resistant to shock loads and vibrations
- Low cost

Parameter		M50
Profile size (width × height)	[mm]	50 × 50
Stroke length (S max), maximum	[mm]	5000
Linear speed, maximum	[m/s]	5,0
Dynamic carriage load (Fz), maximum	[N]	400
Remarks		no cover band
Page		88

Movopart M



Features

- Can be installed in all directions
- Self-adjusting stainless steel cover band
- Patented self-adjusting prism slide guides
- Wash down and chemical protected versions available

Parameter		M55	M75	M100
Profile size (width × height)	[mm]	58 × 55	86 × 75	108 × 100
Stroke length (S max), maximum	[mm]	7000	12000	12000
Linear speed, maximum	[m/s]	5,0	5,0	5,0
Dynamic carriage load (Fz), maximum	[N]	400	1485	3005
Remarks				
Page		90	92	94

M-Series Technical Presentation

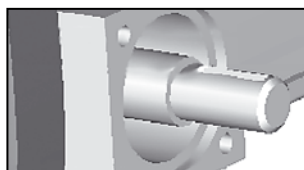
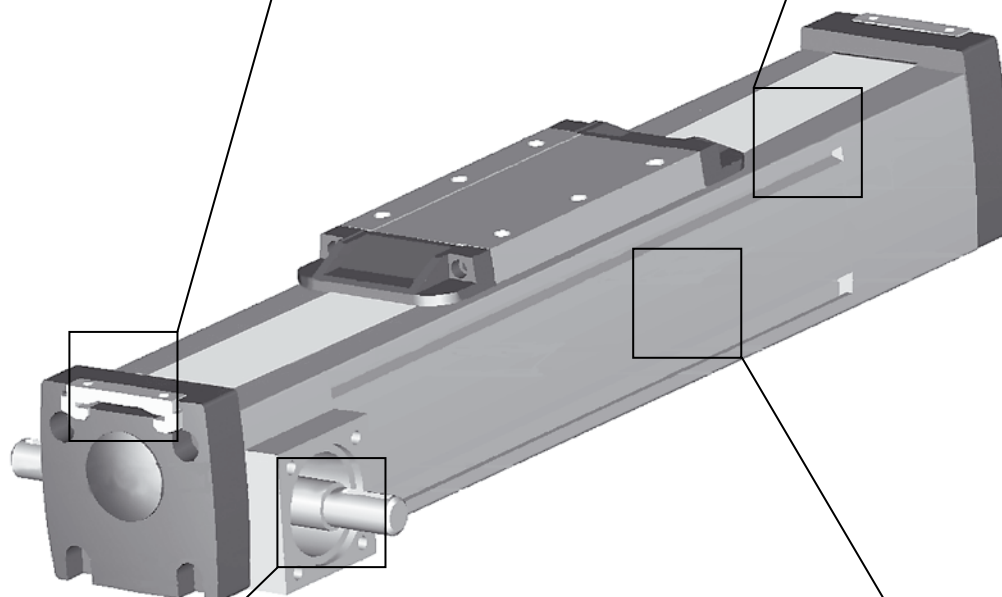
Cover band

The self-adjusting magnetically sealed stainless steel cover band protect the unit from the penetration of dirt, dust and liquids.



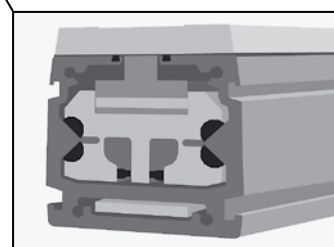
Environmental protection

The unit can as standard operate in harsh environments but is also available in wash down or chemically protected versions for the toughest environments.



Belt drive

The belt runs on the inside of the profile and can easily be re-tensioned without removing the load from the carriage.



Prism slide guides

The patented self aligning prism slide guides are accurate, durable and are resistant to vibrations and shock loads.

M50

Belt Drive, Slide Guide

- » Ordering key - see page 213
- » Accessories - see page 137
- » Additional data - see page 193

General Specifications

Parameter	M50
Profile size (w × h) [mm]	50 × 50
Type of belt	GT 5MR-19
Carriage sealing system	none
Adjustable belt tensioning	the belt can be retensioned by the customer if necessary
Lubrication	lubricated for life
Included accessories	none

Performance Specifications

Parameter		M50
Stroke length (S max), maximum	[mm]	5000
Linear speed, maximum	[m/s]	5,0
Acceleration, maximum	[m/s ²]	40
Repeatability	[± mm]	0,2
Input speed, maximum	[rpm]	2300
Operation temperature limits	[°C]	-20 – 70
Dynamic load (Fx), maximum	[N]	
< 2,5 m/s		400
> 2,5 m/s		200
Dynamic load (Fy), maximum	[N]	400 ¹
Dynamic load (Fz), maximum	[N]	400 ¹
Dynamic load torque (Mx), maximum	[Nm]	5 ¹
Dynamic load torque (My), maximum	[Nm]	21 ¹
Dynamic load torque (Mz), maximum	[Nm]	21 ¹
Drive shaft force (Frd), maximum	[N]	350
Drive shaft torque (Mta), maximum	[Nm]	10
Pulley diameter	[mm]	41,38
Stroke per shaft revolution	[mm]	130
Weight	[kg]	
of unit with zero stroke		0,71
of every 100 mm of stroke		0,96
of carriage		0,33

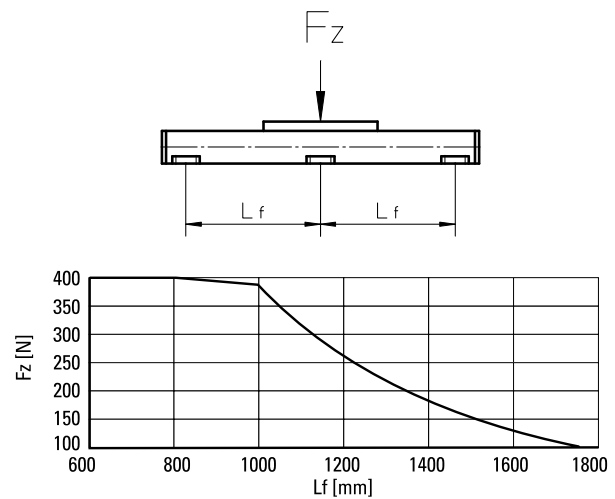
¹ Value for the complete unit

Carriage Idle Torque (M idle) [Nm]

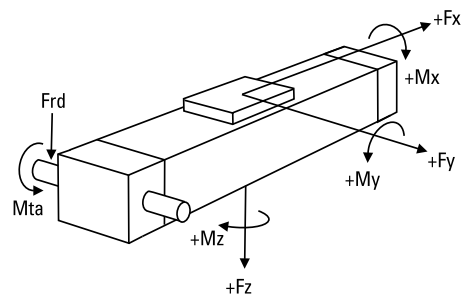
Input speed [rpm]	Idle torque [Nm]
150	2,1

M idle = the input torque needed to move the carriage with no load on it.

Deflection of the Profile

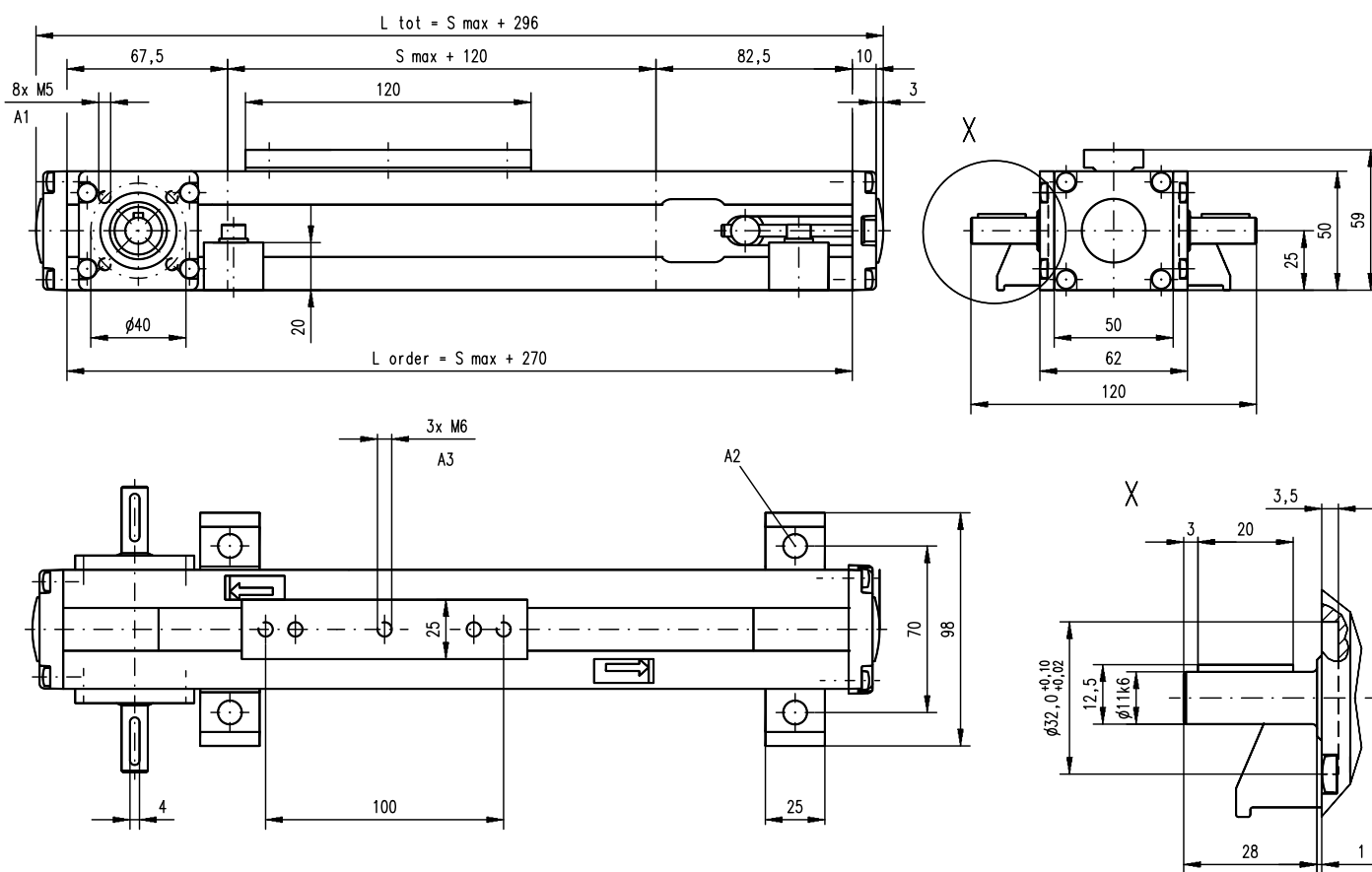


Definition of Forces



M50

Belt Drive, Slide Guide



- A1: depth 8,5
- A2: $\phi 6,5$ for M6 screw
- A3: depth 9, Heli coil

M55

Belt Drive, Slide Guide

- » Ordering key - see page 213
- » Accessories - see page 137
- » Additional data - see page 193

General Specifications

Parameter	M55
Profile size (w × h) [mm]	58 × 50
Type of belt	22-STD SM5-HP
Carriage sealing system	self-adjusting steel cover band
Adjustable belt tensioning	the belt can be retensioned by the customer if necessary
Lubrication	lubricated for life
Included accessories	none

Performance Specifications

Parameter		M55
Stroke length (S max), maximum	[mm]	7000
Linear speed, maximum	[m/s]	5,0
Acceleration, maximum	[m/s ²]	40
Repeatability	[± mm]	0,2
Input speed, maximum	[rpm]	2850
Operation temperature limits	[°C]	-20 – 70
Dynamic load (F _x), maximum	[N]	
< 2,5 m/s		400
> 2,5 m/s		200
Dynamic load (F _y), maximum	[N]	400 ¹
Dynamic load (F _z), maximum	[N]	400 ¹
Dynamic load torque (M _x), maximum	[Nm]	9 ¹
Dynamic load torque (M _y), maximum	[Nm]	21 ¹
Dynamic load torque (M _z), maximum	[Nm]	21 ¹
Drive shaft force (F _{rd}), maximum	[N]	200
Drive shaft torque (M _{ta}), maximum	[Nm]	7
Pulley diameter	[mm]	33,42
Stroke per shaft revolution	[mm]	105
Weight	[kg]	
of unit with zero stroke		4,10
of every 100 mm of stroke		0,41
of carriage		1,10

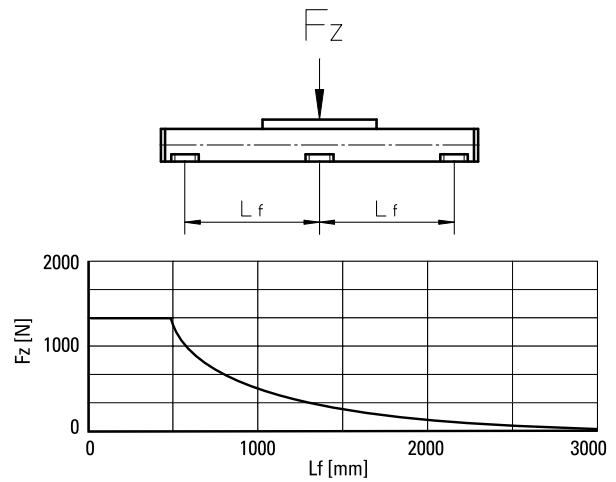
¹ Value for the complete unit

Carriage Idle Torque (M_{idle}) [Nm]

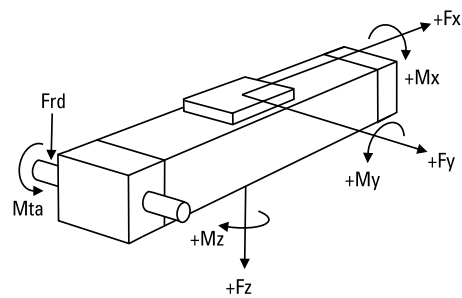
Input speed [rpm]	Single Carriage	Double Carriages
150	2,1	3,8

M_{idle} = the input torque needed to move the carriage with no load on it.

Deflection of the Profile

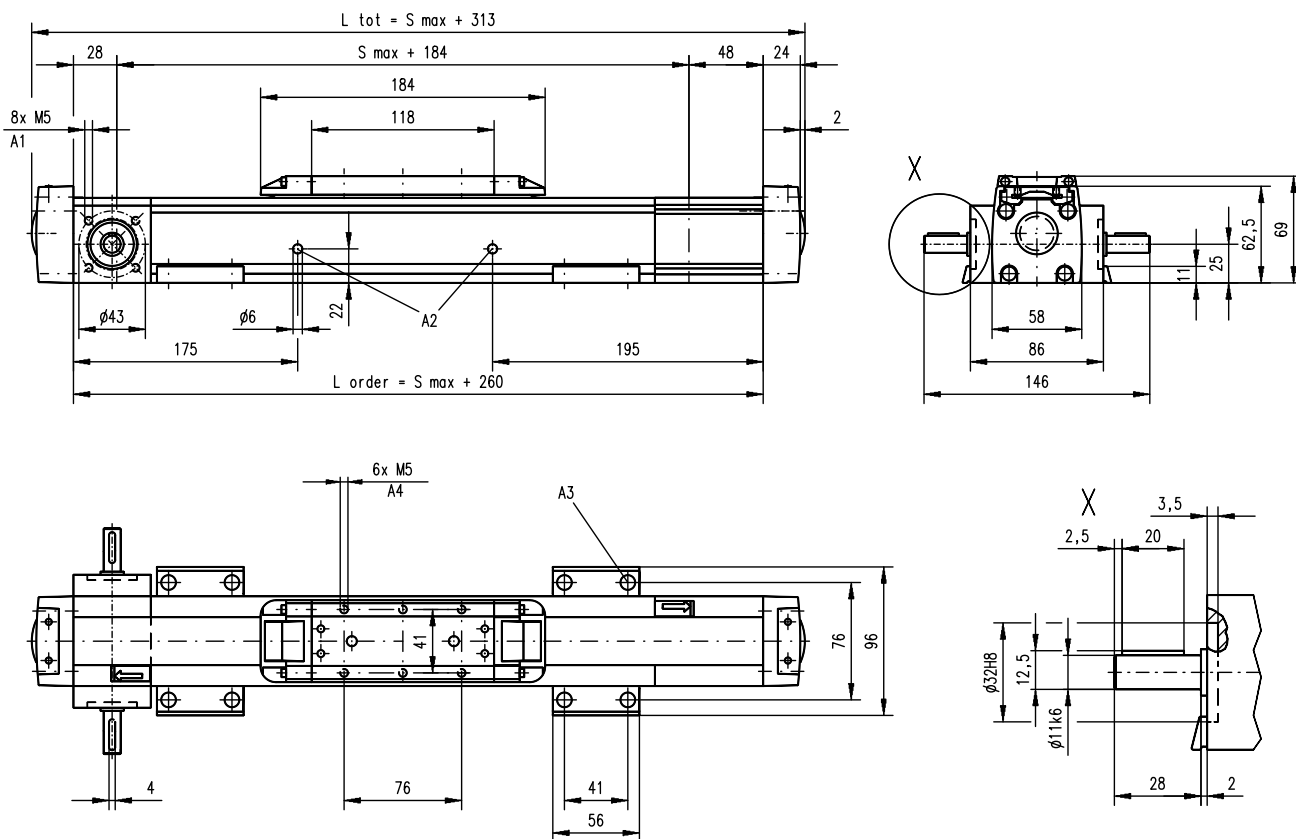


Definition of Forces



M55

Belt Drive, Slide Guide



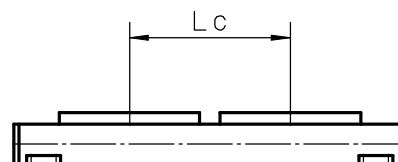
A1: depth 10, Heli coil
A2: lubrication holes

A3: $\varnothing 9,5/\varnothing 5,5$ for socket head cap screw M5
A4: depth 7,5, Heli coil

Double Carriages

Parameter		M55
Minimum distance between carriages (Lc)	[mm]	200
Dynamic load (Fy), maximum	[N]	600
Dynamic load (Fz), maximum	[N]	600
Dynamic load torque (My), maximum	[Nm]	$Lc^1 \times 0,3$
Dynamic load torque (Mz), maximum	[Nm]	$Lc^1 \times 0,3$
Force required to move second carriage	[N]	35
Ordering length (L order)	[mm]	$S \text{ max} + Lc + 260$
Total length (L tot)	[mm]	$L \text{ order} + 53$
Weight of unit with zero stroke of carriages	[kg]	6,00 2,20

¹ Value in mm



M75

Belt Drive, Slide Guide

- » Ordering key - see page 213
- » Accessories - see page 137
- » Additional data - see page 193

General Specifications

Parameter	M75
Profile size (w × h) [mm]	86 × 75
Type of belt	STD5-40
Carriage sealing system	self-adjusting steel cover band
Adjustable belt tensioning	the belt can be retensioned by the customer if necessary
Lubrication	lubricated for life
Included accessories	none

Performance Specifications

Parameter		M75
Stroke length (S max), maximum	[mm]	12000
Linear speed, maximum	[m/s]	5,0
Acceleration, maximum	[m/s ²]	40
Repeatability	[± mm]	0,2
Input speed, maximum	[rpm]	2300
Operation temperature limits	[°C]	-20 – 70
Dynamic load (F _x), maximum	[N]	
< 2,5 m/s		900
> 2,5 m/s		450
Dynamic load (F _y), maximum	[N]	1485 ¹
Dynamic load (F _z), maximum	[N]	1485 ¹
Dynamic load torque (M _x), maximum	[Nm]	49 ¹
Dynamic load torque (M _y), maximum	[Nm]	85 ¹
Dynamic load torque (M _z), maximum	[Nm]	85 ¹
Drive shaft force (F _{rd}), maximum	[N]	600
Drive shaft torque (M _{ta}), maximum	[Nm]	30
Pulley diameter	[mm]	41,38
Stroke per shaft revolution	[mm]	130
Weight	[kg]	
of unit with zero stroke		6,30
of every 100 mm of stroke		0,67
of carriage		1,50

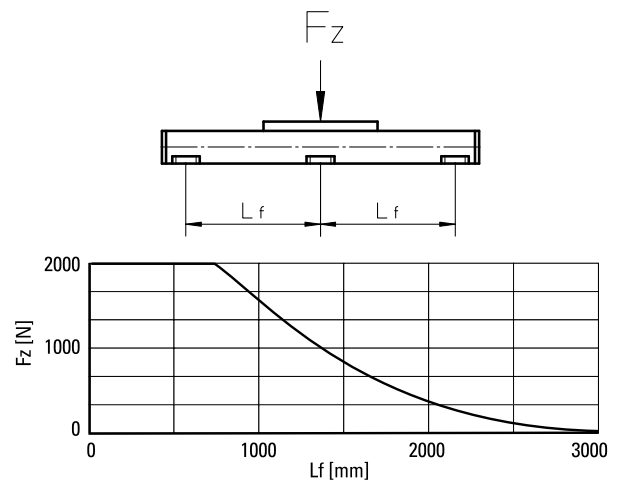
¹ Value for the complete unit

Carriage Idle Torque (M_{idle}) [Nm]

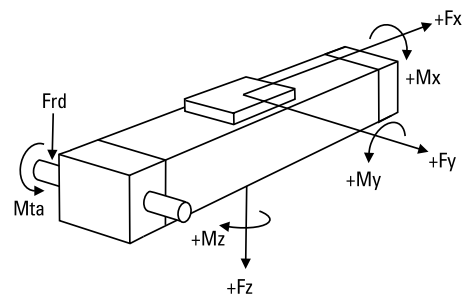
Input speed [rpm]	Single Carriage	Double Carriages
150	2,2	4,0

M_{idle} = the input torque needed to move the carriage with no load on it.

Deflection of the Profile



Definition of Forces



M100

Belt Drive, Slide Guide

- » Ordering key - see page 213
- » Accessories - see page 137
- » Additional data - see page 193

General Specifications

Parameter	M100
Profile size (w × h) [mm]	108 × 100
Type of belt	STD8-50
Carriage sealing system	self-adjusting steel cover band
Adjustable belt tensioning	the belt can be retensioned by the customer if necessary
Lubrication	lubricated for life
Included accessories	none

Performance Specifications

Parameter		M100
Stroke length (S max), maximum	[mm]	12000
Linear speed, maximum	[m/s]	5,0
Acceleration, maximum	[m/s ²]	40
Repeatability	[± mm]	0,2
Input speed, maximum	[rpm]	1700
Operation temperature limits	[°C]	-20 – 70
Dynamic load (Fx), maximum	[N]	
< 2,5 m/s		1250
> 2,5 m/s		625
Dynamic load (Fy), maximum	[N]	3005 ¹
Dynamic load (Fz), maximum	[N]	3005 ¹
Dynamic load torque (Mx), maximum	[Nm]	117 ¹
Dynamic load torque (My), maximum	[Nm]	279 ¹
Dynamic load torque (Mz), maximum	[Nm]	279 ¹
Drive shaft force (Frd), maximum	[N]	1000
Drive shaft torque (Mta), maximum	[Nm]	45
Pulley diameter	[mm]	56,02
Stroke per shaft revolution	[mm]	176
Weight	[kg]	
of unit with zero stroke		11,10
of every 100 mm of stroke		1,16
of carriage		2,40

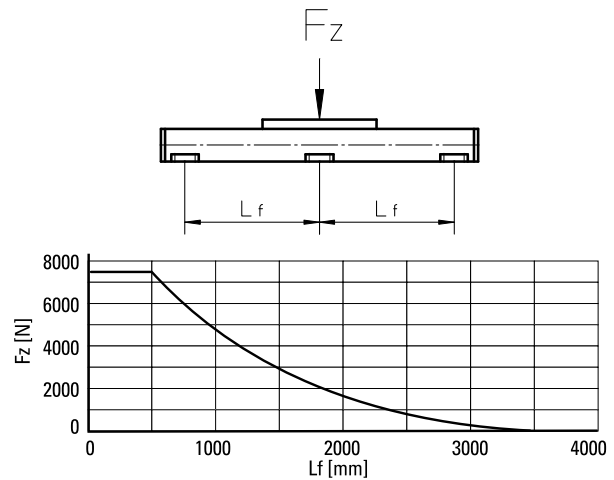
¹ Value for the complete unit

Carriage Idle Torque (M idle) [Nm]

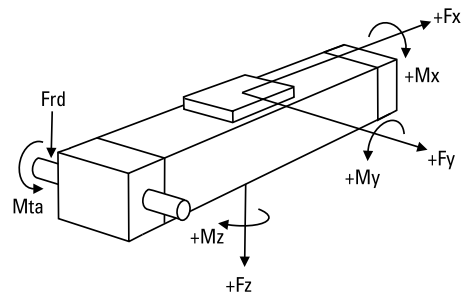
Input speed [rpm]	Single Carriage	Double Carriages
150	3,8	5,8

M idle = the input torque needed to move the carriage with no load on it.

Deflection of the Profile

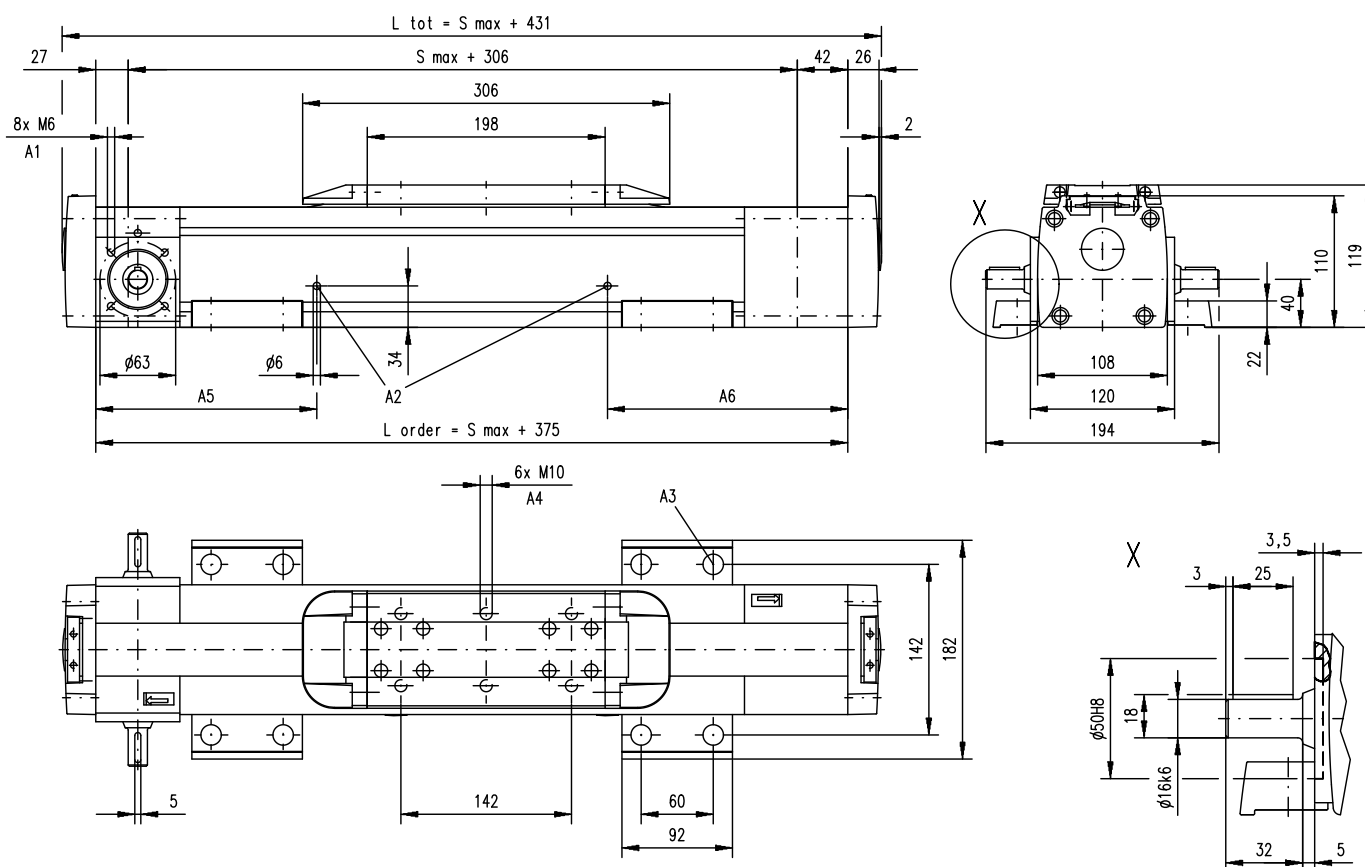


Definition of Forces



M100

Belt Drive, Slide Guide

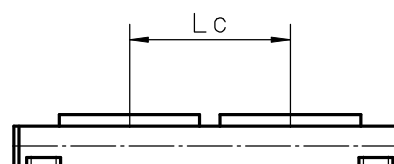


A1: Depth 9, Heli coil
 A2: lubrication holes
 A3: ø17/ø10,5 for socket head cap screw M10

A4: depth 10, Heli coil
 A5: 170 (L order ≤ 1 m), 270 (L order > 1 m)
 A6: 186 (L order ≤ 1 m), 436 (L order > 1 m)

Double Carriages

Parameter		M100
Minimum distance between carriages (Lc)	[mm]	350
Dynamic load (Fy), maximum	[N]	4508
Dynamic load (Fz), maximum	[N]	4508
Dynamic load torque (My), maximum	[Nm]	Lc ¹ × 2,254
Dynamic load torque (Mz), maximum	[Nm]	Lc ¹ × 2,254
Force required to move second carriage	[N]	45
Ordering length (L order)	[mm]	S max + Lc + 375
Total length (L tot)	[mm]	L order + 56
Weight of unit with zero stroke of carriages	[kg]	17,40 4,80

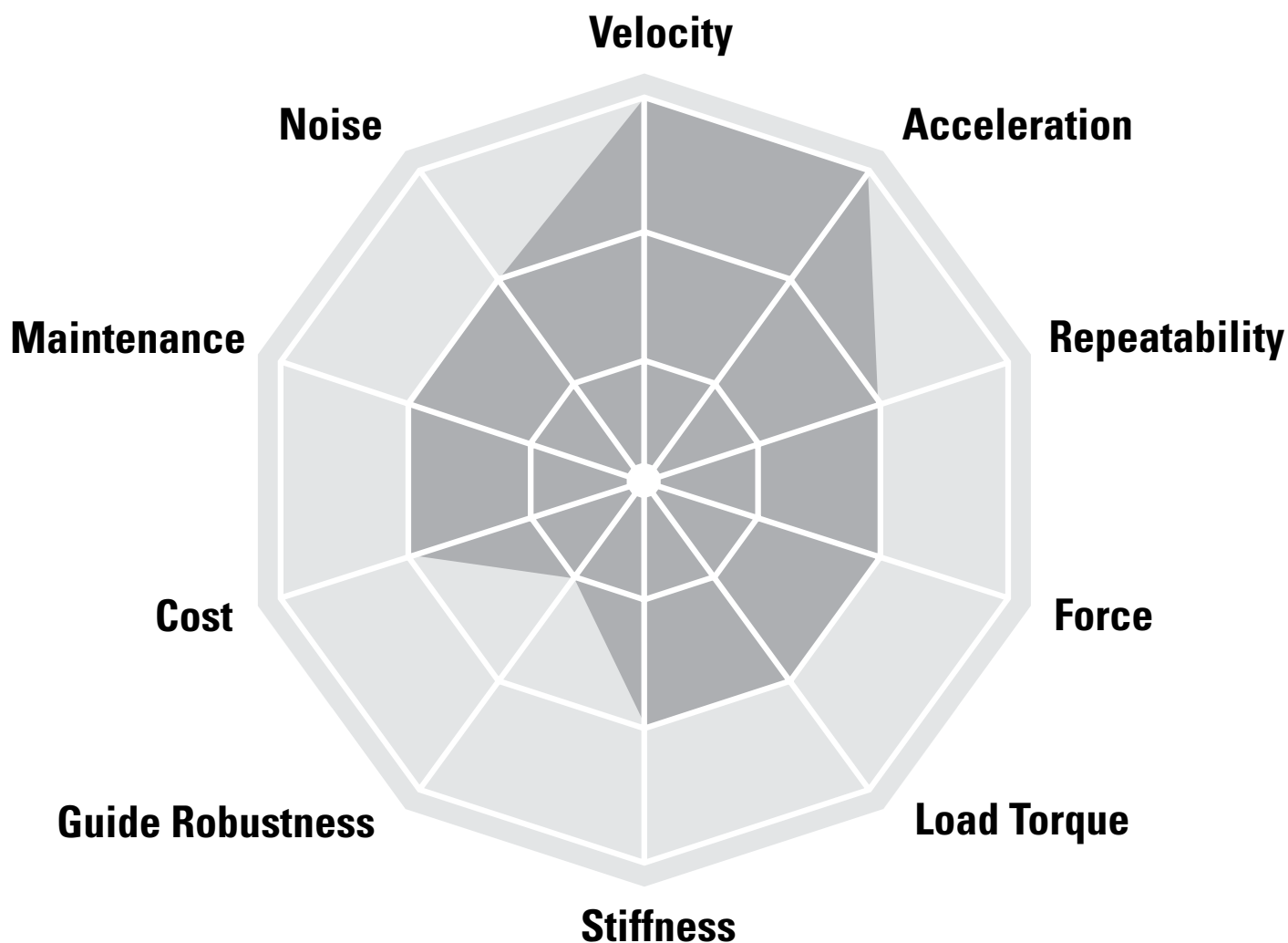


¹ Value in mm



Linear Units with Belt Drive and Wheel Guide

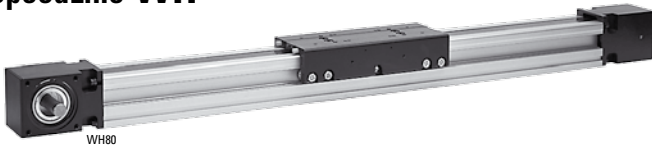
SpeedLine, ForceLine



Typical Applications

Typical applications are where low to medium loads need to be moved at high speed and acceleration. Typical examples are in packaging, cutting, pick and place and materials handling applications where the cycle times are critical.

SpeedLine WH



Features

- Can be installed in all directions
- Speed up to 11 m/s
- Acceleration up to 40 m/s²
- Stroke up to 11 m

Parameter		WH50	WH80	WH120
Profile size (width × height)	[mm]	50 × 50	80 × 80	120 × 110
Stroke length (S max), maximum	[mm]	3000	11000	11000
Linear speed, maximum	[m/s]	6,5	10,0	10,0
Dynamic carriage load (Fz), maximum	[N]	730	2100	9300
Remarks		external wheel guides no cover band	external wheel guides no cover band	external wheel guides no cover band
Page		100	102	104

WH-Series Technical Presentation

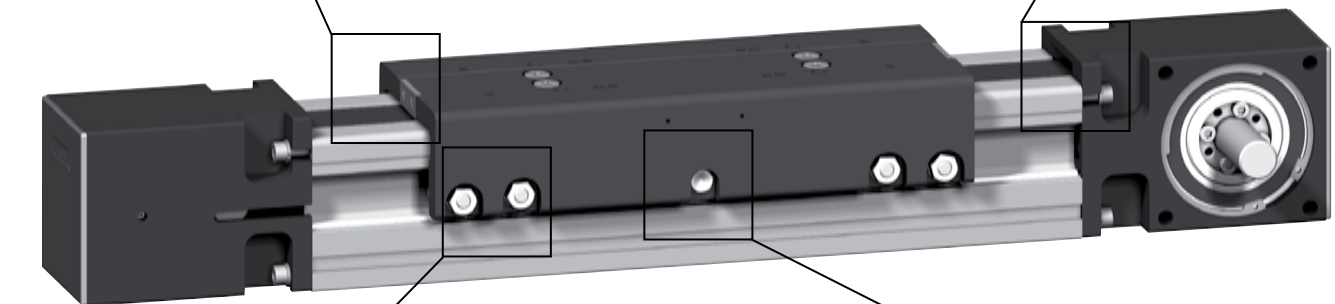
Belt tensioning

The belt can easily be replaced or re-tensioned from the outside of the unit without the load being removed from the carriage.



Belt drive

The steel reinforced belt is wear resistant, highly efficient and very accurate even at high speeds and loads.



Wheel guides

The H-type arrangement of the guides allows fast moves and high forces and moments.



Central lubrication

The guides are lubricated from a central point that are easy and fast to access.

ForceLine MLSH



Features

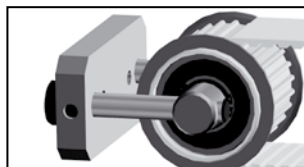
- Can be installed in all directions
- Patented plastic cover band
- Speed up to 10 m/s
- Low profile height

Parameter		MLSH60Z	MLSH80Z
Profile size (width × height)	[mm]	160 × 65	240 × 85
Stroke length (S max), maximum	[mm]	5500	5900
Linear speed, maximum	[m/s]	10,0	10,0
Dynamic carriage load (Fz), maximum	[N]	3000	5000
Remarks		internal wheel guides	internal wheel guides
Page		106	108

MLSH-Series Technical Presentation

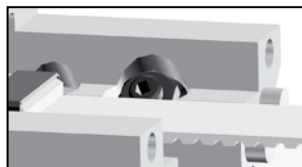
Belt tensioning

The belt can easily be re-tensioned from the outside of the unit without the load being removed from the carriage.



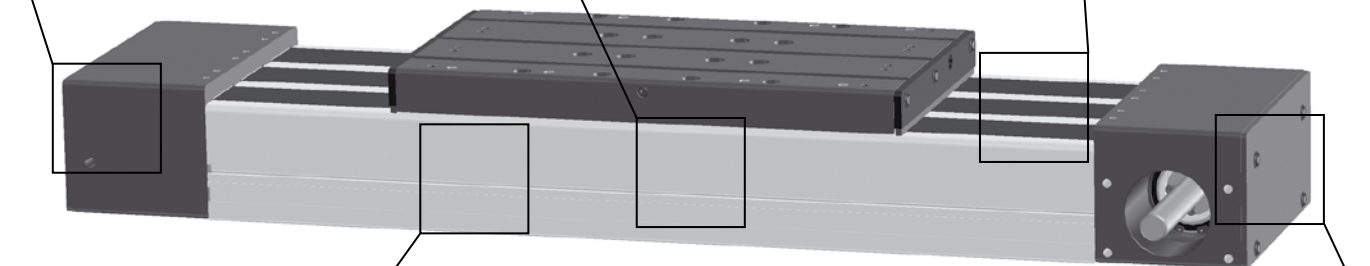
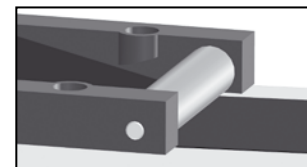
Belt drive

The highly dynamic and accurate belt is protected by the cover band ensuring long and trouble free operation.



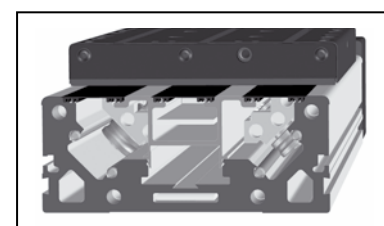
Cover band

The patented self-adjusting cover band protect the interior of the unit from the penetration of dirt, dust and liquids.



Wheel guides

The robust wheel guides runs inside of the profile providing superior motion dynamics.



Unique profile

The unique design of the profile guarantees the highest performance and protection of the guides and belt.

WH50

Belt Drive, Wheel Guide

- » Ordering key - see page 214
- » Accessories - see page 137
- » Additional data - see page 193

General Specifications

Parameter	WH50
Profile size (w × h) [mm]	50 × 50
Type of belt	16ATL5
Carriage sealing system	none
Adjustable belt tensioning	the belt can be retensioned by the customer if necessary
Lubrication	lubrication of guiding surfaces
Included accessories	4 × mounting clamps

Performance Specifications

Parameter		WH50
Stroke length (S max), maximum	[mm]	3000
Linear speed, maximum	[m/s]	6,5
Acceleration, maximum	[m/s ²]	40
Repeatability	[± mm]	0,05
Input speed, maximum	[rpm]	3250
Operation temperature limits	[°C]	0 – 80
Dynamic load (Fx), maximum	[N]	670 ³
Dynamic load (Fy), maximum	[N]	415 ¹ / 2820 ²
Dynamic load (Fz), maximum	[N]	730 ¹ / 5080 ²
Dynamic load torque (Mx), maximum	[Nm]	16 ¹ / 99 ²
Dynamic load torque (My), maximum	[Nm]	87 ¹ / 500 ²
Dynamic load torque (Mz), maximum	[Nm]	50 ¹ / 280 ²
Drive shaft force (Frd), maximum	[N]	150
Drive shaft torque (Mta), maximum	[Nm]	17
Pulley diameter	[mm]	38,2
Stroke per shaft revolution	[mm]	120
Weight	[kg]	
of unit with zero stroke		3,50
of every 100 mm of stroke		0,44
of each carriage		0,90

¹ Value for the complete unit

² Value for the wheel guide only

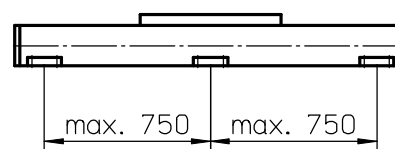
³ See diagram Force Fx

Carriage Idle Torque, (M idle) [Nm]

Input speed [rpm]	Idle torque [Nm]
150	1,7
1500	2,4
3250	3,8

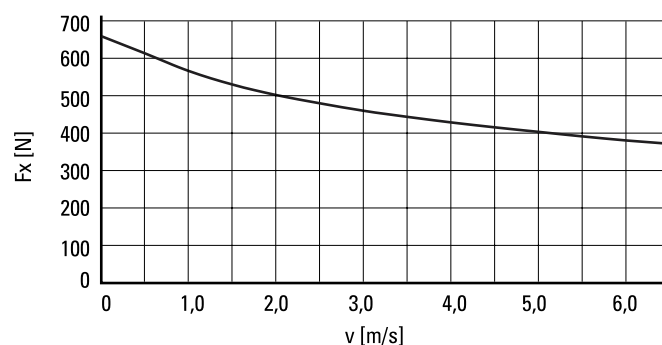
M idle = the input torque needed to move the carriage with no load on it.

Deflection of the Profile

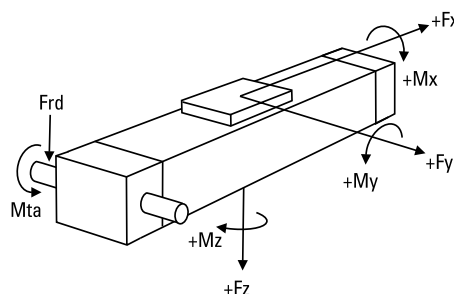


A mounting clamp must be installed at least at every 750 mm to be able to operate the maximum load. Less clamps may be required if less load is being operated, see the additional technical data for more information.

Force Fx as a Function of the Speed

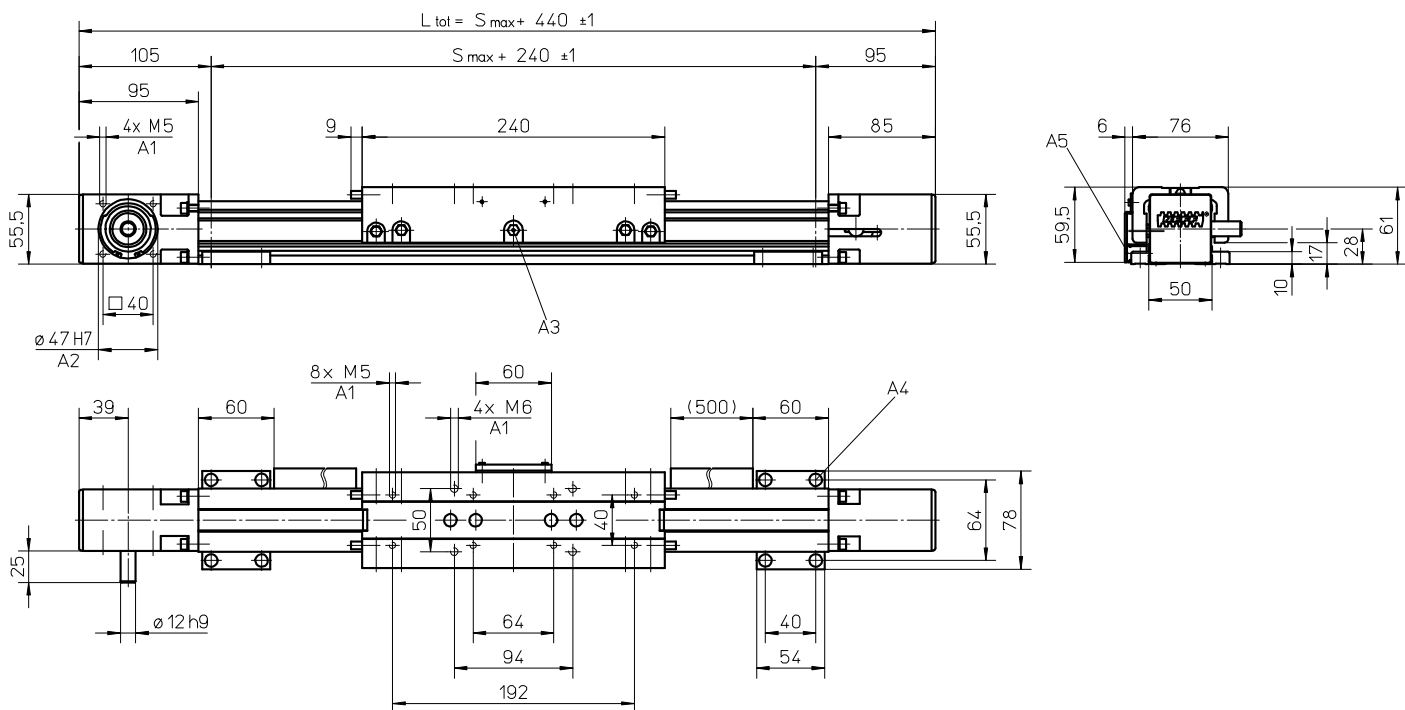


Definition of Forces



WH50

Belt Drive, Wheel Guide

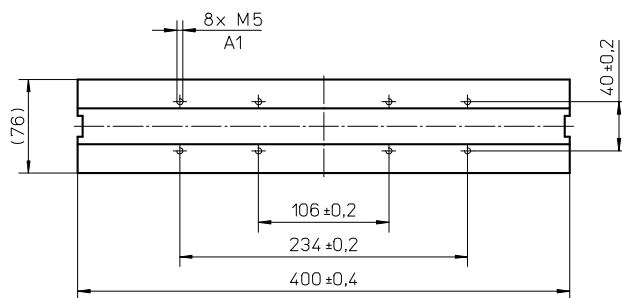


A1: depth 10
 A2: depth 3
 A3: funnel type lubricating nipple DIN3405-M6x1-D1

A4: socket cap screw ISO4762-M5x12 8.8
 A5: ENF inductive sensor rail option kit (optional)

Long Carriage

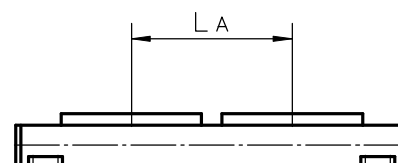
Parameter		WH50
Carriage length	[mm]	400
Dynamic load torque (My), maximum	[Nm]	130
Dynamic load torque (Mz), maximum	[Nm]	75
Weight	[kg]	1,47



A1: depth 10

Double Carriages

Parameter		WH50
Minimum distance between carriages (LA)	[mm]	260
Dynamic load (Fy), maximum	[N]	830
Dynamic load (Fz), maximum	[N]	1460
Dynamic load torque (My), maximum	[Nm]	$L A^1 \times 0,415$
Dynamic load torque (Mz), maximum	[Nm]	$L A^1 \times 0,73$
Force required to move second carriage	[N]	16
Total length (L tot)	[mm]	$S_{max} + 440 + L A$



¹ Value in mm

WH80

Belt Drive, Wheel Guide

- » Ordering key - see page 214
- » Accessories - see page 137
- » Additional data - see page 193

General Specifications

Parameter	WH80
Profile size (w × h) [mm]	80 × 80
Type of belt	32ATL10
Carriage sealing system	none
Adjustable belt tensioning	the belt can be retensioned by the customer if necessary
Lubrication	lubrication of guiding surfaces
Included accessories	4 × mounting clamps

Performance Specifications

Parameter		WH80
Stroke length (S max), maximum	[mm]	11000
Linear speed, maximum	[m/s]	10,0
Acceleration, maximum	[m/s ²]	40
Repeatability	[± mm]	0,05
Input speed, maximum	[rpm]	3000
Operation temperature limits	[°C]	0 – 80
Dynamic load (Fx), maximum	[N]	2700 ³
Dynamic load (Fy), maximum	[N]	882 ¹ / 8150 ²
Dynamic load (Fz), maximum	[N]	2100 ¹ / 14680 ²
Dynamic load torque (Mx), maximum	[Nm]	75 ¹ / 480 ²
Dynamic load torque (My), maximum	[Nm]	230 ¹ / 1610 ²
Dynamic load torque (Mz), maximum	[Nm]	100 ¹ / 900 ²
Drive shaft force (Frd), maximum	[N]	500
Drive shaft torque (Mta), maximum	[Nm]	100
Pulley diameter	[mm]	63,66
Stroke per shaft revolution	[mm]	200
Weight of unit with zero stroke	[kg]	8,63
of every 100 mm of stroke		0,93
of each carriage		2,75

¹ Value for the complete unit

² Value for the wheel guide only

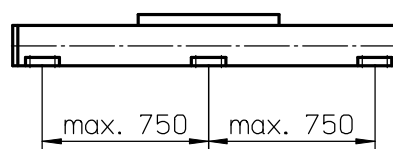
³ See diagram Force Fx

Carriage Idle Torque, (M idle) [Nm]

Input speed [rpm]	Idle torque [Nm]
150	2,4
1500	3,5
3000	5,0

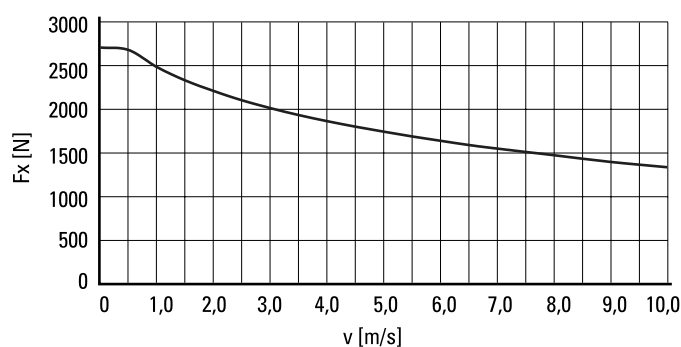
M idle = the input torque needed to move the carriage with no load on it.

Deflection of the Profile

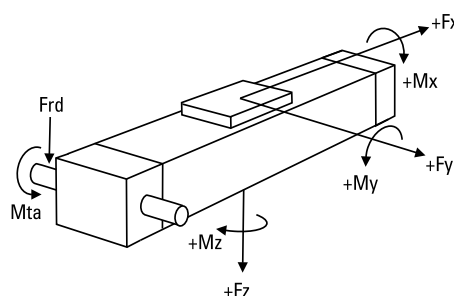


A mounting clamp must be installed at least at every 750 mm to be able to operate the maximum load. Less clamps may be required if less load is being operated, see the additional technical data for more information. Units with a profile length over 6300 mm consists of two profiles where the joint between the two profiles must be adequately supported on both sides.

Force Fx as a Function of the Speed

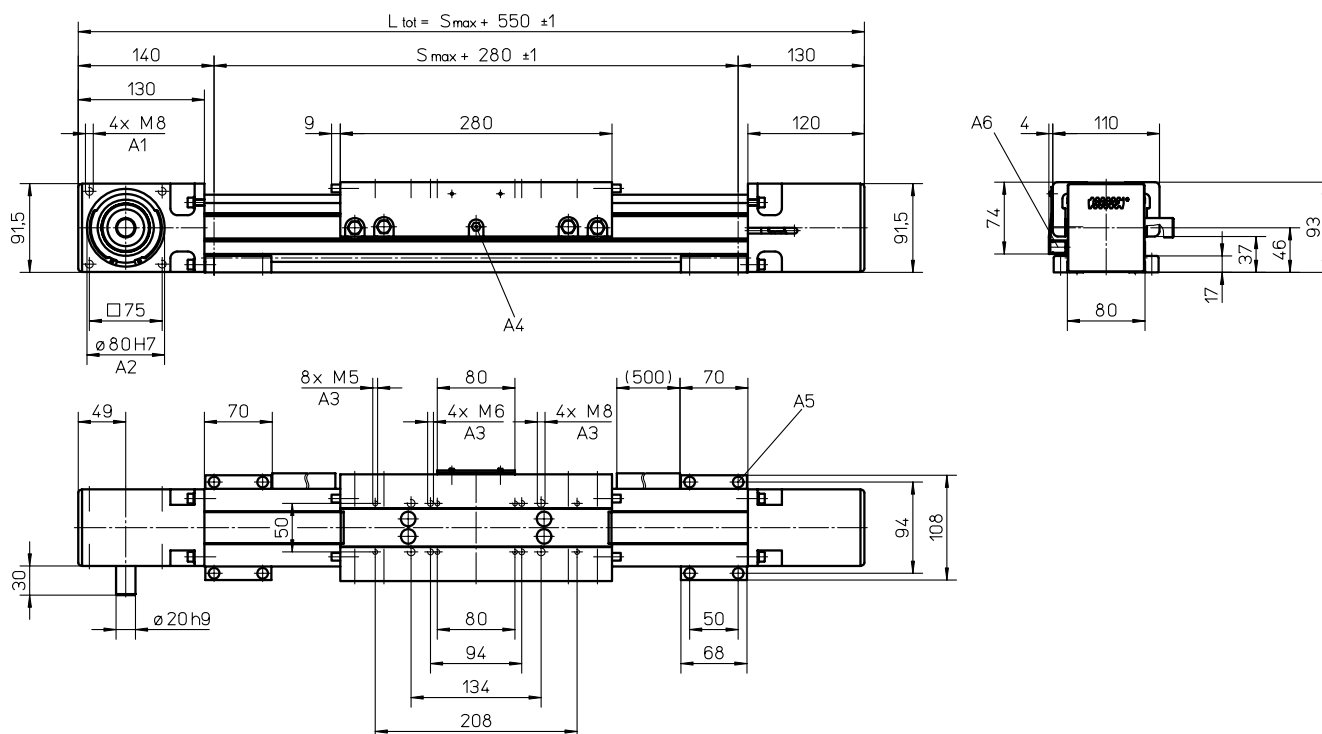


Definition of Forces



WH80

Belt Drive, Wheel Guide

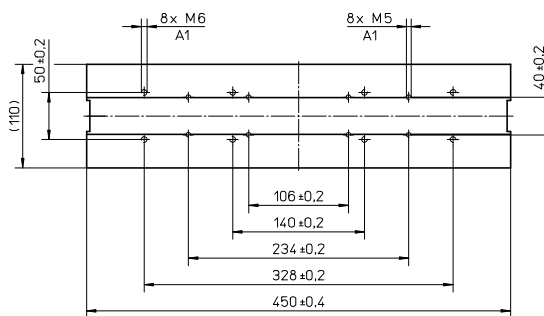


A1: depth 16
A2: depth 2,5
A3: depth 12

A4: funnel type lubricating nipple DIN3405-M6x1-D1
A5: socket cap screw ISO4762-M6x20 8.8
A6: ENF inductive sensor rail option kit (optional)

Long Carriage

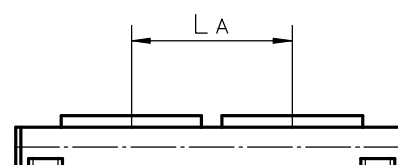
Parameter	WH80	
Carriage length	[mm]	450
Dynamic load torque (My), maximum	[Nm]	345
Dynamic load torque (Mz), maximum	[Nm]	150
Weight	[kg]	3,43



A1: depth 12

Double Carriages

Parameter	WH80	
Minimum distance between carriages (L _A)	[mm]	300
Dynamic load (F _y), maximum	[N]	1764
Dynamic load (F _z), maximum	[N]	4200
Dynamic load torque (M _y), maximum	[Nm]	L _A ¹ × 0,882
Dynamic load torque (M _z), maximum	[Nm]	L _A ¹ × 2,1
Force required to move second carriage	[N]	20
Total length (L _{tot})	[mm]	S _{max} + 550 + L _A



¹ Value in mm

WH120

Belt Drive, Wheel Guide

- » Ordering key - see page 214
- » Accessories - see page 137
- » Additional data - see page 193

General Specifications

Parameter	WH120
Profile size (w × h) [mm]	120 × 110
Type of belt	50ATL10
Carriage sealing system	none
Adjustable belt tensioning	the belt can be retensioned by the customer if necessary
Lubrication	lubrication of guiding surfaces
Included accessories	4 × mounting clamps

Performance Specifications

Parameter		WH120
Stroke length (S max), maximum	[mm]	11000
Linear speed, maximum	[m/s]	10,0
Acceleration, maximum	[m/s ²]	40
Repeatability	[± mm]	0,05
Input speed, maximum	[rpm]	2308
Operation temperature limits	[°C]	0 – 80
Dynamic load (Fx), maximum	[N]	5000 ³
Dynamic load (Fy), maximum	[N]	4980 ¹ / 40500 ²
Dynamic load (Fz), maximum	[N]	9300 ¹ / 64800 ²
Dynamic load torque (Mx), maximum	[Nm]	500 ¹ / 3140 ²
Dynamic load torque (My), maximum	[Nm]	930 ¹ / 5830 ²
Dynamic load torque (Mz), maximum	[Nm]	500 ¹ / 3640 ²
Drive shaft force (Frd), maximum	[N]	700
Drive shaft torque (Mta), maximum	[Nm]	200
Pulley diameter	[mm]	82,76
Stroke per shaft revolution	[mm]	260
Weight of unit with zero stroke	[kg]	17,00
of every 100 mm of stroke		1,64
of each carriage		5,50

¹ Value for the complete unit

² Value for the wheel guide only

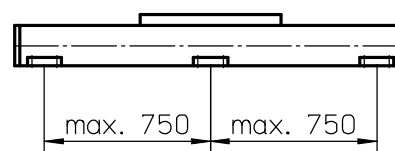
³ See diagram Force Fx

Carriage Idle Torque, (M idle) [Nm]

Input speed [rpm]	Idle torque [Nm]
150	4,8
1500	7,0
2308	10,0

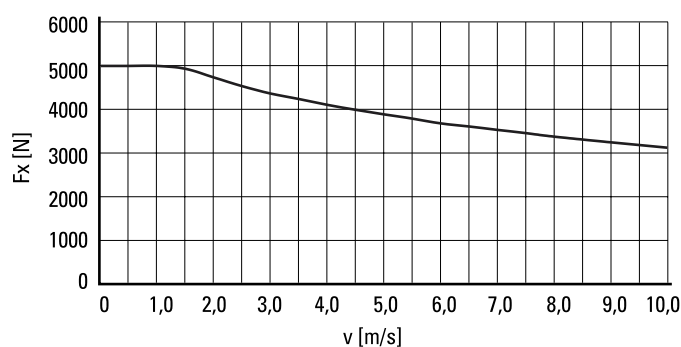
M idle = the input torque needed to move the carriage with no load on it.

Deflection of the Profile

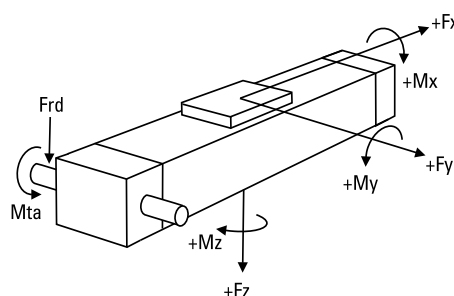


A mounting clamp must be installed at least at every 750 mm to be able to operate the maximum load. Less clamps may be required if less load is being operated, see the additional technical data for more information. Units with a profile length over 4900 mm consists of two profiles where the joint between the two profiles must be adequately supported on both sides.

Force Fx as a Function of the Speed

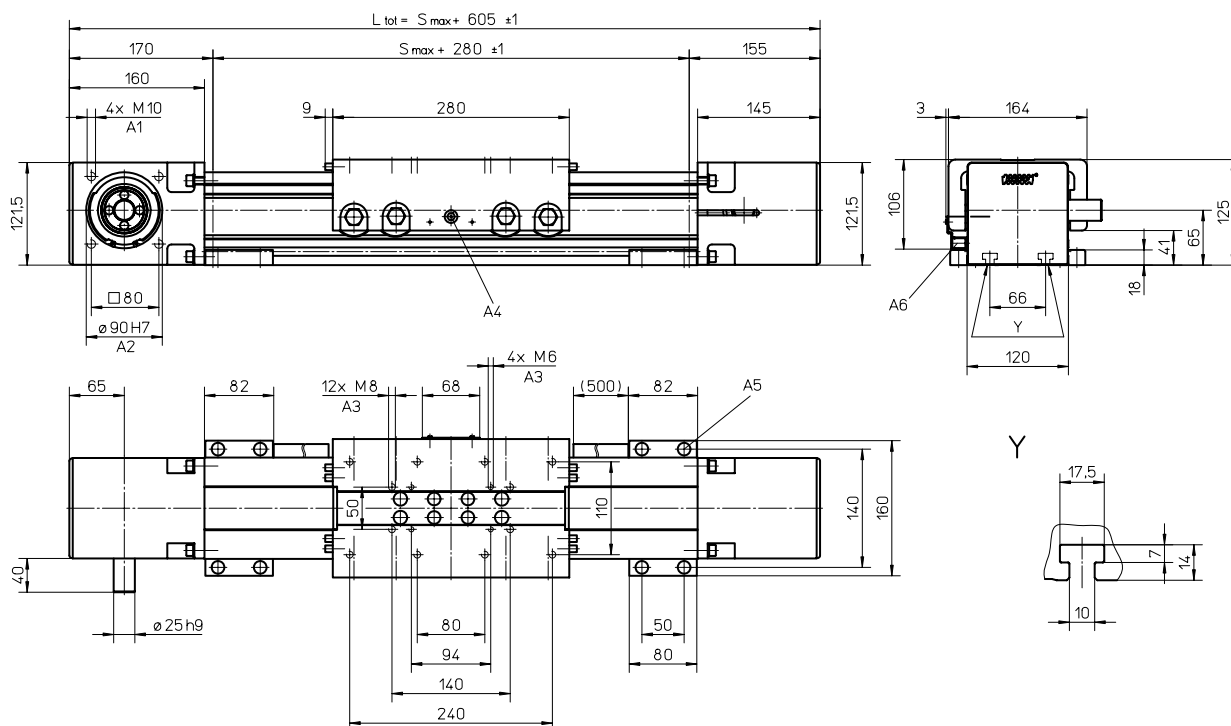


Definition of Forces



WH120

Belt Drive, Wheel Guide

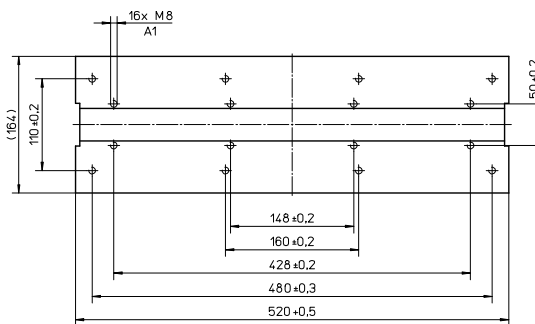


A1: depth 20
 A2: depth 7
 A3: depth 12

A4: funnel type lubricating nipple DIN3405-M6x1-D1
 A5: socket cap screw ISO4762-M8x20 8.8
 A6: ENF inductive sensor rail option kit (optional)

Long Carriage

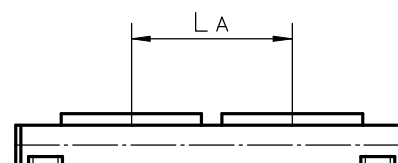
Parameter	WH120	
Carriage length	[mm]	520
Dynamic load torque (M_y), maximum	[Nm]	1395
Dynamic load torque (M_z), maximum	[Nm]	750
Weight	[kg]	8,67



A1: depth 12

Double Carriages

Parameter	WH120	
Minimum distance between carriages (L_A)	[mm]	300
Dynamic load (F_y), maximum	[N]	9960
Dynamic load (F_z), maximum	[N]	18600
Dynamic load torque (M_y), maximum	[Nm]	$L A^1 \times 4,98$
Dynamic load torque (M_z), maximum	[Nm]	$L A^1 \times 9,3$
Force required to move second carriage	[N]	30
Total length (L_{tot})	[mm]	$S_{max} + 605 + L A$



¹ Value in mm

MLSH60Z

Belt Drive, Wheel Guide

- » Ordering key - see page 215
- » Accessories - see page 137
- » Additional data - see page 193

General Specifications

Parameter	MLSH60Z
Profile size (w × h) [mm]	160 × 65
Type of belt	32ATL5
Carriage sealing system	plastic cover band
Adjustable belt tensioning	the belt can be retensioned by the customer if necessary
Lubrication	no lubrication required
Included accessories	4 × mounting clamps

Performance Specifications

Parameter		MLSH60Z
Stroke length (S max), maximum	[mm]	5500
Linear speed, maximum	[m/s]	6,5
Acceleration, maximum	[m/s ²]	40
Repeatability	[± mm]	0,05
Input speed, maximum	[rpm]	3000
Operation temperature limits	[°C]	0 – 80
Dynamic load (Fx), maximum	[N]	1480 ³
Dynamic load (Fy), maximum	[N]	3000 ¹ / 24760 ²
Dynamic load (Fz), maximum	[N]	3000 ¹ / 24760 ²
Dynamic load torque (Mx), maximum	[Nm]	165 ¹ / 1920 ²
Dynamic load torque (My), maximum	[Nm]	310 ¹ / 2600 ²
Dynamic load torque (Mz), maximum	[Nm]	310 ¹ / 2600 ²
Drive shaft force (Frd), maximum	[N]	200
Drive shaft torque (Mta), maximum	[Nm]	45
Pulley diameter	[mm]	42,97
Stroke per shaft revolution	[mm]	135
Weight	[kg]	
of unit with zero stroke		12,60
of every 100 mm of stroke		1,33
of each carriage		3,90

¹ Value for the complete unit

² Value for the wheel guide only

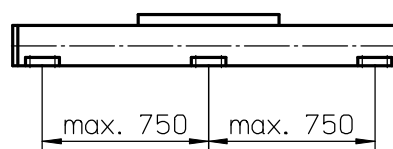
³ See diagram Force Fx

Carriage Idle Torque, (M idle) [Nm]

Input speed [rpm]	Idle torque [Nm]
150	4,6
1500	9,0
3000	12,0

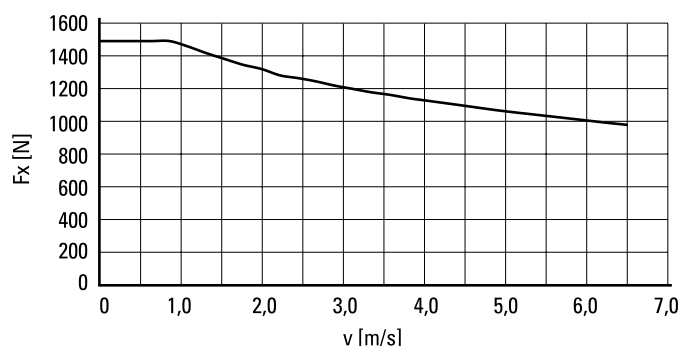
M idle = the input torque needed to move the carriage with no load on it.

Deflection of the Profile

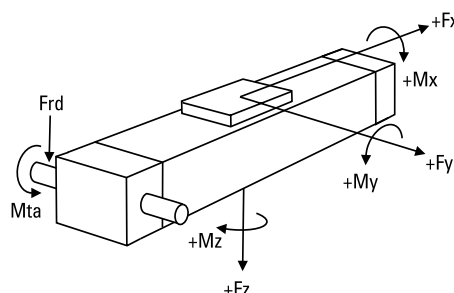


A mounting clamp must be installed at least at every 750 mm to be able to operate the maximum load. Less clamps may be required if less load is being operated, see the additional technical data for more information.

Force Fx as a Function of the Speed



Definition of Forces



MLSH80Z

Belt Drive, Wheel Guide

- » Ordering key - see page 215
- » Accessories - see page 137
- » Additional data - see page 193

General Specifications

Parameter	MLSH80Z
Profile size (w × h) [mm]	240 × 85
Type of belt	75ATL10
Carriage sealing system	plastic cover band
Adjustable belt tensioning	the belt can be retensioned by the customer if necessary
Lubrication	no lubrication required
Included accessories	4 × mounting clamps

Performance Specifications

Parameter		MLSH80Z
Stroke length (S max), maximum	[mm]	5900
Linear speed, maximum	[m/s]	10,0
Acceleration, maximum	[m/s ²]	40
Repeatability	[± mm]	0,05
Input speed, maximum	[rpm]	3000
Operation temperature limits	[°C]	0 – 80
Dynamic load (Fx), maximum	[N]	5000 ³
Dynamic load (Fy), maximum	[N]	5000 ¹ / 55090 ²
Dynamic load (Fz), maximum	[N]	5000 ¹ / 55090 ²
Dynamic load torque (Mx), maximum	[Nm]	350 ¹ / 2890 ²
Dynamic load torque (My), maximum	[Nm]	450 ¹ / 4490 ²
Dynamic load torque (Mz), maximum	[Nm]	450 ¹ / 4490 ²
Drive shaft force (Frd), maximum	[N]	700
Drive shaft torque (Mta), maximum	[Nm]	150
Pulley diameter	[mm]	63,66
Stroke per shaft revolution	[mm]	200
Weight of unit with zero stroke of every 100 mm of stroke of each carriage	[kg]	30,7 2,4 10,0

¹ Value for the complete unit

² Value for the wheel guide only

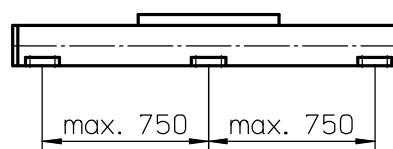
³ See diagram Force Fx

Carriage Idle Torque, (M idle) [Nm]

Input speed [rpm]	Idle torque [Nm]
150	8,5
1500	12,5
3000	15,5

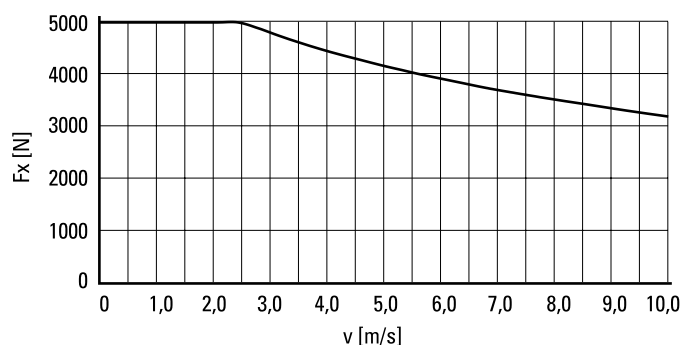
M idle = the input torque needed to move the carriage with no load on it.

Deflection of the Profile

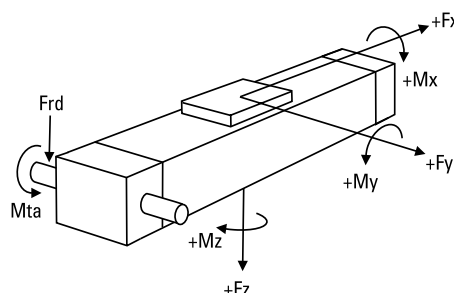


A mounting clamp must be installed at least at every 750 mm to be able to operate the maximum load. Less clamps may be required if less load is being operated, see the additional technical data for more information.

Force Fx as a Function of the Speed

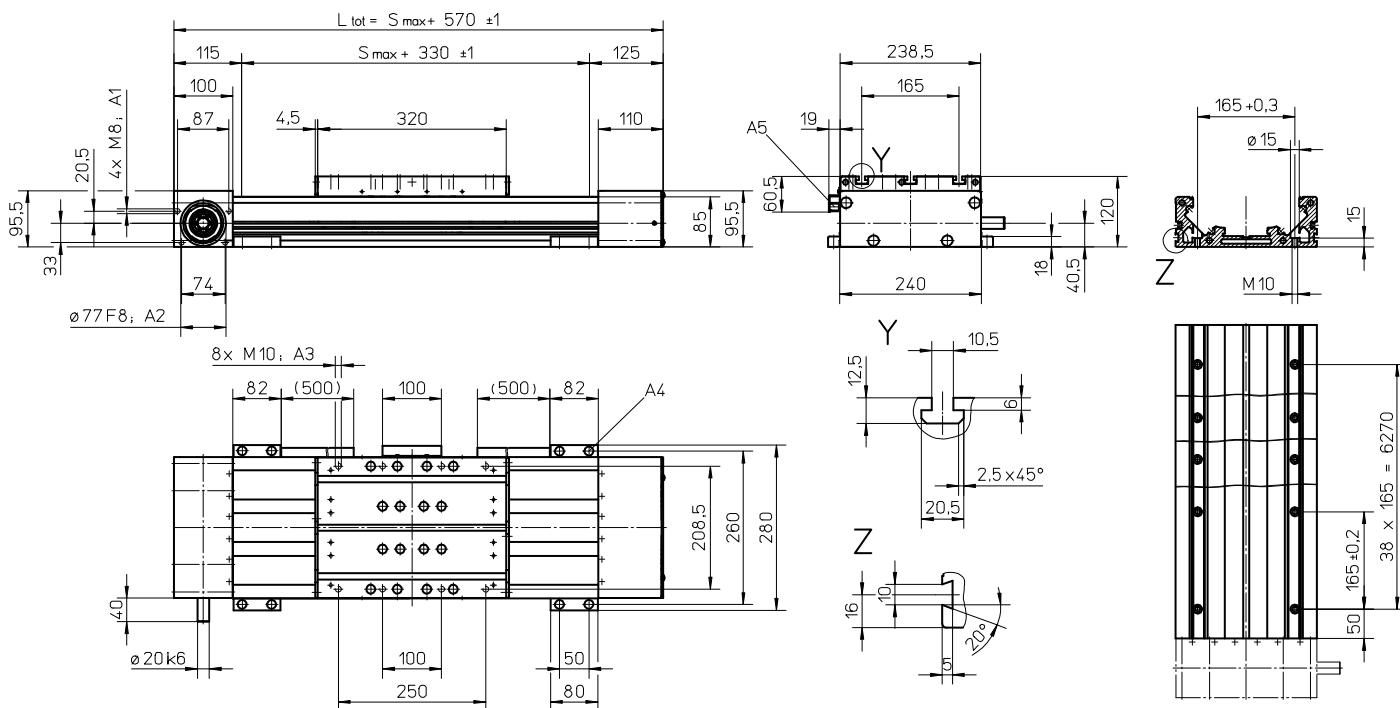


Definition of Forces



MLSH80Z

Belt Drive, Wheel Guide

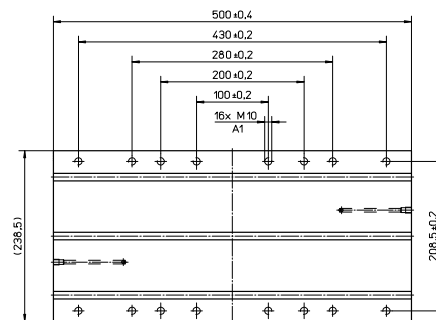


A1: depth 18
A2: depth 4
A3: depth 15

A4: socket cap screw ISO4762-M8x20 8.8
A5: ENF inductive sensor rail option kit (optional)

Long Carriage

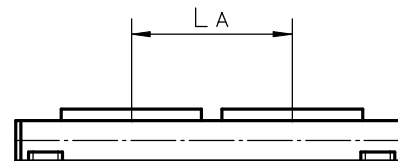
Parameter	MLSH80Z	
Carriage length	[mm]	500
Dynamic load torque (My), maximum	[Nm]	700
Dynamic load torque (Mz), maximum	[Nm]	700
Weight	[kg]	14,1



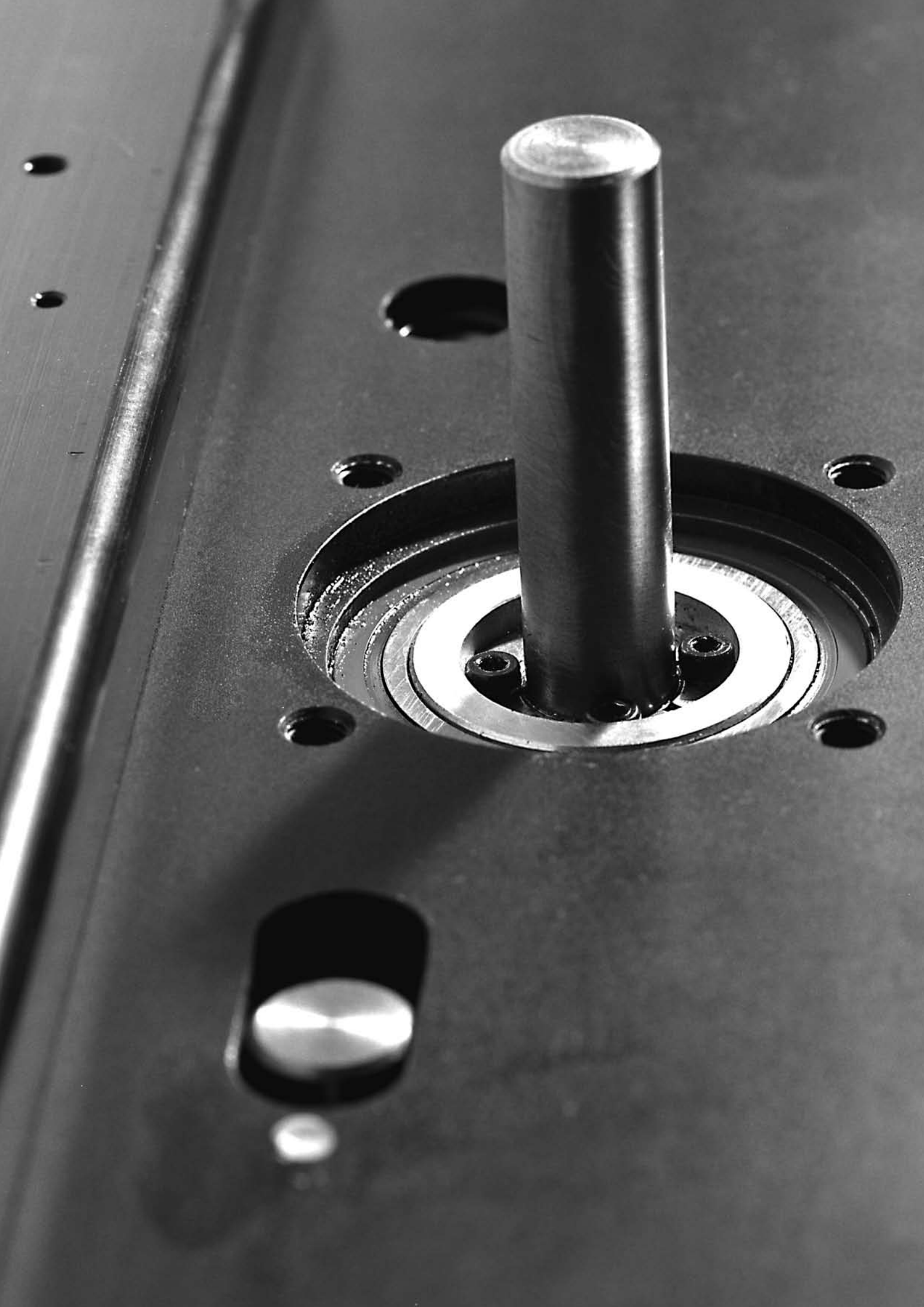
A1: depth 15

Double Carriages

Parameter	MLSH80Z	
Minimum distance between carriages (LA)	[mm]	340
Dynamic load (Fy), maximum	[N]	10000
Dynamic load (Fz), maximum	[N]	10000
Dynamic load torque (My), maximum	[Nm]	$L A^1 \times 5$
Dynamic load torque (Mz), maximum	[Nm]	$L A^1 \times 5$
Force required to move second carriage	[N]	200
Total length (L tot)	[mm]	$S_{max} + 570 + L A$



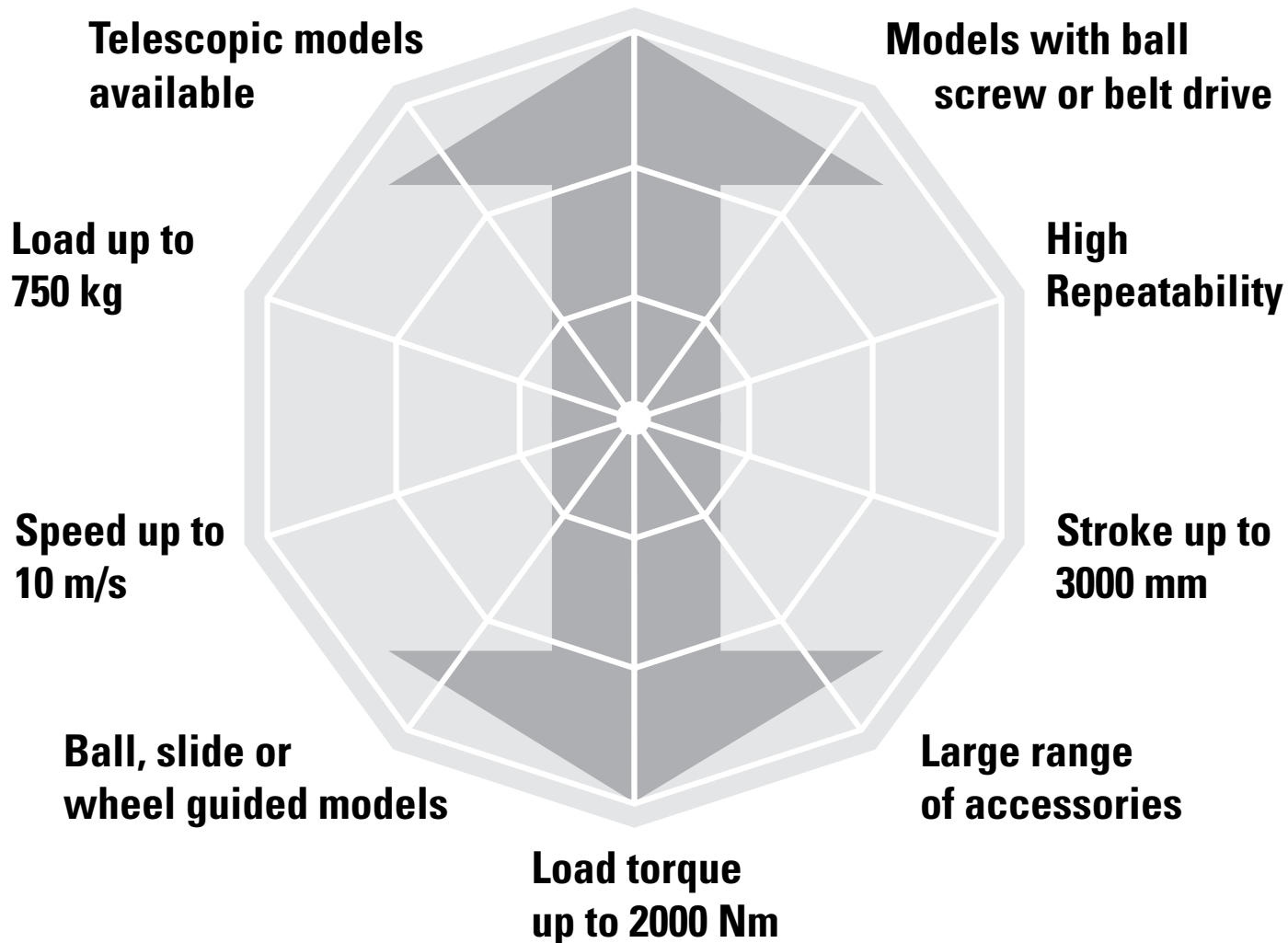
¹ Value in mm



Linear Lifting Units

SpeedLine, Movo Z

Developed for lifting applications



Typical Applications

Typical applications are found in most industries where light, medium or heavy loads need to be lifted. Examples are pick and place operations, materials handling, electronic assembly and for lifting equipment in automotive assembly lines.

SpeedLine WHZ



Features

- Can be installed in all directions
- Belt drive
- External wheel guides
- Speed up to 10 m/s
- Acceleration up to 40 m/s²

Parameter		WHZ50	WHZ80
Profile size (width × length)	[mm]	50 × 50	80 × 80
Stroke length (S max), maximum	[mm]	1500	3000
Linear speed, maximum	[m/s]	6,5	10,0
Dynamic load (Fx), maximum	[N]	670	1480
Remarks		the load is always attached to the end of the lifting profile	the load is always attached to the end of the lifting profile
Page		114	116

Movo Z



Features

- Telescopic movement
- Ball screw drive
- Internal slide guides
- Load up to 7500 N
- Load torque up to 2000 Nm
- Two end stop limit switches (Z2 only)

Parameter		Z2	Z3
Profile size (width × height)	[mm]	188 × 150	188 × 150
Stroke length (S max), maximum	[mm]	1500	1500
Linear speed, maximum	[m/s]	1,25	1,25
Dynamic load (Fz), maximum	[N]	7500	7500
Remarks		Can be installed in any direction. The load must be attached at the end of the lifting profile	Can only be installed vertically. The load must be attached at the end of the lifting profile.
Page		118	120

Movo ZB



Features

- Can be installed in all directions
- Belt drive
- Internal ball guides
- Stroke up to 2,5 m

Parameter		ZB
Profile size (width × height)	[mm]	88 × 88
Stroke length (S max), maximum	[mm]	2500
Linear speed, maximum	[m/s]	3,0
Dynamic load (Fz), maximum	[N]	500
Remarks	the load is always attached to the end of the lifting profile	
Page		122

WHZ50

Belt Drive, Wheel Guide

- » Ordering key - see page 216
- » Accessories - see page 137
- » Additional data - see page 194

General Specifications

Parameter	WHZ50
Profile size (w × h) [mm]	50 × 50
Type of belt	16 ATL 5
Carriage sealing system	none
Adjustable belt tensioning	the belt can be retensioned by the customer if necessary
Lubrication	lubrication of carriage and guide surfaces
Included accessories	-

Performance Specifications

Parameter		WHZ50
Stroke length (S max), maximum	[mm]	1500
Linear speed, maximum	[m/s]	6,5
Acceleration, maximum	[m/s ²]	40
Repeatability	[± mm]	0,05
Input speed, maximum	[rpm]	3250
Operation temperature limits	[°C]	0 – 80
Dynamic load (F _x), maximum	[N]	670 ³
Dynamic load (F _y), maximum	[N]	415 ¹ / 2820 ²
Dynamic load (F _z), maximum	[N]	730 ¹ / 5080 ²
Dynamic load torque (M _x), maximum	[Nm]	16 ¹ / 100 ²
Dynamic load torque (M _y), maximum	[Nm]	87 ¹ / 500 ²
Dynamic load torque (M _z), maximum	[Nm]	50 ¹ / 280 ²
Drive shaft force (F _{rd}), maximum	[N]	150
Drive shaft torque (M _{ta}), maximum	[Nm]	17
Pulley diameter	[mm]	38,2
Stroke per shaft revolution	[mm]	120
Weight	[kg]	
of unit with zero stroke		4,50
of every 100 mm of stroke		0,42
of each drive station box		2,90

¹ Value for the complete unit

² Value for the wheel guide only

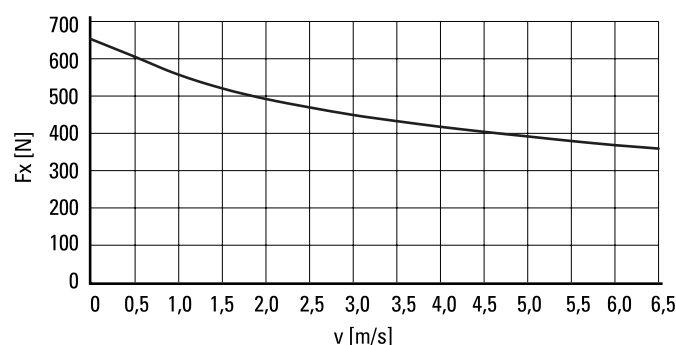
³ See diagram Force F_x

Carriage Idle Torque, (M_{idle}) [Nm]

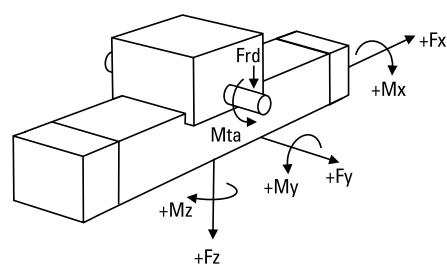
Input speed [rpm]	Idle torque [Nm]
150	1,7
1500	2,4
3250	3,8

M_{idle} = the input torque needed to move the carriage with no load on it.

Force F_x as a Function of the Speed

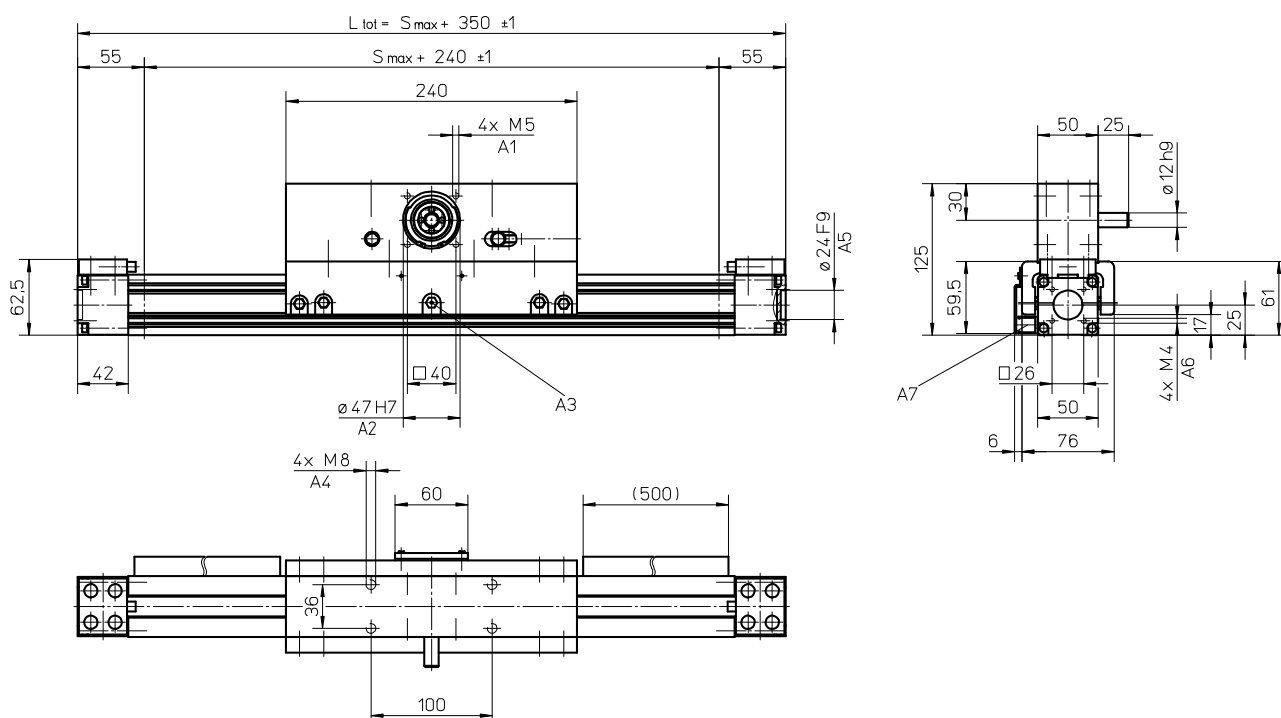


Definition of Forces



WHZ50

Belt Drive, Wheel Guide

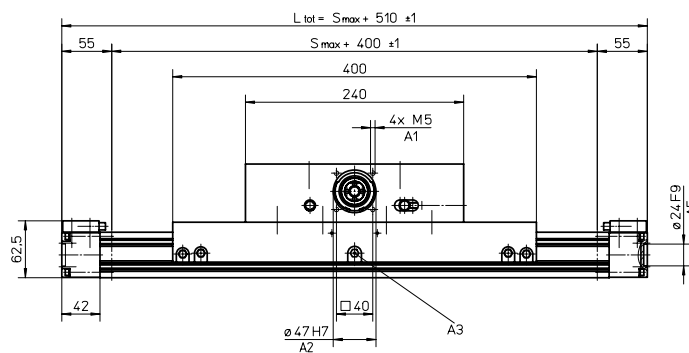


A1: depth 12
 A2: depth 3,5
 A3: funnel type lubricating nipple DIN3405-M6x1-D1
 A4: depth 16

A5: depth 4
 A6: depth 8
 A7: ENF inductive sensor rail option kit (optional)

Long Carriage

Parameter		WHZ50
Carriage length	[mm]	400
Dynamic load torque (M_y), maximum	[Nm]	130
Dynamic load torque (M_z), maximum	[Nm]	75
Weight	[kg]	3,3

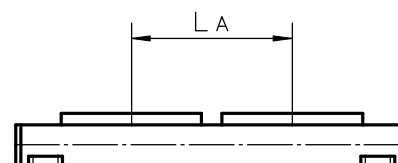


A1: depth 12
 A2: depth 3,5

A3: funnel type lubricating nipple DIN3405-M6x1-D1
 A5: depth 4

Double Carriages²

Parameter		WHZ50
Minimum distance between carriages (L_A)	[mm]	260
Dynamic load (F_y), maximum	[N]	830
Dynamic load (F_z), maximum	[N]	1460
Dynamic load torque (M_y), maximum	[Nm]	$L A^1 \times 0,415$
Dynamic load torque (M_z), maximum	[Nm]	$L A^1 \times 0,73$
Force required to move second carriage	[N]	16
Total length (L_{tot})	[mm]	$S_{max} + 350 + L A$



¹ Value in mm

² Second carriage is always a long carriage

WHZ80

Belt Drive, Wheel Guide

- » Ordering key - see page 216
- » Accessories - see page 137
- » Additional data - see page 194

General Specifications

Parameter	WHZ80
Profile size (w × h) [mm]	80 × 80
Type of belt	32 ATL 5
Carriage sealing system	none
Adjustable belt tensioning	the belt can be retensioned by the customer if necessary
Lubrication	lubrication of carriage and guide surfaces
Included accessories	-

Performance Specifications

Parameter		WHZ80
Stroke length (S max), maximum	[mm]	3000
Linear speed, maximum	[m/s]	10,0
Acceleration, maximum	[m/s ²]	40
Repeatability	[± mm]	0,05
Input speed, maximum	[rpm]	3000
Operation temperature limits	[°C]	0 – 80
Dynamic load (F _x), maximum	[N]	1480 ³
Dynamic load (F _y), maximum	[N]	882 ¹ / 8160 ²
Dynamic load (F _z), maximum	[N]	2100 ¹ / 14680 ²
Dynamic load torque (M _x), maximum	[Nm]	75 ¹ / 480 ²
Dynamic load torque (M _y), maximum	[Nm]	230 ¹ / 1610 ²
Dynamic load torque (M _z), maximum	[Nm]	100 ¹ / 900 ²
Drive shaft force (F _{rd}), maximum	[N]	500
Drive shaft torque (M _{ta}), maximum	[Nm]	50
Pulley diameter	[mm]	63,66
Stroke per shaft revolution	[mm]	200
Weight	[kg]	
of unit with zero stroke		11,20
of every 100 mm of stroke		0,91
of each drive station box		6,65

¹ Value for the complete unit

² Value for the wheel guide only

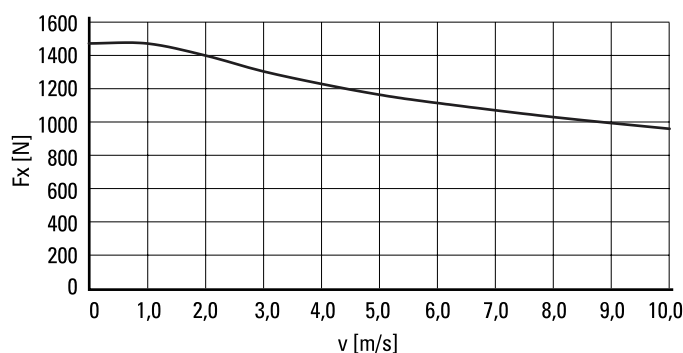
³ See diagram Force F_x

Carriage Idle Torque, (M_{idle}) [Nm]

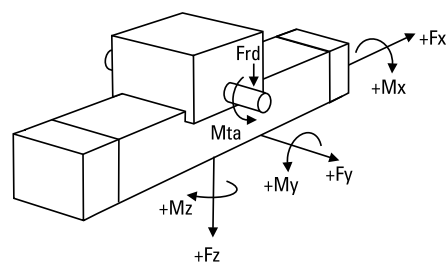
Input speed [rpm]	Idle torque [Nm]
150	2,4
1500	3,5
3000	5,0

M_{idle} = the input torque needed to move the carriage with no load on it.

Force F_x as a Function of the Speed

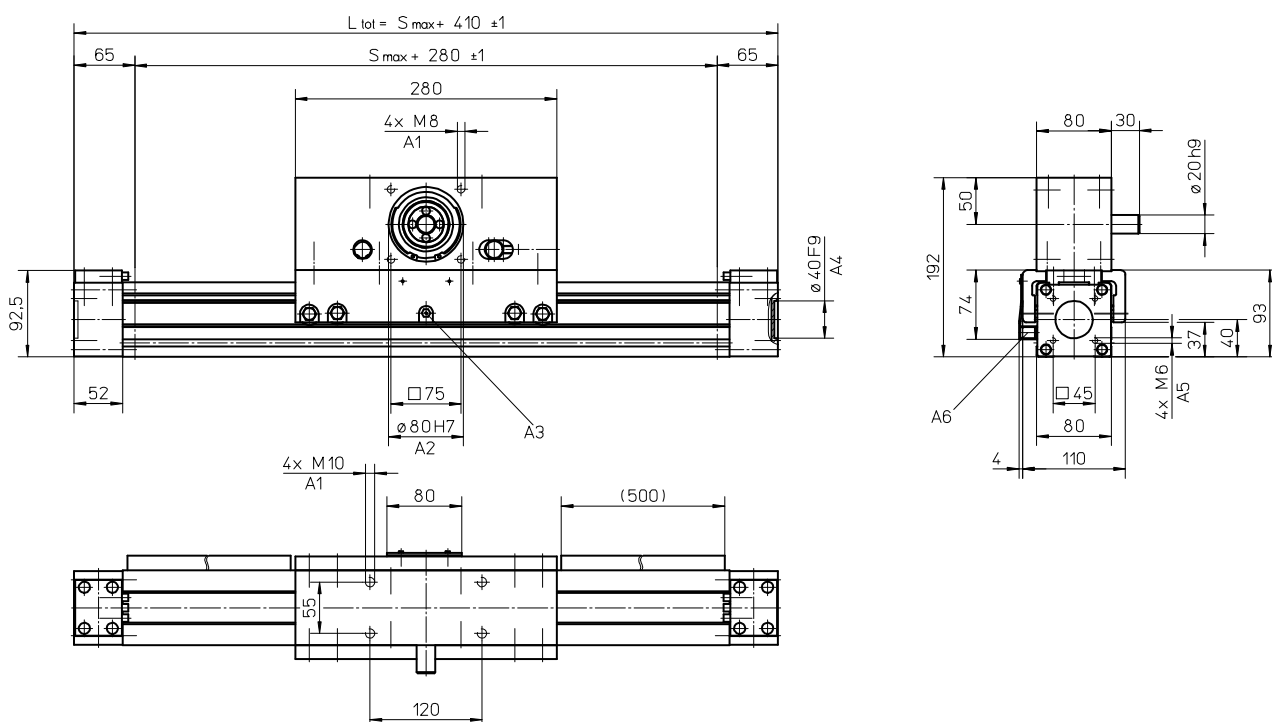


Definition of Forces



WHZ80

Belt Drive, Wheel Guide

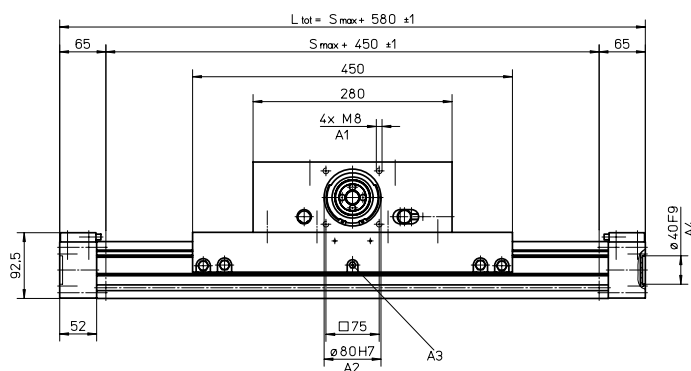


A1: depth 20
 A2: depth 3,5
 A3: funnel type lubricating nipple DIN3405-M6x1-D1

A4: depth 4
 A5: depth 15
 A6: ENF inductive sensor rail option kit (optional)

Long Carriage

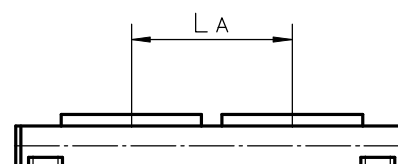
Parameter		WHZ80
Carriage length	[mm]	450
Dynamic load torque (My), maximum	[Nm]	345
Dynamic load torque (Mz), maximum	[Nm]	150
Weight	[kg]	7,4



A1: depth 20
 A2: depth 3,5
 A3: funnel type lubricating nipple DIN3405-M6x1-D1
 A4: depth 4

Double Carriages²

Parameter		WHZ80
Minimum distance between carriages (L _A)	[mm]	300
Dynamic load (F _y), maximum	[N]	1764
Dynamic load (F _z), maximum	[N]	4200
Dynamic load torque (M _y), maximum	[Nm]	L _A ¹ × 0,882
Dynamic load torque (M _z), maximum	[Nm]	L _A ¹ × 2,1
Force required to move second carriage	[N]	20
Total length (L _{tot})	[mm]	S _{max} + 410 + L _A



¹ Value in mm
² Second carriage is always a long carriage

Z2

Ball Screw Drive, Slide Guide

- » Ordering key - see page 216
- » Accessories - see page 137
- » Additional data - see page 194

General Specifications

Parameter	Z2
Profile size (w × h) [mm]	188 × 150
Type of screw	ball screw with single nut
Sealing system	none
Screw supports	none
Lubrication	lubrication of screw and slide surfaces
Included accessories	none

Performance Specifications

Parameter	Z2
Stroke length (S max), maximum [mm]	1500
Linear speed, maximum [m/s]	1,25
Acceleration, maximum [m/s ²]	8
Repeatability [± mm]	0,1
Input speed, maximum screw diameter/lead [mm] 25/10, 25/25 [rpm]	3000
screw diameter/lead [mm] 32/20	2500
Operation temperature limits [°C]	-20 – 70
Dynamic load (Fz), maximum screw diameter/lead [mm] 25/10, 25/25 [N]	5000
screw diameter/lead [mm] 32/20	7500
Dynamic load torque (Mx), maximum [Nm]	700 ¹
Dynamic load torque (My), maximum [Nm]	700 ¹
Dynamic load torque (Mz), maximum [Nm]	330 ¹
Drive shaft force (Frd), maximum screw diameter/lead [mm] 25/10, 25/25 [N]	1000
screw diameter/lead [mm] 32/20	1200
Drive shaft torque (Mta), maximum screw diameter/lead [mm] 25/10, 25/25 [Nm]	45
screw diameter/lead [mm] 32/20	93
Screw versions, diameter (d ₀) / lead (p) [mm]	25/10, 25/25, 32/20
Weight of unit with zero stroke, ball screw ø 25 mm [kg]	19,00
of unit with zero stroke, ball screw ø 32 mm	23,64
of every 100 mm of stroke, ball screw ø 25 mm	2,50
of every 100 mm of stroke, ball screw ø 32 mm	2,80

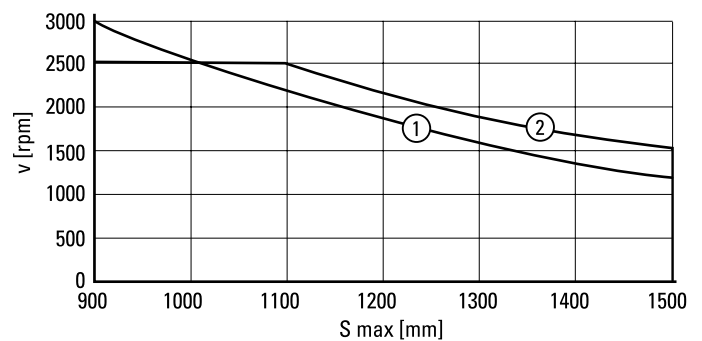
¹ Value for the complete unit

Idle Torque (M_{idle}) [Nm]

Input speed [rpm]	Screw diameter/lead [mm]		
	d ₀ = 25 / p = 10	d ₀ = 25 / p = 25	d ₀ = 32 / p = 20
500	0,7	1,9	1,5

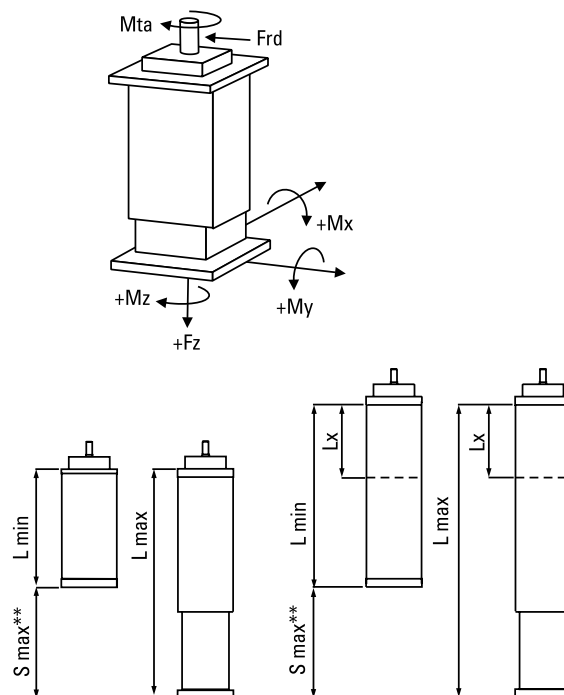
M_{idle} = the input torque needed to move the lifting profiles without any load.

Critical Speed



- 1: screw diameter 25 mm
- 2: screw diameter 32 mm

Definition of Forces and Stroke

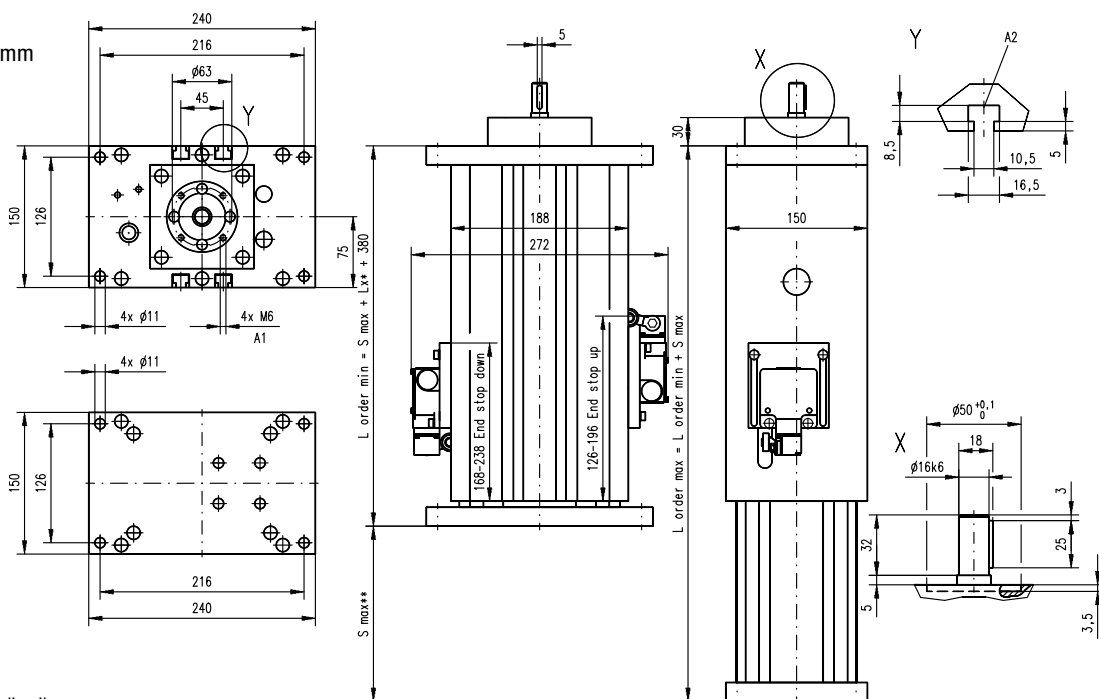


** S max = maximum stroke between the mechanical ends of the unit. The practical stroke is normally 100 mm shorter to avoid running into the ends of the unit.

Z2

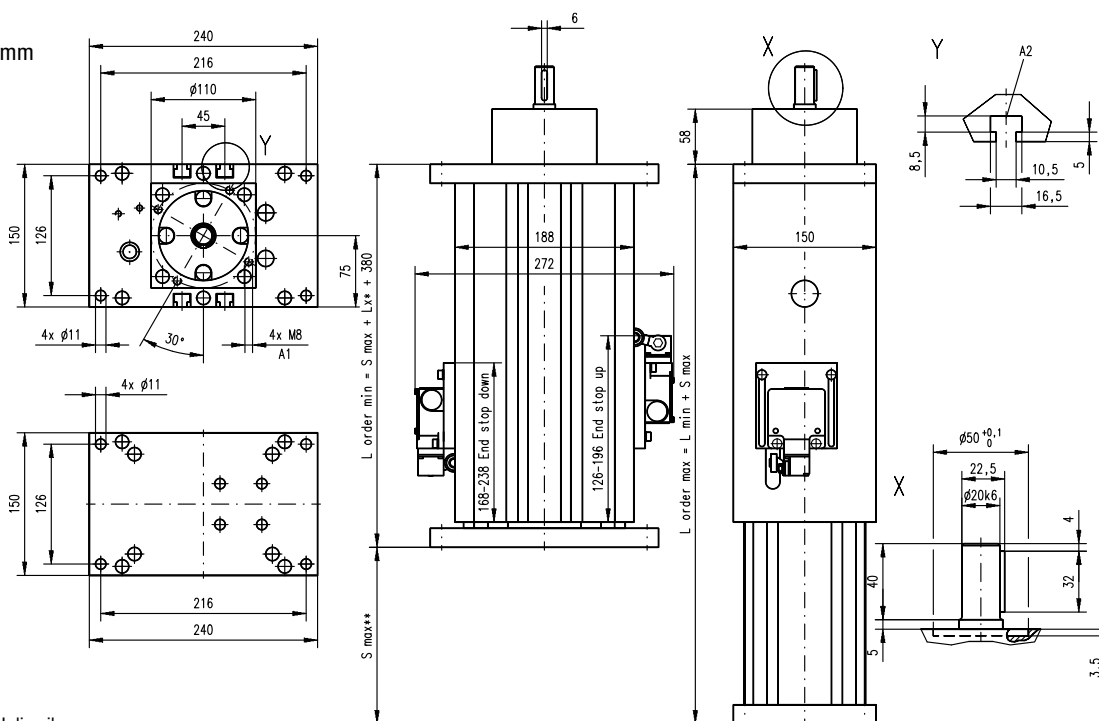
Ball Screw Drive, Slide Guide

MGZ2K25
screw $\varnothing 25$ mm



A1: depth 9, Heli coil
A2: T-slot

MGZ2K32
screw $\varnothing 32$ mm



A1: depth 12, Heli coil
A2: T-slot

Type of unit	Minimum retracted length (L min) [mm]	Maximum extended length (L max) [mm]
Standard	$L_{min} = S_{max} + 380$	$L_{max} = L_{min} + S_{max}$
Elongated*	$L_{min} = S_{max} + 380 + L_x$	$L_{max} = L_{min} + S_{max}$

* Elongated versions have an extra length (Lx) added to the total length of the unit which makes the unit longer but does not add any extra length to the stroke (S max).

Z3

Ball Screw Drive, Slide Guide

- » Ordering key - see page 216
- » Accessories - see page 137
- » Additional data - see page 194

General Specifications

Parameter	Z3
Profile size (w × h) [mm]	188 × 150
Type of screw	ball screw with single nut
Sealing system	none
Screw supports	none
Lubrication	lubrication of screw and slide surfaces
Included accessories	none

Performance Specifications

Parameter	Z3
Stroke length (S max), maximum [mm]	1500
Linear speed, maximum [m/s]	1,25
Acceleration, maximum [m/s ²]	8
Repeatability [± mm]	0,1
Input speed, maximum screw diameter/lead [mm] 25/10, 25/25 [rpm]	3000
screw diameter/lead [mm] 32/20	2500
Operation temperature limits [°C]	-20 – 70
Dynamic load (Fz), maximum screw diameter/lead [mm] 25/10, 25/25 [N]	5000
screw diameter/lead [mm] 32/20	7500
Dynamic load torque (Mx), maximum [Nm]	2000 ¹
Dynamic load torque (My), maximum [Nm]	2000 ¹
Dynamic load torque (Mz), maximum [Nm]	330 ¹
Drive shaft force (Frd), maximum screw diameter/lead [mm] 25/10, 25/25 [N]	1000
screw diameter/lead [mm] 32/20	1200
Drive shaft torque (Mta), maximum screw diameter/lead [mm] 25/10, 25/25 [Nm]	45
screw diameter/lead [mm] 32/20	93
Screw versions, diameter (do) / lead (p) [mm]	25/10, 25/25, 32/20
Weight [kg]	
of unit with zero stroke, ball screw ø 25 mm	21,14
of unit with zero stroke, ball screw ø 32 mm	22,65
of every 100 mm of stroke, ball screw ø 25 mm	4,20
of every 100 mm of stroke, ball screw ø 32 mm	4,50

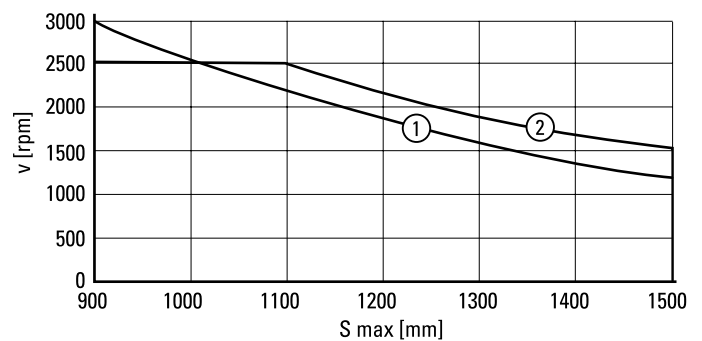
¹ Value for the complete unit

Idle Torque (M idle) [Nm]

Input speed [rpm]	Screw diameter/lead [mm]		
	do = 25 / p = 10	do = 25 / p = 25	do = 32 / p = 20
500	1,1	2,7	2,2

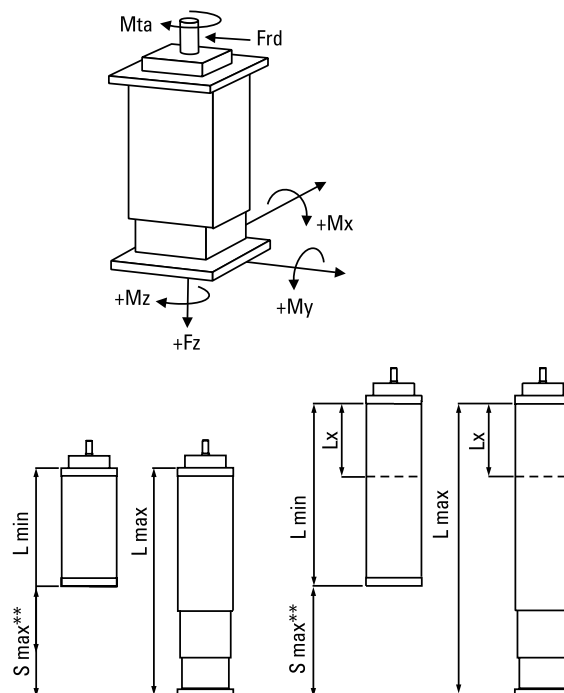
M idle = the input torque needed to move the lifting profiles without any load.

Critical Speed



- 1: screw diameter 25 mm
- 2: screw diameter 32 mm

Definition of Forces and Stroke

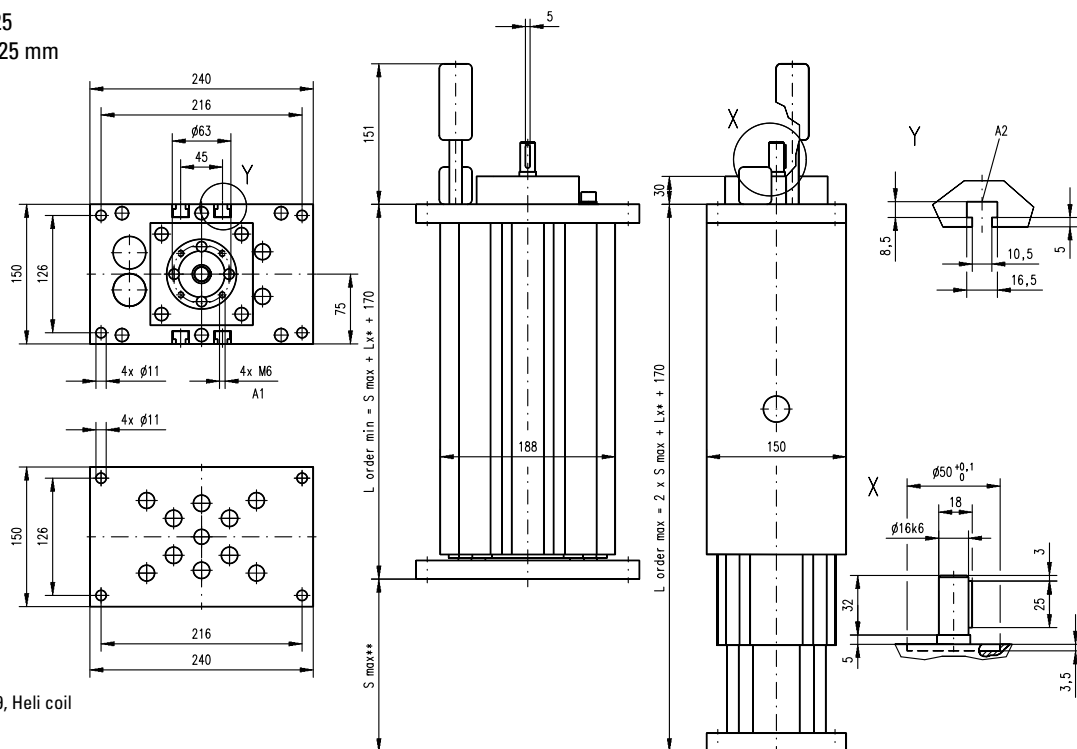


** S max = maximum stroke between the mechanical ends of the unit. The practical stroke is normally 100 mm shorter to avoid running into the ends of the unit.

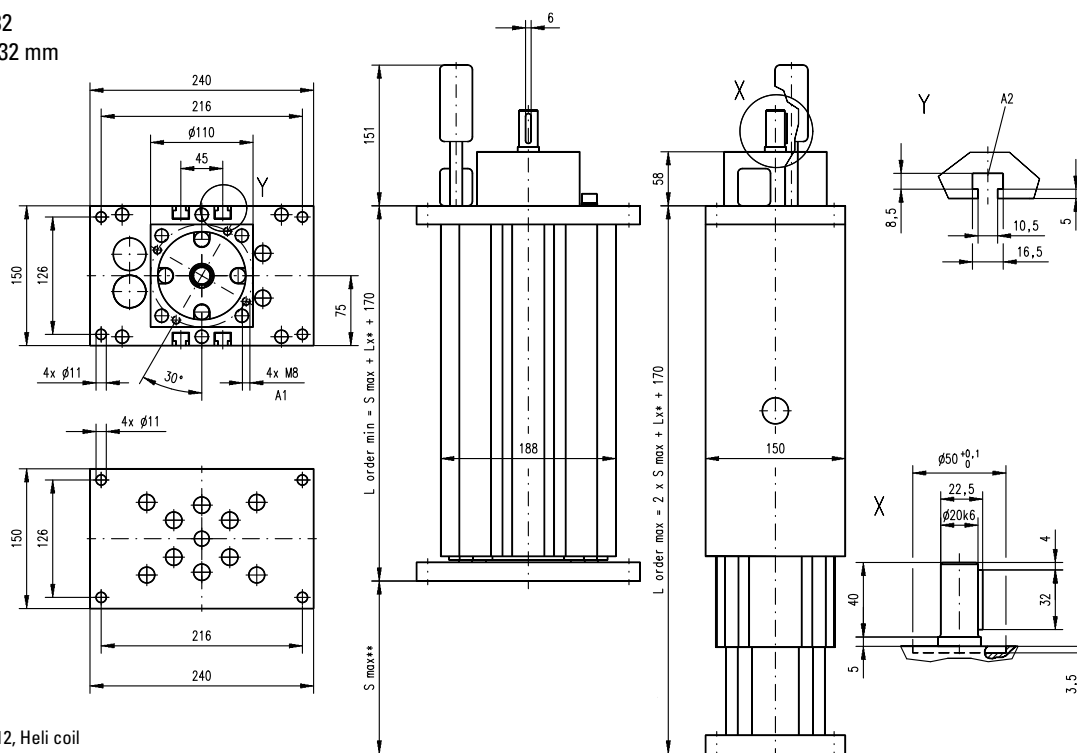
Z3

Ball Screw Drive, Slide Guide

MGZ3K25
screw $\varnothing 25$ mm



MGZ3K32
screw $\varnothing 32$ mm



Type of unit	Minimum retracted length (L min) [mm]	Maximum extended length (L max) [mm]
Standard	$L_{min} = S_{max} + 170$	$L_{max} = L_{min} + S_{max}$
Elongated*	$L_{min} = S_{max} + 170 + L_x$	$L_{max} = L_{min} + S_{max}$

* Elongated versions have an extra length (Lx) added to the total length of the unit which makes the unit longer but does not add any extra length to the stroke (S max).

ZB

Belt Drive, Ball Guide

- » Ordering key - see page 217
- » Accessories - see page 137
- » Additional data - see page 194

General Specifications

Parameter	ZB
Profile size (w × h) [mm]	88 × 88
Type of belt	50 AT 10
Carriage sealing system	none
Adjustable belt tensioning	the belt can be retensioned by the customer if necessary
Lubrication	lubrication of drive station in two points
Included accessories	none

Performance Specifications

Parameter		ZB
Stroke length (S max), maximum	[mm]	2500
Linear speed, maximum	[m/s]	3,0
Acceleration, maximum	[m/s ²]	40
Repeatability	[± mm]	0,1
Input speed, maximum	[rpm]	900
Operation temperature limits	[°C]	-20 – 70
Dynamic load (Fz), maximum	[N]	500
Dynamic load torque (Mx), maximum	[Nm]	445 ¹ / 3340 ²
Dynamic load torque (My), maximum	[Nm]	445 ¹ / 3340 ²
Dynamic load torque (Mz), maximum	[Nm]	35 ¹ / 262 ²
Drive shaft force (Frd), maximum	[N]	600
Drive shaft torque (Mta), maximum	[Nm]	34
Pulley diameter	[mm]	63,66
Stroke per shaft revolution	[mm]	200
Weight of unit with zero stroke	[kg]	15,50
Weight of every 100 mm of stroke		0,86
Weight of the drive station box		16,20

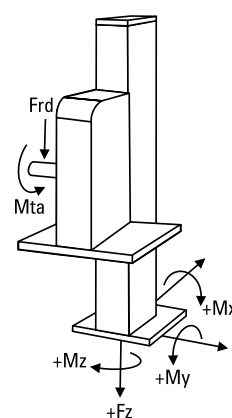
¹ Value for the complete unit
² Value for the ball guide only

Idle Torque, (M idle) [Nm]

Input speed [rpm]	Idle torque [Nm]
500	6,4

M idle = the input torque needed to move the lifting profile with no load on it.

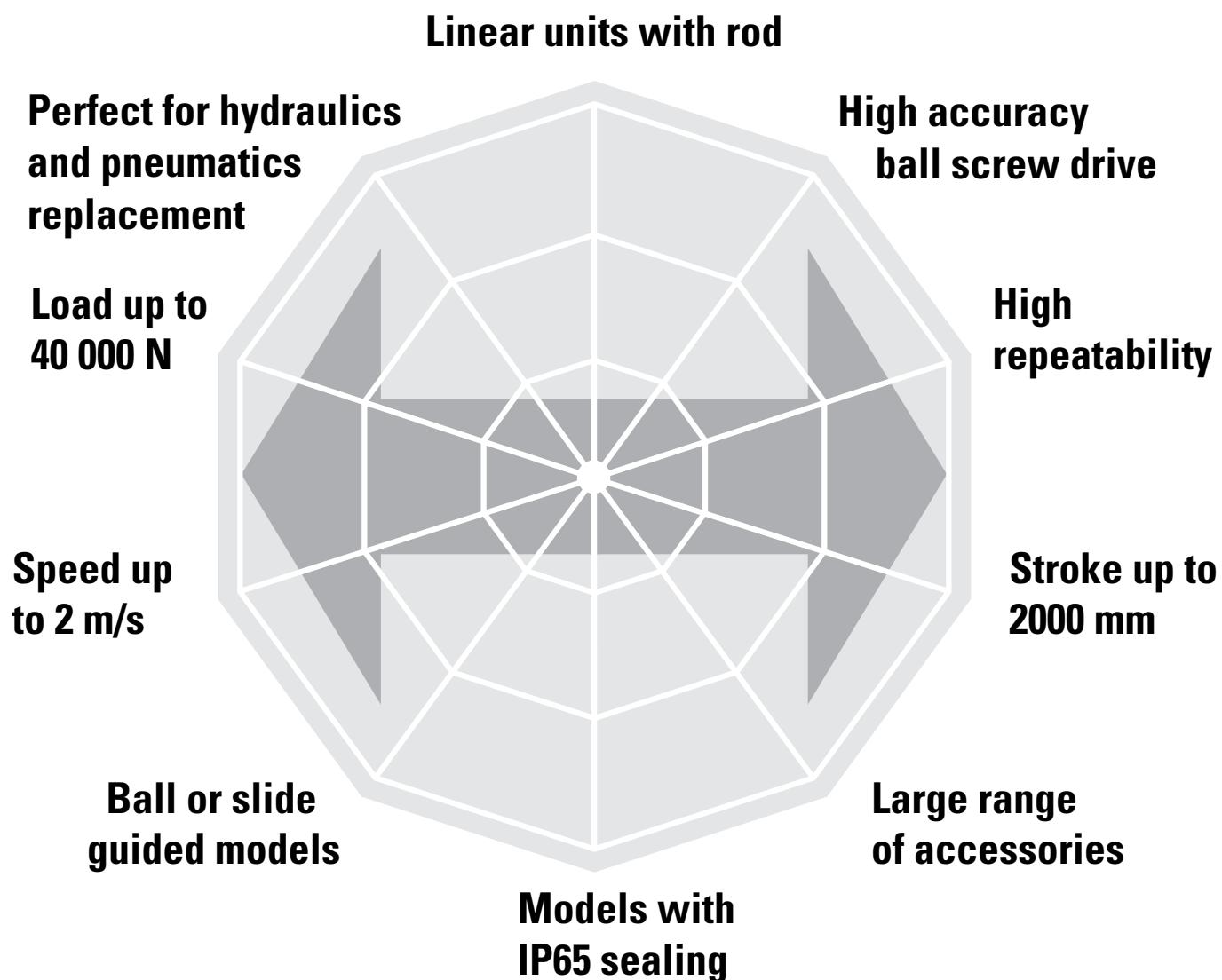
Definition of Forces





Linear Rod Units

VarioLine, Movotrak



Typical Applications

Typical applications are where hydraulic and pneumatic cylinders need to be replaced by an electrical solution or where a rod type unit is preferred. These units are also suited to harsh environments. Typical examples are valve control, machines in the plastic industry and as a Z-axis in various types of machines.

VarioLine WZ



Features

- Can be installed in all directions
- Ball screw drive
- Ball guides
- Compact

Parameter		WZ60	WZ80
Profile size (width × height)	[mm]	60 × 60	80 × 80
Stroke length (S max), maximum	[mm]	400	500
Linear speed, maximum	[m/s]	1,5	1,5
Dynamic carriage load (F _x), maximum	[N]	2800	3500
Remarks			
Page		128	130

Movotrak T



Features

- Can be installed in all directions
- Ball screw drive
- Slide guides
- Load up to 40000 N
- IP65 protection class
- Wash down protected versions available

Parameter		T90	T130
Profile size (width × height)	[mm]	90 × 92	130 × 130
Stroke length (S max), maximum	[mm]	1500	2000
Linear speed, maximum	[m/s]	2,0	2,0
Dynamic carriage load (Fx), maximum	[N]	20000	40000
Remarks		mounting accessories according to hydraulic cylinder standards available	mounting accessories according to hydraulic cylinder standards available
Page		132	134

WZ60

Ball Screw Drive, Ball Guide

- » Ordering key - see page 218
- » Accessories - see page 137
- » Additional data - see page 195

General Specifications

Parameter	WZ60
Profile size (w × h) [mm]	60 × 60
Type of screw	single nut ball screw
Lubrication	central lubrication of all parts that require lubrication
Included accessories	4 × mounting clamps

Performance Specifications

Parameter	WZ60
Stroke length (S max), maximum [mm]	400
Linear speed, maximum [m/s]	1,5
Acceleration, maximum [m/s ²]	20
Repeatability [± mm]	0,02
Input speed, maximum [rpm]	3000
Operation temperature limits [°C]	0 – 80
Dynamic load (F _x), maximum [N]	2800 ¹
Dynamic load (F _y), maximum [N]	2000 ²
Dynamic load (F _z), maximum [N]	2000 ²
Dynamic load torque (M _x), maximum [Nm]	50 ¹
Drive shaft force (F _{rd}), maximum [N]	500
Drive shaft torque (M _{ta}), maximum [Nm]	30
Ball screw diameter (d ₀) [mm]	20
Ball screw lead (p) [mm]	5, 20, 50
Weight [kg]	
of unit with zero stroke	4,5
of every 100 mm of stroke	0,77
of the rod with zero stroke	1,8
of every 100 mm of rod	0,26

¹ Value for the complete unit

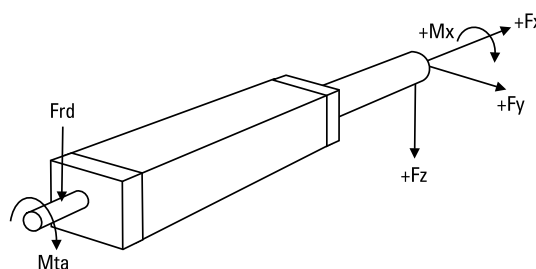
² See diagram Maximum Rod Side Forces (F_y, F_z)

Rod Idle Torque (M_{idle}) [Nm]

Input speed [rpm]	Screw lead [mm]		
	p = 5	p = 20	p = 50
150	0,7	1,0	1,4
1500	1,1	1,6	2,0
3000	1,5	1,8	2,2

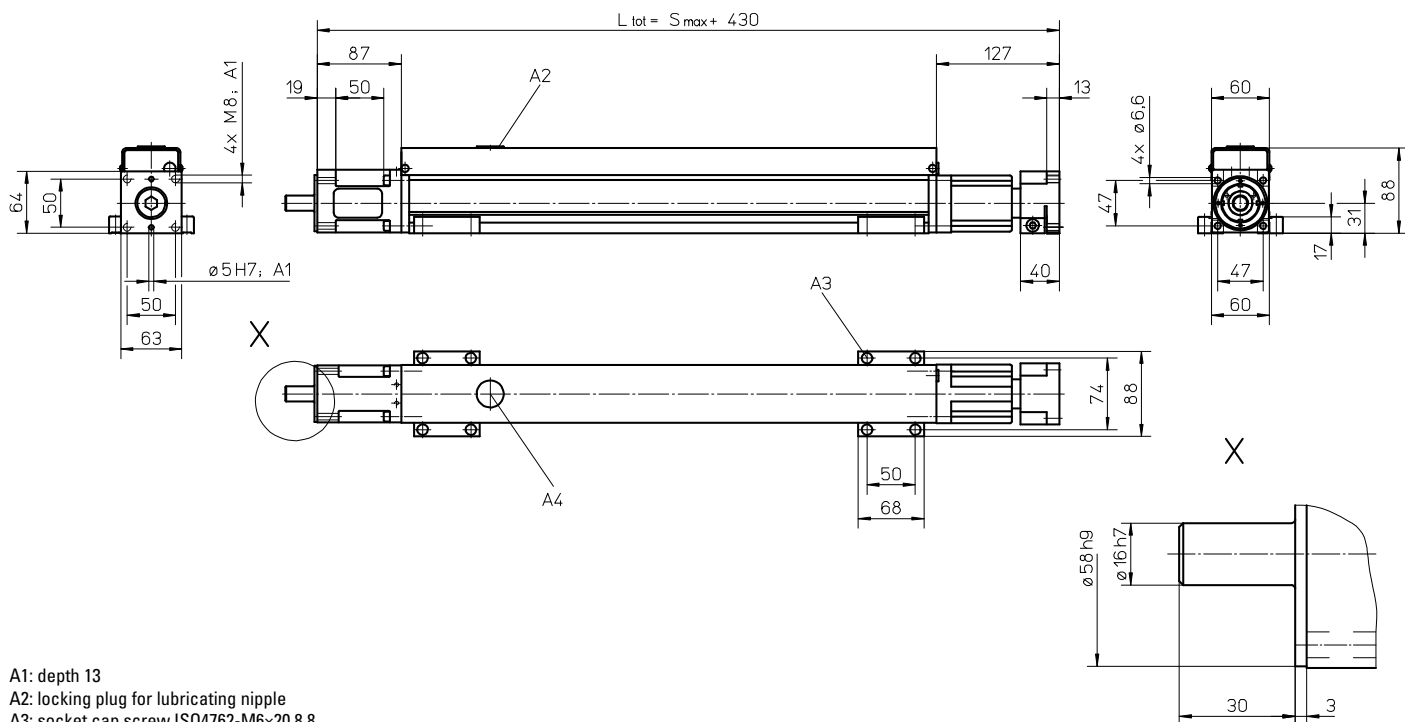
M_{idle} = the input torque needed to move the rod with no load on it.

Definition of Forces



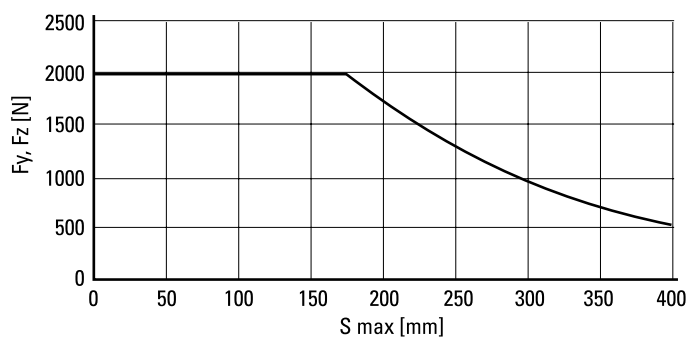
WZ60

Ball Screw Drive, Ball Guide

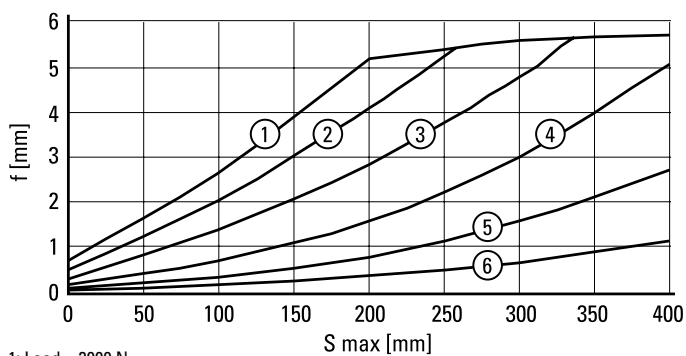


- A1: depth 13
- A2: locking plug for lubricating nipple
- A3: socket cap screw ISO4762-M6x20 8.8
- A4: tapered lubricating nipple to DIN71412 AM6 as standard feature

Maximum Rod Side Forces (F_y, F_z)

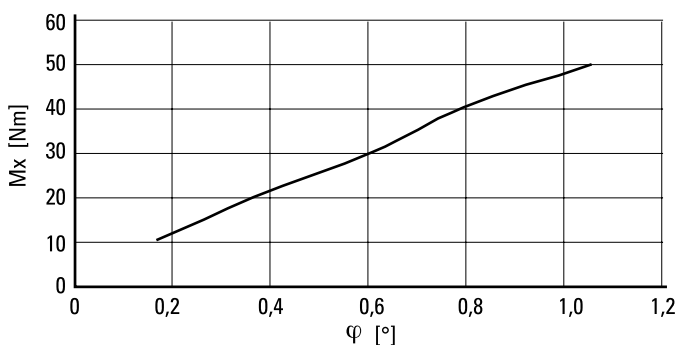


Deflection (f) of Rod due to F_y and F_z



- 1: Load = 2000 N
- 2: Load = 1500 N
- 3: Load = 1000 N
- 4: Load = 500 N
- 5: Load = 250 N
- 6: Load = 125 N

Torsion (ϕ) of Rod due to M_x



WZ80

Ball Screw Drive, Ball Guide

- » Ordering key - see page 218
- » Accessories - see page 137
- » Additional data - see page 195

General Specifications

Parameter	WZ80
Profile size (w × h) [mm]	80 × 80
Type of screw	single nut ball screw
Lubrication	central lubrication of all parts that require lubrication
Included accessories	4 × mounting clamps

Performance Specifications

Parameter	WZ80
Stroke length (S max), maximum [mm]	500
Linear speed, maximum [m/s]	1,5
Acceleration, maximum [m/s ²]	20
Repeatability [± mm]	0,02
Input speed, maximum [rpm]	3000
Operation temperature limits [°C]	0 – 80
Dynamic load (F _x), maximum [N]	3500 ¹
Dynamic load (F _y), maximum [N]	3000 ²
Dynamic load (F _z), maximum [N]	3000 ²
Dynamic load torque (M _x), maximum [Nm]	150 ¹
Drive shaft force (F _{rd}), maximum [N]	700
Drive shaft torque (M _{ta}), maximum [Nm]	55
Ball screw diameter (d ₀) [mm]	25
Ball screw lead (p) [mm]	5, 10, 20, 50
Weight [kg]	
of unit with zero stroke	7,5
of every 100 mm of stroke	1,35
of the rod with zero stroke	3,0
of every 100 mm of rod	0,5

¹ Value for the complete unit

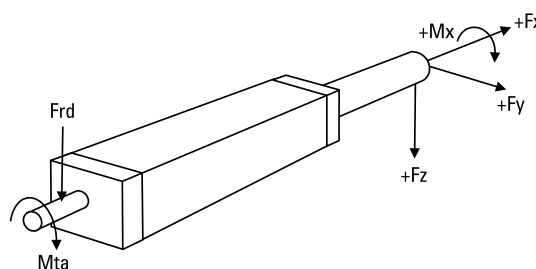
² See diagram Maximum Rod Side Forces (F_y, F_z)

Rod Idle Torque (M_{idle}) [Nm]

Input speed [rpm]	Screw lead [mm]			
	p = 5	p = 10	p = 20	p = 50
150	0,6	1,1	1,3	1,8
1500	1,1	1,5	1,6	2,2
3000	1,4	1,8	1,8	2,7

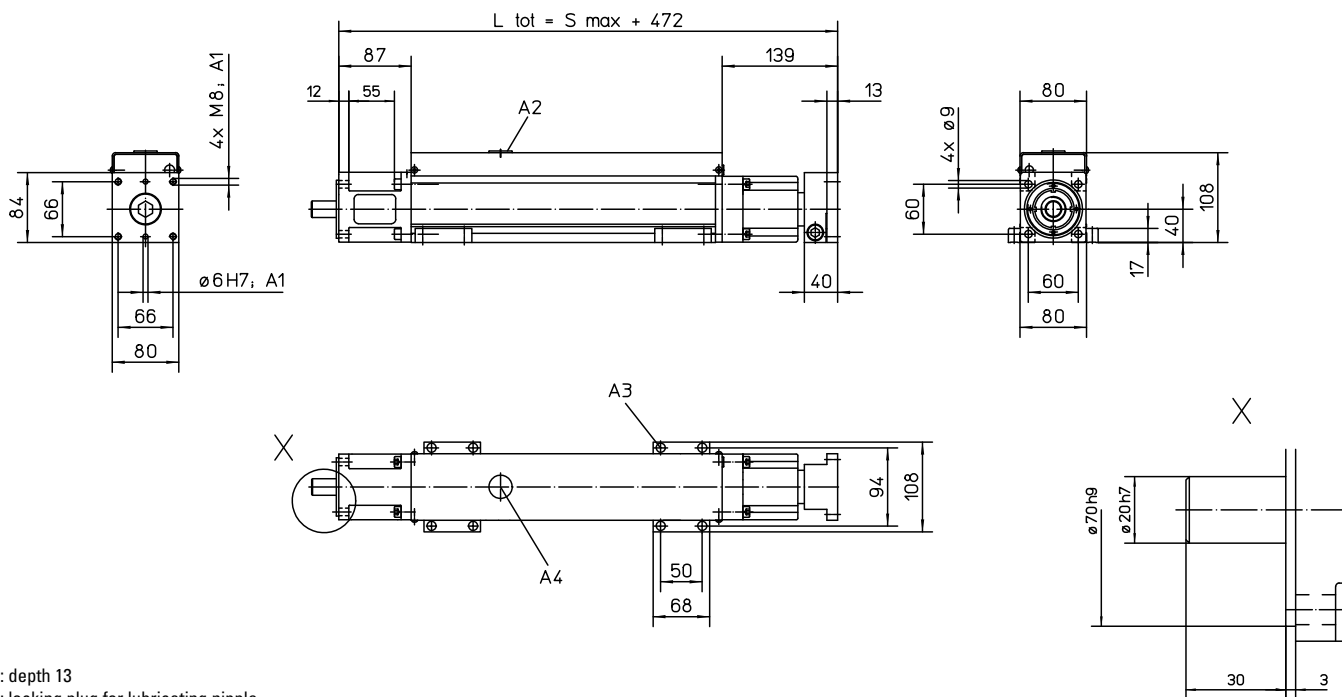
M_{idle} = the input torque needed to move the rod with no load on it.

Definition of Forces



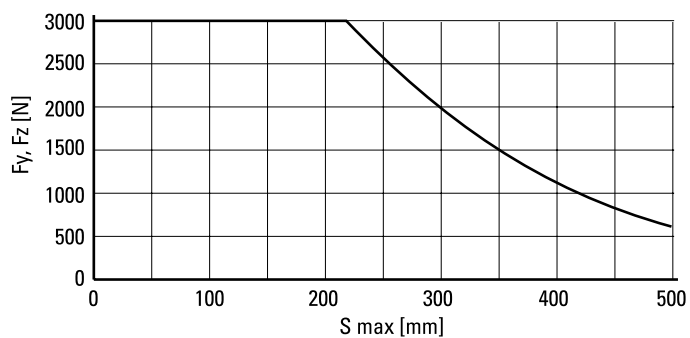
WZ80

Ball Screw Drive, Ball Guide

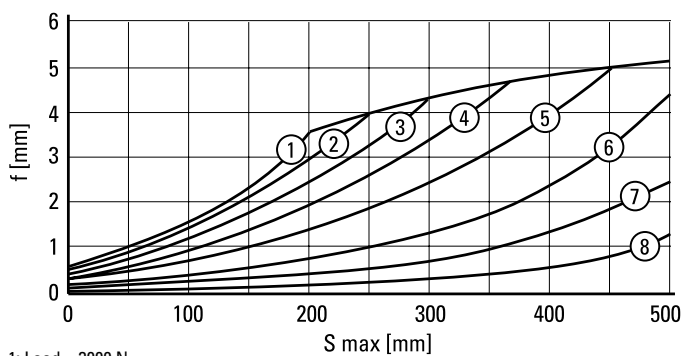


- A1: depth 13
- A2: locking plug for lubricating nipple
- A3: socket cap screw ISO4762-M6×20 8.8
- A4: tapered lubricating nipple to DIN71412 AM6 as standard feature

Maximum Rod Side Forces (F_y, F_z)

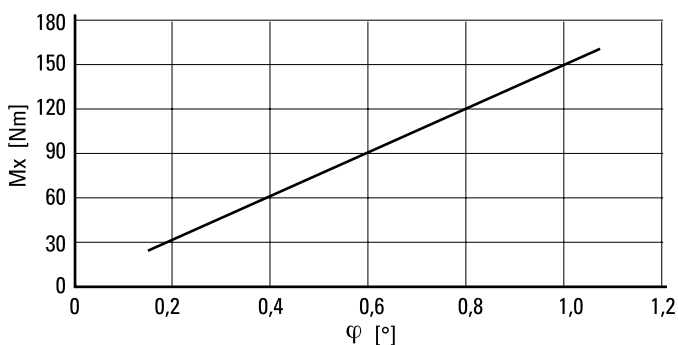


Deflection (f) of Rod due to F_y and F_z



- 1: Load = 3000 N
- 2: Load = 2500 N
- 3: Load = 2000 N
- 4: Load = 1500 N
- 5: Load = 1000 N
- 6: Load = 500 N
- 7: Load = 250 N
- 8: Load = 125 N

Torsion (ϕ) of Rod due to M_x



T90

Ball Screw Drive, Slide Guide

- » Ordering key - see page 218
- » Accessories - see page 137
- » Additional data - see page 195

General Specifications

Parameter	T90
Profile size (w × h) [mm]	90 × 92
Type of screw	ball screw with single nut
Protection class	IP65
Lubrication	One point lubrication of ballscrew
Included accessories	–

Performance Specifications

Parameter		T90
Stroke length (S max), maximum	[mm]	1500
Linear speed, maximum	[m/s]	2,0
Acceleration, maximum	[m/s ²]	8
Repeatability	[± mm]	0,05
Input speed, maximum	[rpm]	
screw diameter/lead 25/05 mm		4000
screw diameter/lead 25/10, 25/25 mm		4800
screw diameter/lead 32/20, 32/32 mm		3750
Operation temperature limits	[°C]	-20 – 70
Dynamic load (F _x), maximum	[N]	
screw diameter 25 mm		10000
screw diameter 32 mm		20000
Dynamic load (F _y), maximum	[N]	
screw diameter 25 mm		300 ¹
screw diameter 32 mm		500 ¹
Dynamic load (F _z), maximum	[N]	
screw diameter 25 mm		300 ¹
screw diameter 32 mm		500 ¹
Dynamic load torque (M _z , M _y), maximum	[Nm]	150 ¹
Drive shaft force (F _{rd}), maximum	[N]	
screw diameter 25 mm		1000
screw diameter 32 mm		1300
Drive shaft torque (M _{ta}), maximum	[Nm]	
screw diameter 25 mm		48
screw diameter 32 mm		93

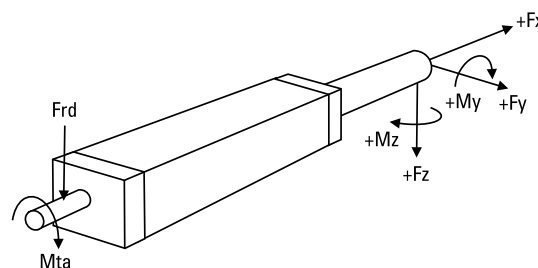
¹ Value for the complete unit

Rod Idle Torque (M_{idle}) [Nm]

Input speed [rpm]	Screw lead [mm]				
	p = 5	p = 10	p = 20	p = 25	p = 32
500	1,5	1,5	3,0	2,0	3,5

M_{idle} = the input torque needed to move the rod with no load on it.

Definition of Forces



Performance Specifications

Parameter		T90
Screw versions, diameter (d _o) / lead (p) [mm]		25/05, 25/10, 25/25 32/20, 32/32
Weight of units	[kg]	
with screw diameter 25 mm		
of unit with zero stroke		8,16
of every 100 mm of stroke		1,62
of the rod with zero stroke		0,52
of every 100 mm of rod		0,60
Weight of units	[kg]	
with screw diameter 32 mm		
of unit with zero stroke		10,64
of every 100 mm of stroke		1,80
of the rod with zero stroke		0,55
of every 100 mm of rod		0,60

T130

Ball Screw Drive, Slide Guide

- » Ordering key - see page 218
- » Accessories - see page 137
- » Additional data - see page 195

General Specifications

Parameter	T130
Profile size (w × h) [mm]	130 × 130
Type of screw	ball screw with single nut
Protection class	IP65
Lubrication	One point lubrication of ballscrew
Included accessories	–

Performance Specifications

Parameter		T130
Stroke length (S max), maximum	[mm]	2000
Linear speed, maximum	[m/s]	2,0
Acceleration, maximum	[m/s ²]	8
Repeatability	[± mm]	0,05
Input speed, maximum	[rpm]	
screw lead 10 mm		2500
screw lead 20, 40 mm		3000
Operation temperature limits	[°C]	- 20 – 70
Dynamic load (F _x), maximum	[N]	
screw lead 10 mm		40000
screw lead 20 mm		35000
screw lead 40 mm		15000
Dynamic load (F _y), maximum	[N]	800 ¹
Dynamic load (F _z), maximum	[N]	800 ¹
Dynamic load torque (M _y , M _z), maximum	[Nm]	300 ¹
Drive shaft force (F _{rd}), maximum	[N]	3000
Drive shaft torque (M _{ta}), maximum	[Nm]	140
Ball screw diameter (p)	[mm]	40
Ball screw leads (d ₀)	[mm]	10, 20, 40
Weight	[kg]	
of unit with zero stroke		18,50
of every 100 mm of stroke		3,00
of the rod with zero stroke		1,25
of every 100 mm of rod		0,77

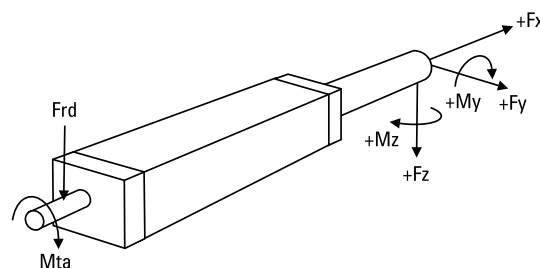
¹ Value for the complete unit

Rod Idle Torque (M_{idle}) [Nm]

Input speed [rpm]	Screw lead [mm]		
	p = 10	p = 20	p = 40
500	4,5	4,5	5,5

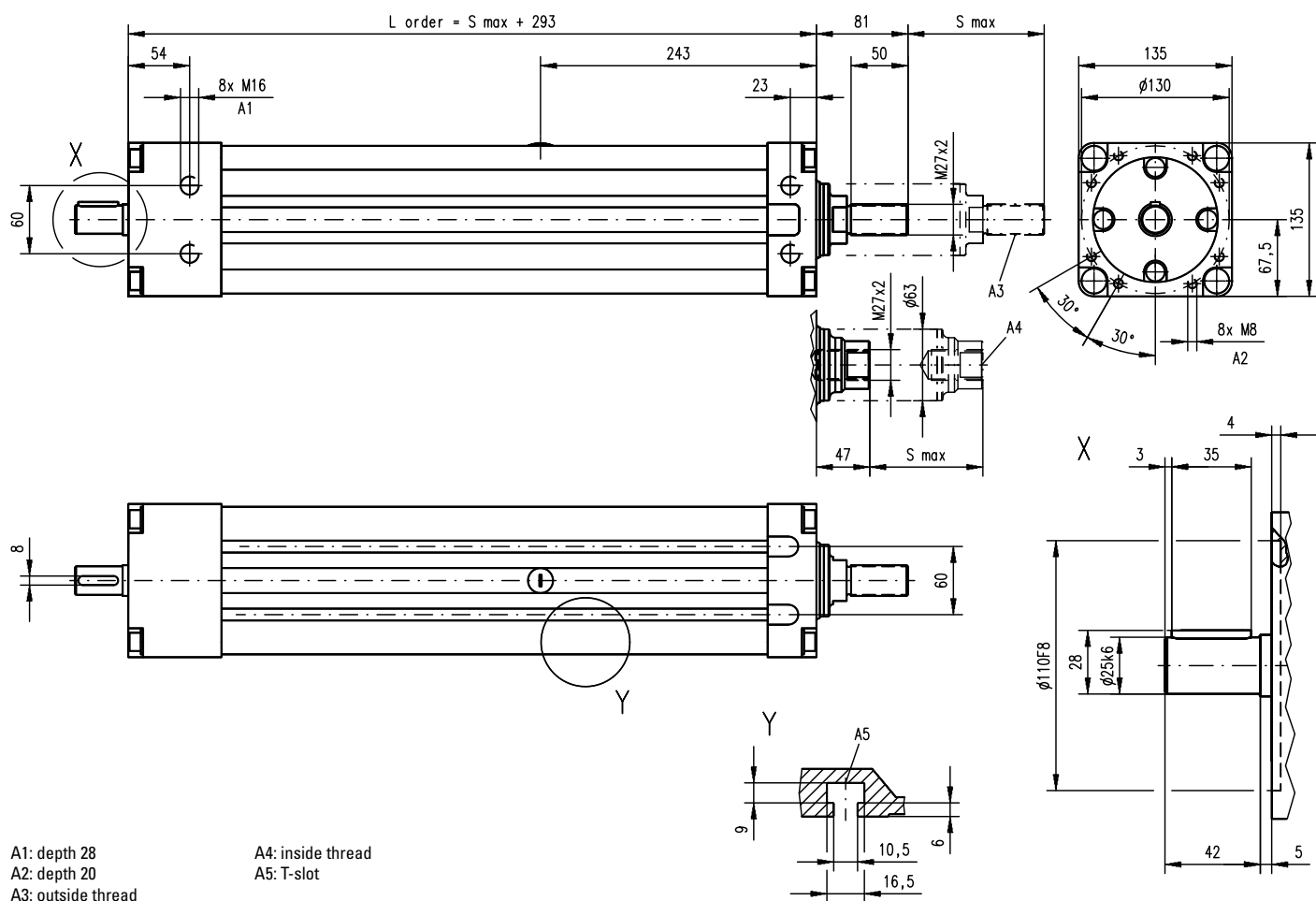
M_{idle} = the input torque needed to move the rod with no load on it.

Definition of Forces



T130

Ball Screw Drive, Slide Guide



A1: depth 28
 A2: depth 20
 A3: outside thread

A4: inside thread
 A5: T-slot



Accessories

Accessory index

Mounting Kits.....page 137

- Mounting clamps 138
- Mounting clamps for multi axis systems 140
- Adapter plates 141
- T-slot bolts and nuts..... 142
- T90/T130 mounting kits..... 143

Cover and Protection Kits.....page 144

- Felt pad wipers type FA 144
- Bellows, shrouds and shaft covers 145
- Environment protection type S1 and S2..... 146

Motors, Gears and Transmission Kits.....page 147

- Bell house flanges for IEC motors 147
- Bell house flanges type MGK 148
- Worm gears type BS and TBS..... 150
- Belt gears type RT and BGM 154
- Bevel gears type KRG 158
- Planetary gears type Micron DT and DTR 164
- Intermediate shafts type VWZ and DSP..... 166
- Servo motors type AKM and DLB 170

Electrical Feedback Devices.....page 172

- Limit switch brackets and limit switches..... 172
- Inductive and magnetic sensors and sensor brackets..... 173
- Encoders 175
- Limit switch kits type ES 176
- Sensor rails and kits type ENT, ENF and ENK 178
- Encoder kits type ADG 180

Non Driven Units.....page 182

- WH series non driven units..... 182
- WM series non driven units..... 184
- M series non driven units 187

Dynamic Servo Actuators.....page 188

- Presentation of Dynamic Servo Actuators 188

Multi Axis System Kits.....page 189

- Presentation of multi axis system kits..... 189

Accessories

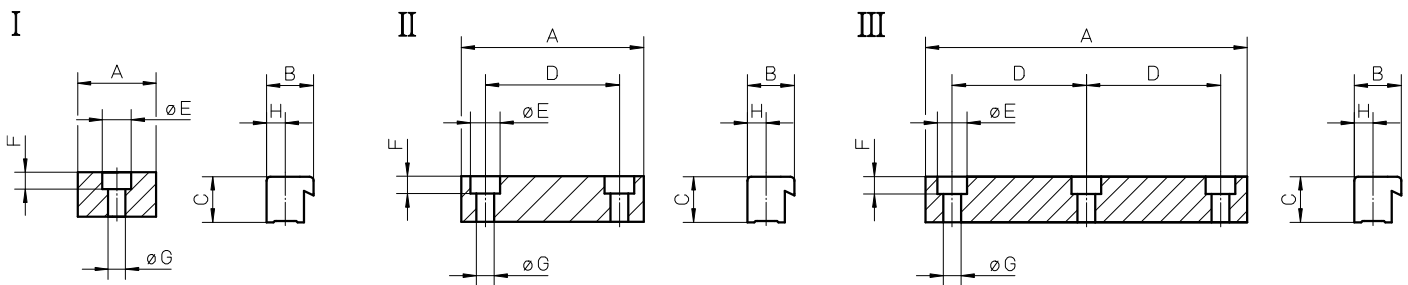
Mounting Kits

Mounting Clamps (single clamp)

Unit type	I	II	III	A	B	C	D	øE	F	øG	H	Screws	Ms [Nm]
WH40	–	890 885 0001	–	54	16	9,5	40	10	5,7	5,5	7	ISO4762-8.8	5,4
WH50	–	890 885 0001	–	54	16	9,5	40	10	5,7	5,5	7	ISO4762-8.8	5,4
WH80 / WB60	–	890 190 02	–	68	17,5	17	50	11	6,5	6,6	7	ISO4762-8.8	9
WH120	–	890 192 13	–	80	25	18	50	15	8,5	9	10	ISO4762-8.8	20
WM40 / WB40	–	890 885 001	–	54	16	9,5	40	10	5,7	5,5	7	ISO4762-8.8	5,4
WM60 / WV60 / WZ60	–	890 190 02	–	68	17,5	17	50	11	6,5	6,6	7	ISO4762-8.8	9
WM80 / WV80 / WZ80	–	890 190 02	–	68	17,5	17	50	11	6,5	6,6	7	ISO4762-8.8	9
WM60Z / WM80Z	–	890 190 02	–	68	17,5	17	50	11	6,5	6,6	7	ISO4762-8.8	9
WM120 / WV120	–	890 192 13	–	80	25	18	50	15	8,5	9	10	ISO4762-8.8	20
MLS60	–	890 190 02	890 192 26	68/120	17,5	17	50	11	6,5	6,6	7	ISO4762-8.8	9
MLS80	–	890 192 13	890 192 31	80/200	25	18	50	15	8,5	9	10	ISO4762-8.8	20
M50 ¹	D312 248	–	–	25	30	20	–	–	–	6,5	14	ISO4762-8.8	9,4
M55 ¹	D313 403	D313 402	–	25/56	25,5	10,7	41	9,5	5,3	5,5	10,2	ISO4762-8.8	5,5
M75 ¹	D312 747	D312 748	–	30/75	28,5	15	60	14	8,5	8,5	11	ISO4762-8.8	23
M100 ¹	D312 339	D312 334	–	45/92	46,5	22	60	17	10,5	10,5	20	ISO4762-8.8	45

¹ no screws included in the shipment of these clamps

Ms = tightening torque of screws



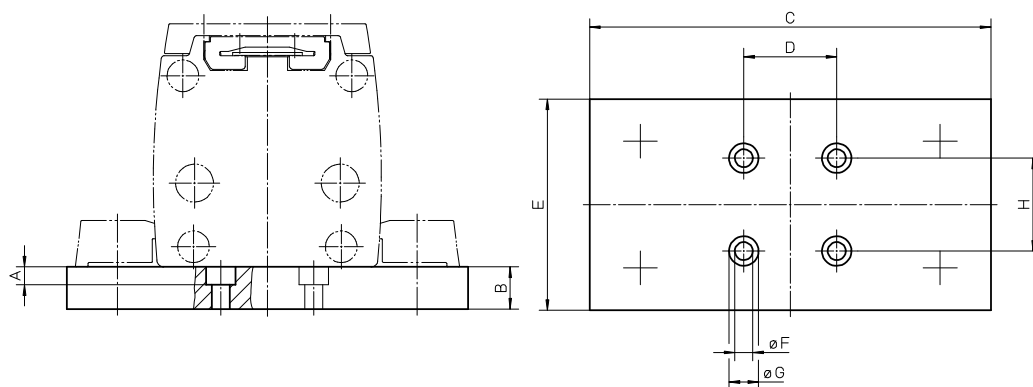
Accessories

Mounting Kits

Mounting Clamps with Plate¹

Unit type	p/n	A	B	C	D	E	øF	øG	H
M50	D312 117	7	20	105	35	30	6,5	11	–
M55	D313 474	8,5	15	100	44	70	8,5	14	44
M75	D312 718	8,5	15	134	44	80	8,5	14	44
M100	D312 317	8,5	20	190	44	100	8,5	14	44

¹two mounting clamps of version II (see page 138) and screws to connect these to the plate are included in shipment



Accessories

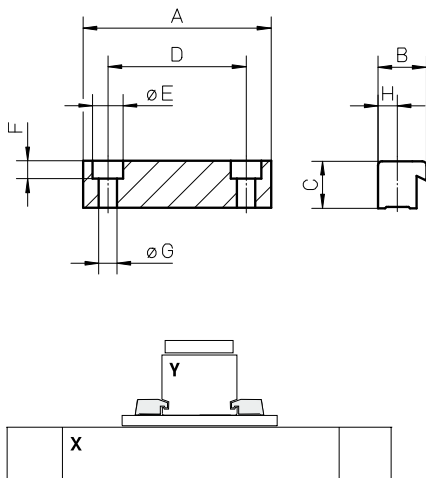
Mounting Kits

Mounting Clamps for Multi Axis Systems¹

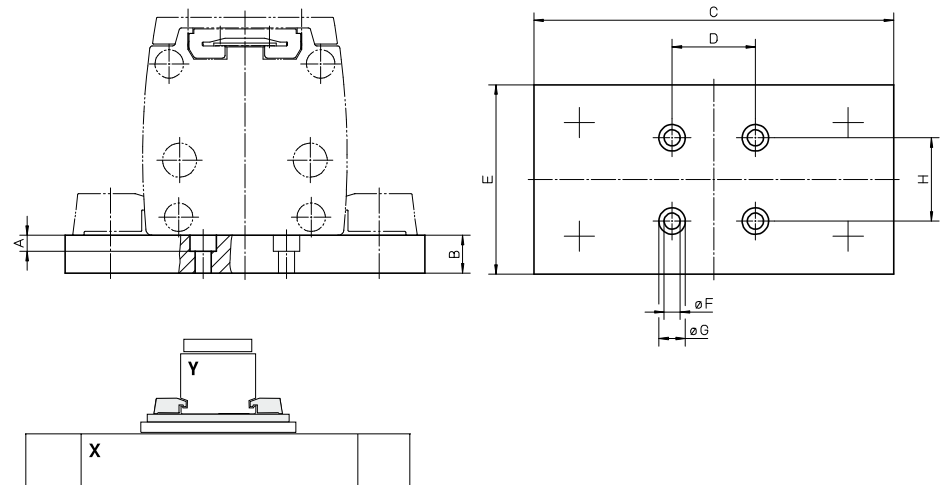
Unit type X-axis	Unit type Y-axis	I	II	A	B	C	D	øE	F	øG	H
WM40 / WH40	WM40 / WH40	on request	-	-	-	-	-	-	-	-	-
WM60	WM60	890 191 94	-	58	17,5	17	40	11	6,5	6,6	7
M55	M55	D313 424	-	56	25,5	10,7	41	9,5	5,3	5,5	10,2
M55	M75	-	D313 470	5,5	15	134	76	80	5,5	9,5	41
M75	M55	-	D313 060	-	15	134	76	80	M5 × 7,5	-	41
M75	M75	D312 719	-	75	28,5	15	60	14	8,5	8,5	11
M75	M100	-	D313 062	8,5	20	190	106	100	8,5	14	60
M100	M75	-	D313 292	-	20	190	106,5	100	M8 × 12	-	60
M100	M100	D312 304	-	92	46,5	22	60	17	10,5	10,5	20

¹all necessary screws are included in the shipment

I



II

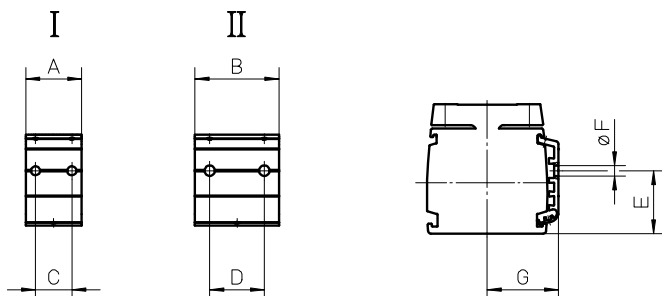


Accessories

Mounting Kits

Adapter Plates

Unit type	I	II	A	B	C	D	E	øF	G
M55	D313 422	D313 423	40	60	20	38	25,5	6,5	37
M75	D312 746	–	40	–	26	-	45	6,5	51
M75	–	D312 745	–	60	-	39	45	7,5	51
M100	D312 338	–	40	–	26	-	69	6,5	62
M100	–	D312 337	–	60	-	39	69	7,5	62



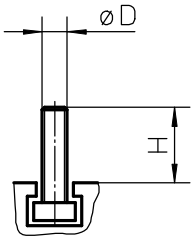
Adapter plates are fitted in the grooves along the profile and can be used to attach objects like sensors, swithes, cable ducts etc. to the unit.

Accessories

Mounting Kits

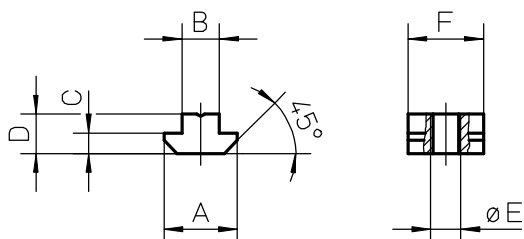
T-slot Bolts

Unit type	p/n	øD	H
M50	D312 221	M5	14
T90	D310 314	M6	18
T90	D310 311	M6	26
T130	D310 314	M6	18
T130	D310 311	M6	26
Z2	D800 089	M10	28
Z3	D800 089	M10	28



T-slot Nuts

Unit type	p/n	A	B	C	D	øE	F
2HBE10	D16965-A-01	7	4	1,75	3	M3	9
2HBE10	D16965-A-02-M4	9,5	5,5	2,25	4	M4	12
2HBE20	D16965-A-01	7	4	1,75	3	M3	9
2HBE20	D18063-A-04-M6	16,5	7,9	4,5	6	M6	7,9
ZB	D900 151	18	11	1,5	6,3	M6	25
ZB	D900 150	18	11	1,5	6,3	M8	25
MLS60	920 303 0037	16	8	4	6	M6	16
MLS80	920 303 0039	19,5	10	5,5	10,5	M8	20
WH120	911 044 19	15	10	6	12	M8	15
WM120	911 044 19	15	10	6	12	M8	15

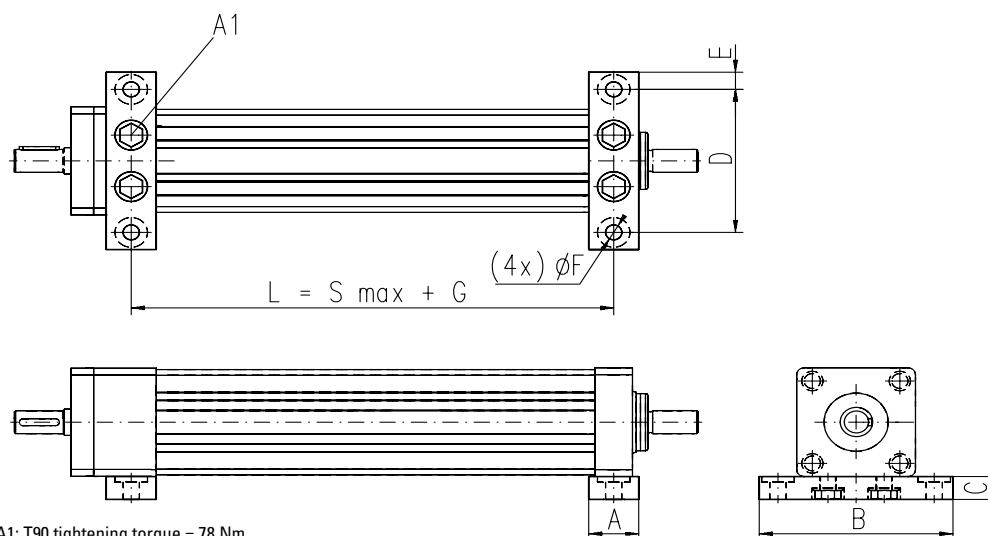


Accessories

Mounting Kits

Mounting Feet Kit (pair)

Unit type	p/n	A	B	C	D	E	F	G
T90 (T09-B25)	D606 225	40	155	20	125	15	∅13	141
T90 (T09-B32)	D606 225	40	155	20	125	15	∅13	162
T130	D606 157	60	220	30	176	22	∅17	216

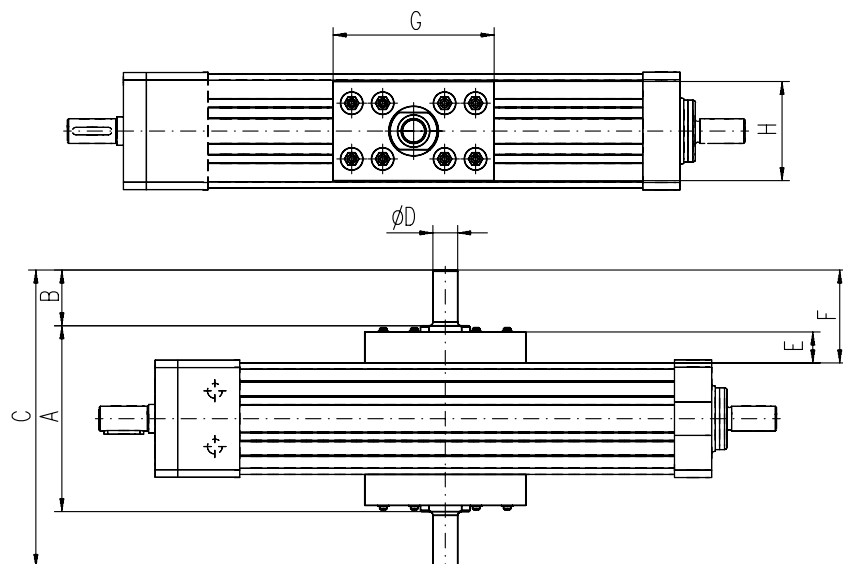


The mounting feet includes all necessary screws to attach the feet to the unit.

A1: T90 tightening torque = 78 Nm
T130 tightening torque = 220 Nm

Trunnion Mounting Kit (pair)

Unit type	p/n	A	B	C	∅D	E	F	G	H
T90	D606 030	150	45	240	20 f8	25	75	130	80
T130	D606 155	210	53	316	35 f8	30	93	180	110

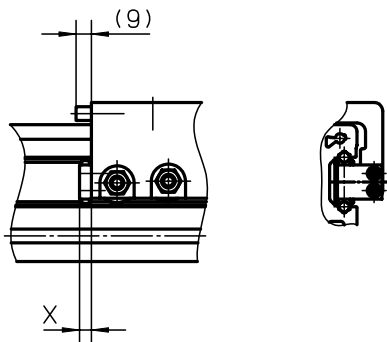


Accessories

Cover and Protection Kits

FA Felt Pad Wiper

Unit type	Number of carriages on the unit	p/n	X
WH50	1	890 885 0064	6
WH50	2	2 × 890 885 0064	6
WH80	1	890 890 0069	7
WH80	2	2 × 890 890 0069	7
WH120	1	890 895 0058	8
WH120	2	2 × 890 895 0058	8
WHZ50	1	890 885 0064	6
WHZ50	2	2 × 890 885 0064	6
WHZ80	1	890 890 0069	7
WHZ80	2	2 × 890 890 0069	7



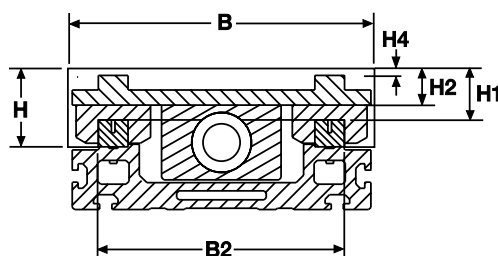
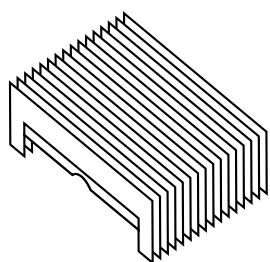
The felt pad wipers remove dust and dirt from the guides and are located on the carriage(s). They may increase the driving torque slightly but does not reduce the stroke of the unit. The felt pad wipers comes mounted from factory.

Accessories

Cover and Protection Kits

Protective Bellows

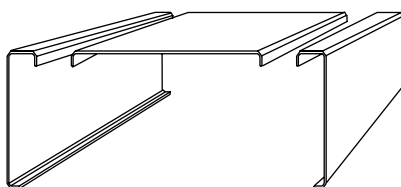
Unit type	p/n	B	B2	H	H1	H2	H4
2HBE10	BEL-2H-10	103	81	26	11	10	0
2HBE20	BEL-2H-20	199	167	48	30	15	5



The protective bellows protect the entire unit from dust and dirt. Bellows option reduces the available stroke of the unit by about 28 %. Bellows can be ordered mounted from factory and in that case this is stated in the ordering key of the unit. It can also be ordered separately to be fitted by the customer. In this case the part number and the length of the bellows must be stated. For 2HBE10 the correct bellows length is max. stroke of the unit (Smax) + 100 while it for 2HBE20 is the max. stroke (Smax) + 200.

Protective Shrouds

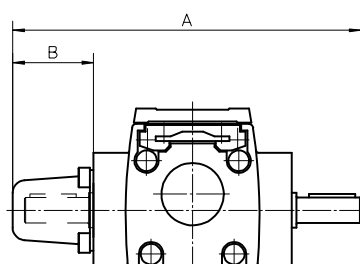
Unit type	
2HBE10	see ordering key of the unit for order
2HBE20	see ordering key of the unit for order



The protective shrouds are made of metal and protect the drive mechanism of the unit from dust and dirt but leaves the guides unprotected. Shrouds do not reduce the stroke of the unit but they will add 4 mm to the width of the unit. Shrouds are ordered mounted from factory and is stated in the ordering key of the unit.

Shaft Protection Cover

Unit type	p/n	A	B
M50	D312 201	126	35
M55	D312 201	151	35
M75	D700 178	198	45
M100	D700 178	202	45



The shaft protection cover is used to cover shafts which is not being used. The cover is fitted by the customer.

Accessories

Cover and Protection Kits

Environment Protection Option Type S1 and S2, compatability table

Unit type	Drive type	Guide type	S1	S2	Ordering
M55	ball screw	slide	•		see ordering key of the unit for order
M55	belt drive	slide	•	•	see ordering key of the unit for order
		ball	•		see ordering key of the unit for order
M75	ball screw	slide	•		see ordering key of the unit for order
M75	belt drive	slide	•	•	see ordering key of the unit for order
		ball	•		see ordering key of the unit for order
M100	ball screw	slide	•		see ordering key of the unit for order
M100	belt drive	slide	•	•	see ordering key of the unit for order
		ball	•		see ordering key of the unit for order

The S1 and S2 environment protection option can be ordered to some units. All performance data and the life expectancy is the same as for standard units. S1 can be ordered for both ball screw and belt driven units with ball or slide guides while S2 only is possible for belt driven slide guided units.

S1 - Wash down protection

Typical places where S1 is used are in slaughter houses, dairy plants, food plants or in any other light wash down application.

S2 - Chemical protection

Typical applications where S2 is used are in wet areas in paper mills, galvanising equipment, chemical industry equipment or in any other application where water, acid and/or basic liquids are present.

Environment Protection Option Type S1 and S2, technical specification

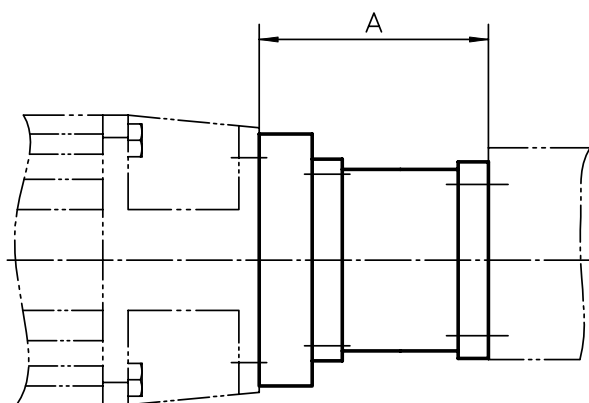
Item	S1	S2
External screws, bolts and nuts	stainless material class A2 or better	stainless material class A4 or better
Internal screws, bolts and nuts	standard material	stainless material class A2 or better
Drive shaft, ball screw driven units	standard material	-
Drive shaft, belt driven units	stainless material SS2333 or better	stainless material SS2343 or better
Tension wheel shaft	standard material	stainless material SS2333 or better
Bearings type	standard bearings	2RS
Bearing sealings, belt driven units	radial sealings	radial sealings
Surface treatment of machined extruded aluminum parts	none	anodising
Surface treatment of machined casted aluminum parts	none	anodising

Accessories

Motors, Gears and Transmission Kits

Bell House Flanges for IEC Motors

Unit type	IEC63 B14	A	IEC71 B14	A	IEC80 B14	A	IEC90 B14	A	IEC100/112 B14	A
M50	D390 820	64	D390 821	71	–	–	–	–	–	–
M55	D390 820	64	D390 821	71	–	–	–	–	–	–
M75	–	–	D390 823	83	D390 912	101	D390 916	101	–	–
M100 (MG10K)	–	–	D390 823	83	D390 913	101	D390 917	101	–	–
M100 (MG10B)	–	–	D390 823	83	D390 912	101	D390 916	101	–	–
T90 (T09-B25)	–	–	D390 823	83	D390 914	101	D390 918	101	–	–
T90 (T09-B32)	–	–	–	–	D390 922	101	D390 924	108	–	–
T130	–	–	–	–	–	–	D606 180	115	D606 181	125



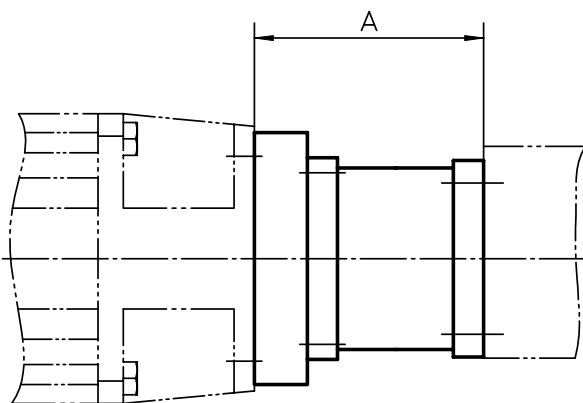
The bell house flange includes a matching coupling. Note! Keep in mind that heavy motors will need extra support in order not to break the flange or gear due to the load torque created.

Accessories

Motors, Gears and Transmission Kits

MGK Bell House Flanges for AKM Servo Motors

Unit type	AKM3 • D-AN	A	AKM4 • D-AN	A	AKM5 • D-AN	A	AKM6 • D-AN	A	AKM7 • D-AN	A
WM40	891 092 1264	71	–	–	–	–	–	–	–	–
WB40	891 092 1263	63	–	–	–	–	–	–	–	–
WB60	891 092 1265	75	–	–	–	–	–	–	–	–
WM60 / WV60 / WZ60	891 092 1109	79	891 092 1262	89	891 092 1261	103	–	–	–	–
WM80 / WV80 / WZ80	891 092 0999	79	–	–	891 092 1259	101	891 092 1258	117	–	–
WM120 / WV120	–	–	–	–	–	–	891 092 1257	121	891 092 1255	143
MLSM60	–	–	891 092 0909	88	891 092 1260	98	–	–	–	–
MLSM80	–	–	–	–	–	–	891 092 1256	111	891 092 1254	133
M55 (MG06K)	D390 930	73	D389 939	92	–	–	–	–	–	–
M75 (MG07K)	D390 966	83	D390 926	93	D390 909	107	–	–	–	–
M75 (MG07B)	D390 966	83	D390 926	93	D390 909	107	–	–	–	–
M100 (MG10K)	D390 966	83	D390 927	93	D390 910	107	–	–	–	–
M100 (MG10B)	D390 966	83	D390 926	93	D390 909	107	–	–	–	–
T90 (T09-B25)	–	–	D390 928	93	on request	107	–	–	–	–
T90 (T09-B32)	–	–	–	–	D390 906	107	–	–	–	–
T130	–	–	–	–	–	–	D390 907	125	–	–



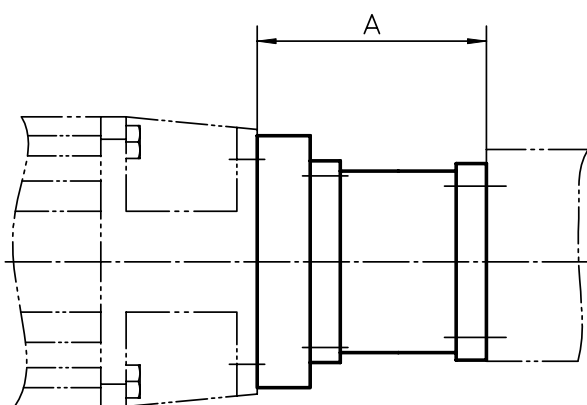
The bell house flange includes a matching coupling. Flanges for other units or motor sizes available on request, contact customer service. Note! Keep in mind that heavy motors will need extra support in order not to break the flange or gear due to the load torque created.

Accessories

Motors, Gears and Transmission Kits

MGK Bell House Flanges for DBL Servo Motors

Unit type	DBL2H	A	DBL3H/M	A	DBL3N	A	DBL4N	A	DBL5N	A	DBL6N	A
WH40	–	–	891 092 0441	61	–	–	891 092 0931	90	–	–	–	–
WH50	–	–	–	–	–	–	891 092 0081	81	–	–	–	–
WH80	–	–	–	–	–	–	891 092 0077	88	891 092 0076	98	891 092 0046	113
WH120	–	–	–	–	–	–	891 092 0929	100	891 092 0086	110	–	–
WM40	891 092 0562	64	891 092 0429	64	–	–	891 092 0932	87	–	–	–	–
WB40	–	–	891 092 0429	56	–	–	–	–	–	–	–	–
WB60	–	–	D390 964	75	–	–	–	–	–	–	–	–
WM60 / WV60 / WZ60	–	–	891 092 0878	78	891 092 0991	78	890 200 0135	89	891 092 0193	103	–	–
WM80 / WV80 / WZ80	–	–	–	–	891 092 0999	79	890 200 0136	91	891 092 0085	101	–	–
WM120 / WV120	–	–	–	–	–	–	891 092 0930	103	891 092 0085	113	891 092 0088	113
WM60Z	–	–	–	–	–	–	891 092 0926	81	–	–	–	–
WM80Z	–	–	–	–	–	–	891 092 0927	88	–	–	–	–
MLSH60	–	–	–	–	–	–	891 092 0928	91	–	–	–	–
MLSM60	–	–	–	–	891 092 0970	76	891 092 0893	88	891 092 0914	98	–	–
M75 (MG07K)	–	–	–	–	–	–	D390 919	101	–	–	–	–
M75 (MG07B)	–	–	–	–	–	–	D390 919	101	–	–	–	–
M100 (MG10K)	–	–	–	–	–	–	D390 920	101	–	–	–	–
M100 (MG10B)	–	–	–	–	–	–	D390 919	101	–	–	–	–
T90 (T09-B25)	–	–	D390 890	82	–	–	D390 921	101	–	–	–	–
T90 (T09-B32)	–	–	–	–	–	–	D390 925	108	–	–	–	–
T130	–	–	–	–	–	–	–	–	D606 182	115	–	–



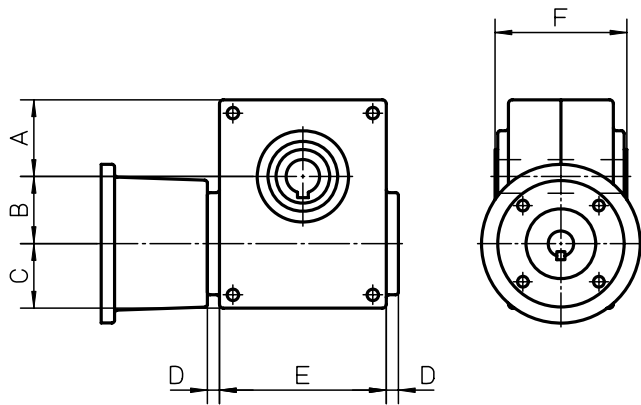
The bell house flange includes a matching coupling. Flanges for other units or motor sizes available on request, contact customer service. Note! Keep in mind that heavy motors will need extra support in order not to break the flange or gear due to the load torque created.

Accessories

Motors, Gears and Transmission Kits

BS Worm Gears, dimensions

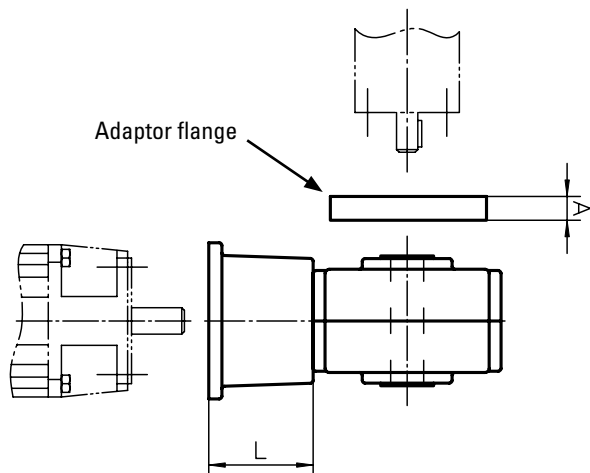
Gear	A	B	C	D	E	F
BS40	54	40	46	10	100	92
BS50	57	50	48	10	124	98



The worm gear includes the gear, the bell house and a matching coupling.

BS Worm Gears, compatibility table

Unit	BS40	BS50	IEC71B14	IEC80B14	IEC90B14	A	L
T90 (T09-B32)	•		•			17	58
T90 (T09-B32)	•			•		17	68
T130		•	•			17	78
T130		•		•		17	88
T130		•			•	17	98
Z2 (MGZ2K32)	•		•			17	58
Z2 (MGZ2K32)	•			•		17	68



To be able to install the gear to the unit an adaptor flange must be used between the gear and the unit. The adaptor flange is ordered separately.

Accessories

Motors, Gears and Transmission Kits

BS40 Worm Gears, ordering key

	1	2	3
Example	BS40	-10	-71
1. Type and size of worm gear BS40 = BS40 worm gear	2. Gear ratio -3 = 3:1 -5,5 = 5,5:1 -7,5 = 7,5:1 -10 = 10:1 -15 = 15:1 -20 = 20:1 -24 = 24:1 -30 = 30:1 -40 = 40:1 -48 = 48:1 -60 = 60:1		6. Motor size -71 = IEC71B14 -80 = IEC80B14

BS50 Worm Gears, ordering key

	1	2	3
Example	BS50	-37	-90
1. Type and size of worm gear BS50 = BS50 worm gear	2. Gear ratio -8 = 8:1 -10,5 = 10,5:1 -14 = 14:1 -21 = 21:1 -24 = 24:1 -32 = 32:1 -37 = 37:1 -42 = 42:1 -54 = 54:1 -64 = 64:1 -81 = 81:1		6. Motor size -71 = IEC71B14 -80 = IEC80B14 -90 = IEC90B14

Adaptor flanges for BS40 and BS50 Worm Gears, part numbers

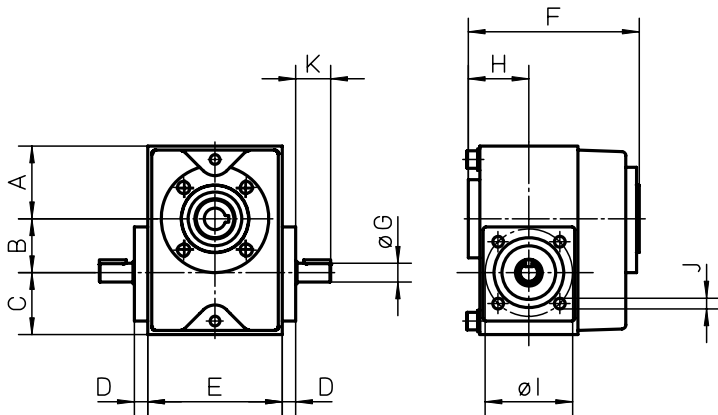
Unit	p/n
T90 (T09-B32)	D606 227
T130	D606 187
Z2 (MGZ2K32)	D606 250

Accessories

Motors, Gears and Transmission Kits

TBS40 Worm Gears, dimensions

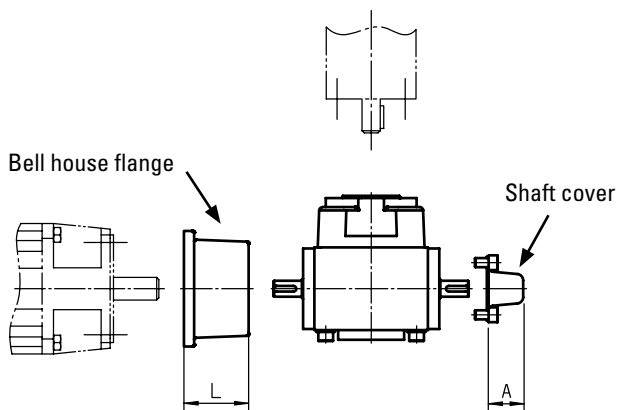
Gear	A	B	C	D	E	F	øG	H	øI	J	K
TBS40	54	40	46	10	100	125	14j6	45	65	M8 (4×)	25



The worm gear is installed directly to the unit and require no intermediate coupling between the two.

TBS Worm Gears, compatability table

Unit	TBS40	IEC71B14	IEC80B14	A	L
T90 (T09-B25)	•	•		32	58
T90 (T09-B25)	•		•	32	68
Z2 (MGZ2K25)	•	•		32	58
Z2 (MGZ2K25)	•		•	32	68
Z3 (MGZ3K25)	•	•		32	58
Z3 (MGZ3K25)	•		•	32	68
M75	•	•		32	58
M75	•		•	32	68
M100	•	•		32	58
M100	•		•	32	68



To be able to install the gear to the motor a bell house flange must be used between the gear and the motor. The bell house flange, which includes a matching coupling, is ordered separately. A shaft cover can be ordered to cover the second primary shaft on the gear in cases it is not being used.

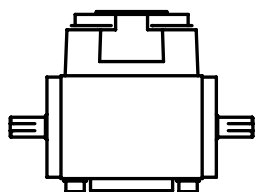
Accessories

Motors, Gears and Transmission Kits

TBS40 Worm Gears, ordering key

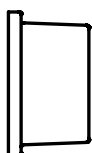
	1	2	3
Example	TBS40	-3	-216

1. Type and size of worm gear TBS40 = TBS40 worm gear	2. Gear ratio -3 = 3:1 -5,5 = 5,5:1 -7,5 = 7,5:1 -10 = 10:1 -15 = 15:1 -20 = 20:1 -24 = 24:1 -30 = 30:1 -40 = 40:1 -48 = 48:1 -60 = 60:1	3. Fixed code -216
---	--	------------------------------



Bell house flanges for TBS40 Worm Gears, part numbers

Motor size	p/n
IEC71B14	D701 011
IEC80B14	D701 015



Shaft Cover for TBS40 Worm Gears, part numbers

Gear type	p/n
TBS40	D701 020



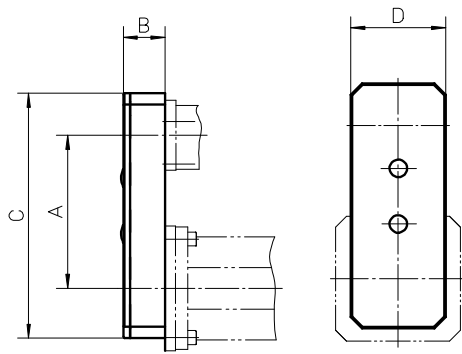
Accessories

Motors, Gears and Transmission Kits

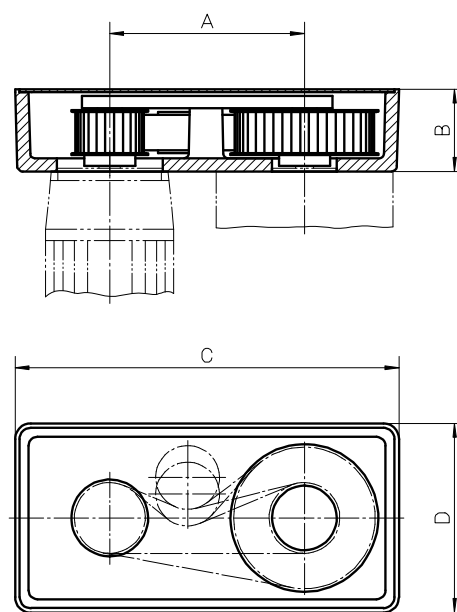
RT Belt Gears, dimensions

Gear	A	B	C	D
RT40	110	30	176	68
RT60	175	74	345	170
RT80	175	74	345	170

RT40



RT60/80



RT Belt Gears, data

Gear	i	n_{max} [rpm]	M_{max} [Nm]	M_{idle} [Nm]	η	J [kgm ²]	Weight [kg]
RT40	1:1	3000	1,75	0,3	0,80	0,000025	0,62
RT60	1:1	3000	15	0,7	0,85	0,000438	5,6
RT60	2:1	3000	15	0,7	0,85	0,001011	7,1
RT80	1:1	3000	30	0,7	0,85	0,000465	5,5
RT80	2:1	3000	30	0,7	0,85	0,001038	7

i = gear ratio

M_{idle} = idle torque

n_{max} = max. input speed

η = efficiency factor

M_{max} = max. input torque

J = inertia

Accessories

Motors, Gears and Transmission Kits

RT Belt Gears, compatability table

Gear	WH40 / WM40	WM60 / WV60 / WZ60 / MLSM60D	WH80 / WM80 / WV80 / WM120 / WV120 / MLSM60D / MLSM80D
RT40	•		
RT60		•	
RT80			•

RT Belt Gears, ordering key

	1	2	3	4	5
Example	RT80	-2	-•••	-P-N	-05

1. Type and size of belt gear

RT40 = RT belt gear size 40
 RT60 = RT belt gear size 60
 RT80 = RT belt gear size 80

2. Gear ratio

-1 = 1:1
 -2 = 2:1

3. Motor code

-••• = alphanumeric motor code (e.g. -AK5).
 There are several motors that fits each gear and the list of suitable motors is continuously being updated. Please contact customer support for help to see which motors currently are on the list or if your preferred motor can be added to the list.

4. Type of mounting

-P-M = gear supplied mounted to the unit
 -P-N = gear supplied unmounted

5. Compatible unit type

-01 = WH40
 -02 = WH50
 -03 = WH80
 -04 = WH120
 -05 = WM40
 -06 = WM60
 -07 = WM80
 -08 = WM120
 -09 = WV60
 -10 = WV80
 -11 = WV120
 -12 = WHZ50
 -13 = WHZ80
 -14 = WZ60
 -15 = WZ80
 -16 = MLSH60Z
 -17 = MLSH80Z
 -18 = MLSM80Z
 -19 = MLSM60D
 -20 = MLSM80D

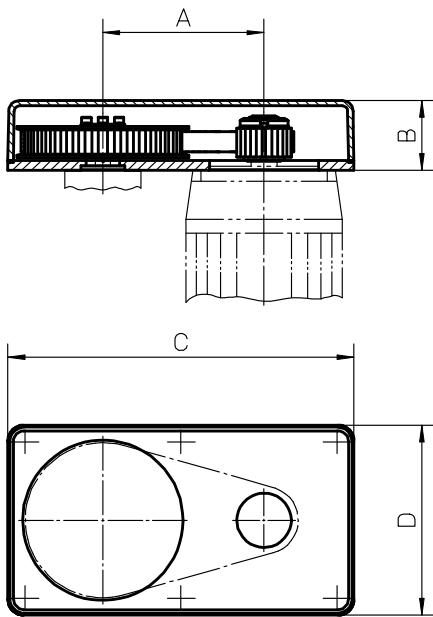
Accessories

Motors, Gears and Transmission Kits

BGM Belt Gears, dimensions

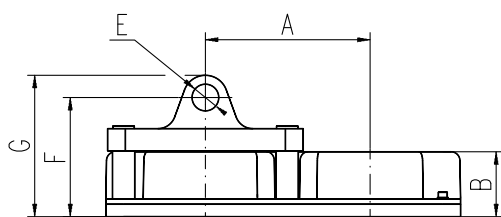
Gear	A	B	C	D	øE	F	G	H	I	J
BGM09	118,7	52	255	140	20 H9	95	115	60	–	–
BGM41	155,2	70	305	165	25 H9	122	147	70	–	–
BGM81	200	73	399	224	30 H9	134	159	90	90H14	170

BGM09/41/81 - WITHOUT CLEVIS OPTION

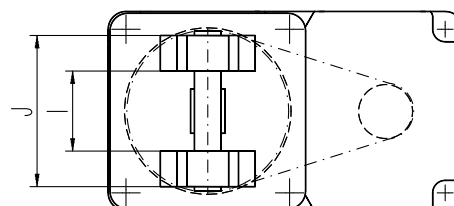
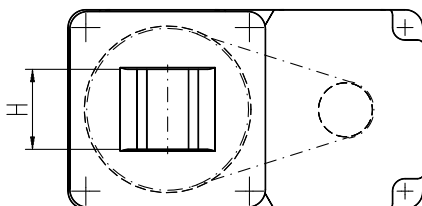
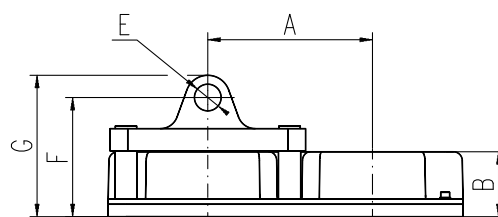


The belt gear comes in parts and is assembled to the unit and motor by the customer.

BGM09/41/81 - WITH CLEVIS OPTION TYPE S



BGM81 - WITH CLEVIS OPTION TYPE R



Accessories

Motors, Gears and Transmission Kits

BGM 09 Belt Gears, ordering key

	1	2	3	4	5	6	7
Example	BGM09	-2	-CC	063	P	050	X
1. Type and size of belt gear BGM09 = BGM belt gear size 09 2. Gear ratio -1 = 1,04:1 -2 = 1,85:1 -3 = 2,85:1 3. Type of couplings -CC = conical couplings		4. Motor size¹ 063 = IEC 63 B14 071 = IEC 71 B14 S80 = servo motor size 80 AK4 = servo motor type AKM 4 5. Type of mounting P = standard			6. Compatible unit type W06 = WM60, WV60, WZ60 WB6 = WB60 050 = M50 060 = M55 070 = M75 09A = T90 (T09-B25) 7. Clevis option X = no clevis option S = clevis option type S ¹ This is only a selection of all motors that fits this gear. Please contact customer support to see if your preferred motor fits the gear.		

BGM 41 Belt Gears, ordering key

	1	2	3	4	5	6	7
Example	BGM41	-1	-CC	071	P	070	X
1. Type and size of belt gear BGM41 = BGM belt gear size 41 2. Gear ratio -1 = 1:1 -2 = 2:1 -3 = 3:1 3. Type of couplings -CC = conical couplings		4. Motor size¹ 071 = IEC 71 B14 080 = IEC 80 B14 S80 = servo motor size 80 S95 = servo motor size 95 AK5 = servo motor type AKM 5 5. Type of mounting P = standard			6. Compatible unit type W06 = WM60, WV60, WZ60 W08 = WM80, WV80 070 = M75 10B = M100 (MF/G10B) 10K = M100 (MF/G10K/C/D) 09A = T90 (T09-B25) 09B = T90 (T09-B32) 130 = T130 7. Clevis option X = no clevis option S = clevis option type S ¹ This is only a selection of all motors that fits this gear. Please contact customer support to see if your preferred motor fits the gear.		

Accessories

Motors, Gears and Transmission Kits

BGM 81 Belt Gears, ordering key

	1	2	3	4	5	6	7
Example	BGM81	-1	-CC	090	P	M6D	X

1. Type and size of belt gear

BGM81 = BGM belt gear size 81

2. Gear ratio

-1 = 1:1

-2 = 2,25:1

-3 = 3,13:1

3. Type of couplings

-CC = conical couplings

4. Motor size¹

090 = IEC 90 B14

100 = IEC 100/121 B14

A20 = servo motor size A200

AK6 = servo motor type AKM 6

5. Type of mounting

P = standard

6. Compatible unit type

W12 = WM120, WV120

M6D = MLSM60D

M8D = MLSM80D

M8Z = MLSH80Z

130 = T130

7. Clevis option

X = no clevis option

S = clevis option type S

R = clevis option type R

¹This is only a selection of all motors that fits this gear. Please contact customer support to see if your preferred motor fits the gear.

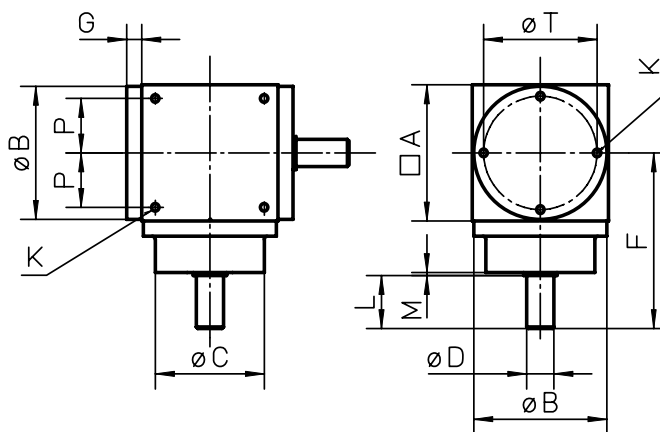
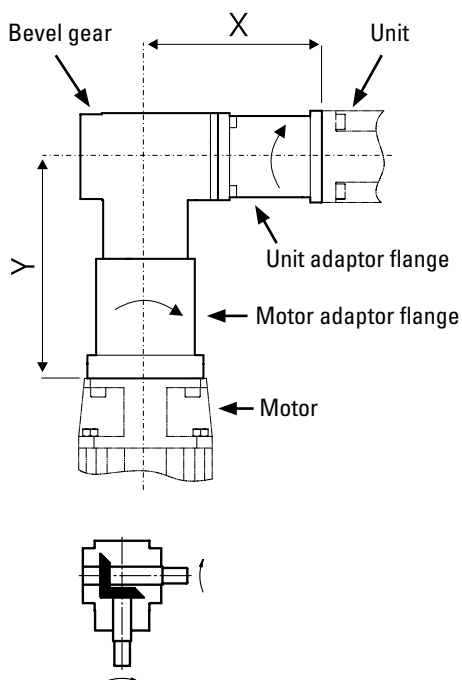
Accessories

Motors, Gears and Transmission Kits

EXPIRING MODEL!
 This gear will soon be replaced and should not be used for new projects. Please contact customer service for more information.

KRG VL0/1/2-Ba40 Bevel Gears, dimensions

Unit	Gear	Unit adaptor flange p/n	Bevel gear p/n		A	øB	øC	øD
			i = 1:1	i = 2:1				
WM40	VL0-Ba40	89 10 92 05 20	89 01 50 33	–	65	44	44	12
WM60 / WV60 / WZ60	VL0-Ba40	89 10 92 09 96	89 01 50 33	–	65	64,5	64,5	12
WM60 / WV60 / WZ60	VL1-Ba40	89 10 92 00 59	03 27 05 00 21	03 27 05 00 22	90	90	60	18
WM80 / WV80	VL1-Ba40	89 10 92 00 62	03 27 05 00 21	03 27 05 00 22	90	90	60	18
WM120 / WV120	VL2-Ba40	89 10 92 00 65	03 27 05 00 25	03 27 05 00 26	120	120	80	25
MLSM60D	VL1-Ba40	89 10 92 08 69	03 27 05 00 21	03 27 05 00 22	90	90	60	18
MLSM60D	VL2-Ba40	89 10 92 08 70	03 27 05 00 25	03 27 05 00 26	120	120	80	25
MLSM80D	VL2-Ba40	89 10 92 10 20	03 27 05 00 25	03 27 05 00 26	120	120	80	25



The bevel gear comes mounted from factory. To get a complete gear you must choose correct unit adaptor flange, bevel gear and motor adaptor flange. A matching coupling between the motor and the motor adaptor flange is included.

Accessories

Motors, Gears and Transmission Kits

EXPIRING MODEL!

This gear will soon be replaced and should not be used for new projects. Please contact customer service for more information.

F	G	K	L	M	P	øT	X	Motor	Motor adaptor flange p/n	Y
100	11,5	M6	26	2	22,5	54	113	DBL3N00300	89 10 92 09 97	143
100	9,5	M6	26	2	22,5	54	121	DBL3N00300	89 10 92 09 97	143
122	12	M8	35	2	35	75	144	DBL4N	89 10 92 00 60	180
								DBL5N	89 10 92 00 79	190
								DBL7N	89 10 92 00 80	200
122	12	M8	35	2	35	75	144	DBL4N	89 10 92 00 60	180
								DBL5N	89 10 92 00 79	190
								DBL7N	89 10 92 00 80	200
162	15	M10	45	2	50	100	185	DBL4N	89 10 92 01 30	222
								DBL5N	89 10 92 00 66	232
								DBL7N	89 10 92 00 72	240
122	12	M8	35	2	35	75	143	DBL4N	89 10 92 00 60	180
								DBL5N	89 10 92 00 79	190
								DBL7N	89 10 92 00 80	200
163	15	M10	45	2	50	100	170	DBL4N	89 10 92 01 30	222
								DBL5N	89 10 92 00 66	232
								DBL7N	89 10 92 00 72	240
163	15	M10	45	2	50	100	170	DBL4N	89 10 92 01 30	222
								DBL5N	89 10 92 00 66	232
								DBL7N	89 10 92 00 72	240

i = gear ratio

KRG VL0/1/2-Ba40 Bevel Gears, data

Gear	M _{max} [Nm]		n _{max} [rpm]	M _{idle} [Nm]	η	J [kgm ²]		Weight [kg]	Backlash [arc min]
	i = 1:1	i = 2:1				i = 1:1	i = 2:1		
VL0-Ba40	10	–	3000	0,1	0,97	0,000062	0,00002	2	10
VL1-Ba40	28	28	3000	0,15	0,97	0,000358	0,000088	5,5	10
VL2-Ba40	60	60	3000	0,3	0,97	0,001202	0,000421	12	10

i = gear ratio

M_{max} = max. input torque

η = efficiency factor

n_{max} = max. input speed

M_{idle} = idle torque

J = inertia

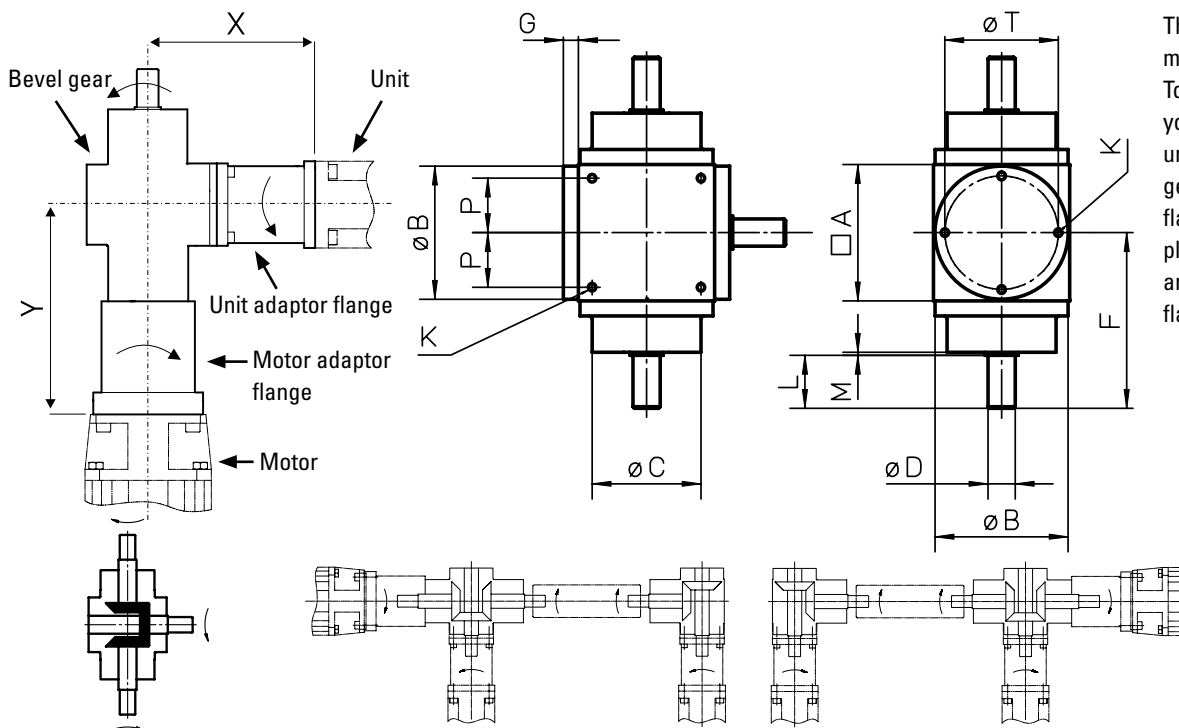
Accessories

Motors, Gears and Transmission Kits

EXPIRING MODEL!
 This gear will soon be replaced and should not be used for new projects. Please contact customer service for more information.

KRG VL0/1/2-Ba53 Bevel Gears, dimensions

Unit	Gear	Unit adaptor flange p/n	Bevel gear p/n		A	øB	øC	øD
			i = 1:1	i = 2:1				
WM40	VL0-Ba53	89 10 92 05 20	03 27 05 00 29	–	65	44	44	12
WM60 / WV60 / WZ60	VL0-Ba53	89 10 92 09 96	03 27 05 00 29	–	65	64,5	64,5	12
WM60 / WV60 / WZ60	VL1-Ba53	89 10 92 00 59	03 27 05 00 23	03 27 05 00 24	90	90	60	18
WM80 / WV80	VL1-Ba53	89 10 92 00 62	03 27 05 00 23	03 27 05 00 24	90	90	60	18
WM120 / WV120	VL2-Ba53	89 10 92 00 65	03 27 05 00 27	03 27 05 00 28	120	120	80	25
MLSM60D	VL1-Ba53	89 10 92 08 62	03 27 05 00 23	03 27 05 00 24	90	90	60	18
MLSM60D	VL2-Ba53	89 10 92 08 70	03 27 05 00 27	03 27 05 00 28	120	120	80	25
MLSM80D	VL2-Ba53	89 10 92 10 20	03 27 05 00 27	03 27 05 00 28	120	120	80	25



The bevel gear comes mounted from factory. To get a complete gear you must choose correct unit adaptor flange, bevel gear and motor adaptor flange. A matching coupling between the motor and the motor adaptor flange is included.

EXPIRING MODEL!

This gear will soon be replaced and should not be used for new projects. Please contact customer service for more information.

	F	G	K	L	M	P	øT	X	Motor*	Motor adaptor flange p/n	Y
	100	11,5	M6	26	2	22,5	54	113	DBL3N00300	89 10 92 09 97	143
	100	9,5	M6	26	2	22,5	54	121	DBL3N00300	89 10 92 09 97	143
	122	12	M8	35	2	35	75	144	DBL4N	89 10 92 00 60	180
DBL5N									89 10 92 00 79	190	
DBL7N									89 10 92 00 80	200	
	122	12	M6	35	2	35	75	144	DBL4N	89 10 92 00 60	180
DBL5N									89 10 92 00 79	190	
DBL7N									89 10 92 00 80	200	
	162	15	M10	45	2	50	100	185	DBL4N	89 10 92 01 30	222
DBL5N									89 10 92 00 66	232	
DBL7N									89 10 92 00 72	240	
	122	12	M8	35	2	35	75	143	DBL4N	89 10 92 00 60	180
DBL5N									89 10 92 00 79	190	
DBL7N									89 10 92 00 80	200	
	163	15	M10	45	2	50	100	170	DBL4N	89 10 92 01 30	222
DBL5N									89 10 92 00 66	232	
DBL7N									89 10 92 00 72	240	
	163	15	M10	45	2	50	100	170	DBL4N	89 10 92 01 30	222
DBL5N									89 10 92 00 66	232	
DBL7N									89 10 92 00 72	240	

i = gear ratio * other motors available on request.

KRG VL0/1/2-Ba53 Bevel Gears, data

Gear	Mmax [Nm]		nmax [rpm]	M idle [Nm]	η	J [kgm ²]		Weight [kg]	Backlash [arc min]
	i = 1:1	i = 2:1				i = 1:1	i = 2:1		
VL0-Ba53	10	–	3000	0,2	0,97	0,000088	0,000043	2,5	10
VL1-Ba53	28	28	3000	0,3	0,97	0,000396	0,000126	6,5	10
VL2-Ba53	60	60	3000	0,5	0,97	0,001369	0,000288	15	10

i = gear ratio Mmax = max. input torque η = efficiency factor
nmax = max. input speed M idle = idle torque J = inertia

Accessories

Motors, Gears and Transmission Kits

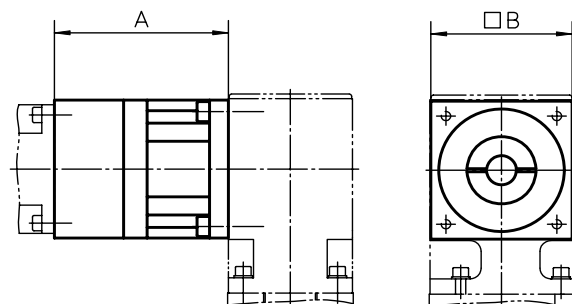
Micron DT, DTR Planetary Gears, compatibility and dimensions

Unit	Gear	i	□A	B	C	□D	E	Weight [kg]	Backlash [arc min]	Efficiency [%]
WH50	DT60-SS	3:1 - 10:1	89,7	60	–	–	–	1	8	90
	DT60-DS	15:1 - 100:1	106,9	60	–	–	–	1,2	9	85
	DTR60-SS	5:1 - 50:1	–	–	110,2	104,1	60	2,5	9	90
	DTR60-DS	60:1 - 500:1	–	–	127,3	104,1	60	2,7	9	85
WH80	DT90-SS	3:1 - 10:1	110,9	90	–	–	–	3	9	90
	DT90-DS	15:1 - 100:1	133,5	90	–	–	–	3,7	9	85
	DTR90-SS	5:1 - 50:1	–	–	145,4	138,2	90	4,8	9	90
	DTR90-DS	60:1 - 500:1	–	–	168,0	138,2	90	5,5	9	85
WH120	DT115-SS	3:1 - 10:1	136,4	110	–	–	–	12,7	8	90
	DT115-DS	15:1 - 100:1	167,4	110	–	–	–	16,2	9	85
	DTR115-SS	5:1 - 50:1	–	–	185,7	173,5	115	11	8	90
	DTR115-DS	60:1 - 500:1	–	–	216,7	173,5	115	12	9	85
WM60Z	DT60-SS	3:1 - 10:1	89,7	60	–	–	–	1	8	90
	DT60-DS	15:1 - 100:1	106,9	60	–	–	–	1,2	9	85
	DTR60-SS	5:1 - 50:1	–	–	110,2	104,1	60	2,5	9	90
	DTR60-DS	60:1 - 500:1	–	–	127,3	104,1	60	2,7	9	85
WM80Z	DT90-SS	3:1 - 10:1	110,9	90	–	–	–	3	9	90
	DT90-DS	15:1 - 100:1	133,5	90	–	–	–	3,7	9	85
	DTR90-SS	5:1 - 50:1	–	–	145,4	138,2	90	4,8	9	90
	DTR90-DS	60:1 - 500:1	–	–	168,0	138,2	90	5,5	9	85

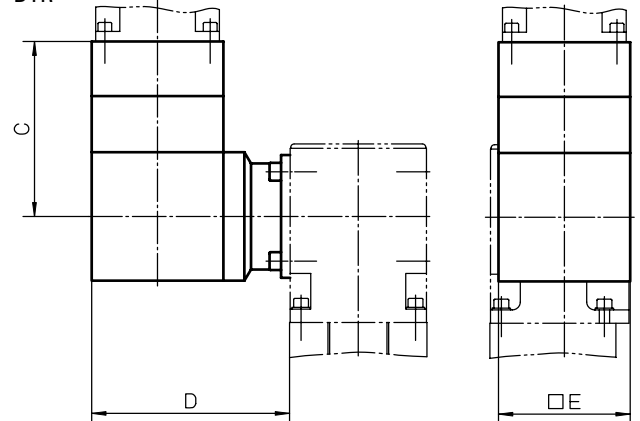
Micron DT and DTR planetary gears comes mounted on the unit from factory.

i = gear ratio

DT

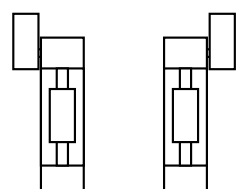


DTR

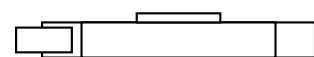


Left side

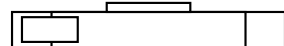
Right side



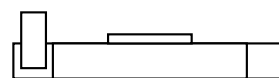
Position 1



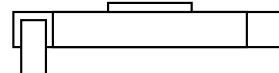
Position 3



Position 2



Position 4



Accessories

Motors, Gears and Transmission Kits

Micron DT, DTR Planetary Gears, how to order

When ordering a DT or DTR planetary gear you need to state the size and type of gear, which side of the unit the gear shall be installed, the gear ratio and which motor that you wish to use. For DTR you also must state the preferred mounting position of the gear. With this information we can check if your choice of motor is possible or not and give you the correct ordering code for the gear.

Micron DT, ordering data

1. Size of planetary gear

DT60
DT90
DT115

2. Type of gear

-SS
-DS

3. Mounting side of the unit

Left
Right

4. Gear ratio

3:1 (only for -SS models)
5:1 (only for -SS models)
10:1 (only for -SS models)
15:1 (only for -DS models)
25:1 (only for -DS models)
30:1 (only for -DS models)
50:1 (only for -DS models)
100:1 (only for -DS models)

5. Motor

Specify your choice of motor.

Micron DTR, ordering data

1. Type and size of planetary gear

DTR60
DTR90
DTR115

2. Type of gear

-SS
-DS

3. Mounting position of the gear

Position 1
Position 2
Position 3
Position 4

4. Mounting side of the unit

Left
Right

5. Gear ratio

5:1 (only for -SS models)
6:1 (only for -SS models)
9:1 (only for -SS models)
10:1 (only for -SS models)
12:1 (only for -SS models)
15:1 (only for -SS models)
20:1 (only for -SS models)
25:1 (only for -SS models)
30:1 (only for -SS models)
40:1 (only for -SS models)
50:1 (only for -SS models)
60:1 (only for -DS models)
75:1 (only for -DS models)
90:1 (only for -DS models)
100:1 (only for -DS models)
120:1 (only for -DS models)
125:1 (only for -DS models)
150:1 (only for -DS models)
200:1 (only for -DS models)
250:1 (only for -DS models)
300:1 (only for -DS models)
400:1 (only for -DS models)
500:1 (only for -DS models)

6. Motor

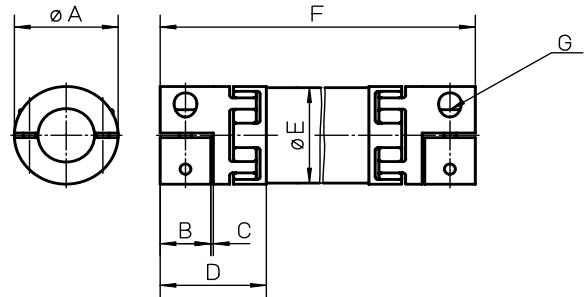
Specify your choice of motor.

Accessories

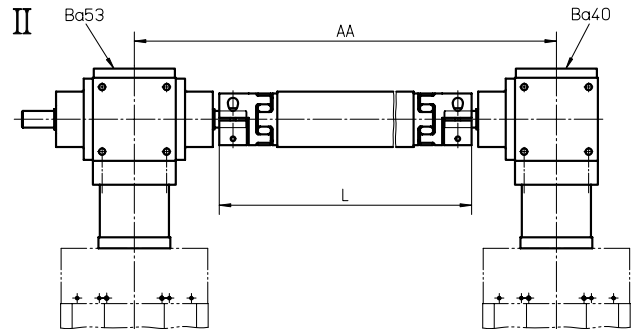
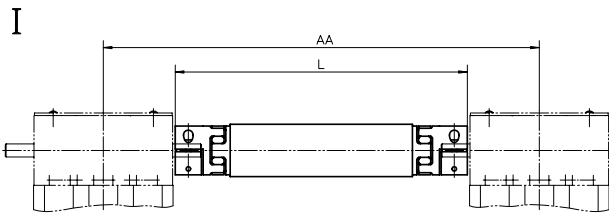
Motors, Gears and Transmission Kits

VWZ Intermediate Shafts, dimensions

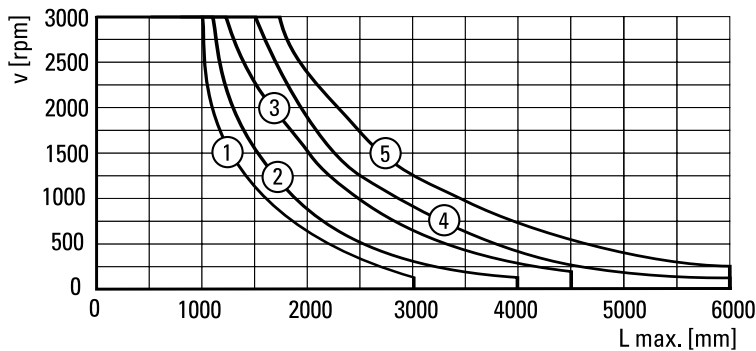
Shaft	øA	B	C	D	øE	F min.	G
VWZ-30	32	15	1,5	34	30	99	M4
VWZ-40	42	17	1,5	46	40	133	M5
VWZ-60	56	30	2	63	60	177	M6
VWZ-60V	67	35	2	73	60	205	M8
VWZ-80	82	40	2	84	80	249	M10
VWZ-100	102	50	2	97	100	283	M12



The VWZ intermediate shafts can be installed in two ways. Either directly to belt driven units (I) or to screw driven units using KRG bevel gears (II) of type VL0, VL1 or VL2. The intermediate shaft includes tube and couplings.



Critical Speed of Shaft



- 1: VWZ-30
- 2: VWZ-40
- 3: VWZ-60 and VWZ-60V
- 4: VWZ-80
- 5: VWZ-100

VWZ Intermediate Shafts, data

Shaft	Mmax [Nm]	Gs [kg/m]	Gc [kg]	Js [kgm ² /m]	Jc [kgm ²]	Ms [Nm]
VWZ-30	4,8	0,58	0,14	0,00011	0,00001	4
VWZ-40	6,4	0,76	0,36	0,00020	0,00008	8
VWZ-60	22,7	0,97	0,94	0,00080	0,00024	15
VWZ-60V	60,6	0,97	1,42	0,00080	0,00046	35
VWZ-80	122,7	2,00	2,98	0,00300	0,00240	70
VWZ-100	169,7	2,47	4,62	0,00580	0,00600	120

Mmax = max. shaft torque

Gs = weight of shaft

Gc = weight of coupling

Js = inertia of shaft

Jc = inertia of coupling

Ms = tightening torque

Accessories

Motors, Gears and Transmission Kits

VWZ Intermediate Shafts, compatability table

Unit	I	II	VWZ-30	VWZ-40	VWZ-60	VWZ-60V	VWZ-80	VWZ-100	AA [mm]
WH40	•			•					AA = L + 56
WH50 / WHZ50	•				•				AA = L + 54
WM60Z	•				•				AA = L + 64
WH80 / WHZ80	•					•			AA = L + 84
WH120	•							•	AA = L + 124
WM80Z	•					•			AA = L + 84
MLSH60Z	•					•			AA = L + 164
WB40 / WM40		VL0	•						AA = L + 170
WB60		VL1			•				AA = L + 210
WM60 / WV60 / WZ60		VL1			•				AA = L + 184
WM80 / WV80 / MLSM60D		VL1				•			AA = L + 176
MLSH80Z / MLSM80Z	•						•		AA = L + 244
WM120 / WV120 / MLSM60D / MLSM80D		VL2					•		AA = L + 244

AA = C/C distance between units

L = total length of shaft and coupling assembly

VWZ Intermediate Shafts, ordering key

	1	2	3
Example	VWZ-060	-02	-0700

1. Intermediate shaft size

VWZ-030 = VWZ-30
 VWZ-040 = VWZ-40
 VWZ-060 = VWZ-60
 VWZ-06V = VWZ-60V
 VWZ-080 = VWZ-80
 VWZ-100 = VWZ-100

2. Type of unit and type of mounting

-01 = WH40 for type I mounting
 -02 = WH50 / WHZ50 for type I mounting
 -03 = WM80Z for type I mounting
 -04 = WH80 / WHZ80 for type I mounting
 -05 = WH120 for type I mounting
 -03 = WM60Z for type I mounting
 -07 = MLSH60Z for type I mounting
 -08 = WB40 / WM40 for type II mounting on VLO gears
 -09 = WB60 for type II mounting on VL1 gears
 -10 = WM60 / WV60 / WZ60 for type II mounting on VL1 gears
 -11 = WM80 / WV80 / MLSM60D for type II mounting on VL1 gears
 -12 = MLSH80Z / MLSM80Z for type I mounting
 -13 = WM120 / WV120 / MLSM60D / MLSM80D for type II mounting on VL2 gears

3. C/C distance between units (AA)

Accessories

Motors, Gears and Transmission Kits

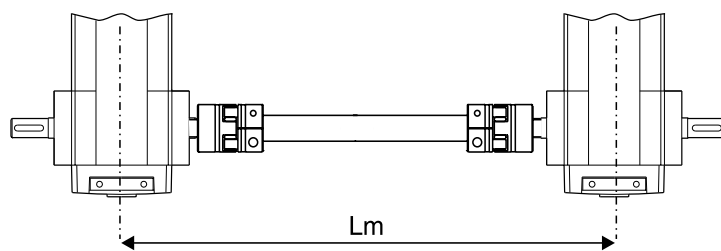
DSP Intermediate Shafts, data

Shaft	Weight of shaft [kg]	Max. speed [rpm]	Shaft diameter [mm]
DSP-05B	$0,3 + 1,3 \times Lm$	1500	20
DSP-06B	$0,3 + 1,3 \times Lm$	1500	20
DSP-07B	$0,6 + 2,6 \times Lm$	1500	30
DSP-10B	$0,6 + 2,6 \times Lm$	1500	30
DSB--ZB	$0,6 + 2,6 \times Lm$	1500	30
DSP-TBS	$0,6 + 2,6 \times Lm$	1500	30

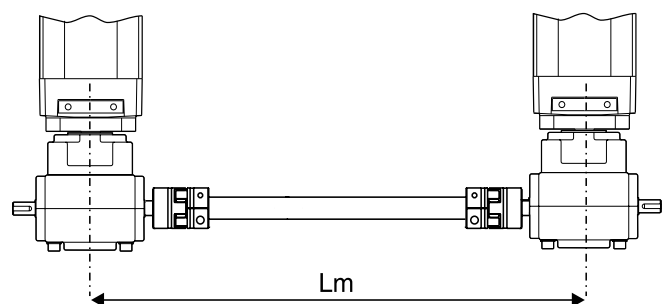
Lm = C/C distance between units in cm

The DSP intermediate shaft can be installed directly between two belt driven units or between two screw driven units using a TBS worm gear. Couplings and tube is included in the shipment. Support bearings may need to be installed if the critical speed of the shaft is exceeded. See diagram. Support bearings can be ordered from your local bearing supplier.

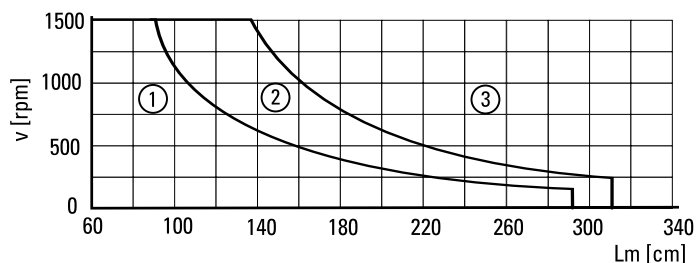
DSP-05B/06B/07B/10B/-ZB



DSP-TBS



Critical Speed of Shaft



- 1: No support bearing required
- 2: Support bearing required for DSP-05B and DSP-06B
- 3: Support bearing always required

Accessories

Motors, Gears and Transmission Kits

DSP Intermediate Shafts, compatability table

Unit	Drive type	DSP-05B	DSP-06B	DSP-07B	DSP-10B	DSP--ZB	DSP-TBS
M50	belt	•					
M55	belt		•				
M75	belt			•			
M100	belt				•		
ZB	belt					•	
M55	screw						•
M75	screw						•
M100	screw						•

DSP Intermediate Shafts, ordering key

	1	2
Example	DSP-06B	-305

1. Intermediate shaft size and type

DSP-05B = for belt driven M50 units

DSP-06B = for belt driven M55 units

DSP-07B = for belt driven M75 units

DSP-10B = for belt driven M100 units

DSP--ZB = for belt driven ZB units

DSP-TBS = for screw driven M55, M75 or M100 units with TBS worm gear

2. C/C distance between units in cm (Lm)

- • • • = length in cm

Accessories

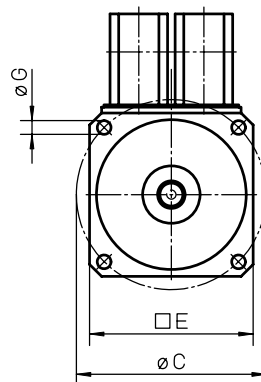
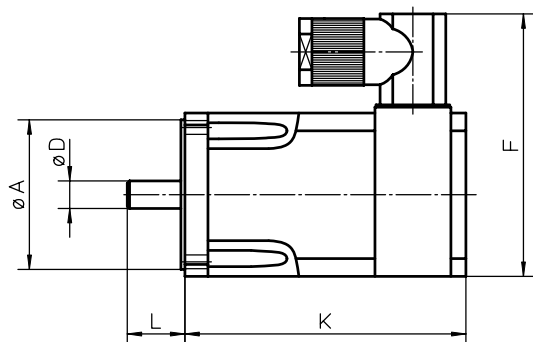
Motors, Gears and Transmission Kits

AKM Servo Motor with brake, dimensions

Motor	p/n	øA	øC	øD	□E	F	øG	K	L
AKM23D-AN	See ordering data in motor catalogue	40	63	9	58	90	4,8	124,2	20
AKM32D-AN		60	75	14	70	109	5,8	140,8	30
AKM42D-AN		80	100	19	84	123	7	147,8	40
AKM43D-AN		80	100	19	84	123	7	176,8	40
AKM52D-AN		110	130	24	108	147	9	158,5	50
AKM53D-AN		110	130	24	108	147	9	189,5	50
AKM63D-AN		130	165	32	138	177	11	178,7	58
AKM64D-AN		130	165	32	138	177	11	203,7	58
AKM72D-AN		180	215	38	188	227	13,5	192,5	80
AKM74D-AN		180	215	38	188	227	13,5	226,5	80

AKM Servo Motor with brake, data

Motor	Mo [Nm]	Mn [Nm]	Io [A]	Jmot [kgm ²]	Gmot [kg]	Mbr [Nm]	Ibr [A]	Jbr [kgm ²]	Gbr [kg]
AKM23D-AN	1,16	0,92	2,19	0,000022	1,38	1,42	0,35	0,0000011	0,27
AKM32D-AN	2,04	1,65	2,23	0,000059	2,23	2,5	0,42	0,0000011	0,35
AKM42D-AN	3,42	2,81	2,74	0,00015	3,39	6	0,54	0,0000068	0,63
AKM43D-AN	4,8	3,01	4,87	0,00021	4,35	6	0,54	0,0000068	0,63
AKM52D-AN	8,6	3,9	9,3	0,00062	5,8	14,5	0,81	0,0000173	1,1
AKM53D-AN	11,6	7,65	9,4	0,00091	7,4	14,5	0,81	0,0000173	1,1
AKM63D-AN	16,8	14,9	9,9	0,0024	11,1	25	1,07	0,000061	2
AKM64D-AN	21	15,6	12,8	0,0032	13,3	25	1,07	0,000061	2
AKM72D-AN	29,4	20,1	18,7	0,0065	19,7	53	1,48	0,000164	2,1
AKM74D-AN	41,6	28,5	19,5	0,0092	26,7	53	1,48	0,000164	2,1



- Mo = standstill torque
- Mn = nominal torque
- Io = standstill current
- Jmot = rotor inertia
- Gmot = weight of motor
- Mbr = brake torque
- Ibr = brake current
- Jbr = brake inertia
- Gbr = weight of brake

Accessories

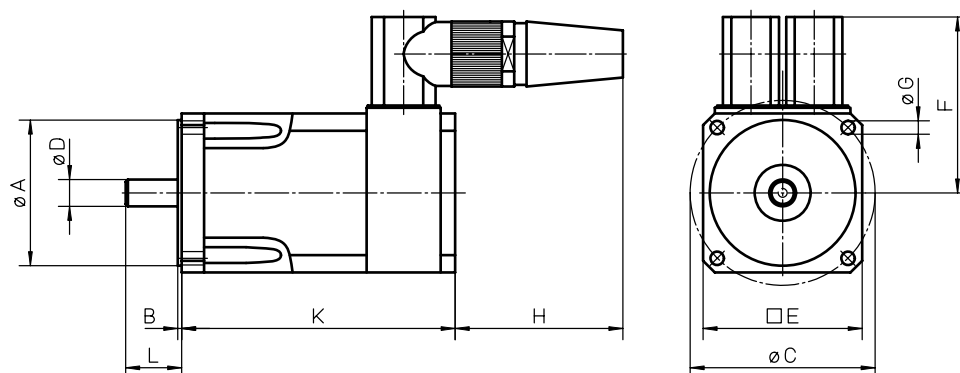
Motors, Gears and Transmission Kits

DBL Servo Motor, dimensions

Motor	p/n	øA	B	øC	øD	□E	F	øG	H	K without brake	K with brake	L
DBL2H00040	See ordering data in motor catalogue	40	2,5	63	9	55	65	5,8	80	142	175	20
DBL3H00130		60	2,5	90	11	75	70	5,8	80	157	190	23
DBL3M00190		60	2,5	90	11	75	70	5,8	80	175	208	23
DBL3N00300		60	2,5	90	14	75	70	5,8	80	218	251	30
DBL4N00530		95	3	115	19	105	81	9	80	225	257	40
DBL4N00750		95	3	115	19	105	81	9	80	270	302	40
DBL5N01050		130	3,5	165	24	142	83	11	80	270	313	50
DBL5N01700		130	3,5	165	24	142	83	11	80	321	364	50
DBL6N02200		180	3,5	215	24	190	95	12	80	293	339	50
DBL7N03200		180	4	215	32	190	–	14	–	321	365	58

DBL Servo Motor, data

Motor	Mo [Nm]	Mn [Nm]	Io [A]	Jmot [kgm ²]	Gmot [kg]	Mbr [Nm]	Ibr [A]	Jbr [kgm ²]	Gbr [kg]
DBL2H00040	0,4	0,34	0,93	0,000008	1,1	1,2	0,36	0,000007	0,3
DBL3H00130	1,3	1,1	1,75	0,00008	2,3	2,5	0,6	0,000038	0,4
DBL3M00190	1,9	1,6	1,5	0,0001	2,5	2,5	0,6	0,000038	0,4
DBL3N00300	3	2,6	2,1	0,00017	4	2,5	0,6	0,000038	0,4
DBL4N00530	5,3	4,6	3,2	0,00028	5,7	5	0,7	0,000106	0,8
DBL4N00750	7,5	6,5	4,1	0,00043	7,6	5	0,7	0,000106	0,8
DBL5N01050	10,5	8,5	6,5	0,00081	9,8	12	0,8	0,00036	1,5
DBL5N01700	17	14	10,4	0,00113	14	12	0,8	0,00036	1,5
DBL6N02200	22	16	15,1	0,00251	21,5	20	0,95	0,00095	2,8
DBL7N03200	32	23	20	0,01141	32,5	20	0,95	0,00095	3,3



- Mo = standstill torque
- Mn = nominal torque
- Io = standstill current
- Jmot = rotor inertia
- Gmot = weight of motor
- Mbr = brake torque
- Ibr = brake current
- Jbr = brake inertia
- Gbr = weight of brake

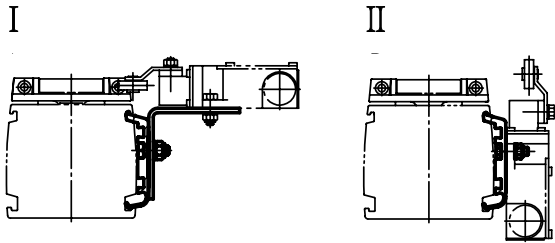
Accessories

Electrical Feedback Devices

Limit Switch Brackets¹

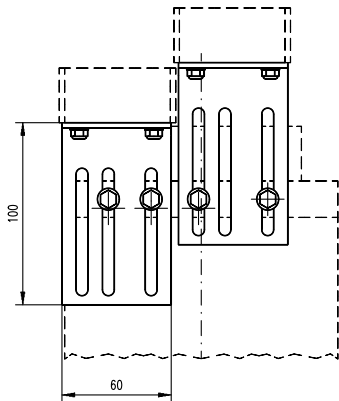
Unit type	I	For limit switch type	II	For limit switch type
M50	D393 035	XCM-A115	–	–
M55	D313 427	XCM-A115	D313 428	XCM-A115
M75	D312 860	XCK-M115	D312 861	XCK-M115
M100	D312 330	XCK-M115	D312 331	XCK-M115

¹ no limit switches included in the shipment.



Limit Switch Brackets for Z3

Unit type	p/n	For limit switch type
Z3	D800 042	XCK-M115



The limit switch brackets are adjustable in height. The limit switches on the brackets are operated by the maximum extended and maximum retracted end of stroke bars on top of the Z3 units. Two brackets are required.

Limit Switches

Switch type	p/n	Protection degree	Contacts	Cable
XCM-A115	D535 102	IP67	NO + NC	1 meter
XCK-M115	D535 107	IP67	NO + NC	–

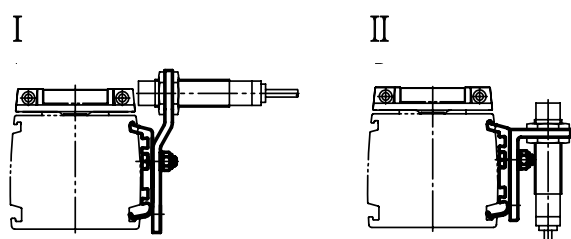
Accessories

Electrical Feedback Devices

Sensor Brackets for Cylindrical Sensors¹

Unit type	I	For sensor diameter	II	For sensor diameter
M55	D313 429	M12	D313 430	M12
M75	D312 862	M18	D312 863	M18
M100	D312 332	M18	D312 333	M18

¹ no sensors included in the shipment



Cylindrical Inductive Sensors

Sensor type	p/n	Diameter	Input voltage	Max. current	Protection degree	Contacts	Cable
PNP	D535 085	M12	12 - 48 Vdc	0,2 A	IP67	NO	connector
PNP	D535 089	M18	12 - 48 Vdc	0,2 A	IP67	NO	connector

Cylindrical Inductive Sensor Connectors

For sensor diameter	p/n
M12	D535 092
M18	D535 091

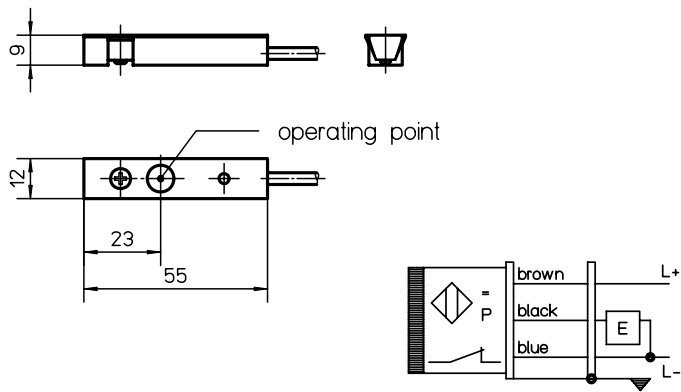
Accessories

Electrical Feedback Devices

EN2 Inductive Sensors, part numbers

Sensor type	Cable length [m]	p/n
Normally closed	2	671 545 0305
Normally open	2	671 545 0304
Normally closed	10	671 545 0307
Normally open	10	671 545 0306

To be able to mount the EN2 inductive sensors on a unit the ENT14x16 sensor rail is required (see page 178) except for units WM120 and WV120 where they can be fitted directly to the profile of the unit.

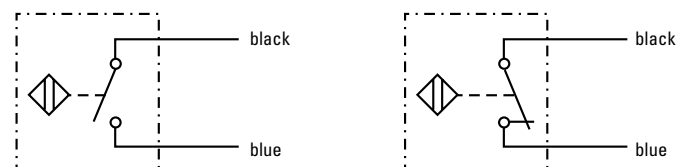


EN2 Inductive Sensors, data

Parameter		EN2
Supply voltage	[Vdc]	10 – 30
Max. load current	[A]	0,2
Operating distance	[mm]	2
LED indicator for switch		yes
Protection class		IP67
Cable type		screened
Weight	[kg]	
with cable L = 2 m		0,04
with cable L = 10 m		0,19

Magnetic Sensors, data

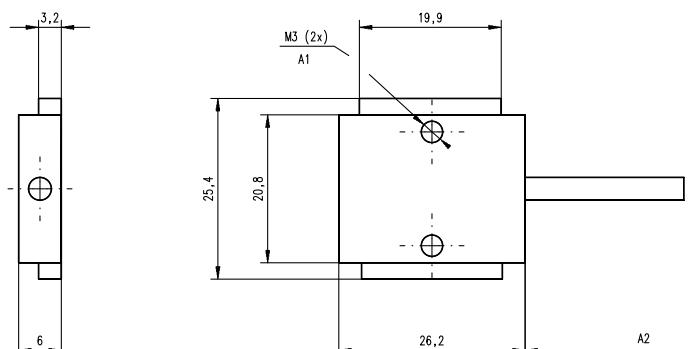
Parameter		
Max. power	[W]	10
Max. voltage	[Vdc]	100
Max. current	[A]	0,5
LED indicator for switch		no
Protection class		IP67
Cable length	[m]	3
Cable cross section	[mm ²]	2 × 0,15
Operating temperature limits	[°C]	-25 – 65
Weight	[kg]	0,050



Magnetic Sensors, part numbers

Sensor type	suitable units	p/n
Normally closed	M50, T90, T130, Z2, Z3	D535 071
Normally open	M50, T90, T130, Z2, Z3	D535 070

The magnetic sensors are mounted directly in the sensor slot of the profiles of the units and require no mounting bracket. The sensor is fixed in position by two M3 size locking screws (A1). The cable (A2) is molded into the sensor.



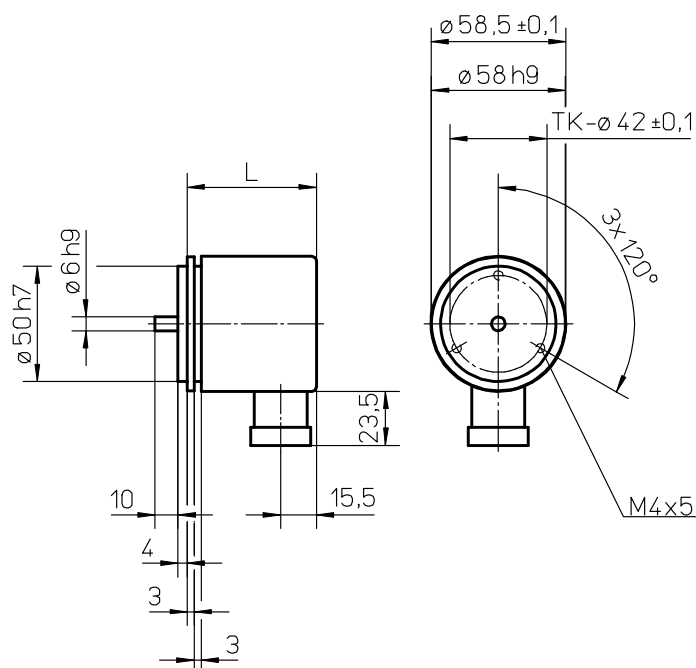
Accessories

Electrical Feedback Devices

IG602 Encoders, data

Parameter		IG602
Supply voltage	[Vdc]	
Type 1		5 ±10%
Type 2		10 – 30
Output type		
Type 1		line driver
Type 2		push-pull
Pulses per revolution	[ppr]	
Type 1		100 – 2500
Type 2		100 – 600
Length (L)	[mm]	
Type 1		51,5
Type 2		56,0
Weight	[kg]	
Type 1		0,36
Type 2		0,36

The IG602 encoders comes with mounting screws but no coupling or connector. To be able to mount the encoder to the unit the unit must have a shaft for encoders. See the ordering keys of the units. The encoders can also be ordered mounted to the unit from factory. See ADG encoder option kit on page 180.



IG602 Encoders, part numbers

Encoder type	Supply voltage [Vdc]	Pulses per revolution	p/n
Type 1	5	100	671 521 0194
Type 1	5	200	671 521 0195
Type 1	5	500	671 521 0196
Type 1	5	600	671 521 0197
Type 1	5	1000	671 521 0198
Type 1	5	1250	671 521 0199
Type 1	5	1500	671 521 0200
Type 1	5	2000	671 521 0192
Type 1	5	2500	671 521 0201
Type 2	10 – 30	100	671 521 0193
Type 2	10 – 30	200	671 521 0202
Type 2	10 – 30	500	671 521 0203
Type 2	10 – 30	600	671 521 0204

STE001 Encoder Connector, data

Parameter		STE001
Number of poles		12
Protection class		IP67
Execution		jack
Cable entrance		straight
Weight	[kg]	0,04
Part number		6715600153

Encoder Cable, data

Parameter		p/n
5 m cable length		671 555 0068
10 m cable length		671 555 0069

The encoder cables come fitted with a STE001 encoder connector in one of the ends.

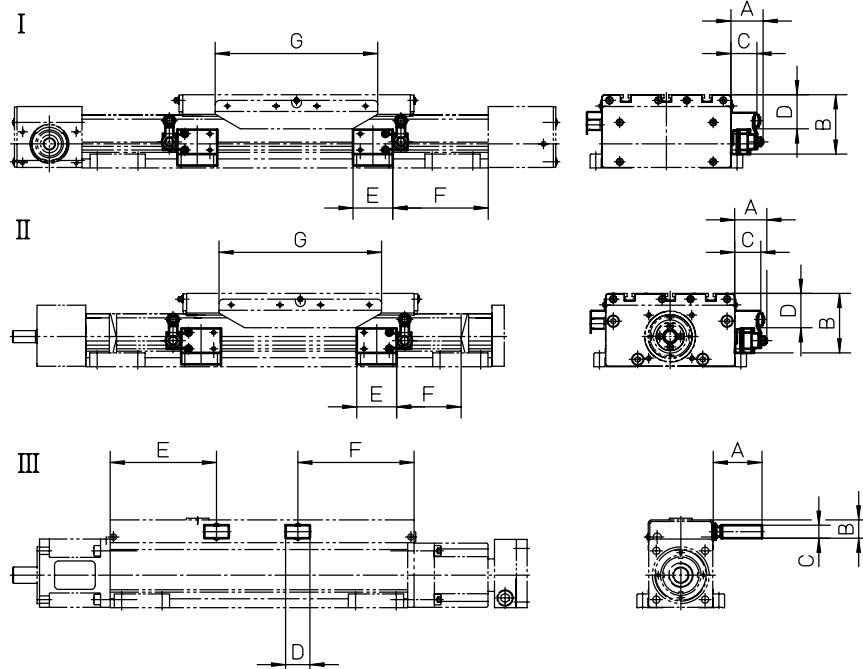
Accessories

Electrical Feedback Devices

ES Limit Switch Option Kit

Unit type	I	II	III	A	B	C	D	E	F	G
WH50 ¹	•			34	60,5	10	26	49	58,5	196
WH80	•			31	76	10	39	49	78,5	196
WH120	•			34	88	10	51	49	78,5	196
WHZ50	•			34	61	10	26	49	58,5	196
WHZ80	•			31	76	10	39	49	78,5	196
WM60		•		40	69	32	38	50	63	200
WM80		•		40	73	32	42	50	79	200
WM120		•		40	89	32	58	50	94	200
WM60Z	•			40	69	32	38	50	73	200
WM80Z ²	•			40	73	32	42	50	99 (89)	200
WV60		•		40	69	32	38	50	33	200
WV80		•		40	73	32	42	50	39	200
WV120		•		40	89	32	58	50	59	200
MLSM60D		•		40	73	32	32	50	79	200
MLSH60Z	•			40	73	32	42	50	79	200
MLSM80D		•		40	85	32	54	50	101	200
MLSH80Z	•			40	85	32	54	50	101	200
MLSM80Z		•		40	85	32	54	50	101	200
WZ60 ¹			•	60	22,5	16	30	113	53	–
WZ80 ¹			•	60	22,5	16	30	112	84	–

¹ limit switches for these units can not be moved. On all other units the switches can be re-positioned by the customer. ² Value in brackets = for short carriage.



The ES limit switch assembly is an option that is mounted at the factory. The limit switches are placed 10 mm from the mechanical ends of the unit. Each limit switch has one NO and one NC contact with positive opening action. Protection degree is IP67. Type I and II switches can be repositioned along the profile by the customer. Note! the ES limit switch option and any of the sensor rail options ENT14x16, ENF14x16 or ENK can not be mounted on the same side of the unit.

Accessories

Electrical Feedback Devices

ES Limit Switch Option Kit, ordering key

	1	2	3	4
Example	ESK07	-L	-01	-10

1. Compatible unit

- ESK02 = WH50
- ESK03 = WH80
- ESK04 = WH120
- ESK05 = WM40
- ESK06 = WM60 / WM60Z
- ESK07 = WM80 / WM80Z
- ESK08 = WM120
- ESK09 = WV60
- ESK10 = WV80
- ESK11 = WV120
- ESK12 = WHZ50
- ESK13 = WHZ80
- ESK14 = WZ60
- ESK15 = WZ80
- ESK16 = MLSH60Z
- ESK17 = MLSH80Z
- ESK18 = MLSM80Z
- ESK19 = MLSM60D
- ESK20 = MLSM80D

2. Mounting side of the unit

- L = left side
- R = right side

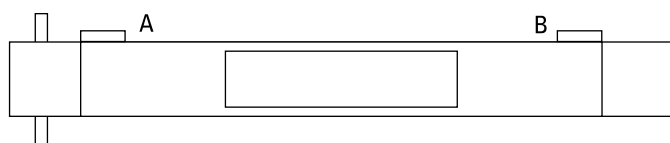
3. Switch configuration on side A

- 00 = no switch on side A
- 01 = switch with 1 m cable
- 05 = switch with 5 m cable
- 10 = switch with 10 m cable

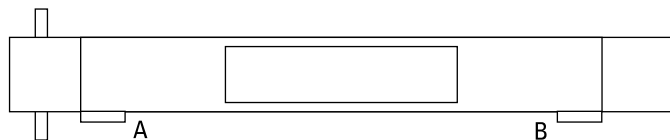
4. Switch configuration on side B

- 00 = no switch on side B
- 01 = switch with 1 m cable
- 05 = switch with 5 m cable
- 10 = switch with 10 m cable

ES-••-R-••-••



ES-••-L-••-••

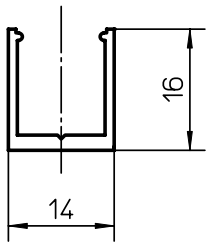


Accessories

Electrical Feedback Devices

ENT14x16 Inductive Sensor Rail

Unit type	p/n
WH40 / WH50 / WH80 / WH120 / WHZ50 / WHZ80 / WM40 / WM60 / WM80 / WM60Z / WM80Z / WV60 / WV80 / MLSM60D / MLSM80D / MLSH60Z / MLSH80Z / MLSM80Z / WZ60 / WZ80 / WB40 / WB60	671 545 0283

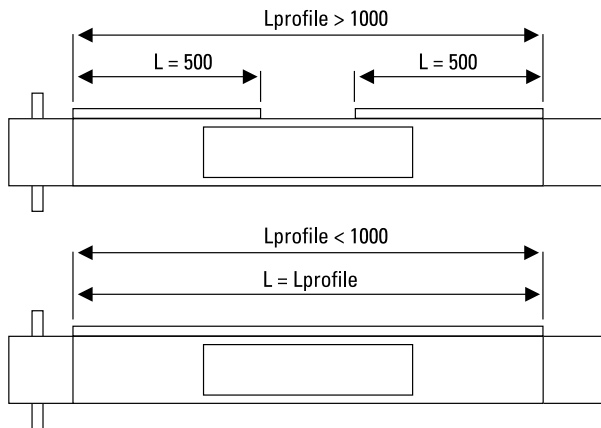
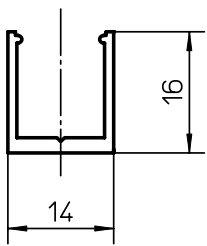


The ENT14x16 inductive sensor rail is mounted to the side of an unit or along any type of beam or profile. In the rail inductive sensors of type EN2 can be mounted. The rail can also serve as a cable duct for the sensor cables. The rail is sealed with a cover which comes with the rail. The rail comes in lengths of max. 3000 mm. Drilling in the profile of the unit is required when mounting the rail. When ordering, specify part number and length of the rail. Note1! WM120 and WV120 units do not require any rail as the EN2 sensors can be fitted directly to the profile of the units. Note2! ES limit switch option and ENT14x16 rail can not be mounted on the same side of the unit.

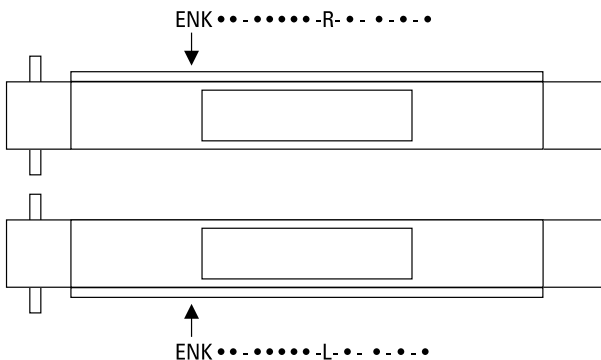
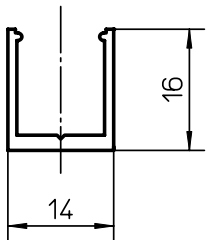
ENF and ENK Inductive Sensor Rail Option Kit, compatability table

Unit type	ENF / ENK
WH40 / WH50 / WH80 / WH120 / WHZ50 / WHZ80 / WM40 / WM60 / WM80 / WM60Z / WM80Z / WV60 / WV80 / MLSM60D / MLSM80D / MLSH60Z / MLSH80Z / MLSM80Z / WZ60 / WZ80 / WB40 / WB60	.

ENF



ENK



The ENF and ENK inductive sensor rail option kits are mounted at the factory. The ENF option consists of two 500 mm long ENT14x16 sensor rails mounted on in each end of the unit on the left or right side of the profile. In cases where the unit is too short to allow two 500 mm sensor rails to be mounted, then one rail is mounted along the entire profile of the unit. The ENK option also consists of ENT14 x16 sensor rails but the ENK option has sensor profiles that runs along the entire profile of the unit. In the shipment of both ENF and ENK the specified amount and type of EN2 sensors are included. The sensors are fitted to the sensor rail by the customer at the desired positions. Note1! WM120 and WV120 units do not require any ENF or ENF option as the EN2 sensors can be fitted directly to the profile of the units. Note2! ES limit switch option and ENF rail can not be mounted on the same side of the unit.

Accessories

Electrical Feedback Devices

ENK and ENF Inductive Sensor Rail Option Kit, ordering key

	1	2	3	4	5	6	7	8
Example	ENK16	-S	-04000	-R	-2	-0	-1	-6

1. Type of rail and compatible unit

ENK01 = ENK rail for WH40
 ENK02 = ENK rail for WH50
 ENK03 = ENK rail for WH80
 ENK04 = ENK rail for WH120
 ENK05 = ENK rail for WM40
 ENK06 = ENK rail for WM60 / WV60
 ENK07 = ENK rail for WM80 / WV80
 ENK08 = ENK rail for WM120 / WV120
 ENK09 = ENK rail for WM60Z
 ENK10 = ENK rail for WM80Z
 ENK11 = ENK rail for WHZ50
 ENK12 = ENK rail for WHZ80
 ENK13 = ENK rail for WZ60
 ENK14 = ENK rail for WZ80
 ENK15 = ENK rail for MLSH60Z
 ENK16 = ENK rail for MLSH80Z
 ENK17 = ENK rail for MLSM80Z
 ENK18 = ENK rail for MLSM60D
 ENK19 = ENK rail for MLSM80D
 ENK20 = ENK rail for WB40
 ENK21 = ENK rail for WB60

ENF01 = ENF rail for WH40
 ENF02 = ENF rail for WH50
 ENF03 = ENF rail for WH80
 ENF04 = ENF rail for WH120
 ENF05 = ENF rail for WM40
 ENF06 = ENF rail for WM60 / WV60
 ENF07 = ENF rail for WM80 / WV80
 ENF08 = ENF rail for WM120 / WV120
 ENF09 = ENF rail for WM60Z
 ENF10 = ENF rail for WM80Z
 ENF11 = ENF rail for WHZ50
 ENF12 = ENF rail for WHZ80
 ENF13 = ENF rail for WZ60
 ENF14 = ENF rail for WZ80
 ENF15 = ENF rail for MLSH60Z
 ENF16 = ENF rail for MLSH80Z
 ENF17 = ENF rail for MLSM80Z
 ENF18 = ENF rail for MLSM60D
 ENF19 = ENF rail for MLSM80D
 ENF20 = ENF rail for WB40
 ENF21 = ENF rail for WB60

2. Number of carriages

-S = single carriage
 -D = double carriages

3. Total length of unit (L tot)

-••••• = distance in mm

4. Mounting side of the unit

-L = left side
 -R = right side

5. Number of EN2 sensors with NC contact and 2 m cable

-• = 0 – 9 sensors / normally closed / 2 m cable

6. Number of EN2 sensors with NO contact and 2 m cable

-• = 0 – 9 sensors / normally open / 2 m cable

7. Number of EN2 sensors with NC contact and 10 m cable

-• = 0 – 9 sensors / normally closed / 10 m cable

8. Number of EN2 sensors with NO contact and 10 m cable

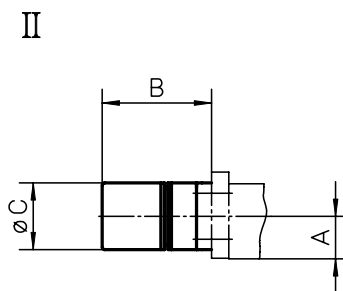
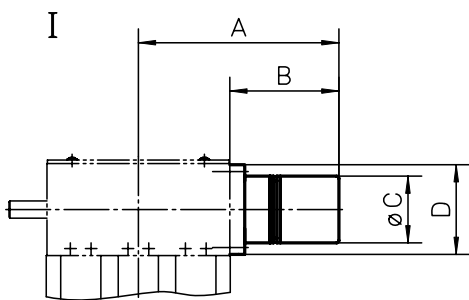
-• = 0 – 9 sensors / normally open / 10 m cable

Accessories

Electrical Feedback Devices

ADG Encoder Option Kit

Unit type	Mounting type I	Mounting type II	A	B	øC	D
WH40	•		115	95	58,5	ø60
WH50 / WHZ50	•		120	96	58,5	50 × 50
WH80 / WHZ80	•		139	100	58,5	90 × 90
WH120	•		153	93	58,5	100 × 100
WM40		•	25	95	58,5	–
WM60		•	31	95	58,5	–
WM80		•	40	95	58,5	–
WM120		•	74	95	58,5	–
WM60Z	•		124	94	58,5	60 × 60
WM80Z	•		138	98	58,5	65 × 65
WB40		•	20,8	95	58,5	–
WB60		•	32,5	95	58,5	–
MLSM60D		•	37	95	58,5	–
MLSM80D		•	46	95	58,5	–
MLSH60Z	•		174,5	95	58,5	78 × 59
MLSH80Z	•		214,5	95	58,5	100 × 80
MLSM80Z	•		214,5	95	58,5	100 × 80



The ADG encoder option kit is an option that is mounted to the unit at the factory. It includes an IG602 encoder, a STE001 encoder connector and an encoder mounting flange with coupling. Cable can also be supplied in 5 or 10 meter length.

Accessories

Electrical Feedback Devices

ADG Encoder Option Kit, ordering key

	1	2	3
Example	ADG-08	-05-0600	-00

1. Compatible unit

ADG-01 = WH40
 ADG-02 = WH50 / WHZ50
 ADG-03 = WH80 / WHZ80
 ADG-04 = WH120
 ADG-05 = WM40
 ADG-06 = WM60 / WV60
 ADG-07 = WM80 / WV80
 ADG-08 = WM120 / WV120
 ADG-09 = WM60Z
 ADG-10 = WM80Z
 ADG-11 = MLSH60Z
 ADG-12 = MLSH80Z
 ADG-13 = MLSM80Z
 ADG-14 = MLSM60D
 ADG-15 = MLSM80D
 ADG-16 = WB40
 ADG-17 = WB60

2. Supply voltage and number of pulses

-05-0100 = 5 volts, 100 pulses per revolution
 -05-0200 = 5 volts, 200 pulses per revolution
 -05-0500 = 5 volts, 500 pulses per revolution
 -05-0600 = 5 volts, 600 pulses per revolution
 -05-1000 = 5 volts, 1000 pulses per revolution
 -05-1250 = 5 volts, 1250 pulses per revolution
 -05-2000 = 5 volts, 2000 pulses per revolution
 -05-2500 = 5 volts, 2500 pulses per revolution
 -24-0100 = 10 - 30 volts, 100 pulses per revolution
 -24-0200 = 10 - 30 volts, 200 pulses per revolution
 -24-0500 = 10 - 30 volts, 500 pulses per revolution
 -24-0600 = 10 - 30 volts, 600 pulses per revolution

3. Cable and connector configuration

-00 = no cable only STE001 encoder connector
 -05 = 5 m cable with STE001 encoder connector in one of the ends
 -10 = 10 m cable with STE001 encoder connector in one of the ends

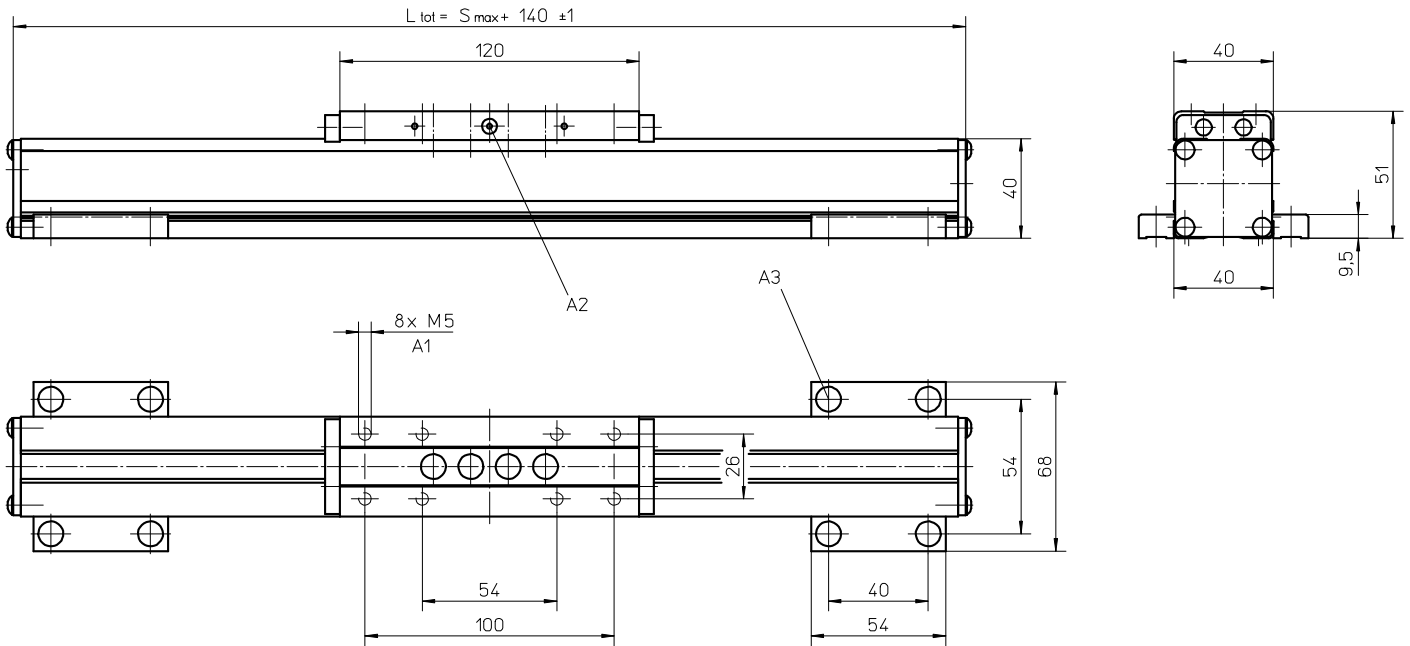
Accessories

Non Driven Units

WH40N

» Ordering key - see page 219

» Technical data - see page 68



A1: depth 10

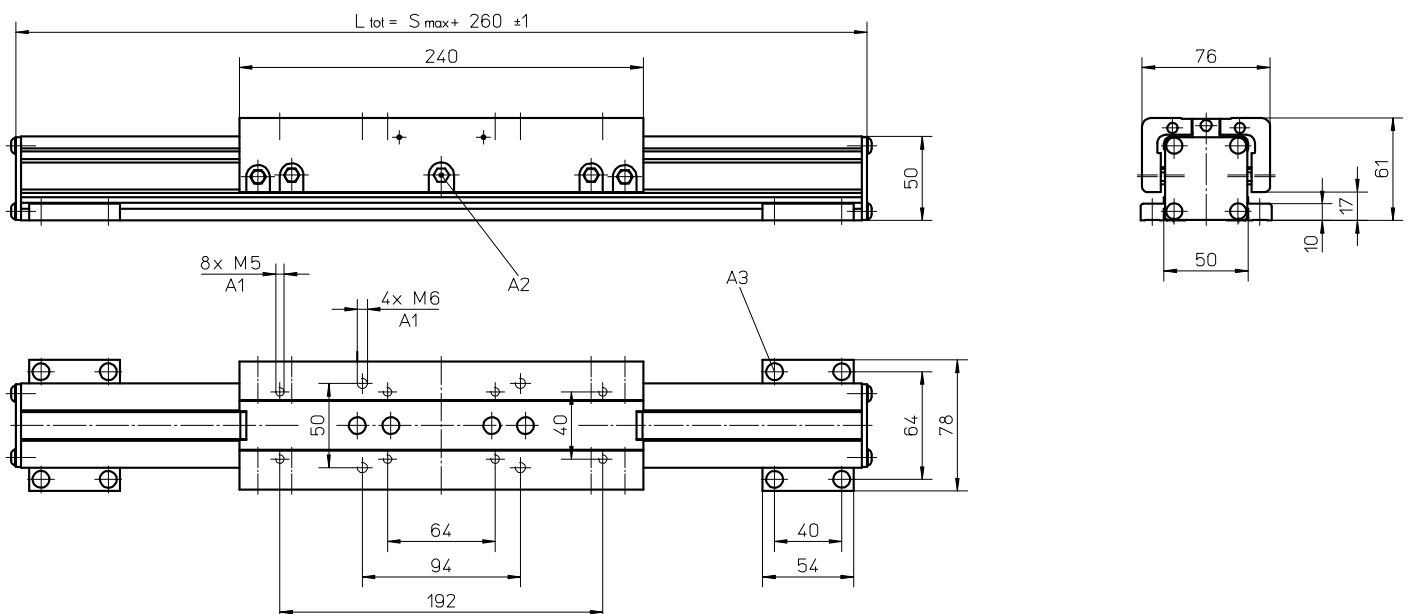
A2: lubricating nipple on both sides DIN3405 D 1/A

A3: socket cap screw ISO4762-M5x12 8.8

WH50N

» Ordering key - see page 219

» Technical data - see page 100



A1: depth 10

A2: funnel type lubricating nipple DIN3405-M6x1-D1

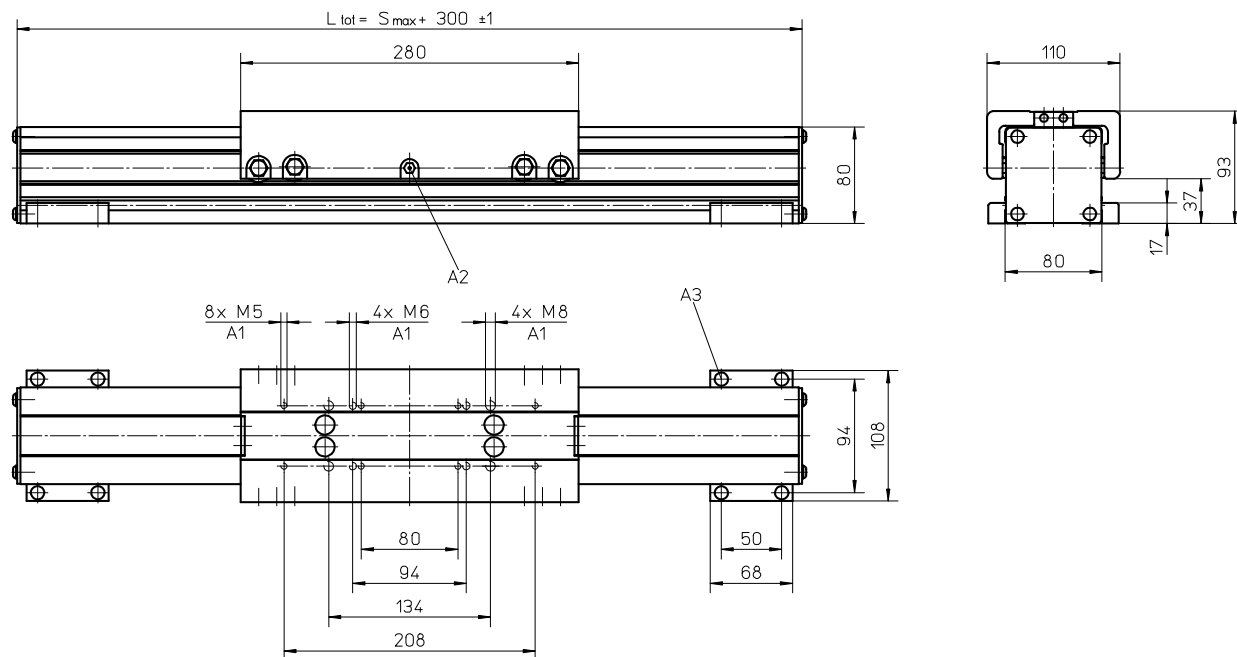
A3: socket cap screw ISO4762-M5x12 8.8

Accessories

Non Driven Units

WH80N

» Ordering key - see page 219
 » Technical data - see page 102

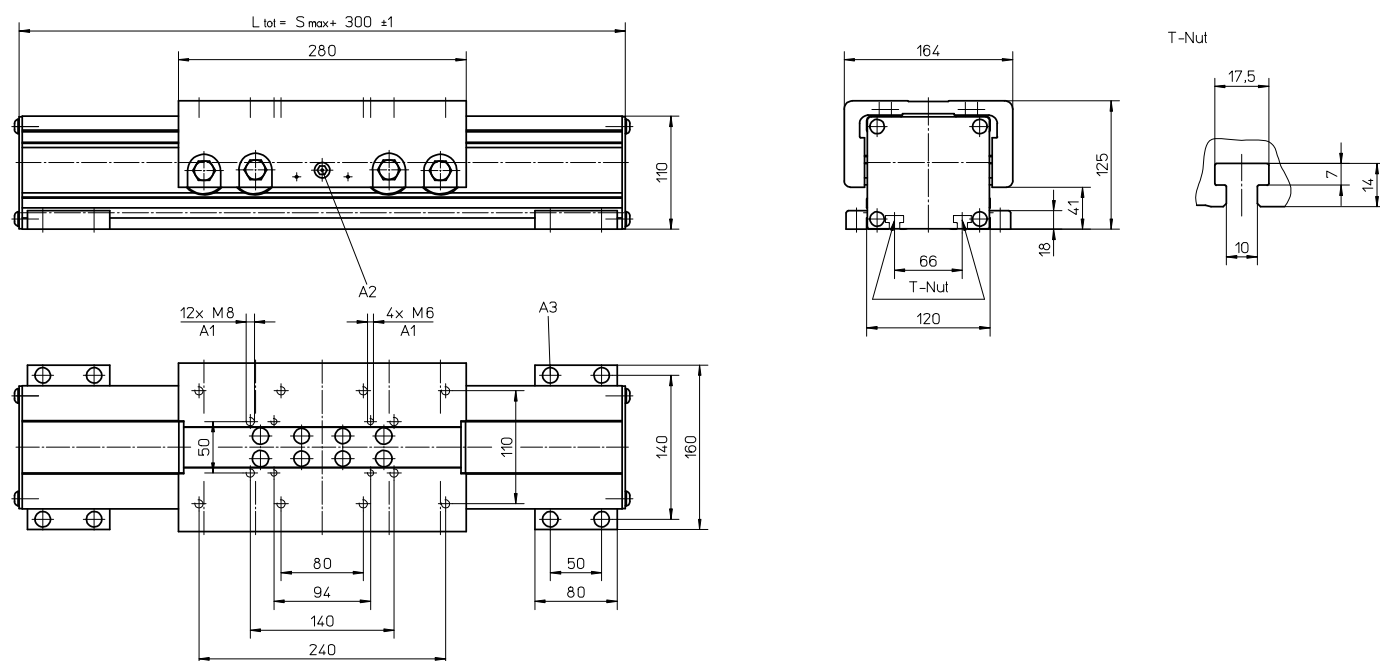


A1: depth 12
 A2: funnel type lubricating nipple DIN3405-M6x1-D1

A3: socket cap screw ISO4762-M6x20 8.8

WH120N

» Ordering key - see page 219
 » Technical data - see page 104



A1: depth 12
 A2: funnel type lubricating nipple DIN3405-M6x1-D1

A3: socket cap screw ISO4762-M8x20 8.8

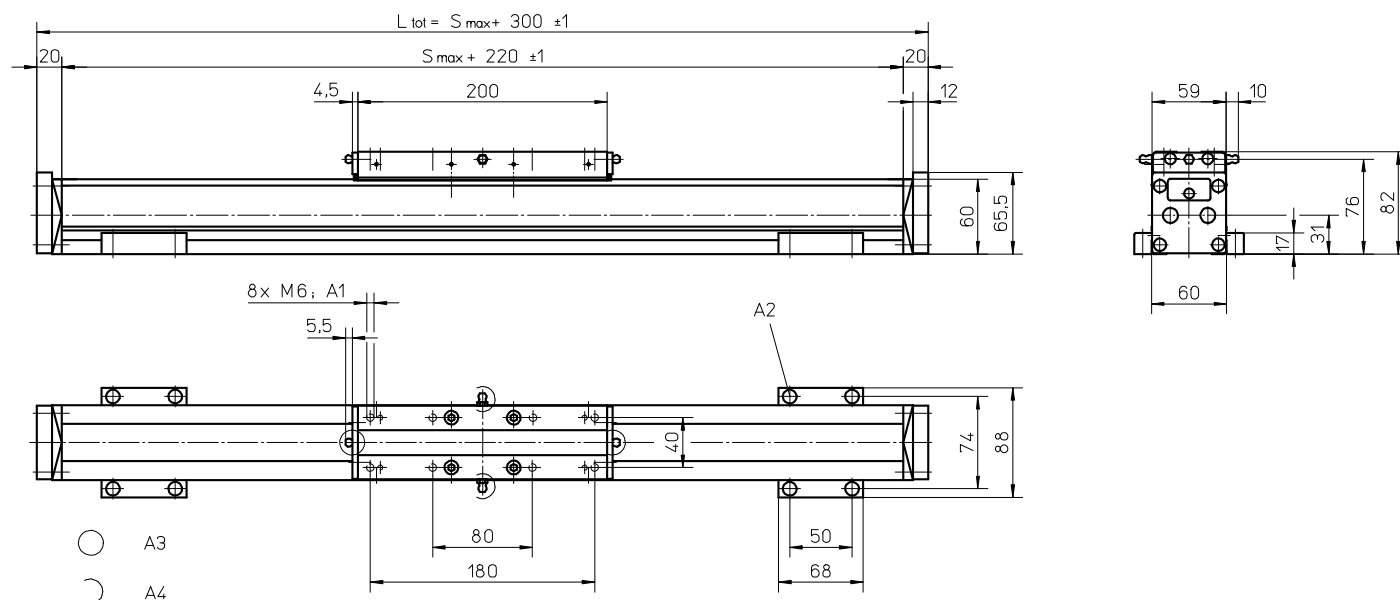
Accessories

Non Driven Units

WM60N with Single Short Carriage

» Ordering key - see page 219

» Technical data - see page 22



A1: depth 11

A2: socket cap screw ISO4762-M6x20 8.8

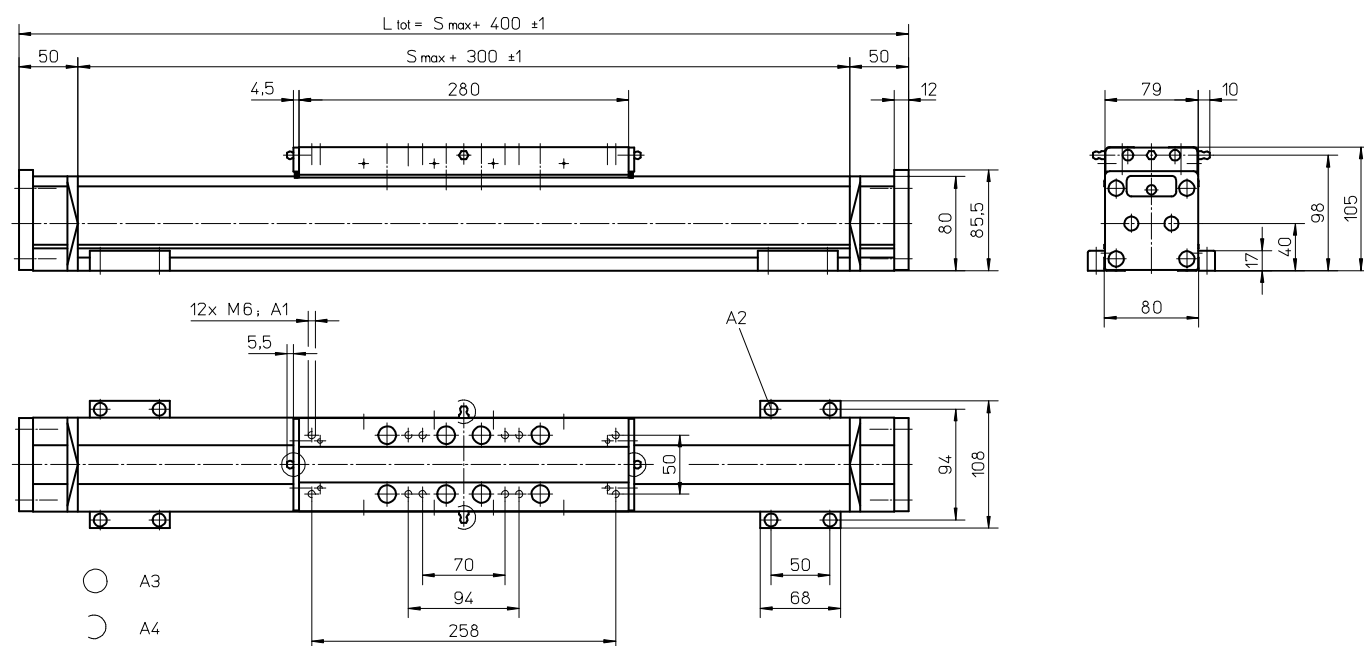
A3: tapered lubricating nipple to DIN71412 AM6

A4: can be changed over to one of the three alternative lubricating points by the customer

WM80N

» Ordering key - see page 219

» Technical data - see page 26



A1: depth 12

A2: socket cap screw ISO4762-M6x20 8.8

A3: tapered lubricating nipple to DIN71412 AM6

A4: can be changed over to one of the three alternative lubricating points by the customer

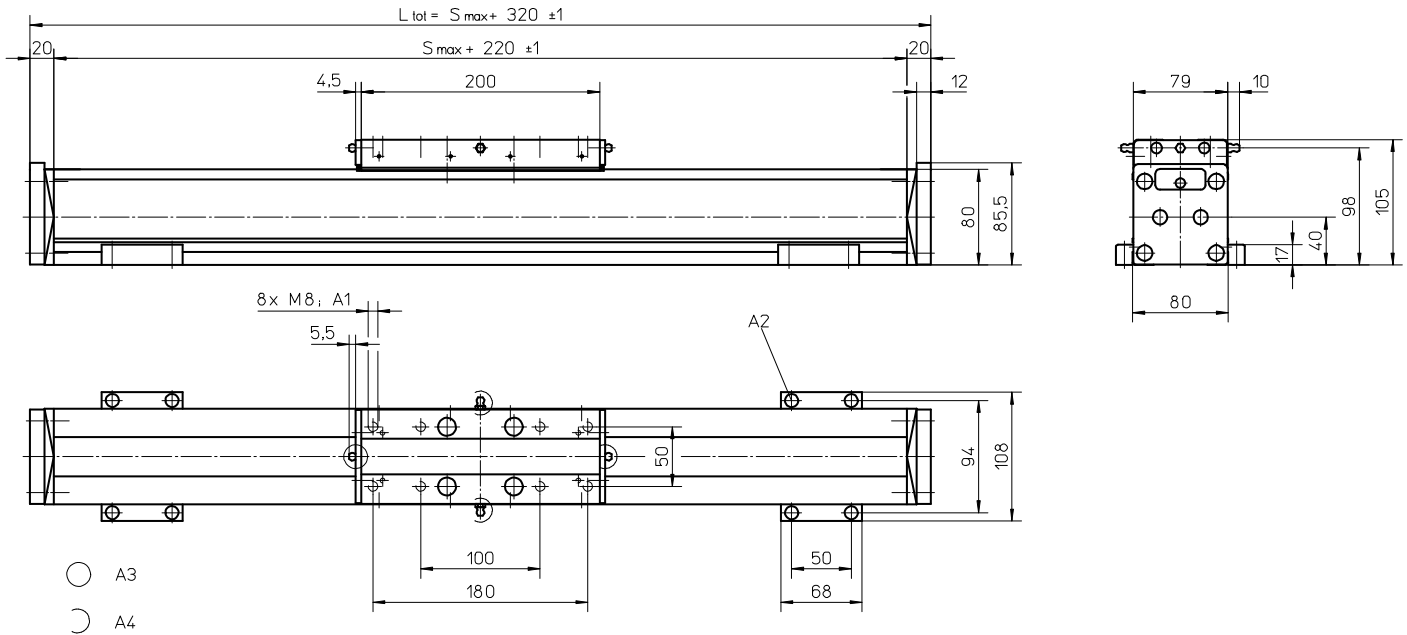
Accessories

Non Driven Units

WM80N with Single Short Carriage

» Ordering key - see page 219

» Technical data - see page 28



A1: depth 12

A2: socket cap screw ISO4762-M6x20 8.8

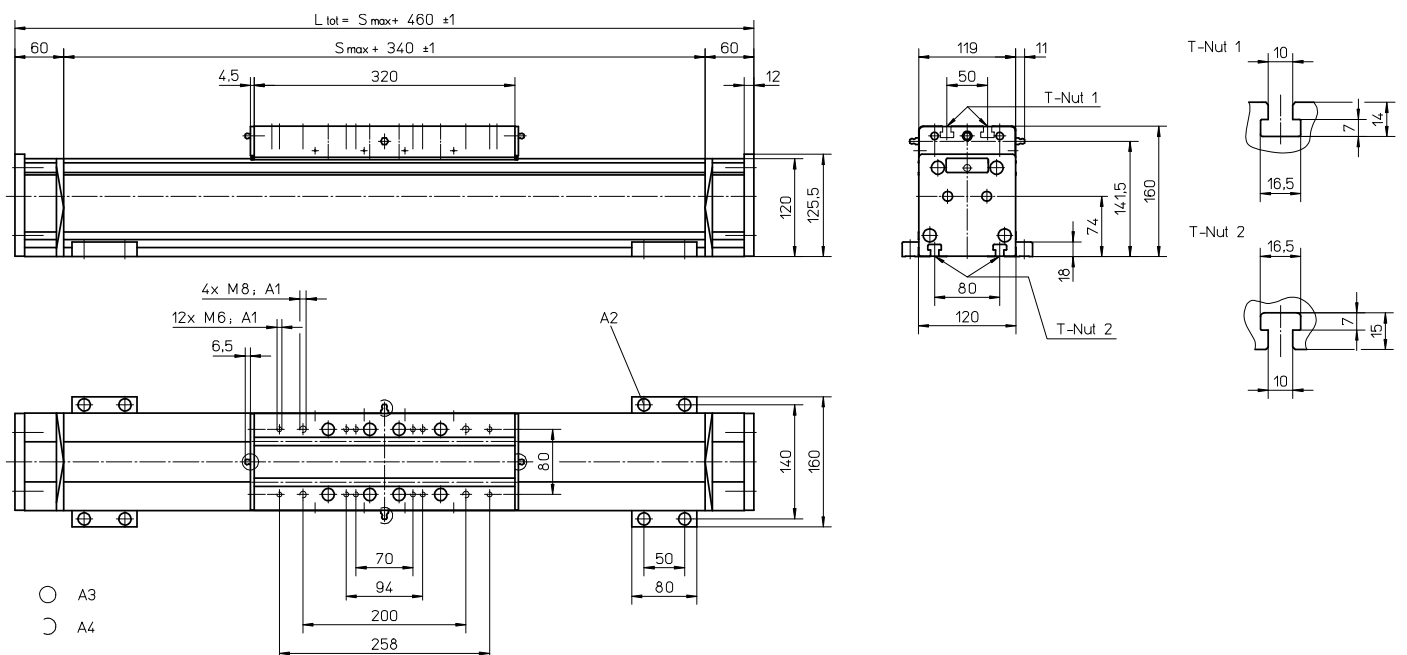
A3: tapered lubricating nipple to DIN71412 AM6

A4: can be changed over to one of the three alternative lubricating points by the customer

WM120N

» Ordering key - see page 219

» Technical data - see page 30



A1: depth 22

A2: socket cap screw ISO4762-M8x20 8.8

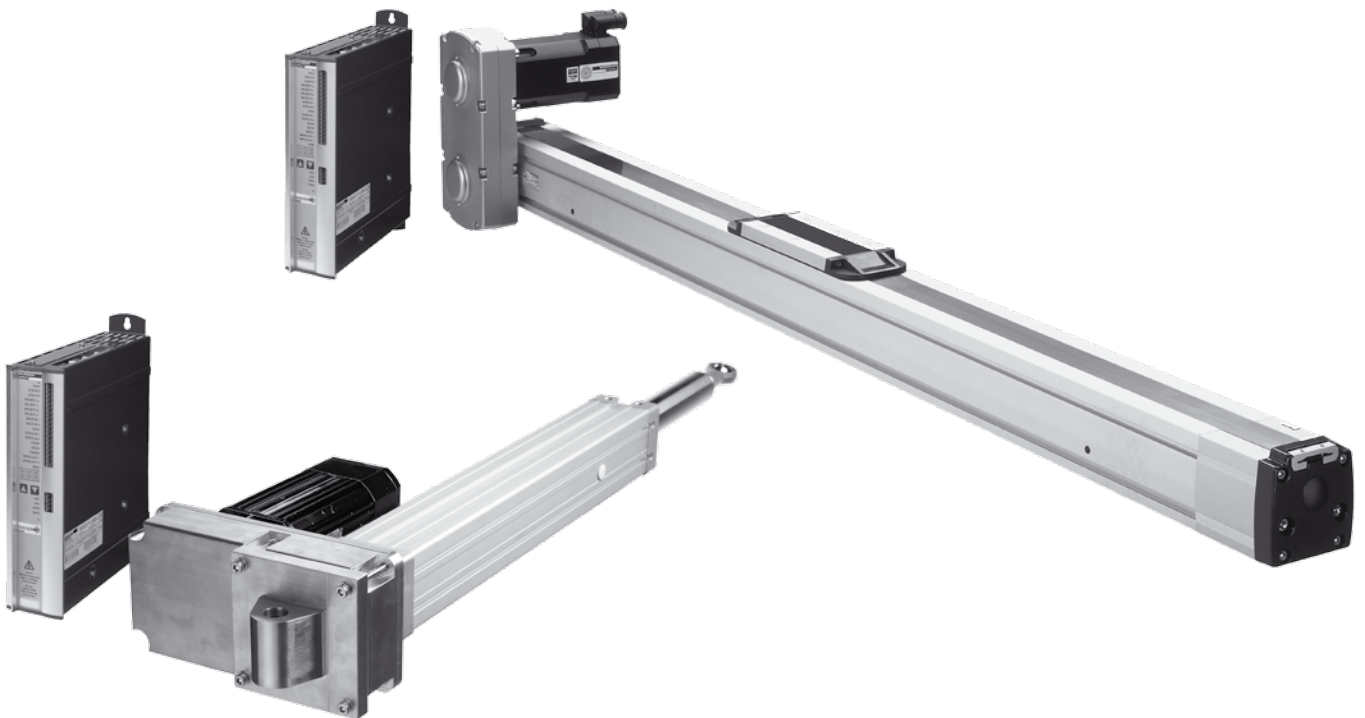
A3: tapered lubricating nipple to DIN71412 M8x1

A4: can be changed over to one of the three alternative lubricating points by the customer

Accessories

Dynamic Servo Actuators

Danaher Motion offers a range of “ready-to-run” linear actuators called Dynamic Servo Actuators. One part number will include everything: a linear actuator, a gear, a flange, necessary couplings, a servo motor and a servo drive. All necessary cables, a set of limit switches and a mounting kit are also included. This will significantly reduce the time spent on engineering, component selection and commissioning for an application. A free user friendly sizing and selection software is available to assist you in the process of getting the ultimate package for your specific application.

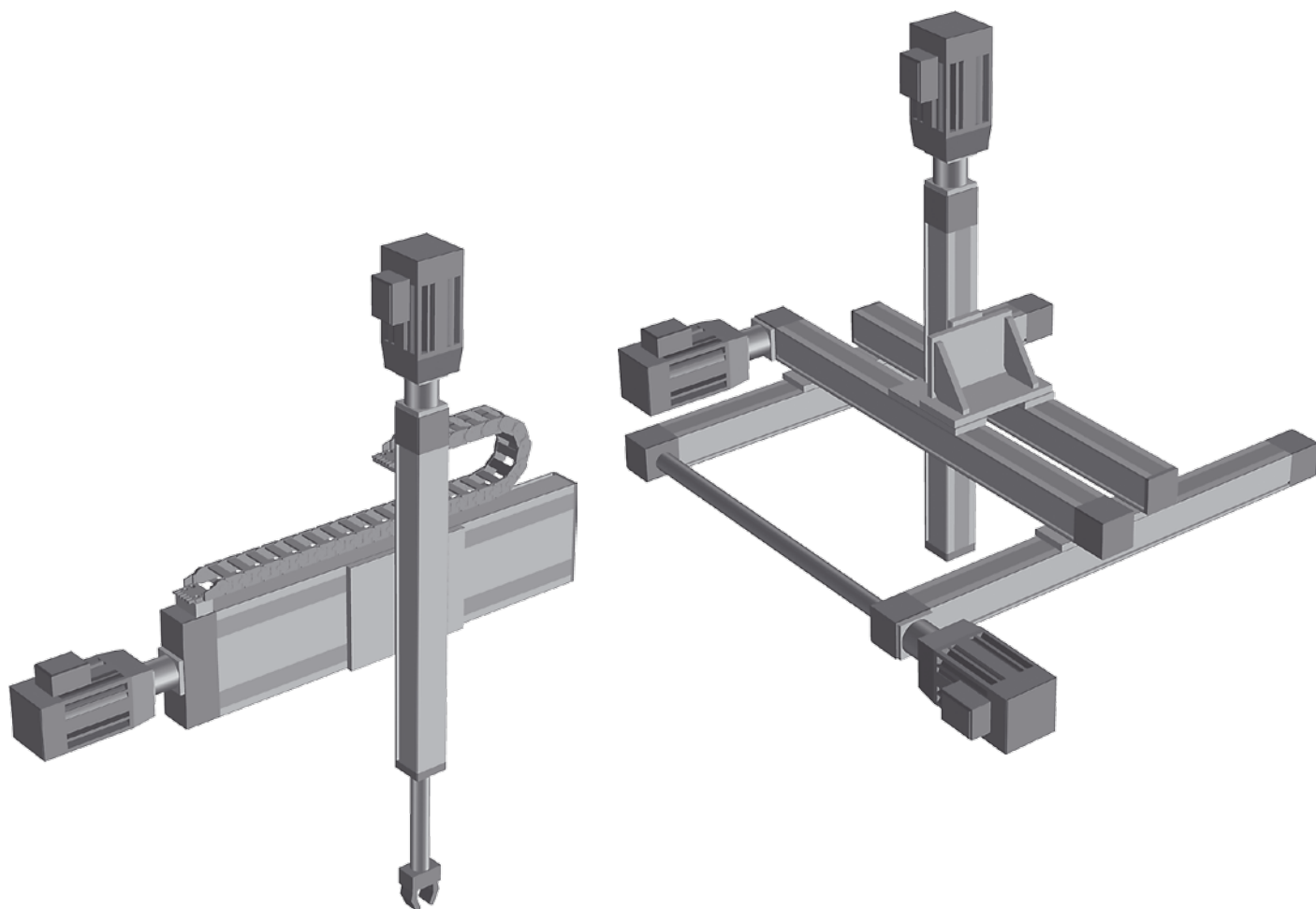


Accessories

Multi Axis System Kits

Using the wide range of Danaher Motion linear units it is easy to create complex robots or manipulators regardless of the application. We can offer solutions for most applications, whether it is a high-speed short cycle application, a high precision pick and place equipment, hydraulics replacement or a heavy load and long movements application in a harsh environment.

We offer a wide range of brackets and fixation components that enables you to design your complete linear unit motion system. And together with our Kollmorgen motor and drive packages we can supply you the complete motion solution. For sizing and selection of a system please contact us for more detailed information.





Additional Technical Data

Linear Units with Ball Screw Drive and Ball Guides

Technical Data									
Parameter		WM40S	WM40D	WM60D	WM60S	WM60X	WM80D	WM80S	WM120D
Geometrical moment of inertia of the profile (I _y)	[mm ⁴]	10,8 × 10 ⁴	10,8 × 10 ⁴	5,8 × 10 ⁵	5,8 × 10 ⁵	5,8 × 10 ⁵	1,85 × 10 ⁶	1,85 × 10 ⁶	7,7 × 10 ⁶
Geometrical moment of inertia of the profile (I _z)	[mm ⁴]	13,4 × 10 ⁴	13,4 × 10 ⁴	5,9 × 10 ⁵	5,9 × 10 ⁵	5,9 × 10 ⁵	1,94 × 10 ⁶	1,94 × 10 ⁶	9,4 × 10 ⁶
Friction factor of the guide system (μ)		0,05	0,05	0,1	0,1	0,1	0,1	0,1	0,1
Efficiency of the unit		0,8	0,8	0,8	0,8	0,8	0,8	0,8	0,8
Bending factor (b)		0,0003	0,0003	0,0003	0,0003	0,0003	0,0003	0,0003	0,0003
Inertia of ball screw (j _{sp})	[kgm ² /m]	1,13 × 10 ⁻⁵	1,13 × 10 ⁻⁵	8,46 × 10 ⁻⁵	8,46 × 10 ⁻⁵	8,46 × 10 ⁻⁵	2,25 × 10 ⁻⁴	2,25 × 10 ⁻⁴	6,34 × 10 ⁻⁴
Dynamic load rating of ball screw (C _x)	[N]								
05 mm lead		4400	4400	10500	10500	10500	12300	12300	21500
10 mm lead		-	-	-	-	-	13200	13200	33400
20 mm lead		-	-	11600	11600	-	13000	13000	29700
40 mm lead		-	-	-	-	-	-	-	14900
50 mm lead		-	-	8400	8400	-	15400	15400	-
Dynamic load rating of ball guide (C _y)	[N]	2 × 2650	2 × 2650	4 × 11495	2 × 12964	4 × 11495	4 × 14356	2 × 18723	4 × 18723
Dynamic load rating of ball guide (C _z)	[N]	2 × 3397	2 × 3397	4 × 10581	2 × 11934	4 × 10581	4 × 13739	2 × 17919	4 × 17919
Distance between ball guide carriages (L _x)	[mm]	87	136	141,7	-	141,7	154	-	186
Distance between ball guide carriages (L _y)	[mm]	-	-	35	35	35	49,75	49,75	80,75

Parameter		WV60	WV80	WV120	MLSM60D	MLSM80D	2HBE10	2HBE20
Geometrical moment of inertia of the profile (I _y)	[mm ⁴]	5,8 × 10 ⁵	1,85 × 10 ⁶	7,7 × 10 ⁶	1,19 × 10 ⁶	3,77 × 10 ⁶	1,69 × 10 ⁶	1,77 × 10 ⁷
Geometrical moment of inertia of the profile (I _z)	[mm ⁴]	5,9 × 10 ⁵	1,94 × 10 ⁶	9,4 × 10 ⁶	1,08 × 10 ⁷	4,71 × 10 ⁷	1,3 × 10 ⁵	5,95 × 10 ⁵
Friction factor of the guide system (μ)		no guides	no guides	no guides	0,1	0,1	0,05	0,05
Efficiency of the unit		0,8	0,8	0,8	0,8	0,8	0,9	0,9
Bending factor (b)		0,0003	0,0003	0,0003	0,0003	0,0003	0,0003	0,0003
Inertia of ball screw (j _{sp})	[kgm ² /m]	8,46 × 10 ⁻⁵	2,25 × 10 ⁻⁴	6,34 × 10 ⁻⁴	2,25 × 10 ⁻⁴	6,34 × 10 ⁻⁴	3,67 × 10 ⁻⁵	2,28 × 10 ⁻⁴
Dynamic load rating of ball screw (C _x)	[N]							
05 mm lead		10500	12300	21500	12300	21500	13000	18300
10 mm lead		-	13200	33400	13200	33400	6000	22800
20 mm lead		11600	13000	29700	13000	29700	-	-
25 mm lead		-	-	14900	-	-	-	10000
40 mm lead		-	-	-	-	14900	-	-
50 mm lead		8400	15400	-	15400	-	-	-
Dynamic load rating of ball guide (C _y)	[N]	no guides	no guides	no guides	4 × 13770	4 × 17965	4 × 2820	4 × 13000
Dynamic load rating of ball guide (C _z)	[N]	no guides	no guides	no guides	4 × 13770	4 × 17965	4 × 2820	4 × 13000
Distance between ball guide carriages (L _x)	[mm]	no guides	no guides	no guides	163	185	54	112
Distance between ball guide carriages (L _y)	[mm]	no guides	no guides	no guides	105	164	70	145

Additional Technical Data

Linear Units with Ball Screw and Slide Guides

Technical Data								
Parameter		WB40	WB60	M55	M75	M100	M75D	M100D
Geometrical moment of inertia of the profile (Iy)	[mm ⁴]	1,04 × 10 ⁵	6,1 × 10 ⁵	4,27 × 10 ⁵	1,9 × 10 ⁶	5,54 × 10 ⁶	1,9 × 10 ⁶	5,54 × 10 ⁶
Geometrical moment of inertia of the profile (Iz)	[mm ⁴]	1,29 × 10 ⁵	7,0 × 10 ⁵	3,4 × 10 ⁵	1,15 × 10 ⁶	3,86 × 10 ⁶	1,15 × 10 ⁶	3,86 × 10 ⁶
Friction factor of the guide system (μ)		0,3	0,3	0,15	0,15	0,15	0,15	0,15
Efficiency								
ball nut unit		0,8	0,8	0,8	0,8	0,8	0,8	0,8
composite nut unit		-	-	0,5	0,5	0,5	-	-
Bending factor (b)		0,0005	0,0005	0,0005	0,0005	0,0005	0,0005	0,0005
Inertia of ball screw (Jsp)	[kgm ² /m]	1,13 × 10 ⁻⁵	8,46 × 10 ⁻⁵	4,1 × 10 ⁻⁵	1,6 × 10 ⁻⁴	2,5 × 10 ⁻⁴	1,6 × 10 ⁻⁴	2,5 × 10 ⁻⁴
Dynamic load rating of ball screw (Cx)	[N]							
05 mm lead		4400	10500	4600	10400	12500	10400	12500
05,8 mm lead		-	-	5420	-	-	-	-
08 mm lead		-	-	-	-	-	-	-
10 mm lead		-	-	4200	-	20600	-	20100
12,7 mm lead		-	-	-	17960	-	-	-
20 mm lead		-	11600	1900	10400	-	10400	-
25 mm lead		-	-	-	-	11800	-	11800
32 mm lead		-	-	2000	-	-	-	-

Linear Units with Belt Drive and Ball Guides

Technical Data								
Parameter		WH40	WM60Z	WM80Z	M55	M75	M100	MLSM80Z
Geometrical moment of inertia of the profile (Iy)	[mm ⁴]	12,6 × 10 ⁴	5,62 × 10 ⁵	1,85 × 10 ⁶	4,59 × 10 ⁵	1,9 × 10 ⁶	5,54 × 10 ⁶	3,77 × 10 ⁶
Geometrical moment of inertia of the profile (Iz)	[mm ⁴]	15,3 × 10 ⁴	5,94 × 10 ⁵	1,94 × 10 ⁶	3,56 × 10 ⁵	1,15 × 10 ⁶	3,86 × 10 ⁶	4,71 × 10 ⁷
Friction factor of the guide system (μ)		0,05	0,1	0,1	0,02	0,02	0,02	0,1
Efficiency of the unit		0,85	0,85	0,85	0,95	0,95	0,95	0,85
Bending factor (b)		0,0005	0,0005	0,0005	0,0005	0,0005	0,0005	0,0005
Specific mass of belt	[kg/m]	0,032	0,074	0,14	0,09	0,16	0,31	0,517
Inertia of pulleys (Jsyn)	[kgm ²]	8,8 × 10 ⁻⁶	2,13 × 10 ⁻⁵	1,12 × 10 ⁻⁴	1,7 × 10 ⁻⁵	6,8 × 10 ⁻⁵	8,5 × 10 ⁻⁵	5,077 × 10 ⁻⁴
Dynamic load rating of ball guide (Cy)	[N]	2 × 2650	2 × 12964	4 × 18723 (2 × 18723) ¹	2 × 2717	2 × 8206	2 × 13189	4 × 17965
Dynamic load rating of ball guide (Cz)	[N]	2 × 3397	2 × 11934	2 × 17919	2 × 3484	2 × 15484	2 × 24885	4 × 17965
Distance between ball guide carriages (Lx)	[mm]	72	-	-	78	96	140	185
Distance between ball guide carriages (Ly)	[mm]	-	35	49,75	-	-	-	164

¹ Value in brackets = for short carriage.

Additional Technical Data

Linear Units with Belt Drive and Slide Guides

Technical Data					
Parameter		M50	M55	M75	M100
Geometrical moment of inertia of the profile (I _y)	[mm ⁴]	$2,61 \times 10^5$	$4,59 \times 10^5$	$1,9 \times 10^6$	$5,54 \times 10^6$
Geometrical moment of inertia of the profile (I _z)	[mm ⁴]	$2,44 \times 10^5$	$3,56 \times 10^5$	$1,15 \times 10^6$	$3,86 \times 10^6$
Friction factor of the guide system (μ)		0,15	0,15	0,15	0,15
Efficiency of the unit		0,85	0,85	0,85	0,85
Bending factor (b)		0,0005	0,0005	0,0005	0,0005
Specific mass of belt	[kg/m]	0,086	0,09	0,16	0,31
Inertia of pulleys (J _{syn})	[kgm ²]	$3,1 \times 10^{-5}$	$1,7 \times 10^{-5}$	$6,8 \times 10^{-5}$	$8,5 \times 10^{-5}$

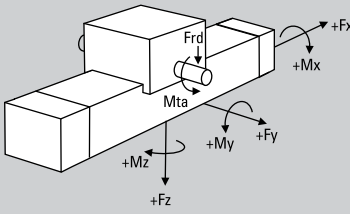
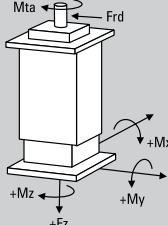
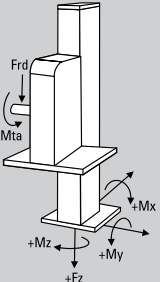
Linear Units with Belt Drive and Wheel Guides

Technical Data						
Parameter		WH50	WH80	WH120	MLSH60Z	MLSH80Z
Geometrical moment of inertia of the profile (I _y)	[mm ⁴]	$3,3 \times 10^5$	$1,93 \times 10^6$	$6,69 \times 10^6$	$1,29 \times 10^6$	$4,05 \times 10^6$
Geometrical moment of inertia of the profile (I _z)	[mm ⁴]	$2,65 \times 10^5$	$1,8 \times 10^6$	$6,88 \times 10^6$	$1,2 \times 10^7$	$4,84 \times 10^7$
Friction factor of the guide system (μ)		0,1	0,1	0,1	0,1	0,1
Efficiency of the unit		0,85	0,85	0,85	0,85	0,85
Bending factor (b)		0,0005	0,0005	0,0005	0,0005	0,0005
Specific mass of belt	[kg/m]	0,055	0,21	0,34	0,119	0,517
Inertia of pulleys (J _{syn})	[kgm ²]	$1,928 \times 10^{-5}$	$2,473 \times 10^{-4}$	$1,004 \times 10^{-3}$	$4,604 \times 10^{-5}$	$5,077 \times 10^{-4}$
Dynamic load rating of wheel guide (C _y)	[N]	-	-	-	4 × 1266	4 × 6192
Dynamic load rating of wheel guide (C _z)	[N]	4 × 1270	4 × 3670	4 × 16200	4 × 1266	4 × 6192
Distance between carriage wheels (L _x)	[mm]	198	220	180	109	210
Distance between carriage wheels (L _y)	[mm]	39	65	97	102,5	155,5

Additional Technical Data

Linear Lifting Units

Technical Data

Parameter		WHZ50	WHZ80	Z2	Z3	ZB
Geometrical moment of inertia of the profile (Ix)	[mm ⁴]	-	-	$1,87 \times 10^7$	$1,87 \times 10^7$	$1,01 \times 10^6$
Geometrical moment of inertia of the profile (Iy)	[mm ⁴]	$3,3 \times 10^5$	$1,93 \times 10^6$	$2,19 \times 10^7$	$2,19 \times 10^7$	$1,7 \times 10^6$
Geometrical moment of inertia of the profile (Iz)	[mm ⁴]	$2,65 \times 10^5$	$1,8 \times 10^6$	-	-	-
Dynamic load rating of ball screw (Fx)	[N]	belt drive	belt drive	-	-	-
Dynamic load rating of ball screw (Fz)	[N]					
ball screw ø 25 lead 10 mm				21248	21248	belt drive
ball screw ø 25 lead 25 mm				11182	11182	
ball screw ø 32 lead 10 mm				47200	47200	
Friction factor of the guide system (μ)		0,1	0,1	0,15	0,15	0,02
Efficiency of the unit		0,85	0,85	0,8	0,8	0,95
Specific mass of belt	[kg/m]	0,055	0,119	-	-	0,56
Inertia of pulleys (Jsyn)	[kgm ²]	$6,906 \times 10^{-5}$	$5,026 \times 10^{-4}$	-	-	$2,73 \times 10^{-3}$
Inertia of ball screw (jsp)	[kgm ² /m]					
ball screw ø 25 lead 10		-	-	$2,1 \times 10^{-4}$	$2,1 \times 10^{-4}$	-
ball screw ø 25 lead 25		-	-	$2,6 \times 10^{-4}$	$2,6 \times 10^{-4}$	-
ball screw ø 32 lead 10		-	-	$6,43 \times 10^{-4}$	$6,43 \times 10^{-4}$	-
Dynamic load rating of ball guide (Cx)	[N]	-	-	slide guide	slide guide	13100
Dynamic load rating of ball guide (Cy)	[N]	4 × 1270	4 × 3670	slide guide	slide guide	13100
Distance between ball guide carriages (Lx)	[mm]	198	220	-	-	20
Distance between ball guide carriages (Ly)	[mm]	39	65	slide guide	slide guide	255
Distance between ball guide carriages (Lz)	[mm]	-	-	slide guide	slide guide	255
Definition of forces						

Additional Technical Data

Linear Rod Units

Technical Data					
Parameter		WZ60	WZ80	T90	T130
Geometrical moment of inertia of the profile (I _y)	[mm ⁴]	5,8 × 10 ⁵	1,85 × 10 ⁶	3,05 × 10 ⁶	1,19 × 10 ⁷
Geometrical moment of inertia of the profile (I _z)	[mm ⁴]	5,9 × 10 ⁵	1,94 × 10 ⁶	2,91 × 10 ⁶	1,23 × 10 ⁷
Friction factor of the guide system (μ)		0,1	0,1	0,15	0,15
Efficiency of the unit		0,8	0,8	0,8	0,8
Inertia of ball screw (j _{sp})	[kgm ² /m]				
05 mm lead		8,46 × 10 ⁻⁵	2,25 × 10 ⁻⁴	2,21 × 10 ⁻⁴	-
10 mm lead		-	2,25 × 10 ⁻⁴	2,1 × 10 ⁻⁴	1,45 × 10 ⁻³
20 mm lead		8,46 × 10 ⁻⁵	2,25 × 10 ⁻⁴	2,6 × 10 ⁻⁴	1,45 × 10 ⁻³
25 mm lead		-	-	6,34 × 10 ⁻⁴	-
32 mm lead		-	-	6,34 × 10 ⁻⁴	-
40 mm lead		-	-	-	1,45 × 10 ⁻³
50 mm lead		8,46 × 10 ⁻⁵	2,25 × 10 ⁻⁴	-	-
Dynamic load rating of ball screw (C _x)	[N]				
05 mm lead		10500	12300	13100	-
10 mm lead		-	13200	22900	64900
20 mm lead		11600	13000	47200	52200
25 mm lead		-	-	13000	-
32 mm lead		-	-	20000	-
40 mm lead		-	-	-	59700
50 mm lead		8400	15400	-	-
Dynamic load rating of ball guide (C _y)	[N]	2 × 12964	2 × 18723	slide guides	slide guides
Dynamic load rating of ball guide (C _z)	[N]	2 × 11943	2 × 17919	slide guides	slide guides
Distance between ball guide carriages (L _x)	[mm]	-	-	slide guides	slide guides
Distance between ball guide carriages (L _y)	[mm]	35	50	slide guides	slide guides
Dynamic rating of the ball bushing	[N]	8300	13700	slide guides	slide guides

Drive Calculations

Screw Driven Units

Feed Force Formula [N]

$$F_x = m \times g \times \mu$$

Acceleration Force Formula [N]

$$F_a = m \times a$$

Power Formula [kW]

$$P = \frac{M_A \times n_{\max} \times 2 \times 3,14}{60 \times 1000}$$

Drive Moment Formulas [Nm]

$$M_A = M_{\text{load}} + M_{\text{trans}} + M_{\text{rot}} + M_{\text{idle}}$$

$$M_{\text{load}} = \frac{F_x \times p}{2 \times 3,14 \times 1000}$$

$$M_{\text{trans}} = \frac{F_a \times p}{2 \times 3,14 \times 1000}$$

$$M_{\text{rot}} = j_{\text{sp}} \times \frac{2 \times 3,14 \times n_{\max} \times a \times 2}{V_{\max} \times 60 \times 1000}$$

$$M_{\text{idle}} = \text{see table for unit in question}$$

F_x = feed force [N]
 m = total mass to be moved [kg]¹
 g = acceleration due to gravity [m/s²]
 μ = friction factor specific for each unit

F_a = acceleration force [N]
 m = mass to be operated [kg]
 a = acceleration [m/s²]²

P = required power [kW]
 M_A = required drive moment [Nm]
 n_{\max} = maximum required rotational speed [rpm]

M_A = required drive moment [Nm]
 M_{load} = moment as a result of various loads [N]
 M_{trans} = translational acceleration moment [Nm]
 M_{rot} = rotational acceleration moment [Nm]
 M_{idle} = carriage/rod idle torque [Nm]³
 F_x = feed force [N]
 p = screw lead [mm]
 F_a = maximum required acceleration force [N]
 j_{sp} = inertia of ball screw per meter [kgm²/m]⁴
 n_{\max} = maximum required rotational speed [rpm]
 a = maximum required acceleration [m/s²]
 V_{\max} = maximum required linear speed [m/s]

¹ The total mass is the mass of all masses to be moved (objects to be moved, carriage(s)/rod, screw).

² In vertical applications, the mass acceleration must be added to the acceleration due to gravity g (9,81 m/s²).

³ This value can be found in the carriage idle torque tables for each unit.

⁴ This value can be found in the additional technical data tables.

Drive Calculations

Belt Driven Units

Feed Force Formula [N]

$$F_x = m \times g \times \mu$$

F_x = feed force [N]
 m = total mass to be moved [kg]¹
 g = acceleration due to gravity [m/s²]
 μ = friction factor specific for each unit

Acceleration Force Formula [N]

$$F_a = m \times a$$

F_a = acceleration force [N]
 m = mass to be operated [kg]
 a = acceleration [m/s²]²

Power Formula [kW]

$$P = \frac{M_A \times n_{\max} \times 2 \times 3,14}{60 \times 1000}$$

P = required power [kW]
 M_A = required drive moment [Nm]
 n_{\max} = maximum required rotational speed [rpm]

Drive Moment Formulas [Nm]

$$M_A = M_{\text{load}} + M_{\text{trans}} + M_{\text{rot}} + M_{\text{idle}}$$

$$M_{\text{load}} = \frac{F_x \times d_o}{1000 \times 2}$$

$$M_{\text{trans}} = \frac{F_a \times d_o}{1000 \times 2}$$

$$M_{\text{rot}} = J_{\text{syn}} \times \frac{2 \times 3,14 \times n_{\max}}{60} \times \frac{a}{V_{\max}}$$

$$M_{\text{idle}} = \text{see table for unit in question}$$

M_A = required drive moment [Nm]
 M_{load} = moment as a result of various loads [N]
 M_{trans} = translational acceleration moment [Nm]
 M_{rot} = rotational acceleration moment [Nm]
 M_{idle} = carriage/rod idle torque [Nm]³
 F_x = feed force [N]
 d_o = pulley diameter [mm]⁴
 F_a = maximum required acceleration force [N]
 J_{syn} = idle torque of pulleys [kgm²]⁵
 n_{\max} = maximum required rotational speed [rpm]
 a = maximum required acceleration [m/s²]
 V_{\max} = maximum required linear speed [m/s]

¹ The total mass is the mass of all masses to be moved (objects to be moved, carriage(s)/rod, belt).

² In vertical applications, the mass acceleration must be added to the acceleration due to gravity g (9,81 m/s²).

³ This value can be found in the carriage idle torque tables.

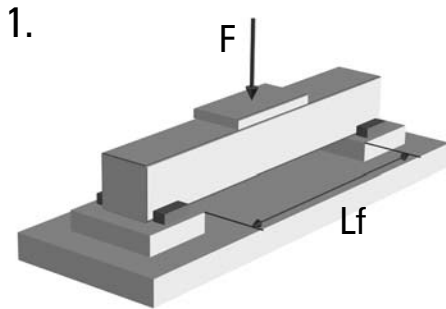
⁴ This value can be found in the performance specifications tables for each unit.

⁵ This value can be found in the additional technical data tables.

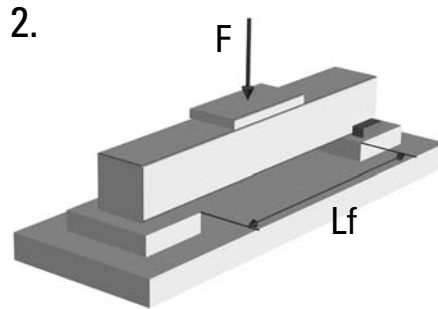
Deflection Calculations

How to calculate the deflection of the profile

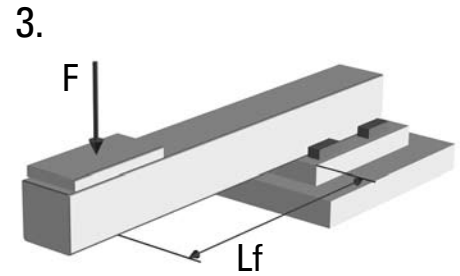
Load Cases



Profile supported in both ends.
Profile fixed at both sides.



Profile supported in both ends.
Profile fixed at one side.



Profile supported in one end.
Profile fixed at one side.

Permissible Profile Deflection Formula [mm]

$$f_h = L_f \times b$$

- f_h = permissible profile deflection [mm]
- L_f = length of profile being bent [mm]
- b = bending factor ¹

Profile Deflection Formulas [mm]

Load Case 1.

$$f_{\max} = \frac{m'_{100} \times g \times L_f^4}{100 \times 384 \times EAI \times I_y} + \frac{(m_{\text{ext}} \times m_c) \times g \times L_f^3}{192 \times EAI \times I_y}$$

Load Case 2.

$$f_{\max} = \frac{m'_{100} \times g \times L_f^4}{100 \times 185 \times EAI \times I_y} + \frac{(m_{\text{ext}} \times m_c) \times g \times L_f^3}{48 \times \sqrt{5} \times EAI \times I_y}$$

Load Case 3.

$$f_{\max} = \frac{m'_{100} \times g \times L_f^4}{100 \times 8 \times EAI \times I_y} + \frac{(m_{\text{ext}} \times m_c) \times g \times L_f^3}{3 \times EAI \times I_y}$$

- f_{\max} = deflection of the profile [mm]
- m'_{100} = weight of every 100 mm of stroke [kg] ²
- m_{ext} = external load on carriage [kg]
- m_c = weight of carriage(s) [kg] ²
- g = acceleration due to gravity [m/s²]
- EAI = elastic modulus of aluminium (70000 N/mm²)
- I_y = geometrical moment of inertia of the profile in Y direction [mm⁴] ¹

¹ This value can be found in the additional technical data tables.

² This value can be found in the performance specifications tables for each unit.

Conclusion Formulas

$f_h > f_{\max}$ = deflection OK

$f_h < f_{\max}$ = deflection not OK, L_f must be shorter

Deflection Calculations

Examples of calculations of the profile deflection

Example 1

Type of linear unit:
WH80

Load case:
Case 1 - profile supported in both ends and fixed at both sides.

Load to be moved by carriage:
 $m_{ext} = 150 \text{ kg}$

Distance between supports:
 $L_f = 600 \text{ mm}$

Specific unit data:
 $m'_{100} = 0,93 \text{ kg}$
 $m_c = 2,75 \text{ kg}$
 $EAI = 70000 \text{ N/mm}^2$
 $I_y = 1,93 \times 10^6 \text{ mm}^4$
 $b = 0,0005$

Calculated values:
 $f_h = 0,3 \text{ mm}$
 $f_{max} = 0,013 \text{ mm}$

Conclusion:
 $f_h > f_{max} = \text{deflection OK}$

Example 2

Type of linear unit:
M55 (MF06B)

Load case:
Case 2 - profile supported in both ends and fixed at one side.

Load to be moved by carriage:
 $m_{ext} = 100 \text{ kg}$

Distance between supports:
 $L_f = 600 \text{ mm}$

Specific unit data:
 $m'_{100} = 0,53 \text{ kg}$
 $m_c = 1,2 \text{ kg}$
 $EAI = 70000 \text{ N/mm}^2$
 $I_y = 4,59 \times 10^5 \text{ mm}^4$
 $b = 0,0005$

Calculated values:
 $f_h = 0,3 \text{ mm}$
 $f_{max} = 0,063 \text{ mm}$

Conclusion:
 $f_h > f_{max} = \text{deflection OK}$

Example 3

Type of linear unit:
WM80

Load case:
Case 3 - profile supported and fixed at one end.

Load to be moved by carriage:
 $m_{ext} = 120 \text{ kg}$

Distance between supports:
 $L_f = 400 \text{ mm}$

Specific unit data:
 $m'_{100} = 1,08 \text{ kg}$
 $m_c = 4,26 \text{ kg}$
 $EAI = 70000 \text{ N/mm}^2$
 $I_y = 1,85 \times 10^6 \text{ mm}^4$
 $b = 0,0003$

Calculated values:
 $f_h = 0,12 \text{ mm}$
 $f_{max} = 0,203 \text{ mm}$

Conclusion:
 $f_h > f_{max} = \text{deflection not OK}$



Ordering

How to Order

When ordering a Danaher Motion linear unit it is necessary to first make sure that the proper sizing and selection has been done. The demand on your system will impact on your choice of stroke length, profile size, belt or screw drive, environmental protection demands etc.

The load and speed demand will tell you the configuration of gearboxes drive shafts and motor attachment accessories that are necessary. You will also need to evaluate what accessories that are necessary, such as mounting brackets, gearboxes, switches, sensors and feedback devices.

We will assist you in the sizing and selection work and determining of part numbers but it is important that you are aware of the demand and need of your specific application in order to enable us to supply you with the correct linear unit.

On the following pages you will find the ordering keys for the different linear units shown in earlier chapters. These keys are self-explanatory and by following the examples you can quickly and easily learn about the different options and versions available. Please also visit www.danahermotion.com/PosSlides_LinUnits_advisor where you can find a product advisor that makes the selection and ordering process much easier or contact us for further support.

Ordering Keys

Linear Units with Ball Screw Drive and Ball Guides

WM40S, WM40D, WM60S, WM60D, WM60X, WM80S, WM80D, WM120D

Your Code							
	1	2	3	4	5	6	7
Example	WM06D	010	-02545	-03715	A	Z	-0520

1. Type of unit

WM04S = WM40S unit with single ball nut
 WM04D = WM40D unit with double ball nuts
 WM06S = WM60S unit with single ball nut
 WM06D = WM60D unit with double ball nuts
 WM06X = WM60X unit with left/right screw
 WM08S = WM80S unit with single ball nut
 WM08D = WM80D unit with double ball nuts
 WM12D = WM120D unit with double ball nuts

2. Screw lead¹

005 = 5 mm
 010 = 10 mm
 020 = 20 mm
 040 = 40 mm
 050 = 50 mm

3. Maximum stroke (S max)

- ••••• = distance in mm

4. Total length of unit (L tot)

- ••••• = distance in mm

5. Drive shaft configuration²

A = single shaft without key way
 C = single shaft with key way
 G = double shafts, first without key way and second for encoder
 I = double shafts, first with key way and second for encoder

6. Type of carriage³

N = single standard carriage
 S = single short carriage
 L = single long carriage
 Z = double standard carriages
 Y = double short carriages
 M = double long carriages

7. Distance between double carriages

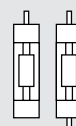
- 0000 = always for single carriages
 - ••••• = distance in mm

¹ See table below for available combinations of units and ball screw leads.

Type of unit	Available screw leads [mm]				
	5	10	20	40	50
WM04S	x				
WM04D	x				
WM06S	x		x		x
WM06D	x		x		x
WM06X	x				
WM08S	x	x	x		x
WM08D	x	x	x		x
WM12D	x	x	x	x	

² See below for the definition of shafts.

Single Double



³ See table below for available combinations of units and carriage types.

Type of unit	Available carriage types					
	N	S	L	Z	Y	M
WM04S	x			x		
WM04D			x			x
WM06S		x			x	
WM06D	x		x	x		
WM06X	x	x	x			
WM08S		x			x	
WM08D	x		x	x		
WM12D	x		x	x		

Note! for ordering of options type EN, ES, KRG, RT, ADG and MGK, see accessory index on page 137.

Ordering Keys

Linear Units with Ball Screw Drive and Ball Guides

WV60, WV80, WV120

Your Code							
	1	2	3	4	5	6	7
Example	WV08D	020	-02745	-03295	G	N	-0000

1. Type of unit

WV06D = WV60 unit

WV08D = WV60 unit

WV12D = WV120 unit

2. Ball screw lead¹

005 = 5 mm

010 = 10 mm

020 = 20 mm

040 = 40 mm

050 = 50 mm

3. Maximum stroke (S max)

-•••••= distance in mm

4. Total length of unit (L tot)

-•••••= distance in mm

5. Drive shaft configuration²

A = single shaft without key way

C = single shaft with key way

G = double shafts, first without key way and second for encoder

I = double shafts, first with key way and second for encoder

6. Type of carriage

N = single standard carriage

7. Distance between double carriages

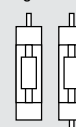
- 0000 = always for single carriages

¹ See table below for available combinations of units and ball screw leads.

Type of unit	Available screw leads [mm]				
	5	10	20	40	50
WV60	x		x		x
WV80	x	x	x		x
WV120	x	x	x	x	

² See below for the definition of shafts.

Single Double



Note! for ordering of options type EN, ES, KRG, RT, ADG and MGK, see accessory index on page 137.

Ordering Keys

Linear Units with Ball Screw Drive and Ball Guides

MLSM60D, MLSM80D

Your Code							
	1	2	3	4	5	6	7
Example	MLSM06D	020	-03800	-04645	C	L	-0000

1. Type of unit

MLSM06D = MLSM60 unit

MLSM08D = MLSM80 unit

2. Ball screw lead

005 = 5 mm

010 = 10 mm

020 = 20 mm

040 = 40 mm

050 = 50 mm

3. Maximum stroke (S max)

- ••••• = distance in mm

4. Total length of unit (L tot)

- ••••• = distance in mm

5. Drive shaft configuration²

A = single shaft without key way

C = single shaft with key way

G = double shafts, first without key way and second for encoder

I = double shafts, first with key way and second for encoder

6. Carriage configuration

N = single standard carriage

L = single long carriage

Z = double standard carriages

7. Distance between double carriages

- 0000 = always for single carriages

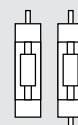
- ••••• = distance in mm

¹ See table below for available combinations of units and ball screw leads.

Type of unit	Available screw leads [mm]				
	5	10	20	40	50
MLSM06D	x		x		x
MLSM08D	x	x	x	x	

² See below for the definition of shafts.

Single Double



Ordering Keys

Linear Units with Ball Screw Drive and Ball Guides

2HBE10, 2HBE20

Your Code					
	1	2	3	4	5
Example	2HBE10-YP	H	-N	-	L0525

1. Type of unit

2HBE10-YP = 2HBE10 unit

2HBE20-YP = 2HBE20 unit

2. Ball screw diameter and lead¹

G = 16 mm, 5 mm

H = 16 mm, 10 mm

L = 25 mm, 5 mm

M = 25 mm, 10 mm

N = 25 mm, 25 mm

W = non driven unit

3. Drive shaft configuration

-N = NEMA configuration

4. Options

- = no option

B = bellows (reduces stroke by app. 28 %).

S = shrouds

5. Ordering length (L order)

L●●●● = distance in mm

¹ See table below for available combinations of units and ball screw diameters and leads.

Type of unit	Available ball screw diameter and lead combinations					
	G	H	L	M	N	W
2HBE10	x	x				x
2HBE20			x	x	x	x

Ordering Keys

Linear Units with Ball Screw Drive and Slide Guides

WB40, WB60

Your Code							
	1	2	3	4	5	6	7
Example	WB40S	020	-00500	-00700	C	N	0

1. Type of unit

WB04S = WB40 unit with ball screw
 WB04T = WB40 unit with lead screw
 WB06S = WB60 unit with ball screw
 WB06T = WB60 unit with lead screw

2. Screw lead and screw type¹

004 = 4 mm, lead screw
 005 = 5 mm, ball screw
 008 = 8 mm, lead screw
 020 = 20 mm, ball screw

3. Maximum stroke (S max)

- ••••• = distance in mm

4. Total length of unit (L tot)

- ••••• = distance in mm

5. Drive shaft configuration²

A = single shaft without key way
 C = single shaft with key way
 G = double shafts, first without key way and second for encoder
 I = double shafts, first with key way and second for encoder

6. Carriage configuration

N = single standard carriage

7. Number of screw supports³

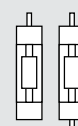
0 = no screw supports
 1 = one pair of screw supports
 2 = two pairs of screw supports
 3 = three pairs of screw support

¹ See table below for available combinations of units and screw leads.

Type of unit	Available screw leads [mm]			
	4	5	8	20
WB04S		x		
WB04T	x		x	
WB06S		x		x
WB06T			x	

² See below for the definition of shafts.

Single Double



³ WB40 units can not have any screw supports at all (always 0 in this position) while WB60 can have any of the stated possibilities.

Ordering Keys

Linear Units with Ball Screw Drive and Slide Guides

M55, M75, M100

Your Code							
	1	2	3	4	5	6	7
Example	MG07	K057	C	10	S	305	S1

1. Type of unit

MG06 = M55 unit

MG07 = M75 unit

MG10 = M100 unit

2. Ball screw type, lead and tolerance class²

C057 = composite nut, 5 mm, T7

K057 = ball nut, 5 mm, T7

KU57 = ball nut, 5,08 mm, T7

C109 = composite nut, 10 mm, T9

K107 = ball nut, 10 mm, T7

K109 = ball nut, 10 mm, T9

K129 = ball nut, 12,7 mm, T9

K207 = ball nut, 20 mm, T7

C257 = composite nut, 25 mm, T7

K257 = ball nut, 25 mm, T7

K259 = ball nut, 25 mm, T9

C329 = composite nut, 32 mm, T9

3. Type of carriages

A = single standard carriage

C = double standard carriages

4. Distance between carriages (Lc)

00 = for all single standard carriage units

•• = distance in cm between carriages

5. Screw supports

X = no screw supports

S = single screw supports

D = double screw supports

6. Ordering length (L order)

••• = distance in cm

7. Protection option¹

S1 = S1 wash down protection

¹ Leave position blank if no additional protection is required.

² See table below for available combinations of units and ball screw type, lead and tolerance.

Ball screw type	Type of unit		
	M55	M75	M100
C057		x	
K057	x	x	x
KU57	x		
C109			x
K107	x		x
K109			x
K129		x	
K207	x	x	
C257			x
K257			x
K259			x
C329	x		

Ordering Keys

Linear Units with Ball Screw Drive and Slide Guides

M75D, M100D

Your Code							
	1	2	3	4	5	6	7
Example	MG10	D109	A	00	X	355	

1. Type of unit

MG07 = M75D unit
MG10 = M100D unit

2. Ball screw type, lead and tolerance class²

D057 = double ball nut, 5 mm, T7
D107 = double ball nut, 10 mm, T7
D109 = double ball nut, 10 mm, T9
D129 = double ball nut, 12,7 mm, T9
D207 = double ball nut, 20 mm, T7
D257 = double ball nut, 25 mm, T7

3. Type of carriages

A = single standard carriage
C = double standard carriages

4. Distance between carriages (Lc)

00 = for all single standard carriage units
•• = distance in cm between carriages

5. Screw supports

X = no screw supports
S = single screw supports
D = double screw supports

6. Ordering length (L order)

••• = distance in cm

7. Protection option¹

S1 = S1 wash down protection

¹ Leave position blank if no protection option required.

² See below table for available combinations of units and ball screw type, lead and tolerance.

Ball screw type	Type of unit	
	M75	M100
D057	x	x
D107		x
D109		x
D129	x	
D207	x	
D257		x

Ordering Keys

Linear Units with Belt Drive and Ball Guides

WH40

Your Code						
	1	2	3	4	5	6
Example	WH04Z100	-01400	-01755	H	L	-0400

1. Type of unit

WH04Z100 = WH40 unit

2. Maximum stroke (S max)

- = distance in mm

3. Total length of unit (L tot)

- = distance in mm

4. Drive shaft configuration¹

- A = shaft on left side without key way
- B = shaft on right side without key way
- C = shaft on left side with key way
- D = shaft on right side with key way

- E = shaft on left side without key way and shaft on right side with key way
- F = shaft on left side with key way and shaft on right side without key way
- G = shaft on left side without key way and shaft on right side for encoder
- H = shaft on left side for encoder and shaft on right side without key way
- I = shaft on left side with key way and shaft on right side for encoder
- J = shaft on left side for encoder and shaft on right side with key way
- L = shaft on both sides without key way
- M = shaft on both sides with key way
- W = hollow shaft on both sides with clamping unit

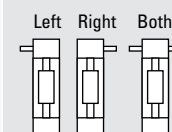
5. Carriage configuration

- N = single standard carriage
- L = single long carriage
- Z = double standard carriages

6. Distance between double carriages

- 0000 = always for single carriages
- = distance in mm

¹ See below for the definition of shafts.



Note! for ordering of options type EN, ES, KRG, RT, ADG and MGK, see accessory index on page 137.

Ordering Keys

Linear Units with Belt Drive and Ball Guides

WM60Z, WM80Z

Your Code						
	1	2	3	4	5	6
Example	WM08Z170	-02545	-03715	D	L	-0000

1. Type of unit

WM06Z120 = WM60Z unit

WM08Z170 = WM80Z unit

2. Maximum stroke (S max)

-••••• = distance in mm

3. Total length of unit (L tot)

-••••• = distance in mm

4. Drive shaft configuration¹

A = shaft on left side without key way

B = shaft on right side without key way

C = shaft on left side with key way

D = shaft on right side with key way

E = shaft on left side without key way and shaft on right side with key way

F = shaft on left side with key way and shaft on right side without key way

G = shaft on left side without key way and shaft on right side for encoder

H = shaft on left side for encoder and shaft on right side without key way

I = shaft on left side with key way and shaft on right side for encoder

J = shaft on left side for encoder and shaft on right side with key way

L = shaft on both sides without key way

M = shaft on both sides with key way

V = hollow shaft on both sides for Micron DT/DTR planetary gear option

5. Carriage configuration²

N = single standard carriage

S = single short carriage

L = single long carriage

Z = double standard carriages

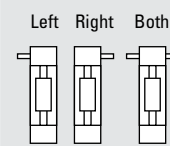
Y = double short carriages

6. Distance between double carriages

- 0000 = always for single carriages

-••••• = distance in mm

¹ See below for the definition of shafts.



² See table below for available combinations of units and carriage types.

Type of unit	Available carriage types				
	N	S	L	Z	Y
WM06Z		x			x
WM08Z	x	x	x	x	x

Ordering Keys

Linear Units with Belt Drive and Ball Guides

M55, M75, M100

Your Code						
	1	2	3	4	5	6
Example	MF06B105	A	00	X	450	S1

1. Type of unit

MF06B105 = M55 unit
 MF07B130 = M75 unit
 MF10B176 = M100 unit

2. Type of carriages

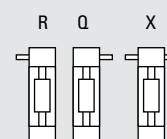
A = single standard carriage
 C = double standard carriages

3. Distance between carriages (Lc)

00 = for all single standard carriage units
 •• = distance in cm between carriages

4. Drive shaft configuration

R = shaft on the side as shown in picture
 Q = shaft on the side as shown in picture
 X = shaft on both sides



5. Ordering length (L order)

••• = distance in cm

6. Protection option¹

S1 = S1 wash down protection

¹ Leave blank if no protection option required.

Ordering Keys

Linear Units with Belt Drive and Ball Guides

MLSM80Z

Your Code						
	1	2	3	4	5	6
Example	MLSM08Z200	-05000	-05570	A	N	-0000

1. Type of unit

MLSM08Z200 = MLSM80 unit

2. Maximum stroke (S max)

-••••• = distance in mm

3. Total length of unit (L tot)

-••••• = distance in mm

4. Drive shaft configuration¹

- A = shaft on left side without key way
- B = shaft on right side without key way
- C = shaft on left side with key way
- D = shaft on right side with key way
- E = shaft on left side without key way and shaft on right side with key way
- F = shaft on left side with key way and shaft on right side without key way
- G = shaft on left side without key way and shaft on right side for encoder
- H = shaft on left side for encoder and shaft on right side without key way
- I = shaft on left side with key way and shaft on right side for encoder
- J = shaft on left side for encoder and shaft on right side with key way
- L = shaft on both sides without key way
- M = shaft on both sides with key way

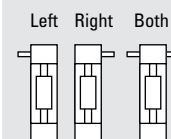
5. Carriage configuration

- N = single standard carriage
- L = single long carriage
- Z = double standard carriages

6. Distance between double carriages

- 0000 = always for single carriages
- = distance in mm

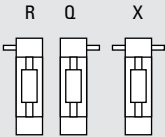
¹ See below for the definition of shafts.



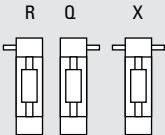
Ordering Keys

Linear Units with Belt Drive and Slide Guides

M50				
Your Code				
	1	2	3	4
Example	MG05B130	A00	R	560

<p>1. Type of unit MG05B130 = M50 unit</p> <p>2. Type of carriage A00 = single standard carriage</p>	<p>3. Drive shaft configuration R = shaft on the side as shown in picture Q = shaft on the side as shown in picture X = shaft on both sides</p>  <p>4. Ordering length (L order) ••• = distance in cm</p>
--	--

M55, M75, M100						
Your Code						
	1	2	3	4	5	6
Example	MG06B105	A	00	X	450	S2

<p>1. Type of unit MG06B105 = M55 unit MG07B130 = M75 unit MG10B176 = M100 unit</p> <p>2. Type of carriages A = single standard carriage C = double standard carriages</p> <p>3. Distance between carriages (Lc) 00 = for all single standard carriage units •• = distance in cm between carriages</p>	<p>4. Drive shaft configuration R = shaft on the side as shown in picture Q = shaft on the side as shown in picture X = shaft on both sides</p>  <p>5. Ordering length (L order) ••• = distance in cm</p> <p>6. Protection option¹ S1 = S1 wash down protection S2 = S2 chemical protection</p> <p>¹Leave blank if no protection option required.</p>
---	---

Ordering Keys

Linear Units with Belt Drive and Wheel Guides

WH50, WH80, WH120

Your Code						
	1	2	3	4	5	6
Example	WH08Z200	-02300	-02710	J	L	-0000

1. Type of unit

WH05Z120 = WH50 unit
 WH08Z200 = WH80 unit
 WH12Z260 = WH120 unit

2. Maximum stroke (S max)

-••••• = distance in mm

3. Total length of unit (L tot)

-••••• = distance in mm

4. Drive shaft configuration¹

A = shaft on left side without key way
 B = shaft on right side without key way
 C = shaft on left side with key way
 D = shaft on right side with key way
 E = shaft on left side without key way and shaft on right side with key way
 F = shaft on left side with key way and shaft on right side without key way
 G = shaft on left side without key way and shaft on right side for encoder
 H = shaft on left side for encoder and shaft on right side without key way
 I = shaft on left side with key way and shaft on right side for encoder
 J = shaft on left side for encoder and shaft on right side with key way
 K = hollow shaft on both sides without clamping unit
 L = shaft on both sides without key way
 M = shaft on both sides with key way
 V = hollow shaft on both sides for Micron DT/DTR planetary gear option
 W = hollow shaft on both sides with clamping unit

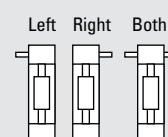
5. Carriage configuration

N = single standard carriage
 L = single long carriage
 Z = double standard carriages

6. Distance between double carriages

-0000 = always for single carriages
 -••••• = distance in mm

¹ See below for the definition of shafts.



Note! for ordering of options type EN, ES, KRG, RT, ADG and MGK, see accessory index on page 137.

Ordering Keys

Linear Units with Belt Drive and Wheel Guides

MLSH60Z, MLSH80Z

Your Code						
	1	2	3	4	5	6
Example	MLSH06Z135	-04500	-05580	D	Z	-0600

1. Type of unit

MLSH06Z135 = MLSH60 unit
 MLSH08Z200 = MLSH80 unit

2. Maximum stroke (S max)

- ●●●●● = distance in mm

3. Total length of unit (L tot)

- ●●●●● = distance in mm

4. Drive shaft configuration¹

A = shaft on left side without key way
 B = shaft on right side without key way
 C = shaft on left side with key way
 D = shaft on right side with key way
 E = shaft on left side without key way and shaft on right side with key way
 F = shaft on left side with key way and shaft on right side without key way
 G = shaft on left side without key way and shaft on right side for encoder
 H = shaft on left side for encoder and shaft on right side without key way
 I = shaft on left side with key way and shaft on right side for encoder
 J = shaft on left side for encoder and shaft on right side with key way
 L = shaft on both sides without key way
 M = shaft on both sides with key way

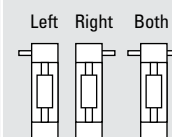
5. Carriage configuration

N = single standard carriage
 L = single long carriage
 Z = double standard carriages

6. Distance between double carriages

- 0000 = always for single carriages
 - ●●●●● = distance in mm

¹ See below for the definition of shafts.



Ordering Keys

Linear Lifting Units

WHZ50, WHZ80

Your Code						
	1	2	3	4	5	6
Example	WHZ08Z200	-01000	-01410	A	N	-0000

1. Type of unit

WHZ05Z120 = WHZ50 unit
WHZ08Z200 = WHZ80 unit

2. Maximum stroke (S max)

- ••••• = distance in mm

3. Total length of unit (L tot)

- ••••• = distance in mm

4. Drive shaft configuration¹

A = shaft on left side without key way
B = shaft on right side without key way
C = shaft on left side with key way
D = shaft on right side with key way
E = shaft on left side without key way and shaft on right side with key way
F = shaft on left side with key way and shaft on right side without key way
G = shaft on left side without key way and shaft on right side for encoder
H = shaft on left side for encoder and shaft on right side without key way
I = shaft on left side with key way and shaft on right side for encoder
J = shaft on left side for encoder and shaft on right side with key way
L = shaft on both sides without key way
M = shaft on both sides with key way
V = hollow shaft on both sides for Micron DT/DTR planetary gear option
W = hollow shaft on both sides with clamping unit

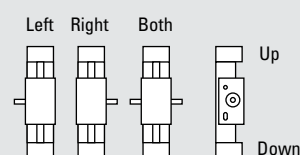
5. Carriage configuration

N = single standard carriage
L = single long carriage
Z = double standard carriages

6. Distance between double carriages

- 0000 = always for single carriages
- ••••• = distance in mm

¹ See below for the definition of shafts and up and down.



Note! for ordering of options type EN, ES, KR6, RT, ADG and MGK, see accessory index on page 137.

Z2, Z3

Your Code				
	1	2	3	4
Example	MGZ3K	25259	250	450

1. Type of unit

MGZ2K = Z2 unit
MGZ3K = Z3 unit

2. Ball screw diameter, lead and tolerance class

25109 = 25 mm, 10 mm, T9
25259 = 25 mm, 25 mm, T9
32207 = 32 mm, 20 mm, T7

3. Minimum retracted length (L min)

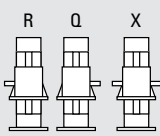
••• = distance in cm

4. Maximum extended length (L max)

••• = distance in cm

Ordering Keys

Linear Lifting Units

ZB			
Your Code			
	1	2	3
Example	MF-ZB200A00	X	150
1. Type of unit MF-ZB200A00 = ZB unit		3. Ordering length (L order) ••• = distance in cm	
2. Drive shaft configuration R = shaft on the side as shown in picture Q = shaft on the side as shown in picture X = shaft on both sides			

Ordering Keys

Linear Rod Units

WZ60, WZ80

Your Code						
	1	2	3	4	5	6
Example	WZ06S	20	-00350	-00780	C	N

1. Type of unit

WZ06 = WZ60 unit

WZ08 = WZ80 unit

2. Ball screw lead

05 = 5 mm

10 = 10 mm

20 = 20 mm

50 = 50 mm

3. Maximum stroke (S max)

- ••••• = distance in mm

4. Total length of unit (L tot)

- ••••• = distance in mm

5. Drive shaft configuration

A = shaft without key way

C = shaft with key way

6. Extension tube configuration

N = standard

¹ See table below for available combinations of units and screw leads.

Type of unit	Available screw leads [mm]			
	5	10	20	50
WZ06	x		x	x
WZ08	x	x	x	x

Note! for ordering of options type EN, ES, KR6, RT and MGK, see accessory index on page 137.

T90, T130

Your Code						
	1	2	3	4	5	6
Example	T09-B	2525	M	P	450	S1

1. Type of unit

T09-B = T90 unit

T13-B = T130 unit

2. Ball screw diameter, lead and tolerance class

2505 = 25 mm, 05 mm, T7 (only possible for T09-B)

2510 = 25 mm, 10 mm, T7 (only possible for T09-B)

2525 = 25 mm, 25 mm, T7 (only possible for T09-B)

3220 = 32 mm, 20 mm, T7 (only possible for T09-B)

3232 = 32 mm, 32 mm, T7 (only possible for T09-B)

4010 = 40 mm, 10 mm, T7 (only possible for T13-B)

4020 = 40 mm, 20 mm, T7 (only possible for T13-B)

4040 = 40 mm, 40 mm, T7 (only possible for T13-B)

3. Engineering unit

M = metric

4. Type of adapter

N = M16 × 1,5 outside thread (only possible for T09-B25•••)

P = M16 × 2 inside thread (only possible for T09-B25•••)

Q = M20 × 1,5 outside thread (only possible for T09-B32•••)

R = M20 × 1,5 inside thread (only possible for T09-B32•••)

S = M27 × 2 outside thread (only possible for T13-B•••)

T = M27 × 2 inside thread (only possible for T13-B•••)

U = M33 × 2 outside thread (only possible for T13-B•••)

V = M33 × 2 inside thread (only possible for T13-B•••)

X = M30 × 2 inside thread (only possible for T13-B•••)

5. Ordering length (L order)

••• = distance in cm

6. Protection option¹

S1 = wash down protection

¹ Leave blank if no protection option required.

Ordering Keys

Non driven Units

WH40N, WH50N, WH80N, WH120N

Your Code						
	1	2	3	4	5	6
Example	WH04N000	-04500	-04640	K	N	-0000

<p>1. Type of unit WH04N000 = WH40N unit WH05N000 = WH50N unit WH08N000 = WH80N unit WH12N000 = WH120N unit</p>	<p>2. Maximum stroke (S max) - = distance in mm</p> <p>3. Total length of unit (L tot) - = distance in mm</p> <p>4. Drive shaft configuration¹ K = no shaft</p>	<p>5. Carriage configuration N = single standard carriage L = single long carriage Z = double standard carriages</p> <p>6. Distance between double carriages - 0000 = always for single carriages - = distance in mm</p>
--	--	---

WM40N, WM60N, WM80N, WM120N

Your Code						
	1	2	3	4	5	6
Example	WM08N000	-07010	-07210	K	N	-0000

<p>1. Type of unit WM04N000 = WM40N unit WM06N000 = WM60N unit WM08N000 = WM80N unit WM12N000 = WM120N unit</p> <p>2. Maximum stroke (S max) - = distance in mm</p> <p>3. Total length of unit (L tot) - = distance in mm</p>	<p>4. Drive shaft configuration K = no shaft</p> <p>5. Type of carriage¹ N = single standard carriage S = single short carriage L = single long carriage Z = double standard carriages Y = double short carriages</p> <p>6. Distance between double carriages - 0000 = always for single carriages - = distance in mm</p>	<p>¹ See table below for available combinations of units and carriage types.</p> <table border="1"> <thead> <tr> <th rowspan="2">Type of unit</th> <th colspan="5">Available carriage types</th> </tr> <tr> <th>N</th> <th>S</th> <th>L</th> <th>Z</th> <th>Y</th> </tr> </thead> <tbody> <tr> <td>WM04N000</td> <td>x</td> <td></td> <td>x</td> <td>x</td> <td></td> </tr> <tr> <td>WM06N000</td> <td>x</td> <td>x</td> <td>x</td> <td>x</td> <td>x</td> </tr> <tr> <td>WM08N000</td> <td>x</td> <td>x</td> <td>x</td> <td>x</td> <td>x</td> </tr> <tr> <td>WM12N000</td> <td>x</td> <td></td> <td>x</td> <td>x</td> <td></td> </tr> </tbody> </table>	Type of unit	Available carriage types					N	S	L	Z	Y	WM04N000	x		x	x		WM06N000	x	x	x	x	x	WM08N000	x	x	x	x	x	WM12N000	x		x	x	
Type of unit	Available carriage types																																				
	N	S	L	Z	Y																																
WM04N000	x		x	x																																	
WM06N000	x	x	x	x	x																																
WM08N000	x	x	x	x	x																																
WM12N000	x		x	x																																	

Ordering Keys

Non driven Units

M75N, M100N						
Your Code						
	1	2	3	4	5	6
Example	MG10N000	A	00	X	450	

<p>1. Type of unit MG07N000 = M75N unit with slide guides MG10N000 = M100N unit with slide guides MF07N000 = M75N unit with ball guides MF10N000 = M100N unit with ball guides</p> <p>2. Type of carriages A = single standard carriage C = double standard carriages</p> <p>3. Distance between carriages (Lc) 00 = for all single standard carriage units •• = distance in cm between carriages</p>	<p>4. Screw supports X = no screw supports</p> <p>5. Ordering length (L order) ••• = distance in cm</p> <p>6. Protection option¹ S1 = wash down protection</p>	<p>¹ Leave blank if no protection option required.</p>
--	---	---

– Page intentionally left blank –

– Page intentionally left blank –

United Kingdom

Danaher Motion
Chartmoor Road, Chartwell Business Park
Leighton Buzzard, Bedfordshire
LU7 4WG; United Kingdom
Phone: +44 (0)1525 243 243
Fax: +44 (0)1525 243 244
E-mail: sales.uk@danahermotion.com

Germany

Danaher Motion GmbH
Sales Office North
Wachholderstr. 40-42
40489 Düsseldorf
Germany
Phone: +49 (0) 203 9979 214
Fax: +49 (0) 203 9979 3214
E-Mail: iris.tolusch@danahermotion.com

Danaher Motion GmbH
Sales Office South West
Brückenfeldstraße 26/1
75015 Bretten
Germany
Phone: +49 (0) 7252 96462 10
Fax: +49 (0) 7252 96462 69
E-Mail: kerstin.mueller@danahermotion.com

Danaher Motion GmbH
Sales Office South East
Kiesgräble 7
89129 Langenau
Germany
Phone: +49 (0) 7471 62 23 23
Fax: +49 (0) 7471 62 23 26
E-Mail: ursula.koschak@danahermotion.com

France

Danaher Motion
C.P 80018
12, Rue Antoine Becquerel – Z.I. Sud
72026 Le Mans Cedex 2
France
Phone: +33 (0) 243 50 03 30
Fax: +33 (0) 243 50 03 39
E-mail: sales.france@danahermotion.com

Italy

Danaher Motion srl
Largo Brughetti
20030 Bovisio Masciago
Italy
Phone: +39 0362 594260
Fax: +39 0362 594263
E-mail: info@danahermotion.it

Sweden

Danaher Motion
Box 9053
291 09 Kristianstad
Sweden
Phone: +46 (0) 44-24 67 00
Fax: +46 (0) 44-24 40 85
E-mail: sales.scandinavia@danahermotion.com

Switzerland

Danaher Motion SA
La Pierreire 2
1029 Villars-Ste-Croix
Switzerland
Phone: +41 (0) 21 631 33 33
Fax: +41 (0) 21 636 05 09
E-mail: info@danaher-motion.ch

USA, Canada and Mexico

Danaher Motion
203A West Rock Road
Radford, VA 24141 USA
Phone: 1-540-633-3400
Fax: 1-540-639-4162
E-mail: DMAC@danahermotion.com

China

Danaher Motion
Rm 2205, Scitech Tower
22 Jianguomen Wai Street
Beijing, China, 100004
Phone: +86 10 6515 0260
Fax: +86 10 6515 0263
E-mail: chinainfo@danahermotion.com.cn

Japan

Danaher Motion Japan
2F, Tokyu Reit Hatchobori Bldg,
2-7-1 Hatchobori Chuo-ku,
Tokyo 104-0032 Japan
Phone: +81-3-6222-1051
Fax: +81-3-6222-1055
E-mail: info@danahermotion.co.jp

Asia Pacific

Danaher Motion (HK) Ltd
Unit A, 16 Floor, 169 Electric Road
Manulife Tower, North Point
Hong Kong
Phone: +852 2503 6581
Fax: +852 2571 8585
E-mail: victor.lim@danahermotion.com



Helping you build a better machine, faster.