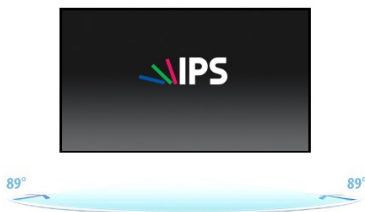




23" monitor with IPS panel for your home and office

ProLite X2380HS is a 23" LED backlit LCD Screen featuring IPS Panel technology which is considered to be the best all round panel type. It offers accurate and consistent colour reproduction with wide viewing angles (178°/178°) and great response time (5 ms black-to-black). The ProLite X2380HS is full HD, has a >5mIn:1 Advanced Contrast Ratio and 250 cd/m² brightness offering the user a clear and vivid image. An array of inputs including HDMI, DVI and VGA connections ensure compatibility across a range of devices including games consoles and work stations. The X2380HS also has the two integrated speakers and is VESA mountable. It will provide excellent performance for photographic design, web design, standard office use and in multi-monitor environment.



IPS

IPS technology offers higher contrast, darker blacks and much better viewing angles than standard TN technology. The screen will look good no matter what angle you look at it.



OVERDRIVE ON / OFF

When very fast graphics are displayed your monitor can sometimes get blurry. Turning on the OverDrive feature will eliminate that.

1. DISPLAY CHARACTERISTICS

DIAGONAL	23"; 58.4cm
PANEL	IPS
DISPLAY AREA H X W	286.41 x 509.18 mm; 11.3" x 20"
RESPONSE TIME	5 ms
CONTRAST	1000 : 1 typical
CONTRAST	5 000 000 : 1 ACR
BRIGHTNESS	250 cd/m ² typical
VIEWING ZONE	horizontal/vertical: 178° / 178°; right/left: 89° / 89°; up/down: 89° / 89°
DISPLAY COLOUR	16.7 million
PIXEL PITCH H X V	0.2652 x 0.2652 mm
NATIVE RESOLUTION	Full HD 1080p, 1920 x 1080 (2.1 megapixel)
HORIZONTAL SYNC	24 - 80 KHz
VERTICAL SYNC	55 - 75 Hz
SYNCHRONIZATION	Separate sync
ASPECT RATIO	16 : 9

2. INTERFACES & CONNECTORS

ANALOG INPUT CONNECTOR	VGA (D-Sub)
DIGITAL INPUT CONNECTOR	DVI-D, HDMI
HDCP	yes

3. SPECIAL FEATURES

APPLE - MAC	All iiyama monitors are compatible with Apple-Macintosh computers.
PLUG & PLAY	VESA DDC2B™
CONTROLS	Via OSD in 9 languages (EN, DE, FR, ES, IT, PT, Chinese, RU, JP) and 5 front controls (Power, Menu, +/- Volume, -/ ECO, Auto)
USER CONTROLS	luminance (contrast, brightness, ECO, i-style Colour, ACR), image steep (clock, phase, H. position, V. position, aspect), colour (gamma, colour temperature, sRGB), OSD setup (H. position, V. position, OSD time out, language), extra (reset, signal select, HDMI audio, OD, information), volume, auto adjust
SPEAKERS	2 x 2 W (Stereo)
ANTI-THEFT-DEVICE	Kensington-lock™ prepared
CERTIFICATES	CE, TUV-GS, TÜV-Bauart, VCCI-B, CU, TCO 6
TILT ANGLE	22° up; 5° down
VESA MOUNTING	100 x 100 mm
COLOUR	Black

4. ACCESSORIES

DRIVER	Windows 95 / 98 / 2000 / ME / XP / Vista / 7 / 8
INCLUDED ACCESSORIES	power cable, DVI-D cable, audio cable, stand, cable holder, quick start guide, safety guide

5. POWER MANAGEMENT

POWER SUPPLY	AC100~240V 50/60Hz
POWER SUPPLY UNIT	internal
POWER USAGE	26 W typical; max. 0.5 W in Power management mode
POWER MANAGEMENT	VESA DPMS, ENERGY STAR®

6. EU ENERGY EFFICIENCY LABEL

ENERGY EFFICIENCY CLASS	B
ON MODE POWER CONSUMPTION	23.6W
ANNUAL ENERGY CONSUMPTION	35 kWh/annum*
VISIBLE SCREEN DIAGONAL	58 cm; 23"; (23" segment)

This is information under Regulation (EU) No 1062/2010.

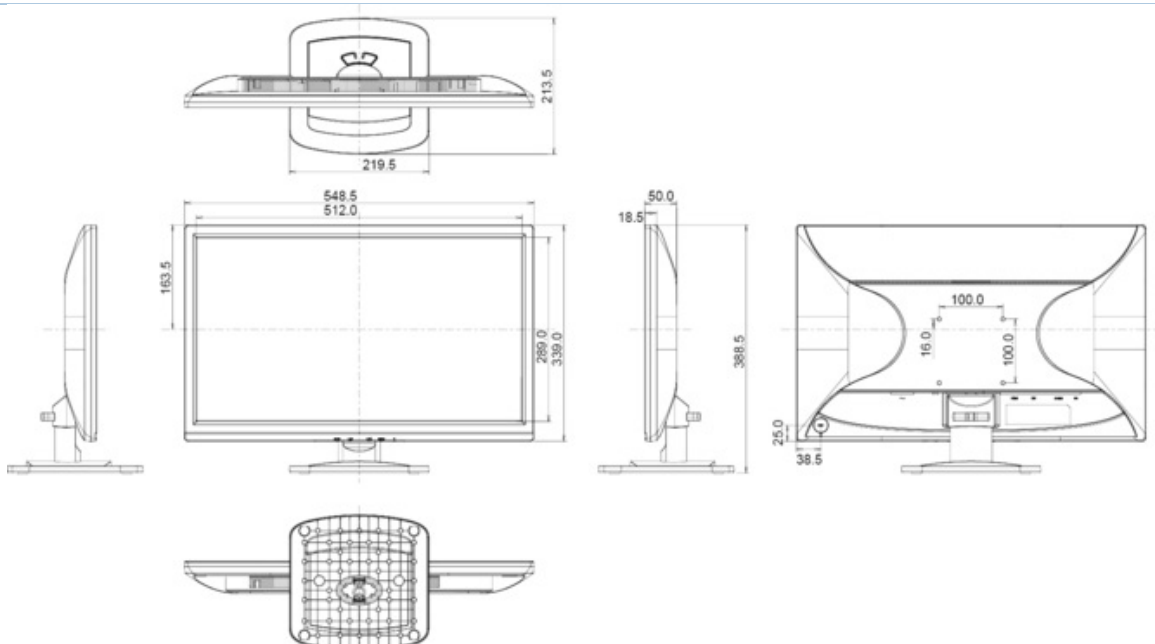
**Based on the power consumption of the television operating 4 hours per day for 365 days. The actual energy consumption will depend on how the television is used.*

7. EPEAT SILVER

EPEAT	EPEAT is a comprehensive environmental rating that helps identify greener computers and other electronic equipment. The Silver certification means the monitor meets all required criteria plus at least 50% of the optional requirements. EPEAT Silver is valid in countries where iiyama registers the product. Please visit www.epeat.net for the registration status in your country.
-------	--

8. DIMENSIONS & WEIGHT

DIMENSIONS W X H X D	548.5 x 388.5 x 213.5 mm
WEIGHT	5.8 kg



connection with pixel defects.

© IIYAMA CORPORATION (). ALL RIGHTS RESERVED.