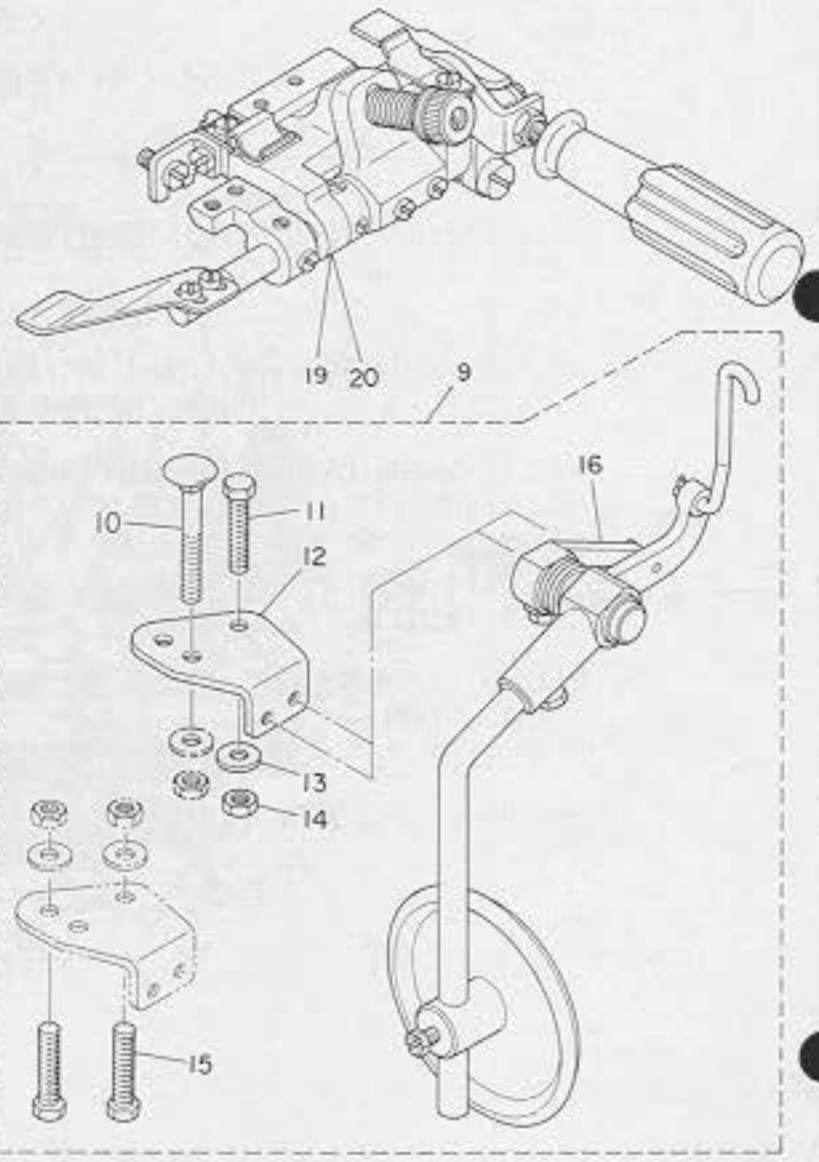
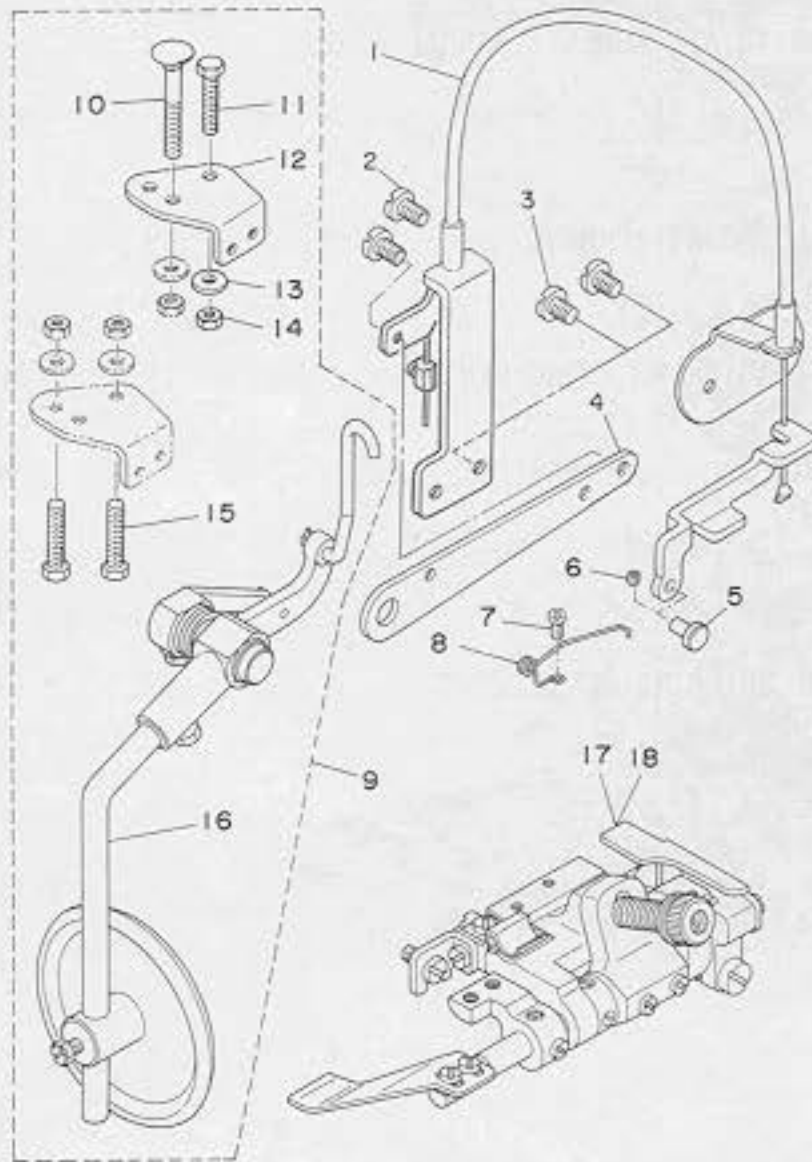


1. TABLE OF SWING TYPE INTERMITTENT SHIRRING ATTACHMENT
 スイング方式ひだ取り装置一覧表

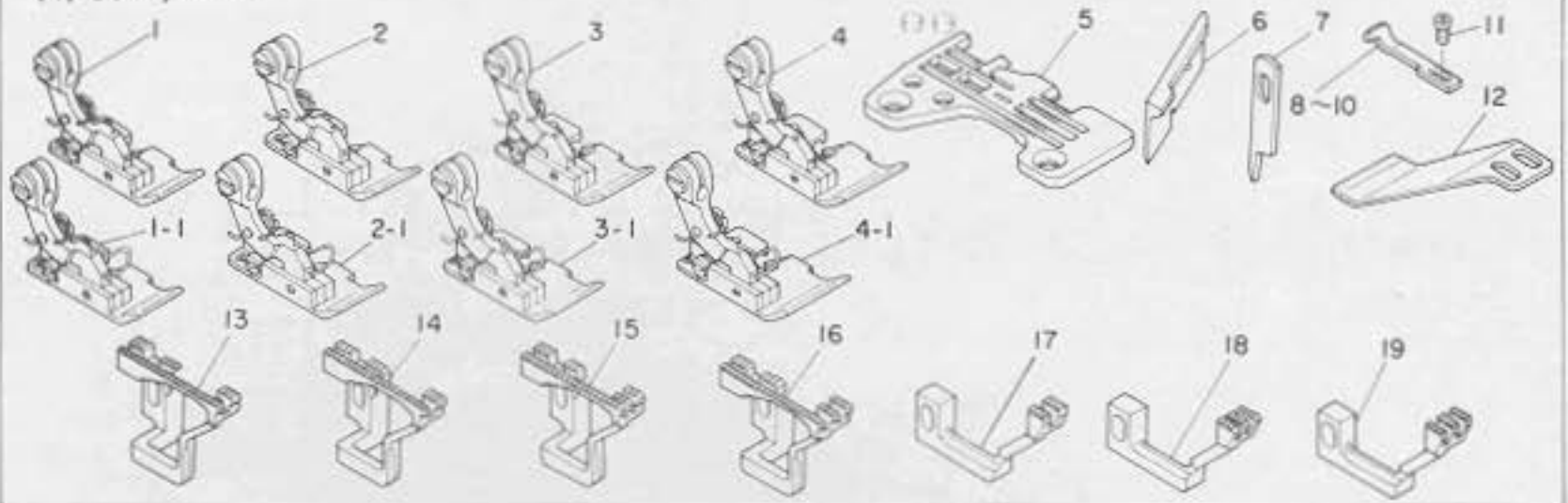
| | |
|--|--|
| <p>PEDAL TYPE (For fully-sunken, semi-sunken type table) ペダル式 (全沈、半沈式テーブル用)</p> | <p>MANUAL TYPE (For only semi-sunken type table) 手動式 (半沈式テーブル用のみ)</p> |
| <p>S057 Intermittent shirring attachment for safety stitcher インターロックミシン用ひだ取り装置</p> | <p>S097 Intermittent shirring attachment for safety stitcher インターロックミシン用ひだ取り装置</p> |
| <p>S058 Intermittent shirring attachment for overedger オーバーロックミシン用ひだ取り装置</p> | <p>S098 Intermittent shirring attachment for overedger オーバーロックミシン用ひだ取り装置</p> |



| Attachment 装置品番 | Constitution parts 構成部品番 | | Attachment | Constitution parts 構成部品番 | |
|-------------------------------|--|---|--|---|--|
| S057 MAS-057000A0-A | 1. MAS-057050A0-A 2. SS-7110710-SP 3. SS-6151040-SP 4. MAS-05716000 5. MAS-05714000 6. SS-8090410-SP 7. SS-6110610-TP 8. MAS-05715000 | 9. MAS-107010A0 10. MAS-10704000 11. SM-9083013-SC 12. MAS-10701000 13. WP-0850002-SC 14. NM-6080600-SM 15. SM-9084533-SC 16. MAS-107010C0 17. MAS-057010A0 | S097 MAS-097000A0 | 9. MAS-107010A0 10. MAS-10704000 11. SM-9083013-SC 12. MAS-10701000 13. WP-0850002-SC 14. NM-6080600-SM 15. SM-9084533-SC 16. MAS-107010C0 19. MAS-097010A0 | |
| S058 MAS-058000A0-A | 1 ~ 16 18. MAS-058010A0 | | S098 MAS-098000A0 | 9 ~ 16 20. MAS-098010A0 | |
| Attachment | S057 | S058 | S097 | S098 | |
| Series | MO-2400N MO-2500N | MO-2404N-OD6-320 MO-2414N-BD6-320 MO-2504N-OD6-320 MO-2514N-BD6-320 | MO-2416N, MO-2516N BD4, DD4, FF6, RH6 DD6, -320/S097 MO-2514N-FE6 | MO-2404N-OD6-320 MO-2414N-BD6-320 MO-2504N-OD6-320 MO-2514N-BD6-320 MOR-2514N-BD6 | |

2. SIMULTANEOUS EXCHANGING GAUGE PARTS (FOR MO-2000N SERIES)
同時交換ゲージ部品 (MO-2000Nシリーズ用)

(1) S057, S097



| Ref No. | Note (注記) | Part No (品番) | Description | E. C. 変更年月 | 品名 | Amt. Req. 数量 |
|---------|-----------|-----------------|-------------------------------------|------------|---------------------|--------------|
| 1 | 001 | 118-79558 | PRESSER FOOT ASM. | | オガイ クミ | 1 |
| 1-1 | 015 | 118-79566 | PRESSER FOOT ASM. | A.02/84 | シメツクオミクミ (2ヒター+オミ) | 1 |
| 2 | 002 | 118-79657 | PRESSER FOOT ASM. | | オガイ クミ | 1 |
| 2-1 | 015 | 118-79665 | PRESSER FOOT ASM. | A.02/84 | シメツクオミクミ (2ヒター+オミ) | 1 |
| 3 | 004 | 118-80457 | PRESSER FOOT ASM. | | オガイ クミ | 1 |
| 3-1 | 015 | 118-80465 | PRESSER FOOT ASM. | A.02/84 | シメツクオミクミ (2ヒター+オミ) | 1 |
| 4 | 007 | 118-80853 | PRESSER FOOT ASM. | | オガイ クミ | 1 |
| 4-1 | 015 | 118-80861 | PRESSER FOOT ASM. | A.02/84 | シメツクオミクミ (2ヒター+オミ) | 1 |
| 5 | 004 | R4612-H0F-800 | THROAT PLATE | | ハライタ | 1 |
| 6 | 005 | 118-45807 | UPPER KNIFE | C.11/84 | ウツメ | 1 |
| 7 | 005 | 118-45609 | KNIFE | | ヒラメ | 1 |
| 8 | 006 | B4120-816-00B-A | NEEDLE GUARD | | ハツク E | 1 |
| 9 | 004 | B4120-816-F0C-A | NEEDLE GUARD | | ハツク E | 1 |
| 10 | 007 | B4120-816-R0A | NEEDLE GUARD | | ハツク | 1 |
| 11 | 008 | SS-7060610-5P | SCREW 3/32-56 L=5.5 | | メネヒラメ 3/32-56 L=5.5 | 1 |
| 12 | 007 | MAS-U510800A | INTERMITTENT SHIRTING PRESSER PLATE | | ヒターオミ | 1 |
| 13 | 009 | 118-83709 | MAIN FEED DOG | | シメオクリハ | 1 |
| 14 | 010 | 118-83808 | MAIN FEED DOG | | シメオクリハ | 1 |
| 15 | 011 | 118-83907 | MAIN FEED DOG | | シメオクリハ | 1 |
| 16 | 003 | 118-84103 | MAIN FEED DOG | | シメオクリハ | 1 |
| 17 | 005 | 118-85704 | DIFFERENTIAL FEED DOG | | フクオクリハ | 1 |
| 18 | 011 | 118-85803 | DIFFERENTIAL FEED DOG | | フクオクリハ | 1 |
| 19 | 003 | 118-85902 | DIFFERENTIAL FEED DOG | | フクオクリハ | 1 |

• The same throat plate can be used independent of other replacement (except FF6)

針板については交換する必要はありません(FF6を除いて)

• Each notes apply also to model MO-2416N, MO-2516N

各注記についてはMO-2416N, MO-2516N それぞれ共通

Note (注記) 001 For BD4-320

BD4-320用

007 For RH6-320

RH6-320用

002 For DD4-320, DD6-320

DD4-320, DD6-320用

008 For S057, S097

S057, S097用

003 For FF6-320, RH6-320

FF6-320, RH6-320用

009 For BD4-320

BD4-320用

004 For FF6-320

FF6-320用

010 For DD4-320

DD4-320用

005 For BD4-320, DD4-320

BD4-320, DD4-320用

011 For DD6-320

DD6-320用

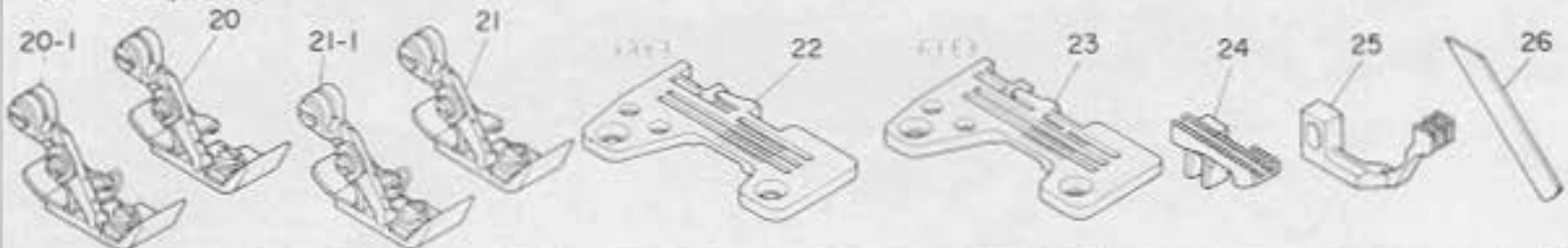
006 For BD4-320, DD4-320

BD4-300, DD4-320用

015 For export

輸出用

(2) S058, S098



| Ref No. | Note (注記) | Part No (品番) | Description | E. C. 変更年月 | 品名 | Amt. Req. 数量 |
|---------|-----------|---------------|-----------------------|------------|-----------------|--------------|
| 20 | 013 | 118-79350 | PRESSER FOOT ASM. | | オガイ クミ | 1 |
| 20-1 | 015 | 118-79368 | PRESSER FOOT ASM. | A.02/84 | オガイクミ (2ヒター+オミ) | 1 |
| 21 | 012 | 118-78857 | PRESSER FOOT ASM. | | オガイ クミ | 1 |
| 21-1 | 015 | 118-78865 | PRESSER FOOT ASM. | A.02/84 | オガイクミ (2ヒター+オミ) | 1 |
| 22 | 013 | R4305-H00-EOA | THROAT PLATE | | ハライタ | 1 |
| 23 | 017 | R4300-H00-DOA | THROAT PLATE | | ハライタ | 1 |
| 24 | 014 | 118-83402 | MAIN FEED DOG | | シメオクリハ | 1 |
| 25 | 014 | 81657-814-RCL | DIFFERENTIAL FEED DOG | | フクオクリハ | 1 |
| 26 | 012 | 118-97501 | LOWER KNIFE | | シタメ | 1 |

NOTE (注記) 012 For DD6-320 (MO-2404N, 2414N, 2504N, 2514N)

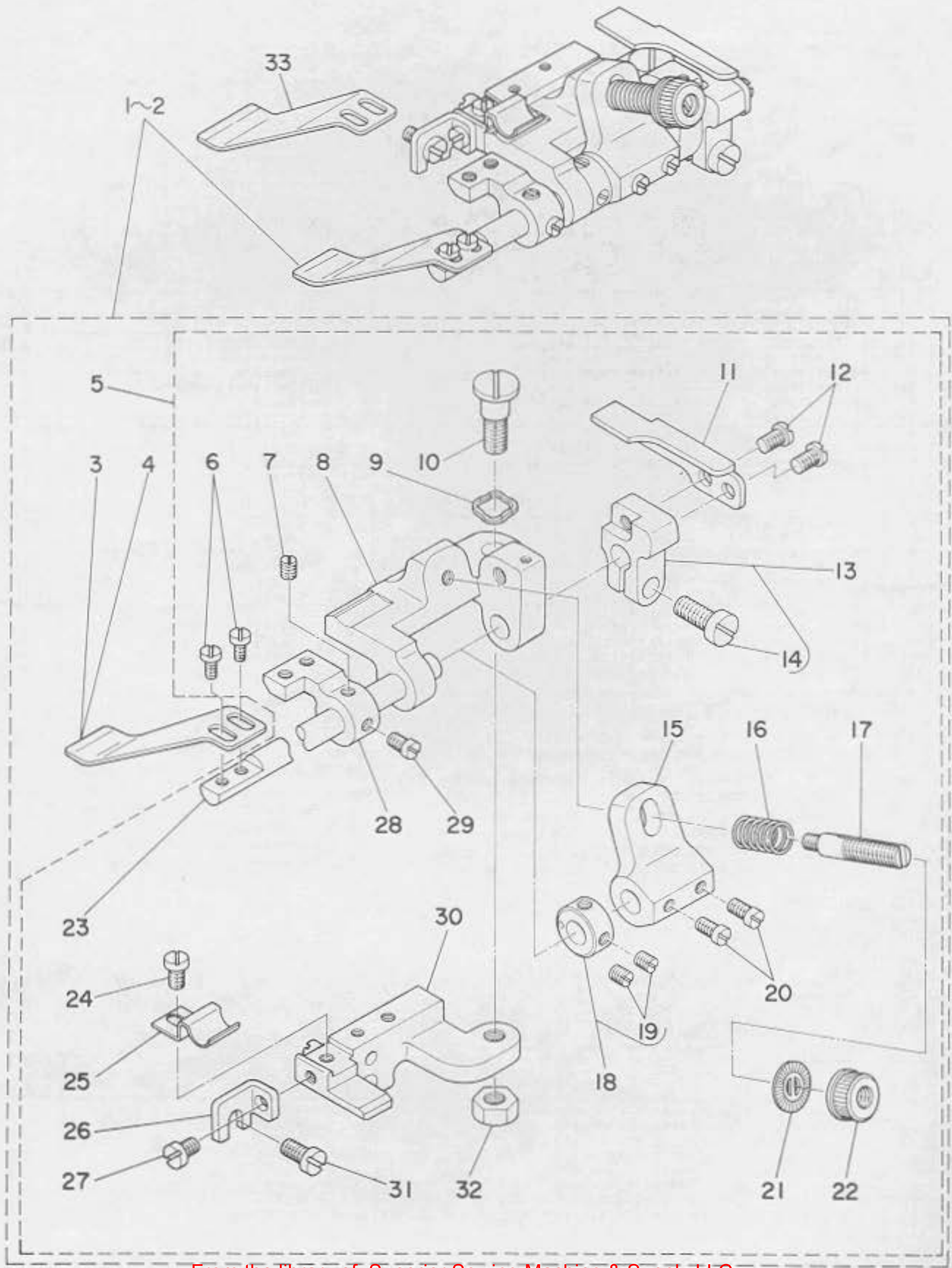
DD6-320用 (MO-2404N, 2414N, 2504N, 2514N)

013 For DD4-320, DD6-320 (MO-2404N, 2414N, 2504N, 2514N)

014 For S058, S098 (MO-2404N, 2414N, 2504N, 2514N)

AG-11102

3. S057.S058:SWING TYPE INTERMITTENT SHIRRING ATTACHMENT (PEDAL TYPE)
S057.S058:スイング方式ひだ取り装置 (ペダル式)

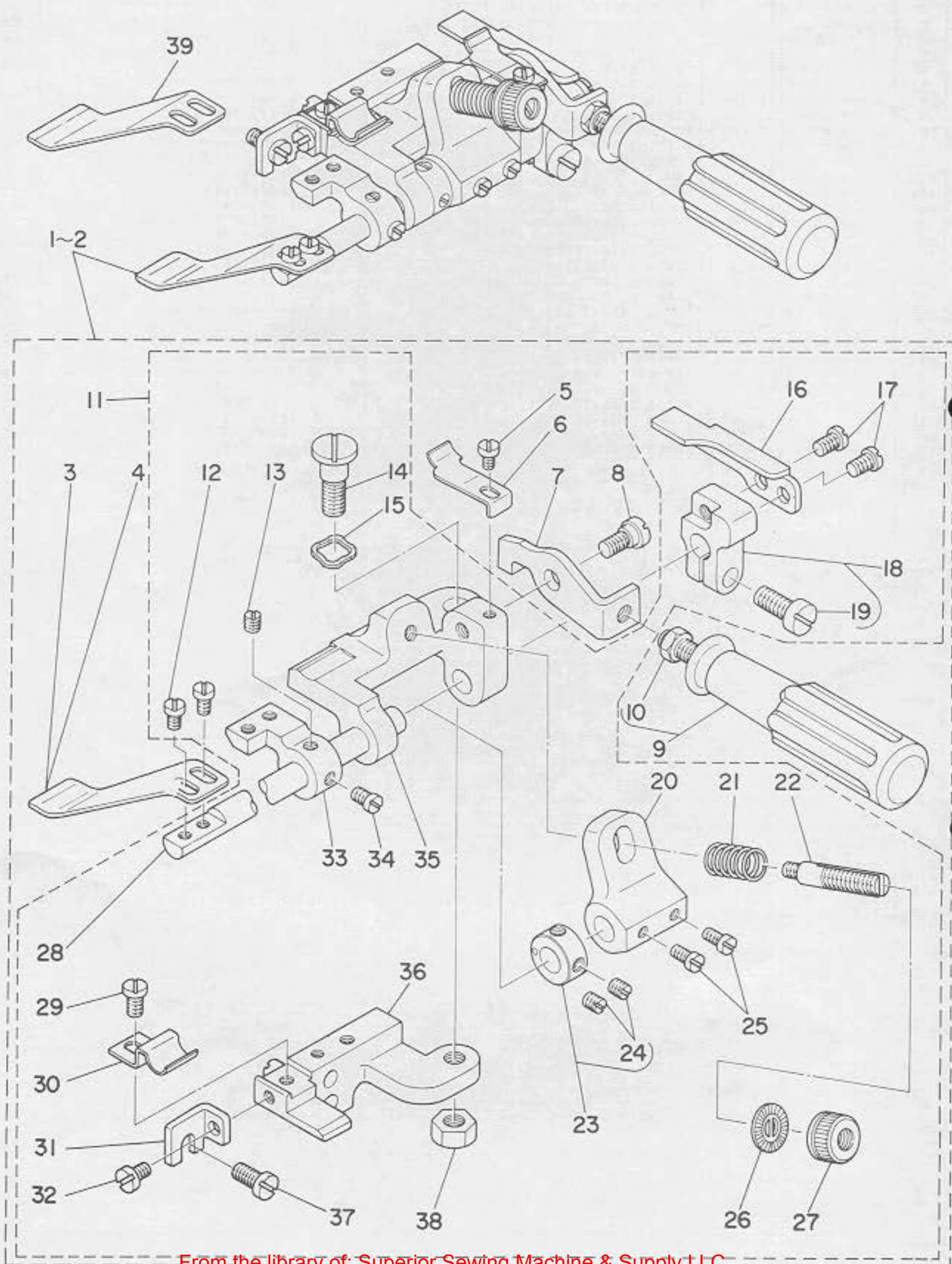


| Ref. No. | Note 注記 | Part No. 品番 | Description | E. C. 変更年月 | 品名 | Amt. Req. 数量 |
|----------|---------|---------------|-------------------------------------|------------|----------------------|--------------|
| 1 | 001 | MAS-057010A0 | PEDAL SHIRRING ATTACHMENT ASM. | | ヒダトリソウチ クミ | 1 |
| 2 | 002 | MAS-058010A0 | PEDAL SHIRRING ATTACHMENT ASM. | | ヒダトリソウチ クミ | 1 |
| 3 | 001 | MAS-05108000 | INTERMITTENT SHIRRING PRESSER PLATE | | ヒダトリソウチ | (1) |
| 4 | 002 | MAS-05208000 | INTERMITTENT SHIRRING PLATE | | ヒダトリソウチ | (1) |
| 5 | | MAS-057010B0 | PEDAL SHIRRING ATTACHMENT ASM. | | ヒダトリソウチ クミ | (1) |
| 6 | | SS-6090650-SP | SCREW 9/64-40 L=6 | | ヒラメシ 9/64-40 L=6 | (2) |
| 7 | | SS-8110520-TP | SCREW 11/64-40 L=4.5 | | トメメシ 11/64-40 L=4.5 | (1) |
| 8 | | MAS-05702000 | SWING BASE | | ヒダトリソウチ シシクイ | (1) |
| 9 | | WZ-0850302-K0 | WAVED WASHER 8.5x13x0.3 | | ワシカクワカク 8.5x12.5x0.3 | (1) |
| 10 | | SD-0790801-SP | HINGE SCREW D=7.94 W=8 | | クワクシ D=7.94 W=8 | (1) |
| 11 | | MAS-05703000 | LIFTING ARM | | ヒダアケウチ | (1) |
| 12 | | SS-7110710-SP | SCREW 11/64-40 L=7 | | ワシヒラメシ 11/64-40 L=7 | (2) |
| 13 | | MAS-052070A0 | LIFTING ARM MOUNTING BLOCK ASM. JA | | ヒダアケウチ トリソウチイ クミ | (1) |
| 14 | | SS-6151440-SP | SCREW 15/64-28 L=14 | | ヒラメシ 15/64-28 L=14 | (1) |
| 15 | | MAS-05204000 | APM | | ヒダトリソウチ ヒダアケウチ | (1) |
| 16 | | MAS-05205000 | SPRING | | ヒダトリソウチイハネ | (1) |
| 17 | | B3105-804-000 | TENSION POST | | イトチヨシホ | (1) |
| 18 | | CS-079081A-SP | THRUST COLLAR ASM. D=7.94 W=8 | | スラストク D=7.94 W=8 | (1) |
| 19 | | SS-8110520-TP | SCREW 11/64-40 L=4.5 | | トメメシ 11/64-40 L=4.5 | (2) |
| 20 | | SS-6110710-TP | SCREW 11/64-40 L=6.5 | | ヒラメシ 11/64-40 L=6.5 | (2) |
| 21 | | B3120-125-000 | TENSION DISC STOPPER | | イトチヨシクラ カイテントメ | (1) |
| 22 | | B3116-125-000 | TENSION NUT | | イトチヨシ ナット | (1) |
| 23 | | MAS-05206000 | SHAFT | | ヒダトリソウチ | (1) |
| 24 | | SS-7110710-SP | SCREW 11/64-40 L=7 | | ワシヒラメシ 11/64-40 L=7 | (1) |
| 25 | | MAS-05209000 | SPRING | | ヒダトリソウチ シシクイハネ | (1) |
| 26 | | MAS-05704000 | SWING BASE ROTATING STOPPER | | ヒダトリソウチ トリソウチイ クリトメ | (1) |
| 27 | | SS-7110510-SP | SCREW 11/64-40 L=5 | | ワシヒラメシ 11/64-40 L=5 | (1) |
| 28 | | MAS-05212000 | PIPING MOUNTING BLOCK | | ハチヒツク トリソウチイ | (1) |
| 29 | | SS-6110650-TP | SCREW 11/64-40 L=5.5 | | ヒラメシ 11/64-40 L=5.5 | (1) |
| 30 | | MAS-057010C0 | PRESSER PLATE BASE ASM. | | ヒダトリソウチ トリソウチイ クミ | (1) |
| 31 | | SS-6120940-SP | SCREW 3/16-28 L=9 | | ヒラメシ 3/16-28 L=9 | (1) |
| 32 | | NS-6160520-SP | NUT 1/4-24 | | ロツカクナット 1/4-24 | (1) |
| 33 | 003 | MAS-0510800A | INTERMITTENT SHIRRING PRESSER PLATE | | ヒダトリソウチ | 1 |

Note (注記) 001 For S057
002 For S058
003 For RH6-320

S057用
S058用
RH6-320用

4. S097.S098:SWING TYPE INTERMITTENT SHIRRING ATTACHMENT (MANUAL TYPE)
S097.S098:スイング方式ひだ取り装置(手動式)

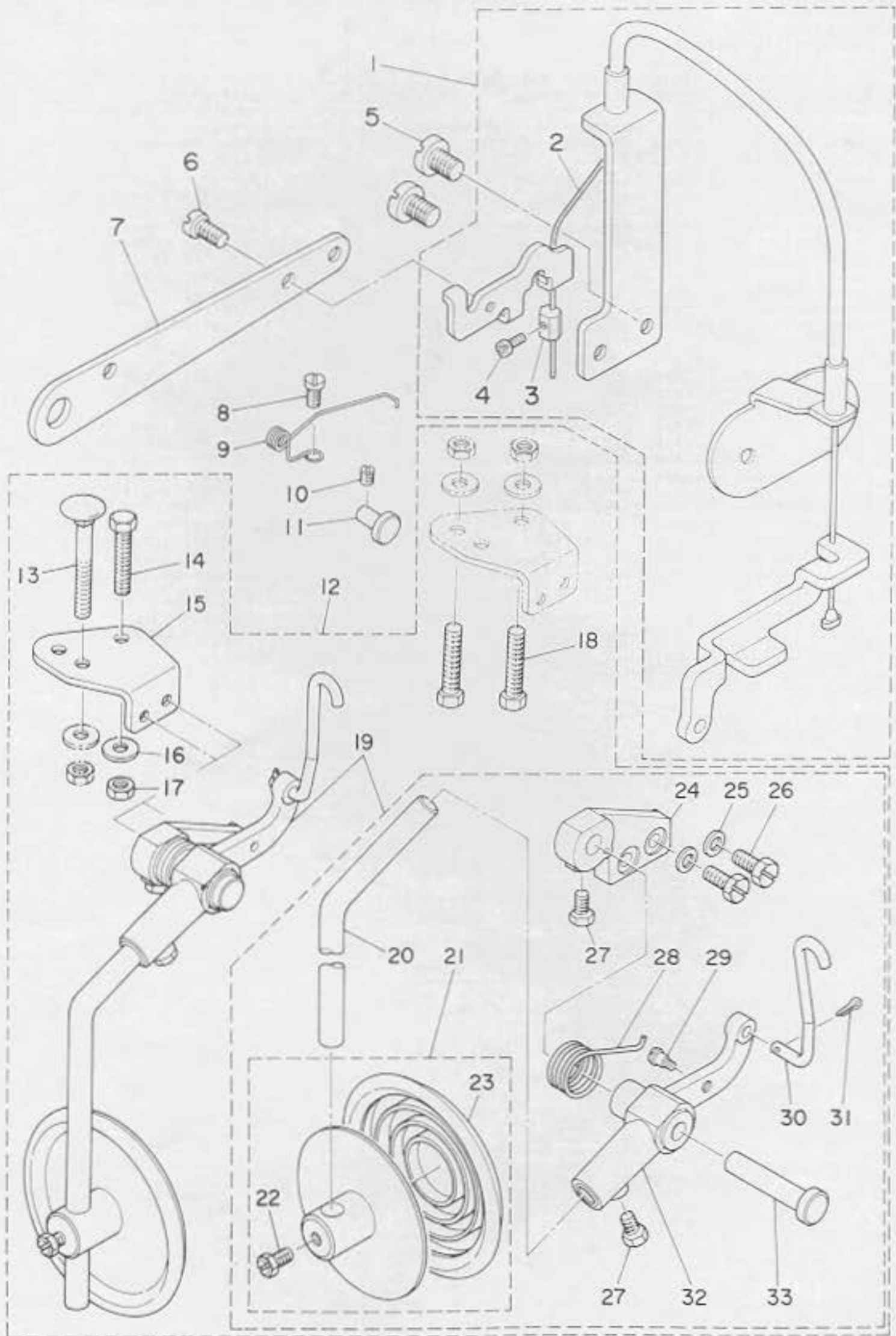


| Ref. No. | Note 注記 | Part No. 品番 | Description | E. C. 変更年月 | 品名 | Amt. Req. 数量 |
|----------|------------|-------------------|-------------------------------------|---------------|------------------------|--------------------|
| 1 ~ | 001 | MAS-097010A0 | MANUAL SHIRRING ATTACHMENT ASM | | シユト* - ヒヲ*トリソ*チ クヰ | 1 |
| 2 ~ | 002 | MAS-098010A0 | MANUAL SHIRRING ATTACHMENT ASM | | シユト* - ヒヲ*トリソ*チ クヰ | 1 |
| 3 ~ | 001 | MAS-05108000 24-U | INTERMITTENT SHIRRING PRESSER PLATE | | ヒヲ*トリソワヰ | (1) |
| 4 ~ | 002 | MAS-05208000 | INTERMITTENT SHIRRING PLATE | | ヒヲ*トリソワヰ | (1) |
| 5 | | SS-7090520-SP | SCREW 9/64-40 L= 4.5 | | ワ&ヒラネシ* 9/64-40 L=4.5 | (1) |
| 6 | | MAS-09203000 | SPRING PLATE | | シユト* - レハ* - ハ*ネ | (1) |
| 7 | | MAS-09201000 | MANUAL LEVER ARM | | シユト* - レハ* - ワヰ* | (1) |
| 8 | | SD-0640322-TP | HINGE SCREW D= 6.35 H= 3.2 | | ワ*ンネシ* D=6.35 H=3.2 | (1) |
| 9 | | MAS-092020A0 | MANUAL LEVER ASM. | | シユト* - レハ* - クヰ | (1) |
| 10 | | NS-6150310-SP | NUT 15/64-28 | | ワヰカクワヰ 15/64-28 | (1) |
| 11 | | MAS-05701080 | PEDAL SHIRRING ATTACHMENT ASM. | | ヒヲ*トリソ*チ クヰ | (1) |
| 12 | | SS-6090650-SP | SCREW 9/64-40 L=6 | | ヒラネシ* 9/64-40 L=6 | (2) |
| 13 | | SS-8110520-TP | SCREW 11/64-40 L= 4.5 | | トメネシ* 11/64-40 L=4.5 | (1) |
| 14 | | SD-0790801-SP | HINGE SCREW D=7.94 H=8 | | ワ*ンネシ* D=7.94 H=8 | (1) |
| 15 | | WZ-0850302-K0 | WAVED WASHER 8.5X13X0.3 | | ワヰカクワヰカネ 8.5X12.5X0.3 | (1) |
| 16 | | MAS-05703000 | LIFTING ARM | | ヒキアケワヰ* | (1) |
| 17 | | SS-7110710-SP | SCREW 11/64-40 L=7 | | ワ&ヒラネシ* 11/64-40 L=7 | (2) |
| 18 | | MAS-052070A0 | LIFTING ARM MOUNTING BLOCK ASM.,A | | ヒキアケワヰ* トリツクワ*イ クヰ | (1) |
| 19 | | SS-6151440-SP | SCREW 15/64-28 L=14 | | ヒラネシ* 15/64-28 L=14 | (1) |
| 20 | | MAS-05204000 | ARM | | ヒヲ*トリソワヰ ハ*ネワヰ* | (1) |
| 21 | | MAS-05205000 | SPRING | | ヒヲ*トリソワヰハ*ネ | (1) |
| 22 | | B3105-804-000 | TENSION POST | | イトチヨ-シネ* | (1) |
| 23 | | CS-079081A-SP | THRUST COLLAR ASM. D=7.94 W=8 | | スラストワヰ D=7.94 W=8 | (1) |
| 24 | | SS-8110520-TP | SCREW 11/64-40 L= 4.5 | | トメネシ* 11/64-40 L=4.5 | (2) |
| 25 | | SS-6110710-SP | SCREW 11/64-40 L=7 | | ヒラネシ* | (2) |
| 26 | | B3120-125-000 | TENSION DISC STOPPER | | イトチヨ-シワヰ 8イワヰト*メ | (1) |
| 27 | | B3116-125-000 | TENSION NUT | | イトチヨ-シ ワヰ | (1) |
| 28 | | MAS-05206000 | SHAFT | | ヒヲ*トリソ*ク | (1) |
| 29 | | SS-7110710-SP | SCREW 11/64-40 L=7 | | ワ&ヒラネシ* 11/64-40 L=7 | (1) |
| 30 | | MAS-05209000 | SPRING | | ヒヲ*トリソワヰ シシ*ワ*イハ*ネ | (1) |
| 31 | | MAS-05704000 | SWING BASE ROTATING STOPPER | | ヒヲ*トリソワヰ トリツクワ*イ ワヰト*メ | (1) |
| 32 | | SS-7110510-SP | SCREW 11/64-40 L=5 | | ワ&ヒラネシ* 11/64-40 L= 5 | (1) |
| 33 | | MAS-05212000 | PIPING MOUNTING BLOCK | | ハ*イヒ*ンク* トリツクワ*イ | (1) |
| 34 | | SS-6110650-TP | SCREW 11/64-40 L=5.5 | | ヒラネシ* 11/64-40 L=5.5 | (1) |
| 35 | | MAS-05702000 | SWING BASE | | ヒヲ*トリソワヰ シシ*ワ*イ | (1) |
| 36 | | MAS-057010C0 | PRESSER PLATE BASE ASM. | | ヒヲ*トリソワヰ トリツクワ*イ クヰ | (1) |
| 37 | | SS-6120940-SP | SCREW 3/16-28 L=9 | | ヒラネシ* 3/16-28 L=9 | (1) |
| 38 | | NS-6160520-SP | NUT 1/4-24 | | ワヰカクワヰ 1/4-24 | (1) |
| 39 ~ | 003 | MAS-0510800A | INTERMITTENT SHIRRING PRESSER PLATE | | ヒヲ*トリソワヰ | 1 |

Note (注記) 001 For S097
002 For S098
003 For RH6-320/S097

S097用
S098用
RH6-320 S097

5. KNEE OPERATING COMPONENTS
膝作動装置関係

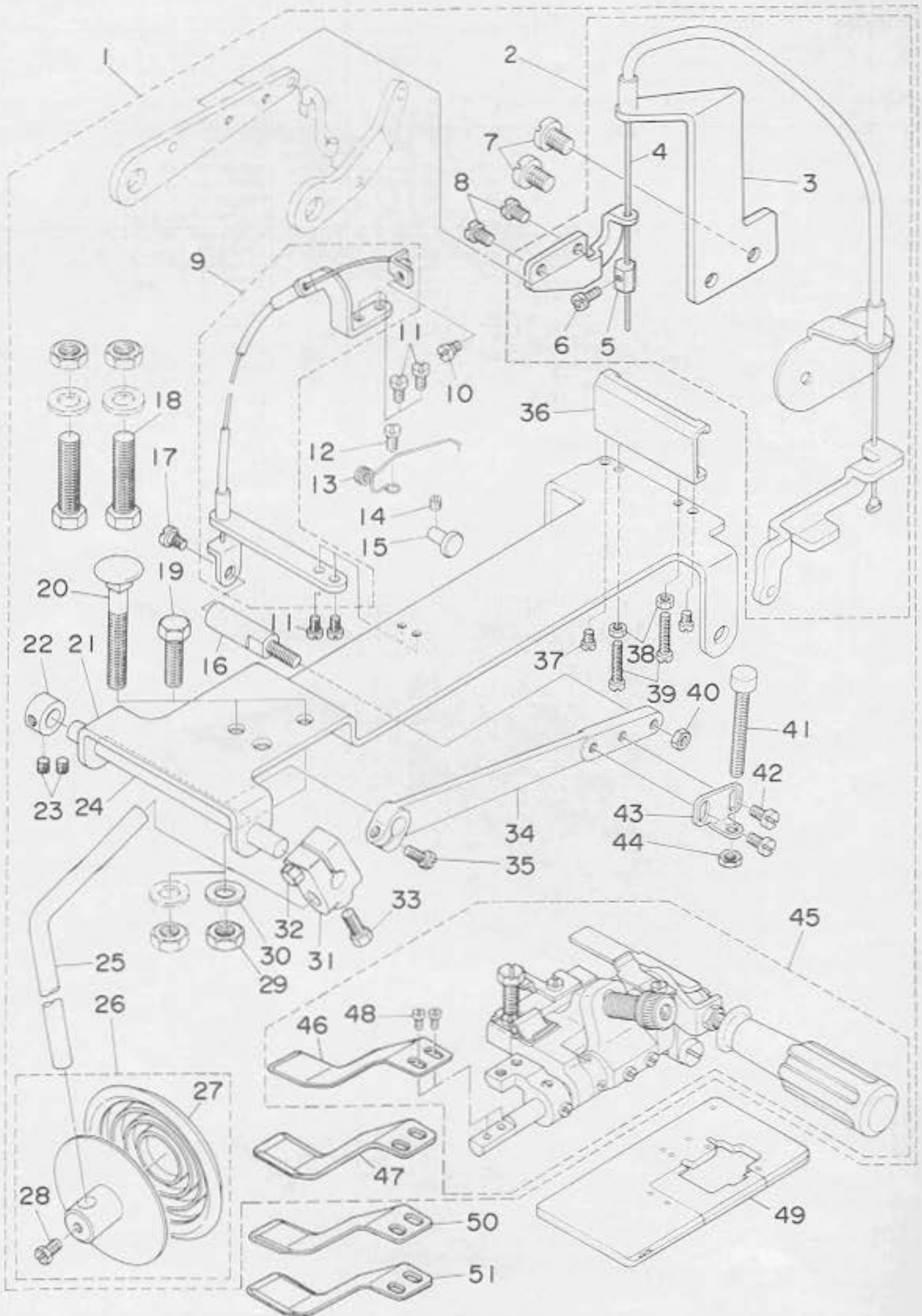


| Ref. No. | Note 注記 | Part No. 品番 | Description | E. C. 変更年月 | 品名 | Amt. Req. 数量 |
|----------|------------|-----------------|----------------------------|---------------|-----------------------|-----------------|
| 1 | | MAS-057050A0-A | WIRE ASM. | | ワイヤ-アスマ | 1 |
| 2 | | MAS-057120A0 | WIRE METAL FITING ASM. | | ワイヤ-メタルフィティングアスマ | (1) |
| 3 | | MAS-05720000 | WIRE STOPPER | | ワイヤ-ストッパー | (1) |
| 4 | | SS-4090615-SP | SCREW | | ナット | (1) |
| 5 | | SS-6151040-SP | SCREW 15/64-28 L=10 | | ヒラメシ 15/64-28 L=10 | 2 |
| 6 | | SS-6121010-SP | SCREW 3/16-28 L=10 | | ヒラメシ 3/16-28 L=10 | 2 |
| 7 | | MAS-05716000 | LIFTING LEVER ASM. | | リフティングレバアスマ | 1 |
| 8 | | SS-6110610-TP | SCREW 11/64-40 L=6 | | ヒラメシ 11/64-40 L=6 | 1 |
| 9 | | MAS-U5715000 | SPRING | | ヒキアケレバ-スプリング | 1 |
| 10 | | SS-8090410-SP | SCREW 9/64-40 L=3.5 | | トメメシ 9/64-40 L=3.5 | 1 |
| 11 | | MAS-U5714000 | PIN | | ヒキアケレバ-ピン | 1 |
| 12 | | MAS-107010A0 | KNEE OPERATING DEVICE ASM. | C.05/84 | MAS-107010C0 | 1 |
| 13 | | MAS-10704000 | BOLT | | ロツカクネット | (1) |
| 14 | #01 | SM-9083013-SC | SCREW M8 L=30 | | ロツカクネット M8 L=30 | (1) |
| 15 | | MAS-10701000 | INSTALLING PLATE | | ヒキアケレバ-アライタ | (1) |
| 16 | #01 | WP-0850002-SC | WASHER 8.5X18X1.6 | | ヒラメシカネ 8.5X18X1.6 | (1) |
| 17 | #01 | NM-6080600-SM | NUT M8 | | ロツカクナット M8 10X11.5 | (1) |
| 18 | #02 | SM-9084533-SC | SCREW M8 L=45 | | ロツカクネット M8 L=45 | (2) |
| 19 | | MAS-107010C0 | KNEE PRESS PLATE ASM. | C.05/84 | ヒキアライタ アスマ | (1) |
| 20 | | MAS-10702000 | ROD | | ヒキアケレバ-ロッド | (1) |
| 21 | | H3430-552-0A0 | KNEE PRESS PLATE ASM. | | ヒキアライタ アスマ | (1) |
| 22 | | SS-9061230-CP | SCREW 1/4-40 L=12 | | ロツカクネット 1/4-40 L=12 | (1) |
| 23 | | H3431-552-000-A | KNEE PRESS PLATE COVER | | ヒキアライタ カバ- | (1) |
| 24 | | MAS-10501000 | LEVER INSTALLING BASE | | ヒキアケレバ-アライタ | (1) |
| 25 | | WP-0740510-SP | WASHER 7.4X11.8X0.5 | | ヒラメシカネ 7.4X11.8X0.5 | (2) |
| 26 | | SS-9081610-TP | SCREW 9/32-28 L=16 | | ロツカクネット 9/32-28 L=16 | (2) |
| 27 | | SS-9151220-SR | SCREW 15/64-28 L=12 | | ロツカクネット 15/64-28 L=12 | (1) |
| 28 | | MAS-10503000 | SPRING | | ヒキアケレバ-スプリング | (1) |
| 29 | | SD-0550501-SP | HINGE SCREW D=5.5 H=5 | | ダンネシ D=5.5 H=5 | (1) |
| 30 | | MAS-10703000 | CONNECTING ROD | | ヒキアケレバ-コネクティングロッド | (1) |
| 31 | | PD-0201000-00 | SPLIT PIN 2X10 | | フリピン 1.8X10 | (1) |
| 32 | | MAS-10502000 | LEVER | | ヒキアケレバ- | (1) |
| 33 | | MAS-10504000 | PIN | | ヒキアケレバ-ピン | (1) |

NOTE (注記) ◇01.....For semi-sunken type table
◇02.....For fully-sunken type table

卓上式テーブル用
全沈式テーブル用

6. S112: SWING TYPE UPPER INTERMITTENT SHIRRING ATTACHMENT
 (MANUAL/PEDAL TYPE)
 S112: スイング方式上ひだ取り装置 (手動・ペダル式)

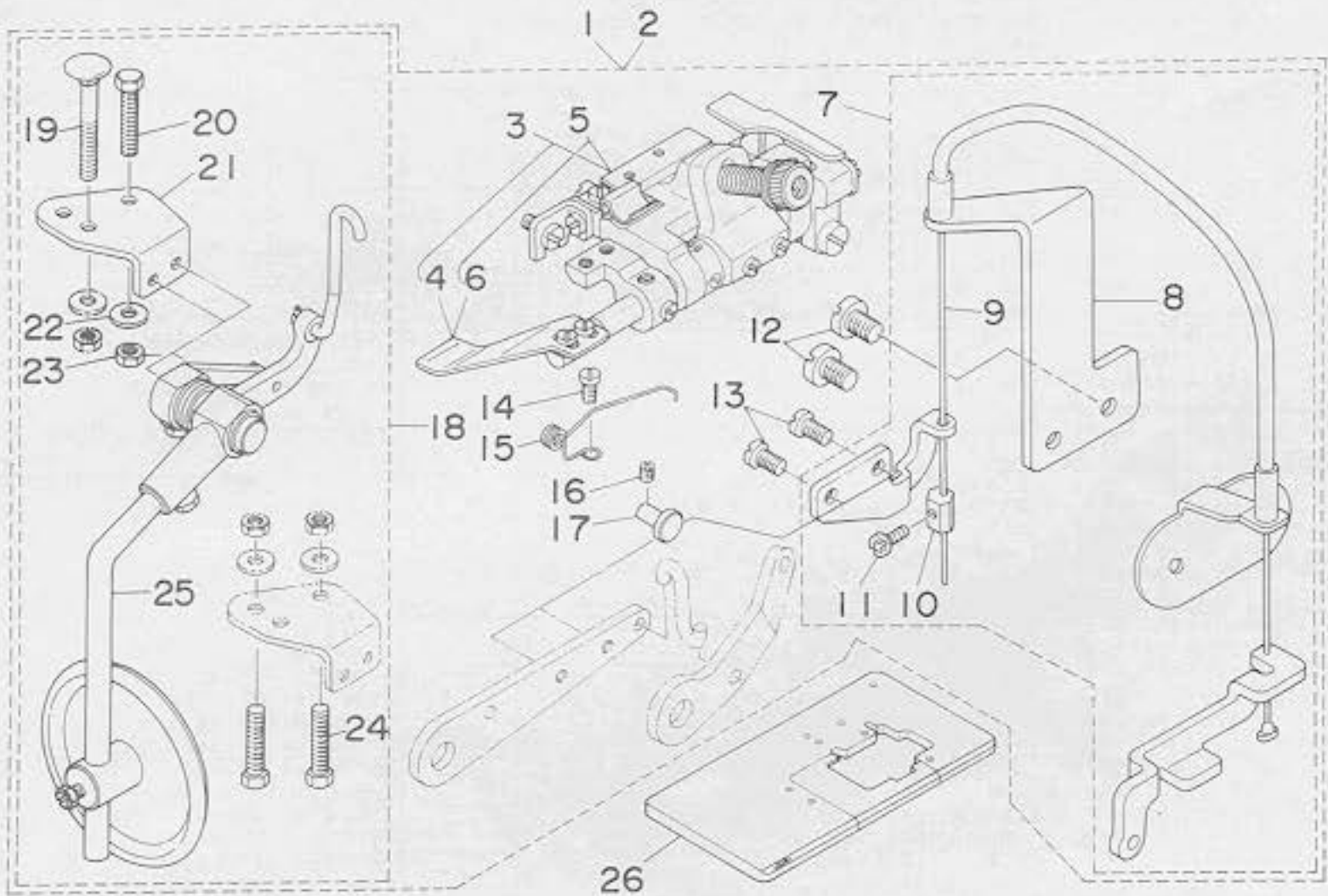


| Ref. No. | Note 注記 | Part No. 品番 | Description | E.C. 変更年月 | 品名 | Amt. Req. 数量 |
|----------|---------|-----------------|---------------------------------|-----------|-----------------------|--------------|
| 1 | | MAS-112000A-A | UPPER SHIRTING ATTACHMENT ASM. | | ツツヒタトリツチ クミ | 1 |
| 2 | | MAS-112120A-A | LIFTING WIRE ASM. | | オサリアケワイヤ | (1) |
| 3 | | MAS-125190A-A | WIRE SUPPORT ASM. | | ワイヤササエ クミ | (1) |
| 4 | | MAS-057120A-A | WIRE METAL FITTING ASM. | | ワイヤササエ クミ | (1) |
| 5 | | MAS-05720000 | WIRE STOPPER | | ワイヤトメ | (1) |
| 6 | | SS-4090615-SP | SCREW | | ナキジ | (1) |
| 7 | | SS-6151040-SP | SCREW 15/64-28 L=10 | | ヒラネジ 15/64-28 L=10 | (2) |
| 8 | | SS-7110710-SP | SCREW 11/64-40 L=7 | | ワムヒラネジ 11/64-40 L=7 | (2) |
| 9 | | MAS-112010A-A | WIRE ASM. | | ワイヤ クミ | (1) |
| 10 | | SD-0500251-SP | HINGE SCREW D=5 H=2.5 | | クミツネジ D=5 H=2.5 | (1) |
| 11 | | SS-7110710-SP | SCREW 11/64-40 L=7 | | ワムヒラネジ 11/64-40 L=7 | (4) |
| 12 | | SS-6110610-TP | SCREW 11/64-40 L=6 | | ヒラネジ 11/64-40 L=6 | (1) |
| 13 | | MAS-05715000 | SPRING | A.05/84 | ヒキアケレバシム 1/2 | (1) |
| 14 | | SS-8090410-SP | SCREW 9/64-40 L=3.5 | A.05/84 | トメネジ 9/64-40 L=3.5 | (1) |
| 15 | | MAS-05714000 | PIN | A.05/84 | ヒキアケレバシム 1/2 | (1) |
| 16 | | MAS-11206000 | SHAFT A | | ヒタトリシツク A | (1) |
| 17 | | SD-0640321-SP | HINGE SCREW D=6.35 H=3.2 | | クミツネジ D=6.35 H=3.2 | (1) |
| 18 | #02 | SM-9084533-SC | SCREW M8 L=45 | | ワツカクネジ M8 L=45 | (2) |
| 19 | #01 | SM-9083013-SC | SCREW M8 L=30 | | ワツカクネジ M8 L=30 | (1) |
| 20 | #01 | MAS-10704000 | BOLT | | ツツヒタネジ | (1) |
| 21 | | MAS-11211000 | LEVER BASE | | ヒキアケレバシム 1/2 | (1) |
| 22 | | CS-1111019-SP | THRUST COLLAR D=11.11 W=10 | | スラストワッフル D=11.11 W=10 | (1) |
| 23 | | SS-8660330-SP | SCREW 1/4-40 L=3.0 | | トメネジ 1/4-40 L=3 | (2) |
| 24 | | MAS-11209000 | SHAFT B | | ヒタトリシツク B | (1) |
| 25 | | MAS-10702000 | ROD | | ヒキアケレバシム | (1) |
| 26 | | B3430-552-OA-A | KNEE PRESS PLATE ASM. | | ヒキアケレバシム クミ | (1) |
| 27 | | B3431-552-000-A | KNEE PRESS PLATE COVER | | ヒキアケレバシム カバシム | (1) |
| 28 | | SS-9661230-CP | SCREW 1/4-40 L=12 | | ワツカクネジ 1/4-40 L=12 | (1) |
| 29 | #01 | NM-6080600-SM | NUT M8 | | ワツカクナット M8 1/2 | (1) |
| 30 | #01 | WP-0850002-SC | WASHER 8.5X18X1.6 | | ヒキアケレバシム 8.5X18X1.6 | (1) |
| 31 | | B3427-122-000 | KNEE PRESS ROD MOUNTING BRACKET | | ヒキアケレバシム メンシツク トリツツク | (1) |
| 32 | | SS-9182010-SM | SCREW 9/32-20 L=20 | | ワツカクネジ 9/32-20 L=20 | (1) |
| 33 | | SS-9181520-CP | SCREW 9/32-20 L=15.0 | | ワツカクネジ 9/32-20 L=15 | (1) |
| 34 | | MAS-11207000 | ARM | | ヒタトリシツク | (1) |
| 35 | | SS-9661610-CP | SCREW 1/4-40 L=16 | | ワツカクネジ 1/4-40 L=16 | (1) |
| 36 | | MAS-11210000 | LEVER BASE SUPPORT | | ヒキアケレバシム 1/2 | (1) |
| 37 | | SS-7110710-SP | SCREW 11/64-40 L=7 | | ワムヒラネジ 11/64-40 L=7 | (2) |
| 38 | | NS-6110310-SP | NUT 11/64-40 | | ワツカクナット 11/64-40 | (2) |
| 39 | | SS-7112420-SP | SCREW 11/64-40 L=24 | | ワムヒラネジ 11/64-40 L=24 | (2) |
| 40 | | NS-6150310-SP | NUT 15/64-28 | | ワツカクナット 15/64-28 | (1) |
| 41 | | GAK-01003B00 | PRESSER LIFTER STOPPER B | | オサリアケレバシム ストップバシム B | (1) |
| 42 | | SS-7151210-SP | SCREW 15/64-28 L=12 | | ワムヒラネジ 15/64-28 L=12 | (2) |
| 43 | | MAS-11208000 | STOPPER BASE | | ヒタトリ ストップバシム | (1) |
| 44 | | NM-6060003-SC | NUT M6 | | ワツカクナット M6 3/4 | (1) |
| 45 | | MAS-112140A-A | UPPER SHIRTING ATTACHMENT ASM. | | ヒタトリシツク クミ | (1) |
| 46 | #03 | MAS-12523000 | SEPARATING PLATE A T=0.8 | A.06/88 | ヒタトリ フツツリヤ A | (1) |
| 47 | #04 | MAS-12524000 | SEPARATING PLATE B T=1.6 | A.06/88 | ヒタトリ フツツリヤ B | (1) |
| 48 | | SS-6090650-SP | SCREW 9/64-40 L=6 | | ヒラネジ 9/64-40 L=6 | (2) |
| 49 | #01 | 118-95950 | TABLE B (FULLY SUNKEN TYPE) | | テーブル B クミ (ヒツツリヤ) | 1 |
| 50 | #05 | MAS-12525000 | SEPARATING PLATE C T=1.2 | A.06/88 | ヒタトリ フツツリヤ C | 1 |
| 51 | #05 | MAS-12526000 | SEPARATING PLATE D T=2.0 | A.06/88 | ヒタトリ フツツリヤ D | 1 |

Note (注記) #01 For semi-sunken type table
 #02 For fully-sunken type table
 #03 Standard part
 #04 Accessory part
 #05 Special order part

卓上式テーブル用
 全沈式テーブル用
 標準品
 付属品
 特別注文部品

7. S114, S115: SWING TYPE LOWER INTERMITTENT SHIRRING ATTACHMENT
 S114, S115: スイング方式布ひだ取り装置



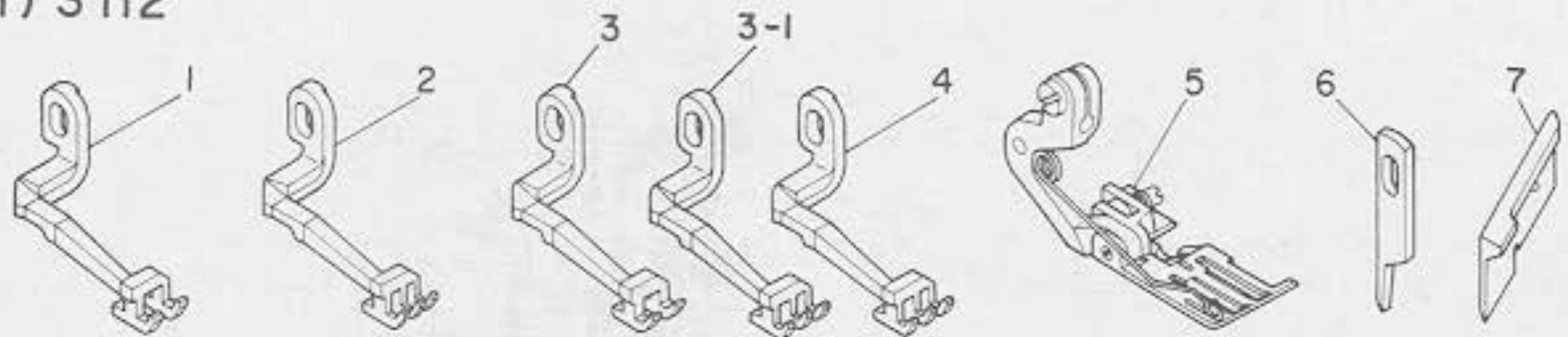
| Ref. No. | Note 注記 | Part No. 品番 | Description | E. C. 変更年月 | 品名 | Amt. Req. 数量 |
|----------|---------|----------------|-------------------------------------|------------|---------------------|--------------|
| 1 | #01 | MAS-114000A0-A | LOWER SHIRRING ATTACHMENT ASM. | | ヒタトリソチ クミ | 1 |
| 2 | #02 | MAS-115000A0-A | LOWER SHIRRING ATTACHMENT ASM. | | ヒタトリソチ クミ | 1 |
| 3 | #01 | MAS-057010A0 | PEDAL SHIRRING ATTACHMENT ASM. | | ヒタトリソチ クミ | (1) |
| 4 | #01 | MAS-05108000 | INTERMITTENT SHIRRING PRESSER PLATE | | ヒタトリソチ クミ | (1) |
| 5 | #02 | MAS-058010A0 | PEDAL SHIRRING ATTACHMENT ASM. | | ヒタトリソチ クミ | (1) |
| 6 | #02 | MAS-05208000 | INTERMITTENT SHIRRING PLATE | | ヒタトリソチ クミ | (1) |
| 7 | | MAS-112120A0-A | LIFTING WIRE ASM. | | オウエアケワイヤ | (1) |
| 8 | | MAS-125190A0 | WIRE SUPPORT ASM. | | ワイヤサシ クミ | (1) |
| 9 | | MAS-057120A0 | WIRE METAL FITTING ASM. | | ワイヤサシ クミ | (1) |
| 10 | | MAS-05720000 | WIRE STOPPER | | ワイヤトメ | (1) |
| 11 | | SS-4090615-SP | SCREW | | ナネジ | (1) |
| 12 | | SS-6151040-SP | SCREW 15/64-28 L=10 | | ヒラネジ 15/64-28 L=10 | (2) |
| 13 | | SS-7110710-SP | SCREW 11/64-40 L=7 | | マルヒラネジ 11/64-40 L=7 | (2) |
| 14 | | SS-6110610-TP | SCREW 11/64-40 L=6 | | ヒラネジ 11/64-40 L=6 | (1) |
| 15 | | MAS-05715000 | SPRING | A.05/84 | ヒキアケレバネ ハネ | (1) |
| 16 | | SS-8090410-SP | SCREW 9/64-40 L=3.5 | A.05/84 | トメネジ 9/64-40 L=3.5 | (1) |
| 17 | | MAS-05714000 | PIN | A.05/84 | ヒキアケレバネ ヒコシジキ | (1) |
| 18 | | MAS-107010A0 | KNEE OPERATING DEVICE ASM. | C.05/84 | MAS-107010C0 | (1) |
| 19 | #03 | MAS-10704000 | BOLT | | ウケイタネボルト | (1) |
| 20 | #03 | SM-9083013-SC | SCREW M8 L=30 | | ロツカクネボルト M8 L=30 | (1) |
| 21 | | MAS-10701000 | INSTALLING PLATE | | ヒキアケレバネタイ トリツケイタ | (1) |
| 22 | #03 | WP-0850002-SC | WASHER 8.5X18X1.6 | | ヒラワカネ 8.5X18X1.6 | (1) |
| 23 | #03 | NH-6080600-SM | NUT M8 | | ロツカクツツ M8 10X11.5 | (1) |
| 24 | #04 | SM-9084533-SC | SCREW M8 L=45 | | ロツカクネボルト M8 L=45 | (2) |
| 25 | | MAS-107010C0 | KNEE PRESS PLATE ASM. | C.05/84 | MAS-107010A0 | (1) |
| 26 | | 118-95950 | TABLE B (FULLY SUNKEN TYPE) | | テーブル B クミ (セツケン) | 1 |

Note (注記) #01 For S114
 #02 For S115
 #03 For semi-sunken type table
 #04 For fully-sunken type table

S114用
 S115用
 卓上式テーブル用
 全沈式テーブル用

8. SIMULTANEOUS EXCHANGING GAUGE PARTS (FOR MOR-2500N SERIES)
 MOR-2500N シリーズ同時交換ゲージ部品

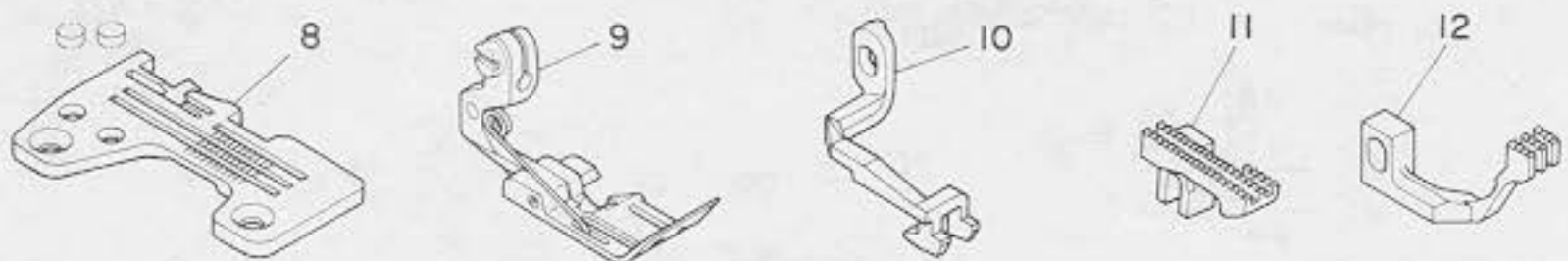
(1) S 112



| Ref. No. | Note 注記 | Part No. 品番 | Description | E. C. 変更年月 | 品名 | Amt. Req. 数量 |
|----------|---------|-------------|-------------------|------------|---------|--------------|
| 1 | #01 | 119-37505 | UPPER FEED DOG | | ウワオクリハ* | 1 |
| 2 | #02 | 119-37604 | UPPER FEED DOG | | ウワオクリハ* | 1 |
| 3 | #03 | 119-37703 | UPPER FEED DOG | | ウワオクリハ* | 1 |
| 3-1 | #06 | 119-36408 | UPPER FEED DOG | A.06/88 | ウワオクリハ* | 1 |
| 4 | #04 | 119-37802 | UPPER FEED DOG | | ウワオクリハ* | 1 |
| 5 | #03 | 119-34056 | PRESSER FOOT ASM. | | オサエ クミ | 1 |
| 6 | #03 | 118-45609 | KNIFE | | ヒラメス | 1 |
| 7 | #05 | 118-45906 | UPPER KNIFE | | ウワメス | 1 |

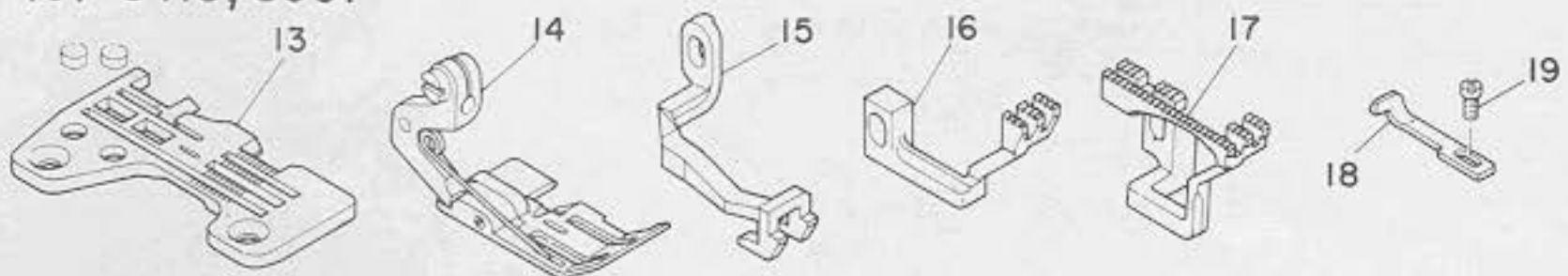
NOTE (注記) #01.....For MOR-2514N-BD4 MOR-2514N-BD4用
 #02.....For MOR-2514N-BD6 MOR-2514N-BD6用
 #03.....For MOR-2516N-DD4 MOR-2516N-DD4用
 #04.....For MOR-2516N-FF6, MOR-2516N-RH6 MOR-2516N-FF6, MOR-2516N-RH6用
 MOR-2543N-DBD6 MOR-2543N-DBD6用
 #05.....For MOR-2516N-DD4 (For export) MOR-2516N-DD4 (輸出用)
 #06.....For MOR-2516N-DD6 MOR-2516N-DD6用

(2) S 114, S098



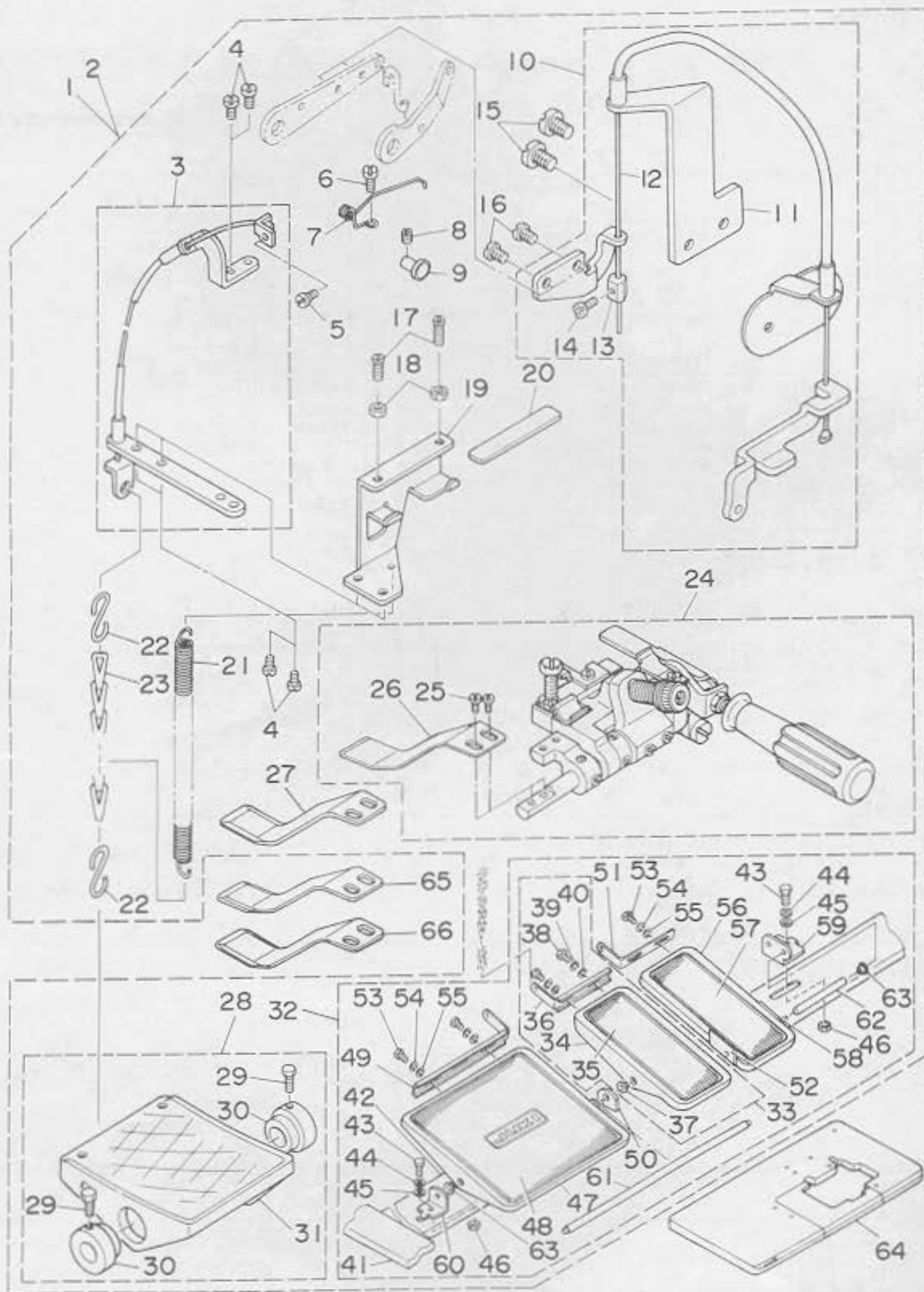
| Ref. No. | Note 注記 | Part No. 品番 | Description | E. C. 変更年月 | 品名 | Amt. Req. 数量 |
|----------|---------|---------------|-----------------------|------------|---------|--------------|
| 8 | | R4305-H00-E0A | THROAT PLATE | | ハリイタ | 1 |
| 9 | | 119-35053 | PRESSEF FOOT ASM. | | オサエ クミ | 1 |
| 10 | | 119-38602 | UPPER FEED DOG | | ウワオクリハ* | 1 |
| 11 | | 118-83402 | MAIN FEED DOG | | シユオクリハ* | 1 |
| 12 | | B1657-814-B0L | DIFFERENTIAL FEED DOG | | フクオクリハ* | 1 |

(3) S 115, S097



| Ref. No. | Note 注記 | Part No. 品番 | Description | E. C. 変更年月 | 品名 | Amt. Req. 数量 |
|----------|---------|-----------------|-----------------------|------------|-----------------------|--------------|
| 13 | | R4612-H0F-800 | THROAT PLATE | | ハリイタ | 1 |
| 14 | | 119-35152 | PRESSEF FOOT ASM. | | オサエ クミ | 1 |
| 15 | | 119-38701 | UPPER FEED DOG | | ウワオクリハ* | 1 |
| 16 | | 118-85902 | DIFFERENTIAL FEED DOG | | フクオクリハ* | 1 |
| 17 | | 118-84103 | MAIN FEED DOG | | シユオクリハ* | 1 |
| 18 | | B4120-816-FOC-A | NEEDLE GUARD | | ハリウケ E | 1 |
| 19 | | SS-7060610-5P | SCREW 3/32-56 L= 5.5 | | マルヒラメシ* 3/32-56 L=5.5 | 1 |

9. S118.S119:SWING TYPE UPPER INTERMITTENT SHIRRING ATTACHMENT
(PEDAL TYPE)
S118.S119:スイング方式上ひだ取り装置 (ペダル式)



| Ref. No. | Note 注記 | Part No. 品番 | Description | E.C. 変更年月 | 品名 | Amt. Req. 数量 |
|----------|---------|----------------|-------------------------------|-----------|---------------------|--------------|
| 1 | #01 | MAS-118000AO-A | UPPER SHIRING ATTACHMENT ASM. | | ウフヒタトリソチ クミ | 1 |
| 2 | #02 | MAS-119000AO-A | UPPER SHIRING ATTACHMENT ASM. | | ウフヒタトリソチ クミ | 1 |
| 3 | | MAS-112010AO | WIRE ASM. | | ワイヤ クミ | (1) |
| 4 | | SS-7110710-SP | SCREW 11/64-40 L=7 | | ワムヒラネシ 11/64-40 L=7 | (4) |
| 5 | | SD-0500251-SP | HINGE SCREW D=5 H=2.5 | | タツネシ D=5 H=2.5 | (1) |
| 6 | | SS-6110610-TP | SCREW 11/64-40 L=6 | | ヒラネシ 11/64-40 L=6 | (1) |
| 7 | | MAS-05715000 | SPRING | | ヒキアケレハハ- ハ | (1) |
| 8 | | SS-8090410-SP | SCREW 9/64-40 L=3.5 | | ヒメネシ 9/64-40 L=3.5 | (1) |
| 9 | | MAS-05714000 | PIN | | ヒキアケレハハ- ヒソツツク | (1) |
| 10 | | MAS-112120AO-A | LIFTING WIRE ASM. | | オサリアケワイヤ | (1) |
| 11 | | MAS-125190AO | WIRE SUPPORT ASM. | | ワイヤササエ クミ | (1) |
| 12 | | MAS-057120AO | WIRE METAL FITTING ASM. | | ワイヤカナダ クミ | (1) |
| 13 | | MAS-05720000 | WIRE STOPPER | | ワイヤトメ | (1) |
| 14 | | SS-4090615-SP | SCREW | | ナベネジ | (1) |
| 15 | | SS-6151040-SP | SCREW 15/64-28 L=10 | | ヒラネシ 15/64-28 L=10 | (1) |
| 16 | | SS-7110710-SP | SCREW 11/64-40 L=7 | | ワムヒラネシ 11/64-40 L=7 | (1) |
| 17 | | SS-6111110-SP | SCREW 11/64-40 L=11.0 | | ヒラネシ 11/64-40 L=11 | (2) |
| 18 | | NS-6110310-SP | NUT 11/64-40 | | ワツカクナツト 11/64-40 | (2) |
| 19 | | MAS-11801000 | WIRE STOPPER SUPPORTER | | ワイヤストップハ シタラシ | (1) |
| 20 | | MAS-11802000 | PROTECTOR PLATE | | ソクフケース ホソイタ | (1) |
| 21 | | B7159-781-000 | SHIFTER TENSION SPRING | | シフター ヒツハレハハ | (1) |
| 22 | | B8133-019-000 | S SHAPED HOOK | | Sカクタ カタク | (2) |
| 23 | | B8301-804-000 | CHAIN | | クワリ | (1) |
| 24 | | MAS-112140AO | UPPER SHIRING ATTACHMENT ASM. | | ヒタトリソチ クミ | (1) |
| 25 | | SS-6090650-SP | SCREW 9/64-40 L=6 | | ヒラネシ 9/64-40 L=6 | (2) |
| 26 | #04 | MAS-12523000 | SEPARATING PLATE A T=0.8 | A.06/88 | ヒタトリ フソソリヤ A | (1) |
| 27 | #05 | MAS-12524000 | SEPARATING PLATE B T=1.6 | A.06/88 | ヒタトリ フソソリヤ B | (1) |
| 28 | #02 | B8101-232-0AO | PEDAL ASM. | | ハタタ クミ | (1) |
| 29 | #02 | SM-906 703-SE | SCREW M6 L=12 | | ワツカクネツト M6 L=12 | (2) |
| 30 | #02 | B8125-112-000 | PEDAL THRUST COLLAR | | フミヤ ササエツク | (2) |
| 31 | #02 | B8101-232-000 | PEDAL | | ハタタ | (1) |
| 32 | #01 | MAS-11800080 | PEDAL ASM. | | ハタタ クミ | (1) |
| 33 | #01 | MAS-118030AO | PEDAL ASM. | | オサリアケハタタ クミ | (1) |
| 34 | #01 | B8151-771-000 | PEDAL | | Zキクヨ- ハタタ | (1) |
| 35 | #01 | B8152-771-000 | PEDAL MAT | | ハタタマツト | (1) |
| 36 | #01 | D8125-772-800 | PEDAL ADJUSTING PLATE | | フミヤ チヨ-セツヤ | (1) |
| 37 | #01 | D8113-555-800 | PEDAL BUSHING | | フミヤ フソソリ | (2) |
| 38 | #01 | SM-9061203-SE | SCREW M6 L=12 | | ワツカクネツト M6 L=12 | (2) |
| 39 | #01 | WS-0621210-KR | SPRING WASHER 6.2X11.4X1.2 | | ハネサカカネ 6.2X11.4X1.2 | (2) |
| 40 | #01 | WP-0671016-SE | WASHER 6.7X13X1 | | ヒラサカカネ 6.7X13X1 | (2) |
| 41 | #01 | B8103-552-000 | STAND ASM. | | シチュ- クミ | (2) |
| 42 | #01 | D8109-555-800 | PEDAL SHAFT | | シタシチュ- | (1) |
| 43 | #01 | SM-9082023-SE | SCREW M8 L=20 | | ワツカクネツト M8 L=20 | (3) |
| 44 | #01 | WS-0861410-KR | SPRING WASHER 8.6X15X1.4 | | ハネサカカネ 8.6X15X1.4 | (3) |
| 45 | #01 | WP-0871602-SE | WASHER 8.7X18X1.6 | | ヒラサカカネ 8.7X18X1.6 | (6) |
| 46 | #01 | NM-6080721-SE | NUT M8 | | ワツカクナツト M8 | (3) |
| 47 | #01 | D8110-555-80E | PEDAL | | フミヤ | (1) |
| 48 | #01 | D8111-555-80E | PEDAL MAT | | フミヤ マツト | (1) |
| 49 | #01 | D8112-555-80E | PEDAL ADJUSTING PLATE | | フミヤ チヨ-セツヤ | (1) |
| 50 | #01 | GPF-01017000 | LINER PLATE | | フミヤシツクワ | (1) |
| 51 | #01 | D8125-772-800 | PEDAL ADJUSTING PLATE | | フミヤ チヨ-セツヤ | (1) |
| 52 | #01 | B8153-491-000 | PEDAL SUPPORT PLATE B | | ハタタシソシヤ B | (1) |
| 53 | #01 | SM-9061203-SE | SCREW M6 L=12 | | ワツカクネツト M6 L=12 | (4) |
| 54 | #01 | WS-0621210-KR | SPRING WASHER 6.2X11.4X1.2 | | ハネサカカネ 6.2X11.4X1.2 | (4) |
| 55 | #01 | WP-0671016-SE | WASHER 6.7X13X1 | | ヒラサカカネ 6.7X13X1 | (4) |
| 56 | #01 | B8151-491-000 | PEDAL | | ハタタ | (1) |
| 57 | #01 | B8152-771-000 | PEDAL MAT | | ハタタマツト | (1) |
| 58 | #01 | B8152-491-000 | PEDAL SUPPORT PLATE A | | ハタタシソシヤ A | (1) |
| 59 | #01 | B8114-491-000 | PEDAL SHAFT BRACKET | | フミヤシツクワ | (2) |
| 60 | #01 | D8114-555-80E | PEDAL SHAFT BRACKET | | フミヤシツクワ | (1) |
| 61 | #01 | GPF-01016000 | PEDAL SHAFT | | ハタタシツク | (1) |
| 62 | #01 | B8115-491-000 | PEDAL SHAFT | | ハタタシツク | (1) |
| 63 | #01 | D8113-555-800 | PEDAL BUSHING | | フミヤ フソソリ | (4) |
| 64 | #03 | 118-95950 | TABLE B (FULLY SUNKEN TYPE) | | テーブル B クミ (セソソソ) | 1 |
| 65 | #06 | MAS-12525000 | SEPARATING PLATE C T=1.2 | A.06/88 | ヒタトリ フソソリヤ C | 1 |
| 66 | #06 | MAS-12526000 | SEPARATING PLATE D T=2.0 | A.06/88 | ヒタトリ フソソリヤ D | 1 |

Note(注記) #01.....For S118 S118用
#02.....For S119 S119用
#03.....For fully-sunken type table 全沈式テーブル用
#04.....Standard part 標準品
#05.....Accessory part 付属品
#06.....Special order part 特別注文部品

NUMERICAL INDEX OF PARTS

索引

| Part No. 品番 | Page 頁 | Ref. No. | Part No. 品番 | Page 頁 | Ref. No. | Part No. 品番 | Page 頁 | Ref. No. | Part No. 品番 | Page 頁 | Ref. No. |
|-----------------|-----------|-------------|----------------|-----------|-------------|----------------|-----------|-------------|----------------|-----------|-------------|
| B1657-814-BOL | 2 | 25 | MAS-057120AD | 14 | 12 | PD-0201000-00 | 8 | 31 | WP-0671016-SE | 14 | 40 |
| B1657-814-BOL | 12 | 12 | MAS-05714000 | 1 | 5 | R4300-HDD-00A | 2 | 23 | WP-0671016-SE | 14 | 55 |
| B3105-804-000 | 4 | 17 | MAS-05714000 | 8 | 11 | R4305-HDD-EDA | 2 | 22 | WP-0740516-SP | 8 | 25 |
| B3105-804-000 | 6 | 22 | MAS-05714000 | 10 | 15 | R4305-HDD-EDA | 12 | 8 | WP-0850002-SC | 1 | 13 |
| B3116-125-000 | 4 | 22 | MAS-05714000 | 11 | 17 | R4612-HDF-800 | 2 | 5 | WP-0850002-SC | 8 | 16 |
| B3116-125-000 | 6 | 27 | MAS-05715000 | 14 | 9 | R4612-HDF-800 | 12 | 13 | WP-0850002-SC | 10 | 30 |
| B3120-125-000 | 4 | 21 | MAS-05715000 | 1 | 8 | SD-0500251-SP | 10 | 10 | WP-0850002-SC | 11 | 22 |
| B3120-125-000 | 6 | 26 | MAS-05715000 | 8 | 9 | SD-0500251-SP | 14 | 5 | WP-0871602-SE | 14 | 45 |
| B3427-122-000 | 10 | 31 | MAS-05715000 | 10 | 13 | SD-0550501-SP | 8 | 29 | WS-0621210-KR | 14 | 39 |
| B3430-552-0AD | 8 | 21 | MAS-05715000 | 11 | 15 | SD-0540321-SP | 10 | 17 | WS-0621210-KR | 14 | 54 |
| B3430-552-0AD | 10 | 26 | MAS-05716000 | 14 | 7 | SD-0640322-TP | 6 | 8 | WS-0861410-KR | 14 | 44 |
| B3431-552-000-A | 8 | 23 | MAS-05716000 | 1 | 4 | SD-0790801-SP | 6 | 8 | WZ-0850302-KO | 4 | 9 |
| B3431-552-000-A | 10 | 27 | MAS-05716000 | 8 | 7 | SD-0790801-SP | 4 | 10 | WZ-0850302-KO | 6 | 15 |
| B4120-816-DOB-A | 2 | 8 | MAS-05720000 | 8 | 3 | SM-9061203-SE | 6 | 14 | 118-45609 | 2 | 7 |
| B4120-816-FDC-A | 2 | 9 | MAS-05720000 | 10 | 5 | SM-9061203-SE | 14 | 29 | 118-45609 | 12 | 6 |
| B4120-816-FDC-A | 12 | 18 | MAS-05720000 | 11 | 10 | SM-9061203-SE | 14 | 38 | 118-45807 | 2 | 5 |
| B4120-816-ROA | 2 | 10 | MAS-05720000 | 14 | 13 | SM-9061203-SE | 14 | 53 | 118-45906 | 12 | 7 |
| B7159-781-000 | 14 | 21 | MAS-058010AD | 4 | 2 | SM-9082023-SE | 14 | 43 | 118-78857 | 2 | 21 |
| B8101-232-000 | 14 | 31 | MAS-058010AD | 11 | 5 | SM-9083013-SC | 1 | 11 | 118-78865 | 2 | 21-1 |
| B8101-232-0AD | 14 | 28 | MAS-09201000 | 6 | 7 | SM-9083013-SC | 8 | 14 | 118-79305 | 2 | 20 |
| B8103-552-000 | 14 | 41 | MAS-092020AD | 6 | 9 | SM-9083013-SC | 10 | 19 | 118-79368 | 2 | 20-1 |
| B8114-491-000 | 14 | 59 | MAS-09203000 | 6 | 6 | SM-9083013-SC | 11 | 20 | 118-79558 | 2 | 1 |
| B8115-491-000 | 14 | 62 | MAS-097010AD | 6 | 1 | SM-9084533-SC | 1 | 15 | 118-79566 | 2 | 1-1 |
| B8125-012-000 | 14 | 30 | MAS-098010AD | 6 | 2 | SM-9084533-SC | 8 | 18 | 118-79657 | 2 | 2 |
| B8133-019-000 | 14 | 22 | MAS-10501000 | 8 | 24 | SM-9084533-SC | 10 | 18 | 118-79665 | 2 | 2-1 |
| B8151-491-000 | 14 | 56 | MAS-10502000 | 8 | 32 | SS-4090615-SP | 8 | 4 | 118-80457 | 2 | 3 |
| B8151-771-000 | 14 | 34 | MAS-10503000 | 8 | 28 | SS-4090615-SP | 10 | 6 | 118-80465 | 2 | 3-1 |
| B8152-491-000 | 14 | 58 | MAS-10504000 | 8 | 33 | SS-4090615-SP | 11 | 24 | 118-80853 | 2 | 4 |
| B8152-771-000 | 14 | 35 | MAS-10701000 | 1 | 12 | SS-4090615-SP | 11 | 11 | 118-80861 | 2 | 4-1 |
| B8152-771-000 | 14 | 57 | MAS-10701000 | 8 | 15 | SS-4090615-SP | 14 | 14 | 118-83402 | 2 | 24 |
| B8153-491-000 | 14 | 52 | MAS-10701000 | 11 | 21 | SS-6090650-SP | 4 | 6 | 118-83402 | 12 | 11 |
| B8301-804-000 | 14 | 23 | MAS-107010AD | 1 | 9 | SS-6090650-SP | 6 | 12 | 118-83709 | 2 | 13 |
| | | | MAS-107010AD | 8 | 12 | SS-6090650-SP | 10 | 48 | 118-83808 | 2 | 14 |
| CS-07081A-SP | 4 | 18 | MAS-107010AD | 11 | 18 | SS-6090650-SP | 14 | 25 | 118-83907 | 2 | 15 |
| CS-07081A-SP | 6 | 23 | MAS-107010CD | 1 | 16 | SS-6110610-TP | 1 | 7 | 118-84103 | 2 | 16 |
| CS-1111019-SP | 10 | 22 | MAS-107010CD | 8 | 19 | SS-6110610-TP | 10 | 12 | 118-84103 | 12 | 17 |
| | | | MAS-107010CD | 11 | 25 | SS-6110610-TP | 11 | 14 | 118-85704 | 2 | 17 |
| D8109-555-B00 | 14 | 42 | MAS-10702000 | 8 | 20 | SS-6110610-TP | 14 | 5 | 118-85803 | 2 | 18 |
| D8110-555-B0E | 14 | 47 | MAS-10702000 | 10 | 25 | SS-6110650-TP | 4 | 29 | 118-85902 | 2 | 19 |
| D8111-555-B0E | 14 | 48 | MAS-10703000 | 8 | 30 | SS-6110650-TP | 6 | 34 | 118-85902 | 12 | 16 |
| D8112-555-B0E | 14 | 49 | MAS-10704000 | 1 | 10 | SS-6110710-SP | 6 | 25 | 118-95950 | 10 | 49 |
| D8113-555-B0 | 14 | 37 | MAS-10704000 | 8 | 13 | SS-6110710-TP | 4 | 20 | 118-95950 | 11 | 26 |
| D8113-555-B00 | 14 | 63 | MAS-10704000 | 10 | 20 | SS-6111110-SP | 14 | 17 | 118-95950 | 14 | 64 |
| D8114-555-B0E | 14 | 60 | MAS-10704000 | 11 | 19 | SS-61160610-TP | 8 | 8 | 118-97501 | 2 | 26 |
| D8125-772-B00 | 14 | 36 | MAS-112000AD-A | 10 | 1 | SS-6120940-SP | 4 | 31 | 119-34056 | 12 | 5 |
| D8125-772-B00 | 14 | 51 | MAS-112010AD | 10 | 9 | SS-6120940-SP | 6 | 37 | 119-35053 | 12 | 9 |
| | | | MAS-112010AD | 14 | 3 | SS-6121010-SP | 8 | 6 | 119-35152 | 12 | 14 |
| GAX-01003800 | 10 | 41 | MAS-11206000 | 10 | 16 | SS-6151040-SP | 1 | 3 | 119-36408 | 12 | 3-1 |
| GPF-01016000 | 14 | 61 | MAS-11207000 | 10 | 34 | SS-6151040-SP | 8 | 5 | 119-37505 | 12 | 1 |
| GPF-01017000 | 14 | 50 | MAS-11208000 | 10 | 43 | SS-6151040-SP | 10 | 7 | 119-37604 | 12 | 2 |
| | | | MAS-11209000 | 10 | 24 | SS-6151040-SP | 11 | 12 | 119-37703 | 12 | 3 |
| MAS-5701080 | 4 | 5 | MAS-11210000 | 10 | 36 | SS-6151040-SP | 14 | 15 | 119-37802 | 12 | 4 |
| MAS-05108000 | 4 | 3 | MAS-11211000 | 10 | 21 | SS-6151440-SP | 4 | 14 | 119-38602 | 12 | 10 |
| MAS-05108000 | 6 | 3 | MAS-112120AD | 11 | 7 | SS-6151440-SP | 6 | 19 | 119-38701 | 12 | 15 |
| MAS-05108000 | 11 | 4 | MAS-112120AD-A | 10 | 2 | SS-7050610-SP | 2 | 11 | | | |
| MAS-0510800A | 2 | 12 | MAS-112120AD-A | 14 | 10 | SS-7050610-SP | 12 | 19 | | | |
| MAS-0510800A | 4 | 33 | MAS-112140AD | 10 | 45 | SS-7090520-SP | 6 | 5 | | | |
| MAS-0510800A | 6 | 39 | MAS-112140AD | 14 | 24 | SS-7110510-SP | 4 | 27 | | | |
| MAS-05204000 | 4 | 15 | MAS-114000AD-A | 11 | 1 | SS-7110510-SP | 6 | 32 | | | |
| MAS-05204000 | 6 | 20 | MAS-115000AD-A | 11 | 2 | SS-7110710-SP | 1 | 2 | | | |
| MAS-05205000 | 4 | 16 | MAS-118000AD-A | 14 | 1 | SS-7110710-SP | 4 | 12 | | | |
| MAS-05205000 | 6 | 21 | MAS-118000B0 | 14 | 32 | SS-7110710-SP | 4 | 24 | | | |
| MAS-05206000 | 4 | 23 | MAS-11801000 | 14 | 19 | SS-7110710-SP | 6 | 17 | | | |
| MAS-05206000 | 6 | 28 | MAS-11802000 | 14 | 20 | SS-7110710-SP | 6 | 29 | | | |
| MAS-052070AD | 4 | 13 | MAS-118030AD | 14 | 33 | SS-7110710-SP | 10 | 8 | | | |
| MAS-052070AD | 6 | 18 | MAS-119000AD-A | 14 | 2 | SS-7110710-SP | 10 | 11 | | | |
| MAS-05208000 | 4 | 4 | MAS-125190AD | 10 | 3 | SS-7110710-SP | 10 | 37 | | | |
| MAS-05208000 | 6 | 4 | MAS-125190AD | 11 | 8 | SS-7110710-SP | 11 | 13 | | | |
| MAS-05208000 | 11 | 6 | MAS-125190AD-A | 14 | 11 | SS-7110710-SP | 14 | 4 | | | |
| MAS-05209000 | 4 | 25 | MAS-12523000 | 10 | 46 | SS-7110710-SP | 14 | 16 | | | |
| MAS-05209000 | 6 | 30 | MAS-12523000 | 14 | 26 | SS-7112420-SP | 10 | 39 | | | |
| MAS-05212000 | 4 | 28 | MAS-12524000 | 10 | 47 | SS-7151210-SP | 10 | 42 | | | |
| MAS-05212000 | 6 | 33 | MAS-12524000 | 14 | 27 | SS-8090410-SP | 1 | 6 | | | |
| MAS-05701000 | 4 | 30 | MAS-12525000 | 10 | 50 | SS-8090410-SP | 8 | 10 | | | |
| MAS-05701000 | 6 | 36 | MAS-12525000 | 14 | 65 | SS-8090410-SP | 10 | 14 | | | |
| MAS-057010AD | 1 | 17 | MAS-12526000 | 10 | 51 | SS-8090410-SP | 11 | 16 | | | |
| MAS-057010AD | 1 | 18 | MAS-12526000 | 14 | 66 | SS-8090410-SP | 14 | 8 | | | |
| MAS-057010AD | 4 | 1 | | | | SS-8110520-TP | 4 | 7 | | | |
| MAS-057010AD | 11 | 3 | NM-606003-SC | 10 | 44 | SS-8110520-TP | 4 | 19 | | | |
| MAS-057010B0 | 6 | 11 | NM-608060-SC | 1 | 14 | SS-8110520-TP | 6 | 13 | | | |
| MAS-05702000 | 4 | 8 | NM-608060-SM | 8 | 17 | SS-8110520-TP | 6 | 24 | | | |
| MAS-05702000 | 6 | 35 | NM-608060-SM | 10 | 29 | SS-8660330-SP | 10 | 23 | | | |
| MAS-05703000 | 4 | 11 | NM-608060-SM | 11 | 23 | SS-9151220-SH | 8 | 27 | | | |
| MAS-05703000 | 6 | 16 | NM-6080721-SE | 14 | 46 | SS-9181520-CP | 10 | 33 | | | |
| MAS-05704000 | 4 | 26 | NS-6110310-SP | 10 | 38 | SS-9182010-SN | 10 | 32 | | | |
| MAS-05704000 | 6 | 31 | NS-6150310-SP | 6 | 10 | SS-9661230-CP | 8 | 22 | | | |
| MAS-057050AD | 8 | 1 | NS-6150310-SP | 10 | 40 | SS-9661510-CP | 10 | 28 | | | |
| MAS-057050AD-A | 1 | 1 | NS-6160520-SP | 4 | 32 | SS-9681610-TP | 8 | 25 | | | |
| MAS-057120AD | 8 | 2 | NS-6160520-SP | 6 | 38 | | | | | | |
| MAS-057120AD | 10 | 1 | | | | | | | | | |
| MAS-057120AD | 11 | 1 | | | | | | | | | |