

John Bean®

VPI SYSTEM II

WHEEL BALANCER



Parts Manual

TEEWB503D3

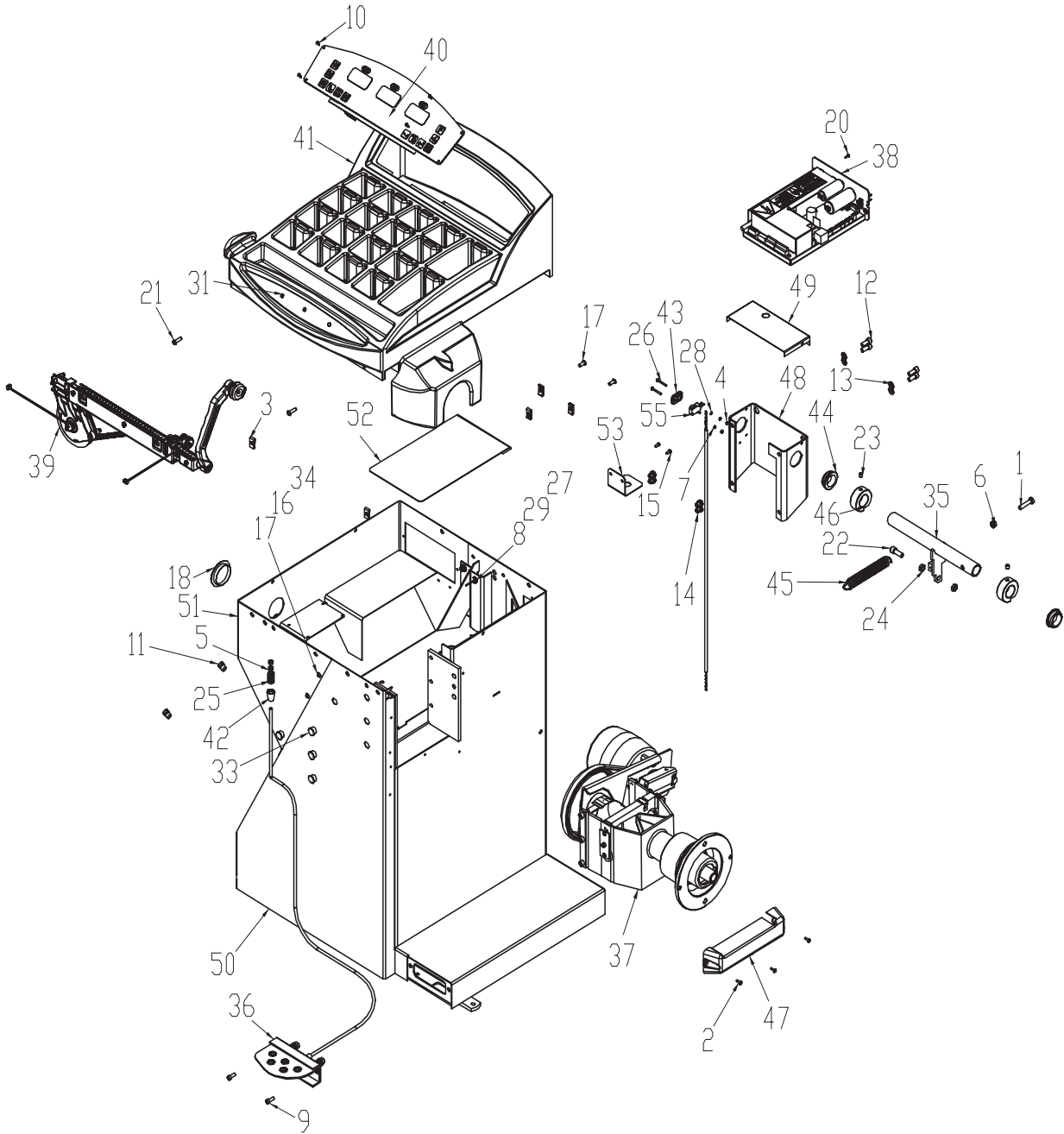
Table of Contents

BOM	3
BALANCER ASSEMBLY	4
UPPER DISPLAY	6
2D SAPE ASSEMBLY	7
VIBRATORY ASSEMBLY	8
CONES AND ACCESSORIES.....	9

BOM

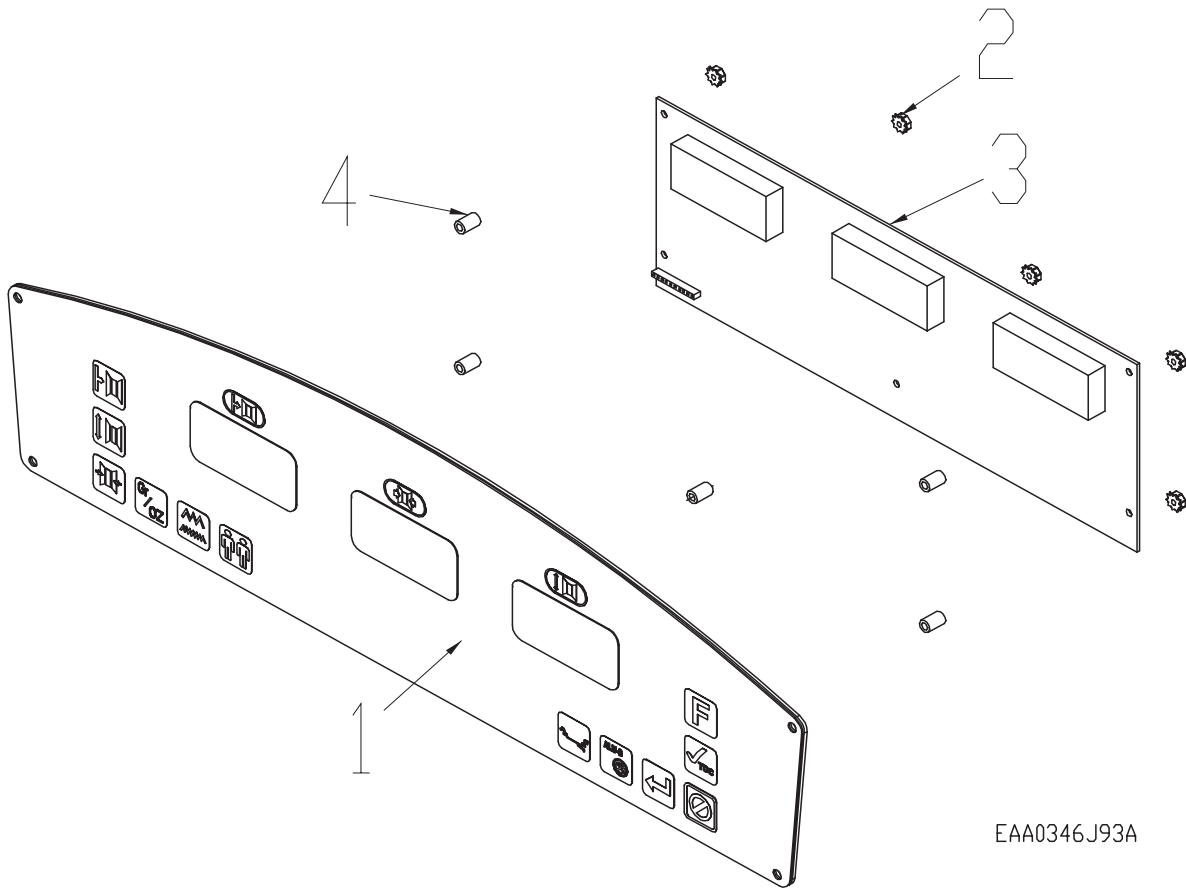
REQD	PART NUMBER	DESCRIPTION
3	1-01215A	SCREW - LAG, 5/16 X 1 ½
2	1-04076A	PLUG - HOLE
1	1-1101	SCREW-HHCS 3/8 - 16 X 2
3	1-2541	WASHER, FLAT 5/16
1	1-8133	NUT-KEPS 3/8-16
4	2-3657	CABLE CLAMP (FLAT CABLE)
1	5403	CERTIFICATE-INSTALL REGISTRAT
1	60677	CHAIN - LAMINATED INSTRUCTION SHEET
1	60911	WASHER, RETAINING, FLAT
1	EAA0247G21A	CALIPER - RIM WIDTH
1	EAA0263G79A	QUICKNUTKIT-W/HANDLES & SHAFT
1	EAA0369J01A	BALANCER ASS'Y, JB VPI SYSTEM II
1	EAC0053J09A	COVER-WHEELGUARD Y2K
4	EAC0060G02A	FLANGE - COVER, ACCESSORY HOOK
1	EAL0307L00A	LABEL-UL
1	EAL0341J96A	LABEL – BALANCER WARING, REAR
1	EAL0341J97A	LABEL – BALANCER WARING, SIDE
1	EAL0420J10A	LABEL – JOHN BEAN, BAL
1	EAL0343J76A	LABEL-ELECTRICAL/SERIAL
1	EAL0420J12A	DECAL - JB VPI SYSTEM II
1	EAL0341J26A	HANG SHEET - INSTR SYS II
1	EAL0341J38A	LABEL-MAX, WHEEL DIA.
1	EAL0341J60A	LABEL - PATENT, WHEEL BALANCER
4	5-05245A	CABLE TIE-8
1	EAM0005D40A	CALIBRATION WEIGHT
4	EAM0006G01A	HOOK - ACCESSORY STORAGE
1	EAS2021J15A	WELDMENT - WHEELGUARD
1	EAX0039J01A	CORD - POWER, 230V
1	ZEEWB503D9	LIT PACK, JB SYSTEM II BALANCER
1	EAL0392J89A	LABEL – CUST SERV JBC

BALANCER ASSEMBLY
EAA0369J01A



SYM	REQD	PART NO	DESCRIPTION	
1	1	1-01515A	SCREW - HHMS 8M -1.25 X 50 MM	
2	3	1-07424A	SCREW - PAN HD, 8-18 X 1/2	
3	6	1-07439A	NUT - SPEED, "U" TYPE,	
4	2	1-11233	NUT - HEX, M3 DIN 934	
5	2	1-11633	NUT-M6 X 5,2MMTHK, BLK	
6	4	1-11833	NUT - M8 - X 1.25 DIN 934	
7	2	1-1248	WASHER SHAKE PROOF, M3	
8	1	1-1548	WASHER-EXT,SHAKEPROOF 6MM	
9	2	1-16309	SCREW - SHCS, M6 X 16MM,	
10	4	1-17223A	SHEETMETAL SCREW PHIL HEAD	
11	4	1-17659A	NUTSERT - M10	
12	4	1-17709	SCREW - SHCS M8 X 20MM	
13	4	1-17741	WASHER, 8MM DIN125A	
14	4	1-18359A	NUTSERT, M8	
15	2	1-18523A1	SELF TAPPING SCREW D4,8X13	MM
16	4	1-20041A	WASHER - FLAT 18MM OD X 6.	5MM ID X 1.5MM THK
17	6	1-2509	SCREW-BHCS, 1/4 - 20 X 5/8	
18	1	1-2676	PLUG-HOLE, 2"DIA	
19	1	1-32801A	SCREW - HHCS, M8 X 30MM ZI	NC
20	4	1-3724	SCREW-SELF TAP,5 X 10MM	
21	4	1-44009A	SCREW-BHCS, 1/4-20 X 7/8	
22	1	1-47809A	SCREW - SHCS 3/8-16 X 1	
23	2	1-47810	SCREW, SET, FLT PT M8 - 1.	25 X 8MM
24	2	1-5733A	NUT-HEX,3/8	
25	1	1-6668	COMPRESSION SPRING	
26	2	1-7104	SCREW - PAN HS, M3 X 30	
27	1	1-7558	POP RIVET-3/16"	
28	2	1-9541	WASHER-FLAT,M3 DIN 125A	
29	1	2-23201	TERMINAL LUG-6.3MM X .8MM	POP RIVET
30	2	2-3657	CABLE CLAMP- FLAT CABLE	
31	3	8-02340A	CLIP KEYHOLE NYLON	
32	1	8-09619A	STRAIN RELIEF - FLAT CABLE	
33	4	8-7216	PLUG-HOLE, 16MM DIA	
34	4	01101609000	NUT-STOP 1/4-20 UNC-2B CAD	
35	1	EAA0255J29A	WHEELGUARD TUBE- M CABINET	ASSY
36	1	EAA0263G07A	ASSY-BRAKE PEDAL	
37	1	EAA0338G36A	VIBR. MOT. UL IF40/28.5	
38	1	EAA0338G83B	ASSY - IBP DIGITAL BOX	
39	1	EAA0346J25A	STAND. M1 SAPE 1D-2D ASSY	
40	1	EAA0346J93A	ASSY - DISPLAY, VPI JB SYS II	
41	1	EAC0053J01A	TRAY-WEIGHT,SO LOW DIG	
42	1	EAC0053J15A	BRAKE SPACER	
43	1	EAC0053J16A	MICROSWITCH PLATE	
44	2	EAC0060G03A	BUSHING, WHEELGUARD	
45	1	EAM0003J21A	SPRING-EXTENSION WHEELGUAR	D, HD
46	2	EAM0006G02A	WHEELGUARD TUBE RING	
47	1	EAM0062G50A	VIBRATORY SYSTEM COVER	
48	1	EAS2021J43A	BACKPACK- M CABINET BASE	
49	1	EAS2021J44A	BACKPACK- M CABINET TOP	
50	1	EAS2113J02A	CABINET - M2 US, RED RAL 30	
51	1	EAS2113J27A	COVER - REAR, M2 CABINET	
52	1	EAS2113J53A	SHIELD - FIRE	
53	1	EAS2113J77A	BRACKET - CAL WEIGHT	
54	1	EAW0233J01A	HARNESS - DISPLAY PCB	
55	1	EAW0233J08A	CABLE-SWITCH ASSY	

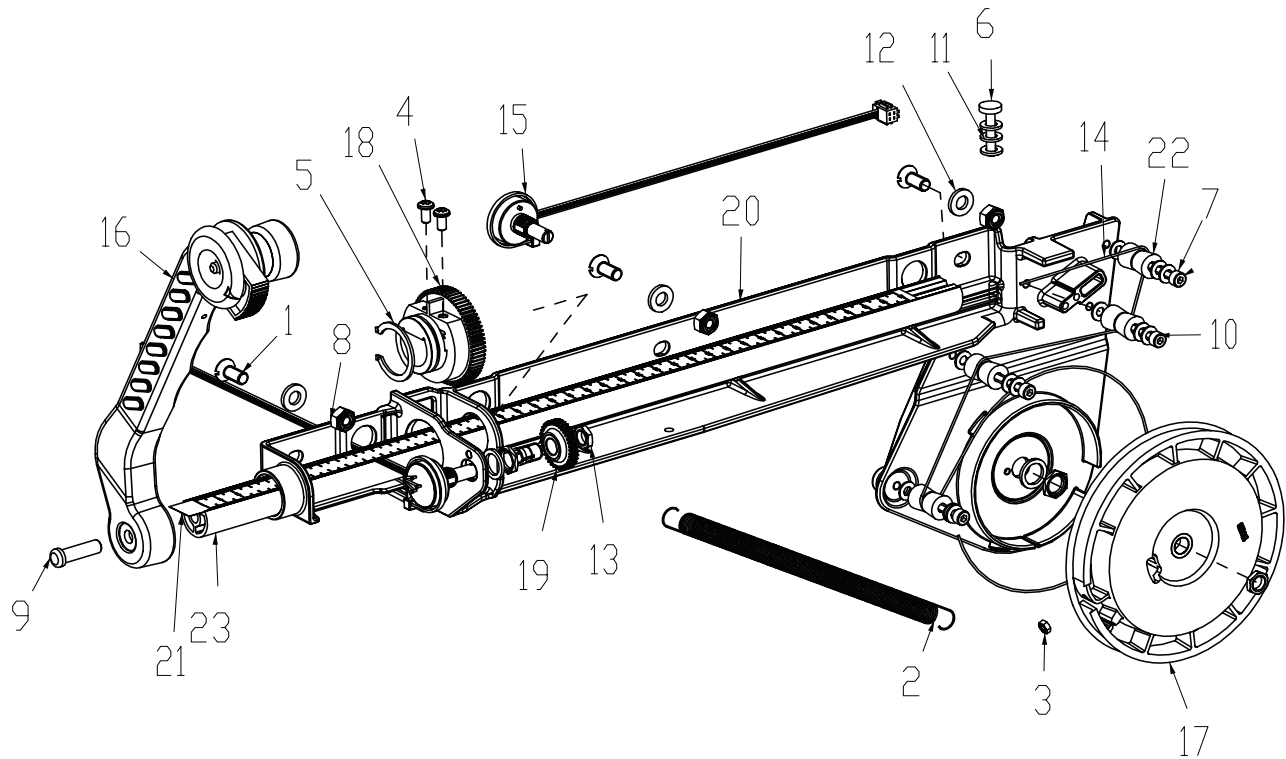
UPPER DISPLAY
EAA0346J93A



EAA0346J93A

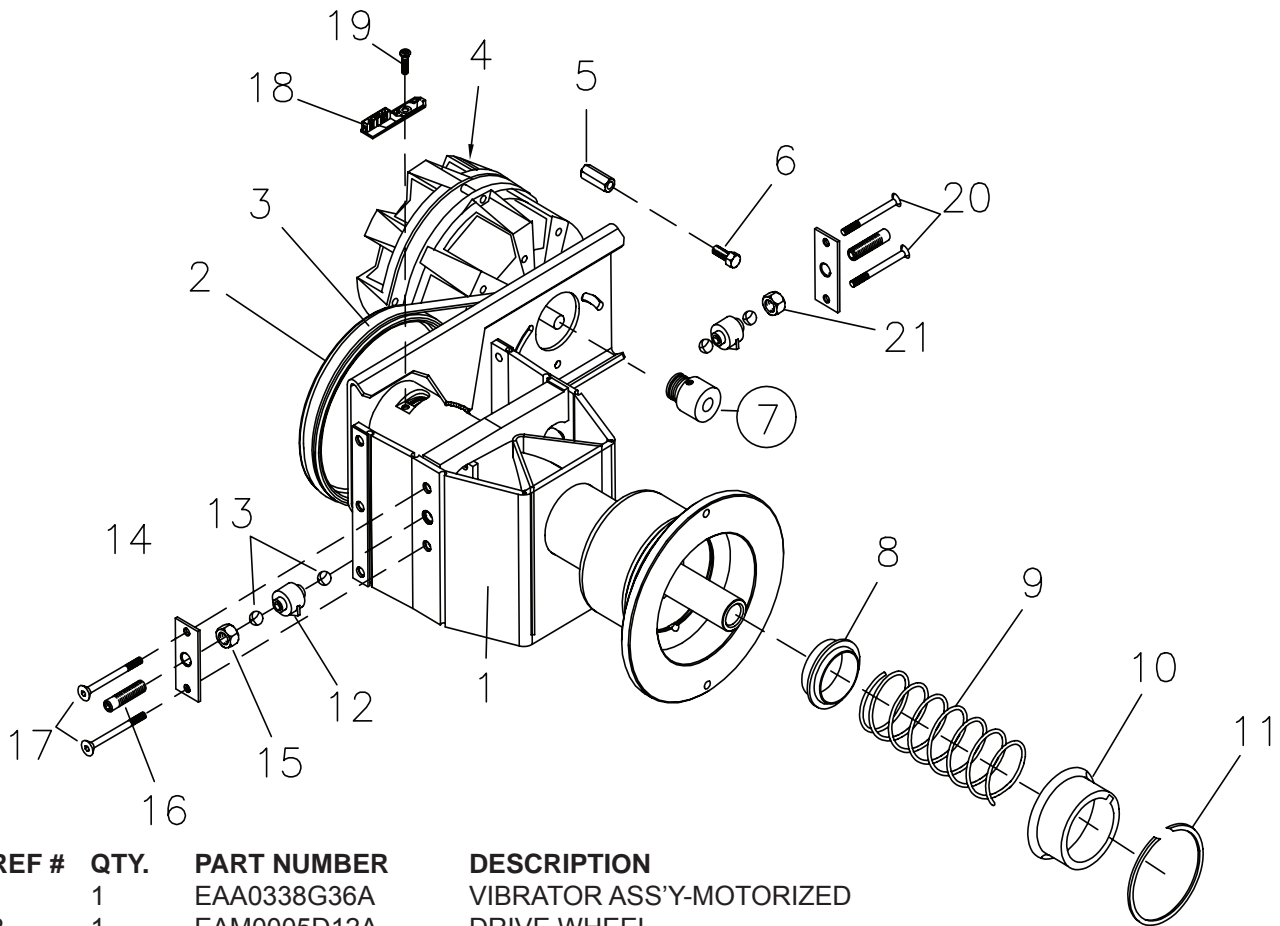
SYM	REQD	PART NO	DESCRIPTION
1	1	EAA0346J97A	ASSY -DISPLAY, MEMBRANE/PANEL
2	5	1-15033	NUT-KEPS, M3 - .5
3	1	EAP0192P80A	PCB ASS'Y-DISPLAY, JB VPI SYS II
4	5	1-11062A	SPACER- 1/4" X 3/8"

2D SAPE ASSEMBLY
EAA0346J25A



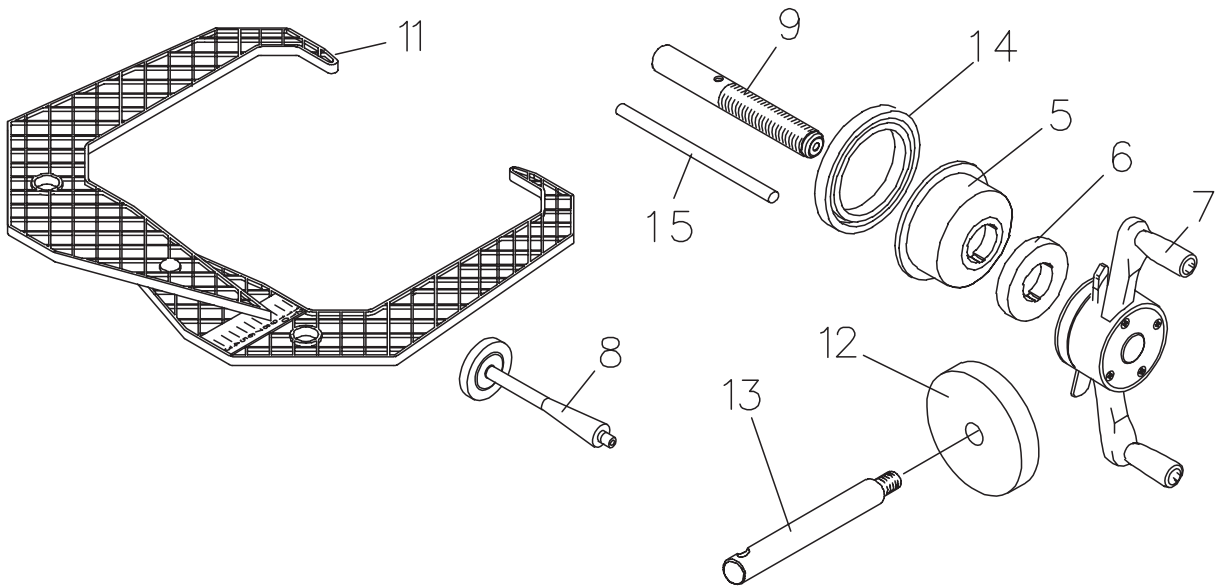
SYM	REQD	PART NO	DESCRIPTION
1	3	1-27903A	SCREW - M6 X 14MM FHMS, SKT DIN 7991
2	1	1-06567A	STAND SAPE TENSION SPRING
3	1	1-11233	NUT - HEX, M3 DIN 934
4	2	1-11726A	SCREW, SELF TAPPING FOR PLASTIC
5	1	1-13377A	CIRCLIP-27MM X 1.20MM DIN 471
6	1	1-13609	SCREW-HHCS,M4-16 X 8.8
7	4	1-13909	SCR - HEX SKT HD CAP (M4 X 30MM)DIN912
8	3	1-25433A	NUT-M6 KEPS, SERRATED LW ZINC
9	1	1-3824	SCREW-SELF TAP,6 X 12MM
10	12	1-9641	PLAIN WASHER D4MM
13	2	2-07657A	CLAMPING DEVICE W/NUT
14	1	6-00604A	ROPE - SPECTRA 1000, 150 LBS
15	2	EAA0266D20A	ROTATIVE TRANSDUCER 100HM
16	1	EAA0346J26A	ASSY - SAPE ARM W/ EJECTOR
17	1	EAC0058D06A	RIEMENHALTEROLLE MIT EINLEGETEIL
18	1	EAC0058D12A	COG WHEEL - 56 TOOTH
19	1	EAC0058D13A	COG WHEEL 28 TEETH
20	1	EAC0087G60A	M1 SAPE SUPPORT
21	1	EAL0349G31A	DISTANCE SCALE
22	4	EAM0005D35A	REEL-GUIDING,SAPE
23	1	EAM0053G19A	STANDARD. ROD SAPE, M1

VIBRATORY ASSEMBLY



REF #	QTY.	PART NUMBER	DESCRIPTION
1	1	EAA0338G36A	VIBRATOR ASS'Y-MOTORIZED
2	1	EAM0005D12A	DRIVE WHEEL
3	1	8-3531	MULTIRIB BELT 5 PJ 711 DIN 7867
4	1	EAA0266D29A	MOTOR, AC 120W 1 PH 220-240V - 50/60 HZ
5	2	EAM0005D09A	MOTOR DISTANCE BOLT
6	1	1-30701	SCREW HEX HD M 6 X 12
7	1	EAM0005D08A	MOTOR PULLEY
8	1	EAC0058D03A	SPRING CENTERING RING
9	1	1-6498	SPRING - COMPRESSION 5 X 63 X 120
10	1	EAS2025D14A	SPRING CASE DEEP DRAW
11	1	1-13077	SNAP RING
12	1	EAA0260D59A	TRANSDUCER
13	4	8-1144	BALL, STEEL
14	2	1-2967	PRETENSION SPRING
15	1	1-11833	NUT-HEX M 10 X 1 DIN 934
16	2	EAM0005D07A	SETSCREW - HEX SOCKET M 10 X 1
17	2	1-19903A	SCREW HEX SOCKET / COUNTERSUNK M 4 X 65
18	1	EAA0344G00A	ENCODER PCB
19	1	1-13004	SCREW PHILLIP PAN HD M 4 X 6
20	2	1-17403	SCREW HEX SOCKET / COUNTERSUNK M 4 X 25
21	1	1-4034	NUT - HEX M 10 X 1 DIN 439
*	1	EAW0239D00A	RIBBON CABLE VIBRATORY
**	1	EAA0260D56A	BRAKE LEVER A CPL.
**	1	EAA0260D57A	BRAKE LEVER B CPL.

CONES AND ACCESSORIES



ITEM	QTY	PART NUMBER	DESCRIPTION
5	1	EAC0058D07A	CUP - PRESSURE
6	1	EAC0058D08A	DISK - PRESSURE
7	1	EAA0263G66A	QUICK NUT
8	1	EAM0005D40A	WEIGHT - CALIBRATION
9	1	EAM0021D90A	40 MM STUB SHAFT
11	1	EAA0247G21A	CALIPER - RIM WIDTH
12	4	EAC0060G02A	FLANGE - COVER, HOOK
13	4	EAM0006G01A	HOOK - STORAGE
14	1	EAC9958D15A	RUBBER PROTECTOR

4 CONE KIT

EAM0003J08A	CONE,	89-132 MM (3.50 - 5.20 INCHES)
EAM0003J07A	CONE,	71 - 99 MM (3.23 - 3.90 INCHES)
EAM0003J06A	CONE,	56 - 84 MM (2.67 - 3.35 INCHES)
EAM0003J05A	CONE,	43 -63 MM (1.66 - 2.50 INCHES)

7 CONE KIT

EAM0003J64A	CONE - #1, MACHINED	(1.70 - 2.23)
EAM0003J65A	CONE - #2, MACHINED	(2.30 -
EAM0003J66A	CONE - #3, MACHINED	(2.37 -
EAM0003J67A	CONE - #4, MACHINED	(2.73
EAM0003J68A	CONE - #5, MACHINED	(3.07
EAM0003J69A	CONE - #6, MACHINED	(3.42
EAM0003J70A	CONE - #7, MACHINED	(4.210



John Bean Equipment
309 Exchange Ave.
Conway, AR 72032
501-450-1500

Notice: The information contained in this document is subject to change without notice. Snacon Equipment makes no warranty with regard to this material. Snacon Equipment shall not be liable for errors contained herein or for incidental consequential damages in connection with furnishings, performance, or use of this material.

This document contains proprietary information which is protected by copyright and patents. All rights are reserved. No part of this document may be photocopied, reproduced, or translated without prior written consent