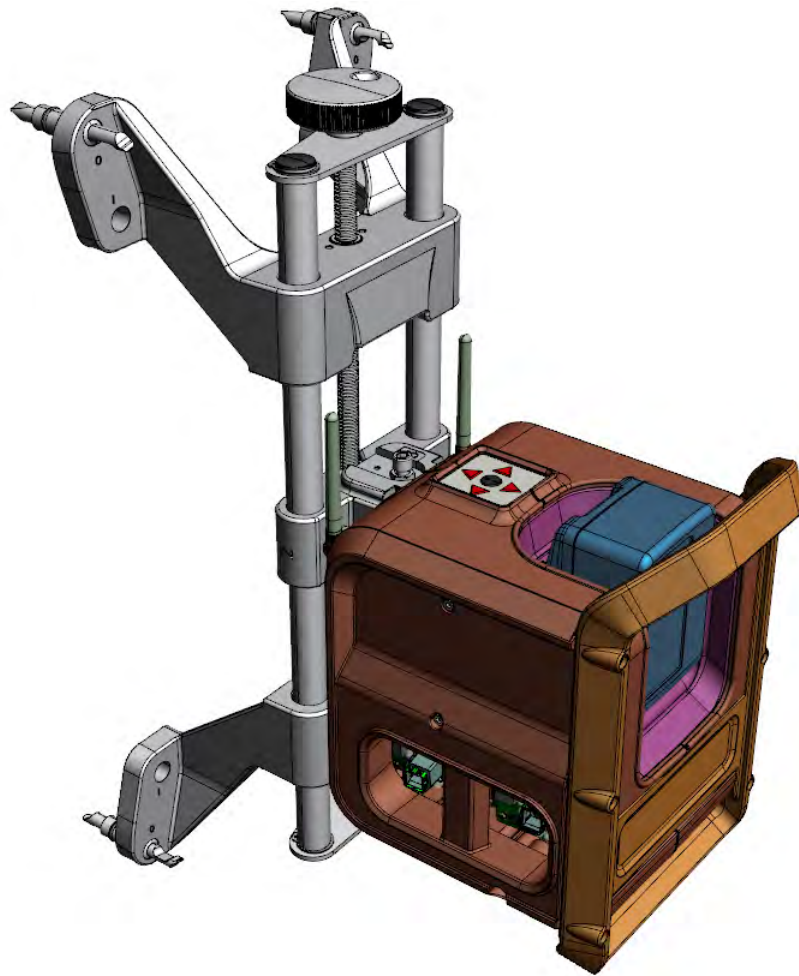


WHEEL ALIGNER



Portable Image Aligner Parts Manual

EEWA551H
EEWA751H

All information contained or disclosed in this document is considered confidential and proprietary by Snap-on. All manufacturing, use, reproduction, and sales rights are reserved by Snap-on and the information contained herein shall not be used in whole or in part without the express written consent of Snap-on.

Table of Contents

BOM RED - BLUE	3
CABINET	5
ELECTRICAL SHELF	6
REAR POD.....	8
LEFT REFERENCE POD.....	10
RIGHT REFERENCE POD	12
TARGETS.....	14
AC700 WHEEL CLAMP.....	16
KNOCK DOWN CART	18
PORTABLE CLAMP STAND	19

Green indicates recommended service parts

BLANK PAGE

BOM RED - BLUE

REQ	PART NUMBER	DESCRIPTION
3	CTB8185-100	BATTERY PACK
1	3-08006A	KIT – MOUSE/KEYBOARD, USB
1	EAK0268J05A	PRINTER KIT
1	EAW0290J26A	POWER CORD-5 METERS
1	EAL0343J76A	LABEL - SERIAL
1	96	DEPRESSOR ASSY. PEDAL
1	55502	STEERING WHEEL HOLDER
1	EAK0289J61A	KIT – MONITOR 22" W/ CABLE (MTG SCREWS IN KIT) 2-85466A CABLE, HDMI-HDMI, 6FT
1	EAK0320J56A	HANGER BRACKETS – MULTI CLAMP (MTG SCREWS IN KIT)
2	EAC0090J82A	WHEEL CHOCK RUBBER
1	EAA0446J26A	CABINET, COMPLETE, RED
1	EAA0446J27A	CABINET, COMPLETE, BLUE
1	EAK0334J42A	KIT – AC700, XD FRONT, 8X6 (NA)
1	EAK0334J43A	KIT – REAR PODS/CLAMPS (NA)
	EAA0446J29A	AC700-XD, FRONT LEFT, (EU)
	EAA0446J30A	AC700-XD, FRONT RIGHT, (EU)
	EAA0446J31A	V1200-REAR POD, LEFT, (EU)
	EAA0446J32A	V1200-REAR POD, RIGHT, (EU)
1	EAK0334J44A	KIT – RED DECALS
1	EAK0334J47A	KIT – BLUE DECALS
1	2-76866A	CABLE – HDMI TO DVI-D (NORTH AMERICA)
1	EAA0446J47A	CABLE-HDMI TO DVI, W/ FERRITES (EUROPE)
1	TEEWA551H0	INSTALLATION INSTRUCTIONS
1	ZEEW A551H	OPERATOR'S MANUAL
1	EAK0334J45A	KIT – SMART/REFERENCE TARGETS
1	EAS2164V11A	SUPPORT BRACKET MONITOR
8	1-16006A	SCREW – M5X12MM PH BLK (ATTACH MONITOR BRACKET TO CABINET)
4	1103959000	WASHER – FLAT M5 (ATTACH MONITOR BRACKET TO CABINET)

TEEWA551H3 SPARE PARTS

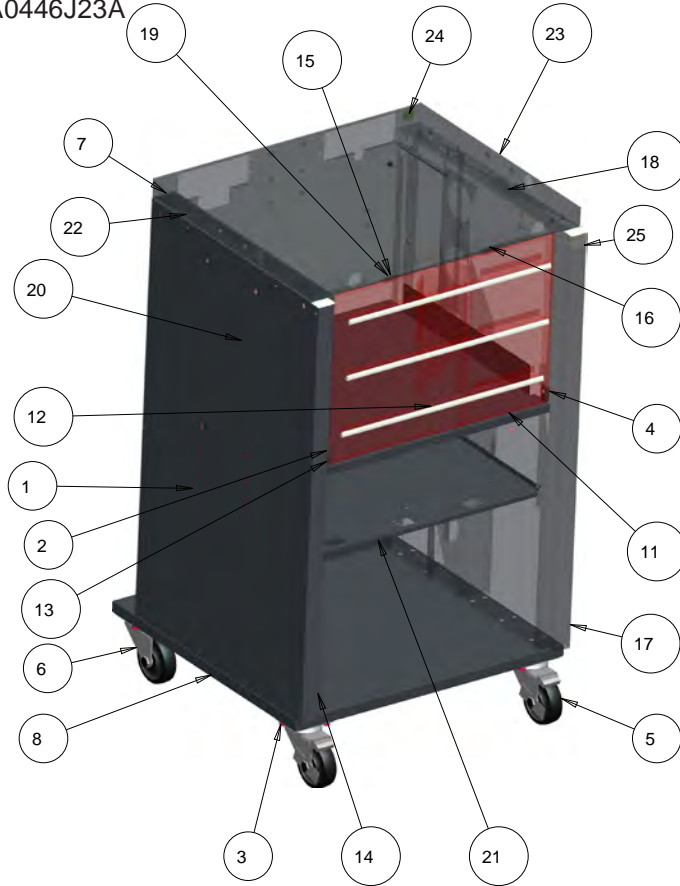
REQ	ITEM	PART NUMBER	DESCRIPTION
1	1	EAA0446J22A EAA0446J23A	CABINET, RED, CABINET, BLUE
1	2	EAA0446J20A	ASSY, ELECTRICAL SHELF
1	3	EAA0446J24A CTC720A-100	ASSY., CHARGERS, NA BATTERY CHARGER
2	8	1-06976A	HOLE PLUG, DOME, 1.25"DIA
1	9	1-13633A	NUT, BARB, EXT, WASHER, M5
2	10	2-09033A	CLIP, CABLE, 0.2-0.3" DIA CABLE
1	11	EAL0392J18A	LABEL-PATENT ALIGNMENT
1	12	EAL0392J89A	LABEL-CUSTOMER SERVICE JBC
1	13	111243	LABEL-WARNING, EXPLOSION
1	14	2-09457	CABLE CLIP
1	15	1-16006A	SCREW M5 W/LOCK

TEEWA551H3 SPARE PARTS

CABINET

CABINET, RED,
CABINET, BLUE,

EAA0446J22A
EAA0446J23A

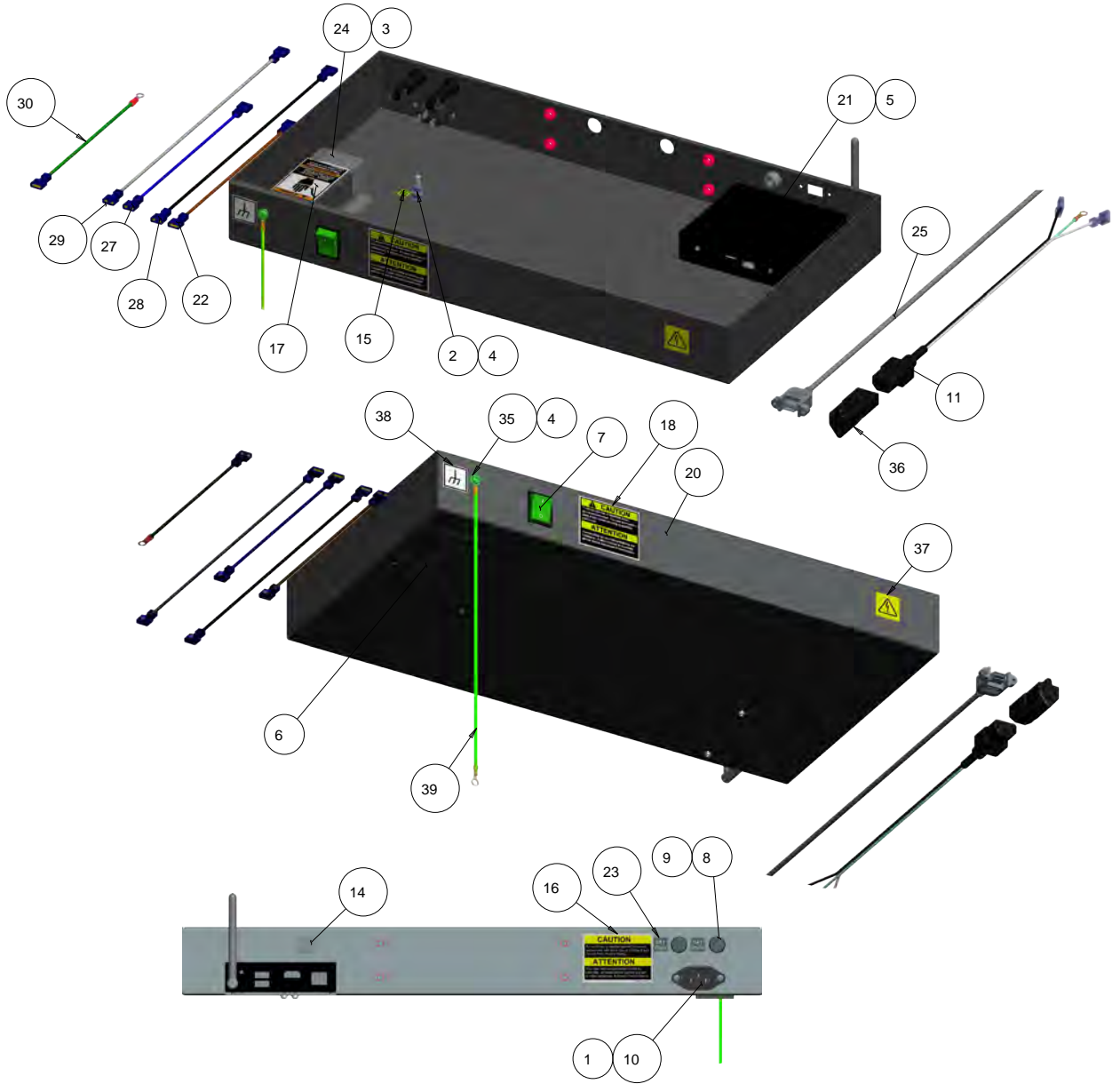


SYM	REQ	PART NO	DESCRIPTION
1	5	1-16006A	SCREW,PH,M5X12MM,BLK
2	2	1-25306A	SCREW,PHMS,M5X20MM
3	8	1-55501A	SCREW, HEX 5/16"-12X1"
4	2	1-5665	BUSHING - SHOULDER
5	2	8-33739A	CASTER-SWIVEL 4" WITH BRAKE
6	2	8-33739B	CASTER-SWIVEL 4" W/O BRAKE
7	1	EAA0416V07C	BACK PLATE ASSY,CABINET,V1200
8	1	EAA0416V23B	BASE ASSY,ME-HE,EXTENDED
9	4	5-03945B	CABLE TIE MOUNT,1"X1",BLACK
10	4	4500-0029	CABLE TIE,BLACK
11	1	EAA0416V29A	DOOR ASSY,PRINTER,RED
		EAA0416V25A	DOOR ASSY,PRINTER,BLUE
12	3	EAC0121V05A	DOOR TRIM, FRONT
13	2	EAC0121V09A	INSERT,PRINTER DOOR
14	1	EAA0416V18A	LEFT PANEL ASSY,BLACK
15	2	8-04842A	MAGNET,NDFEB,NI PLATED
16	2	1-11233	NUT,HEX,M3
17	1	EAA0416V20A	RIGHT PANEL ASSY,BLACK
18	62	1-15158A	RIVET,STEEL,4.8MM,BLK
19	2	1-11103CN	SCREW,FH,M3X10MM
20	1	EAA0416V08B	SHELF ASSY,PRINTER, V1200
21	1	EAS2164V16B	SHELF,PC, V1200
22	2	EAS2164V07A	SUPPORT BRACKET,PC-IN-BOX
23	1	EAA0416V01A	TOP PANEL ASSY,ME-HE
24	1	8-09816A	GROMMET-BLACK.25 ID X 1.00 OD
25	2	EAC0116J56A	CAP,CORNER TRIM

TEEMAS51H3 SPARE PARTS

ELECTRICAL SHELF

EAA0446J72A



TEEWA551H3 SPARE PARTS

SYM	REQ	PART NO	DESCRIPTION
1	2	1-12224A	SCREW - THREAD FORMING, M3X0.5
2	2	1-13633A	NUT-BARB,EXT.WASHER,M5
3	2	1-15033	NUT-KEPS, M3 - .5
4	6	1-3347	LOCKWASHER, INTERNAL TOOTH
5	2	1-38606A	SCREW - PHM M3 X 6MM W LOCK WASHER
6	1	EAA0261P60B	POWER STRIP - 4 CON
7	1	2-14258A	ROCKER SWITCH, ILLUMINATED, GREEN
8	2	2-15651A	FUSE HOLDER
9	2	2-18451A	FUSE - 5A SLOW BLOW
10	1	2-64448A	IEC 320-C14 AC RECEPTACLE
11	1	EAW0235J74A	CORD - POWER, PC IN BOX
12	2	5-14426A	VELCRO LOOP-LAPTOP ADAPTOR
13	2	5-14526A	VELCRO HOOK-LAPTOP ADAPTOR
14	1	8-09819A	STRAIN RELIEF ROUND CABLE
15	1	8-23762A	LABEL - EARTH SYMBOL
16	1	86164	LABEL-WARNING, FUSE RATING
17	1	86465	LABEL-WARNING, SHOCK HAZARD
18	1	00111245000	LABEL CAUTION ELECTRICAL
20	1	EAA0446J21A	ELECT. BOX ASM- V1200
21	1	EAA0469J23B	HOST CONTROLLER ASM
22	1	EAW0243P22A	LINK WIRE, BROWN
23	2	EAL0345P51A	LABEL FUSE 5 A
24	1	EAS2105J96B	COVER - OUTLET
25	1	EAW0235J91A	USB CABLE
27	1	EAW0243P23A	LINK WIRE, BLUE
28	1	EAW0290J18A	LINK WIRE-11 IN, BLK,16 AWG
29	1	EAW0290J19A	LINK WIRE-11 IN, WHITE, 16 AWG
30	1	EAW0290J20A	GRND WIRE-6 IN, GR/YL,16 AWG
35	1	1-21484A	GROUNDING SCREW 10-32X1/2"
36	1	2-78266A	RECPT, NEMA 5-15 TO IEC
37	1	EAL0345P54A	ELECTRICAL WARNING LABEL
38	1	EAL0392J19A	LABEL-GROUND
39	1	EAW0235J36A	CABLE ASSY- GROUND, 12"
42	2	5-06945A	CABLE - TIE MOUNT - 4 WAY
43	2	2-31001A	TERMINAL - QUICK CONNECT
*	1	2-78566A	BASE, ANTENNA, MAGNETIC
*	1	EAE0049J99B	ANTENNAL DUAL BAND

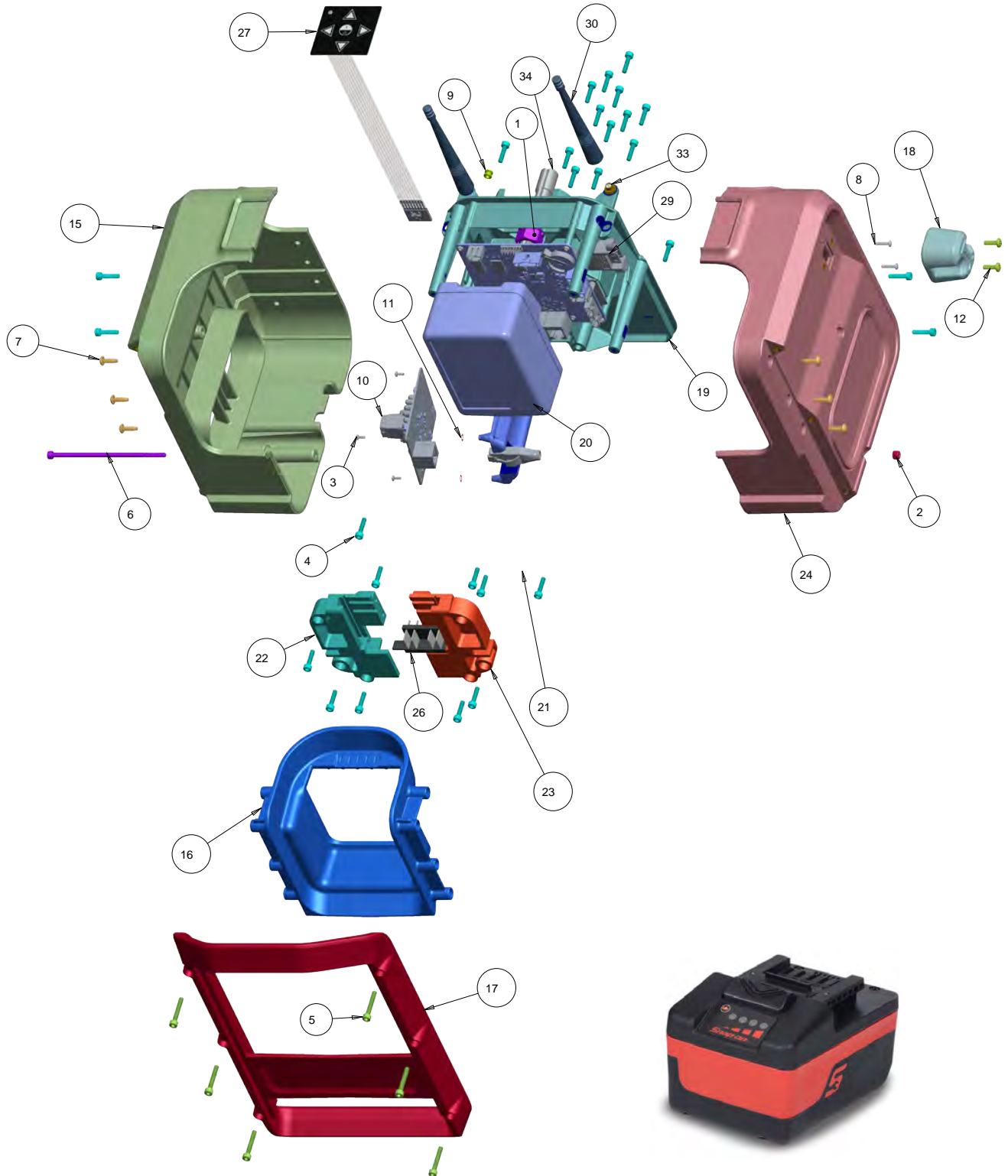
* NOT SHOWN

TEEMAS51H3 SPARE PARTS

REAR POD

EAK0350J11A - LEFT REAR POD KIT JBC - NA
 EAK0350J14A - LEFT REAR POD KIT HOF - NA
 EAK0350J11B - LEFT REAR POD KIT JBC - EU
 EAK0350J14B - LEFT REAR POD KIT HOF - EU

EAK0350J12A - RIGHT REAR POD KIT JBC - NA
 EAK0350J15A - RIGHT REAR POD KIT HOF - NA
 EAK0350J12B - RIGHT REAR POD KIT JBC - EU
 EAK0350J15B - RIGHT REAR POD KIT HOF - EU



EAK0350J63A KIT 1 BATTERY PACK
 EAK0334J58A KIT 3 BATTERY PACK

TEEWA551H3 SPARE PARTS

SYM	REQ	PART NO	DESCRIPTION
1	1	1-03938A	NUT - KEPS, 1/2-13
2	1	1-04038A	NUT - LOCK, M4 - NYLON
3	12	1-21904A	SCREW - PHM, M2.5 X 6mm, LOCKING
4	28	1-40506A	SCREW - SHC, M4 X 16mm
5	6	1-40606A	SCREW - SHC, M4 X 25mm
6	1	1-40906A	SCREW - SHC, M4 X 100mm
7	6	1-41006A	SCREW - PHM, #8-16 X 1/2, TORX
8	2	1-57501A	SCREW - PHM, #4-40 X 1/2
9	2	8-11516A	V1200 - GROMMET
10	1	EAK0334J63A	V1200 - CAMERA ASM
11	12	1-15444A	WASHER - MYLAR
12	2	1-13304A	SCREW - PHM, M4 X 12mm
14*	1	EAK0350J76A	KIT – PROCESSOR 2.4GHZ (NA)
		EAK0350J77A	KIT – PROCESSOR 5.0GHZ (EU)
15	1	EAC0123J34B	V1200 - LEFT POD COVER, REAR
16	1	EAC0123J37B	V1200 - POCKET, 18V, BATTERY
17	1	EAC0123J41A	V1200 - BUMPER, REAR PODS
18	1	EAC0129J10A	V1200 - COVER, DONGLE
19	1	EAC0123J43A	V1200 - PLATE, BACK
20	1	EAC0123J44A	V1200 - BRACKET, 2 CAMERA, LEFT
		EAC0123J45A	V1200 - BRACKET, 2 CAMERA, RIGHT
21	1	EAC0123J48A	V1200 - BRACKET, BATTERY HOLDER
22	1	EAC0123J55A	V1200 - BRACKET, BATTERY, LEFT
23	1	EAC0123J56A	V1200 - BRACKET, BATTERY, RIGHT
24	1	EAC0123J57B	V1200 - LEFT POD COVER, REAR2
		EAC0123J58B	V1200 - RIGHT POD COVER, REAR2
26	1	EAE0049J95A	V1200 - 18V, BATTERY CONNECTOR
27	1	EAE0049J96A	V1200 - VODI
29	1	EAE0049J98A	V1200 - CABLE USB PATCH
30	2	EAE0049J99B	V1200 - ANTENNA
31	2	EAE0078J08A	V1200 - CABLE, REAR PODS, ETHERNET
33	2	EAE0078J03A	V1200 - ANTENNA CABLE ASM
34	1	EAM0120J25A	V1200 - SHAFT, FIXED

* Not Shown

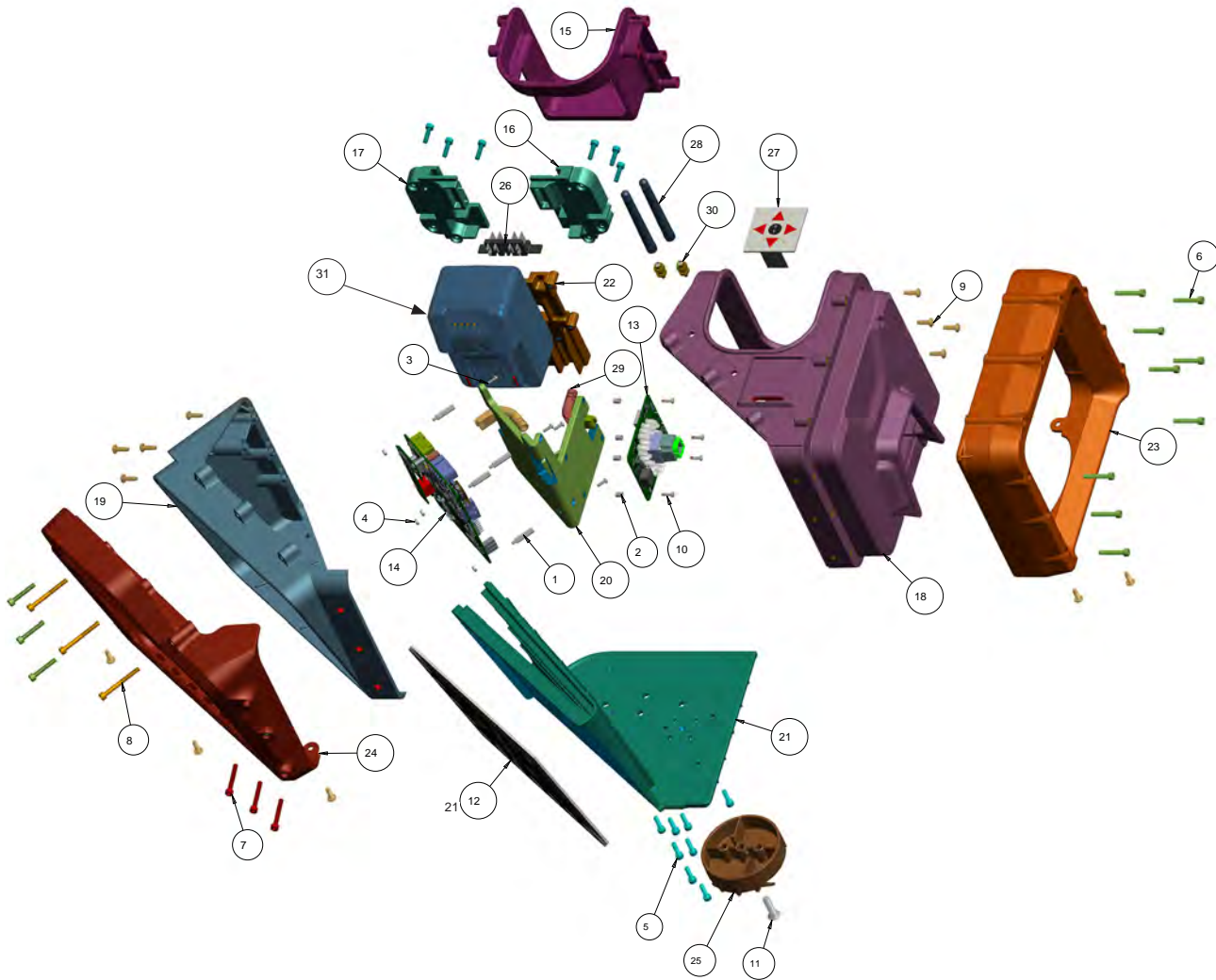


EAE0078J12A - WIFI DONGLE RR POD

TEEMAS51H3 SPARE PARTS

LEFT REFERENCE POD

EAK0334J66A - KIT - LEFT REF POD - NA
EAK0334J66B - KIT - LEFT REF POD - EU



SYM	REQ	PART NO	DESCRIPTION
1	4	1-18961A	STANDOFF-M2.5 X 19MM MALE TO FEMALE
2	4	1-19061A	SPACER, CAMERA
3	4	1-21404A	SCREW - PHM, M2.5 X 8MM
4	4	1-27933A	NUT - HEX, M2.5
5	19	1-40506A	SCREW - SHC, M4 X 16MM
6	12	1-40606A	SCREW - SHC, M4 X 25MM
7	3	1-40706A	SCREW - SHC, M4 X 30MM
8	3	1-40806A	SCREW - SHC, M4 X 40MM
9	13	1-41006A	SCREW - PHM, #8-16 X 1/2, TORX
10	4	1-41106A	SCREW-PHM, M2.5 X 10MM, NYLON PATCH
11	1	1-67309A	SCREW - FLAT HD 100DEG, 1/4-20 X1.5
13	1	EAK0334J63A	CAMERA KIT
14	1	EAK0350J76A	KIT – PROCESSOR 2.4GHZ (NA)
		EAK0350J77A	KIT – PROCESSOR 5.0GHZ (EU/NA)
15	1	EAC0123J37B	POCKET, 18V BATTERY
16	1	EAC0123J55A	BRACKET, BATTERY, LEFT
17	1	EAC0123J56A	BRACKET, BATTERY, RIGHT
18	1	EAC0123J60B	COVER, FRONT, ST
19	1	EAC0123J61B	COVER BOT, ST
20	1	EAC0123J62A	ST-CAM, BRACKET
21	1	EAK0334J62A	ST, TARGET & BRACKET
22	1	EAC0123J64A	ST, BAT BRACKET
23	1	EAC0123J65A	ST, FRONT BUMPER
24	1	EAC0123J66A	ST, TARGET BUMPER
25	1	EAC0123J73A	ADAPTER POD, ATTACH
26	1	EAE0049J95A	18V, BATTERY CONNECTOR
27	1	EAE0049J96A	VODI
28	2	EAE0049J99B	ANTENNA
29	1	EAE0078J01A	CABLE, ETHERNET, ST
30	2	EAE0078J03A	ANTENNA CABLE ASM
31	1	EAK0350J63A	BATTERY PACK
*	1	EAK0334J58A	KIT 3 BATTERY PACK

EAK0334J61A

- EAC0123J93A
- EAC0123J94A
- 1-27184A

KIT - FLOOR MOUNT

- FLOOR MOUNT-LEF REF POD
- FLOOR MOUNT-DATUM POD
- DRIVE ANCHOR-1/4"X1.0"LG

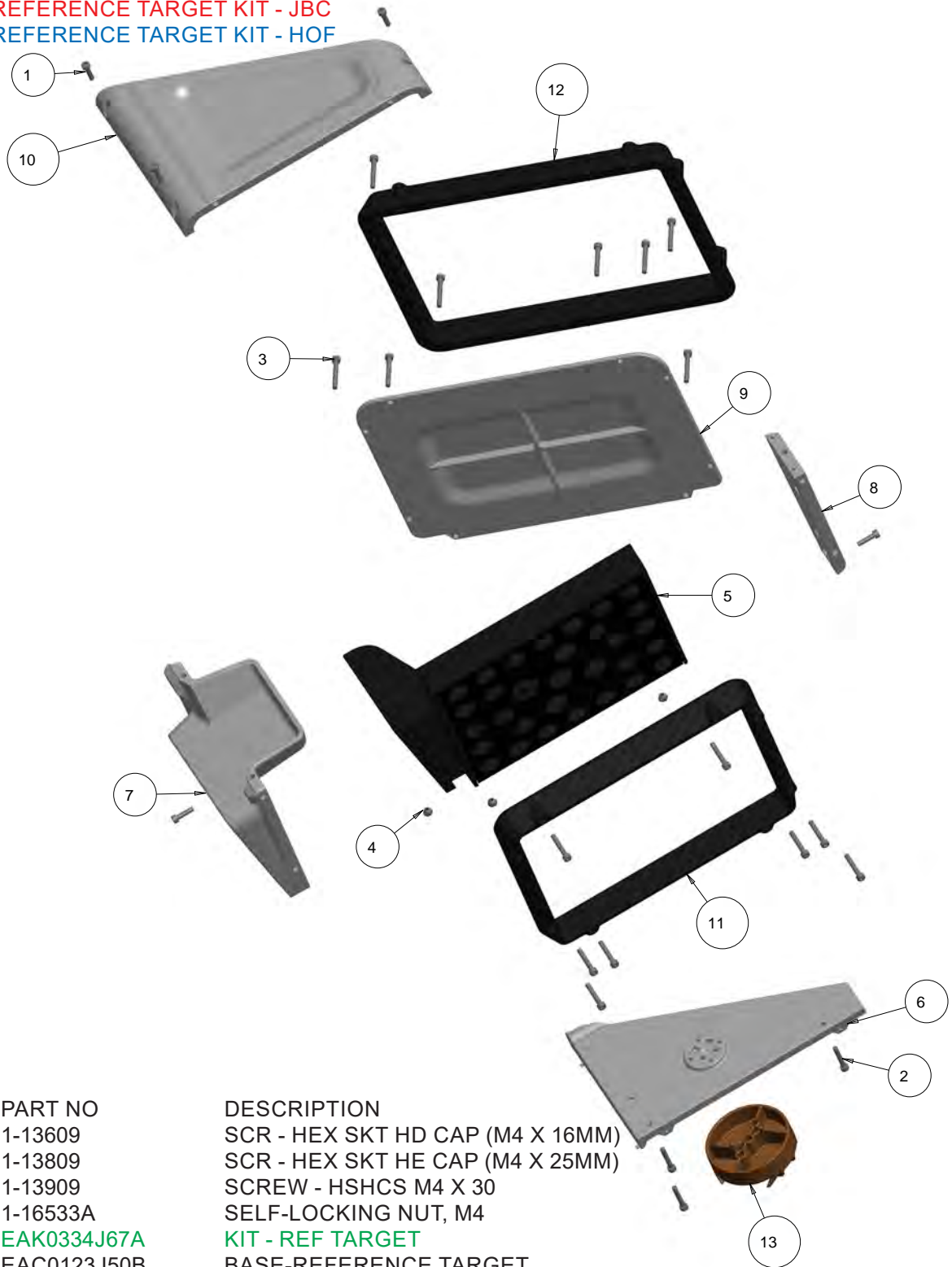


TEEMAS51H3 SPARE PARTS

RIGHT REFERENCE POD

EAK0350J10A - REFERENCE TARGET KIT - JBC

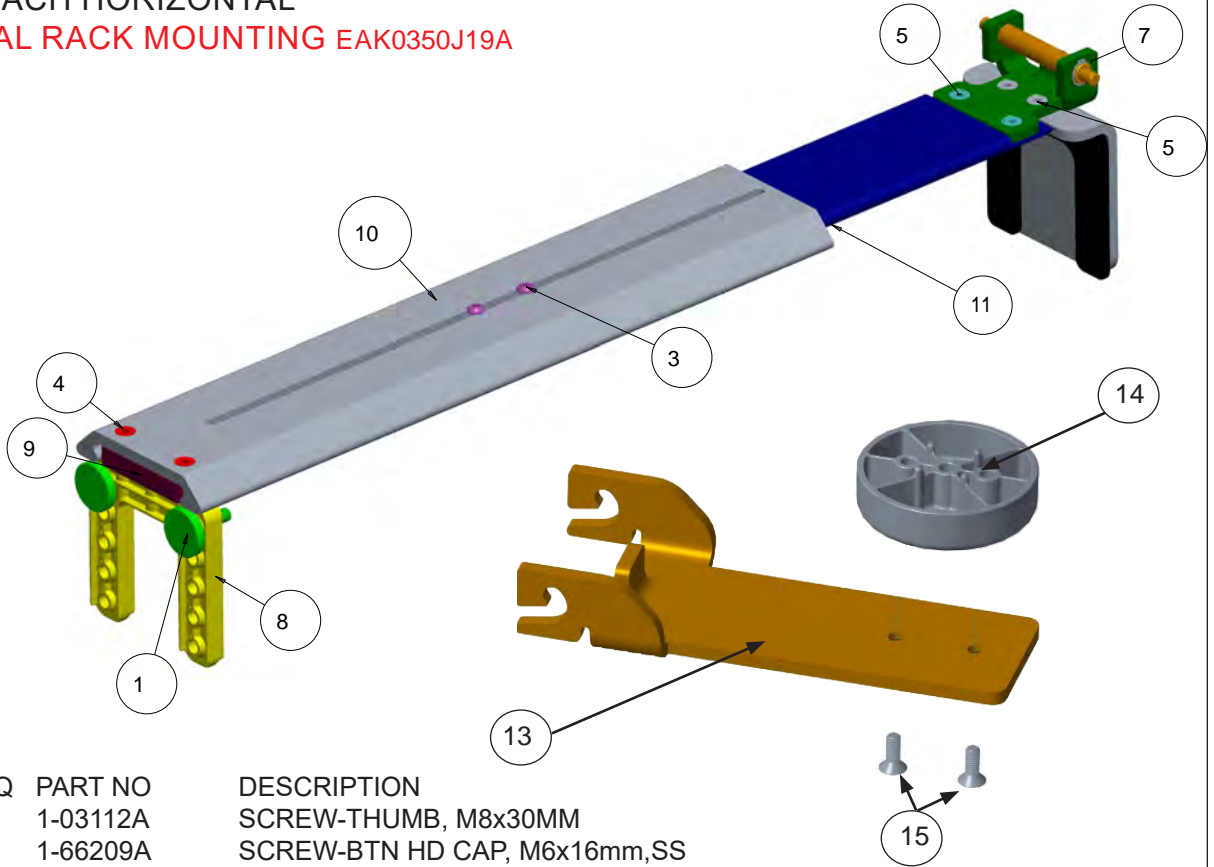
EAK0350J13A - REFERENCE TARGET KIT - HOF



SYM	REQ	PART NO	DESCRIPTION
1	5	1-13609	SCR - HEX SKT HD CAP (M4 X 16MM)
2	11	1-13809	SCR - HEX SKT HE CAP (M4 X 25MM)
3	8	1-13909	SCREW - HSHCS M4 X 30
4	3	1-16533A	SELF-LOCKING NUT, M4
5	1	EAK0334J67A	KIT - REF TARGET
6	1	EAC0123J50B	BASE-REFERENCE TARGET
7	1	EAC0123J51A	SHELL-REFERENCE TARGET, FRONT
8	1	EAC0123J52A	SHELL-REFERNECE TARGET, REAR
9	1	EAC0123J53B	SHELL-REFERENCE TARGET, SIDE
10	1	EAC0123J54B	SHELL-REFERENCE TARGET, TOP
11	1	EAC0123J59B	BUMPER-REFERENCE SMALL
12	1	EAC0123J68B	BUMPER-REFERENCE LARGE
13	1	EAC0123J73A	V1200 - ADAPTER POD, ATTACH

TEEWA551H3 SPARE PARTS

RACK ATTACH HORIZONTAL
UNIVERSAL RACK MOUNTING EAK0350J19A



SYM	REQ	PART NO	DESCRIPTION
1	2	1-03112A	SCREW-THUMB, M8x30MM
3	2	1-66209A	SCREW-BTN HD CAP, M6x16mm,SS
4	2	1-66309A	SCREW-CSK,SKT HD,M6x40mm,SS
5	4	1-68409A	SCREW-FLT SKT HD, M6x12,SS
6	1	8-01038B	PAD-NITRILE,CUSHION, SLIP RESISTANT
7	1	EAA0469J53A	RACK ATTACH- HORZ. ASM
8	1	EAC0123J80A	LEGS-V1200 RACK ATTACH
9	1	EAC0123J91A	GAP BLOCK- RACK ATTACH
10	1	EAM0120J42A	RACK ATTACH- QUICK,OUTSIDE SLIDE
11	1	EAM0120J81A	RACK ATTACH- HINGED,INSIDE SLIDE
*	1	EAS2186J88A	LEG-V1200 QUICK ATTACH
13	2	EAS2186J20A	ARM - HINGED
	2	EAS2186J20B	ARM - HINGED, LONG
14	2	EAC0129J18A	SPACER - POD
15	4	1-66609A	SCREW - FLT HD SKT, M6X16MM,SS

RACK ATTACH VERTICAL

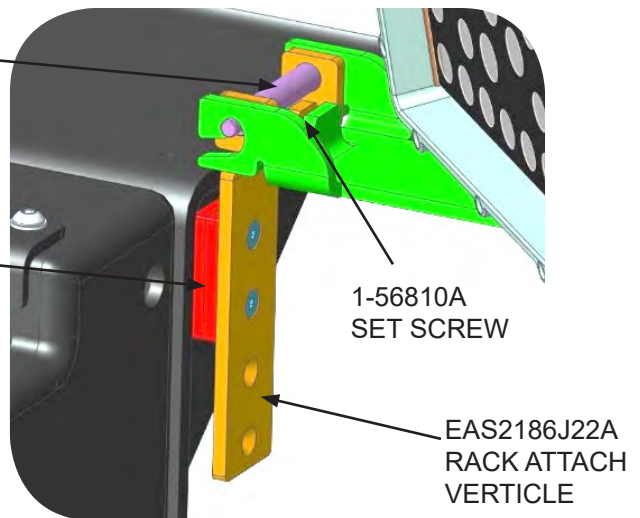
EAM0120J75A
PIN-HINGED

SIDE/TOP MOUNTING KIT - EAK0334J93A

EAC0129J08A
SPACER

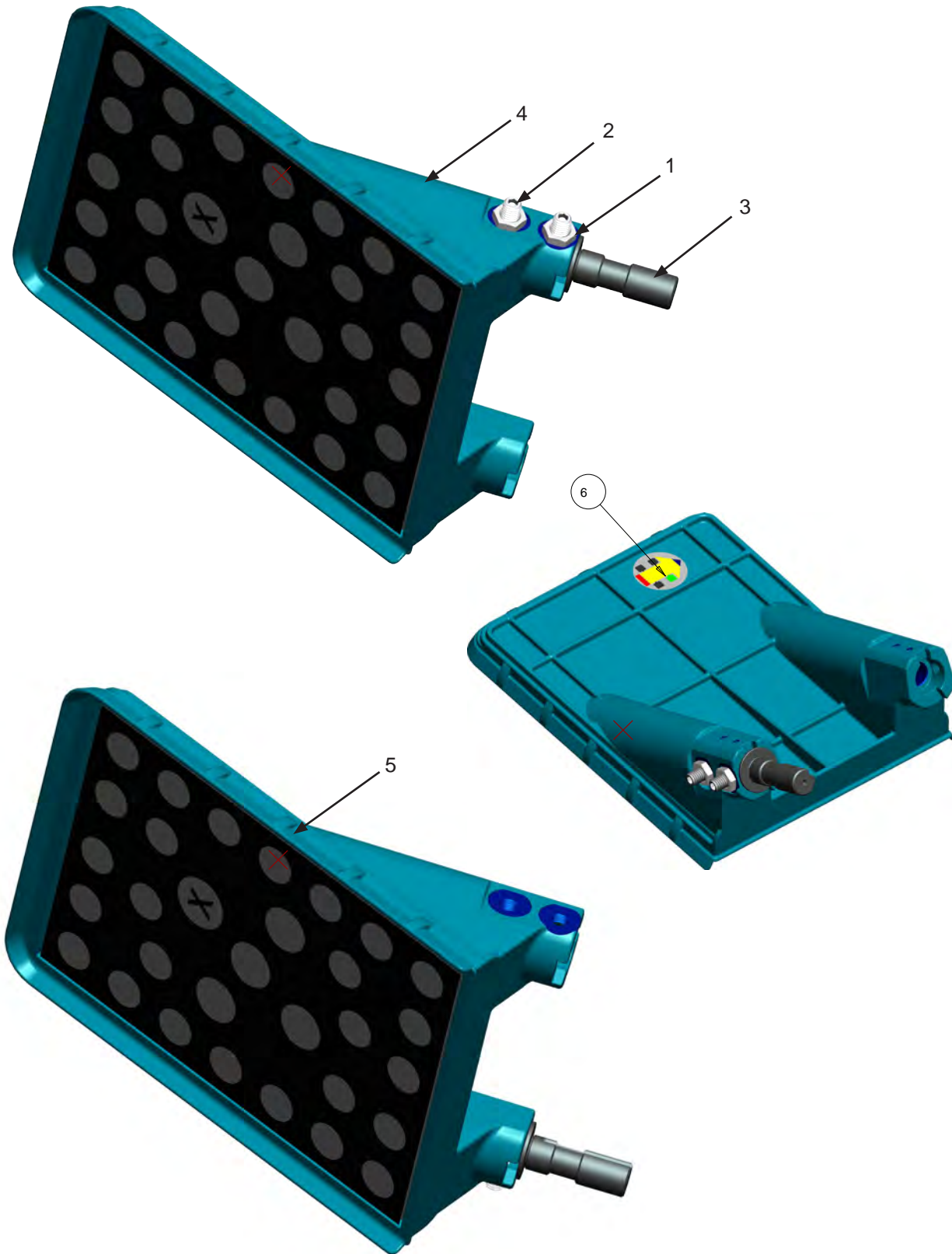
1-56810A
SET SCREW

EAS2186J22A
RACK ATTACH
VERTICLE



TARGETS

EAK0334J68A KIT – RIGHT FRONT WHEEL TARGET ASSY.
EAK0334J69A KIT – LEFT FRONT WHEEL TARGET ASSY.

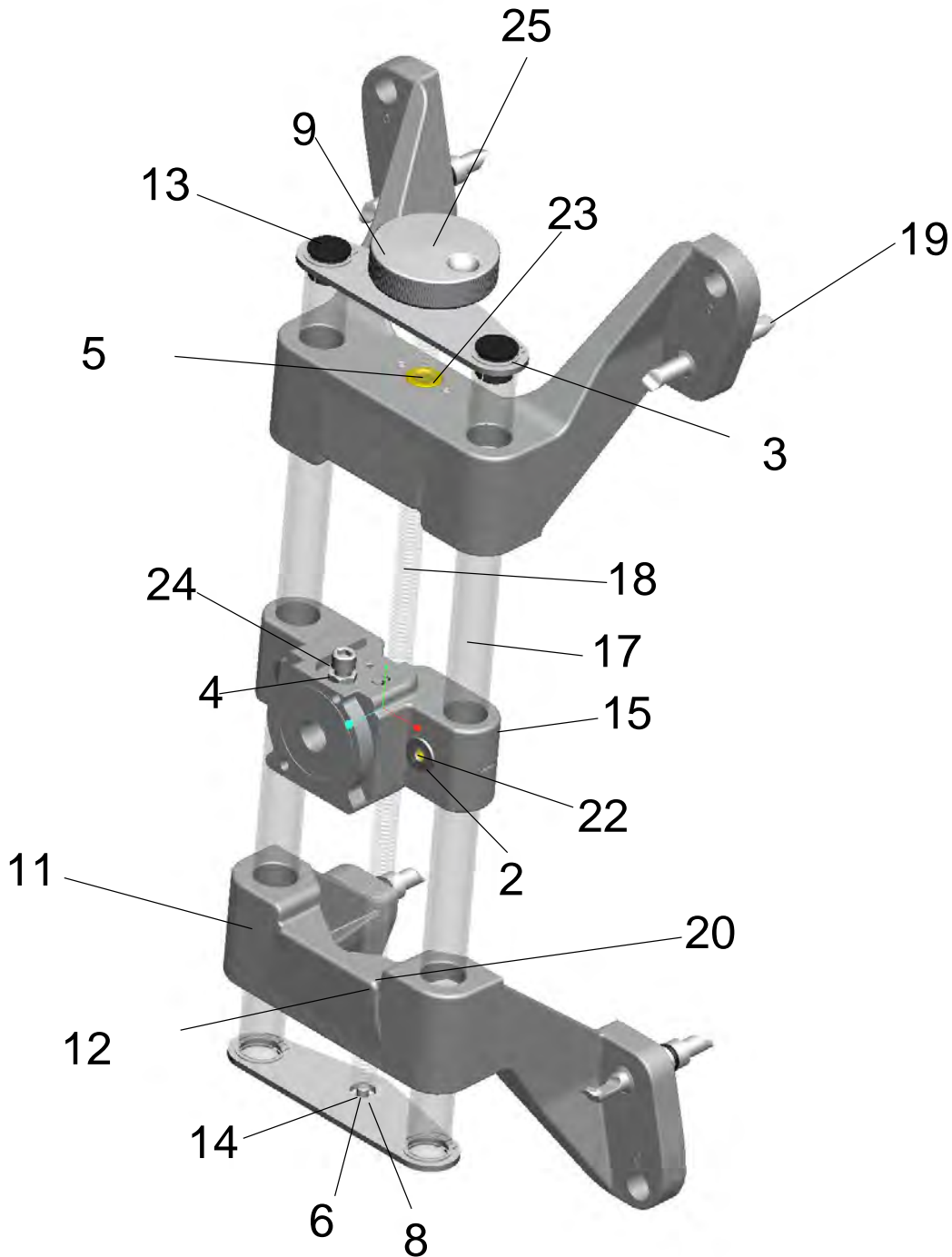


TEEWA551H3 SPARE PARTS

SYM	REQ	PART NO	DESCRIPTION
1	2	1-20733A	NUT - JAM, M8
2	2	1-54810A	SCREW - SET. M8 X 20MM, CONE PT
3	1	EAM0120J35A	SHAFT, FRONT TARGET V1200
4	1	EAA0381J26A	TARGET RF
5	1	EAC0123J70A	TARGET LF
6	1	EAL0415J12A	DECAL - RIGHT FRONT, INDICATOR
	1	EAL0415J09A	DECAL - LEFT FRONT, INDICATOR

TEEMVA51H3 SPARE PARTS

AC700 WHEEL CLAMP
EAC0079J70A - WHEEL CLAMP LONG (NA)
EAC0079J76A - WHEEL CLAMP SHORT (EURO)



TEEWA551H3 SPARE PARTS

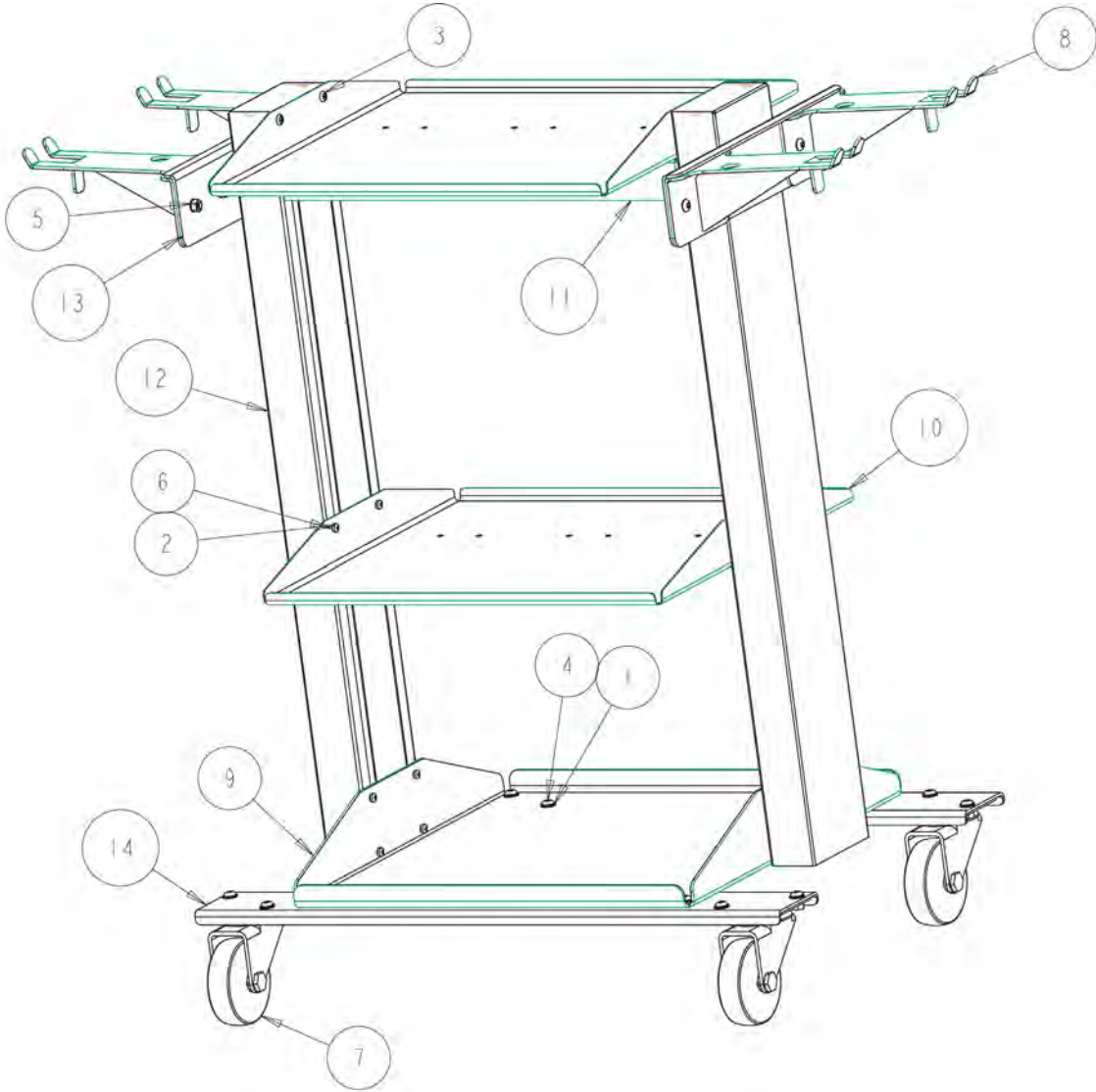
SYM	REQ	PART NO	DESCRIPTION
2	3	1-14144A	WASHER-FLAT, M6
3	8	1-17677A	RETAINING RING
4	1	1-20733A	NUT - JAM, M8
5	4	1-28103A	MSCR, PH FLH M4 X 25MM
6	1	1-3447	M6 LOCKWASHER, INTERNAL TOOTH
7	1	1-37410	SCREW-SET M3 X .5 X 10MM, CUP PT.
8	3	1-50309A	SCREW-BHCS M6X10MM
9	1	1-6152	PIN-STRAIGHT SLOTTED M4 X 20MM
11	2	EAC0079J48A	BRACKET-LONG WHEEL CLAMP (FRONT)
12	2	EAC0079J50A	COVER-FEED SCREW LOCK
13	2	EAC0079J51A	PLUG - PLASTIC, 19MM HOLE
14	2	EAC0079J52A	WASHER-THRUST PLASTIC PLASTIC, 19MM HOLE
15	1	EAC0079J53A	CENTER SLIDE BRACKET
16	1	EAM0044J13A	KNOB HAND WHEEL
17	2	EAM0044J14A	TUBE-WHEEL CLAMP LONG (NA)
		EAM0044J64A	TUBE-WHEEL CLAMP SHORT (EURO)
18	1	EAM0044J16A	SCREW-DOUBLE LEAD LONG (NA)
	1	EAM0044J65A	SCREW-DOUBLE LEAD SHORT (EURO)
19	4	EAM0044J19C	GRABBER ASM SINGLE END
	4	EAM0044J19A	GRABBER ASM DUAL END
20	1	EAM0044J20A	BUSHING-THREADED BRASS RH
22	2	EAM0044J22A	PIN-TUBE LOCK
23	1	EAM0044J24A	BUSHING THREADED BRASS LH
		EAM0044J20A	BUSHING THREADED BRASS RH
24	1	EAM0044J47A	SCREW - SHCS M8X30 FULL THD
25	2	EAS2084J29A	PLATE-RETAINER

PART NUMBER	DESCRIPTION
1-08584A	CORD – BUNGEE, BLACK 16"
EAK0268J41D	GRABBER KIT, SINGLE END
EAK0268J41B	GRABBER KIT – DUAL END
EAC0105J35A	COVER-RUBBER, V3D

TEEMAS51H3 SPARE PARTS

KNOCK DOWN CART

EAA0473J06A

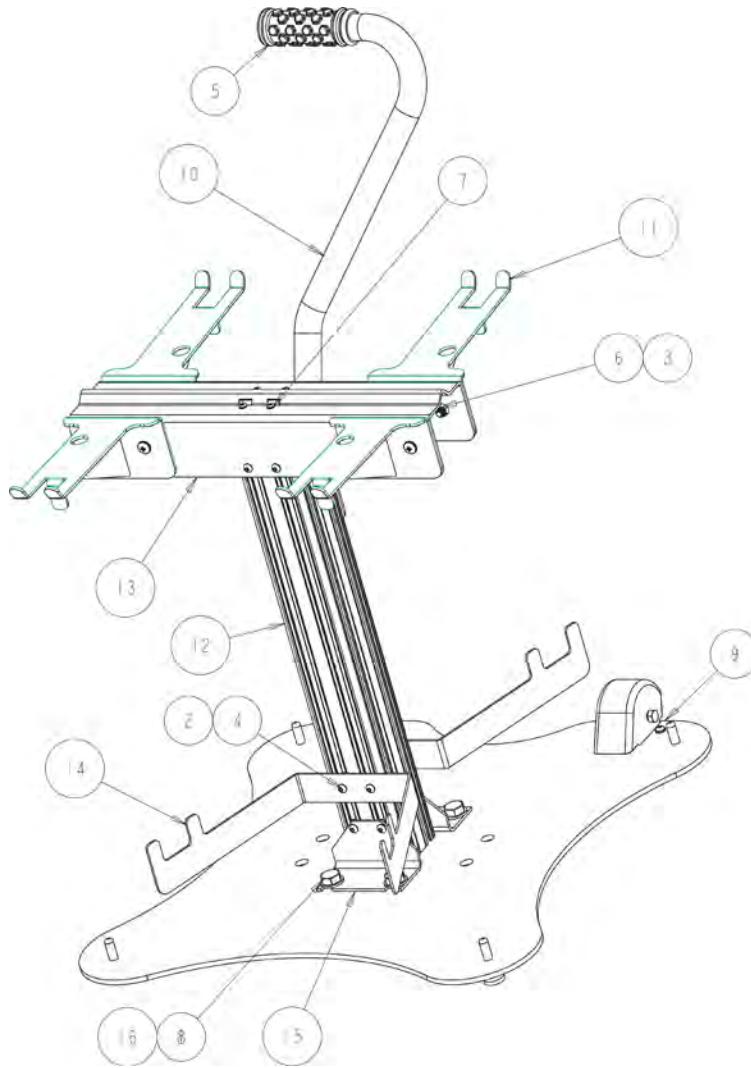


REF	QTY	PART NUMBER	DESCRIPTION
1	16	1-10041	WASHER D.8 UNI6592-069/DIN125
2	14	1-16006A	SCREW, PAN HD M5x12 EXT.
3	4	1-19923	SCREW, S/T.PAN,5.5 x 15mm BLK.
4	28	1-54009A	SCREW - 5/16-18, BHC
5	28	1-5433	NUT & L/W SHR ASSY 5/16-18 EXT. TOOTH
6	14	1-9833	M5 NUT, ZINC
7	4	8-28939A	CASTOR-SWIVEL 4" WITH BRAKE
8	4	EAA0473J03A	HANGER ASM AC200, SINGLE
9	1	EAS2119J61A	BASE, NETBOOK CART
10	2	EAS2119J62A	SHELF, NETBOOK CART
11	1	EAS2119J67A	CROSS BAR NETBOOK CART
12	2	EAS2186J90A	BRACKET - REINFORCEMENT
13	2	EAS2186J96A	SUPPORT-HANGER, STRAIGHT
14	2	EAS2186J99A	EXTENSION - CASTERS
15	1	8-41760A	SKID-DOLLY KIT UA MOVEABLE
16	1	8-59860A	CARTON-ACCESSORY, LOW
17	1	TEAA0473J06A	ASSEMBLY INSTRUCTIONS

TEEWA551H3 SPARE PARTS

PORTABLE CLAMP STAND

EAA0473J19A



REF	QTY	PART NUMBER	DESCRIPTION
1	4	1-03137A	NUT – LOCK, NYLON INSERT, M14x2
2	16	1-08508A	WELD NUT, DUAL TAB – ¼-20
3	8	1-10033	HEX NUT PREVAILING
4	16	1-2509	SCREW-BHCS, ¼ - 20 X 5/8
5	1	1-28184A	HANDLE GRIP- 1.25" I.D.
6	8	1-40306A	SCREW-PHILLIPS PAN HD,M8X20mm
7	4	1-3824	SCREW – M6 x 12MM PAN, TAPPING
8	4	1-56101A	SCREW – HEX HEAD, M14X2
9	1	EAA0381J42A	BASE – PORTABLE ASM
10	1	EAA0395J33A	HANDLE-WELD ASM PORT CLAMP BASE
11	4	EAA0473J03A	HANGER ASM AC200, SINGLE
12	1	EAC0105J43A	TOWER – EXTRUSION TGT HLDR POST
13	1	EAS2186J87A	BRACKET – CLAMP HANGER
14	2	EAS2186J93A	CLAMP STOP – MOBILE CART
15	2	EAS2186J98A	BRACKET-BASE, MOBILE
16	4	1-13741A	WASHER – FLAT (14mm) BLK
17	1	8-41760A	SKID-DOLLY KIT UA MOVEABLE
18	1	8-59860A	CARTON-ACCESSORY, LOW
19	1	TEAA0473J19A	ASSEMBY INSTRUCTIONS

TEEMA551H3 SPARE PARTS

Snap-on
309 Exchange Ave.
Conway, AR 72032
501-450-1500

Snap-on Equipment Srl
Via Per Carpi 33
42015 Correggio RE - Italy