

## *Parts Reference*



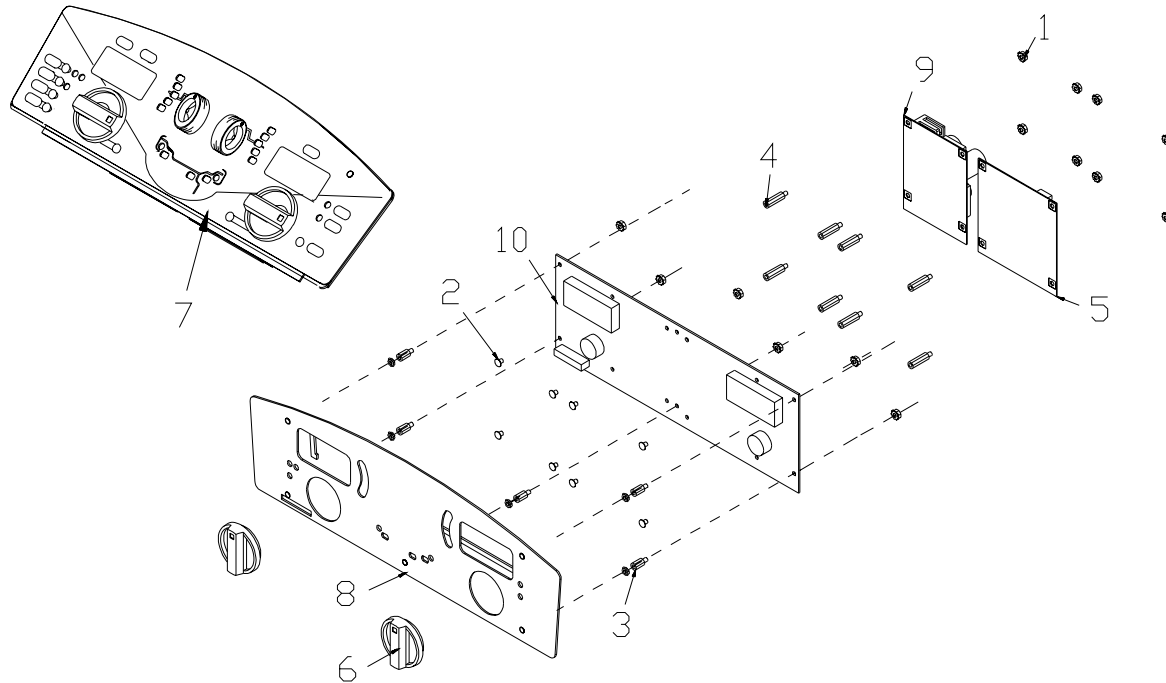
EEWB314A, EEWB525A, EEWB721A  
Electronic Hand Spin Wheel Balancer

All information contained or disclosed in this document is considered confidential and proprietary by Snap-on Tools Company. All manufacturing, use, reproduction, and sales rights are reserved by Snap-on Tools Company and the information contained herein shall not be used in whole or in part without the express written consent of Snap-on Tools Company.

# Table of Contents

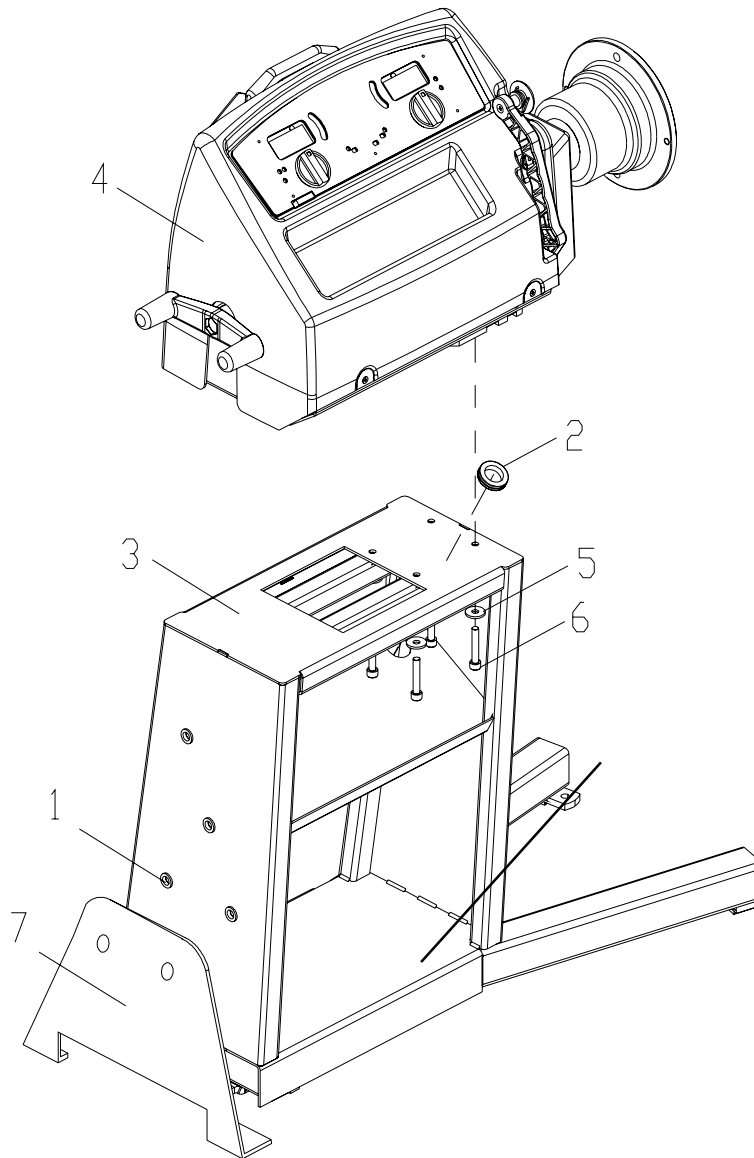
Display .....	2
Complete Head & Base .....	3
Internal Components .....	4
Vibratory Assembly .....	6
Shaft Adapters and Accessories .....	7
Semi Automatic Parameter Entry (SAPE) .....	8
Motorcycle Adapters .....	9
Standard Motorcycle Adapters .....	10

# Display



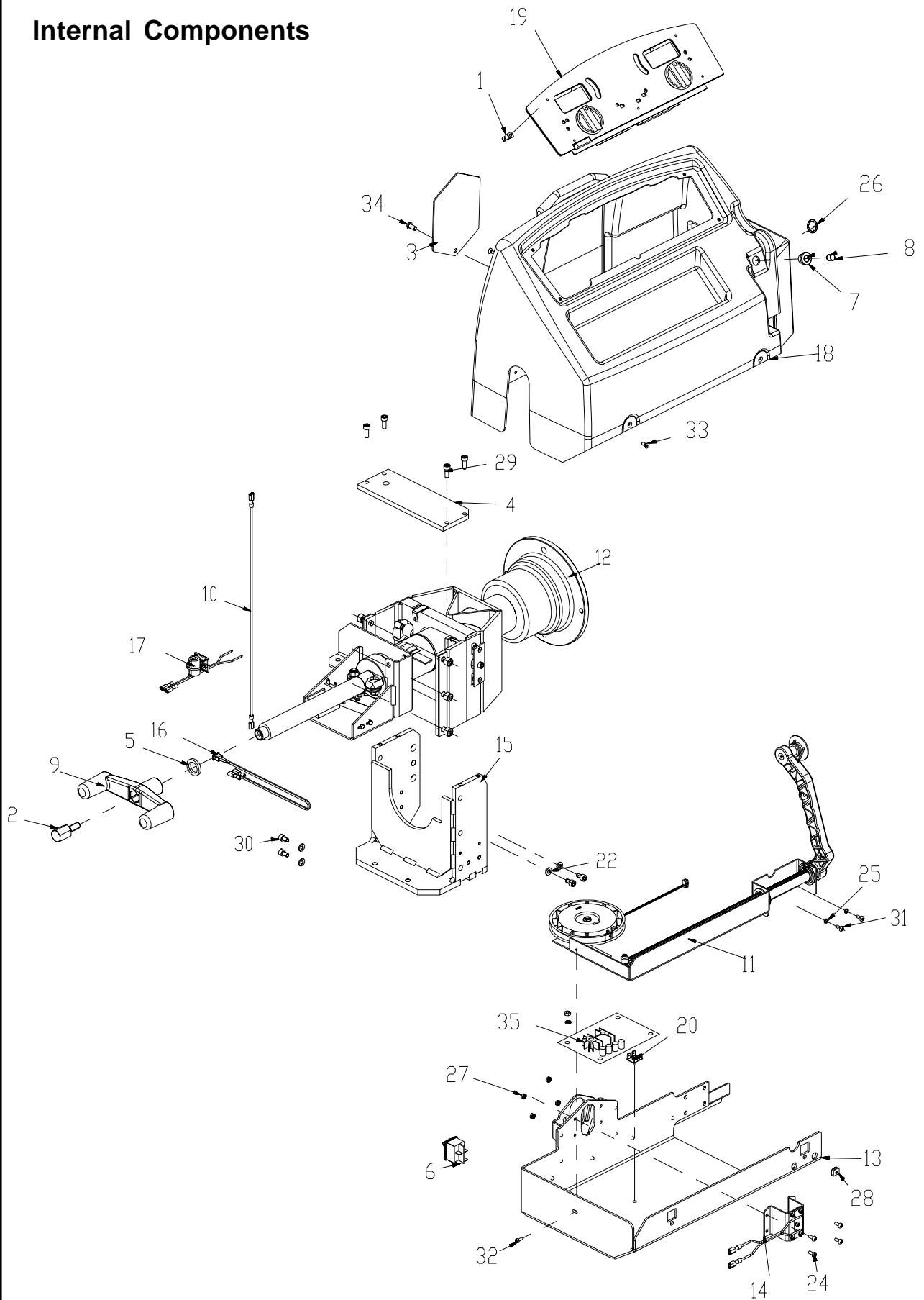
<u>Ref</u>	<u>Qty</u>	<u>Part Number</u>	<u>Description</u>
1	14	1-15033	Nut - Keps, M3 - .5
2	8	1-31106A	Screw - PHMS, M3 - .25mm
3	5	1 - 11062A	Spacer - 1/4" X 3/8"
4	8	1 - 10962A	Spacer - 1/4" X 3/4"
5	1	EAP0201D00C	PCB Assembly - Processor
6	2	1591-01	Knob - Black, D Shaft
7	1	EAA0255J77A	Display Assembly
8	1	EAA0255J00A	Switch - Membrane, with Sheet Metal Back
9	1	EAP0192P30A	PCB Assembly - Power Interface
*	1	2-13851	Fuse, 1.6 Amp
10	1	EAP0192P40A	PCB Assembly - Display

## Complete Head & Base



SYM	REQ	PART NO	DESCRIPTION
1	4	1-17659a	THREADED INSERT M10X22
2	1	8-08716A	GROMMET, 32mm dia.
3	1	EAS2067G95A	BALANCERSUPPORT DESK RED RAL 3000
4	1	EAA0307G49A	BAL. HEAD WITH 1D SAPE
5	4	1-17841	WASHER, ZINC d8x24
6	4	1-18209	SCREW HEX SOCKET M8X45
7	1	EAS2081J51A	STABILITY BRACE
*	1	EAL0343J00A	JBC Decal
	1	EAL0341J62A	Geodyna Decal

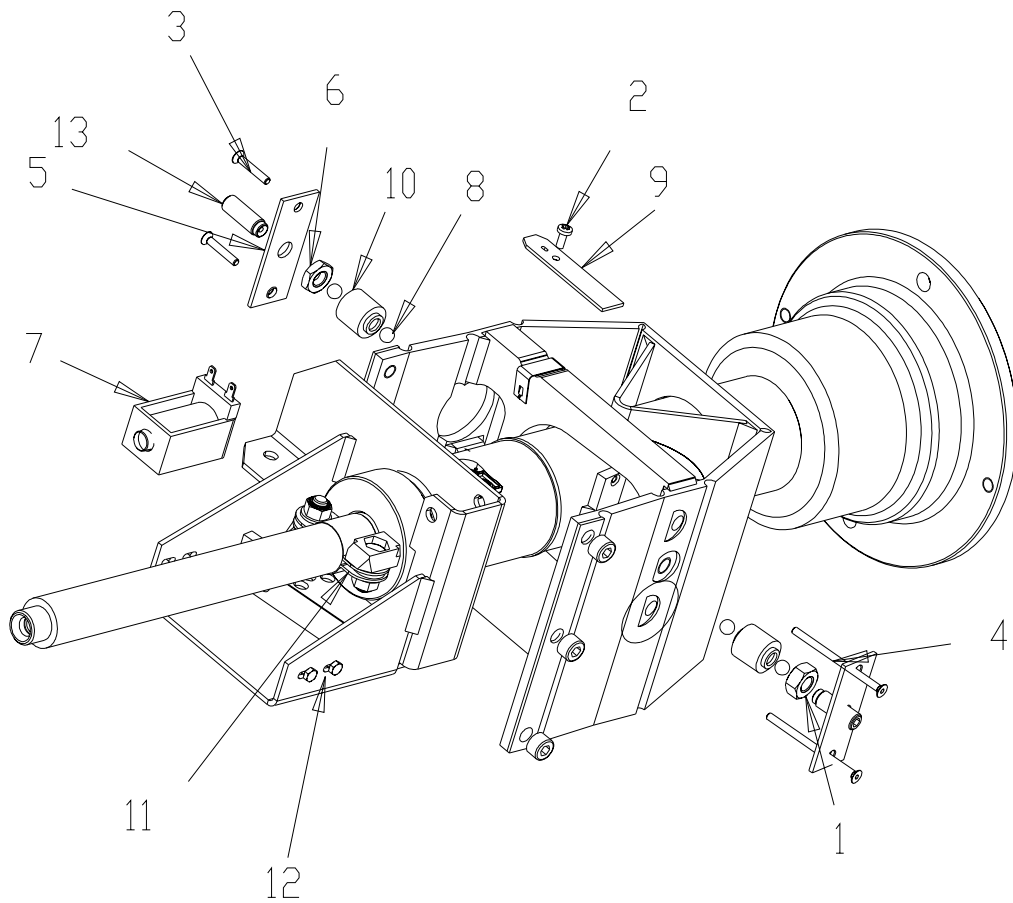
# Internal Components



## Internal Components

1	1	2-23201	Ground Connector
2	1	EAM0006G16A	Bolt - French Handle, M10 - 1LH
3	1	EAS2086G16A	Plate - Battery Hole Cover
4	1	EAS2086G73A	Upper Plate Black Sprayed
5	1	EAM0042G13A	Handle Spacer
6	1	2-13058A	Rocker Switch - On - Off - On
7	1	EAM0042G55A	Tray - Magnet
8	1	EAC0060G57A	Magnet
9	1	EAC0054P14A	Handle - French, Left Hand Crank
10	1	EAW0239D05A	Cable - Grounding
11	1	EAA0307G47B	Sape Assy - Handspin 1D
12	1	EAA0307G53A	Vibratory Assy - 28/40, No Brake
13	1	EAA0307G55A	Head Bottom Assy, Sprayed Blk
14	1	EAA0307G57A	Socket Assy - Receptacle
15	1	EAS2086G68A	Vibratory Support Sprayed Blk
16	1	EAW0240G40A	Cable - Power, Light Handspin
17	1	EAW0240G41A	Cable - Power, Control Panel
18	1	EAA0328G40A	Weight Tray - W/Inserts Handspin
19	1	EAA0255J77A	Display Assy - Snap - On Handspin
20	1	2-23201	Terminal - Lug, Pop Rivet
22	6	1-9841	Washer - Plain 6mm
24	4	1-9641	Washer Plain M4
25	2	1-2546A	Washer - 4mm X .9mm Sp Loc Blk
26	1	1-17777A	Retaining Ring Self Seating
27	4	1-4134A	Nut - Hex, Jam, M.4 X .7mm
29	4	1-16309	Screw - SHCS - M6 X 16mm 8.8
30	6	1-47909A	Screw - M6x10mm Hex Sock.hd Cap
31	2	1-13204A2	Screw - M4x10, Phil Raised Che.hd
32	1	1-17223A	Screw - Ph Pan Tp M3, 5x 13 Blk
33	6	1-207	Screw - Self Tap M4.2x13mm
34	1	1-40709A	Screw - M6 X 12mm #92095a226
35	1	EAP0194J00A	Adapter DC To DC

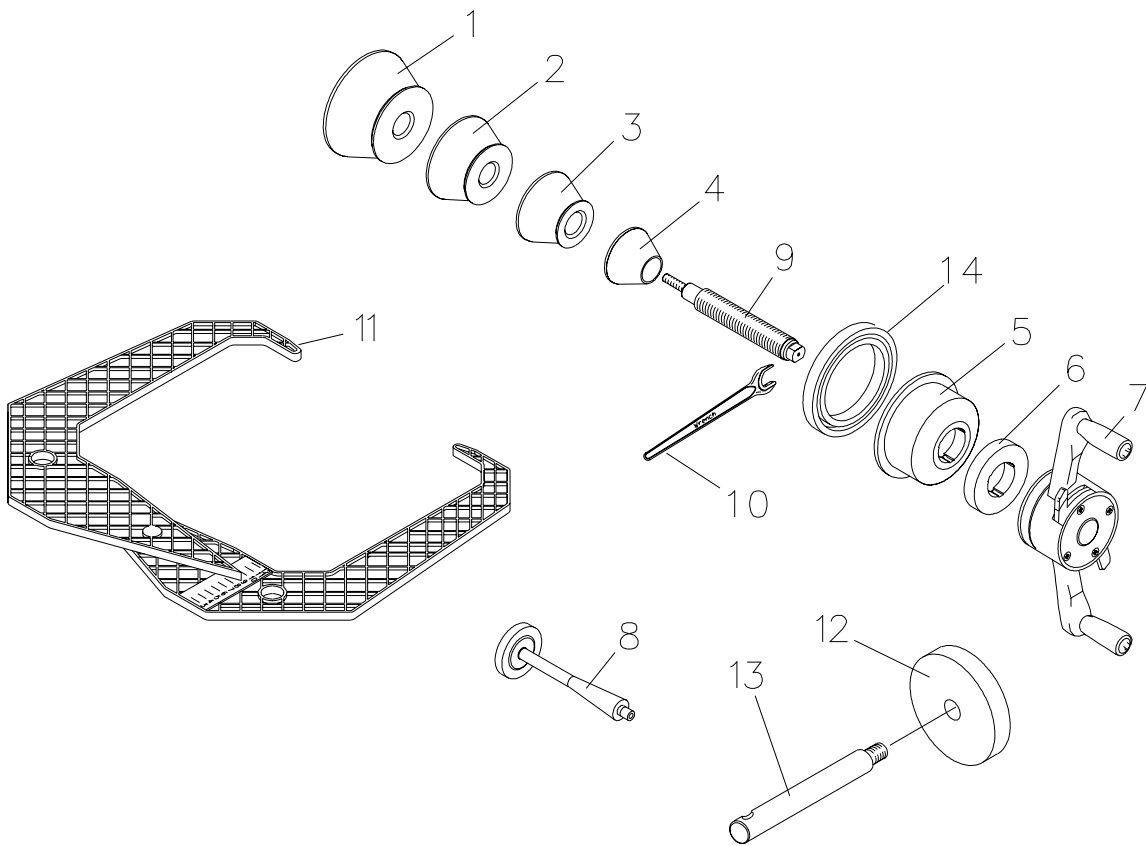
## Vibratory Assembly



SYM	QTY	PART NO	DESCRIPTION
13	2	EAM0005D07A	Set Screw M10x29
12	1	EAA0263G26A	BRAKE ASSEMBLY
11	1	EAA0263G25A	BRAKE ASSEMBLY
10	2	EAA0260D59A	PIEZO SENSOR
9	1	EAA0260D09A	Encoder
8	4	8-1144	Steel Ball
7	1	2-09337A	SOLENOID STOP
6	1	1-4034	NUT HEX BM (M 10)
5	2	1-2967	Pretension Spring
4	2	1-19903A	4 X 65 COUNTER SUNK SCREW
3	2	1-17403	Screw
2	1	1-13204A	Screw
1	1	1-11833	Nut M8

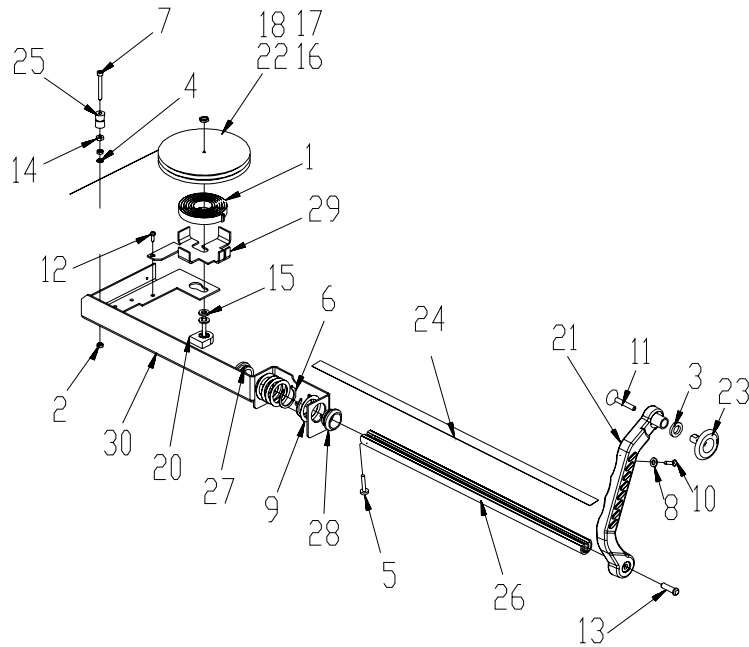


## Shaft Adapters and Accessories



<b>Ref</b>	<b>Qty</b>	<b>Part Number</b>	<b>Description</b>
1	1	EAM0003J13A	Cone, 89-132 mm (3.50 - 5.20 inches)
2	1	EAM0003J12A	Cone, 82-99 mm (3.23 - 3.90 inches)
3	1	EAM0003J11A	Cone, 68-85 mm (2.67 - 3.35 inches)
4	1	EAM0003J10A	Cone, 43-72 mm (1.69 - 2.84 inches)
5	1	8 - 02040A2	Cup - Pressure
6	1	8 - 02040A1	Disk - Pressure
7	1	8 - 02040A	Quick Nut
8	1	EAM0005D40A	Weight - Calibration
9	1	EAM0005D14A	Stub Shaft
10	1	8 - 01050A	Wrench - Fork, 19mm
11	1	EAA0247G21A	Caliper - Rim Width
12	4	EAC0060G02A	Flange - Cover, Hook
13	4	EAM0006G01A	Hook - Storage
14	1	00110410000	Protective Ring
*	1	ZEEWB305A9	Lit Pack - EEWB305A

## Semi Automatic Parameter Entry (SAPE)



30	1	EAS2086G12A	SAPE MOUNTING
29	1	EAS2081J43A	BRACKET - SAPE PULLEY
28	1	EAM0005D39A	BUSHING- OUTER SAPE ROD
27	1	EAM0005D38A	BUSHING-INNER SAPE ROD
26	1	EAM0005D36A	ROD-SAPE,S1
25	1	EAM0005D35A	REEL-GUIDING,SAPE
24	1	EAL0349G31A	DECAL - DISTANCE SCALE, (MM)
23	1	EAC0058D11A	Antastpiltz Touching disk
22	1	EAC0058D06A	REEL-ROPE
21	1	EAC0053J03A	ARM-SAPE
20	1	EAA0266D20A	ROTATIVE TRANSDUCER ASSY
19	1	64383	TIE-CABLE,4"
18	1	6-00404A	ROPE HEMINGWAY
17	1	2-07657A	CLAMPING DEVICE W/NUT
16	1	2-07557A	SLEEVE OVAL COMPRESSION
15	2	1-9841	WASHER PLAIN, 6mm
14	1	1-9733	NUT-M4 ZINC
13	1	1-3824	SCREW-SELF TAP,6 X 12MM
12	1	1-3724	SCREW-SELF TAP,5 X 10MM
11	1	1-3624	SCREW-FHMS,5X40MM SELF TAP
10	1	1-24323A	SCREW - FH SHT METAL,
9	5	1-23241A	SHIM RING
8	1	1-11541	WASHER - Flat M6 X 1.6mm THK
7	1	1-14009A	SCREW,HEX SOCKET HEAD CAP
6	2	1-13877A	RING-SNAP, .93 X .044
5	1	1-13609	SCREW-HHCS,M4-16 X 8.8
4	1	1-1348	LOCKWASHER D4
3	1	1-13044A	WASHER-FLAT,NYLON
2	2	1-11433	NUT - M4 6S
1	1	1-03967A	SPRING-SAPE AUTO STOP SYSTEM

# Motorcycle Adapters



EAA0277D29A Extended Shaft Adapter



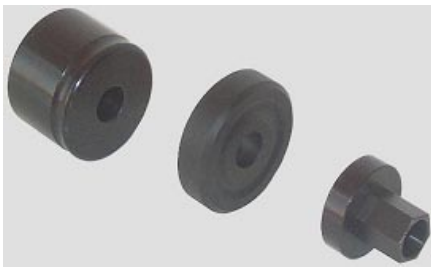
EAA0277D03A 10mm Shaft Adapter



EAA0277D22A Harley Davidson wheels



EAA0277D07A Suzuki, NTV, and Moto Guzzi V11 wheels



EAA0277D06A Rear Scooter Wheels



EAA0277D58A Handle for Motorcycle adapter



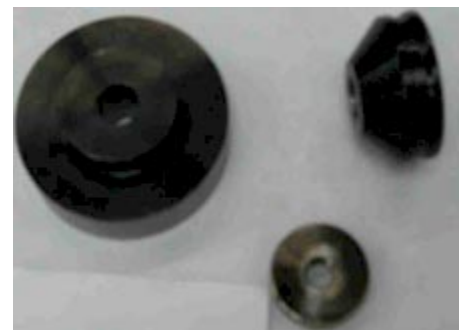
EAA0277D05A Scooter Wheels



EAA0260D80A Basic Adapter



EAA0277D16A BMW Mono-lever Wheels



EAA0277D20A Ducati Wheels



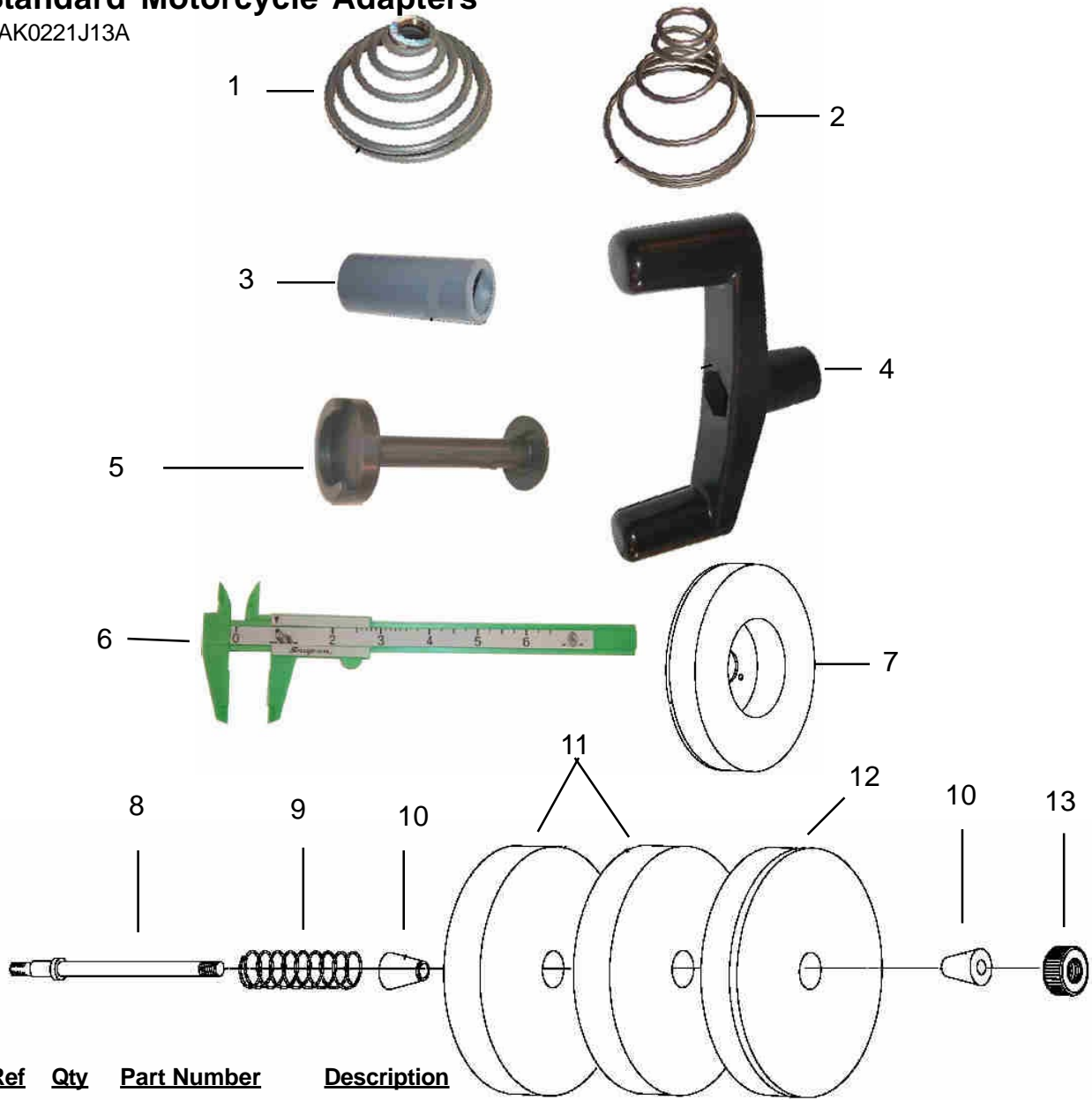
EAA0277D09A Honda or Yamaha rear Mono-lever wheels



EAA0277D11A Aprilia Rear Mono-lever

# Standard Motorcycle Adapters

EAK0221J13A



Ref	Qty	Part Number	Description
1	1	1412	Spring
2	1	3607-01	Spring
3	1	3609-01	Spacer - M/C shaft
4	1	7607	Spin Hand Crank handle
	1	EAM0006G16A	Bolt - Crank handle (Not Shown)
5	1	EAM0005D62A	Extension Guage
6	1	8430-02	Caliper M/C
7	1	EAA0255J43A	Flange
8	1	EAM0003J33A	Shaft 14mm
9	1	1401	Spring
10	2	1387	Cone
11	2	1389-01	Pressure Disc
12	1	1389-02	Pressure Disc
13	1	1388	Ring Nut

Items 8 thru 13 EAK0221J15A Motorcycle adapter kit



**Snapon Equipment Services  
309 Exchange Avenue  
Conway, AR 72034**

For Service Call:  
1-800-225-5786

**Notice:** The information contained in this document is subject to change without notice. Snap-on Incorporated makes no warranty with regard to this material. Snap-on Incorporated shall not be liable for errors contained herein or for incidental consequential damages in connection with furnishings, performance, or use of this material.

This document contains proprietary information which is protected by copyright and patents. All rights are reserved. No part of this document may be photocopied, reproduced, or translated without prior written consent of Snap-on Incorporated.