

# Service Manual



## LCD Television

**TX-42AS750E**

**TX-42ASW754**

**TX-42ASR750**

## LA51 Chassis

### **⚠ Warning**

This service information is designed for experienced repair technicians only and is not designed for use by the general public. It does not contain warnings or cautions to advise non-technical individuals of potential dangers in attempting to service a product. Products powered by electricity should be serviced or repaired only by experienced professional technicians. Any attempt to service or repair the product or products deal within this service information by anyone else could result in serious injury or death.

### **IMPORTANT SAFETY NOTICE**

There are special components used in this equipment which are important for safety. These parts are marked ⚠ in the Schematic Diagrams, Circuit Board Diagrams, Explorer Views and Replacement Parts List. It is essential that these critical parts should be replaced with manufacturer's specified parts to prevent shock, fire or other hazards. Do not modify the original design without permission of manufacturer.

# CONTENTS

SAFETY PRECAUTIONS .....	3
GENERAL GUIDE LINES.....	3
TOUCH – CURRENT CHECK.....	3
PREVENTION OF ELECTROSTATIC DISCHARGE (ESD) TO ELECTROSTATICALLY SENSITIVE (ES) DEVICES .....	4
ABOUT LEAD FREE SOLDER (PBF).....	5
SUGGESTED PB FREE SOLDER .....	5
SERVICE NAVIGATION .....	6
CHASSIS BOARD LAYOUT.....	6
SERVICE HINTS .....	7
APPLICABLE SIGNALS.....	8
SPECIFICATIONS .....	9
TECHNICAL DESCRIPTION .....	11
SPECIFICATION OF KEY FOR DTCP-IP, C2MOD, CI PLUS, DIMORA, HDCP2, NETFLIX, WIDEVINE .....	11
GENERAL INFORMATION .....	11
REPLACEMENT OF ICS.....	11
MODEL AND KEYS .....	11
USB HDD RECORDING .....	11
SETTING INSPECTION.....	12
SERVICE MODE FUNCTION .....	13
SERVICE .....	14
SERVICE TOOL MODE.....	15
HOTEL MODE .....	16
DATA COPY BY USB MEMORY .....	17
DATA COPY FROM TV SET TO USB MEMORY .....	18
DATA COPY FROM USB MEMORY TO TV SET .....	19
OPTION BYTES DESCRIPTION .....	20
SELF CHECK .....	21
POWER LED BLINKING TIMING CHART .....	23
LCD PANEL TEST MODE .....	23
WIRING DIAGRAM .....	24
BLOCK DIAGRAM (1 OF 2).....	25
PARTS LOCATION.....	27
LOCATION OF LEAD WIRING .....	29
REPLACEMENT PARTS LIST NOTE.....	30
REPLACEMENT PARTS LIST.....	31
SCHEMATIC DIAGRAMS NOTE .....	59
A-BOARD (1 OF 17) SCHEMATIC DIAGRAM.....	60
P-BOARD (1 OF 2) SCHEMATIC DIAGRAM.....	77
K-BOARD SCHEMATIC DIAGRAM .....	80
GK-BOARD SCHEMATIC DIAGRAM .....	81
CONDUCTOR VIEWS .....	82

# Safety Precautions

## General Guide Lines

1. When servicing, observe the original lead dress. If a short circuit is found, replace all parts which have been overheated or damaged by the short circuit.
2. After servicing, see to it that all the protective devices such as insulation barriers, insulation papers shields are properly installed.
3. After servicing, make the following touch current checks to prevent the customer from being exposed to shock hazards.
4. Always ensure cover label TBM4GU113 is correctly replaced before returning to customer (see Fig.1).

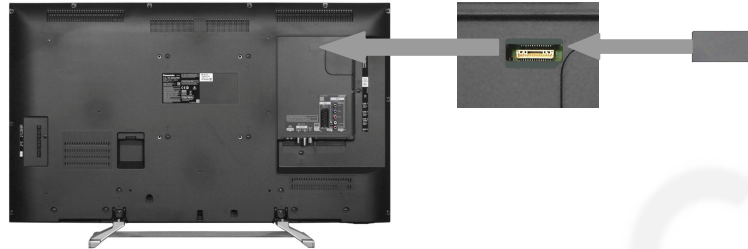


Fig. 1

## Touch-Current Check

1. Plug the AC cord directly into the AC outlet. Do not use an isolation transformer for this check.
2. Connect a measuring network for touch currents between each exposed metallic part on the set and a good earth ground such as a water pipe, as shown in Fig. 2.
3. Use Leakage Current Tester (Simpson 228 or equivalent) to measure the potential across the measuring network.
4. Check each exposed metallic part, and measure the voltage at each point.
5. Reserve the AC plug in the AC outlet and repeat each of the above measure.
6. The potential at any point (TOUCH CURRENT) expressed as voltage  $U_1$  and  $U_2$ , does not exceed the following values:  
For a. c.:  $U_1 = 35 \text{ V}$  (peak) and  $U_2 = 0.35 \text{ V}$  (peak);  
For d. c.:  $U_1 = 1.0 \text{ V}$ ,

### Note:

The limit value of  $U_2 = 0.35 \text{ V}$  (peak) for a. c. and  $U_1 = 1.0 \text{ V}$  for d. c. correspond to the values  $0.7 \text{ mA}$  (peak) a. c. and  $2.0 \text{ mA}$  d. c.

The limit value  $U_1 = 35 \text{ V}$  (peak) for a. c. correspond to the value  $70 \text{ mA}$  (peak) a. c. for frequencies greater than  $100 \text{ kHz}$ .

7. In case a measurement is out of the limits specified, there is a possibility of a shock hazard, and the equipment should be repaired and rechecked before it is returned to the customer.

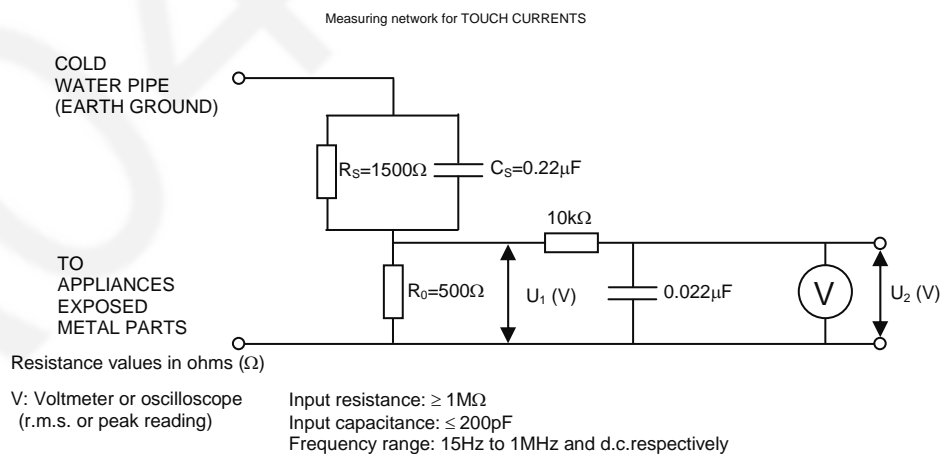


Fig. 2

# Prevention of Electrostatic Discharge (ESD) to Electrostatically Sensitive (ES) Devices

Some semiconductor (solid state) devices can be damaged easily by static electricity. Such components commonly are called Electrostatically Sensitive (ES) Devices. Examples of typical ES devices are integrated circuits and some field-effect transistors and semiconductor "chip" components. The following techniques should be used to help reduce the incidence of component damage caused by electrostatic discharge (ESD).


1. Immediately before handling any semiconductor component or semiconductor-equipped assembly, drain off any ESD on your body by touching a known earth ground. Alternatively, obtain and wear a commercially available discharging ESD wrist strap, which should be removed for potential shock reasons prior to applying power to the unit under test.
2. After removing an electrical assembly equipped with ES devices, place the assembly on a conductive surface such as aluminum foil, to prevent electrostatic charge build up or exposure of the assembly.
3. Use only a grounded-tip soldering iron to solder or unsolder ES devices.
4. Use only an anti-static solder removal device. Some solder removal devices not classified as "anti-static (ESD protected)" can generate electrical charge sufficient to damage ES devices.
5. Do not use freon-propelled chemicals. These can generate electrical charges sufficient to damage ES devices.
6. Do not remove a replacement ES device from its protective package until immediately before you are ready to install it. (Most replacement ES devices are packaged with leads electrically shorted together by conductive foam, aluminum foil or comparable conductive material).
7. Immediately before removing the protective material from the leads of a replacement ES device, touch the protective material to the chassis or circuit assembly into which the device will be installed.

## Caution

Be sure no power is applied to the chassis or circuit, and observe all other safety precautions.

8. Minimize bodily motions when handling unpackaged replacement ES devices. (Otherwise harmless motion such as the brushing together of your clothes fabric or the lifting of your foot from a carpeted floor can generate static electricity (ESD) sufficient to damage an ES device).

### IMPORTANT SAFETY NOTICE

There are special components used in this equipment which are important for safety. These parts are marked by  in schematic diagrams, exploded views and replacement parts list. It is essential that these critical parts should be replaced with manufacturer's specified parts to prevent shock, fire, or other hazards. Do not modify the original design without permission of manufacturer.




## About lead free solder (PbF)

Note: Lead is listed as (Pb) in the periodic table of elements.

In the information below, Pb will refer to Lead solder, and PbF will refer to Lead Free Solder.

The Lead Free Solder used in our manufacturing process and discussed below is (Sn+Ag+Cu). That is Tin (Sn), Silver (Ag) and Copper (Cu) although other types are available.

This model uses Pb Free solder in it's manufacture due to environmental conservation issues. For service and repair work, we'd suggest the use of Pb free solder as well, although Pb solder may be used. PCBs manufactured using lead free solder will have the PbF within a leaf Symbol

 stamped on the back of PCB.

### Caution

- Pb free solder has a higher melting point than standard solder. Typically the melting point is 50 ~ 70 °F (30~40°C) higher. Please use a high temperature soldering iron and set it to 700 ± 20 °F (370 ± 10 °C).
- Pb free solder will tend to splash when heated too high (about 1100 °F or 600 °C).  
If you must use Pb solder, please completely remove all of the Pb free solder on the pins or solder area before applying Pb solder. If this is not practical, be sure to heat the Pb free solder until it melts, before applying Pb solder.
- After applying PbF solder to double layered boards, please check the component side for excess solder which may flow onto the opposite side. (see Fig.3)

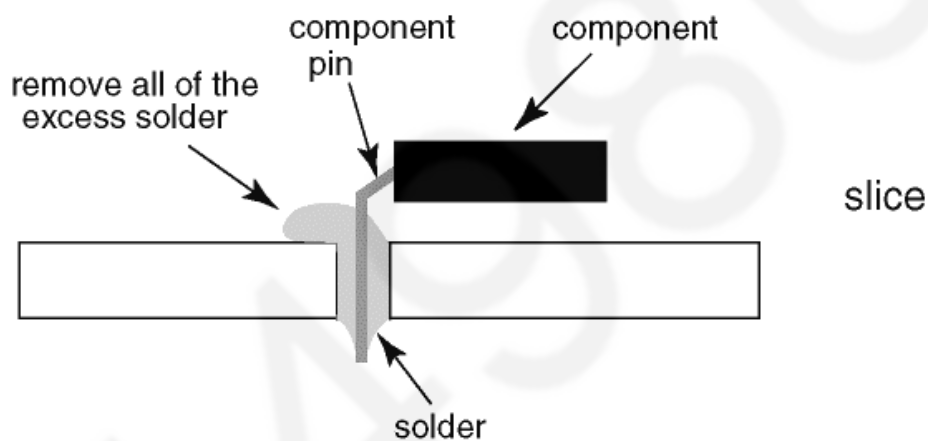


Fig.3

### Suggested Pb free solder

There are several kinds of Pb free solder available for purchase. This product uses Sn+Ag+Cu (tin, silver, copper) solder. However, Sn+Cu (tin, copper), Sn+Zn+Bi (tin, zinc, bismuth) solder can also be used. (see Fig.4)

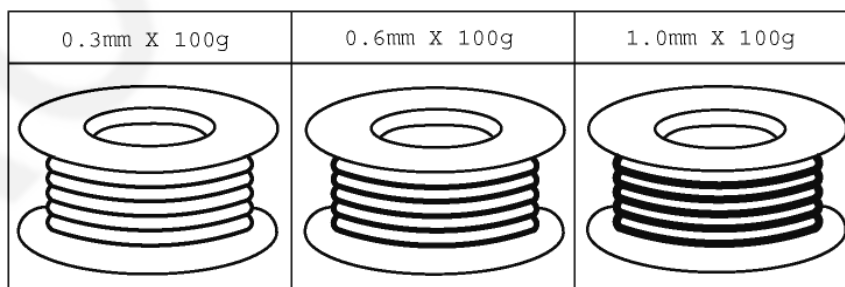
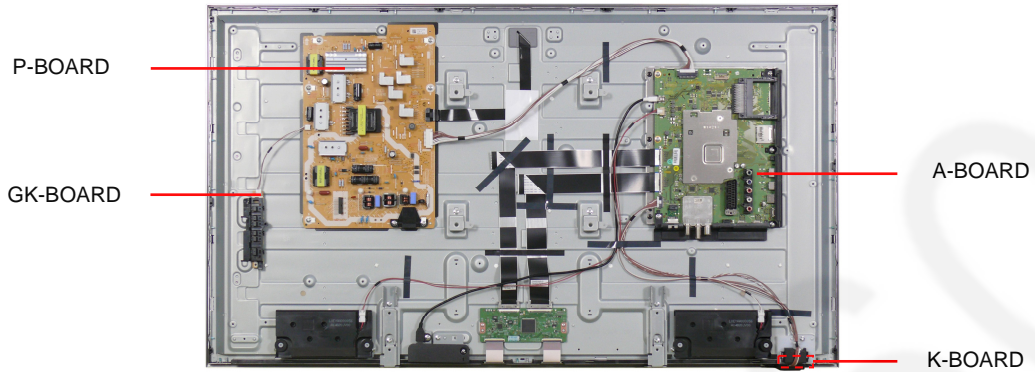


Fig.4

# Service Navigation

## Chassis Board Layout



Board Name	Function
A-Board	AV Terminal, HDMI, USB, WIFI, Digital Audio Out, TUNER-A+(T2+C+S) x2, DVB-T2/T/S/C Dem, CI Slot , SD Slot , Peaks IC_LD6, Speaker out, eMMC Memory, STM EEPROM, DDR SDRAM
P-Board	Main Input, Power Supply, LED DRIVER
K-Board	Remote Receiver, Power and Timer LED, C.A.T.S
GK-Board	Key control, Power switch

## Service Hints

### How to remove the backcover

Lay the main unit face down. (see Fig.5)



Fig.5

Remove the 4 fixing screws and the pedestal assembly. (see Fig.6)

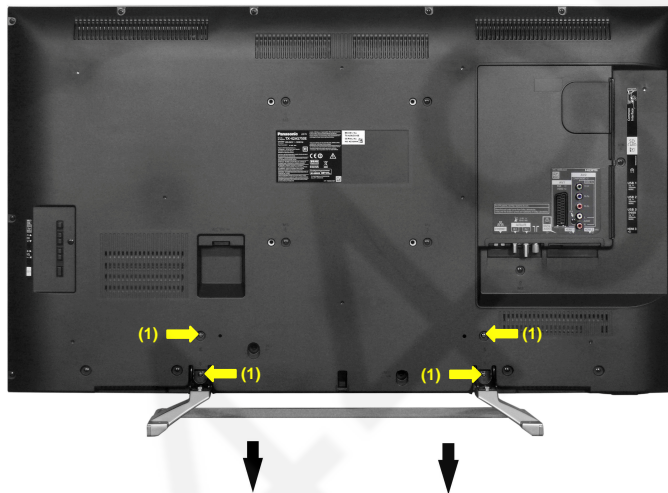


Fig.6

**SCREWS**  
(1) THE5ZL002N /4pcs/

Remove the 24 fixing screws and the backcover. (see Fig.7)

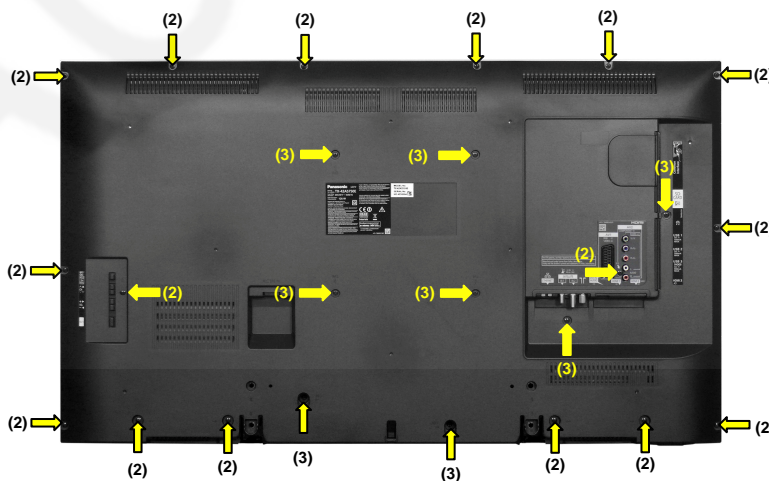


Fig.7

**SCREWS**  
(2) THTD037J /16pcs/  
(3) THEC1509 /8pcs/

## Applicable Signals

**Component** (Y, Pb, Pr) (from AV2 terminal), **HDMI**

Signal name	COMPONENT	HDMI
525 (480) / 60i,60p	*	*
625 (576) / 50i, 50p	*	*
750 (720) / 60p, 50p	*	*
1,125 (1,080) / 60i, 50i	*	*
1,125 (1,080) / 60p		*
1,125 (1,080) / 50p		*
1,125 (1,080) / 24p		*

**Note:**

- Signals other than above may not be displayed properly.
- The above signals are reformatted for optimal viewing on your display.

# Specifications

<b>Power Source:</b>	220-240V AC, 50 / 60Hz	
<b>Rated Power Consumption:</b>	126W	
<b>Stand-by Power Consumption:</b>	0.20W	
<b>Aerial Impedance:</b>	75Ω unbalanced, Coaxial Type	
<b>Receiving System:</b>	<b>TX-42AS750E</b> <b>TX-42ASW754</b>	
	DVB-S/S2	Digital satellite services (MPEG2 and MPEG4-AVC(H.264)) Receiver frequency range – 950 MHz to 2,150MHz DiSEqC – Version 1.0.
	DVB-T/T2	Digital terrestrial services (MPEG2 and MPEG4-AVC(H.264))
	DVB-C	Digital cable services (MPEG2 and MPEG4-AVC(H.264))
	PAL I/H, B/G, SECAM B/G, L/L'	VHF E2-E12 VHF A-H (ITALY) CATV (S01-S05) CATV S11-S20 (U1-U10)
	PAL D/K, SECAM D/K	VHF H1-H2 (ITALY) UHF E21-E69 CATV S1-S10(M1-M10) CATV S21-S41 (HYPERBAND)
	PAL 525/60 M.NTSC NTSC	VHF R1-R2 VHF R6-R12  VHF R3-R5 UHF E21-E69
		(AV only) (AV only) (AV only)
	<b>TX-42ASR750</b>	
	DVB-S/S2	Digital satellite services (MPEG2 and MPEG4-AVC(H.264)) Receiver frequency range – 950 MHz to 2,150MHz DiSEqC – Version 1.0.
	DVB-T/T2	Digital terrestrial services (MPEG2 and MPEG4-AVC(H.264))
	DVB-C	Digital cable services (MPEG2 and MPEG4-AVC(H.264))
	PAL D/K, SECAM D/K	VHF R1-R2 VHF R6-R12
	PAL 525/60 M.NTSC NTSC	VHF R3-R5 UHF E21-E69
		(AV only) (AV only) (AV only)
<b>Aerial - Rear:</b>	VHF/UHF	
<b>Operating Conditions:</b>	Temperature: 0°C ÷ 35°C Humidity: 20% ÷ 80% RH (non condensing)	
<b>Satellite dish input:</b>	Female F-type 75Ω x 2	
<b>Terminals:</b>		
AV1 IN	Video (21 pin) Audio (21 pin) RGB (21 pin)	1V p-p 75Ω 500mV rms 10kΩ 0.7V p-p 75Ω
AV1 OUT	Video (21 pin) Audio (21 pin)	1V p-p 75Ω 500mV rms 1kΩ
AV2 IN (COMPONENT/VIDEO)	Video (RCAx1) Audio (RCAx2) Video (RCAx3)	1V p-p 75Ω 500mV rms 10kΩ (used for HDMI_ AV2 audio IN) Y:1V p-p 75Ω (including synchronisation) Pb/Cb, Pr/Cr: ±0.35V p-p 75Ω
HDMI1, HDMI2, HDMI3	Type A Connectors HDMI 1/3 : 3D, Content Type HDMI 2 : 3D, Content Type, Audio Return Channel This TV supports "HDAVI Control 5" function.	

DIGITAL AUDIO OUT	PCM / Dolby digital / DTS, Fibre optic
USB 1/2/3	USB 1/ 2 DC : 5V Max 500mA [Hi-Speed USB (USB 2.0)] USB3 : 5V Max 900mA [SuperSpeed USB (USB 3.0)]
ETHERNET	RJ45, IEEE802.3 10BASE-T / 100BASE-TX
CARD SLOT	SD Cart slot x 1 Common interface slot (Complies with CI+) x2

<b>Wireless LAN:</b>	
Standard Compliance	IEEE802.11a/n , IEEE802.11b/g/n
Frequency Range	IEEE802.11a/n: 5.180 GHz – 5.320 GHz 5.500 GHz – 5.580 GHz 5.660 GHz – 5.700 GHz IEEE802.11b/g/n: 2.412 GHz – 2.472 GHz
Security	WPA2-PSK (TKIP/AES) WPA-PSK (TKIP/AES) WEP(64 bit/128 bit)

<b>Bluetooth wireless technology:</b>	
Standard Compliance	Bluetooth 3.0
Frequency Range	2.402 GHz – 2.480 GHz

<b>3D Eyewear:</b>	
Dimensions (W x H x D)	165mm x 38m x 166mm
Mass	18g
Usage Temperature Range	0°C ÷ 40°C
Materials	Main body / Lens section: Resin

<b>LCD screen:</b>	L5EDDY00571 1920 x 1080, 16:9 Visible Diagonal 1060mm
--------------------	---

<b>Audio Output:</b>	20W (2 x 10W)
<b>Headphones:</b>	3.5mm, 8Ω Impedance

<b>Accessories supplied :</b>	Remote Control Touch Pad Remote Control 2 x R03 Batteries 2 x R6 (UM3) Batteries 3D Glasses
-------------------------------	---

<b>Dimensions:</b>			
	Width:	Height:	Depth:
Including TV stand	962mm	608mm	202mm
TV set only	962mm	562mm	53mm

<b>Mass:</b>	
Including TV stand	11.5kg
TV set only	10.5kg

Design and Specifications are subject to change without notice. Mass and dimensions shown are approximate.  
This equipment complies with the EMC standards listed below:  
EN55013, EN61000-3-2, EN61000-3-3, EN55020, EN55022, EN55024

## Technical Description

### Specification of KEY for DTCP-IP, C2MOD, CI Plus, DIMORA, HDCP2, Netflix, Widevine General information:

1. eMMc Memory(IC8903) for spare parts has the seed of KEY for each.
2. The final KEY data will be generated by LD6 IC (IC8000) when SELF CHECK was done and are stored in both LD6 IC (IC8000) and eMMc (IC8903).  
All KEYS are not generated for all models.  
The necessary KEY are only generated and stored depend on the feature of models.

### Replacement of ICs:

When LD6 IC (IC8000) is replaced, eMMc (IC8903) should be also replaced with new one the same time.  
When eMMc Memory(IC8903) is replaced, LD6 IC (IC8000) is not necessary to be replaced the same time.  
After the replacement of IC, SELF CHECK should be done to generate the final KEY data.  
How to SELF CHECK: While pressing [VOLUME ( - )] button on the main unit, press the **MENU** button on the remote control for more than 3 seconds.  
TV will be forced to the factory shipment setting after this SELF CHECK.

### Model and Keys:

Model No.	Keys					
	DTCP-IP	C2MOD	CI PLUS	DIMORA	HDCP2	Netflix Widevine
TX-42AS750E	Yes	Yes	Yes	Yes	Yes	Yes
TX-42ASW754	Yes	Yes	Yes	Yes	Yes	Yes
TX-42ASR750	No	Yes	Yes	Yes	Yes	Yes

### USB HDD Recording:

#### General information:

Digital TV programmes can be recorded in USB HDD.  
C2MOD key generated in A-board by SELF CHECK binds TV and USB-HDD for communication.  
That key is only one key for them. If the key is difference, TV can not access USB-HDD.

#### Caution:

New key will be generated by following SELF CHECK and previous TV programmes recorded in USB HDD will not be viewed.  
SELF CHECK: While pressing [VOLUME ( - )] button on the main unit, press the **MENU** button on the remote control for more than 3 seconds.

# Setting Inspection

## Voltage Confirmation

<b>A board</b>			
<b>Description</b>	<b>Test point</b>	<b>Voltage</b>	
PNL12V	TP4000,TP4001	12V ± 1.2V	
SUB5V	TP8704	5.17V ± 0.25V	
SUB3.3V	TP8705	3.39V ± 0.15V	
HDMI3.3V	TP8710	3.3V ± 0.17V	
SUB_AI_3.3V	TP2206	3.3V ± 0.17V	
EU_TU_1.8V	TP5704	1.84V ± 0.1V	
SUB1.5V	TP8101	1.52V ± 0.08V	
SUB1.1V	TP8100	1.21V ± 0.06V	
USB-WIFI	TP8620	5.3V + 0.15V/-0.2V	
LNB_PWR_M	TP6703	18V ± 1.0V	
LNB_PWR_S	TP6702	18V ± 1.0V	
SUB9V	TP5004	9.0V ± 0.4V	
WOL3.3V	TP8712	3.3V ± 0.17V	
SD3.3V	TP8617	3.34V ± 0.17V	
DMD_1.1V	TP5703	1.15V ± 0.11V	
SUB_CI_5V	TP8400	5.0V ± 0.5V	
SUB_CI_5V-B	TP8500	5.0V ± 0.5V	
USB1	TP8627	5.0V ± 0.25V	
USB2	TP8615	5.0V ± 0.25V	
USB3	TP8611	5.0V ± 0.25V	
PHYRSTB	TP8624	3.3V ± 0.17V	
WOL_ON_IRQ	TP8619	3.3V ± 0.17V	
RMII_RXD[1]	TP8618	0V -> 3.3V ± 0.17V	
<b>P board</b>			
<b>Description</b>	<b>Test point</b>	<b>Voltage*</b>	<b>Voltage**</b>
24V	TP7409 and GND	<1V	24V ± 1.2V
16V	TP7410 and GND	<1V	15.7V ± 0.6V
5VS	TP7501 and GND	5.2V ± 0.2V	5.2V ± 0.2V
PFC	TP7201 and GND TP7203	<340V	390V ± 15V

\* Connect AC 230V to JK7101 connector (Main switch is OFF).

\*\* Connect DC 3.3V to TV\_SUB\_ON P2 connector – pin 9 /TP7416/ or set main switch is ON.



## Service Mode Function

MPU controls the functions switching for each IICs through IIC bus in this chassis. The following setting and adjustment can be adjusted by remote control in Service Menu

### How to enter into Service Mode

While pressing [VOLUME (-)] button on the main unit, press the [RED] button on the remote control for 3 times within 2 seconds.

### How to exit

Switch off the power with the [POWER] button on the main unit or the [POWER] button on the remote control.

# SERVICE

SERVICE	Peaks SOFT	3.007	OPTION 1	04
ADJUST	Peaks EEP	03.05.4241	OPTION 2	ee
WB-ADJ	LSI PACKAGE	0.00d	OPTION 3	01
OPTION	LSI DATA	0.02.01	OPTION 4	00
SRV-TOOL	STBY SOFT	1.00.02	MODEL ID	0b
DRV CHECK	STBY EEP	1.00.0010		03000141
	STBY ROMCOR	0.00.00		00000400
	Ajax_CE	0.73.2	R/E Cnt	000/000/000
			INV Cnt	0000
			AVSW	-
			CATS	241
			DG	000
			HUM	255

## Key Command

- Press the **3/4** button to change the adjustment values or function.
- Press the **1/2** button to step up/down through the functions and adjustments
- Press the numerical button **VOLUME (+/-)** to change of each option item.
- Press the **OK** button after each adjustment has been made to store the required values.



# Service Tool Mode

## How to access

1. Select [SRV-TOOL] in Service Mode.
2. Press [OK] button on the remote control.

SRV-TOOL			
Display of Flash ROM maker code →	Flash ROOM: AD – F1		
Display of SOS History →	PTCT:00.00.00.00.00	Time 00051:30	On/Off 0000042

POWER ON TIME/COUNT  
Press [MUTE] button (3sec)

## Display of SOS History

SOS History (Number of LED blinking) indication.

From left side; Last SOS, before Last, three occurrence before, 2<sup>nd</sup> occurrence after shipment, 1<sup>st</sup> occurrence after shipment. This indication will be cleared by [Self/check indication and forced to factory shipment setting].

## Power ON Time, On/Off

Note: To display TIME/COUNT menu, highlight position, then press MUTE for 3sec.

Time: Cumulative power on time, indicated hour: minute by decimal.

On/Off: Number of On/Off switching by decimal.

Note: This indication will not be cleared by either of the self-checks or any other command.

## Exit

Disconnect the AC cord from wall outlet or switch off the power with [Power] button on the main unit.

# Hotel Mode

1. Purpose  
Restrict a function for hotels.
2. Access command to the Hotel mode setup menu.  
In order to display the Hotel mode setup menu, please enter the following command (within 2 second).  
[TV] : Vol.[Down] + [REMOTE] : AV (3 times)

Then, the Hotel mode setup menu is displayed.

Hotel mode	
Hotel mode	Off
Initial INPUT	Off
Initial POS	Off
Initial VOL Level	Off
Maximum VOL Level	100
Button Lock	Off
Remote Lock	Off
Private Information	Keep

3. To exit the "Hotel mode":  
Switch off the power with the [POWER] button on the main unit or the [POWER] button on the remote control or pressing [EXIT] button on the remote control.
4. Explain the Hotel mode setup menu.

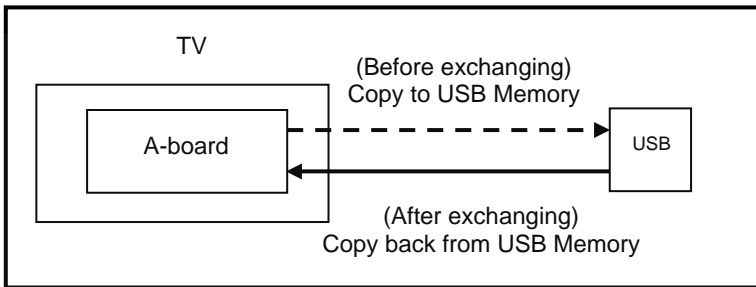
ITEM	Function
Hotel Mode	Select hotel mode ON/OFF
Initial INPUT	Select input signal modes. Set the input, when each time power is switched on. Selection: Off/Analog/DVB/AV1/AV2/HDMI1/HDMI2/HDMI3 *Off: give priority to the last memory. However, Euro Model is compulsorily set to TV.
Initial POS	Select programme number. Selection: Off/0 to 99 *Off: give priority to the last memory
Initial VOL Level	Adjust the volume when each time power is switched on. Selection/Range: Off/0 to 100 *Off: give priority to the last memory
Maximum VOL Level	Adjust maximum volume. Range: 0 to 100
Button Lock	Select local key conditions. Selection: Off/SETUP/MENU *Off: altogether valid *Setup: only F-key is invalid (Tuning guide (menu) can not be selected.) *MENU: only F-key is invalid (only Volume/Mute can be selected.)
Remote Lock	Select remote control key conditions. Selected" Off/SETUP/MENU *Off: altogether valid *Setup: only Setup menu is invalid MENU: Picture/Sound/Setup menu are invalid
Private Information	Select private information for VIERA Cast is Keep or Reset if Hotel mode is set to [On] when TV power on. Selection : Keep/Reset •Keep: private information for VIERA Cast is keep •Reset: private information for VIERA Cast is reset

# Data Copy by USB Memory

## Purpose

### a) Board replacement (Copy the data when exchanging A-board):

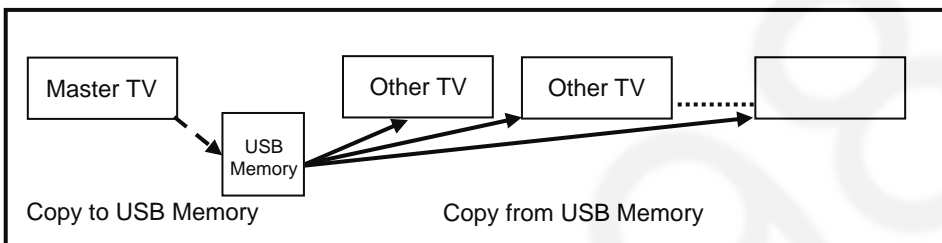
When exchanging A-board, the data in original A-board can be copied to USB Memory and then copy to new A-board.



Following data can be copied.  
User setting data  
(inc. Hotel mode setting data)  
Channel scan data  
Adjustment and factory preset data

### b) Hotel (Copy the data when installing a number of units in hotel or any facility):

When installing a number of units in hotel or any facility, the data in master TV can be copied to USB Memory and the copy to other TVs.



Following data can be copied.  
User setting data  
(inc. Hotel mode setting data)  
Channel scan data

## Preparation

Make pwd file as startup file for (a) or (b) in an empty USB Memory.

1. Insert an empty USB Memory to your PC.
2. Right-click a blank area in a USB Memory window, point to New, and then click text document. A new file is created by default (New Text Document.txt).
3. Right-click the new text document that you just created and select rename, and then change the name and extension of the file to the following file name (a) or (b) and press ENTER.

File name:

- (a) For Board replacement: boardreplace.pwd
- (b) For Hotel: hotel.pwd

Note:

Please make only one file to prevent the operation error.  
No any other file should be in USB Memory.

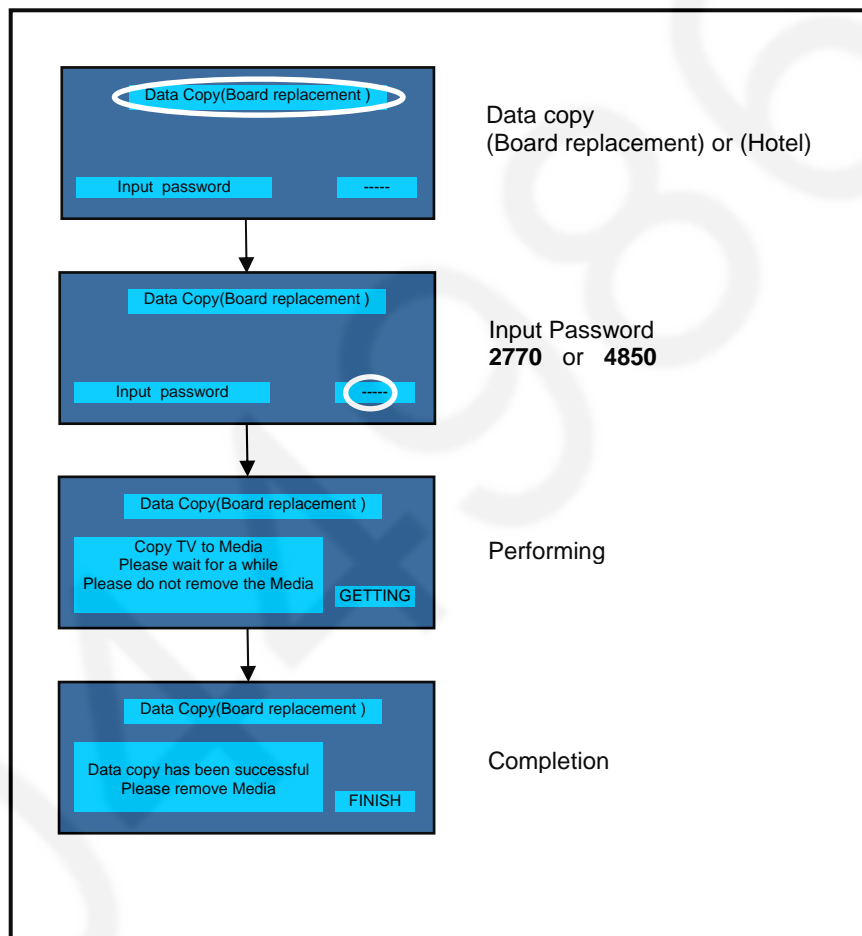
## Data Copy from TV set to USB Memory

1. Turn on the TV set.
2. Insert USB Memory with a startup file (pwd file) to USB Terminal.  
On-screen Display will be appeared according to the startup file automatically.
3. Input a following password for (a) or (b) by using remote control.  
(a) For Board replacement: 2770  
(b) For Hotel: 4850  
Data will be copied from TV set to USB Memory.  
It takes around 2 to 6 minutes maximum for copying.
4. After the completion of copying to USB Memory, remove USB Memory from TV set.
5. Turn off the TV set.

### Note:

Following new folder will be created in USB Memory for data from TV set.

- (a) For Board replacement: user\_setup
- (b) For Hotel: hotel

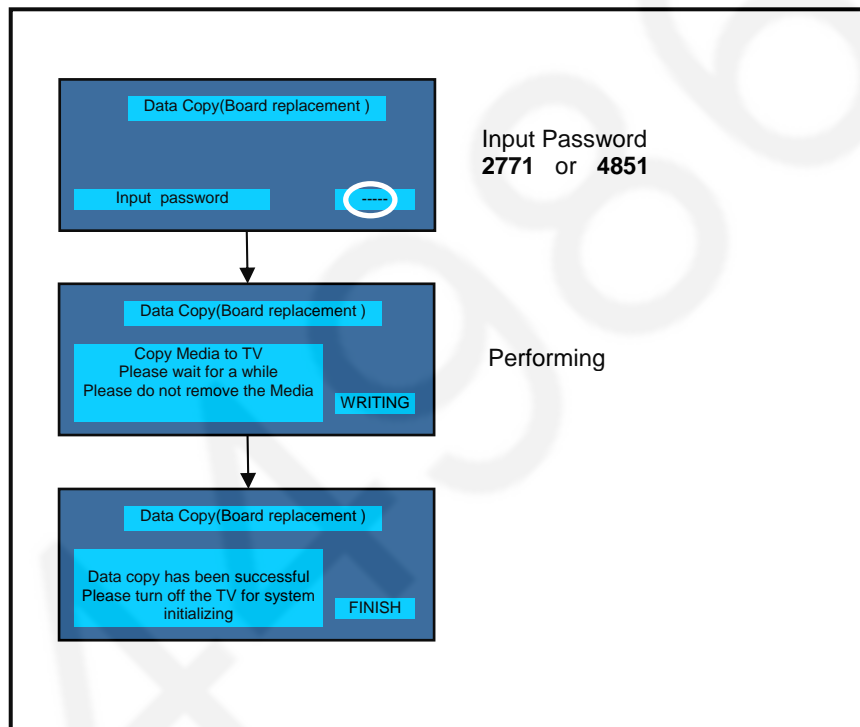


## Data Copy from USB Memory to TV set

1. Turn on the TV set.
2. Insert USB Memory with Data to USB Terminal.  
On-screen Display will be appeared according to the Data folder automatically.
3. Input a following password for (a) or (b) by using remote control.
  - (a) For Board replacement: 2771
  - (b) For Hotel: 4851Data will be copied from USB Memory to TV set.
4. After the completion of copying to USB Memory, remove USB Memory from TV set.
  - (a) For Board replacement: Data will be deleted after copying (Limited one copy).
  - (b) For Hotel: Data will not be deleted and can be used for other TVs.
5. Turn off the TV set.

### Note:

1. Depending on the failure of boards, function of Data for board replacement does not work.
2. This function can be effective among the same model numbers.



## Option Bytes Description

OPTION1			
	b1	TEXT Ch Refresh	ON (1) / OFF (0)
	b2	ID-1	ON (1) / OFF (0)
	b3	Macrovision Auto-judge	ON (1) / OFF (0)
	b4	Reserved	-
	b5	Reserved	-
	b6	Enable HDMI force reset	ON (1) / OFF (0)
	b7	Reserved	-
OPTION2			
	b0	Adjust Igain enable	ON (1) / OFF (0)
	b1	A2 BG enable (5.5MHz)	ON (1) / OFF (0)
	b2	A2 DK1 enable (6.26MHz)	ON (1) / OFF (0)
	b3	A2 DK3 enable (5.742MHz)	ON (1) / OFF (0)
	b4	NICAM scan	ON (1) / OFF (0)
	b5	NICAM BG enable (5.5MHz)	ON (1) / OFF (0)
	b6	NICAM I enable (6.0MHz)	ON (1) / OFF (0)
	b7	NICAM DK enable (6.5MHz)	ON (1) / OFF (0)
OPTION3			
	b0	NICAM priority	ON (1) / OFF (0)
	b1	Reserved	-
	b2	Reserved	-
	b3	A2 DK2 enable	ON (1) / OFF (0)
	b4	Inhibition of countermeasure for SIF signal drop	ON (1) / OFF (0)
	b5	Get onid from physical CH (CHINA)	ON (1) / OFF (0)
	b6	SSU search enable for HOTEL model	ON (1) / OFF (0)
	b7	SASO mute (ASIA)	ON (1) / OFF (0)
OPTION4			
	b0	Countermeasure for Taiwan NTSC noise sound	ON (1) / OFF (0)
	b1	Enable Compatible with Video and Sound for Analog VIF	ON (1) / OFF (0)
	b2	3DYC color motion detect	ON (1) / OFF (0)
	b3	RF Clamp Current minimum (TAIWAN)	ON (1) / OFF (0)
	b4	Reserved	-
	b5	Reserved	-
	b6	Reserved	-
	b7	Enable workaround for Polsat CAM problem (POLAND)	ON (1) / OFF (0)
OPTION16			
	b0	PIP (derivate models)	ON (1) / OFF (0)
	b1	"Bass Boost" sound menu enable (derivate models)	ON (1) / OFF (0)
	b2	"Digital Remaster" sound menu enable (derivate models)	ON (1) / OFF (0)
	b3	"XR-Audio Pro Surround" sound menu enabel (derivate models)	ON (1) / OFF (0)
	b4	"Ambience" sound menu enable (derivate models)	ON (1) / OFF (0)
	b5	Reserved	-
	b6	Reserved	-
	b7	Reserved	-



## Self Check

### How to access

Self-check indication only:

While pressing [VOLUME (-)] button on the main unit, press [OK] button on the remote control.

Self-check indication and forced to factory shipment setting:

While pressing [VOLUME (-)] button on the main unit, press [MENU] button on the remote control for more than 3 seconds.

### How to exit

Switch off the power with the [POWER] button on the main unit.

TX-42AS750E

42FHD		
Self Check Complete		
H14TUN O.K.	PEAKS-SOFT 3.007	MODEL ID 0B 03000141 00000400
H15TUN2 O.K.	PEAKS-EEP 03.05.4241	
H90STBY O.K.	LSI-PACKAGE 0.00d	
H92MEM1 O.K.	LSI-RELEASE 1.03	
H91MEM2 O.K.	STBY-SOFT 1.00.02	
H17LAN O.K.	STBY-EEP 1.00.0010	
H00FE O.K.		
H00SAT-TU O.K.		
H96ID O.K.		
H97ID2 O.K.		
H45BT O.K.		
H42WIFI O.K.		

TX-42ASW754

42FHD		
Self Check Complete		
H14TUN O.K.	PEAKS-SOFT 3.007	MODEL ID 0B 03000144 00000400
H15TUN2 O.K.	PEAKS-EEP 03.05.4244	
H90STBY O.K.	LSI-PACKAGE 0.00d	
H92MEM1 O.K.	LSI-RELEASE 1.03	
H91MEM2 O.K.	STBY-SOFT 1.00.02	
H17LAN O.K.	STBY-EEP 1.00.0010	
H00FE O.K.		
H00SAT-TU O.K.		
H96ID O.K.		
H97ID2 O.K.		
H45BT O.K.		
H42WIFI O.K.		

42FHD		Self Check Complete			
H14TUN	O.K.	PEAKS-SOFT	3.007	MODEL ID	0B 03000145 00000400
H15TUN2	O.K.	PEAKS-EEP	03.05.4245		
H90STBY	O.K.	LSI-PACKAGE	0.00d		
H92MEM1	O.K.	LSI-RELEASE	1.03		
H91MEM2	O.K.	STBY-SOFT	1.00.02		
H17LAN	O.K.	STBY-EEP	1.00.0010		
H00FE	O.K.				
H00SAT-TU	O.K.				
H96ID	O.K.				
H97ID2	O.K.				
H45BT	O.K.				
H42WIFI	O.K.				

Display	Ref. No.	Description	P.C.B.
H14TUN	TU6707	TUNER A+(T2+C)	A-Board
H15TUN2	TU6707	TUNER A+(T2+C)	A-Board
H90STBY	IC8000	IC Peaks-LD6	A-Board
H92MEM1	IC8901	EEPROM STM	A-Board
H91MEM2	IC8903	eMMc Memory	A-Board
H17LAN	IC8903	MAC	A-Board
H00FE	IC6800	DVB-T2/T/C/S Demodulator	A-Board
H00SAT-TU	TU6707	TUNER S/S2 x2	A-Board
H96ID	IC8903	CI+,DTCP-IP, C2MOD	A-Board
H97ID2	IC8903	Dimora, HDCP2, Netflix, Widevine	A-Board
H45BT	IC8000	IC Peaks-LD6	A-Board
	IC8601 N5HZZ0000130	USB HUB BT Dongle	BT Dongle
H42WIFI	IC8000 N5HBZ0000109	IC Peaks-LD6 Wifi Dongle	A-Board Wifi Dongle

If the CCU ports have been checked and found to be incorrect or not located then " - - " will appear in place of "O.K.".

# Power LED blinking timing chart

1. Subject  
Information of LED Flashing timing chart.
2. Contents  
When abnormality has occurred the unit, the protection circuit operates and reset to the stand by mode. At this time, the defective block can be identified by number of blinking of the Power LED on the front panel of the unit.

Blinking times	Blinking timing	Contents	Check point
1		BL_SOS	A BOARD P BOARD PANEL
3		IROM SOS	A BOARD
7		SUB3.3V	A BOARD
8		SOS	A BOARD PANEL
9		SOUND_SOS	A BOARD
12		BE_SOS	A BOARD
13		EMERGENCY	A BOARD

## LCD Panel Test Mode

### Purpose:

To find the possible failure point where in LCD Panel or Printed Circuit Board when the abnormal picture is displayed.

### How to Enter:

While pressing [VOLUME ( - )] button of the main unit, press [YELLOW] button of the remote control three times.

### How to Exit:

Switch off the power with the [POWER] button on the main unit or the [POWER] button on the remote control.

### How to confirm:

If the abnormal picture is displayed, go into LCD Panel test mode to display the several test patterns.

And then, judge by the following method.

Still abnormal picture is displayed: The cause must be in LCD Panel.

Normal picture is displayed: The cause must be in A board.

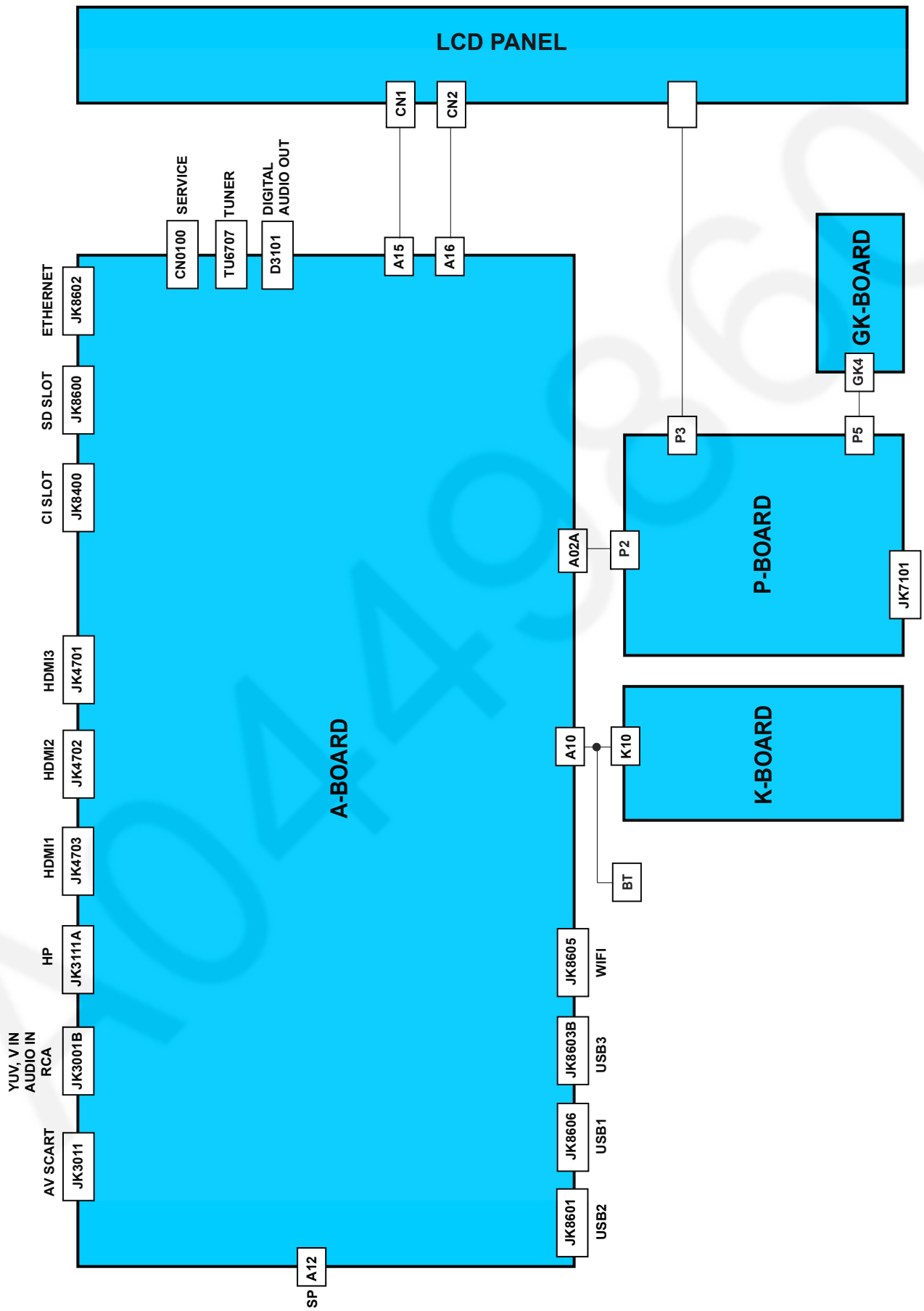
### Remarks:

The test pattern is created by the circuit in LCD Panel.

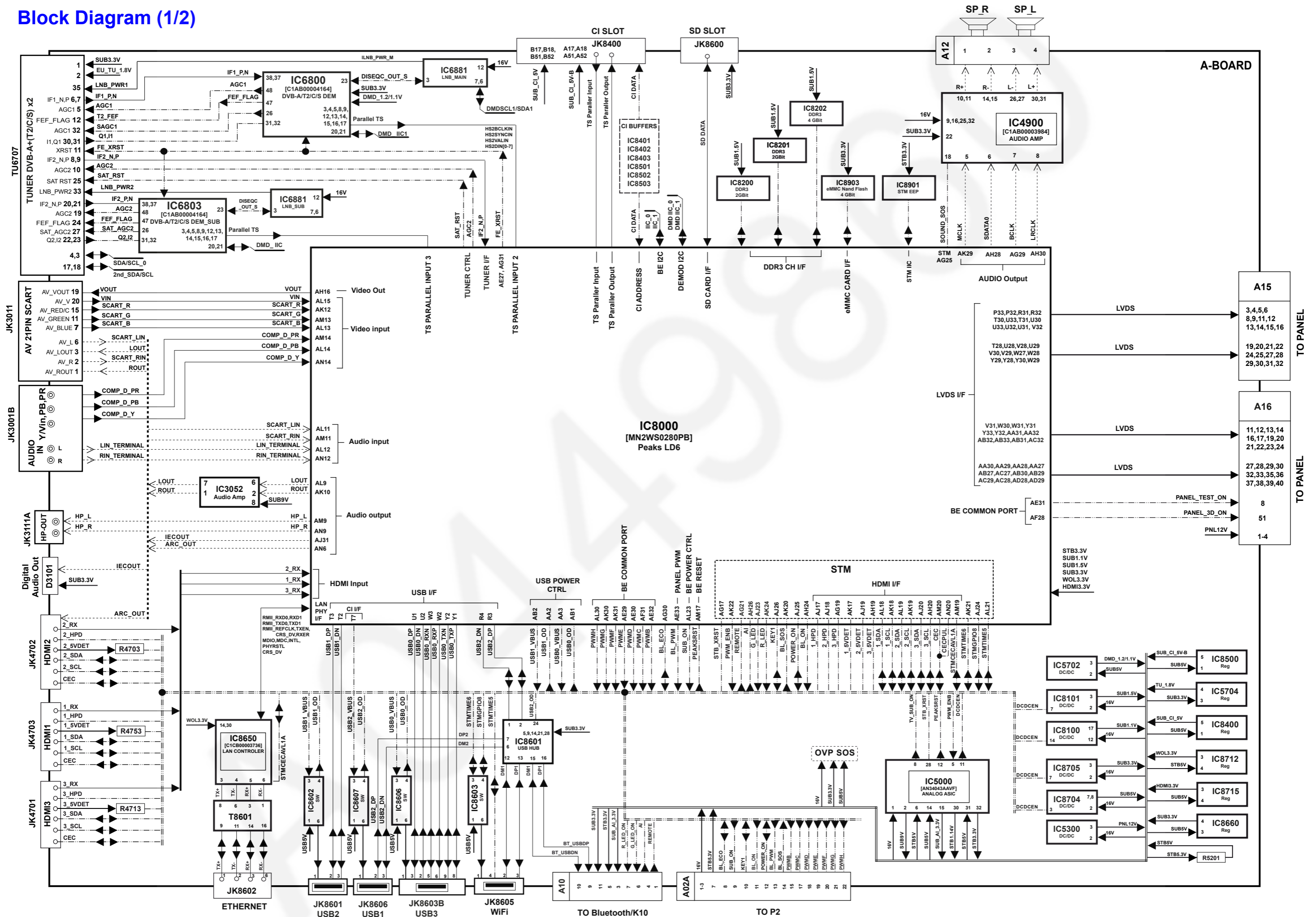
In LCD Panel test mode, this test pattern is displayed unaffected by signal processing for RF or input signal.

If the normal picture is displayed, LCD Panel must be okay and the cause of failure must be in A board.

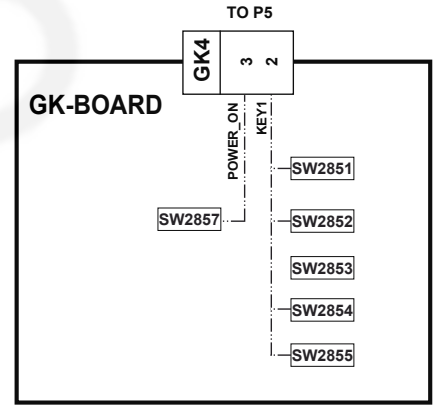
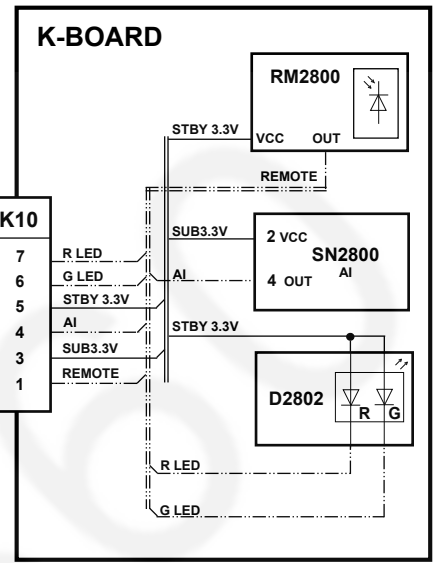
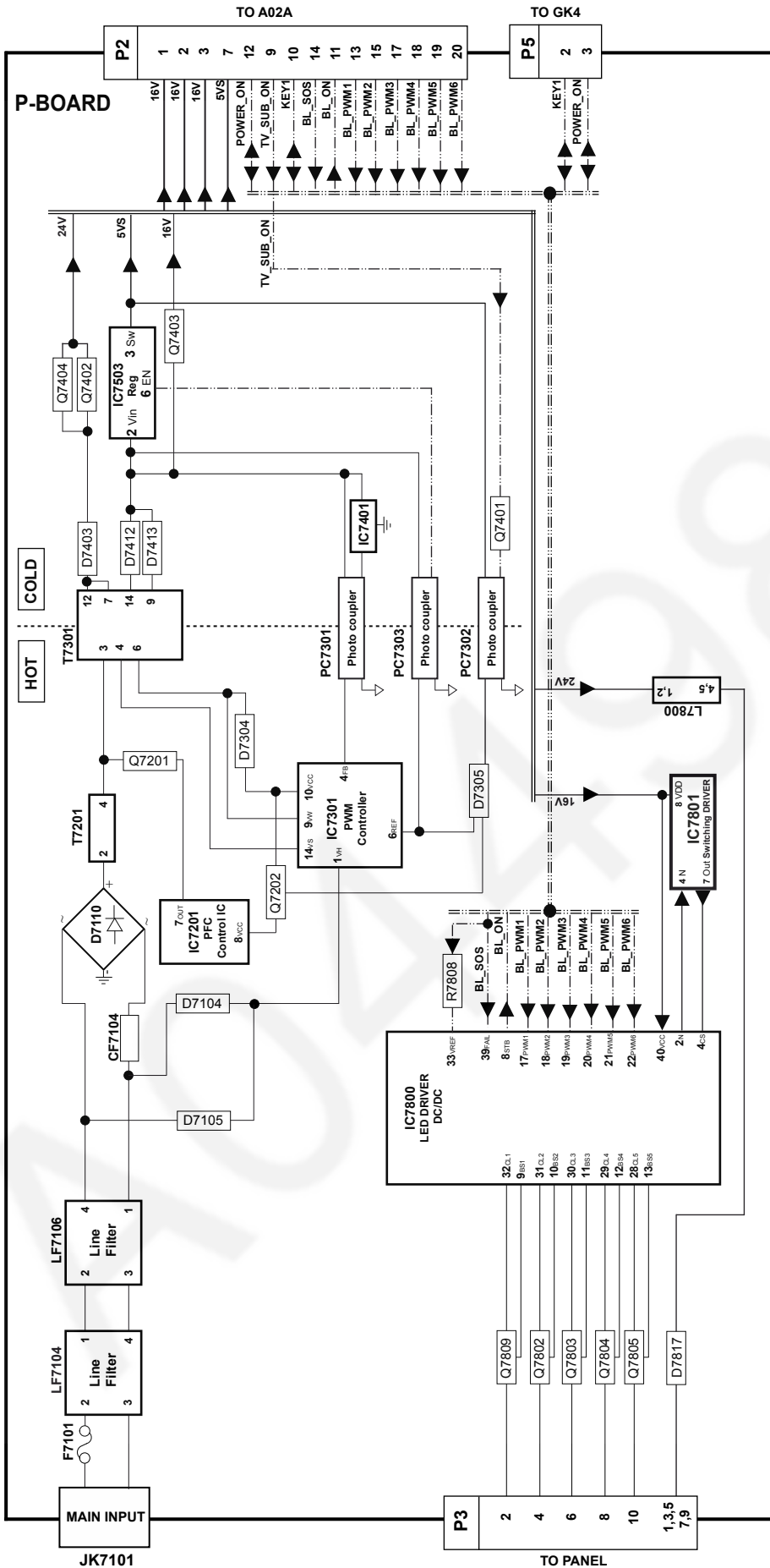
# Wiring Diagram



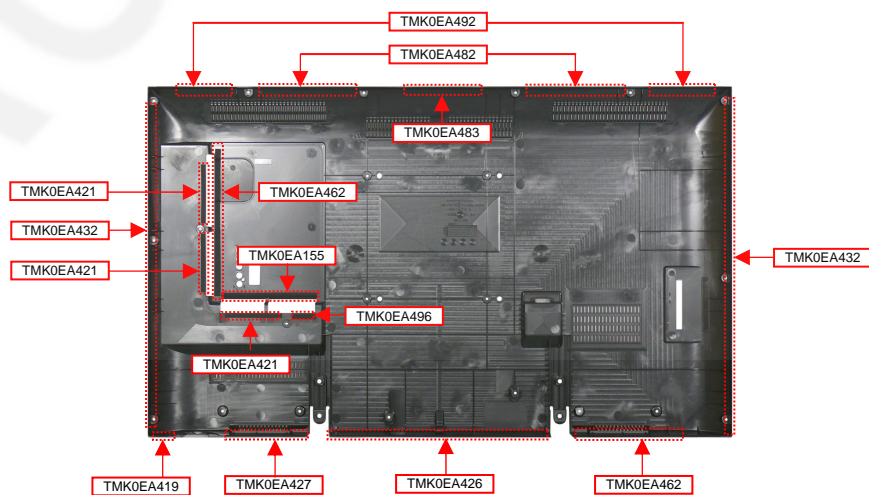
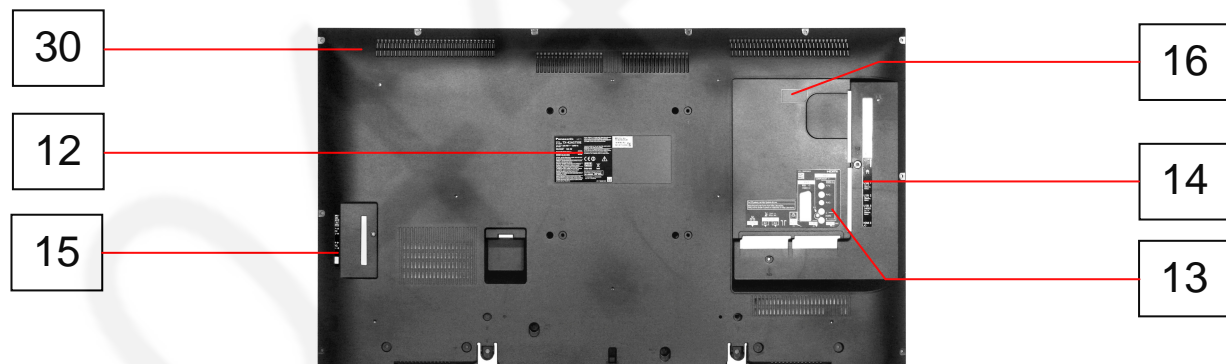
# Block Diagram (1/2)



# Block Diagram (2/2)

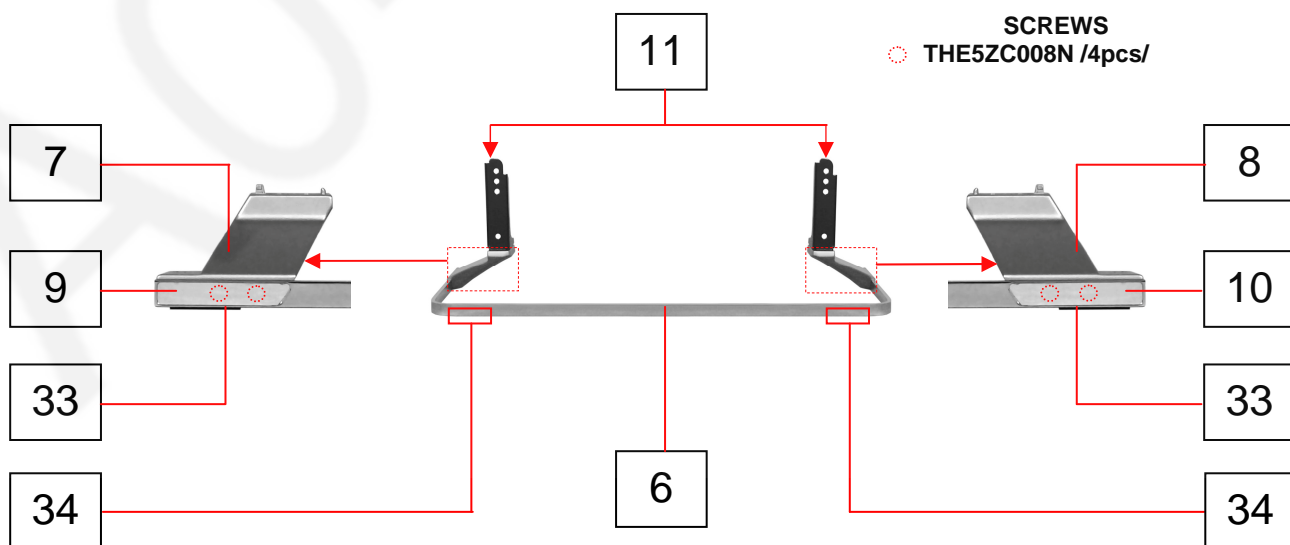
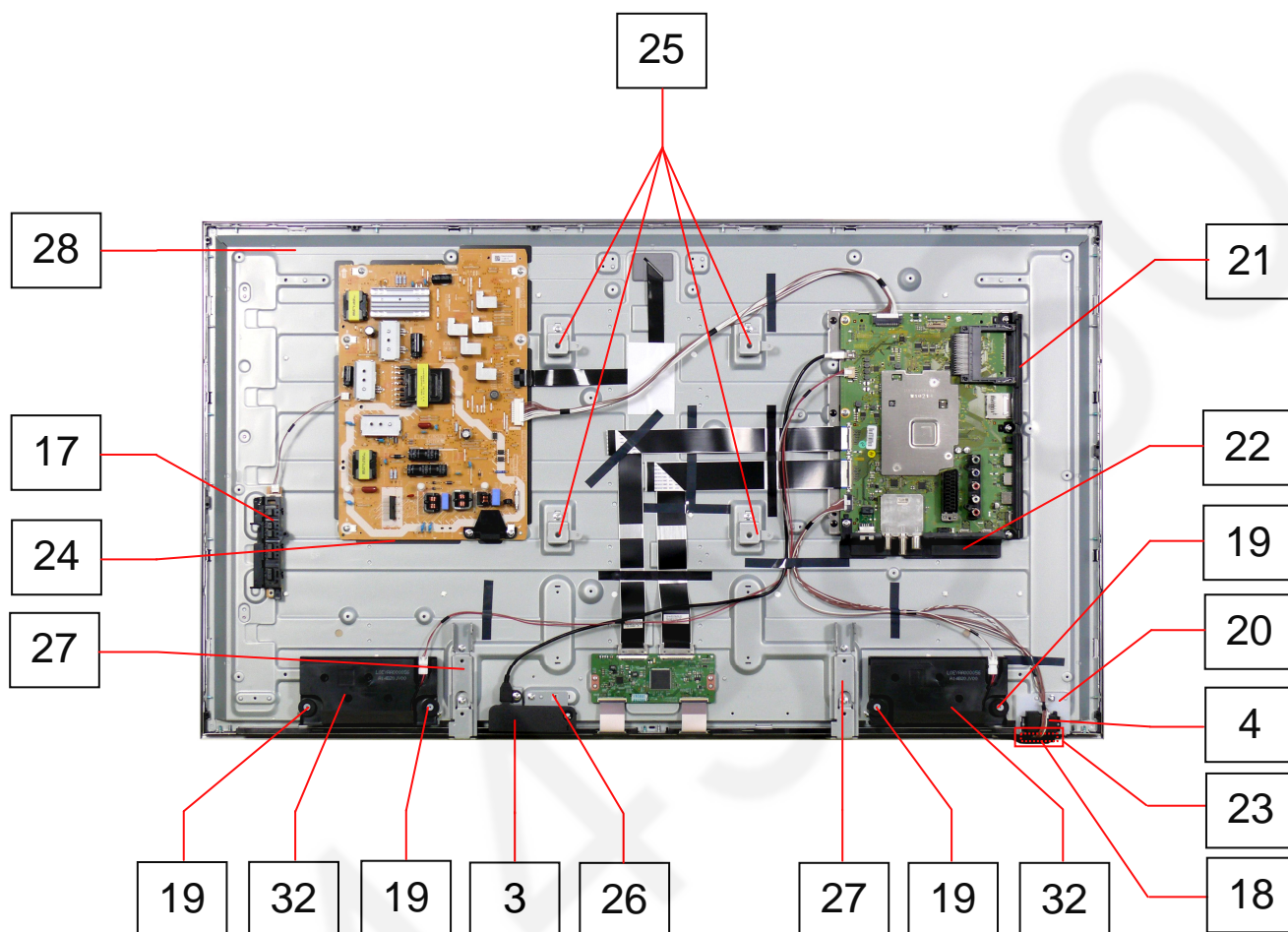


## Parts Location



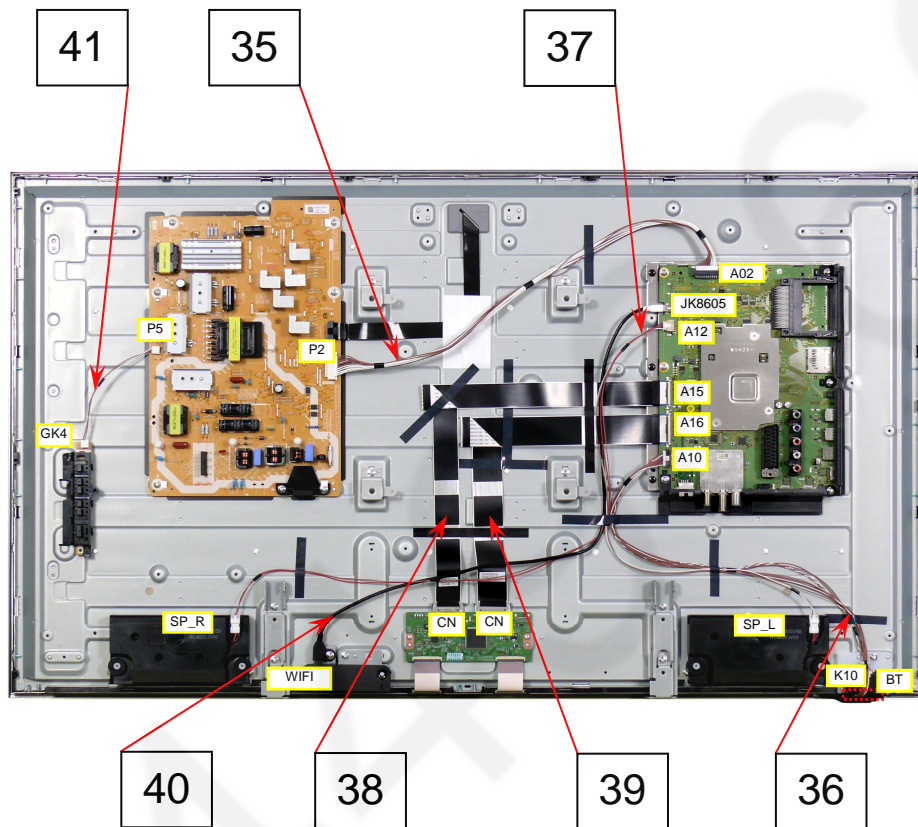


## Parts Location




























## Location of Lead Wiring





Model No. : TX-42AS750E+ W+ R Parts List

Change	Safety	Ref. No.	Part No.	Part Name & Description	Q'ty	Remarks
		1	BAT-C-0928	BATTERY COVER OF RC	1	PAVCCZ
		2	N2QBYA000004	TOUCH PAD REMOTE CONTROL	1	PAVCCZ
		3	N5HBZ0000109	WIFI DONGLE	1	PAVCCZ
		4	N5HZZ0000130	BLUETOOTH DONGLE	1	PAVCCZ
		5	N5ZZ00000284	3D GLASSES	1	PAVCCZ
		6	TBL5ZA35131	METAL FRAME	1	PAVCCZ
		7	TBL5ZA35141	NECK BASE L	1	PAVCCZ
		8	TBL5ZA35151	NECK BASE R	1	PAVCCZ
		9	TBL5ZB33601	METAL FRAME SHEET L	1	PAVCCZ
		10	TBL5ZB33821	METAL FRAME SHEET R	1	PAVCCZ
		11	TBL5ZX08911	STAND METAL ASSY	1	PAVCCZ
		12	TBM0EC1841	MODEL LABEL	1	(TX-42AS750E) PAVCCZ
		12	TBM0EC2281	MODEL LABEL	1	(TX-42ASW754) PAVCCZ
		12	TBM0EC2291	MODEL LABEL	1	(TX-42ASR750) PAVCCZ
		13	TBM0EU0223	REAR AV LABEL	1	PAVCCZ
		14	TBM0EU0234	SIDE AV LABEL	1	PAVCCZ
		15	TBM0EU0241	KEY BUTTON SHEET	1	PAVCCZ
		16	TBM4GU113	COVER LABEL	1	PAVCCZ
		17	TBX0E87900	KEY BUTTON BRACKET	1	PAVCCZ
		18	TKK5ZC50511	LED PANEL	1	PAVCCZ
		19	TKP5ZA41901	SP BRACKET	4	PAVCCZ
		20	TKP5ZA41801	BLUETOOTH BRACKET	1	PAVCCZ
		21	TKP5ZA42002	SIDE AV BRACKET	1	PAVCCZ
		22	TKP5ZA42203	BOTTOM AV BRACKET	1	PAVCCZ
		23	TKP5ZA42301	LED PANEL CASE	1	PAVCCZ
		24	TMK5ZX078	BARRIER	1	PAVCCZ
		25	TUX5ZX0371	VESA METAL	4	PAVCCZ
		26	TUX5ZX0361	WIFI METAL	1	PAVCCZ
		27	TUX5ZX0391	BOTTOM METAL	2	PAVCCZ
		28	L5EDDYY00571	LCD PANEL	1	PAVCCZ
		29	K2CQ2YY00107	AC CORD	1	PAVCCZ
		30	TKU0EC00803	BACK COVER	1	PAVCCZ
		31	N2QAYB000928	REMOTE CONTROL	1	PAVCCZ
		32	L0EYAA000056	SPEAKER	2	PAVCCZ
		33	TBL5ZG30301	RUBBER FOOT	2	PAVCCZ
		34	TBL5ZG30341	RUBBER FOOT	2	PAVCCZ
		35	TXJA02DKVE	A02-P2 WIRE	1	PAVCCZ
		36	TXJA10DKVE	A10-K10/BT WIRE	1	PAVCCZ
		37	TXJA12DKVE	A12-SP WIRE	1	PAVCCZ
		38	TSCKF0170116	LVDS FFC (41PIN)	1	PAVCCZ
		39	TSCKF0170115	LVDS FFC (51PIN)	1	PAVCCZ
		40	K1HY05YY0183	USB CABLE	1	PAVCCZ
		41	TXJ/P5DKVE	P5-GK4 WIRE	1	PAVCCZ
		42	TXFKR5Z0161	AL CABINET ASSY	1	PAVCCZ
			R03UE/2SA	BATTERY	2	PAVCCZ
			R6DB/2P	BATTERY	2	PAVCCZ
			THE5ZL002N	SCREW (PEDESTAL)	4	PAVCCZ
			TPE0E4108	SET BAG	1	PAVCCZ
			TQB0E2407	PRODUCT FICHE	1	(TX-42AS750E) PAVCCZ
			TQB0E2407A	INSTRUCTION BOOK (GERMAN)	1	(TX-42AS750E) PAVCCZ
			TQB0E2407B	INSTRUCTION BOOK (DUTCH)	1	(TX-42AS750E) PAVCCZ
			TQB0E2407C	INSTRUCTION BOOK (ITALIAN)	1	(TX-42AS750E) PAVCCZ
			TQB0E2407D	INSTRUCTION BOOK (FRENCH)	1	(TX-42AS750E) PAVCCZ
			TQB0E2407E	INSTRUCTION BOOK (SPANISH)	1	(TX-42AS750E) PAVCCZ
			TQB0E2407F	INSTRUCTION BOOK (SWEDISH)	1	(TX-42AS750E) PAVCCZ
			TQB0E2407G	INSTRUCTION BOOK (NORWEGIAN)	1	(TX-42AS750E) PAVCCZ
			TQB0E2407H	INSTRUCTION BOOK (FINNISH)	1	(TX-42AS750E) PAVCCZ
			TQB0E2407I	INSTRUCTION BOOK (LITHUANIAN)	1	(TX-42AS750E) PAVCCZ
			TQB0E2407J	INSTRUCTION BOOK (PORTUGUESE)	1	(TX-42AS750E) PAVCCZ
			TQB0E2407K	INSTRUCTION BOOK (DANISH)	1	(TX-42AS750E) PAVCCZ
			TQB0E2407M	INSTRUCTION BOOK (BULGARIAN)	1	(TX-42AS750E) PAVCCZ
			TQB0E2407N	INSTRUCTION BOOK (ROMANIAN)	1	(TX-42AS750E) PAVCCZ

## Model No. : TX-42AS750E+W+R Parts List

Change	Safety	Ref. No.	Part No.	Part Name & Description	Q'ty	Remarks
	⚠		TQB0E2407O	INSTRUCTION BOOK (LATVIAN)	1	(TX-42AS750E) PAVCCZ
	⚠		TQB0E2407P	INSTRUCTION BOOK (POLISH)	1	(TX-42AS750E) PAVCCZ
	⚠		TQB0E2407Q	INSTRUCTION BOOK (HUNGARIAN)	1	(TX-42AS750E) PAVCCZ
	⚠		TQB0E2407R	INSTRUCTION BOOK (CZECH)	1	(TX-42AS750E) PAVCCZ
	⚠		TQB0E2407S	INSTRUCTION BOOK (GREEK)	1	(TX-42AS750E) PAVCCZ
	⚠		TQB0E2407T	INSTRUCTION BOOK (TURKISH)	1	(TX-42AS750E) PAVCCZ
	⚠		TQB0E2407U	INSTRUCTION BOOK (ENGLISH)	1	(TX-42AS750E) PAVCCZ
	⚠		TQB0E2407V	INSTRUCTION BOOK (CROATIAN)	1	(TX-42AS750E) PAVCCZ
	⚠		TQB0E2407W	INSTRUCTION BOOK (SLOVAKIAN)	1	(TX-42AS750E) PAVCCZ
	⚠		TQB0E2407Z	INSTRUCTION BOOK (ESTONIAN)	1	(TX-42AS750E) PAVCCZ
	⚠		TQB0E2409	PRODUCT FICHE	1	(TX-42ASW754) PAVCCZ
	⚠		TQB0E2409A	INSTRUCTION BOOK (GERMAN)	1	(TX-42ASW754) PAVCCZ
	⚠		TQB0E2409C	INSTRUCTION BOOK (ITALIAN)	1	(TX-42ASW754) PAVCCZ
	⚠		TQB0E2409D	INSTRUCTION BOOK (FRENCH)	1	(TX-42ASW754) PAVCCZ
	⚠		TQB0E2409L	INSTRUCTION BOOK (RUSSIAN)	1	(TX-42ASW754) PAVCCZ
	⚠		TQB0E24149	INSTRUCTION BOOK (KAZAKHSTAN)	1	(TX-42ASR750) PAVCCZ
	⚠		TQB0E2414L	INSTRUCTION BOOK (RUSSIAN)	1	(TX-42ASR750) PAVCCZ
	⚠		TQB0E2414Y	INSTRUCTION BOOK (UKRAINIAN)	1	(TX-42ASR750) PAVCCZ
			TQFOEA650	ENERGY LABEL	1	(TX-42AS750E,TX-42ASW754) PAVCCZ
			TUC4GJ5058	HEATSINK	3	PAVCCZ
			TUC5ZJ50932	HEATSINK	1	PAVCCZ
			TUC5ZJ51101	HEATSINK BOTTOM	1	PAVCCZ
			TUC5ZJ51441	HEATSINK TOP	1	PAVCCZ
			XSS5+15FNK	SCREW	4	PAVCCZ
		AL301	TEWF178	PET/AL TAPE (W15XL20)	1	PAVCCZ
		AL302	TEWF178	PET/AL TAPE (W15XL20)	1	PAVCCZ
		AL303	TEWF411	AL-PET TAPE (W10XL120)	1	PAVCCZ
		AL304	TEWF411	AL-PET TAPE (W10XL120)	1	PAVCCZ
		BOTCUS	TPD0E23121	CUSHION BOTTOM	1	PAVCCZ
	⚠	CARTON	TPC0EA22203	CARTON	1	PAVCCZ
		CK301	TMME399	SPACER (P_PCB)	1	PAVCCZ
		CK302	TMME399	SPACER (P_PCB)	1	PAVCCZ
		CK303	TMME399	SPACER (P_PCB)	1	PAVCCZ
		CK304	TMME399	SPACER (P_PCB)	1	PAVCCZ
		CK305	TMME442	SPACER HEATSINK HOLD	1	PAVCCZ
		CK306	TMME442	SPACER HEATSINK HOLD	1	PAVCCZ
		CK307	TMME442	SPACER HEATSINK HOLD	1	PAVCCZ
		FK201	TMK0EA492	FELT(130X10XT0.35)	1	PAVCCZ
		FK202	TMK0EA482	FELT(215X10XT0.35)	1	PAVCCZ
		FK203	TMK0EA483	FELT(85X10XT0.35)	1	PAVCCZ
		FK204	TMK0EA482	FELT(215X10XT0.35)	1	PAVCCZ
		FK205	TMK0EA492	FELT(130X10XT0.35)	1	PAVCCZ
		FK206	TMK0EA432	FELT(520X10XT0.35)	1	PAVCCZ
		FK207	TMK0EA432	FELT(520X10XT0.35)	1	PAVCCZ
		FK208	TMK0EA419	FELT(20X10XT0.45)	1	PAVCCZ
		FK209	TMK0EA427	FELT(130X10XT0.45)	1	PAVCCZ
		FK210	TMK0EA426	FELT(362X10XT0.45)	1	PAVCCZ
		FK211	TMK0EA462	FELT(240X10XT0.45)	1	PAVCCZ
		FK212	TMK0EA462	FELT(240X10XT0.45)	1	PAVCCZ
		FK213	TMK0EA155	FELT(10X160XT0.5)	1	PAVCCZ
		FK214	TMK0EA421	FELT(95X8XT0.45)	1	PAVCCZ
		FK215	TMK0EA421	FELT(95X8XT0.45)	1	PAVCCZ
		FK216	TMK0EA421	FELT(95X8XT0.45)	1	PAVCCZ
		FK217	TMK0EA496	FELT(40X10XT0.45)	1	PAVCCZ
		FK301	TMKK461	RUBBER(L20XW20XT1)	1	PAVCCZ
		FK302	TMKK438	HEAT RUBBER	1	PAVCCZ
		FK303	TMKK432	THERMAL CONDUCTIVE SHEET	1	PAVCCZ
		FK304	TMKK432	THERMAL CONDUCTIVE SHEET	1	PAVCCZ
		FK305	TMKK432	THERMAL CONDUCTIVE SHEET	1	PAVCCZ
		FK306	TMKK432	THERMAL CONDUCTIVE SHEET	1	PAVCCZ
		FK307	TMKK432	THERMAL CONDUCTIVE SHEET	1	PAVCCZ
		FK308	TMK0EA155	FELT(10X160XT0.5)	1	PAVCCZ

## Model No. : TX-42AS750E+W+R Parts List

Change	Safety	Ref. No.	Part No.	Part Name & Description	Q'ty	Remarks
		FK309	TMK0EA419	FELT(20X10XT0.45)	1	PAVCCZ
		FK310	TMK0EA419	FELT(20X10XT0.45)	1	PAVCCZ
		FK311	TMK0EA421	FELT(95X8XT0.45)	1	PAVCCZ
		FRONTCUS	TPD0E50391	CUSHION FRONT	1	PAVCCZ
		GK301	TEWB772	GASKET(T5XW10XL10)	1	PAVCCZ
		GK302	TEWB719	GASKET(10X100XT10)	1	PAVCCZ
		GK303	TEWB719	GASKET(10X100XT10)	1	PAVCCZ
		HS7800	TUC5ZJ51521	HEATSINK	1	PAVCCZ
		HS7802	TUC5ZJ51521	HEATSINK	1	PAVCCZ
		HS7803	TUC5ZJ51521	HEATSINK	1	PAVCCZ
		HS7804	TUC5ZJ51521	HEATSINK	1	PAVCCZ
		HS7805	TUC5ZJ51521	HEATSINK	1	PAVCCZ
		SK101	THE5ZC008N	SCREW M5X12	1	PAVCCZ
		SK102	THE5ZC008N	SCREW M5X12	1	PAVCCZ
		SK103	THE5ZC008N	SCREW M5X12	1	PAVCCZ
		SK104	THE5ZC008N	SCREW M5X12	1	PAVCCZ
		SK201	THEC1509	SCREW	1	PAVCCZ
		SK202	THEC1509	SCREW	1	PAVCCZ
		SK203	THEC1509	SCREW	1	PAVCCZ
		SK204	THEC1509	SCREW	1	PAVCCZ
		SK205	THEC1509	SCREW	1	PAVCCZ
		SK206	THEC1509	SCREW	1	PAVCCZ
		SK207	THEC1509	SCREW	1	PAVCCZ
		SK208	THEC1509	SCREW	1	PAVCCZ
		SK210	THTD037J	SCREW M3X10	1	PAVCCZ
		SK211	THTD037J	SCREW M3X10	1	PAVCCZ
		SK212	THTD037J	SCREW M3X10	1	PAVCCZ
		SK213	THTD037J	SCREW M3X10	1	PAVCCZ
		SK214	THTD037J	SCREW M3X10	1	PAVCCZ
		SK215	THTD037J	SCREW M3X10	1	PAVCCZ
		SK216	THTD037J	SCREW M3X10	1	PAVCCZ
		SK217	THTD037J	SCREW M3X10	1	PAVCCZ
		SK218	THTD037J	SCREW M3X10	1	PAVCCZ
		SK219	THTD037J	SCREW M3X10	1	PAVCCZ
		SK220	THTD037J	SCREW M3X10	1	PAVCCZ
		SK221	THTD037J	SCREW M3X10	1	PAVCCZ
		SK222	THTD037J	SCREW M3X10	1	PAVCCZ
		SK223	THTD037J	SCREW M3X10	1	PAVCCZ
		SK224	THTD037J	SCREW M3X10	1	PAVCCZ
		SK225	THTD037J	SCREW M3X10	1	PAVCCZ
		SK301	THE5ZC009J	SCREW M3X8	1	PAVCCZ
		SK302	THE5ZC009J	SCREW M3X8	1	PAVCCZ
		SK303	THE5ZC009J	SCREW M3X8	1	PAVCCZ
		SK304	THE5ZC009J	SCREW M3X8	1	PAVCCZ
		SK305	THE5ZC009J	SCREW M3X8	1	PAVCCZ
		SK306	THE5ZC009J	SCREW M3X8	1	PAVCCZ
		SK307	THE5ZC009J	SCREW M3X8	1	PAVCCZ
		SK308	THEC1509	SCREW	1	PAVCCZ
		SK309	THEC1509	SCREW	1	PAVCCZ
		SK310	THEC1509	SCREW	1	PAVCCZ
		SK311	THEC1509	SCREW	1	PAVCCZ
		SK312	THEC1509	SCREW	1	PAVCCZ
		SK313	THEC1509	SCREW	1	PAVCCZ
		SK314	THEC1509	SCREW	1	PAVCCZ
		SK315	THEJ036J	SCREW	1	PAVCCZ
		SK316	THEJ036J	SCREW	1	PAVCCZ
		SK317	THEJ036J	SCREW	1	PAVCCZ
		SK318	THEJ036J	SCREW	1	PAVCCZ
		SK319	THEJ036J	SCREW	1	PAVCCZ
		SK320	THEJ036J	SCREW	1	PAVCCZ
		SK321	THEJ036J	SCREW	1	PAVCCZ
		SK322	THEJ036J	SCREW	1	PAVCCZ

**Model No. : TX-42AS750E+W+R Parts List**

Change	Safety	Ref. No.	Part No.	Part Name & Description	Q'ty	Remarks
		SK323	THEJ036J	SCREW	1	PAVCCZ
		SK324	THEJ036J	SCREW	1	PAVCCZ
		SK325	THEJ036J	SCREW	1	PAVCCZ
		SK326	THEJ036J	SCREW	1	PAVCCZ
		SK327	THEJ036J	SCREW	1	PAVCCZ
		SK328	THEJ036J	SCREW	1	PAVCCZ
		SK329	THEJ036J	SCREW	1	PAVCCZ
		SK330	THEJ036J	SCREW	1	PAVCCZ
		SK331	THEJ036J	SCREW	1	PAVCCZ
		SK332	THEJ036J	SCREW	1	PAVCCZ
		SK333	THEJ036J	SCREW	1	PAVCCZ
		SK334	THEJ036J	SCREW	1	PAVCCZ
		SK335	THEJ036J	SCREW	1	PAVCCZ
		SK336	THEJ036J	SCREW	1	PAVCCZ
		SK337	THEJ036J	SCREW	1	PAVCCZ
		SK338	THEJ036J	SCREW	1	PAVCCZ
		SK339	THEJ036J	SCREW	1	PAVCCZ
		SK340	THEJ036J	SCREW	1	PAVCCZ
		SK341	THEJ036J	SCREW	1	PAVCCZ
		SK342	THEJ036J	SCREW	1	PAVCCZ
		SK343	THEJ036J	SCREW	1	PAVCCZ
		SP01	XYN3+C6FJ	SCREW	1	PAVCCZ
		SP02	XYN3+C6FJ	SCREW	1	PAVCCZ
		SP03	XYN3+C6FJ	SCREW	1	PAVCCZ
		SP04	XYN3+C6FJ	SCREW	1	PAVCCZ
		SP05	XYN3+C6FJ	SCREW	1	PAVCCZ
		SP06	XYN3+C6FJ	SCREW	1	PAVCCZ
		TOPCUS1	TPD0E13111	CUSHION TOP	1	PAVCCZ
		TOPCUS2	TPD0E13381	CUSHION TOP CENTER	1	PAVCCZ

Model No. : TX-42AS750E+ W+ R Parts List

Change	Safety	Ref. No.	Part No.	Part Name & Description	Q'ty	Remarks
	⚠	PCB	A-42AS750E	CIRCUIT BOARD A	1	(RTL)(TX-42AS750E) PAVCCZ
	⚠	PCB	A-42ASR750	CIRCUIT BOARD A	1	(RTL)(TX-42ASR750) PAVCCZ
	⚠	PCB	A-42ASW754	CIRCUIT BOARD A	1	(RTL)(TX-42ASW754) PAVCCZ
	⚠	PCB	TXN/K1KAVE	CIRCUIT BOARD K	1	(RTL)PAVCCZ
	⚠	PCB	TXN/P1GUVU	CIRCUIT BOARD P	1	(RTL)PAVCCZ
	⚠	PCB	TXNGK1ZKUJ	CIRCUIT BOARD GK	1	(RTL)PAVCCZ
		A02A	K1KY22BA0484	22P CONNECTOR	1	PAVCCZ
		A10	K1KY12BA0483	12P CONNECTOR	1	PAVCCZ
		A12	K1KY04BA0387	4P CONNECTOR	1	PAVCCZ
		A15	K1MY41BA0526	41P CONNECTOR	1	PAVCCZ
		A16	K1MY51BA0526	51P CONNECTOR	1	PAVCCZ
		C0902	F1G1H220A948	C 22PF, J, 50V	1	PAVCCZ
		C0903	F1G1H220A948	C 22PF, J, 50V	1	PAVCCZ
		C0904	F1G1H220A948	C 22PF, J, 50V	1	PAVCCZ
		C0905	F1G1H220A948	C 22PF, J, 50V	1	PAVCCZ
		C2009	F1G1H102A946	C 1000PF, K, 50V	1	PAVCCZ
		C2011	F1G1H101A948	C 100PF, J, 50V	1	PAVCCZ
		C2012	F1G1E103A172	C 0.01UF, K, 25V	1	PAVCCZ
		C2014	F1K1V106A010	C 10UF, , 35V	1	PAVCCZ
		C2023	F1G1C104A146	C 0.1UF, , 16V	1	PAVCCZ
		C2038	F1G1H102A946	C 1000PF, K, 50V	1	PAVCCZ
		C2039	F1G1H222A946	C 2200PF, K, 50V	1	PAVCCZ
		C2155	F1G1H221A834	C 220PF, -, 50V	1	PAVCCZ
		C2156	F1G1H221A834	C 220PF, -, 50V	1	PAVCCZ
		C2157	F1G1H221A834	C 220PF, -, 50V	1	PAVCCZ
		C2209	F1G1E103A172	C 0.01UF, K, 25V	1	PAVCCZ
		C2210	F1J0J2260004	C 22UF, , 6.3V	1	PAVCCZ
		C2213	F1G1E103A172	C 0.01UF, K, 25V	1	PAVCCZ
		C2214	F1G1E103A172	C 0.01UF, K, 25V	1	PAVCCZ
		C2801	F1H1H103B047	C 10NF, , 50V	1	PAVCCZ
		C2804	F1H1C104A178	C 0.1UF, -, 16V	1	PAVCCZ
		C2807	F1J1A106A043	C 10UF, , 10V	1	PAVCCZ
		C2808	F1H1C104A178	C 0.1UF, -, 16V	1	PAVCCZ
		C2851	F1J1H104A902	C 100NF, , 50V	1	PAVCCZ
		C2852	F1J1H104A902	C 100NF, , 50V	1	PAVCCZ
		C3000	F1G1C104A146	C 0.1UF, , 16V	1	PAVCCZ
		C3026	F1G1A105A047	C 1000NF, , 10V	1	PAVCCZ
		C3036	F1G1A105A047	C 1000NF, , 10V	1	PAVCCZ
		C3037	F1G1A105A047	C 1000NF, , 10V	1	PAVCCZ
		C3040	F1G1H221A834	C 220PF, -, 50V	1	PAVCCZ
		C3041	F1G1A105A047	C 1000NF, , 10V	1	PAVCCZ
		C3042	F1G1A105A047	C 1000NF, , 10V	1	PAVCCZ
		C3061	F1G1C104A146	C 0.1UF, , 16V	1	PAVCCZ
		C3062	F1G1C104A146	C 0.1UF, , 16V	1	PAVCCZ
		C3063	F1G1C104A146	C 0.1UF, , 16V	1	PAVCCZ
		C3064	F1G1H220A948	C 22PF, J, 50V	1	PAVCCZ
		C3065	F1G1H120A948	C 12PF, J, 50V	1	PAVCCZ
		C3101	F1G1H471A834	C 470PF, , 50V	1	PAVCCZ
		C3105	F1G1H471A834	C 470PF, , 50V	1	PAVCCZ
		C3135	F1G1H471A834	C 470PF, , 50V	1	PAVCCZ
		C3136	F1G1H471A834	C 470PF, , 50V	1	PAVCCZ
		C3139	F1G1H471A834	C 470PF, , 50V	1	PAVCCZ
		C3140	F1G1H471A834	C 470PF, , 50V	1	PAVCCZ
		C3166	F1G1H102A946	C 1000PF, K, 50V	1	PAVCCZ
		C3168	F1G1E333A144	C 0.033UF, -, 25V	1	PAVCCZ
		C3170	F1G1E333A144	C 0.033UF, -, 25V	1	PAVCCZ
		C3171	F1G1A105A047	C 1000NF, , 10V	1	PAVCCZ
		C3172	F1G1A105A047	C 1000NF, , 10V	1	PAVCCZ
		C3173	F1G1A105A047	C 1000NF, , 10V	1	PAVCCZ

## Model No. : TX-42AS750E+W+R Parts List

Change	Safety	Ref. No.	Part No.	Part Name & Description	Q'ty	Remarks
		C3174	F1G1A105A047	C 1000NF, , 10V	1	PAVCCZ
		C3175	F1G1A105A047	C 1000NF, , 10V	1	PAVCCZ
		C3176	F1G1A105A047	C 1000NF, , 10V	1	PAVCCZ
		C3191	F1J1A106A043	C 10UF, , 10V	1	PAVCCZ
		C3192	F1J1A106A043	C 10UF, , 10V	1	PAVCCZ
		C3195	F1K1V106A010	C 10UF, , 35V	1	PAVCCZ
		C3196	F1J1A106A043	C 10UF, , 10V	1	PAVCCZ
		C3301	F1J1A106A043	C 10UF, , 10V	1	PAVCCZ
		C3302	F1J1A106A043	C 10UF, , 10V	1	PAVCCZ
		C3303	F1J1A106A043	C 10UF, , 10V	1	PAVCCZ
		C3304	F1J1A106A043	C 10UF, , 10V	1	PAVCCZ
		C3315	F2H1A101A040	E 100UF, , 10V	1	PAVCCZ
		C3316	F2H1A101A040	E 100UF, , 10V	1	PAVCCZ
		C4004	F1K1V106A010	C 10UF, , 35V	1	PAVCCZ
		C4005	F1K1V106A010	C 10UF, , 35V	1	PAVCCZ
		C4006	F1G1E103A172	C 0.01UF, K, 25V	1	PAVCCZ
		C4008	F1G1E103A172	C 0.01UF, K, 25V	1	PAVCCZ
		C4701	F1G1A105A047	C 1000NF, , 10V	1	PAVCCZ
		C4906	F1H1E105A153	C 1000NF, , 25V	1	PAVCCZ
		C4909	F1J1E105A287	C 1000NF, , 25V	1	PAVCCZ
		C4910	F1H1E104A161	C 0.1UF, , 25V	1	PAVCCZ
		C4914	F1K1V106A010	C 10UF, , 35V	1	PAVCCZ
		C4916	F1H1E104A161	C 0.1UF, , 25V	1	PAVCCZ
		C4919	F1J1E105A287	C 1000NF, , 25V	1	PAVCCZ
		C4924	F1H1E104A161	C 0.1UF, , 25V	1	PAVCCZ
		C4926	F1K1V106A010	C 10UF, , 35V	1	PAVCCZ
		C4928	F1J1E105A287	C 1000NF, , 25V	1	PAVCCZ
		C4930	F1K1V106A010	C 10UF, , 35V	1	PAVCCZ
		C4933	F1H1E104A161	C 0.1UF, , 25V	1	PAVCCZ
		C4934	F1J1E105A287	C 1000NF, , 25V	1	PAVCCZ
		C4937	F1J1E224A272	C 220NF, , 25V	1	PAVCCZ
		C4938	F1J1E224A272	C 220NF, , 25V	1	PAVCCZ
		C5000	F1G1A105A047	C 1000NF, , 10V	1	PAVCCZ
		C5002	F1G1A105A047	C 1000NF, , 10V	1	PAVCCZ
		C5004	F1G1A105A047	C 1000NF, , 10V	1	PAVCCZ
		C5006	F1H1E105A153	C 1000NF, , 25V	1	PAVCCZ
		C5012	F1G1A105A047	C 1000NF, , 10V	1	PAVCCZ
		C5013	F1G1A474A070	C 0.47UF, Z, 10V	1	PAVCCZ
		C5020	F1G1C104A146	C 0.1UF, , 16V	1	PAVCCZ
		C5021	F1G1A105A047	C 1000NF, , 10V	1	PAVCCZ
		C5022	F1G1A105A047	C 1000NF, , 10V	1	PAVCCZ
		C5026	F1H1E105A153	C 1000NF, , 25V	1	PAVCCZ
		C5150	F1G1E103A172	C 0.01UF, K, 25V	1	PAVCCZ
		C5151	F1G1E103A172	C 0.01UF, K, 25V	1	PAVCCZ
		C5171	F1G1E103A172	C 0.01UF, K, 25V	1	PAVCCZ
		C5318	F1G1C104A146	C 0.1UF, , 16V	1	PAVCCZ
		C5319	F1K1V106A010	C 10UF, , 35V	1	PAVCCZ
		C5320	F1K1V106A010	C 10UF, , 35V	1	PAVCCZ
		C5321	F1K1V106A010	C 10UF, , 35V	1	PAVCCZ
		C5322	F1K1V106A010	C 10UF, , 35V	1	PAVCCZ
		C5323	F1K1V106A010	C 10UF, , 35V	1	PAVCCZ
		C5324	F1K1V106A010	C 10UF, , 35V	1	PAVCCZ
		C5328	F1G1E562A086	C 5600PF, K, 25V	1	PAVCCZ
		C5329	F1G1E333A144	C 0.033UF, -, 25V	1	PAVCCZ
		C5705	F1K1V106A010	C 10UF, , 35V	1	PAVCCZ
		C5706	F1K1V106A010	C 10UF, , 35V	1	PAVCCZ
		C5707	F1J0G2260001	C 22UF, , 4V	1	PAVCCZ
		C5708	F1J0G2260001	C 22UF, , 4V	1	PAVCCZ
		C5709	F1G1C104A146	C 0.1UF, , 16V	1	PAVCCZ
		C5711	F1G1E333A144	C 0.033UF, -, 25V	1	PAVCCZ
		C5713	F1G1H821A830	C 820PF, , 50V	1	PAVCCZ
		C5717	F1J1A106A043	C 10UF, , 10V	1	PAVCCZ



## Model No. : TX-42AS750E+W+R Parts List

Change	Safety	Ref. No.	Part No.	Part Name & Description	Q'ty	Remarks
		C5718	F1J1A106A043	C 10UF, , 10V	1	PAVCCZ
		C5720	F1G1E103A172	C 0.01UF, K, 25V	1	PAVCCZ
		C6701	F1J1A106A043	C 10UF, , 10V	1	PAVCCZ
		C6702	F1G1C104A146	C 0.1UF, , 16V	1	PAVCCZ
		C6704	F1J1A106A043	C 10UF, , 10V	1	PAVCCZ
		C6707	F1G1C104A146	C 0.1UF, , 16V	1	PAVCCZ
		C6708	F1J1A106A043	C 10UF, , 10V	1	PAVCCZ
		C6710	F1G1C104A146	C 0.1UF, , 16V	1	PAVCCZ
		C6712	F1G1H220A948	C 22PF, J, 50V	1	PAVCCZ
		C6713	F1G1H220A948	C 22PF, J, 50V	1	PAVCCZ
		C6715	F1G1H220A948	C 22PF, J, 50V	1	PAVCCZ
		C6716	F1G1H220A948	C 22PF, J, 50V	1	PAVCCZ
		C6718	F1G1H101A948	C 100PF, J, 50V	1	PAVCCZ
		C6726	F1G1H220A948	C 22PF, J, 50V	1	PAVCCZ
		C6727	F1G1H220A948	C 22PF, J, 50V	1	PAVCCZ
		C6729	F1G1H220A948	C 22PF, J, 50V	1	PAVCCZ
		C6730	F1G1H220A948	C 22PF, J, 50V	1	PAVCCZ
		C6732	F1G1H220A948	C 22PF, J, 50V	1	PAVCCZ
		C6733	F1G1H220A948	C 22PF, J, 50V	1	PAVCCZ
		C6734	F1G1C104A146	C 0.1UF, , 16V	1	PAVCCZ
		C6735	F1G1C104A146	C 0.1UF, , 16V	1	PAVCCZ
		C6736	F1G1H101A948	C 100PF, J, 50V	1	PAVCCZ
		C6737	F1G1H101A948	C 100PF, J, 50V	1	PAVCCZ
		C6742	F1G1H220A948	C 22PF, J, 50V	1	PAVCCZ
		C6743	F1G1H220A948	C 22PF, J, 50V	1	PAVCCZ
		C6744	F1G1H220A948	C 22PF, J, 50V	1	PAVCCZ
		C6745	F1G1H220A948	C 22PF, J, 50V	1	PAVCCZ
		C6746	F1G1C104A146	C 0.1UF, , 16V	1	PAVCCZ
		C6748	F1G1H102A946	C 1000PF, K, 50V	1	PAVCCZ
		C6749	F1G1H102A946	C 1000PF, K, 50V	1	PAVCCZ
		C6750	F1G1H101A948	C 100PF, J, 50V	1	PAVCCZ
		C6751	F1G1C104A146	C 0.1UF, , 16V	1	PAVCCZ
		C6755	F1G1H220A948	C 22PF, J, 50V	1	PAVCCZ
		C6756	F1G1H220A948	C 22PF, J, 50V	1	PAVCCZ
		C6757	F1G1H102A946	C 1000PF, K, 50V	1	PAVCCZ
		C6760	F1G1H220A948	C 22PF, J, 50V	1	PAVCCZ
		C6761	F1G1H220A948	C 22PF, J, 50V	1	PAVCCZ
		C6800	F1G1H2R0A831	C 2PF, -, 50V	1	PAVCCZ
		C6801	F1G1H2R0A831	C 2PF, -, 50V	1	PAVCCZ
		C6803	F1G1C104A146	C 0.1UF, , 16V	1	PAVCCZ
		C6807	F1G1C104A146	C 0.1UF, , 16V	1	PAVCCZ
		C6811	F1G1C104A146	C 0.1UF, , 16V	1	PAVCCZ
		C6822	F1G1C104A146	C 0.1UF, , 16V	1	PAVCCZ
		C6823	F1G1C104A146	C 0.1UF, , 16V	1	PAVCCZ
		C6825	F1G1C104A146	C 0.1UF, , 16V	1	PAVCCZ
		C6826	F1G1C104A146	C 0.1UF, , 16V	1	PAVCCZ
		C6836	F1J1A106A043	C 10UF, , 10V	1	PAVCCZ
		C6839	F1J1A106A043	C 10UF, , 10V	1	PAVCCZ
		C6843	F1J1A106A043	C 10UF, , 10V	1	PAVCCZ
		C6847	F1G1C104A146	C 0.1UF, , 16V	1	PAVCCZ
		C6849	F1G1C104A146	C 0.1UF, , 16V	1	PAVCCZ
		C6860	F1G1C104A146	C 0.1UF, , 16V	1	PAVCCZ
		C6861	F1G1A224A069	C 0.22UF, K, 10V	1	PAVCCZ
		C6862	F1K1V106A010	C 10UF, , 35V	1	PAVCCZ
		C6863	F1G1C104A146	C 0.1UF, , 16V	1	PAVCCZ
		C6864	F1G1C104A146	C 0.1UF, , 16V	1	PAVCCZ
		C6865	F1H1E104A161	C 0.1UF, , 25V	1	PAVCCZ
		C6866	F1H1E105A153	C 1000NF, , 25V	1	PAVCCZ
		C6867	F1K1V106A010	C 10UF, , 35V	1	PAVCCZ
		C6868	F1H1E104A161	C 0.1UF, , 25V	1	PAVCCZ
		C6869	F1K1V106A010	C 10UF, , 35V	1	PAVCCZ
		C6871	F1G1H222A946	C 2200PF, K, 50V	1	PAVCCZ

**Model No. : TX-42AS750E+W+R Parts List**

Change	Safety	Ref. No.	Part No.	Part Name & Description	Q'ty	Remarks
		C6875	F1G1C104A146	C 0.1UF, , 16V	1	PAVCCZ
		C6876	F1G1C104A146	C 0.1UF, , 16V	1	PAVCCZ
		C6878	F1G1C104A146	C 0.1UF, , 16V	1	PAVCCZ
		C6879	F1G1C104A146	C 0.1UF, , 16V	1	PAVCCZ
		C6880	F1G1H222A946	C 2200PF, K, 50V	1	PAVCCZ
		C6881	F1G1A224A069	C 0.22UF, K, 10V	1	PAVCCZ
		C6882	F1K1V106A010	C 10UF, , 35V	1	PAVCCZ
		C6883	F1J1A106A043	C 10UF, , 10V	1	PAVCCZ
		C6885	F1H1E104A161	C 0.1UF, , 25V	1	PAVCCZ
		C6886	F1H1E105A153	C 1000NF, , 25V	1	PAVCCZ
		C6887	F1K1V106A010	C 10UF, , 35V	1	PAVCCZ
		C6888	F1H1E104A161	C 0.1UF, , 25V	1	PAVCCZ
		C6889	F1K1V106A010	C 10UF, , 35V	1	PAVCCZ
		C6891	F1J1A106A043	C 10UF, , 10V	1	PAVCCZ
		C6893	F1J1A106A043	C 10UF, , 10V	1	PAVCCZ
		C6895	F1G1C104A146	C 0.1UF, , 16V	1	PAVCCZ
		C6896	F1G1C104A146	C 0.1UF, , 16V	1	PAVCCZ
		C6899	F1G1C104A146	C 0.1UF, , 16V	1	PAVCCZ
		C6904	F1G1H102A946	C 1000PF, K, 50V	1	PAVCCZ
	⚠	C7102	F1AAF471A019	C 470PF, K, 250V	1	PAVCCZ
	⚠	C7103	F1AAF471A019	C 470PF, K, 250V	1	PAVCCZ
	⚠	C7104	F0CAF3340009	P 0.33UF, K, 250V	1	PAVCCZ
	⚠	C7105	F0CAF2240010	P 0.22UF, K, 250V	1	PAVCCZ
		C7201	F1H1H102B052	C 1000PF, -, 50V	1	PAVCCZ
		C7202	F1H1H102B052	C 1000PF, -, 50V	1	PAVCCZ
		C7203	F1H1H104B047	C 100NF, , 50V	1	PAVCCZ
		C7204	F1H1H104B047	C 100NF, , 50V	1	PAVCCZ
		C7205	F1H1H102B052	C 1000PF, -, 50V	1	PAVCCZ
		C7206	F1H1H104B047	C 100NF, , 50V	1	PAVCCZ
		C7207	F1A3A221A060	C 220PF, , 1KV	1	PAVCCZ
		C7208	F1J1E105A287	C 1000NF, , 25V	1	PAVCCZ
		C7209	ECWFD2W824KC	P 0.82UF, K, 450V	1	PAVCCZ
		C7213	F2A2W6500001	E 65UF, M, 450V	1	PAVCCZ
		C7214	F1J1H103A900	C 10NF, , 50V	1	PAVCCZ
		C7215	F2A2W6500001	E 65UF, M, 450V	1	PAVCCZ
		C7221	F1A3A101A060	C 100PF, , 1KV	1	PAVCCZ
		C7302	F1J1H104A902	C 100NF, , 50V	1	PAVCCZ
		C7303	F1J1H104A902	C 100NF, , 50V	1	PAVCCZ
		C7304	F1A3A221A060	C 220PF, , 1KV	1	PAVCCZ
		C7305	F1H1H104B047	C 100NF, , 50V	1	PAVCCZ
		C7306	F1J1H104A902	C 100NF, , 50V	1	PAVCCZ
		C7307	F1H1H101B052	C 100PF, , 50V	1	PAVCCZ
	⚠	C7309	F1AAF101A019	C 100PF, K, 250V	1	PAVCCZ
		C7310	F2A1E4710124	E 470UF, M, 25V	1	PAVCCZ
		C7311	F1J1E105A287	C 1000NF, , 25V	1	PAVCCZ
		C7312	F1H1C474A178	C 470NF, , 16V	1	PAVCCZ
		C7313	F1J1H102A909	C 1NF, , 50V	1	PAVCCZ
		C7315	F1A3A101A060	C 100PF, , 1KV	1	PAVCCZ
		C7316	F1A3A101A060	C 100PF, , 1KV	1	PAVCCZ
		C7317	ECWH8223HAC	P 0.022UF, , 800V	1	PAVCCZ
	⚠	C7318	F1AAF471A019	C 470PF, K, 250V	1	PAVCCZ
		C7319	F1A3A102A060	C 1NF, , 1KV	1	PAVCCZ
		C7416	F1J1C475A225	C 4700NF, , 16V	1	PAVCCZ
		C7417	F1H1C474A178	C 470NF, , 16V	1	PAVCCZ
		C7418	F1H1H104B047	C 100NF, , 50V	1	PAVCCZ
		C7422	F2A1V6810043	E 680UF, M, 35V	1	PAVCCZ
		C7423	F2A1E222B927	E 2200UF, , 25V	1	PAVCCZ
		C7434	F1J1E105A287	C 1000NF, , 25V	1	PAVCCZ
		C7438	F1H1C474A178	C 470NF, , 16V	1	PAVCCZ
		C7439	F1J1C475A225	C 4700NF, , 16V	1	PAVCCZ
		C7522	F1K1E106A167	C 10UF, , 25V	1	PAVCCZ
		C7524	F1H1H104B047	C 100NF, , 50V	1	PAVCCZ

**Model No. : TX-42AS750E+W+R Parts List**

Change	Safety	Ref. No.	Part No.	Part Name & Description	Q'ty	Remarks
		C7525	F1H1H221B052	C 220PF, -, 50V	1	PAVCCZ
		C7526	F1J1A106A111	C 10UF, M, 10V	1	PAVCCZ
		C7530	F1H1H104B047	C 100NF, , 50V	1	PAVCCZ
		C7531	F1H1H104B047	C 100NF, , 50V	1	PAVCCZ
		C7801	F1J1E105A287	C 1000NF, , 25V	1	PAVCCZ
		C7802	F1H1C104A178	C 0.1UF, -, 16V	1	PAVCCZ
		C7803	F1H1C224A178	C 0.22UF, , 16V	1	PAVCCZ
		C7804	F1H1H103B047	C 10NF, , 50V	1	PAVCCZ
		C7805	F1H1H103B047	C 10NF, , 50V	1	PAVCCZ
		C7806	F1J1E105A287	C 1000NF, , 25V	1	PAVCCZ
		C7807	F1H1C105A179	C 1UF, , 16V	1	PAVCCZ
		C7808	F1H1H102B048	C 1000PF, J, 50V	1	PAVCCZ
		C7815	F2A1V2710019	E 270UF, M, 35V	1	PAVCCZ
		C7816	F1H1H102B048	C 1000PF, J, 50V	1	PAVCCZ
		C7817	F1A3A471A060	C 470PF, , 1KV	1	PAVCCZ
		C7818	F1A3A102A060	C 1NF, , 1KV	1	PAVCCZ
		C7824	F1H1H102B048	C 1000PF, J, 50V	1	PAVCCZ
		C7825	F1H1H102B048	C 1000PF, J, 50V	1	PAVCCZ
		C7828	F1H1H103B047	C 10NF, , 50V	1	PAVCCZ
		C7829	F1H1H103B047	C 10NF, , 50V	1	PAVCCZ
		C7830	F2A2A1010047	E 100UF, M, 100V	1	PAVCCZ
		C7832	F1K1E105A167	C 1UF, K, 25V	1	PAVCCZ
		C8002	F1G1A105A047	C 1000NF, , 10V	1	PAVCCZ
		C8003	F1G1H151A834	C 150PF, -, 50V	1	PAVCCZ
		C8004	F1G1H151A834	C 150PF, -, 50V	1	PAVCCZ
		C8005	F1G1H151A834	C 150PF, -, 50V	1	PAVCCZ
		C8006	F1G1H151A834	C 150PF, -, 50V	1	PAVCCZ
		C8007	F1G1H151A834	C 150PF, -, 50V	1	PAVCCZ
		C8008	F1G1A105A047	C 1000NF, , 10V	1	PAVCCZ
		C8012	F1G1A105A047	C 1000NF, , 10V	1	PAVCCZ
		C8013	F1G1A105A047	C 1000NF, , 10V	1	PAVCCZ
		C8014	F1G1A105A047	C 1000NF, , 10V	1	PAVCCZ
		C8016	F1J1A106A043	C 10UF, , 10V	1	PAVCCZ
		C8017	F1G1A105A047	C 1000NF, , 10V	1	PAVCCZ
		C8018	F1G1A105A047	C 1000NF, , 10V	1	PAVCCZ
		C8019	F1G1A105A047	C 1000NF, , 10V	1	PAVCCZ
		C8020	F1G1C104A146	C 0.1UF, , 16V	1	PAVCCZ
		C8022	F1G1A105A047	C 1000NF, , 10V	1	PAVCCZ
		C8024	F1G1C104A146	C 0.1UF, , 16V	1	PAVCCZ
		C8025	F1G1C104A146	C 0.1UF, , 16V	1	PAVCCZ
		C8026	F1G1C104A146	C 0.1UF, , 16V	1	PAVCCZ
		C8028	F1G1C104A146	C 0.1UF, , 16V	1	PAVCCZ
		C8029	F1J1A106A043	C 10UF, , 10V	1	PAVCCZ
		C8031	F1G1C104A146	C 0.1UF, , 16V	1	PAVCCZ
		C8033	F1G1C104A146	C 0.1UF, , 16V	1	PAVCCZ
		C8034	F1J1A106A043	C 10UF, , 10V	1	PAVCCZ
		C8035	F1J0G2260001	C 22UF, , 4V	1	PAVCCZ
		C8037	F1G1C104A146	C 0.1UF, , 16V	1	PAVCCZ
		C8039	F1G1A105A047	C 1000NF, , 10V	1	PAVCCZ
		C8041	F1G1A105A047	C 1000NF, , 10V	1	PAVCCZ
		C8043	F1G1C104A146	C 0.1UF, , 16V	1	PAVCCZ
		C8044	F1J0G2260001	C 22UF, , 4V	1	PAVCCZ
		C8045	F1J0G2260001	C 22UF, , 4V	1	PAVCCZ
		C8046	F1G1A105A047	C 1000NF, , 10V	1	PAVCCZ
		C8047	F1H1A475A102	C 4.7UF, K, 10V	1	PAVCCZ
		C8048	F1H1A475A102	C 4.7UF, K, 10V	1	PAVCCZ
		C8049	F1G1C104A146	C 0.1UF, , 16V	1	PAVCCZ
		C8053	F1G1H470A834	C 47PF, , 50V	1	PAVCCZ
		C8054	F1G1A105A047	C 1000NF, , 10V	1	PAVCCZ
		C8055	F1G1H331A830	C 330PF, , 50V	1	PAVCCZ
		C8057	F1J0G2260001	C 22UF, , 4V	1	PAVCCZ
		C8059	F1J0G2260001	C 22UF, , 4V	1	PAVCCZ

**Model No. : TX-42AS750E+W+R Parts List**

Change	Safety	Ref. No.	Part No.	Part Name & Description	Q'ty	Remarks
		C8060	F1J0G2260001	C 22UF, , 4V	1	PAVCCZ
		C8062	F1G1H331A830	C 330PF, , 50V	1	PAVCCZ
		C8063	F1G1H470A834	C 47PF, , 50V	1	PAVCCZ
		C8064	F1G1H331A830	C 330PF, , 50V	1	PAVCCZ
		C8065	F1G1H470A834	C 47PF, , 50V	1	PAVCCZ
		C8066	F1G1H331A830	C 330PF, , 50V	1	PAVCCZ
		C8100	F1G1H222A946	C 2200PF, K, 50V	1	PAVCCZ
		C8101	F1G1C104A146	C 0.1UF, , 16V	1	PAVCCZ
		C8102	F1K1V106A010	C 10UF, , 35V	1	PAVCCZ
		C8103	F1K1V106A010	C 10UF, , 35V	1	PAVCCZ
		C8104	F1H1E104A161	C 0.1UF, , 25V	1	PAVCCZ
		C8105	F1G1E332A172	C 3300PF, K, 25V	1	PAVCCZ
		C8106	F1J0G2260001	C 22UF, , 4V	1	PAVCCZ
		C8107	F1J0G2260001	C 22UF, , 4V	1	PAVCCZ
		C8108	F1J0G2260001	C 22UF, , 4V	1	PAVCCZ
		C8109	F1H1E105A153	C 1000NF, , 25V	1	PAVCCZ
		C8110	F1J1E475A257	C 4700NF, , 25V	1	PAVCCZ
		C8112	F1K1V106A010	C 10UF, , 35V	1	PAVCCZ
		C8114	F1G1C104A146	C 0.1UF, , 16V	1	PAVCCZ
		C8115	F1G1C104A146	C 0.1UF, , 16V	1	PAVCCZ
		C8117	F1G1E332A172	C 3300PF, K, 25V	1	PAVCCZ
		C8119	F1J0G2260001	C 22UF, , 4V	1	PAVCCZ
		C8120	F1J0G2260001	C 22UF, , 4V	1	PAVCCZ
		C8123	F1H1E104A161	C 0.1UF, , 25V	1	PAVCCZ
		C8203	F1G1C104A146	C 0.1UF, , 16V	1	PAVCCZ
		C8204	F1G1C104A146	C 0.1UF, , 16V	1	PAVCCZ
		C8205	F1G1C104A146	C 0.1UF, , 16V	1	PAVCCZ
		C8206	F1G1C104A146	C 0.1UF, , 16V	1	PAVCCZ
		C8207	F1J1A106A043	C 10UF, , 10V	1	PAVCCZ
		C8210	F1G1C104A146	C 0.1UF, , 16V	1	PAVCCZ
		C8212	F1G1C104A146	C 0.1UF, , 16V	1	PAVCCZ
		C8215	F1G1H331A830	C 330PF, , 50V	1	PAVCCZ
		C8216	F1J1A106A043	C 10UF, , 10V	1	PAVCCZ
		C8218	F1G1C104A146	C 0.1UF, , 16V	1	PAVCCZ
		C8220	F1G1C104A146	C 0.1UF, , 16V	1	PAVCCZ
		C8221	F1G1C104A146	C 0.1UF, , 16V	1	PAVCCZ
		C8222	F1G1A105A047	C 1000NF, , 10V	1	PAVCCZ
		C8223	F1G1H331A830	C 330PF, , 50V	1	PAVCCZ
		C8226	F1G1H331A830	C 330PF, , 50V	1	PAVCCZ
		C8227	F1G1H331A830	C 330PF, , 50V	1	PAVCCZ
		C8229	F1G1A105A047	C 1000NF, , 10V	1	PAVCCZ
		C8231	F1G1C104A146	C 0.1UF, , 16V	1	PAVCCZ
		C8233	F1G1C104A146	C 0.1UF, , 16V	1	PAVCCZ
		C8234	F1G1C104A146	C 0.1UF, , 16V	1	PAVCCZ
		C8246	F1J1A106A043	C 10UF, , 10V	1	PAVCCZ
		C8250	F1G1C104A146	C 0.1UF, , 16V	1	PAVCCZ
		C8251	F1G1H331A830	C 330PF, , 50V	1	PAVCCZ
		C8254	F1G1C104A146	C 0.1UF, , 16V	1	PAVCCZ
		C8255	F1G1A105A047	C 1000NF, , 10V	1	PAVCCZ
		C8256	F1G1H331A830	C 330PF, , 50V	1	PAVCCZ
		C8257	F1G1A105A047	C 1000NF, , 10V	1	PAVCCZ
		C8259	F1G1C104A146	C 0.1UF, , 16V	1	PAVCCZ
		C8300	F1G1A105A047	C 1000NF, , 10V	1	PAVCCZ
		C8301	F1G1A105A047	C 1000NF, , 10V	1	PAVCCZ
		C8302	F1G1A105A047	C 1000NF, , 10V	1	PAVCCZ
		C8303	F1G1A105A047	C 1000NF, , 10V	1	PAVCCZ
		C8304	F1G1A105A047	C 1000NF, , 10V	1	PAVCCZ
		C8305	F1G1H100A948	C 10PF, J, 50V	1	PAVCCZ
		C8306	F1G1H120A948	C 12PF, J, 50V	1	PAVCCZ
		C8401	F1G1C104A146	C 0.1UF, , 16V	1	PAVCCZ
		C8402	F1G1C104A146	C 0.1UF, , 16V	1	PAVCCZ
		C8403	F1G1C104A146	C 0.1UF, , 16V	1	PAVCCZ

**Model No. : TX-42AS750E+W+R Parts List**

Change	Safety	Ref. No.	Part No.	Part Name & Description	Q'ty	Remarks
		C8404	F1G1C104A146	C 0.1UF, , 16V	1	PAVCCZ
		C8405	F1G1C104A146	C 0.1UF, , 16V	1	PAVCCZ
		C8406	F1G1C104A146	C 0.1UF, , 16V	1	PAVCCZ
		C8408	F1K0J226A049	C 22UF, , 6.3V	1	PAVCCZ
		C8409	F1K0J226A049	C 22UF, , 6.3V	1	PAVCCZ
		C8412	F1G1C104A146	C 0.1UF, , 16V	1	PAVCCZ
		C8413	F1G1H100A948	C 10PF, J, 50V	1	PAVCCZ
		C8414	F1G1C104A146	C 0.1UF, , 16V	1	PAVCCZ
		C8501	F1G1C104A146	C 0.1UF, , 16V	1	PAVCCZ
		C8502	F1G1C104A146	C 0.1UF, , 16V	1	PAVCCZ
		C8503	F1G1C104A146	C 0.1UF, , 16V	1	PAVCCZ
		C8504	F1G1C104A146	C 0.1UF, , 16V	1	PAVCCZ
		C8505	F1G1C104A146	C 0.1UF, , 16V	1	PAVCCZ
		C8506	F1G1C104A146	C 0.1UF, , 16V	1	PAVCCZ
		C8508	F1K0J226A049	C 22UF, , 6.3V	1	PAVCCZ
		C8509	F1K0J226A049	C 22UF, , 6.3V	1	PAVCCZ
		C8512	F1G1C104A146	C 0.1UF, , 16V	1	PAVCCZ
		C8513	F1G1H100A948	C 10PF, J, 50V	1	PAVCCZ
		C8514	F1G1C104A146	C 0.1UF, , 16V	1	PAVCCZ
		C8600	F1H1E105A153	C 1000NF, , 25V	1	PAVCCZ
		C8602	F1G1H120A948	C 12PF, J, 50V	1	PAVCCZ
		C8603	F1G1H120A948	C 12PF, J, 50V	1	PAVCCZ
		C8604	F1G1C104A146	C 0.1UF, , 16V	1	PAVCCZ
		C8605	F1J1A106A043	C 10UF, , 10V	1	PAVCCZ
		C8608	F1G1C104A146	C 0.1UF, , 16V	1	PAVCCZ
		C8609	F1H1E105A153	C 1000NF, , 25V	1	PAVCCZ
		C8611	F1G1C104A146	C 0.1UF, , 16V	1	PAVCCZ
		C8613	F1J1A106A043	C 10UF, , 10V	1	PAVCCZ
		C8615	F1G1C104A146	C 0.1UF, , 16V	1	PAVCCZ
		C8616	F1G1C104A146	C 0.1UF, , 16V	1	PAVCCZ
		C8617	F1G1E103A172	C 0.01UF, K, 25V	1	PAVCCZ
		C8619	F1G1C104A146	C 0.1UF, , 16V	1	PAVCCZ
		C8620	F1G1C104A146	C 0.1UF, , 16V	1	PAVCCZ
		C8627	F1G1C104A146	C 0.1UF, , 16V	1	PAVCCZ
		C8628	F1K0J226A049	C 22UF, , 6.3V	1	PAVCCZ
		C8629	F1K0J226A049	C 22UF, , 6.3V	1	PAVCCZ
		C8631	EEEB0J221UP	E 220UF, , 6.3V	1	PAVCCZ
		C8632	F1J1A106A043	C 10UF, , 10V	1	PAVCCZ
		C8633	F1G1C104A146	C 0.1UF, , 16V	1	PAVCCZ
		C8635	F1J1A106A043	C 10UF, , 10V	1	PAVCCZ
		C8636	F1G1C104A146	C 0.1UF, , 16V	1	PAVCCZ
		C8637	F1J1A106A043	C 10UF, , 10V	1	PAVCCZ
		C8638	F1G1C104A146	C 0.1UF, , 16V	1	PAVCCZ
		C8639	F1J1A106A043	C 10UF, , 10V	1	PAVCCZ
		C8640	F1G1C104A146	C 0.1UF, , 16V	1	PAVCCZ
		C8642	F1J1A106A043	C 10UF, , 10V	1	PAVCCZ
		C8643	F1G1C104A146	C 0.1UF, , 16V	1	PAVCCZ
		C8644	F1G1E103A172	C 0.01UF, K, 25V	1	PAVCCZ
		C8645	F1G1C104A146	C 0.1UF, , 16V	1	PAVCCZ
		C8646	F1G1C104A146	C 0.1UF, , 16V	1	PAVCCZ
		C8649	F1G1C104A146	C 0.1UF, , 16V	1	PAVCCZ
		C8652	F1G1C104A146	C 0.1UF, , 16V	1	PAVCCZ
		C8655	F1G1C104A146	C 0.1UF, , 16V	1	PAVCCZ
		C8657	F1J1A106A043	C 10UF, , 10V	1	PAVCCZ
		C8658	F1J1A106A043	C 10UF, , 10V	1	PAVCCZ
		C8659	F1G1C104A146	C 0.1UF, , 16V	1	PAVCCZ
		C8661	F1G1C104A146	C 0.1UF, , 16V	1	PAVCCZ
		C8674	F1G1C104A146	C 0.1UF, , 16V	1	PAVCCZ
		C8675	F1G1C104A146	C 0.1UF, , 16V	1	PAVCCZ
		C8676	F1G1C104A146	C 0.1UF, , 16V	1	PAVCCZ
		C8677	F1J1A106A043	C 10UF, , 10V	1	PAVCCZ
		C8678	F1J1A106A043	C 10UF, , 10V	1	PAVCCZ


## Model No. : TX-42AS750E+W+R Parts List

Change	Safety	Ref. No.	Part No.	Part Name & Description	Q'ty	Remarks
		C8679	F1J1A106A043	C 10UF, , 10V	1	PAVCCZ
		C8681	F1G1C104A146	C 0.1UF, , 16V	1	PAVCCZ
		C8690	F1J1A106A043	C 10UF, , 10V	1	PAVCCZ
		C8691	F1J1A106A043	C 10UF, , 10V	1	PAVCCZ
		C8692	F1G1A105A047	C 1000NF, , 10V	1	PAVCCZ
		C8694	F1J1A106A043	C 10UF, , 10V	1	PAVCCZ
		C8699	F1G1C104A146	C 0.1UF, , 16V	1	PAVCCZ
		C8722	F1K1V106A010	C 10UF, , 35V	1	PAVCCZ
		C8723	F1H1E104A161	C 0.1UF, , 25V	1	PAVCCZ
		C8724	F1J1A106A043	C 10UF, , 10V	1	PAVCCZ
		C8725	F1J1A106A043	C 10UF, , 10V	1	PAVCCZ
		C8727	F1G1H680A834	C 68PF, , 50 V	1	PAVCCZ
		C8728	F1G1H102A946	C 1000PF, K, 50V	1	PAVCCZ
		C8731	F1G1E103A172	C 0.01UF, K, 25V	1	PAVCCZ
		C8732	F1K1V106A010	C 10UF, , 35V	1	PAVCCZ
		C8733	F1J1A106A043	C 10UF, , 10V	1	PAVCCZ
		C8734	F1J1A106A043	C 10UF, , 10V	1	PAVCCZ
		C8737	F1G1C104A146	C 0.1UF, , 16V	1	PAVCCZ
		C8738	F1G1H222A946	C 2200PF, K, 50V	1	PAVCCZ
		C8739	F1G1C473A146	C 0.047UF, -, 16V	1	PAVCCZ
		C8749	F1G1A105A047	C 1000NF, , 10V	1	PAVCCZ
		C8750	F1G1A105A047	C 1000NF, , 10V	1	PAVCCZ
		C8753	F1G1A105A047	C 1000NF, , 10V	1	PAVCCZ
		C8754	F1G1A105A047	C 1000NF, , 10V	1	PAVCCZ
		C8773	F1G1C104A146	C 0.1UF, , 16V	1	PAVCCZ
		C8790	F1J1A106A043	C 10UF, , 10V	1	PAVCCZ
		C8791	F1J1A106A043	C 10UF, , 10V	1	PAVCCZ
		C8903	F1G1C104A146	C 0.1UF, , 16V	1	PAVCCZ
		C8910	F1H1E105A153	C 1000NF, , 25V	1	PAVCCZ
		C8911	F1G1C104A146	C 0.1UF, , 16V	1	PAVCCZ
		C8912	F1J1A106A043	C 10UF, , 10V	1	PAVCCZ
		C8913	F1G1C104A146	C 0.1UF, , 16V	1	PAVCCZ
		C8914	F1J1A106A043	C 10UF, , 10V	1	PAVCCZ
		C8915	F1G1H100A948	C 10PF, J, 50V	1	PAVCCZ
		C9050	F1G1H221A834	C 220PF, -, 50V	1	PAVCCZ
		C9051	F1G1H221A834	C 220PF, -, 50V	1	PAVCCZ
		C9052	F1G1H221A834	C 220PF, -, 50V	1	PAVCCZ
		C9053	F1G1H221A834	C 220PF, -, 50V	1	PAVCCZ
		C9054	F1G1H221A834	C 220PF, -, 50V	1	PAVCCZ
		CF7104	D4CA94R0A001	NTC THERMISTOR	1	PAVCCZ
		CN0100	K1KA14A00248	14P CONNECTOR	1	PAVCCZ
		D2230	B0JCCE000021	DIODE	1	PAVCCZ
		D2800	DZ2J056M0L	ZENER DIODE	1	PAVCCZ
		D2802	B3AGB0000083	LED	1	PAVCCZ
		D2851	DZ2J068M0L	DIODE	1	PAVCCZ
		D2852	DZ2J068M0L	DIODE	1	PAVCCZ
		D3007	DZ2J140M0L	DIODE	1	PAVCCZ
		D3008	DZ2J140M0L	DIODE	1	PAVCCZ
		D3009	DZ2J140M0L	DIODE	1	PAVCCZ
		D3010	DZ2J140M0L	DIODE	1	PAVCCZ
		D3011	DZ2J140M0L	DIODE	1	PAVCCZ
		D3012	DZ2J140M0L	DIODE	1	PAVCCZ
		D3013	DZ2J140M0L	DIODE	1	PAVCCZ
		D3014	DZ2J140M0L	DIODE	1	PAVCCZ
		D3021	DZ2J140M0L	DIODE	1	PAVCCZ
		D3022	DZ2J140M0L	DIODE	1	PAVCCZ
		D3023	DZ2J140M0L	DIODE	1	PAVCCZ
		D3024	DZ2J140M0L	DIODE	1	PAVCCZ
		D3025	DZ2J140M0L	DIODE	1	PAVCCZ

**Model No. : TX-42AS750E+W+R Parts List**

Change	Safety	Ref. No.	Part No.	Part Name & Description	Q'ty	Remarks
		D3026	DZ2J140M0L	DIODE	1	PAVCCZ
		D3101	K7AAAY000014	OPTICAL LINK	1	PAVCCZ
		D4723	DZ2J056M0L	ZENER DIODE	1	PAVCCZ
		D4724	DZ2J056M0L	ZENER DIODE	1	PAVCCZ
		D4761	DZ2J056M0L	ZENER DIODE	1	PAVCCZ
		D4773	B0JCED000012	DIODE	1	PAVCCZ
		D5172	DZ2J180M0L	ZENER DIODE	1	PAVCCZ
		D5173	DA2J10100L	DIODE	1	PAVCCZ
		D5178	DZ2J100M0L	ZENER DIODE	1	PAVCCZ
		D5180	DZ2J033M0L	DIODE	1	PAVCCZ
		D5188	B0ADCK000001	DIODE	1	PAVCCZ
		D6850	B0JCED000012	DIODE	1	PAVCCZ
		D6851	B0JCPE000051	DIODE	1	PAVCCZ
		D6852	B0JCMD000060	DIODE	1	PAVCCZ
		D6853	B0ECKP000077	DIODE	1	PAVCCZ
		D6880	B0JCED000012	DIODE	1	PAVCCZ
		D6881	B0JCPE000051	DIODE	1	PAVCCZ
		D6882	B0JCMD000060	DIODE	1	PAVCCZ
		D6883	B0ECKP000077	DIODE	1	PAVCCZ
	⚠	D7101	ERZE08C621CD	VARISTOR	1	PAVCCZ
		D7104	B0AAMT000014	DIODE	1	PAVCCZ
		D7105	B0AAMT000014	DIODE	1	PAVCCZ
	⚠	D7110	B0EBNT000030	DIODE	1	PAVCCZ
		D7211	B0ACCD000008	DIODE	1	PAVCCZ
		D7215	B0HAPR000013	DIODE	1	PAVCCZ
		D7221	B0ACCD000008	DIODE	1	PAVCCZ
		D7301	DZ2J039M0L	ZENER DIODE	1	PAVCCZ
		D7302	B0HAGQ000001	DIODE	1	PAVCCZ
		D7303	DZ2J039M0L	ZENER DIODE	1	PAVCCZ
		D7304	B0ECKM000053	DIODE	1	PAVCCZ
		D7305	B0ADCK000001	DIODE	1	PAVCCZ
		D7306	B0BC027A0336	DIODE	1	PAVCCZ
		D7307	B0BC027A0336	DIODE	1	PAVCCZ
		D7308	B0BC027A0336	DIODE	1	PAVCCZ
		D7311	B0BC027A0336	DIODE	1	PAVCCZ
		D7312	B0ACCD000008	DIODE	1	PAVCCZ
		D7313	B0ACCD000008	DIODE	1	PAVCCZ
		D7403	B0JBSL000046	DIODE	1	PAVCCZ
		D7404	DA2J10100L	DIODE	1	PAVCCZ
		D7405	B0ACCD000008	DIODE	1	PAVCCZ
		D7411	B0ACCD000008	DIODE	1	PAVCCZ
		D7412	B0JBSG000068	DIODE	1	PAVCCZ
		D7413	B0JBSG000068	DIODE	1	PAVCCZ
		D7502	B0JCPE000051	DIODE	1	PAVCCZ
		D7810	B0ACCD000008	DIODE	1	PAVCCZ
		D7811	B0ECKM000053	DIODE	1	PAVCCZ
		D7817	B0JBSL000077	DIODE	1	PAVCCZ
		D8710	B0ACGM000001	DIODE	1	PAVCCZ
	⚠	F7101	K5E502YYA213	FUSE	1	PAVCCZ
		GK4	K1KY03BA0402	3P CONNECTOR	1	PAVCCZ
		IC3052	C0ABBB000179	IC DUAL OPERATIONAL AMPLIFIER	1	PAVCCZ
		IC4900	C1AB00003984	IC DIG AUDIO POWER AMPLIFIER	1	PAVCCZ
		IC5000	AN34043AAVF	IC ANALOG ASIC	1	PAVCCZ
		IC5300	C0DBAYY01644	IC STEP-DOWN DC/DC CONVERTER	1	PAVCCZ
		IC5702	C0DBAYY01656	IC DC/DC CONVERTER	1	PAVCCZ
		IC5704	C0DBEYY00102	IC REGULATOR	1	PAVCCZ
		IC6800	C1AB00004164	IC DVB-T2/T/C/S2/S DEMODULATOR	1	PAVCCZ
		IC6803	C1AB00004164	IC DVB-T2/T/C/S2/S DEMODULATOR	1	PAVCCZ
		IC6860	C1AB00004036	IC LNB SUPPLY & CONTROL	1	PAVCCZ

## Model No. : TX-42AS750E+W+R Parts List

Change	Safety	Ref. No.	Part No.	Part Name & Description	Q'ty	Remarks
		IC6878	C0JBAR000432	IC LOGIC IC	1	PAVCCZ
		IC6881	C1AB00004036	IC LNB SUPPLY & CONTROL	1	PAVCCZ
		IC7201	C0DBBY00058	IC PFC	1	PAVCCZ
		IC7301	C0DBAY01329	IC CURRENT RESONANT CONTROLLER	1	PAVCCZ
		IC7401	C0DBZY00531	IC SHUNT REGULATOR	1	PAVCCZ
		IC7503	C0DBAY01915	IC DC/DC CONVERTER	1	PAVCCZ
		IC7800	C0ZBZ0002164	IC LED DRIVER FOR BACKLIGHT	1	PAVCCZ
		IC7801	C0ZBZ0001936	IC SWITCHING DRIVER	1	PAVCCZ
		IC8000	MN2WS0280PB	IC PEAKS LD6	1	PAVCCZ
		IC8100	NN30332A-VB	IC DC/DC CONVERTER	1	PAVCCZ
		IC8101	C0DBAY01644	IC STEP-DOWN DC/DC CONVERTER	1	PAVCCZ
		IC8200	C3ABUY000056	IC 2GBIT DDR3 SDRAM	1	PAVCCZ
		IC8201	C3ABUY000056	IC 2GBIT DDR3 SDRAM	1	PAVCCZ
		IC8202	C3ABVY000026	IC 4GBIT DDR3+SDRAM	1	PAVCCZ
		IC8400	C0DBZY00382	IC SWITCH	1	PAVCCZ
		IC8401	C0JBAZ002667	IC LOGIC IC	1	PAVCCZ
		IC8402	C0JBAU000088	IC LOGIC IC	1	PAVCCZ
		IC8403	C0JBAU000088	IC LOGIC IC	1	PAVCCZ
		IC8500	C0DBZY00382	IC SWITCH	1	PAVCCZ
		IC8501	C0JBAZ002667	IC LOGIC IC	1	PAVCCZ
		IC8502	C0JBAU000088	IC LOGIC IC	1	PAVCCZ
		IC8503	C0JBAU000088	IC LOGIC IC	1	PAVCCZ
		IC8601	C1CB00004168	IC USB HUB	1	PAVCCZ
		IC8602	C0DBZY00723	IC SWITCH	1	PAVCCZ
		IC8603	C0DBZY00723	IC SWITCH	1	PAVCCZ
		IC8606	C0DBZY00723	IC SWITCH	1	PAVCCZ
		IC8607	C0DBZY00723	IC SWITCH	1	PAVCCZ
		IC8650	C1CB00003736	IC LAN CONTROLLER	1	PAVCCZ
		IC8660	C0DBEY00102	IC REGULATOR	1	PAVCCZ
		IC8704	C0DBAY01647	IC DC/DC CONVERTER	1	PAVCCZ
		IC8705	C0DBAY01299	IC STEP-DOWN DC/DC CONVERTER	1	PAVCCZ
		IC8712	C0DBGY00887	IC REGULATOR	1	PAVCCZ
		IC8715	C0DBGY00887	IC REGULATOR	1	PAVCCZ
		IC8901	STM42AS750E	IC EEPROM STM	1	(TX-42AS750E) PAVCCZ
		IC8901	STM42ASR750	IC EEPROM STM	1	(TX-42ASR750) PAVCCZ
		IC8901	STM42ASW754	IC EEPROM STM	1	(TX-42ASW754) PAVCCZ
		IC8903	TVR42AS750E	IC NAND FLASH 4GB EMMC	1	(TX-42AS750E) PAVCCZ
		IC8903	TVR42ASR750	IC NAND FLASH 4GB EMMC	1	(TX-42ASR750) PAVCCZ
		IC8903	TVR42ASW754	IC NAND FLASH 4GB EMMC	1	(TX-42ASW754) PAVCCZ
		JA1	DOGDR00J0004	M 0 OHM, J, 1/8W	1	PAVCCZ
		JA2	DOGDR00J0004	M 0 OHM, J, 1/8W	1	PAVCCZ
		JA4	DOGDR00J0004	M 0 OHM, J, 1/8W	1	PAVCCZ
		JA5	DOGDR00J0004	M 0 OHM, J, 1/8W	1	PAVCCZ
		JA6	DOGDR00J0004	M 0 OHM, J, 1/8W	1	PAVCCZ
		JA7	DOGDR00J0004	M 0 OHM, J, 1/8W	1	PAVCCZ
		JA8	DOGDR00J0004	M 0 OHM, J, 1/8W	1	PAVCCZ
		JK3001B	K1U511D00002	YUV_V/AUDIO IN TERMINAL	1	PAVCCZ
		JK3011	K1FY121D0001	21P SCART TERMINAL	1	PAVCCZ
		JK3111A	K2HC1YYB0079	HP TERMINAL	1	PAVCCZ
		JK4701	K1FY119E0066	HDMI TERMINAL	1	PAVCCZ
		JK4702	K1FY119E0066	HDMI TERMINAL	1	PAVCCZ
		JK4703	K1FY119E0066	HDMI TERMINAL	1	PAVCCZ
		JK7101	K2AAYB000010	AC INLET	1	PAVCCZ
		JK8400	K1NAD6B00004	CI CONNECTOR	1	PAVCCZ
		JK8600	K1NA12E00016	SD SLOT	1	PAVCCZ
		JK8601	K1FY104B00095	USB TERMINAL	1	PAVCCZ
		JK8602	K2LC1YYE00003	ETHERNET TERMINAL	1	PAVCCZ
		JK8603B	K1FY109B00047	USB3.0 TERMINAL	1	PAVCCZ
		JK8605	K1FY105E00025	USB TERMINAL	1	PAVCCZ
		JK8606	K1FY104B00095	USB TERMINAL	1	PAVCCZ



**Model No. : TX-42AS750E+W+R Parts List**

Change	Safety	Ref. No.	Part No.	Part Name & Description	Q'ty	Remarks
		JS7406	D0GDR00J0004	M 0 OHM, J, 1/8W	1	PAVCCZ
		K10	K1KY07BA0483	7P CONNECTOR	1	PAVCCZ
		L2200	J0JYC0000464	FILTER	1	PAVCCZ
		L4006	J0ZZB0000147	FILTER	1	PAVCCZ
		L4007	J0ZZB0000147	FILTER	1	PAVCCZ
		L4008	J0ZZB0000147	FILTER	1	PAVCCZ
		L4009	J0ZZB0000147	FILTER	1	PAVCCZ
		L4010	J0ZZB0000147	FILTER	1	PAVCCZ
		L4011	J0ZZB0000147	FILTER	1	PAVCCZ
		L4012	J0ZZB0000147	FILTER	1	PAVCCZ
		L4013	J0ZZB0000147	FILTER	1	PAVCCZ
		L4014	J0ZZB0000147	FILTER	1	PAVCCZ
		L4015	J0ZZB0000147	FILTER	1	PAVCCZ
		L4016	J0ZZB0000147	FILTER	1	PAVCCZ
		L4017	J0ZZB0000147	FILTER	1	PAVCCZ
		L4901	G1C220MA0533	COIL	1	PAVCCZ
		L4902	G1C220MA0533	COIL	1	PAVCCZ
		L4903	G1C220MA0533	COIL	1	PAVCCZ
		L4904	G1C220MA0533	COIL	1	PAVCCZ
		L5300	G1C150MA0445	COIL	1	PAVCCZ
		L5700	G1C2R2MA0464	COIL	1	PAVCCZ
		L5701	J0JYC0000464	FILTER	1	PAVCCZ
		L6704	J0JYC0000464	FILTER	1	PAVCCZ
		L6706	J0JYC0000464	FILTER	1	PAVCCZ
		L6707	J0JYC0000464	FILTER	1	PAVCCZ
		L6708	J0JYC0000464	FILTER	1	PAVCCZ
		L6710	J0JYC0000464	FILTER	1	PAVCCZ
		L6801	J0JYC0000464	FILTER	1	PAVCCZ
		L6802	J0JYC0000464	FILTER	1	PAVCCZ
		L6803	J0JYC0000464	FILTER	1	PAVCCZ
		L6804	J0JYC0000464	FILTER	1	PAVCCZ
		L6805	J0JYC0000464	FILTER	1	PAVCCZ
		L6850	G1C6R8MA0464	COIL	1	PAVCCZ
		L6880	G1C6R8MA0464	COIL	1	PAVCCZ
		L7207	EXCELSA35T	BEAD CHOKE	1	PAVCCZ
		L7208	EXCELSA35T	BEAD CHOKE	1	PAVCCZ
		L7304	EXCELSA35T	BEAD CHOKE	1	PAVCCZ
		L7502	G0C270MA0049	COIL	1	PAVCCZ
		L7800	G0C470J00005	COIL	1	PAVCCZ
		L7804	J0JHC0000075	FILTER	1	PAVCCZ
		L8001	J0JYC0000464	FILTER	1	PAVCCZ
		L8002	J0JYC0000686	FILTER	1	PAVCCZ
		L8003	J0JYC0000686	FILTER	1	PAVCCZ
		L8100	G1C1R0M00022	COIL	1	PAVCCZ
		L8101	G1C3R3MA0464	COIL	1	PAVCCZ
		L8102	J0JYC0000686	FILTER	1	PAVCCZ
		L8600	J0ZZB0000142	FILTER	1	PAVCCZ
		L8601	J0ZZB0000142	FILTER	1	PAVCCZ
		L8602	J0ZZB0000142	FILTER	1	PAVCCZ
		L8604	J0JYC0000464	FILTER	1	PAVCCZ
		L8605	J0JYC0000464	FILTER	1	PAVCCZ
		L8606	J0JYC0000464	FILTER	1	PAVCCZ
		L8607	J0JYC0000464	FILTER	1	PAVCCZ
		L8608	J0JYC0000464	FILTER	1	PAVCCZ
		L8609	J0ZZB0000142	FILTER	1	PAVCCZ
		L8610	J0JYC0000464	FILTER	1	PAVCCZ
		L8615	J0ZZB0000142	FILTER	1	PAVCCZ
		L8704	G1C3R3ZA0388	COIL	1	PAVCCZ
		L8705	G1C4R7ZA0311	COIL	1	PAVCCZ

## Model No. : TX-42AS750E+W+R Parts List

Change	Safety	Ref. No.	Part No.	Part Name & Description	Q'ty	Remarks
		L8902	J0JYC0000464	FILTER	1	PAVCCZ
		L8903	J0JYC0000464	FILTER	1	PAVCCZ
	⚠	LF7104	G0B183G00008	LINE FILTER	1	PAVCCZ
	⚠	LF7105	G0B350HA0036	LINE FILTER	1	PAVCCZ
	⚠	LF7106	G0B952G00002	LINE FILTER	1	PAVCCZ
		P2	K1KY20BA0491	20P CONNECTOR	1	PAVCCZ
		P3	K1KY12B00022	12P CONNECTOR	1	PAVCCZ
		P5	K1KY03BA0402	3P CONNECTOR	1	PAVCCZ
		PA2002	K5H4022A0031	FUSE	1	PAVCCZ
		PA5703	K5H1022A0031	FUSE	1	PAVCCZ
		PA7403	K5G103AA0009	FUSE	1	PAVCCZ
		PA7406	ERBRE5R00V	FUSE	1	PAVCCZ
		PA8754	K5H4022A0031	FUSE	1	PAVCCZ
	⚠	PC7301	B3PAA0000674	PHOTO COUPLER	1	PAVCCZ
	⚠	PC7302	B3PAA0000674	PHOTO COUPLER	1	PAVCCZ
	⚠	PC7303	B3PAA0000674	PHOTO COUPLER	1	PAVCCZ
		Q2210	B1ABCF000231	TRANSISTOR	1	PAVCCZ
		Q2211	B1ABCF000231	TRANSISTOR	1	PAVCCZ
		Q3051	B1HFCEA00001	TRANSISTOR	1	PAVCCZ
		Q3052	B1HFCEA00001	TRANSISTOR	1	PAVCCZ
		Q3053	B1ADCE000022	TRANSISTOR	1	PAVCCZ
		Q3301	B1ABKE000001	TRANSISTOR	1	PAVCCZ
		Q3302	B1ABKE000001	TRANSISTOR	1	PAVCCZ
		Q3305	B1ABKE000001	TRANSISTOR	1	PAVCCZ
		Q3306	B1ABKE000001	TRANSISTOR	1	PAVCCZ
		Q3307	B1ABCF000231	TRANSISTOR	1	PAVCCZ
		Q4700	B1ABCF000231	TRANSISTOR	1	PAVCCZ
		Q4701	B1ABCF000231	TRANSISTOR	1	PAVCCZ
		Q4750	B1ABCF000231	TRANSISTOR	1	PAVCCZ
		Q7201	B1CERR000096	TRANSISTOR	1	PAVCCZ
		Q7202	B1ADGE000012	TRANSISTOR	1	PAVCCZ
		Q7301	B1CBRR000002	TRANSISTOR	1	PAVCCZ
		Q7302	B1CBRR000002	TRANSISTOR	1	PAVCCZ
		Q7303	B1ADCE000022	TRANSISTOR	1	PAVCCZ
		Q7401	B1CFJD000007	TRANSISTOR	1	PAVCCZ
		Q7402	B1CHRE000015	TRANSISTOR	1	PAVCCZ
		Q7403	B1CHRE000034	TRANSISTOR	1	PAVCCZ
		Q7404	B1CHRE000015	TRANSISTOR	1	PAVCCZ
		Q7405	B1CHRE000034	TRANSISTOR	1	PAVCCZ
		Q7406	B1CFJD000007	TRANSISTOR	1	PAVCCZ
		Q7407	B1ADCE000022	TRANSISTOR	1	PAVCCZ
		Q7800	B1ABCF000231	TRANSISTOR	1	PAVCCZ
		Q7801	B1CERM000047	TRANSISTOR	1	PAVCCZ
		Q7803	B1BDBJ000001	TRANSISTOR	1	PAVCCZ
		Q7804	B1BDBJ000001	TRANSISTOR	1	PAVCCZ
		Q7805	B1BDBJ000001	TRANSISTOR	1	PAVCCZ
		Q7806	B1BDBJ000001	TRANSISTOR	1	PAVCCZ
		Q7809	B1BDBJ000001	TRANSISTOR	1	PAVCCZ
		Q7812	B1CFJD000007	TRANSISTOR	1	PAVCCZ
		R054	DOGAR00J0005	M 0 OHM, J, 1/16W	1	PAVCCZ
		R079	DOGAR00J0005	M 0 OHM, J, 1/16W	1	PAVCCZ
		R0902	DOGA473JA039	M 47K OHM, J, 1/16W	1	PAVCCZ
		R0905	DOGA272JA023	M 2K7 OHM, J, 1/16W	1	PAVCCZ
		R0906	DOGA272JA023	M 2K7 OHM, J, 1/16W	1	PAVCCZ
		R0909	DOGA272JA023	M 2K7 OHM, J, 1/16W	1	PAVCCZ
		R0910	DOGA272JA023	M 2K7 OHM, J, 1/16W	1	PAVCCZ

## Model No. : TX-42AS750E+W+R Parts List

Change	Safety	Ref. No.	Part No.	Part Name & Description	Q'ty	Remarks
		R0911	D1H83324A042	M 3K3 OHM, J, 1/16W	1	PAVCCZ
		R0912	DOGA101JA039	M 100 OHM, J, 1/16W	1	PAVCCZ
		R0913	DOGA101JA039	M 100 OHM, J, 1/16W	1	PAVCCZ
		R0930	DOGA470JA023	M 47 OHM, J, 1/16W	1	PAVCCZ
		R0931	DOGA473JA039	M 47K OHM, J, 1/16W	1	PAVCCZ
		R0940	DOGA470JA023	M 47 OHM, J, 1/16W	1	PAVCCZ
		R0945	DOGA470JA023	M 47 OHM, J, 1/16W	1	PAVCCZ
		R0946	DOGA470JA023	M 47 OHM, J, 1/16W	1	PAVCCZ
		R0952	DOGA102JA039	M 1K OHM, J, 1/16W	1	PAVCCZ
		R0953	DOGA101JA039	M 100 OHM, J, 1/16W	1	PAVCCZ
		R0954	DOGA101JA039	M 100 OHM, J, 1/16W	1	PAVCCZ
		R0961	DOGA272JA023	M 2K7 OHM, J, 1/16W	1	PAVCCZ
		R0962	DOGA272JA023	M 2K7 OHM, J, 1/16W	1	PAVCCZ
		R0965	DOGA470JA023	M 47 OHM, J, 1/16W	1	PAVCCZ
		R0966	DOGA470JA023	M 47 OHM, J, 1/16W	1	PAVCCZ
		R0967	DOGA470JA023	M 47 OHM, J, 1/16W	1	PAVCCZ
		R0968	DOGA470JA023	M 47 OHM, J, 1/16W	1	PAVCCZ
		R0969	DOGA470JA023	M 47 OHM, J, 1/16W	1	PAVCCZ
		R0970	DOGAR00J0005	M 0 OHM, J, 1/16W	1	PAVCCZ
		R0971	DOGAR00J0005	M 0 OHM, J, 1/16W	1	PAVCCZ
		R2004	DOGA103JA039	M 10K OHM, J, 1/16W	1	PAVCCZ
		R2007	DOGA680JA023	M 68 OHM, J, 1/16W	1	PAVCCZ
		R2008	DOGA103JA039	M 10K OHM, J, 1/16W	1	PAVCCZ
		R2010	D1BA7151A023	M 7K15 OHM, F, 1/16W	1	PAVCCZ
		R2011	DOGA102JA039	M 1K OHM, J, 1/16W	1	PAVCCZ
		R2014	DOGA472JA023	M 4K7 OHM, J, 1/16W	1	PAVCCZ
		R2015	DOGA680JA023	M 68 OHM, J, 1/16W	1	PAVCCZ
		R2016	DOGA103JA039	M 10K OHM, J, 1/16W	1	PAVCCZ
		R2017	F1G1H102A946	C 1000PF, K, 50V	1	PAVCCZ
		R2040	DOGA473JA039	M 47K OHM, J, 1/16W	1	PAVCCZ
		R2051	DOGA680JA023	M 68 OHM, J, 1/16W	1	PAVCCZ
		R2152	DOGA680JA023	M 68 OHM, J, 1/16W	1	PAVCCZ
		R2153	DOGA680JA023	M 68 OHM, J, 1/16W	1	PAVCCZ
		R2154	DOGA680JA023	M 68 OHM, J, 1/16W	1	PAVCCZ
		R2155	DOGA103JA039	M 10K OHM, J, 1/16W	1	PAVCCZ
		R2156	DOGA103JA039	M 10K OHM, J, 1/16W	1	PAVCCZ
		R2157	DOGA103JA039	M 10K OHM, J, 1/16W	1	PAVCCZ
		R2158	DOGA103JA039	M 10K OHM, J, 1/16W	1	PAVCCZ
		R2159	DOGA103JA039	M 10K OHM, J, 1/16W	1	PAVCCZ
		R2160	DOGA103JA039	M 10K OHM, J, 1/16W	1	PAVCCZ
		R2161	DOGA103JA039	M 10K OHM, J, 1/16W	1	PAVCCZ
		R2230	DOGA102JA039	M 1K OHM, J, 1/16W	1	PAVCCZ
		R2240	DOGA103JA039	M 10K OHM, J, 1/16W	1	PAVCCZ
		R2263	DOGA470JA023	M 47 OHM, J, 1/16W	1	PAVCCZ
		R2267	DOGAR00J0005	M 0 OHM, J, 1/16W	1	PAVCCZ
		R2273	DOGA103JA039	M 10K OHM, J, 1/16W	1	PAVCCZ
		R2274	DOGA473JA039	M 47K OHM, J, 1/16W	1	PAVCCZ
		R2275	DOGAR00J0005	M 0 OHM, J, 1/16W	1	PAVCCZ
		R2276	DOGA223JA023	M 22K OHM, J, 1/16W	1	PAVCCZ
		R2277	DOGA473JA039	M 47K OHM, J, 1/16W	1	PAVCCZ
		R2278	DOGAR00J0005	M 0 OHM, J, 1/16W	1	PAVCCZ
		R2804	DOGBR00J0004	M 0 OHM, J, 1/10W	1	PAVCCZ
		R2808	DOGBR00J0004	M 0 OHM, J, 1/10W	1	PAVCCZ
		R2820	DOGB470JA065	M 47 OHM, J, 1/10W	1	PAVCCZ
		R2821	DOGB332JA065	M 3K3 OHM, J, 1/10W	1	PAVCCZ
		R2822	DOGD683JA052	M 68K OHM, J, 1/8W	1	PAVCCZ
		R2823	D1BB4301A073	M 4K3 OHM, F, 1/10W	1	PAVCCZ
		R2824	D1BB1001A073	M 1K OHM, F, 1/10W	1	PAVCCZ
		R2852	D1BD1911A203	M 1K91 OHM, F, 1/8W	1	PAVCCZ
		R2853	D1BD3091A203	M 3K09 OHM, F, 1/8W	1	PAVCCZ
		R2854	D1BD6041A203	M 6K04 OHM, F, 1/8W	1	PAVCCZ
		R2855	D1BD1692A203	M 16K9 OHM, F, 1/8W	1	PAVCCZ




**Model No. : TX-42AS750E+W+R Parts List**

Change	Safety	Ref. No.	Part No.	Part Name & Description	Q'ty	Remarks
		R3007	D1HY2204A012	M 22 OHM, J, 1/16W	1	PAVCCZ
		R3011	DOGAR00J0005	M 0 OHM, J, 1/16W	1	PAVCCZ
		R3012	D1BD75R0A204	M 75 OHM, F, 1/8W	1	PAVCCZ
		R3013	D1BD75R0A204	M 75 OHM, F, 1/8W	1	PAVCCZ
		R3014	D1BD75R0A204	M 75 OHM, F, 1/8W	1	PAVCCZ
		R3015	D1HY2204A012	M 22 OHM, J, 1/16W	1	PAVCCZ
		R3038	D1BA1403A023	M 140K OHM, F, 1/16W	1	PAVCCZ
		R3041	DOGA220JA023	M 22 OHM, J, 1/16W	1	PAVCCZ
		R3042	D1BF75R0A073	M 75 OHM, F, 1/4W	1	PAVCCZ
		R3043	D1BF75R0A073	M 75 OHM, F, 1/4W	1	PAVCCZ
		R3044	D1BF75R0A073	M 75 OHM, F, 1/4W	1	PAVCCZ
		R3045	D1BF75R0A073	M 75 OHM, F, 1/4W	1	PAVCCZ
		R3047	DOGA470JA023	M 47 OHM, J, 1/16W	1	PAVCCZ
		R3053	DOGA333JA023	M 33K OHM, J, 1/16W	1	PAVCCZ
		R3054	DOGA333JA023	M 33K OHM, J, 1/16W	1	PAVCCZ
		R3056	D1BA1403A023	M 140K OHM, F, 1/16W	1	PAVCCZ
		R3058	DOGA101JA039	M 100 OHM, J, 1/16W	1	PAVCCZ
		R3060	DOGA101JA039	M 100 OHM, J, 1/16W	1	PAVCCZ
		R3061	DOGA304JA023	M 300K OHM, J, 1/16W	1	PAVCCZ
		R3062	DOGA103JA039	M 10K OHM, J, 1/16W	1	PAVCCZ
		R3063	DOGA104JA039	M 100K OHM, J, 1/16W	1	PAVCCZ
		R3064	DOGAR00J0005	M 0 OHM, J, 1/16W	1	PAVCCZ
		R3068	D1BA1403A023	M 140K OHM, F, 1/16W	1	PAVCCZ
		R3069	D1BA1403A023	M 140K OHM, F, 1/16W	1	PAVCCZ
		R3070	DOGA103JA039	M 10K OHM, J, 1/16W	1	PAVCCZ
		R3071	DOGA102JA039	M 1K OHM, J, 1/16W	1	PAVCCZ
		R3072	DOGA102JA039	M 1K OHM, J, 1/16W	1	PAVCCZ
		R3073	DOGA152JA023	M 1K5 OHM, J, 1/16W	1	PAVCCZ
		R3074	DOGA152JA023	M 1K5 OHM, J, 1/16W	1	PAVCCZ
		R3079	DOGA101JA039	M 100 OHM, J, 1/16W	1	PAVCCZ
		R3080	DOGA101JA039	M 100 OHM, J, 1/16W	1	PAVCCZ
		R3102	DOGAR00J0005	M 0 OHM, J, 1/16W	1	PAVCCZ
		R3103	DOGAR00J0005	M 0 OHM, J, 1/16W	1	PAVCCZ
		R3117	DOGA102JA039	M 1K OHM, J, 1/16W	1	PAVCCZ
		R3118	DOGA102JA039	M 1K OHM, J, 1/16W	1	PAVCCZ
		R3129	DOGA471JA023	M 470 OHM, J, 1/16W	1	PAVCCZ
		R3132	DOGA103JA039	M 10K OHM, J, 1/16W	1	PAVCCZ
		R3137	D1BD75R0A204	M 75 OHM, F, 1/8W	1	PAVCCZ
		R3167	DOGA333JA023	M 33K OHM, J, 1/16W	1	PAVCCZ
		R3168	DOGA333JA023	M 33K OHM, J, 1/16W	1	PAVCCZ
		R3202	D1BF75R0A073	M 75 OHM, F, 1/4W	1	PAVCCZ
		R3231	DOGA103JA039	M 10K OHM, J, 1/16W	1	PAVCCZ
		R3233	DOGA203JA023	M 20K OHM, J, 1/16W	1	PAVCCZ
		R3234	DOGA203JA023	M 20K OHM, J, 1/16W	1	PAVCCZ
		R3237	DOGA103JA039	M 10K OHM, J, 1/16W	1	PAVCCZ
		R3238	DOGA103JA039	M 10K OHM, J, 1/16W	1	PAVCCZ
		R3309	DOGA331JA023	M 330 OHM, J, 1/16W	1	PAVCCZ
		R3310	DOGA331JA023	M 330 OHM, J, 1/16W	1	PAVCCZ
		R3312	DOGA103JA039	M 10K OHM, J, 1/16W	1	PAVCCZ
		R3314	DOGA103JA039	M 10K OHM, J, 1/16W	1	PAVCCZ
		R3317	DOGA104JA039	M 100K OHM, J, 1/16W	1	PAVCCZ
		R3318	DOGA104JA039	M 100K OHM, J, 1/16W	1	PAVCCZ
		R3319	DOGA272JA023	M 2K7 OHM, J, 1/16W	1	PAVCCZ
		R3320	DOGA272JA023	M 2K7 OHM, J, 1/16W	1	PAVCCZ
		R3326	DOGB272JA065	M 2K7 OHM, J, 1/10W	1	PAVCCZ
		R3327	DOGB272JA065	M 2K7 OHM, J, 1/10W	1	PAVCCZ
		R3329	DOGA473JA039	M 47K OHM, J, 1/16W	1	PAVCCZ
		R3330	DOGA103JA039	M 10K OHM, J, 1/16W	1	PAVCCZ
		R4102	DOGAR00J0005	M 0 OHM, J, 1/16W	1	PAVCCZ
		R4104	DOGA103JA039	M 10K OHM, J, 1/16W	1	PAVCCZ
		R4106	DOGA103JA039	M 10K OHM, J, 1/16W	1	PAVCCZ
		R4107	DOGAR00J0005	M 0 OHM, J, 1/16W	1	PAVCCZ

## Model No. : TX-42AS750E+W+R Parts List

Change	Safety	Ref. No.	Part No.	Part Name & Description	Q'ty	Remarks
		R4700	D0GA103JA039	M 10K OHM, J, 1/16W	1	PAVCCZ
		R4701	D0GA103JA039	M 10K OHM, J, 1/16W	1	PAVCCZ
		R4702	D0GA103JA039	M 10K OHM, J, 1/16W	1	PAVCCZ
		R4703	D0GA103JA039	M 10K OHM, J, 1/16W	1	PAVCCZ
		R4705	D0GA102JA039	M 1K OHM, J, 1/16W	1	PAVCCZ
		R4706	D0GA470JA023	M 47 OHM, J, 1/16W	1	PAVCCZ
		R4707	D0GA680JA023	M 68 OHM, J, 1/16W	1	PAVCCZ
		R4708	D0GA680JA023	M 68 OHM, J, 1/16W	1	PAVCCZ
		R4709	D0GA680JA023	M 68 OHM, J, 1/16W	1	PAVCCZ
		R4710	D0GA680JA023	M 68 OHM, J, 1/16W	1	PAVCCZ
		R4711	D0GA103JA039	M 10K OHM, J, 1/16W	1	PAVCCZ
		R4712	D0GA103JA039	M 10K OHM, J, 1/16W	1	PAVCCZ
		R4713	D0GA103JA039	M 10K OHM, J, 1/16W	1	PAVCCZ
		R4715	D0GA102JA039	M 1K OHM, J, 1/16W	1	PAVCCZ
		R4717	D0GA473JA039	M 47K OHM, J, 1/16W	1	PAVCCZ
		R4718	D0GA473JA039	M 47K OHM, J, 1/16W	1	PAVCCZ
		R4720	D0GA473JA039	M 47K OHM, J, 1/16W	1	PAVCCZ
		R4721	D0GA473JA039	M 47K OHM, J, 1/16W	1	PAVCCZ
		R4722	D1BA1600A023	M 160 OHM, F, 1/16W	1	PAVCCZ
		R4723	D1BA82R0A023	M 82 OHM, F, 1/16W	1	PAVCCZ
		R4751	D0GA103JA039	M 10K OHM, J, 1/16W	1	PAVCCZ
		R4752	D0GA103JA039	M 10K OHM, J, 1/16W	1	PAVCCZ
		R4753	D0GA103JA039	M 10K OHM, J, 1/16W	1	PAVCCZ
		R4755	D0GA102JA039	M 1K OHM, J, 1/16W	1	PAVCCZ
		R4757	D0GA473JA039	M 47K OHM, J, 1/16W	1	PAVCCZ
		R4758	D0GA473JA039	M 47K OHM, J, 1/16W	1	PAVCCZ
		R4759	D0GA680JA023	M 68 OHM, J, 1/16W	1	PAVCCZ
		R4760	D0GA680JA023	M 68 OHM, J, 1/16W	1	PAVCCZ
		R4798	D0GA273JA023	M 27K OHM, J, 1/16W	1	PAVCCZ
		R4900	D0GA103JA039	M 10K OHM, J, 1/16W	1	PAVCCZ
		R4901	D0GFR00J0005	M 0 OHM, J, 1/4W	1	PAVCCZ
		R4902	D1H86804A042	M 68 OHM, J, 1/16W	1	PAVCCZ
		R4903	D0GA102JA039	M 1K OHM, J, 1/16W	1	PAVCCZ
		R4904	D0GA102JA039	M 1K OHM, J, 1/16W	1	PAVCCZ
		R4909	D0GA103JA039	M 10K OHM, J, 1/16W	1	PAVCCZ
		R4910	D0GA473JA039	M 47K OHM, J, 1/16W	1	PAVCCZ
		R4913	D0GA102JA039	M 1K OHM, J, 1/16W	1	PAVCCZ
		R5002	D0GA683JA023	M 68K OHM, J, 1/16W	1	PAVCCZ
		R5003	D0GA103JA039	M 10K OHM, J, 1/16W	1	PAVCCZ
		R5006	D0GA623JA023	M 62K OHM, J, 1/16W	1	PAVCCZ
		R5007	D0GA243JA023	M 24K OHM, J, 1/16W	1	PAVCCZ
		R5009	D1BA5602A023	M 56K OHM, F, 1/16W	1	PAVCCZ
		R5012	D1BA2202A023	M 22K OHM, F, 1/16W	1	PAVCCZ
		R5015	D0GAR00J0005	M 0 OHM, J, 1/16W	1	PAVCCZ
		R5018	D0GA182JA023	M 1K8 OHM, J, 1/16W	1	PAVCCZ
		R5030	D0GA103JA039	M 10K OHM, J, 1/16W	1	PAVCCZ
		R5100	D0GA101JA039	M 100 OHM, J, 1/16W	1	PAVCCZ
		R5101	D0GA473JA039	M 47K OHM, J, 1/16W	1	PAVCCZ
		R5102	D0GA473JA039	M 47K OHM, J, 1/16W	1	PAVCCZ
		R5104	D0GA103JA039	M 10K OHM, J, 1/16W	1	PAVCCZ
		R5152	D0GA272JA023	M 2K7 OHM, J, 1/16W	1	PAVCCZ
		R5174	D0GA103JA039	M 10K OHM, J, 1/16W	1	PAVCCZ
		R5175	D0GA681JA023	M 680 OHM, J, 1/16W	1	PAVCCZ
		R5176	D0GB101JA065	M 100 OHM, J, 1/10W	1	PAVCCZ
		R5312	D0GA220JA023	M 22 OHM, J, 1/16W	1	PAVCCZ
		R5315	D1BA1402A023	M 14K OHM, F, 1/16W	1	PAVCCZ
		R5316	D1BA1001A023	M 1K OHM, F, 1/16W	1	PAVCCZ
		R5318	D1BA2002A023	M 20K OHM, F, 1/16W	1	PAVCCZ
		R5707	D0GBR00J0004	M 0 OHM, J, 1/10W	1	PAVCCZ
		R5715	D1BA1402A023	M 14K OHM, F, 1/16W	1	PAVCCZ
		R5716	D1BA6041A023	M 6K04 OHM, F, 1/16W	1	PAVCCZ
		R5717	D0GA123JA023	M 12K OHM, J, 1/16W	1	PAVCCZ

**Model No. : TX-42AS750E+W+R Parts List**

Change	Safety	Ref. No.	Part No.	Part Name & Description	Q'ty	Remarks
		R5731	D1BA1200A023	M 120 OHM, F, 1/16W	1	PAVCCZ
		R5732	D1BA56R0A023	M 56 OHM, F, 1/16W	1	PAVCCZ
		R5736	DOGA103JA039	M 10K OHM, J, 1/16W	1	PAVCCZ
		R6713	DOGF242JA048	M 2K4, J, 1/4W	1	PAVCCZ
		R6714	DOGF242JA048	M 2K4, J, 1/4W	1	PAVCCZ
		R6720	DOGA221JA023	M 220 OHM, J, 1/16W	1	PAVCCZ
		R6721	DOGA221JA023	M 220 OHM, J, 1/16W	1	PAVCCZ
		R6734	DOGA103JA039	M 10K OHM, J, 1/16W	1	PAVCCZ
		R6800	DOGA332JA023	M 3K3 OHM, J, 1/16W	1	PAVCCZ
		R6801	DOGA332JA023	M 3K3 OHM, J, 1/16W	1	PAVCCZ
		R6803	DOGAR00J0005	M 0 OHM, J, 1/16W	1	PAVCCZ
		R6804	DOGA471JA023	M 470 OHM, J, 1/16W	1	PAVCCZ
		R6806	DOGA103JA039	M 10K OHM, J, 1/16W	1	PAVCCZ
		R6807	DOGAR00J0005	M 0 OHM, J, 1/16W	1	PAVCCZ
		R6809	DOGAR00J0005	M 0 OHM, J, 1/16W	1	PAVCCZ
		R6810	DOGAR00J0005	M 0 OHM, J, 1/16W	1	PAVCCZ
		R6811	DOGAR00J0005	M 0 OHM, J, 1/16W	1	PAVCCZ
		R6815	DOGA680JA023	M 68 OHM, J, 1/16W	1	PAVCCZ
		R6817	DOGA680JA023	M 68 OHM, J, 1/16W	1	PAVCCZ
		R6818	DOGAR00J0005	M 0 OHM, J, 1/16W	1	PAVCCZ
		R6819	DOGAR00J0005	M 0 OHM, J, 1/16W	1	PAVCCZ
		R6821	DOGA680JA023	M 68 OHM, J, 1/16W	1	PAVCCZ
		R6822	DOGAR00J0005	M 0 OHM, J, 1/16W	1	PAVCCZ
		R6824	DOGAR00J0005	M 0 OHM, J, 1/16W	1	PAVCCZ
		R6825	DOGA332JA023	M 3K3 OHM, J, 1/16W	1	PAVCCZ
		R6828	DOGA680JA023	M 68 OHM, J, 1/16W	1	PAVCCZ
		R6829	DOGA680JA023	M 68 OHM, J, 1/16W	1	PAVCCZ
		R6830	DOGA680JA023	M 68 OHM, J, 1/16W	1	PAVCCZ
		R6834	DOGA680JA023	M 68 OHM, J, 1/16W	1	PAVCCZ
		R6835	DOGA680JA023	M 68 OHM, J, 1/16W	1	PAVCCZ
		R6836	DOGA680JA023	M 68 OHM, J, 1/16W	1	PAVCCZ
		R6837	DOGA680JA023	M 68 OHM, J, 1/16W	1	PAVCCZ
		R6843	DOGBR00J0004	M 0 OHM, J, 1/10W	1	PAVCCZ
		R6849	DOGA103JA039	M 10K OHM, J, 1/16W	1	PAVCCZ
		R6853	DOGAR00J0005	M 0 OHM, J, 1/16W	1	PAVCCZ
		R6856	D1H86804A042	M 68 OHM, J, 1/16W	1	PAVCCZ
		R6860	DOGAR00J0005	M 0 OHM, J, 1/16W	1	PAVCCZ
		R6862	DOGA103JA039	M 10K OHM, J, 1/16W	1	PAVCCZ
		R6864	D1BA1622A023	M 16K2 OHM, F, 1/16W	1	PAVCCZ
		R6865	DOGA332JA023	M 3K3 OHM, J, 1/16W	1	PAVCCZ
		R6866	DOGA103JA039	M 10K OHM, J, 1/16W	1	PAVCCZ
		R6868	D1H86804A042	M 68 OHM, J, 1/16W	1	PAVCCZ
		R6874	D1H86804A042	M 68 OHM, J, 1/16W	1	PAVCCZ
		R6878	DOGAR00J0005	M 0 OHM, J, 1/16W	1	PAVCCZ
		R6880	DOGAR00J0005	M 0 OHM, J, 1/16W	1	PAVCCZ
		R6884	D1BA1622A023	M 16K2 OHM, F, 1/16W	1	PAVCCZ
		R6886	DOGA103JA039	M 10K OHM, J, 1/16W	1	PAVCCZ
		R6895	DOGA332JA023	M 3K3 OHM, J, 1/16W	1	PAVCCZ
		R6896	DOGA332JA023	M 3K3 OHM, J, 1/16W	1	PAVCCZ
		R6898	DOGAR00J0005	M 0 OHM, J, 1/16W	1	PAVCCZ
		R6899	DOGA680JA023	M 68 OHM, J, 1/16W	1	PAVCCZ
		R6910	DOGA220JA023	M 22 OHM, J, 1/16W	1	PAVCCZ
		R6911	DOGA220JA023	M 22 OHM, J, 1/16W	1	PAVCCZ
		R6912	DOGA103JA039	M 10K OHM, J, 1/16W	1	PAVCCZ
		R6913	DOGA220JA023	M 22 OHM, J, 1/16W	1	PAVCCZ
		R6915	DOGA220JA023	M 22 OHM, J, 1/16W	1	PAVCCZ
		R7101	DOGF474JA048	M 470K OHM, J, 1/3W	1	PAVCCZ
		R7102	DOGF474JA048	M 470K OHM, J, 1/3W	1	PAVCCZ
		R7103	DOGF474JA048	M 470K OHM, J, 1/3W	1	PAVCCZ
		R7104	DOGD102JA052	M 1K OHM, J, 1/8W	1	PAVCCZ
		R7105	DOGD102JA052	M 1K OHM, J, 1/8W	1	PAVCCZ
		R7201	ERX1SJR22V	M R22 OHM, J, 1W	1	PAVCCZ

**Model No. : TX-42AS750E+W+R Parts List**

Change	Safety	Ref. No.	Part No.	Part Name & Description	Q'ty	Remarks
		R7202	ERX1SJR22V	M R22 OHM, J, 1W	1	PAVCCZ
		R7203	D1BB5602A143	M 56K OHM, F, 1/10W	1	PAVCCZ
		R7204	D0GZ181JA020	M 180 OHM, J, 1/2W	1	PAVCCZ
		R7205	D0GB101JA065	M 100 OHM, J, 1/10W	1	PAVCCZ
		R7206	D0GD4R7JA059	M 4R7 OHM, J, 1/4W	1	PAVCCZ
		R7207	D0GB103JA065	M 10K OHM, J, 1/10W	1	PAVCCZ
		R7209	D0GB100JA065	M 10 OHM, J, 1/10W	1	PAVCCZ
		R7212	D1BB6802A143	M 68K OHM, F, 1/10W	1	PAVCCZ
		R7219	D0GB513JA065	M 51K OHM, J, 1/10W	1	PAVCCZ
		R7220	D0GB223JA065	M 22K OHM, J, 1/10W	1	PAVCCZ
		R7224	D1AB2704A023	M 2M7 OHM, J, 1/4W	1	PAVCCZ
		R7225	D1AB2704A023	M 2M7 OHM, J, 1/4W	1	PAVCCZ
		R7226	D1AB2404A023	M 2M4 OHM, J, 1/4W	1	PAVCCZ
		R7227	D1AB3004A023	M 3M OHM, J, 1/4W	1	PAVCCZ
		R7230	D1BB3302A143	M 33K OHM, F, 1/10W	1	PAVCCZ
		R7231	D1BB3602A143	M 36K OHM, F, 1/10W	1	PAVCCZ
		R7245	D0GF220JA048	M 22 OHM, , 1/4W	1	PAVCCZ
		R7246	D0GZ181JA020	M 180 OHM, J, 1/2W	1	PAVCCZ
		R7302	D0GF391JA048	M 390 OHM, -, 1/3W	1	PAVCCZ
		R7303	D0GF391JA048	M 390 OHM, -, 1/3W	1	PAVCCZ
		R7304	D0GF4R7JA048	M 4R7 OHM, J, 1/4W	1	PAVCCZ
		R7305	D0GF121JA048	M 120 OHM, J, 1/4W	1	PAVCCZ
		R7306	D0GD222JA052	M 2K2 OHM, J, 1/8W	1	PAVCCZ
		R7307	D0GD562JA052	M 5K6 OHM, J, 1/8W	1	PAVCCZ
		R7308	D0GD222JA052	M 2K2 OHM, J, 1/8W	1	PAVCCZ
	⚠	R7311	D0XB106JA018	M 10M OHM, J, 1W	1	PAVCCZ
		R7312	D1BB1502A143	M 15K OHM, F, 1/10W	1	PAVCCZ
		R7314	D0GB104JA065	M 100K OHM, J, 1/10W	1	PAVCCZ
		R7315	D0GB222JA065	M 2K2 OHM, J, 1/10W	1	PAVCCZ
		R7317	D0GB223JA065	M 22K OHM, J, 1/10W	1	PAVCCZ
		R7318	D0GB473JA065	M 47K OHM, J, 1/10W	1	PAVCCZ
		R7319	D0GB473JA065	M 47K OHM, J, 1/10W	1	PAVCCZ
		R7320	D0GB103JA065	M 10K OHM, J, 1/10W	1	PAVCCZ
		R7321	D0GF220JA048	M 22 OHM, , 1/4W	1	PAVCCZ
		R7322	D0GF220JA048	M 22 OHM, , 1/4W	1	PAVCCZ
		R7323	D0GB103JA065	M 10K OHM, J, 1/10W	1	PAVCCZ
		R7324	D0GB103JA065	M 10K OHM, J, 1/10W	1	PAVCCZ
		R7385	D0GF100JA048	M 10 OHM, J, 1/10W	1	PAVCCZ
		R7387	D0GF4R7JA048	M 4R7 OHM, J, 1/4W	1	PAVCCZ
		R7401	D0GB472JA065	M 4K7 OHM, J, 1/10W	1	PAVCCZ
		R7402	D0GB103JA065	M 10K OHM, J, 1/10W	1	PAVCCZ
		R7403	D0GB102JA065	M 1K OHM, J, 1/10W	1	PAVCCZ
		R7404	D0GB224JA065	M 220K OHM, J, 1/10W	1	PAVCCZ
		R7405	D0GD222JA052	M 2K2 OHM, J, 1/8W	1	PAVCCZ
		R7406	D0GB332ZA038	M 3K3 OHM, -, 1/10W	1	PAVCCZ
		R7407	D0GB223JA065	M 22K OHM, J, 1/10W	1	PAVCCZ
		R7408	D1BB1742A143	M 17K4 OHM, F, 1/10W	1	PAVCCZ
		R7409	D0GB104JA065	M 100K OHM, J, 1/10W	1	PAVCCZ
		R7410	D0GB153JA065	M 15K OHM, J, 1/10W	1	PAVCCZ
		R7411	D0GB224JA065	M 220K OHM, J, 1/10W	1	PAVCCZ
		R7412	D0GB153JA065	M 15K OHM, J, 1/10W	1	PAVCCZ
		R7416	D0GD103JA052	M 10K OHM, J, 1/8W	1	PAVCCZ
		R7417	D0GD103JA052	M 10K OHM, J, 1/8W	1	PAVCCZ
		R7420	D0GB473JA065	M 47K OHM, J, 1/10W	1	PAVCCZ
		R7421	D0GD124JA052	M 120K OHM, J, 1/8W	1	PAVCCZ
		R7425	ERX1SJ1R0V	M 1 OHM, J, 1W	1	PAVCCZ
		R7427	D0GB223JA065	M 22K OHM, J, 1/10W	1	PAVCCZ
		R7428	D0GB154JA065	M 150K OHM, J, 1/10W	1	PAVCCZ
		R7429	D0GB104JA065	M 100K OHM, J, 1/10W	1	PAVCCZ
		R7430	D0GB104JA065	M 100K OHM, J, 1/10W	1	PAVCCZ
		R7504	D0GD104JA052	M 100K OHM, J, 1/8W	1	PAVCCZ
		R7509	D0GD224JA052	M 220K OHM, J, 1/8W	1	PAVCCZ

**Model No. : TX-42AS750E+W+R Parts List**

Change	Safety	Ref. No.	Part No.	Part Name & Description	Q'ty	Remarks
		R7510	D0GB153JA065	M 15K OHM, J, 1/10W	1	PAVCCZ
		R7511	D0GB153JA065	M 15K OHM, J, 1/10W	1	PAVCCZ
		R7533	D1BB7872A106	M 78K7 OHM, F, 1/10W	1	PAVCCZ
		R7534	D1BB1432A106	M 14K3 OHM, F, 1/10W	1	PAVCCZ
		R7535	D0GB100JA065	M 10 OHM, J, 1/10W	1	PAVCCZ
		R7536	D0GB514JA065	M 510K OHM, J, 1/10W	1	PAVCCZ
		R7800	D0GB103JA065	M 10K OHM, J, 1/10W	1	PAVCCZ
		R7801	D0GB473JA065	M 47K OHM, J, 1/10W	1	PAVCCZ
		R7802	D1BD2R40A066	M 2R4 OHM, F, 1/8W	1	PAVCCZ
		R7803	D1BD2R40A066	M 2R4 OHM, F, 1/8W	1	PAVCCZ
		R7804	D1BD2R40A066	M 2R4 OHM, F, 1/8W	1	PAVCCZ
		R7805	D1BD2R40A066	M 2R4 OHM, F, 1/8W	1	PAVCCZ
		R7807	D1BD2R40A066	M 2R4 OHM, F, 1/8W	1	PAVCCZ
		R7808	D0GB473JA065	M 47K OHM, J, 1/10W	1	PAVCCZ
		R7809	D1BB1203A143	M 120K OHM, F, 1/10W	1	PAVCCZ
		R7810	D1BB4702A143	M 47K OHM, F, 1/10W	1	PAVCCZ
		R7811	D0GB122JA065	M 1K2 OHM, J, 1/10W	1	PAVCCZ
		R7812	D1BB1503A143	M 150K OHM, F, 1/10W	1	PAVCCZ
		R7815	ERX1SJR22V	M R22 OHM, J, 1W	1	PAVCCZ
		R7816	ERX1SJR22V	M R22 OHM, J, 1W	1	PAVCCZ
		R7817	ERX1SJR22V	M R22 OHM, J, 1W	1	PAVCCZ
		R7820	D1BB1403A143	M 140K OHM, F, 1/10W	1	PAVCCZ
		R7821	D1BB1602A143	M 16K OHM, F, 1/10W	1	PAVCCZ
		R7822	D0GB114JA065	M 110K OHM, J, 1/10W	1	PAVCCZ
		R7823	D0GB203JA065	M 20K OHM, J, 1/10W	1	PAVCCZ
		R7824	D0GD470JA059	M 47 OHM, J, 1/4W	1	PAVCCZ
		R7825	D0GB473JA065	M 47K OHM, J, 1/10W	1	PAVCCZ
		R7827	D0GD101JA052	M 100 OHM, J, 1/8W	1	PAVCCZ
		R7828	D0GBR00J0004	M 0 OHM, J, 1/10W	1	PAVCCZ
		R7830	D0GBR00J0004	M 0 OHM, J, 1/10W	1	PAVCCZ
		R7831	D0GBR00J0004	M 0 OHM, J, 1/10W	1	PAVCCZ
		R7833	D0GD100JA059	M 10 OHM, J, 1/4W	1	PAVCCZ
		R7834	D0GBR00J0004	M 0 OHM, J, 1/10W	1	PAVCCZ
		R7838	D0GB470JA065	M 47 OHM, J, 1/10W	1	PAVCCZ
		R7840	D0GB473JA065	M 47K OHM, J, 1/10W	1	PAVCCZ
		R7841	D0GB473JA065	M 47K OHM, J, 1/10W	1	PAVCCZ
		R7842	D0GB473JA065	M 47K OHM, J, 1/10W	1	PAVCCZ
		R7843	D0GB473JA065	M 47K OHM, J, 1/10W	1	PAVCCZ
		R7846	D0GB101JA065	M 100 OHM, J, 1/10W	1	PAVCCZ
		R7848	D0GB101JA065	M 100 OHM, J, 1/10W	1	PAVCCZ
		R7849	D0GB101JA065	M 100 OHM, J, 1/10W	1	PAVCCZ
		R7850	D0GB101JA065	M 100 OHM, J, 1/10W	1	PAVCCZ
		R7851	D0GB101JA065	M 100 OHM, J, 1/10W	1	PAVCCZ
		R7857	D1BB1403A143	M 140K OHM, F, 1/10W	1	PAVCCZ
		R7858	D0GB473JA065	M 47K OHM, J, 1/10W	1	PAVCCZ
		R7861	D0GB104JA065	M 100K OHM, J, 1/10W	1	PAVCCZ
		R7862	D1BB2433A143	M 243K OHM, F, 1/10W	1	PAVCCZ
		R7863	D0GB473JA065	M 47K OHM, J, 1/10W	1	PAVCCZ
		R7864	D1BD2R40A066	M 2R4 OHM, F, 1/8W	1	PAVCCZ
		R7865	D1BD2R40A066	M 2R4 OHM, F, 1/8W	1	PAVCCZ
		R7866	D1BD2R40A066	M 2R4 OHM, F, 1/8W	1	PAVCCZ
		R7867	D1BD2R40A066	M 2R4 OHM, F, 1/8W	1	PAVCCZ
		R7869	D1BD2R40A066	M 2R4 OHM, F, 1/8W	1	PAVCCZ
		R7870	D1BB4302A143	M 43K OHM, F, 1/10W	1	PAVCCZ
		R7871	D1BD2R40A066	M 2R4 OHM, F, 1/8W	1	PAVCCZ
		R7872	D1BD2R40A066	M 2R4 OHM, F, 1/8W	1	PAVCCZ
		R7875	D1BD2R40A066	M 2R4 OHM, F, 1/8W	1	PAVCCZ
		R7876	D1BD2R40A066	M 2R4 OHM, F, 1/8W	1	PAVCCZ
		R7877	D1BD2R40A066	M 2R4 OHM, F, 1/8W	1	PAVCCZ
		R7878	D1BD2R40A066	M 2R4 OHM, F, 1/8W	1	PAVCCZ
		R7879	D1BD2R40A066	M 2R4 OHM, F, 1/8W	1	PAVCCZ
		R7880	D1BD2R40A066	M 2R4 OHM, F, 1/8W	1	PAVCCZ



**Model No. : TX-42AS750E+W+R Parts List**

Change	Safety	Ref. No.	Part No.	Part Name & Description	Q'ty	Remarks
		R7881	D1BD2R40A066	M 2R4 OHM, F, 1/8W	1	PAVCCZ
		R7882	D1BD2R40A066	M 2R4 OHM, F, 1/8W	1	PAVCCZ
		R8010	DOGA511JA023	M 510 OHM, J, 1/16W	1	PAVCCZ
		R8012	DOGA1R1JA023	M 1R1 OHM, J, 1/16W	1	PAVCCZ
		R8108	D1BA4701A023	M 4K7 OHM, F, 1/16W	1	PAVCCZ
		R8109	D1BA2002A023	M 20K OHM, F, 1/16W	1	PAVCCZ
		R8110	D1BA1802A014	M 18K OHM, F, 1/16W	1	PAVCCZ
		R8200	D1BA2400A023	M 240 OHM, F, 1/16W	1	PAVCCZ
		R8203	D1BA2400A023	M 240 OHM, F, 1/16W	1	PAVCCZ
		R8206	D1BA2400A023	M 240 OHM, F, 1/16W	1	PAVCCZ
		R8217	DOGA221JA023	M 220 OHM, J, 1/16W	1	PAVCCZ
		R8218	DOGA221JA023	M 220 OHM, J, 1/16W	1	PAVCCZ
		R8219	D1BA2400A023	M 240 OHM, F, 1/16W	1	PAVCCZ
		R8220	D1BA2400A023	M 240 OHM, F, 1/16W	1	PAVCCZ
		R8221	DOGA103JA039	M 10K OHM, J, 1/16W	1	PAVCCZ
		R8230	D1BA2400A023	M 240 OHM, F, 1/16W	1	PAVCCZ
		R8231	D1BA2400A023	M 240 OHM, F, 1/16W	1	PAVCCZ
		R8232	D1BA2400A023	M 240 OHM, F, 1/16W	1	PAVCCZ
		R8233	D1BA2400A023	M 240 OHM, F, 1/16W	1	PAVCCZ
		R8234	D1BA2400A023	M 240 OHM, F, 1/16W	1	PAVCCZ
		R8236	D1BA2400A023	M 240 OHM, F, 1/16W	1	PAVCCZ
		R8239	D1BA2400A023	M 240 OHM, F, 1/16W	1	PAVCCZ
		R8242	DOGA111JA023	M 110 OHM, J, 1/16W	1	PAVCCZ
		R8244	D1BA2400A023	M 240 OHM, F, 1/16W	1	PAVCCZ
		R8245	DOGA103JA039	M 10K OHM, J, 1/16W	1	PAVCCZ
		R8250	D1BA2400A023	M 240 OHM, F, 1/16W	1	PAVCCZ
		R8251	D1BA2400A023	M 240 OHM, F, 1/16W	1	PAVCCZ
		R8300	DOGA360JA023	M 36 OHM, J, 1/16W	1	PAVCCZ
		R8301	DOGA360JA023	M 36 OHM, J, 1/16W	1	PAVCCZ
		R8302	DOGA360JA023	M 36 OHM, J, 1/16W	1	PAVCCZ
		R8303	D1BA6201A023	M 6K2 OHM, F, 1/16W	1	PAVCCZ
		R8304	DOGA331JA023	M 330 OHM, J, 1/16W	1	PAVCCZ
		R8305	D1HY2204A012	M 22 OHM, J, 1/16W	1	PAVCCZ
		R8306	D1HY2204A012	M 22 OHM, J, 1/16W	1	PAVCCZ
		R8307	D1HY2204A012	M 22 OHM, J, 1/16W	1	PAVCCZ
		R8308	D1HY2204A012	M 22 OHM, J, 1/16W	1	PAVCCZ
		R8309	D1HY2204A012	M 22 OHM, J, 1/16W	1	PAVCCZ
		R8313	D1HY4704A012	M 47 OHM, J, 1/16W	1	PAVCCZ
		R8314	D1HY4704A012	M 47 OHM, J, 1/16W	1	PAVCCZ
		R8315	D1HY4704A012	M 47 OHM, J, 1/16W	1	PAVCCZ
		R8316	D1HY4704A012	M 47 OHM, J, 1/16W	1	PAVCCZ
		R8317	D1HY4704A012	M 47 OHM, J, 1/16W	1	PAVCCZ
		R8320	DOGA330JA023	M 33 OHM, J, 1/16W	1	PAVCCZ
		R8321	DOGA330JA023	M 33 OHM, J, 1/16W	1	PAVCCZ
		R8322	DOGA220JA023	M 22 OHM, J, 1/16W	1	PAVCCZ
		R8323	DOGA330JA023	M 33 OHM, J, 1/16W	1	PAVCCZ
		R8324	DOGA330JA023	M 33 OHM, J, 1/16W	1	PAVCCZ
		R8325	DOGA220JA023	M 22 OHM, J, 1/16W	1	PAVCCZ
		R8326	DOGA330JA023	M 33 OHM, J, 1/16W	1	PAVCCZ
		R8327	DOGA330JA023	M 33 OHM, J, 1/16W	1	PAVCCZ
		R8328	DOGA470JA023	M 47 OHM, J, 1/16W	1	PAVCCZ
		R8329	DOGA470JA023	M 47 OHM, J, 1/16W	1	PAVCCZ
		R8330	DOGA470JA023	M 47 OHM, J, 1/16W	1	PAVCCZ
		R8331	DOGA470JA023	M 47 OHM, J, 1/16W	1	PAVCCZ
		R8332	DOGA470JA023	M 47 OHM, J, 1/16W	1	PAVCCZ
		R8401	DOGA680JA023	M 68 OHM, J, 1/16W	1	PAVCCZ
		R8402	DOGA680JA023	M 68 OHM, J, 1/16W	1	PAVCCZ
		R8403	D1H86804A042	M 68 OHM, J, 1/16W	1	PAVCCZ
		R8404	D1H86804A042	M 68 OHM, J, 1/16W	1	PAVCCZ
		R8405	D1H86804A042	M 68 OHM, J, 1/16W	1	PAVCCZ
		R8406	D1H86804A042	M 68 OHM, J, 1/16W	1	PAVCCZ
		R8407	D1H86804A042	M 68 OHM, J, 1/16W	1	PAVCCZ

**Model No. : TX-42AS750E+W+R Parts List**

Change	Safety	Ref. No.	Part No.	Part Name & Description	Q'ty	Remarks
		R8408	D1H86804A042	M 68 OHM, J, 1/16W	1	PAVCCZ
		R8409	DOGA680JA023	M 68 OHM, J, 1/16W	1	PAVCCZ
		R8410	DOGA680JA023	M 68 OHM, J, 1/16W	1	PAVCCZ
		R8411	D1H86804A042	M 68 OHM, J, 1/16W	1	PAVCCZ
		R8412	DOGA680JA023	M 68 OHM, J, 1/16W	1	PAVCCZ
		R8413	DOGA470JA023	M 47 OHM, J, 1/16W	1	PAVCCZ
		R8414	DOGA470JA023	M 47 OHM, J, 1/16W	1	PAVCCZ
		R8415	DOGA470JA023	M 47 OHM, J, 1/16W	1	PAVCCZ
		R8417	D1HY4704A012	M 47 OHM, J, 1/16W	1	PAVCCZ
		R8418	D1HY4704A012	M 47 OHM, J, 1/16W	1	PAVCCZ
		R8420	DOGA103JA039	M 10K OHM, J, 1/16W	1	PAVCCZ
		R8425	D1H86804A042	M 68 OHM, J, 1/16W	1	PAVCCZ
		R8426	D1H86804A042	M 68 OHM, J, 1/16W	1	PAVCCZ
		R8429	DOGAR00J0005	M 0 OHM, J, 1/16W	1	PAVCCZ
		R8432	D1H86804A042	M 68 OHM, J, 1/16W	1	PAVCCZ
		R8433	D1H86804A042	M 68 OHM, J, 1/16W	1	PAVCCZ
		R8436	D1H86804A042	M 68 OHM, J, 1/16W	1	PAVCCZ
		R8437	D1H86804A042	M 68 OHM, J, 1/16W	1	PAVCCZ
		R8438	D1H86804A042	M 68 OHM, J, 1/16W	1	PAVCCZ
		R8439	D1H86804A042	M 68 OHM, J, 1/16W	1	PAVCCZ
		R8440	D1H81034A042	M 10K OHM, J, 1/16W	1	PAVCCZ
		R8441	D1H81034A042	M 10K OHM, J, 1/16W	1	PAVCCZ
		R8442	DOGA103JA039	M 10K OHM, J, 1/16W	1	PAVCCZ
		R8443	D1H86804A042	M 68 OHM, J, 1/16W	1	PAVCCZ
		R8445	DOGAR00J0005	M 0 OHM, J, 1/16W	1	PAVCCZ
		R8447	DOGA103JA039	M 10K OHM, J, 1/16W	1	PAVCCZ
		R8448	DOGA103JA039	M 10K OHM, J, 1/16W	1	PAVCCZ
		R8452	DOGA223JA023	M 22K OHM, J, 1/16W	1	PAVCCZ
		R8453	DOGA103JA039	M 10K OHM, J, 1/16W	1	PAVCCZ
		R8454	D1H86804A042	M 68 OHM, J, 1/16W	1	PAVCCZ
		R8455	DOGA680JA023	M 68 OHM, J, 1/16W	1	PAVCCZ
		R8456	DOGA473JA039	M 47K OHM, J, 1/16W	1	PAVCCZ
		R8457	DOGA473JA039	M 47K OHM, J, 1/16W	1	PAVCCZ
		R8458	DOGA680JA023	M 68 OHM, J, 1/16W	1	PAVCCZ
		R8459	DOGA473JA039	M 47K OHM, J, 1/16W	1	PAVCCZ
		R8460	DOGA473JA039	M 47K OHM, J, 1/16W	1	PAVCCZ
		R8461	DOGA680JA023	M 68 OHM, J, 1/16W	1	PAVCCZ
		R8462	D1H86804A042	M 68 OHM, J, 1/16W	1	PAVCCZ
		R8463	DOGA103JA039	M 10K OHM, J, 1/16W	1	PAVCCZ
		R8464	DOGA223JA023	M 22K OHM, J, 1/16W	1	PAVCCZ
		R8501	DOGA223JA023	M 22K OHM, J, 1/16W	1	PAVCCZ
		R8502	DOGA680JA023	M 68 OHM, J, 1/16W	1	PAVCCZ
		R8503	DOGA680JA023	M 68 OHM, J, 1/16W	1	PAVCCZ
		R8504	DOGA473JA039	M 47K OHM, J, 1/16W	1	PAVCCZ
		R8505	DOGA473JA039	M 47K OHM, J, 1/16W	1	PAVCCZ
		R8506	DOGA680JA023	M 68 OHM, J, 1/16W	1	PAVCCZ
		R8507	D1H86804A042	M 68 OHM, J, 1/16W	1	PAVCCZ
		R8508	DOGA103JA039	M 10K OHM, J, 1/16W	1	PAVCCZ
		R8509	DOGA680JA023	M 68 OHM, J, 1/16W	1	PAVCCZ
		R8510	DOGA680JA023	M 68 OHM, J, 1/16W	1	PAVCCZ
		R8511	D1H86804A042	M 68 OHM, J, 1/16W	1	PAVCCZ
		R8512	DOGA680JA023	M 68 OHM, J, 1/16W	1	PAVCCZ
		R8513	DOGA470JA023	M 47 OHM, J, 1/16W	1	PAVCCZ
		R8514	DOGA470JA023	M 47 OHM, J, 1/16W	1	PAVCCZ
		R8515	DOGA470JA023	M 47 OHM, J, 1/16W	1	PAVCCZ
		R8517	D1HY4704A012	M 47 OHM, J, 1/16W	1	PAVCCZ
		R8518	D1HY4704A012	M 47 OHM, J, 1/16W	1	PAVCCZ
		R8520	DOGA103JA039	M 10K OHM, J, 1/16W	1	PAVCCZ
		R8525	D1H86804A042	M 68 OHM, J, 1/16W	1	PAVCCZ
		R8526	D1H86804A042	M 68 OHM, J, 1/16W	1	PAVCCZ
		R8527	DOGA103JA039	M 10K OHM, J, 1/16W	1	PAVCCZ
		R8528	DOGA223JA023	M 22K OHM, J, 1/16W	1	PAVCCZ

**Model No. : TX-42AS750E+W+R Parts List**

Change	Safety	Ref. No.	Part No.	Part Name & Description	Q'ty	Remarks
		R8529	DOGAR00J0005	M 0 OHM, J, 1/16W	1	PAVCCZ
		R8530	D1H86804A042	M 68 OHM, J, 1/16W	1	PAVCCZ
		R8531	DOGA680JA023	M 68 OHM, J, 1/16W	1	PAVCCZ
		R8532	D1H86804A042	M 68 OHM, J, 1/16W	1	PAVCCZ
		R8533	D1H86804A042	M 68 OHM, J, 1/16W	1	PAVCCZ
		R8534	DOGA473JA039	M 47K OHM, J, 1/16W	1	PAVCCZ
		R8535	DOGA473JA039	M 47K OHM, J, 1/16W	1	PAVCCZ
		R8536	D1H86804A042	M 68 OHM, J, 1/16W	1	PAVCCZ
		R8537	D1H86804A042	M 68 OHM, J, 1/16W	1	PAVCCZ
		R8538	D1H86804A042	M 68 OHM, J, 1/16W	1	PAVCCZ
		R8539	D1H86804A042	M 68 OHM, J, 1/16W	1	PAVCCZ
		R8540	D1H81034A042	M 10K OHM, J, 1/16W	1	PAVCCZ
		R8541	D1H81034A042	M 10K OHM, J, 1/16W	1	PAVCCZ
		R8542	DOGA103JA039	M 10K OHM, J, 1/16W	1	PAVCCZ
		R8543	D1H86804A042	M 68 OHM, J, 1/16W	1	PAVCCZ
		R8544	DOGAR00J0005	M 0 OHM, J, 1/16W	1	PAVCCZ
		R8545	DOGAR00J0005	M 0 OHM, J, 1/16W	1	PAVCCZ
		R8547	DOGA103JA039	M 10K OHM, J, 1/16W	1	PAVCCZ
		R8548	DOGA103JA039	M 10K OHM, J, 1/16W	1	PAVCCZ
		R8601	D1BA75R0A023	M 75 OHM, F, 1/16W	1	PAVCCZ
		R8602	D1BA75R0A023	M 75 OHM, F, 1/16W	1	PAVCCZ
		R8603	D1BA75R0A023	M 75 OHM, F, 1/16W	1	PAVCCZ
		R8604	D1BA75R0A023	M 75 OHM, F, 1/16W	1	PAVCCZ
		R8606	D1BA6200A023	M 620 OHM, F, 1/16W	1	PAVCCZ
		R8609	DOGA103JA039	M 10K OHM, J, 1/16W	1	PAVCCZ
		R8610	DOGA103JA039	M 10K OHM, J, 1/16W	1	PAVCCZ
		R8613	DOGA104JA039	M 100K OHM, J, 1/16W	1	PAVCCZ
		R8614	DOGA103JA039	M 10K OHM, J, 1/16W	1	PAVCCZ
		R8615	DOGAR00J0005	M 0 OHM, J, 1/16W	1	PAVCCZ
		R8616	DOGA473JA039	M 47K OHM, J, 1/16W	1	PAVCCZ
		R8619	DOGAR00J0005	M 0 OHM, J, 1/16W	1	PAVCCZ
		R8622	DOGAR00J0005	M 0 OHM, J, 1/16W	1	PAVCCZ
		R8624	DOGA470JA023	M 47 OHM, J, 1/16W	1	PAVCCZ
		R8625	DOGA470JA023	M 47 OHM, J, 1/16W	1	PAVCCZ
		R8626	DOGA470JA023	M 47 OHM, J, 1/16W	1	PAVCCZ
		R8627	DOGA470JA023	M 47 OHM, J, 1/16W	1	PAVCCZ
		R8628	DOGA470JA023	M 47 OHM, J, 1/16W	1	PAVCCZ
		R8629	DOGA470JA023	M 47 OHM, J, 1/16W	1	PAVCCZ
		R8630	D1H81034A042	M 10K OHM, J, 1/16W	1	PAVCCZ
		R8631	DOGA103JA039	M 10K OHM, J, 1/16W	1	PAVCCZ
		R8632	D1H86804A042	M 68 OHM, J, 1/16W	1	PAVCCZ
		R8633	DOGA103JA039	M 10K OHM, J, 1/16W	1	PAVCCZ
		R8634	D1H86804A042	M 68 OHM, J, 1/16W	1	PAVCCZ
		R8636	DOGA220JA023	M 22 OHM, J, 1/16W	1	PAVCCZ
		R8637	DOGA272JA023	M 2K7 OHM, J, 1/16W	1	PAVCCZ
		R8638	DOGA272JA023	M 2K7 OHM, J, 1/16W	1	PAVCCZ
		R8639	DOGA103JA039	M 10K OHM, J, 1/16W	1	PAVCCZ
		R8640	DOGA103JA039	M 10K OHM, J, 1/16W	1	PAVCCZ
		R8643	DOGA272JA023	M 2K7 OHM, J, 1/16W	1	PAVCCZ
		R8645	DOGA272JA023	M 2K7 OHM, J, 1/16W	1	PAVCCZ
		R8648	D1H8R0040016	M 0 OHM, -, -	1	PAVCCZ
		R8650	DOGA472JA023	M 4K7 OHM, J, 1/16W	1	PAVCCZ
		R8651	DOGA152JA023	M 1K5 OHM, J, 1/16W	1	PAVCCZ
		R8652	DOGA103JA039	M 10K OHM, J, 1/16W	1	PAVCCZ
		R8654	DOGA680JA023	M 68 OHM, J, 1/16W	1	PAVCCZ
		R8655	DOGA680JA023	M 68 OHM, J, 1/16W	1	PAVCCZ
		R8656	DOGA680JA023	M 68 OHM, J, 1/16W	1	PAVCCZ
		R8657	DOGA680JA023	M 68 OHM, J, 1/16W	1	PAVCCZ
		R8658	DOGA680JA023	M 68 OHM, J, 1/16W	1	PAVCCZ
		R8659	DOGA680JA023	M 68 OHM, J, 1/16W	1	PAVCCZ
		R8660	DOGA680JA023	M 68 OHM, J, 1/16W	1	PAVCCZ
		R8661	DOGA680JA023	M 68 OHM, J, 1/16W	1	PAVCCZ

## Model No. : TX-42AS750E+W+R Parts List

Change	Safety	Ref. No.	Part No.	Part Name & Description	Q'ty	Remarks
		R8662	D0GA680JA023	M 68 OHM, J, 1/16W	1	PAVCCZ
		R8663	D0GA680JA023	M 68 OHM, J, 1/16W	1	PAVCCZ
		R8664	D0GA680JA023	M 68 OHM, J, 1/16W	1	PAVCCZ
		R8665	D0GA680JA023	M 68 OHM, J, 1/16W	1	PAVCCZ
		R8666	D0GA472JA023	M 4K7 OHM, J, 1/16W	1	PAVCCZ
		R8668	D0GA472JA023	M 4K7 OHM, J, 1/16W	1	PAVCCZ
		R8670	D1BA2491A023	M 2K49 OHM, F, 1/16W	1	PAVCCZ
		R8671	D0GA472JA023	M 4K7 OHM, J, 1/16W	1	PAVCCZ
		R8675	D1H81034A042	M 10K OHM, J, 1/16W	1	PAVCCZ
		R8676	D1BB1200A143	M 120 OHM, F, 1/10W	1	PAVCCZ
		R8677	D1BB2000A143	M 200 OHM, F, 1/10W	1	PAVCCZ
		R8680	D0GAR00J0005	M 0 OHM, J, 1/16W	1	PAVCCZ
		R8682	D0GA680JA023	M 68 OHM, J, 1/16W	1	PAVCCZ
		R8683	D0GA472JA023	M 4K7 OHM, J, 1/16W	1	PAVCCZ
		R8684	D1BA2872A023	M 28K7 OHM, F, 1/16W	1	PAVCCZ
		R8687	D0GA680JA023	M 68 OHM, J, 1/16W	1	PAVCCZ
		R8688	D1H8R0040016	M 0 OHM, -, -	1	PAVCCZ
		R8689	D1H8R0040016	M 0 OHM, -, -	1	PAVCCZ
		R8690	D0GA472JA023	M 4K7 OHM, J, 1/16W	1	PAVCCZ
		R8694	D1BA2872A023	M 28K7 OHM, F, 1/16W	1	PAVCCZ
		R8695	D1BA1652A023	M 16K5 OHM, F, 1/16W	1	PAVCCZ
		R8696	D1BA2872A023	M 28K7 OHM, F, 1/16W	1	PAVCCZ
		R8699	D0GA103JA039	M 10K OHM, J, 1/16W	1	PAVCCZ
		R8702	D0GAR00J0005	M 0 OHM, J, 1/16W	1	PAVCCZ
		R8703	D0GAR00J0005	M 0 OHM, J, 1/16W	1	PAVCCZ
		R8704	D0GAR00J0005	M 0 OHM, J, 1/16W	1	PAVCCZ
		R8705	D0GAR00J0005	M 0 OHM, J, 1/16W	1	PAVCCZ
		R8714	D0GBR00J0004	M 0 OHM, J, 1/10W	1	PAVCCZ
		R8715	D0GAR00J0005	M 0 OHM, J, 1/16W	1	PAVCCZ
		R8718	D0GAR00J0005	M 0 OHM, J, 1/16W	1	PAVCCZ
		R8719	D0GA103JA039	M 10K OHM, J, 1/16W	1	PAVCCZ
		R8720	D0GA473JA039	M 47K OHM, J, 1/16W	1	PAVCCZ
		R8723	D0GA680JA023	M 68 OHM, J, 1/16W	1	PAVCCZ
		R8730	D0GAR00J0005	M 0 OHM, J, 1/16W	1	PAVCCZ
		R8741	D0GA220JA023	M 22 OHM, J, 1/16W	1	PAVCCZ
		R8742	D0GA223JA023	M 22K OHM, J, 1/16W	1	PAVCCZ
		R8746	D1BA6802A023	M 68K OHM, F, 1/16W	1	PAVCCZ
		R8747	D1BA2102A023	M 21K OHM, F, 1/16W	1	PAVCCZ
		R8751	D1BB4301A074	M 4K3 OHM, D, 1/10W	1	PAVCCZ
		R8752	D1BB7870A143	M 787 OHM, F, 1/10W	1	PAVCCZ
		R8753	D1BA2402A023	M 24K OHM, F, 1/16W	1	PAVCCZ
		R8785	D0GA103JA039	M 10K OHM, J, 1/16W	1	PAVCCZ
		R8788	D0GA102JA039	M 1K OHM, J, 1/16W	1	PAVCCZ
		R8802	D0GA103JA039	M 10K OHM, J, 1/16W	1	PAVCCZ
		R8803	D0GA103JA039	M 10K OHM, J, 1/16W	1	PAVCCZ
		R8804	D0GA473JA039	M 47K OHM, J, 1/16W	1	PAVCCZ
		R8805	D0GA473JA039	M 47K OHM, J, 1/16W	1	PAVCCZ
		R8806	D0GA473JA039	M 47K OHM, J, 1/16W	1	PAVCCZ
		R8807	D0GA473JA039	M 47K OHM, J, 1/16W	1	PAVCCZ
		R8808	D0GA473JA039	M 47K OHM, J, 1/16W	1	PAVCCZ
		R8809	D0GA473JA039	M 47K OHM, J, 1/16W	1	PAVCCZ
		R8811	D0GA473JA039	M 47K OHM, J, 1/16W	1	PAVCCZ
		R8812	D0GA473JA039	M 47K OHM, J, 1/16W	1	PAVCCZ
		R8813	D0GA473JA039	M 47K OHM, J, 1/16W	1	PAVCCZ
		R8814	D0GA473JA039	M 47K OHM, J, 1/16W	1	PAVCCZ
		R8820	D0GA103JA039	M 10K OHM, J, 1/16W	1	PAVCCZ
		R8821	D0GA103JA039	M 10K OHM, J, 1/16W	1	PAVCCZ
		R8822	D0GA103JA039	M 10K OHM, J, 1/16W	1	PAVCCZ
		R8824	D0GA103JA039	M 10K OHM, J, 1/16W	1	PAVCCZ
		R8831	D0GA103JA039	M 10K OHM, J, 1/16W	1	PAVCCZ
		R8832	D0GA103JA039	M 10K OHM, J, 1/16W	1	PAVCCZ
		R8851	D0GA473JA039	M 47K OHM, J, 1/16W	1	PAVCCZ

## Model No. : TX-42AS750E+W+R Parts List

Change	Safety	Ref. No.	Part No.	Part Name & Description	Q'ty	Remarks
		R8854	D0GA102JA039	M 1K OHM, J, 1/16W	1	PAVCCZ
		R8859	D0GA103JA039	M 10K OHM, J, 1/16W	1	PAVCCZ
		R8901	D0GA103JA039	M 10K OHM, J, 1/16W	1	PAVCCZ
		R8903	D0GA472JA023	M 4K7 OHM, J, 1/16W	1	PAVCCZ
		R8910	D0GA103JA039	M 10K OHM, J, 1/16W	1	PAVCCZ
		R8911	D0GA103JA039	M 10K OHM, J, 1/16W	1	PAVCCZ
		R8912	D0GA103JA039	M 10K OHM, J, 1/16W	1	PAVCCZ
		R8913	D0GA103JA039	M 10K OHM, J, 1/16W	1	PAVCCZ
		R8919	D0GA103JA039	M 10K OHM, J, 1/16W	1	PAVCCZ
		R8920	D1H86804A042	M 68 OHM, J, 1/16W	1	PAVCCZ
		R8921	D1H86804A042	M 68 OHM, J, 1/16W	1	PAVCCZ
		R8922	D0GA680JA023	M 68 OHM, J, 1/16W	1	PAVCCZ
		R8923	D0GA680JA023	M 68 OHM, J, 1/16W	1	PAVCCZ
		R8924	D0GA220JA023	M 22 OHM, J, 1/16W	1	PAVCCZ
		R8925	D0GA103JA039	M 10K OHM, J, 1/16W	1	PAVCCZ
		R9050	D0GA680JA023	M 68 OHM, J, 1/16W	1	PAVCCZ
		R9051	D0GA680JA023	M 68 OHM, J, 1/16W	1	PAVCCZ
		R9052	D0GA680JA023	M 68 OHM, J, 1/16W	1	PAVCCZ
		R9053	D0GA680JA023	M 68 OHM, J, 1/16W	1	PAVCCZ
		R9054	D0GA680JA023	M 68 OHM, J, 1/16W	1	PAVCCZ
		R9057	D0GA680JA023	M 68 OHM, J, 1/16W	1	PAVCCZ
		R9058	D0GA103JA039	M 10K OHM, J, 1/16W	1	PAVCCZ
		RM2800	B3RBB0000018	IR RECEIVER	1	PAVCCZ
		SN2800	B3JB00000219	AI SENSOR IC	1	PAVCCZ
		SW2851	EVQ11G05R	LIGHT TOUCH SWITCH	1	PAVCCZ
		SW2852	EVQ11G05R	LIGHT TOUCH SWITCH	1	PAVCCZ
		SW2853	EVQ11G05R	LIGHT TOUCH SWITCH	1	PAVCCZ
		SW2854	EVQ11G05R	LIGHT TOUCH SWITCH	1	PAVCCZ
		SW2855	EVQ11G05R	LIGHT TOUCH SWITCH	1	PAVCCZ
		SW2857	EVQ11G05R	LIGHT TOUCH SWITCH	1	PAVCCZ
		T7201	G4DYA0000496	TRANSFORMER	1	PAVCCZ
	⚠	T7301	G4DYA0000566	TRANSFORMER	1	PAVCCZ
		T8601	G5BYC0000040	TRANSFORMER	1	PAVCCZ
	⚠	TU6707	J3ACZAC000003	TUNER A/DVB-T/T2/C/S	1	PAVCCZ
		X6800	H0J410500003	CRYSTAL 41MHZ	1	PAVCCZ
		X8300	H0J250500109	CRYSTAL 25MHZ	1	PAVCCZ
		X8600	H0J120500097	CRYSTAL	1	PAVCCZ
		ZA050	K4AD01D00008	TERMINAL	1	PAVCCZ
		ZA052	K4AD01D00011	TERMINAL	1	PAVCCZ
		ZA054	K4AD01D00011	TERMINAL	1	PAVCCZ
		ZA055	K4AD01D00011	TERMINAL	1	PAVCCZ
		ZA062	K4AD01D00008	TERMINAL	1	PAVCCZ
		ZA063	K4AD01D00008	TERMINAL	1	PAVCCZ
		ZA064	K4AD01D00008	TERMINAL	1	PAVCCZ
		ZA066	K4AD01D00008	TERMINAL	1	PAVCCZ
		ZA067	K4AD01D00008	TERMINAL	1	PAVCCZ
		ZA068	K4AD01D00008	TERMINAL	1	PAVCCZ
		ZA070	K4AD01D00008	TERMINAL	1	PAVCCZ
		ZA071	K4AD01D00008	TERMINAL	1	PAVCCZ
		ZA072	K4AD01D00008	TERMINAL	1	PAVCCZ
		ZA073	K4AD01D00008	TERMINAL	1	PAVCCZ
		ZA074	K4AD01D00008	TERMINAL	1	PAVCCZ
		ZA076	K4AD01D00008	TERMINAL	1	PAVCCZ
		ZA077	K4AD01D00008	TERMINAL	1	PAVCCZ
		ZA079	K4AD01D00008	TERMINAL	1	PAVCCZ

**Model No. : TX-42AS750E+W+R Parts List**

Change	Safety	Ref. No.	Part No.	Part Name & Description	Q'ty	Remarks
		ZA080	K4AD01D00008	TERMINAL	1	PAVCCZ
		ZA081	K4AD01D00008	TERMINAL	1	PAVCCZ
		ZA082	K4AD01D00008	TERMINAL	1	PAVCCZ
		ZA100	K4AD01D00008	TERMINAL	1	PAVCCZ
		ZA7101	K4AD01A00004	TERMINAL	1	PAVCCZ
		ZA7102	K4AD01A00004	TERMINAL	1	PAVCCZ
		ZA7103	K4AD01A00004	TERMINAL	1	PAVCCZ
		ZA7104	K4AD01A00004	TERMINAL	1	PAVCCZ
		ZA7106	K4AD01A00004	TERMINAL	1	PAVCCZ


# Schematic Diagrams Note

**IMPORTANT SAFETY NOTICE**  
Components identified by  mark have special characteristics important for safety. When replacing any of these components, use only manufacturers' specified parts.


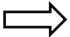
## NOTE

- 1. RESISTOR  
All resistors are carbon ¼W resistor, unless marked otherwise.  
Unit of resistance is OHM ( $\Omega$ ) (k=1,000, M=1,000,000)
- 2. CAPACITORS  
All capacitors are ceramic 50V unless marked otherwise.  
Unit of capacitance is  $\mu$ F unless otherwise stated.
- 3. COIL  
Unit of inductance is  $\mu$ H, unless otherwise stated.

- 4. TEST POINT  
 Test Point Position

- 5. EARTH SYMBOL  
 Chassis Earth (Cold)  
 Line Earth (Hot)

- 6. VOLTAGE MEASUREMENT  
Voltage is measured by a D.C. voltmeter.  
Measurement conditions are as follows:  
Power source                    220V-240V AC, 50/60 Hz  
Receiving Signal                Colour Bar signal (RF)  
All customer controls Maximum position

- 7.  
 Indicates the Video signal path  
 Indicates the Audio signal path

These schematic diagrams are the latest at time of printing and are subject to change without notice.

## REMARKS

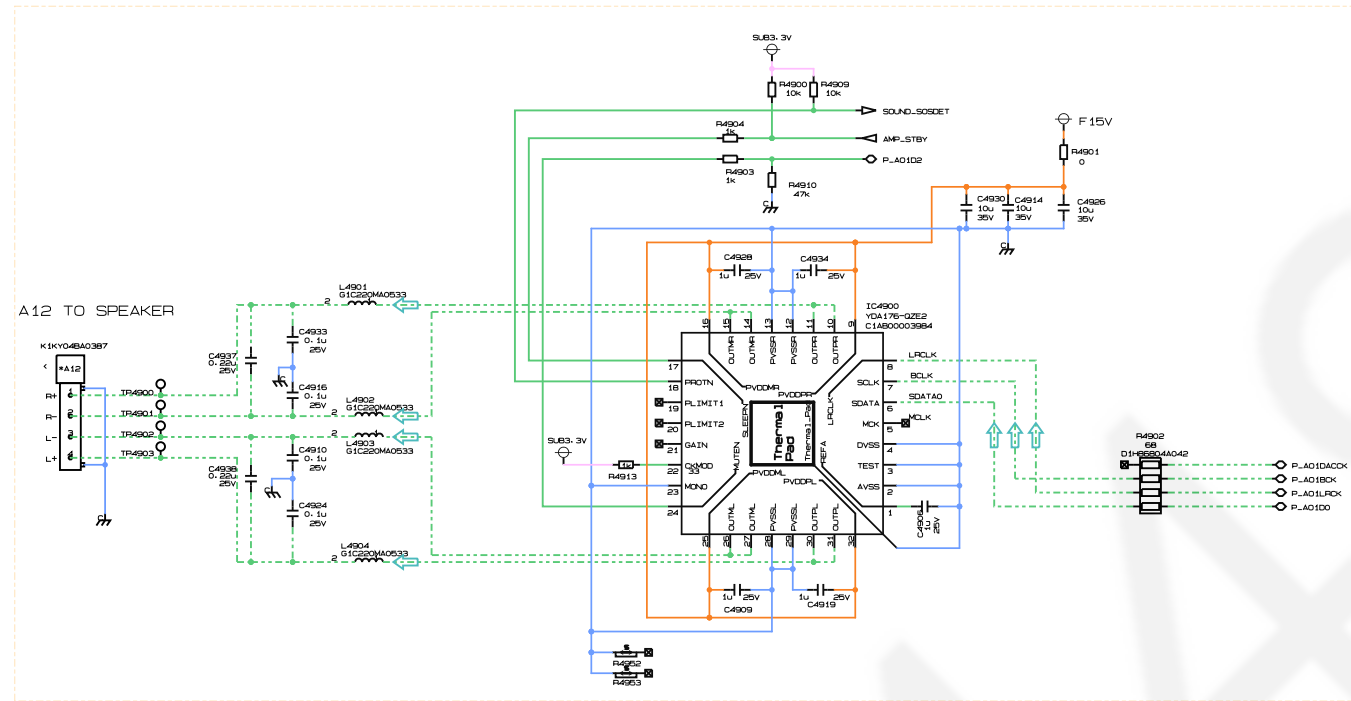
- a. Do not touch the hot part, or the hot and cold parts at the same time, as you are liable to a shock hazard.
- b. Do not short circuit the hot and cold circuits as electrical components may be damaged.
- c. Do not connect an instrument, such as an oscilloscope, to the hot and cold circuits simultaneously as this may cause fuse failure. Connect the earth of the instruments to the earth connection of the circuit being measured.
- d. Make sure to disconnect the power plug before removing the chassis.

## NOTE

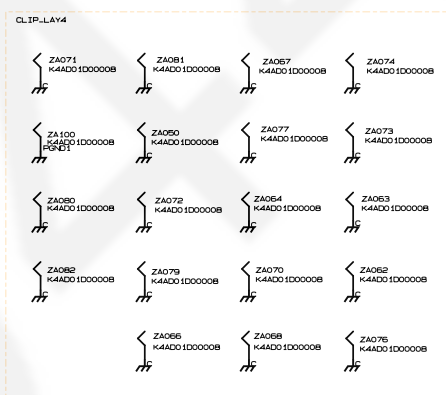
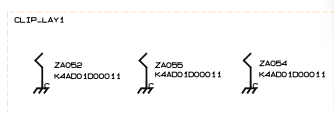
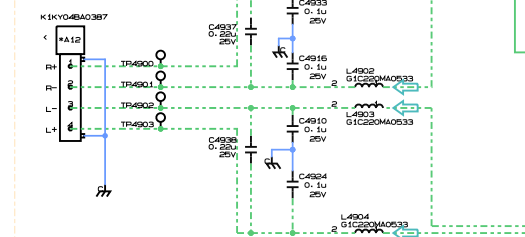
- 1. The Power Supply Circuit contains a circuit area, which uses a separate power supply to isolate the earth connection. The circuit is defined by HOT and COLD indications in the schematic diagram. All circuits, except the Power Circuit, are COLD.

⚠ A-BOARD (1/17)

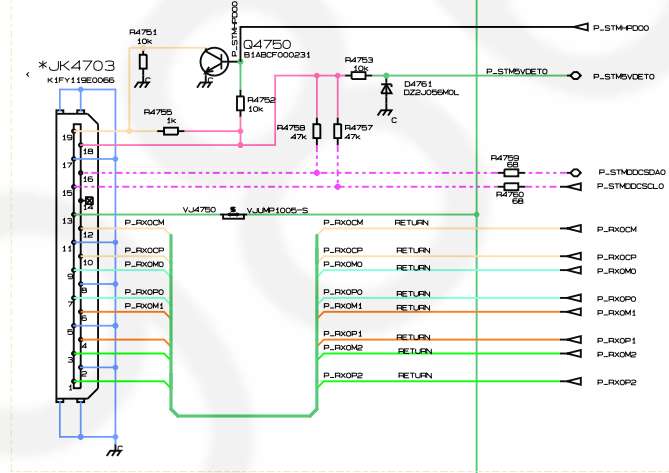
AMP



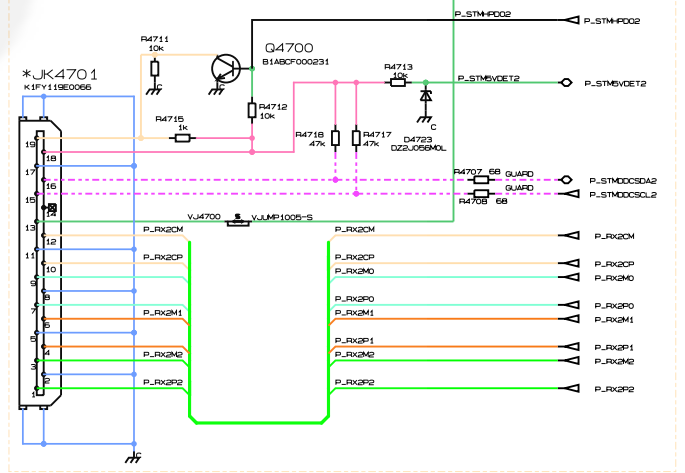
A12 TO SPEAKER



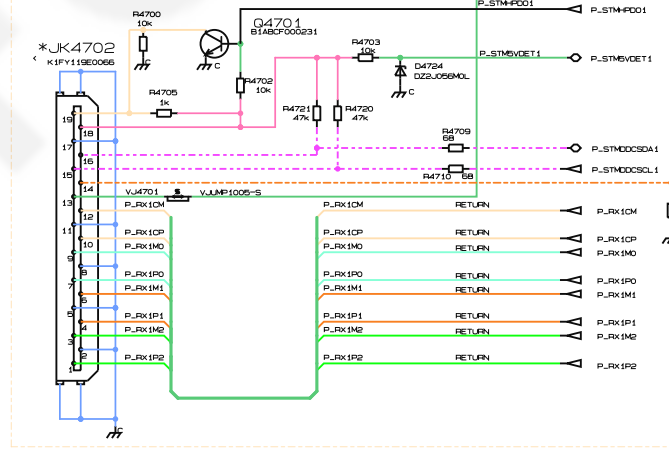
HDMI 1



HDMI 3



HDMI 2



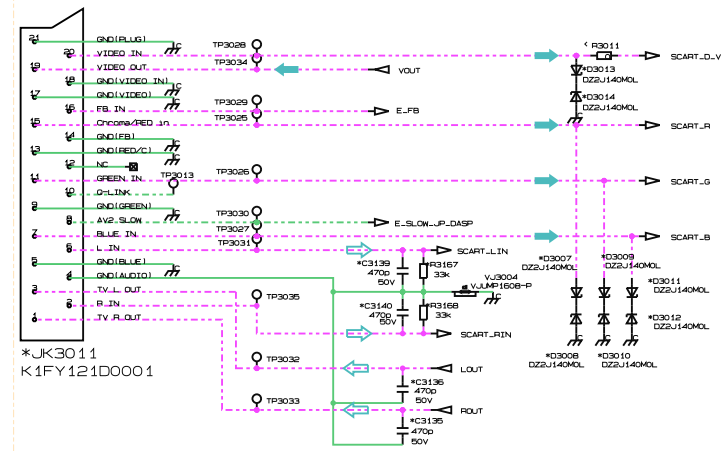
ARC



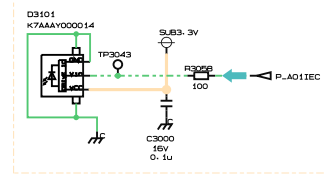


⚠ A-BOARD (2/17)

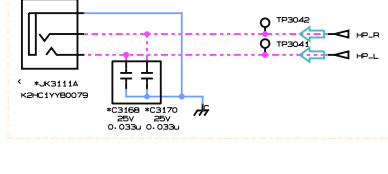
SCART



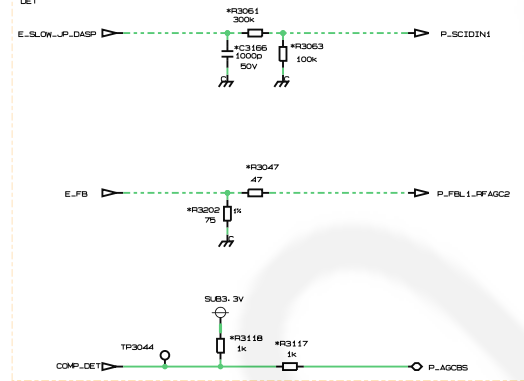
OPT



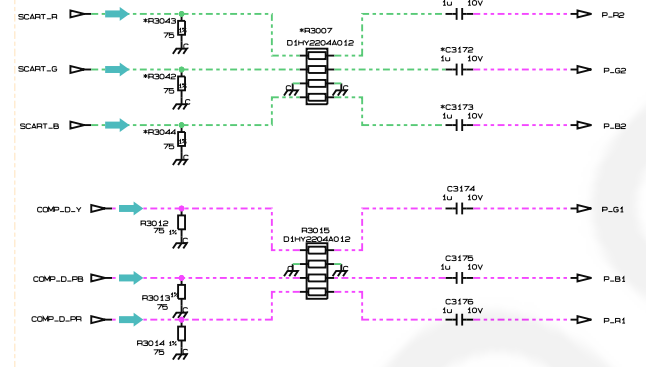
HP



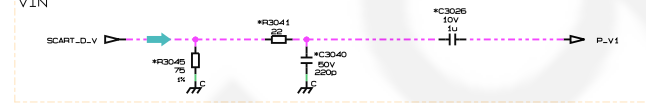
DET



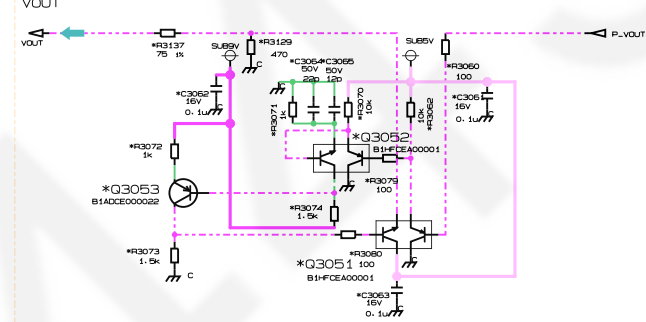
COMP\_RGB



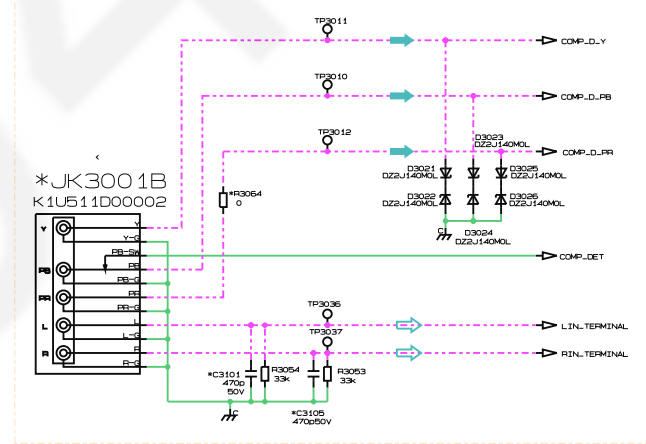
CVBS IN



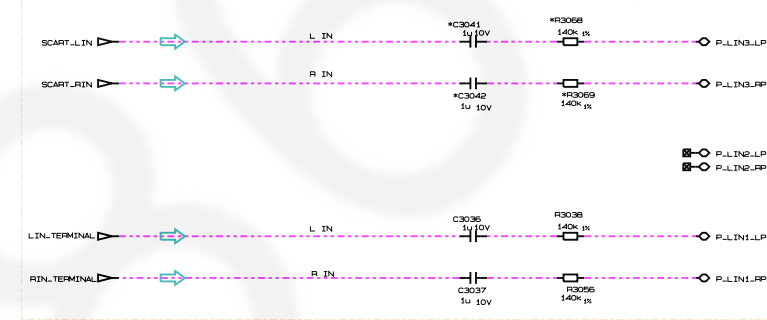
CVBS OUT



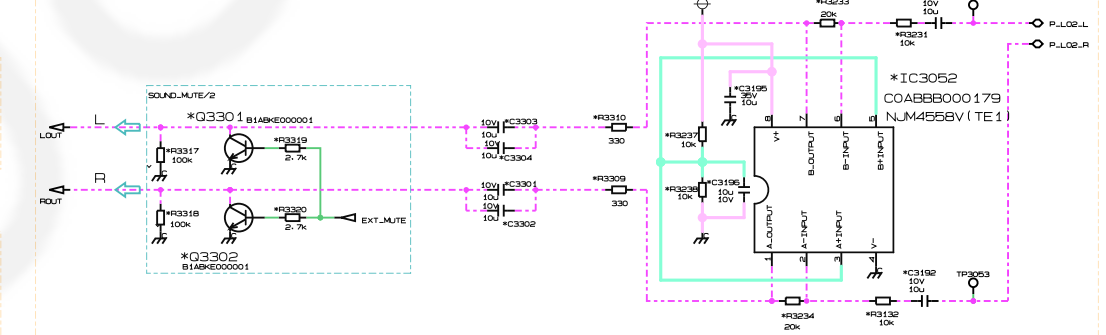
YUV\_V\_A-IN



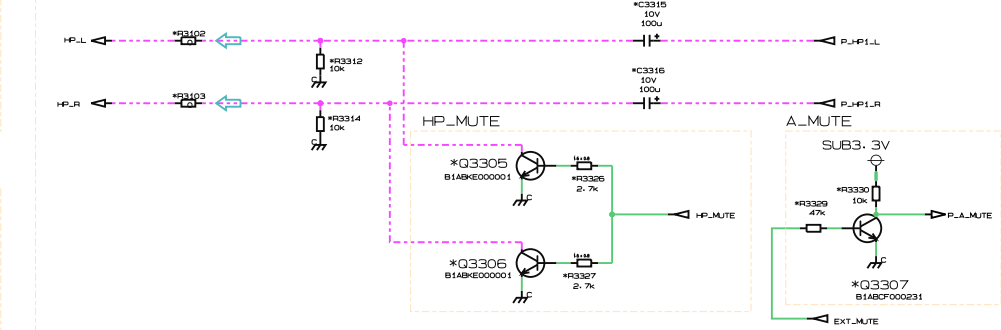
AUDIO\_IN



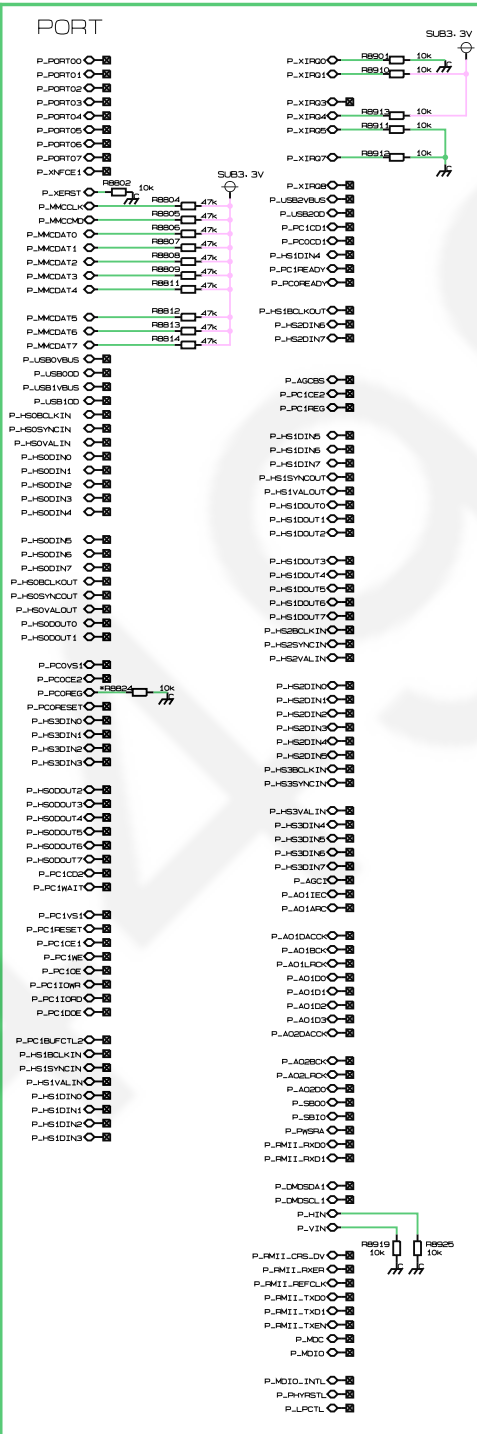
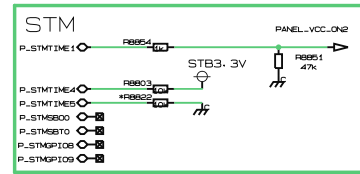
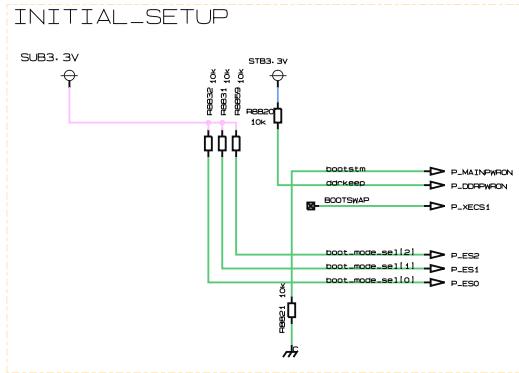
AUDIO\_IO



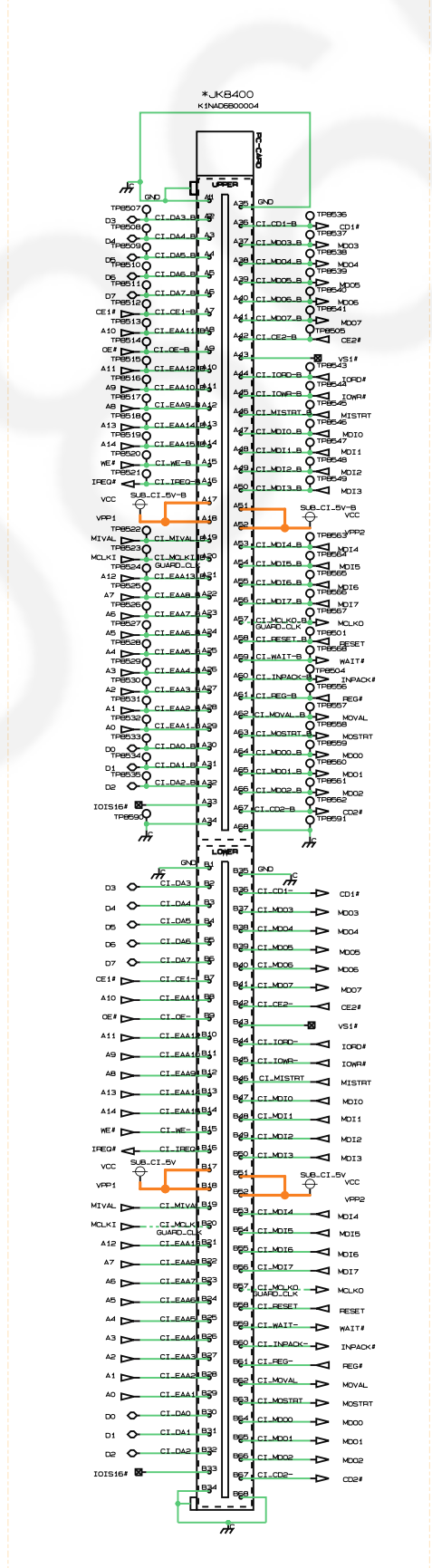
HP OUT HP\_TERMINAL



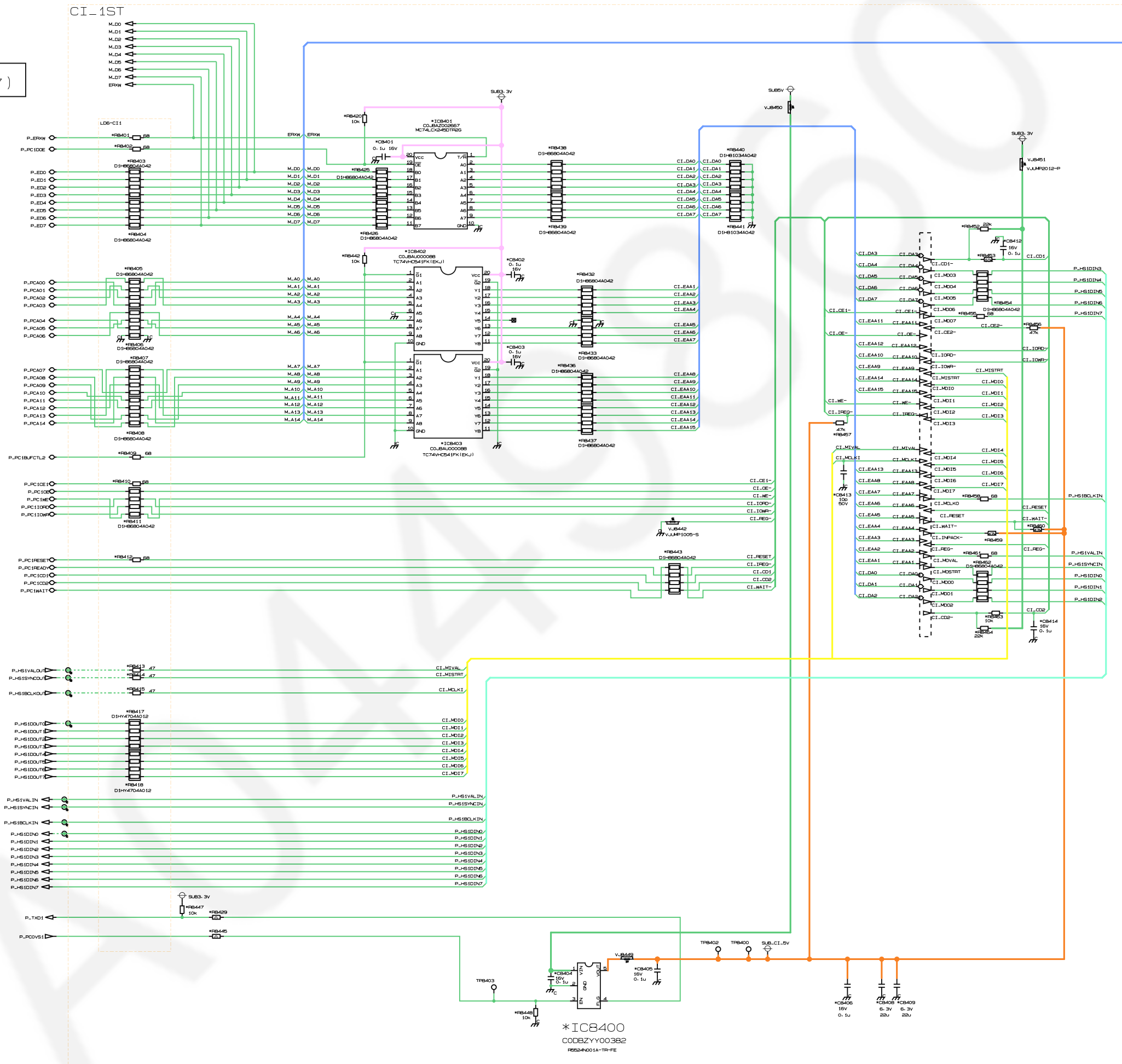
⚠ A-BOARD (3/17)



CI CONNECTOR C1X2



⚠ A-BBOARD (4/17)



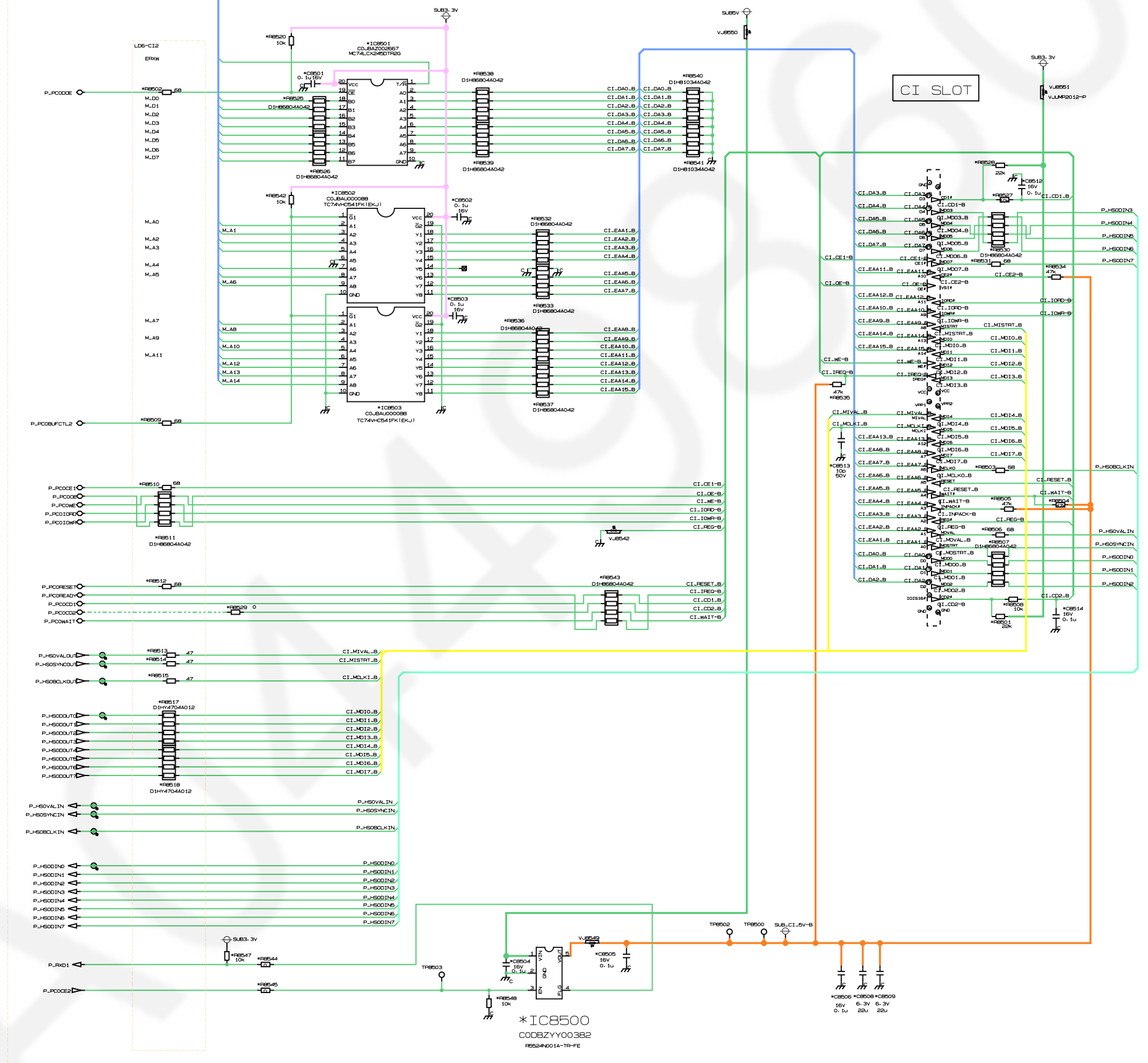
R S T U V W X Y Z AA AB AC AD AE AF AG AH

1  
2  
3  
4  
5  
6  
7  
8  
9  
10  
11  
12

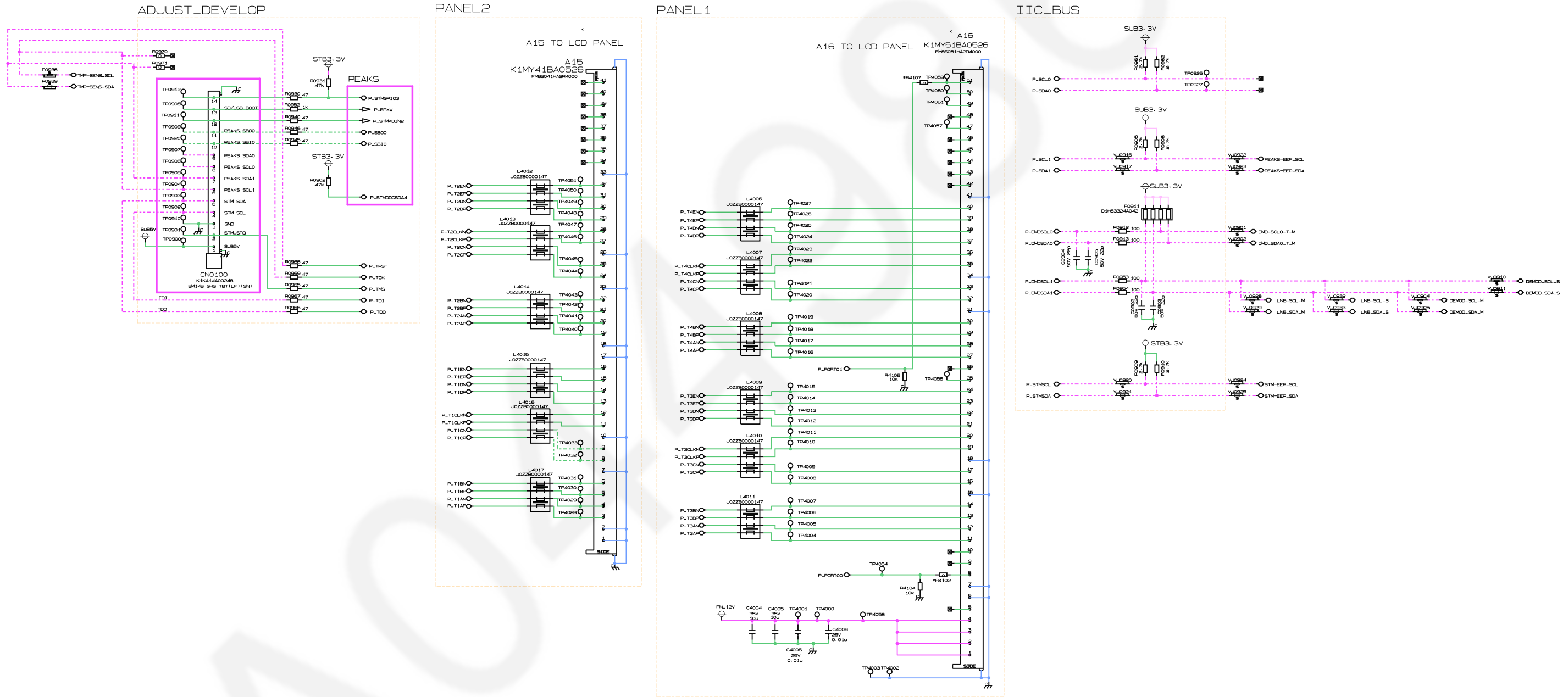
⚠ A-BOARD (5/17)

CI\_2ND

CI SLOT



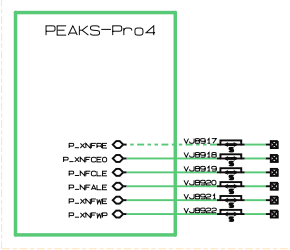
⚠ A-BOARD (6/17)



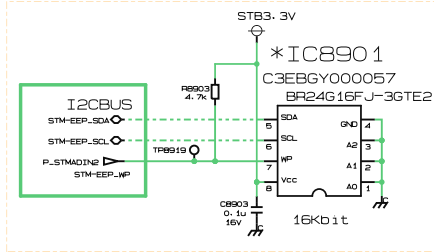


⚠ A-BOARD (7/17)

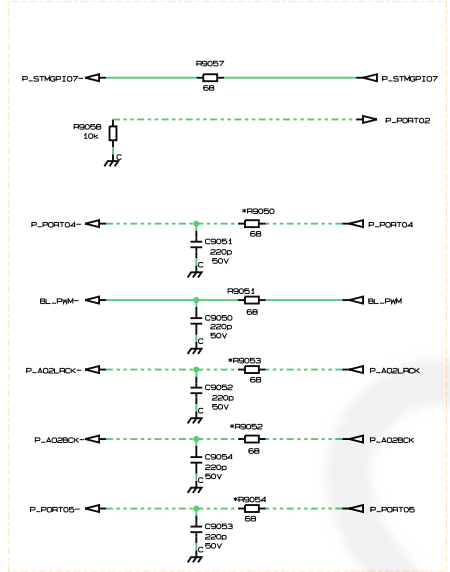
EX-BUS



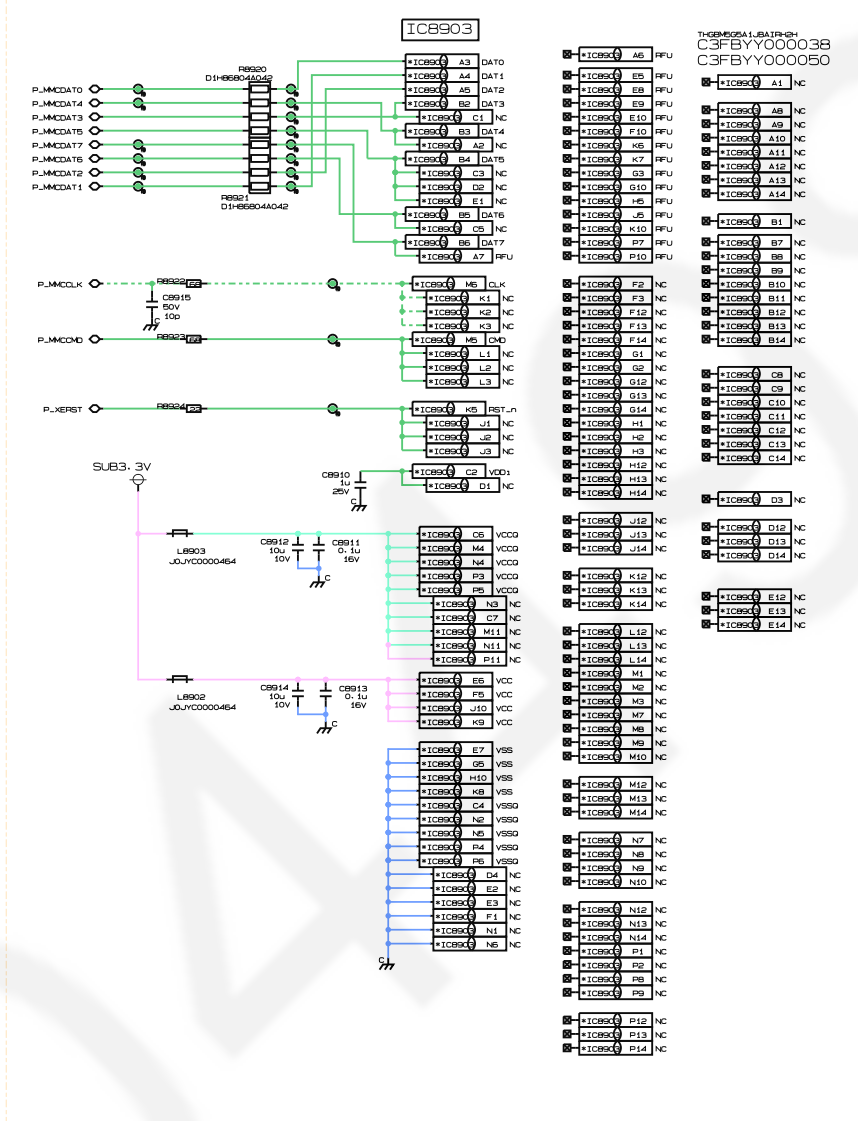
STM\_EEPROM



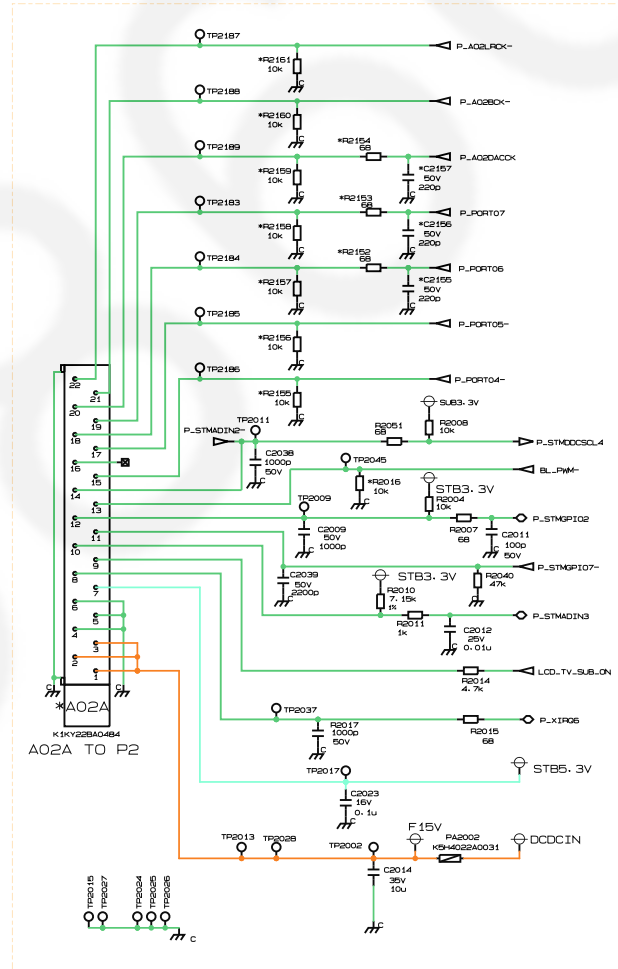
LED



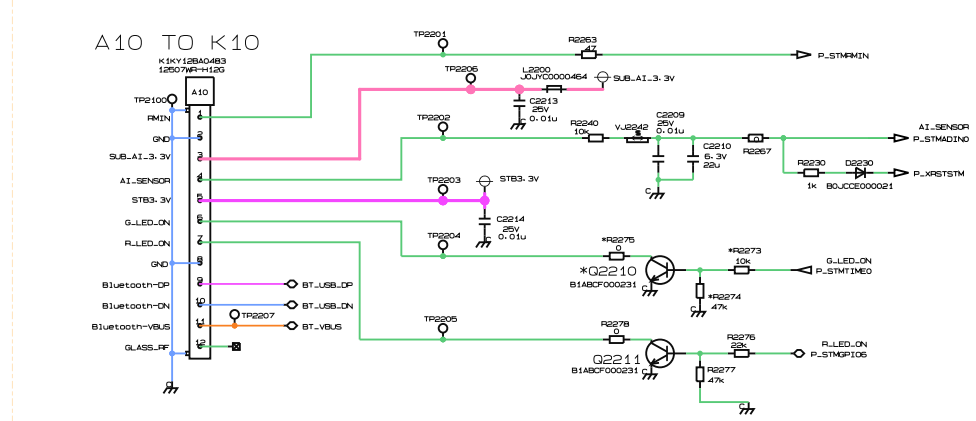
EMMC



P-A\_CONNECTER

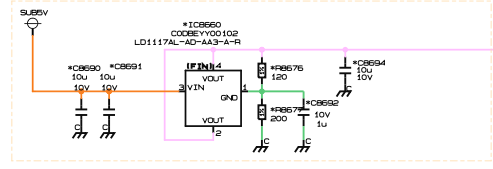


A-K\_CONNECTER

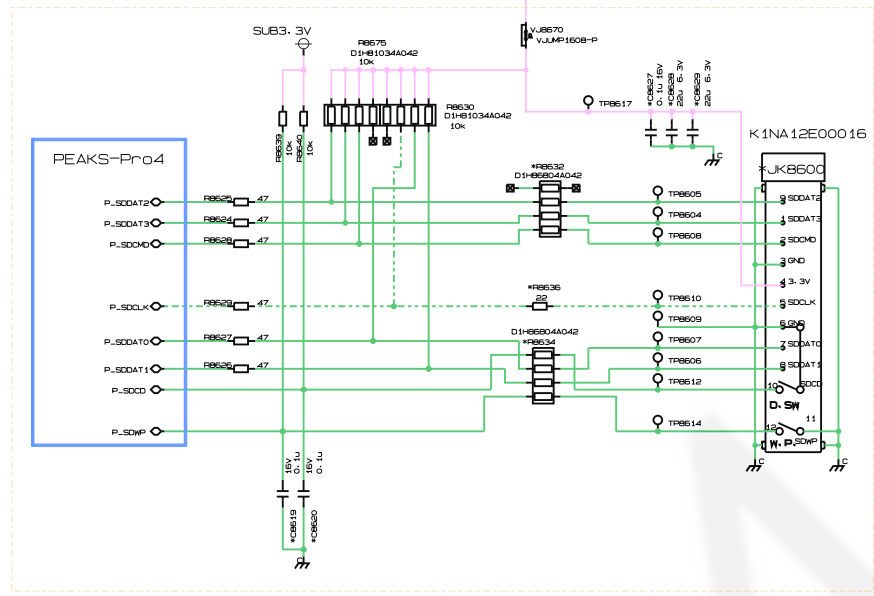


⚠ A-BOARD (8/17)

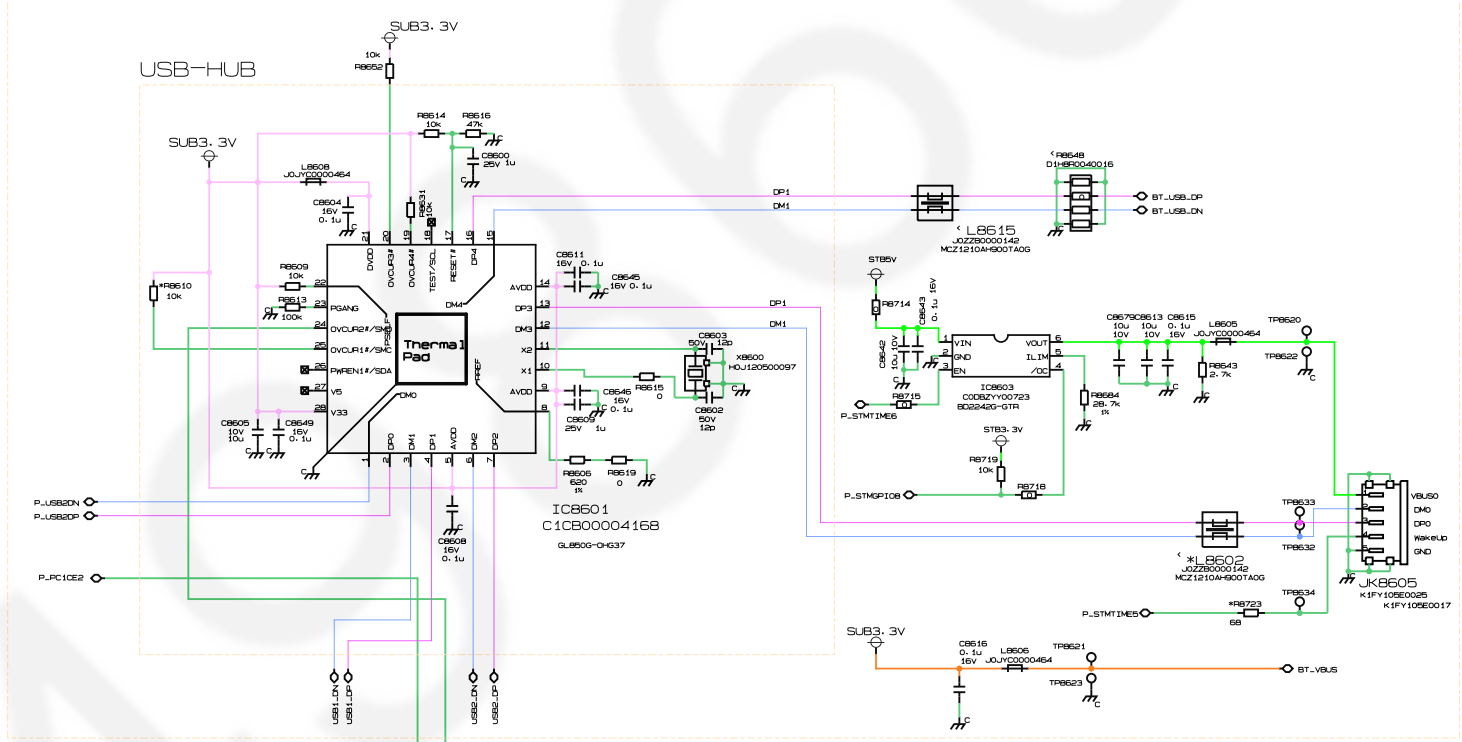
SD\_REG



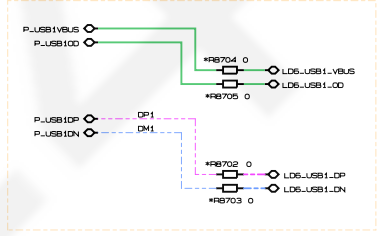
SD\_CARD



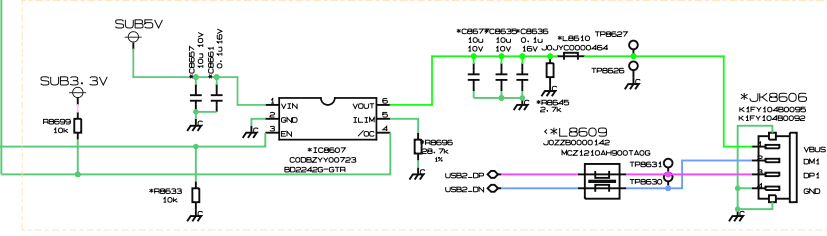
USB-BT-WIFI



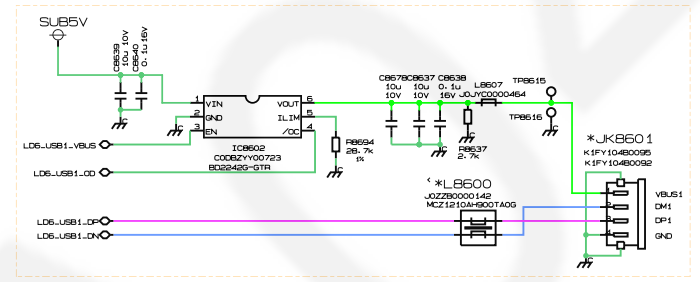
USB-SKYPE



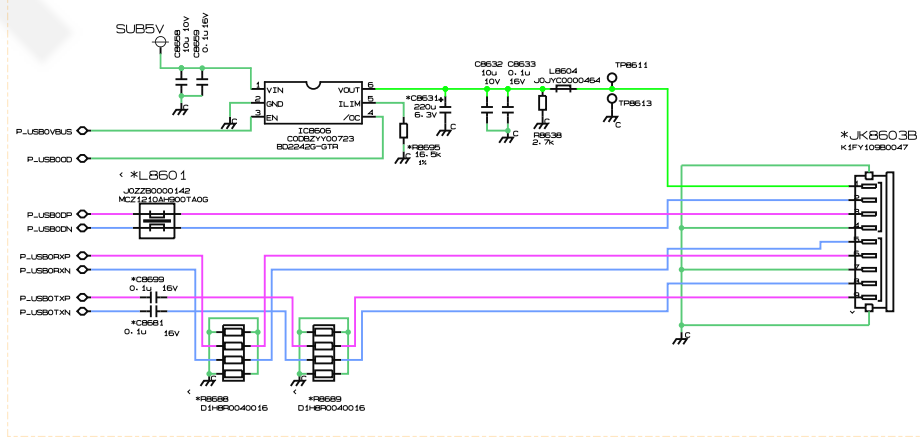
USB 1



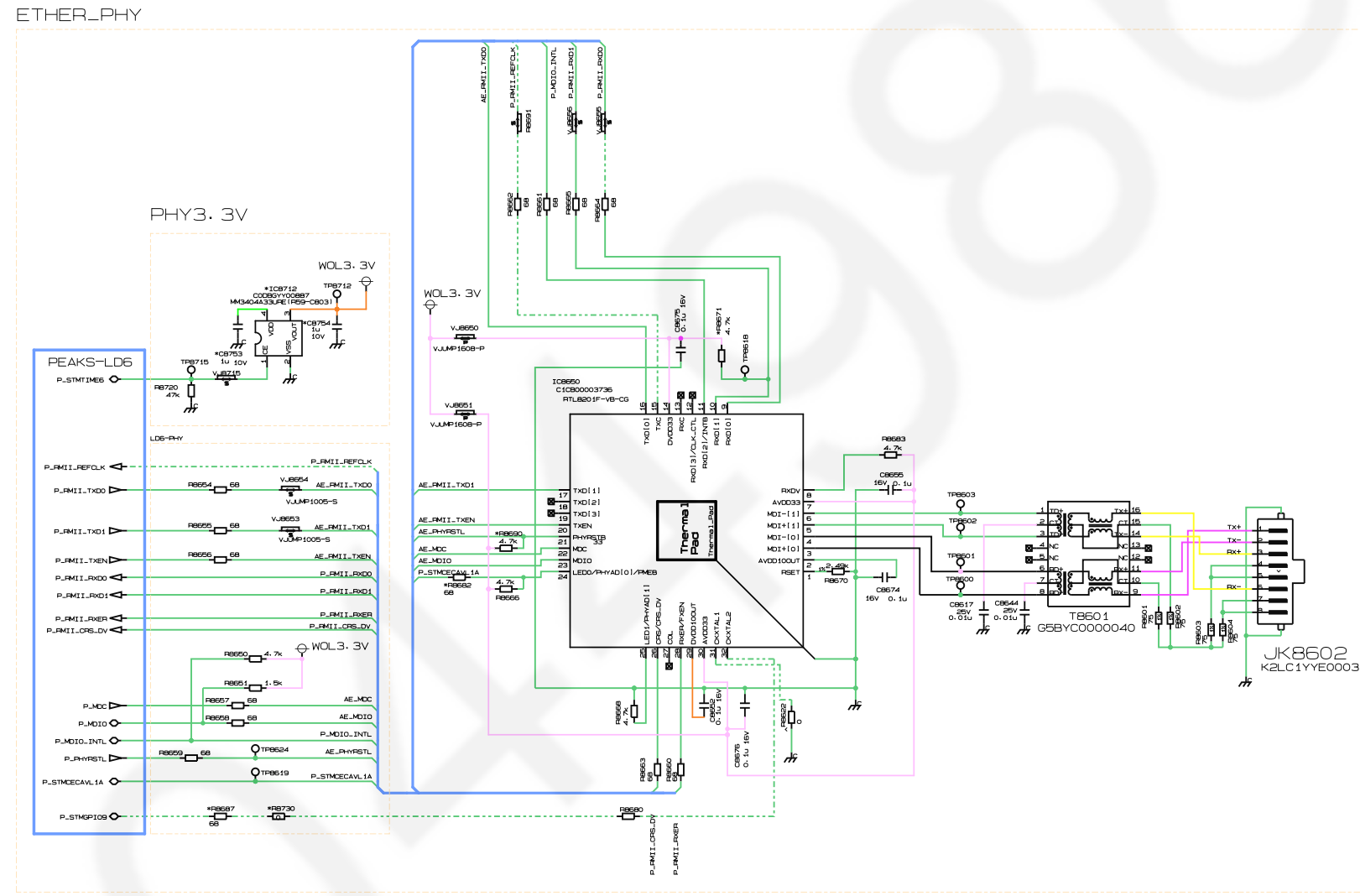
USB2



USB3-HDD



⚠ P-BOARD (9/17)

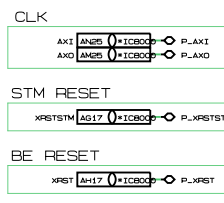




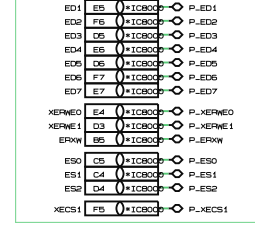


A-BOARD (11/17)

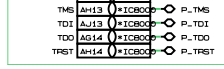
IC8000



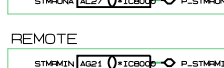
SYSTEM BUS



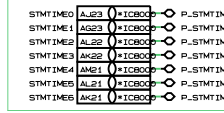
STM REG CTRL



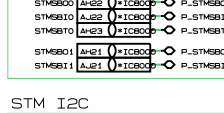
REMOTE



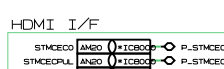
TIMER



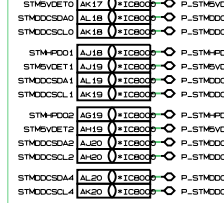
STM SERIAL



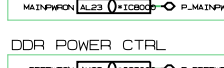
STM I2C



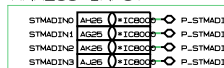
HDMI I/F



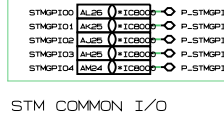
BE POWER CTRL



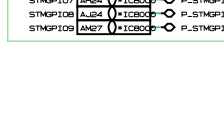
DDR POWER CTRL



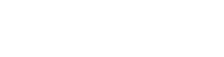
ANALOG INPUT



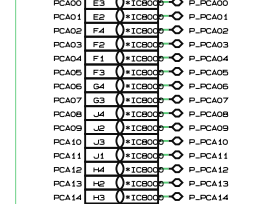
STM COMMON I/O & IRQ



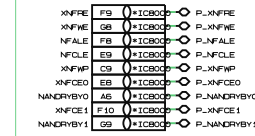
STM COMMON I/O



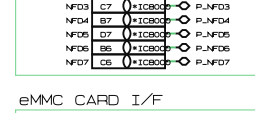
CI ADDRESS



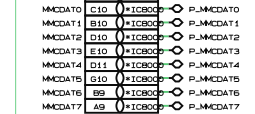
NAND FLASH I/F



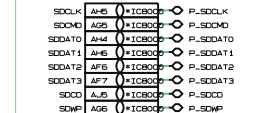
SD CARD I/F



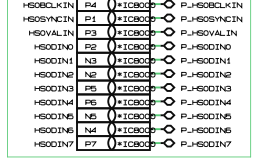
USB POWER CTRL



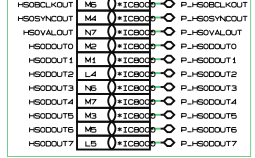
CI #0 I/F



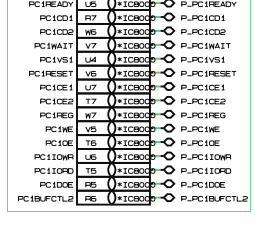
TS PARALLEL #0 INPUT



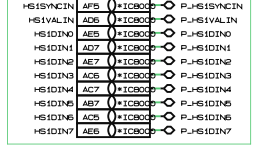
TS PARALLEL #0 OUTPUT



CI #1 I/F



TS PARALLEL #1 INPUT

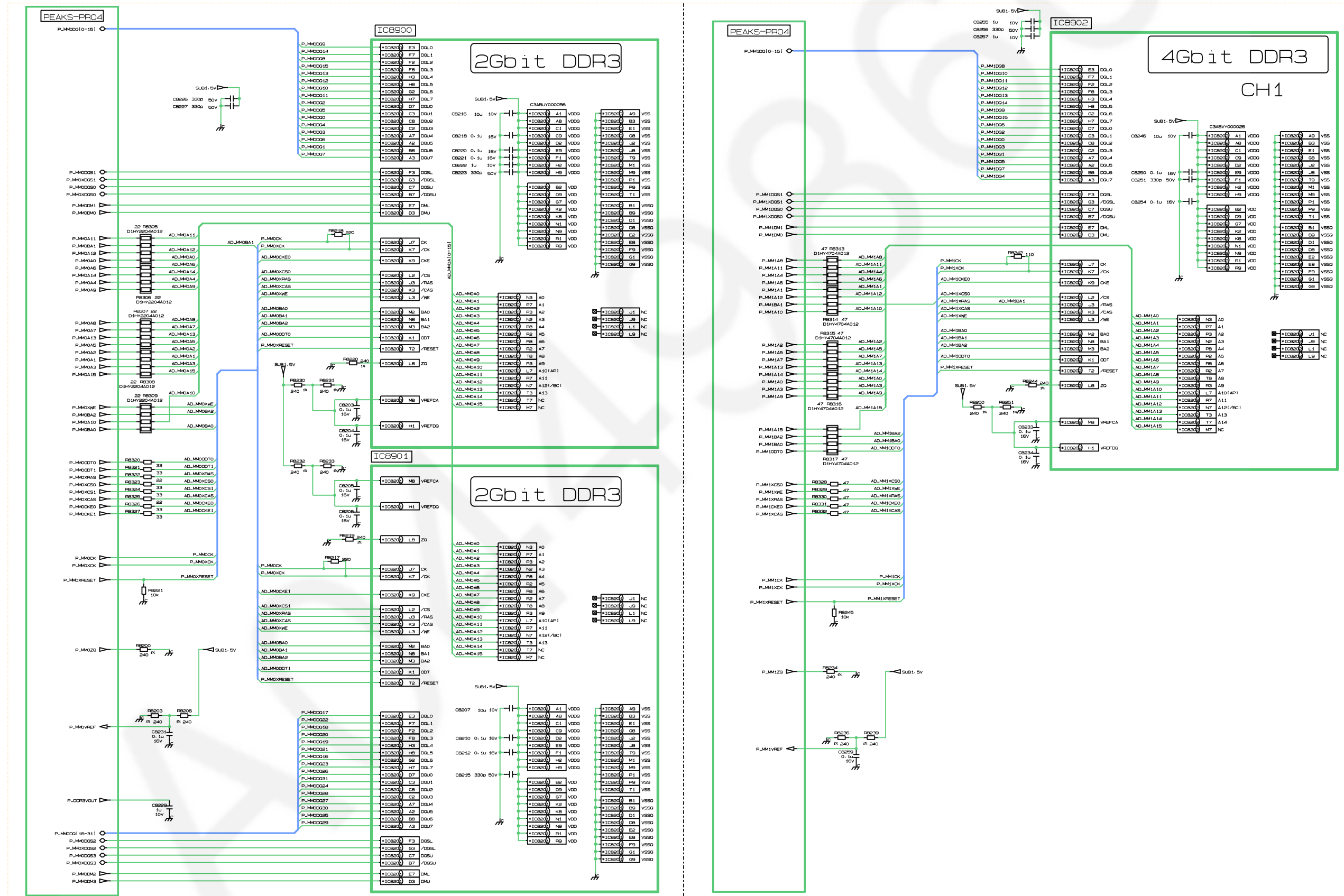




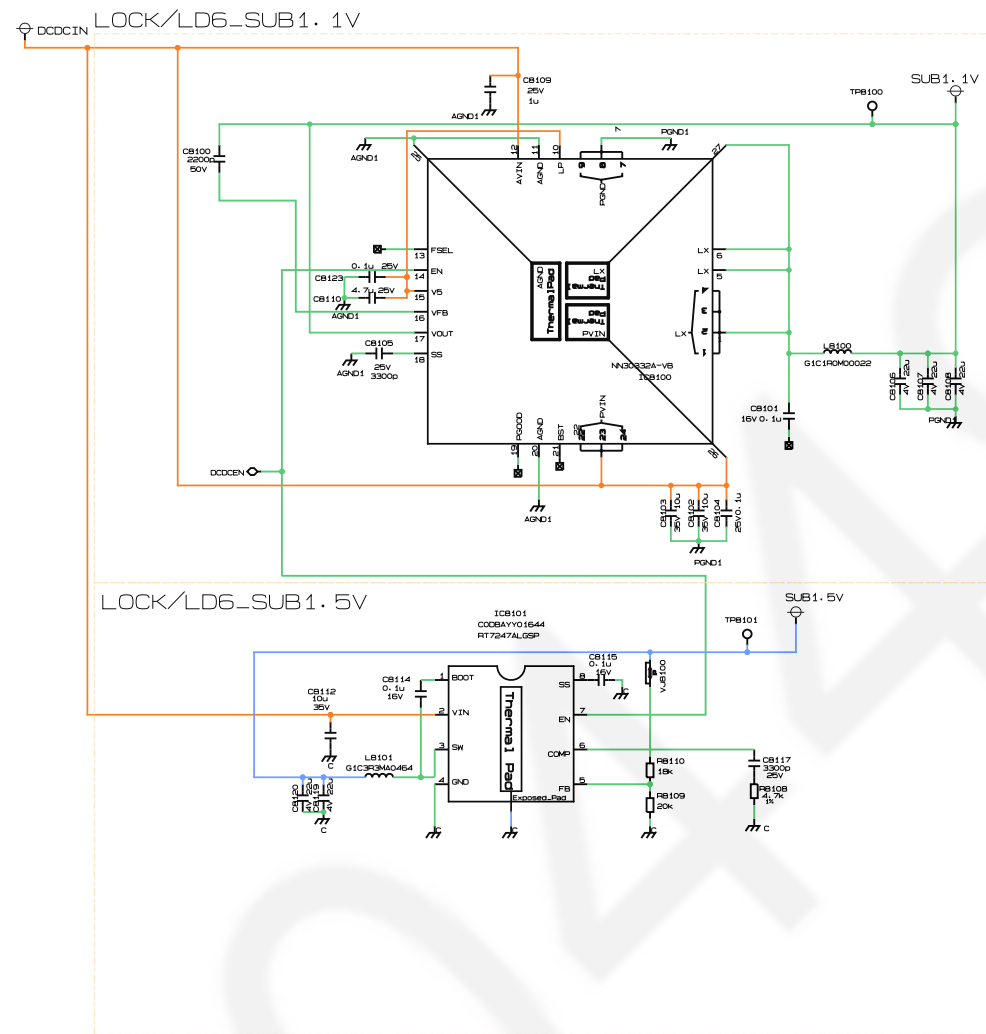


⚠ A-BOARD (13/17)

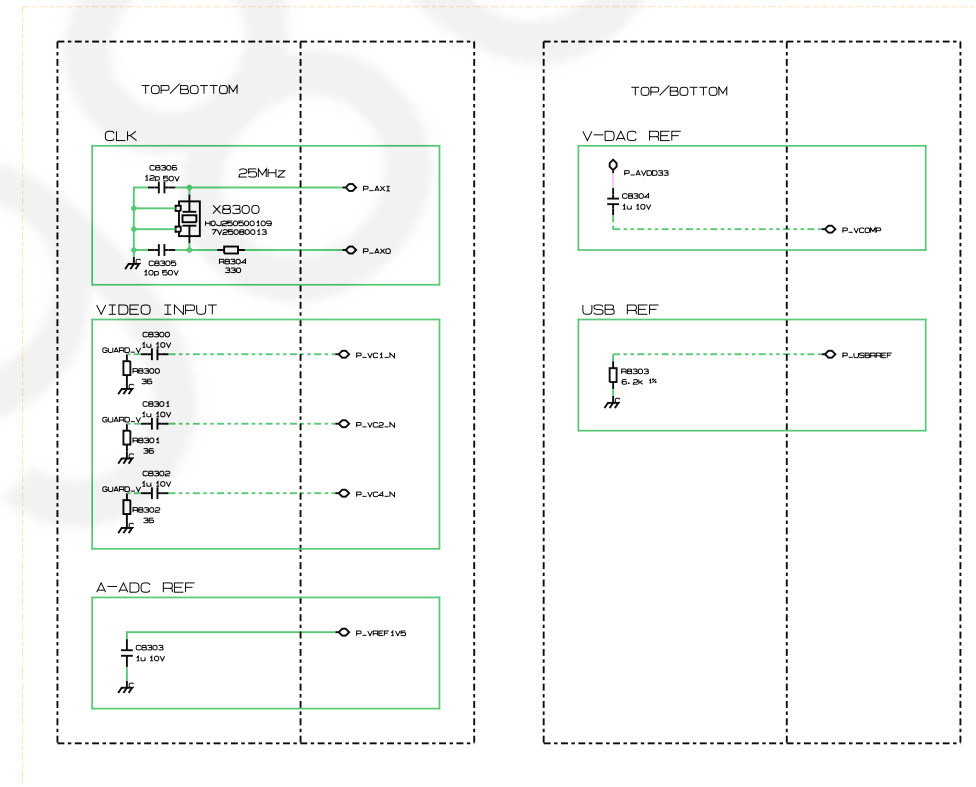
LOCK/LD6\_DDR3



⚠ A-BOARD (14/17)



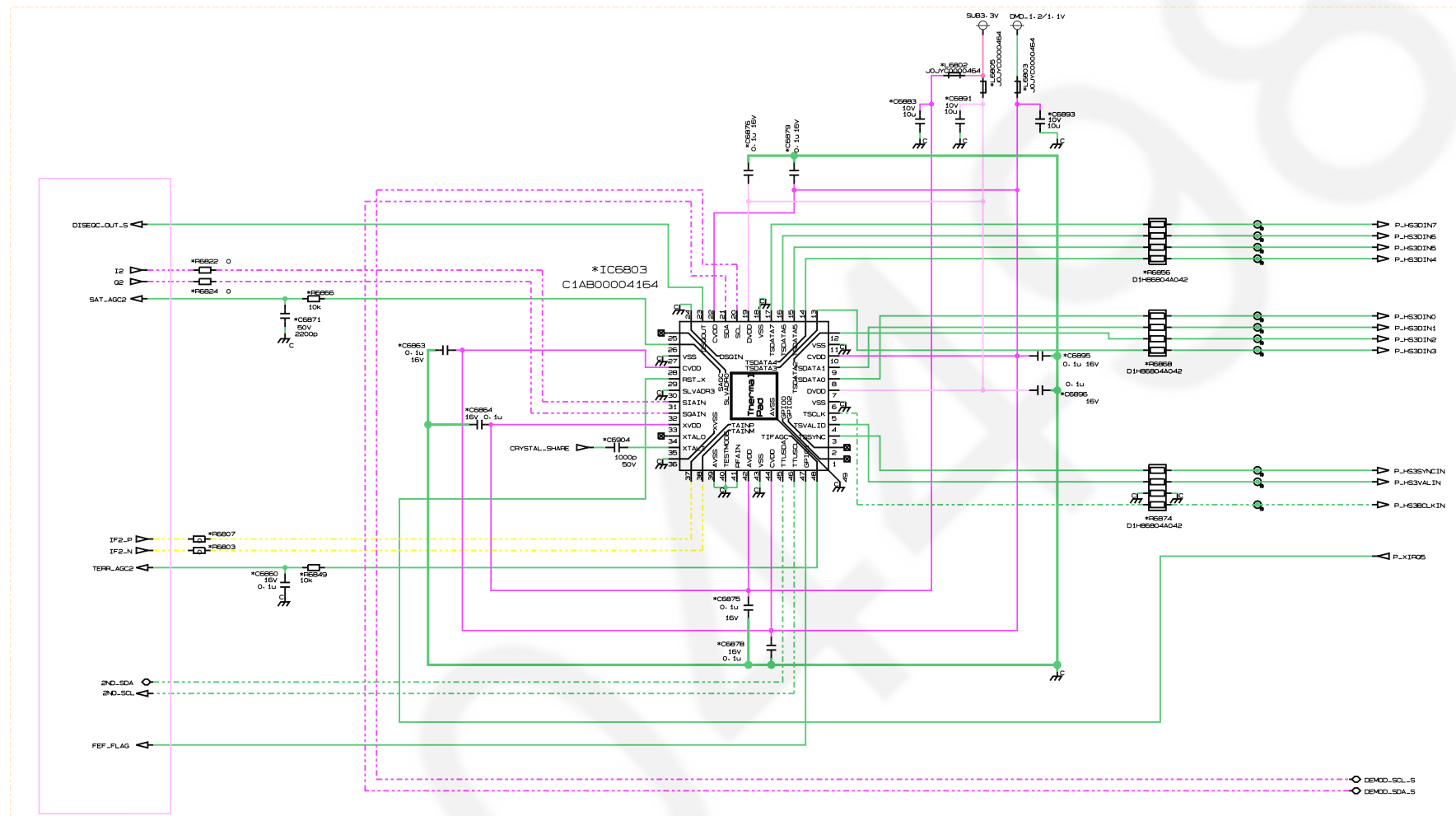
LOCK/LD6\_DEST



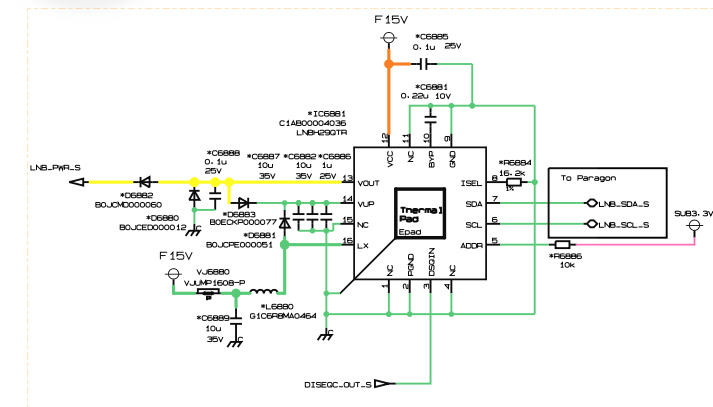


⚠ A-BOARD (16/17)

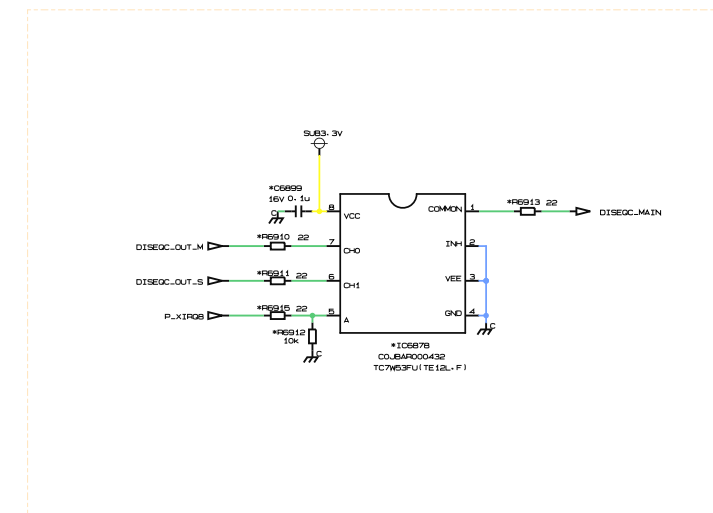
DEMOD\_SUB



LNB\_SUB

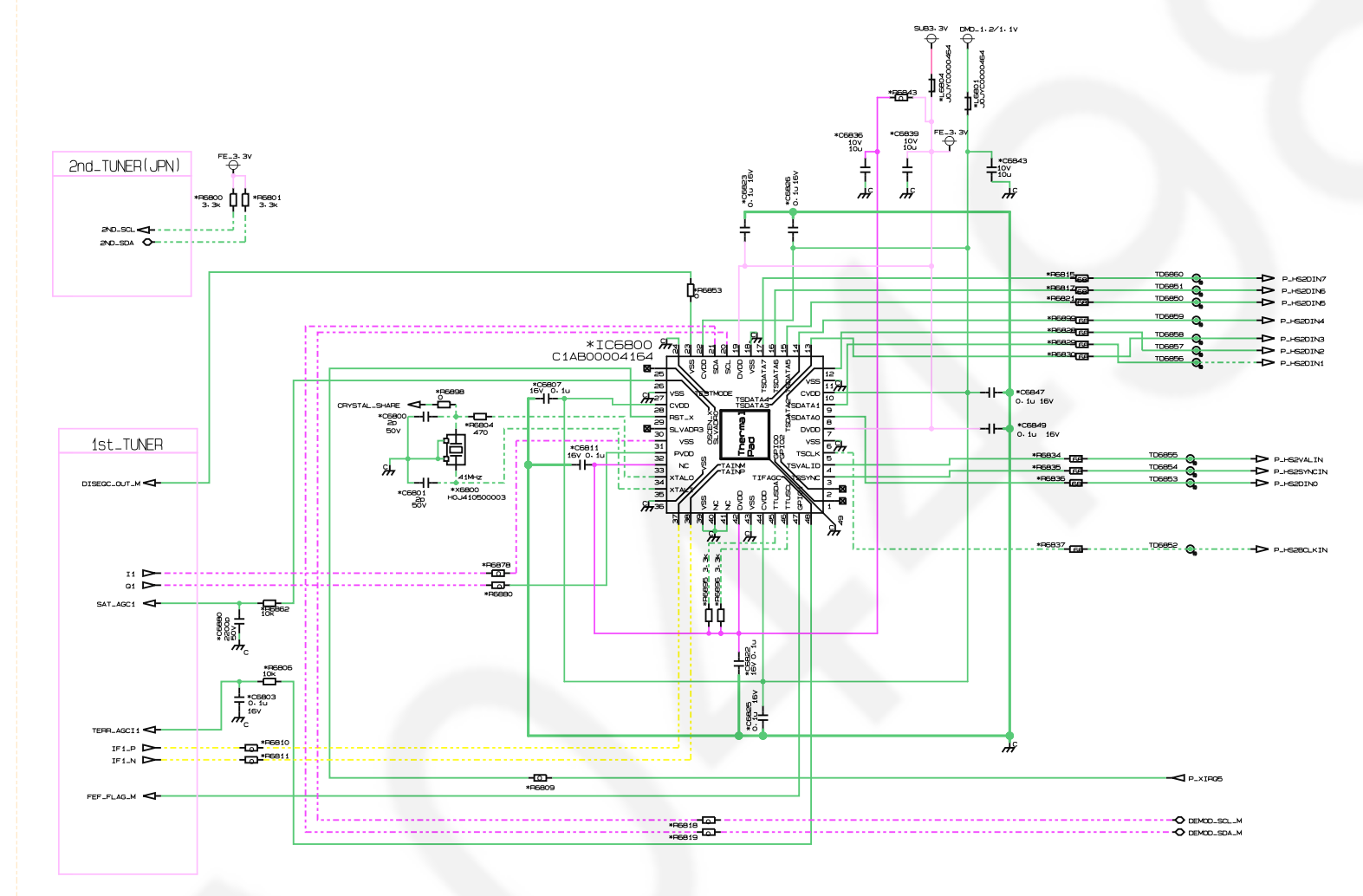


DISEQC-SW

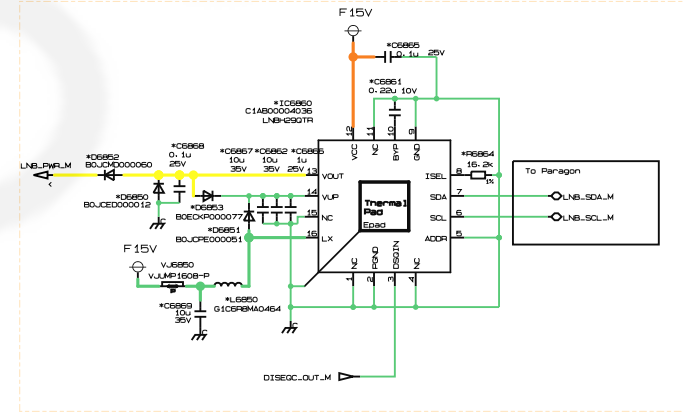


⚠ A-BOARD (17/17)

DEMOD\_MAIN

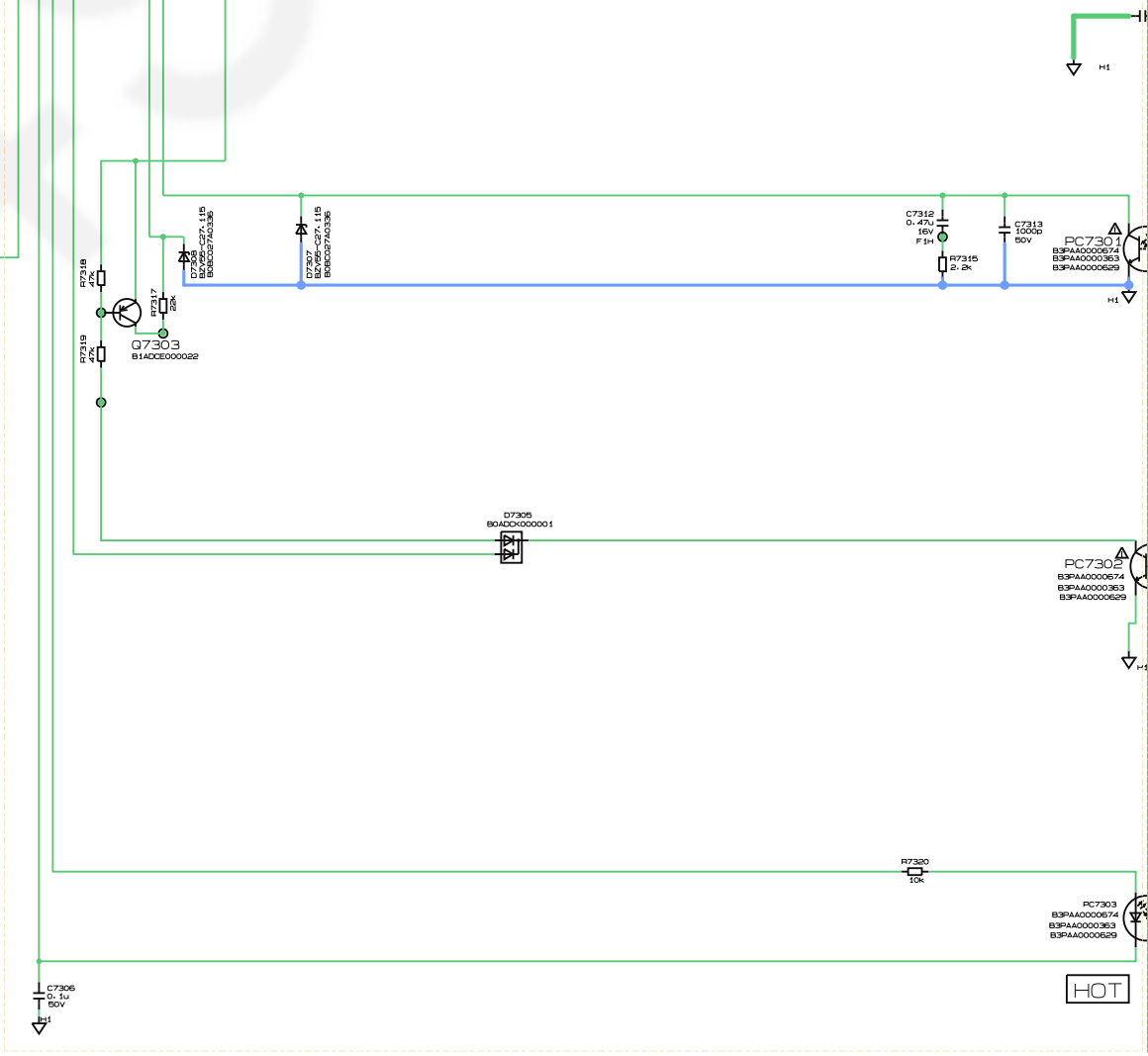
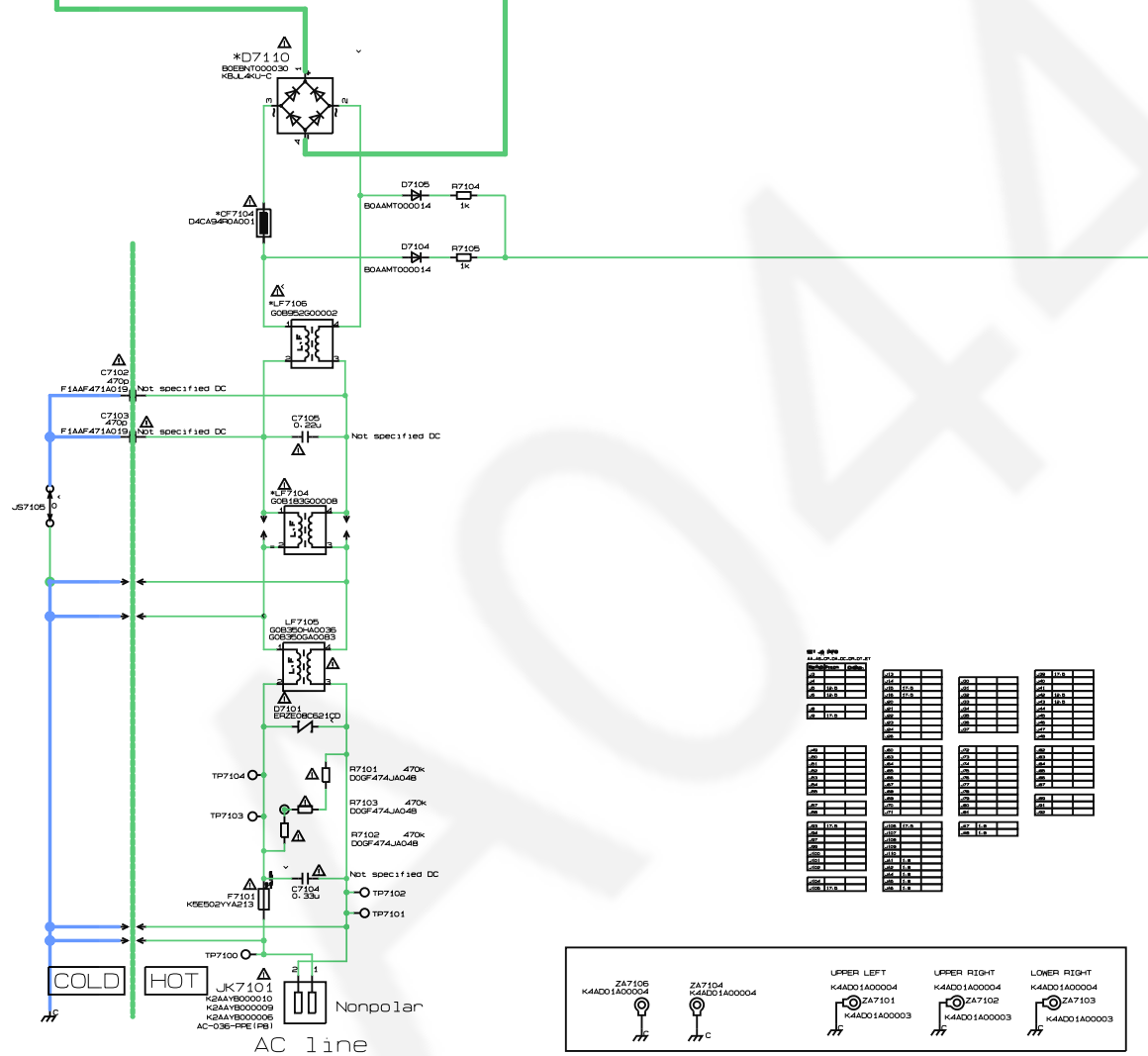
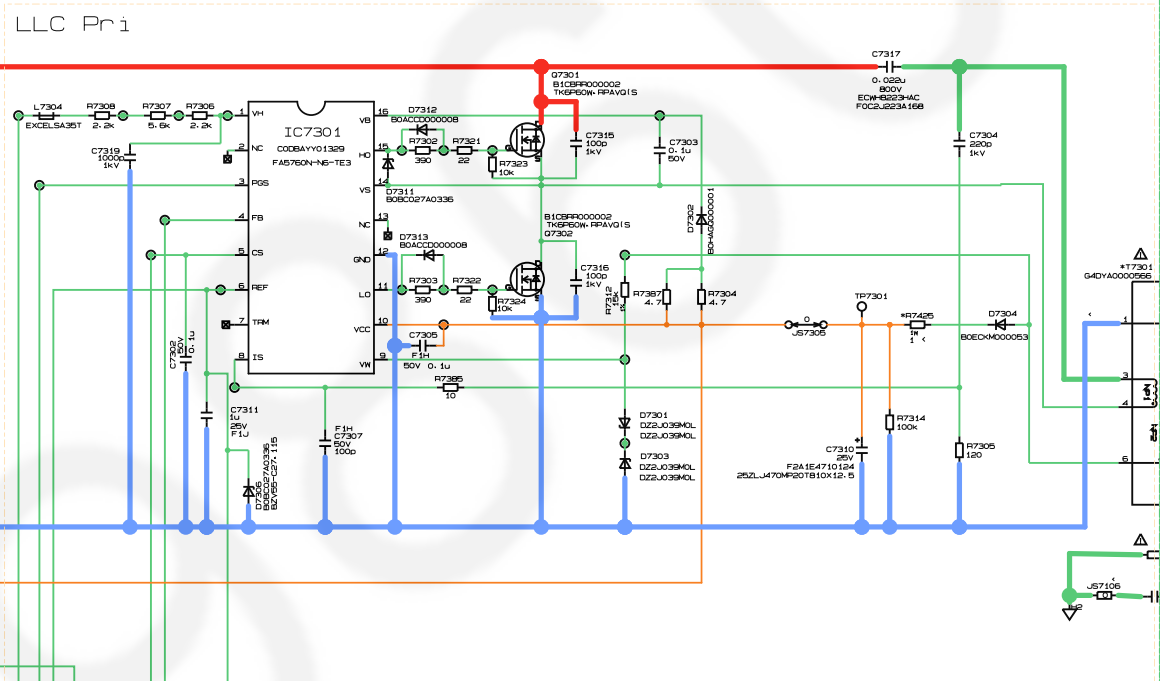
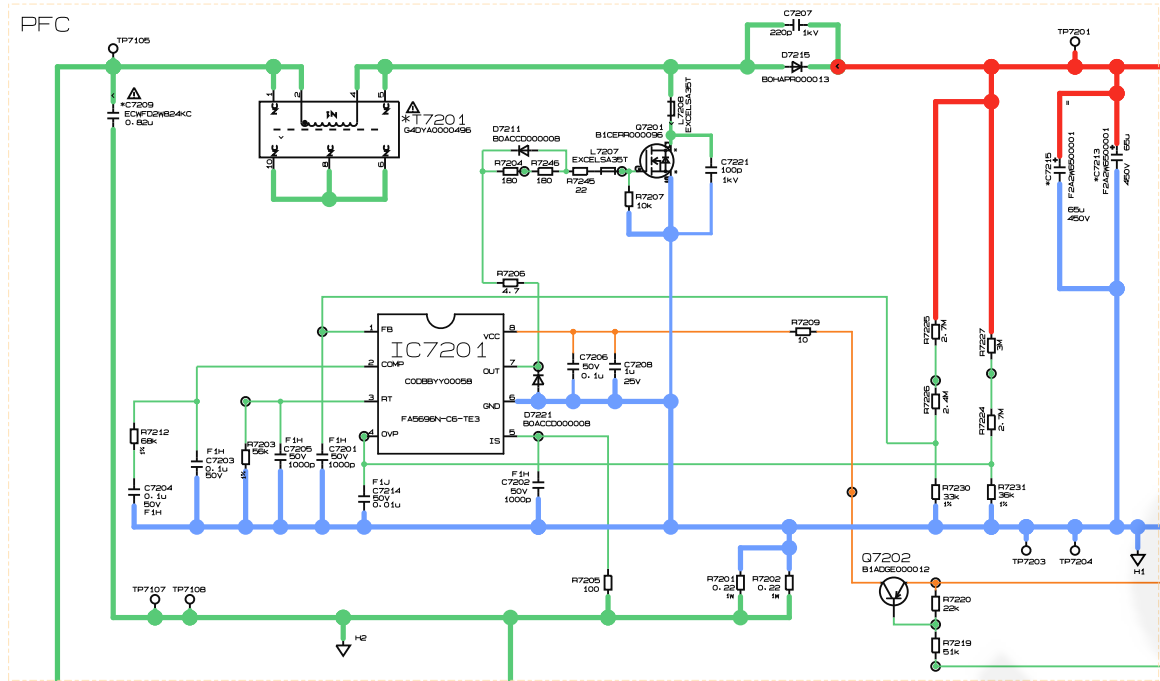


LNB\_MAIN

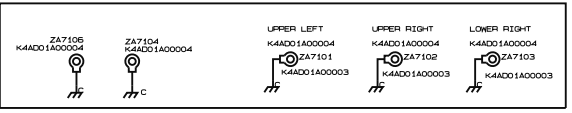




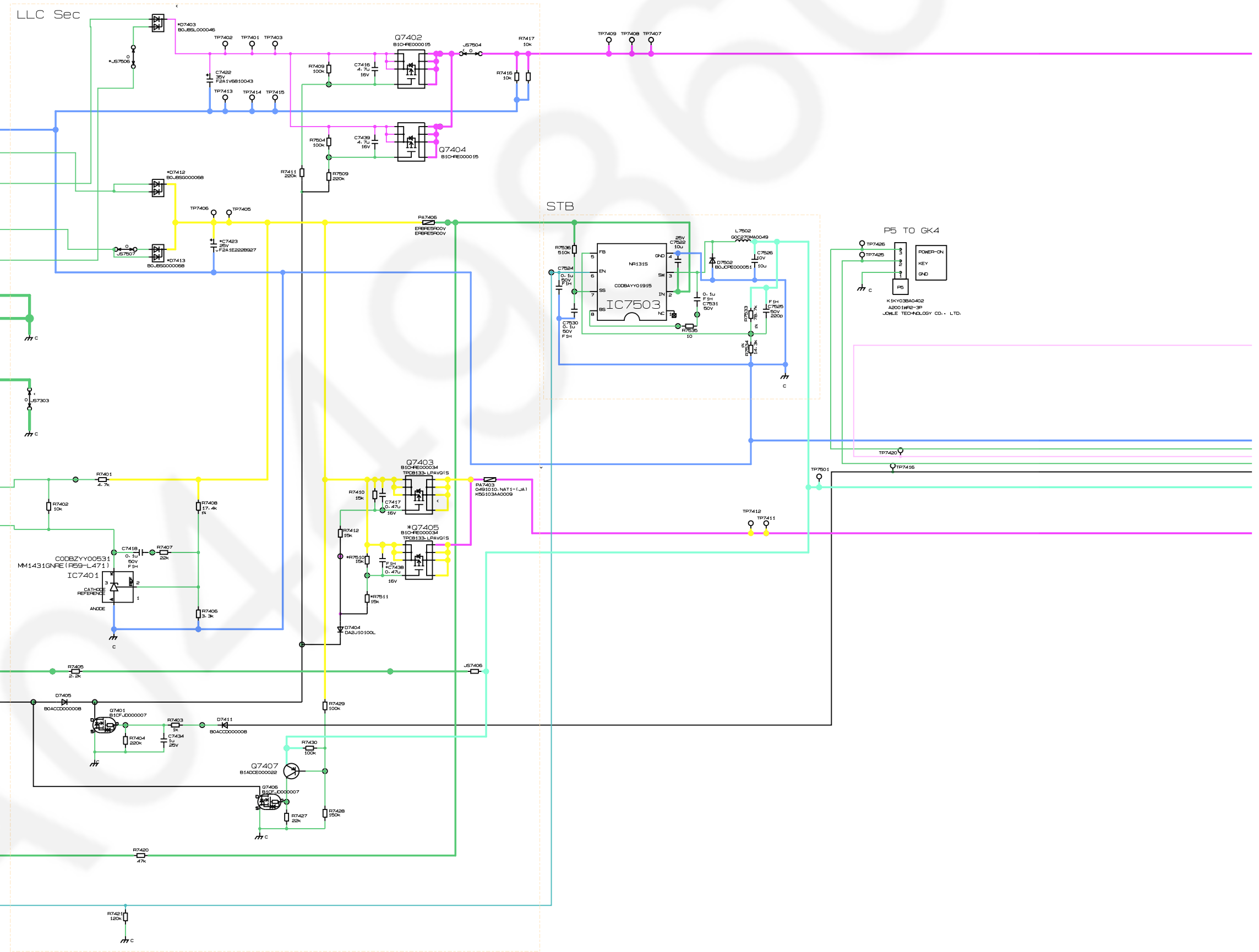
! P-BOARD (1/3)



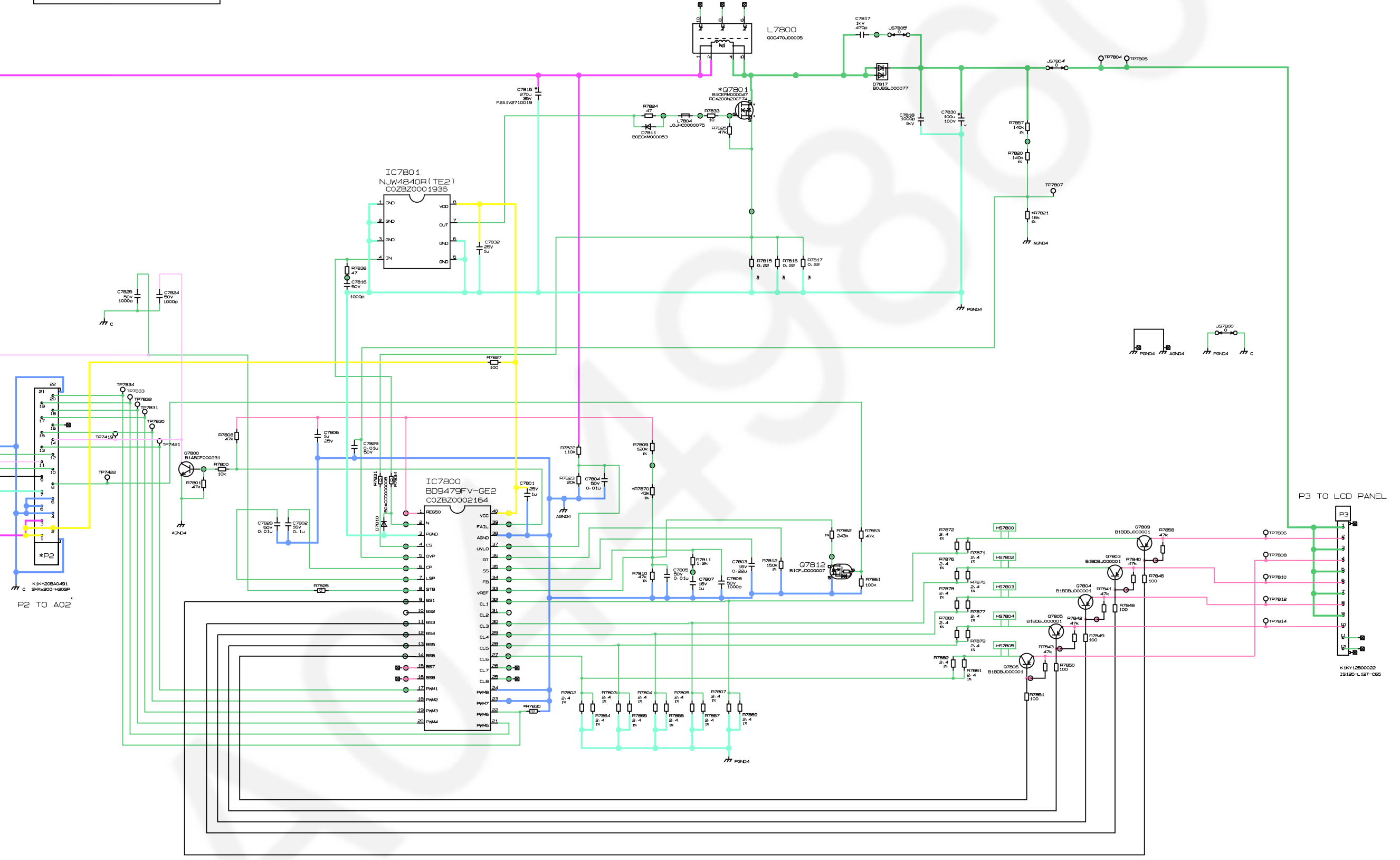
REF	VAL	QTY	UNIT
R7201	10k	1	RES
R7202	10k	1	RES
R7203	10k	1	RES
R7204	10k	1	RES
R7205	10k	1	RES
R7206	4.7k	1	RES
R7207	10k	1	RES
R7208	10k	1	RES
R7209	10k	1	RES
R7210	10k	1	RES
R7211	10k	1	RES
R7212	10k	1	RES
R7301	10k	1	RES
R7302	10k	1	RES
R7303	10k	1	RES
R7304	10k	1	RES
R7305	10k	1	RES
R7306	10k	1	RES
R7307	10k	1	RES
R7308	10k	1	RES
R7309	10k	1	RES
R7310	10k	1	RES
R7311	10k	1	RES
R7312	10k	1	RES
R7313	10k	1	RES
R7314	10k	1	RES
R7101	10k	1	RES
R7102	10k	1	RES
R7103	10k	1	RES
R7104	10k	1	RES
C7201	1000 1kV	1	CAP
C7202	1000 1kV	1	CAP
C7203	1000 1kV	1	CAP
C7204	0.1u 50V F5H	1	CAP
C7205	0.1u 50V F5H	1	CAP
C7206	0.1u 25V	1	CAP
C7207	2000 1kV	1	CAP
C7301	1000 1kV	1	CAP
C7302	1000 1kV	1	CAP
C7303	1000 1kV	1	CAP
C7304	1000 1kV	1	CAP
C7305	1000 1kV	1	CAP
C7306	1000 1kV	1	CAP
C7307	1000 1kV	1	CAP
C7308	1000 1kV	1	CAP
C7309	1000 1kV	1	CAP
C7310	1000 1kV	1	CAP
C7311	1000 1kV	1	CAP
C7312	1000 1kV	1	CAP
C7313	1000 1kV	1	CAP
C7314	1000 1kV	1	CAP
C7315	1000 1kV	1	CAP
C7316	1000 1kV	1	CAP
C7317	1000 1kV	1	CAP
C7101	1000 1kV	1	CAP
C7102	1000 1kV	1	CAP
C7103	1000 1kV	1	CAP
C7104	1000 1kV	1	CAP
D7215	B04MFR000013	1	DIODE
D7216	B04MFR000013	1	DIODE
D7217	B04MFR000013	1	DIODE
D7218	B04MFR000013	1	DIODE
D7219	B04MFR000013	1	DIODE
D7220	B04MFR000013	1	DIODE
D7221	B04MFR000013	1	DIODE
D7222	B04MFR000013	1	DIODE
D7223	B04MFR000013	1	DIODE
D7224	B04MFR000013	1	DIODE
D7225	B04MFR000013	1	DIODE
D7226	B04MFR000013	1	DIODE
D7227	B04MFR000013	1	DIODE
D7228	B04MFR000013	1	DIODE
D7229	B04MFR000013	1	DIODE
D7230	B04MFR000013	1	DIODE
D7231	B04MFR000013	1	DIODE
D7232	B04MFR000013	1	DIODE
D7233	B04MFR000013	1	DIODE
D7234	B04MFR000013	1	DIODE
D7235	B04MFR000013	1	DIODE
D7236	B04MFR000013	1	DIODE
D7237	B04MFR000013	1	DIODE
D7238	B04MFR000013	1	DIODE
D7239	B04MFR000013	1	DIODE
D7240	B04MFR000013	1	DIODE
D7241	B04MFR000013	1	DIODE
D7242	B04MFR000013	1	DIODE
D7243	B04MFR000013	1	DIODE
D7244	B04MFR000013	1	DIODE
D7245	B04MFR000013	1	DIODE
D7246	B04MFR000013	1	DIODE
D7247	B04MFR000013	1	DIODE
D7248	B04MFR000013	1	DIODE
D7249	B04MFR000013	1	DIODE
D7250	B04MFR000013	1	DIODE
D7251	B04MFR000013	1	DIODE
D7252	B04MFR000013	1	DIODE
D7253	B04MFR000013	1	DIODE
D7254	B04MFR000013	1	DIODE
D7255	B04MFR000013	1	DIODE
D7256	B04MFR000013	1	DIODE
D7257	B04MFR000013	1	DIODE
D7258	B04MFR000013	1	DIODE
D7259	B04MFR000013	1	DIODE
D7260	B04MFR000013	1	DIODE
D7261	B04MFR000013	1	DIODE
D7262	B04MFR000013	1	DIODE
D7263	B04MFR000013	1	DIODE
D7264	B04MFR000013	1	DIODE
D7265	B04MFR000013	1	DIODE
D7266	B04MFR000013	1	DIODE
D7267	B04MFR000013	1	DIODE
D7268	B04MFR000013	1	DIODE
D7269	B04MFR000013	1	DIODE
D7270	B04MFR000013	1	DIODE
D7271	B04MFR000013	1	DIODE
D7272	B04MFR000013	1	DIODE
D7273	B04MFR000013	1	DIODE
D7274	B04MFR000013	1	DIODE
D7275	B04MFR000013	1	DIODE
D7276	B04MFR000013	1	DIODE
D7277	B04MFR000013	1	DIODE
D7278	B04MFR000013	1	DIODE
D7279	B04MFR000013	1	DIODE
D7280	B04MFR000013	1	DIODE
D7281	B04MFR000013	1	DIODE
D7282	B04MFR000013	1	DIODE
D7283	B04MFR000013	1	DIODE
D7284	B04MFR000013	1	DIODE
D7285	B04MFR000013	1	DIODE
D7286	B04MFR000013	1	DIODE
D7287	B04MFR000013	1	DIODE
D7288	B04MFR000013	1	DIODE
D7289	B04MFR000013	1	DIODE
D7290	B04MFR000013	1	DIODE
D7291	B04MFR000013	1	DIODE
D7292	B04MFR000013	1	DIODE
D7293	B04MFR000013	1	DIODE
D7294	B04MFR000013	1	DIODE
D7295	B04MFR000013	1	DIODE
D7296	B04MFR000013	1	DIODE
D7297	B04MFR000013	1	DIODE
D7298	B04MFR000013	1	DIODE
D7299	B04MFR000013	1	DIODE
D7300	B04MFR000013	1	DIODE
D7101	B04MFR000013	1	DIODE
D7102	B04MFR000013	1	DIODE
D7103	B04MFR000013	1	DIODE
D7104	B04MFR000013	1	DIODE
D7301	0.02u 800V ECG-M803HAC FOC2-823A168	1	DIODE
D7302	0.02u 800V ECG-M803HAC FOC2-823A168	1	DIODE
D7303	0.02u 800V ECG-M803HAC FOC2-823A168	1	DIODE
D7304	0.02u 800V ECG-M803HAC FOC2-823A168	1	DIODE
C7101	1000 1kV	1	CAP
C7102	1000 1kV	1	CAP
C7103	1000 1kV	1	CAP
C7104	1000 1kV	1	CAP



⚠ P-BOARD (2/3)

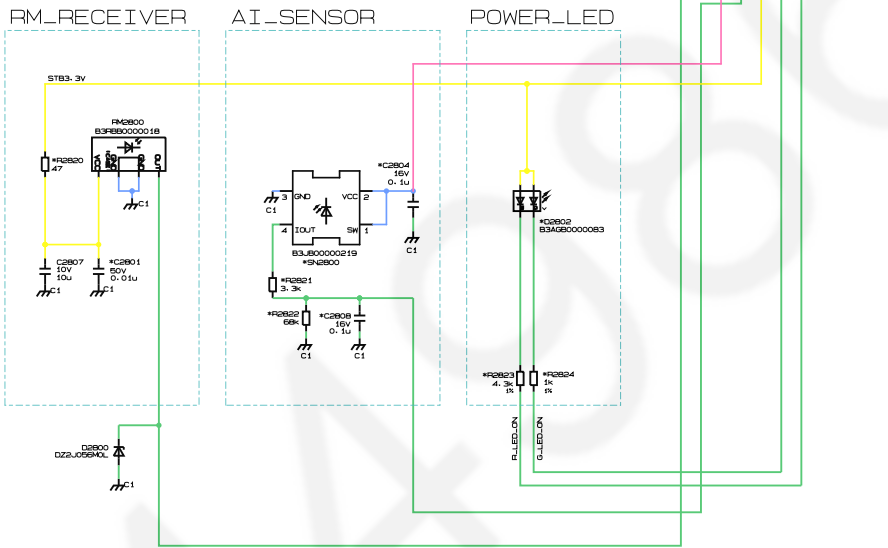


⚠ P-BOARD (3/3)



⚠ K-BOARD

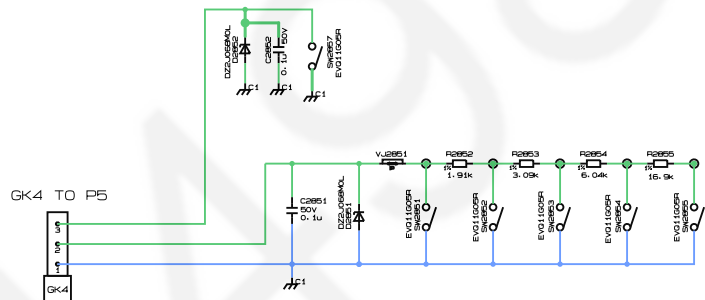
K10 to A10 and BT



A | B | C | D | E | F | G | H |

1  
2  
3  
4  
5  
6  
7  
8  
9  
10  
11  
12

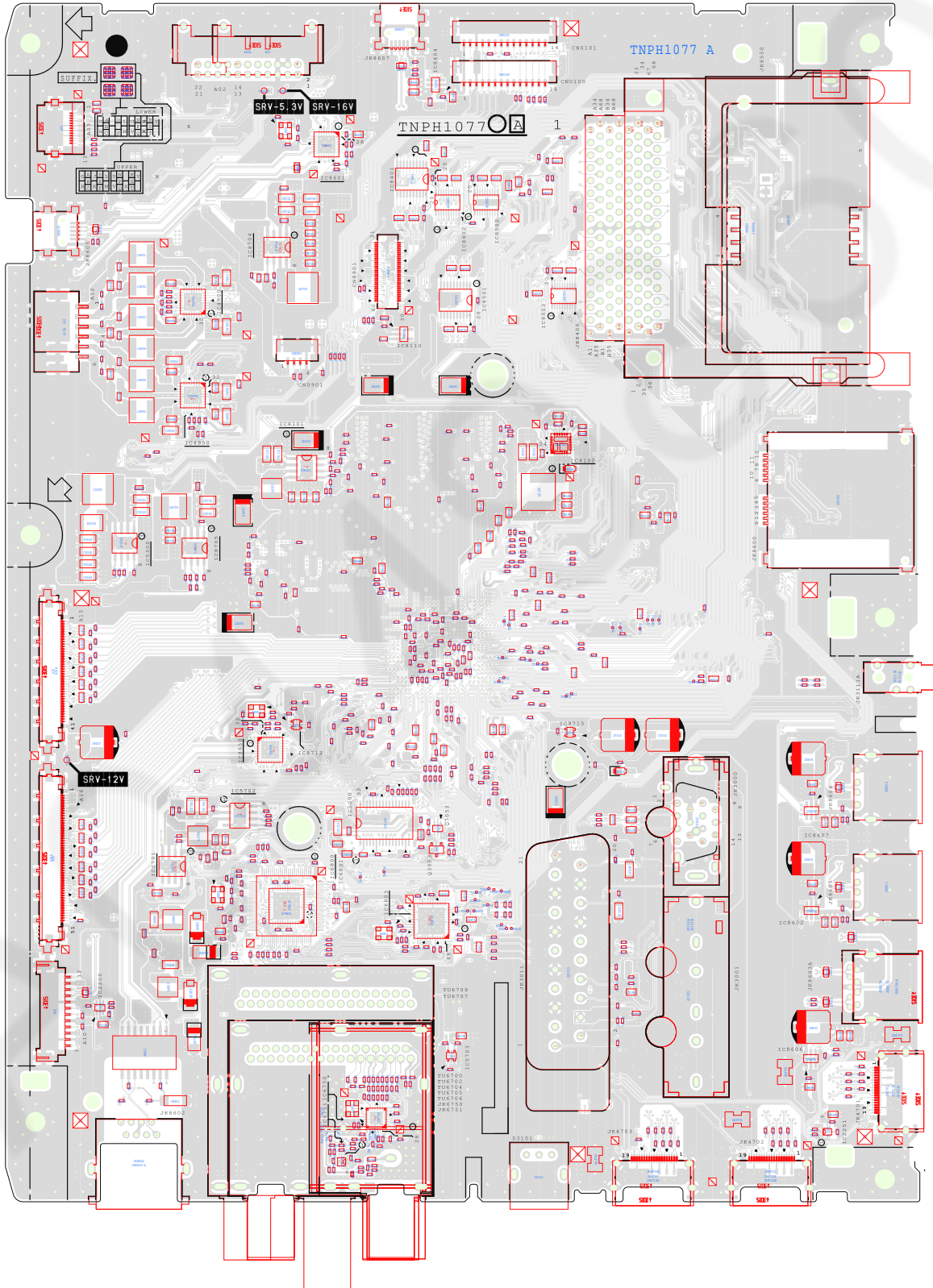
⚠ GK-BOARD



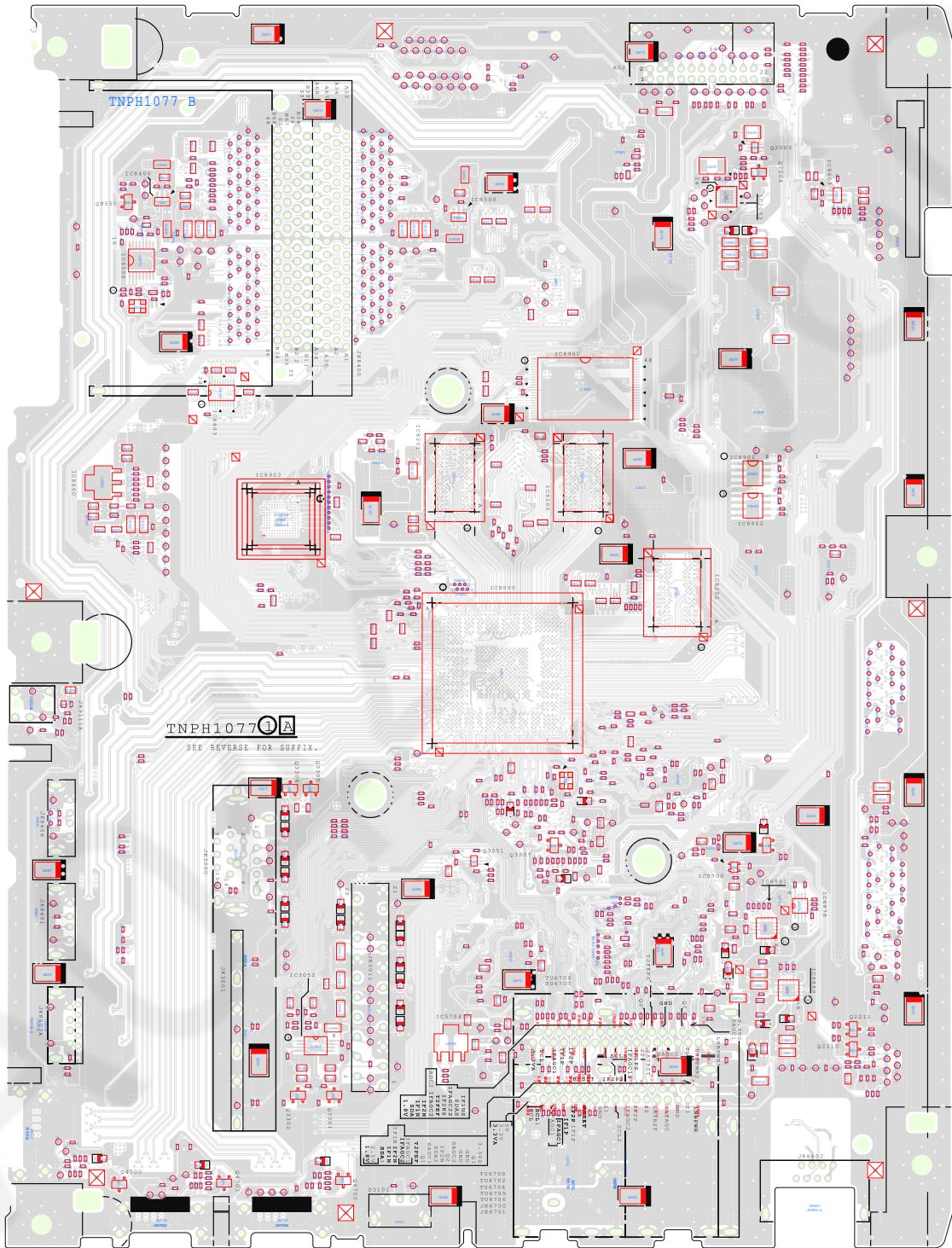
JONLE TECHNOLOGY CO., LTD.  
ADD: 1#F2-3F  
KIKYO 8#AG402

# Conductor Views

## A-BOARD - TOP



# A-BOARD - BOTTOM

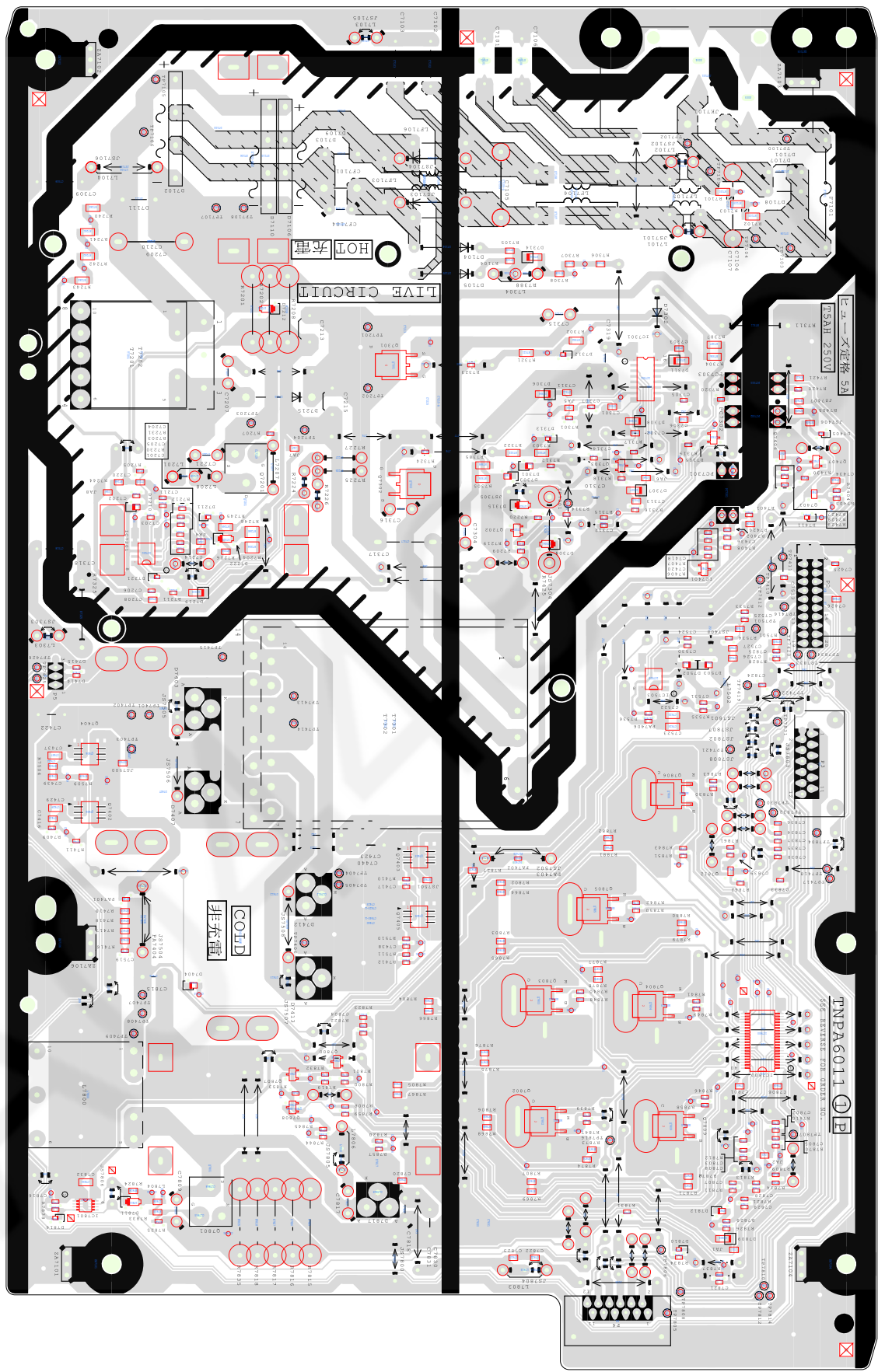




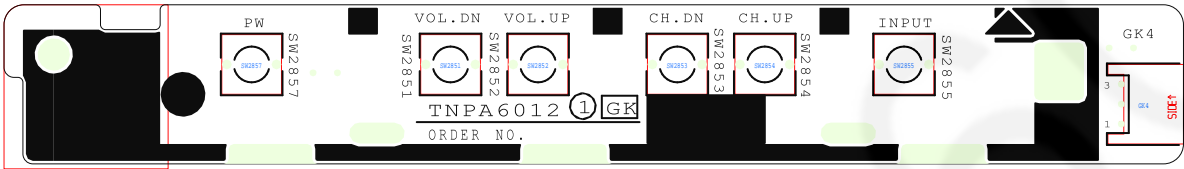




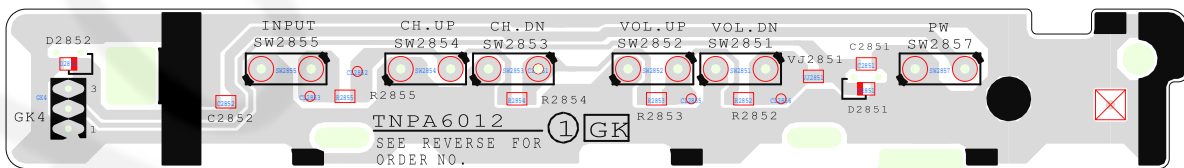
P-BOARD - BOTTOM



## GK-BOARD - TOP



## GK-BOARD - BOTTOM



# K-BOARD

