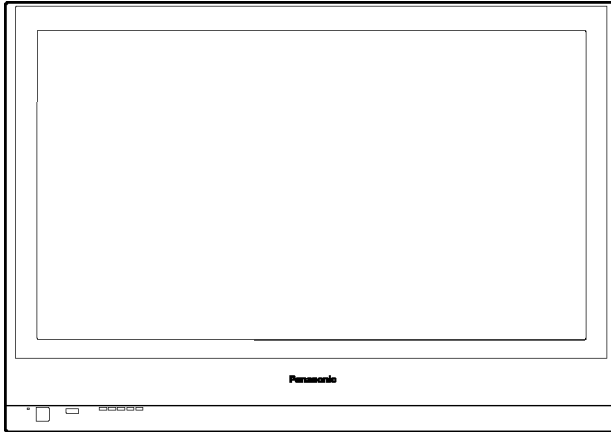


Service Manual

Plasma Television



TH-42PX7A
TH-42PV7AZ
TH-42PV7HS
TH-42PV7M
TH-42PV7MR
 GPH10DA Chassis

Specifications

Power Source	AC 220-240 V, 50 / 60 Hz
Power Consumption	
Average use	350 W
Standby condition	0.7 W
Display panel	
Aspect Ratio	16 : 9
Visible screen size	106 cm (diagonal) 922 mm (W) × 518 mm (H)
Number of pixels	786,432 (1,024 (W) × 768 (H)) [3,072 × 768 dots]
Sound	
Speaker	120 mm × 60 mm × 2 pcs, 8 ohm
Audio Output	20 W [10 W + 10 W] (10 % THD)
PC signals	VGA, SVGA, XGA SXGA (compressed) Horizontal scanning frequency 31 - 69 kHz Vertical scanning frequency 59 - 86 Hz
Receiving Systems/Band name (PX7A only)	PAL B/G Reception of Off air broadcasts DVB-T 7 MHz VHF / UHF (Australia) free-to-air TV broadcast reception PAL 60 Hz Playback of NTSC tape from some PAL Video recorders (VCR) M.NTSC Playback from M. NTSC Video recorders (VCR) NTSC Playback from NTSC Video recorders (VCR)

Receiving Systems/Band name

(Except PX7A)

17 Systems		Function	17 Systems		Function
1	PAL B, G, H	Reception of broadcast transmissions and Playback from Video Cassette Tape Recorders	8	NTSC 4.43/5.5 MHz	Playback from Special VCR's or DVD
2	PAL I		9	NTSC 4.43/6.0 MHz	
3	PAL D, K		10	NTSC 4.43/6.5 MHz	
4	SECAM B, G		11	NTSC 3.58/5.5 MHz	
5	SECAM D, K		12	NTSC 3.58/6.0 MHz	
6	SECAM K1		13	NTSC 3.58/6.5 MHz	
7	NTSC M (NTSC 3.58/4.5 MHz)		14	SECAM I	
			15	PAL 60 Hz/5.5 MHz	Playback from Special Disc Players and Special VCR's or DVD
			16	PAL 60 Hz/6.0 MHz	
			17	PAL 60 Hz/6.5 MHz	

Receiving Channels

(Regular TV) (Except PX7A)

VHF BAND

2-12 (PAL/SECAM B, K1)
 1-9 (PAL B N.Z.)
 1-12 (NTSC M Japan)

0-12 (PAL B AUST.)
 1-12 (PAL/SECAM D)
 2-13 (NTSC M USA)

UHF BAND

21-69 (PAL G, H, I/SECAM G, K, K1)
 13-57 (PAL D, K)
 14-69 (NTSC M USA)

28-69 (PAL B AUST.)
 13-62 (NTSC M Japan)

CATV

S1-S20 (OSCAR)
 C13-C49 (JAPAN)
 Z1-Z37 (CHINA)

1-125 (USA CATV)
 S21-S41 (HYPER)
 5A, 9A (AUST.)

Aerial - Rear

Standard Belling & Lee connector (PX7A)

VHF/UHF (Except PX7A)

Operating Conditions

Temperature: 0 °C - 35 °C

Humidity: 20 % - 80 % RH (non-condensing)

Connection Terminals

AV1 Input

AUDIO L - R	RCA PIN Type × 2	0.5 V[rms]
VIDEO	RCA PIN Type × 1	1.0 V[p-p] (75 ohm)
S VIDEO	Mini DIN 4-pin	Y:1.0 V[p-p] (75 ohm) C:0.286 V[p-p] (75 ohm)

AV2 Input

AUDIO L - R	RCA PIN Type × 2	0.5 V[rms]
VIDEO	RCA PIN Type × 1	1.0 V[p-p] (75 ohm)
COMPONENT	Y	1.0 V [p-p] (including synchronization)
	P _B /C _B , P _R /C _R	± 0.35 V [p-p]

AV3 Input

AUDIO L - R	RCA PIN Type × 2	0.5 V[rms]
VIDEO	RCA PIN Type × 1	1.0 V[p-p] (75 ohm)
COMPONENT	Y	1.0 V [p-p] (including synchronization)
	P _B /C _B , P _R /C _R	± 0.35 V [p-p]

Others

HDMI Input	TYPE A Connectors	• This TV supports "HDAVI Control 2" function.
PC Input	HIGH-DENSITY D-SUB 15PIN	R,G,B/0.7 V [p-p] (75 ohm) HD, VD/TTL Level 2.0 - 5.0 V [p-p] (high impedance)
Audio Input	RCA PIN Type × 2	0.5 V[rms]
DIGITAL AUDIO OUT	PCM/Dolby digital, Fiber optic (PX7A only)	

Monitor Output

AUDIO L-R	RCA PIN Type × 2	0.5 V [rms] (high impedance)
VIDEO	RCA PIN Type × 1	1.0 V[p-p] (75 ohm)

Dimensions (W × H × D)

1,020 mm × 750 mm × 320 mm (With Pedestal)
 1,020 mm × 705 mm × 95 mm (TV only)

Mass

29.0 k Net (With Pedestal)
 27.0 k Net (TV only)

Note:

- Design and Specifications are subject to change without notice. Weight and Dimensions shown are approximate.

⚠ WARNING

This service information is designed for experienced repair technicians only and is not designed for use by the general public. It does not contain warnings or cautions to advise non-technical individuals of potential dangers in attempting to service a product. Products powered by electricity should be serviced or repaired only by experienced professional technicians. Any attempt to service or repair the product or products dealt with in this service information by anyone else could result in serious injury or death.

CONTENTS

	Page		Page
1 Applicable signals	5	11 Adjustment Procedure	27
2 Safety Precautions	6	11.1. Driver Set-up	27
2.1. General Guidelines	6	11.2. Initialization Pulse Adjust	28
2.2. Touch-Current Check	6	11.3. P.C.B. (Printed Circuit Board) exchange	28
3 Prevention of Electrostatic Discharge (ESD) to Electrostatically Sensitive (ES) Devices	7	11.4. Adjustment Volume Location	29
4 About lead free solder (PbF)	8	11.5. Test Point Location	29
5 Service Hint	9	12 Adjustment	30
6 Plasma panel replacement method	10	12.1. Sub-Contrast adjustment	30
6.1. Remove the rear cover	10	12.2. PAL panel white balance adjustment	31
6.2. Remove the rear terminal cover	10	12.3. HD white balance adjustment	32
6.3. Remove the P-Board	10	13 Hotel mode	33
6.4. Remove the Tuner unit	10	14 Conductor Views	35
6.5. Remove the DG-Board	10	14.1. P-Board	35
6.6. Remove the D-Board	11	14.2. DG-Board	38
6.7. Remove the SU-Board	11	14.3. D-Board	41
6.8. Remove the SD-Board	11	14.4. C1-Board	43
6.9. Remove the SC-Board	11	14.5. C2-Board	44
6.10. Remove the SS-Board	12	14.6. SC-Board	45
6.11. Remove the stand brackets	12	14.7. SU-Board	48
6.12. Remove the C1-Board	12	14.8. SD-Board	49
6.13. Remove the C2-Board	12	14.9. SS-Board	50
6.14. Remove the speaker L, R	12	14.10. K, and S-Board	52
6.15. Remove the S-Board	13	15 Schematic and Block Diagram	53
6.16. Remove the K-Board	13	15.1. Schematic Diagram Note	53
6.17. Remove the Plasma panel section from the Cabinet assy (glass)	13	15.2. Main Block Diagram	54
6.18. Replace the plasma panel (finished)	14	15.3. P-Board Block Diagram	55
7 Caution statement	15	15.4. P-Board (1 of 6) Schematic Diagram	56
7.1. Caution statement.	15	15.5. P-Board (2 of 6) Schematic Diagram	57
8 Location of Lead Wiring	16	15.6. P-Board (3 of 6) Schematic Diagram	58
8.1. Lead of Wiring (1)	16	15.7. P-Board (4 of 6) Schematic Diagram	59
8.2. Lead of Wiring (2)	17	15.8. P-Board (5 of 6) Schematic Diagram	60
8.3. Lead of Wiring (3)	18	15.9. P-Board (6 of 6) Schematic Diagram	61
9 Self-check Function	19	15.10. DG-Board (1 of 4) Block Diagram	62
9.1. Check of the IIC bus lines	19	15.11. DG-Board (2 of 4) Block Diagram	63
9.2. Power LED Blinking timing chart	20	15.12. DG-Board (3 of 4) Block Diagram	64
9.3. No Power	21	15.13. DG-Board (4 of 4) Block Diagram	65
9.4. No Picture	22	15.14. DG-Board (1 of 16) Schematic Diagram	66
9.5. Local screen failure	23	15.15. DG-Board (2 of 16) Schematic Diagram	67
10 Service Mode	24	15.16. DG-Board (3 of 16) Schematic Diagram	68
10.1. How to enter into Service Mode	24	15.17. DG-Board (4 of 16) Schematic Diagram	69
10.2. Service tool mode	26	15.18. DG-Board (5 of 16) Schematic Diagram	70
		15.19. DG-Board (6 of 16) Schematic Diagram	71
		15.20. DG-Board (7 of 16) Schematic Diagram	72

15.21. DG-Board (8 of 16) Schematic Diagram	73	15.42. SC-Board Block Diagram	94
15.22. DG-Board (9 of 16) Schematic Diagram	74	15.43. SC-Board (1 of 2) Schematic Diagram	95
15.23. DG-Board (10 of 16) Schematic Diagram	75	15.44. SC-Board (2 of 2) Schematic Diagram	96
15.24. DG-Board (11 of 16) Schematic Diagram	76	15.45. SU and SD-Board Block Diagram	97
15.25. DG-Board (12 of 16) Schematic Diagram	77	15.46. SU-Board (1 of 2) Schematic Diagram	98
15.26. DG-Board (13 of 16) Schematic Diagram	78	15.47. SU-Board (2 of 2) Schematic Diagram	99
15.27. DG-Board (14 of 16) Schematic Diagram	79	15.48. SD-Board (1 of 2) Schematic Diagram	100
15.28. DG-Board (15 of 16) Schematic Diagram	80	15.49. SD-Board (2 of 2) Schematic Diagram	101
15.29. DG-Board (16 of 16) Schematic Diagram	81	15.50. SS-Board Block Diagram	102
15.30. D-Board Block Diagram	82	15.51. S and SS-Board (1 of 2) Schematic Diagram	103
15.31. D-Board (1 of 6) Schematic Diagram	83	15.52. SS-Board (2 of 2) Schematic Diagram	104
15.32. D-Board (2 of 6) Schematic Diagram	84	15.53. K-Board Block and Schematic Diagram	105
15.33. D-Board (3 of 6) Schematic Diagram	85	16 Exploded Views & Replacement Parts List	107
15.34. D-Board (4 of 6) Schematic Diagram	86	16.1. Exploded Views	107
15.35. D-Board (5 of 6) Schematic Diagram	87	16.2. Packing Exploded Views (1)	108
15.36. D-Board (6 of 6) Schematic Diagram	88	16.3. Packing Exploded Views (2)	109
15.37. C1 and C2-Board Block Diagram	89	16.4. Packing Exploded Views (3)	110
15.38. C1-Board (1 of 2) Schematic Diagram	90	16.5. Accessory	111
15.39. C1-Board (2 of 2) Schematic Diagram	91	16.6. Replacement Parts List Notes	112
15.40. C2-Board (1 of 2) Schematic Diagram	92	16.7. Mechanical Replacement Parts List	113
15.41. C2-Board (2 of 2) Schematic Diagram	93	16.8. Electrical Replacement Parts List	114

1 Applicable signals

COMPONENT (Y, P_B, P_R), HDMI

* Mark: Applicable input signal

Signal name	COMPONENT	HDMI
525 (480) / 60i	*	*
525 (480) / 60p	*	*
625 (576) / 50i	*	*
625 (576) / 50p	*	*
750 (720) / 60p	*	*
750 (720) / 50p	*	*
1,125 (1,080) / 60i	*	*
1,125 (1,080) / 50i	*	*
1,125 (1,080) / 60p		*
1,125 (1,080) / 50p		*

PC (D-sub 15P)

Signal name	Horizontal frequency (kHz)	Vertical frequency (Hz)
640 × 400 @70 Hz	31.47	70.07
640 × 480 @60 Hz	31.47	59.94
640 × 480 @75 Hz	37.50	75.00
800 × 600 @60 Hz	37.88	60.32
800 × 600 @75 Hz	46.88	75.00
800 × 600 @85 Hz	53.67	85.06
852 × 480 @60 Hz	31.44	59.89
1,024 × 768 @60 Hz	48.36	60.00
1,024 × 768 @70 Hz	56.48	70.07
1,024 × 768 @75 Hz	60.02	75.03
1,024 × 768 @85 Hz	68.68	85.00
1,280 × 1,024 @60 Hz	63.98	60.02
1,366 × 768 @60 Hz	48.39	60.04
Macintosh13" (640 × 480)	35.00	66.67
Macintosh16" (832 × 624)	49.73	74.55
Macintosh21" (1,152 × 870)	68.68	75.06

Note

- Signals other than above may not be displayed properly.
- The above signals are reformatted for optimal viewing on your display.
- Applicable input signal for PC is basically compatible to VESA standard timing.
- PC signal is magnified or compressed for display, so that it may not be possible to show fine detail with sufficient clarity.

2 Safety Precautions

2.1. General Guidelines

1. When conducting repairs and servicing, do not attempt to modify the equipment, its parts or its materials.
2. When wiring units (with cables, flexible cables or lead wires) are supplied as repair parts and only one wire or some of the wires have been broken or disconnected, do not attempt to repair or re-wire the units. Replace the entire wiring unit instead.
3. When conducting repairs and servicing, do not twist the Faston connectors but plug them straight in or unplug them straight out.
4. When servicing, observe the original lead dress. If a short circuit is found, replace all parts which have been overheated or damaged by the short circuit.
5. After servicing, see to it that all the protective devices such as insulation barriers, insulation papers shields are properly installed.
6. After servicing, make the following leakage current checks to prevent the customer from being exposed to shock hazards.

2.2. Touch-Current Check

1. Plug the AC cord directly into the AC outlet. Do not use an isolation transformer for this check.
2. Connect a measuring network for touch currents between each exposed metallic part on the set and a good earth ground such as a water pipe, as shown in Figure 1.
3. Use Leakage Current Tester (Simpson 228 or equivalent) to measure the potential across the measuring network.
4. Check each exposed metallic part, and measure the voltage at each point.
5. Reserve the AC plug in the AC outlet and repeat each of the above measure.
6. The potential at any point (TOUCH CURRENT) expressed as voltage U_1 and U_2 , does not exceed the following values:
For a. c.: $U_1 = 35$ V (peak) and $U_2 = 0.35$ V (peak);
For d. c.: $U_1 = 1.0$ V,

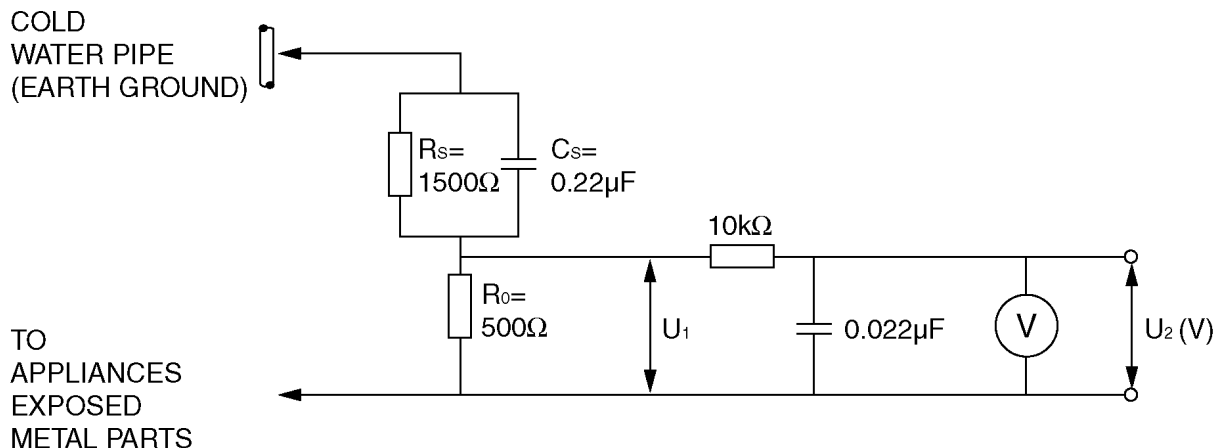
Note:

The limit value of $U_2 = 0.35$ V (peak) for a. c. and $U_1 = 1.0$ V for d. c. correspond to the values 0.7 mA (peak) a. c. and 2.0 mA d. c.

The limit value $U_1 = 35$ V (peak) for a. c. correspond to the value 70 mA (peak) a. c. for frequencies greater than 100 kHz.

7. In case a measurement is out of the limits specified, there is a possibility of a shock hazard, and the equipment should be repaired and rechecked before it is returned to the customer.

Measuring network for TOUCH CURRENTS



Resistance values in ohms (Ω)

V: Voltmeter or oscilloscope
(r.m.s. or peak reading)

Input resistance: ≥ 1 M Ω

Input capacitance: ≤ 200 pF

Frequency range: 15 Hz to 1 MHz and d.c. respectively

NOTE - Appropriate measures should be taken to obtain the correct value in case of non-sinusoidal waveforms.

Figure 1

3 Prevention of Electrostatic Discharge (ESD) to Electrostatically Sensitive (ES) Devices

Some semiconductor (solid state) devices can be damaged easily by static electricity. Such components commonly are called Electrostatically Sensitive (ES) Devices. Examples of typical ES devices are integrated circuits and some field-effect transistors and semiconductor "chip" components. The following techniques should be used to help reduce the incidence of component damage caused by electrostatic discharge (ESD).


1. Immediately before handling any semiconductor component or semiconductor-equipped assembly, drain off any ESD on your body by touching a known earth ground. Alternatively, obtain and wear a commercially available discharging ESD wrist strap, which should be removed for potential shock reasons prior to applying power to the unit under test.
2. After removing an electrical assembly equipped with ES devices, place the assembly on a conductive surface such as aluminum foil, to prevent electrostatic charge buildup or exposure of the assembly.
3. Use only a grounded-tip soldering iron to solder or unsolder ES devices.
4. Use only an anti-static solder removal device. Some solder removal devices not classified as "anti-static (ESD protected)" can generate electrical charge sufficient to damage ES devices.
5. Do not use freon-propelled chemicals. These can generate electrical charges sufficient to damage ES devices.
6. Do not remove a replacement ES device from its protective package until immediately before you are ready to install it. (Most replacement ES devices are packaged with leads electrically shorted together by conductive foam, aluminum foil or comparable conductive material).
7. Immediately before removing the protective material from the leads of a replacement ES device, touch the protective material to the chassis or circuit assembly into which the device will be installed.

Caution

Be sure no power is applied to the chassis or circuit, and observe all other safety precautions.

8. Minimize bodily motions when handling unpackaged replacement ES devices. (Otherwise ham less motion such as the brushing together of your clothes fabric or the lifting of your foot from a carpeted floor can generate static electricity (ESD) sufficient to damage an ES device).

IMPORTANT SAFETY NOTICE

There are special components used in this equipment which are important for safety. These parts are marked by  in the schematic diagrams, Exploded Views and replacement parts list. It is essential that these critical parts should be replaced with manufacturer's specified parts to prevent shock, fire, or other hazards. Do not modify the original design without permission of manufacturer.

4 About lead free solder (PbF)

Note: Lead is listed as (Pb) in the periodic table of elements.

In the information below, Pb will refer to Lead solder, and PbF will refer to Lead Free Solder.

The Lead Free Solder used in our manufacturing process and discussed below is (Sn+Ag+Cu).

That is Tin (Sn), Silver (Ag) and Copper (Cu) although other types are available.

This model uses Pb Free solder in it's manufacture due to environmental conservation issues. For service and repair work, we'd suggest the use of Pb free solder as well, although Pb solder may be used.

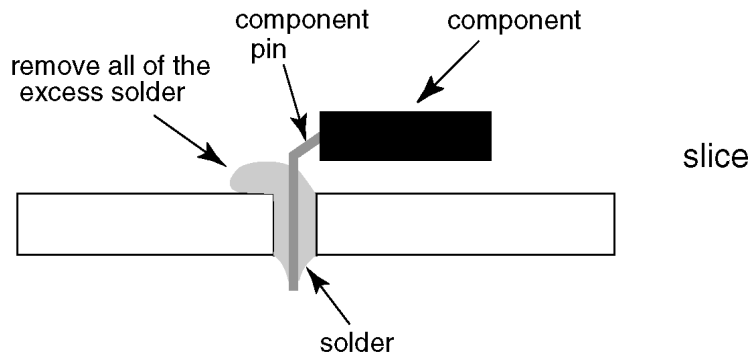
PCBs manufactured using lead free solder will have the PbF within a leaf Symbol **PbF** stamped on the back of PCB.

Caution

- Pb free solder has a higher melting point than standard solder. Typically the melting point is 50 ~ 70 °F (30~40 °C) higher. Please use a high temperature soldering iron and set it to 700 ± 20 °F (370 ± 10 °C).
- Pb free solder will tend to splash when heated too high (about 1100 °F or 600 °C).

If you must use Pb solder, please completely remove all of the Pb free solder on the pins or solder area before applying Pb solder. If this is not practical, be sure to heat the Pb free solder until it melts, before applying Pb solder.

- After applying PbF solder to double layered boards, please check the component side for excess solder which may flow onto the opposite side. (see figure below)



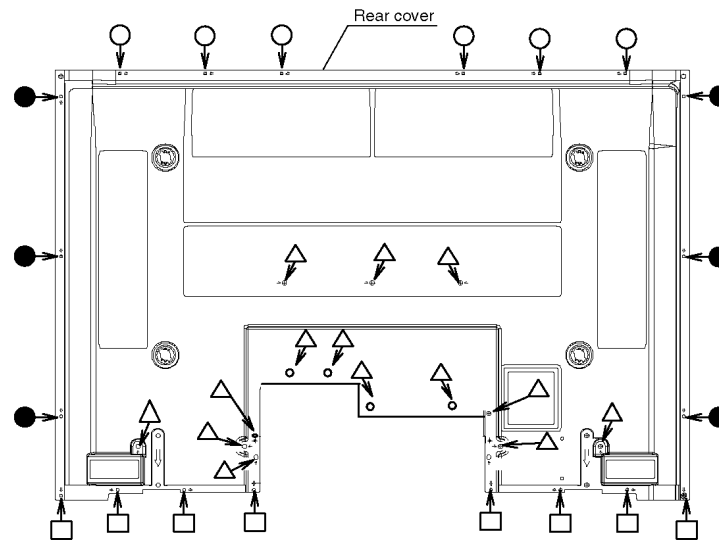
Suggested Pb free solder

There are several kinds of Pb free solder available for purchase. This product uses Sn+Ag+Cu (tin, silver, copper) solder. However, Sn+Cu (tin, copper), Sn+Zn+Bi (tin, zinc, bismuth) solder can also be used.

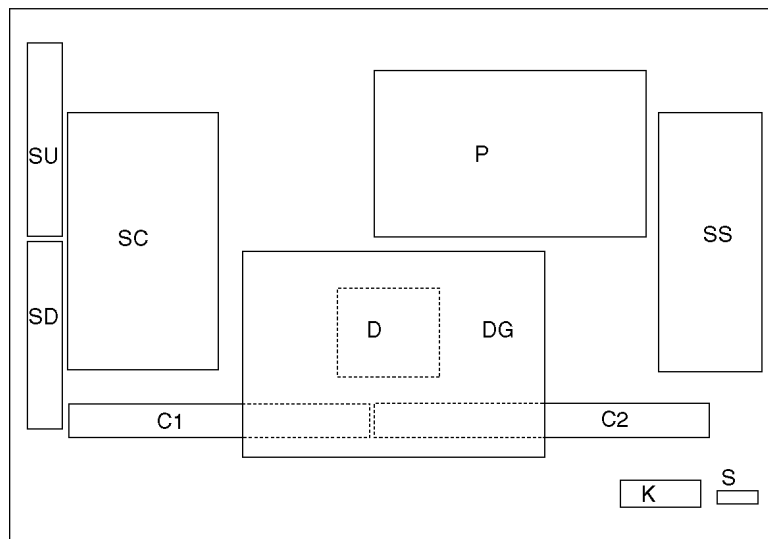
0.3mm X 100g	0.6mm X 100g	1.0mm X 100g

5 Service Hint

Remove the Rear Cover



- : XYN4+F10FJK (6)
- : XTB4+12GFJK (8)
- : XYN4+F30FJK (6)
- △ : THEL0429 (14)



Board Name	Function	Board Name	Function
P	Power Supply	D	Format Converter, Plasma AI, Sub-Field Processor
DG	Digital Signal Processor, Micon, HDMI Interface Peaks Lite 2, Speaker out, Sound Processor AV Terminal, AV Switch	C1	Data Driver (Lower Right)
K	Remote receiver, Power LED, Key Switch	C2	Data Driver (Lower Left)
S	Power Switch	SC	Scan Drive
		SU	Scan out (Upper)
		SD	Scan out (Lower)
		SS	Sustain Drive

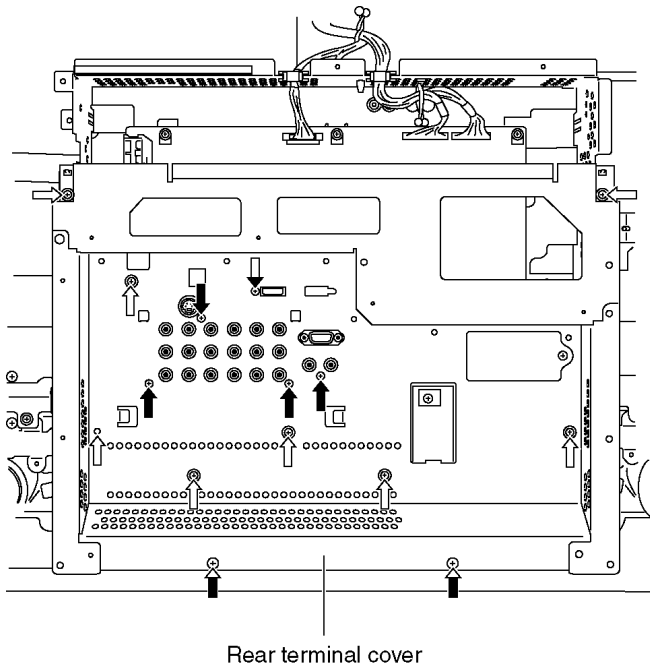
6 Plasma panel replacement method

6.1. Remove the rear cover

1. See Service Hint (Section 5)

6.2. Remove the rear terminal cover

1. Remove the screws (×8 ⇨, ×4 ⇨, ×1 ⇨, ×2 ⇨).
2. Remove the rear terminal cover.

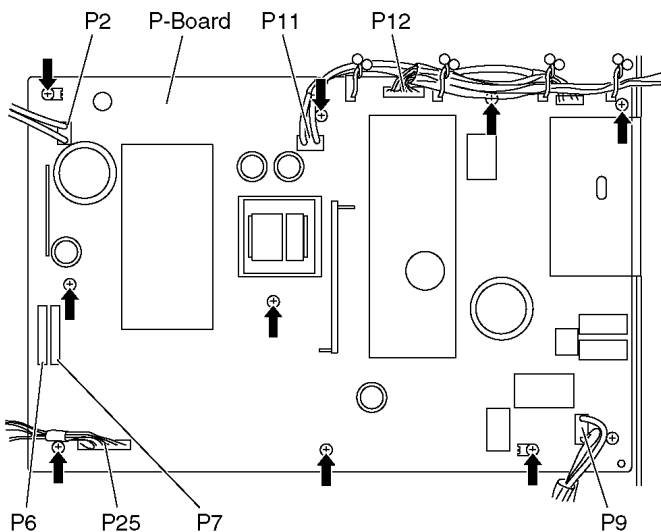


6.3. Remove the P-Board

Caution:

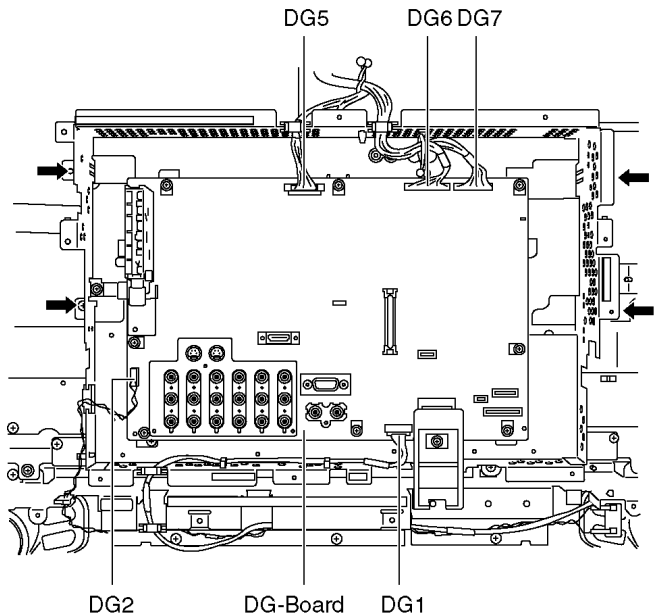
To remove P.C.B. wait 1 minute after power was off for discharge from electrolysis capacitors.

1. Unlock the cable clampers to free the cable.
2. Disconnect the connectors (P2, P6, P7, P9, P11, P12 and P25).
3. Remove the screws (×9 ⇨) and remove the P-Board.



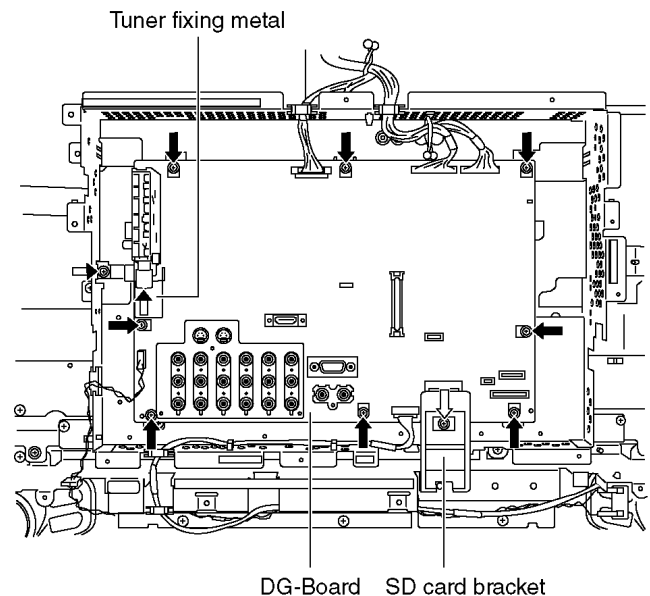
6.4. Remove the Tuner unit

1. Unlock the cable clampers to free the cable.
2. Disconnect the connectors (DG1, DG5, DG6, DG7 and DG12).
3. Remove the screws (×4 ⇨) and remove the tuner unit.



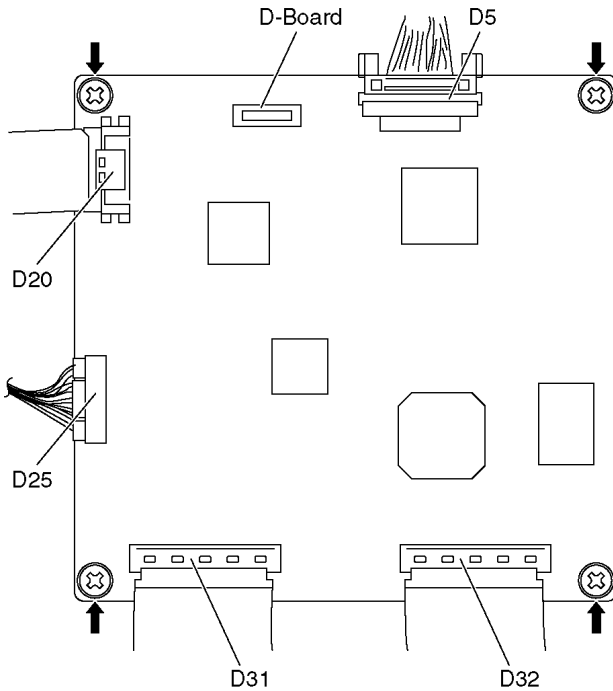
6.5. Remove the DG-Board

1. Remove the tuner unit. (See section 6.4.)
2. Remove the screw (×1 ⇨) and remove the SD card bracket.
3. Remove the screw (×2 ⇨) and remove the tuner fixing metal.
4. Remove the screws (×8 ⇨) and remove the DG-Board.



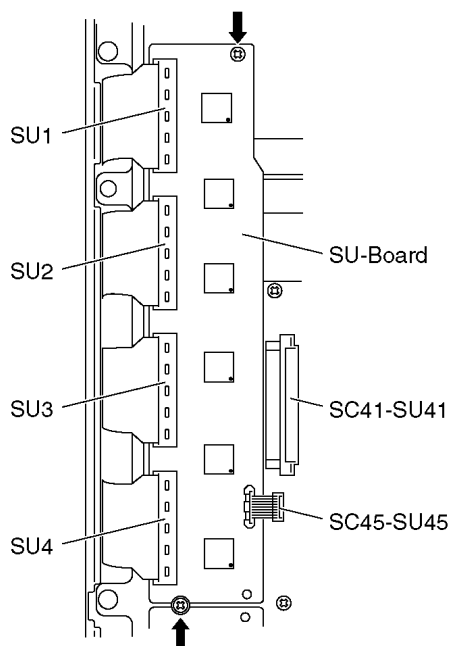
6.6. Remove the D-Board

1. Remove the tuner unit. (See section 6.4.)
2. Disconnect the connectors (D5 and D25).
3. Disconnect the flexible cables (D20, D31 and D32).
4. Remove the screws ($\times 4 \rightarrow$) and remove the D-Board.



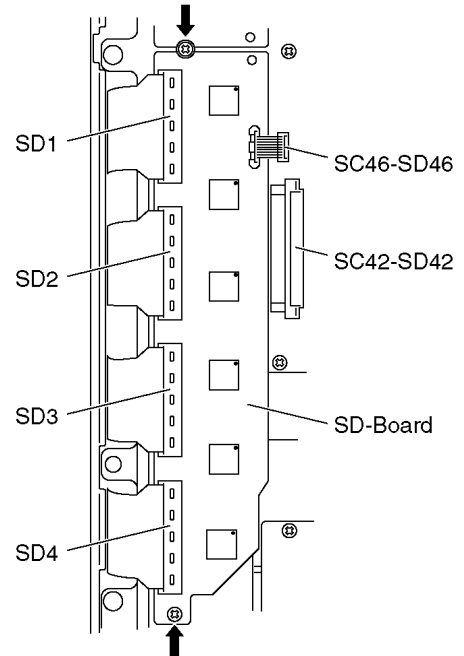
6.7. Remove the SU-Board

1. Remove the screws ($\times 2 \rightarrow$).
2. Remove the flexible cables (SU1, SU2, SU3 and SU4) connected to the SU-Board and remove the bridge connector (SC45-SU45).
3. Slide the SU-Board to the left to disconnect from a connector (SC41-SU41) on the SC-Board and remove the SU-Board.



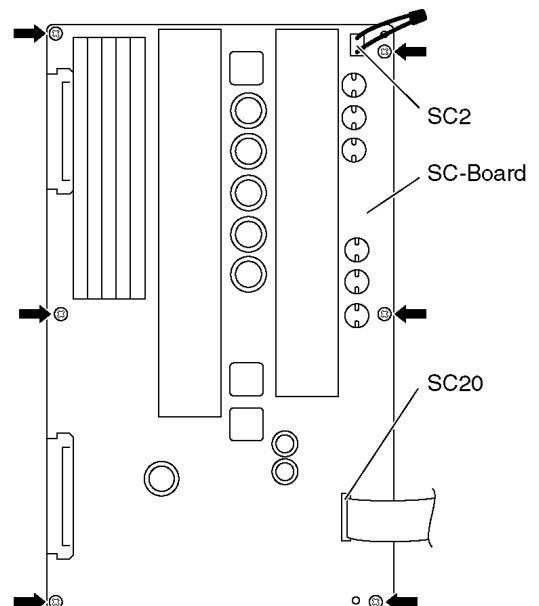
6.8. Remove the SD-Board

1. Remove the screws ($\times 2 \rightarrow$).
2. Remove the flexible cables (SD1, SD2, SD3 and SD4) connected to the SD-Board and remove the bridge connector (SC46-SD46).
3. Slide the SD-Board to the left to disconnect from a connector (SC42-SD42) on the SC-Board and remove the SD-Board.



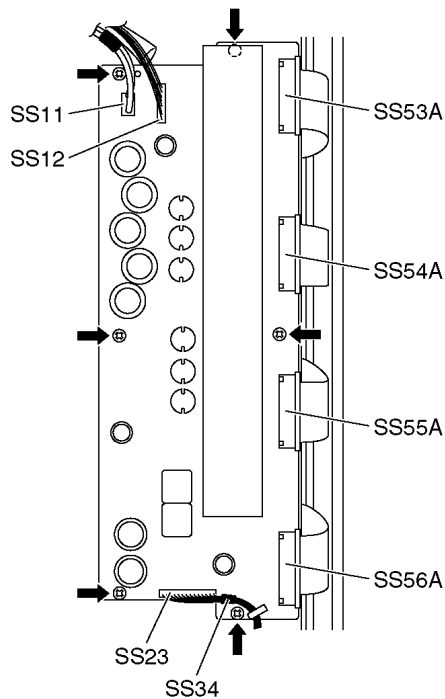
6.9. Remove the SC-Board

1. Remove the SU-Board and SD-Board. (See section 6.7. and 6.8.)
2. Unlock the cable clampers to free the cable.
3. Disconnect the connector (SC2).
4. Disconnect the flexible cable (SC20).
5. Remove the screws ($\times 6 \rightarrow$) and remove the SC-Board.



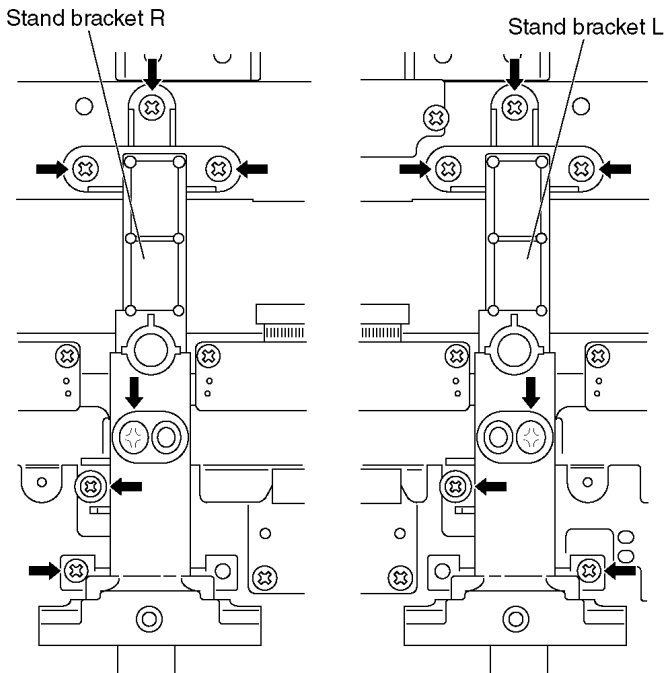
6.10. Remove the SS-Board

1. Disconnect the connectors (SS11, SS12, SS23 and SS34).
2. Disconnect the flexible cables (SS53A, SS54A, SS55A and SS56A).
3. Remove the screws (×6 →) and remove the SS-Board.



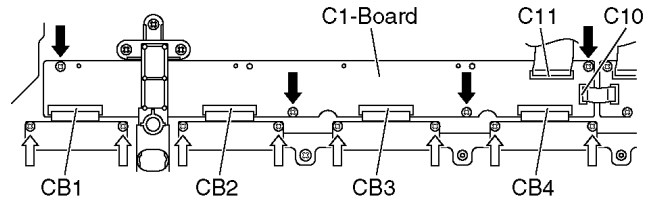
6.11. Remove the stand brackets

1. Remove the plasma panel section from the servicing stand and lay on a flat surface such as a table (covered) with the plasma panel surface facing downward.
2. Remove the stand brackets (left, right) fastening screws (×6 → each) and remove the stand brackets (left, right).



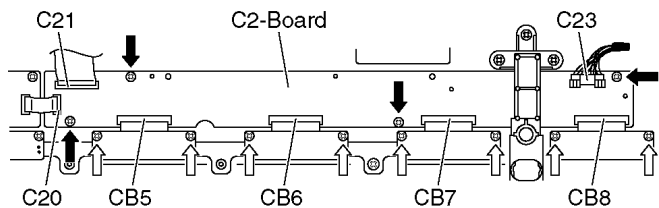
6.12. Remove the C1-Board

1. Remove the tuner unit. (See section 6.4.)
2. Unlock the cable clampers to free the cable.
3. Remove the flexible cables holder fastening screws (×8 →).
4. Disconnect the flexible cables (CB1, CB2, CB3 and CB4).
5. Disconnect the flexible cables (C10 and C11).
6. Remove the screws (×4 →) and remove the C1-Board.



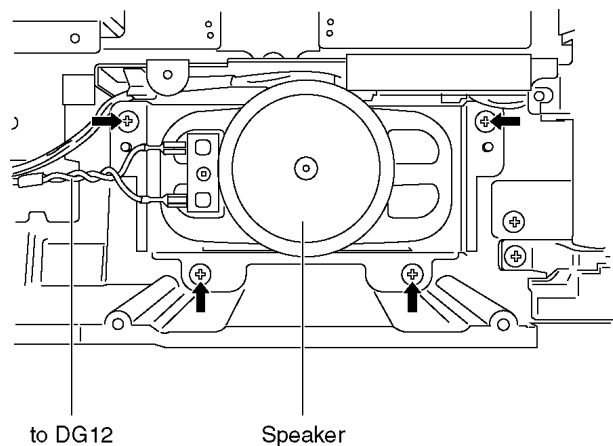
6.13. Remove the C2-Board

1. Remove the tuner unit. (See section 6.4.)
2. Unlock the cable clampers to free the cable.
3. Remove the flexible cables holder fastening screws (×8 →).
4. Disconnect the flexible cables (CB5, CB6, CB7 and CB8).
5. Disconnect the flexible cables (C20 and C21).
6. Disconnect the connector (C23).
7. Remove the screws (×4 →) and remove the C2-Board.



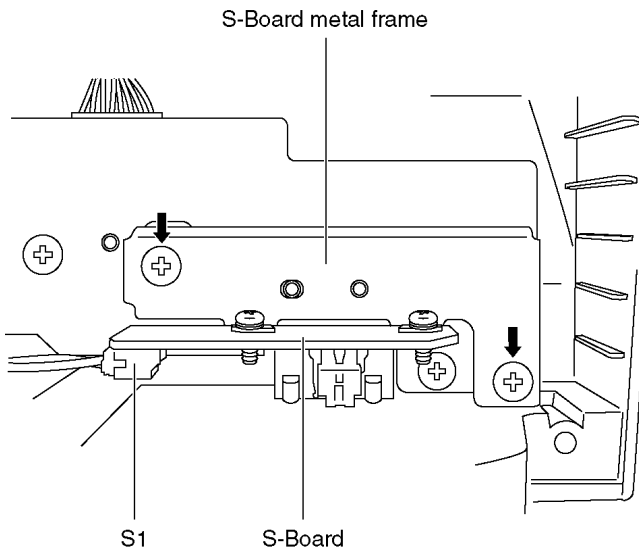
6.14. Remove the speaker L, R

1. Disconnect the connector (DG12). (See section 6.4.)
2. Remove the screws (×4 → each) and remove the speaker L, R.

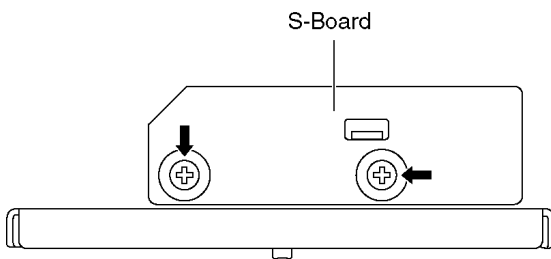


6.15. Remove the S-Board

1. Remove the screws (×2 →) and remove the S-Board metal frame.

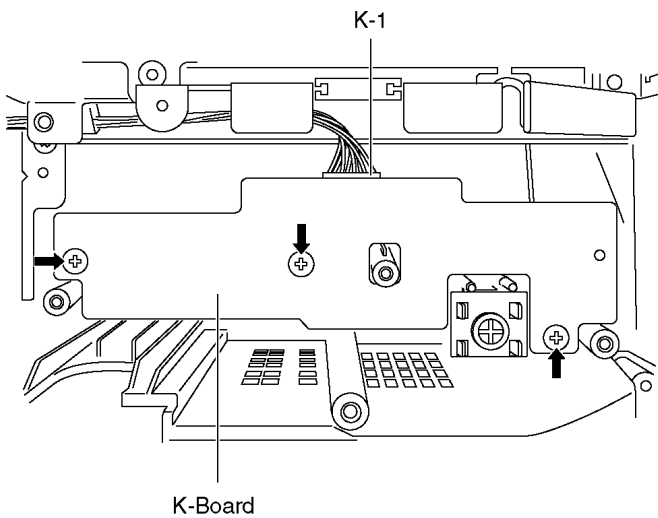


2. Disconnect the connector (S1).
3. Remove the screws (×2 →) and remove the S-Board.



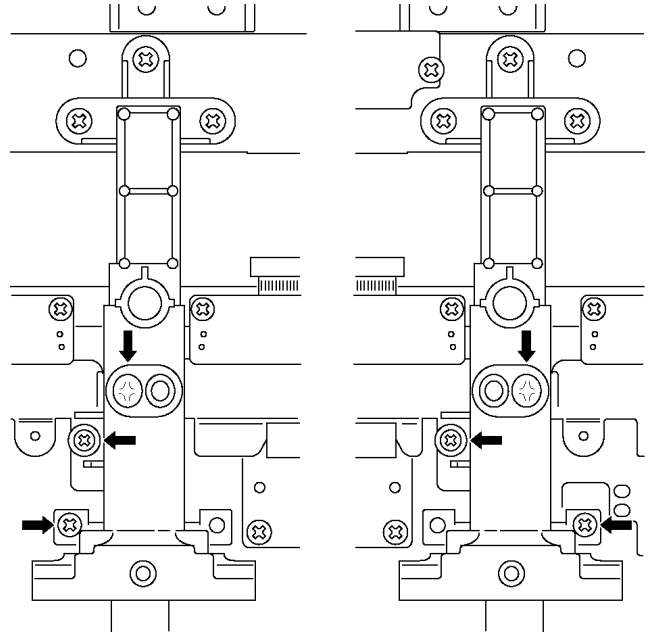
6.16. Remove the K-Board

1. Remove the S-Board. (See section 6.15.)
2. Remove the stand brackets (See section 6.11.)
3. Unlock the cable clampers to free the cable.
4. Disconnect the connectors (K1).
5. Remove the screws (×3 →) and remove the K-Board.

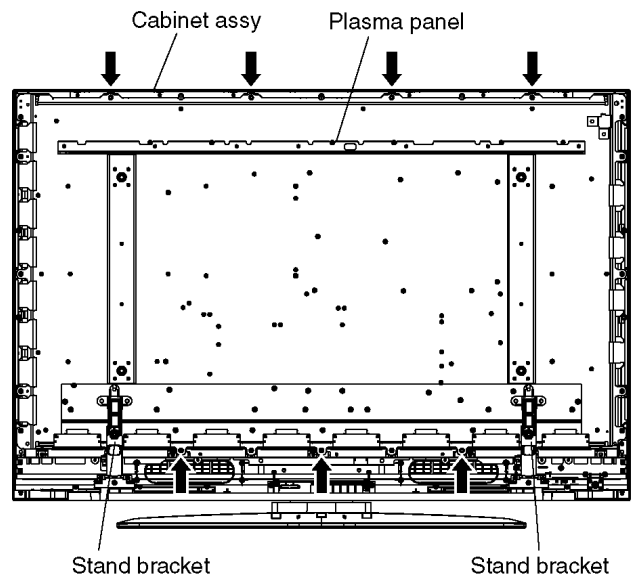


6.17. Remove the Plasma panel section from the Cabinet assy (glass)

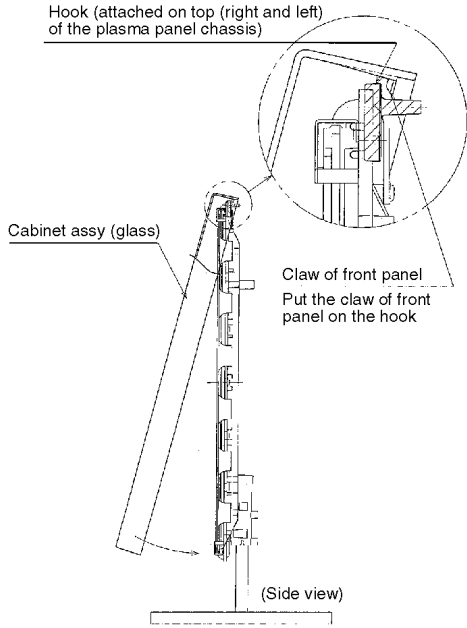
1. Remove the plasma panel section from the servicing stand and lay on a flat surface such as a table (covered) with the plasma panel surface facing downward.
2. Remove the stand brackets (left, right) fastening screws (×3 → each).



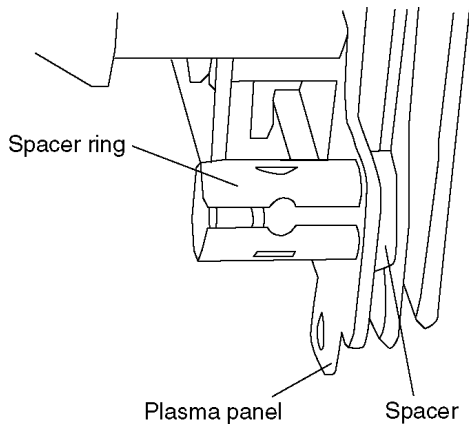
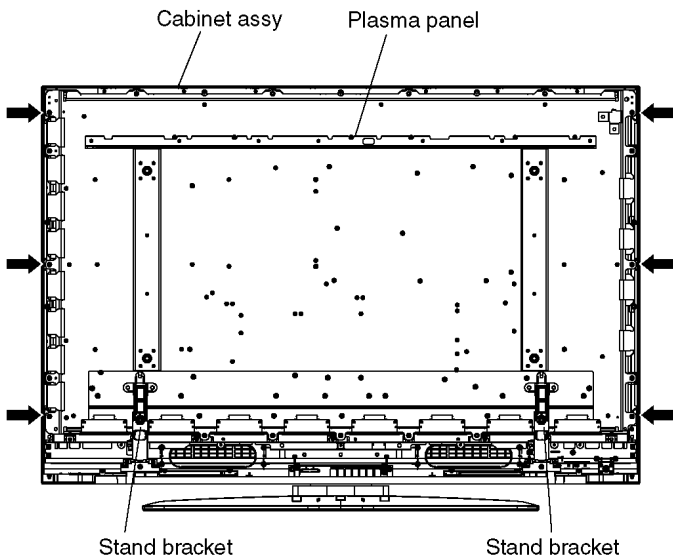
3. Replace the servicing stand and stand the set.
4. Remove the cabinet assy and the plasma panel fastening screws (×7 →).



5. For leaving the plasma panel from the cabinet assy, pull the bottom of the front frame forward, lift, and remove.



6. Remove the spacers and spacer rings (×6 →).



6.18. Replace the plasma panel (finished)

1. Place the new plasma panel (finished) on the flat surface of the table (covered by a soft cloth), with the plasma panel surface facing downward.
2. Attach the C1-Board and the C2-Board, connect the flexible cables (×16) from the Plasma panel to the C1-Board and the C2-Board, and fit the flexible cable holders.
3. Attach the Hooks (left, right) and fit the stand brackets (L, R) to the new plasma panel.
4. Place the plasma panel section on the servicing stand.
5. Attach the cabinet assy and each P.C.Board and so on, to the new plasma panel.

***When fitting the cabinet assy, be careful not to allow any debris, dust or handling residue to remain between the front glass and plasma panel.**

7 Caution statement

7.1. Caution statement.

Caution:

Please confirm that all flexible cables are assembled correctly.

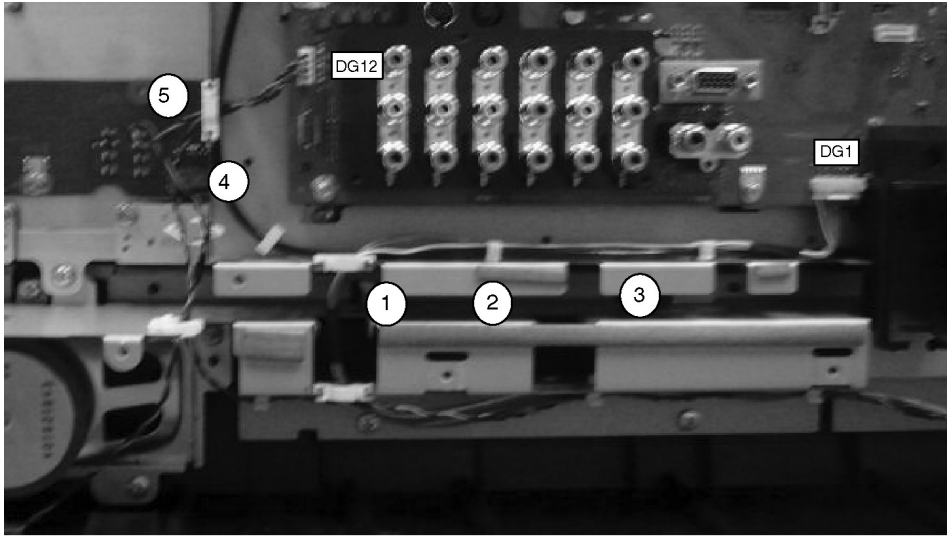
Also make sure that they are locked in the connectors.

Verify by giving the flexible cables a very slight pull.

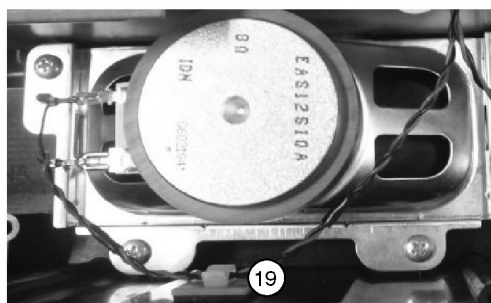
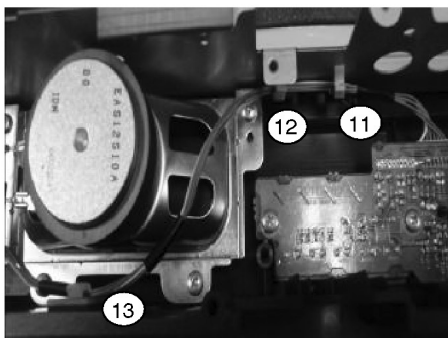
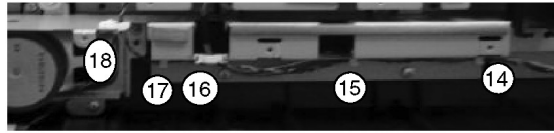
8 Location of Lead Wiring

8.1. Lead of Wiring (1)

The wire is dressed as shown in figure.



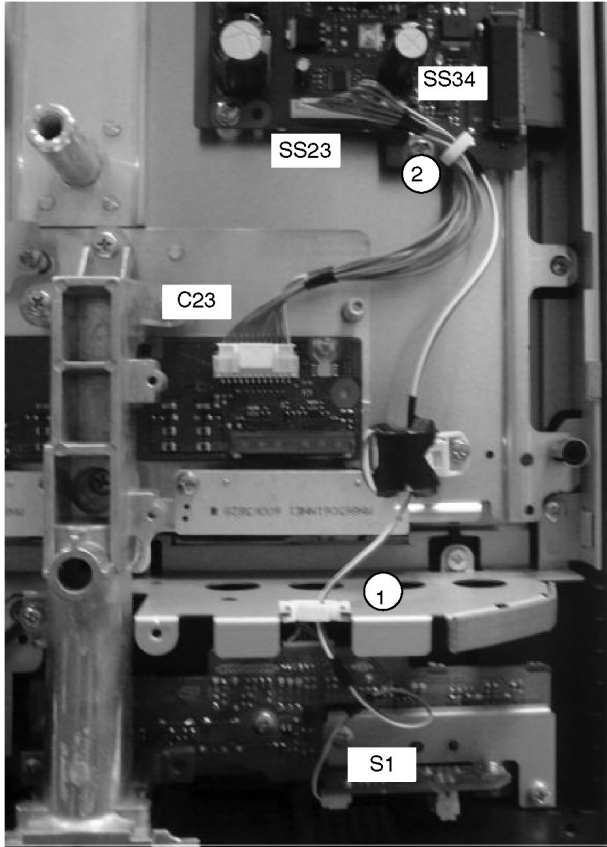
CON:No - CON:No	①	②	③	④	⑤
K1 - DG1	○	○	○	○	○
SPEAKER - DG12				○	○



CON:No - CON:No	11	12	13	14	15	16	17	18	19
K1 - DG1	○	○	○	○	○				
SPEAKER - DG12				○	○		○	○	○

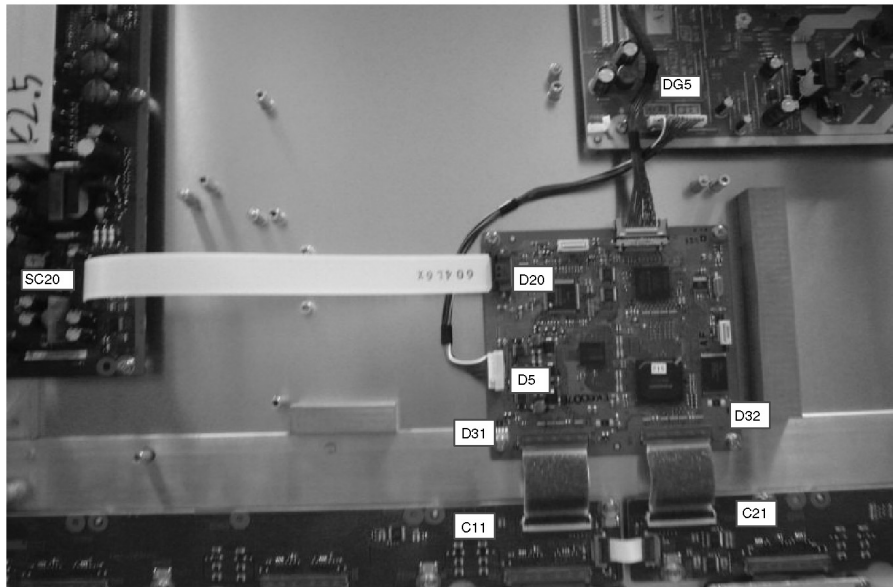
8.2. Lead of Wiring (2)

The wire is dressed as shown in figure.



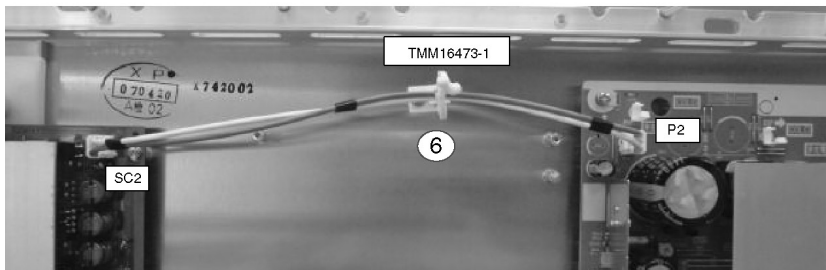
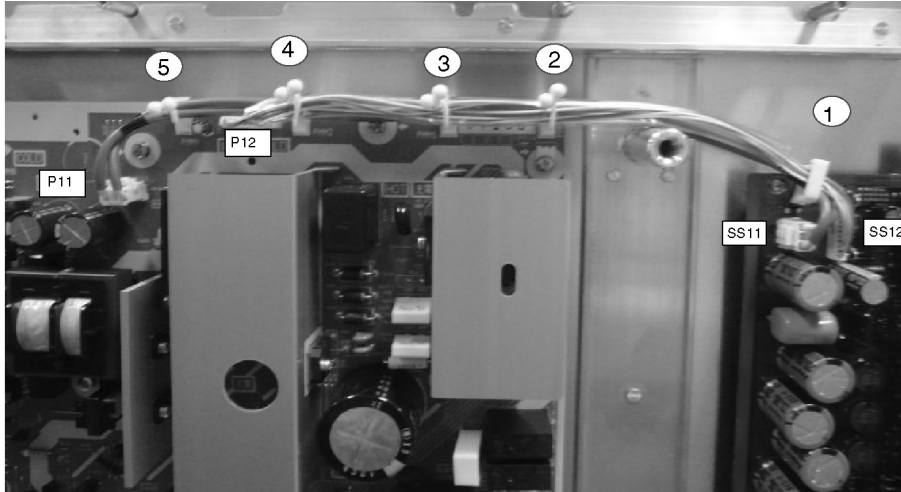
CON:No - CON:No	①	②
S1 - SS34	○	○
C23 - SS23		○

D20-SC20 D5-DG5 C11-D31 C21-D32

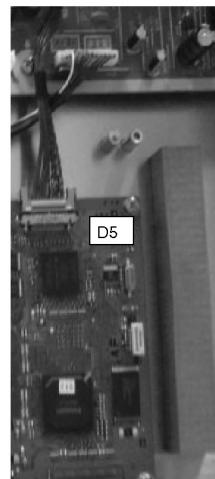
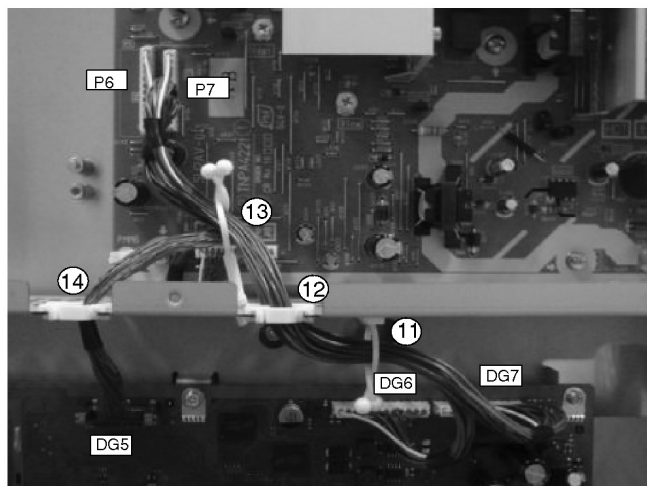


8.3. Lead of Wiring (3)

The wire is dressed as shown in figure.



CON:No - CON:No	①	②	③	④	⑤	⑥
SS11 - P11	○	○	○	○	○	○
SS12 - P12	○	○	○	○	○	○
SC2 - P2						○



CON:No - CON:No	11	12	13	14
DG6 - P6	○	○	○	
DG7 - P7	○	○	○	
DG5 - D5				○ ○

9 Self-check Function

Use the self-check function to test the unit.

1. Checking the IIC bus lines
2. Power LED Blinking timing

9.1. Check of the IIC bus lines

9.1.1. How to access

Self-check indication only:

Produce TV reception screen, and while pressing [VOLUME (-)] button on the main unit, press [OK] button on the remote control for more than 3 seconds.

Self-check indication and forced to factory shipment setting:

Produce TV reception screen, and while pressing [VOLUME (-)] button on the main unit, press [MENU] button on the remote control for more than 3 seconds.

9.1.2. Screen display

42HD SET	Panasonic 2007PDP SELF CHECK COMPLETE	42pv70hs.dat:000043
-------------	--	---------------------

<table style="width: 100%; border-collapse: collapse;"> <tr><td>ADV</td><td>OK</td></tr> <tr><td>VSW</td><td>OK</td></tr> <tr><td>ADAV</td><td>OK</td></tr> <tr><td>ASW</td><td>OK</td></tr> <tr><td>GENX</td><td>OK</td></tr> <tr><td>MEN1</td><td>OK</td></tr> <tr><td>MEN2</td><td>OK</td></tr> <tr><td>TUN1</td><td>OK</td></tr> <tr><td>※ D-TUN</td><td>OK</td></tr> <tr><td>※ OFDM</td><td>OK</td></tr> <tr><td>PDP-PANEL</td><td>OK</td></tr> <tr><td>TEMP</td><td>OK</td></tr> </table>	ADV	OK	VSW	OK	ADAV	OK	ASW	OK	GENX	OK	MEN1	OK	MEN2	OK	TUN1	OK	※ D-TUN	OK	※ OFDM	OK	PDP-PANEL	OK	TEMP	OK	<table style="width: 100%; border-collapse: collapse;"> <tr><td>PEAKS-SOFT</td><td style="text-align: right;">1.142</td></tr> <tr><td>PEAKS-EEP</td><td style="text-align: right;">01.00.0248</td></tr> <tr><td>GENX-SOFT</td><td style="text-align: right;">1.00.00</td></tr> <tr><td>GENX-EEP</td><td style="text-align: right;">1.02.00</td></tr> <tr><td>GENX-ROMCOR</td><td style="text-align: right;">1.01.00</td></tr> <tr><td>PDP-MCU</td><td style="text-align: right;">01.02</td></tr> <tr><td>PDP-EEP</td><td style="text-align: right;">40.12</td></tr> <tr><td>PDP-FPGA</td><td style="text-align: right;">40.16</td></tr> <tr><td>PDP-PD1-M</td><td style="text-align: right;">40.03</td></tr> </table>	PEAKS-SOFT	1.142	PEAKS-EEP	01.00.0248	GENX-SOFT	1.00.00	GENX-EEP	1.02.00	GENX-ROMCOR	1.01.00	PDP-MCU	01.02	PDP-EEP	40.12	PDP-FPGA	40.16	PDP-PD1-M	40.03	<table style="width: 100%; border-collapse: collapse;"> <tr><td>SUM</td><td style="text-align: right;">1cb3</td></tr> <tr><td>OPTION 1</td><td style="text-align: right;">28</td></tr> <tr><td>OPTION 2</td><td style="text-align: right;">e2</td></tr> <tr><td>OPTION 3</td><td style="text-align: right;">6f</td></tr> <tr><td>Check</td><td style="text-align: right;">79</td></tr> <tr><td>Model ID</td><td style="text-align: right;">04</td></tr> <tr><td></td><td style="text-align: right;">02150100</td></tr> <tr><td></td><td style="text-align: right;">00000020</td></tr> </table>	SUM	1cb3	OPTION 1	28	OPTION 2	e2	OPTION 3	6f	Check	79	Model ID	04		02150100		00000020
ADV	OK																																																											
VSW	OK																																																											
ADAV	OK																																																											
ASW	OK																																																											
GENX	OK																																																											
MEN1	OK																																																											
MEN2	OK																																																											
TUN1	OK																																																											
※ D-TUN	OK																																																											
※ OFDM	OK																																																											
PDP-PANEL	OK																																																											
TEMP	OK																																																											
PEAKS-SOFT	1.142																																																											
PEAKS-EEP	01.00.0248																																																											
GENX-SOFT	1.00.00																																																											
GENX-EEP	1.02.00																																																											
GENX-ROMCOR	1.01.00																																																											
PDP-MCU	01.02																																																											
PDP-EEP	40.12																																																											
PDP-FPGA	40.16																																																											
PDP-PD1-M	40.03																																																											
SUM	1cb3																																																											
OPTION 1	28																																																											
OPTION 2	e2																																																											
OPTION 3	6f																																																											
Check	79																																																											
Model ID	04																																																											
	02150100																																																											
	00000020																																																											

※ PX7A only

9.1.3. Check Point

Confirm the following parts if NG was displayed.

Display	Ref. No.	Description	P.C.B.
ADV	IC4510	AD/HDMI	DG-Board
VSW	IC3001	Video SW	DG-Board
ADAV	IC2106	Sound Processor	DG-Board
ASW	IC3101	Audio SW	DG-Board
GENX	IC1100	GenX (STB MCU)	DG-Board
MEM1	IC1101	EEPROM (GenX)	DG-Board
MEM2	IC8601	EEPROM (Peaks)	DG-Board
TUN1	TU3200	Tuner (Analogue)	DG-Board
D-TUN	TU8301	Tuner (Digital)	DG-Board
OFDM	IC8301	Digital demodulator	DG-Board
PDP-PANEL	IC9003	MICOM	D-Board
TEMP	IC4800	Temp Sensor	DG-Board

9.1.4. Exit

Disconnect the AC cord from wall outlet.

9.2. Power LED Blinking timing chart

1. Subject

Information of LED Flashing timing chart.

2. Contents

When an abnormality has occurred the unit, the protection circuit operates and reset to the stand by mode. At this time, the defective block can be identified by the number of blinks of the Power LED on the front panel of the unit.

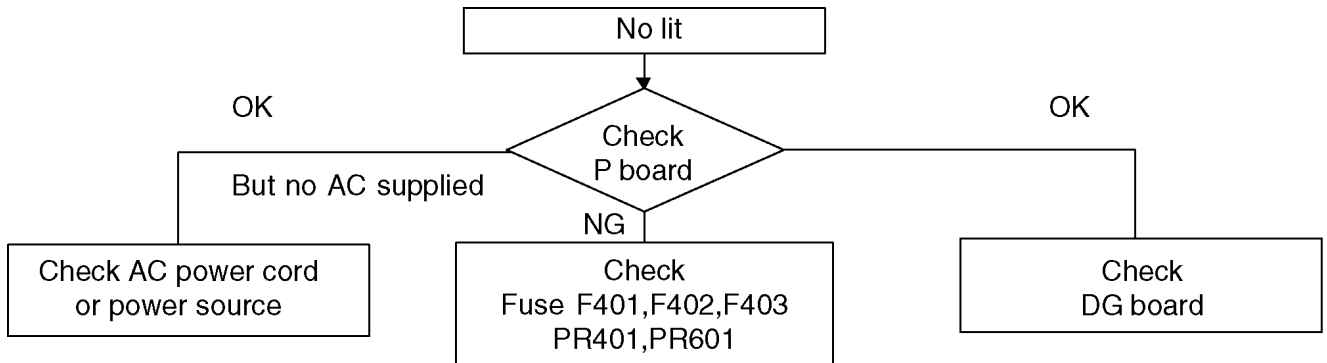
Blinking Times	Blinking timing	Contents	Check point
1		No particular check point	-
2		15V SOS	P-Board
3		3.3V SOS	D-Board
4		Power SOS	P-Board
5		5V SOS	P-Board D-Board
6		Driver SOS1 (SC Energy recovery circuit)	SU-Board SD-Board SC-Board
7		Driver SOS2 (SC floating voltage area)	SU-Board SD-Board SC-Board
8		Driver SOS3 (SS Energy recovery circuit)	SS-Board
9		Config SOS	-
10 (0a)		Sub 5V SOS Main 3.3V SOS DTV 9V SOS Tuner Power SOS	DG-Board
12 (0c)		Sound SOS	P-Board DG-Board
13 (0d)		Communication Error with IC8001 (Peaks Lite2)	DG-Board

9.3. No Power

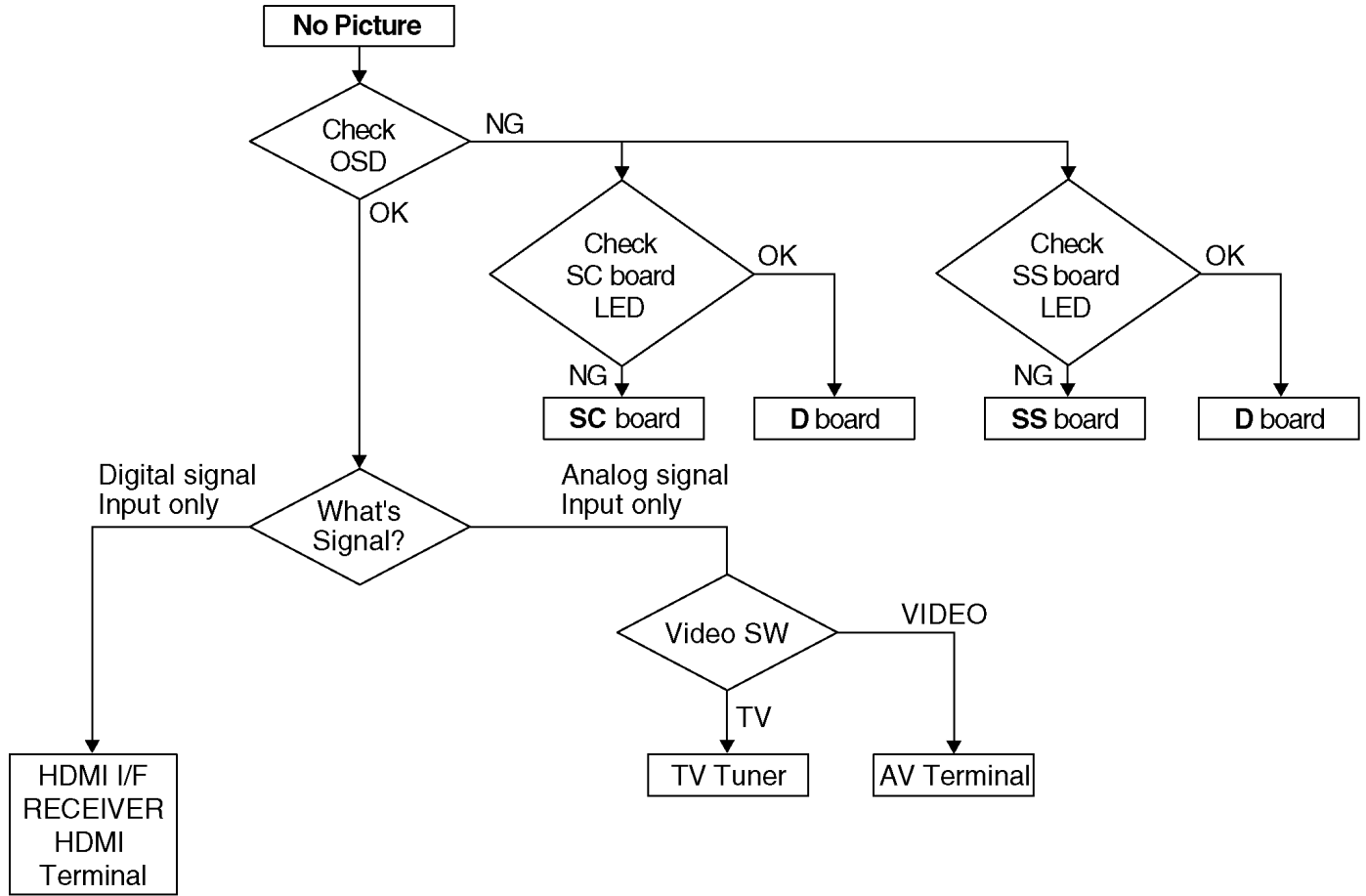
First check point

There are following 2 states of No Power indication by power LED.

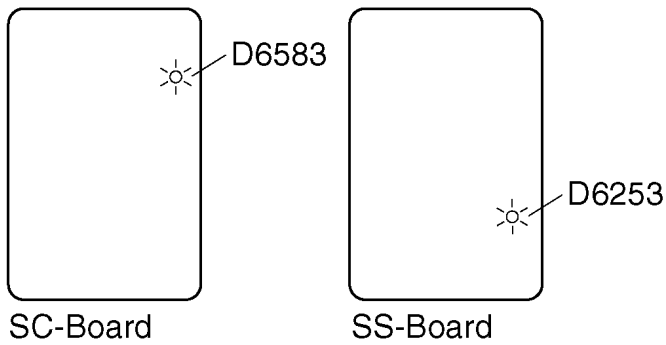
1. No lit
2. Red is lit then turns red blinking a few seconds later. (See 9.2.)



9.4. No Picture



Drive circuits LED indicator



9.5. Local screen failure

Plasma display may have local area failure on the screen. Fig-1 is the possible defect P.C.B. for each local area.

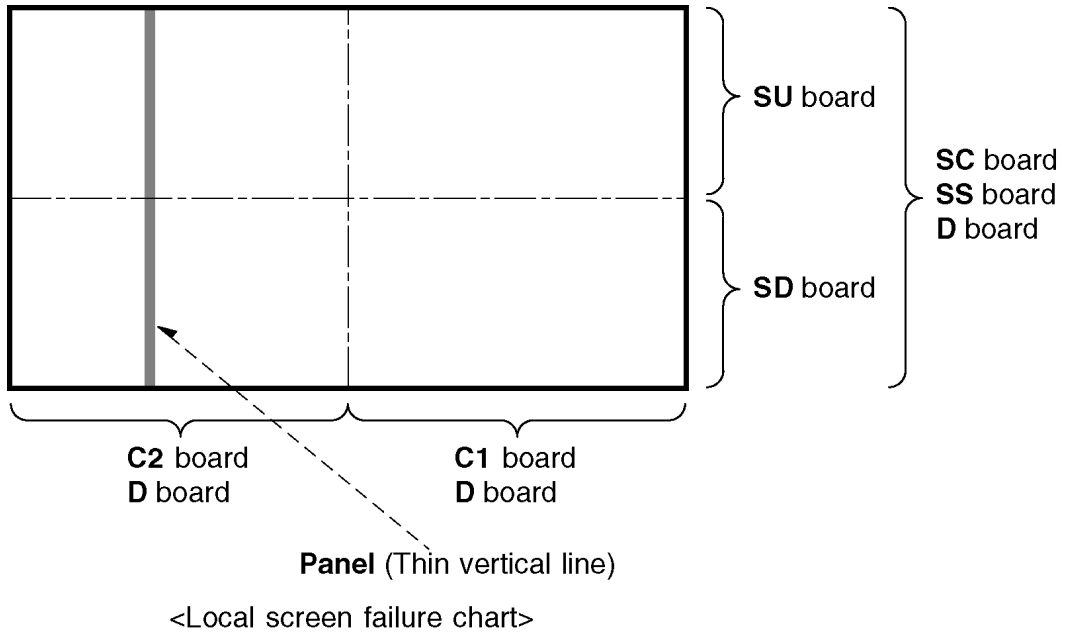
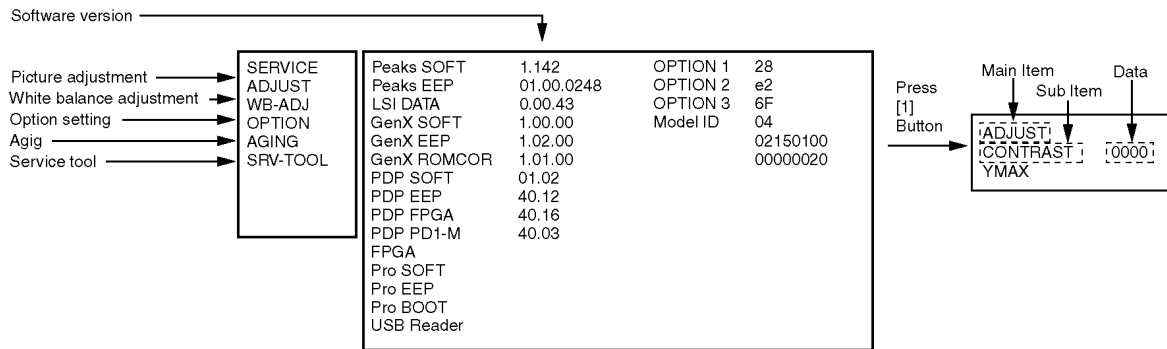


Fig-1

10 Service Mode

10.1. How to enter into Service Mode

While pressing [VOLUME (-)] button of the main unit, press [RECALL](PV model)/[INFO](PX model) button of the remote control three times within 2 seconds.



10.1.1. Key command

- "1" button...Main items Selection in forward direction
- "2" button...Main items Selection in reverse direction
- "3" button...Sub items Selection in forward direction
- "4" button...Sub items Selection in reverse direction
- "RED" button...All Sub items Selection in reverse direction
- "GREEN" button...All Sub items Selection in forward direction
- "VOL" button...Value of sub items change in forward direction (+), in reverse direction (-)

10.1.2. Contents of adjustment mode

- Value is shown as a hexadecimal number.
- Preset value differs depending on models.
- After entering the adjustment mode, take note of the value in each item before starting adjustment.

Main item	Sub item	Sample data	Remark
ADJUST	CONTRAST	24F	
	COLOR	2B	
	TINT	00	
	SUB-BRT	810	
	H-POS	0	
	H-AMP	0	
	V-POS	0	
	V-AMP	0	
WB-ADJ	R-CUT	80	
	G-CUT	80	
	B-CUT	80	
	R-DRV	F5	
	G-DRV	EC	
	B-DRV	FC	
	ALL-CUT	80	
	ALL-DRV	FC	
OPTION	Panel-Type	42HD	Factory Preset
	Boot	ROM	
	STBY-SET	00	
	Emergency	ON	
	Y/C Delay	0	
	OPT 1	00101000	
	OPT 2	11100010	
	OPT 3	01101111	
AGING	RGBW		
	All white (COUNTER)		
	All white		
	All red		
	All green		
	All blue		
	ON/OFF		
	Diagonal lamp W		
	Diagonal lamp R		
	Diagonal lamp G		
	Diagonal lamp B		
	1% WINDOW		
	COLOR BAR		
	A B zone/checkerd 4 trio		
	SCROLL BAR		
	2dot		
SRV-TOOL			see next

Destinations	A	AZ	HS	M	MR
		Australia	NZ	Singapore	M.East
OPTION1	08	08	28	28	28
OPTION2	22	E2	E2	E2	E2
OPTION3	00	6F	6F	6F	6F

10.1.3. How to exit

Switch off the power with the [POWER] button on the main unit or the [POWER] button on the remote control.

10.2. Service tool mode

10.2.1. How to access

1. Select "SRV-TOOL" in Service Mode.
2. Press [OK] button on the remote control.

	SRV-TOOL		
Display of TD2Microcode version →	TD2Microcode:81c0000e		
Display of Flash ROM maker code →	Flash ROM : 1 - 227E		
Display of SOS History →	PTCT : 00 .00 .00 .00 .00	Time 00000:40	Count 0000022 ← POWER ON TIME/COUNT Press [MUTE] buton (3sec)

10.2.2. Display of SOS History

SOS History (Number of LED blinking) indication.

From left side; Last SOS, before Last, three occurrence before, 2nd occurrence after shipment, 1st occurrence after shipment.

This indication will be cleared by "Self-check indication and forced to factory shipment setting".

10.2.3. POWER ON TIME/COUNT

Time : Cumulative power on time, indicated hour : minute by decimal

Count : Number of On times by decimal

Note : This indication will not cleared by self-check or any command.

10.2.4. Exit

1. Disconnect the AC code from wall outlet.

11 Adjustment Procedure

11.1. Driver Set-up

11.1.1. Item / Preparation

1. Input a white signal to plasma video input.

2. Set the picture controls as follows.

Picture menu: Dynamic

PNR: OFF

Aspect: 16:9

Caution

1. First perform Vsus adjustment.

2. Confirmation of Vscn voltage should be performed after confirmation of Vad adjustment.

When Vad=-105V, Voltage of Vscn is 40V ±4V.

11.1.2. Adjustments

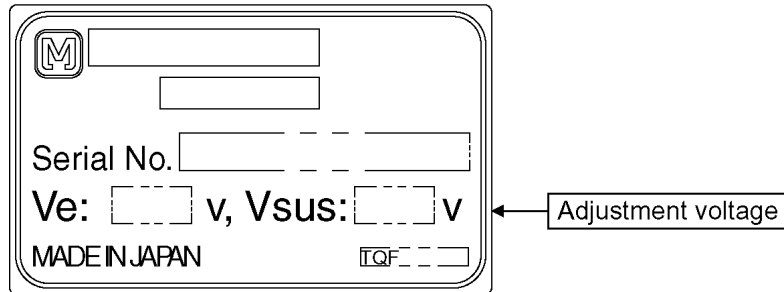
Adjust driver section voltages referring the panel data on the panel data label.

Check or adjust the following voltages with the multimeter.

Name	Test Point	Voltage	Volume	Remarks
Vsus	TPVSUS (SS)	Vsus ± 2V	R628 (P)	*
Ve	TPVE (SS)	Ve ± 1V	VR6000 (SS)	*
Vset	TPVSET (SC)	330V ± 7V	Fixed	
Vad	TPVAD (SC)	-105V ± 1V	VR6600 (SC)	
Vscn	TPVSCN (SC)	Vad+145V ± 4V	Fixed	
Vda	TPVDA (SS)	75V + 1V, -2V	Fixed	
PFC	C446(+)(-)	396V±0.5V	R443 (P)	

*See the Panel label.

Panel Label information



11.2. Initialization Pulse Adjust

1. Input the White signal to plasma video input.
2. Set the picture controls as follows.

Picture menu : Dynamic

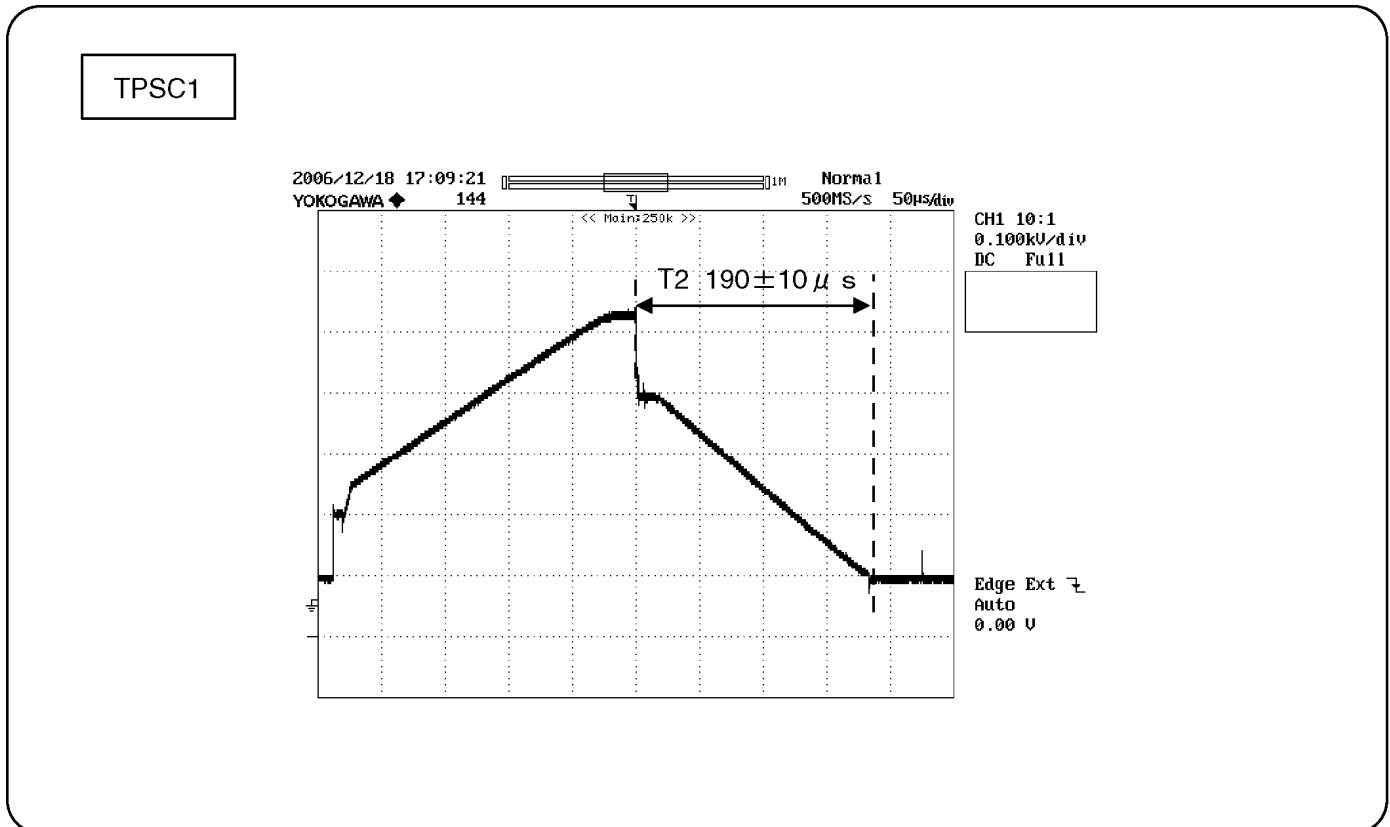
PNR : OFF

Aspect : 16:9

3. Connect Oscilloscope to TPSC1 (SC).

Check and adjust that the stand down pulse(T2) period are each within specification.

	Test point	Volume	Level
T2	TPSC1 (SC)	VR6602 (SC)	190 ± 10µ Sec



11.3. P.C.B. (Printed Circuit Board) exchange

11.3.1. Caution

1. To remove P.C.B. , wait 1 minute after power was off for discharge from electrolysis capacitors.

11.3.2. Quick adjustment after P.C.B. exchange

Adjust the following voltages with the multimeter.

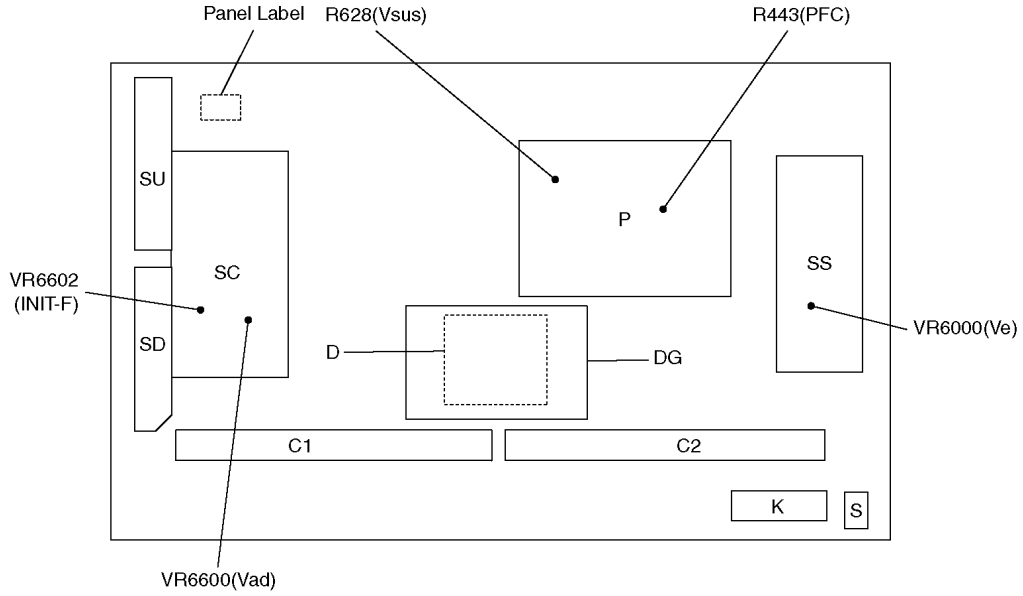
P.C.B.	Name	Test Point	Voltage	Volume	Remarks
P Board	Vsus	TPVSUS (SS)	Vsus ± 2V	R628 (P)	*
	PFC	C446	396V ± 0.5V	R443 (P)	
SC Board	Vad	TPVAD (SC)	-105V ± 1V	VR6600 (SC)	
SS Board	Ve	TPVE (SS)	Ve ± 1V	VR6000 (SS)	*
D, DG Board	White balance and Sub brightness for NTSC, PAL, HD, PC and 625i signals				

*See the Panel label.

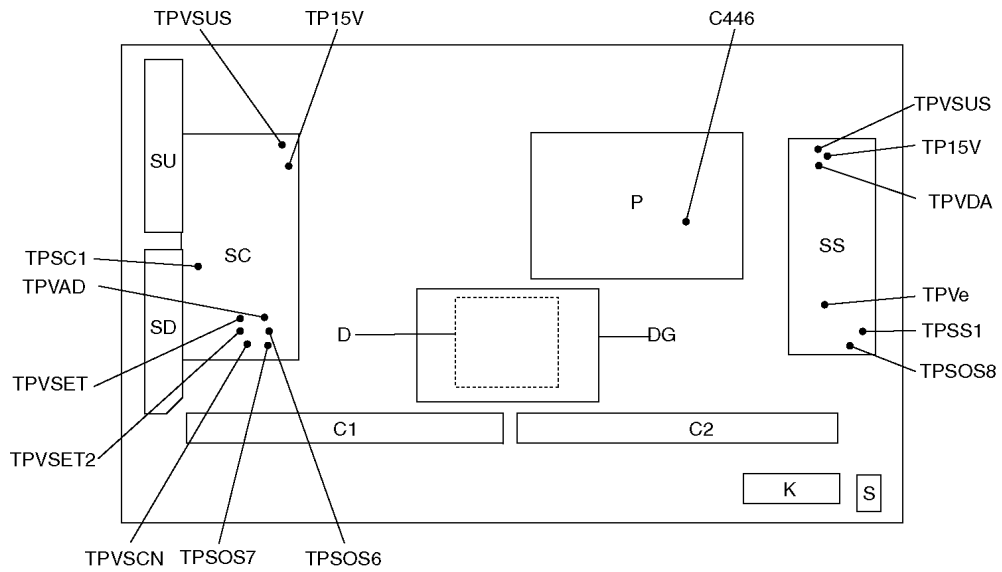
Caution:

Absolutely do not reduce Vsus below Ve not to damage the P.C.B.

11.4. Adjustment Volume Location



11.5. Test Point Location

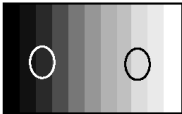


12 Adjustment

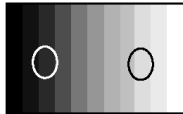
12.1. Sub-Contrast adjustment

Name of measuring instrument	Connection	Remarks																
RF generator Base Band generator																		
Preparation (AV)		Remarks																
<p>1. Receive AV1 (PAL 100% Full White or Split Colour bar shown as below) .</p> <div style="text-align: center; border: 1px solid black; width: 200px; margin: 10px auto;"> <table border="1" style="border-collapse: collapse;"> <tr> <td style="width: 20px; height: 20px;"></td> <td style="width: 20px; height: 20px;"></td> <td style="width: 20px; height: 20px;"></td> <td style="width: 20px; height: 20px;"></td> <td style="width: 20px; height: 20px;"></td> <td style="width: 20px; height: 20px;"></td> <td style="width: 20px; height: 20px;"></td> <td style="width: 20px; height: 20px;"></td> </tr> <tr> <td style="width: 20px; height: 20px;"></td> <td style="width: 20px; height: 20px;"></td> <td colspan="2" style="width: 40px; height: 20px; text-align: center;">100% White</td> <td style="width: 20px; height: 20px;"></td> <td style="width: 20px; height: 20px;"></td> <td style="width: 20px; height: 20px;"></td> <td style="width: 20px; height: 20px;"></td> </tr> </table> </div> <p>2. Goes into service mode. 3. Push "1" or "2" key, and goes into service mode for "Sub-Contrast".</p>												100% White						
		100% White																
Adjustment of AV system		Remarks																
<p>1. The colour key yellow button of remote control is pushed. 2. The OSD character of sub-contrast becomes red. (Inside under automatic adjustment) 3. The OSD character of sub-contrast returns to black. 4. End.</p>																		
Preparation (RF)		Remarks																
<p>1. Receive RF (PAL 100% Full White or Split Colour bar shown as below.)</p> <div style="text-align: center; border: 1px solid black; width: 200px; margin: 10px auto;"> <table border="1" style="border-collapse: collapse;"> <tr> <td style="width: 20px; height: 20px;"></td> <td style="width: 20px; height: 20px;"></td> <td style="width: 20px; height: 20px;"></td> <td style="width: 20px; height: 20px;"></td> <td style="width: 20px; height: 20px;"></td> <td style="width: 20px; height: 20px;"></td> <td style="width: 20px; height: 20px;"></td> <td style="width: 20px; height: 20px;"></td> </tr> <tr> <td style="width: 20px; height: 20px;"></td> <td style="width: 20px; height: 20px;"></td> <td colspan="2" style="width: 40px; height: 20px; text-align: center;">100% White</td> <td style="width: 20px; height: 20px;"></td> <td style="width: 20px; height: 20px;"></td> <td style="width: 20px; height: 20px;"></td> <td style="width: 20px; height: 20px;"></td> </tr> </table> </div> <p>2. Goes into service mode. 3. Push "1" or "2" key, and goes into service mode for "Sub-Contrast".</p>												100% White						
		100% White																
Adjustment of RF system		Remarks																
<p>1. The colour key yellow button of remote control is pushed. 2. The OSD character of sub-contrast becomes red. (Inside under automatic adjustment) 3. The OSD character of sub-contrast returns to black. 4. End.</p>																		
Preparation (HD)		Remarks																
<p>1. Receive Component (1080i/ 60Hz or 1080i/ 50Hz, 100% Full White or Split colour bar as shown below.)</p> <div style="text-align: center; border: 1px solid black; width: 200px; margin: 10px auto;"> <table border="1" style="border-collapse: collapse;"> <tr> <td style="width: 20px; height: 20px;"></td> <td style="width: 20px; height: 20px;"></td> <td style="width: 20px; height: 20px;"></td> <td style="width: 20px; height: 20px;"></td> <td style="width: 20px; height: 20px;"></td> <td style="width: 20px; height: 20px;"></td> <td style="width: 20px; height: 20px;"></td> <td style="width: 20px; height: 20px;"></td> </tr> <tr> <td style="width: 20px; height: 20px;"></td> <td style="width: 20px; height: 20px;"></td> <td colspan="2" style="width: 40px; height: 20px; text-align: center;">100% White</td> <td style="width: 20px; height: 20px;"></td> <td style="width: 20px; height: 20px;"></td> <td style="width: 20px; height: 20px;"></td> <td style="width: 20px; height: 20px;"></td> </tr> </table> </div> <p>2. Goes into service mode. 3. Push "1" or "2" key, and goes into service mode for "Sub-Contrast".</p>												100% White						
		100% White																
Adjustment of HD system		Remarks																
<p>1. The colour key yellow button of remote control is pushed. 2. The OSD character of sub-contrast becomes red. (Inside under automatic adjustment) 3. The OSD character of sub-contrast returns to black. 4. End.</p>																		

12.2. PAL panel white balance adjustment

Instrument Name	Connection	Remarks												
<ul style="list-style-type: none"> W/B pattern Color analyzer (Minolta CA-100 or equivalent) 	RF input Panel surface	User setting: Normal												
Procedure		Remarks												
<ul style="list-style-type: none"> Asing time is longer than 15min. Make sure the front panel to be used on the final set is fitted. Make sure a color signal is not being shown before adjustment. Put the color analyzer where there is little colour variation. <p>Complete the adjustment within 10 minutes after the turn on electricity. Turn on the power supply again when it is not possible to complete it by aging etc.</p> <ol style="list-style-type: none"> Display the white balance pattern. Enter the Service mode. A number key "1" and "2" are operated and "WB-ADJ" is displayed. Check that the color balance is "HIGH". Select "G-CUTOFF" item, using the number-key "3" or "4", and set to "80", using the volume-key "+" or "-". Also, "B-CUTOFF" and "R-CUTOFF" set to "80". Set "G-DRIVE" at "E0". Touch the signal receiver of color analyzer to the highlight window's center, and adjust B drive and R drive so x, y become the "COLOR TEMP HIGH" in the below table. All RGB drive increase so that the maximum drive value of RGB may become "FC". ("ALL-DRIVE" set to "FC".) Set color balance to "NORMAL" using "7" key. Fix G cutoff , B cutoff and R cutoff at "80". Fix G drive at "E0". Adjust B drive and R drive so the highlight window's x, y become the "COLOR TEMP NORMAL" in the below table. All RGB drive increase so that the maximum drive value of RGB may become "FC". ("ALL-DRIVE" set to "FC".) Set color balance to "LOW" using "7" key. Fix G cutoff, B cutoff and R cutoff to "80". Fix G drive to "E0". Adjust B drive and R drive so the highlight window's x, y become the "COLOR TEMP LOW" shown in the below table. All RGB drive increase so that the maximum drive value of RGB may become "FC". ("ALL-DRIVE" set to "FC".) 		<p>Picture menu : Dynamic ASPECT : 16:9</p> <ul style="list-style-type: none"> Highlight section Signal amplitude 75% <p>PAL White Balance Pattern</p>  <p>High light 75% Low light 15%</p>												
<p>Table 1. Color temp target value</p> <table border="1"> <thead> <tr> <th>COLOR TEMP</th> <th>x</th> <th>y</th> </tr> </thead> <tbody> <tr> <td>HIGH</td> <td>0.276</td> <td>0.276</td> </tr> <tr> <td>NORMAL</td> <td>0.288</td> <td>0.296</td> </tr> <tr> <td>LOW</td> <td>0.313</td> <td>0.329</td> </tr> </tbody> </table>			COLOR TEMP	x	y	HIGH	0.276	0.276	NORMAL	0.288	0.296	LOW	0.313	0.329
COLOR TEMP	x	y												
HIGH	0.276	0.276												
NORMAL	0.288	0.296												
LOW	0.313	0.329												

12.3. HD white balance adjustment

Instrument Name	Connection	Remarks												
<ul style="list-style-type: none"> • 1080i W/B Pattern • Color analyzer(Minolta CA-100 or equivalent) 	<ul style="list-style-type: none"> • RF input • Panel surface 	User setting: Normal												
Procedure		Remarks												
<p>• Asing time is longer than 15min.</p> <p>• Make sure the front panel to be used on the final set is fitted.</p> <p>• Make sure a color signal is not being shown before adjustment.</p> <p>• Put the color analyzer where there is little colour variation.</p> <p>Complete the adjustment within 10 minutes after the turn on electricity.</p> <p>Turn on the power supply again when it is not possible to complete it by aging etc.</p> <ol style="list-style-type: none"> 1. Display the white balance pattern. 2. Enter the service mode. 3. A number key "1" and "2" are operated and "WB-ADJ" is displayed. Check that the color balance is "HIGH". 4. Select "G-CUTOFF" item, using the number-key "3" or "4", and set to "80", using the volume-key "+" or "-". Also, "B-CUTOFF" and "R-CUTOFF" set to "80". 5. Set "G-DRIVE" at "E0". 6. Touch the signal receiver of color analyzer to the highlight window's center, and adjust B drive and R drive so x, y become the "Color balance Cool" in the below table. 7. All RGB drive increase so that the maximum drive value of RGB may become "FC". ("ALL-DRIVE" set to "FC".) 8. Set color balance to "NORMAL" using "7" key. 9. Fix G cutoff , B cutoff and R cutoff at "80". 10. Fix G drive at "E0". 11. Adjust B drive and R drive so the highlight window's x, y become the "Color balance Normal" in the below table. 12. All RGB drive increase so that the maximum drive value of RGB may become "FC". ("ALL-DRIVE" set to "FC".) 13. Set color balance to "LOW". 14. Fix G cutoff, B cutoff and R cutoff to "80". 15. Fix G drive to "E0". 16. Adjust B drive and R drive so the highlight window's x, y become the "Color balance Warm" shown in the below table. 17. All RGB drive increase so that the maximum drive value of RGB may become "FC". ("ALL-DRIVE" set to "FC".) 		<p>Picture menu: Dynamic ASPECT:16:9</p> <ul style="list-style-type: none"> • Highlight section Signal amplitude 75% <p>PAL White Balance Pattern</p>  <p>* The Color balance COOL differs from Japanese model values.</p>												
<p>Table 1. Color temp target value</p> <table border="1"> <thead> <tr> <th>COLOR TEMP</th> <th>x</th> <th>y</th> </tr> </thead> <tbody> <tr> <td>HIGH</td> <td>0.276</td> <td>0.276</td> </tr> <tr> <td>NORMAL</td> <td>0.288</td> <td>0.296</td> </tr> <tr> <td>LOW</td> <td>0.313</td> <td>0.329</td> </tr> </tbody> </table>			COLOR TEMP	x	y	HIGH	0.276	0.276	NORMAL	0.288	0.296	LOW	0.313	0.329
COLOR TEMP	x	y												
HIGH	0.276	0.276												
NORMAL	0.288	0.296												
LOW	0.313	0.329												

13 Hotel mode

1. Purpose

Restrict a function for hotels.

2. Access command to the Hotel mode setup menu


In order to display the Hotel mode setup menu, please enter the following command (**within 2 second**).

[TV] : Vol. "Down" + [REMOTE] : AV (3 times)

Then, the Hotel mode setup menu is displayed.

Hotel Mode	
Hotel Mode	Off
Initial INPUT	Off
Initial POS	Off
Initial VOL Level	Off
Maximum Vol Level	Off
Button Lock	Off
Remote Lock	Off

Select



EXIT
Change
RETURN

3. To exit the Hotel mode setup menu

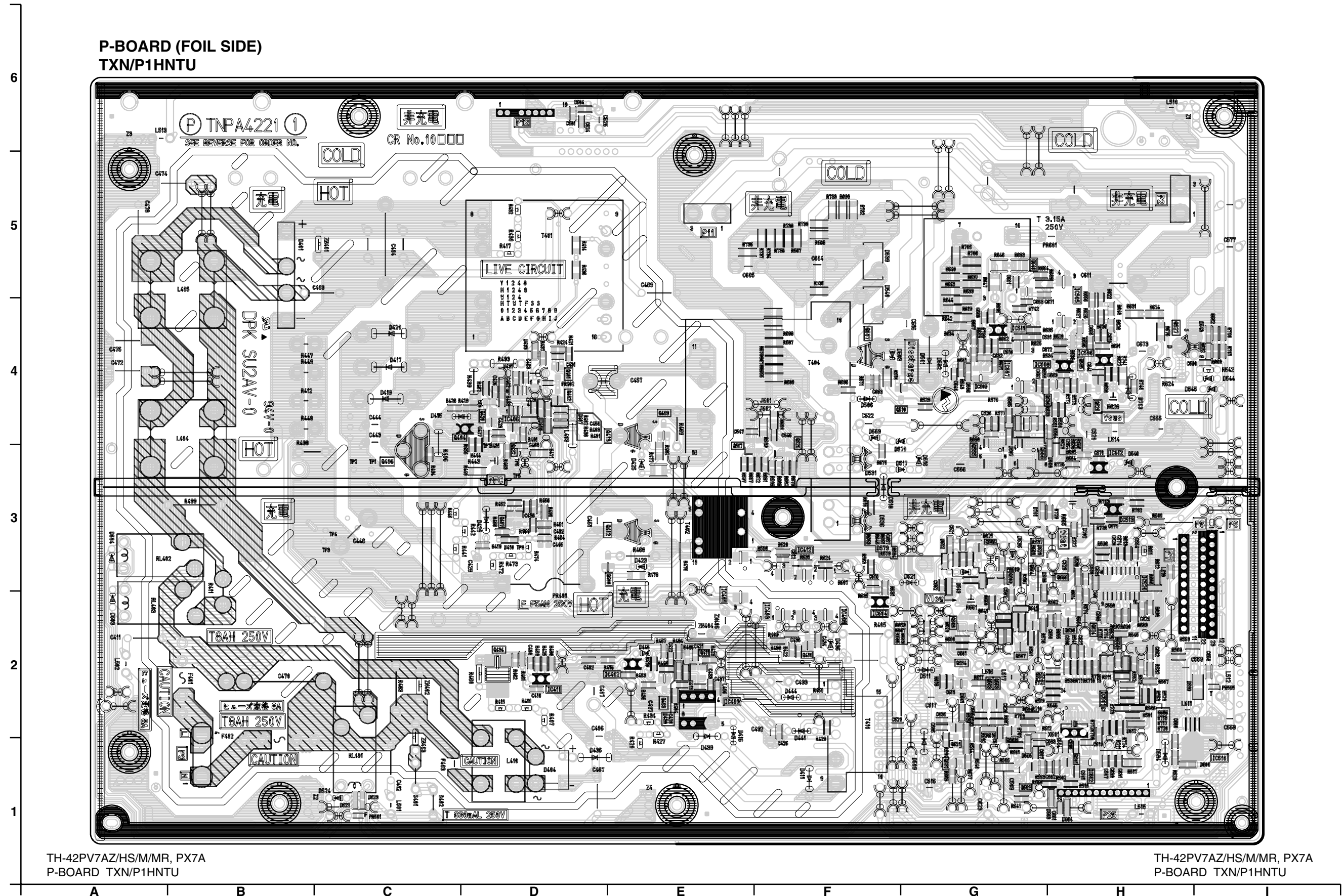
Disconnect AC power cord from wall outlet.

4. Explain the Hotel mode setup menu

item	Function
Hotel Mode	Select hotel mode ON/OFF
Initial INPUT	Select input signal modes. Set the input, when each time power is switched on. Selection : Off/TV/AV1/AV2/AV3/COMPONENT/PC/HDMI1/HDMI2 <ul style="list-style-type: none"> Off: give priority to a last memory. PC: selectable with VGA option
Initial POS	Select programme number. Selection : Off/0 to 99 <ul style="list-style-type: none"> Off: give priority to a last memory
Initial VOL level	Adjust the volume when each time power is switched on. Selection/Range : Off/0 to 63 <ul style="list-style-type: none"> Off: give priority to a last memory
Maximum VOL level	Adjust maximum volume. Range : 0 to 63
Button lock	Select local key conditions. Selection : Off/SETUP/MENU/All <ul style="list-style-type: none"> Off: altogether valid SETUP: only F-key is invalid (Tuning guide(menu) can not be selected.) MENU: only F-key is invalid (only Volume/Mute can be selected.) ALL: altogether invalid.
Remote lock	Select remote control key conditions. Selection : Off/SETUP/MENU <ul style="list-style-type: none"> Off: altogether valid SETUP: only Setup menu is invalid MENU: Picture/Sound/Setup menu are invalid

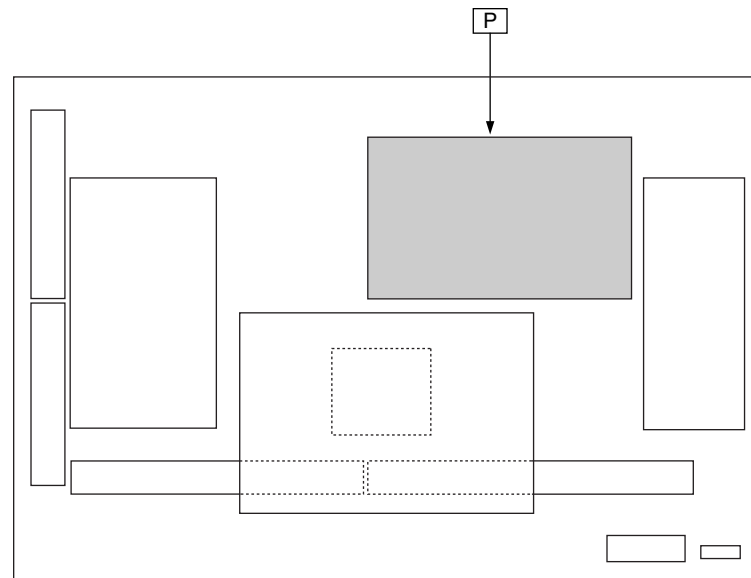
14 Conductor Views

14.1. P-Board



TH-42PV7AZ/HS/M/MR, PX7A
P-BOARD TXN/P1HNTU

TH-42PV7AZ/HS/M/MR, PX7A
P-BOARD TXN/P1HNTU



Parts Location

P-BOARD (FOIL SIDE)					
IC		TRANSISTOR		VOLUME	
IC401	E-2	Q401	D-4	Q535	H-4
IC402	E-2	Q402	D-4	Q537	G-1
IC403	F-2	Q403	E-2	Q538	H-2
IC406	D-4	Q404	D-4	Q540	G-5
IC408	F-2	Q406	C-3	Q541	G-2
IC409	E-2	Q407	D-3	Q553	G-2
IC411	D-2	Q408	E-3	Q554	G-2
IC412	F-3	Q409	E-4	Q555	G-3
IC501	H-2	Q410	F-2	Q556	G-3
IC502	H-1	Q411	E-2	Q563	G-2
IC504	F-2	Q412	E-3	Q564	G-3
IC505	H-5	Q413	E-4	Q565	H-3
IC506	H-4	Q420	D-4	Q566	G-3
IC507	G-4	Q422	D-3	Q567	G-2
IC508	H-4	Q434	D-2	Q569	G-2
IC509	G-4	Q501	H-1	VOLUME	
IC510	I-1	Q502	G-1	R443	C-3
IC511	G-4	Q507	F-4	R661	G-2
IC512	H-3	Q508	G-2	R665	H-3
IC513	H-3	Q509	G-3		
IC520	H-3	Q510	G-4		
		Q517	E-4		
		Q520	F-4		
		Q521	G-1		
		Q524	H-2		
		Q525	H-4		
		Q527	H-4		
		Q530	H-4		

TH-42PV7AZ/HS/M/MR, PX7A
P-BOARD PARTS LOCATION

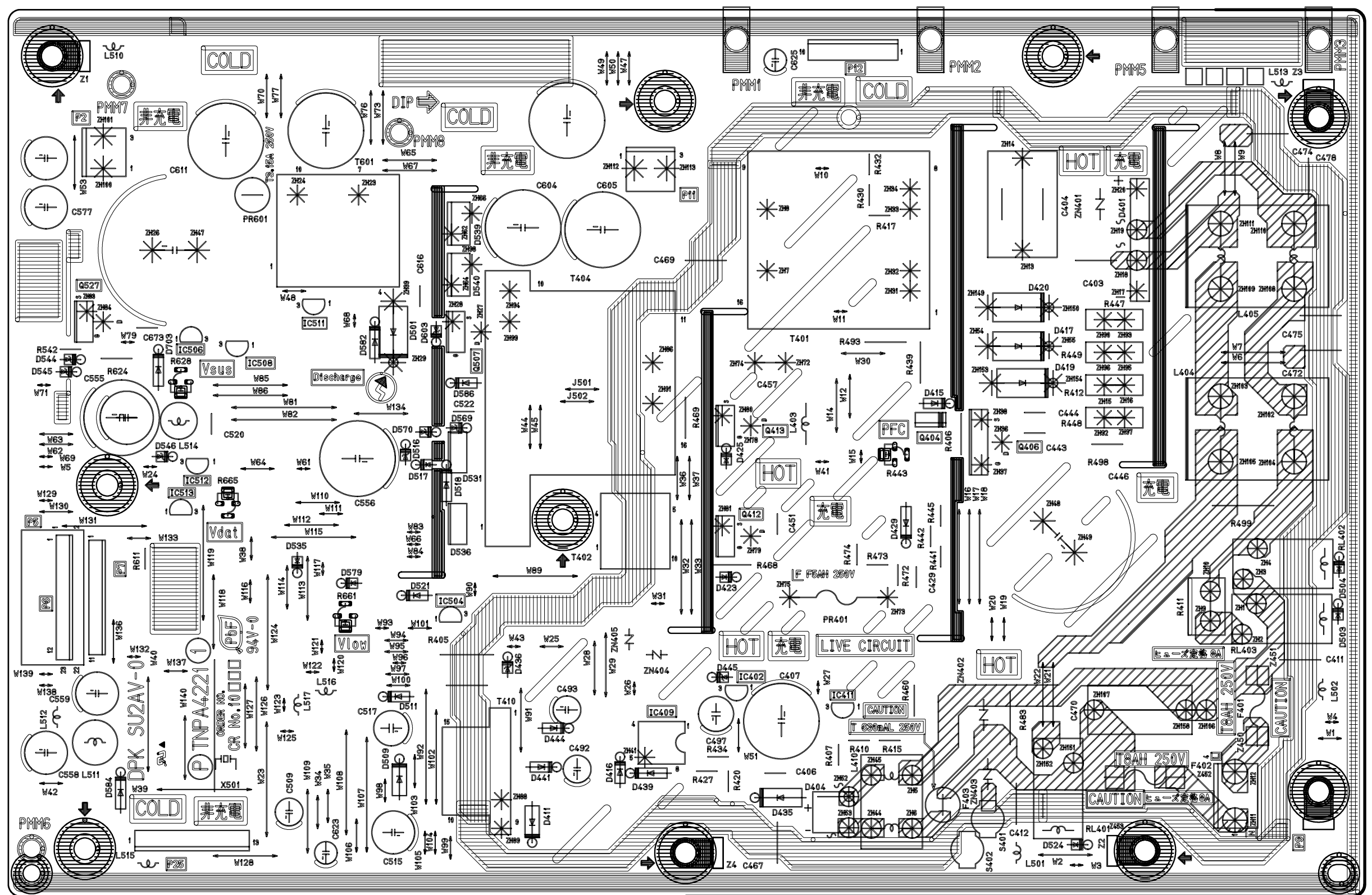
Parts Location

P-BOARD (COMPONENT SIDE)					
IC		TRANSISTOR		VOLUME	
IC402	E-2	Q404	F-3	R443	F-3
IC409	E-2	Q406	G-3	R661	C-2
IC411	F-2	Q412	E-3	R665	B-3
IC504	D-2	Q413	E-4		
IC506	B-4	Q507	D-4		
IC508	B-4	Q527	A-4		
IC511	C-4				
IC512	B-3				
IC513	B-3				

TH-42PV7AZ/HS/M/MR, PX7A
P-BOARD PARTS LOCATION

**P-BOARD (COMPONENT SIDE)
TXN/P1HNTU**

6
5
4
3
2
1



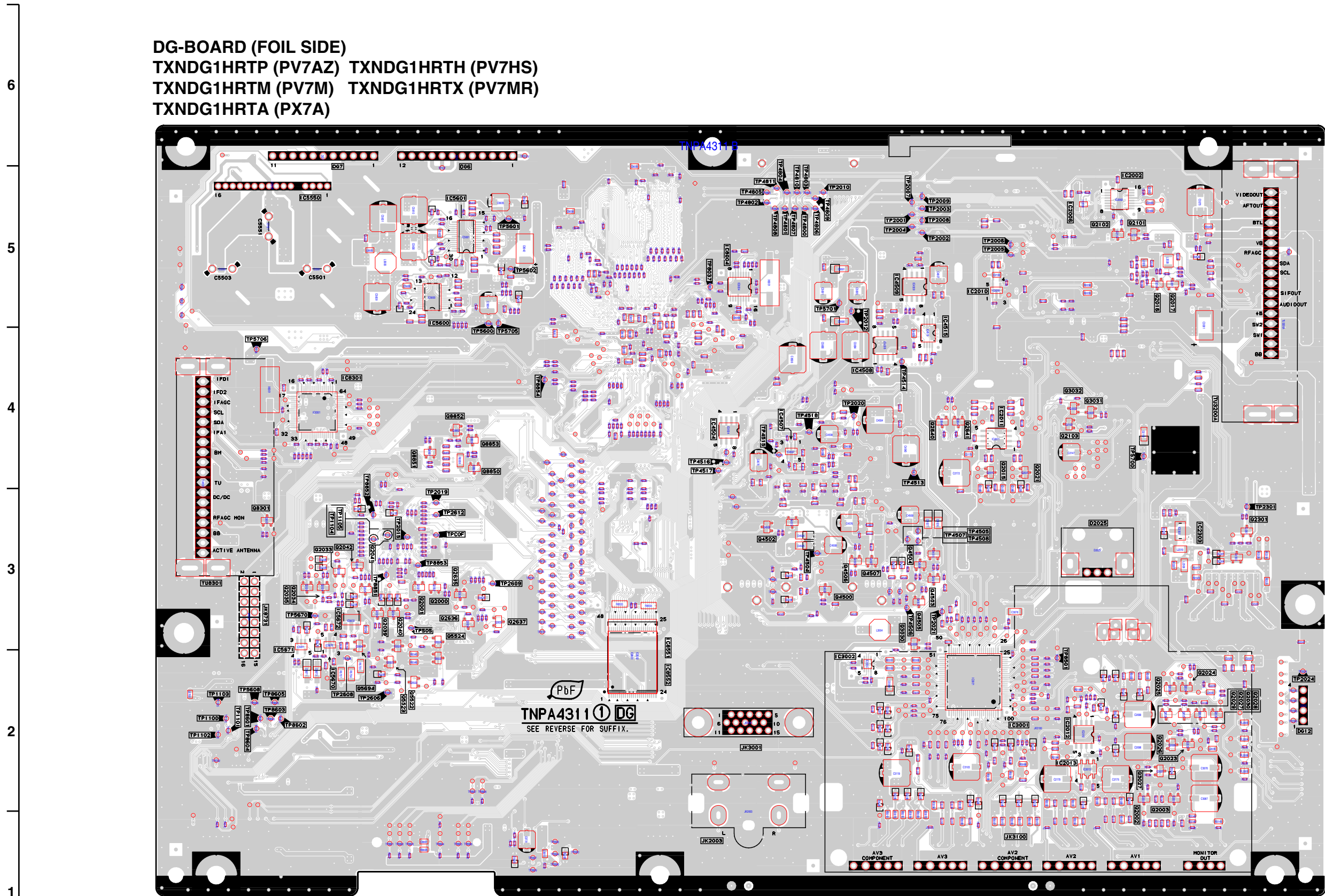
TH-42PV7AZ/HS/M/MR, PX7A
P-BOARD TXN/P1HNTU

TH-42PV7AZ/HS/M/MR, PX7A
P-BOARD TXN/P1HNTU

A B C D E F G H I

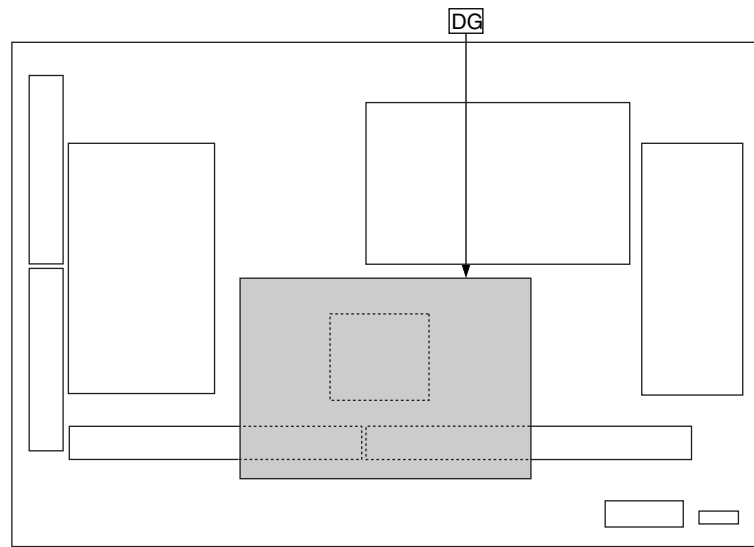
14.2. DG-Board

DG-BOARD (FOIL SIDE)
 TXNDG1HRTP (PV7AZ) TXNDG1HRTH (PV7HS)
 TXNDG1HRTM (PV7M) TXNDG1HRTX (PV7MR)
 TXNDG1HRTA (PX7A)



TH-42PV7AZ	TH-42PV7M	
DG-BOARD TXNDG1HRTP	DG-BOARD TXNDG1HRTM	
TH-42PV7HS	TH-42PV7MR	TH-42PX7A
DG-BOARD TXNDG1HRTH	DG-BOARD TXNDG1HRTX	DG-BOARD TXNDG1HRTA

TH-42PV7AZ	TH-42PV7M	
DG-BOARD TXNDG1HRTP	DG-BOARD TXNDG1HRTM	
TH-42PV7HS	TH-42PV7MR	TH-42PX7A
DG-BOARD TXNDG1HRTH	DG-BOARD TXNDG1HRTX	DG-BOARD TXNDG1HRTA



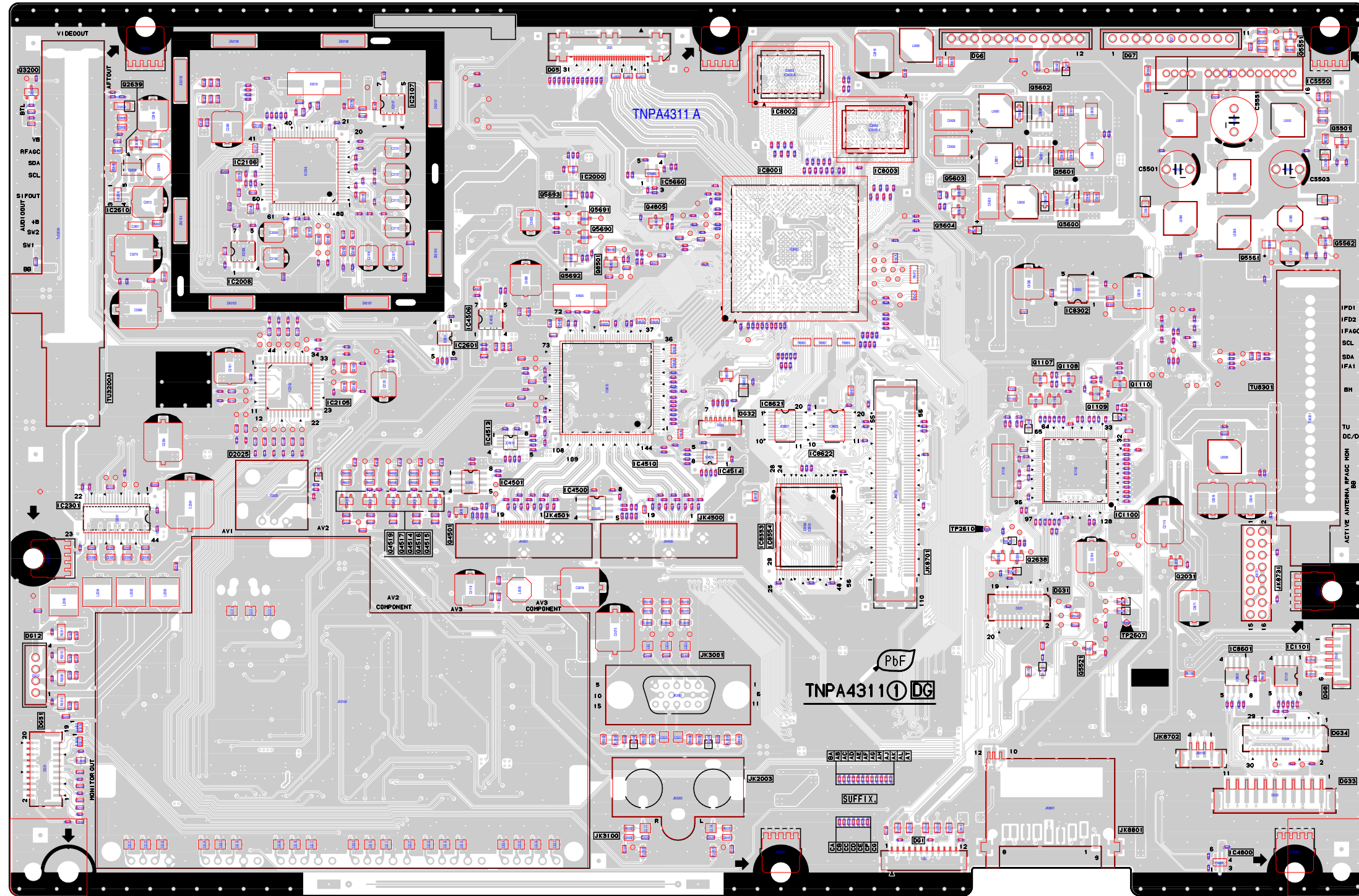
Parts Location

DG-BOARD (FOIL SIDE)					
IC		TRANSISTOR		TP	
IC2002	G-5	Q2000	C-3	TP1100	B-2
IC2006	G-5	Q2001	C-3	TP1101	B-2
IC2010	F-5	Q2002	G-1	TP1102	B-2
IC2011	G-4	Q2003	H-1	TP1103	B-2
IC2012	G-2	Q2015	G-4	TP1104	B-3
IC2013	G-2	Q2016	H-5	TP1105	C-3
IC2303	H-3	Q2017	H-5	TP2001	F-5
IC3001	G-2	Q2021	G-4	TP2002	F-5
IC3002	F-2	Q2023	H-2	TP2003	F-5
IC4504	E-4	Q2024	H-2	TP2004	F-5
IC4507	E-4	Q2025	H-2	TP2005	G-5
IC4508	F-4	Q2026	H-2	TP2006	G-5
IC4509	F-5	Q2027	H-2	TP2007	F-5
IC4515	F-5	Q2028	H-2	TP2008	F-5
IC5550	B-5	Q2029	H-2	TP2009	F-5
IC5600	C-5	Q2030	H-2	TP2010	F-5
IC5601	C-5	Q2033	B-3	TP2012	F-5
IC5670	B-2	Q2034	B-3	TP2015	C-3
IC5671	B-2	Q2035	B-3	TP2019	C-3
IC5672	C-3	Q2039	C-3	TP2020	F-4
IC8004	E-5	Q2040	C-3	TP2021	F-3
IC8301	C-4	Q2041	C-3	TP2301	H-3
IC8551	E-2	Q2042	C-3	TP2606	C-2
IC8552	E-2	Q2101	G-5	TP2608	C-2
		Q2102	G-5	TP2609	D-3
		Q2103	G-4	TP2612	C-3
		Q2301	H-3	TP4504	E-3
		Q2635	C-3	TP4505	F-3
		Q2636	C-3	TP4506	F-3
		Q2637	D-3	TP4506	F-3
		Q2640	F-4	TP4507	F-3
		Q2641	F-4	TP4513	F-4
		Q3027	G-2	TP4514	F-4
		Q3030	F-3	TP4515	E-4
		Q3031	G-4	TP4516	E-4
		Q3032	G-4	TP4517	E-4
		Q4500	F-3	TP4518	E-4
		Q4502	E-3	TP4800	E-5
		Q4503	F-3	TP4801	E-5
		Q4504	F-3	TP4802	E-5
		Q4505	F-3	TP4803	E-5
		Q4506	F-3	TP4804	E-5
		Q4507	F-3	TP4805	E-5
		Q5522	C-2	TP4806	E-5
		Q5523	C-2	TP4807	E-5
		Q5524	C-3	TP4808	E-5
		Q5694	C-2	TP4809	E-5
		Q8301	B-3	TP4810	E-5
		Q8850	C-4	TP4811	E-5
		Q8851	C-4	TP5600	C-5
		Q8852	C-4	TP5601	D-5
		Q8853	C-4	TP5602	D-5
				TP5608	B-2
				TP5670	B-3
				TP5700	G-4
				TP5701	F-5
				TP5705	D-5
				TP5706	B-4
				TP8037	E-5
				TP8501	G-2
				TP8601	B-2
				TP8602	B-2
				TP8603	B-2
				TP8604	B-2
				TP8605	B-2
				TP8851	C-3
				TP8852	C-3
				TP8853	C-3
				TP8854	D-4
				TPCOF	C-3
				TPSOS	C-3

Parts Location

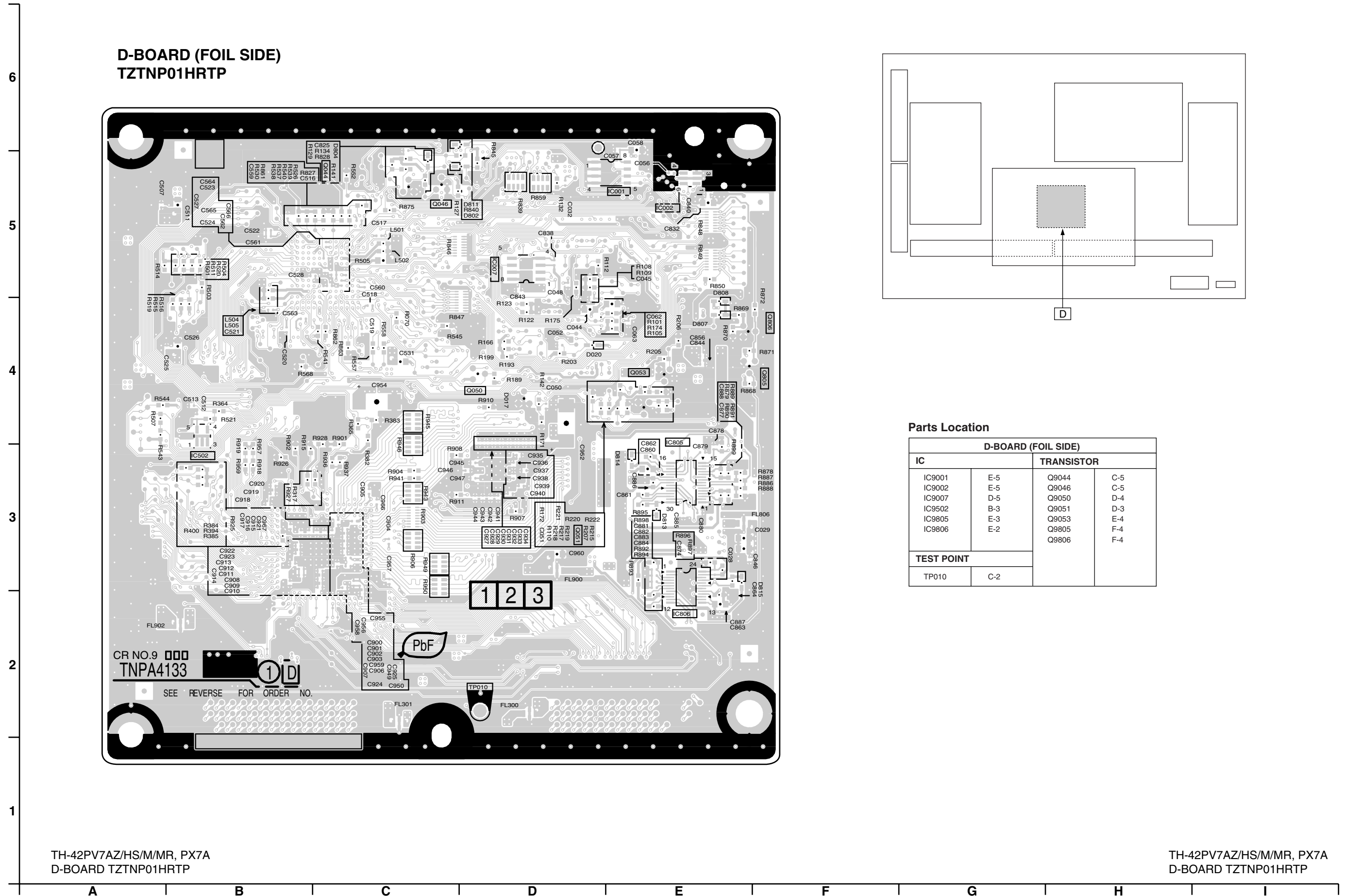
DG-BOARD (COMPONENT SIDE)					
IC		TRANSISTOR		TP	
IC1100	G-3	Q1107	G-4	TP2607	G-2
IC1101	H-2	Q1108	G-4	TP2610	F-3
IC2000	D-5	Q1109	G-4		
IC2008	C-4	Q1110	G-4		
IC2105	C-4	Q2031	H-3		
IC2106	C-5	Q2638	G-3		
IC2107	C-5	Q2639	B-5		
IC2301	B-1	Q3200	A-5		
IC2601	D-4	Q4501	D-3		
IC2610	B-5	Q4514	C-3		
IC4500	D-3	Q4515	D-3		
IC4501	D-3	Q4516	D-3		
IC4506	D-4	Q4517	C-3		
IC4510	E-3	Q4519	C-3		
IC4513	D-3	Q4805	E-5		
IC4514	E-3	Q5501	H-5		
IC4800	H-1	Q5521	G-2		
IC5550	H-5	Q5551	H-5		
IC5660	E-5	Q5561	H-4		
IC8001	E-5	Q5562	H-4		
IC8002	E-5	Q5600	G-5		
IC8003	F-5	Q5601	G-5		
IC8302	G-4	Q5602	G-5		
IC8553	E-3	Q5603	F-5		
IC8554	E-3	Q5604	F-5		
IC8601	H-2	Q5690	D-5		
IC8621	E-4	Q5691	D-5		
IC8622	F-3	Q5692	D-4		
		Q5693	D-5		
		Q8501	D-4		

DG-BOARD (COMPONENT SIDE)
 TXNDG1HRTP (PV7AZ) TXNDG1HRTH (PV7HS)
 TXNDG1HRTM (PV7M) TXNDG1HRTX (PV7MR)
 TXNDG1HRTA (PX7A)



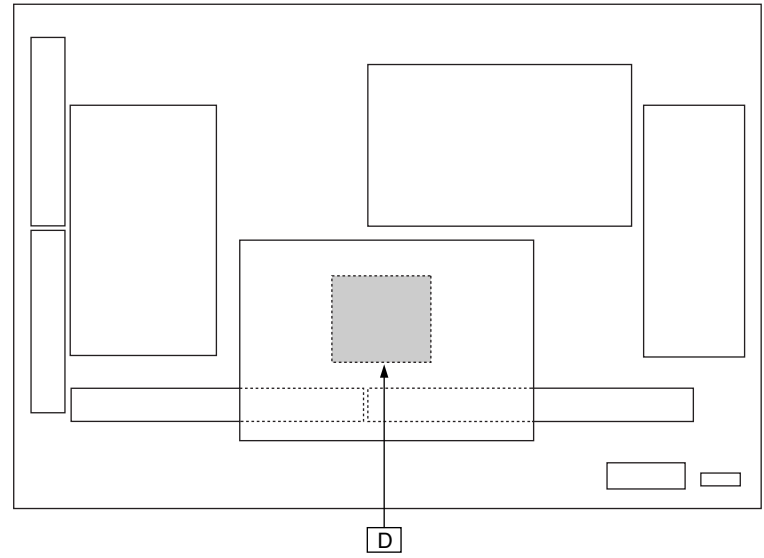
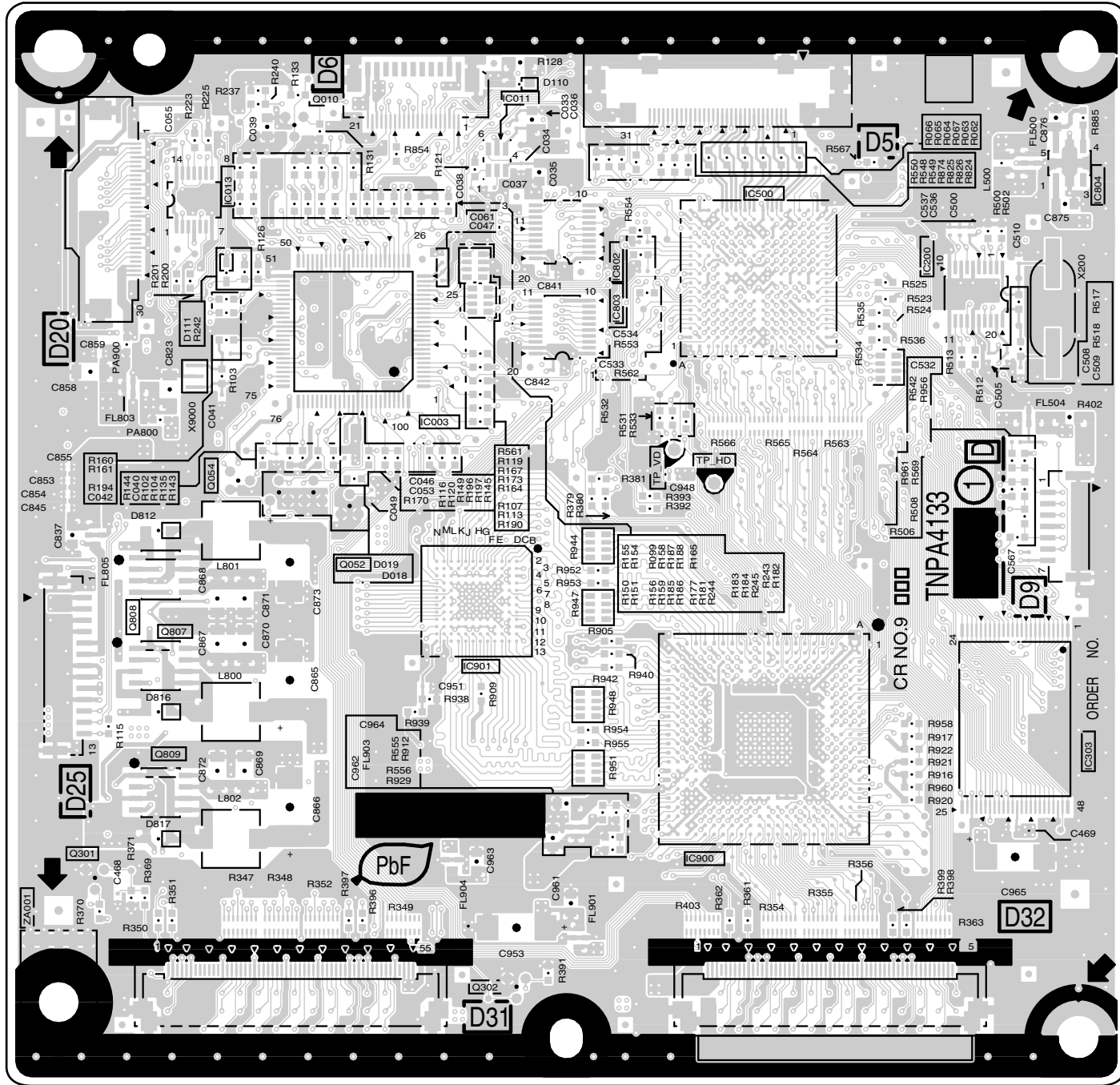
TH-42PV7AZ DG-BOARD TXNDG1HRTP	TH-42PV7M DG-BOARD TXNDG1HRTM	TH-42PV7HS DG-BOARD TXNDG1HRTH	TH-42PV7MR DG-BOARD TXNDG1HRTX	TH-42PX7A DG-BOARD TXNDG1HRTA	TH-42PV7AZ DG-BOARD TXNDG1HRTP	TH-42PV7HS DG-BOARD TXNDG1HRTH	TH-42PV7M DG-BOARD TXNDG1HRTM	TH-42PV7MR DG-BOARD TXNDG1HRTX	TH-42PX7A DG-BOARD TXNDG1HRTA
A	B	C	D	E	F	G	H	I	

14.3. D-Board



**D-BOARD (COMPONENT SIDE)
TZTNP01HRTP**

6
5
4
3
2
1



Parts Location

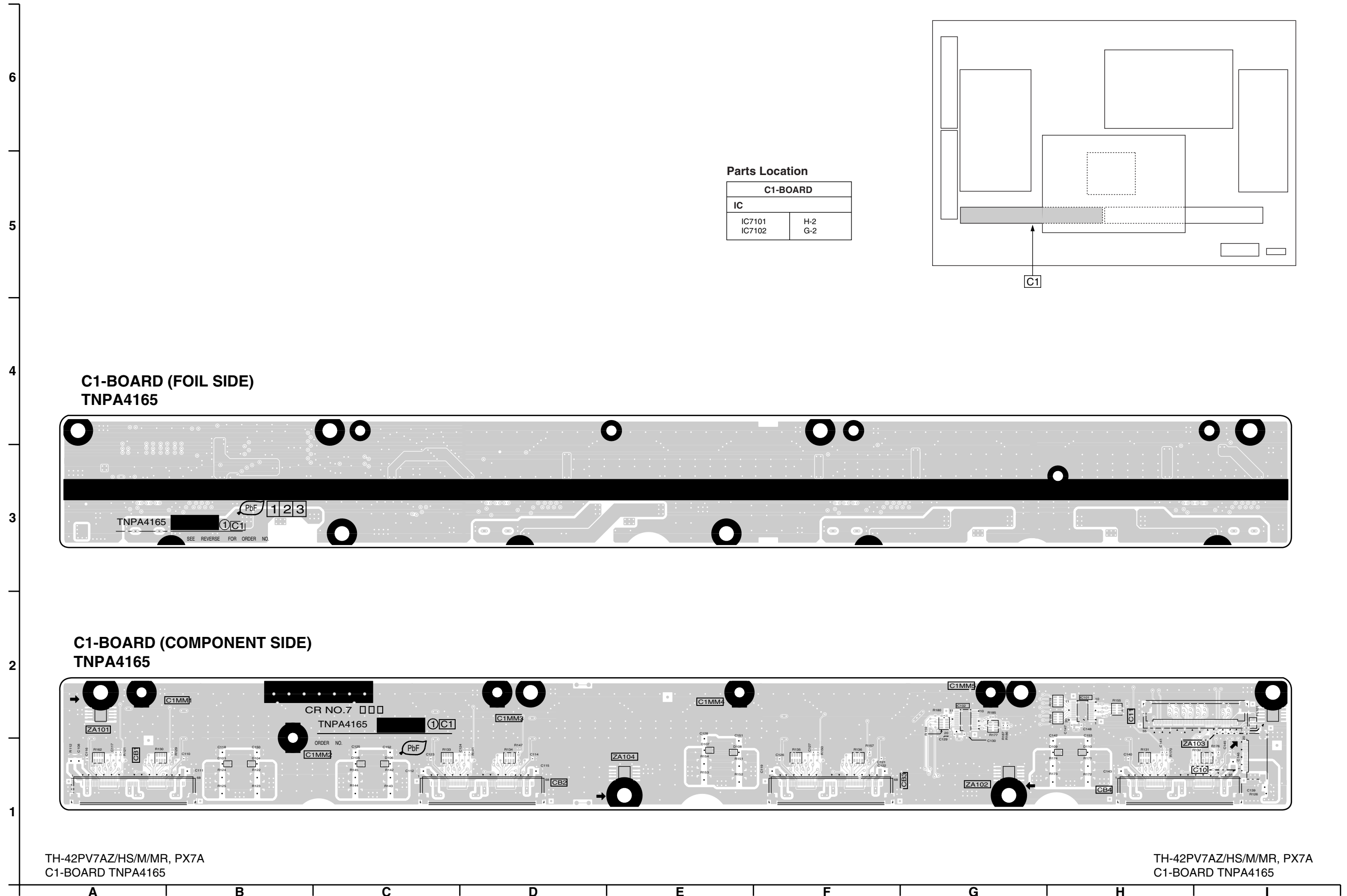
D-BOARD (COMPONENT SIDE)			
IC		TRANSISTOR	
IC9003	C-4	Q9010	B-5
IC9011	C-5	Q9052	C-3
IC9013	B-5	Q9054	B-4
IC9200	E-5	Q9301	A-2
IC9303	E-3	Q9302	C-2
IC9500	D-5	Q9807	B-3
IC9802	D-5	Q9808	B-3
IC9803	D-5	Q9809	B-3
IC9804	E-5	TP	
IC9900	D-3		
IC9901	C-3	TP-HD	D-4
		TP-VD	D-4

TH-42PV7AZ/HS/M/MR, PX7A
D-BOARD TZTNP01HRTP

TH-42PV7AZ/HS/M/MR, PX7A
D-BOARD TZTNP01HRTP

A B C D E F G H I

14.4. C1-Board

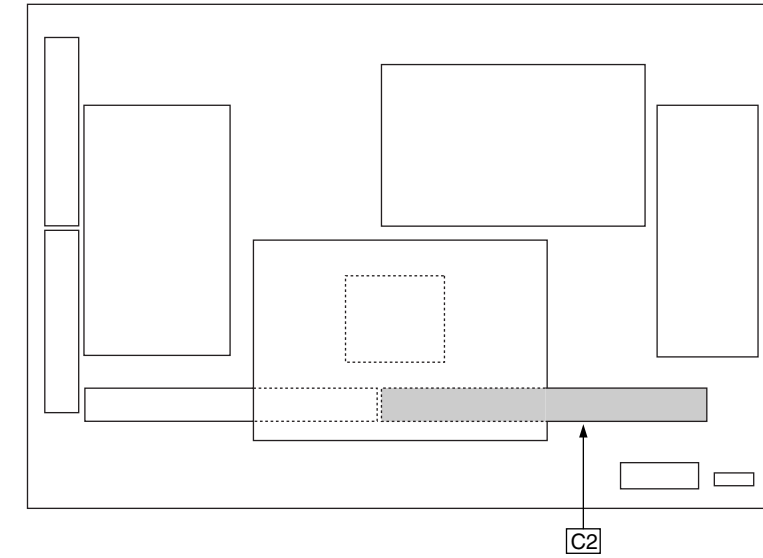


14.5. C2-Board

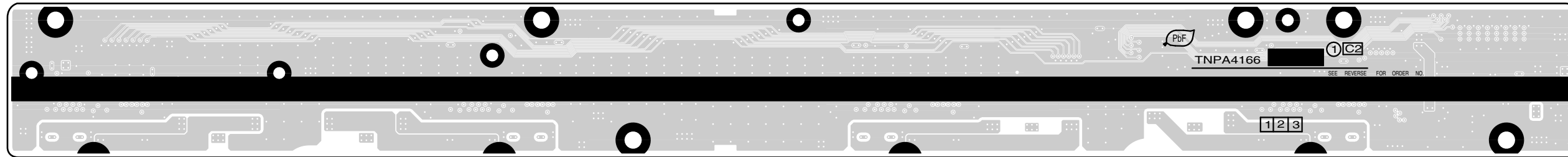
6
5
4
3
2
1

Parts Location

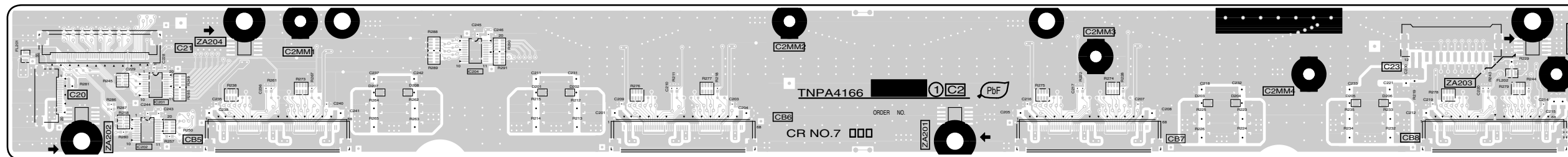
C2-BOARD	
IC	
IC7201	B-1
IC7202	B-2
IC7204	C-2



**C2-BOARD (FOIL SIDE)
TNPA4166**



**C2-BOARD (COMPONENT SIDE)
TNPA4166**

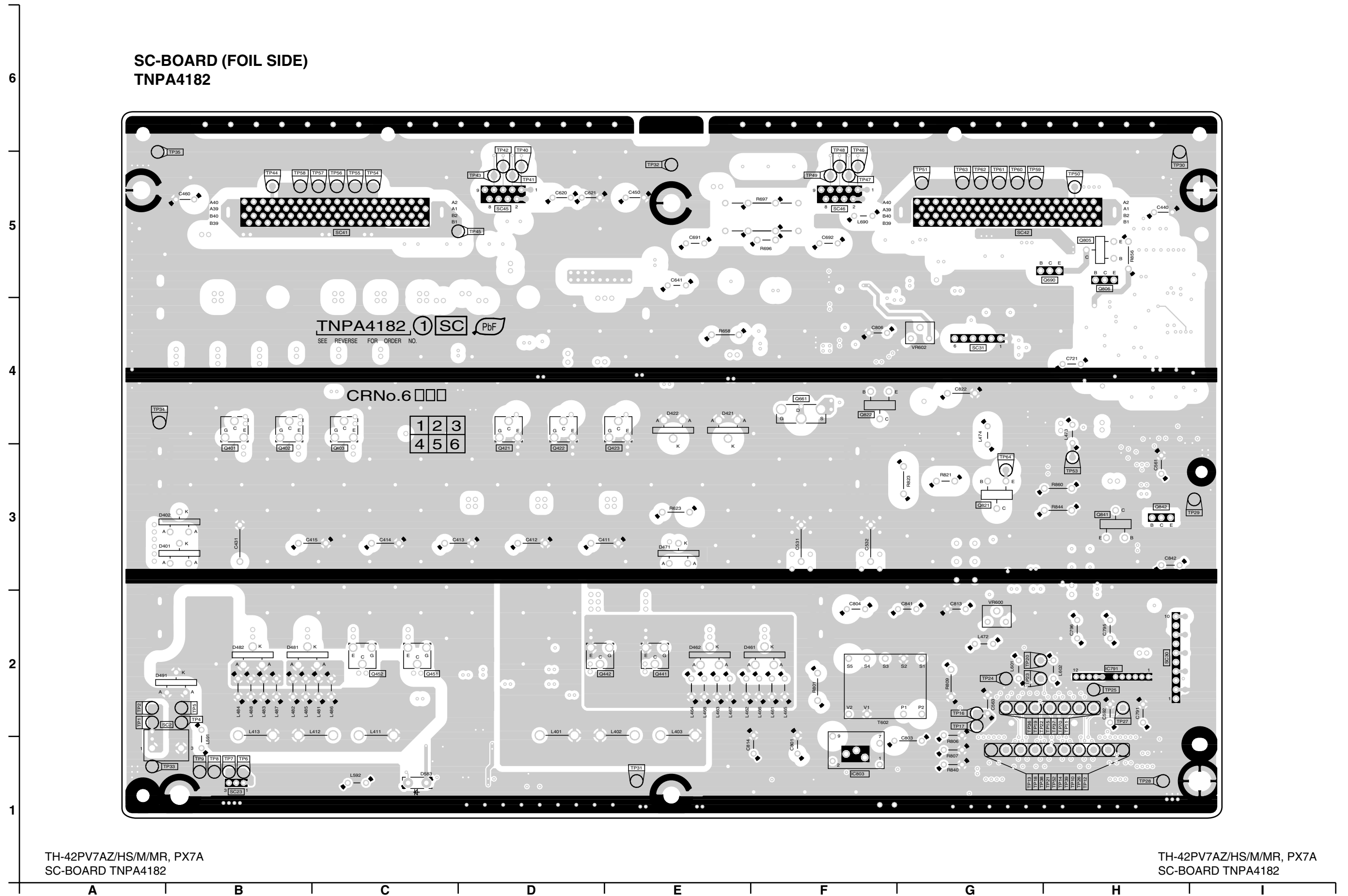


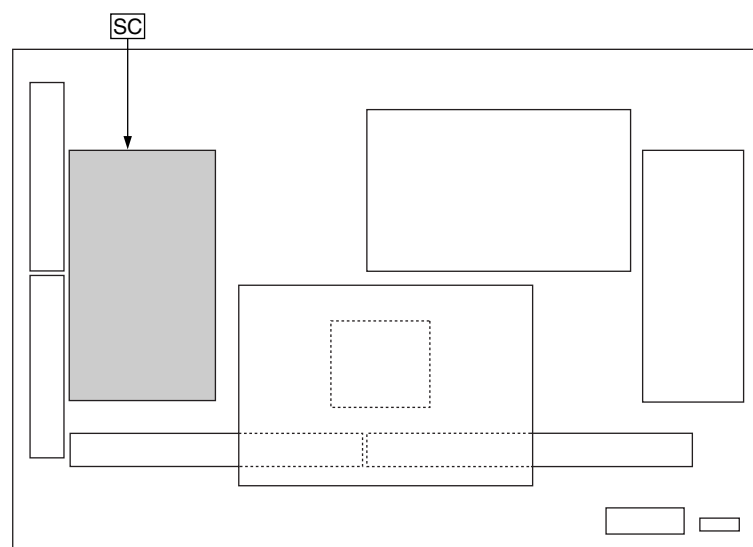
TH-42PV7AZ/HS/M/MR, PX7A
C2-BOARD TNPA4166

TH-42PV7AZ/HS/M/MR, PX7A
C2-BOARD TNPA4166

A | B | C | D | E | F | G | H | I

14.6. SC-Board





Parts Location

SC-BOARD (FOIL SIDE)					
IC		TP		TP41	D-5
IC6791	H-2	TP1	A-2	TP42	D-5
IC6803	F-1	TP2	A-2	TP43	D-5
TRANSISTOR		TP4	B-2	TP44	B-5
Q6401	B-4	TP5	B-2	TP45	D-5
Q6402	B-4	TP6	B-1	TP46	F-5
Q6403	C-4	TP7	B-1	TP47	F-5
Q6421	D-4	TP8	B-1	TP48	F-5
Q6422	D-4	TP9	B-1	TP49	F-5
Q6423	E-4	TP10	H-1	TP50	H-5
Q6441	E-2	TP11	H-2	TP51	G-5
Q6442	E-2	TP12	H-1	TP52	H-1
Q6451	C-2	TP13	G-1	TP53	H-3
Q6452	C-2	TP14	H-1	TP54	C-5
Q6661	F-4	TP15	H-2	TP55	C-5
Q6690	H-5	TP16	G-2	TP56	C-5
Q6805	H-5	TP17	G-2	TP57	C-5
Q6806	H-5	TP18	G-1	TP58	B-5
Q6821	G-3	TP19	G-2	TP59	G-5
Q6822	F-4	TP20	G-2	TP60	G-5
Q6841	H-3	TP21	G-1	TP61	G-5
Q6842	H-3	TP22	G-2	TP62	G-5
		TP23	G-2	TP63	G-5
		TP24	G-2	TP64	G-3
		TP25	H-2	TP70	H-2
		TP26	H-1	VOLUME	
		TP27	H-2	VR6600	G-2
		TP28	H-1	VR6602	G-4
		TP29	H-3		
		TP30	H-5		
		TP31	E-1		
		TP32	E-5		
		TP33	A-1		
		TP34	A-4		
		TP35	A-5		
		TP36	G-2		
		TP37	H-2		
		TP38	G-1		
		TP39	H-1		
		TP40	D-5		

TH-42PV7AZ/HS/M/MR, PX7A
SC-BOARD PARTS LOCATION

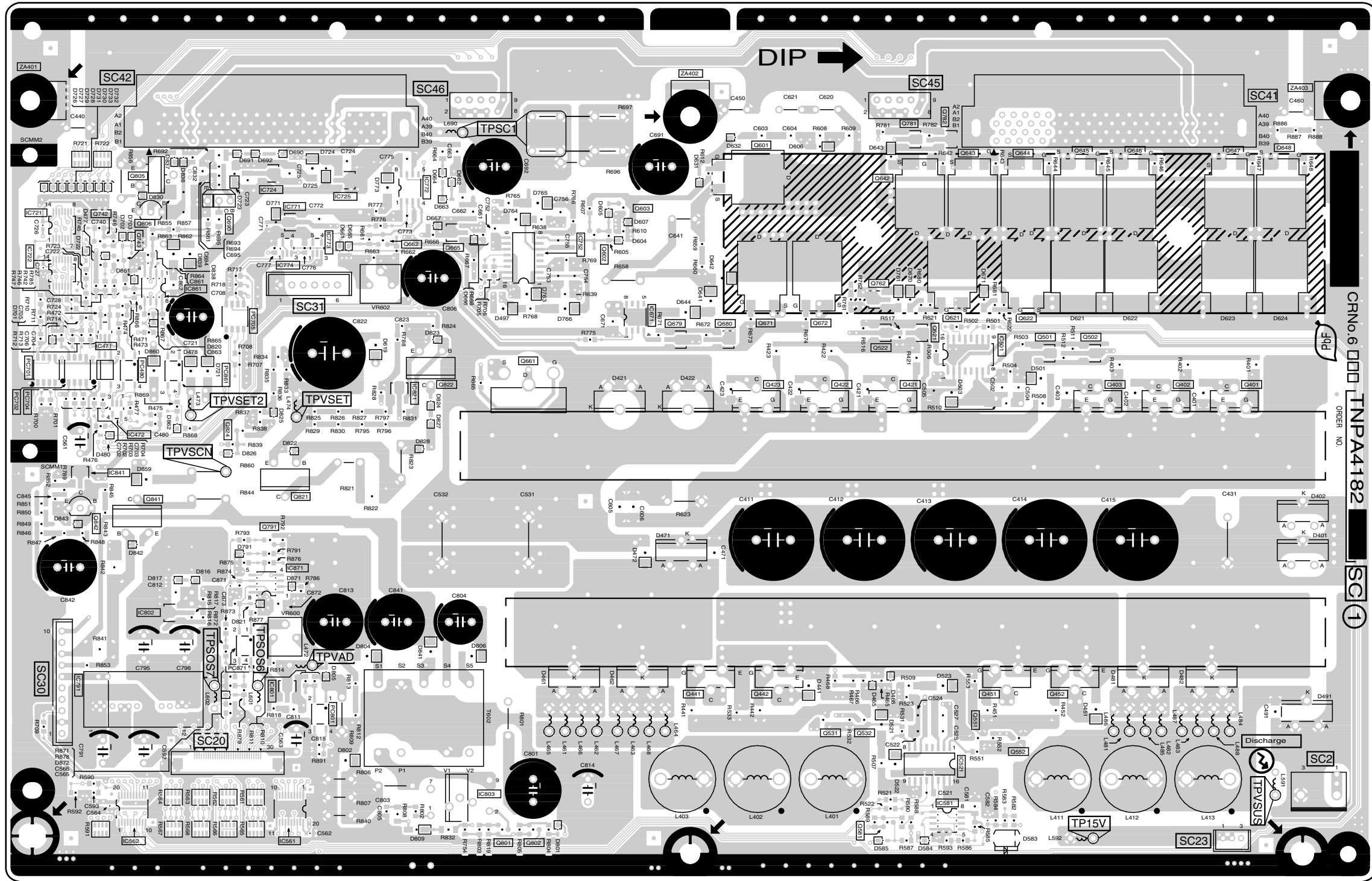
Parts Location

SC-BOARD (COMPONENT SIDE)							
IC		PHOTO COUPLER		Q6642	F-5	TP	
IC6471	B-4	PC6480	B-4	Q6643	F-5	TP15V	G-1
IC6472	B-3	PC6701	A-4	Q6644	G-5	TPSC1	D-5
IC6501	G-4	PC6702	A-4	Q6645	G-5	TPSOS6	C-2
IC6521	F-2	PC6704	A-4	Q6646	G-5	TPSOS7	B-2
IC6561	C-1	PC6705	B-4	Q6647	H-5	TPVDA	C-2
IC6562	B-1	PC6801	C-2	Q6648	H-5	TPVSCN	B-3
IC6581	F-1	PC6861	B-4	Q6661	D-4	TPVSET	C-4
IC6671	E-4	PC6871	B-2	Q6662	C-4	TPVSET2	B-4
IC6721	A-5			Q6665	D-4	TPVSUS	H-1
IC6722	A-4	TRANSISTOR		Q6671	E-5	VOLUME	
IC6724	C-5	Q6401	H-4	Q6672	F-4	VR6600	C-2
IC6725	C-5	Q6402	H-4	Q6679	E-5	VR6602	C-4
IC6752	D-4	Q6403	G-4	Q6680	E-5		
IC6771	C-5	Q6421	F-4	Q6690	B-5		
IC6772	C-5	Q6422	F-4	Q6742	B-4		
IC6773	C-4	Q6423	E-4	Q6743	B-4		
IC6774	C-4	Q6441	E-2	Q6762	F-4		
IC6791	B-2	Q6442	E-2	Q6781	F-5		
IC6801	C-2	Q6451	G-1	Q6782	F-5		
IC6802	B-2	Q6452	G-1	Q6791	C-3		
IC6803	D-1	Q6501	G-4	Q6801	D-1		
IC6821	C-4	Q6502	G-4	Q6802	D-1		
IC6841	B-3	Q6521	F-4	Q6805	B-5		
IC6861	B-4	Q6522	F-4	Q6806	B-5		
IC6871	C-3	Q6531	F-2	Q6821	C-3		
		Q6532	F-2	Q6822	D-4		
		Q6551	G-1	Q6824	B-3		
		Q6552	G-1	Q6841	B-3		
		Q6581	F-1	Q6842	B-3		
		Q6601	E-6				
		Q6602	D-4				
		Q6603	E-6				
		Q6621	F-4				
		Q6622	G-4				

TH-42PV7AZ/HS/M/MR, PX7A
SC-BOARD PARTS LOCATION

**SC-BBOARD (COMPONENT SIDE)
TNPA4182**

6
5
4
3
2
1



CRN. 6
ORDER NO. TNPA4182
SC1

TH-42PV7AZ/HS/M/MR, PX7A
SC-BBOARD TNPA4182

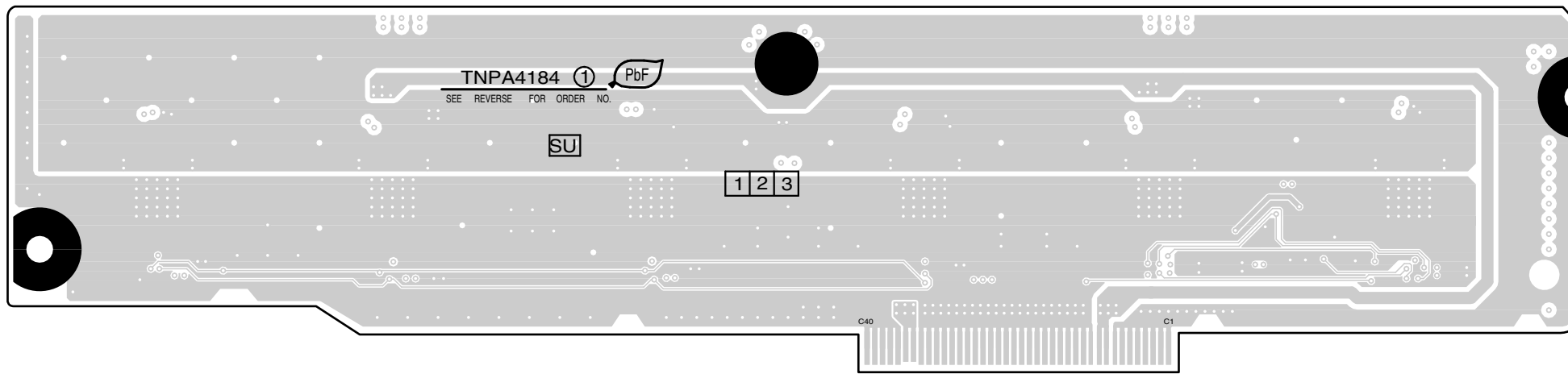
TH-42PV7AZ/HS/M/MR, PX7A
SC-BBOARD TNPA4182

A B C D E F G H I

14.7. SU-Board

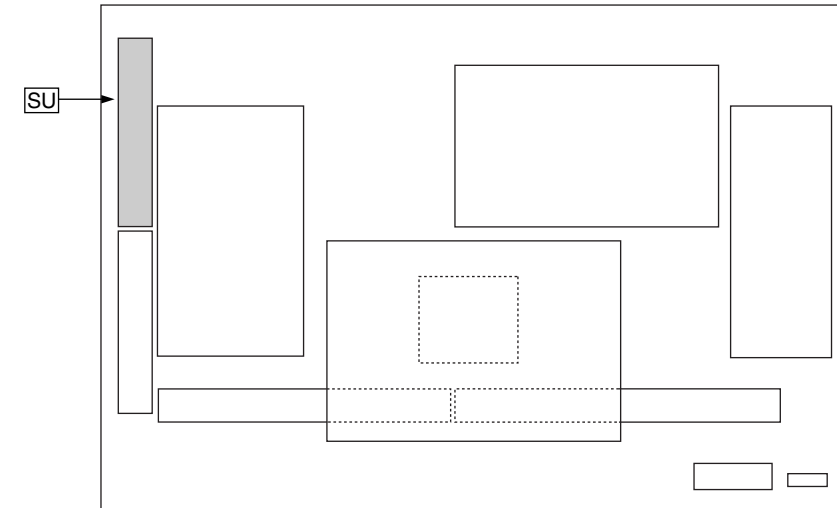
6
5
4
3
2
1

**SU-BOARD (FOIL SIDE)
TNPA4184**

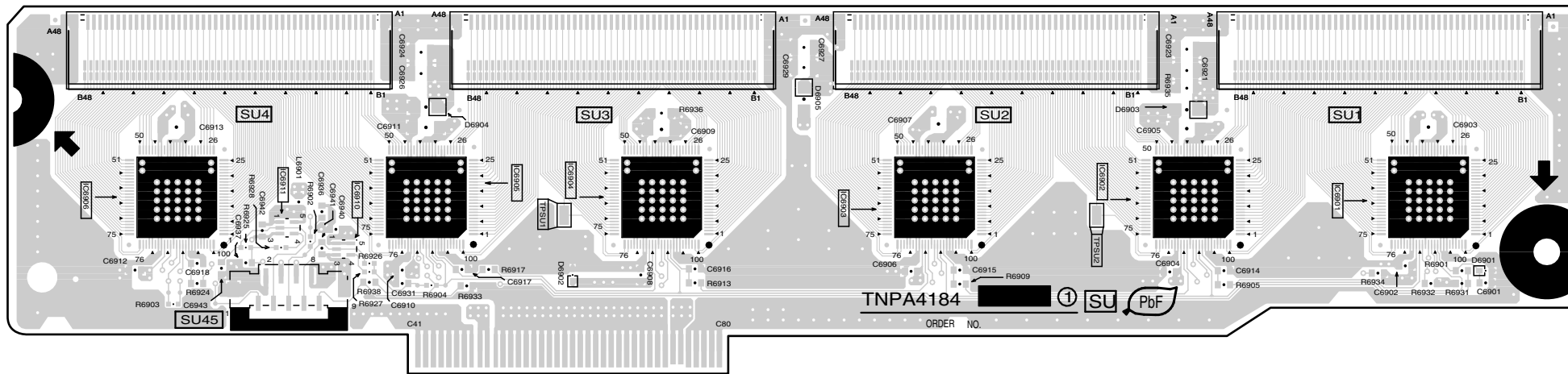


Parts Location

SU-BOARD	
IC	
IC6901	G-2
IC6902	F-2
IC6903	E-2
IC6904	D-2
IC6905	C-2
IC6906	B-2
IC6910	B-2
IC6911	B-2
TP	
TPSU1	C-2
TPSU2	F-1



**SU-BOARD (COMPONENT SIDE)
TNPA4184**



TH-42PV7AZ/HS/M/MR, PX7A
SU-BOARD TNPA4184

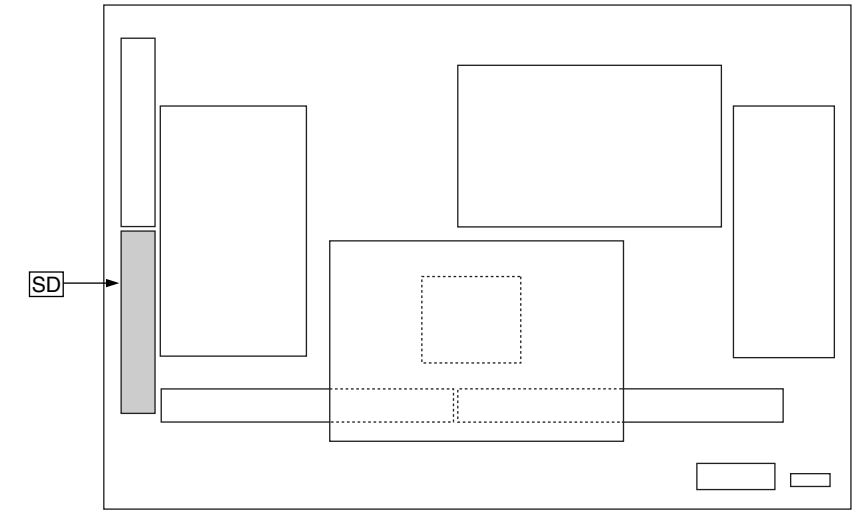
TH-42PV7AZ/HS/M/MR, PX7A
SU-BOARD TNPA4184

A B C D E F G H I

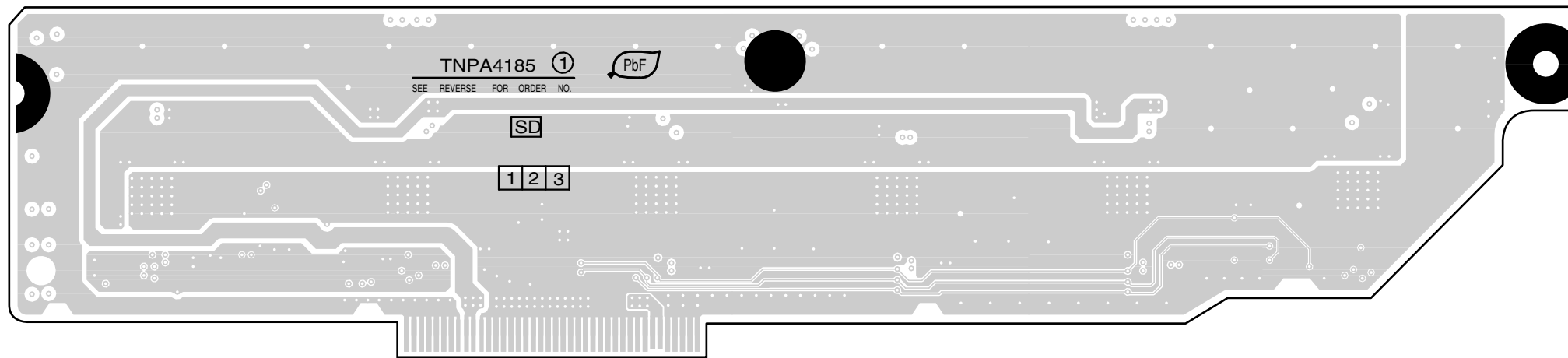
14.8. SD-Board

Parts Location

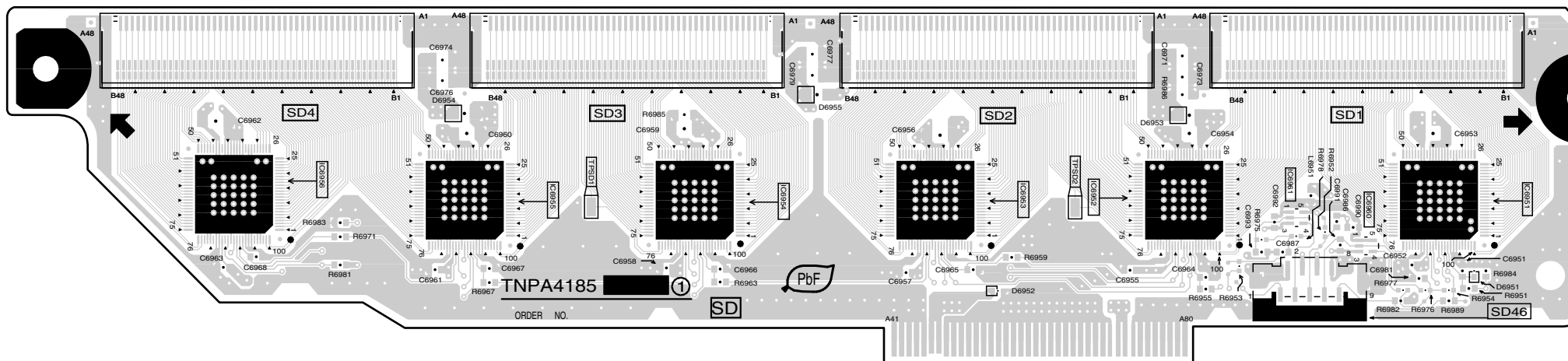
SD-BOARD	
IC	
IC6951	G-2
IC6952	F-2
IC6953	E-2
IC6954	D-2
IC6955	C-2
IC6956	B-2
IC6960	G-2
IC6961	G-2
TP	
TPSD1	D-2
TPSD2	F-2



**SD-BOARD (FOIL SIDE)
TNPA4185**



**SD-BOARD (COMPONENT SIDE)
TNPA4185**



TH-42PV7AZ/HS/M/MR, PX7A
SD-BOARD TNPA4185

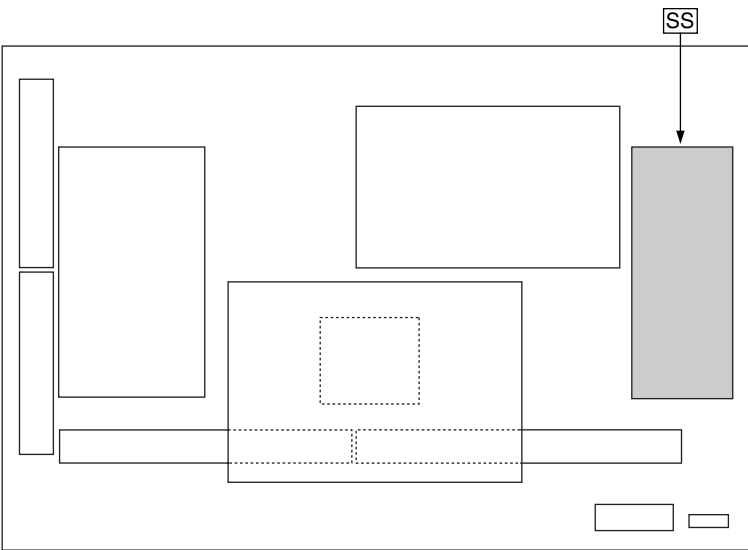
TH-42PV7AZ/HS/M/MR, PX7A
SD-BOARD TNPA4185

A | B | C | D | E | F | G | H | I

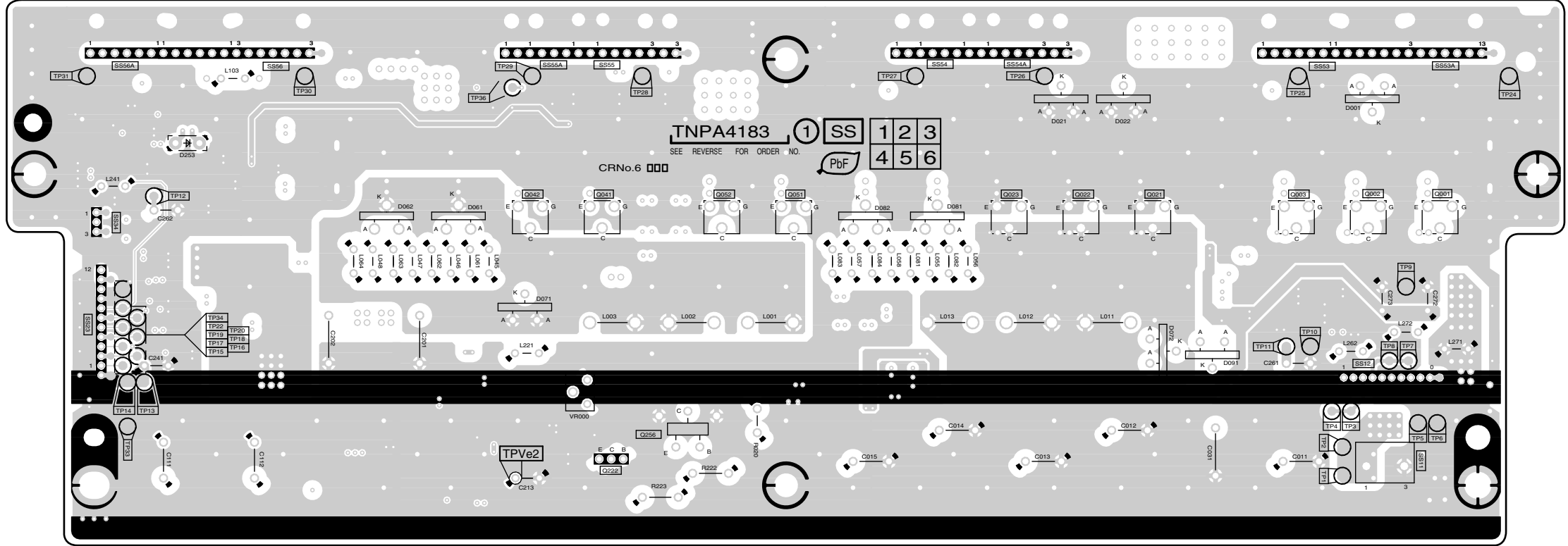
14.9. SS-Board

Parts Location

SS-BOARD (FOIL SIDE)							
TRANSISTOR		TP				VOLUME	
Q6001	H-3	TP1	H-1	TP22	B-2	VR6000	D-2
Q6002	H-3	TP2	H-1	TP24	H-3		
Q6003	G-3	TP3	H-1	TP25	G-3		
Q6021	G-3	TP4	H-1	TP26	F-3		
Q6022	F-3	TP5	H-1	TP27	F-3		
Q6023	F-3	TP6	H-1	TP28	D-3		
Q6041	D-3	TP7	H-2	TP29	D-3		
Q6042	D-3	TP8	H-2	TP30	C-3		
Q6051	E-3	TP9	H-2	TP31	B-3		
Q6052	E-3	TP10	G-2	TP33	B-2		
Q6222	D-1	TP11	G-2	TP34	B-2		
Q6256	D-1	TP12	B-3	TP36	D-3		
		TP13	B-2	TPVe2	D-1		
		TP14	B-2				
		TP15	B-2				
		TP16	B-2				
		TP17	B-2				
		TP18	B-2				
		TP19	B-2				
		TP20	B-2				



SS-BOARD (FOIL SIDE)
TNPA4183



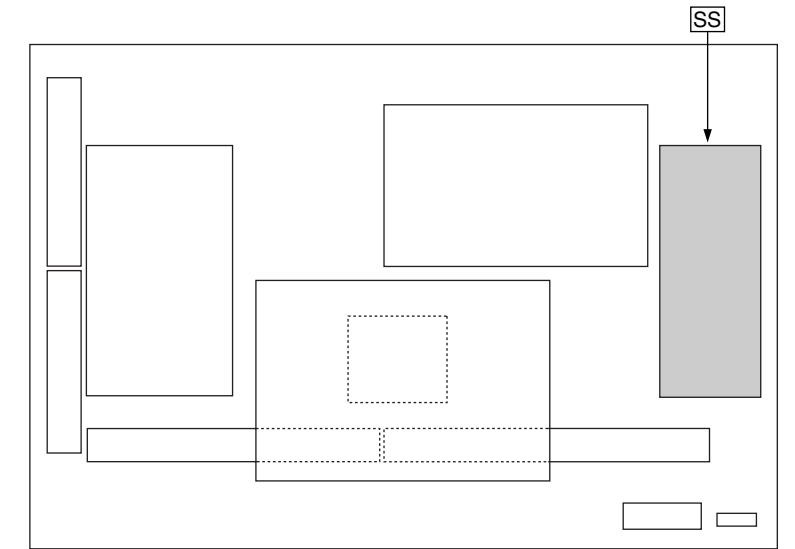
TH-42PV7AZ/HS/M/MR, PX7A
SS-BOARD TNPA4183

TH-42PV7AZ/HS/M/MR, PX7A
SS-BOARD TNPA4183

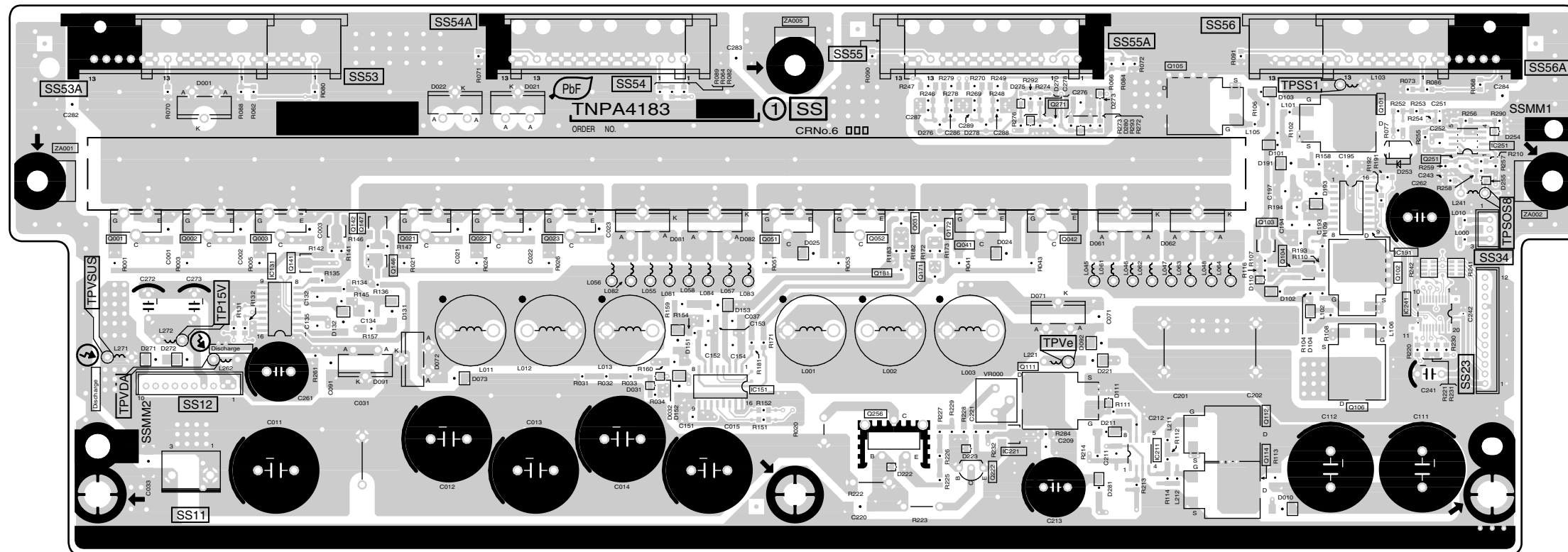
6
5
4
3
2
1
A B C D E F G H I

Parts Location

SS-BOARD (COMPONENT SIDE)							
IC		TRANSISTOR		Q6111		TP	
IC6131	C-2	Q6001	B-2	Q6111	F-2	TP15V	B-2
IC6151	E-2	Q6002	B-2	Q6112	G-1	TPSOS8	H-3
IC6191	H-2	Q6003	C-2	Q6114	G-1	TPSS1	G-3
IC6211	G-1	Q6021	C-2	Q6141	C-2	TPVDA	B-2
IC6221	F-1	Q6022	D-2	Q6142	C-2	TPVe	F-2
IC6241	H-2	Q6023	D-2	Q6146	C-2	TPVSUS	B-2
IC6251	H-2	Q6031	F-2	Q6147	C-2		
		Q6041	F-2	Q6171	F-2		
		Q6042	F-2	Q6172	F-2		
		Q6051	E-2	Q6181	E-2		
		Q6052	E-2	Q6222	F-1		
		Q6101	H-3	Q6251	H-3		
		Q6102	H-2	Q6256	E-2		
		Q6103	G-2	Q6271	F-3		
		Q6104	G-2				
		Q6105	G-3				
		Q6106	H-2				
						VOLUME	
						VR6000	F-2



**SS-BOARD (COMPONENT SIDE)
TNPA4183**

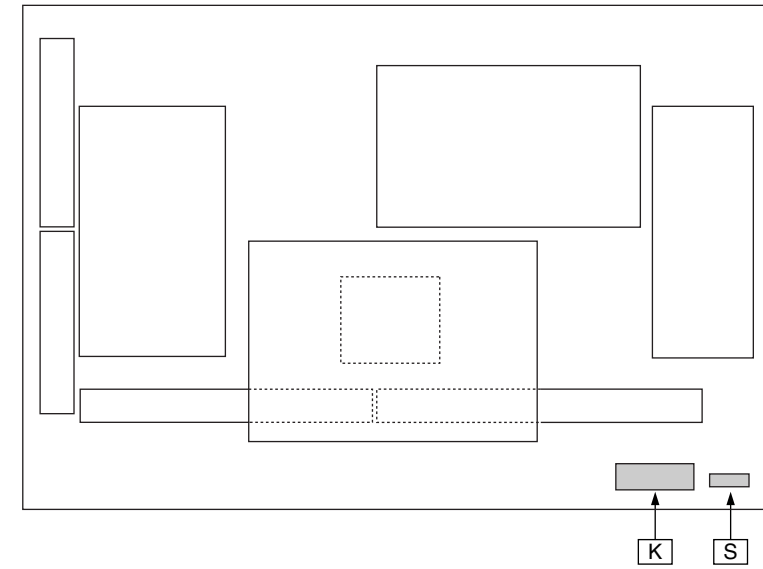
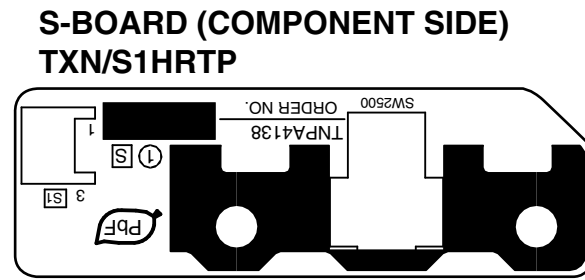
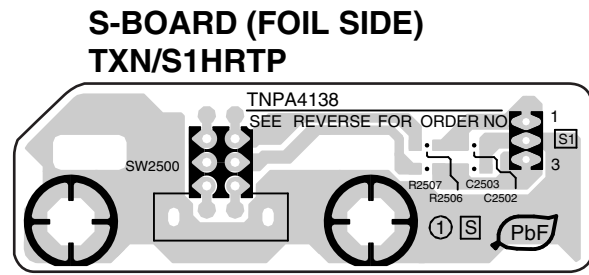


TH-42PV7AZ/HS/M/MR, PX7A
SS-BOARD TNPA4183

TH-42PV7AZ/HS/M/MR, PX7A
SS-BOARD TNPA4183

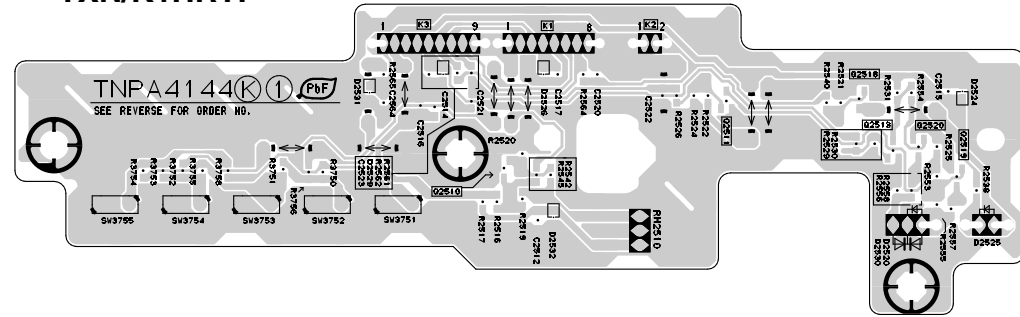
14.10. K, and S-Board

6
5
4
3
2
1



K S

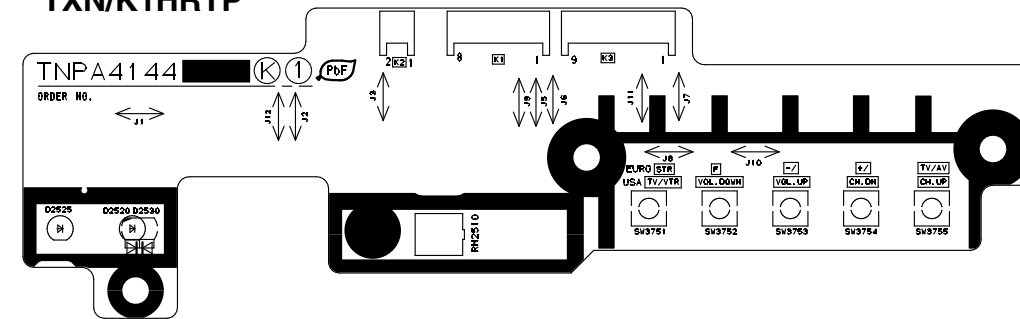
**K-BOARD (FOIL SIDE)
TXN/K1HRTP**



Parts Location

K-BOARD	
TRANSISTOR	
Q2510	B-4
Q2511	C-4
Q2513	D-4
Q2518	D-4
Q2519	D-4
Q2520	D-4

**K-BOARD (COMPONENT SIDE)
TXN/K1HRTP**



TH-42PV7AZ/HS/M/MR, PX7A
S-BOARD TXN/S1HRTP
K-BOARD TXN/K1HRTP

TH-42PV7AZ/HS/M/MR, PX7A
S-BOARD TXN/S1HRTP
K-BOARD TXN/K1HRTP

A B C D E F G H I

15 Schematic and Block Diagram

15.1. Schematic Diagram Note

Important Safety Notice

Components identified by \triangle mark have special characteristics important for safety.
When replacing any of these components, use only manufacture's specified parts.

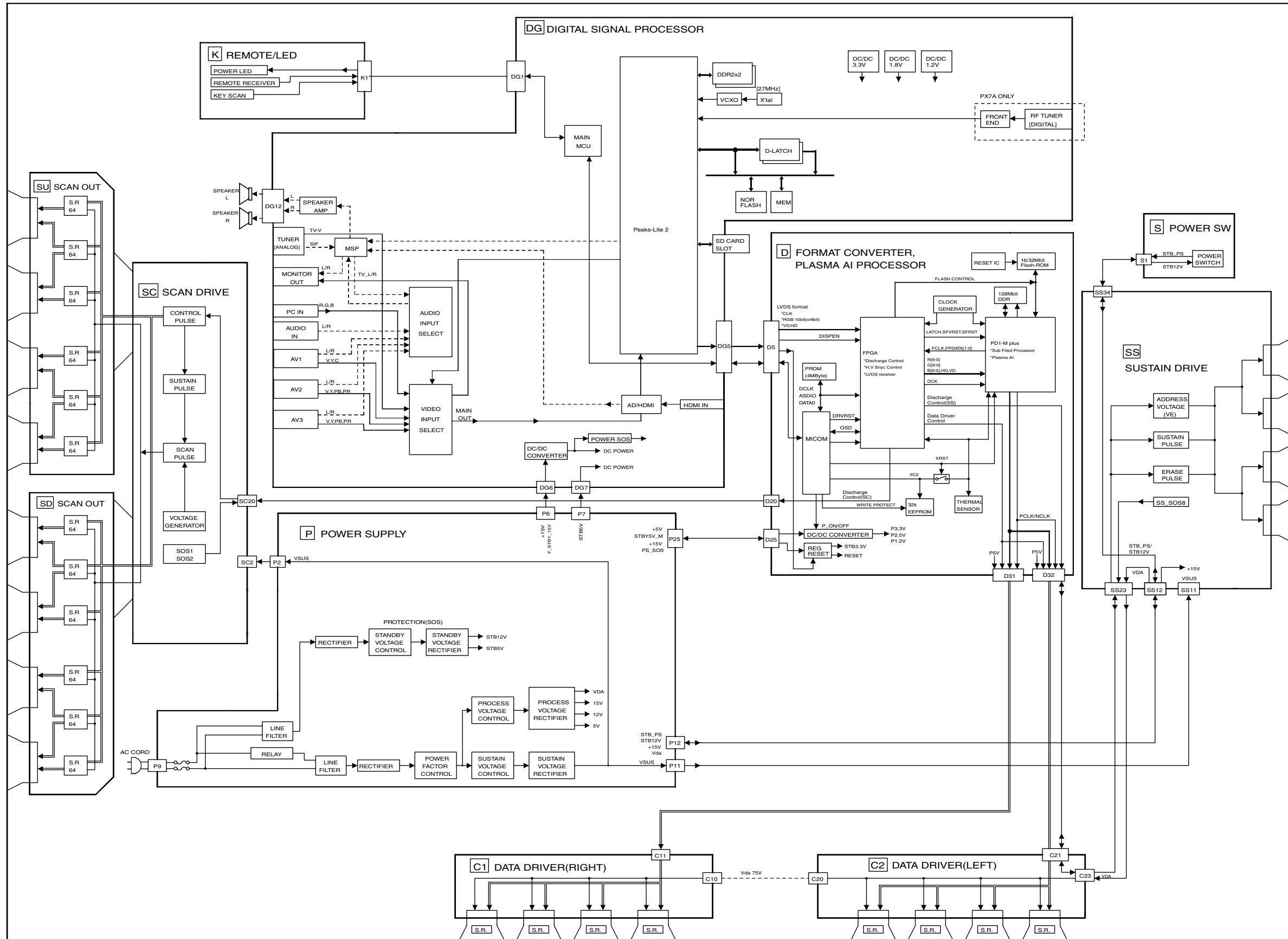
Notes:

1. **Resistor**
Unit of resistance is OHM [Ω] (K=1,000, M=1,000,000).
2. **Capacitor**
Unit of capacitance is μ F, unless otherwise noted.
3. Coil
Unit of inductance is H, unless otherwise noted.
4. Test Point
○ : Test Point position
5. Earth Symbol
⏏ : Chassis Earth (Cold) ⚡ : Line Earth (Hot)
6. Voltage Measurement
Voltage is measured by a DC voltmeter.
Conditions of the measurement are the following:
Power Source AC220-240V, 50/60Hz
Receiving Signal Colour Bar signal (RF)
All customer's controls Maximum positions
7. When arrow mark (↗) is found, connection is easily found from the direction of arrow.
8. Indicates the major signal flow. : Video ➡ Audio ⇔
9. This schematic diagram is the latest at the time of printing and subject to change without notice.

Remarks:

1. The Power Circuit contains a circuit area which uses a separate power supply to isolate the earth connection.
The circuit is defined by HOT and COLD indications in the schematic diagram. Take the following precautions.
All circuits, except the Power Circuit, are cold.
Precautions
 - a. Do not touch the hot part or the hot and cold parts at the same time or you may be shocked.
 - b. Do not short- circuit the hot and cold circuits or a fuse may blow and parts may break.
 - c. Do not connect an instrument, such as an oscilloscope, to the hot and cold circuits simultaneously or a fuse may blow.
Connect the earth of instruments to the earth connection of the circuit being measured.
 - d. Make sure to disconnect the power plug before removing the chassis.

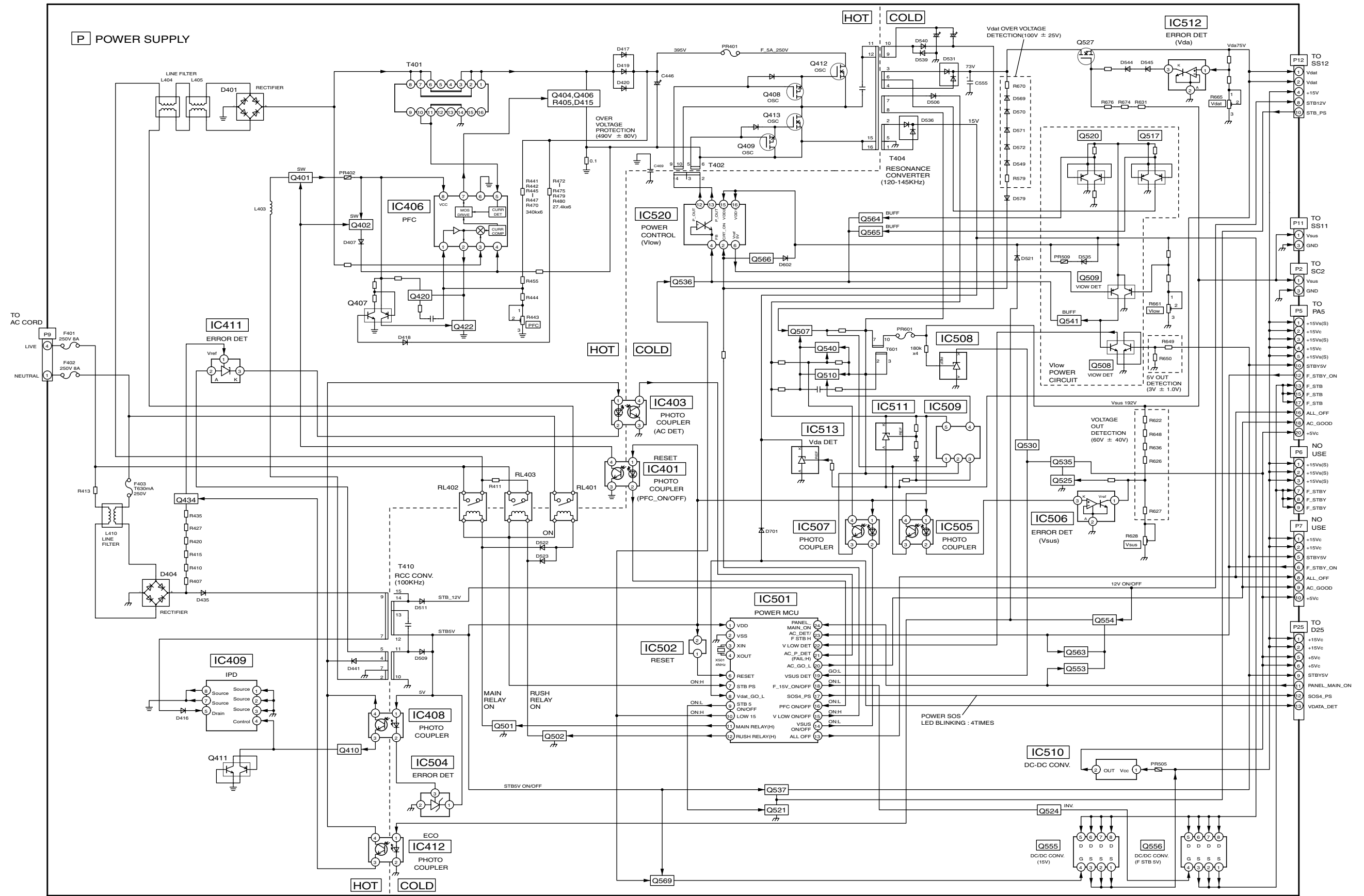
15.2. Main Block Diagram



TH-42PV7AZ/HS/M/MR, PX7A
Main Block Diagram

TH-42PV7AZ/HS/M/MR, PX7A
Main Block Diagram

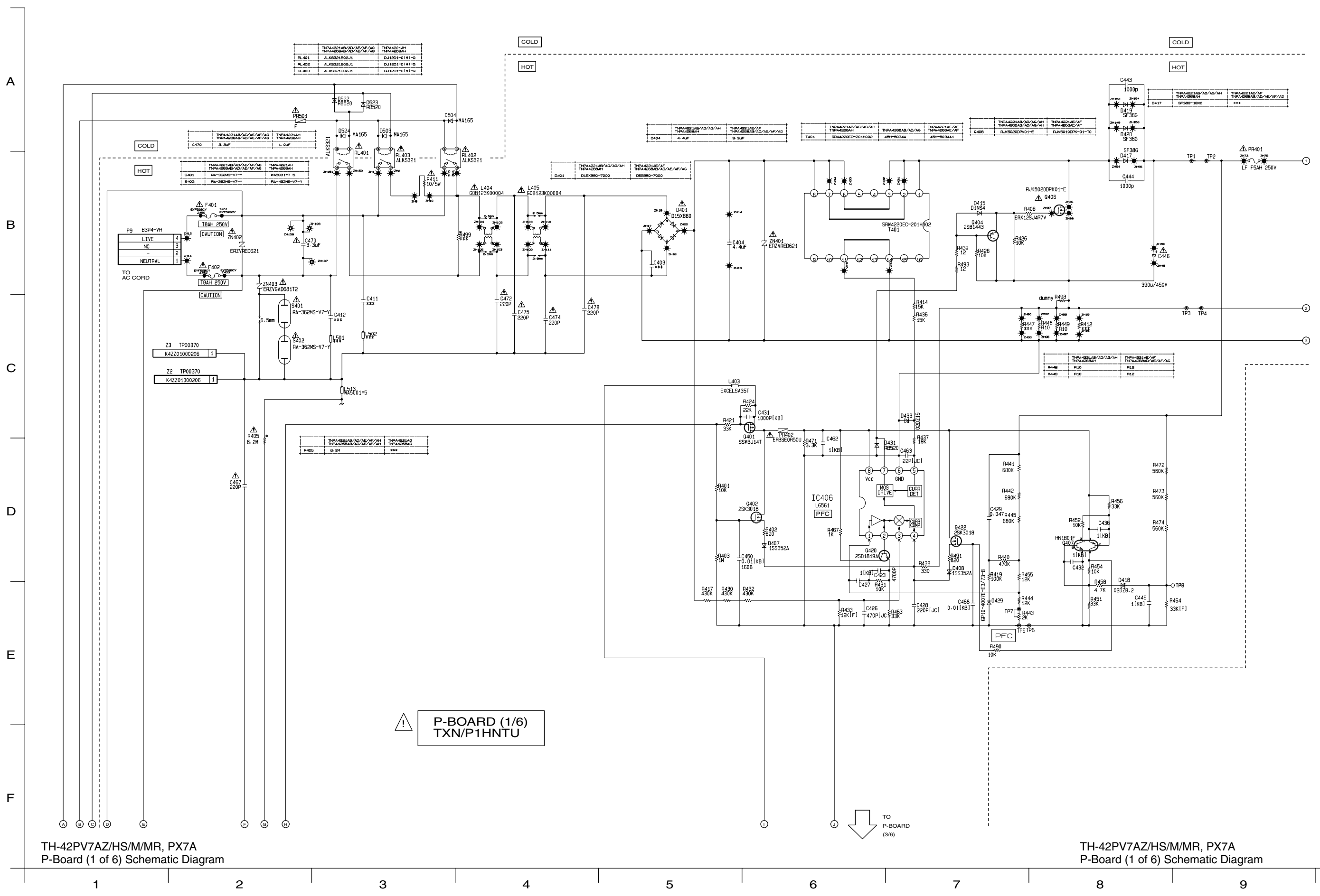
15.3. P-Board Block Diagram



TH-42PV7AZ/HS/M/MR, PX7A
P-Board Block Diagram

TH-42PV7AZ/HS/M/MR, PX7A
P-Board Block Diagram

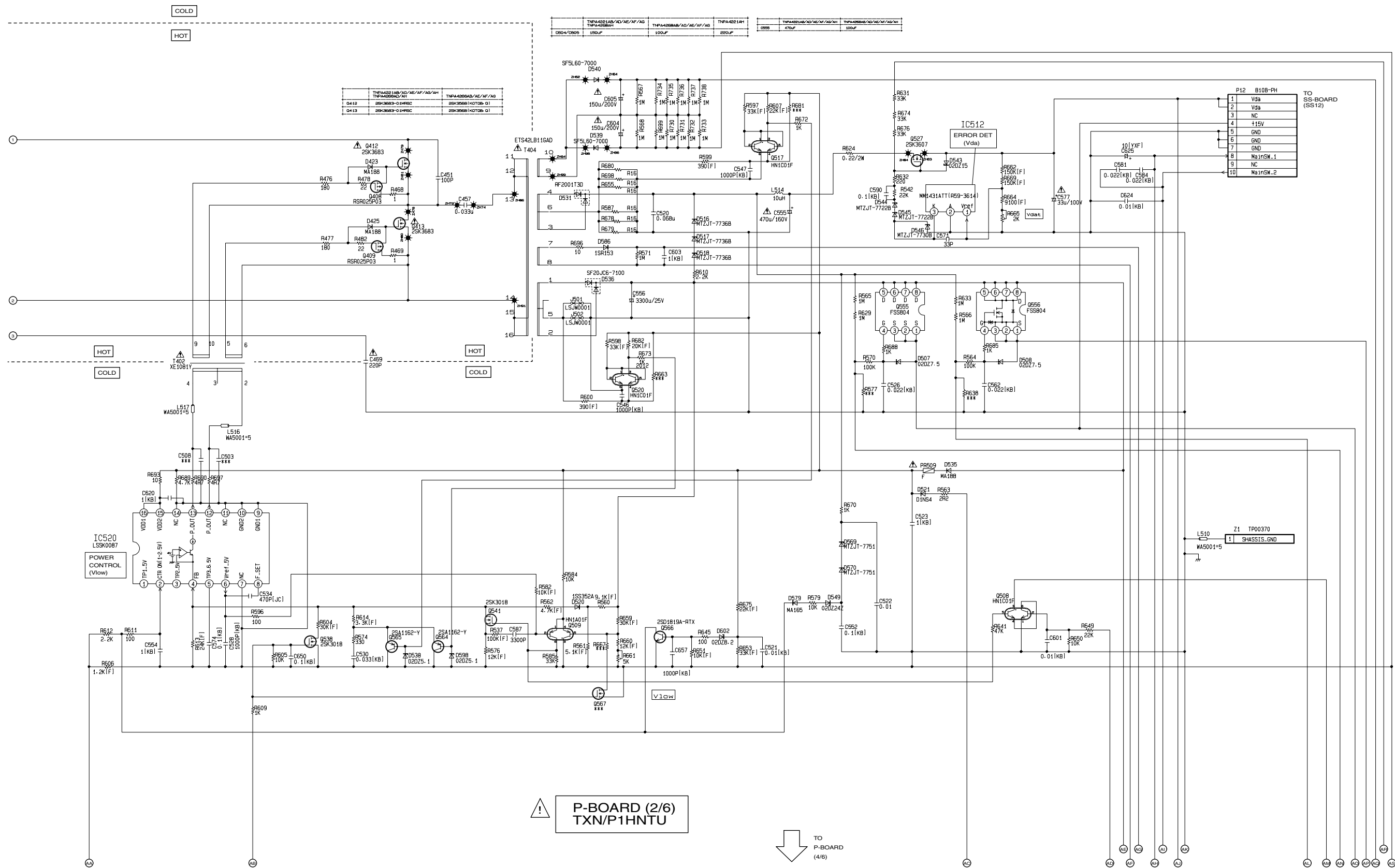
15.4. P-Board (1 of 6) Schematic Diagram



TH-42PV7AZ/HS/M/MR, PX7A
P-Board (1 of 6) Schematic Diagram

TH-42PV7AZ/HS/M/MR, PX7A
P-Board (1 of 6) Schematic Diagram

15.5. P-Board (2 of 6) Schematic Diagram



TH-42PV7AZ/HS/M/MR, PX7A
P-Board (2 of 6) Schematic Diagram

TH-42PV7AZ/HS/M/MR, PX7A
P-Board (2 of 6) Schematic Diagram

10

11

12

13

14

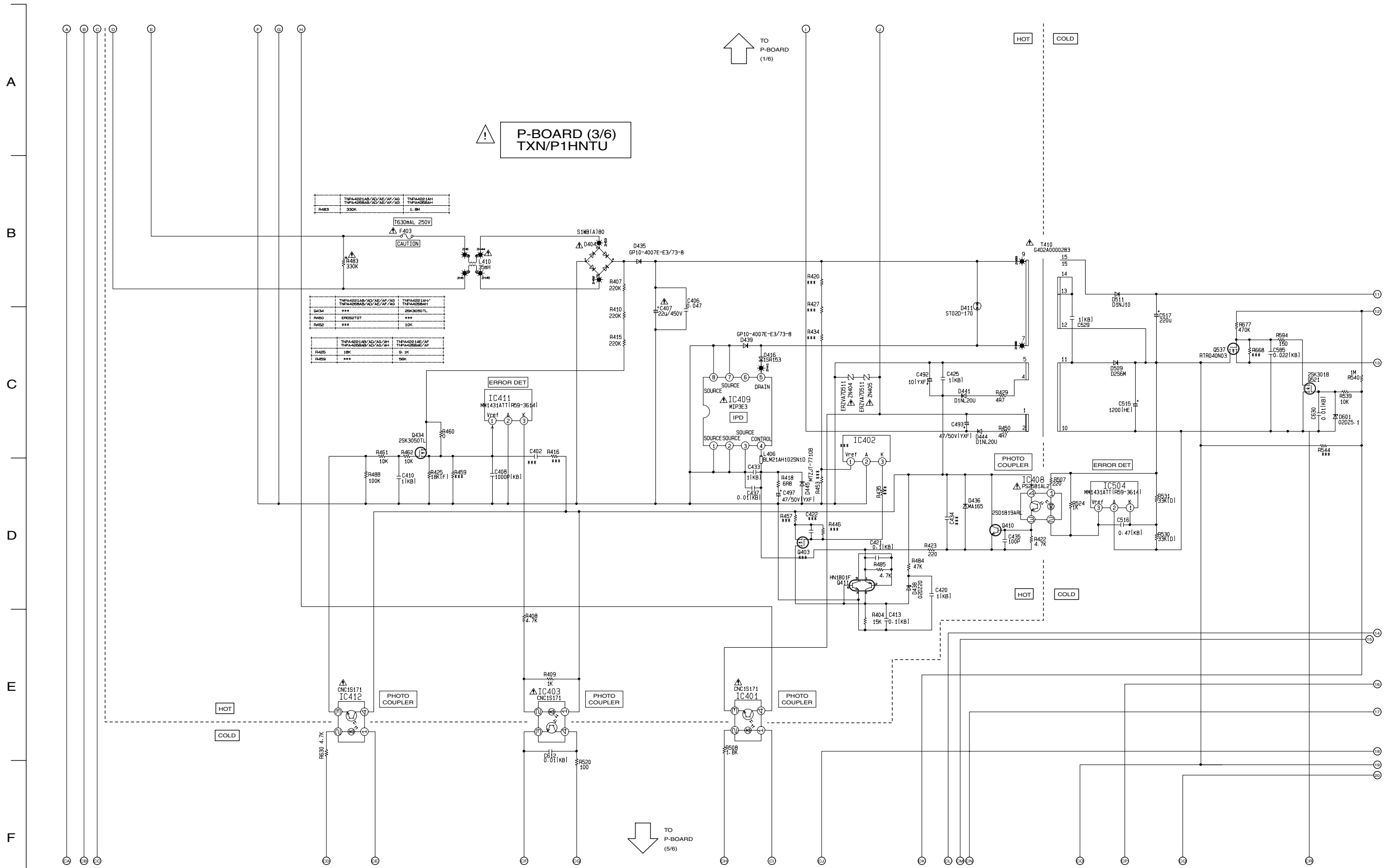
15

16

17

18

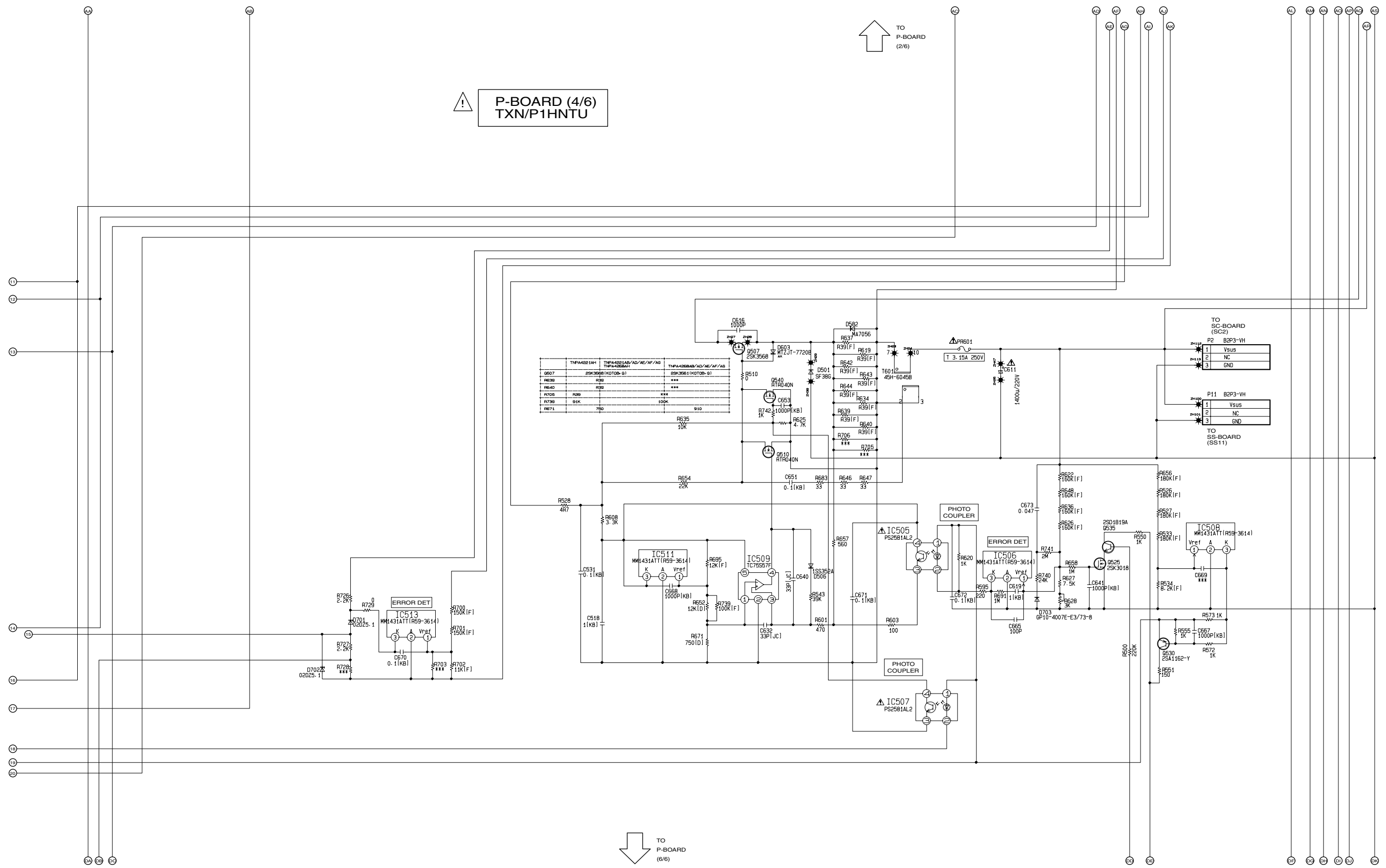
15.6. P-Board (3 of 6) Schematic Diagram



TH-42PV7AZ/HS/M/MR, PX7A
P-Board (3 of 6) Schematic Diagram

TH-42PV7AZ/HS/M/MR, PX7A
P-Board (3 of 6) Schematic Diagram

15.7. P-Board (4 of 6) Schematic Diagram



TH-42PV7AZ/HS/M/MR, PX7A
P-Board (4 of 6) Schematic Diagram

TH-42PV7AZ/HS/M/MR, PX7A
P-Board (4 of 6) Schematic Diagram

10

11

12

13

14

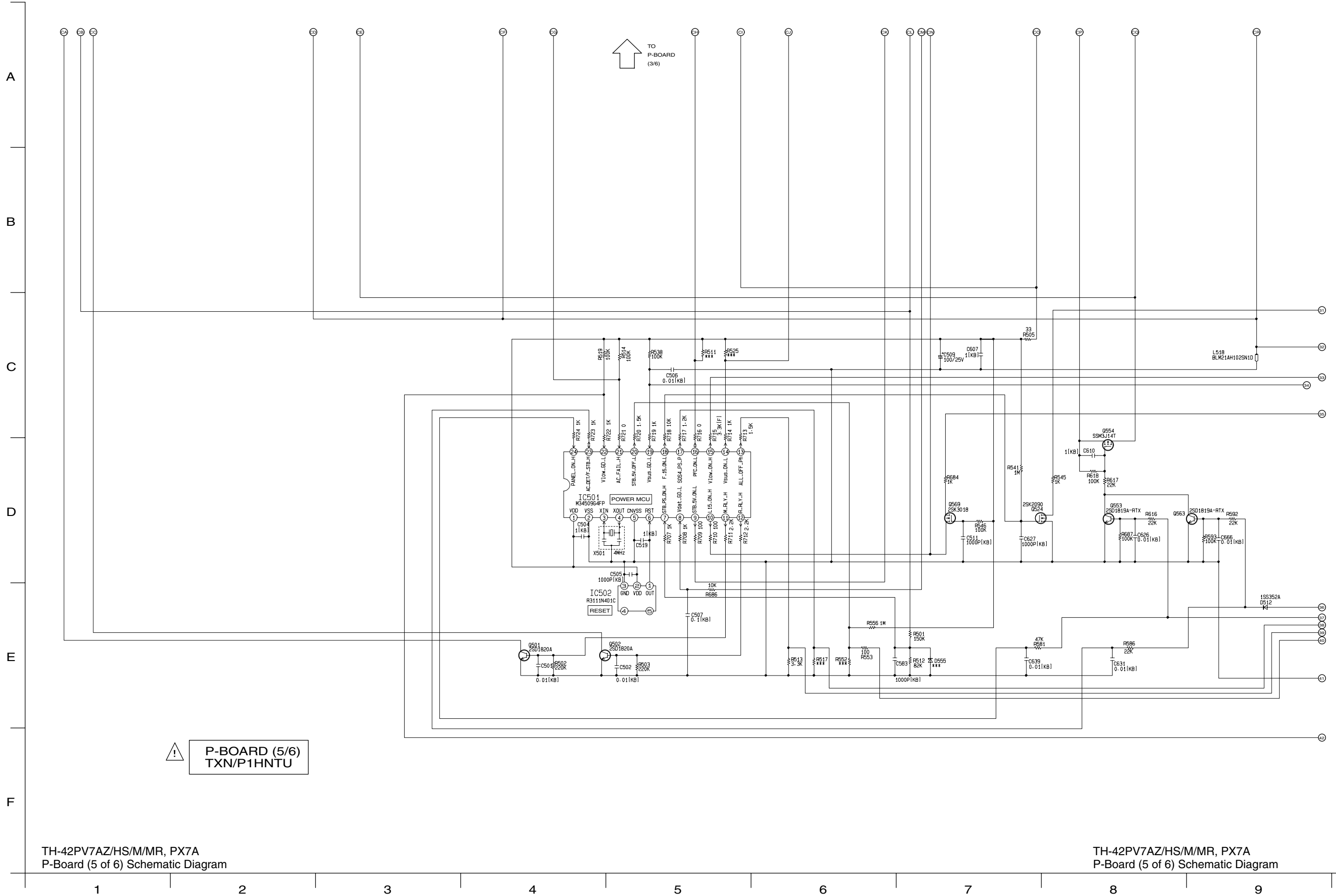
15

16

17

18

15.8. P-Board (5 of 6) Schematic Diagram

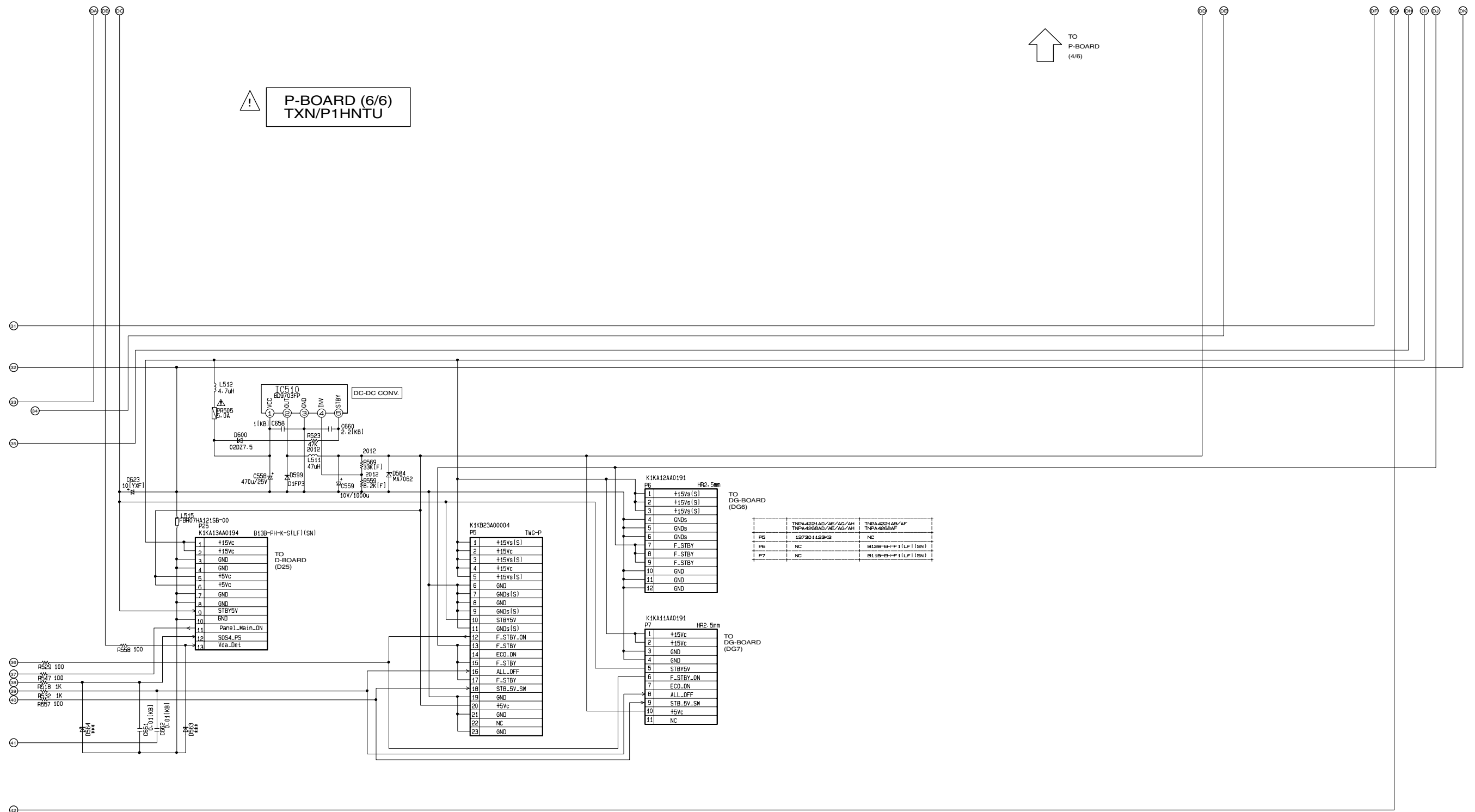


⚠ P-BOARD (5/6)
TXN/P1HNTU

TH-42PV7AZ/HS/M/MR, PX7A
P-Board (5 of 6) Schematic Diagram

TH-42PV7AZ/HS/M/MR, PX7A
P-Board (5 of 6) Schematic Diagram

15.9. P-Board (6 of 6) Schematic Diagram



TH-42PV7AZ/HS/M/MR, PX7A
P-Board (6 of 6) Schematic Diagram

TH-42PV7AZ/HS/M/MR, PX7A
P-Board (6 of 6) Schematic Diagram

10

11

12

13

14

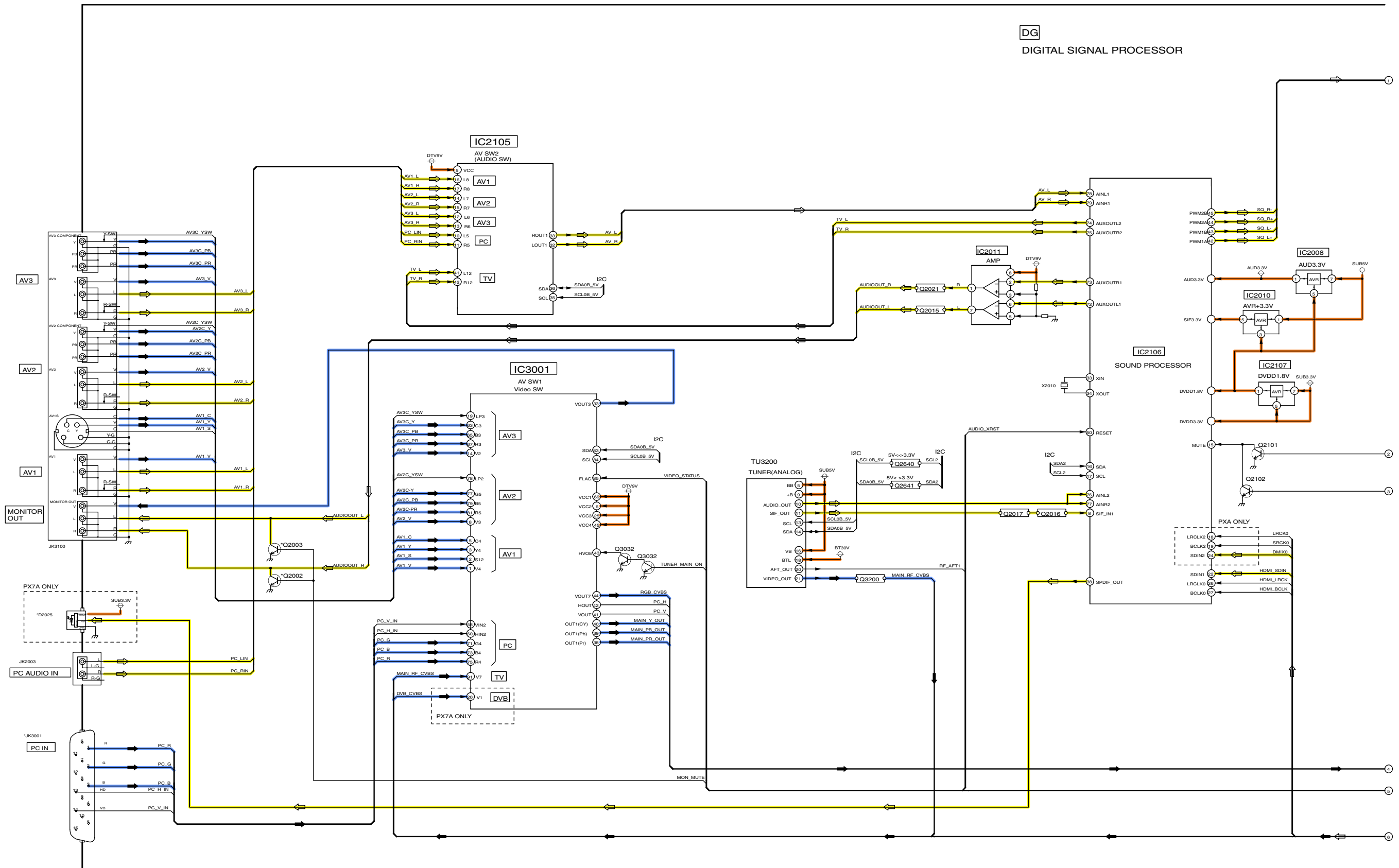
15

16

17

18

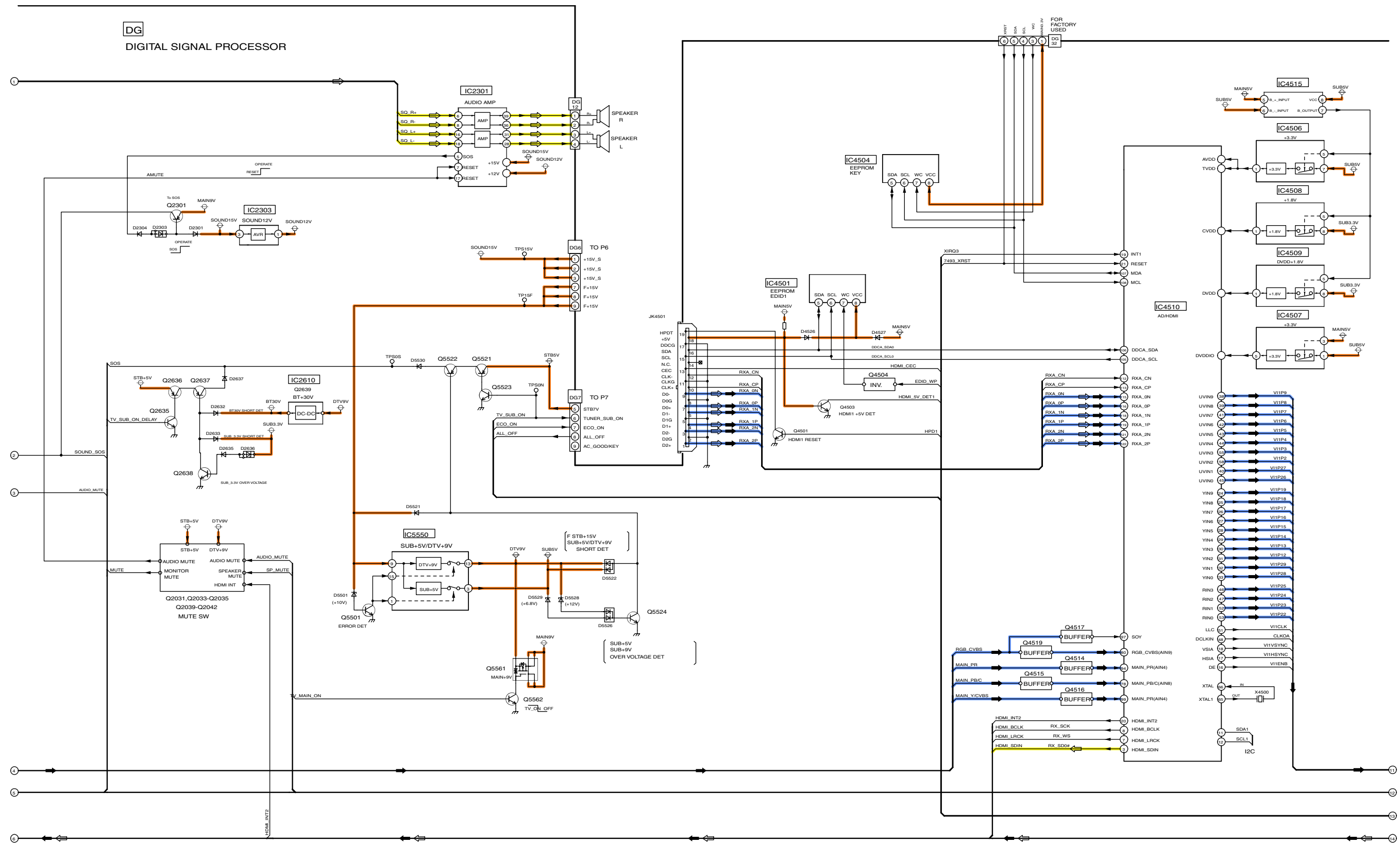
15.10. DG-Board (1 of 4) Block Diagram



TH-42PV7AZ/HS/M/MR, PX7A
DG-Board (1 of 4) Block Diagram

TH-42PV7AZ/HS/M/MR, PX7A
DG-Board (1 of 4) Block Diagram

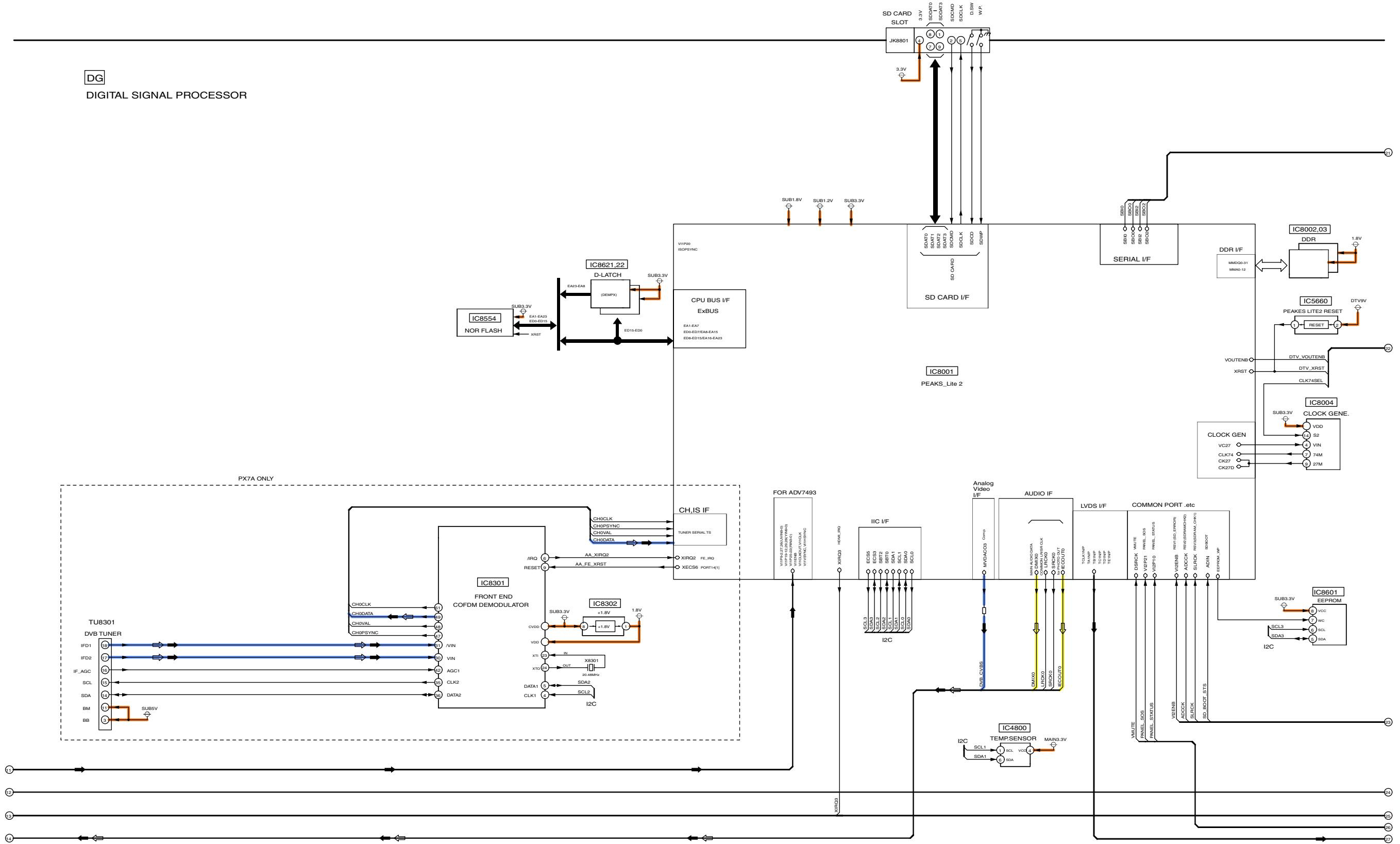
15.11. DG-Board (2 of 4) Block Diagram



TH-42PV7AZ/HS/M/MR, PX7A
DG-Board (2 of 4) Block Diagram

TH-42PV7AZ/HS/M/MR, PX7A
DG-Board (2 of 4) Block Diagram

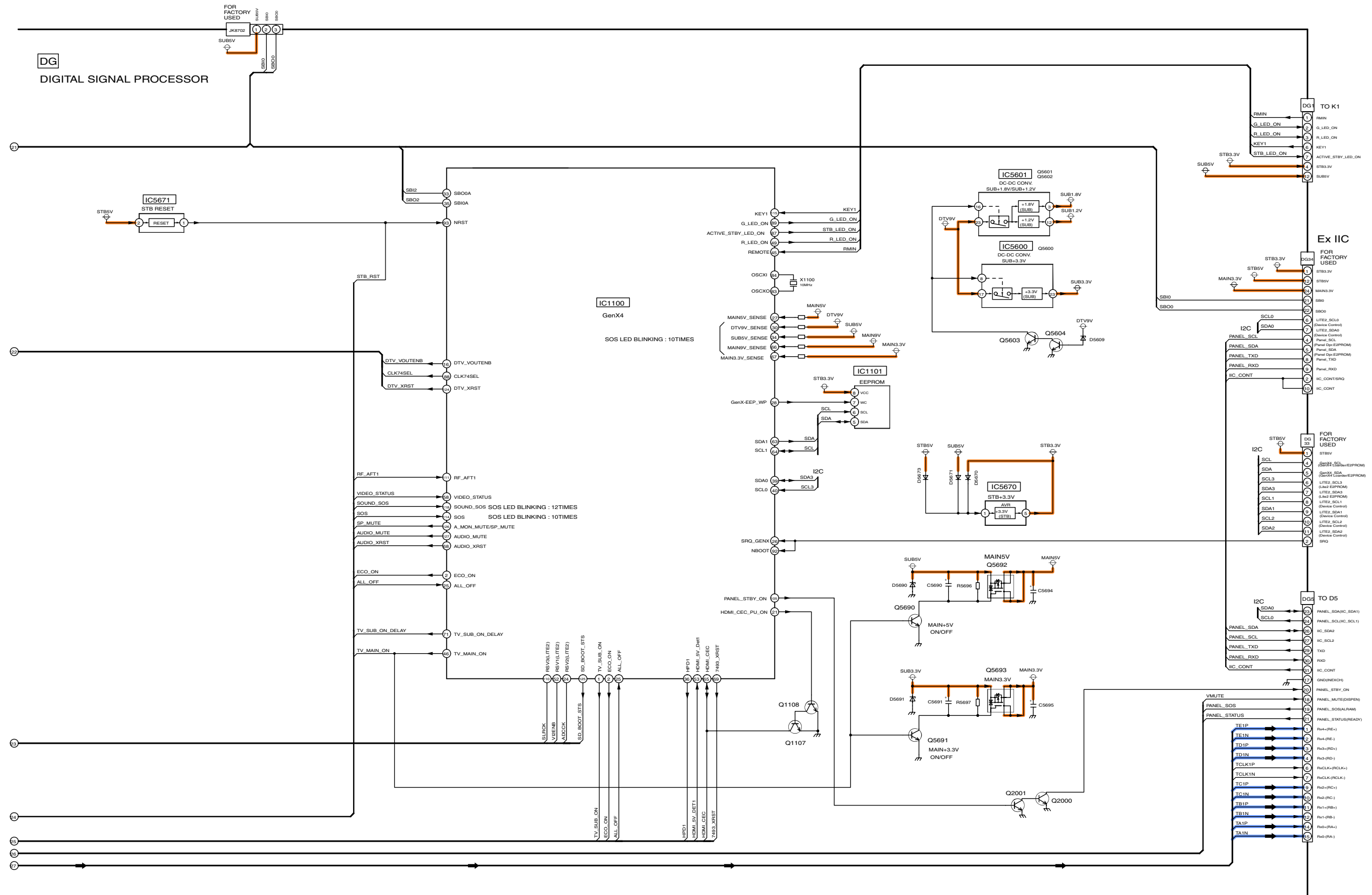
15.12. DG-Board (3 of 4) Block Diagram



TH-42PV7AZ/HS/M/MR, PX7A
DG-Board (3 of 4) Block Diagram

TH-42PV7AZ/HS/M/MR, PX7A
DG-Board (3 of 4) Block Diagram

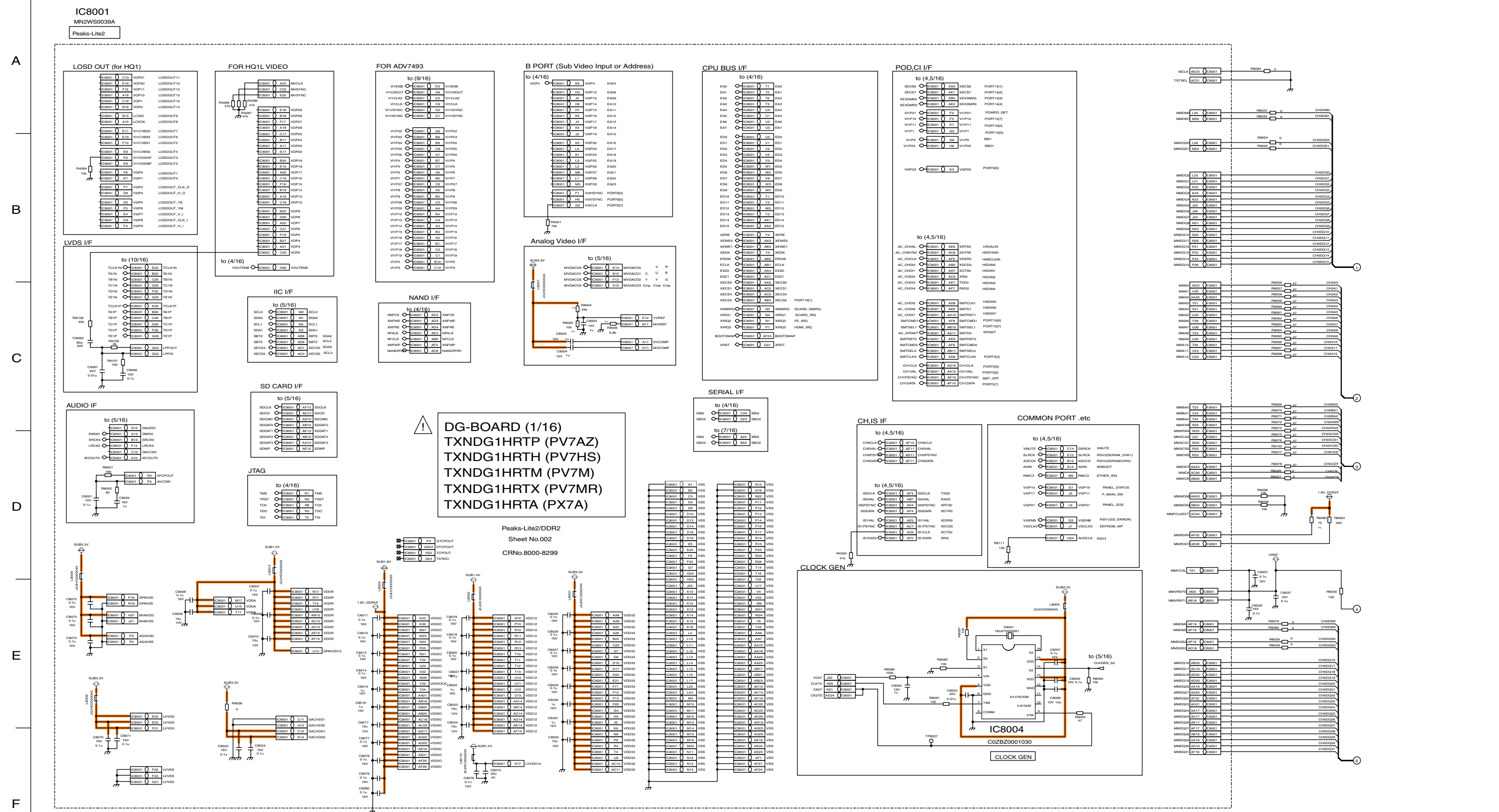
15.13. DG-Board (4 of 4) Block Diagram



TH-42PV7AZ/HS/M/MR, PX7A
DG-Board (4 of 4) Block Diagram

TH-42PV7AZ/HS/M/MR, PX7A
DG-Board (4 of 4) Block Diagram

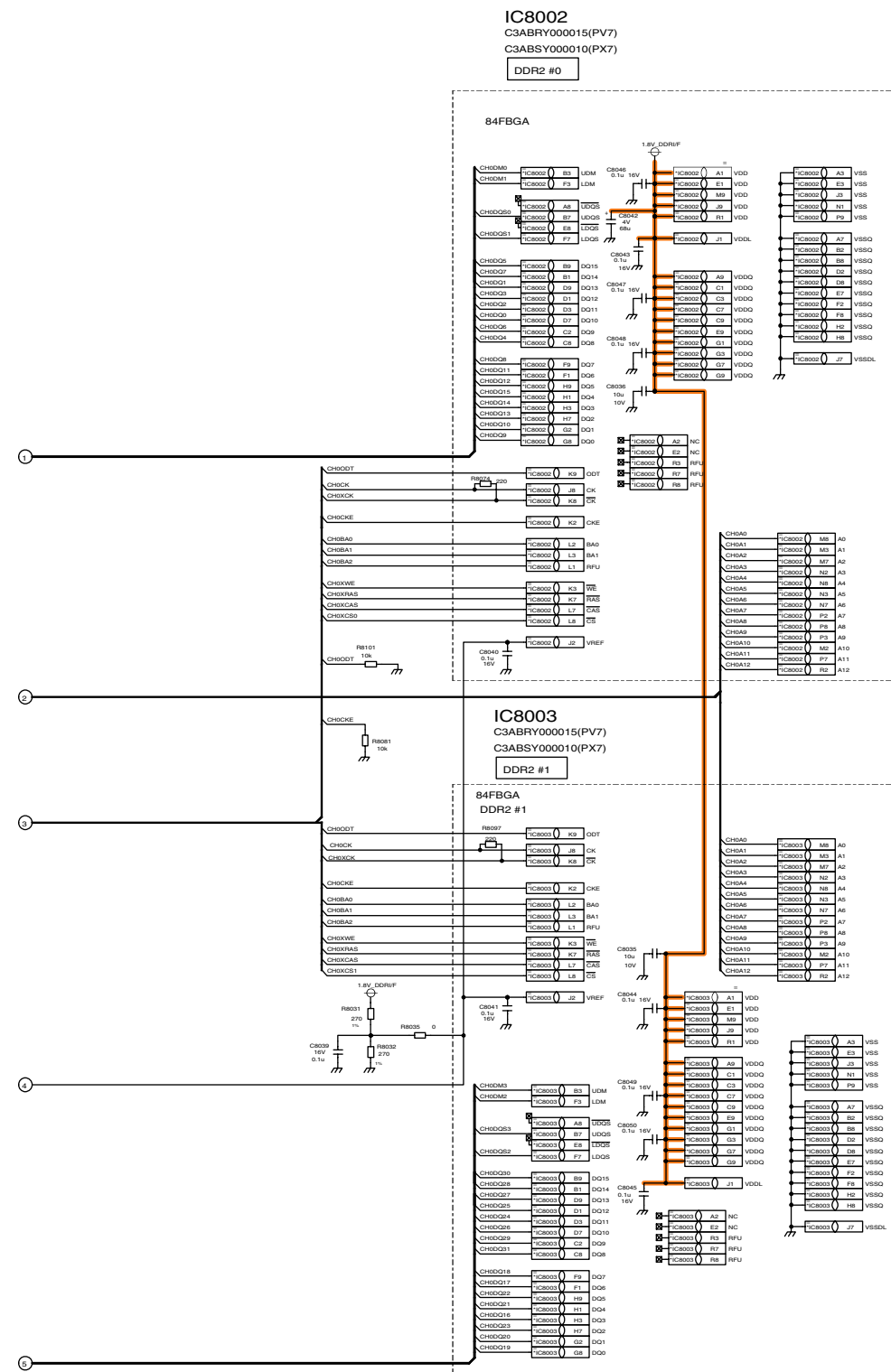
15.14. DG-Board (1 of 16) Schematic Diagram



TH-42PV7AZ/HS/M/MR, PX7A
DG-Board (1 of 16) Schematic Diagram

TH-42PV7AZ/HS/M/MR, PX7A
DG-Board (1 of 16) Schematic Diagram

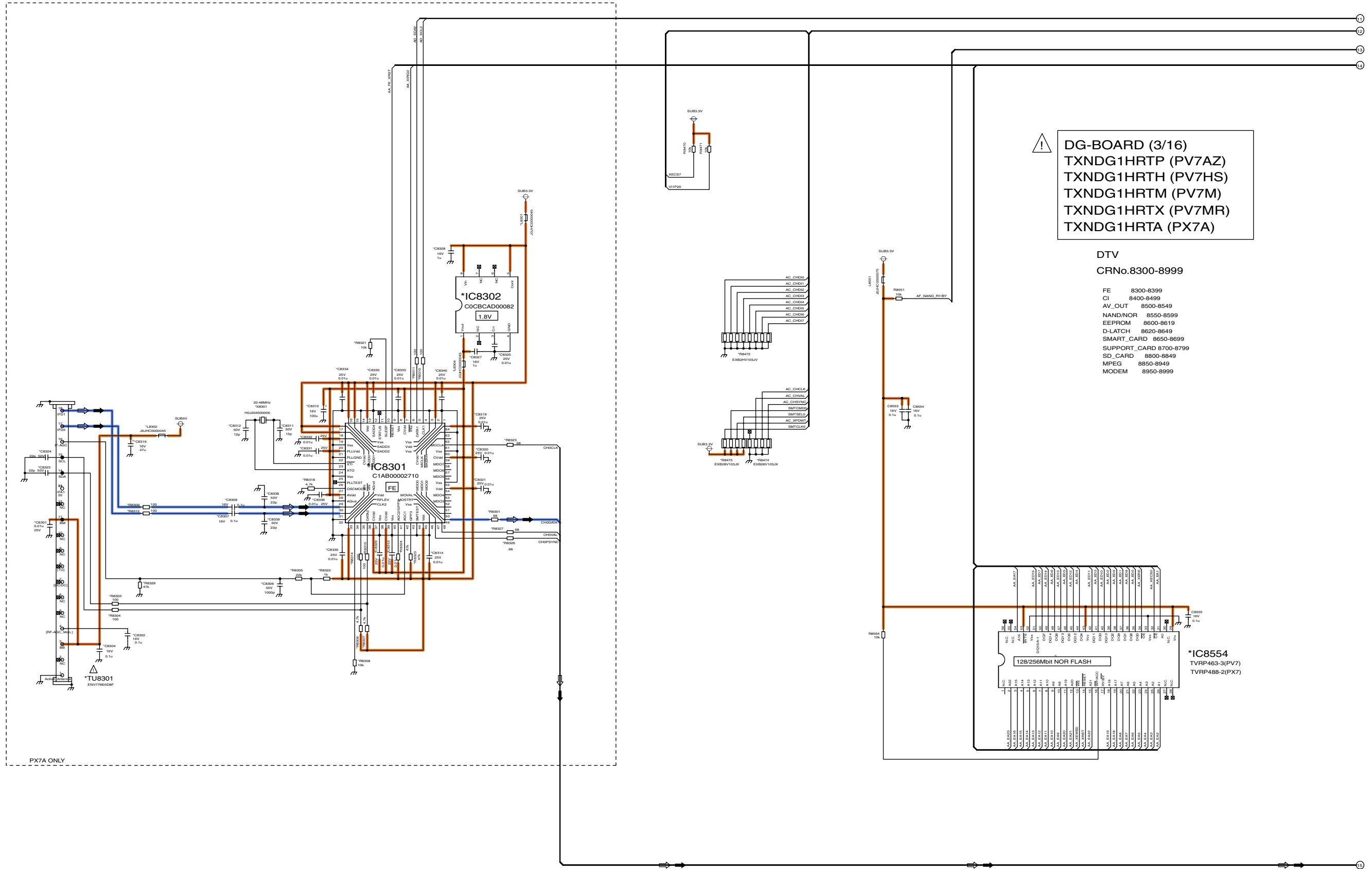
15.15. DG-Board (2 of 16) Schematic Diagram



⚠ DG-BOARD (2/16)
 TXNDG1HRTP (PV7AZ)
 TXNDG1HRTH (PV7HS)
 TXNDG1HRTM (PV7M)
 TXNDG1HRTX (PV7MR)
 TXNDG1HRTA (PX7A)

Peaks-Lite2/DDR2
 Sheet No.002
 CRNo.8000-8299

15.16. DG-Board (3 of 16) Schematic Diagram



!
 DG-BOARD (3/16)
 TXNDG1HRTP (PV7AZ)
 TXNDG1HRTH (PV7HS)
 TXNDG1HRTM (PV7M)
 TXNDG1HRTX (PV7MR)
 TXNDG1HRTA (PX7A)

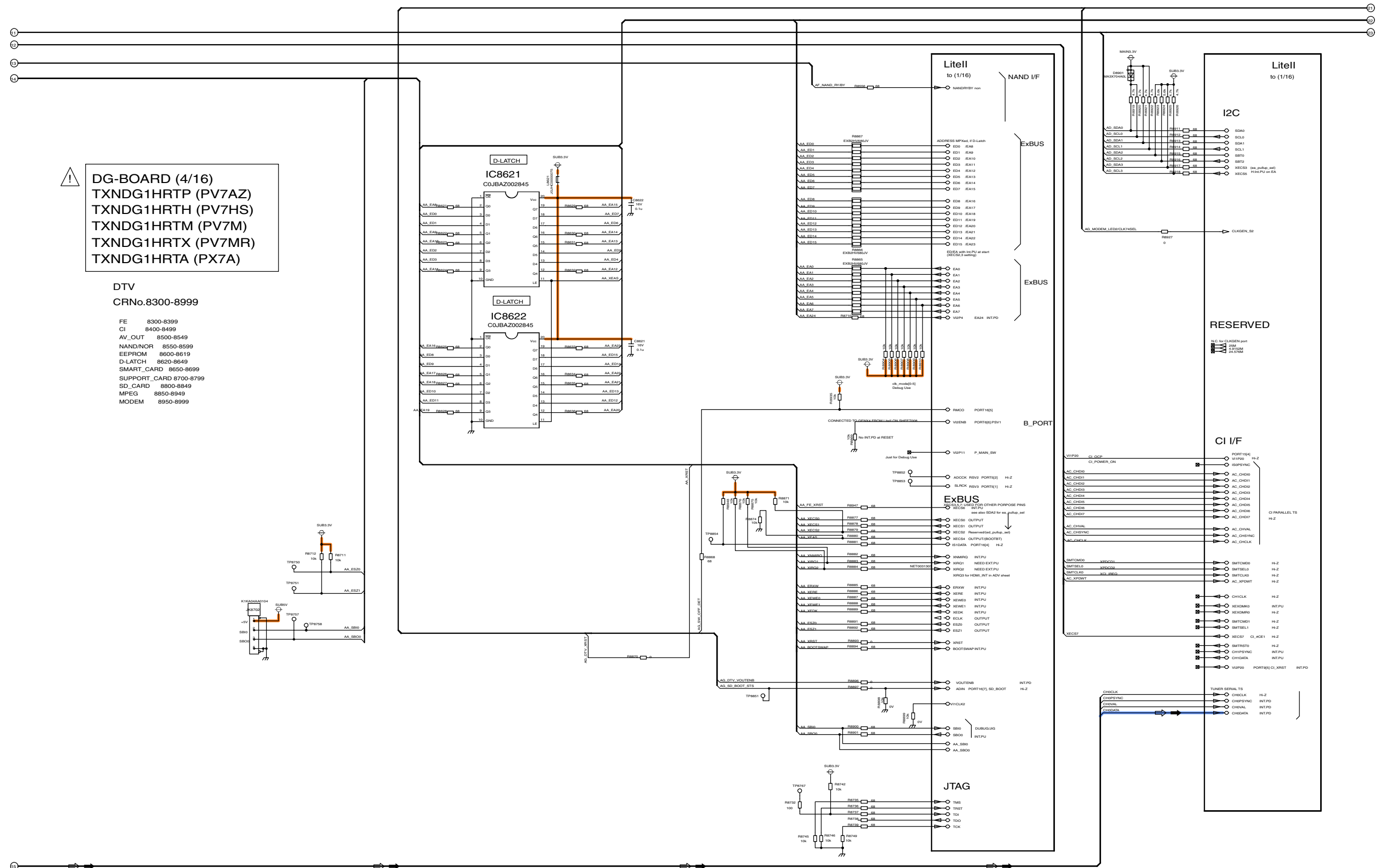
DTV
 CRNo.8300-8999

- FE 8300-8399
- CI 8400-8499
- AV_OUT 8500-8549
- NAND/NOR 8550-8599
- EEPROM 8600-8619
- D-LATCH 8620-8649
- SMART_CARD 8650-8699
- SUPPORT_CARD 8700-8799
- SD_CARD 8800-8849
- MPEG 8850-8849
- MODEM 8950-8999

TH-42PV7AZ/HS/M/MR, PX7A
DG-Board (3 of 16) Schematic Diagram

TH-42PV7AZ/HS/M/MR, PX7A
DG-Board (3 of 16) Schematic Diagram

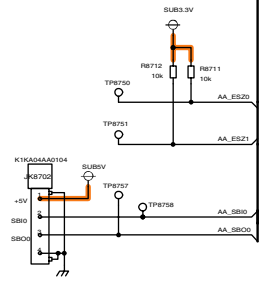
15.17. DG-Board (4 of 16) Schematic Diagram



! DG-BOARD (4/16)
 TXNDG1HRTP (PV7AZ)
 TXNDG1HRTH (PV7HS)
 TXNDG1HRTM (PV7M)
 TXNDG1HRTX (PV7MR)
 TXNDG1HRTA (PX7A)

DTV
 CRNo.8300-8999

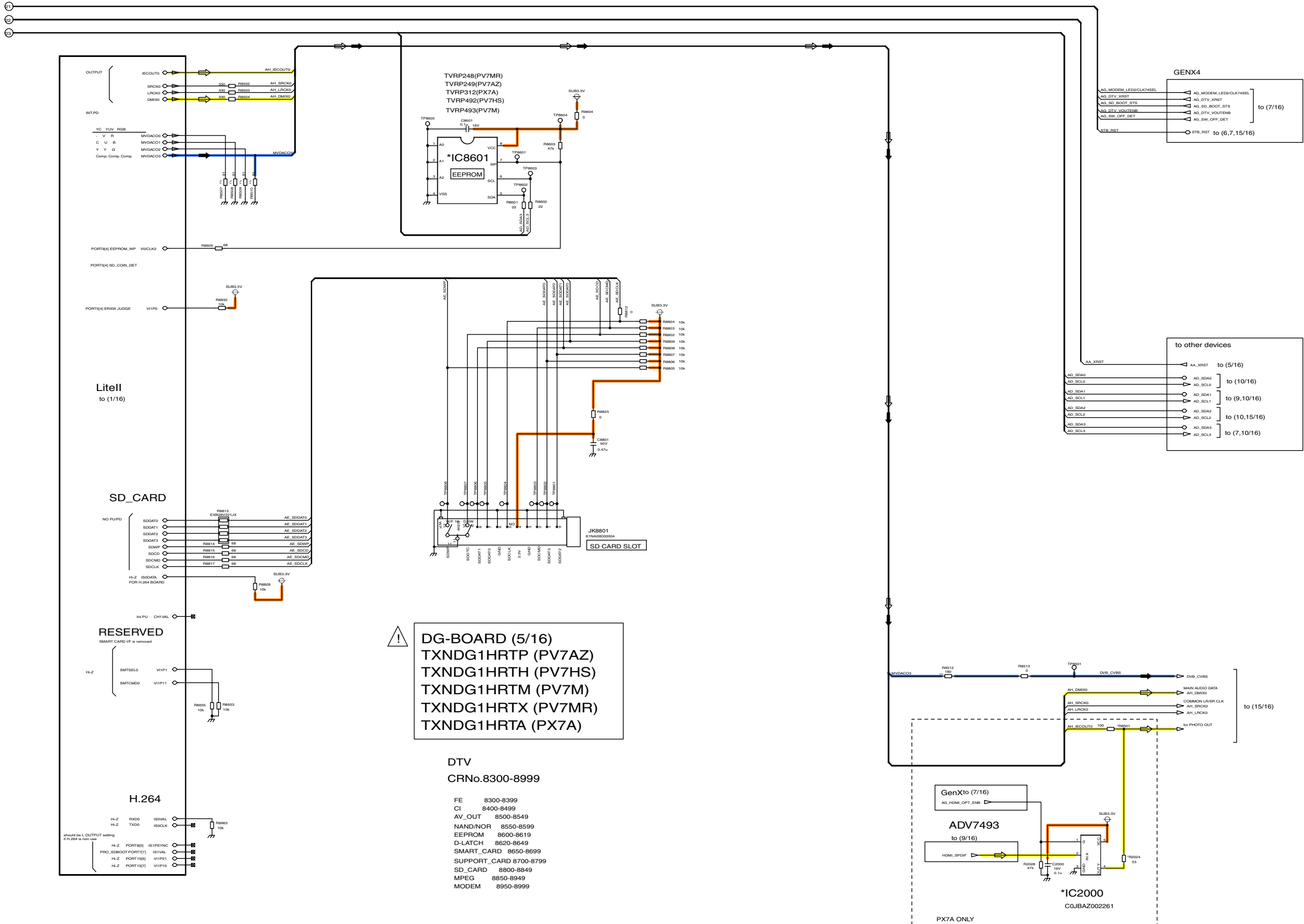
- FE 8300-8399
- CI 8400-8499
- AV_OUT 8500-8549
- NAND/NOR 8550-8599
- EEPROM 8600-8619
- D-LATCH 8620-8649
- SMART_CARD 8650-8699
- SUPPORT_CARD 8700-8799
- SD_CARD 8800-8849
- MPEG 8850-8949
- MODEM 8950-8999



TH-42PV7AZ/HS/M/MR, PX7A
 DG-Board (4 of 16) Schematic Diagram
 28 29 30 31 32 33 34

TH-42PV7AZ/HS/M/MR, PX7A
 DG-Board (4 of 16) Schematic Diagram
 35 36

15.18. DG-Board (5 of 16) Schematic Diagram



DG-BOARD (5/16)
 TXNDG1HRTP (PV7AZ)
 TXNDG1HRTH (PV7HS)
 TXNDG1HRTM (PV7M)
 TXNDG1HRTX (PV7MR)
 TXNDG1HRTA (PX7A)

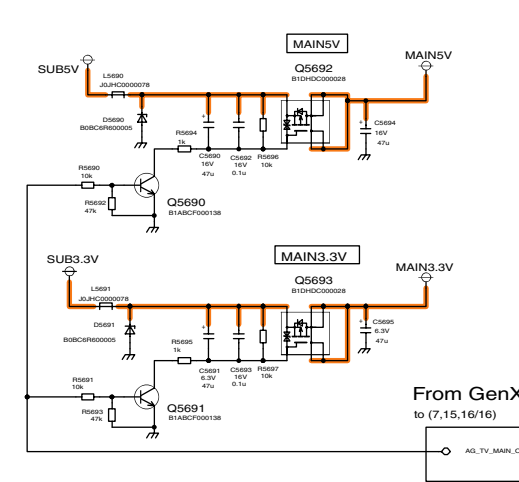
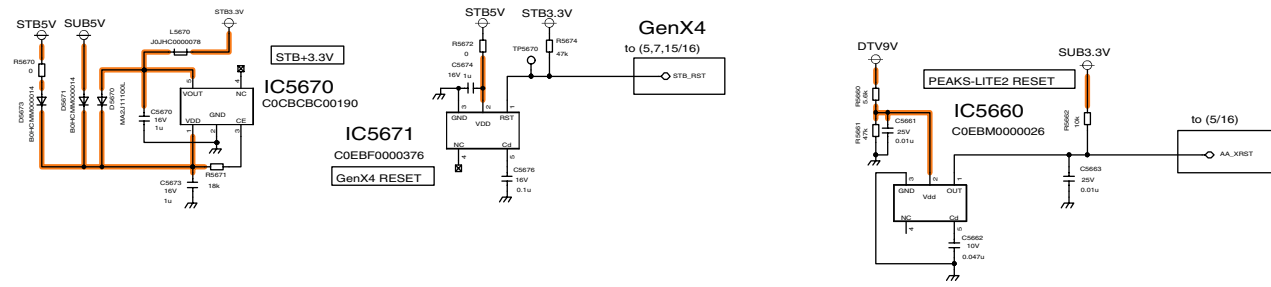
DTV
 CRNo.8300-8999

FE	8300-8399
CI	8400-8499
AV_OUT	8500-8549
NAND/NOR	8550-8599
EEPROM	8600-8619
D-LATCH	8620-8649
SMART_CARD	8650-8699
SUPPORT_CARD	8700-8799
SD_CARD	8800-8849
MPEG	8850-8949
MODEM	8950-8999

TH-42PV7AZ/HS/M/MR, PX7A
 DG-Board (5 of 16) Schematic Diagram

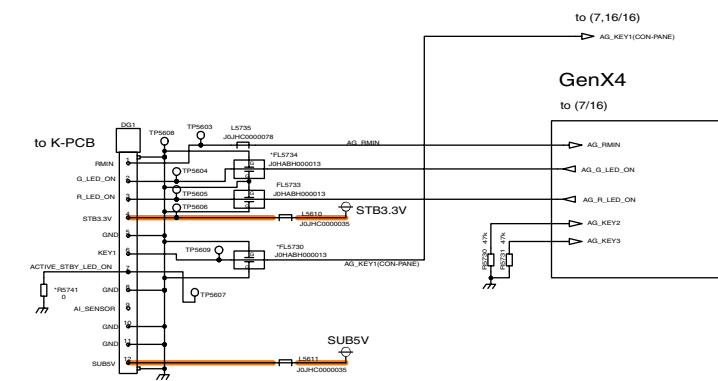
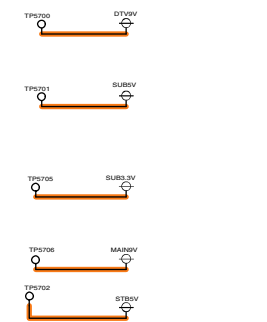
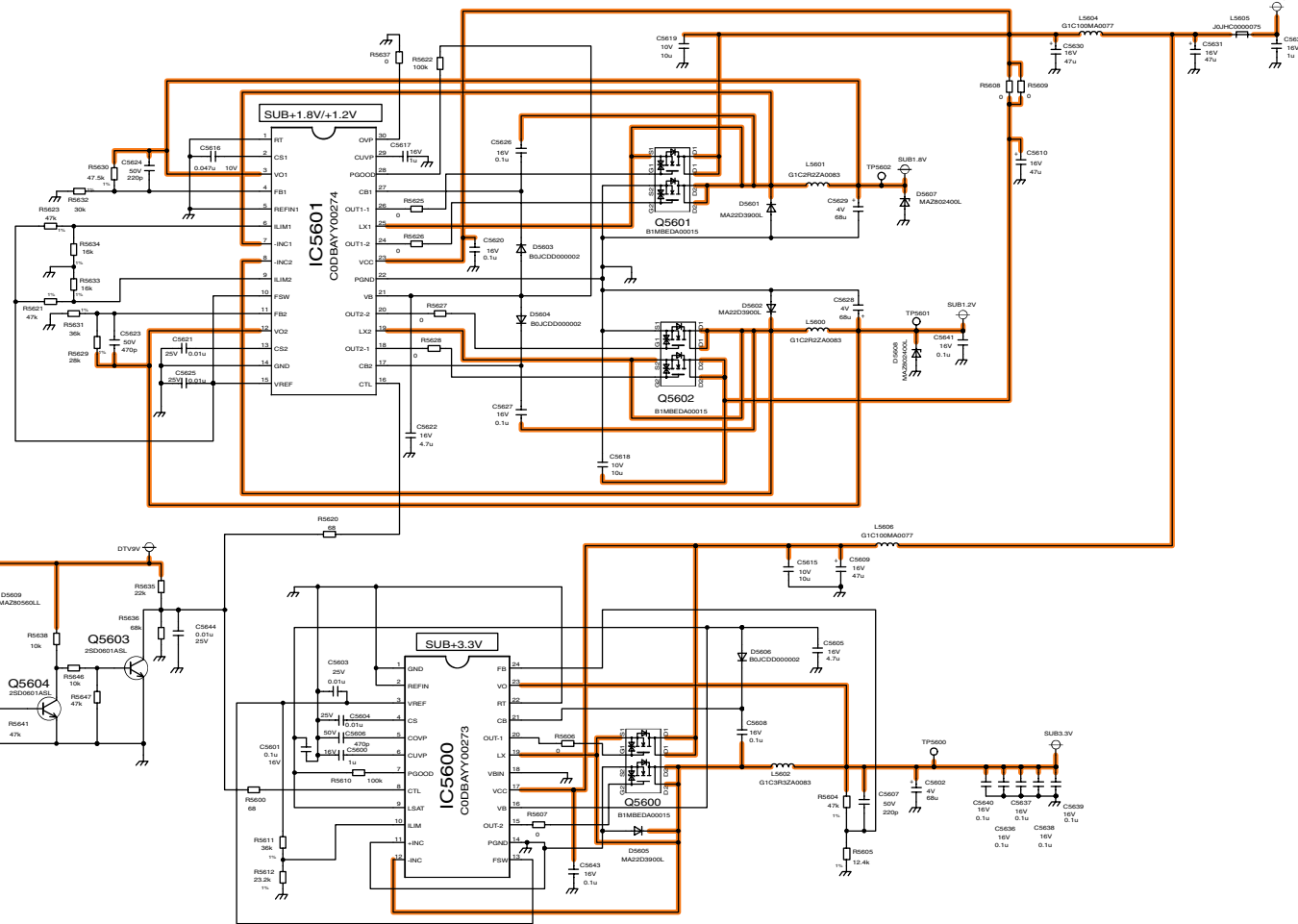
TH-42PV7AZ/HS/M/MR, PX7A
 DG-Board (5 of 16) Schematic Diagram

15.19. DG-Board (6 of 16) Schematic Diagram



! DG-BOARD (6/16)
 TXNDG1HRTP (PV7AZ)
 TXNDG1HRTH (PV7HS)
 TXNDG1HRTM (PV7M)
 TXNDG1HRTX (PV7MR)
 TXNDG1HRTA (PX7A)

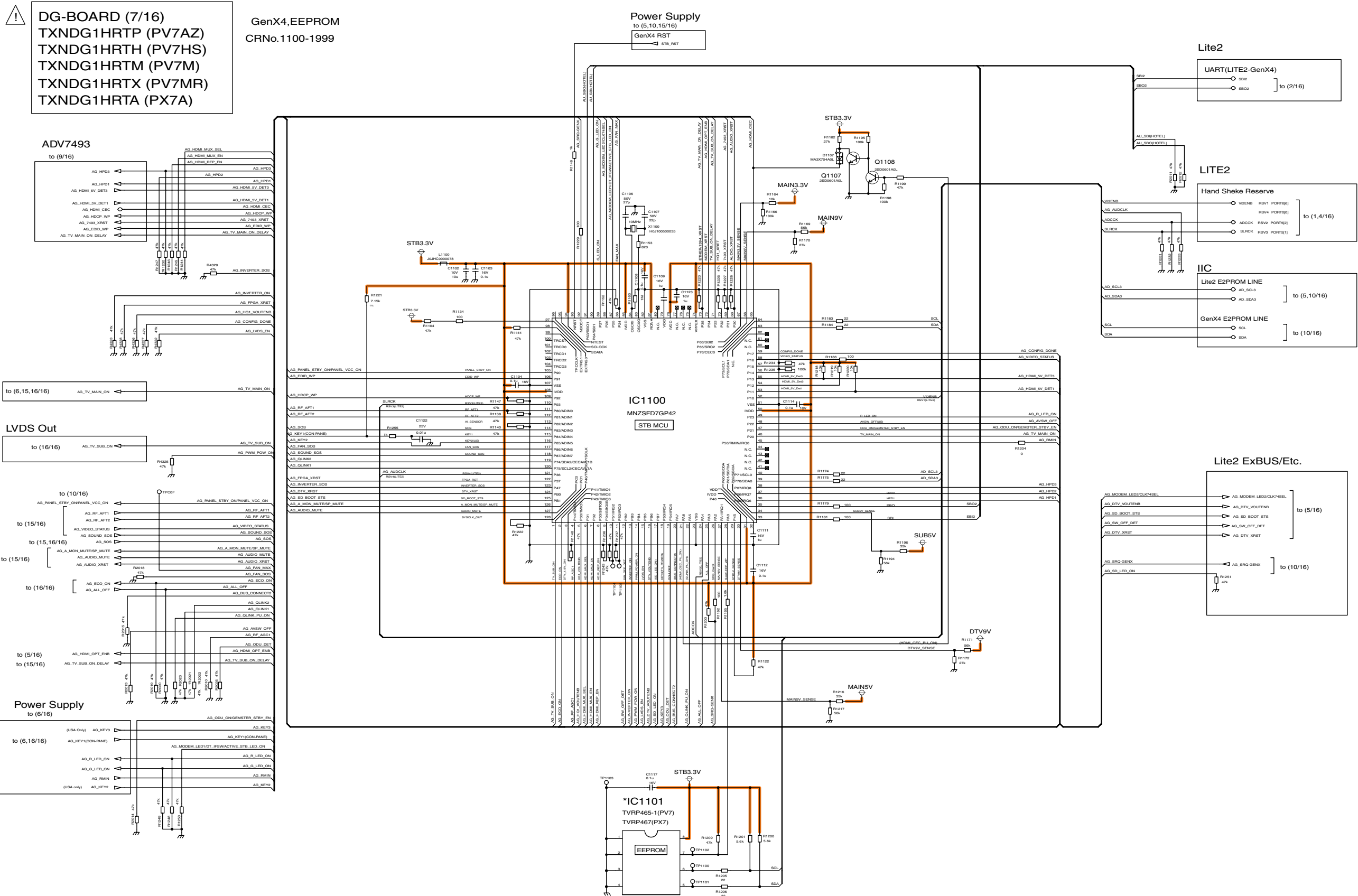
POWER SUPPLY/RST
 CRNo.5600-5749
 Peaks-LITE2 POWER 5600-5659
 Peaks-LITE2 RST 5600-5689
 GenX4 POWER/RST 5670-5689
 MAIN5V/MAIN3.3V 5690-5709
 DG-H Connector 5710-5729
 DG-G Connector 5730-5749



TH-42PV7AZ/HS/M/MR, PX7A
 DG-Board (6 of 16) Schematic Diagram

TH-42PV7AZ/HS/M/MR, PX7A
 DG-Board (6 of 16) Schematic Diagram

15.20. DG-Board (7 of 16) Schematic Diagram



TH-42PV7AZ/HS/M/MR, PX7A
DG-Board (7 of 16) Schematic Diagram

TH-42PV7AZ/HS/M/MR, PX7A
DG-Board (7 of 16) Schematic Diagram

55

56

57

58

59


60

61

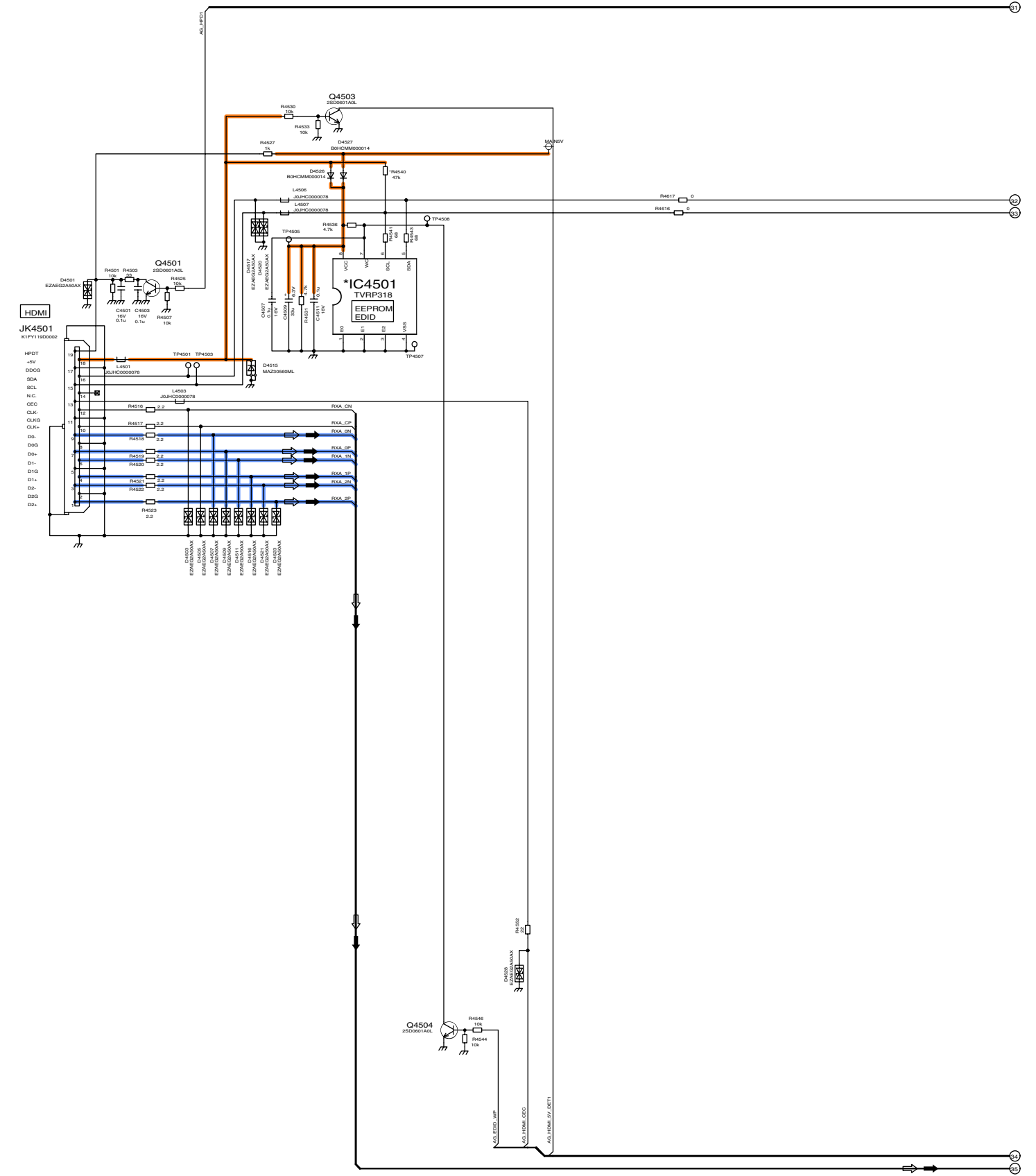
62

63

15.21. DG-Board (8 of 16) Schematic Diagram


DG-BOARD (8/16)
 TXNDG1HRTP (PV7AZ)
 TXNDG1HRTH (PV7HS)
 TXNDG1HRTM (PV7M)
 TXNDG1HRTX (PV7MR)
 TXNDG1HRTA (PX7A)

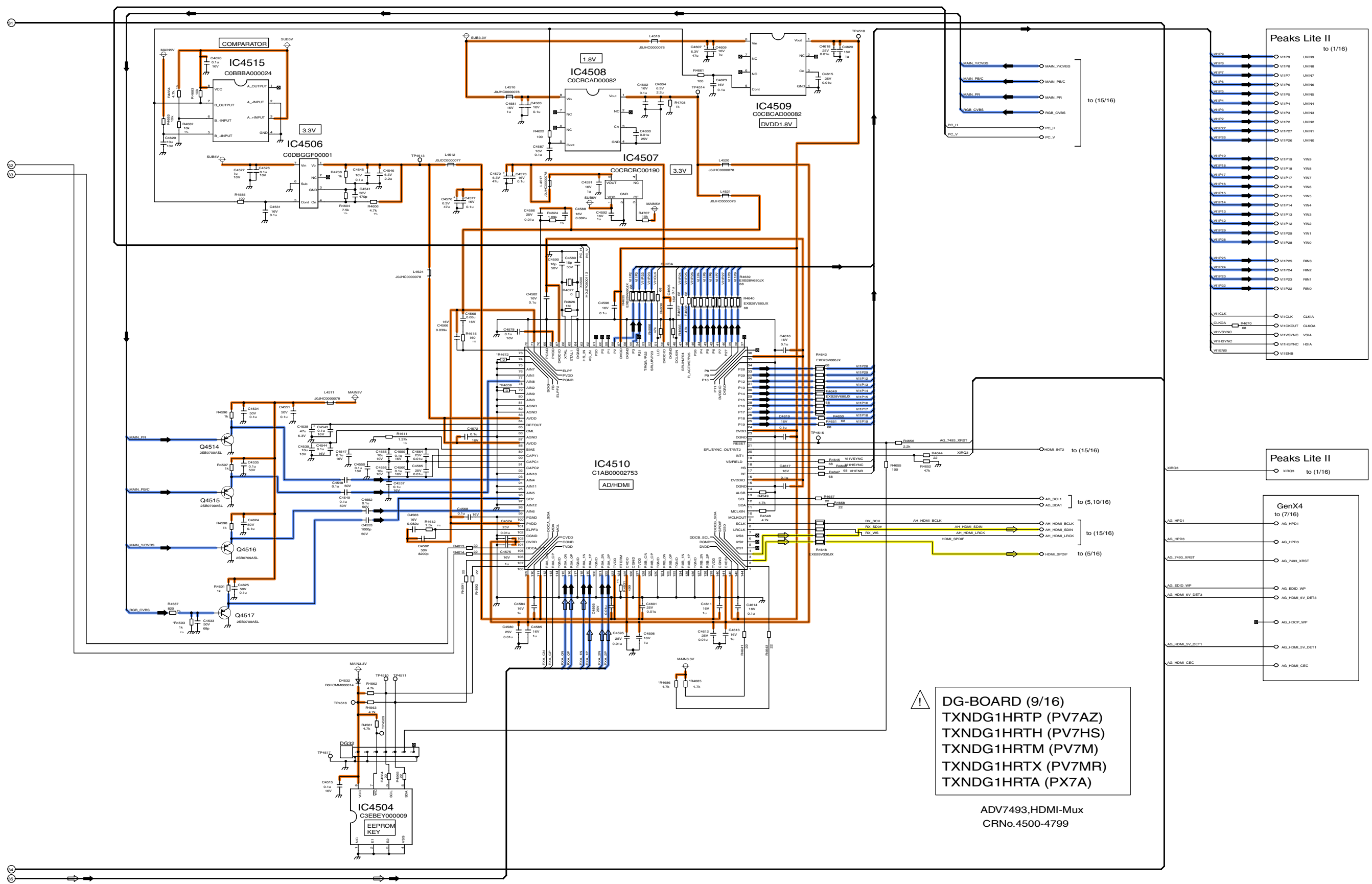
 ADV7493,HDMI-Mux
 CRNo.4500-4799



TH-42PV7AZ/HS/M/MR, PX7A
DG-Board (8 of 16) Schematic Diagram

TH-42PV7AZ/HS/M/MR, PX7A
DG-Board (8 of 16) Schematic Diagram

15.22. DG-Board (9 of 16) Schematic Diagram



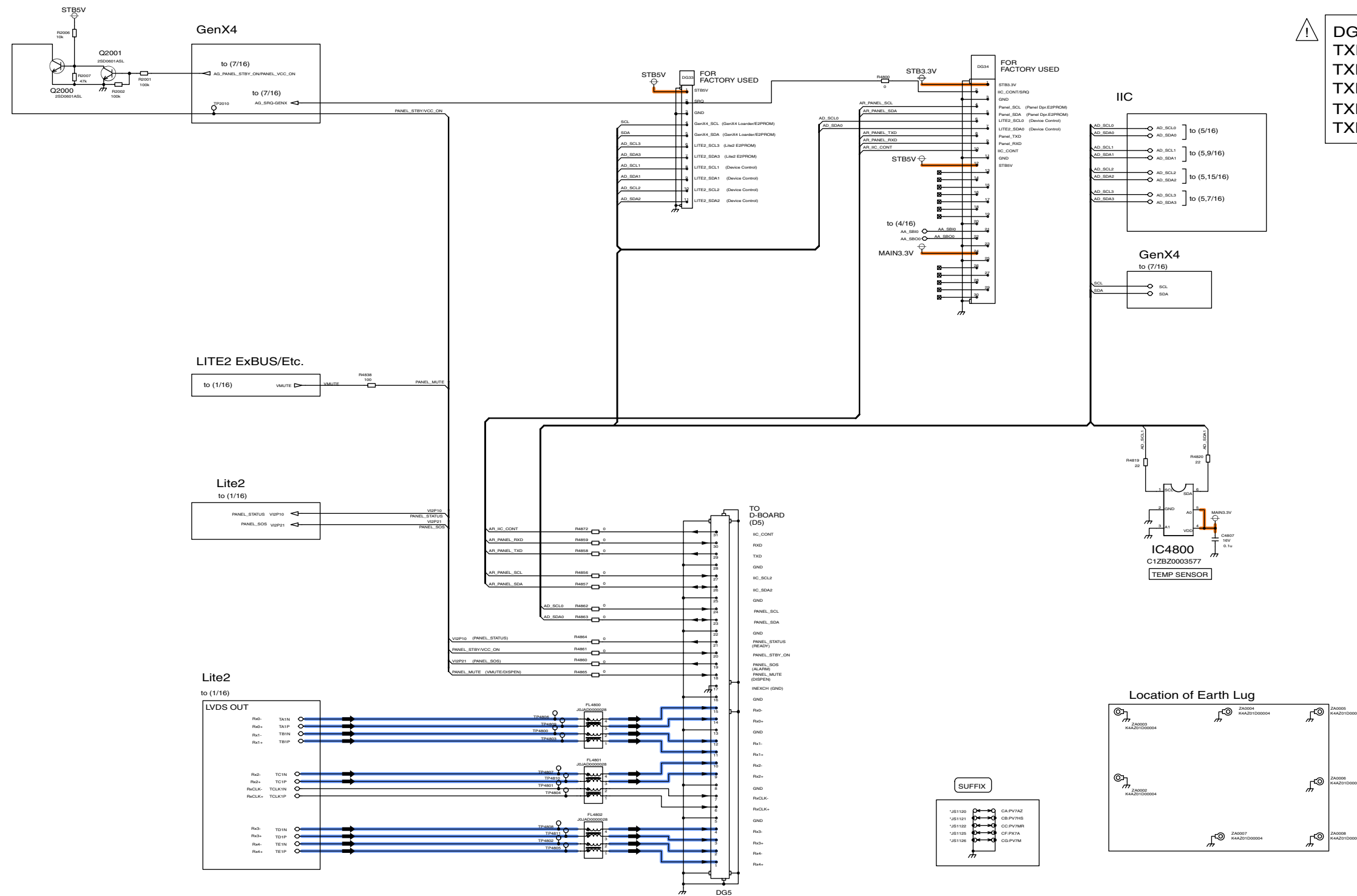
⚠️ **DG-BOARD (9/16)**
 TXNDG1HRTP (PV7AZ)
 TXNDG1HRTH (PV7HS)
 TXNDG1HRTM (PV7M)
 TXNDG1HRTX (PV7MR)
 TXNDG1HRTA (PX7A)

ADV7493,HDMI-Mux
 CRNo.4500-4799

TH-42PV7AZ/HS/M/MR, PX7A
 DG-Board (9 of 16) Schematic Diagram

TH-42PV7AZ/HS/M/MR, PX7A
 DG-Board (9 of 16) Schematic Diagram

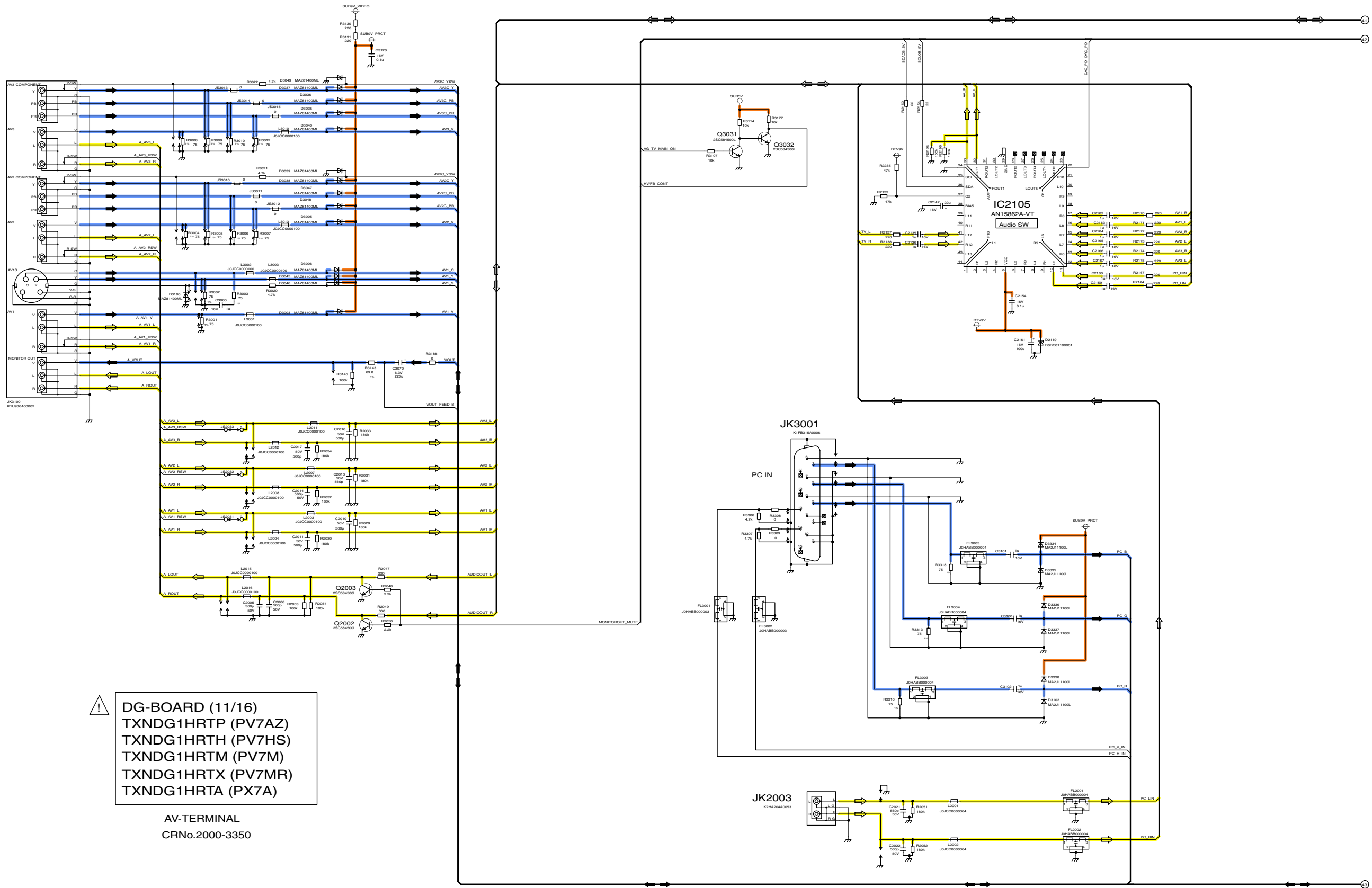
15.23. DG-Board (10 of 16) Schematic Diagram



⚠️ **DG-BOARD (10/16)**
 TXNDG1HRTP (PV7AZ)
 TXNDG1HRTH (PV7HS)
 TXNDG1HRTM (PV7M)
 TXNDG1HRTX (PV7MR)
 TXNDG1HRTA (PX7A)

LVDS Out
 CN to ExIIC
 CRNo.4800-4999

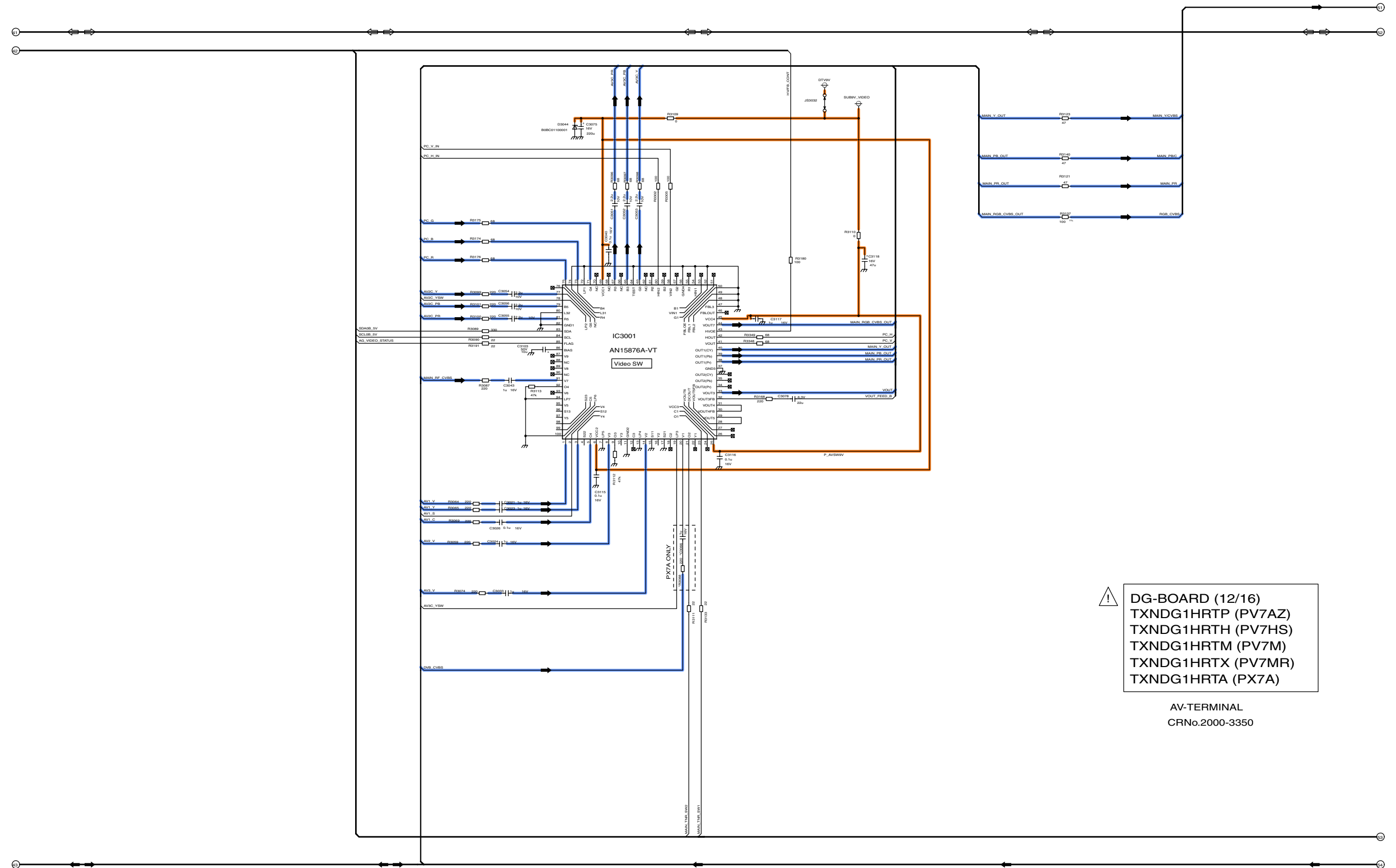
15.24. DG-Board (11 of 16) Schematic Diagram



! DG-BOARD (11/16)
 TXNDG1HRTP (PV7AZ)
 TXNDG1HRTH (PV7HS)
 TXNDG1HRTM (PV7M)
 TXNDG1HRTX (PV7MR)
 TXNDG1HRTA (PX7A)

AV-TERMINAL
 CRNo.2000-3350

15.25. DG-Board (12 of 16) Schematic Diagram



⚠ DG-BOARD (12/16)
 TXNDG1HRTP (PV7AZ)
 TXNDG1HRTH (PV7HS)
 TXNDG1HRTM (PV7M)
 TXNDG1HRTX (PV7MR)
 TXNDG1HRTA (PX7A)

AV-TERMINAL
 CRNo.2000-3350

TH-42PV7AZ/HS/M/MR, PX7A
 DG-Board (12 of 16) Schematic Diagram

TH-42PV7AZ/HS/M/MR, PX7A
 DG-Board (12 of 16) Schematic Diagram

100

101

102

103

104

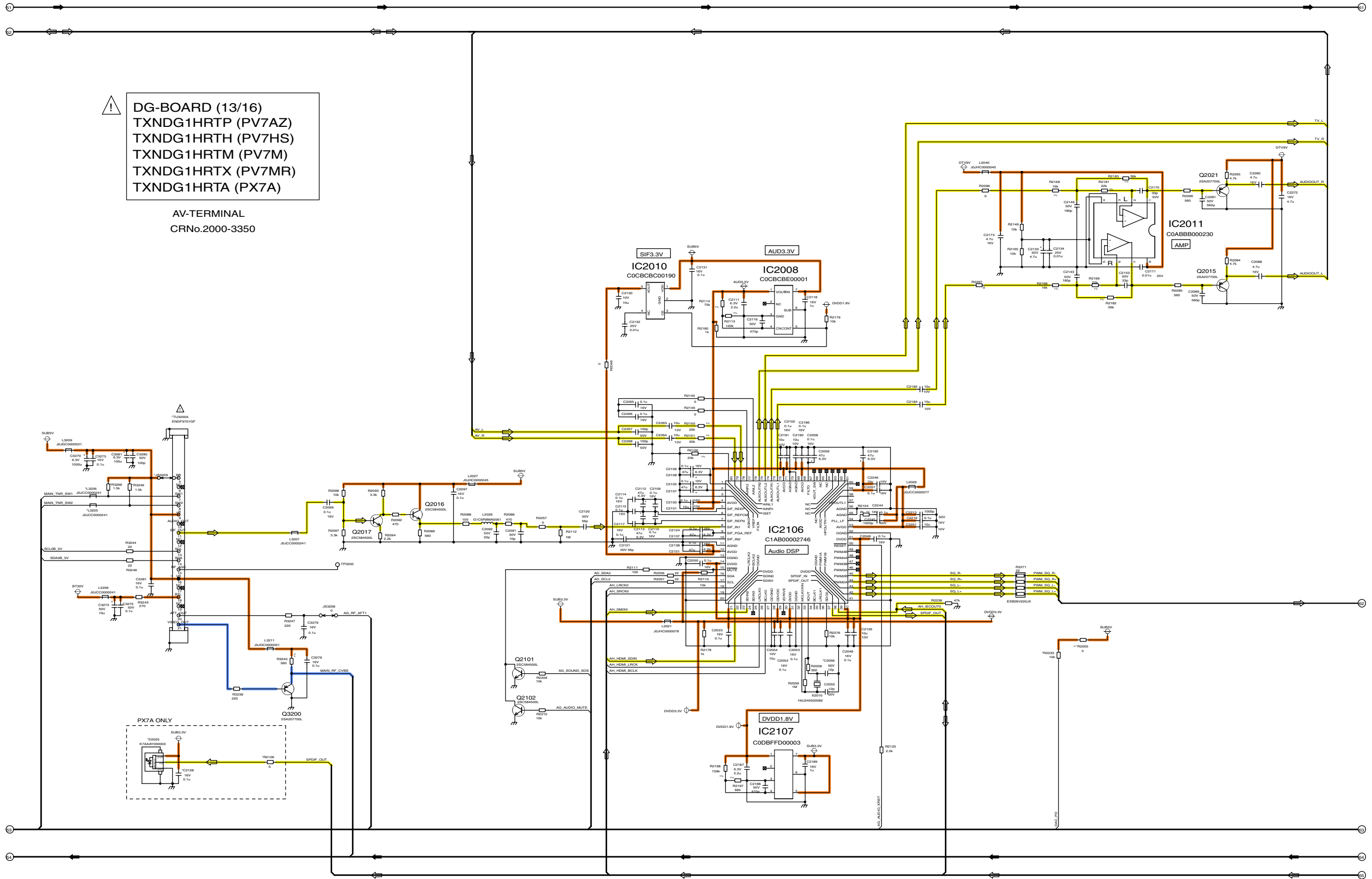
105

106

107

108

15.26. DG-Board (13 of 16) Schematic Diagram



TH-42PV7AZ/HS/M/MR, PX7A
 DG-Board (13 of 16) Schematic Diagram

TH-42PV7AZ/HS/M/MR, PX7A
 DG-Board (13 of 16) Schematic Diagram

109

110

111

112

113

114

115

116

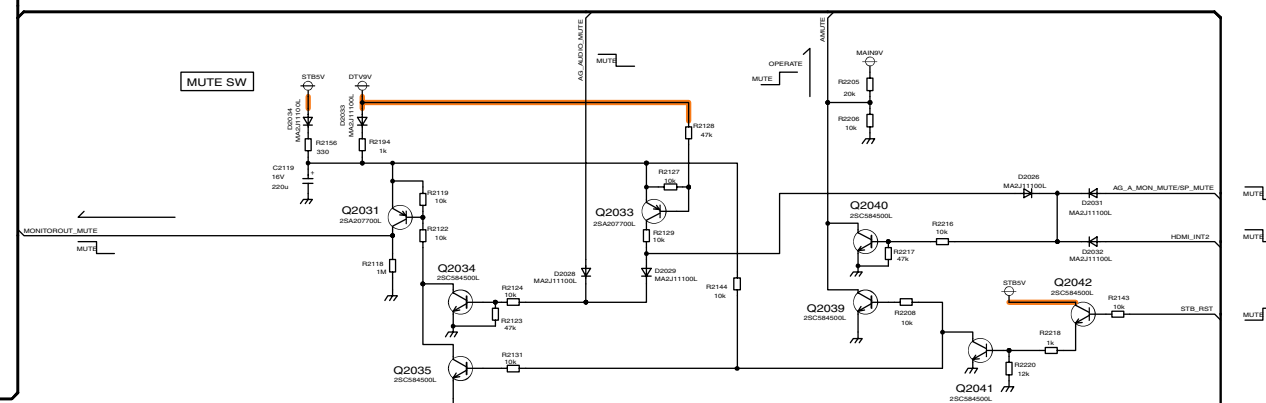
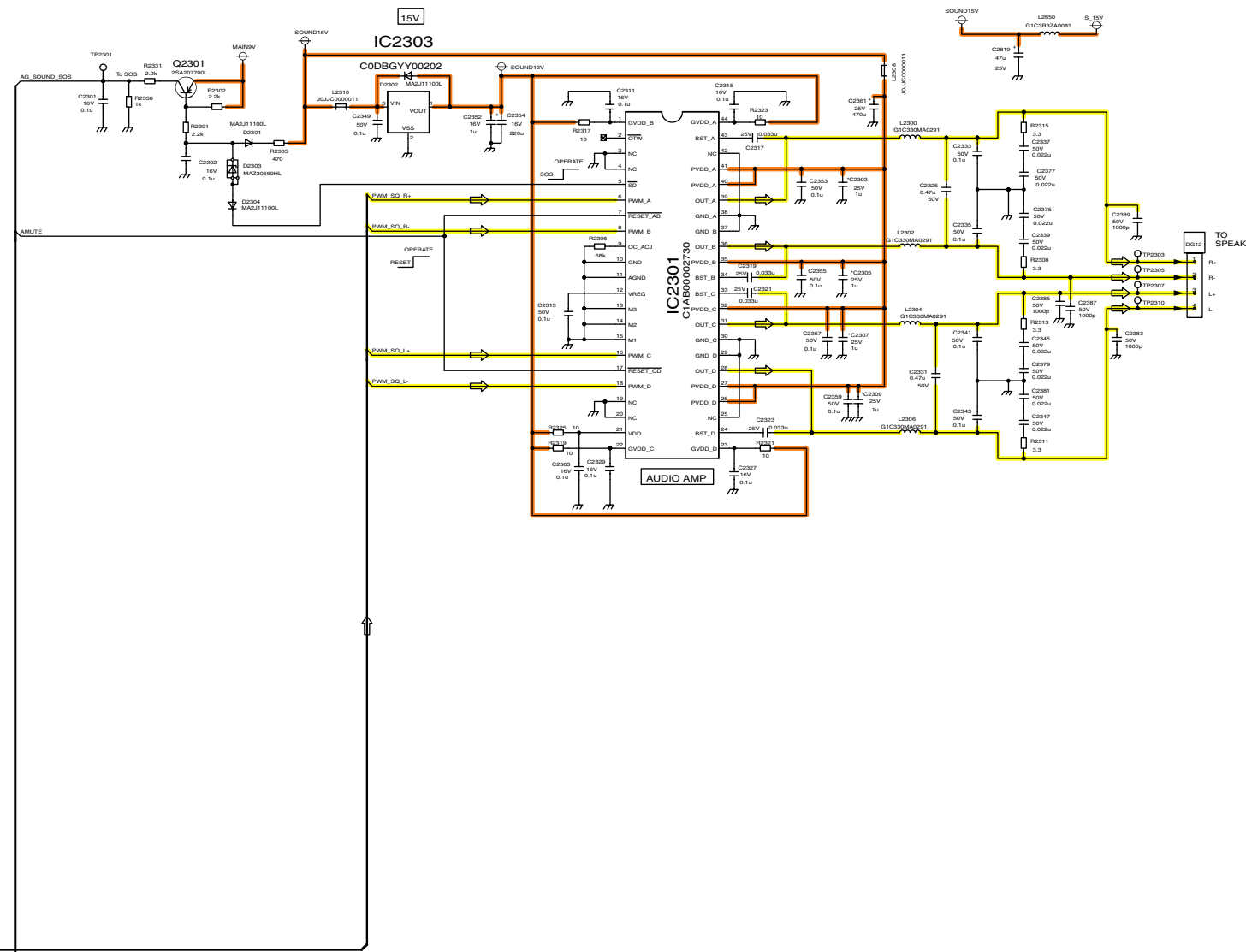
117

15.27. DG-Board (14 of 16) Schematic Diagram



DG-BOARD (14/16)
TXNDG1H RTP (PV7AZ)
TXNDG1H RTH (PV7HS)
TXNDG1H RTM (PV7M)
TXNDG1H RTX (PV7MR)
TXNDG1H RTA (PX7A)

AV-TERMINAL
CRNo.2000-3350



TH-42PV7AZ/HS/M/MR, PX7A
DG-Board (14 of 16) Schematic Diagram

TH-42PV7AZ/HS/M/MR, PX7A
DG-Board (14 of 16) Schematic Diagram

118

119

120

121

122

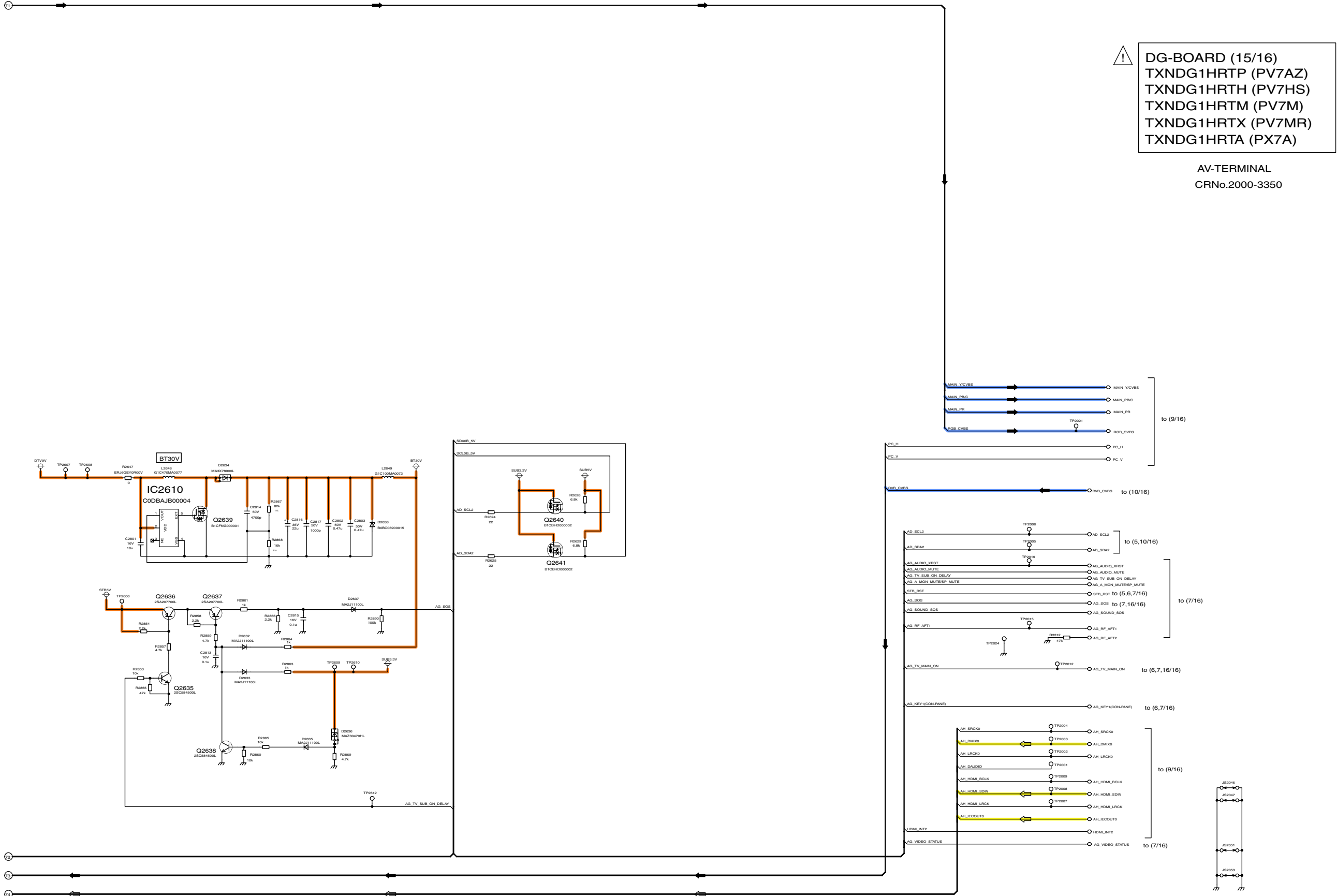
123

124

125

126

15.28. DG-Board (15 of 16) Schematic Diagram



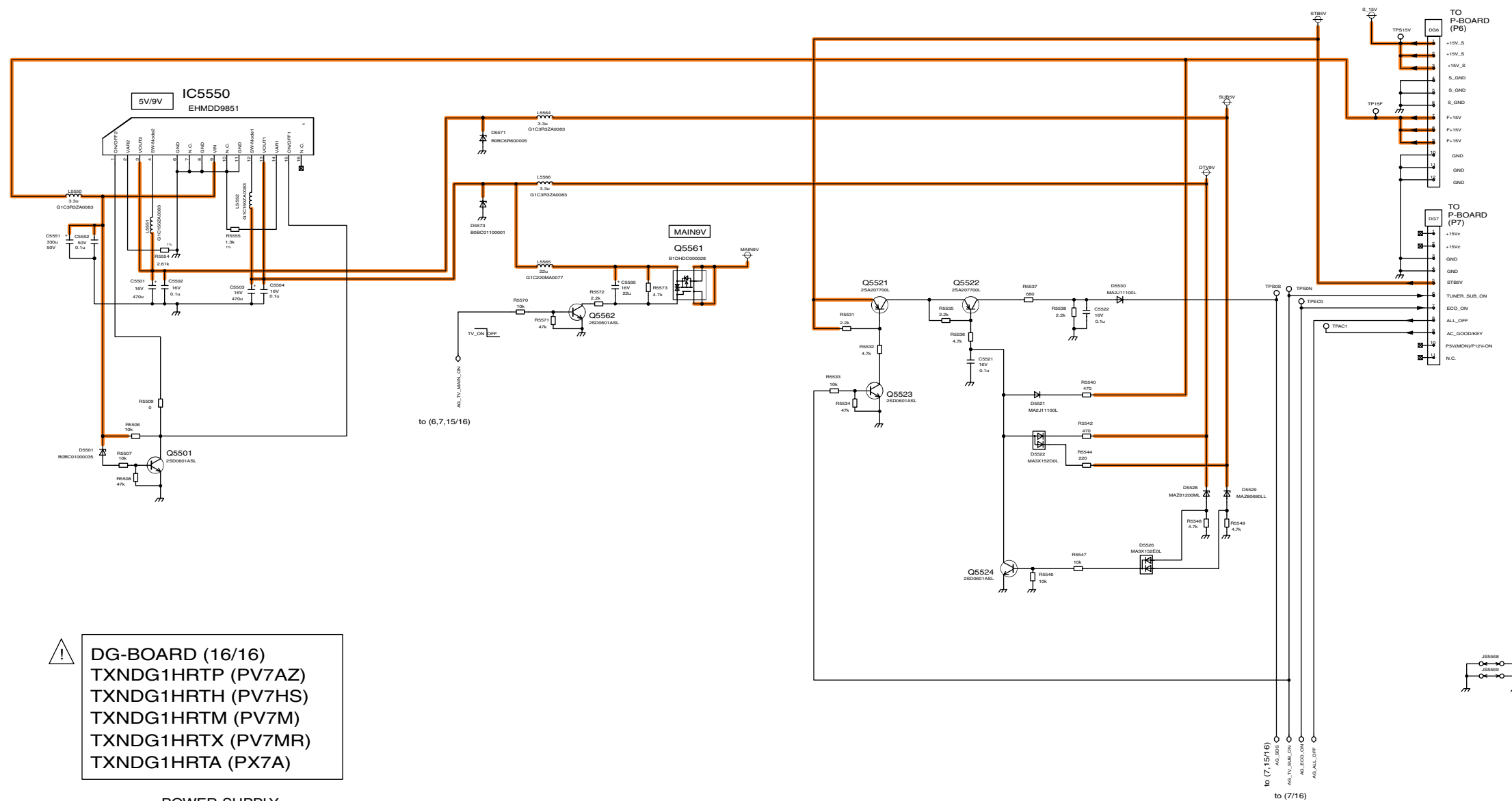
⚠ DG-BOARD (15/16)
 TXNDG1HRTP (PV7AZ)
 TXNDG1HRTH (PV7HS)
 TXNDG1HRTM (PV7M)
 TXNDG1HRTX (PV7MR)
 TXNDG1HRTA (PX7A)

AV-TERMINAL
 CRNo.2000-3350

TH-42PV7AZ/HS/M/MR, PX7A
 DG-Board (15 of 16) Schematic Diagram

TH-42PV7AZ/HS/M/MR, PX7A
 DG-Board (15 of 16) Schematic Diagram

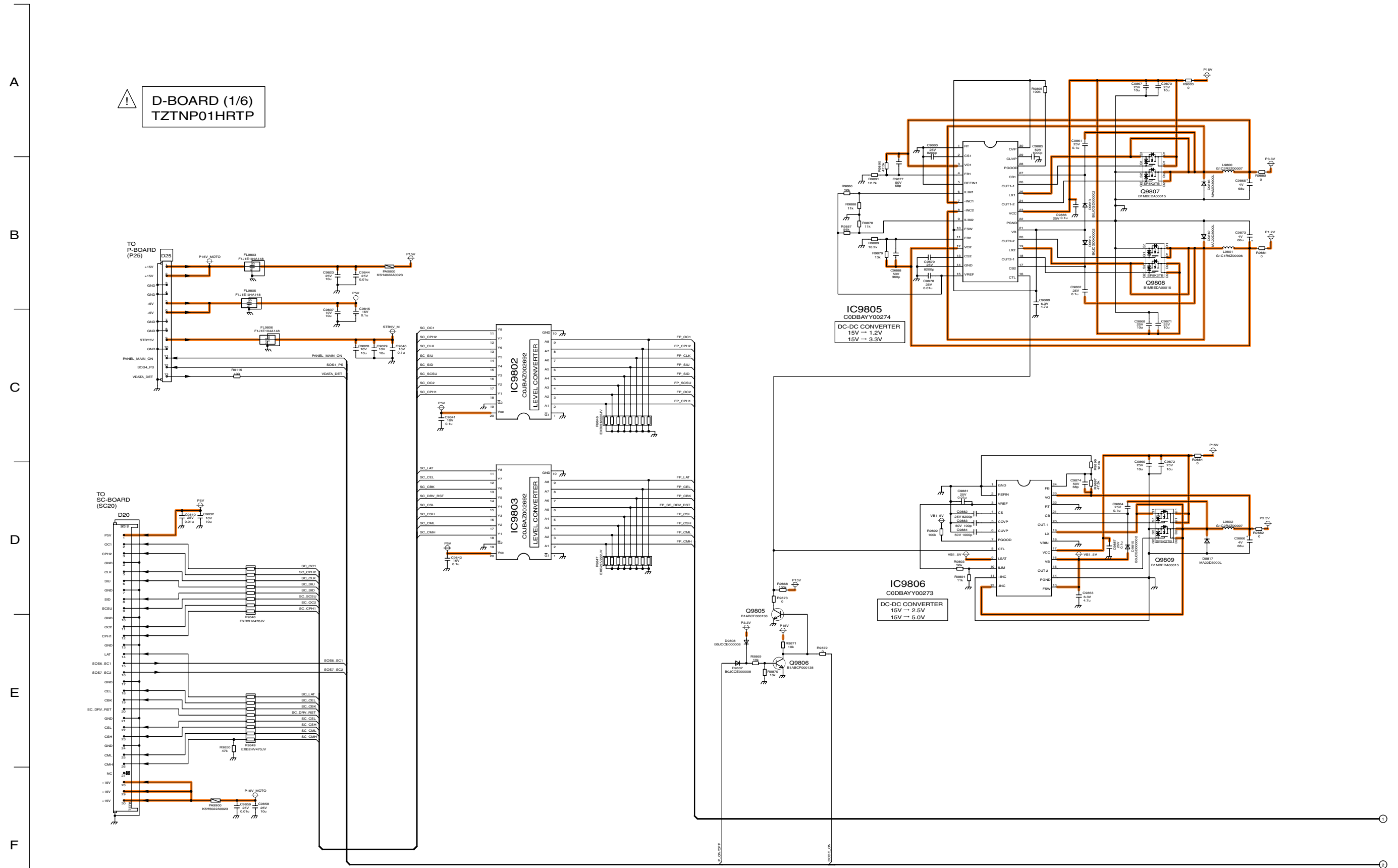
15.29. DG-Board (16 of 16) Schematic Diagram



! DG-BOARD (16/16)
 TXNDG1HRTP (PV7AZ)
 TXNDG1HRTH (PV7HS)
 TXNDG1HRTM (PV7M)
 TXNDG1HRTX (PV7MR)
 TXNDG1HRTA (PX7A)

POWER-SUPPLY
 CRNo.5400-5600

15.31. D-Board (1 of 6) Schematic Diagram



TH-42PV7AZ/HS/M/MR, PX7A
D-Board (1 of 6) Schematic Diagram

TH-42PV7AZ/HS/M/MR, PX7A
D-Board (1 of 6) Schematic Diagram

1

2

3

4

5

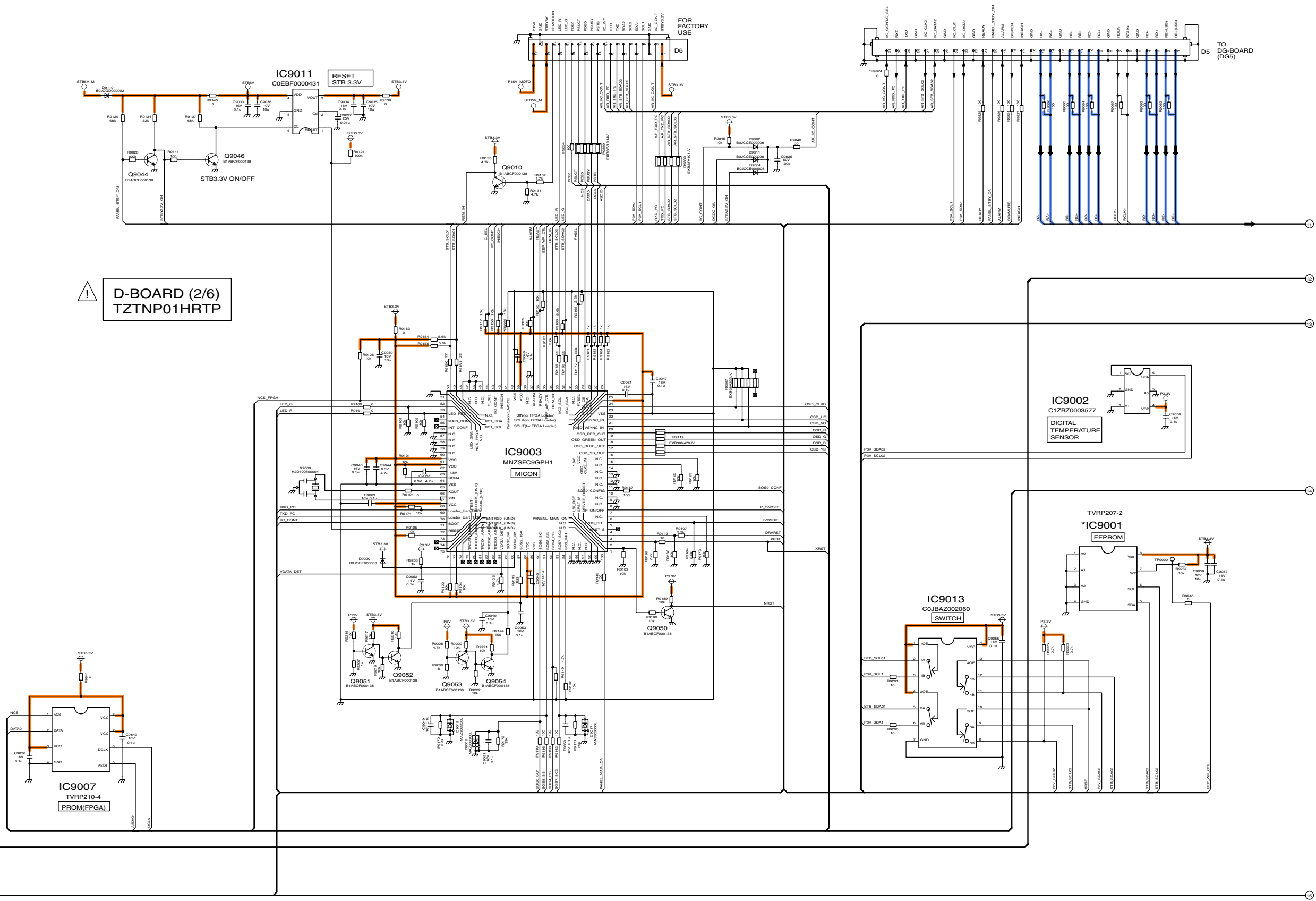
6

7

8

9

15.32. D-Board (2 of 6) Schematic Diagram

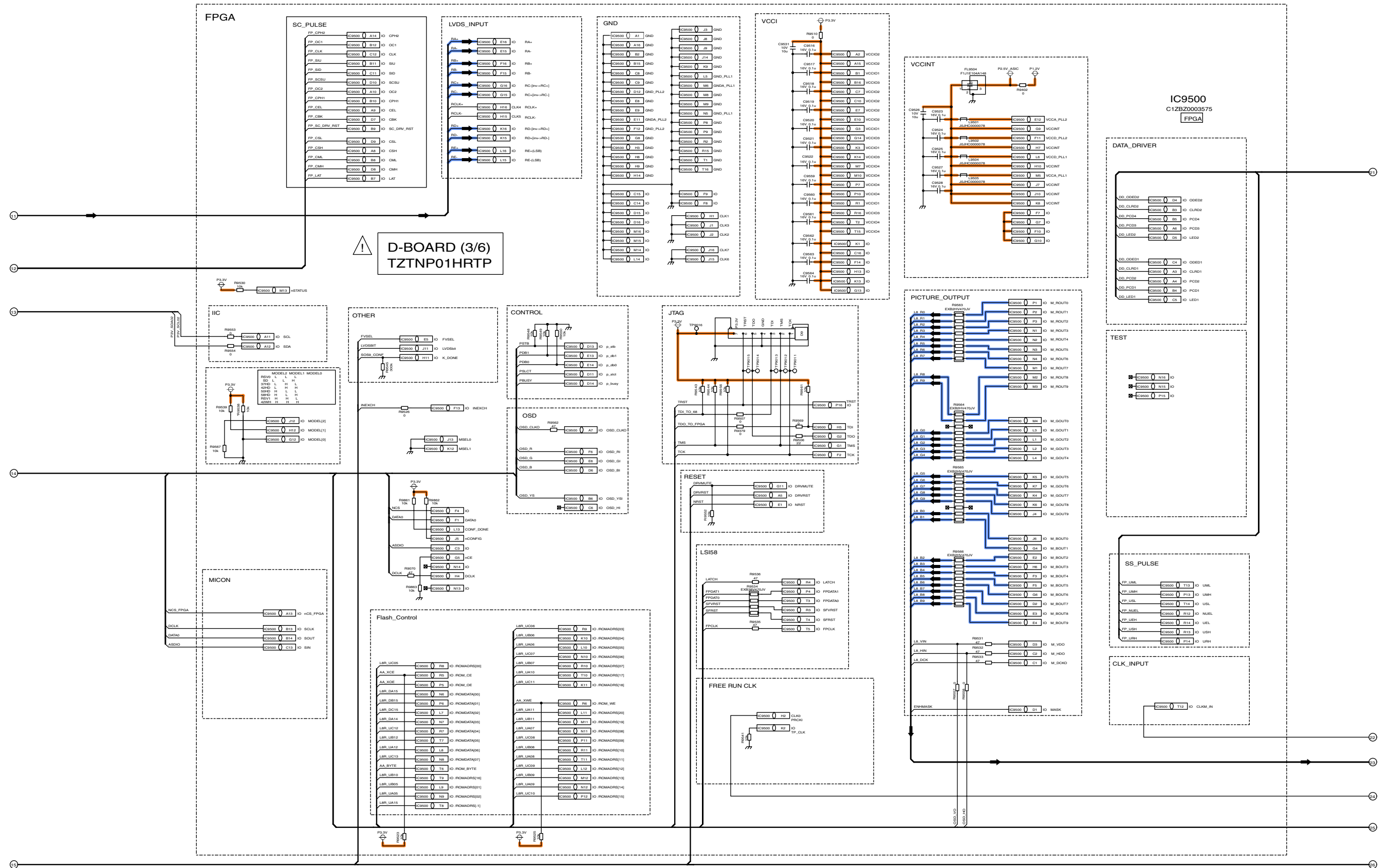


! D-BOARD (2/6)
TZTNP01HRTP

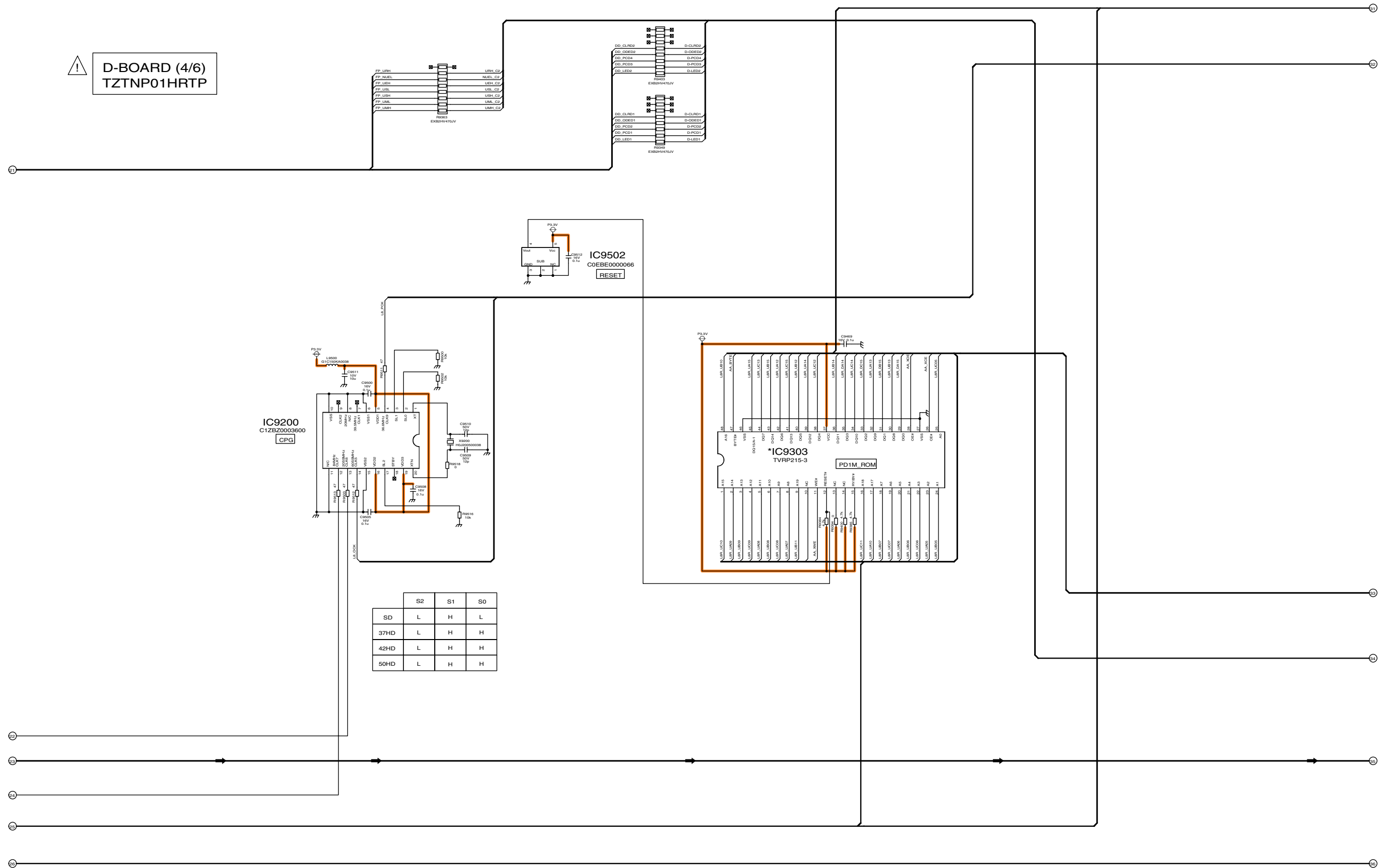
TH-42PV7AZ/HS/M/MR, PX7A
D-Board (2 of 6) Schematic Diagram

TH-42PV7AZ/HS/M/MR, PX7A
D-Board (2 of 6) Schematic Diagram

15.33. D-Board (3 of 6) Schematic Diagram



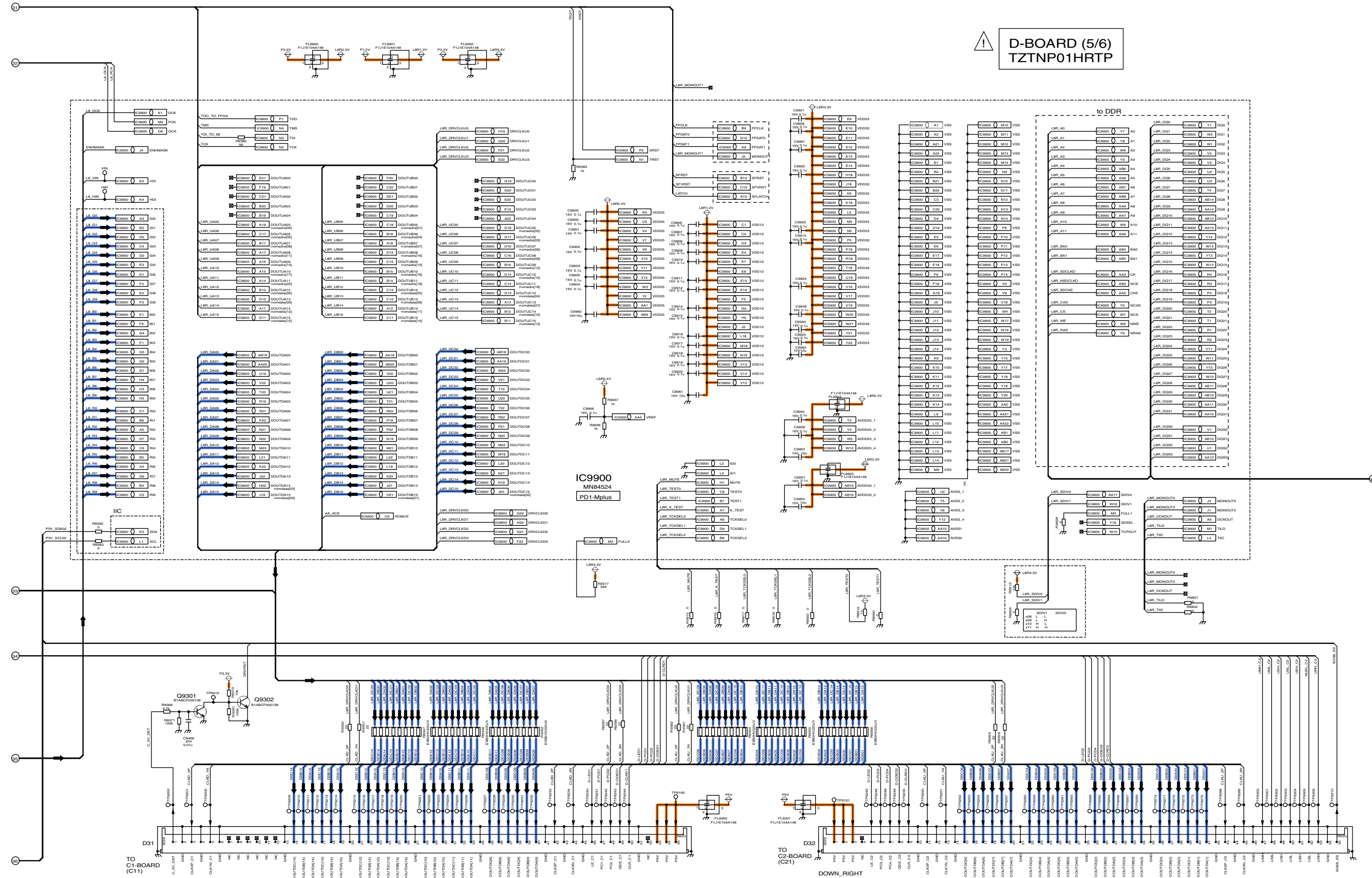
15.34. D-Board (4 of 6) Schematic Diagram



TH-42PV7AZ/HS/M/MR, PX7A
D-Board (4 of 6) Schematic Diagram

TH-42PV7AZ/HS/M/MR, PX7A
D-Board (4 of 6) Schematic Diagram

15.35. D-Board (5 of 6) Schematic Diagram



! D-BOARD (5/6)
TZTNP01HRTP

TH-42PV7AZ/HS/M/MR, PX7A
D-Board (5 of 6) Schematic Diagram

TH-42PV7AZ/HS/M/MR, PX7A
D-Board (5 of 6) Schematic Diagram

37

38

39

40

41

42

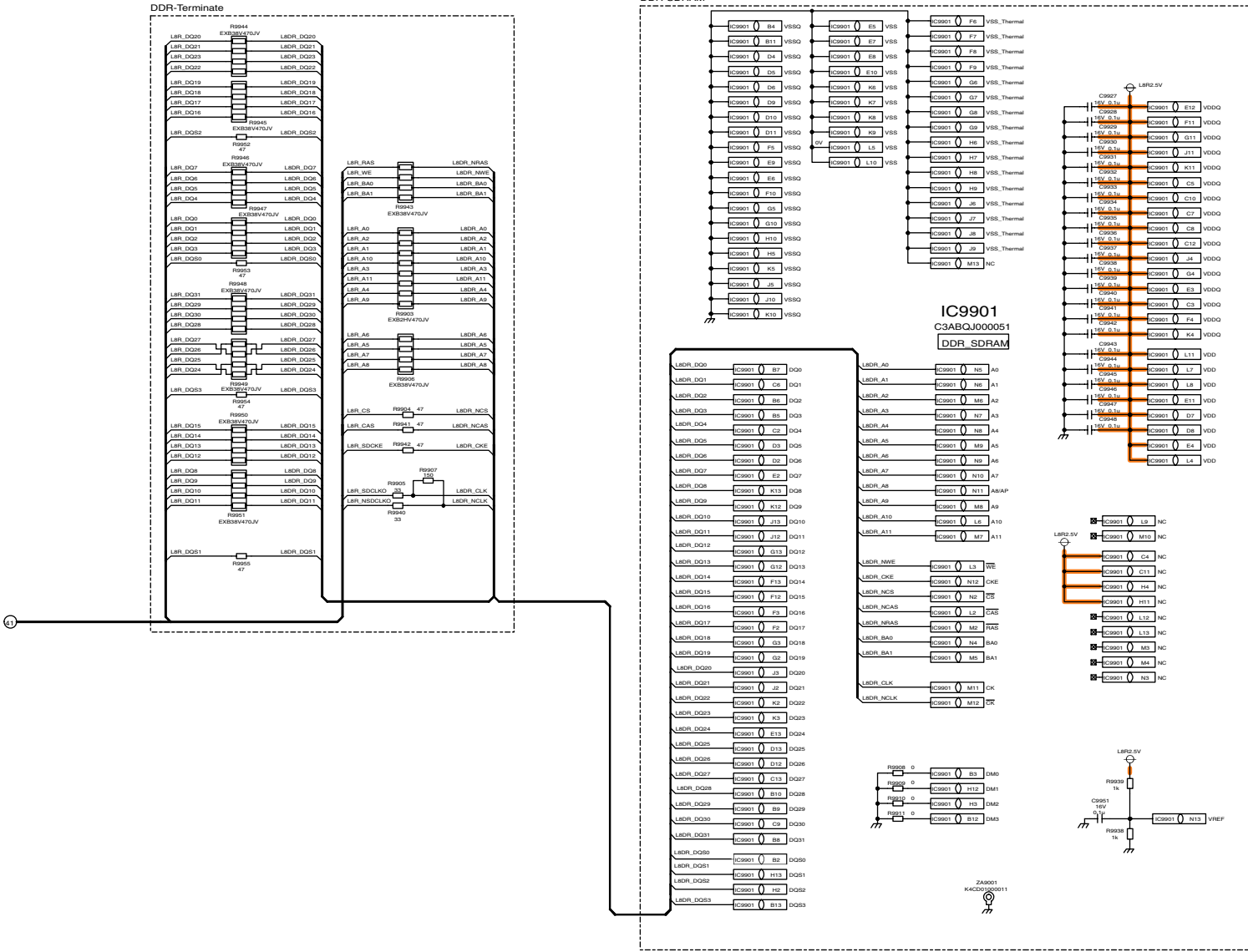
43

44

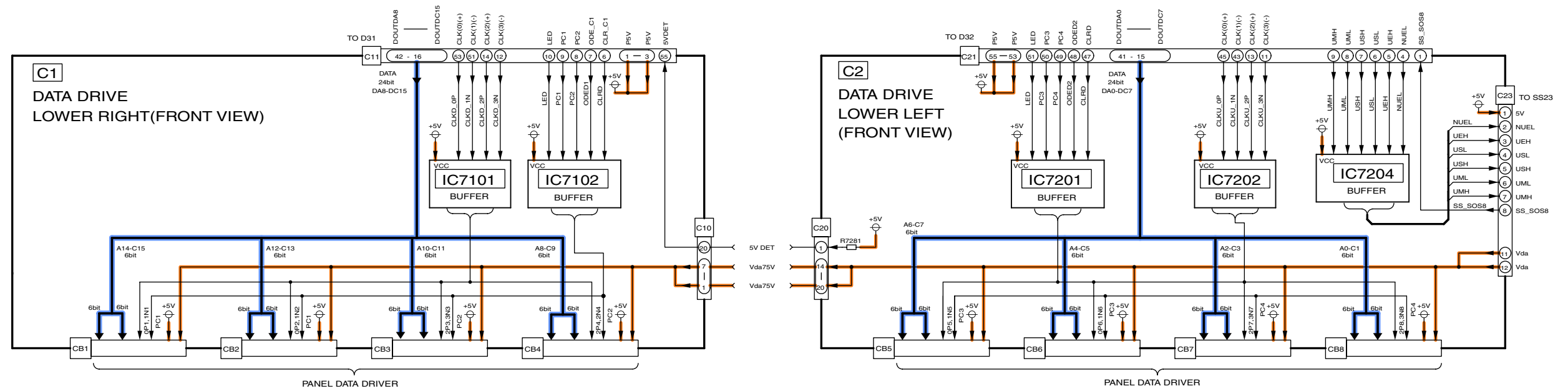
45

15.36. D-Board (6 of 6) Schematic Diagram

D-BOARD (6/6)
TZTNP01HRTF



15.37. C1 and C2-Board Block Diagram



TH-42PV7AZ/HS/M/MR, PX7A
C1 and C2-Board Block Diagram

TH-42PV7AZ/HS/M/MR, PX7A
C1 and C2-Board Block Diagram

15.38. C1-Board (1 of 2) Schematic Diagram

⚠ C1-BOARD TNPA4165 (1/2)

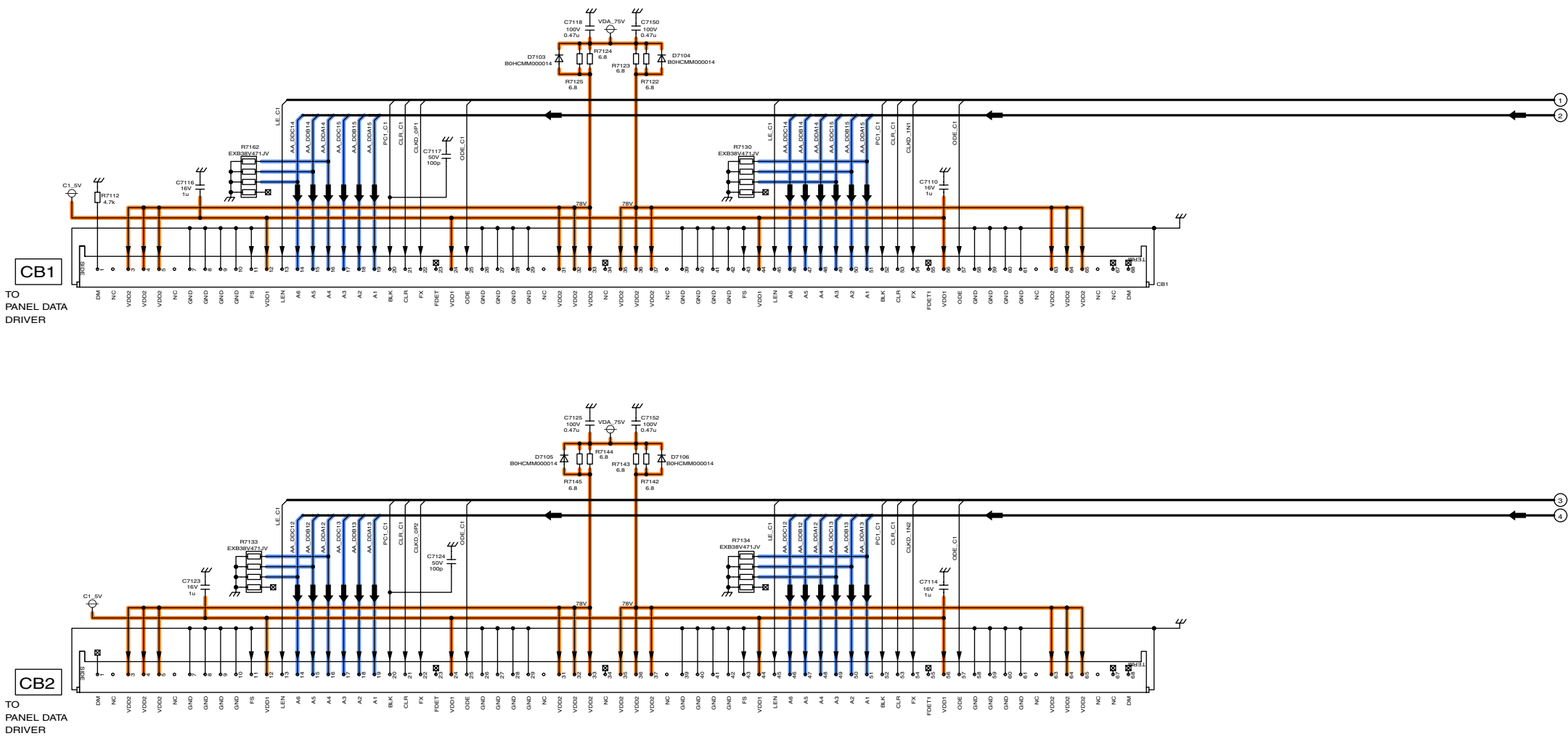
A

B

C

D

E



TH-42PV7AZ/HS/M/MR, PX7A
C1-Board (1 of 2) Schematic Diagram

TH-42PV7AZ/HS/M/MR, PX7A
C1-Board (1 of 2) Schematic Diagram

1

2

3

4

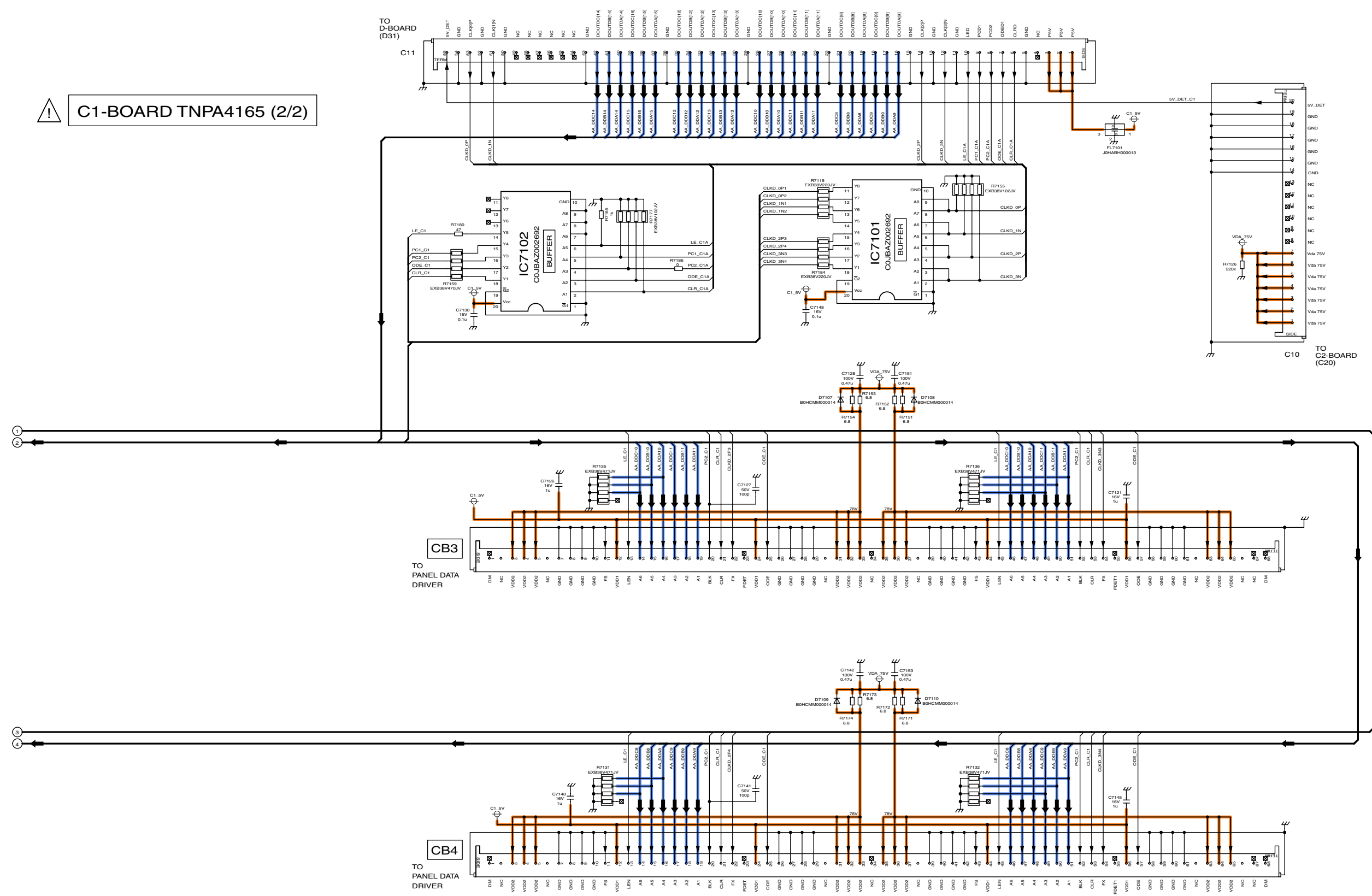
5

6

7

8

15.39. C1-Board (2 of 2) Schematic Diagram



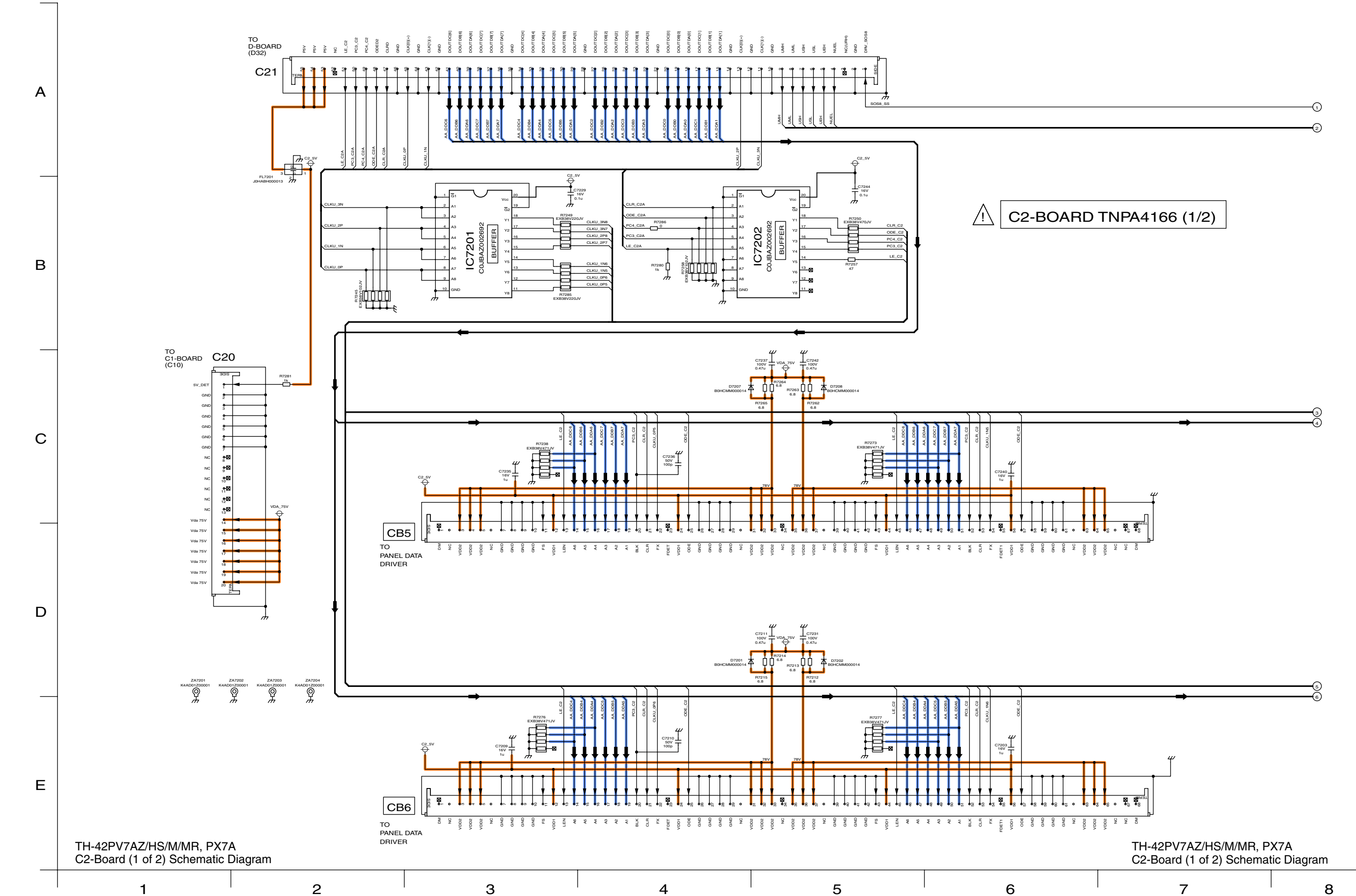
⚠ C1-BOARD TNPA4165 (2/2)

TH-42PV7AZ/HS/M/MR, PX7A
C1-Board (2 of 2) Schematic Diagram

TH-42PV7AZ/HS/M/MR, PX7A
C1-Board (2 of 2) Schematic Diagram

8 9 10 11 12 13 14 15

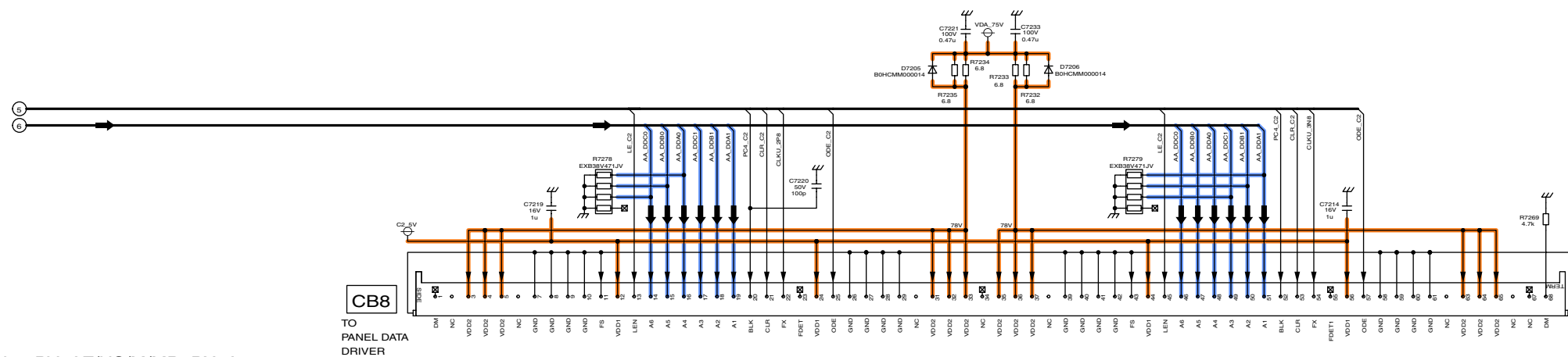
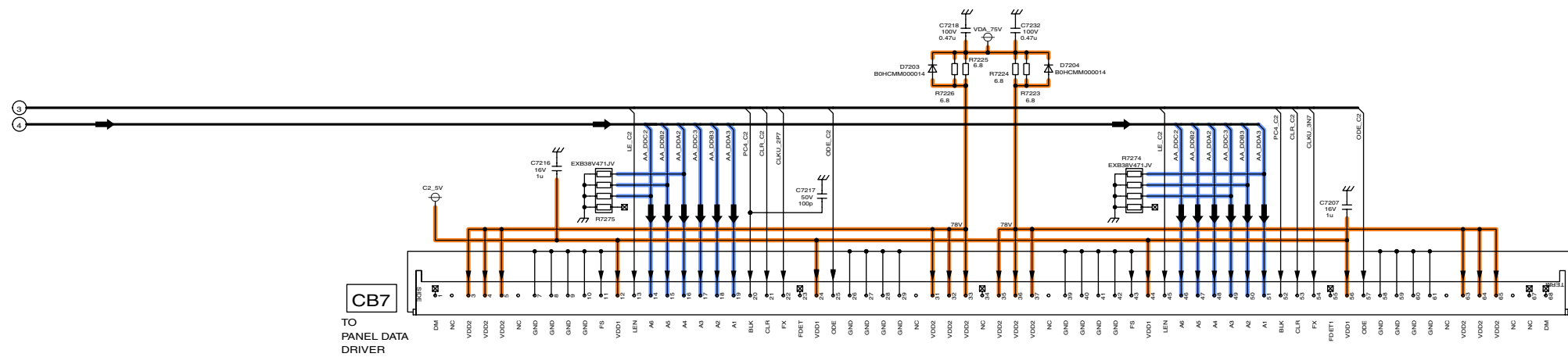
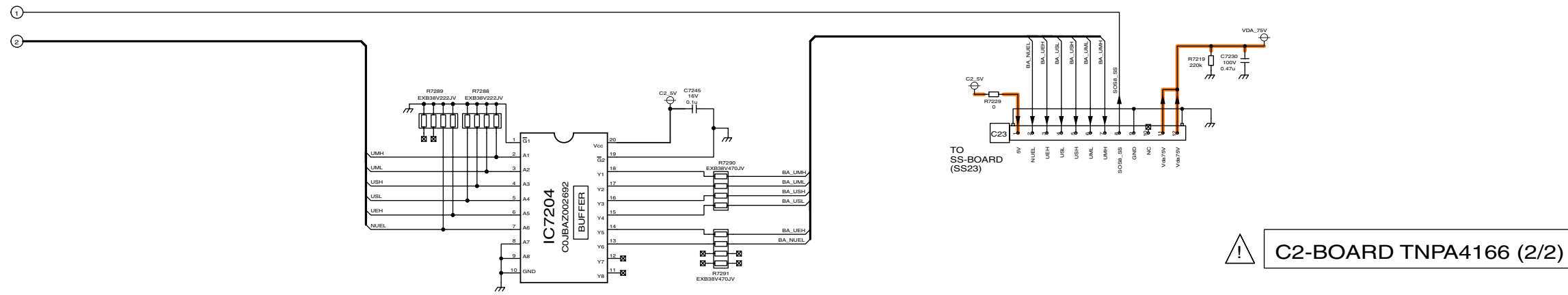
15.40. C2-Board (1 of 2) Schematic Diagram



TH-42PV7AZ/HS/M/MR, PX7A
C2-Board (1 of 2) Schematic Diagram

TH-42PV7AZ/HS/M/MR, PX7A
C2-Board (1 of 2) Schematic Diagram

15.41. C2-Board (2 of 2) Schematic Diagram



TH-42PV7AZ/HS/M/MR, PX7A
C2-Board (2 of 2) Schematic Diagram

TH-42PV7AZ/HS/M/MR, PX7A
C2-Board (2 of 2) Schematic Diagram

8

9

10

11

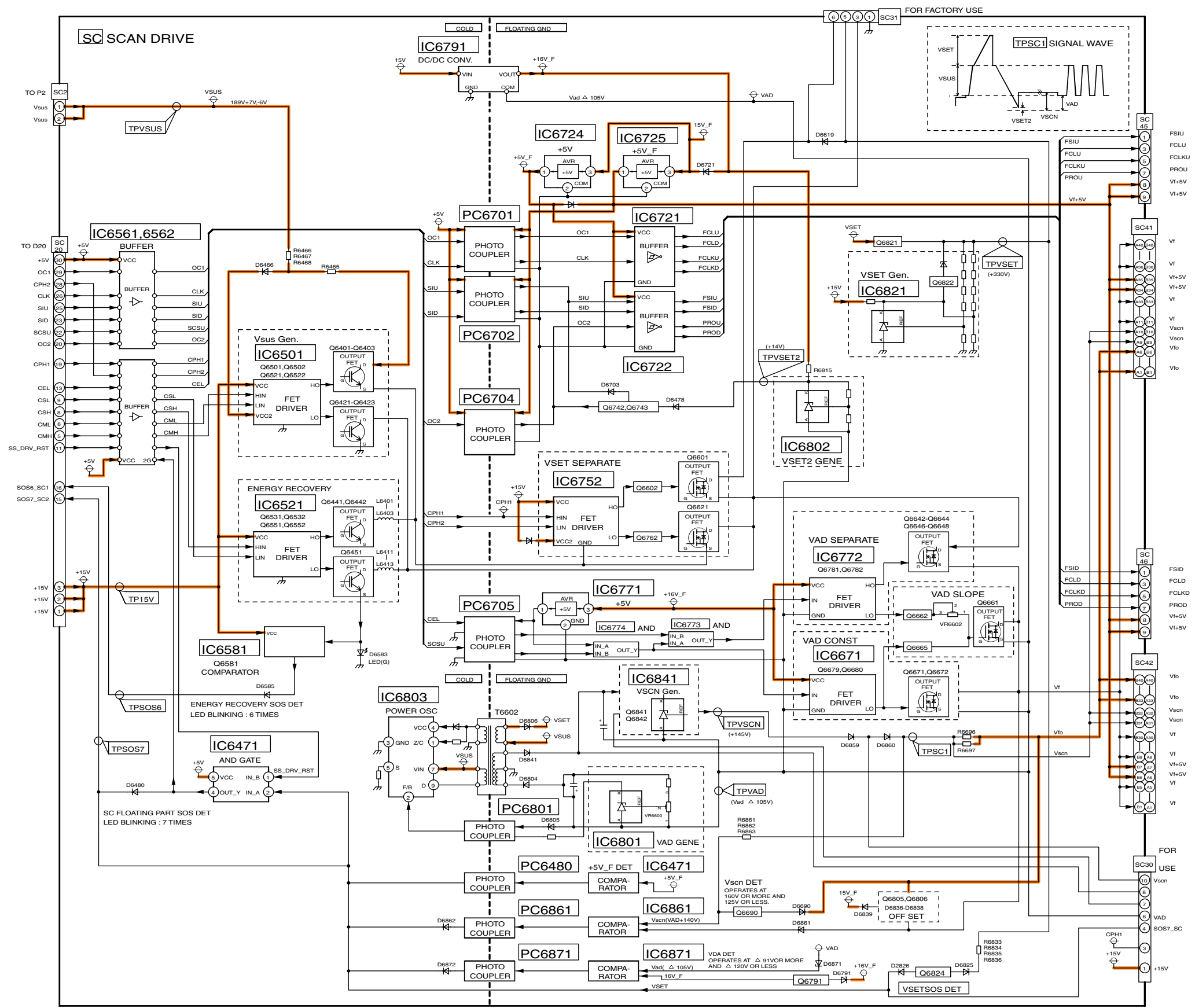
12

13

14

15

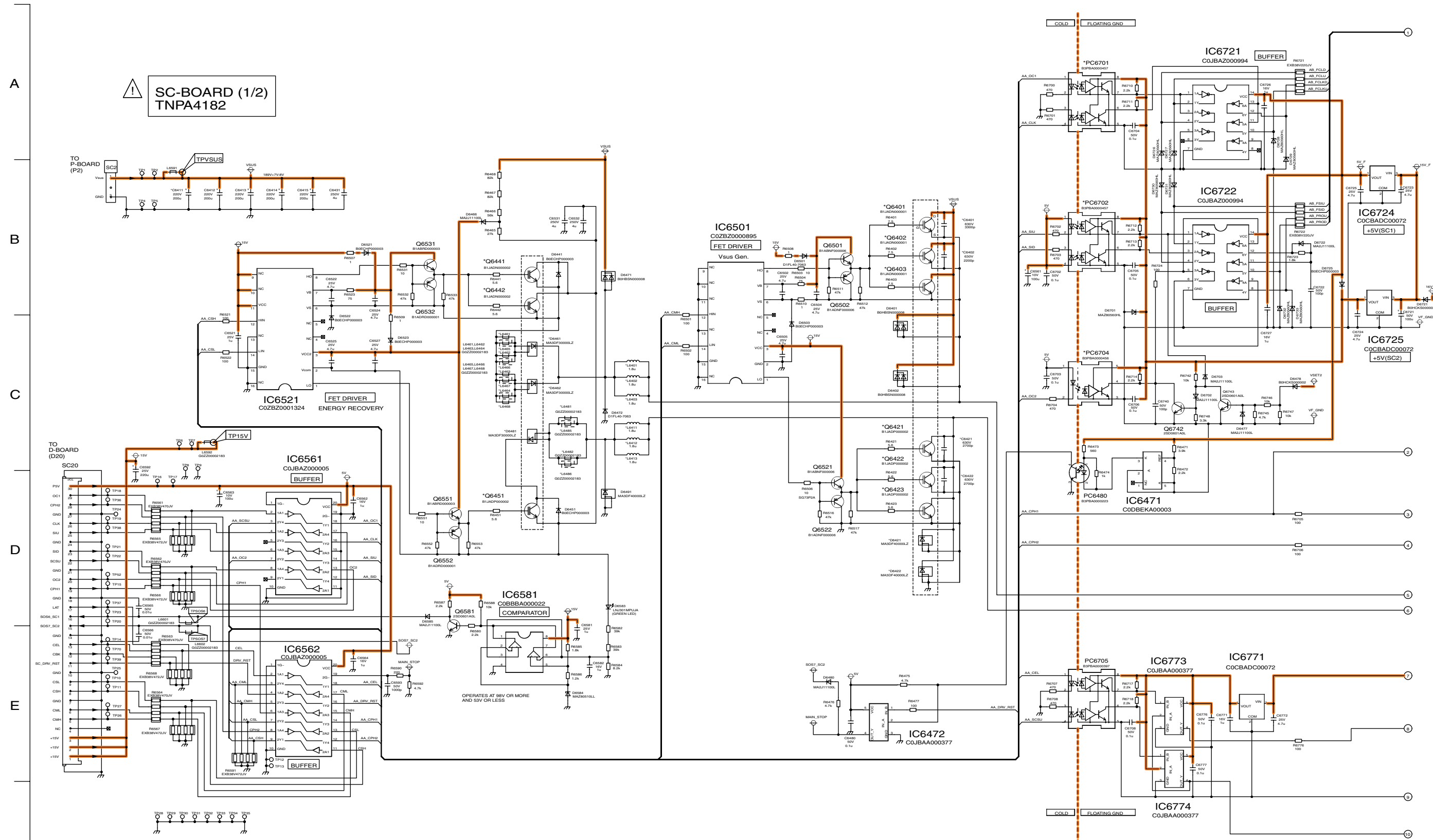
15.42. SC-Board Block Diagram



TH-42PV7AZ/HS/M/MR, PX7A
SC-Board Block Diagram

TH-42PV7AZ/HS/M/MR, PX7A
SC-Board Block Diagram

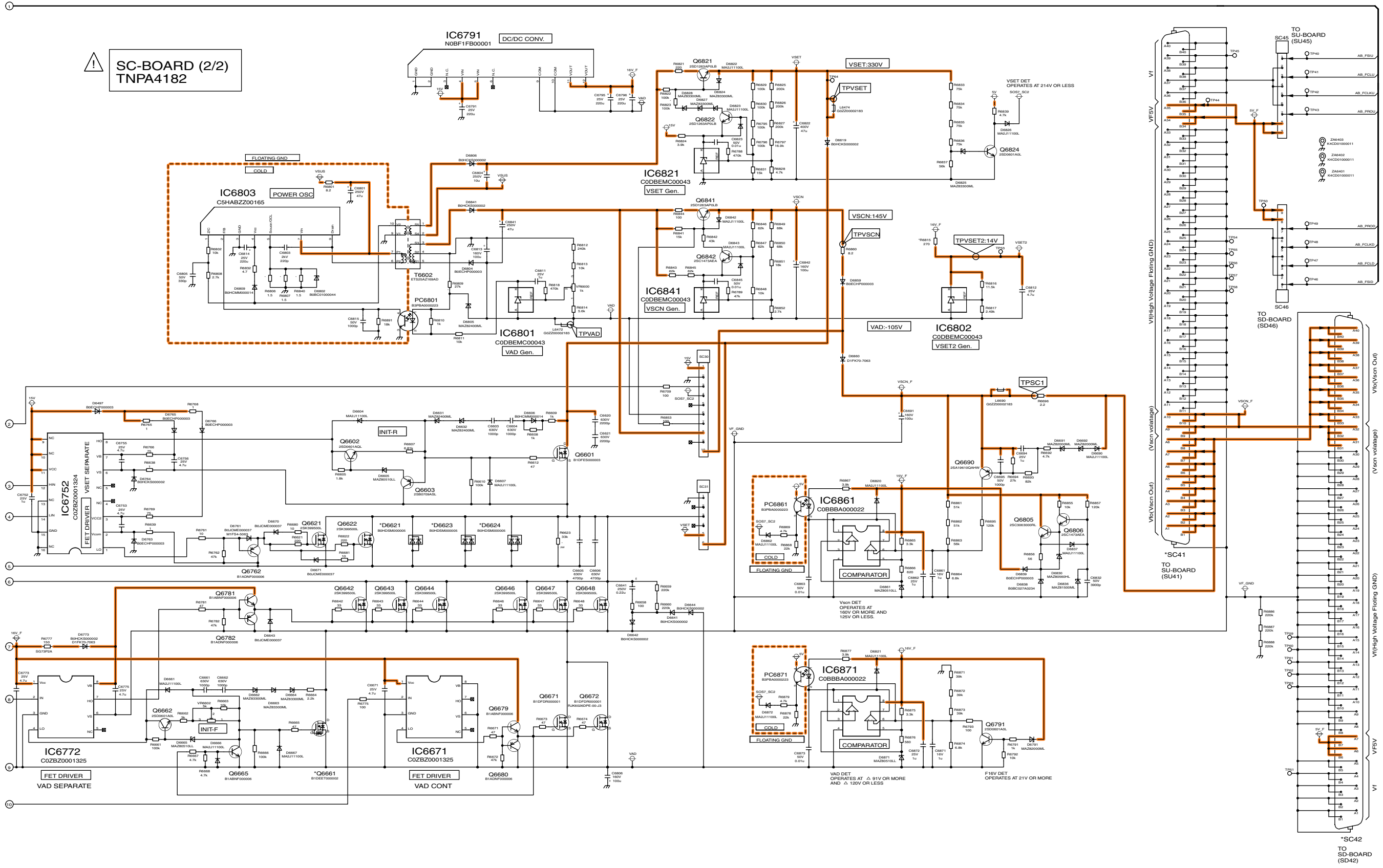
15.43. SC-Board (1 of 2) Schematic Diagram



TH-42PV7AZ/HS/M/MR, PX7A
SC-Board (1 of 2) Schematic Diagram

TH-42PV7AZ/HS/M/MR, PX7A
SC-Board (1 of 2) Schematic Diagram

15.44. SC-Board (2 of 2) Schematic Diagram

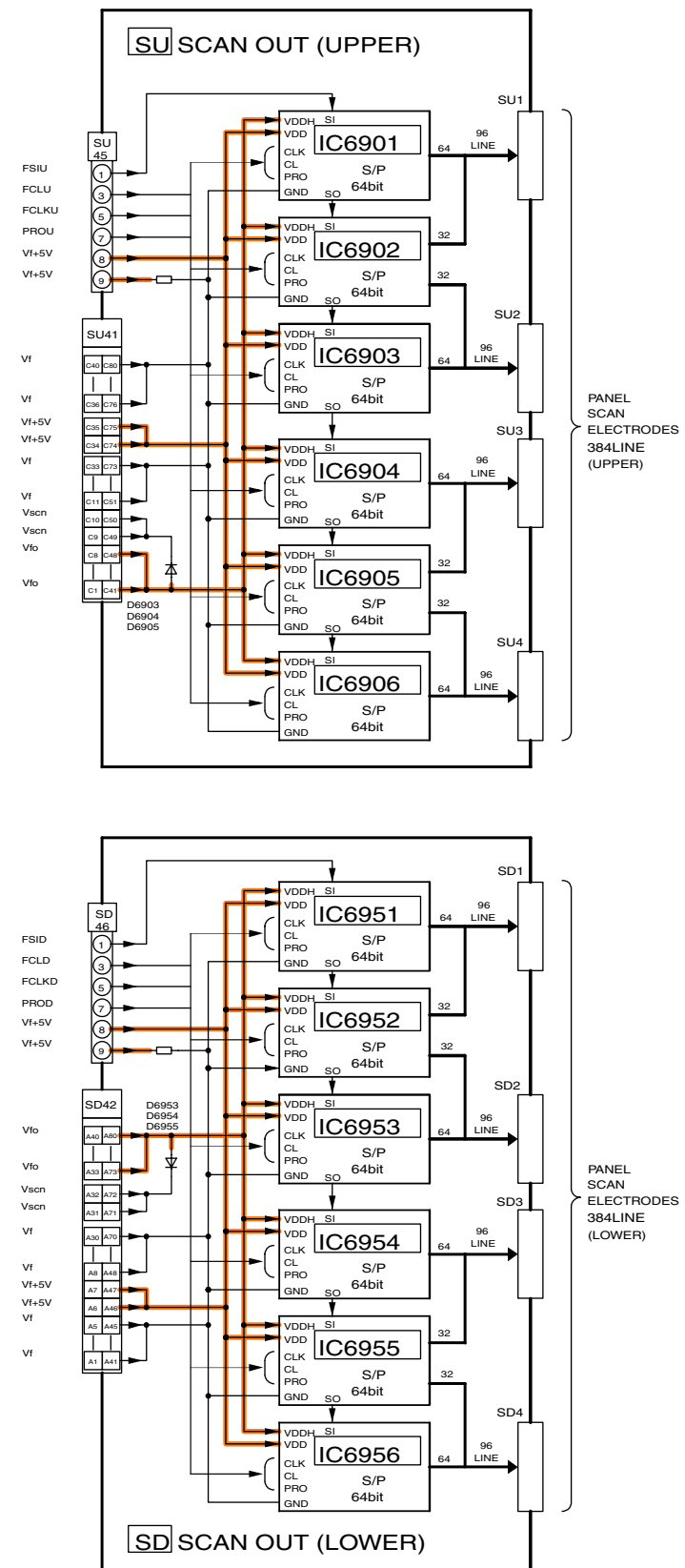


TH-42PV7AZ/HS/M/MR, PX7A SC-Board (2 of 2) Schematic Diagram

TH-42PV7AZ/HS/M/MR, PX7A SC-Board (2 of 2) Schematic Diagram

10 11 12 13 14 15 16 17 18

15.45. SU and SD-Board Block Diagram



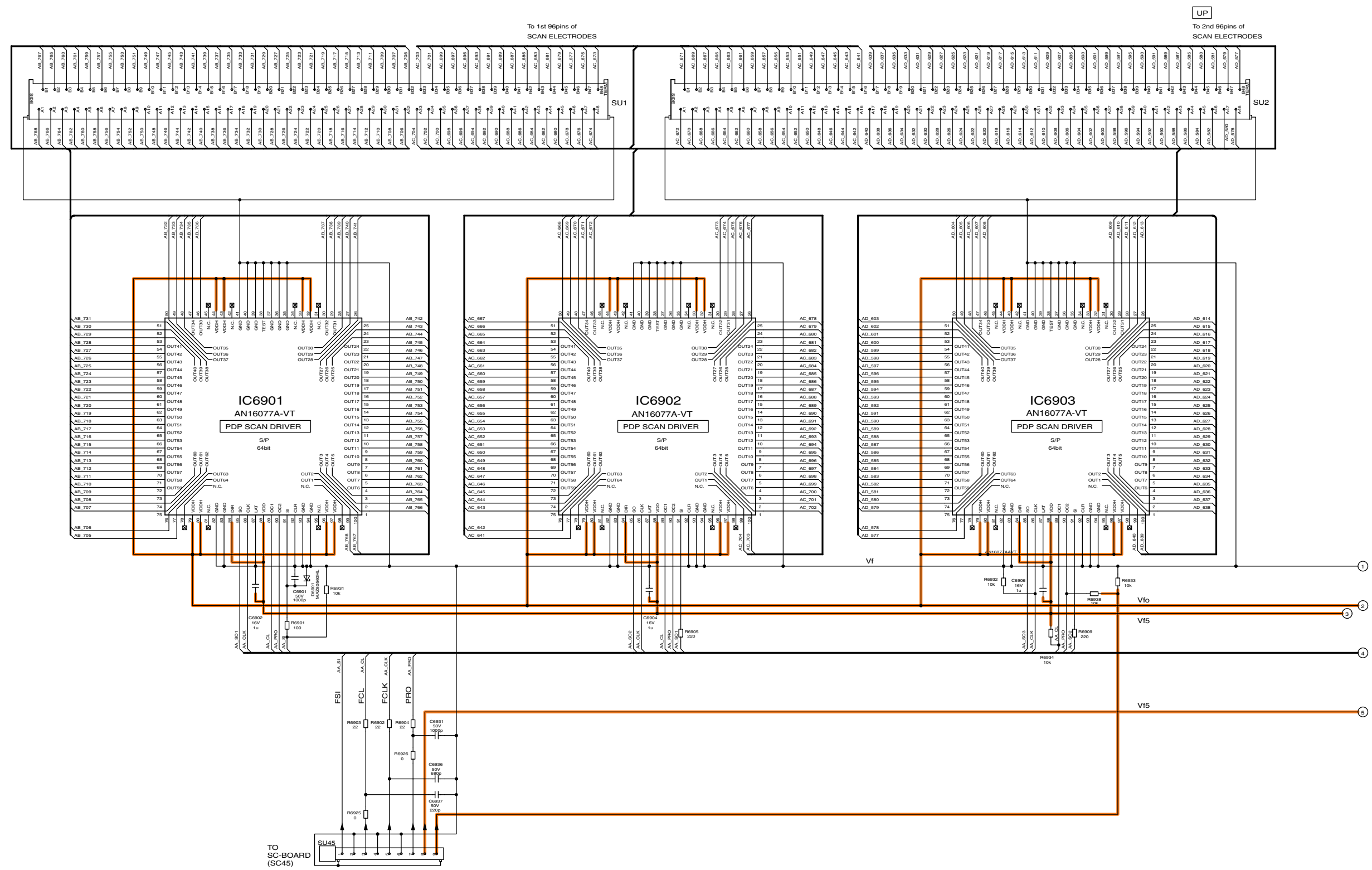
TH-42PV7AZ/HS/M/MR, PX7A
SU and SD-Board Block Diagram

TH-42PV7AZ/HS/M/MR, PX7A
SU and SD-Board Block Diagram

15.46. SU-Board (1 of 2) Schematic Diagram

! SU-BOARD TNPA4184 (1/2)

A
B
C
D
E



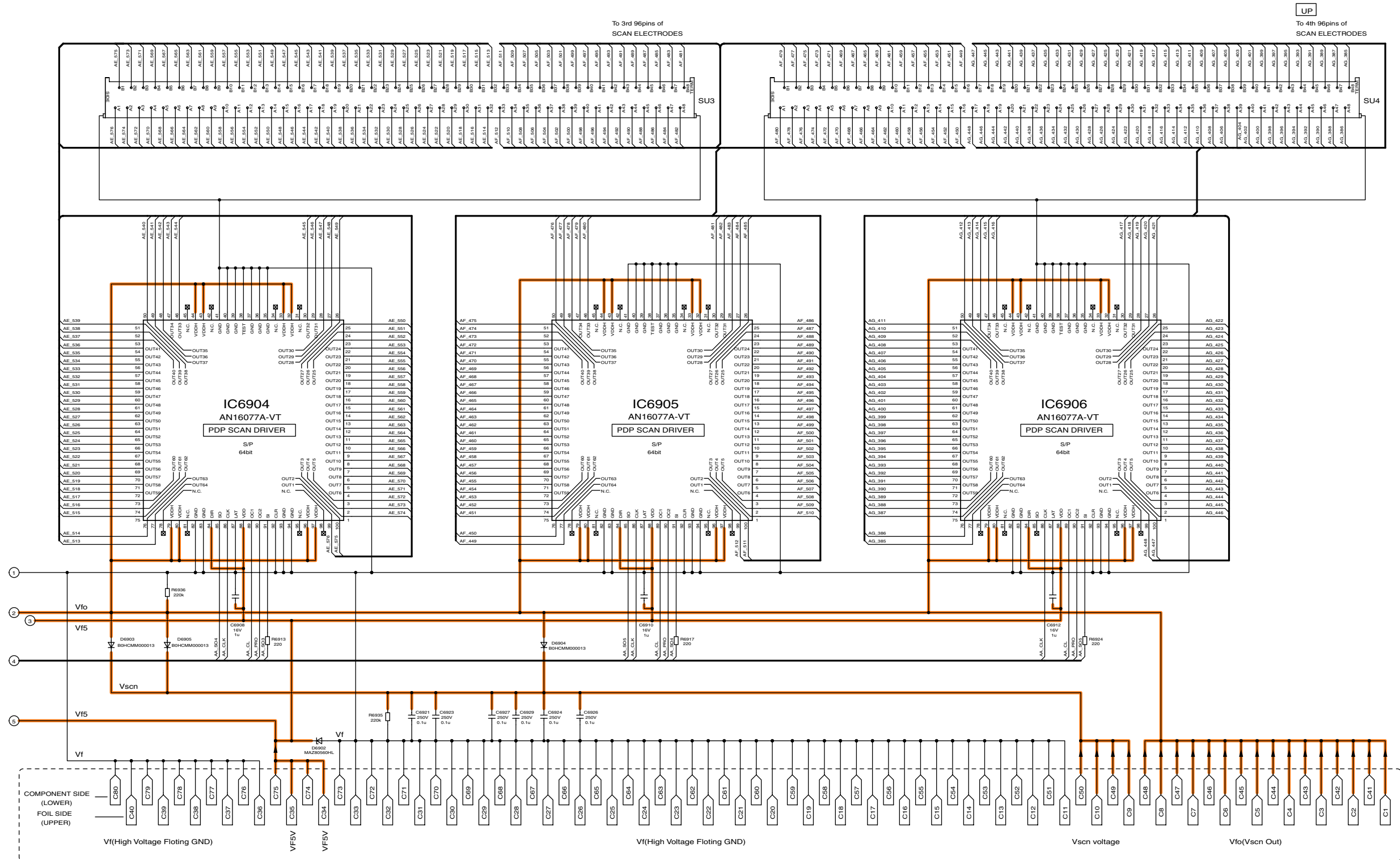
TH-42PV7AZ/HS/M/MR, PX7A
SU-Board (1 of 2) Schematic Diagram

TH-42PV7AZ/HS/M/MR, PX7A
SU-Board (1 of 2) Schematic Diagram

1 2 3 4 5 6 7 8

15.47. SU-Board (2 of 2) Schematic Diagram

! SU-BOARD TNPA4184 (2/2)



TH-42PV7AZ/HS/M/MR, PX7A
SU-Board (2 of 2) Schematic Diagram

TH-42PV7AZ/HS/M/MR, PX7A
SU-Board (2 of 2) Schematic Diagram

8

9

10

11

12

13

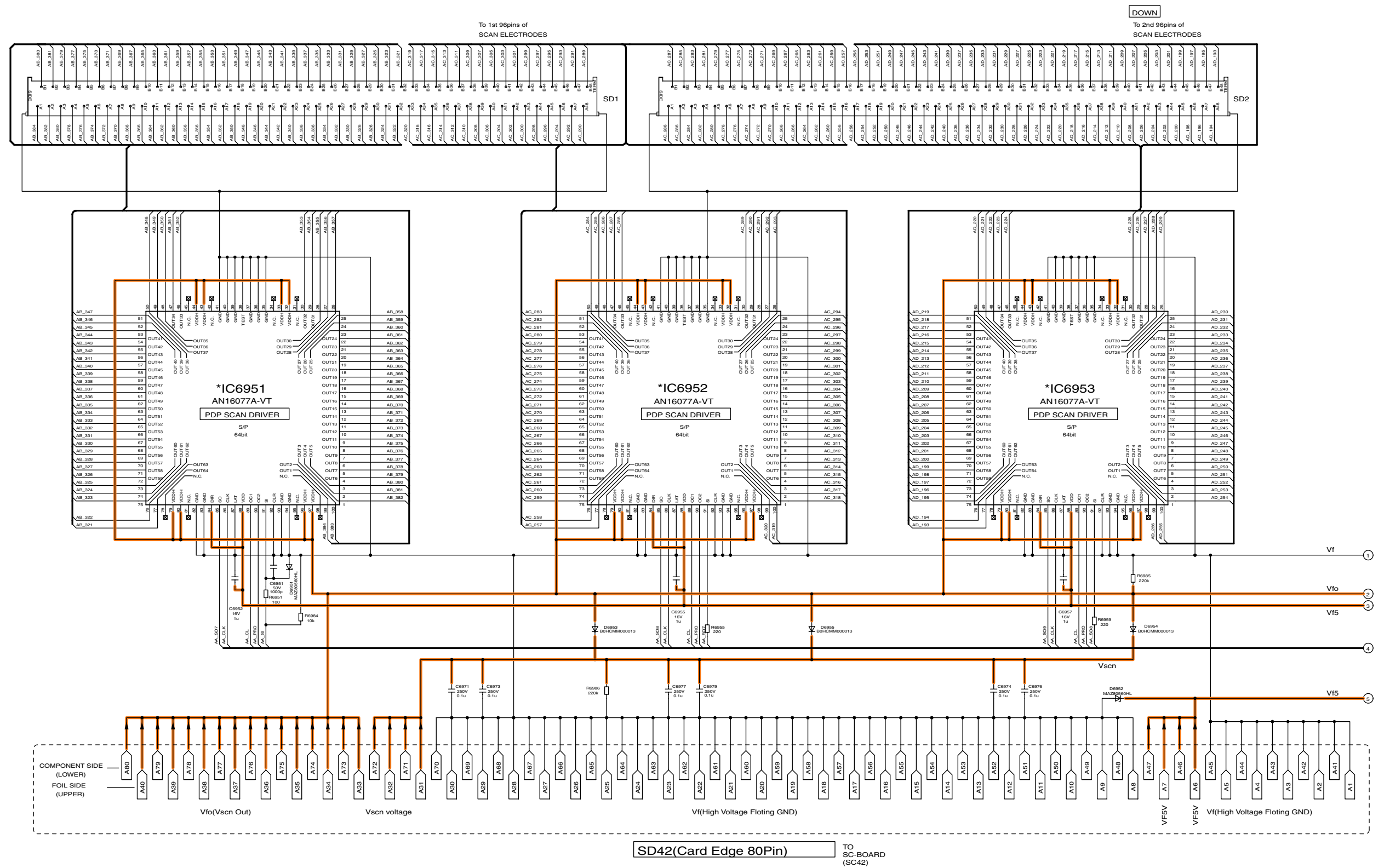
14

15

15.48. SD-Board (1 of 2) Schematic Diagram

SD-BOARD TNPA4185 (1/2)

A
B
C
D
E



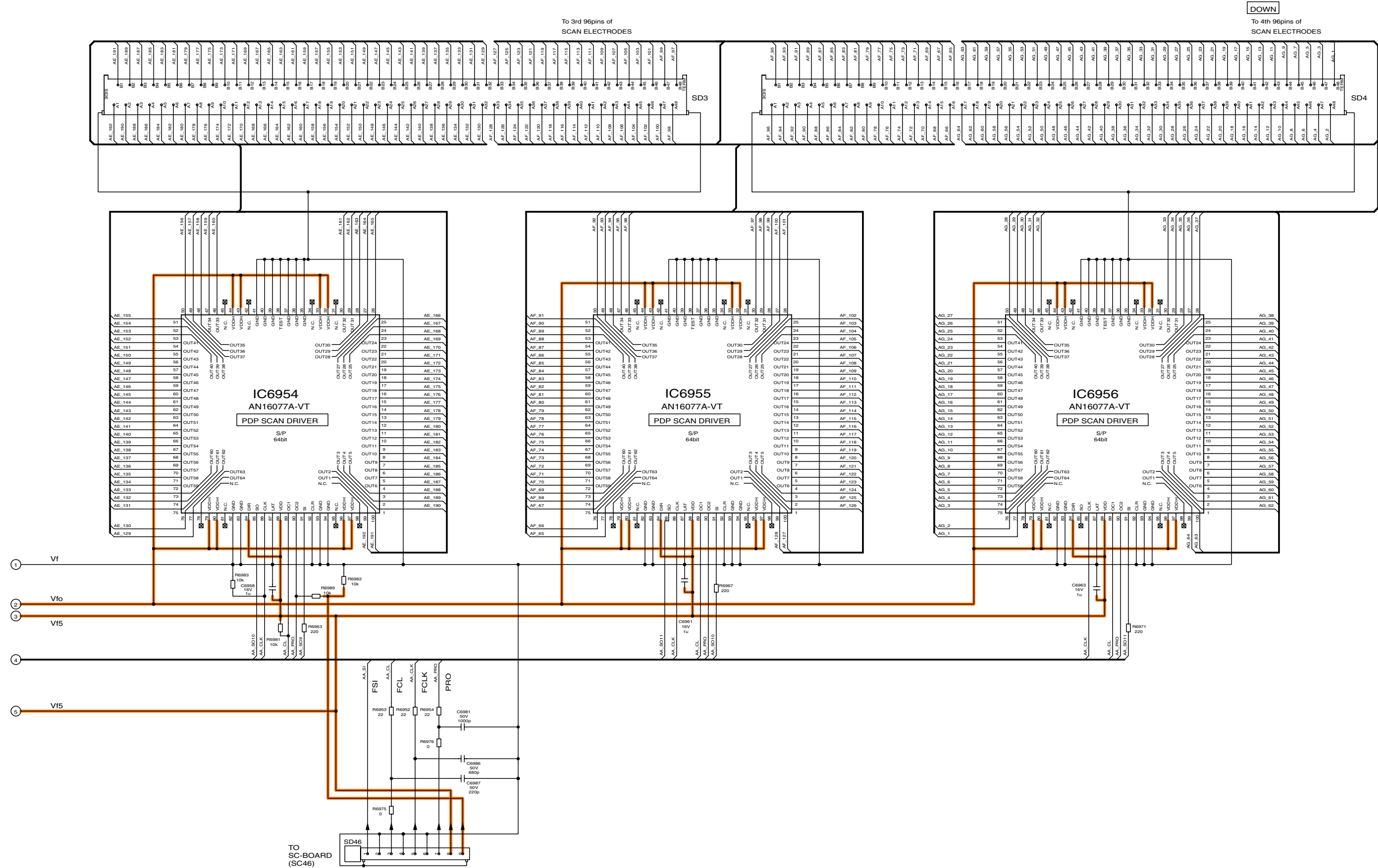
TH-42PV7AZ/HS/M/MR, PX7A
SD-Board (1 of 2) Schematic Diagram

TH-42PV7AZ/HS/M/MR, PX7A
SD-Board (1 of 2) Schematic Diagram

1 2 3 4 5 6 7 8

15.49. SD-Board (2 of 2) Schematic Diagram

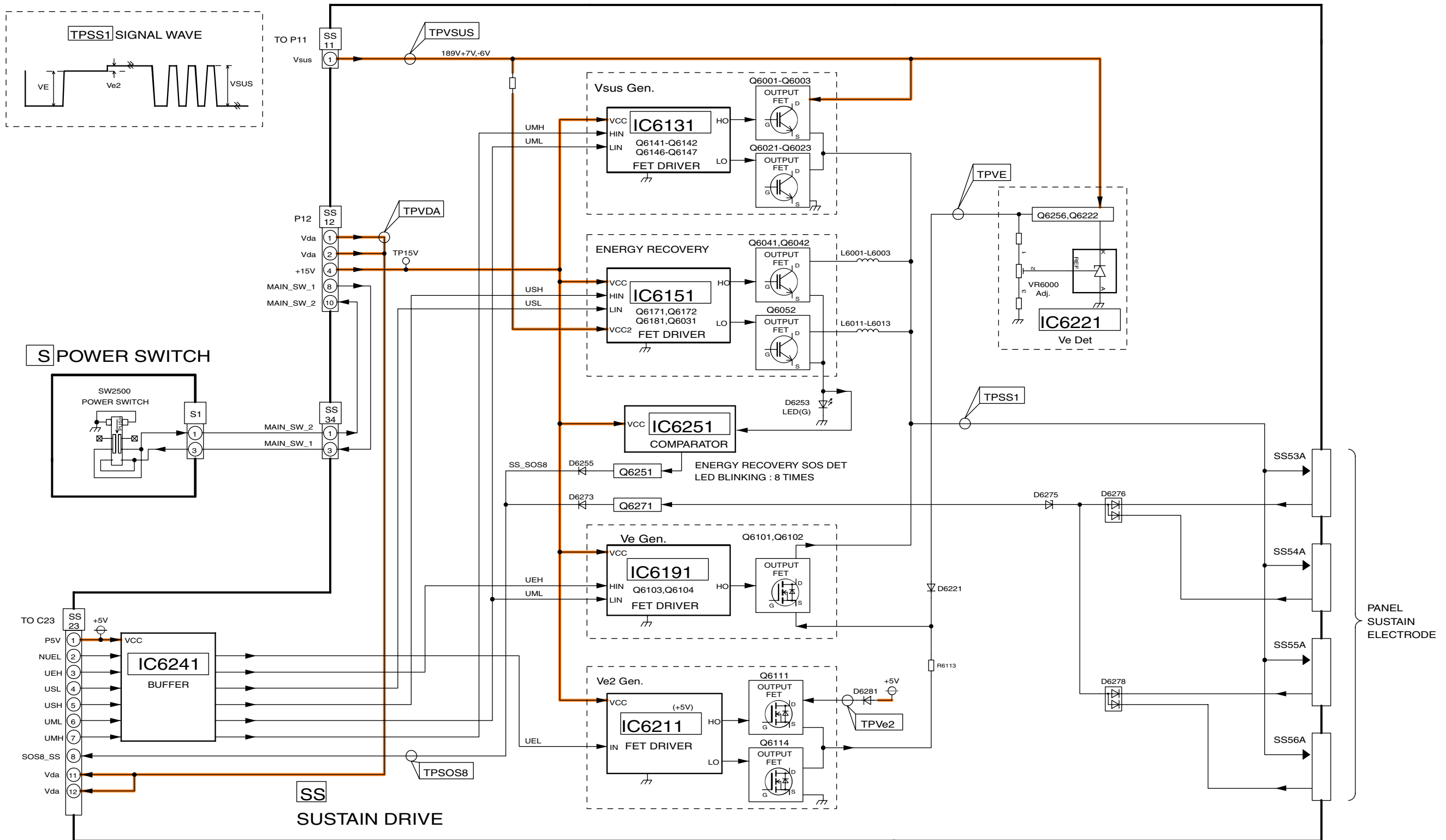
SD-BOARD TNPA4185 (2/2)



TH-42PV7AZ/HS/M/MR, PX7A
SD-Board (2 of 2) Schematic Diagram

TH-42PV7AZ/HS/M/MR, PX7A
SD-Board (2 of 2) Schematic Diagram

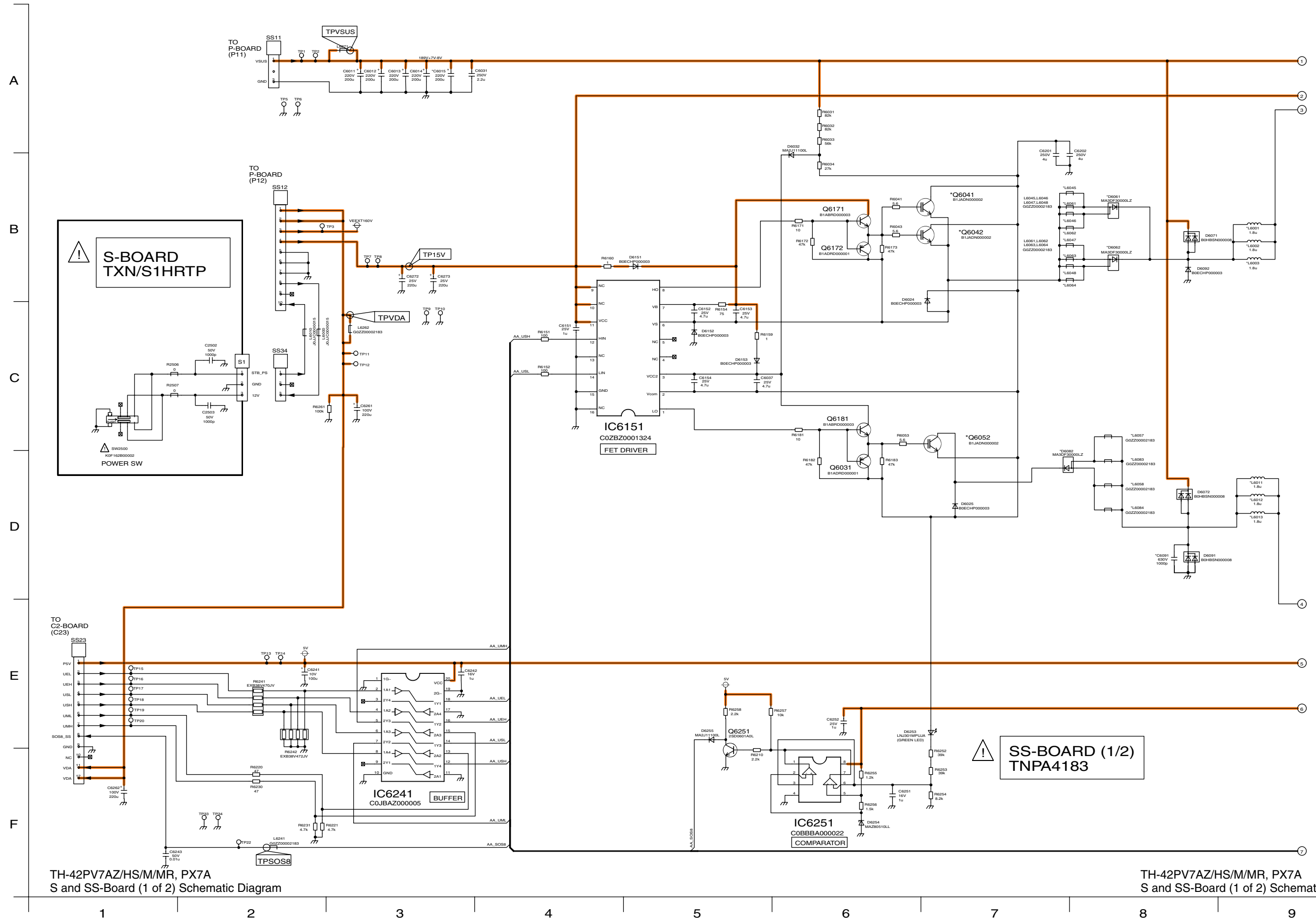
15.50. SS-Board Block Diagram



TH-42PV7AZ/HS/M/MR, PX7A
SS-Board Block Diagram

TH-42PV7AZ/HS/M/MR, PX7A
SS-Board Block Diagram

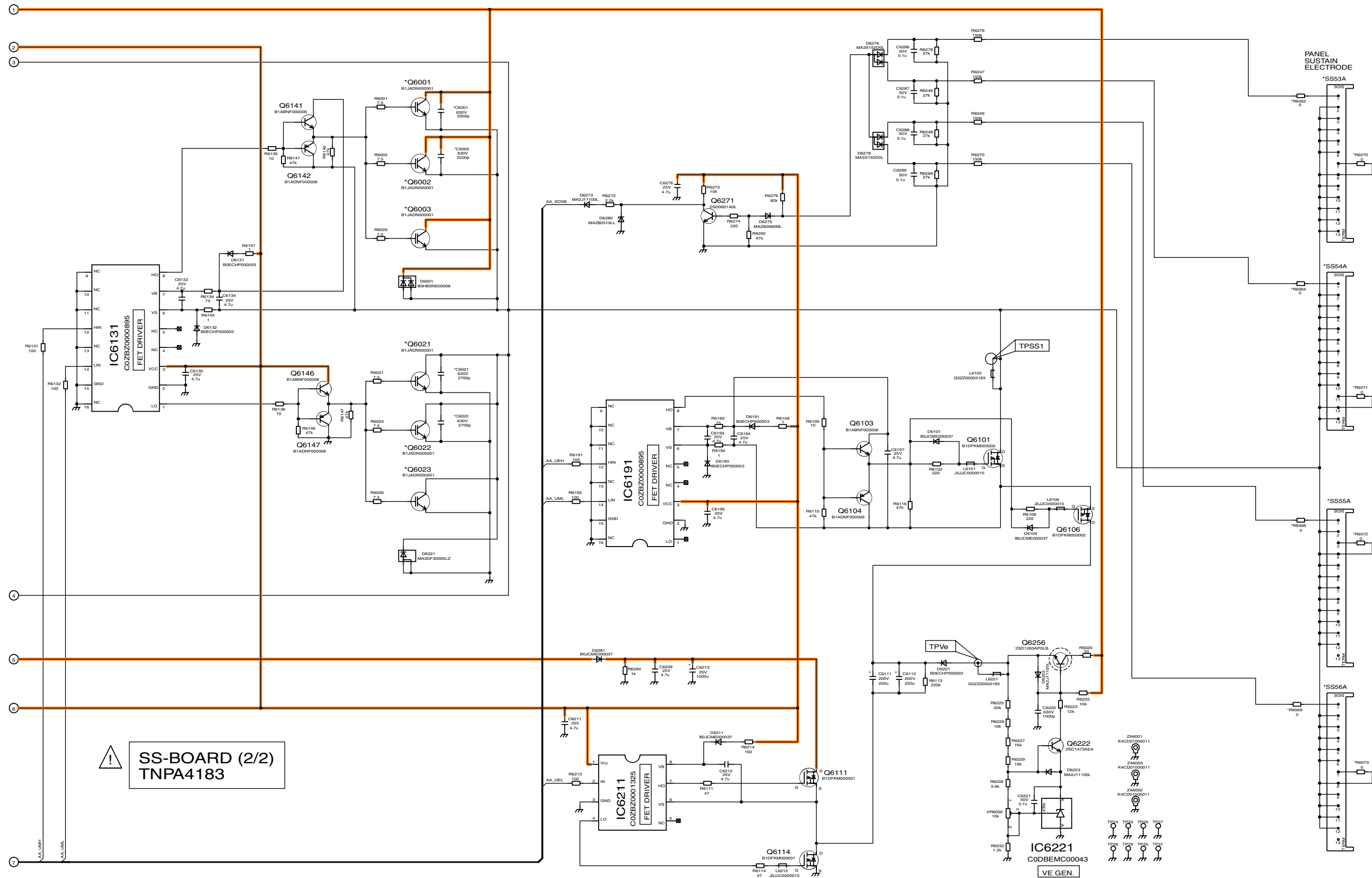
15.51. S and SS-Board (1 of 2) Schematic Diagram



TH-42PV7AZ/HS/MMR, PX7A
S and SS-Board (1 of 2) Schematic Diagram

TH-42PV7AZ/HS/MMR, PX7A
S and SS-Board (1 of 2) Schematic Diagram

15.52. SS-Board (2 of 2) Schematic Diagram



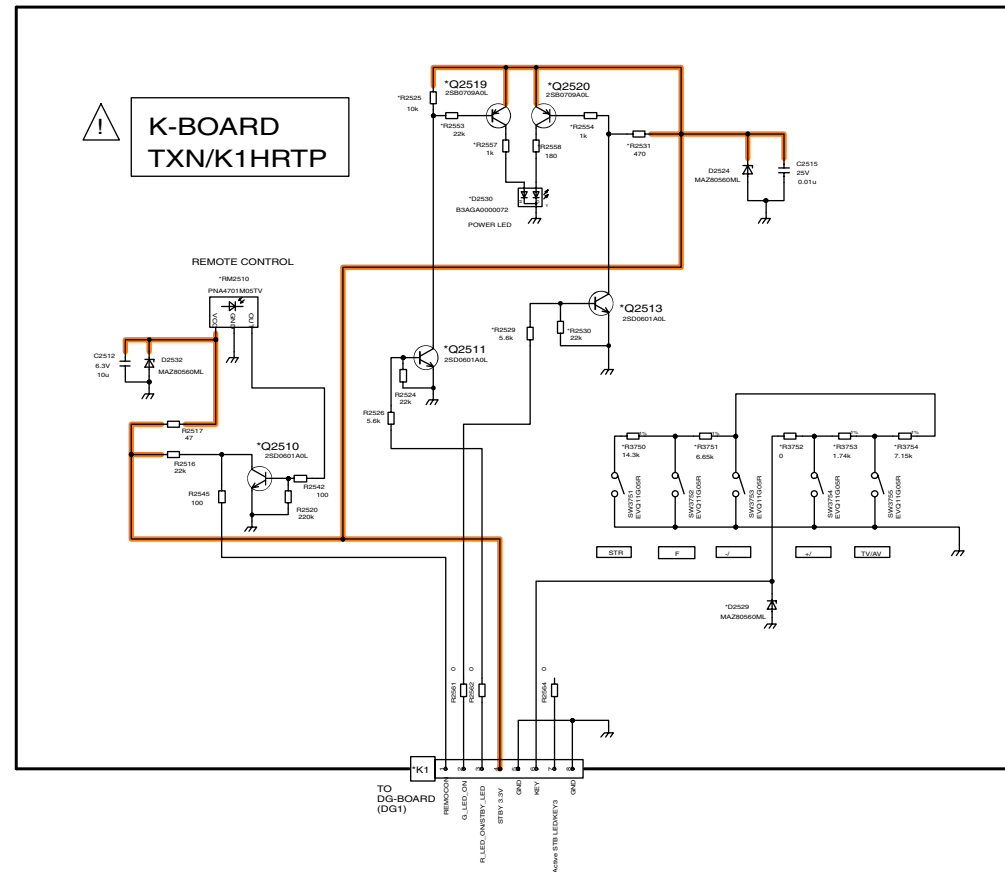
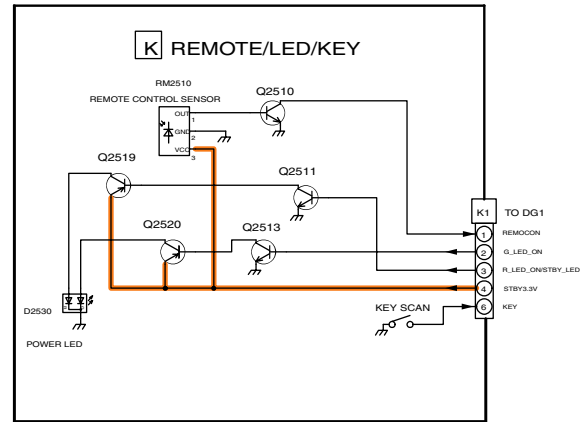
SS-BOARD (2/2)
TNPA4183

TH-42PV7AZ/HS/M/MR, PX7A
SS-Board (2 of 2) Schematic Diagram

TH-42PV7AZ/HS/M/MR, PX7A
SS-Board (2 of 2) Schematic Diagram

15.53. K-Board Block and Schematic Diagram

A
B
C
D
E
F



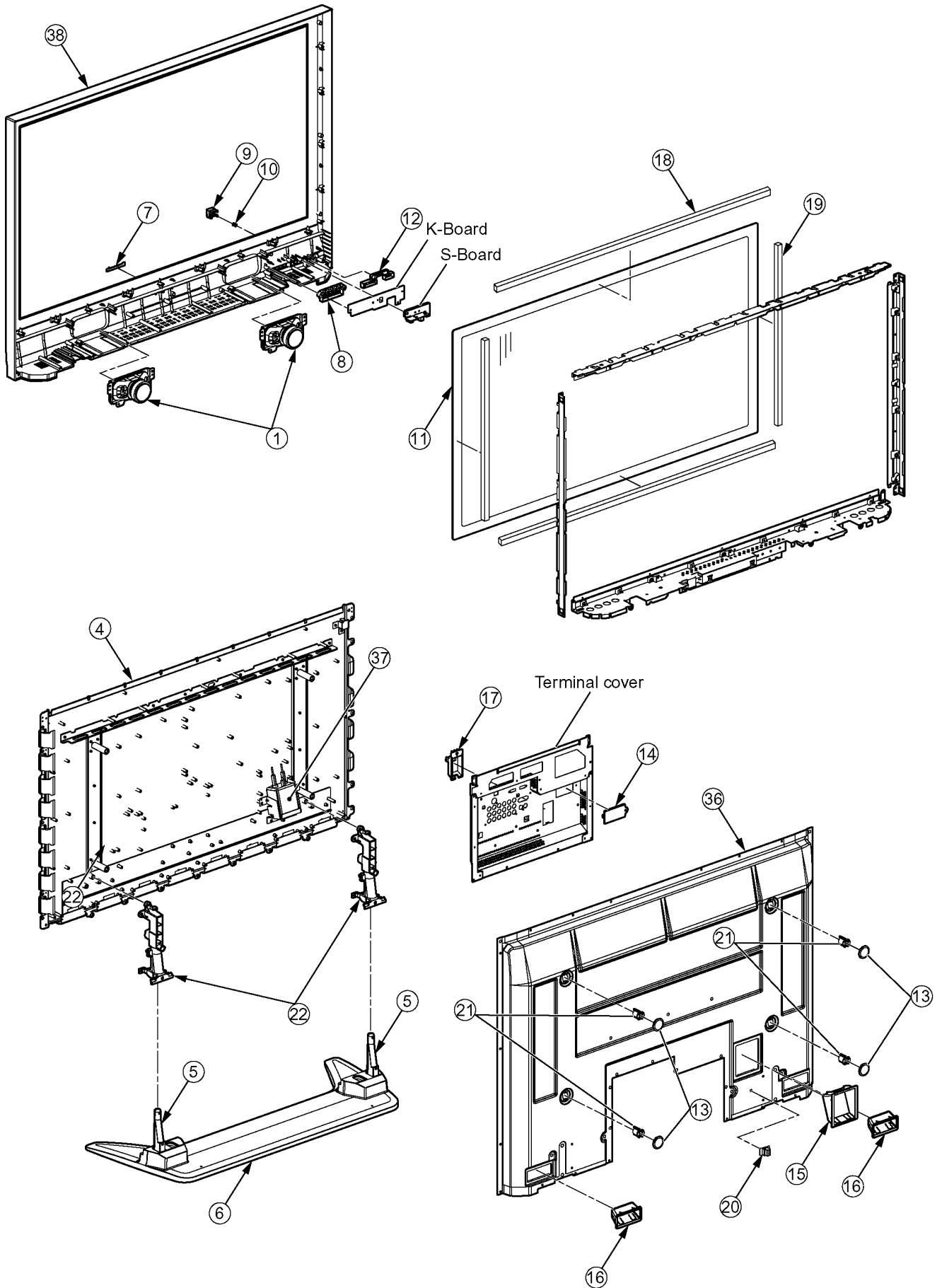
TH-42PV7AZ/HS/M/MR, PX7A
K-Board Block and Schematic Diagram

TH-42PV7AZ/HS/M/MR, PX7A
K-Board Block and Schematic Diagram

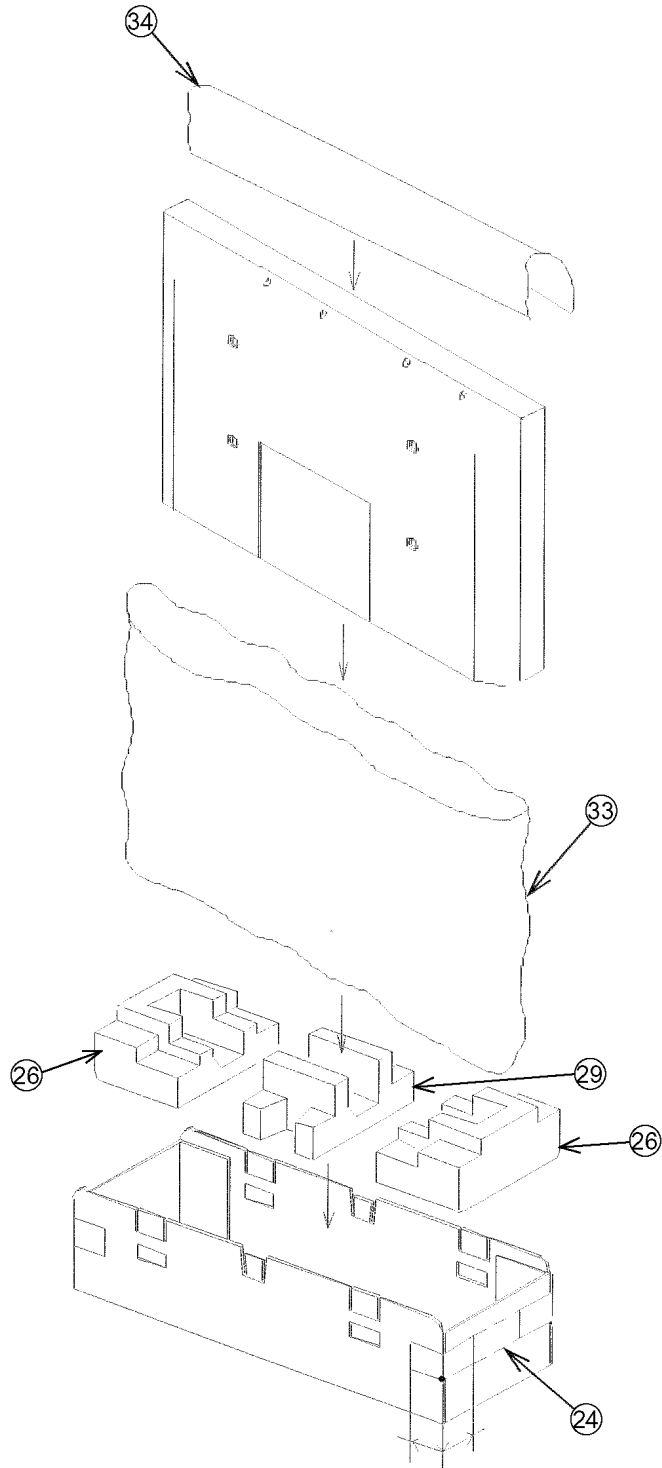
1 2 3 4 5 6 7 8 9

16 Exploded Views & Replacement Parts List

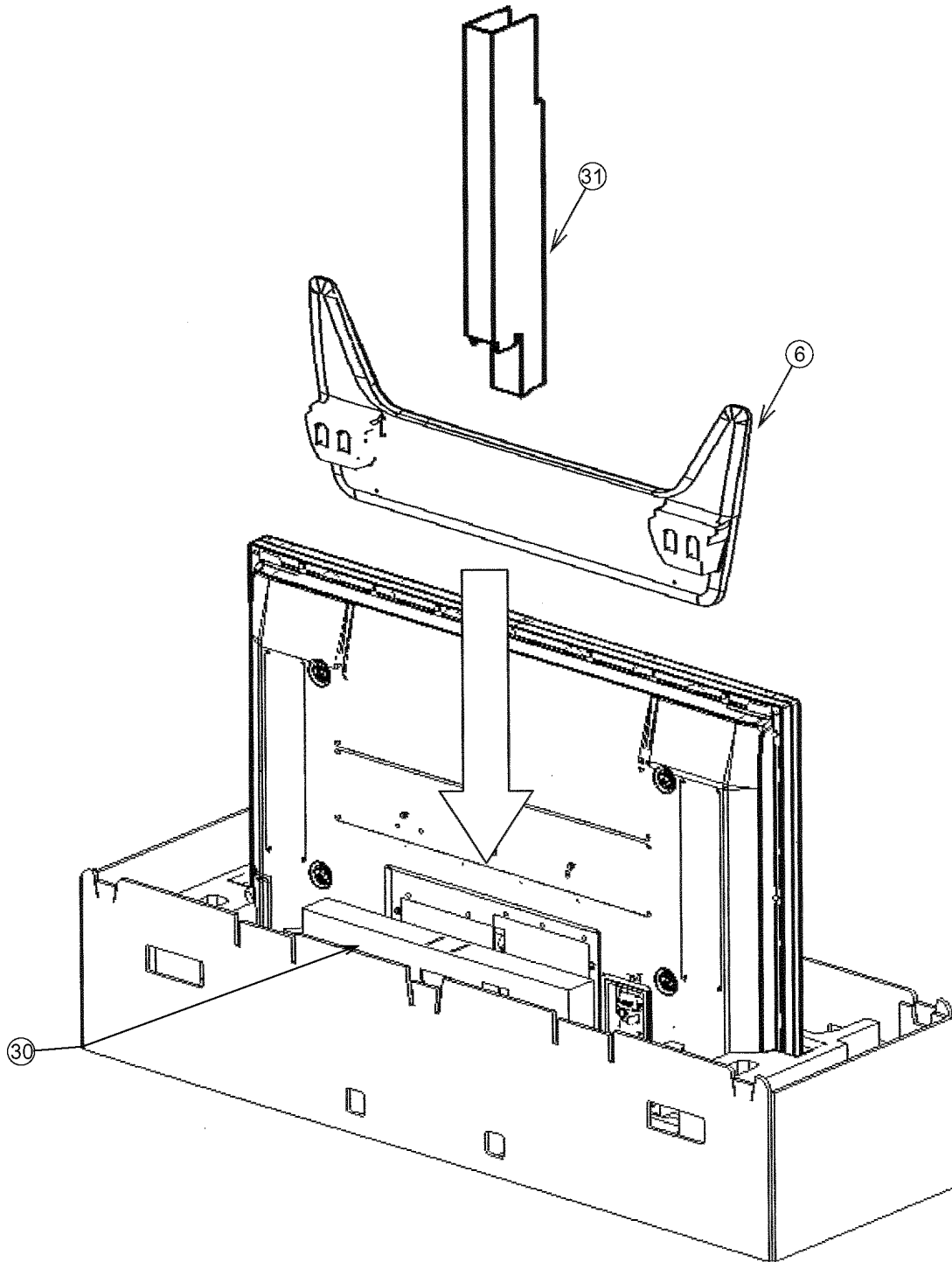
16.1. Exploded Views



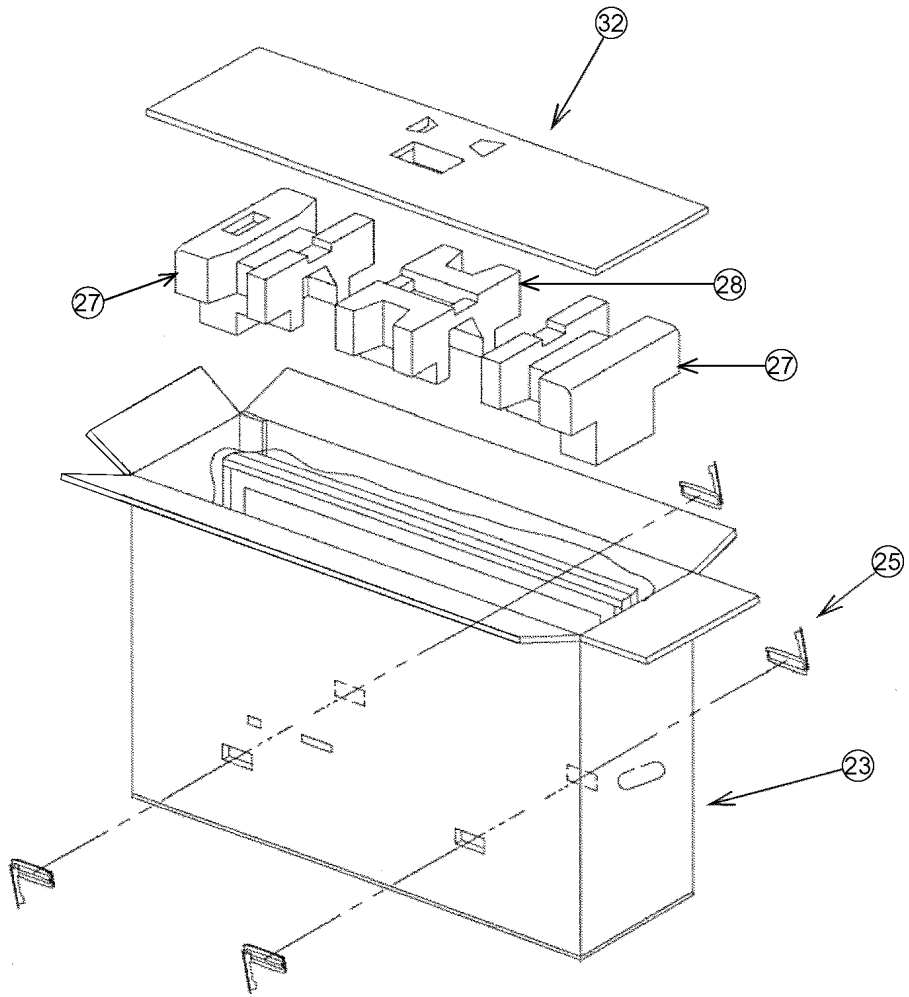
16.2. Packing Exploded Views (1)



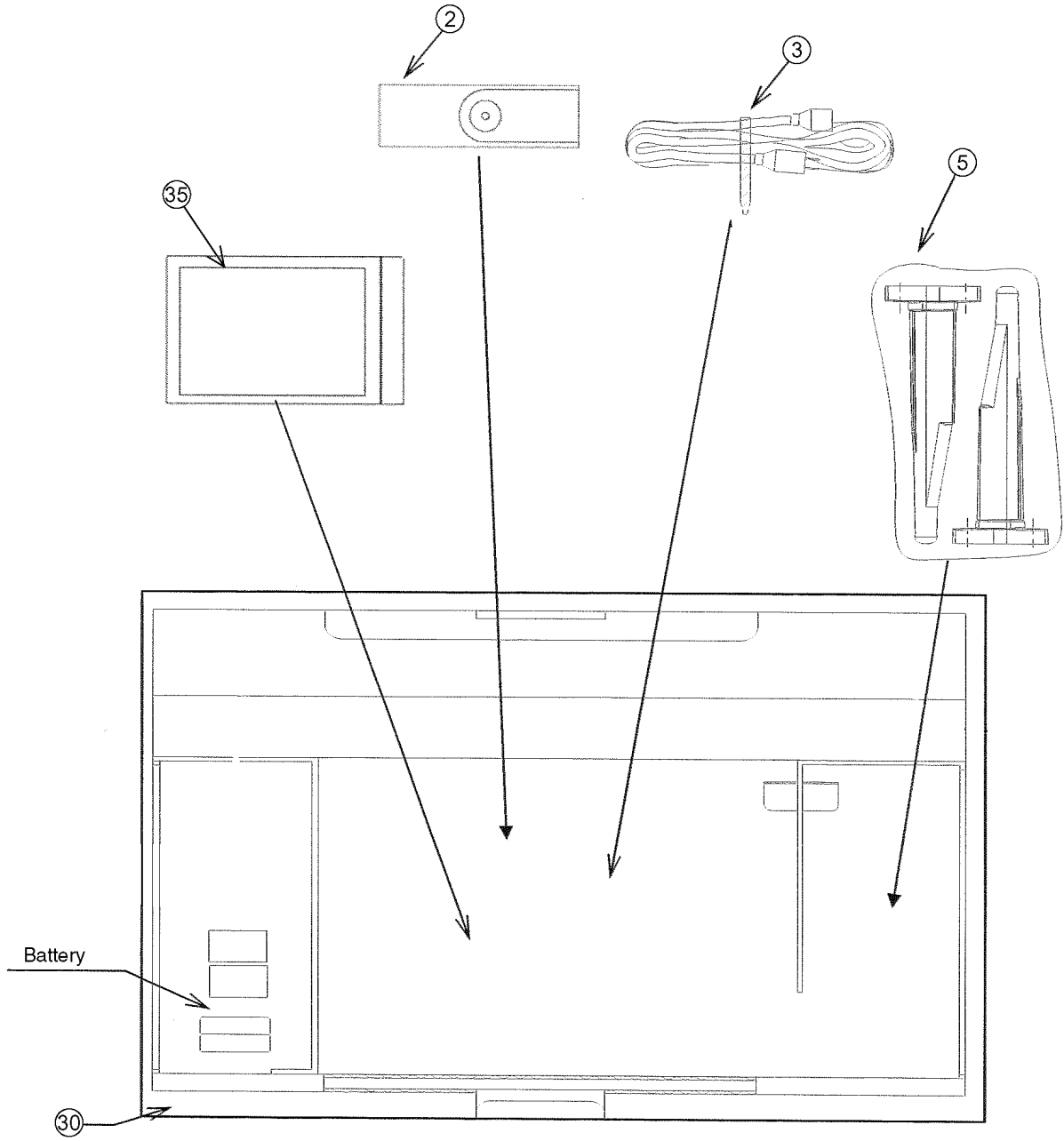
16.3. Packing Exploded Views (2)



16.4. Packing Exploded Views (3)



16.5. Accessory



16.6. Replacement Parts List Notes

Important Safety Notice

Components identified by Δ mark have special characteristics important for safety. When replacing any of these components, use only manufacturer's specified parts.

RTL (Retention Time Limited)

Note: The marking (RTL) indicates that the Retention Time is Limited for this item. After the discontinuation of this assembly in production, the item will continue to be available for a specific period of time. The retention period of availability is dependant on the type of assembly, and in accordance with the laws governing part and product retention. After the end of this period, the assembly will no longer be available.

Abbreviation of part name and description

1. Resistor

Example:

ERD25TJ104 C 100KOHM, J, 1/4W
 Type Allowance

2. Capacitor

Example:

ECKF1H103ZF C 0.01UF, Z, 50V
 Type Allowance

Type	Allowance
C : Carbon	F : $\pm 1\%$
F : Fuse	G : $\pm 2\%$
M : Metal Oxide	J : $\pm 5\%$
Metal Film	K : $\pm 10\%$
S : Solid	M : $\pm 20\%$
W : Wire Wound	

Type	Allowance
C : Ceramic	C : $\pm 0.25\text{pF}$
E : Electrolytic	D : $\pm 0.5\text{pF}$
P : Polyester	F : $\pm 1\text{pF}$
Polypropylene	G : $\pm 3\text{pF}$
T : Tantalum	J : $\pm 5\text{pF}$
	K : $\pm 10\text{pF}$
	L : $\pm 15\text{pF}$
	M : $\pm 20\text{pF}$
	P : +100%, -0%
	Z : +80%, -20%

16.7. Mechanical Replacement Parts List

Ref. No.	Part No.	Part Name & Description	Pcs	Remarks
1	EAS12S10A	SPEAKER	2	
2	EUR7651140	REMOTE CONTROL	1	PV7 MODEL
2	EUR7651150	REMOTE CONTROL	1	PX7 MODEL
	J2Z200000083	RF-CABLE	1	PX7A
3	K2CK3DH00029	AC CORD	1	PV7AZ, PX7A △
3	K2CN3DH00006	AC CORD	1	PV7M/MR △
3	K2CT3DH00018	AC CORD	1	PV7HS/M △
4	MD42H10A1J	PLASMA DISPLAY PANEL	1	
5	TBLA3532	STAND POLE	1	PV7AZ/HS, PX7A
6	TBLX0024	PEDESTAL STAND ASSY	1	PV7AZ/HS, PX7A
7	TBMA219	PANASONIC BADGE	1	
8	TBXA51603	CONTROL BUTTON	1	
9	TBXA51703	POWER BUTTON	1	
10	TESD076	SPRING	1	
	THEL037N	SCREW	1	
	THEL0429	SCREW	30	
	THTF011N	SCREW	47	
11	TKGA5324	FRONT GLASS	1	
12	TKKC5275-1	PANEL LIGHT	1	
13	TKKL5344-1	M8 SPACER CAP	4	
14	TKKL5383	ADJUSTMENT COVER	1	
15	TKPA98102	INLET COVER	1	
16	TKRA52602	REAR COVER HANDLE	2	
17	TKRA57301	SD CARD BRACKET	1	
18	TMKG675-1	SPONGE (UPPER/BOT TOM)	2	
19	TMKG676	SPONGE (LFFT/RIGH T)	2	
	TMM14490	CLAMPER	1	
	TMM16473-1	CLAMPER	1	
	TMM17499	CLAMPER	1	
	TMM25401	CLAMPER	1	
	TMM6428-1	CLAMPER	1	
	TMM7464-2	CLAMPER	1	
	TMME088	CLAMPER	1	
20	TMME226	AC CORD CLAMPER	1	
	TMME260	CLAMPER	8	
	TMME287	CLAMPER	7	
	TMME289	CLAMPER	2	
	TMME292	CLAMPER	1	
	TMME302	PUSH RIVET	2	
	TMMX037	CLAMPER	1	
21	TMMX130	M8 SPACER	4	
22	TMZX5095	STAND BRACKET	2	
23	TPCC17703	CARTON BOX TOP	1	PV7AZ
23	TPCC17704	CARTON BOX TOP	1	PV7HS
23	TPCC17705	CARTON BOX TOP	1	PV7M
23	TPCC17706	CARTON TOP	1	PV7MR
23	TPCC17707	CARTON BOX TOP	1	PX7A
24	TPCC17801	CARTON BOX BOTTOM	1	
25	TPD0A9002L	JOINT OUT	4	
26	TPDA1530	CUSHION BOTTOM	1	
27	TPDA1566-1	CUSHION TOP	1	
28	TPDA1615-1	CUSHION TOP CENTER	1	
29	TPDA1616	CUSHION BOTTOM CENTER	1	
30	TPDF0764-2	ACCESSORIES BOX	1	
31	TPDF1831-1	CARTON HOLDER	1	PV7AZ/HS, PX7A
32	TPDF1896-1	TOP PAD	1	
	TPEB297	BAG FOR STAND	1	PV7AZ/HS, PX7A
33	TPEH165	PROTECT COVER	1	
34	TPEH277	PROTECT COVER (UPPER)	1	
	TPEH347	BAG	1	

Ref. No.	Part No.	Part Name & Description	Pcs	Remarks
35	TQBC2192	INSTRUCTION BOOK (ENGLISH)	1	PV7AZ △
35	TQBC2193	INSTRUCTION BOOK (ENGLISH)	1	PV7HS △
35	TQBC2194	INSTRUCTION BOOK (CHINESE)	1	PV7HS △
35	TQBC2195	INSTRUCTION BOOK (ARABIA)	1	PV7M/MR △
35	TQBC2196	INSTRUCTION BOOK (PERSIAN)	1	PV7MR △
35	TQBC2197	INSTRUCTION BOOK (ENGLISH)	1	PX7A △
35	TQBC2230	INSTRUCTION BOOK (ENG)	1	PV7M/MR △
35	TQZH883	INSTRUCTION BOOK (PEDESTAL)	1	PV7AZ/HS, PX7A △
	TSXL519	CABLE (C10-C20)	1	
	TSXL523-1	CABLE (D3-DG3)	1	
	TSXL562	CABLE (D31-C11/D32-C21)	2	
	TSXL604	CABLE (SC20-D20)	1	
36	TTUA1660	REAR COVER	1	PV7M
36	TTUA1663	REAR COVER	1	PV7AZ
36	TTUA1664	REAR COVER	1	PV7HS
36	TTUA1665	REAR COVER	1	PV7MR
36	TTUA1666	REAR COVER	1	PX7A
37	TXAJS01HNTB	AC INLET ASSY	1	
38	TXFKY01HRTA	CABINET ASSY	1	PX7 MODEL
38	TXFKY01HRTM	CABINET ASSY	1	PV7 MODEL
	TXFMM01LJTU	FALL PREVENTION PARTS	1	
	TXJDGSHRTA	WIRE (DG12-SP)	2	
	XTB4+10FJF	SCREW (VESA BRACKET) ROHS	8	
	XTB4+12GFJ	SCREW	44	
	XTB4+12GFJK	SCREW	10	
	XTB4+16GFJ	SCREW	2	
	XTV3+10JFJK	SCREW	4	
	XTW3+10TFJ	SCREW	1	
	XYN3+F10FJ	SCREW	1	
	XYN3+F8FJ	SCREW	13	
	XYN3+J10FJ	SCREW	1	
	XYN3+J12FJ	SCREW	6	
	XYN3+J12FJ	SCREW	20	
	XYN3+J6FJ	SCREW	1	
	XYN3+J8FJ	SCREW	1	
	XYN4+E8FJ	SCREW	1	
	XYN4+F10FJ	SCREW	9	
	XYN4+F10FJK	SCREW	6	
	XYN4+F30FJK	SCREW (BC)	6	
	XYN5+C15FJ	SCREW	8	
	XYN5+F20FJ	SCREW@M5X20	4	
	XYN5+F30FJK	SCREW M5X30	4	
	XZB12X25D03B	PLASTIC BAG	1	
	XZB7.5X9D05	POLY BAG (SCREW)	1	

16.8. Electrical Replacement Parts List

Ref. No.	Part No.	Part Name & Description	Pcs	Remarks
F401.402	K5D802BNA005	TIME LAG FUSE HIGH	2	△
C10	K1MN20BA0231	20P CONNECTOR	1	
C11	K1MN55BA0076	55P CONNECTOR	1	
C20	K1MN20BA0231	20P CONNECTOR	1	
C21	K1MN55BA0076	55P CONNECTOR	1	
C23	K1KA12BA0107	12P CONNECTOR	1	
C1102	FLJ1A106A043	C 0.010UF, K, 10V	1	
C1103,04	FLG1C104A081	C 0.10UF, K, 16V	2	
C1106	FLH1H2700008	E 27UF, 50V	1	
C1107	FLG1H220A565	E 22UF, 50V	1	
C1108	FLG1C104A081	C 0.10UF, K, 16V	1	
C1109	ECJ1VB1C105K	C 0.01UF, K, 16V	1	
C1111	ECJ1VB1C105K	C 0.01UF, K, 16V	1	
C1112	FLG1C104A081	C 0.10UF, K, 16V	1	
C1114	FLG1C104A081	C 0.10UF, K, 16V	1	
C1117	FLG1C104A081	C 0.10UF, K, 16V	1	
C1122	FLG1E1030005	C 0.01UF, Z, 25V	1	
C1123	ECJ1VB1C105K	C 0.01UF, K, 16V	1	
C2000	FLG1C104A081	C 0.10UF, K, 16V	1	PX7A
C2005,06	FLH1H5610007	E 560UF, 50V	2	
C2010,11	FLH1H5610007	E 560UF, 50V	2	
C2013,14	FLH1H5610007	E 560UF, 50V	2	
C2016,17	FLH1H5610007	E 560UF, 50V	2	
C2021,22	FLH1H5610007	E 560UF, 50V	2	
C2023	FLG1C104A081	C 0.10UF, K, 16V	1	
C2048-50	FLG1C104A081	C 0.10UF, K, 16V	3	
C2052,53	FLG1C104A081	C 0.10UF, K, 16V	2	
C2054	FLJ1A106A043	C 0.010UF, K, 10V	1	
C2055,56	ECJ1VC1H120J	C 12PF, J, 50V	2	
C2057,58	FLG1C104A081	C 0.10UF, K, 16V	2	
C2059	EEHBOJ470R	C 47PF, J, 6.3V	1	
C2088	ECJ2FB1C475K	C 47UF, K, 16V	1	
C2089	FLH1H5610007	E 560UF, 50V	1	
C2091	ECJ1VC1H100C	C 10PF, C, 50V	1	
C2092	FLG1H220A565	E 22UF, 50V	1	
C2096,97	FLG1C104A081	C 0.10UF, K, 16V	2	
C2100	FLG1C104A081	C 0.10UF, K, 16V	1	
C2101	FLJ1A106A043	C 0.010UF, K, 10V	1	
C2102	FLG1C104A081	C 0.10UF, K, 16V	1	
C2105,06	FLG1C104A081	C 0.10UF, K, 16V	2	
C2107,08	EEHBOJ470R	C 47PF, J, 6.3V	2	
C2109,10	FLG1C104A081	C 0.10UF, K, 16V	2	
C2111	FLH0J2250008	C 2.2UF, K, 16V	1	
C2112,13	EEHBOJ470R	C 47PF, J, 6.3V	2	
C2114,15	FLG1C104A081	C 0.10UF, K, 16V	2	
C2116	FLH1H471A792	E 470UF, 50V	1	
C2117	FLG1C104A081	C 0.10UF, K, 16V	1	
C2118	ECJ1VB1C105K	C 0.01UF, K, 16V	1	
C2119	EEHBC1221UP	C 220PF, J, 16V	1	
C2120,21	FLH1H5600007	E 56UF, 50V	2	
C2124	FLG1C104A081	C 0.10UF, K, 16V	1	
C2126	FLJ1A106A043	C 0.010UF, K, 10V	1	
C2128	FLG1C104A081	C 0.10UF, K, 16V	1	PX7A
C2130	FLJ1A106A043	C 0.010UF, K, 10V	1	
C2131	FLG1C104A081	C 0.10UF, K, 16V	1	
C2132	FLG1E1030005	C 0.01UF, Z, 25V	1	
C2133	EEHBC1H4R7R	C 4.7PF, J, 50V	1	
C2134	FLG1E1030005	C 0.01UF, Z, 25V	1	
C2135,36	ECJ1VB1C105K	C 0.01UF, K, 16V	2	
C2137	EEHBOJ470R	C 47PF, J, 6.3V	1	
C2138	FLG1C104A081	C 0.10UF, K, 16V	1	
C2143	FLH1H181A792	E 180UF, 50V	1	
C2146	FLH1H181A792	E 180UF, 50V	1	
C2147	EEHBC1220UR	C 22PF, J, 16V	1	
C2151	EEHBOJ470R	C 47PF, J, 6.3V	1	

Ref. No.	Part No.	Part Name & Description	Pcs	Remarks
C2153	ECJ1VC1H330J	C 33PF, J, 50V	1	
C2154	FLG1C104A081	C 0.10UF, K, 16V	1	
C2159,60	ECJ1VB1C105K	C 0.01UF, K, 16V	2	
C2161	EEHBC1010UP	C 100PF, J, 16V	1	
C2162-67	ECJ1VB1C105K	C 0.01UF, K, 16V	6	
C2170	ECJ1VC1H330J	C 33PF, J, 50V	1	
C2171	FLG1E1030005	C 0.01UF, Z, 25V	1	
C2173	ECJ2FB1C475K	C 47UF, K, 16V	1	
C2183	FLJ1A106A043	C 0.010UF, K, 10V	1	
C2185	FLJ1A106A043	C 0.010UF, K, 10V	1	
C2186	FLG1C104A081	C 0.10UF, K, 16V	1	
C2187	FLH0J2250008	C 2.2UF, K, 16V	1	
C2188	FLH1H471A792	E 470UF, 50V	1	
C2189	ECJ1VB1C105K	C 0.01UF, K, 16V	1	
C2190,91	FLJ1A106A043	C 0.010UF, K, 10V	2	
C2192	EEHBOJ470R	C 47PF, J, 6.3V	1	
C2213	FLG1H1020008	E 1000UF, 50V	1	
C2216	FLG1C104A081	C 0.10UF, K, 16V	1	
C2244	FLG1C104A081	C 0.10UF, K, 16V	1	
C2245	FLG1H1020008	E 1000UF, 50V	1	
C2246	FLJ1A106A043	C 0.010UF, K, 10V	1	
C2251	FLJ1A106A043	C 0.010UF, K, 10V	1	
C2263,64	FLJ1A106A043	C 0.010UF, K, 10V	2	
C2265,66	FLG1C104A081	C 0.10UF, K, 16V	2	
C2267,68	FLG1H101A565	C 100PF, K, 50V	2	
C2272	ECJ2FB1C475K	C 47UF, K, 16V	1	
C2280	ECJ2FB1C475K	C 47UF, K, 16V	1	
C2281	FLH1H5610007	E 560UF, 50V	1	
C2301,02	FLG1C104A081	C 0.10UF, K, 16V	2	
C2303	FLJ1E105A171	E 1 UF 25V	1	
C2305	FLJ1E105A171	E 1 UF 25V	1	
C2307	FLJ1E105A171	E 1 UF 25V	1	
C2309	FLJ1E105A171	E 1 UF 25V	1	
C2311	FLG1C104A081	C 0.10UF, K, 16V	1	
C2313	ECJ1XB1H104K	C 10PF, J, 50V	1	
C2315	FLG1C104A081	C 0.10UF, K, 16V	1	
C2317	ECJ1VB1C333K	C 0.033UF, K, 16V	1	
C2319	ECJ1VB1C333K	C 0.033UF, K, 16V	1	
C2321	ECJ1VB1C333K	C 0.033UF, K, 16V	1	
C2323	ECJ1VB1C333K	C 0.033UF, K, 16V	1	
C2325	FLJ1H474A757	C 0.47UF, 50V	1	
C2327	FLG1C104A081	C 0.10UF, K, 16V	1	
C2329	FLG1C104A081	C 0.10UF, K, 16V	1	
C2331	FLJ1H474A757	C 0.47UF, 50V	1	
C2333	ECJ1XB1H104K	C 10PF, J, 50V	1	
C2335	ECJ1XB1H104K	C 10PF, J, 50V	1	
C2337	FLH1H223A219	E 0.022UF, 50V	1	
C2339	FLH1H223A219	E 0.022UF, 50V	1	
C2341	ECJ1XB1H104K	C 10PF, J, 50V	1	
C2343	ECJ1XB1H104K	C 10PF, J, 50V	1	
C2345	FLH1H223A219	E 0.022UF, 50V	1	
C2347	FLH1H223A219	E 0.022UF, 50V	1	
C2349	ECJ1XB1H104K	C 10PF, J, 50V	1	
C2352	ECJ1VB1C105K	C 0.01UF, K, 16V	1	
C2353	ECJ1XB1H104K	C 10PF, J, 50V	1	
C2354	EEHBC1221UP	C 220PF, J, 16V	1	
C2355	ECJ1XB1H104K	C 10PF, J, 50V	1	
C2357	ECJ1XB1H104K	C 10PF, J, 50V	1	
C2359	ECJ1XB1H104K	C 10PF, J, 50V	1	
C2361	EEFG1E471P	E 470UF, 25V	1	
C2363	FLG1C104A081	C 0.10UF, K, 16V	1	
C2375	FLH1H223A219	E 0.022UF, 50V	1	
C2377	FLH1H223A219	E 0.022UF, 50V	1	

Ref. No.	Part No.	Part Name & Description	Pcs	Remarks
C2379	F1H1H223A219	E 0.022UF, 50V	1	
C2381	F1H1H223A219	E 0.022UF, 50V	1	
C2383	F1G1H1020008	E 1000UF, 50V	1	
C2385	F1G1H1020008	E 1000UF, 50V	1	
C2387	F1G1H1020008	E 1000UF, 50V	1	
C2389	F1G1H1020008	E 1000UF, 50V	1	
C2502,03	ECJ2XB1H102K	C 1000PF, K, 50V	2	
C2512	ECJ3XB0J106M	C 10UF, M, 6.3V	1	
C2515	ECJ2VB1H103K	C 0.01UF, M, 25V	1	
C2801	ECJ3XB1C106M	C 1.0UF, K, 16V	1	
C2802,03	F1J1H474A757	C 0.47UF, 50V	2	
C2813	F1G1C104A081	C 0.10UF, K, 16V	1	
C2814	ECJ1VB1H472K	C 4700PF, K, 50V	1	
C2815	F1G1C104A081	C 0.10UF, K, 16V	1	
C2816	EEEB1V220P	E 22UF, 35V	1	
C2817	F1G1H1020008	E 1000UF, 50V	1	
C2819	EEEB1E470P	C 47PF, J, 25V	1	
C3021	ECJ1VB1C105K	C 0.01UF, K, 16V	1	
C3023,24	ECJ1VB1C105K	C 0.01UF, K, 16V	2	
C3026	F1G1C104A081	C 0.10UF, K, 16V	1	
C3033	ECJ1VB1C105K	C 0.01UF, K, 16V	1	
C3040	F1G1C104A081	C 0.10UF, K, 16V	1	
C3043	ECJ1VB1C105K	C 0.01UF, K, 16V	1	
C3051-56	F1H1A225A051	E 22UF, 50V	6	
C3060	ECJ1VB1C105K	C 0.01UF, K, 16V	1	
C3066	ECJ1VB1C105K	C 0.01UF, K, 16V	1	PX7A
C3070	EEEB0J221UP	C 220PF, J, 6.3V	1	
C3075	EEEB1C221UP	C 220PF, J, 16V	1	
C3078	FLK0J226A008	C 22UF, K, 6.3V	1	
C3081	EEFUD0J101ER	E 100UF	1	
C3100-02	ECJ1VB1C105K	C 0.01UF, K, 16V	3	
C3103	EEEB1H100P	C 10PF, J, 50V	1	
C3115,16	F1G1C104A081	C 0.10UF, K, 16V	2	
C3117	ECJ1VB1C105K	C 0.01UF, K, 16V	1	
C3118	EEEB1C470P	C 47PF, J, 16V	1	
C3120	F1G1C104A081	C 0.10UF, K, 16V	1	
C3270	EEEB0J102UP	C 1100PF, J, 6.3V	1	
C3272	ECJ1XB1H104K	C 10PF, J, 50V	1	
C3273	EEEB1H100P	C 10PF, J, 50V	1	
C3275,76	F1G1C104A081	C 0.10UF, K, 16V	2	
C3279	F1G1C104A081	C 0.10UF, K, 16V	1	
C3280	F1G1H101A565	C 100PF, K, 50V	1	
C3281	F1G1C104A081	C 0.10UF, K, 16V	1	
C4501	F1G1C104A081	C 0.10UF, K, 16V	1	
C4503	F1G1C104A081	C 0.10UF, K, 16V	1	
C4507	F1G1C104A081	C 0.10UF, K, 16V	1	
C4509	EEEB0J330R	C 33PF, J, 6.3V	1	
C4511	F1G1C104A081	C 0.10UF, K, 16V	1	
C4515	F1G1C104A081	C 0.10UF, K, 16V	1	
C4527	ECJ1VB1C105K	C 0.01UF, K, 16V	1	
C4528	F1G1C104A081	C 0.10UF, K, 16V	1	
C4531	F1G1C104A081	C 0.10UF, K, 16V	1	
C4533	F1G1H680A565	E 68UF, 50V	1	
C4534,35	ECJ1XB1H104K	C 10PF, J, 50V	2	
C4538	EEEB0J470R	C 47PF, J, 6.3V	1	
C4539	F1J1A106A043	C 0.010UF, K, 10V	1	
C4541	F1H1H471A792	E 470UF, 50V	1	
C4543-45	F1G1C104A081	C 0.10UF, K, 16V	3	
C4546	F1H0J2250008	C 2.2UF, K, 16V	1	
C4547	F1G1C104A081	C 0.10UF, K, 16V	1	
C4548,49	ECJ1XB1H104K	C 10PF, J, 50V	2	
C4550	F1G1C104A081	C 0.10UF, K, 16V	1	
C4551,52	ECJ1XB1H104K	C 10PF, J, 50V	2	
C4553	F1G1H1020008	E 1000UF, 50V	1	
C4555,56	F1J1A106A043	C 0.010UF, K, 10V	2	
C4557	F1G1C104A081	C 0.10UF, K, 16V	1	
C4559,60	F1G1C104A081	C 0.10UF, K, 16V	2	
C4562	F1H1H822A219	E 8200UF, 50V	1	
C4563	ECJ1VB1C823K	C 0.082UF, K, 16V	1	
C4564,65	F1G1E1030005	C 0.01UF, Z, 25V	2	

Ref. No.	Part No.	Part Name & Description	Pcs	Remarks
C4566	ECJ1XB1C393K	C 0.039UF, K, 16V	1	
C4568	F1G1C104A081	C 0.10UF, K, 16V	1	
C4569	F1J1C684A097	C 0.68UF, Z, 16V	1	
C4570	EEEB0J470R	C 47PF, J, 6.3V	1	
C4572,73	F1G1C104A081	C 0.10UF, K, 16V	2	
C4574	F1G1E1030005	C 0.01UF, Z, 25V	1	
C4575	ECJ1VB1C105K	C 0.01UF, K, 16V	1	
C4576	EEEB0J470R	C 47PF, J, 6.3V	1	
C4577,78	F1G1C104A081	C 0.10UF, K, 16V	2	
C4580	F1G1E1030005	C 0.01UF, Z, 25V	1	
C4581	ECJ1VB1C105K	C 0.01UF, K, 16V	1	
C4582,83	F1G1C104A081	C 0.10UF, K, 16V	2	
C4584,85	ECJ1VB1C105K	C 0.01UF, K, 16V	2	
C4586	F1G1E1030005	C 0.01UF, Z, 25V	1	
C4587	F1G1C104A081	C 0.10UF, K, 16V	1	
C4588	ECJ1VB1C823K	C 0.082UF, K, 16V	1	
C4589	F1G1H150A565	E 15UF, 50V	1	
C4590	ECJ0EC1H180J	C 180PF, K, 50V	1	
C4591,92	ECJ1VB1C105K	C 0.01UF, K, 16V	2	
C4593	F1G1E1030005	C 0.01UF, Z, 25V	1	
C4595	F1G1E1030005	C 0.01UF, Z, 25V	1	
C4596	F1G1C104A081	C 0.10UF, K, 16V	1	
C4598	ECJ1VB1C105K	C 0.01UF, K, 16V	1	
C4600,01	F1G1E1030005	C 0.01UF, Z, 25V	2	
C4602	F1G1C104A081	C 0.10UF, K, 16V	1	
C4604	F1H0J2250008	C 2.2UF, K, 16V	1	
C4605	F1G1C104A081	C 0.10UF, K, 16V	1	
C4607	EEEB0J470R	C 47PF, J, 6.3V	1	
C4609	ECJ1VB1C105K	C 0.01UF, K, 16V	1	
C4611	ECJ1VB1C105K	C 0.01UF, K, 16V	1	
C4612	F1G1E1030005	C 0.01UF, Z, 25V	1	
C4613	ECJ1VB1C105K	C 0.01UF, K, 16V	1	
C4614	F1G1C104A081	C 0.10UF, K, 16V	1	
C4615	F1G1E1030005	C 0.01UF, Z, 25V	1	
C4616,17	F1G1C104A081	C 0.10UF, K, 16V	2	
C4618	F1G1E1030005	C 0.01UF, Z, 25V	1	
C4619	F1G1C104A081	C 0.10UF, K, 16V	1	
C4620	ECJ1VB1C105K	C 0.01UF, K, 16V	1	
C4623	F1G1C104A081	C 0.10UF, K, 16V	1	
C4624,25	ECJ1XB1H104K	C 10PF, J, 50V	2	
C4628	F1G1C104A081	C 0.10UF, K, 16V	1	
C4629	F1J1A106A043	C 0.010UF, K, 10V	1	
C4807	F1G1C104A081	C 0.10UF, K, 16V	1	
C5501	F2A1C471A256	E 470UF, 16V	1	
C5502	F1G1C104A081	C 0.10UF, K, 16V	1	
C5503	F2A1C471A256	E 470UF, 16V	1	
C5504	F1G1C104A081	C 0.10UF, K, 16V	1	
C5521,22	F1G1C104A081	C 0.10UF, K, 16V	2	
C5551	F2A1H331A257	E 330UF, 50V	1	
C5552	ECJ1XB1H104K	C 10PF, J, 50V	1	
C5595	EEEB1C220UR	C 22PF, J, 16V	1	
C5600	ECJ1VB1C105K	C 0.01UF, K, 16V	1	
C5601	F1G1C104A081	C 0.10UF, K, 16V	1	
C5602	ECGRL0G680ER	C 68PF, J, 4V	1	
C5603,04	F1G1E1030005	C 0.01UF, Z, 25V	2	
C5605	ECJ2FB1C475K	C 47UF, K, 16V	1	
C5606	F1H1H471A792	E 470UF, 50V	1	
C5607	F1H1H221A792	E 220UF, 50V	1	
C5608	F1G1C104A081	C 0.10UF, K, 16V	1	
C5609,10	EEEB1C470P	C 47PF, J, 16V	2	
C5615	F1J1A106A043	C 0.010UF, K, 10V	1	
C5616	ECJ0EB1A473K	C 0.047UF, K, 10V	1	
C5617	ECJ1VB1C105K	C 0.01UF, K, 16V	1	
C5618,19	F1J1A106A043	C 0.010UF, K, 10V	2	
C5620	F1G1C104A081	C 0.10UF, K, 16V	1	
C5621	F1G1E1030005	C 0.01UF, Z, 25V	1	
C5622	ECJ2FB1C475K	C 47UF, K, 16V	1	
C5623	F1H1H471A792	E 470UF, 50V	1	

Ref. No.	Part No.	Part Name & Description	Pcs	Remarks
C5624	FL1H1221A792	E 220UF, 50V	1	
C5625	FL1G1E1030005	C 0.01UF, Z, 25V	1	
C5626,27	FL1G1C104A081	C 0.10UF, K, 16V	2	
C5628,29	ECGRLO680ER	C 68PF, J, 4V	2	
C5630,31	EEHHC1470P	C 47PF, J, 16V	2	
C5632	ECJ1VB1C105K	C 0.01UF, K, 16V	1	
C5636-41	FL1G1C104A081	C 0.10UF, K, 16V	6	
C5643	FL1G1C104A081	C 0.10UF, K, 16V	1	
C5644	FL1G1E1030005	C 0.01UF, Z, 25V	1	
C5645	FL1H0J2250008	C 2.2UF, K, 16V	1	
C5661	FL1G1E1030005	C 0.01UF, Z, 25V	1	
C5662	ECJ0EB1A473K	C 0.047UF, K, 10V	1	
C5663	FL1G1E1030005	C 0.01UF, Z, 25V	1	
C5670	ECJ1VB1C105K	C 0.01UF, K, 16V	1	
C5673,74	ECJ1VB1C105K	C 0.01UF, K, 16V	2	
C5676	FL1G1C104A081	C 0.10UF, K, 16V	1	
C5690	EEHHC1470P	C 47PF, J, 16V	1	
C5691	EEHHC0J470R	C 47PF, J, 6.3V	1	
C5692,93	FL1G1C104A081	C 0.10UF, K, 16V	2	
C5694	EEHHC1470P	C 47PF, J, 16V	1	
C5695	EEHHC0J470R	C 47PF, J, 6.3V	1	
C6001	FL1L2J332A022	C 3300UF, K,6.3V	1	
C6002	FL1L2J222A022	C 2200UF, K,6.3V	1	
C6011-15	F2A2T201A002	E 200UF,	5	
C6021,22	FL1L2J272A022	C 2700UF, K,6.3V	2	
C6031	FOC2E225A218	E 0.022UF, 250V	1	
C6037	FL1L1E4750004	C 4.7UF, 25V	1	
C6091	FL1L2J1020001	C 1000UF, K,6.3V	1	
C6111,12	F2A2D221A022	E 220UF, 200V	2	
C6132	FL1L1E4750004	C 4.7UF, 25V	1	
C6134,35	FL1L1E4750004	C 4.7UF, 25V	2	
C6151	ECJ3YB1E105K	C 1UF, K, 25V	1	
C6152-54	FL1L1E4750004	C 4.7UF, 25V	3	
C6193-95	FL1L1E4750004	C 4.7UF, 25V	3	
C6197	FL1L1E4750004	C 4.7UF, 25V	1	
C6201,02	FOC2E405A176	E 0.040UF, 250V	2	
C6209	FL1L1E4750004	C 4.7UF, 25V	1	
C6211,12	FL1L1E4750004	C 4.7UF, 25V	2	
C6213	F2A1E102A220	E 1000UF, 25V	1	
C6220	FL1L2J1020001	C 1000UF, K,6.3V	1	
C6221	ECJ2XB1H104K	C 0.1UF, K, 50V	1	
C6241	F2A1A101A439	E 100UF, 10V	1	
C6242	FL1H1C105A072	C 1UF, K, 16V	1	
C6243	ECJ2VB1H103K	C 0.01UF, K, 50V	1	
C6251	FL1H1C105A072	C 1UF, K, 16V	1	
C6252	ECJ3YB1E105K	C 1UF, K, 25V	1	
C6261,62	F2A2A221A073	E 220UF, 100V	2	
C6272,73	F2A1E221A487	E 220UF, 25V	2	
C6276	FL1L1E4750004	C 4.7UF, 25V	1	
C6286-89	ECJ2XB1H104K	C 0.1UF, K, 50V	4	
C6401	FL1L2J332A022	C 3300UF, K,6.3V	1	
C6402	FL1L2J222A022	C 2200UF, K,6.3V	1	
C6411-15	F2A2T201A002	E 200UF,	5	
C6421,22	FL1L2J272A022	C 2700UF, K,6.3V	2	
C6431	FOC2E405A176	E 0.040UF, 250V	1	
C6480	ECJ2XB1H104K	C 0.1UF, K, 50V	1	
C6502	FL1L1E4750004	C 4.7UF, 25V	1	
C6504,05	FL1L1E4750004	C 4.7UF, 25V	2	
C6521	ECJ3YB1E105K	C 1UF, K, 25V	1	
C6522	FL1L1E4750004	C 4.7UF, 25V	1	
C6524,25	FL1L1E4750004	C 4.7UF, 25V	2	
C6527	FL1L1E4750004	C 4.7UF, 25V	1	
C6531,32	FOC2E405A176	E 0.040UF, 250V	2	
C6561	F2A1A101A439	E 100UF, 10V	1	
C6562	FL1H1C105A072	C 1UF, K, 16V	1	
C6563	F2A1A101A439	E 100UF, 10V	1	
C6564	FL1H1C105A072	C 1UF, K, 16V	1	
C6565,66	ECJ2VB1H103K	C 0.01UF, K, 50V	2	
C6581	ECJ3YB1E105K	C 1UF, K, 25V	1	
C6582	FL1H1C105A072	C 1UF, K, 16V	1	
C6592	F2A1E221A487	E 220UF, 25V	1	
C6593	ECJ2XC1H102J	C 1000PF, J, 50V	1	

Ref. No.	Part No.	Part Name & Description	Pcs	Remarks
C6603,04	FL1K2J102A014	C 1000UF, K,6.3V	2	
C6605,06	FL1L2J472A022	C 4700UF, K,6.3V	2	
C6620,21	FL1E2J222A002	C 2200PF, 600V	2	
C6641	ECQE2224KF3	P 2.2UF, K,250V	1	
C6661,62	FL1K2J102A014	C 1000UF, K,6.3V	2	
C6671	FL1L1E4750004	C 4.7UF, 25V	1	
C6691	ECA2CM101	E 100UF, 160V	1	
C6694	ECJ3YB1E105K	C 1UF, K, 25V	1	
C6695	ECJ2XC1H102J	C 1000PF, J, 50V	1	
C6702-06	ECJ2XB1H104K	C 0.1UF, K, 50V	5	
C6708	ECJ2XB1H104K	C 0.1UF, K, 50V	1	
C6721	ECA1HM101	E 100UF, 50V	1	
C6722	ECJ2XC1H101J	C 100PF, J, 50V	1	
C6723-25	FL1L1E4750004	C 4.7UF, 25V	3	
C6726,27	FL1H1C105A072	C 1UF, K, 16V	2	
C6740	ECJ2XC1H101J	C 100PF, J, 50V	1	
C6752	ECJ3YB1E105K	C 1UF, K, 25V	1	
C6753	FL1L1E4750004	C 4.7UF, 25V	1	
C6755,56	FL1L1E4750004	C 4.7UF, 25V	2	
C6771	FL1H1C105A072	C 1UF, K, 16V	1	
C6772,73	FL1L1E4750004	C 4.7UF, 25V	2	
C6775	FL1L1E4750004	C 4.7UF, 25V	1	
C6776,77	ECJ2XB1H104K	C 0.1UF, K, 50V	2	
C6791	F2A1E221A487	E 220UF, 25V	1	
C6795,96	F2A1E221A487	E 220UF, 25V	2	
C6801	F2A2E470A022	E 47UF, 250V	1	
C6803	ECKD3D221KBP	C 220PF, K, 2KV	1	
C6804	F2A2E100A022	E 10UF, 250V	1	
C6805	ECJ2XC1H331J	C 330PF, J, 50V	1	
C6806	ECA2CM101	E 100UF, 160V	1	
C6811	ECJ3YB1E105K	C 1UF, K, 25V	1	
C6812	FL1L1E4750004	C 4.7UF, 25V	1	
C6813	ECA2CM101	E 100UF, 160V	1	
C6814	F2A1E221A487	E 220UF, 25V	1	
C6815	ECJ2XC1H102J	C 1000PF, J, 50V	1	
C6822	F2A2G470A018	E 470UF, 400V	1	
C6823	ECJ2VB1H103K	C 0.01UF, K, 50V	1	
C6832	ECJ2XB1H392K	C 3900PF, K, 50V	1	
C6841	F2A2E470A022	E 47UF, 250V	1	
C6842	ECA2CM101	E 100UF, 160V	1	
C6845	ECJ2VB1H103K	C 0.01UF, K, 50V	1	
C6861	FL1H1C105A072	C 1UF, K, 16V	1	
C6862	ECJ3YB1E105K	C 1UF, K, 25V	1	
C6863	ECJ2VB1H103K	C 0.01UF, K, 50V	1	
C6871	FL1H1C105A072	C 1UF, K, 16V	1	
C6872	ECJ3YB1E105K	C 1UF, K, 25V	1	
C6873	ECJ2VB1H103K	C 0.01UF, K, 50V	1	
C6901	ECJ2XB1H102K	C 1000PF, K, 50V	1	
C6902	TCUY1C105ZFN	C 1UF, 16V	1	
C6904	TCUY1C105ZFN	C 1UF, 16V	1	
C6906	TCUY1C105ZFN	C 1UF, 16V	1	
C6908	TCUY1C105ZFN	C 1UF, 16V	1	
C6910	TCUY1C105ZFN	C 1UF, 16V	1	
C6912	TCUY1C105ZFN	C 1UF, 16V	1	
C6921	FL1L2E1040002	E 1000UF, 25V	1	
C6923,24	FL1L2E1040002	E 1000UF, 25V	2	
C6926,27	FL1L2E1040002	E 1000UF, 25V	2	
C6929	FL1L2E1040002	E 1000UF, 25V	1	
C6931	ECJ2XB1H102K	C 1000PF, K, 50V	1	
C6936	ECJ2XB1H681K	C 680PF, K, 50V	1	
C6937	ECJ2VB1H221K	C 220PF, K, 50V	1	
C6951	ECJ2XB1H102K	C 1000PF, K, 50V	1	
C6952	TCUY1C105ZFN	C 1UF, 16V	1	
C6955	TCUY1C105ZFN	C 1UF, 16V	1	
C6957,58	TCUY1C105ZFN	C 1UF, 16V	2	
C6961	TCUY1C105ZFN	C 1UF, 16V	1	
C6963	TCUY1C105ZFN	C 1UF, 16V	1	
C6971	FL1L2E1040002	E 1000UF, 25V	1	
C6973,74	FL1L2E1040002	E 1000UF, 25V	2	
C6976,77	FL1L2E1040002	E 1000UF, 25V	2	
C6979	FL1L2E1040002	E 1000UF, 25V	1	
C6981	ECJ2XB1H102K	C 1000PF, K, 50V	1	
C6986	ECJ2XB1H681K	C 680PF, K, 50V	1	

Ref. No.	Part No.	Part Name & Description	Pcs	Remarks
C6987	ECJ2VB1H221K	C 220PF, K, 50V	1	
C7110	F1H1C105A072	C 1UF, K, 16V	1	
C7114	F1H1C105A072	C 1UF, K, 16V	1	
C7116	F1H1C105A072	C 1UF, K, 16V	1	
C7117	ECJ1XC1H101J	C 100PF, J, 50V	1	
C7118	F1K2A474A006	C 0.47UF, 6.3V	1	
C7121	F1H1C105A072	C 1UF, K, 16V	1	
C7123	F1H1C105A072	C 1UF, K, 16V	1	
C7124	ECJ1XC1H101J	C 100PF, J, 50V	1	
C7125	F1K2A474A006	C 0.47UF, 6.3V	1	
C7126	F1H1C105A072	C 1UF, K, 16V	1	
C7127	ECJ1XC1H101J	C 100PF, J, 50V	1	
C7128	F1K2A474A006	C 0.47UF, 6.3V	1	
C7130	ECJ1XB1C104K	C 0.1UF, Z, 16V	1	
C7140	F1H1C105A072	C 1UF, K, 16V	1	
C7141	ECJ1XC1H101J	C 100PF, J, 50V	1	
C7142	F1K2A474A006	C 0.47UF, 6.3V	1	
C7145	F1H1C105A072	C 1UF, K, 16V	1	
C7148	ECJ1XB1C104K	C 0.1UF, Z, 16V	1	
C7150-53	F1K2A474A006	C 0.47UF, 6.3V	4	
C7203	F1H1C105A072	C 1UF, K, 16V	1	
C7207	F1H1C105A072	C 1UF, K, 16V	1	
C7209	F1H1C105A072	C 1UF, K, 16V	1	
C7210	ECJ1XC1H101J	C 100PF, J, 50V	1	
C7211	F1K2A474A006	C 0.47UF, 6.3V	1	
C7214	F1H1C105A072	C 1UF, K, 16V	1	
C7216	F1H1C105A072	C 1UF, K, 16V	1	
C7217	ECJ1XC1H101J	C 100PF, J, 50V	1	
C7218	F1K2A474A006	C 0.47UF, 6.3V	1	
C7219	F1H1C105A072	C 1UF, K, 16V	1	
C7220	ECJ1XC1H101J	C 100PF, J, 50V	1	
C7221	F1K2A474A006	C 0.47UF, 6.3V	1	
C7229	ECJ1XB1C104K	C 0.1UF, Z, 16V	1	
C7230-33	F1K2A474A006	C 0.47UF, 6.3V	4	
C7235	F1H1C105A072	C 1UF, K, 16V	1	
C7236	ECJ1XC1H101J	C 100PF, J, 50V	1	
C7237	F1K2A474A006	C 0.47UF, 6.3V	1	
C7240	F1H1C105A072	C 1UF, K, 16V	1	
C7242	F1K2A474A006	C 0.47UF, 6.3V	1	
C7244,45	ECJ1XB1C104K	C 0.1UF, Z, 16V	2	
C8001	F1G1C104A081	C 0.10UF, K, 16V	1	
C8002-05	ECJ1VB1C105K	C 0.01UF, K, 16V	4	
C8006-08	F1G1C104A081	C 0.10UF, K, 16V	3	
C8009,10	F1J1A106A043	C 0.010UF, K, 10V	2	
C8011-14	F1G1C104A081	C 0.10UF, K, 16V	4	
C8015,16	ECJ1VB1C105K	C 0.01UF, K, 16V	2	
C8017	F1J1A106A043	C 0.010UF, K, 10V	1	
C8018-21	F1G1C104A081	C 0.10UF, K, 16V	4	
C8022	ECJ1VB1C105K	C 0.01UF, K, 16V	1	
C8023,24	F1J1A106A043	C 0.010UF, K, 10V	2	
C8025-29	F1G1C104A081	C 0.10UF, K, 16V	5	
C8030,31	ECJ1VB1C105K	C 0.01UF, K, 16V	2	
C8032	F1J1A106A043	C 0.010UF, K, 10V	1	
C8033,34	F1G1C104A081	C 0.10UF, K, 16V	2	
C8035,36	F1J1A106A043	C 0.010UF, K, 10V	2	
C8037-41	F1G1C104A081	C 0.10UF, K, 16V	5	
C8042	ECGRL0G680ER	C 68PF, J, 4V	1	
C8043-51	F1G1C104A081	C 0.10UF, K, 16V	9	
C8052	ECJ1VB1C105K	C 0.01UF, K, 16V	1	
C8053	F1G1E1030005	C 0.01UF, Z, 25V	1	
C8056,57	F1G1C104A081	C 0.10UF, K, 16V	2	
C8058	F1J1A106A043	C 0.010UF, K, 10V	1	
C8067	F1G1E1030005	C 0.01UF, Z, 25V	1	
C8068	F1G1C104A081	C 0.10UF, K, 16V	1	
C8069	F1G1H820A565	E 82UF, 50V	1	
C8070-74	F1G1C104A081	C 0.10UF, K, 16V	5	
C8075	F1J0G2260001	C 0.001UF, 6.3V	1	
C8076-80	F1G1C104A081	C 0.10UF, K, 16V	5	

Ref. No.	Part No.	Part Name & Description	Pcs	Remarks
C8301	F1G1E1030005	C 0.01UF, Z, 25V	1	PX7A
C8304	F1G1C104A081	C 0.10UF, K, 16V	1	PX7A
C8306	F1G1H1020008	E 1000UF, 50V	1	PX7A
C8307	F1G1C104A081	C 0.10UF, K, 16V	1	PX7A
C8309	F1G1C104A081	C 0.10UF, K, 16V	1	PX7A
C8310	EEEBB1C101UP	C 100PF, J, 16V	1	PX7A
C8311	ECJ1VC1H150J	C 15PF, J, 50V	1	PX7A
C8312	ECJ1VC1H120J	C 12PF, J, 50V	1	PX7A
C8313,14	F1G1E1030005	C 0.01UF, Z, 25V	2	PX7A
C8316	EEEBB1C470P	C 47PF, J, 16V	1	PX7A
C8319-21	F1G1E1030005	C 0.01UF, Z, 25V	3	PX7A
C8322	F1G1C104A081	C 0.10UF, K, 16V	1	PX7A
C8323,24	F1G1H220A565	E 22UF, 50V	2	PX7A
C8325	F1G1E1030005	C 0.01UF, Z, 25V	1	PX7A
C8327,28	ECJ1VB1C105K	C 0.01UF, K, 16V	2	PX7A
C8329-36	F1G1E1030005	C 0.01UF, Z, 25V	8	PX7A
C8338,39	F1G1H220A565	E 22UF, 50V	2	PX7A
C8340	F1G1E1030005	C 0.01UF, Z, 25V	1	PX7A
C8553-55	F1G1C104A081	C 0.10UF, K, 16V	3	
C8601	F1G1C104A081	C 0.10UF, K, 16V	1	
C8621,22	F1G1C104A081	C 0.10UF, K, 16V	2	
C8801	F1J1H474A757	C 0.47UF, 50V	1	
C9028,29	F1J1A106A043	C 0.010UF, K, 10V	2	
C9033,34	F1G1C104A083	C 0.10UF, K, 16V	2	
C9035,36	F1J1A106A043	C 0.010UF, K, 10V	2	
C9037	F1G1E1030005	C 0.01UF, Z, 25V	1	
C9039	F1J1A106A043	C 0.010UF, K, 10V	1	
C9040	F1G1C104A083	C 0.10UF, K, 16V	1	
C9044	ECJ2YB0J475K	C 3.3UF, Z, 4.7V	1	
C9045-53	F1G1C104A083	C 0.10UF, K, 16V	9	
C9055-57	F1G1C104A083	C 0.10UF, K, 16V	3	
C9058	F1J1A106A043	C 0.010UF, K, 10V	1	
C9061	F1G1C104A077	C 0.10UF, K, 16V	1	
C9062	ECJ2YB0J475K	C 3.3UF, Z, 4.7V	1	
C9063	F1G1C104A083	C 0.10UF, K, 16V	1	
C9468	F1G1E1030005	C 0.01UF, Z, 25V	1	
C9469	F1G1C104A083	C 0.10UF, K, 16V	1	
C9500	F1G1C104A077	C 0.10UF, K, 16V	1	
C9505	F1G1C104A077	C 0.10UF, K, 16V	1	
C9508	F1G1C104A077	C 0.10UF, K, 16V	1	
C9509,10	F1G1H120A565	E 12UF, 50V	2	
C9511	F1J1A106A043	C 0.010UF, K, 10V	1	
C9516-25	F1G1C104A077	C 0.10UF, K, 16V	10	
C9526	F1J1A106A043	C 0.010UF, K, 10V	1	
C9527,28	F1G1C104A077	C 0.10UF, K, 16V	2	
C9531	F1J1A106A043	C 0.010UF, K, 10V	1	
C9559-64	F1G1C104A077	C 0.10UF, K, 16V	6	
C9823	ECJ3YB1E106M	C 10 UF, K, 25V	1	
C9825	F1G1H101A565	C 100PF, K, 50V	1	
C9832	F1J1A106A043	C 0.010UF, K, 10V	1	
C9837	F1J1A106A043	C 0.010UF, K, 10V	1	
C9838	F1G1C104A083	C 0.10UF, K, 16V	1	
C9840	F1G1E1030005	C 0.01UF, Z, 25V	1	
C9841-43	F1G1C104A083	C 0.10UF, K, 16V	3	
C9844	F1G1E1030005	C 0.01UF, Z, 25V	1	
C9845,46	F1G1C104A083	C 0.10UF, K, 16V	2	
C9858	ECJ3YB1E106M	C 10 UF, K, 25V	1	
C9859	F1G1E1030005	C 0.01UF, Z, 25V	1	
C9860	ECJ2YB0J475K	C 3.3UF, Z, 4.7V	1	
C9861,62	ECJ1VB1E104K	C 0.10UF, K, 25V	2	
C9863	ECJ2YB0J475K	C 3.3UF, Z, 4.7V	1	
C9864	ECJ1VB1E104K	C 0.10UF, K, 25V	1	
C9865,66	ECGRL0G680ER	C 68PF, J, 4V	2	
C9867-72	ECJ3YB1E106M	C 10 UF, K, 25V	6	
C9873	ECGRL0G680ER	C 68PF, J, 4V	1	
C9874	F1G1H680A565	E 68UF, 50V	1	

Ref. No.	Part No.	Part Name & Description	Pcs	Remarks
C9877	FLG1H680A565	E 68UF, 50V	1	
C9878	FLG1E1030005	C 0.01UF, Z, 25V	1	
C9879,80	FLG1E822A086	C 8200UF, Z, 25V	2	
C9881	FLG1E1030005	C 0.01UF, Z, 25V	1	
C9882	FLG1E822A086	C 8200UF, Z, 25V	1	
C9883	FLG1H101A565	C 100PF, K, 50V	1	
C9884,85	FLG1H1020008	E 1000UF, 50V	2	
C9886,87	ECJ1VB1E104K	C 0.10UF, K, 25V	2	
C9888	FLG1H361A565	E 360UF, 50V	1	
C9900-25	FLG1C104A077	C 0.10UF, K, 16V	26	
C9927-51	FLG1C104A077	C 0.10UF, K, 16V	25	
C9955-59	FLG1C104A077	C 0.10UF, K, 16V	5	
C9960-64	FLJ1A106A043	C 0.010UF, K, 10V	5	
C9966,67	FLG1C104A077	C 0.10UF, K, 16V	2	
CB1-B8	K1MN68BA0052	68P CONNECTOR	8	
D5	K1KB31BA0064	31P CONNECTOR	1	
D6	K1KA21A00011	21P CONNECTOR	1	
D9	K1KA07A00292	7P CONNECTOR	1	
D20	K1KY30BA0090	30P CONNECTOR	1	
D25	K1KA13B00069	13P CONNECTOR	1	
D31,32	K1MN55BA0257	55P CONNECTOR	2	
D1107	MA704A	DIODE	1	
D2025	K7AAAY000003	PHOTO LINK	1	PX7A
D2026	MA2J11100L	DIODE	1	
D2028,29	MA2J11100L	DIODE	2	
D2031-34	MA2J11100L	DIODE	4	
D2119	BOBC01100001	ZENER DIODE	1	
D2301,02	MA2J11100L	DIODE	2	
D2303	MA3056H	ZENER DIODE	1	
D2304	MA2J11100L	DIODE	1	
D2524	MAZ80560ML	ZENER DIODE	1	
D2529	MAZ80560ML	ZENER DIODE	1	
D2530	B3AGA0000072	LED	1	
D2532	MAZ80560ML	ZENER DIODE	1	
D2632,33	MA2J11100L	DIODE	2	
D2634	MA3X78900L	ZENER DIODE	1	
D2635	MA2J11100L	DIODE	1	
D2636	MA3047H	ZENER DIODE	1	
D2637	MA2J11100L	DIODE	1	
D2638	BOBC03900015	ZENER DIODE	1	
D3003	MA8140M	ZENER DIODE	1	
D3005,06	MA8140M	ZENER DIODE	2	
D3035-40	MA8140M	ZENER DIODE	6	
D3044	BOBC01100001	ZENER DIODE	1	
D3045-49	MA8140M	ZENER DIODE	5	
D3100	MA8140M	ZENER DIODE	1	
D3102	MA2J11100L	DIODE	1	
D3334-38	MA2J11100L	DIODE	5	
D4501	EZAEG2A50AX	DIODE	1	
D4503	EZAEG2A50AX	DIODE	1	
D4505	EZAEG2A50AX	DIODE	1	
D4507	EZAEG2A50AX	DIODE	1	
D4509	EZAEG2A50AX	DIODE	1	
D4511	EZAEG2A50AX	DIODE	1	
D4515	MA3056MTX	ZENER DIODE	1	
D4516,17	EZAEG2A50AX	DIODE	2	
D4520,21	EZAEG2A50AX	DIODE	2	
D4523	EZAEG2A50AX	DIODE	1	
D4526,27	BOHCMM000014	DIODE	2	
D4528	EZAEG2A50AX	DIODE	1	
D4532	BOHCMM000014	DIODE	1	
D5501	BOBC01000035	ZENER DIODE	1	
D5521	MA2J11100L	DIODE	1	
D5522	MA3X152A0L	DIODE	1	
D5526	MA3X152A0L	DIODE	1	
D5528	MA8120M	ZENER DIODE	1	
D5529	MAZ80680LL	ZENER DIODE	1	
D5530	MA2J11100L	DIODE	1	
D5571	BOBC6R600005	ZENER DIODE	1	
D5573	BOBC01100001	ZENER DIODE	1	

Ref. No.	Part No.	Part Name & Description	Pcs	Remarks
D5601,02	MA22D3900L	DIODE	2	
D5603,04	BOJCDD000002	DIODE	2	
D5605	MA22D3900L	DIODE	1	
D5606	BOJCDD000002	DIODE	1	
D5607,08	MA8024LTX	ZENER DIODE	2	
D5609	MA8056LTX	ZENER DIODE	1	
D5670	MA2J11100L	DIODE	1	
D5671	BOHCMM000014	DIODE	1	
D5673	BOHCMM000014	DIODE	1	
D5690,91	BOBC6R600005	ZENER DIODE	2	
D6001	BOHBSN000008	DIODE	1	
D6021	MA3DF30000LZ	ZENER DIODE	1	
D6024,25	BOEHP000003	DIODE	2	
D6032	MA2J11100L	DIODE	1	
D6061,62	MA3DF30000LZ	ZENER DIODE	2	
D6071,72	BOHBSN000008	DIODE	2	
D6082	MA3DF30000LZ	ZENER DIODE	1	
D6091	BOHBSN000008	DIODE	1	
D6092	BOEHP000003	DIODE	1	
D6101	BOJCME000037	DIODE	1	
D6104	BOJCME000037	DIODE	1	
D6131,32	BOEHP000003	DIODE	2	
D6151-53	BOEHP000003	DIODE	3	
D6191	BOEHP000003	DIODE	1	
D6193	BOEHP000003	DIODE	1	
D6211	BOJCME000037	DIODE	1	
D6221	BOEHP000003	DIODE	1	
D6222,23	MA2J11100L	DIODE	2	
D6253	LNJ301MPUJA	LED	1	
D6254	MAZ80510LL	ZENER DIODE	1	
D6255	MA2J11100L	DIODE	1	
D6273	MA2J11100L	DIODE	1	
D6275	MA8068M	ZENER DIODE	1	
D6276	MA3X152A0L	DIODE	1	
D6278	MA3X152A0L	DIODE	1	
D6280	MAZ80510LL	ZENER DIODE	1	
D6281	BOJCME000037	DIODE	1	
D6401,02	BOHBSN000008	DIODE	2	
D6422	MA3DF40000LZ	ZENER DIODE	1	
D6441	BOEHP000003	DIODE	1	
D6451	BOEHP000003	DIODE	1	
D6461,62	MA3DF30000LZ	ZENER DIODE	2	
D6466	MA2J11100L	DIODE	1	
D6471	BOHBSN000008	DIODE	1	
D6472	BOEHP000003	DIODE	1	
D6477	MA2J11100L	DIODE	1	
D6478	BOHCK8000002	DIODE	1	
D6480	MA2J11100L	DIODE	1	
D6481	MA3DF30000LZ	ZENER DIODE	1	
D6491	MA3DF40000LZ	ZENER DIODE	1	
D6497	BOEHP000003	DIODE	1	
D6501	BOEHP000003	DIODE	1	
D6503	BOEHP000003	DIODE	1	
D6521-23	BOEHP000003	DIODE	3	
D6583	LNJ301MPUJA	LED	1	
D6584	MAZ80510LL	ZENER DIODE	1	
D6585	MA2J11100L	DIODE	1	
D6604	MA2J11100L	DIODE	1	
D6605	MAZ80510LL	ZENER DIODE	1	
D6606	BOHCMM000014	DIODE	1	
D6607	MA2J11100L	DIODE	1	
D6619	BOHCK8000002	DIODE	1	
D6621	BOHDSM000005	DIODE	1	
D6623,24	BOHDSM000005	DIODE	2	
D6631,32	MA8240MTX	ZENER DIODE	2	
D6641,42	BOHCK8000002	DIODE	2	
D6643	BOJCME000037	DIODE	1	
D6644	BOHCK8000002	DIODE	1	
D6661	MA2J11100L	DIODE	1	
D6662-64	MA8330M	ZENER DIODE	3	
D6665	MAZ80510LL	ZENER DIODE	1	
D6666,67	MA2J11100L	DIODE	2	
D6670,71	BOJCME000037	DIODE	2	

Ref. No.	Part No.	Part Name & Description	Pcs	Remarks
D6690	MA2J11100L	DIODE	1	
D6691,92	MA8200M	ZENER DIODE	2	
D6701	MA8056H	ZENER DIODE	1	
D6702,03	MA2J11100L	DIODE	2	
D6721	B0HCK000002	DIODE	1	
D6722	MA2J11100L	DIODE	1	
D6725	B0ECHP000003	DIODE	1	
D6726-33	MA8056H	ZENER DIODE	8	
D6761	B0JCME000037	DIODE	1	
D6763	B0ECHP000003	DIODE	1	
D6764	B0HCK000002	DIODE	1	
D6765,66	B0ECHP000003	DIODE	2	
D6773	B0HCK000002	DIODE	1	
D6791	MA8200M	ZENER DIODE	1	
D6802	B0BC01000044	ZENER DIODE	1	
D6804	B0ECHP000003	DIODE	1	
D6805	MA8240MTX	ZENER DIODE	1	
D6806	B0HCK000002	DIODE	1	
D6809	B0HCMM000014	DIODE	1	
D6820-23	MA2J11100L	DIODE	4	
D6824,25	MA8330M	ZENER DIODE	2	
D6826	MA2J11100L	DIODE	1	
D6827,28	MA8330M	ZENER DIODE	2	
D6830	MA8056H	ZENER DIODE	1	
D6836	MAZ81500ML	ZENER DIODE	1	
D6837	MA2J11100L	DIODE	1	
D6838	B0BC027A0234	ZENER DIODE	1	
D6839	B0ECHP000003	DIODE	1	
D6841	B0HCK000002	DIODE	1	
D6842,43	MA2J11100L	DIODE	2	
D6859	B0ECHP000003	DIODE	1	
D6860	B0HCK000002	DIODE	1	
D6861	MAZ80510LL	ZENER DIODE	1	
D6862	MA2J11100L	DIODE	1	
D6871	MAZ80510LL	ZENER DIODE	1	
D6872	MA2J11100L	DIODE	1	
D6901,02	MA8056H	ZENER DIODE	2	
D6903-05	B0HCMM000013	DIODE	3	
D6951,52	MA8056H	ZENER DIODE	2	
D6953-55	B0HCMM000013	DIODE	3	
D7103-10	B0HCMM000014	DIODE	8	
D7201-08	B0HCMM000014	DIODE	8	
D8901	MA704A	DIODE	1	
D9017-19	MA3033	ZENER DIODE	3	
D9020	B0JCCE000008	DIODE	1	
D9110	B0JCGD000002	DIODE	1	
D9802	B0JCCE000008	DIODE	1	
D9804	B0JCCE000008	DIODE	1	
D9807,08	B0JCCE000008	DIODE	2	
D9811	B0JCCE000008	DIODE	1	
D9812	MA22D3900L	DIODE	1	
D9813-15	B0JCGD000002	DIODE	3	
D9816,17	MA22D3900L	DIODE	2	
DG1	K1KA12B00151	12P CONNECTOR	1	
DG5	K1KB31AA0140	31P CONNECTOR	1	
DG6	K1KA12AA0191	12P CONNECTOR	1	
DG7	K1KA11AA0191	11P CONNECTOR	1	
DG12	K1KA04AA0190	4P CONNECTOR	1	
DG32	K1KA07AA0266	7P CONNECTOR	1	
DG33	K1KA11AA0715	11P CONNECTOR	1	
DG34	K1KA30AA0009	30P CONNECTOR	1	
FL2001,02	J0HABB000004	LC FILTER	2	
FL3001,02	J0HABB000003	LC FILTER	2	
FL3003-05	J0HABB000004	LC FILTER	3	
FL4800-02	J0JAD0000028	CHIP INDUCTOR	3	
FL5730	J0HABH000013	LC FILTER	1	
FL5733,34	J0HABH000013	LC FILTER	2	
FL7101	J0HABH000013	LC FILTER	1	
FL7201	J0HABH000013	LC FILTER	1	
FL9300,01	F1J1E104A148	C 0.10UF, Z, 25V	2	
FL9504	F1J1E104A148	C 0.10UF, Z, 25V	1	

Ref. No.	Part No.	Part Name & Description	Pcs	Remarks
FL9803	F1J1E104A148	C 0.10UF, Z, 25V	1	
FL9805,06	F1J1E104A148	C 0.10UF, Z, 25V	2	
FL9900-04	F1J1E104A148	C 0.10UF, Z, 25V	5	
IC1100	MNZSFD7GP42	IC	1	
IC1101	TVRP467	IC	1	PX7 MODEL
IC1101	TVRP465-1	IC	1	PV7 MODEL
IC2000	C0JBAZ002261	IC	1	PX7A
IC2008	C0CBCBE00001	IC	1	
IC2010	C0CBCBC00190	IC	1	
IC2011	C0ABBB000230	IC	1	
IC2105	AN15862A-VT	IC	1	
IC2106	C1AB00002746	IC	1	
IC2107	C0DBFFD00003	IC	1	
IC2301	C1AB00002730	IC	1	
IC2303	C0DBGYY00202	IC	1	
IC2610	C0DBAJB00004	IC	1	
IC3001	AN15876A-VT	IC	1	
IC4501	TVRP318	IC	1	
IC4504	C3EBEY000009	IC	1	
IC4506	C0DBGGF00001	IC	1	
IC4507	C0CBCBC00190	IC	1	
IC4508,09	C0CBCAD00082	IC	2	
IC4510	C1AB00002753	IC	1	
IC4515	NJM2903V	IC	1	
IC4800	C1ZBZ0003577	IC	1	
IC5550	EHMDD9851	LINEAR IC	1	
IC5600	C0DBAYY00273	IC	1	
IC5601	C0DBAYY00274	IC	1	
IC5660	C0EBM0000026	IC	1	
IC5670	C0CBCBC00190	IC	1	
IC5671	C0EBF0000376	IC	1	
IC6131	C0ZBZ0000895	IC	1	
IC6151	C0ZBZ0001324	IC	1	
IC6191	C0ZBZ0000895	IC	1	
IC6211	C0ZBZ0001325	IC	1	
IC6221	C0DBEMC00043	IC	1	
IC6241	C0JBAZ000005	IC	1	
IC6251	NJM2903M	INTEGRATED CIRCUIT	1	
IC6471	C0DBEKA00003	IC	1	
IC6472	C0JBAA000377	IC	1	
IC6501	C0ZBZ0000895	IC	1	
IC6521	C0ZBZ0001324	IC	1	
IC6561,62	C0JBAZ000005	IC	2	
IC6581	NJM2903M	INTEGRATED CIRCUIT	1	
IC6671	C0ZBZ0001325	IC	1	
IC6721,22	C0JBAZ000994	IC	2	
IC6724,25	C0CBADC00072	IC	2	
IC6752	C0ZBZ0001324	IC	1	
IC6771	C0CBADC00072	IC	1	
IC6772	C0ZBZ0001325	IC	1	
IC6773,74	C0JBAA000377	IC	2	
IC6791	N0BF1FB00001	IC	1	
IC6801,02	C0DBEMC00043	IC	2	
IC6803	C5HABZZ00165	IC	1	
IC6821	C0DBEMC00043	IC	1	
IC6841	C0DBEMC00043	IC	1	
IC6861	NJM2903M	INTEGRATED CIRCUIT	1	
IC6871	NJM2903M	INTEGRATED CIRCUIT	1	
IC6901-06	AN16077A-VT	IC	6	
IC6951-56	AN16077A-VT	IC	6	
IC7101,02	C0JBAZ001120	IC	2	
IC7201,02	C0JBAZ001120	IC	2	
IC7204	C0JBAZ001120	IC	1	
IC8001	MN2WS0039A	IC	1	
IC8002,03	C3ABSY000010	IC	2	PX7 MODEL
IC8002,03	C3ABRY000015	IC	2	PV7 MODEL
IC8004	C0ZBZ0001030	IC	1	
IC8301	C1AB00002710	IC	1	PX7A
IC8302	C0CBCAD00082	IC	1	PX7A

Ref. No.	Part No.	Part Name & Description	Pcs	Remarks
IC8554	TVRP488-2	IC	1	PX7 MODEL
IC8554	TVRP463-3	IC	1	PV7 MODEL
IC8601	TVRP248	IC	1	PV7MR
IC8601	TVRP249	IC	1	PV7AZ
IC8601	TVRP312	IC	1	PX7A
IC8601	TVRP492	IC	1	PV7HS
IC8601	TVRP493	IC	1	PV7M
IC8621,22	C0JBAZ002845	IC	2	
IC9001	TVRP207-2	IC	1	
IC9002	C1ZBZ0003577	IC	1	
IC9003	MNZSFC9GPH3	IC	1	
IC9007	C1ZBZ0003631	IC	1	
IC9011	COEBF0000431	IC	1	
IC9013	C0JBAZ002060	IC	1	
IC9200	C1ZBZ0003600	IC	1	
IC9303	TVRP215-3	IC	1	
IC9500	C1ZBZ0003575	IC	1	
IC9802,03	C0JBAZ001120	IC	2	
IC9805	C0DBAY00274	IC	1	
IC9806	C0DBAY00273	IC	1	
IC9900	MN84524	IC	1	
IC9901	C3ABQJ000051	IC	1	
JK2003	K2HA204A0053	JACK	1	
JK3001	K1FB315A0006	CONNECTOR	1	
JK3100	K1U936A00002	CONNECTOR UNIT	1	
JK4501	K1FY119D0002	CONNECTOR	1	
JK8702	K1KA04AA0104	4P CONNECTOR	1	
JK8801	K1NA09D00004	9P CONNECTOR	1	
JS1120	DOYAR0000007	M 0.0 OHM, J,0.063W	1	PV7AZ
JS1121	DOYAR0000007	M 0.0 OHM, J,0.063W	1	PV7HS
JS1122	DOYAR0000007	M 0.0 OHM, J,0.063W	1	PV7MR
JS1125	DOYAR0000007	M 0.0 OHM, J,0.063W	1	PX7A
JS1126	DOYAR0000007	M 0.0 OHM, J,0.063W	1	PV7M
JS2031-33	DOYAR0000007	M 0.0 OHM, J,0.063W	3	
JS2046,47	J0JCC0000100	CHIP INDUCTOR	2	
JS2051	J0JCC0000100	CHIP INDUCTOR	1	
JS2053	J0JCC0000100	CHIP INDUCTOR	1	
JS3010-15	ERJ6GEY0R00V	M 0 OHM, 1/10W	6	
JS3032	J0JCC0000100	CHIP INDUCTOR	1	
JS3208	DOYAR0000007	M 0.0 OHM, J,0.063W	1	
JS3209	J0JCC0000100	CHIP INDUCTOR	1	
JS5568,69	J0JCC0000100	CHIP INDUCTOR	2	
K1	K1KA08BA0061	8P CONNECTOR	1	
L1100	J0JHC0000078	CHIP INDUCTOR	1	
L2001,02	J0JCC0000364	CHIP INDUCTOR	2	
L2003,04	J0JCC0000100	BEAD CHOKE	2	
L2007,08	J0JCC0000100	BEAD CHOKE	2	
L2011,12	J0JCC0000100	BEAD CHOKE	2	
L2015,16	J0JCC0000100	BEAD CHOKE	2	
L2021	J0JHC0000078	CHIP INDUCTOR	1	
L2026	G1C6R8MA0061	INDUCTOR COIL	1	
L2027	J0JHC0000045	CHIP INDUCTOR	1	
L2029	J0JCC0000077	CHIP INDUCTOR	1	
L2040	J0JHC0000045	CHIP INDUCTOR	1	
L2300	G1C330MA0291	INDUCTION COIL	1	
L2302	G1C330MA0291	INDUCTION COIL	1	
L2304	G1C330MA0291	INDUCTION COIL	1	
L2306	G1C330MA0291	INDUCTION COIL	1	
L2308	J0JJC0000011	CHIP INDUCTOR	1	
L2310	J0JJC0000011	CHIP INDUCTOR	1	
L2648	G1C470MA0077	INDUCTION COIL	1	
L2649	G1C100MA0072	INDUCTION COIL	1	
L2650	G1C3R3ZA0083	INDUCTION COIL	1	

Ref. No.	Part No.	Part Name & Description	Pcs	Remarks
L3001-03	J0JCC0000100	BEAD CHOKE	3	
L3010	J0JCC0000100	BEAD CHOKE	1	
L3013	J0JCC0000100	BEAD CHOKE	1	
L3206,07	J0JCC0000241	CHIP INDUCTOR	2	
L3209	J0JGC0000021	CHIP INDUCTOR	1	
L3211	J0JGC0000021	CHIP INDUCTOR	1	
L3225,26	J0JCC0000241	CHIP INDUCTOR	2	
L4501	J0JHC0000078	CHIP INDUCTOR	1	
L4503	J0JHC0000078	CHIP INDUCTOR	1	
L4506,07	J0JHC0000078	CHIP INDUCTOR	2	
L4511	J0JHC0000078	CHIP INDUCTOR	1	
L4512	J0JCC0000077	CHIP INDUCTOR	1	
L4516-18	J0JHC0000078	CHIP INDUCTOR	3	
L4520,21	J0JHC0000078	CHIP INDUCTOR	2	
L4524	J0JHC0000078	CHIP INDUCTOR	1	
L5550	G1C3R3ZA0083	INDUCTION COIL	1	
L5551,52	G1C150ZA0083	INDUCTION COIL	2	
L5564	G1C3R3ZA0083	INDUCTION COIL	1	
L5565	G1C220MA0077	INDUCTOR COIL	1	
L5566	G1C3R3ZA0083	INDUCTION COIL	1	
L5600,01	G1C2R2ZA0083	INDUCTION COIL	2	
L5602	G1C3R3ZA0083	INDUCTION COIL	1	
L5604	G1C100MA0077	INDUCTION COIL	1	
L5605	J0JCC0000241	CHIP INDUCTOR	1	
L5606	G1C100MA0077	INDUCTION COIL	1	
L5610,11	J0JHC0000035	CHIP INDUCTOR	2	
L5670	J0JHC0000078	CHIP INDUCTOR	1	
L5690,91	J0JHC0000078	CHIP INDUCTOR	2	
L5735	J0JHC0000078	CHIP INDUCTOR	1	
L6000	J0JJC0000015	CHIP INDUCTOR	1	
L6001-03	ELC13P1R9	CHOKE COIL	3	
L6010	J0JJC0000015	CHIP INDUCTOR	1	
L6011-13	ELC13P1R9	CHOKE COIL	3	
L6045-48	GOZZ00002183	PEAKING COIL	4	
L6057,58	GOZZ00002183	PEAKING COIL	2	
L6061-64	GOZZ00002183	PEAKING COIL	4	
L6083,84	GOZZ00002183	PEAKING COIL	2	
L6101	J0JJC0000015	CHIP INDUCTOR	1	
L6103	GOZZ00002183	PEAKING COIL	1	
L6106	J0JJC0000015	CHIP INDUCTOR	1	
L6212	J0JJC0000015	CHIP INDUCTOR	1	
L6221	GOZZ00002183	PEAKING COIL	1	
L6241	GOZZ00002183	PEAKING COIL	1	
L6262	GOZZ00002183	PEAKING COIL	1	
L6271	GOZZ00002183	PEAKING COIL	1	
L6401-03	ELC13P1R9	CHOKE COIL	3	
L6411-13	ELC13P1R9	CHOKE COIL	3	
L6461-68	GOZZ00002183	PEAKING COIL	8	
L6472	GOZZ00002183	PEAKING COIL	1	
L6474	GOZZ00002183	PEAKING COIL	1	
L6481,82	GOZZ00002183	PEAKING COIL	2	
L6485,86	GOZZ00002183	PEAKING COIL	2	
L6591,92	GOZZ00002183	PEAKING COIL	2	
L6601,02	GOZZ00002183	PEAKING COIL	2	
L6690	GOZZ00002183	PEAKING COIL	1	
L8001-05	J0JHC0000045	CHIP INDUCTOR	5	
L8007-10	J0JHC0000045	CHIP INDUCTOR	4	
L8301,02	J0JHC0000045	CHIP INDUCTOR	2	PX7A
L8304	J0JHC0000045	CHIP INDUCTOR	1	PX7A
L8551	J0JCC0000241	CHIP INDUCTOR	1	
L8621	J0JCC0000241	CHIP INDUCTOR	1	
L9500	G1C150KA0038	INDUCTION COIL	1	
L9501,02	J0JHC0000078	CHIP INDUCTOR	2	
L9504,05	J0JHC0000078	CHIP INDUCTOR	2	
L9800	G1C2R2Z00007	INDUCTION COIL	1	
L9801	G1C1R5Z00006	INDUCTION COIL	1	
L9802	G1C2R2Z00007	INDUCTION COIL	1	
PA9800	K5H4022A0023	FUSE	1	
PA9900	K5H5022A0023	FUSE	1	
PC6480	B3PBA0000223	IC	1	
PC6701,02	B3PBA0000457	IC	2	

Ref. No.	Part No.	Part Name & Description	Pcs	Remarks
PC6704	B3PBA0000456	IC	1	
PC6705	B3PBA0000397	IC	1	
PC6801	B3PBA0000223	IC	1	
PC6861	B3PBA0000223	IC	1	
PC6871	B3PBA0000223	IC	1	
PCB	TXNDGLHRTA	CIRCUIT BOARD DG	1	PX7A ▲
PCB	TXNDGLHRTH	CIRCUIT BOARD DG	1	PV7HS ▲
PCB	TXNDGLHRTM	CIRCUIT BOARD DG	1	PV7M ▲
PCB	TXNDGLHRTP	CIRCUIT BOARD DG	1	PV7AZ ▲
PCB	TXNDGLHRTX	CIRCUIT BOARD DG	1	PV7MR ▲
PCB	TNPA4165	CIRCUIT BOARD C1	1	▲
PCB	TNPA4166	CIRCUIT BOARD C2	1	▲
PCB	TZTNP01HRTP	CIRCUIT BOARD D	1	▲
PCB	TXN/PLHNTU	CIRCUIT BOARD P	1	▲
PCB	TNPA4182	CIRCUIT BOARD SC	1	▲
PCB	TNPA4185	CIRCUIT BOARD SD	1	▲
PCB	TNPA4183	CIRCUIT BOARD SS	1	▲
PCB	TNPA4184	CIRCUIT BOARD SU	1	▲
PCB	TXN/K1HRTP	CIRCUIT BOARD K	1	▲
PCB	TXN/S1HRTP	CIRCUIT BOARD S	1	▲
Q1107,08	2SD0601ARL	TRANSISTOR	2	
Q2000,01	2SD0601ARL	TRANSISTOR	2	
Q2002,03	2SC584500L	TRANSISTOR	2	
Q2015	2SA207700L	TRANSISTOR	1	
Q2016,17	2SC584500L	TRANSISTOR	2	
Q2021	2SA207700L	TRANSISTOR	1	
Q2031	2SA207700L	TRANSISTOR	1	
Q2033	2SA207700L	TRANSISTOR	1	
Q2034,35	2SC584500L	TRANSISTOR	2	
Q2039-42	2SC584500L	TRANSISTOR	4	
Q2101,02	2SC584500L	TRANSISTOR	2	
Q2301	2SA207700L	TRANSISTOR	1	
Q2510,11	2SD0601ARL	TRANSISTOR	2	
Q2513	2SD0601ARL	TRANSISTOR	1	
Q2519,20	2SB0709ARL	TRANSISTOR	2	
Q2635	2SC584500L	TRANSISTOR	1	
Q2636,37	2SA207700L	TRANSISTOR	2	
Q2638	2SC584500L	TRANSISTOR	1	
Q2639	2SK3065T100	FET	1	
Q2640,41	B1CBHD000002	FET	2	
Q3031,32	2SC584500L	TRANSISTOR	2	
Q3200	2SA207700L	TRANSISTOR	1	
Q4501	2SD0601ARL	TRANSISTOR	1	
Q4503,04	2SD0601ARL	TRANSISTOR	2	
Q4514-17	2SB0709ARL	TRANSISTOR	4	
Q5501	2SD0601ARL	TRANSISTOR	1	
Q5521,22	2SA207700L	TRANSISTOR	2	
Q5523,24	2SD0601ARL	TRANSISTOR	2	
Q5561	B1DHDC000028	TRANSISTOR	1	
Q5562	2SD0601ARL	TRANSISTOR	1	
Q5600-02	B1MBEDA00015	TRANSISTOR	3	
Q5603,04	2SD0601ARL	TRANSISTOR	2	
Q5690,91	2SD0601ARL	TRANSISTOR	2	
Q5692,93	B1DHDC000028	TRANSISTOR	2	
Q6001-03	B1JADN000001	TRANSISTOR	3	
Q6021-23	B1JADN000001	TRANSISTOR	3	
Q6031	B1ADRD000001	TRANSISTOR	1	
Q6041,42	B1JADN000002	TRANSISTOR	2	
Q6052	B1JADN000002	TRANSISTOR	1	
Q6101	B1DFKM000002	TRANSISTOR	1	
Q6103	B1ABNF000006	TRANSISTOR	1	
Q6104	B1ADNF000006	TRANSISTOR	1	
Q6106	B1DFKM000002	TRANSISTOR	1	
Q6111	B1DFKM000001	TRANSISTOR	1	
Q6114	B1DFKM000001	TRANSISTOR	1	
Q6141	B1ABNF000006	TRANSISTOR	1	
Q6142	B1ADNF000006	TRANSISTOR	1	
Q6146	B1ABNF000006	TRANSISTOR	1	
Q6147	B1ADNF000006	TRANSISTOR	1	
Q6171	B1ABRD000003	TRANSISTOR	1	
Q6172	B1ADRD000001	TRANSISTOR	1	

Ref. No.	Part No.	Part Name & Description	Pcs	Remarks
Q6181	B1ABRD000003	TRANSISTOR	1	
Q6222	2SC1473AEA	TRANSISTOR	1	
Q6251	2SD0601ARL	TRANSISTOR	1	
Q6256	2SD1263A	TRANSISTOR	1	
Q6271	2SD0601ARL	TRANSISTOR	1	
Q6401-03	B1JADN000001	TRANSISTOR	3	
Q6421-23	B1JADP000002	TRANSISTOR	3	
Q6441,42	B1JADN000002	TRANSISTOR	2	
Q6451	B1JADP000002	TRANSISTOR	1	
Q6501	B1ABNF000006	TRANSISTOR	1	
Q6502	B1ADNF000006	TRANSISTOR	1	
Q6521	B1ABNF000006	TRANSISTOR	1	
Q6522	B1ADNF000006	TRANSISTOR	1	
Q6531	B1ABRD000003	TRANSISTOR	1	
Q6532	B1ADRD000001	TRANSISTOR	1	
Q6551	B1ABRD000003	TRANSISTOR	1	
Q6552	B1ADRD000001	TRANSISTOR	1	
Q6581	2SD0601ARL	TRANSISTOR	1	
Q6601	B1DFES000003	TRANSISTOR	1	
Q6602	2SD0601ARL	TRANSISTOR	1	
Q6603	2SB0709ARL	TRANSISTOR	1	
Q6621,22	2SK399500L	FET	2	
Q6642-44	2SK399500L	FET	3	
Q6646-48	2SK399500L	FET	3	
Q6661	B1DEET000002	TRANSISTOR	1	
Q6662	2SD0601ARL	TRANSISTOR	1	
Q6665	B1ABNF000006	TRANSISTOR	1	
Q6671,72	B1DFDR000001	TRANSISTOR	2	
Q6679	B1ABNF000006	TRANSISTOR	1	
Q6680	B1ADNF000006	TRANSISTOR	1	
Q6690	2SA19610Q0HW	TRANSISTOR	1	
Q6742,43	2SD0601ARL	TRANSISTOR	2	
Q6762	B1ADNF000006	TRANSISTOR	1	
Q6781	B1ABNF000006	TRANSISTOR	1	
Q6782	B1ADNF000006	TRANSISTOR	1	
Q6791	2SD0601ARL	TRANSISTOR	1	
Q6805	2SC3063	TRANSISTOR	1	
Q6806	2SC1473AEA	TRANSISTOR	1	
Q6821,22	2SD1263A	TRANSISTOR	2	
Q6824	2SD0601ARL	TRANSISTOR	1	
Q6841	2SD1263A	TRANSISTOR	1	
Q6842	2SC1473AEA	TRANSISTOR	1	
Q9010	2SD0601ARL	TRANSISTOR	1	
Q9044	2SD0601ARL	TRANSISTOR	1	
Q9046	2SD0601ARL	TRANSISTOR	1	
Q9050-54	2SD0601ARL	TRANSISTOR	5	
Q9301,02	2SD0601ARL	TRANSISTOR	2	
Q9805,06	2SD0601ARL	TRANSISTOR	2	
Q9807-09	B1MBEDA00015	TRANSISTOR	3	
R1104	ERJ2GEJ473	M 47KOHM, J,0.063W	1	
R1122	ERJ2GEJ473	M 47KOHM, J,0.063W	1	
R1134	ERJ2GEJ101	M 100 OHM, J,0.063W	1	
R1138	ERJ2GEJ473	M 47KOHM, J,0.063W	1	
R1140	ERJ2GEJ473	M 47KOHM, J,0.063W	1	
R1144	ERJ2GEJ473	M 47KOHM, J,0.063W	1	
R1146	ERJ2GEJ102X	M 1KOHM, J,0.063W	1	
R1147,48	ERJ2GEJ473	M 47KOHM, J,0.063W	2	
R1152	ERJ2GEJ473	M 47KOHM, J,0.063W	1	
R1153	ERJ2GEJ821	M 820 OHM, J,0.063W	1	
R1162	ERJ2GEJ101	M 100 OHM, J,0.063W	1	
R1163	ERJ2GEJ105	M 1MOHM, J,0.063W	1	
R1164	ERJ2GEJ103	M 10KOHM, J,0.063W	1	

Ref. No.	Part No.	Part Name & Description	Pcs	Remarks
R1165	ERJ2GEJ182	M 1.8KOHM, J,0.063W	1	
R1166	ERJ2GEJ104	M 100KOHM, J,0.063W	1	
R1169	ERJ2GED563X	M 56KOHM ,J,0.063W	1	
R1170	ERJ2GEJ273	M 27KOHM ,J,0.063W	1	
R1171	ERJ2GED563X	M 56KOHM ,J,0.063W	1	
R1172	ERJ2GEJ273	M 27KOHM ,J,0.063W	1	
R1174, 75	ERJ2GEJ220	M 22 OHM, J,0.063W	2	
R1179	ERJ2GEJ101	M 100 OHM, J,0.063W	1	
R1181	ERJ2GEJ101	M 100 OHM, J,0.063W	1	
R1182	ERJ2GEJ273	M 27KOHM ,J,0.063W	1	
R1183, 84	ERJ2GEJ220	M 22 OHM, J,0.063W	2	
R1186	ERJ2GEJ101	M 100 OHM, J,0.063W	1	
R1194	ERJ2GED563X	M 56KOHM ,J,0.063W	1	
R1195	ERJ2GEJ104	M 100KOHM, J,0.063W	1	
R1196	ERJ2GEJ333	M 33KOHM, J,0.063W	1	
R1198	ERJ2GEJ104	M 100KOHM, J,0.063W	1	
R1199	ERJ2GEJ473	M 47KOHM, J,0.063W	1	
R1200, 01	ERJ2GEJ562	M 5.6KOHM, J,0.063W	2	
R1203	ERJ2GEJ473	M 47KOHM, J,0.063W	1	
R1204	DOYAR0000007	M 0.0 OHM, J,0.063W	1	
R1205, 06	ERJ2GEJ220	M 22 OHM, J,0.063W	2	
R1209	ERJ2GEJ473	M 47KOHM, J,0.063W	1	
R1216	ERJ2GEJ333	M 33KOHM, J,0.063W	1	
R1217	ERJ2GED563X	M 56KOHM ,J,0.063W	1	
R1218-20	ERJ2GEJ103	M 10KOHM, J,0.063W	3	
R1221	ERJ3EKF7151	M 7.15KOHM, 1/16W	1	
R1222, 23	ERJ2GEJ473	M 47KOHM, J,0.063W	2	
R1226-28	ERJ2GEJ473	M 47KOHM, J,0.063W	3	
R1229	ERJ2GEJ101	M 100 OHM, J,0.063W	1	
R1230-34	ERJ2GEJ473	M 47KOHM, J,0.063W	5	
R1235	ERJ2GEJ104	M 100KOHM, J,0.063W	1	
R1236, 37	ERJ2GEJ473	M 47KOHM, J,0.063W	2	
R1243-51	ERJ2GEJ473	M 47KOHM, J,0.063W	9	
R1255	ERJ2GEJ102X	M 1KOHM, J,0.063W	1	
R2001, 02	ERJ2GEJ104	M 100KOHM, J,0.063W	2	
R2005	J0JCC0000100	CHIP INDUCTOR	1	
R2006	ERJ2GEJ103	M 10KOHM, J,0.063W	1	
R2007	ERJ2GEJ473	M 47KOHM, J,0.063W	1	
R2010-15	ERJ2GEJ473	M 47KOHM, J,0.063W	6	
R2018-23	ERJ2GEJ473	M 47KOHM, J,0.063W	6	
R2024	ERJ2RKD330	M 33 OHM, J,0.063W	1	PX7A

Ref. No.	Part No.	Part Name & Description	Pcs	Remarks
R2025	ERJ2GEJ473	M 47KOHM, J,0.063W	1	
R2028	ERJ2GEJ473	M 47KOHM, J,0.063W	1	
R2029-34	ERJ6GEYJ184	M 180KOHM, J, 1/10W	6	
R2046	J0JCC0000100	CHIP INDUCTOR	1	
R2047	ERJ3GEYJ331	M 330 OHM, J, 1/16W	1	
R2048	ERJ2GEJ222	M 2.2KOHM, J,0.063W	1	
R2049	ERJ3GEYJ331	M 330 OHM, J, 1/16W	1	
R2050	ERJ2GEJ222	M 2.2KOHM, J,0.063W	1	
R2051, 52	ERJ6GEYJ184	M 180KOHM, J, 1/10W	2	
R2053, 54	ERJ2GEJ104	M 100KOHM, J,0.063W	2	
R2056, 57	ERJ2GEJ220	M 22 OHM, J,0.063W	2	
R2058	ERJ3GEYJ301	M 300 OHM, J, 1/16W	1	
R2059	ERJ2GEJ105	M 1MOHM, J,0.063W	1	
R2084	ERJ3GEYJ472	M 4.7KOHM, J, 1/16W	1	
R2085	ERJ3GEYJ561	M 560 OHM, J, 1/16W	1	
R2086	ERJ2GEJ471	M 470 OHM, J,0.063W	1	
R2088	ERJ2GEJ101	M 100 OHM, J,0.063W	1	
R2089	ERJ3GEYJ561	M 560 OHM, J, 1/16W	1	
R2092	ERJ2GEJ471	M 470 OHM, J,0.063W	1	
R2093	ERJ2GEJ332	M 3.3KOHM, J,0.063W	1	
R2094	ERJ2GEJ222	M 2.2KOHM, J,0.063W	1	
R2096	ERJ2GEJ103	M 10KOHM, J,0.063W	1	
R2097	ERJ2GEJ332	M 3.3KOHM, J,0.063W	1	
R2100	ERJ3EKF2002	M 20KOHM, 1/16W	1	
R2104	ERJ3EKF2001	M 2KOHM, 1/16W	1	
R2106	DOYAR0000007	M 0.0 OHM, J,0.063W	1	PX7A
R2110	ERJ2GEJ103	M 10KOHM, J,0.063W	1	
R2111	ERJ2GEJ101	M 100 OHM, J,0.063W	1	
R2112	ERJ2GEJ105	M 1MOHM, J,0.063W	1	
R2113	ERJ3EKF1203	M 120KOHM, 1/16W	1	
R2114	ERJ3EKF7502	M 75KOHM, 1/16W	1	
R2118	ERJ2GEJ105	M 1MOHM, J,0.063W	1	
R2119	ERJ2GEJ103	M 10KOHM, J,0.063W	1	
R2122	ERJ2GEJ103	M 10KOHM, J,0.063W	1	
R2123	ERJ2GEJ473	M 47KOHM, J,0.063W	1	
R2124	ERJ2GEJ103	M 10KOHM, J,0.063W	1	
R2125	ERJ2GEJ222	M 2.2KOHM, J,0.063W	1	
R2127	ERJ2GEJ103	M 10KOHM, J,0.063W	1	
R2128	ERJ2GEJ473	M 47KOHM, J,0.063W	1	
R2129	ERJ2GEJ103	M 10KOHM, J,0.063W	1	
R2131	ERJ2GEJ103	M 10KOHM, J,0.063W	1	
R2132	ERJ2GEJ473	M 47KOHM, J,0.063W	1	

Ref. No.	Part No.	Part Name & Description	Pcs	Remarks
R2137,38	ERJ2GEJ221	M 220 OHM, J,0.063W	2	
R2143,44	ERJ2GEJ103	M 10KOHM, J,0.063W	2	
R2145,46	D0YAR0000007	M 0.0 OHM, J,0.063W	2	
R2149	ERJ2GEJ103	M 10KOHM, J,0.063W	1	
R2150,51	ERJ3EKF2002	M 20KOHM, 1/16W	2	
R2152	ERJ2GEJ220	M 22 OHM, J,0.063W	1	
R2154	ERJ2GEJ220	M 22 OHM, J,0.063W	1	
R2156	ERJ2GEJ331	M 330 OHM, J,0.063W	1	
R2164	ERJ2GEJ221	M 220 OHM, J,0.063W	1	
R2165	ERJ2GEJ103	M 10KOHM, J,0.063W	1	
R2166	ERJ3EKF1602	M16.0KOHM, 1/16W	1	
R2167	ERJ2GEJ221	M 220 OHM, J,0.063W	1	
R2168	ERJ3EKF1602	M16.0KOHM, 1/16W	1	
R2169	ERJ3EKF2202	M 22KOHM, 1/16W	1	
R2170-75	ERJ2GEJ221	M 220 OHM, J,0.063W	6	
R2178	ERJ2GEJ102X	M 1KOHM, J,0.063W	1	
R2179	ERJ2GEJ103	M 10KOHM, J,0.063W	1	
R2180	ERJ2GEJ102X	M 1KOHM, J,0.063W	1	
R2181	ERJ3EKF2202	M 22KOHM, 1/16W	1	
R2182,83	ERJ3EKF3602	M 36KOHM, 1/16W	2	
R2194	ERJ2GEJ102X	M 1KOHM, J,0.063W	1	
R2195,96	ERJ2GEJ104	M 100KOHM, J,0.063W	2	
R2197	ERJ3EKF6802	M 68KOHM, 1/16W	1	
R2198	ERJ3EKF1583	M 158KOHM, 1/16W	1	
R2205	ERJ2GEJ203	M 20KOHM, J,0.063W	1	
R2206	ERJ2GEJ103	M 10KOHM, J,0.063W	1	
R2208-10	ERJ2GEJ103	M 10KOHM, J,0.063W	3	
R2216	ERJ2GEJ103	M 10KOHM, J,0.063W	1	
R2217	ERJ2GEJ473	M 47KOHM, J,0.063W	1	
R2218	ERJ2GEJ102X	M 1KOHM, J,0.063W	1	
R2220	ERJ2GEJ123	M 12KOHM, J,0.063W	1	
R2233	ERJ2GEJ103	M 10KOHM, J,0.063W	1	
R2235	ERJ2GEJ473	M 47KOHM, J,0.063W	1	
R2238	ERJ2GEJ473	M 47KOHM, J,0.063W	1	
R2257	D0YAR0000007	M 0.0 OHM, J,0.063W	1	
R2265	ERJ3GEYJ472	M 4.7KOHM, J,1/16W	1	
R2266	ERJ3GEYJ561	M 560 OHM, J,1/16W	1	
R2271	EXB28V220J	RESISTOR ARRAY	1	
R2276	ERJ2GEJ103	M 10KOHM, J,0.063W	1	
R2296,97	D0YAR0000007	M 0.0 OHM, J,0.063W	2	
R2301,02	ERJ2GEJ222	M 2.2KOHM, J,0.063W	2	
R2305	ERJ2GEJ471	M 470 OHM, J,0.063W	1	
R2306	ERJ2GEJ683	M 68KOHM, J,0.063W	1	
R2308	ERJ8GEYJ3R3V	M 3.3 OHM, J,1/8W	1	

Ref. No.	Part No.	Part Name & Description	Pcs	Remarks
R2311	ERJ8GEYJ3R3V	M 3.3 OHM, J,1/8W	1	
R2313	ERJ8GEYJ3R3V	M 3.3 OHM, J,1/8W	1	
R2315	ERJ8GEYJ3R3V	M 3.3 OHM, J,1/8W	1	
R2317	ERJ6GEYJ100V	M 10 OHM, J,1/10W	1	
R2319	ERJ6GEYJ100V	M 10 OHM, J,1/10W	1	
R2321	ERJ6GEYJ100V	M 10 OHM, J,1/10W	1	
R2323	ERJ6GEYJ100V	M 10 OHM, J,1/10W	1	
R2325	ERJ6GEYJ100V	M 10 OHM, J,1/10W	1	
R2330	ERJ2GEJ102X	M 1KOHM, J,0.063W	1	
R2331	ERJ2GEJ222	M 2.2KOHM, J,0.063W	1	
R2506,07	J0JHC0000096	CHIP INDUCTOR	2	
R2516	ERJ6GEYJ223	M 22KOHM, J,1/10W	1	
R2517	ERJ6GEYG470V	M 47 OHM, J,1/10W	1	
R2520	ERJ6GEYJ224	M 220KOHM, J,1/10W	1	
R2524	ERJ6GEYJ223	M 22KOHM, J,1/10W	1	
R2525	ERJ6GEYG103	M 10KOHM, J,1/10W	1	
R2526	ERJ6GEYG562	M 5.6KOHM, J,1/10W	1	
R2529	ERJ6GEYG562	M 5.6KOHM, J,1/10W	1	
R2530	ERJ6GEYJ223	M 22KOHM, J,1/10W	1	
R2531	ERJ6GEYJ471	M 470 OHM, J,1/10W	1	
R2542	ERJ6GEYJ101V	M 100 OHM, J,1/10W	1	
R2545	ERJ6GEYJ101V	M 100 OHM, J,1/10W	1	
R2553	ERJ6GEYJ223	M 22KOHM, J,1/10W	1	
R2554	ERJ6GEYG102	M 1KOHM, J,1/10W	1	
R2557	ERJ6GEYG102	M 1KOHM, J,1/10W	1	
R2558	ERJ6GEYG181	M 180 OHM, J,1/10W	1	
R2561,62	ERJ6GEY0R00V	M 0 OHM, 1/10W	2	
R2564	ERJ6GEY0R00V	M 0 OHM, 1/10W	1	
R2624,25	ERJ2GEJ220	M 22 OHM, J,0.063W	2	
R2628,29	ERJ2RHD682X	M 22KOHM, J, 2W	2	
R2647	ERJ6GEY0R00V	M 0 OHM, 1/10W	1	
R2853	ERJ2GEJ103	M 10KOHM, J,0.063W	1	
R2854	ERJ2GEJ222	M 2.2KOHM, J,0.063W	1	
R2855	ERJ2GEJ473	M 47KOHM, J,0.063W	1	
R2857	ERJ2GEJ472	M 4.7KOHM, J,0.063W	1	
R2858	ERJ2GEJ222	M 2.2KOHM, J,0.063W	1	
R2859	ERJ2GEJ472	M 4.7KOHM, J,0.063W	1	
R2860	ERJ2GEJ103	M 10KOHM, J,0.063W	1	
R2861	ERJ2GEJ102X	M 1KOHM, J,0.063W	1	
R2863,64	ERJ2GEJ102X	M 1KOHM, J,0.063W	2	
R2865	ERJ2GEJ103	M 10KOHM, J,0.063W	1	
R2866	ERJ2GEJ222	M 2.2KOHM, J,0.063W	1	
R2867	ERJ6ENF8202	M 82KOHM, 1/10W	1	
R2868	ERJ6ENF1602	M 16KOHM, 1/10W	1	
R2869	ERJ2GEJ472	M 4.7KOHM, J,0.063W	1	
R2890	ERJ2GEJ104	M 100KOHM, J,0.063W	1	
R3001-10	ERJ6RED750	M 75 OHM, 1/10W	10	
R3012	ERJ6RED750	M 75 OHM, 1/10W	1	
R3020-22	ERJ2GEJ472	M 4.7KOHM, J,0.063W	3	
R3059	ERJ2GEJ221	M 220 OHM, J,0.063W	1	

Ref. No.	Part No.	Part Name & Description	Pcs	Remarks
R3064,65	ERJ2GEJ221	M 220 OHM, J,0.063W	2	
R3069	ERJ2GEJ221	M 220 OHM, J,0.063W	1	
R3074	ERJ2GEJ221	M 220 OHM, J,0.063W	1	
R3087	ERJ2GEJ221	M 220 OHM, J,0.063W	1	
R3088	ERJ2GEJ221	M 220 OHM, J,0.063W	1	PX7A
R3089	ERJ2GEJ331	M 330 OHM, J,0.063W	1	
R3090	ERJ2GEJ220	M 22 OHM, J,0.063W	1	
R3096-98	ERJ2GEJ680	M 68 OHM, J,0.063W	3	
R3099-01	ERJ2GEJ221	M 220 OHM, J,0.063W	3	
R3107	ERJ2GEJ103	M 10KOHM, J,0.063W	1	
R3109,10	J0JCC0000100	CHIP INDUCTOR	2	
R3111	ERJ2GEJ220	M 22 OHM, J,0.063W	1	
R3112,13	ERJ2GEJ473	M 47KOHM, J,0.063W	2	
R3114	ERJ2GEJ103	M 10KOHM, J,0.063W	1	
R3121	ERJ2GEJ470	M 47 OHM, J,0.063W	1	
R3123	ERJ2GEJ470	M 47 OHM, J,0.063W	1	
R3130,31	ERJ3GEYJ221	M 220 OHM, J,1/16W	2	
R3133	ERJ2GEJ220	M 22 OHM, J,0.063W	1	
R3137	ERJ3EKF1000	M 100 OHM, 1/16W	1	
R3140	ERJ2GEJ470	M 47 OHM, J,0.063W	1	
R3143	ERJ6ENF69R8	M 69.8OHM, 1/10W	1	
R3145	ERJ2GEJ104	M 100KOHM, J,0.063W	1	
R3168	ERJ2GEJ221	M 220 OHM, J,0.063W	1	
R3174-76	ERJ2GEJ680	M 68 OHM, J,0.063W	3	
R3177	ERJ2GEJ103	M 10KOHM, J,0.063W	1	
R3180	ERJ3GEYJ101	M 100 OHM, J,1/16W	1	
R3188	DOYAR0000007	M 0.0 OHM, J,0.063W	1	
R3191	ERJ2GEJ220	M 22 OHM, J,0.063W	1	
R3239	ERJ2GEJ221	M 220 OHM, J,0.063W	1	
R3240	ERJ3EKF5600	M 560 OHM, 1/16W	1	
R3243	ERJ6GEYG271	M 270 OHM, J,1/10W	1	
R3244	ERJ2GEJ220	M 22 OHM, J,0.063W	1	
R3246	ERJ2GEJ220	M 22 OHM, J,0.063W	1	
R3247	ERJ2GEJ221	M 220 OHM, J,0.063W	1	
R3249	ERJ2GEJ152	M 1.5KOHM, J,0.063W	1	
R3266	ERJ2GEJ152	M 1.5KOHM, J,0.063W	1	
R3302	ERJ6GEYJ101V	M 100 OHM, J,1/10W	1	
R3305	ERJ6GEYJ101V	M 100 OHM, J,1/10W	1	
R3306,07	ERJ6GEYF472	M 4.7KOHM, J,1/10W	2	
R3308,09	ERJ6GEY0R00V	M 0 OHM, 1/10W	2	
R3310	ERJ6RED750	M 75 OHM, 1/10W	1	
R3312	ERJ2GEJ473	M 47KOHM, J,0.063W	1	
R3313	ERJ6RED750	M 75 OHM, 1/10W	1	
R3318	ERJ6RED750	M 75 OHM, 1/10W	1	

Ref. No.	Part No.	Part Name & Description	Pcs	Remarks
R3348,49	ERJ2GEJ680	M 68 OHM, J,0.063W	2	
R3750	ERJ6ENF1432	M14.3KOHM, 1/10W	1	
R3751	ERJ6ENF6651	M6.65KOHM, 1/10W	1	
R3752	ERJ6GEY0R00V	M 0 OHM, 1/10W	1	
R3753	ERJ6ENF1741	M1.74KOHM, 1/10W	1	
R3754	ERJ6ENF7151	M7.15KOHM, 1/10W	1	
R4001	ERJ2GEJ103	M 10KOHM, J,0.063W	1	
R4284	ERJ2GEJ103	M 10KOHM, J,0.063W	1	
R4286-88	ERJ2GEJ473	M 47KOHM, J,0.063W	3	
R4322,23	ERJ2GEJ473	M 47KOHM, J,0.063W	2	
R4325-30	ERJ2GEJ473	M 47KOHM, J,0.063W	6	
R4501	ERJ2GEJ103	M 10KOHM, J,0.063W	1	
R4503	ERJ2RKD330	M 33 OHM, J,0.063W	1	
R4507	ERJ2GEJ103	M 10KOHM, J,0.063W	1	
R4516-23	ERJ2GEJ2R2X	M 2.2OHM, J,0.063W	8	
R4525	ERJ2GEJ103	M 10KOHM, J,0.063W	1	
R4527	ERJ2GEJ102X	M 1KOHM, J,0.063W	1	
R4530	ERJ2GEJ103	M 10KOHM, J,0.063W	1	
R4531	ERJ2GEJ472	M 4.7KOHM, J,0.063W	1	
R4533	ERJ2GEJ103	M 10KOHM, J,0.063W	1	
R4536	ERJ2GEJ472	M 4.7KOHM, J,0.063W	1	
R4540	ERJ2GEJ473	M 47KOHM, J,0.063W	1	
R4541	ERJ2GEJ680	M 68 OHM, J,0.063W	1	
R4543	ERJ2GEJ680	M 68 OHM, J,0.063W	1	
R4544	ERJ2GEJ103	M 10KOHM, J,0.063W	1	
R4546	ERJ2GEJ103	M 10KOHM, J,0.063W	1	
R4548,49	ERJ2GEJ472	M 4.7KOHM, J,0.063W	2	
R4552	ERJ2GEJ220	M 22 OHM, J,0.063W	1	
R4561-63	ERJ2GEJ472	M 4.7KOHM, J,0.063W	3	
R4564,65	ERJ2GEJ220	M 22 OHM, J,0.063W	2	
R4585	ERJ2GEJ101	M 100 OHM, J,0.063W	1	
R4587	ERJ3GEYF821	M 820 OHM, 1/16W	1	
R4593	ERJ3EKF1001	M 1KOHM, 1/16W	1	
R4596-98	ERJ6GEYG102	M 1KOHM, J,1/10W	3	
R4601	ERJ6GEYG102	M 1KOHM, J,1/10W	1	
R4604	ERJ3EKF7501	M 7.5KOHM, 1/16W	1	
R4606	ERJ3EKF4701	M 4.7KOHM, 1/16W	1	
R4611	ERJ3EKF1371	M 1.37KOHM, 1/16W	1	
R4612	ERJ3EKF1501	M 1.5KOHM, 1/16W	1	
R4613,14	ERJ2GEJ220	M 22 OHM, J,0.063W	2	
R4615	ERJ3EKF1600	M 160 OHM, 1/16W	1	
R4616,17	DOYAR0000007	M 0.0 OHM, J,0.063W	2	
R4622	ERJ2GEJ101	M 100 OHM, J,0.063W	1	
R4624	ERJ3EKF1691	M1.69KOHM, 1/16W	1	
R4626	ERJ2GEJ105	M 1MOHM, J,0.063W	1	
R4627	DOYAR0000007	M 0.0 OHM, J,0.063W	1	
R4631	ERJ3EKF4990	M 499 OHM, 1/16W	1	

Ref. No.	Part No.	Part Name & Description	Pcs	Remarks
R4635	EXB28V680JX	RESISTOR ARRAY	1	
R4636-38	ERJ2GEJ680	M 68 OHM, J,0.063W	3	
R4639, 40	EXB28V680JX	RESISTOR ARRAY	2	
R4641	ERJ2GEJ220	M 22 OHM, J,0.063W	1	
R4642	EXB28V680JX	RESISTOR ARRAY	1	
R4643, 44	ERJ2GEJ220	M 22 OHM, J,0.063W	2	
R4645-47	ERJ2GEJ680	M 68 OHM, J,0.063W	3	
R4648	EXB28V330J	RESISTOR ARRAY	1	
R4649	EXB28V680JX	RESISTOR ARRAY	1	
R4650, 51	ERJ2GEJ680	M 68 OHM, J,0.063W	2	
R4652	ERJ2GEJ473	M 47KOHM, J,0.063W	1	
R4653	ERJ2GEJ103	M 10KOHM, J,0.063W	1	
R4654	ERJ3EKF4701	M 4.7KOHM, 1/16W	1	
R4655	ERJ2GEJ101	M 100 OHM, J,0.063W	1	
R4656	ERJ2GEJ222	M 2.2KOHM, J,0.063W	1	
R4657, 58	ERJ2GEJ220	M 22 OHM, J,0.063W	2	
R4659	D0YAR0000007	M 0.0 OHM, J,0.063W	1	
R4661	ERJ2GEJ101	M 100 OHM, J,0.063W	1	
R4665, 66	ERJ2GEJ473	M 47KOHM, J,0.063W	2	
R4670	ERJ2GEJ680	M 68 OHM, J,0.063W	1	
R4672	D0YAR0000007	M 0.0 OHM, J,0.063W	1	
R4682	ERJ3EKF1002	M 10KOHM, 1/16W	1	
R4683	ERJ2GEJ103	M 10KOHM, J,0.063W	1	
R4685, 86	ERJ2GEJ472	M 4.7KOHM, J,0.063W	2	
R4691, 92	ERJ2GEJ220	M 22 OHM, J,0.063W	2	
R4706	ERJ2GEJ102X	M 1KOHM, J,0.063W	1	
R4707	ERJ2GEJ103	M 10KOHM, J,0.063W	1	
R4708	ERJ2GEJ102X	M 1KOHM, J,0.063W	1	
R4800	D0YAR0000007	M 0.0 OHM, J,0.063W	1	
R4819, 20	ERJ2GEJ220	M 22 OHM, J,0.063W	2	
R4838	ERJ2GEJ101	M 100 OHM, J,0.063W	1	
R4856-65	D0YAR0000007	M 0.0 OHM, J,0.063W	10	
R4872	D0YAR0000007	M 0.0 OHM, J,0.063W	1	
R5506	ERJ6GEYG103	M 10KOHM, J, 1/10W	1	
R5507	ERJ2GEJ103	M 10KOHM, J,0.063W	1	
R5508	ERJ2GEJ473	M 47KOHM, J,0.063W	1	
R5509	ERJ6GEY0R00V	M 0 OHM, 1/10W	1	
R5531	ERJ2GEJ222	M 2.2KOHM, J,0.063W	1	
R5532	ERJ2GEJ472	M 4.7KOHM, J,0.063W	1	
R5533	ERJ2GEJ103	M 10KOHM, J,0.063W	1	
R5534	ERJ2GEJ473	M 47KOHM, J,0.063W	1	
R5535	ERJ2GEJ222	M 2.2KOHM, J,0.063W	1	
R5536	ERJ2GEJ472	M 4.7KOHM, J,0.063W	1	
R5537	ERJ2GEJ681	M 680 OHM, J,0.063W	1	

Ref. No.	Part No.	Part Name & Description	Pcs	Remarks
R5538	ERJ2GEJ222	M 2.2KOHM, J,0.063W	1	
R5540	ERJ6GEYJ471	M 470 OHM, J, 1/10W	1	
R5542	ERJ6GEYJ471	M 470 OHM, J, 1/10W	1	
R5544	ERJ3GEYJ221	M 220 OHM, J, 1/16W	1	
R5546, 47	ERJ2GEJ103	M 10KOHM, J,0.063W	2	
R5548, 49	ERJ2GEJ472	M 4.7KOHM, J,0.063W	2	
R5554	ERJ6ENF2611	M2.61KOHM, 1/10W	1	
R5555	ERJ6ENF1301	M 1.3KOHM, 1/10W	1	
R5570	ERJ2GEJ103	M 10KOHM, J,0.063W	1	
R5571	ERJ2GEJ473	M 47KOHM, J,0.063W	1	
R5572	ERJ2GEJ222	M 2.2KOHM, J,0.063W	1	
R5573	ERJ2GEJ472	M 4.7KOHM, J,0.063W	1	
R5600	ERJ2GEJ680	M 68 OHM, J,0.063W	1	
R5604	ERJ3GEYF473	M 47KOHM, 1/16W	1	
R5605	ERJ3EKF1242	M12.4KOHM, 1/16W	1	
R5606-09	D0YAR0000007	M 0.0 OHM, J,0.063W	4	
R5610	ERJ2GEJ104	M 100KOHM, J,0.063W	1	
R5611	ERJ3EKF3602	M 36KOHM, 1/16W	1	
R5612	ERJ3EKF2322	M23.2KOHM, 1/16W	1	
R5620	ERJ2GEJ680	M 68 OHM, J,0.063W	1	
R5621	ERJ3GEYF473	M 47KOHM, 1/16W	1	
R5622	ERJ2GEJ104	M 100KOHM, J,0.063W	1	
R5623	ERJ3GEYF473	M 47KOHM, 1/16W	1	
R5625-28	D0YAR0000007	M 0.0 OHM, J,0.063W	4	
R5629	ERJ3EKF2802	M 28KOHM, 1/16W	1	
R5630	ERJ3EKF4752	M47.5KOHM, 1/16W	1	
R5631	ERJ3EKF3602	M 36KOHM, 1/16W	1	
R5632	ERJ3EKF3002	M 30KOHM, 1/16W	1	
R5633, 34	ERJ3EKF1602	M16.0KOHM, 1/16W	2	
R5635	ERJ2GEJ223	M 22KOHM, J,0.063W	1	
R5636	ERJ2GEJ683	M 68KOHM, J,0.063W	1	
R5637	D0YAR0000007	M 0.0 OHM, J,0.063W	1	
R5638	ERJ2GEJ103	M 10KOHM, J,0.063W	1	
R5641	ERJ2GEJ473	M 47KOHM, J,0.063W	1	
R5644	ERJ2GEJ222	M 2.2KOHM, J,0.063W	1	
R5646	ERJ2GEJ103	M 10KOHM, J,0.063W	1	
R5647	ERJ2GEJ473	M 47KOHM, J,0.063W	1	
R5660	ERJ2GEJ562	M 5.6KOHM, J,0.063W	1	
R5661	ERJ2GEJ473	M 47KOHM, J,0.063W	1	
R5662	ERJ2GEJ103	M 10KOHM, J,0.063W	1	
R5670	D0YAR0000007	M 0.0 OHM, J,0.063W	1	
R5671	ERJ2GEJ183	M 18KOHM, J,0.063W	1	
R5672	D0YAR0000007	M 0.0 OHM, J,0.063W	1	
R5674	ERJ2GEJ473	M 47KOHM, J,0.063W	1	
R5690, 91	ERJ2GEJ103	M 10KOHM, J,0.063W	2	
R5692, 93	ERJ2GEJ473	M 47KOHM, J,0.063W	2	

Ref. No.	Part No.	Part Name & Description	Pcs	Remarks
R5694,95	ERJ2GEJ102X	M 1KOHM, J, 0.063W	2	
R5696,97	ERJ2GEJ103	M 10KOHM, J, 0.063W	2	
R5730,31	ERJ2GEJ473	M 47KOHM, J, 0.063W	2	
R5741	DOYAR0000007	M 0.0 OHM, J, 0.063W	1	
R6001	DOGF7R5JA047	M 7.5 OHM, J, 0.33W	1	
R6003	DOGF7R5JA047	M 7.5 OHM, J, 0.33W	1	
R6005	DOGF7R5JA047	M 7.5 OHM, J, 0.33W	1	
R6020	ERF5TJ330	W 33 OHM, 5W	1	
R6021	DOGF7R5JA047	M 7.5 OHM, J, 0.33W	1	
R6024	DOGF7R5JA047	M 7.5 OHM, J, 0.33W	1	
R6026	DOGF7R5JA047	M 7.5 OHM, J, 0.33W	1	
R6031,32	ERJ6ENF8202	M 82KOHM, 1/10W	2	
R6033	ERJ6ENF5602	M 56KOHM, 1/10W	1	
R6034	ERJ6ENF2702	M 27KOHM, 1/10W	1	
R6041	DOGF5R6JA047	M 5.6 OHM, J, 0.33W	1	
R6043	DOGF5R6JA047	M 5.6 OHM, J, 0.33W	1	
R6053	DOGF5R6JA047	M 5.6 OHM, J, 0.33W	1	
R6062	ERJ6GEY0R00V	M 0 OHM, 1/10W	1	
R6064	ERJ6GEY0R00V	M 0 OHM, 1/10W	1	
R6066	ERJ6GEY0R00V	M 0 OHM, 1/10W	1	
R6068	ERJ6GEY0R00V	M 0 OHM, 1/10W	1	
R6070-73	ERJ6GEY0R00V	M 0 OHM, 1/10W	4	
R6102	DOGD221JA059	M 220 OHM, J, 1/10W	1	
R6108	DOGD221JA059	M 220 OHM, J, 1/10W	1	
R6109	DOGD100JA059	M 10 OHM, J, 0.25W	1	
R6110	ERJ6GEYF473	M 47KOHM, J, 1/10W	1	
R6111	DOGD470JA059	M 47 OHM, J, 0.25W	1	
R6113	ERJ14YJ224	M 220KOHM, J, 1/4W	1	
R6114	DOGD470JA059	M 47 OHM, J, 0.25W	1	
R6116	ERJ6GEYF473	M 47KOHM, J, 1/10W	1	
R6131,32	ERJ6GEYJ101V	M 100 OHM, J, 1/10W	2	
R6134	DOGD750JA059	M 75 OHM, J, 0.25W	1	
R6135,36	DOGD100JA059	M 10 OHM, J, 0.25W	2	
R6141,42	ERJ6GEYF473	M 47KOHM, J, 1/10W	2	
R6145	DOGF1R0JA047	M 1.0 OHM, J, 0.33W	1	
R6146,47	ERJ6GEYF473	M 47KOHM, J, 1/10W	2	
R6151,52	ERJ6GEYJ101V	M 100 OHM, J, 1/10W	2	
R6154	DOGD750JA059	M 75 OHM, J, 0.25W	1	
R6157-60	DOGF1R0JA047	M 1.0 OHM, J, 0.33W	4	
R6171	DOGD100JA059	M 10 OHM, J, 0.25W	1	
R6172,73	ERJ6GEYF473	M 47KOHM, J, 1/10W	2	
R6181	DOGD100JA059	M 10 OHM, J, 0.25W	1	
R6182,83	ERJ6GEYF473	M 47KOHM, J, 1/10W	2	
R6191,92	ERJ6GEYJ101V	M 100 OHM, J, 1/10W	2	
R6193	DOGD750JA059	M 75 OHM, J, 0.25W	1	
R6194	DOGF1R0JA047	M 1.0 OHM, J, 0.33W	1	
R6210	ERJ6GEYG222	M 2.2KOHM, J, 1/10W	1	
R6213	ERJ6GEYJ101V	M 100 OHM, J, 1/10W	1	
R6214	DOGD151JA059	M 150 OHM, J, 0.25W	1	
R6220	ERJ6GEYG470V	M 47 OHM, J, 1/10W	1	
R6221	ERJ6GEYF472	M 4.7KOHM, J, 1/10W	1	
R6222	ERG1FJS103D	M 10KOHM, J, 1W	1	

Ref. No.	Part No.	Part Name & Description	Pcs	Remarks
R6223	ERG2FJS123D	M 12KOHM, J, 2W	1	
R6225	DOGD203JA059	M 20KOHM, J, 1/10W	1	
R6226,27	ERJ6GEYJ163V	M 16KOHM, J, 1/10W	2	
R6228	ERJ6GEYG562	M 5.6KOHM, J, 1/10W	1	
R6229	ERJ6GEYJ163V	M 16KOHM, J, 1/10W	1	
R6230	ERJ6GEYG470V	M 47 OHM, J, 1/10W	1	
R6231	ERJ6GEYF472	M 4.7KOHM, J, 1/10W	1	
R6232	ERJ6ENF1201	M 1.2KOHM, 1/10W	1	
R6241	EXB38V470J	RESISTOR ARRAY	1	
R6242	EXB38V472JV	RESISTOR ARRAY	1	
R6246	ERJ6GEYJ273	M 27KOHM, J, 1/10W	1	
R6247	DOGF154JA047	M 150 KOHM, J, 0.33W	1	
R6248	ERJ6GEYJ273	M 27KOHM, J, 1/10W	1	
R6249	DOGF154JA047	M 150 KOHM, J, 0.33W	1	
R6252,53	ERJ6ENF3902	M 39KOHM, 1/10W	2	
R6254	ERJ6ENF8201	M 8.2KOHM, 1/10W	1	
R6255	ERJ6ENF1201	M 1.2KOHM, 1/10W	1	
R6256	ERJ6ENF1501	M 1.5KOHM, 1/10W	1	
R6257	ERJ6GEYG103	M 10KOHM, J, 1/10W	1	
R6258	ERJ6GEYG222	M 2.2KOHM, J, 1/10W	1	
R6261	ERJ6GEYG104	M 100KOHM, J, 1/10W	1	
R6269	ERJ6GEYJ273	M 27KOHM, J, 1/10W	1	
R6270	DOGF154JA047	M 150 KOHM, J, 0.33W	1	
R6272	ERJ6GEYG222	M 2.2KOHM, J, 1/10W	1	
R6273	ERJ6GEYG103	M 10KOHM, J, 1/10W	1	
R6274	ERJ6GEYG221	M 220 OHM, J, 1/10W	1	
R6276	ERJ6GEYG823	M 82KOHM, J, 1/10W	1	
R6278	ERJ6GEYJ273	M 27KOHM, J, 1/10W	1	
R6279	DOGF154JA047	M 150 KOHM, J, 0.33W	1	
R6284	ERJ6GEYG102	M 10KOHM, J, 1/10W	1	
R6292	ERJ6GEYF473	M 47KOHM, J, 1/10W	1	
R6401-03	DOGF7R5JA047	M 7.5 OHM, J, 0.33W	3	
R6421-23	DOGF5R6JA047	M 5.6 OHM, J, 0.33W	3	
R6441,42	DOGF5R6JA047	M 5.6 OHM, J, 0.33W	2	
R6451	DOGF5R6JA047	M 5.6 OHM, J, 0.33W	1	
R6465	ERJ6ENF2702	M 27KOHM, 1/10W	1	
R6466	ERJ6ENF5602	M 56KOHM, 1/10W	1	
R6467,68	ERJ6ENF8202	M 82KOHM, 1/10W	2	
R6471	ERJ6GEYG392	M 3.9KOHM, J, 1/10W	1	
R6472	ERJ6GEYG222	M 2.2KOHM, J, 1/10W	1	
R6473	ERJ6GEYF561	M 560 OHM, J, 1/10W	1	
R6474	ERJ6GEYG102	M 10KOHM, J, 1/10W	1	
R6475,76	ERJ6GEYF472	M 4.7KOHM, J, 1/10W	2	
R6477	ERJ6GEYJ101V	M 100 OHM, J, 1/10W	1	
R6501,02	ERJ6GEYJ101V	M 100 OHM, J, 1/10W	2	
R6503	DOGD100JA059	M 10 OHM, J, 0.25W	1	
R6504	DOGD750JA059	M 75 OHM, J, 0.25W	1	
R6506	DOGD100JA059	M 10 OHM, J, 0.25W	1	
R6507-10	DOGF1R0JA047	M 1.0 OHM, J, 0.33W	4	
R6511,12	ERJ6GEYF473	M 47KOHM, J, 1/10W	2	
R6516,17	ERJ6GEYF473	M 47KOHM, J, 1/10W	2	
R6521,22	ERJ6GEYJ101V	M 100 OHM, J, 1/10W	2	
R6523	DOGD750JA059	M 75 OHM, J, 0.25W	1	
R6531	DOGD100JA059	M 10 OHM, J, 0.25W	1	
R6532,33	ERJ6GEYF473	M 47KOHM, J, 1/10W	2	

Ref. No.	Part No.	Part Name & Description	Pcs	Remarks
R6551	D0GD100JA059	M 10 OHM, J, 0.25W	1	
R6552, 53	ERJ6GEYF473	M 47KOHM, J, 1/10W	2	
R6561-64	EXB38V470J	RESISTOR ARRAY	4	
R6565-68	EXB38V472JV	RESISTOR ARRAY	4	
R6580	ERJ6GEYG222	M 2.2KOHM, J, 1/10W	1	
R6582, 83	ERJ6ENF3902	M 39KOHM, 1/10W	2	
R6584	ERJ6ENF8201	M 8.2KOHM, 1/10W	1	
R6585	ERJ6ENF1801	M 1.8KOHM, 1/10W	1	
R6586	ERJ6ENF1201	M 1.2KOHM, 1/10W	1	
R6587	ERJ6GEYG222	M 2.2KOHM, J, 1/10W	1	
R6588	ERJ6GEYG103	M 10KOHM, J, 1/10W	1	
R6590	ERJ6GEYG221	M 220 OHM, J, 1/10W	1	
R6591	EXB38V472JV	RESISTOR ARRAY	1	
R6592	ERJ6GEYF472	M 4.7KOHM, J, 1/10W	1	
R6605	ERJ6GEYG182	M 1.8KOHM, J, 1/10W	1	
R6607	ERJ6ENF6811	M 6.81KOHM, 1/10W	1	
R6608, 09	D0GF102JA047	M 1.0 KOHM, J, 0.33W	2	
R6610	ERJ6GEYG104	M 100KOHM, J, 1/10W	1	
R6612	D0GD470JA059	M 47 OHM, J, 0.25W	1	
R6621, 22	ERJ6GEYG221	M 220 OHM, J, 1/10W	2	
R6623	ERG2FJS333D	M 33KOHM, J, 2W	1	
R6638, 39	D0GF1R0JA047	M 1.0 OHM, J, 0.33W	2	
R6642-44	D0GD330JA059	M 33 OHM, J, 1/10W	3	
R6646-48	D0GD330JA059	M 33 OHM, J, 1/10W	3	
R6658	D0D1101JA009	M 100 OHM, J, 1W	1	
R6659, 60	ERJ6GEYJ224	M 220KOHM, J, 1/10W	2	
R6661	ERJ6GEYG104	M 100KOHM, J, 1/10W	1	
R6662	ERJ6ENF2201	M 2.2KOHM, 1/10W	1	
R6663	ERJ6GEYG103	M 10KOHM, J, 1/10W	1	
R6664	D0GF222JA047	M 2.2KOHM, J, 0.33W	1	
R6665	D0GD470JA059	M 47 OHM, J, 0.25W	1	
R6666	ERJ6GEYG104	M 100KOHM, J, 1/10W	1	
R6667, 68	ERJ6GEYF472	M 4.7KOHM, J, 1/10W	2	
R6671	D0GD470JA059	M 47 OHM, J, 0.25W	1	
R6672	ERJ6GEYF473	M 47KOHM, J, 1/10W	1	
R6673, 74	D0GD470JA059	M 47 OHM, J, 0.25W	2	
R6680, 81	D0GD100JA059	M 10 OHM, J, 0.25W	2	
R6692	D0GZ472JA020	M 4.7KOHM, J, 0.5W	1	
R6693	ERJ6GEYG823	M 82KOHM, J, 1/10W	1	
R6694	ERJ6GEYJ273	M 27KOHM, J, 1/10W	1	
R6695	ERJ8GEYJ124	M 120KOHM, J, 1/8W	1	
R6696	ERF5TK2R2	W 2.2 OHM, K, 5W	1	
R6700-04	ERJ6GEYJ471	M 470 OHM, J, 1/10W	5	
R6705, 06	ERJ6GEYJ101V	M 100 OHM, J, 1/10W	2	
R6707, 08	ERJ6GEYJ471	M 470 OHM, J, 1/10W	2	
R6709	ERJ6GEYJ101V	M 100 OHM, J, 1/10W	1	
R6710-14	ERJ6GEYG222	M 2.2KOHM, J, 1/10W	5	
R6717, 18	ERJ6GEYG222	M 2.2KOHM, J, 1/10W	2	
R6721, 22	EXB38V220JV	RESISTOR ARRAY	2	
R6723	ERJ6GEYG182	M 1.8KOHM, J, 1/10W	1	
R6724	ERJ6GEYJ101V	M 100 OHM, J, 1/10W	1	
R6742	ERJ6GEYG103	M 10KOHM, J, 1/10W	1	
R6745	ERJ6GEYF472	M 4.7KOHM, J, 1/10W	1	

Ref. No.	Part No.	Part Name & Description	Pcs	Remarks
R6746, 47	D0GD103JA059	M 10KOHM, J, 0.25W	2	
R6748	ERJ6GEYG332	M 3.3KOHM, J, 1/10W	1	
R6761	D0GD100JA059	M 10 OHM, J, 0.25W	1	
R6762	ERJ6GEYF473	M 47KOHM, J, 1/10W	1	
R6765	D0GF1R0JA047	M 1.0 OHM, J, 0.33W	1	
R6766	D0GD750JA059	M 75 OHM, J, 0.25W	1	
R6768	D0GF1R0JA047	M 1.0 OHM, J, 0.33W	1	
R6769	D0GD750JA059	M 75 OHM, J, 0.25W	1	
R6775, 76	ERJ6GEYJ101V	M 100 OHM, J, 1/10W	2	
R6777	D0GD151JA059	M 150 OHM, J, 0.25W	1	
R6781	D0GD470JA059	M 47 OHM, J, 0.25W	1	
R6782	ERJ6GEYF473	M 47KOHM, J, 1/10W	1	
R6788	ERJ6GEYJ474	M 470KOHM, J, 1/10W	1	
R6789	ERJ6GEYF473	M 47KOHM, J, 1/10W	1	
R6791	ERJ6GEYG102	M 1KOHM, J, 1/10W	1	
R6792	ERJ6GEYG103	M 10KOHM, J, 1/10W	1	
R6793	ERJ6GEYJ101V	M 100 OHM, J, 1/10W	1	
R6795, 96	ERJ6GEYG104	M 100KOHM, J, 1/10W	2	
R6797	ERJ6ENF1692	M 16.9KOHM, 1/10W	1	
R6801	ERG2FNJS8R2E	M 8.2 OHM, J, 2W	1	
R6802	ERJ6GEYG103	M 10KOHM, J, 1/10W	1	
R6806, 07	ERX12SJ1R5	M 1.5 OHM, J, 1/2W	2	
R6808	D0GF272JA047	M 2.7 KOHM, J, 0.33W	1	
R6809	ERGLSJ273	M 27KOHM, J, 1W	1	
R6810	ERJ6GEYG102	M 1KOHM, J, 1/10W	1	
R6811	ERJ6GEYG103	M 10KOHM, J, 1/10W	1	
R6812	ERJ6ENF2403	M 240KOHM, 1/10W	1	
R6813	ERJ6ENF1002	M 10KOHM, 1/10W	1	
R6814	ERJ6ENF5601	M 5.6KOHM, 1/10W	1	
R6815	ERJ6ENF2700	M 270 OHM, 1/10W	1	
R6816	ERJ6ENF1152	M 11.5KOHM, 1/10W	1	
R6817	ERJ6ENF2491	M 2.49KOHM, 1/10W	1	
R6818	ERJ6GEYJ474	M 470KOHM, J, 1/10W	1	
R6821	ERF5TJ221	W 220 OHM, J, 5W	1	
R6822	ERJ12YJ104U	M 100KOHM, 1/2W	1	
R6823	ERGLFJS104D	M 100KOHM, J, 1W	1	
R6824	ERJ6GEYG392	M 3.9KOHM, J, 1/10W	1	
R6825-27	ERJ6ENF2003	M 200KOHM, 1/10W	3	
R6828	ERJ6ENF4701	M 4.7KOHM, 1/10W	1	
R6829, 30	ERJ6GEYG104	M 100KOHM, J, 1/10W	2	
R6831	ERJ6GEYG153	M 15KOHM, J, 1/10W	1	
R6832	D0GF4R7JA047	M 4.7 OHM, J, 0.33W	1	
R6833-36	ERJ6ENF7502	M 75KOHM, 1/10W	4	
R6837	ERJ6ENF5602	M 56KOHM, 1/10W	1	
R6839	ERJ6GEYF472	M 4.7KOHM, J, 1/10W	1	
R6840	ERX12SJ1R5	M 1.5 OHM, J, 1/2W	1	
R6841	ERJ12YJ153U	M 15KOHM, 1/2W	1	
R6842	ERJ12YJ433U	M 43KOHM, 1/2W	1	
R6843	ERJ6GEYJ623	M 62KOHM, J, 1/10W	1	
R6844	D0D2101JA021	M 100 OHM, J, 2W	1	
R6845-47	ERJ6GEYJ623	M 62KOHM, J, 1/10W	3	
R6848	ERJ6GEYG103	M 10KOHM, J, 1/10W	1	
R6849, 50	ERJ6ENF6802	M 68KOHM, 1/10W	2	
R6851	ERJ6ENF1802	M 18KOHM, 1/10W	1	
R6852	ERJ6ENF2701	M 2.7KOHM, 1/10W	1	
R6853	ERJ6GEYJ101V	M 100 OHM, J, 1/10W	1	
R6855	ERJ12YJ103	M 10KOHM, J, 1/2W	1	
R6856	ERQ12AJW560E	F 56 OHM, J, 1/2W	1	
R6857	ERJ12YJ124U	M 120KOHM, 1/2W	1	

Ref. No.	Part No.	Part Name & Description	Pcs	Remarks
R6860	DOD28R2JA021	M 8.2 OHM, J, 2W	1	
R6861, 62	ERJ6ENF5102	M 51KOHM, 1/10W	2	
R6863	ERJ6ENF5602	M 56KOHM, 1/10W	1	
R6864	ERJ6ENF6801	M 6.8KOHM, 1/10W	1	
R6865	ERJ6ENF3301	M 3.3KOHM, 1/10W	1	
R6866	ERJ6ENF6200	M 620 OHM, 1/10W	1	
R6867	ERJ6GEYG392	M 3.9KOHM, J, 1/10W	1	
R6868	ERJ6GEYJ223	M 22KOHM, J, 1/10W	1	
R6869	ERJ6GEYF472	M 4.7KOHM, J, 1/10W	1	
R6871-73	ERJ6ENF3902	M 39KOHM, 1/10W	3	
R6874	ERJ6ENF6801	M 6.8KOHM, 1/10W	1	
R6875	ERJ6ENF3301	M 3.3KOHM, 1/10W	1	
R6876	ERJ6RBD561	M 560 OHM, 1/10W	1	
R6877	ERJ6GEYG392	M 3.9KOHM, J, 1/10W	1	
R6878	ERJ6GEYJ223	M 22KOHM, J, 1/10W	1	
R6879	ERJ6GEYF472	M 4.7KOHM, J, 1/10W	1	
R6886-88	ERJ6GEYJ224	M 220KOHM, J, 1/10W	3	
R6891	ERJ6GEYG183	M 18KOHM, J, 1/10W	1	
R6901	ERJ6GEYJ101V	M 100 OHM, J, 1/10W	1	
R6902-04	ERJ3GEYJ220	M 22 OHM, J, 1/16W	3	
R6905	ERJ6GEYG221	M 220 OHM, J, 1/10W	1	
R6909	ERJ6GEYG221	M 220 OHM, J, 1/10W	1	
R6913	ERJ6GEYG221	M 220 OHM, J, 1/10W	1	
R6917	ERJ6GEYG221	M 220 OHM, J, 1/10W	1	
R6924	ERJ6GEYG221	M 220 OHM, J, 1/10W	1	
R6925, 26	J0JCC0000100	CHIP INDUCTOR	2	
R6931-34	ERJ6GEYG103	M 10KOHM, J, 1/10W	4	
R6935, 36	ERJ8GEYJ224	M 220KOHM, J, 1/8W	2	
R6938	ERJ6GEYG103	M 10KOHM, J, 1/10W	1	
R6951	ERJ6GEYJ101V	M 100 OHM, J, 1/10W	1	
R6952-54	ERJ3GEYJ220	M 22 OHM, J, 1/16W	3	
R6955	ERJ6GEYG221	M 220 OHM, J, 1/10W	1	
R6959	ERJ6GEYG221	M 220 OHM, J, 1/10W	1	
R6963	ERJ6GEYG221	M 220 OHM, J, 1/10W	1	
R6967	ERJ6GEYG221	M 220 OHM, J, 1/10W	1	
R6971	ERJ6GEYG221	M 220 OHM, J, 1/10W	1	
R6975, 76	J0JCC0000100	CHIP INDUCTOR	2	
R6981-84	ERJ6GEYG103	M 10KOHM, J, 1/10W	4	
R6985, 86	ERJ8GEYJ224	M 220KOHM, J, 1/8W	2	
R6989	ERJ6GEYG103	M 10KOHM, J, 1/10W	1	
R7112	D0GF472JA047	M 4.7KOHM, J, 0.33W	1	
R7119	EXB38V220JV	RESISTOR ARRAY	1	
R7122-25	DOGZ6R8JA020	M 6.8 OHM, J, 0.5W	4	
R7126	ERJ6GEYJ224	M 220KOHM, J, 1/10W	1	
R7130-36	EXB38V471J	RESISTOR ARRAY	7	
R7142-45	DOGZ6R8JA020	M 6.8 OHM, J, 0.5W	4	
R7151-54	DOGZ6R8JA020	M 6.8 OHM, J, 0.5W	4	
R7155	EXB38V102J	RESISTOR ARRAY	1	
R7159	EXB38V470J	RESISTOR ARRAY	1	
R7162	EXB38V471J	RESISTOR ARRAY	1	
R7171-74	DOGZ6R8JA020	M 6.8 OHM, J, 0.5W	4	
R7177	EXB38V102J	RESISTOR ARRAY	1	
R7180	ERJ3GEYJ470	M 47 OHM, J, 1/16W	1	

Ref. No.	Part No.	Part Name & Description	Pcs	Remarks
R7184	EXB38V220JV	RESISTOR ARRAY	1	
R7185	DOGB102JA057	M 1KOHM, J, 1/16W	1	
R7186	J0JCC0000100	CHIP INDUCTOR	1	
R7212-15	DOGZ6R8JA020	M 6.8 OHM, J, 0.5W	4	
R7219	ERJ6GEYJ224	M 220KOHM, J, 1/10W	1	
R7223-26	DOGZ6R8JA020	M 6.8 OHM, J, 0.5W	4	
R7229	ERJ6GEY0R00V	M 0 OHM, 1/10W	1	
R7232-35	DOGZ6R8JA020	M 6.8 OHM, J, 0.5W	4	
R7238	EXB38V471J	RESISTOR ARRAY	1	
R7245	EXB38V102J	RESISTOR ARRAY	1	
R7249	EXB38V220JV	RESISTOR ARRAY	1	
R7250	EXB38V470J	RESISTOR ARRAY	1	
R7257	ERJ3GEYJ470	M 47 OHM, J, 1/16W	1	
R7258	EXB38V102J	RESISTOR ARRAY	1	
R7262-65	DOGZ6R8JA020	M 6.8 OHM, J, 0.5W	4	
R7269	DOGF472JA047	M 4.7KOHM, J, 0.33W	1	
R7273-79	EXB38V471J	RESISTOR ARRAY	7	
R7280	DOGB102JA057	M 1KOHM, J, 1/16W	1	
R7281	ERJ6GEYG102	M 1KOHM, J, 1/10W	1	
R7285	EXB38V220JV	RESISTOR ARRAY	1	
R7286	J0JCC0000100	CHIP INDUCTOR	1	
R7288, 89	EXB38V222J	RESISTOR ARRAY	2	
R7290, 91	EXB38V470J	RESISTOR ARRAY	2	
R8001	ERJ2GEJ181	M 180 OHM, J, 0.063W	1	
R8002	ERJ2GEJ820	M 82 OHM, J, 0.063W	1	
R8004	ERJ3EKF2402	M 24KOHM, 1/16W	1	
R8005	ERJ3EKF1002	M 10KOHM, 1/16W	1	
R8006	ERJ3EKF6801	M 6.8KOHM, 1/16W	1	
R8023-29	DOYAR0000007	M 0.0 OHM, J, 0.063W	7	
R8030	ERJ2GEJ101	M 100 OHM, J, 0.063W	1	
R8031, 32	ERJ3EKF2700	M 270 OHM, 1/16W	2	
R8035	DOYAR0000007	M 0.0 OHM, J, 0.063W	1	
R8036	J0JCC0000100	CHIP INDUCTOR	1	
R8039	DOYAR0000007	M 0.0 OHM, J, 0.063W	1	
R8056-73	ERJ2GEJ470	M 47 OHM, J, 0.063W	18	
R8074	ERJ2GEJ221	M 220 OHM, J, 0.063W	1	
R8075-78	ERJ2GEJ470	M 47 OHM, J, 0.063W	4	
R8079, 80	DOYAR0000007	M 0.0 OHM, J, 0.063W	2	
R8081	ERJ2GEJ103	M 10KOHM, J, 0.063W	1	
R8082	D1BA75R0A026	M 0.75KOHM, 1/10W	1	
R8083	ERJ2GEJ301	M 300 OHM, J, 0.063W	1	
R8084	DOYAR0000007	M 0.0 OHM, J, 0.063W	1	
R8086	ERJ2GEJ104	M 100KOHM, J, 0.063W	1	
R8087	ERJ2GEJ103	M 10KOHM, J, 0.063W	1	
R8090	ERJ2GEJ103	M 10KOHM, J, 0.063W	1	
R8091	ERJ2GEJ101	M 100 OHM, J, 0.063W	1	
R8093	ERJ2GEJ470	M 47 OHM, J, 0.063W	1	
R8095	ERJ2GEJ103	M 10KOHM, J, 0.063W	1	
R8097	ERJ2GEJ221	M 220 OHM, J, 0.063W	1	
R8098, 99	ERJ2GEJ103	M 10KOHM, J, 0.063W	2	

Ref. No.	Part No.	Part Name & Description	Pcs	Remarks
R8100	ERJ2GEJ470	M 47 OHM, J,0.063W	1	
R8101	ERJ2GEJ103	M 10KOHM, J,0.063W	1	
R8106	ERJ2GEJ202	M 2KOHM, J,0.063W	1	
R8107	ERJ2GEJ101	M 100 OHM, J,0.063W	1	
R8108	ERJ2GEJ223	M 22KOHM, J,0.063W	1	
R8111	ERJ2GEJ103	M 10KOHM, J,0.063W	1	
R8301	ERJ2GEJ680	M 68 OHM, J,0.063W	1	PX7A
R8303, 04	ERJ2GEJ101	M 100 OHM, J,0.063W	2	PX7A
R8305	ERJ2GEJ223	M 22KOHM, J,0.063W	1	PX7A
R8306, 07	ERJ2GEJ472	M 4.7KOHM, J,0.063W	2	PX7A
R8308	ERJ2GEJ103	M 10KOHM, J,0.063W	1	PX7A
R8309-12	ERJ2GEJ101	M 100 OHM, J,0.063W	4	PX7A
R8314, 15	ERJ2GEJ101	M 100 OHM, J,0.063W	2	PX7A
R8318	ERJ2GEJ472	M 4.7KOHM, J,0.063W	1	PX7A
R8321	ERJ2GEJ103	M 10KOHM, J,0.063W	1	PX7A
R8322	ERJ2GEJ102X	M 1KOHM, J,0.063W	1	PX7A
R8323, 24	ERJ2GEJ473	M 47KOHM, J,0.063W	2	PX7A
R8325-27	ERJ2GEJ680	M 68 OHM, J,0.063W	3	PX7A
R8328	ERJ2GEJ103	M 10KOHM, J,0.063W	1	PV7 MODEL
R8329	ERJ2GEJ473	M 47KOHM, J,0.063W	1	PX7A
R8470, 71	ERJ2GEJ103	M 10KOHM, J,0.063W	2	
R8472	D1HG1038A002	NETWORK RESISTER	1	
R8474, 75	EXB28V103JX	RESISTOR ARRAY	2	
R8501	ERJ2GEJ101	M 100 OHM, J,0.063W	1	PX7A
R8502-04	ERJ2GEJ331	M 330 OHM, J,0.063W	3	
R8507-10	ERJ3EKF91R0	M 91 OHM, 1/16W	4	
R8512	ERJ3EKF1800	M 180 OHM, 1/16W	1	
R8513	D0YAR0000007	M 0.0 OHM, J,0.063W	1	
R8551	ERJ2GEJ103	M 10KOHM, J,0.063W	1	
R8556	ERJ2GEJ680	M 68 OHM, J,0.063W	1	
R8564	ERJ2GEJ103	M 10KOHM, J,0.063W	1	
R8601, 02	ERJ2GEJ220	M 22 OHM, J,0.063W	2	
R8603	ERJ2GEJ473	M 47KOHM, J,0.063W	1	
R8604	ERJ6GEY0R00V	M 0 OHM, 1/10W	1	
R8605	ERJ2GEJ680	M 68 OHM, J,0.063W	1	
R8621-36	ERJ2GEJ680	M 68 OHM, J,0.063W	16	
R8653	ERJ2GEJ103	M 10KOHM, J,0.063W	1	
R8655	ERJ2GEJ103	M 10KOHM, J,0.063W	1	
R8702	D0YAR0000007	M 0.0 OHM, J,0.063W	1	
R8709	D0YAR0000007	M 0.0 OHM, J,0.063W	1	
R8710	ERJ2GEJ680	M 68 OHM, J,0.063W	1	
R8711, 12	ERJ2GEJ103	M 10KOHM, J,0.063W	2	

Ref. No.	Part No.	Part Name & Description	Pcs	Remarks
R8732	ERJ2GEJ101	M 100 OHM, J,0.063W	1	
R8735-39	ERJ2GEJ680	M 68 OHM, J,0.063W	5	
R8742	ERJ2GEJ103	M 10KOHM, J,0.063W	1	
R8745, 46	ERJ2GEJ103	M 10KOHM, J,0.063W	2	
R8749	ERJ2GEJ103	M 10KOHM, J,0.063W	1	
R8802-09	ERJ2GEJ103	M 10KOHM, J,0.063W	8	
R8812	D0YAR0000007	M 0.0 OHM, J,0.063W	1	
R8813	EXB28V221J	RESISTOR ARRAY	1	
R8814-17	ERJ2GEJ680	M 68 OHM, J,0.063W	4	
R8825	ERJ6GEY0R00V	M 0 OHM, 1/10W	1	
R8828	ERJ2GEJ103	M 10KOHM, J,0.063W	1	
R8832	ERJ2GEJ103	M 10KOHM, J,0.063W	1	
R8865-67	EXB28V680J	RESISTOR ARRAY	3	
R8868	ERJ2GEJ680	M 68 OHM, J,0.063W	1	
R8869	ERJ2GEJ103	M 10KOHM, J,0.063W	1	
R8870	D0YAR0000007	M 0.0 OHM, J,0.063W	1	
R8871	ERJ2GEJ103	M 10KOHM, J,0.063W	1	
R8874-76	ERJ2GEJ103	M 10KOHM, J,0.063W	3	
R8877-89	ERJ2GEJ680	M 68 OHM, J,0.063W	13	
R8891, 92	ERJ2GEJ680	M 68 OHM, J,0.063W	2	
R8893	D0YAR0000007	M 0.0 OHM, J,0.063W	1	
R8894	ERJ2GEJ680	M 68 OHM, J,0.063W	1	
R8896, 97	D0YAR0000007	M 0.0 OHM, J,0.063W	2	
R8898, 99	ERJ2GEJ103	M 10KOHM, J,0.063W	2	
R8900, 01	ERJ2GEJ680	M 68 OHM, J,0.063W	2	
R8904-10	ERJ2GEJ103	M 10KOHM, J,0.063W	7	
R8911-18	ERJ2GEJ680	M 68 OHM, J,0.063W	8	
R8919-22	ERJ2GEJ472	M 4.7KOHM, J,0.063W	4	
R8923, 24	ERJ2GEJ562	M 5.6KOHM, J,0.063W	2	
R8925, 26	ERJ2GEJ472	M 4.7KOHM, J,0.063W	2	
R8927	D0YAR0000007	M 0.0 OHM, J,0.063W	1	
R8935	ERJ2GEJ103	M 10KOHM, J,0.063W	1	
R8947	ERJ2GEJ680	M 68 OHM, J,0.063W	1	
R8948	ERJ2GEJ103	M 10KOHM, J,0.063W	1	
R8963	ERJ2GEJ103	M 10KOHM, J,0.063W	1	
R9062-67	ERJ3GEYJ101	M 100 OHM, J,1/16W	6	
R9070	ERJ3GEYJ470	M 47 OHM, J,1/16W	1	
R9099	D0GB103JA057	M 10KOHM, J,1/16W	1	
R9101, 02	D0GB103JA057	M 10KOHM, J,1/16W	2	
R9104, 05	D0GB103JA057	M 10KOHM, J,1/16W	2	
R9107	ERJ3GEYJ332	M 3.3KOHM, J,1/16W	1	
R9108, 09	D0GB103JA057	M 10KOHM, J,1/16W	2	
R9110	ERJ3GEYJ101	M 100 OHM, J,1/16W	1	
R9112	D0GB103JA057	M 10KOHM, J,1/16W	1	
R9113	ERJ3GEYJ100	M 10 OHM, J,1/16W	1	

Ref. No.	Part No.	Part Name & Description	Pcs	Remarks
R9115,16	ERJ3GEYJ101	M 100 OHM, J, 1/16W	2	
R9119	EXB38V470J	RESISTOR ARRAY	1	
R9120	ERJ3GEYJ101	M 100 OHM, J, 1/16W	1	
R9121	ERJ3GEYJ104	M 100KOHM, J, 1/16W	1	
R9122,23	D0GB103JA057	M 10KOHM, J, 1/16W	2	
R9126	D0GB103JA057	M 10KOHM, J, 1/16W	1	
R9127	ERJ3GEYJ683	M 68KOHM, J, 1/16W	1	
R9129	ERJ3GEYJ683	M 68KOHM, J, 1/16W	1	
R9131-33	ERJ3GEYJ472	M 4.7KOHM, J, 1/16W	3	
R9134	ERJ3GEYJ333	M 33KOHM, J, 1/16W	1	
R9135	ERJ3GEYJ472	M 4.7KOHM, J, 1/16W	1	
R9141-45	ERJ3GEYJ101	M 100 OHM, J, 1/16W	5	
R9149	ERJ3GEYJ472	M 4.7KOHM, J, 1/16W	1	
R9150,51	ERJ3GEYJ220	M 22 OHM, J, 1/16W	2	
R9154,55	ERJ3GEYJ562	M 5.6KOHM, J, 1/16W	2	
R9156	D0GB103JA057	M 10KOHM, J, 1/16W	1	
R9158,59	D0GB103JA057	M 10KOHM, J, 1/16W	2	
R9160,61	J0JCC0000100	CHIP INDUCTOR	2	
R9164,65	ERJ3GEYJ222	M 2.2KOHM, J, 1/16W	2	
R9166	D0GB103JA057	M 10KOHM, J, 1/16W	1	
R9167	ERJ3GEYJ101	M 100 OHM, J, 1/16W	1	
R9170-72	D0GB393JA041	M 39KOHM, J, 1/16W	3	
R9173,74	D0GB103JA057	M 10KOHM, J, 1/16W	2	
R9177	ERJ3GEYJ223	M 22KOHM, J, 1/16W	1	
R9181-84	D0GB102JA057	M 1KOHM, J, 1/16W	4	
R9185,86	ERJ3GEYJ220	M 22 OHM, J, 1/16W	2	
R9187,88	ERJ3GEYJ562	M 5.6KOHM, J, 1/16W	2	
R9189,90	D0GB103JA057	M 10KOHM, J, 1/16W	2	
R9193	D0GB103JA057	M 10KOHM, J, 1/16W	1	
R9194	J0JCC0000100	CHIP INDUCTOR	1	
R9196	D0GB103JA057	M 10KOHM, J, 1/16W	1	
R9199	ERJ3GEYJ272	M 2.7KOHM, J, 1/16W	1	
R9200,01	ERJ3GEYJ100	M 10 OHM, J, 1/16W	2	
R9203	D0GB102JA057	M 1KOHM, J, 1/16W	1	
R9205	ERJ3GEYJ472	M 4.7KOHM, J, 1/16W	1	
R9206,07	D0GB102JA057	M 1KOHM, J, 1/16W	2	
R9215	D0GB123JA057	M 12KOHM, J, 1/16W	1	
R9217-22	D0GB103JA057	M 10KOHM, J, 1/16W	6	
R9223	ERJ3GEYJ272	M 2.7KOHM, J, 1/16W	1	
R9225	ERJ3GEYJ272	M 2.7KOHM, J, 1/16W	1	
R9237	D0GB103JA057	M 10KOHM, J, 1/16W	1	
R9240	J0JCC0000100	CHIP INDUCTOR	1	
R9317	ERJ3GEYJ391	M 390 OHM, J, 1/16W	1	
R9347,48	EXB2HV220JV	RESISTOR ARRAY	2	
R9349	EXB2HV470JV	RESISTOR ARRAY	1	
R9350,51	ERJ3GEYJ220	M 22 OHM, J, 1/16W	2	
R9352	EXB2HV220JV	RESISTOR ARRAY	1	
R9354-56	EXB2HV220JV	RESISTOR ARRAY	3	
R9361,62	ERJ3GEYJ220	M 22 OHM, J, 1/16W	2	
R9363	EXB2HV470JV	RESISTOR ARRAY	1	
R9369	ERJ3GEYJ472	M 4.7KOHM, J, 1/16W	1	
R9370	D0GB103JA057	M 10KOHM, J, 1/16W	1	
R9371	ERJ3GEYJ104	M 100KOHM, J, 1/16W	1	
R9379	J0JCC0000100	CHIP INDUCTOR	1	
R9380	ERJ3GEYJ560	M 56 OHM, J, 1/16W	1	
R9383	D0GB102JA057	M 1KOHM, J, 1/16W	1	
R9384,85	ERJ3GEYJ472	M 4.7KOHM, J, 1/16W	2	

Ref. No.	Part No.	Part Name & Description	Pcs	Remarks
R9391	ERJ3GEYJ104	M 100KOHM, J, 1/16W	1	
R9392,93	J0JCC0000100	CHIP INDUCTOR	2	
R9396-99	ERJ3GEYJ220	M 22 OHM, J, 1/16W	4	
R9402	ERJ6GEY0R00V	M 0 OHM, 1/10W	1	
R9403	EXB2HV470JV	RESISTOR ARRAY	1	
R9500	D0GB103JA057	M 10KOHM, J, 1/16W	1	
R9502	D0GB103JA057	M 10KOHM, J, 1/16W	1	
R9503	ERJ3GEYJ470	M 47 OHM, J, 1/16W	1	
R9506	ERJ3GEYJ220	M 22 OHM, J, 1/16W	1	
R9507	J0JCC0000100	CHIP INDUCTOR	1	
R9511-13	ERJ3GEYJ470	M 47 OHM, J, 1/16W	3	
R9516	D0GB103JA057	M 10KOHM, J, 1/16W	1	
R9518	J0JCC0000100	CHIP INDUCTOR	1	
R9523	ERJ3GEYJ472	M 4.7KOHM, J, 1/16W	1	
R9525	D0GB103JA057	M 10KOHM, J, 1/16W	1	
R9526	J0JCC0000100	CHIP INDUCTOR	1	
R9530	D0GB103JA057	M 10KOHM, J, 1/16W	1	
R9531-33	ERJ3GEYJ470	M 47 OHM, J, 1/16W	3	
R9534	EXB38V470J	RESISTOR ARRAY	1	
R9535,36	ERJ3GEYJ470	M 47 OHM, J, 1/16W	2	
R9538,39	D0GB103JA057	M 10KOHM, J, 1/16W	2	
R9541	D0GB103JA057	M 10KOHM, J, 1/16W	1	
R9543,44	D0GB103JA057	M 10KOHM, J, 1/16W	2	
R9545	ERJ3GEYJ304	M 300KOHM, J, 1/16W	1	
R9548-50	D0GB103JA057	M 10KOHM, J, 1/16W	3	
R9552	D0GB103JA057	M 10KOHM, J, 1/16W	1	
R9553,54	J0JCC0000100	CHIP INDUCTOR	2	
R9557,58	J0JCC0000100	CHIP INDUCTOR	2	
R9561	EXB38V222J	RESISTOR ARRAY	1	
R9562	ERJ3GEYJ470	M 47 OHM, J, 1/16W	1	
R9563-66	EXB2HV470JV	RESISTOR ARRAY	4	
R9567	D0GB103JA057	M 10KOHM, J, 1/16W	1	
R9569	J0JCC0000100	CHIP INDUCTOR	1	
R9824-27	ERJ3GEYJ101	M 100 OHM, J, 1/16W	4	
R9828	ERJ3GEYJ104	M 100KOHM, J, 1/16W	1	
R9839	EXB38V101JV	RESISTOR ARRAY	1	
R9840	ERJ3GEYJ220	M 22 OHM, J, 1/16W	1	
R9845	D0GB103JA057	M 10KOHM, J, 1/16W	1	
R9846,47	EXB2HV222JV	RESISTOR ARRAY	2	
R9848,49	EXB2HV470JV	RESISTOR ARRAY	2	
R9850	D0GB473JA057	M 47KOHM, J, 1/16W	1	
R9854	ERJ3GEYJ101	M 100 OHM, J, 1/16W	1	
R9859	EXB38V101JV	RESISTOR ARRAY	1	
R9861-63	D0GB103JA057	M 10KOHM, J, 1/16W	3	
R9868	ERJ3GEYJ104	M 100KOHM, J, 1/16W	1	
R9869-71	D0GB103JA057	M 10KOHM, J, 1/16W	3	
R9872	J0JCC0000100	CHIP INDUCTOR	1	
R9874	J0JCC0000100	CHIP INDUCTOR	1	
R9878	ERJ3EKF1102	M 11KOHM, 1/16W	1	
R9879	ERJ3EKF1302	M 13KOHM, 1/16W	1	
R9886,87	ERJ3EKF5602	M 56KOHM, 1/16W	2	
R9888	ERJ3EKF1102	M 11KOHM, 1/16W	1	
R9889	ERJ3EKF1742	M17.2KOHM, 1/16W	1	
R9890	ERJ3EKF4752	M47.5KOHM, 1/16W	1	
R9891	ERJ3EKF1272	M12.7KOHM, 1/16W	1	
R9892	ERJ3GEYJ104	M 100KOHM, J, 1/16W	1	
R9893	ERJ3EKF5602	M 56KOHM, 1/16W	1	
R9894	ERJ3EKF1102	M 11KOHM, 1/16W	1	
R9895	ERJ3GEYJ104	M 100KOHM, J, 1/16W	1	
R9896	ERJ3EKF1822	M18.2KOHM, 1/16W	1	
R9897	ERJ3EKF4752	M47.5KOHM, 1/16W	1	
R9901,02	J0JCC0000100	CHIP INDUCTOR	2	
R9903	EXB2HV470JV	RESISTOR ARRAY	1	
R9904	ERJ3GEYJ470	M 47 OHM, J, 1/16W	1	
R9905	ERJ3GEYJ330	M 33 OHM, J, 1/16W	1	
R9906	EXB38V470J	RESISTOR ARRAY	1	

Ref. No.	Part No.	Part Name & Description	Pcs	Remarks
R9907	D0GB151JA057	M 150 OHM,J,1/16W	1	
R9908-11	J0JCC0000100	CHIP INDUCTOR	4	
R9912	D0GB103JA057	M 10KOHM,J,1/16W	1	
R9915-18	J0JCC0000100	CHIP INDUCTOR	4	
R9919	D0GB102JA057	M 1KOHM,J,1/16W	1	
R9922	J0JCC0000100	CHIP INDUCTOR	1	
R9928,29	J0JCC0000100	CHIP INDUCTOR	2	
R9936-39	ERJ3EKF1001	M 1KOHM, 1/16W	4	
R9940	ERJ3GEYJ330	M 33 OHM,J,1/16W	1	
R9941,42	ERJ3GEYJ470	M 47 OHM,J,1/16W	2	
R9943-51	EXB38V470J	RESISTOR ARRAY	9	
R9952-55	ERJ3GEYJ470	M 47 OHM,J,1/16W	4	
R9956	D0GB103JA057	M 10KOHM,J,1/16W	1	
R9960	J0JCC0000100	CHIP INDUCTOR	1	
R9961	D0GB103JA057	M 10KOHM,J,1/16W	1	
RM2510	PNA4701M05TV	REMOCON RECEIVER	1	
S1	K1KA03BA0061	3P CONNECTOR	1	
SC2	K1KA02A00676	2P CONNECTOR	1	
SC20	K1KY30AA0369	30P CONNECTOR	1	
SC30	K1KA10AA0191	10P CONNECTOR	1	
SC41,42	K1ML80B00001	80P CONNECTOR	2	
SC45,46	K1KA09A00239	9P CONNECTOR	2	
SCMM1,M2	TMME260	CLAMPER	2	
SD1-D4	K1MN96B00005	96P CONNECTOR	4	
SD46	K1KB09AA0213	9P CONNECTOR	1	
SS11	K1KA02A00676	2P CONNECTOR	1	
SS12	K1KA10AA0194	10P CONNECTOR	1	
SS23	K1KA12AA0194	12P CONNECTOR	1	
SS34	K1KA03AA0193	3P CONNECTOR	1	
SS53A-6A	K1MN13BA0258	13P CONNECTOR	4	
SU1-U4	K1MN96B00005	96P CONNECTOR	4	
SU45	K1KB09AA0213	9P CONNECTOR	1	
SW2500	K0F162B00002	SWITCH	1	△
SW3751-55	EVQ11G05R	SWITCH	5	
T6602	ETS25AZ169AD	SWITCHING TRANS	1	
TU3200A	ENGF9701GF	TUNER	1	△
TU8301	ENV77M05D8F	TUNER	1	PX7A △
VR6000	EVMEASA00B14	CONTROL 10KOHMB 0.3W	1	
VR6600	EVMEASA00B13	CONTROL 1KOHMB 0.3W	1	
VR6602	EVMEASA00B53	CONTROL 5KOHMB 0.3W	1	
X1100	H0J100500035	CRYSTAL	1	
X2010	H0J245500082	CRYSTAL	1	
X4500	H0J270500113	CRYSTAL	1	
X8001	H0J270500061	CRYSTAL	1	
X8301	H0J204500006	CRYSTAL	1	PX7A
X9000	H2D100500004	CRYSTAL	1	
X9200	H0J200500038	CRYSTAL	1	
ZA0002-08	K4AZ01D00004	TERMINAL	7	
ZA6001,02	K4CD01000011	AV TERMINAL	2	
ZA6005	K4CD01000011	AV TERMINAL	1	
ZA6401-03	K4CD01000011	AV TERMINAL	3	
ZA7101-04	K4AD01Z00001	TERMINAL	4	
ZA7201-04	K4AD01Z00001	TERMINAL	4	
ZA9001	K4CD01000011	AV TERMINAL	1	
C404	F0CZZ445A097	E 0.044UF, 200V	1	

Ref. No.	Part No.	Part Name & Description	Pcs	Remarks
C406	F1E2J4730001	C 0.047PF, , 600V	1	
C407	F2B2W220A032	C 22UF, 450V	1	△
C408	ECJ1VB1H102K	C 1000PF, K, 50V	1	
C410	F1J1E105A080	E 1 UF 25V	1	
C413	ECJ1VB1E104K	C 0.10UF, K, 25V	1	
C420	F1J1E105A080	E 1 UF 25V	1	
C421	ECJ1VB1E104K	C 0.10UF, K, 25V	1	
C423	ECJ1VB1H472K	C 4700PF, K, 50V	1	
C425	F1J1E105A080	E 1 UF 25V	1	
C426	ECJ1VC1H471J	C 470PF, J, 50V	1	
C427	F1H1C105A071	C 1UF, K, 16V	1	
C428	ECJ1XC1H221J	C 220PF, J, 50V	1	
C429	F1E2J4730001	C 0.047PF, , 600V	1	
C431	ECJ1VB1H102K	C 1000PF, K, 50V	1	
C432,33	F1H1C105A071	C 1UF, K, 16V	2	
C435	ECJ1XC1H101J	C 100PF, J, 50V	1	
C436	F1H1C105A071	C 1UF, K, 16V	1	
C437	ECJ1VB1H103K	C 0.001UF, K, 50V	1	
C443,44	ECKD3A102KBP	C 1000PF, K, 1KV	2	
C445	F1H1C105A071	C 1UF, K, 16V	1	
C446	F2B2W3910010	C 390UF, 450V	1	△
C450	ECJ1VB1H103K	C 0.001UF, K, 50V	1	
C451	ECKD3A101KBP	C 100PF, K, 1KV	1	
C457	ECWH12333RHV	P 0.013UF,J,1.2KV	1	
C462	F1J1E105A080	E 1 UF 25V	1	
C463	F1H1H2200008	E 22UF, 50V	1	
C467	F1BAF221A107	C 220UF, 250V	1	△
C468	ECJ1VB1H103K	C 0.001UF, K, 50V	1	
C469	F1BAF221A107	C 220UF, 250V	1	△
C470	F0CAF335A080	C 0.033UF, 250V	1	△
C472	F1BAF221A107	C 220UF, 250V	1	△
C474,75	F1BAF221A107	C 220UF, 250V	2	△
C478	F1BAF221A107	C 220UF, 250V	1	△
C492	ECA1HM100	E 10UF, 50V	1	
C493	ECA1HM470	E 47UF, 50V	1	
C493	F2A1H4700057	E 47UF, 50V	1	
C497	F2A1H4700057	E 47UF, 50V	1	
C501,02	ECJ1VB1H103K	C 0.001UF, K, 50V	2	
C504	F1H1C105A071	C 1UF, K, 16V	1	
C505	ECJ1VB1H102K	C 1000PF, K, 50V	1	
C506	ECJ1VB1H103K	C 0.001UF, K, 50V	1	
C507	ECJ1VB1E104K	C 0.10UF, K, 25V	1	
C509	ECA1EHG101	E 100UF, 25V	1	
C511	ECJ1VB1H102K	C 1000PF, K, 50V	1	
C515	F2A1A1220015	E 1200UF, 10V	1	
C516	ECJ1VB1C474K	C 0.47UF,K, 16V	1	
C517	F2A1E221A096	E 220UF, 25V	1	
C518,19	F1H1C105A071	C 1UF, K, 16V	2	
C520	F0C2E683A160	E 0.068UF, 250V	1	
C521	ECJ1VB1H103K	C 0.001UF, K, 50V	1	
C522	F1E2E1030002	C 0.010PF, , 600V	1	
C523	F1J1E105A080	E 1 UF 25V	1	
C526	ECJ1VB1H223K	C 0.22UF, K, 50V	1	
C528	ECJ1VB1H102K	C 1000PF, K, 50V	1	
C529	ECJ2FB1C475K	C 47UF, K, 16V	1	
C530	ECJ1VB1E333K	C 0.033UF, K, 25V	1	
C531	ECJ1VB1E104K	C 0.10UF, K, 25V	1	
C534	F1H1H471A792	E 470UF, 50V	1	
C546,47	ECJ1VB1H102K	C 1000PF, K, 50V	2	
C552	ECJ1VB1E104K	C 0.10UF, K, 25V	1	
C554	F1H1C105A071	C 1UF, K, 16V	1	
C555	F2A2C4710003	E 470UF, 160V	1	△
C556	F2A1E3320039	E 3300PF, 25V	1	
C558	F2A1E4710065	E 470UF, 25V	1	

Ref. No.	Part No.	Part Name & Description	Pcs	Remarks
C559	F2A1A1020084	E 1000UF, 10V	1	
C562	F1H1H223A219	E 0.022UF, 50V	1	
C571	ECJ1VC1H330J	C 33PF, J, 50V	1	
C574	ECJ1VB1E104K	C 0.10UF, K, 25V	1	
C577	F2A2A330A022	E 33UF, 100V	1	△
C581	ECJ2VB1H223K	C 0.022UF, K, 50V	1	
C583	ECJ1VB1H102K	C 1000PF, K, 50V	1	
C584	ECJ2VB1H223K	C 0.022UF, K, 50V	1	
C585	F1H1H223A219	E 0.022UF, 50V	1	
C587	ECJ1VB1H332K	C 3300PF, K, 50V	1	
C590	ECJ1XB1H104K	C 10PF, J, 50V	1	
C601	ECJ1VB1H103K	C 0.001UF, K, 50V	1	
C603	FLJ1E105A080	E 1 UF 25V	1	
C604,05	F2A2D1510008	E 150UF, 200V	2	△
C607	F1H1C105A071	C 1UF, K, 16V	1	
C610	FLJ1E105A080	E 1 UF 25V	1	
C611	F2B2T1420003	E 142UF, 220V	1	△
C612	ECJ1VB1H103K	C 0.001UF, K, 50V	1	
C616	ECKD3A102KBP	C 1000PF, K, 1KV	1	
C619	F1H1C105A071	C 1UF, K, 16V	1	
C620	FLJ1E105A080	E 1 UF 25V	1	
C623	ECA1HM100	E 10UF, 50V	1	
C624	ECJ1VB1H103K	C 0.001UF, K, 50V	1	
C625	F2A1H1000083	E 10UF, 50V	1	
C626	ECJ1VB1H103K	C 0.001UF, K, 50V	1	
C627	ECJ1VB1H102K	C 1000PF, K, 50V	1	
C630,31	ECJ1VB1H103K	C 0.001UF, K, 50V	2	
C632	ECJ2XC1H330J	C 33PF, J, 50V	1	
C639	ECJ1VB1H103K	C 0.001UF, K, 50V	1	
C640	ECJ1VC1H330J	C 33PF, J, 50V	1	
C641	ECJ1VB1H102K	C 1000PF, K, 50V	1	
C650,51	ECJ1VB1E104K	C 0.10UF, K, 25V	2	
C653	ECJ1VB1H102K	C 1000PF, K, 50V	1	
C657	ECJ1VB1H102K	C 1000PF, K, 50V	1	
C658	FLJ1E105A080	E 1 UF 25V	1	
C660	ECJ2FB1C225K	C 22UF, K, 16V	1	
C661	ECJ1VB1H103K	C 0.001UF, K, 50V	1	
C662	ECJ2VB1H103K	C 0.01UF, K, 50V	1	
C665	ECJ1XC1H101J	C 100PF, J, 50V	1	
C666	ECJ1VB1H103K	C 0.001UF, K, 50V	1	
C667,68	ECJ1VB1H102K	C 1000PF, K, 50V	2	
C670	ECJ1VB1E104K	C 0.10UF, K, 25V	1	
C671	ECJ2VB1E104K	C 0.1UF, K, 25V	1	
C672	ECJ1VB1E104K	C 0.10UF, K, 25V	1	
C673	F1E2J4730001	C 0.047PF, , 600V	1	
D401	BOFBTT000008	DIODE	1	△
D404	BOEBKT000007	DIODE	1	△
D407,08	BOACDJ000010	DIODE	2	
D411	BOBB17000009	DIODE	1	
D415	BOJAME000099	DIODE	1	
D416	BOHAMP000067	DIODE	1	
D417	BOEAMR000009	DIODE	1	
D418	BOBC8R100013	ZENER DIODE	1	
D419,20	BOEAMR000009	DIODE	2	
D423	MA188	DIODE	1	
D425	MA188	DIODE	1	
D429	BOEAKT000048	DIODE	1	
D431	BOJCDD000002	DIODE	1	
D433	BOBC01400033	ZENER DIODE	1	
D435	BOEAKT000048	DIODE	1	
D436	BOAACK000004	DIODE	1	
D436	MA165TA5	DIODE	1	
D438	BOBC02000014	ZENER DIODE	1	

Ref. No.	Part No.	Part Name & Description	Pcs	Remarks
D439	BOEAKT000048	DIODE	1	
D441	BOHAMM000122	DIODE	1	
D444	BOHAMM000122	DIODE	1	
D445	MTZJ10B	ZENER DIODE	1	
D450	MA188	DIODE	1	
D501	BOEAMR000010	DIODE	1	
D503	BOAACK000004	DIODE	1	
D503	MA165TA5	DIODE	1	
D504	BOAACK000004	DIODE	1	
D504	MA165TA5	DIODE	1	
D506	BOACDJ000010	DIODE	1	
D507,08	BOBC7R400023	ZENER DIODE	2	
D509	BOJANG000018	DIODE	1	
D511	BOJAML000011	DIODE	1	
D512	BOACDJ000010	DIODE	1	
D516-18	BOBA03300004	ZENER DIODE	3	
D520	BOACDJ000010	DIODE	1	
D521	BOJAME000099	DIODE	1	
D522,23	BOJCDD000002	DIODE	2	
D524	BOAACK000004	DIODE	1	
D524	MA165TA5	DIODE	1	
D531	BOHBSN000013	DIODE	1	
D535	MA188	DIODE	1	
D536	BOJBSG000026	DIODE	1	
D538	BOBC5R100039	ZENER DIODE	1	
D539,40	BOHARR000019	DIODE	2	
D543	BOBC01400033	ZENER DIODE	1	
D544,45	BOBA02100001	ZENER DIODE	2	
D546	BOBA02800001	ZENER DIODE	1	
D549	BOBC02500008	ZENER DIODE	1	
D569,70	BOBA05100010	ZENER DIODE	2	
D579	BOAACK000004	DIODE	1	
D582	MAZ705600F	ZENER DIODE	1	
D584	MAZ706200F	ZENER DIODE	1	
D586	BOHAMP000067	DIODE	1	
D598	BOBC5R100039	ZENER DIODE	1	
D599	BOJCND000009	DIODE	1	
D600	BOBC7R400023	ZENER DIODE	1	
D601	BOBC5R100039	ZENER DIODE	1	
D602	BOBC8R100013	ZENER DIODE	1	
D603	BOBA01900005	ZENER DIODE	1	
D701,02	BOBC5R100039	ZENER DIODE	2	
D703	BOEAKT000048	DIODE	1	
F403	K5G631B00007	FUSE	1	△
IC401	CNC1S171R	IC	1	△
IC403	CNC1S171R	IC	1	△
IC406	C0DBZZZ00082	IC	1	
IC408	B3PBA0000459	IC	1	△
IC409	MIP3E30MPSCF	IC	1	△
IC411	C0DAEMZ00001	IC	1	
IC412	CNC1S171R	IC	1	△
IC501	C2ABDB000114	IC	1	
IC502	C0EBH0000210	IC	1	
IC504	C0DAEMZ00001	IC	1	
IC505	B3PBA0000459	IC	1	△
IC506	C0DAEMZ00001	IC	1	
IC507	B3PBA0000459	IC	1	△
IC508	C0DAEMZ00001	IC	1	
IC509	C0BBAA000039	IC	1	
IC510	C0DBAZG00034	IC	1	
IC511-13	C0DAEMZ00001	IC	3	
IC520	C9ZB00000561	IC	1	
J410	DOXR0000056	M 0 OHM,J,1/10W	1	
L403	EXCELSA35	BEAD CHOKE	1	
L404,05	G0B123K00004	CHOKE COIL	2	△
L406	J0JCC0000004	CHIP INDUCTOR	1	
L410	G0B353D00002	CHOKE COIL	1	△
L511	G0A470ZA0035	CHOKE COIL	1	
L512	G0C4R7JA0021	PEAKING COIL	1	

Ref. No.	Part No.	Part Name & Description	Pcs	Remarks
L514	G0A100GA0013	CHOKE COIL	1	
L515	J0JKB0000037	FLAT CORE	1	
L518	J0JCC0000004	CHIP INDUCTOR	1	
P2	K1KA02A00626	2P CONNECTOR	1	
P6	K1KA12AA0191	12P CONNECTOR	1	
P7	K1KA11AA0191	11P CONNECTOR	1	
P9	K1KA03A00537	3P CONNECTOR	1	
P11	K1KA02A00626	2P CONNECTOR	1	
P12	K1KA08A00514	8P CONNECTOR	1	
P25	K1KA13AA0194	13P CONNECTOR	1	
PMM1	TMME047	CLAMPER	1	
PMM2,M3	TMM7464-2	CLAMPER	2	
PMM5	TMM7464-2	CLAMPER	1	
PMM6-M8	TMME260	CLAMPER	3	
PR401	K5Y502BA0001	FUSE	1	△
PR402	ERBSE0R50U	FUSE	1	△
PR501	ERBSE0R50U	FUSE	1	△
PR505	ERBSE5R00U	FUSE	1	△
PR509	ERBSE0R50U	FUSE	1	△
PR601	K5G312B00012	FUSE	1	△
Q401	B1CHND000004	TRANSISTOR	1	
Q402	B1CBGD000001	FET	1	
Q404	B1BCCF000022	TRANSISTOR	1	
Q406	B1DEKQ000003	TRANSISTOR	1	△
Q407	B1HFCFA00021	TRANSISTOR	1	
Q408,09	B1DHCD000034	TRANSISTOR	2	
Q410	2SD1819ARL	TRANSISTOR	1	
Q411	B1HFCFA00021	TRANSISTOR	1	
Q412,13	B1DEGQ000070	TRANSISTOR	2	△
Q420	2SD1819ARL	TRANSISTOR	1	
Q422	B1CBGD000001	FET	1	
Q501,02	2SD1820A0L	TRANSISTOR	2	
Q507	B1DAGQ000013	TRANSISTOR	1	
Q508	B1HBCFA00033	TRANSISTOR	1	
Q509	B1HDCEA00001	TRANSISTOR	1	
Q510	B1DFDD000019	TRANSISTOR	1	
Q517	B1HBCFA00033	TRANSISTOR	1	
Q520	B1HBCFA00033	TRANSISTOR	1	
Q521	B1CBGD000001	FET	1	
Q524	B1CFGF000008	TRANSISTOR	1	
Q525	B1CBGD000001	FET	1	
Q527	B1CERM000012	FET	1	
Q530	B1ADCF000111	TRANSISTOR	1	
Q535	2SD1819ARL	TRANSISTOR	1	
Q537	B1DFDD000019	TRANSISTOR	1	
Q538	B1CBGD000001	FET	1	
Q540	B1DFDD000019	TRANSISTOR	1	
Q541	B1CBGD000001	FET	1	
Q553	2SD1819ARL	TRANSISTOR	1	
Q554	B1CHND000004	TRANSISTOR	1	
Q555,56	B1CFRD000018	FET	2	
Q563	2SD1819ARL	TRANSISTOR	1	
Q564,65	B1ADCF000111	TRANSISTOR	2	
Q566	2SD1819ARL	TRANSISTOR	1	
Q569	B1CBGD000001	FET	1	
R401	ERJ6GEYG103	M 10KOHM,J,1/10W	1	
R402	ERJ6GEYG821	M 820 OHM,J,1/10W	1	
R403	ERJ6GEYG105	M 1MOHM,J,1/10W	1	
R404	ERJ6GEYG153	M 15KOHM,J,1/10W	1	
R405	D0B1825JA033	M1.22MOHM,J,0.05 W	1	△
R406	ERX12SJ4R7	M 4.7 OHM, J,1/2W	1	
R407	D1AB2203A023	CHIP RESISTOR	1	
R408	ERJ6GEYF472	M 4.7KOHM,F,1/10W	1	
R409	ERJ6GEYG102	M 1KOHM,J,1/10W	1	
R410	D1AB2203A023	CHIP RESISTOR	1	

Ref. No.	Part No.	Part Name & Description	Pcs	Remarks
R411	ERF5TJ100	W 10 OHM, J, 5W	1	△
R414	ERJ8GEYJ153	M 15KOHM, J,1/8W	1	
R415	D1AB2203A023	CHIP RESISTOR	1	
R417	D1AB4303A023	CHIP RESISTOR	1	
R418	ERJ6GEYJ6R8V	M 6.8 OHM,J,1/10W	1	
R419	ERJ6GEYG104	M 100KOHM,J,1/10W	1	
R421	ERJ6GEYF333	M 33KOHM,J,1/10W	1	
R422	ERJ6GEYF472	M 4.7KOHM,F,1/10W	1	
R423	ERJ6GEYG221	M 220 OHM,J,1/10W	1	
R424	ERJ6GEYJ223	M 22KOHM,J,1/10W	1	
R425	ERJ6ENF1802	M 18KOHM, 1/10W	1	
R426	ERJ6GEYG103	M 10KOHM,J,1/10W	1	
R428	ERJ6GEYG103	M 10KOHM,J,1/10W	1	
R429	ERJ6GEYJ4R7	M 4.7 OHM,J,1/10W	1	
R430	D1AB4303A023	CHIP RESISTOR	1	
R431	ERJ6GEYG103	M 10KOHM,J,1/10W	1	
R432	D1AB4303A023	CHIP RESISTOR	1	
R433	ERJ6RBD123V	M 12KOHM, 1/10W	1	
R436	ERJ8GEYJ153	M 15KOHM, J,1/8W	1	
R437	ERJ6GEYG183	M 18KOHM, J,1/10W	1	
R438	ERJ6GEYG331	M 330 OHM,G,1/10W	1	
R439	ERG12SJ120	M 12 OHM, J,1/2W	1	
R440	ERJ8GEYJ474	M 470KOHM, J,1/8W	1	
R441,42	D1AB6803A023	CHIP RESISTOR	2	
R443	EVMAASA00B23	CONTROL 2KOHMB	1	
R444	ERJ6GEYF123	M 12KOHM,J,1/10W	1	
R445	D1AB6803A023	CHIP RESISTOR	1	
R448,49	D0XGR10J0003	M 0.10OHM,J, 5W	2	
R450	ERJ6GEYJ4R7	M 4.7 OHM,J,1/10W	1	
R451	ERJ6GEYF333	M 33KOHM,J,1/10W	1	
R452	ERJ6GEYG103	M 10KOHM,J,1/10W	1	
R454	ERJ6GEYG103	M 10KOHM,J,1/10W	1	
R455	ERJ6GEYF123	M 12KOHM,J,1/10W	1	
R456	ERJ6GEYF333	M 33KOHM,J,1/10W	1	
R458	ERJ6GEYF472	M 4.7KOHM,F,1/10W	1	
R460	ERDS2TC0	C 0 OHM, 1/4W	1	
R461	ERJ6GEYG103	M 10KOHM,J,1/10W	1	
R463	ERJ6GEYF333	M 33KOHM,J,1/10W	1	
R464	ERJ6ENF3302	M 33KOHM, 1/10W	1	
R467	ERJ6GEYG102	M 1KOHM, J,1/10W	1	
R468,69	ERX12SJ1R0	M 0.1 OHM, J,1/2W	2	
R471	ERJ8GEYJ332	M 3.3KOHM, J,1/8W	1	
R472-74	D1AB5603A023	CHIP RESISTOR	3	
R476,77	ERJ14YJ181	M 181 OHM, J,1/4W	2	
R478	ERJ8GEYJ220	M 22 OHM, J,1/8W	1	
R482	ERJ8GEYJ220	M 22 OHM, J,1/8W	1	
R483	D0BF334JA030	CHIP RESISTOR	1	△
R484	ERJ6GEYF473	M 47KOHM,J,1/10W	1	
R485	ERJ6GEYF472	M 4.7KOHM,F,1/10W	1	
R488	ERJ6GEYG104	M 100KOHM,J,1/10W	1	
R490	ERJ6GEYG103	M 10KOHM,J,1/10W	1	
R491	ERJ6GEYG821	M 820 OHM,J,1/10W	1	
R493	ERG12SJ120	M 12 OHM, J,1/2W	1	
R498	ERG3SJ101	M 100 OHM, J, 3W	1	
R500	ERJ6GEYJ224	M 220KOHM,J,1/10W	1	
R501	ERJ6GEYG154	M 150KOHM,J,1/10W	1	
R502,03	ERJ6GEYJ224	M 220KOHM,J,1/10W	2	
R505	ERJ8GEYJ330	M 33 OHM, J,1/8W	1	

Ref. No.	Part No.	Part Name & Description	Pcs	Remarks
R507	ERJ6GEYG221	M 220 OHM, J, 1/10W	1	
R508	ERJ6GEYG182	M 1.8KOHM, J, 1/10W	1	
R510	ERJ8GEY0R00	M 0 OHM, 1/8W	1	
R512	ERJ6GEYG823	M 82KOHM, J, 1/10W	1	
R513	ERJ6GEYG332	M 3.3KOHM, J, 1/10W	1	
R514	ERJ6GEYG104	M 100KOHM, J, 1/10W	1	
R518	ERJ6GEYG102	M 1KOHM, J, 1/10W	1	
R519	ERJ6GEYG104	M 100KOHM, J, 1/10W	1	
R520	ERJ6GEYJ101V	M 100 OHM, J, 1/10W	1	
R523	ERJ6GEYF473	M 47KOHM, J, 1/10W	1	
R524	ERJ6GEYG102	M 1KOHM, J, 1/10W	1	
R526, 27	ERJ6ENF1803	M 180KOHM, 1/10W	2	
R528	ERJ6GEYJ4R7	M 4.7 OHM, J, 1/10W	1	
R529	ERJ6GEYJ101V	M 100 OHM, J, 1/10W	1	
R530, 31	ERJ6RBD333	M 33KOHM, J, 1/10W	2	
R532	ERJ6GEYG102	M 1KOHM, J, 1/10W	1	
R533	ERJ6ENF1803	M 180KOHM, 1/10W	1	
R534	ERJ6ENF8201	M 8.2KOHM, 1/10W	1	
R537	ERJ6ENF1003	M 100KOHM, 1/10W	1	
R538	ERJ6GEYG104	M 100KOHM, J, 1/10W	1	
R539	ERJ6GEYG103	M 10KOHM, J, 1/10W	1	
R540, 41	ERJ6GEYG105	M 1MOHM, J, 1/10W	2	
R542	ER0S2CKF2202	M 22KOHM, F, 1/4W	1	
R543	ERJ6ENF3902	M 39KOHM, 1/10W	1	
R545	ERJ6GEYG102	M 1KOHM, J, 1/10W	1	
R546	ERJ6GEYG104	M 100KOHM, J, 1/10W	1	
R547	ERJ6GEYJ101V	M 100 OHM, J, 1/10W	1	
R550	ERJ6GEYG102	M 1KOHM, J, 1/10W	1	
R551	ERJ6GEYF151	M 150 OHM, F, 1/10W	1	
R553	ERJ6GEYJ101V	M 100 OHM, J, 1/10W	1	
R555	ERJ6GEYG102	M 1KOHM, J, 1/10W	1	
R556	ERJ6GEYG105	M 1MOHM, J, 1/10W	1	
R557, 58	ERJ6GEYJ101V	M 100 OHM, J, 1/10W	2	
R559	ERJ6ENF8201	M 8.2KOHM, 1/10W	1	
R560	ERJ6ENF9101	M 9.1KOHM, 1/10W	1	
R561	ERJ6ENF5101	M 5.1KOHM, 1/10W	1	
R562	ERJ6ENF4701	M 4.7KOHM, 1/10W	1	
R563	ERJ6GEYJ2R2	M 2.2 OHM, J, 1/10W	1	
R564	ERJ6GEYG104	M 100KOHM, J, 1/10W	1	
R565, 66	ERJ6GEYG105	M 1MOHM, J, 1/10W	2	
R567, 68	ERJ8GEYJ105	M 1MOHM, J, 1/8W	2	
R569	ERJ6ENF3302	M 33KOHM, 1/10W	1	
R570	ERJ6GEYG104	M 100KOHM, J, 1/10W	1	
R571	ERJ6GEYG105	M 1MOHM, J, 1/10W	1	
R572, 73	ERJ6GEYG102	M 1KOHM, J, 1/10W	2	
R574	ERJ6GEYG331	M 330 OHM, G, 1/10W	1	
R576	ERJ6RBD123V	M 12KOHM, 1/10W	1	
R579	ERJ6GEYG103	M 10KOHM, J, 1/10W	1	
R581	ERJ6GEYF473	M 47KOHM, J, 1/10W	1	
R582	ERJ6ENF1002	M 10KOHM, 1/10W	1	
R584	ERJ6GEYG103	M 10KOHM, J, 1/10W	1	
R585	ERJ6GEYF333	M 33KOHM, J, 1/10W	1	
R586	ERJ6GEYJ223	M 22KOHM, J, 1/10W	1	
R587	ERJ8RSJR16V	M 16 OHM, 1/8W	1	
R592	ERJ6GEYJ223	M 22KOHM, J, 1/10W	1	
R593	ERJ6GEYG104	M 100KOHM, J, 1/10W	1	
R594	ERJ6GEYF151	M 150 OHM, F, 1/10W	1	

Ref. No.	Part No.	Part Name & Description	Pcs	Remarks
R595	ERJ6GEYG221	M 220 OHM, J, 1/10W	1	
R596	ERJ6GEYJ101V	M 100 OHM, J, 1/10W	1	
R597, 98	ERJ6ENF3302	M 33KOHM, 1/10W	2	
R599, 00	ERJ8ENF3900	M 390 OHM, 1/8W	2	
R601	ERJ6GEYJ471	M 470 OHM, J, 1/10W	1	
R603	ERJ6GEYJ101V	M 100 OHM, J, 1/10W	1	
R604	ERJ6RBD303	M 30KOHM, J, 1/10W	1	
R605	ERJ6GEYG103	M 10KOHM, J, 1/10W	1	
R606	ERJ6ENF1201	M 1.2KOHM, 1/10W	1	
R607	ERJ6ENF2202	M 2.2KOHM, 1/10W	1	
R608	ERJ8GEYJ332	M 3.3KOHM, J, 1/8W	1	
R609	ERJ6GEYG102	M 1KOHM, J, 1/10W	1	
R610	ERJ6GEYG222	M 2.2KOHM, J, 1/10W	1	
R611	ERDS2FJ101	C 100 OHM, J, 1/4W	1	
R612	ERJ6GEYG222	M 2.2KOHM, J, 1/10W	1	
R613	ERJ6ENF2402	M 24KOHM, 1/10W	1	
R614	ERJ6ENF3301	M 3.3KOHM, 1/10W	1	
R616, 17	ERJ6GEYJ223	M 22KOHM, J, 1/10W	2	
R618	ERJ6GEYG104	M 100KOHM, J, 1/10W	1	
R619	ERJ8RQFR39	M 0.39OHM, J, 1/8W	1	
R620	ERJ6GEYG102	M 1KOHM, J, 1/10W	1	
R622	ERJ6ENF1603	M 160KOHM, 1/10W	1	
R624	ERX2SJR22P	M 0.22 OHM, J, 2W	1	
R625	ERJ6GEYF472	M 4.7KOHM, F, 1/10W	1	
R626	ERJ6ENF1603	M 160KOHM, 1/10W	1	
R627	ERJ6GEYJ752	M 7.5KOHM, J, 1/10W	1	
R628	EVMAASA00B33	CONTROL 3KOHMB	1	
R629	ERJ6GEYG105	M 1MOHM, J, 1/10W	1	
R630	ERJ6GEYF472	M 4.7KOHM, F, 1/10W	1	
R631	ERJ8GEYJ333	M 33KOHM, J, 1/8W	1	
R632	ERJ6GEYG221	M 220 OHM, J, 1/10W	1	
R633	ERJ6GEYG105	M 1MOHM, J, 1/10W	1	
R634	ERJ8RQFR39	M 0.39OHM, J, 1/8W	1	
R635	ERJ6GEYG103	M 10KOHM, J, 1/10W	1	
R636	ERJ6ENF1603	M 160KOHM, 1/10W	1	
R637	ERJ8RQFR39	M 0.39OHM, J, 1/8W	1	
R639, 40	ERJ8RQFR39	M 0.39OHM, J, 1/8W	2	
R641	ERJ6GEYF473	M 47KOHM, J, 1/10W	1	
R642-44	ERJ8RQFR39	M 0.39OHM, J, 1/8W	3	
R645	ERJ6GEYJ101V	M 100 OHM, J, 1/10W	1	
R646, 47	ERJ14YJ330	M 33 OHM, J, 1/4W	2	
R648	ERJ6ENF1603	M 160KOHM, 1/10W	1	
R649	ERJ6GEYJ223	M 22KOHM, J, 1/10W	1	
R650	ERJ6GEYG103	M 10KOHM, J, 1/10W	1	
R651	ERJ6ENF1002	M 10KOHM, 1/10W	1	
R652	ERJ6GEYF123	M 12KOHM, J, 1/10W	1	
R653	ERJ6ENF3302	M 33KOHM, 1/10W	1	
R654	ERJ6GEYJ223	M 22KOHM, J, 1/10W	1	
R655	ERJ8RSJR16V	M 16 OHM, 1/8W	1	
R656	ERJ6ENF1803	M 180KOHM, 1/10W	1	
R657	ERJ6GEYF561	M 560 OHM, F, 1/10W	1	
R658	ERJ6GEYG105	M 1MOHM, J, 1/10W	1	
R659	ERJ6RBD303	M 30KOHM, J, 1/10W	1	
R660	ERJ6RBD123V	M 12KOHM, 1/10W	1	
R661	EVMAASA00B53	CONTROL 5KOHMB	1	
R662	ERJ6ENF1503	M 150KOHM, 1/10W	1	
R664	ERJ6ENF9101	M 9.1KOHM, 1/10W	1	

Ref. No.	Part No.	Part Name & Description	Pcs	Remarks
R665	EVMAASA00B23	CONTROL 2KOHMB	1	
R669	ERJ6ENF1503	M 150KOHM, 1/10W	1	
R670	ERJ6GEYG102	M 1KOHM, J, 1/10W	1	
R671	ERJ6RBD751	M 750 OHM, J, 1/10W	1	
R672, 73	ERJ6GEYG102	M 1KOHM, J, 1/10W	2	
R674	ERJ8GEYJ333	M 33KOHM, J, 1/8W	1	
R675	ERJ6ENF2202	M 2.2KOHM, 1/10W	1	
R676	ERJ8GEYJ333	M 33KOHM, J, 1/8W	1	
R677	ERJ6GEYJ474	M 470KOHM, J, 1/10W	1	
R678-80	ERJ8RSJR16V	M 16 OHM, 1/8W	3	
R682	ERJ6ENF2002	M 20KOHM, 1/10W	1	
R683	ERJ14YJ330	M 33 OHM, J, 1/4W	1	
R684, 85	ERJ6GEYG102	M 1KOHM, J, 1/10W	2	
R686	ERJ6GEYG103	M 10KOHM, J, 1/10W	1	
R687	ERJ6GEYG104	M 100KOHM, J, 1/10W	1	
R688	ERJ6GEYG102	M 1KOHM, J, 1/10W	1	
R689	ERJ8GEYJ472	M 4.7KOHM, J, 1/8W	1	
R690	ERJ6GEYJ4R7	M 4.7 OHM, J, 1/10W	1	
R691	ERJ6GEYG105	M 1MOHM, J, 1/10W	1	
R693	ERJ6GEYJ100V	M 10 OHM, J, 1/10W	1	
R695	ERJ6RBD123V	M 12KOHM, 1/10W	1	
R696	ERJ6GEYJ100V	M 10 OHM, J, 1/10W	1	
R697	ERJ6GEYJ4R7	M 4.7 OHM, J, 1/10W	1	
R698	ERJ8RSJR16V	M 16 OHM, 1/8W	1	
R699	ERJ8GEYJ105	M 1MOHM, J, 1/8W	1	
R700, 01	ERJ6ENF1503	M 150KOHM, 1/10W	2	
R702	ERJ6ENF1102	M 11KOHM, 1/10W	1	
R707, 08	ERJ6GEYG102	M 1KOHM, J, 1/10W	2	
R709, 10	ERJ6GEYJ101V	M 100 OHM, J, 1/10W	2	
R711, 12	ERJ6GEYG222	M 2.2KOHM, J, 1/10W	2	
R713	ERJ6GEYG152	M 1.5KOHM, J, 1/10W	1	
R714	ERJ6GEYG102	M 1KOHM, J, 1/10W	1	
R715	ERJ6ENF3301	M 3.3KOHM, 1/10W	1	
R716	ERJ6GEY0R00V	M 0 OHM, 1/10W	1	
R717	ERJ6GEYG122	M 1.2KOHM, J, 1/10W	1	
R718	ERJ6GEYG103	M 10KOHM, J, 1/10W	1	
R719	ERJ6GEYG102	M 1KOHM, J, 1/10W	1	
R720	ERJ6GEYG152	M 1.5KOHM, J, 1/10W	1	
R721	ERJ6GEY0R00V	M 0 OHM, 1/10W	1	
R722-24	ERJ6GEYG102	M 1KOHM, J, 1/10W	3	
R726, 27	ERJ6GEYG222	M 2.2KOHM, J, 1/10W	2	
R729	ERJ6GEY0R00V	M 0 OHM, 1/10W	1	
R730-38	ERJ8GEYJ105	M 1MOHM, J, 1/8W	9	
R739	ERJ6ENF1003	M 100KOHM, 1/10W	1	
R740	ERJ6GEYJ243	M 24KOHM, J, 1/10W	1	
R741	ERJ8GEYJ205	M 2MOHM, J, 1/8W	1	
R742	ERJ6GEYG102	M 1KOHM, J, 1/10W	1	
RL401-03	K6B1CGA00055	REALY	3	△
S401, 02	J0LT00000009	SWITCH	2	△
T401	G4D4A0000123	SWITCHING TRANS	1	
T402	G4D1A0000128	SWITCHING TRANS	1	△
T404	ETS42LB11GAD	SWITCHING TRANS	1	△
T410	G4D2A0000283	SWITCHING TRANS	1	△
T601	G4D2A0000284	SWITCHING TRANS	1	
W13	ERJ6GEY0R00V	M 0 OHM, 1/10W	1	
W46	ERJ6GEY0R00V	M 0 OHM, 1/10W	1	
X501	H2B400400021	CRYSTAL	1	

Ref. No.	Part No.	Part Name & Description	Pcs	Remarks
Z1-Z3	K4ZZ01000206	TERMINAL	3	
ZN401, 02	D4EAD6210001	VARISTOR	2	△
ZN403	ERZVGAD681T2	VARISTOR	1	△
ZN404, 05	ERZVA7D511	VARISTOR	2	△