



Vibration Control

Catalog 2007

Your Technology Specialist

simrit[®]

The information in this product catalog is based on the experience gained in decades of research on the development and manufacture of seals and components for vibration control in the Freudenberg group. It represents the current state of our knowledge.

The sealing effect of many products in the catalog is, however, not provided solely by the component. Indeed, in the specific application this effect depends on other parameters such as installation position and contact area, the pressure applied, operating temperature, media to be sealed, lubrication, vibration control-related effects and any ingress of dirt from the outside. This and other, unknown, factors in practical use can have a significant effect on the seals.

Against this background, general statements on the function of the products in the catalog are not possible. Information in this catalog only represents recommended values that are not correct

in every application. We therefore recommend you to discuss your specific application with our advisory service. In cases with high or special loads, for example due to aggressive media, the seal should be selected in collaboration with us; here trials on reliability are often indispensable.

In the context of product optimisation we reserve the right to change, without prior notice, the product range, production sites, products and their manufacturing process as well as the information in this catalog.

All previous issues become invalid on publication of this issue of the catalog.

Duplication in any form requires express approval from Freudenberg Simrit GmbH & Co. KG, 69465 Weinheim, Germany.

© Freudenberg Simrit GmbH & Co. KG
All rights reserved.

Simrit, Your Technology Specialist for Seals and Vibration Control



Simmering®



Fluid Power



Hydraulic Accumulator



O-Rings



Liquid Silicon Products



Special Sealing Products



Vibration Control

Our unique service package sets standards in quality, functionality and cost effectiveness throughout the industry.

With its comprehensive product range and large number of services, Simrit provides a service package unique in the market for almost every application. Simrit employs its leading technological expertise so that you benefit: We analyse your entire system and fine-tune the individual components to each other in an optimum way. This means you get exactly the solution that best fulfils your requirements – cost effective and dependable. Reinforced by single sourcing that saves time and costs, you will find that Simrit is your ideal partner for all sealing- and vibration-related applications when it comes to complex systems.

We have been the leading experts in materials for decades, and this is a significant factor for success, exceptional performance and continuous technological advancement of our products. Famous product names such as Simmering®, Merkel, Integral Accumulator, ISC O-Ring or Lederer reflect this. Together with the fields of special sealing products and vibration technology, they are inseparably connected with the Simrit brand name and constitute the world's largest product range for all applications throughout industry.

As part of the Freudenberg Group, we draw upon established research, development and production expertise within the Group to constantly extend our technological lead through innova-

tive solutions for the purposes of – and in the service of – our global customers with their local market requirements. The close international cooperation of Simrit in Europe and America with our Japanese partner, NOK, in Asia provides you with consistent quality standards wherever our solutions are required. And with Simrit Service Centers in all industrial markets, our global sales network supports you and more than 100,000 other customers dependably and on a basis of mutual trust and cooperation at sites in every continent.

The Simrit service package at a glance:

- **World's largest product range**
Comprehensive solutions from a single source
- **Continuous innovations**
Technological prominence for the competitive advantage of our customers
- **Unique expertise in materials and high quality standards**
Leading know-how for safe and cost-effective applications
- **A huge number of integrated services**
Support from development up to continuous product deployment
- **Globality**
Global expertise with the knowledge of local market requirements

Your Simrit Partner





Elastomers with Excellent Characteristics – the Basis of Innovative Solutions

Thorough know-how about materials for more than 60 years

Simrit has now been developing innovative branded products at the highest level for more than 60 years. With in-depth experience on materials, well-founded knowledge of processing and extensive product know-how, again and again we create ideal pre-conditions for your success. However, the quality of the elastomer material is decisive for the optimum operation of seals and components used in vibration control. Therefore, we are particularly proud of our pioneering role worldwide in this sector.

Deliberately targeted development of materials guarantees the highest possible quality and long life

More than 250 engineers and chemists worldwide are developing new materials every day for the highest possible functional requirements in joint development ventures with various research institutions plus leading manufacturers of polymers and chemicals. The materials we develop must fulfil the respective customer-specific requirements and withstand all the loadings feasible in their branch of industry – both with regard to temperature, pressure and resistance to media and in the presence of static or

dynamic loadings. The length of life of our products is constantly being improved by optimising our materials. Constant monitoring on the road to these products becoming mass production materials also guarantees you the highest possible quality.

The Individual Materials We have Developed are Leaders Worldwide

Uniquely wide range of standard materials

We produce more than a billion seals annually from a production volume of more than 15,000 tons. When considered as a whole, a range of material, which is unique in its quality and quantity, is available to you with more than 1,500 mixtures of 850 raw materials for your individual applications in seals and vibration control. A large proportion of these are standardised mixtures. Of course, our competent team of experts will advise and assist you fully – from the selection of the right materials via the test phase to the start of production.



Comprehensive performance package and much more

Materials manufactured individually to your wishes and requirements are unusually important in the comprehensive performance package from Simrit. The use of polymers, based on our own raw materials and tailored to your requirements, enables Simrit to develop high performance materials which satisfy the highest functional demands. We use our global materials database for the selection of application-specific materials, which groups together the know-how

of our experts, working worldwide, to form a network of top technological services which we can call on at any time. Finally, the appropriate material with the optimum characteristics for your application is manufactured using computer-controlled procedures, from the selection of the raw material to the compounding process. Of course, always adhering to the highest standards in quality and processing and complying with ecological guidelines – in the interests of your success and the environment.

Simrit Academy – Secure these Advantages for Your Success



The Simrit Academy offers you seminars which are tailored to your needs in terms of content and specialisation levels. There are numerous advantages for you.

A know-how advantage

You receive information from more than 20 qualified experts with regards to state of the art products and materials. Thus ensuring the correct selection of parts as well as smooth workflows in your production processes.

Individuality

Our seminar programme covers the needs of beginners and pros alike. The selection is extensive, allowing for a choice appropriate to the level of knowledge.

Practical relevance

Reinforcement of theoretical knowledge through practical exercises. At the same time we invite you to view our production and research facilities.

Productivity

With the knowledge that you have gained, you can increase your productivity by appropriately selecting the correct products and materials every time.

Languages

All attendance seminars are offered in both German and English. Simultaneous translation is available at every Innovations Forum.

Sustainability

For each Simrit Academy event, you will also receive comprehensive documentation to accompany the course information. Your participation is substantiated by DIN-ISO 9001 format seminar certificate.

Simrit Seminars

You visit our Academy on location in Weinheim and directly experience all materials and products yourself. In doing so, you can choose one of three different seminar categories.

Simrit Basic Seminar

Participants without previous technical knowledge can get to know the entire Simrit performance package.

Simrit Professional Seminar

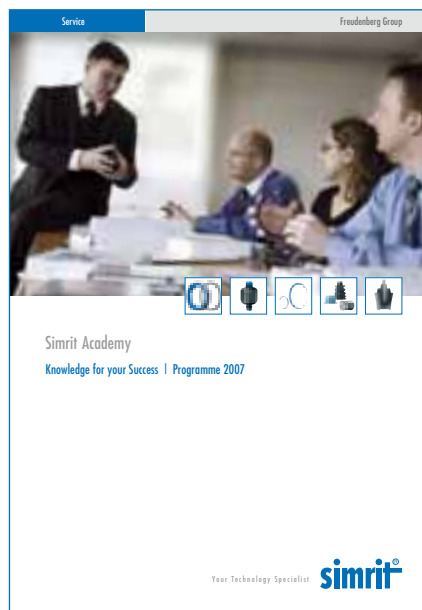
Become an expert on Simrit and obtain detailed knowledge about all products, processes and materials. Both in theory and in practice.

Simrit Seminar Special

The course contents are highly specialised and concentrate on conveying knowledge related to a specific product or material area.

Innovation Forum

Interested parties learn about all the new Simrit innovations in this lecture series, and can exchange knowledge and experience with panels of experts and with other participants.



Registration

You can easily register for Simrit seminars at www.simrit.com/academy. Additional detailed information on registering and on the seminars can be found in the Simrit Academy Programme 2007 brochure, which you can order or download from www.simrit.com.



Merkel Xpress – The 24 hour Express-Service for Seals, Guides and Pivoting Parts

When it has to be there in a hurry: Merkel Xpress from Simrit. Our service delivers the desired seal within 24 hours.

With Merkel Xpress from Simrit you can minimise your machine down-time – and therefore production costs. At the same time, you can reduce the number of spare parts you keep in stock. After all, if you can order it at any time, you don't need to keep it in stock. Ask us: you'll have your seal tomorrow.

The seal you need

Whatever you need at short notice, we can produce it within a few hours using state-of-the-art production technology. Tailor-made to suit your requirements, from single seals for prototypes through to mass production in economical batch sizes. Merkel Xpress saves you shaping costs and minimum order quantities – by using new materials and thanks to our high-speed production and delivery systems.

Merkel Xpress offers you:

- Delivery within 24 hours
- Seals of up to 4 metres in diameter
- From single seals to mass production
- Wide range of profiles
- Original Simrit materials and geometries
- Plus special designs and special materials
- Leading production know-how
- Continuous development of the product range

Tailor-made. Immediately. Economically. The Triple Advantage of Merkel Xpress

Materials

Polyurethane:

SQ-PU

SQ-HPU

Further materials:

- For low-temperature ranges (down to -50°C)
- Self-lubricating properties
- With FDA approval

Elastomers:

SQ-NBR

SQ-HNBR

SQ-FKM (fluorelastomer)

SQ-EPDM*

SQ-SIL*

* Also with FDA approval

(food safe)

Plastomers:

SQ-POM

SQ-PA

Fluoroplastic (PTFE):

SQ-WFLON (white, virginal)

SQ-GFLON (with 15% glass fibre, 5% MoS₂)

SQ-BFLON (with 40% bronze, or 60%)

SQ-CFLON (25% carbon)

Further qualities on request.



A flexible production concept for every requirement

With the newest generation of special lathes and software solutions developed to precisely satisfy customer demands, we can produce every machine-manufactured seal possible, quickly and economically. More than 260 pre-programmed seal design types serve as a basis for our efficient and rapid manufacturing processes. In this regard we work with both special materials such as PEEK and

FFKM, Original Simrit polyurethane and, of course, upon request every other market-standard material for your specific application. The perfect solution for:

- Non-standard seal and machined-part spare parts for every manufacturer
- Rapidly required standard seals
- Small-volume series of special seals
- Samples
- Substitute seals
- End-of-life design types whose series production will not be restarted

Further information can be found at www.simrit.com.

Realise Your Objectives
Quickly with www.simrit.com



Simrit Online – more than just a facelift. Thanks to a smart Navigation System – developed exactly to your requirements – the information you are looking for can be found about products and services with just a few mouse clicks.

The new online presence from Simrit, with integrated Smart Navigation, offers you a particularly easy and quick work platform for your Internet research. There's no quicker way for you to achieve your objective of getting solid expertise for your planning. Whether you need product information, material data sheets or want to access 3D-CAD data – in the user-friendly Simrit database you are sure to quickly find what you are looking for.

**3D-CAD data –
Download added value**

With the 3D Download Service from Simrit you can reliably create your designs with visual clarity for your seal or vibration control solution. Including all technical details in three-dimensional display quality.

The new Simrit eCatalog

Up to 100.000 items accessible online and available within 24 hours. The new eCatalog in the Simrit portal makes it possible. And the best thing about it: The Simrit Product Navigator guides you in the easiest and most straightforward manner directly to the optimum product for your application. Find – compare – select. Convince yourself.

mySimrit – the easy, exclusive offering for smart online users

Register once – benefit continuously. As a registered user of the mySimrit customer area, you benefit from the continuously expanding service advantages. From initial query through product availability to quick CAD downloads and even accessing current news, you receive true added value for a minimum of registration effort. The best thing to do is test us today.



We speak your language:

As a worldwide leading technology specialist, of course we also make our Internet services available to you in your native language. Right from the start, our new online presence is represented in the national language of the most important industrial markets. And, we are continually expanding our portal for you.

Simrit on the Internet – your platform for successful business

- Smart navigation and full-text searches for rapid results
- An extensive eCatalog with more than 100.000 items
- Easy download function for 3D-CAD
- An overview of our brochure service by mouse click
- Availability query
- and much more



Table of Contents

Design Types in Alphabetical Order _____ 13

Pre-Selection Vibration Control _____ 14

Hydraulic Damping Components

Hydro Bush _____ 16
 Hydro Mount DL _____ 20
 Hydro Mount VL _____ 23
 Hydro Mount KL _____ 26

Elastomer Dampers

Ultra Bush _____ 29
 O-Bush _____ 40
 Spherical Mount _____ 41
 Conical Mount _____ 44
 V Mount _____ 58
 MO Mount _____ 63
 Machine Mount _____ 68
 Flat Mount _____ 70
 Rails _____ 72
 Tapered Mount _____ 74
 Double U-Shear Mount _____ 76
 Circular Mount _____ 79
 Buffer _____ 95
 M Mount _____ 100
 Instrument Mount _____ 102
 O-Shaped Mount _____ 104
 Top Mount _____ 107
 Spherical Roller Bearing _____ 109
 Layered Springs _____ 111
 Height Adjusters _____ 113
 Rubberised Stop Washer _____ 115
 Washers and Centering Washers _____ 117
 Pipe Mounting Block _____ 119

Rubberised Drive Wheels

Rubberised Sprockets _____ 121
 Belt Pulley with Elastomer Track _____ 122
 Decoupled Chain Gear _____ 123
 Decoupled Gears _____ 124

Decoupling Elements

_____ 125

On the last pages you will find

Simrit Catalog Overview

**Simrit Service Centers and
 Simrit Partners Worldwide**

Design Types in Alphabetical Order

B		O	
Belt Pulley with Elastomer Track _____	122	O-Bush _____	40
Buffer _____	95	O-Shaped Mount _____	104
C		P	
Circular Mount _____	79	Pipe Mounting Block _____	119
Conical Mount _____	44		
D		R	
Decoupled Chain Gear _____	123	Rails _____	72
Decoupled Gears _____	124	Rubberised Sprockets _____	121
Decoupling Elements _____	125	Rubberised Stop Washer _____	115
Double U-Shear Mount _____	76		
F		S	
Flat Mount _____	70	Spherical Roller Bearing _____	109
		Spherical Mount _____	41
H		T	
Height Adjusters _____	113	Tapered Mount _____	74
Hydro Bush _____	16	Top Mount _____	107
Hydro Mount DL _____	20		
Hydro Mount KL _____	26	U	
Hydro Mount VL _____	23	Ultra Bush _____	29
I		V	
Instrument Mount _____	102	V Mount _____	58
L		W	
Layered Springs _____	111	Washers and Centering Washers _____	117
M			
Machine Mount _____	68		
M Mount _____	100		
MO Mount _____	63		

Pre-Selection Vibration Control

The table is based on years of supplier activity and is adapted to current knowledge.

	Hydro Bush	Hydro Mount DL	Hydro Mount VL	Hydro Mount KL	Ultra Bush	Spherical Mount	Conical Mount	V Mount	MO Mount	Machine Mount	Flat Mount	Rails	Tapered Mount
Exhaust-air ducts, exhaust pipes, ...									●				
Electrical/electronic components and subassemblies					●		●						
Instruments, devices, displays, ...					●								
Levers, steering gear, coupling links, ...					●	●							
Cabs, superstructures, ...	●	●	●	●	●		●				●		●
Radiators					●				●				
Bearings general	●	●	●	●	●	●	●	●	●	●	●	●	●
Measuring devices	●	●	●	●				●					
Reaction-support links	●	●	●	●	●	●	●	●					
Pumps	●	●	●	●	●		●	●		●	●		●
Mixers, separators, centrifuges, agitators, ...	●	●	●	●	●		●	●		●	●		●
Stirrers	●	●	●	●	●	●	●		●		●		
Screen mounts					●								
Panels									●				
Rolling mills								●		●	●	●	
Maintenance-free articulation					●	●						●	
Machine tools	●	●	●	●	●		●	●	●	●	●	●	●
Engines, units, compressors, ...	●	●	●	●	●		●	●	●	●	●	●	●
Subassemblies, attached devices, ...	●	●	●	●	●	●	●	●	●	●	●		●
Stationary machines and gearboxes, ...	●	●	●	●	●		●	●		●	●	●	●
Levelling													
Limitation of movements													
Hydraulic and pneumatic hoses													

	Double U-Shear Mount	Circular Mount	Buffer	M Mount	Instrument Mount	O-Shaped Mount	Top Mount	Spherical Roller Bearing	Layered Springs	Additional components	O-Bush	Pipe Mounting Block	Rubberised Sprockets	Belt Pulley with Elastomer Track	Decoupled Chain Gear	Decoupled Gears	Decoupling Elements
	•	•				•			•			•					
	•	•			•	•			•	•							•
	•	•			•	•			•	•							
									•	•							
									•								
		•							•	•							
	•	•	•	•	•	•	•	•	•	•							
	•	•		•	•	•			•	•							
		•	•				•		•	•							
		•							•	•							
		•	•	•					•								
											•						
		•			•				•	•							
		•			•			•									
		•			•					•							
	•	•	•	•	•	•	•	•									
		•					•		•	•			•	•	•	•	•
	•	•	•	•	•	•	•		•	•							•
		•		•				•	•					•		•	•
									•								
									•								
												•					

Hydro Bush

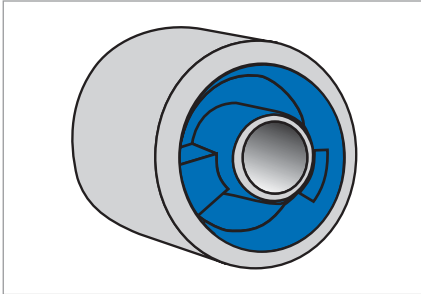


Fig. 1 Hydro Bush

Material

Standard material	Hardness
Natural rubber NR 11	35, 45, 55, 62, 68 Shore A

Operating conditions

Compressive forces in Z direction	1100 N ... 4200 N	Maximum permissible force
Max. temperature	+60 °C, transient +80 °C	
Min. temperature	-45 °C	

Product description

Hydro bushes are elastomer springs with integrated hydraulic damping.

Product advantages

- Frequency & amplitude selective damping
- Integrated limitation of the spring displacement
- Allowing twist in all directions
- Easily installed
- RoHS-compliant.

Application

Suitable for mountings of combustion engines, cabs, pumps and compressors, mainly in agricultural machines and construction machinery.

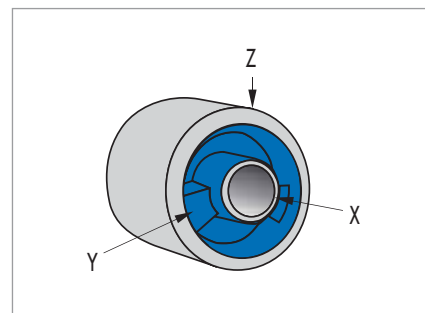


Fig. 2 Primary load directions

They are specifically suited when low frequencies occur as excitation frequency in the mount system. They achieve a high damping in the natural frequency range of the system as well as gut isolation properties above this range. Vibrations in the mount system which have a sound-conducting or radiating characteristic, generated primarily through excitation amplitudes or dynamic forces in the audible frequency range

are significantly reduced. The integrated hydraulic mechanism in the bush with the frequency and amplitude dependent damping is designed for effect in the Z direction. By matching the damping maximum of the hydro bush to the critical frequency (resonance frequency) of the spring-supported mass, the resonance magnification can be noticeably reduced. For higher frequencies, the insulating capability of elastomer bond components can be utilised. The hydro bushes are designed so that the translatory stiffness increase in the order X,Z,Y. The bushes are designed for the primary load in the radial (Z direction) as well as the axial direction (X direction) but can also absorb slight cardanic and torsional deformations. Depending on the design, limiters for deflection (labelled as HD) with or without reinforcement can be integrated in the Z direction.

Design notes

The mount configuration comprises an elastomer-metal composite with load-bearing element in Vee-shape, stops, fluid chambers and overflow ducts. The composite is mounted in an outer sleeve and fluid-filled.

Fitting & installation

- Hydro bushes have an outside fit and accommodate a threaded fastener on the inside for installation
- Hydro bushes can be secured with Loctite or other, similar adhesive if a press fit is not desired
- Individual components permit slight adjustment to allow for in-situ offset
- Always install hydro bushes centred and at right angles to the axis of primary radial load and if possible, utilise the entire cylindrical surface area of the outer sleeve as the bearing surface
- If possible, utilise the entire cylindrical length of the inner sleeve bore as the bearing surface
- Position the bush relative to the weight load in such a way as to reduce the largest distance between the axis of the inner sleeve to the axis of the outer sleeve in the place through both axes.

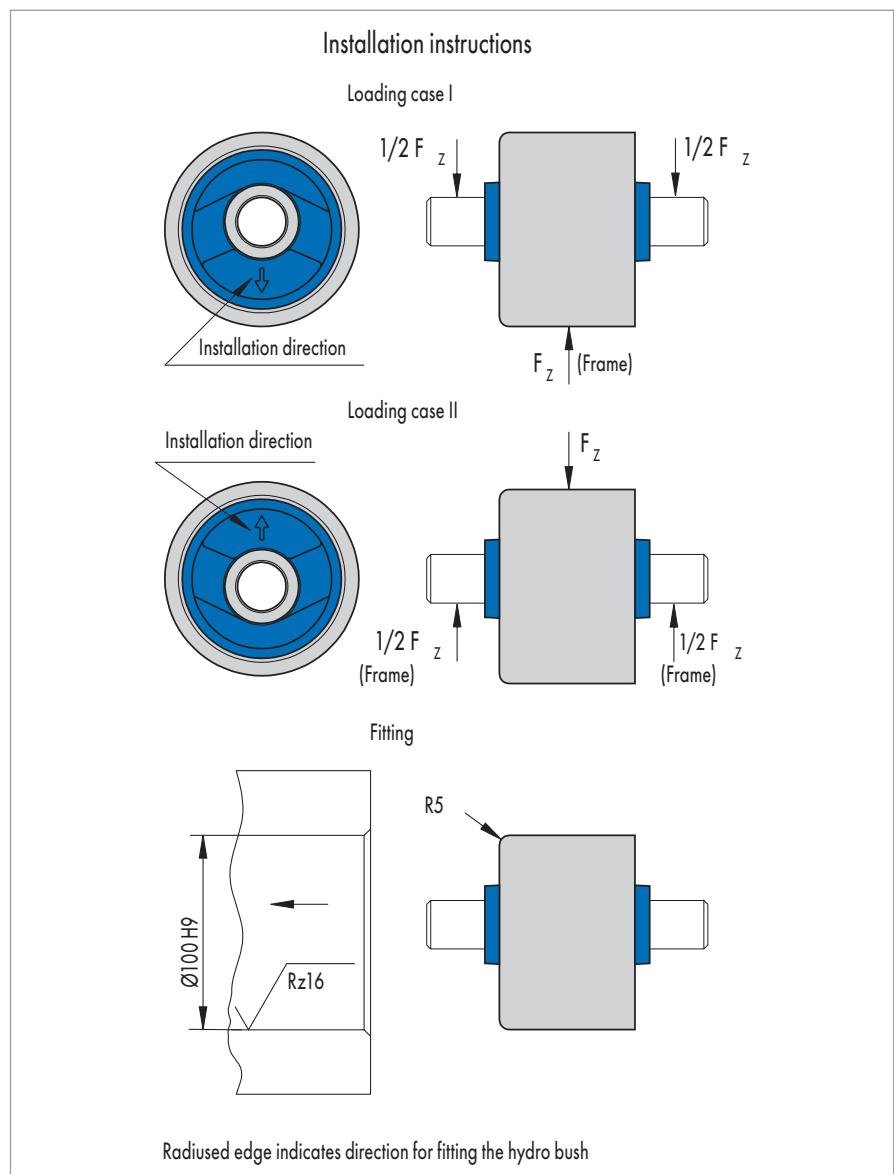


Fig. 3 Fitting & installation instructions: Hydro Bushes

Article list

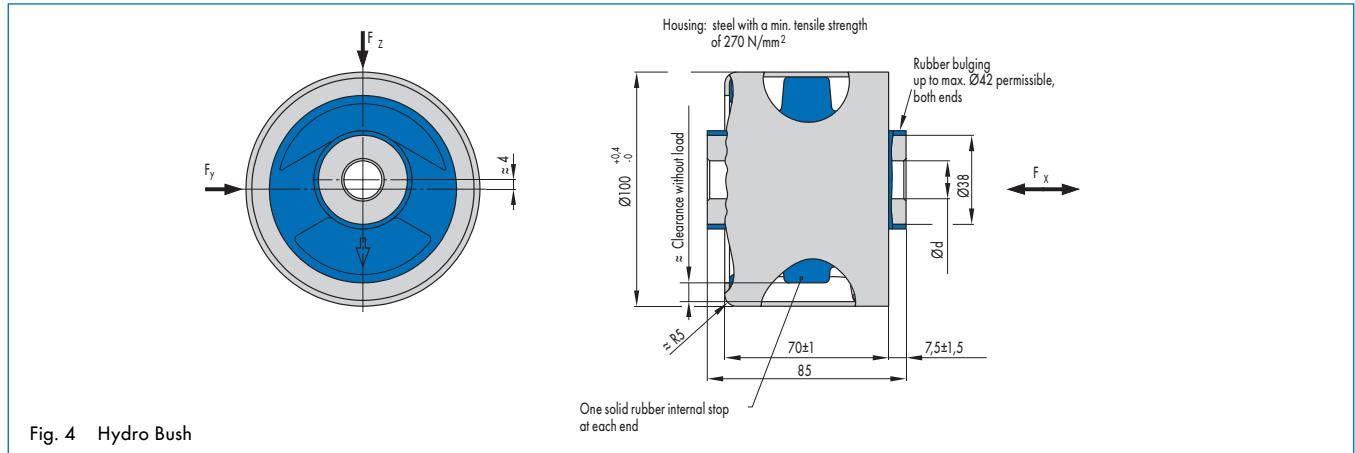


Fig. 4 Hydro Bush

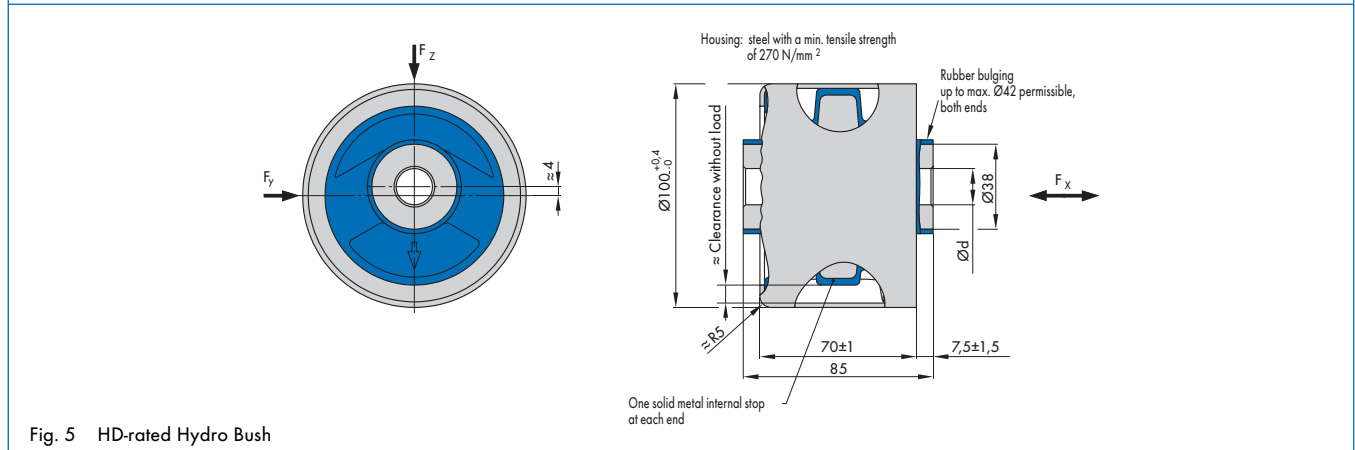


Fig. 5 HD-rated Hydro Bush

Nominal values of the maximum amounts		Stiffness					Inside Ø.		Product No.	Material	Type	Article No.		
		Radial		Axial		Radial		Radial						
		F_z max	s_z max	c_x		c_y		c_z						
[N]	[mm]	$s_z=0\text{mm}$	$s_z=5\text{mm}$	$s_z=0\text{mm}$	$s_z=5\text{mm}$	[N/mm]	d	Tol.						
1100	5	95	110	255	300	220	25	H9	046 18 013	35 NR 11	-	95573	●	
1100	5	95	110	255	300	220	32	H9	046 18 711	35 NR 11	-	49022801	○	
1100	5	95	110	255	300	220	32	H9	046 18 712	35 NR 11	HD	49022862	○	
1600	5	190	220	500	600	320	25	H9	046 18 014	45 NR 11	-	595574	●	
1600	5	190	220	500	600	320	32	H9	046 18 708	45 NR 11	-	507315	●	
1600	5	190	220	500	600	320	32	H9	046 18 713	45 NR 11	HD	49022863	○	
2500	5	280	330	750	830	500	25	H9	046 18 015	55 NR 11	-	595575	●	
2500	5	280	330	750	830	500	32	H9	046 18 714	55 NR 11	-	49022864	○	
2500	5	280	330	750	830	500	32	H9	046 18 705	55 NR 11	HD	477895	●	
3450	5	360	425	960	1070	685	32	H9	046 18 016	62 NR 11	-	595576	●	
3450	5	360	425	960	1070	685	32	H9	046 18 715	62 NR 11	HD	49022865	○	
4200	5	440	520	1170	1300	840	32	H9	046 18 017	68 NR 11	-	95676	●	
4200	5	440	520	1170	1300	840	32	H9	046 18 702	68 NR 11	HD	600984	●	

● Available from stock ○ On request: Tool is available, delivery at short notice

Static and dynamic characteristics

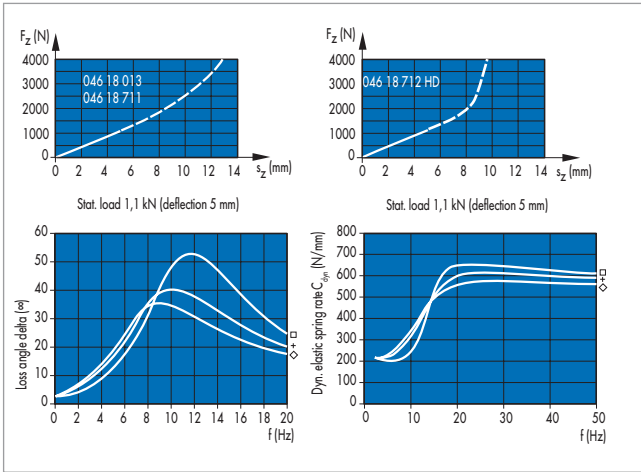


Fig. 6 Hydro Bushes 046 18 013, 046 18 711 and 046 18 712 HD

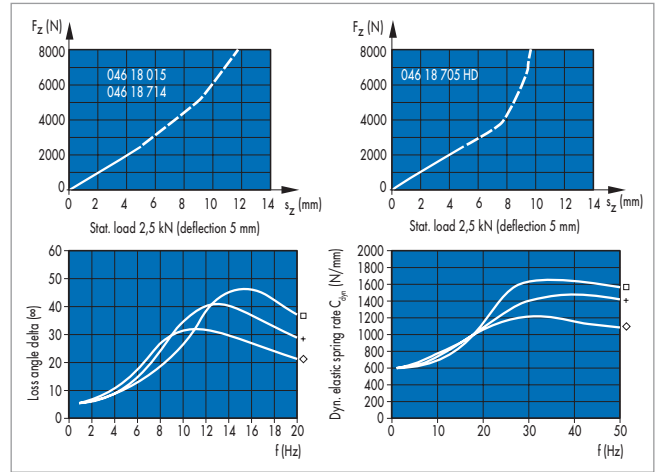


Fig. 7 Hydro Bushes 046 18 014, 046 18 708 and 046 18 713 HD

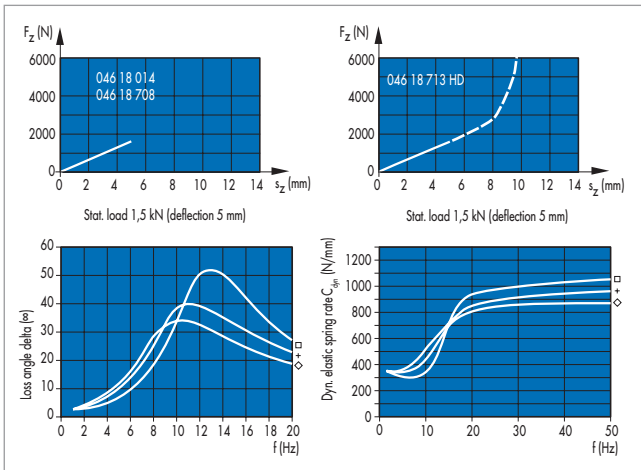


Fig. 8 Hydro Bushes 046 18 015, 046 18 714 and 046 18 705 HD

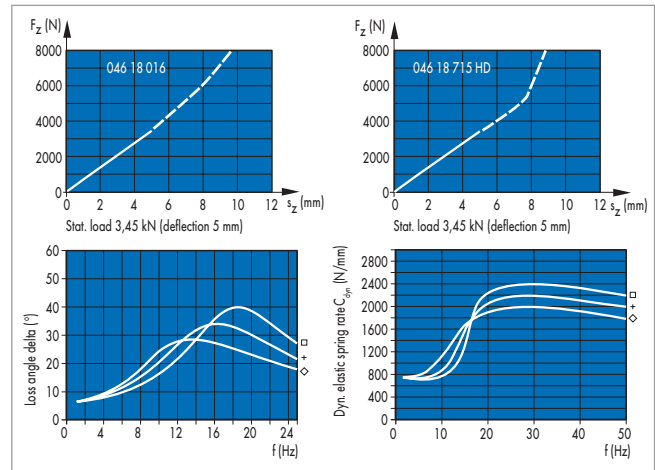


Fig. 9 Hydro Bushes 046 18 016 and 046 18 715 HD

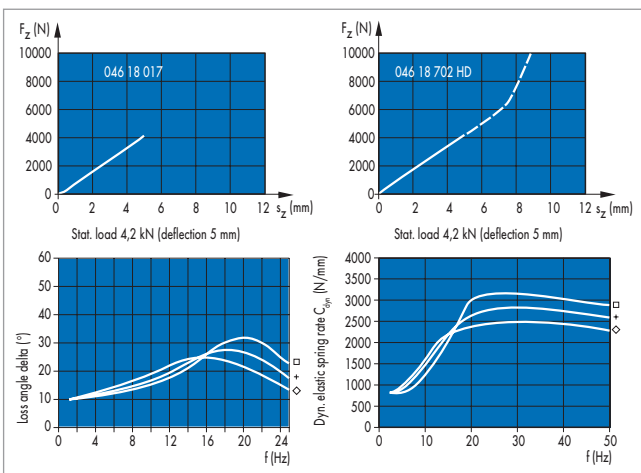


Fig. 10 Hydro Bushes 046 18 017 and 046 18 702 HD

Frequency f (Hz) □ Amplitude ± 1 mm
 + Amplitude ± 2 mm
 ◇ Amplitude ± 3 mm

Hydro Mount DL

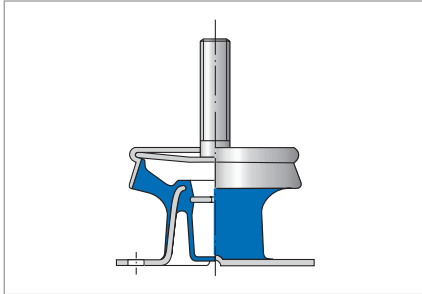


Fig. 1 Hydro Mount DL

Product description

The hydro mount, as a hydraulically damping rubber mount, solved the designer's conflict of how to mount a mass that is excited by wide frequency spectrum. Particularly if low frequencies – between 5 Hz and 15 Hz – can occur as the excitation frequency, on the one hand high damping in the natural frequency range of the system, and on the other, a good isolation property above this natural frequency (supercritical mounting) is necessary.

Product advantages

- Frequency & amplitude selective damping
- Cross-stiffness
- Integrated capability for levelling the load
- HD version for "extra-hard" use
- RoHS-compliant.

Application

Hydro Mounts DL are suitable for use as mounts for pumps, compressors and engines in utility vehicles and in boats and for vehicle superstructures, particularly driver's cabs.

Material

Standard material	Hardness
Natural rubber NR 11	40, 45, 50, 55, 60, 65 Shore A

Operating conditions

Compressive forces in Z direction	700 N ... 1700 N	Maximum permissible force
Max. temperature	+60 °C, transient +80 °C	
Min. temperature	-45 °C	

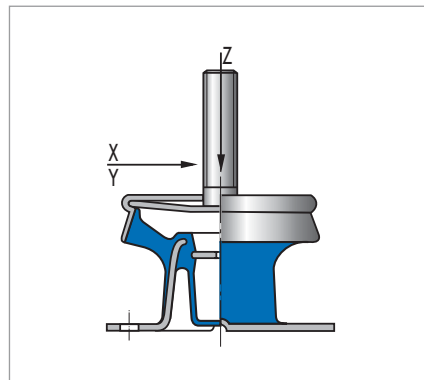


Fig. 2 Primary load directions

Hydro Mounts DL are predominantly used in vehicles of all types. In these applications the related assembly must be mounted as softly as possible to achieve a good structure-borne sound isolation. At low frequencies near the natural frequency of the spring-mass system engine/engine mounts, such soft mounting results in inadmissibly high amplitudes at the motor. Hydro Mounts DL have a soft spring characteristic and thus a large static deflection.

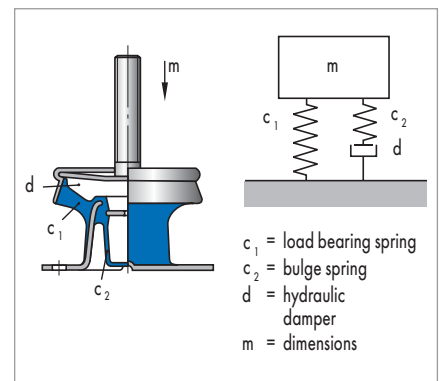


Fig. 3 Mode of operation

The hydraulic mechanism with frequency and amplitude dependent damping integrated in the mount is designed for effect in the Z direction. By matching the damping maximum of the mount to the critical frequency (resonance frequency) of the spring-supported mass, the resonance magnification can be noticeably reduced. For higher frequencies, the insulating capability of elastomer bond components can be utilised. These hydro mounts have a greater flexibility in the Z direction than in the X,Y direction. Hydro mounts are designed for primary loading in the axial as well as radial direction but they can also withstand cardanic deformation. The longitudinal axis should be selected for the introduction of the static primary load.

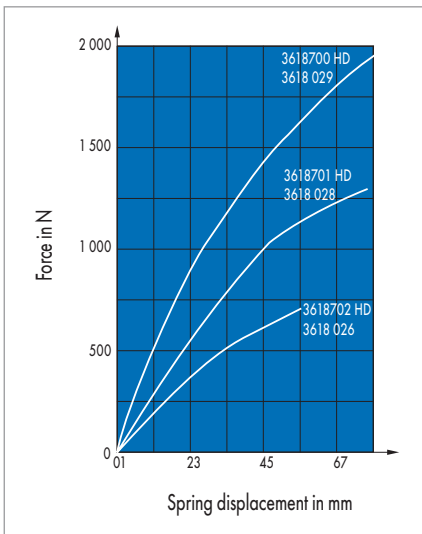


Fig. 4 Static spring characteristic curve in Z direction

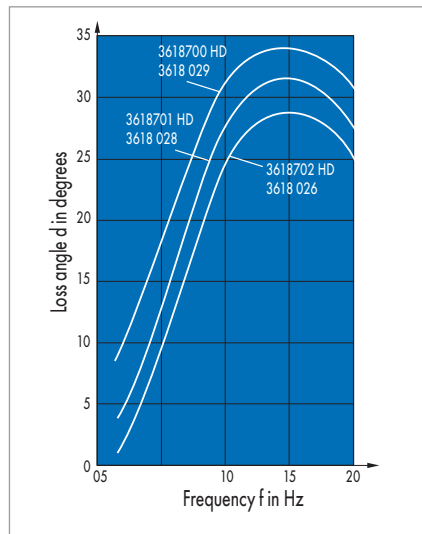


Fig. 5 Transient of the loss angle as a function of frequency

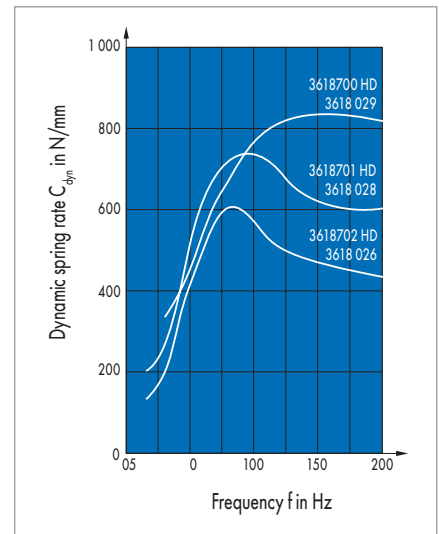


Fig. 6 Dynamic spring rate as a function of frequency

Design notes

The mount configuration comprises a conical mount with integrally moulded/integral expansion bellows with threaded stud. The expansion bellows is filled with a special fluid. A control plate is located between the expansion bellows and the securing plate for setting of the specific hydraulic damping characteristics.

Fitting & installation

- Hydro mounts are designed to be secured by means of the threaded fastener with securing plate assembly and the flange of the conical mount
- Individual components permit slight adjustment to allow for in-situ offset or angular offset
- It is important to ensure that the mating faces of the frame and the mass carried by the mount are flat and smooth
- In particular, the area underneath the flange mount must be free of sharp edges, burrs and filings, so that the rubber element can expand on it without risk of damage
- Position the mount relative to the static load in such a way that securing plate and flange are preloaded relative to each other
- Use HD-rated hydro mounts by preference for applications with extra-harsh conditions characterised by many hard shock loads: fork-lift trucks running on solid-rubber tyres is a typical example.

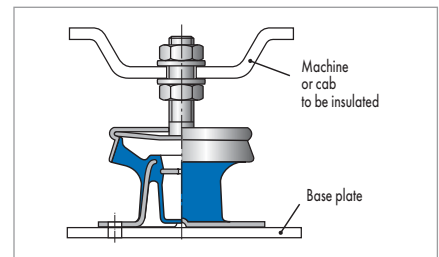


Fig. 7 Fitting & installation instructions: Hydro Mount DL

Article list

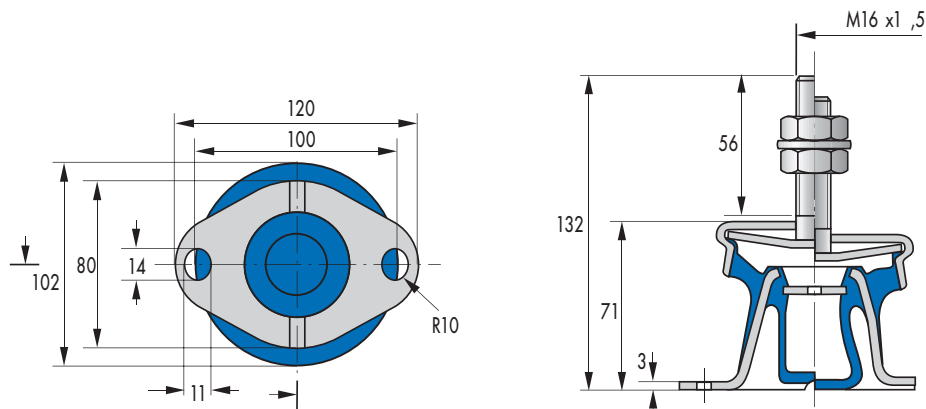


Fig. 8 Hydro Mounts DL 036 18 026, 036 18 028, 036 18 029, 036 18 700, 036 18 701, 036 18 702

Nominal values of the maximum amounts		Stiffness			Product No.	Material	Type	Article No.	
Axial pressure		Radial shear		Axial pressure					
F_z max	s_z max	c_x	c_y	c_z					
		$s_z=5\text{mm}$	$s_z=5\text{mm}$	$s_z=2,5\text{mm}$					
[N]	[mm]	[N/mm]	[N/mm]	[N/mm]					
700	5,0	143	143	142	036 18 026	50 NR 11	-	93638	●
1200	5,6	200	200	243	036 18 028	55 NR 11	-	93639	●
1700	5,4	230	230	350	036 18 029	60 NR 11	-	93640	●
700	5,0	143	143	142	036 18 702	50 NR 11	HD	49022858	●
1200	5,6	200	200	243	036 18 701	55 NR 11	HD	2129442	●
1700	5,4	230	230	350	036 18 700	60 NR 11	HD	511065	●

● Available from stock ○ On request: Tool is available, delivery at short notice

Hydro Mount VL

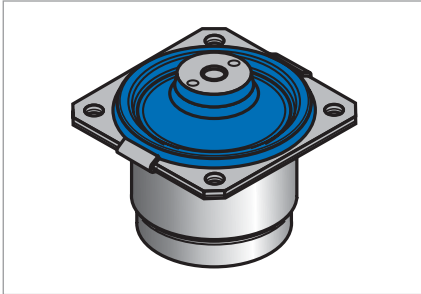


Fig. 1 Hydro Mount VL

Application

The Hydro Mount VL offers a wide range of possible applications such as cab and engine mounts, for agricultural and construction machinery, industrial

vehicles, forest machinery, communal vehicles, ships and for mounting super-structures, pumps and compressors. It is equally suited for mounting machinery and systems/units with severe resonance transients.

Material

Standard material	Hardness	Special design
Natural rubber NR 11	40, 45, 50, 55, 60, 65 Shore A	on enquiry

Product description

The mount design, the chosen fluid and the hydraulic mechanism provide the characteristic wide-band damping. In cases with remote excitation frequencies in the lower frequency range, the use of this hydro mount permits an optimal mounting. By precise reduction of the fluid chamber stiffness of one of the chambers, a significantly improved compromise of effective vibration reduction and structure-borne sound isolation is achieved as opposed to the hydro mounts without this design.

Product advantages

- Broad-band damping at high amplitudes
- Significantly reduced damping at low amplitudes
- Optimised elastomer spring
- Compact
- RoHS-compliant.

Operating conditions

Axial forces in Z direction	3000 N ... 8500 N	Maximum permissible force
Max. temperature	+60 °C, transient +80 °C	
Min. temperature	-45 °C	

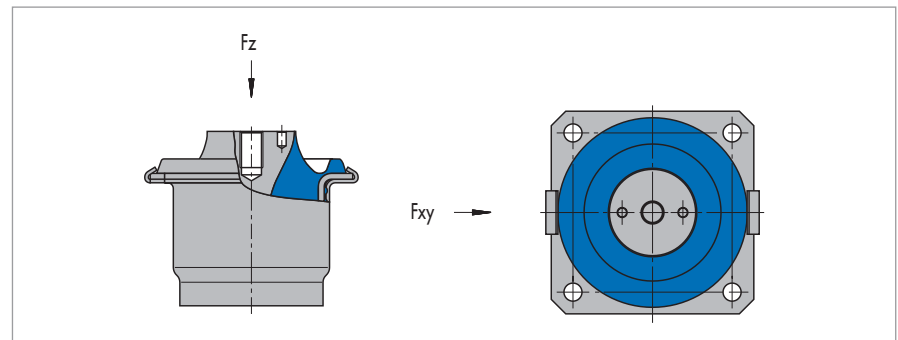


Fig. 2 Primary load directions

The hydraulic mechanism with frequency and amplitude dependent damping integrated in the mount is designed for effect in the Z direction. The effective damping over the wide-band frequency is also present for changes to the spring-supported mass. At low excitation amplitudes, the Hydro Mount VL has a significantly reduced damping. Hydro

Mounts VL have a greater flexibility in the Z direction as in the X,Y direction. The mount configuration is designed for primary loading in the axial as well as radial direction but it can also withstand cardanic deformation. The longitudinal axis should be selected for the introduction of the static primary load.

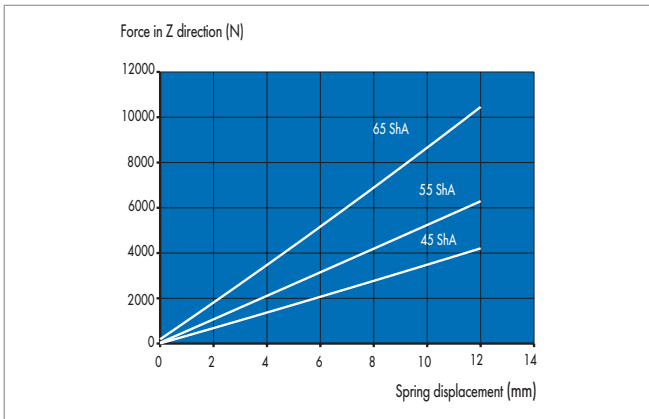


Fig. 3 Force-deflection characteristics, 036 18 704

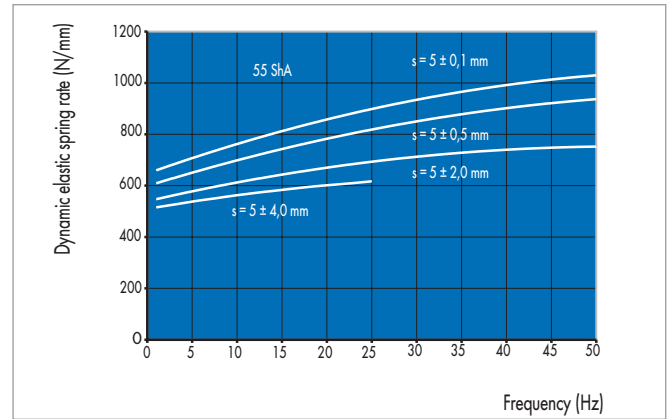


Fig. 4 Dynamic spring rate, 036 18 704; 55 ShA

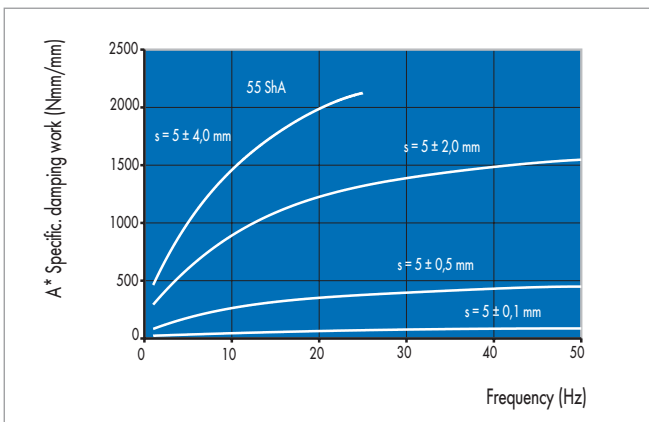


Fig. 5 Specific damping work, 036 18 704; 55 ShA

Design notes

The mount configuration comprises a conical mount with outer metal component with rectangular flange and bore holes. It also contains an inner metal component with central thread hole to which a washer is attached which extends into a fluid-filled chamber. This is formed by the tapered mount and the cup mounted on the tapered mount. The base of the cup is closed off with a diaphragm.

Fitting & installation

- Hydro Mounts VL are designed to be secured by means of threaded fasteners
- Individual components permit slight adjustment to allow for in-situ offset
- The flat part of the flange must make full-surface contact with the supporting structure
- It is important to ensure that the mating face is flat and smooth, and the same applies to the mating face of the mass carried by the mount. It is also important to ensure full-surface contact with the inner metal part of the mount
- Position the mount relative to the static load in such a way that the inner metal part of the conical mount and the flange are preloaded relative to each other.

Article list

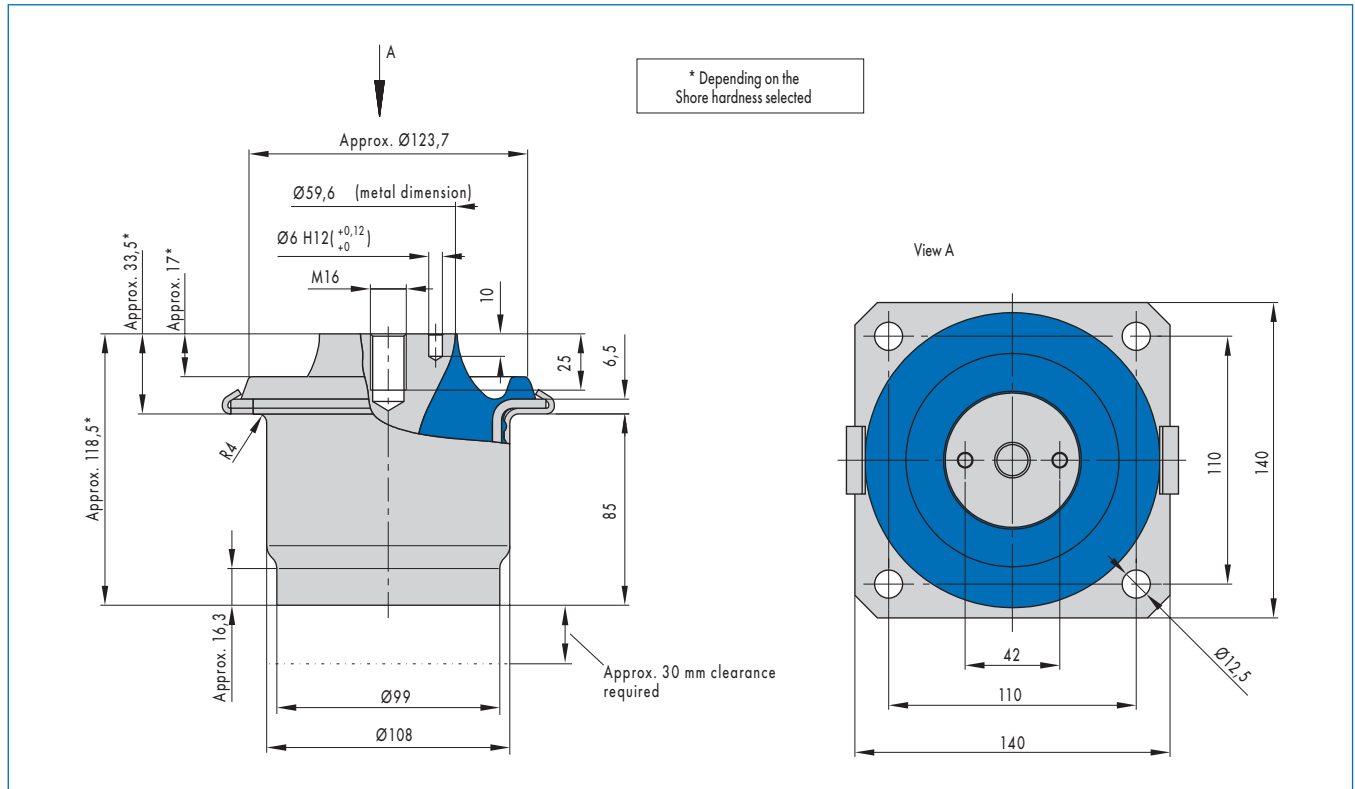


Fig. 6 Hydro Mount VL 036 18 704

Nominal values of the maximum amounts		Stiffness		Product No.	Material	Article No.	
Axial pressure		Radial shear	Axial pressure				
F _z max	s _z max	c _{x, y}	c _z				
		(s _z =0)	(s _z =5)				
[N]	[mm]	[N/mm]	[N/mm]				
2600	10	380	260	036 18 704	40 NR 11	49028132	●
3100	10	440	310	036 18 704	45 NR 11	49023248	●
3900	10	580	380	036 18 704	50 NR 11	49028133	●
4700	10	760	470	036 18 704	55 NR 11	49023250	●
6200	10	1050	600	036 18 704	60 NR 11	49028134	●
8000	10	1360	740	036 18 704	65 NR 11	49023251	●
3000	10	500	300	036 18 706	40 NR 11	49039034	○
3900	10	650	390	036 18 706	45 NR 11	49039035	○
4600	10	800	460	036 18 706	50 NR 11	49039036	○
5500	10	1100	550	036 18 706	55 NR 11	49039037	○
7000	10	1500	700	036 18 706	60 NR 11	49039038	○
8800	10	1950	880	036 18 706	65 NR 11	49039039	○
2100	10	270	210	036 18 707	40 NR 11	49039040	○
2700	10	350	270	036 18 707	45 NR 11	49039041	○
3000	10	450	300	036 18 707	50 NR 11	49039082	○
3600	10	600	360	036 18 707	55 NR 11	49039083	○
4800	10	830	480	036 18 707	60 NR 11	49039084	○
5700	10	1100	570	036 18 707	65 NR 11	49039085	○

● Available from stock ○ On request: Tool is available, delivery at short notice

Hydro Mount KL

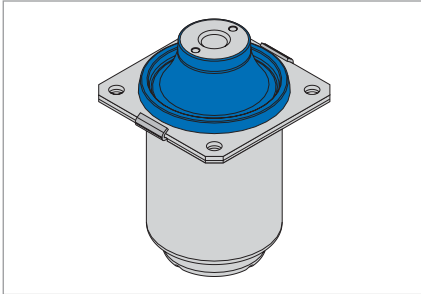


Fig. 1 Hydro Mount KL

Product description

The new Hydro Mount KL is ideally suited for mounting systems with the highest comfort and acoustic demands. The mount configuration can be individually adjusted to suit the specific customer application.

Product advantages

- Characteristics can be customised to suit the specific application
- Frequency and amplitude-selective damping
- Good insulation at low excitation amplitudes
- Optimised elastomer spring
- Two selectable cross-stiffness stages
- Can be used in combination with sturdy tensile stops
- RoHS-compliant.

Application

Through the use of the Hydro Mount KL, an efficient, narrow-band damping effect in a wide frequency range is achieved. This resilient connecting element thus has wide application for the mounting of cabs, superstructures, engines, pumps and compressors.

Material

Standard material	Hardness
Natural rubber NR 11	40, 45, 50, 55, 60, 65 Shore A

Operating conditions

Axial forces in Z direction	1900 N ... 8200 N	Maximum permissible force
Max. temperature	+60 °C, transient +80 °C	
Min. temperature	-45 °C	

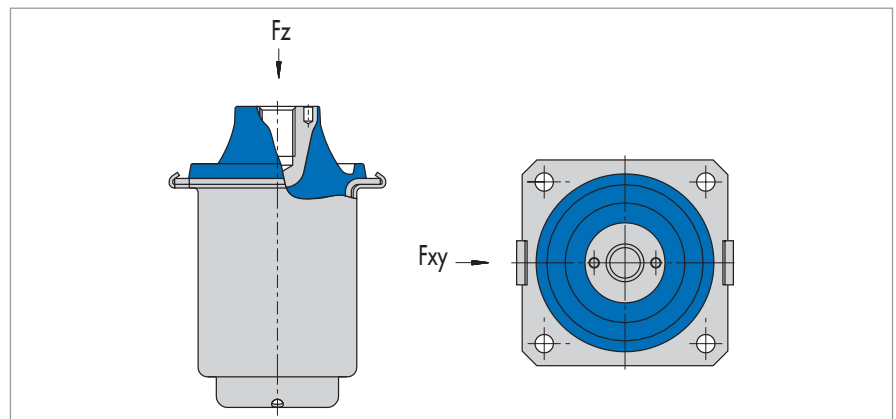


Fig. 2 Primary load directions

The mount component can be specifically mounted with different components for realising different definable characteristics which are primarily based on the additional hydraulic damping characteristics to the conical mount characteristics. The integrated hydraulic mechanism in the mount with the frequency and amplitude dependent damping is designed for effect in the Z direction. By matching the damping maximum of the mount to the critical frequency (resonance frequency) of the spring-supported mass, the resonance magnification can be noticeably reduced. With small excitation amplitudes (structure-borne noise), these mounts have a very slight damping. The Hydro Mounts KL have a greater flexibility in the Z direction than in the X, Y direction; The stiffness relationship has two adjustment levels. They are designed for the primary loading in axial and

radial direction but can also withstand cardanic deformation. The longitudinal axis should be selected for the introduction of the static primary load.

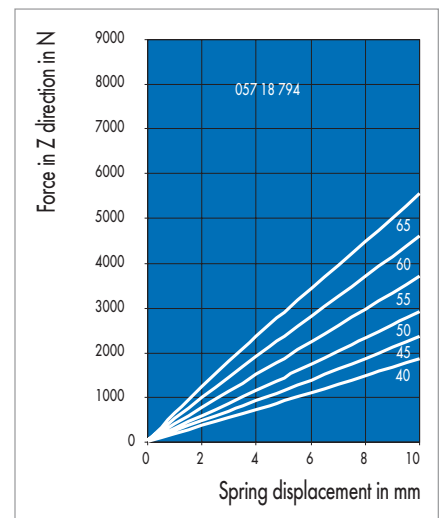


Fig. 3 Static spring characteristic curves in Z direction

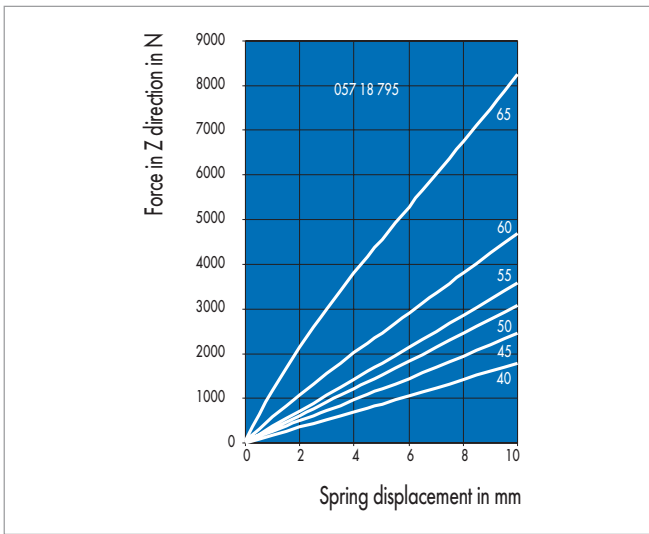


Fig. 4 Static spring characteristic curves in Z direction

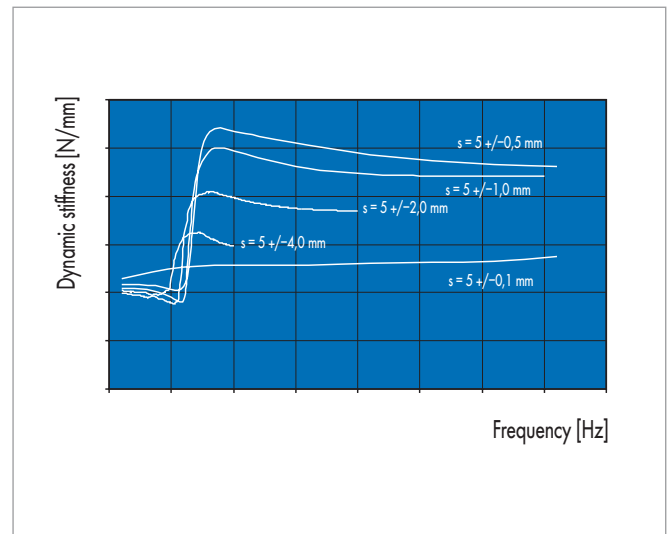


Fig. 5 Dynamic stiffness

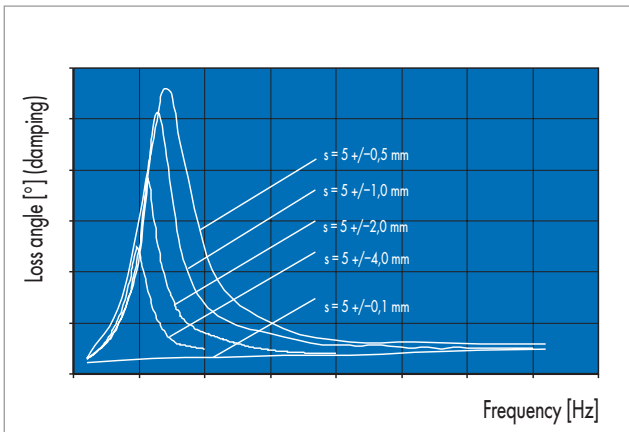


Fig. 6 Transient of the loss angle as a function of frequency (example, qualitative)

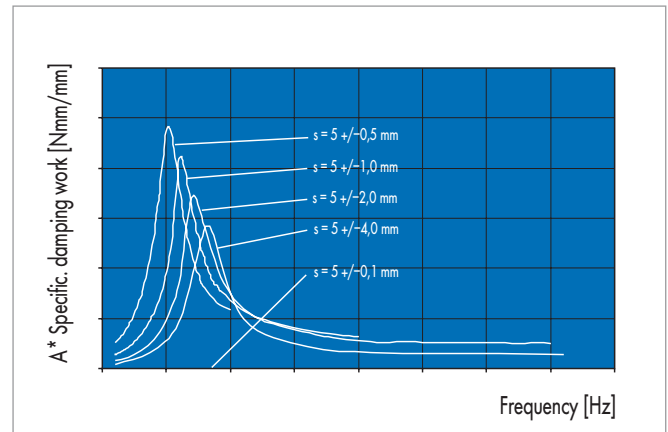


Fig. 7 Specific damping work as a function of frequency (example, qualitative)

Design notes

The component consists of conical mount and hydraulic element filled with a special damping fluid and formed by a cylindrical sheet-steel housing containing a fluid-tight, roll-shaped diaphragm.

Fitting & installation

- Hydro Mounts KL are designed to be secured by means of the threaded fastener through the core and in the flange of the mount
- Individual components permit slight adjustment to allow for axial, radial or angular in-situ offset
- The flat part of the flange must make full-surface contact with the supporting structure

- Size the diameter of the bore only a few tenths of a millimetre larger than the diameter of the housing (108 mm) or as a slight interference fit
- Ensure that the mating face is flat and smooth, and the same applies to the mating face of the mass carried by the mount. It is also important to ensure full-surface contact with the inner metal part of the mount
- Position the mount relative to the static load in such a way that the inner metal part of the conical mount and the flange are preloaded relative to each other.

Article list

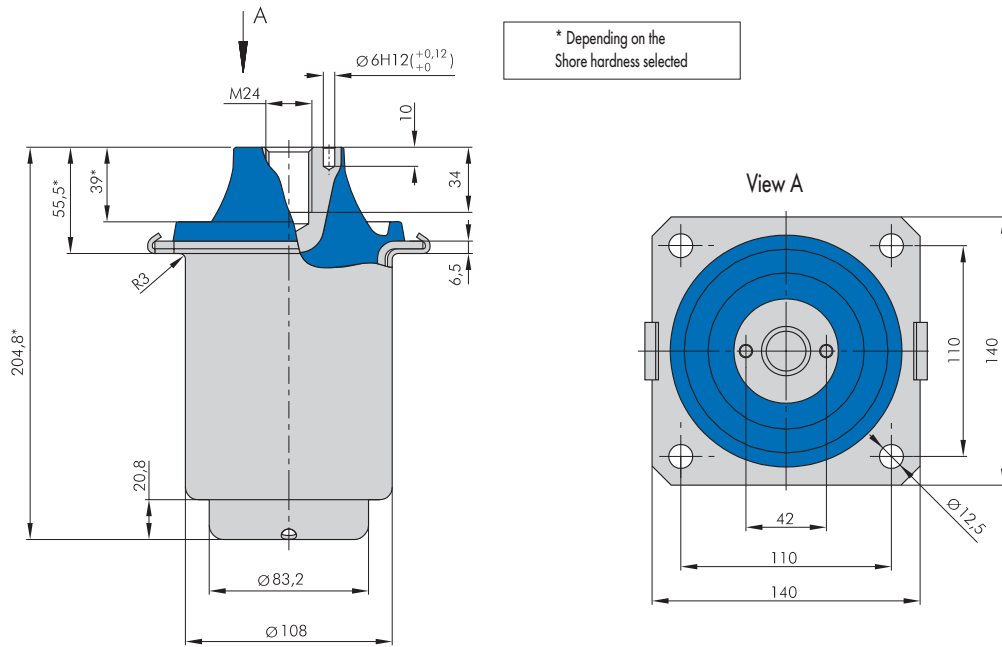


Fig. 8 Hydro Mount KL

Nominal maxima		Stiffness			Product No.	Material	Article No.	
F_z max	s_z max	c_x	c_y	c_z				
[N]	[mm]	$s_z=0\text{mm}$	$s_z=5\text{mm}$	$s_z=5\text{mm}$				
1900 ... 8200	10	230 ... 1060	230 ... 1060	190 ... 820	n.s.	40 ... 65 NR 11	n.s.	*

* Only customer-specific versions possible.

Ultra Bush

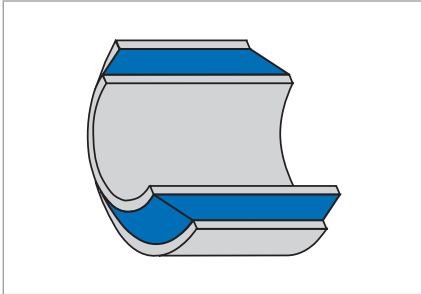


Fig. 1 Ultra Bush

Product description

The ultra bush is a cylindrical bush capable of absorbing axial, radial and torsional movements and cardanic deflections.

Product advantages

- Maintenance-free
- Prevents sound transmission
- Adjustment of manufacturing tolerances
- Usable as a coupling element in drives/powertrains

- Reduced settling under radial load
- Increases load-bearing capability in the radial direction
- RoHS-compliant.

Application

Ultra bushes have a wide range of possible applications as resilient connecting element. Typical applications are elastic articulations on vibrating machines or bearing blocks for shafts, axles as well as steering gears and couplings.

Material

Standard material	Hardness
Ethylene-acrylate rubber AEM 23, AEM 33	60 Shore A
Natural rubber NR 11, NR 91, NR 39, NR 97	40, 45, 60, 70 Shore A
Acrylonitrile-butadiene rubber NBR 68	60 Shore A

Operating conditions

Radial forces	350 N ... 460000 N	Maximum permissible force
Axial forces	120 N ... 60000 N	Maximum permissible force
Max. temperature	60 °C, transient +80 °C	
Min. temperature	-45 °C	

Ultra bushes are available in different versions by the specified article (see article list) which range for applications up to load ranges of 460 kN. Ultra bushes can tolerate radial axial, torsional and also slight cardanic deformation. The recommended primary loading direction is perpendicular to the longitudinal axis and centred to the longitudinal elongation (radial load).

When calculating dynamic loading, use values of s_a and s_r reduced by approx. 50%.

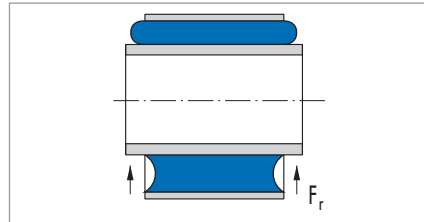


Fig. 2 Radial load

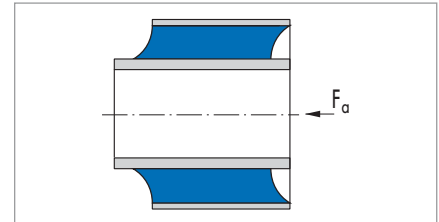


Fig. 3 Axial load

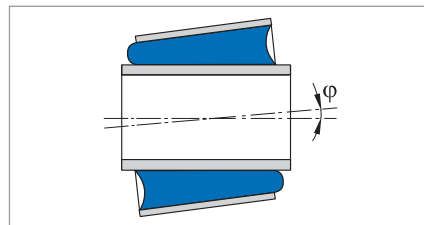


Fig. 4 Cardanic deflection

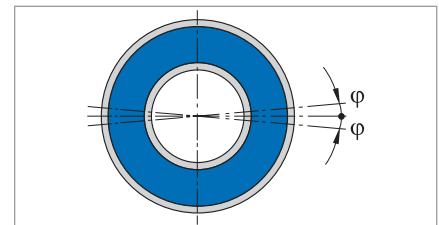


Fig. 5 Torsional load

Design notes

They are manufactured from an inside and outside precision metal sleeve which are joined together by a vulcanised elastomer insert. Ultra bushes have a pressure "preloaded elastomer" that is produced by permanently reducing the outside diameter of the outer sleeve and increasing the inside diameter of the inner sleeve through plastic deformation of the metal parts. This increases the service life considerably.

Fitting & installation

- Ultra bushes are designed for inner and outer press fitting
- Individual components permit slight adjustment to allow for in-situ planar or angular offset
- If possible, ensure that the entire cylindrical surface area of the sleeves is utilised as load-bearing contact surface
- Always apply installation and removal press-fit forces uniformly to the end faces of the precision sleeves.

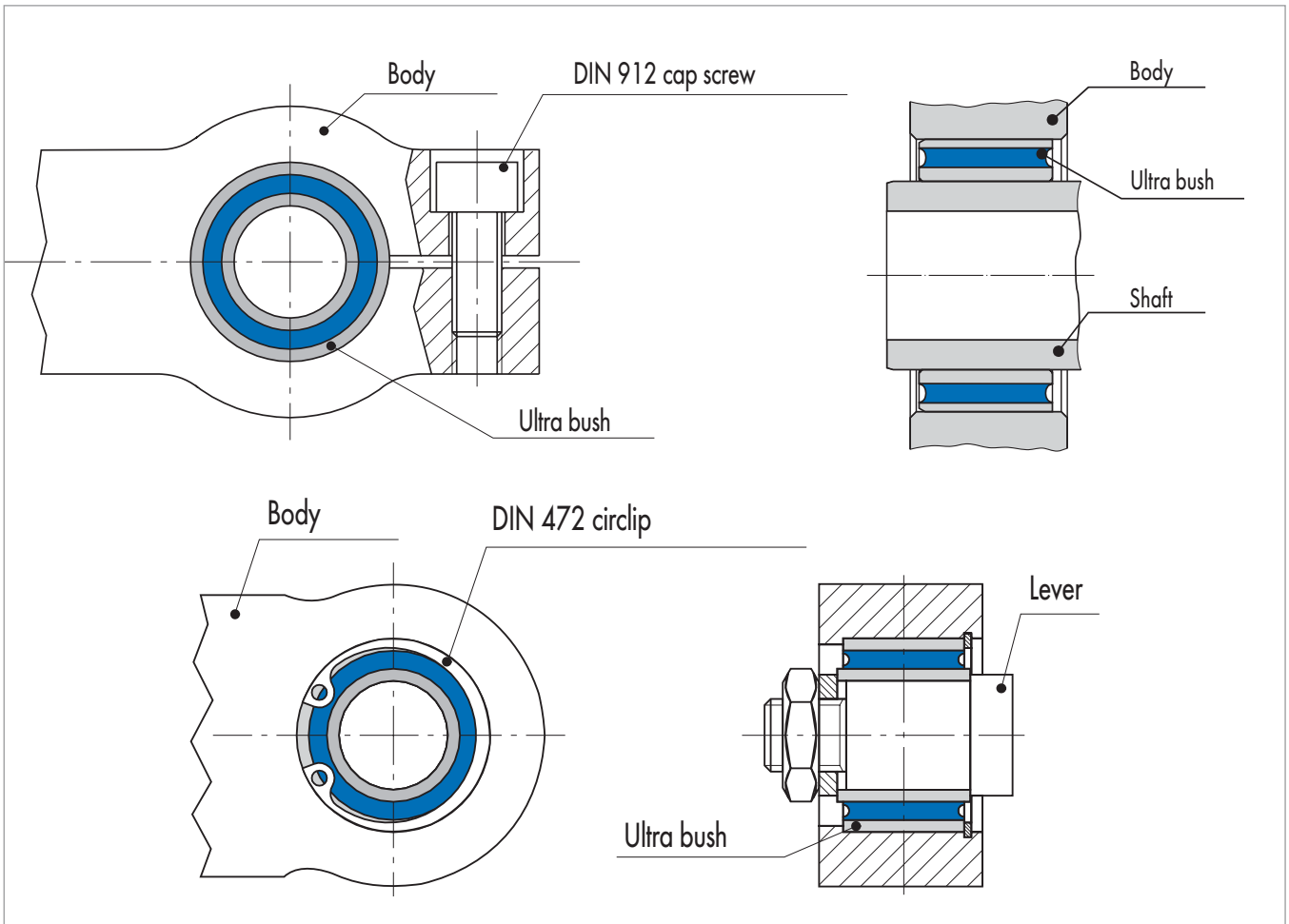


Fig. 6 Fitting & installation instructions: Ultra Bushes

Article list Ultra Bush

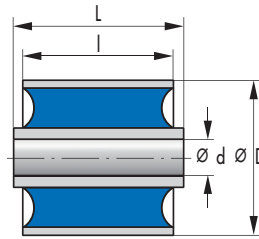
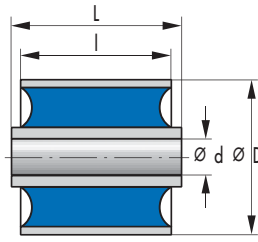


Fig. 7 Ultra Bush

Nominal maxima		Stiffness	Nominal maxima		Stiffness	Nominal maxima		Stiffness	Inside Ø	
Radial			Torsion			Axial			d	Tol.
F _{r max}	S _{r max}	c _{r ad}	M _{t max}	φ _{max}	C _{tor φ}	F _{a max}	S _{a max}	c _{ax}		
[N]	[mm]	[N/mm]	[Nm]	[°]	[N/mm]	[N]	[mm]	[N/mm]	[mm]	
2700	0,4	6750	3,2	7,0	0,5	700	1,4	510	8	H9
450	0,4	1130	1,1	7,0	0,2	230	1,6	140	8	H9
2800	0,2	14000	2,0	3,5	0,6	410	0,6	680	10	H9
1200	0,3	4000	2,0	3,5	0,6	280	1,0	280	10	H9
1100	0,3	3670	2,7	12,6	0,2	120	0,6	200	10	H9
2100	0,3	7000	2,7	5,2	0,5	280	0,6	470	10	H9
1800	0,3	7200	3,0	5,0	0,6	525	1,0	530	10	H9
700	0,5	1400	1,2	6,6	0,2	210	1,6	130	10	H9
1900	0,5	3800	2,9	6,6	0,4	550	1,6	340	10	H9
1300	0,2	6500	4,0	4,3	0,9	600	0,7	860	12	H9
4700	0,3	15670	6,0	5,6	1,1	950	1,2	790	12	H9
3700	0,5	8220	4,7	5,4	0,9	650	1,2	540	12	H9
2700	0,6	4500	4,2	6,0	0,7	480	1,2	400	12	H9
2700	0,6	4500	4,2	6,0	0,7	480	1,2	400	12	H9
2700	0,6	4500	4,2	6,0	0,7	480	1,2	400	12	H9
350	0,6	580	1,3	7,4	0,2	130	1,5	90	12	H9
900	0,6	1500	3,0	7,4	0,4	300	1,5	200	12	H9
950	0,6	1580	2,1	7,2	0,3	230	1,4	160	12	H9
1650	0,6	2750	4,5	7,2	0,6	480	1,4	300	12	H9
1000	0,6	1670	2,9	7,5	0,4	320	1,5	210	12	H9
2400	0,6	4000	7,0	7,5	0,9	780	1,5	520	12	H9
7600	0,9	8440	11,0	7,7	1,4	1800	2,4	750	12	H9
2400	0,6	4000	7,0	6,7	1,0	1060	2,0	530	14	H9
630	0,6	1050	2,9	7,5	0,4	240	1,5	160	14	H9
1600	0,6	2670	6,0	7,5	0,8	640	1,5	430	14	H9
900	1,2	750	7,0	8,6	0,8	1200	3,6	330	14	H9
5500	0,4	13410	10,0	5,2	1,9	1200	1,4	880	16	H9
1100	0,6	1830	5,0	5,6	0,9	600	1,6	380	16	H9
2400	0,9	2670	10,0	8,1	1,2	1000	2,5	400	16	H9
4000	0,4	10000	7,3	4,4	1,7	650	1,2	540	18	H9
1700	1,2	1420	3,8	5,3	0,7	350	1,6	220	18	H9
2600	0,6	4330	9,2	5,3	1,7	1000	1,6	640	18	H9
5050	0,4	12630	13,0	5,3	2,5	1260	1,2	1050	18	H9
8200	0,5	16400	19,0	5,3	3,6	1700	1,8	940	20	H9

● Available from stock ○ On request: Tool is available, delivery at short notice

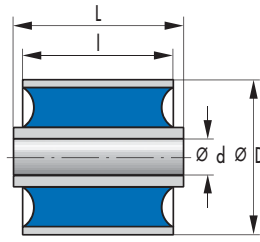
	Outside Ø		Length of the outer bush		Length of the inner bush		Product No.	Material		Article No.	
	D	Tol.	I	Tol.	L	Tol.		Rubber	Metal		
	[mm]		[mm]		[mm]						
20	±0,10	35	±0,5	40	±0,3	001 18 168	60 NR 11	steel	90122	●	
22	±0,10	12	±0,5	20	±0,3	001 18 305	60 NR 11	steel	91237	●	
20	±0,10	20	±0,5	24	±0,3	001 18 036	60 NR 11	steel	90007	●	
22	±0,10	15	±0,5	16	±0,3	001 18 337	60 NR 11	steel	91497	●	
22	±0,10	18,5	±0,5	20,5	±0,3	001 18 156	40 NR 11	steel	91089	●	
22	±0,10	18,5	±0,5	20,5	±0,3	001 18 156	60 NR 11	steel	90112	●	
22	±0,10	20	±0,5	24	±0,3	001 18 037	60 NR 11	steel	90009	●	
25	±0,10	20	±0,5	24	±0,3	001 18 039	40 NR 11	steel	90012	●	
25	±0,10	20	±0,5	24	±0,3	001 18 039	60 NR 11	steel	90011	●	
22	±0,10	24	±0,5	28	±0,3	001 18 040	60 NR 11	steel	90014	●	
24	±0,10	36	±0,5	37	±0,3	001 18 287	60 NR 11	steel	92683	●	
25	±0,10	24	±0,5	28	±0,3	001 18 041	60 NR 11	steel	90016	●	
28	±0,10	24	±0,5	28	±0,3	001 18 043	60 NR 11	steel	90018	●	
28	±0,10	24	±0,5	28	±0,3	001 18 043	60 AEM 23	steel	90076	●	
28	±0,10	24	±0,5	28	±0,5	001 18 886	60 NR 11	Niro	49004146	●	
30	±0,10	17	±0,5	18	±0,3	001 18 157	40 NR 11	steel	90890	●	
30	±0,10	17	±0,5	18	±0,3	001 18 157	60 NR 11	steel	90113	●	
30	±0,10	24	±0,5	28	±0,5	001 18 044	40 NR 11	steel	49035877	●	
30	±0,10	24	±0,5	28	±0,5	001 18 044	60 NR 11	steel	90019	●	
30	±0,10	36	±0,5	40	±0,3	001 18 169	40 NR 11	steel	49035876	○	
30	±0,10	36	±0,5	40	±0,3	001 18 169	60 NR 11	steel	90123	●	
32	±0,10	55	±0,5	59	±0,3	001 18 158	60 NR 11	steel	90115	●	
32	±0,10	28	±0,5	32	±0,3	001 18 047	60 NR 11	steel	90021	●	
35	±0,10	28	±0,5	32	±0,3	001 18 048	40 NR 11	steel	90022	●	
35	±0,10	28	±0,5	32	±0,3	001 18 048	60 NR 11	steel	90023	●	
40	±0,10	28	±0,5	34	±0,3	001 18 049	60 NR 11	steel	90026	●	
30	±0,10	32	±0,5	38	±0,3	001 18 050	60 NR 11	steel	90028	●	
32	±0,10	16	±0,5	17	±0,3	001 18 059	60 NR 11	steel	90117	●	
40	±0,10	32	±0,5	38	±0,3	001 18 054	60 NR 11	steel	90032	●	
32	±0,10	20	±0,5	20	±0,3	001 18 170	60 NR 11	steel	90124	●	
34	±0,10	25	±0,5	25	±0,3	001 18 171	40 NR 11	steel	93000	●	
34	±0,10	25	±0,5	25	±0,3	001 18 171	60 NR 11	steel	91567	●	
34	±0,10	36	±0,5	42	±0,3	001 18 055	60 NR 11	steel	90033	●	
38	±0,10	40	±0,5	46	±0,3	001 18 060	60 NR 11	steel	90035	●	



Nominal maxima		Stiffness	Nominal maxima		Stiffness	Nominal maxima		Stiffness	Inside \varnothing	
Radial			Torsion			Axial			d	Tol.
$F_{r \max}$	$S_{r \max}$	$c_{r \text{ ad}}$	$M_{t \max}$	φ_{\max}	$C_{\text{tor } \varphi}$	$F_{a \max}$	$S_{a \max}$	c_{ax}		
[N]	[mm]	[N/mm]	[Nm]	[°]	[N/mm]	[N]	[mm]	[N/mm]	[mm]	
6300	0,6	10000	16,6	6,0	2,8	1600	2,2	730	20	H9
7900	0,6	12540	19,0	5,9	3,2	1800	2,2	820	20	H9
1600	0,8	2000	7,5	7,0	1,1	830	3,0	280	20	H9
1600	0,8	2000	7,5	7,0	1,1	830	3,0	280	20	-0,15
4000	0,8	5000	18,0	7,0	2,6	2100	3,0	710	20	H9
4000	0,8	5000	18,0	7,0	2,6	2100	3,0	710	20	-0,15
1500	0,9	1670	5,8	7,1	0,8	450	2,0	230	20	H9
3700	0,9	4110	14,0	7,1	2,0	1100	2,0	550	20	H9
5400	1,0	5400	19,0	7,4	2,6	1750	2,7	650	20	H9
17500	1,2	14580	30,0	7,2	4,2	3600	3,2	1130	20	H9
5400	1,6	3420	19,0	8,1	2,3	2250	4,2	540	20	H9
18200	1,2	15170	70,0	15,9	4,4	3000	3,2	940	24	H9
37500	1,2	31250	70,0	6,6	10,6	5200	2,4	2170	24	H9
11000	0,4	27500	22,0	4,0	5,5	1350	1,1	1230	25	H9
11000	0,4	27500	22,0	4,0	5,5	1350	1,1	1230	25	H9
20000	0,4	57140	34,0	3,5	9,7	2000	0,9	2200	25	H9
20000	0,4	57140	34,0	3,5	9,7	2000	0,9	2200	25	H9
2500	0,5	5000	15,0	4,3	3,5	1200	1,6	750	25	H9
11500	0,6	18250	34,0	5,3	6,4	2800	1,8	1560	25	H9
10000	1,0	10000	34,0	6,6	5,2	2900	3,0	970	25	H9
4000	1,0	4000	17,0	6,8	2,5	1000	2,6	380	25	-0,15
8000	1,0	8000	35,0	6,8	5,1	2600	2,6	1000	25	-0,15
10000	1,0	10000	40,0	7,0	5,7	1600	2,0	800	28	H9
8800	0,6	14670	25,0	4,8	5,2	1200	1,6	750	30	H9
22000	0,6	36670	55,0	4,8	11,5	3100	1,6	1940	30	H9
13000	1,1	11820	63,0	7,0	9,0	3400	2,6	1310	30	H9
6700	1,3	5150	23,0	6,4	3,6	1500	3,9	380	30	H9
13700	1,3	10540	55,0	6,4	8,6	4000	3,9	1030	30	H9
15900	1,3	12230	55,0	6,4	8,6	3800	3,9	970	30	H9
13700	1,3	10540	55,0	6,4	8,6	4000	3,9	1030	30	H9
20200	0,4	50500	78,0	4,1	19,0	5400	2,0	2700	32	H9
20200	1,1	19240	96,0	5,8	17,0	6500	3,6	1810	36	H9
18500	0,8	231300	53,0	4,8	11,0	2100	2,8	750	38	H9
45000	0,8	56250	130,0	4,8	27,1	7400	2,8	2640	38	H9
20650	0,6	34420	130,0	4,7	27,7	6250	2,8	2260	40	H9
28000	1,5	18670	130,0	6,7	20,0	4800	3,5	1370	40	H9

● Available from stock ○ On request: Tool is available, delivery at short notice

	Outside Ø		Length of the outer bush		Length of the inner bush		Product No.	Material		Article No.	
	D	Tol.	l	Tol.	L	Tol.		Rubber	Metal		
	[mm]		[mm]		[mm]						
40	u10	±0,5	36	±0,5	36	±0,3	001 18 288	60 NR 11	steel	91270	●
40	u10	±0,5	40	±0,5	46	±0,3	001 18 061	60 NR 11	steel	90037	●
44	u10	±0,5	38	±0,5	42	±0,3	001 18 224	40 NR 11	steel	90137	●
44	u10	±0,5	38	±0,5	42	±0,5	001 18 919	45 NR 97	aluminium	49040213	○
44	u10	±0,5	38	±0,5	42	±0,3	001 18 224	60 NR 11	steel	91711	●
44	u10	±0,5	38	±0,5	42	±0,5	001 18 919	60 NR 11	aluminium	49040227	○
45	u10	±0,5	30	±0,5	30	±0,3	001 18 181	40 NR 11	steel	2118578	●
45	u10	±0,5	30	±0,5	30	±0,3	001 18 181	60 NR 11	steel	91034	●
45	u11	±0,5	40	±0,5	46	±0,3	001 18 064	60 NR 11	steel	90039	●
45	u10	±0,5	64	±0,5	70	±0,3	001 18 127	60 NR 11	steel	90094	●
50	u11	±0,5	40	±0,5	46	±0,3	001 18 065	60 NR 11	steel	90040	●
50	u11	±0,5	102	±0,5	115	±0,3	001 18 136	40 NR 11	steel	92150	●
50	u11	±0,5	102	±0,5	115	±0,3	001 18 136	60 NR 11	steel	90102	●
40	u10	±0,5	40	±0,5	40	±0,3	001 18 130	60 NR 11	steel	90100	●
40	u10	±0,5	40	±0,5	40	±0,3	001 18 130	60 NBR 68	steel	477724	○
40	u10	±0,5	50	±0,5	56	±0,3	001 18 069	60 NR 11	steel	90043	●
40	u10	±0,5	50	±0,5	56	±0,3	001 18 069	60 NBR 68	steel	49004699	○
42	u10	±0,5	22	±0,5	23	±0,3	001 18 163	60 NR 11	steel	90955	●
45	u10	±0,5	50	±0,5	56	±0,3	001 18 070	60 NR 11	steel	90044	●
50	u10	±0,5	50	±0,5	56	±0,3	001 18 072	60 NR 11	steel	90045	●
55	u10	±0,5	60	±0,5	55	-1,0	002 18 920	45 NR 97	aluminium	49040214	○
55	u10	±0,5	60	±0,5	55	-1,0	002 18 920	60 NR 11	aluminium	49040228	○
52	u10	±0,3	48	±0,3	54	±0,3	002 18 005	60 NR 91	steel	49017278	○
50	u10	±0,5	60	±0,5	66	±0,3	001 18 075	40 NR 11	steel	90328	●
50	u10	±0,5	60	±0,5	66	±0,3	001 18 075	60 NR 11	steel	90046	●
60	u10	±0,5	60	±0,5	68	±0,3	001 18 078	60 NR 11	steel	90051	●
65	u10	±0,5	70	±0,5	70	±0,3	001 18 220	40 NR 11	steel	91092	●
65	u10	±0,5	70	±0,5	70	±0,3	001 18 220	60 NR 11	steel	91318	●
65	u10	±0,5	70	±0,5	70	±0,3	001 18 220	60 NBR 68	steel	95300	○
65	u10	±0,5	70	±0,5	70	±0,5	002 18 885	60 NR 11	Niro	49004145	○
55	u10	±0,5	64	±0,5	72	±0,3	001 18 079	60 NR 11	steel	90052	●
65	u10	±0,5	72	±0,5	80	±0,3	001 18 084	60 NR 11	steel	90057	●
64	u10	+0,7	80	+0,7	88	±0,3	001 18 117	40 NR 11	steel	49004031	○
64	u10	+0,7	80	+0,7	88	±0,3	001 18 117	60 NR 11	steel	90089	●
65	u11	±0,5	80	±0,5	88	±0,3	001 18 088	60 NR 11	steel	90060	●
75	u10	±0,5	80	±0,5	88	±0,3	001 18 090	60 NR 11	steel	90061	●



Nominal maxima		Stiffness	Nominal maxima		Stiffness	Nominal maxima		Stiffness	Inside \varnothing	
Radial			Torsion			Axial			d	Tol.
$F_{r \max}$	$S_{r \max}$	c_{rad}	$M_{t \max}$	φ_{\max}	$C_{tor \varphi}$	$F_{a \max}$	$S_{a \max}$	c_{ax}		
[N]	[mm]	[N/mm]	[Nm]	[°]	[N/mm]	[N]	[mm]	[N/mm]	[mm]	
14000	1,7	8480	85	6,0	14,0	4700	4,4	1070	42	H9
66700	1,2	55580	185	5,1	36,0	8150	3,6	2260	45	H9
8700	1,2	7250	90	5,8	16,0	2600	3,0	870	45	H9
85000	0,9	94440	300	4,4	70,0	9000	2,4	3750	50	H9
85000	0,9	94440	300	4,4	70,0	9000	2,4	3750	50	H9
42000	1,7	25450	255	6,7	38,1	9600	4,4	2180	50	H9
34500	2,0	17250	255	7,1	36,0	10260	6,2	1650	50	H9
23000	2,9	7930	180	10,5	17,0	5500	7,0	790	50	H9
55000	2,9	18970	550	10,5	41,0	13000	7,0	1860	50	H9
15500	1,0	15500	140	4,7	30,0	3300	3,0	1100	58	H9
33000	1,0	33000	281	4,7	60,0	7000	3,0	2330	58	H9
52000	1,0	52000	610	5,0	120,0	16000	5,0	3200	70	H9
128000	1,1	116360	1045	3,3	320,0	14800	2,9	5100	100	H9
165000	1,5	110000	1850	4,2	440,0	30000	5,0	6000	110	H9
400000	1,0	400000	3000	3,0	1000,0	43000	4,0	10750	124	H9
460000	1,0	460000	4600	3,0	1530,0	60000	4,0	15000	124	H9
260000	2,0	130000	4700	4,7	1000,0	52500	7,0	7500	136	H9
260000	2,0	130000	4700	4,7	1000,0	52500	7,0	7500	136	H9

● Available from stock ○ On request: Tool is available, delivery at short notice

	Outside Ø		Length of the outer bush		Length of the inner bush		Product No.	Material		Article No.	
	D	Tol.	I	Tol.	L	Tol.		Rubber	Metal		
	[mm]		[mm]		[mm]						
	78	±0,10	45	±0,5	45	±0,5	001 18 285	60 NR 11	steel	91820	●
	75	±0,10	90	±0,5	100	±0,3	001 18 093	60 NR 11	steel	90063	●
	80	±0,10	45	±0,5	45	±0,3	001 18 297	60 NR 11	steel	91424	●
	80	±0,10	100	±0,5	110	±0,5	001 18 095	60 NR 11	steel	90066	●
	80	±0,10	100	±0,5	110	±0,5	001 18 095	60 NBR 68	steel	93394	○
	95	±0,10	100	±0,5	110	±0,3	001 18 360	60 NR 11	steel	90900	●
	100	±0,10	100	±0,5	110	±0,3	001 18 097	60 NR 11	steel	90070	●
	125	±0,11	138	±0,2	195	±0,3	001 18 102	40 NR 11	steel	96921	●
	125	±0,11	138	±0,2	195	±0,3	001 18 102	60 NR 11	steel	96141	●
	93	±0,11	85	±0,5	95	±0,3	001 18 141	45 NR 11	steel	49039427	○
	93	±0,11	85	±0,5	95	±0,3	001 18 141	60 NR 11	steel	90106	●
	126	±0,10	111	±0,5	120	±0,3	001 18 318	60 NR 11	steel	92770	●
	140	±0,11	110	±0,5	120	±0,3	001 18 772	60 NR 11	steel	96165	●
	160	±0,11	170	±0,8	180	±0,5	001 18 802	60 NR 11	steel	96246	●
	180	±0,11	220	±0,8	230	±0,5	001 18 805	60 NR 11	steel	96248	●
	180	±0,11	220	±0,8	230	±0,5	001 18 805	70 NR 11	steel	96247	●
	218	±0,10	201,6	±0,5	235	±0,3	001 18 531	60 NR 11	steel	93059	●
	218	±0,10	201,6	±0,5	235	±0,3	001 18 531	60 NBR 68	steel	480706	○

Article list Ultra Bush, eccentric

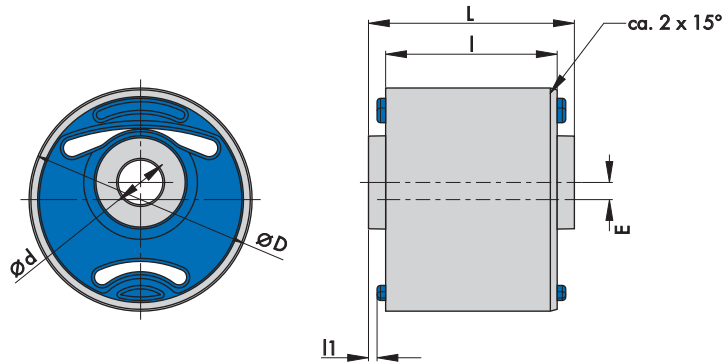


Fig. 8 Eccentric Ultra Bush

Nominal maxima		Stiffness	Nominal maxima		Stiffness	Nominal maxima		Stiffness	Inside \varnothing	
Radial			Radial			Axial			d	Tol.
$F_{r \max Z}$	$S_{r \max Z}$	$c_{rad Z}$	$F_{r \max y}$	$S_{r \max y}$	$c_{rad y}$	$F_{a \max}$	$S_{a \max}$	c_{ax}		
[N]	[mm]	[N/mm]	[Nm]	[°]	[N/mm]	[N]	[mm]	[N/mm]	[mm]	
600	4	150	740	2	370	200	2,5	80	13	±0,5
760	4	190	930	2	420	238	2,5	95	13	±0,5
920	4	230	1120	2	560	275	2,5	110	13	±0,5
1600	5	320	2200	2	1100	1050	5,0	210	25	±0,2
1700	5	340	2800	2	1400	1100	5,0	220	25	±0,2
1100	5	220	1380	2	690	650	5,0	130	25	±0,2
3000	5	600	3520	2	1760	1650	5,0	330	25	±0,2
4500	5	900	4680	2	2340	2250	5,0	450	25	±0,2

● Available from stock ○ On request: Tool is available, delivery at short notice

	Outside Ø		No-load eccentricity in Z direction	Length of the outer bush		Length of the inner bush		Axial rubber stop	Product No.	Material		Article No.			
	D	Tol.		E	L	Tol.	L			Tol.	I1			Rubber	Metal
	[mm]			[mm]	[mm]		[mm]								
	65	±10	5	50	±0,5	60	±0,5	2,5	002 18 960	35 NR 11	steel	49040515	○		
	65	±10	5	50	±0,5	60	±0,5	2,5	002 18 960	40 NR 11	steel	49040516	○		
	65	±10	5	50	±0,5	60	±0,5	2,5	002 18 960	45 NR 11	steel	49040517	○		
	100	0,22	7	70	±0,5	85	±0,5	without	002 18 937	48 NR 11	steel	49026595	○		
	100	0,22	7	70	±0,5	85	±0,5	without	002 18 937	48 AEM 33	steel	49040286	○		
	100	0,22	7	70	±0,5	85	±0,5	without	002 18 937	40 NR 11	steel	49041844	○		
	100	0,22	7	70	±0,5	85	±0,5	without	002 18 937	60 NR 11	steel	49041846	○		
	100	0,22	7	70	±0,5	85	±0,5	without	002 18 937	70 NR 11	steel	49041847	○		

O-Bush

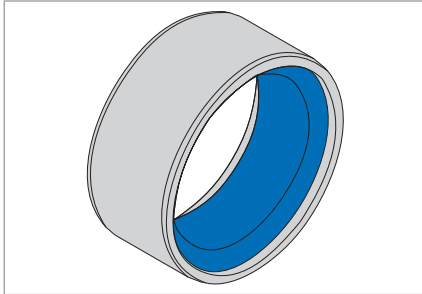


Fig. 1 O-Bush

Product description

O-bushes receive forces in the radial direction. They isolate and compensate for tolerances of the stud. Radial deflection of the mass carried by the mount is also limited.

Product advantages

- Low weight
- Low space requirements
- Independent centring
- Tolerance compensation
- RoHS-compliant.

Application

The O-bushes are particularly suitable as a resilient connecting element for mounting auxiliary units, electronic components, small units, pumps and compressors in mobile and stationary applications.

Material

Standard material	Hardness
Natural rubber NR 11, NR 13	50, 60, 70 Shore A
Acrylonitrile-butadiene rubber NBR 68	50, 60, 70 Shore A
Chloroprene rubber CR 57	50, 60, 70 Shore A

Operating conditions

O-bushes have different stiffness in axial and radial direction. In the radial direction the stiffness is many times that of the axial direction. The primary load direction is recommended to be perpendicular to the longitudinal axis and central to the longitudinal extension.

Design notes

The O-bush with central through-bore consists of a pipe section with an elastomer pad vulcanised to its inner sheath. It can be designed in an axial and a radial direction. During assembly the elastomer pad is compressed radially. This makes the O-bush self-holding, forms the friction connection between the elastomer pad and the stud and increases the service life. The radial stiffness depends on the size of the cover. Only slight forces should be applied in the axial direction.

Fitting & installation

- O-bushes are prepared externally for installation in a locating bore with press fitting
- The internal dimensions are designed for press-in of a stud with cover
- A slight axial offset required by the installation is possible depending on the component
- Always apply installation and removal press-fit forces uniformly to the end faces of the pipe section.

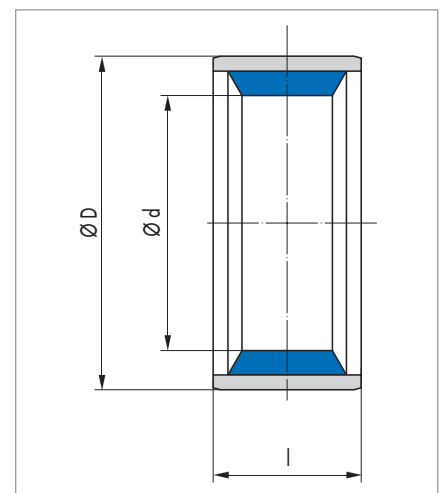


Fig. 2 Dimensional drawing of O-Bush

Spherical Mount

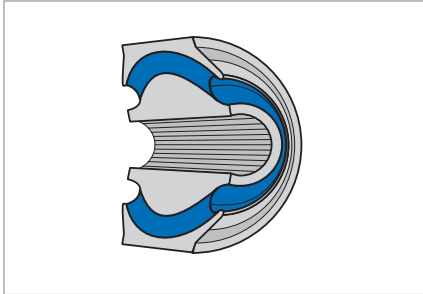


Fig. 1 Spherical Mount

Product description

Spherical mounts, as the name suggests, are spherical bushes capable of absorbing axial, radial and torsional movements and cardanic deflections.

Product advantages

- Maintenance-free articulation
- Reduced settling under radial load
- Increased cardanic loading
- Allowing twist in all directions
- RoHS-compliant.

Application

Spherical mounts are ideal vibration-control components for articulations that are subjected to twisting in all directions. The mounts are primarily used in bearings, brake levers and steering gears in buses and trucks as well as in reaction-support links in industrial applications.

Material

Standard material	Hardness
Natural rubber NR 11, NR 13	50, 60, 65, 70 Shore A

Operating conditions

Radial forces	1200 N ... 46000 N	Maximum permissible force
Axial forces	1600 N ... 20000 N	Maximum permissible force
Max. temperature	up to +60 °C, transient up to +80 °C	
Min. temperature	up to -45 °C	

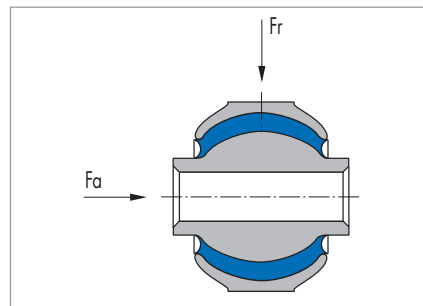


Fig. 2 Primary load directions

Spherical mounts are generally stiffer in the radial direction than in the axial direction and permit angular deflections of 4°–9° for all three spatial axes.

Design notes

This component consists of an inner ball and an outer spherical shell; the joining element is a vulcanised elastomer insert between ball and shell. Spherical mounts have a preloaded rubber element, so, as is the case with Ultra Bushes, the mount can be calibrated (see the description of Ultra Bushes) for extended durability.

Fitting & installation

- As a rule, spherical mounts are designed for press fitting of the outer metal part and have a threaded fastener on the inner metal part
- Alternatively, the inner metal ball can be designed to push onto a stud for preloading against a collar or for press-fitting on a stud

- Individual components permit slight adjustment to allow for in-situ planar or angular offset
- If possible, utilise the entire cylindrical surface of the outer sleeve as the bearing surface for spherical mounts
- If the inner stud has threaded ends, ensure full-surface contact of the flats in the threaded fastener
- If the inner sleeve is thin, if possible, utilise the entire cylindrical inner face of the inner-sleeve bore as the bearing surface of the spherical mount
- Always apply installation and removal press-fit forces uniformly to the end faces of the precision sleeves.

Article list

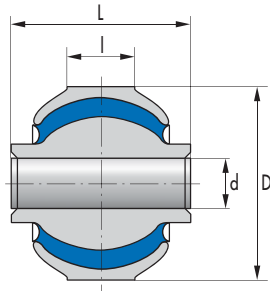


Fig. 3 Spherical Mounts 054 18 096, 054 18 070, 054 18 191

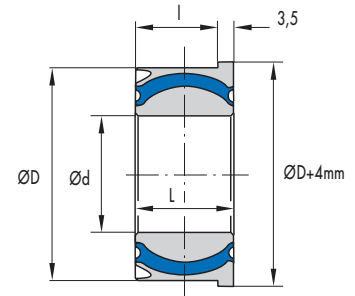


Fig. 4 Spherical Mount 054 18 163

Nominal maxima		Stiffness	Nominal maxima		Stiffness	Nominal maxima		Stiffness	Nominal maxima		Stiffness	Inside Ø		Outside Ø	
Radial			Axial			Torsion			Cardanic			d	Tol.	D	Tol.
F _r max	S _r max	C _r	F _a max	S _a max	C _a	M _t max	φ _t max	c _t	M _k max	φ _k max	c _k				
[N]	[mm]	[N/mm]	[N]	[mm]	[N/mm]	[Nm]	[°]	[Nm/°]	[Nm]	[°]	[Nm/°]	[mm]		[mm]	
1200	0,6	2000	3600	1,5	2400	25	7,0	0	25	4,0	10	16	H9	45,0	u6
18700	0,8	23380	11300	2,0	5650	75	9,0	10	80	4,0	20	16	H8	65,0	r8
20500	0,6	34170	4100	1,1	3730	108	4,5	20	70	4,5	20	20	H8	75,0	r8
46000	0,7	65710	20000	1,2	16670	266	8,0	30	160	4,0	40	30	H8	90,0	r8
28000	0,7	40000	4800	1,5	3200	440	5,0	90	280	5,0	60	53	H7	100,0	r8
35000	0,7	50000	6000	1,5	4000	550	5,0	110	330	5,0	70	53	H7	100,0	r8
25000	0,8	31250	1600	4,0	400	140	6,0	20	120	3,0	40	-	-	66,67	p7
25000	0,3	75760	4000	4,0	1000	45	6,0	10	100	3,0	30	-	-	66,67	p7
25000	0,3	75760	4000	4,0	1000	45	6,0	10	100	3,0	30	-	-	66,67	p7

● Available from stock ○ On request: Tool is available, delivery at short notice

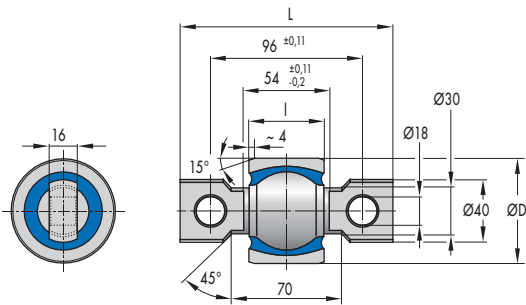


Fig. 5 Spherical Mount 054 18 710

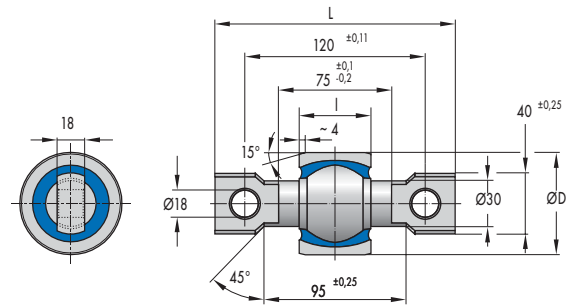


Fig. 5 Spherical Mount 054 18 732

	Length of inside component		Length of outside component		Product No.	Material	Corrosion protection	Article No.	
	L	Tol.	l	Tol.					
	[mm]	[mm]	[mm]	[mm]					
	42	-0,10	35,0	±0,3	5418 036	60 NR 11	Slightly oiled	90721	●
	60	-0,20	32,0	±0,3	5418 068	60 NR 11	Slightly oiled	92525	●
	50	±0,20	46,0	+1,0	5418 191	65 NR 11	Slightly oiled	93644	●
	76	-0,20	45,0	±0,3	5418 070	60 NR 11	Slightly oiled	92041	●
	50	-0,20	46,5/50,0	±0,3	5418 163	65 NR 13	Slightly oiled	93418	●
	50	-0,20	46,5/50,0	±0,3	5418 163	70 NR 11	Slightly oiled	93643	●
	135	±0,30	47,6	±0,3	5418 710	50 NR 11	Slightly oiled	465259	○
	135	±0,30	47,6	±0,3	5418 711	65 NR 13	Fe//Zn8//C	462023	○
	160	±0,25	47,6	±0,3	5418 732	65 NR 13	Fe//Zn8//C	479059	○

Conical Mount

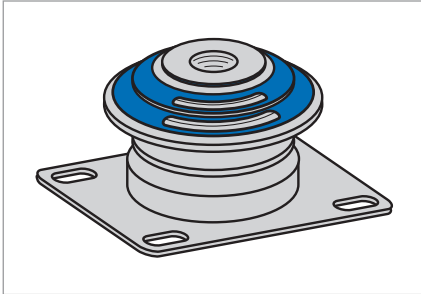


Fig. 1 Conical Mount

Product description

Conical mounts damp vertical vibrations, isolate against structure-borne noise and can simultaneously accept large horizontal forces (e.g. deceleration forces under braking). Conical mounts are delivered without washers as standard. The suitable washers and stops can be found in the section on Washers and Centering Washers as well as in Rubberised Stop Washers.

Product advantages

- Long service life
- Optimum settling
- Auto-centring under axial load
- RoHS-compliant.

Application

Conical mounts are ideal, resilient connecting elements for mounting engines, driven machinery and superstructures for both stationary operation and in vehicles and ships.

Material

Standard material	Hardness
Natural rubber NR 11, NR 39	35, 40, 45, 50, 55, 60, 65, 70, 76, 80 Shore A
Acrylonitrile-butadiene rubber NBR 68	55, 65, 70 Shore A
Ethylene-acrylate rubber AEM 33	55, 60 Shore A

Operating conditions

Axial forces	500 N ... 30000 N	Maximum permissible force
Max. temperature	up to 60 °C, transient up to +80 °C	
Min. temperature	up to -45 °C	

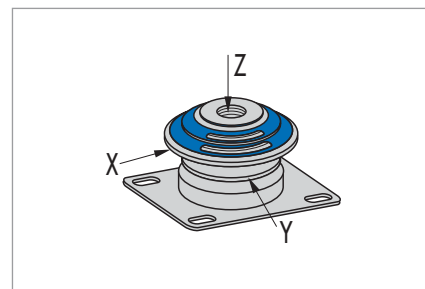


Fig. 2 Primary load directions

Properly positioned conical mounts for mounting engines lightly cushions the torque which reduces the vibrations introduced into the anchorages and thus contributes to a better running smoothness. The weight should primarily be absorbed in the longitudinal axis (+Z). The range of conical mounts offers a large number of different designs for the optimal solution of all conceivable application/installation cases. Tear-off or separation protection is also thus possible.

Design notes

The mount configuration is manufactured from an inner and outer metal part. The outer metal part has a multi-hole flange and the inner metal part has a through-hole with or without a thread or a tapped blind hole. Both tapered metal parts are connected in tapered parallel orientation by an elastomer insert.

Fitting & installation

- The conical mounts are designed to be secured by means of threaded fasteners
- Individual components permit slight adjustment to allow for in-situ offset
- It is important to ensure that the mating faces of the frame and the mass carried by the mount are flat and smooth
- Ensure that the underside of the flange is in full-surface contact with the mating face of the frame anchorage
- Position the mount relative to the static load in such a way that the inner metal part and the flange are preloaded relative to each other
- Avoid tensile loads or use the stop and centering washers to limit these loads (see the section on stop washers).

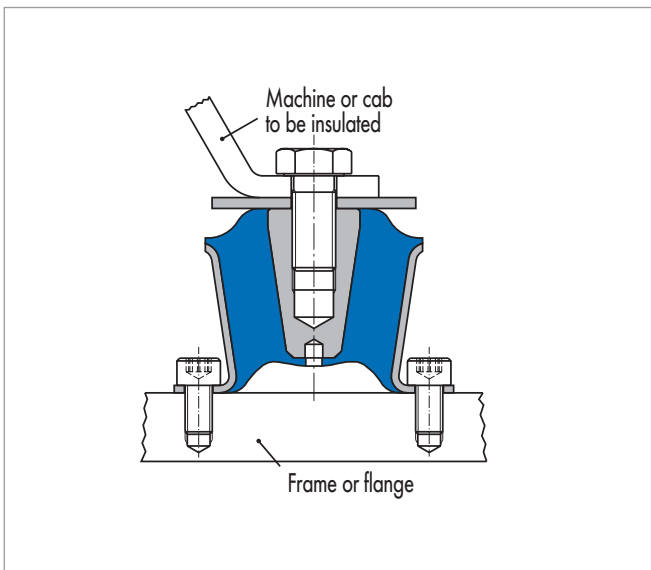


Fig. 3 Secured by threaded fasteners in base

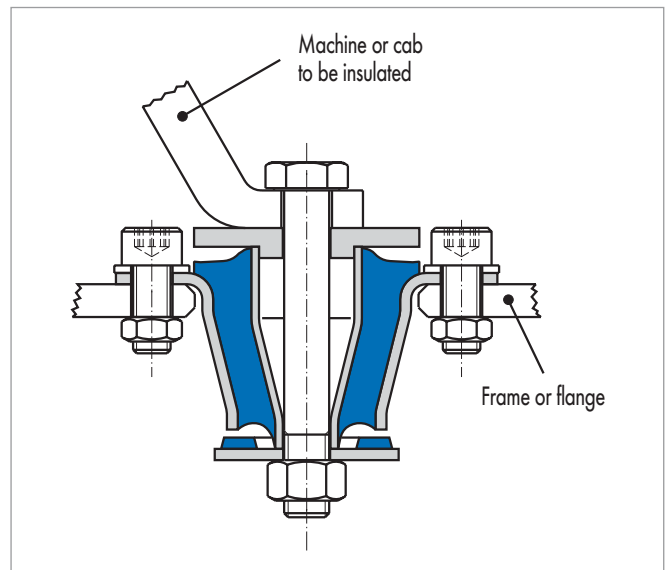


Fig. 4 Secured by threaded fasteners in flange

Article list

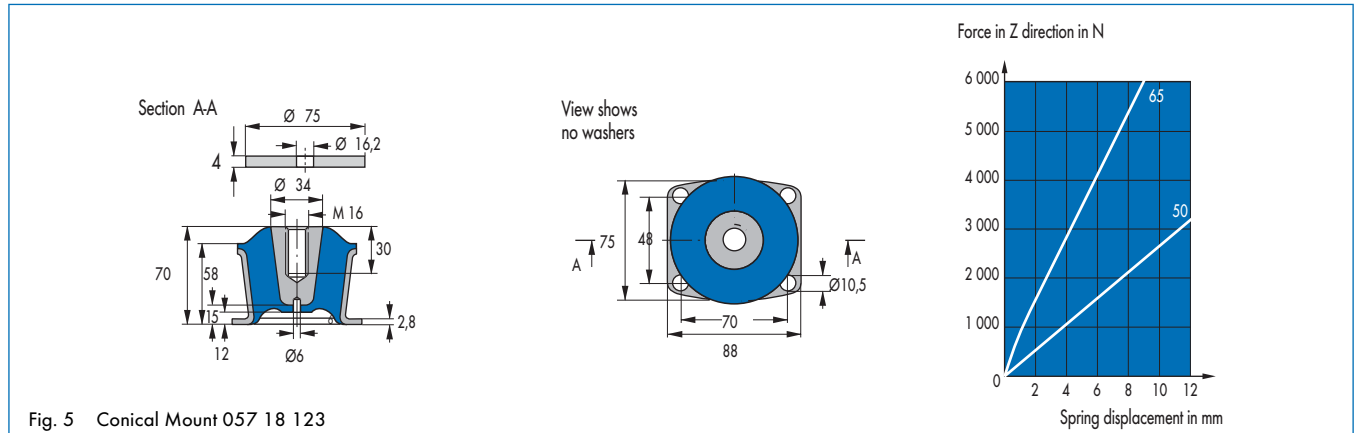


Fig. 5 Conical Mount 057 18 123

Nominal maxima		Stiffness	Nominal maxima		Stiffness	Nominal maxima		Stiffness	Window	Product No.	Material	Article No.	
Axial			Radial			Radial							
F _z max	s _z max	c _z	F _x max	s _x max	c _x	F _y max	s _y max	c _y					
[N]	[mm]	[N/mm]	[N]	[mm]	[N/mm]	[N]	[mm]	[N/mm]					
3000	11	270	855	1,5	570	855	1,5	570	without	5718 123	50 NR 11	93270	●
6000	9	610	1920	1,5	1280	1920	1,5	1280	without	5718 123	65 NR 11	91790	●

● Available from stock ○ On request: Tool is available, delivery at short notice

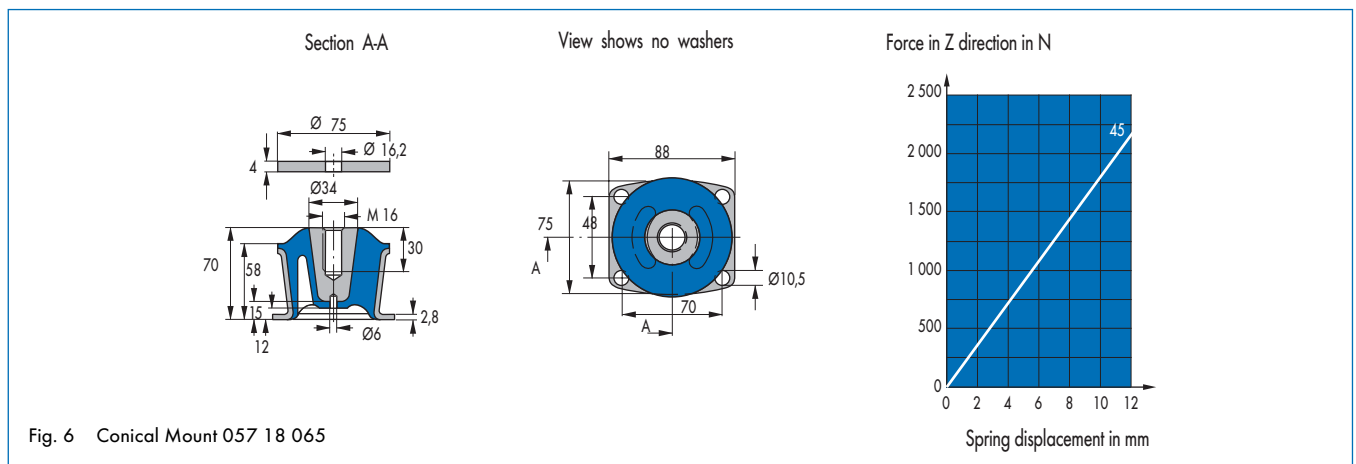


Fig. 6 Conical Mount 057 18 065

Nominal maxima		Stiffness	Nominal maxima		Stiffness	Nominal maxima		Stiffness	Window	Product No.	Material	Article No.	
Axial			Radial			Radial							
F _z max	s _z max	c _z	F _x max	s _x max	c _x	F _y max	s _y max	c _y					
[N]	[mm]	[N/mm]	[N]	[mm]	[N/mm]	[N]	[mm]	[N/mm]					
2000	11	180	3000	1,5	2000	390	1,5	260	with	5718 065	45 NR 11	90822	●
5800	11	500	8700	1,5	5800	1050	1,5	700	with	5718 065	70 NR 11	92448	●

● Available from stock ○ On request: Tool is available, delivery at short notice

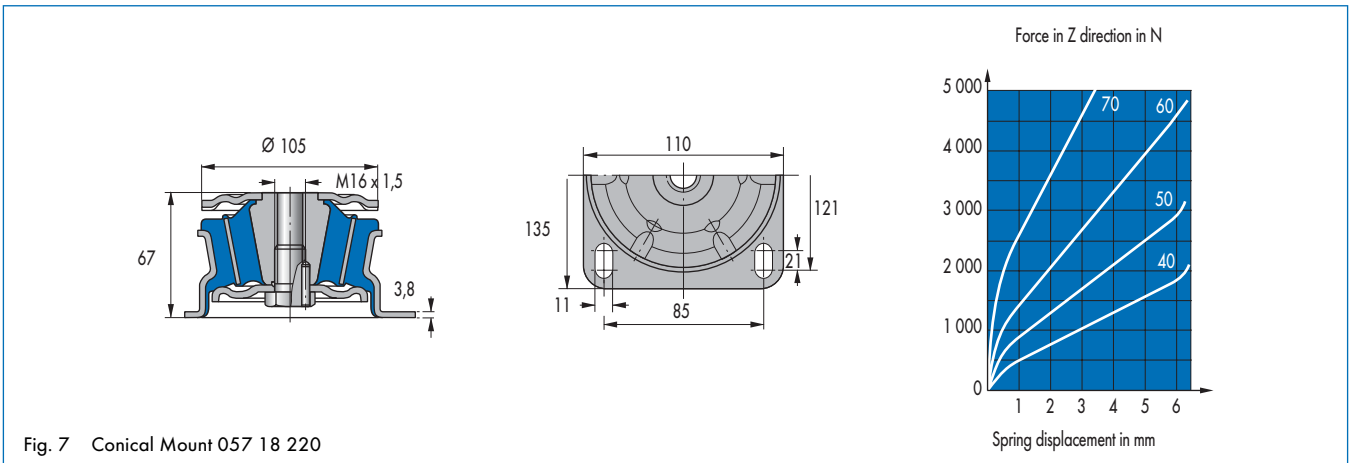


Fig. 7 Conical Mount 057 18 220

Nominal maxima		Stiffness	Nominal maxima		Stiffness	Nominal maxima		Stiffness	Window	Product No.	Material	Article No.	
Axial			Radial			Radial							
F _z max	s _z max	c _z	F _x max	s _x max	c _x	F _y max	s _y max	c _y					
[N]	[mm]	[N/mm]	[N]	[mm]	[N/mm]	[N]	[mm]	[N/mm]					
1400	4,5	260	1500	2	750	1500	2	750	without	5718 220	40 NR 11	91067	●
2100	4,0	390	2200	2	1100	2200	2	1100	without	5718 220	50 NR 11	91374	●
3000	3,5	610	3400	2	1700	3400	2	1700	without	5718 220	60 NR 11	93876	●
4200	2,7	1000	5200	2	2600	5200	2	2600	without	5718 220	70 NR 11	91230	●
6300	2,7	1500	7800	2	3900	7800	2	3900	without	5718 220	80 NR 11	49018753	○

● Available from stock ○ On request: Tool is available, delivery at short notice

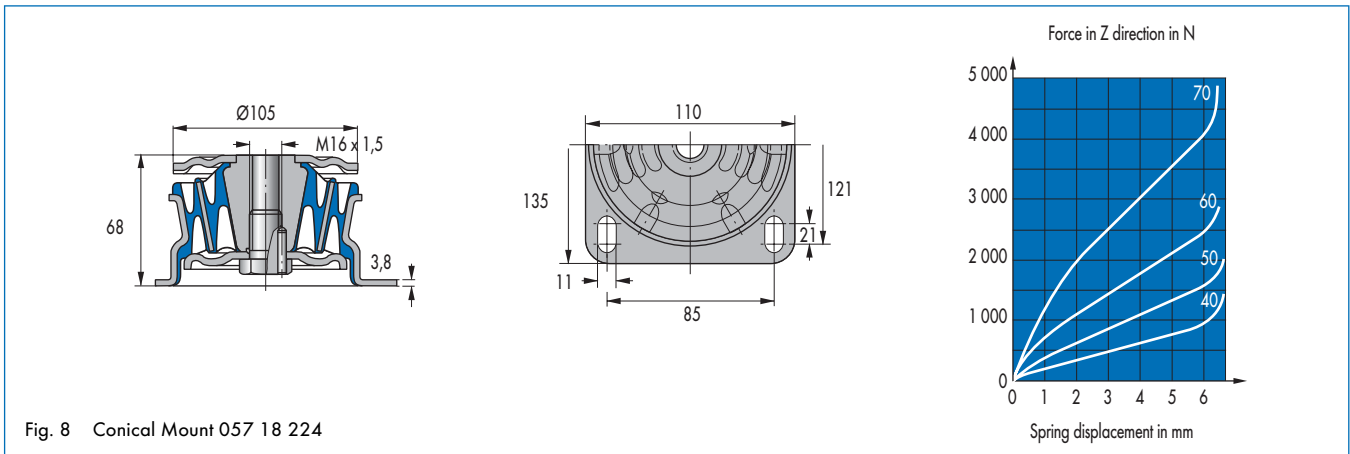
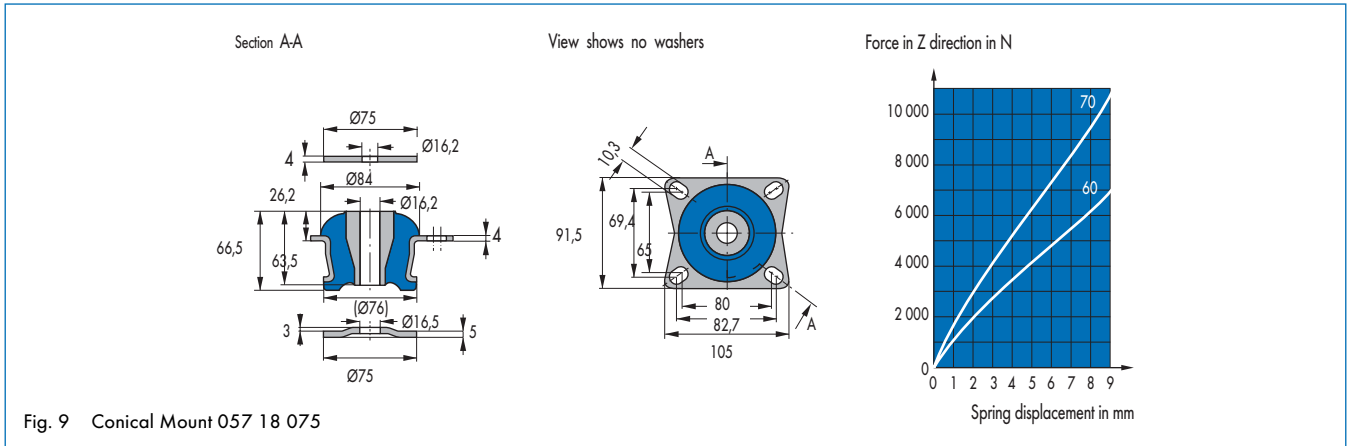


Fig. 8 Conical Mount 057 18 224

Nominal maxima		Stiffness	Nominal maxima		Stiffness	Nominal maxima		Stiffness	Window	Product No.	Material	Article No.	
Axial			Radial			Radial							
F _z max	s _z max	c _z	F _x max	s _x max	c _x	F _y max	s _y max	c _y					
[N]	[mm]	[N/mm]	[N]	[mm]	[N/mm]	[N]	[mm]	[N/mm]					
700	4,5	140	1200	2	600	600	2	300	with	5718 224	40 NR 11	91376	●
1100	4,0	220	1800	2	900	900	2	450	with	5718 224	50 NR 11	91076	●
1600	3,5	330	2800	2	1400	1400	2	700	with	5718 224	60 NR 11	91491	●
2400	2,7	500	4400	2	2200	2200	2	1100	with	5718 224	70 NR 11	91381	●

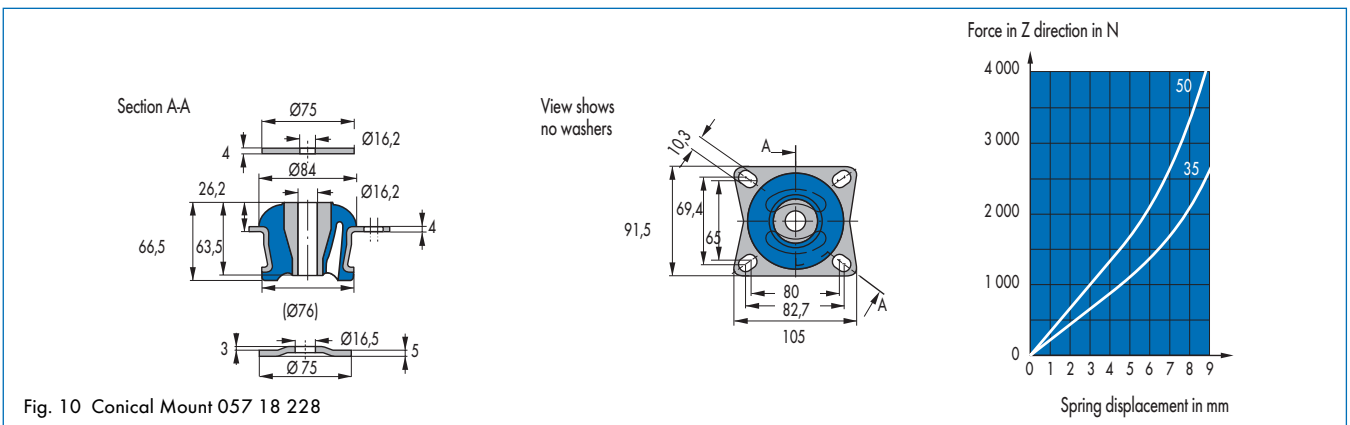
● Available from stock ○ On request: Tool is available, delivery at short notice

Article list



Nominal maxima		Stiffness	Nominal maxima		Stiffness	Nominal maxima		Stiffness	Window	Product No.	Material	Article No.	
Axial			Radial			Radial							
F _z max	s _z max	c _z	F _x max	s _x max	c _x	F _y max	s _y max	c _y					
[N]	[mm]	[N/mm]	[N]	[mm]	[N/mm]	[N]	[mm]	[N/mm]					
3400	8	400	1200	1,5	800	1200	1,5	800	without	5718 075	45 NR 11	93385	●
6200	8	670	2100	1,5	1400	2100	1,5	1400	without	5718 075	60 NR 11	91829	●
9500	8	1070	3360	1,5	2240	3360	1,5	2240	without	5718 075	70 NR 11	90863	●
18400	8	2100	6450	1,5	4300	6450	1,5	4300	without	5718 075	76 NR 39	510004	●

● Available from stock ○ On request: Tool is available, delivery at short notice



Nominal maxima		Stiffness	Nominal maxima		Stiffness	Nominal maxima		Stiffness	Window	Product No.	Material	Article No.	
Axial			Radial			Radial							
F _z max	s _z max	c _z	F _x max	s _x max	c _x	F _y max	s _y max	c _y					
[N]	[mm]	[N/mm]	[N]	[mm]	[N/mm]	[N]	[mm]	[N/mm]					
2100	8	210	660	1,5	440	270	1,5	180	with	5718 228	35 NR 11	93641	●
3300	8	340	1335	1,5	890	540	1,5	360	with	5718 228	50 NR 11	93642	●
6100	8	600	2400	1,5	1600	1050	1,6	700	with	5718 228	65 NR 11	91405	●

● Available from stock ○ On request: Tool is available, delivery at short notice

Article list

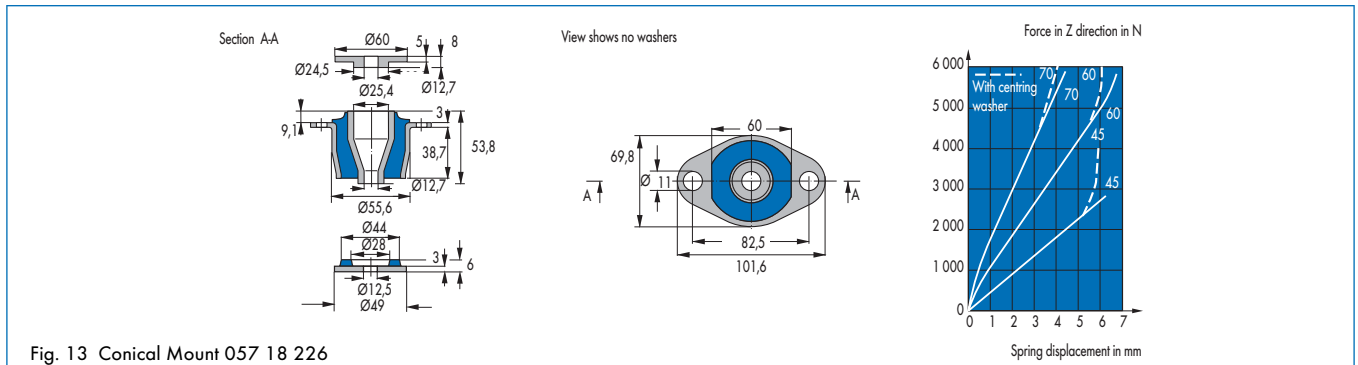


Fig. 13 Conical Mount 057 18 226

Nominal maxima		Stiffness	Nominal maxima		Stiffness	Nominal maxima		Stiffness	Window	Product No.	Material	Article No.	
Axial			Radial			Radial							
F _z max	s _z max	c _z	F _x max	s _x max	c _x	F _y max	s _y max	c _y					
[N]	[mm]	[N/mm]	[N]	[mm]	[N/mm]	[N]	[mm]	[N/mm]					
2000	5	400	1000	1	1000	1000	1	1000	without	5718 226	45 NR 39	2129296	●
2300	5	460	1150	1	1150	1150	1	1150	without	5718 226	45 NR 11	93947	●
3400	5	700	1700	1	1700	1700	1	1700	without	5718 226	55 NBR 68	49019621	●
4200	5	720	1970	1	1970	1970	1	1970	without	5718 226	60 NR 11	93948	●
5200	4	1190	2970	1	2970	2970	1	2970	without	5718 226	70 NR 11	93949	●

● Available from stock ○ On request: Tool is available, delivery at short notice

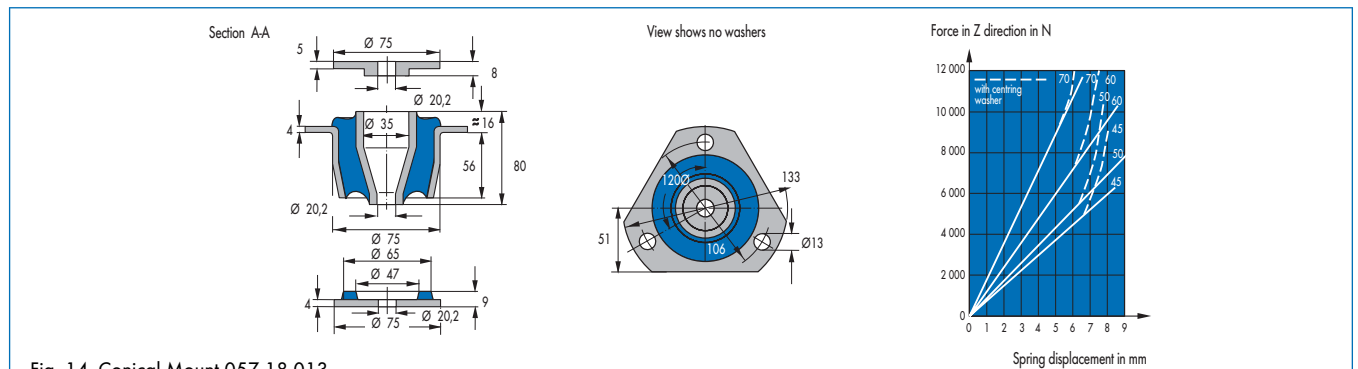


Fig. 14 Conical Mount 057 18 013

Nominal maxima		Stiffness	Nominal maxima		Stiffness	Nominal maxima		Stiffness	Window	Product No.	Material	Article No.	
Axial			Radial			Radial							
F _z max	s _z max	c _z	F _x max	s _x max	c _x	F _y max	s _y max	c _y					
[N]	[mm]	[N/mm]	[N]	[mm]	[N/mm]	[N]	[mm]	[N/mm]					
3300	5,5	600	7400	2,5	2960	7400	2,5	2960	without	5718 013	45 NR 11	90697	●
3800	5,5	690	8500	2,5	3400	8500	2,5	3400	without	5718 013	45 NR 39	49029143	●
6500	5,5	1180	9800	2,5	3900	9800	2,5	3920	without	5718 013	50 NR 11	91201	●
7200	5,5	1310	11600	2,5	4600	11600	2,5	4600	without	5718 013	60 NR 39	49029144	●
8500	5,5	1550	13800	2,5	5500	13800	2,5	5500	without	5718 013	60 NR 11	90877	●
9600	5,5	1750	14500	2,5	5800	14500	2,5	5800	without	5718 013	55 AEM 23	500857	●
10000	5,5	1820	12500	2,5	5000	12500	2,5	5000	without	5718 013	70 NR 11	90849	●
10000	5,5	1820	12500	2,5	5000	12500	2,5	5000	without	5718 013	70 NBR 68	511079	●
10100	5,5	1800	16400	2,5	6500	16400	2,5	6500	without	5718 013	65 NBR 68	2129417	●
11100	5,5	2000	13800	2,5	5500	13800	2,5	5500	without	5718 013	76 NR 39	480534	●

● Available from stock ○ On request: Tool is available, delivery at short notice

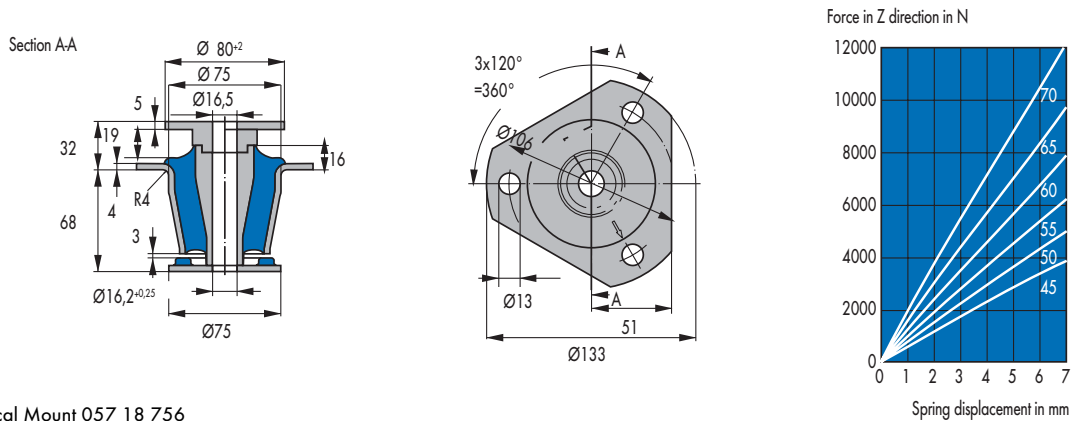


Fig. 15 Conical Mount 057 18 756

Nominal maxima		Stiffness	Nominal maxima		Stiffness	Nominal maxima		Stiffness	Window	Product No.	Material	Article No.	
Axial			Radial			Radial							
F_z max	s_z max	c_z	F_x max	s_x max	c_x	F_y max	s_y max	c_y					
[N]	[mm]	[N/mm]	[N]	[mm]	[N/mm]	[N]	[mm]	[N/mm]					
4800	8	600	6300	3	2100	3300	3	2100	without	5718 756	45 NR 11	511906	○
6400	8	800	9900	3	2850	5250	3	2850	without	5718 756	50 NR 11	2129305	○
8000	8	1000	14400	3	3500	7500	3	3500	without	5718 756	55 NR 11	2129306	○
10000	8	1250	20700	3	4400	10800	3	4400	without	5718 756	60 NR 11	2129307	○
12400	8	1550	26100	3	5450	13650	3	5450	without	5718 756	65 NR 11	2129308	○
15600	8	1950	32400	3	6850	16950	3	6850	without	5718 756	70 NR 11	2129309	○

● Available from stock ○ On request: Tool is available, delivery at short notice

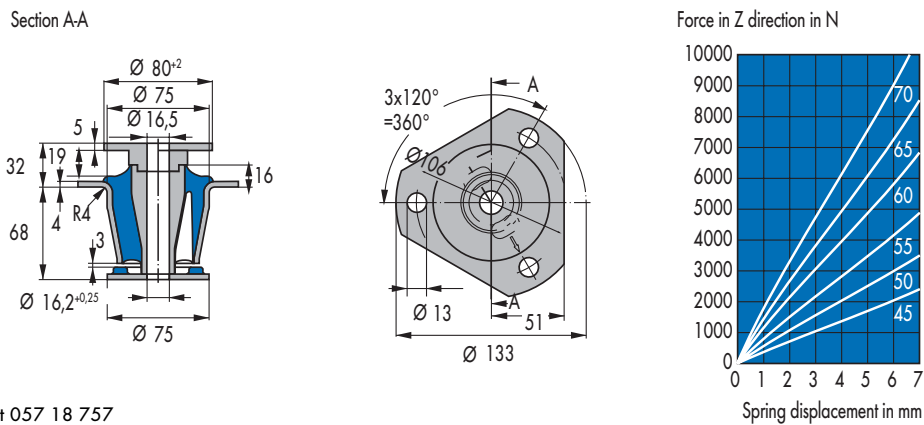


Fig. 16 Conical Mount 057 18 757

Nominal maxima		Stiffness	Nominal maxima		Stiffness	Nominal maxima		Stiffness	Window	Product No.	Material	Article No.	
Axial			Radial			Radial							
F_z max	s_z max	c_z	F_x max	s_x max	c_x	F_y max	s_y max	c_y					
[N]	[mm]	[N/mm]	[N]	[mm]	[N/mm]	[N]	[mm]	[N/mm]					
2800	8	350	1140	3	2100	1140	3	1100	with	5718 757	45 NR 11	511926	●
4400	8	550	1320	3	3300	1320	3	1750	with	5718 757	50 NR 11	2129310	○
6400	8	800	1740	3	4800	1740	3	2500	with	5718 757	55 NR 11	2129311	○
9200	8	1150	2280	3	6900	2280	3	3600	with	5718 757	60 NR 11	2129312	○
11600	8	1450	3150	3	8700	3150	3	4550	with	5718 757	65 NR 11	2129313	○
14400	8	1800	4080	3	10800	4080	3	5650	with	5718 757	70 NR 11	2129314	○

● Available from stock ○ On request: Tool is available, delivery at short notice

Article list

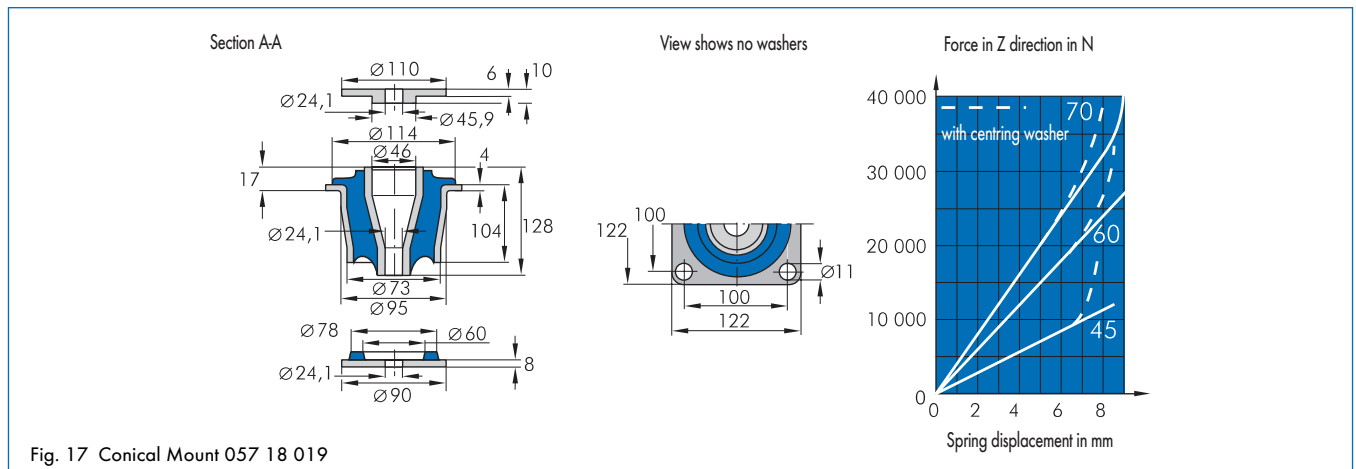


Fig. 17 Conical Mount 057 18 019

Nominal maxima			Stiffness			Nominal maxima			Stiffness			Window	Product No.	Material	Article No.	
Axial			Radial			Radial										
F_z max	s_z max	c_z	F_x max	s_x max	c_x	F_y max	s_y max	c_y								
[N]	[mm]	[N/mm]	[N]	[mm]	[N/mm]	[N]	[mm]	[N/mm]								
10000	7	1420	9600	1,5	6400	9600	1,5	6400	without	5718 019	45 NR 11	91430	●			
20000	7	2850	19200	1,5	12800	19200	1,5	12800	without	5718 019	60 NR 11	90491	●			
30000	7	4000	30000	1,5	20000	30000	1,5	20000	without	5718 019	70 NR 11	91009	●			

● Available from stock ○ On request: Tool is available, delivery at short notice

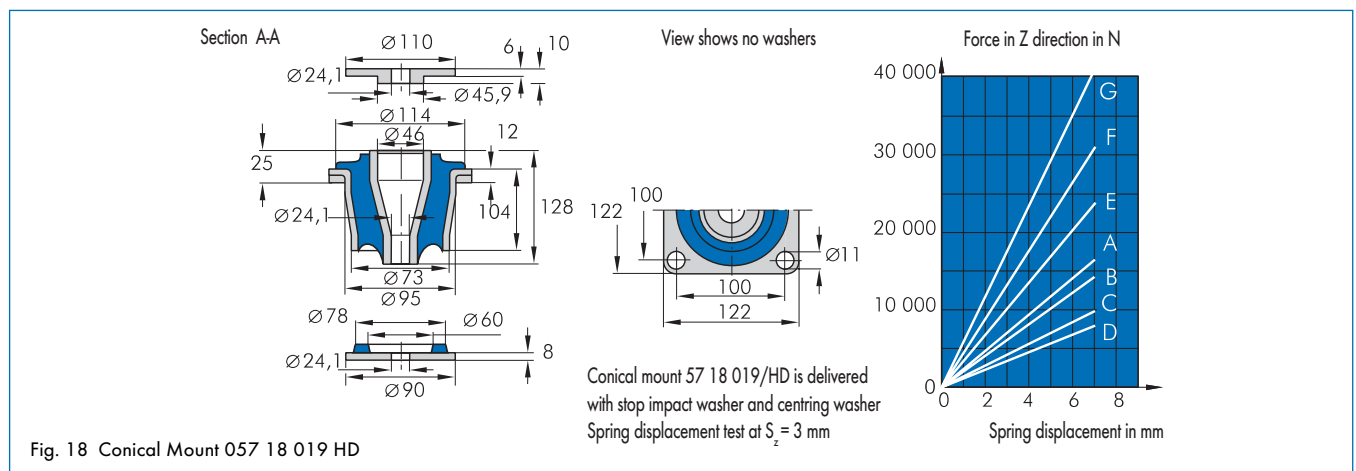


Fig. 18 Conical Mount 057 18 019 HD

Nominal maxima			Stiffness			Nominal maxima			Stiffness			Window	Product No.	Material	Article No.	
Axial			Radial			Radial										
F_z max	s_z max	c_z	F_x max	s_x max	c_x	F_y max	s_y max	c_y								
[N]	[mm]	[N/mm]	[N]	[mm]	[N/mm]	[N]	[mm]	[N/mm]								
8900	7	1300	4300	1,5	6500	4300	1,5	6500	without	5718 019/111 HD	D NR 11	49032538	○			
10300	7	1500	5000	1,5	7500	5000	1,5	7500	without	5718 019/111 HD	C NR 11	49032537	○			
14500	7	2100	7000	1,5	10500	7000	1,5	10500	without	5718 019/111 HD	B NR 11	49032536	○			
15600	7	2300	7700	1,5	11500	7700	1,5	11500	without	5718 019/111 HD	A NR 11	49016407	○			
23400	7	3400	11300	1,5	17000	11300	1,5	17000	without	5718 019/111 HD	E NR 11	49032539	○			
30900	7	4200	14000	1,5	21000	14000	1,5	21000	without	5718 019/111 HD	F NR 11	49034619	○			
40800	7	5800	19300	1,5	29000	19300	1,5	29000	without	5718 019/111 HD	G NR 11	49034621	○			

● Available from stock ○ On request: Tool is available, delivery at short notice

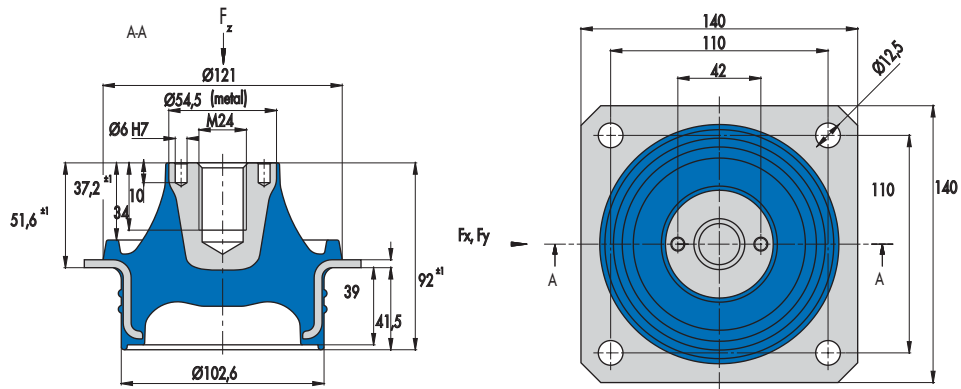


Fig. 19 Conical Mount 057 18 794

Nominal maxima	Stiffness	Nominal maxima	Stiffness	Nominal maxima	Stiffness	Window	Product No.	Material	Article No.				
Axial			Radial							Radial			
F_z max	S_z max	c_z	F_x max	S_x max	c_x					F_y max	S_y max	c_y	
[N]	[mm]	[N/mm]	[N]	[mm]	[N/mm]					[N]	[mm]	[N/mm]	
1900	10	190	1150	5	230	1150	5	230	without	5718 794	40 NR 11	49030359	○
2400	10	240	1450	5	290	1450	5	290	without	5718 794	45 NR 11	49030360	○
3000	10	300	1850	5	370	1850	5	370	without	5718 794	50 NR 11	49030361	○
3700	10	370	2350	5	470	2350	5	470	without	5718 794	55 NR 11	49030402	○
4600	10	460	3000	5	600	3000	5	600	without	5718 794	60 NR 11	49030403	○
5600	10	560	3800	5	760	3800	5	760	without	5718 794	65 NR 11	49030404	○

● Available from stock ○ On request: Tool is available, delivery at short notice

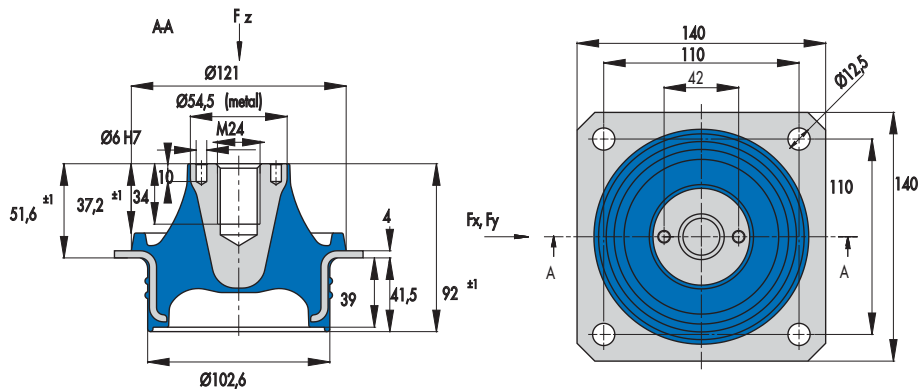


Fig. 20 Conical Mount 057 18 795

Nominal maxima	Stiffness	Nominal maxima	Stiffness	Nominal maxima	Stiffness	Window	Product No.	Material	Article No.				
Axial			Radial							Radial			
F_z max	S_z max	c_z	F_x max	S_x max	c_x					F_y max	S_y max	c_y	
[N]	[mm]	[N/mm]	[N]	[mm]	[N/mm]					[N]	[mm]	[N/mm]	
1900	10	190	1500	5	300	1500	5	300	without	5718 795	40 NR 11	49030405	○
2400	10	240	1950	5	390	1950	5	390	without	5718 795	45 NR 11	49030406	○
3000	10	300	2500	5	500	2500	5	500	without	5718 795	50 NR 11	49030407	○
3600	10	360	3200	5	640	3200	5	640	without	5718 795	55 NR 11	49030408	○
4700	10	470	4150	5	830	4150	5	830	without	5718 795	60 NR 11	49030409	○
8200	10	820	5300	5	1060	5300	5	1060	without	5718 795	65 NR 11	49030410	○

● Available from stock ○ On request: Tool is available, delivery at short notice

Article list

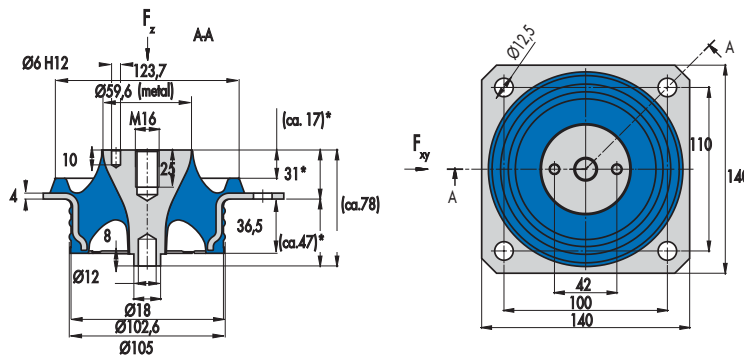


Fig. 21 Conical Mount 057 18 792

Nominal maxima		Stiffness	Nominal maxima		Stiffness	Nominal maxima		Stiffness	Window	Product No.	Material	Article No.	
Axial			Radial			Radial							
F_z max	s_z max	c_z	F_x max	s_x max	c_x	F_y max	s_y max	c_y					
[N]	[mm]	[N/mm]	[N]	[mm]	[N/mm]	[N]	[mm]	[N/mm]					
2600	10	260	1900	5	380	1900	5	380	without	5718 792	40 NR 11	49028584	○
3100	10	310	2200	5	440	2200	5	440	without	5718 792	45 NR 11	49028585	○
3900	10	380	2900	5	580	2900	5	580	without	5718 792	50 NR 11	49028586	○
4700	10	470	3800	5	760	3800	5	760	without	5718 792	55 NR 11	49028587	○
6200	10	600	5250	5	1050	5250	5	1050	without	5718 792	60 NR 11	49028588	○
8000	10	7400	6800	5	1360	6800	5	1360	without	5718 792	65 NR 11	49028589	○

● Available from stock ○ On request: Tool is available, delivery at short notice

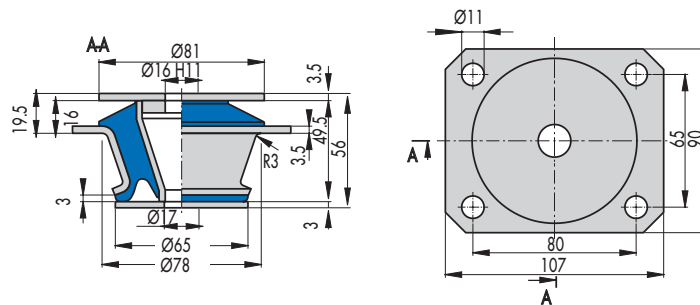


Fig. 22 Conical Mount 057 18 804

Nominal maxima		Stiffness	Nominal maxima		Stiffness	Nominal maxima		Stiffness	Window	Product No.	Material	Article No.	
Axial			Radial			Radial							
F_z max	s_z max	c_z	F_x max	s_x max	c_x	F_y max	s_y max	c_y					
[N]	[mm]	[N/mm]	[N]	[mm]	[N/mm]	[N]	[mm]	[N/mm]					
1300	3	430	1140	3	480	1140	3	480	without	5718 804	45 NR 11	49041359	○
2600	3	870	2730	3	910	2730	3	910	without	5718 804	60 NR 11	49041360	○
3600	3	1200	3870	3	1290	3870	3	1290	without	5718 804	70 NR 11	49041361	○

● Available from stock ○ On request: Tool is available, delivery at short notice

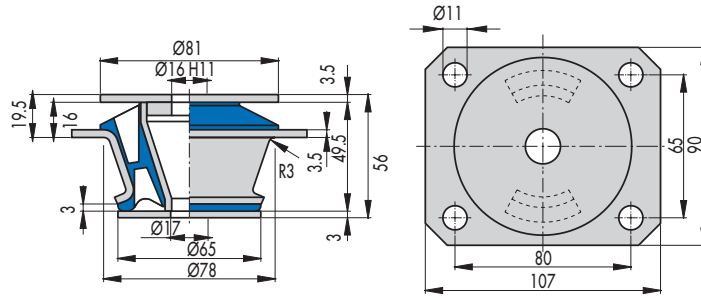


Fig. 23 Conical Mount 057 18 805

Nominal maxima		Stiffness	Nominal maxima		Stiffness	Nominal maxima		Stiffness	Window	Product No.	Material	Article No.	
Axial			Radial			Radial							
F _z max	s _z max	c _z	F _x max	s _x max	c _x	F _y max	s _y max	c _y					
[N]	[mm]	[N/mm]	[N]	[mm]	[N/mm]	[N]	[mm]	[N/mm]					
800	3	270	870	3	290	8700	3	290	with	5718 805	45 NR 11	49041362	○
1500	3	500	1650	3	550	1650	3	550	with	5718 805	60 NR 11	49041363	○
2000	3	670	2895	3	965	2895	3	965	with	5718 805	70 NR 11	49041364	○

● Available from stock ○ On request: Tool is available, delivery at short notice

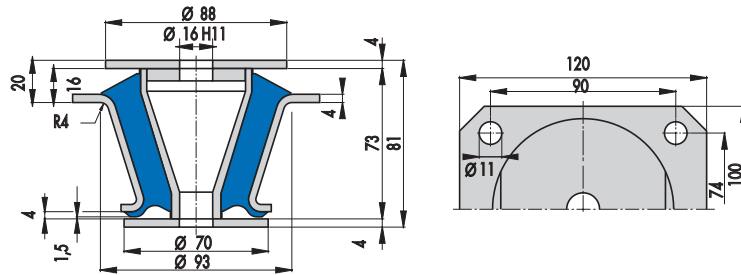


Fig. 24 Conical Mount 057 18 806

Nominal maxima		Stiffness	Nominal maxima		Stiffness	Nominal maxima		Stiffness	Window	Product No.	Material	Article No.	
Axial			Radial			Radial							
F _z max	s _z max	c _z	F _x max	s _x max	c _x	F _y max	s _y max	c _y					
[N]	[mm]	[N/mm]	[N]	[mm]	[N/mm]	[N]	[mm]	[N/mm]					
2000	2	1000	2530	2	1265	2530	2	1265	without	5718 806	45 NR 11	49041365	○
3800	2	1900	4290	2	2145	4290	2	2145	without	5718 806	60 NR 11	49041366	○
5800	2	2900	7560	2	3780	7560	2	3780	without	5718 806	70 NR 11	49041367	○

● Available from stock ○ On request: Tool is available, delivery at short notice

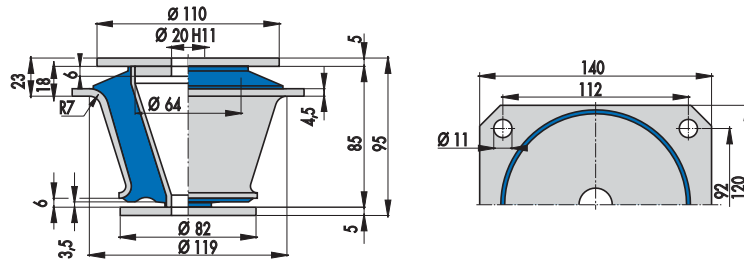


Fig. 25 Conical Mount 057 18 807

Nominal maxima		Stiffness	Nominal maxima		Stiffness	Nominal maxima		Stiffness	Window	Product No.	Material	Article No.	
Axial			Radial			Radial							
F_z max	s_z max	c_z	F_x max	s_x max	c_x	F_y max	s_y max	c_y					
[N]	[mm]	[N/mm]	[N]	[mm]	[N/mm]	[N]	[mm]	[N/mm]					
6000	5	1200	7150	5	1430	71550	5	1430	without	5718 807	45 NR 11	49041368	○
11500	5	2300	12350	5	2470	12350	5	2470	without	5718 807	60 NR 11	49041369	○
17500	5	3500	20250	5	4050	20250	5	4050	without	5718 807	70 NR 11	49041370	○

● Available from stock ○ On request: Tool is available, delivery at short notice

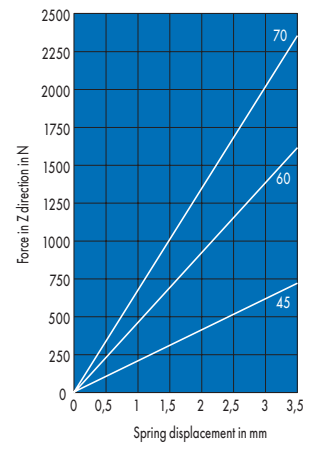
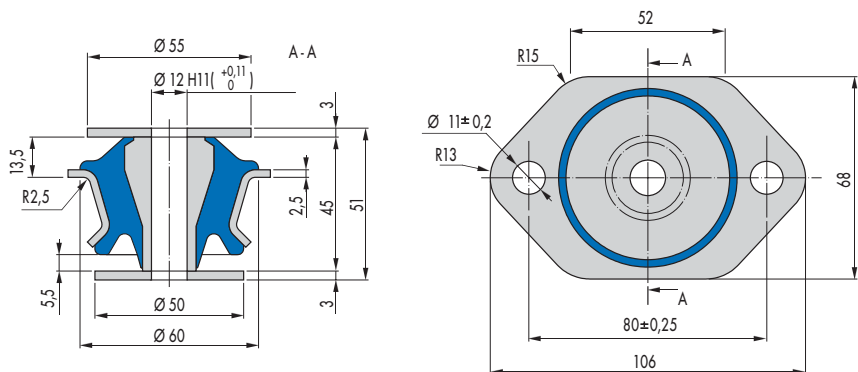


Fig. 26 Conical Mount 057 18 816

Nominal maxima		Stiffness	Nominal maxima		Stiffness	Nominal maxima		Stiffness	Window	Product No.	Material	Article No.	
Axial			Radial			Radial							
F_z max	s_z max	c_z	F_x max	s_x max	c_x	F_y max	s_y max	c_y					
[N]	[mm]	[N/mm]	[N]	[mm]	[N/mm]	[N]	[mm]	[N/mm]					
630	3	210	-	-	-	-	-	-	without	5718 816	45 NR 11	49047034	○
1350	3	450	-	-	-	-	-	-	without	5718 816	60 NR 11	49047035	○
2000	3	670	-	-	-	-	-	-	without	5718 816	70 NR 11	49047036	○

● Available from stock ○ On request: Tool is available, delivery at short notice

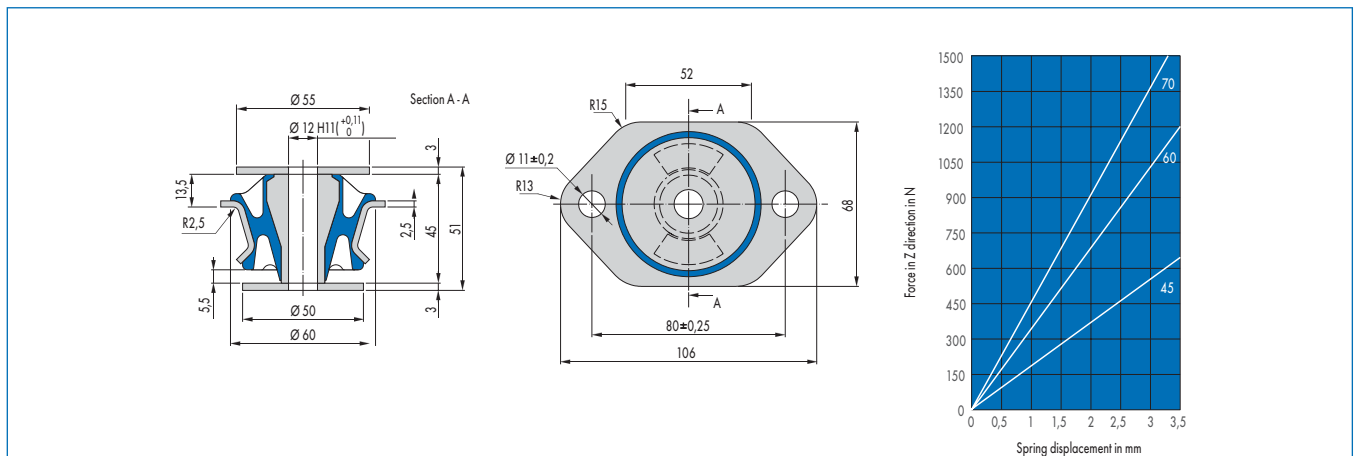


Fig. 27 Conical Mount 057 18 817

Nominal maxima		Stiffness	Nominal maxima		Stiffness	Nominal maxima		Stiffness	Window	Product No.	Material	Article No.	
Axial			Radial			Radial							
F _z max	s _z max	c _z	F _x max	s _x max	c _x	F _y max	s _y max	c _y					
[N]	[mm]	[N/mm]	[N]	[mm]	[N/mm]	[N]	[mm]	[N/mm]					
550	3	180	-	-	-	-	-	-	with	5718 817	45 NR	49047037	○
1000	3	330	-	-	-	-	-	-	with	5718 817	60 NR	49047038	○
1350	3	450	-	-	-	-	-	-	with	5718 817	70 NR	49047039	○

● Available from stock ○ On request: Tool is available, delivery at short notice

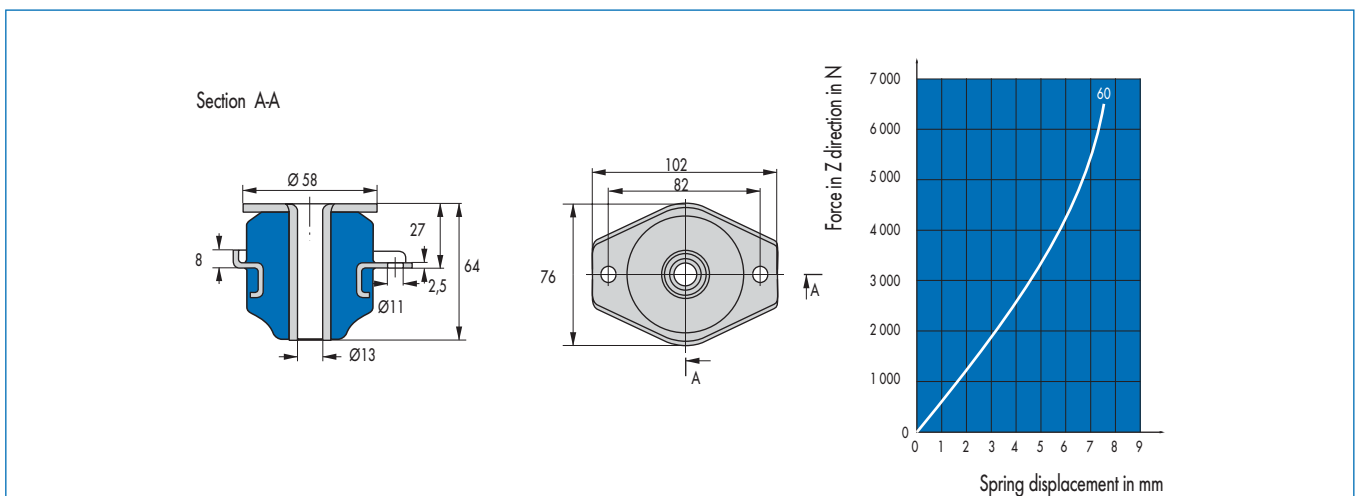


Fig. 28 Conical Mount 058 18 001

Nominal maxima		Stiffness	Nominal maxima		Stiffness	Nominal maxima		Stiffness	Window	Product No.	Material	Article No.	
Axial			Radial			Radial							
F _z max	s _z max	c _z	F _x max	s _x max	c _x	F _y max	s _y max	c _y					
[N]	[mm]	[N/mm]	[N]	[mm]	[N/mm]	[N]	[mm]	[N/mm]					
3000	7	300	200	1	200	200	1	200	without	5818 001	45 NR 11	91928	●
5500	7	620	330	1	330	330	1	330	without	5818 001	60 NR 11	90827	●
8200	7	900	500	1	500	500	1	500	without	5818 001	70 NR 11	92539	●

● Available from stock ○ On request: Tool is available, delivery at short notice

V Mount

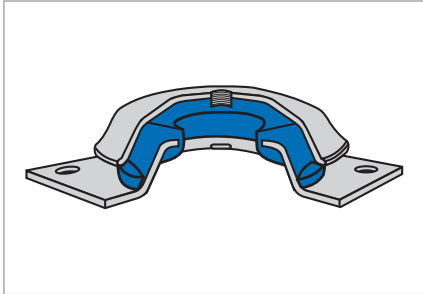


Fig. 1 V Mount

Product description

V mounts are ideal for a multiplicity of applications in vibration control and structure-borne sound insulation.

Product advantages

- Chrome-free galvanisation for optimum corrosion protection
- Easy fitting
- Maintenance-free
- Good insulation even at low interference frequencies
- RoHS-compliant.

Application

The range of possible applications for V mounts includes internal combustion engines, electric motors, pumps, compressors and tool machines. V mounts are also used for maritime engineering. There are versions with type approval from Lloyds Register of Shipping available.

Material

Standard material	Hardness
Natural rubber NR 11	40, 45, 50, 60, 65 Shore A

Operating conditions

Axial forces in Z direction	500 N ... 32000 N	Maximum permissible force
Max. temperature	up to 60 °C, transient up to +80 °C	
Min. temperature	up to -45 °C	

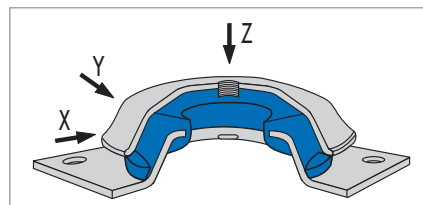


Fig. 2 Primary load directions

V mounts feature a robust compressive-deflection stop in the vertical direction (Z direction). The same high stiffness in both horizontal directions (X,Y) prevents a "floating", i.e. a lateral deflection of the vibration-insulated driven machinery, the machine or the engine. Versions with built-in tensile stops are also offered which limit the limit rebound in (-Z) direction. All V mounts are limited in their radial spring displacement at the same time. The bell-shaped designed top section of the mount protects against too strong a compressive deflection and dripping media (e.g. oil). When subjected to extreme overload a positive lock forms between the top and bottom section of the mount. The progressive spring characteristic and a thin rubber layer on the stop collar of the bottom section prevents a hard metal impact. The primary load direction (+Z) is perpendicular to the planes of attachment centred to the cap.

Design notes

V mounts comprise a flat, cylindrical metal cap with threaded insert and a base plate with rectangular flange and through-holes. Both metal parts are aligned parallel on top of each other and joined with a vulcanised elastomer insert.

Fitting & installation

- V mounts are designed to be secured by means of threaded fasteners
- Individual components permit slight adjustment to allow for in-situ offset
- It is important to ensure that the mating faces of the frame and the mass carried by the mount are flat and smooth
- Position the mount relative to the static load in such a way that the cap and the flange are preloaded relative to each other.

Article list V Mount

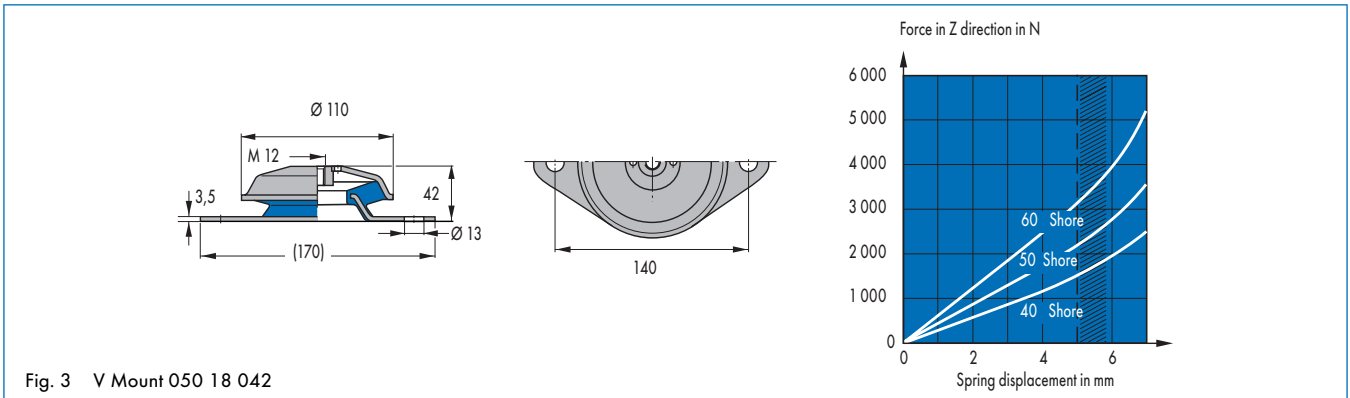


Fig. 3 V Mount 050 18 042

Nominal maxima			Stiffness		Product No.	Material	Stop	Article No.	
Axial			Radial						
$F_z \text{ max}$	$s_z \text{ max}$	c_z	$c_{x, y}$ ($s_z=0$)	$c_{x, y}$ ($s_z=4$)					
[N]	[mm]	[N/mm]	[N/mm]	[N/mm]					
2000	5	400	310	380	5018 042	40 NR 11	without	96517	●
2700	5	540	450	560	5018 042	50 NR 11	without	96518	●
4300	5	860	660	820	5018 042	60 NR 11	without	91131	●

● Available from stock ○ On request: Tool is available, delivery at short notice

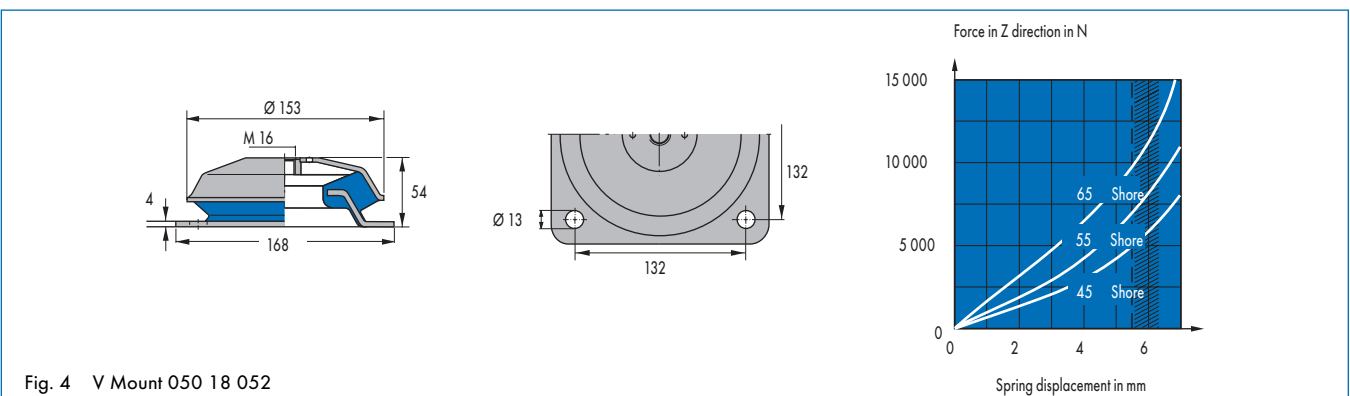


Fig. 4 V Mount 050 18 052

Nominal maxima			Stiffness		Product No.	Material	Stop	Article No.	
Axial			Radial						
$F_z \text{ max}$	$s_z \text{ max}$	c_z	$c_{x, y}$ ($s_z=0$)	$c_{x, y}$ ($s_z=4$)					
[N]	[mm]	[N/mm]	[N/mm]	[N/mm]					
5500	5	1100	590	770	5018 052	45 NR 11	without	96526	●
7700	5	1540	850	1100	5018 052	55 NR 11	without	96527	●
12200	5	2440	1200	1550	5018 052	65 NR 11	without	96528	●

● Available from stock ○ On request: Tool is available, delivery at short notice

Article list V Mount

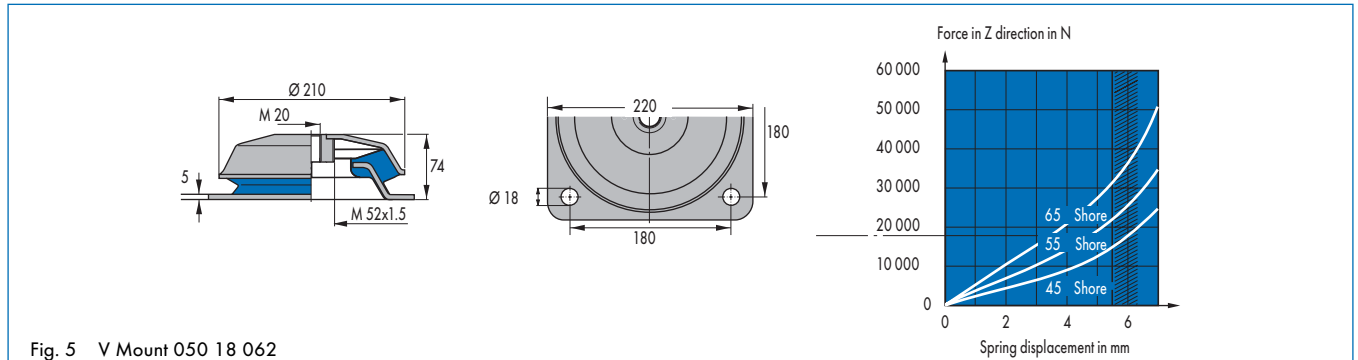


Fig. 5 V Mount 050 18 062

Nominal maxima		Stiffness			Product No.	Material	Stop	Article No.	
Axial		Radial							
$F_z \text{ max}$	$s_z \text{ max}$	c_z	$c_{x,y}$	$c_{x,y}$					
[N]	[mm]		($s_z=0$)	($s_z=4$)					
[N]	[mm]	[N/mm]	[N/mm]	[N/mm]					
13200	5	2640	1800	2250	5018 062	45 NR 11	without	96537	●
30900	5	6180	2700	3300	5018 062	55 NR 11	without	96536	●
32000	5	6400	3900	4800	5018 062	65 NR 11	without	96535	●

● Available from stock ○ On request: Tool is available, delivery at short notice

Article list V Mount with stop

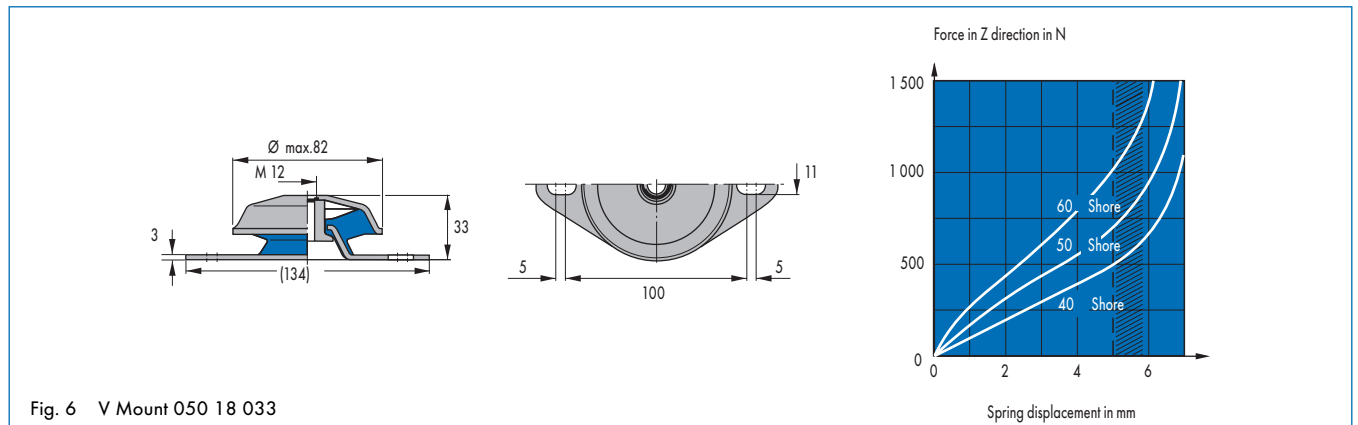


Fig. 6 V Mount 050 18 033

Nominal maxima		Stiffness			Product No.	Material	Stop	Article No.	
Axial		Radial							
$F_z \text{ max}$	$s_z \text{ max}$	c_z	$c_{x,y}$	$c_{x,y}$					
[N]	[mm]		($s_z=0$)	($s_z=4$)					
[N]	[mm]	[N/mm]	[N/mm]	[N/mm]					
500	5	100	140	180	5018 033	40 NR 11	with	96538	●
700	5	140	200	250	5018 033	50 NR 11	with	96511	●
1000	5	200	280	360	5018 033	60 NR 11	with	96513	●

● Available from stock ○ On request: Tool is available, delivery at short notice

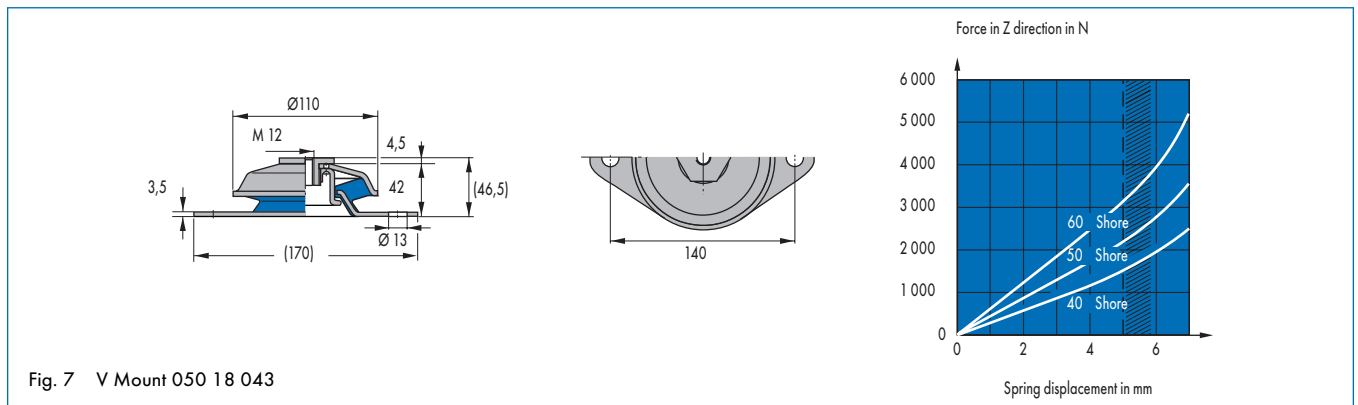


Fig. 7 V Mount 050 18 043

Nominal maxima			Stiffness		Product No.	Material	Stop	Article No.	
Axial		c _z	Radial						
F _{z max}	s _{z max}		c _{x, y}	c _{x, y}					
[N]	[mm]		(s _z =0)	(s _z =4)					
1500	5	300	310	380	5018 043	40 NR 11	with	96520	●
2600	5	520	450	560	5018 043	50 NR 11	with	596521	●
4300	5	860	660	820	5018 043	60 NR 11	with	96522	●

● Available from stock ○ On request: Tool is available, delivery at short notice

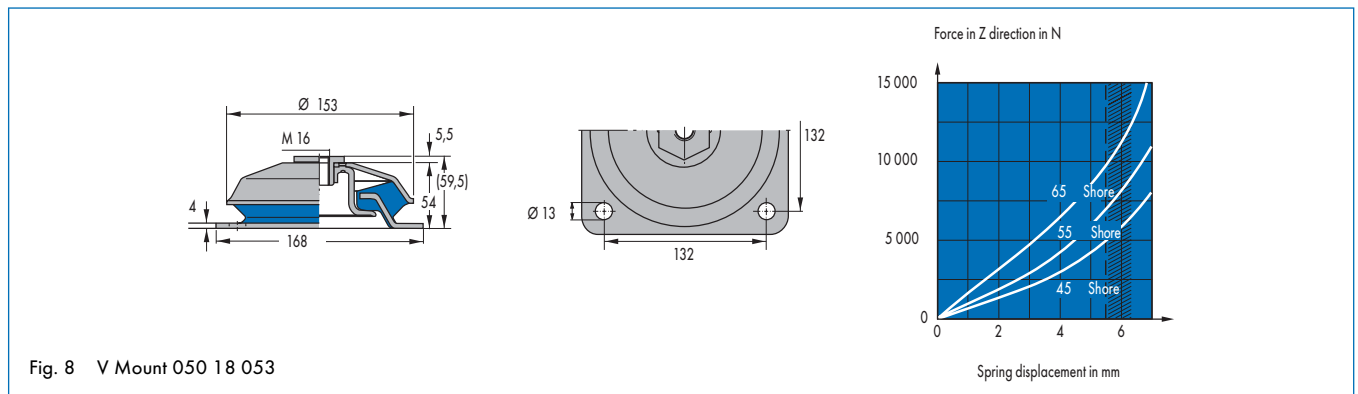


Fig. 8 V Mount 050 18 053

Nominal maxima			Stiffness		Product No.	Material	Stop	Article No.	
Axial		c _z	Radial						
F _{z max}	s _{z max}		c _{x, y}	c _{x, y}					
[N]	[mm]		(s _z =0)	(s _z =4)					
5500	5	1100	590	770	5018 053	45 NR 11	with	96529	●
7700	5	1540	850	1100	5018 053	55 NR 11	with	96530	●
12200	5	2440	1200	1550	5018 053	65 NR 11	with	96531	●

● Available from stock ○ On request: Tool is available, delivery at short notice

Article list V Mount with stop

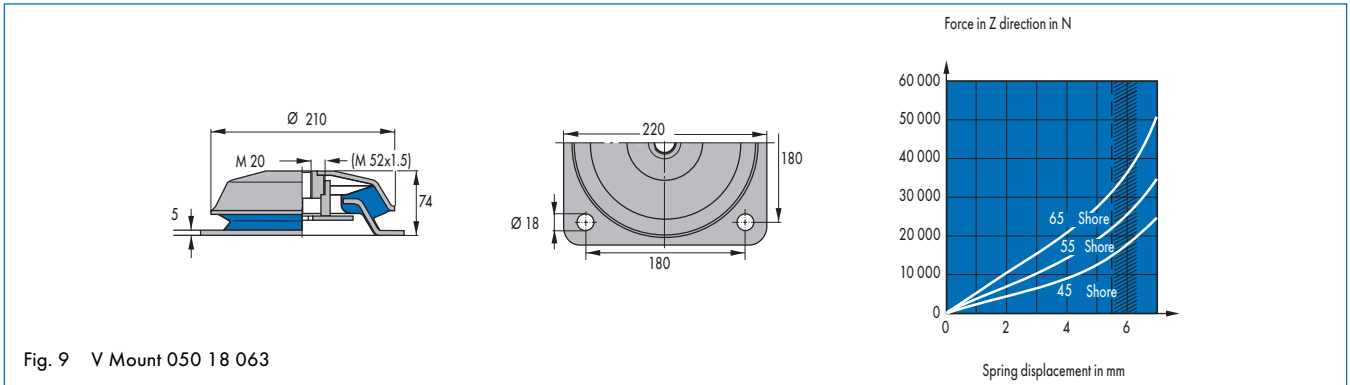


Fig. 9 V Mount 050 18 063

Nominal maxima		Stiffness			Product No.	Material	Stop	Cat. No.	
Axial		Radial							
F_z max	s_z max	c_z	$c_{x,y}$ ($s_z=0$)	$c_{x,y}$ ($s_z=4$)					
[N]	[mm]	[N/mm]	[N/mm]	[N/mm]					
13200	5	2640	1800	2250	5018 063	45 NR 11	with	49040497	○
30900	5	6180	2700	3300	5018 063	55 NR 11	with	49040498	○
32000	5	6400	3900	4800	5018 063	65 NR 11	with	49040499	○

● Available from stock ○ On request: Tool is available, delivery at short notice

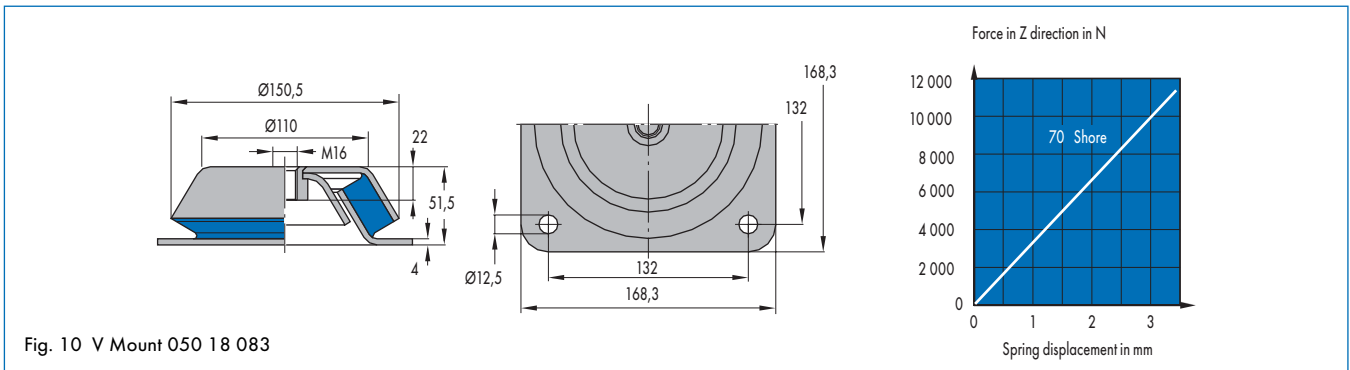


Fig. 10 V Mount 050 18 083

Nominal maxima		Stiffness			Product No.	Material	Stop	Cat. No.	
Axial		Radial							
F_z max	s_z max	c_z	$c_{x,y}$ ($s_z=0$)	$c_{x,y}$ ($s_z=4$)					
[N]	[mm]	[N/mm]	[N/mm]	[N/mm]					
10000	3	3330	-	-	5018 083	70 NR 11	with	49040500	○

● Available from stock ○ On request: Tool is available, delivery at short notice

MO Mount

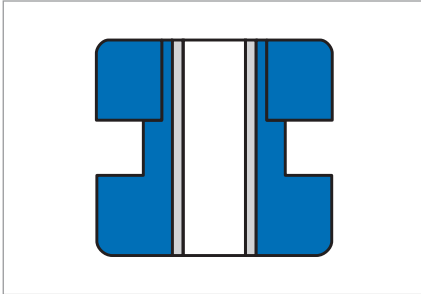


Fig. 1 MO Mount 753

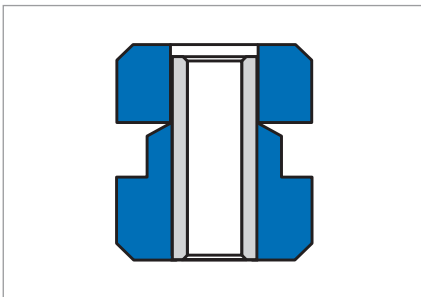


Fig. 2 MO Mount 754

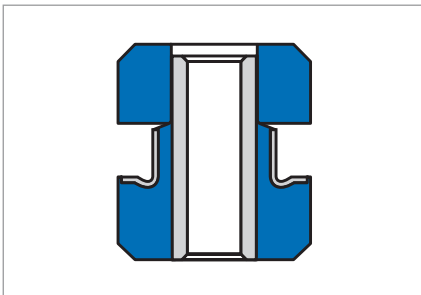


Fig. 3 MO Mount 755

Product description

MO mounts are suitable for use as resilient connecting elements.

Product advantages

- Dependable limitation of radial deflection
- Compact
- Good insulating capability in the longitudinal direction
- RoHS-compliant.

Application

The range of possible applications for MO mounts is wide, extending from applications with driven machinery, PTOs and radiators up to small cabs for vehicles, and also including attachments for exhaust-air ducts and exhaust pipes in maritime engineering.

Material

Standard material	Hardness
Chlorine-butadiene rubber CR 57	42, 45, 50, 55, 60, 64, 75 Shore A

Operating conditions

Radial forces	1000 N ... 2800 N	Maximum permissible force
Axial forces	1800 N ... 2400 N	Maximum permissible force
Max. temperature	+100 °C, transient +130 °C	
Min. temperature	-30 °C	

MO mounts feature equal stiffness in the horizontal directions (X,Y). These mounts have a greater flexibility in the Z direction which leads to a correspondingly higher isolation. The limitation of the spring displacements in the radial direction generally appear more than in the axial direction. The longitudinal axis is recommended as the primary load direction.

Design notes

The MO mount with central borehole comprises an elastomer body and a vulcanised elastomer metal part. These parts attached to each other create an annular clamping groove. This mount configuration is expandable through layers or spatially corresponding limiter components for the axial spring displacement which leads to a progressive spring characteristic curve and serves as tear-off protection at the same time.

Fitting & installation

- MO mounts are designed to accommodate a threaded fastener inserted through the central borehole
- Individual components permit slight adjustment to allow for in-situ offset
- Combine the mount with a tubular spacer if tightening torques are high
- Depending on the quality of the material selected, threaded-fasteners of at least one strength class higher can be used
- Select a tubular spacer with an outside diameter allowing slight play for the inside diameter d_1 of the MO mount
- Select the through-hole of the tubular spacer to accommodate the securing screw according to DIN EN 20273
- The surfaces for force transfer to the threaded fastener by the elastomer part should be large and flat
- Position MO mounts such that the rubber-metal part bolts directly to the component to be insulated
- Install the elastomer-only part with a washer (see the section on washers and centering washers for details of the washer)
- Make sure that the edges of bore S_D are chamfered, or preferably radiused, at both ends
- MO mounts with steel reinforcement (Type 3) require this radiusing only at the rubber-only end.

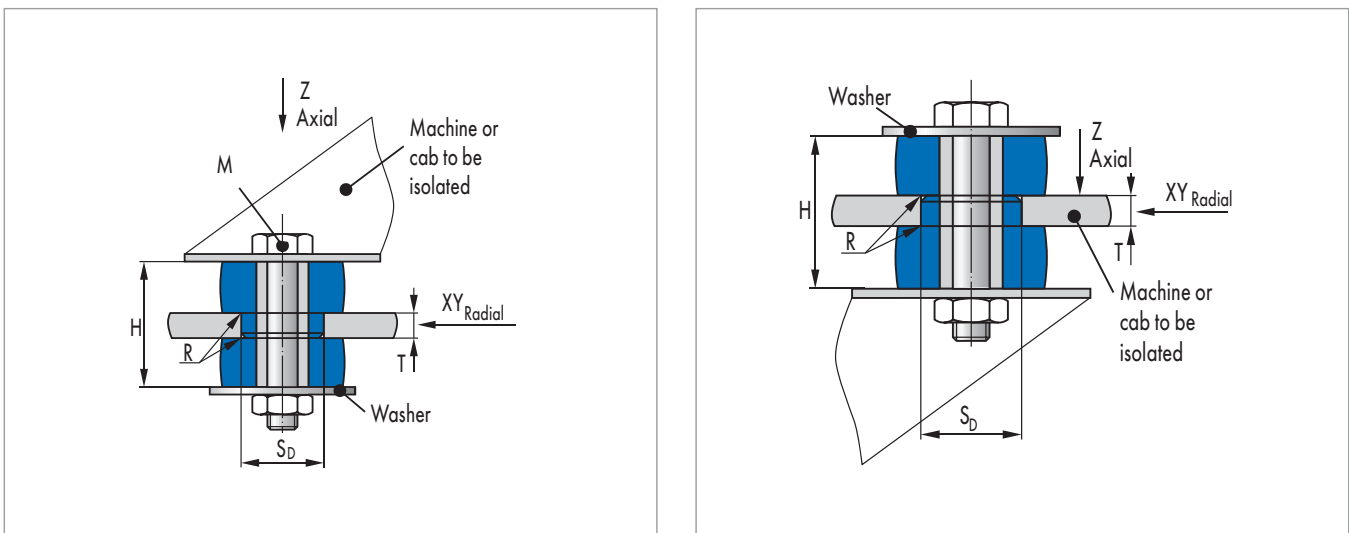


Fig. 4 Fitting & installation instructions: MO Mount with load directions

Article list

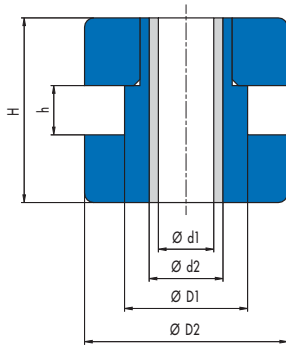


Fig. 5 MO Mount Type I

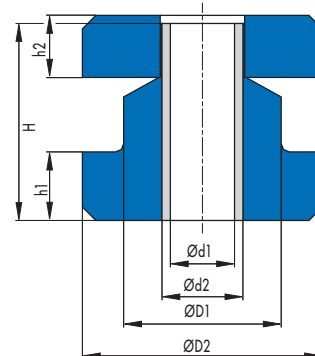


Fig. 6 MO Mount Type II

Nominal maxima			Stiffness	Nominal maxima			Stiffness	Main dimensions						Frame	
Axial pressure			Radial shear			Pipe		Thickness		Installation Ø	Outside Ø	Tube length	Borehole Ø	Thickness	
F _{z max}	S _{z max}	C _{z max}	F _{x, y max}	S _{x, y max}	C _{x, y max}	d ₁	d ₂	h ₁	h ₂	D ₁	D ₂	H	S _D ±0,1	T	
[N]	[mm]	[N/mm]	[N]	[mm]	[N/mm]	[mm]	[mm]	[mm]	[mm]	[mm]	[mm]	[mm]	[mm]	[mm]	
420	1,5	280	540	1,0	540	9,0	12,0	11,0	11,0	20,0	33,0	30,0	20,5	9	
1800	1,5	1200	2300	1,0	2300	9,0	12,0	11,0	11,0	20,0	33,0	30,0	20,5	9	
640	3,3	190	240	1,2	200	9,0	21,3	20,5	19,5	33,0	48,0	50,0	33,4	13	
910	2,2	410	340	2,2	150	9,0	21,3	20,5	19,5	33,0	48,0	50,0	33,4	13	
840	3,1	270	300	4,2	70	9,0	21,3	20,5	19,5	33,0	48,0	50,0	33,4	13	
2970	2,7	1100	1570	3,8	410	9,0	21,3	20,5	19,5	33,0	48,0	50,0	33,4	13	
620	3,0	210	380	1,0	380	13,5	20,7	20,5	19,5	33,0	48,0	50,0	33,5	12	
1650	3,0	550	1000	1,0	1000	13,5	20,7	20,5	19,5	33,0	48,0	50,0	33,5	12	
900	3,0	300	1100	1,0	1100	13,5	20,7	20,5	19,5	31,2	48,0	50,0	31,5	13	
1600	3,0	530	1900	1,0	1900	13,5	20,7	20,5	19,5	31,2	48,0	50,0	31,5	13	
2400	3,0	800	2800	1,0	2800	13,5	20,7	20,5	19,5	31,2	48,0	50,0	31,5	13	
3900	3,0	1300	4500	1,0	4500	13,5	20,7	20,5	19,5	31,2	48,0	50,0	31,5	13	
2100	3,0	700	1400	1,0	1400	16,7	26,0	22,9	22,9	40,1	64,8	61,7	40,5	20	
3000	3,0	1000	200	1,0	200	16,7	26,0	22,9	22,9	40,1	64,8	61,7	40,5	20	
1330	2,3	580	560	1,1	510	23,8	31,3	25,4	23,0	58,4	89,0	73,0	58,8	29	
1890	2,8	680	1140	2,3	500	23,8	31,3	25,4	23,0	58,4	89,0	73,0	58,8	29	
2940	3,7	790	1660	1,9	870	23,8	31,3	25,4	23,0	58,4	89,0	73,0	58,8	29	
5700	1,5	3800	2520	1,6	1580	23,8	31,3	25,4	23,0	58,4	89,0	73,0	58,8	29	

● Available from stock ○ On request: Tool is available, delivery at short notice

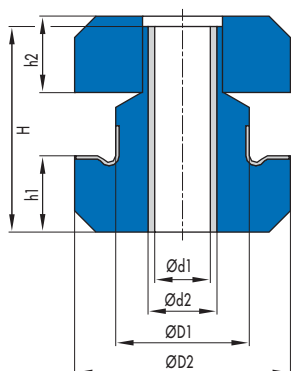


Fig. 7 MO Mount Type III

	max. screw strength class (without sleeve)	max. tightening torque	Product No.	Material	Type	Corrosion protection	Article No.	
	M	M _{sp}						
		[N/m]						
	M 6 6.8/M 8 5.6	7,5 / 11,0	3918 753	42 CR	I	phosphated	49031354	●
	M 6 6.8/M 8 5.6	7,5 / 11,0	3918 753	75 CR	I	phosphated	511453	●
	M 8 12.9	40,0	3918 765	45 CR 057	II	Fe//Zn8Znph/r/3	49029937	●
	M 8 12.9	40,0	3918 765	50 CR 057	II	Fe//Zn8Znph/r/3	49038236	○
	M 8 12.9	40,0	3918 765	60 CR 057	II	Fe//Zn8Znph/r/3	49038235	○
	M 8 12.9	40,0	3918 765	75 CR 057	II	Fe//Zn8Znph/r/3	49038234	○
	M10 8.8/M12 5.6	47,0/39,0	3918 754	42 CR	II	phosphated	49011344	●
	M10 8.8/M12 5.6	47,0/39,0	3918 754	64 CR	II	phosphated	511454	●
	M10 8.8/M12 5.6	47,0/39,0	3918 755	42 CR	III	phosphated	49012351	○
	M10 8.8/M12 5.6	47,0/39,0	3918 755	55 CR	III	phosphated	2129379	●
	M10 8.8/M12 5.6	47,0/39,0	3918 755	64 CR	III	phosphated	511452	●
	M10 8.8/M12 5.6	47,0/ 39,0	3918 755	75 CR	III	phosphated	49003069	●
	M12 5.6	39,0	3918 768	45 CR	II	phosphated	49038161	○
	M12 5.6	39,0	3918 768	60 CR	II	phosphated	49038160	○
	M16 5.8/M20 4.6	126,0/147,0	3918 766 HD	45 CR 057	II	Fe//Zn8Znph/r/3	49033624	○
	M16 5.8/M20 4.6	126,0/147,0	3918 766 HD	50 CR 057	II	Fe//Zn8Znph/r/3	49036771	○
	M16 5.8/M20 4.6	126,0/147,0	3918 766 HD	60 CR 057	II	Fe//Zn8Znph/r/3	49036770	○
	M16 5.8/M20 4.6	126,0/147,0	3918 766 HD	75 CR 057	II	Fe//Zn8Znph/r/3	49036769	○

Machine Mount

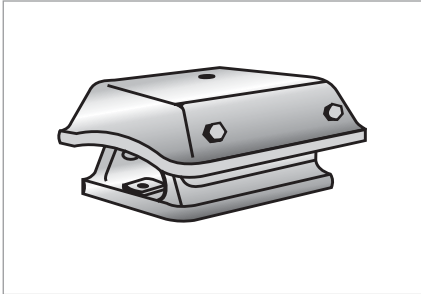


Fig. 1 Machine Mount

Product description

The special shape of the machine mount protects the built-in flat mount against mechanical damage and oil attack.

Product advantages

- Elastomer spring elements are replaceable and the metal connecting components are reusable
- Spring elements are protected against random damage and direct oil splashes
- Reduced settling in the Z direction
- RoHS-compliant.

Application

Machine mounts are particularly suitable for mounting heavy machines, compressors, engines, etc. They enable machine- and unit-generated vibrations introduced into the foundation or the enclosing building to be reduced by a significant margin.

Material

Standard material	Hardness
Natural rubber NR 11	45, 50, 55, 60, 70 Shore A

Operating conditions

Axial forces in Z direction	1400 N ... 16000 N	Maximum permissible force
Max. temperature	+60 °C, transient +80 °C	
Min. temperature	-45 °C	

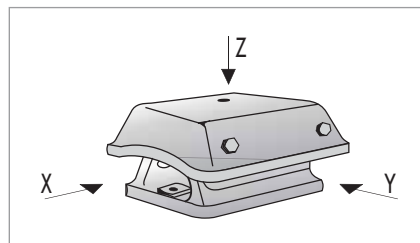


Fig. 2 Primary load directions

The combined compression and shear loading of the flat mounts fitted provides a long service life and good vibration insulation, even at lower interference frequencies (i.e. lower rotational speed). The mount is easily attached to the foundation and the machine using the standard boreholes and threads. Anchoring to the foundation and the machine permits the application of compressive loads (Z direction) to the mount as well as shear loads (X & Y direction). The primary load direction is perpendicular to the planes of attachment, centred to the cap.

Design notes

The machine mount comprises a rectangular cap and two metal parts with equally angled side faces and flange. Flat mounts are screwed in between the two stacked metal parts. Both metal parts are provided with through-holes or threaded holes.

Fitting & installation

- Machine mounts are designed to be anchored by threaded fasteners
- Individual components permit slight adjustment to allow for in-situ offset
- It is important to ensure that the mating faces of the frame and the mass carried by the mount are flat and smooth
- Position the mount relative to the static load in such a way that the cap and the flange are preloaded relative to each other.

Article list

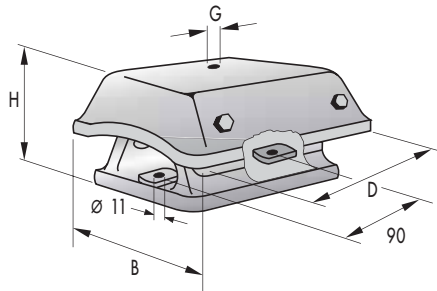


Fig. 3 Machine Mount 050 18 001

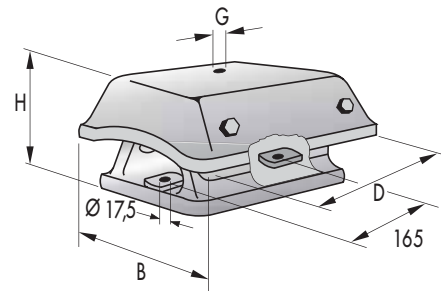


Fig. 4 Machine Mount 050 18 002, 050 18 004

Nominal maxima		Stiffness	Length	Width	Height	Threads	Product No.	Material	Type	Article No.	
F _{z max}	S _{z max}	c _z	D	B	H	G					
[N]	[mm]	[N/mm]	[mm]	[mm]	[mm]						
1400	5,8	240	122	72	M12	128	5018 001	45 NR 11	A3	96808	●
1400	5,8	240	122	72	M16	128	5018 001	45 NR 11	A3	49047069	●
1800	5,8	310	122	72	M12	128	5018 001	50 NR 11	A2	96806	●
1800	5,8	310	122	72	M16	128	5018 001	50 NR 11	A2	49041129	○
3000	5,8	520	122	72	M12	128	5018 001	60 NR 11	A1	96809	●
3000	5,8	520	122	72	M16	128	5018 001	60 NR 11	A1	49047070	●
5200	5,8	900	122	72	M12	128	5018 001	70 NR 11	A0	96807	●
5200	5,8	900	122	72	M16	128	5018 001	70 NR 11	A0	49047071	●
6500	6,0	1080	228	110	M16	204	5018 002	45 NR 11	B3	96802	●
9500	6,0	1580	228	110	M16	204	5018 002	55 NR 11	B2	96805	●
12500	6,0	2080	228	110	M16	204	5018 002	60 NR 11	B1	96804	●
16000	6,0	2670	228	110	M16	204	5018 002	70 NR 11	B0	96803	●
5000	11,0	450	228	125	M16	204	5018 004	45 NR 11	HD3	596744	●
8500	11,0	770	228	125	M16	204	5018 004	55 NR 11	HD2	96800	●
9500	11,0	860	228	125	M16	204	5018 004	60 NR 11	HD1	96920	●
12500	11,0	1140	228	125	M16	204	5018 004	70 NR 11	H0	96801	●

● Available from stock ○ On request: Tool is available, delivery at short notice

Flat Mount

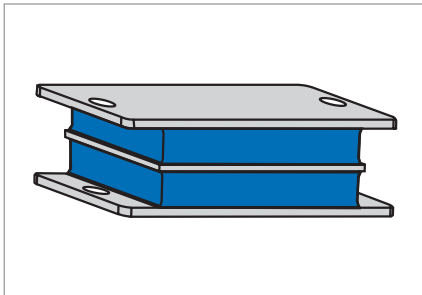


Fig. 1 Flat Mount

Product description

Flat mounts are mount configurations for custom applications.

Product advantages

- Easily integrated into assemblies
- Easily installed
- Spring characteristics can be widely adapted to the construction
- RoHS-compliant.

Application

Used as mounts for machines, engines or subassemblies in mechanical-engineering and automotive applications.

Material

Standard material	Hardness
Natural rubber NR 11	45, 50, 55, 60, 65, 70 Shore A

Operating conditions

Shear forces X,Y direction	440 N ... 7500 N	Maximum permissible force
Compressive forces in Z direction	1200 N ... 98000 N	Maximum permissible force
Max. temperature	+60 °C, transient +80 °C	
Min. temperature	-45 °C	

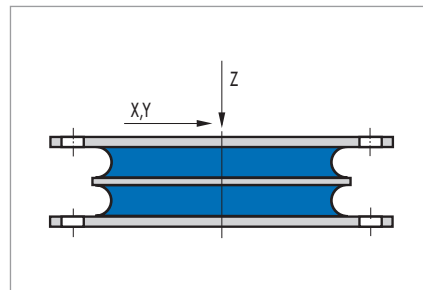


Fig. 2 Primary load directions

Depending on the installation conditions or required degree of vibration insulation, compressive loads (Z direction), shear loads (X, Y direction) or combined compressive/shear loads (mount tilted by a specific angle) can be applied to flat mounts. The mounts achieve an optimal utilisation and thus also the highest dynamic load with a compressive/shear loading. The loading is dependent on the surface area of the rubber, shape, thickness of the pad and hardness of the rubber. The static loading and the dynamic forces and deflection must be taken into account for continuous use. Flat mounts have different stiffness in the shear direction (X,Y) and compressive direction (Z) in dependence on the width, length and thickness and their total number in the mount component. The effective stiffness of the mounts can be varied by turning of the mount to the static load. The primary load direction can be absorbed perpendicular to or at an angle to the attachment levels.

Design notes

Flat mounts consist of parallel metal plates paralleled one on top of the other and separated by vulcanised elastomer pads.

Fitting & installation

- Flat mounts are designed to be secured by means of threaded fasteners
- Individual components permit slight adjustment to allow for in-situ offset
- It is important to ensure that the mating faces of the frame and the mass carried by the mount are flat and smooth
- It is also important to ensure full-surface contact between the outer metal plates and the frame and the mass carried by the mounts
- Position the mount relative to the static load in such a way that the cap and the flange are preloaded relative to each other.

Article list

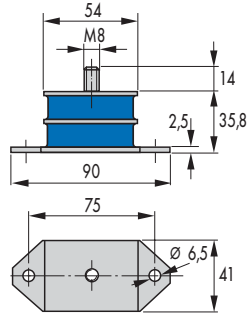


Fig. 3 Flat Mount 051 18 001

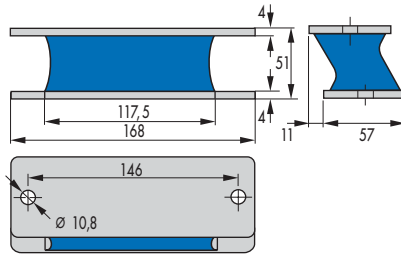


Fig. 4 Flat Mount 051 18 004

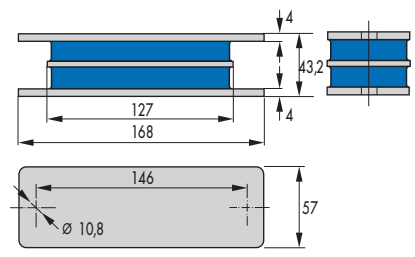


Fig. 5 Flat Mount 051 18 002

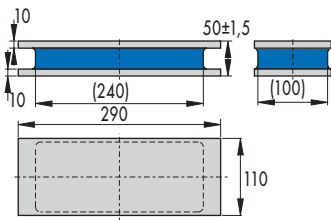


Fig. 6 Flat Mount 051 18 719

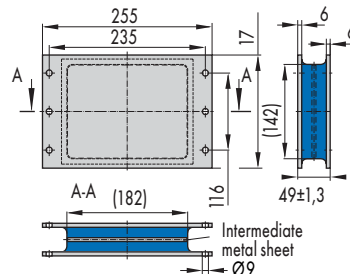


Fig. 7 Flat Mount 051 18 720

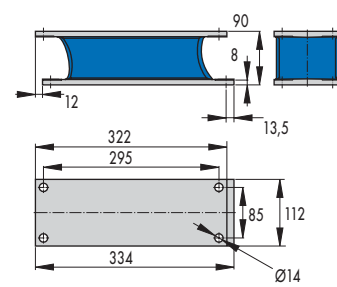


Fig. 8 Flat Mount 051 18 723

Nominal maxima		Stiffness	Nominal maxima		Stiffness	Width	Height	Length	Product No.	Material	Article No.	
Pressure			Shear			B	H	L				
F _z max	s _z max	C _z pres- sure	F _{x, y} max	s _{x, y} max	C _{x, y} shear							
[N]	[mm]	[N/mm]	[N]	[mm]	[N/mm]	[mm]	[mm]	[mm]				
1200	2,4	500	440	11	40	41	35,8	90	5118001	45 NR 11	96796	●
1500	2,4	630	500	10	50	41	35,8	90	5118001	50 NR 11	96797	●
2300	2,4	960	600	8	80	41	35,8	90	5118001	60 NR 11	96798	●
3000	2,4	1250	800	7	110	41	35,8	90	5118001	70 NR 11	96745	●
7400	2,7	2740	1700	13	130	57	43,2	168	5118002	45 NR 11	96791	●
9000	2,7	3330	2200	11	200	57	43,2	168	5118002	55 NR 11	96793	●
15100	2,7	5590	2400	10	240	57	43,2	168	5118002	65 NR 11	96792	●
18900	2,7	7000	3000	8	380	57	43,2	168	5118002	70 NR 11	96794	●
1400	3,5	400	1100	15	70	57	51,0	168	5118004	45 NR 11	96787	●
2800	3,5	800	1900	15	130	57	51,0	168	5118004	55 NR 11	96788	●
3060	3,5	870	2000	13	150	57	51,0	168	5118004	60 NR 11	96789	●
4700	3,5	1340	2200	11	200	57	51,0	168	5118004	70 NR 11	96790	●
25000	2,0	12500	5800	12	480	110	50,0	290	5118719	60 NR 11	49002463	○
41000	2,0	20500	4000	8	500	170	49,0	255	5118720	45 NR 11	49002649	○
98000	2,0	49000	7500	8	940	170	49,0	255	5118720	60 NR 11	49002650	○

● Available from stock ○ On request: Tool is available, delivery at short notice

Rails

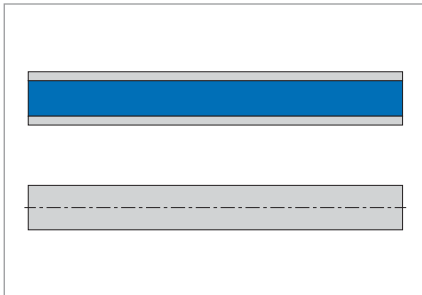


Fig. 1 Rails

Product description

Rails are often used when space is at a premium or if loads are too high to permit the use of buffers.

Product advantages

- Mount can be customised
- Rails have the flexibility to be adapted to the load
- Universal
- RoHS-compliant.

Application

Rails from Simrit are suitable for mounting the most heavy machines, plants, units and foundations. They are suitable for a wide range of possible application for mounting ships engines, large stationary engines, heavy-duty lathes, hoists for lifts as well as vibratory machines of all kinds.

Material

Standard material	Hardness
Natural rubber	57 Shore A

Operating conditions

Length of rail in mm	25 ... 2000
----------------------	-------------

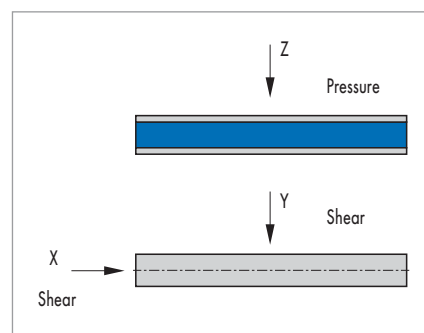


Fig. 2 Primary load directions

The rails are available in 2000 mm lengths. You must ensure that the length is not shorter than the section width. Approximately 10% of the rubber height "h" can be pressed together under static load.

Design notes

The component consists of two metal parts separated by a vulcanised elastomer pad.

Fitting & installation

- Rails can be drilled and chased on site to accommodate threaded fasteners
- Rails can also be installed without threaded fasteners if compressive-load deflection is significantly greater than maximum amplitude.

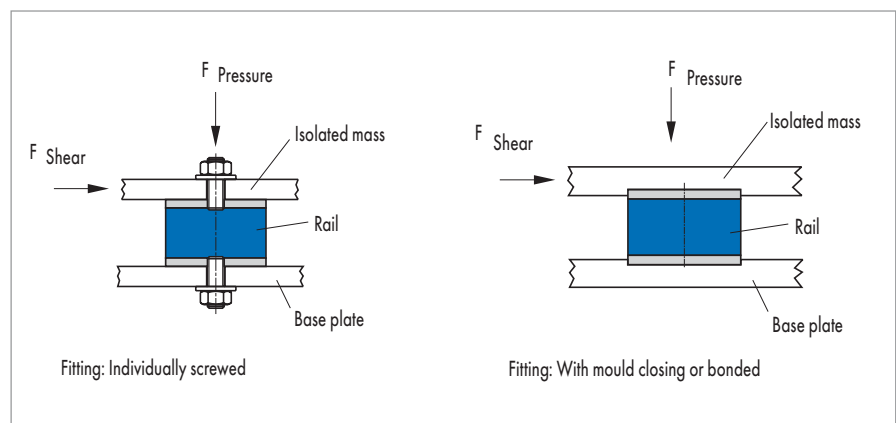


Fig. 3 Fitting & installation: rails with load directions

Article list

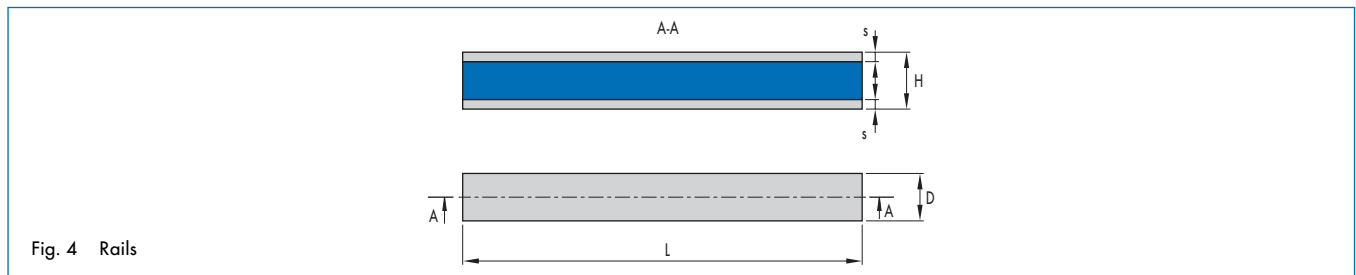


Fig. 4 Rails

Length	Width	Height	Sheet thickness	Tol.	Product No.	Material	Article No.	
L	D	H	S					
[mm]	[mm]	[mm]	[mm]			[±5 Shore A]		
2000	25	30	5	±0,2	051 18 724	57 NR	49041337	○
2000	40	35	10	±0,2	051 18 725	57 NR	49041338	○
2000	50	40	10	±0,2	051 18 726	57 NR	49041339	○
2000	50	50	10	±0,2	051 18 727	57 NR	49041340	○
2000	50	70	10	±0,2	051 18 728	57 NR	49041341	○
2000	60	60	10	±0,2	051 18 729	57 NR	49041372	○
2000	70	50	10	±0,2	051 18 730	57 NR	49041373	○
2000	100	60	15	±0,2	051 18 731	57 NR	49041374	○
2000	100	80	15	±0,2	051 18 732	57 NR	49041375	○
2000	150	65	15	±0,2	051 18 733	57 NR	49041376	○
2000	150	80	15	±0,2	051 18 734	57 NR	49041377	○

● Available from stock ○ On request: Tool is available, delivery at short notice

Tapered Mount

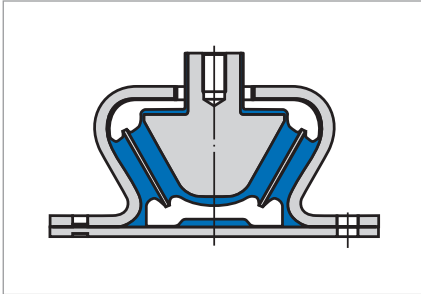


Fig. 1 Tapered Mount

Material

Standard material	Hardness
Natural rubber NR 39	40, 42, 45, 50, 60 Shore A

Operating conditions

Compressive forces in Z direction	1750 N ... 14000 N	Maximum permissible force
Max. temperature	+80 °C, transient +100 °C	
Min. temperature	-45 °C	

Product description

Tapered mounts are used primarily to carry light, medium and heavy engines for mobile and stationary applications.

Product advantages

- Robust
- Slight settling on compressive deflection in the Z direction
- Effective limitation of compressive and rebound deflection
- Limitation of horizontal spring displacement
- Narrow, ideal for mounting on steel sections
- RoHS-compliant.

Application

Tapered mounts can be utilised for agricultural and construction machinery. They are also suited for mounting generators of ships' engines.

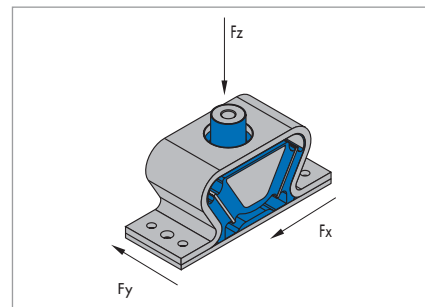


Fig. 2 Primary load directions

Tapered mounts have limiters for deflection in all spatial directions whereby the deflection in the Z direction is especially robust. In compressive-deflection direction Z, the mount also has a "soft" end stop. The stiffness depend primarily on the thickness, length, height and the wedge angle to the Z axis. Through the use of intermediate metal sheets, the Z stiffness, for example, is at least doubled for the same operating environment. The primary static load should be perpendicular to the planes of attachment.

Design notes

The tapered mount comprises an outer omega-shaped bracket with flange and through-hole. An inner metal part with threaded hole partially plunges through a borehole of the bracket. Elastomer pads are vulcanised between both metal parts in Vee shape.

Fitting & installation

- Tapered mounts are designed to be secured by means of threaded fasteners
- Avoid non-load-dependent offset of the inner metal part relative to the flange
- Individual components permit slight adjustment to allow for in-situ offset
- It is important to ensure that the mating faces of the frame and the mass carried by the mount are paralleled, flat and smooth.

Double U-Shear Mount

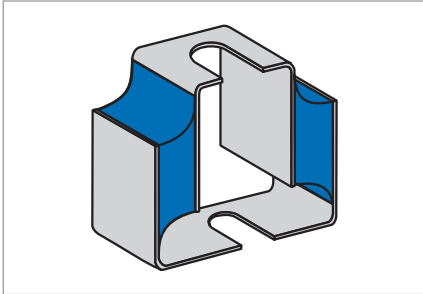


Fig. 1 Double U-Shear Mount

Product description

Double U-shear mounts are especially suited for isolation tasks. These mounts have an especially simple design and a high ease of installation.

Product advantages

- Good insulating capability in the Z direction
- Effective limitation of shock loads in the compressive-deflection direction
- Virtually no progression
- Linear characteristic
- RoHS-compliant.

Application

Double U-shear mounts are used to mount instruments, units, pumps, compactors and compressors. They are equally suitable for the decoupling of exhaust-air ducts because of their ability to compensate for structure-borne sound and thermal expansion.

Material

Standard material	Hardness
Natural rubber NR 11	45, 50, 60, 70 Shore A

Operating conditions

Shear F_z/F_y	120 N ... 2000 N	Maximum permissible force
Max. temperature	+60 °C, transient +80 °C	
Min. temperature	-45 °C	

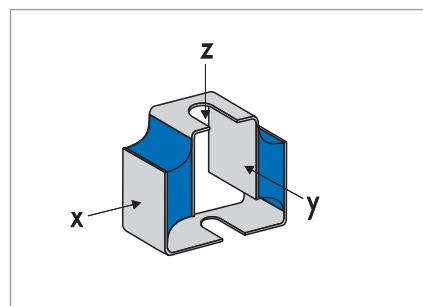


Fig. 2 Primary load directions

They are designed so that the stiffness to resist shear increases in the order Y, Z, X. Depending on the type, they limit strong shock loads in the compressive-deflection direction (+Z). The effective stiffness can be adjusted by turning the mount on the static load (Z axis). Select the primary load direction +Z so that it is perpendicular to the planes of attachment.

Design notes

A mount of this type consists of two dove-tailed U-shaped steel channel sections held together by elastomer pads.

Fitting & installation

- Double U-shear mounts have threads to accommodate grooves.
- Avoid non-load-dependent offset of the U-shaped channel sections relative to each other
- Individual components permit slight adjustment to allow for in-situ planar or angular offset
- It is important to ensure full-surface contact between the mating faces of the U-shaped channel sections and the frame on the one hand and the supported mass on the other.

Article list



Fig. 3 Double U-Shear Mount 053 18 001, 053 18 002, 053 18 003 and 053 18 004

Nominal maxima		Stiffness	A	B	C	D	E	F	H	J	Product No.	Material	Article No.		
Shear															
$F_{z \max}$	$S_{z \max}$	c_{shear}													
[N]	[mm]	[N/mm]	[mm]	[mm]	[mm]	[mm]	[mm]	[mm]	[mm]	[mm]					
120	6,1	20	61	20	43	27	25	20,4	10,0	6,6	5318 004	45 NR 11	96764	●	
150	5,6	30	61	20	43	27	25	20,4	10,0	6,6	5318 004	50 NR 11	96763	●	
160	4,3	40	61	20	43	27	25	20,4	10,0	6,6	5318 004	60 NR 11	96765	●	
220	7,0	30	71	25	62	43	38	26,4	12,5	11,0	5318 003	50 NR 11	96769	●	
300	5,2	60	71	25	62	43	38	26,4	12,5	11,0	5318 003	60 NR 11	96771	●	
300	3,3	90	71	25	62	43	38	26,4	12,5	11,0	5318 003	70 NR 11	96770	●	
850	7,0	120	79	50	78	56	51	32,4	25,0	13,5	5318 002	50 NR 11	96775	●	
850	4,2	200	79	50	78	56	51	32,4	25,0	13,5	5318 002	60 NR 11	96777	●	
980	3,0	330	79	50	78	56	51	32,4	25,0	13,5	5318 002	70 NR 11	96773	●	
2000	7,0	290	87	65	108	83	76	38,4	32,5	17,5	5318 001	50 NR 11	96781	●	
2000	3,5	570	87	65	108	83	76	38,4	32,5	17,5	5318 001	60 NR 11	96784	●	
2000	2,8	710	87	65	108	83	76	38,4	32,5	17,5	5318 001	70 NR 11	96779	●	

● Available from stock ○ On request: Tool is available, delivery at short notice

Article list

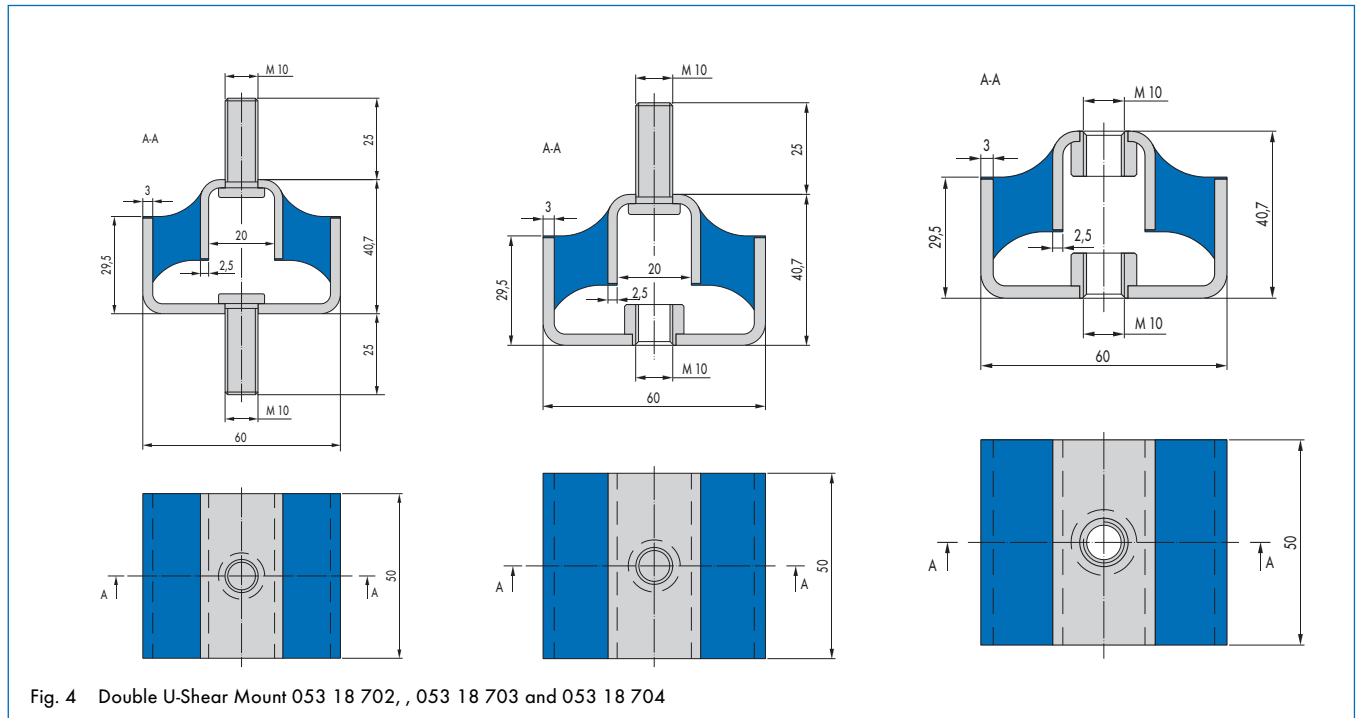


Fig. 4 Double U-Shear Mount 053 18 702, , 053 18 703 and 053 18 704

Nominal maxima		Stiffness	A	B	C	D	E	F	H	J	Product No.	Material	Article No.	
Shear														
F _{z max}	s _{z max}	c _{shear}	[mm]	[mm]	[mm]	[mm]	[mm]	[mm]	[mm]	[mm]				
[N]	[mm]	[N/mm]												
620	5	120	60	50	40	-	-	20	25	M10	5318 702	45 NR 11	49047097	○
1000	5	200	60	50	40	-	-	20	25	M10	5318 702	60 NR 11	49047098	○
1350	5	270	60	50	40	-	-	20	25	M10	5318 702	70 NR 11	49047099	○
620	5	120	60	50	40	-	-	20	25	M10	5318 703	45 NR 11	49047100	○
1000	5	200	60	50	40	-	-	20	25	M10	5318 703	60 NR 11	49047101	○
1350	5	270	60	50	40	-	-	20	25	M10	5318 703	70 NR 11	49054182	○
620	5	120	60	50	40	-	-	20	25	M10	5318 704	45 NR 11	49054183	○
1000	5	200	60	50	40	-	-	20	25	M10	5318 704	60 NR 11	49054184	○
1350	5	270	60	50	40	-	-	20	25	M10	5318 704	70 NR 11	49054185	○

● Available from stock ○ On request: Tool is available, delivery at short notice

Circular Mount

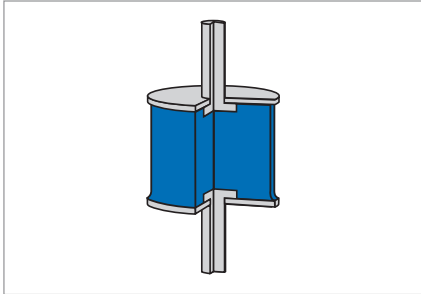


Fig. 1 Circular Mount

Product description

Circular mounts are widely used components for adjustment of tension and manufacturing tolerances. They also function as protection against shock loading.

Product advantages

- Uniform stiffness in the radial direction
- Easily installed hexagon version available
- RoHS-compliant.

Application

Circular mounts are used to carry driven machinery, engines, compressors, pumps, test machines, and so on.

Material

Standard material	Hardness
Natural rubber NR 11	45, 55, 60, 70, 75, 80 Shore A
Ethylene-acrylate rubber AEM 23, AEM 33	60 Shore A
Chloroprene rubber CR 56, CR 57	45, 60 Shore A

Operating conditions

Radial forces	14 N ... 24000 N	Maximum permissible force
Axial forces	18 N ... 80000 N	Maximum permissible force
Max. temperature	+60 °C, transient +80 °C	
Min. temperature	-45 °C	

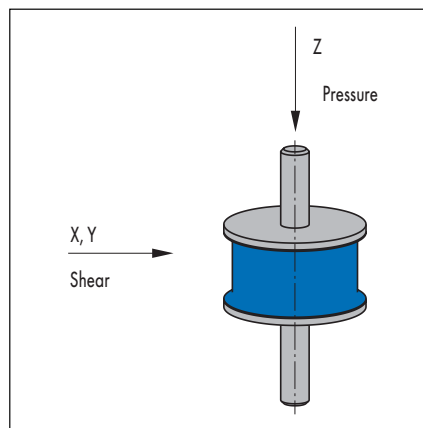


Fig. 2 Primary load directions

Circular mounts have a uniform stiffness in the shear directions X,Y. The compressive load stiffness F_{max} in the Z direction has, depending on the component, approx. 1 to 10 times the value of the stiffness in the shear directions. The primary load direction corresponds to the shear load X,Y since this is where the greatest isolation is to be achieved.

Design notes

The circular mount comprises two round or square metal discs joined by a vulcanised rubber layer. The metal discs can each have a threaded stud or threaded nut. The circular mounts are available with cylindrical contour as well as with constricted-body elastomer contour. Mounts with constricted-body contour can be specially designed with an elongation of ~10% for high dynamic loads in the horizontal direction. The constricted design provides for significantly higher durability with high dynamic loading with otherwise equal compressive deflection.

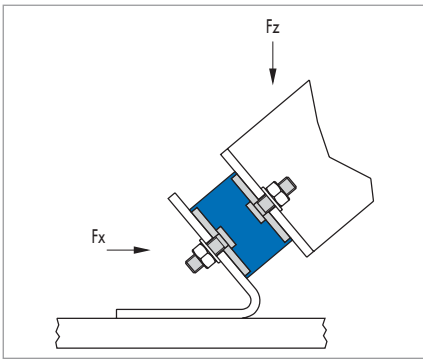


Fig. 3 Compressive and shear loading

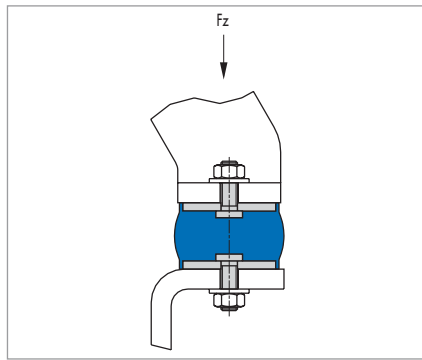


Fig. 4 Compressive loading

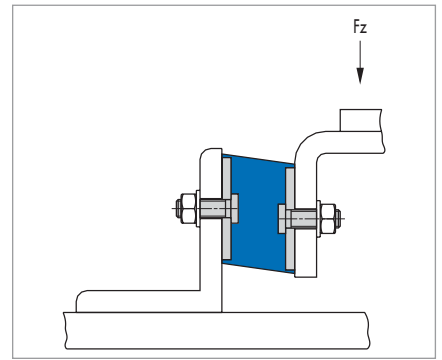


Fig. 5 Shear loading

Fitting & installation

- Circular mounts are designed to be anchored by threaded fasteners
- Avoid non-load-dependent offset of the metal plates relative to each other
- Individual components permit slight adjustment to allow for in-situ offset
- The form of the boreholes to accommodate the threaded studs or securing screws must be compliant with DIN EN 20273
- The securing plates must be in full-surface contact with the mating faces
- It is important to ensure that the mating faces of the frame and the mass carried by the mount are flat and smooth
- When installing a mount that combines a circular securing plate at one end with a hexagonal plate at the other, always tighten the fastener for the circular plate first
- Minimum strength class for screws/nuts is 4.6.

Article list Circular Mount Type A with constricted-body elastomer contour

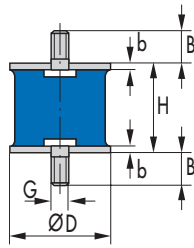
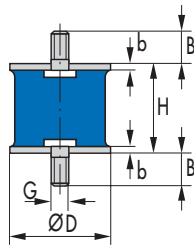


Fig. 6 Circular Mounts Type A, constricted-body elastomer contour

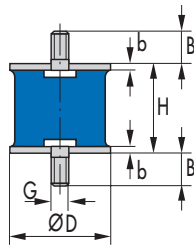
Nominal maxima		Stiffness	Nominal maxima		Stiffness	Outside Ø	Height	Threads	Length	Sheet thickness	Product No.	Material	Article No.	
Radial shear xy			Axial pressure z											
F _S max	S _S max	c _{shear}	F _D max	S _D max	c _{pressure}	D	H	G	B	b				
[N]	[mm]	[N/mm]	[N]	[mm]	[N/mm]	[mm]	[mm]		[mm]	[mm]				
14	3,0	0	18	0,8	20	10	9	M4	6,0	1,0	5218 242	45 NR 11	91015	●
40	4,0	10	50	0,7	70	10	9	M4	6,0	1,0	5218 242	60 NR 11	90505	●
30	3,0	10	45	0,7	60	15	8	M4	6,0	1,0	5218 129	45 NR 11	90872	●
80	3,0	30	100	0,6	170	15	8	M4	6,0	1,0	5218 129	60 NR 11	91007	●
24	4,0	10	51	1,5	30	15	15	M4	15,0	1,0	5218 058	45 NR 11	91019	●
50	4,0	10	120	1,5	80	15	15	M4	15,0	1,0	5218 058	60 NR 11	91008	●
40	2,0	20	100	0,4	250	16	6	M4	10,0	1,0	5218 057	45 NR 11	91014	●
100	2,0	50	150	0,5	300	16	6	M4	10,0	1,0	5218 057	60 NR 11	91695	●
45	4,0	10	110	1,3	80	20	15	M6	15,0	1,5	5218 039	45 NR 11	91397	●
115	4,0	30	250	1,3	190	20	15	M6	15,0	1,5	5218 039	60 NR 11	90589	●
65	7,0	10	80	2,0	40	20	20	M6	10,0	1,5	5218 149	45 NR 11	97176	●
50	6,5	10	100	1,8	60	20	20	M6	18,5	1,5	5218 061	45 NR 11	97165	●
140	8,0	20	160	1,8	90	20	20	M6	10,0	1,5	5218 149	60 NR 11	97175	●
100	6,5	20	195	1,8	110	20	20	M6	18,5	1,5	5218 061	60 NR 11	97164	●
65	9,0	10	75	2,3	30	20	25	M6	18,5	1,5	5218 095	45 NR 11	91393	●
140	11,0	10	160	2,4	70	20	25	M6	18,5	1,5	5218 095	60 NR 11	91064	●
110	7,0	20	140	2,0	70	25	20	M6	10,0	1,5	5218 132	45 NR 11	90678	●
110	7,0	20	140	2,0	70	25	20	M6	15,0	1,5	5218 086	45 NR 11	91055	●
220	9,0	20	240	1,8	130	25	20	M6	10,0	1,5	5218 132	60 AEM 23	470951	●
220	9,0	20	240	1,8	130	25	20	M6	10,0	1,5	5218 132	60 NR 11	90679	●
220	9,0	20	240	1,8	130	25	20	M6	15,0	1,5	5218 086	60 NR 11	90646	●
135	10,5	10	300	3,0	100	25	30	M6	18,5	1,5	5218 050	60 NR 11	90605	●
110	13,0	10	110	3,6	30	25	35	M6	18,5	1,5	5218 125	45 NR 11	92267	●
220	15,0	10	220	3,2	70	25	35	M6	18,5	1,5	5218 125	60 NR 11	90936	●
150	5,0	30	270	1,3	210	30	15	M8	23,0	2,0	5218 151	45 NR 11	92149	●
300	6,0	50	500	1,1	450	30	15	M8	23,0	2,0	5218 151	60 NR 11	90985	●
440	4,5	100	640	1,1	580	30	15	M8	23,0	2,0	5218 151	70 NR 11	480188	●
150	7,0	20	220	1,9	120	30	20	M8	13,0	2,0	5218 099	45 NR 11	97208	○
160	8,0	20	240	1,8	130	30	20	M8	23,0	2,0	5218 051	45 NR 11	2107418	○
300	8,0	40	400	1,6	250	30	20	M8	13,0	2,0	5218 099	60 NR 11	97209	○
400	8,0	50	600	1,8	330	30	20	M8	23,0	2,0	5218 051	60 NR 11	97201	●
150	9,0	20	200	2,5	80	30	25	M8	23,0	2,0	5218 163	45 NR 11	91608	●
300	10,0	30	380	2,4	160	30	25	M8	23,0	2,0	5218 163	60 NR 11	91149	●
95	9,0	10	250	3,1	80	30	30	M8	23,0	2,0	5218 067	45 NR 11	91386	●

● Available from stock ○ On request: Tool is available, delivery at short notice



Nominal maxima		Stiffness	Nominal maxima		Stiffness	Outside Ø	Height	Threads	Length	Sheet thickness		Product No.	Material	Article No.	
Radial shear xy			Axial pressure z							D	H				
F _{S max}	s _{S max}	c _{shear}	F _{D max}	s _{D max}	c _{pressure}	[N]	[mm]	[N/mm]	[mm]			[mm]	[mm]		
[N]	[mm]	[N/mm]	[N]	[mm]	[N/mm]	[mm]	[mm]	[mm]	[mm]	[mm]	[mm]				
225	9,0	30	530	3,1	170	30	30	M8	23,0	2,0	5218 067	60 NR 11	91061	●	
280	11,0	30	400	3,0	130	40	30	M8	22,5	2,5	5218 123	45 NR 11	90999	●	
210	9,0	20	470	3,0	160	40	30	M10	27,5	2,5	5218 070	45 NR 11	91234	●	
410	8,0	50	1000	3,0	330	40	30	M10	17,5	2,5	5218 018	60 NR 11	90574	●	
600	12,0	50	700	2,8	250	40	30	M8	22,5	2,5	5218 123	60 NR 11	91091	●	
410	9,0	50	920	3,0	310	40	30	M10	27,5	2,5	5218 070	60 NR 11	90634	●	
725	9,0	80	1090	3,0	360	40	30	M10	27,5	2,5	5218 070	70 NR 11	91116	●	
320	12,0	30	340	2,8	120	40	30	M8	22,5	2,5	5218 123	80 NR 11	90973	○	
280	15,0	20	350	4,2	80	40	40	M8	22,5	2,5	5218 153	45 NR 11	90918	●	
300	16,0	20	300	4,0	80	40	40	M8	27,5	2,5	5218 168	45 NR 11	93006	●	
600	16,0	40	650	4,0	160	40	40	M8	22,5	2,5	5218 153	60 NR 11	90691	●	
600	16,0	40	650	4,0	160	40	40	M10	27,5	2,5	5218 116	60 NR 11	90668	●	
600	16,0	40	650	4,0	160	40	40	M8	27,5	2,5	5218 168	60 NR 11	90744	●	
900	7,0	130	1800	1,7	1060	50	20	M10	27,5	2,5	5218 232	60 NR 11	90734	●	
450	10,0	50	700	3,0	230	50	30	M10	17,5	2,5	5218 089	45 NR 11	90108	●	
425	10,0	40	850	3,0	280	50	30	M10	27,5	2,5	5218 040	45 NR 11	92162	●	
900	11,0	80	1300	2,7	480	50	30	M10	17,5	2,5	5218 089	60 NR 11	90649	●	
940	10,0	90	1940	3,0	650	50	30	M10	27,5	2,5	5218 040	60 NR 11	91279	●	
1300	10,0	130	1980	3,0	660	50	30	M10	27,5	2,5	5218 040	70 NR 11	90451	●	
450	15,0	30	800	4,0	200	50	40	M10	27,5	2,5	5218 072	45 NR 11	90915	●	
900	15,0	60	1100	4,0	280	50	40	M10	17,5	2,5	5218 104	60 NR 11	91145	●	
720	15,0	50	1400	4,0	350	50	40	M10	27,5	2,5	5218 072	60 NR 11	90636	●	
450	17,0	30	550	4,8	110	50	45	M10	27,5	2,5	5218 174	45 NR 11	90747	●	
900	17,0	50	1000	4,2	240	50	45	M10	27,5	2,5	5218 174	60 NR 11	90924	●	
1200	17,0	70	1400	4,2	330	50	45	M10	27,5	2,5	5218 174	70 NR 11	461948	○	
450	19,0	20	500	5,4	90	50	50	M10	27,5	2,5	5218 110	45 NR 11	92076	●	
900	20,0	50	1000	4,5	220	50	50	M10	27,5	2,5	5218 110	60 NR 11	90662	●	
1300	18,0	70	1600	4,5	360	60	45	M10	19,5	2,5	5218 273	60 NR 11	91784	●	
900	17,0	50	1400	4,8	290	70	45	M10	27,5	2,5	5218 206	45 NR 11	90396	●	
1800	18,0	100	2400	4,5	530	70	45	M10	27,5	2,5	5218 206	60 NR 11	90771	●	
200	20,0	10	600	8,0	80	70	60	M12	37,0	3,0	5218 075	45 NR 11	90322	●	
1200	20,0	60	3200	8,0	400	70	60	M12	37,0	3,0	5218 075	60 NR 11	91036	●	
980	7,0	140	4750	3,1	1530	75	25	M12	37,0	3,0	5218 078	45 NR 11	91185	●	
2300	7,0	330	10700	3,1	3450	75	25	M12	37,0	3,0	5218 078	60 NR 11	91257	●	
2800	7,0	400	10630	3,1	3430	75	25	M13	37,0	3,0	5218 078	70 NR 11	49014357	○	
1000	14,0	70	1800	4,1	440	75	40	M12	25,0	3,0	5218 272	45 NR 11	97237	●	

● Available from stock ○ On request: Tool is available, delivery at short notice

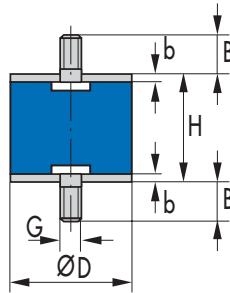


Nominal maxima		Stiffness	Nominal maxima		Stiffness	Outside Ø	Height	Threads	Length	Sheet thickness	Product No.	Material	Article No.	
Radial shear xy			Axial pressure z			D	H	G	B	b				
F _S max	s _S max	c _{shear}	F _D max	s _D max	c _{pressure}						[N]	[mm]	[N/mm]	[mm]
[N]	[mm]	[N/mm]	[N]	[mm]	[N/mm]	[mm]	[mm]	[mm]	[mm]	[mm]				
1300	16,0	80	1670	3,7	450	75	40	M12	37	3	5218 196	45 NR 11	97223	●
2100	16,0	130	3000	3,7	810	75	40	M12	37	3	5218 196	60 NR 11	97224	●
1950	18,0	110	3600	5,0	720	75	50	M12	37	3	5218 052	60 NR 11	91065	●
1000	20,0	50	1500	5,9	250	75	55	M12	37	3	5218 210	45 NR 11	90452	●
2100	22,0	100	2400	5,3	450	75	55	M12	37	3	5218 210	60 NR 11	91077	●
1000	26,0	40	1400	7,7	180	75	70	M12	37	3	5218 113	45 NR 11	91683	●
2100	27,0	80	2000	6,5	310	75	70	M12	37	3	5218 113	60 NR 11	90665	●
5000	30,0	170	6000	7,2	830	75	70	M12	37	3	5218 113	80 NR 11	92303	●
2000	14,0	140	4000	3,8	1050	100	40	M16	36	4	5218 131	45 NR 11	97185	●
1750	12,0	150	5000	4,0	1250	100	40	M16	46	4	5218 016	45 NR 11	97184	●
3400	12,0	280	9700	4,0	2430	100	40	M16	46	4	5218 016	60 NR 11	97183	●
2000	20,0	100	3000	5,6	540	100	55	M16	46	4	5218 100	45 NR 11	92137	●
3800	21,0	180	5000	5,4	930	100	55	M16	46	4	5218 100	60 NR 11	90657	●
7000	25,0	280	9000	5,4	1670	100	55	M16	46	4	5218 100	70 NR 11	92090	●
2000	28,0	70	2600	8,0	330	100	75	M16	46	4	5218 083	45 NR 11	90644	●
3800	32	120	4200	7,5	560	100	75	M16	46	4	5218 083	60 NR 11	91135	●
10000	32	310	15000	8	1880	160	75	M16	46	4	5218 159	60 NR 11	90694	●
10000	28	360	100000	6,5	15380	160	114	M16	44	6	5218 178	70 NR 11	92001	●

● Available from stock ○ On request: Tool is available, delivery at short notice

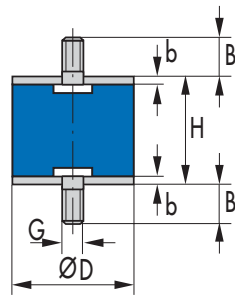
Article list Circular Mount Type A with cylindrical elastomer contour

Fig. 7 Circular Mounts Type A, cylindrical elastomer contour



Nominal maxima				Outside Ø	Height	Threads	Length	Sheet thickness	Product No.	Material	Article No.	
Radial shear		Axial pressure										
F _{S max}	s _{S max}	F _{D max}	s _{D max}	D	H	G	B	b				
[N]	[mm]	[N]	[mm]	[mm]	[mm]		[mm]	[mm]				
26	1,60	48	0,64	13	10,0	M5	10,0	1,0	A 1310	55 NR	509003	●
26	2,60	40	1,00	13	15,0	M5	10,0	1,0	A 1315	55 NR	509007	●
26	2,60	40	1,00	13	20,0	M5	10,0	1,0	A 1320	55 NR	509015	●
34	1,00	95	0,40	15	8,0	M4	12,0	1,5	A 1508	55 NR	509018	●
34	1,40	75	0,56	15	10,0	M4	12,0	1,5	A 1510	55 NR	509019	●
34	2,39	58	1,00	15	15,0	M4	12,0	1,5	A 1515	55 NR	509020	●
34	3,39	52	1,36	15	20,0	M4	12,0	1,5	A 1520	55 NR	509022	●
34	5,40	48	2,16	15	30,0	M4	12,0	1,5	A 1530	55 NR	509048	●
39	1,40	89	0,56	16	10,0	M5	12,0	1,5	A 1610	55 NR	509049	●
39	2,40	67	1,00	16	15,0	M5	12,0	1,5	A 1615	55 NR	509050	●
39	3,41	60	1,36	16	20,0	M5	12,0	1,5	A 1620	55 NR	509051	●
39	4,40	60	1,87	16	25,0	M5	12,0	1,5	A 1625	55 NR	509052	●
61	1,00	220	0,40	20	8,5	M6	16,5	2,0	A 208,5	55 NR	509053	●
61	2,20	121	0,88	20	15,0	M6	16,5	2,0	A 2015	55 NR	509056	●
61	3,20	103	1,28	20	20,0	M6	16,5	2,0	A 2020	55 NR	509063	●
61	4,19	95	1,68	20	25,0	M6	16,5	2,0	A 2025	55 NR	509064	●
61	5,20	95	2,19	20	30,0	M6	16,5	2,0	A 2030	55 NR	509065	●
61	0,77	184	0,25	25	10,0	M8	20,0	2,0	A 2510	55 NR	509067	●
95	2,20	216	0,88	25	15,0	M6	18,0	2,0	A 2515	55 NR	509069	●
95	2,20	216	0,88	25	15,0	M8	20,0	2,0	A 2515	55 NR	509070	●
95	3,20	176	1,28	25	20,0	M6	18,0	2,0	A 2520	55 NR	509071	●
95	3,60	176	1,52	25	22,0	M8	20,0	2,0	A 2522	55 NR	509072	●
95	4,21	158	1,68	25	25,0	M6	18,0	2,0	A 2525	55 NR	509073	●
95	4,21	158	1,68	25	25,0	M8	20,0	2,0	A 2525	55 NR	509074	●
95	5,19	148	2,08	25	30,0	M8	20,0	2,0	A 2530	55 NR	509075	●
95	7,20	137	2,88	25	40,0	M8	20,0	2,0	A 2540	55 NR	509077	●
137	2,20	353	0,88	30	15,0	M8	25,0	2,0	A 3015	55 NR	509119	●
137	3,20	277	1,28	30	20,0	M8	25,0	2,0	A 3020	55 NR	509120	●
137	3,60	277	1,53	30	22,0	M8	25,0	2,0	A 3022	55 NR	509121	●
137	5,20	225	2,09	30	30,0	M8	25,0	2,0	A 3030	55 NR	509122	●
137	7,20	206	2,88	30	40,0	M8	25,0	2,0	A 3040	55 NR	509123	●
243	3,20	588	1,28	40	20,0	M10	25,0	2,0	A 4020	55 NR	509124	●
243	4,80	464	1,92	40	28,0	M10	25,0	2,0	A 4028	55 NR	509125	●
243	5,20	464	2,16	40	30,0	M8	23,0	2,0	A 4030	55 NR	509126	●

● Available from stock ○ On request: Tool is available, delivery at short notice



Nominal maxima				Outside Ø	Height	Threads	Length	Sheet thickness	Product No.	Material	Article No.	
Radial shear		Axial pressure										
F _{S max}	s _{S max}	F _{D max}	s _{D max}	D	H	G	B	b				
[N]	[mm]	[N]	[mm]	[mm]	[mm]		[mm]	[mm]				
243	6,21	417	2,48	40	35,0	M10	25,0	2,0	A 4035	55 NR	509127	●
243	7,20	417	3,04	40	40	M8	23	2,0	A 4040	55 NR	509128	●
243	7,20	417	3,04	40	40	M10	25	2,0	A 4040	55 NR	509129	●
243	8,19	381	3,28	40	45	M10	25	2,0	A 4045	55 NR	509130	●
380	2,99	1153	1,20	50	20	M10	25	2,5	A 5020	55 NR	509131	●
380	4,00	919	1,60	50	25	M10	25	2,5	A 5025	55 NR	509132	●
380	5,00	798	2,00	50	30	M10	25	2,5	A 5030	55 NR	509133	●
380	6,00	725	2,40	50	35	M10	25	2,5	A 5035	55 NR	509134	●
380	7,00	677	2,80	50	40	M10	25	2,5	A 5040	55 NR	509135	●
380	8,00	677	3,37	50	45	M10	25	2,5	A 5045	55 NR	509136	●
380	9,01	618	3,59	50	50	M10	25	2,5	A 5050	55 NR	509137	●
547	4,00	1519	1,60	60	25	M10	25	2,5	A 6025	55 NR	509138	●
547	6,20	1129	2,48	60	36	M10	25	2,5	A 6036	55 NR	509139	●
547	8,00	996	3,20	60	45	M10	25	2,5	A 6045	55 NR	509140	●
745	5,82	1759	2,32	70	35	M10	25	3,0	A 7035	55 NR	509141	●
745	8,80	1391	3,52	70	50	M10	25	3,0	A 7050	55 NR	509142	●
745	12,80	1205	5,13	70	70	M10	25	3,0	A 7070	55 NR	509144	●
855	3,80	3039	1,52	75	25	M12	35	3,0	A 7525	55 NR	509145	●
855	6,79	1905	2,72	75	40	M12	35	3,0	A 7540	55 NR	509146	●
855	8,80	1591	3,39	75	50	M12	35	3,0	A 7550	55 NR	509147	●
855	9,80	1591	3,98	75	55	M12	35	3,0	A 7555	55 NR	509148	●
973	4,79	2952	1,92	80	30	M14	35	3,0	A 8030	55 NR	509149	●
973	6,81	2259	2,72	80	40	M14	35	3,0	A 8040	55 NR	509150	●
973	12,81	1647	5,11	80	70	M14	35	3,0	A 8070	55 NR	509151	●
973	14,79	1647	6,21	80	80	M14	35	3,0	A 8080	55 NR	509153	●
1521	6,79	4153	2,71	100	40	M16	47	3,0	A 10040	55 NR	509154	●
1521	9,81	3231	3,92	100	55	M16	47	3,0	A 10055	55 NR	509155	●
1521	14,76	2649	5,91	100	80	M16	47	3,0	A 10080	55 NR	509156	●

● Available from stock ○ On request: Tool is available, delivery at short notice

Article list Circular Mount Type A SW XX with hexagonal plate and constricted-body elastomer contour

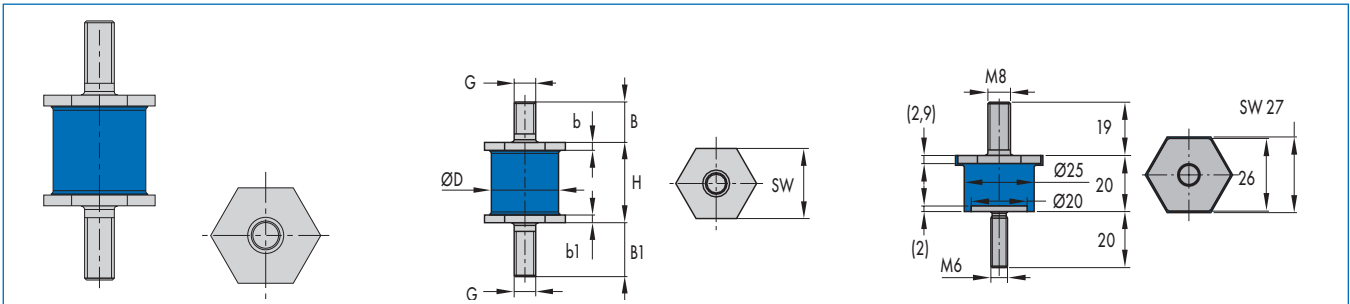


Fig. 8 Circular Mounts hexagonal Type A, constricted body contour

Nominal maxima		Stiffness	Nominal maxima		Stiffness	Outside Ø	Height	Rubber Ø	Threads	Threaded length		Metal sheet thickness		Product No.	Material	Article No.	
Radial shear			Axial pressure							B	B ₁	b	b ₁				
F _S max	s _S max	c _{shear}	F _D max	s _D max	c _{pressure}	SW (width across flats)	H	D									
[N]	[mm]	[N/mm]	[N]	[mm]	[N/mm]	[mm]	[mm]	[mm]			[mm]	[mm]	[mm]				
70	4,4	15,9	160	1,5	107	SW21	15	18	M6	16	-	2,0	-	052 18 898	45 CR 56	49004238	○
60	6,4	9,4	145	2,4	60	SW21	20	18	M6	16	-	2,0	-	052 18 895	45 NR 97	49016672	○
60	6,4	9,4	145	2,4	60	SW21	20	18	M6	16	-	2,0	-	052 18 895	45 CR 56	49002825	○
100	6,4	15,6	245	2,4	102	SW21	20	18	M6	16	-	2,0	-	052 18 895	60 CR 56	49011379	○
100	6,4	15,6	245	2,4	102	SW21	20	18	M6	28	16	2,0	-	052 18 906	60 CR 57	49038588	○
95	9,0	10,6	250	3,1	81	SW26	34	25	M8	19	-	2,9	-	052 18 921	45 CR 57	49039149	○
95	9,0	10,6	250	3,1	81	SW27	34	25	M8	12	-	2,9	-	052 18 920	45 CR 57	49039148	○
150	9,0	16,7	200	2,5	80	SW27/Ø25	20	25	M8/M6	19	20	2,9	2	052 18 924	45 CR 57	49039020	○

● Available from stock ○ On request: Tool is available, delivery at short notice

Article list Circular Mount Type 052 18 389
(Circular Mount Type A with constricted-body elastomer contour, notched)

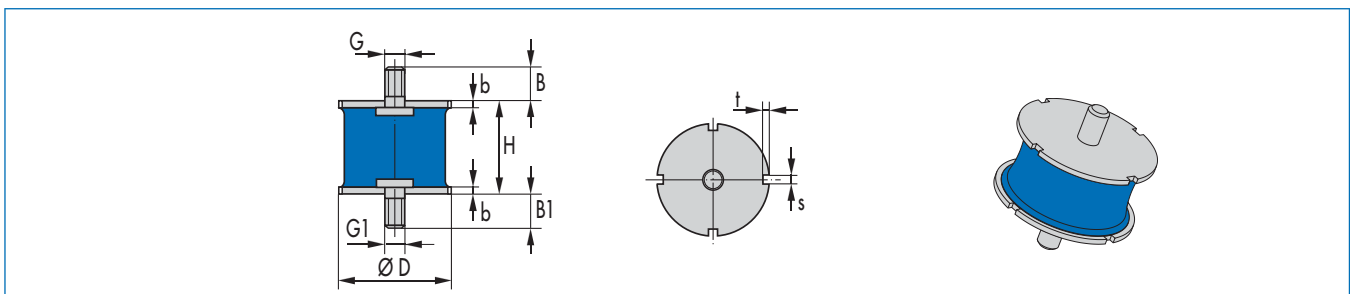


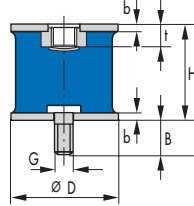
Fig. 9 Circular Mount Type 052 18 389

Nominal maxima		Stiffness	Nominal maxima		Stiffness	Outside Ø	Height	Threads	Threaded length			Product No.	Material	Article No.	
Radial shear			Axial pressure						B	B ₁	b				
F _S max	s _S max	c _{shear}	F _D max	s _D max	c _{pressure}	SW (width across flats)	H	D							
[N]	[mm]	[N/mm]	[N]	[mm]	[N/mm]	[mm]	[mm]	[mm]	[mm]	[mm]	[mm]				
1600	20	80	3000	6	500	105	55	M16	36	26	4	5218 389	NR	49037737	○
2200	20	110	4100	6	690	105	55	M16	36	26	4	5218 389	NR	49037738	○
3000	20	150	5600	6	940	105	55	M16	36	26	4	5218 389	NR	49037739	○
4000	20	200	7500	6	1250	105	55	M16	36	26	4	5218 389	NR	49037740	○

● Available from stock ○ On request: Tool is available, delivery at short notice

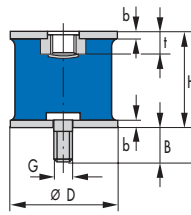
Article list Circular Mount Type B with constricted-body elastomer contour

Fig. 10 Circular Mounts Type B, constricted-body elastomer contour



Nominal maxima		Stiffness	Nominal maxima		Stiffness	Outside Ø	Height	Threads	Length	Screw-in depth (max.)	Sheet thickness	Product No.	Material	Article No.	
Radial shear			Axial pressure												
F _{S max}	s _{S max}	c _{shear}	F _{D max}	s _{D max}	c _{pressure}	D	H	G	B	t	b				
[N]	[mm]	[N/mm]	[N]	[mm]	[N/mm]	[mm]	[mm]		[mm]	[mm]	[mm]				
14	3,0	0	18	0,8	20	10	9	M4	6,0	3,5	1,0	5218 251	45 NR 11	91158	●
40	4,0	10	50	0,7	70	10	9	M4	6,0	3,5	1,0	5218 251	60 NR 11	90786	●
40	4,0	10	80	1,5	50	15	15	M4	15,0	4,0	1,0	5218 059	45 NR 11	90614	●
70	4,0	20	150	1,5	100	15	15	M4	15,0	4,0	1,0	5218 059	60 NR 11	90615	●
65	7,0	10	80	2,0	40	20	20	M6	10,5	6,5	1,5	5218 137	45 NR 11	97170	●
140	8,0	20	160	1,8	90	20	20	M6	10,5	6,5	1,5	5218 137	60 AEM 33	97171	●
140	8,0	20	160	1,8	90	20	20	M6	10,5	6,5	1,5	5218 137	60 NR 11	97169	●
230	7,5	30	260	1,9	140	20	20	M6	10,5	6,5	1,5	5218 137	70 NR 11		●
320	7,0	50	360	2,0	180	20	20	M6	10,5	6,5	1,5	5218 137	80 NR 11	97172	●
90	7,0	10	170	2,1	80	20	20	M6	18,5	5,8	1,5	5218 062	45 NR 11	97166	●
170	7,0	20	320	2,1	150	20	20	M6	18,5	5,8	1,5	5218 062	60 NR 11	97167	●
65	9,0	10	75	2,3	30	20	25	M6	18,5	5,8	1,5	5218 096	45 NR 11	91865	●
140	11,0	10	160	2,4	70	20	25	M6	18,5	5,8	1,5	5218 096	60 NR 11	91519	●
110	7,0	20	140	2,0	70	25	20	M6	10,0	5,8	1,5	5218 150	45 NR 11	91514	●
110	7,0	20	140	2,0	70	25	20	M6	15,0	5,8	1,5	5218 087	45 NR 11	91192	●
220	9,0	20	240	1,8	130	25	20	M6	15,0	5,8	1,5	5218 087	60 NR 11	90647	●
100	12,1	10	200	3,7	50	25	30	M6	18,5	5,8	1,5	5218 063	45 NR 11	91839	●
240	12,1	20	480	3,7	130	25	30	M6	18,5	5,8	1,5	5218 063	60 NR 11	91163	●
220	15,0	10	220	3,2	70	25	35	M6	18,5	5,8	1,5	5218 126	60 NR 11	91617	●
300	8,0	40	400	1,6	250	30	20	M8	13,0	7,4	2,0	5218 195	60 NR 11	97210	●
450	8,0	60	550	1,6	340	30	20	M8	13,0	7,4	2,0	5218 195	70 NR 11	97211	●
900	8,0	110	750	1,6	470	30	20	M8	13,0	7,4	2,0	5218 195	80 NR 11	97212	●
240	6,3	40	700	2,0	350	30	20	M8	23,0	7,4	2,0	5218 065	45 NR 11	597205	●
500	6,3	80	1240	2,0	630	30	20	M8	23,0	7,4	2,0	5218 065	60 NR 11	97206	●
160	11,3	10	300	3,4	90	30	30	M8	23,0	7,4	2,0	5218 068	45 NR 11	91441	●
380	11,3	30	700	3,4	210	30	30	M8	23,0	7,4	2,0	5218 068	60 NR 11	90632	●
300	11,0	30	280	3,0	90	40	30	M8	22,5	7,9	2,5	5218 124	45 NR 11	91000	●
600	11,0	50	700	3,0	230	40	30	M8	22,5	7,9	2,5	5218 124	60 NR 11	90671	●
900	11,0	80	1200	3,0	400	40	30	M8	22,5	7,9	2,5	5218 124	70 NR 11	92476	●
280	10,0	30	550	3,0	180	40	30	M10	27,5	10,0	2,5	5218 071	45 NR 11	91107	●
280	10,0	30	550	3,0	180	40	30	M10	27,5	10,0	2,5	5218 071	45 NR 11	91107	●
670	10,0	70	1300	3,0	430	40	30	M10	27,5	10,0	2,5	5218 071	60 NR 11	90635	●
980	10,0	100	1800	3,0	600	40	30	M10	27,5	10,0	2,5	5218 071	70 NR 11	91654	●
280	15,0	20	350	4,2	80	40	40	M8	22,5	7,9	2,5	5218 152	45 NR 11	92089	●
600	16,0	40	650	4,0	160	40	40	M8	22,5	7,9	2,5	5218 152	60 NR 11	91561	●
300	19,0	20	300	5,2	60	45	50	M8	22,5	7,9	2,5	5218 187	45 NR 11	91079	●
700	19,0	40	800	5,2	150	45	50	M8	22,5	7,9	2,5	5218 187	60 NR 11	90758	●

● Available from stock ○ On request: Tool is available, delivery at short notice



Nominal maxima		Stiffness	Nominal maxima		Stiffness	Outside Ø	Height	Threads	Length	Screw-in depth (max.)	Sheet thickness	Product No.	Material	Article No.		
Radial shear			Axial pressure													
F _S max	S _S max	C _{shear}	F _D max	S _D max	C _{pressure}	D	H	G	B	t	b					
[N]	[mm]	[N/mm]	[N]	[mm]	[N/mm]	[mm]	[mm]		[mm]	[mm]	[mm]					
350	11,0	30	500	2,7	190	50	30	M10	17,5	10,0	2,5	5218 090	45 NR 11	91468	●	
900	11,0	80	1300	2,7	480	50	30	M10	17,5	10,0	2,5	5218 090	60 NR 11	91254	●	
1200	11,0	110	1800	2,7	670	50	30	M10	17,5	10,0	2,5	5218 090	70 NR 11	91321	●	
1000	10,0	100	1900	3,0	630	50	30	M10	27,5	10,0	2,5	5218 046	60 NR 11	90601	●	
1020	15,1	70	1860	4,6	400	50	40	M10	27,5	10,0	2,5	5218 073	60 NR 11	91312	●	
450	19,0	20	500	5,4	90	50	50	M10	27,5	10,0	2,5	5218 111	45 NR 11	92075	●	
900	20,0	50	1000	4,5	220	50	50	M10	27,5	10,0	2,5	5218 111	60 NR 11	90844	●	
1300	18,0	70	1600	4,5	360	60	45	M10	19,0	10,0	2,5	5218 274	60 NR 11	91476	●	
650	17,0	40	900	4,8	190	60	45	M10	19,5	10,5	2,5	5218 274	45 NR 11	92502	●	
900	17,0	50	1400	4,8	290	70	45	M10	27,5	10,5	2,5	5218 200	45 NR 11	91607	●	
1800	18,0	100	2400	4,5	530	70	45	M10	27,5	10,5	2,5	5218 200	60 NR 11	90768	●	
800	24,9	30	1450	7,5	190	70	60	M12	37,0	10,5	3,0	5218 076	45 NR 11	92004	●	
1450	24,9	60	2750	7,5	370	70	60	M12	37,0	10,5	3,0	5218 076	60 NR 11	90639	●	
1000	14,0	70	1800	4,1	440	75	40	M12	37,0	10,5	3,0	5218 197	45 NR 11	97227	●	
2100	16,0	130	3000	3,7	810	75	40	M12	37,0	10,5	3,0	5218 197	60 NR 11	97226	●	
3200	15,0	210	5000	4,0	1250	75	40	M12	37,0	10,5	3,0	5218 197	70 NR 11	97228	●	
1150	20,0	60	2100	6,0	350	75	50	M12	37,0	10,5	3,0	5218 081	45 NR 11	91575	●	
1200	20,0	60	4200	6,0	700	75	50	M12	37,0	10,5	3,0	5218 081	60 NR 11	90642	●	
2100	22,0	100	2400	5,3	450	75	55	M12	37,0	10,5	3,0	5218 211	60 NR 11	92459	●	
3200	21,0	150	4000	5,7	700	75	55	M12	37,0	10,5	3,0	5218 211	70 NR 11	90899	●	
1000	26,0	40	1400	7,7	180	75	70	M12	37,0	10,5	3,0	5218 114	45 NR 11	92491	●	
2100	27,0	80	2000	6,5	310	75	70	M12	37,0	10,5	3,0	5218 114	60 NR 11	90666	●	
2000	14,0	140	4000	3,5	1140	100	40	M16	36,0	15,8	4,0	5218 156	45 NR 11	597187	●	
3800	14,0	270	7000	3,5	2000	100	40	M16	36,0	15,8	4,0	5218 156	60 NR 11	97186	●	
6000	14,0	430	12000	3,5	3430	100	40	M16	36,0	15,8	4,0	5218 156	70 NR 11	92744	●	
6600	14,0	470	16800	3,5	4800	100	40	M16	36,0	15,8	4,0	5218 156	80 NR 11	92046	●	
1900	12,0	160	4500	3,5	1290	100	40	M16	46,0	15,8	4,0	5218 015	45 NR 11	97182	●	
4500	12,0	380	10100	3,5	2890	100	40	M16	46,0	15,8	4,0	5218 015	60 NR 11	97181	●	
7200	12,0	600	17500	3,5	5000	100	40	M16	46,0	15,8	4,0	5218 015	70 NR 11	92152	●	
1800	19,0	90	2500	5,4	460	100	55	M16	46,0	15,8	4,0	5218 101	45 NR 11	500635	●	
3300	19,0	170	5000	5,4	930	100	55	M16	46,0	15,8	4,0	5218 101	60 NR 11	90658	●	
5300	19,0	280	8000	5,4	1480	100	55	M16	46,0	15,8	4,0	5218 101	70 NR 11	92087	●	
8000	19,0	420	12000	5,4	2220	100	55	M16	46,0	15,8	4,0	5218 101	80 NR 11	91108	●	
3800	32,0	120	4200	7,5	560	100	75	M16	46,0	15,8	4,0	5218 084	60 NR 11	92274	●	
5000	30,0	170	9000	8,0	1130	160	75	M16	46,0	15,8	4,0	5218 158	45 NR 11	92530	○	
10000	30,0	330	15000	8,0	1880	160	75	M16	46,0	15,8	4,0	5218 158	60 NR 11	90693	●	
13800	30,0	460	21000	8,0	2630	160	75	M16	46,0	15,8	4,0	5218 158	70 NR 11	92458	○	
24000	30,0	800	40000	8,0	5000	160	75	M16	46,0	15,8	4,0	5218 158	80 NR 11	91795	●	
8000	36,0	220	80000	9,0	8890	160	114	M16	44,0	15,8	6,0	5218 179	60 NR 11	90752	●	

● Available from stock ○ On request: Tool is available, delivery at short notice

Article list Circular Mount Type B with cylindrical elastomer contour

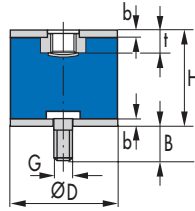
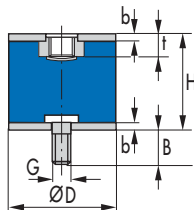


Fig. 11 Circular Mounts Type B, cylindrical elastomer contour

Nominal maxima				Outside Ø	Height	Threads	Length	Screw-in depth (max.)	Sheet thickness	Product No.	Material	Article No.	
Radial shear		Axial pressure											
F _{S max}	s _{S max}	F _{D max}	s _{D max}	D	H	G	B	t	b				
[N]	[mm]	[N]	[mm]	[mm]	[mm]		[mm]	[mm]	[mm]				
30,6	1,3	67,5	0,5	15	15	M4	12	3	1,5	B 1515	55 NR	509078	●
30,6	4,9	80	0,5	16	10	M5	12	3	1,5	B 1610	55 NR	509079	●
35,1	1,3	61	0,9	16	15	M5	12	3	1,5	B 1615	55 NR	509080	●
35,1	2,2	54	1,2	16	20	M5	12	3	1,5	B 1620	55 NR	509081	●
35,1	4,0	51	1,6	16	25	M5	12	3	1,5	B 1625	55 NR	509082	●
55,0	2,0	109	0,8	20	15	M6	16,5	4	2,0	B 2015	55 NR	509083	●
54,9	2,9	93	1,2	20	20	M6	16,5	4	2,0	B 2020	55 NR	509085	●
54,9	3,8	85	1,5	20	25	M6	16,5	4	2,0	B 2025	55 NR	509086	●
54,9	4,7	81	1,8	20	30	M6	16,5	5	2,0	B 2030	55 NR	509087	●
85,5	2,0	158	1,2	25	20	M8	20	5	2,0	B 2520	55 NR	509091	●
85,5	2,9	151	1,3	25	22	M8	20	6	2,0	B 2522	55 NR	509094	●
85,5	3,8	142	1,5	25	25	M8	20	6	2,0	B 2525	55 NR	509095	●
85,5	3,8	133	1,9	25	30	M8	20	6	2,0	B 2530	55 NR	509096	●
85,5	4,7	124	2,6	25	40	M8	20	6	2,0	B 2540	55 NR	509097	●
85,5	6,5	317	0,8	30	15	M8	25	6	2,0	B 3015	55 NR	509098	●
123,3	2,0	250	1,2	30	20	M8	25	6	2,0	B 3020	55 NR	509099	●
123,3	2,9	235	1,3	30	22	M8	25	6	2,0	B 3022	55 NR	509100	●
123,3	3,2	203	1,9	30	30	M8	25	6	2,0	B 3030	55 NR	509101	●
123,3	4,7	185	2,6	30	40	M8	25	6	2,0	B 3040	55 NR	509102	●
218,7	4,3	530	1,2	40	20	M10	25	8	2,0	B 4020	55 NR	509103	●
218,7	4,7	418	1,7	40	28	M10	25	8	2,0	B 4028	55 NR	509104	●
218,7	5,6	403	1,9	40	30	M10	25	8	2,0	B 4030	55 NR	509105	●
219,0	6,5	375	2,2	40	35	M10	25	8	2,0	B 4035	55 NR	509106	●
219,0	2,9	356	2,6	40	40	M10	25	8	2,0	B 4040	55 NR	509107	●
219,0	6,5	342	3,0	40	45	M10	25	8	2,0	B 4045	55 NR	509108	●
218,7	7,4	1038	1,1	50	20	M10	25	8	2,5	B 5020	55 NR	509109	●
342,0	3,6	718	1,8	50	30	M10	25	8	2,5	B 5030	55 NR	509110	●
342,0	4,5	653	2,2	50	35	M10	25	8	2,5	B 5035	55 NR	509111	●
342,0	5,4	610	2,5	50	40	M10	25	8	2,5	B 5040	55 NR	509112	●
342,0	6,3	563	2,8	50	45	M10	25	8	2,5	B 5045	55 NR	509113	●
342,0	7,2	556	3,2	50	50	M10	25	8	2,5	B 5050	55 NR	509114	●
492,3	3,6	1016	2,2	60	36	M10	25	8	2,5	B 6036	55 NR	509115	●
492,3	5,6	896	2,9	60	45	M10	25	8	2,5	B 6045	55 NR	509116	●
429,0	7,2	1583	2,1	70	35	M10	25	9	3,0	B 7035	55 NR	509117	●
670,5	5,2	1252	3,2	70	50	M10	25	9	3,0	B 7050	55 NR	509207	●
671,0	7,9	1252	3,2	70	70	M10	25	9	3,0	B 7070	55 NR	509208	●

● Available from stock ○ On request: Tool is available, delivery at short notice



Nominal maxima				Outside \varnothing	Height	Threads	Length	Screw-in depth (max.)	Sheet thickness	Product No.	Material	Article No.	
Radial shear		Axial pressure											
$F_{S \max}$	$s_{S \max}$	$F_{D \max}$	$s_{D \max}$	D	H	G	B	t	b				
[N]	[mm]	[N]	[mm]	[mm]	[mm]		[mm]	[mm]	[mm]				
770,0	3,4	1714	2,5	75	40	M12	35	8	3	B 7540	55 NR	509209	●
769,5	7,0	1581	2,8	75	45	M12	35	8	3	B 7545	55 NR	509210	●
770,0	6,1	1485	3,2	75	50	M12	35	8	3	B 7550	55 NR	509211	●
875,7	4,3	2033	2,5	80	40	M14	35	12	3	B 8040	55 NR	509212	●
973,0	13,4	1620	5,4	80	70	M14	35	12	3	B 8070	55 NR	509213	●
973,0	14,8	1647	6,2	80	80	M14	35	12	3	B 8080	55 NR	509214	●
1369,0	6,1	3575	2,6	100	40	M16	47	14	3	B 10040	55 NR	509215	●
1521,0	9,8	3231	3,9	100	55	M16	47	14	3	B 10055	55 NR	509216	●
1521,0	14,8	2649	5,9	100	80	M16	47	14	3	B 10080	55 NR	509217	●
1520,0	18,8	2440	7,5	100	100	M16	14	14	3	B 100100	55 NR	509218	●

● Available from stock ○ On request: Tool is available, delivery at short notice

Article list Circular Mount Type C with constricted-body elastomer contour

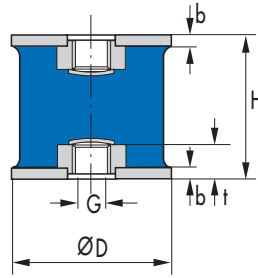
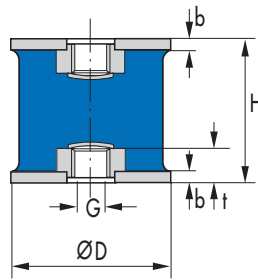


Fig. 12 Circular Mounts Type C, constricted-body elastomer contour

Nominal maxima		Stiffness	Nominal maxima		Stiffness	Out-side Ø	Height	Threads	Screw-in depth max.	Sheet thickness	Product No.	Material	Article No.	
Radial shear			Axial pressure			D	H	G	t	b				
F _{S max}	S _{S max}	c _{shear}	F _{S max}	S _{S max}	c _{pressure}						[mm]	[mm]	[mm]	[mm]
[N]	[mm]		[N]	[mm]		[mm]	[mm]		[mm]	[mm]				
35	5,0	10	120	1,0	120	15	15	M4	1,0	4,0	5218 060	45 NR 11	90767	●
80	6,0	10	240	1,0	240	15	15	M4	1,0	4,0	5218 060	60 NR 11	90617	●
80	4,2	20	180	1,0	180	20	20	M6	1,5	5,8	5218 053	45 NR 11	97163	●
200	4,2	50	350	1,0	350	20	20	M6	1,5	5,8	5218 053	60 NR 11	97162	●
65	9,0	10	75	2,3	30	20	25	M6	1,5	5,8	5218 097	45 NR 11	91741	●
140	11,0	10	160	2,4	70	20	25	M6	1,5	5,8	5218 097	60 NR 11	91063	●
220	9,0	20	240	1,8	130	25	20	M6	1,5	5,8	5218 088	60 NR 11	90648	●
300	6,0	50	380	1,1	350	30	25	M8	2,0	7,4	5218 165	60 NR 11	91028	●
160	7,5	20	360	2,4	150	30	30	M8	2,0	7,4	5218 069	45 NR 11	91161	●
370	7,5	50	760	2,4	320	30	30	M8	2,0	7,4	5218 069	60 NR 11	91062	●
670	5,0	130	1420	1,2	1180	40	30	M10	2,5	10,0	5218 002	60 NR 11	90565	●
400	5,0	80	700	1,5	470	40	30	M8	2,5	7,9	5218 021	60 NR 11	91273	●
670	5,0	130	1420	1,2	1180	40	30	M10	2,5	10,0	5218 002	60 NR 11	90565	●
880	5,0	180	2100	1,2	1750	40	30	M10	2,5	10,0	5218 002	70 NR 11	91112	●
200	12,0	20	370	3,5	110	40	40	M8	2,5	7,9	5218 043	45 NR 11	92282	●
550	12,0	50	900	3,5	260	40	40	M8	2,5	7,9	5218 043	60 NR 11	90596	●
450	10,0	50	700	3,0	230	50	30	M10	2,5	10,0	5218 091	45 NR 11	92163	●
900	11,0	80	1300	2,7	480	50	30	M10	2,5	10,0	5218 091	60 NR 11	91074	●
470	10,1	50	750	3,1	240	50	40	M10	2,5	10,0	5218 074	45 NR 11	91110	●
870	10,1	90	1440	3,1	460	50	40	M10	2,5	10,0	5218 074	60 NR 11	91236	●
1300	10,1	130	2110	3,1	680	50	40	M10	2,5	10,0	5218 074	70 NR 11	91197	●
450	17,0	30	550	4,8	110	50	45	M10	2,5	10,0	5218 176	45 NR 11	91402	●
450	19,0	20	500	5,4	90	50	50	M10	2,5	10,0	5218 112	45 NR 11	91412	●
900	20,0	50	1000	4,5	220	50	50	M10	2,5	10,0	5218 112	60 NR 11	91037	●
1300	18,0	70	1600	4,5	360	60	45	M10	2,5	10,0	5218 275	60 NR 11	93159	●
1800	18,0	100	2400	4,5	530	70	45	M10	3,0	10,5	5218 207	60 NR 11	90772	●
1500	19,0	80	2500	5,5	450	70	60	M12	3,0	10,5	5218 077	60 NR 11	90640	●
1000	14,0	70	1800	4,1	440	75	40	M12	3,0	10,5	5218 198	45 NR 11	97233	●
2100	16,0	130	3000	3,7	810	75	40	M12	3,0	10,5	5218 198	60 NR 11	97230	●
4000	15,0	270	6000	4,1	1460	75	40	M12	3,0	10,5	5218 198	75 NR 11	97229	●
5000	15,0	330	7000	3,6	1940	75	40	M12	3,0	10,5	5218 198	80 NR 11	97234	●
2100	20,0	110	2400	4,8	500	75	50	M12	3,0	10,5	5218 082	60 NR 11	90643	●
2050	14,0	150	4900	4,4	1110	75	50	M12	3,0	10,5	5218 082	70 NR 11	91460	●

● Available from stock ○ On request: Tool is available, delivery at short notice



Nominal maxima		Stiffness	Nominal maxima		Stiffness	Out-side Ø	Height	Threads	Screw-in depth max.	Sheet thickness	Product No.	Material	Article No.	
Radial shear			Axial pressure			D	H	G	t	b				
F _{S max}	s _{S max}	c _{shear}	F _{S max}	s _{S max}	c _{pressure}						[mm]	[mm]	[mm]	[mm]
[N]	[mm]		[N]	[mm]		[mm]	[mm]		[mm]	[mm]				
2100	22,0	100	2400	5,3	450	75	55	M12	3,0	10,5	5218 212	60 NR 11	91045	●
3200	21	150	4000	5,5	730	75	55	M12	3	10,5	5218 212	70 NR 11	92517	●
2100	27	80	2000	6,5	310	75	70	M12	3	10,5	5218 115	60 NR 11	90667	●
2000	20	100	3000	5,6	540	100	55	M16	4	15,8	5218 102	45 NR 11	91611	●
3800	21	180	5000	5,4	930	100	55	M16	4	15,8	5218 102	60 NR 11	90975	●
7000	25	280	9000	5,4	1670	100	55	M16	4	15,8	5218 102	70 NR 11	91522	●
1600	21	80	2700	6,5	420	100	75	M16	4	15,8	5218 049	45 NR 11	90602	●
2250	21	110	4100	6,5	630	100	75	M16	4	15,8	5218 049	60 NR 11	90603	●
5000	28	180	9000	8,0	1130	160	75	M16	4	15,8	5218 146	45 NR 11	90684	●
10000	32	310	15000	8,0	1880	160	75	M16	4	15,8	5218 146	60 NR 11	91431	●
8000	25	320	18000	6,9	2610	200	70	M16	6	15,8	5218 162	45 NR 11	92531	●
16000	26	620	36000	7,0	5140	200	70	M16	6	15,8	5218 162	60 NR 11	90618	●

● Available from stock ○ On request: Tool is available, delivery at short notice

Article list Circular Mount Type C with cylindrical elastomer contour

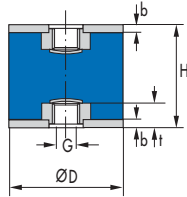
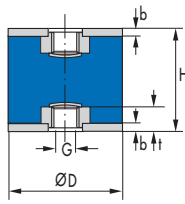


Fig. 13 Circular Mounts Type C, cylindrical elastomer contour

Nominal maxima				Outside Ø	Height	Threads	Screw-in depth (max.)	Thick-ness	Product No.	Material	Article No.	
Radial shear		Axial pressure										
F _{S max}	s _{S max}	F _{D max}	s _{D max}	D	H	G	t	b				
[N]	[mm]	[N]	[mm]	[mm]	[mm]		[mm]	[mm]				
32,8	2,9	57	0,8	16	15	M5	3	1,5	C 1615	55 NR	509219	●
32,8	3,7	51	1,1	16	20	M5	3	1,5	C 1620	55 NR	509220	●
51,2	1,9	48	1,5	16	25	M5	3	1,5	C 1625	55 NR	509221	●
51,2	3,5	102	0,7	20	15	M6	4	2,0	C 2015	55 NR	509222	●
51,2	4,4	86	1,1	20	20	M6	4	2,0	C 2020	55 NR	509223	●
51,2	0,8	79	1,4	20	25	M6	4	2,0	C 2025	55 NR	509224	●
51,2	0,7	76	1,7	20	30	M6	5	2,0	C 2030	55 NR	509225	●
79,8	3,0	148	1,1	25	20	M8	6	2,0	C 2520	55 NR	509226	●
79,8	3,5	141	1,2	25	22	M8	6	2,0	C 2522	55 NR	509227	●
79,8	4,4	133	1,4	25	25	M8	6	2,0	C 2525	55 NR	509228	●
79,8	6,1	124	1,8	25	30	M8	6	2,0	C 2530	55 NR	509229	●
115,1	1,9	115	2,4	25	40	M8	6	2,0	C 2540	55 NR	509230	●
115,1	4,4	219	1,2	30	22	M8	6	2,0	C 3022	55 NR	509231	●
115,1	6,5	189	1,8	30	30	M8	6	2,0	C 3030	55 NR	509232	●
204,1	2,7	173	2,4	30	40	M8	6	2,0	C 3040	55 NR	509233	●
204,1	6,1	390	1,6	40	28	M10	8	2,0	C 4028	55 NR	509234	●
204,1	6,1	376	1,8	40	30	M10	8	2,0	C 4030	55 NR	509235	●
204,0	6,9	350	2,9	40	35	M10	8	2,0	C 4035	55 NR	509236	●
204,0	4,4	332	2,4	40	40	M10	8	2,0	C 4040	55 NR	509237	●
319,0	2,5	320	2,8	40	45	M10	8	2,0	C 4045	55 NR	509238	●
319,2	5,0	671	1,7	50	30	M10	8	2,5	C 5030	55 NR	509239	●
319,0	5,9	609	2,0	50	35	M10	8	2,5	C 5035	55 NR	509240	●
319,0	6,7	569	2,4	50	40	M10	8	2,5	C 5040	55 NR	509241	●
319,0	7,5	540	2,7	50	45	M10	8	2,5	C 5045	55 NR	509242	●
459,0	3,7	519	3,0	50	50	M10	8	2,5	C 5050	55 NR	509243	●
459,0	6,7	948	2,1	60	36	M10	8	2,5	C 6036	55 NR	509244	●
626,0	4,9	836	2,7	60	45	M10	8	2,5	C 6045	55 NR	509245	●
626,0	7,4	1478	2,0	70	35	M10	9	3,0	C 7035	55 NR	509246	●
626,0	10,8	1169	3,0	70	50	M10	9	3,0	C 7050	55 NR	509247	●
718,0	3,2	1012,2	4,3	70	70	M10	9	3,0	C 7070	55 NR	509248	●
718,0	7,4	1600	2,3	75	40	M12	9	3,0	C 7540	55 NR	509249	●
718,0	8,2	1386	3,0	75	50	M12	9	3,0	C 7550	55 NR	509261	●
855,0	9,8	1591	4,0	75	55	M12	9	3,0	C 7555	55 NR	509262	●
817,0	10,8	1897	2,3	80	40	M14	12	3,0	C 8040	55 NR	509263	●
973,0	13,4	1620	5,4	80	70	M14	12	3,0	C 8070	55 NR	509265	●

● Available from stock ○ On request: Tool is available, delivery at short notice



Nominal maxima				Outside Ø	Height H	Threads G	Screw-in depth (max.) t	Thick- ness b	Product No.	Material	Article No.	
Radial shear		Axial pressure										
F _{S max} [N]	s _{S max} [mm]	F _{D max} [N]	s _{D max} [mm]	D [mm]	H [mm]	G	t [mm]	b [mm]				
973	14,8	1647	6,2	80	80							
1278	8,2	3336	2,4	100	40	M16	14	3,0	C 10040	55 NR	509267	●
1521	9,8	3231	3,9	100	55	M16	14	3,0	C 10055	55 NR	509268	●
1521	10,8	3060	4,3	100	60	M16	14	3,0	C 10060	55 NR	509269	●
1521	13,8	2725	5,5	100	75	M16	14	3,0	C 10075	55 NR	509271	●
1521	14,8	2649	5,9	100	80	M16	14	3,0	C 10080	55 NR	509272	●
1520	18,8	2440	7,5	100	100	M16	14	3,0	C 100100	55 NR	509273	●

● Available from stock ○ On request: Tool is available, delivery at short notice

Buffer

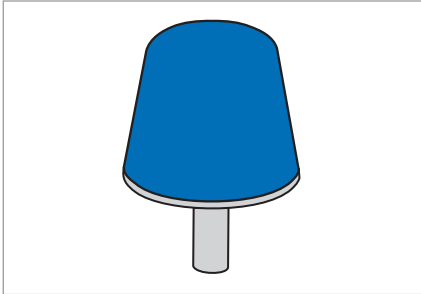


Fig. 1 Buffer

Product description

Buffers feature a very robust design. The wide selection of sizes allows for a universal use.

Product advantages

- Effective buffering and damping of shock loads
- Easily installed
- RoHS-compliant.

Application

Buffers are particularly suited as resilient deflection limiters and for buffering shock loads with mobile and non mobile driven machinery, machines and as stops in general.

Material

Standard material	Hardness
Natural rubber NR 11	40, 45, 50, 55, 60, 70 Shore A

Operating conditions

Axial forces	37 N ... 18300 N	Maximum permissible force
Max. temperature	+60 °C, transient +80 °C	
Min. temperature	-45 °C	

Buffers with constricted body contour are specifically designed for high dynamic loads. The cone-shaped buffer design (observed in the longitudinal section) achieves a "softer" transient of the characteristic curve compared to cylindrical designs. The constricted design for circular buffers leads to significantly higher service life with otherwise equal deflection. Circular buffers that contact a flat surface can generate noise on impact. Cone buffers dramatically reduce these noise levels.

Design notes

The buffers consist of an elastomer body with an end face to which a metal plate with threaded stud/nut is vulcanised. The elastomer body is available in cone-shaped, in cylindrical form as well as with constricted-body elastomer contour.

Fitting & installation

- Buffers are designed to be secured by means of threaded fasteners
- Ensure that the metal plate is in full-surface contact with the mating face
- It is important to ensure that the mating face of the frame and the stop flat of the buffered mass are flat and smooth
- The form of the boreholes to accommodate the threaded studs must be compliant with DIN EN 20273
- Align the centreline of the buffer coaxially with the direction of impact
- Do not permit torque to act through the rubber element.

Article List Circular Buffer with constricted-body elastomer contour

Fig. 2 Circular Buffer, constricted-body elastomer contour

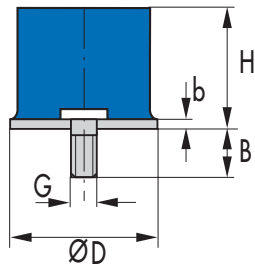
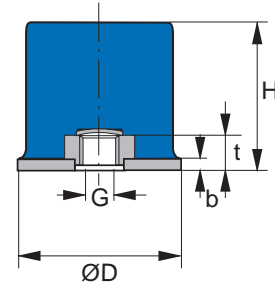
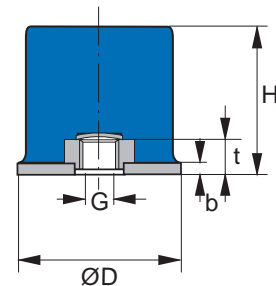
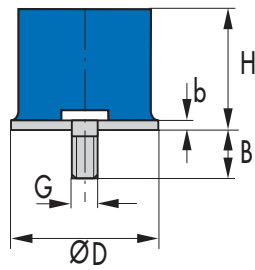


Fig. 3 Circular Buffer, constricted-body elastomer contour and nut



Nominal maxima		Stiffness	Metal sheet Ø	Total height	Threads	Length	Screw-in depth max.	Sheet thickness	Product No.	Material	Remark	Article No.	
Axial pressure													
F _{D max}	S _{D max}	C _D	D	H	G	B	t	b					
[N]	[mm]	[N/mm]	[mm]	[mm]		[mm]	[mm]	[mm]	[mm]				
140	0,6	230	15	6,0	M 4	15,0	-	1,2	030 18 068	60 NR 11	"Screw (A) max. 1,5 mm thread start"	90496	●
65	1,2	50	15	13,0	M 4	15,0	-	1,0	030 18 029	60 NR 11	Screw (A)	91040	●
65	1,2	50	15	13,0	M 4	-	3,8	1,0	030 18 030	60 NR 11	Nut (C)	90310	●
320	0,5	640	16	4,0	M 4	10,0	-	1,0	030 18 027	60 NR 11	"Screw (A) max. 1,5 mm thread start, cylindrical contour"	90308	●
270	1,2	230	20	12,0	M 6	10,5	-	1,5	030 18 055	70 NR 11	Screw (A)	91589	●
175	1,2	150	20	12,0	M 6	10,5	-	1,5	030 18 55	60 NR 11	Screw (A)	90335	●
180	1,5	120	20	16,0	M 6	18,5	-	1,5	030 18 031	70 NR 11	Screw (A)	97156	●
120	1,5	80	20	16,0	M 6	18,5	-	1,5	030 18 032	60 NR 11	Screw (A)	97155	●
120	1,5	80	20	16,0	M 6	-	6,5	1,5	030 18 031	60 NR 11	Nut (C)	97160	●
60	1,5	40	20	16,0	M 6	18,5	-	1,5	030 18 035	45 NR 11	Screw (A)	97159	●
720	2,2	330	30	16,0	M 8	23,0	-	2,0	030 18 094	60 NR 11	Screw (A)	597193	●
380	1,5	250	30	16,0	M 8	20,0	-	2,0	030 18 095	60 NR 11	Screw (A)	97196	●
380	1,5	250	30	16,0	M 8	13,0	-	2,0	030 18 133	60 NR 11	Screw (A)	97197	●
310	2,0	160	30	18,0	M 8	23,0	-	2,0	030 18 161	60 NR 11	Screw (A)	97198	●
175	2,0	90	30	18,0	M 8	-	6,9	2,0	030 18 037	40 NR 11	Nut (C)	597200	●
600	4,0	150	30	26,0	M 8	23,0	-	2,0	030 18 039	60 NR 11	Screw (A)	90317	●
1000	3,1	330	40	26,0	M10	27,5	-	2,5	030 18 120	60 NR 11	Screw (A)	91070	●
800	3,0	270	40	30,0	M 8	22,5	-	2,5	030 18 023	60 NR 11	Screw (A) slightly tapered	90358	●
1200	4,0	300	40	30,0	M10	27,5	-	2,5	030 18 099	60 NR 11	Screw (A)	90305	●
600	1,5	400	40	30,0	M10	-	8,5	2,5	030 18 162	60 NR 11	Nut (C) slightly tapered	93047	●
620	3,0	210	40	30,0	M 8	-	6,9	2,5	030 18 026	60 NR 11	Nut (C)	90379	●
3200	1,3	2560	50	12,0	M10	27,5	-	2,5	030 18 041	60 NR 11	Screw (A)	90307	●
1700	4,1	420	50	36,0	M10	27,5	-	2,5	030 18 054	60 NR 11	Screw (A)	90321	●
1500	4,5	330	50	37,5	M10	27,5	-	2,5	030 18 043	60 NR 11	Screw (A)	500068	●
2800	7,6	370	70	55,0	M12	37,0	-	3,0	030 18 045	60 NR 11	Screw (A)	90324	●

● Available from stock ○ On request: Tool is available, delivery at short notice



Nominal maxima		Stiffness	Metal sheet Ø	Total height	Threads	Length	Screw-in depth max.	Sheet thickness	Product No.	Material	Remark	Article No.	
Axial pressure													
F _{D max}	S _{D max}	c _D	D	H	G	B	t	b					
[N]	[mm]	[N/mm]	[mm]	[mm]		[mm]	[mm]	[mm]	[mm]				
5100	2,0	2550	75	20	M12	37	-	3	030 18 045	60 NR 11	Screw (A)	597219	●
5100	2,0	2550	75	20	M12	-	9,5	3	030 18 046	60 NR 11	Nut (C)	97221	●
5000	3,0	1670	75	30	M12	-	9,5	3	030 18 164	70 NR 11	Nut (C)	500194	●
4800	4,1	1170	75	30	M12	37	-	3	030 18 137	60 NR 11	Screw (A)	90362	●
3200	3,0	1070	75	30	M12	-	9,5	3	030 18 164	60 NR 11	Nut (C)	90381	●
4100	2,7	1520	75	45	M12	-	9,5	3	030 18 048	70 NR 11	Nut (C)	90327	●
4300	6,6	650	75	45	M12	37	-	3	030 18 047	60 NR 11	Screw (A)	91616	●
2600	2,7	960	75	45	M12	-	9,5	3	030 18 048	60 NR 11	Nut (C)	91537	●
1300	2,7	480	75	45	M12	-	9,5	3	030 18 048	45 NR 11	Nut (C)	92047	●
6450	7,0	920	100	69	M16	-	15,0	4	030 18 050	70 NR 11	Nut (C)	91773	○
18300	8,3	2200	160	65	M16	46	-	4	030 18 165	60 NR 11	Screw (A)	91253	●
8100	6,0	1350	160	65	M16	-	15,0	4	030 18 166	60 NR 11	Nut (C)	91265	●
12500	6,0	2080	160	65	M16	-	15,0	4	030 18 166	50 NR 11	Nut (C)	95139	●

● Available from stock ○ On request: Tool is available, delivery at short notice

Article list Circular Buffer with cylindrical elastomer contour

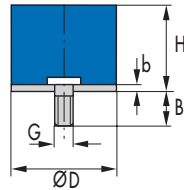
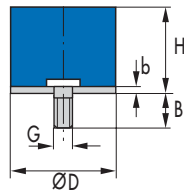


Fig. 4 Circular Buffer, cylindrical elastomer contour

Nominal maxima				Outside Ø	Height	Threads	Length	Thick-ness	Product No.	Material	Article No.	
Axial pressure		Radial shear										
F _{D max}	s _{D max}	F _{S max}	s _{S max}	D	H	G	B	b				
[N]	[mm]	[N]	[mm]	[mm]	[mm]		[mm]	[mm]				
46	0,7	26	1,8	13	10	M5	10,0	1,0	D 1310	55 NR	509157	●
41	1,0	26	2,5	13	13,5	M5	10,0	1,0	D 1313	55 NR	509158	●
41	1,2	26	2,8	13	15	M5	10,0	1,0	D 1315	55 NR	509159	●
37	1,5	26	3,8	13	20	M5	10,0	1,0	D 1320	55 NR	509160	●
198	1,7	39	1,7	16	10	M5	12,0	1,5	D 1610	55 NR	509161	●
65	1,1	39	2,7	16	15	M5	12,0	1,5	D 1615	55 NR	509164	●
59	1,5	39	3,7	16	20	M5	12,0	1,5	D 1620	55 NR	509165	●
59	2,0	39	4,7	16	25	M5	12,0	1,5	D 1625	55 NR	509166	●
172	0,5	61	1,3	20	8,5	M6	16,5	2,0	D 208,5	55 NR	509167	●
112	1,0	61	2,6	20	15	M6	16,5	2,0	D 2015	55 NR	509168	●
99	1,4	61	3,6	20	20	M6	16,5	2,0	D 2020	55 NR	509169	●
92	1,8	61	4,6	20	25	M6	16,5	2,0	D 2025	55 NR	509170	●
92	2,3	61	5,6	20	30	M6	16,5	2,0	D 2030	55 NR	509171	●
273	0,6	95	1,6	25	10	M8	20,0	2,0	D 2510	55 NR	509172	●
273	0,6	95	1,6	25	15	M8	20,0	2,0	D 2515	55 NR	509173	●
171	1,4	95	3,4	25	19	M8	20,0	2,0	D 2519	55 NR	509174	●
161	1,6	95	4,0	25	22	M8	20,0	2,0	D 2522	55 NR	509176	●
161	1,9	95	4,6	25	25	M8	20,0	2,0	D 2525	55 NR	509177	●
145	2,2	95	5,6	25	30	M8	20,0	2,0	D 2530	55 NR	509178	●
136	3,0	95	7,6	25	40	M8	20,0	2,0	D 2540	55 NR	509179	●
287	1,2	137	3,0	30	15	M8	25,0	2,0	D 3015	55 NR	509180	●
249	1,6	137	4,0	30	22	M8	25,0	2,0	D 3022	55 NR	509181	●
220	2,2	137	5,6	30	30	M8	25,0	2,0	D 3030	55 NR	509182	●
203	3,0	137	7,6	30	40	M8	25,0	2,0	D 3040	55 NR	509183	●
544	1,4	243	3,6	40	20	M10	25,0	2,0	D 4020	55 NR	509184	●
474	1,8	243	4,6	40	25	M10	25,0	2,0	D 4025	55 NR	509185	●
407	2,6	243	6,6	40	35	M10	25,0	2,0	D 4035	55 NR	509186	●
407	3,2	243	7,6	40	40	M10	25,0	2,0	D 4040	55 NR	509187	●
376	3,5	243	8,6	40	45	M10	25,0	2,0	D 4045	55 NR	509188	●
850	1,8	380	4,5	50	25	M10	25,0	2,5	D 5025	55 NR	509189	●
699	2,6	380	6,5	50	35	M10	25,0	2,5	D 5035	55 NR	509190	●
630	3,4	380	8,5	50	45	M10	25,0	2,5	D 5045	55 NR	509191	●
1551	1,6	547	3,9	60	22	M10	25,0	2,5	D 6022	55 NR	509193	●
1385	1,8	547	4,5	60	25	M10	25,0	2,5	D 6025	55 NR	509194	●
1083	2,7	547	6,7	60	36	M10	25,0	2,5	D 6036	55 NR	509195	●

● Available from stock ○ On request: Tool is available, delivery at short notice



Nominal maxima				Outside Ø	Height	Threads	Length	Thick-ness	Product No.	Material	Article No.	
Axial pressure		Radial shear										
F _{D max}	s _{D max}	F _{S max}	s _{S max}	D	H	G	B	b				
[N]	[mm]	[N]	[mm]	[mm]	[mm]		[mm]	[mm]				
971	3,4	547	8,5	60	45	M10	25	2,5	D 6045	55 NR	509196	●
1650	2,6	745	6,4	70	35	M10	25	3,0	D 7035	55 NR	509197	●
1351	3,8	745	9,4	70	50	M10	25	3,0	D 7050	55 NR	509198	●
1351	3,8	745	9,4	70	70	M10	25	3,0	D 7070	55 NR	509199	●
3195	1,8	973	4,4	80	25	M14	35	3,0	D 8025	55 NR	509201	●
2674	2,2	973	5,4	80	30	M14	35	3,0	D 8030	55 NR	509203	●
2140	3,0	973	7,4	80	40	M14	35	3,0	D 8040	55 NR	509204	●
1620	5,4	973	13,4	80	70	M14	35	3,0	D 8070	55 NR	509205	●
1620	6,4	973	15,4	80	80	M14	35	3,0	D 8080	55 NR	509206	●

● Available from stock ○ On request: Tool is available, delivery at short notice

Article list Cone Buffers

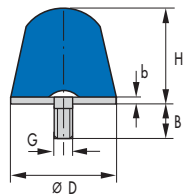


Fig. 5 Cone Buffer

Nominal maxima			Stiffness	Ø	Height	Threads	Length	Thickness	Product No.	Material	Article No.	
Axial pressure												
F _{max}	s _{max}	c _{pressure}	D	H	G	B	b					
[N]	[mm]	[N/mm]	[mm]	[mm]		[mm]	[mm]					
400	1,5	270	26	18	M6	22	1,5	3018 131	60 NR 11	92544	●	
90	3,8	20	35	40	M8	23	2	3018 025	45 NR 11	49009020	●	
220	3,8	60	35	40	M8	23	2	3018 025	60 NR 11	90306	●	
320	3,8	80	35	40	M8	23	2	3018 025	70 NR 11	91311	●	
1900	3	630	50	21	M10	27,5	2,5	3018 061	60 NR 11	90337	●	
10000	20	500	125	78	M16	46	4	3018 158	60 NR 11	90376	●	

● Available from stock ○ On request: Tool is available, delivery at short notice

M Mount

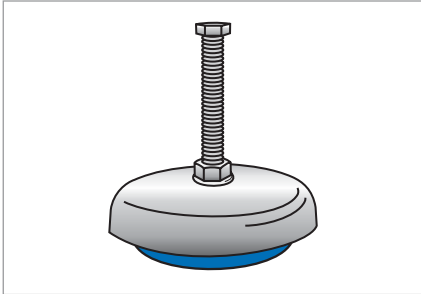


Fig. 1 M Mount

Product description

M mounts combine a low-line compact design with good insulation capabilities and the possibility of levelling load.

Product advantages

- Oil-resistant elastomer material
- Non-anchored installation
- Reduced transmission of structure-borne noise
- Good insulating capability
- Built-in capability for levelling the load
- RoHS-compliant.

Application

M mounts are used for non-anchored installation and heavy driven machinery. They feature the capacity for levelling of the attached machine and provide vibration insulation.

Material

Standard material	Hardness
Acrylonitrile-butadiene rubber NBR 68	45, 55, 60, 65, 70, 75, 85 Shore A

Operating conditions

Compressive forces in Z direction	1200 N ... 55000 N	Maximum permissible force
Max. temperature	+90 °C, transient +110 °C	
Min. temperature	-20 °C	

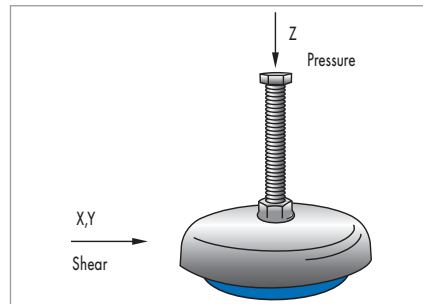


Fig. 2 Primary load directions

M mounts feature an increasing stiffness over the compressive deflection in the Z direction. Through no anchoring in the foundation or frame, no shear forces should be transferred. The weight is absorbed in the longitudinal axis. M mounts made from stainless steel and special rubber compounds can be supplied on enquiry for special application cases (e.g. food processing or chemical industries and shipbuilding).

Design notes

The mounts consist of two metal parts that are joined by a vulcanised elastomer pad. An adjusting screw allows for levelling of the attached machine. The special mixture of nitrile-rubber (Perbunan) used for the M Mount is oil-resistant.

Fitting & installation

- M mounts have an adjusting screw for securing them to the mass they carry, and are designed to sit on the supporting surface without being anchored
- Ensure that the mating face of the mass carried by the mount is parallel with the supporting surface, and make sure that the supporting surface is level and smooth
- The nut is for securing the leg of the machine to the mount
- This arrangement means that the weight of the machine does not impose a load on the nut in the bowl of the mount
- Do not under any circumstances attempt to sandwich the leg of the machine between two nuts
- The form of the boreholes to accommodate the threaded studs or securing screws must be compliant with DIN EN 20273
- It is important to ensure that the mating faces of the frame anchorage and the mass carried by the mount are flat and smooth
- M mounts can also be installed without threaded fasteners if compressive-load deflection is significantly greater than maximum amplitude.

Article list

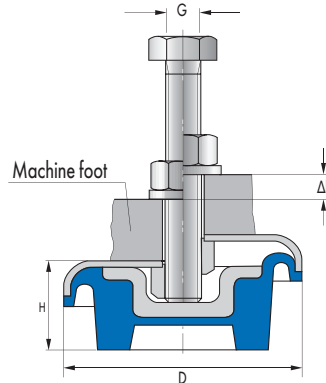


Fig. 3 M Mount

Nominal maxima		Stiffness	Outside Ø	Height	Adjustment height	Threads	Product No.	Material	Type	Article No.	
Pressure											
F _{Z max}	S _{Z max}	C _Z	D	H	Δh	G					
[N]	[mm]	[N/mm]	[mm]	[mm]	[mm]						
1200	3,5	340	80	30	8	M 12 x 80	5018 023	45 NBR 68	M 80/1	96504	●
2000	3,5	570	80	30	8	M 12 x 80	5018 023	60 NBR 68	M 80/3	96505	●
3000	3,5	850	80	30	8	M 12 x 80	5018 023	70 NBR 68	M 80/4	96506	●
3500	3,5	1000	80	30	8	M 12 x 80	5018 023	75 NBR 68	M 80/5	96507	●
5000	4,0	1250	120	37	12	M 12 x 100	5018 020	45 NBR 68	M120/1	96496	●
6000	4,0	1500	120	37	12	M 12 x 100	5018 020	55 NBR 68	M120/2	96497	●
8000	4,0	2000	120	37	12	M 12 x 100	5018 020	65 NBR 68	M120/3	96498	●
9200	4,0	2300	160	41	12	M 16 x 120	5018 021	45 NBR 68	M160/1	96499	●
13500	4,0	3375	160	41	12	M 16 x 120	5018 021	65 NBR 68	M160/3	96500	●
18000	4,0	4500	160	41	12	M 16 x 120	5018 021	70 NBR 68	M160/4	96501	●
9200	4,0	2300	160	41	12	M 16 x 140	5018 704	45 NBR 68	M160/1	49039496	○
13500	4,0	3375	160	41	12	M 16 x 140	5018 704	65 NBR 68	M160/3	49039497	○
18000	4,0	4500	160	41	12	M 16 x 140	5018 704	70 NBR 68	M160/4	49014539	●
26000	4,0	6500	185	48	8	M 20 x 160	5018 022	75 NBR 68	M185/5	96502	●
55000	4,0	13750	185	48	8	M 20 x 160	5018 022	85 NBR 68	M185/6	96503	●

● Available from stock ○ On request: Tool is available, delivery at short notice

Instrument Mount

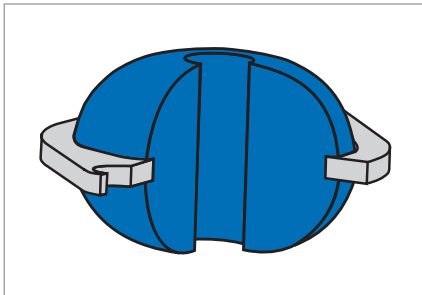


Fig. 1 Instrument Mount

Product description

The mounts protect sensitive instruments against impact and dynamic excitation.

Product advantages

- Reduced transmission of structure-borne noise
- Compact
- Easily installed
- Uniform stiffness in the radial directions
- RoHS-compliant.

Application

Instrument mounts are utilised for vibration insulation of electronic components, measuring devices and precise mechanical apparatuses and for instrument panels or control panels in industrial applications. A common requirement of these mounts is that they keep vibrations or shock loads introduced via the anchorages away from the instrument or device. The mounts help to protect sensitive instruments from external shock loads in mobile and non mobile use. Another possible use is insulation against structure-borne sound, for example in small electric engines or pumps that have to be mounted on "resonators" (sheet metal).

Material

Standard material	Hardness
Natural rubber NR 11	40, 50, 60 Shore A

Operating conditions

Axial forces	80 N ... 260 N	Maximum permissible force
Max. temperature	+60 °C, transient +80 °C	
Min. temperature	-45 °C	

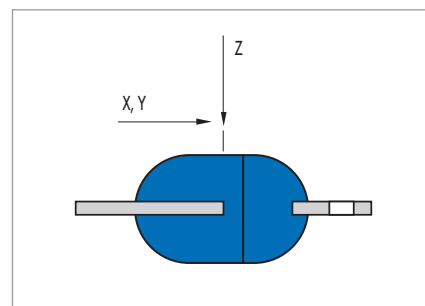


Fig. 2 Primary load directions

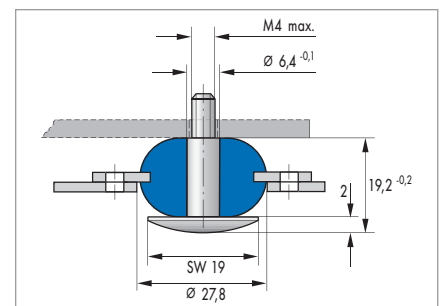


Fig. 3 Installation diagram with stud SW19

Instrument mounts are generally designed with the same stiffness in all translatory deformation directions. The limitation of the spring displacements in the radial direction generally appear more than in the axial direction. The static load of the weight should primarily be absorbed in the longitudinal axis.

Design notes

The instrument mount comprises a carrier washer with connected or vulcanised elastomer body with central through-hole. Through-holes are attached outside in the flange of the carrier washer. A stiffening metal part can be vulcanised into the middle of the elastomer body.

Fitting & installation

- Instrument mounts are designed to be anchored by threaded fasteners
- Slight, non-load-related, installation-related offset of the central securing screw relative to the flange is permissible. The same applies to slight angular offset
- Locate instrument mounts in line with the axis of the static primary load
- Make sure that the cut-out to be occupied by the elastomer body is free of burrs and at least 1/10 mm larger than the outside diameter of the elastomer part
- Allow for the requisite spring displacement when selecting the length of the central screw and sizing the cut-out to accommodate the mount
- When securing the flange use washers and make sure that a large, flat and smooth surface is available for force transfer from threaded fastener to elastomer part.

Article list

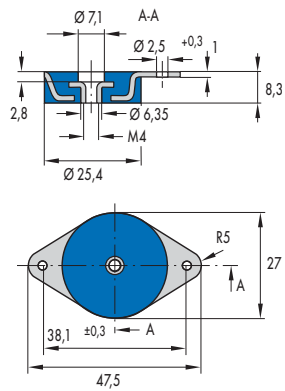


Fig. 4 Instrument Mount 039 18 022

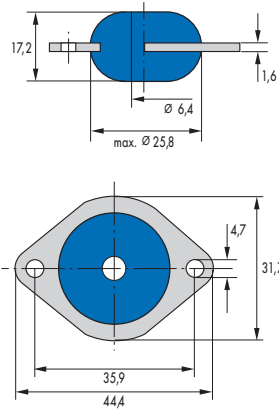


Fig. 5 Instrument Mount 039 18 023

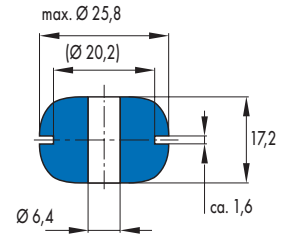


Fig. 6 Instrument Mount 039 18 751

Nominal maxima		Stiffness	Nominal maxima		Stiffness	Product No.	Material	Article No.	
Axial pressure			Radial shear						
F _z max	S _z max	c _z	F _{xy} max	S _{xy} max	c _{xy}				
[N]	[mm]	[N/mm]	[N]	[mm]	[N/mm]				
120	0,5	240	200	1	200	3918 022	40 NR 11	93657	●
80	2,0	40	45	2	20	3918 023	40 NR 11	93658	●
130	2,0	65	75	2	40	3918 023	50 NR 11	93659	●
260	2,0	130	130	2	70	3918 023	60 NR 11	93660	●
80	2,0	40	45	2	20	3918 751	40 NR 11	49039880	○
130	2,0	65	75	2	40	3918 751	50 NR 11	49039881	○
260	2,0	130	130	2	70	3918 751	60 NR 11	49039902	○

● Available from stock ○ On request: Tool is available, delivery at short notice

O-Shaped Mount

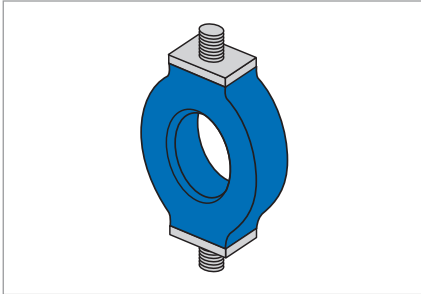


Fig. 1 O-Shaped Mount

Product description

O-shaped mounts have a very soft spring characteristic and are therefore commonly referred to as low-frequency mounts.

Product advantages

- Reduced transmission of structure-borne noise
- Compact
- Deformable in various planes
- Easily installed
- RoHS-compliant.

Application

O-shaped mounts are of a design that enables good vibration insulation for the loads that typically occur in instrumentation and control applications.

Material

Standard material	Hardness
Natural rubber NR 11	40, 45, 60 Shore A
Acrylonitrile-butadiene rubber NBR 68	60 Shore A
Ethylene-propylene rubber EPDM 22	60 Shore A

Operating conditions

Axial forces	20 N ... 215 N	Maximum permissible force
Max. temperature	up to +60 °C transient up to +80 °C for NR 11	
Min. temperature	-45 °C for NR 11	

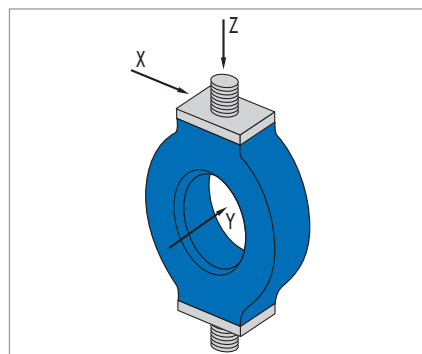


Fig. 2 Primary load directions

The spring characteristic of the O-shaped mount increases in the order X, Y and Z, whereby depending on the orientation, an optimal vibration insulation can be achieved. The primary load direction is the longitudinal axis of the threaded studs (Z direction).

Design notes

The component consists of a ring-shaped elastomer body with each flat vulcanised to securing plates with screws.

Fitting & installation

- Individual components permit slight adjustment to allow for in-situ offset
- The form of the boreholes to accommodate the threaded studs must be compliant with DIN EN 20273
- The securing plates must be in full-surface contact with the mating faces.

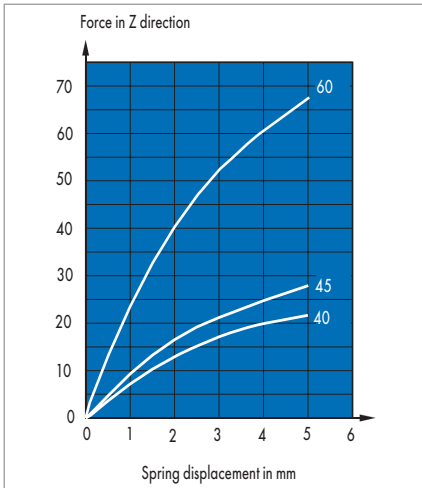


Fig. 3 Spring characteristic
O-Shaped Mount 055 18 001

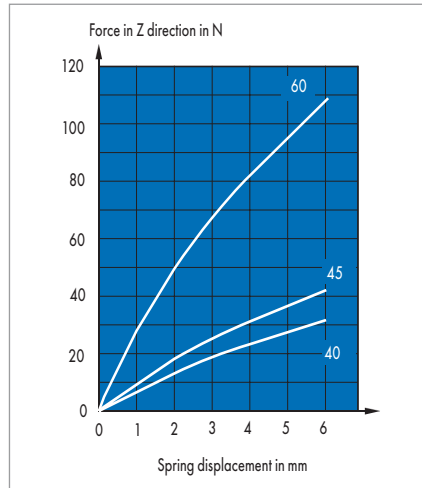


Fig. 4 Spring characteristic
O-Shaped Mount 055 18 002

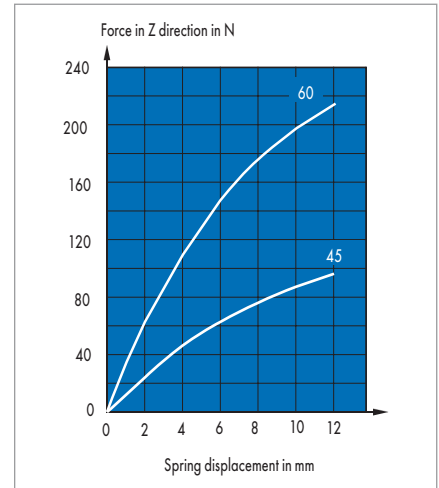


Fig. 5 Spring characteristic
O-Shaped Mount 055 18 003

Article list

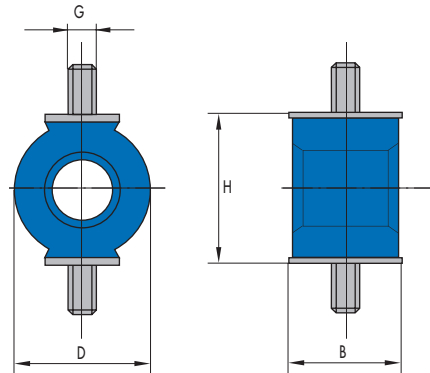


Fig. 6 O-Shaped Mount

Nominal maxima			Stiffness			Nominal maxima			Stiffness			Nominal maxima			Stiffness			Width	Length	Height	Threads	Product No.	Material	Article No.	
Axial pressure			Radial shear			Radial shear						B	D	H	G										
F _{z max}	S _{z max}	c _z	F _{x max}	S _{x max}	c _x	F _{y max}	S _{y max}	c _y																	
[N]	[mm]	[N/mm]	[N]	[mm]	[N/mm]	[N]	[mm]	[N/mm]	[mm]	[mm]	[mm]	[mm]													
20	4	5,0	4,5	4	1,1	9,5	4	2,4	15	14	18	M 4 X 7	5518 001	40 NR 11	96740	●									
25	4	6,3	6,0	4	1,5	12,0	4	3,0	15	14	18	M 4 X 7	5518 001	45 NR 11	96741	○									
60	4	15,0	14,5	4	3,6	28,0	4	7,0	15	14	18	M 4 X 7	5518 001	60 EPDM 22	49023643	●									
60	4	15,0	14,5	4	3,6	28,0	4	7,0	15	14	18	M 4 X 7	5518 001	60 NBR 68	49023642	●									
60	4	15,0	14,5	4	3,6	28,0	4	7,0	15	14	18	M 4 X 7	5518 001	60 NR 11	96761	●									
32	6	5,3	13,0	8	1,6	20,0	8	2,5	22	25	30	M 5 X 10	5518 002	40 NR 11	96757	●									
40	6	6,7	17,0	8	2,1	25,0	8	3,1	22	25	30	M 5 X 10	5518 002	45 NR 11	96755	●									
110	6	18,3	35,0	8	4,4	70,0	8	8,8	22	25	30	M 5 X 10	5518 002	60 NR 11	96742	●									
95	12	7,9	27,0	10	2,7	50,0	10	5,0	28	36	38	M 6 X 9,5	5518 003	45 NR 11	96743	●									
215	12	17,9	55,0	10	5,5	110,0	10	11,0	28	36	38	M 6 X 9,5	5518 003	60 NR 11	96750	●									
60	4	15,0	14,5	4	3,6	28,0	4	7,0	28	36	38	M 6 X 14,5	5518 016	60 NR 11	96747	●									
215	12	17,9	55,0	10	5,5	110,0	10	11,0	28	36	38	M 6 X 9,5/18	5518 023	60 NR 11	90150	●									
215	12	17,9	55,0	10	5,5	110,0	10	11,0	28	36	38	M 6 X 15	5518 700	60 NR 11	500640	●									
215	12	17,9	55,0	10	5,5	110,0	10	11,0	28	36	38	M 6 X 15	5518 700	60 EPDM 22	49002215	●									
110	6	18,3	35,0	8	4,4	70,0	8	8,8	22	25	30	M 5 X 10	5518 703	60 EPDM 22	477967	○									

● Available from stock ○ On request: Tool is available, delivery at short notice

Top Mount

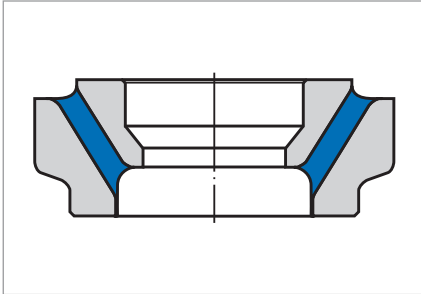


Fig. 1 Top Mount

Product description

Top mounts can permit radial, axial and angular movements.

Product advantages

- Good insulating capability in the Z direction
- Easily installed
- Spacing can be varied to suit the application
- RoHS-compliant.

Application

Top mounts are particularly suitable for connecting a dynamically loaded sub-assembly such as an engine or gearbox to a fixed assembly such as a frame.

Material

Standard material	Hardness
Natural rubber NR 11	50, 60, 70 Shore A

Operating conditions

Transverse forces in Z direction	10500 N ... 25300 N	Maximum permissible force
Max. temperature	+60 °C, transient +80 °C	
Min. temperature	-45 °C	

The mount configurations feature the same stiffness in the radial directions (X and Y direction). The ratio of stiffness in the radial direction and in the axial direction varies in considerable dependence to the tapered angle. Top mounts are designed for primary loading in the radial as well as axial directions. They are designed for pairwise use, aligned facing each other with defined axial preloading. Support mounts can permit and limit radial, axial and angular movements. The primary load direction should be absorbed in the longitudinal axis or perpendicular to it.

Design notes

A top mount consists of two tapering tubular components held together by a rubber layer.

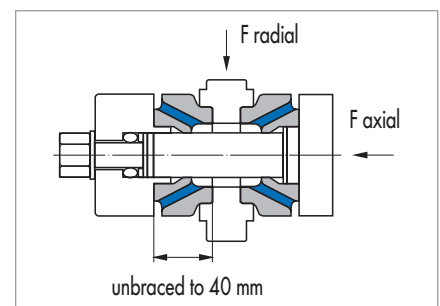


Fig. 2 Fitting & installation instructions: Top Mount with load directions

Fitting & installation

- Top mounts are designed to be secured by means of fits
- Individual components permit slight adjustment to allow for in-situ offset
- Always install top mounts centred and at right angles to the axis of primary radial loading and utilise the entire cylindrical surface area on both the inside and the outside as the bearing surfaces
- Position the mounts in counteracting pairs, positioned in such a way that the inner and outer metal parts of the top mounts are preloaded relative to each other
- The elasticity of the material permits offset to be compensated in all directions.

Article list

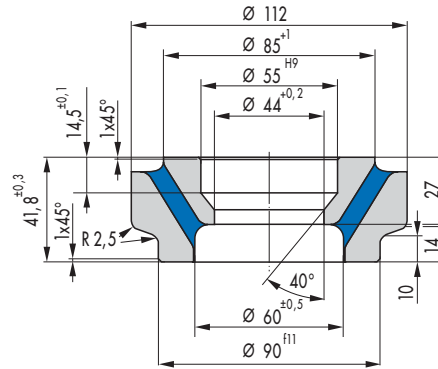


Fig. 3 Top Mount 040 18 876

Nominal maxima		Stiffness		D	d	H	Tol.	Product No.	Material	Article No.	
Radial shear		Axial pressure	Radial shear								
$F_r \text{ max}$	$S_r \text{ max}$	c_{axial}	c_{radial}								
		braced to H=20 mm	unbraced to H=40 mm			unbraced					
[N]	[mm]	[N/mm]	[N/mm]	[mm]	[mm]	[mm]					
10500	2,3	17000	17000	112	55	41,8	$\pm 0,3$	40 18 876	50 NR 11	49026815	○
14350	2,3	22000	22000	112	55	41,8	$\pm 0,3$	40 18 876	60 NR 11	49026816	○
25300	2,3	34000	34000	112	55	41,8	$\pm 0,3$	40 18 876	70 NR 11	49009121	○

● Available from stock ○ On request: Tool is available, delivery at short notice

Spherical Roller Bearing

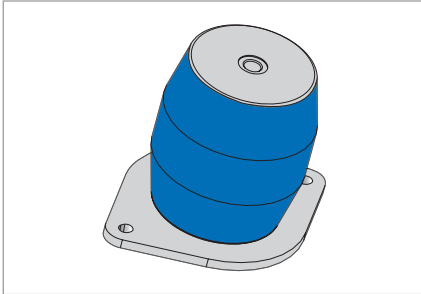


Fig. 1 Spherical Roller Bearing

Product description

Spherical roller bearings are ideal for their vertical loading and insulation against low-amplitude vibrations.

Product advantages

- Parallel fastening surfaces
- Installation with standard screws
- Prepared for heat dissipation
- Low proportion of metal
- RoHS-compliant.

Application

Masses that experience or themselves cause minor vibration amplitudes according to deflection can be mounted on spherical roller bearings. This makes this mount configuration suitable for selected engines, compressors, units, mounting equipment and also heavy duty switch cabinets, control systems, stationary control panels, measurement equipment.

Material

Standard material	Hardness
Natural rubber NR 11	45, 55, 65 Shore A

Operating conditions

Axial forces	9000 N ... 20000 N
Max. temperature	60 °C, transient +80 °C
Min. temperature	-45 °C

Spherical roller bearings have different stiffness in axial and radial direction. In the axial direction the stiffness is many times that of the radial direction.

The primary load direction is recommended to be in the longitudinal axis and central to the installation area.

Design notes

A key feature of the spherical roller bearings is the generally cylindrical to convex shape with central through-bore in the elastomer body. There is a metal plate with a central thread on one side on the front side, which is vulcanised to the elastomer body. On the opposite front side

there are several nuts vulcanised into the elastomer. The cylindrical to convex shape should be taken into account in the design of the consoles. This mount should only be used with axial preloading. Note that only small radial deflections are permitted.

Fitting & installation

- Rubber mounts are designed to be fitted vertically by means of threaded fasteners
- A sufficient radial spacing to the console components is required
- The installation areas must be free of fluids. There must be no metal shavings or sharp edges in the vicinity of the installation areas
- It is beneficial to ventilate the central bore in the elastomer body
- Radial or angular offset of the fastening areas caused by installation should be prevented
- Uniform screw tightness is required.

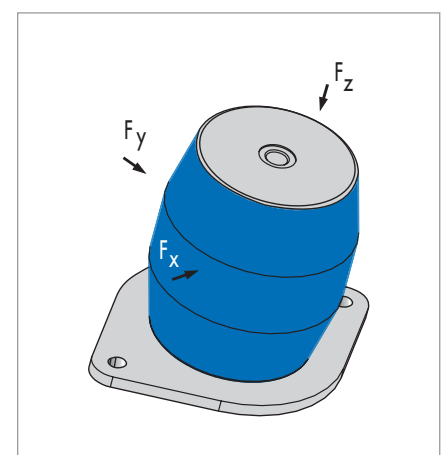


Fig. 2 Primary load direction

Article list

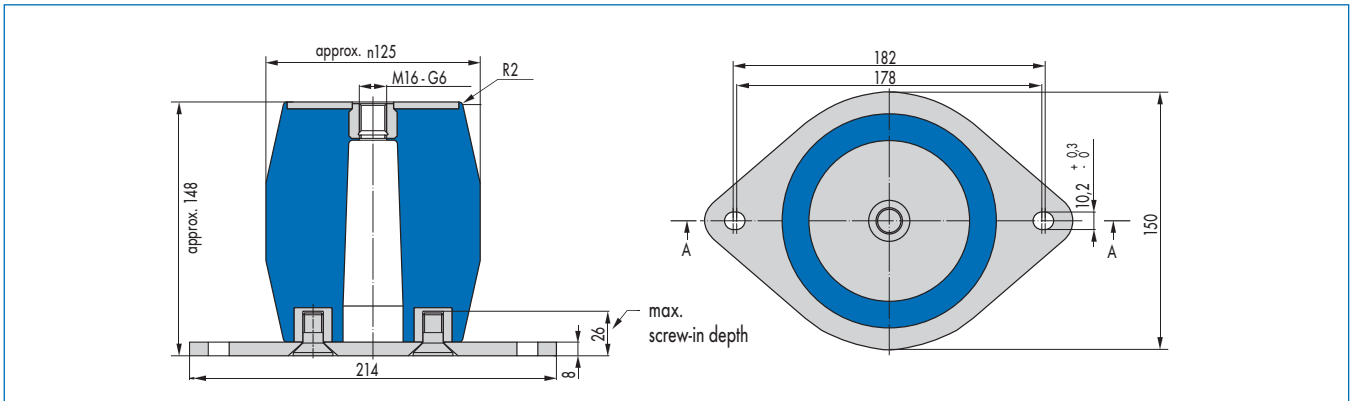


Fig. 3 Spherical Roller Bearing

Nominal maxima			Dimensions										Product No.	Material	with base plate	Article No.		
Axial pressure			D	d	H	ØT	P	ØC	ØW	L	G	E						
F _z max	s _z max	c _z max	[mm]	[mm]	[mm]	[mm]	[mm]			[mm]	[mm]	[mm]						
[N]	[mm]	[N/mm]																
9000	50	180	125	35	140	70	18	M16	M12	178 ... 182	150	10,2	3918 756	45 NR 11	mounted	49040133	○	
13800	50	280	125	35	140	70	18	M16	M12	178 ... 182	150	10,2	3918 756	55 NR 11	mounted	49040134	○	
20000	50	400	125	35	140	70	18	M16	M12	178 ... 182	150	10,2	3918 756	65 NR 11	mounted	49040135	○	
9000	50	180	125	35	140	70	18	M16	M12	-	-	-	3918 756	45 NR 11	without	49040061	○	
13800	50	280	125	35	140	70	18	M16	M12	-	-	-	3918 756	55 NR 11	without	49002648	○	
20000	50	400	125	35	140	70	18	M16	M12	-	-	-	3918 756	65 NR 11	without	49040132	○	

● Available from stock ○ On request: Tool is available, delivery at short notice

Layered Springs

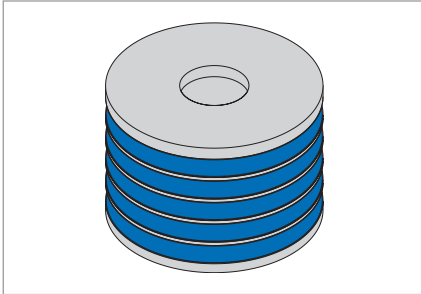


Fig. 1 Layered Springs

Product description

Layered springs are specifically used for the decoupling of horizontal vibrations. These mounts remain very stiff at the same time.

Product advantages

- Good insulating capability in the radial direction
- Compressively stiff in the axial direction
- Easily installed
- RoHS-compliant.

Application

Layered springs are resilient mounts suitable for use as bearers for subassemblies such as engines or gearboxes.

Material

Standard material	Hardness
Natural rubber NR 11	40, 50, 60, 70 Shore A
Natural rubber NR 39, 97	60 Shore A
Chloroprene rubber CR 57	60 Shore A

Operating conditions

Transverse forces in Z direction	29000 N ... 800000 N	Maximum permissible force
Max. temperature	+100 °C	
Min. temperature	-45 °C	

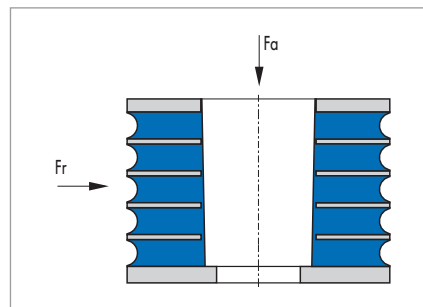


Fig. 2 Primary load directions

Layered springs have the same stiffness in the radial directions (X and Y direction) and are especially stiff in the vertical direction (Z direction). The effective stiffnesses can be varied by turning of the mount to the static load. Layered springs are designed for the primary load in the axial and radial direction but can also be loaded angled to the vertical primary load. The weight should be absorbed in the longitudinal axis for this.

Design notes

The layered spring comprises at least two metal components arranged in parallel on top of one another which are firmly attached to elastomer inserts located between them through vulcanisation. Layered Springs are designed as bearings but they can also be arranged angled to the vertical primary load.

Fitting & installation

- Individual components permit slight adjustment to allow for in-situ planar or angular offset
- Layered springs are generally installed in axial alignment with the primary load. Utilise the entire flat surface areas of the other metal parts as bearing surfaces and apply the load uniformly
- Install the mount so that the outer metal parts of the layered springs are preloaded relative to each other
- When installing angled to the vertical primary load, it is important to ensure sufficient lateral mould closing – full-surface attachment of the outer metal parts. Ensure that the outer metal parts are preloaded relative to each other.

Article list

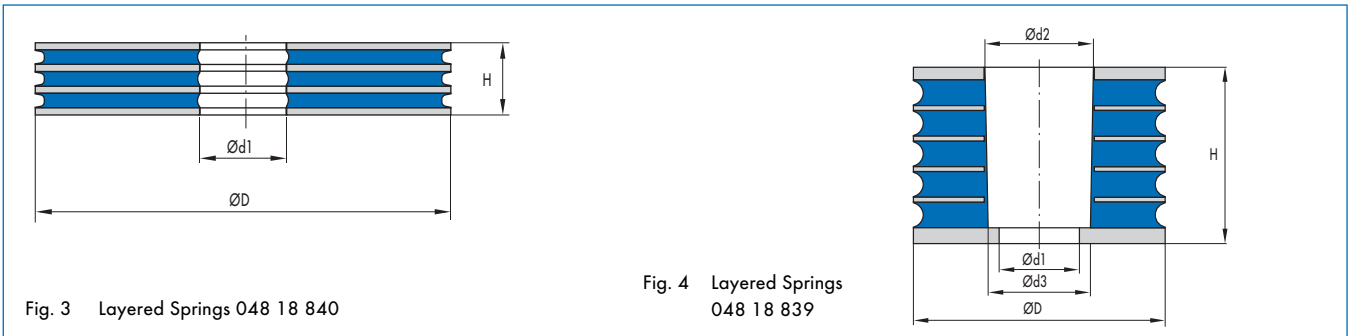


Fig. 3 Layered Springs 048 18 840

Fig. 4 Layered Springs 048 18 839

Nominal maxima		Stiffness	Nominal maxima		Stiffness	Outside Ø	Inside Ø			Height	Product No.	Material	Article No.	
Axial pressure			Radial shear				D	d1	d2					
F _{a max}	S _{a max}	C _a	F _{r max}	S _{r max}	C _r	[mm]	[mm]	[mm]	[mm]	[mm]				
[N]	[mm]	[N/mm]	[N]	[mm]	[N/mm]									
29000	9,0	3200	2500	10	250	160	51	69	65	112	048 18 839	60 CR 56	49033025	○
29000	9,0	3200	2500	10	250	160	51	69	65	112	048 18 839	60 NR 11	49033024	○
29000	9,0	3200	2500	10	250	160	51	69	65	112	048 18 839	60 NR 39	49033027	○
29000	9,0	3200	2500	10	250	160	51	69	65	112	048 18 839	60 NR 97	49033026	○
210000	2,5	84000	3800	5	760	230	44	48	-	40	048 18 840	40 NR 11	49041112	●
320000	2,5	128000	5900	5	1180	230	44	48	-	40	048 18 840	50 NR 11	49041113	●
500000	2,5	200000	9000	5	1800	230	44	48	-	40	048 18 840	60 NR 11	49041114	●
800000	2,5	320000	14000	5	2800	230	44	48	-	40	048 18 840	70 NR 11	49041115	●

● Available from stock ○ On request: Tool is available, delivery at short notice

Height Adjusters

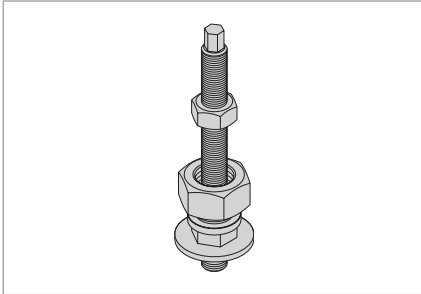


Fig. 1 Height Adjuster

Product description

Height adjusters can have an added beneficial effect on the usability of various components.

Product advantages

- Robust
- Easily installed
- Optional
- RoHS-compliant
- For optimal threaded connections, all components are corrosion-resistant according to EN 12476 Fe/Zn 6-10 ph/r/3.

Application

Height adjusters are versatile components for levelling subassemblies, gearbox mounts, reaction support links, engine mounts and compressor bearers.

Material

Standard material	Special design
Steel grade 5.8	on enquiry

Operating conditions

Thread diameter stud	
	M12, M16, M20, M24

The levelling elements, depending on design, are suitable for flanges with heights corresponding to the thread diameter and larger. The weight should be absorbed in the longitudinal axis.

Design notes

The height adjuster is an additional component for individual height adjustment to the customer application. It comprises a threaded stud with a spacer nut, two additional nuts and a washer.

Fitting & installation

- Screw the threaded end without nut of the height adjuster into the mating component a distance equal to 1,25 times the thread diameter or more
- Position the load to be levelled on the large nut and tighten the small nut as a locknut.

Article list

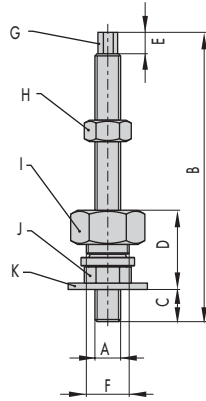


Fig. 2 Height Adjuster

Threads	Overall height	Screw-in depth	Base height	Misalignment		Hexagonal length	Threads	SW (width across flats)	SW (width across flats)	SW (width across flats)	SW (width across flats)	Washer	Corrosion protection	Product No.	Article No.	
				top	bottom											
A	B	C	D	top	bottom	E	F	G	H	I	J	K				
	[mm]	[mm]	[mm]	[mm]	[mm]	[mm]		[mm]	[mm]	[mm]	[mm]					
M12	135	15	35	4	-4	10	M20 x 1,5	8	18	30	19	B 13 St	EN 12476 Fe/Zn 6-10 ph/r/3	033 18 710	49018052	○
M16	135	20	50	4	-4	10	M27 x 4,0	12	24	55	24	B 17 St	EN 12476 Fe/Zn 6-10 ph/r/3	033 18 709	49039256	○
M20	135	25	57	4	-4	10	M36 x 3,0	16	30	55	27	B 22 St	EN 12476 Fe/Zn 6-10 ph/r/3	033 18 708	49011255	○
M24	160	30	62	4	-4	10	M39 x 2,0	18	36	60	27	B 26 St	EN 12476 Fe/Zn 6-10 ph/r/3	033 18 707	49039258	○

● Available from stock ○ On request: Tool is available, delivery at short notice

Rubberised Stop Washer

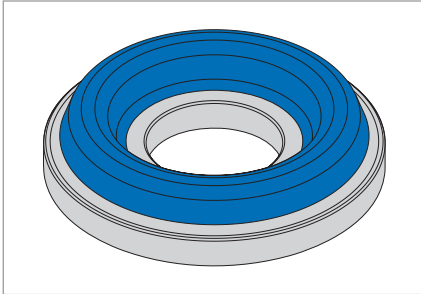


Fig. 1 Rubberised Stop Washer

Product description

Stop Washers are versatile components for effectively limiting movements.

Product advantages

- Robust
- Easily installed
- Optional
- RoHS-compliant.

Application

Stop Washers effectively limit movements of loads with moving and unmoving units, machines and stops. They are preferably used for axial path limitation with Conical Mounts or Ultra Bushes.

Material

Standard material	Hardness
Natural rubber NR 11	60, 70, 80 Shore A
Acrylonitrile-butadiene rubber NBR 68	70 Shore A

Operating conditions

Diameter, outside in mm	40, 49, 65, 75, 90
Max. temperature	+60 °C, transient +80 °C
Min. temperature	-45 °C

Elastomer-coated stop washers have different stiffnesses and damping properties primarily in dependence on the rotation cross section, the height of the elastomer pad and the elastomer as well. They have the same stiffness in the radial directions (X and Y direction) and are considerably stiffer in the axial load direction. The trapezoid design of the elastomer pads (observed in the cross section) will achieve, for otherwise equal sizes, diameters and heights, a "softer" distribution of the characteristic curve as opposed to the rectangular design. The constricted body design produces smaller stiffnesses in the axial direction and, as a rule, leads to higher service life for otherwise equal deflection. The stiffness in the axial direction increases noticeably from variant I to III. The weight should be absorbed in the longitudinal axis.

Design notes

The mount consists of a washer with or without central hole, with an elastomer pad vulcanised onto one side.

Fitting & installation

- Position stop washers centred relative to and normal to the axial primary load, and ensure that load is transferred by a smooth and flat face opposite to and making full-surface contact with the elastomer pad
- Make sure that fasteners such as screws, etc., do not restrict the range of deflection of the stop faces.

Article list

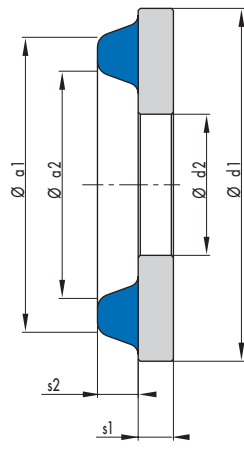


Fig. 2 Stop Washer Type I

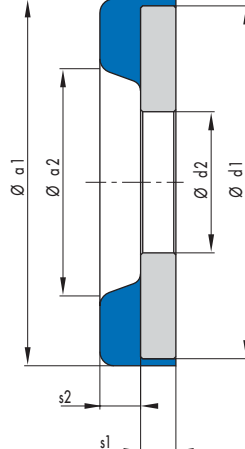


Fig. 3 Stop Washer Type II

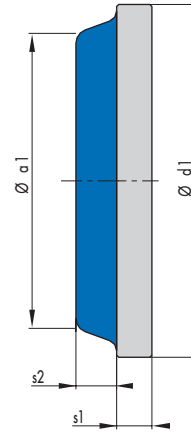


Fig. 4 Stop Washer Type III

Outside Østeel		Hole Ø steel		Ø Rubber outside	Ø Rubber inside	Thickness		Type	Material metal	Material rubber	Product No.	Suitable to product	Article No.	
d1	Tol.	d2	Tol.	a1	a2	s1 steel	s2 rubber							
[mm]	[mm]	[mm]	[mm]	[mm]	[mm]	[mm]	[mm]	RM > = [N/mm ²]						
49	-1,3	12,5	0,2	44	28	3	3	I	270	60 NR 11	039 18 005/101	057 18 226	93950	●
49	-1,3	12,5	0,2	44	28	3	3	I	270	80 NR 11	039 18 005/101	057 18 226	93127	○
75	±1,0	16,2	0,3	65	47	4	5	I	270	60 NR 11	077 18 700/101	057 18 013/ 057 18 756/ 057 18 757	511928	●
75	±1,0	20,2	0,2	65	47	6	5	I	340	60 NR 11	040 18 048/101	057 18 013	90819	○
75	±1,0	20,2	0,2	65	47	4	5	I	340	60 NR 11	077 18 007/102	057 18 013	90831	●
90	-0,25	24,1	0,3	78	60	8	8	I	340	60 NR 11	077 18 003/102	057 18 019/ 057 18 019 HD	90501	●
75	±1,0	20,2	0,2	65	47	4	5	I	340	70 NBR 68	077 18 007/102	057 18 013	511081	○
56	-0,4	21,0	±0,2	58	33	4	5	II	270	70 NR 13	077 18 706/101	-	49042822	○
56	-0,4	16,0	0,5	58	33	4	5	II	270	70 NR 13	077 18 710/101	-	49035471	●
40	-0,4	0,0	0,0	33	0	2	3	III	270	70 NR 13	077 18 707/101	-	49042823	○

● Available from stock ○ On request: Tool is available, delivery at short notice

Washers and Centering Washers

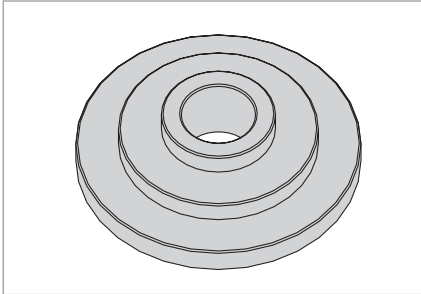


Fig. 1 Washers and Centering Washers

Product description

Washers and centering washers are simple and cost-effective add-on elements and are available in different dimensions.

Product advantages

- Robust
- Easily installed
- Optional
- RoHS-compliant.

Application

Washers and centering washers are frequently used as stops for the elastomer bodies of selected conical mounts, MO mounts and ultra bushes.

Material

Steel

min. 270 N ... 340 N

Operating conditions

Diameter, outside in mm

35, 40, 48, 50, 60, 70, 75, 80, 100, 104, 110

The weight load should be applied along the longitudinal axis.

Design notes

Washers and centering washers are additional components made of a cylindrical semifinished product. Each washer or centering washer has a central through-hole and a stepped shoulder on one face.

Fitting & installation

- It is advisable to use DIN-compliant screws and other components for fitting and installation.

Article list

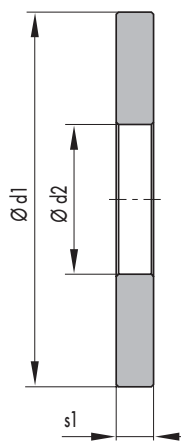


Fig. 2 Type I Washer

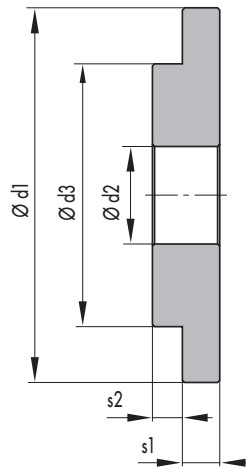


Fig. 3 Type II Centering Washer, single-tier

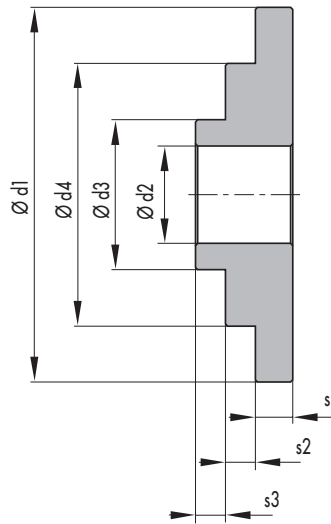


Fig. 4 Type III Centering Washer, two-tiered

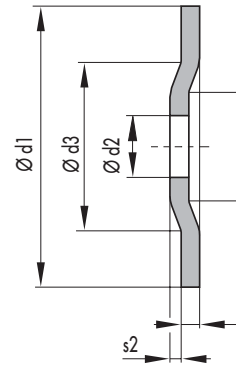


Fig. 5 Type IV Washer

Outside Ø		Bore Ø					Thickness			Product No.	Type	Material RM > = [N/mm ²]	Article No.	suitable with product	Corrosion protection		
d1	Tol.	d2	Tol.	d3	Tol.	d4	Tol.	s1	s2								s3
[mm]	[mm]	[mm]	[mm]	[mm]	[mm]	[mm]	[mm]	[mm]	[mm]								[mm]
40	±0,7	9,0	±0,5	-	-	-	-	2,5	-	-	039 18 753/212	I	270	49041777	3918753	Fe//Zn 8Znph/r/3	○
50	±0,7	11,0	±0,5	-	-	-	-	2,5	-	-	039 18 755/212	I	270	49041776	3918754/ 3918755/ 3918765	Fe//Zn 8Znph/r/3	○
70	±1	13,0	±0,5	-	-	-	-	3,0	-	-	039 18 768/212	I	270	49041778	3918768/ 3918769	Fe//Zn 8Znph/r/3	○
75	±1	16,2	0,3	-	-	-	-	4,0	-	-	040 18 922/101	I	270	49032678	-5718075/ 5718228	Fe//Zn12Znph/r/3	○
100	-1,5	23,8	±0,2	-	-	-	-	6,3	-	-	039 18 766/212	I	270	49041775	3918766	Fe//Zn 8Znph/r/3	○
35	±1,0	17,0	±0,2	28,0	-0,2	0	-	4,0	2	0	040 18 038/101	II	340	97139	5718060	Fe//Zn12Znph/r/3	●
48	±0,5	10,5	±0,2	15,0	r6	0	-	5,0	5	0	057 18 001/204	II	270	49046913	5718001 HD	Fe//Zn12Znph/r/3	○
60	±1,0	12,7	0,2	24,5	-0,2	0	-	5,0	3	0	040 18 039/101	II	340	97138	5718226	Fe//Zn12Znph/r/3	●
75	±1,0	20,2	0,25	35,0	-0,2	0	-	5,0	3	0	040 18 036/101	II	340	97141	5718013	Fe//Zn12Znph/r/3	●
104	±1,0	17,0	0,2	46,0	-0,2	0	-	5,0	3	0	040 18 037/101	II	340	97140	5718060	Fe//Zn12Znph/r/3	●
110	±1	24,1	0,2	45,9	-0,2	0	-	6	4	0	040 18 035/101	II	340	97142	5718019 5718019 HD	Fe//Zn12Znph/r/3	●
80	2	16,5	0,3	31,0	r6	43	-0,2	5	11	5	057 18 756/223	III	340	511927	5718756/ 5718757	Fe//Zn12Znph/r/3	●
75	±1	16,5	-0,3	45,0	±2,0	29	mind.	5	3	-	040 18 917/101	IV	270	49026836	5718075/ 5718228	Fe//Zn8//C	●

● Available from stock ○ On request: Tool is available, delivery at short notice

Pipe Mounting Block

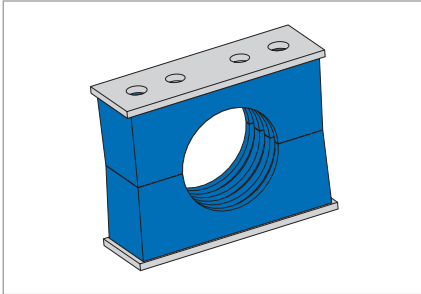


Fig. 1 Pipe Mounting Block

Product description

Pipe mounting blocks reduce the transmission of pulsation-induced vibrations from media-carrying pipes and hoses to the supporting structure. In the reverse direction they damp vibration transmission along the pipes and hoses to other anchorages.

Product advantages

- Parallel fastening surfaces
- Installation with standard screws angled according to DIN hose clamps
- Premounting with pipe unions with up to 6 pipes possible
- Different pipe diameters can be used
- "Fail-safe" behaviour within the securing screws
- High temperature resistance up to 90 °C
- Good resistance to many oils
- Good corrosion protection without chrome
- RoHS-compliant.

Material

Standard material	Hardness
Chloroprene rubber CR 57	45, 55, 65 Shore A

Operating conditions

Pipe mounting blocks can decouple hoses or pipes from the supporting structures, or damp relative movements. They have a suitable design and optimised elastomer selection for sustained temperatures up to 90 °C. The radial

Application

The main area of application is decoupling or reducing dynamic relative movement between the media-carrying hoses and pipes as well as the supporting structure. This makes these components suitable for all applications in which media are transported and high pressure pulses occur. Examples are harvesters, construction machinery, processing machines, preparation machines, stationary and mobile pressure units in which there are oil hoses or pipes.

stiffness is many times the axial stiffness. The grooves in the hose retainers are designed to decouple acoustically effective excitation amplitudes. The primary load direction is recommended in the direction of the screws.

Max. temperature	up to + 100°C, transient +130°C
Min. temperature	-30 °C

Design notes

The pipe mounting blocks have a single cubic shape and can generally hold 1 to approximately 6 and in some cases more hoses or pipes. Metal sheets for uniform distribution of the clamping forces on the individual hose holders are vulcanised in place. Sleeves for guiding the screws and positioning the metal sheets are installed. The hose holders have grooves along the bore in a circumferential direction. They are used for modifying the stiffness for small vibration amplitudes. Make sure that only small axial deflections occur.

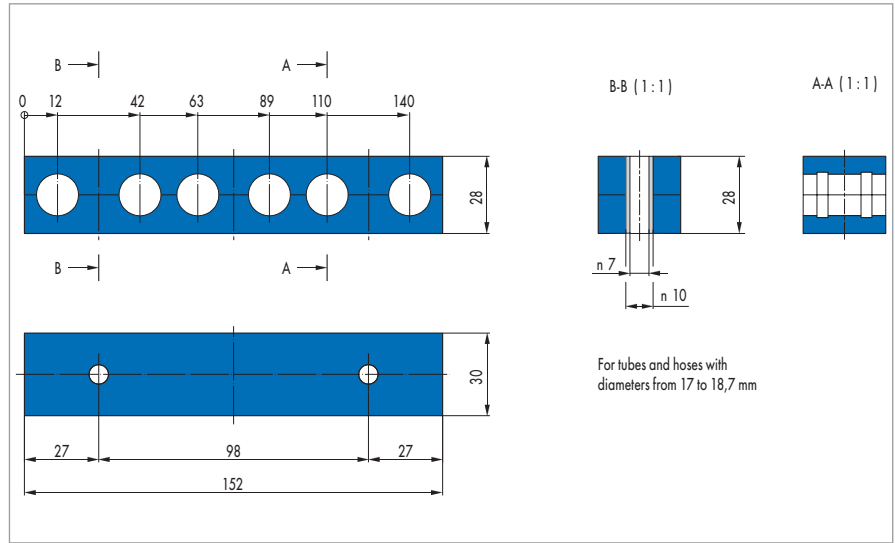


Fig. 2 Dimensional drawing Type 039 18 775

Fitting & installation

- Pipe mounting blocks are designed to be fitted by means of threaded fasteners
- Make sure that there is a closed gap between to pairs of components of the pipe mounting block
- The installation area must be free from fluids. There must not be any metal shavings or sharp edges/stones in the vicinity of the installation areas or between the elastomer bodies or between them and the metal sheets
- Make sure that all screws are installed in multiple pipe mounting blocks
- Heat accumulation under covers or similar must be avoided
- Uniform screw tightness is required.

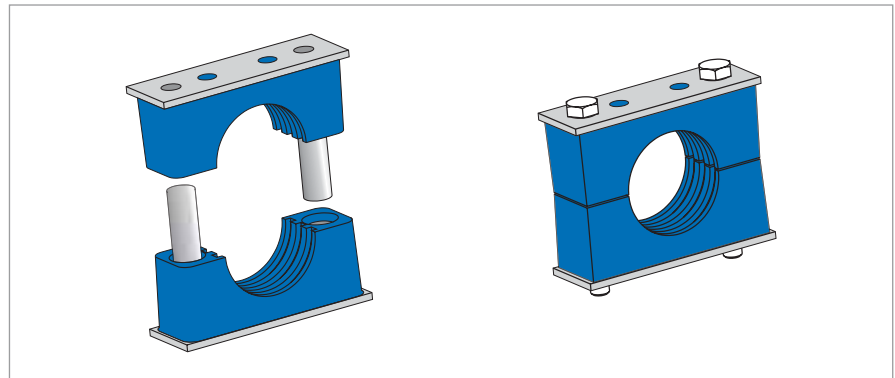


Fig. 3 Fitting & installation Type 039 18 777

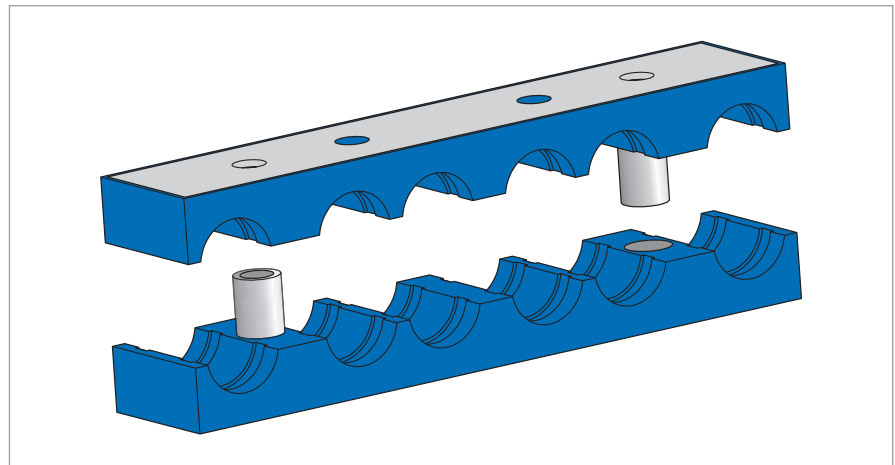


Fig. 4 Fitting & installation Type 039 18 776 HD

Rubberised Sprockets

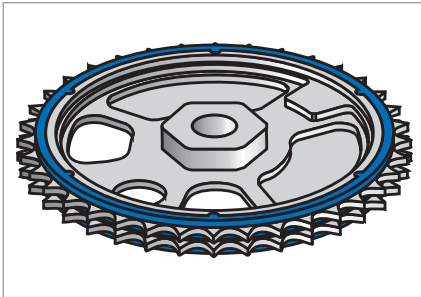


Fig. 1 Rubberised Sprockets

Product description

In the engine area chains and sprockets wheels are used to drive crankshafts and camshafts as well as auxiliary units. The advantages of chain drives are the long service life and low maintenance requirements. However, conventional chain drives tend to be relatively noisy. As a result Simrit has developed rubberised steel or sintered sprockets for high-speed chain drives. Defined elastomer pads on both sides of the sprockets make the system run more smoothly. The damping effect comes from the fact that the chain enters the elastomer before it reaches the metal sprocket surface. This effectively damps noises caused by vibrations in the chain.

Product advantages

- Long-life designs with maximum friction resistance and quiet chain running with high degree of expertise in elastomer combinations and specially developed HNBR elastomers
- Noise levels significantly reduced at medium r.p.m. by approximately 1 to 3 dB (A).

Application

- Engines with chain drives
- Steel or sintered sprockets for high-speed chain drives.

Material

Elastomer	HNBR
Sprocket	steel

Operating conditions

Media	Engine oil
Temperature	-25 ... +140 °C

Belt Pulley with Elastomer Track

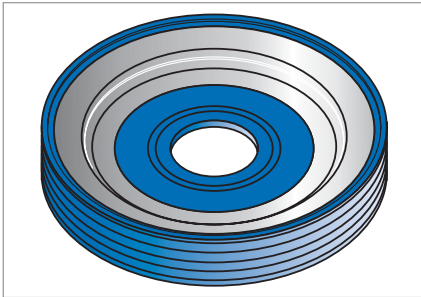


Fig. 1 Belt Pulley with Elastomer Track

Product description

The belt pulley with elastomer track is used to damp vibration and noise. Drive pulleys and drive belts are used for power transmission in motorcycles in some cases. These drive pulleys begin to vibrate at specific speed ranges and generate noise. To solve the problem Simrit has developed a drive pulley with vulcanised, defined elastomer pads. This damps the vibrations of the pulley and reduces noise.

Product advantages

- Long-life designs with a high degree of expertise in elastomer combinations and specially developed HNBR elastomers
- Significant reduction of vibrations and noise.

Application

- Spur gear drive of auxiliary units in diesel engines, spur gear of an air compressor
- Engines for construction machinery, tractors and other agricultural machinery.

Material

Elastomer	HNBR
Pulley	steel

Operating conditions

Media	Engine oil
Temperature	-25 ... +140 °C

Decoupled Chain Gear

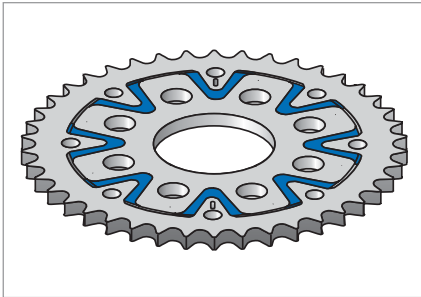


Fig. 1 Decoupled Chain Gear

Product description

In the field of engines chains and sprocket are frequently used to drive crankshafts and camshafts as well as auxiliary units. The gear teeth a contact conditions in the chain drive are similar to the geared drive. The chain links grip so deeply into the spaces between the teeth that both edges are in contact with them.

In the chain drive vibrations occur when the load on the chain is relieved. Simrit has developed a deflection wheel in the reference case that decouples the shaft from the gear wheel to prevent transmission of vibrations by bonding elastomer between the inside component attached to the shaft and the outer gear wheel. Vibrations and noise can be significantly reduced. Because the elastomer is incompressible, there is still a reliable power transmission.

Product advantages

- Significant noise reduction by approximately 1 to 3dB (A)
- Long-life designs with a high degree of expertise in elastomer combinations and specially developed HNBR elastomers.

Application

- Deflection wheel for chain drive of a diesel engine
- Steel or sintered sprockets for high-speed chain drives
- Medium and large diesel engines with sprocket/spur gear drive for construction machinery, tractors and other agricultural machinery.

Material

Elastomer	HNBR
Sprocket	steel

Operating conditions

Media	Engine oil
Temperature	-25 ... +140 °C
Pressure	max. 3 bar

Decoupled Gears

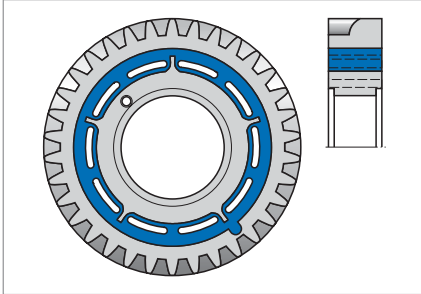


Fig. 1 Decoupled Gears

Product description

Spur gears are used to drive the camshafts and auxiliary units for diesel engines. The auxiliary units develop unwanted vibrations that cause noise and affect the smoothness. Solution: the gears are separated radially, joined by an elastomer component again and thus decoupled. Vibrations and noise can be significantly reduced.

Product advantages

- Noise reduction by approximately 1 to 3dB (A)
- Long-life designs with a high degree of expertise in elastomer combinations and specially developed HNBR elastomers.

Application

- Gears for spur gear drives
- Camshaft gear
- Medium and large diesel engines with spur gear drive for construction machinery, tractors and other agricultural machinery.

Material

Elastomer	HNBR
Spur gear	steel

Operating conditions

Media	Engine oil
Temperature	-25 ... +140 °C
Pressure	max. 3 bar

Decoupling Elements

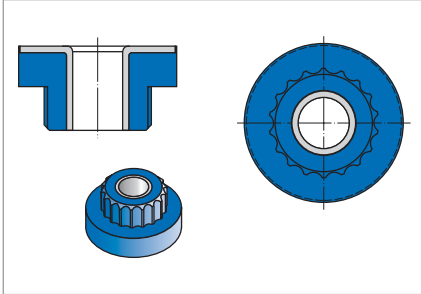


Fig. 1 Decoupling Elements

Product description

Various elastomer-metal design components are used to reduce vibrations and noise in the area of engines and auxiliary units. These components are used amongst others on the resilient attachment as well as sealing of metal components on the oil sump, the cylinder head cover on the engine block and injector valves. One example in the engine controller of commercial vehicles, which is attached to the vehicle with screws. Elastomer composite components are used for resilient vibration-decoupling attachment.

Product advantages

- Decoupling of structure-borne noise and vibrations
- Reduced components by use of elastomer composite components
- Application-specific design with a wide range of elastomers.

Application

- Resilient attachment as well as sealing of metal components on the oil sump, cylinder head cover on the engine block, injector valves
- Attachment of engine controller (electronic)
- Engines and auxiliary units for construction machinery, tractors and other agricultural machinery.

Material

Composite component of metal and elastomer (with/without bond)

Elastomer	VMQ with low hardness (Shore)
Support component	steel

Operating conditions

Media	Engine oil, spray
Temperature	-25 ... +140 °C

Catalog Overview

**Clearly laid out and useful:
the new Simrit catalog for
individual offerings**

Quickly and clearly find exactly the right product for your application. Simrit now offers you for every product range a complete reference source for especially easy ordering. Along with the detailed list of items, our catalogs provide valu-

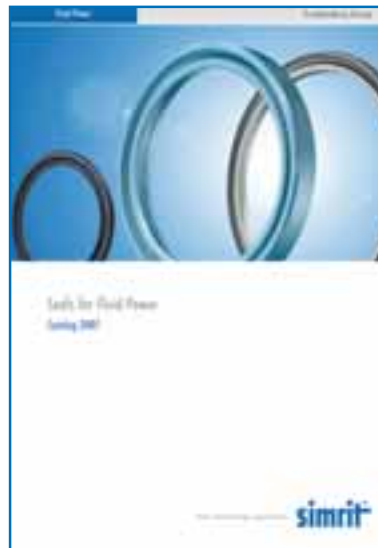
able information on design types, important services and things worth knowing about technology and applications.

Simply order our catalog or Technical Manual now at www.simrit.com.

Simmerrings and Rotary Seals



Seals for Fluid Power



O-Rings and Static Seals



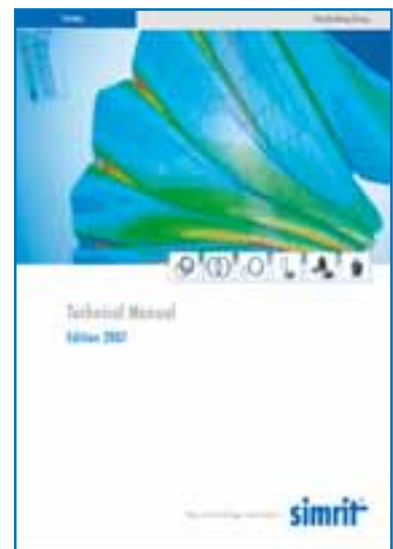
Special Sealing Products



Vibration Control



Technical Manual



Simrit Service Centers and Simrit Partners Worldwide

Europe	Telephone	Fax	E-mail
Austria	+43 (0) 72 42 47 36 10	+43 (0) 72 42 47 36 120	marchtrenk@simrit.at
Belarus	+375 29 645 10 98	+375 17 295 10 98	info@simrit.by
Belgium	+33 (0) 3 20 61 22 64	+33 (0) 3 20 61 22 68	belux@simrit.fr
Czech Republic	+420 2 71 72 21 87	+420 2 71 72 35 63	simrit@simrit.cz
Denmark	+45 (0) 44 92 18 33	+45 (0) 44 92 25 20	info@simrit.dk
Finland	+358 (0) 94 52 01 80	+358 (0) 94 52 01 822	info@simrit.fi
France	+33 (0) 3 85 29 30 00	+33 (0) 3 85 29 30 87	simrit@simrit.fr
Germany	+49 (0) 18 05 74 67 48	+49 (0) 18 03 74 67 48	info@simrit.de
Great Britain	+44 (0) 14 55 20 44 44	+44 (0) 14 55 20 44 55	info@simrit.com
Hungary	+36 1 239 31 40	+36 1 239 31 43	info@simrit.hu
Italy	+39 045 85 17 600	+39 045 85 17 650	vendite@corcos-simrit.it
Norway	+47 64 83 01 70	+47 64 83 01 71	info@simrit.no
Poland	+48 (0) 2 28 33 77 16	+48 (0) 2 28 33 58 97	simrit@simrit.com.pl
Portugal	+34 93 573 87 08	+34 93 570 49 65	simrit.iberica@simrit.es
Rumania	+40 (0) 2 68 32 01 59	+40 (0) 2 68 32 55 90	simrit.brasov@simrit.ro
Russia	+7 495 380 06 50	+7 495 380 06 51	info@simrit.ru
Slovakia	+421 85 44 83 14 59	+421 85 44 83 14 59	info@simrit.sk
Spain	+34 93 573 87 08	+34 93 570 49 65	simrit.iberica@simrit.es
Sweden	+46 (0) 8 70 52 700	+46 (0) 8 83 81 63	info@simrit.se
Switzerland	+41 (0) 1 30 64 42 2	+41 (0) 1 30 27 00 2	info@simrit.ch
Turkey	+90 (0) 216 593 11 18	+90 (0) 216 593 11 18	info@simrit.de
Ukraine	+380 50 352 61 83	+380 44 236 05 43	info@simrit.com.ua
America	Telephone	Fax	E-mail
Brazil	+55 11 4072 8000	+55 11 4075 4635	simritsa@fngp.com
Mexico	+52 442 192 3200	+52 442 221 6319	rzn@fngp.com
USA	+1 (866) 274 6748	+1 (734) 354 5500	information@simrit.us
Asia	Telephone	Fax	E-mail
China	+86 21 50 36 69 00	+86 21 50 36 63 07	simrit@nfgc.com.cn
India	+91 (0) 11 28 11 79 60	+91 (0) 11 28 11 79 93	sales@sfnindia.com
Japan	+81 45 548 1123	+81 45 545 4759	yosinaba@nok.co.jp
Singapore	+65 (6) 265 32 33	+65 (6) 265 52 42	nacmail@nok.com.sg

Further Simrit Service Centers and Simrit Distributors can be found at www.simrit.com.

www.simrit.com

simrit[®]