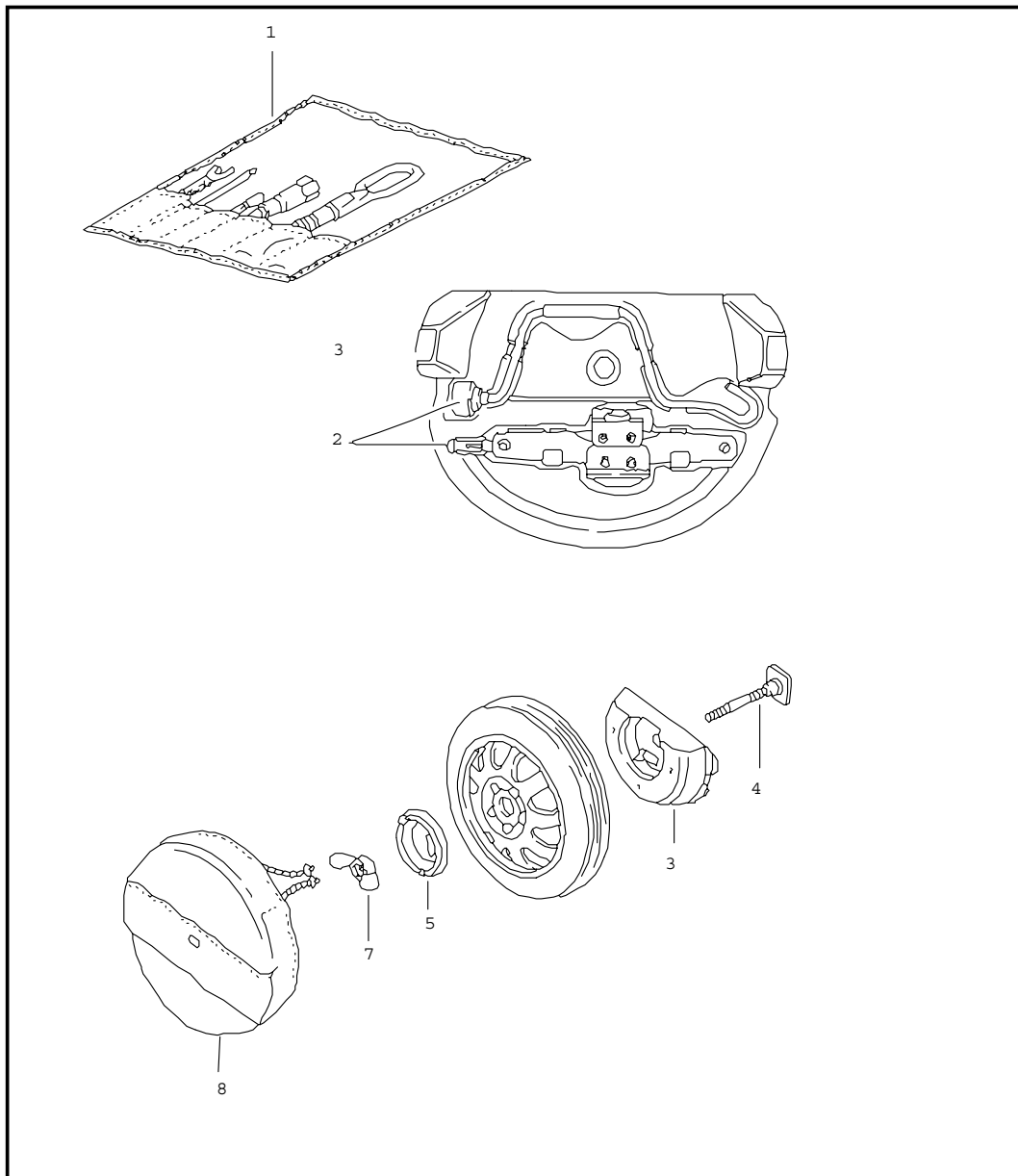


Model	Year	MG	SG	Illustration	Restrictions	Update	17:37	23.08.2006	PORSCHE	PET	PORSCHE
986	04	0	01	1-00		203					

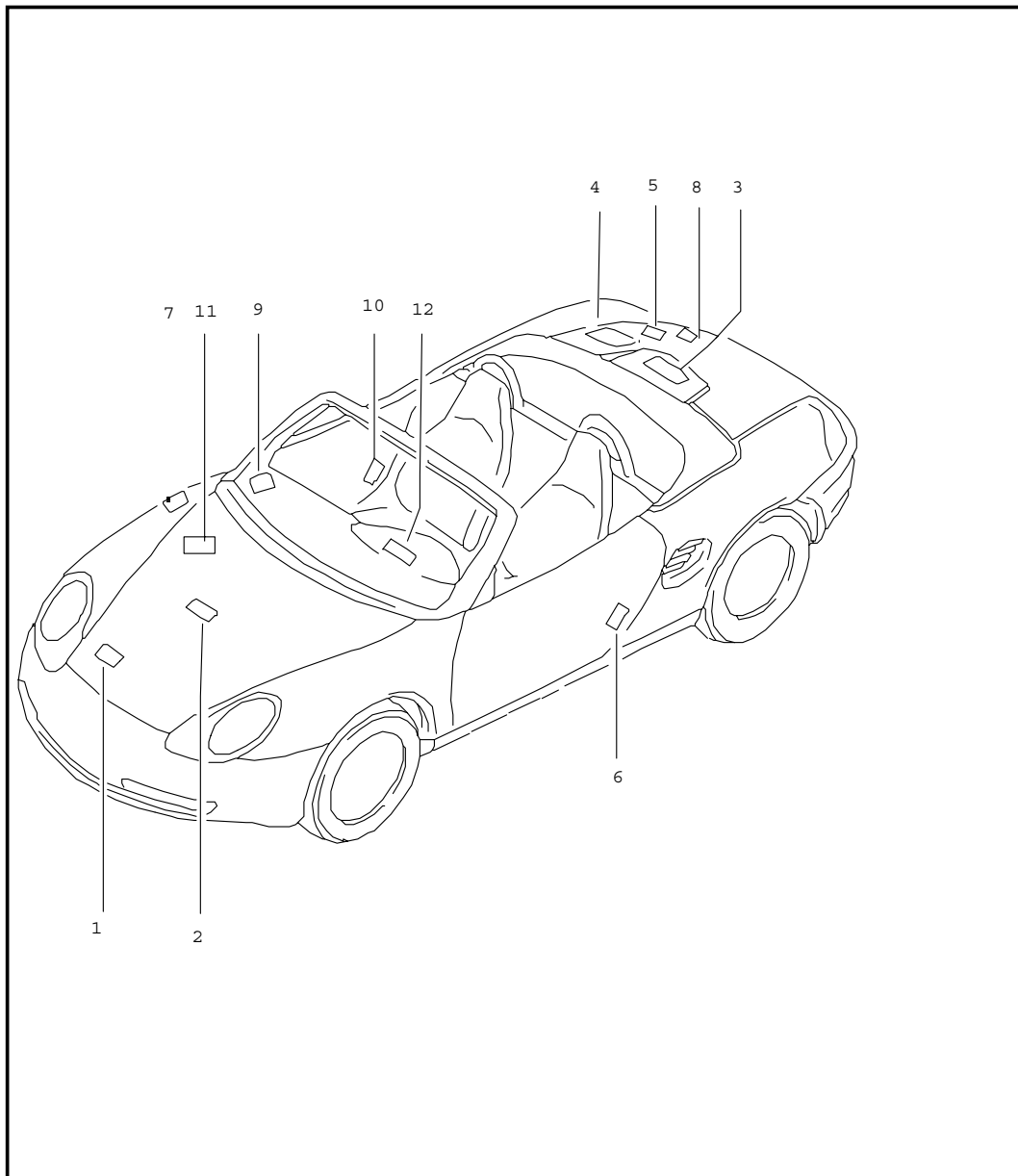


Pos	Part Number	Name	Remarks	Qty	Model
		tool jack			
1	996 721 115 00	tool bag with contents comprising:		1	
-	996 361 521 00	boot for tyre		1	
-	-	plastic gloves		1	
-	996 721 151 00	towing lug		1	
-	-	double-end spanner 10 X 13		1	
-	-	screw driver		1	
-	-	handle for screw driver		1	
-	999 571 076 02	socket wrench - 5 - for headlamp		1	
-	999 571 074 30	threaded bolt for assembly wheels		1	
-	-	rim wrench		1	
-	-	operating rod for rim wrench		1	
2	996 721 211 00	scissors type jack		1	
3	996 722 101 00	foam part		1	
4	996 721 701 00	fastening part		1	
5	477 813 157	fastening plate		1	
7	900 029 004 02	winged nut M 10		1	
8	-	see group 8/07/00 POS.19		1	
-	000 722 722 02	warning triangle		1	
-	993 722 041 00	first-aid kit		1	

Model	Year	MG	SG	Illustration	Restrictions	Update					
986	04	0	01	1-00		203	17:37	23.08.2006	PORSCHE	PET	PORSCHE

Pos	Part Number	Name	Remarks	Qty	Model	Pos	Part Number	Name	Remarks	Qty	Model
		- - - E N D - - -									

Model	Year	MG	SG	Illustration	Restrictions	Update	17:37	23.08.2006	PORSCHE	PET	PORSCHE
986	04	0	01	1-05		203					



Pos	Part Number	Name	Remarks	Qty	Model
		stickers			
		stickers tyre pressure			
1	986 701 287 20	sticker		1	M 009
1	986 701 287 23	sticker		1	M 008
1	986 701 287 22	sticker		1	(AUS) M 009
1	986 701 287 25	sticker		1	(AUS) M 008
		stickers emergency wheel		1	
2	996 361 701 10	sticker english		1	(AUS)
2	928 701 150 00	sticker "MAX 80 KM/H"		1	
		stickers engine specifications			
4	986 006 107 00	sticker	97	1	(AUS) M 009
4	986 006 107 01	sticker	98	1	(AUS) M 009
4	986 006 107 02	sticker	99	1	(AUS) M 009
4	986 006 107 05	sticker	00	1	(AUS) M 009
4	A 986 006 107 07	sticker	01	1	(AUS) M 009
4	000 043 204 77	sticker	01	1	(AUS) M 009
4	986 006 107 09	sticker	02	1	(AUS) M 009
4	986 006 107 11	sticker	03	1	(AUS) M 009
4	986 006 107 13	sticker	04	1	(AUS) M 009
4	986 006 107 06	sticker	00	1	(AUS) M 008
4	986 006 107 08	sticker	01	1	(AUS) M 008
4	986 006 107 10	sticker	02	1	(AUS) M 008
4	986 006 107 12	sticker	03	1	(AUS) M 008
4	986 006 107 14	sticker	04	1	(AUS) M 008
4	993 006 108 00	sticker	97	1	M 068
4	993 006 108 02	sticker	-01	1	M 068
4	996 006 108 00	sticker	02-	1	M 068

Model	Year	MG	SG	Illustration	Restrictions	Update					
986	04	0	01	1-05		203	17:37	23.08.2006	PORSCHE	PET	PORSCHE

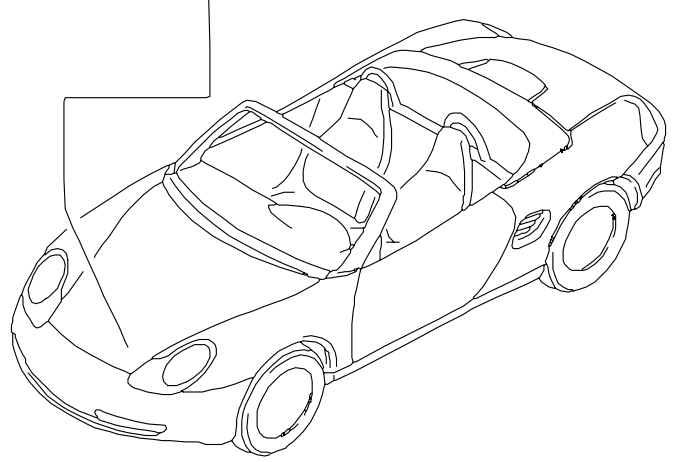
Pos	Part Number	Name	Remarks	Qty	Model	Pos	Part Number	Name	Remarks	Qty	Model
(4)	996 006 120 00	indication sticker cover expansion tank coolant	00-	1		9	986 701 430 04	sticker child car seat arabic english	04	1	
5	928 701 140 04	sticker exhaust gas		1	M 068,M 325	11	986 701 141 01	sticker air conditioner		1	
		stickers type of fuel						stickers folding top control see group 8/09/05			
7	996 006 117 00	sticker 98 ROZ		1							
7	996 006 117 01	sticker 98 ROZ/RON		1	M 150						
7	996 006 117 02	sticker 96 ROZ		1	(AUS)						
7	996 006 117 03	sticker 93 RON/MON/2		1	( J )						
7	996 701 190 00	sticker fuel tank cap	01-	1							
8	993 006 544 01	sticker engine oil - MOBIL 1 -		1							
		stickers airbag									
9	996 701 421 01	sticker child car seat	98	1							
9	3B0 010 219 B	sticker child car seat	99-	1							
9	986 701 430 00	sticker child car seat german english	01-	1							
9	986 701 430 01	sticker child car seat italian french	01-	1							
9	986 701 430 02	sticker child car seat english spanish	01-	1							
9	986 701 430 03	sticker child car seat swedish english	01-	1							

Model	Year	MG	SG	Illustration	Restrictions	Update	17:37	23.08.2006	PORSCHE	PET	PORSCHE
986	04	0	04	4-00		203					

FARBNUMMER  
COLOUR NUMBER  
NUMERO DE COULEUR  
NUMERO COLORE  
NUMERO DE COLOR

697191  
DIAMOND BLUE METALLIC  
DIAMANT BLAU METALLIC  
F5

FARB BENENNUNG  
COLOUR  
COULEUR  
COLORE  
COLOR

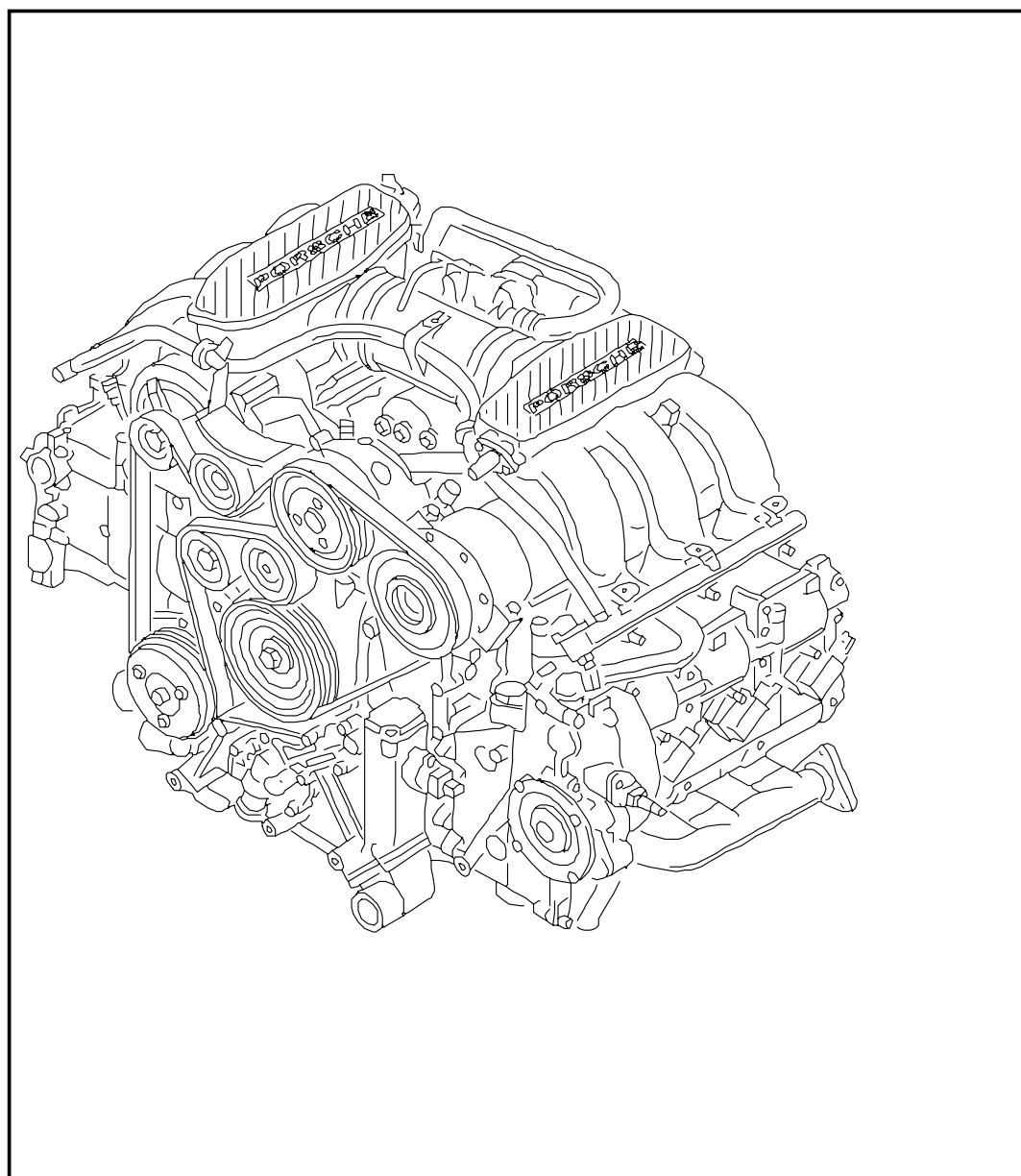


Pos	Part Number	Name	Remarks	Qty	Model
-	911 095 932 20	paint touch-up applicator		X	
	719	black			A 1
	80K	guards red			G 1
	3AT	glacier white			Z 1
	9A3	biarritz white			Z 2
	12L	pastel yellow			Q 1
	3AR	blue turquoise			J 1
	12G	speed yellow			50 / X 4
	347	dark blue			55
	B9A	carrara white			B 4
-	911 095 933 20	paint touch-up applicator set comprising: paint touch-up applicator primer paint touch-up applicator clear lacquer		X	
	92T	arctic silver metallic			X 1
	3AY	ocean blue metallic			E 1
	3AW	zenith blue metallic			F 1
	84R	arena red metallic			H 8
	25H	ocean jade metallic			J 3
	746	black-metallic			Z 8
	23I	wimbledon green metallic			51
	22E	forest green metallic			53
	2A2	rainforest green metallic			J 4
	39G	violet metallic			54
	37U	cobalt blue metallic			56
	92E	polar silver metallic			58
	22D	slate grey metallic			59
	39N	iris blue metallic			61

Model	Year	MG	SG	Illustration	Restrictions	Update					
986	04	0	04	4-00		203	17:37	23.08.2006	PORSCHE	PET	PORSCHE

Pos	Part Number	Name	Remarks	Qty	Model	Pos	Part Number	Name	Remarks	Qty	Model
	37W	midnight blue metallic	-02 03-		62 E 9						
	8A4	orient red metallic			L 1						
	3A9	lapis blue metallic	-02		E 3						
	M5W	lapis blue metallic	03-		J 2						
	6A7	meridian metallic	-03 04		X 2 64						
	1A9	zanzibar red	-02 03		N 1 63						
	6B5	seal grey metallic			Y 1						
	C9Z	basalt black metallic			Z 4						
	M6W	lagoon green metallic			G 4						
	M3W	carmon red metallic			E 4						
	M7X	atlas grey metallic			E 7						
	M7Z	gt silver metallic	04		M 091						
		- - - E N D - - -									

Model	Year	MG	SG	Illustration	Restrictions	Update	17:37	23.08.2006	PORSCHE	PET	PORSCHE
986	04	1	01	101-00		203					



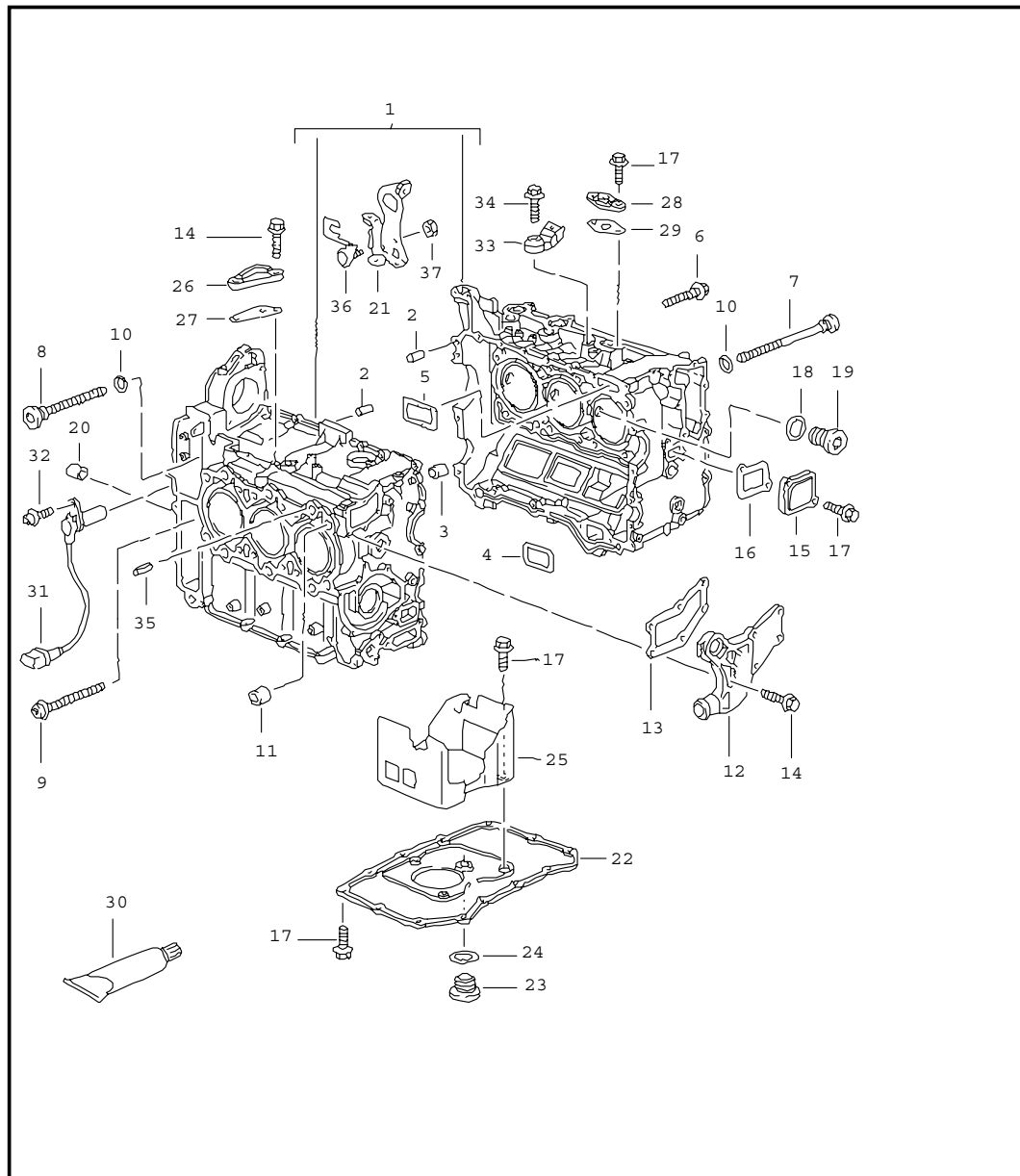
Pos	Part Number	Name	Remarks	Qty	Model
		replacement engine	-99 00-02 03-		M 96.20 M 96.21/22 M 96.23/24
		without drive plate tiptronic without flywheel manual transmission without compressor			
1	> 986 100 920 00	replacement engine	-99	1	M 96.20 M 481
1	> 986 100 920 01	replacement engine	-99	1	M 96.20 M 249
1	> 986 100 921 00	replacement engine	00	1	M 96.21 M 480
1	> 986 100 921 04	replacement engine	01	1	M 96.21 M 480
1	> 986 100 921 08	replacement engine	02	1	M 96.21 M 480
1	> 986 100 924 00	replacement engine	03	1	M 96.24 M 480
1	> 986 100 924 04	replacement engine	04	1	M 96.24 M 480
1	> 986 100 924 08	replacement engine	04 04	1	M 96.24 M 480 /M 091
1	> 986 100 921 01	replacement engine	00	1	M 96.21 M 249
1	> 986 100 921 05	replacement engine	01	1	M 96.21 M 249
1	> 986 100 921 09	replacement engine	02	1	M 96.21 M 249
1	> 986 100 924 01	replacement engine	03	1	M 96.24 M 249
1	> 986 100 924 05	replacement engine	04	1	M 96.24 M 249
1	> 986 100 924 09	replacement engine	04	1	M 96.24 M 249 /M 091
1	> 986 100 922 00	replacement engine	00	1	M 96.22 M 481

Model	Year	MG	SG	Illustration	Restrictions	Update	17:37	23.08.2006	PORSCHE	PET	PORSCHE
986	04	1	01	101-00		203					

Pos	Part Number	Name	Remarks	Qty	Model	Pos	Part Number	Name	Remarks	Qty	Model
1	> 986 100 922 04	replacement engine	01	1	M 96.22 M 481						
1	> 986 100 922 08	replacement engine	02	1	M 96.22 M 481						
1	> 986 100 923 00	replacement engine	03	1	M 96.23 M 481						
1	> 986 100 923 04	replacement engine	04	1	M 96.23 M 481						
1	> 986 100 922 01	replacement engine	00	1	M 96.22 M 249						
1	> 986 100 922 05	replacement engine	01	1	M 96.22 M 249						
1	> 986 100 922 09	replacement engine	02	1	M 96.22 M 249						
1	> 986 100 923 01	replacement engine	03	1	M 96.23 M 249						
1	> 986 100 923 05	replacement engine	04	1	M 96.23 M 249						
		- - - E N D - - -									



Model	Year	MG	SG	Illustration	Restrictions	Update	17:38	23.08.2006	PORSCHE	PET	PORSCHE
986	04	1	01	101-05		203					

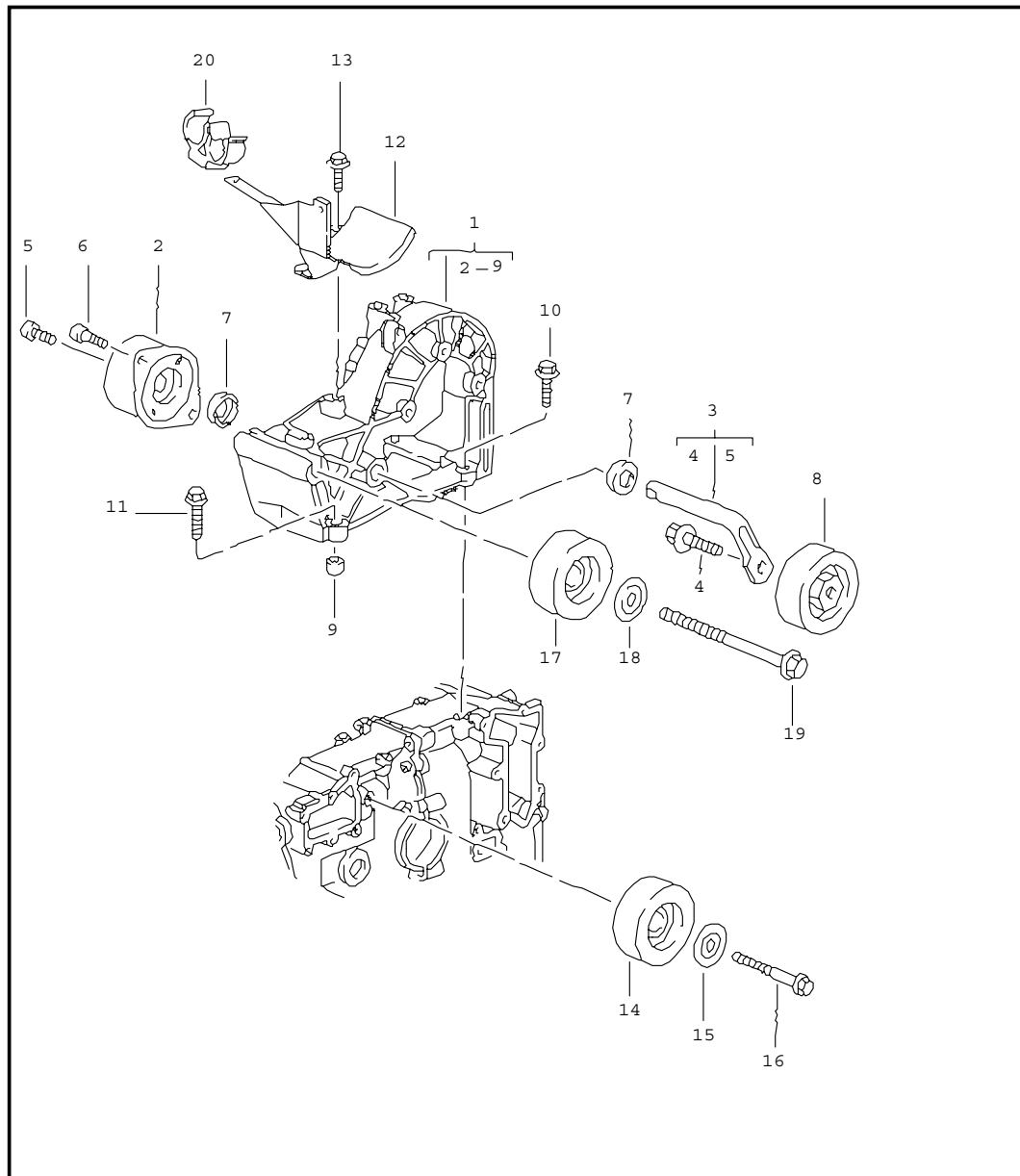


Pos	Part Number	Name	Remarks	Qty	Model
		crankcase	-99 00-02 03-		M 96.20 M 96.21/22 M 96.23/24
1	996 101 901 00	crankcase M >> 65X 17100	-99	1	M 96.20
		use also: 996 101 012 64 996 101 018 51		1 6	
1	996 101 901 02	crankcase	00-02	1	M 96.21
1	996 101 901 04	crankcase	03-	1	M 96.24
1	996 101 901 03	crankcase	00-02	1	M 96.22
1	996 101 901 05	crankcase	03-	1	M 96.23
2	999 012 049 00	straight pin 12M 6 X 22		3	
3	996 101 253 50	dowel sleeve		1	
3	996 101 253 51	dowel sleeve		1	
4	996 101 361 51	gasket		1	
5	996 101 363 50	gasket		1	
6	U 900 378 174 09	hexagon-head bolt M 6 X 35		25	
(6)	999 217 151 09	hexagon-head bolt M 6 X 35		25	
7	996 101 219 52	screw 9 X 150		1	
8	996 101 229 00	screw M 9 X 94		1	
9	996 101 203 00	screw 9 X 94		1	
10	999 701 789 40	o-ring 12 X 2 use also: grease 999 917 788 00		2 1	
11	999 095 043 01	dowel sleeve 17M 6 X 18,5		4	
12	996 101 021 00	cover		1	
12	996 101 021 01	cover		1	
13	996 101 331 50	gasket		1	

Model	Year	MG	SG	Illustration	Restrictions	Update	17:38	23.08.2006	PORSCHE	PET	PORSCHE
986	04	1	01	101-05		203					

Pos	Part Number	Name	Remarks	Qty	Model	Pos	Part Number	Name	Remarks	Qty	Model
14	900 378 030 09	hexagon-head bolt M 6 X 20		10		-	999 704 161 40	gasket		3	
15	996 101 216 51	cover		1		32	999 218 005 02	pan-head screw M 6 X 16		1	
15	996 101 016 00	cover		1		33 A	996 606 121 00	knock sensor		2	
16	996 101 336 50	gasket		1		33	996 606 125 00	knock sensor		2	
17	900 378 035 09	hexagon-head bolt M 6 X 16		24		-	999 650 167 40	plug socket		2	
18	900 123 147 30	sealing ring A 27 X 32		1		-	999 650 052 12	connector		4	
19	900 219 017 30	screw plug M 27 X 2		1		-	999 704 161 40	gasket		4	
20	014 301 153 B	dowel sleeve 13 X 16 X13,5		2		34	900 378 033 09	hexagon-head bolt AM 8 X 30		2	
21	996 101 213 56	holder		1		34	900 378 108 09	hexagon-head bolt AM 8 X 35		2	
21	996 101 213 57	holder		1		35	900 095 137 01	roll pin 5,0 X 12		2	
22	996 107 031 55	oil pan		1		36	996 101 613 50	support		1	M 249
23	900 219 009 30	screw plug M 18 X 1,5		1		37	900 377 010 09	hexagon nut M 6		1	M 249
24	900 123 106 30	sealing ring A 18 X 24		1		--	900 036 029 02	cover B 16		2	
25	996 107 243 51	bulkhead		1		--	999 036 005 02	cover B 50		2	
26	996 113 140 53	cover		1				- - - E N D - - -			
27	996 113 233 50	gasket		1							
28	996 113 340 50	cover		1							
29	996 113 213 51	gasket		1							
30	000 043 203 73	sealing compound 30 ML		X							
(30)	000 043 204 35	sealing compound 50 ML		X							
31 A	986 606 112 01	pulse sender		1							
31	986 606 112 02	pulse sender	-02	1							
31	986 606 112 03	pulse sender	03-	1							
-	999 650 181 40	plug socket		1							
-	999 652 771 12	connector		3							

Model	Year	MG	SG	Illustration	Restrictions	Update	17:38	23.08.2006	PORSCHE	PET	PORSCHE
986	04	1	01	101-10		203					

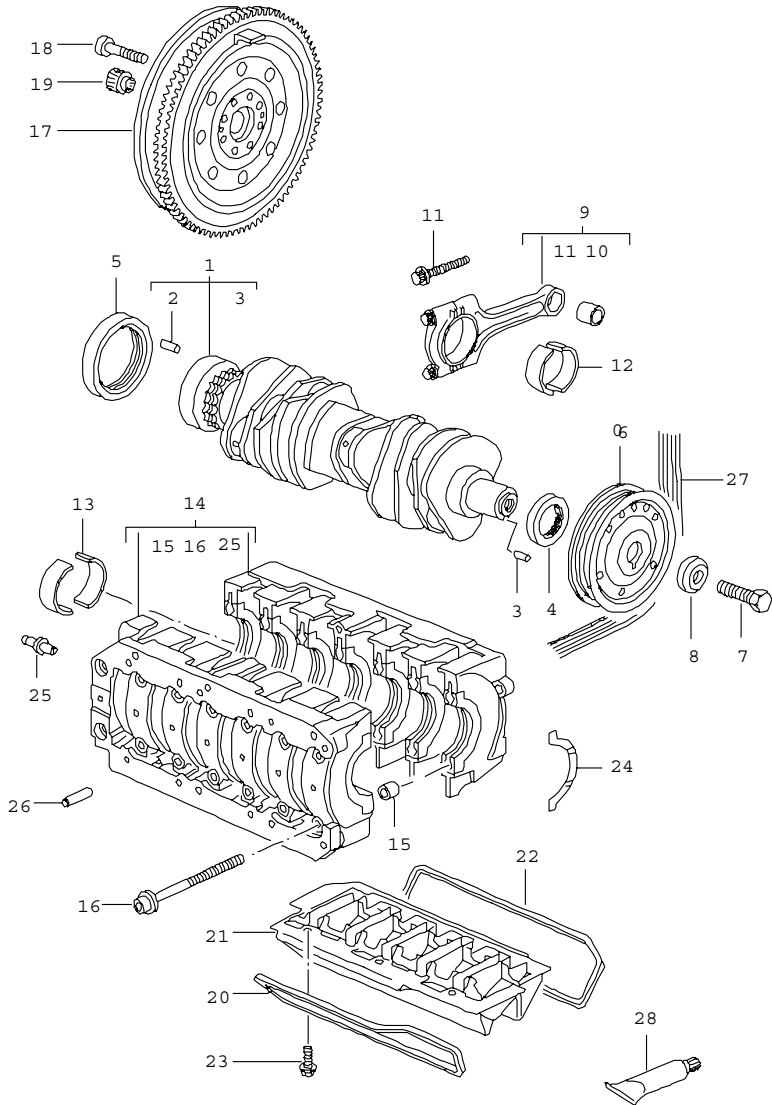


Pos	Part Number	Name	Remarks	Qty	Model
		belt tensioner belt drive	-99 00-02 03-		M 96.20 M 96.21/22 M 96.23/24
1	996 102 016 67	bracket	-03	1	M 96.20/21 M 96.22
1	996 102 016 69	bracket	03-	1	M 96.23/24
2	996 102 260 50	tensioner		1	
3	996 102 360 51	lever		1	
4	A 999 072 039 09	hexagon-head bolt M 10 X 30	-98	1	
4	999 072 041 09	hexagon-head bolt M 10 X 30	99-	1	
5	900 067 117 09	pan-head screw M 6 X 16		1	
6	999 067 045 09	pan-head screw M 8 X 22		2	
7	996 102 365 50	dust boot		2	
8	A 996 102 117 53	tensioning roller	-98	1	
8	996 102 117 56	tensioning roller	99-	1	
9	999 095 064 00	dowel sleeve 12 M 6 X 13		2	
10	900 378 022 09	hexagon-head bolt AM 8 X 25		2	
11	900 378 108 09	hexagon-head bolt AM 8 X 35		2	
12	996 102 211 05	cover		1	
13	900 378 163 09	hexagon-head bolt M 6 X 16		2	
14	A 996 102 119 54	deflection roller		1	M 96.20
14	A 996 102 119 55	deflection roller		1	M 96.21/22
14	996 102 119 58	deflection roller		1	M 96.23/24
15	996 102 127 50	cover disc	-98	1	M 96.20
15	996 102 127 51	cover disc	99	1	M 96.20
15	996 102 127 52	cover disc	-02	1	M 96.21/22
15	996 102 127 54	cover disc	03-	1	M 96.23/24

Model	Year	MG	SG	Illustration	Restrictions	Update	17:38	23.08.2006	PORSCHE	PET	PORSCHE
986	04	1	01	101-10		203					

Pos	Part Number	Name	Remarks	Qty	Model	Pos	Part Number	Name	Remarks	Qty	Model
16	900 378 150 09	hexagon-head bolt AM 8 X 55		1	M 96.20						
(16)	900 378 056 02	hexagon-head bolt AM 8 X 60		1	M 96.21/22 M 96.23/24						
17	A 996 102 118 52	deflection roller		1	M 96.20						
17	A 996 102 118 53	deflection roller		1	M 96.21/22 M 96.23/24						
17	996 102 118 56	deflection roller		1							
18	A 996 102 125 50	cover disc	-98	1	M 96.20						
18	996 102 125 51	cover disc	99	1	M 96.20						
18	996 102 125 52	cover disc	00-	1	M 96.21/22						
18	996 102 125 53	cover disc	03-	1	M 96.23/24						
19	900 378 181 09	hexagon-head bolt M 10 X 145		1							
20	U 964 573 471 00	support		1							
(20)	964 573 471 01	support		1							
		- - - E N D - - -									

Model	Year	MG	SG	Illustration	Restrictions	Update	17:38	23.08.2006	PORSCHE	PET	PORSCHE
986	04	1	02	102-00		203					



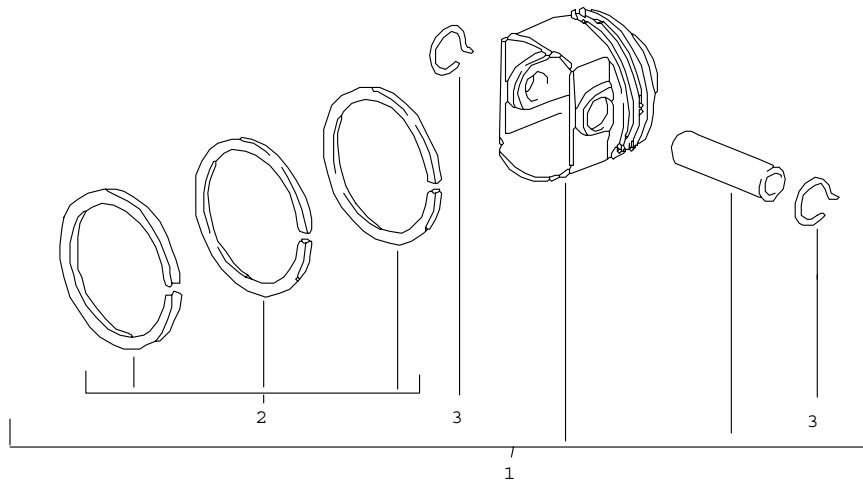
Pos	Part Number	Name	Remarks	Qty	Model
		crankshaft	-99 00-02 03-		M 96.20 M 96.21/22 M 96.23/24
1	996 102 011 06	crankshaft M see technical information group 1 NR. 8/00		1	M 96.20
(1)	996 102 011 07	crankshaft M 65X 23560 >> see technical information group 1 NR. 8/00		1	M 96.20
1	996 102 011 57	crankshaft see technical information group 1 NR. 8/00	00	1	M 96.21/22
(1)	996 102 011 56	crankshaft see technical information group 1 NR. 8/00	01-02 03-	1	M 96.21/22 M 96.23/24
2	900 095 031 01	roll pin 6,0 X 16		1	
3	900 012 154 00	straight pin A 4,0 X 10	-01	1	
3	900 302 021 00	straight pin A 4,0 X 10	02-	1	
4	999 113 475 40	shaft seal 40 X 62 X 10 85 X 105 X 11		1	
5	U 999 113 490 40	shaft seal 85 X 105 X 11		1	
5	997 101 212 00	shaft seal 85 x 105 x 11		1	
6	996 102 115 63	pulley		1	
7	900 082 085 09	hexagon-head bolt M 16 X 1,5 X 60		1	
8	996 102 315 50	thrust washer		1	

Model	Year	MG	SG	Illustration	Restrictions	Update	17:38	23.08.2006	PORSCHE	PET	PORSCHE
986	04	1	02	102-00		203					

Pos	Part Number	Name	Remarks	Qty	Model	Pos	Part Number	Name	Remarks	Qty	Model
(9)	996 103 975 01	1 set connecting rods comprising: 6 connecting rods see workshop manual 986 GR.1-1		1		19	034 105 313 A	needle sleeve		1	
						20	996 101 241 51	gasket		1	
						21	996 101 016 50	oil separator		1	
						22	996 101 242 51	gasket		1	
10	996 103 111 51	connecting rod bush		6		23	999 218 005 02	pan-head screw M 6 X 16		6	
11 U	996 103 115 51	connecting rod bolt		12		24 A	996 101 129 51	thrust washer		2	
11	997 103 115 01	connecting rod bolt		12		24	996 101 129 52	thrust washer		2	
12	996 103 121 62	connecting-rod bearing		12		25	996 101 117 53	straight pin		1	
13	996 101 131 62	crankshaft bearing		14	M 96.20	26	996 101 018 51	splash valve		6	
13	996 101 205 10	crankshaft bearing		14	M 96.21/22 M 96.23/24	27	996 102 151 65	poly-rib belt		1	
14 A	996 101 012 54	gear carrier	-97	1	M 96.20	27	996 102 151 64	poly-rib belt		1	M 573
14 A	996 101 012 62	gear carrier use also: 996 101 018 51	-98	1	M 96.20	28	000 043 204 17	grease 100 GR.		X	
				6							
14	996 101 012 64	gear carrier use also: 996 101 018 51	-02	1							
				6							
14	996 101 007 05	gear carrier	03-	1	M 96.23/24						
15	999 095 064 00	dowel sleeve 12 M 6 X 13 M 9 X 129		3							
16	996 101 115 59	screw M 9 X 127		14							
17	986 114 012 01	double-mass flywheel	-99	1	M 96.20 M 481 M 96.22 M 481 M 96.23 M 481						
17	986 114 012 05	double-mass flywheel		1							
17	986 114 012 04	double-mass flywheel		1	M 96.21 M 480 M 96.24 M 480						
17	986 114 012 06	double-mass flywheel		1	M 96.21						
18	999 073 092 09	pan-head screw M 10 X 1 X 50		8							

- - - E N D - - -

Model	Year	MG	SG	Illustration	Restrictions	Update	17:38	23.08.2006	PORSCHE	PET	PORSCHE
986	04	1	02	102-05		203					



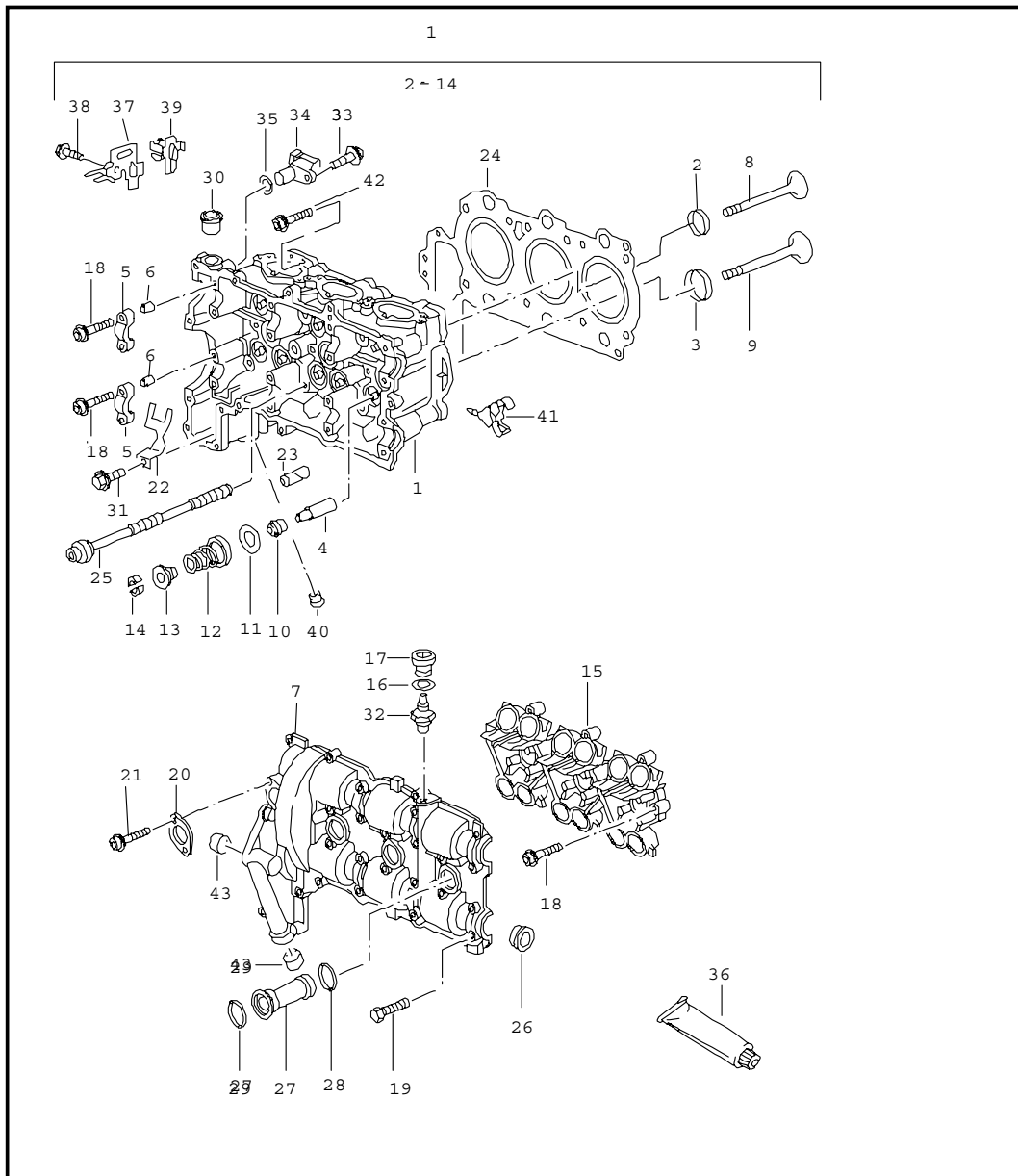
Pos	Part Number	Name	Remarks	Qty	Model
		piston	-99 00-02 03-		M 96.20 M 96.21/22 M 96.23/24
1	996 103 031 11	piston tolerance range X number plate - 476 - 482 G		6	M 96.20
1	996 103 031 12	piston tolerance range X number plate + 482 - 488 G		6	M 96.20
1	996 103 031 59	piston tolerance range X number plate - 529 - 535 G		6	M 96.21
1	996 103 032 10	piston tolerance range X number plate - 532 - 538 G		6	M 96.24
1	996 103 031 60	piston tolerance range X number plate + 535 - 541 G		6	M 96.21
1	996 103 032 11	piston tolerance range X number plate + 538 - 544 G		6	M 96.24
1	996 103 071 04	piston tolerance range X number plate - 460 - 466 G		6	M 96.22

Model	Year	MG	SG	Illustration	Restrictions	Update	17:38	23.08.2006	PORSCHE	PET	PORSCHE
986	04	1	02	102-05		203					

Pos	Part Number	Name	Remarks	Qty	Model	Pos	Part Number	Name	Remarks	Qty	Model
1	A 996 103 071 09	piston tolerance range X number plate - 460 - 466 G		6	M 96.23						
1	996 103 071 05	piston tolerance range X number plate + 466 - 472 G		6	M 96.22						
1	996 103 071 15	piston tolerance range X number plate + 466 - 472 G		6	M 96.23						
1	996 103 071 14	piston tolerance range X number plate - 460 - 466 G		6	M 96.23						
2	996 103 033 02	set of piston rings		6	M 96.20						
2	996 103 033 51	set of piston rings		6	M 96.21 M 96.24						
2	996 103 073 00	set of piston rings		6	M 96.22 M 96.23						
3	999 178 018 00	snap ring C 22		12	M 96.20						
3	A 996 103 141 02	circlip		12	M 96.21/22						
3	996 103 141 03	circlip		12	M 96.21/22 M 96.23/24						
		- - - E N D - - -									



Model	Year	MG	SG	Illustration	Restrictions	Update	17:39	23.08.2006	PORSCHE	PET	PORSCHE
986	04	1	03	103-00		203					



Pos	Part Number	Name	Remarks	Qty	Model
		cylinder head	-99 00-02 03-		M 96.20 M 96.21/22 M 96.23/24
1	996 104 001 09	cylinder head complete cylinder 1-3		1	M 96.20
(1)	996 104 921 00	cylinder head complete cylinder 1-3		1	M 96.21
(1)	996 104 941 00	cylinder head complete cylinder 1-3		1	M 96.22
(1)	996 104 931 00	cylinder head complete cylinder 1-3		1	M 96.23
(1)	996 104 951 00	cylinder head complete cylinder 1-3		1	M 96.24
1	996 104 002 09	cylinder head complete cylinder 4-6		1	M 96.20
(1)	996 104 922 00	cylinder head complete cylinder 4-6		1	M 96.21
(1)	996 104 942 00	cylinder head complete cylinder 4-6		1	M 96.22
(1)	996 104 932 00	cylinder head complete cylinder 4-6		1	M 96.23
(1)	996 104 952 00	cylinder head complete cylinder 4-6		1	M 96.24
2	996 104 111 03	valve seat ring intake oversize		12	M 96.20/22

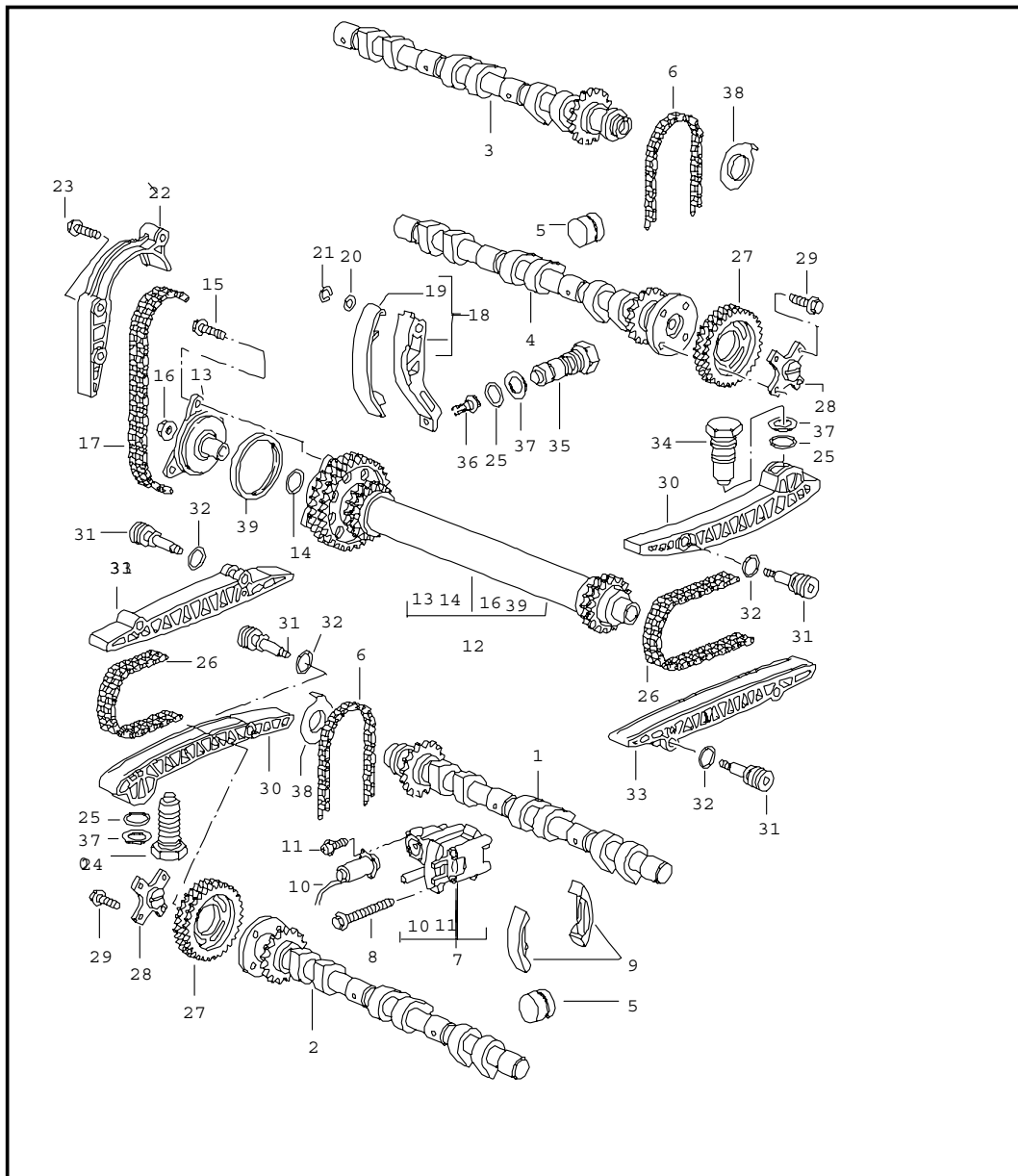
Model	Year	MG	SG	Illustration	Restrictions	Update	17:39	23.08.2006	PORSCHE	PET	PORSCHE
986	04	1	03	103-00		203					

Pos	Part Number	Name	Remarks	Qty	Model	Pos	Part Number	Name	Remarks	Qty	Model
2	996 104 111 05	valve seat ring intake oversize		12	M 96.23	12	996 105 119 56	valve spring		24	M 96.23/24
2	996 104 111 53	valve seat ring intake oversize		12	M 96.21	13	996 105 121 54	concave washer		24	
2	996 104 111 57	valve seat ring intake oversize		12	M 96.24	14	996 105 123 51	valve collet		48	
3	996 104 113 05	valve seat ring exhaust oversize		12	M 96.20/22	15	996 104 105 53	housing		2	
3	996 104 113 54	valve seat ring exhaust oversize		12	M 96.21	15 A	996 104 105 06	housing		2	M 96.23/24
3	996 104 113 55	valve seat ring exhaust oversize		12	M 96.24	15	996 104 042 03	housing		2	M 96.23/24
4	996 104 115 61	valve guide		24		16	900 123 007 30	sealing ring A 14 X 18		1	
4	996 104 145 01	valve guide oversize		24	M 96.23/24	17	900 219 018 30	screw plug M 14 X 1,5		1	
5	---	housing matching with: cylinder head		4		18	900 067 316 02	screw M 6 X 35		38	
6	996 104 117 50	dowel sleeve		16		19 U	900 378 177 09	hexagon-head bolt		23	
7	---	cover matching with: cylinder head		2		(19)	999 217 155 09	hexagon-head bolt AM 6 X 30		23	
8	996 105 111 02	intake valve		12	M 96.20/22 M 96.23	20 A	996 105 223 51	cover		2	
8	996 105 111 52	intake valve		12	M 96.21 M 96.24	20	996 105 223 52	cover		2	
9	996 105 113 04	exhaust valve		12	M 96.20/22 M 96.23	21	900 378 030 09	hexagon-head bolt M 6 X 20		4	
9	996 105 247 00	exhaust valve		12	M 96.21 M 96.24	22	996 104 233 01	cover plate		1	
10	996 105 115 52	valve stem seal		24		23	000 043 203 64	assembly kit for valve stem seal		1	
11	996 105 117 51	concave washer		24		24 A	996 104 170 04	cylinder head gasket cylinder 1-3	-97	1	
12	996 105 119 53	valve spring		24		24	996 104 170 05	cylinder head gasket cylinder 1-3	98-	1	M 96.20
						24	996 104 170 05	cylinder head gasket cylinder 1-3		1	M 96.22
						24	996 104 170 56	cylinder head gasket cylinder 1-3		1	M 96.21
						24	996 104 170 07	cylinder head gasket cylinder 1-3		1	M 96.23

Model	Year	MG	SG	Illustration	Restrictions	Update	17:39	23.08.2006	PORSCHE	PET	PORSCHE
986	04	1	03	103-00		203					

Pos	Part Number	Name	Remarks	Qty	Model	Pos	Part Number	Name	Remarks	Qty	Model
24	996 104 170 58	cylinder head gasket cylinder 1-3		1	M 96.24	-	999 652 444 12	connector		1	
(24) A	996 104 169 00	cylinder head gasket cylinder head gasket cylinder 4-6	-97 98-	1 1	M 96.20	33	999 218 005 02	pan-head screw M 6 X 16		2	
(24)	996 104 169 01	cylinder head gasket cylinder 4-6		1	M 96.22	34	996 606 106 01	hall sender		2	M 660
(24)	996 104 169 50	cylinder head gasket cylinder 4-6		1	M 96.21	34	996 606 106 02	hall sender	98-02	2	M 660
(24)	996 104 170 07	cylinder head gasket cylinder 4-6		1	M 96.23	34	996 606 106 03	hall sender	03-	2	
(24)	996 104 170 58	cylinder head gasket cylinder 4-6		1	M 96.24	-	999 652 916 40	plug socket		1	
25 A	996 104 180 54	screw M 10 X 234	-97	24		-	999 652 694 12	contact bush		3	
25 A	996 104 180 55	screw M 10 X 230	-98	24		-	999 704 161 40	gasket		3	
25	996 104 180 56	screw M 10 X 230	99-	24		35	999 707 404 40	o-ring 17,05 X 1,78		1	
26	996 104 215 54	cover		6		36 A	000 043 203 73	sealing compound 30 ML		X	
27	996 105 325 52	pipe use also: grease 999 917 788 00		6 1		(36)	000 043 204 35	sealing compound 50 ML		X	
28	999 707 343 40	o-ring 25,07 X 2,62		6		37	986 607 101 03	support		1	
29	999 707 215 40	o-ring 27,94 X 5,33		6		38	900 378 036 09	hexagon-head bolt M 6 X 12		1	
30	996 104 207 53	connection piece		1		39	986 607 104 00	support		1	
31	900 378 035 09	hexagon-head bolt M 6 X 16		1		40	999 036 026 02	cover 10 MM		X	
32	986 606 203 02	oil pressure switch	-97	1		41	999 507 075 40	cable holder 3,0 - 12,0		2	
32	986 606 203 02	oil pressure switch	98-	1		42	900 067 377 09	pan-head screw M 6 X 30		8	
-	999 652 447 40	plug socket		1		43	900 036 023 02	cover D 18		2	
						--	996 105 244 03	cover		2	M 96.23/24
								- - - E N D - - -			

Model	Year	MG	SG	Illustration	Restrictions	Update	17:39	23.08.2006	PORSCHE	PET	PORSCHE
986	04	1	03	103-10		203					



Pos	Part Number	Name	Remarks	Qty	Model
		camshaft driving mechanism	-99 00-02 03-		M 96.20 M 96.21/22 M 96.23/24
1	996 105 221 04	camshaft intake cylinder 1 - 3		1	M 96.20
1	996 105 221 55	camshaft intake cylinder 1 - 3		1	M 96.21
1	996 105 221 05	camshaft intake cylinder 1 - 3		1	M 96.22
(1)	996 105 045 00	camshaft intake cylinder 1 - 3		1	M 96.23
(1)	996 105 039 00	camshaft intake cylinder 1 - 3		1	M 96.24
1A	996 105 051 03	camshaft adjuster cylinder 1 - 3		1	M 96.23/24
2	996 105 222 04	camshaft exhaust cylinder 1 - 3		1	M 96.20
2	996 105 222 55	camshaft exhaust cylinder 1 - 3		1	M 96.21
2	996 105 222 05	camshaft exhaust cylinder 1 - 3		1	M 96.22
2	996 105 065 00	camshaft exhaust cylinder 1 - 3		1	M 96.23
2	996 105 063 00	camshaft exhaust cylinder 1 - 3		1	M 96.24

Model	Year	MG	SG	Illustration	Restrictions	Update	17:39	23.08.2006	PORSCHE	PET	PORSCHE
986	04	1	03	103-10		203					

Pos	Part Number	Name	Remarks	Qty	Model	Pos	Part Number	Name	Remarks	Qty	Model
3	996 105 216 04	camshaft intake cylinder 4 - 6		1	M 96.20	6	996 105 170 53	timing chain		2	
3	996 105 216 55	camshaft intake cylinder 4 - 6		1	M 96.21	7 A	996 105 051 56	tensioner cylinder 1 - 3	-97	1	
3	996 105 216 05	camshaft intake cylinder 4 - 6		1	M 96.22	7 A	996 105 051 57	tensioner cylinder 1 - 3	-98	1	
(3)	996 105 046 00	camshaft intake cylinder 4 - 6		1	M 96.23	7	996 105 051 58	tensioner cylinder 1 - 3	99-	1	
(3)	996 105 040 00	camshaft intake cylinder 4 - 6		1	M 96.24	(7) A	996 105 053 56	tensioner cylinder 4 - 6	-97	1	
3A	996 105 052 01	camshaft adjuster cylinder 4 - 6 exhaust cylinder 4 - 6		1	M 96.23/24	(7) A	996 105 053 57	tensioner cylinder 4 - 6	-98	1	
4	996 105 218 04	camshaft exhaust cylinder 4 - 6		1	M 96.20	(7)	996 105 053 58	tensioner cylinder 4 - 6	99-	1	
4	996 105 218 55	camshaft exhaust cylinder 4 - 6		1	M 96.21	-	996 105 303 05	actuator camshaft		2	M96.23/24
4	996 105 218 05	camshaft exhaust cylinder 4 - 6		1	M 96.22	-	999 650 167 40	plug socket		2	
4	996 105 066 00	camshaft exhaust cylinder 4 - 6		1	M 96.23	-	999 652 694 12	contact bush		4	
4	996 105 064 00	camshaft exhaust cylinder 4 - 6		1	M 96.24	-	999 704 161 40	gasket		4	
5	996 105 041 50	hydraulic valve tappet		24		8	900 067 372 09	screw M 6 X 95		6	
						9	996 105 253 00	parts kit guide piece		1	
						10	996 605 901 00	solenoid valve cylinder 1 - 3 black		1	
						10	996 605 902 00	solenoid valve cylinder 4 - 6 grey see workshop manual GR.1 15/05/33		1	
						11	999 141 032 07	screw		2	
						12 A	996 105 015 58	intermediate shaft	-98	1	

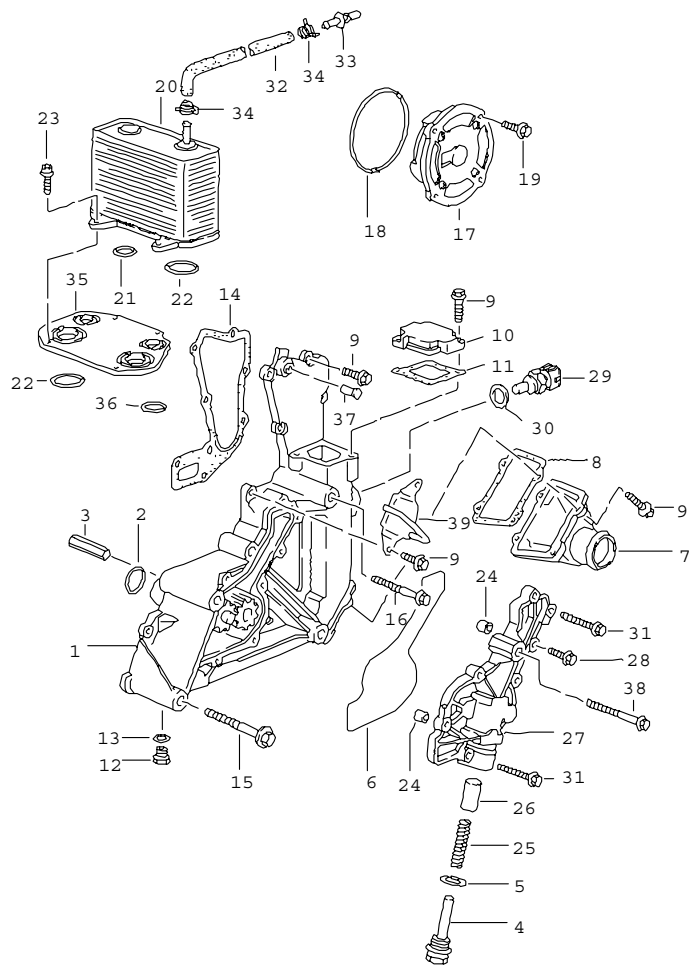
Model	Year	MG	SG	Illustration	Restrictions	Update	17:39	23.08.2006	PORSCHE	PET	PORSCHE
986	04	1	03	103-10		203					

Pos	Part Number	Name	Remarks	Qty	Model	Pos	Part Number	Name	Remarks	Qty	Model
12	A 996 105 015 63	intermediate shaft	-00	1		16	900 380 019 02	hexagon nut M 8 X 1		1	
(12)	996 105 901 00	intermediate shaft see technical information group 1 NR. 8/00	-00	1				see technical information group 1 NR. 8/00			
(12)	996 105 901 01	intermediate shaft M >> 651 12851 M >> 671 11237 see technical information group 1 NR. 8/00		1	M 96.22 M 96.21	17	996 105 171 55	timing chain see technical information group 1 NR. 8/00	-00	1	
(12)	996 105 901 02	intermediate shaft M 651 12852 >> M 671 11238 >> see technical information group 1 NR. 8/00		1	M 96.22 M 96.21	(17)	996 105 171 56	timing chain see technical information group 1 NR. 8/00	01-	1	
13	U 999 707 391 40	o-ring 52 X 2,5 see technical information group 1 NR. 8/00		1		18	996 105 165 54	tensioner blade	-97	1	
(13)	996 105 017 02	housing M >> 651 12851 M >> 671 11237 see technical information group 1 NR. 8/00		1	M 96.22 M 96.21	18	996 105 165 55	tensioner blade	98-	1	
(13)	996 105 024 01	housing M 651 12852 >> M 671 11238 >> see technical information group 1 NR. 8/00		1	M 96.22 M 96.21	19	996 105 195 00	pad		1	
14	999 707 392 40	o-ring 7 X 2 see technical information group 1 NR. 8/00		1		20	900 234 040 01	shim 10 X 16 X 1,2		1	
15	U 900 378 156 09	hexagon-head bolt M 6 X 20 see technical information group 1 NR. 8/00		3		21	900 041 004 01	circlip 10 X 1		1	
(15)	999 217 150 09	hexagon-head bolt M 6 X 20 see technical information group 1 NR. 8/00		3		22	996 105 166 51	guide piece		1	
						23	900 075 486 01	screw AM 6 X 40		3	
						24	A 996 105 179 57	chain adjuster	-98	1	
						24	996 105 179 58	chain adjuster	99-	1	
						25	999 707 344 40	o-ring 18,77 X 1,78		3	
						26	996 105 177 52	timing chain		2	
						27	A 996 105 178 52	sprocket	-98	2	
						(27)	996 105 178 53	sprocket with driver		2	
						28	A 996 105 185 54	driver	-98	2	
						29	900 378 162 09	hexagon-head bolt M 6 X 15 for 996 105 178 52		8	

Model	Year	MG	SG	Illustration	Restrictions	Update	17:39	23.08.2006	PORSCHE	PET	PORSCHE
986	04	1	03	103-10		203					

Pos	Part Number	Name	Remarks	Qty	Model	Pos	Part Number	Name	Remarks	Qty	Model
29	900 378 204 09	hexagon-head bolt M 6 X 12 for 996 105 178 53		8							
30	996 105 175 52	tensioner blade		2							
31	996 105 162 52	screw M 6		6							
32	999 707 346 40	o-ring 15 X 3		6							
33	996 105 173 53	guide piece		2							
34	996 105 176 51	chain adjuster		1							
35	996 105 180 54	chain adjuster see technical information group 1 NR. 8/00	-00	1							
(35)	996 105 180 55	chain adjuster see technical information group 1 NR. 8/00	01-	1							
36	996 105 197 00	pressure pin		1							
37	900 123 147 30	sealing ring A 27 X 32		3							
38	996 105 129 52	rotor trim		1							
39	996 105 112 01	gasket see technical information group 1 NR. 8/00		1							
- - - E N D - - -											

Model	Year	MG	SG	Illustration	Restrictions	Update	17:39	23.08.2006	PORSCHE	PET	PORSCHE
986	04	1	04	104-00		203					



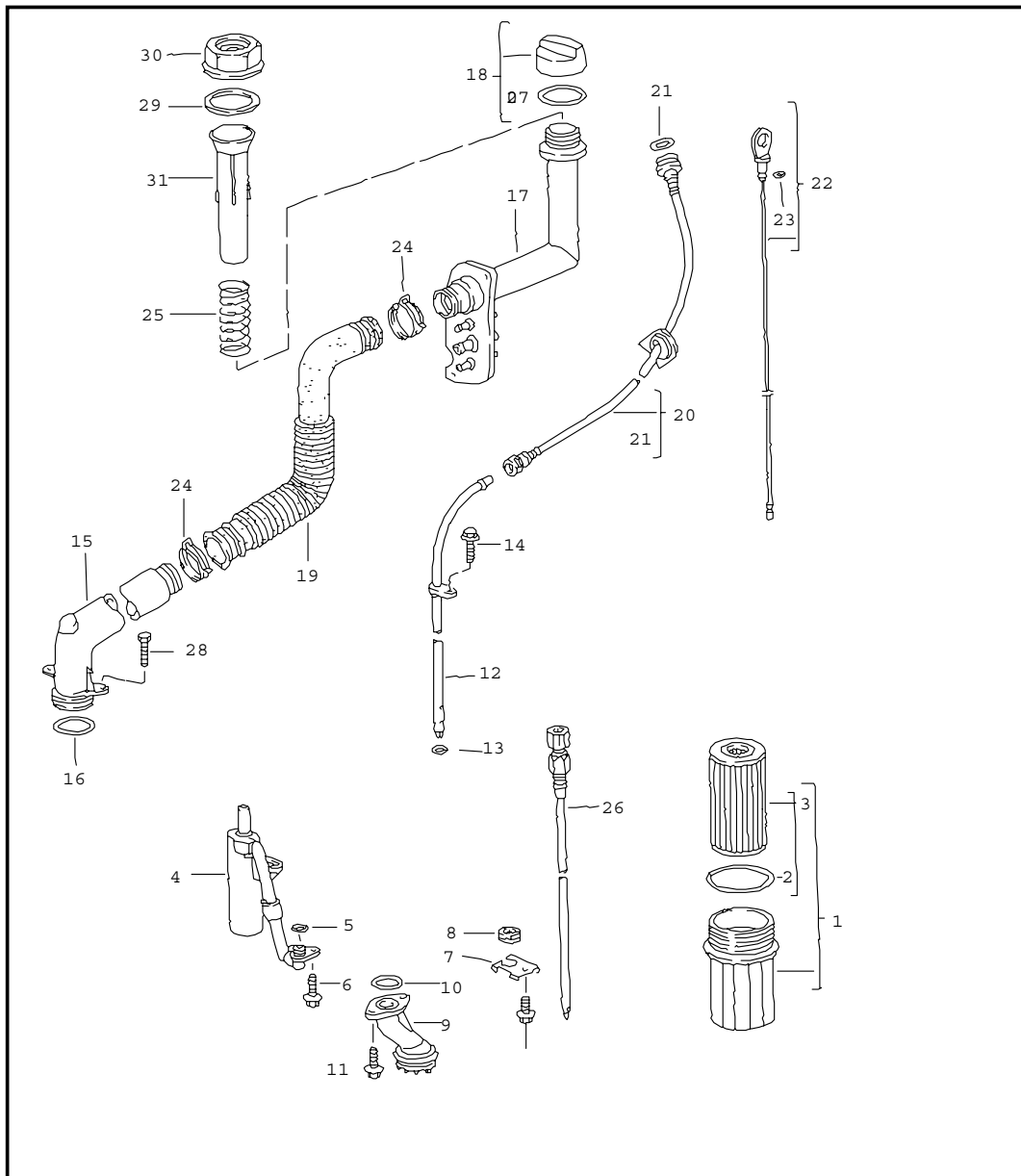
Pos	Part Number	Name	Remarks	Qty	Model
		oil pump			
1	A 996 107 012 54	oil pump	-97	1	
1	A 996 107 012 55	oil pump	-97	1	
1	996 107 012 56	oil pump	-98	1	
1	996 107 012 57	oil pump	99-	1	
2	996 107 103 51	o-ring 29,1 X 2,55 use also: grease 999 917 788 00		2	
3	996 107 121 50	driver		1	
4	996 107 105 51	screw plug		1	
5	996 107 123 50	sealing ring		1	
6	996 107 261 50	gasket		1	
7	996 106 215 00	connection piece		1	M 249
7	996 106 216 01	connection piece		1	M 481
8	996 106 316 51	gasket		1	
9	900 378 030 09	hexagon-head bolt M 6 X 20		14	
10	996 106 217 01	cover		1	
11	996 106 321 50	gasket		1	
12	900 219 007 02	screw plug M 10 X 1		1	
13	900 123 144 30	sealing ring A 10 X 13,5		1	
14	996 107 337 50	gasket		1	
15	999 072 027 09	hexagon-head bolt M 10 X 120		3	
16	900 378 095 09	hexagon-head bolt M 10 X 100		1	
17	996 107 021 52	oil pump	-97	2	
17	996 107 021 54	oil pump	-01	2	
17	996 107 021 55	oil pump	02-	2	



Model	Year	MG	SG	Illustration	Restrictions	Update	17:39	23.08.2006	PORSCHE	PET	PORSCHE
986	04	1	04	104-00		203					

Pos	Part Number	Name	Remarks	Qty	Model	Pos	Part Number	Name	Remarks	Qty	Model
18	996 107 221 51	o-ring 95 X 2,5 use also: grease 999 917 788 00		2		28	900 075 333 02	hexagon-head bolt M 6 X 25		7	
				1		(29)	996 606 410 00	temperature sensor		1	M 96.21/22
19	U 900 378 156 09	hexagon-head bolt M 6 X 20		8		29	996 606 405 01	temperature sensor		1	M 96.20
(19)	999 217 150 09	hexagon-head bolt M 6 X 20		8		-	999 650 168 40	plug socket		1	
20	A 996 107 025 05	heat exchanger	-97	1	M 96.20	-	999 650 214 12	connector		4	
20	996 107 025 07	heat exchanger		1	M 96.20/22 M 96.23	-	999 650 215 40	gasket		4	
20	996 107 025 57	heat exchanger		1	M 96.21/24	30	-	sealing ring		1	
21	999 707 409 40	o-ring 26 X 3		2				see technical information group 1 NR. 8 A/97			
22	999 707 389 40	o-ring 35 X 4		4		31	900 378 151 09	hexagon-head bolt M 6 X 70		2	
(22)	999 707 344 40	o-ring 18,77 X 1,78 see technical information group 1 NR. 8/97		2		32	996 106 249 00	hose		1	
23	900 067 269 09	pan-head screw M 6 X 16		4		33	996 106 255 00	flat connector		1	
23	900 067 354 02	pan-head screw M 6 X 25		4		34	999 512 584 09	hose clamp 14 X 12	-98	2	
24	996 106 103 50	dowel sleeve 8,2 X 7		2		34	999 512 650 09	hose clamp 14 X 12	99-	2	
25	996 107 127 53	spring		1		35	996 107 129 00	intermediate plate		1	
26	996 107 125 51	piston		1		36	999 707 193 40	o-ring 28 X 2,5		4	
27	996 107 212 52	cover for 996 107 012 54		1		37	996 107 119 00	plug		1	
27	996 107 212 53	cover for 996 107 012 55/56		1		38	900 378 098 09	hexagon-head bolt AM 10 X 60		1	
27	996 107 212 54	cover for 996 107 012 57		1		39	A 996 102 235 00	clip		1	M 573
						39	996 102 235 01	clip		1	M 573
								- - - E N D - - -			

Model	Year	MG	SG	Illustration	Restrictions	Update	17:39	23.08.2006	PORSCHE	PET	PORSCHE
986	04	1	04	104-05		203					

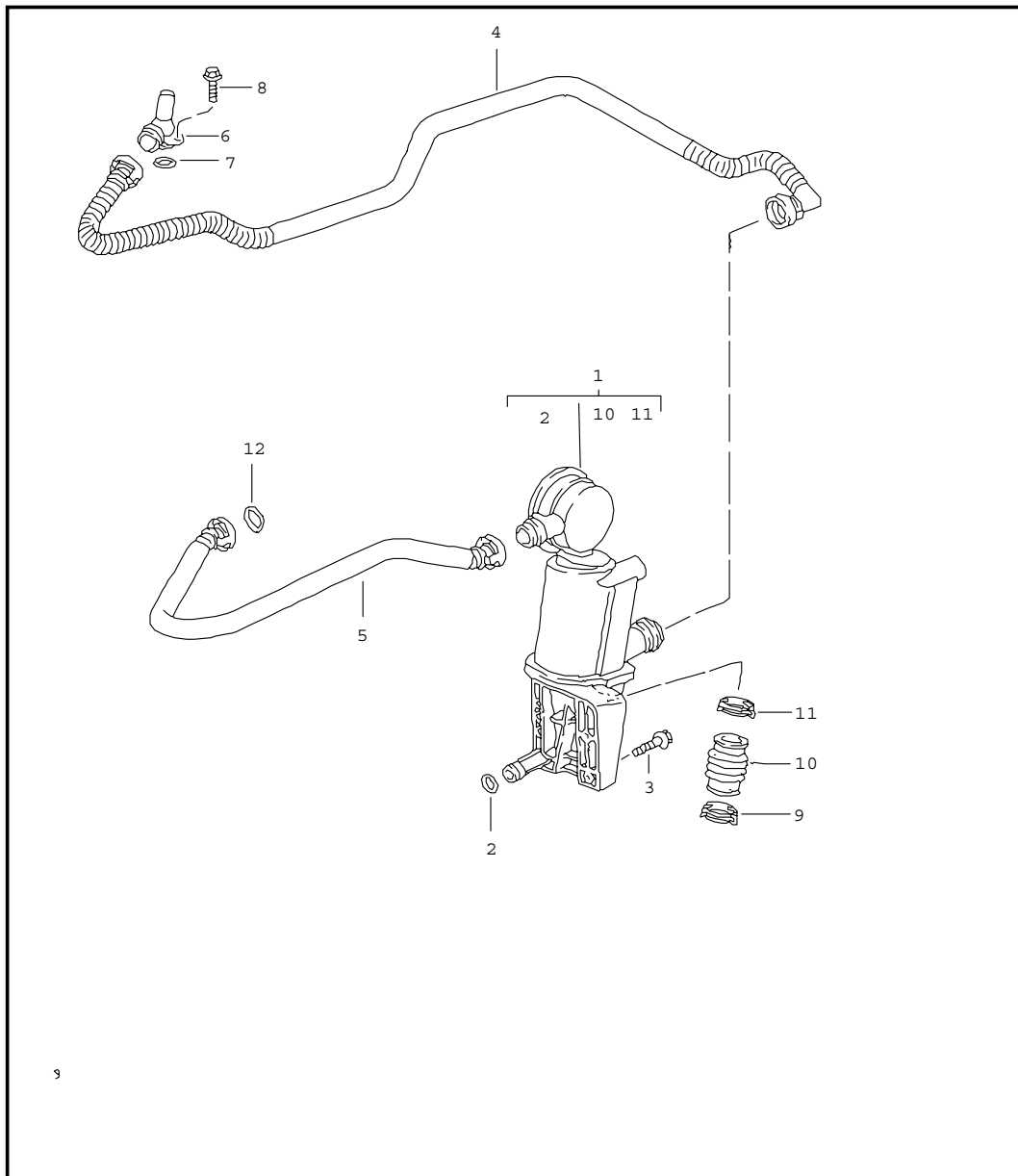


Pos	Part Number	Name	Remarks	Qty	Model
		engine lubrication			
1	A 996 107 020 53	oil filter		1	
1	996 107 020 54	oil filter		1	
2	996 107 313 51	sealing ring use also: grease 999 917 788 00		1	
3	996 107 225 60	filter element		1	
4	996 107 080 54	oil separator		2	
5	999 701 789 40	o-ring 12 X 2		2	
6	900 378 036 09	hexagon-head bolt M 6 X 12		5	
7	996 107 333 50	support		1	
8	999 702 206 50	grommet 9,5 X 18,0 X 1,2		1	
9	996 107 075 57	suction tube		1	
10	999 707 375 40	o-ring 30 X 3		1	
11	900 378 030 09	hexagon-head bolt M 6 X 20		2	
12	996 107 113 03	guide tube		1	
13	999 707 369 40	o-ring 9,5 X 3,5 use also: grease 999 917 788 00		1	
14	900 378 035 09	hexagon-head bolt M 6 X 16		1	
15	996 107 150 02	oil tube	-97	1	
15	996 107 150 03	oil tube	98-	1	
15	996 107 150 05	oil tube	-	1	
16	999 707 348 40	o-ring 42 X 4 use also: grease 999 917 788 00		1	

Model	Year	MG	SG	Illustration	Restrictions	Update					
986	04	1	04	104-05		203	17:39	23.08.2006	PORSCHE	PET	PORSCHE

Pos	Part Number	Name	Remarks	Qty	Model	Pos	Part Number	Name	Remarks	Qty	Model
17	996 107 273 04	filler tube for model year 97 use also:		1				- - - E N D - - -			
--	996 106 287 01	hose		1							
--	996 106 297 01	hose		1							
--	996 106 207 03	hose		1							
18 A	996 107 035 50	cover		1							
(18)	996 107 035 51	cover		1							
19	996 107 254 03	oil hose		1							
20	996 107 183 03	guide tube		1							
21	999 707 385 40	o-ring 19,8 X 3,53		1							
22	996 107 014 02	oil level dipstick		1							
23	999 707 366 40	o-ring 8 X 1,8		1							
24	999 512 612 09	hose clamp 44 X 12	-98	2							
24	999 512 667 09	hose clamp 44 X 12	99-	2							
25	996 107 343 00	spring		1							
26	996 606 150 00	oil-level sender		1							
-	999 650 168 40	plug socket		1							
-	999 650 214 12	connector		4							
-	999 650 215 40	gasket		4							
27 A	999 707 285 40	o-ring 51 X 4,5		1							
(27)	996 107 336 00	gasket		1							
28	900 378 163 09	hexagon-head bolt M 6 X 16		2							
29	996 107 303 00	gasket		1							
30	996 107 367 00	lock nut		1							
31	996 107 323 00	funnel		1							

Model	Year	MG	SG	Illustration	Restrictions	Update	17:40	23.08.2006	PORSCHE	PET	PORSCHE
986	04	1	04	104-10		203					

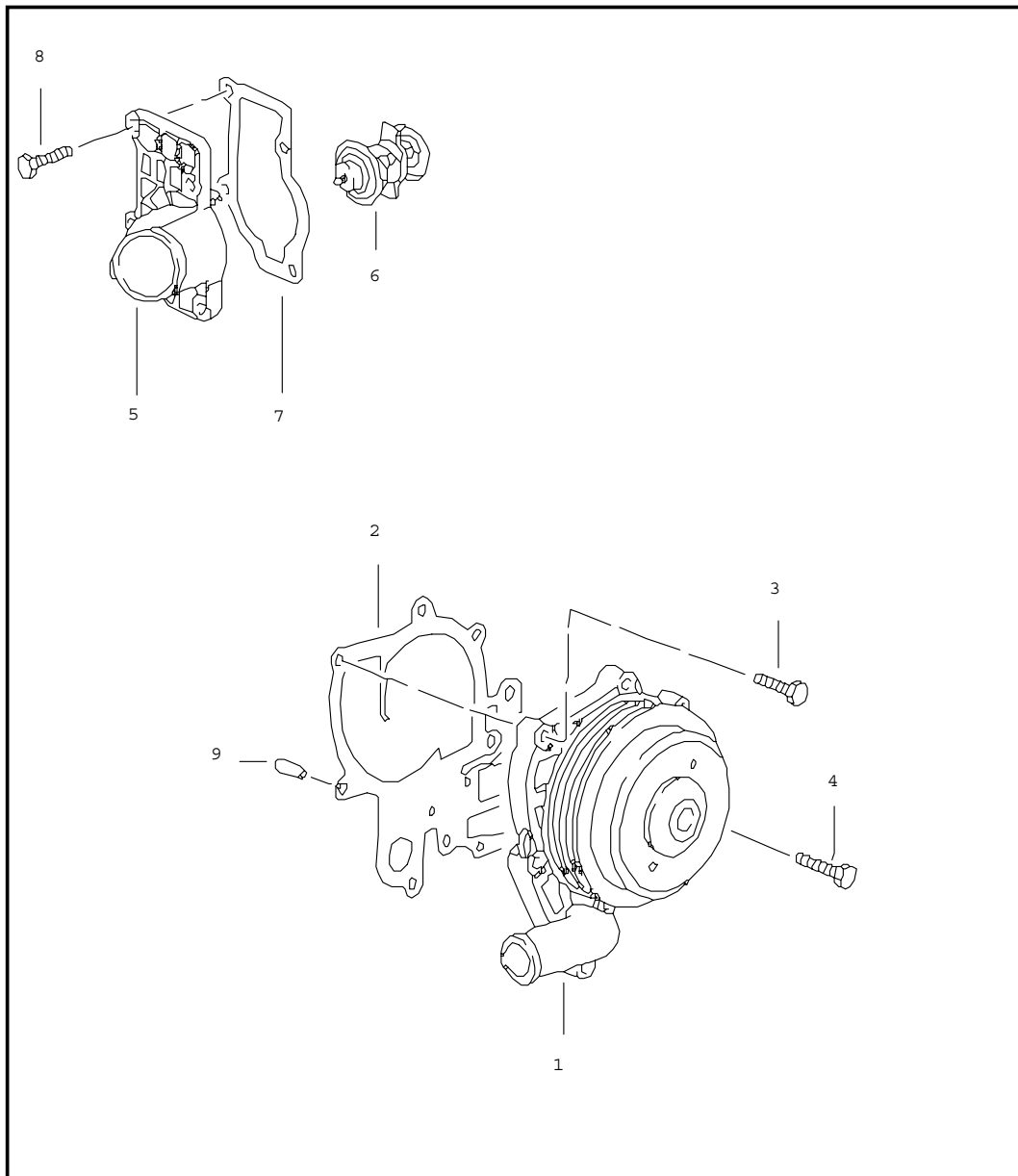


Pos	Part Number	Name	Remarks	Qty	Model
		crankcase bleeding			
(1)	A 996 107 231 55	oil separator		1	
(1)	A 996 107 023 51	oil separator	-97	1	
1	996 107 023 01	oil separator	-98	1	
1	U 996 107 023 02	oil separator	99-	1	
1	996 107 023 03	oil separator	99-	1	
1	996 107 026 00	oil separator	03-	1	
2	A 999 707 256 40	sealing ring 14 X 1,78	-99	1	
(2)	996 107 122 00	sealing ring	99-	1	
3	900 378 177 09	hexagon-head bolt M 6 X 30		2	
4	A 996 107 147 53	breather hose		1	
4	996 107 147 54	breather hose		1	
4	996 107 147 55	breather hose	-02	1	
(4)	996 107 147 58	breather hose	03-	1	
5	996 107 145 05	vent line M >> 65X 01419		1	M 96.20
5	996 107 145 06	vent line M 65X 01420 >>		1	M 96.20
(5)	996 107 146 00	vent line		1	M 96.21/22 M 96.23/24
6	996 107 047 51	connection piece	-02	1	
(6)	996 107 047 00	connection piece	03-	1	
7	999 707 154 40	o-ring 18,77 X 1,78		1	
8	900 378 163 09	hexagon-head bolt M 6 X 16		1	
9	999 512 630 00	hose clamp 32 X 12		1	
10	A 996 107 237 51	bellows		1	
(10)	996 107 237 52	bellows		1	

Model	Year	MG	SG	Illustration	Restrictions	Update	17:40	23.08.2006	PORSCHE	PET	PORSCHE
986	04	1	04	104-10		203					

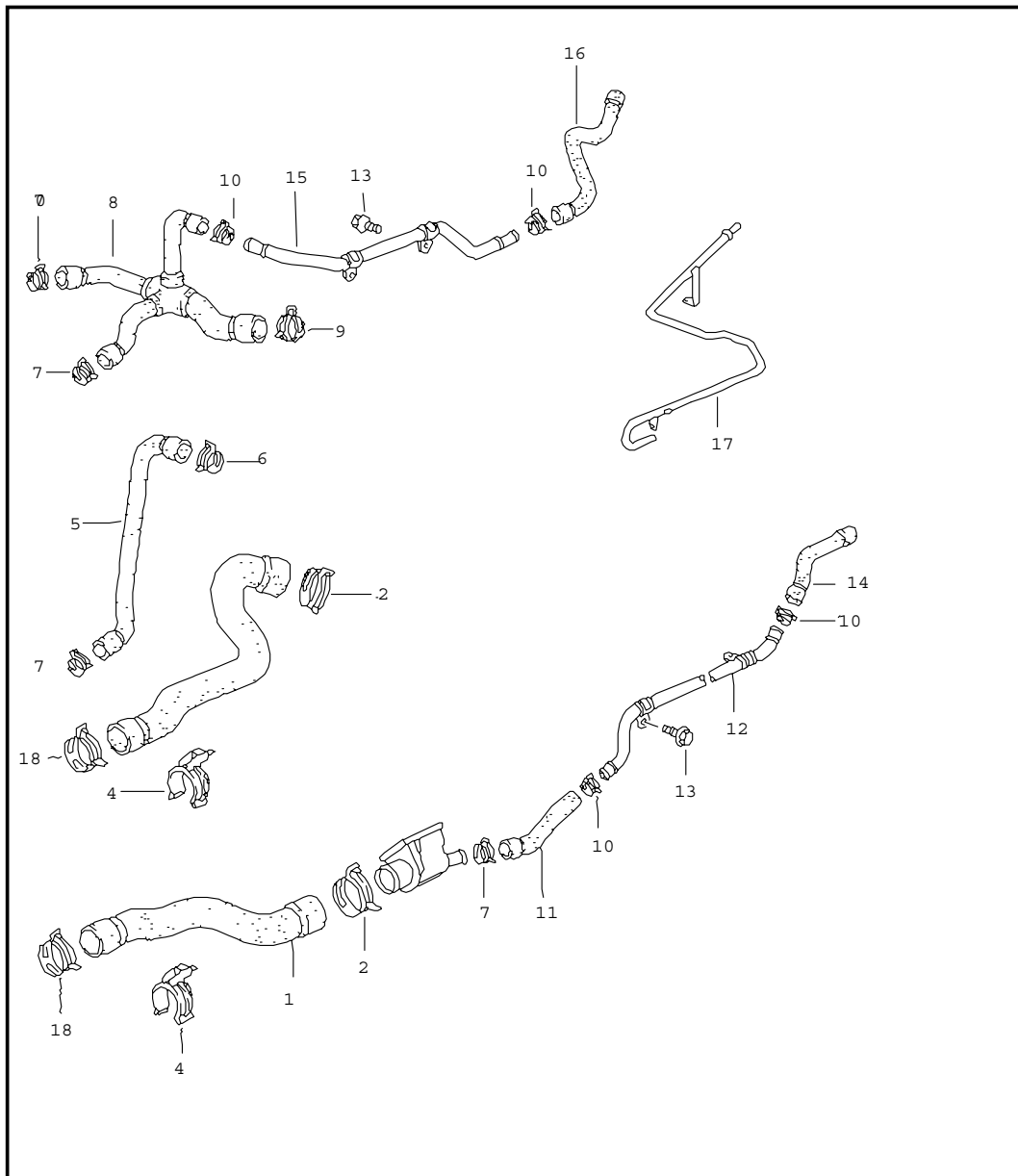
Pos	Part Number	Name	Remarks	Qty	Model	Pos	Part Number	Name	Remarks	Qty	Model
11	999 512 607 09	hose clamp 30 X 12	-98	1							
11	999 512 551 00	hose clamp 30 X 12	99-	1							
12	999 707 446 40	o-ring 18,0 X 2,5		4							
		- - - E N D - - -									

Model	Year	MG	SG	Illustration	Restrictions	Update	17:40	23.08.2006	PORSCHE	PET	PORSCHE
986	04	1	05	105-00		203					



Pos	Part Number	Name	Remarks	Qty	Model
		water pump thermostat housing			
1	996 106 011 53	water pump	-98	1	
1	996 106 011 53	water pump	99-	1	
2	996 106 340 51	gasket		1	
3	900 378 013 09	hexagon-head bolt M 6 X 25		5	
4	900 378 177 09	hexagon-head bolt AM 6 X 30		2	
5	996 106 121 53	cover		1	
6	996 106 125 52	thermostat insert		1	
7	996 106 326 50	gasket		1	
8	900 378 030 09	hexagon-head bolt M 6 X 20		4	
9	996 106 103 50	dowel sleeve 8,2 X 7		2	
- - - E N D - - -					

Model	Year	MG	SG	Illustration	Restrictions	Update	17:40	23.08.2006	PORSCHE	PET	PORSCHE
986	04	1	05	105-05		203					



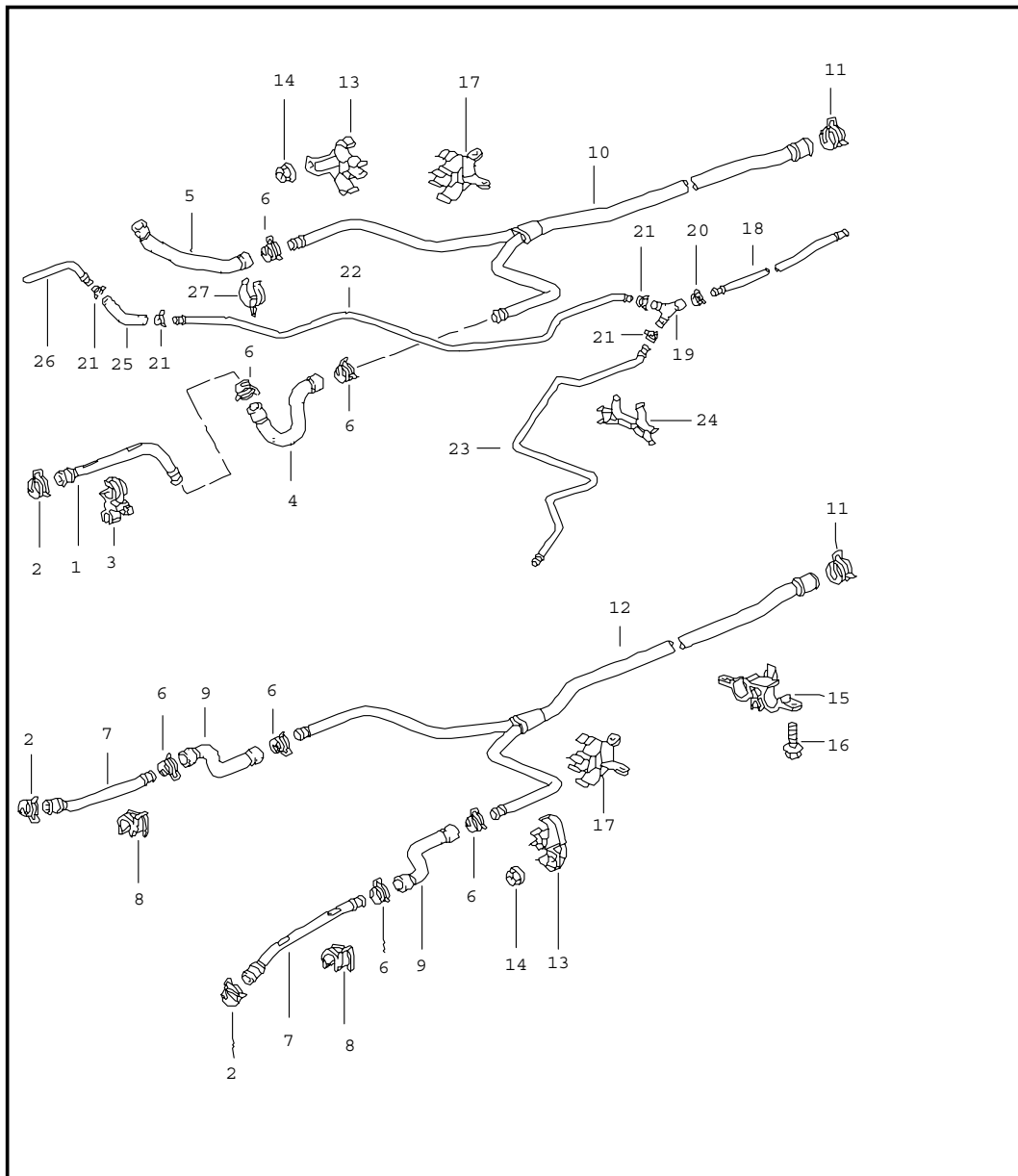
Pos	Part Number	Name	Remarks	Qty	Model
		water cooling 1			
1	996 106 501 03	hose	-98	1	
1	U 996 106 501 04	hose		1	
1	996 106 501 05	hose	99-	1	
2	999 512 594 09	hose clamp 53 X 12	-98	2	
2	999 512 669 09	hose clamp 53 X 12	99-	2	
2	999 512 348 02	hose clamp 40 - 70 MM		2	
3	996 106 502 03	hose	-98	1	
3	996 106 502 04	hose	99-	1	
4	996 106 425 02	support		2	
5	996 106 212 03	hose	-98	1	
5	996 106 212 04	hose	-99	1	M 96.20
5	996 106 212 04	hose	00-	1	M 480/481
5	996 106 212 06	hose	00-	1	M 249
6	999 512 606 09	hose clamp 29 X 12	-98	1	
6	999 512 660 09	hose clamp 29 X 12	99-	1	
6	999 512 551 00	hose clamp 25 - 40 MM	03-	1	
7	999 512 589 09	hose clamp 25 X 12	-98	4	
7	999 512 656 09	hose clamp 25 X 12	99-	4	
7	999 512 552 00	hose clamp 24 X 12	03-	4	
(8)	996 106 222 07	hose	-98	1	
(8)	A 996 106 222 10	hose	-98	1	
(8)	996 106 222 12	hose	99-	1	
8	996 106 222 09	hose	-98	1	M 249
8	A 996 106 222 11	hose	-98	1	M 249

Model	Year	MG	SG	Illustration	Restrictions	Update	17:40	23.08.2006	PORSCHE	PET	PORSCHE
986	04	1	05	105-05		203					

Pos	Part Number	Name	Remarks	Qty	Model	Pos	Part Number	Name	Remarks	Qty	Model
8	996 106 222 13	hose	-99	1	M 249						
(8)	996 106 522 02	hose	00-	1	M 249						
9	999 512 609 09	hose clamp 36 X 12	-98	1							
9	999 512 664 09	hose clamp 36 X 12	99-	1							
10	999 512 587 09	hose clamp 21 X 12	-98	6	M 249						
10	996 106 552 00	hose clamp 21 X 12	99-	6	M 249						
11	996 106 552 00	hose	-98	1							
11	996 106 552 01	hose	99-	1							
12	996 106 655 02	line	-99	1	M 249						
(12)	996 106 674 01	line	00-	1	M 249						
13	900 378 036 09	hexagon-head bolt M 6 X 12		4	M 249						
14	996 106 555 00	hose	-98	1	M 249						
14	996 106 555 01	hose	99-	1	M 249						
15	996 106 657 03	line	-99	1	M 249						
(15)	996 106 672 01	line	00-	1	M 249						
16	996 106 557 01	hose	-98	1	M 249						
16	996 106 557 02	hose	99-	1	M 249						
17	996 106 210 02	vent line		1							
18	999 512 668 09	hose clamp 49 X 12		2							
		- - - E N D - - -									



Model	Year	MG	SG	Illustration	Restrictions	Update	17:40	23.08.2006	PORSCHE	PET	PORSCHE
986	04	1	05	105-10		203					



Pos	Part Number	Name	Remarks	Qty	Model
		water cooling 2			
1	996 106 611 00	water tube		2	
1	996 106 611 01	water tube	03-	2	
(1)	996 106 611 53	water tube supply		2	M 008
2	A 999 512 634 09	hose clamp 34 X 12	-97	4	
2	999 512 640 09	hose clamp 34 X 12	-98	4	
2	999 512 671 09	hose clamp 34 X 12	99-	4	
2	999 512 551 00	hose clamp 25 - 40 MM		4	
3	996 106 414 03	support		4	
3	996 106 414 04	support		4	
(3)	996 106 414 55	support		4	M 96.21
4	A 996 106 623 01	hose supply	/L -98	1	
4	996 106 623 02	hose supply	/L -00	1	M 96.20/22
4	996 106 623 02	hose	/L 01-	1	M 009/480
(4)	996 106 623 53	hose	/L 01-	1	M 009/249
(4)	996 106 623 53	hose supply	/L 99-	1	M 008
5	A 996 106 624 01	hose supply	/R -98	1	
5	996 106 624 02	hose supply	/R -00	1	M 96.20/22
5	996 106 624 02	hose	/R 01-	1	M 009/480
(5)	996 106 624 53	hose	/R 01-	1	M 009/249
(5)	996 106 624 53	hose supply	/R 99-	1	M 008
6	999 512 607 09	hose clamp 30 X 12	-98	10	
6	999 512 661 09	hose clamp 30 X 12	99-	10	

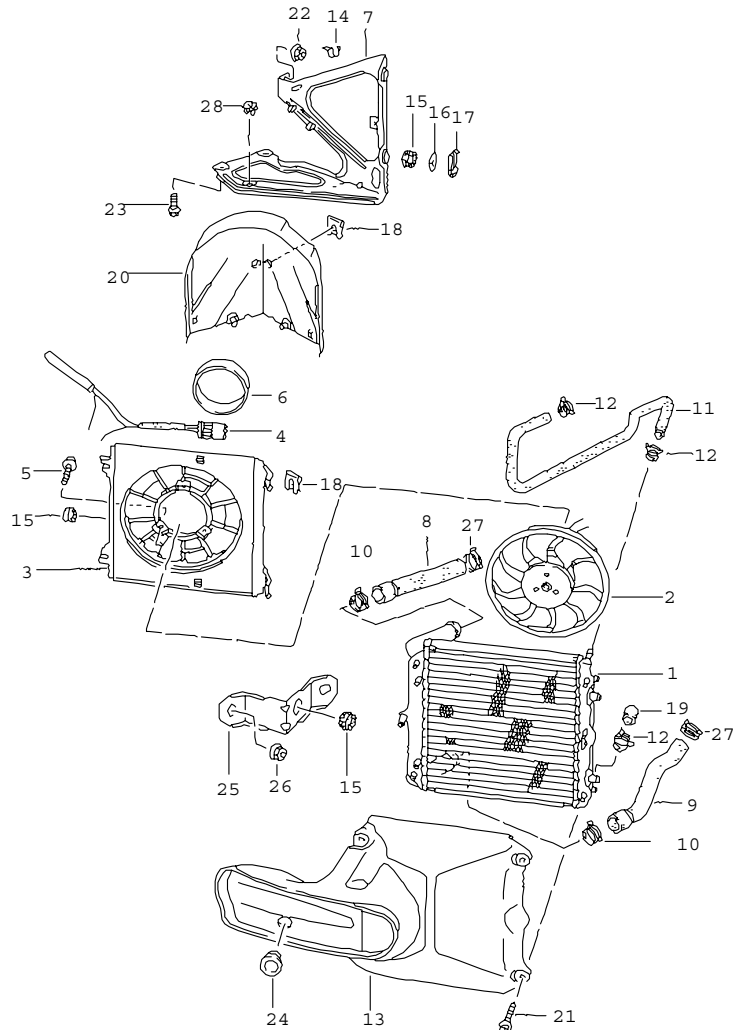
Model	Year	MG	SG	Illustration	Restrictions	Update	17:40	23.08.2006	PORSCHE	PET	PORSCHE
986	04	1	05	105-10		203					

Pos	Part Number	Name	Remarks	Qty	Model	Pos	Part Number	Name	Remarks	Qty	Model
6	999 512 672 09	hose clamp 40 X 12	01-	10	M 009/249	13	996 106 413 01	support		2	
6	999 512 499 00	hose clamp 32 - 50 MM	99-	10	M 008	(13)	996 106 413 52	support	00- 01-	2	M 008 M 009/249
7	996 106 615 01	water tube return		2		14	999 084 629 09	hexagon nut M 6		2	
7	996 106 615 02	water tube return	03-	2		15	996 106 415 02	support		2	
(7)	996 106 615 54	water tube return		2	M 008	16	900 378 035 09	hexagon-head bolt M 6 X 16		6	
8	996 106 419 02	support		4		17	996 106 420 02	support		2	
(8)	996 106 419 52	support	00- 01-	4	M 008 M 009/249	(17)	996 106 420 52	support	00- 01-	2	M 008 M 009/249
9	996 106 627 01	water hose	-98	2		18	996 106 127 51	vent line	-98	1	
9	996 106 627 02	water hose	99-	2		18	996 106 127 52	vent line	99-	1	
(9)	996 106 627 52	water hose		2	M 008	18	996 106 127 53	vent line	03-	1	
(9)	996 106 627 52	water hose	01-	2	M 009/249	19	996 106 546 51	y-piece	-98	1	
10	996 106 651 02	distributing piece	-98	1		19	996 106 546 52	y-piece	99-	1	
10 A	996 106 651 03	distributing piece	99-	1		19	996 106 546 54	y-piece		1	
10	996 106 651 04	distributing piece		1	M 009/481	20	999 512 586 09	hose clamp 20 X 12	-98	1	
(10)	996 106 651 54	distributing piece		1	M 008 M 009/249	20	999 512 653 09	hose clamp 20 X 12	99-	1	
11	999 512 593 09	hose clamp 49 X 12	-98	2		21	999 512 584 09	hose clamp 14 X 12	-98	8	
11	999 512 668 09	hose clamp 49 X 12	99-	2		21	999 512 650 09	hose clamp 14 X 12		8	
11	999 512 348 02	hose clamp 40 - 60 MM		2		21	999 512 554 00	hose clamp 12 - 22 MM	99-	8	
12	996 106 652 02	distributing piece return	-98	1		22	996 106 126 53	vent line	/R	1	
12	996 106 652 03	distributing piece return	99-	1		22	996 106 126 54	vent line	/R	1	
12	996 106 652 04	distributing piece return	03-	1		23	996 106 225 53	vent line	/L	1	
(12)	996 106 652 54	water tube return		1		23	996 106 225 54	vent line	/L	1	
						24	996 106 412 00	support		1	
						25	996 106 135 51	breather hose	-98	2	
						25	996 106 135 52	breather hose	99-	2	

Model	Year	MG	SG	Illustration	Restrictions	Update	17:40	23.08.2006	PORSCHE	PET	PORSCHE
986	04	1	05	105-10		203					

Pos	Part Number	Name	Remarks	Qty	Model	Pos	Part Number	Name	Remarks	Qty	Model
26	996 106 685 52	vent line		2							
26	996 106 685 53	vent line		2							
27	999 507 378 40	support		2							
--	996 106 425 03	support engine water hose	01-	2							
		- - - E N D - - -									

Model	Year	MG	SG	Illustration	Restrictions	Update	17:40	23.08.2006	PORSCHE	PET	PORSCHE
986	04	1	05	105-15		203					

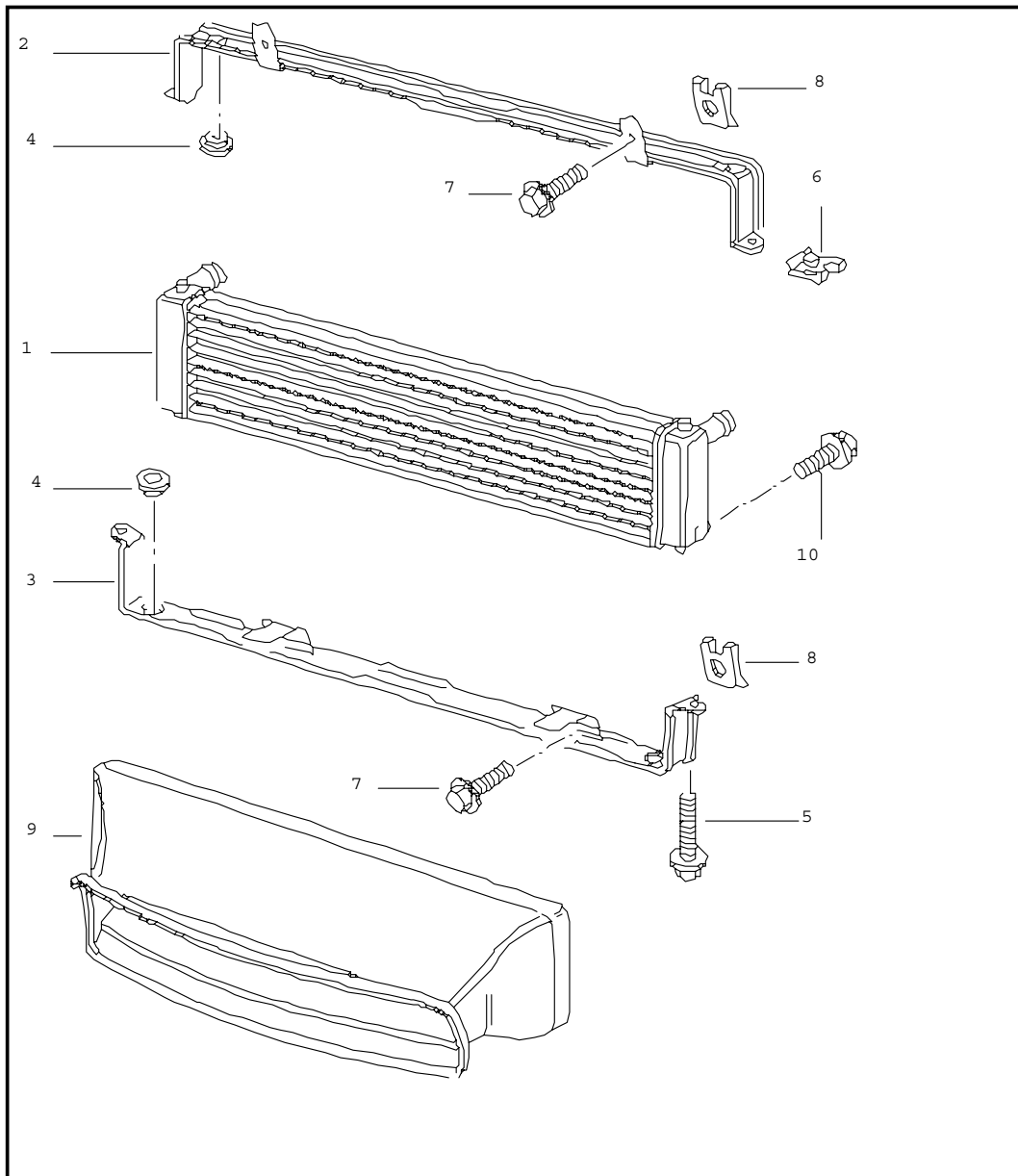


Pos	Part Number	Name	Remarks	Qty	Model
		water cooling 3			
1	A 996 106 131 50	radiator		2	
(1)	996 106 131 51	radiator	/L	1	
(1)	996 106 132 51	radiator	/R	1	
2	996 624 135 00	fan		2	
-	999 652 936 40	plug socket		2	
-	999 652 776 22	connector		6	
-	999 652 778 40	gasket		6	
-	999 652 811 40	plug		2	
3	996 624 131 00	air box		2	
4	996 616 101 00	series resistor		2	
5	900 146 116 09	screw M 5 X 16		6	
6	996 624 136 00	protection cap		2	
7	996 504 175 03	bracket	/L -97	1	
7	996 504 175 04	bracket	/L 98-	1	
7	996 504 175 09	bracket		1	
(7)	996 504 176 03	bracket	/R -97	1	
(7)	996 504 176 04	bracket	/R 98-	1	
(7)	996 504 176 09	bracket		1	
8	996 106 621 01	hose supply	/L -98	1	
8	996 106 621 02	hose supply	/L 99-	1	
(8)	996 106 665 53	hose supply with one conectio radiator centre		1	
(8)	996 106 665 55	hose supply with one conectio radiator centre	/L 00-	1	M 008

Model	Year	MG	SG	Illustration	Restrictions	Update	17:40	23.08.2006	PORSCHE	PET	PORSCHE
986	04	1	05	105-15		203					

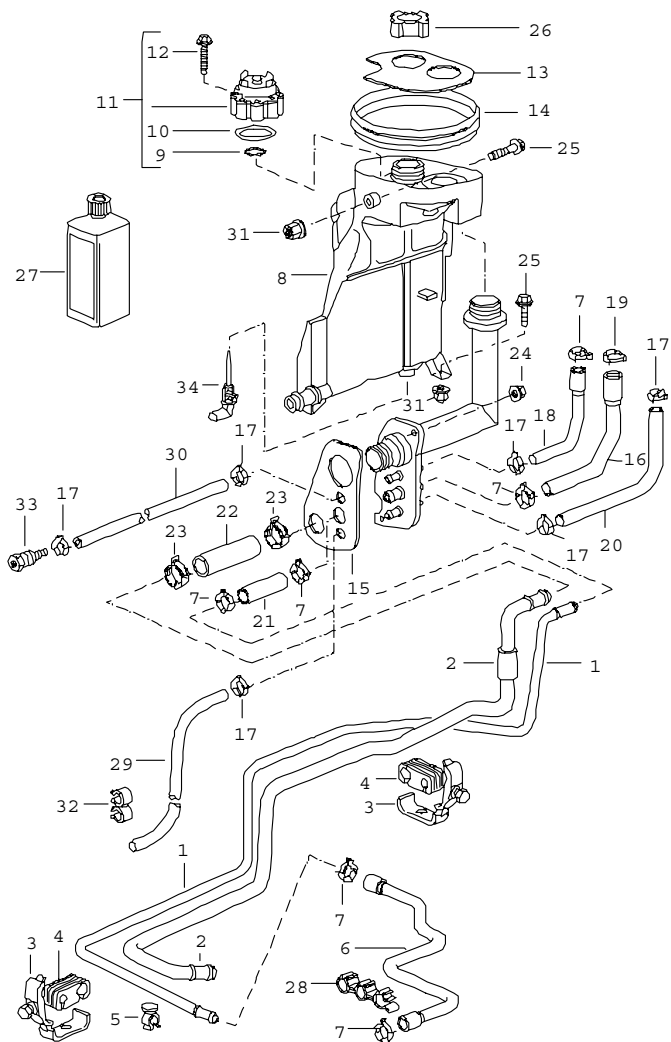
Pos	Part Number	Name	Remarks	Qty	Model	Pos	Part Number	Name	Remarks	Qty	Model
(8)	996 106 622 00	hose supply	/R -98	1		15	999 702 214 40	rubber sleeve 14 X 20,5 X 7,5		6	
(8)	996 106 622 01	hose supply	/R 99-	1		16	999 025 255 02	washer		4	
(8)	996 106 622 52	hose supply	/R 00-	1	M 008	17	999 166 083 09	safety clip B 25		4	
9	996 106 625 01	hose return	/L -98	1		18	999 166 077 02	safety clip B 22		6	
9	996 106 625 02	hose return	/L 99-	1		19	U 999 703 418 40	rubber cap		2	
(9)	996 106 625 54	hose return	/L 00-	1	M 008	(19)	996 106 334 00	rubber cap		2	
(9)	996 106 666 51	hose return with one conectio radiator centre	/R 00-	1	M 008	20	996 575 341 03	air duct	-98	2	
(9)	996 106 666 52	hose return with one conectio radiator centre		1		20	996 575 341 04	air duct	/L 99-	1	
(9)	996 106 626 00	hose return	/R -98	1		(20)	996 575 342 00	air duct	/R 99-	1	
(9)	996 106 626 01	hose return	/R 99-	1		21	999 919 134 09	oval-head screw 6,0 X 16		14	
10	999 512 611 09	hose clamp 42 X 12	-98	4		22	999 084 630 09	hexagon nut M 8		2	
10	999 512 666 09	hose clamp 42 X 12	99-	4		23	900 378 074 09	hexagon-head bolt M 8 X 16		4	
10	999 512 499 00	hose clamp 32 - 50 MM		4		24	803 803 583	cover 30,0 X 40,0	/R	1	
11	996 106 137 53	breather hose	/L	1		25	996 504 721 00	support		1	
(11)	996 106 138 53	breather hose	/R	1			GRV	prime coated			
12	999 512 585 09	hose clamp 15 X 12		6		26	900 377 003 02	hexagon nut M 8		4	
13	996 575 321 00	air duct	/L	1		27	999 512 659 09	hose clamp 28 X 12		2	
(13)	996 575 322 00	air duct	/R	1		27	999 512 552 00	hose clamp		1	
14	999 651 305 02	cable holder		2		28	999 507 590 02	captive nut		1	
- - - E N D - - -											

Model	Year	MG	SG	Illustration	Restrictions	Update	17:41	23.08.2006	PORSCHE	PET	PORSCHE
986	04	1	05	105-17		203					



Pos	Part Number	Name	Remarks	Qty	Model
		radiator centre	00-		M 008
1	996 106 037 50	radiator		1	
1	996 106 037 51	radiator		1	
2	996 504 487 02	retaining frame		1	
3	996 504 485 02	retaining frame		1	
4	930 113 430 00	rubber mounting		4	
5	900 378 036 09	hexagon-head bolt M 6 X 12		2	
6	999 507 550 02	BLECHMUTTER M 6		2	
7	900 378 074 09	hexagon-head bolt M 8 X 16		4	
8	999 591 869 02	speed nut M 8		4	
9	996 575 141 02	air duct		1	
10	996 106 901 00	screw plug		1	
		- - - E N D - - -			

Model	Year	MG	SG	Illustration	Restrictions	Update	17:41	23.08.2006	PORSCHE	PET	PORSCHE
986	04	1	05	105-20		203					



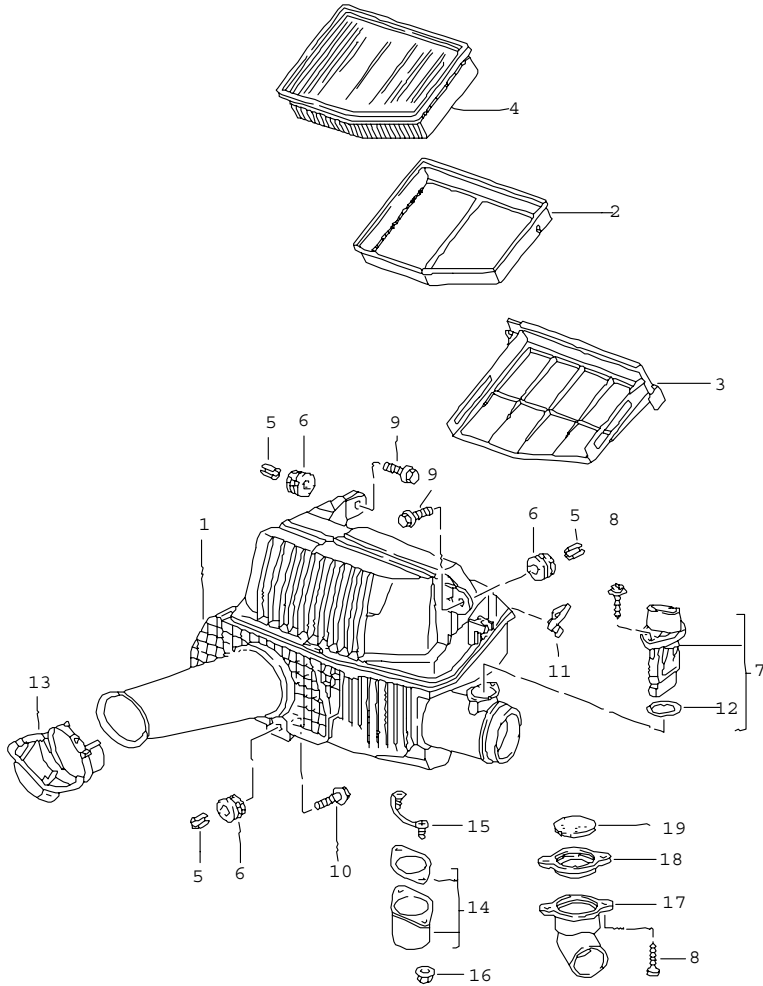
Pos	Part Number	Name	Remarks	Qty	Model
		water cooling 4			
1	996 106 681 01	vent line	-98	1	
1	996 106 681 02	vent line	99-	1	
1	996 106 681 03	vent line		1	
2	996 106 663 00	filler tube	-98	1	
2	996 106 663 01	filler tube	99-	1	
2	996 106 663 02	filler tube		1	
3	999 511 230 40	cable holder		2	
4	999 511 231 41	rubber mounting		2	
5	999 507 500 40	cable holder		1	
6	996 106 135 01	breather hose	-98	1	
6	996 106 135 02	breather hose	99-	1	
7	999 512 653 09	hose clamp 20 X 12		6	
7	999 512 554 00	hose clamp 20 X 12		6	
8 A	996 106 147 03	expansion tank	-97	1	
8 A	996 106 147 04	expansion tank	-98	1	
8	996 106 147 06	expansion tank		1	
8	996 106 147 07	expansion tank		1	
9	999 707 371 40	o-ring 17 X 4		1	
10	999 707 370 40	o-ring 47 X 4		1	
11	996 106 347 00	bleeder valve	-97	1	
11	996 106 347 01	bleeder valve	98-	1	
12	999 919 058 02	hexagon-head bolt 5,0 X 40		8	
13	996 106 234 01	cover		1	
14	986 504 644 00	gasket		1	
15	996 106 235 01	gasket	-97	1	
15	996 106 235 02	gasket	98-	1	

Model	Year	MG	SG	Illustration	Restrictions	Update	17:41	23.08.2006	PORSCHE	PET	PORSCHE
986	04	1	05	105-20		203					

Pos	Part Number	Name	Remarks	Qty	Model	Pos	Part Number	Name	Remarks	Qty	Model
16	996 106 237 00	hose		1		(27)	000 043 300 31	antifreeze protection 20 LTR. container		X	
17	999 512 585 09	hose clamp 15 X 12		5							
18	996 106 247 00	hose		1		28	996 106 411 01	support	-97	1	
19	999 512 587 09	hose clamp 21 X 12	-98	1		28	996 106 411 02	support	98-	1	
19	999 512 654 09	hose clamp 21 X 12	99-	1		29	996 106 297 01	hose for model year 97 use also:		1	
20	A 996 106 287 00	overflow hose	-97	1		--	996 107 273 04	filler tube		1	
20	996 106 287 01	hose for model year 97 use also:	97-	1		--	996 106 287 01	hose		1	
--	996 107 273 04	filler tube		1		--	996 106 207 03	hose		1	
--	996 106 297 01	hose		1		30	A 996 106 207 00	hose	-97	1	
--	996 106 207 03	hose		1		30	U 996 106 207 01	hose	98-	1	
21	996 106 257 00	hose		1		(30)	996 106 207 03	hose for model year 97 use also:	97-	1	
22	996 106 267 00	hose		1		--	996 107 273 04	filler tube		1	
23	999 512 658 09	hose clamp 27 X 12		2		--	996 106 287 01	hose		1	
23	999 512 552 00	hose clamp 27 X 12		2		--	996 106 297 01	hose		1	
24	999 084 629 09	hexagon nut M 6		2		31	999 500 084 02	special nut M 6		2	
25	900 075 333 02	screw M 6 X 25		2		32	999 507 570 40	support 11,0/18,0		2	
26	443 121 321	cover	-97	1		33	996 106 253 00	quick-connecting lock		1	
26	996 106 447 00	cover	98-	1		34	996 641 503 00	switch		1	
26	996 106 447 01	cover		1		-	999 652 912 40	plug socket		1	
27	000 043 203 78	antifreeze protection 1 LTR. container		X		-	999 650 490 40	plug socket		1	
(27)	A 000 043 203 79	antifreeze protection 25 LTR. container		X		-	999 652 934 22	connector		2	
- - - E N D - - -											



Model	Year	MG	SG	Illustration	Restrictions	Update	17:41	23.08.2006	PORSCHE	PET	PORSCHE
986	04	1	06	106-00		203					

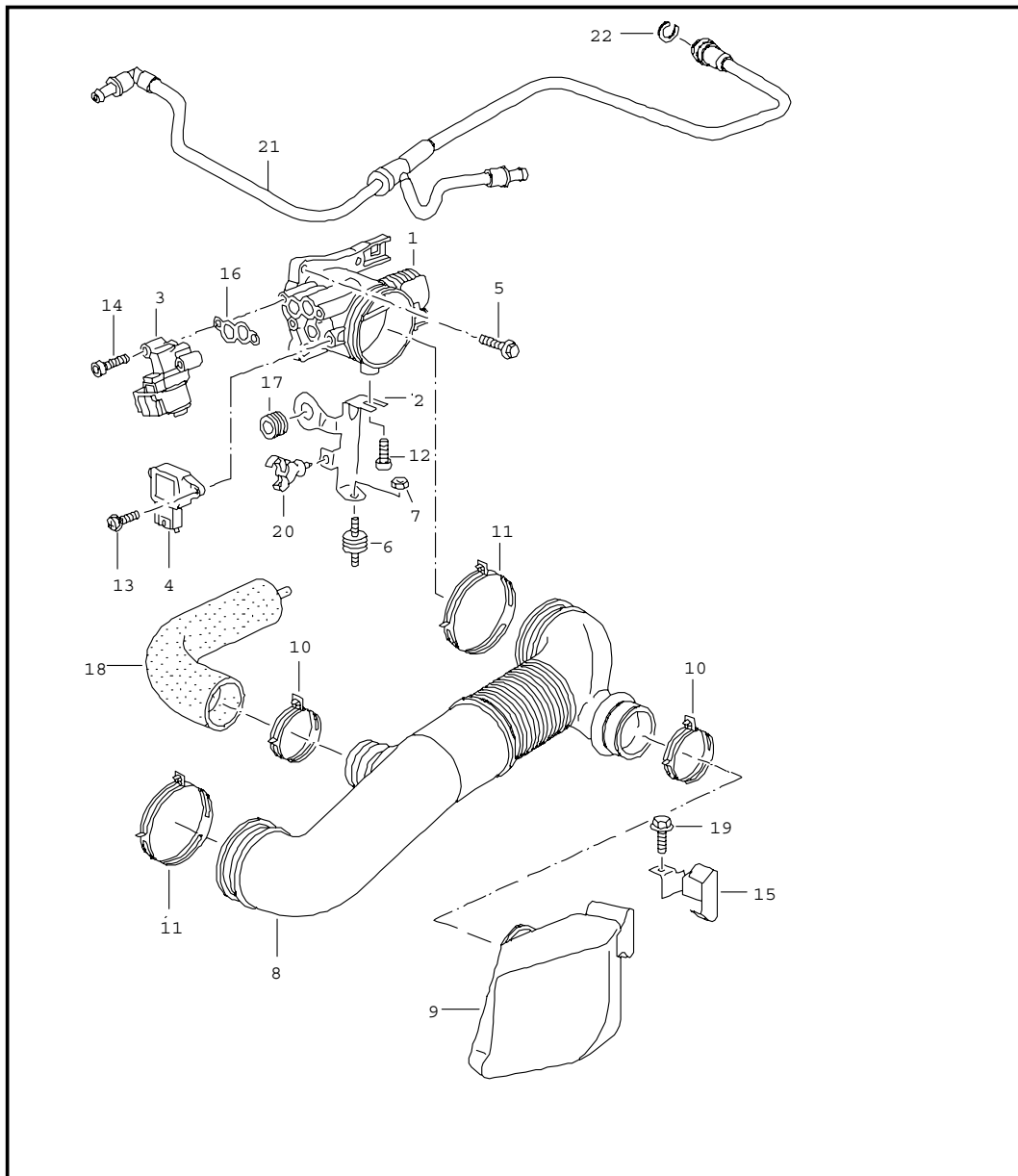


Pos	Part Number	Name	Remarks	Qty	Model
		air cleaner			
1	A 996 110 121 05	air cleaner	-97	1	
1	996 110 121 06	air cleaner for M 96.20/22	98-	1	
		order also:		1	
		996 110 297 00		1	
		996 110 295 00		2	
		999 919 198 09			
		for M 96.21			
		order also:		1	
		996 110 297 01		1	
		996 110 295 00		2	
		999 919 198 09			
(1)	987 110 021 00	air cleaner		1	M 091
2	996 110 133 01	frame		1	
3	996 110 123 02	frame		1	
4	996 110 131 03	air cleaner cartridge		1	
(4)	U 987 110 132 00	air cleaner cartridge		1	M 091
(4)	987 110 133 00	air cleaner cartridge		1	M 091
5	900 095 099 02	roll pin 12 X 14		3	
6	999 702 246 40	grommet 12,0 X 17,0 X 3		3	
7	996 606 123 00	mass air flow		1	
-	999 650 169 40	plug socket		1	
-	999 652 886 22	connector		5	
-	999 704 161 40	gasket		5	
(7)	986 606 125 00	mass air flow see technical information group 2 NR. 1/00		1	M 620
(7)	987 606 125 00	mass air flow		1	
8	999 919 160 07	oval-head screw 5,0 X 20	04	4	M 091
9	900 075 333 02	screw M 6 X 25		2	

Model	Year	MG	SG	Illustration	Restrictions	Update	17:41	23.08.2006	PORSCHE	PET	PORSCHE
986	04	1	06	106-00		203					

Pos	Part Number	Name	Remarks	Qty	Model	Pos	Part Number	Name	Remarks	Qty	Model
10	900 075 482 09	screw M 6 X 30		1							
11	-	spring clamp		2							
12	986 606 925 00	o-ring		1							
13	996 110 903 00	cup		1							
14	996 110 905 00	water drip pan	-97	1							
14	996 110 905 01	water drip pan	98-	1							
15	996 110 907 00	support		1							
16	900 377 001 02	hexagon nut M 6		2							
17	996 110 297 01	cover		1	M96.21						
18	996 110 297 00	water drain tube		1	M96.20/22						
19	996 110 295 00	washer		1							
		- - - E N D - - -									

Model	Year	MG	SG	Illustration	Restrictions	Update	17:41	23.08.2006	PORSCHE	PET	PORSCHE
986	04	1	07	107-00		203					

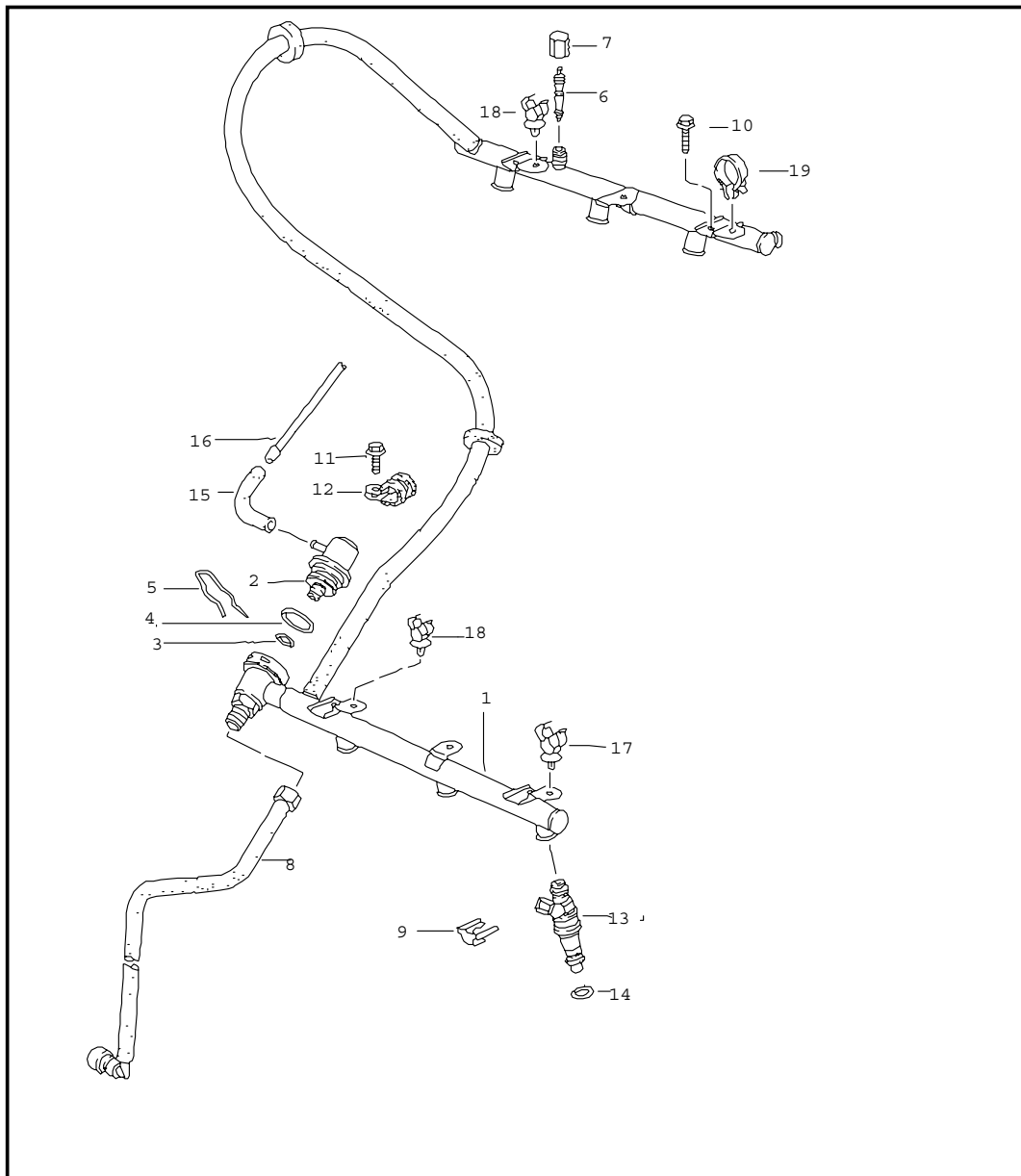


Pos	Part Number	Name	Remarks	Qty	Model
		throttle body			
1	996 110 025 08	throttle body		1	M 96.20
1	986 605 115 01	throttle body		1	M 96.21/22 M 96.23/24
2	996 110 223 01	bracket	-97	1	
2	996 110 223 03	bracket	98-	1	
3	996 606 160 01	idle-speed adjuster		1	
-	999 650 089 40	plug socket		1	
-	999 652 771 12	connector		3	
-	999 704 161 40	gasket		3	
4	996 606 116 00	throttle-valve switch		1	
-	999 652 916 40	plug socket		1	
-	999 652 886 22	connector		3	
-	999 704 161 40	gasket		3	
5	900 378 013 09	hexagon-head bolt AM 6 X 25		4	
6	930 110 579 01	bonded rubber buffer 20 X 15/M 6		1	
7	900 377 010 09	hexagon nut M 6		1	
8	996 110 221 07	air box	-99	1	M 249 M 073/481
8	996 110 221 08	air box	-99	1	M 481
(8)	996 110 027 03	air box with muffler	00	1	M 249
(8)	996 110 027 05	air box with muffler	01-	1	M 249
(8)	996 110 027 04	air box with muffler	00-	1	M 480/481
9	996 110 222 00	muffler	-99	1	
10	999 512 669 09	hose clamp 40 - 60 MM		2	

Model	Year	MG	SG	Illustration	Restrictions	Update	17:41	23.08.2006	PORSCHE	PET	PORSCHE
986	04	1	07	107-00		203					

Pos	Part Number	Name	Remarks	Qty	Model	Pos	Part Number	Name	Remarks	Qty	Model
10	999 512 348 02	hose clamp 53 X 12		2							
11	999 512 628 02	hose clamp 86 X 12	-99	2							
11	999 512 628 02	hose clamp 86 X 12 air box throttle body	00-	1							
(11)	N 024 522 3	clip 60 X 80 air box air cleaner	00-	1							
12	-	pan-head screw		1							
13	900 146 150 02	round head screw M 4 X 16		2							
14	900 067 013 02	pan-head screw M 6 X 35		2							
15	996 110 212 01	support		1							
16	996 110 310 50	gasket		1							
17	999 702 246 40	rubber sleeve 12,0 X 17,0 X 3		1	M 249						
18	996 110 242 00	pipe		1	M 249 M 073/481						
19	900 378 163 09	hexagon-head bolt M 6 X 16		1							
20	999 507 544 40	cable holder 4,0 - 12,0		1							
21	996 110 170 00	venturi tube	01-	1	M 249						
22	999 230 535 40	lock		3	M 249						
		- - - E N D - - -									

Model	Year	MG	SG	Illustration	Restrictions	Update	17:42	23.08.2006	PORSCHE	PET	PORSCHE
986	04	1	07	107-05		203					

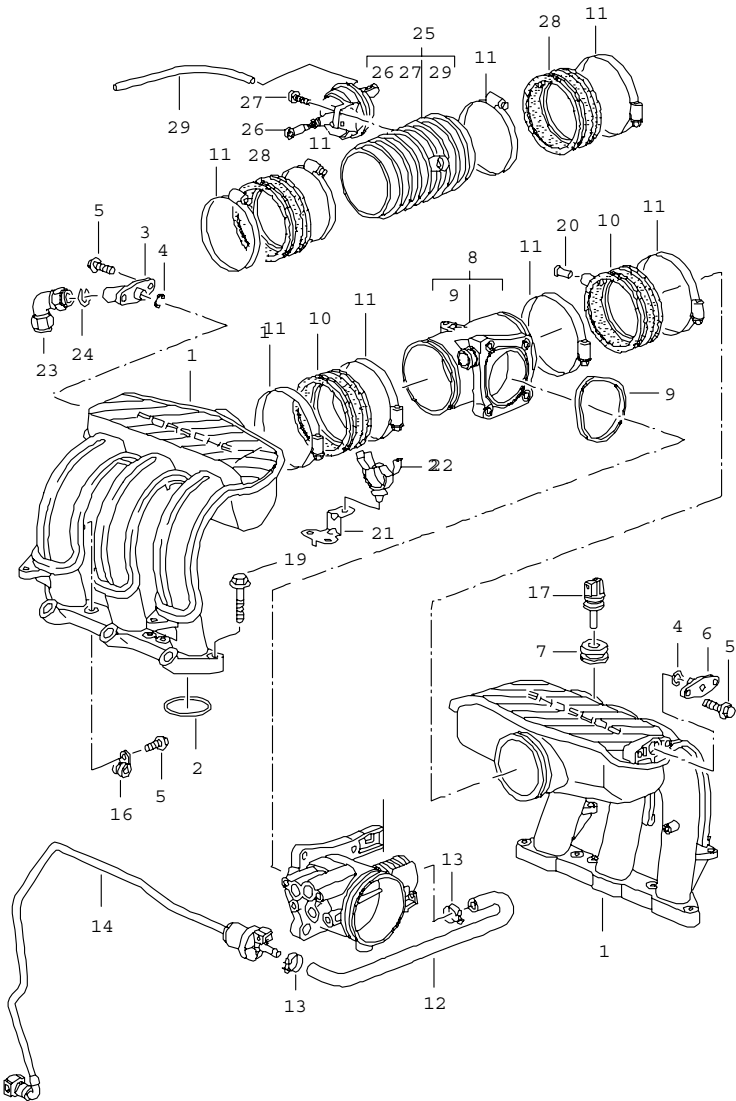


Pos	Part Number	Name	Remarks	Qty	Model
		fuel collection pipe			
1	A 996 110 031 04	fuel collection pipe		1	M 96.20
1	996 110 031 05	fuel collection pipe	-97	1	M 96.20
1	996 110 031 07	fuel collection pipe	98-	1	M 96.20
1	U 996 110 035 01	fuel collection pipe		1	M 96.21
1	996 110 035 03	fuel collection pipe	00	1	M 96.21/22
(1)	996 110 035 04	fuel collection pipe	01	1	M 96.21/22
(1)	996 110 036 02	fuel collection pipe	02-	1	M 96.21/22 M 96.23/24
(1)	996 110 036 30	fuel collection pipe	M 091-04	1	M 96.24
2	993 110 199 01	pressure regulator	-01	1	
3	999 707 276 40	o-ring 5 X 2,5		1	
4	999 707 277 40	o-ring 20 X 2,5		1	
5	993 110 196 00	retaining clip		1	
6	993 110 217 00	valve		1	
7	993 110 218 01	cap		1	
8	996 110 316 07	fuel hose	-97	1	
8	996 110 316 08	feed line	-99	1	M 96.20
(8)	996 110 316 10	feed line	00-01	1	M 96.21/22
9	996 110 113 52	retaining clip		6	
10	900 378 036 09	hexagon-head bolt M 6 X 12		4	
11	999 919 085 02	hexagon-head bolt 6 X 22		1	
12	999 511 234 02	clamp 16 X 15		1	
13	A 996 606 120 00	injector valve	-99	6	
(13)	996 606 120 01	injector valve	00	6	
(13)	996 606 122 00	injector valve	01-	6	
-	999 652 840 40	plug socket		6	

Model	Year	MG	SG	Illustration	Restrictions	Update					
986	04	1	07	107-05		203	17:42	23.08.2006	PORSCHE	PET	PORSCHE

Pos	Part Number	Name	Remarks	Qty	Model	Pos	Part Number	Name	Remarks	Qty	Model
-	999 652 771 12	connector		12							
-	999 704 161 40	gasket		12							
14	944 110 901 01	o-ring 7,52 X 3,53		12							
15	928 574 717 03	protective tube		1							
-	000 043 205 01	pipe 4 X 1		*							
16	-	340 MM		1							
17	999 511 240 40	cable holder 11,0 - 18		2							
18	999 511 239 40	cable holder 6,0 - 12		2							
19	321 971 847 B	clip		2							
		- - - E N D - - -									

Model	Year	MG	SG	Illustration	Restrictions	Update	17:42	23.08.2006	PORSCHE	PET	PORSCHE
986	04	1	07	107-10		203					



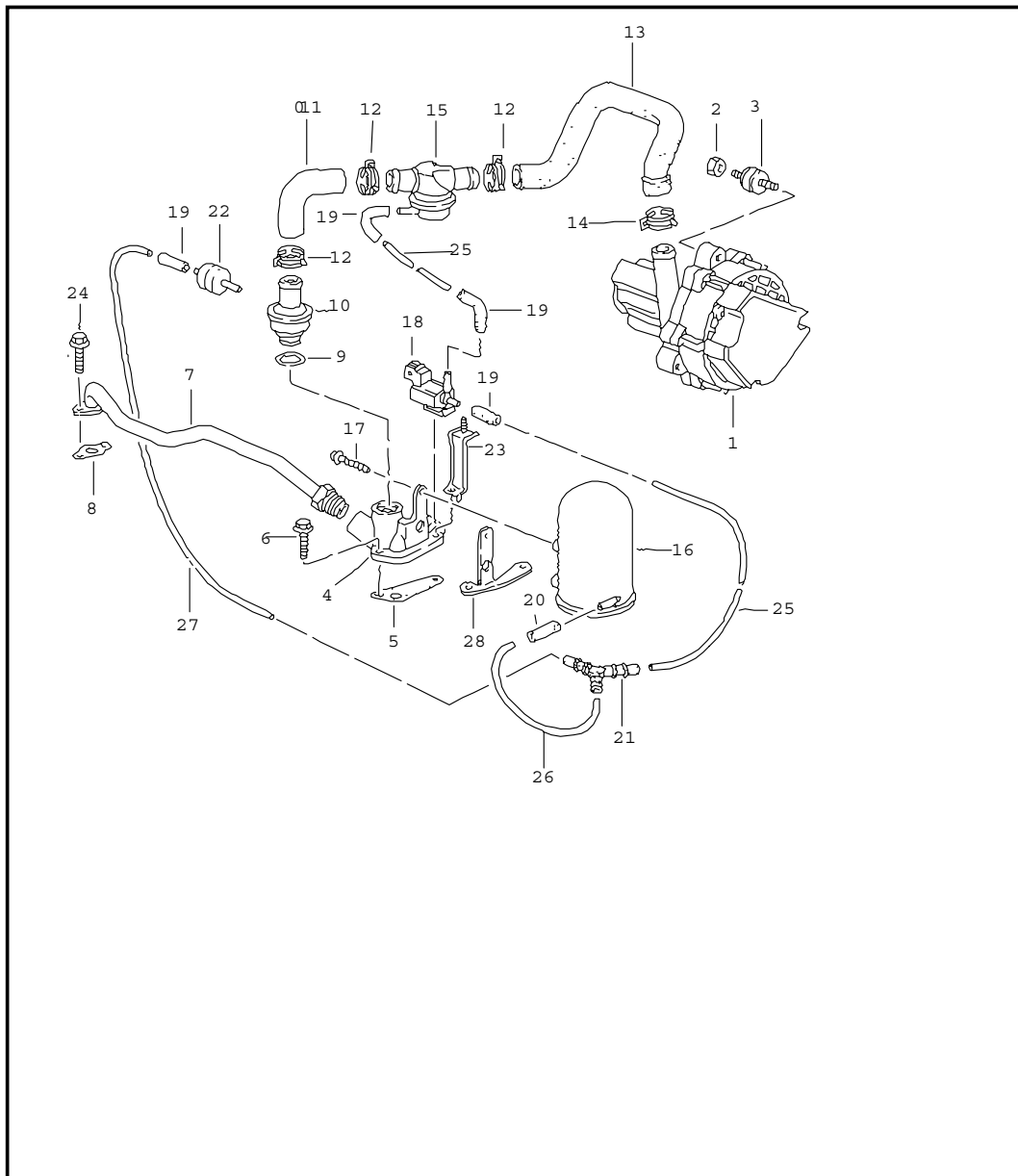
Pos	Part Number	Name	Remarks	Qty	Model
		intake distributor			
1	996 110 015 03	intake distributor		2	M96.20
(1)	996 110 045 01	intake distributor		2	M96.21/22 M96.23/24
2	996 110 247 01	gasket		6	M96.20
2	996 110 247 03	gasket		6	M96.21/22 M96.23/24
3	996 110 151 00	adapter		1	
(3)	996 110 151 51	adapter	01-	1	M 249
4	999 701 163 40	o-ring 11 X 2,5		2	
5	999 919 125 09	hexagon-head bolt 6,0 X 16		5	
6	996 110 251 51	cover		1	
7	993 110 530 00	grommet		1	
8	996 110 215 53	intermediate piece		1	M 96.20
(8)	996 110 055 00	intermediate piece		1	M 96.21/22 M 96.23/24
9	996 110 317 50	sealing ring		1	
(9)	996 110 318 01	sealing ring		1	M 96.21/22 M 96.23/24
10	A 996 110 685 51	rubber sleeve	-97	2	
10	996 110 685 52	rubber sleeve	98-	2	
(10)	996 110 685 01	rubber sleeve		2	M 96.21/22 M 96.23/24
11	999 512 539 00	hose clamp 90 - 110/9		4	M 96.20
(11)	999 512 350 02	hose clamp 80 - 100/9		8	M 96.21/22 M 96.23/24
12	996 110 127 01	vent line	-99	1	M 96.20
(12)	996 110 137 01	vent line	00-02 03-	1	M 96.21/22 M 96.23/24
13	999 512 427 02	hose clamp 8 - 16/9		3	

Model	Year	MG	SG	Illustration	Restrictions	Update	17:42	23.08.2006	PORSCHE	PET	PORSCHE
986	04	1	07	107-10		203					

Pos	Part Number	Name	Remarks	Qty	Model	Pos	Part Number	Name	Remarks	Qty	Model
14	996 110 129 04	vent line		1							
-	999 652 839 40	plug socket		1							
-	999 652 771 12	connector		2							
-	999 704 161 40	gasket		2							
16	999 511 116 02	clamp 10 X 15		1							
17	996 606 113 00	temperature sensor	-02	1							
17	996 606 113 01	temperature sensor	03-	1							
-	999 650 167 40	plug socket		1							
-	999 652 771 12	connector		2							
-	999 704 161 40	gasket		2							
19	900 378 172 09	hexagon-head bolt AM 6 X 35		12							
20	900 312 012 02	locking bolt		1							
21	986 607 103 00	support	-97	1							
21	986 607 103 01	support	98-	1							
22	999 511 244 40	cable holder		1							
23	999 230 498 40	angled pipe		1							
24	999 230 535 40	lock		1							
25	996 110 130 01	resonance tube		1	M 96.21/22 M 96.23/24						
26	993 110 462 02	vacuum unit		1	M 96.21/22 M 96.23/24						
27	900 146 123 02	screw M 5 X 16		2							
28	996 110 686 01	rubber sleeve		2	M 96.21/22 M 96.23/24						
-	000 043 204 99	hose 3,5 X 2		*							
29	-	120 MM		1							
		- - - E N D - - -									



Model	Year	MG	SG	Illustration	Restrictions	Update	17:42	23.08.2006	PORSCHE	PET	PORSCHE
986	04	1	08	108-05		203					

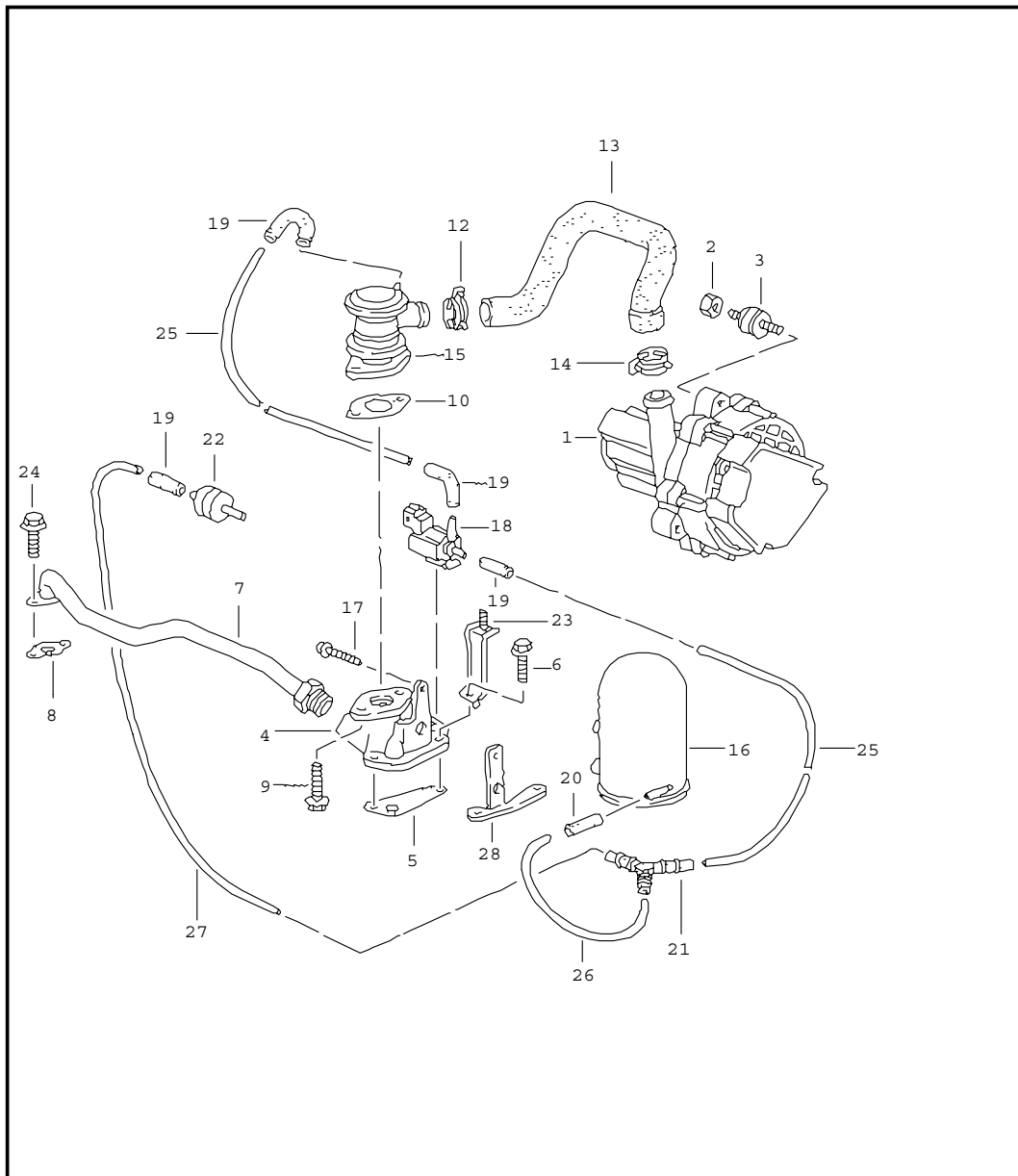


Pos	Part Number	Name	Remarks	Qty	Model
		air injection	-99		M96.20
1	A 986 624 103 00	air pump	-97	1	
1	A 986 624 103 01	air pump	-98	1	
1	986 624 104 00	air pump	-99	1	
-	999 652 971 40	plug socket		1	
-	999 652 776 22	connector		2	
-	999 652 778 40	gasket		2	
2	900 377 010 09	hexagon nut M 6		3	
3	999 703 465 00	bonded rubber buffer 20 X 20 / m6	99	3	
4	996 113 131 52	distributor housing		1	
5	996 113 233 50	gasket		1	
6	900 378 030 09	hexagon-head bolt M 6 X 20		2	
7	996 113 117 55	air tube		1	
8	996 113 213 51	gasket		1	
9	900 123 011 30	sealing ring A 22 X 27		1	
10	993 113 250 03	check valve	99	1	
11	996 113 241 53	hose		1	
12	999 512 603 09	hose clamp 26 X 12	-98	3	
12	999 512 657 09	hose clamp 26 X 12	99	3	
13	996 113 239 03	hose F >>98WU6 20657 F >>98WS6 20860		1	
13	996 113 239 04	hose F 98WU6 20658>> F 98WS6 20861>>		1	
14	999 512 605 09	hose clamp 28 X 12	-98	1	
14	999 512 659 09	hose clamp 28 X 12	99	1	

Model	Year	MG	SG	Illustration	Restrictions	Update	17:42	23.08.2006	PORSCHE	PET	PORSCHE
986	04	1	08	108-05		203					

Pos	Part Number	Name	Remarks	Qty	Model	Pos	Part Number	Name	Remarks	Qty	Model
14	999 512 552 00	hose clamp 28 X 12		1							
15	993 113 245 00	shut-off valve	99	1							
16	993 110 140 02	vacuum tank	-97	1							
16	993 110 140 03	vacuum reservoir	98-	1							
17	999 919 115 02	oval-head screw 5 X 22		1							
18	993 605 123 00	change-over valve	-98	1							
18	996 605 123 01	change-over valve	99	1							
-	999 652 838 40	plug socket		1							
-	999 652 771 12	connector		2							
-	999 704 161 40	gasket		2							
19	928 574 717 03	protective tube		4							
20	999 239 040 40	protective tube		1							
21	928 573 727 03	y-piece		1							
22	964 110 950 01	check valve		1							
23	986 607 102 01	support		1							
24	900 378 035 09	hexagon-head bolt M 6 X 16		2							
-	000 043 205 01	pipe 4 X 1,0		*							
25	-	120 MM		2							
26	-	40 MM		1							
27	-	240 MM		1							
28	996 113 145 50	support		1							
--	996 113 901 00	plug for cars without m 661		1							
		- - - E N D - - -									

Model	Year	MG	SG	Illustration	Restrictions	Update	17:42	23.08.2006	PORSCHE	PET	PORSCHE
986	04	1	08	108-06		203					

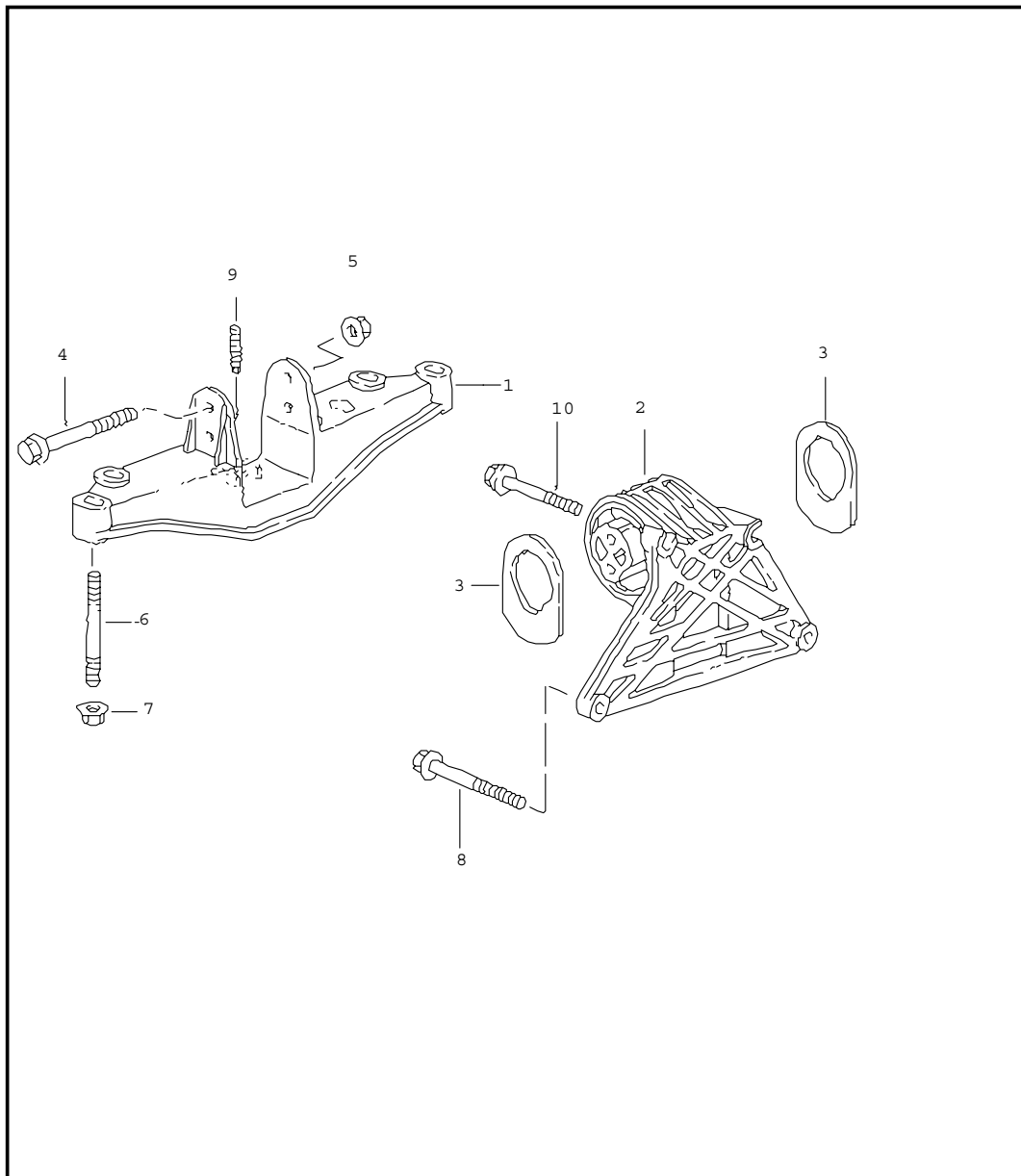


Pos	Part Number	Name	Remarks	Qty	Model
		air injection	00-02 03-		M96.21/22 M96.23/24
1	996 605 104 00	air pump		1	
-	999 652 971 40	plug socket		1	
-	999 652 776 22	connector		2	
-	999 652 778 40	gasket		2	
2	900 377 010 09	hexagon nut M 6		3	
3	999 703 477 40	bonded rubber buffer 20 X 20 / m6		3	
4	996 113 131 01	distributor housing		1	
5	996 113 233 50	gasket		1	
6	900 378 030 09	hexagon-head bolt M 6 X 20		2	
7	996 113 117 55	air tube		1	
8	996 113 213 51	gasket		1	
9	900 378 035 09	screw M 6 X 16		2	
10	993 113 258 51	gasket		1	
12	999 512 657 09	hose clamp 26 X 12		1	
13	996 113 239 06	hose		1	M 660/661
13	996 113 239 05	hose		1	M 661
(13)	996 113 164 00	hose		1	M 661
14	999 512 659 09	hose clamp 28 X 12		1	
14	999 512 552 00	hose clamp 28 X 12		1	
15	996 113 249 01	shut-off valve		1	
16	993 110 140 03	vacuum reservoir		1	
17	999 919 115 02	oval-head screw 5 X 22		1	
18	996 605 123 01	change-over valve		1	
-	999 652 838 40	plug socket		1	

Model	Year	MG	SG	Illustration	Restrictions	Update	17:42	23.08.2006	PORSCHE	PET	PORSCHE
986	04	1	08	108-06		203					

Pos	Part Number	Name	Remarks	Qty	Model	Pos	Part Number	Name	Remarks	Qty	Model
-	999 652 771 12	connector		2							
-	999 704 161 40	gasket		2							
19	928 574 717 03	protective tube		4							
20	999 239 040 40	protective tube		1							
21	928 573 727 03	y-piece		1							
22	964 110 950 01	check valve		1							
23	986 607 102 01	support		1							
24	900 378 035 09	hexagon-head bolt M 6 X 16		2							
-	000 043 205 01	pipe 4 X 1,0		*							
25	-	120 MM		2							
26	-	40 MM		1							
27	-	240 MM		1							
28	996 113 145 50	support		1							
-- U	911 101 185 00	plug for cars without M 661		1							
--	996 113 901 00	plug for cars without m 661		1							
--	996 113 160 01	damper		1	M 661						
--	999 507 726 40	cable strap		1							
		- - - E N D - - -									

Model	Year	MG	SG	Illustration	Restrictions	Update	17:43	23.08.2006	PORSCHE	PET	PORSCHE
986	04	1	09	109-00		203					



Pos	Part Number	Name	Remarks	Qty	Model
		engine suspension			
1	986 375 309 01	engine carrier		1	
2	986 375 023 05	motor console	-98	1	
2	986 375 023 07	motor console	99-	1	
3	986 375 255 01	stop		2	
4	900 378 167 09	hexagon-head bolt M 10 X 110		2	
5	900 380 008 09	hexagon nut M 10		2	
6	999 061 101 09	stud M 10 X 68	-97	4	
6	999 061 106 09	stud M 10 X 83	98-	4	
7	999 076 053 09	hexagon nut M 10		4	
8	999 072 027 09	hexagon-head bolt M 10 X 120		3	
9	999 919 169 02	stud 6,0 X 11/M6		1	
10	999 072 036 09	hexagon-head bolt M 10 X 80		1	
		- - - E N D - - -			

Model	Year	MG	SG	Illustration	Restrictions	Update	17:43	23.08.2006
986	04	1	98	198-00		203		

Pos	Part Number	Name	Remarks	Qty	Model
>>	> 986 100 905 00	set of seals repair kits		1	
		set of seals engine		1	
		use also:			
		996 104 169 00		1	
		996 104 170 04		1	
		996 110 247 01		6	
-	996 101 361 51	gasket		1	
-	996 101 363 50	gasket		1	
-	999 701 789 40	o-ring 12 X 2		4	
-	996 101 331 50	gasket		1	
-	996 101 336 50	gasket		1	
-	900 123 147 30	sealing ring A 27 X 32		4	
-	900 123 106 30	sealing ring A 18 X 24		1	
-	996 113 233 50	gasket		1	
-	996 113 213 51	gasket		1	
-	999 113 475 40	shaft seal 40 X 62 X10		1	
-	999 113 490 40	shaft seal 85 X 105 X 11		1	
-	999 218 005 02	pan-head screw M 6 X 16		6	
-	900 123 007 30	sealing ring A 14 X 18		1	
-	996 105 223 52	cover		2	
-	000 043 203 64	sleeve		1	
-	000 043 204 46	sleeve		1	
-	999 707 343 40	o-ring 25,07 X 2,62		6	
-	999 707 215 40	o-ring 27,94 X 5,33		6	
-	996 104 215 54	cover		6	
-	U 996 105 017 01	housing 52 X 2,5		1	

Model	Year	MG	SG	Illustration	Restrictions	Update	17:43	23.08.2006
986	04	1	98	198-00		203		

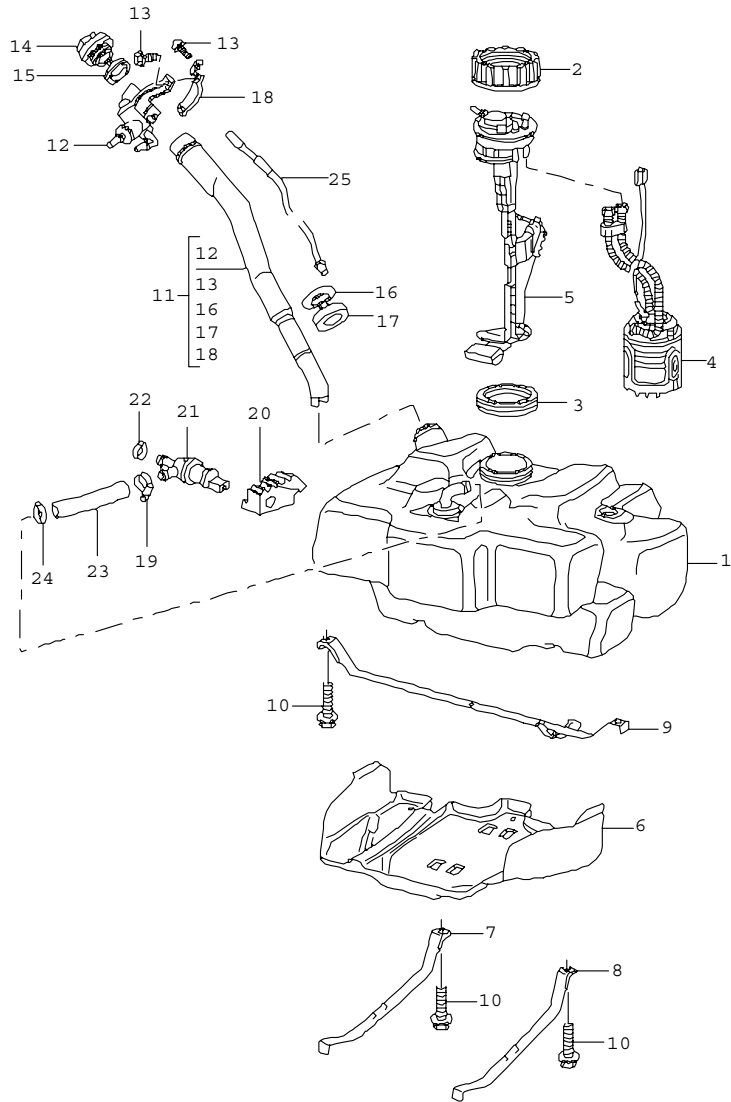
Pos	Part Number	Name	Remarks	Qty	Model
-	999 707 346 40	o-ring 15 X 3		6	
-	999 707 344 40	o-ring 18,77 X 1,78		2	
-	996 107 103 51	o-ring		2	
-	996 107 261 50	sealing ring		1	
-	996 106 316 51	gasket		1	
-	996 106 321 50	gasket		1	
-	900 123 144 30	sealing ring A 10 X 13,5		1	
-	996 107 337 50	gasket		1	
-	996 107 221 51	o-ring 95 X 2,5		2	
-	U 999 217 150 09	hexagon-head bolt M 6 X 20		18	
-	999 217 150 09	hexagon-head bolt M 6 X 20		18	
-	999 707 409 40	o-ring 26 X 3		2	
-	999 707 389 40	o-ring 35 X 4		2	
-	996 107 313 51	sealing ring		1	
-	999 707 375 40	o-ring 30 X 3		1	
-	900 378 030 09	hexagon-head bolt M 6 X 20		2	
-	999 707 369 40	o-ring 9,5 X 3,5		1	
-	999 707 348 40	o-ring 42 X 4		2	
-	996 107 122 00	sealing ring 14 X 1,78		1	
-	999 707 154 40	o-ring 18,77 X 1,78		1	
-	996 106 340 51	gasket		1	
-	996 106 326 50	gasket		1	
-	996 110 247 01	gasket		6	

Model	Year	MG	SG	Illustration	Restrictions	Update	17:43	23.08.2006
986	04	1	98	198-00		203		

Pos	Part Number	Name	Remarks	Qty	Model
-	900 378 172 09	hexagon-head bolt AM 6 X 35		12	
-	900 123 011 30	sealing ring A 22 X 27		1	
-	996 111 107 54	gasket		2	
-	900 378 131 00	hexagon-head bolt M 8 X 28		12	
-	900 378 163 09	hexagon-head bolt M 6 X 16		3	
		- - - E N D - - -			



Model	Year	MG	SG	Illustration	Restrictions	Update	17:43	23.08.2006	PORSCHE	PET	PORSCHE
986	04	2	01	201-00		203					

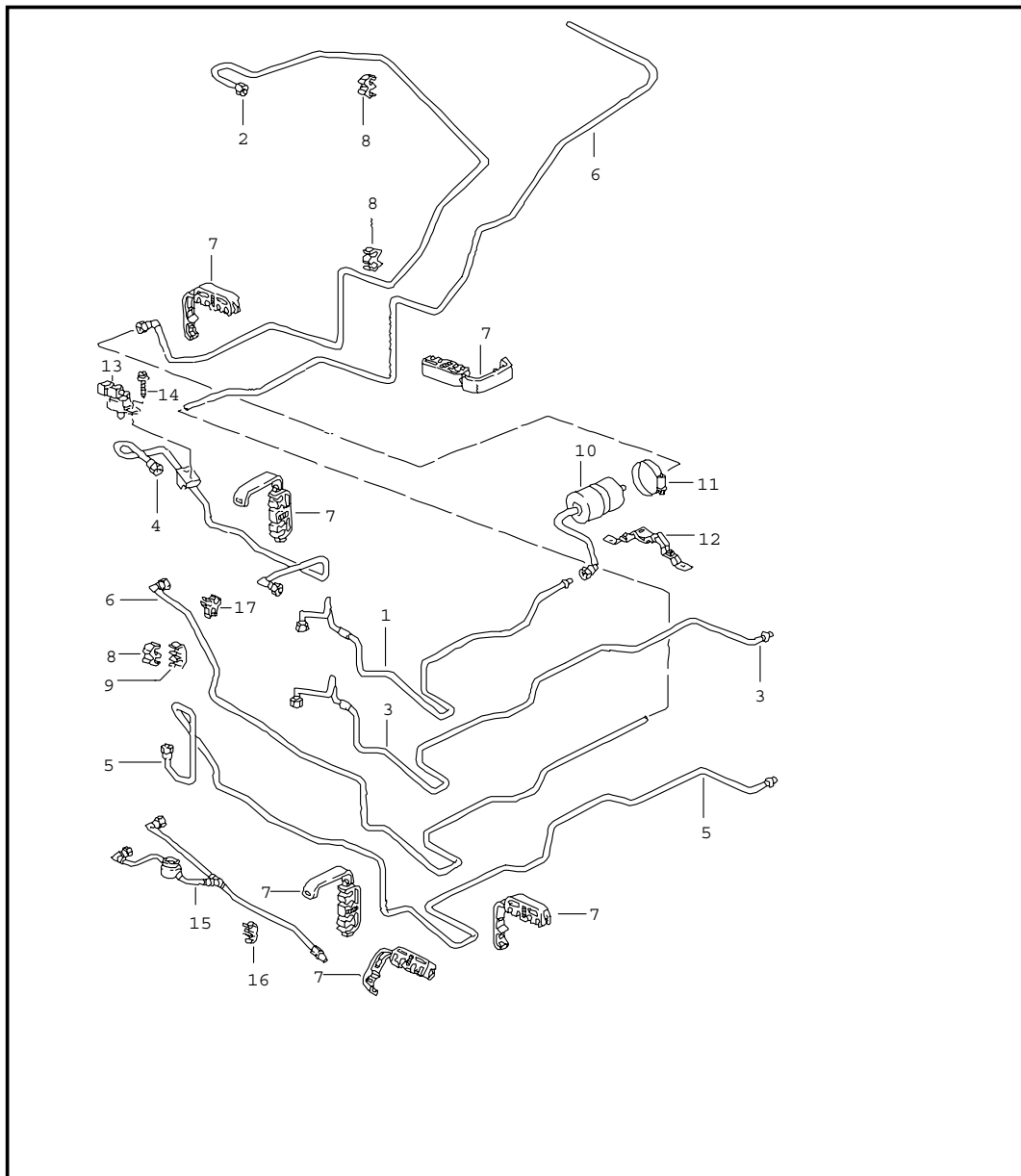


Pos	Part Number	Name	Remarks	Qty	Model
		fuel tank			
1	996 201 021 02	fuel tank	/LL -01	1	
1	996 201 021 05	fuel tank	/LL 02-	1	
(1)	996 201 022 02	fuel tank	/RL -01	1	
(1)	996 201 022 03	fuel tank	/RL 02-	1	
2	996 201 623 00	union nut		1	
3	321 919 133	sealing ring	-97	1	
3	321 919 133	sealing ring	98-	1	
4	996 620 102 00	fuel pump	-01	1	
4	996 620 132 00	fuel pump	02-	1	
5	996 620 808 00	tank gauge	-99	1	
(5)	996 620 808 00	tank gauge	-01	1	
(5)	996 620 832 01	tank gauge	02-	1	
6	996 201 331 00	protective plate	/LL	1	
(6)	996 201 331 02	protective plate	/RL	1	
7	996 201 105 02	restraining strap		1	
8	996 201 106 02	restraining strap		1	
9	996 201 107 02	restraining strap	/LL	1	
9	996 201 108 00	restraining strap	/RL	1	
10	900 075 479 09	screw M 8 X 40		4	
11	996 201 043 09	filler neck		1	M 009
11	986 201 043 04	filler neck		1	M 009/150 M 009/193
11	996 201 043 09	filler neck	-00	1	M 008
11	996 201 043 09	filler neck	01-	1	M 008
11	996 201 043 10	filler neck	-00	1	M 008/150 M 193
11	996 201 043 10	filler neck	01-	1	M 008/150 M 193
12	996 201 143 01	bleeder valve	-97	1	

Model	Year	MG	SG	Illustration	Restrictions	Update	17:43	23.08.2006	PORSCHE	PET	PORSCHE
986	04	2	01	201-00		203					

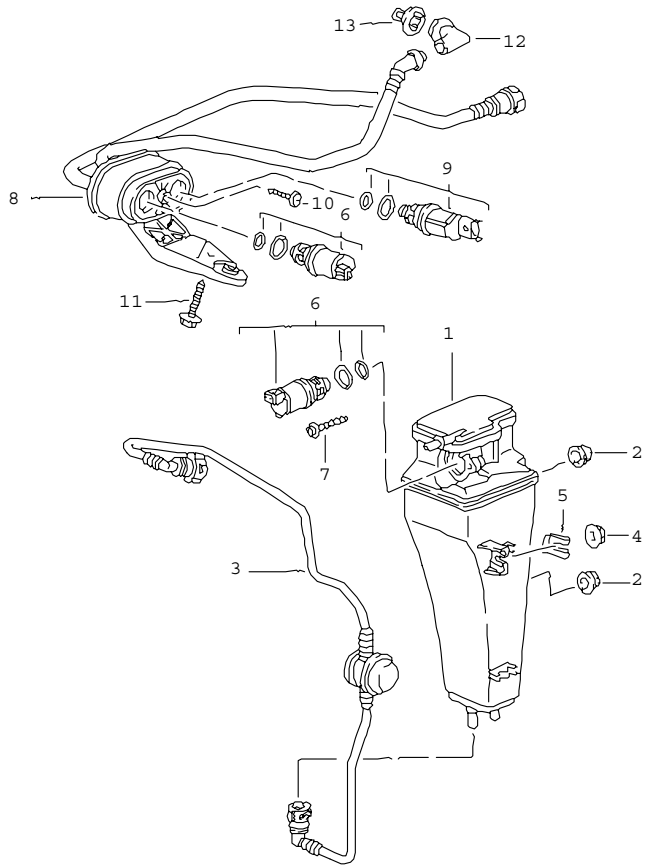
Pos	Part Number	Name	Remarks	Qty	Model	Pos	Part Number	Name	Remarks	Qty	Model
12	996 201 143 01	bleeder valve	98-	1							
13	900 378 036 09	hexagon-head bolt M 6 X 12		3							
14	A 996 201 241 00	fuel tank cap	-98	1							
14	996 201 241 01	fuel tank cap	-00	1							
(14)	996 201 241 02	fuel tank cap with clip	01-	1							
--	999 507 499 40	expansion rivet		1							
15	191 201 557	gasket	-98	1							
15	191 201 557	gasket	99-	1							
16	996 201 755 00	support washer		1							
17	996 201 753 00	gasket		1							
18	996 201 751 00	support		1							
		- - - E N D - - -									

Model	Year	MG	SG	Illustration	Restrictions	Update	17:43	23.08.2006	PORSCHE	PET	PORSCHE
986	04	2	01	201-05		203					



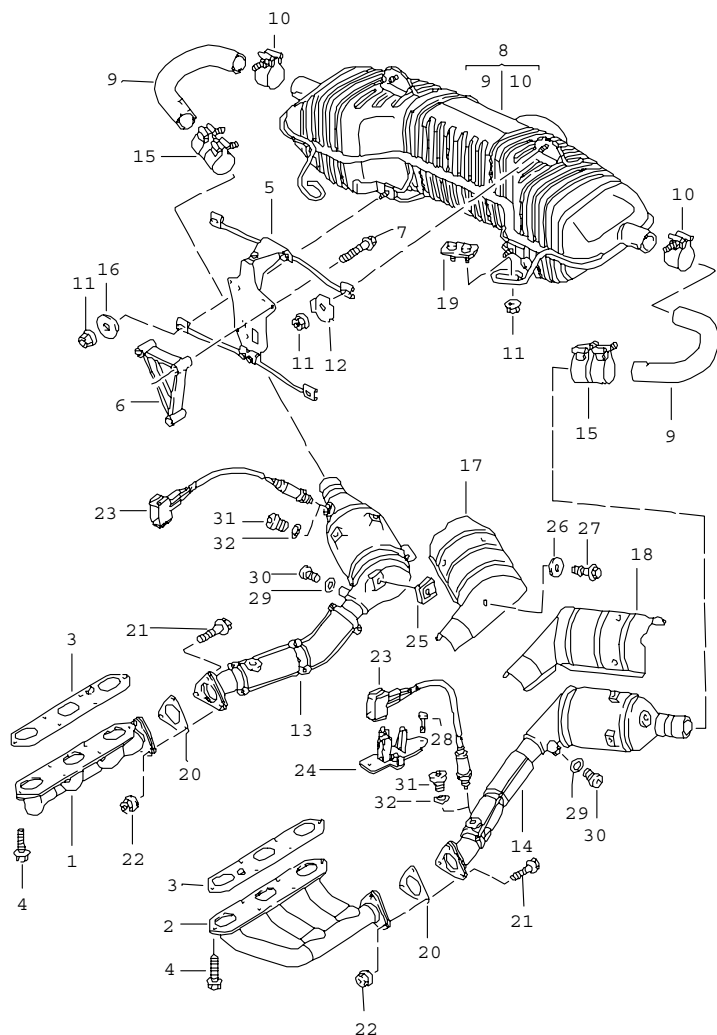
Pos	Part Number	Name	Remarks	Qty	Model
		fuel system			
1	986 201 261 01	pressure line front	-01	1	
1	986 201 261 02	pressure line front	02-	1	
2	986 201 267 00	pressure line		1	
3	986 201 271 01	return line		1	
4	996 201 251 01	vent line fuel pump for filler neck		1	
5	986 201 353 00	vent line carbon canister for engine		1	
6	986 201 361 00	air tube fresh-air intake system		1	
7	999 507 554 40	cable holder		9	
8	999 507 488 40	cable holder		3	
9	999 507 487 40	cable holder		1	
10	996 110 253 01	fuel filter	-01	1	
11	999 512 635 00	hose clamp 76 X 12		1	
12	996 504 517 00	support		1	
		- - - E N D - - -			

Model	Year	MG	SG	Illustration	Restrictions	Update	17:43	23.08.2006	PORSCHE	PET	PORSCHE
986	04	2	01	201-20		203					



Pos	Part Number	Name	Remarks	Qty	Model
		carbon canister			
1	996 201 221 09	carbon canister		1	
2	999 702 221 40	grommet		2	
3	996 201 255 07	vent line		1	
4	999 084 629 09	hexagon nut M 6		1	
5	999 507 543 02	clamp 2,00 - 3,00		1	
6 A	996 605 201 01	shut-off valve		1	M 660/664
6	996 605 201 01	shut-off valve		1	M 660
		- - - E N D - - -			

Model	Year	MG	SG	Illustration	Restrictions	Update	17:44	23.08.2006	PORSCHE	PET	PORSCHE
986	04	2	02	202-00		203					

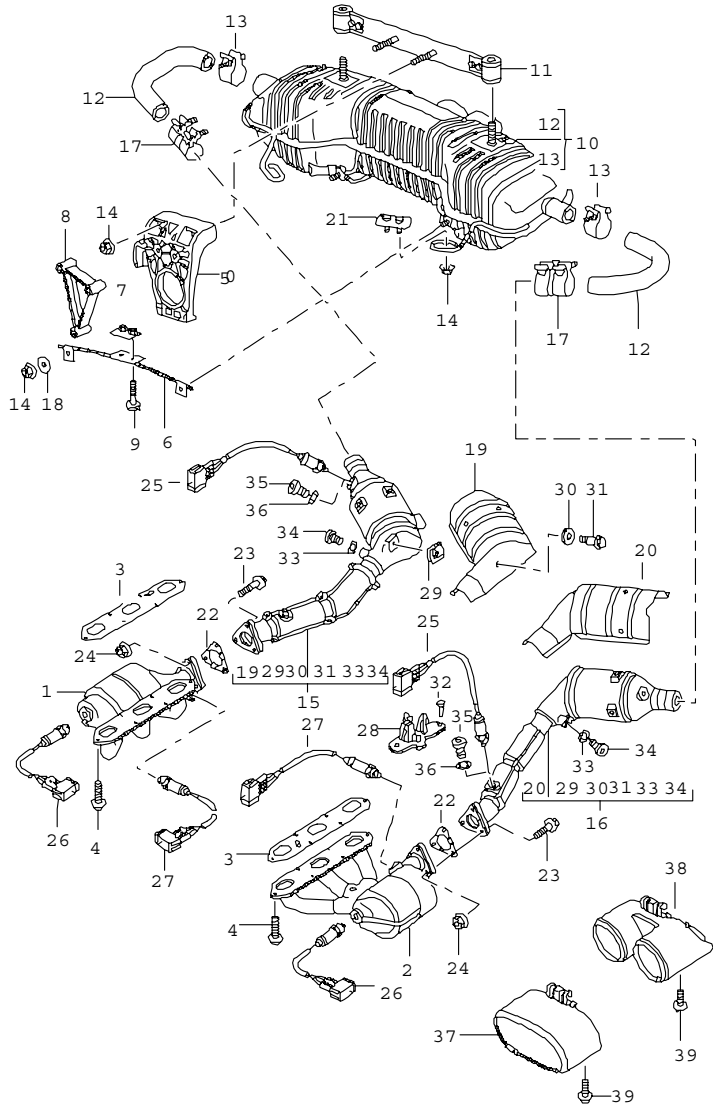


Pos	Part Number	Name	Remarks	Qty	Model
		exhaust system M 96.20			
1	996 111 101 05	exhaust manifold		1	M96.20
2	996 111 102 05	exhaust manifold		1	M96.20
3	A 996 111 107 52	gasket		2	
(3)	996 111 107 54	gasket		2	
4	900 378 131 00	hexagon-head bolt M 8 X 28		12	
5	996 111 024 01	support		1	M96.20
6	996 111 223 00	adapter		1	M 481
7	900 378 022 09	hexagon-head bolt M 8 X 25		3	M 249
7	900 378 175 09	hexagon-head bolt M 8 X 65		3	M 481
8	A 996 111 121 06	muffler	-97	1	
8	996 111 121 07	muffler	-99	1	
9	996 111 313 01	connecting tube	-99	2	
10	996 111 209 00	clip		2	
11	900 380 005 09	hexagon nut M 8		8	
12	996 111 311 01	reinforcement plate		2	
13	996 113 921 01	catalytic converter	-99	1	
14	996 113 922 01	catalytic converter	-99	1	
15	996 111 110 00	sleeve	-99	2	
16	900 035 004 02	washer R 9		2	
17	996 113 421 00	cover plate		1	
18	996 113 422 00	cover plate		1	
19	996 113 311 01	retainer plate		2	
20	996 111 113 02	gasket		2	
21	900 074 287 02	hexagon-head bolt M 8 X 35		6	

Model	Year	MG	SG	Illustration	Restrictions	Update	17:44	23.08.2006	PORSCHE	PET	PORSCHE
986	04	2	02	202-00		203					

Pos	Part Number	Name	Remarks	Qty	Model	Pos	Part Number	Name	Remarks	Qty	Model
22	999 084 052 02	hexagon nut M 8		5							
23	986 606 126 00	oxygen sensor	-97	4							
23	986 606 126 01	oxygen sensor	-99	4							
-	999 650 075 40	connector		1							
-	999 652 820 12	connector		4							
-	999 704 161 40	gasket		4							
24	986 606 105 01	support		2							
25	999 507 413 09	support		6							
26	900 151 007 02	washer 7,4		6							
27	999 507 430 09	locking bolt 6 X 12		6							
28	999 591 712 40	expansion rivet 6,0 X 12,0		4							
29	900 123 050 20	sealing ring 8 X 11,5		2							
30	900 083 080 00	screw plug 8 X 1 X 10		2							
31	900 219 015 00	screw plug 18 X 1,5		4							
32	900 123 009 20	sealing ring 18 X 24		4							
		- - - E N D - - -									

Model	Year	MG	SG	Illustration	Restrictions	Update	17:44	23.08.2006	PORSCHE	PET	PORSCHE
986	04	2	02	202-05		203					



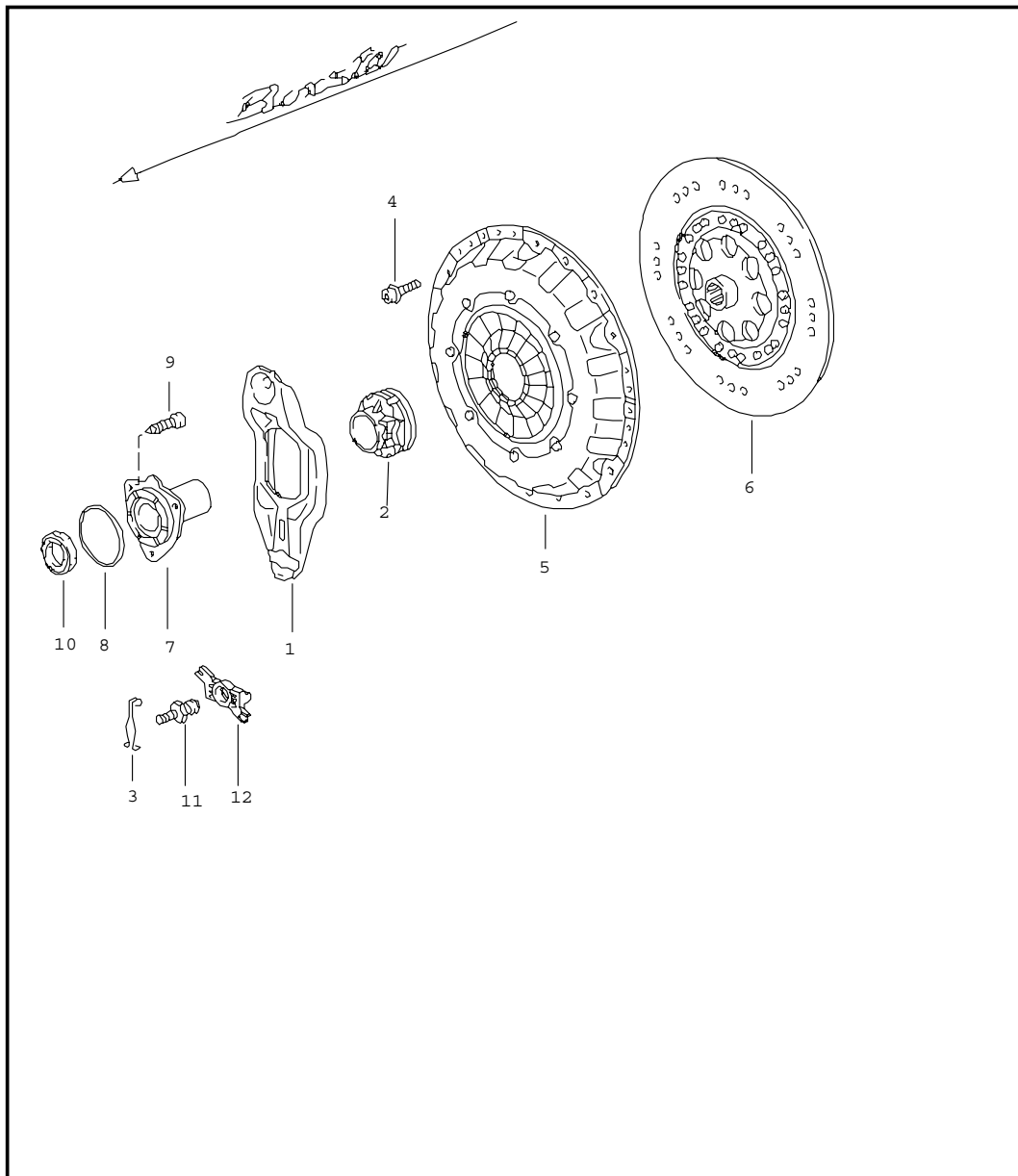
Pos	Part Number	Name	Remarks	Qty	Model
		exhaust system M 96.21/22 M 96.23/24	00-02 03-		
(1)	996 111 103 00	exhaust manifold	00-02 03-	1	M96.21/22 M96.23/24
(2)	996 111 104 00	exhaust manifold	00-02 03-	1	M96.21/22 M96.23/24
3	A 996 111 107 52	gasket		2	
(3)	996 111 107 54	gasket		2	
4	900 378 131 00	hexagon-head bolt M 8 X 28		12	
5	996 111 226 02	support		1	M96.22 M96.24 M 249
				1	M96.21 M 249 M96.23 M 249
(5)	996 111 224 03	support		1	M96.21 M 480 M96.24 M 480
6	996 111 242 01	support		1	M96.21 M96.24
				1	M96.22 M 249 M96.23 M 249
7	996 111 243 00	retainer plate		1	M96.21 M96.24
		for additional support			M96.22 M 249 M96.23 M 249
8	996 111 223 00	adapter		1	M 009/481
9	900 378 022 09	hexagon-head bolt M 8 X 25		3	M 249
(9)	U 900 378 175 09	hexagon-head bolt M 8 X 65		3	M 481
(9)	900 378 212 09	hexagon-head bolt M 8 X 75		3	M 481
10	996 111 141 05	muffler	00-02	1	M 008/660
10	996 111 141 11	muffler	03-	1	M 008/660 M 009/660
(10)	996 111 142 02	muffler	00-02	1	M 008

Model	Year	MG	SG	Illustration	Restrictions	Update	17:44	23.08.2006	PORSCHE	PET	PORSCHE
986	04	2	02	202-05		203					

Pos	Part Number	Name	Remarks	Qty	Model	Pos	Part Number	Name	Remarks	Qty	Model
(10)	996 111 142 11	muffler	03-	1	M 008 M 008/074 M 008/114 M 008/193 M 009	24	999 084 052 02	hexagon nut M 8		5	
(10)	996 111 151 01	muffler	00-02	1	M 009	25	986 606 126 01	oxygen sensor	-02	4	
(10)	996 111 152 02	muffler	00-02	1	M 009/660	25	986 606 226 00	oxygen sensor	03-	4	
11	996 111 241 00	mounting muffler	00-	1		-	999 650 075 40	connector		1	
12	996 111 314 00	connecting tube	00-	2		-	999 652 820 12	connector		4	
13	996 111 209 00	clip		2		-	999 704 161 40	gasket		4	
14	900 380 005 09	hexagon nut M 8		8		28	986 606 105 01	support		2	
15	996 113 021 11	catalytic converter	00-02	1		29	999 507 413 09	support		6	
15	996 113 021 12	catalytic converter	03-	1		30	900 151 007 02	washer 7,4		6	
(15) A	996 113 025 02	catalytic converter		1	M 661	31	999 507 430 09	locking bolt 6 X 12		6	
(15)	996 113 025 03	catalytic converter	-02	1	M 661	32	999 591 712 40	expansion rivet 6,0 X 12,0		4	
(15)	996 113 025 04	catalytic converter	03-	1	M 661	33	900 123 050 20	sealing ring 8 X 11,5		2	
16	996 113 022 11	catalytic converter	00-02	1		34	900 083 080 00	screw plug 8 X 1 X 10		2	
16	996 113 022 12	catalytic converter	03-	1		35	900 219 015 00	screw plug 18 X 1,5		4	
(16) A	996 113 026 02	catalytic converter		1	M 661	36	900 123 009 20	sealing ring 18 X 24		4	
(16)	996 113 026 03	catalytic converter	-02	1	M 661	37	996 111 253 00	ornamental exhaust pipe	03-	1	M 009
(16)	996 113 026 04	catalytic converter	03-	1	M 661	38	996 111 254 00	ornamental exhaust pipe	03-	1	M 008
17	996 111 110 00	sleeve		2		39	900 378 074 09	hexagon-head bolt M 8 X 16	03-	2	
18	900 035 004 02	washer R 9		2				- - - E N D - - -			
19	996 113 421 00	cover plate		1							
20	996 113 422 00	cover plate		1							
21	996 113 311 01	retainer plate		2							
22	996 113 113 00	gasket		2	M 96.21/22 M 96.23/24						
23	900 074 287 02	hexagon-head bolt M 8 X 35		6							



Model	Year	MG	SG	Illustration	Restrictions	Update	17:44	23.08.2006	PORSCHE	PET	PORSCHE
986	04	3	01	301-00		203					

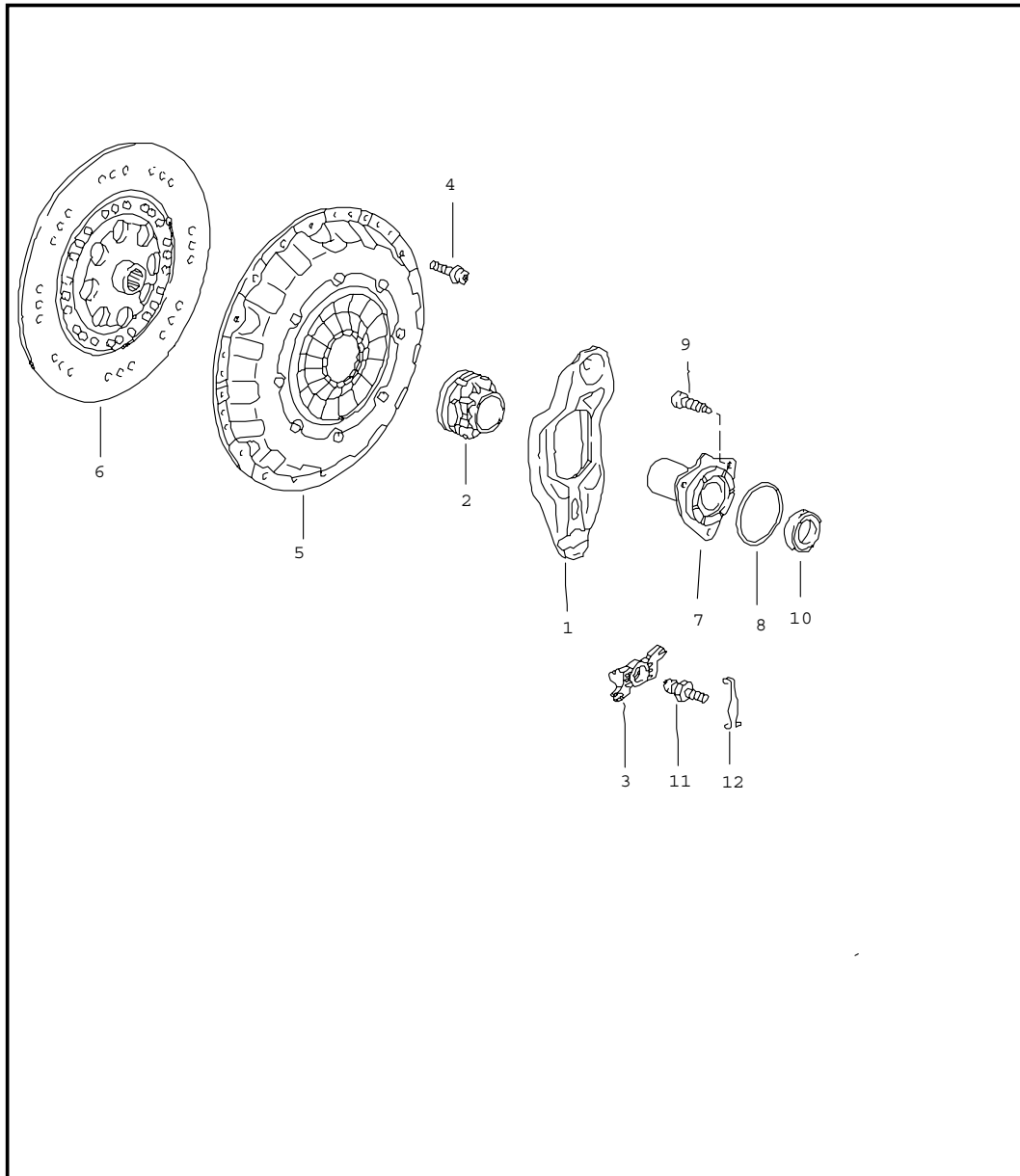


Pos	Part Number	Name	Remarks	Qty	Model
		clutch	-99 00-02 03-		M96.20 M96.22 M96.23
1	012 141 719 B	clutch release lever		1	
2	012 141 165 E	clutch release bearing		1	
3	012 141 741	retaining spring		1	
4	900 067 131 02	screw M 8 X 16	-03	6	
(4)	900 387 265 09	pan-head screw M 8 X 16	04-	6	
5	986 116 028 03	pressure plate	-99	1	M96.20
5	986 116 028 04	pressure plate	00-	1	M96.22
6 A	986 116 014 06	clutch plate	-03	1	
6	986 116 014 08	clutch plate	04-	1	
7	012 141 180 B	guide sleeve		1	
8	N 903 542 01	o-ring 56,8 X 2,6		1	
9	N 903 663 01	pan-head screw M 8 X 22		3	
10	016 311 113 C	radial shaft seal		1	
11	012 141 777 D	ball pin		1	
12	012 141 751 A	intermediate piece		1	
-	986 116 911 00	repair kit for clutch comprising:		1	M96.20
-	986 116 028 03	pressure plate		1	
-	986 116 014 06	clutch plate		1	
-	012 141 165 E	clutch release bearing		1	
-	986 116 911 01	repair kit for clutch comprising:		1	M96.22 M96.23
-	986 116 028 04	pressure plate		1	
-	986 116 014 06	clutch plate		1	

Model	Year	MG	SG	Illustration	Restrictions	Update					
986	04	3	01	301-00		203	17:44	23.08.2006	PORSCHE	PET	PORSCHE

Pos	Part Number	Name	Remarks	Qty	Model	Pos	Part Number	Name	Remarks	Qty	Model
-	012 141 165 E	clutch release bearing - - - E N D - - -		1							

Model	Year	MG	SG	Illustration	Restrictions	Update	17:44	23.08.2006	PORSCHE	PET	PORSCHE
986	04	3	01	301-01		203					



Pos	Part Number	Name	Remarks	Qty	Model
		clutch	00-03-		M96.21 M96.24
1	996 116 712 03	clutch release lever		1	
2	996 116 080 04	clutch release bearing		1	
3	012 141 741	retaining spring		1	
4	900 067 131 02	pan-head screw M 8 X 16	-03	6	
(4)	900 387 265 09	pan-head screw M 8 X 16	04-	6	
5	996 116 027 06	pressure plate		1	
6	986 116 013 00	clutch plate		1	
7	996 116 087 01	guide tube		1	
8	N 903 542 01	o-ring 56,8 X 2,6		1	
9	N 903 663 01	pan-head screw M 8 X 22		3	
10	016 311 113 C	shaft seal		1	
11	012 141 777 D	ball pin		1	
12	012 141 751 A	intermediate piece		1	
-	986 116 911 02	repair kit complete for clutch		1	
-		comprising:			
-	996 116 027 06	pressure plate		1	
-	986 116 013 00	clutch plate		1	
-	996 116 080 04	clutch release bearing		1	
		- - - E N D - - -			

PORSCHE

PET

PORSCHE

Model	Year	MG	SG	Illustration	Restrictions	Update		
986	04	3	01	301-05		203	17:45	23.08.2006

Pos	Part Number	Name	Remarks	Qty	Model
		clutch release			G86.00/01
1	A 8E0 721 257 F	clutch operating cylinder		1	
1	8E0 721 257 B	clutch operating cylinder		1	
2	N 090 316 5	hexagon-head bolt M 8 X 30 Z1		2	
		- - - E N D - - -			

PORSCHE

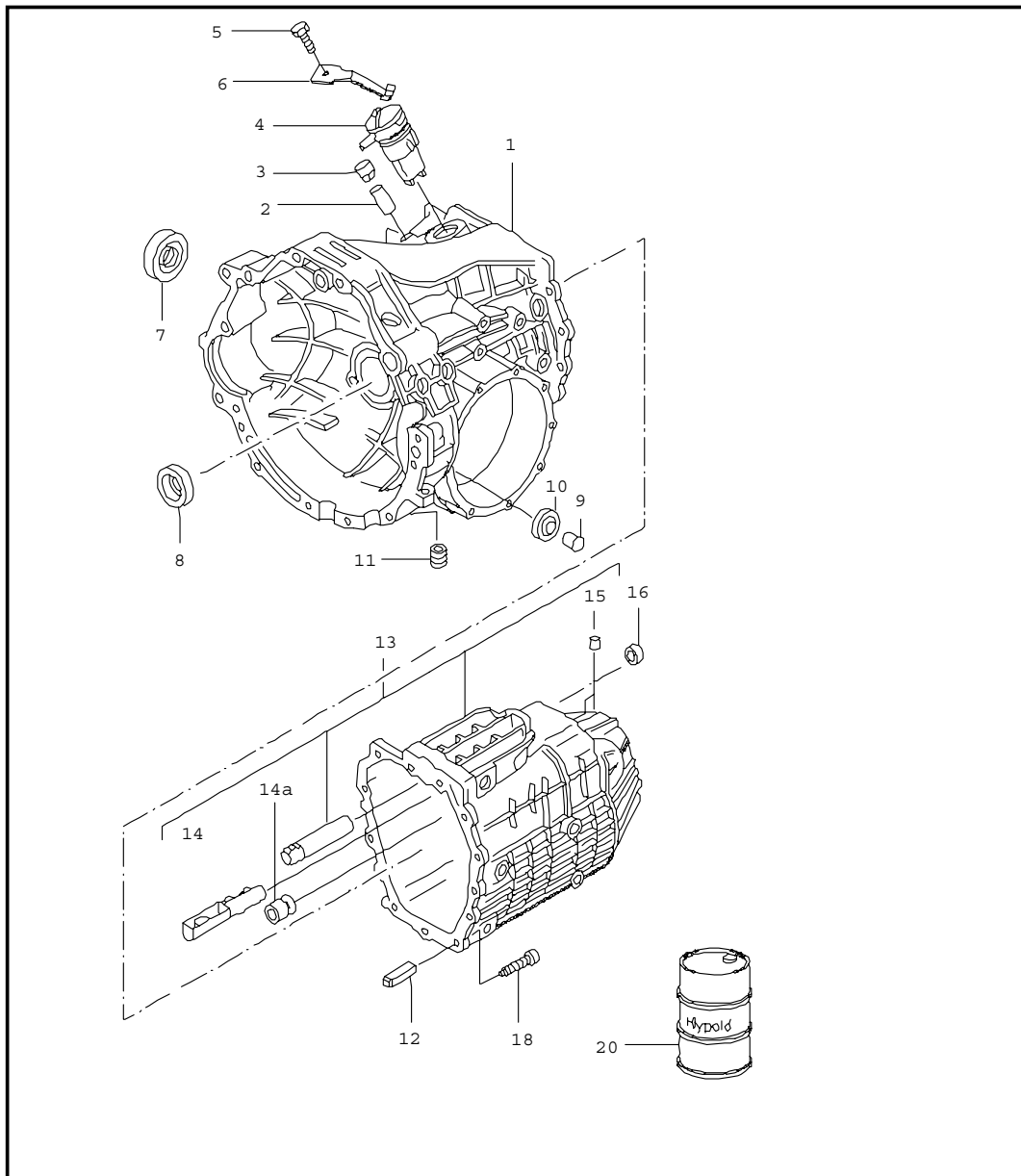
PET

PORSCHE

Model	Year	MG	SG	Illustration	Restrictions	Update	17:45	23.08.2006
986	04	3	01	301-06		203		

Pos	Part Number	Name	Remarks	Qty	Model
		clutch release	00-		G86.20
1	986 116 237 00	clutch operating cylinder		1	
2	N 090 316 5	hexagon-head bolt M 8 X 30 Z1		2	
		- - - E N D - - -			

Model	Year	MG	SG	Illustration	Restrictions	Update	17:45	23.08.2006	PORSCHE	PET	PORSCHE
986	04	3	02	302-00		203					

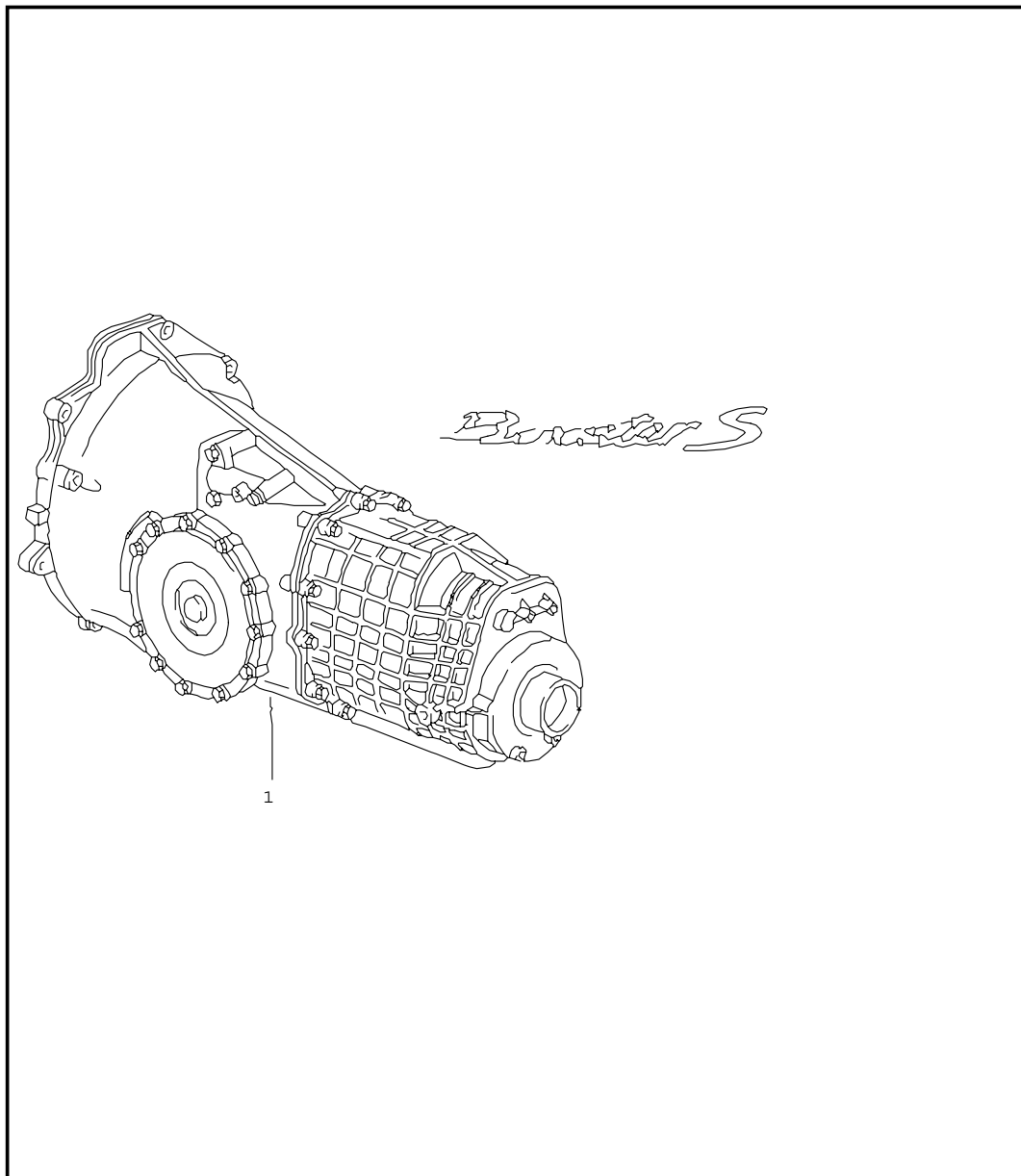


Pos	Part Number	Name	Remarks	Qty	Model
		replacement transmission	-99		G86.00
		transmission case	00-		M 481
		transmission classification letter			G86.01
		attention			M 481
- A	986 300 910 00	transmission	97	1	CWA
- A	986 300 010 00	transmission	98	1	CWA
		G >> 10 05 8			
- A	986 300 010 01	transmission	99	1	DVY
		G 11 05 8 >> 10 01 9			
- >	986 300 010 02	transmission	99	1	DVY
		G 11 01 9 >>			
-	986 300 010 05	transmission	00-	1	EFD
		G >> 09 02 3			
-	986 300 010 07	transmission		1	GDW
		G 10 02 3 >>			
1	012 301 103 AD	transmission case		1	
2	014 301 473	sleeve		1	
		12 X 30			
3	014 301 485	cap		1	
4	012 919 823 F	back-up light switch		1	
-	999 652 907 40	plug socket		1	
-	999 652 694 12	connector		2	
-	999 704 161 40	gasket		2	
-	999 652 811 40	plug		3	
5	N 040 255 2	hexagon-head bolt		1	
		M 8 X 14			
6	012 301 483 D	leaf spring		1	
7	016 409 399 B	sealing ring		1	
		45 X 60 X 8			
8	016 311 113 C	sealing ring		1	
		12 M 6 X 14			
9	012 301 183 A	bush		1	
		BM 8 X 20			

Model	Year	MG	SG	Illustration	Restrictions	Update	17:45	23.08.2006	PORSCHE	PET	PORSCHE
986	04	3	02	302-00		203					

Pos	Part Number	Name	Remarks	Qty	Model	Pos	Part Number	Name	Remarks	Qty	Model
10	012 301 143	magnet		1							
11	111 301 127 E	screw plug M 24 X 1,5		1							
12	012 301 473	sleeve 12 X 30		1							
13	012 301 205 P	transmission cover		1							
14	012 301 276	cup		1							
14A	012 311 429 M	sleeve 23 X 37 X 28,3 only for transmission cover 012 301 205 N		1							
14A	012 311 429 P	sleeve 23 X 39 X 28,3 only for transmission cover 012 301 205 P		1							
15	012 301 115	plug		2							
16	012 301 457 C	shaft seal 16 X 24 X 6		1							
17	N 010 240 22	hexagon-head bolt M 8 X 20		4							
18	012 301 268 D	torx screw M 8 X 44		13							
20	000 043 204 71	transmission oil HYPOID 20 LTR. container		X							
		- - - E N D - - -									

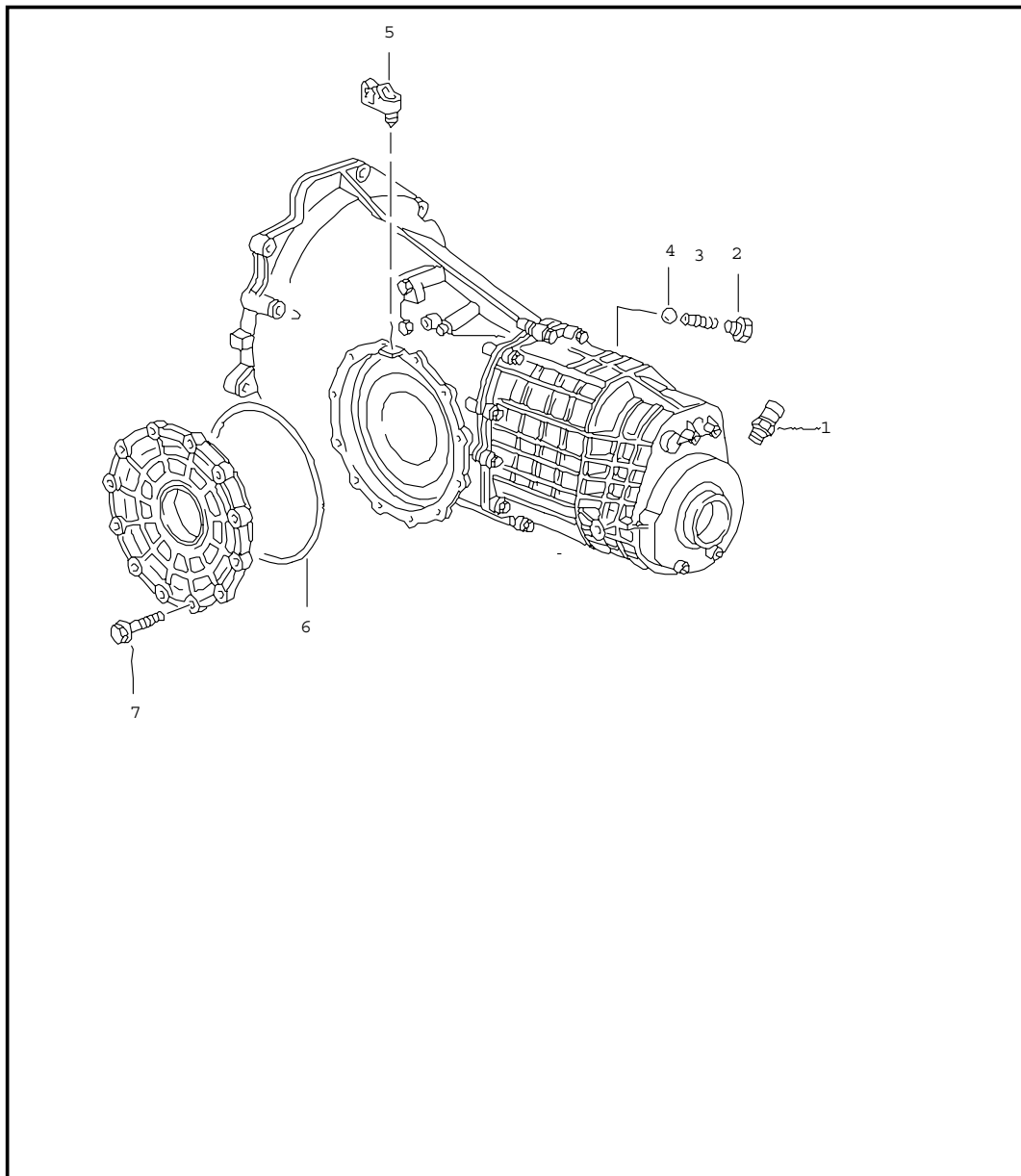
Model	Year	MG	SG	Illustration	Restrictions	Update	17:45	23.08.2006	PORSCHE	PET	PORSCHE
986	04	3	02	302-01		203					



Pos	Part Number	Name	Remarks	Qty	Model
		replacement transmission	00-		G86.20 M 480
		ready for installation use also: 996.424.165.02 999.073.209.09		1 2	
1	986 300 010 21	replacement transmission	-02	1	
1	986 300 010 22	replacement transmission	03-	1	
		- - - E N D - - -			

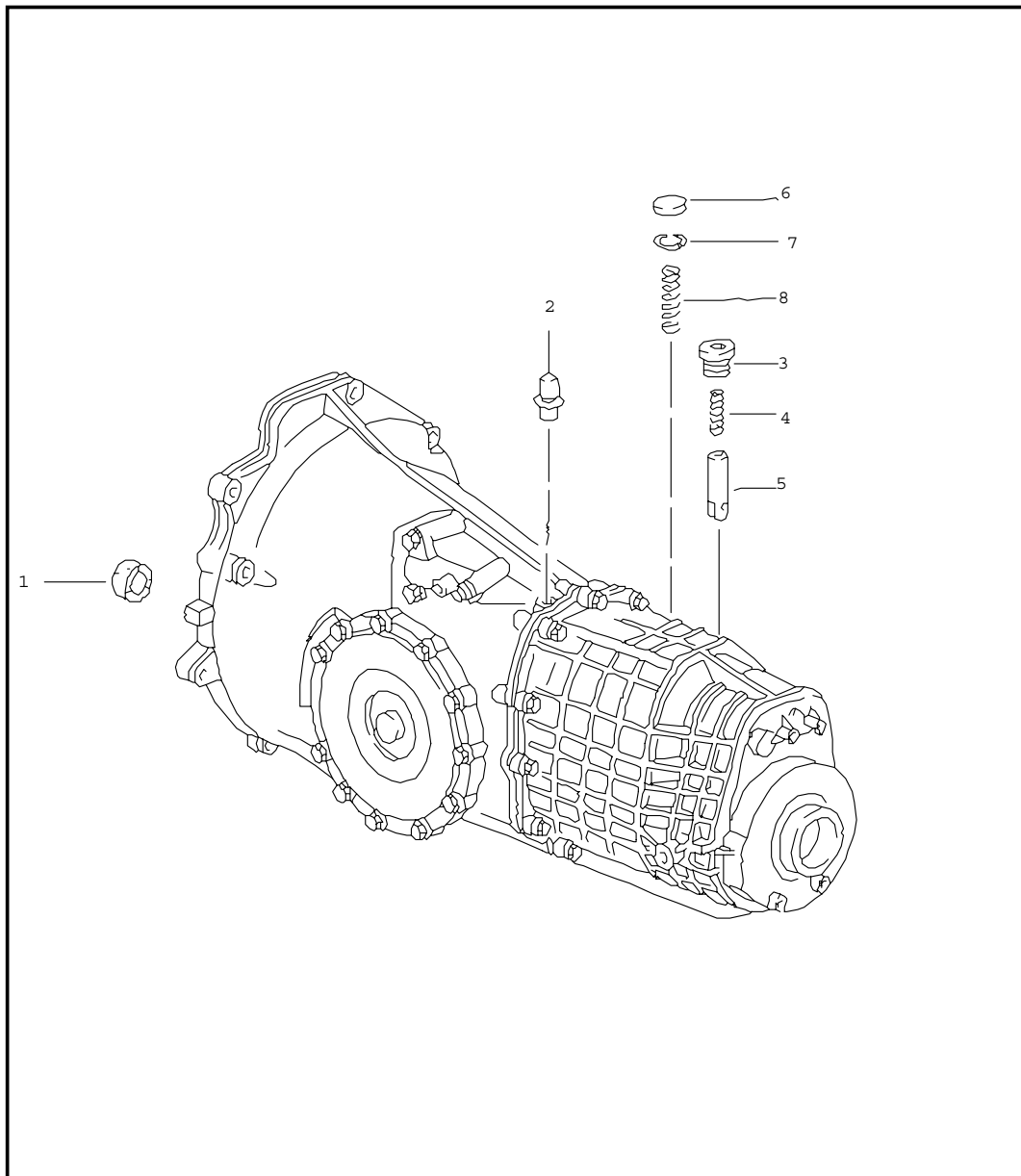


Model	Year	MG	SG	Illustration	Restrictions	Update	17:45	23.08.2006	PORSCHE	PET	PORSCHE
986	04	3	02	302-05		203					



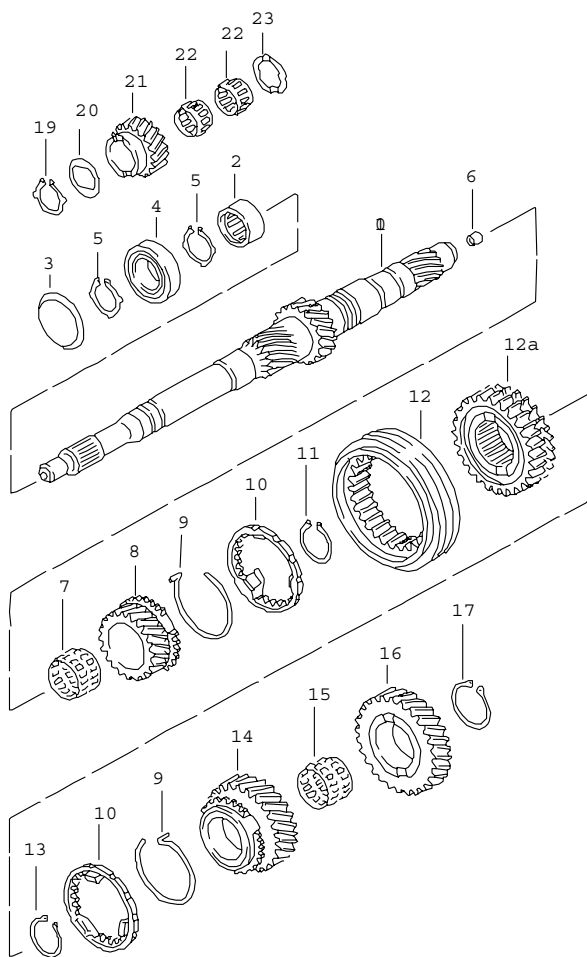
Pos	Part Number	Name	Remarks	Qty	Model
		transmission single parts	00-		G86.20
1	996 606 133 00	back-up light switch M 10 X 1 8		1	
5	996 423 677 00	clip		1	
6	996 301 315 00	o-ring 190 X 3		1	
7	996 301 317 00	hexagon-head bolt		X	
		- - - E N D - - -			

Model	Year	MG	SG	Illustration	Restrictions	Update	17:46	23.08.2006	PORSCHE	PET	PORSCHE
986	04	3	02	302-06		203					



Pos	Part Number	Name	Remarks	Qty	Model
		transmission single parts	00-		G86.20
1	996 302 131 00	shaft seal 28 X 40 X 7,5		1	
2	996 301 071 00	bleeder 17 X 12 X 28,1		1	
3	996 303 237 00	screw plug M 18 X 15		1	
4	996 303 235 00	compression spring		1	
5	996 303 035 00	shift control lock device		1	
6	996 303 257 00	cover 20 X 4		1	
7	900 042 003 01	circlip 20 X 1		1	
8	996 303 255 00	compression spring		1	
		- - - E N D - - -			

Model	Year	MG	SG	Illustration	Restrictions	Update	17:46	23.08.2006	PORSCHE	PET	PORSCHE
986	04	3	03	303-00		203					

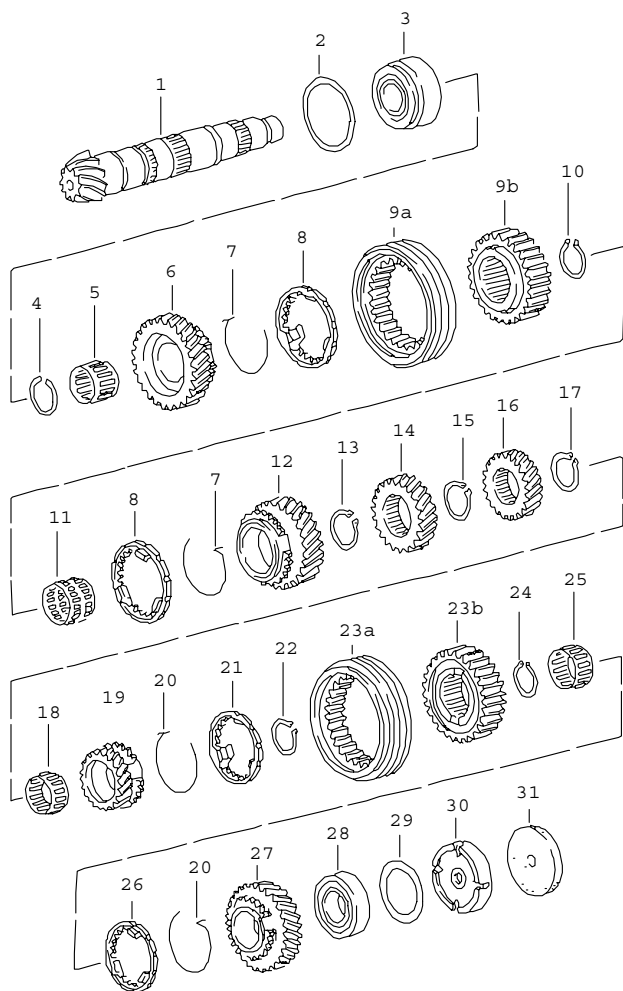


Pos	Part Number	Name	Remarks	Qty	Model
		gears and shafts	-99 00-		G86.00 G86.01
		transmission classification letter attention			CWA/DVY/EFD
1	012 311 105 AG	drive shaft		1	
2	012 311 123 D	needle sleeve 27 X 41 X 23		1	
3	012 311 443	cup spring 42 X 58 X 2		1	
4	012 311 445 E	deep-groove ball bearing 25 X 58 X 16	-03	1	
4	012 311 445 G	deep-groove ball bearing 25 X 58 X 16	04-	1	
5	N 902 941 02	circlip 24,9 X 1,45		X	
(5)	N 902 941 14	circlip 24,9 X 1,54		X	
(5)	N 902 941 15	circlip 24,9 X 1,63		X	
(5)	N 902 941 16	circlip 24,9 X 1,72		X	
(5)	N 902 941 17	circlip 24,9 X 1,81		1	
(5)	N 902 941 18	circlip 24,9 X 1,9		X	
(5)	N 902 941 19	circlip 24,9 X 1,99		X	
(5)	N 902 941 20	circlip 24,9 X 2,08		X	
(5)	N 902 941 11	circlip 24,9 X 2,17		X	
6	012 311 111 A	sleeve 13 X 14 X 10,8		1	
7	012 311 213 J	needle cage 38 X 43 X 29,5		1	
8	012 311 285 BJ	shifting gear 3rd speed		1	

Model	Year	MG	SG	Illustration	Restrictions	Update	17:46	23.08.2006	PORSCHE	PET	PORSCHE
986	04	3	03	303-00		203					

Pos	Part Number	Name	Remarks	Qty	Model	Pos	Part Number	Name	Remarks	Qty	Model
9	A 012 311 312 A	spring 3rd, 4th speed G >> 10 05 8		2		16	012 311 159 DL	gear wheel 5th speed Z = 30 : 38		1	CWA/DVY
(9)	012 311 312 D	spring 3rd, 4th speed G 11 05 8 >>		2		(16)	012 311 159 CH	gear wheel 5th speed Z = 31 ; 37		1	EFD
10	A 012 311 295 D	synchroniser ring 3rd, 4th speed G >> 10 05 8		2		17	N 902 942 02	circlip 36 X 1,9		X	
(10)	012 311 295 F	synchroniser ring 3rd, 4th speed G 11 05 8 >>		2		(17)	N 902 942 03	circlip 36 X 1,93		X	
11	N 902 945 01	circlip 38 X 2		1		(17)	N 902 942 04	circlip 36 X 1,96		X	
12	012 311 315 B	operating sleeve 3rd, 4th speed		1		(17)	N 902 942 05	circlip 36 X 1,99		X	
12A	012 311 309 B	synchronising hub 3rd, 4th speed		1		(17)	N 902 942 06	circlip 36 X 2,02		X	
13	N 902 944 01	circlip 37 X 1,9		X		18	012 311 429 M	sleeve 23 X 37 X 28,3		1	
(13)	N 902 944 02	circlip 37 X 1,93		X		19	N 902 951 01	circlip 22 X 1,7 4th speed		1	
(13)	N 902 944 03	circlip 37 X 1,96		X		20	012 311 518	supporting plate 3rd speed		1	
(13)	N 902 944 04	circlip 37 X 1,99		X		21	012 311 531 E	reverse idler gear		1	
(13)	N 902 944 05	circlip 37 X 2,02		X		22	012 311 523 G	needle cage 22 X 30 X 16		2	
(13)	N 902 944 06	circlip 37 X 2,05		X		23	012 311 517	thrust washer		1	
14	012 311 351 AH	shifting gear 4th speed Z = 35 : 34		1	CWA			- - - E N D - - -			
14	012 311 351 AN	shifting gear 4th speed Z = 35 : 34		1	DVY						
14	012 311 351 BK	shifting gear 4th speed Z = 36 : 33		1	EFD						
15	012 311 115 F	needle cage 37 X 42 X 29,8		1							

Model	Year	MG	SG	Illustration	Restrictions	Update	17:46	23.08.2006	PORSCHE	PET	PORSCHE
986	04	3	03	303-05		203					



Pos	Part Number	Name	Remarks	Qty	Model
		gears and shafts	-99 00-		G86.00 G86.01
		transmission classification letter attention			CWA/DVY/EPD
1	-	drive shaft		1	
2	012 311 391	adjusting shim 0,4		X	
(2)	012 311 391 A	adjusting shim 0,45		X	
(2)	012 311 391 B	adjusting shim 0,5		X	
(2)	012 311 391 C	adjusting shim 0,55		X	
(2)	012 311 391 D	adjusting shim 0,6		X	
(2)	012 311 391 E	adjusting shim 0,65		X	
(2)	012 311 391 F	adjusting shim 0,7		X	
(2)	012 311 391 G	adjusting shim 0,75		X	
3	012 311 220 A	taper roller bearing 48,6 X 88 X 21,5		1	
4	N 902 950 01	circlip A 48,5 X 2,00		X	
(4)	N 902 950 08	circlip A 48,5 X 2,03		X	
(4)	N 902 950 09	circlip A 48,5 X 2,09		X	
(4)	N 902 950 10	circlip A 48,5 X 2,12		X	
(4)	N 902 950 11	circlip 48,5 X 2,15		X	
5	012 311 207 E	needle cage 1st gear 48,5 X 52,5 X 26,4		1	
6	012 311 257 J	shifting gear 1st gear Z = 35 : 10		1	

Model	Year	MG	SG	Illustration	Restrictions	Update	17:46	23.08.2006	PORSCHE	PET	PORSCHE
986	04	3	03	303-05		203					

Pos	Part Number	Name	Remarks	Qty	Model	Pos	Part Number	Name	Remarks	Qty	Model
	7 A 012 311 311 A	retaining spring 1st/2nd gear G >> 10 05 8		2		(15)	N 902 946 10	circlip 46 X 1,98		X	
(7)	012 311 311 D	retaining spring 1st/2nd gear G 11 05 8 >>		2		(15)	N 902 946 06	circlip 46 X 2,02		X	
	8 A 012 311 247 E	synchroniser ring 1st/2nd gear G >> 10 05 8		2		(15)	N 902 946 11	circlip 46 X 2,06		X	
(8)	012 311 247 F	synchroniser ring 1st/2nd gear G 11 05 8 >>		2		16	012 311 149 AH	gear wheel 4th speed Z = 35 : 34		1	CWA
9A	012 311 255 A	operating sleeve 1st/2nd gear		1		(16)	012 311 149 AT	gear wheel 4th speed Z = 35 : 34		1	DVY
9B	012 311 243 A	synchronising hub 1st/2nd gear		1		(16)	012 311 149 BT	gear wheel 4th speed Z = 36 : 33		1	EFD
10	N 902 947 01	circlip 47 X 1,9		X		17	N 902 952 07	circlip 42 X 1,86		X	CWA
(10)	N 902 947 02	circlip 47 X 1,93		X		(17)	N 902 952 02	circlip 42 X 1,9		X	CWA
(10)	N 902 947 03	circlip 47 X 1,96		X		(17)	N 902 952 08	circlip 42 X 1,94		X	CWA
(10)	N 902 947 04	circlip 47 X 1,99		X		(17)	N 902 952 09	circlip 42 X 1,98		X	CWA
(10)	N 902 947 05	circlip 47 X 2,02		X		(17)	N 902 945 01	circlip 38 X 2		X	DVY/EFD
11	012 311 229 K	needle cage 2nd gear 47 X 52 X 26,6		1		(17)	N 902 945 02	circlip 38 X 2,16		X	DVY/EFD
12	012 311 271 F	shifting gear 2nd gear Z = 36 : 17		1		(17)	N 902 945 03	circlip 38 X 2,20		X	DVY/EFD
13	N 902 947 06	circlip 47 X 2,5		1		(17)	N 902 945 04	circlip 38 X 2,24		X	DVY/EFD
14	012 311 131 BJ	gear wheel 3rd speed		1		(17)	N 902 945 05	circlip 38 X 2,28		X	DVY/EFD
15	N 902 946 02	circlip 46 X 1,9		X		18	012 311 116 F	needle cage 5th speed 38 X 43 X 25		1	CWA
(15)	N 902 946 09	circlip 46 X 1,94		X		(18)	012 311 116 G	needle cage 5th speed 38 X 43 X 27		1	DVY/EFD

Model	Year	MG	SG	Illustration	Restrictions	Update	17:46	23.08.2006	PORSCHE	PET	PORSCHE
986	04	3	03	303-05		203					

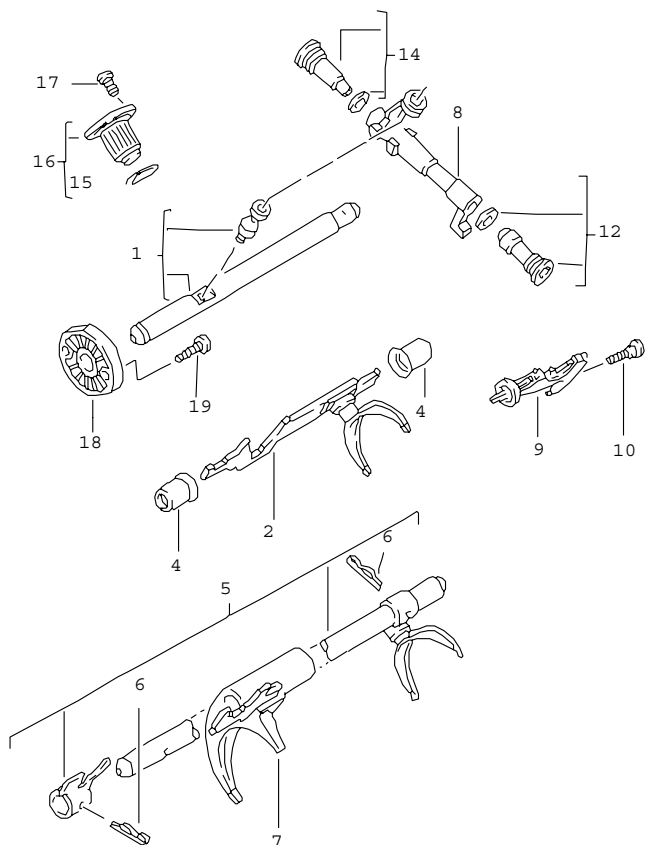
Pos	Part Number	Name	Remarks	Qty	Model	Pos	Part Number	Name	Remarks	Qty	Model
19	012 311 361 CE	shifting gear 5th speed Z = 30 : 38		1	CWA	25	012 311 234 E	needle-roller bearing 37 X 42 X 24,5		1	
(19)	012 311 361 CR	shifting gear 5th speed Z = 30 : 38		1	DVY	26 A	012 311 295 D	synchroniser ring reverse gear G >> 10 05 8		1	
(19)	012 311 361 DC	shifting gear 5th speed Z = 31 : 37		1	EFD	(26)	012 311 295 F	synchroniser ring reverse gear G 11 05 8 >>		1	
20 A	012 311 312 A	spring 5th speed and reverse gear G >> 10 05 8		2		27	012 311 217 K	shifting gear reverse gear		1	
(20)	012 311 312 D	spring 5th speed and reverse gear G 11 05 8 >>		2		28	012 311 375 C	taper roller bearing 31,7 X 76,2 X 25,4		1	
21 A	012 311 295 D	synchroniser ring 5th speed G >> 10 05 8		1		29	012 311 393	adjusting shim 0,45		X	
(21)	012 311 295 F	synchroniser ring 5th speed G 11 05 8 >>		1		(29)	012 311 393 A	adjusting shim 0,49		X	
22	N 902 945 01	circlip 38 X 2		1		(29)	012 311 393 B	adjusting shim 0,53		X	
23A	012 311 315 B	operating sleeve		1		(29)	012 311 393 C	adjusting shim 0,57		X	
23B	012 311 309 F	synchronising hub		1		(29)	012 311 393 D	adjusting shim 0,61		X	
24	N 902 944 01	circlip 37 X 1,9		X		(29)	012 311 393 E	adjusting shim 0,65		X	
(24)	N 902 944 02	circlip 37 X 1,93		X		(29)	012 311 393 F	adjusting shim 0,69		X	
(24)	N 902 944 03	circlip 37 X 1,96		X		(29)	012 311 393 G	adjusting shim 0,73		X	
(24)	N 902 944 04	circlip 37 X 1,99		X		(29)	012 311 393 H	adjusting shim 0,77		X	
(24)	N 902 944 05	circlip 37 X 2,02		X		(29)	012 311 393 J	adjusting shim 0,81		X	
(24)	N 902 944 06	circlip 37 X 2,05		X		(29)	012 311 393 K	adjusting shim 0,85		X	
						(29)	012 311 393 L	adjusting shim 0,89		X	
						(29)	012 311 393 N	adjusting shim 0,97		X	
						30	012 301 251 B	pressure plate 70,98 X 14,8		X	

Model	Year	MG	SG	Illustration	Restrictions	Update						
986	04	3	03	303-05		203	17:46	23.08.2006	PORSCHE	PET	PORSCHE	

Pos	Part Number	Name	Remarks	Qty	Model	Pos	Part Number	Name	Remarks	Qty	Model
(30)	012 301 251 C	pressure plate 70,98 X 15,3		X							
31	012 301 193	washer 71 X 7		1							
- - - E N D - - -											

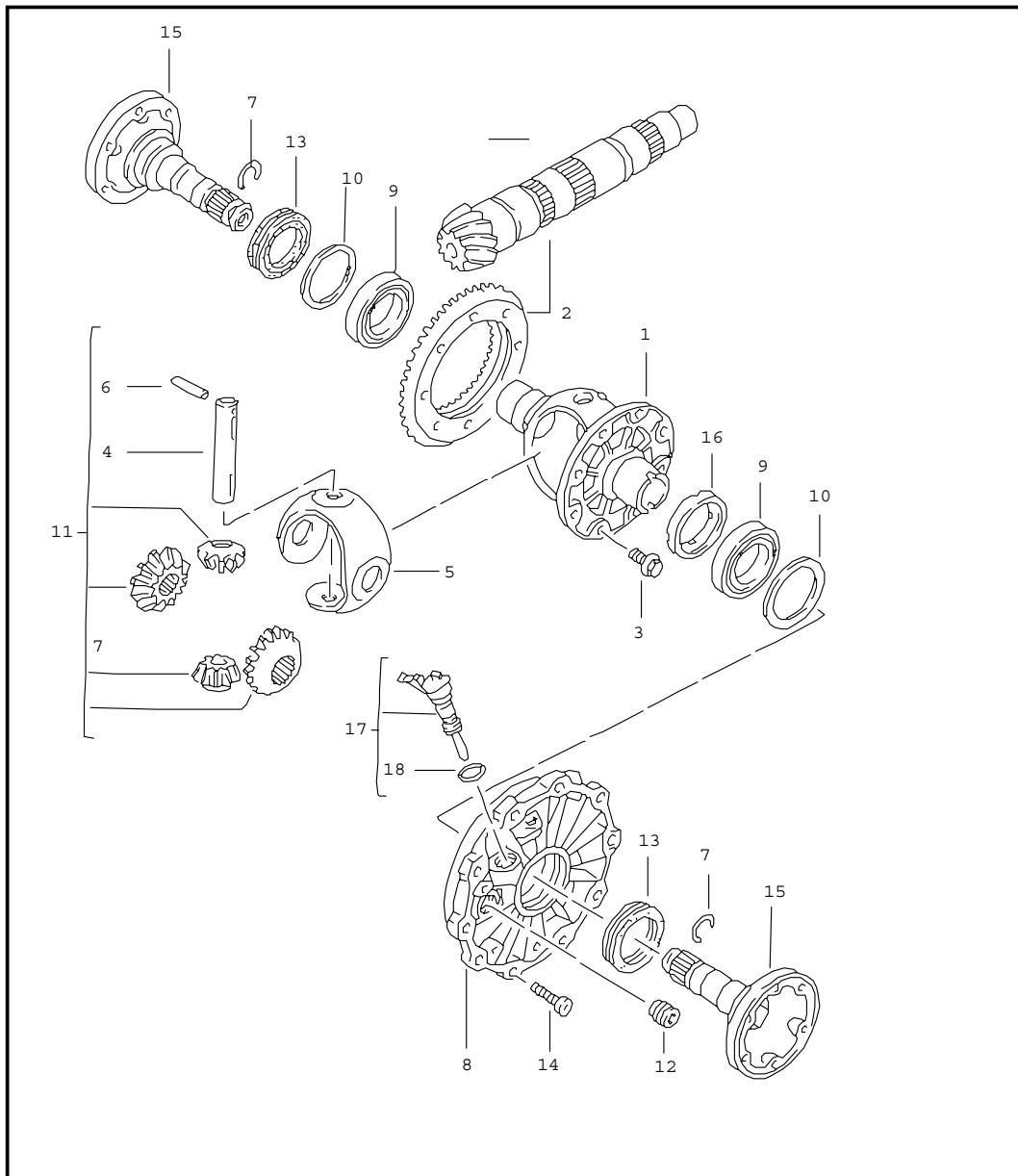


Model	Year	MG	SG	Illustration	Restrictions	Update	17:46	23.08.2006	PORSCHE	PET	PORSCHE
986	04	3	04	304-00		203					



Pos	Part Number	Name	Remarks	Qty	Model
		manual transmission	-99 00-		G86.00 G86.01
		shift rods forks			
1	012 311 505	shift rod		1	
2	012 311 559 D	gear shift rod 3rd, 4th speed		1	
4	012 301 120 C	sleeve		2	
5	012 311 575 D	gear shift rod 5th speed and reverse gear		1	
6	N 023 332 1	tensioning sleeve 6 X 24		2	
7	012 311 549	shift fork 1st/2nd gear		1	
8	012 311 617 D	reverse lever		1	
9	012 311 628 A	locking segment		1	
10	012 301 291	torx screw M 8 X 30		1	
12	012 311 718 A	stop screw M 22 X 1,5		1	
14	012 311 720 A	stop screw M 26 X 1,5		1	
15	N 903 541 01	o-ring 22 X 2		1	
16	012 311 691 A	pawl		1	
17	N 903 663 01	pan-head screw M 8 X 22		2	
18	012 301 453 G	cover for shift rod		1	
19	N 903 660 01	torx screw M 8 X 36		2	
		- - - E N D - - -			

Model	Year	MG	SG	Illustration	Restrictions	Update	17:47	23.08.2006	PORSCHE	PET	PORSCHE
986	04	3	05	305-00		203					



Pos	Part Number	Name	Remarks	Qty	Model
		differential	-99 00-		G86.00 G86.01
		transmission classification letter attention			CWA/DVY/EFD
1	012 409 121 M	differential housing 90 MM		1	CWA
1	012 409 121 M	differential housing 90 MM G >> 10 01 9		1	DVY
1	012 409 121 L	differential housing 90 MM G 11 01 9 >>		1	DVY/EFD
2	012 409 143 AR	ring gear and pinion shaft 35 : 9		1	CWA
2	012 409 143 CA	ring gear and pinion shaft 35 : 9		1	DVY
2	012 409 143 CQ	ring gear and pinion shaft 32 : 9		1	EFD/GDW
3	N 903 614 01	hexagon-head bolt M 10 X 1 X 22,8		10	
4	005 409 177 00	differential bolt		1	
5	012 409 170 A	thrust washer		1	
6	N 100 726 01	roll pin 5 X 36		1	
7	012 409 413	snap ring		2	
8	012 409 131 H	cover		1	CWA
8	012 409 131 H	cover G >> 10 01 9		1	DVY
8	012 409 131 L	cover G 11 01 9 >>		1	DVY/EFD
9	002 517 185	taper roller bearing 46 X 75 X 18		2	CWA
9	002 517 185	taper roller bearing 46 X 75 X 18 G >> 10 01 9		2	DVY
9	002 517 185	taper roller bearing right 46 X 75 X 18 G 11 01 9 >>		1	DVY/EFD

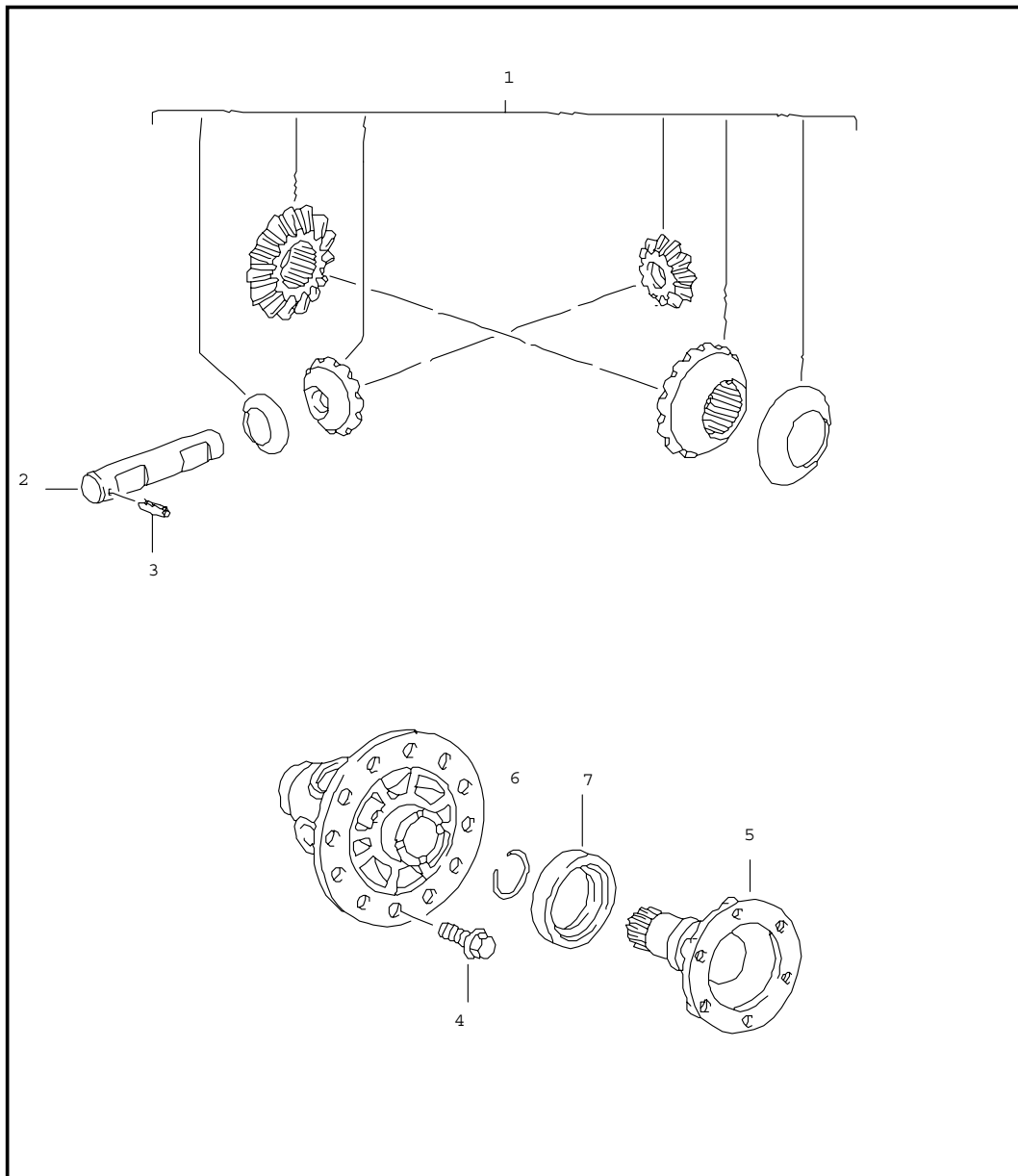
Model	Year	MG	SG	Illustration	Restrictions	Update	17:47	23.08.2006	PORSCHE	PET	PORSCHE
986	04	3	05	305-00		203					

Pos	Part Number	Name	Remarks	Qty	Model	Pos	Part Number	Name	Remarks	Qty	Model
9	012 409 123	taper roller bearing left 50 X 80 X 20 G 11 01 9 >>		1	DVY/EFD	(10)	012 409 387 C	shim 0,60 G >> 10 01 9		X	DVY
10	012 409 387	shim 0,45		X	CWA	(10)	012 409 387 DQ	shim left 0,57 G 11 01 9 >>		X	DVY/EFD
10	012 409 387	shim 0,45 G >> 10 01 9		X	DVY	(10)	012 409 387 AN	shim right 0,57 G 11 01 9 >>		X	DVY/EFD
10	012 409 387 DM	shim left 0,45 G 11 01 9 >>		X	DVY/EFD	(10)	012 409 387 D	shim 0,65		X	CWA
10	012 409 387 AK	shim right 0,45 G 11 01 9 >>		X	DVY/EFD	(10)	012 409 387 D	shim 0,65 G >> 10 01 9		X	DVY
(10)	012 409 387 A	shim 0,50		X	CWA	(10)	012 409 387 DR	shim left 0,61 G 11 01 9 >>		X	DVY/EFD
(10)	012 409 387 A	shim 0,50 G >> 10 01 9		X	DVY	(10)	012 409 387 AP	shim right 0,61 G 11 01 9 >>		X	DVY/EFD
(10)	012 409 387 DN	shim left 0,49 G 11 01 9 >>		X	DVY/EFD	(10)	012 409 387 E	shim 0,70		X	CWA
(10)	012 409 387 AL	shim right 0,49 G 11 01 9 >>		X	DVY/EFD	(10)	012 409 387 E	shim 0,70 G >> 10 01 9		X	DVY
(10)	012 409 387 B	shim 0,55		X	CWA	(10)	012 409 387 DS	shim left 0,65 G 11 01 9 >>		X	DVY/EFD
(10)	012 409 387 B	shim 0,55 G >> 10 01 9		X	DVY	(10)	012 409 387 AQ	shim right 0,65 G 11 01 9 >>		X	DVY/EFD
(10)	012 409 387 DP	shim left 0,53 G 11 01 9 >>		X	DVY/EFD	(10)	012 409 387 F	shim 0,75		X	CWA
(10)	012 409 387 AM	shim right 0,53 G 11 01 9 >>		X	DVY/EFD	(10)	012 409 387 F	shim 0,75 G >> 10 01 9		X	DVY
(10)	012 409 387 C	shim 0,60		X	CWA						

Model	Year	MG	SG	Illustration	Restrictions	Update	17:47	23.08.2006	PORSCHE	PET	PORSCHE
986	04	3	05	305-00		203					

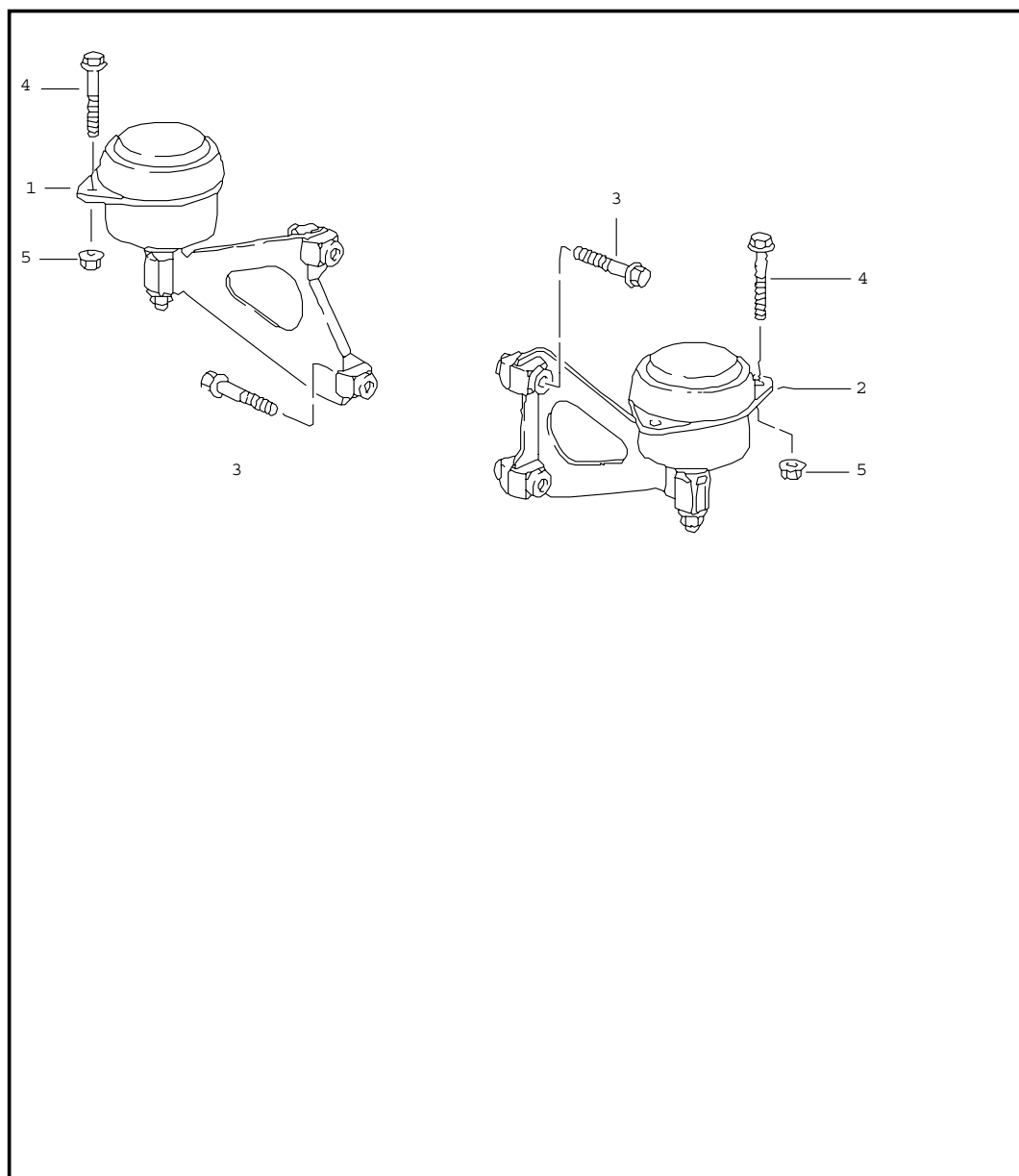
Pos	Part Number	Name	Remarks	Qty	Model	Pos	Part Number	Name	Remarks	Qty	Model
(10)	012 409 387 DT	shim left 0,69 G 11 01 9 >>		X	DVY/EFD	(10)	012 409 387 BA	shim right 0,81 G 11 01 9 >>		X	DVY/EFD
(10)	012 409 387 AR	shim right 0,69 G 11 01 9 >>		X	DVY/EFD	(10)	012 409 387 ED	shim left 0,85 G 11 01 9 >>		X	DVY/EFD
(10)	012 409 387 G	shim 0,80		X	CWA	(10)	012 409 387 BB	shim right 0,85 G 11 01 9 >>		X	DVY/EFD
(10)	012 409 387 G	shim 0,80 G >> 10 01 9		X	DVY	11	02M 498 081 A	differential pinions 1 set		1	
(10)	012 409 387 EA	shim left 0,73 G 11 01 9 >>		X	DVY/EFD	12	111 301 127 E	screw plug		1	
(10)	012 409 387 AS	shim right 0,73 G 11 01 9 >>		X	DVY/EFD	13	016 409 399 B	shaft seal 45 X 60 X 8		2	
(10)	012 409 387 H	shim 0,85		X	CWA	14	N 903 660 01	torx screw M 8 X 36		10	
(10)	012 409 387 H	shim 0,85 G >> 10 01 9		X	DVY	15	012 409 343 K	flanged shaft G >> 02 07 1		2	CWA/DVY/EFD
(10)	012 409 387 EB	shim left 0,77 G 11 01 9 >>		X	DVY/EFD	(15)	012 409 343 AA	flanged shaft G 03 07 1 >>		2	CWA/DVY/EFD
(10)	012 409 387 AT	shim right 0,77 G 11 01 9 >>		X	DVY/EFD	(15)	012 409 343 AC	flanged shaft		2	GDW
(10)	012 409 387 J	shim 0,90		X	CWA	16	012 409 182 B	drive wheel without function-drive		1	
(10)	012 409 387 J	shim 0,90 G >> 10 01 9		X	DVY	17	012 409 191 C	sensor without function-drive		1	
(10)	012 409 387 EC	shim left 0,81 G 11 01 9 >>		X	DVY/EFD	18	N 903 684 01	round seal		1	
								- - - E N D - - -			

Model	Year	MG	SG	Illustration	Restrictions	Update	17:47	23.08.2006	PORSCHE	PET	PORSCHE
986	04	3	05	305-01		203					



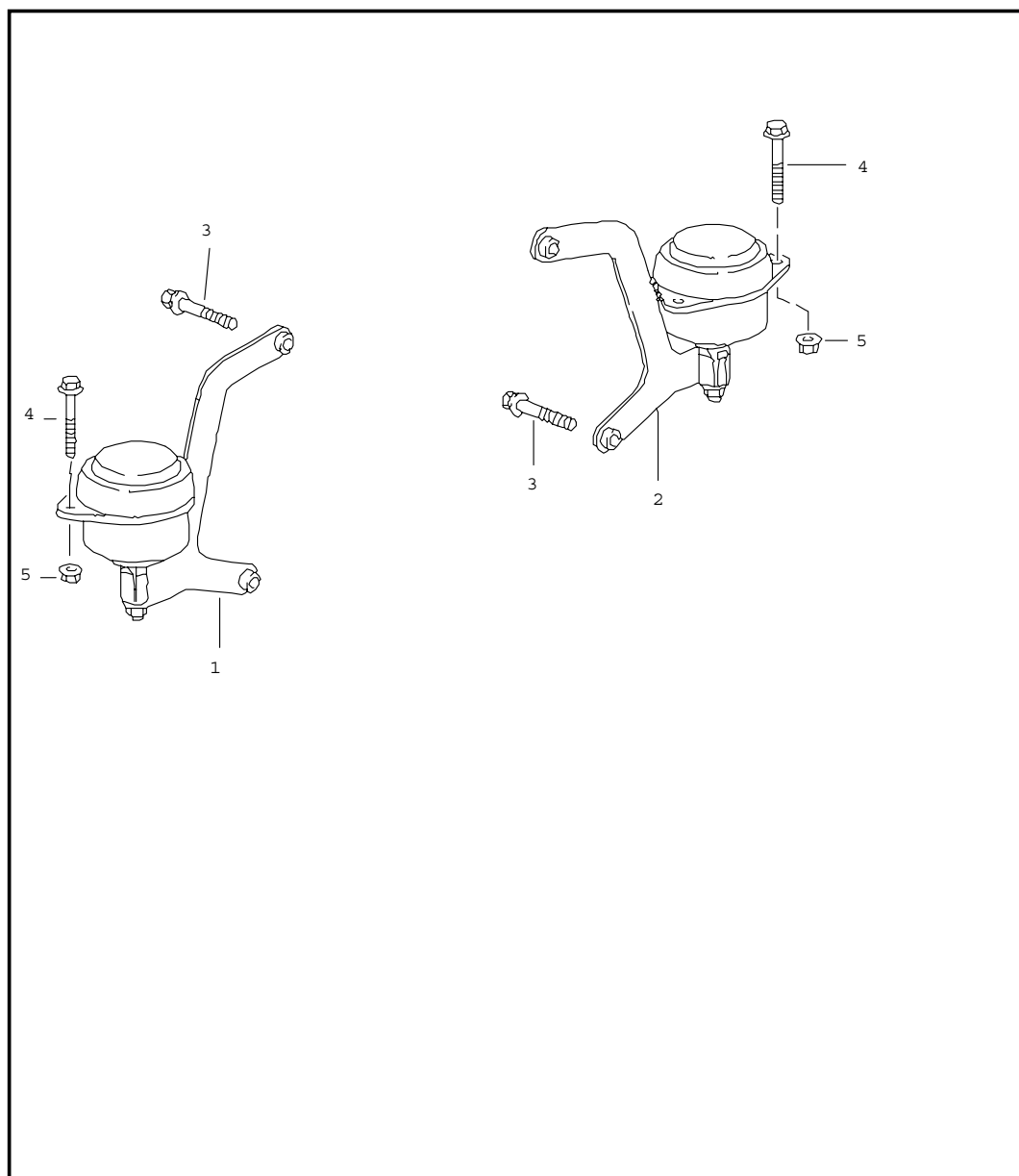
Pos	Part Number	Name	Remarks	Qty	Model
		differential	00-		G86.20
1	996 332 922 00	differential pinions 1 set		1	
2	996 332 205 00	differential bolt		1	
3	900 309 038 01	roll pin 5 X 16		1	
4	996 332 276 00	hexagon-head bolt M 12 X 1,25 X 22,5		12	
5	996 332 209 00	joint flange		2	
6	996 332 249 00	snap ring 35 X 2,5		2	
7	999 113 347 40	shaft seal 48 X 68 X 10		2	
- - - E N D - - -					

Model	Year	MG	SG	Illustration	Restrictions	Update	17:47	23.08.2006	PORSCHE	PET	PORSCHE
986	04	3	06	306-00		203					



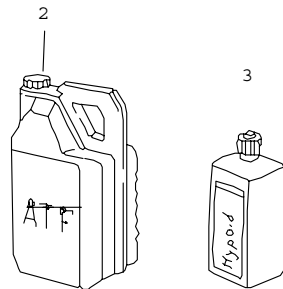
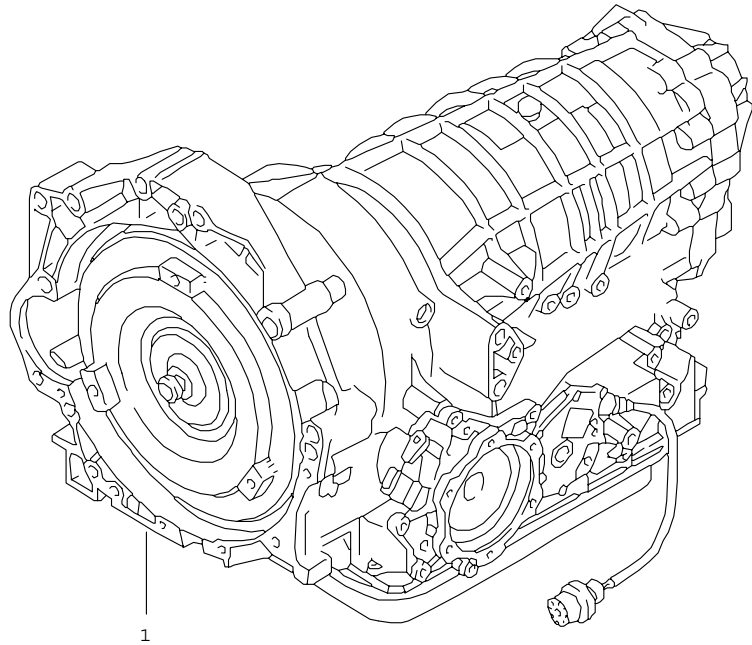
Pos	Part Number	Name	Remarks	Qty	Model
		manual transmission	-99		G86.00
		transmission suspension	00-		G86.01
		threaded joint			
		engine			
1	986 375 084 03	transmission bracket right		1	
2	986 375 083 03	transmission bracket left		1	
3	900 378 098 09	hexagon-head bolt M 10 X 60		4	
4	900 378 056 02	hexagon-head bolt M 8 X 60		4	
5	999 084 447 09	hexagon nut M 8		4	
6	999 072 008 09	hexagon-head bolt M 12 X 1,5 X 70		1	
7	999 072 009 09	hexagon-head bolt M 12 X 1,5 X 90		3	
8	999 218 088 09	stud M 10 X 30		1	
9	900 377 011 09	hexagon nut M 10		1	
10	999 073 118 09	pan-head screw M 10 X 40		1	
11	N 905 028 02	washer 15 X 28 X 3,5		1	
12	999 072 010 09	hexagon-head bolt M 12 X 1,5 X 100		1	
		- - - E N D - - -			

Model	Year	MG	SG	Illustration	Restrictions	Update	17:47	23.08.2006	PORSCHE	PET	PORSCHE
986	04	3	06	306-01		203					



Pos	Part Number	Name	Remarks	Qty	Model
		manual transmission	00-		G86.20
		transmission suspension threaded joint engine			
1	986 375 084 03	transmission bracket right		1	
2	986 375 083 03	transmission bracket left		1	
3	900 378 098 09	hexagon-head bolt M 10 X 60		4	
4	900 378 056 02	hexagon-head bolt M 8 X 60		4	
5	900 380 005 09	hexagon nut M 8		4	
6	999 072 008 09	hexagon-head bolt M 12 X 1,5 X 70		1	
7	999 072 009 09	hexagon-head bolt M 12 X 1,5 X 90		3	
8	999 218 088 09	stud M 10 X 30		1	
9	900 377 011 09	hexagon nut M 10		1	
10	999 073 118 09	pan-head screw M 10 X 40		1	
11	N 905 028 02	washer 15 X 28 X 3,5		1	
12	999 072 010 09	hexagon-head bolt M 12 X 1,5 X 100		1	
		- - - E N D - - -			

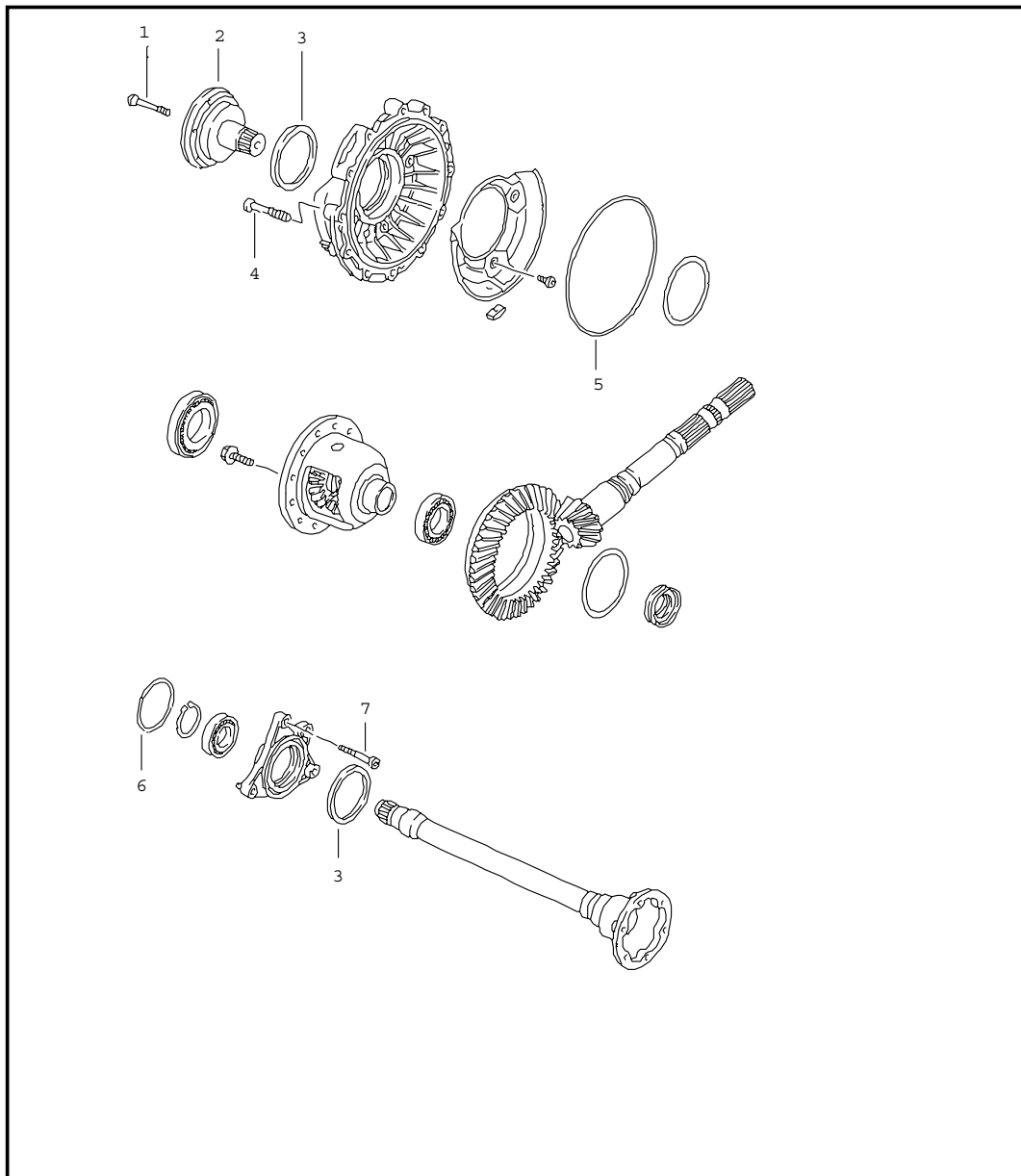
Model	Year	MG	SG	Illustration	Restrictions	Update	17:47	23.08.2006	PORSCHE	PET	PORSCHE
986	04	3	20	320-00		203					



Pos	Part Number	Name	Remarks	Qty	Model
		tiptronic	-99 00- 00-		A86.00 A86.05 A86.20
		see technical information group 3 NR. 2 / 2A /98			
		replacement transmission not ready for installation			
1	A 986 300 911 01	transmission	-97	1	A86.00
(1)	A 986 300 011 02	transmission	98	1	A86.00
(1)	986 300 011 03	transmission F >>98XS6 00783	99	1	A86.00
		use also: control unit 986.618.225.04			
(1)	986 300 011 05	transmission		1	A86.05
(1)	986 300 011 20	transmission		1	A86.20
2	000 043 205 09	transmission oil ATF 20 LTR. container		X	
3	999 917 546 00	transmission oil HYPOID 1 LTR. container		X	
		- - - E N D - - -			

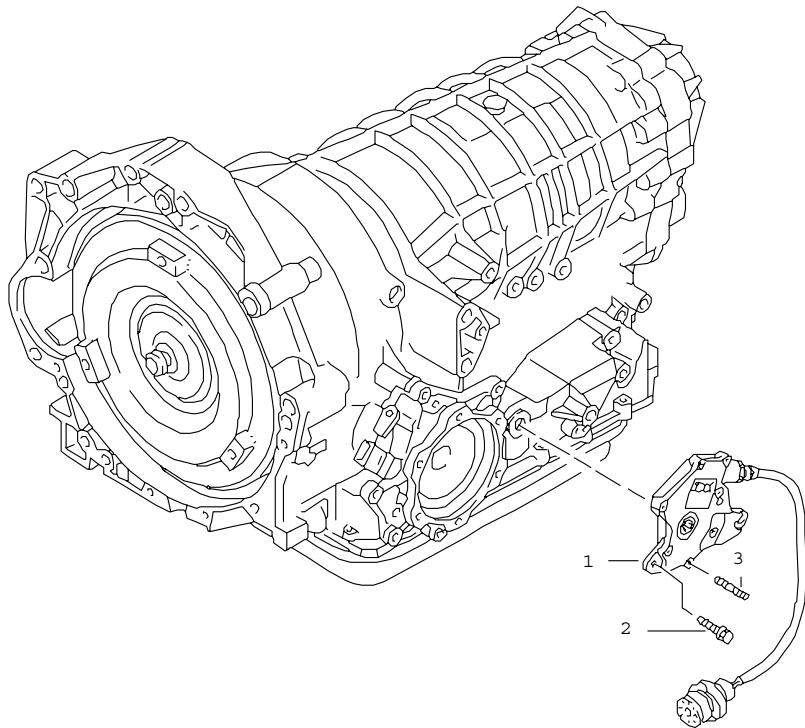


Model	Year	MG	SG	Illustration	Restrictions	Update	17:48	23.08.2006	PORSCHE	PET	PORSCHE
986	04	3	20	320-03		203					



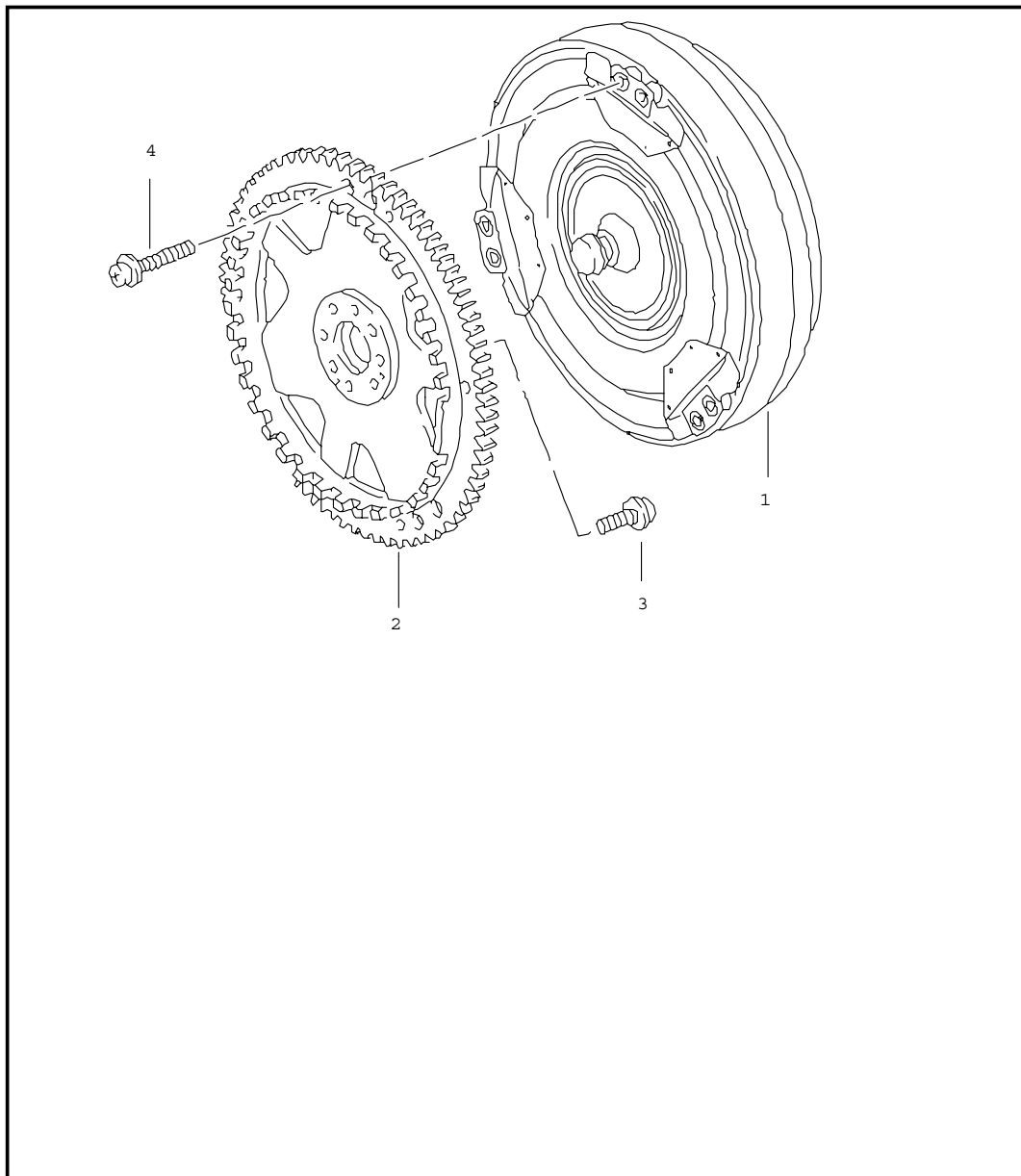
Pos	Part Number	Name	Remarks	Qty	Model
		tiptronic	-99 00- 00-		A86.00 A86.05 A86.20
		differential differential housing			
1	944 332 587 00	elastic bolt M 8		1	
2	986 332 201 00	drive flange		1	
2	986 332 201 20	drive flange		1	A86.20
3	986 397 027 00	shaft seal for cover		1	
(3)	996 397 015 00	shaft seal for flange		1	
4	986 397 029 00	pan-head screw M 8 X 45		12	
5	986 397 028 00	round seal		1	
6	986 397 034 00	round seal		1	
7	996 397 007 00	pan-head screw M 8 X 30		3	
		- - - E N D - - -			

Model	Year	MG	SG	Illustration	Restrictions	Update	17:48	23.08.2006	PORSCHE	PET	PORSCHE
986	04	3	20	320-05		203					



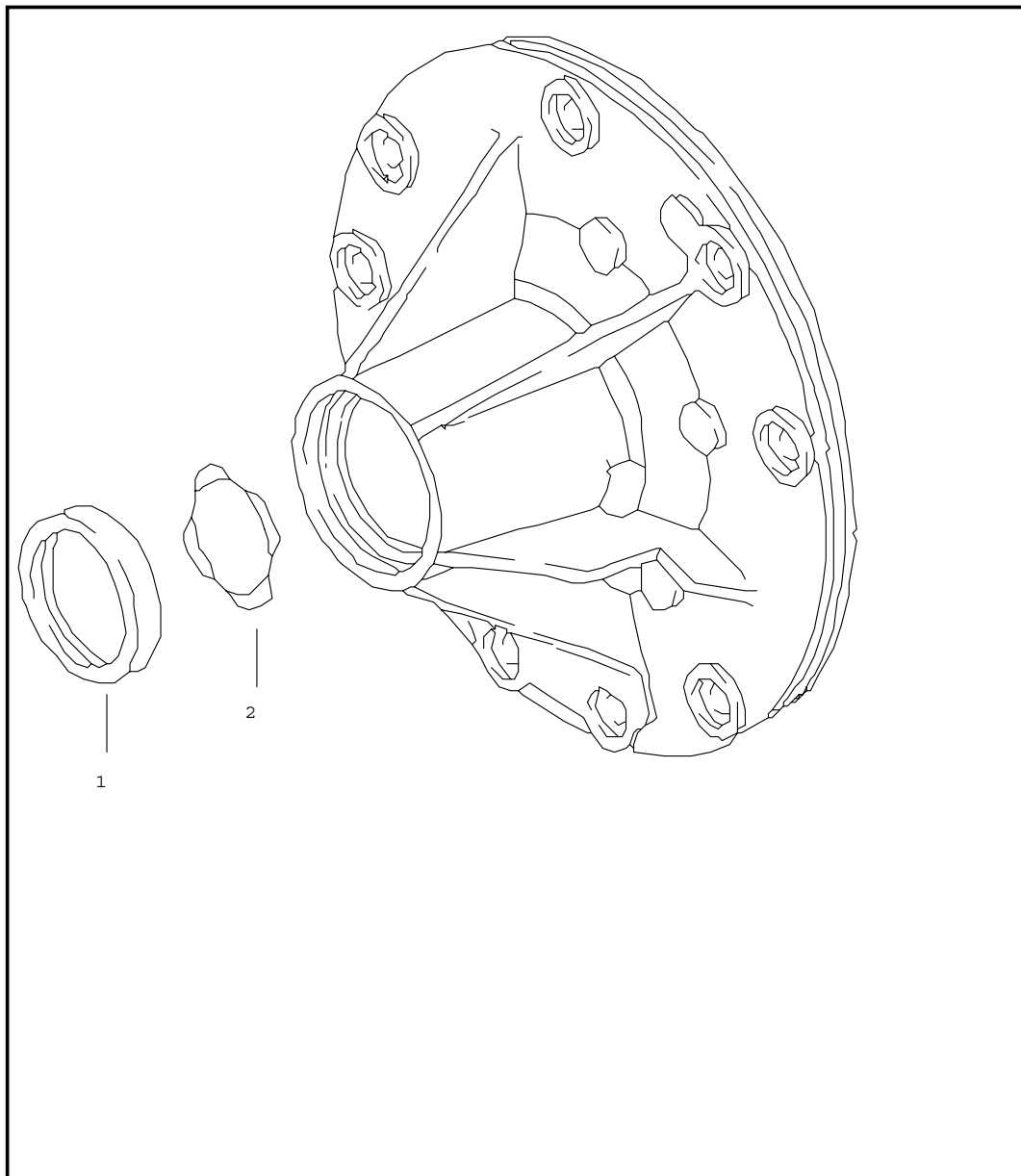
Pos	Part Number	Name	Remarks	Qty	Model
		tiptronic	-99 00- 00-		A86.00 A86.05 A86.20
		selector switch			
1	986 325 612 01	switch		1	
2	986 397 025 00	pan-head screw M 6 X 15		2	
3	986 397 024 00	straight pin M 6 X 14		1	
- - - E N D - - -					

Model	Year	MG	SG	Illustration	Restrictions	Update	17:48	23.08.2006	PORSCHE	PET	PORSCHE
986	04	3	30	330-00		203					



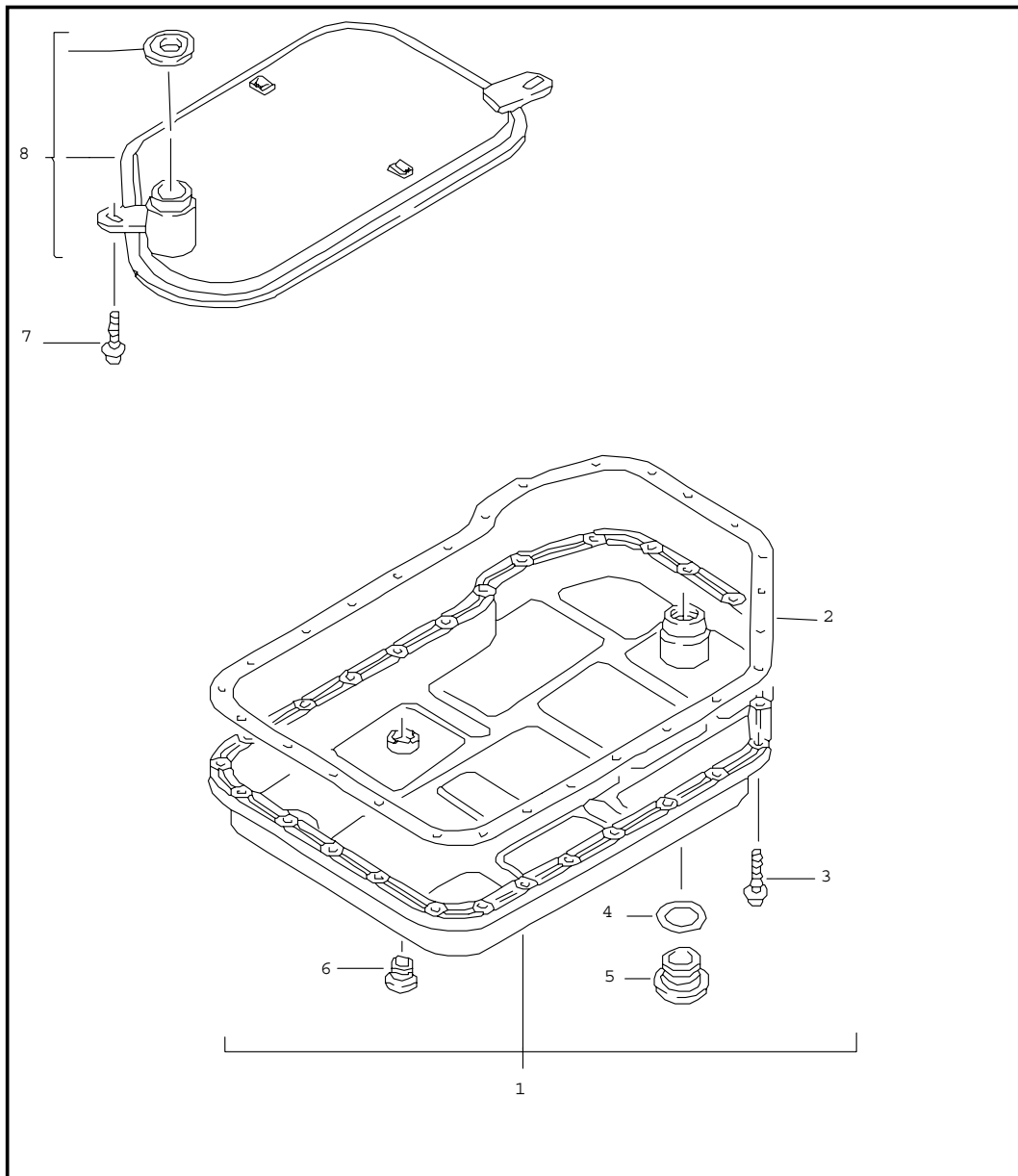
Pos	Part Number	Name	Remarks	Qty	Model
		tiptronic	-99 00- 00-		A86.00 A86.05 A86.20
1	986 316 001 00	torque converter		1	
2	996 116 075 07	drive plate		1	
3	999 073 091 09	pan-head screw M 10 X 1 X 25		8	
4	900 067 369 09	pan-head screw M 8 X 20		6	
		- - - E N D - - -			

Model	Year	MG	SG	Illustration	Restrictions	Update	17:48	23.08.2006	PORSCHE	PET	PORSCHE
986	04	3	30	330-01		203					



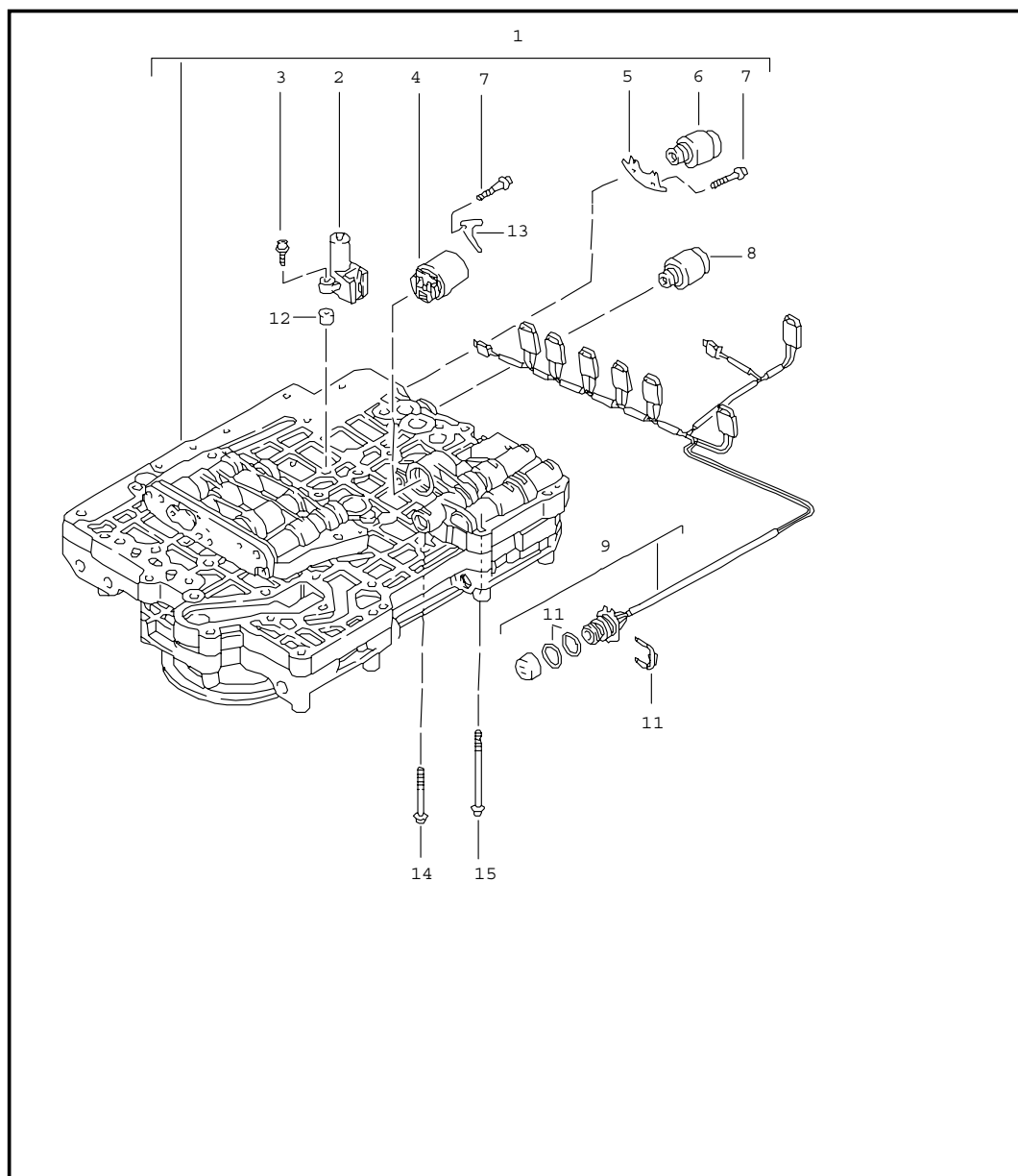
Pos	Part Number	Name	Remarks	Qty	Model
		tiptronic	-99 00- 00-		A86.00 A86.05 A86.20
1	996 397 010 00	shaft seal		1	
2	986 397 012 00	washer		1	
- - - E N D - - -					

Model	Year	MG	SG	Illustration	Restrictions	Update	17:49	23.08.2006	PORSCHE	PET	PORSCHE
986	04	3	40	340-01		203					



Pos	Part Number	Name	Remarks	Qty	Model
		tiptronic	-99		A86.00
		oil filter	00-		A86.05
		oil pan	00-		A86.20
1	986 321 025 02	oil pan		1	
2	986 397 016 00	oil sump gasket		1	
3	943 397 039 00	pan-head screw M 6 X 20		27	
4	986 397 014 00	round seal		1	
5	986 397 015 00	screw plug M 30 X 1,5		1	
6	986 397 013 00	screw plug M 16 X 1,5		1	
7	943 397 045 00	pan-head screw M 5 X 12		2	
8	986 307 403 00	oil filter		2	
- - - E N D - - -					

Model	Year	MG	SG	Illustration	Restrictions	Update	17:49	23.08.2006	PORSCHE	PET	PORSCHE
986	04	3	40	340-02		203					

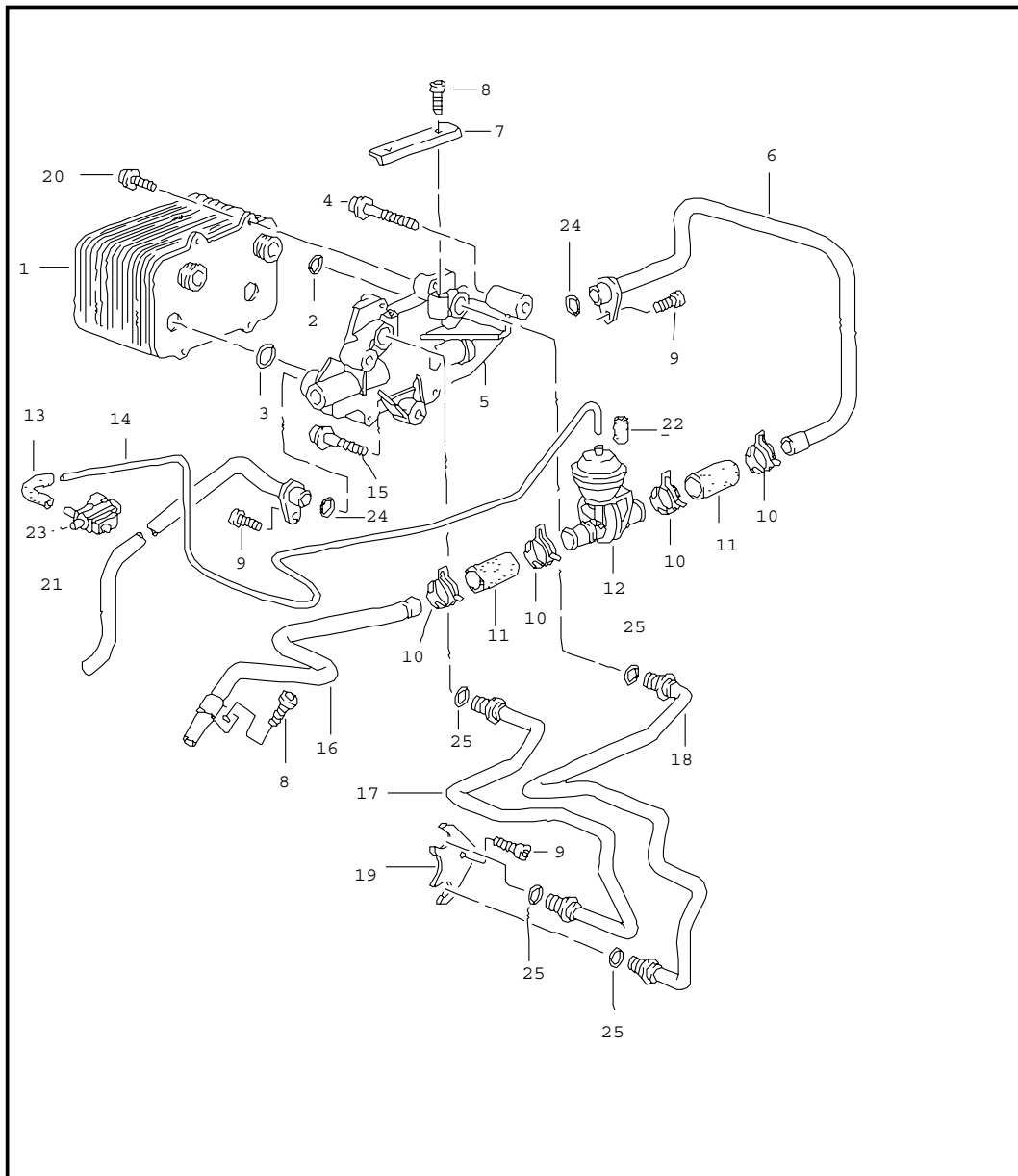


Pos	Part Number	Name	Remarks	Qty	Model
		tiptronic	-99 00- 00-		A86.00 A86.05 A86.20
1	986 325 617 00	switch unit type label transmission case attention 1060 030 031 >> 155 067		1	
1	986 325 617 01	switch unit type label transmission case attention 1060 030 053 << 155 068		1	
2	986 325 608 00	inductive transmitter		1	
3	986 397 019 00	pan-head screw M 5 X 40		2	
4	986 325 604 00	pressure regulator type label transmission case attention 1060 030 031 >> 155 067		1	
4	986 325 604 01	pressure regulator type label transmission case attention 1060 030 053 << 155 068		1	
5	986 325 615 00	retaining bracket		2	
6	986 325 601 00	solenoid valve		3	
7	943 397 045 00	pan-head screw M 5 X 12		5	
8	986 325 603 00	pressure regulator		3	
9	986 325 611 00	wiring harness		1	
10	986 397 018 00	clamp		1	
11	986 397 017 00	o-ring		2	
12	986 397 020 00	spacer ring		2	
13	943 325 111 00	retaining bracket		1	

Model	Year	MG	SG	Illustration	Restrictions	Update					
986	04	3	40	340-02		203	17:49	23.08.2006	PORSCHE	PET	PORSCHE

Pos	Part Number	Name	Remarks	Qty	Model	Pos	Part Number	Name	Remarks	Qty	Model
14	943 397 013 00	pan-head screw M 6 X 30		1							
15	943 397 005 00	pan-head screw M 6 X 60		16							
		- - - E N D - - -									

Model	Year	MG	SG	Illustration	Restrictions	Update	17:49	23.08.2006	PORSCHE	PET	PORSCHE
986	04	3	60	360-00		203					



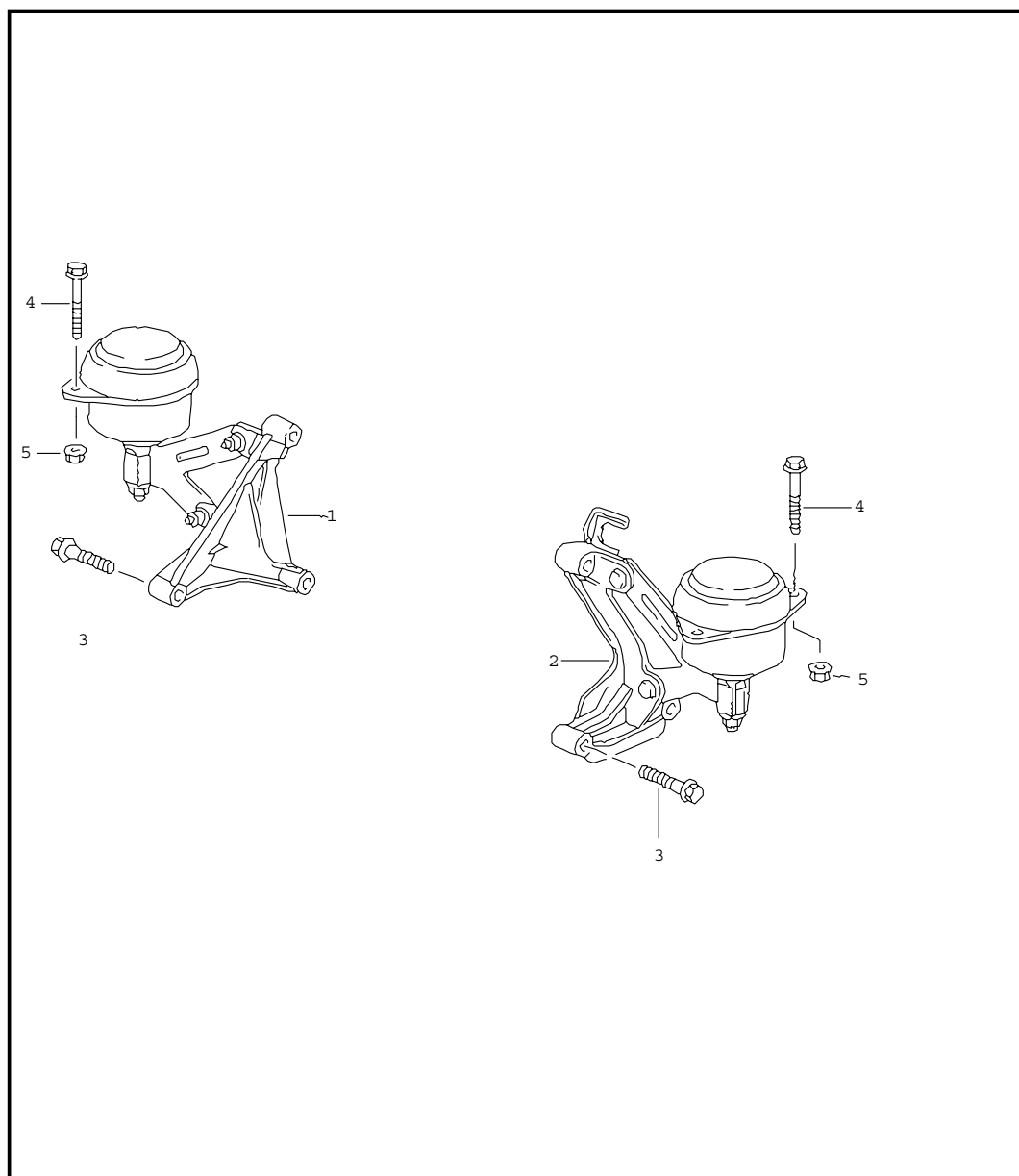
Pos	Part Number	Name	Remarks	Qty	Model
		tiptronic	-99 00- 00-		A86.00 A86.05 A86.20
1	996 307 017 01	atf cooler		1	
2	999 707 388 40	o-ring 18,64 X 3,53		2	
3	900 331 034 40	o-ring 25,8 X 3,55		2	
4	999 073 116 09	oval-head screw M 8 X 55		1	
5	986 307 020 00	port plate		1	
6	986 307 076 00	water line supply	-00	1	
6	986 307 076 21	water line supply	01-	1	
7	986 307 143 02	latch		1	
8	999 073 103 09	round head screw M 6 X 16		2	
9	999 073 094 09	round head screw M 8 X 20		1	
10	999 512 552 00	hose clamp 25 X 12		4	
11	900 181 060 50	hose 18 X 3,5 X 50		4	
12	928 574 573 03	disc valve		1	
13	928 574 717 03	hose elbow		1	
--	999 181 742 40	pipe 4 X 1		*	
14	-	650 MM		1	
15	999 073 105 09	round head screw M 8 X 40		2	
16	986 307 075 06	water line supply	-00	1	
16	986 307 075 21	water line supply	01-	1	



Model	Year	MG	SG	Illustration	Restrictions	Update	17:49	23.08.2006	PORSCHE	PET	PORSCHE
986	04	3	60	360-00		203					

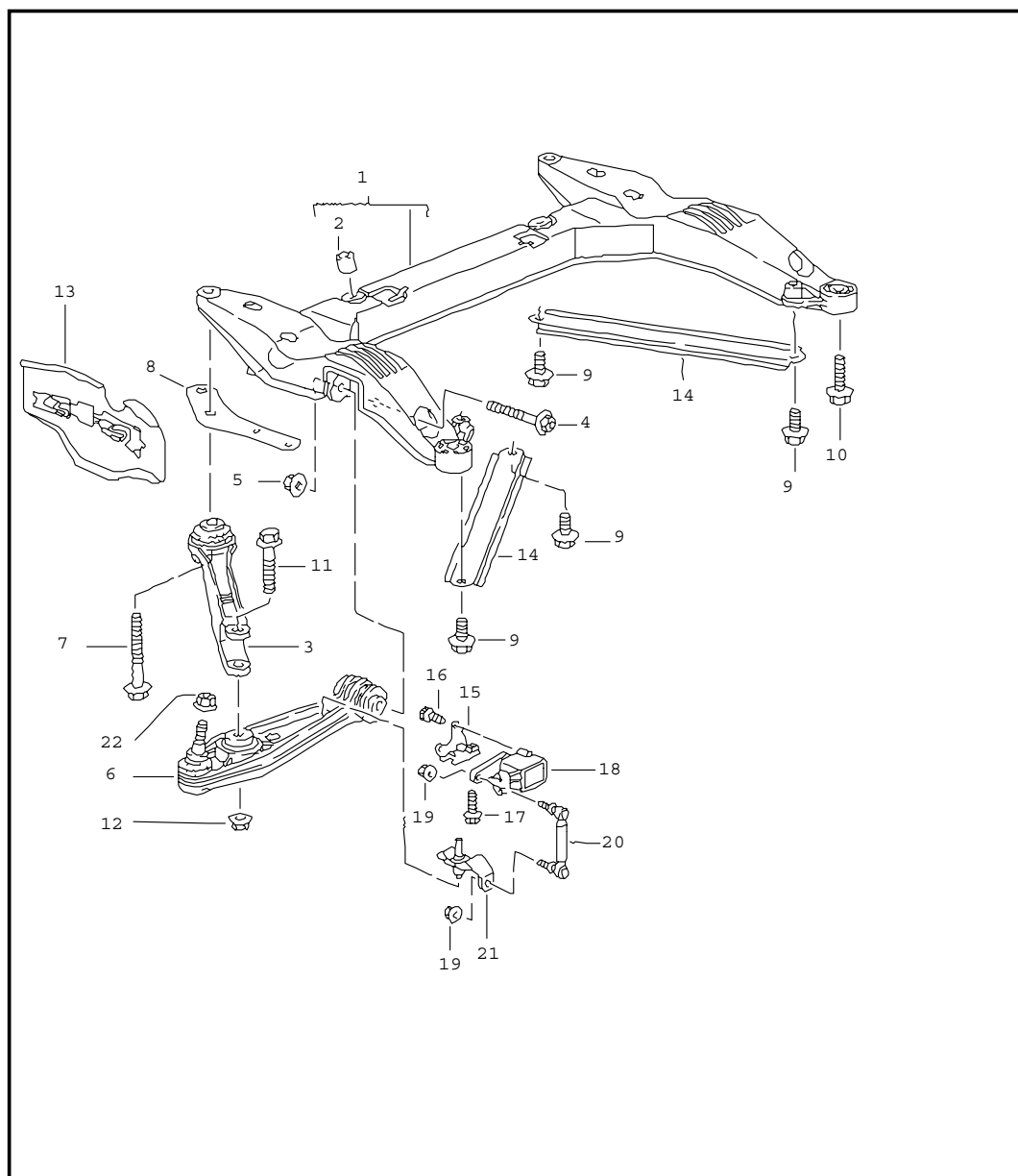
Pos	Part Number	Name	Remarks	Qty	Model	Pos	Part Number	Name	Remarks	Qty	Model
17	986 307 085 04	oil pipe return		1							
18	986 307 082 04	oil pipe supply		1							
19	996 307 147 00	support		1							
20	999 073 103 09	round head screw M 6 X 16		4							
21	986 307 077 06	water line return		1							
22	999 239 040 40	connecting hose		1							
23	996 605 123 01	change-over valve		1							
24	999 707 387 40	o-ring 15 X 2,5		2							
25	999 707 386 40	o-ring 12,37 X 2,62		4							
--	999 652 838 40	plug socket		1							
--	999 652 771 12	connector		1							
--	999 704 161 40	gasket		2							
--	999 181 389 40	protective tube		1							
		- - - E N D - - -									

Model	Year	MG	SG	Illustration	Restrictions	Update	17:49	23.08.2006	PORSCHE	PET	PORSCHE
986	04	3	70	370-00		203					



Pos	Part Number	Name	Remarks	Qty	Model
		tiptronic	-99 00- 00-		A86.00 A86.05 A86.20
		transmission suspension threaded joint engine			
1	986 375 094 02	transmission bracket right		1	
2	986 375 093 02	transmission bracket left		1	
3	900 378 076 09	hexagon-head bolt M 10 X 50		6	
4	900 378 056 02	hexagon-head bolt M 8 X 60		4	
5	999 084 447 09	hexagon nut M 8		4	
6	999 072 008 09	hexagon-head bolt M 12 X 1,5 X 70		1	
7	999 072 009 09	hexagon-head bolt M 12 X 1,5 X 90		3	
8	999 218 088 09	stud M 10 X 30		1	
9	900 377 011 09	hexagon nut M 10		1	
10	999 073 118 09	pan-head screw M 10 X 40		1	
11	N 905 028 02	washer 15 X 28 X 3,5		1	
12	999 072 010 09	hexagon-head bolt M 12 X 1,5 X 100		1	
		- - - E N D - - -			

Model	Year	MG	SG	Illustration	Restrictions	Update	17:49	23.08.2006	PORSCHE	PET	PORSCHE
986	04	4	01	401-00		203					

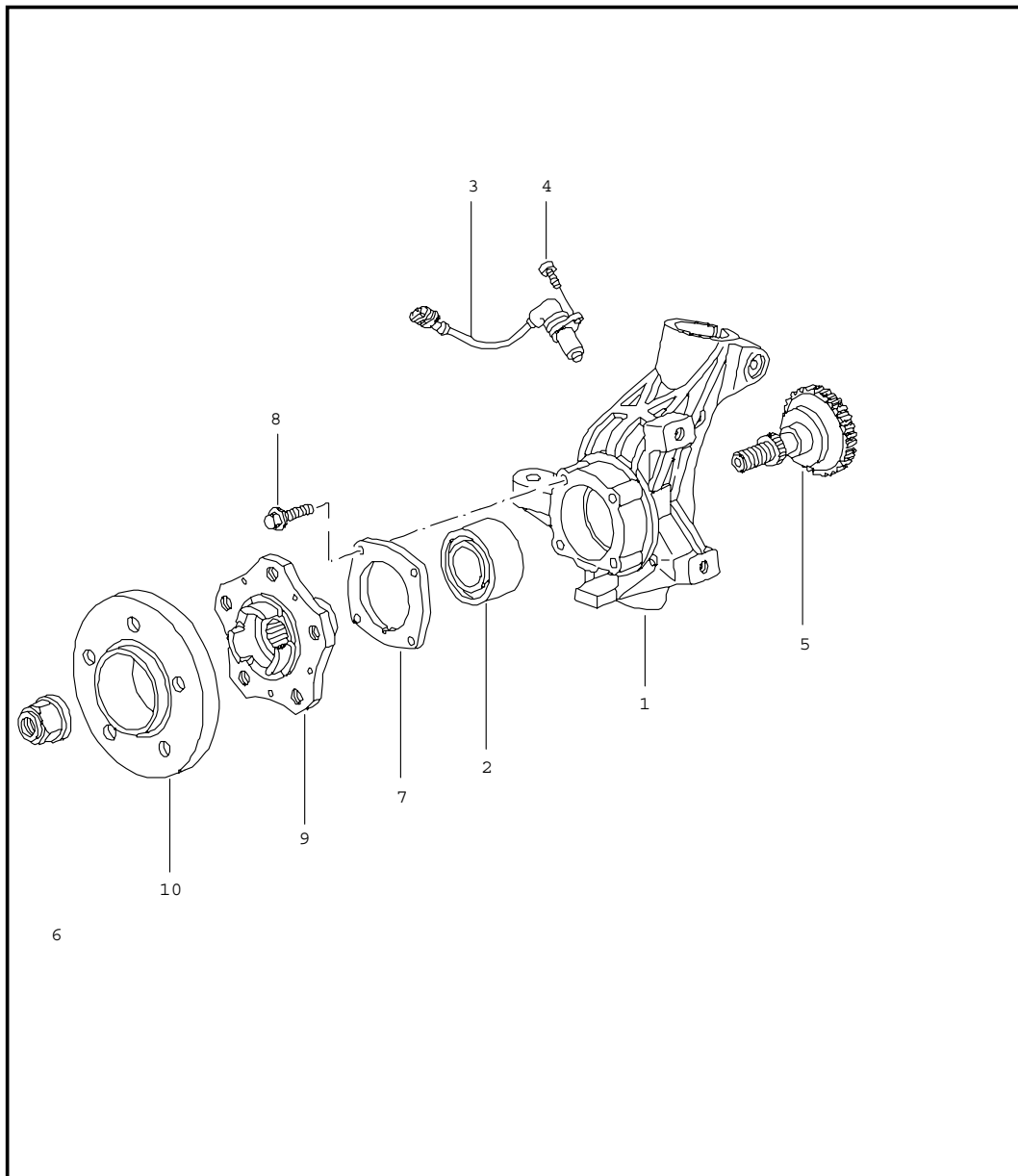


Pos	Part Number	Name	Remarks	Qty	Model
1	996 341 081 05	cross member control arm		1	
(1)	996 341 081 10	cross member F 98WS6 06070>>	-01	1	
(1) A	996 341 081 12	cross member	02-	1	
(1)	996 341 081 14	cross member	02-	1	
2	900 197 004 00	roll pin 13 X 14		1	
3	996 341 043 03	control arm		2	
4	900 378 165 09	hexagon-head bolt M 12 X 1,5 X 95		2	
5	999 084 445 09	hexagon nut M 12 X 1,5		2	
6 A	996 341 053 06	control arm	97	2	
(6) A	996 341 053 07	control arm	-03	2	
(6)	996 341 053 16	control arm	04-	2	
(6)	996 341 941 00	control arm adjustable with eccentric screw eccentric washer and hexagon nut not with M 601		X	
(6)	996 341 941 01	control arm adjustable with eccentric screw eccentric washer and hexagon nut		X	M 601
7	900 378 146 09	hexagon-head bolt M 14 X 1,5 X 110		2	
8	996 341 145 06	plate		2	
9	900 378 094 09	hexagon-head bolt M 12 X 1,5 X 25		4	

Model	Year	MG	SG	Illustration	Restrictions	Update	17:49	23.08.2006	PORSCHE	PET	PORSCHE
986	04	4	01	401-00		203					

Pos	Part Number	Name	Remarks	Qty	Model	Pos	Part Number	Name	Remarks	Qty	Model
10	900 378 145 09	hexagon-head bolt M 14 X 1,5 X 45 F >>98WS6 06069		2							
(10)	900 378 192 09	hexagon-head bolt M 14 X 1,5 X 50 F 98WS6 06070>>	-01 02-	2 4							
11	900 378 135 09	hexagon-head bolt M 14 X 1,5 X 73		2 2							
12	900 380 012 09	hexagon nut M 14 X 1,5		2							
13	996 341 483 01	spoiler	/L	1							
(13)	996 341 484 01	spoiler	/R	1							
14	996 504 433 00	strut		2							
15	996 341 511 01	support	99	1	M 601						
15	996 341 511 02	support	00-	1	M 601						
16	N 014 129 12	oval-head screw M 5 X 10	99-	2	M 601						
17	900 378 177 09	hexagon-head bolt M 6 X 30	99-	1	M 601						
18	996 631 121 00	sensor	99-	1	M 601						
19	900 380 015 09	hexagon nut VM 6	99-	2	M 601						
20	996 341 375 01	strut	99-	1	M 601						
21	996 341 371 03	support	99-	1	M 601						
22	999 084 449 09	hexagon nut M 12 X 1,5		2							
		- - - E N D - - -									

Model	Year	MG	SG	Illustration	Restrictions	Update	17:50	23.08.2006	PORSCHE	PET	PORSCHE
986	04	4	01	401-05		203					

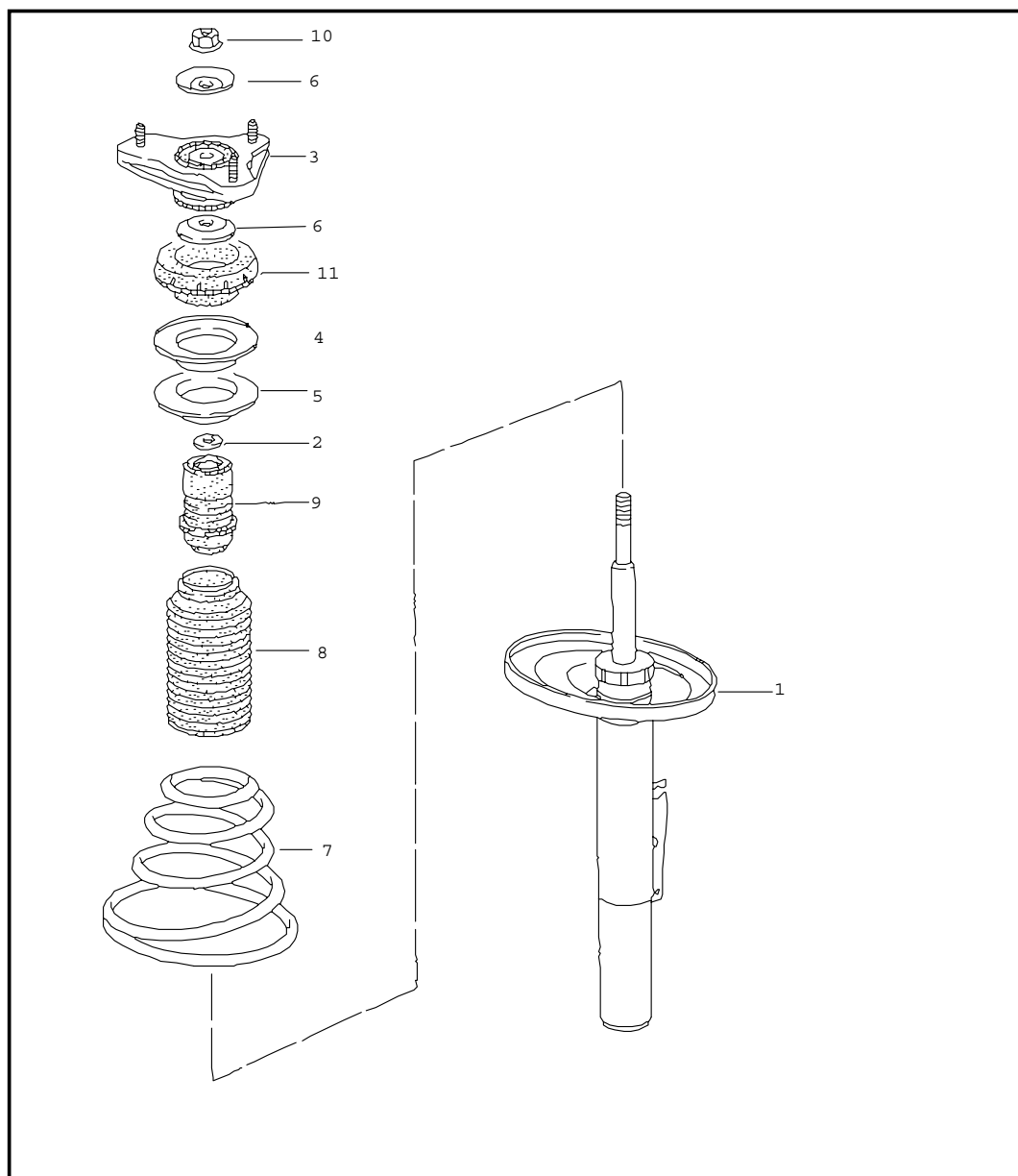


Pos	Part Number	Name	Remarks	Qty	Model
		wheel carrier wheel hub			
1	A 996 341 157 09	wheel carrier	/L	1	
(1)	A 996 341 157 11	wheel carrier	/L	1	
(1)	A 996 341 957 11	wheel carrier	/L -00	1	
(1)	996 341 957 12	wheel carrier	/L	1	
(1)	A 996 341 158 09	wheel carrier	/R	1	
(1)	A 996 341 158 11	wheel carrier	/R	1	
(1)	A 996 341 958 11	wheel carrier	/R -00	1	
(1)	996 341 958 12	wheel carrier	/R	1	
2	A 999 053 043 02	angular-contact bearing		2	
(2)	999 053 041 02	angular-contact bearing	-00	2	
(2)	999 053 041 03	bearing	01-	2	
3	996 606 406 00	speed sensor	-01	2	
(3)	996 606 406 00	speed sensor	01	2	M 476
(3)	996 606 407 02	speed sensor	02-	2	
(3)	996 606 406 00	speed sensor	02-	2	M 476
-	964 094 400 99	spacer see technical information group 4 NR.1/97		X	
-	999 507 464 40	clip		2	
4	900 067 117 09	pan-head screw M 6 X 16		2	
5	996 341 131 01	tension bolt		2	
6	999 084 634 09	hexagon nut M 22 X 1,5		2	
7	964 341 661 01	cover		2	
8	999 217 042 09	hexagon-head bolt M 8 X 35		8	
9	996 341 605 54	wheel hub		2	
10	996 361 605 90	spacer ring	01-	2	XRP

Model	Year	MG	SG	Illustration	Restrictions	Update					
986	04	4	01	401-05		203	17:50	23.08.2006	PORSCHE	PET	PORSCHE

Pos	Part Number	Name	Remarks	Qty	Model	Pos	Part Number	Name	Remarks	Qty	Model
(10)	996 361 605 90	spacer ring 5 MM see technical information group 4 NR.1/04 NR.2/04  - - - E N D - - -	04	2	M 091						

Model	Year	MG	SG	Illustration	Restrictions	Update	17:50	23.08.2006	PORSCHE	PET	PORSCHE
986	04	4	02	402-00		203					



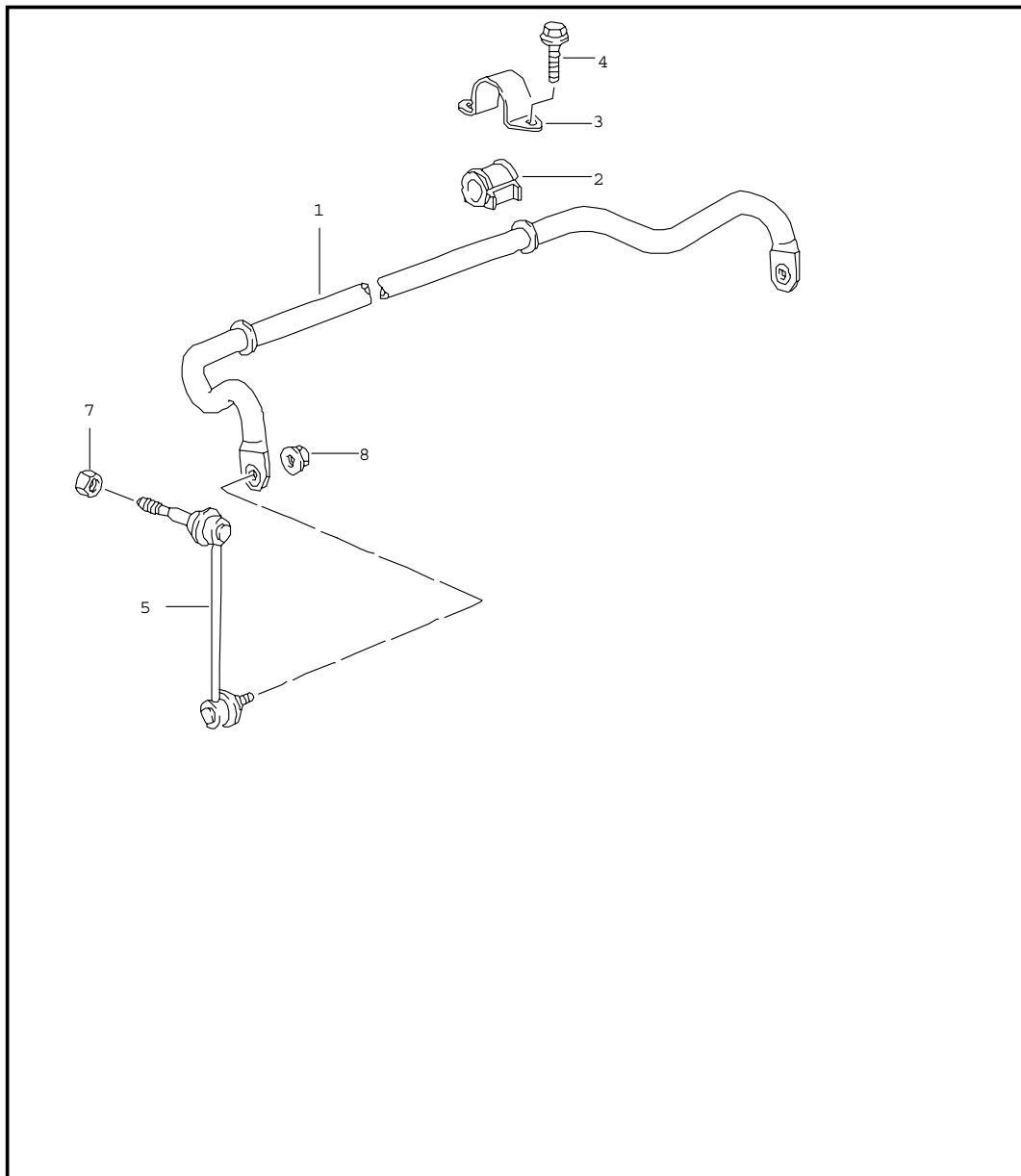
Pos	Part Number	Name	Remarks	Qty	Model
		springs shock absorber strut			
1	A 986 343 041 02	shock absorber - bilstein -	-99	2	
(1)	986 343 041 04	shock absorber - bilstein -	-99	2	
(1)	986 343 041 20	shock absorber - bilstein -	00-	2	
(1) A	986 343 041 12	shock absorber - bilstein -	-99	2	M 030
(1)	986 343 041 16	shock absorber - bilstein -	-99	2	M 030
(1)	986 343 041 30	shock absorber - bilstein -	00-	2	M 030
		mount shock absorber			
-	900 378 138 09	hexagon-head bolt M 12 X 1,5 X 70		2	
-	999 084 445 09	hexagon nut M 12 X 1,5		2	
2	996 343 513 00	cone washer		2	
3	996 343 018 04	supporting mount	-03	2	
(3)	997 343 018 00	supporting mount	04-	2	
-	999 084 447 09	hexagon nut M 8		6	
-	999 703 429 40	cover		2	
4	996 343 517 01	support ring		2	
5	996 343 511 00	compensating plate 3,0 MM		X	
(5)	996 343 511 01	compensating plate 6,5 MM		X	
6	996 343 107 02	stop plate	-99	4	
(6)	996 343 107 03	stop plate	00-	4	
7	986 343 531 01	coil spring 1 set	-02	1	

Model	Year	MG	SG	Illustration	Restrictions	Update					
986	04	4	02	402-00		203	17:50	23.08.2006	PORSCHE	PET	PORSCHE

Pos	Part Number	Name	Remarks	Qty	Model	Pos	Part Number	Name	Remarks	Qty	Model
		504 marked blue yellow									
(7)	986 343 531 05	coil spring 1 set	03-	1							
		504 marked blue yellow									
(7)	986 343 531 11	coil spring 1 set	-02	1	M 030						
		504 marked red yellow									
(7)	986 343 531 15	coil spring 1 set	03-	1	M 030						
		504 marked red yellow									
8	996 343 505 00	bellows		2							
9	996 343 301 02	additional spring		2							
10	900 380 012 09	hexagon nut M 14 X 1,5		2							
11	A 996 343 515 03	deep-groove ball bearing with housing	97	2							
(11)	A 996 343 515 04	deep-groove ball bearing with housing	98-	2							
(11)	996 343 515 05	bearing with housing	00-	2							
		- - - E N D - - -									

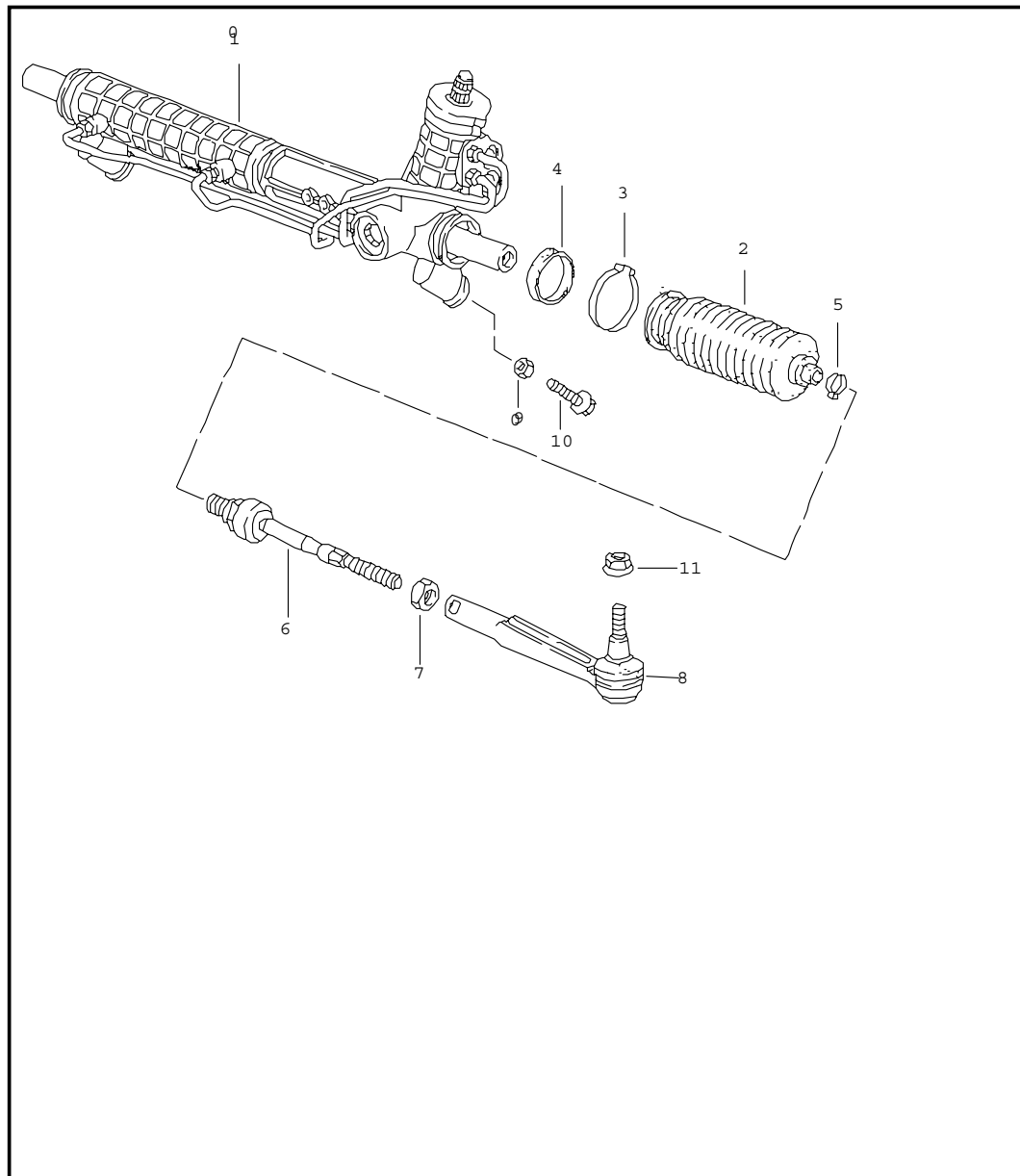


Model	Year	MG	SG	Illustration	Restrictions	Update	17:50	23.08.2006	PORSCHE	PET	PORSCHE
986	04	4	02	402-05		203					



Pos	Part Number	Name	Remarks	Qty	Model
		stabiliser			
1	996 343 701 09	stabiliser	-99	1	
(1) A	996 343 701 04	stabiliser	-99	1	M 030
(1)	996 343 701 21	stabiliser	-99	1	M 030
(1)	996 343 701 09	stabiliser	00-	1	
(1) A	996 343 701 04	stabiliser	00-	1	M 008
			00-	1	M 030
(1)	996 343 701 21	stabiliser	00-	1	M 008
			00-		M 030
(1) A	996 343 701 10	stabiliser	00-	1	M 008/030
(1)	996 343 701 23	stabiliser	00-	1	M 008/030
2	996 343 792 14	stabiliser mounting	-99	2	
(2)	996 343 792 12	stabiliser mounting	-99	2	M 030
(2)	996 343 792 14	stabiliser mounting	00-	2	
(2)	996 343 792 12	stabiliser mounting	00-	2	M 008
			00-	2	M 030
(2)	996 343 792 17	stabiliser mounting	00-	2	M 008/030
3	996 343 777 01	clip		2	
4	900 378 070 09	hexagon-head bolt M 10 X 30		4	
5	996 343 069 02	stabiliser mounting	/L -99	1	
(5)	996 343 069 03	stabiliser mounting	/L 00-	1	
(5)	996 343 070 02	stabiliser mounting	/R -99	1	
(5)	996 343 070 03	stabiliser mounting	/R 00-	1	
7	999 084 445 09	hexagon nut M 12 X 1,5		2	
8	999 084 643 09	hexagon nut M10		2	
- - - E N D - - -					

Model	Year	MG	SG	Illustration	Restrictions	Update	17:50	23.08.2006	PORSCHE	PET	PORSCHE
986	04	4	03	403-00		203					

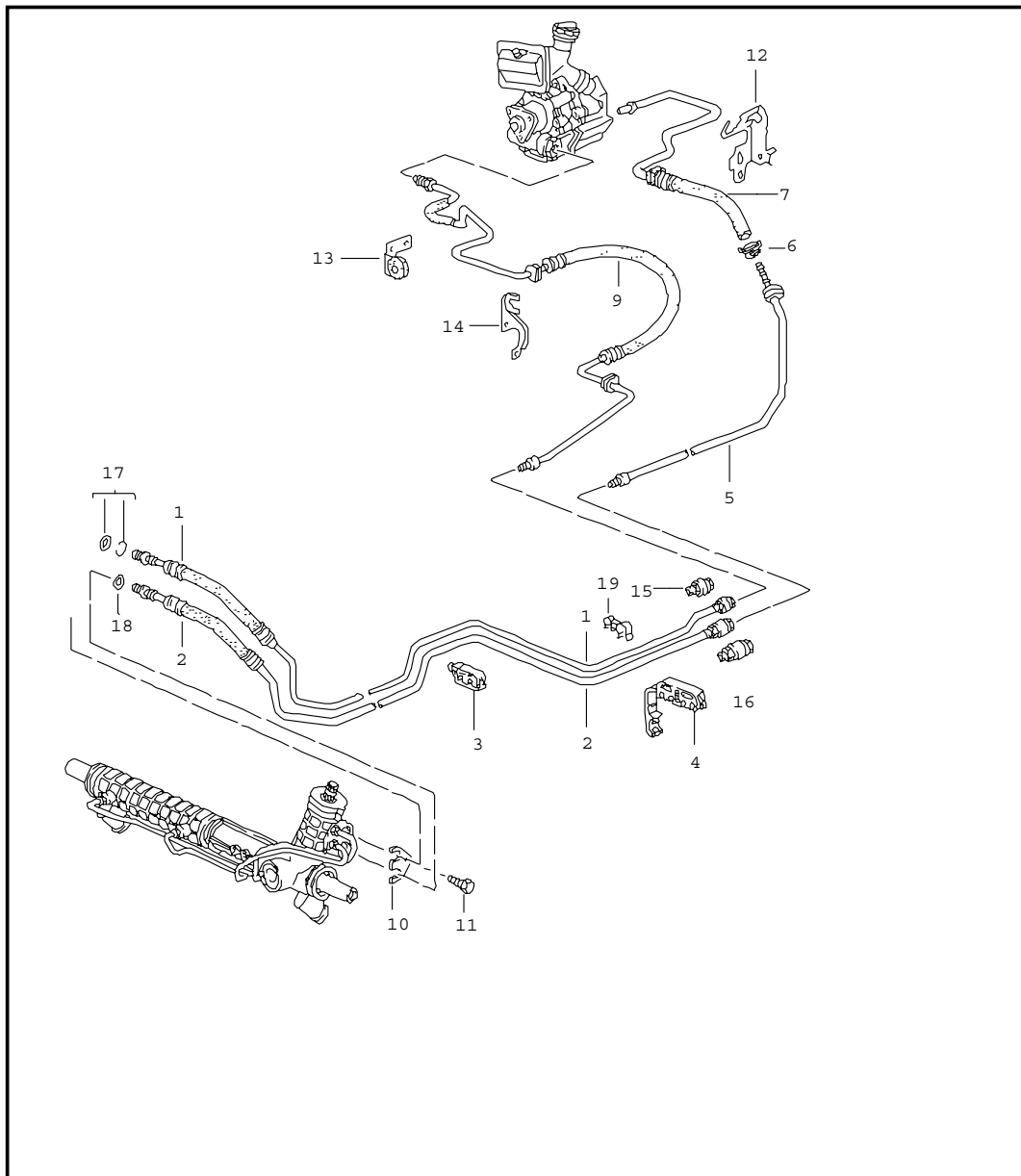


Pos	Part Number	Name	Remarks	Qty	Model
		power steering steering gear steering parts			
1	A 996 347 011 04	steering gear power steering	/LL 97	1	
(1)	A 996 347 012 04	steering gear power steering	/RL 97	1	
(1)	A 996 347 011 05	steering gear power steering	/LL 98-	1	
(1)	A 996 347 011 06	steering gear power steering	/LL 98-	1	
(1)	> 996 347 011 07	steering gear power steering	/LL	1	
(1)	A 996 347 012 05	steering gear power steering	/RL -98	1	
(1)	A 996 347 012 07	steering gear power steering	/RL 00	1	
(1)	> 996 347 012 08	steering gear power steering	/RL	1	
-	A 996 347 110 01	clip pinion steering gear	-03	1	
-	996 347 110 02	clip pinion steering gear	04-	1	
2	996 347 191 02	bellows for steering gear 996.347.011.04 996.347.012.04 996.347.011.05 996.347.012.05		2	
(2)	996 347 191 04	bellows for steering gear 996.347.011.06/07 996.347.012.07/08		2	
3	996 347 293 03	clamping ring for steering gear 996.347.011.04 996.347.012.04 996.347.011.05 996.347.012.05		2	

Model	Year	MG	SG	Illustration	Restrictions	Update	17:50	23.08.2006	PORSCHE	PET	PORSCHE
986	04	4	03	403-00		203					

Pos	Part Number	Name	Remarks	Qty	Model	Pos	Part Number	Name	Remarks	Qty	Model
N (3)	996 347 293 04	clamping ring for steering gear 996.347.011.06/07 996.347.012.07/08		2							
4	996 347 373 00	sealing ring for steering gear 996.347.011.04 996.347.012.04 996.347.011.05 996.347.012.05		2							
(4)	996 347 373 00	sealing ring for steering gear 996.347.011.06/07 996.347.012.07/08		2							
5	999 512 645 09	clamping ring		2							
6	996 347 322 03	joint		2							
7	900 034 024 07	hexagon nut M 14 X 1,5		2							
8	996 347 131 03	track rod		2							
9	-	see illustrations 4/01/00 POS.2									
10	900 378 100 09	hexagon-head bolt AM 10 X 45		2							
11	999 084 449 09	hexagon nut M 12 X 1,5		2							
		- - - E N D - - -									

Model	Year	MG	SG	Illustration	Restrictions	Update	17:51	23.08.2006	PORSCHE	PET	PORSCHE
986	04	4	03	403-01		203					

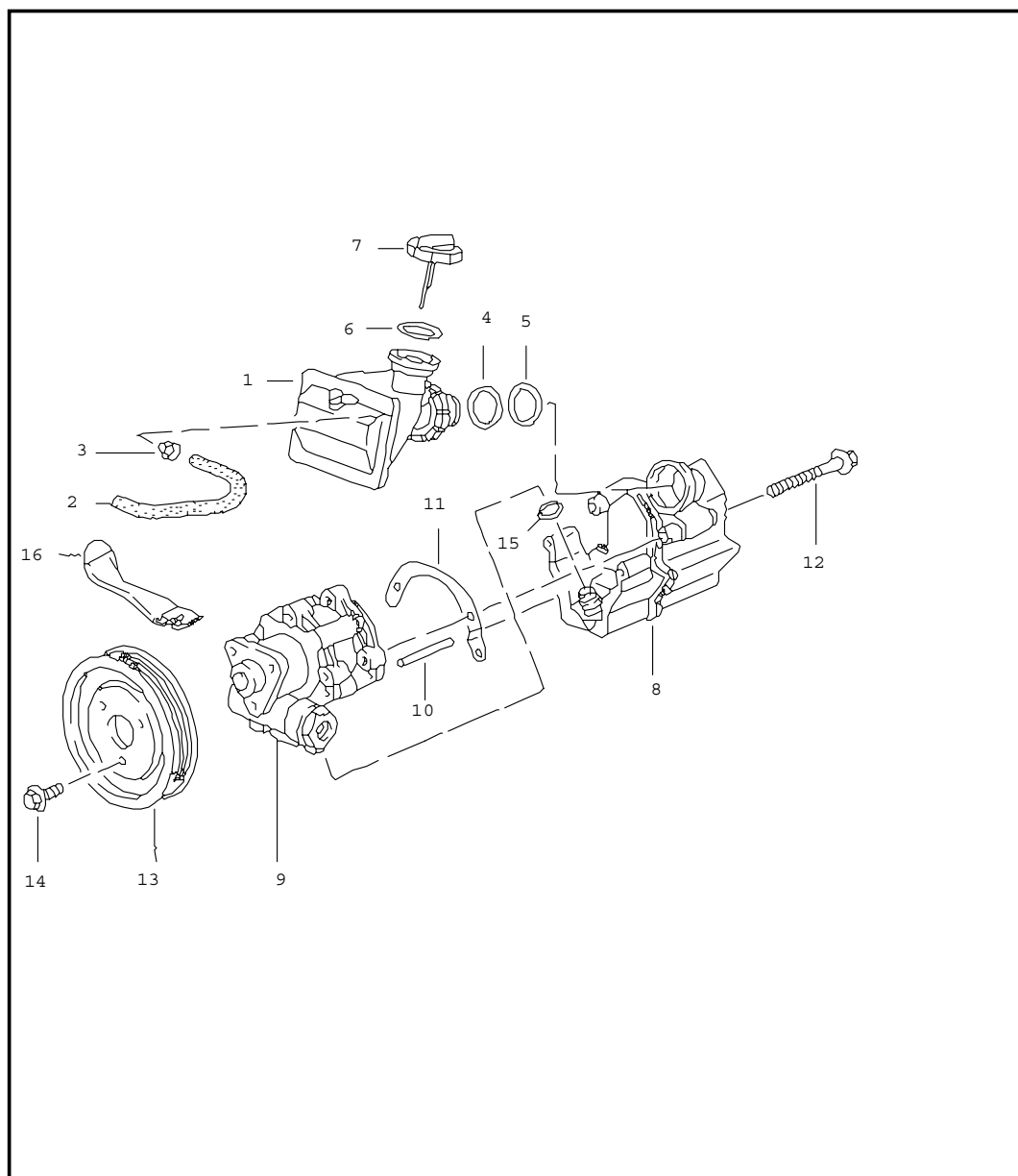


Pos	Part Number	Name	Remarks	Qty	Model
		power steering lines			
1	996 347 451 08	pressure line	/LL -01	1	
(1) A	996 347 451 09	pressure line	/LL 02	1	
(1)	996 347 451 10	pressure line	/LL 03-	1	
(1) A	996 347 452 03	pressure line	/RL 97	1	
(1)	996 347 452 04	pressure line	/RL 98-	1	
(1) A	996 347 452 07	pressure line	/RL 02	1	
(1)	996 347 452 08	pressure line	/RL 03-	1	
2	996 347 449 06	return line	/LL -01	1	
(2)	996 347 449 09	return line	/LL 02-	1	
(2)	996 347 450 02	return line	/RL 97	1	
(2)	996 347 450 03	return line	/RL 98-	1	
(2)	996 347 450 06	return line	/RL 02-	1	
3	996 347 543 00	support		X	
4	996 355 543 00	support		1	
-	996 347 674 00	support pressure line return line	/RL	1	
5 A	986 347 441 07	return line	-98	1	
(5) A	986 347 441 08	return line	99-	1	
(5)	986 347 441 09	return line	99-	1	
6	999 512 639 09	clip		1	
7 A	986 347 439 03	return line	-99	1	
(7) A	986 347 439 04	return line	-02	1	
(7) U	986 347 439 05	return line	03-	1	
(7)	986 347 439 06	return line	03-	1	
8	996 355 543 00	support		1	
-	999 230 578 40	circlip for threaded joint return line	04-	1	

Model	Year	MG	SG	Illustration	Restrictions	Update	17:51	23.08.2006	PORSCHE	PET	PORSCHE
986	04	4	03	403-01		203					

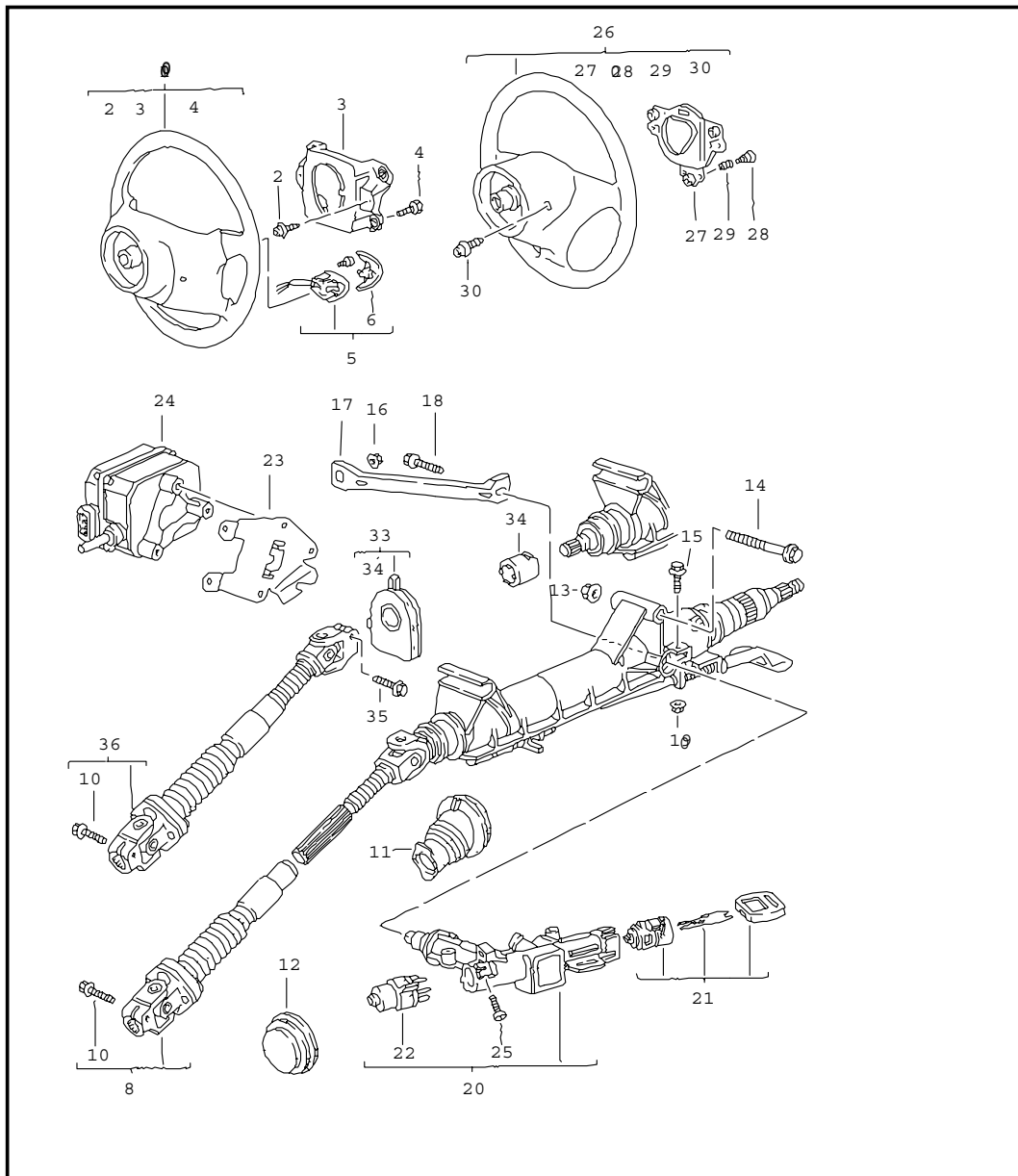
Pos	Part Number	Name	Remarks	Qty	Model	Pos	Part Number	Name	Remarks	Qty	Model
9	986 347 443 09	pressure line	-98	1		(15)	999 230 552 10	threaded joint		1	
(9)	986 347 443 10	pressure line	99	1		16 A	999 230 540 10	threaded joint		1	
(9) A	986 347 443 12	pressure line	00-	1		(16)	999 230 551 10	threaded joint		1	
(9)	986 347 443 13	pressure line	00-	1		-	999 230 685 40	circlip for threaded joint		1	
(9)	986 347 443 15	pressure line	03-	1		17	999 230 543 40	repair kit gaskets		1	
-	986 347 777 00	support for pressure line		1		18	999 230 542 40	o-ring		1	
-	999 707 355 40	sealing ring 7,65 X 1,65 for pressure line 986.347.443.09/10/12/13		1				- - - E N D - - -			
-	999 707 503 40	sealing ring 7,80 X 1,70 for pressure line 986.347.443.14		1							
-	999 507 610 09	support return line pressure line	99-	1							
10	996 347 769 01	tension shackle		1							
11	900 067 063 02	pan-head screw M 10 X 20		1							
12	986 347 759 01	support		1							
13	986 347 739 03	support	-02	1							
(13)	986 347 739 04	support	03-	1							
14	986 347 749 02	support	-02	1							
(14)	986 347 749 04	support	03-	1							
		mount pressure line return line power steering									
-	996 347 671 01	support left	/RL	1							
-	996 347 672 01	support right	/RL	1							
15 A	999 230 539 10	threaded joint		1							

Model	Year	MG	SG	Illustration	Restrictions	Update	17:51	23.08.2006	PORSCHE	PET	PORSCHE
986	04	4	03	403-03		203					



Pos	Part Number	Name	Remarks	Qty	Model
		power steering power-steering pump container			
1	986 314 225 01	expansion tank		1	
2	986 314 545 00	hose		1	
3	999 512 527 00	terminal		1	
4	999 707 362 40	o-ring		1	
5	999 707 363 40	o-ring		1	
6	999 701 154 40	o-ring		1	
7	986 314 223 00	cover		1	
8	996 314 220 03	container	-02	1	
(8)	997 314 220 00	container	03-	1	
9	996 314 050 02	power-steering pump		1	
10	996 314 320 03	straight pin		2	
11	996 314 431 05	bracket		1	
12	900 378 105 09	hexagon-head bolt AM 8 X 70		2	
13	996 147 223 60	pulley	-99	1	M 249
			-99	1	M 480/574
(13)	996 147 223 53	pulley	-99	1	M 480/573
(13)	996 147 223 60	pulley	00-	1	
14	900 378 123 09	hexagon-head bolt M 8 X 12		3	
15	999 707 204 40	sealing ring 12.5 X 2N		1	
16	986 426 287 02	support F	>>98WS6 02046	1	M 249
-	000 043 203 33	pentosin 1000 ML		X	
		- - - E N D - - -			

Model	Year	MG	SG	Illustration	Restrictions	Update	17:51	23.08.2006	PORSCHE	PET	PORSCHE
986	04	4	03	403-05		203					



Pos	Part Number	Name	Remarks	Qty	Model
1	993 347 804 55	steering outer tube steering shaft steering wheels steering wheel	97	1	M 481
		8YR black	-00		
(1)	993 347 804 56	steering wheel	98-01	1	M 481
		A28 black	01		
(1)	993 347 804 63	steering wheel	97	1	M 249
		8YR black	-00		
(1)	993 347 804 64	steering wheel	98-01	1	M 249
		A28 black	01		
-	N 012 238 1	mount steering wheel steering shaft spring washer B 16		1	
-	900 078 006 01	hexagon nut M 16 X 1,5		1	
2	999 073 134 02	pan-head screw M 6 X 9,1		2	
3	993 347 088 01	retaining frame		1	
4	999 073 127 02	hexagon-head bolt M 5 X 20		2	
5	993 347 831 00	switch	98-	1	M 249
				1	M 432
6	993 347 835 00	lever	/L /L 98-	1	M 249
		01C black		1	M 432
(6)	993 347 836 00	lever	/R /R 98-	1	M 249
		01C black		1	M 432
7	900 146 016 02	round head screw M 3 X 6	98-	4	M 249
				4	M 432

Model	Year	MG	SG	Illustration	Restrictions	Update	17:51	23.08.2006	PORSCHE	PET	PORSCHE
986	04	4	03	403-05		203					

Pos	Part Number	Name	Remarks	Qty	Model	Pos	Part Number	Name	Remarks	Qty	Model
8	A 996 347 007 01	steering column complete with steering shaft	97	1		18	900 378 055 09	hexagon-head bolt AM 8 X 40		1	
(8)	A 996 347 007 04	steering column complete with steering shaft	-99	1		19	900 377 002 02	hexagon nut M 6		1	
(8)	996 347 007 05	steering column complete with steering shaft	00-	1		20	A 996 347 017 03	steering lock housing		1	
(8)	A 996 347 007 02	steering column complete with steering shaft	01-	1	M 476	(20)	A 996 347 017 04	steering lock housing		1	
(8)	A 996 347 007 06	steering column complete with steering shaft see technical manual group 4 NR.45....	01-	1	M 476	(20)	A 996 347 017 05	steering lock housing		1	
(8)	996 347 007 07	steering column complete with steering shaft	03-	1	M 476	(20)	996 347 017 06	steering lock	-03	1	
9	U 986 347 025 00	universal joint		1		(20)	996 347 017 07	steering lock see technical information group 2 NR.1/03	04-	1	
10	999 217 042 09	hexagon-head bolt M 8 X 35		1		21	996 347 917 00	lock cylinder with stipulated lock-no.	-01	1	
11	986 347 037 00	bellows	-99	1		(21)	996 347 917 01	lock cylinder with stipulated lock-no.	02-	1	
(11)	986 347 037 01	bellows	00-	1		(21)	996 347 915 00	lock cylinder w/o stipulated lock number	-01	1	
12	996 347 339 02	rubber seal		1		(21)	996 347 915 01	lock cylinder w/o stipulated lock number	02-	1	
13	900 380 008 09	hexagon nut M 10		1		22	A 4A0 905 849	ignition starter switch		1	
14	900 378 095 09	hexagon-head bolt M 10 X 100		1		(22)	4A0 905 849 B	ignition starter switch	-03	1	
15	900 378 157 09	hexagon-head bolt AM 6 X 25		1		(22)	4B0 905 849	ignition starter switch see technical information group 2 NR.1/03	04-	1	
16	999 076 055 09	hexagon nut M 8		1		23	996 617 121 00	support	/RL -99	1	
17	996 347 243 01	strut		1		24	996 617 021 03	control unit cruise control	97	1	
						(24)	996 617 021 04	control unit cruise control	98-	1	
						25	996 347 901 00	slotted screw		2	
						26	A 996 347 804 52	steering wheel	98-	1	M 436
							8YR	black			
							B50	space grey			
							C50	graphite grey			



Model	Year	MG	SG	Illustration	Restrictions	Update	17:51	23.08.2006	PORSCHE	PET	PORSCHE
986	04	4	03	403-05		203					

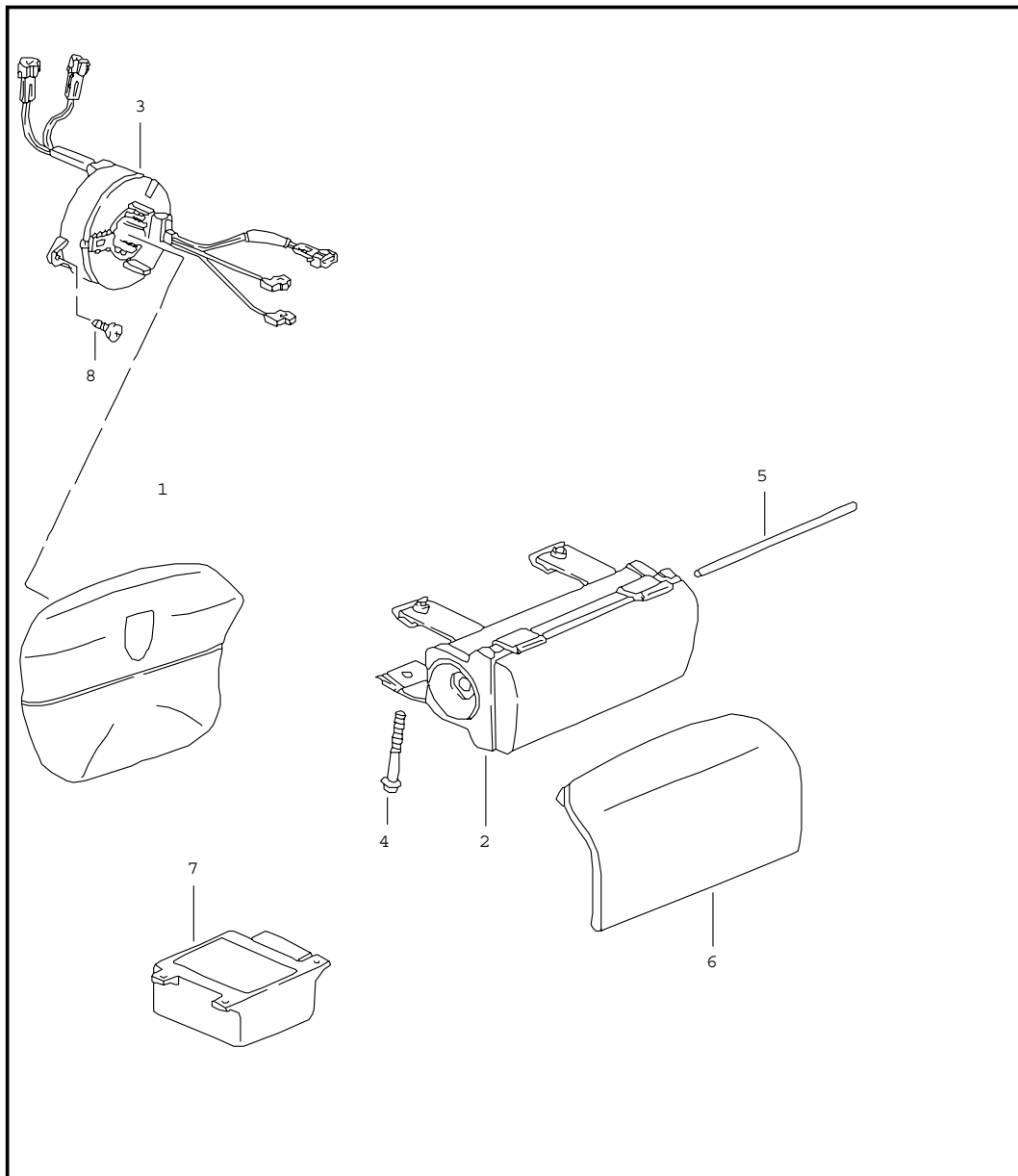
Pos	Part Number	Name	Remarks	Qty	Model	Pos	Part Number	Name	Remarks	Qty	Model
	G10	metropole blue					S40	savanna			
	S30	savanna					G30	metropole blue			
(26)	996 347 804 53	steering wheel	99	1	M 436		J40	nephrite green	03		
	8YR	black					M40	boxster red			
	B50	space grey					P20	cinnamon brown			
	C50	graphite grey					D11	dark grey/natural			
	G10	metropole blue					T11	brown/natural			
	S30	savanna				(26) A	996 347 804 62	steering wheel	98-	1	M 436 M 432
(26)	996 347 804 54	steering wheel	00-	1	M 436		8YR	black			
	A08	black	-00				B50	space grey			
	A28	black	01-				C50	graphite grey			
	B50	space grey					G10	metropole blue			
	C56	graphite grey	-00				S30	savanna			
	C60	graphite grey	01-			(26)	996 347 804 63	steering wheel	99	1	M 436 M 432
	G16	metropole blue	-00				8YR	black			
	G30	metropole blue	01-				B50	space grey			
	S36	savanna	-00				C50	graphite grey			
	S40	savanna	01-				G10	metropole blue			
	J40	nephrite green	03				S30	savanna			
	M40	boxster red	03-			(26)	996 347 804 64	steering wheel	00-	1	M 436 M 432
	P20	cinnamon brown	03-				A08	black	-00		
	D11	dark grey/natural	03-				A28	black	01-		
	T11	brown/natural	03-				B50	space grey			
(26)	996 347 804 57	steering wheel	04	1	M 091/436		C56	graphite grey	-00		
	EWE	cocoa					C60	graphite grey	01-		
	VTB	dark grey/natural					G16	metropole blue	-00		
(26)	996 347 983 28	steering wheel	03-	1	XPG		G30	metropole blue	01-		
	A28	black					S36	savanna	-00		
	C60	graphite grey									

Model	Year	MG	SG	Illustration	Restrictions	Update	17:51	23.08.2006	PORSCHE	PET	PORSCHE
986	04	4	03	403-05		203					

Pos	Part Number	Name	Remarks	Qty	Model	Pos	Part Number	Name	Remarks	Qty	Model
	S40	savanna	01-			-	900 078 006 01	hexagon nut M 16 X 1,5		1	
	J40	nephrite green	03			27	A 996 347 880 00	retaining frame	98-	1	M 436
	M40	boxster red	03-			(27)	996 347 880 01	retaining frame	99	1	
	P20	cinnamon brown	03-			(27)	996 347 880 02	plate	00-	1	
	D11	dark grey/natural	03-			28	999 073 184 02	round head screw M 5 X 18,7	98-	2	M 436
	T11	brown/natural	03-			29	999 521 079 02	compression spring	98-	2	M 436
(26)	996 347 804 67	steering wheel	04	1	M 091 M 436/432	30	999 073 183 02	pan-head screw M 6 X 10,5	98-	2	M 436
	EWE	cocoa				33	996 606 109 02	steering-angle sensor see technical manual group 4 NR.45....	-02	1	M 476
(26)	996 347 983 29	steering wheel	03-	1	M 432/XPG	(33)	996 606 119 00	steering-angle sensor	03-	1	M 476
	A28	black				-	996 610 123 00	cable guide for steering-angle sensor	-02	1	M 476
	C60	graphite grey				-	996 610 123 01	cable guide for steering-angle sensor	03-	1	M 476
	S40	savanna				34	996 347 705 00	adapter	01-	1	M 476
	G30	metropole blue				35	999 217 042 09	hexagon-head bolt	01-	1	M 476
	J40	nephrite green	03			36	996 347 023 00	steering shaft	01-	1	M 476
	M40	boxster red									
	P20	cinnamon brown									
	D11	dark grey/natural									
	T11	brown/natural									
-	996 347 831 00	switch	98-	1	M 436 M 432						
-	996 347 835 00	lever	98-	1	M 436						
	01C	black			M 432						
-	996 347 836 00	lever	98-	1	M 436						
	01C	black			M 432						
		mount steering wheel steering shaft									
-	N 012 238 1	spring washer B 16		1							

- - - E N D - - -

Model	Year	MG	SG	Illustration	Restrictions	Update	17:51	23.08.2006	PORSCHE	PET	PORSCHE
986	04	4	03	403-06		203					



Pos	Part Number	Name	Remarks	Qty	Model
1	A 996 803 089 01	airbag unit four-spoke steering wheel plastic material		1	
	1DB	black			
(1)	996 803 089 03	airbag unit four-spoke steering wheel plastic material		1	
	8YR	black	-00		
	A28	black	01-		
(1)	996 803 089 02	airbag unit 3-spoke steering wheel plastic material	-99	1	M 436
	8YR	black			
(1)	996 803 089 04	airbag unit 3-spoke steering wheel plastic material	00	1	M 436
	A08	black			
(1)	996 803 089 02	airbag unit 3-spoke steering wheel plastic material	01-02	1	M 436
	A28	black			
(1)	996 803 089 02	airbag unit 3-spoke steering wheel plastic material	03-	1	M 436
	A28	black			
	C60	graphite grey			
	S40	savanna			
	G30	metropole blue			
	J40	nephrite green	03		
	M40	boxster red			
	P20	cinnamon brown			
	D11	dark grey/natural			
	T11	brown/natural			
(1)	996 803 089 05	airbag unit 3-spoke steering wheel		17	M 091

Model	Year	MG	SG	Illustration	Restrictions	Update	17:51	23.08.2006	PORSCHE	PET	PORSCHE
986	04	4	03	403-06		203					

Pos	Part Number	Name	Remarks	Qty	Model	Pos	Part Number	Name	Remarks	Qty	Model
	9Q3	cocoa					C60	graphite grey			
	D11	dark grey/natural					S40	savanna			
(1)	996 803 980 02	airbag unit four-spoke steering wheel leather emblem embossed	99 99-01 00-01	1	XNT X26/X77 X30		G30	metropole blue			
(1)	996 803 980 01	airbag unit 3-spoke steering wheel leather emblem coloured	98-99 98-99	1	XPA/XPD/ XPE		J40	nephrite green	-03		
	8YR	black				2 A	996 803 071 04	airbag unit	97	1	
	C50	graphite grey				(2) A	996 803 071 05	airbag unit	97	1	
	S30	savanna				(2) A	996 803 071 06	airbag unit	98-	1	
	G10	metropole blue				(2) A	996 803 071 07	airbag unit see technical information GR.6 NR.1/03	-03	1	
	J30	nephrite green				(2)	996 803 071 08	airbag unit see technical information GR.6 NR.1/03	03-	1	
(1)	996 803 980 03	airbag unit 3-spoke steering wheel leather emblem silver	00 00	1	XPA/XPD/ XPC	-	996 803 091 00	airbag unit	/L 98-	1	M 563
	8YR	black				-	996 803 092 00	airbag unit	/R 98-	1	M 563
	C50	graphite grey				-	900 378 222 09	hexagon-head bolt M 6 X 16		8	M 563
	S30	savanna				3	996 652 211 00	support for contact		1	M 481
	G10	metropole blue								1	M 480
	J30	nephrite green				(3)	996 652 213 00	support for contact		1	M 249
	M30	boxster red				4	900 378 137 09	hexagon-head bolt AM 8 X 95		2	
	D11	dark grey/natural				5	996 803 611 00	hinge pin		1	
	T11	brown/natural				6 A	996 803 173 00	cover	97	1	
(1)	996 803 980 01	airbag unit 3-spoke steering wheel leather emblem coloured	01- 01- 03-	1	XPA/XPD/ XPC XPG		A10	black			
	A28	black					C50	graphite grey			
							S30	savanna			
						(6) U	996 803 973 00	cover	97	1	
							A10	black			

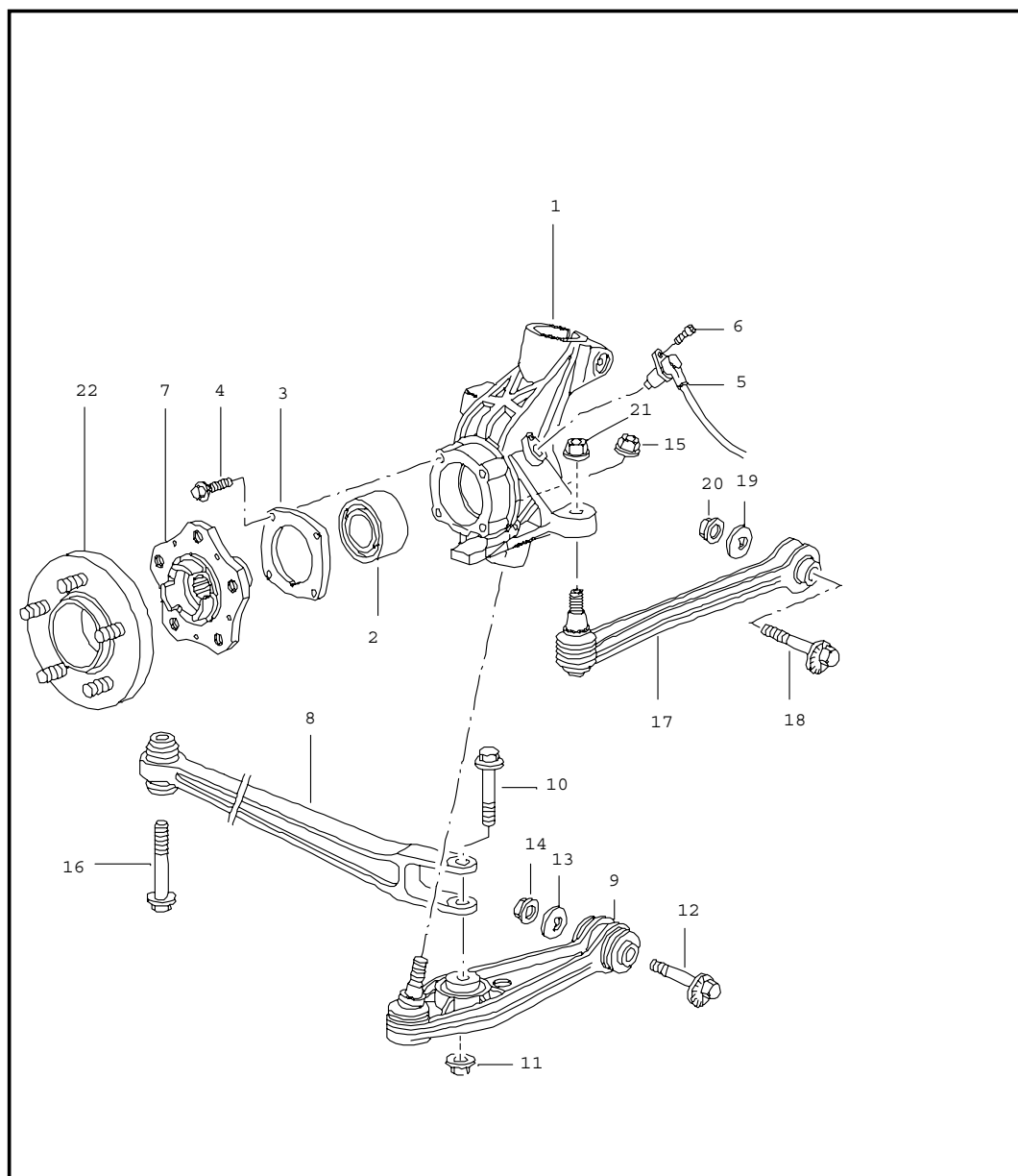
Model	Year	MG	SG	Illustration	Restrictions	Update	17:51	23.08.2006	PORSCHE	PET	PORSCHE
986	04	4	03	403-06		203					

Pos	Part Number	Name	Remarks	Qty	Model	Pos	Part Number	Name	Remarks	Qty	Model
	C50	graphite grey					M31	boxster red			
	S30	savanna					S31	savanna			
(6)	986 803 973 00	cover leatherette	97	1			A11	black	99-		M 012
	A10	black					C51	graphite grey	99-		M 012
	C50	graphite grey					S31	savanna	99-		M 012
	S30	savanna					G11	metropole blue	99-		M 012
(6)	996 803 173 04	cover leatherette	98-	1			J31	nephrite green	99-03		M 012
	A18	black	-99				M31	boxster red	99-		M 012
	C18	graphite grey	-99				A11	black	00-		
	S18	savanna	-99				D12	dark grey/natural	00-		
	G18	metropole blue	-99				T12	brown/natural	00-		
	S32	savanna	00-			(6)	996 803 173 05	cover	04	1	M 091
	G12	metropole blue	00-				9V6	cocoa			
	A12	black	00-				T12	dark grey/natural			
	C52	graphite grey	00-			7	996 618 217 01	switch unit	97	1	
	J32	nephrite green	01-03			-	944 618 401 00	nut M 6	97	2	
(6)	996 803 173 01	cover leather	97	1		-	900 377 010 09	hexagon nut M 6	97	1	
	A11	black				7	996 618 217 01	switch unit	98-	1	M 562
	C51	graphite grey				-	900 377 010 09	nut M 6	98-	1	M 562
	S31	savanna				-	999 084 635 02	shear-off nut M 6	98-	2	M 562
	J31	nephrite green				(7) A	996 618 219 00	control unit		1	M 562,563
	M31	boxster red				(7)	996 618 219 02	control unit		1	M 562,563
(6)	996 803 173 05	cover leather	98-	1		-	900 377 010 09	nut M 6	98-	1	M 562,563
	A11	black				-	996 618 221 00	sensor airbag	98-	2	M 563
	C51	graphite grey				-	996 618 221 01	sensor airbag	02-	2	M 563
	G11	metropole blue									
	J31	nephrite green	-03								

Model	Year	MG	SG	Illustration	Restrictions	Update	17:51	23.08.2006	PORSCHE	PET	PORSCHE
986	04	4	03	403-06		203					

Pos	Part Number	Name	Remarks	Qty	Model	Pos	Part Number	Name	Remarks	Qty	Model
-	999 073 152 09	oval-head screw M 6 X 18	98-	4	M 563						
8	900 146 024 07	oval-head screw M 5 X 8		2							
		- - - E N D - - -									

Model	Year	MG	SG	Illustration	Restrictions	Update	17:51	23.08.2006	PORSCHE	PET	PORSCHE
986	04	5	01	501-00		203					



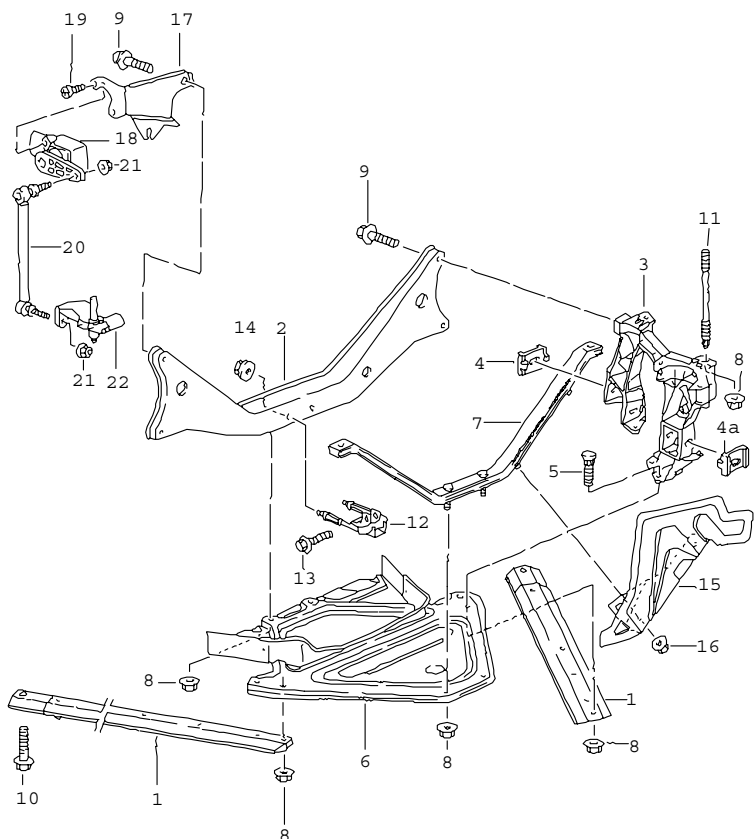
Pos	Part Number	Name	Remarks	Qty	Model
		rear axle wheel carrier control arm wheel hub			
1	A 996 341 158 09	wheel carrier F >>98XS6 01524	/L	1	
(1)	A 996 341 158 10	wheel carrier F 98XS6 01525>>	/L -00	1	
		use also: F >>98XS6 01524 986.352.081.04			
(1)	996 341 958 12	wheel carrier	/L 01-	1	
(1)	986 331 157 20	wheel carrier	/L 00-	1	M 008
(1)	A 996 341 157 09	wheel carrier F >>98XS6 01524	/R	1	
(1)	A 996 341 157 10	wheel carrier F 98XS6 01525>>	/R -00	1	
		use also: F >>98XS6 01524 986.352.082.04			
(1)	996 341 957 12	wheel carrier	/R 01-	1	
(1)	986 331 158 20	wheel carrier	/R 00-	1	M 008
2	999 053 041 02	angular-contact bearing	-00	2	
(2)	999 053 041 03	angular-contact bearing	01-	2	
(2)	999 053 042 07	angular-contact bearing	-01	2	M 008
(2)	999 053 054 05	angular-contact bearing	02-	2	M 008
3	964 341 661 01	cover		2	
(3)	986 331 661 20	cover	00-	2	M 008
4	999 217 042 09	hexagon-head bolt M 8 X 35		8	
5	996 606 406 00	speed sensor	-01	2	
(5)	996 606 406 00	speed sensor	01	2	M 476
(5)	996 606 407 02	speed sensor	02-	2	
(5)	996 606 406 00	speed sensor	02-	2	M 476

Model	Year	MG	SG	Illustration	Restrictions	Update	17:51	23.08.2006	PORSCHE	PET	PORSCHE
986	04	5	01	501-00		203					

Pos	Part Number	Name	Remarks	Qty	Model	Pos	Part Number	Name	Remarks	Qty	Model
-	964 094 400 99	spacer for speed sensor see technical information group 4 NR.1/97		X		-	986 331 023 00	nut lock		2	
						17 A	996 331 045 06	track rod F >>98WS6 01168		2	
						(17) A	996 331 045 07	track rod		2	
6	900 067 117 09	pan-head screw M 6 X 16		2		(17) A	996 331 045 08	track rod F 98WS6 01169>>		2	
7	996 341 605 54	wheel hub		2		(17)	996 331 045 12	track rod	00-	2	
7	986 331 605 20	wheel hub	00-	2	M 008	(17)	996 331 045 12	track rod	00-	2	M 008
8 A	986 331 043 04	control arm	-01	2		18	996 331 217 02	eccentric screw M 12 X 83		2	
(8) A	986 331 043 05	control arm	02	2		19	996 331 219 00	eccentric washer		2	
(8) A	986 331 043 06	control arm	03-	2		20	999 084 445 09	hexagon nut M 12 X 1,5		2	
(8)	986 331 043 07	control arm	04	2		21	999 084 449 09	hexagon nut M 12 X 1,5		2	
9	996 341 053 05	control arm		2		22	996 361 617 00	spacer ring 17 MM with wheel bolt	01-	2	XRN
(9) A	996 341 053 06	control arm	97	2		(22)	996 361 605 90	spacer ring	01-	2	XRP
(9) A	996 341 053 07	control arm	-03	2		(22)	996 361 605 90	spacer ring 5 MM see technical information group 4 NR.1/04 NR.2/04	04	2	M 091
(9)	996 341 053 16	control arm	04-	2							
10	900 378 135 09	hexagon-head bolt M 14 X 1,5 X 75		2							
11	900 380 012 09	hexagon nut M 14 X 1,5		2							
12	996 331 217 03	eccentric screw M 12 X 100 F >>98XS6 01535		2							
(12)	996 331 217 04	eccentric screw M 12 X 105 F 98XS6 01536>>		2							
13	996 331 219 00	eccentric washer		2							
14	999 084 445 09	hexagon nut M 12 X 1,5		4							
15	999 084 449 09	hexagon nut M 12 X 1,5		2							
16 A	900 378 160 09	hexagon-head bolt M 14 X 1,5 X 90		2							
(16)	900 378 199 09	hexagon-head bolt M 14 X 1,5 X 90		2							



Model	Year	MG	SG	Illustration	Restrictions	Update	17:52	23.08.2006	PORSCHE	PET	PORSCHE
986	04	5	01	501-01		203					

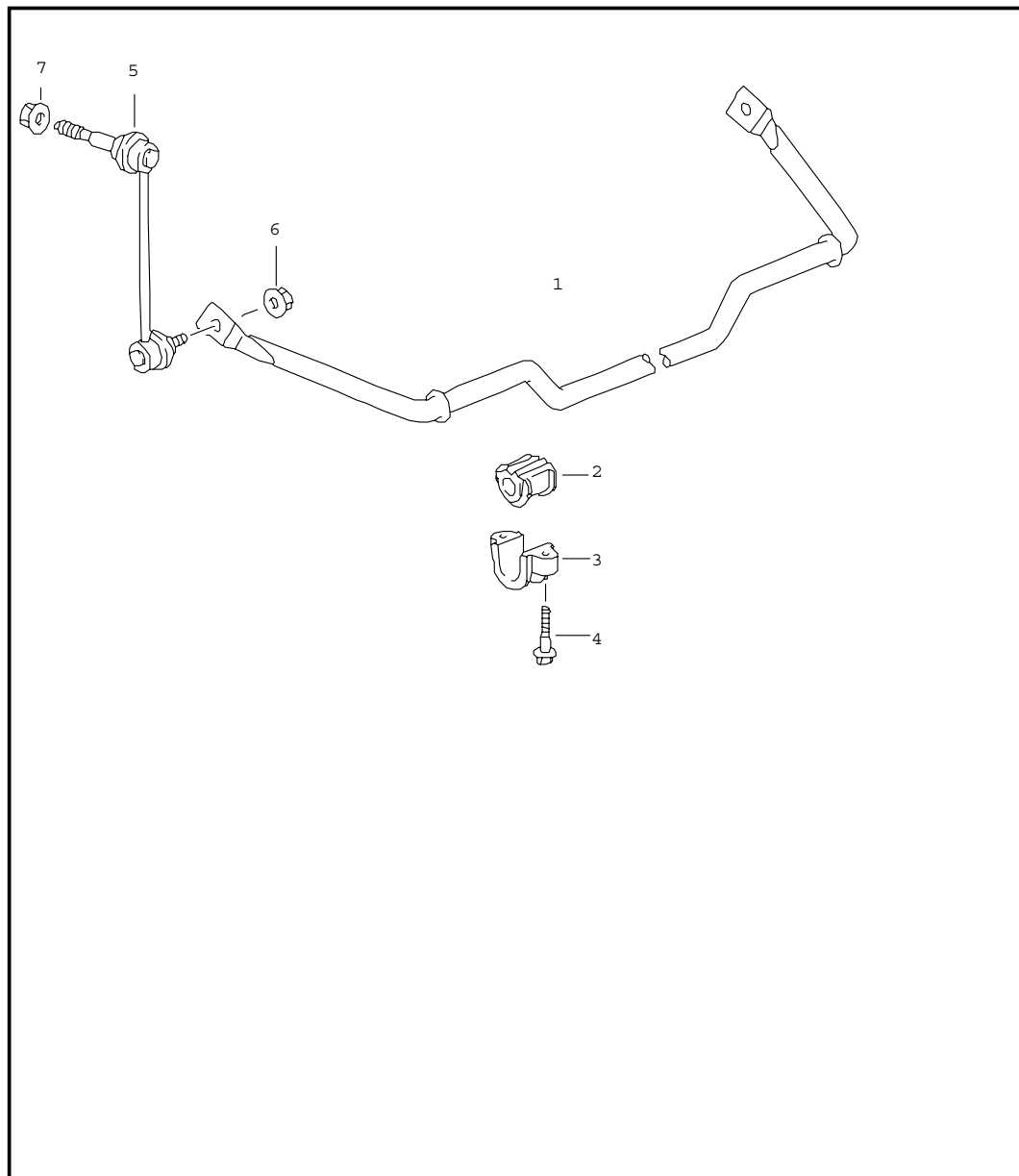


Pos	Part Number	Name	Remarks	Qty	Model
		rear axle side section bracket			
1	986 331 080 03	strut	97	2	
(1)	986 331 031 00	strut	/L 98-	1	
(1)	986 331 032 00	strut	/R 98-	1	
2	A 986 331 071 07	cross member		1	
(2)	A 986 331 071 09	cross member	-03	1	
(2)	986 331 071 10	cross member	04-	1	
-	999 072 024 09	hexagon-head bolt M 10 X 25		2	
		cross member bracket			
3	986 331 051 06	side section F	/L >>98XS6 01535	1	
(3)	986 331 051 08	side section F 98XS6 01536>>	/L	1	
		use also:			
		F >>98XS6 01535		1	
		999.072.037.09		1	
		996.331.217.04			
(3)	986 331 052 06	side section F	/R >>98XS6 01535	1	
(3)	986 331 052 08	side section F 98XS6 01536>>	/R	1	
		use also:			
		F >>98XS6 01535		1	
		999.072.037.09		1	
		996.331.217.04			
4	986 331 351 01	clip		2	
4A	986 331 351 03	clip		4	
5	999 080 031 09	screw		8	
6	A 986 331 161 00	bracket	97	1	
(6)	986 331 161 03	bracket	-99	1	
(6)	986 331 161 04	bracket	00-	1	M 249
(6)	986 331 163 00	bracket	00-00-	1	M 480 M 481

Model	Year	MG	SG	Illustration	Restrictions	Update	17:52	23.08.2006	PORSCHE	PET	PORSCHE
986	04	5	01	501-01		203					

Pos	Part Number	Name	Remarks	Qty	Model	Pos	Part Number	Name	Remarks	Qty	Model
-	986 331 361 02	spoiler	-00	2		17	986 331 611 02	support	-99	2	M 601
-	986 331 361 03	spoiler	01-	2		(17)	986 331 611 03	support	00-	1	M 601
-	999 507 774 40	push button A 3,9	01-	2		18	996 631 121 00	sensor	99-	1	M 601
-	999 507 775 40	push button B 3,9	01-	2		19	N 014 129 12	oval-head screw M 5 X 10	99-	2	M 601
7	986 331 093 03	strut		1	M 249	20	996 331 375 01	strut	99-	1	M 601
(7)	986 331 093 03	strut F >>98VS6 06499		1	M 481	21	900 380 015 09	hexagon nut VM 6	99-	2	M 601
(7)	986 331 093 04	strut F 98VS6 06500>>		1	M 481	22	996 341 371 03	support	99-	1	M 601
-	999 072 032 09	hexagon-head bolt M 10 X 75 POS.7 threaded joint body		2				- - - E N D - - -			
8	999 076 053 09	hexagon nut M 10		14							
9	999 072 023 09	hexagon-head bolt M 10 X 45 F >>98XS6 01535		4							
(9)	999 072 037 09	hexagon-head bolt M 10 X 45 F 98XS6 01536>>		4							
-	999 076 058 09	nut M 10		4							
10	999 072 031 09	hexagon-head bolt M 10 X 45		2							
11	999 061 108 09	stud M 10 X 119		4							
12	986 331 181 01	restraining cable		1							
13	900 378 107 09	hexagon-head bolt M 8 X 45		1							
14	900 380 005 09	hexagon nut M 8		2							
15	986 331 098 00	cover plate F 98VS6 06500>>		1	M 481						
16	900 380 015 09	lock nut M 6 F 98VS6 06500>>		2	M 481						

Model	Year	MG	SG	Illustration	Restrictions	Update	17:52	23.08.2006	PORSCHE	PET	PORSCHE
986	04	5	01	501-03		203					

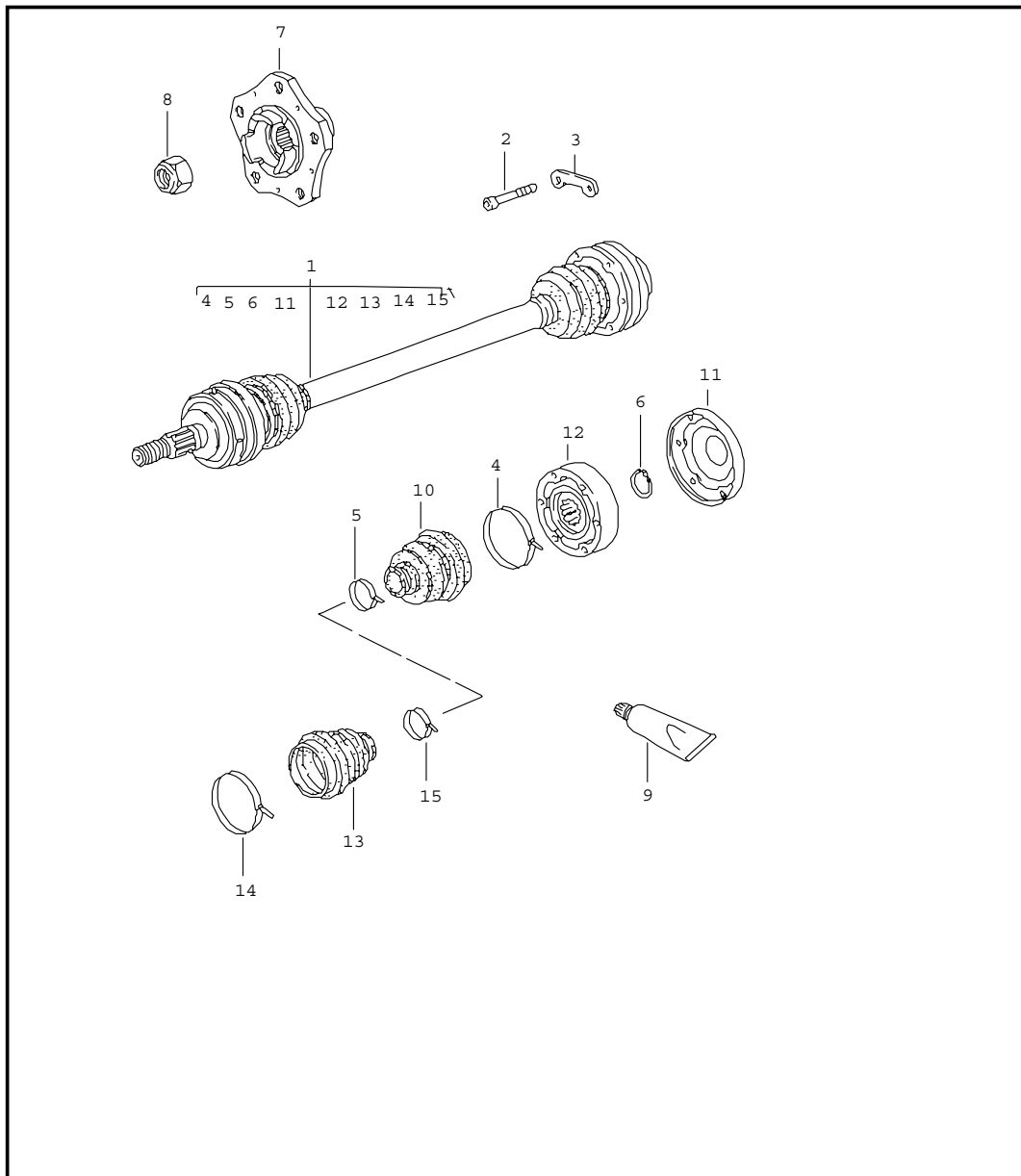


Pos	Part Number	Name	Remarks	Qty	Model
		stabiliser			
1	986 333 701 10	stabiliser	-02	1	
(1)	986 333 701 11	stabiliser	-02	1	M 009/030
(1)	986 333 701 13	stabiliser	-02	1	M 008/030
(1)	986 333 701 10	stabiliser	-04	1	M 009
(1)	986 333 701 11	stabiliser	-04	1	M 009/030
			-04	1	M 008
			-04	1	M 480/030
(1)	986 333 701 13	stabiliser	-04	1	M 008
			-04	1	M 249/030
			-04	1	M 008/480
(1)	986 333 701 10	stabiliser	-04	1	M 008/249
(2)	996 333 792 24	stabiliser mounting 18,7 MM	-02	2	M 009
(2)	996 333 792 25	stabiliser mounting 19,8 MM	-02	2	M 009/030
(2)	996 333 792 28	stabiliser mounting 19,2 MM	-02	2	M 008
(2)	996 333 792 25	stabiliser mounting 19,8 MM	-02	2	M 008/030
(2)	996 333 792 24	stabiliser mounting 18,7 MM	03-	2	M 009
(2)	996 333 792 25	stabiliser mounting 19,8 MM	03-	2	M 009/030
(2)	996 333 792 28	stabiliser mounting 19,2 MM	03-	2	M 008/480
(2)	996 333 792 24	stabiliser mounting 18,7 MM	03-	2	M 008/249
(2)	996 333 792 25	stabiliser mounting 19,8 MM	03-	2	M 008
				2	M 480/030
(2)	996 333 792 28	stabiliser mounting 19,2 MM	03-	2	M 008
				2	M 249/030
3	996 333 777 01	clamp		2	
4	900 378 055 09	hexagon-head bolt AM 8 X 40		4	
5	996 343 069 02	stabiliser mounting	/L -99	1	
(5)	996 343 069 03	stabiliser mounting	/L 00-	1	

Model	Year	MG	SG	Illustration	Restrictions	Update	17:52	23.08.2006	PORSCHE	PET	PORSCHE
986	04	5	01	501-03		203					

Pos	Part Number	Name	Remarks	Qty	Model	Pos	Part Number	Name	Remarks	Qty	Model
(5)	996 343 070 02	stabiliser mounting	/R -99	1							
(5)	996 343 070 03	stabiliser mounting	/R 00-	1							
6	999 084 643 09	hexagon nut M 10		2							
7	999 084 445 09	hexagon nut M 12		2							
		- - - E N D - - -									

Model	Year	MG	SG	Illustration	Restrictions	Update	17:52	23.08.2006	PORSCHE	PET	PORSCHE
986	04	5	01	501-05		203					

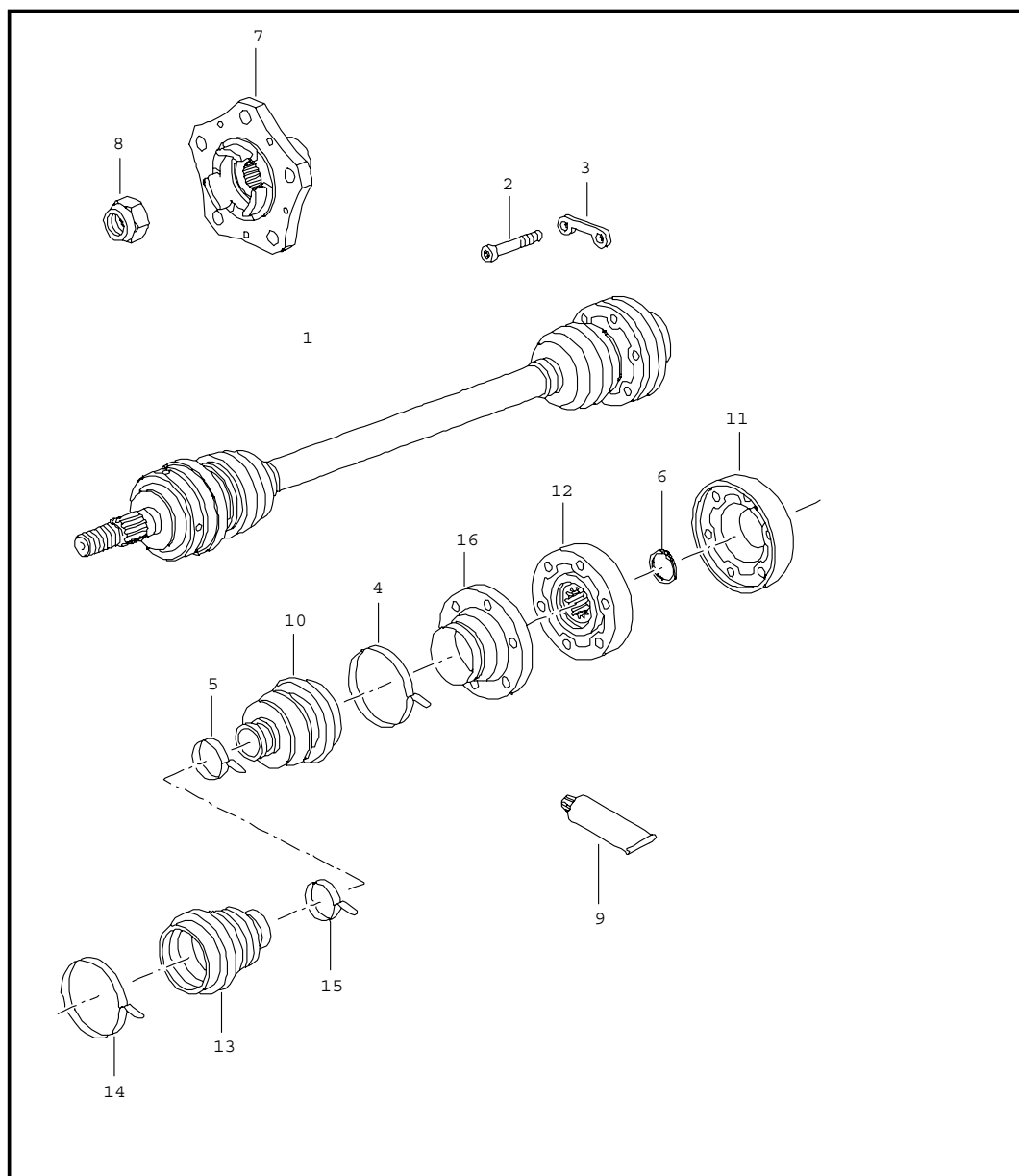


Pos	Part Number	Name	Remarks	Qty	Model
		drive shaft wheel hub	-02		
1	986 332 024 05	drive shaft	-98	2	M 249
(1)	986 332 024 08	drive shaft	99-	2	M 249
(1)	986 332 024 04	drive shaft	/L -98	1	M 481
(1)	986 332 024 07	drive shaft	/L 99-	1	M 481
(1)	986 332 024 03	drive shaft	/R -98	1	M 481
(1)	986 332 024 06	drive shaft	/R 99-	1	M 481
(1)	986 332 024 50	drive shaft	00-	2	M 008/480
(1)	986 332 024 51	drive shaft	00-	2	M 008/249
2	900 067 211 09	pan-head screw M 8 X 50		12	
(2)	900 067 123 09	pan-head screw M 10 X 50	00-	12	M 008
3	993 349 191 00	plate		6	
(3)	996 332 191 00	plate		6	M 008
4	911 332 257 00	clip \$ 73 MM		2	
5	928 332 257 01	clip \$ 34 MM		2	
6	900 041 013 01	circlip		2	
(6)	900 041 014 00	circlip	00-	2	M 008
7	996 341 605 54	wheel hub		2	
(7)	986 331 605 20	wheel hub	00-	2	M 008
8	999 084 641 02	lock nut M 22 X 1,5	-01	2	
(8)	999 084 641 02	lock nut M 22 X 1,5	02	2	
9	000 043 110 01	grease for drive shaft 1 tube 100 g		X	
(9)	000 043 205 36	sealing compound drive shaft 1 tube 100 g		X	
10	928 332 293 02	dust bellows		2	

Model	Year	MG	SG	Illustration	Restrictions	Update	17:52	23.08.2006	PORSCHE	PET	PORSCHE
986	04	5	01	501-05		203					

Pos	Part Number	Name	Remarks	Qty	Model	Pos	Part Number	Name	Remarks	Qty	Model
-	951 332 259 00	support for dust bellows for drive shaft 986.332.024.03/04/05 986.332.024.06/07/08		2							
-	911 332 259 01	support for dust bellows for drive shaft 986.332.024.50/51		2	M 008						
11	964 332 267 00	cover	-99	2							
(11)	928 332 267 01	cover	00-	2	M 008						
12	951 332 030 00	joint	-02	2							
(12)	911 332 030 01	joint	00-	2	M 008						
13	928 332 293 02	dust bellows		2							
14	911 332 257 00	clip		2							
15	928 332 257 01	clip		2							
		- - - E N D - - -									

Model	Year	MG	SG	Illustration	Restrictions	Update	17:52	23.08.2006	PORSCHE	PET	PORSCHE
986	04	5	01	501-06		203					



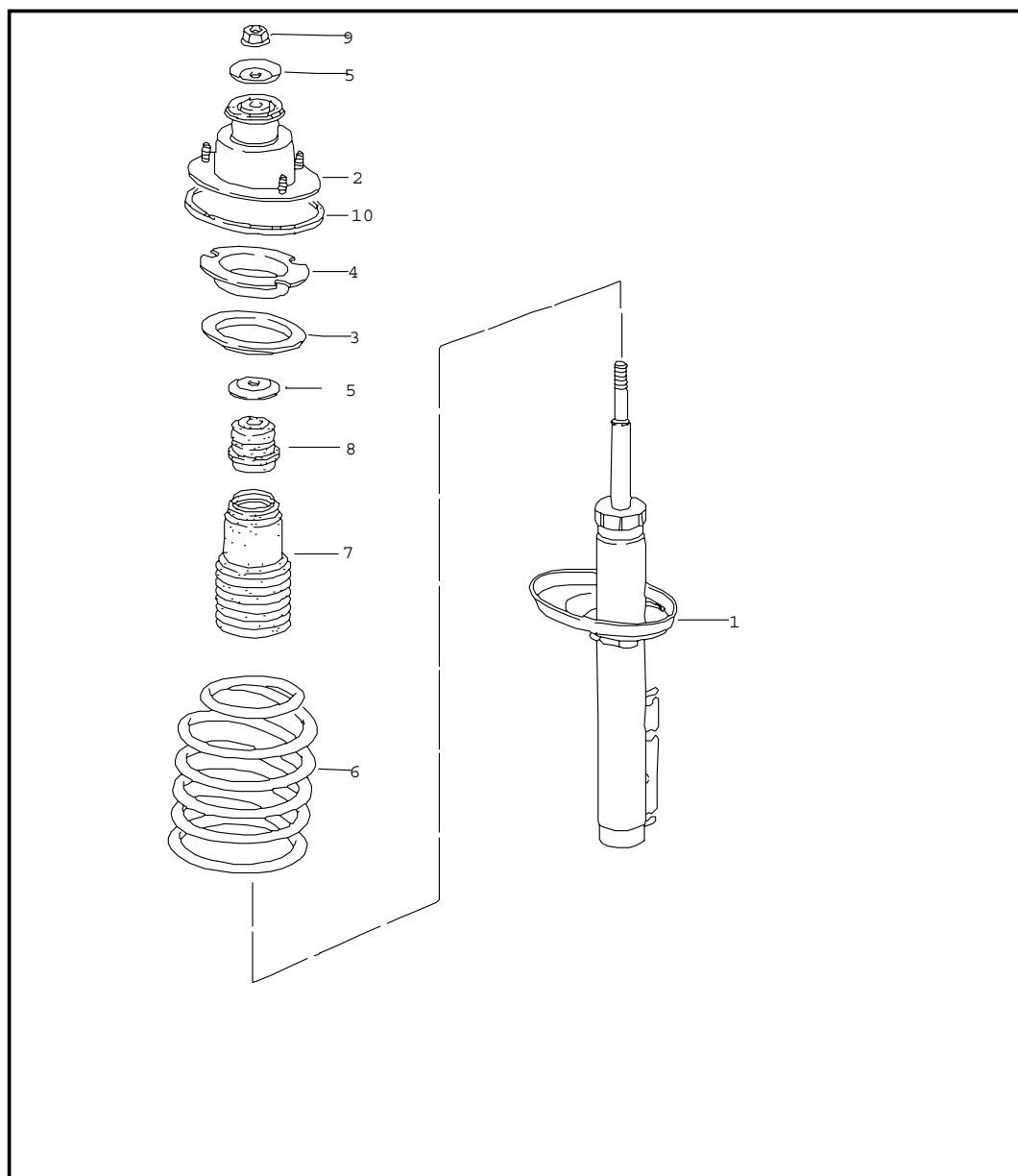
Pos	Part Number	Name	Remarks	Qty	Model
		drive shaft wheel hub	03-		
1	986 332 024 09	drive shaft	/L	1	M 481
(1)	986 332 024 10	drive shaft	/R	1	M 481
(1)	986 332 024 11	drive shaft		2	M 009/249
(1)	986 332 024 50	drive shaft		2	M 008/480
(1)	986 332 024 51	drive shaft		2	M 008/249
(2)	986 332 190 00	pan-head screw M 8 F >>983S6 00191 F >>983U6 03154		12	M 481
2	N 909 417 01	pan-head screw M 10 X 45 F 983S6 00192>> F 983U6 03155>>		12	M 481
(2)	986 332 190 00	pan-head screw M 8 F 983U6 03186>> F >>983U6 03188 F 983U6 03192>> F >>983U6 03196 F 983U6 03198>> F >>983U6 03199 F 983U6 03201>> F >>983U6 03206		12	M 481
(2)	986 332 190 00	pan-head screw M 8		12	M 009/249
(2)	900 067 229 09	pan-head screw M 10 X 48		12	M 008
3	986 332 191 00	plate		6	M 481
(3)	986 332 191 00	plate		6	M 009/249
(3)	996 332 191 00	plate		6	M 008
4	996 332 957 00	clip		1	M 009
(4)	911 332 257 00	clip		1	M 008
5	996 332 257 00	clip		1	M 009
(5)	928 332 257 01	clip		1	M 008
6	900 041 013 01	circlip		1	
7	996 341 605 54	wheel hub		2	M 481

Model	Year	MG	SG	Illustration	Restrictions	Update	17:52	23.08.2006	PORSCHE	PET	PORSCHE
986	04	5	01	501-06		203					

Pos	Part Number	Name	Remarks	Qty	Model	Pos	Part Number	Name	Remarks	Qty	Model
(7)	986 331 605 20	wheel hub		2	M 008						
8	999 084 641 02	lock nut M 22 X 1,5	-03	2							
(8)	999 084 641 02	lock nut M 22 X 1,5	04-	2							
9	000 043 110 00	grease 1 tube 100 g		X							
(9)	000 043 205 36	sealing compound drive shaft 1 tube 100 g		X							
10	996 332 293 00	dust bellows		2	M 009						
(10)	928 332 293 02	dust bellows		2	M 008/249						
(10)	986 332 293 00	dust bellows		2	M 008/480						
11	986 332 267 00	cover		2	M 009						
(11)	928 332 267 01	cover		2	M 008						
12	986 332 030 00	joint		2	M 009						
(12)	911 332 030 01	joint		2	M 008						
13	996 332 293 00	dust bellows		2	M 009						
(13)	928 332 293 02	dust bellows		2	M 008						
14	996 332 957 00	clip		2	M 009						
(14)	911 332 257 00	clip		1	M 008						
15	996 332 257 00	clip \$ 41,5 MM		1	M 009						
(15)	928 332 257 01	clip		1	M 008						
16	986 332 259 00	support		X	M 009						
(16)	996 332 259 00	support		X	M 008						
		- - - E N D - - -									



Model	Year	MG	SG	Illustration	Restrictions	Update	17:53	23.08.2006	PORSCHE	PET	PORSCHE
986	04	5	02	502-00		203					



Pos	Part Number	Name	Remarks	Qty	Model
		shock absorber coil spring			
1	A 986 333 051 04	shock absorber - bilstein -		2	
(1)	986 333 051 06	shock absorber - bilstein -	-99	2	
(1)	986 333 051 20	shock absorber - bilstein -	00-	2	
(1)	A 986 333 051 14	shock absorber - bilstein -		2	M 030
(1)	986 333 051 18	shock absorber - bilstein -	-99	2	M 030
(1)	986 333 051 30	shock absorber - bilstein -	00-	2	M 030
		mount shock absorber			
-	900 378 138 09	hexagon-head bolt M 12 X 1,5 X 70		2	
-	999 084 445 09	hexagon nut M 12 X 1,5		2	
2	A 986 333 059 03	supporting mount		2	
(2)	986 333 059 04	supporting mount	-02	2	
(2)	986 333 059 06	supporting mount	03-	2	
-	900 380 005 09	hexagon nut M 8		6	
-	803 803 583	cover		2	
3	986 333 504 02	compensating plate 3,0 MM		X	
(3)	986 333 504 03	compensating plate 6,0 MM		X	
4	986 333 509 02	ring		2	
5	996 343 107 02	stop plate	-99	4	
(5)	996 343 107 03	stop plate	00-	4	
6	986 333 531 04	coil spring 1 set	-02	1	M 481

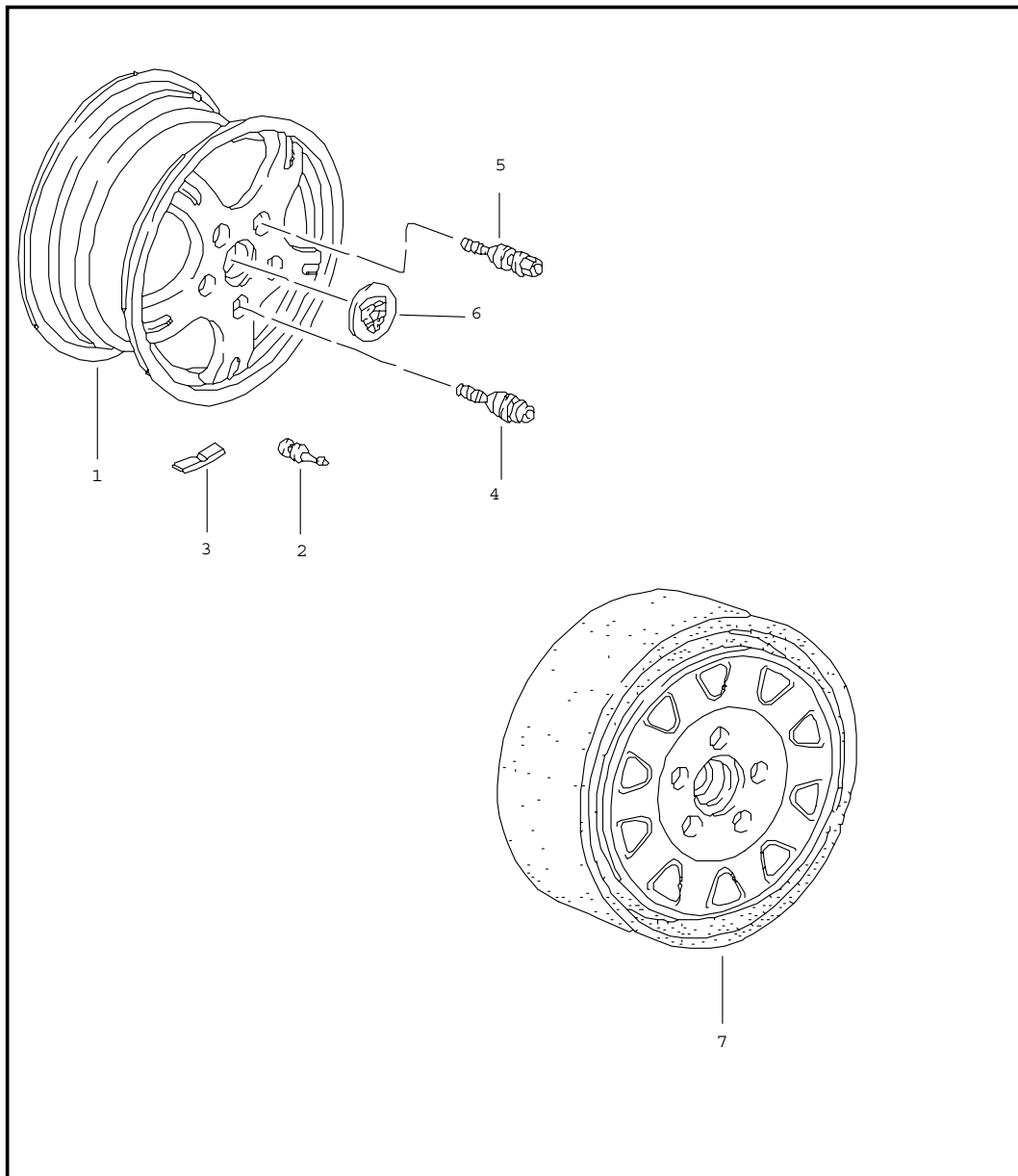
Model	Year	MG	SG	Illustration	Restrictions	Update	17:53	23.08.2006	PORSCHE	PET	PORSCHE
986	04	5	02	502-00		203					

Pos	Part Number	Name	Remarks	Qty	Model	Pos	Part Number	Name	Remarks	Qty	Model
	504	marked blue yellow					504	marked violet yellow			
(6)	986 333 531 34	coil spring 1 set	03-	1	M 481	(6)	986 333 531 38	coil spring 1 set	03-	1	M 008/480
	504	marked blue yellow					504	marked violet yellow			
(6)	986 333 531 05	coil spring 1 set	-02	1	M 249	(6)	986 333 531 21	coil spring 1 set	-02	1	M 008/249
	504	marked blue white					504	marked violet white			
(6)	986 333 531 35	coil spring 1 set	03-	1	M 249	(6)	986 333 531 39	coil spring 1 set	03-	1	M 008/249
	504	marked blue white					504	marked violet white			
(6)	986 333 531 11	coil spring 1 set	-02	1	M 481/030	(6)	986 333 531 30	coil spring 1 set	-02	1	M 008/030 M 480
	504	marked red red					504	marked silver red			
(6)	986 333 531 42	coil spring 1 set	03-	1	M 481/030	(6)	986 333 531 44	coil spring 1 set	03-	1	M 008/030 M 480
	504	marked red red					504	marked silver red			
(6)	986 333 531 12	coil spring 1 set	-02	1	M 249/030	(6)	986 333 531 31	coil spring 1 set	-02	1	M 008/030 M 249
	504	marked red yellow					504	marked silver yellow			
(6)	986 333 531 43	coil spring 1 set	03-	1	M 249/030	(6)	986 333 531 45	coil spring 1 set	03-	1	M 008/030 M 249
	504	marked red yellow					504	marked silver yellow			
(6)	986 333 531 20	coil spring 1 set	-02	1	M 008/480	7	986 333 505 01	bellows		1	
						8	986 333 301 01	additional spring		1	

Model	Year	MG	SG	Illustration	Restrictions	Update	17:53	23.08.2006	PORSCHE	PET	PORSCHE
986	04	5	02	502-00		203					

Pos	Part Number	Name	Remarks	Qty	Model	Pos	Part Number	Name	Remarks	Qty	Model
9	900 380 012 09	hexagon nut M 14 X 1,5		2							
10	986 333 285 01	sealing ring		2							
		- - - E N D - - -									

Model	Year	MG	SG	Illustration	Restrictions	Update	17:53	23.08.2006	PORSCHE	PET	PORSCHE
986	04	6	01	601-00		203					



Pos	Part Number	Name	Remarks	Qty	Model
		wheels			
		see technical information			
		group 4			
		NR.1/04			
		NR.2/04			
1	996 362 112 00	disc wheel 6 J X 16 ET 50	/V	2	M 395
(1)	996 362 112 00	disc wheel 6 J X 16 ET 50 for winter use	/V	2	M 008/009
(1)	996 362 124 00	disc wheel 7 J X 17 ET 55	/V	2	M 396
(1)	986 362 124 00	disc wheel 7 J X 17 ET 55	/V 00-	2	M 400
(1)	993 362 134 06	disc wheel 7,5 X 18 ET 50	/V 99-	2	M 413
(1)	986 362 124 01	disc wheel 7 J X 17 ET 55	/V 01-	2	M 391
(1)	993 362 124 51	disc wheel 7 J X 17 ET 55	/V 01-	2	XRA
(1)	993 362 134 08	disc wheel 7,5 J X 18 ET 50	/V 01-	2	M 414
(1)	996 362 136 51	disc wheel 8 J X 18 ET50	/V 02-	2	XRC
(1)	996 362 134 05	disc wheel 7,5 J X 18 ET 50	/V 03-	2	M 411
(1)	986 362 124 02	disc wheel 7 J X 17 ET 55	/V 03-	2	M 394
(1)	996 362 134 06	disc wheel 7,5 J X 18 ET50	/V 03-	2	M 415

Model	Year	MG	SG	Illustration	Restrictions	Update	17:53	23.08.2006	PORSCHE	PET	PORSCHE
986	04	6	01	601-00		203					

Pos	Part Number	Name	Remarks	Qty	Model	Pos	Part Number	Name	Remarks	Qty	Model
(1)	996 362 134 05	disc wheel 7,5 J X 18 ET 50 it is necessary to rework paint	/V 04	2	M 091/191	(1)	996 362 138 00	disc wheel 9 J X 18 ET 52 it is necessary to rework paint	/H 04	2	M 091/191
(1)	996 362 114 00	disc wheel 7 J X 16 ET 40	/H	2	M 395	(1)	996 362 140 52	disc wheel 10 J X 18 ET 47 use also: 999.651.230.02	/H 04-	2	XRC
(1)	996 362 114 00	disc wheel 7 J X 16 ET 40 for winter use	/H	2	M 008/009	2	900 265 001 50	valve rubber		4	
(1)	996 362 126 05	disc wheel 8,5 J X 17 ET 50	/H	2	M 396	(2)	993 361 073 00	valve steel	02-	4	XRC
(1)	986 362 126 05	disc wheel 8,5 J X 17 ET 50	/H 00-	2	M 400	3	901 361 410 50	balance stick-on weight 5 G.	-03	X	
(1)	993 362 138 01	disc wheel 9 J X 18 ET 52	/H 99-	2	M 413	(3)	1K0 601 178 C	balance stick-on weight 5 G.	04-	X	
(1)	986 362 126 06	disc wheel 8,5 J X 17 ET 48	/H 01-	2	M 391	(3)	901 361 410 00	balance stick-on weight 10 G.	-03	X	
(1)	993 362 138 08	disc wheel 9 J X 18 ET 52	/H 01-	2	M 414	(3)	1K0 601 179 C	balance stick-on weight 10 G.	04-	X	
(1)	993 362 126 55	disc wheel 8,5 X 17 ET 50	/H 01-	2	XRA	(3)	901 361 411 50	balance stick-on weight 15 G.	-03	X	
(1)	996 362 140 51	disc wheel 10 J X 18 ET 47 use also: 999.651.230.02	/H 02-03	2	XRC	(3)	1K0 601 181 C	balance stick-on weight 15 G.	04-	X	
(1)	996 362 138 00	disc wheel 9 J X 18 ET 52	/H 03-	2	M 411	(3)	901 361 411 00	balance stick-on weight 20 G.	-03	X	
(1)	986 362 126 07	disc wheel 8,5 J X 17 ET 48	/H 03-	2	M 394	(3)	1K0 601 182 C	balance stick-on weight 20 G.	04-	X	
(1)	996 362 138 01	disc wheel 9 J X 18 ET 52	/H 03-	2	M 415	(3)	901 361 412 50	balance stick-on weight 25 G.	-03	X	
						(3)	1K0 601 183 C	balance stick-on weight 25 G.	04-	X	
						(3)	901 361 412 00	balance stick-on weight 30 G.	-03	X	
						(3)	1K0 601 184 C	balance stick-on weight 30 G.	04-	X	
						(3)	901 361 413 50	balance stick-on weight 35 G.	-03	X	

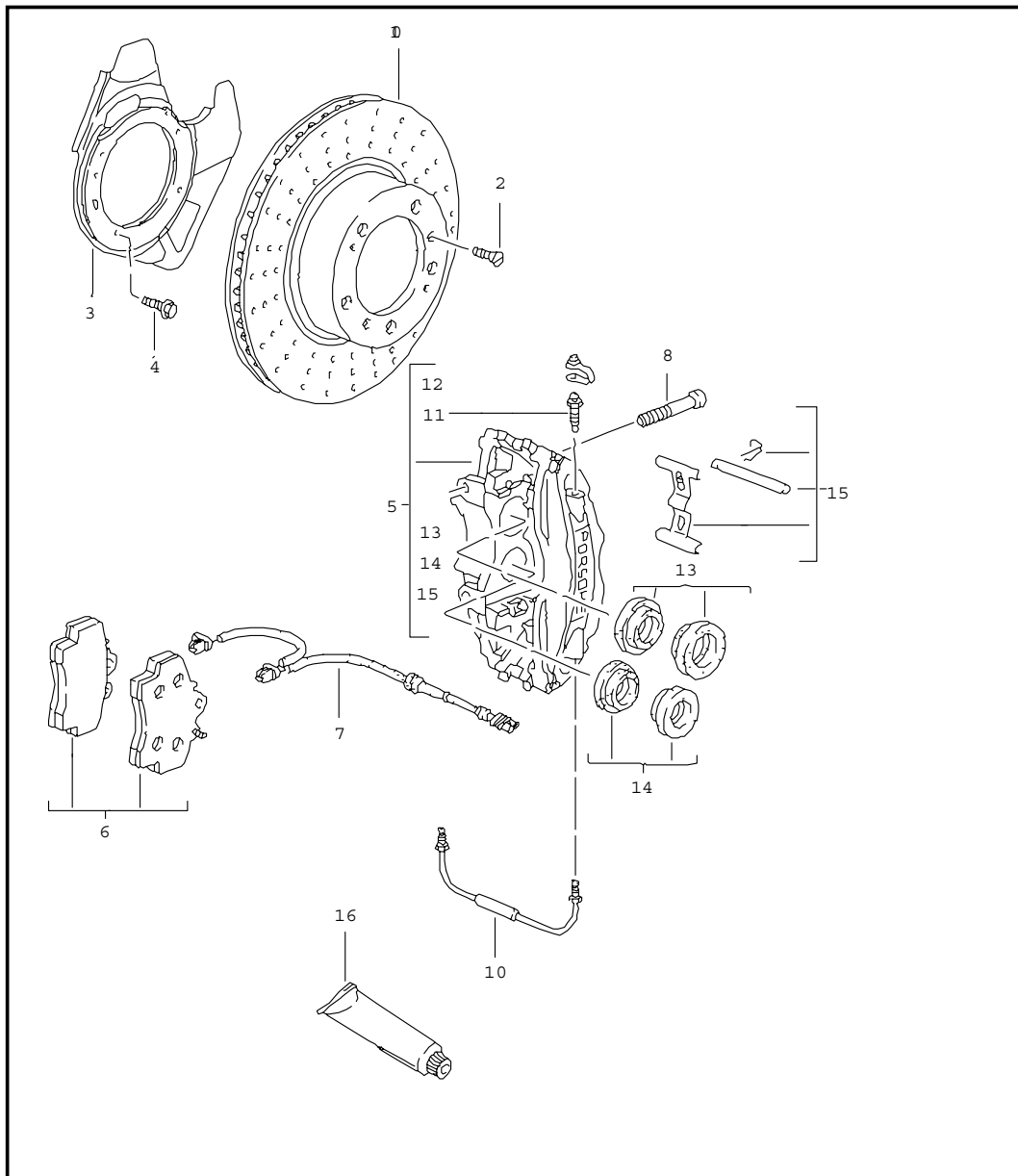
Model	Year	MG	SG	Illustration	Restrictions	Update	17:53	23.08.2006	PORSCHE	PET	PORSCHE
986	04	6	01	601-00		203					

Pos	Part Number	Name	Remarks	Qty	Model	Pos	Part Number	Name	Remarks	Qty	Model
(3)	1K0 601 185 C	balance stick-on weight 35 G.	04-	X		(5) A	996 361 203 01	wheel bolt see technical information GRUPPE 4 NR.2/03	-03	16	
(3)	901 361 413 00	balance stick-on weight 40 G.	-03	X		(5)	996 361 203 02	wheel bolt see technical information GRUPPE 4 NR.2/03	04-	16	
(3)	1K0 601 186 C	balance stick-on weight 40 G.	04-	X		(5) A	996 361 203 90	wheel bolt see technical information GRUPPE 4 NR.2/03	-03	16	XRP
(3)	901 361 414 50	balance stick-on weight 45 G.	-03	X		(5)	996 361 980 00	wheel bolt see technical information GRUPPE 4 NR.2/03	04-	16	XRP
(3)	1K0 601 187 C	balance stick-on weight 45 G.	04-	X		(5)	996 361 980 00	wheel bolt	04	16	M 091
(3)	901 361 414 00	balance stick-on weight 50 G.	-03	X		-	999 182 003 36	wheel nut	01-	10	XRN
(3)	1K0 601 188 C	balance stick-on weight 50 G.	04-	X		-	999 182 003 36	wheel nut	04	10	M 091
(3)	901 361 415 50	balance stick-on weight 55 G.	-03	X		6	993 361 303 05	hub cap 61M silver	-99	4	
(3)	1K0 601 189 C	balance stick-on weight 55 G.	04-	X		(6)	993 361 303 11	hub cap 61M silver	00	4	
(3)	901 361 415 00	balance stick-on weight 60 G.	-03	X		(6)	993 361 303 11	hub cap 9A1 silver	02-	4	
(3)	1K0 601 190 C	balance stick-on weight 60 G.	04-	X		(6) A	993 361 303 09	hub cap 92T arctic silver metallic emblem coloured	-99	4	M 446
4	A 996 361 057 00	wheel bolt anti-theft protection 1 set		1		(6)	993 361 303 10	hub cap 9A1 silver emblem coloured	00-	4	M 446
(4) A	996 361 057 01	wheel bolt anti-theft protection 1 set	-03	1		(6)	996 361 303 09	hub cap		4	M 414
(4)	996 361 057 02	wheel bolt anti-theft protection 1 set	04-	1	XRP	(6)	993 361 303 10	hub cap 6B4 seal grey metallic emblem coloured	04	4	M 091/191
(4) A	996 361 057 90	wheel bolt anti-theft protection 1 set	-03	1	XRP						
(4)	996 361 980 02	wheel bolt anti-theft protection 1 set	04-	1	XRP						
(4)	996 361 980 02	wheel bolt anti-theft protection 1 set	04	1	M 091						
5	A 996 361 203 00	wheel bolt	-00	16							

Model	Year	MG	SG	Illustration	Restrictions	Update					
986	04	6	01	601-00		203	17:53	23.08.2006	PORSCHE	PET	PORSCHE

Pos	Part Number	Name	Remarks	Qty	Model	Pos	Part Number	Name	Remarks	Qty	Model
7	996 362 030 00	emergency wheel - - - E N D - - -		1							

Model	Year	MG	SG	Illustration	Restrictions	Update	17:53	23.08.2006	PORSCHE	PET	PORSCHE
986	04	6	02	602-00		203					



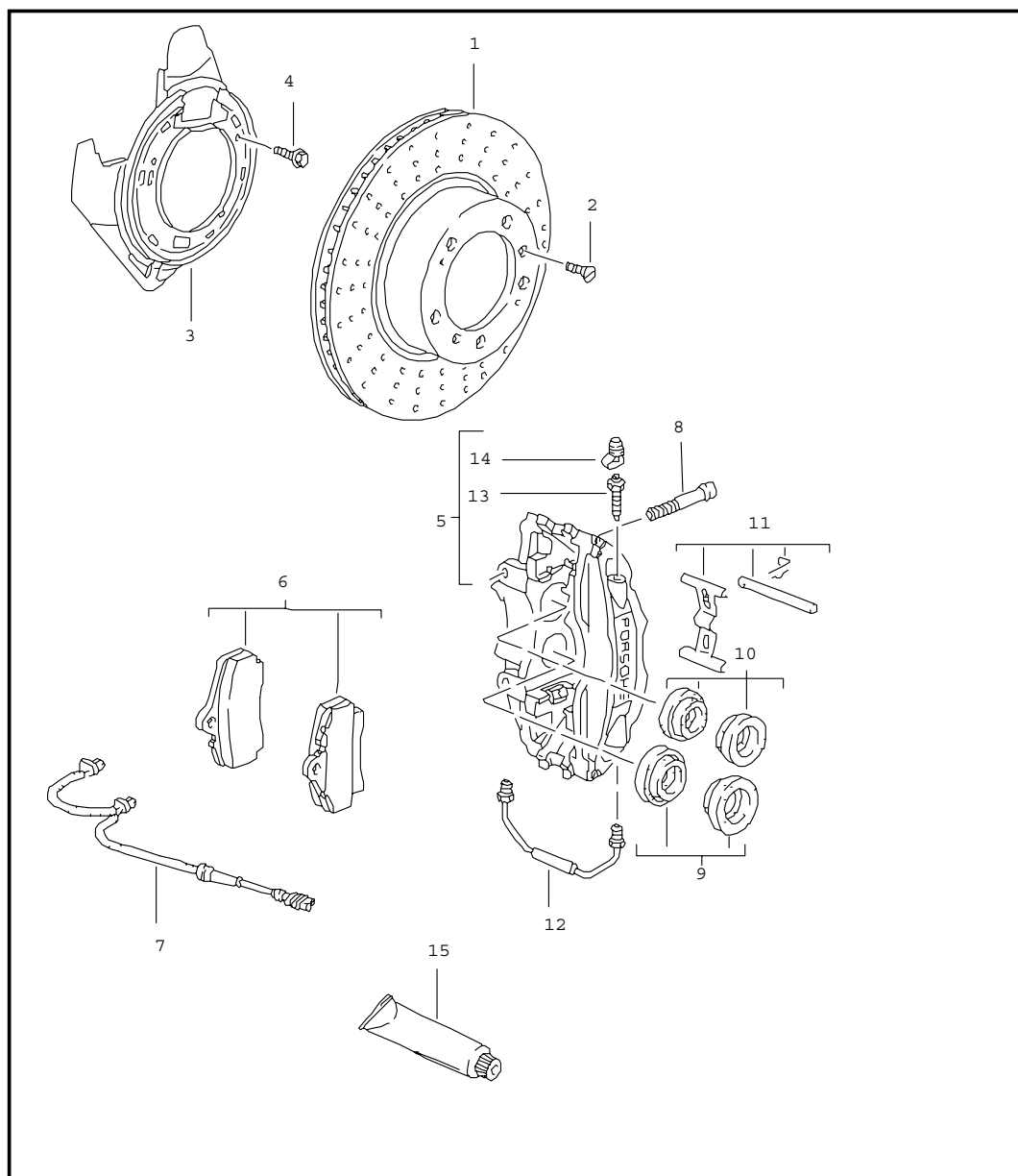
Pos	Part Number	Name	Remarks	Qty	Model
		disc brake front axle			
1	986 351 401 05	brake disc		2	
(1)	996 351 405 01	brake disc	/L 00-	1	M 008
(1)	996 351 406 01	brake disc	/R 00-	1	M 008
2	900 269 047 09	countersunk-head screw M 6 X 12		4	
(2)	900 269 106 09	countersunk-head screw M 6 X 16	01-	4	XRP
(2)	900 269 106 90	countersunk-head screw M 6 X 16 see technical information group 4 NR.1/04 NR.2/04	04	4	M 091
3	U 996 351 081 02	cover plate	/L	1	
(3)	996 351 081 03	protective plate F >>98XS6 01524	/L	1	
(3)	996 351 801 04	protective plate F 98XS6 01525>>	/L	1	
(3)	U 996 351 082 02	cover plate	/R	1	
(3)	996 351 082 03	protective plate F >>98XS6 01186	/R	1	
(3)	996 351 802 04	protective plate F 98XS6 01187>>		1	
4	999 217 116 09	hexagon-head bolt M 6 X 16		X	
5	986 351 421 03	fixed calliper without pad	/L	1	
(5)	996 351 425 11	fixed calliper without pad	/L 00-	1	M 008
(5)	996 351 425 22	fixed calliper without pad	/L 04	1	M 091
(5)	986 351 422 03	fixed calliper without pad	/R	1	
(5)	996 351 426 11	fixed calliper without pad	/R 00-	1	M 008
(5)	996 351 426 22	fixed calliper without pad	/R 04	1	M 091



Model	Year	MG	SG	Illustration	Restrictions	Update	17:53	23.08.2006	PORSCHE	PET	PORSCHE
986	04	6	02	602-00		203					

Pos	Part Number	Name	Remarks	Qty	Model	Pos	Part Number	Name	Remarks	Qty	Model
6	A 986 351 939 11	set of brake pads		1		(16)	000 043 020 00	optimoly 100 G		X	
(6)	A 986 351 939 13	set of brake pads		1							
(6)	986 351 939 15	set of brake pads		1							
(6)	A 996 352 949 02	set of brake pads	-04	1	M 008						
(6)	996 352 949 03	set of brake pads use also: mounting parts		1	M 008						
-	996 351 088 01	damping plate \$ 36/40 MM	00-	4	M 008						
7	996 612 365 00	warning contact		2							
8	999 067 041 09	pan-head screw M 12 X 1,5 X 72		4							
-	999 507 530 00	cable holder for warning contact		2							
10	996 352 962 00	connecting line	/L	1							
(10)	996 351 961 00	connecting line	/L	1	M 008						
(10)	996 352 961 00	connecting line	/R	1							
(10)	996 351 962 00	connecting line	/R	1	M 008						
11	930 351 919 00	ventilation valve		2							
12	930 351 927 00	cap		2							
13	951 351 917 01	repair kit protection caps 40 MM \$		2							
14	951 351 917 00	repair kit protection caps 36 MM \$		2							
15	996 352 959 01	repair kit mounting parts bolt expanding spring securing clip		1 2 2 2							
(15)	996 351 959 01	repair kit mounting parts bolt expanding spring securing clip		1 2 2 2	M 008						
16	000 043 117 00	brake cylinder paste 50 G		X							

Model	Year	MG	SG	Illustration	Restrictions	Update	17:53	23.08.2006	PORSCHE	PET	PORSCHE
986	04	6	03	603-00		203					

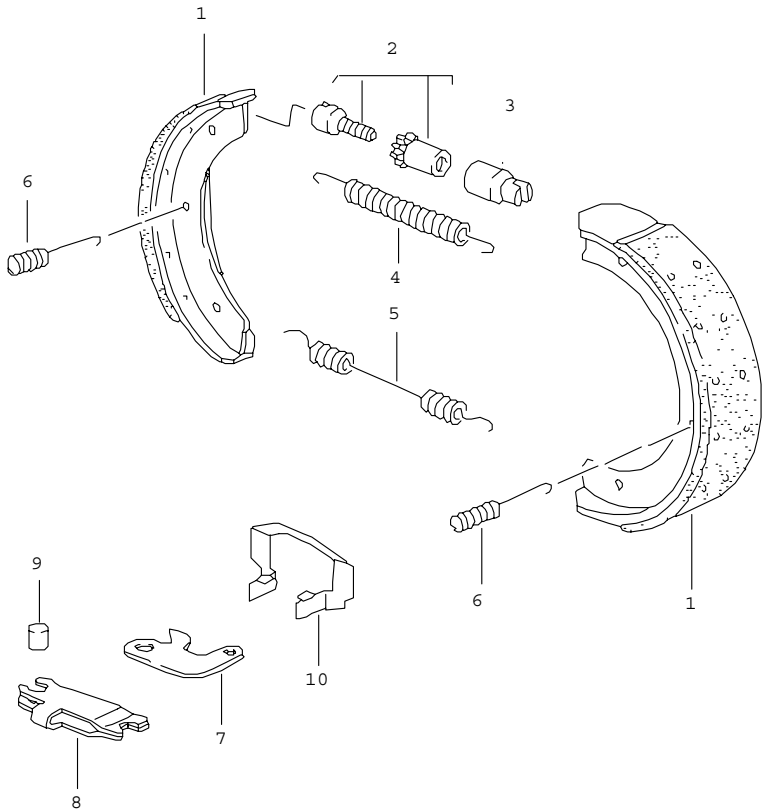


Pos	Part Number	Name	Remarks	Qty	Model
		disc brake rear axle			
1	986 352 401 04	brake disc		2	
(1)	986 352 403 01	brake disc	00-	2	M 008
2	900 269 047 09	countersunk-head screw M 6 X 12		4	
(2)	900 269 106 09	countersunk-head screw M 6 X 16	01-	4	XRP
(2)	900 269 106 09	countersunk-head screw M 6 X 16 see technical information group 4 NR.1/04 NR.2/04	04	4	M 091
3	986 352 081 03	protective plate F >>98XS6 01524	/L	1	
(3)	986 352 081 04	protective plate F 98XS6 01525>>	/L	1	
(3)	986 352 082 03	protective plate F >>98XS6 01186	/R	1	
(3)	986 352 082 04	protective plate F 98XS6 01187>>	/R	1	
(3)	986 352 801 00	protective plate	00-	2	M 008
4	999 217 116 09	hexagon-head bolt M 6 X 16		X	
5	986 352 423 01	fixed calliper without pad	/L	1	
(5)	996 352 421 13	fixed calliper without pad	/L 00-	1	M 008
(5)	996 352 421 24	fixed calliper without pad	/L 04	1	M 091
(5)	986 352 424 01	fixed calliper without pad	/R	1	
(5)	996 352 422 13	fixed calliper without pad	/R 00-	1	M 008
(5)	996 352 422 24	fixed calliper without pad	/R 04	1	M 091
(6)	986 352 939 10	set of brake pads		1	M 009
6	A 996 352 939 00	set of brake pads		1	M 008

Model	Year	MG	SG	Illustration	Restrictions	Update	17:53	23.08.2006	PORSCHE	PET	PORSCHE
986	04	6	03	603-00		203					

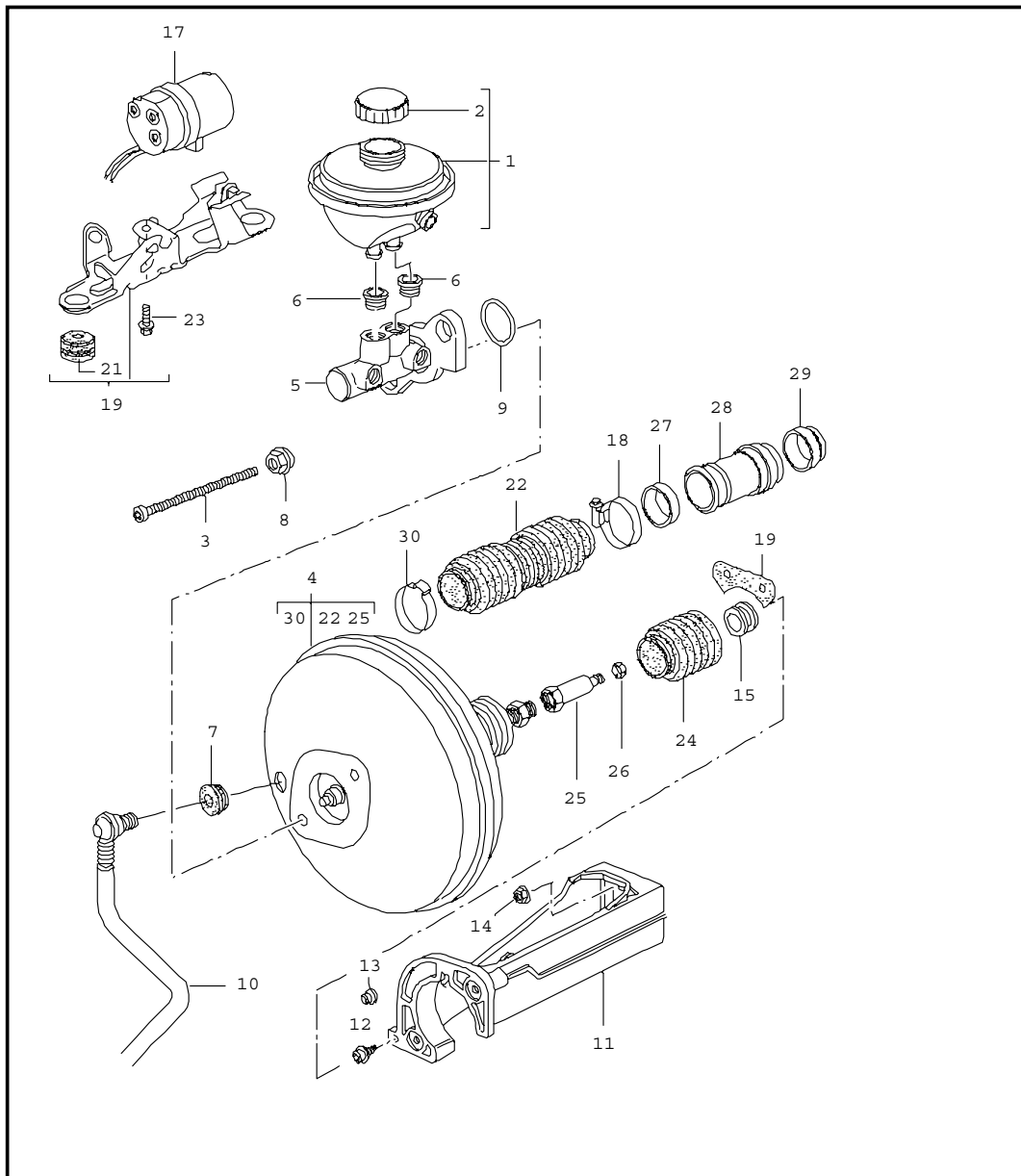
Pos	Part Number	Name	Remarks	Qty	Model	Pos	Part Number	Name	Remarks	Qty	Model
(6)	996 352 939 03	set of brake pads use also: mounting parts		1	M 008						
7	986 612 365 00	warning contact		2							
8	999 067 041 09	pan-head screw M 12 X 1,5 X 72		4							
-	944 612 627 00	cable holder for warning contact		2							
9	951 352 917 01	repair kit protection caps 30 MM \$		2							
10	951 352 917 00	repair kit protection caps 28 MM \$		2							
11	996 352 959 01	repair kit mounting parts bolt expanding spring securing clip		1 2 2 2							
(11)	996 352 959 01	repair kit mounting parts bolt expanding spring securing clip		1 2 2 2 2							
-	964 352 096 00	damping plate 30 MM \$	00- -	4	M 008						
-	964 352 096 01	damping plate 28 MM \$	00- -	4	M 008						
12	996 352 961 00	connecting line	/L	1							
(12)	996 352 962 00	connecting line	/R	1							
13	930 351 919 00	ventilation valve		4							
14	930 351 927 00	cap		4							
15	000 043 117 00	brake cylinder paste 50 G		X							
(15)	000 043 020 00	optimoly 100 G		X							
		- - - E N D - - -									

Model	Year	MG	SG	Illustration	Restrictions	Update	17:53	23.08.2006	PORSCHE	PET	PORSCHE
986	04	6	03	603-05		203					



Pos	Part Number	Name	Remarks	Qty	Model
		handbrake			
1	986 352 095 01	brake shoe	-02	4	
(1)	986 352 995 01	brake shoe 1 set	03-	1	
(1)	928 352 097 10	brake shoe	-02	4	M 008
(1)	996 352 993 02	brake shoe 1 set	03-	1	M 008
2	986 352 071 00	adjusting screw		2	
(2)	911 352 098 00	adjusting screw	00-	2	M 008
3	986 352 715 00	bush		2	
(3)	911 352 944 00	bush	00	2	M 008
4	986 352 721 00	tension spring		2	
(4)	901 352 932 10	tension spring	00-	2	M 008
5	986 352 723 01	tension spring		2	
(5)	951 352 454 00	tension spring	00-	2	M 008
6	986 352 741 00	tension spring		4	
(6)	996 352 741 00	tension spring	00-	4	M 008
7	986 352 731 01	actuating lever		2	
8	986 352 733 02	clip		2	
9	986 352 735 00	bolt		2	
-	986 352 073 02	expanding bow comprising: picture 7,8,9		2	
10	986 352 805 01	supporting plate		2	
(10)	996 352 807 01	supporting plate	00-	2	M 008
- - - E N D - - -					

Model	Year	MG	SG	Illustration	Restrictions	Update	17:54	23.08.2006	PORSCHE	PET	PORSCHE
986	04	6	04	604-00		203					



Pos	Part Number	Name	Remarks	Qty	Model
-	000 043 204 66	brake master cylinder brake booster pre-charge pump modification kit seal brake booster comprising: 999.512.672.00 996.423.269.05 999.512.478.00 996.355.911.00 996.355.909.00 996.355.907.00 996.355.927.01 900.380.015.09 F >>98YS6 00434 F >>98YU6 00165 F >>98YS6 40520 F >>98YU6 40062 see technical information group 4 NR.6/01		1	M 476
1	996 355 013 00	container	-03	1	M 481/480
(1)	996 355 013 01	container	04-	1	M 481/480
(1)	996 355 013 20	container	-03	1	M 249
(1)	996 355 013 21	container	04-	1	M 249
(1) A	996 355 013 44	container	01 01	1 1	M 481/476 M 480/476
(1) A	996 355 013 46	container	-03 -03	1 1	M 481/476 M 480/476
(1)	996 355 013 48	container	04- 04-	1	M 481/476 M 480/476
(1) A	996 355 013 45	container	01	1	M 249/476
(1)	996 355 013 47	container	-03	1	M 249/476
(1)	996 355 013 49	container	04-	1	M 249/476
2	996 355 119 01	screw cap		1	
- A	996 355 125 00	contacts for container 996.355.013.00 996.355.013.20	-03	1	

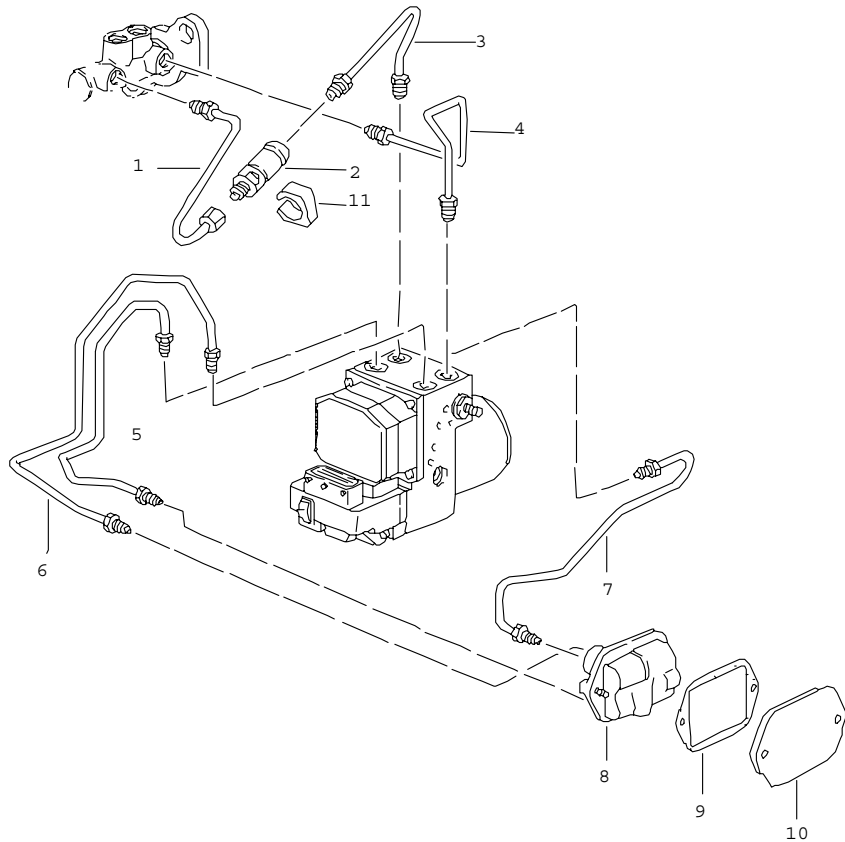
Model	Year	MG	SG	Illustration	Restrictions	Update	17:54	23.08.2006	PORSCHE	PET	PORSCHE
986	04	6	04	604-00		203					

Pos	Part Number	Name	Remarks	Qty	Model	Pos	Part Number	Name	Remarks	Qty	Model
-	996 355 125 02	contacts for container 996.355.013.00/01 996.355.013.20/21	04-	1		14	900 380 005 09	hexagon nut M 8		2	
-	996 355 125 01	contacts for container 996.355.013.44 996.355.013.45 996.355.013.46 996.355.013.47 996.355.013.48 996.355.013.49		1		15	U 996 355 221 00	grommet F >>98YS6 00434 F >>98YU6 00165 F >>98YS6 40520 F >>98YU6 40062  see technical information group 4 NR.6/01		1	
3	999 073 124 09	pan-head screw M 8 X 154 X 80		2		16	996 423 301 00	gasket		1	
4	996 355 923 00	brake booster		1		-	996 355 901 01	gasket brake booster bulkhead		1	
-	A 996 355 137 00	catch		1		17	996 355 975 41	pre-charge pump	01-	1	M 476
-	996 355 137 01	cap threaded joint brake booster		1		-	996 355 635 40	adapter feed line	01-	1	M 476
5	996 355 910 00	brake master cylinder		1		-	999 512 390 00	hose clamp	01-	1	M 476
(5)	996 355 910 40	brake master cylinder	01-	1	M 476	18	999 512 478 00	hose clamp F 98YS6 00435>> F 98YU6 00166>> F 98YS6 40521>> F 98YU6 40063>> see technical information group 4 NR.6/01		1	
6	993 355 922 00	gasket		2		19	996 355 183 40	support	01-	1	M 476
7	999 702 182 40	gasket		1		21	964 356 635 00	rubber mounting	01-	2	M 476
8	997 355 925 00	hexagon nut		2		-	999 045 004 40	plastic nut	01-	3	M 476
9	996 355 912 00	sealing ring		1		(22)	U 996 423 269 04	bellows F >>98YS6 00434 F >>98YU6 00165 F >>98YS6 40520 F >>98YU6 40062 see technical information group 4 NR.6/01		1	
10	996 355 577 02	vacuum line	/LL -99	1		(22)	996 423 269 05	bellows F 98XS6 00435>> F 98YU6 00166>> F 98YS9 40521>> F 98YU6 40063>>		1	
(10)	996 355 577 42	vacuum line	/LL 00-	1		23	900 378 036 09	hexagon-head bolt M 6 X 12	01-	1	M 476
(10)	996 355 577 43	vacuum line	/LL 04-	1							
(10)	996 355 578 04	vacuum line	/RL -99	1							
(10)	996 355 578 05	vacuum line	/RL 00-	1							
(10)	996 355 578 06	vacuum line	/RL 04-	1							
11	996 423 251 01	intermediate piece		1							
12	900 067 240 02	screw M 6 X 12 Z1		2							
13	999 703 448 50	plug	/R	1							

Model	Year	MG	SG	Illustration	Restrictions	Update	17:54	23.08.2006	PORSCHE	PET	PORSCHE
986	04	6	04	604-00		203					

Pos	Part Number	Name	Remarks	Qty	Model	Pos	Part Number	Name	Remarks	Qty	Model
24	U 996 355 930 00	bellows F >>98YS6 00434 F >>98YU6 00165 F >>98YS6 40520 F >>98YU6 40062 see technical information group 4 NR.6/01		1							
25	996 355 927 01	connecting piece		1							
26	900 380 015 09	hexagon nut M 6		1							
27	996 355 911 00	sealing ring F >>98YS6 00434 F >>98YU6 00165 F >>98YS6 40520 F >>98YU6 40062 see technical information group 4 NR.6/01		1							
28	996 355 909 00	connecting piece F >>98YS6 00434 F >>98YU6 00165 F >>98YS6 40520 F >>98YU6 40062 see technical information group 4 NR.6/01		1							
29	996 355 907 00	sealing rubber F >>98YS6 00434 F >>98YU6 00165 F >>98YS6 40520 F >>98YU6 40062 firewall see technical information group 4 NR.6/01		1							
30	999 512 672 00	hose clamp F 98YS6 00435>> F 98YU6 00166>> F 98YS6 40521>> F 98YU6 40063>>  - - - E N D - - -		1							

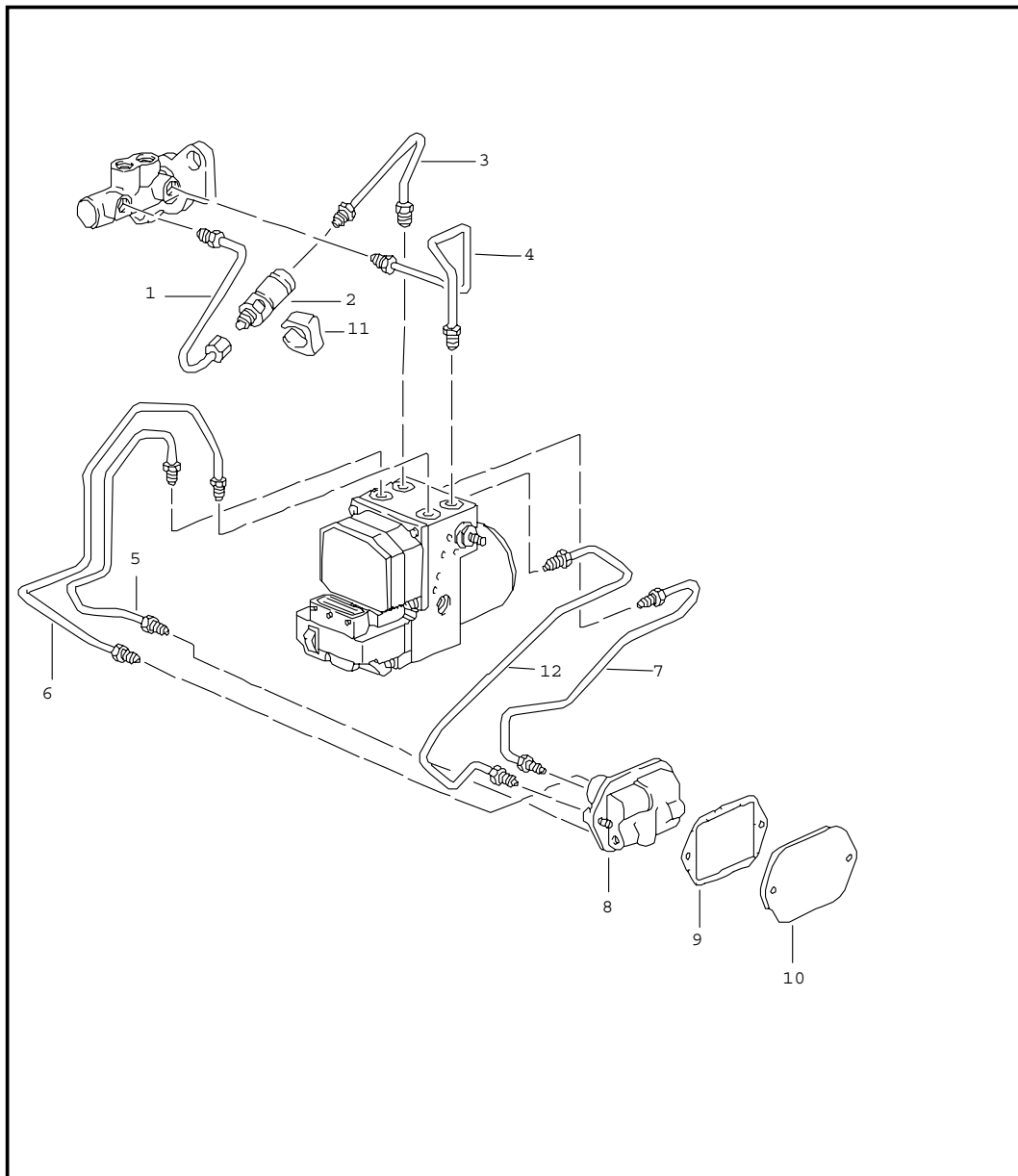
Model	Year	MG	SG	Illustration	Restrictions	Update	17:54	23.08.2006	PORSCHE	PET	PORSCHE
986	04	6	04	604-05		203					



Pos	Part Number	Name	Remarks	Qty	Model
		brake lines body front section			
1	996 355 309 01	pressure line	/LL -01	1	
(1)	996 355 308 04	pressure line	/RL -01	1	
2	986 355 305 00	regulator	-01	1	
3	996 355 311 02	pressure line	/LL -01	1	
(3)	996 355 311 42	pressure line	/LL 02-	1	
(3)	996 355 310 03	pressure line	/RL -01	1	
(3)	996 355 320 42	pressure line	/RL 02-	1	
4	996 355 313 02	pressure line	/LL -01	1	
(4)	996 355 313 03	pressure line	/LL 02-	1	
(4)	996 355 314 03	pressure line	/RL -01	1	
(4)	996 355 314 04	pressure line	/RL 02-	1	
5	996 355 315 02	pressure line	-01	1	
(5)	996 355 315 43	pressure line	02-	1	
6	996 355 327 03	pressure line	-01	1	
(6)	996 355 327 43	pressure line	02-	1	
7	996 355 326 04	pressure line	-01	1	
(7)	996 355 326 40	pressure line	02-	1	
8	996 355 650 02	intermediate piece		1	
9	996 355 752 00	gasket	-01	1	
(9)	996 355 752 01	gasket	02-	1	
10	996 355 753 00	reinforcement		1	
11	999 651 292 40	support		1	
		- - - E N D - - -			

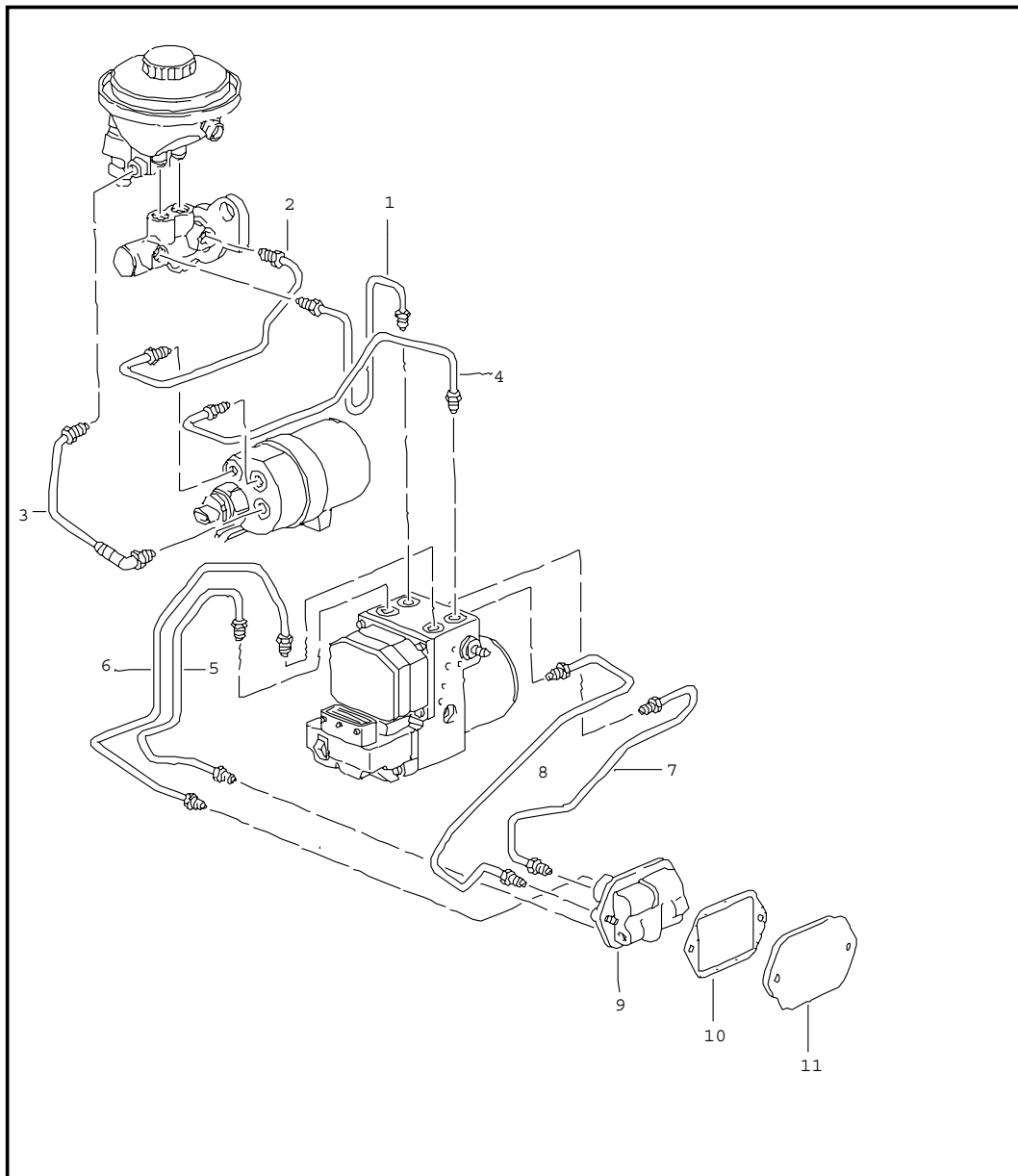


Model	Year	MG	SG	Illustration	Restrictions	Update	17:54	23.08.2006	PORSCHE	PET	PORSCHE
986	04	6	04	604-08		203					



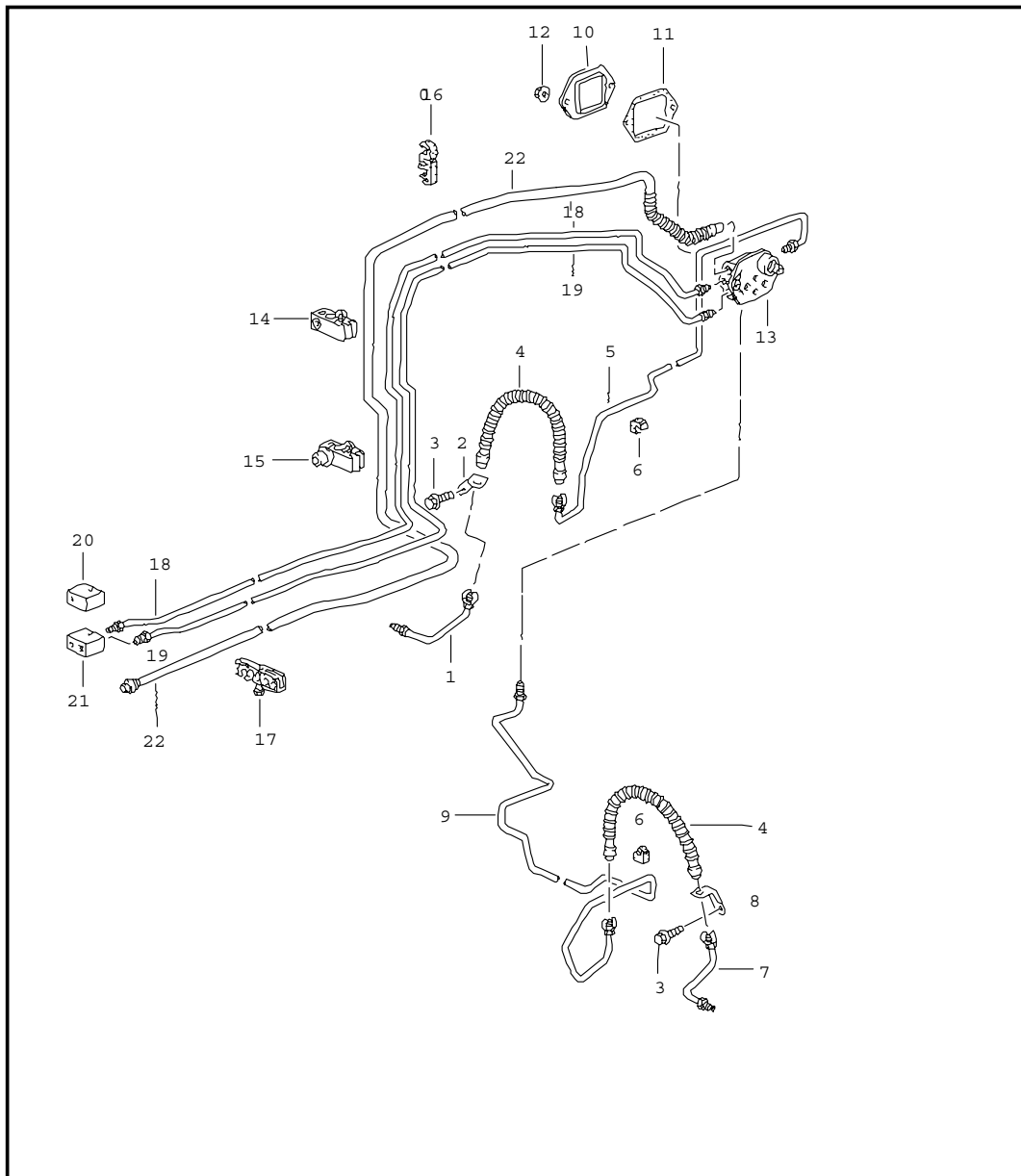
Pos	Part Number	Name	Remarks	Qty	Model
		brake lines body front section	-01		M 222/224
1	996 355 309 01	pressure line	/LL	1	
(1)	996 355 308 03	brake line	/RL -98	1	
(1)	996 355 308 04	pressure line	/RL 99-	1	
2	986 355 305 00	regulator		1	
3	996 355 311 02	pressure line	/LL	1	
(3)	996 355 310 03	pressure line	/RL	1	
4	996 355 313 02	pressure line	/LL	1	
(4)	996 355 314 03	pressure line	/RL	1	
5	996 355 315 02	pressure line		1	
6	996 355 327 03	pressure line		1	
7	996 355 326 04	pressure line		1	
8	996 355 650 27	intermediate piece		1	
9	996 355 752 00	gasket	-01	1	
10	996 355 753 00	reinforcement		1	
11	999 651 292 40	support		1	
12	996 355 316 04	pressure line		1	
		- - - E N D - - -			

Model	Year	MG	SG	Illustration	Restrictions	Update	17:54	23.08.2006	PORSCHE	PET	PORSCHE
986	04	6	04	604-09		203					



Pos	Part Number	Name	Remarks	Qty	Model
		brake lines body front section	01-		M 476
(1)	996 355 311 42	pressure line	/LL	1	
(1)	996 355 320 42	pressure line	/RL	1	
(2)	996 355 353 42	pressure line	/LL	1	
(2)	996 355 354 41	pressure line	/RL	1	
(3)	996 355 321 41	pressure line	/LL	1	
(3)	996 355 322 41	pressure line	/RL	1	
(4)	996 355 357 42	pressure line	-02	1	
(4)	996 355 357 43	pressure line	03-	1	
(5)	996 355 315 43	pressure line		1	
(6)	996 355 327 43	pressure line		1	
(7)	996 355 316 41	pressure line		1	
(8)	996 355 326 40	pressure line		1	
9	996 355 650 27	intermediate piece		1	
10	996 355 752 00	gasket	-01	1	
(10)	996 355 752 01	gasket	02-	1	
11	996 355 753 00	reinforcement		1	
		- - - E N D - - -			

Model	Year	MG	SG	Illustration	Restrictions	Update	17:55	23.08.2006	PORSCHE	PET	PORSCHE
986	04	6	04	604-10		203					

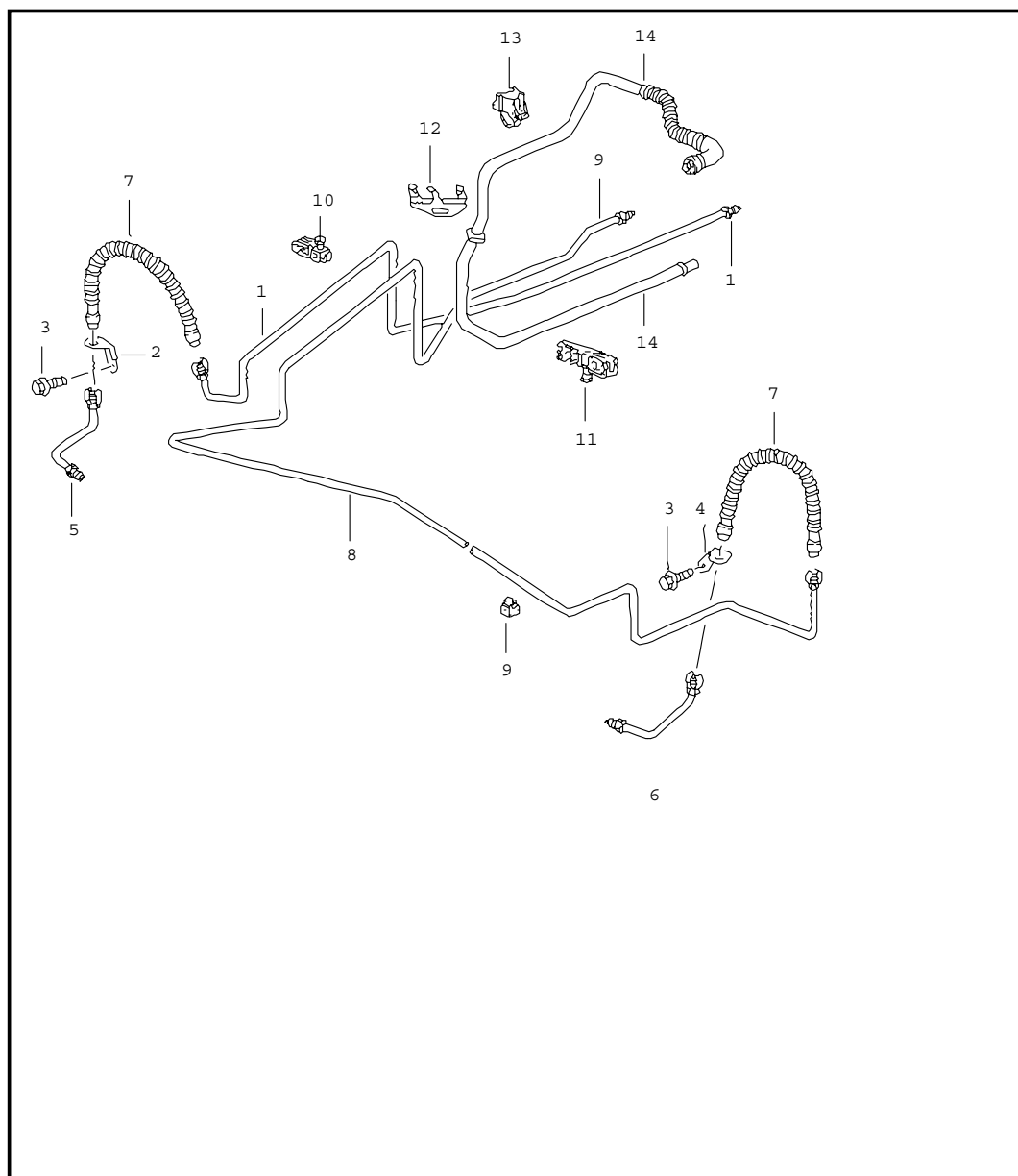


Pos	Part Number	Name	Remarks	Qty	Model
		brake lines front axle underbody vacuum line			
1	996 355 581 06	brake line	/L	1	
2	996 355 501 05	support	/L -99	1	
(2)	996 355 501 06	support	/L 00-	1	
3	900 075 355 09	pan-head screw M 6 X 16	97	2	
(3)	900 067 117 09	screw M 6 X 16	98-	2	
4	996 355 139 00	brake hose	97	2	
(4)	996 355 139 01	brake hose	98-	2	
5	996 355 175 06	brake line	/L 97	1	
(5)	996 355 175 07	brake line F >>98WS6 07094	/L 98-	1	
(5)	996 355 175 08	brake line F 98WS6 07095>>	/L 98-	1	
6	999 591 930 40	cable holder		X	
7	996 355 584 06	brake line	/R	1	
8	996 355 502 05	support	/R -99	1	
(8)	996 355 502 06	support	/R 00-	1	
9	996 355 176 06	brake line F >>98WS6 07094	/R -98	1	
(9)	996 355 176 07	brake line F 98WS6 07095>>	/R 98-	1	
10	996 355 753 00	reinforcement		1	
11	996 355 752 00	gasket	-01	1	
(11)	996 355 752 01	gasket	02-	1	
12	900 380 015 09	hexagon nut M 6		3	
13	996 355 650 27	intermediate piece		1	M 222/224
(13)	996 355 650 02	intermediate piece		1	
14	996 355 545 00	support		3	

Model	Year	MG	SG	Illustration	Restrictions	Update	17:55	23.08.2006	PORSCHE	PET	PORSCHE
986	04	6	04	604-10		203					

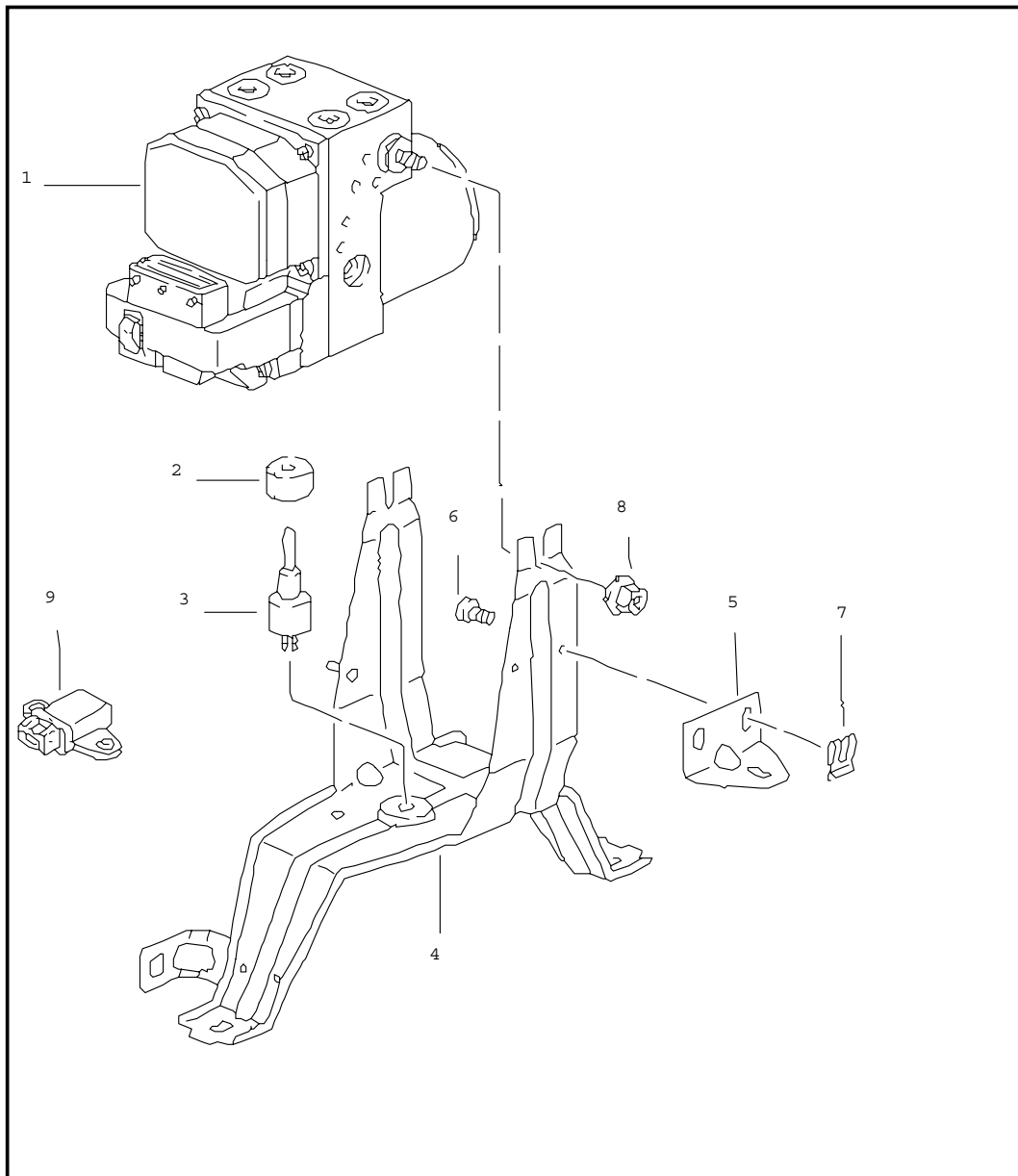
Pos	Part Number	Name	Remarks	Qty	Model	Pos	Part Number	Name	Remarks	Qty	Model
15	996 355 549 00	support		1							
16	996 355 547 01	support		2							
17	996 355 543 00	support		1							
18	996 355 177 06	brake line	-01	1							
(18)	996 355 177 07	brake line	02	1							
(18)	996 355 177 08	brake line	03-	1							
19	996 355 179 06	brake line		1	M 222/224 M 476						
(19)	996 355 179 07	brake line	02	1							
(19)	996 355 179 08	brake line	03-	1							
20	A 996 355 660 04	connecting piece		1							
(20)	996 355 660 05	connecting piece		1							
21	996 355 760 29	connecting piece		1	M 222/224 M 476						
(21)	996 355 760 31	connecting piece	03-	1	M 476						
22	996 355 571 05	vacuum line	-01	1							
(22)	996 355 571 07	vacuum line	02-	1							
-	999 230 535 40	sealing ring connecting piece vacuum line		1							
		- - - E N D - - -									

Model	Year	MG	SG	Illustration	Restrictions	Update	17:55	23.08.2006	PORSCHE	PET	PORSCHE
986	04	6	04	604-15		203					



Pos	Part Number	Name	Remarks	Qty	Model
		brake line underbody rear axle vacuum line			
1	986 355 189 06	brake line	/L 97	1	
(1)	986 355 189 07	brake line	/L 98-	1	
(1)	986 355 189 08	brake line	/L 03-	1	
2	996 355 502 06	support	/L	1	
3	900 075 355 09	pan-head screw M 6 X 16	97	2	
(3)	900 067 117 09	screw M 6 X 16	98-	2	
4	996 355 501 06	support	/R	1	
5	996 355 584 06	brake line	/L	1	
6	996 355 581 06	brake line	/R	1	
-	986 501 815 00	support brake hose F	>>98WS6 07094	2	
-	996 501 815 02	support brake hose F 98WS6 07095>>		2	
7 A	996 355 637 01	brake hose		2	
(7)	996 355 139 01	brake hose		2	
8	986 355 190 07	brake line	/R 97	1	
(8)	986 355 190 08	brake line	/R 98-	1	
(8)	986 355 190 09	brake line	/R 03-	1	
9	999 591 930 40	support		2	
10	964 423 811 00	support		2	
11	996 355 543 00	support		1	
12	986 355 775 00	retaining clip		1	
13	999 507 495 40	support		1	
14 A	986 355 575 05	vacuum line		1	
(14)	986 355 575 06	vacuum line		1	
- - - E N D - - -					

Model	Year	MG	SG	Illustration	Restrictions	Update	17:55	23.08.2006	PORSCHE	PET	PORSCHE
986	04	6	05	605-00		203					

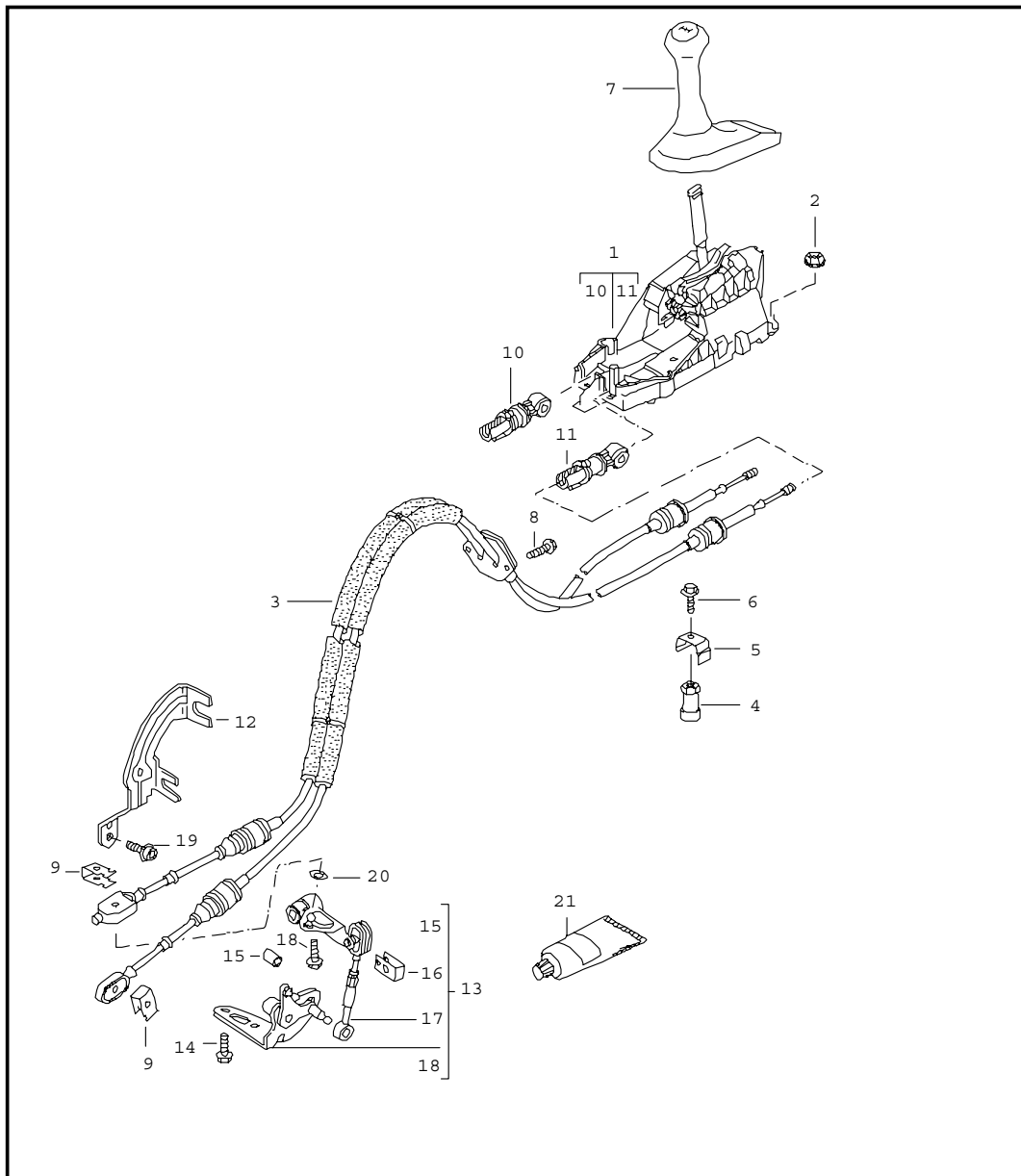


Pos	Part Number	Name	Remarks	Qty	Model
		hydraulic unit anti-lock brake system control			
1	A 996 355 955 02	hydraulic unit	-98	1	
(1)	996 355 955 03	hydraulic unit	-98	1	
(1)	A 996 355 955 27	hydraulic unit	-98	1	M 222/224
(1)	A 996 355 955 28	hydraulic unit	-98	1	M 222/224
(1)	996 355 955 29	hydraulic unit	99-	1	M 222/224
(1)	996 355 955 31	hydraulic unit	02-	1	M 222/224
(1)	996 355 955 03	hydraulic unit	-99	1	
(1)	996 355 955 04	hydraulic unit 5.3	00	1	
(1)	A 986 355 955 26	hydraulic unit 5.3	00	1	M 224
(1)	A 986 355 955 27	hydraulic unit 5.3	00	1	M 224
(1)	986 355 955 28	hydraulic unit 5.3	00	1	M 224
(1)	986 355 955 00	hydraulic unit 5.3	01	1	
(1)	A 996 355 955 05	hydraulic unit 5.7	02	1	
(1)	996 355 955 06	hydraulic unit 5.7	03-	1	
(1)	A 986 355 955 41	hydraulic unit 5.7	01	1	M 476
(1)	986 355 955 42	hydraulic unit 5.7	02-	1	M 476
2	996 355 945 00	damping piece		3	
3	996 355 541 00	spacer		1	
4	996 355 133 03	support		1	
(4)	996 355 033 41	support with rubber mounting	01-	1	M 476
-	964 356 635 00	rubber mounting	01-	2	M 476
-	999 703 379 40	plug	01-	2	M 476

Model	Year	MG	SG	Illustration	Restrictions	Update	17:55	23.08.2006	PORSCHE	PET	PORSCHE
986	04	6	05	605-00		203					

Pos	Part Number	Name	Remarks	Qty	Model	Pos	Part Number	Name	Remarks	Qty	Model
-	999 084 629 09	hexagon nut M 6		3							
5	996 355 535 02	support		1							
6	996 355 559 00	bolt		2							
7	999 166 080 02	lock		2							
8	900 377 003 02	hexagon nut VM 8		2							
9	996 606 145 00	sensor	01-	1	M 476						
		- - - E N D - - -									

Model	Year	MG	SG	Illustration	Restrictions	Update	17:55	23.08.2006	PORSCHE	PET	PORSCHE
986	04	7	01	701-00		203					



Pos	Part Number	Name	Remarks	Qty	Model
		transmission control manual transmission			
1	A 986 424 010 01	gearshift bracket	-99	1	M 481
(1)	986 424 010 02	gearshift bracket	00-	1	M 481
(1)	986 424 010 03	gearshift bracket	03-	1	M 481
(1)	996 424 010 04	gearshift bracket	-02	1	M 480
(1)	996 424 010 05	gearshift bracket	03-	1	M 480
(1)	986 424 010 04	gearshift bracket	04	1	M 091
(1)	996 424 983 00	gearshift bracket	04	1	XCZ
2	999 084 629 09	hexagon nut M 6		4	
3	U 986 424 041 06	cable F >>98VS6 05644		1	
(3)	986 424 041 07	cable F 98VS6 05645>>	-99	1	
		use also: F >>98VS6 05644 986.424.913.06		1	
(3)	986 424 041 08	cable	00	1	
(3)	986 424 041 09	cable	-02	1	
(3)	986 424 041 10	cable	03-	1	
(3)	986 424 042 05	cable	00	1	M 008
(3)	986 424 042 06	cable	01	1	M 008
(3)	986 424 042 07	cable	02-	1	M 008
(3)	986 424 042 08	cable	04	1	M 091
-	986 424 411 00	retaining clip mount cable for support		2	
4	986 424 221 00	spacer		2	
5	986 424 211 00	support	-99	1	
(5)	987 424 211 00	support	00-	1	
6	900 075 023 02	hexagon-head bolt M 8 X 12		1	



Model	Year	MG	SG	Illustration	Restrictions	Update	17:55	23.08.2006	PORSCHE	PET	PORSCHE
986	04	7	01	701-00		203					

Pos	Part Number	Name	Remarks	Qty	Model	Pos	Part Number	Name	Remarks	Qty	Model
7	986 424 075 02	gearshift knob	97	1			D11	dark grey/natural			
	EAN	satin black				(7)	996 424 981 15	gearshift knob	01-02	1	M 480/X97
(7)	986 424 075 02	gearshift knob	98-	1	M 016		VRJ	black			
	EAN	black					C50	graphite grey			
(7)	986 424 075 03	gearshift knob	98-	1	M 011		S30	savanna			
	EMK	ocean jade/black					G10	metropole blue			
	EML	zenith blue/black					M30	boxster red			
(7)	986 424 075 03	gearshift knob	98-	1	M 012		P11	cinnamon brown			
	EKP	metal grey/black					D11	dark grey/natural			
(7)	986 424 075 04	gearshift knob	99-	1	M 010		T11	brown/natural			
	EMM	amber/black				(7)	996 424 981 17	gearshift knob	01-02	1	M 480/XE8
(7)	996 424 075 05	gearshift knob	00-	1	M 480		VRJ	black			
	EVZ	black					C50	graphite grey			
(7)	996 424 075 05	gearshift knob	03-	1	M 480		S30	savanna			
	FGT	black sport silver					G10	metropole blue			
	FGU	graphite grey sport silver					M30	boxster red			
	FGV	savanna sport silver					P11	cinnamon brown			
	FGW	metropole blue sport silver					D11	dark grey/natural			
	FGX	nephrite green sport silver	03			(7)	996 424 981 18	gearshift knob	01-02	1	M 480/X47
	FGY	boxster red sport silver					VRJ	black			
	FGZ	cinnamon brown sport silver					C50	graphite grey			
	VSW	dark grey/natural sport silver					S30	savanna			
	VSX	brown/natural sport silver					G10	metropole blue			
							M30	boxster red			
							P11	cinnamon brown			
							D11	dark grey/natural			
(7)	986 424 075 21	gearshift knob	04	1	M 091		T11	brown/natural			
	9Q3	cocoa				(7)	996 424 981 22	gearshift knob	03-	1	M 480/X97

Model	Year	MG	SG	Illustration	Restrictions	Update	17:55	23.08.2006	PORSCHE	PET	PORSCHE
986	04	7	01	701-00		203					

Pos	Part Number	Name	Remarks	Qty	Model	Pos	Part Number	Name	Remarks	Qty	Model
	VRJ	black				(7)	986 424 075 05	gearshift knob	00-	1	M 481
	C50	graphite grey					EVZ	black			
	S30	savanna				(7)	986 424 075 05	gearshift knob	03-	1	M 481
	G10	metropole blue					EWA	black metal grey			
	J30	nephrite green	03				FGT	black sport silver			
	M30	boxster red					FGU	graphite grey sport silver			
	P11	cinnamon brown					FGV	savanna sport silver			
	D11	dark grey/natural					FGW	metropole blue sport silver			
	T11	brown/natural					FGX	nephrite green sport silver	03		
(7)	996 424 981 28	gearshift knob	03-	1	M 480/XE8		FGY	boxster red sport silver			
	VRJ	black					FGZ	cinnamon brown sport silver			
	C50	graphite grey					VSW	dark grey/natural sport silver			
	S30	savanna					VSX	brown/natural sport silver			
	G10	metropole blue				(7)	986 424 981 05	gearshift knob	01-	1	M 481/X97
	J30	nephrite green	03				VRJ	black			
	M30	boxster red					C50	graphite grey			
	P11	cinnamon brown					S30	savanna			
	D11	dark grey/natural					G10	metropole blue			
	T11	brown/natural					J30	nephrite green	-03		
(7)	996 424 981 31	gearshift knob	03-	1	M 480/X47		M30	boxster red			
	VRJ	black					P11	cinnamon brown			
	C50	graphite grey					D11	dark grey/natural			
	S30	savanna					T11	brown/natural			
	G10	metropole blue				(7)	986 424 981 06	gearshift knob	01-	1	M 481/XE8
	J30	nephrite green	03								
	M30	boxster red									
	P11	cinnamon brown									
	D11	dark grey/natural									
	T11	brown/natural									

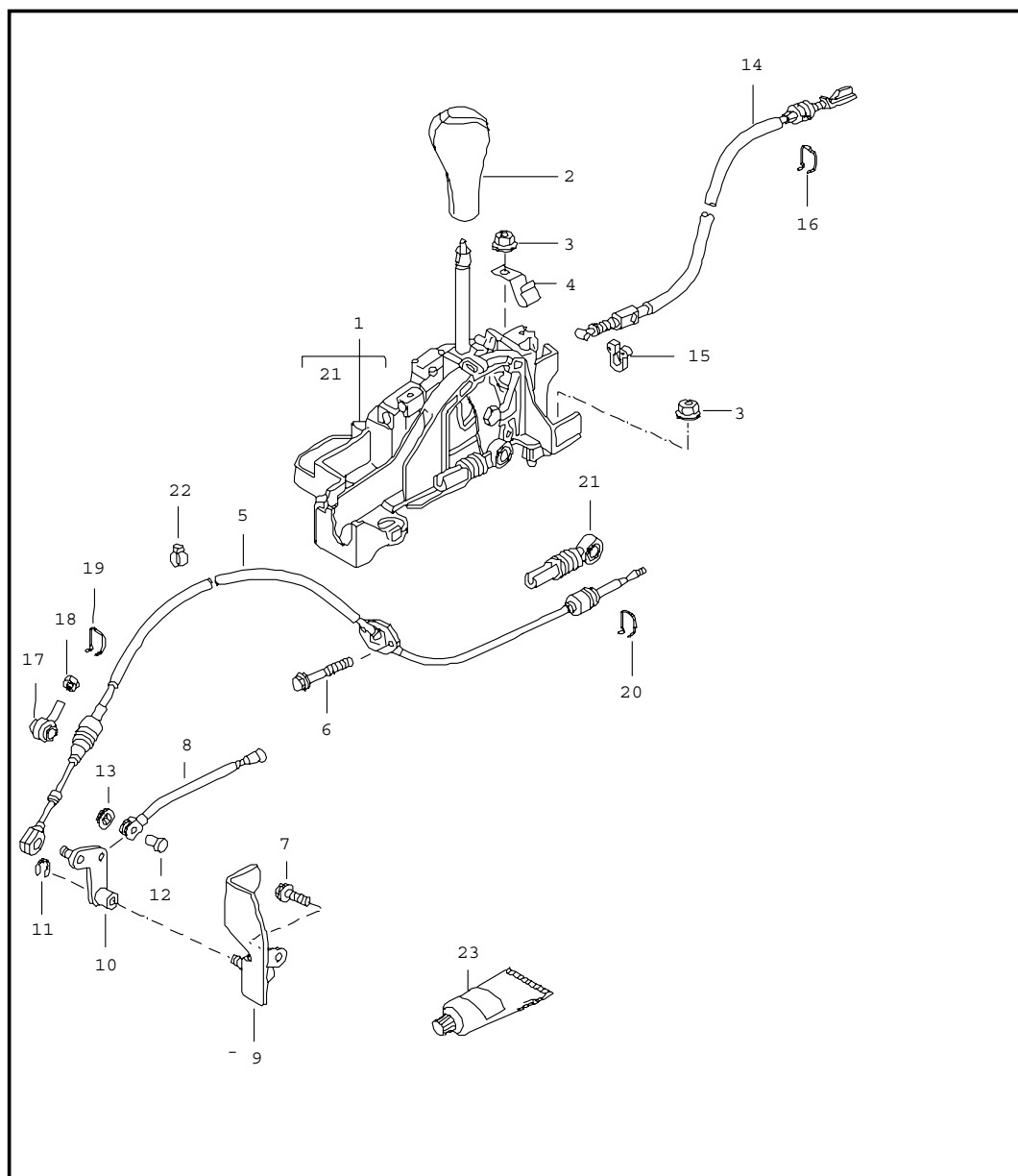
Model	Year	MG	SG	Illustration	Restrictions	Update	17:55	23.08.2006	PORSCHE	PET	PORSCHE
986	04	7	01	701-00		203					

Pos	Part Number	Name	Remarks	Qty	Model	Pos	Part Number	Name	Remarks	Qty	Model
		VRJ black				(10)	996 424 145 01	fastening part for cable adjustable	00-	1	
		C50 graphite grey									
		S30 savanna				-	996 424 445 00	clip for fastening part		1	
		G10 metropole blue									
		J30 nephrite green	-03			11	996 424 147 00	fastening part for cable adjustable		1	
		M30 boxer red									
		P11 cinnamon brown									
		D11 dark grey/natural				12	986 424 165 02	support for cable		1	
		T11 brown/natural									
(7)	986 424 981 07	gearshift knob	01-	1	M 481/X47	(12)	986 424 166 04	support for cable	00-	1	M 008
		VRJ black									
		C50 graphite grey				13	U 986 424 913 05	linkage adjustable F >>98VS6 05644		1	
		S30 savanna									
		G10 metropole blue				(13)	986 424 913 06	linkage adjustable F 98VS6 05645>>		1	
		J30 nephrite green	-03								
		M30 boxer red						use also: F >>98VS6 05644 986.424.041.07		1	
		P11 cinnamon brown								1	
		D11 dark grey/natural				(13)	U 986 424 913 07	linkage adjustable		1	
		T11 brown/natural									
8	900 378 152 09	hexagon-head bolt M 6 X 20		2		14	900 075 085 02	hexagon-head bolt M 8 X 20		2	
9	986 424 049 01	safety clip F >>98VS6 05644		2		15	986 424 135 00	cap		1	
-	A 000 043 203 82	cotter pin 2 X 25 F >>98VS6 05644		4		16	986 424 049 00	safety clip		1	
-	900 021 055 00	cotter pin 2 X 25 F >>98VS6 05644		4		17	U 986 424 931 05	joint rod adjustable F >>98VS6 05644		1	
10	996 424 145 00	fastening part for cable adjustable	-99	1		(17)	986 424 931 06	joint rod adjustable F 98VS6 05645>>		1	
								use also: F >>98VS6 05644 986.424.041.07 986.424.913.06		1	
										1	

Model	Year	MG	SG	Illustration	Restrictions	Update					
986	04	7	01	701-00		203	17:55	23.08.2006	PORSCHE	PET	PORSCHE

Pos	Part Number	Name	Remarks	Qty	Model	Pos	Part Number	Name	Remarks	Qty	Model
(17)	U 986 424 931 07	joint rod adjustable		1							
18	N 901 239 02	hexagon-head bolt M 8 X 26		1							
19	999 073 209 09	pan-head screw M 10 X 20		2							
20	986 424 133 00	washer		2							
21	000 043 205 93	grease 1 tube 100 g		X							
		- - - E N D - - -									

Model	Year	MG	SG	Illustration	Restrictions	Update	17:55	23.08.2006	PORSCHE	PET	PORSCHE
986	04	7	01	701-01		203					



Pos	Part Number	Name	Remarks	Qty	Model
1	A 996 426 011 04	selector lever TIPTRONIC		1	
(1)	996 426 011 07	selector lever with housing	-99	1	
(1)	996 426 011 08	selector lever with housing	00-	1	
-	996 613 023 00	switch selector lever		1	
-	996 624 223 00	solenoid selector lever		1	
2	A 996 426 069 04	gearshift knob		1	
	8YR	black			
(2)	A 996 426 069 05	gearshift knob		1	
	8YR	black			
(2)	996 426 069 05	gearshift knob	97	1	
	EKQ	black			
(2)	996 426 069 05	gearshift knob	98-	1	M 016
	EKQ	black			
(2)	996 426 069 06	gearshift knob		1	
	EMN	turquoise metallic	98-		M 011
	EMO	zenith blue metallic	98-		M 011
	EMP	metal grey	98-		M 012
(2)	996 426 069 08	gearshift knob	99-	1	M 010
	EOL	amber/black			
(2)	996 426 069 09	gearshift knob	00	1	
	ERB	black/silver	00		
	EOO	silver-black			M 012
(2)	996 426 069 10	gearshift knob	02	1	
	ERB	black/silver			

Model	Year	MG	SG	Illustration	Restrictions	Update	17:55	23.08.2006	PORSCHE	PET	PORSCHE
986	04	7	01	701-01		203					

Pos	Part Number	Name	Remarks	Qty	Model	Pos	Part Number	Name	Remarks	Qty	Model
		EOO silver-black					J30	nephrite green			
(2)	996 426 069 10	gearshift knob	03-	1			M30	boxster red			
		FGJ black sport silver					P11	cinnamon brown			
		FGK graphite grey sport silver					D11	dark grey/natural			
		FGL savanna sport silver				(2)	996 426 981 11	gearshift knob	03-	1	X46
		FGM metropole blue sport silver					VRJ	black			
		FGN nephrite green sport silver	03				C50	graphite grey			
		FGO boxster red sport silver					S30	savanna			
		FGQ black/metal grey sport silver					G10	metropole blue	03		
		FGP cinnamon brown sport silver					J30	nephrite green			
		VSU dark grey/natural sport silver					M30	boxster red			
		VSV brown/natural sport silver					P11	cinnamon brown			
(2)	996 426 069 10	gearshift knob	04	1	M 091		D11	dark grey/natural			
		FKN cocoa sport silver				(2)	996 426 981 08	gearshift knob	01-02	1	X66
		FKO dark grey/natural sport silver				(2)	996 426 981 09	gearshift knob	01-02	1	X48
- A	996 426 275 01	adjusting lever	-99	1		(2)	996 426 981 13	gearshift knob	03-	1	X66
		A01 black				(2)	996 426 981 14	gearshift knob	03-	1	X48
(2)	996 426 981 06	gearshift knob	01-02	1	X46	-	000 043 204 51	repair kit comprising: adjusting lever 996.426.275.01 A01 compression spring 996.426.277.02 roller 321.713.137	-99	1	
		8YR black									
		VRJ black				-	000 043 204 49	repair kit comprising: adjusting lever 996.426.275.02 V01 compression spring 996.426.277.02 roller 321.713.137	00-	1	
		C50 graphite grey									
		S30 savanna									
		G10 metropole blue									

Model	Year	MG	SG	Illustration	Restrictions	Update	17:55	23.08.2006	PORSCHE	PET	PORSCHE
986	04	7	01	701-01		203					

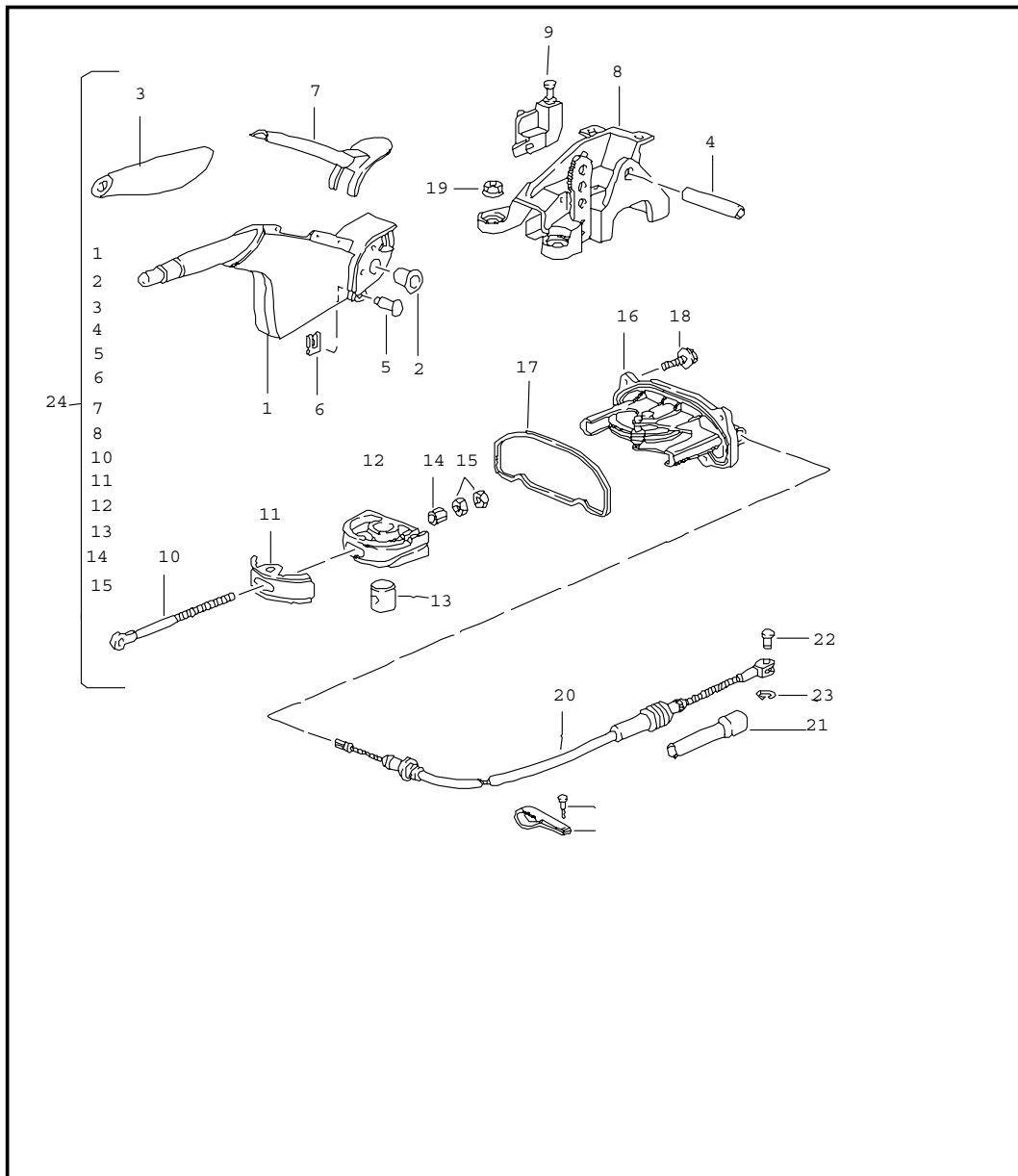
Pos	Part Number	Name	Remarks	Qty	Model	Pos	Part Number	Name	Remarks	Qty	Model
-	000 043 204 50	repair kit	01	1	X 46/X 48	6	900 378 152 09	hexagon-head bolt M 6 X 20		2	
			02	1	X 66	7	999 073 094 09	oval-head screw M 8 X 20		2	
		comprising: adjusting lever compression spring 996.426.277.02 roller 321.713.137			X 46/X 48	8	986 426 043 01	push rod		1	
					X 66	9	986 426 041 05	plate F >>981U6 00356 F >>981S6 00309		1	
-	000 043 204 57	repair kit	02	1		(9)	986 426 041 06	plate F >>981U6 40435 F >>981S6 40254	00-	1	M 008
		comprising: adjusting lever 996.426.275.05 V01 compression spring 996.426.277.02 roller 321.713.137				(9)	986 426 041 06	plate F 981U6 00357>> F 981U6 40436>> F 981S6 00310>> F 981S6 40255>>		1	
-	000 043 204 69	repair kit	03-	1		10	A 986 426 045 03	reverse lever		1	
		comprising: adjusting lever 996.426.275.05 V03 compression spring 996.426.277.02 roller 321.713.137				(10)	A 986 426 045 04	reverse lever		1	
						(10)	986 426 045 05	reverse lever F >>981U6 00356 F >>981U6 40435 F >>981S6 00309 F >>981S6 40254		1	
-	996 426 285 00	fixing clip		1							
3	999 084 629 09	hexagon nut M 6		4		(10)	986 426 045 06	reverse lever F 981U6 00357>> F 981U6 40436>> F 981S6 00310>> F 981S6 40255>>		1	
4	999 507 465 02	cable holder		2							
5	986 426 033 02	cable F >>98WS6 02046		1							
(5)	986 426 033 03	cable F 98WS6 02047>> F >>981U6 00356 F >>981U6 40435 F >>981S6 00309 F >>981S6 40254	-01	1		11	900 116 007 09	lock		1	
						12	986 426 415 02	bolt		1	
						13	999 507 057 02	lock		1	
						14	996 426 073 03	cable		1	
(5)	986 426 033 04	cable F 981U6 00357>> F 981U6 40436>> F 981S6 00310>> F 981S6 40255>>	01	1		15	996 426 181 00	clip		1	
						16	996 426 711 00	securing clip		1	
(5)	986 426 033 05	cable	02-	1		17	996 426 380 00	connecting piece F 98WS6 02047>> F >>981U6 00356 F >>981U6 40435 F >>981S6 00309 F >>981S6 40254		1	
-	987 424 211 01	support for cable		1							

Model	Year	MG	SG	Illustration	Restrictions	Update	17:55	23.08.2006	PORSCHE	PET	PORSCHE
986	04	7	01	701-01		203					

Pos	Part Number	Name	Remarks	Qty	Model	Pos	Part Number	Name	Remarks	Qty	Model
(17)	986 426 380 01	connecting piece F 981U6 00357>> F 981U6 40436>> F 981S6 00310>> F 981S6 40255>>	01	1							
(17)	986 426 380 02	connecting piece	02-	1							
18	900 076 010 02	hexagon nut M 6 F 98WS6 02047>>		1							
19	996 426 335 00	securing clip		1							
20	996 426 335 01	securing clip		1							
21	996 426 035 00	fastening part		1							
22	999 507 635 00	fixing clip		1							
23	000 043 205 93	grease 1 tube 100 g		X							
		- - - E N D - - -									



Model	Year	MG	SG	Illustration	Restrictions	Update	17:56	23.08.2006	PORSCHE	PET	PORSCHE
986	04	7	01	701-05		203					



Pos	Part Number	Name	Remarks	Qty	Model
		handbrake actuator			
1	U 996 424 053 01	parking-brake lever		1	
		EBS black			
2	U 996 424 573 01	bush		2	
3	U 996 424 251 01	cover		1	
		8YR black			
4	U 996 424 571 01	bearing tube		1	
5	996 424 569 01	bolt		1	
6	999 166 079 02	lock SLB 6		1	
7	986 424 155 00	cover		1	
		B12 black			
(7)	996 424 155 01	cover	98-	1	M 012
		C02 metal grey	99-		M 010
(7)	996 424 155 01	cover	00-	1	
		A03 black			
		C02 metal grey	01-		
(7)	996 424 155 02	cover	04	1	M 091
		M7Z silver metallic			
(7)	986 424 155 00	cover	98-	1	M 016/011
		B12 black-grey			
(7)	996 424 155 01	cover	01- 01- 01-	1 1 1	X98 X58 XE9
		A03 black			
		C02 metal grey			
8	U 996 424 161 01	bracket		1	
9	996 613 112 01	switch		1	
10	996 424 567 01	pull rod		1	
11	964 424 570 00	securing clip		1	

Model	Year	MG	SG	Illustration	Restrictions	Update	17:56	23.08.2006	PORSCHE	PET	PORSCHE
986	04	7	01	701-05		203					

Pos	Part Number	Name	Remarks	Qty	Model	Pos	Part Number	Name	Remarks	Qty	Model
12	964 424 568 00	compensating piece		1		(24)	996 424 031 05	parking-brake lever complete	00	1	
13	996 424 574 00	nipple		1			EUK	black			
14	996 424 572 00	bush		1			EPR	black/metal grey			M 012
15	900 076 025 02	hexagon nut M 8		2		(24)	996 424 031 06	parking-brake lever complete	01-02	1	
16	986 424 310 02	housing		1			EUK	black			
17	986 424 480 02	gasket		1			EPR	black/metal grey			
18	900 378 035 09	hexagon-head bolt M 6 X 16		4		(24)	996 424 031 07	parking-brake lever complete	03-	1	
19	900 380 005 09	hexagon nut M 8		2			FFR	black sport silver			
20	986 424 141 03	parking-brake cable	-00	2			FHD	graphite grey sport silver			
(20)	986 424 141 04	parking-brake cable	01-	2			FHF	metropole blue sport silver			
21	986 424 721 06	guide tube	-00	2			FHE	savanna sport silver			
(21)	986 424 721 07	guide tube	01-	2			FHG	nephrite green sport silver	03		
22	986 352 739 02	bolt		2			FHJ	boxster red sport silver			
23	900 116 004 09	lock washer B 5		2			FHK	cinnamon brown sport silver			
24	986 424 031 00	parking-brake lever complete		1			VSR	dark grey/natural sport silver			
	EBP	black					VST	brown/natural sport silver			
(24)	986 424 031 00	parking-brake lever complete	98-	1	M 016		FGR	black/metal grey sport silver			
	EBP	black									
(24)	986 424 031 01	parking-brake lever complete	98-	1	M 016/011						
	EBP	black									
(24)	996 424 031 04	parking-brake lever complete	99-	1	M 010	(24)	996 424 031 08	parking-brake lever complete	04	1	M 091
	EKH	black/granite					EVY	cocoa			
(24)	996 424 031 04	parking-brake lever complete	98-	1	M 012		VSZ	dark grey/natural			
	EMH	metal grey/black				(24)	996 424 980 22	parking-brake lever complete	/LL01-02	1	X98
							VRJ	black			

Model	Year	MG	SG	Illustration	Restrictions	Update					
986	04	7	01	701-05		203	17:56	23.08.2006	PORSCHE	PET	PORSCHE

Pos	Part Number	Name	Remarks	Qty	Model	Pos	Part Number	Name	Remarks	Qty	Model
	C50	graphite grey				(24)	996 424 980 25	parking-brake lever complete	/RL01-02	1	X58
	S30	savanna					VRJ	black			
	G10	metropole blue					C50	graphite grey			
	J30	nephrite green					S30	savanna			
	M30	boxster red					G10	metropole blue			
	P11	cinnamon brown					J30	nephrite green			
	D11	dark grey/natural					M30	boxster red			
	T11	brown/natural					P11	cinnamon brown			
(24)	996 424 980 23	parking-brake lever complete	/RL01-02	1	X98		D11	dark grey/natural			
	VRJ	black					T11	brown/natural			
	C50	graphite grey				(24)	996 424 980 28	parking-brake lever complete	/LL01-02	1	XE9
	S30	savanna					VRJ	black			
	G10	metropole blue					C50	graphite grey			
	J30	nephrite green					S30	savanna			
	M30	boxster red					G10	metropole blue			
	P11	cinnamon brown					J30	nephrite green			
	D11	dark grey/natural					M30	boxster red			
	T11	brown/natural					P11	cinnamon brown			
(24)	996 424 980 24	parking-brake lever complete	/LL01-02	1	X58		D11	dark grey/natural			
	VRJ	black					T11	brown/natural			
	C50	graphite grey				(24)	996 424 980 29	parking-brake lever complete	/RL01-02	1	XE9
	S30	savanna					VRJ	black			
	G10	metropole blue					C50	graphite grey			
	J30	nephrite green					S30	savanna			
	M30	boxster red					G10	metropole blue			
	P11	cinnamon brown					J30	nephrite green			
	D11	dark grey/natural					M30	boxster red			
	T11	brown/natural					P11	cinnamon brown			

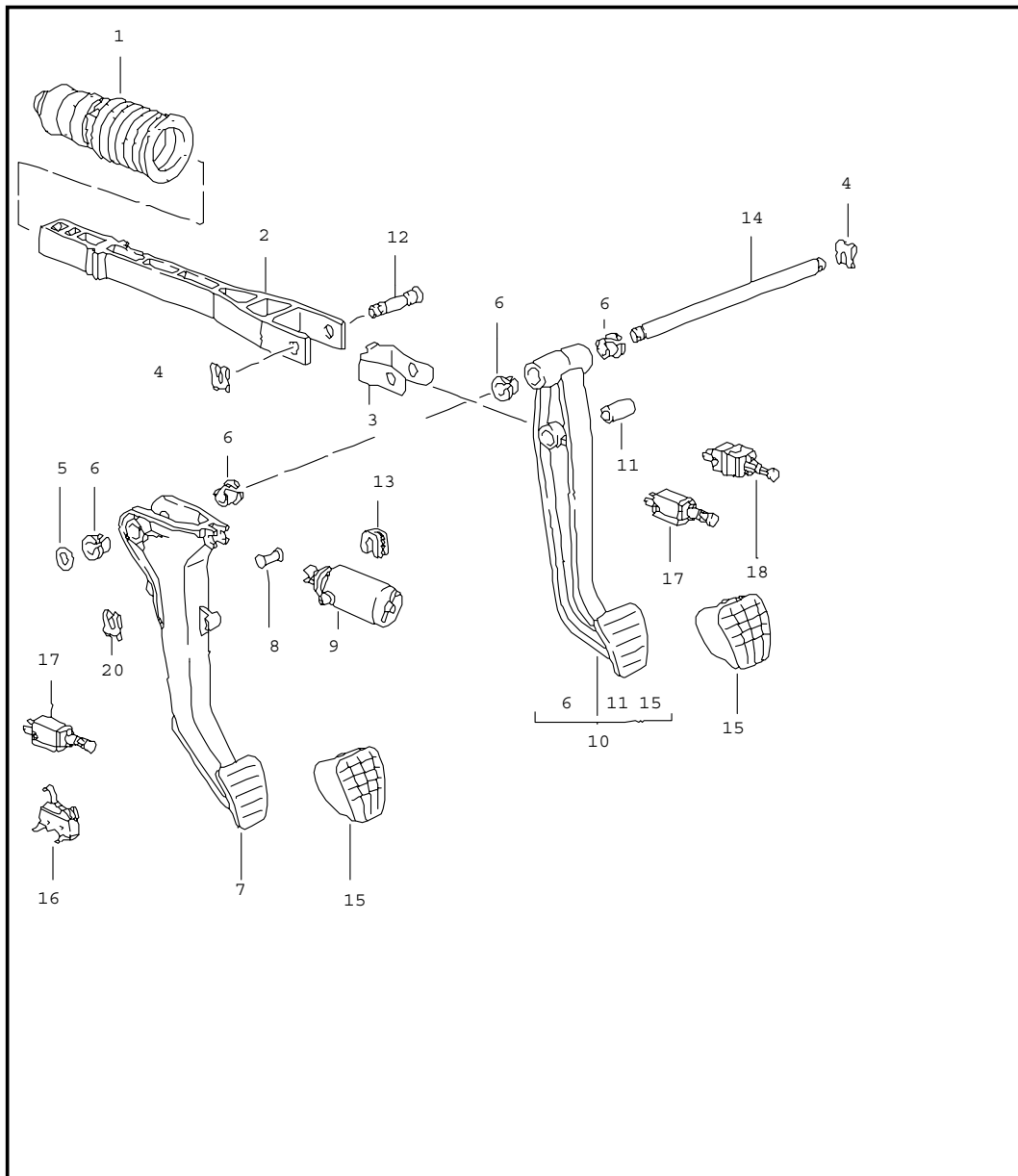
Model	Year	MG	SG	Illustration	Restrictions	Update	17:56	23.08.2006	PORSCHE	PET	PORSCHE
986	04	7	01	701-05		203					

Pos	Part Number	Name	Remarks	Qty	Model	Pos	Part Number	Name	Remarks	Qty	Model	
(24)	996 424 980 38	D11	dark grey/natural	/LL 03-	1	X98	M30	boxster red	/RL 03-	1	X58	
		T11	brown/natural				P11	cinnamon brown				
		parking-brake lever complete	D11				dark grey/natural					
		VRJ	black				T11	brown/natural				
		C50	graphite grey				parking-brake lever complete	VRJ				black
		S30	savanna					C50				graphite grey
		G10	metropole blue				03	S30				savanna
		J30	nephrite green					G10				metropole blue
		M30	boxster red					J30				nephrite green
		P11	cinnamon brown					M30				boxster red
(24)	996 424 980 39	D11	dark grey/natural	/RL 03-	1	X98	P11	cinnamon brown	/LL 03-	1	XE9	
		T11	brown/natural				D11	dark grey/natural				
		parking-brake lever complete	T11				brown/natural					
		VRJ	black				parking-brake lever complete	VRJ				black
		C50	graphite grey					C50				graphite grey
		S30	savanna				03	S30				savanna
		G10	metropole blue					G10				metropole blue
		J30	nephrite green					J30				nephrite green
		M30	boxster red					M30				boxster red
		P11	cinnamon brown					P11				cinnamon brown
(24)	996 424 980 50	D11	dark grey/natural	/LL 03-	1	X58	D11	dark grey/natural	/RL 03-	1	XE9	
		T11	brown/natural				T11	brown/natural				
		parking-brake lever complete	parking-brake lever complete									
		VRJ	black				VRJ	black				
		C50	graphite grey					C50				graphite grey
		S30	savanna				03	S30				savanna
		G10	metropole blue					G10				metropole blue
		J30	nephrite green					J30				nephrite green
		M30	boxster red					M30				boxster red
		P11	cinnamon brown					P11				cinnamon brown

Model	Year	MG	SG	Illustration	Restrictions	Update					
986	04	7	01	701-05		203	17:56	23.08.2006	PORSCHE	PET	PORSCHE

Pos	Part Number	Name	Remarks	Qty	Model	Pos	Part Number	Name	Remarks	Qty	Model
	G10	metropole blue									
	J30	nephrite green	03								
	M30	boxster red									
	P11	cinnamon brown									
	D11	dark grey/natural									
	T11	brown/natural									
-	986 424 201 01	retaining strap parking-brake cable		2							
-	999 190 435 30	blind rivet retaining strap		2							
		- - - E N D - - -									

Model	Year	MG	SG	Illustration	Restrictions	Update	17:56	23.08.2006	PORSCHE	PET	PORSCHE
986	04	7	02	702-00		203					

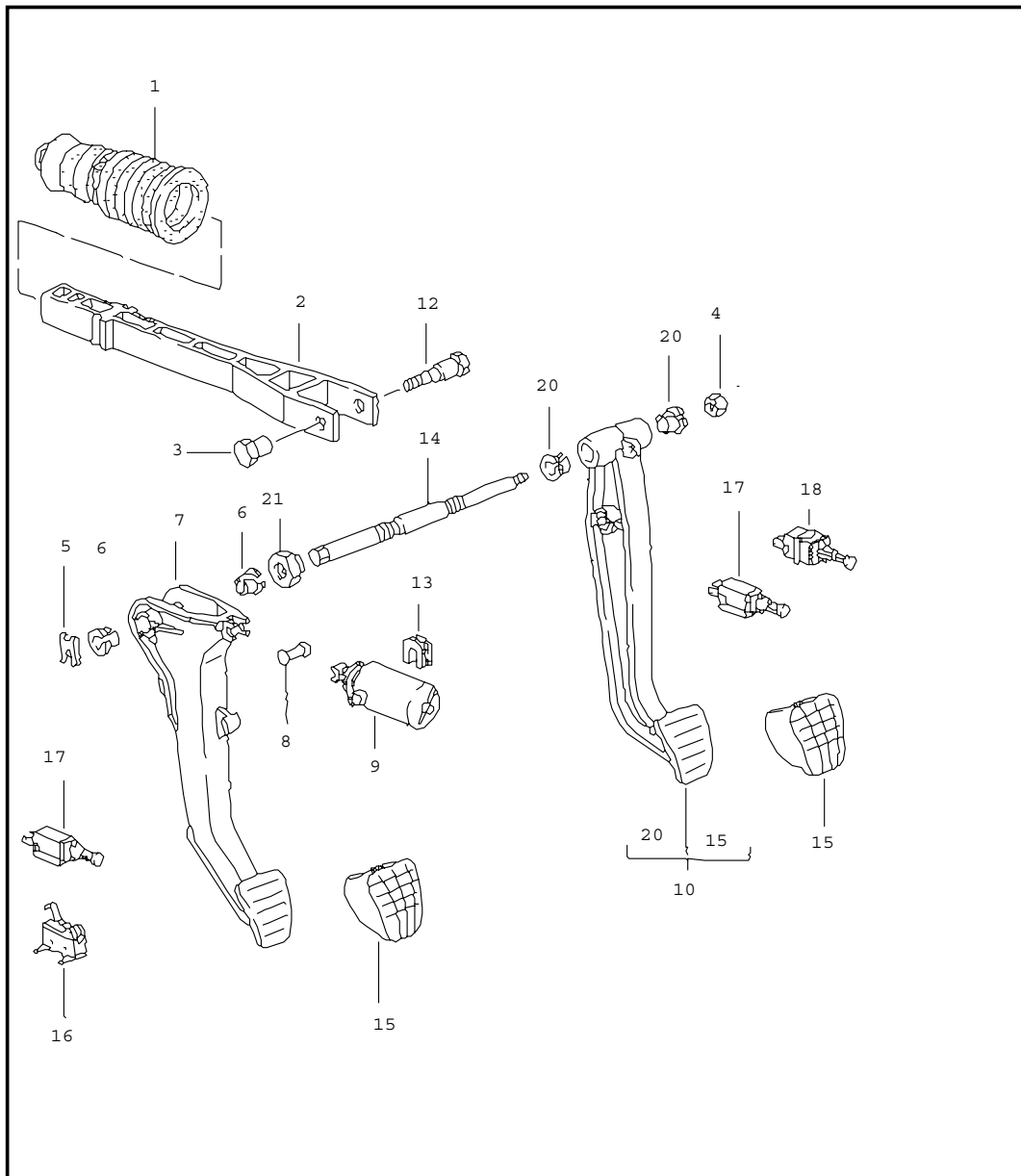


Pos	Part Number	Name	Remarks	Qty	Model
		pedals	97		
		see technical manual 46 05 19 30 05 19			
-	000 043 203 37	grease OPTITEMP LG2		X	
1	...	bellows see illustrations 6/04/00		1	
2	U 996 423 165 03	push rod see technical information group 4 NR.6/01		1	
(2)	996 423 165 05	push rod see technical information group 4 NR.6/01		1	
-	999 166 075 02	lock push rod brake booster		1	
3	U 996 423 330 01	clamp group 4 NR.6/01		1	
4	999 166 077 02	lock		3	M 481
(4)	999 166 077 02	lock		2	M 249
5	900 025 009 02	washer		X	M 481
(5)	999 025 265 40	washer		X	
6	996 423 399 01	bush		4	M 481
(6)	996 423 399 01	bush		2	M 249
7	A 996 423 139 05	clutch pedal		1	M 481
(7)	A 996 423 139 06	clutch pedal		1	M 481
(7)	996 423 139 10	clutch pedal		1	M 481
8	996 423 313 01	bolt for clutch power spring 986.423.081.07		1	M 481

Model	Year	MG	SG	Illustration	Restrictions	Update	17:56	23.08.2006	PORSCHE	PET	PORSCHE
986	04	7	02	702-00		203					

Pos	Part Number	Name	Remarks	Qty	Model	Pos	Part Number	Name	Remarks	Qty	Model
(8)	996 423 315 06	bolt for clutch power spring 986.423.081.12 together with 996.423.139.06 996.423.139.10		1	M 481	(10) U	996 423 094 00	brake pedal see technical information group 4 NR.6/01	/RL	1	M 249
-	999 166 075 02	lock for bolt 996.423.315.06 together with 996.423.139.06		1	M 481	(10)	996 423 094 03	brake pedal see technical information group 4 NR.6/01 use also: bush 996.423.999.00	/RL	1	M 249
-	999 166 022 02	lock for bolt 996.423.315.06 together with 996.423.139.10		1	M 481	11 U	999 924 120 00	bush see technical information group 4 NR.6/01		2	
9 A	986 423 081 07	clutch power spring		1	M 481	12 U	996 423 310 03	bush see technical information group 4 NR.6/01		1	
(9)	986 423 081 12	clutch power spring		1		13	996 423 581 00	bush		2	
10 U	996 423 091 00	brake pedal see technical information group 4 NR.6/01	/LL	1	M 481	14	996 423 281 04	axle	/LL	1	M 481
(10)	996 423 091 03	brake pedal see technical information group 4 NR.6/01	/LL	1	M 481	(14)	996 423 284 04	axle	/RL	1	M 481
(10) U	996 423 092 00	brake pedal see technical information group 4 NR.6/01	/RL	1	M 481	(14)	996 423 283 04	axle	/LL	1	M 249
(10)	996 423 092 03	brake pedal see technical information group 4 NR.6/01 use also: bush 996.423.999.00	/RL	1	M 481	(14)	996 423 286 04	axle	/RL	1	M 249
(10) U	996 423 093 00	brake pedal see technical information group 4 NR.6/01	/LL	1	M 249	-	996 423 275 03	cap nut axle		1	
(10)	996 423 093 03	brake pedal see technical information group 4 NR.6/01	/LL	1	M 249	15	996 423 210 03	cap		2	M 481
				2		(15)	996 423 212 03	cap		1	M 249
				1		17	996 613 110 01	switch	97	2	M 481/454
				1		(17)	996 613 110 01	switch	97	1	M 249/454
				1		18	996 613 111 01	switch	97	1	
				1	M 249	19	964 613 211 00	kickdown switch		1	M 249
				1	M 481	20	999 166 077 02	lock		1	M 481
								- - - E N D - - -			

Model	Year	MG	SG	Illustration	Restrictions	Update	17:56	23.08.2006	PORSCHE	PET	PORSCHE
986	04	7	02	702-01		203					



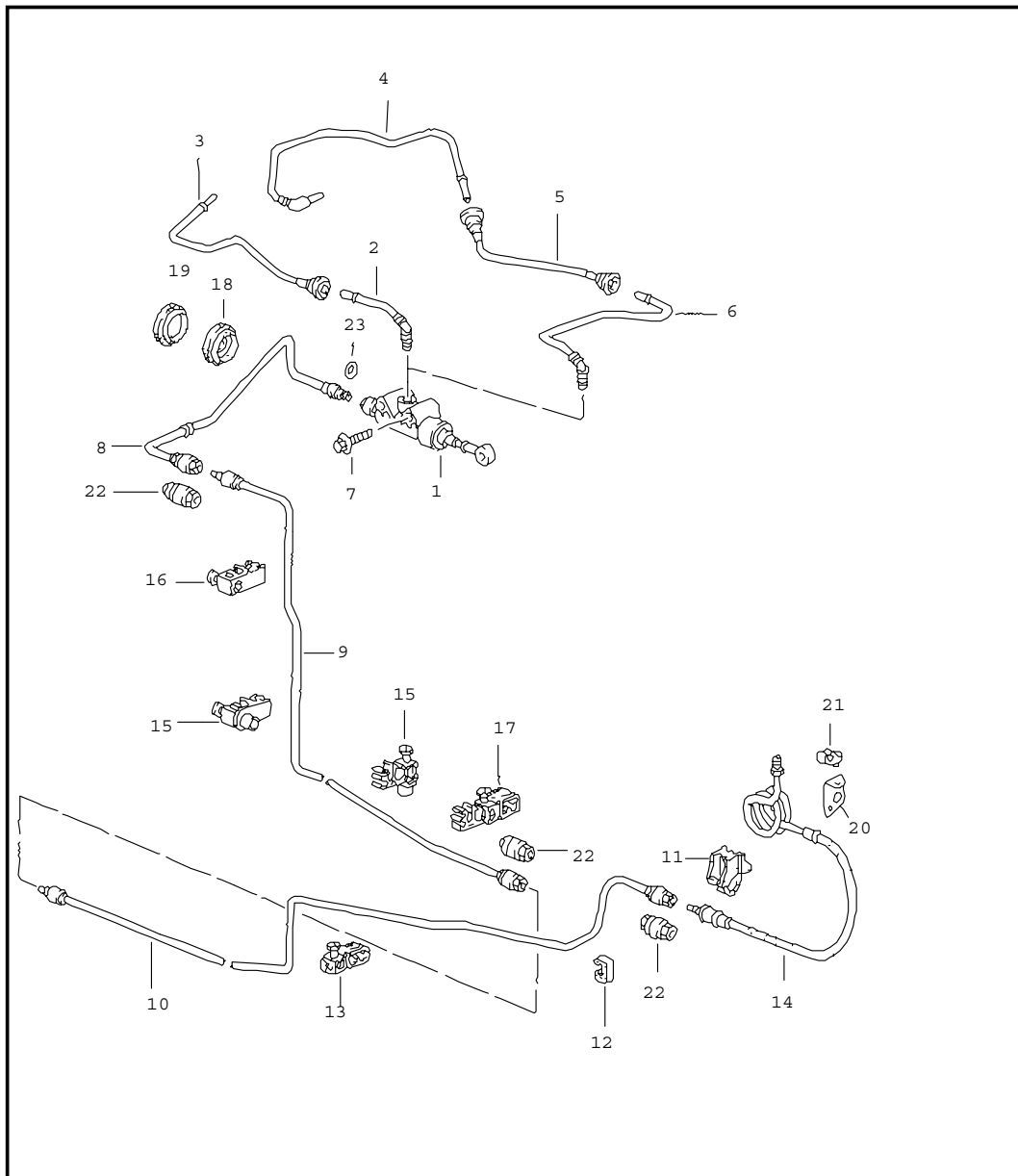
Pos	Part Number	Name	Remarks	Qty	Model
		pedals	98-		
		see technical manual			
		46 05 19			
		30 05 19			
-	000 043 203 37	grease		X	
		OPTITEMP LG2			
1	...	bellows		1	
		see illustrations			
		6/04/00			
2	U 996 423 165 04	push rod		1	
		F >>98YS6 00434			
		F >>98YU6 00165			
		F >>98YS6 40520			
		F >>98YU6 40062			
		see technical information			
		group 4			
		NR.6/01			
(2)	996 423 165 05	push rod		1	
		F 98YS6 00435>>			
		F 98YU6 00166>>			
		F 98YS6 40521>>			
		F 98YU6 40063>>			
-	999 166 075 02	lock		1	
		push rod			
		brake booster			
3	996 423 307 00	bush		1	
4	900 380 005 09	hexagon nut		3	
		M 8		2	
5	999 507 601 01	lock		1	M 481/480
6	996 423 399 01	bush		2	M 481/480
7	A 996 423 139 08	clutch pedal	98	1	M 481
(7)	996 423 139 09	clutch pedal	-99	1	M 481
(7)	996 423 139 10	clutch pedal		1	M 481/480
		use also:			
		986.423.881.06		X	M 481
		996.423.081.12		X	M 480
		996.423.315.06		X	
8	996 423 313 01	bolt	-99	1	M 481
(8)	996 423 315 06	bolt	00-	1	M 481/480
-	999 166 022 02	lock	00-	1	M 481/480
		for			
		bolt			



Model	Year	MG	SG	Illustration	Restrictions	Update	17:56	23.08.2006	PORSCHE	PET	PORSCHE
986	04	7	02	702-01		203					

Pos	Part Number	Name	Remarks	Qty	Model	Pos	Part Number	Name	Remarks	Qty	Model
9	A 986 423 081 08	clutch power spring	98	1	M 481	12	996 423 308 00	bolt		1	
(9)	986 423 081 11	clutch power spring use also: 996.423.139.09/10 996.423.315.06	-99	1	M 481	(12)	996 423 581 00	bush		1	
(9)	A 996 423 881 05	clutch power spring	00-	1	M 481	14	996 423 281 05	axle	/LL	1	M 481/480
(9)	A 996 423 881 06	clutch power spring	-02	1	M 481	(14)	996 423 284 05	axle	/RL	1	M 481/480
(9)	996 423 081 15	clutch power spring	03	1	M 481	(14)	996 423 283 05	axle	/LL	1	M 249
(9)	996 423 081 18	clutch power spring	04	1	M 481	(14)	996 423 286 05	axle	/RL	1	M 249
9	A 996 423 081 13	clutch power spring	00-	1	M 008	15	996 423 210 03	cap		2	M 481/480
(9)	996 423 081 12	clutch power spring F >>982S6 40471 F >>982U6 41966	00-	1	M 008	(15)	996 423 212 03	cap		1	M 249
(9)	996 423 081 14	clutch power spring F 982S6 40472>> F 982U6 41967>>	-02	1	M 008	17	996 613 114 01	switch		1	M 481/454
(9)	996 423 081 17	clutch power spring	03	1	M 008	(17)	996 613 113 01	switch		1	M 249/454
(9)	996 423 081 20	clutch power spring	04	1	M 008	18	996 613 113 01	switch		1	
-	A 986 423 571 00	bracket for clutch power spring		1	M 481	19	964 613 211 00	kickdown switch		1	M 249
-	996 423 571 02	bracket for clutch power spring		1		20	996 423 399 01	bush	/LL	2	
10	996 423 091 03	brake pedal	/LL	1	M 481/480	(20)	999 924 133 40	bush	/RL	2	
(10)	996 423 092 03	brake pedal	/RL	1	M 481/480	21	A 996 423 275 04	screw plug	-03	1	
(10)	996 423 093 03	brake pedal	/LL	1	M 249	(21)	996 423 275 05	screw plug	04-	1	
(10)	996 423 094 03	brake pedal	/RL	1	M 249						
-	996 423 277 00	sleeve brake pedal	/RL	1							
-	999 522 033 00	return spring brake pedal		2							
-	996 423 101 00	protective tube return spring brake pedal		1							
-	996 423 243 00	bush return spring	00-	1							
								- - - E N D - - -			

Model	Year	MG	SG	Illustration	Restrictions	Update	17:56	23.08.2006	PORSCHE	PET	PORSCHE
986	04	7	02	702-08		203					

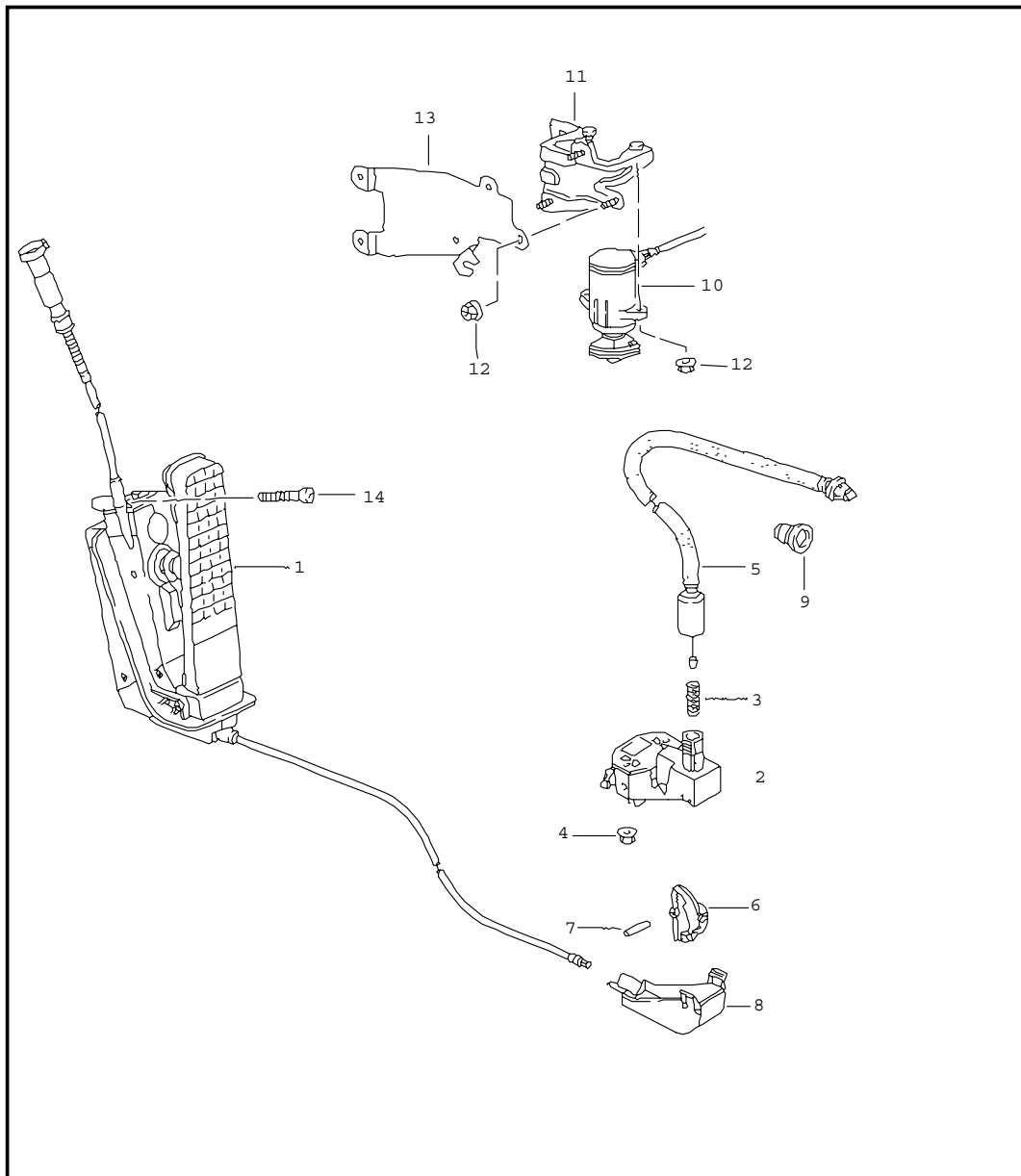


Pos	Part Number	Name	Remarks	Qty	Model
		clutch control clutch master cylinder clutch pipeline			
1	A 996 423 171 04	clutch master cylinder		1	
(1)	A 996 423 171 05	clutch master cylinder	-02	1	
(1)	996 423 171 06	clutch master cylinder	03-	1	
-	996 423 614 00	circlip pressure line		1	
-	900 312 041 02	bolt	97	1	
-	996 423 315 06	bolt	98-	1	
-	999 021 008 02	safety clip for bolt	97	1	
-	999 166 022 02	safety clip for bolt	98-	1	
2	996 423 147 00	feed line	/LL -02	1	
(2)	996 423 147 01	feed line	/LL 03-	1	
3	997 423 137 00	feed line	/LL	1	
4	996 423 138 02	line	/RL 97	1	
(4)	996 423 138 03	line	/RL 98-	1	
(4)	996 423 138 04	feed line	/RL 03-	1	
5	996 423 140 01	feed line F >>98WS6 06100	/RL	1	
(5)	996 423 140 02	feed line F 98WS6 06101>>	/RL	1	
6	996 423 142 00	feed line F >>98WS6 06100	/RL	1	
(6)	996 423 142 01	feed line F 98WS6 06101>>	/RL -02	1	
(6)	996 423 142 02	feed line	/RL 03-	1	
7	900 378 029 09	hexagon-head bolt M 6 X 40		2	
8	996 423 107 06	clutch pipeline see technical manual GRUPPE 3 NR.30-21	/LL 97	1	

Model	Year	MG	SG	Illustration	Restrictions	Update	17:56	23.08.2006	PORSCHE	PET	PORSCHE
986	04	7	02	702-08		203					

Pos	Part Number	Name	Remarks	Qty	Model	Pos	Part Number	Name	Remarks	Qty	Model
-	999 702 174 50	grommet see technical manual group NR.30-21	/LL	X		19	999 702 217 41	grommet		1	M 249
						20	986 423 777 00	support F >>98XS6 03069		1	
8	996 423 107 10	clutch pipeline	/LL 98-	1		(20)	986 423 677 25	support F 98XS6 03070>>		1	
(8)	996 423 108 02	clutch pipeline	/RL 97	1		(20) A	986 423 777 10	bracket		1	
(8)	996 423 108 10	clutch pipeline	/RL 98-	1		(20)	996 423 777 01	support		1	
9	996 423 109 07	clutch pipeline see technical manual group NR.30-21	97	1		21	999 507 586 40	bracket		1	
(9)	996 423 109 10	clutch pipeline	98-	1		(22) A	999 230 522 10	threaded joint		1	
10	986 423 113 08	clutch pipeline F >>98XS6 03069		1		-	999 230 685 40	circlip for threaded joint		3	
(10)	986 423 113 25	clutch pipeline F 98XS6 03070>>  use also: F >>98XS6 03069 F >>98XS6 20221 8E0.721.257A		1		23	999 707 333 40	o-ring		1	
(10)	986 423 113 08	clutch pipeline	00-	1	M 008			- - - E N D - - -			
11	999 591 964 40	support		1							
12	999 591 922 40	support		1							
13	964 423 811 00	support		1							
14	986 423 377 08	clutch hose F >>98XS6 03069		1							
(14)	986 423 113 25	clutch pipeline F 98XS6 03070>>  use also: F >>98XS6 03069 8E0.721.257A		1							
(14)	986 423 377 11	clutch hose	00-	2	M 008						
15	996 355 549 00	support		2							
16	996 355 545 00	support		3							
17	996 355 543 00	support		1							
18 A	999 702 216 41	grommet		1	M 481						
(18)	999 702 216 42	grommet		1							

Model	Year	MG	SG	Illustration	Restrictions	Update	17:57	23.08.2006	PORSCHE	PET	PORSCHE
986	04	7	02	702-10		203					

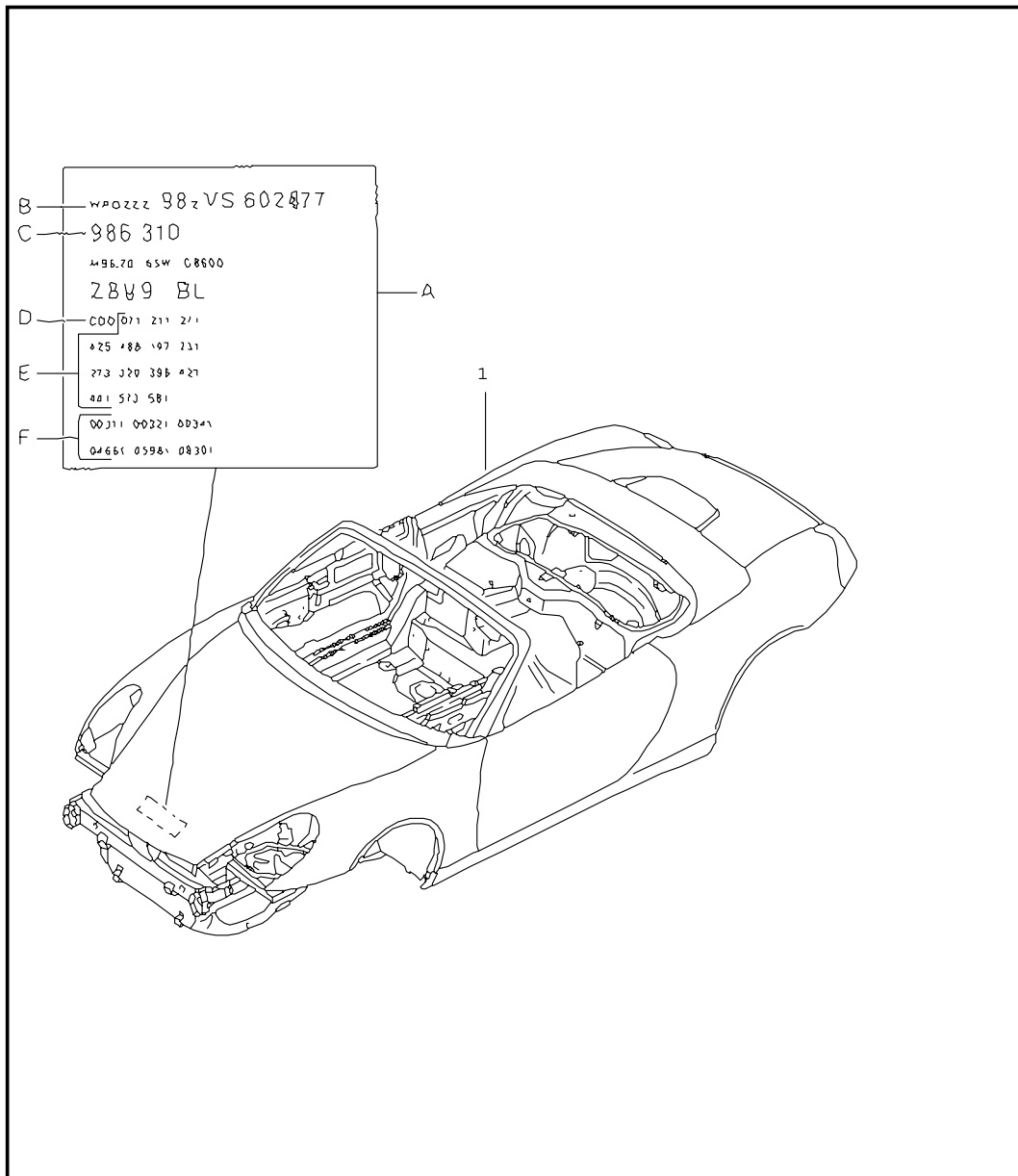


Pos	Part Number	Name	Remarks	Qty	Model
		pedals			
		accelerator control			
1	A 986 423 021 06	accelerator control	/LL	1	M 481
(1)	986 423 021 07	accelerator control	/LL 97	1	M 481
(1)	986 423 021 08	accelerator control	/LL 98-	1	M 481
(1)	A 986 423 022 06	accelerator control	/RL	1	M 481
(1)	986 423 022 07	accelerator control	/RL 97	1	M 481
(1)	986 423 022 08	accelerator control	/RL 98-	1	M 481
(1)	A 986 423 023 06	accelerator control	/LL	1	M 249
(1)	986 423 023 07	accelerator control	/LL 97	1	M 249
(1)	986 423 023 08	accelerator control	/LL 98-	1	M 249
(1)	A 986 423 024 06	accelerator control	/RL	1	M 249
(1)	986 423 024 07	accelerator control	/RL 97	1	M 249
(1)	986 423 024 08	accelerator control	/RL 98-	1	M 249
(1)	A 986 423 025 06	accelerator control	/LL	1	M 481/454
(1)	986 423 025 07	accelerator control	/LL 97	1	M 481/454
(1)	986 423 025 08	accelerator control	/LL 98-	1	M 481/454
(1)	A 986 423 026 06	accelerator control	/RL	1	M 481/454
(1)	986 423 026 07	accelerator control	/RL 97	1	M 481/454
(1)	986 423 026 08	accelerator control	/RL 98-	1	M 481/454
(1)	A 986 423 027 06	accelerator control	/LL	1	M 249/454
(1)	986 423 027 07	accelerator control	/LL 97	1	M 249/454
(1)	986 423 027 08	accelerator control	/LL 98-	1	M 249/454
(1)	A 986 423 028 06	accelerator control	/RL	1	M 249/454
(1)	986 423 028 07	accelerator control	/RL 97	1	M 249/454
(1)	986 423 028 08	accelerator control	/RL 98-	1	M 249/454
(1)	996 423 019 02	accelerator control	/LL -02	1	M 480/481 M 620
(1)	996 423 019 04	accelerator control	/LL 03-	1	M 480/481 M 620

Model	Year	MG	SG	Illustration	Restrictions	Update					
986	04	7	02	702-10		203	17:57	23.08.2006	PORSCHE	PET	PORSCHE

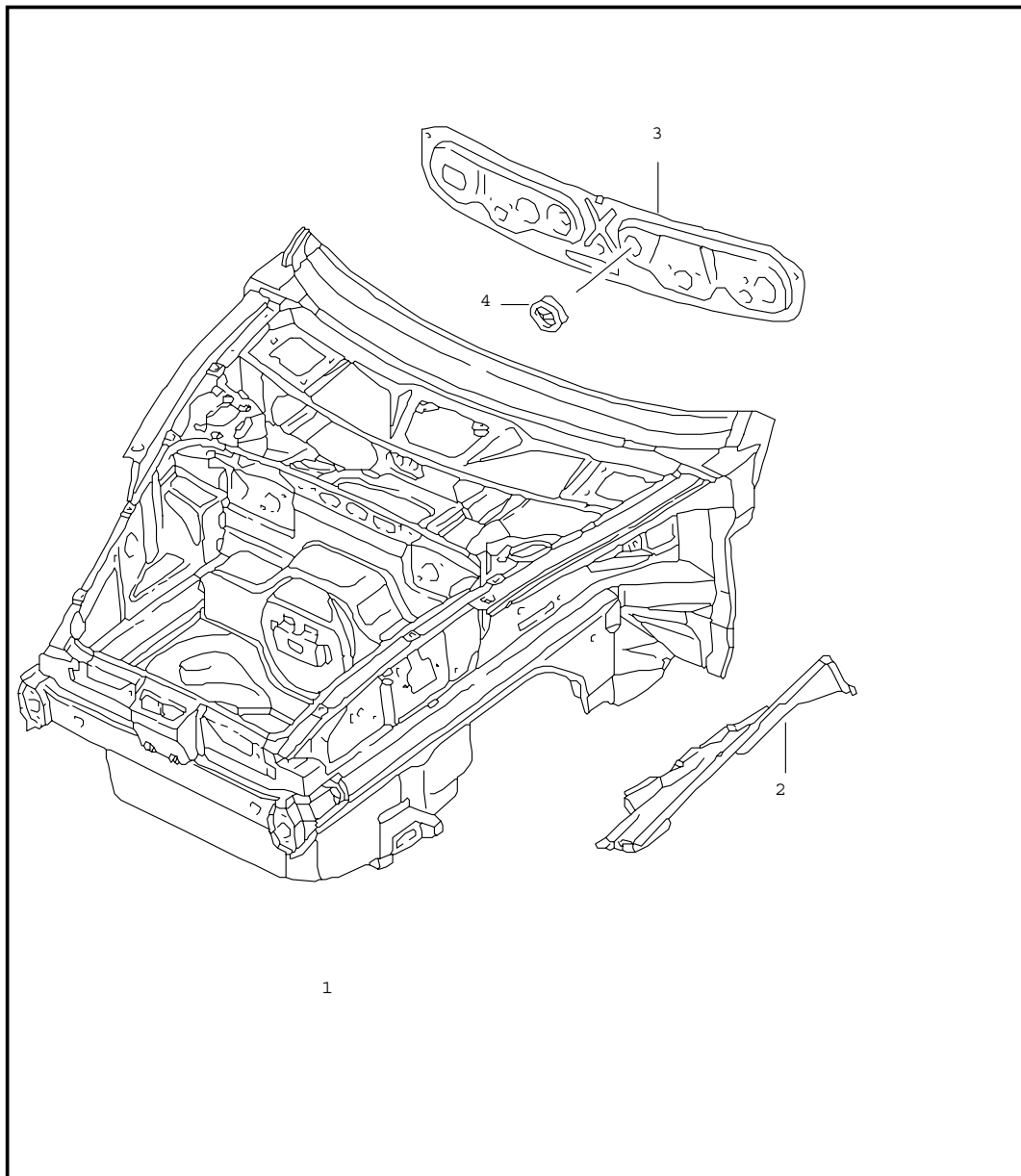
Pos	Part Number	Name	Remarks	Qty	Model	Pos	Part Number	Name	Remarks	Qty	Model
(1)	A 996 423 020 00	accelerator control	/RL -02	1	M 480/481 M 620	9	986 423 331 00	grommet	-99	1	
(1)	996 423 020 02	accelerator control	/RL	1	M 480/481 M 620	10	996 606 115 00	gas pedal sensor	00-	1	
(1)	996 423 029 02	accelerator control	/LL -02	1	M 249 M 620	11	996 423 389 01	support	00-	1	
(1)	996 423 029 04	accelerator control	/LL 03-	1	M 249 M 620	12	900 377 010 09	hexagon nut M 6	00-	5	
(1)	996 423 030 00	accelerator control	/RL -02	1	M 249 M 620	13	996 423 394 00	support	/RL 00-	1	
(1)	996 423 030 02	accelerator control	/RL 03-	1	M 249 M 620	14	900 146 157 09	round head screw M 5 X 55		1	
-	996 423 396 00	circlip connecting rod accelerator pedal	03-	1				- - - E N D - - -			
2	986 423 131 04	housing	-99	1							
3	996 423 133 00	spring	-99	1							
4	999 591 839 40	hexagon nut T 5	-99	2							
5	986 423 229 04	accelerator cable	/LL -99	1	M 481						
(5)	986 423 228 04	accelerator cable	/RL -99	1	M 481						
(5)	986 423 279 04	accelerator cable	/LL -99	1	M 249						
(5)	986 423 280 04	accelerator cable	/RL -99	1	M 249						
		mounting parts accelerator cable									
-	999 507 569 40	hose holder 12,0/12,0	/LL -99	1							
-	999 511 116 02	clip 10 X 15	/LL -99	1							
-	999 651 273 40	cable holder 11,0	/RL -99	1							
-	999 507 570 40	hose holder 11,0/18,0	/RL -99	1							
6	986 423 145 04	deflection roller	-99	1							
7	986 423 253 03	bolt	-99	1							
8	986 423 135 04	cover	-99	1							

Model	Year	MG	SG	Illustration	Restrictions	Update	17:57	23.08.2006	PORSCHE	PET	PORSCHE
986	04	8	01	801-00		203					



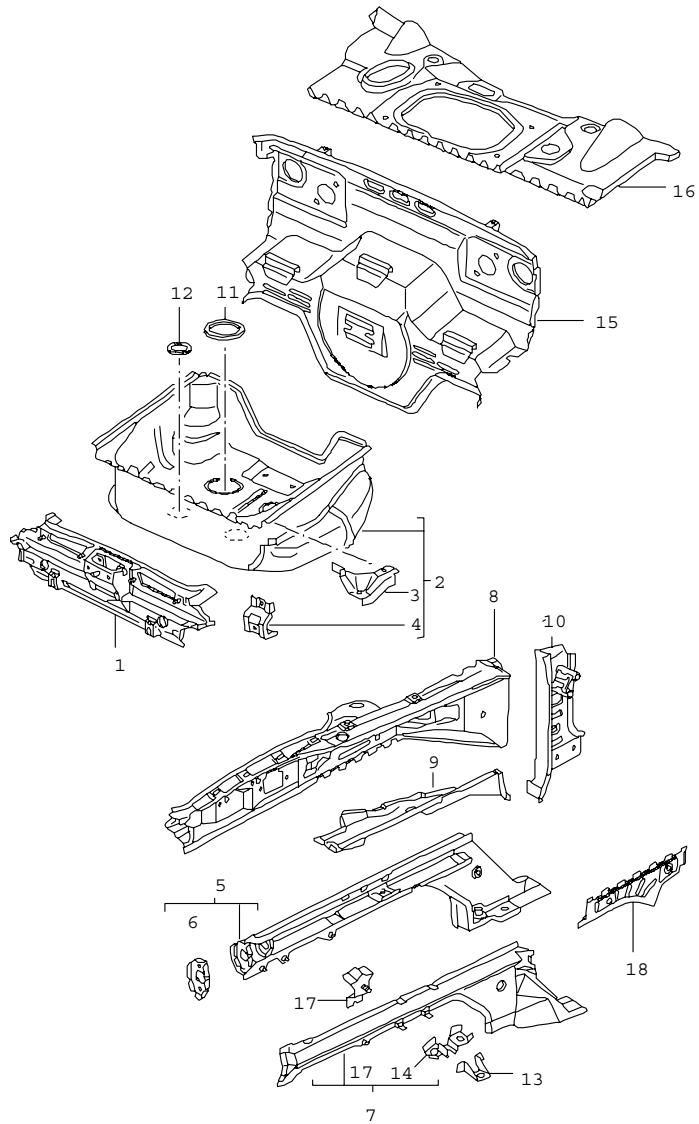
Pos	Part Number	Name	Remarks	Qty	Model
		body in white prime coated sealed with underbody protection with doors/lids/wings			
		bodyshells can only be delivered of the current model year			
		the data (b-f) that you need for your order please find in the data vehicle data bank please indicate this data in your order			
A	-	data bank of the car			
B	-	vehicle identification no.			
C	-	order type			
D	-	country equipment			
E	-	optional extras			
F	-	additional applications			
1	986 500 900 00 GRV	body in white prime coated		1	
		- - - E N D - - -			

Model	Year	MG	SG	Illustration	Restrictions	Update	17:57	23.08.2006	PORSCHE	PET	PORSCHE
986	04	8	01	801-05		203					



Pos	Part Number	Name	Remarks	Qty	Model
		body front section			
1	996 501 911 00	body front section		1	
	GRV	prime coated			
		use also:			
2	996 501 443 00	bottom half	/L	1	
	GRV	prime coated			
(2)	996 501 444 01	bottom half	/R	1	
	GRV	prime coated			
3	996 504 121 02	cover	/LL	1	
		use also:			
--	000 043 300 94	adhesive set		1	
(3)	996 504 121 02	cover	/LL	1	
		use also:			
--	000 043 300 94	adhesive set		1	
(3)	996 504 121 03	cover	/RL	1	
(3)	996 504 121 03	cover	/RL	1	
4	999 702 255 40	cover 61,5 X 72,6		1	
		- - - E N D - - -			

Model	Year	MG	SG	Illustration	Restrictions	Update	17:57	23.08.2006	PORSCHE	PET	PORSCHE
986	04	8	01	801-10		203					



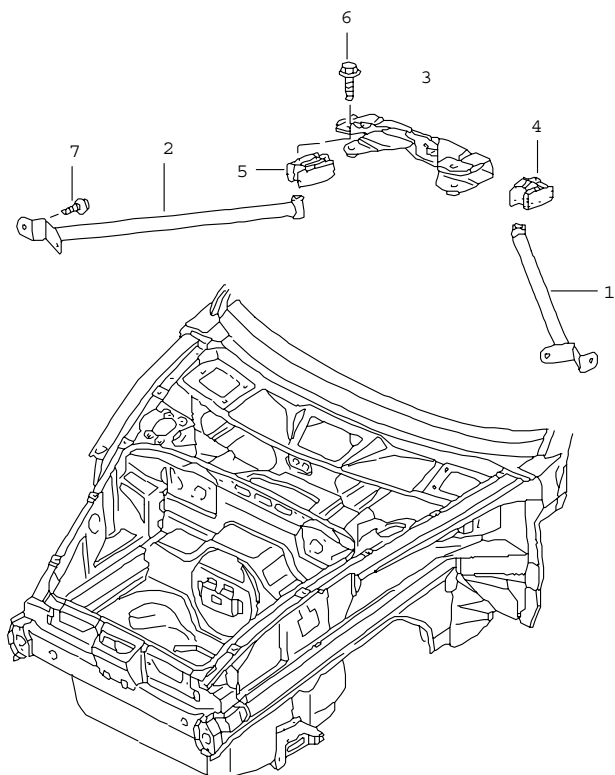
Pos	Part Number	Name	Remarks	Qty	Model
		body front section single parts			
1	996 501 231 00	terminal piece		1	
	GRV	prime coated			
2	996 501 979 00	spare-wheel well		1	
	GRV	prime coated			
3	996 501 649 00	corner panel	/L	1	
	GRV	prime coated			
(3)	996 501 650 00	corner panel	/R	1	
	GRV	prime coated			
4	996 501 621 00	support		3	
	GRV	prime coated			
5	996 501 305 04	side member	/L -01	1	
	GRV	prime coated			
(5)	996 501 306 04	side member	/R -01	1	
	GRV	prime coated			
(5) A	996 501 305 05	side member	/L 02	1	
	GRV	prime coated			
(5)	996 501 306 05	side member	/R 02	1	
	GRV	prime coated			
(5)	996 501 305 06	side member	/L 02-	1	
	GRV	prime coated			
(5)	996 501 306 06	side member	/R 03-	1	
	GRV	prime coated			
6	996 501 377 01	mounting		2	
	GRV	prime coated			
7	996 501 915 00	side member	/L	1	
	GRV	prime coated F >>98WS6 07094			



Model	Year	MG	SG	Illustration	Restrictions	Update	17:57	23.08.2006	PORSCHE	PET	PORSCHE
986	04	8	01	801-10		203					

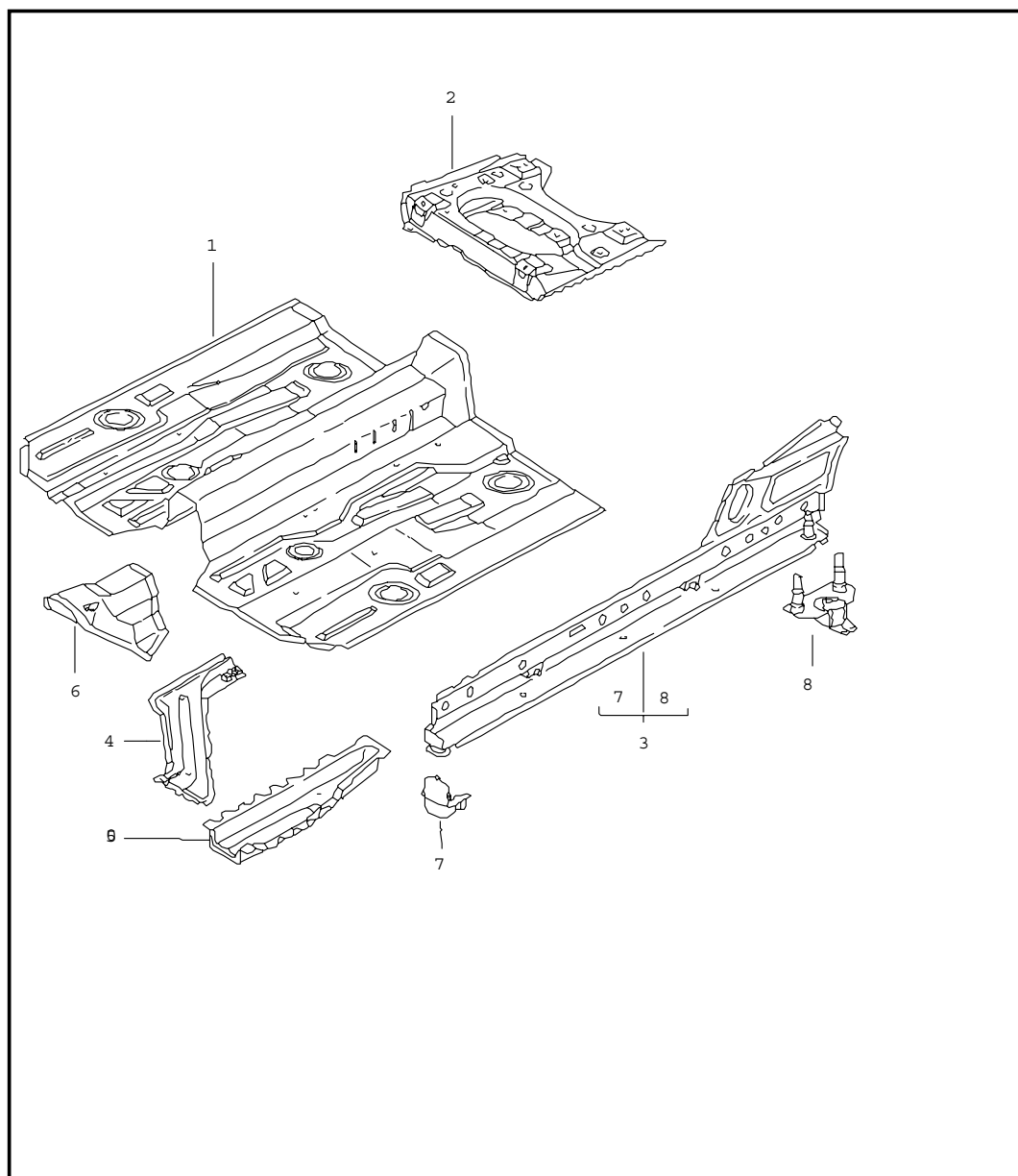
Pos	Part Number	Name	Remarks	Qty	Model	Pos	Part Number	Name	Remarks	Qty	Model
		it is necessary to rework use also: POS.13		1				GRV prime coated			
(7)	996 501 916 00	side member	/R	1		(16)	996 502 017 04	cross panel	00-	1	
	GRV	prime coated						GRV prime coated			
	F	>>98WS6 07094				17	996 501 341 00	support		2	
		it is necessary to rework use also: POS.13		1				GRV prime coated			
8	996 501 935 00	wheel housing	/L	1		18 A	996 501 665 00	separator	/L	1	
	GRV	prime coated						GRV prime coated			
(8)	996 501 936 01	wheel housing	/R	1		18	996 501 665 01	separator	/L	1	
	GRV	prime coated						GRV prime coated			
9	996 501 443 00	bottom half	/L	1		(18) A	996 501 666 00	separator	/R	1	
	GRV	prime coated						GRV prime coated			
(9)	996 501 444 01	bottom half	/R	1		(18)	996 501 666 01	separator	/R	1	
	GRV	prime coated						GRV prime coated			
10	996 501 937 01	hinge pillar	/L	1				- - - E N D - - -			
	GRV	prime coated									
(10)	996 501 938 01	hinge pillar	/R	1							
	GRV	prime coated									
11	996 504 201 01	cover \$ 145 MM		2							
12	996 504 213 01	cover \$ 85 MM		2							
13	996 501 815 00	support		2							
	GRV	prime coated									
	F	>>98WS6 07094									
14	996 501 815 02	support		2							
	GRV	prime coated									
	F	98WS6 07095>>									
15	996 502 021 03	bulkhead		1							
	GRV	prime coated									
16	996 502 017 01	cross panel	-99	1							

Model	Year	MG	SG	Illustration	Restrictions	Update	17:58	23.08.2006	PORSCHE	PET	PORSCHE
986	04	8	01	801-15		203					



Pos	Part Number	Name	Remarks	Qty	Model
		dome strut			
1	A 996 504 233 00	dome strut	/L -02	1	
1	996 504 233 01	dome strut	/L	1	
2	A 996 504 234 00	dome strut	/R -02	1	
2	996 504 234 01	dome strut	/R	1	
3	996 504 359 00	bracket		1	
4	996 504 633 00	filler piece	/L	1	
5	996 504 634 00	filler piece	/R	1	
6	900 378 100 09	hexagon-head bolt AM 10 X 45		2	
7	900 075 010 09	screw M 6 X 12		4	
- - - E N D - - -					

Model	Year	MG	SG	Illustration	Restrictions	Update	17:58	23.08.2006	PORSCHE	PET	PORSCHE
986	04	8	01	801-20		203					

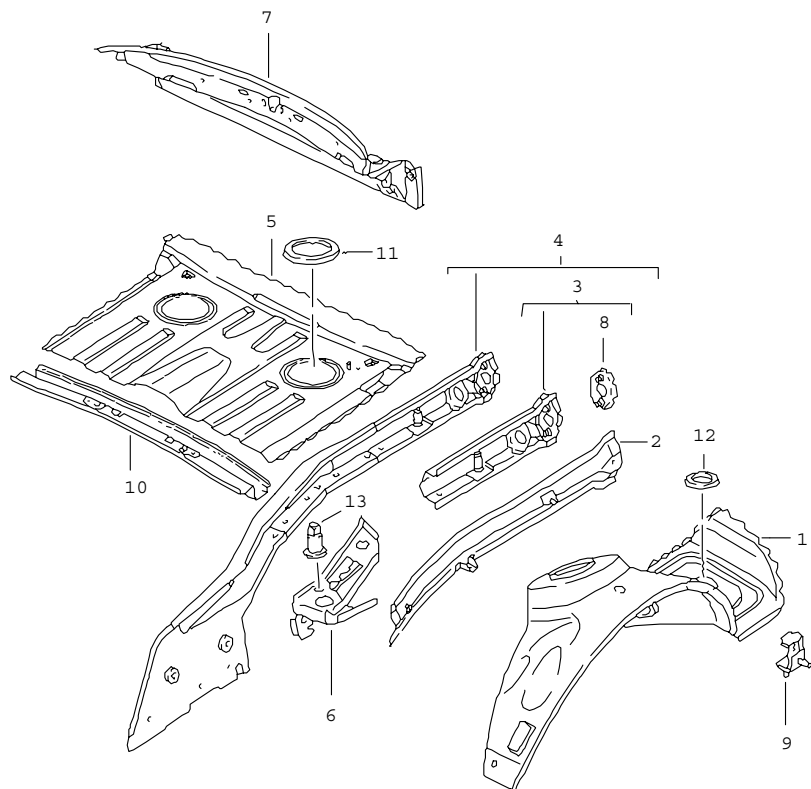


Pos	Part Number	Name	Remarks	Qty	Model
		floor centre			
1	986 501 551 00	floor		1	
	GRV	prime coated			
2	996 501 153 00	seat support	/L	1	
	GRV	prime coated			
(2)	996 501 154 00	seat support	/R	1	
	GRV	prime coated			
3	986 501 957 00	side member	/L	1	
	GRV	prime coated			
(3)	986 501 958 01	side member	/R	1	
	GRV	prime coated			
4 A	996 501 507 01	reinforcement	/L	1	
	GRV	prime coated			
4	996 501 507 02	reinforcement	/L	1	
	GRV	prime coated			
(4) A	996 501 508 01	reinforcement	/R	1	
	GRV	prime coated			
(4)	996 501 508 02	reinforcement	/R	1	
	GRV	prime coated			
5	996 501 525 00	side member	/L	1	
	GRV	prime coated			
(5)	996 501 526 00	side member	/R	1	
	GRV	prime coated			
6	996 501 751 00	extension		1	
	GRV	prime coated			
7	996 501 785 00	jacking point	/L/V	1	
	GRV	prime coated			
(7)	996 501 786 00	jacking point	/R/V	1	
	GRV	prime coated			

Model	Year	MG	SG	Illustration	Restrictions	Update	17:58	23.08.2006	PORSCHE	PET	PORSCHE
986	04	8	01	801-20		203					

Pos	Part Number	Name	Remarks	Qty	Model	Pos	Part Number	Name	Remarks	Qty	Model
8	996 501 481 01	jacking point	/L/H	1							
	GRV	prime coated									
(8)	996 501 482 01	jacking point	/R/H	1							
	GRV	prime coated									
-	996 504 201 01	cover		X							
		\$ 145 MM									
-	996 504 205 01	cover		X							
		\$ 130 MM									
-	996 504 207 01	cover		X							
		\$ 100 MM									
		- - - E N D - - -									

Model	Year	MG	SG	Illustration	Restrictions	Update	17:58	23.08.2006	PORSCHE	PET	PORSCHE
986	04	8	01	801-35		203					

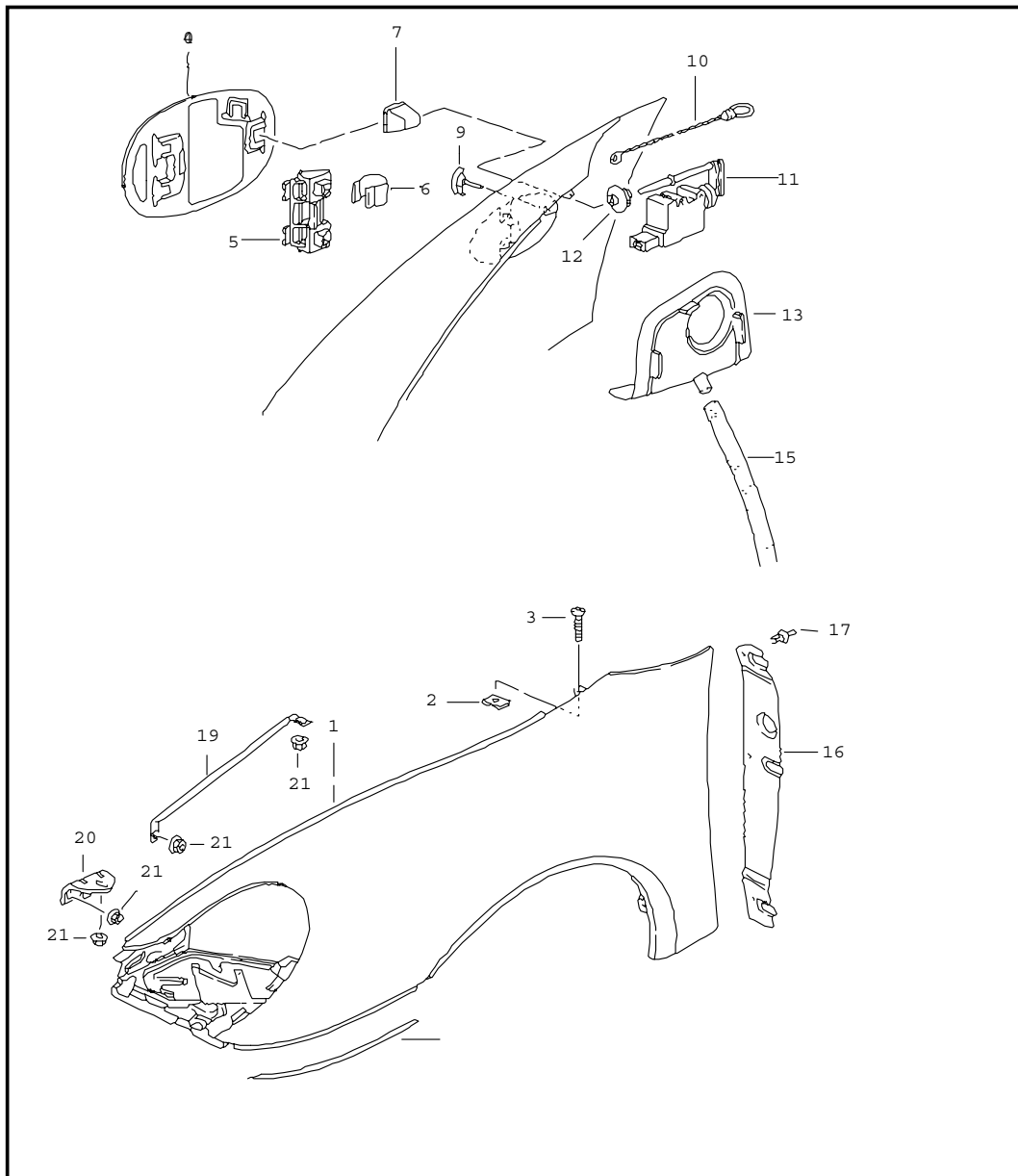


Pos	Part Number	Name	Remarks	Qty	Model
		rear end single parts			
1	986 501 983 02	wheel housing	/L	1	
	GRV	prime coated			
(1)	986 501 984 01	wheel housing	/R	1	
	GRV	prime coated			
2	A 986 501 995 00	side member	/L	1	
	GRV	prime coated outer			
2	986 501 995 01	side member	/L	1	
	GRV	prime coated outer			
(2)	A 986 501 996 00	side member	/R	1	
	GRV	prime coated outer			
(2)	986 501 996 01	side member	/R	1	
	GRV	prime coated outer			
-	996 501 727 00	support		1	
	GRV	prime coated			
3	986 501 977 00	side member	/L	1	
	GRV	prime coated inner sub-part			
(3)	986 501 978 00	side member	/R	1	
	GRV	prime coated inner sub-part			
4	986 501 177 00	side member	/L	1	
	GRV	prime coated inner			
(4)	986 501 178 00	side member	/R	1	
	GRV	prime coated inner			
5	986 501 971 00	boot floor plate		1	

Model	Year	MG	SG	Illustration	Restrictions	Update	17:58	23.08.2006	PORSCHE	PET	PORSCHE
986	04	8	01	801-35		203					

Pos	Part Number	Name	Remarks	Qty	Model	Pos	Part Number	Name	Remarks	Qty	Model
		GRV prime coated						- - - E N D - - -			
-	986 501 471 00	floor section		1							
		GRV prime coated									
6 A	986 501 569 01	mounting	/L	1							
		GRV prime coated									
6	987 501 569 00	mounting	/L	1							
		GRV prime coated									
(6)	986 501 570 01	mounting	/R	1							
		GRV prime coated									
		use also: POS. 13									
7	986 501 243 00	terminal piece		1							
		GRV prime coated									
8 A	996 501 377 00	mounting		2							
		GRV prime coated									
8	996 501 377 01	mounting		2							
		GRV prime coated									
9	986 501 613 00	support		2							
		GRV prime coated									
10	986 502 675 00	cross member		1							
		GRV prime coated									
-	986 501 575 00	cross member		1							
		GRV prime coated rear axle									
11	996 504 201 01	cover \$ 145 MM		2							
12	996 504 209 01	cover \$ 100 MM		2							
13	999 048 004 02	threaded bush		2							
-	986 502 673 01	cross member		1							
		GRV prime coated									

Model	Year	MG	SG	Illustration	Restrictions	Update	17:58	23.08.2006	PORSCHE	PET	PORSCHE
986	04	8	01	801-40		203					



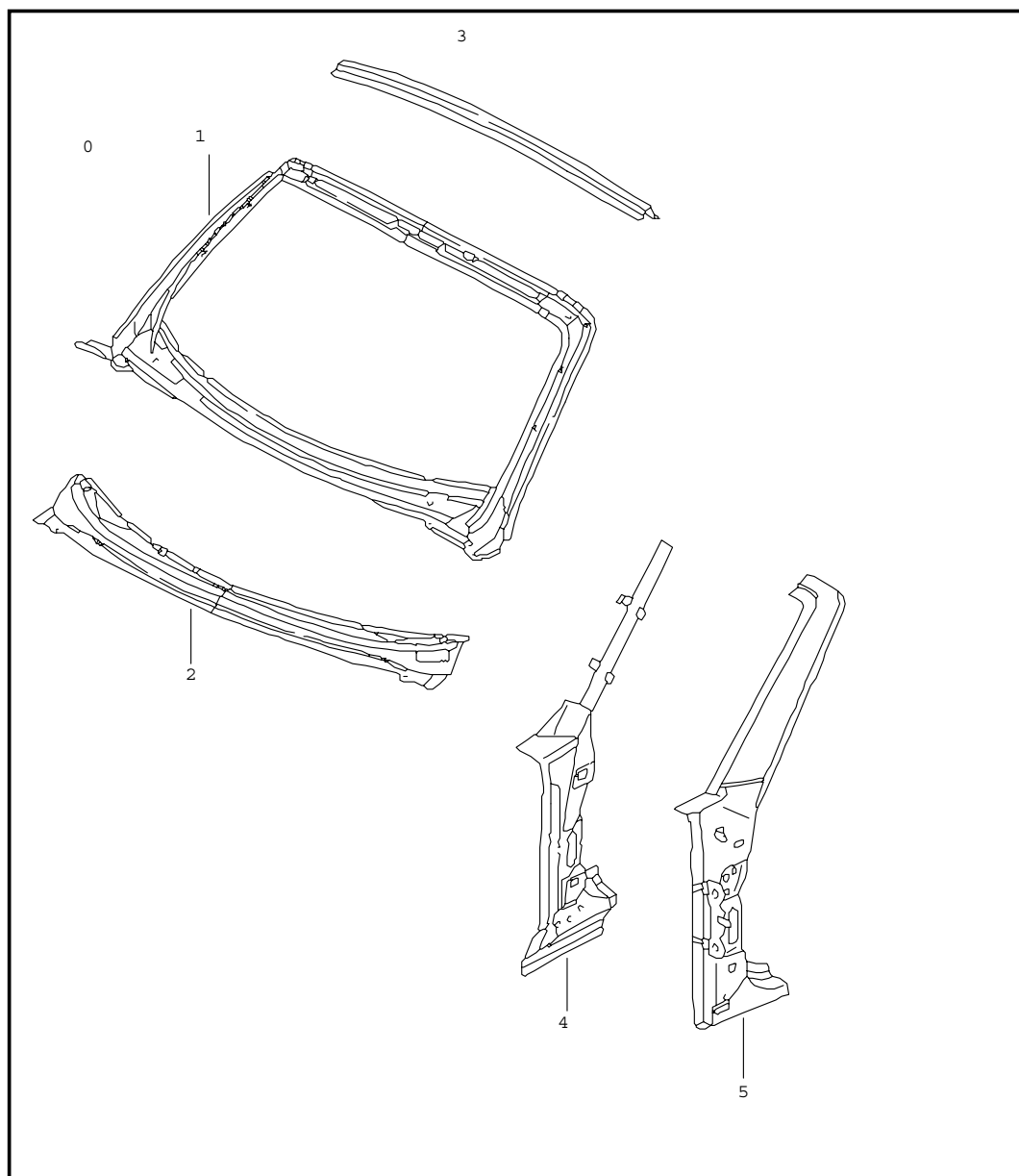
Pos	Part Number	Name	Remarks	Qty	Model
1	996 503 031 01	wing	/L	1	
	GRV	prime coated			
(1) A	996 503 032 01	wing	/R -98	1	
	GRV	prime coated			
(1)	996 503 032 03	wing	/R	1	
	GRV	prime coated			
2	999 507 003 02	speed nut ST 6,3		22	
3	999 073 128 02	tapping screw ST 6,3 X 14		22	
4 A	996 504 133 00	fuel filler flap		1	
	GRV	prime coated			
4	996 504 133 02	fuel filler flap		1	
	GRV	prime coated			
5	996 201 063 00	hinge		1	
6	996 201 413 01	spring		1	
7	996 201 423 00	cap		1	
9	996 201 513 00	rubber stop		1	
10	996 201 493 00	emergency operation		1	
11	996 624 113 00	actuator		1	
12 A	996 624 505 01	guide rose		1	
12	996 624 505 02	guide rose		1	
13	996 201 667 01	sleeve		1	
15	996 201 153 00	hose		1	
16	996 504 641 01	cover	/L	1	
	01C	black			
(16)	996 504 642 01	cover	/R	1	
	01C	black			
17	999 591 712 40	expansion rivet A 6,0 X 12,0		6	

Model	Year	MG	SG	Illustration	Restrictions	Update	17:58	23.08.2006	PORSCHE	PET	PORSCHE
986	04	8	01	801-40		203					

Pos	Part Number	Name	Remarks	Qty	Model	Pos	Part Number	Name	Remarks	Qty	Model
18	996 504 531 00	protective film	/L	1							
(18)	996 504 532 00	protective film	/R	1							
19	996 504 441 00	strut		2							
	GRV	prime coated									
20	996 504 555 00	support		2							
	GRV	prime coated									
21	900 377 010 09	nut		X							
		M 6									
-	000 043 204 85	cavity preservation		X							
		400 ML									
		- - - E N D - - -									

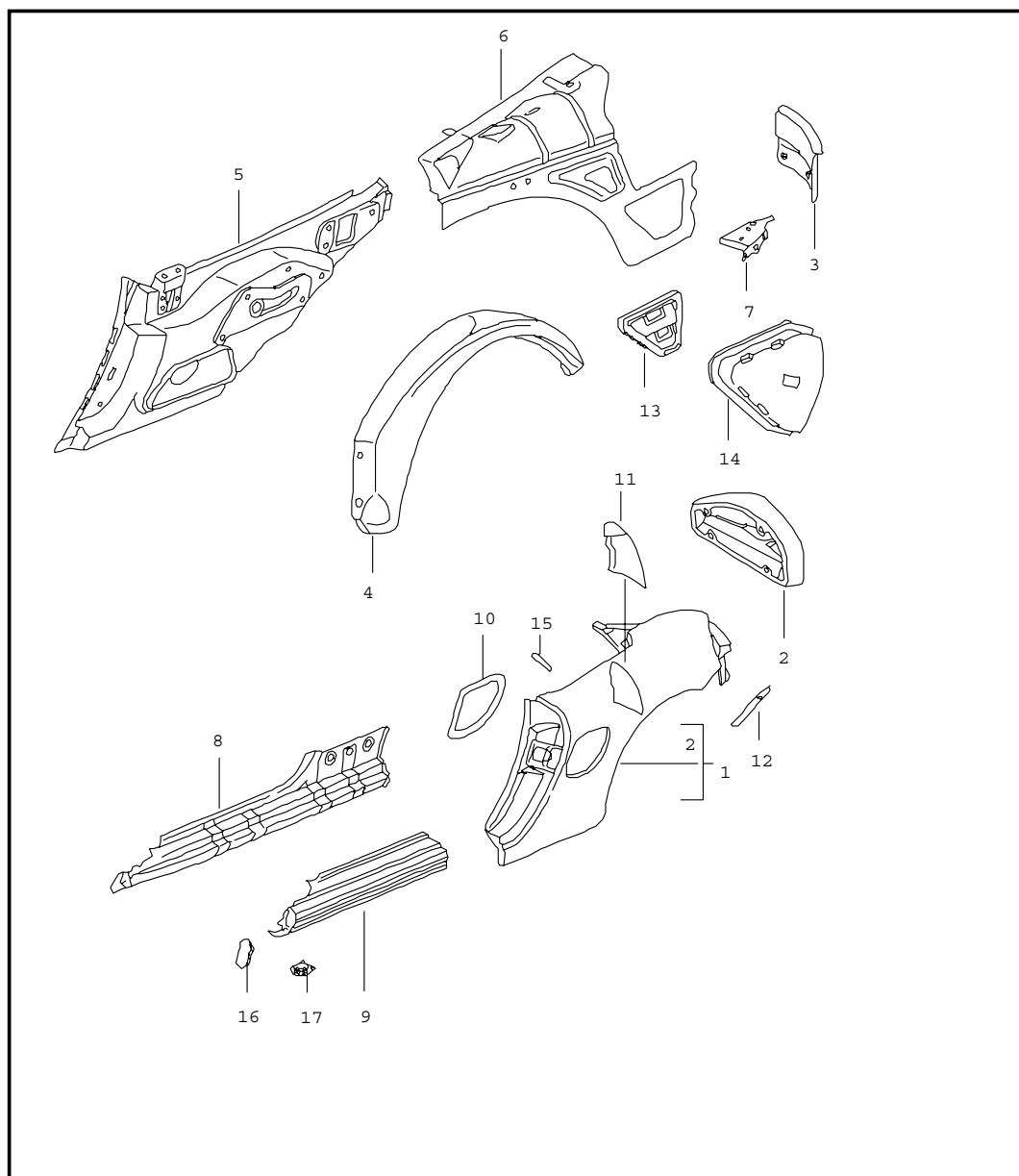


Model	Year	MG	SG	Illustration	Restrictions	Update	17:58	23.08.2006	PORSCHE	PET	PORSCHE
986	04	8	01	801-45		203					



Pos	Part Number	Name	Remarks	Qty	Model
		cowl			
1	A 986 502 137 00	cowl		1	
		GRV	prime coated inner		
1	986 502 137 01	cowl		1	
		GRV	prime coated inner		
2	A 996 502 527 00	cowl		1	
		GRV	prime coated outer		
2	996 502 527 01	cowl		1	
		GRV	prime coated outer		
3	986 502 529 00	cowl		1	
		GRV	prime coated outer		
4	986 502 135 00	reinforcement	/L	1	
		GRV	prime coated inner		
(4)	986 502 136 00	reinforcement	/R	1	
		GRV	prime coated inner		
5	986 502 335 00	hinge pillar	/L	1	
		GRV	prime coated		
(5)	986 502 336 00	hinge pillar	/R	1	
		GRV	prime coated		
-	996 502 737 00	captive nut M 6 cowl		2	
-	997 502 739 00	captive nut M6 cowl		1	
- - - E N D - - -					

Model	Year	MG	SG	Illustration	Restrictions	Update	17:59	23.08.2006	PORSCHE	PET	PORSCHE
986	04	8	01	801-50		203					

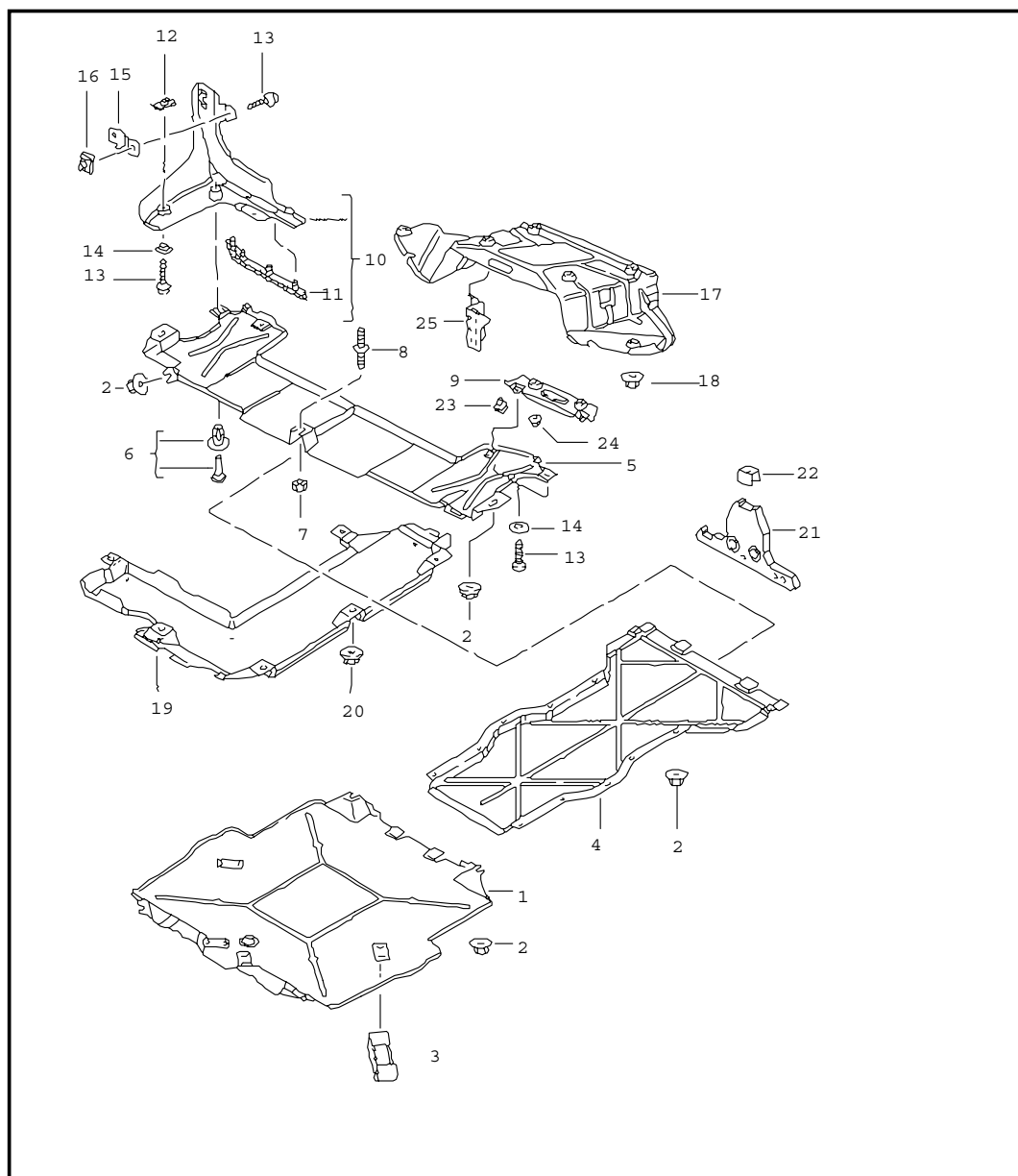


Pos	Part Number	Name	Remarks	Qty	Model
		side section			
1	986 503 961 00	side section	/L	1	
	GRV	prime coated			
(1)	986 503 962 00	side section	/R	1	
	GRV	prime coated			
		use also:			
-	999 915 650 40	adhesive TEROMIX 6700		X	
-	000 043 300 48	tool see technical manual group 5 53 55 55		X	
2	986 502 161 00	frame for light	/L	1	
	GRV	prime coated			
(2)	986 502 162 00	frame for light	/R	1	
	GRV	prime coated			
3	986 501 651 00	corner panel	/L	1	
	GRV	prime coated			
(3)	986 501 652 00	corner panel	/R	1	
	GRV	prime coated			
4	986 502 515 00	wheel housing	/L -01	1	
	GRV	prime coated			
4	986 502 515 01	wheel housing	/L 02-	1	
	GRV	prime coated			
(4)	986 502 516 00	wheel housing	/R	1	
	GRV	prime coated			
5	986 502 083 00	side section	/L	1	
	GRV	prime coated			
(5)	986 502 084 00	side section	/R	1	
	GRV	prime coated			
6	986 502 085 00	side section	/L	1	

Model	Year	MG	SG	Illustration	Restrictions	Update	17:59	23.08.2006	PORSCHE	PET	PORSCHE
986	04	8	01	801-50		203					

Pos	Part Number	Name	Remarks	Qty	Model	Pos	Part Number	Name	Remarks	Qty	Model
		GRV prime coated				16	986 572 723 00	plug door sill		2	
(6)	986 502 106 00	side section	/R	1		17	999 703 475 40	drain tube door sill		2	
		GRV prime coated									
7	986 502 615 00	end plate	/L	1							
		GRV prime coated									
(7)	986 502 616 00	end plate	/R	1							
		GRV prime coated									
8	986 502 163 00	reinforcement	/L	1							
		GRV prime coated									
(8)	986 502 164 00	reinforcement	/R	1							
		GRV prime coated									
(8)	986 502 164 01	reinforcement	/R	1							
		GRV prime coated									
9	986 503 963 00	door sill	/L	1							
		GRV prime coated									
(9)	986 503 964 00	door sill	/R	1							
		GRV prime coated									
10	986 504 907 00	gasket air inlet		2							
11	986 504 967 01	gasket	/L	1							
(11)	986 504 968 01	gasket side section wheel housing see workshop manual	/R	1							
12	986 504 635 00	protective film	/L	1							
(12)	986 504 636 00	protective film	/R	1							
13	986 572 043 02	bleeding	/L	1							
(13)	986 572 044 00	bleeding	/R	1							
14	986 572 643 00	air box	/L	1							
(14)	986 572 644 00	air box	/R	1							
15	996 537 237 00	protective film		2							

Model	Year	MG	SG	Illustration	Restrictions	Update	17:59	23.08.2006	PORSCHE	PET	PORSCHE
986	04	8	01	801-70		203					

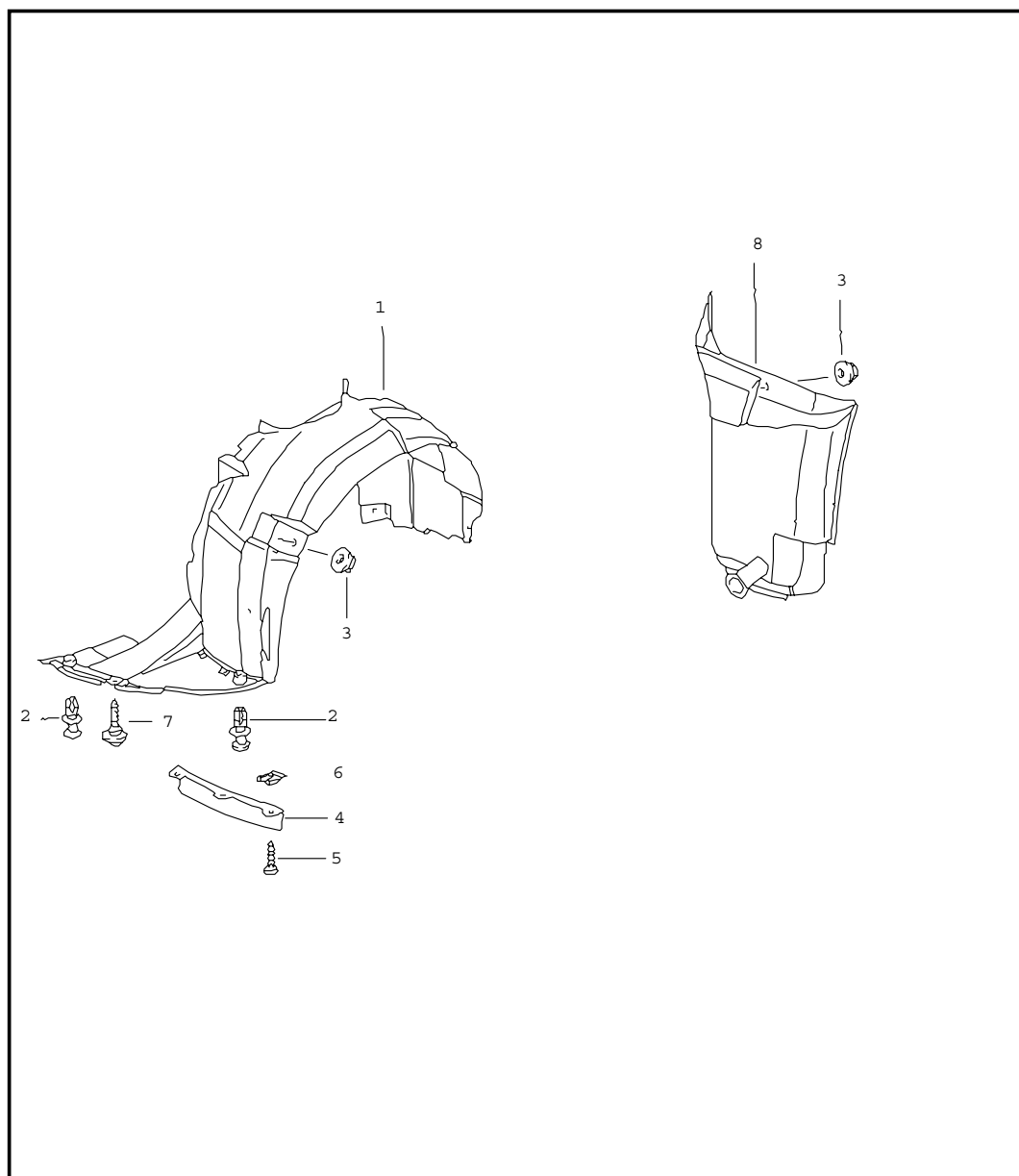


Pos	Part Number	Name	Remarks	Qty	Model
		linings for underbody			
1	996 504 527 02	cover front		1	
2	999 049 022 40	plastic nut T 5		21	
3	999 507 657 09	clamp centre		6	
4	996 504 043 02	cover centre		1	
5	986 504 119 00	cover rear		1	
6	999 507 497 40	expansion rivet 8,0 X 14,0		X	
7	999 076 068 09	hexagon nut M 6		1	
8	999 919 169 02	stud M 6 X 11		1	
(9) A	986 504 571 00	support	97	2	
9	986 504 571 01	support		2	
10	986 504 393 00	cover	/L	1	
	01C	satin black			
(10)	986 504 394 00	cover	/R	1	
	01C	satin black			
11	986 504 893 00	rubber lip	/L	1	
(11)	986 504 894 00	rubber lip	/R	1	
12	999 507 348 02	speed nut ST 4,8		4	
13	999 073 061 02	tapping screw ST 4,8 X 16		X	
14	944 503 255 00	spacer sleeve		X	
15	986 504 593 00	support		2	
16	999 507 462 02	speed nut ST 4,8		4	
17	986 504 605 02	heat protection		1	

Model	Year	MG	SG	Illustration	Restrictions	Update					
986	04	8	01	801-70		203	17:59	23.08.2006	PORSCHE	PET	PORSCHE

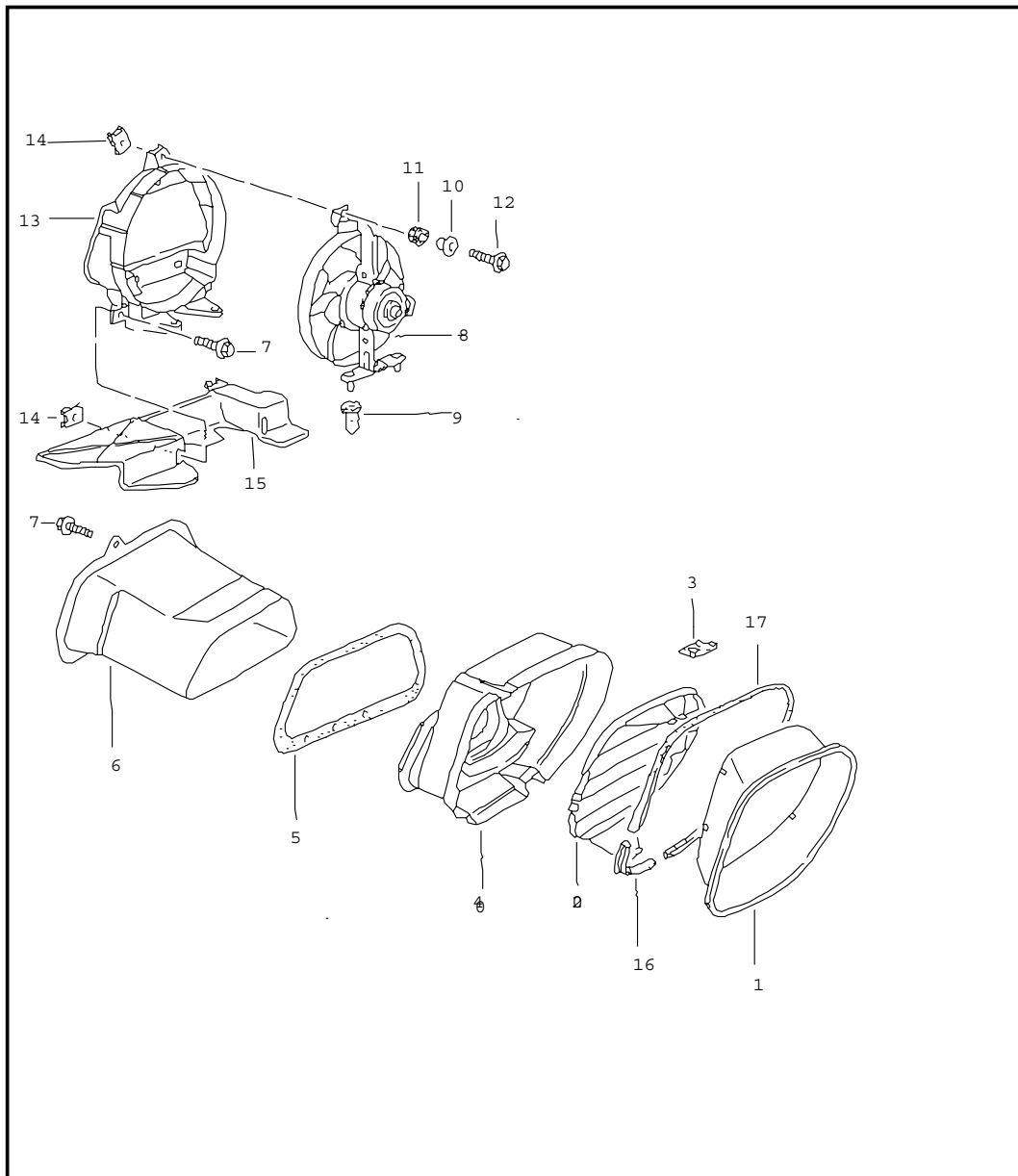
Pos	Part Number	Name	Remarks	Qty	Model	Pos	Part Number	Name	Remarks	Qty	Model
18	A 999 049 017 09	collar nut		7							
18	999 049 025 09	hexagon nut		7							
19	996 504 561 00	cover		1							
20	999 049 022 40	plastic nut T5		6							
21	986 504 643 01	seal	-03	1							
22	986 504 743 00	support	-03	1							
23	999 591 699 02	speed nut B 4,8		4							
24	999 084 212 02	nut M 6		2							
25	986 504 651 00	heat protection	00-	1	M 008						
		- - - E N D - - -									

Model	Year	MG	SG	Illustration	Restrictions	Update	17:59	23.08.2006	PORSCHE	PET	PORSCHE
986	04	8	01	801-75		203					



Pos	Part Number	Name	Remarks	Qty	Model
		linings for wheel housing			
1	996 504 203 06	wheel-housing liner	/L	1	
(1)	996 504 204 06	wheel-housing liner	/R	1	
2	999 507 497 40	expansion rivet 8,0 X 14,0		13	
3	999 049 022 40	plastic nut T5		10	
4	996 504 503 00	rubber lip	/L	1	
(4)	996 504 504 00	rubber lip	/R	1	
5	999 073 061 02	tapping screw ST 4,8 X 16		6	
6	999 591 699 02	speed nut ST 4,8		12	
7 A	999 073 198 09	tapping screw		4	
7	999 073 227 09	shouldered bolt ST 4,8 X 19		4	
8 A	986 504 573 00	wheel-housing liner	/L	1	
8	986 504 573 01	wheel-housing liner	/L	1	
(8) A	986 504 574 00	wheel-housing liner	/R	1	
(8)	986 504 574 01	wheel-housing liner	/R	1	
-	996 504 603 00	air duct	/L	1	M 008
-	996 504 604 00	air duct	/R	1	M 008
- - - E N D - - -					

Model	Year	MG	SG	Illustration	Restrictions	Update	17:59	23.08.2006	PORSCHE	PET	PORSCHE
986	04	8	01	801-80		203					



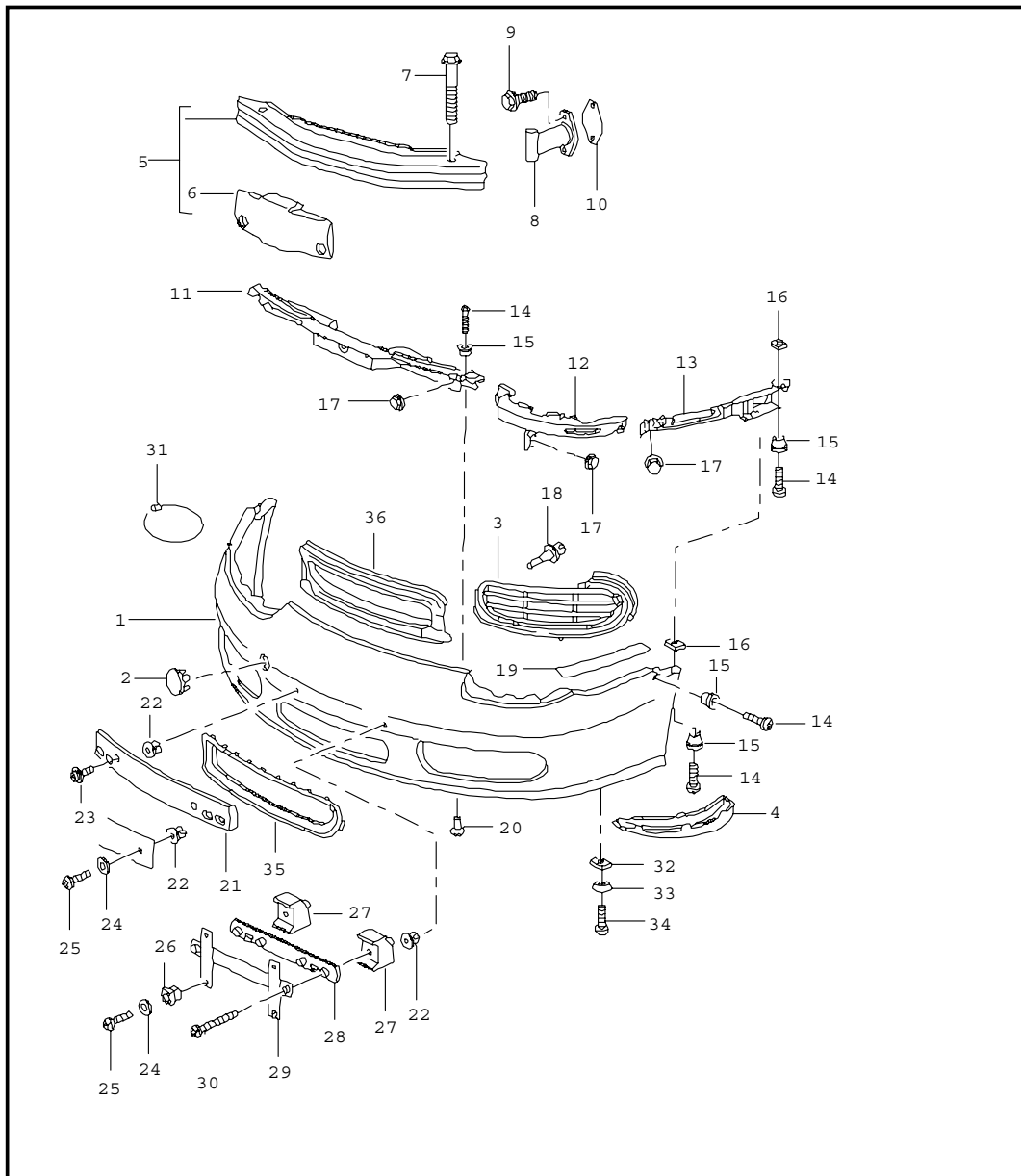
Pos	Part Number	Name	Remarks	Qty	Model
		ventilation engine compartment			
1	986 504 561 01	air duct	/L -99	1	
	G2X	prime coated			
1	986 504 561 02	air duct	/L -02	1	
	G2X	prime coated			
1	986 504 561 03	air duct	/L 03-	1	
	G2X	prime coated			
(1)	986 504 562 01	air duct	/R -02	1	
	G2X	prime coated			
(1)	986 504 562 03	air duct	/R 03-	1	
	G2X	prime coated			
2	986 504 747 00	ventilation grille	/L	1	
(2)	986 504 748 00	ventilation grille	/R	1	
3	986 504 847 00	spring clamp		6	
4	A 986 575 657 00	air duct	/L -02	1	
4	986 575 657 01	air duct	/L	1	
(4)	986 575 658 00	air duct	/R -02	1	
(4)	986 575 658 01	air duct	/R 03-	1	
-	986 575 761 00	grille		1	
5	986 575 655 00	gasket		1	
6	986 575 559 01	air duct		1	
7	900 075 413 09	screw		6	
		M 6 X 16			
8	986 624 036 00	fan		1	
-	999 650 252 40	plug socket		1	
-	999 650 253 22	connector		2	
-	999 650 254 40	locking device		1	
-	999 650 255 40	gasket		2	
9	999 703 452 40	rubber buffer		2	

Model	Year	MG	SG	Illustration	Restrictions	Update	17:59	23.08.2006	PORSCHE	PET	PORSCHE
986	04	8	01	801-80		203					

Pos	Part Number	Name	Remarks	Qty	Model	Pos	Part Number	Name	Remarks	Qty	Model
10	999 209 049 02	spacer sleeve		1							
11	999 703 451 40	grommet		1							
12	900 378 030 09	hexagon-head bolt M 6 X 20		1							
13	986 575 356 00	connecting dome		1							
14	999 507 550 02	speed nut M 6		3							
15	986 575 756 01	air duct		1							
16	986 504 563 01	centring wedge	/L 00-	1							
17	986 504 565 01	gasket	/L 00-	1							
-	986 504 749 01	frame	/L 03-	1							
-	986 504 750 00	frame	/R 03-	1							
-	986 504 731 00	water tube	03-	1							
-	986 504 831 00	support water tube		1							
		- - - E N D - - -									



Model	Year	MG	SG	Illustration	Restrictions	Update	18:00	23.08.2006	PORSCHE	PET	PORSCHE
986	04	8	02	802-00		203					



Pos	Part Number	Name	Remarks	Qty	Model
1	986 505 311 03	bumper front		1	M 009
		lining			
		G2X prime coated			
(1)	986 505 311 04	lining	00-	1	M 008
		G2X prime coated			
(1)	986 505 311 05	lining	03-	1	M 009
		G2X prime coated			
(1)	986 505 311 06	lining	03-	1	M 008
		G2X prime coated			
2	964 505 103 00	cap	-02	1	
		G2X prime coated			
(2)	986 505 511 00	cap	03-	1	
		G2X prime coated			
3	986 505 553 01	grille frame	/L -02	1	M 009
		01C satin black			
3	986 505 553 03	grille frame	/L 03-	1	
		01C satin black			
(3)	986 505 554 01	grille frame	/R -02	1	M 009
		01C satin black			
(3)	986 505 554 03	grille frame	/R 03-	1	
		01C satin black			
-	986 505 531 00	lamina upper	/L 03-	1	
		G2X prime coated			
-	986 505 532 00	lamina upper	/R 03-	1	
		G2X prime coated			
-	986 505 533 00	lamina lower	/L 03-	1	
		G2X prime coated			

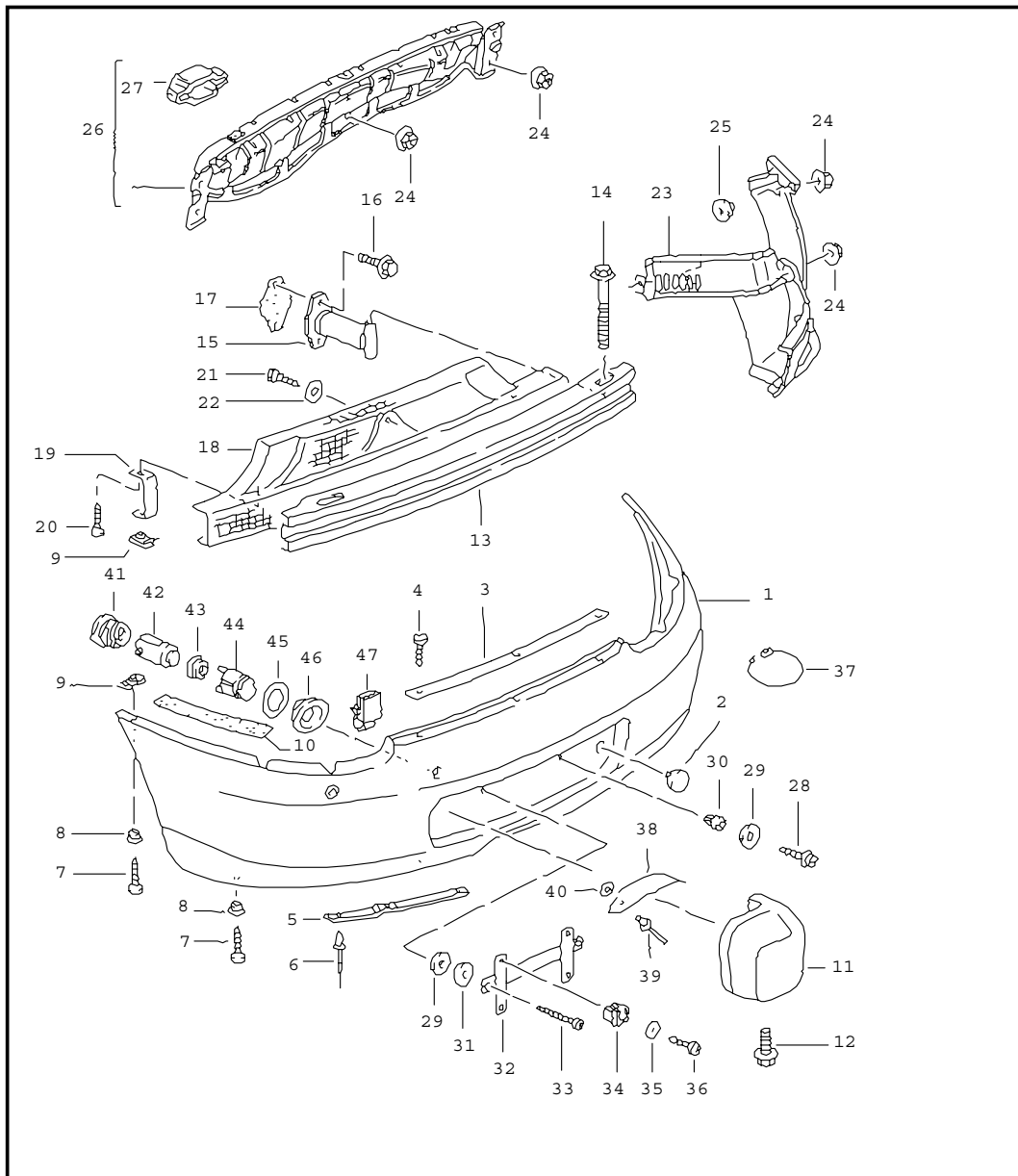
Model	Year	MG	SG	Illustration	Restrictions	Update	18:00	23.08.2006	PORSCHE	PET	PORSCHE
986	04	8	02	802-00		203					

Pos	Part Number	Name	Remarks	Qty	Model	Pos	Part Number	Name	Remarks	Qty	Model
-	986 505 534 00	lamina lower	/R 03-	1		16	999 507 072 02	speed nut B 4,8		X	
	G2X	prime coated				17	999 084 633 09	hexagon nut M 6		X	
-	999 507 708 09	clamping washer		4		18	996 641 142 00	temperature sensor		1	
(3)	986 505 553 02	grille frame	/L -02	1	M 008	-	999 652 911 40	plug socket		1	
	9A4	titanium metallic				-	999 652 934 22	connector		2	
(3)	986 505 554 02	grille frame	/R -02	1	M 008	-	999 650 127 40	gasket		2	
	9A4	titanium metallic				19 A	999 911 606 40	adhesive tape		X	
4	996 505 525 00	cover	/L	1		19	000 043 204 83	adhesive tape roller 16,5 METER		X	
	01C	satin black				20	999 507 497 40	expansion rivet 8 X 14		2	
(4)	996 505 526 00	cover	/R	1		21	986 701 105 00	support	-02	1	(BRD) (F) (E) (GB)
	01C	satin black				21	986 701 105 01	support	03-	1	(BRD) (F) (E) (GB)
5	996 505 011 00	bumper reinforcement		1		22	999 507 040 40	expander nut 4,2		X	
(6)	986 505 777 01	foam part		1		23	900 143 151 02	screw 4,2 X 16		2	
7	900 378 088 09	hexagon-head bolt M 12 X 100		2		24	900 025 024 40	washer		X	
8	996 505 019 01	impact pipe		2		25	900 143 134 00	tapping screw B 4,2 X 9,5		X	
(8)	996 505 015 00	impact absorber		2	M 058	27	996 701 801 00	spacer	/L -02	1	
9	900 075 457 02	screw M 8 X 30		4		(27)	996 701 802 00	spacer	/R -02	1	
10 A	964 505 775 00	desk pad		2		(27)	986 701 801 00	spacer	/L 03-	1	
10	996 505 775 00	desk pad		2		(27)	986 701 802 00	spacer	/R 03-	1	
11 A	996 505 531 00	retaining strip		1		28	911 701 121 03	support		1	
11	996 505 531 01	retaining strip centre		1		30	900 145 012 07	counters. head tapp. screw B 4,2 X 32		2	
12	996 505 539 00	bracket	/L	1		31	999 651 225 40	safety rope		1	
(12)	996 505 540 00	bracket	/R	1		32	999 591 699 02	speed nut ST 4,8		4	
13	996 505 535 00	retaining strip	/L	1							
(13)	996 505 536 00	retaining strip	/R	1							
14	900 144 101 02	tapping screw B 4,8 X 19		X							
15	999 209 045 09	spacer		X							

Model	Year	MG	SG	Illustration	Restrictions	Update	18:00	23.08.2006	PORSCHE	PET	PORSCHE
986	04	8	02	802-00		203					

Pos	Part Number	Name	Remarks	Qty	Model	Pos	Part Number	Name	Remarks	Qty	Model
34	A 999 073 198 09	tapping screw		4							
34	999 073 227 09	shouldered bolt ST 4,8 X 19		4							
35	986 505 551 00	cover	-02	1	M 008						
	G2X	prime coated									
35	986 505 551 01	cover	03-	1	M 008						
	G2X	prime coated									
36	986 505 555 00	retaining frame	-02	1	M 008						
	01C	satin black									
36	986 505 555 02	retaining frame	03-	1	M 008						
	01C	satin black									
-	999 507 707 00	u-clamp		19	M 008						
		- - - E N D - - -									

Model	Year	MG	SG	Illustration	Restrictions	Update	18:00	23.08.2006	PORSCHE	PET	PORSCHE
986	04	8	02	802-05		203					



Pos	Part Number	Name	Remarks	Qty	Model
1	986 505 411 00	bumper rear		1	
		lining	-02	1	
		G2X prime coated			
		it is necessary to rework			M 635
(1)	986 505 411 08	lining	03-	1	
		G2X prime coated			
(1) A	986 505 411 10	lining	03-	1	M 635
		G2X prime coated			
2	964 505 103 00	cap		1	
		G2X prime coated			
3	986 505 833 00	retaining strip	-02	1	
(3)	986 505 833 01	retaining strip	03-	1	
4	900 144 101 02	tapping screw B 4,8 X 19		3	
5	986 505 837 00	retaining strip	/L	1	
(5)	986 505 838 00	retaining strip	/R	1	
-	986 505 647 00	retaining frame	/L 03-	1	
-	986 505 648 00	retaining frame	/R 03-	1	
-	986 505 647 01	retaining frame	/L 04	1	M 091
		M7Z gt silver metallic			
-	986 505 648 01	retaining frame	/R 04	1	M 091
		M7Z gt silver metallic			
6	999 190 104 30	blind rivet 3,2 X 7,9		4	
7 A	999 073 198 09	tapping screw		8	
7	999 073 227 09	shouldered bolt ST 4,8 X 19		8	
9	999 507 072 02	speed nut 4,8		4	
10 A	999 911 606 40	adhesive tape		X	

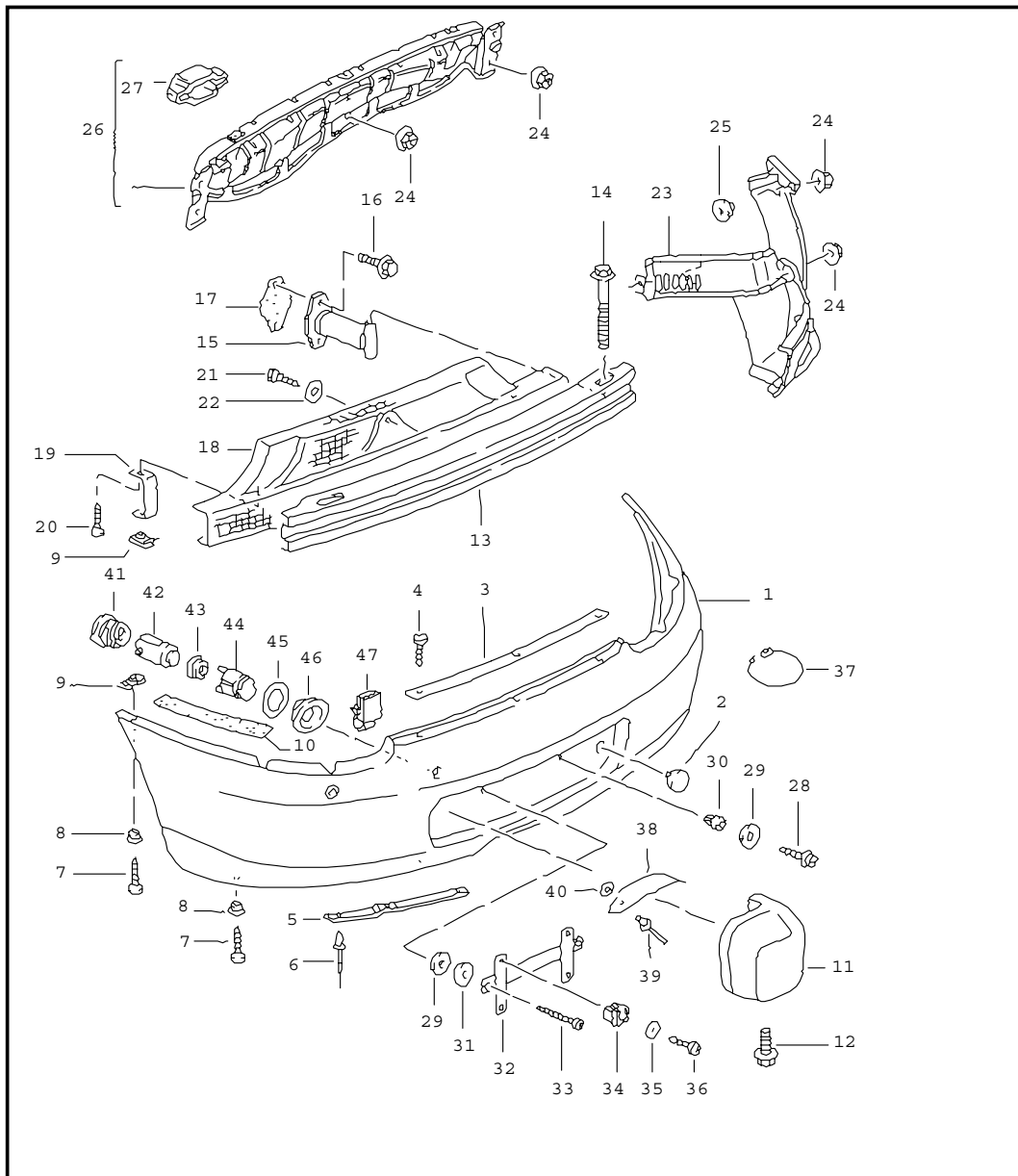
Model	Year	MG	SG	Illustration	Restrictions	Update	18:00	23.08.2006	PORSCHE	PET	PORSCHE
986	04	8	02	802-05		203					

Pos	Part Number	Name	Remarks	Qty	Model	Pos	Part Number	Name	Remarks	Qty	Model
10	000 043 204 83	adhesive tape roller 16,5 METER		X		24	999 084 633 09	hexagon nut M 6		11	
11	986 505 425 00	buffer	/L	1	M 215	25	999 049 022 40	plastic nut T 5		2	
	70C	rally black				26	986 505 641 00	retaining strip	-02	1	
(11)	986 505 426 00	buffer	/R	1	M 215	(26)	986 505 641 01	retaining strip	03-	1	
	70C	rally black				27	986 505 851 00	spacer		2	
(11)	986 505 425 01	buffer	/L	1	M 91/M 215	28	900 143 151 02	screw B 4,2 X 16		2	
	M7Z	gt silver metallic				29	999 025 235 40	rubber washer		X	
(11)	986 505 426 01	buffer	/R	1	M 91/M 215	30	999 507 040 40	expander nut 4,2		2	
	M7Z	gt silver metallic				37	999 651 225 40	safety rope		1	
13	986 505 021 00	bumper reinforcement		1		38	986 505 811 01	heat protection	-02	1	
14	900 378 088 09	hexagon-head bolt M 12 X 100		2		(38)	986 505 811 02	heat protection	03-	1	
15	996 505 019 01	impact pipe		2		39	999 190 463 30	blind rivet A 4,0 X 13,0		2	
(15)	996 505 015 00	impact absorber		2	M 058	40	900 151 028 02	washer 4,3		2	
16	900 075 457 02	hexagon-head bolt M 8 X 30		4		41	996 505 669 00	retainer spring outer	-02	2	M 635
17	993 505 775 00	seal		2		(41)	986 505 869 00	retainer spring outer	03-	2	M 635
18	986 505 475 00	heat protection	-02	1		(41)	986 505 667 00	retainer spring inner	-02	2	M 635
18	986 505 475 01	heat protection	03-	1		(41)	986 505 867 01	retainer spring inner	03-	2	M 635
19	986 505 639 00	rear support	-02	2		42	996 606 171 00	sensor	-02	4	M 635
(19)	986 505 639 01	rear support	03-	2			9A4	titanium metallic			
20	999 075 048 02	screw M 6 X 22		2		(42)	000 043 204 56	sensor	03-	4	M 635
21	900 278 025 02	hexagon-head bolt M 5 X 12		1		43	996 606 471 00	ring		4	M 635
22	999 025 243 02	spacer		1		44	996 505 865 00	housing	-02	4	M 635
(23)	986 505 631 01	wheel-housing liner	/L -02	1		(44)	986 505 865 00	housing	03-	4	M 635
(23)	986 505 631 02	wheel-housing liner	/L 03-	1		45	999 025 262 02	washer 35 X 50 X 0,5		4	M 635
23	986 505 632 01	wheel-housing liner	/R -02	1							
(23)	986 505 632 02	wheel-housing liner	/R 03-	1							

Model	Year	MG	SG	Illustration	Restrictions	Update	18:00	23.08.2006	PORSCHE	PET	PORSCHE
986	04	8	02	802-05		203					

Pos	Part Number	Name	Remarks	Qty	Model	Pos	Part Number	Name	Remarks	Qty	Model
46	986 505 859 00	cover	/L -02	1	M 635						
	G2X	prime coated inner									
(46)	986 505 859 01	cover	/L 03-	1	M 635						
	G2X	prime coated inner									
(46)	986 505 860 00	cover	/R -02	1	M 635						
	G2X	prime coated inner									
(46)	986 505 860 01	cover	/R 03-	1	M 635						
	G2X	prime coated inner									
(46)	986 505 861 00	cover	/L -02	1	M 635						
	G2X	prime coated outer									
(46)	986 505 861 01	cover	/L 03-	1	M 635						
	G2X	prime coated outer									
(46)	986 505 862 00	cover	/R -02	1	M 635						
	G2X	prime coated outer									
(46)	986 505 862 01	cover	/R 03-	1	M 635						
	G2X	prime coated outer									
47	999 507 623 40	cable holder		4	M 635						
		- - - E N D - - -									

Model	Year	MG	SG	Illustration	Restrictions	Update	18:00	23.08.2006	PORSCHE	PET	PORSCHE
986	04	8	02	802-05		203					



Pos	Part Number	Name	Remarks	Qty	Model
1	986 505 411 00	bumper rear		1	
		lining	-02	1	
		G2X prime coated			M 635
(1)	986 505 411 08	lining	03-	1	
		G2X prime coated			
(1) A	986 505 411 10	lining	03-	1	M 635
		G2X prime coated			
2	964 505 103 00	cap		1	
		G2X prime coated			
3	986 505 833 00	retaining strip	-02	1	
(3)	986 505 833 01	retaining strip	03-	1	
4	900 144 101 02	tapping screw B 4,8 X 19		3	
5	986 505 837 00	retaining strip	/L	1	
(5)	986 505 838 00	retaining strip	/R	1	
-	986 505 647 00	retaining frame	/L 03-	1	
-	986 505 648 00	retaining frame	/R 03-	1	
-	986 505 647 01	retaining frame	/L 04	1	M 091
		M7Z gt silver metallic			
-	986 505 648 01	retaining frame	/R 04	1	M 091
		M7Z gt silver metallic			
6	999 190 104 30	blind rivet 3,2 X 7,9		4	
7 A	999 073 198 09	tapping screw		8	
7	999 073 227 09	shouldered bolt ST 4,8 X 19		8	
9	999 507 072 02	speed nut 4,8		4	
10 A	999 911 606 40	adhesive tape		X	

Model	Year	MG	SG	Illustration	Restrictions	Update	18:00	23.08.2006	PORSCHE	PET	PORSCHE
986	04	8	02	802-05		203					

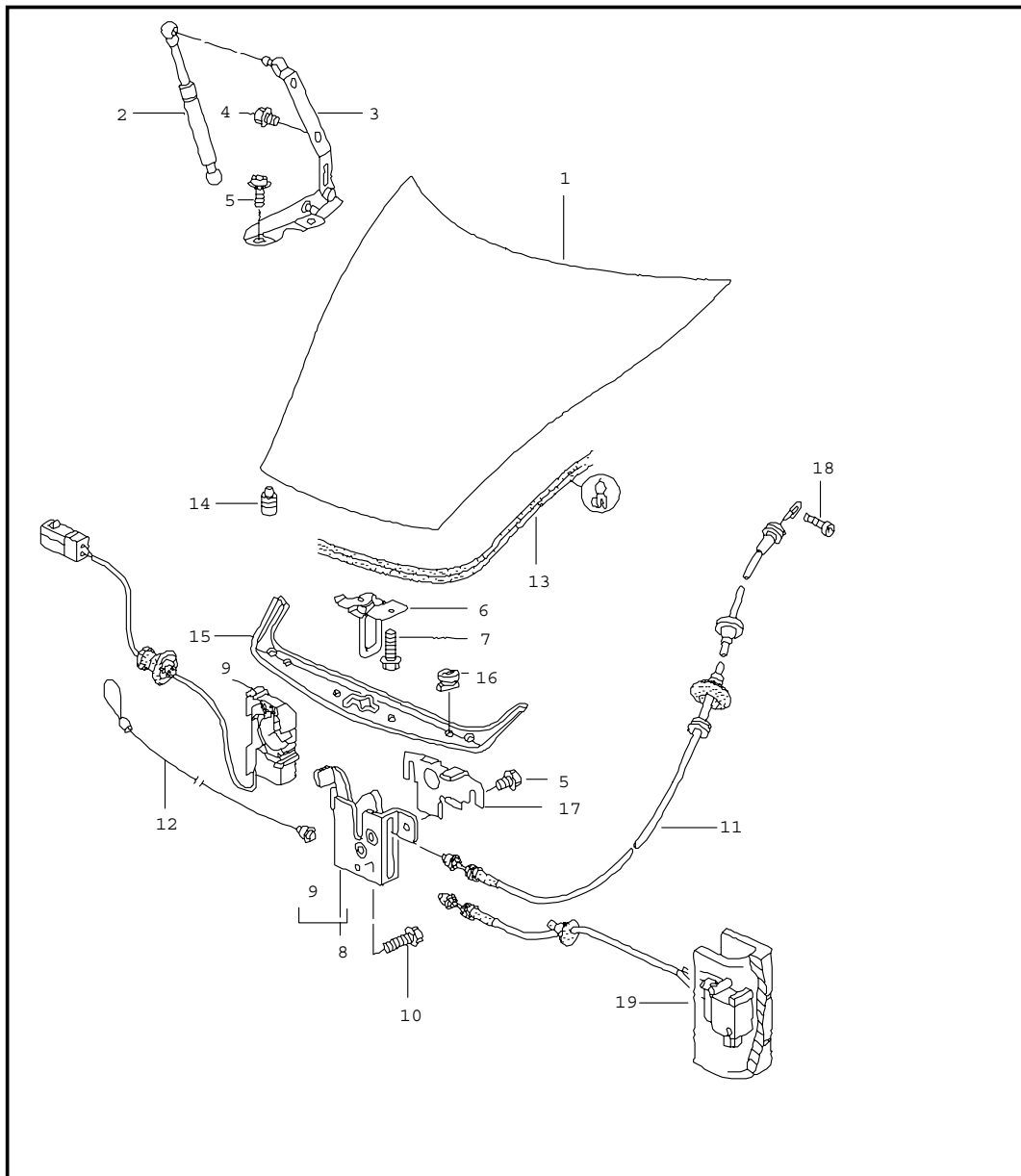
Pos	Part Number	Name	Remarks	Qty	Model	Pos	Part Number	Name	Remarks	Qty	Model
10	000 043 204 83	adhesive tape roller 16,5 METER		X		24	999 084 633 09	hexagon nut M 6		11	
11	986 505 425 00	buffer	/L	1	M 215	25	999 049 022 40	plastic nut T 5		2	
	70C	rally black				26	986 505 641 00	retaining strip	-02	1	
(11)	986 505 426 00	buffer	/R	1	M 215	(26)	986 505 641 01	retaining strip	03-	1	
	70C	rally black				27	986 505 851 00	spacer		2	
(11)	986 505 425 01	buffer	/L	1	M 91/M 215	28	900 143 151 02	screw B 4,2 X 16		2	
	M7Z	gt silver metallic				29	999 025 235 40	rubber washer		X	
(11)	986 505 426 01	buffer	/R	1	M 91/M 215	30	999 507 040 40	expander nut 4,2		2	
	M7Z	gt silver metallic				37	999 651 225 40	safety rope		1	
13	986 505 021 00	bumper reinforcement		1		38	986 505 811 01	heat protection	-02	1	
14	900 378 088 09	hexagon-head bolt M 12 X 100		2		(38)	986 505 811 02	heat protection	03-	1	
15	996 505 019 01	impact pipe		2		39	999 190 463 30	blind rivet A 4,0 X 13,0		2	
(15)	996 505 015 00	impact absorber		2	M 058	40	900 151 028 02	washer 4,3		2	
16	900 075 457 02	hexagon-head bolt M 8 X 30		4		41	996 505 669 00	retainer spring outer	-02	2	M 635
17	993 505 775 00	seal		2		(41)	986 505 869 00	retainer spring outer	03-	2	M 635
18	986 505 475 00	heat protection	-02	1		(41)	986 505 667 00	retainer spring inner	-02	2	M 635
18	986 505 475 01	heat protection	03-	1		(41)	986 505 867 01	retainer spring inner	03-	2	M 635
19	986 505 639 00	rear support	-02	2		42	996 606 171 00	sensor	-02	4	M 635
(19)	986 505 639 01	rear support	03-	2			9A4	titanium metallic			
20	999 075 048 02	screw M 6 X 22		2		(42)	000 043 204 56	sensor	03-	4	M 635
21	900 278 025 02	hexagon-head bolt M 5 X 12		1		43	996 606 471 00	ring		4	M 635
22	999 025 243 02	spacer		1		44	996 505 865 00	housing	-02	4	M 635
(23)	986 505 631 01	wheel-housing liner	/L -02	1		(44)	986 505 865 00	housing	03-	4	M 635
(23)	986 505 631 02	wheel-housing liner	/L 03-	1		45	999 025 262 02	washer 35 X 50 X 0,5		4	M 635
23	986 505 632 01	wheel-housing liner	/R -02	1							
(23)	986 505 632 02	wheel-housing liner	/R 03-	1							



Model	Year	MG	SG	Illustration	Restrictions	Update	18:00	23.08.2006	PORSCHE	PET	PORSCHE
986	04	8	02	802-05		203					

Pos	Part Number	Name	Remarks	Qty	Model	Pos	Part Number	Name	Remarks	Qty	Model
46	986 505 859 00	cover	/L -02	1	M 635						
	G2X	prime coated inner									
(46)	986 505 859 01	cover	/L 03-	1	M 635						
	G2X	prime coated inner									
(46)	986 505 860 00	cover	/R -02	1	M 635						
	G2X	prime coated inner									
(46)	986 505 860 01	cover	/R 03-	1	M 635						
	G2X	prime coated inner									
(46)	986 505 861 00	cover	/L -02	1	M 635						
	G2X	prime coated outer									
(46)	986 505 861 01	cover	/L 03-	1	M 635						
	G2X	prime coated outer									
(46)	986 505 862 00	cover	/R -02	1	M 635						
	G2X	prime coated outer									
(46)	986 505 862 01	cover	/R 03-	1	M 635						
	G2X	prime coated outer									
47	999 507 623 40	cable holder		4	M 635						
		- - - E N D - - -									

Model	Year	MG	SG	Illustration	Restrictions	Update	18:00	23.08.2006	PORSCHE	PET	PORSCHE
986	04	8	03	803-00		203					

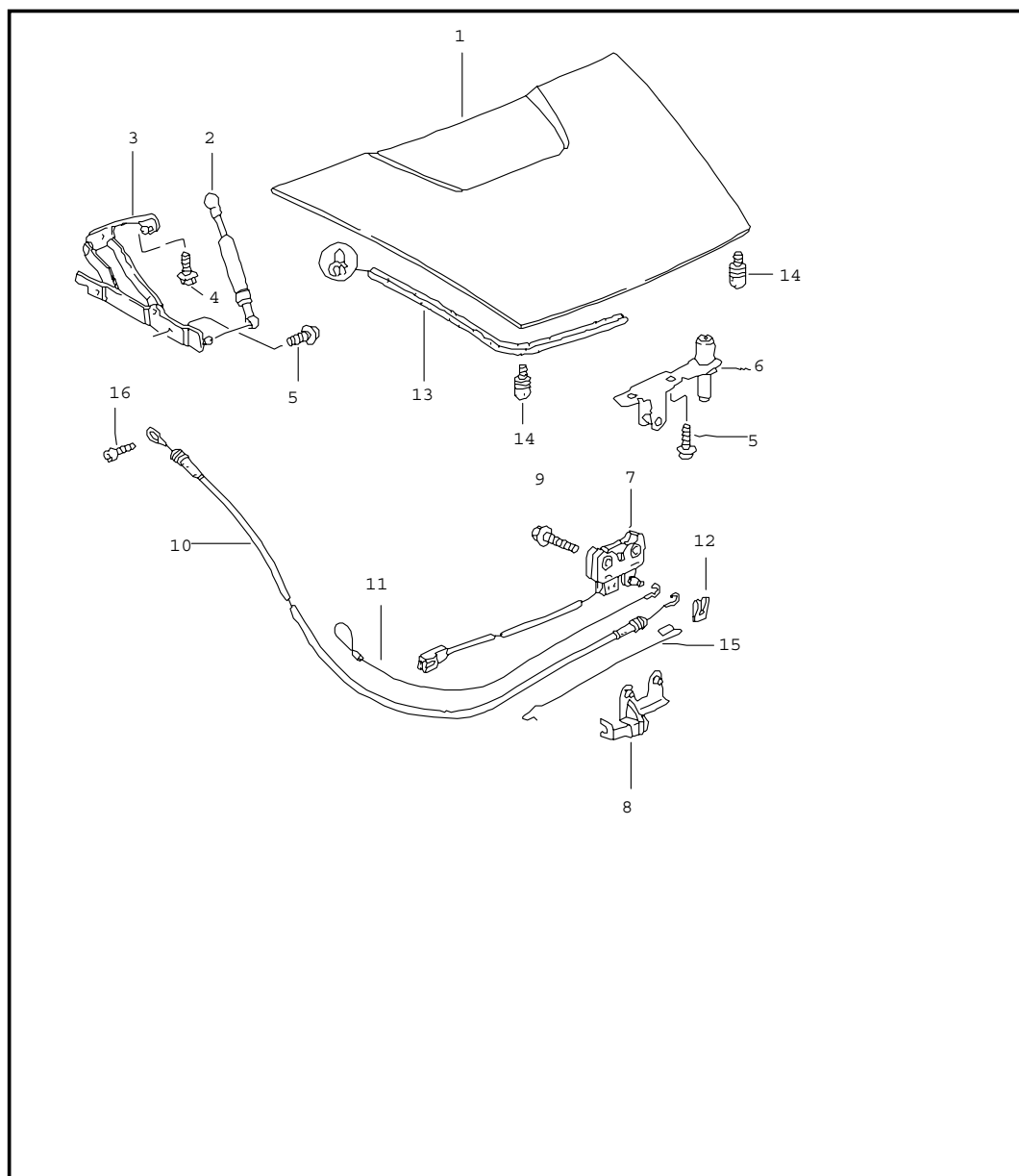


Pos	Part Number	Name	Remarks	Qty	Model
1	996 511 011 02	cover front		1	
	GRV	prime coated			
		use also:			
-	000 043 204 38	sealing material		1	
2	996 511 551 01	gas-filled strut		2	
3	996 511 151 01	hinge	/L	1	
(3)	996 511 152 01	hinge	/R	1	
4	900 378 036 09	hexagon-head bolt M 6 X 12		4	
5	900 075 466 09	screw M 6 X 16		6	
6	996 511 051 02	lock upper part		1	
7	900 378 173 09	hexagon-head bolt M 6 X 20		2	
8 A	996 511 053 01	lock lower part	-01	1	
8	996 511 053 02	lock lower part		1	
-	999 652 750 40	plug socket		1	
-	999 652 567 22	connector		2	
9	996 613 206 00	microswitch		1	
10	900 075 347 02	screw M 6 X 30		1	
11	996 511 017 01	traction	/LL -00	1	
(11)	996 511 017 02	traction	01-	1	
(11)	996 511 018 00	traction	/RL -00	1	
12	996 511 521 00	emergency operation		1	
13	996 511 611 00	gasket		1	
14	999 703 140 40	buffer		2	
15	996 504 811 00	trim		1	
	01C	satin black			
16	999 590 036 40	catch		4	

Model	Year	MG	SG	Illustration	Restrictions	Update	18:00	23.08.2006	PORSCHE	PET	PORSCHE
986	04	8	03	803-00		203					

Pos	Part Number	Name	Remarks	Qty	Model	Pos	Part Number	Name	Remarks	Qty	Model
	01C	satin black									
17	996 511 653 00	cover		1							
18	900 119 121 09	pan-head screw M 4 X 14		1							
19	996 511 127 00	actuator	01-	1							
		- - - E N D - - -									

Model	Year	MG	SG	Illustration	Restrictions	Update	18:00	23.08.2006	PORSCHE	PET	PORSCHE
986	04	8	03	803-05		203					

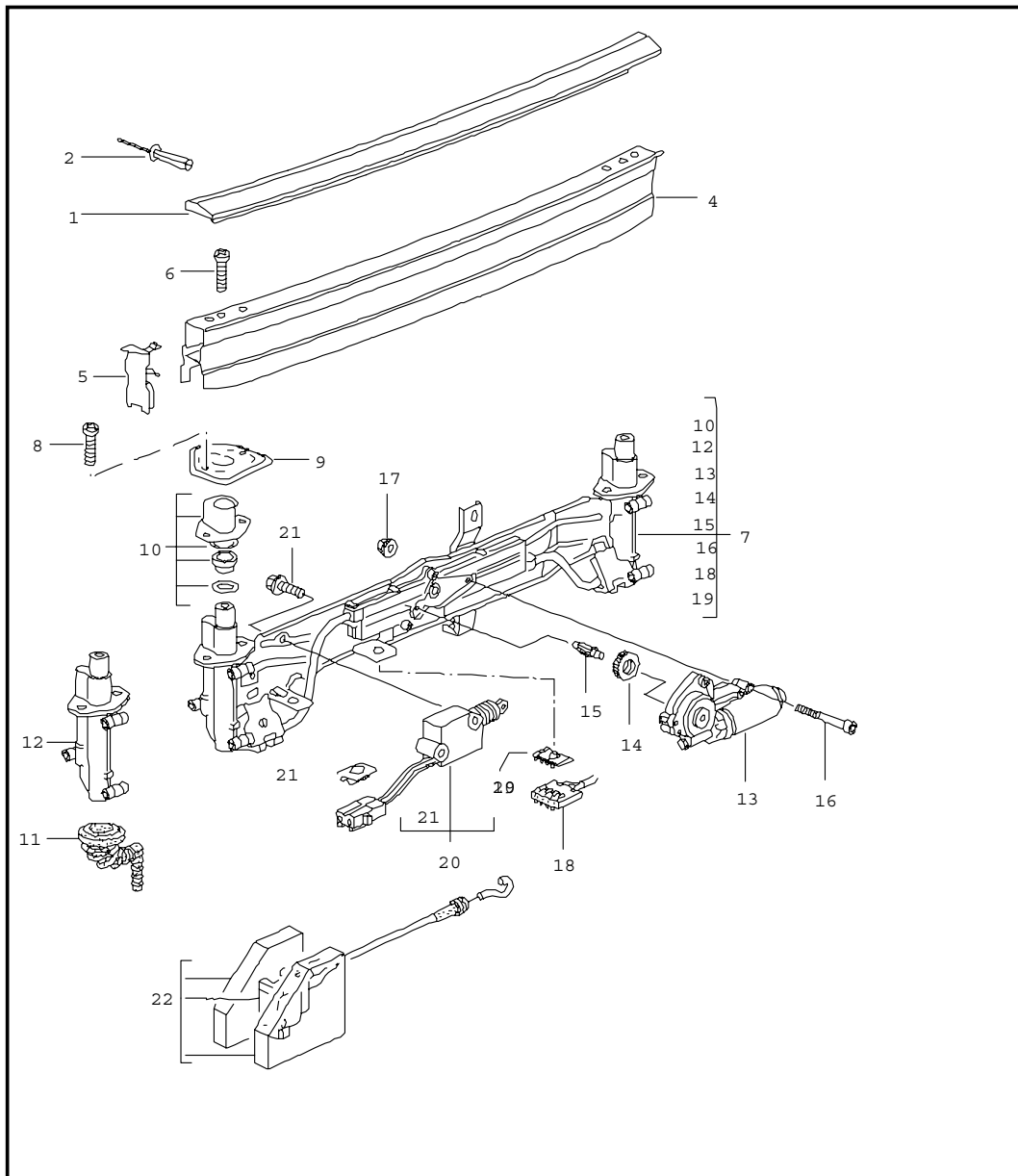


Pos	Part Number	Name	Remarks	Qty	Model
1	A 986 512 011 01	cover rear		1	
		GRV prime coated use also:			
1	986 512 011 02	cover		1	
		GRV prime coated use also:			
-	000 043 204 38	sealing material		1	
2	986 512 551 01	gas-filled strut		2	
3	986 512 151 01	hinge	/L	1	
(3)	986 512 152 01	hinge	/R	1	
4	900 075 466 09	hexagon-head bolt M 6 X 16		4	
5	900 378 155 09	screw M 6 X 16		6	
(6)	986 512 051 00	lock upper part		1	
7	A 986 512 053 01	lock lower part	-01	1	
7	986 512 053 02	lock lower part		1	
-	999 652 750 40	plug socket		1	
-	999 652 567 22	connector		2	
8	996 512 753 02	plate		1	
(8)	986 512 753 00	plate		1	
9	900 378 168 09	hexagon-head bolt M 6 X 30		2	
10	986 512 017 01	traction	/LL	1	
(10)	986 512 018 00	traction	/RL	1	
11	996 512 521 00	emergency operation		1	
12	999 166 054 02	sl-lock		1	
13	986 512 611 00	gasket		1	
14	999 703 140 40	buffer		2	
15	986 504 719 00	pull rod		1	M 534/535

Model	Year	MG	SG	Illustration	Restrictions	Update	18:00	23.08.2006	PORSCHE	PET	PORSCHE
986	04	8	03	803-05		203					

Pos	Part Number	Name	Remarks	Qty	Model	Pos	Part Number	Name	Remarks	Qty	Model
16	900 119 121 09	cylinder lock M 4 X 14		1							
		- - - E N D - - -									

Model	Year	MG	SG	Illustration	Restrictions	Update	18:01	23.08.2006	PORSCHE	PET	PORSCHE
986	04	8	03	803-07		203					

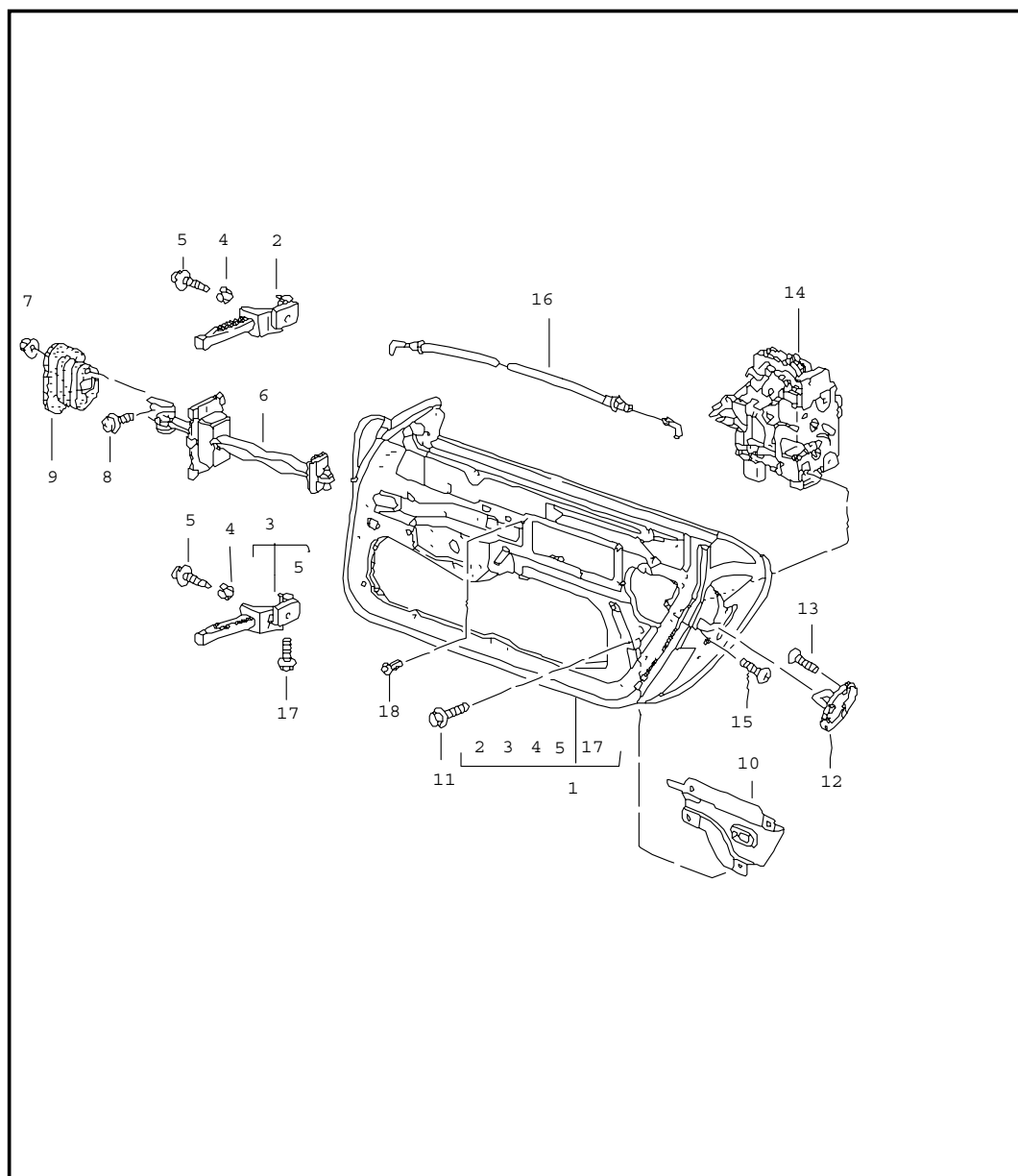


Pos	Part Number	Name	Remarks	Qty	Model
		rear spoiler			
1	986 504 609 01	upper part	-02	1	
	G2X	prime coated			
1	986 504 609 02	upper part	03-	1	
	G2X	prime coated			
(2)	999 507 499 40	expansion rivet 5,0 X 11,5		3	
4	986 504 613 01	bracket	-02	1	
4	986 504 613 02	bracket	03-	1	
5	986 504 615 01	cover	/L -02	1	
5	986 504 615 02	cover	/L 03-	1	
(5)	986 504 616 01	cover	/R -02	1	
(5)	986 504 616 02	cover	/R 03-	1	
6	999 218 016 02	pan-head screw M 6 X 16 micro-self-locking		2	
7	986 504 109 00	driving mechanism		1	
-	999 652 919 40	plug socket		1	
-	999 652 567 22	connector		5	
8	999 218 016 02	pan-head screw M 6 X 16 micro-self-locking		4	
9	986 504 251 00	mounting plate		2	
10	986 504 913 00	seal		2	
11	986 504 915 00	water drain hose		1	
12	986 504 911 00	hinge	/L	1	
(12)	986 504 912 00	hinge	/R	1	
13	996 624 151 00	electric motor		1	
14	986 504 261 00	spur gear		1	
15	986 504 263 00	axle		1	
16	900 074 364 02	hexagon-head bolt M 5 X 55 micro-self-locking		3	

Model	Year	MG	SG	Illustration	Restrictions	Update	18:01	23.08.2006	PORSCHE	PET	PORSCHE
986	04	8	03	803-07		203					

Pos	Part Number	Name	Remarks	Qty	Model	Pos	Part Number	Name	Remarks	Qty	Model
17	900 377 009 02	hexagon nut M 5		3							
18	999 652 918 40	connector housing		1							
19	999 650 175 40	support		1							
20	996 624 117 00	actuator	-00	1	M 534,M 535						
-	999 652 749 40	plug socket		1							
-	999 652 567 22	connector		2							
21	999 507 434 40	support		1	M 534,M 535						
22	986 512 117 00	actuator	01-	1	M 534,M 535						
		- - - E N D - - -									

Model	Year	MG	SG	Illustration	Restrictions	Update	18:01	23.08.2006	PORSCHE	PET	PORSCHE
986	04	8	04	804-00		203					



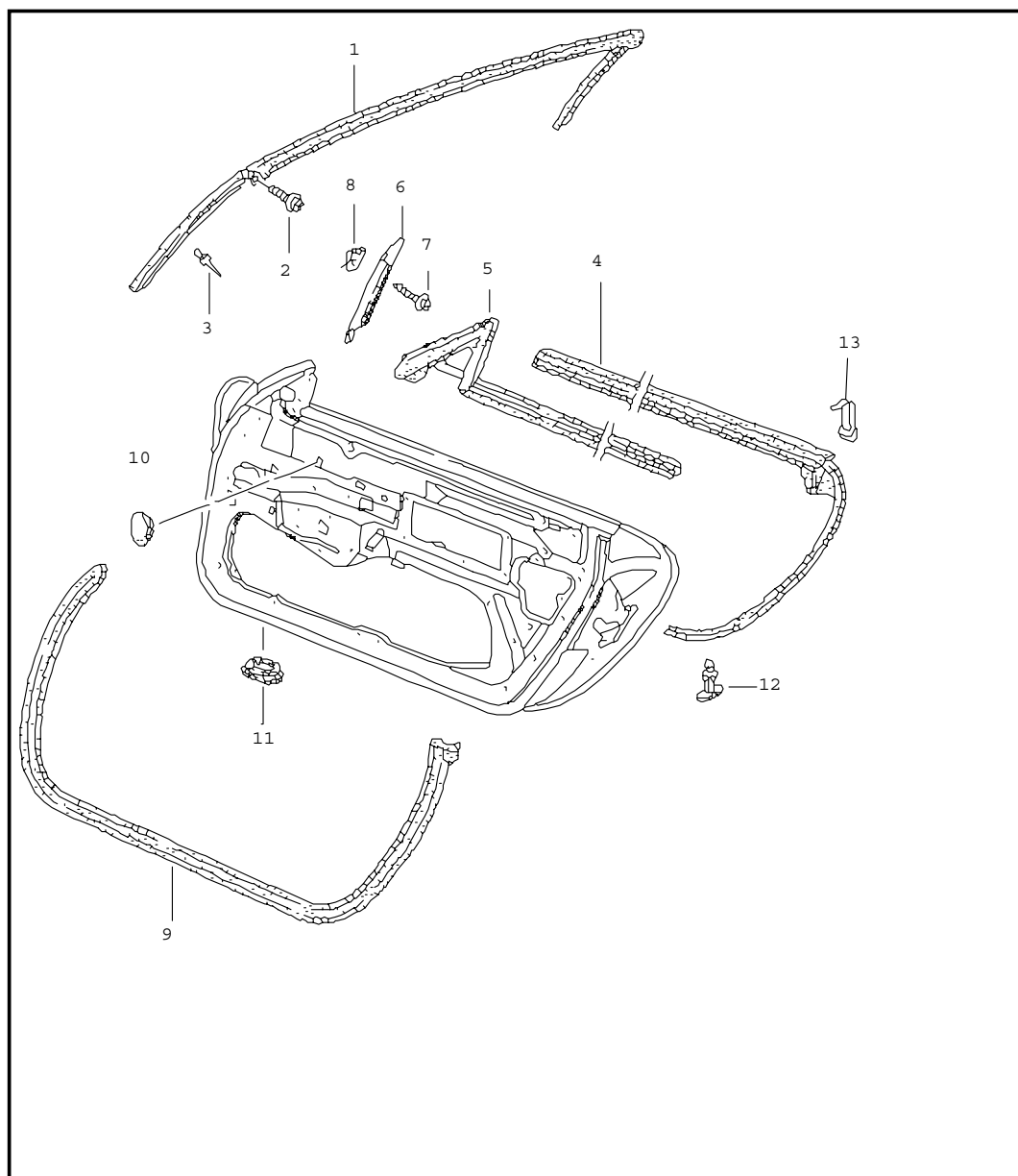
Pos	Part Number	Name	Remarks	Qty	Model
		door in white installation parts door lock			
(1)	996 531 011 02	door in white	/L	1	
	GRV	prime coated use also: POS.17 see technical information group 5 4/00			
1	996 531 012 02	door in white	/R	1	
	GRV	prime coated use also: POS.17 see technical information group 5 4/00			
-	000 043 204 38	sealing material		1	
(2)	996 531 321 04	hinge	/L	1	
2	996 531 322 04	hinge	/R	1	
(3)	996 531 319 03	hinge	/L	1	
3	996 531 320 03	hinge	/R	1	
4	996 531 831 00	sleeve		4	
5	999 073 192 02	pan-head screw M 8 X 33		2	
6	996 537 151 02	door arrester		2	
7	999 084 212 02	nut M 6		4	
8	999 073 138 09	screw M 8 X 25		2	
9	996 537 751 00	seal		2	
(10)	996 537 523 00	bracket	/L	1	
	GRV	prime coated			
10	996 537 524 00	bracket	/R	1	
	GRV	prime coated			
11	900 075 487 09	screw M 6 X 16		10	



Model	Year	MG	SG	Illustration	Restrictions	Update	18:01	23.08.2006	PORSCHE	PET	PORSCHE
986	04	8	04	804-00		203					

Pos	Part Number	Name	Remarks	Qty	Model	Pos	Part Number	Name	Remarks	Qty	Model
12	A 3B0 837 033 F	end plate		2							
12	3B0 837 033 P	end plate		2							
13	N 907 985 02	countersunk-head screw M 8 X 16,5		4							
(14)	3B1 837 015 A	door lock	/LL/L97	1							
(14)	A 8N1 837 015	door lock	/LL/L98-	1							
(14)	8N1 837 015 B	door lock	/LL/L98-	1							
14	3B1 837 016 A	door lock	/LL/R97	1							
14	A 8N1 837 016	door lock	/LL/R98-	1							
14	8N1 837 016 B	door lock	/LL/R98-	1							
(14)	3B1 837 016 C	door lock	/LL/R97	1	M 534/M 535						
(14)	3B1 837 016 M	door lock	/LL/R98-	1	M 534/M 535						
(14)	3B2 837 015 A	door lock	/RL/L97	1							
(14)	A 8N2 837 015	door lock	/RL/L98-	1							
(14)	8N2 837 015 B	door lock	/RL/L98-	1							
(14)	3B2 837 015 B	door lock	/RL/L97	1	M 534/M 535						
(14)	3B2 837 015 F	door lock	/RL/L98-	1	M 534/M 535						
(14)	3B2 837 016 A	door lock	/RL/R97	1							
(14)	A 8N2 837 016	door lock	/RL/R98-	1							
(14)	8N2 837 016 B	door lock	/RL/R98-	1							
15	N 908 005 01	screw M 8 X 14		4							
16	996 537 320 03	bowden cable see technical information group 5 4/98		2							
17	999 072 043 09	hexagon-head bolt M 6 X 12 micro-self-locking		4							
18	999 500 066 02	blind rivet nut M 6/0,5 - 3		6	M 563						
		- - - E N D - - -									

Model	Year	MG	SG	Illustration	Restrictions	Update	18:01	23.08.2006	PORSCHE	PET	PORSCHE
986	04	8	04	804-10		203					

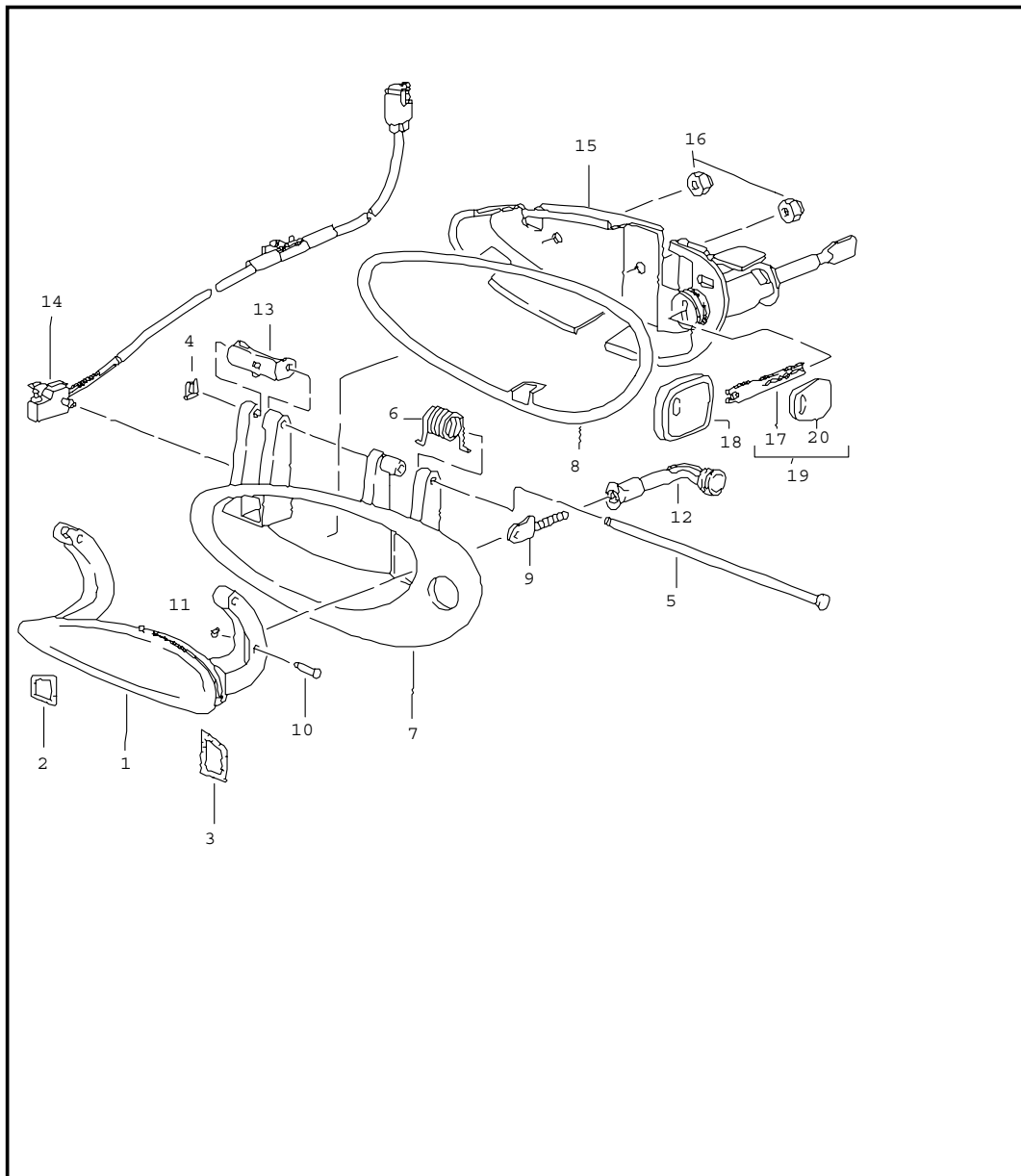


Pos	Part Number	Name	Remarks	Qty	Model
		door seal gasket windscreen frame			
1	986 537 077 02	gasket		1	
2	900 075 483 02	screw M 5 X 20		2	
3	A 999 190 426 37	blind rivet A 4,0 X 9,5		8	
3	999 190 445 37	rivet A 4,0 X 7,9		8	
(4)	A 996 537 085 06	sealing for door slot	/L	1	
(4)	996 537 085 07	gasket outer	/L	1	
4	A 996 537 086 06	sealing for door slot	/R	1	
4	996 537 086 07	gasket outer	/R	1	
(5)	A 996 537 531 05	sealing for door slot	/L	1	
(5)	996 537 531 06	gasket inner	/L	1	
5	A 996 537 532 05	sealing for door slot	/R	1	
5	996 537 532 06	gasket inner	/R	1	
(6)	A 996 537 725 01	window guide	/L -02	1	
(6)	996 537 725 02	window guide	/L	1	
6	A 996 537 726 01	window guide	/R -02	1	
6	996 537 726 02	window guide	/R	1	
7	999 073 047 02	tapping screw ST 3,5 X 9,5		2	
8	999 591 725 02	speed nut ST 3,5		2	
(9)	A 986 537 075 02	gasket	/L	1	
(9)	986 537 901 00	gasket	/L	1	
9	A 986 537 076 02	gasket	/R	1	
9	986 537 902 00	gasket	/R	1	

Model	Year	MG	SG	Illustration	Restrictions	Update	18:01	23.08.2006	PORSCHE	PET	PORSCHE
986	04	8	04	804-10		203					

Pos	Part Number	Name	Remarks	Qty	Model	Pos	Part Number	Name	Remarks	Qty	Model
10	999 703 441 40	cover 20 X 28 X 1		4							
11	999 703 417 40	cover 24 X 39		8							
12	999 507 578 40	clip gasket outer		36							
13	999 507 571 02	clamp		2							
		- - - E N D - - -									

Model	Year	MG	SG	Illustration	Restrictions	Update	18:01	23.08.2006	PORSCHE	PET	PORSCHE
986	04	8	04	804-20		203					



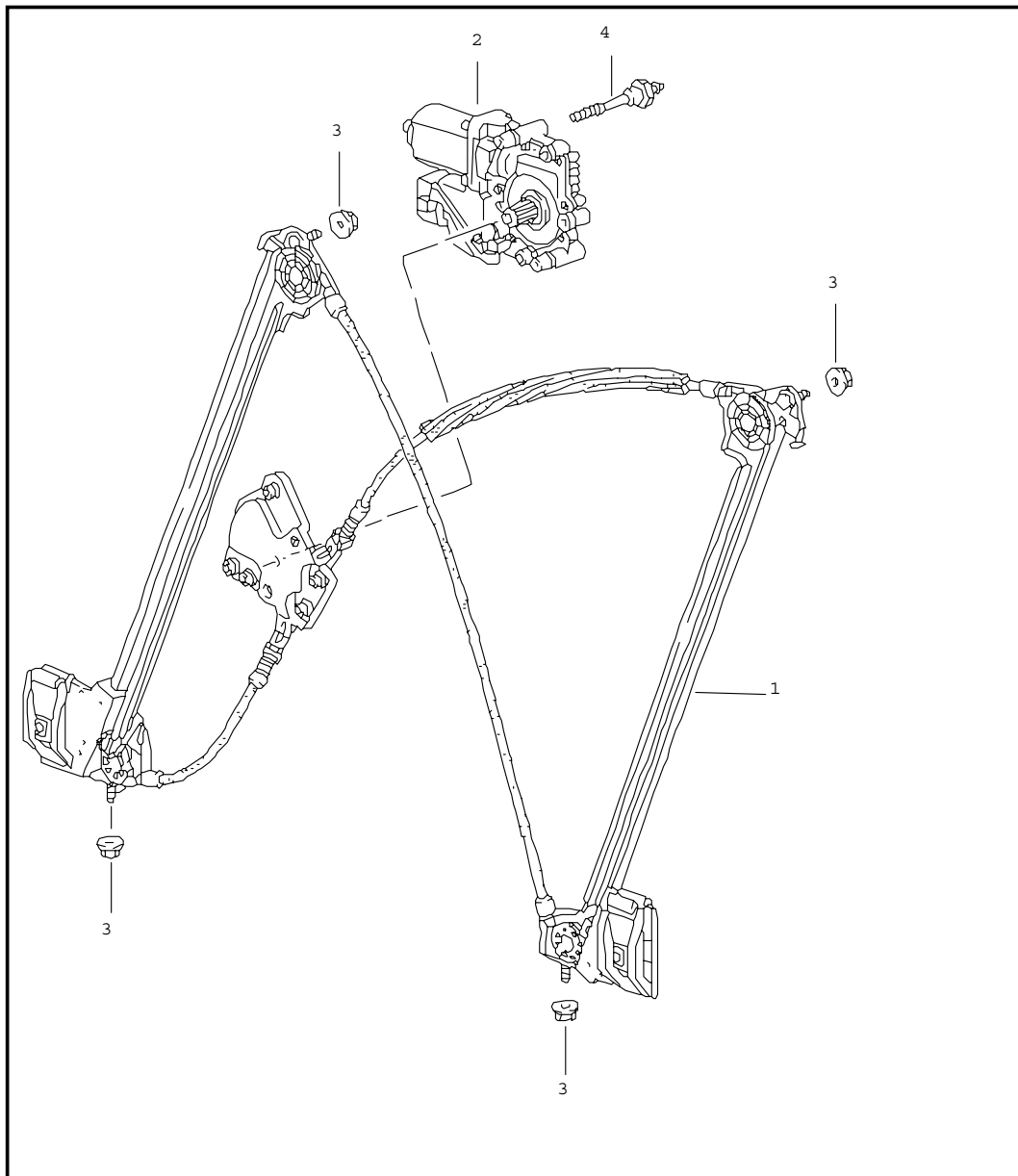
Pos	Part Number	Name	Remarks	Qty	Model
		door handle			
1	996 537 613 00	handle	/L 97	1	
	G2X	prime coated			
1	996 537 613 01	handle	/L 98-	1	
	G2X	prime coated			
(1)	996 537 614 00	handle	/R 97	1	
	G2X	prime coated			
(1)	996 537 614 01	handle	/R 98-	1	
	G2X	prime coated			
2	996 537 623 01	buffer		2	
3	996 537 625 00	buffer		2	
4	996 537 631 00	sl-lock		2	
5	996 537 621 00	axle		2	
6	996 537 611 00	return spring	/L	1	
(6)	996 537 612 00	return spring	/R	1	
7 A	996 537 645 00	handle liner	/LL/L97	1	
	G2X	prime coated			
7	996 537 645 01	handle liner	/LL/L	1	
	G2X	prime coated			
(7) A	996 537 645 00	handle liner	/RL/L97	1	M 531
	G2X	prime coated			
(7)	996 537 645 01	handle liner	/RL/L	1	M 531
	G2X	prime coated			
(7) A	996 537 647 00	handle liner	/RL/L97	1	M 534/M 535
	G2X	prime coated			
(7)	996 537 647 01	handle liner	/RL/L	1	M 534/M 535
	G2X	prime coated			
(7) A	996 537 646 00	handle liner	/LL/R97	1	M 531
	G2X	prime coated			

Model	Year	MG	SG	Illustration	Restrictions	Update	18:01	23.08.2006	PORSCHE	PET	PORSCHE
986	04	8	04	804-20		203					

Pos	Part Number	Name	Remarks	Qty	Model	Pos	Part Number	Name	Remarks	Qty	Model
(7)	996 537 646 01	handle liner	/LL/R	1	M 531	(15)	996 537 964 03	support with lock cylinder with stipulated lock-no. state lock number	/R	1	
	G2X	prime coated									
(7) A	996 537 646 00	handle liner	/RL/R97	1		(15)	996 537 063 03	support without lock cylinder	/RL/L	1	
	G2X	prime coated									
(7)	996 537 646 01	handle liner	/RL/R	1		(15)	996 537 064 03	support without lock cylinder	/LL/R	1	
	G2X	prime coated									
(7) A	996 537 648 00	handle liner	/LL/R97	1	M 534/M 535	16	900 380 015 09	nut M 6		4	
	G2X	prime coated				17	996 538 531 00	blank key		X	
(7)	996 537 648 01	handle liner	/LL/R	1	M 534/M 535	18	996 538 423 00	key cap	97	X	
	G2X	prime coated				18	996 538 423 01	key cap	98-	X	
8	996 537 637 00	desk pad	/L	1		19	996 538 932 00	replacement key with stipulated lock-no. state lock number information available		X	
(8)	996 537 638 00	desk pad	/R	1							
9	996 537 627 00	control shaft		2							
10	996 537 629 00	bolt	97	2		20	944 538 431 00	key cap		X	
10	996 537 629 01	bolt	98-	2							
11	996 537 641 00	lock washer		2							
12	996 537 445 02	connecting piece		2							
13	996 537 653 00	eccentric	/L	1							
(13)	996 537 654 00	eccentric	/R	1							
14	996 613 125 00	microswitch power windows	/L	1							
(14)	996 613 126 00	microswitch power windows	/R	1							
15	996 537 963 02	support with lock cylinder w/o stipulated lock number	/L	1							
(15)	996 537 964 02	support with lock cylinder w/o stipulated lock number	/R	1							
15	996 537 963 03	support with lock cylinder with stipulated lock-no. state lock number	/L	1							

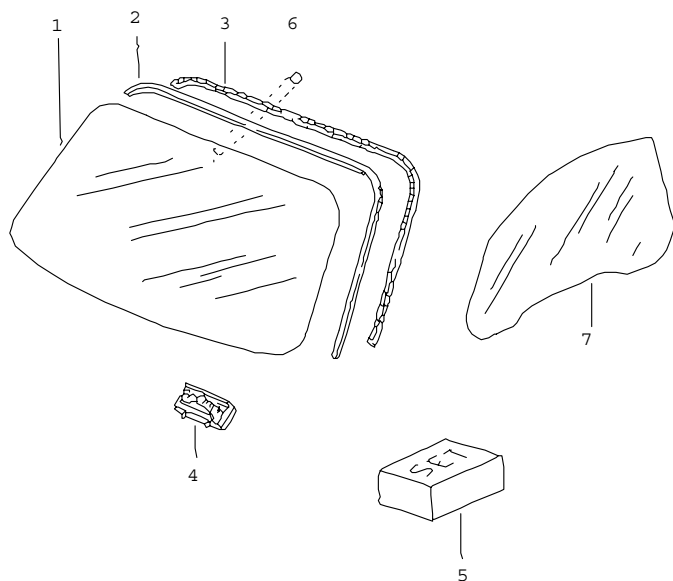
- - - E N D - - -

Model	Year	MG	SG	Illustration	Restrictions	Update	18:02	23.08.2006	PORSCHE	PET	PORSCHE
986	04	8	04	804-30		203					



Pos	Part Number	Name	Remarks	Qty	Model
		power windows			
(1)	996 542 075 04	power windows	/L	1	
1	996 542 076 04	power windows	/R	1	
(2)	986 624 101 02	electric motor	/L -02	1	
(2)	986 624 101 03	electric motor	/L 03-	1	
2	986 624 102 02	electric motor	/R -02	1	
2	986 624 102 03	electric motor	/R 03-	1	
3	900 380 015 09	nut M 6		14	
4	996 542 711 00	threaded bolt		6	
		microswitch lowering door glass see group 8/04/20 POS. 14			
		- - - E N D - - -			

Model	Year	MG	SG	Illustration	Restrictions	Update	18:02	23.08.2006	PORSCHE	PET	PORSCHE
986	04	8	05	805-00		203					



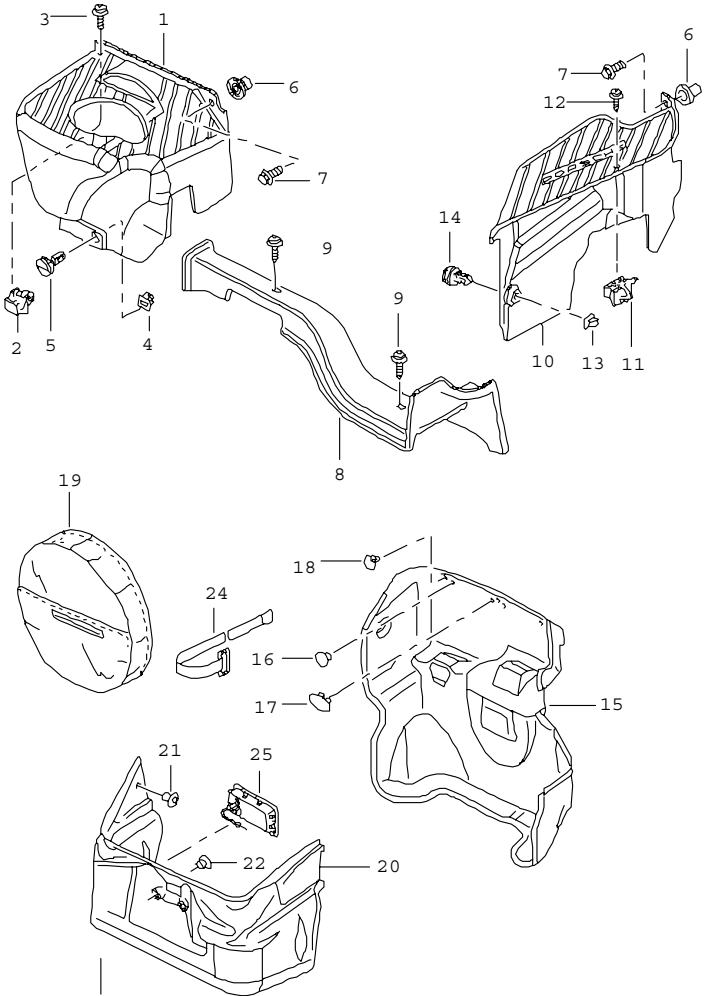
Pos	Part Number	Name	Remarks	Qty	Model
		windscreen			
1	986 541 901 02	windscreen tinted		1	
1	986 541 901 04	windscreen tinted	01-	1	M 265
(1)	986 541 901 03	windscreen tinted upper part: dark green		1	
(1)	986 541 901 05	windscreen tinted upper part: dark green	01-	1	M 265
(1)	986 541 901 06	windscreen tinted	03-	1	M 440
(1)	986 541 901 07	windscreen tinted upper part: dark green	03-	1	M 440
(1)	986 541 901 08	windscreen tinted	03-	1	M 440, M 265
(1)	986 541 901 09	windscreen tinted upper part: dark green	03-	1	M 440, M 265
2	986 541 521 01	sealing frame F >>98XS6 03402		1	
(2)	996 541 531 01	sealing frame it is necessary to rework F 98XS6 03403>>		1	
(2)	996 541 531 01	sealing frame it is necessary to rework	00-	1	M 008
3	986 541 541 01	trim frame F 98XS6 03403>>	-00	1	
3	986 541 541 03	trim frame	01-	1	
(3)	986 541 541 00	trim frame	-00	1	M 008
	9A4	titanium metallic			
(3)	986 541 541 02	trim frame	01-	1	M 008
	9A4	titanium metallic			
4	999 507 576 41	support		2	
5	000 043 300 94	adhesive set TEROSTAT 8593		1	

Model	Year	MG	SG	Illustration	Restrictions	Update	18:02	23.08.2006	PORSCHE	PET	PORSCHE
986	04	8	05	805-00		203					

Pos	Part Number	Name	Remarks	Qty	Model	Pos	Part Number	Name	Remarks	Qty	Model
6	000 731 513 00	adhesive plate for interior mirror		1							
7	986 542 511 00	door glass	/L	1							
(7)	986 542 512 00	door glass	/R	1							
		- - - E N D - - -									



Model	Year	MG	SG	Illustration	Restrictions	Update	18:02	23.08.2006	PORSCHE	PET	PORSCHE
986	04	8	07	807-00		203					

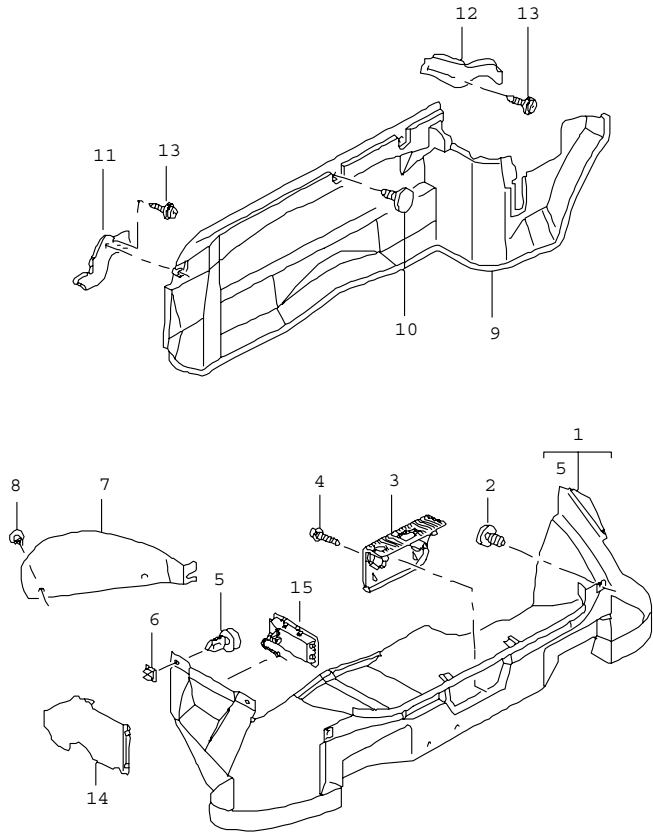


Pos	Part Number	Name	Remarks	Qty	Model
		luggage compartment front			
1	996 551 133 04	lining brake booster	/RL/R	1	
	01C	satin black			
(1)	996 551 131 03	lining brake booster	/LL/L	1	
	01C	satin black			
2	999 507 512 40	support 3,5		1	
3	999 919 151 09	oval-head screw 3,5 X 18		1	
4	999 590 046 40	disc cam 10,0 X 11,5		1	
5	999 507 529 40	catch 18,0		1	
6	999 500 078 00	nut M 6		1	
7	900 378 188 09	hexagon-head bolt M 6 X 20		1	
8	996 551 137 01	lining pipeline	/RL	1	
	01C	satin black			
9	999 919 151 09	screw 3,5 X 18		2	
10	996 551 135 01	lining hydraulic unit	/RL/L-99	1	
	01C	satin black			
10	996 551 135 02	lining hydraulic unit	/RL/L00-	1	
	01C	satin black			
(10)	996 551 135 03	lining hydraulic unit	/RL/L03-	1	M 692
	01C	satin black			
11	999 507 512 40	support	/RL	1	
11	999 507 512 40	support 3,5	/LL	3	

Model	Year	MG	SG	Illustration	Restrictions	Update	18:02	23.08.2006	PORSCHE	PET	PORSCHE
986	04	8	07	807-00		203					

Pos	Part Number	Name	Remarks	Qty	Model	Pos	Part Number	Name	Remarks	Qty	Model
(11)	996 551 771 00	support		1		17	999 703 456 40	cap 49 X 26 12,2 X 25		1	
12	999 919 151 09	oval-head screw	/RL	1							
12	999 919 151 09	oval-head screw 3,5 X 18	/LL	3		18	999 703 455 40	cap 12,2 X 25		2	
13	999 590 046 40	disc cam	/RL	1		19	996 551 061 00	lining		1	
13	999 590 046 40	disc cam 10,0 X 11,5	/LL	2		20	996 551 045 01	lining	-00	1	
14	999 507 529 40	catch	/RL	1			C10	grey			
14	999 507 529 40	catch 18,0	/LL	2		(20) A	996 551 045 06	lining	/V_01-02	1	
15	A 996 551 051 02	lining luggage compartment when used up order also: winged nut 900.029.004.02	/LL 97	1			A31	black			
		C10				20	996 551 045 08	lining	02-	1	
							A31	black			
(15) A	996 551 051 03	lining luggage compartment when used up order also: winged nut 900.029.004.02	/RL 97	1		21	999 703 432 40	plug 8,0		2	
		C10				22	999 507 565 40	plastic nut T5/ 24,15		2	
						(22)	999 507 566 40	plastic nut T5/ 39,70		1	
15	996 551 051 14	lining luggage compartment	/LL -00	1		24	996 551 741 00	retaining strap first-aid kit		1	
		C10				(24)	996 551 725 00	retaining strap tool bag		1	
(15)	996 551 051 15	lining luggage compartment	/RL -00	1							
		C10									
15	996 551 051 16	lining luggage compartment	/LL 01-	1							
		A31									
(15)	996 551 051 17	lining luggage compartment	/RL 01-	1							
		A31									
16	999 703 432 40	plug 8,0 12,2 X 25		8							
									- - - E N D - - -		

Model	Year	MG	SG	Illustration	Restrictions	Update	18:02	23.08.2006	PORSCHE	PET	PORSCHE
986	04	8	07	807-01		203					

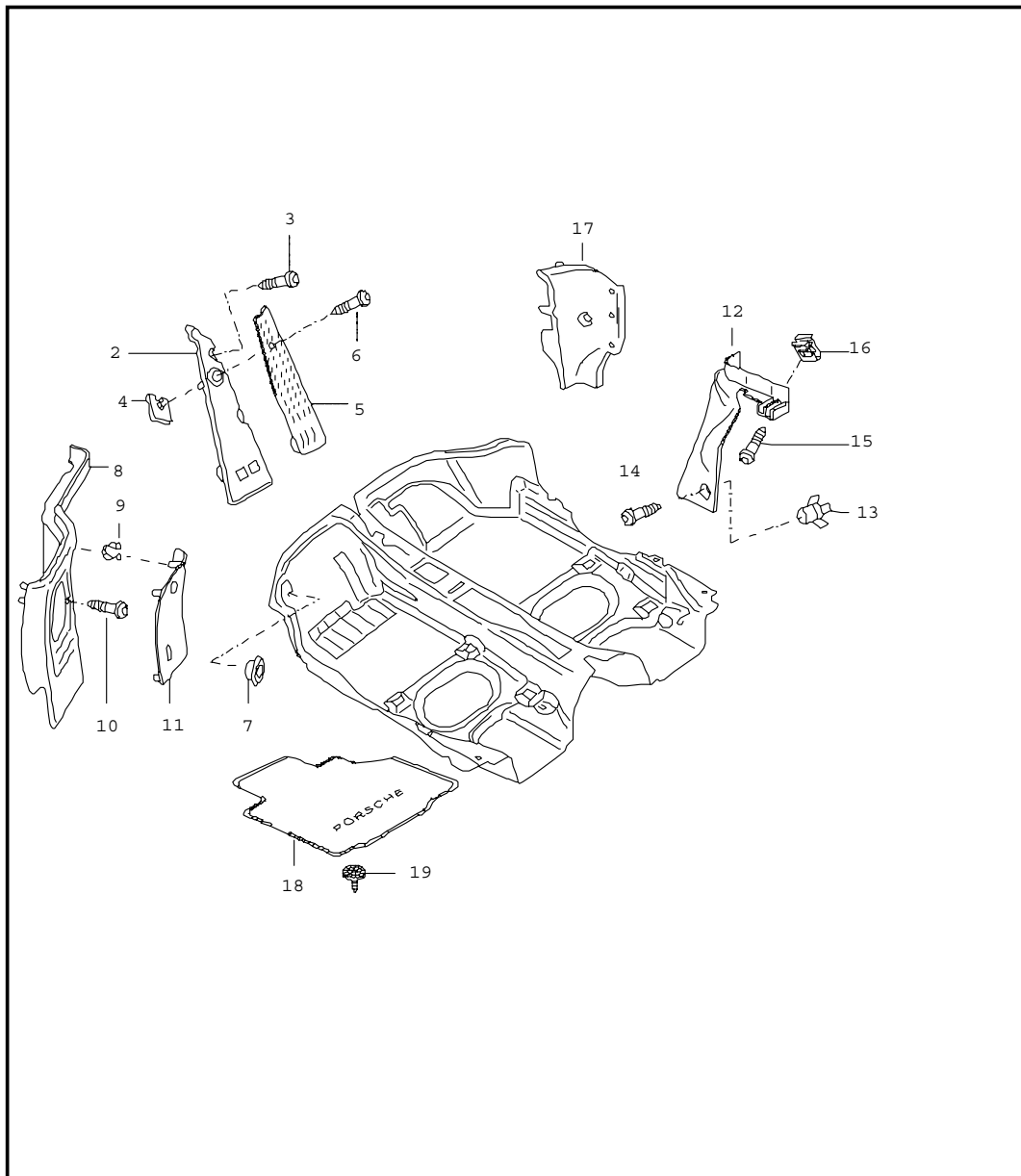


Pos	Part Number	Name	Remarks	Qty	Model
1	986 551 053 05	luggage compartment rear		1	
		lining luggage compartment	-00		
	C10	grey			
1	986 551 053 05	lining luggage compartment	01-	1	
	A31	black			
2	999 703 432 40	plug 8,0		3	
3	986 551 251 00	lining lid lock		1	
	01C	satin black			
4	900 143 187 09	screw 4,8 X 32		2	
5	999 507 529 40	catch 18,0		2	
6	999 590 046 40	disc cam 10,0 X 11,5		2	
7	986 551 651 00	cover rear light	/L -00	1	
	C10	grey			
(7)	986 551 652 00	cover rear light	/R -00	1	
	C10	grey			
7	986 551 651 01	cover rear light	/L 01-	1	
	A31	black			
(7)	986 551 652 01	cover rear light	/R 01-	1	
	A31	black			
8	999 049 020 40	plastic nut T5/30 X 5,1		6	
8	999 049 024 40	plastic nut T5/40 X 8		2	
9	986 551 045 02	lining luggage compartment	-00	1	

Model	Year	MG	SG	Illustration	Restrictions	Update	18:02	23.08.2006	PORSCHE	PET	PORSCHE
986	04	8	07	807-01		203					

Pos	Part Number	Name	Remarks	Qty	Model	Pos	Part Number	Name	Remarks	Qty	Model
	C10	grey									
9	986 551 045 03	lining luggage compartment	01-	1							
	A31	black									
10	999 703 432 40	plug 8,0		3							
(11)	986 551 321 01	bleeding	/L -02	1							
(11)	986 551 723 00	support	/L 03-	1							
(12)	986 551 322 01	bleeding	/R -02	1							
(12)	986 551 723 00	support	/R 03-	1							
13	999 073 061 02	tapping screw 4,8 X 16		3							
(14) A	986 551 763 00	reinforcement	/L	1							
(14) A	986 551 764 00	reinforcement F >>98XS6 02510 F >>98XU6 25195	/R	1							
14	986 551 763 01	reinforcement	/L	1							
(14)	986 551 764 01	reinforcement	/R	1							
(14)	986 551 761 00	reinforcement centre part		1							
		- - - E N D - - -									

Model	Year	MG	SG	Illustration	Restrictions	Update	18:02	23.08.2006	PORSCHE	PET	PORSCHE
986	04	8	07	807-02		203					



Pos	Part Number	Name	Remarks	Qty	Model
		interior equipment carpet linings			
1	986 551 011 02	carpet carpet  EEW black EEX graphite grey EEY savanna EFB nephrite green FAR nephrite green EFC boxster red EEZ metropole blue VRL dark grey VRM brown/natural FAP cinnamon brown FKF cocoa	/LL	1	
(1)	986 551 011 03	carpet carpet  EEW black EEX graphite grey EEY savanna EFB nephrite green FAR nephrite green EFC boxster red EEZ metropole blue VRL dark grey VRM brown/natural FAP cinnamon brown FKF cocoa	/RL	1	
-	996 551 813 00	protective film	/LL	1	
-	996 551 815 00	protective film carpet	/RL	1	

Model	Year	MG	SG	Illustration	Restrictions	Update	18:02	23.08.2006	PORSCHE	PET	PORSCHE
986	04	8	07	807-02		203					

Pos	Part Number	Name	Remarks	Qty	Model	Pos	Part Number	Name	Remarks	Qty	Model
2	996 551 211 00	foot support	/LL	1			EAT	nephrite green			
(2)	996 551 212 00	foot support	/RL	1			EAU	boxster red			
3	999 073 062 02	tapping screw 4,8 X 19	/LL	2			EBU	metropole blue	98-		
(3)	900 143 155 09	tapping screw		1			VRN	dark grey	00-		
4	999 591 485 02	speed nut 4,8	/RL	2			VRO	brown/natural	00-		
5	996 551 611 00	cover	/LL	1			FBZ	cinnamon brown	01-		
(5)	996 551 612 00	cover foot support	/RL	1		9	FKJ	cocoa	04		
6	999 919 161 09	oval-head screw 5,0 X 18	/LL	1		9	999 507 552 02	spring clamp 9,0 X 13		2	
(6)	900 143 155 02	oval-head screw 4,8 X 32	/RL	1		10	999 919 161 09	oval-head screw 5,0 X 18		4	
7	803 803 583 A	cover 20,0 X 30,0		2		11	996 551 621 00	cover	/LL	1	
8	996 551 101 00	lining carpet	/LL	1			01C	satin black			
	EAQ	black				(11)	996 551 622 00	cover	/RL	1	
	EAR	graphite grey					01C	satin black			
	EAS	savanna				(12)	986 551 215 00	lining seat belt carpet	/L 97	1	
	EAT	nephrite green					EDX	black			
	EAU	boxster red					EDY	graphite grey			
	EBU	metropole blue	98-				EDZ	savanna			
	VRN	dark grey	00-				EFJ	nephrite green			
	VRO	brown/natural	00-			12	986 551 216 00	lining seat belt carpet	/R 97	1	
	FBZ	cinnamon brown	01-				EDX	black			
	FKJ	cocoa	04				EDY	graphite grey			
(8)	996 551 102 00	lining carpet	/RL	1			EDZ	savanna			
	EAQ	black					EFJ	nephrite green			
	EAR	graphite grey					EFK	boxster red			
	EAS	savanna									

Model	Year	MG	SG	Illustration	Restrictions	Update	18:02	23.08.2006	PORSCHE	PET	PORSCHE
986	04	8	07	807-02		203					

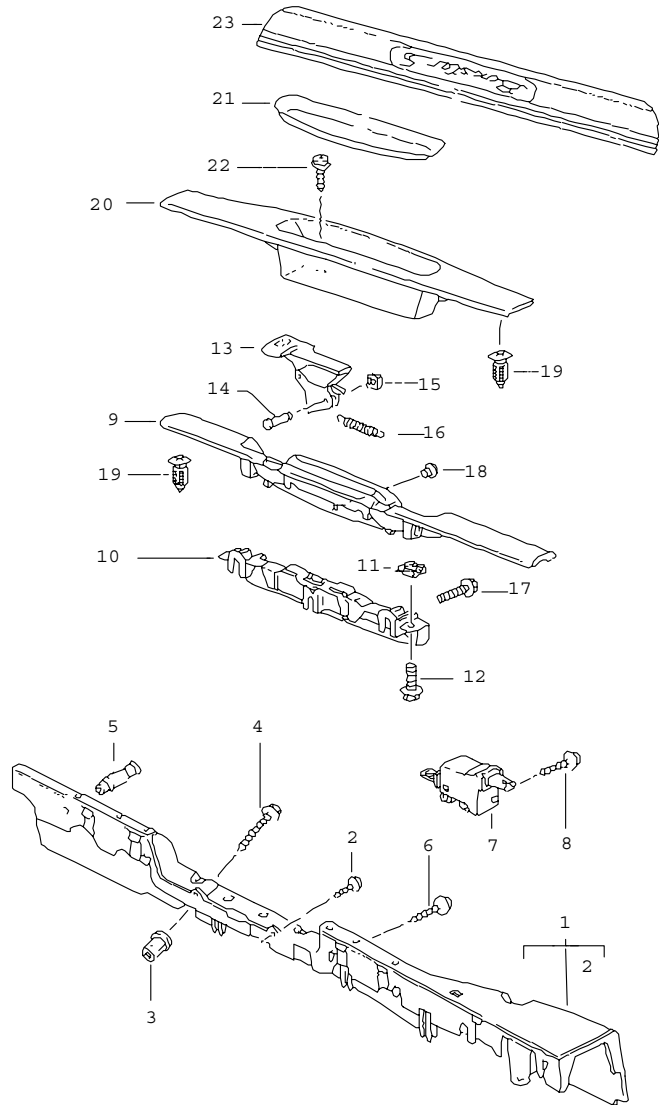
Pos	Part Number	Name	Remarks	Qty	Model	Pos	Part Number	Name	Remarks	Qty	Model
(12)	986 551 215 00	lining seat belt carpet	/L 98-99	1	M 11/12/16		EMF	nephrite green			
	EDX	black					EMG	boxster red			
	EDY	graphite grey				(12)	986 551 215 01	lining seat belt carpet	/L 00-	1	
	EDZ	savanna					ERG	black			
	EFJ	nephrite green					ERH	graphite grey			
	EFK	boxster red					ERJ	savanna			
	EFH	metropole blue	98-				ERK	metropole blue			
12	986 551 216 00	lining seat belt carpet	/R 98-99	1	M 11/12/16		ERL	nephrite green			
	EDX	black					ERM	boxster red			
	EDY	graphite grey					VSA	dark grey			
	EDZ	savanna					VSB	brown/natural			
	EFJ	nephrite green					FDP	cinnamon brown	01-		
	EFK	boxster red					FKH	cocoa	04		
	EFH	metropole blue	98-			12	986 551 216 01	lining seat belt carpet	/R 00-	1	
(12)	986 551 215 01	lining seat belt	/L 99	1	M 10		ERG	black			
	EMB	black					ERH	graphite grey			
	EMC	graphite grey					ERJ	savanna			
	EMD	savanna					ERK	metropole blue			
	EME	metropole blue					ERL	nephrite green			
	EMF	nephrite green					ERM	boxster red			
	EMG	boxster red					VSA	dark grey			
12	986 551 216 01	lining seat belt	/R 99	1	M 10		VSB	brown/natural			
	EMB	black					FDP	cinnamon brown	01-		
	EMC	graphite grey					FKH	cocoa	04		
	EMD	savanna				13	999 507 438 40	support 3,5 carpet		2	
	EME	metropole blue									

Model	Year	MG	SG	Illustration	Restrictions	Update	18:03	23.08.2006	PORSCHE	PET	PORSCHE
986	04	8	07	807-02		203					

Pos	Part Number	Name	Remarks	Qty	Model	Pos	Part Number	Name	Remarks	Qty	Model
14	999 073 048 02	tapping screw 3,5 X 13 carpet		2							
15	900 187 103 02	screw 4,8 X 16 carpet		2							
16	999 591 724 02	speed nut 5,5 carpet		2							
17	996 551 712 00	support valid up to: F >>98WS6 03037 carpet	/LL/R	1							
17	996 551 712 01	support valid from: F 98WS6 03036>> carpet	/LL/R	1							
(17)	996 551 711 00	support carpet	/RL/L	1							
--	999 073 226 09	tapping screw 4,2 X 16		1							
18	986 551 491 00	floor mats set pearl velour  R41 cocoa A41 black	/LL 04	1	M 091						
(18)	986 551 491 01	floor mats set pearl velour  R41 cocoa A41 black	/RL 04	1	M 091						
19	986 551 985 00	fastening plate for floor mats  - - - E N D - - -	04	4	M 091						



Model	Year	MG	SG	Illustration	Restrictions	Update	18:03	23.08.2006	PORSCHE	PET	PORSCHE
986	04	8	07	807-03		203					



Pos	Part Number	Name	Remarks	Qty	Model
		lining door sill			
1	986 551 619 01	support	/L	1	
(1)	986 551 620 01	support	/R	1	
-	999 551 140 40	felt strip		2	
2	900 143 082 02	tapping screw 6,3 X 13		4	
3	999 500 078 00	nut M 6		2	
(3)	999 049 022 40	plastic nut		2	
4	900 378 029 09	hexagon-head tapping screw M 6 X 40		2	
5	996 551 873 00	locating peg		2	
6	999 919 121 09	oval-head screw 5,0 X 16		2	
7	996 624 115 01	actuator cover	-00	1	
8	999 919 121 09	oval-head screw 5,0 X 16	-00	2	
(9)	986 551 019 01	lining with handle black/ lining	/LL 97	1	M 590
	EDP	black-grey			
(9)	986 551 019 01	lining	/LL98-99	1	M 11/12/16/ M 590
	EDP	black-grey			
(9)	986 551 019 02	lining with handle black/ lining	/LL98-99	1	M 537
	EDP	black-grey			

Model	Year	MG	SG	Illustration	Restrictions	Update	18:03	23.08.2006	PORSCHE	PET	PORSCHE
986	04	8	07	807-03		203					

Pos	Part Number	Name	Remarks	Qty	Model	Pos	Part Number	Name	Remarks	Qty	Model
(9)	986 551 019 03	lining with handle black/lining EDP black-grey	/LL98-99	1	M 537/590	(9)	996 551 019 03	lining with handle black/lining EDO granite grey	/LL 99	1	M 10/537/590
(9)	986 551 019 06	lining with handle black/lining EDP black-grey	/RL 97	1	M 590	(9)	996 551 019 05	lining with handle black/lining EDO granite grey	/RL 99	1	M 10/538
(9)	986 551 019 06	lining with handle black/lining EDP black-grey	/RL98-99	1	M 11/12/16/ M 590	(9)	996 551 019 06	lining with handle black/lining EDO granite grey	/RL 99	1	M 10/590
(9)	986 551 019 05	lining with handle black/lining EDP black-grey	/RL98-99	1	M 538	(9)	996 551 019 07	lining with handle black/lining EDO granite grey	/RL 99	1	M 10/538/590
(9)	986 551 019 07	lining with handle black/lining EDP black-grey	/RL98-99	1	M 538/590	(9)	996 551 019 10	lining with handle silver/lining ERF black	/LL 00	1	M 590
(9)	996 551 019 01	lining with handle black/lining EDO granite grey	/LL 99	1	M 10/590	(9)	996 551 019 11	lining with handle silver/lining ERF black	/LL 00	1	M 537/590
(9)	996 551 019 02	lining with handle black/lining EDO granite grey	/LL 99	1	M 10/537	(9)	996 551 019 14	lining with handle silver/lining ERF black	/RL 00	1	M 590

Model	Year	MG	SG	Illustration	Restrictions	Update	18:03	23.08.2006	PORSCHE	PET	PORSCHE
986	04	8	07	807-03		203					

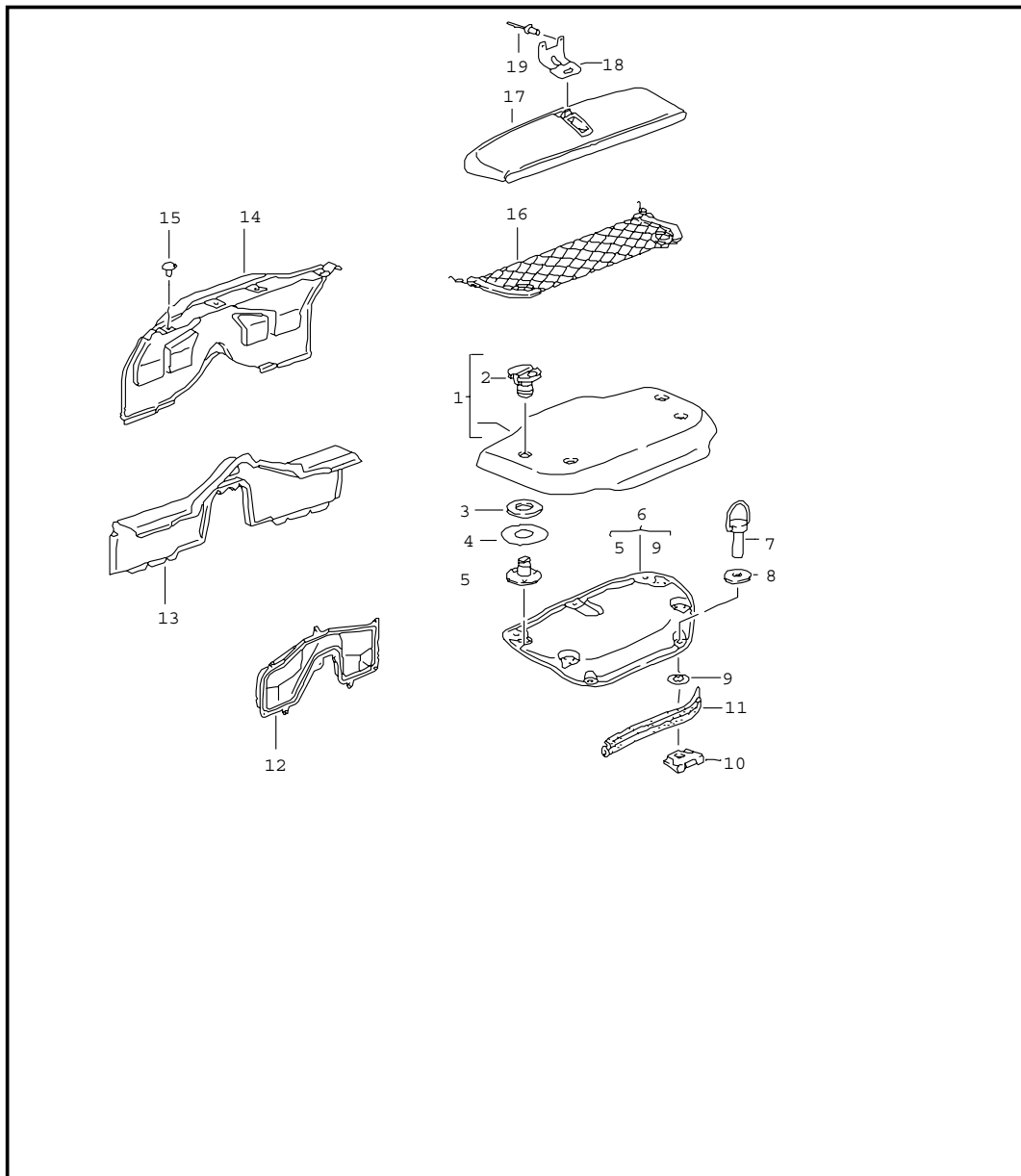
Pos	Part Number	Name	Remarks	Qty	Model	Pos	Part Number	Name	Remarks	Qty	Model
(9)	996 551 019 13	lining with handle silver lining	/RL 00	1	M 538	(9)	996 551 019 30	lining complete	/LL 02-	1	M 537
	ERF	black					A03	black			
(9)	996 551 019 15	lining with handle silver lining	/RL 00	1	M 538/590	(9)	996 551 019 21	lining complete	/RL 01	1	
	ERF	black					A03	black			
9	986 551 119 00	lining not for	97	1	M 590/ M 537/538	(9)	996 551 019 29	lining complete	/RL 02-	1	
	B12	black-grey					A03	black			
9	986 551 119 00	lining not for	98-99	1	M 11/12/16 M 590/ M 537/538	(9)	996 551 019 23	lining complete	/RL 01	1	M 538
	B12	black-grey					A03	black			
9	996 551 119 01	lining not for	99-00	1	M 590/537/ M 538	(9)	996 551 019 31	lining complete	/RL 02-	1	M 538
	D05	granite grey					A03	black			
	A03	black				10	996 551 719 00	bracket not for	-00	1	M 590/ M 537/538
9	996 551 119 04	lining	01-	1		11	999 507 556 02	speed nut M 5 not for	-00	2	M 590/ M 537/538
	A03	black									
(9)	996 551 119 05	lining	01-	1	M 537/538	12	900 075 145 02	hexagon-head bolt M 5 X 16 not for	-00	2	M 590/ M 537/538
	A03	black									
(9)	996 551 019 20	lining complete	/LL 01	1		13	996 551 511 01	handle	/LL/V-99	1	
	A03	black					70K	gloss black			
(9)	996 551 019 28	lining complete	/LL 02-	1		(13)	996 551 512 01	handle	/LL/H-99	1	
	A03	black					70K	gloss black			
(9)	996 551 019 22	lining complete	/LL 01	1	M 537	(13)	996 551 511 02	handle	/RL/V-99	1	
	A03	black					70K	gloss black			
						(13)	996 551 512 02	handle	/RL/H-99	1	
							70K	gloss black			
						13	996 551 511 01	handle	/LL/V00	1	M 009
							70K	gloss black			

Model	Year	MG	SG	Illustration	Restrictions	Update	18:03	23.08.2006	PORSCHE	PET	PORSCHE
986	04	8	07	807-03		203					

Pos	Part Number	Name	Remarks	Qty	Model	Pos	Part Number	Name	Remarks	Qty	Model
(13)	996 551 512 01	handle	/LL/H00	1	M 009	20	986 551 120 00	lining	98-99	1	M 11/12/16
	70K	gloss black					B12	black-grey			
(13)	996 551 511 02	handle	/RL/V00	1	M 009	20	996 551 120 00	lining	99	1	M 10
	70K	gloss black					D05	granite grey			
(13)	996 551 512 02	handle	/RL/H00	1	M 009		A03	black	00-		
	70K	gloss black				21	996 551 513 00	mat		1	
13	996 551 511 03	handle	/LL/V00	1	M 008	22	999 919 164 09	oval-head screw		2	
		lacquered						5,0 X 12			
	V01	silver				23	986 551 303 00	scuff plate	00-	2	M 008
(13)	996 551 512 03	handle	/LL/H00	1	M 008		A03	black			
		lacquered				(23)	986 551 303 01	scuff plate	04	2	M 091
	V01	silver						lacquered			
(13)	996 551 511 04	handle	/RL/V00	1	M 008		A03	black			
		lacquered									
	V01	silver									
(13)	996 551 512 04	handle	/RL/H00	1	M 008						
		lacquered									
	V01	silver									
14	999 088 033 02	bolt	-00	2	M 537/538						
		not for	98-								
		6 X 22 X 19									
15	999 166 079 02	lock	-00	2	M 537/538						
		not for	98-								
16	999 522 030 00	tension spring	-00	2	M 537/538						
		not for	98-								
17	999 218 106 02	screw	-00	3							
		M 6 X 25									
(17)	999 067 046 09	pan-head screw	01-	3							
		M 6 X 20									
18	999 703 443 40	plug		3							
		8,0 X 11 X 7,2									
	01C	satin black									
19	999 507 484 40	expander nut		18							
20	986 551 120 00	lining	97	1							
	B12	black-grey									

- - - E N D - - -

Model	Year	MG	SG	Illustration	Restrictions	Update	18:03	23.08.2006	PORSCHE	PET	PORSCHE
986	04	8	07	807-05		203					



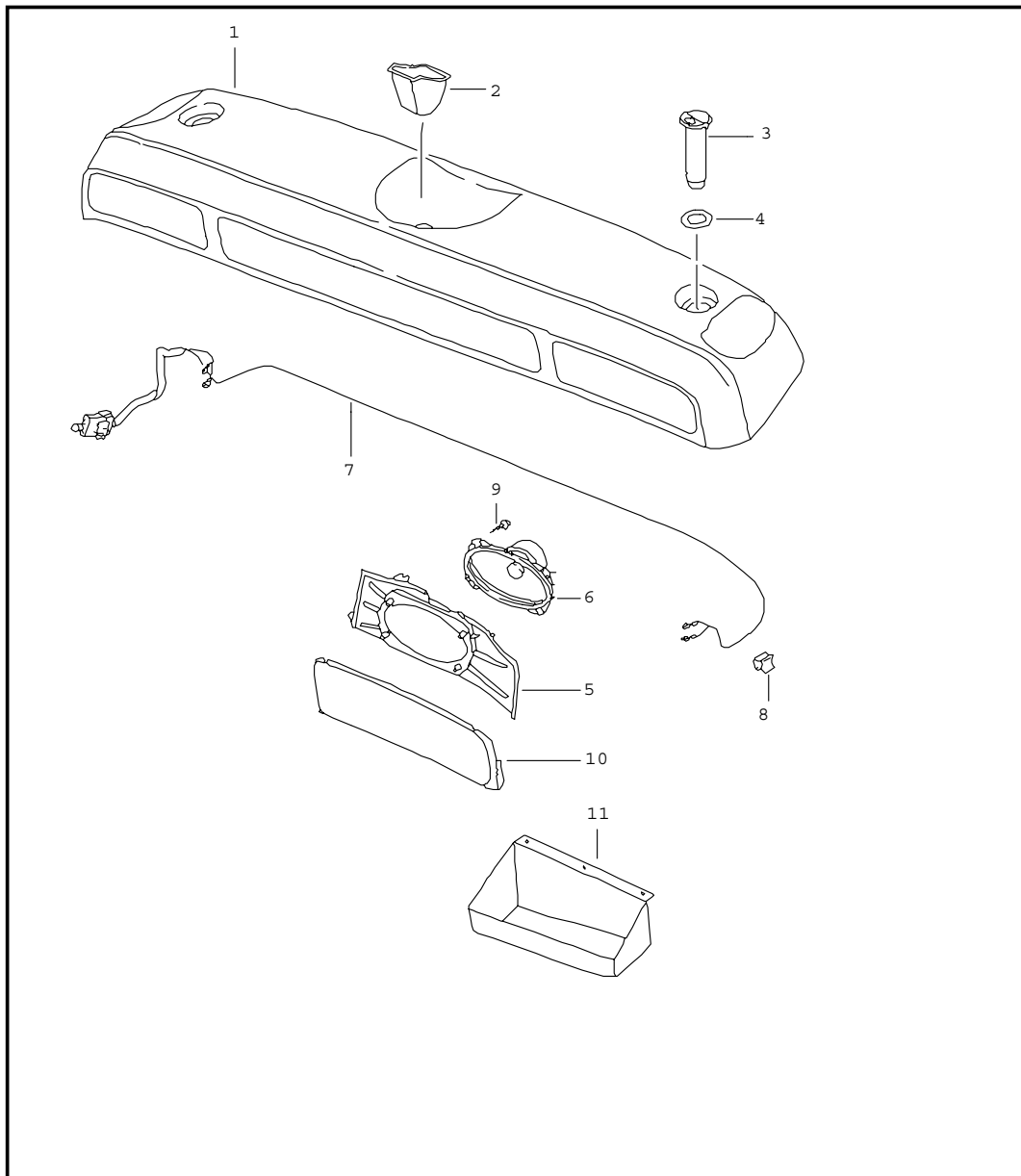
Pos	Part Number	Name	Remarks	Qty	Model
(1)	986 551 039 01	linings engine compartment lining		1	
	ECC	black			
	ECO	graphite grey			
	EEB	savanna			
	EED	nephrite green			
	EEO	boxster red			
	EFL	metropole blue	98-		
	VRR	dark grey	00-		
	VRZ	brown/natural	00-		
	EVV	cinnamon brown	01-		
(1)	986 551 039 02	lining carpet		1	
	ECC	black			
	ECO	graphite grey			
	EEB	savanna			
	EED	nephrite green			
	EEO	boxster red			
	EFL	metropole blue	98-		
	VRR	dark grey	00-		
	VRZ	brown/natural	00-		
	EVV	cinnamon brown	01-		
	FKG	cocoa	04		
2	986 551 339 00	catch		4	
	01C	satin black			
3	986 551 543 00	thrust washer		4	
	01C	satin black 40 X 3 X 24			
4	986 551 545 00	lock washer		4	
		55 X 1 X 21			

Model	Year	MG	SG	Illustration	Restrictions	Update	18:03	23.08.2006	PORSCHE	PET	PORSCHE
986	04	8	07	807-05		203					

Pos	Part Number	Name	Remarks	Qty	Model	Pos	Part Number	Name	Remarks	Qty	Model
5	986 551 547 00	mounting		4			G10	metropole blue	98-		
6	986 513 011 01	engine cover		1			D11	dark grey	00-		
7	986 513 151 01	catch		5			T11	brown/natural	00-		
8	999 025 264 02	washer 10,5 X 25 X 1,25		5			P11	cinnamon brown	01-		
9	999 166 087 08	lock washer 9,0		5			R10	cocoa	04		
10	986 513 153 01	nut lock	-03	5		15	999 049 020 40	plastic nut T5/30 X 5,1		4	
10	999 507 792 09	nut lock	04-	5		16	986 551 633 01	luggage net		1	
11	986 513 611 00	gasket		1		17	986 551 631 00	storage pocket F >>98WS6 05602		1	M 582
12	986 504 181 00	cover		1		18	986 551 731 00	support storage pocket F >>98WS6 05602		1	M 582
13	986 551 033 00	lining cross member carpet		1		19	000 043 203 91	rivet 3,2 X 8		2	M 582
	A10	black									
	C50	graphite grey									
	S30	savanna									
	J30	nephrite green									
	M30	boxster red									
	G10	metropole blue	98-								
	D11	dark grey	00-								
	T11	brown/natural	00-								
	P11	cinnamon brown	01-								
	R10	cocoa	04								
(14)	986 551 035 01	lining rear wall carpet		1							
	A10	black									
	C50	graphite grey									
	S30	savanna									
	J30	nephrite green									
	M30	boxster red									

- - - E N D - - -

Model	Year	MG	SG	Illustration	Restrictions	Update	18:03	23.08.2006	PORSCHE	PET	PORSCHE
986	04	8	07	807-07		203					



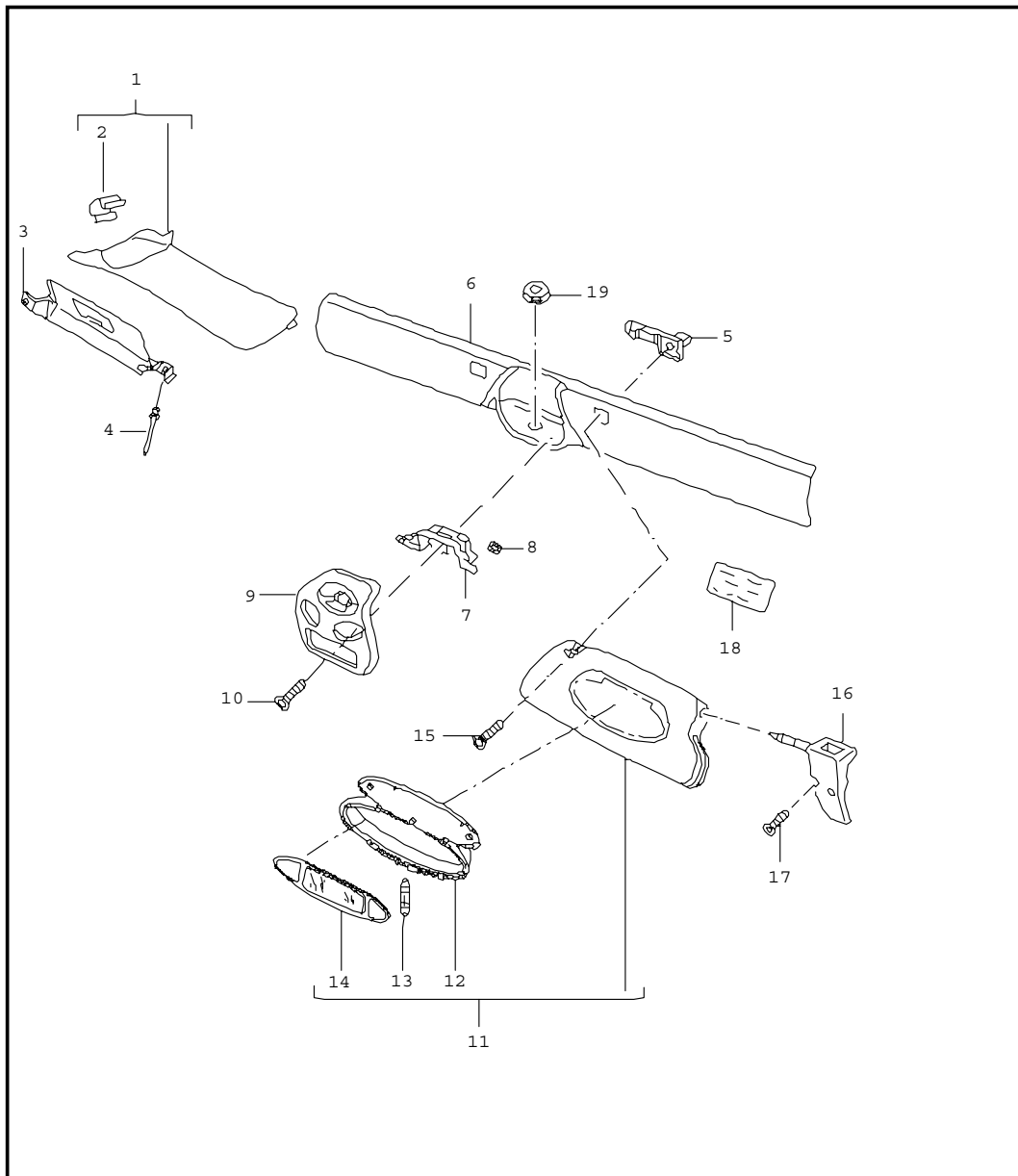
Pos	Part Number	Name	Remarks	Qty	Model
		storage box F 98WS6 05603>>	98-		M 584
1	986 551 223 00	storage box carpet	-02	1	
	EMY	black			
	EMZ	graphite grey			
	ENB	savanna			
	ENC	metropole blue			
	END	nephrite green			
	ENE	boxster red			
	VSC	dark grey	00-		
	VSD	brown/natural	00-		
	FDQ	cinnamon brown	01-		
(1)	986 551 223 02	storage box carpet	03-	1	
	EMY	black			
	EMZ	graphite grey			
	ENB	savanna			
	ENC	metropole blue			
	END	nephrite green			
	ENE	boxster red	-03		
	VSC	dark grey/natural			
	VSD	brown/natural			
	FDQ	cinnamon brown			
	FKJ	cocoa	04		
-	986 551 511 00	guide piece		2	
	01C	satin black			
2	986 551 427 00	rose		1	
	01C	satin black			
3	986 551 429 00	catch		2	
	01C	satin black			

Model	Year	MG	SG	Illustration	Restrictions	Update	18:03	23.08.2006	PORSCHE	PET	PORSCHE
986	04	8	07	807-07		203					

Pos	Part Number	Name	Remarks	Qty	Model	Pos	Part Number	Name	Remarks	Qty	Model
4	986 551 543 00	thrust washer		2							
	01C	satin black									
5	986 551 431 00	mounting loudspeaker	/L	1							
	01C	satin black									
(5)	986 551 432 00	mounting loudspeaker	/R	1							
	01C	satin black									
6	986 645 503 00	loudspeaker		4							
7	986 612 085 00	wiring harness	-01	1							
8	999 651 286 02	cable terminal		9							
9	999 919 164 09	screw 50 X 12		24							
10	986 551 433 00	cover	/L	1							
	01C	satin black									
(10)	986 551 434 00	cover	/R	1							
	01C	satin black									
11	986 551 435 00	tray	/L	1							
	01C	satin black									
(11)	986 551 436 00	tray	/R	1							
	01C	satin black									
		- - - E N D - - -									



Model	Year	MG	SG	Illustration	Restrictions	Update	18:03	23.08.2006	PORSCHE	PET	PORSCHE
986	04	8	07	807-09		203					



Pos	Part Number	Name	Remarks	Qty	Model
		windscreen frame sun visors			
1	986 555 181 00	lining a-pillar B12 black-grey	/L -97	1	
(1)	986 555 182 00	lining a-pillar B12 black-grey	/R -97	1	
(1)	986 555 181 01	lining a-pillar B12 black-grey	/L 98-	1	
(1)	986 555 182 01	lining a-pillar B12 black-grey	/R 98-	1	
(1)	986 555 181 01	lining a-pillar B12 black-grey	/L 98-99	1	M 012/016
(1)	986 555 182 01	lining a-pillar B12 black-grey	/R 98-99	1	M 012/016
1	986 555 181 02	lining a-pillar lacquered D05 granite grey 3AW zenith blue metallic 25H ocean jade metallic	/L 98-99	1	M 010/011
(1)	986 555 182 02	lining a-pillar lacquered D05 granite grey 3AW zenith blue metallic 25H ocean jade metallic	/R 98-99	1	M 010/011
(1)	986 555 181 04	lining a-pillar lacquered A03 black	/L 00-	1	

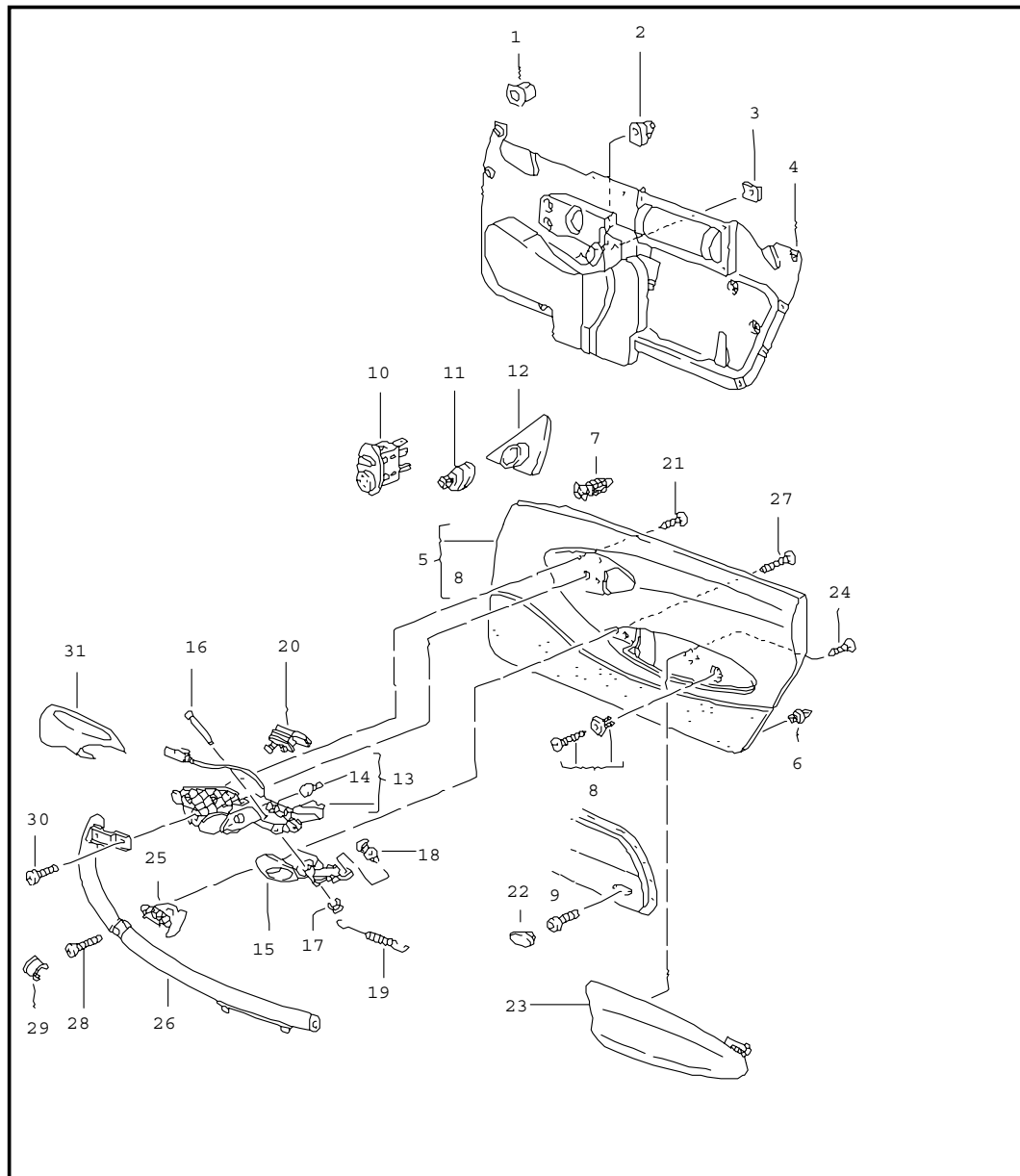
Model	Year	MG	SG	Illustration	Restrictions	Update	18:03	23.08.2006	PORSCHE	PET	PORSCHE
986	04	8	07	807-09		203					

Pos	Part Number	Name	Remarks	Qty	Model	Pos	Part Number	Name	Remarks	Qty	Model
(1)	986 555 182 04	lining a-pillar lacquered	/R 00-	1		7	986 613 795 02	microswitch	-99	1	
	A03	black				7	986 613 799 00	microswitch	00-	1	
2	999 507 584 02	clamp 8 X 10,2/2	-99	4		8	999 507 534 02	clamping washer 2,5		2	
(2)	999 507 681 09	clamp 2,5/3,0	00-	4		9	986 561 235 02	mounting	-01	1	M 439
3	986 555 291 00	deformation element	/L 00-	1			A09	rally black			
(3)	986 555 292 00	deformation element	/R 00-	1		9	986 561 235 03	mounting	02-	1	M 439
4	999 190 167 30	blind rivet 4,0 X 6,3		10			A09	rally black			
5	986 731 541 00	plate	-99	2		10	999 073 166 09	countersunk-head screw M 6 X 25		2	
5	986 731 541 01	plate	98-99	2	M 274	(11)	986 731 031 08	sun visor	/L -99	1	
5	986 731 541 01	plate	00-	2			EBY	black			
6	986 555 059 00	lining	97	1		(11)	986 731 032 08	sun visor	/R -99	1	
	B12	black-grey					EBY	black			
6	986 555 059 00	lining windscreen frame	98-99	1	M 012/016	(11)	986 731 031 09	sun visor	/L 98-99	1	M 274
	B12	black-grey					EBY	black			
6	986 555 059 01	lining		1		11	986 731 032 09	sun visor	/R 98-99	1	M 274
	A03	black	00-				EBY	black			
	D05	granite grey	99		M 010	(11)	986 731 031 17	sun visor	/L -02	1	M 274
	3AW	zenith blue metallic	-99		M 011		A12	black			
	25H	ocean jade metallic	-99		M 011	(11)	986 731 031 23	sun visor	/L 03-	1	M 274
(6)	986 555 059 03	lining windscreen frame lacquered	01-	1	M 265		A12	black			
	A03	black	00-			11	986 731 032 23	sun visor	/R 03-	1	M 274
6	986 555 059 02	lining windscreen frame lacquered		1	M 011		A12	black			
	3AW	zenith blue metallic				(11)	986 731 980 06	sun visor leather	/L 01-	1	XMR/274
	25H	ocean jade metallic					VRK	black			
							C51	graphite grey			
							S31	savanna			

Model	Year	MG	SG	Illustration	Restrictions	Update	18:03	23.08.2006	PORSCHE	PET	PORSCHE
986	04	8	07	807-09		203					

Pos	Part Number	Name	Remarks	Qty	Model	Pos	Part Number	Name	Remarks	Qty	Model
	J31	nephrite green				(16)	986 561 307 00	mounting	/L	1	
	M31	boxster red					A09	black			
	G11	metropole blue				16	986 561 308 00	mounting	/R	1	
	D12	dark grey					A09	black			
	T12	brown/natural				17	999 073 166 09	countersunk-head screw M 6 X 25		4	
	P12	cinnamon brown				18	986 701 401 06	sticker folding top control german	-03	1	M488
11	986 731 981 06	sun visor leather	/R 01-	1	XMR/274	18	986 701 401 12	sticker folding top control german	04-	1	M488
	VRK	black				18	986 701 401 07	sticker	-03	1	M130
	C51	graphite grey				18	986 701 401 13	sticker folding top control english	04-	1	M130
	S31	savanna				19	996 555 619 00	grommet wiring harness rain sensor	01-	1	M 265
	J31	nephrite green									
	M31	boxster red									
	G11	metropole blue									
	D12	dark grey									
	T12	brown/natural									
	P12	cinnamon brown									
(12)	986 731 901 00	mirror housing without illumination	-99	2							
	01C	satin black									
12	996 731 903 00	mirror housing with illumination		1							
	01C	satin black									
13	999 631 137 90	bulb	-01	4	M 274						
13	999 631 147 90	bulb 3 W	02-	4	M 274						
14	996 731 531 01	mirror glass with frame		2	M274						
	01C	satin black									
15	999 919 120 09	oval-head screw 4,0 x 18		2							

Model	Year	MG	SG	Illustration	Restrictions	Update	18:04	23.08.2006	PORSCHE	PET	PORSCHE
986	04	8	07	807-10		203					



Pos	Part Number	Name	Remarks	Qty	Model
		door trim panel accessories			
1	191 853 615 A	grommet		3	
2	999 920 013 40	special nut 5,0 X 1,0 X 8		4	
(2) A	999 507 462 02	speed nut	-02	1	
(2)	999 591 499 02	speed nut 4,8	03-	1	
3	999 591 882 02	speed nut M 6		2	
(4)	996 555 831 04	seal	/L	1	
4	996 555 832 04	seal	/R	1	
(4)	996 555 831 05	seal	/L	1	M 490
(4)	996 555 832 05	seal repair material use also:	/R	1	M 490
-	000 043 101 00	sealing cord		1	
5	---	door trim panel		X	
>>>	---	door trim panel		X	
>>>	---	leatherette		X	
>>>	---	without		X	
>>>	---	sound system		X	
(5) A	986 555 121 00	door trim panel leatherette	/L 97	1	
	EAB	black			
	EAD	graphite grey			
	EAH	savanna			
5 A	986 555 122 00	door trim panel leatherette	/R 97	1	
	EAB	black			
	EAD	graphite grey			
	EAH	savanna			
(5)	986 555 121 13	door trim panel leatherette	/L -99	1	M 10/11/16

Model	Year	MG	SG	Illustration	Restrictions	Update	18:04	23.08.2006	PORSCHE	PET	PORSCHE
986	04	8	07	807-10		203					

Pos	Part Number	Name	Remarks	Qty	Model	Pos	Part Number	Name	Remarks	Qty	Model
		DHB black					ESV	graphite grey			
		DHC graphite grey					ESW	savanna			
		DHD savanna					ESX	metropole blue			
		DFE metropole blue					FET	nephrite green	01-		
5	986 555 122 13	door trim panel leatherette	/R -99	1	M 10/11/16	(5)	986 555 122 06	door trim panel leatherette	/R 00-	1	M 016/563
		DHB black					ESU	black			
		DHC graphite grey					ESV	graphite grey			
		DHD savanna					ESW	savanna			
		DFE metropole blue					ESX	metropole blue			
(5)	986 555 121 01	door trim panel leatherette	/L 98-99	1	M 12		FET	nephrite green	01-		
		ELN black				(5)	986 555 121 10	door trim panel leatherette	/L 00-	1	M 012/563
5	986 555 122 01	door trim panel leatherette	/R 98-99	1	M 12		ETM	black			
		ELN black				(5)	986 555 122 10	door trim panel leatherette	/R 00-	1	M 012/563
(5)	986 555 121 06	door trim panel	/L 98-99 99	1	M 11/16/563 M 10/563		ETM	black			
(5)	986 555 122 06	door trim panel leatherette	/R 98-99 99	1	M 11/16/563 M 10/563	>>>	---	door trim panel			X
		ELV black				>>>	---	leatherette			X
		ELW graphite grey				>>>	---	with			X
		ELX savanna				>>>	---	sound system			X
		ELY metropole blue				(5)	986 555 121 02	door trim panel leatherette	/L 97	1	M 490
(5)	986 555 121 10	door trim panel leatherette	/L 98-99	1	M 12/563		EBZ	black			
		ELR black					ECA	graphite grey			
(5)	986 555 122 10	door trim panel leatherette	/R 98-99	1	M 12/563	(5)	986 555 122 02	door trim panel leatherette	/R 97	1	M 490
		ELR black					EBZ	black			
(5)	986 555 121 06	door trim panel leatherette	/L 00-	1	M 016/563		ECA	graphite grey			
		ESU black					ECB	savanna			

Model	Year	MG	SG	Illustration	Restrictions	Update	18:04	23.08.2006	PORSCHE	PET	PORSCHE
986	04	8	07	807-10		203					

Pos	Part Number	Name	Remarks	Qty	Model	Pos	Part Number	Name	Remarks	Qty	Model
(5)	986 555 121 14	door trim panel	/L 98-99 99	1	M 11/16/490 M 10/490		EMA	black			
(5)	986 555 122 14	door trim panel leatherette DHH black DHJ graphite grey DHK savanna EEH metropole blue	/R 98-99 99	1	M 11/16/490 M 10/490	(5)	986 555 121 17	door trim panel leatherette ESY black ESZ graphite grey ETA savanna ETB metropole blue FEV nephrite green	/L 00-	1	M016/490/563
(5)	986 555 121 05	door trim panel leatherette ELZ black	/L 98-99	1	M 12/490	(5)	986 555 121 17	door trim panel leatherette ESY black ESZ graphite grey ETA savanna ETB metropole blue FEV nephrite green	/L 02-	1	M016/680/563
(5)	986 555 122 05	door trim panel leatherette ELZ black	/R 98-99	1	M 12/490		ETA savanna ETB metropole blue FEV nephrite green	01-			
(5)	986 555 121 07	door trim panel leatherette DGC black DGD graphite grey DGE savanna DGF metropole blue	/L 98-99 99	1	M 11/16/490/ M 563 M 10/490/563	(5)	986 555 122 17	door trim panel leatherette ESY black ESZ graphite grey ETA savanna ETB metropole blue FEV nephrite green	/R 00-	1	M016/490/563
(5)	986 555 122 07	door trim panel leatherette DGC black DGD graphite grey DGE savanna DGF metropole blue	/R 98-99 99	1	M 11/16/490/ M 563 M 10/490/563	(5)	986 555 122 17	door trim panel leatherette ESY black ESZ graphite grey ETA savanna ETB metropole blue FEV nephrite green	/R 02-	1	M016/680/563
(5)	986 555 121 11	door trim panel leatherette EMA black	/L 98-99	1	M 12/490/563		ETA savanna ETB metropole blue FEV nephrite green	01-			
(5)	986 555 122 11	door trim panel leatherette	/R 98-99	1	M 12/490/563	(5)	986 555 121 20	door trim panel leatherette ETK black	/L 00-	1	M012/490/563

Model	Year	MG	SG	Illustration	Restrictions	Update	18:04	23.08.2006	PORSCHE	PET	PORSCHE
986	04	8	07	807-10		203					

Pos	Part Number	Name	Remarks	Qty	Model	Pos	Part Number	Name	Remarks	Qty	Model
(5)	986 555 121 20	door trim panel leatherette	/L 02-	1	M012/680/563		ECM	nephrite green			
	ETK	black					ECN	boxster red			
(5)	986 555 122 20	door trim panel leatherette	/R 00-	1	M012/490/563	5	986 555 122 03	door trim panel leather	/R 98-99	1	M 10/16
	ETK	black					ECJ	black			
(5)	986 555 122 20	door trim panel leatherette	/R 02-	1	M012/680/563		ECK	graphite grey			
	ETK	black					ECL	savanna			
>>>	---	door trim panel		X			ECM	nephrite green			
>>>	---	leather		X			ECN	boxster red			
>>>	---	without		X			DFX	metropole blue	98-		
>>>	---	sound system		X		(5)	986 555 121 08	door trim panel	/L 98-99 99	1	M 16/563 M 10/563
(5)	986 555 121 03	door trim panel leather	/L 97	1		(5)	986 555 122 08	door trim panel leather	/R 98-99 99	1	M 16/563 M 10/563
	ECJ	black					ECJ	black			
	ECK	graphite grey					ECK	graphite grey			
	ECL	savanna					ECL	savanna			
	ECM	nephrite green					DFX	metropole blue			
	ECN	boxster red					ECM	nephrite green			
5	986 555 122 03	door trim panel leather	/R 97	1			ECN	boxster red			
	ECJ	black				(5)	986 555 121 08	door trim panel leather	/L -02	1	M016/563/981
	ECK	graphite grey					ETL	black			
	ECL	savanna					ECK	graphite grey			
	ECM	nephrite green					ECL	savanna			
	ECN	boxster red					DFX	metropole blue			
(5)	986 555 121 03	door trim panel leather	/L 98-99	1	M 10/16		ECM	nephrite green			
	ECJ	black					ECN	boxster red			
	ECK	graphite grey					VSG	dark grey			
	ECL	savanna					VSH	brown/natural			

Model	Year	MG	SG	Illustration	Restrictions	Update	18:04	23.08.2006	PORSCHE	PET	PORSCHE
986	04	8	07	807-10		203					

Pos	Part Number	Name	Remarks	Qty	Model	Pos	Part Number	Name	Remarks	Qty	Model
(5)	986 555 122 08	FEU cinnamon brown door trim panel leather	01- /R -02	1	M016/563/981		ECK graphite grey				
		ETL black					ECL savanna				
		ECK graphite grey					DFX metropole blue				
		ECL savanna					ECM nephrite green	-03			
		DFX metropole blue					ECN boxster red				
		ECM nephrite green					FEU cinnamon brown				
		ECN boxster red					VSG dark grey/natural				
		VSG dark grey				(5)	986 555 121 04	door trim panel leather	/L 97	1	M 490
		VSH brown/natural					ECP black				
		FEU cinnamon brown	01-				ECQ graphite grey				
>>>	---	door trim panel		X			ECR savanna				
>>>	---	leather		X			ECS nephrite green				
>>>	---	with		X			ECT boxster red				
>>>	---	sound system		X		(5)	986 555 122 04	door trim panel leather	/R 97	1	M 490
(5)	986 555 121 21	door trim panel airbag leather	/L 03-	1	M016/563/981		ECP black				
		ETL black					ECQ graphite grey				
		ECK graphite grey					ECR savanna				
		ECL savanna					ECS nephrite green				
		DFX metropole blue					ECT boxster red				
		ECM nephrite green	-03			(5)	986 555 121 04	door trim panel leather	/L 98-99	1	M 10/16/490
		ECN boxster red					ECP black				
		FEU cinnamon brown					ECQ graphite grey				
		VSG dark grey/natural					ECR savanna				
		VSH brown/natural					ECS nephrite green				
(5)	986 555 122 21	door trim panel airbag leather	/R 03-	1	M016/563/981		ECT boxster red				
		ETL black					DGB metropole blue	98-			



Model	Year	MG	SG	Illustration	Restrictions	Update	18:04	23.08.2006	PORSCHE	PET	PORSCHE
986	04	8	07	807-10		203					

Pos	Part Number	Name	Remarks	Qty	Model	Pos	Part Number	Name	Remarks	Qty	Model
(5)	986 555 122 04	door trim panel leather	/R 98-99	1	M 10/16/490		ETC	black			
	ECP	black					ETD	graphite grey			
	ECQ	graphite grey					ETE	savanna			
	ECR	savanna					ETF	metropole blue			
	ECS	nephrite green					ETG	nephrite green			
	ECT	boxster red					ETH	boxster red			
	DGB	metropole blue	98-				VSJ	dark grey			
(5)	986 555 121 09	door trim panel	/L 98-99	1	M 16/490/563		VSK	brown/natural	01-		
			99		M 10/490/563		FEW	cinnamon brown			
(5)	986 555 122 09	door trim panel leather	/R 98-99	1	M 16/490/563	(5)	986 555 122 18	door trim panel leather	/R 00-01	1	M016/490/563
			99		M 10/490/563		ETC	black			
	ECP	black					ETD	graphite grey			
	ECQ	graphite grey					ETE	savanna			
	ECR	savanna					ETF	metropole blue			
	DGB	metropole blue					ETG	nephrite green			
	ECS	nephrite green					ETH	boxster red			
	ECT	boxster red					VSJ	dark grey			
(5)	986 555 121 18	door trim panel leather	/L 00-01	1	M016/490/563		VSK	brown/natural	01-		
	ETC	black					FEW	cinnamon brown			
	ETD	graphite grey				(5)	986 555 122 18	door trim panel leather	/R 01-02	1	M016/680/563
	ETE	savanna					ETC	black			
	ETF	metropole blue					ETD	graphite grey			
	ETG	nephrite green					ETE	savanna			
	ETH	boxster red					ETF	metropole blue			
	VSJ	dark grey					ETG	nephrite green			
	VSK	brown/natural					ETH	boxster red			
	FEW	cinnamon brown	01-				VSJ	dark grey			
(5)	986 555 121 18	door trim panel leather	/L 01-02	1	M016/680/563		VSK	brown/natural			

Model	Year	MG	SG	Illustration	Restrictions	Update	18:04	23.08.2006	PORSCHE	PET	PORSCHE
986	04	8	07	807-10		203					

Pos	Part Number	Name	Remarks	Qty	Model	Pos	Part Number	Name	Remarks	Qty	Model
(5)	986 555 121 22	FEW cinnamon brown door trim panel leather	01- /L 03-	1	M016/490/563	(5)	986 555 122 22	FEW cinnamon brown VSJ dark grey/natural VSK brown/natural door trim panel leather	03- /R 03-	1	M016/680/563
		ETC black ETD graphite grey ETE savanna ETF metropole blue ETG nephrite green ETH boxer red FEW cinnamon brown VSJ dark grey/natural VSK brown/natural						ETC black ETD graphite grey ETE savanna ETF metropole blue ETG nephrite green ETH boxer red FEW cinnamon brown VSJ dark grey/natural VSK brown/natural			
(5)	986 555 121 22	FEW cinnamon brown door trim panel leather	03- /L 03-	1	M016/680/563	(5)	986 555 121 22	FEW cinnamon brown VSJ dark grey/natural VSK brown/natural door trim panel leather	03- /L 04	1	M091/490/563
		ETC black ETD graphite grey ETE savanna ETF metropole blue ETG nephrite green ETH boxer red FEW cinnamon brown VSJ dark grey/natural VSK brown/natural						FKR cocoa VSJ dark grey/natural			
(5)	986 555 121 22	FEW cinnamon brown door trim panel leather	03- /L 04	1	M091/563/680	(5)	986 555 121 22	FEW cinnamon brown VSJ dark grey/natural FKR cocoa door trim panel leather	03- /L 04	1	M091/490/563
		ETC black ETD graphite grey ETE savanna ETF metropole blue ETG nephrite green ETH boxer red FEW cinnamon brown VSJ dark grey/natural VSK brown/natural						VSJ dark grey/natural FKR cocoa VSJ dark grey/natural			
(5)	986 555 122 22	FEW cinnamon brown door trim panel leather	03- /R 03-	1	M016/490/563	(5)	986 555 122 22	FEW cinnamon brown VSJ dark grey/natural FKR cocoa door trim panel leather	03- /R 04	1	M091/563/680
		ETC black ETD graphite grey ETE savanna ETF metropole blue ETG nephrite green ETH boxer red						FKR cocoa VSJ dark grey/natural FKR cocoa VSJ dark grey/natural			
		ETG nephrite green ETH boxer red	-03			-	999 911 688 40	adhesive tape 10 X 0,1 X 370		4	

Model	Year	MG	SG	Illustration	Restrictions	Update	18:04	23.08.2006	PORSCHE	PET	PORSCHE
986	04	8	07	807-10		203					

Pos	Part Number	Name	Remarks	Qty	Model	Pos	Part Number	Name	Remarks	Qty	Model
6	999 507 505 40	clip grey		8		(12)	996 555 651 00	lining door mirror electrically adjustable	/LL/L-99	1	M012/016
6	999 507 582 40	clip white 8,0 X 0,9		8			B12	black-grey			
7	999 507 651 40	expander nut 9,0 X 0,9		2		(12)	996 555 652 00	lining door mirror electrically adjustable	/RL/R-99	1	M012/016
8	999 507 427 40	expander nut 6,3	-04	2			B12	black-grey			
9	999 067 043 02	pan-head screw 5 X 10		2		(12)	996 555 651 01	lining	/RL/L97	1	
							B12	black-grey			
10	996 613 241 00	switch door mirror electrically adjustable		1		(12)	996 555 652 01	lining	/LL/R97	1	
	EAL	gloss black				(12)	996 555 651 01	lining	/RL/L-99	1	M011
(11)	986 555 751 00	knob door mirror manually adjustable	/L 97	1			B12	black-grey			
	01C	satin black				(12)	996 555 652 01	lining door mirror electrically adjustable	/LL/R-99	1	M011
11	986 555 752 00	knob door mirror manually adjustable	/R 97	1			B12	black-grey			
	01C	satin black				(12)	996 555 651 03	lining door mirror electrically adjustable	/LL/L99-	1	
(12)	986 555 651 00	lining door mirror manually adjustable	/L 97	1			D05	granite grey	99		M010
	B12	black-grey					A03	black	00-		
12	986 555 652 00	lining door mirror manually adjustable	/R 97	1		(12)	996 555 652 02	lining door mirror electrically adjustable	/LL/R99-	1	
	B12	black-grey					D05	granite grey	99		M010
							A03	black	00-		
(12)	996 555 651 00	lining door mirror electrically adjustable	/LL/L 97	1		(12)	996 555 651 02	lining door mirror electrically adjustable	/RL/L99-	1	
	B12	black-grey					D05	granite grey	99		M010
(12)	996 555 652 00	lining door mirror electrically adjustable	/RL/R 97	1			A03	black	00-		
	B12	black-grey				(12)	996 555 652 03	lining door mirror electrically adjustable	/RL/R99-	1	

Model	Year	MG	SG	Illustration	Restrictions	Update	18:04	23.08.2006	PORSCHE	PET	PORSCHE
986	04	8	07	807-10		203					

Pos	Part Number	Name	Remarks	Qty	Model	Pos	Part Number	Name	Remarks	Qty	Model
	D05	granite grey	99		M010		G11	metropole blue			
	A03	black	00-				J31	nephrite green			
(12)	996 555 983 00	lining	/LL/L01-	1	XTC/XTE/XTK/ XTR		M31	boxster red			
		leather					T12	brown/natural	00-		
	A11	black					D12	dark grey/natural	00-		
	C51	graphite grey					P12	cinnamon brown	01-		
	S31	savanna				(12)	996 555 984 00	lining	/RL/R01-	1	XTC/XTE/XTK/ XTR
	G11	metropole blue						leather			
	J31	nephrite green					A11	black			
	M31	boxster red					C51	graphite grey			
	T12	brown/natural	00-				S31	savanna			
	D12	dark grey/natural	00-				G11	metropole blue			
	P12	cinnamon brown	01-				J31	nephrite green			
(12)	996 555 984 01	lining	/LL/R01-	1	XTC/XTE/XTK/ XTR		M31	boxster red			
		leather					T12	brown/natural	00-		
	A11	black					D12	dark grey/natural	00-		
	C51	graphite grey					P12	cinnamon brown	01-		
	S31	savanna				(13)	986 555 371 02	inner door release complete with handle	/L -99	1	
	G11	metropole blue					EBC	gloss black			
	J31	nephrite green				(13)	986 555 372 02	inner door release order also: 996.537.320.03 complete with handle	/R -99	1	
	M31	boxster red					F	>>98XS6 00819			
	T12	brown/natural	00-				F	>>98XU6 22717			
	D12	dark grey/natural	00-				EBC	gloss black			
	P12	cinnamon brown	01-			(13) A	986 555 371 03	inner door release complete with handle	/L 00	1	
(12)	996 555 983 01	lining	/RL/L01-	1	XTC/XTE/XTK/ XTR		ENP	silver			
		leather									
	A11	black									
	C51	graphite grey									
	S31	savanna									

Model	Year	MG	SG	Illustration	Restrictions	Update	18:04	23.08.2006	PORSCHE	PET	PORSCHE
986	04	8	07	807-10		203					

Pos	Part Number	Name	Remarks	Qty	Model	Pos	Part Number	Name	Remarks	Qty	Model
(13)	A 986 555 372 03	inner door release complete with handle ENP silver	/R 00	1		(13)	986 555 272 01	inner door release complete with handle ENP silver	/RL/R 01-02	1	
(13)	A 986 555 371 04	inner door release complete with handle ENP silver	/L 00	1		(13)	986 555 271 03	inner door release complete with handle FGH silver	/LL/L03-	1	
(13)	A 986 555 372 04	inner door release complete with handle ENP silver	/R 00	1		(13)	986 555 272 04	inner door release complete with handle FGH silver	/LL/R03-	1	
(13)	986 555 271 00	inner door release complete with handle ENP silver	/L 00	1		(13)	986 555 271 04	inner door release complete with handle FGH silver	/RL/L03-	1	
(13)	986 555 272 00	inner door release complete with handle ENP silver	/R 00	1		(13)	986 555 272 03	inner door release complete with handle FGH silver	/RL/R03-	1	
(13)	986 555 271 01	inner door release complete with handle ENP silver	/LL/L 01-02	1		14	999 703 440 40	buffer 7 X 10 X 16		2	
(13)	986 555 272 02	inner door release complete with handle ENP silver	/LL/R 01-02	1		(15)	A 996 555 425 00	handle F >>98XS6 00819 F >>98XU6 22717 A02 gloss black	/L	1	
(13)	986 555 271 02	inner door release complete with handle ENP silver	/RL/L 01-02	1		15	A 996 555 426 00	handle F >>98XS6 00819 F >>98XU6 22717 A02 gloss black	/R	1	
						(15)	A 996 555 425 02	handle A02 gloss black	/L -99	1	
						15	A 996 555 426 02	handle A02 gloss black	/R -99	1	

Model	Year	MG	SG	Illustration	Restrictions	Update	18:04	23.08.2006	PORSCHE	PET	PORSCHE
986	04	8	07	807-10		203					

Pos	Part Number	Name	Remarks	Qty	Model	Pos	Part Number	Name	Remarks	Qty	Model
(15)	996 555 425 03	handle	/L 00-02	1			B12	black-grey			
	V01	silver				(23)	986 555 621 00	cover	/L -99	1	M011/016
15	996 555 426 03	handle lacquered	/R 00-02	1			B12	black-grey			
	V01	silver				23	986 555 622 00	cover	/R -99	1	M011/016
(15)	996 555 425 04	handle	/L 03-	1		(23)	986 555 621 03	cover lacquered	/L 98-	1	
	V03	silver					B12	black-grey			
15	996 555 426 04	handle lacquered	/R 03-	1			D05	granite grey	-99		M010
	V03	silver					C02	steel grey			M012
16	999 166 084 02	bolt 4 X 39 X 37		2			A03	black	00-		
17	999 166 026 02	lock 4		2		23	986 555 622 03	cover lacquered	/R 98-	1	
18	999 507 568 40	linkage clip F >>98XS6 00819 F >>98XU6 22717		2			D05	granite grey	-99		M010
(18)	999 702 281 40	grommet F 98XS6 00820>> F 98XU6 22718>>		2			C02	steel grey			M012
19	999 522 015 00	tension spring		2			A03	black	00-		
--	996 555 635 00	hose		2		23	986 555 990 00	cover leather	/L 01-	1	XTC/XTF/XTK
20	996 613 123 00	microswitch		2			A11	black			
21	999 073 080 02	tapping screw 4,2 X 16		8			C51	graphite grey			
22	996 555 623 00	cap	98-99	2	M 563		S31	savanna			
	01C	satin black					G11	metropole blue			
22	996 555 623 01	cap	00-02	2			J31	nephrite green			
	V01	silver					M31	boxster red			
22	996 555 623 02	cap	03-	2			D12	dark grey			
	V03	silver					T12	brown/natural			
(23)	986 555 621 00	cover	/L 97	1		(23)	986 555 991 00	cover leather	/R 01-	1	XTC/XTF/XTK
	B12	black-grey					P12	cinnamon brown			
23	986 555 622 00	cover	/R 97	1			A11	black			
							C51	graphite grey			
							S31	savanna			

Model	Year	MG	SG	Illustration	Restrictions	Update	18:04	23.08.2006	PORSCHE	PET	PORSCHE
986	04	8	07	807-10		203					

Pos	Part Number	Name	Remarks	Qty	Model	Pos	Part Number	Name	Remarks	Qty	Model
	G11	metropole blue				26	986 555 352 00	handle lacquered leather	/R 97	1	
	J31	nephrite green					EAP	black			
	M31	boxster red				(26)	986 555 351 00	handle lacquered leather	/L 98-99	1	M016
	D12	dark grey					EAP	black			
	T12	brown/natural				26	986 555 352 00	handle lacquered leather	/R 98-99	1	M016
	P12	cinnamon brown					EAP	black			
24	999 073 081 02	tapping screw 4,2 X 13		4							
(25)	986 555 393 00	mounting piece handle	/L 97	1			EAP	black			
	B12	black-grey				(26)	986 555 351 01	handle lacquered	/L 98-99	1	M011/012
25	986 555 394 00	mounting piece handle	/R 97	1			EJW	metal grey			
	B12	black-grey				26	986 555 352 01	handle lacquered	/R 98-99	1	M011/012
(25)	986 555 393 00	mounting piece handle	/L 98-99	1	M011/016		EJW	metal grey			
	B12	black-grey				(26)	986 555 351 04	handle lacquered	/L 99	1	M010
25	986 555 394 00	mounting piece handle	/R 98-99	1	M011/016		EJT	granite grey			
	B12	black-grey				26	986 555 352 04	handle lacquered	/R 99	1	M010
(25)	986 555 393 01	mounting piece lacquered	/L	1			EJT	granite grey			
	D05	granite grey	99		M010	(26)	986 555 351 05	handle lacquered leather	/L 00-	1	M009
	C02	metal grey	98-		M012		ESK	black			
	A03	black	00-				EVU	black			M009/012
25	986 555 394 01	mounting piece lacquered	/R	1			FHH	graphite grey			
	D05	granite grey	99		M010		FHI	savanna			
	C02	metal grey	98-		M012		FHC	metropole blue			
	A03	black	00-				FHN	nephrite green			
(26)	986 555 351 00	handle lacquered leather	/L 97	1			FHO	boxster red			
	EAP	black					FHP	cinnamon brown			

Model	Year	MG	SG	Illustration	Restrictions	Update	18:04	23.08.2006	PORSCHE	PET	PORSCHE
986	04	8	07	807-10		203					

Pos	Part Number	Name	Remarks	Qty	Model	Pos	Part Number	Name	Remarks	Qty	Model	
(26)	FHQ	dark grey/natural				(26)	FHW	boxster red				
	FHR	brown/natural					FHX	cinnamon brown				
	986 555 352 05	handle lacquered leather	/R 00-	1	M009		FHY	dark grey/natural				
	ESK	black					FHZ	brown/natural				
	EVU	black			M009/012		986 555 352 07	handle lacquered leather	/R 03-	1	M008	
	FHH	graphite grey					FHA	black				
	FHI	savanna					FHS	graphite grey				
	FHC	metropole blue					FHT	savanna				
	FHN	nephrite green					FHU	metropole blue				
	FHO	boxster red					FHV	nephrite green	03			
	FHP	cinnamon brown					FHW	boxster red				
FHQ	dark grey/natural				FHX	cinnamon brown						
FHR	brown/natural				FHY	dark grey/natural						
(26)	986 555 351 06	handle lacquered leather	/L00 -02	1		FHZ	brown/natural					
	FDE	black			M008	(26)	986 555 351 08	handle lacquered leather	/L 04	1	M091	
	EOB	black			M008/012	FKK	cocoa					
(26)	986 555 352 06	handle lacquered leather	/R00 -02	1		FKL	dark grey/natural					
	FDE	black			M008	(26)	986 555 352 08	handle lacquered leather	/R 04	1	M091	
	EOB	black			M008/012	FKK	cocoa					
(26)	986 555 351 07	handle lacquered leather	/L 03-	1	M008	FKL	dark grey/natural					
	FHA	black				(26)	986 555 987 01	handle leather with logo	/L 01-	1	XTC	
	FHS	graphite grey				A11	black					
	FHT	savanna				C51	graphite grey					
	FHU	metropole blue				S31	savanna					
	FHV	nephrite green	03			G11	metropole blue					



Model	Year	MG	SG	Illustration	Restrictions	Update	18:04	23.08.2006	PORSCHE	PET	PORSCHE
986	04	8	07	807-10		203					

Pos	Part Number	Name	Remarks	Qty	Model	Pos	Part Number	Name	Remarks	Qty	Model
	J31	nephrite green					C51	graphite grey			
	M31	boxster red					S31	savanna			
	D12	dark grey					G11	metropole blue			
	T12	brown/natural					J31	nephrite green	-03		
	P12	cinnamon brown					M31	boxster red			
(26)	986 555 988 01	handle leather with logo	/R 01-	1	XTC		P12	cinnamon brown			
	A11	black					D12	dark grey/natural			
	C51	graphite grey				26	986 555 987 04	handle leather	/L 01-	1	XTK
	S31	savanna					A11	black			
	G11	metropole blue					C51	graphite grey			
	J31	nephrite green					S31	savanna			
	M31	boxster red					G11	metropole blue			
	D12	dark grey					J31	nephrite green			
	T12	brown/natural					M31	boxster red			
	P12	cinnamon brown					P12	cinnamon brown			
(26)	986 555 987 03	handle carbon	/L 01-	1	XTE		D12	dark grey/natural			
	A11	black					T12	brown/natural			
	C51	graphite grey				26	986 555 988 04	handle leather	/R 01-	1	XTK
	S31	savanna					A11	black			
	G11	metropole blue					C51	graphite grey			
	J31	nephrite green	-03				S31	savanna			
	M31	boxster red					G11	metropole blue			
	P12	cinnamon brown					J31	nephrite green			
	D12	dark grey/natural					M31	boxster red			
	T12	brown/natural					P12	cinnamon brown			
(26)	986 555 988 03	handle carbon	/R 01-	1	XTE		D12	dark grey/natural			
	A11	black					T12	brown/natural			

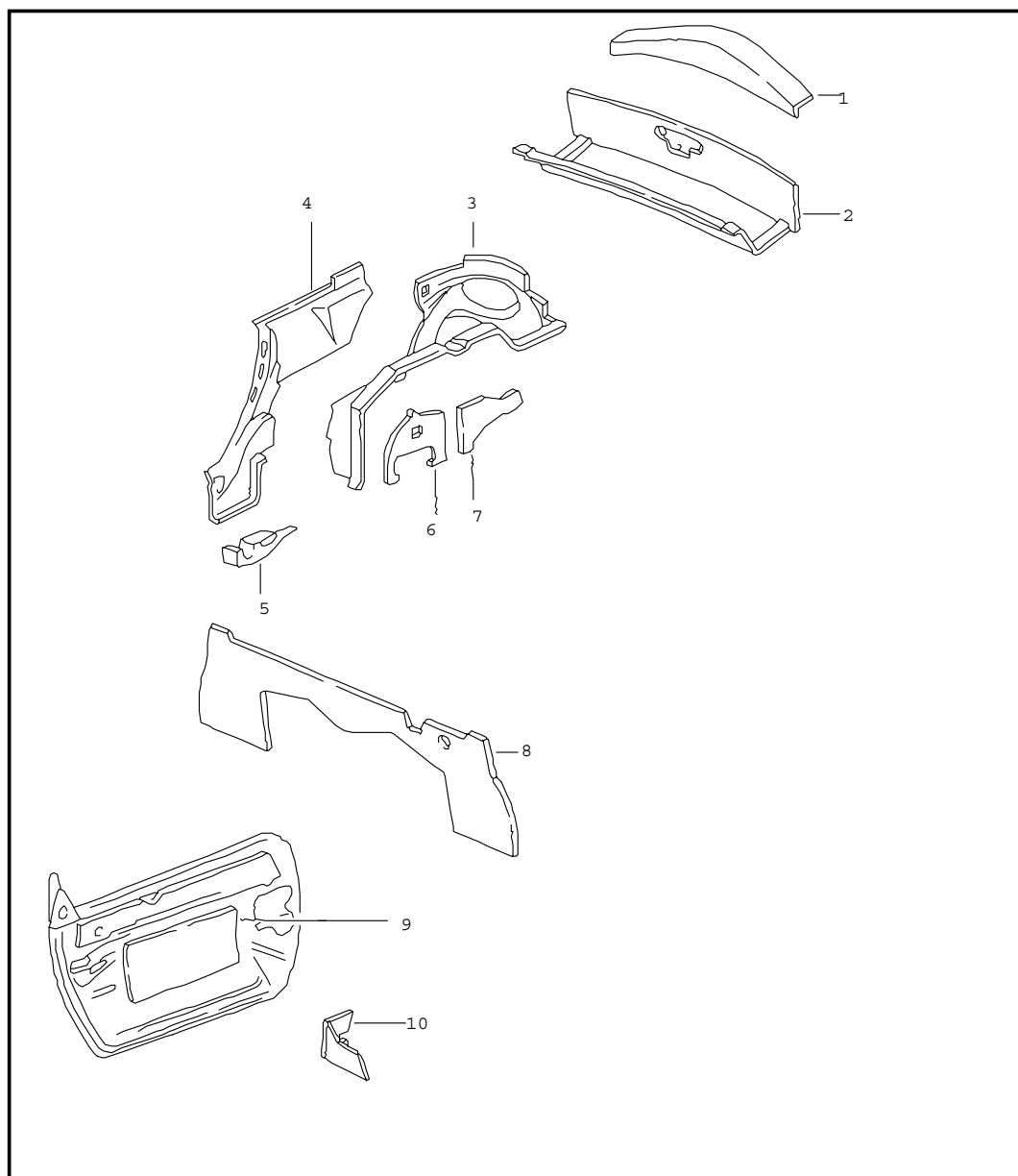
Model	Year	MG	SG	Illustration	Restrictions	Update	18:04	23.08.2006	PORSCHE	PET	PORSCHE
986	04	8	07	807-10		203					

Pos	Part Number	Name	Remarks	Qty	Model	Pos	Part Number	Name	Remarks	Qty	Model
(26)	986 555 987 06	handle leather	/L 03-	1	XTR	(29)	986 555 721 00	covering handle	/L98-99	1	M016
	A11	black					01C	satin black			
	C51	graphite grey				29	986 555 722 00	covering handle	/R98-99	1	M016
	S31	savanna					01C	satin black			
	G11	metropole blue				(29)	986 555 721 01	covering lacquered	/L 98-	1	
	J31	nephrite green					25H	ocean jade metallic	-99		M011
	M31	boxster red					3AW	zenith blue metallic	-99		M011
	D12	dark grey/natural					C02	metal grey			M012
	T12	brown/natural					D05	granite grey	99		M010
	P12	cinnamon brown					A03	black	00-		M009
26	986 555 988 06	handle leather	/R 03-	1	XTR	29	986 555 722 01	covering lacquered	/R 98-	1	
	A11	black					25H	ocean jade metallic	-99		M011
	C51	graphite grey					3AW	zenith blue metallic	-99		M011
	S31	savanna					C02	metal grey			M012
	G11	metropole blue					D05	granite grey	99		M010
	J31	nephrite green					A03	black	00-		M009
	M31	boxster red				(29)	986 555 721 02	covering lacquered	/L00 -02	1	M008
	D12	dark grey/natural					V01	silver			
	T12	brown/natural				29	986 555 722 02	covering lacquered	/R00 -02	1	M008
	P12	cinnamon brown					V01	silver			
27	999 919 182 09	oval-head screw 4,0 X 20		4		(29)	986 555 721 03	covering	/L 03-	1	M008
28	999 073 112 09	oval-head screw M 6 X 80		2			V03	silver			
(29)	986 555 721 00	covering handle	/L 97	1		(29)	986 555 721 03	covering	/L 03-	1	M009/XTC/XTE MXTK/XTR
	01C	satin black					V03	silver			
29	986 555 722 00	covering handle	/R 97	1		29	986 555 722 03	covering	/R 03-	1	M008
	01C	satin black					V03	silver			

Model	Year	MG	SG	Illustration	Restrictions	Update	18:04	23.08.2006	PORSCHE	PET	PORSCHE
986	04	8	07	807-10		203					

Pos	Part Number	Name	Remarks	Qty	Model	Pos	Part Number	Name	Remarks	Qty	Model
29	986 555 722 03	covering	/R 03-	1	M009/XTC/XTE MXTK/XTR		J31	nephrite green			
	V03	silver					M31	boxster red			
(29)	986 555 985 01	covering	/L 00-02	1	XTF+M 009		D12	dark grey			
29	986 555 986 01	covering arctic silver	/R 00-02	1	XTF+M 009		T12	brown/natural			
							P12	cinnamon brown			
30	999 073 113 09	oval-head screw M 6 X 50		2		(31)	986 555 982 01	cover leather	/R 01-	1	XTC/XTF
(31)	986 555 591 00	cover	/L 97	1			A11	black			
	B12	black-grey					C51	graphite grey			
31	986 555 592 00	cover	/R 97	1			S31	savanna			
	B12	black-grey					G11	metropole blue			
(31)	986 555 591 00	cover	/L 98-99	1	M 11/16		J31	nephrite green			
	B12	black-grey					M31	boxster red			
31	986 555 592 00	cover	/R 98-99	1	M 11/16		D12	dark grey			
	B12	black-grey					T12	brown/natural			
(31)	986 555 591 01	cover lacquered	/L	1			P12	cinnamon brown			
	C02	metal grey	98-		M 12						
	D05	granite grey	99		M 10						
	A03	black	00-								
31	986 555 592 01	cover lacquered	/R	1							
	C02	metal grey	98-		M 12						
	D05	granite grey	99		M 10						
	A03	black	00-								
31	986 555 981 01	cover leather	/L 01-	1	XTC/XTF						
	A11	black									
	C51	graphite grey									
	S31	savanna									
	G11	metropole blue									
								- - - E N D - - -			

Model	Year	MG	SG	Illustration	Restrictions	Update	18:04	23.08.2006	PORSCHE	PET	PORSCHE
986	04	8	07	807-15		203					



Pos	Part Number	Name	Remarks	Qty	Model
1	986 556 665 02	body sound proofing 1		1	
2	986 556 621 01	sound absorber cross member	-03	1	
2	986 556 621 02	sound absorber tray convertible top	04-	1	
--	999 507 581 40	plug 8,5		6	
(3)	986 556 623 01	sound absorber	/L 97	1	
3	986 556 624 01	sound absorber	/R 97	1	
(3)	986 556 623 02	sound absorber	/L 98-03	1	
(3)	986 556 623 03	sound absorber	/L 04-	1	
(3)	986 556 624 02	sound absorber tray convertible top	/R 98-	1	
(4)	986 556 663 02	sound absorber	/L	1	
4	986 556 664 02	sound absorber interior panel	/R	1	
(5)	986 556 671 01	seal	/L -03	1	
5	986 556 672 01	seal	/R -03	1	
(5)	986 556 671 02	seal roll-over bar	/L/R 04-	1	
(6)	986 556 721 02	sound absorber	/L	1	
6	986 556 722 02	sound absorber engine compartment	/R	1	
7	986 556 724 01	sound absorber engine compartment	/R	1	
8	986 556 741 02	sound absorber engine compartment		1	
9	996 556 531 01	insulation door		2	
(10)	996 556 605 01	sound absorber	/L	1	
10	996 556 606 01	sound absorber wheel housing panel	/R	1	

Model	Year	MG	SG	Illustration	Restrictions	Update	18:04	23.08.2006	PORSCHE	PET	PORSCHE
986	04	8	07	807-15		203					

Pos	Part Number	Name	Remarks	Qty	Model	Pos	Part Number	Name	Remarks	Qty	Model
11	996 556 723 01	sound absorber firewall	/LL	1							
(11)	996 556 724 01	sound absorber firewall	/RL	1							
		- - - E N D - - -									

PORSCHE

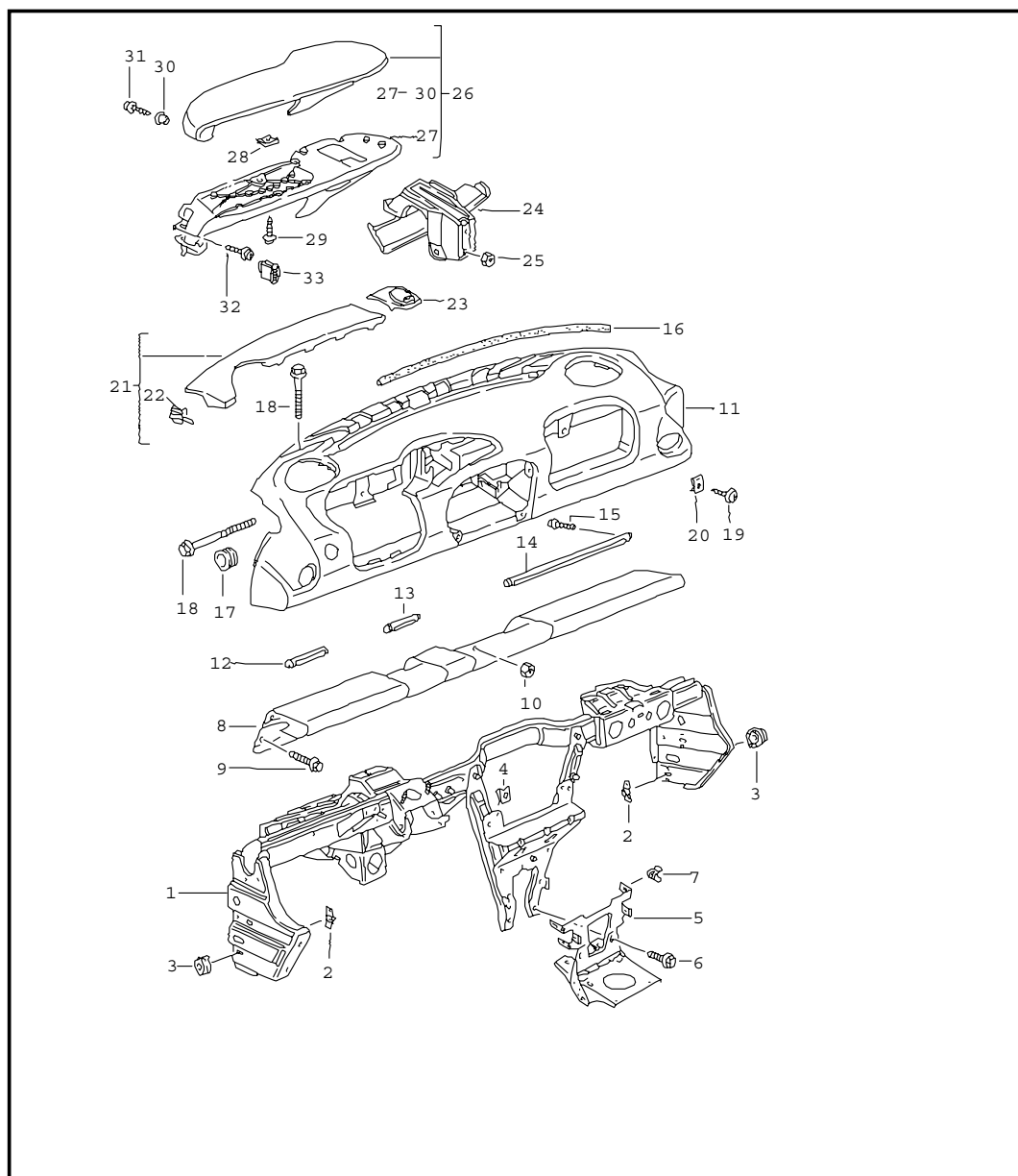
# PET

PORSCHE

Model	Year	MG	SG	Illustration	Restrictions	Update		
986	04	8	08	808-00		203	18:04	23.08.2006

Pos	Part Number	Name	Remarks	Qty	Model
		seat complete catalogue STZ 2 / 19 see group 8/16/00 - 8/16/80  - - - E N D - - -			

Model	Year	MG	SG	Illustration	Restrictions	Update	18:04	23.08.2006	PORSCHE	PET	PORSCHE
986	04	8	09	809-00		203					



Pos	Part Number	Name	Remarks	Qty	Model
		dashboard trim with retaining frame			
1	996 552 061 02	retaining frame	/LL 97	1	
	GRV	prime coated			
(1)	996 552 061 03	retaining frame	/RL 97	1	
	GRV	prime coated			
1	996 552 061 12	retaining frame	/LL 98-	1	
1	996 552 061 13	retaining frame	/RL 98-	1	
2	996 552 805 00	threaded plate		4	
3	996 552 545 00	shim		4	
4	999 507 462 02	speed nut 4,8		9	
(5)	996 552 309 07	support		1	
(5)	996 552 309 08	support		1	M 476
6	900 378 155 09	hexagon-head tapping screw M 6 X 16		6	
7	999 507 574 02	clamp 8 X 10/1,2		4	
11 A	996 552 081 04	dashboard trim leatherette/moulding	/LL 97	1	
	EJN	black			
	EJO	graphite grey			
	EJP	savanna			
(11) A	996 552 082 00	dashboard trim black-grey leatherette/moulding	/RL 97	1	
	EJN	black			
	EJO	graphite grey			
	EJP	savanna			
(11) A	986 552 081 01	dashboard trim moulding black-grey leatherette/	/LL -98	1	M 11/16

Model	Year	MG	SG	Illustration	Restrictions	Update	18:04	23.08.2006	PORSCHE	PET	PORSCHE
986	04	8	09	809-00		203					

Pos	Part Number	Name	Remarks	Qty	Model	Pos	Part Number	Name	Remarks	Qty	Model
		DHN black					S32 savanna				
		DHO graphite grey					G12 metropole blue				
		DHP savanna					J32 nephrite green	-03			
		EJQ metropole blue				(11)	996 552 109 02 dashboard trim leatherette without moulding	/LL 03-	1	M 16	
11	996 552 109 00	dashboard trim leatherette without moulding	/LL -99	1	M 10/11/16		A12 black				
		A18 black					C52 graphite grey				
		C18 graphite grey					S32 savanna				
		S18 savanna					G12 metropole blue				
		G18 metropole blue					J32 nephrite green	-03			
(11)	996 552 110 00	dashboard trim leatherette without moulding	/RL -99	1	M 10/11/16	(11)	996 552 110 02 dashboard trim leatherette without moulding	/RL 03-	1	M 16	
		A18 black					A12 black				
		C18 graphite grey					C52 graphite grey				
		S18 savanna					S32 savanna				
		G18 metropole blue					G12 metropole blue				
11	996 552 109 00	dashboard trim leatherette without moulding	/LL00-02	1	M 16		J32 nephrite green	-03			
		A12 black				11	986 552 109 00 dashboard trim leatherette	/LL -02	1	M 12	
		C52 graphite grey					A40 black				
		S32 savanna				(11)	986 552 110 00 dashboard trim leatherette	/RL -02	1	M 12	
		G12 metropole blue					A40 black				
		J32 nephrite green	-03			(11)	986 552 109 01 dashboard trim leatherette	/LL 03-	1	M 12	
(11)	996 552 110 00	dashboard trim leatherette without moulding	/RL00-02	1	M 16		A40 black				
		A12 black				(11)	986 552 110 01 dashboard trim leatherette	/RL 03-	1	M 12	
		C52 graphite grey					A40 black				



Model	Year	MG	SG	Illustration	Restrictions	Update	18:04	23.08.2006	PORSCHE	PET	PORSCHE
986	04	8	09	809-00		203					

Pos	Part Number	Name	Remarks	Qty	Model	Pos	Part Number	Name	Remarks	Qty	Model
11	996 552 101 00	dashboard trim leather/ without moulding	/LL -01	1	M 981		S31	savanna			
	A11	black	-99				G11	metropole blue			
	EVL	black	00-				J31	nephrite green			
	C51	graphite grey					M31	boxster red			
	S31	savanna					P12	cinnamon brown			
	G11	metropole blue					D12	dark grey/natural			
	J31	nephrite green					T12	brown/natural			
	M31	boxster red				(11)	996 552 102 02	dashboard trim leather/ without moulding	/RL 02	1	M 981
	D12	dark grey/natural	00-				A11	black			
	T12	brown/natural	00-				C51	graphite grey			
	P12	cinnamon brown	01				S31	savanna			
(11)	996 552 102 00	dashboard trim leather/ without moulding	/RL -01	1	M 981		G11	metropole blue			
	A11	black	-99				J31	nephrite green			
	EVL	black	00-				M31	boxster red			
	C51	graphite grey					P12	cinnamon brown			
	S31	savanna					D12	dark grey/natural			
	G11	metropole blue					T12	brown/natural			
	J31	nephrite green				(11)	996 552 101 01	dashboard trim leather with cut-outs glove compartment	/LL 03-	1	
	M31	boxster red					A11	black			
	D12	dark grey/natural	00-				C51	graphite grey			
	T12	brown/natural	00-				S31	savanna			
	P12	cinnamon brown	01				G11	metropole blue	98-		
(11)	996 552 101 02	dashboard trim leather/ without moulding	/LL 02	1	M 981		J31	nephrite green	-03		
	A11	black					M31	boxster red			
	C51	graphite grey					D12	dark grey	00-		
							T12	brown/natural	00-		

Model	Year	MG	SG	Illustration	Restrictions	Update	18:04	23.08.2006	PORSCHE	PET	PORSCHE
986	04	8	09	809-00		203					

Pos	Part Number	Name	Remarks	Qty	Model	Pos	Part Number	Name	Remarks	Qty	Model
	P12	cinnamon brown	01-				B12	black-grey			
	9V6	cocoa	04-			(12)	996 552 382 00	moulding driver's side	/RL/R-99	1	M 11/12/16
(11)	996 552 102 01	dashboard trim leather with cut-outs glove compartment	/RL 03-	1			B12	black-grey			
	A11	black				12	996 552 381 02	moulding driver's side lacquered	/LL/L99	1	M 10
	C51	graphite grey				(12)	996 552 382 01	moulding driver's side lacquered	/RL/R99	1	M 10
	S31	savanna					D05	granite grey			
	G11	metropole blue	98-				D05	granite grey			
	J31	nephrite green	-03			12	996 552 381 02	moulding driver's side lacquered	/LL/L00-	1	
	M31	boxster red					A03	black			
	D12	dark grey	00-			(12)	996 552 382 01	moulding driver's side lacquered	/RL/R00-	1	
	T12	brown/natural	00-				A03	black			
	P12	cinnamon brown	01-				M7Z	gt silver metallic			
	9V6	cocoa	04-			12	986 552 381 00	moulding driver's side lacquered	/LL/L04	1	M 091
--	996 552 749 00	reinforcement strip	/LL 03-	1			M7Z	gt silver metallic			
--	996 552 750 00	reinforcement strip driver's side	/RL 03-	1		(12)	986 552 382 00	moulding driver's side lacquered	/RL/R04	1	M 091
--	996 552 753 00	reinforcement strip	/LL 03-	1	M 573		M7Z	gt silver metallic			
--	996 552 753 01	reinforcement strip	/LL 03-	1	M 574		M7Z	gt silver metallic			
--	996 552 754 00	reinforcement strip	/RL 03-	1	M 573		M7Z	gt silver metallic			
--	996 552 754 01	reinforcement strip glove compartment	/RL 03-	1	M 574	12	996 552 996 00	moulding driver's side leather	/LL/L01-	1	XNU
--	999 073 169 07	tapping screw 4,8 X 16	03-	1			A11	black			
--	999 507 796 02	u-clamp 2,0	03-	3			C51	graphite grey			
--	999 551 145 40	lining strap 15 X 1,3 X 50		2			S31	savanna			
--	999 507 768 02	speed nut 4,2		18			G11	metropole blue			
12	996 552 381 01	moulding driver's side	/LL/L-99	1	M 11/12/16		J31	nephrite green			
							M31	boxster red			

Model	Year	MG	SG	Illustration	Restrictions	Update	18:04	23.08.2006	PORSCHE	PET	PORSCHE
986	04	8	09	809-00		203					

Pos	Part Number	Name	Remarks	Qty	Model	Pos	Part Number	Name	Remarks	Qty	Model
		D12 dark grey				12	996 552 996 03	moulding	/LL/L 01-02	1	XNY
		T12 brown/natural						driver's side aluminium			
		P12 cinnamon brown						arctic silver			
(12)	996 552 997 00	moulding driver's side leather	/RL/R01-	1	XNU	(12)	996 552 997 03	moulding	/RL/R 01-02	1	XNY
		A11 black						driver's side aluminium			
		C51 graphite grey				12	996 552 996 12	moulding aluminium driver's side silver	/LL/L03-	1	XCA
		S31 savanna						arctic silver			
		G11 metropole blue				(12)	996 552 997 12	moulding aluminium driver's side silver	/RL/R03-	1	XCA
		J31 nephrite green									
		M31 boxer red									
		D12 dark grey				13	996 552 383 01	moulding centre	/LL -99	1	M 11/12/16
		T12 brown/natural						B12 black-grey			
		P12 cinnamon brown				(13)	996 552 384 00	moulding centre	/RL -99	1	M 11/12/16
12	996 552 996 04	moulding driver's side rootwood light	/LL/L01-	1	XNV			B12 black-grey			
(12)	996 552 997 04	moulding driver's side rootwood light	/RL/R01-	1	XNV	13	996 552 383 02	moulding centre lacquered	/LL 99	1	M 10
								D05 granite grey			
12	996 552 996 05	moulding driver's side rootwood dark	/LL/L01-	1	XNW	(13)	996 552 384 01	moulding centre lacquered	/RL 99	1	M 10
(12)	996 552 997 05	moulding driver's side rootwood dark	/RL/R01-	1	XNW			D05 granite grey			
						13	996 552 383 02	moulding centre lacquered	/LL 00-	1	
12	996 552 996 01	moulding driver's side carbon	/LL/L01-	1	XNX			A03 black			
(12)	996 552 997 01	moulding driver's side carbon	/RL/R01-	1	XNX	(13)	996 552 384 01	moulding centre lacquered	/RL 00-	1	
								A03 black			

Model	Year	MG	SG	Illustration	Restrictions	Update	18:04	23.08.2006	PORSCHE	PET	PORSCHE
986	04	8	09	809-00		203					

Pos	Part Number	Name	Remarks	Qty	Model	Pos	Part Number	Name	Remarks	Qty	Model
13	986 552 383 00	moulding centre lacquered  M7Z gt silver metallic	/LL 04	1	M 091	(13)	996 552 998 11	moulding centre rootwood dark	/RL 01-	1	XNW
(13)	986 552 384 00	moulding centre lacquered  M7Z gt silver metallic	/RL 04	1	M 091	13	996 552 998 06	moulding centre aluminium arctic silver	/LL01-02	1	XNY
13	996 552 998 00	moulding centre leather  A11 black C51 graphite grey S31 savanna J31 nephrite green M31 boxster red D12 dark grey T12 brown/natural P12 cinnamon brown	/LL 01-	1	XNU	(13)	996 552 998 07	moulding centre aluminium arctic silver	/RL01-02	1	XNY
						13	996 552 998 14	moulding centre	/LL 03-	1	XCA
						(13)	996 552 998 15	moulding silver centre	/RL 03-	1	XCA
						14	996 552 385 01	moulding passenger's side  B12 black-grey	/LL/R-99	1	M 11/12/16
						(14)	996 552 386 01	moulding passenger's side  B12 black-grey	/RL/L-99	1	M 11/12/16
(13)	996 552 998 01	moulding centre leather  A11 black C51 graphite grey S31 savanna J31 nephrite green M31 boxster red D12 dark grey T12 brown/natural P12 cinnamon brown	/RL 01-	1	XNU	14	996 552 385 02	moulding passenger's side  D05 granite grey	/LL/R99	1	M 10
						(14)	996 552 386 02	moulding lacquered passenger's side  D05 granite grey	/RL/L99	1	M 10
						14	996 552 385 03	moulding passenger's side lacquered  A03 black	/LL/R00-	1	
						(14)	996 552 386 03	moulding passenger's side lacquered  A03 black	/RL/L00-	1	
13	996 552 998 10	moulding centre rootwood dark	/LL 01-	1	XNW	14	986 552 385 00	moulding passenger's side lacquered	/LL/L04	1	M 091

Model	Year	MG	SG	Illustration	Restrictions	Update	18:04	23.08.2006	PORSCHE	PET	PORSCHE
986	04	8	09	809-00		203					

Pos	Part Number	Name	Remarks	Qty	Model	Pos	Part Number	Name	Remarks	Qty	Model
	M7Z	gt silver metallic				(14)	996 552 959 05	moulding passenger's side rootwood dark	/RL/L00-	1	XNW
(14)	986 552 386 00	moulding passenger's side lacquered	/RL/R04	1	M 091						
	M7Z	gt silver metallic				14	996 552 959 06	moulding passenger's side carbon	/LL/R00-	1	XNX
14	996 552 959 00	moulding passenger's side	/LL/R00-	1	XNU	(14)	996 552 959 07	moulding passenger's side carbon	/RL/L00-	1	XNX
	A11	black									
	C51	graphite grey				14	996 552 959 08	moulding passenger's side aluminium arctic silver	/LL/R-02	1	XNY
	S31	savanna									
	G11	metropole blue				(14)	996 552 959 09	moulding passenger's side aluminium arctic silver	/RL/L-02	1	XNY
	J31	nephrite green									
	M31	boxster red									
	D12	dark grey				14	996 552 959 10	moulding aluminium passenger's side silver	/LL/R03-	1	XCA
	T12	brown/natural									
	P12	cinnamon brown	01-			(14)	996 552 959 11	moulding aluminium passenger's side silver	/RL/L03-	1	XCA
(14)	996 552 959 01	moulding passenger's side	/RL/L00-	1	XNU						
	A11	black				15	999 919 203 07	oval-head screw 3 X 10		11	
	C51	graphite grey									
	S31	savanna				16	996 552 645 00	gasket cowl		1	
	G11	metropole blue									
	J31	nephrite green				17	999 703 435 40	cover 15,0 X 26,0		2	
	M31	boxster red				18	999 074 057 09	hexagon-head bolt M 8 X 125		4	
	D12	dark grey									
	T12	brown/natural				19	999 073 169 07	tapping screw 4,8 X 16		11	
	P12	cinnamon brown	01-			20	999 507 462 02	speed nut		9	
14	996 552 959 04	moulding passenger's side rootwood dark	/LL/R00-	1	XNW	20	999 591 855 02	speed nut 4,8		1	
						21	996 552 185 02	defroster trim F >>98VS6 04498	/L	1	
							B12	black-grey			

Model	Year	MG	SG	Illustration	Restrictions	Update	18:04	23.08.2006	PORSCHE	PET	PORSCHE
986	04	8	09	809-00		203					

Pos	Part Number	Name	Remarks	Qty	Model	Pos	Part Number	Name	Remarks	Qty	Model
(21)	996 552 186 02	defroster trim F >>98VS6 04498	/R	1			VRK	black			
	B12	black-grey					C51	graphite grey			
21	986 552 185 00	defroster trim F 98VS6 04499>>	/L -98	1			S31	savanna			
	B12	black-grey					J31	nephrite green			
(21)	986 552 186 00	defroster trim F 98VS6 04499>>	/R -98	1			M31	boxster red			
	B12	black-grey					G11	metropole blue			
21	986 552 185 00	defroster trim	/L 99	1	M 11/12/16		D12	dark grey			
	B12	black-grey					T12	brown/natural			
(21)	986 552 186 00	defroster trim	/R 99	1	M 11/12/16	22	999 507 531 02	clamp 1,8-2,8	-98	2	
	B12	black-grey				22	999 507 685 02	clamp 1,8-5,0	99-	2	
21	996 552 185 04	defroster trim	/L	1		23	996 552 181 02	cover F >>98VS6 04498		1	
	D05	granite grey	99		M 10		B12	black-grey			
	A03	black	00-			(23)	996 552 181 03	cover F >>98VS6 04498		1	M 573
(21)	996 552 186 04	defroster trim	/R	1			B12	black-grey			
	D05	granite grey	99		M 10	(23)	986 552 181 00	cover F 98VS6 04499>>	-98	1	
	A03	black	00-				B12	black-grey			
21	996 552 988 05	defroster trim leather	/L 01-	1	XV1	(23)	986 552 181 00	cover	99	1	M 11/12/16
	VRK	black					B12	black-grey			
	C51	graphite grey				(23)	986 552 181 00	cover			
	S31	savanna					B12	black-grey			
	J31	nephrite green				(23)	996 552 181 04	cover		1	
	M31	boxster red					D05	granite grey	99		M 10
	G11	metropole blue					A03	black	00-		
	D12	dark grey				(23)	996 552 990 02	cover light leather	01-	1	XV1
	T12	brown/natural					VRK	black			
	P12	cinnamon brown					C51	graphite grey			
(21)	996 552 989 05	defroster trim leather	/R 01-	1	XV1		S31	savanna			

Model	Year	MG	SG	Illustration	Restrictions	Update	18:04	23.08.2006	PORSCHE	PET	PORSCHE
986	04	8	09	809-00		203					

Pos	Part Number	Name	Remarks	Qty	Model	Pos	Part Number	Name	Remarks	Qty	Model
	J31	nephrite green				(26)	986 552 056 02	cover leatherette covering for instruments black-grey	/RL98-99	1	M 11/16
	M31	boxster red									
	G11	metropole blue					DHN	black			
	D12	dark grey					DHO	graphite grey			
	T12	brown/natural					DHP	savanna			
	P12	cinnamon brown					EJQ	metropole blue			
24	996 552 617 03	support	/LL	1							
(24)	996 552 618 02	support instrument wiring harness	/RL	1		26	986 552 055 03	cover leatherette covering for instruments granite grey	/LL 99	1	M 10
--	999 591 883 02	speed nut 4,8		2			DKO	black			
25	900 380 015 09	hexagon nut M 6		2			DKP	graphite grey			
26	986 552 055 00	cover instruments	/LL 97	1			DKQ	savanna			
	EJN	black					DKR	metropole blue			
	EJO	graphite grey				(26)	986 552 056 03	cover leatherette covering for instruments granite grey	/RL 99	1	M 10
	EJP	savanna					DKO	black			
(26)	986 552 056 00	cover leatherette instruments	/RL 97	1			DKP	graphite grey			
	EJN	black					DKQ	savanna			
	EJO	graphite grey					DKR	metropole blue			
	EJP	savanna				26	986 552 055 03	cover leatherette covering for instruments black	/LL 00-	1	M 16
26	986 552 055 02	cover leatherette covering for instruments black-grey	/LL98-99	1	M 11/16		EUD	black			
	DHN	black					EVC	graphite grey			
	DHO	graphite grey					EVG	savanna			
	DHP	savanna					EVH	metropole blue			
	EJQ	metropole blue					FES	nephrite green			
						(26)	986 552 056 03	cover leatherette covering for instruments black	/RL 00-	1	M 16

Model	Year	MG	SG	Illustration	Restrictions	Update	18:04	23.08.2006	PORSCHE	PET	PORSCHE
986	04	8	09	809-00		203					

Pos	Part Number	Name	Remarks	Qty	Model	Pos	Part Number	Name	Remarks	Qty	Model
		EUD black						DKJ savanna			
		EVC graphite grey						DKK metropole blue			
		EVG savanna						DKL nephrite green			
		EVH metropole blue						DKM boxster red			
		FES nephrite green				26	986 552 035 00	cover instruments leather covering for instruments black-grey	/LL 97	1	
26	986 552 035 02	cover instruments leather black covering for instruments lacquered	/LL 98-	1	M 12			EBG black			
		DKN metal grey			M 12			EBH graphite grey			
(26)	986 552 036 02	cover instruments leather black covering for instruments lacquered	/RL 98-	1	M 12			EBJ savanna			
		DKN metal grey			M 12			EBL boxster red			
26	986 552 035 02	cover instruments leather/ covering for instruments granite grey lacquered	/LL 99	1	M 10	(26)	986 552 036 00	cover instruments leather covering for instruments black-grey	/RL 97	1	
		DKG black						EBG black			
		DKH graphite grey						EBH graphite grey			
		DKJ savanna						EBJ savanna			
		DKK metropole blue						EBL boxster red			
		DKL nephrite green						EBK nephrite green			
		DKM boxster red				26	986 552 035 00	cover instruments leather covering for instruments black-grey	/LL98-99	1	M 16
(26)	986 552 036 02	cover instruments leather/ covering for instruments granite grey lacquered	/RL 99	1	M 10			EBG black			
		DKG black						EBH graphite grey			
		DKH graphite grey						EBJ savanna			
								EBL boxster red			
								EBK nephrite green			
								DKF metropole blue	98-		



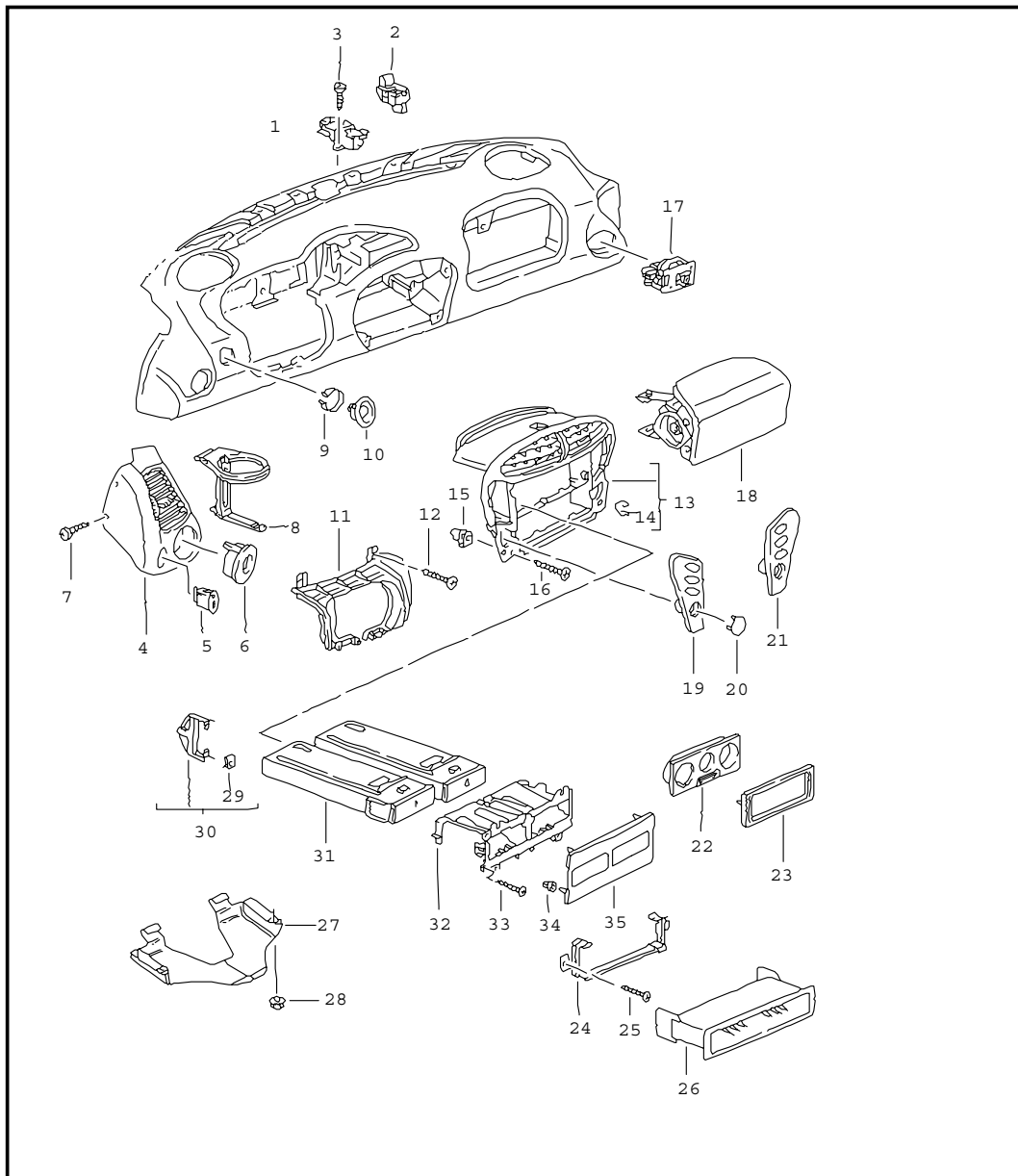
Model	Year	MG	SG	Illustration	Restrictions	Update	18:04	23.08.2006	PORSCHE	PET	PORSCHE
986	04	8	09	809-00		203					

Pos	Part Number	Name	Remarks	Qty	Model	Pos	Part Number	Name	Remarks	Qty	Model
(26)	986 552 036 00	cover instruments leather covering for instruments black-grey	/RL98-99	1	M 16		EQN	boxster red			
	EBG	black					VSE	dark grey			
	EBH	graphite grey					VSF	brown/natural			
	EBJ	savanna					FER	cinnamon brown	01-		
	EBL	boxster red				26	986 552 035 03	cover instruments leather/ gt silver metallic	/LL 04	1	M 091
	EBK	nephrite green					FGF	cocoa			
	DKF	metropole blue	98-				FGG	dark grey/natural			
26	986 552 035 02	cover instruments leather/ covering for instruments black	/LL 00-	1	M 16	(26)	986 552 036 03	cover instruments leather/ gt silver metallic	/RL 04	1	M 091
	EQH	black					FGF	cocoa			
	EQJ	graphite grey					FGG	dark grey/natural			
	EQK	savanna				27	986 552 221 03	cover lower part lacquered	/LL 98-	1	
	EQL	metropole blue					D05	granite grey	99		M 10
	EQM	nephrite green	-03				C02	metal grey	98-		M 12
	EQN	boxster red					A03	black	00-		M 016
	VSE	dark grey				(27)	986 552 222 02	cover lower part lacquered	/RL 98-	1	
	VSF	brown/natural					D05	granite grey	99		M 10
	FER	cinnamon brown	01-				C02	metal grey	98-		M 12
(26)	986 552 036 02	cover instruments leather/ covering for instruments black	/RL 00-	1	M 16		A03	black	00-		M 016
	EQH	black				27	986 552 221 04	cover lower part lacquered	/LL 04	1	M 091
	EQJ	graphite grey					M7Z	gt silver metallic			
	EQK	savanna				(27)	986 552 222 03	cover lower part lacquered	/RL 04	1	M 091
	EQL	metropole blue					M7Z	gt silver metallic			
	EQM	nephrite green	-03								

Model	Year	MG	SG	Illustration	Restrictions	Update	18:04	23.08.2006	PORSCHE	PET	PORSCHE
986	04	8	09	809-00		203					

Pos	Part Number	Name	Remarks	Qty	Model	Pos	Part Number	Name	Remarks	Qty	Model
28	999 591 349 02	speed nut 3,5		11			M7Z	gt silver metallic			
29	999 073 153 07	tapping screw 3,5 X 14		11		(33)	986 552 626 00	cover microphone lacquered	/RL 04	1	M 091
30	999 920 012 40	special nut 5,0 X 3,5 X 8		2			M7Z	gt silver metallic			
32	999 919 188 09	oval-head screw 5,0 X 30	-00	2				- - - E N D - - -			
(32)	999 073 220 09	tapping screw 4,8 X 25	01-	2							
33	996 552 625 01	cover microphone B12 black-grey	/LL 97	1							
(33)	996 552 626 01	cover microphone B12 black-grey	/RL 97	1							
33	996 552 625 01	cover microphone B12 black-grey	/LL98-99	1	M 11/16						
(33)	996 552 626 01	cover microphone B12 black-grey	/RL98-99	1	M 11/16						
33	996 552 625 02	cover microphone lacquered C02 metal grey D05 granite grey A03 black	/LL 98- 99 00-	1	M 12 M 10						
(33)	996 552 626 02	cover microphone lacquered C02 metal grey D05 granite grey A03 black	/RL 98- 99 00-	1	M 12 M 10						
33	986 552 625 00	cover microphone lacquered	/LL 04	1	M 091						

Model	Year	MG	SG	Illustration	Restrictions	Update	18:05	23.08.2006	PORSCHE	PET	PORSCHE
986	04	8	09	809-01		203					



Pos	Part Number	Name	Remarks	Qty	Model
		accessories dashboard trim	-02		
1	996 552 541 01	mounting light F >>98VS6 04498		1	
1	996 552 541 02	mounting light F 98VS6 04499>>		1	
2	8D0 907 539	sensor F >>98VS6 04498		1	
2	996 653 251 00	sensor F 98VS6 04499>>		1	
3	999 919 120 09	oval-head screw 4,0 X 18		2	
4	996 552 225 04	side vent B12 black-grey	/L -99	1	M 11/12/16
(4)	996 552 228 04	side vent B12 black-grey	/R -99	1	M 11/12/16
4	996 552 225 05	side vent lacquered D05 granite grey	/L 99	1	M 10
(4)	996 552 228 05	side vent lacquered D05 granite grey	/R 99	1	M 10
4	996 552 225 05	side vent A03 black	/L 00-	1	
(4)	996 552 228 05	side vent lacquered A03 black	/R 00-	1	
4	996 552 984 00	side vent VRK black C51 graphite grey S31 savanna G11 metropole blue J31 nephrite green	/L 01-	1	XNH

Model	Year	MG	SG	Illustration	Restrictions	Update	18:05	23.08.2006	PORSCHE	PET	PORSCHE
986	04	8	09	809-01		203					

Pos	Part Number	Name	Remarks	Qty	Model	Pos	Part Number	Name	Remarks	Qty	Model
	M31	boxster red					S31	savanna			
	D12	dark grey					J31	nephrite green			
	T12	brown/natural					M31	boxster red			
	P12	cinnamon brown					G11	metropole blue			
(4)	996 552 985 00	side vent leather	/R 01-	1	XNH		D12	dark grey			
	VRK	black					T12	brown/natural			
	C51	graphite grey					P12	cinnamon brown			
	S31	savanna				5	996 552 621 00	cover	97	1	
	G11	metropole blue					B12	black-grey			
	J31	nephrite green				5	996 552 621 00	cover headlight levelling system	98-99	1	M 11/12/16
	M31	boxster red					B12	black-grey			
	D12	dark grey				5	996 552 621 01	cover headlight levelling system lacquered	99	1	M 10
	T12	brown/natural					D05	granite grey			
4	996 552 984 05	side vent arctic silver leather	/L 01-	1	XKE	5	996 552 621 01	cover headlight levelling system lacquered	00-	1	
	VRK	black					A03	black			
	C51	graphite grey				5	996 552 986 00	cover headlight levelling system leather	01-	1	XNH
	S31	savanna					A11	black			
	J31	nephrite green					C51	graphite grey			
	M31	boxster red					S31	savanna			
	G11	metropole blue					J31	nephrite green			
	D12	dark grey					M31	boxster red			
	T12	brown/natural					G11	metropole blue			
	P12	cinnamon brown					D12	dark grey			
(4)	996 552 985 05	side vent arctic silver leather	/R 01-	1	XKE		T12	brown/natural			
	VRK	black					P12	cinnamon brown			
	C51	graphite grey				6	996 552 417 01	rose	97	1	

Model	Year	MG	SG	Illustration	Restrictions	Update	18:05	23.08.2006	PORSCHE	PET	PORSCHE
986	04	8	09	809-01		203					

Pos	Part Number	Name	Remarks	Qty	Model	Pos	Part Number	Name	Remarks	Qty	Model
	B12	black-grey				10	996 552 235 02	rose ignition starter lock	/LL 97	1	
6	996 552 417 01	rose interior sensor	98-99	1	M 11/12/16		B12	black-grey			
	B12	black-grey				(10)	996 552 236 02	rose ignition starter lock	/RL 97	1	
6	996 552 417 02	rose interior sensor lacquered	99	1	M 10		B12	black-grey			
	D05	granite grey				10	996 552 235 02	rose ignition starter lock	/LL98-99	1	M 11/12/16
6	996 552 417 02	rose interior sensor lacquered	00-	1			B12	black-grey			
	A03	black				(10)	996 552 236 02	rose ignition starter lock	/RL98-99	1	M 11/12/16
6	996 552 987 00	rose interior sensor leather	01-	1	XNH		B12	black-grey			
	A11	black				10	996 552 235 03	rose lacquered	/LL	1	
	C51	graphite grey					D05	granite grey	99		M 10
	S31	savanna				(10)	996 552 236 03	rose lacquered	/RL	1	
	J31	nephrite green					D05	granite grey	99		M 10
	M31	boxster red					A03	black	00-		
	G11	metropole blue				10	996 552 980 00	rose ignition starter lock leather	/LL 01-	1	M XJ4
	D12	dark grey					A11	black			
	T12	brown/natural					C51	graphite grey			
	P12	cinnamon brown					S31	savanna			
7	999 919 120 09	oval-head screw 4,0 X 18	-00	4			G11	metropole blue			
7	999 073 218 09	tapping screw 4,2 X 16	01-	4			J31	nephrite green			
8	986 552 183 00	support	/L -99	1			M31	boxster red			
	01C	satin black					P12	cinnamon brown			
(8)	986 552 184 00	support beverages	/R -99	1			D12	dark grey/natural			
	01C	satin black					T12	brown/natural			
9	944 552 452 00	clip F		1							
			>>98VS6 07645								

Model	Year	MG	SG	Illustration	Restrictions	Update	18:05	23.08.2006	PORSCHE	PET	PORSCHE
986	04	8	09	809-01		203					

Pos	Part Number	Name	Remarks	Qty	Model	Pos	Part Number	Name	Remarks	Qty	Model
(10)	996 552 980 01	rose ignition starter lock leather	/RL 01-	1	M XJ4		P12	cinnamon brown			
	A11	black				12	999 919 123 09	oval-head screw 5,0 X 20		8	
	C51	graphite grey				13	986 552 131 04	support frame	-99	1	M 11/16
	S31	savanna					EBO	satin black			
	G11	metropole blue				(13)	986 552 131 05	support frame	-99	1	M 11/16/662
	J31	nephrite green					EBO	satin black			
	M31	boxster red				13	986 552 131 08	support frame lacquered		1	
	P12	cinnamon brown					A03	black	00-		
	D12	dark grey/natural					C02	metal grey			
	T12	brown/natural					D05	granite grey	99		
11	996 552 271 03	cover steering		1		(13)	986 552 131 09	support frame lacquered		1	M 662
	A03	black					A03	black	00-		
	C53	graphite grey					C02	metal grey			
	S33	savanna					D05	granite grey	99		
	G13	metropole blue				(13)	986 552 980 18	support frame	01-	1	XNN
	M33	boxster red					A11	black			
	J33	nephrite green					C51	graphite grey			
	P13	cinnamon brown					S31	savanna			
11	986 552 988 03	cover steering leather	01-	1	XNS		G11	metropole blue			
	VRK	black					J31	nephrite green			
	S31	savanna					M31	boxster red			
	C51	graphite grey					D12	dark grey			
	G11	metropole blue					T12	brown/natural			
	J31	nephrite green					P12	cinnamon brown	01		
	M31	boxster red				(13)	986 552 980 22	support frame leather	01-	1	XNN:M 662
	D12	dark grey/natural					A11	black			
	T12	brown/natural					C51	graphite grey			

Model	Year	MG	SG	Illustration	Restrictions	Update	18:05	23.08.2006	PORSCHE	PET	PORSCHE
986	04	8	09	809-01		203					

Pos	Part Number	Name	Remarks	Qty	Model	Pos	Part Number	Name	Remarks	Qty	Model
	S31	savanna					P13	cinnamon brown	01		
	G11	metropole blue				(13)	986 552 980 20	support frame carbon	01	1	XNR
	J31	nephrite green					01C	satin black			
	M31	boxster red					C53	graphite grey			
	D12	dark grey					S33	savanna			
	T12	brown/natural					G13	metropole blue			
	P12	cinnamon brown	01				J33	nephrite green			
(13)	986 552 980 30	support frame rootwood dark lacquered	01-	1	XKS		M33	boxster red			
	01C	satin black					D12	dark grey/natural	00-		
	C53	graphite grey					T12	brown/natural	00-		
	S33	savanna					P13	cinnamon brown	01		
	G13	metropole blue				(13)	986 552 980 24	support frame carbon	01	1	XNR:M 662
	J33	nephrite green					01C	satin black			
	M33	boxster red					C53	graphite grey			
	D12	dark grey/natural	00-				S33	savanna			
	T12	brown/natural	00-				G13	metropole blue			
	P13	cinnamon brown	01				J33	nephrite green			
(13)	986 552 980 31	support frame rootwood dark lacquered	01-	1	XKS:M 662		M33	boxster red			
	01C	satin black					D12	dark grey/natural	00-		
	C53	graphite grey				13	986 552 980 34	support frame	01	1	XKW
	S33	savanna					92T	arctic silver			
	G13	metropole blue				(13)	986 552 980 35	support frame	01	1	XKW:M 662
	J33	nephrite green					92T	arctic silver			
	M33	boxster red				--	996 572 971 00	foam part		1	
	D12	dark grey/natural	00-			14	999 507 533 02	clamp 8/2,5		4	
	T12	brown/natural	00-								

Model	Year	MG	SG	Illustration	Restrictions	Update	18:05	23.08.2006	PORSCHE	PET	PORSCHE
986	04	8	09	809-01		203					

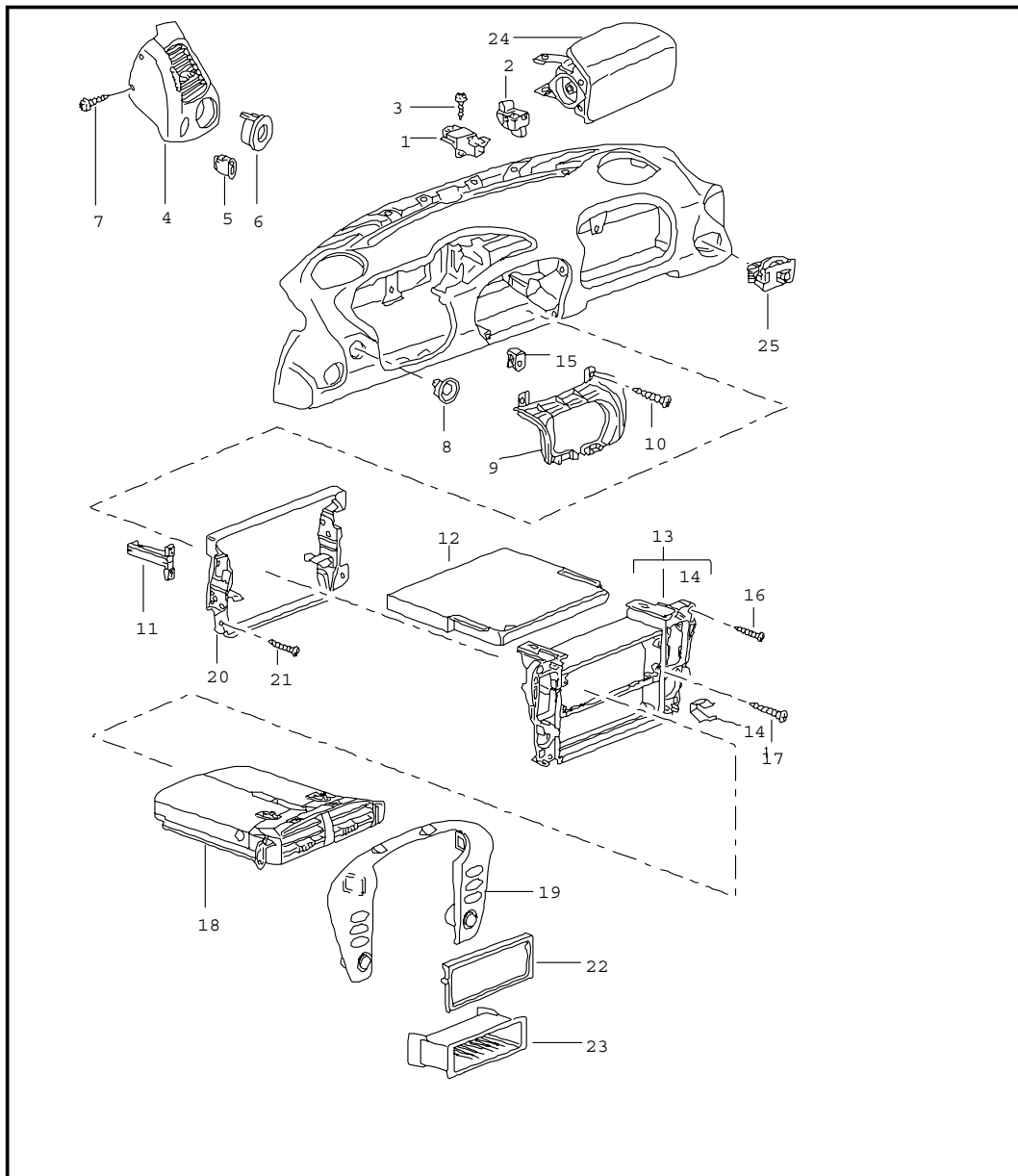
Pos	Part Number	Name	Remarks	Qty	Model	Pos	Part Number	Name	Remarks	Qty	Model
(15)	999 920 015 40	special nut 4,0 X 4,0 X 9	-99	11			D05	granite grey	99		M 10
15	999 920 012 40	special nut 5,0 X 3,5 X 8		4			C02	metal grey	98-		M 12
(15)	999 507 744 01	speed nut 4,2	-00	18		20	986 552 983 05	cover switch arctic silver	00- 01-	1	XKW
(15)	999 507 768 02	speed nut 4,2	01-	16		21	986 552 234 00	trim for switch	/R 97	1	
(15)	999 507 767 02	speed nut 4,2	01-	2			B12	black-grey			
16	999 919 123 09	oval-head screw 5,0 X 20	-00	4		21	986 552 234 00	trim for switch	/R 98-99	1	M 11/16
16	999 073 218 09	tapping screw 4,2 X 16	01-	4			B12	black-grey			
17	996 653 241 00	interior sensor side vent		1	M 573	21	986 552 234 01	trim for switch lacquered	/R	1	
18	--- --- --- --	see group 4/03/06		1			C02	metal grey	98-		M 12
19	986 552 233 00	trim for switch	/L 97	1			D05	granite grey	99		M 10
	B12	black-grey					A03	black	00-		
19	986 552 233 00	trim for switch	/L 98-99	1	M 11/16	21	986 552 982 04	trim for switch arctic silver	/R 01-	1	XKW
	B12	black-grey				22	996 552 153 01	support frame heating		1	
19	986 552 233 01	trim for switch lacquered	/L	1			01C	satin black			
	C02	metal grey	98-		M 12	22	996 552 991 00	cover heating leather	01-	1	XKW/XNN+ M 574
	D05	granite grey	99		M 10		A11	black			
	A03	black	00-				C51	graphite grey			
19	986 552 981 04	trim for switch arctic silver	/L 01-	1	XKW		S31	savanna			
20	986 552 543 00	cover	97	1			J31	nephrite green			
	B12	black-grey					M31	boxster red			
20	986 552 543 00	cover switch	98-99	1	M 11/16		G11	metropole blue			
	B12	black-grey					D12	dark grey			
20	986 552 543 01	cover switch		1			T12	brown/natural			
							P12	cinnamon brown			



Model	Year	MG	SG	Illustration	Restrictions	Update	18:05	23.08.2006	PORSCHE	PET	PORSCHE
986	04	8	09	809-01		203					

Pos	Part Number	Name	Remarks	Qty	Model	Pos	Part Number	Name	Remarks	Qty	Model
23	996 552 677 00	frame air-conditioning switch		1							
	01C	satin black									
24	996 552 673 02	holder radio		1							
(24)	996 552 653 01	holder	98-	1	M 662						
25	999 919 123 09	oval-head screw 5,0 X 20	-00	2							
25	999 073 218 09	tapping screw 4,2 X 16	01-	2							
26	996 552 253 01	shelf instead of radio		1							
	01C	satin black									
27	996 552 173 00	shelf driver's side	98-99	1							
	01C	satin black									
27	996 552 173 01	shelf driver's side	00-	1							
	A03	black									
28	999 507 616 40	expander nut 6,2/5,8-10	98	2							
(28)	999 591 712 40	expansion rivet 6,0 X 12,0	99-	2							
		- - - E N D - - -									

Model	Year	MG	SG	Illustration	Restrictions	Update	18:05	23.08.2006	PORSCHE	PET	PORSCHE
986	04	8	09	809-02		203					



Pos	Part Number	Name	Remarks	Qty	Model
1	996 552 541 02	accessories dashboard trim	03-	1	
2	996 653 251 00	mounting light		1	M 534/535
3	999 919 120 09	sensor		2	
4	996 552 225 06	oval-head screw 4,0 X 18		1	
		side vent lacquered	/L	1	
		A03 black			
(4)	996 552 228 06	side vent lacquered	/R	1	
		A03 black			
4	996 552 984 00	side vent leather	/L	1	XNH
		VRK black			
		C51 graphite grey			
		S31 savanna			
		G11 metropole blue			
		J31 nephrite green			
		M31 boxster red			
		D12 dark grey			
		T12 brown/natural			
		P12 cinnamon brown			
(4)	996 552 985 00	side vent leather	/R	1	XNH
		VRK black			
		C51 graphite grey			
		S31 savanna			
		G11 metropole blue			
		J31 nephrite green			
		M31 boxster red			
		D12 dark grey			

Model	Year	MG	SG	Illustration	Restrictions	Update	18:05	23.08.2006	PORSCHE	PET	PORSCHE
986	04	8	09	809-02		203					

Pos	Part Number	Name	Remarks	Qty	Model	Pos	Part Number	Name	Remarks	Qty	Model
		T12 brown/natural						G11 metropole blue			
		P12 cinnamon brown						J31 nephrite green			
4	996 552 984 05	side vent arctic silver leather	/L	1	XKE			M31 boxster red			
		VRK black						P12 cinnamon brown			
		C51 graphite grey						D12 dark grey/natural			
		S31 savanna						T12 brown/natural			
		J31 nephrite green				(4)	996 552 985 07	side vent aluminium look leather	/R 03-	1	XCC
		M31 boxster red						VRK black			
		G11 metropole blue						C51 graphite grey			
		D12 dark grey						S31 savanna			
		T12 brown/natural						G11 metropole blue			
(4)	996 552 985 05	side vent arctic silver leather	/R	1	XKE			J31 nephrite green			
		VRK black						M31 boxster red			
		C51 graphite grey						P12 cinnamon brown			
		S31 savanna						D12 dark grey/natural			
		J31 nephrite green				5	996 552 621 01	cover headlight levelling system lacquered		1	
		M31 boxster red						A03 black			
		G11 metropole blue				5	996 552 986 00	cover headlight levelling system leather		1	XNU
		D12 dark grey						A11 black			
		T12 brown/natural						C51 graphite grey			
		P12 cinnamon brown						S31 savanna			
4	996 552 984 07	side vent aluminium look leather	/L 03-	1	XCC			J31 nephrite green			
		VRK black						M31 boxster red			
		C51 graphite grey						G11 metropole blue			
		S31 savanna						D12 dark grey			

Model	Year	MG	SG	Illustration	Restrictions	Update	18:05	23.08.2006	PORSCHE	PET	PORSCHE
986	04	8	09	809-02		203					

Pos	Part Number	Name	Remarks	Qty	Model	Pos	Part Number	Name	Remarks	Qty	Model
	T12	brown/natural					M31	boxster red			
	P12	cinnamon brown					P12	cinnamon brown			
6	996 552 417 02	rose interior sensor lacquered		1			D12	dark grey/natural			
	A03	black				(8)	996 552 980 01	rose ignition starter lock leather	/RL	1	M XJ4
6	996 552 987 00	rose interior sensor leather		1	XNH/XKE/XCC		A11	black			
	A11	black					C51	graphite grey			
	C51	graphite grey					S31	savanna			
	S31	savanna					G11	metropole blue			
	J31	nephrite green					J31	nephrite green			
	M31	boxster red					M31	boxster red			
	G11	metropole blue					P12	cinnamon brown			
	D12	dark grey					D12	dark grey/natural			
	T12	brown/natural					T12	brown/natural			
	P12	cinnamon brown				9	996 552 271 03	cover steering		1	
7	999 073 218 09	tapping screw 4,2 X 16		4			A03	black			
8	996 552 235 03	rose ignition starter lock	/LL	1			C53	graphite grey			
	A03	black					S33	savanna			
(8)	996 552 236 03	rose ignition starter lock	/RL	1			G13	metropole blue			
	A03	black					J33	nephrite green			
8	996 552 980 00	rose ignition starter lock leather	/LL	1	M XJ4		M33	boxster red			
	A11	black					P13	cinnamon brown			
	C51	graphite grey				9	986 552 988 03	cover steering leather		1	XNS
	S31	savanna					VRK	black			
	G11	metropole blue					S31	savanna			
	J31	nephrite green					G11	metropole blue			
							J31	nephrite green			

Model	Year	MG	SG	Illustration	Restrictions	Update	18:05	23.08.2006	PORSCHE	PET	PORSCHE
986	04	8	09	809-02		203					

Pos	Part Number	Name	Remarks	Qty	Model	Pos	Part Number	Name	Remarks	Qty	Model
	M31	boxster red					M31	boxster red			
	D12	dark grey/natural					P12	cinnamon brown			
	T12	brown/natural					D12	dark grey/natural			
	C51	graphite grey					T12	brown/natural			
	P12	cinnamon brown				13	996 552 231 11	support frame		1	
10	999 919 123 09	oval-head screw 5,0 X 20		8			01C	satin black			
12	996 552 183 00	support beverages	/LL	1		(13)	996 552 231 12	support frame		1	M 665
	01C	satin black					01C	satin black			
(12)	996 552 184 00	support beverages	/RL	1		13	996 552 969 25	support frame leather		1	XNN
	01C	satin black					A11	black			
12	996 552 958 00	support beverages leather	/LL	1	XCD/XKS/XNR		C51	graphite grey			
	A11	black					S31	savanna			
	C51	graphite grey					G11	metropole blue	03		
	S31	savanna					J31	nephrite green			
	G11	metropole blue					M31	boxster red			
	J31	nephrite green					D12	dark grey			
	M31	boxster red					T12	brown/natural			
	P12	cinnamon brown				(13)	996 552 969 26	support frame leather		1	XNN:M 665
	D12	dark grey/natural					A11	black			
	T12	brown/natural					C51	graphite grey			
(12)	996 552 958 01	support beverages leather	/RL	1	XCD/XKS/XNR		S31	savanna			
	A11	black					G11	metropole blue	03		
	C51	graphite grey					J31	nephrite green			
	S31	savanna					M31	boxster red			
	G11	metropole blue					D12	dark grey			
	J31	nephrite green					T12	brown/natural			
							P12	cinnamon brown			

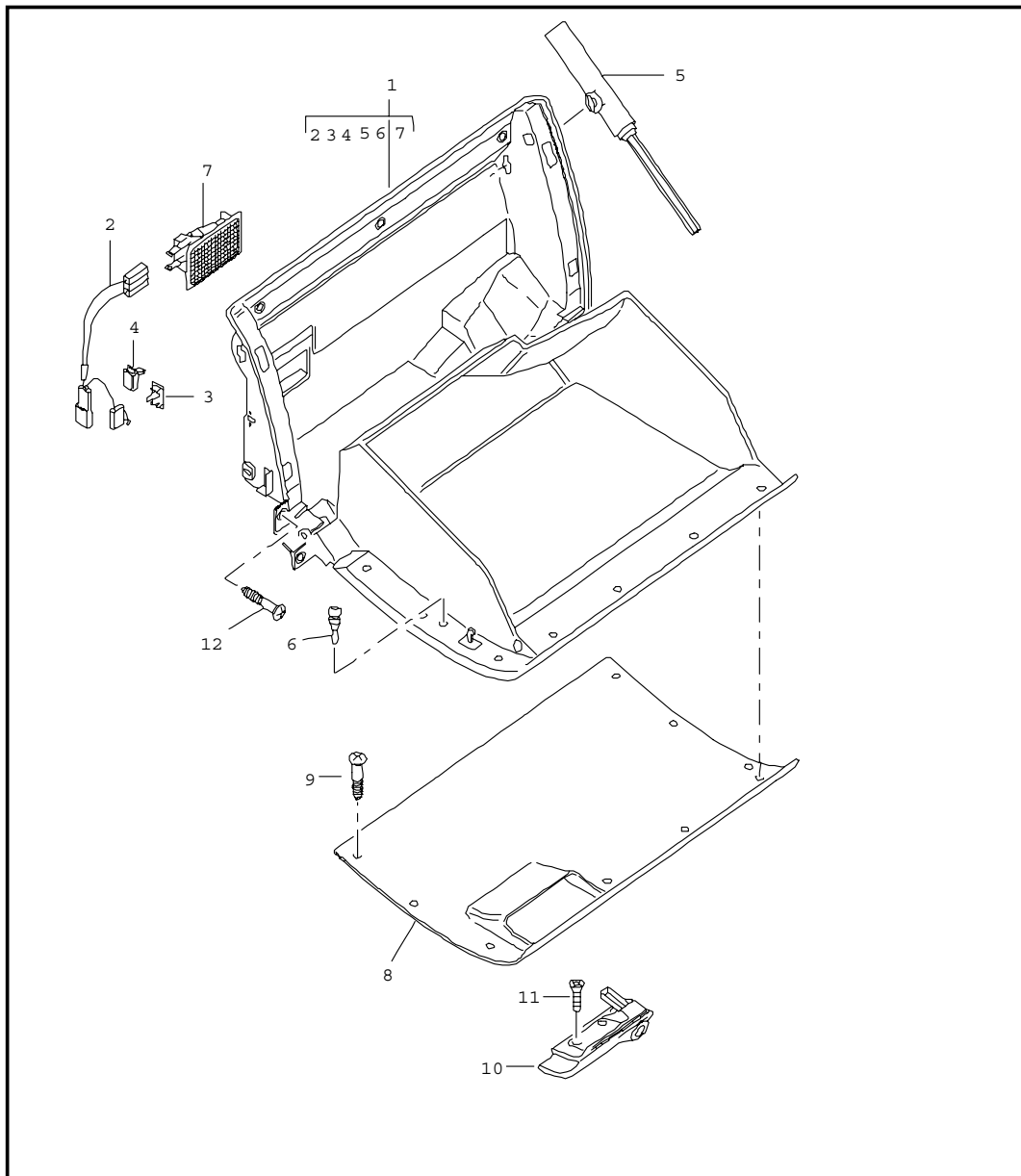
Model	Year	MG	SG	Illustration	Restrictions	Update	18:05	23.08.2006	PORSCHE	PET	PORSCHE
986	04	8	09	809-02		203					

Pos	Part Number	Name	Remarks	Qty	Model	Pos	Part Number	Name	Remarks	Qty	Model
14	999 507 533 02	clamp 8/2,5		4			T12	brown/natural			
15	999 507 768 02	speed nut 4,2		16		19	996 552 233 06	trim for switch lacquered		1	
(15)	999 507 767 02	speed nut 4,2		2			A03	black			
							C02	metal grey			M012
16	999 073 218 09	tapping screw 4,2 X 16		4		19	986 552 233 02	trim for switch lacquered	04	1	M 091
17	900 143 076 09	tapping screw 4,2 X 25		2	M 573		M7Z	gt silver metallic			
18	996 552 263 01	centre nozzle		1		19	996 552 967 08	trim for switch leather		1	XNN/XCD
	01C	satin black					A11	black			
18	996 552 950 00	centre nozzle leather		1	XKS/XNN/XNR		C51	graphite grey			
	A11	black					S31	savanna			
	C51	graphite grey					G11	metropole blue			
	S31	savanna					J31	nephrite green			
	G11	metropole blue					M31	boxster red			
	J31	nephrite green					D12	dark grey			
	M31	boxster red					T12	brown/natural			
	P12	cinnamon brown					P12	cinnamon brown			
	D12	dark grey/natural				20	996 552 673 03	holder		1	
	T12	brown/natural				(20)	996 552 653 02	holder		1	M 665
18	996 552 951 00	centre nozzle aluminium look		1	XCD	21	999 073 218 09	tapping screw 4,2 X 16		2	
	A11	black				22	986 552 153 00	frame		1	M 574
	C51	graphite grey					01C	satin black			
	S31	savanna				22	996 552 677 01	frame		1	M 573
	G11	metropole blue					01C	satin black			
	J31	nephrite green				23	996 552 253 01	shelf instead of radio		1	
	M31	boxster red					01C	satin black			
	P12	cinnamon brown				23	996 552 994 01	shelf leather		1	XMF
	D12	dark grey/natural									

Model	Year	MG	SG	Illustration	Restrictions	Update	18:05	23.08.2006	PORSCHE	PET	PORSCHE
986	04	8	09	809-02		203					

Pos	Part Number	Name	Remarks	Qty	Model	Pos	Part Number	Name	Remarks	Qty	Model
	A11	black									
	C51	graphite grey									
	S31	savanna									
	J31	nephrite green									
	M31	boxster red									
	G11	metropole blue									
	D12	dark grey									
	T12	brown/natural									
	P12	cinnamon brown									
24	--- --- --- ---	see group 4/03/06		1							
25	996 653 241 00	interior sensor		1							
		- - - E N D - - -									

Model	Year	MG	SG	Illustration	Restrictions	Update	18:05	23.08.2006	PORSCHE	PET	PORSCHE
986	04	8	09	809-03		203					



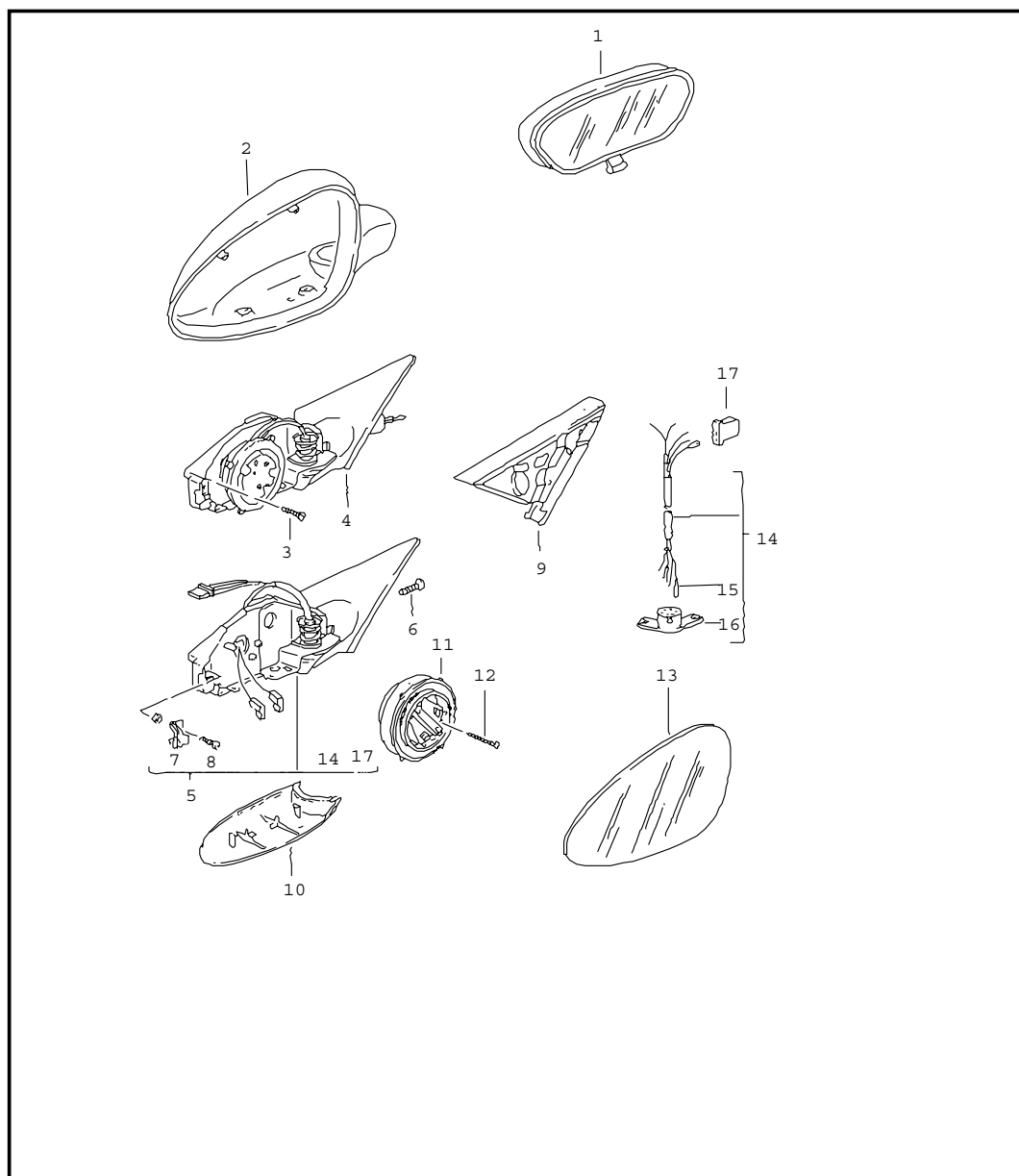
Pos	Part Number	Name	Remarks	Qty	Model
		glove compartment	03-		
1	996 552 119 00	glove compartment	/LL	1	
		01C satin black			
(1)	996 552 120 00	glove compartment	/RL	1	
		01C satin black			
2	996 622 501 00	wiring harness		1	
3	999 650 564 40	clip for wiring harness microswitch		1	
4	999 650 565 40	clip for wiring harness		1	
5	996 552 779 00	damper		2	
6	999 703 491 50	buffer 7 X 9,5 X 19,5		2	
7	928 632 101 00	glove compartment light		1	
8	996 552 133 00	glove box cover leatherette	/LL	1	M 016
		A12 black			
		C52 graphite grey			
		S32 savanna			
		G12 metropole blue			
		J32 nephrite green			
(8)	996 552 134 00	glove box cover leatherette	/RL	1	M 016
		A12 black			
		C52 graphite grey			
		S32 savanna			
		G12 metropole blue			
		J32 nephrite green			
8	996 552 133 01	glove box cover leather	/LL	1	M981
		A11 black			



Model	Year	MG	SG	Illustration	Restrictions	Update	18:05	23.08.2006	PORSCHE	PET	PORSCHE
986	04	8	09	809-03		203					

Pos	Part Number	Name	Remarks	Qty	Model	Pos	Part Number	Name	Remarks	Qty	Model
	C51	graphite grey				12	999 073 169 07	tapping screw 4,8 X 16		7	
	S31	savanna				13	996 552 879 00	adapter for damper	03-	2	
	G11	metropole blue									
	J31	nephrite green	03								
	M31	boxster red									
	P12	cinnamon brown									
	D12	dark grey									
	T12	brown/natural									
	9V6	cocoa	04-								
(8)	996 552 134 01	glove box cover leather	/RL	1	M981						
	A11	black									
	C51	graphite grey									
	S31	savanna									
	G11	metropole blue									
	J31	nephrite green	03								
	M31	boxster red									
	P12	cinnamon brown									
	D12	dark grey									
	T12	brown/natural									
	9V6	cocoa	04-								
9	999 073 308 07	tapping screw 3,5 X 12		11							
10	996 552 349 01	handle	/LL	1							
	V03	silver									
(10)	996 552 350 01	handle	/RL	1							
	V03	silver									
--	996 552 915 00	lock cylinder state lock number		1							
11	999 073 240 02	screw M 4 X 10		2							

Model	Year	MG	SG	Illustration	Restrictions	Update	18:05	23.08.2006	PORSCHE	PET	PORSCHE
986	04	8	09	809-10		203					



Pos	Part Number	Name	Remarks	Qty	Model
1	996 731 511 00	interior mirror door mirror		1	
	01C	satin black			
(1)	996 731 511 02	interior mirror	01-	1	M 265
	01C	satin black			
-	996 731 811 01	cover	/L 01-	1	M 265
	01C	satin black			
-	996 731 812 01	cover	/R 01-	1	M 265
	01C	satin black			
2	996 731 619 00	housing	/L	1	
	G2L	prime coated			
(2)	996 731 620 00	housing	/R	1	
	G2L	prime coated			
3	999 919 170 02	countersunk-head screw 3,0 X 10		6	
4	986 731 219 00	mirror base door mirror manually adjustable	/LL/L	1	
	G2L	prime coated			
(4)	986 731 220 00	mirror base door mirror manually adjustable	/LL/R	1	
	G2L	prime coated			
(4)	986 731 219 01	mirror base door mirror manually adjustable	/RL/L	1	
	G2L	prime coated			
(4)	986 731 220 01	mirror base door mirror manually adjustable	/RL/R	1	
	G2L	prime coated			
5	996 731 219 00	mirror base door mirror electrically adjustable	/LL/L	1	

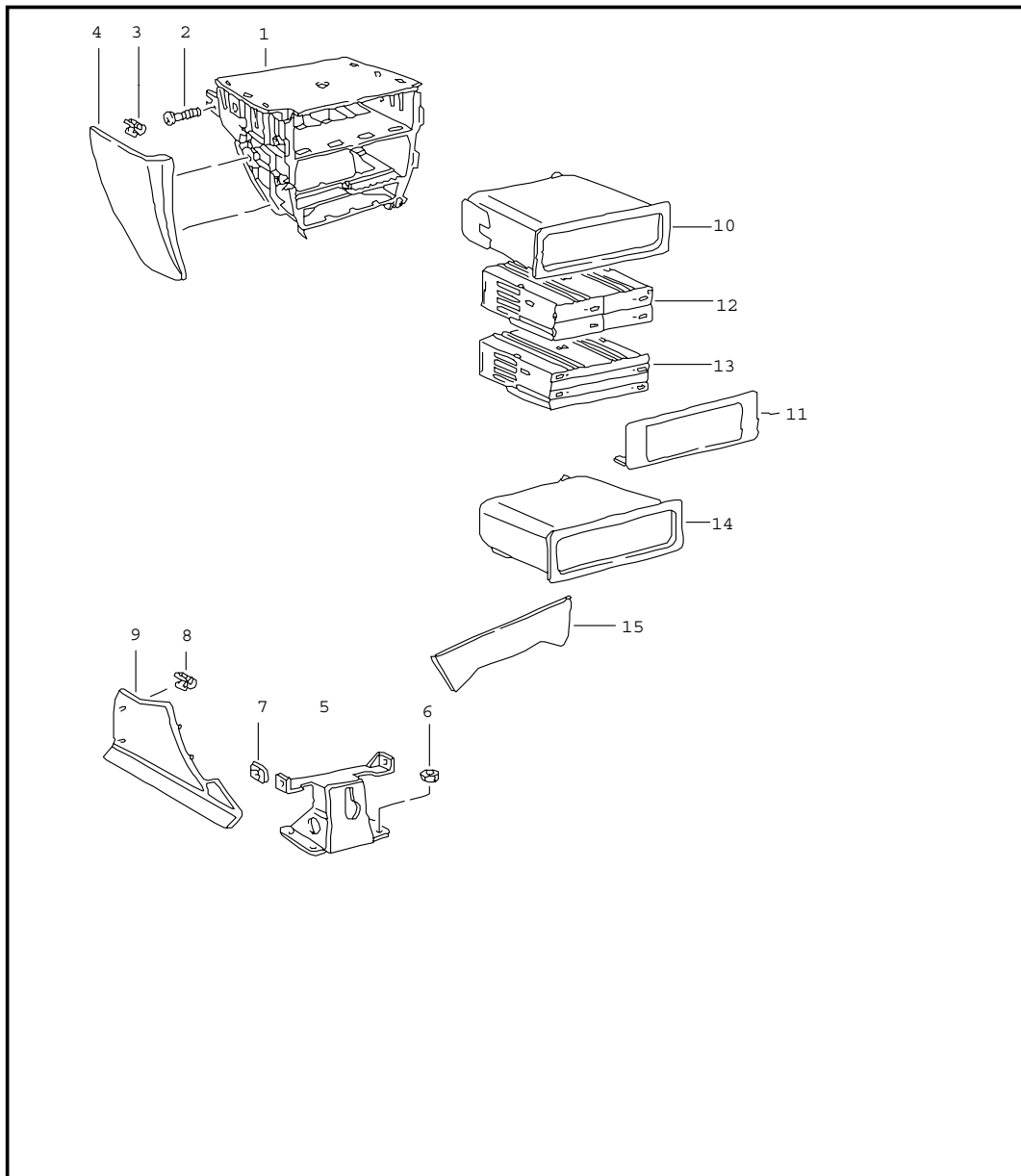
Model	Year	MG	SG	Illustration	Restrictions	Update	18:05	23.08.2006	PORSCHE	PET	PORSCHE
986	04	8	09	809-10		203					

Pos	Part Number	Name	Remarks	Qty	Model	Pos	Part Number	Name	Remarks	Qty	Model
		G2L prime coated				(5)	996 731 220 03	mirror base door mirror electrically adjustable	/RL/R98-	1	M 538
5	996 731 219 04	mirror base door mirror electrically adjustable	/LL/L01-	1	M 266		G2L	prime coated			
		G2L prime coated				(5)	996 731 220 05	mirror base door mirror electrically adjustable	/RL/R01-	1	M 538+266
(5)	996 731 220 00	mirror base door mirror electrically adjustable	/LL/R	1			G2L	prime coated			
		G2L prime coated				6	999 073 125 02	oval-head screw M 5 X 14		6	
(5)	996 731 219 01	mirror base door mirror electrically adjustable	/RL/L	1		7	999 507 549 02	spring clamp		2	
		G2L prime coated				8	900 278 010 02	oval-head screw		2	
(5)	996 731 220 01	mirror base door mirror electrically adjustable	/RL/R	1		9	996 537 731 00	filler piece	/L	1	
		G2L prime coated				(9)	996 537 732 00	filler piece outer	/R	1	
(5)	996 731 220 04	mirror base door mirror electrically adjustable	/RL/R01-	1	M 266	(9)	996 537 733 00	filler piece	/L	1	
		G2L prime coated				(9)	996 537 734 00	filler piece inner	/R	1	
(5)	996 731 219 02	mirror base door mirror electrically adjustable	/LL/L98-	1	M 537	10	996 731 719 00	cover lower	/L	1	
		G2L prime coated				(10)	G2L	prime coated			
(5)	996 731 219 05	mirror base door mirror electrically adjustable	/LL/L01-	1	M 537+266		G2L	prime coated			
		G2L prime coated				11	996 624 047 00	adjusting motor		2	
(5)	996 731 220 02	mirror base door mirror electrically adjustable	/LL/R98-	1	M 537	11	996 624 048 00	adjusting motor	98-	2	M 537/538
		G2L prime coated				12	900 278 013 02	oval-head screw M 3 X 30		6	
(5)	996 731 219 03	mirror base door mirror electrically adjustable	/RL/L98-	1	M 538	13	996 731 035 01	mirror glass	/L	1	M 270
		G2L prime coated				13	996 731 035 03	mirror glass plan	/L 01-	1	M 270+266
(5)	996 731 219 03	mirror base door mirror electrically adjustable		1	M 538	(13)	996 731 035 02	mirror glass	/L	1	M 271
		G2L prime coated				(13)	996 731 035 04	mirror glass ASPHAERISCH	/L 01-	1	M 271+266
						(13)	996 731 037 01	mirror glass convex	/RL/L	1	

Model	Year	MG	SG	Illustration	Restrictions	Update	18:05	23.08.2006	PORSCHE	PET	PORSCHE
986	04	8	09	809-10		203					

Pos	Part Number	Name	Remarks	Qty	Model	Pos	Part Number	Name	Remarks	Qty	Model
(13)	996 731 036 01	mirror glass	/RL/R	1	M 270						
(13)	996 731 036 03	mirror glass plan	/RL/R01-	1	M 270+266						
(13)	996 731 036 02	mirror glass	/RL/R	1	M 271						
(13)	996 731 036 04	mirror glass aspherical	/RL/R01-	1	M 271+266						
(13)	996 731 038 02	mirror glass convex	/LL/R	1							
(13)	996 731 038 04	mirror glass convex	/LL/R	1	(SA)						
(14)	996 612 674 00	wiring harness		1							
15	999 652 710 10	cylindrical connector		30							
16	999 650 173 40	connector 15-pole		2							
17	311 906 231 B	connector housing 3-pole		2							
(17)	999 650 177 40	plug socket 8-pole	98-	2	M 537/538						
(17)	999 650 178 40	slide 8-pole	98-	2	M 537/538						
		- - - E N D - - -									

Model	Year	MG	SG	Illustration	Restrictions	Update	18:06	23.08.2006	PORSCHE	PET	PORSCHE
986	04	8	09	809-15		203					



Pos	Part Number	Name	Remarks	Qty	Model
		centre console front			
1	996 552 115 01	bracket	-98	1	
	01C	satin black information available			
1	996 552 115 02	bracket	99-	1	
	01C	satin black			
1	996 552 973 01	bracket leather	01-	1	XMP
	A11	black			
	C51	graphite grey			
	S31	savanna			
	J31	nephrite green			
	M31	boxster red			
	D12	dark grey/natural	00-		
	T12	brown/natural	00-		
	P12	cinnamon brown	01-		
2	999 919 121 09	oval-head screw 5,0 X 16		4	
3	999 507 476 01	clamp 8,0 X 10,2		3	
(4)	---	not for preparation for telephone see group 9/11/10		1	M 614/618/ M 663
4	996 552 091 02	cover leatherette	/L 97	1	
	A10	black			
	C50	graphite grey			
	S30	savanna			
(4)	996 552 092 02	cover leatherette	/R 97	1	
	A10	black			
	C50	graphite grey			

Model	Year	MG	SG	Illustration	Restrictions	Update	18:06	23.08.2006	PORSCHE	PET	PORSCHE
986	04	8	09	809-15		203					

Pos	Part Number	Name	Remarks	Qty	Model	Pos	Part Number	Name	Remarks	Qty	Model
	S30	savanna				(4)	996 552 092 06	cover leatherette	/R 00-	1	M 11/16
4	996 552 091 05	cover leatherette	/L 98	1	M 11/16		A12	black			
	A18	black					C52	graphite grey			
	C18	graphite grey					S32	savanna			
	S18	savanna					G12	metropole blue			
	G18	metropole blue					J32	nephrite green	01-		
(4)	996 552 092 05	cover leatherette	/R 98	1	M 11/16	4	986 552 091 00	cover leatherette	/L 98	1	M 12
	A18	black					A40	black			
	C18	graphite grey				(4)	986 552 092 00	cover leatherette	/R 98	1	M 12
	S18	savanna					A40	black			
	G18	metropole blue				(4)	986 552 091 01	cover leatherette	/L 99-	1	M 12
(4)	996 552 091 06	cover leatherette	/L 99	1	M 10/11/16		A40	black			
	A18	black				(4)	986 552 092 01	cover leatherette	/R 99-	1	M 12
	C18	graphite grey					A40	black			
	S18	savanna				4	996 552 091 03	cover leather	/L -98	1	
	G18	metropole blue					A11	black			
(4)	996 552 092 06	cover leatherette	/R 99	1	M 10/11/16		C51	graphite grey			
	A18	black					S31	savanna			
	C18	graphite grey					J31	nephrite green	-03		
	S18	savanna					M31	boxster red			
	G18	metropole blue					G11	metropole blue			
4	996 552 091 06	cover leatherette	/L 00-	1	M 11/16	(4)	996 552 092 03	cover leather	/R -98	1	
	A12	black					A11	black			
	C52	graphite grey					C51	graphite grey			
	S32	savanna					S31	savanna			
	G12	metropole blue					J31	nephrite green	-03		
	J32	nephrite green	01-								

Model	Year	MG	SG	Illustration	Restrictions	Update	18:06	23.08.2006	PORSCHE	PET	PORSCHE
986	04	8	09	809-15		203					

Pos	Part Number	Name	Remarks	Qty	Model	Pos	Part Number	Name	Remarks	Qty	Model
	M31	boxster red				8	999 507 476 01	clamp 8,0 X 10,2		2	
	G11	metropole blue				9	996 552 113 01	cover carpet	/L 97	1	
4	996 552 091 07	cover leather	/L 99-	1			A10	black			
	A11	black					C50	graphite grey			
	C51	graphite grey					S30	savanna			
	S31	savanna					J30	nephrite green	-03		
	J31	nephrite green	-03				M30	boxster red			
	M31	boxster red				(9)	996 552 114 01	cover carpet	/R 97	1	
	G11	metropole blue					A10	black			
	D12	dark grey/natural	00-				C50	graphite grey			
	T12	brown/natural	00-				S30	savanna			
	P12	cinnamon brown	01-				J30	nephrite green	-03		
	9V6	cocoa	04-				M30	boxster red			
(4)	996 552 092 07	cover leather	/R 99-	1		9	996 552 113 02	cover carpet	/L 98-	1	
	A11	black					A10	black			
	C51	graphite grey					C50	graphite grey			
	S31	savanna					S30	savanna			
	J31	nephrite green	-03				J30	nephrite green	-03		
	M31	boxster red					M30	boxster red			
	G11	metropole blue					G10	metropole blue	98-		
	D12	dark grey/natural	00-				D11	dark grey	00-		
	T12	brown/natural	00-				T11	brown/natural	00-		
	P12	cinnamon brown	01-				P11	cinnamon brown	01-		
	9V6	cocoa	04-				R10	cocoa	04-		
(5)	996 552 267 05	support lower		1	M 581	(9)	996 552 114 02	cover carpet	/R 98-	1	
6	999 084 629 09	hexagon nut M 6		4			A10	black			
7	999 920 011 40	special nut 5,0 X 1,0 X 8		4			C50	graphite grey			

Model	Year	MG	SG	Illustration	Restrictions	Update	18:06	23.08.2006	PORSCHE	PET	PORSCHE
986	04	8	09	809-15		203					

Pos	Part Number	Name	Remarks	Qty	Model	Pos	Part Number	Name	Remarks	Qty	Model
	S30	savanna					M31	boxster red			
	J30	nephrite green	-03				D12	dark grey			
	M30	boxster red					T12	brown/natural			
	G10	metropole blue	98-				P12	cinnamon brown			
	D11	dark grey	00-			12	996 552 763 00	cassette box	-02	4	M 421
	T11	brown/natural	00-			(12)	996 552 981 01	cassette box leather	01-02	4	M 421+XMF
	P11	cinnamon brown	01-				A11	black			
	R10	cocoa	04-				C51	graphite grey			
10	996 552 253 01	shelf		1			S31	savanna			
	01C	satin black					G11	metropole blue			
10	996 552 994 01	shelf leather	01-	1	XMF		J31	nephrite green			
	A11	black					M31	boxster red			
	C51	graphite grey					D12	dark grey/natural	00-		
	S31	savanna					T12	brown/natural	00-		
	J31	nephrite green					P12	cinnamon brown	01-		
	M31	boxster red				13	996 552 773 00	box for cds		4	M 424
	G11	metropole blue				(13)	996 552 981 00	box for cds leather	01-	1	M 424+XMF
	D12	dark grey					A11	black			
	T12	brown/natural					C51	graphite grey			
	P12	cinnamon brown					S31	savanna			
11	996 552 443 00	frame		1			G11	metropole blue			
	01C	satin black					J31	nephrite green			
(11)	996 552 992 00	frame air-conditioning switch leather	01-	1	XKW/XNN		M31	boxster red			
	A11	black					D12	dark grey/natural	00-		
	C51	graphite grey					T12	brown/natural	00-		
	S31	savanna					P12	cinnamon brown	01-		
	G11	metropole blue				14	996 552 243 01	shelf		1	
	J31	nephrite green					01C	satin black			



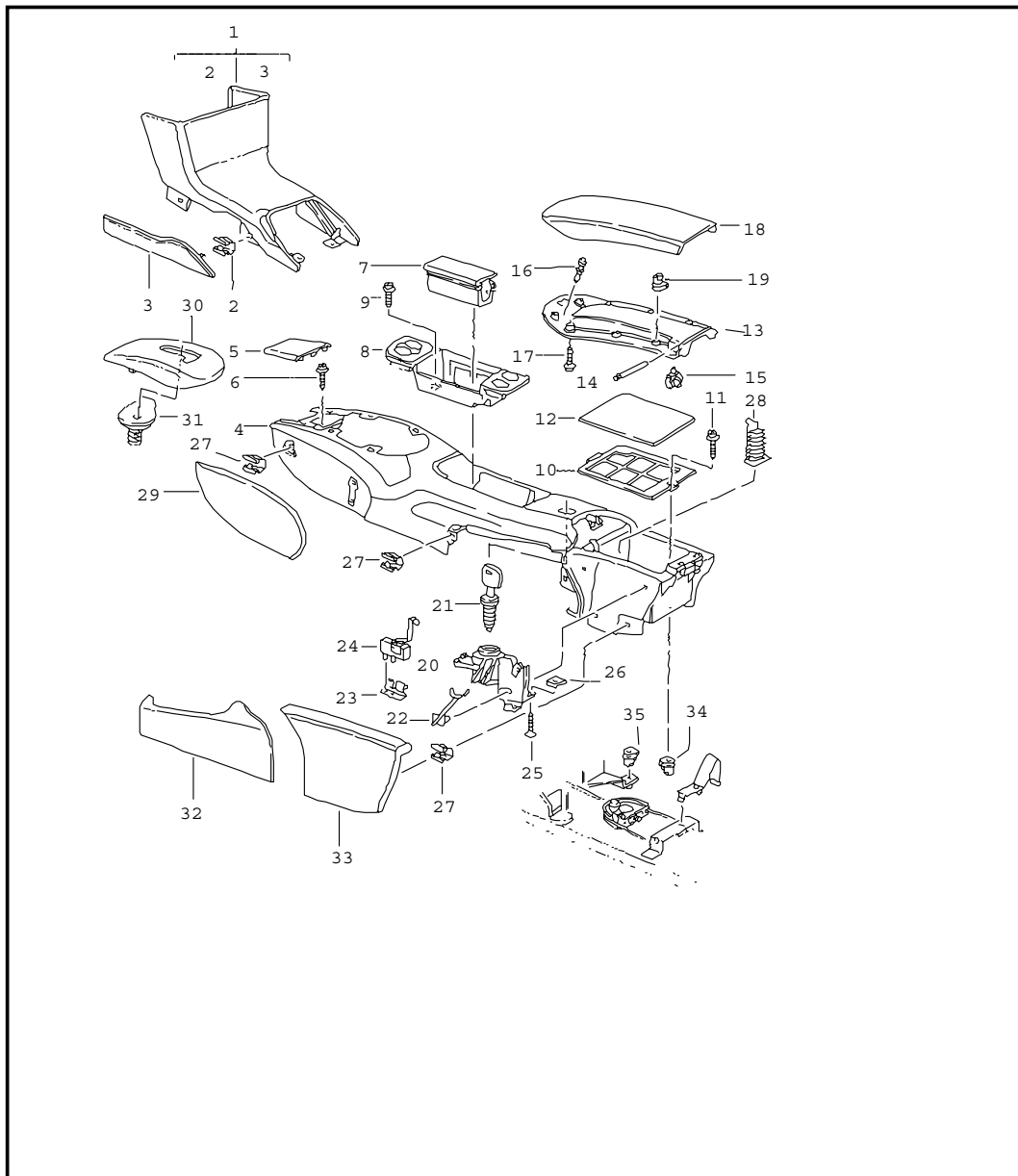
Model	Year	MG	SG	Illustration	Restrictions	Update	18:06	23.08.2006	PORSCHE	PET	PORSCHE
986	04	8	09	809-15		203					

Pos	Part Number	Name	Remarks	Qty	Model	Pos	Part Number	Name	Remarks	Qty	Model
14	996 552 982 01	shelf leather	01-	1	XMF		01C	satin black			
	A11	black				(15)	986 552 335 00	trim for switch	-02	1	M 008
	C51	graphite grey					01C	satin black			
	S31	savanna				(15)	986 552 335 01	trim for switch with logo	03-	1	M 008
	J31	nephrite green					01C	satin black			
	M31	boxster red				(15)	986 552 335 02	trim for switch	04	1	M 091/M 581
	G11	metropole blue					01C	satin black			
	D12	dark grey				(15)	986 552 974 00	trim for switch leather	00-	1	M 008
	T12	brown/natural					A11	black			
	P12	cinnamon brown					C51	graphite grey			
(14)	996 552 963 00	cover leather	01-	1	XMF/XNN		S31	savanna			
	A11	black					G11	metropole blue			
	C51	graphite grey					J31	nephrite green			
	S31	savanna					M31	boxster red			
	G11	metropole blue					D12	dark grey/natural			
	J31	nephrite green					T12	brown/natural			
	M31	boxster red					P12	cinnamon brown			
	D12	dark grey				15	996 552 983 00	trim for switch leather	01-	1	M 009
	T12	brown/natural					A11	black			
	P12	cinnamon brown					C51	graphite grey			
(14)	996 552 963 01	cover rootwood light	01-	1	XKR		S31	savanna			
(14)	996 552 963 02	cover rootwood dark	01-	1	XKS		J31	nephrite green			
14	996 552 963 04	cover carbon	01-	1	XNR		M31	boxster red			
15	996 552 335 00	trim for switch	-99	1			G11	metropole blue			
	01C	satin black					D12	dark grey			
15	996 552 335 00	trim for switch	00-	1	M 009		T12	brown/natural			
							P12	cinnamon brown			

Model	Year	MG	SG	Illustration	Restrictions	Update	18:06	23.08.2006	PORSCHE	PET	PORSCHE
986	04	8	09	809-15		203					

Pos	Part Number	Name	Remarks	Qty	Model	Pos	Part Number	Name	Remarks	Qty	Model
		- - - E N D - - -									

Model	Year	MG	SG	Illustration	Restrictions	Update	18:06	23.08.2006	PORSCHE	PET	PORSCHE
986	04	8	09	809-20		203					



Pos	Part Number	Name	Remarks	Qty	Model
1	986 552 113 02	centre console centre lining carpet A10 black C50 graphite grey S30 savanna J30 nephrite green M30 boxster red G10 metropole blue	-99	1	
1	986 552 113 03	lining carpet D11 dark grey/natural R10 cocoa	98-04	1	M 091
2	999 507 533 02	clamp	-99	26	
2	999 507 533 02	clamp 8,0 X 10,2	04	8	M 091
3	986 552 513 02	cover carpet A10 black C50 graphite grey S30 savanna J30 nephrite green M30 boxster red G10 metropole blue	/L -99	1	
(3)	986 552 514 02	cover carpet A10 black C50 graphite grey S30 savanna J30 nephrite green M30 boxster red	/R -99	1	

Model	Year	MG	SG	Illustration	Restrictions	Update	18:06	23.08.2006	PORSCHE	PET	PORSCHE
986	04	8	09	809-20		203					

Pos	Part Number	Name	Remarks	Qty	Model	Pos	Part Number	Name	Remarks	Qty	Model
	G10	metropole blue	98-				3W7	dark blue	-01		
3	986 552 513 02	cover carpet	/L 04	1	M 091		23I	wimbledon green metallic	-01		
	D11	dark grey/natural					9A3	biarritz white	-01		
	R10	cocoa					2A2	rainforest green metallic	-02		
(3)	986 552 514 02	cover carpet	/R 04	1	M 091		92U	arctic silver metallic			
	D11	dark grey/natural					041	black			
	R10	cocoa					84A	guards red			
4	A 996 552 125 01	centre console	97	1			12H	speed yellow			
	B12	black-grey					8A3	orient red metallic			
4	A 996 552 125 01	centre console	98-99	1	M 11/16		M5W	lapis blue metallic			
	B12	black-grey					6A6	meridian metallic			
4	996 552 902 00	centre console	98-99	1	M 11/16		39C	midnight blue metallic			
	B12	black-grey					6B4	seal grey metallic			
4	A 996 552 125 02	centre console	98-01	1			2B4	forest green metallic			
	D05	granite grey	99		M 10		3C8	cobalt blue metallic			
	C02	metal grey	98-		M 12		92M	polar silver metallic			
	A03	black	00-				23F	slate grey metallic			
4	996 552 125 03	centre console lacquered	02-	1			1A8	zanzibar red			
	C02	metal grey	98-		M 12		B9A	carrara white	02-		
	A03	black	00-				C9Z	basalt black metallic	02-		
4	996 552 125 04	centre console lacquered	04	1	M 091	4	M6W	lagoon green metallic	03-		
	M7Z	gt silver metallic					986 552 995 09	centre console	03-	1	XCE
4	986 552 995 09	centre console	-02	1	XJB		V03	sport silver			
	92U	arctic silver metallic				4	986 552 995 01	centre console	01	1	XMZ
4	986 552 995 09	centre console	01-	1	XME		VRK	black			
	39G	violet metallic					C51	graphite grey			
	7A6	black-metallic	-01				S31	savanna			
							G11	metropole blue			
							J31	nephrite green			

Model	Year	MG	SG	Illustration	Restrictions	Update	18:06	23.08.2006	PORSCHE	PET	PORSCHE
986	04	8	09	809-20		203					

Pos	Part Number	Name	Remarks	Qty	Model	Pos	Part Number	Name	Remarks	Qty	Model
	M31	boxster red					M7Z	gt silver metallic			
	D12	dark grey	00-			5	986 552 141 00	cover leather	04	1	M 091/M480
	T12	brown/natural	00-				9V6	cocoa			
	P12	cinnamon brown	01-				D12	dark grey/natural			
4	986 552 995 05	centre console leather	02-	1	XMZ	6	999 919 121 09	oval-head screw 5,0 X 16		5	
	VRK	black				7	996 552 595 00	insert	97	1	
	C51	graphite grey					B12	black-grey			
	S31	savanna				7	996 552 595 00	insert ashtray	98-99	1	M 11/16
	G11	metropole blue					B12	black-grey			
	J31	nephrite green				7	996 552 595 01	insert ashtray lacquered		1	
	M31	boxster red					D05	granite grey	99		M 10
	D12	dark grey	00-				C02	metal grey	98-		M 12
	T12	brown/natural	00-				A03	black	00-		
	P12	cinnamon brown	01-				996 552 595 02	insert ashtray lacquered	04	1	M 091
4	986 552 995 08	centre console carbon		1	XMJ	7		M7Z	gt silver metallic		
-	996 552 841 01	sound absorber front		1			986 552 997 01	insert ashtray leather	01-	1	XMZ
-	996 552 843 01	sound absorber centre		1			A11	black			
-	996 552 845 01	sound absorber rear		1			C51	graphite grey			
5	986 552 241 01	cover	97	1			S31	savanna			
	B12	black-grey					G11	metropole blue			
5	986 552 241 01	cover	98-99	1	M 11/16		J31	nephrite green			
	B12	black-grey					M31	boxster red			
5	986 552 241 02	cover lacquered		1			D12	dark grey/natural			
	D05	granite grey	99		M 10		T12	brown/natural			
	C02	metal grey	98-99		M 12		P12	cinnamon brown			
5	986 552 241 04	cover lacquered	04	1	M 091/M249						

Model	Year	MG	SG	Illustration	Restrictions	Update	18:06	23.08.2006	PORSCHE	PET	PORSCHE
986	04	8	09	809-20		203					

Pos	Part Number	Name	Remarks	Qty	Model	Pos	Part Number	Name	Remarks	Qty	Model
7	986 552 997 02	insert ashtray carbon	01-	1	XMJ		P12	cinnamon brown	01-		
7	986 552 997 00	insert ashtray	01-	1	XJB	8	986 552 996 08	ashtray carbon	01-	1	XMJ
	92T	arctic silver	-02			8	986 552 996 09	ashtray	01-	1	XJB/
	V03	silver	03-		XCE		92T	arctic silver	-02		
8	A 996 552 095 00	ashtray	97	1		(8)	996 552 096 00	shelf	97	1	M 580
	B12	black-grey					B12	black-grey			
8	986 552 901 00	ashtray	97	1		(8)	996 552 096 00	shelf	98-99	1	M 11/16/580
	B12	black-grey					B12	black-grey			
8	996 552 095 01	ashtray lacquered	98-00	1		(8)	996 552 096 01	shelf		1	M 580
	D05	granite grey	99		M 10		C02	metal grey	98-		M 12
	C02	metal grey	98-		M 12		D05	granite grey	99		M 10
	A03	black	00-				A03	black	00-		
8	996 552 095 02	ashtray lacquered	01-	1		-	996 552 596 00	insert		1	
	C02	metal grey	98-		M 12	(9)	999 591 941 40	screw with expander nut		2	
	A03	black	00-			10	996 552 365 00	floor shelf		1	
8	996 552 095 03	ashtray lacquered	04	1	M 091	11	999 919 121 09	oval-head screw M 5 X 16		1	
	M7Z	gt silver metallic				12	996 552 665 00	insert shelf		1	
8	986 552 996 05	ashtray leather	01-	1	XMZ	13	996 552 205 00	cover		1	
	A11	black					01C	satin black			
	C51	graphite grey				14	996 552 605 00	hinge pin		1	
	S31	savanna				15	996 552 813 00	support		2	
	G11	metropole blue				16	996 552 833 00	rubber stop		2	
	J31	nephrite green				17	999 919 175 09	oval-head screw 3,5 X 12		8	
	M31	boxster red				18	996 552 155 02	cover leatherette	97	1	
	D12	dark grey/natural	00-								
	T12	brown/natural	00-								

Model	Year	MG	SG	Illustration	Restrictions	Update	18:06	23.08.2006	PORSCHE	PET	PORSCHE
986	04	8	09	809-20		203					

Pos	Part Number	Name	Remarks	Qty	Model	Pos	Part Number	Name	Remarks	Qty	Model			
18	A10	black	98-99	1			S31	savanna						
	C50	graphite grey					G11	metropole blue						
	S30	savanna					J31	nephrite green						
	996 552 155 04	cover leatherette					M31	boxster red						
	A18	black					D12	dark grey						
	C18	graphite grey					T12	brown/natural						
	S18	savanna					P12	cinnamon brown						
18	996 552 155 04	cover leatherette	00-	1		19	999 920 017 40	special nut 3,5 X 2,5 X 5		8				
	A12	black	01-	1		20	996 552 097 01	lock		1				
	C52	graphite grey				01C	satin black							
	S32	savanna				21	996 552 907 00	lock cylinder w/o stipulated lock number		1				
	G12	metropole blue				21	996 552 907 01	lock cylinder state lock number		1				
	J32	nephrite green				22	986 552 297 00	cover	97	1				
	996 552 155 03	cover leather					B12	black-grey						
A11	black	23				996 637 211 00	support		1					
18	C51	graphite grey	01-	1	XMZ	24	996 613 205 00	microswitch		1				
	S31	savanna				25	999 919 121 09	oval-head screw 5 X 16		3				
	J31	nephrite green				26	999 920 011 40	special nut 5,0 X 2,0 X 8		3				
	M31	boxster red				27	999 507 476 01	clamp 8,0 X 10,2		25				
	G11	metropole blue				28	996 552 695 00	coin box		1				
	D12	dark grey				00-	01C	satin black						
	T12	brown/natural				00-	29	986 552 087 00	cover	/L 97	1			
	P12	cinnamon brown				01-	B12	black-grey						
	996 552 965 00	cover leather				01-	(29)	986 552 088 00	cover	/R 97	1			
	VRK	black					B12	black-grey						
C51	graphite grey		29	986 552 087 00	cover	/L 98-99	1	M 16						

Model	Year	MG	SG	Illustration	Restrictions	Update	18:06	23.08.2006	PORSCHE	PET	PORSCHE
986	04	8	09	809-20		203					

Pos	Part Number	Name	Remarks	Qty	Model	Pos	Part Number	Name	Remarks	Qty	Model
	B12	black-grey					C52	graphite grey			
(29)	986 552 087 00	cover	/R 98-99	1	M 16		S32	savanna			
	B12	black-grey					G12	metropole blue			
29	986 552 087 01	cover	/L 98-	1	M 12		J32	nephrite green	01-		
	A40	black				(29)	996 552 088 05	cover leatherette	/R 00-	1	
(29)	986 552 088 01	cover	/R 98-	1	M 12		A12	black			
	A40	black					C52	graphite grey			
29	996 552 087 02	cover leatherette	/L 97	1	M 581		S32	savanna			
	A10	black					G12	metropole blue			
	C50	graphite grey					J32	nephrite green	01-		
	S30	savanna				(29)	996 552 087 03	cover leather	/L -99	1	M 581
(29)	996 552 088 02	cover leatherette	/R 97	1	M 581		A11	black			
	A10	black					C51	graphite grey			
	C50	graphite grey					S31	savanna			
	S30	savanna					J31	nephrite green			
29	996 552 087 05	cover leatherette	/L 98-99	1	M 581		M31	boxster red			
	A18	black					G11	metropole blue	98-		
	C18	graphite grey				(29)	996 552 088 03	cover leather	/R -99	1	M 581
	S18	savanna					A11	black			
	G18	metropole blue					C51	graphite grey			
(29)	996 552 088 05	cover leatherette	/R 98-99	1	M 581		S31	savanna			
	A18	black					J31	nephrite green			
	C18	graphite grey					M31	boxster red			
	S18	savanna					G11	metropole blue	98-		
	G18	metropole blue				(29)	996 552 087 03	cover leather	/L 00-	1	
29	996 552 087 05	cover leatherette	/L 00-	1			A11	black			
	A12	black					C51	graphite grey			



Model	Year	MG	SG	Illustration	Restrictions	Update	18:06	23.08.2006	PORSCHE	PET	PORSCHE
986	04	8	09	809-20		203					

Pos	Part Number	Name	Remarks	Qty	Model	Pos	Part Number	Name	Remarks	Qty	Model
	S31	savanna					EJS	metal grey			
	J31	nephrite green				(30)	996 552 257 04	cover lacquered	/RL98-99	1	M 12/249
	M31	boxster red					EJS	metal grey			
	G11	metropole blue	98-			(30)	996 552 259 00	cover	/LL00-02	1	M 249
	D12	dark grey	00-				EOY	black/silver			
	T12	brown/natural	00-				EOX	metal grey silver			M 12
	P12	cinnamon brown	01-				EOX	metal grey silver			M 12
(29)	996 552 088 03	cover leather	/R 00-	1		(30)	996 552 259 01	cover lacquered	/RL00-02	1	M 249
	A11	black					EOY	black/silver			
	C51	graphite grey					EOX	metal grey silver			M 12
	S31	savanna					EOX	metal grey silver			M 12
	J31	nephrite green				30	996 552 259 02	cover lacquered	/LL 03-	1	M 249
	M31	boxster red					EOU	black/silver			
	G11	metropole blue	98-				EOV	metal grey silver			M 12
	D12	dark grey	00-				EOV	metal grey silver			M 12
	T12	brown/natural	00-				EOV	metal grey silver			M 12
	P12	cinnamon brown	01-			(30)	996 552 259 03	cover lacquered	/RL 03-	1	M 249
(30)	996 552 655 01	retaining frame		1	M 480/481		EOU	black/silver			
30	996 552 257 01	cover	/LL 97	1	M 249		EOV	metal grey silver			M 12
	EBO	black					EOV	metal grey silver			M 12
30	996 552 257 01	cover	/LL98-99	1	M 249:M 11/M 16	30	986 552 259 02	cover lacquered	/LL 04	1	M 091/249
	EBO	black					M7Z	gt silver metallic			
(30)	996 552 257 03	cover	/RL 97	1	M 249	(30)	986 552 259 03	cover lacquered	/RL 04	1	M 091/249
	EBO	black					M7Z	gt silver metallic			
(30)	996 552 257 03	cover	/RL98-99	1	M 249:M 11/M 16	(30)	996 552 977 20	cover leather	/LL01-02	1	XY5+M 249
	EBO	black					VRK	black			
30	996 552 257 02	cover lacquered	/LL98-99	1	M 12/249		C51	graphite grey			

Model	Year	MG	SG	Illustration	Restrictions	Update	18:06	23.08.2006	PORSCHE	PET	PORSCHE
986	04	8	09	809-20		203					

Pos	Part Number	Name	Remarks	Qty	Model	Pos	Part Number	Name	Remarks	Qty	Model
		S31 savanna					VRK	black			
		J31 nephrite green					C51	graphite grey			
		M31 boxerster red					S31	savanna			
		G11 metropole blue					G11	metropole blue			
		T12 brown/natural					J31	nephrite green			
		D12 dark grey					M31	boxster red			
		P12 cinnamon brown					P12	cinnamon brown			
(30)	996 552 977 21	cover leather	/RL01-02	1	XY5+M 249		D12	dark grey/natural			
		VRK black					T12	brown/natural			
		C51 graphite grey				31	996 552 687 00	slide		1	M 249
		S31 savanna					01C	satın black			
		J31 nephrite green				32	996 552 283 01	cover	97	1	
		M31 boxerster red					B12	black-grey			
		G11 metropole blue				32	996 552 283 01	cover handbrake	98-99	1	M 11/16
		T12 brown/natural					B12	black-grey			
		D12 dark grey				32	996 552 283 02	cover handbrake lacquered		1	
		P12 cinnamon brown					D05	granite grey	99		M 10
30	996 552 977 26	cover leather	/LL 03-	1	XY5+M249		C02	metal grey	98-		M 12
		VRK black					A03	black	00-		
		C51 graphite grey				32	996 552 283 03	cover handbrake lacquered	04	1	M 091
		S31 savanna					M7Z	gt silver metallic			
		G11 metropole blue				32	996 552 993 02	cover handbrake carbon	01-	1	XMJ
		J31 nephrite green									
		M31 boxerster red				32	996 552 993 01	cover handbrake lacquered	03-	1	XCE
		P12 cinnamon brown					V03	sport silver			
		D12 dark grey/natural									
		T12 brown/natural									
(30)	996 552 977 27	cover leather	/RL 03-	1	XY5+M249	33	986 552 089 00	cover	/L 97	1	

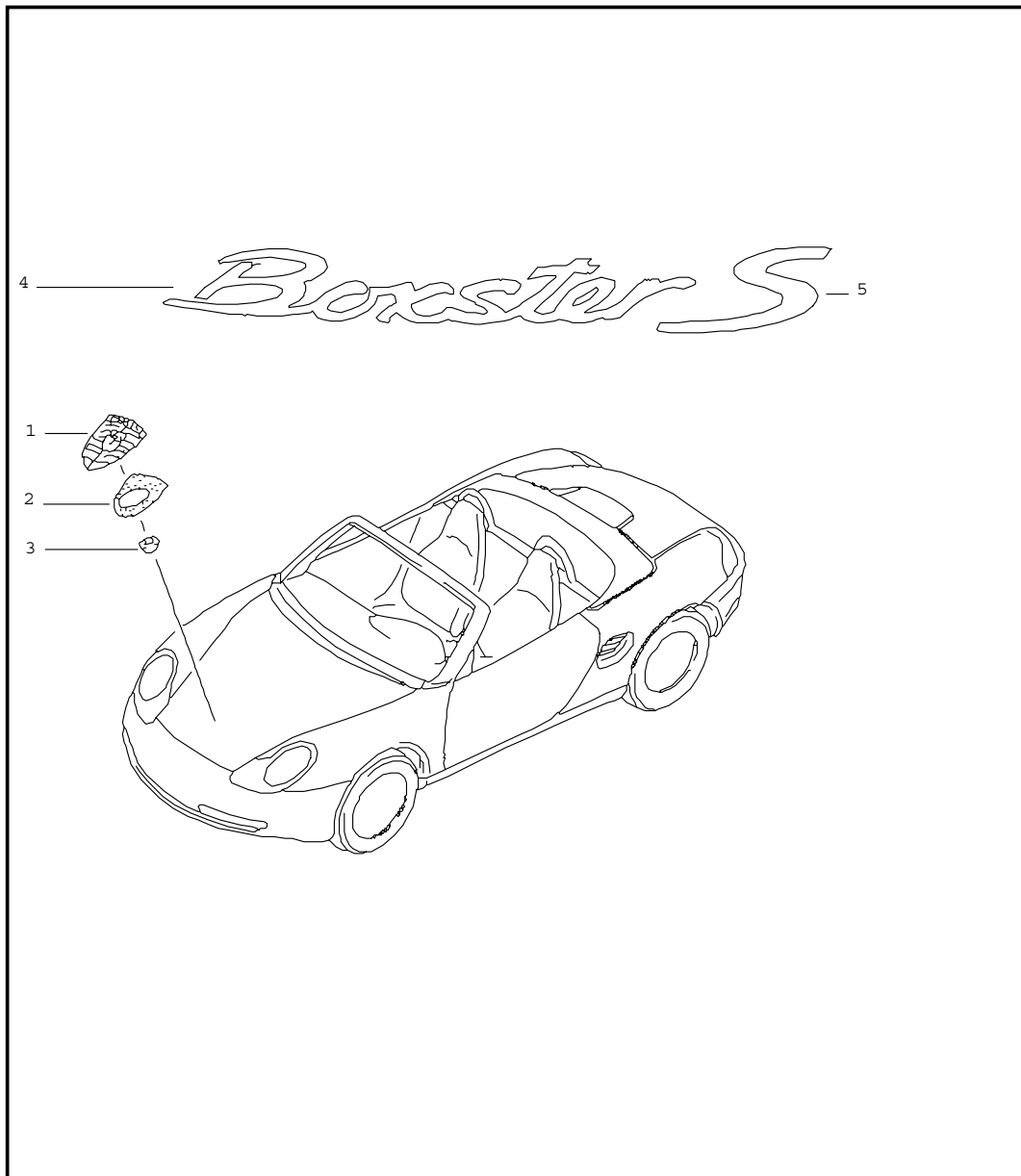
Model	Year	MG	SG	Illustration	Restrictions	Update	18:06	23.08.2006	PORSCHE	PET	PORSCHE
986	04	8	09	809-20		203					

Pos	Part Number	Name	Remarks	Qty	Model	Pos	Part Number	Name	Remarks	Qty	Model
	B12	black-grey					C51	graphite grey			
(33)	986 552 090 00	cover	/R 97	1			S31	savanna			
	B12	black-grey					G11	metropole blue			
33	986 552 089 00	cover	/L 98-99	1	M 11/16		J31	nephrite green	-03		
	B12	black-grey					M31	boxster red			
(33)	986 552 090 00	cover	/R 98-99	1	M 11/16		P12	cinnamon brown			
	B12	black-grey					D12	dark grey/natural			
33	996 552 089 05	cover lacquered	/L 98-	1			T12	brown/natural			
	C02	metal grey	98-		M 12	33	996 552 089 04	cover leather	/L 01-	1	XMZ
	D05	granite grey	99		M 10		A11	black			
	A03	black	00-				C51	graphite grey			
(33)	996 552 090 05	cover lacquered	/R 98-	1			S31	savanna			
	C02	metal grey	98-		M 12		G11	metropole blue			
	D05	granite grey	99		M 10		J31	nephrite green	-03		
	A03	black	00-				M31	boxster red			
33	996 552 089 04	cover leather	/L 01-	1	XMJ		P12	cinnamon brown			
	A11	black					D12	dark grey/natural			
	C51	graphite grey				(33)	996 552 090 04	cover leather	/R 01-	1	XMZ
	S31	savanna					A11	black			
	G11	metropole blue					C51	graphite grey			
	J31	nephrite green	-03				S31	savanna			
	M31	boxster red					G11	metropole blue			
	P12	cinnamon brown					J31	nephrite green	-03		
	D12	dark grey/natural					M31	boxster red			
	T12	brown/natural					P12	cinnamon brown			
(33)	996 552 090 04	cover leather	/R 01-	1	XMJ		D12	dark grey/natural			
	A11	black					T12	brown/natural			

Model	Year	MG	SG	Illustration	Restrictions	Update	18:06	23.08.2006	PORSCHE	PET	PORSCHE
986	04	8	09	809-20		203					

Pos	Part Number	Name	Remarks	Qty	Model	Pos	Part Number	Name	Remarks	Qty	Model
33	996 552 089 04	cover leather	/L 04	1	M 091						
	D12	dark grey/natural									
	9V6	cocoa									
(33)	996 552 090 04	cover leather	/R 04	1	M 091						
	D12	dark grey/natural									
	9V6	cocoa									
34	999 920 013 40	special nut 5,0 X 1,0 X 8		1							
35	999 920 012 40	special nut 5,0 X 3,5 X 8		2							
		- - - E N D - - -									

Model	Year	MG	SG	Illustration	Restrictions	Update	18:06	23.08.2006	PORSCHE	PET	PORSCHE
986	04	8	10	810-00		203					

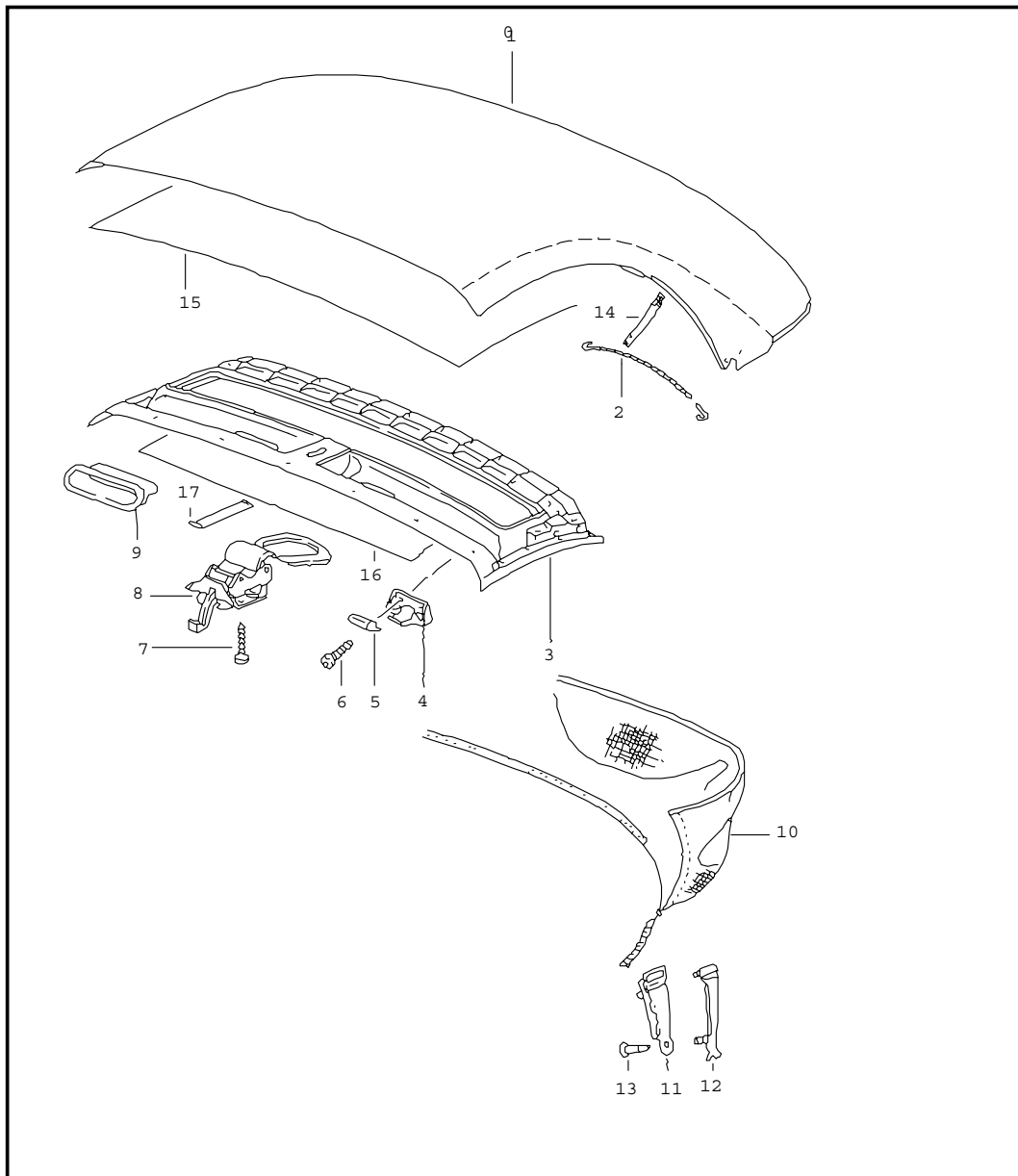


Pos	Part Number	Name	Remarks	Qty	Model
		insignias			
1	A 993 559 211 00	lid emblem	-00	1	
1	996 559 211 00	lid emblem	01-	1	
2	901 559 215 20	desk pad	-03	1	
2	7L5 853 611 B	desk pad	03-	1	
3	999 591 423 03	tapping nut		2	
4	986 559 237 00	logo		1	
	70C	rally black			
(4)	986 559 237 01	logo	00-	1	M 008
	9A4	titanium metallic			
(4)	986 559 237 02	logo	04	1	M 091
		chrome			
5	986 559 243 00	logo	00-	1	M 008
	9A4	titanium metallic			
(5)	986 559 243 01	logo	04	1	M 091
		chrome			
- - - E N D - - -					

Model	Year	MG	SG	Illustration	Restrictions	Update	18:06	23.08.2006
986	04	8	10	810-05		203		

Pos	Part Number	Name	Remarks	Qty	Model
		sill cover	01-		X76/XAA
1	986 559 983 01	sill cover	/L	1	
	G2X	prime coated			
(1)	986 559 984 01	sill cover	/R	1	
	G2X	prime coated			
3	996 559 985 01	adhesive film	/L	1	
(3)	996 559 986 01	adhesive film	/R	1	
6	999 073 231 09	tapping screw 4,8 X 16		20	
		- - - E N D - - -			

Model	Year	MG	SG	Illustration	Restrictions	Update	18:06	23.08.2006	PORSCHE	PET	PORSCHE
986	04	8	11	811-00		203					



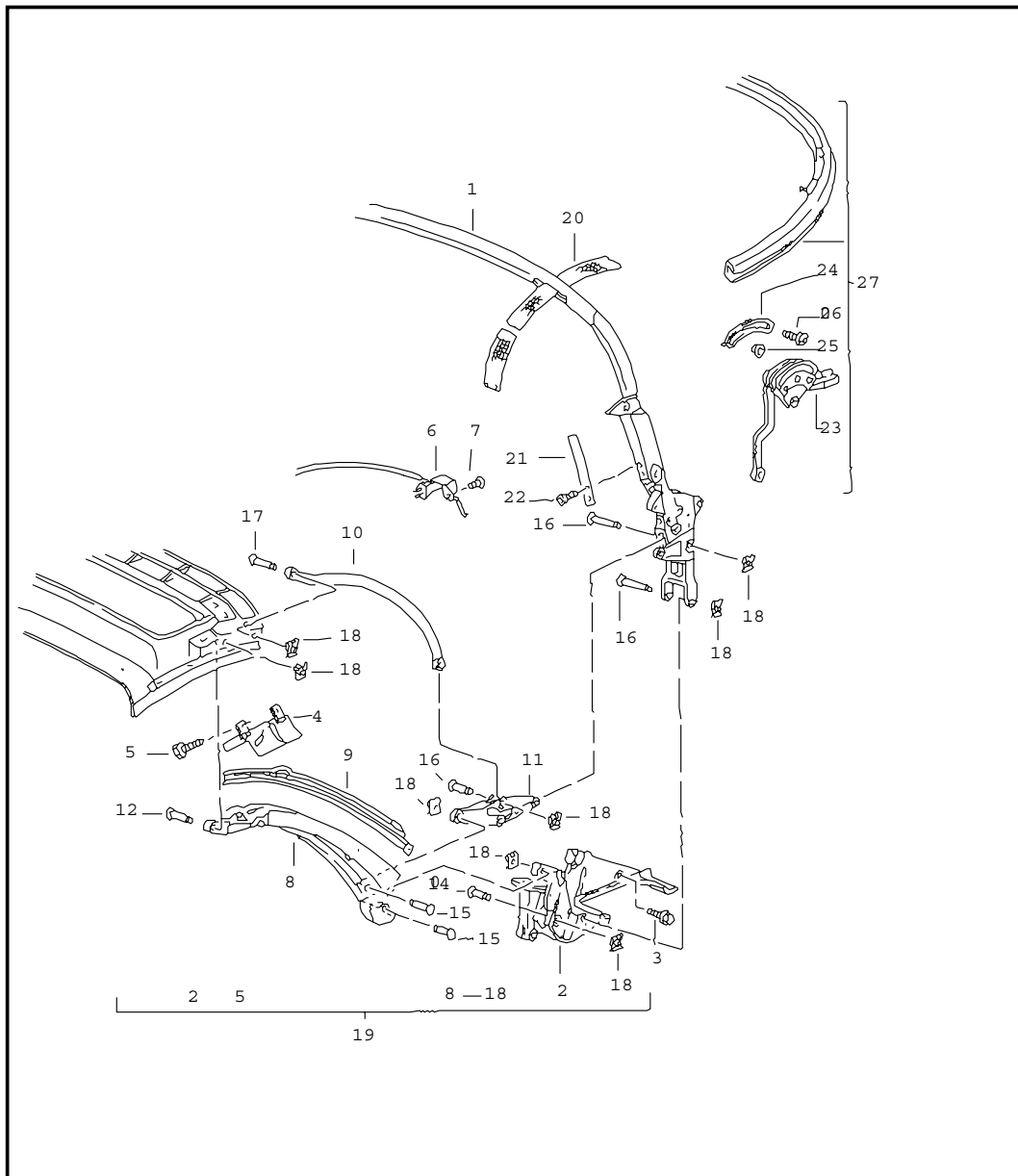
Pos	Part Number	Name	Remarks	Qty	Model
1	986 561 915 03	convertible top covering inner lining		1	
		with rear window and installation parts	-02		
	A10	black			
	C50	graphite grey			
	G10	metropole blue			
1	986 561 915 05	convertible top covering with rear window and installation parts	03-	1	
	A10	black			
	C50	graphite grey			
	G02	metropole blue			
	R17	brown			
		when required order also:			
--	000 043 300 45	repair kit 26		1	
2	986 561 921 00	tension rope		2	
3	986 561 933 00	roof frame		1	
4	986 561 605 01	centring journal		2	
	A09	black with			
5	---	cap black	99-	2	
6	999 919 144 09	oval-head screw		4	
7	999 919 148 09	oval-head screw		4	
8	A 986 561 017 01	catch		1	
	A09	black			
8	986 561 017 02	catch		1	
	A09	black			

Model	Year	MG	SG	Illustration	Restrictions	Update	18:06	23.08.2006	PORSCHE	PET	PORSCHE
986	04	8	11	811-00		203					

Pos	Part Number	Name	Remarks	Qty	Model	Pos	Part Number	Name	Remarks	Qty	Model
9	986 561 417 00	finger plate		2							
	01C	black									
10	986 561 085 00	cloth	-02	1							
10	986 561 085 02	cloth	03-	1							
11	986 561 669 03	slide	/L	1							
(11) A	986 561 670 02	slide	/R	1							
(11)	986 561 670 03	slide	/R	1							
12	986 561 559 01	clamping piece	/L -02	1							
12	986 561 559 02	clamping piece	/L 03-	1							
(12)	986 561 560 01	clamping piece	/R -02	1							
(12)	986 561 560 02	clamping piece	/R 03-	1							
13	986 561 597 00	pin		2							
14	986 561 931 00	loop		2							
15	986 561 025 02	inner lining	-02	1							
	A21	black									
15	986 561 025 03	inner lining	03-	1							
	A21	black									
16	986 561 902 00	retaining strip		1							
16	986 561 902 01	retaining strip		1	M008						
17	986 561 903 00	clamp		1							
--	986 563 855 01	protective fleece cover for rear window		1							
--	999 917 557 00	grease 30 ML		X							
20	999 591 941 40	expander nut	03-	4							
		- - - E N D - - -									



Model	Year	MG	SG	Illustration	Restrictions	Update	18:07	23.08.2006	PORSCHE	PET	PORSCHE
986	04	8	11	811-05		203					

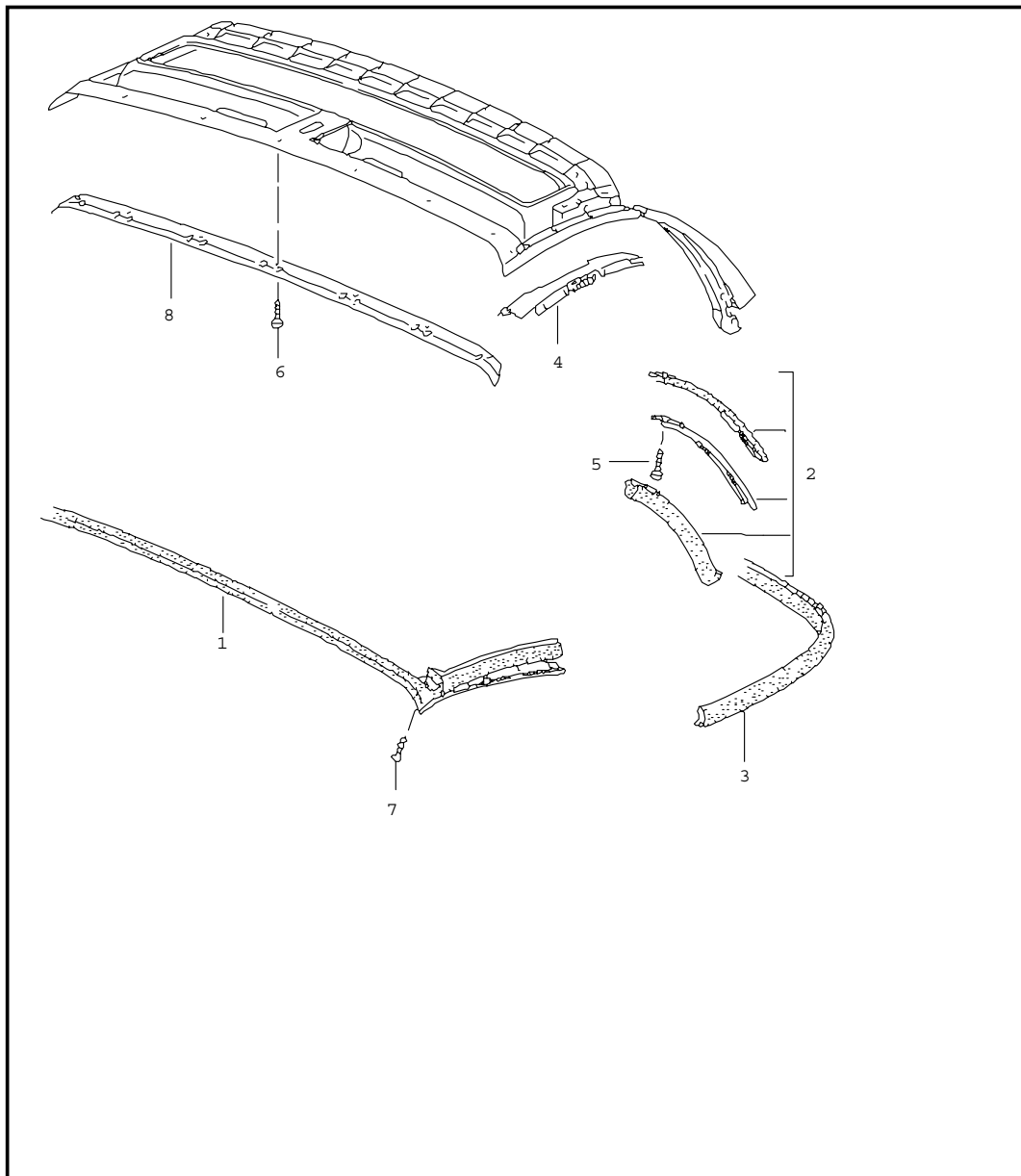


Pos	Part Number	Name	Remarks	Qty	Model
		convertible top frame single parts			
1	986 561 037 00	main folding top bow		1	
	70C	black			
1	986 561 037 01	main folding top bow		1	M 008
	70C	black			
1	986 561 037 03	main folding top bow	03-	1	
	A09	black			
2	986 561 443 00	convertible top support	/L	1	
	70C	black			
(2)	986 561 444 00	convertible top support	/R	1	
	70C	black			
3	900 378 033 09	hexagon-head bolt		6	
4	986 561 165 00	flap		1	
	A09	black			
4	986 561 166 00	flap		1	
	A09	black			
5	999 919 141 09	oval-head screw		2	
6	986 613 101 02	microswitch		1	
7	999 919 152 09	oval-head screw		1	
8	986 561 935 00	b-pillar	/L	1	
	A09	black			
(8)	986 561 936 00	b-pillar	/R	1	
	A09	black			
--	986 561 646 00	support for		2	
--	986 561 656 00	tension rope		1	
9	986 561 909 00	clamping strip	/L	1	
(9)	986 561 910 00	clamping strip	/R	1	
10	986 561 039 00	control arm	/L	1	

Model	Year	MG	SG	Illustration	Restrictions	Update	18:07	23.08.2006	PORSCHE	PET	PORSCHE
986	04	8	11	811-05		203					

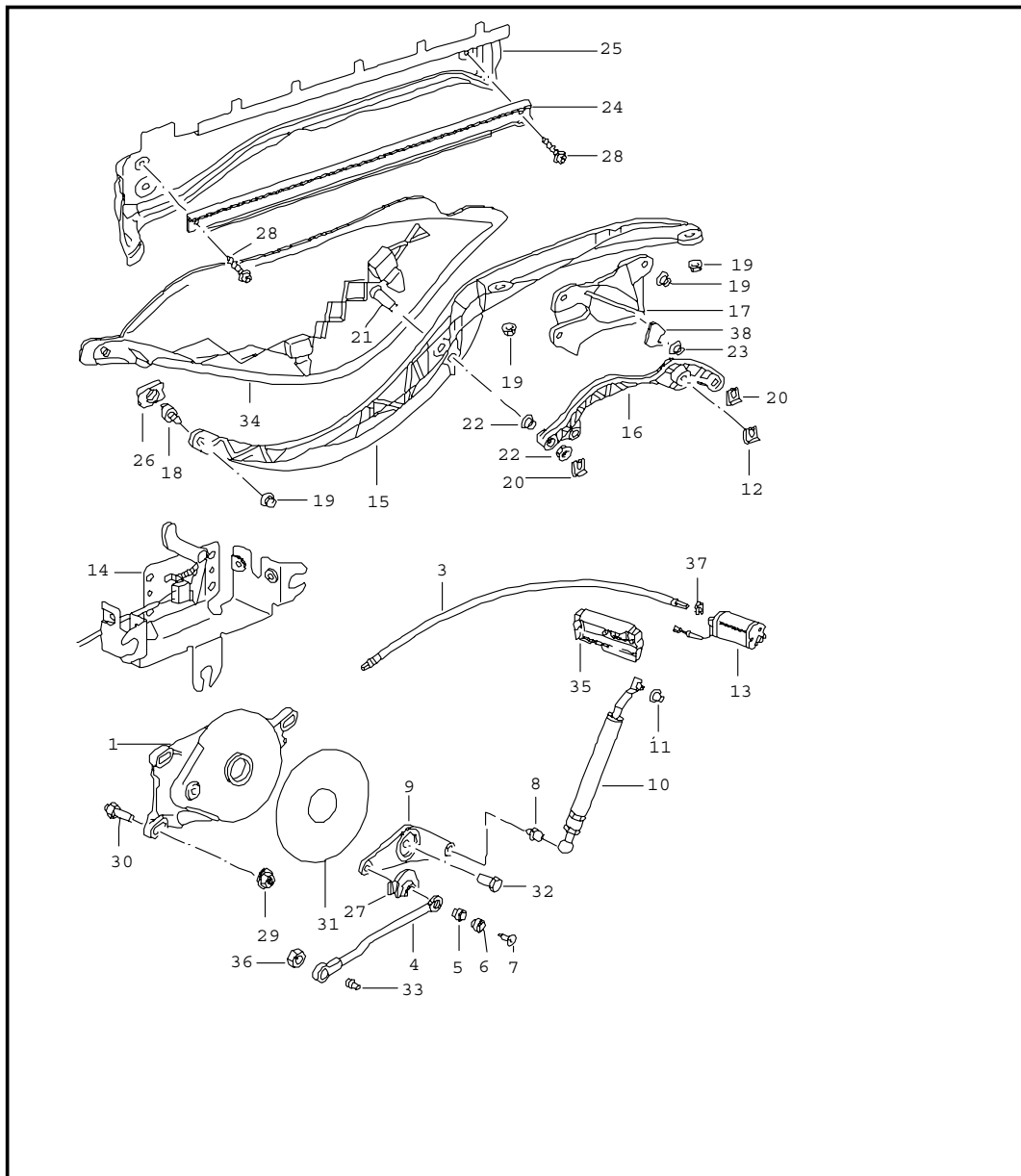
Pos	Part Number	Name	Remarks	Qty	Model	Pos	Part Number	Name	Remarks	Qty	Model
	70C	black				--	986 561 905 00	pipng b-pillar	/L	1	
(10)	986 561 040 00	control arm	/R	1		--	986 561 906 00	pipng b-pillar	/R	1	
	70C	black				23	986 561 247 00	connecting piece	/L -02	1	
11	986 561 345 00	lever lower	/L	1			70C	black			
(11)	986 561 346 00	lever lower	/R	1		23	986 561 248 00	connecting piece	/R -02	1	
12	999 088 042 30	bolt 8M 6X25,8		X			70C	black			
14	999 088 042 30	bolt 8M 6X25,8		X		24	986 561 871 00	guide	-02	4	
15	999 088 042 30	bolt 8M 6X25,8		X		25	999 924 118 40	bush	-02	X	
16	999 088 028 30	bolt 8M 6X70,8		X		26	999 919 144 09	lens-head screw	-02	4	
17	999 088 030 30	bolt 8M 6X45,8		X		27	986 561 901 02	bow	-02	1	
18	999 166 075 02	lock		X		(27)	986 561 901 03	bow	03-	1	
19	986 561 911 03	convertible top frame	-02	1		28	986 561 237 01	bow	03-	1	
	A09	black				29	986 561 671 02	cover	/L 03-	1	
19	986 561 911 04	convertible top frame	03-	1		(29)	986 561 672 02	cover	/R 03-	1	
	A09	black				30	986 561 675 01	cover	/L 03-	1	
		without roll-over bar				(30)	986 561 676 01	cover	/R 03-	1	
20	986 561 971 01	belt	/L -02	1		31	999 088 042 30	bolt	03-	2	
20	986 561 971 03	belt	/L 03-	1		32	999 088 043 30	bolt	03-	2	
20	986 561 972 01	belt	/R -02	1		33	986 561 973 00	restraining strap	03-	2	
20	986 561 972 03	belt	/R 03-	1		34	986 612 315 00	wiring harness	03-	1	
--	900 333 001 30	blind rivet		X				- - - E N D - - -			
21	986 561 769 00	leaf spring		2							
22	999 919 139 09	lens-head screw		4							
--	986 561 671 00	cover	/L	1							
--	986 561 672 00	cover	/R	1							

Model	Year	MG	SG	Illustration	Restrictions	Update	18:07	23.08.2006	PORSCHE	PET	PORSCHE
986	04	8	11	811-10		203					



Pos	Part Number	Name	Remarks	Qty	Model
		convertible top seal			
1	986 561 927 01	roof frame seal	-02	1	
1	986 561 927 02	roof frame seal	03-	1	
-	986 561 813 01	filler piece	/L	1	
-	986 561 814 01	filler piece	/R	1	
2	986 561 923 01	gasket set b-pillar	/L -02	1	
2	986 561 923 02	gasket set b-pillar	/L 03-	1	
(2)	986 561 924 01	gasket set b-pillar	/R -02	1	
(2)	986 561 924 02	gasket set b-pillar	/R- 03-	1	
3	986 561 393 01	gasket bow		1	
4	986 561 115 00	retaining strip	/L	1	
(4)	986 561 116 00	retaining strip	/R	1	
5	900 067 378 09	pan-head screw		X	
6	999 919 139 09	pan-head screw		X	
7	999 919 144 09	oval-head screw		2	
8	986 561 501 01	retaining strip		1	
		- - - E N D - - -			

Model	Year	MG	SG	Illustration	Restrictions	Update	18:07	23.08.2006	PORSCHE	PET	PORSCHE
986	04	8	11	811-12		203					

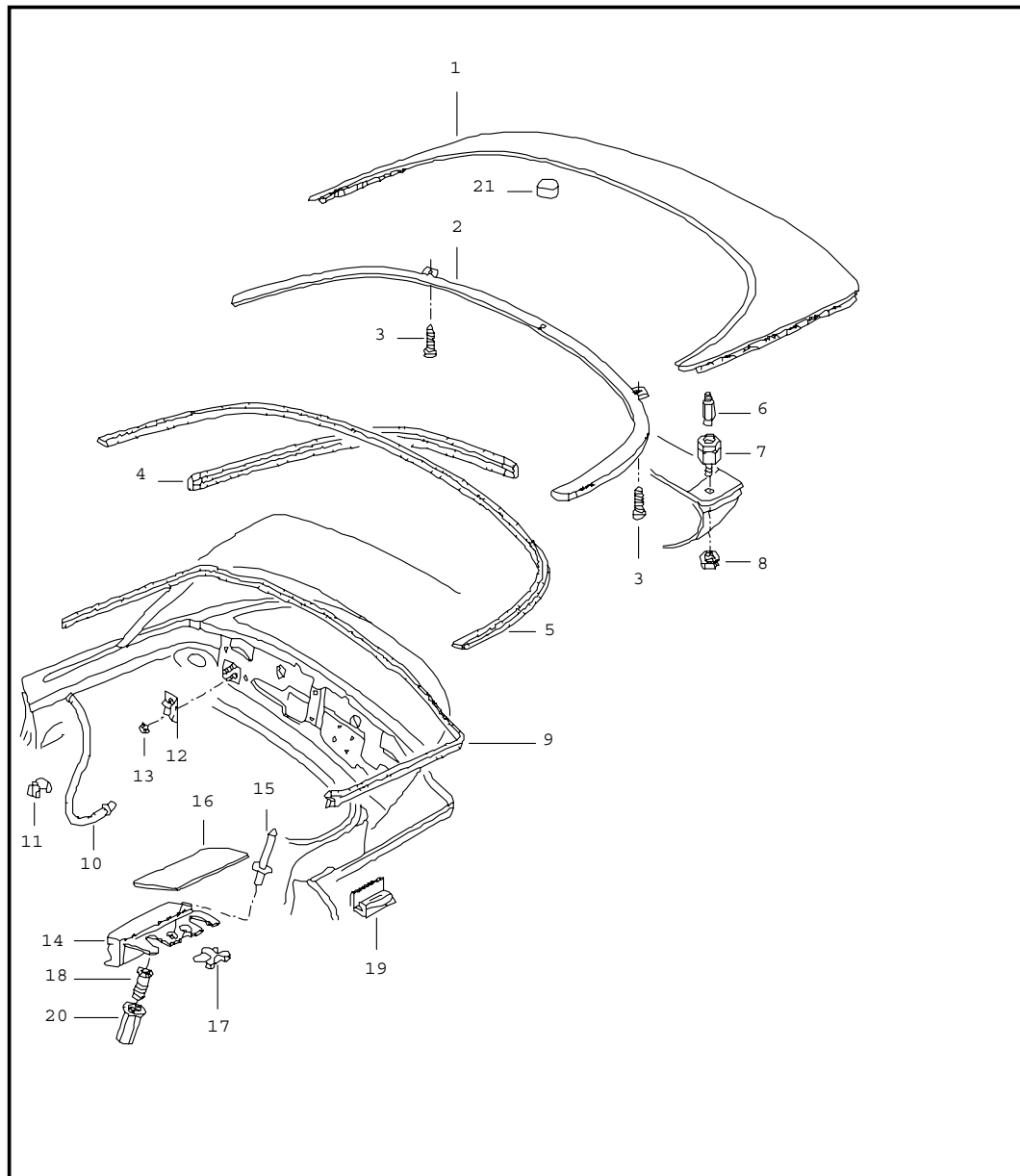


Pos	Part Number	Name	Remarks	Qty	Model
		driving mechanism convertible top convertible top compartm. cover			
1	986 561 179 02	transmission	/L -99	1	
1	986 561 179 03	transmission	/L 00-	1	
1	986 561 180 02	transmission	/R -99	1	
1	986 561 180 03	transmission	/R 00-	1	
3	986 561 717 03	pliable shaft		2	
4	986 561 279 02	push rod		2	
5	999 924 039 00	bush		2	
6	986 561 779 00	spacer sleeve		2	
7	900 249 054 09	countersunk-head screw		2	
8	986 561 689 00	ball pin		2	
9	986 561 479 01	lever	/L	1	
9	986 561 480 01	lever	/R	1	
10	986 561 579 00	push rod	/L	1	
10	986 561 580 00	push rod	/R	1	
11	999 924 126 00	bush		2	
12	999 166 075 02	lock		2	
13	986 624 117 00	electric motor	-03	1	
13	986 624 117 01	electric motor	04-	1	
14	986 613 767 01	microswitch with support		1	
(14)	986 624 299 00	support without microswitch		1	
15	986 561 551 01	guide arm	/L	1	
	GRV	prime coated			
(15)	986 561 552 01	guide arm	/R	1	
	GRV	prime coated			
16	986 561 571 01	hinge lever	/L	1	

Model	Year	MG	SG	Illustration	Restrictions	Update	18:07	23.08.2006	PORSCHE	PET	PORSCHE
986	04	8	11	811-12		203					

Pos	Part Number	Name	Remarks	Qty	Model	Pos	Part Number	Name	Remarks	Qty	Model
		GRV prime coated				--	N 011 118 11	nut		2	
16	986 561 572 01	hinge lever	/R	1		34	986 561 445 02	trim	/L -02	1	
		GRV prime coated					01C	black			
17	986 561 679 00	bearing bracket	/L	1		(34)	986 561 446 02	trim	/R -02	1	
		GRV prime coated					01C	black			
17	986 561 680 00	bearing bracket	/R	1		34	986 561 445 03	trim	03-	1	
		GRV prime coated				(34)	986 561 446 03	trim	03-	1	
18	986 561 677 00	ball pin		1		35	986 624 295 00	trim		1	
19	900 377 010 09	hexagon nut		12		36	N 011 118 11	nut		2	
20	999 166 075 02	lock		4		37	911 561 643 65	spring clamp		2	
(20)	986 561 873 00	lock		2		38	986 561 657 00	connection piece		2	
21	999 088 027 30	bolt		2				- - - E N D - - -			
22	999 924 049 01	bush		4							
23	999 924 069 00	bush		2							
24	986 561 253 01	guide rail	/L	1							
24	986 561 254 01	guide rail	/R	1							
25	986 561 761 02	water drain plate	/L	1							
		GRV prime coated									
25	986 561 762 02	water drain plate	/R	1							
		GRV prime coated									
26	986 561 577 01	slide		2							
27	986 561 881 00	rubber bush		2							
28	900 067 379 09	pan-head screw		4							
29	999 076 055 09	hexagon nut		6							
30	986 561 789 00	spacer bolt	-99	6							
30	986 561 789 01	spacer bolt	00-	6							
31	986 561 589 03	washer		2							
32	999 217 095 02	hexagon-head bolt		2							
33	986 561 879 00	ball pin use also:		2							

Model	Year	MG	SG	Illustration	Restrictions	Update	18:07	23.08.2006	PORSCHE	PET	PORSCHE
986	04	8	11	811-13		203					

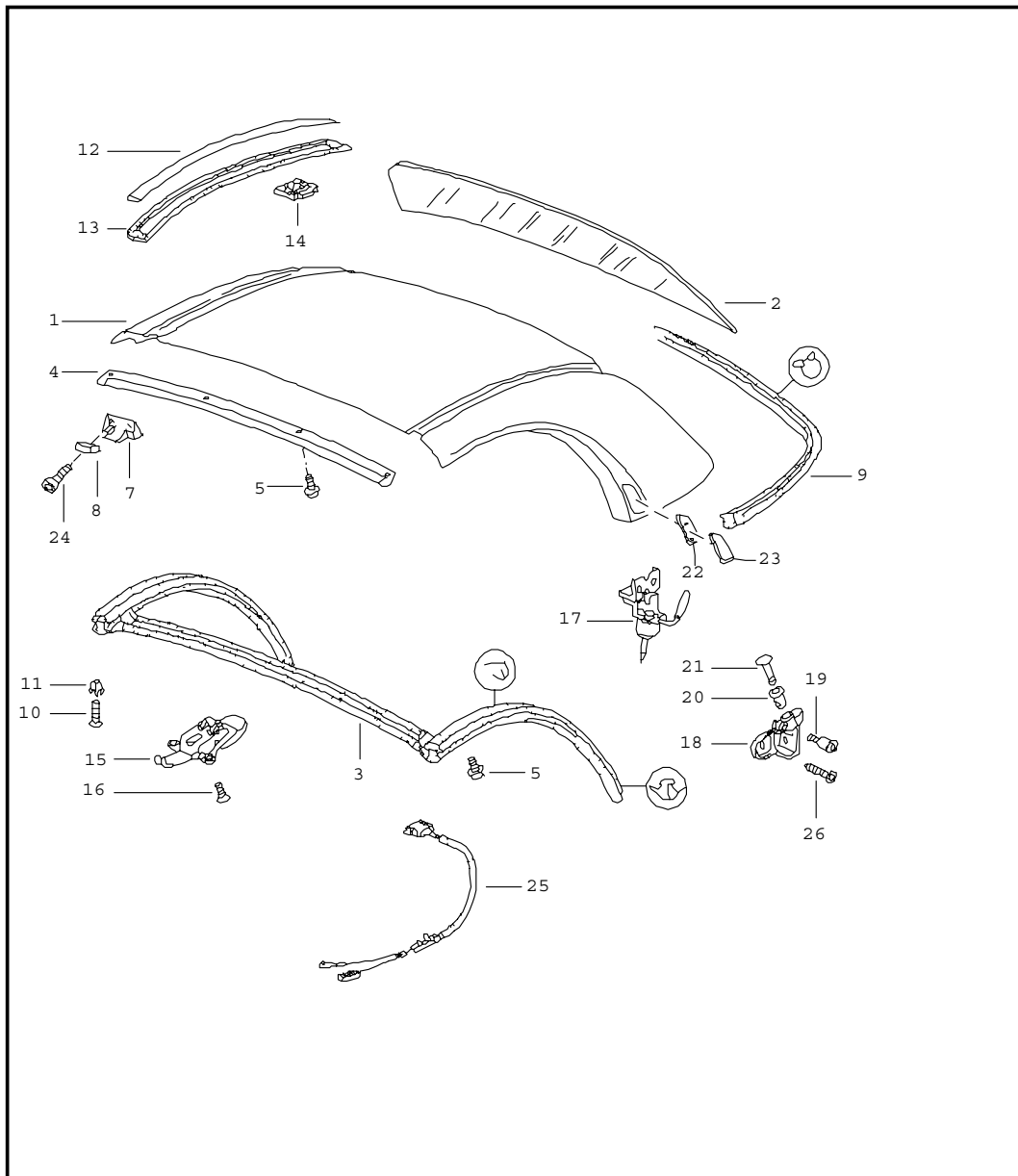


Pos	Part Number	Name	Remarks	Qty	Model
		convertible top compartm. cover gaskets			
1	986 514 011 01	cover		1	
		GRV prime coated			
2	986 514 631 00	sealing strip		1	
3	999 073 047 02	tapping screw		2	
4	986 514 714 01	protective edging		1	
5	986 514 731 00	gasket		1	
6	986 514 253 01	centring journal		2	
7	986 514 251 01	base		2	
8	999 076 061 09	hexagon nut		4	
9	986 514 211 01	gasket		1	
10	986 514 241 00	water drain hose	/L	2	
11	999 507 551 09	cable clamp		4	
(12)	986 561 505 00	support		2	
13	999 084 629 09	hexagon flat nut		4	
14	986 514 633 02	sealing strip	/L	1	
14	986 514 634 02	sealing strip	/R	1	
15	999 190 445 37	rivet		4	
16	986 504 861 00	cover	/L	1	
		G2X prime coated			
16	986 504 862 00	cover	/R	1	
		G2X prime coated			
17	986 504 833 00	clamp		2	
18	996 504 855 01	mounting		4	
19	986 561 407 02	stop	/L	1	
(19)	986 561 408 02	stop	/R	1	
20	999 500 084 02	blind rivet nut		4	
21	986 561 633 01	buffer	-97	5	

Model	Year	MG	SG	Illustration	Restrictions	Update	18:07	23.08.2006	PORSCHE	PET	PORSCHE
986	04	8	11	811-13		203					

Pos	Part Number	Name	Remarks	Qty	Model	Pos	Part Number	Name	Remarks	Qty	Model
21	986 561 633 01	buffer 3000X19 MM  - - - E N D - - -	98-	5							

Model	Year	MG	SG	Illustration	Restrictions	Update	18:08	23.08.2006	PORSCHE	PET	PORSCHE
986	04	8	11	811-15		203					



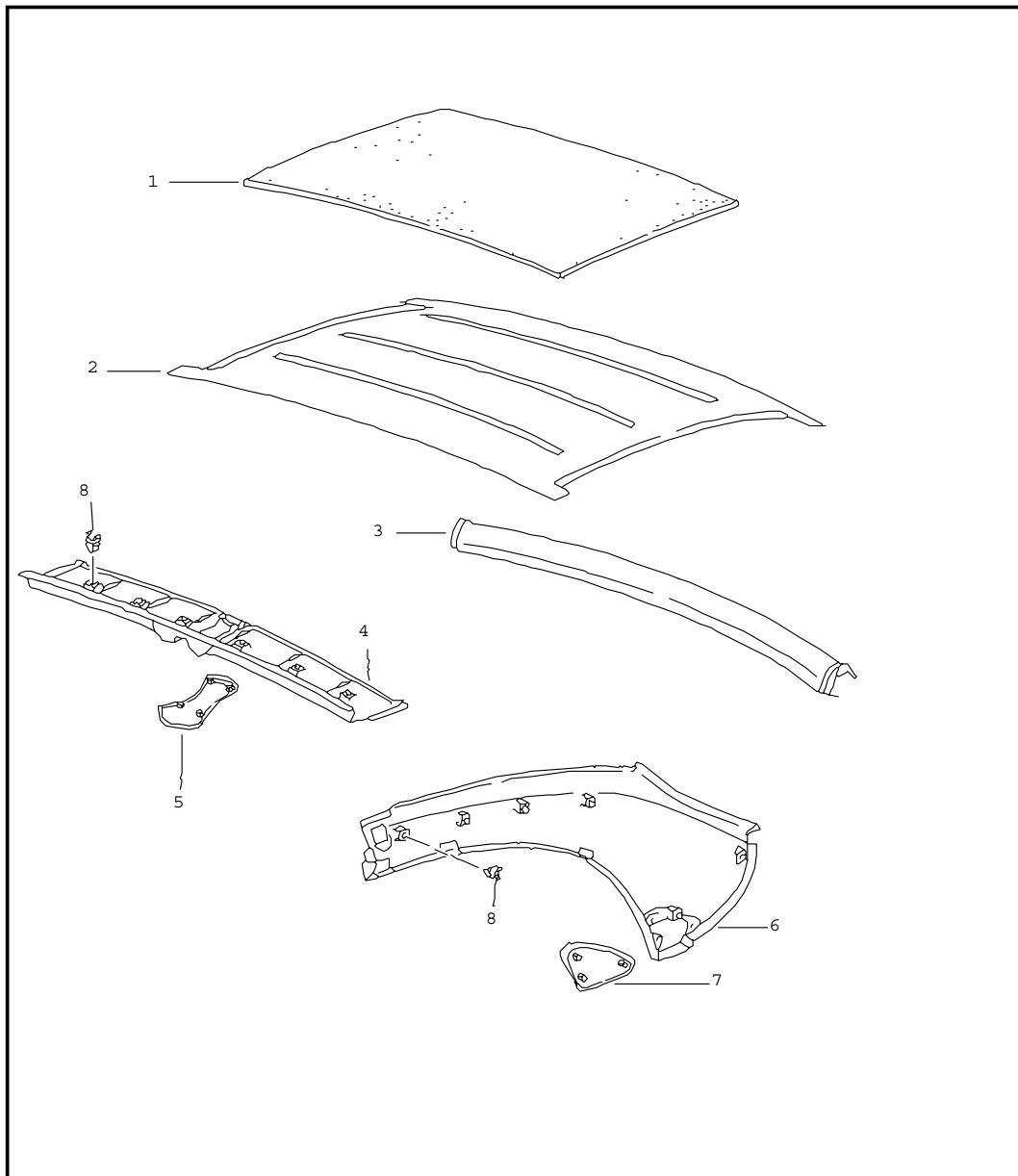
Pos	Part Number	Name	Remarks	Qty	Model
		hardtop accessories gaskets			M 550
1	986 563 911 01	hardtop	97	1	
	GRV	prime coated without accessories			
1	986 563 911 03	hardtop	98-	1	
	GRV	prime coated without accessories			
2	986 563 091 01	rear window ready for installation		1	
2	986 563 091 02	rear window ready for installation		1	M 008
3	986 563 025 01	gasket		1	
4	986 563 319 01	retaining strip		1	
5	900 067 378 09	pan-head screw		10	
-	000 043 203 29	sealing strap NITTO		X	
7	986 561 605 00	centring journal		2	
	A09	black			
8	986 563 625 03	cap		2	
9	986 563 027 01	gasket		1	
10	999 073 049 02	tapping screw		14	
11	999 507 547 40	expander nut		22	
12	986 563 707 00	cover strip	/L	1	
	GRV	prime coated			
(12)	986 563 708 00	cover strip	/R	1	
	GRV	prime coated			
13	986 563 361 00	gasket	/L	1	
(13)	986 563 362 00	gasket	/R	1	
14	986 563 721 00	clip		8	
15	996 563 401 00	catch		1	



Model	Year	MG	SG	Illustration	Restrictions	Update	18:08	23.08.2006	PORSCHE	PET	PORSCHE
986	04	8	11	811-15		203					

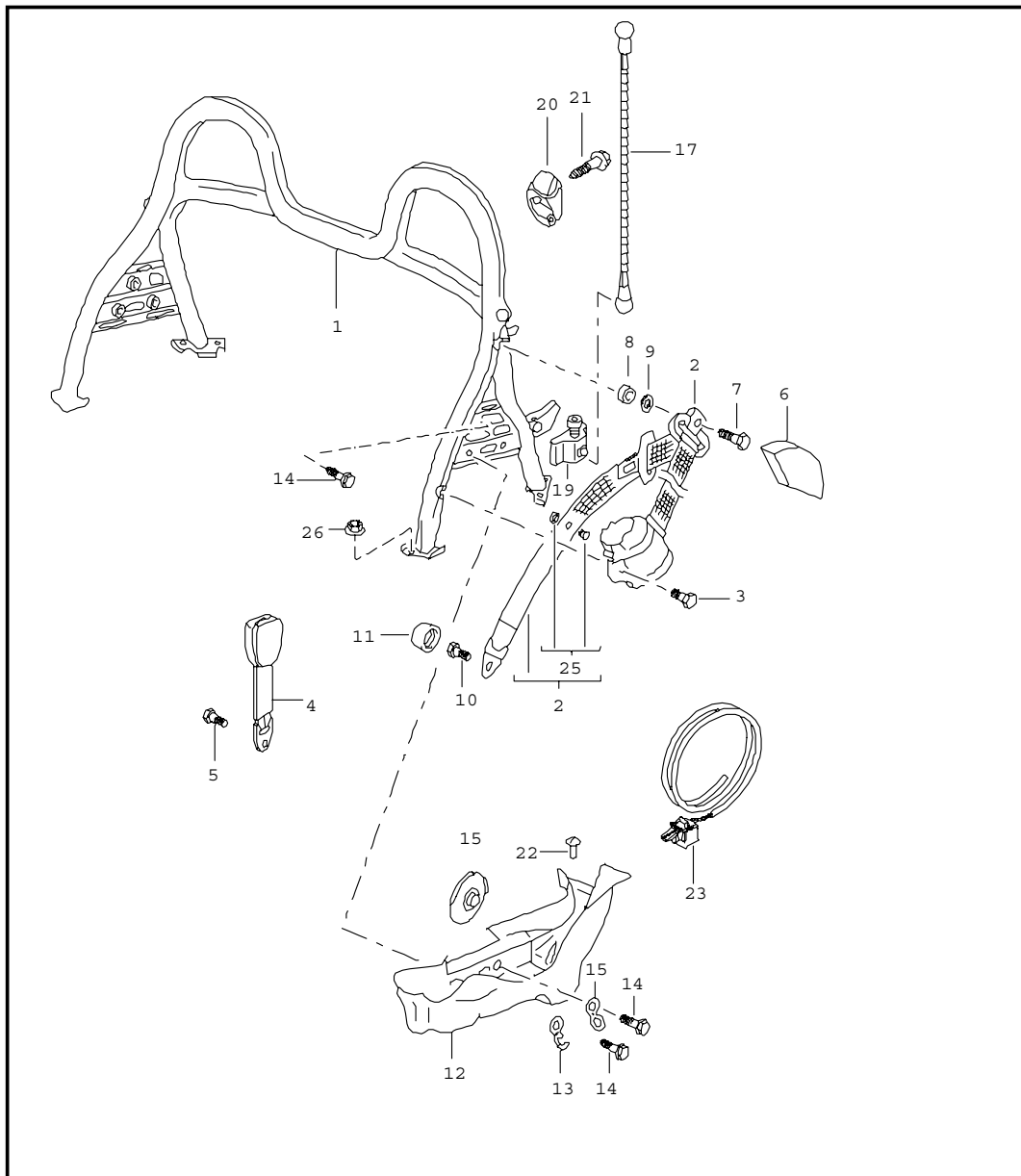
Pos	Part Number	Name	Remarks	Qty	Model	Pos	Part Number	Name	Remarks	Qty	Model
16	900 249 055 09	countersunk-head screw M 6X20		3							
17	986 563 403 02	catch	/L	1							
(17)	986 563 404 02	catch use also:	/R	1							
--	900 067 378 09	pan-head screw micro-self-locking		2							
18	986 561 653 04	mounting	/L	1							
(18)	986 561 654 04	mounting	/R	1							
19	999 219 041 00	fit bolt		2							
20	986 563 713 02	insert	/L	1							
(20)	986 563 714 02	insert	/R	1							
21	986 561 655 00	cap		2							
22	986 563 341 01	mounting	/L	1							
(22)	986 563 342 01	mounting	/R	1							
23	986 563 803 01	trim	/L	1							
	G2X	prime coated									
23	986 563 804 01	trim	/R	1							
	G2X	prime coated									
24	900 119 122 09	pan-head screw		6							
25	986 612 081 01	wiring harness		1							
26	999 073 150 09	lens-head screw		4							
--	986 563 309 00	retaining strip	/L	1							
--	986 563 310 00	retaining strip	/R	1							
--	986 563 021 00	sealing strip	/L	1							
--	986 563 022 00	sealing strip	/R	1							
--	999 703 447 40	buffer		3							
		- - - E N D - - -									

Model	Year	MG	SG	Illustration	Restrictions	Update	18:08	23.08.2006	PORSCHE	PET	PORSCHE
986	04	8	11	811-16		203					



Pos	Part Number	Name	Remarks	Qty	Model
		hardtop interior equipment			
1	986 563 523 00	sound absorber		1	
2	986 563 111 00	lining	-00	1	
	A10	black			
2	986 563 111 01	lining	01-	1	
	A21	black			
3	986 563 505 00	lining		1	
	B12	black			
4	986 563 501 00	lining		1	
	B12				
5	986 563 551 00	cover		1	
	B12	black			
6	986 563 503 00	lining	/L	1	
	B12	black			
(6)	986 563 504 00	lining	/R	1	
	B12	black			
7	986 563 553 00	cover	/L	1	
	B12	black			
(7)	986 563 554 00	cover	/R	1	
	B12	black			
8	999 507 764 40	clamp		X	
- - - E N D - - -					

Model	Year	MG	SG	Illustration	Restrictions	Update	18:08	23.08.2006	PORSCHE	PET	PORSCHE
986	04	8	12	812-00		203					



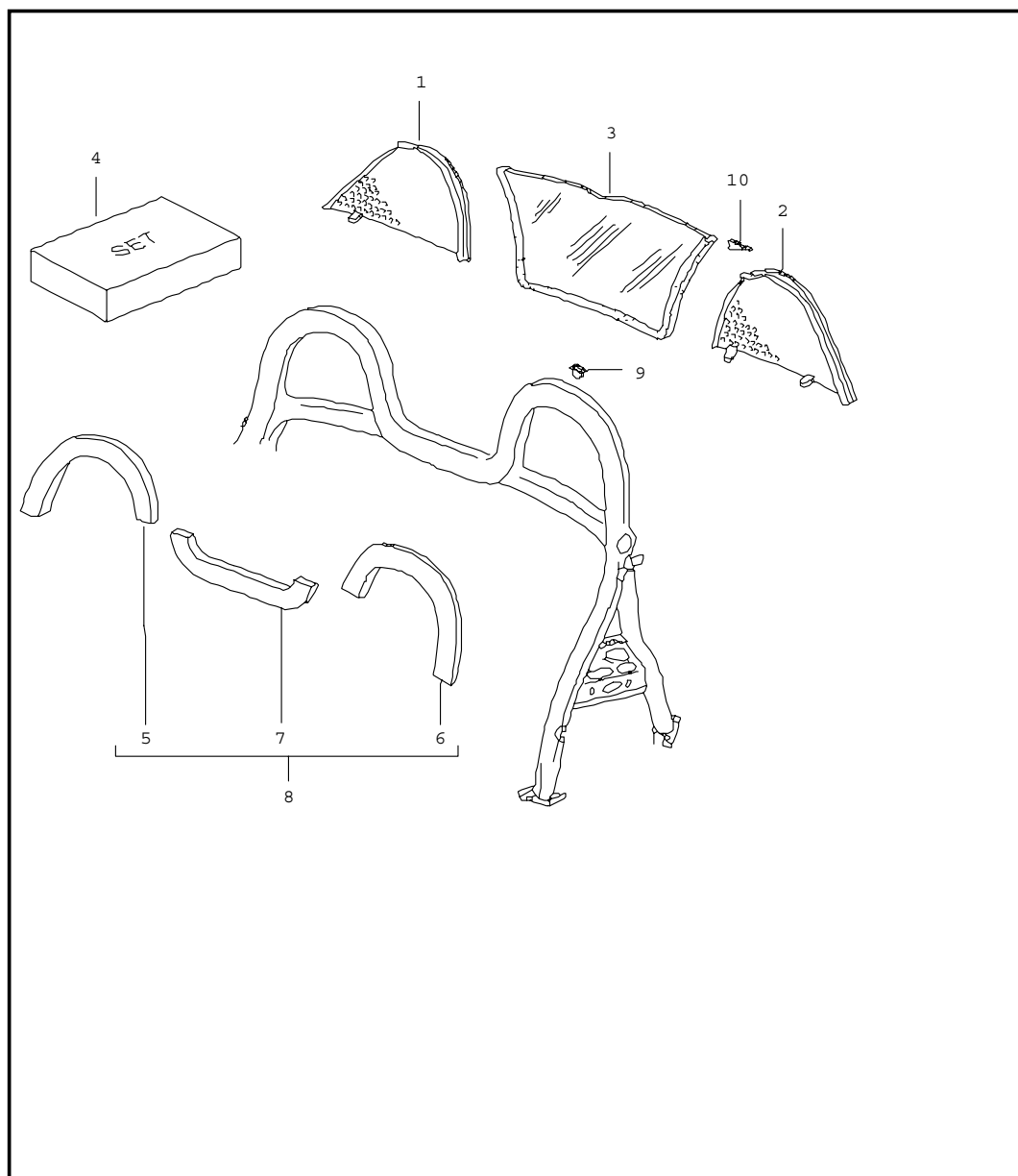
Pos	Part Number	Name	Remarks	Qty	Model
		roll-over bar			
		seat belt			
1	986 580 011 01	roll-over bar		1	
		70C			
		black			
2	986 803 033 02	seat belt	/L -01	1	
2	986 803 033 03	seat belt	/L 02-	1	
2	986 803 982 01	seat belt	/L 02-	1	
		V02	speed yellow		
		H03	maritime blue		
		N13	guards red		
(2)	986 803 034 02	seat belt	/R -01	1	
(2)	986 803 034 04	seat belt	/R 02-	1	
(2)	986 803 983 02	seat belt	/R 02-	1	
		V02	speed yellow		
		H03	maritime blue		
		N13	guards red		
(2)	986 803 034 05	seat belt for child car seat	/R 02-	1	
(2)	986 803 983 03	seat belt for child car seat	/R 02-	1	
		V02	speed yellow		
		H03	maritime blue		
		N13	guards red		
3	911 803 150 00	fastening screw		2	
4	996 803 183 04	seat-belt buckle driver's side		1	
4	996 803 183 07	seat-belt buckle driver's side	02-	1	
4	996 803 183 01	seat-belt buckle passenger's side	-01	1	

Model	Year	MG	SG	Illustration	Restrictions	Update	18:08	23.08.2006	PORSCHE	PET	PORSCHE
986	04	8	12	812-00		203					

Pos	Part Number	Name	Remarks	Qty	Model	Pos	Part Number	Name	Remarks	Qty	Model
4	996 803 183 08	seat-belt buckle passenger's side	02-	1		23	996 612 991 10	cable driver's side for seat-belt tensioner		X	
5	999 218 101 02	fastening screw		2							
6	986 803 541 00	cover		2		23	996 612 991 00	cable passenger's side for seat-belt tensioner		X	
	01C	black									
7	914 803 468 10	fastening screw		2							
8	999 924 064 02	sleeve		2		25	955 803 056 00	knob		2	
9	211 857 771	washer		2			HCP	black			
10	803 019 811 B	fastening screw		2		26	999 076 065 02	collar nut		8	
11	811 857 845	cap		2							
	01C	black									
12	986 561 805 03	water drip pan	/L	1							
(12)	986 561 806 03	water drip pan	/R	1							
--	986 561 833 02	water drain hose		1							
--	986 561 834 02	water drain hose		1							
--	N 900 685 01	plastic nut		4							
16	986 561 589 03	washer		2							
16	986 561 589 03	washer		2							
17	986 561 191 02	tension rope		2							
19	986 561 917 00	threaded plate		2							
20	986 580 131 01	bracket	/L	1							
20	986 580 132 01	bracket	/R	1							
21	999 073 060 02	tapping screw		2							
22	N 900 685 01	plastic nut		4							
--	986 580 513 00	plate roll-over bar 1 MM		X							
--	986 580 613 00	plate roll-over bar 1 MM		X							
--	000 043 300 07	paint metal grey 1L		1							

- - - E N D - - -

Model	Year	MG	SG	Illustration	Restrictions	Update	18:08	23.08.2006	PORSCHE	PET	PORSCHE
986	04	8	12	812-01		203					



Pos	Part Number	Name	Remarks	Qty	Model
		wind deflector and linings roll-over bar			
1	986 561 584 00	wind deflector	/R	1	
	01C	black			
2	986 561 583 00	wind deflector	/L	1	
	01C	black			
3	A 986 561 321 00	wind deflector		1	
	01C	black			
3	986 561 321 01	wind deflector		1	
	01C	black			
4	986 561 323 00	set of fastening parts for wind deflector		1	
5	A 986 580 512 01	lining	/R -97	1	
	A11	black			
	C51	graphite grey			
	J31	nephrite green			
	M31	boxster red			
	S31	savanna			
5	A 986 580 512 03	lining leather	/R 98-	1	
	A11	black			
	C51	graphite grey			
	J31	nephrite green			
	M31	boxster red			
	S31	savanna			
5	A 986 580 512 07	lining	/L 01-	1	
	A17	black			
	C57	graphite grey			
	D12	dark green			

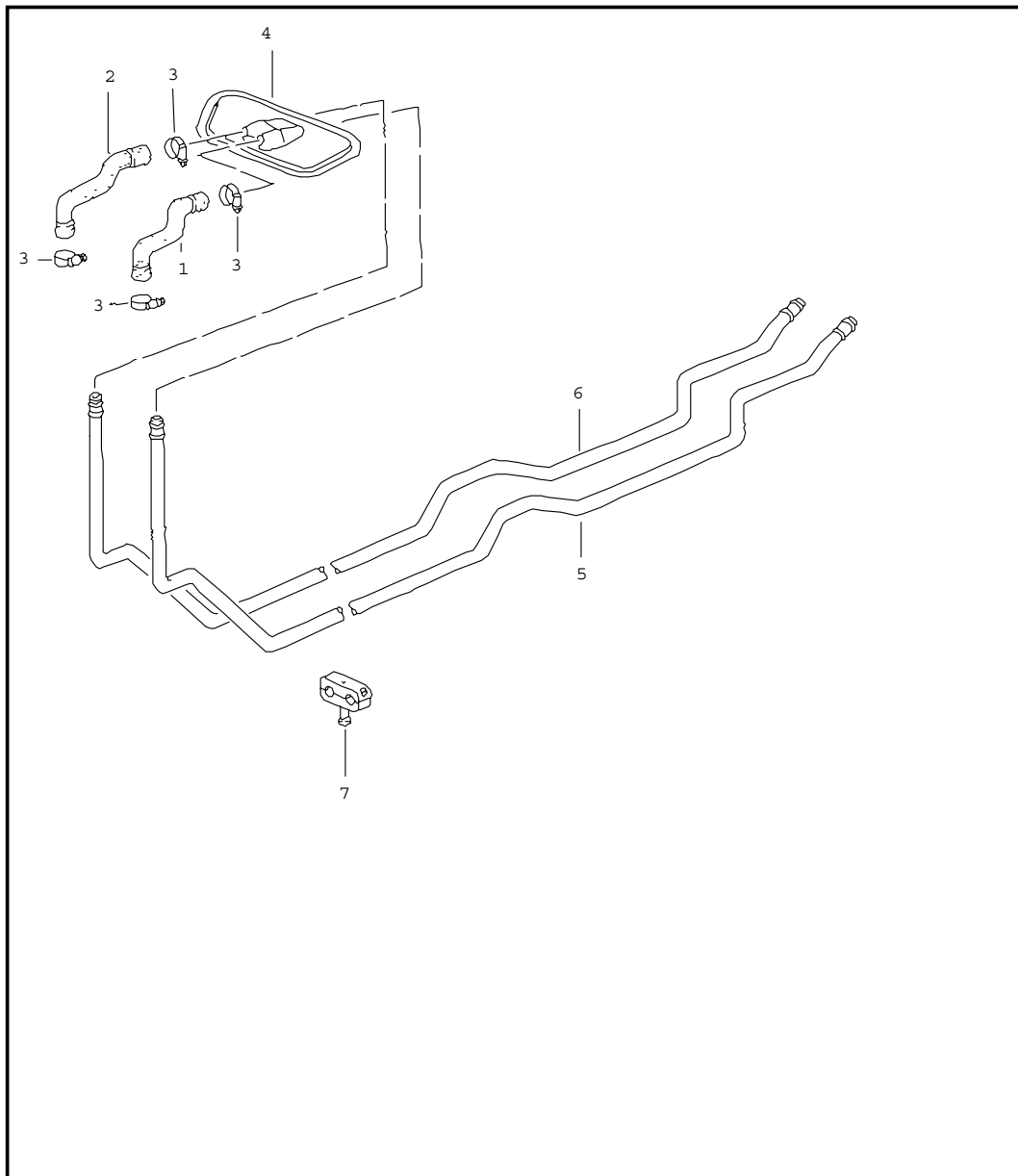
Model	Year	MG	SG	Illustration	Restrictions	Update	18:08	23.08.2006	PORSCHE	PET	PORSCHE
986	04	8	12	812-01		203					

Pos	Part Number	Name	Remarks	Qty	Model	Pos	Part Number	Name	Remarks	Qty	Model
	G17	metropole blue				7	A 986 580 521 01	lining leather	-97	1	
	J37	nephrite green					A11	black			
	M37	boxster red					C51	graphite grey			
	P17	cinnamon brown					G11	metropole blue	98-		
	S37	savanna					S31	savanna			
	T12	brown/natural					J31	nephrite green			
6	A 986 580 511 01	lining leather black	/L -97	1			M31	boxster red			
	C51	graphite grey				7	A 986 580 521 05	lining leather	98-	1	
	J31	nephrite green					A11	black			
	M31	boxster red					C51	graphite grey			
	S31	savanna					G11	metropole blue	98-		
6	A 986 580 511 03	lining leather black	/L 98-	1			S31	savanna			
	C51	graphite grey					J31	nephrite green			
	J31	nephrite green					M31	boxster red			
	M31	boxster red				7	A 986 580 521 05	lining leather		1	
	S31	savanna					A17	black			
6	A 986 580 511 07	lining leather	/L- 01-	1			C57	graphite grey			
	A17	black					D12	dark green			
	C57	graphite grey					G17	metropole blue			
	D12	dark green					J37	nephrite green			
	G17	metropole blue					M37	boxster red			
	J37	nephrite green					P17	cinnamon brown			
	M37	boxster red					S37	savanna			
	P17	cinnamon brown					T12	brown/natural			
	S37	savanna				8	986 580 311 13	set linings leatherette		1	
	T12	brown/natural					A12	black			
							C52	graphite grey			

Model	Year	MG	SG	Illustration	Restrictions	Update	18:08	23.08.2006	PORSCHE	PET	PORSCHE
986	04	8	12	812-01		203					

Pos	Part Number	Name	Remarks	Qty	Model	Pos	Part Number	Name	Remarks	Qty	Model
		G12 metropole blue									
		J32 nephrite green									
		S32 savanna									
8	986 580 311 16	set linings leather		1							
		A11 black									
		C51 graphite grey									
		D12 dark grey/natural									
		G11 metropole blue									
		J31 nephrite green									
		M31 boxer red									
		P12 cinnamon brown									
		S31 savanna									
		T12 brown									
		9V6 cocoa									
9	986 580 751 00	clip		8							
10	986 561 737 00	latch		1							
		01C black									
(10)	986 561 738 00	latch		1							
		01C black									
		- - - E N D - - -									

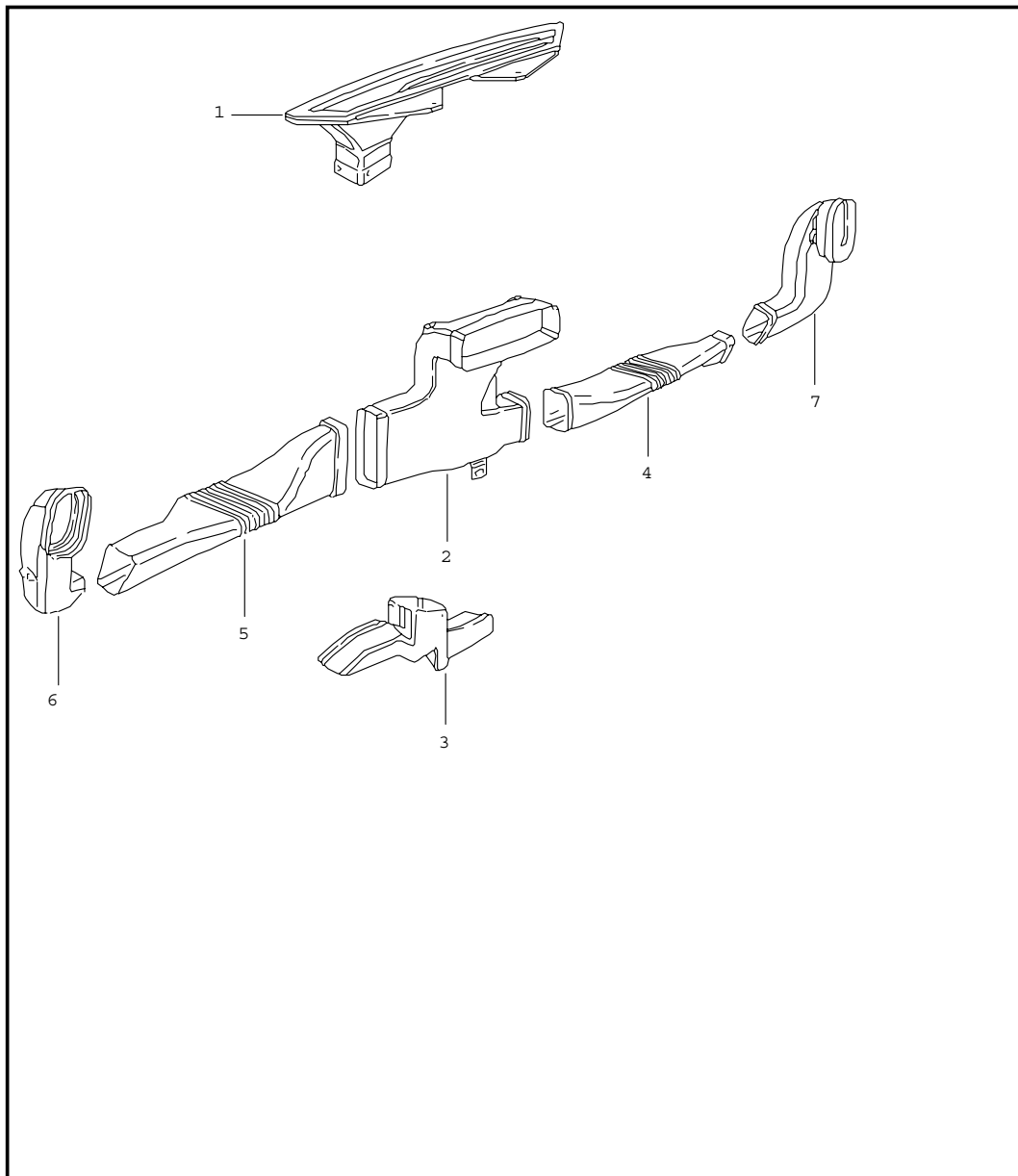
Model	Year	MG	SG	Illustration	Restrictions	Update	18:09	23.08.2006	PORSCHE	PET	PORSCHE
986	04	8	13	813-00		203					



Pos	Part Number	Name	Remarks	Qty	Model
		heating system 1 feed line return line			
1	996 572 583 00	heater hose	/LL	1	
(1)	996 572 583 01	heater hose	/RL	1	
2	996 572 585 00	heater hose	/LL	1	
(2)	996 572 585 01	heater hose	/RL	1	
3	999 512 441 02	clip		4	
4	996 572 263 00	gasket	/LL	1	
(4)	996 572 263 01	gasket	/RL	1	
5	986 572 681 01	hot air duct supply		1	
6	986 572 683 01	hot air duct return		1	
7	999 511 230 40	support		4	
--	999 511 232 41	rubber mounting 19/19		4	
		- - - E N D - - -			

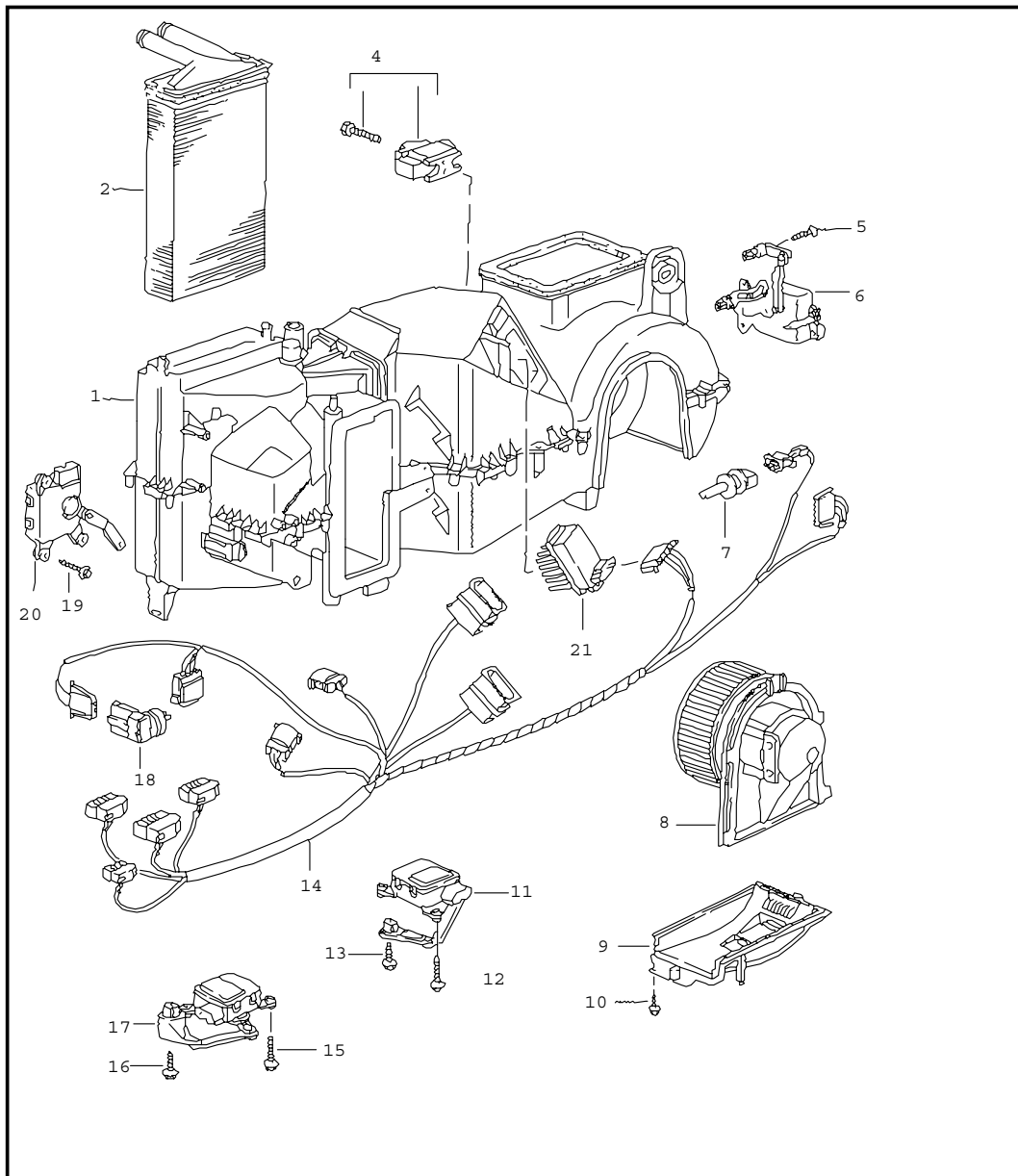


Model	Year	MG	SG	Illustration	Restrictions	Update	18:09	23.08.2006	PORSCHE	PET	PORSCHE
986	04	8	13	813-01		203					



Pos	Part Number	Name	Remarks	Qty	Model
		heating air distributor			
1	996 572 631 00	defroster vent	/LL	1	
(1)	996 572 631 01	defroster vent	/RL	1	
2	996 572 171 00	air distributor	/LL -02	1	
(2)	996 572 171 04	air distributor	/LL 03-	1	
(2)	996 572 171 01	air distributor	/RL -02	1	
(2)	996 572 171 05	air distributor	/RL 03-	1	
3	996 572 793 02	footwell outlet vent	/LL	1	
(3)	996 572 793 04	footwell outlet vent	/LL	1	M680
(3)	996 572 793 01	footwell outlet vent	/RL -02	1	
(3)	996 572 793 05	footwell outlet vent	/RL 03-	1	
(3)	996 572 793 06	footwell outlet vent	/RL 03-	1	M680
4	996 572 464 02	air duct	/LL /R	1	
(4)	996 572 464 00	air duct	/RL /R	1	
5	996 572 463 00	air duct	/LL /L	1	
(5)	996 572 463 02	air duct	/RL /L	1	
6	996 572 767 00	air duct	/LL /L	1	
(6)	996 572 767 01	air duct	/RL /L	1	
7	996 572 768 00	air duct	/RL /R	1	
(7)	996 572 768 01	air duct	/LL /R	1	
		- - - E N D - - -			

Model	Year	MG	SG	Illustration	Restrictions	Update	18:09	23.08.2006	PORSCHE	PET	PORSCHE
986	04	8	13	813-05		203					

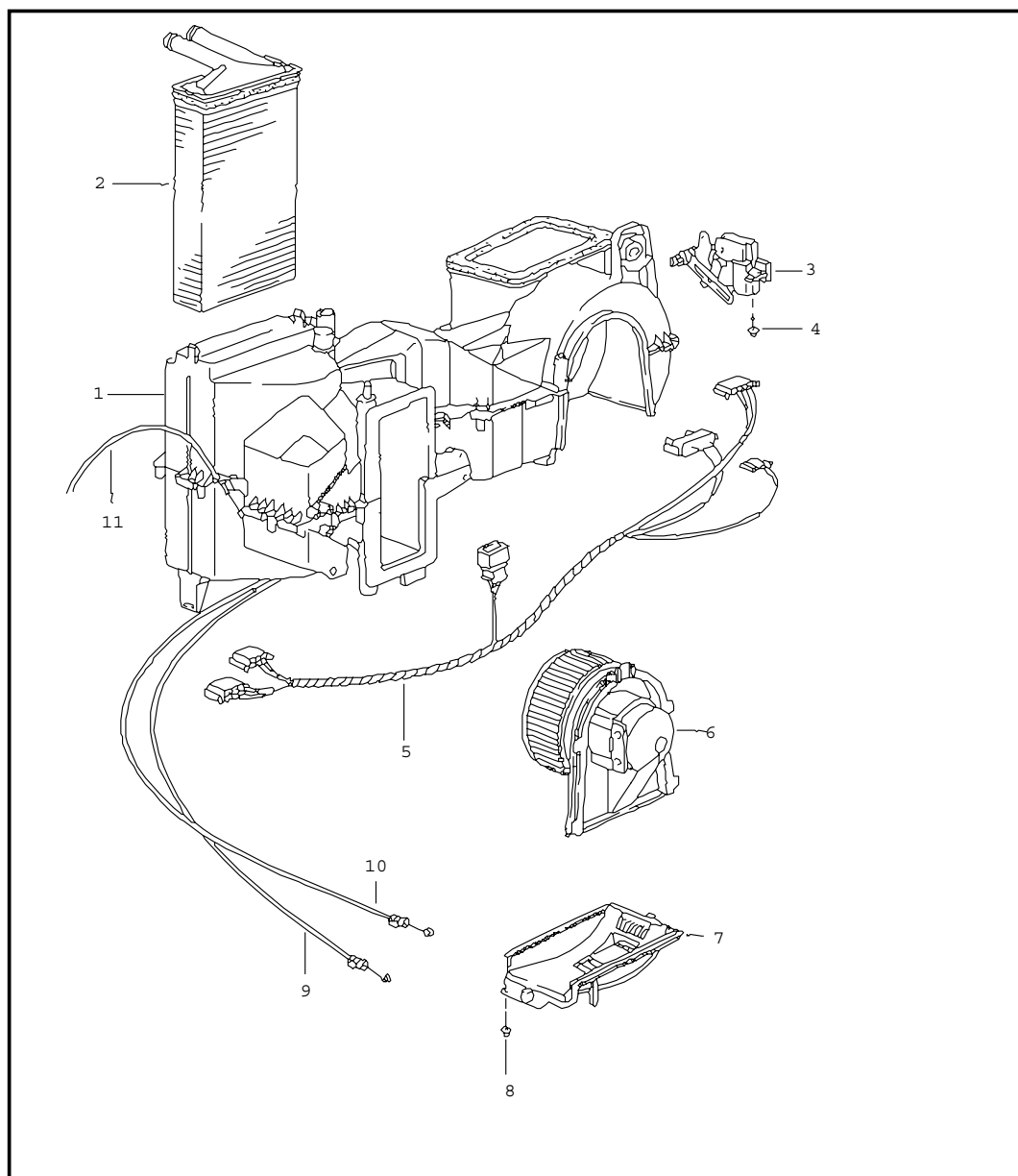


Pos	Part Number	Name	Remarks	Qty	Model
		air conditioner single parts			M 573
1	996 573 901 02	air conditioner	/LL	1	
1	996 573 901 01	air conditioner without heat exchanger with evaporator	/RL	1	
2	996 572 129 00	heat exchanger		1	
4	996 573 929 01	expansion valve		1	
5	900 143 102 02	tapping screw		2	
6	996 573 915 00	electric motor central valve	/LL	1	
6	996 573 915 01	electric motor central valve	/RL -10 03	1	
7	1J0 907 543 B	temperature sensor		1	
8	996 572 903 02	blower use also:	/LL -99	1	
--	000 043 300 99	parts kit		1	
8	996 624 107 01	blower	/LL 00-	1	
8	996 572 903 03	blower use also:	/RL -99	1	
--	000 043 300 99	parts kit		1	
8	996 624 108 01	blower	/RL 00-	1	
9	996 573 905 00	cover		1	
10	900 143 102 02	hexagon-head bolt		1	
11	996 573 919 00	electric motor temperature valve	/LL	1	
11	996 573 919 01	electric motor temperature valve	/RL -10 03	1	
11	996 573 919 03	electric motor temperature valve marked red	/RL 10- 03	1	
12	900 143 102 02	hexagon-head bolt		1	
13	900 143 102 02	hexagon-head bolt		1	

Model	Year	MG	SG	Illustration	Restrictions	Update	18:09	23.08.2006	PORSCHE	PET	PORSCHE
986	04	8	13	813-05		203					

Pos	Part Number	Name	Remarks	Qty	Model	Pos	Part Number	Name	Remarks	Qty	Model
14	996 612 047 00	wiring harness	/LL -98	1							
14	996 612 047 01	wiring harness	/LL 99-	1							
14	996 622 047 00	wiring harness	01-	1							
(14)	996 612 048 00	wiring harness	/RL -98	1							
(14)	996 612 048 01	wiring harness	/RL 99-	1							
(14)	996 622 048 00	wiring harness	/RL 01-	1							
15	900 143 102 02	hexagon-head bolt		1							
16	900 143 102 02	hexagon-head bolt		1							
17	996 573 917 00	electric motor defroster flap green	/LL	1							
(17)	996 573 917 01	electric motor defroster flap	/RL -10 03	1							
(17)	996 573 917 03	electric motor defroster flap marked green	/RL 10- 03	1							
18	1H0 907 543 A	temperature sensor		1							
19	900 143 102 02	hexagon-head bolt		1							
20	996 573 921 00	electric motor air flow sensor plate yellow	/LL	1							
(20)	996 573 921 01	electric motor air flow sensor plate yellow	/RL	1							
21	996 573 923 00	resistor		1							
--	996 573 925 00	intake air temper. sensor		1							
--	996 573 927 00	blower outlet sensor		1							
--	996 572 511 02	sound absorber	/LL -02	1							
--	996 572 511 04	sound absorber	/LL 03-	1							
--	996 572 511 03	sound absorber	/RL -02	1							
--	996 572 511 05	sound absorber	/RL 03-	1							
--	1H0 819 943	screw		2							
		- - - E N D - - -									

Model	Year	MG	SG	Illustration	Restrictions	Update	18:09	23.08.2006	PORSCHE	PET	PORSCHE
986	04	8	13	813-06		203					

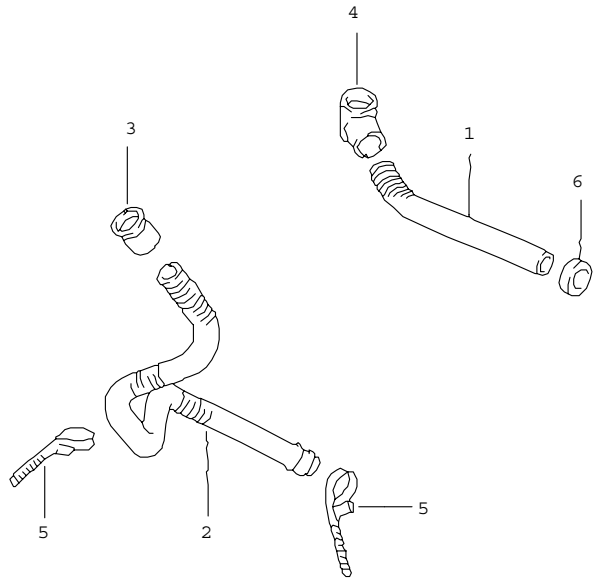


Pos	Part Number	Name	Remarks	Qty	Model
		heater single parts			
1	996 572 901 00	housing	/LL	1	
(1)	996 572 901 01	housing	/RL	1	
2	996 572 129 00	heat exchanger		1	
3	996 572 915 00	electric motor		1	
4	999 919 049 02	tapping screw		1	
5	996 612 045 00	wiring harness	/LL -98	1	
5	996 612 045 01	wiring harness	/LL 99-	1	
(5)	996 612 046 00	wiring harness	/RL -98	1	
(5)	996 612 046 01	wiring harness	/RL	1	
6	996 572 903 02	blower use also:	/LL -99	1	
--	000 043 300 99	parts kit	-99	1	
(6)	996 572 903 03	blower use also:	/RL -99	1	
--	000 043 300 99	parts kit	-99	1	
7	996 572 905 00	cover with resistor		1	
8	999 919 049 02	tapping screw		2	
9	996 572 605 00	traction defroster	/LL	1	
9	996 572 605 01	traction defroster	/RL	1	
10	996 572 607 00	traction temperature valve	/LL	1	
10	996 572 607 01	traction temperature valve	/RL	1	
11	996 572 601 00	traction central valve	/LL	1	
11	996 572 601 01	traction central valve	/RL	1	
--	996 572 913 00	gasket for heat exchanger		1	

Model	Year	MG	SG	Illustration	Restrictions	Update	18:09	23.08.2006	PORSCHE	PET	PORSCHE
986	04	8	13	813-06		203					

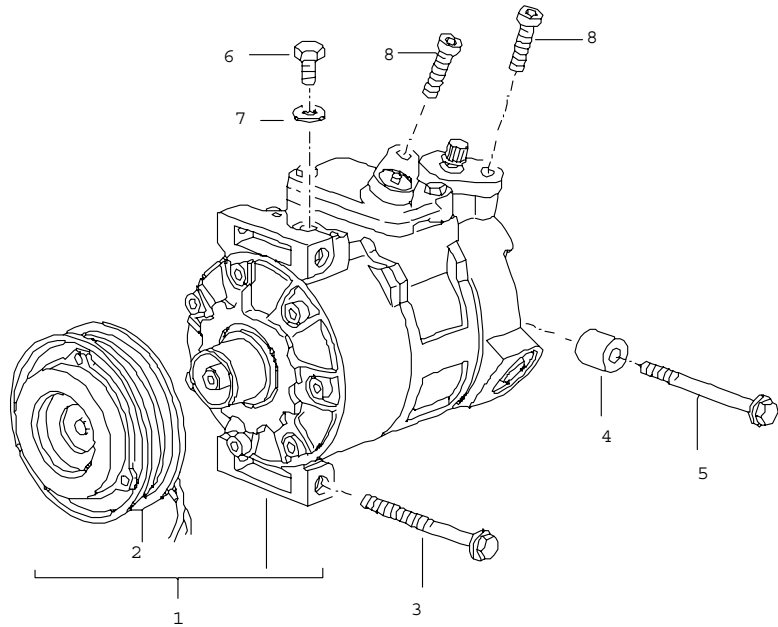
Pos	Part Number	Name	Remarks	Qty	Model	Pos	Part Number	Name	Remarks	Qty	Model
		- - - E N D - - -									

Model	Year	MG	SG	Illustration	Restrictions	Update	18:09	23.08.2006	PORSCHE	PET	PORSCHE
986	04	8	13	813-10		203					



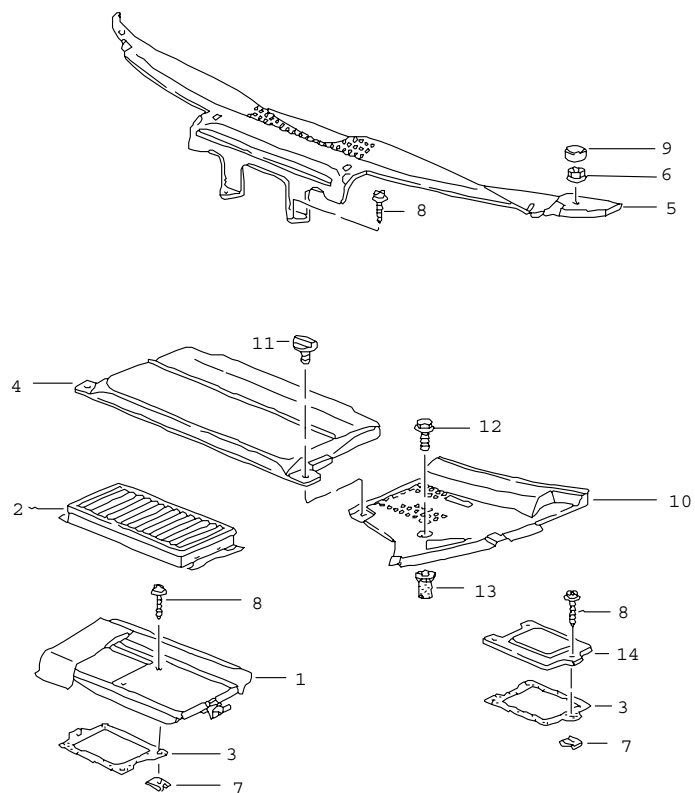
Pos	Part Number	Name	Remarks	Qty	Model
		water drain tube mount heater air conditioner			
1	996 504 643 00	water drain tube		1	
2	996 504 644 00	water drain tube		1	
3	996 504 645 00	grommet		1	
4	996 504 646 00	grommet		1	
5	999 513 049 40	tie-wrap		1	
6	999 702 156 40	grommet		1	
--	996 573 797 02	connecting piece		1	
--	996 573 795 01	grommet		1	
--	996 573 793 01	pipe	/LL	1	
--	996 573 794 01	pipe	/RL	1	
		- - - E N D - - -			

Model	Year	MG	SG	Illustration	Restrictions	Update	18:10	23.08.2006	PORSCHE	PET	PORSCHE
986	04	8	13	813-15		203					



Pos	Part Number	Name	Remarks	Qty	Model
		compressor			
1	996 126 011 52	compressor		1	
2	996 573 926 00	magnetic clutch		1	
3	900 378 075 09	hexagon-head bolt M 8X90		1	
4	996 126 102 52	spacer sleeve		1	
5	900 378 136 09	hexagon-head bolt M 8X120		1	
6	996 573 926 01	hexagon-head bolt		1	
7	996 573 926 02	sealing ring		1	
8	900 067 252 02	pan-head screw		2	
--	996 126 101 51	bracket		1	
		- - - E N D - - -			

Model	Year	MG	SG	Illustration	Restrictions	Update	18:10	23.08.2006	PORSCHE	PET	PORSCHE
986	04	8	13	813-20		203					



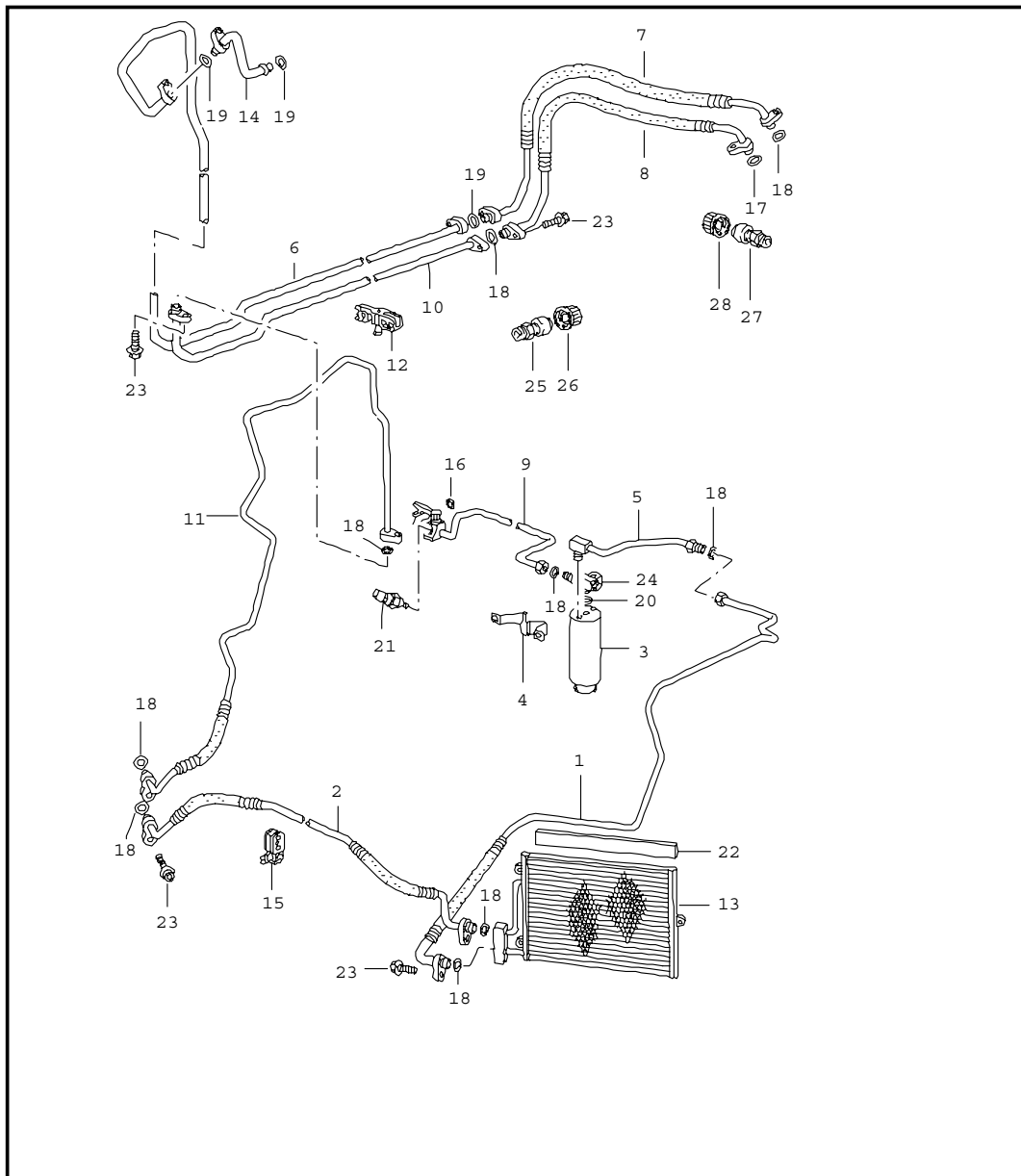
Pos	Part Number	Name	Remarks	Qty	Model
		particle filter cowl panel covering			
1	996 572 029 01	housing		1	
1	996 572 019 02	housing	/LL	1	
1	996 572 019 03	housing	/RL	1	
2	996 572 219 01	particle filter		1	
2	996 571 219 03	particle filter		1	M 571
3	996 572 221 01	gasket		1	
4	996 572 567 01	cover		1	
		01C black battery			
(4)	996 572 729 00	cover particle filter	/LL	1	
(4)	996 572 729 02	cover particle filter	/RL 97	1	
(4)	996 572 729 02	cover particle filter	/RL 98-	1	
5	996 572 563 02	cowl panel covering	/LL -00	1	
		01C black			
5	996 572 563 06	cowl panel covering	/LL 01-	1	
		01C black			
		use also:			
-	996 572 931 00	gasket		1	
5	996 572 563 03	cowl panel covering	/RL -00	1	
		01C black			
5	996 572 563 07	cowl panel covering	/RL 01-	1	
		01C black			
		use also:			
-	996 572 931 00	gasket		1	
6	999 049 008 40	plastic nut		2	
7	999 591 722 02	speed nut		3	
8	999 073 142 09	combination tapping screw		3	



Model	Year	MG	SG	Illustration	Restrictions	Update	18:10	23.08.2006	PORSCHE	PET	PORSCHE
986	04	8	13	813-20		203					

Pos	Part Number	Name	Remarks	Qty	Model	Pos	Part Number	Name	Remarks	Qty	Model
9	996 572 569 00	cap	-00	2							
	01C	black									
(9)	996 572 569 01	cap	/L 01-	1							
	01C	black									
(9)	996 572 570 01	cap	/R 01-	1							
	01C	black									
10	996 572 561 01	cover	/L	1							
	01C	black									
(10)	996 572 562 01	cover	/R	1							
	01C	black									
11	999 590 045 40	screw plug		X							
-	999 590 046 40	disc cam		X							
12	999 073 143 09	oval-head screw		2							
13	999 500 092 00	nut		2							
14 A	996 572 719 01	cover		1							
14	996 572 719 01	cover		1							
		- - - E N D - - -									

Model	Year	MG	SG	Illustration	Restrictions	Update	18:10	23.08.2006	PORSCHE	PET	PORSCHE
986	04	8	13	813-25		203					

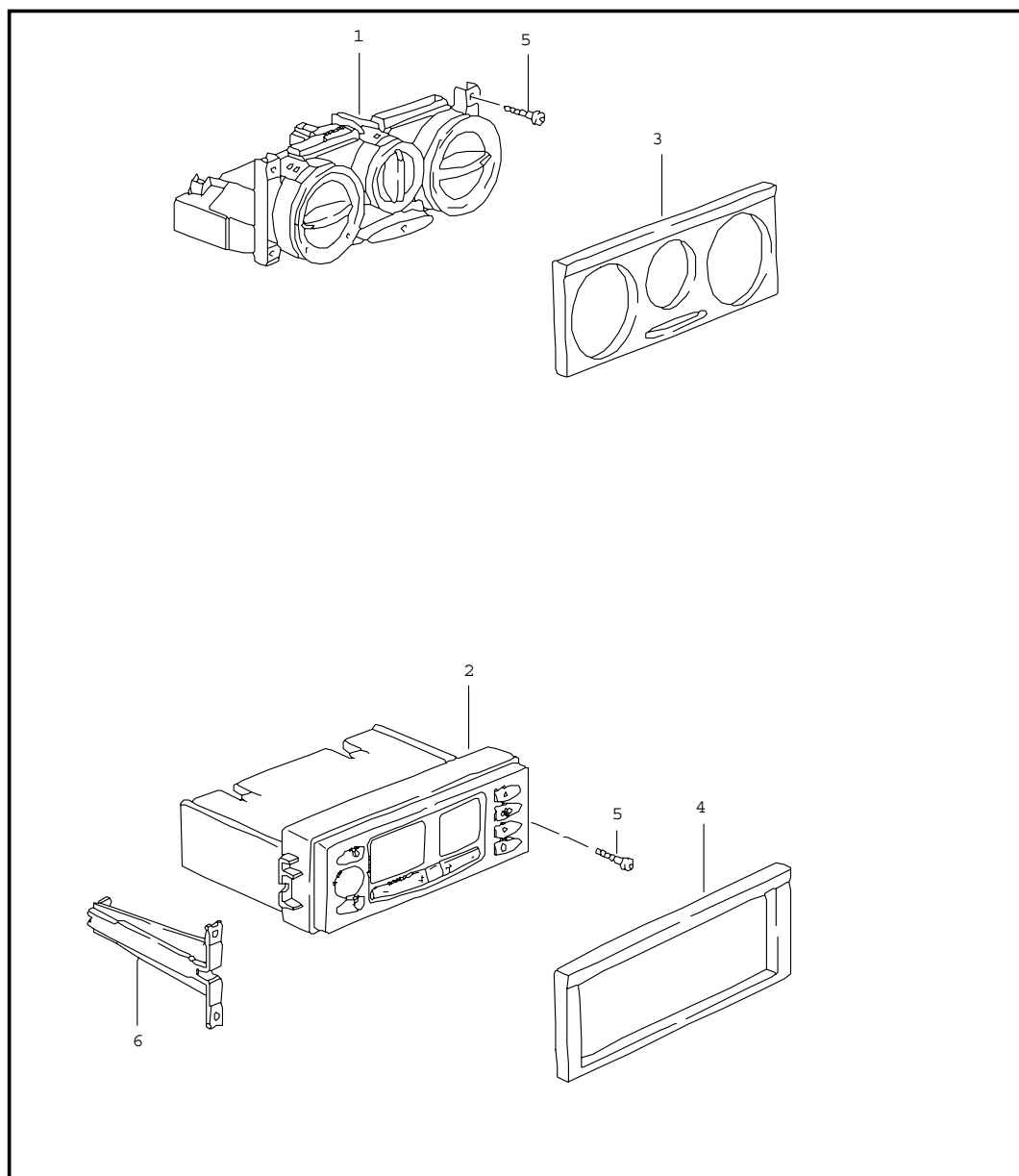


Pos	Part Number	Name	Remarks	Qty	Model
		refrigerant circuit			
1	996 573 105 03	refrigerant line	-97	1	
1	996 573 105 03	refrigerant line	98-	1	
2	996 573 104 02	refrigerant line	-97	1	
2	996 573 104 02	refrigerant line	98-	1	
3	944 573 143 01	desiccator		1	
4	996 573 451 00	support		1	
5	996 573 106 00	pressure line		1	
6	996 573 091 01	intake pipe		1	
7	986 573 099 04	intake pipe		1	M96 20
7	986 573 099 03	intake pipe	98-	1	
8	986 573 097 01	pressure line	-01	1	
8	986 573 097 02	pressure line	02-	1	
9	996 573 108 02	pressure line	/LL -01	1	
9	996 573 108 03	pressure line	/LL 02	1	
(9)	996 573 108 01	pressure line	/RL	1	
10	996 573 092 01	pressure line		1	
11	996 573 094 02	pressure line		1	
12	996 347 543 00	cable holder		2	
13	996 573 111 00	condenser		2	
14	996 573 093 02	intake pipe	/LL	1	
14	996 573 093 03	intake pipe	/RL	1	
15	P 996 347 543 00	cable holder		X	
16	999 707 247 40	o-ring 7,5X2		2	
17	999 707 382 40	o-ring 23,8X2,4		8	
18	999 707 250 40	o-ring 10,6X2		8	
19	999 707 252 40	o-ring 17X2		X	

Model	Year	MG	SG	Illustration	Restrictions	Update	18:10	23.08.2006	PORSCHE	PET	PORSCHE
986	04	8	13	813-25		203					

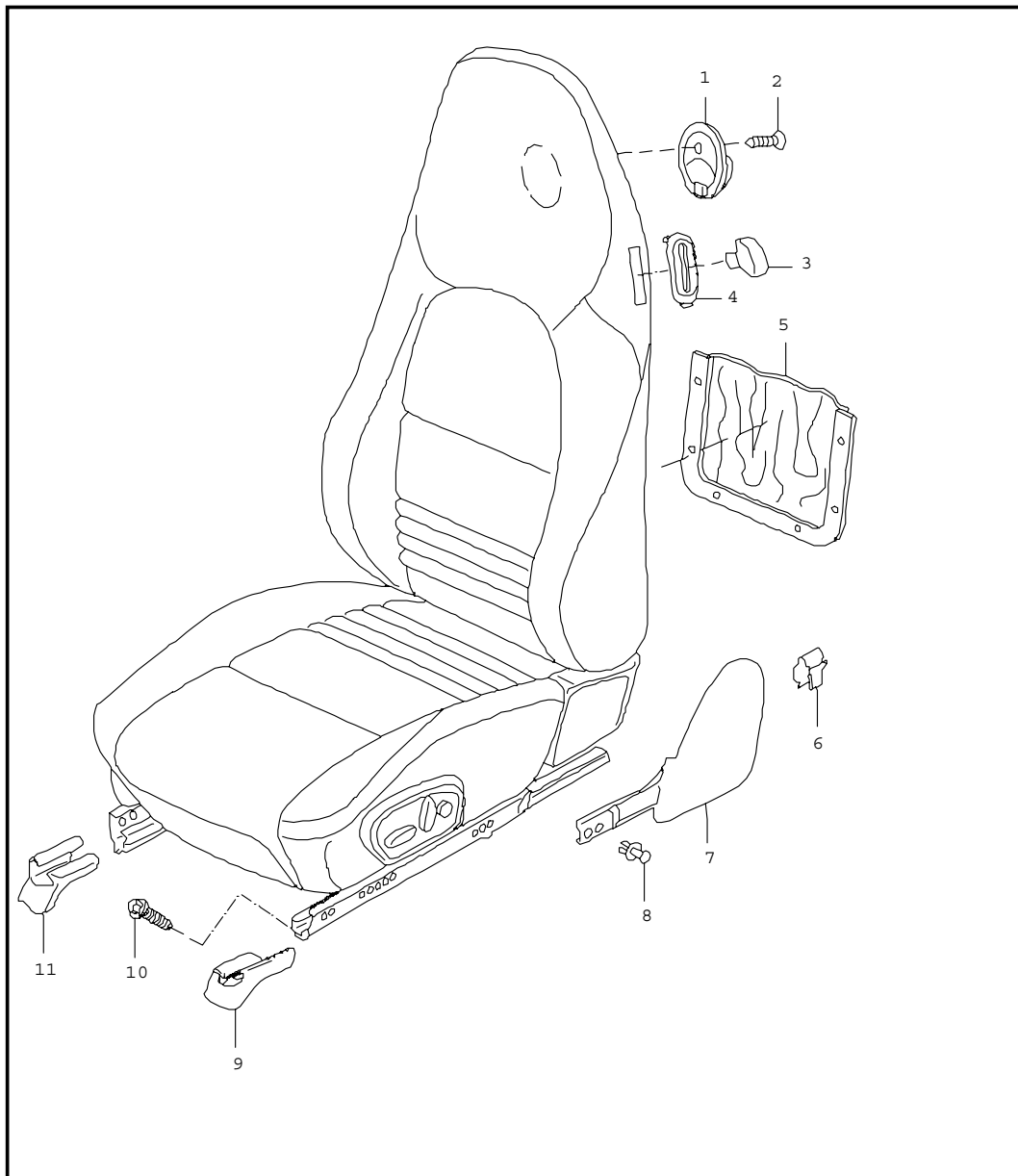
Pos	Part Number	Name	Remarks	Qty	Model	Pos	Part Number	Name	Remarks	Qty	Model
20	999 707 262 40	o-ring 6, 7X1, 8		X							
21	964 613 137 01	pressure switch		1							
22	996 573 711 00	cover strip		2							
23	900 067 247 02	screw		X							
24	993 573 243 00	distributing piece		1							
25	996 573 465 00	valve intake pipe		1							
26	944 573 663 02	valve cap		1							
27	996 573 466 00	valve pressure line		1							
28	944 573 663 01	valve cap		1							
		- - - E N D - - -									

Model	Year	MG	SG	Illustration	Restrictions	Update	18:10	23.08.2006	PORSCHE	PET	PORSCHE
986	04	8	13	813-45		203					



Pos	Part Number	Name	Remarks	Qty	Model
		control switch			
1	996 572 101 00	control part	-01	1	
	01C	black			
1	996 572 101 01	control part	02-	1	
	01C	black			
-	900 631 132 90	bulb		1	
2	996 653 101 03	control part	-00	1	M 573
	EFR	black			
2	996 653 101 08	control part	01-	1	
	EFR	gloss black			
2 A	996 653 101 06	control part	02	1	
	EFR	black mat			
2	996 653 101 09	control part	02	1	
	EFR	black mat			
2	996 653 101 10	control part	03-	1	
	FFA	black mat			
3	996 552 153 01	cover		1	
	01C	black			
4	996 552 677 00	cover		1	M 573
	01C	black			
(4)	996 552 339 00	cover		1	M 573/581
	01C	black			
5	900 143 076 09	tapping screw		X	
6	996 573 501 00	adapter		2	M 573
- - - E N D - - -					

Model	Year	MG	SG	Illustration	Restrictions	Update	18:10	23.08.2006	PORSCHE	PET	PORSCHE
986	04	8	17	817-00		203					



Pos	Part Number	Name	Remarks	Qty	Model
		front seat series seat comfort seat			BOXSTER
		front seat complete not available			
1	986 521 363 00	coat hook	-99	2	
(1)	996 521 373 00	coat hook	00-	2	
	A03	black			
2	999 919 180 07	countersunk-head screw M 5 X 18	-99	2	
(2)	999 919 199 09	countersunk-head screw M 5 X 25	00-	2	
3	996 521 321 00	actuating lever	/L/R -98	4	
(3)	996 521 421 00	control button	/L 99-	2	
(3)	996 521 422 00	control button	/R 99-	2	
4	996 521 323 00	rose satin black	/L -98	2	
(4)	996 521 324 00	rose satin black	/R -98	2	
(4)	996 521 323 02	rose satin black	/L 99-	2	
(4)	996 521 324 02	rose satin black	/R 99-	2	
5	996 521 313 00	bag leatherette		2	
	A10	black	-99		
	A12	black	00-		
5	996 521 313 01	bag leather		2	M 982/983
	8YR	black			
6	999 507 592 01	cable clamp cover 1,0 - 6,0		2	
7	986 521 315 00	cap	/L	1	M009/011/016
	B12	black-grey	-99		

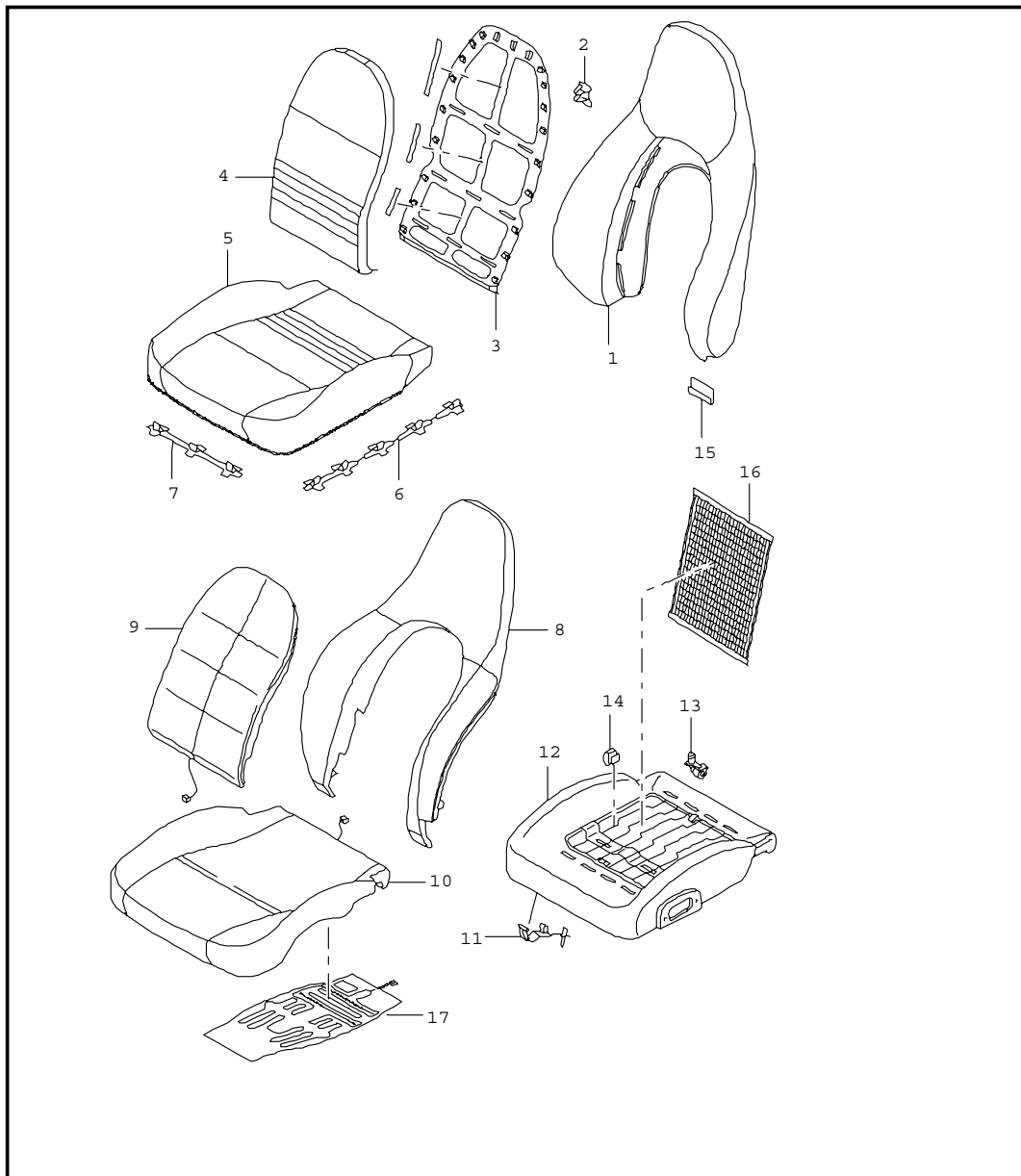
Model	Year	MG	SG	Illustration	Restrictions	Update	18:10	23.08.2006	PORSCHE	PET	PORSCHE
986	04	8	17	817-00		203					

Pos	Part Number	Name	Remarks	Qty	Model	Pos	Part Number	Name	Remarks	Qty	Model
(7)	986 521 316 00	cap	/R	1	M009/011/016	(9)	996 521 364 01	cover left seat inner	/R	1	M 437/438
	B12	black-grey	-99				01C	satin black			
(7)	996 521 315 00	cap	/L	1	M 010/016	10	A 999 141 038 07	torx screw M 10 X 26,5	-02	8	
	D05	granite grey	-99								
	A03	SCHWARZ	00-								
(7)	996 521 316 00	cap	/R	1	M 010/016	(10)	999 141 039 07	screw M 10 X 28	03-	8	M XSE/XSF
	D05	granite grey	-99								
	A03	SCHWARZ	00-								
8	999 507 599 40	expansion rivet 10		2			01C	satin black			
9	A 996 521 362 00	cover	/L	1	IXSE	(11)	996 521 360 01	cover right seat outer	/R	1	IXSF
	01C	satin black					01C	satin black			
(9)	996 521 362 01	cover right seat inner	/L	1	IXSE	(11)	A 996 521 364 00	cover right seat outer	/R	1	M 438
	01C	satin black					01C	satin black			
(9)	A 996 521 363 00	cover right seat inner	/L	1	M 437/438	(11)	996 521 364 01	cover right seat outer	/R	1	M 437/438
	01C	satin black					01C	satin black			
(9)	996 521 363 01	cover right seat inner	/L	1	M 437/438	(11)	A 996 521 359 00	cover left seat outer	/L	1	IXSE
	01C	satin black					01C	satin black			
(9)	A 996 521 361 00	cover left seat inner	/R	1	IXSF	(11)	996 521 359 01	cover left seat outer	/L	1	IXSE
	01C	satin black					01C	satin black			
(9)	996 521 361 01	cover left seat inner	/R	1	IXSF	(11)	A 996 521 363 00	cover left seat outer	/L	1	M 437
	01C	satin black					01C	satin black			
(9)	A 996 521 364 00	cover left seat inner	/R	1	M 438	(11)	996 521 363 01	cover left seat outer	/L	1	M 437/438
	01C	satin black									

Model	Year	MG	SG	Illustration	Restrictions	Update	18:10	23.08.2006	PORSCHE	PET	PORSCHE
986	04	8	17	817-00		203					

Pos	Part Number	Name	Remarks	Qty	Model	Pos	Part Number	Name	Remarks	Qty	Model
	01C	satin black									
		- - - E N D - - -									

Model	Year	MG	SG	Illustration	Restrictions	Update	18:11	23.08.2006	PORSCHE	PET	PORSCHE
986	04	8	17	817-05		203					



Pos	Part Number	Name	Remarks	Qty	Model
		cover foam part series seat comfort seat			BOXSTER
1	986 521 141 01	backrest cover outer part leatherette	-99	2	
	A10	black			
	C50	graphite grey			
	G10	metropole blue			
	S30	savanna			
(1)	986 521 141 01	backrest cover alcantara	00	2	
	A12	black			
	C52	graphite grey			
	S32	savanna			
	G12	metropole blue			
(1)	986 521 141 02	backrest cover outer part leatherette/ cloth trend	-99	2	M 011
	C30	graphite grey/anthracite			
(1)	986 521 141 03	cover backrest outer part alcantara	01-	2	
	A12	black			
	C52	graphite grey			
	S32	savanna			
	G12	metropole blue			
	J32	nephrite green			
(1)	986 521 141 04	cover backrest outer part	03-	2	M 369/370 M 437/438 M 950/IXSU
	A12	black			
	S32	savanna			



Model	Year	MG	SG	Illustration	Restrictions	Update	18:11	23.08.2006	PORSCHE	PET	PORSCHE
986	04	8	17	817-05		203					

Pos	Part Number	Name	Remarks	Qty	Model	Pos	Part Number	Name	Remarks	Qty	Model
		G12 metropole blue					ESF	graphite grey			
		J32 nephrite green					ESG	savanna			
(1)	996 521 141 04	backrest cover outer part leather	03-	2	M 369/370 M 437/438 M 982/983		ESH	metropole blue			
		ERZ black			IXSU	(1)	996 521 993 00	backrest cover outer part with porsche emblem leatherette/leather	99	2	IXSC
		EEF graphite grey					FEP	nephrite green			
		EGF savanna					C50	graphite grey/graphite gr.			
		EFF metropole blue					G10	metropole bl./metrop. blue			
		ELA nephrite green					S30	savanna/savanna			
		ENA boxerster red					8YR	black/black			
		FEH cinnamon brown					C50	graphite grey/graphite gr.			
		VRA dark grey/natural					G10	metropole bl./metrop. blue			
		VRB brown/natural					S30	savanna/savanna			
(1)	996 521 141 01	backrest cover outer part leatherette/leather	-01	2			ETO	black			
		EAE black/black				(1)	996 521 141 02	backrest cover outer part leather	-00	2	M 982/983
		EEE graphite grey/graphite gr.					EAF	black			
		EFE metropole bl./metrop. blue	98-				EEF	graphite grey			
		ESH metropole blue	00-				EFF	metropole blue			
		EGE savanna/savanna					EGF	savanna			
(1)	996 521 141 01	backrest cover outer part leatherette/leather	-01	2			ELA	nephrite green			
		ESF graphite grey/graphite gr.					ENA	boxster red			
		ESG savanna/savanna					VRA	dark grey			
		ESH metropole bl./metrop. blue					VRB	brown/natural			
		ESE black/black					ERZ	black			
(1)	996 521 141 05	cover backrest outer part leatherette	01-	2	M 369/370 M 437/438 M 946	(1)	996 521 141 06	cover backrest outer part leather	01-	2	M 982/983
		ESE black									

Model	Year	MG	SG	Illustration	Restrictions	Update	18:11	23.08.2006	PORSCHE	PET	PORSCHE
986	04	8	17	817-05		203					

Pos	Part Number	Name	Remarks	Qty	Model	Pos	Part Number	Name	Remarks	Qty	Model
		ERZ black					A10	black			
		EEF graphite grey					C50	graphite grey			
		EGF savanna					G10	metropole blue	98-		
		EFF metropole blue					S30	savanna			
		ELA nephrite green				4	986 521 151 02	backrest cushion cover cloth trend	98-99	2	M 011
		ENA boxer red					C30	graphite grey/anthracite			
		FEH cinnamon brown				(4)	986 521 151 03	backrest cushion cover alcantara	-00	2	
		VRA dark grey/natural					EUZ	black			
		VRB brown/natural					C55	graphite grey			
(1)	996 521 993 01	backrest cover outer part with porsche emblem leather draped leather	99-	2	M 982/983 IXSC		G15	metropole blue			
		8YR black	99			(4)	986 521 151 04	backrest cover centre part alcantara	01-	2	
		C50 graphite grey					EUZ	black			
		G10 metropole blue					C55	graphite grey			
		S30 savanna					S35	savanna			
		J30 nephrite green					G15	metropole blue			
		M30 boxer red					J35	nephrite green			
		T11 brown/natural				(4)	986 521 151 06	backrest cushion cover centre part	03-	2	M 369/370 M 437/438 M 950/IXSU
		D11 dark grey/natural					EUZ	black			
		P11 cinnamon brown					C55	graphite grey			
		ETO black	00				S35	savanna			
2	999 507 666 40	fixing clip		X			G15	metropole blue			
3	A 996 521 551 00	frame backrest centre	-00	2			J35	nephrite green			
(3)	996 521 551 01	frame backrest centre	01-	2		(4)	996 521 151 01	backrest cushion cover leatherette/leather	-00	2	
							B50	space grey			
4	986 521 151 01	backrest cushion cover cloth dunes	-99	2		(4)	996 521 151 05	backrest cushion cover leather	01-	2	M 946/983

Model	Year	MG	SG	Illustration	Restrictions	Update	18:11	23.08.2006	PORSCHE	PET	PORSCHE
986	04	8	17	817-05		203					

Pos	Part Number	Name	Remarks	Qty	Model	Pos	Part Number	Name	Remarks	Qty	Model
	ETO	black	00-				T11	brown/natural			
	C50	graphite grey				(4)	996 521 151 08	backrest cushion cover centre part draped leather	02- 03-	2	M 369/370 M 437/438 IXSU
	G10	metropole blue	98-				ETO	black			
	S30	savanna					C50	graphite grey			
	J30	nephrite green					S30	savanna			
	M30	boxster red					G10	metropole blue			
	D11	dark grey	00-				J30	nephrite green			
	T11	brown/natural	00-				M30	boxster red			
	P11	cinnamon brown	01-				P11	cinnamon brown			
(4)	996 521 151 03	backrest cushion cover draped leather	-00	2			D11	dark grey/natural			
	8YR	black	-99				T11	brown/natural			
	C50	graphite grey	98-			-	964 555 565 00	felt strip centre part backrest	01-	2	
	G10	metropole blue	98-			5	986 521 161 06	seat cover leatherette/ centre part alcantara	00	2	
	S30	savanna	98-				ESA	black/black			
	J30	nephrite green	98-				ESB	graphite grey/graphite gr.			
	M30	boxster red	98-				ESC	savanna/savanna			
	D11	dark grey	00-				ESD	metropole bl./metrop. blue			
	T11	brown	00-			(5)	986 521 161 07	cover alcantara	01-	2	M 369/370
	ETO	black	00-				ESA	black			
(4)	996 521 151 06	backrest cushion cover centre part draped leather	01-	2	M 982		ESB	graphite grey			
	C50	graphite grey					ESC	savanna			
	S30	savanna					ESD	metropole blue			
	G10	metropole blue					FAH	nephrite green			
	J30	nephrite green				(5)	986 521 161 08	cover for cushion	03-	2	M 369/370
	M30	boxster red					ESA	black			M 437/438
	P11	cinnamon brown									
	D11	dark grey/natural									

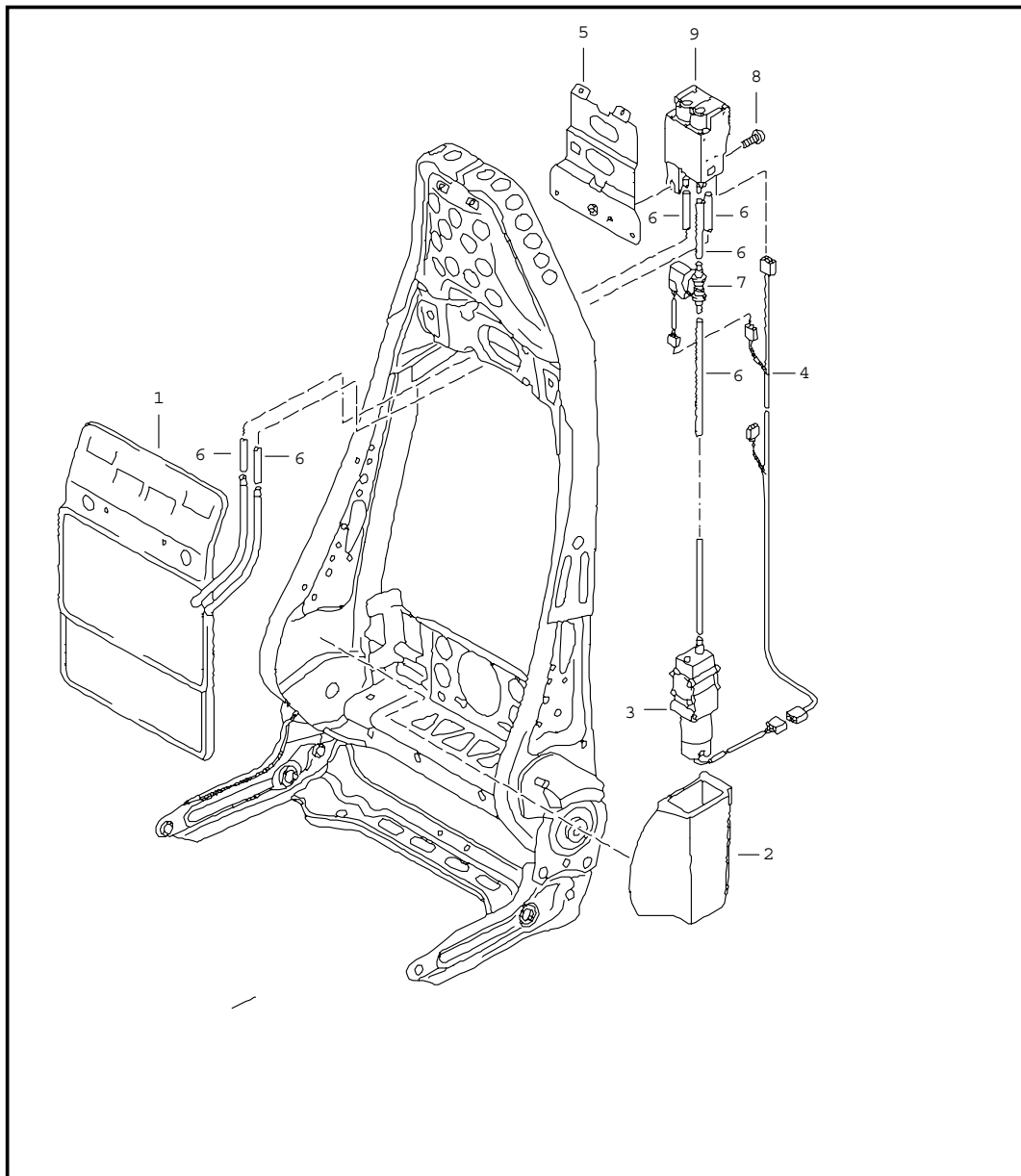
Model	Year	MG	SG	Illustration	Restrictions	Update	18:11	23.08.2006	PORSCHE	PET	PORSCHE
986	04	8	17	817-05		203					

Pos	Part Number	Name	Remarks	Qty	Model	Pos	Part Number	Name	Remarks	Qty	Model
	ESB	graphite grey			M 950/IXSU	(5)	996 521 161 02	seat cover leather	-00	2	
	ESC	savanna					EAF	black	-99		
	ESD	metropole blue					ERZ	black	00-		
	FAH	nephrite green					EEF	graphite grey			
(5)	986 521 161 05	seat cover leatherette/ centre part cloth dunes	97-99	2			EGJ	space grey/space grey	-00		
	EAJ	black/black					EFF	metropole bl./metrop. blue			
	EEJ	graphite grey/graphite gr.					EGF	savanna			
	EFD	metropole bl./metrop. blue	98-				ELA	nephrite green	97-		
	EGG	savanna/savanna					ENA	boxster red			
(5)	986 521 161 02	seat cover leatherette/ seat surface cloth trend	98-99	2	M 011	(5)	996 521 161 06	seat cover leather	01-	2	
	EEG	graphite grey/anthracite	98-				ERZ	black	00-		
(5)	996 521 161 01	seat cover leatherette/ seat surface leather	-00	2	M 946		EEF	graphite grey			
	EAE	black/black	99				EFF	metropole bl./metrop. blue			
	EEE	graphite grey/graphite gr.					EGF	savanna			
	EFE	metropole bl./metrop. blue	98-				ELA	nephrite green	97-		
	EGE	savanna/savanna					ENA	boxster red			
	ESH	metropole blue	00-				VRA	dark grey	00-		
	ESE	black	00				VRB	brown/natural	00-		
(5)	996 521 161 05	seat cover KUNSTLEDER/LEDER seat surface	01-	2		(5)	996 521 161 03	seat cover draped leather	98-00	2	
	ESF	graphite grey/graphite gr.					EAF	black	-99		
	ESG	savanna/savanna					EEF	graphite grey	98-		
	ESH	metropole bl./metrop. blue					EFF	metropole blue	98-		
	ESE	black					EGF	savanna	98-		
							ELA	nephrite green	98-		
							ENA	boxster red	98-		

Model	Year	MG	SG	Illustration	Restrictions	Update	18:11	23.08.2006	PORSCHE	PET	PORSCHE
986	04	8	17	817-05		203					

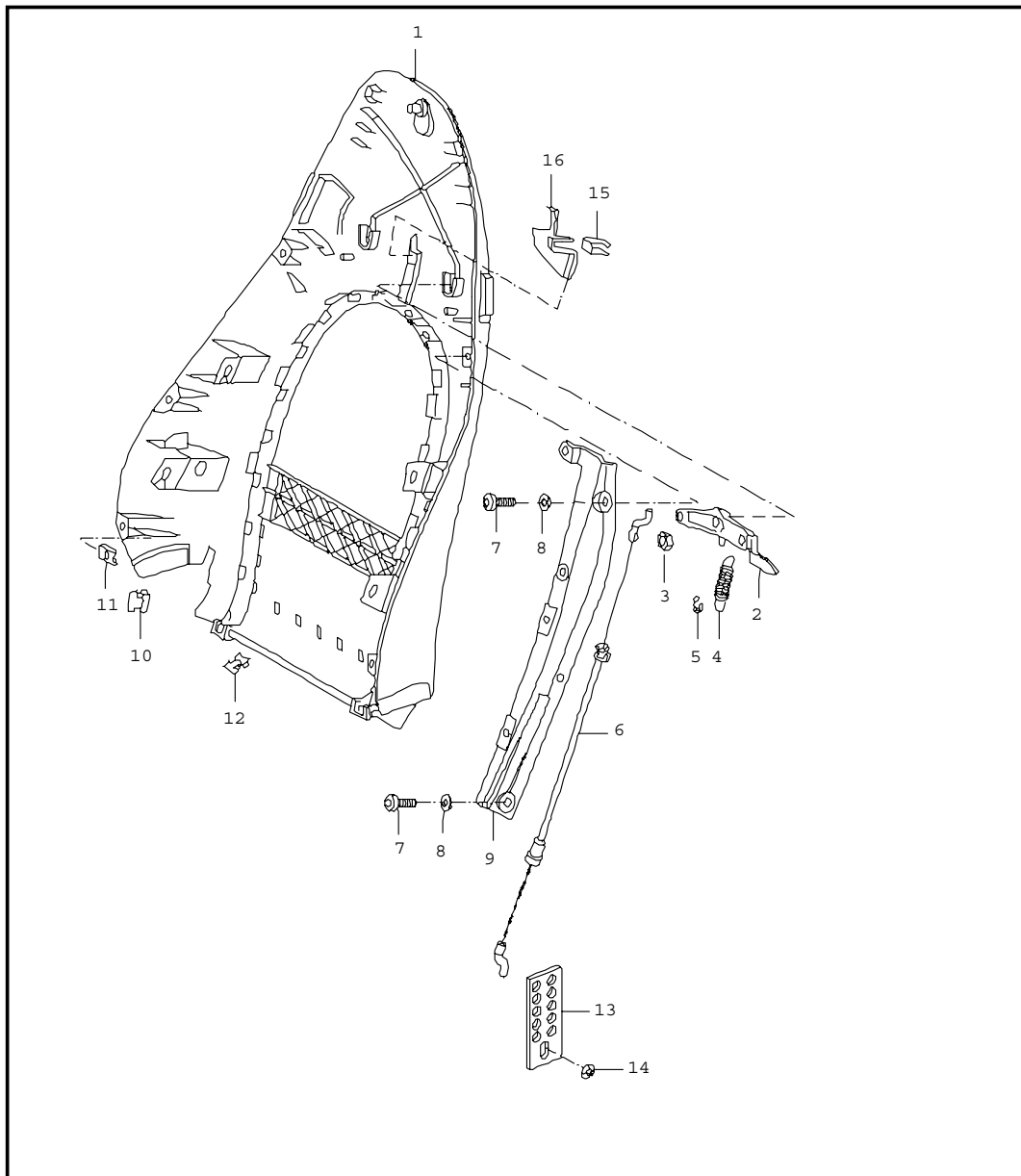
Pos	Part Number	Name	Remarks	Qty	Model	Pos	Part Number	Name	Remarks	Qty	Model
	VRA	dark grey	00-			(10)	996 521 521 01	foam part seat cushion with heating	-00	2	
	VRB	brown/natural	00-								
	ERZ	black	00-			(10)	996 521 523 00	foam part seat cushion without heating	03-	2	IXSU
(5)	996 521 161 07	seat cover draped leather	01-	2		(10)	996 521 525 00	foam part seat cushion with heating	03-	2	M 342/IXSU
	EEF	graphite grey	98-			(10)	996 521 571 00	foam part seat cushion	01-	2	
	EFF	metropole blue	98-								
	EGF	savanna	98-			11	996 521 597 00	clip		4	
	ELA	nephrite green	98-			(11)	996 521 937 00	clip cushion carrier	01-	10	
	ENA	boxster red	98-			12	996 521 509 00	cushion carrier	-00	2	
	VRA	dark grey	00-			(12)	996 521 505 00	cushion carrier seat cushion front seat	01-	2	
	VRB	brown/natural	00-								
	ERZ	black	00-			13	999 507 506 40	cable holder 5,0 seat adjuster mechanical		1	M 539/540
6	996 521 543 00	clamp long	-00	4							
7	996 521 541 00	clamp short	-00	6		14	999 651 314 01	cable clamp 3,0 - 4,0		8	
8	996 521 535 04	foam part backrest frame	01-	2		15	996 521 515 00	catch backrest cover		4	
9	996 521 531 00	foam part backrest cushion without heating		2		16	996 521 507 01	mat seat cushion padding	02-	1	
(9)	996 521 531 01	foam part backrest cushion with heating		2	M 139/340	17	996 653 105 01	heating element seat surface	01-	1	
(9)	996 521 537 00	foam part backrest cushion without heating		2	IXSU			- - - E N D - - -			
(9)	996 521 539 00	foam part backrest cushion with heating	03-	2	IXSU						
(9) A	996 521 539 00	foam part backrest	97-	2	M 139/140						
10	996 521 521 00	foam part seat cushion without heating	-00	2							

Model	Year	MG	SG	Illustration	Restrictions	Update	18:11	23.08.2006	PORSCHE	PET	PORSCHE
986	04	8	17	817-07		203					



Pos	Part Number	Name	Remarks	Qty	Model
		lumbar support			BOXSTER
1	996 521 709 00	lumbar support complete		2	
2	996 521 719 00	sound absorber compressor		2	
3	996 620 725 00	compressor		2	
4	996 612 541 00	harness seating position control lumbar support adjustment		2	
(4)	996 612 542 00	harness seating position control lumbar support adjustment		2	M 537/538
5	996 521 721 00	support valve housing		2	
6	999 181 749 40	air hose seating position control		2	
7	996 613 725 00	pressure switch		2	
8	900 067 051 02	pan-head screw M 5 X 10		2	
9	996 617 725 00	valve housing seating position control		2	
(9)	996 617 726 00	valve housing seating position control		2	M 537/538
		- - - E N D - - -			

Model	Year	MG	SG	Illustration	Restrictions	Update	18:11	23.08.2006	PORSCHE	PET	PORSCHE
986	04	8	17	817-10		203					



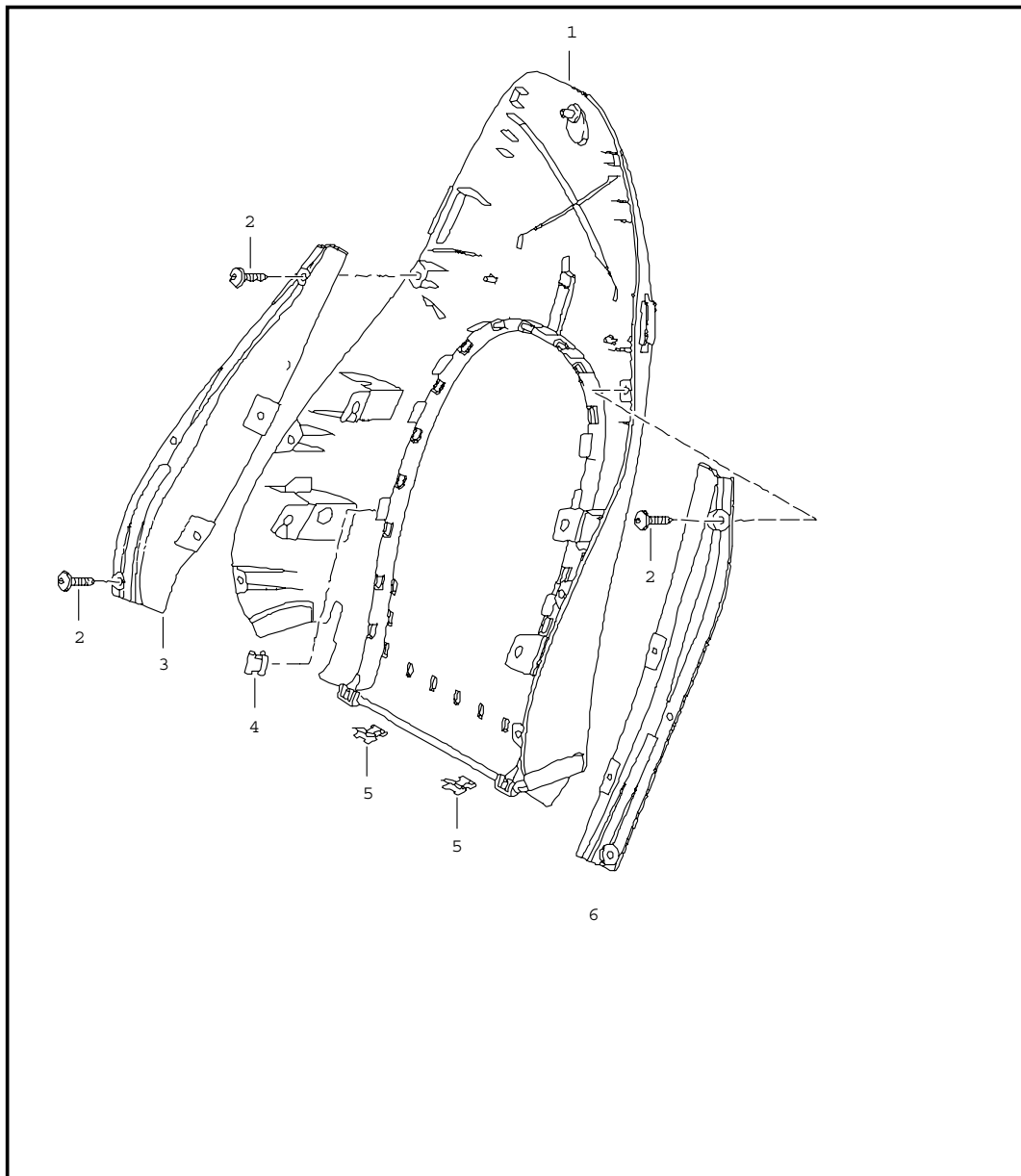
Pos	Part Number	Name	Remarks	Qty	Model
		backrest shell series seat comfort seat			BOXSTER
1	986 521 303 00	backrest shell	-98	2	
	B12	black-grey			
(1)	986 521 303 01	backrest shell leather	-98	2	M 010
	8YR	black			
	C50	graphite grey			
	G10	metropole blue			
	S30	savanna			
	J30	nephrite green			
	M30	boxster red	-98		
(1)	986 521 303 06	backrest shell	99	2	M 016
	B12	black-grey			
(1)	986 521 303 07	backrest shell leather	99	2	M 010
	8YR	black			
	C50	graphite grey			
	G10	metropole blue			
	S30	savanna			
	J30	nephrite green			
	M30	boxster red			
2	996 521 311 00	linkage lever	/L	2	
(2)	996 521 312 00	linkage lever	/R	2	
3	996 521 339 00	deflection roller		4	
4	999 522 032 00	tension spring 0,7 X 7,5 X 15		4	
5	N 900 114 02	clamping washer 4		4	
6	A 996 521 385 00	cable	97	4	
(6)	986 521 385 00	cable	98-	4	

Model	Year	MG	SG	Illustration	Restrictions	Update	18:11	23.08.2006	PORSCHE	PET	PORSCHE
986	04	8	17	817-10		203					

Pos	Part Number	Name	Remarks	Qty	Model	Pos	Part Number	Name	Remarks	Qty	Model
7	999 143 009 01	screw M 5 X 16		4							
8	900 151 027 02	washer backrest shell 5,3		4							
9	996 521 319 00	bracket	/L -00	2							
(9)	996 521 319 01	cup	/L 01-	2							
(9)	996 521 320 00	bracket	/R -00	2							
(9)	996 521 320 01	cup padding backrest	/R 01-	2							
10	999 507 594 01	u-clamp backrest cover 1,0 - 2,0		28							
11	999 507 677 01	speed nut M 5		8							
12	311 881 247	clamp cover centre part		4							
13	996 521 377 00	perforated plate		4							
14	N 900 151 01	clamping washer 5		4							
15	999 507 596 01	u-clamp 1,00 - 1,50		2							
16	996 521 341 00	relay lever		2							
-	996 521 903 00	repair kit locking lever see technical information GR. 7 BOXSTER NR. 1A/98		2							
		- - - E N D - - -									



Model	Year	MG	SG	Illustration	Restrictions	Update	18:11	23.08.2006	PORSCHE	PET	PORSCHE
986	04	8	17	817-12		203					

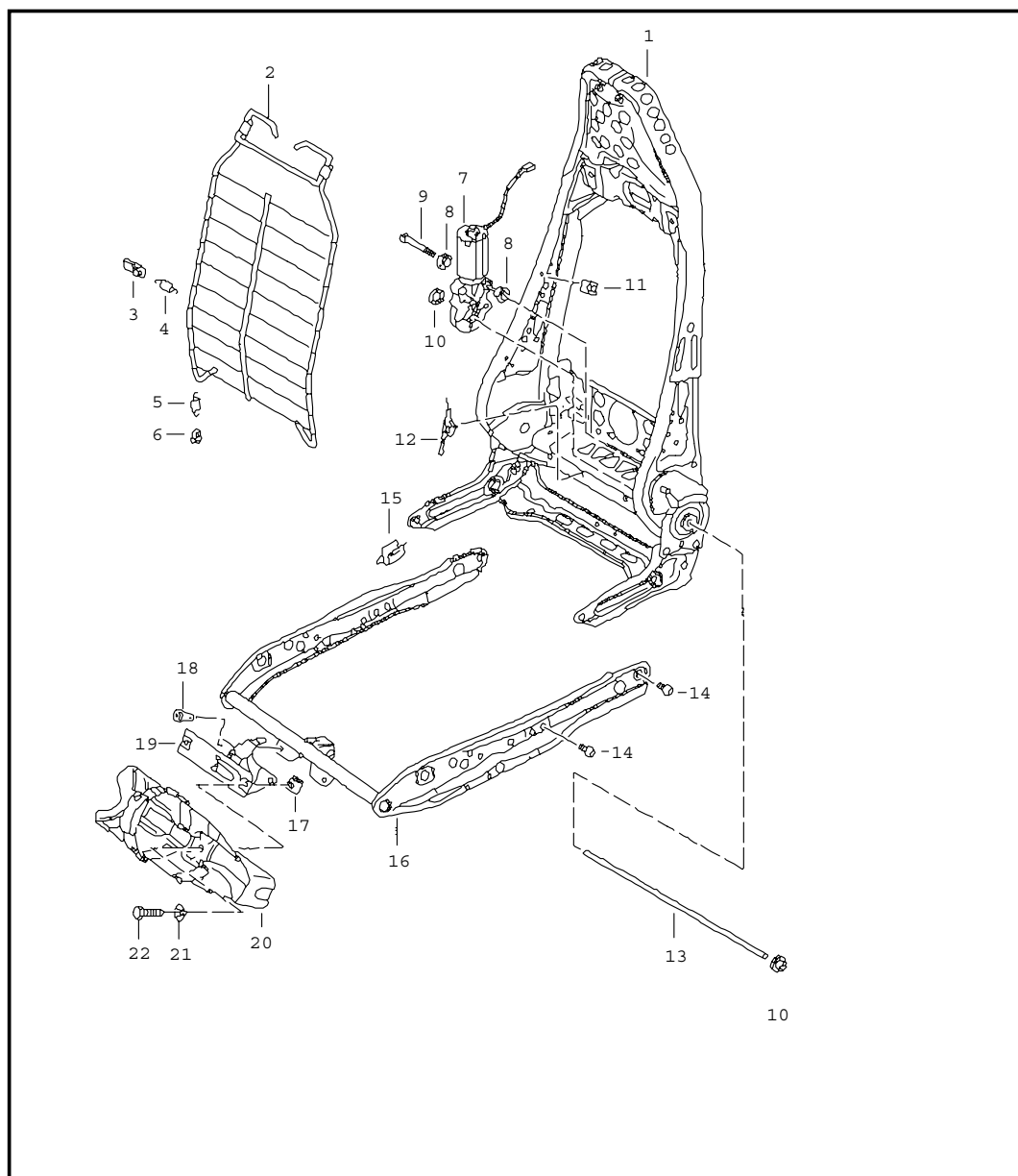


Pos	Part Number	Name	Remarks	Qty	Model
		backrest shell series seat comfort seat	99- 99-		BOXSTER
1	986 521 303 06	backrest shell B12 black-grey 01C satin black	99	2	M 016
1	986 521 303 07	backrest shell leather 8YR black C50 graphite grey G10 metropole blue S30 savanna J30 nephrite green M30 boxster red	99	2	M 010
1	986 521 303 06	backrest shell lacquered 01C satin black	00-	2	M 016
2	999 143 009 01	screw backrest shell M 5 X 16		X	
-	900 151 027 02	washer 5,3		4	
3	996 521 320 00	cup	/R -00	2	
3	996 521 320 01	bracket backrest side part	/R 01-	2	
4	999 507 594 01	u-clamp backrest cover 1,0 - 2,0		28	
5	311 881 247	clamp mount cover centre part		4	
6	996 521 319 00	cup	/L -00	2	
6	996 521 319 01	bracket backrest side part	/L 01-	2	

Model	Year	MG	SG	Illustration	Restrictions	Update	18:11	23.08.2006	PORSCHE	PET	PORSCHE
986	04	8	17	817-12		203					

Pos	Part Number	Name	Remarks	Qty	Model	Pos	Part Number	Name	Remarks	Qty	Model
		- - - E N D - - -									

Model	Year	MG	SG	Illustration	Restrictions	Update	18:12	23.08.2006	PORSCHE	PET	PORSCHE
986	04	8	17	817-15		203					

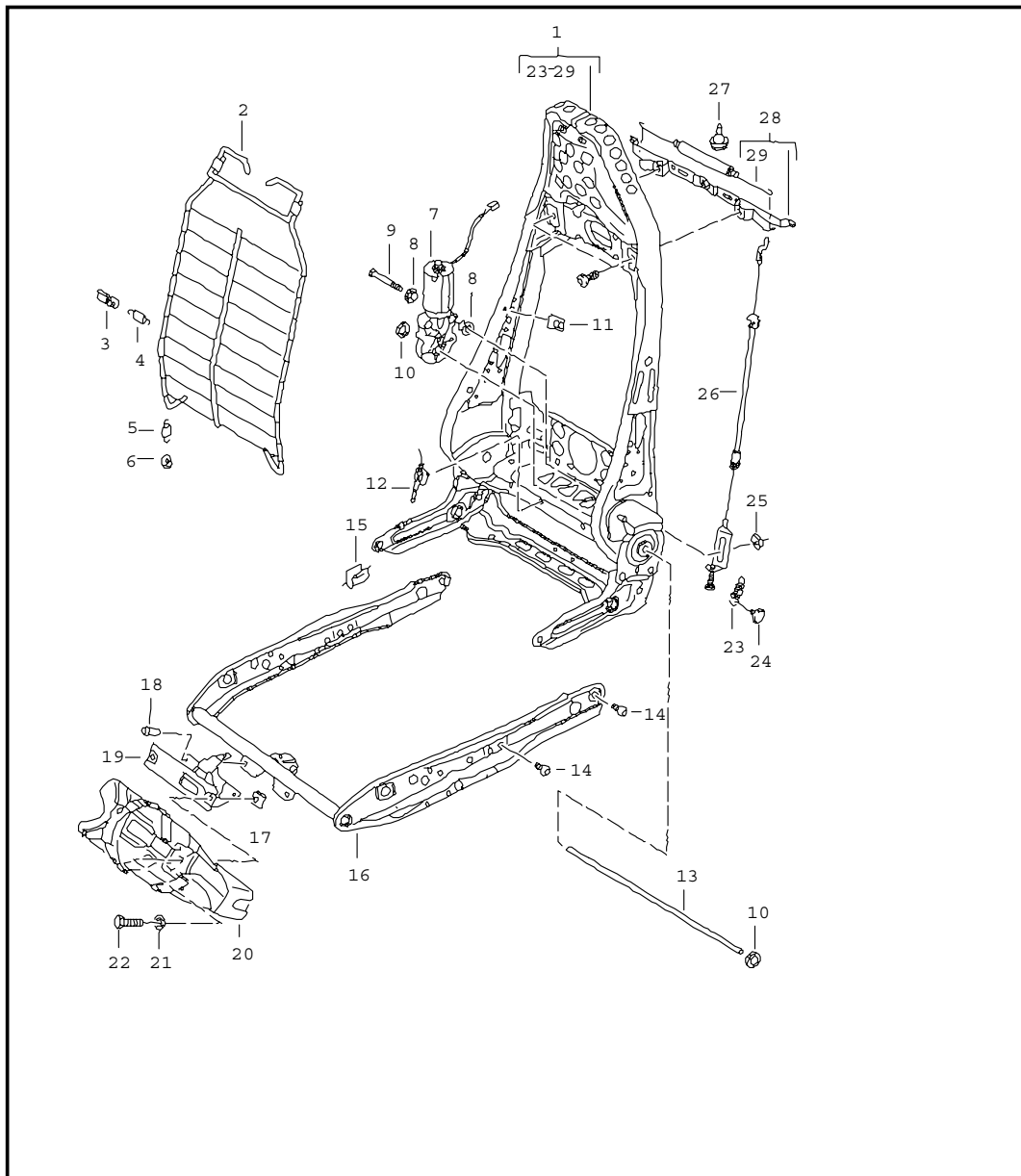


Pos	Part Number	Name	Remarks	Qty	Model
		backrest frame seat frame series seat comfort seat			BOXSTER
1 A	986 521 327 00	backrest frame	97	2	
(1)	986 521 327 02	backrest frame	-98	2	
2	996 521 355 00	mat	97	2	
(2)	996 521 355 01	mat	98	2	
3	996 521 367 00	support		8	
4	996 521 333 00	spring centre		4	
5	996 521 331 01	spring	98-	4	
6	996 521 365 00	support lower		4	
7	996 624 321 00	engine seating position control for backrest adjustment		2	
(7)	996 624 331 00	engine seating position control for backrest adjustment		2	M 537/538
8	999 924 129 40	bush 6 X 12 X 4,5		4	
9	999 073 141 02	oval-head screw M 6 X 42,5		2	
10	999 507 597 01	clamping washer 10,0		4	
11	999 507 598 02	speed nut M 5		8	
12	999 513 063 40	cable holder 12,0 - 35		4	
13	996 521 343 01	drive shaft		2	
14	999 141 027 02	oval-head screw M 8 X 10		8	
16	986 521 227 00	seat frame		2	
17	999 507 067 02	speed nut M 5		2	
18	999 141 028 02	pan-head screw M 5 X 10		3	

Model	Year	MG	SG	Illustration	Restrictions	Update	18:12	23.08.2006	PORSCHE	PET	PORSCHE
986	04	8	17	817-15		203					

Pos	Part Number	Name	Remarks	Qty	Model	Pos	Part Number	Name	Remarks	Qty	Model
19	996 521 674 00	support fire extinguisher	/LL/R	1							
(19)	996 521 673 00	support fire extinguisher	/RL/L	1							
20	996 521 607 00	cup		1							
21	900 151 027 02	washer 5,3		2							
22	N 044 734 1	pan-head screw M 5 X 16		2							
		- - - E N D - - -									

Model	Year	MG	SG	Illustration	Restrictions	Update	18:12	23.08.2006	PORSCHE	PET	PORSCHE
986	04	8	17	817-16		203					

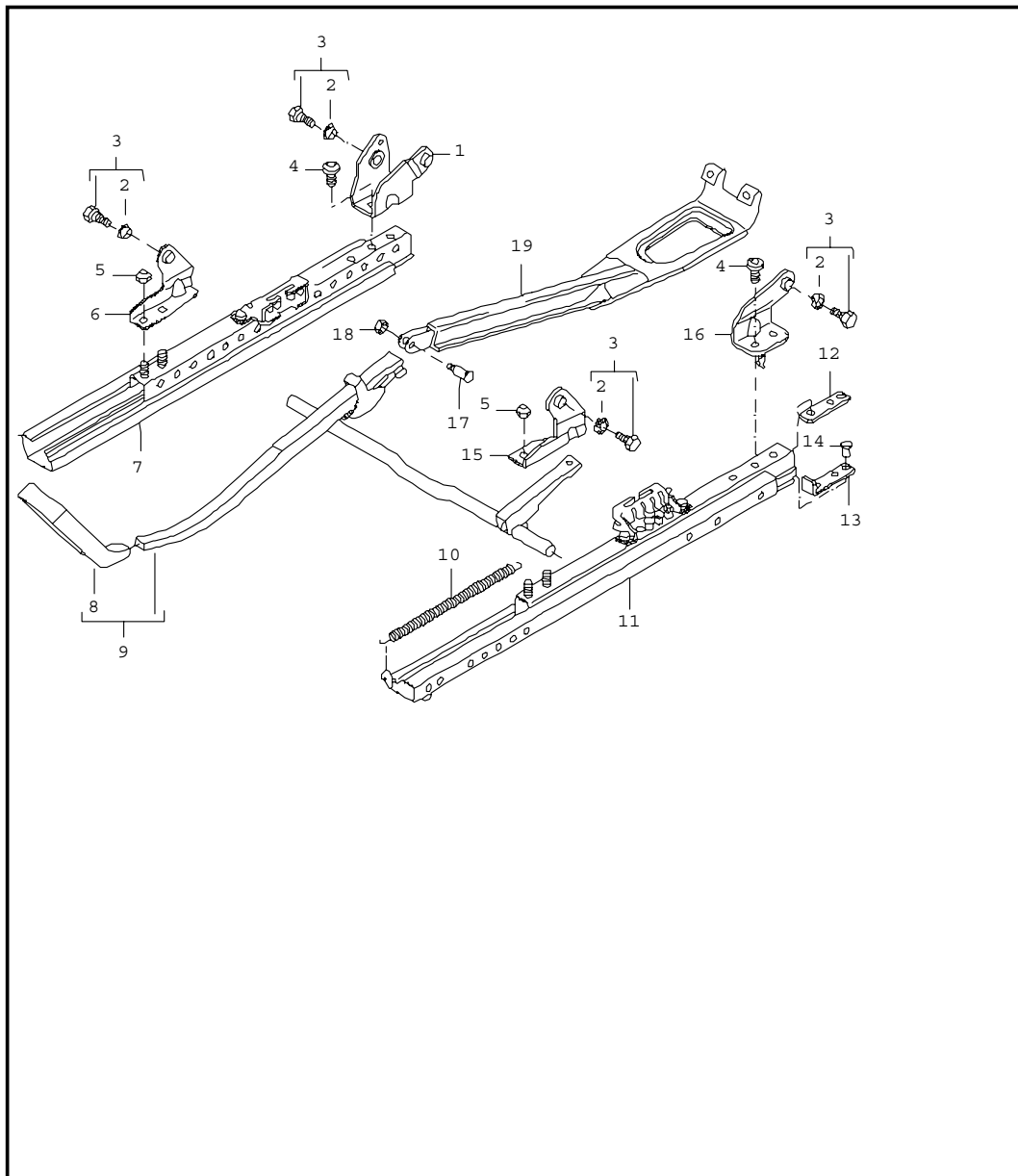


Pos	Part Number	Name	Remarks	Qty	Model
		backrest frame seat frame series seat comfort seat			BOXSTER
1	986 521 327 03	backrest frame		2	
2	996 521 355 01	mat		2	
3	996 521 367 00	support		8	
4	996 521 333 00	spring centre		4	
5	996 521 331 01	spring		4	
6	996 521 365 00	support lower		4	
7	996 624 321 00	engine seating position control for backrest adjustment		2	
(7)	996 624 331 00	engine seating position control for backrest adjustment		2	M 537/538
8	999 924 129 40	bush 6 X 12 X 4,5		4	
9	999 073 141 02	oval-head screw M 6 X 42,5		2	
10	999 507 597 01	clamping washer 10,0		4	
11	999 507 598 02	speed nut M 5		8	
12	999 513 063 40	cable holder 12,0 - 35		4	
13	996 521 343 01	drive shaft		2	
14	999 141 027 02	oval-head screw M 8 X 10		8	
16	986 521 227 00	seat frame		2	
17	999 507 067 02	speed nut M 5		2	
18	999 141 028 02	pan-head screw M 5 X 10		3	
19	996 521 673 00	support fire extinguisher	/RL/L	1	

Model	Year	MG	SG	Illustration	Restrictions	Update	18:12	23.08.2006	PORSCHE	PET	PORSCHE
986	04	8	17	817-16		203					

Pos	Part Number	Name	Remarks	Qty	Model	Pos	Part Number	Name	Remarks	Qty	Model
20	996 521 607 00	cup		1							
21	900 151 027 02	washer 5,3		2							
22	N 044 734 1	pan-head screw M 5 X 16		2							
23	999 522 032 00	tension spring 0,7 X 7,5 X 15		4							
24	999 703 474 40	plug		4							
25	N 900 114 02	clamping washer 4		4							
26	996 521 185 00	cable mount locking lever		4							
27	996 521 403 00	rubber buffer		2							
28	996 521 175 00	locking lever		2							
29	996 521 195 00	clutch power spring		2							
		- - - E N D - - -									

Model	Year	MG	SG	Illustration	Restrictions	Update	18:12	23.08.2006	PORSCHE	PET	PORSCHE
986	04	8	17	817-17		203					



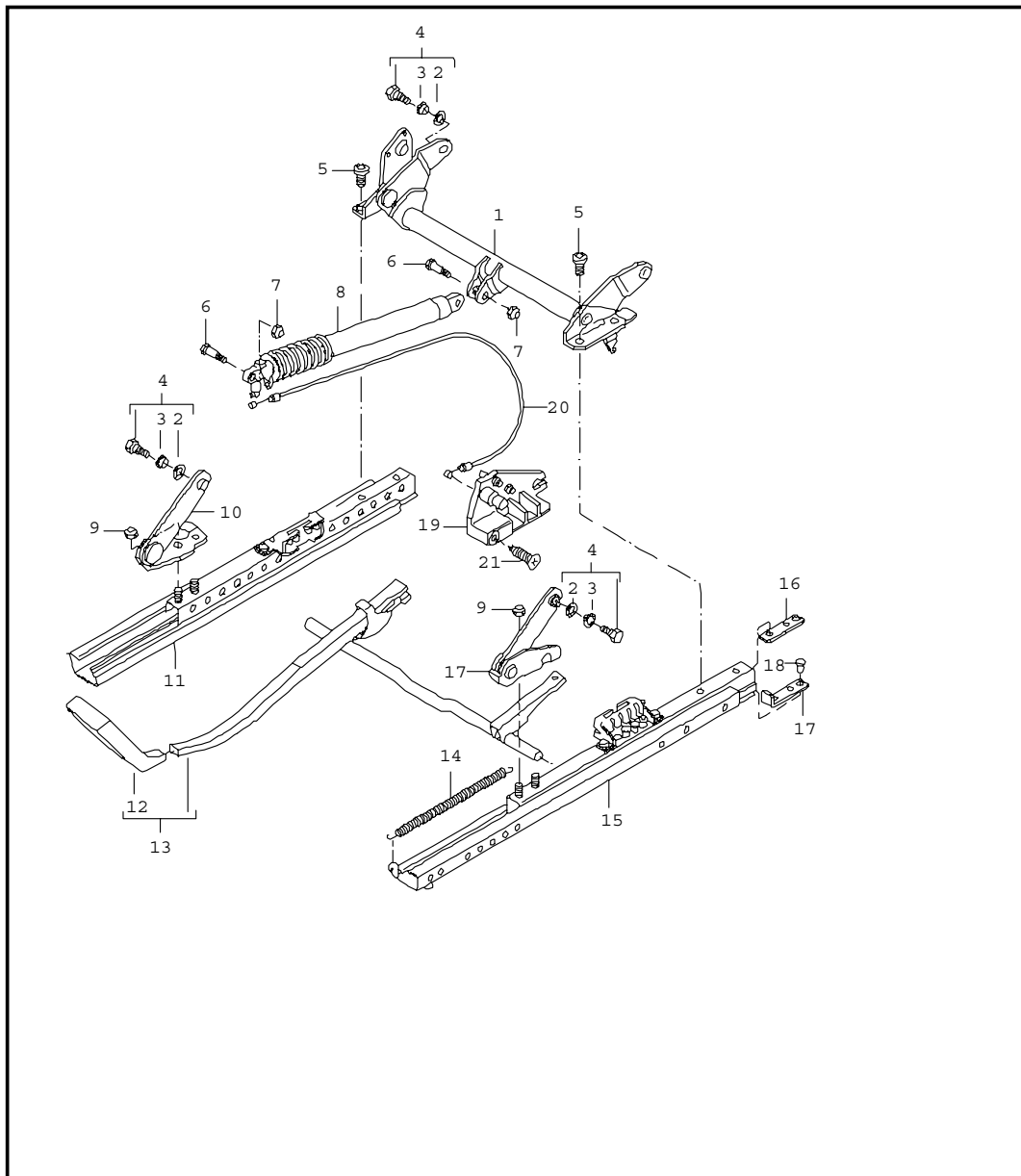
Pos	Part Number	Name	Remarks	Qty	Model
		seat adjuster series seat			BOXSTER
1	986 521 639 00	adapter seat-belt buckle seat frame inner rear	/L	1	
(1)	986 521 640 00	adapter seat-belt buckle seat frame inner rear	/R	1	
3	A 996 521 259 00	screw	97	6	
(3)	996 521 259 02	screw complete		8	
4	986 521 659 00	screw		8	
5	900 910 003 07	hexagon nut adapter M 8		8	
6	986 521 692 00	adapter seat frame front right		2	
7	A 996 521 692 00	seat rail	/R -98	1	
(7)	996 521 692 01	seat rail left seat inner	/R 98-	1	
(7)	A 996 521 691 00	seat rail inner	/L -98	1	
(7)	996 521 691 01	seat rail right seat inner	/L 98-	1	
8	996 521 617 00	handle	/L 97	1	
(8)	996 521 617 01	handle	/L 98-	1	
(8)	996 521 618 00	handle	/R 97	1	
(8)	996 521 618 01	handle	/R 98-	1	
9	996 521 621 00	lever complete	/L 97	1	
(9)	996 521 621 01	lever complete	/L 98-	1	
(9)	996 521 622 00	lever complete	/R 97	1	

Model	Year	MG	SG	Illustration	Restrictions	Update	18:12	23.08.2006	PORSCHE	PET	PORSCHE
986	04	8	17	817-17		203					

Pos	Part Number	Name	Remarks	Qty	Model	Pos	Part Number	Name	Remarks	Qty	Model
(9)	996 521 622 01	lever complete	/R 98-	1							
10	996 521 645 00	clutch power spring		2							
11	A 996 521 689 00	seat rail	/L -97	1							
(11)	996 521 689 01	seat rail left seat outer	/L 98-	1							
(11)	A 996 521 690 00	seat rail outer	/R -97	1							
(11)	996 521 690 01	seat rail right seat outer	/R 98-	1							
12	986 521 643 00	threaded plate		4							
13	996 521 603 00	stop		4							
14	996 521 601 00	fixing clip for stop		4							
15	986 521 689 00	adapter seat frame front left		2							
16	986 521 691 00	adapter seat frame rear outer	/L	1							
(16)	986 521 690 00	adapter seat frame rear outer	/R	1							
17	999 311 008 01	square screw M 5 X 23,6		1							
18	986 521 687 00	nut		1							
19	986 521 667 00	seat adjuster guard	/LL/R /RL/L	1							
		- - - E N D - - -									



Model	Year	MG	SG	Illustration	Restrictions	Update	18:12	23.08.2006	PORSCHE	PET	PORSCHE
986	04	8	17	817-18		203					

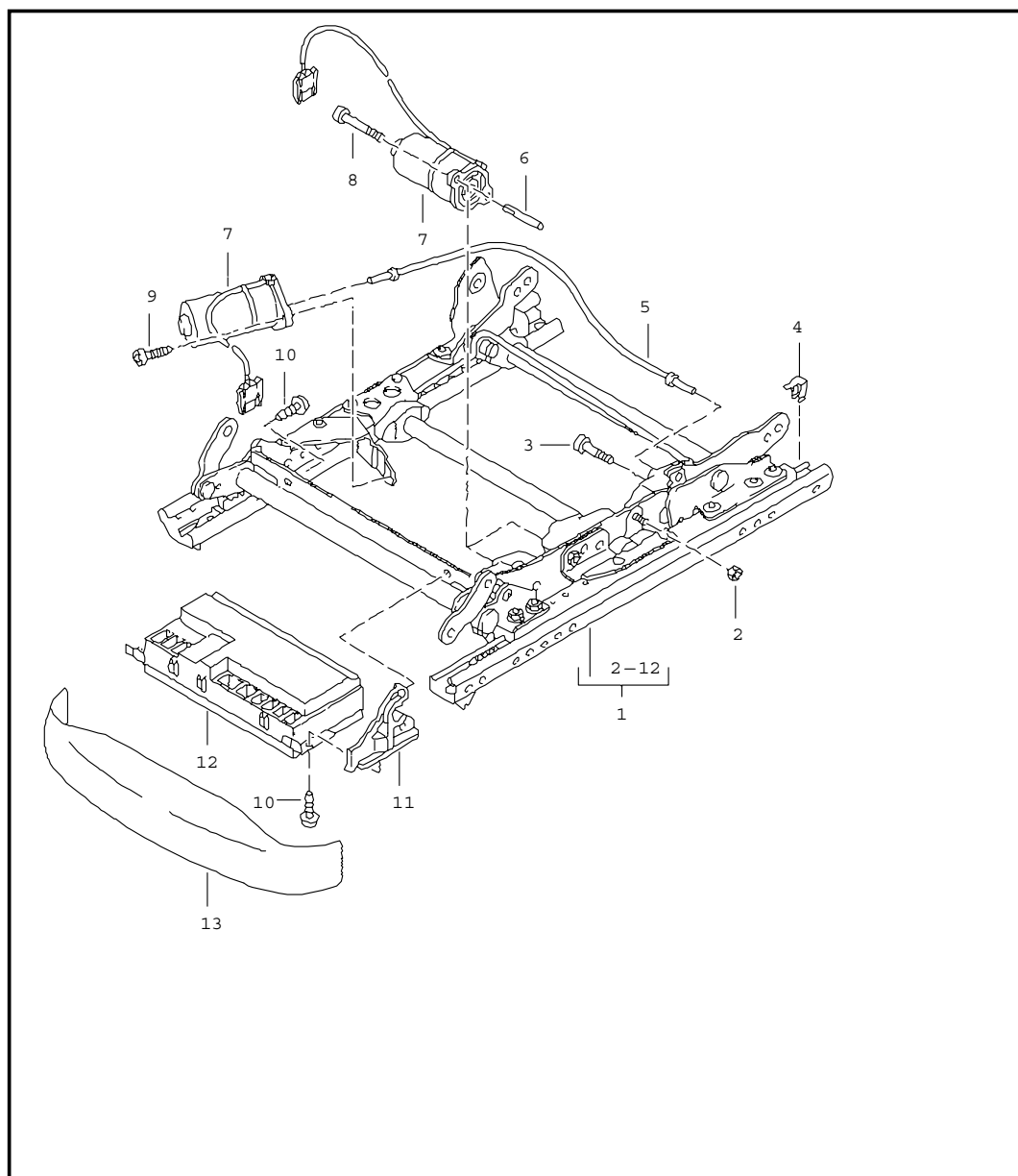


Pos	Part Number	Name	Remarks	Qty	Model
		seat adjuster series seat with height adjustment			BOXSTER
1	986 521 641 00	pipe rear	/L	1	
(1)	986 521 642 00	pipe rear	/R	1	
(4)	996 521 259 02	screw complete		8	
5	986 521 659 00	screw adapter		8	
6	999 311 008 01	square screw M 5 X 23,6		2	
7	986 521 687 00	nut		2	
8	996 521 615 01	gas-filled strut seat adjuster mechanical		2	M 539/540
9	900 910 003 07	hexagon nut adapter M 8		8	
10	986 521 680 00	adapter seat frame front right		2	
11 A	996 521 692 00	seat rail left seat inner	/R -98	1	
(11)	996 521 692 01	seat rail left seat inner	/R 98-	1	
(11) A	996 521 691 00	seat rail right seat inner	/L -98	1	
(11)	996 521 691 01	seat rail right seat inner	/L 98-	1	
12	996 521 617 00	handle	/L 97	1	
(12)	996 521 617 01	handle	/L 98-	1	
(12)	996 521 618 00	handle	/R 97	1	
(12)	996 521 618 01	handle	/R 98-	1	

Model	Year	MG	SG	Illustration	Restrictions	Update	18:12	23.08.2006	PORSCHE	PET	PORSCHE
986	04	8	17	817-18		203					

Pos	Part Number	Name	Remarks	Qty	Model	Pos	Part Number	Name	Remarks	Qty	Model
13	996 521 621 00	lever complete	/L 97	1							
(13)	996 521 621 01	lever complete	/L 98-	1							
(13)	996 521 622 00	lever complete	/R 97	1							
(13)	996 521 622 01	lever complete	/R 98-	1							
14	996 521 645 00	clutch power spring		2							
15	A 996 521 689 00	seat rail left seat outer	/L -98	1							
15	996 521 689 01	seat rail left seat outer	/L 98-	1							
(15)	A 996 521 690 00	seat rail right seat outer	/R -98	1							
(15)	996 521 690 01	seat rail right seat outer	/R 98-	1							
16	986 521 643 00	threaded plate		4							
17	986 521 679 00	adapter seat frame front left		2							
18	996 521 603 00	stop		4							
19	996 521 601 00	fixing clip stop		4							
20	A 986 521 675 00	adjusting mechanism	/L -97	1							
(20)	996 521 675 00	adjusting mechanism	/L 98-	1							
(20)	A 986 521 676 00	adjusting mechanism	/R -97	1							
(20)	996 521 676 00	adjusting mechanism	/R 98-	1							
21	986 521 683 00	bowden cable		2							
22	999 919 180 07	countersunk-head screw M 5 X 18		2							
		- - - E N D - - -									

Model	Year	MG	SG	Illustration	Restrictions	Update	18:12	23.08.2006	PORSCHE	PET	PORSCHE
986	04	8	17	817-19		203					

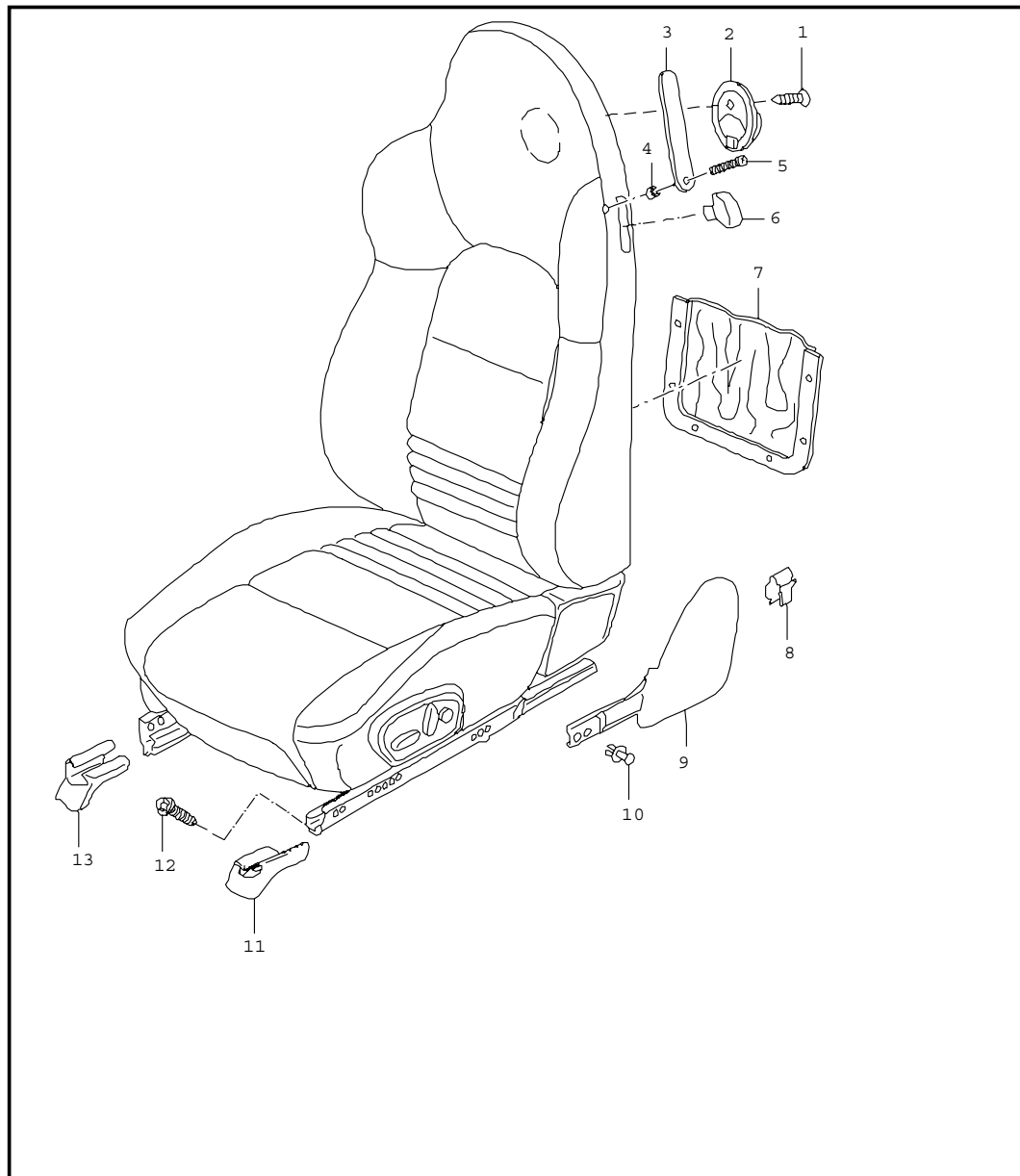


Pos	Part Number	Name	Remarks	Qty	Model
		seat adjuster comfort seat			BOXSTER
1	996 521 401 02	seat adjuster complete	/L	1	
(1)	996 521 402 02	seat adjuster complete	/R	1	
(1)	996 521 401 03	seat adjuster complete with seating position control	/L -00	1	M 537/538
(1)	996 521 402 03	seat adjuster complete with seating position control	/R -00	1	M 537/538
(1)	996 521 401 07	seat adjuster complete	/L	1	M 437/537
(1)	996 521 402 07	seat adjuster complete	/R	1	M 438/538
2	999 084 451 02	hexagon nut M 5		4	
3	999 073 144 02	pan-head screw M 5 X 39,3		4	
4	996 521 647 00	stop f.longitudinal adjustment		4	
5	996 521 609 00	drive shaft rear vertical adjustment		2	
6	996 521 611 00	shaft		4	
7	996 624 322 00	engine seating position control		X	
(7)	996 624 332 00	engine seating position control		X	M 537/538
8	999 073 147 02	pan-head screw TORX M 5 X 58		8	
9	999 073 148 02	oval-head screw M 5 X 14		4	
10	999 073 145 02	oval-head screw M 5,0 X 12		X	
11	996 618 547 00	support control unit		4	M 537/538
12	A 996 618 537 00	control unit	-99	2	M 537/538

Model	Year	MG	SG	Illustration	Restrictions	Update	18:12	23.08.2006	PORSCHE	PET	PORSCHE
986	04	8	17	817-19		203					

Pos	Part Number	Name	Remarks	Qty	Model	Pos	Part Number	Name	Remarks	Qty	Model
(12)	996 618 537 02	control unit	00	2	M 537/538						
(12)	996 618 537 01	control unit	-01	2	M 537/538						
(12)	996 618 537 03	control unit	02-	2	M 537/538						
13	996 521 317 00	cover control unit seating position control		2							
	01C	black									
		- - - E N D - - -									

Model	Year	MG	SG	Illustration	Restrictions	Update	18:13	23.08.2006	PORSCHE	PET	PORSCHE
986	04	8	17	817-20		203					



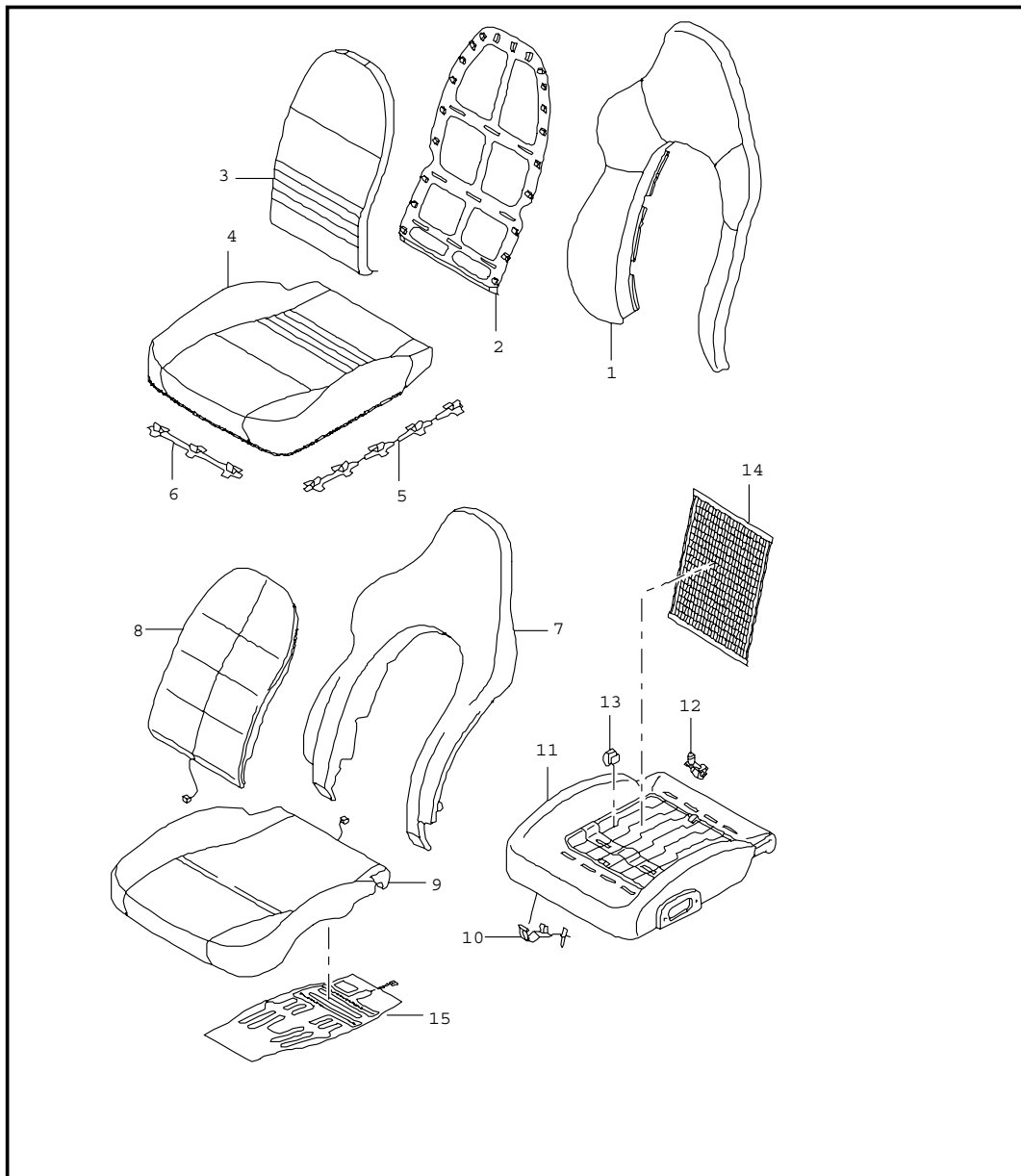
Pos	Part Number	Name	Remarks	Qty	Model
		sports seat			BOXSTER
		sports seat complete			
		not available			
1	999 919 180 07	countersunk-head screw M 5 X 18	-99	2	
(1)	999 919 199 09	countersunk-head screw M 5 X 25	00-	2	
2	986 521 363 00	coat hook	-99	2	
(2)	996 521 373 00	coat hook	00-	2	
		A03 black			
3	986 521 345 00	support for seatbelt	98-	2	
		8YR black			
		C50 graphite grey			
		G10 metropole blue			
		S30 savanna			
		J30 nephrite green			
		M30 boxer red			
		D11 dark grey	00-		
		T11 brown/natural	00-		
		P11 cinnamon brown			
		9Q3 cocoa			
4	999 209 050 40	spacer sleeve		2	
5	999 919 189 07	countersunk-head screw 3,5 X 25		4	
-	999 507 669 40	cone washer 4,3 X 12,8		2	
-	999 507 670 40	cap 12,8 X 14,5		2	
-	999 507 671 17	snap fastener lower part lower part		2	
6	996 521 321 01	control button	/L -98	2	
(6)	996 521 421 00	control button	/L 99-	2	

Model	Year	MG	SG	Illustration	Restrictions	Update	18:13	23.08.2006	PORSCHE	PET	PORSCHE
986	04	8	17	817-20		203					

Pos	Part Number	Name	Remarks	Qty	Model	Pos	Part Number	Name	Remarks	Qty	Model
(6)	996 521 322 01	control button	/R -98	2			01C	satin black			
(6)	996 521 422 00	control button	/R 99-	2		12 A	999 141 038 07	torx screw M 10 X 26,5	-02	8	
7	996 521 313 00	bag leatherette		2		(12)	999 141 039 07	screw M 10 X 28	03-	8	IXSF/XSE
	A10	black									
(7)	996 521 313 01	bag leather		2	M 983	13 A	996 521 360 00	cover right seat outer	/R -99	1	
	8YR	black					01C	satin black			
8	999 507 592 01	cable clamp cap 1,0 - 6,0		2		(13)	996 521 360 01	cover right seat outer	/R 00-	1	
9	986 521 315 01	cap	/L -99	1	M009/016/375		01C	satin black			
	B12	black-grey				(13) A	996 521 359 00	cover left seat outer	/L -99	1	
(9)	986 521 316 01	cap	/R -99	1	M009/016/376		01C	satin black			
	B12	black-grey				(13)	996 521 359 01	cover left seat outer	/L 00-	1	
(9)	996 521 315 01	cap	/L 00-	1	M009/016/375		01C	satin black			
	C02	metal grey									
(9)	996 521 316 01	cap	/R 00-	1	M009/016/376		01C	satin black			
	C02	metal grey									
10	999 507 599 40	expansion rivet 10		2							
11 A	996 521 362 00	cover right seat inner	/L -99	1							
	01C	satin black									
(11)	996 521 362 01	cover right seat inner	/L 00-	1							
	01C	satin black									
(11) A	996 521 361 00	cover left seat inner	/R -99	1							
	01C	satin black									
(11)	996 521 361 01	cover left seat inner	/R 00-	1							

- - - E N D - - -

Model	Year	MG	SG	Illustration	Restrictions	Update	18:13	23.08.2006	PORSCHE	PET	PORSCHE
986	04	8	17	817-25		203					



Pos	Part Number	Name	Remarks	Qty	Model
		cover foam part sports seat			BOXSTER
1	996 521 993 02	backrest cover with porsche emblem outer part leather	99-	2	
	8YR	black	99		
	C50	graphite grey			
	G10	metropole blue			
	S30	savanna			
	J30	nephrite green			
	M30	boxster red			
	T11	brown/natural			
	D11	dark grey/natural			
	P11	cinnamon brown			
	ETO	black	00-		
(1)	996 521 155 02	backrest cover outer part	-00	2	M 983
	8YR	black			
	C50	graphite grey			
	G10	metropole blue			
	S30	savanna			
	J30	nephrite green			
	M30	boxster red			
(1)	996 521 155 04	backrest cover	-01	2	M 983
	EEF	graphite grey			
	EGF	savanna			
	EFF	metropole blue			
	ELA	nephrite green			
	ENA	boxster red			

Model	Year	MG	SG	Illustration	Restrictions	Update	18:13	23.08.2006	PORSCHE	PET	PORSCHE
986	04	8	17	817-25		203					

Pos	Part Number	Name	Remarks	Qty	Model	Pos	Part Number	Name	Remarks	Qty	Model					
(1)	996 521 155 06	ERZ	black	01-	2	(3)	M30	boxster red								
		VRA	dark grey				D11	dark grey				00-				
		VRB	brown/natural				T11	brown/natural				00-				
		cover	backrest				outer part	996 521 151 05				backrest cushion cover	leather	01-	2	M 946/983
		ERZ	black				ETO	black				00-				
		EEF	graphite grey				C50	graphite grey								
		EGF	savanna				G10	metropole blue								
		EFF	metropole blue				S30	savanna								
		ELA	nephrite green				J30	nephrite green								
		ENA	boxster red				M30	boxster red								
		FEH	cinnamon brown				D11	dark grey				00-				
		VRA	dark grey/natural				T11	brown/natural				00-				
VRB	brown/natural	P11	cinnamon brown	01-												
(1)	996 521 155 07	cover	04	2	M091/375/376 M 983	(3)	996 521 151 09	cover	04	2	M 375/376 M 091/983					
		backrest					backrest	centre				special model	550 spyder			
		VSY	dark grey/natural				VTH	cocoa								
2	996 521 551 00	frame	-00	2		4	996 521 165 02	seat cover	-00	2	M 983					
		backrest				leather										
(2)	996 521 551 01	frame	01-	2			EAF	black	-99							
		backrest					EEF	graphite grey								
		centre					EFF	metropole blue								
3	996 521 151 01	backrest cushion cover	-00	2	M 946/983		EGF	savanna								
		8YR	black	-99			ELA	nephrite green								
		ETO	black	00-			ENA	boxster red								
		C50	graphite grey				ERZ	black	00							
		G10	metropole blue				VRA	dark grey	00							
		S30	savanna				VRB	brown/natural	00							
		J30	nephrite green													



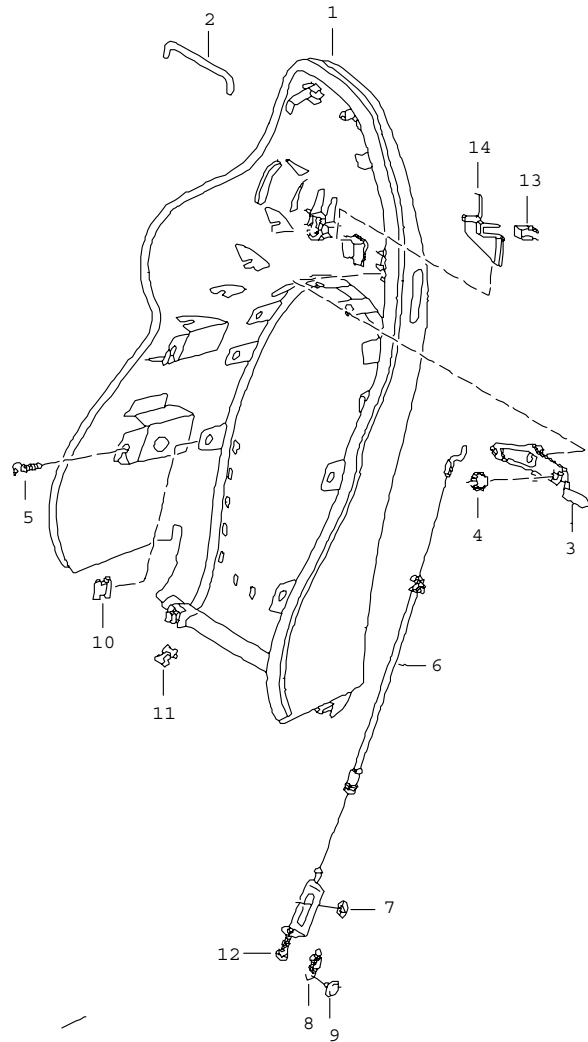
Model	Year	MG	SG	Illustration	Restrictions	Update	18:13	23.08.2006	PORSCHE	PET	PORSCHE
986	04	8	17	817-25		203					

Pos	Part Number	Name	Remarks	Qty	Model	Pos	Part Number	Name	Remarks	Qty	Model
(4)	996 521 165 04	cover seat cushion leather without heating	01-	2	M 983	6	996 521 541 00	clamp short	-00	6	
	ERZ	black				7	996 521 535 01	foam part backrest frame	98	2	
	EEF	graphite grey				(7)	996 521 535 02	foam part backrest frame	99	2	
	EGF	savanna				(7)	996 521 535 03	foam part backrest frame	00-	2	
	EFF	metropole blue				(8)	996 521 531 00	foam part backrest cushion without heating	03-	2	
	ELA	nephrite green				8	996 521 531 01	foam part backrest cushion with heating	03-	2	M139/340/342
	ENA	boxster red				(8)	996 521 537 00	foam part backrest cushion without heating	03-	2	IXSU
	FEH	cinnamon brown				(8)	996 521 539 00	foam part backrest cushion with heating	03-	2	IXSU/M 342
	VRA	dark grey/natural				(9)	996 521 521 04	foam part seat cushion without heating	-00	2	
	VRB	brown/natural				9	996 521 521 05	foam part seat cushion with heating	-00	2	M 139/340
(4)	996 521 165 05	cover seat cushion leather with heating	03-	2	M 375/376 M 983/IXSU	(9)	996 521 523 01	foam part seat cushion without heating	03-	2	IXSU
	ERZ	black				(9)	996 521 525 01	foam part seat cushion with heating	03-	2	IXSU/M 342
	EEF	graphite grey				(9)	996 521 571 01	foam part seat cushion without heating	01-	2	
	EGF	savanna				10	996 521 597 00	clip cushion carrier		8	
	EFF	metropole blue				(10)	996 521 937 00	clip cushion carrier	01-	10	
	ELA	nephrite green				11	996 521 509 00	cushion carrier seat cushion front seat	-00	2	
	ENA	boxster red									
	FEH	cinnamon brown									
	VRA	dark grey/natural									
	VRB	brown/natural									
(4)	996 521 165 06	cover seat cushion leather special model 50 JAHRE SPYDER	04-	2	M091/375/376						
	VTH	cocoa									
	VSU	dark grey/natural									
5	996 521 543 00	clamp long	-00	4							

Model	Year	MG	SG	Illustration	Restrictions	Update	18:13	23.08.2006	PORSCHE	PET	PORSCHE
986	04	8	17	817-25		203					

Pos	Part Number	Name	Remarks	Qty	Model	Pos	Part Number	Name	Remarks	Qty	Model
(11)	996 521 505 00	cushion carrier seat cushion front seat	01-	2							
12	999 507 506 40	cable holder 5,0		1	M 539/540						
13	999 651 314 01	cable clamp 3,0 - 4,0		8							
14	996 521 507 01	mat seat cushion cushion carrier	02-	1							
15	996 653 105 01	heating element seat surface	01-	1	M139/340/342						
		- - - E N D - - -									

Model	Year	MG	SG	Illustration	Restrictions	Update	18:13	23.08.2006	PORSCHE	PET	PORSCHE
986	04	8	17	817-30		203					

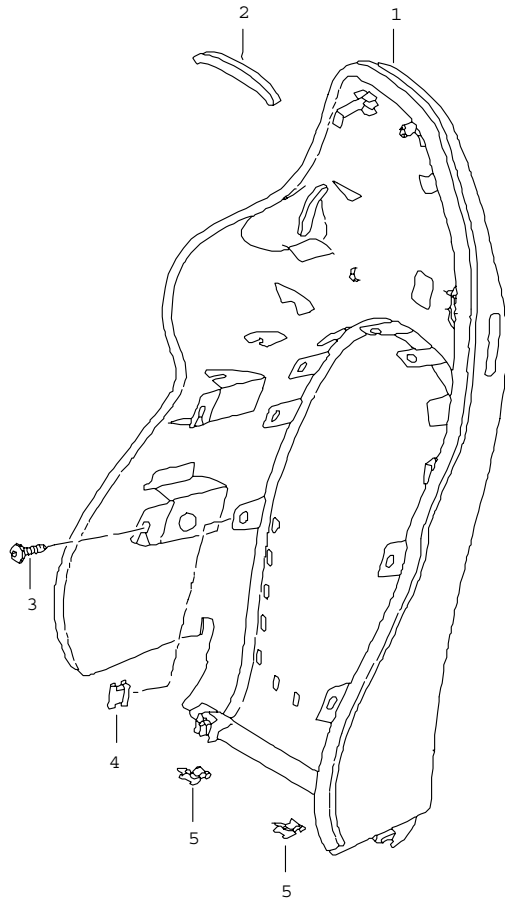


Pos	Part Number	Name	Remarks	Qty	Model
		backrest shell sports seat	98		BOXSTER
1	986 521 303 02	backrest shell B12 black-grey		2	M 016
(1)	986 521 303 03	backrest shell lacquered C02 metal grey	-99	2	M 012
(1)	996 521 992 06	backrest shell sports seat lacquered V03 sport silver	04	2	M 375/376 IXCG
2	996 521 885 00	foam part		2	
3	996 521 311 00	linkage lever	/L	2	
(3)	996 521 312 00	linkage lever	/R	2	
4	996 521 339 00	deflection roller		4	
5	999 143 009 01	screw backrest shell M 5 X 16		X	
-	900 151 027 02	washer backrest shell 5,3		4	
6	986 521 385 00	cable		4	
7	N 900 114 02	clamping washer 4		4	
8	999 522 032 00	tension spring 0,7 X 7,5 X 15		4	
9	999 703 474 40	plug		4	
10	999 507 594 01	u-clamp mount backrest cover 1,0 - 2,0		28	
11	311 881 247	clamp mount cover centre part		4	
-	N 900 151 01	clamping washer 5		2	

Model	Year	MG	SG	Illustration	Restrictions	Update	18:13	23.08.2006	PORSCHE	PET	PORSCHE
986	04	8	17	817-30		203					

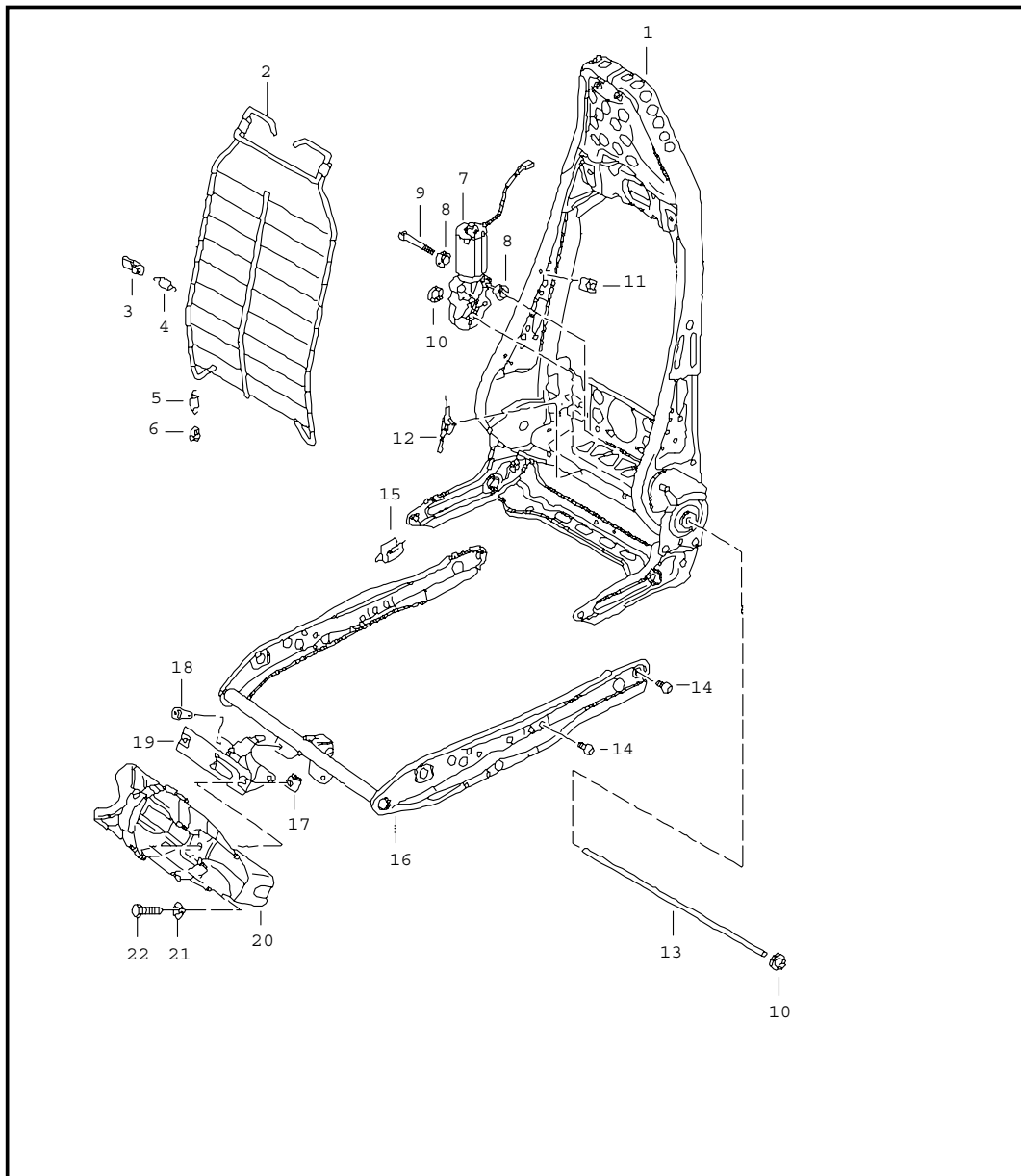
Pos	Part Number	Name	Remarks	Qty	Model	Pos	Part Number	Name	Remarks	Qty	Model
13	999 507 596 01	u-clamp 1,00 - 1,50		2							
14	996 521 341 00	relay lever		2							
-	996 521 903 00	repair kit locking lever see technical information GR. 7 BOXSTER NR. 1A/98		2							
		- - - E N D - - -									

Model	Year	MG	SG	Illustration	Restrictions	Update	18:13	23.08.2006	PORSCHE	PET	PORSCHE
986	04	8	17	817-35		203					



Pos	Part Number	Name	Remarks	Qty	Model
		backrest shell sports seat	99-		BOXSTER
1	986 521 303 08	backrest shell		2	M 016
	B12	black-grey	99		
(1)	986 521 303 09	backrest shell lacquered	99	2	M 012
	C02	metal grey			
(1)	986 521 303 11	backrest shell lacquered	00-	2	M 012
	C02	metal grey			
(1)	986 521 303 10	backrest shell lacquered	00-	2	M 016
	A03	SCHWARZ			
2	996 521 885 00	foam part		2	
3	999 143 009 01	screw backrest shell M 5 X 16		X	
-	900 151 027 02	washer backrest shell 5,3		4	
4	999 507 594 01	u-clamp mount backrest cover 1,0 - 2,0		28	
5	311 881 247	clamp mount cover centre part		4	
- - - E N D - - -					

Model	Year	MG	SG	Illustration	Restrictions	Update	18:14	23.08.2006	PORSCHE	PET	PORSCHE
986	04	8	17	817-40		203					

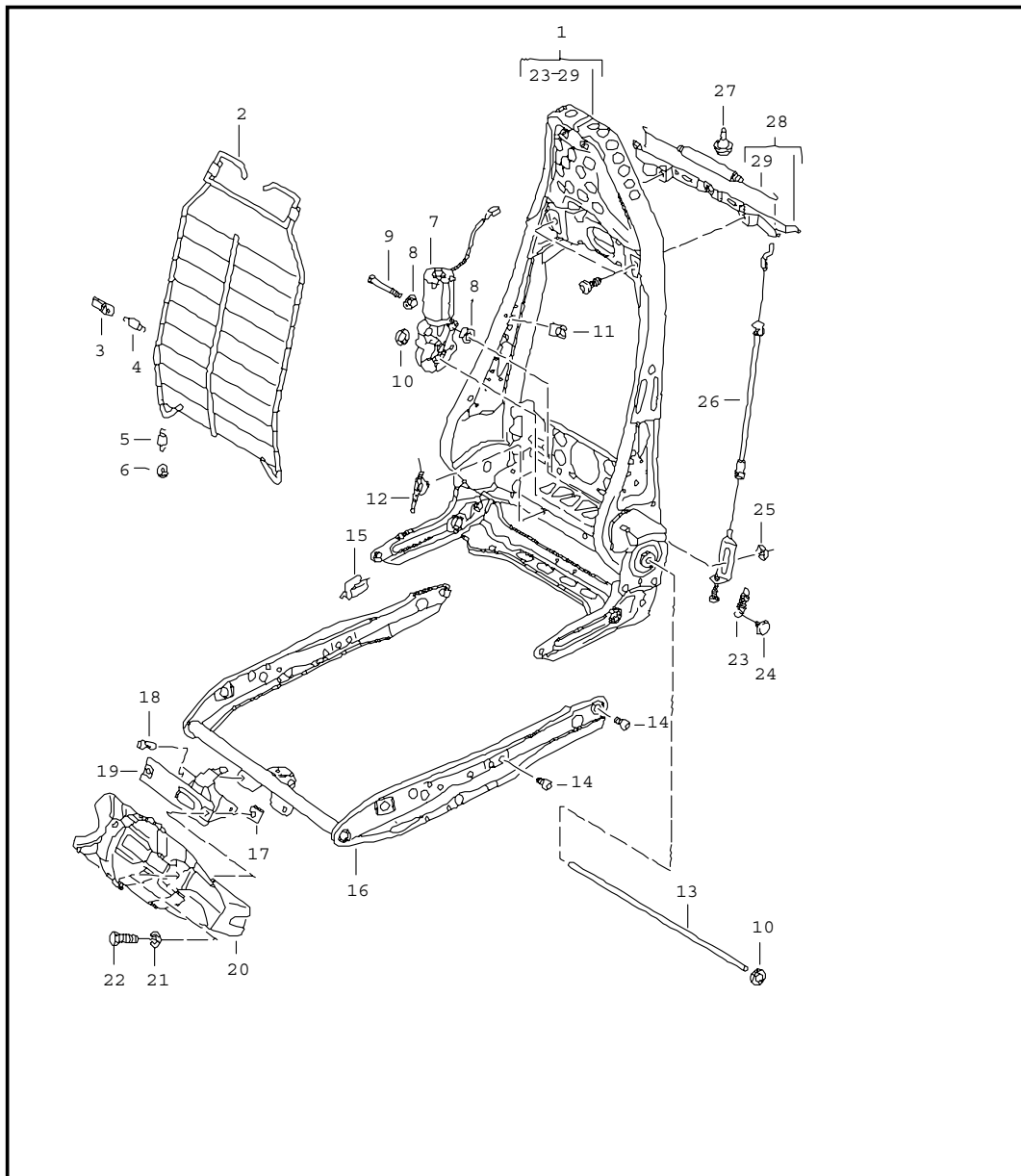


Pos	Part Number	Name	Remarks	Qty	Model
		backrest frame seat frame sports seat	98		BOXSTER
1	986 521 327 02	backrest frame		2	
2	996 521 355 01	mat		2	
3	996 521 367 00	support spring centre		8	
4	996 521 333 00	spring centre		4	
5	996 521 331 01	spring lower		4	
6	996 521 365 00	support spring lower		4	
7	996 624 321 00	engine for backrest adjustment		2	
8	999 924 129 40	bush 6 X 12 X 4,5		4	
9	999 073 141 02	oval-head screw M 6 X 42,5		2	
10	999 507 597 01	clamping washer 10,0		4	
11	999 507 598 02	speed nut M 5		8	
12	999 513 063 40	cable holder 12,0 - 35		4	
13	996 521 343 01	drive shaft		2	
14	999 141 027 02	oval-head screw M 8 X 10		8	
16	986 521 227 00	seat frame		2	
17	999 507 067 02	speed nut M 5		2	
18	999 141 028 02	pan-head screw M 5 X 10		3	
19	996 521 674 00	support fire extinguisher	/LL/R	1	
(19)	996 521 673 00	support fire extinguisher	/RL/L	1	

Model	Year	MG	SG	Illustration	Restrictions	Update	18:14	23.08.2006	PORSCHE	PET	PORSCHE
986	04	8	17	817-40		203					

Pos	Part Number	Name	Remarks	Qty	Model	Pos	Part Number	Name	Remarks	Qty	Model
20	996 521 607 00	cup fire extinguisher		1							
21	900 151 027 02	washer 5,3		2							
22	N 044 734 1	pan-head screw M 5 X 16		2							
- - - E N D - - -											

Model	Year	MG	SG	Illustration	Restrictions	Update	18:14	23.08.2006	PORSCHE	PET	PORSCHE
986	04	8	17	817-42		203					



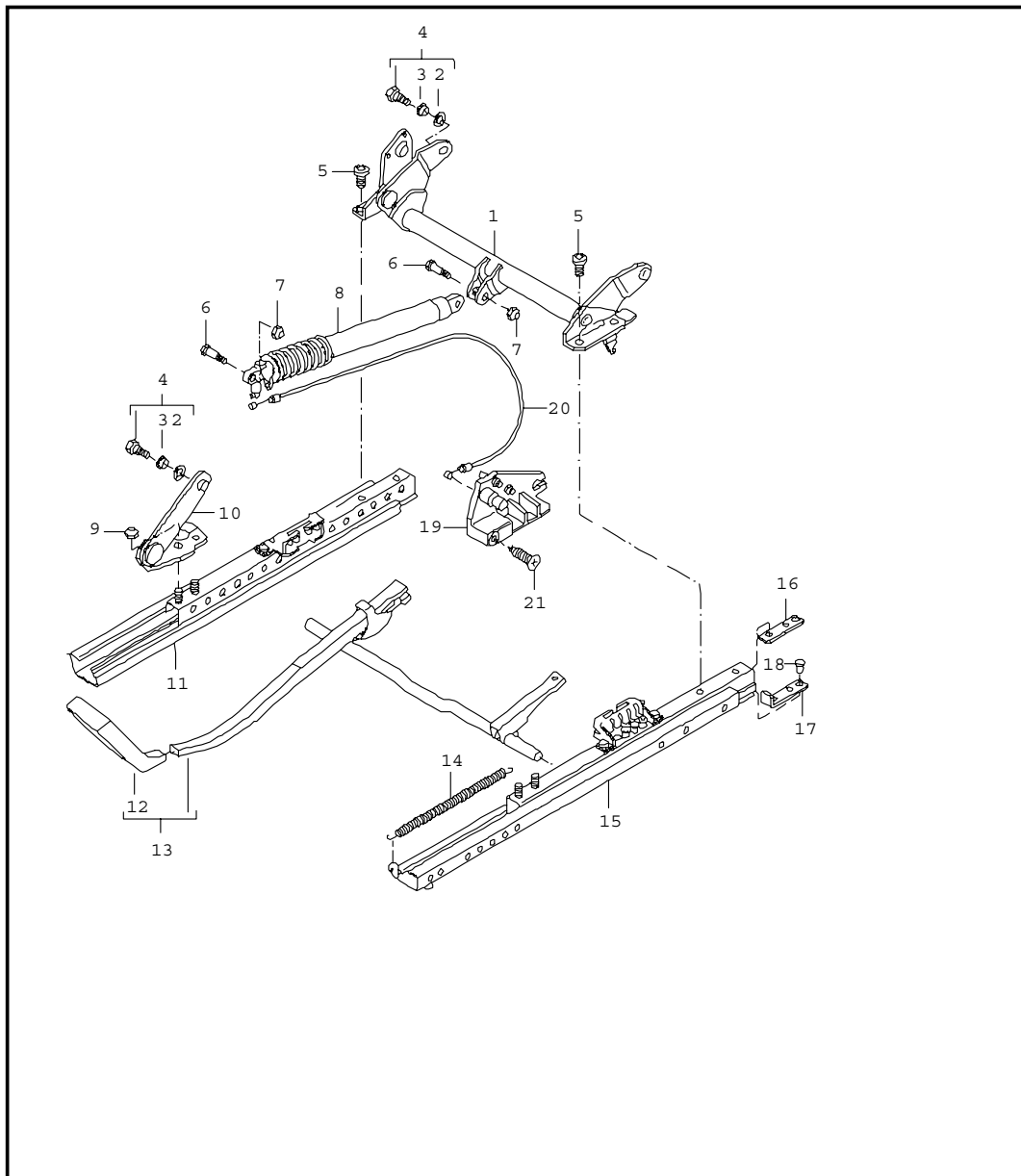
Pos	Part Number	Name	Remarks	Qty	Model
		backrest frame seat frame sports seat			BOXSTER
1	986 521 327 03	backrest frame		2	
2	996 521 355 01	mat		2	
3	996 521 367 00	support spring centre		8	
4	996 521 333 00	spring centre		4	
5	996 521 331 01	spring lower		4	
6	996 521 365 00	support spring lower		4	
7	996 624 321 00	engine for backrest adjustment		2	
8	999 924 129 40	bush 6 X 12 X 4,5		4	
9	999 073 141 02	oval-head screw M 6 X 42,5		2	
10	999 507 597 01	clamping washer 10,0		4	
11	999 507 598 02	speed nut M 5		8	
12	999 513 063 40	cable holder 12,0 - 35		4	
13	996 521 343 01	drive shaft		2	
14	999 141 027 02	oval-head screw M 8 X 10		8	
16	986 521 227 00	seat frame		2	
17	999 507 067 02	speed nut M 5		2	
18	999 141 028 02	pan-head screw M 5 X 10		3	
19	996 521 674 00	support fire extinguisher	/LL/R	1	
(19)	996 521 673 00	support fire extinguisher	/RL/L	1	



Model	Year	MG	SG	Illustration	Restrictions	Update	18:14	23.08.2006	PORSCHE	PET	PORSCHE
986	04	8	17	817-42		203					

Pos	Part Number	Name	Remarks	Qty	Model	Pos	Part Number	Name	Remarks	Qty	Model
20	996 521 607 00	cup fire extinguisher		1							
21	900 151 027 02	washer 5,3		2							
22	N 044 734 1	pan-head screw M 5 X 16		2							
23	999 522 032 00	tension spring 0,7 X 7,5 X 15		4							
24	999 703 474 40	plug		4							
25	N 900 114 02	clamping washer 4		4							
26	996 521 185 00	cable  mount locking lever		4							
27	996 521 403 00	rubber buffer		2							
28	996 521 175 00	locking lever		2							
29	996 521 195 00	clutch power spring		2							
		- - - E N D - - -									

Model	Year	MG	SG	Illustration	Restrictions	Update	18:14	23.08.2006	PORSCHE	PET	PORSCHE
986	04	8	17	817-45		203					

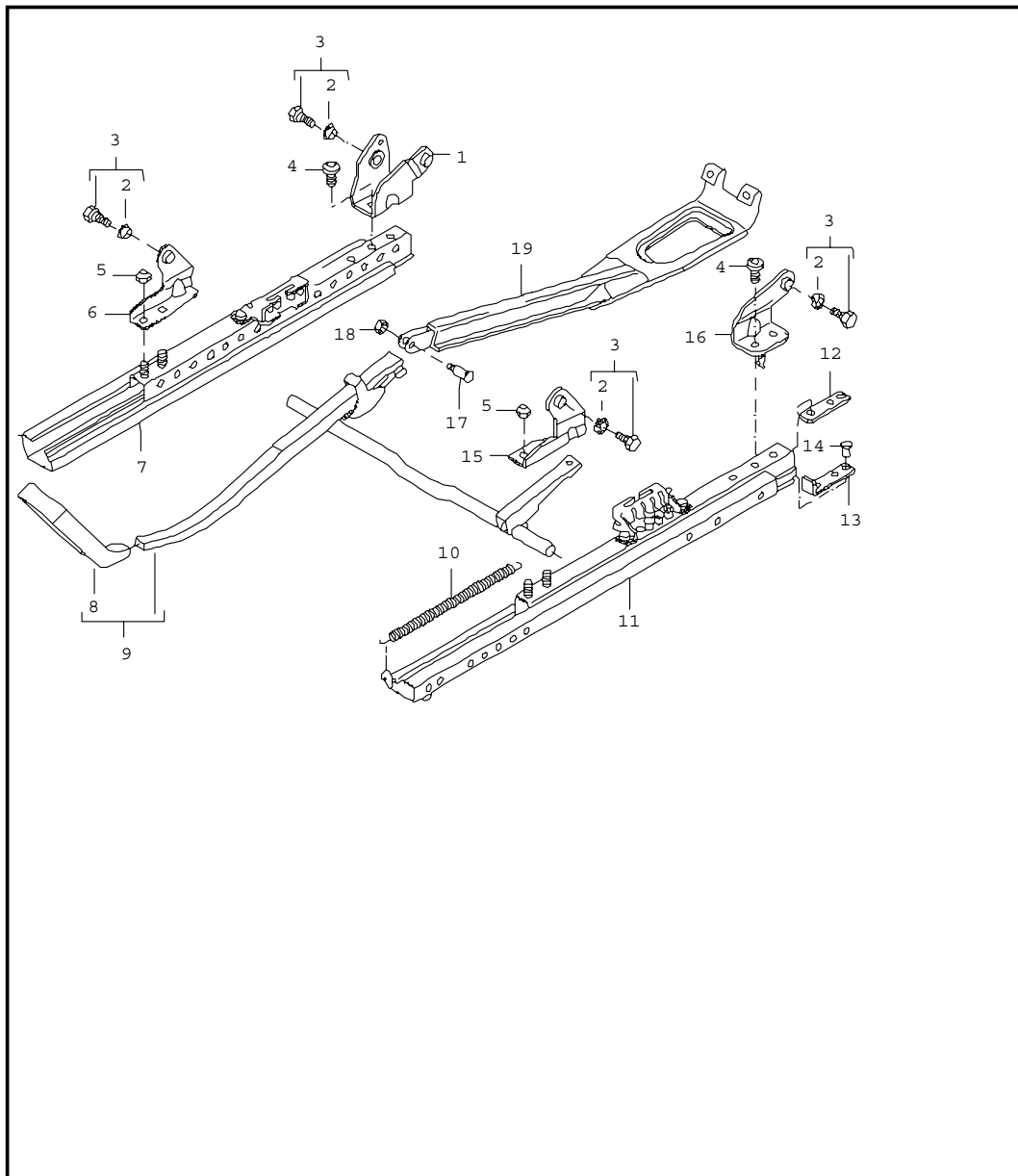


Pos	Part Number	Name	Remarks	Qty	Model
		seat adjuster sports seat with height adjustment			BOXSTER
1	986 521 641 00	pipe rear	/L	1	
(1)	986 521 642 00	pipe rear	/R	1	
(4)	996 521 259 02	screw complete short		6	
5	986 521 659 00	screw adapter		8	
6	999 311 008 01	square screw gas-filled strut M 5 X 23,6		2	
7	986 521 687 00	nut gas-filled strut		2	
8	996 521 615 01	gas-filled strut		1	M 539/540
9	900 910 003 07	hexagon nut adapter M 8		8	
(10)	986 521 679 00	adapter	/L	2	
10	986 521 680 00	adapter seat frame front	/R	2	
11 A	996 521 692 00	seat rail left seat inner	/R -98	1	
(11)	996 521 692 01	seat rail left seat inner	/R 98-	1	
(11) A	996 521 691 00	seat rail right seat inner	/L -98	1	
(11)	996 521 691 01	seat rail right seat inner	/L 98-	1	
12	996 521 617 01	handle	/L	1	
(12)	996 521 618 01	handle	/R	1	

Model	Year	MG	SG	Illustration	Restrictions	Update	18:14	23.08.2006	PORSCHE	PET	PORSCHE
986	04	8	17	817-45		203					

Pos	Part Number	Name	Remarks	Qty	Model	Pos	Part Number	Name	Remarks	Qty	Model
13	996 521 621 01	lever complete	/L	1							
(13)	996 521 622 01	lever complete	/R	1							
14	996 521 645 00	clutch power spring		2							
15 A	996 521 689 00	seat rail left seat outer	/L -98	1							
15	996 521 689 01	seat rail left seat outer	/L 98-	1							
(15) A	996 521 690 00	seat rail right seat outer	/R -98	1							
(15)	996 521 690 01	seat rail right seat outer	98-	1							
16	986 521 643 00	threaded plate		4							
(17)	996 521 603 01	stop		4							
18	996 521 601 00	fixing clip stop		4							
19	996 521 675 00	adjusting mechanism	/L	1							
(19)	996 521 676 00	adjusting mechanism	/R	1							
20	986 521 683 00	bowden cable		2							
21	999 919 180 07	countersunk-head screw M 5 X 18		2							
		- - - E N D - - -									

Model	Year	MG	SG	Illustration	Restrictions	Update	18:14	23.08.2006	PORSCHE	PET	PORSCHE
986	04	8	17	817-50		203					

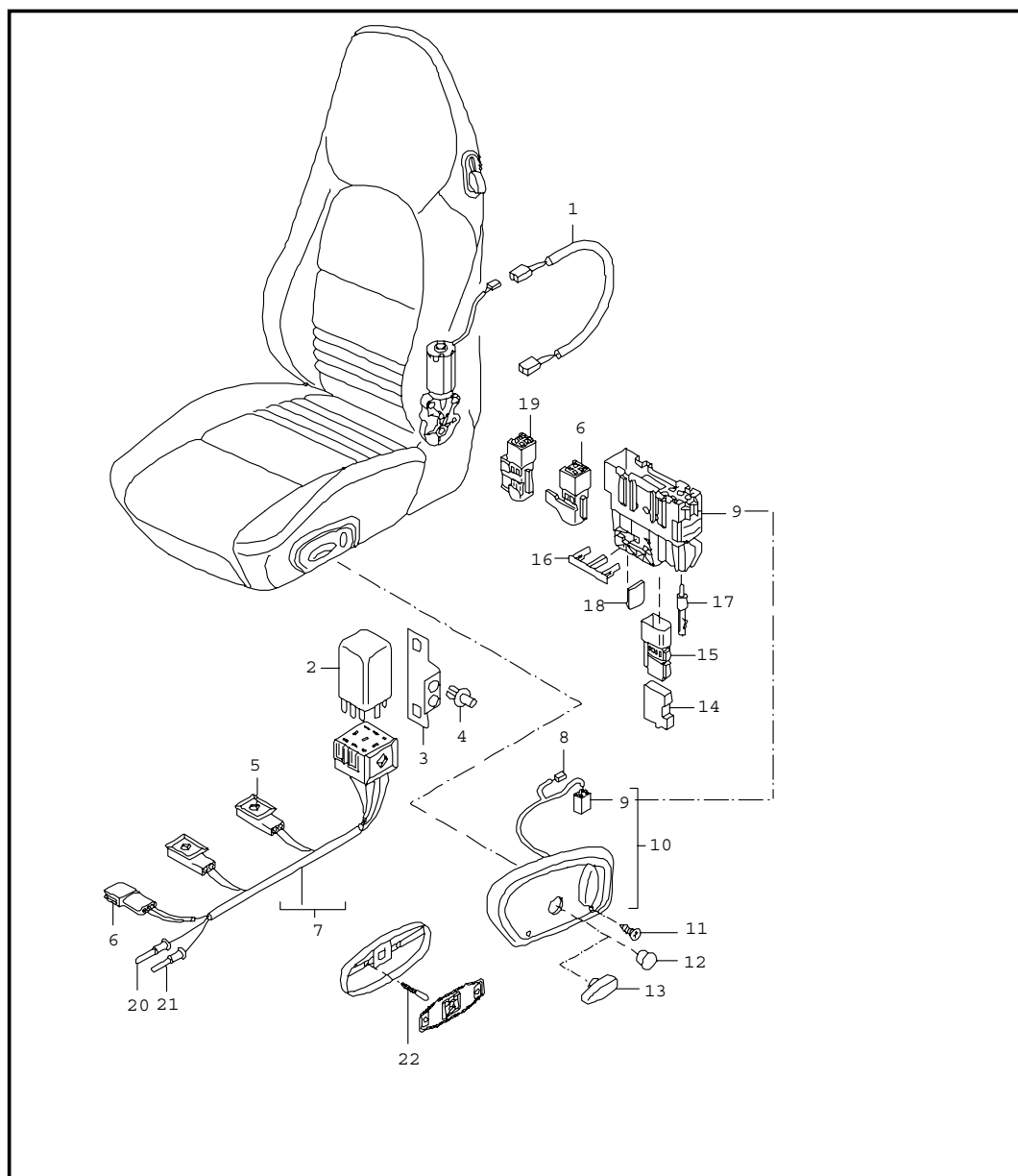


Pos	Part Number	Name	Remarks	Qty	Model
		seat adjuster sports seat			BOXSTER
1	986 521 639 00	adapter seat-belt buckle seat frame inner rear	/L	1	
(1)	986 521 640 00	adapter seat-belt buckle seat frame inner rear	/R	1	
		complete long			
(3)	996 521 259 01	screw complete short	-98	6	
(3)	996 521 259 02	screw complete short	98-	6	
4	986 521 659 00	screw adapter		8	
5	900 910 003 07	hexagon nut adapter M 8		8	
6	986 521 692 00	adapter seat frame front right		2	
7 A	996 521 692 00	seat rail left seat inner	/R -98	1	M 375
(7)	996 521 692 01	seat rail left seat inner	/R 98-	1	M 375
(7) A	996 521 691 00	seat rail right seat inner	/L -98	1	M 376
(7)	996 521 691 01	seat rail right seat inner	/L 98-	1	M 376
8	996 521 617 01	handle	/L	1	
(8)	996 521 618 01	handle	/R	1	
9	996 521 621 01	lever complete	/L	1	

Model	Year	MG	SG	Illustration	Restrictions	Update	18:14	23.08.2006	PORSCHE	PET	PORSCHE
986	04	8	17	817-50		203					

Pos	Part Number	Name	Remarks	Qty	Model	Pos	Part Number	Name	Remarks	Qty	Model
(9)	996 521 622 01	lever complete	/R	1							
10	996 521 645 00	clutch power spring		2							
11	A 996 521 689 00	seat rail left seat outer	/L -98	1	M 375						
(11)	996 521 689 01	seat rail left seat outer	/L 98-	1	M 375						
(11)	A 996 521 690 00	seat rail right seat outer	/R -98	1	M 376						
(11)	996 521 690 01	seat rail right seat outer	/R 98-	1	M 376						
12	986 521 643 00	threaded plate		4							
(13)	996 521 603 01	stop		4							
14	996 521 601 00	fixing clip stop		4							
15	986 521 689 00	adapter seat frame front left		2							
16	986 521 691 00	adapter seat frame rear outer	/L	1							
(16)	986 521 690 00	adapter seat frame rear outer	/R	1							
16	999 311 008 01	square screw M 5 X 23,6		1							
17	986 521 687 00	nut		1							
18	986 521 667 00	seat adjuster guard	/LL/R /RL/L	1							
		- - - E N D - - -									

Model	Year	MG	SG	Illustration	Restrictions	Update	18:15	23.08.2006	PORSCHE	PET	PORSCHE
986	04	8	17	817-60		203					

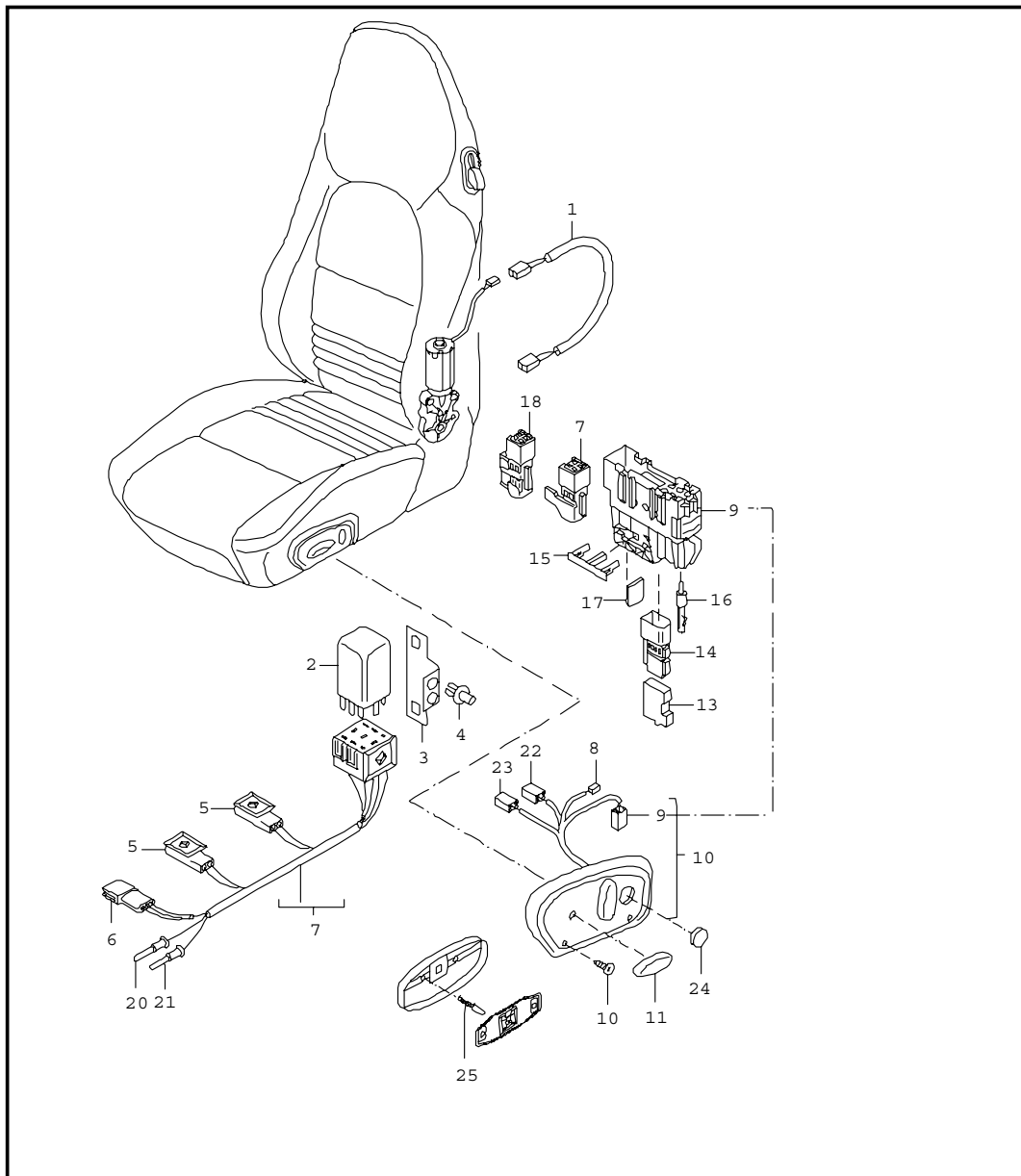


Pos	Part Number	Name	Remarks	Qty	Model
		harnesses switch series seat sports seat			BOXSTER
1	996 612 543 00	harness for backrest adjustment		2	
-	999 513 052 40	tie-wrap		1	
2	996 618 521 00	control unit seat heater		2	M 342
3	996 618 531 00	support control unit		2	M 342
4	999 591 712 40	expansion rivet 6,0 X 12,0	-02	2	
(4)	900 143 191 02	tapping screw support	02-	4	M 342
5	999 652 748 40	connector 2-pole seat heater		2	
6	999 650 216 40	connector 4-pole black		1	
7 A	996 612 540 00	harness seat heater	-97	2	M 139/340
(7)	996 612 540 01	harness seat heater	98-	2	M139/340/342
8	999 652 747 40	connector 2-pole for backrest adjustment		1	
9	999 650 180 40	connector 6-pole harness passenger compartment		2	
10	996 613 713 00	switch series seat sports seat complete with handle for backrest adjustment	/L	1	M 011/016
	EBO	satin black/black-grey			

Model	Year	MG	SG	Illustration	Restrictions	Update	18:15	23.08.2006	PORSCHE	PET	PORSCHE
986	04	8	17	817-60		203					

Pos	Part Number	Name	Remarks	Qty	Model	Pos	Part Number	Name	Remarks	Qty	Model
(10)	996 613 714 00	switch series seat sports seat complete with handle for backrest adjustment	/R	1	M 011/016	16	999 650 247 40	slide 6-pole		2	
	EBO	satin black/black-grey				17	999 650 225 40	pin 2,5		2	
						18	999 652 960 40	cover		2	
						19	999 650 218 40	connector 4-pole white		2	
(10)	996 613 713 01	switch series seat sports seat complete with handle for backrest adjustment	/L	1	M010/012/016	20	999 652 570 22	connector 0.5 - 1.0 QMM		X	
	EJS	metal grey/black	99-			21	999 652 571 22	connector 1.0 - 2.5 QMM		X	
	EJM	granite grey satin black	99			22	996 613 955 00	control button seat adjuster repair kit	02-	1	M 437/438
	A03	black	00-					- - - E N D - - -			
(10)	996 613 714 01	switch series seat sports seat complete with handle for backrest adjustment	/R	1	M010/012/016						
	EJS	metal grey/black	99-								
	EJM	granite grey satin black	99								
	A03	black	00-								
11	999 919 173 02	countersunk-head screw 3,0 X 18		4							
12	996 613 711 00	plug switch		2							
	01C	satin black									
13	986 521 627 00	handle height adjustment	/L	1	M 539						
(13)	986 521 628 00	handle height adjustment	/R	1	M 540						
14	999 650 248 40	cap		2							
15	999 650 250 40	connector 8-pole		2							

Model	Year	MG	SG	Illustration	Restrictions	Update	18:15	23.08.2006	PORSCHE	PET	PORSCHE
986	04	8	17	817-65		203					



Pos	Part Number	Name	Remarks	Qty	Model
		harnesses switch comfort seat			BOXSTER
1	996 612 543 00	harness		2	
(1)	996 612 544 00	harness for backrest adjustment		2	M 537/538
-	999 513 052 40	tie-wrap		1	
2	996 618 521 00	control unit seat heater		2	M 342
3	996 618 531 00	support control unit		2	M 342
4	999 591 712 40	expansion rivet support 6,0 X 12,0	-02	2	
(4)	900 143 191 02	tapping screw support ST 3,9 X 6,5	02-	4	M 342
5	999 652 748 40	connector 2-pole seat heater		2	
6	999 650 216 40	connector 4-pole black		1	
7	996 612 540 01	harness seat heater	98-	2	
8	999 652 747 40	connector 2-pole for backrest adjustment		1	
9	999 650 180 40	connector 6-pole harness passenger compartment		2	
10	996 613 715 00	switch comfort seat complete	/RL/L 98	1	M 011/016
		EBO			
(10)	996 613 715 00	switch comfort seat complete	/LL/R 98	1	M 011/016
		EBO			



Model	Year	MG	SG	Illustration	Restrictions	Update	18:15	23.08.2006	PORSCHE	PET	PORSCHE
986	04	8	17	817-65		203					

Pos	Part Number	Name	Remarks	Qty	Model	Pos	Part Number	Name	Remarks	Qty	Model
(10)	996 613 715 01	switch comfort seat	/RL/L	1			EBO	satin black/black-grey			
	A03	black	00-			(10)	996 613 719 01	switch comfort seat seating position control complete	/LL/L	1	M 437/537
(10)	996 613 716 01	switch comfort seat complete	/LL/R	1			EJM	granite grey	-99		M 010
	EJM	granite grey	99-		M 010		A03	black	00-		M 016
	A03	SCHWARZ	00-		M 016	(10)	996 613 720 01	switch comfort seat seating position control complete	/RL/R	1	M 438/538
	P13	cinnamon brown	01-				EJM	granite grey	-99		M 010
(10)	996 613 717 00	switch comfort seat lumbar support complete	/RL/L-99	1	M 011/016		A03	black	00-		M 016
	EBO	satin black/black-grey				(10)	996 613 721 00	switch comfort seat seating position control lumbar support complete	/LL/L-99	1	M 011/016
(10)	996 613 718 00	switch comfort seat lumbar support complete	/LL/R-99	1	M 011/016		EBO	satin black/black-grey			
	EBO	satin black/black-grey				(10)	996 613 722 00	switch comfort seat seating position control lumbar support complete	/RL/R-99	1	M 011/016
(10)	996 613 717 01	switch comfort seat lumbar support complete	/RL/L	1			EBO	satin black/black-grey			
	EJM	granite grey	99		M 010	(10)	996 613 721 01	switch	/LL/L00-	1	M 016/437
	A03	SCHWARZ	00-		M 016		A03	black			M 537/586
(10)	996 613 718 01	switch comfort seat lumbar support complete	/LL/R	1		(10)	996 613 722 01	switch comfort seat seating position control lumbar support complete	/RL/R	1	
	EJM	granite grey	99		M 010		EJM	granite grey	-99		M 010
	A03	SCHWARZ	00-		M 016		A03	black	00-		M 016
(10)	996 613 719 00	switch comfort seat seating position control complete	/LL/L-99	1	M 011/016	11	986 521 627 00	handle for height adjustment	/L	1	
	EBO	satin black/black-grey				(11)	986 521 628 00	handle for height adjustment	/R	1	

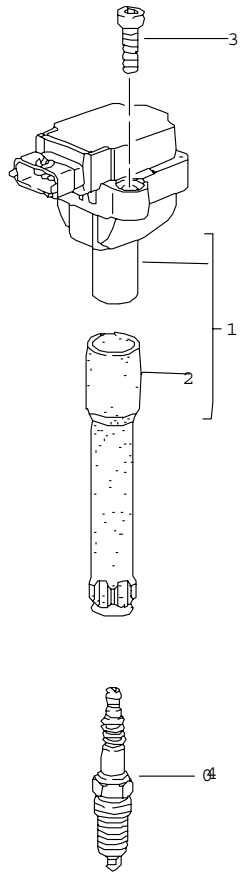
Model	Year	MG	SG	Illustration	Restrictions	Update	18:15	23.08.2006	PORSCHE	PET	PORSCHE
986	04	8	17	817-65		203					

Pos	Part Number	Name	Remarks	Qty	Model	Pos	Part Number	Name	Remarks	Qty	Model
12	999 919 173 02	countersunk-head screw 3,0 X 18		4							
13	999 650 248 40	cap		2							
14	999 650 250 40	connector 8-pole		2							
15	999 650 247 40	slide 6-pole		2							
16	999 650 225 40	pin 2,5		2							
17	999 652 960 40	cover		2							
18	999 650 218 40	connector 4-pole white		2							
20	999 652 570 22	connector 0.5 - 1.0 QMM		X							
21	999 652 571 22	connector 1.0 - 2.5 QMM		X							
22	999 652 918 40	connector housing 6-pole f.longitudinal adjustment and height adjustment		2							
23	999 650 055 40	connector 6-pole lumbar support		2							
24	996 521 327 00	cover lumbar support satin black		X							
25	996 613 955 00	control button seat adjuster repair kit	02-	1	M 437/438						
		- - - E N D - - -									

Model	Year	MG	SG	Illustration	Restrictions	Update	18:15	23.08.2006
986	04	8	98	898-00		203		

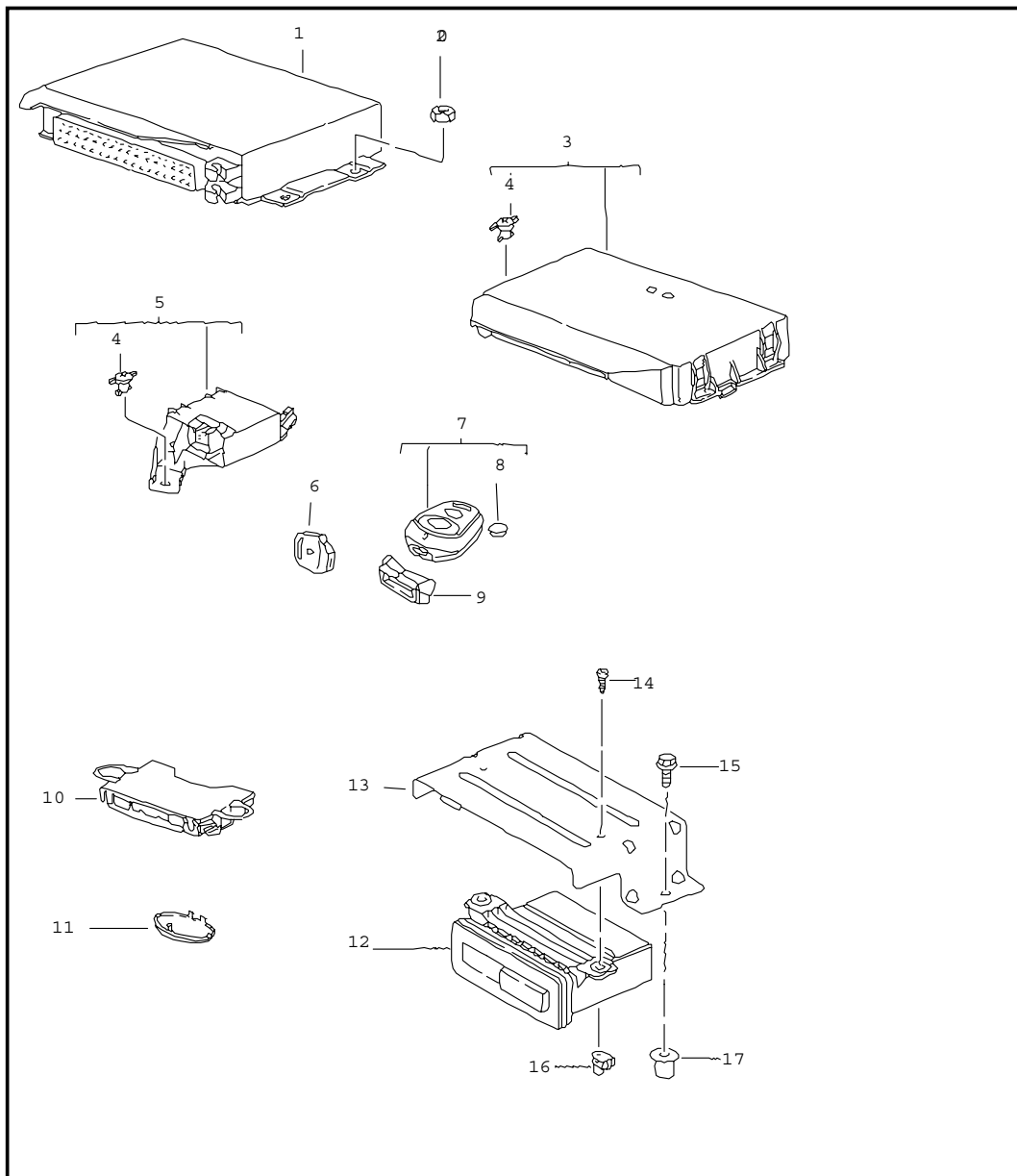
Pos	Part Number	Name	Remarks	Qty	Model
		repair kits			
		set of locks			
>>	> 996 538 001 00	set of locks	-97	1	M 531,532 M 534
>>	> 996 538 001 03	set of locks	98-	1	M 531,532
>>	> 996 538 001 06	set of locks	03-	1	M 532
>>	> 996 538 001 01	set of locks	/LL -97	1	M 534,535
>>	> 996 538 001 04	set of locks	/LL 98-	1	M 534,535
>>	> 996 538 001 07	set of locks	/LL 03-	1	M 534,535
>>	> 996 538 001 02	set of locks	/RL -97	1	M 534,535
>>	> 996 538 001 05	set of locks	/RL 98-	1	M 534,535
>>	> 996 538 001 08	set of locks	/RL 03-	1	M 534,535
		- - - E N D - - -			

Model	Year	MG	SG	Illustration	Restrictions	Update	18:15	23.08.2006	PORSCHE	PET	PORSCHE
986	04	9	01	901-00		203					



Pos	Part Number	Name	Remarks	Qty	Model
		ignition system			
1	996 602 101 01	ignition coil	-99 -02 -02	6	M 96.20 M 96.21 M 96.22
-	999 652 916 40	connector housing		6	
-	999 650 052 12	connector		18	
-	999 704 161 40	gasket		18	
-	996 607 401 00	rubber sleeve		6	
1	996 602 104 00	ignition coil	03- 03-	6	M 96.23 M 96.24
2	996 602 103 01	spark plug socket	-99 -02 -02	6	M 96.20 M 96.21 M 96.22
2	996 602 105 00	spark plug socket	03-	6	M 96.23 M 96.24
3	900 067 089 09	pan-head screw M 6 X 25 M M	>> 654 04059 >> 674 03796	12	
3	900 387 008 09	torx screw M 6 X 25 M 654 04060 M 674 03797	>> >>	12	M 96.23 M 96.24
4	999 170 201 90	spark plug 14FR 7 LDU	-99	6	M 96.20
4	999 170 207 91	spark plug 14FGR 6KQU	-02 -02 03- 03-	6	M 96.21 M 96.22 M 96.23 M 96.24
- - - E N D - - -					

Model	Year	MG	SG	Illustration	Restrictions	Update	18:15	23.08.2006	PORSCHE	PET	PORSCHE
986	04	9	01	901-03		203					



Pos	Part Number	Name	Remarks	Qty	Model
		control units see technical information electronic mail TI-2-1A97-BOX			
1	996 618 601 04	control unit - dme -	-99	1	M 96.20
1	996 618 605 00	control unit - dme -	-02 -02	1	M 96.21 M 96.22
1	996 618 604 00	control unit - dme - see technical information GR.2 NR.5/02	03- 03-	1	M 96.24 M 96.23
-	986 618 129 00	retainer plate control unit - DME -	00-	1	
(1)	986 618 225 03	control unit tiptronic F >>98XS6 00783	97-99	1	M 249/M 009
(1)	986 618 225 04	control unit tiptronic F 98XS6 00784>>	-99	1	M 249/M 009
(1)	986 618 255 06	control unit tiptronic	-02	1	M 249/M 009
(1)	986 618 256 00	control unit tiptronic	03-	1	M 249/M 009
(1)	986 618 240 06	control unit tiptronic	-02	1	M 249/M 008
(1)	986 618 241 00	control unit tiptronic	03-	1	M 249/M 008
2	999 084 629 09	hexagon nut M 6		7	
(2)	999 084 635 02	shear-off nut mount control unit - dme -		5	M 536
-	986 618 131 00	tab washer plug-protection control unit - dme -	00-	1	M 536

Model	Year	MG	SG	Illustration	Restrictions	Update	18:15	23.08.2006	PORSCHE	PET	PORSCHE
986	04	9	01	901-03		203					

Pos	Part Number	Name	Remarks	Qty	Model	Pos	Part Number	Name	Remarks	Qty	Model
		control units anti-drive-off feature and remote control see technical information electronic mail TI-9-0197-BOX TI-9-1A97-BOX				-	996 612 035 00	cable antenna for POS. 3	01-	1	M 535
						-	996 612 054 00	connecting line antenna booster control unit POS. 3	03-	1	M 665
3	986 618 260 00	control unit anti-drive-off feature central locking system	97	1	M 531	-	999 607 064 00	fuse 15 A for POS. 3		1	
3	986 618 260 03	control unit anti-drive-off feature central locking system	98-00	1	M 531	-	999 507 925 40	fixing clip for wiring harness seat		1	
3	986 618 262 01	control unit anti-drive-off feature central locking system	-02	1	M 531			plug socket for POS. 3			
(3)	996 618 260 00	control unit anti-drive-off feature central locking system alarm system	97	1	M 534	-	999 650 161 40	plug socket		1	
(3)	996 618 260 06	control unit anti-drive-off feature central locking system alarm system	98-00	1	M 534	-	999 650 099 12	connector		X	
(3)	996 618 262 02	control unit  anti-drive-off feature central locking system alarm system	01- 03-	1	M 534 M 524	-	999 650 097 40	cap white		1	
	996 612 034 00	cable antenna for POS. 3	01-	1	M 534	-	999 650 096 40	cap black		1	M 531
(3)	996 618 260 01	control unit anti-drive-off feature central locking system alarm system	97	1	M 535	-	999 650 101 40	cap white		1	M 534
(3)	996 618 260 07	control unit anti-drive-off feature central locking system alarm system	98-00	1	M 535	-	999 650 102 40	cap blue		1	M 535
(3)	996 618 262 03	control unit  anti-drive-off feature central locking system alarm system	01- 03-	1	M 535 M 525	-	999 650 113 40	plug socket 12-pole black		1	
						-	N 903 353 04	connector 2,5		X	
						-	N 903 352 04	connector 1,0		X	
						4	996 618 261 00	locking device		1	
						5	996 618 159 00	signal transducer	97	1	
						5	996 618 159 01	signal transducer	98-	1	
						6	986 637 041 00	key lamp	97	1	M 531/M 532

Model	Year	MG	SG	Illustration	Restrictions	Update	18:15	23.08.2006	PORSCHE	PET	PORSCHE
986	04	9	01	901-03		203					

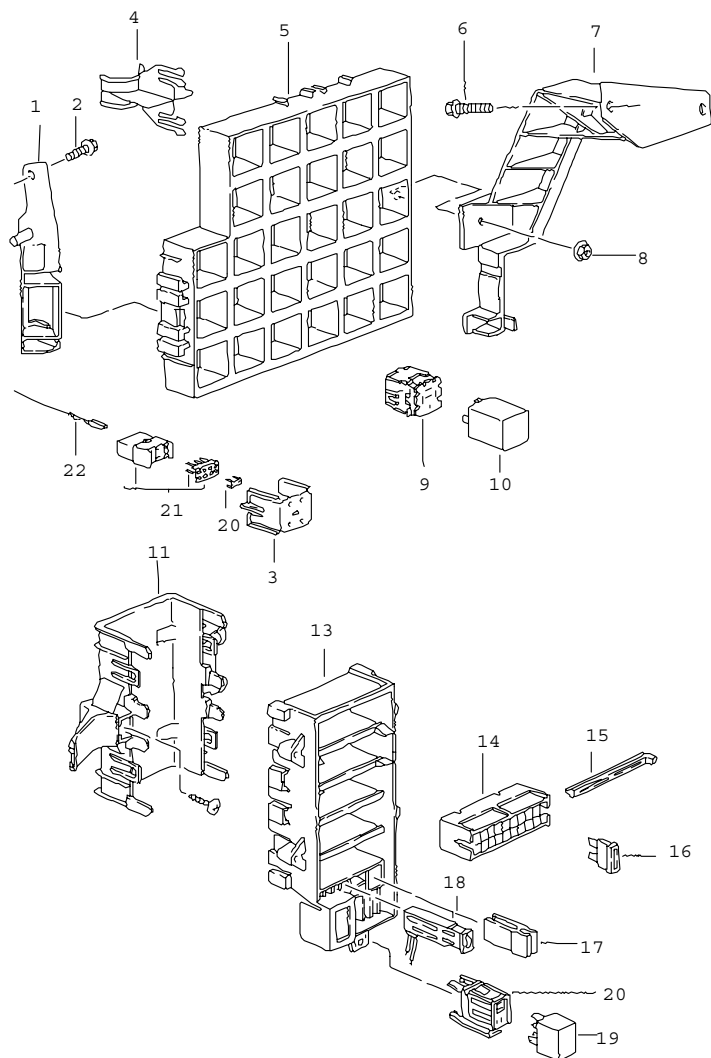
Pos	Part Number	Name	Remarks	Qty	Model	Pos	Part Number	Name	Remarks	Qty	Model
6	996 637 041 00	key lamp	98-02 03-	1	M 531/M 532 M 532	-	986 637 247 00	remote control upper part for 986.637.243.02	97	1	
-	928 537 630 02	bulb for key lamp		X		7	986 637 243 05	remote control	-00	1	(J) M 535
7	986 637 243 00	remote control	97	1	M 534	-	986 637 247 00	remote control upper part for 986.637.243.05	-00	1	
-	986 637 247 00	remote control upper part for 986.637.243.00	97	1		7 U	986 637 244 15	remote control	01-03 03	1	(J) M 535 (J) M 525
7	986 637 243 03	remote control	-00	1	M 534	7	986 637 244 19	remote control	01- 03-	1	(J) M 535 (J) M 525
-	986 637 247 00	remote control upper part for 986.637.243.03	-00	1		-	996 637 351 00	remote control upper part for 986.637.244.15/19	01-	1	
7 U	986 637 244 13	remote control	01-03 03-	1	M 534 M 524	-	996 637 443 00	emblem coloured for key lamp and remote control	02-	1	
7	986 637 244 17	remote control	01- 03-	1	M 534 M 524	8	999 611 108 00	battery see technical information GR. 9 , NR. 17/03		1	
-	996 637 351 00	remote control upper part for 986.637.244.13/17	01-	1		9	996 637 344 00	identification ring key 1 set red yellow	01-	1	
7	986 637 243 01	remote control	97	1	(AUS) M 535	9	996 637 344 01	identification ring key 1 set blue green	01-	1	
-	986 637 247 00	remote control upper part for 986.637.243.01	97	1		(10)	996 618 210 02	sensor interior monitoring		1	M 534, M 535
7	986 637 243 04	remote control	-00	1	(AUS) M 535						
-	986 637 247 00	remote control upper part for 986.637.243.04	-00	1							
7 U	986 637 244 16	remote control	01-03 03	1	(AUS) M 535 (AUS) M 525						
7	986 637 244 18	remote control	01- 03-	1	(AUS) M 535 (AUS) M 525						
-	996 637 351 00	remote control upper part for 986.637.244.14/16/18	01-	1							
7	986 637 243 02	remote control	97	1	(J) M 535						

Model	Year	MG	SG	Illustration	Restrictions	Update	18:15	23.08.2006	PORSCHE	PET	PORSCHE
986	04	9	01	901-03		203					

Pos	Part Number	Name	Remarks	Qty	Model	Pos	Part Number	Name	Remarks	Qty	Model
(10)	996 618 210 03	sensor interior monitoring for leather paint can-can-red flamenco red plum red pearl white white ferrari yellow speed yellow orchid metallic magnolia		1	M 534,M 535, M 999			- - - E N D - - -			
-	999 650 236 40	plug socket		1							
-	999 650 256 22	connector		4							
(11)	996 618 212 02	trim		2							
		alarm siren			M 536						
		tilt sensor			M 536						
		see group 9 / 0 3 / 0 0									
12	996 618 171 01	control unit park distance control electronic mail GR. 9 , NR. 07/98 BOX F >>98XS6 00074	98-99	1	M 635						
12	A 996 618 171 02	control unit park distance control F 98XS6 00075>>	-03	1	M 635						
12	996 618 171 03	control unit park distance control F 98XS6 00075>>	99-	1	M 635						
13	996 618 371 00	support	-01	1	M 635						
(13)	996 618 371 01	support	02-	1	M 635						
14	999 919 120 09	oval-head screw 4,0 X 18		2	M 635						
15	900 378 179 09	hexagon-head bolt M 6 X 16		2	M 635						
16	999 920 015 40	special nut 4,0		2	M 635						
17	999 500 078 00	sheetmetal press nut M 6		2	M 635						
		sensor see group 8 / 02 / 05			M 635						



Model	Year	MG	SG	Illustration	Restrictions	Update	18:16	23.08.2006	PORSCHE	PET	PORSCHE
986	04	9	02	902-00		203					



Pos	Part Number	Name	Remarks	Qty	Model
		central electrical system dashboard			
1	996 610 117 00	support	/LL/L	1	
(1)	996 610 119 00	support	/RL/L	1	
2	900 378 155 09	hexagon-head bolt M 6 X 16 ASP		3	
3	996 610 104 00	retaining frame		X	
4	996 610 112 00	cable holder		X	
5	996 610 109 00	relay carrier support frame		1	
6	900 378 155 09	hexagon-head bolt M 6 X 16 ASP		3	
7	996 610 116 00	support	/LL/R	1	
(7)	996 610 118 00	support	/RL/R	1	
8	900 377 010 09	hexagon nut M 6		1	
9	928 610 511 00	relay carrier		X	
10	-	relay			
S 3	1H0 953 227	flasher relay		1	
S 4	996 615 117 00	control unit rear window heating		1	
S 5	999 657 005 90	relay	-00	1	M 614/M 618
S 6/7	996 615 111 00	relay		1	M 606
S 8	996 618 113 00	relay headlight washer system		1	M 288
S 9	141 951 253 B	relay KL. XE		1	
S 10	141 951 253 B	relay fanfare		1	
S 12	431 951 253 G	relay	-98	1	( J )
S 12	141 951 253 B	relay	99-	1	( J )
S 13	996 615 101 00	relay fuel pump		1	
S 14/	986 618 111 02	control unit	-99	1	M 439

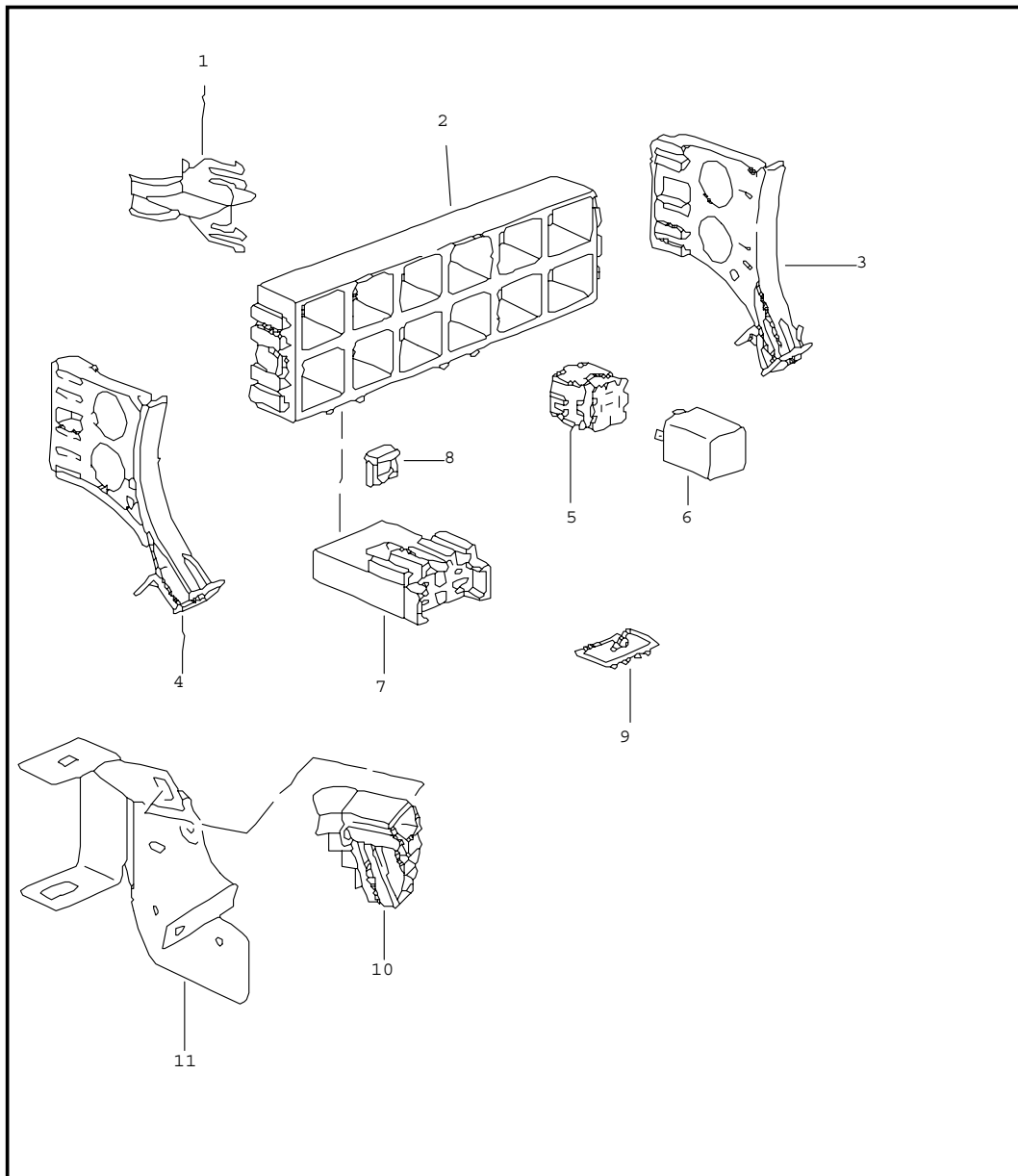
Model	Year	MG	SG	Illustration	Restrictions	Update	18:16	23.08.2006	PORSCHE	PET	PORSCHE
986	04	9	02	902-00		203					

Pos	Part Number	Name	Remarks	Qty	Model	Pos	Part Number	Name	Remarks	Qty	Model
15	-	folding top control				-	986 610 217 00	indication sticker	97	X	
S 14/	986 618 199 00	control unit	00-	1	M 439			fuse F >>98VS6 01006			
15	-	folding top control				-	986 610 217 01	indication sticker	97	X	
S 16	986 615 103 00	interval relay		1				fuse F 98VS6 01007>>			
S 18	141 951 253 B	relay heating		1		-	996 610 217 01	indication sticker	-99	X	
S 19	141 951 253 B	relay radiator fan 1 setting 1		1		-	996 610 217 02	indication sticker	00	X	
S 20	141 951 253 B	relay radiator fan 1 setting2		1		- U	996 610 217 03	indication sticker	01	X	
S 21	141 951 253 B	relay radiator fan 2 setting 1		1		-	996 610 217 04	indication sticker	-02	X	
S 22	141 951 253 B	relay radiator fan 2 setting2		1		-	996 610 217 05	indication sticker	03-	X	
11	996 610 210 00	cover		1		18	996 610 240 00	emergency operation cover	01-	1	
13	996 610 211 01	bracket		1		19	999 657 006 90	terminal clamp	01-	1	
14	999 650 209 40	fuse holder		X		20	999 650 538 40	relay	01-	1	
15	999 650 210 40	slide		X				plug socket 5-pole	01-	1	
16	999 607 004 00	fuse 5 A		X		-	-	tip switch rear spoiler see group 9 / 03 / 05			
(16) A	999 607 005 00	fuse 7 , 5 A		X		-	-	cover for housing fuse see group 8 / 07 / 02			
(16)	999 607 083 00	fuse 7 , 5 A		X							
(16)	999 607 007 00	fuse 15 A		X		21	999 650 319 22	contact bridge 4-pole		X	
(16) A	999 607 009 00	fuse 25 A		X		(21)	999 650 318 22	contact bridge 8-pole		X	
(16)	999 607 087 00	fuse 25 A		X		22	999 650 317 40	plug socket 8-pole		X	
(16)	999 607 010 00	fuse 30 A		X		23	999 650 320 22	contact bush 2,8 / 0,75		X	
17	996 610 214 00	tool		X							

Model	Year	MG	SG	Illustration	Restrictions	Update	18:16	23.08.2006	PORSCHE	PET	PORSCHE
986	04	9	02	902-00		203					

Pos	Part Number	Name	Remarks	Qty	Model	Pos	Part Number	Name	Remarks	Qty	Model
(23)	999 650 321 22	contact bush 2,8 / 2,5		X							
		- - - E N D - - -									

Model	Year	MG	SG	Illustration	Restrictions	Update	18:16	23.08.2006	PORSCHE	PET	PORSCHE
986	04	9	02	902-01		203					

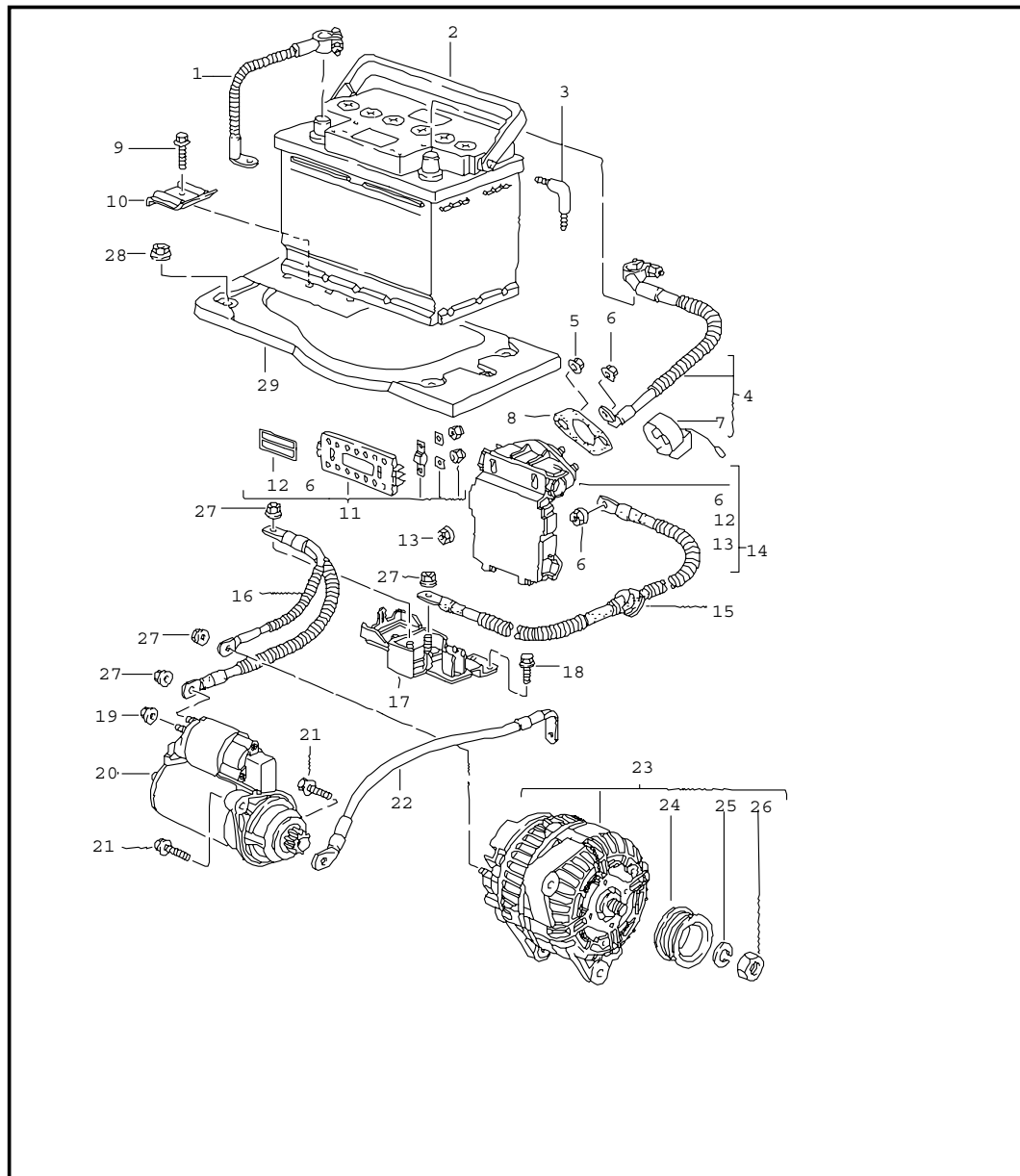


Pos	Part Number	Name	Remarks	Qty	Model
		central electrical system rear end			
1	996 610 112 00	cable holder		X	
2	996 610 111 00	relay carrier support frame		1	
3	986 610 126 00	support	/R	1	
4	986 610 127 00	support	/L	1	
5	928 610 511 00	relay carrier		X	
6	-	relay			
S 1	141 951 253 B	relay - dme -		1	
S 2	141 951 253 B	relay ignition		1	
S 3	996 615 102 00	relay spoiler		1	
S 4	964 615 215 00	relay air conditioner		1	M 573
S 7 W	141 951 253 B	relay starter		1	
S 7	996 615 110 00	relay starter		1	
S 8	141 951 253 B	relay blower engine compartment		1	
S 9	996 615 102 00	relay spoiler		1	
S 10	993 615 115 00	relay secondary pump		1	M 661
7	999 650 193 40	fuse holder		1	M 661
8	999 650 371 40	locking device		1	M 661
-	999 650 194 22	contact bush		X	M 661
- A	999 607 011 00	fuse 40 A		1	M 661
-	999 607 073 00	fuse 40 A		1	M 661

Model	Year	MG	SG	Illustration	Restrictions	Update	18:16	23.08.2006	PORSCHE	PET	PORSCHE
986	04	9	02	902-01		203					

Pos	Part Number	Name	Remarks	Qty	Model	Pos	Part Number	Name	Remarks	Qty	Model
-	999 652 918 40	connector housing for emission control		1							
-	999 652 567 22	contact bush		X							
9	999 507 408 40	fixing clip for connector housing connection point		X							
10	986 610 181 00	cable guide		1							
(11)	986 610 180 01	disconnecting plug console		1							
-	999 084 629 09	hexagon nut VM 6 - SB mount disconnecting plug console		1							
		- - - E N D - - -									

Model	Year	MG	SG	Illustration	Restrictions	Update	18:16	23.08.2006	PORSCHE	PET	PORSCHE
986	04	9	02	902-05		203					



Pos	Part Number	Name	Remarks	Qty	Model
		battery power distributor starter generator			
1	A 996 611 090 02	ground strap	/LL -03	1	
1	996 611 090 06	ground strap	/LL -03	1	
1	996 611 090 08	ground strap	/LL 04	1	
(1)	A 996 611 091 01	ground strap	/RL -03	1	
(1)	996 611 091 05	ground strap	/RL -03	1	
(1)	996 611 091 06	ground strap	/RL	1	
(2)	999 611 070 20	battery 70 AH		1	
(2)	999 611 080 20	battery 80 AH		1	M 008/M 197
3	893 915 507	angled pipe		1	
4	A 996 612 090 00	cable battery power distributor	/LL -03	1	
4	A 996 612 090 05	cable battery power distributor	/LL 04	1	
4	996 612 090 09	cable battery power distributor	/LL	1	
(4)	A 996 612 090 01	cable battery power distributor	/RL -03	1	
(4)	A 996 612 090 06	cable battery power distributor	/RL 04	1	
(4)	996 612 090 10	cable battery power distributor	/RL	1	
5	900 380 005 09	hexagon nut M 8		2	
6	900 084 030 02	hexagon nut M 8 for power distributor		2	

Model	Year	MG	SG	Illustration	Restrictions	Update	18:16	23.08.2006	PORSCHE	PET	PORSCHE
986	04	9	02	902-05		203					

Pos	Part Number	Name	Remarks	Qty	Model	Pos	Part Number	Name	Remarks	Qty	Model
7	996 610 309 00	protection cap terminal clamp power distributor		1		6	900 084 030 02	hexagon nut M 8		2	
8	996 610 302 00	flange gasket for power distributor		1		12	996 610 311 00	seal label red use also: POS. 8		2	
9	900 378 017 09	hexagon-head bolt M 8 X 20		1		15	986 612 091 00	cable power distributor connection point	97	1	
10	996 611 209 00	rail		1		15	986 612 091 01	cable power distributor connection point	98	1	
11	996 610 306 00	repair kit replacement fuse element comprising:		1		(15)	986 612 091 02	cable power distributor connection point	-01	1	
-	-	fuse element 50 AMPERE		1				F >>981S6 01371 F >>981U6 01926			BOXSTER BOXSTER
-	-	fuse element 80 AMPERE		1				F >>981S6 41226 F >>981U6 42148			BOXSTER S BOXSTER S
-	-	hexagon nut M 5		4		(15)	986 612 091 03	cable power distributor connection point	/LL 01-	1	
6	900 084 030 02	hexagon nut M 8		1				F 981S6 01372>> F 981U6 01927>> F 981S6 41227>> F 981U6 42149>>			BOXSTER BOXSTER BOXSTER S BOXSTER S
-	-	intermediate layer		4							
-	-	cover blue		1		(15)	986 612 091 04	cable power distributor connection point	/RL 01-	1	
12	996 610 311 00	seal label red		2				F 981S6 01372>> F 981U6 01927>> F 981S6 41227>> F 981U6 42149>>			BOXSTER BOXSTER BOXSTER S BOXSTER S
12	996 610 311 00	seal label red		2							
13	900 084 031 02	hexagon nut M 6 for power distributor		7		-	996 610 187 00	cable holder F 981S6 01372>> F 981U6 01927>> F 981S6 41227>> F 981U6 42149>>		1	BOXSTER BOXSTER BOXSTER S BOXSTER S
14	996 610 308 00	repair kit replacement power distributor comprising:		1		-	999 919 172 09	hexagon-head bolt 7,0 X 14 F 981S6 01372>> F 981U6 01927>> F 981S6 41227>> F 981U6 42149>>		1	BOXSTER BOXSTER BOXSTER S BOXSTER S
-	-	power distributor complete		1							
13	900 084 031 02	hexagon nut M 6		7							

Model	Year	MG	SG	Illustration	Restrictions	Update	18:16	23.08.2006	PORSCHE	PET	PORSCHE
986	04	9	02	902-05		203					

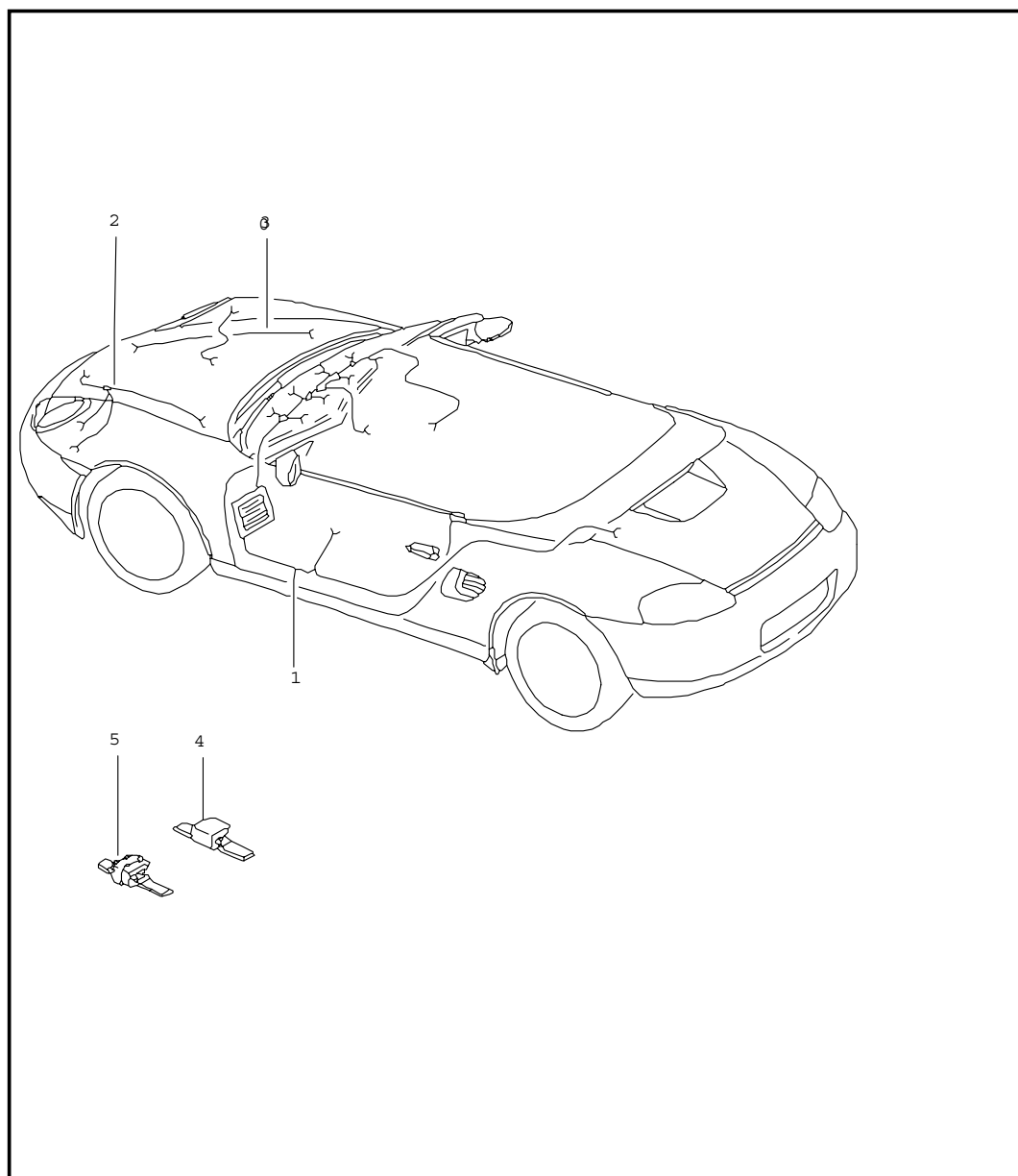
Pos	Part Number	Name	Remarks	Qty	Model	Pos	Part Number	Name	Remarks	Qty	Model
16	986 607 029 00	wiring harness with connection point generator starter	-98	1		(23) >	996 603 012 03	generator with pulley without free wheel lock M >> 654 06009 M >> 674 06125	00-	1	M 249
(16) A	986 607 019 01	wiring harness with connection point generator starter M >> 654 06009 M >> 674 06125	99-	1		(23) >	997 603 012 00	generator M 654 06010 >> M 674 06126 >> with pulley without free wheel lock		1	M 249 M96.23 M96.24
(16)	986 607 019 02	wiring harness with connection point generator starter	99-	1		(23) >	996 603 012 02	generator with pulley free wheel lock M >> 654 06009 M >> 674 06125	00-	1	M 480/M 481
17	986 611 301 00	connection point complete	-98	1		(23) >	997 603 012 01	generator M 654 06010 >> M 674 06126 >> with pulley free wheel lock		1	M 480/M 481 M96.23 M96.24
(17)	986 611 201 01	connection point complete	99-	1		-	999 650 166 40	plug socket		1	
18	900 378 035 09	hexagon-head bolt M 6 X 16		2		-	999 652 694 12	connector		1	
19	900 377 010 09	hexagon nut M 6		1		-	999 704 161 40	gasket		1	
20 >	986 604 104 00	starter 1,2 KW		1		-	999 652 965 40	gasket		1	
(20) A	996 604 104 00	starter 1,8 KW		1	M 249	24	996 603 151 53	pulley	97	1	
(20) >	996 604 103 00	starter 1,7 KW		1	M 249 M 198	(24) A	996 603 151 54	pulley	98-99	1	
21	900 378 101 09	hexagon-head bolt AM 10 X 35 M >> 654 04059 M >> 674 03796		2		(24)	996 603 151 55	pulley without free wheel lock	98-	1	
21	900 385 097 09	torx screw BM 10 X 35 M 654 04060 >> M 674 03797 >>		2	M 96.23 M 96.24	(24)	996 603 152 50	pulley with free wheel lock use also: 996.603.153.50	00-	1	
22	986 607 030 00	ground strap engine body		1		-	996 603 153 50	protection cap for pulley with free wheel lock		1	
(23) >	996 603 012 01	generator	-99	1							



Model	Year	MG	SG	Illustration	Restrictions	Update	18:16	23.08.2006	PORSCHE	PET	PORSCHE
986	04	9	02	902-05		203					

Pos	Part Number	Name	Remarks	Qty	Model	Pos	Part Number	Name	Remarks	Qty	Model
25	N 012 016 1	lock ring B 16		1							
26	900 034 013 02	hexagon nut M 16 X 1,5		1							
		mounting parts regulator generator									
-	000 043 204 22	oval-head screw M 4 X 19 micro-self-locking		2							
-	000 043 204 23	spring washer B4		2							
		mounting parts generator									
-	900 378 070 09	hexagon-head bolt M 10 X 30	-01	1							
-	900 378 101 09	hexagon-head bolt AM 10 X 35	02-	1							
		M >> 654 04059 M >> 674 03796									
-	900 385 097 09	torx screw BM 10 X 35		1							
		M 654 04060 >> M 674 03797 >>								M 96.23 M 96.24	
-	900 378 181 09	hexagon-head bolt M 10 X 145		1							
		M >> 654 04059 M >> 674 03796									
-	900 385 092 04	torx screw BM 10 X 145		1							
		M 654 04060 >> M 674 03797 >>								M 96.23 M 96.24	
27	900 377 003 02	hexagon nut M 8		4							
28	999 084 630 09	hexagon nut VM 8 SB		4							
29	996 504 151 00	carrier plate for battery		1							
-	996 504 622 00	gasket carrier plate for battery		1							
		- - - E N D - - -									

Model	Year	MG	SG	Illustration	Restrictions	Update	18:16	23.08.2006	PORSCHE	PET	PORSCHE
986	04	9	02	902-10		203					

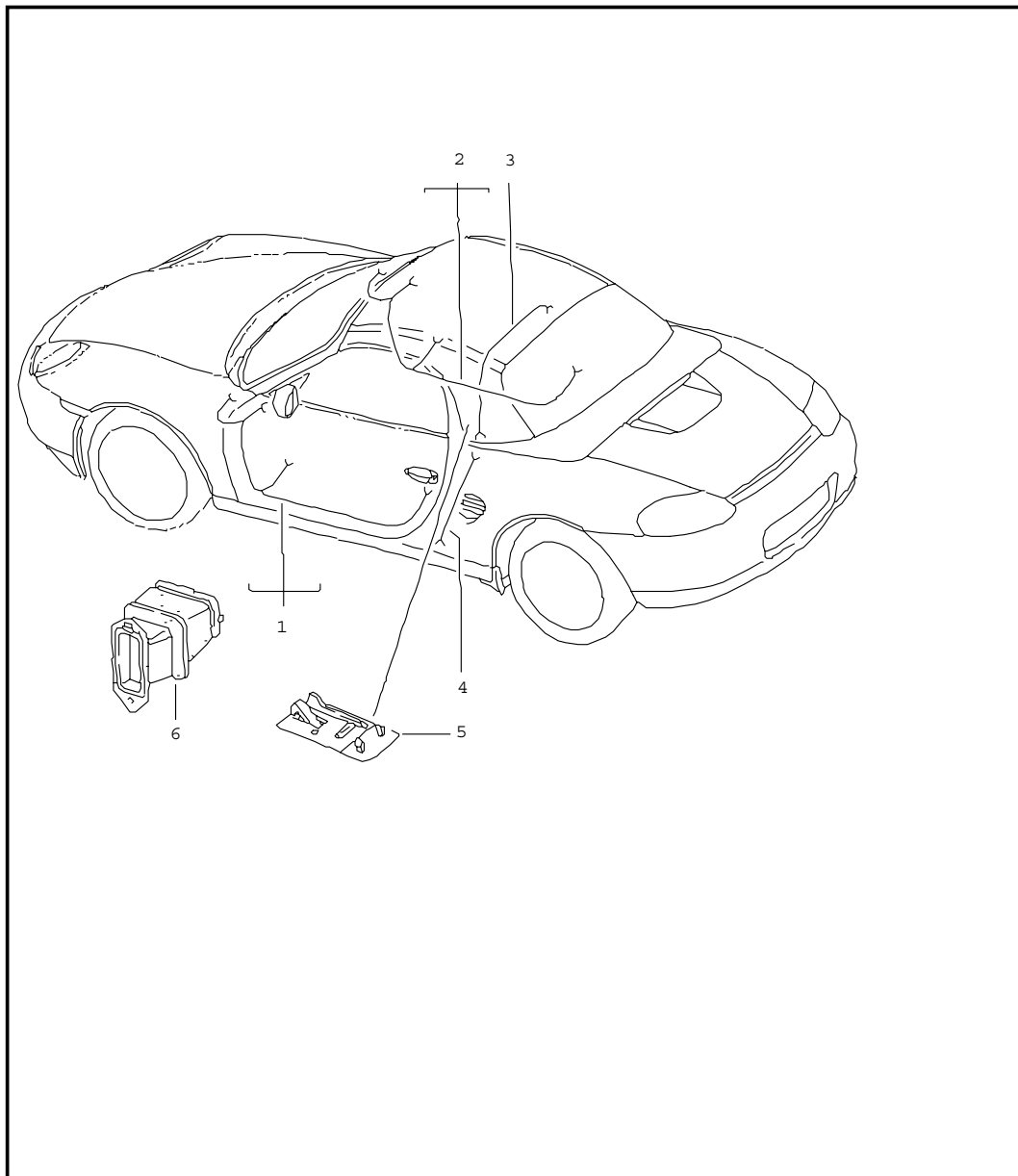


Pos	Part Number	Name	Remarks	Qty	Model
		harnesses passenger compartment glove compartment front trunk repair kit anti-lock brake system brake pad wear indicator front axle			
1	986 612 903 00	wiring harness passenger compartment vehicle identification no. indicate  connection point X 11 / 12		1	
-	999 652 931 40	connector		2	
-	999 652 570 22	contact pin 2,5 - 1		X	
-	999 652 571 22	contact pin 2,5 - 2,5		X	
-	999 652 932 40	connector 10-pole black		2	
-	999 652 923 40	cap black		2	
-	999 652 933 40	connector 10-pole white		2	
-	999 652 922 40	cap white		2	
-	999 652 921 40	locking device blue		4	
-	999 652 983 22	contact pin 0,63 - 0,5		X	
-	996 622 501 00	wiring harness glove compartment	03-	1	
-	999 650 564 40	support microswitch	03-	1	
-	999 650 565 40	support connector housing	03-	1	
2	996 612 303 01	wiring harness front trunk	/L -99	1	

Model	Year	MG	SG	Illustration	Restrictions	Update	18:16	23.08.2006	PORSCHE	PET	PORSCHE
986	04	9	02	902-10		203					

Pos	Part Number	Name	Remarks	Qty	Model	Pos	Part Number	Name	Remarks	Qty	Model
2	996 612 303 05	wiring harness front trunk	/L 00	1		(5)	999 651 284 40	fixing clip wiring harness passenger compartment door sill		X	
2	996 612 303 10	wiring harness front trunk	/L 01	1							
2	986 612 303 15	wiring harness front trunk	/L 02-	1		-	996 610 120 00	support socket data link connector		1	
2	996 612 313 00	wiring harness front trunk	/L 99	1	M 601	-	999 650 323 40	plug socket data link connector		1	
2	996 612 313 05	wiring harness front trunk	/L 00	1	M 601	-	999 650 326 22	contact bush for plug socket		X	
2	996 612 313 10	wiring harness front trunk	/L 01	1	M 601	-	-	repair kit wiring harness anti-lock brake system brake pad wear indicator front axle			
2	986 612 313 15	wiring harness front trunk	/L 02-	1	M 601						
3	996 612 302 01	wiring harness front trunk	/R -01	1		-	996 612 951 00	repair kit wiring harness	/V/L -01	1	
3	996 612 312 00	wiring harness front trunk	/R -01	1	M 601	-	996 612 951 00	repair kit wiring harness	/V/L 02-	1	M 476
3	-	wiring harness front trunk is a component of wiring harness passenger compartment connection point X 1/1 + X 1/2	/R 02-	1		-	996 612 960 00	repair kit wiring harness	/V/L 02-	1	
-	999 652 879 40	plug socket white		1		-	996 612 952 00	repair kit wiring harness	/V/R -01	1	
-	928 612 566 00	plug socket black		1		-	996 612 952 00	repair kit wiring harness	/V/R 02-	1	M 476
-	999 652 568 22	cylindrical connector		X		-	996 612 961 00	repair kit wiring harness rear axle see group 9 / 02 / 20	/V/R 02-	1	
-	999 650 117 40	fixing clip for plug socket		2							
(4)	999 507 471 40	fixing clip		X							
5	999 651 302 40	fixing clip wiring harness passenger compartment door sill		X							
								- - - E N D - - -			

Model	Year	MG	SG	Illustration	Restrictions	Update	18:17	23.08.2006	PORSCHE	PET	PORSCHE
986	04	9	02	902-15		203					



Pos	Part Number	Name	Remarks	Qty	Model
		harnesses driver's door passenger's door hardtop			
1	986 612 601 02	wiring harness driver's door passenger's door F >>98VS6 01525	97	2	
1	986 612 601 03	wiring harness driver's door passenger's door F 98VS6 01526>>	97	2	
(1)	986 612 602 02	wiring harness driver's door passenger's door F >>98VS6 01525	97	2	M 490
(1)	986 612 602 03	wiring harness driver's door passenger's door F 98VS6 01526>>	97	2	M 490
(1)	986 612 601 04	wiring harness driver's door passenger's door	98	2	
(1)	986 612 601 05	wiring harness driver's door passenger's door	99	2	
(1)	986 612 602 04	wiring harness driver's door passenger's door	98	2	M 490
(1)	986 612 602 05	wiring harness driver's door passenger's door	99	2	M 490
(1)	986 612 641 04	wiring harness driver's door passenger's door	98	2	M 563
(1)	986 612 641 05	wiring harness driver's door passenger's door	-00	2	M 563
(1)	986 612 642 04	wiring harness driver's door passenger's door	98	2	M 563/490
(1)	986 612 642 05	wiring harness driver's door passenger's door	-00	2	M 563/490

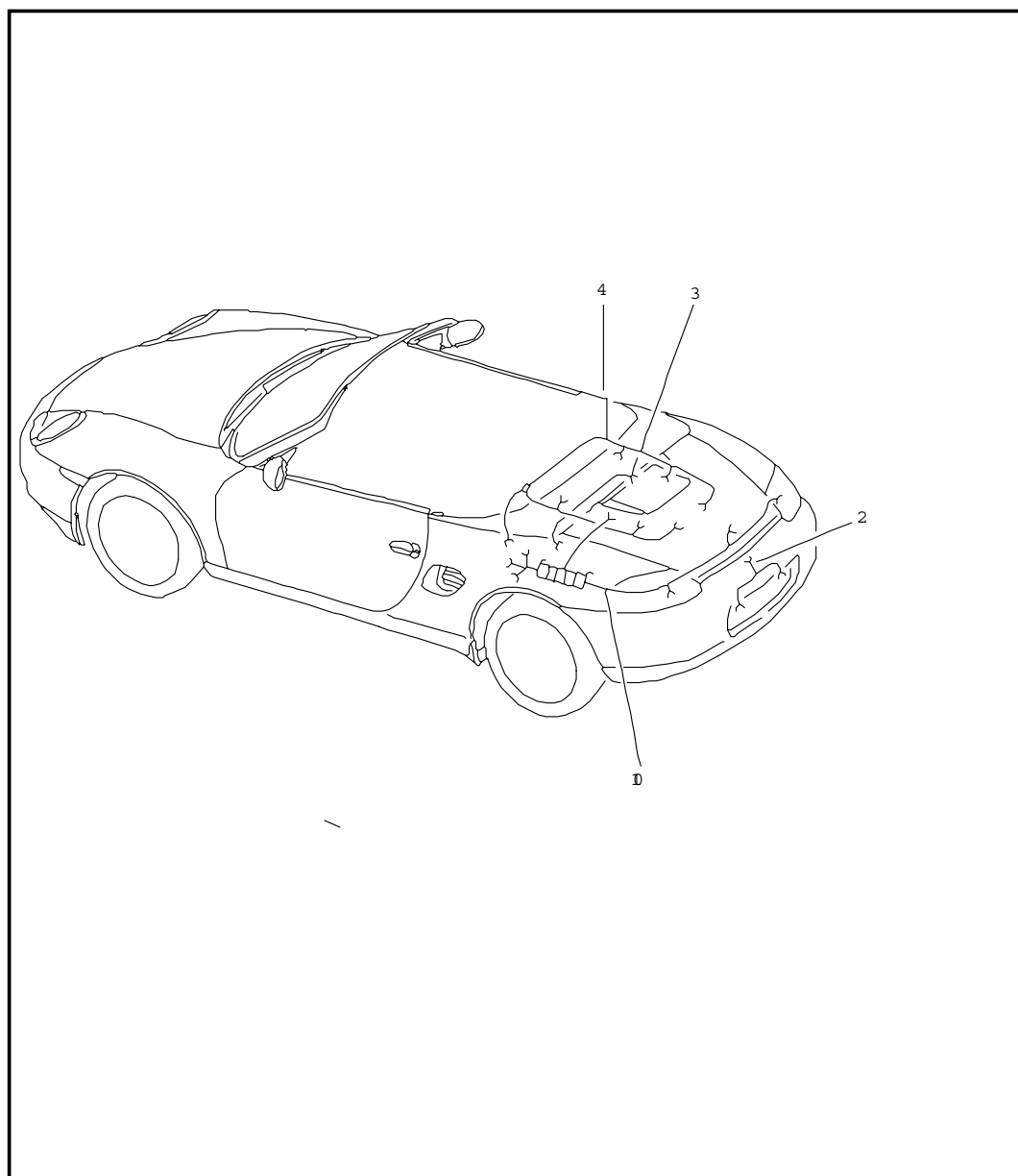
Model	Year	MG	SG	Illustration	Restrictions	Update	18:17	23.08.2006	PORSCHE	PET	PORSCHE
986	04	9	02	902-15		203					

Pos	Part Number	Name	Remarks	Qty	Model	Pos	Part Number	Name	Remarks	Qty	Model
(1)	986 612 612 02	wiring harness driver's door F >>98VS6 01525	97	1	M 273	2	996 612 632 03	wiring harness passenger's door F 98VS6 01526>>	97	1	M 273/M 490
(1)	986 612 612 03	wiring harness driver's door F 98VS6 01526>>	97	1	M 273	(2)	986 612 620 04	wiring harness passenger's door	98	1	M 273
(1)	996 612 630 02	wiring harness driver's door F >>98VS6 01525	97	1	M 273/490	(2)	986 612 620 05	wiring harness passenger's door	99	1	M 273
(1)	996 612 630 03	wiring harness driver's door F 98VS6 01526>> F 98VS6 20987>>	97	1	M 273/490	(2)	996 612 632 04	wiring harness passenger's door	98	1	M 273/M 490
(1)	986 612 612 04	wiring harness driver's door	98	1	M 273	(2)	996 612 632 05	wiring harness passenger's door	99	1	M 273/M 490
(1)	986 612 612 05	wiring harness driver's door	99	1	M 273	(2)	986 612 652 04	wiring harness passenger's door	98	1	M 563/273
(1)	996 612 630 04	wiring harness driver's door	98	1	M 273/M 490	(2)	986 612 652 05	wiring harness passenger's door	-00	1	M 563/273
(1)	996 612 630 05	wiring harness driver's door	99	1	M 273/M 490	(2)	996 612 635 02	wiring harness passenger's door	98	1	M 563/273 M 490
(1)	986 612 651 04	wiring harness driver's door	98	1	M 563/273	(2)	996 612 635 03	wiring harness passenger's door	-00	1	M 563/273 M 490
(1)	986 612 651 05	wiring harness driver's door	-00	1	M 563/273	(2) A	996 612 635 10	wiring harness passenger's door	01-03	1	
(1)	996 612 634 02	wiring harness driver's door	98	1	M 563/273 M 490	(2)	996 612 635 11	wiring harness passenger's door	01-	1	
(1)	996 612 634 03	wiring harness driver's door	-00	1	M 563/273 M 490	-	999 652 930 40	plug socket		2	
(1) A	996 612 634 10	wiring harness driver's door	01-03	1		-	999 652 567 22	cylindrical connector 2,5 - 1		X	
(1)	996 612 634 11	wiring harness driver's door	01-	1		-	999 652 568 22	cylindrical connector 2,5 - 2,5		X	
2	986 612 620 02	wiring harness passenger's door F >>98VS6 01525	97	1	M 273	-	999 652 927 40	plug socket 10-pole white		2	
2	986 612 620 03	wiring harness passenger's door F 98VS6 01526>>	97	1	M 273	-	999 652 924 40	cap white		2	
2	996 612 632 02	wiring harness passenger's door F >>98VS6 01525	97	1	M 273/M 490	-	999 652 928 40	plug socket 10-pole black		2	
						-	999 652 925 40	cap black		2	

Model	Year	MG	SG	Illustration	Restrictions	Update	18:17	23.08.2006	PORSCHE	PET	PORSCHE
986	04	9	02	902-15		203					

Pos	Part Number	Name	Remarks	Qty	Model	Pos	Part Number	Name	Remarks	Qty	Model
-	999 652 921 40	locking device blue		4				- - - E N D - - -			
-	999 652 901 22	connector 0,63 - 0,5 mount wiring harness doors		X							
-	996 610 320 01	cable guide		2	M 273						
-	999 703 470 40	cable clamp		2	M 273						
-	999 507 627 02	cable clamp		2							
3	986 612 081 01	wiring harness hardtop		1	M 550						
4	986 612 083 00	wiring harness adapter hardtop		1							
5	986 610 333 00	cover connector connection point hardtop	-02	1							
6 U	996 610 141 00	rubber boot a-pillar F 98VS6 01526>>	/L	1							
(6) U	996 610 142 00	rubber boot a-pillar F 98VS6 01526>>	/R	1							
(6)	996 610 141 01	rubber boot a-pillar F 98WS6 00259>>		2							
-	996 610 144 00	frame reinforcement rubber boot mount connection point a-pillar F 98WS6 00259>>		2							
-	999 919 123 09	oval-head screw 5 X 20		2							
-	999 507 649 40	expansion rivet 5,0		2							
-	996 610 321 00	cable holder door arrester		2							

Model	Year	MG	SG	Illustration	Restrictions	Update	18:17	23.08.2006	PORSCHE	PET	PORSCHE
986	04	9	02	902-20		203					



Pos	Part Number	Name	Remarks	Qty	Model
		harnesses rear end license plate light additional stoplamp engine repair kit anti-lock brake system brake pad wear indicator rear axle			
(1)	986 612 056 03	wiring harness rear end	97-98	1	M 573
(1)	986 612 066 01	wiring harness rear end	98	1	M 573/M 635
(1)	986 612 905 00	wiring harness rear end vehicle identification no. indicate	99-	1	
		connection point X 2/1			
-	928 612 567 00	connector black		1	
-	999 652 570 22	contact pin 2,5 - 1 connection point X 2/2		X	
-	999 650 041 40	connector yellow		1	
-	999 652 570 22	contact pin 2,5 - 1 connection point X 59		X	
-	999 652 881 40	connector white		1	
-	999 652 571 22	contact pin 2,5 - 2,5 connection point X 24		X	
-	999 652 920 40	plug socket		1	
-	999 652 991 22	contact bush 1,8 - 1,5		2	
-	999 652 989 40	locking device		1	
-	999 652 987 40	gasket		2	

Model	Year	MG	SG	Illustration	Restrictions	Update	18:17	23.08.2006	PORSCHE	PET	PORSCHE
986	04	9	02	902-20		203					

Pos	Part Number	Name	Remarks	Qty	Model	Pos	Part Number	Name	Remarks	Qty	Model
-	999 650 013 40	fixing clip connection point wiring harness license plate light		1		4	986 607 010 06	wiring harness engine	00	1	M 660/M 480
-	999 652 920 40	plug socket		1		4	986 607 010 08	wiring harness engine	-02	1	M 660/M 480
-	999 652 991 22	contact bush 1,8 - 1,5		2		(4)	986 607 011 08	wiring harness engine	00	1	M 660/M 249
-	999 652 989 40	locking device		1		(4)	986 607 011 10	wiring harness engine	-02	1	M 660/M 249
-	999 652 987 40	gasket		2				wiring harness engine	-02		
-	999 650 013 40	fixing clip mount wiring harness rear end		1				M 96.22			
-	999 651 284 40	fixing clip		6		4	986 607 020 00	wiring harness engine	00	1	M 481
2	996 612 060 00	wiring harness license plate light		1		4	986 607 020 02	wiring harness engine	-02	1	M 481
(2)	996 612 061 00	wiring harness license plate light	-02	1	M 635	(4)	986 607 021 00	wiring harness engine	00	1	M 249
(2)	996 612 063 00	wiring harness license plate light	03-	1	M 635	(4)	986 607 021 02	wiring harness engine	-02	1	M 249
3	986 612 041 00	wiring harness additional stoplamp		1	M 602	4	986 607 020 01	wiring harness engine	00	1	M 660/M 481
		wiring harness engine M 96.20	-99			4	986 607 020 03	wiring harness engine	-02	1	M 660/M 481
(4)	986 607 002 08	wiring harness engine	-99	1	M 481	(4)	986 607 021 01	wiring harness engine	00	1	M 660/M 249
(4)	986 607 002 10	wiring harness engine	-99	1	M 249	(4)	986 607 021 03	wiring harness engine	-02	1	M 660/M 249
		wiring harness engine M 96.21	-02			4 A	986 607 020 08	wiring harness engine	03	1	M 96.23 M 481
4	986 607 010 05	wiring harness engine	00	1	M 480	4	986 607 020 10	wiring harness engine	03-	1	M 96.23 M 481
4	986 607 010 07	wiring harness engine	-02	1	M 480	4 A	986 607 020 09	wiring harness engine	03	1	M 96.23 M 481/M 660
(4)	986 607 011 07	wiring harness engine	00	1	M 249	4	986 607 020 11	wiring harness engine	03-	1	M 96.23 M 481/M 660
(4)	986 607 011 09	wiring harness engine	-02	1	M 249	4 A	986 607 010 13	wiring harness engine	03	1	M 96.24 M 480



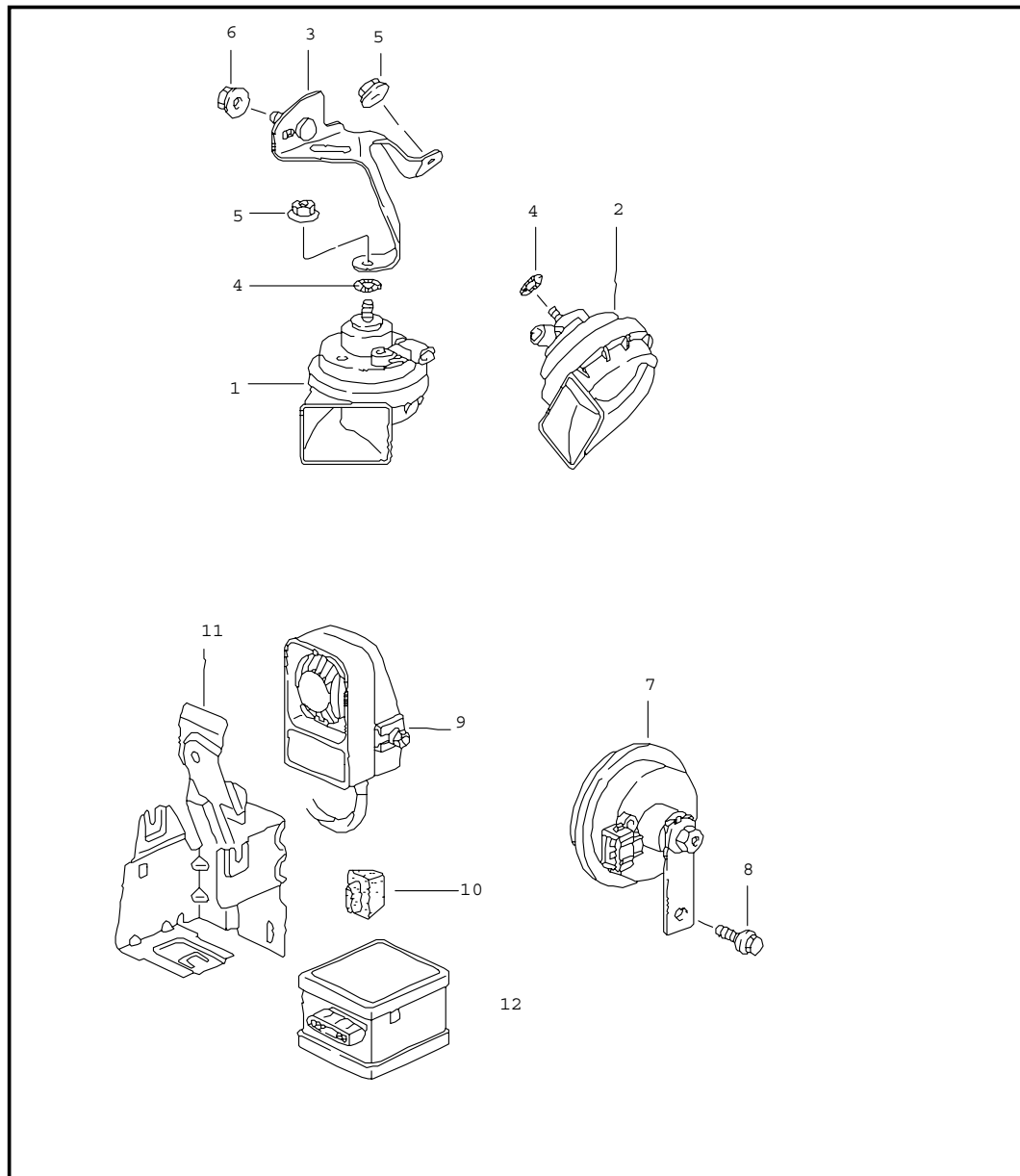
Model	Year	MG	SG	Illustration	Restrictions	Update	18:17	23.08.2006	PORSCHE	PET	PORSCHE
986	04	9	02	902-20		203					

Pos	Part Number	Name	Remarks	Qty	Model	Pos	Part Number	Name	Remarks	Qty	Model
4	986 607 010 15	wiring harness engine	03-	1	M 96.24 M 480	-	986 612 960 00	repair kit wiring harness	/H/L 02-	1	
4	A 986 607 010 14	wiring harness engine	03	1	M 96.24 M 480/M 660	-	986 612 954 01	repair kit wiring harness	/H/R -01	1	
4	986 607 010 16	wiring harness engine	03-	1	M 96.24 M 480/M 660	-	986 612 954 01	repair kit wiring harness	/H/R 02-	1	M 476
(4)	A 986 607 011 15	wiring harness engine	03	1	M 96.23/24 M 249	-	986 612 961 00	repair kit wiring harness	/H/R 02-	1	
(4)	986 607 011 17	wiring harness engine	03-	1	M 96.23/24 M 249	-	-	repair kit wiring harness front axle see group 9 / 02 / 10			
(4)	A 986 607 011 16	wiring harness engine	03	1	M 96.23/24 M 249/M 660						
(4)	986 607 011 18	wiring harness engine	03-	1	M 96.23/24 M 249/M 660			- - - E N D - - -			
		connection point X 3/1									
-	928 612 568 00	plug socket black		1							
-	999 652 658 12	contact bush 2,5 - 2 connection point X 3/2		X							
-	999 650 011 40	plug socket blue		1							
-	999 652 567 22	contact bush 2,5 - 1 connection point X 59		X							
-	999 652 879 40	plug socket white		1							
-	999 652 658 12	contact bush 2,5 - 2		X							
-	-	repair kit wiring harness anti-lock brake system brake pad wear indicator rear axle									
-	986 612 953 01	repair kit wiring harness	/H/L -01	1							
-	986 612 953 01	repair kit wiring harness	/H/L 02-	1	M 476						

Model	Year	MG	SG	Illustration	Restrictions	Update	18:17	23.08.2006
986	04	9	02	902-50		203		

Pos	Part Number	Name	Remarks	Qty	Model
		optical waveguide	03-		
-	996 622 702 00	optical waveguide module	/LL	1	M 666
-	996 622 722 00	optical waveguide module	/RL	1	M 666
-	996 622 704 00	optical waveguide module	/LL	1	M 490/M 680
-	996 622 724 00	optical waveguide module	/RL	1	M 490/M 680
-	996 622 706 00	optical waveguide module	/LL	1	M 692
-	996 622 726 00	optical waveguide module	/RL	1	M 692
-	996 622 716 00	optical waveguide module	/LL	1	M 666/M 692
-	996 622 736 00	optical waveguide module	/RL	1	M 666/M 692
-	996 622 703 00	optical waveguide module	/LL	1	M 490/M 666/M 680
-	996 622 723 00	optical waveguide module	/RL	1	M 490/M 666/M 680
-	996 622 705 00	optical waveguide module	/LL	1	M 490/M 680/M 692
-	996 622 725 00	optical waveguide module	/RL	1	M 490/M 680/M 692
-	996 622 715 00	optical waveguide module	/LL	1	M 490/M 666/M 680/M 692
-	996 622 745 00	optical waveguide module	/RL	1	M 490/M 666/M 680/M 692
-	996 610 122 00	support connection point luggage compartment		1	
-	999 507 804 40	expander nut for support		1	
-	996 610 132 00	cable guide t-piece luggage compartment		1	
		- - - E N D - - -			

Model	Year	MG	SG	Illustration	Restrictions	Update	18:17	23.08.2006	PORSCHE	PET	PORSCHE
986	04	9	03	903-00		203					

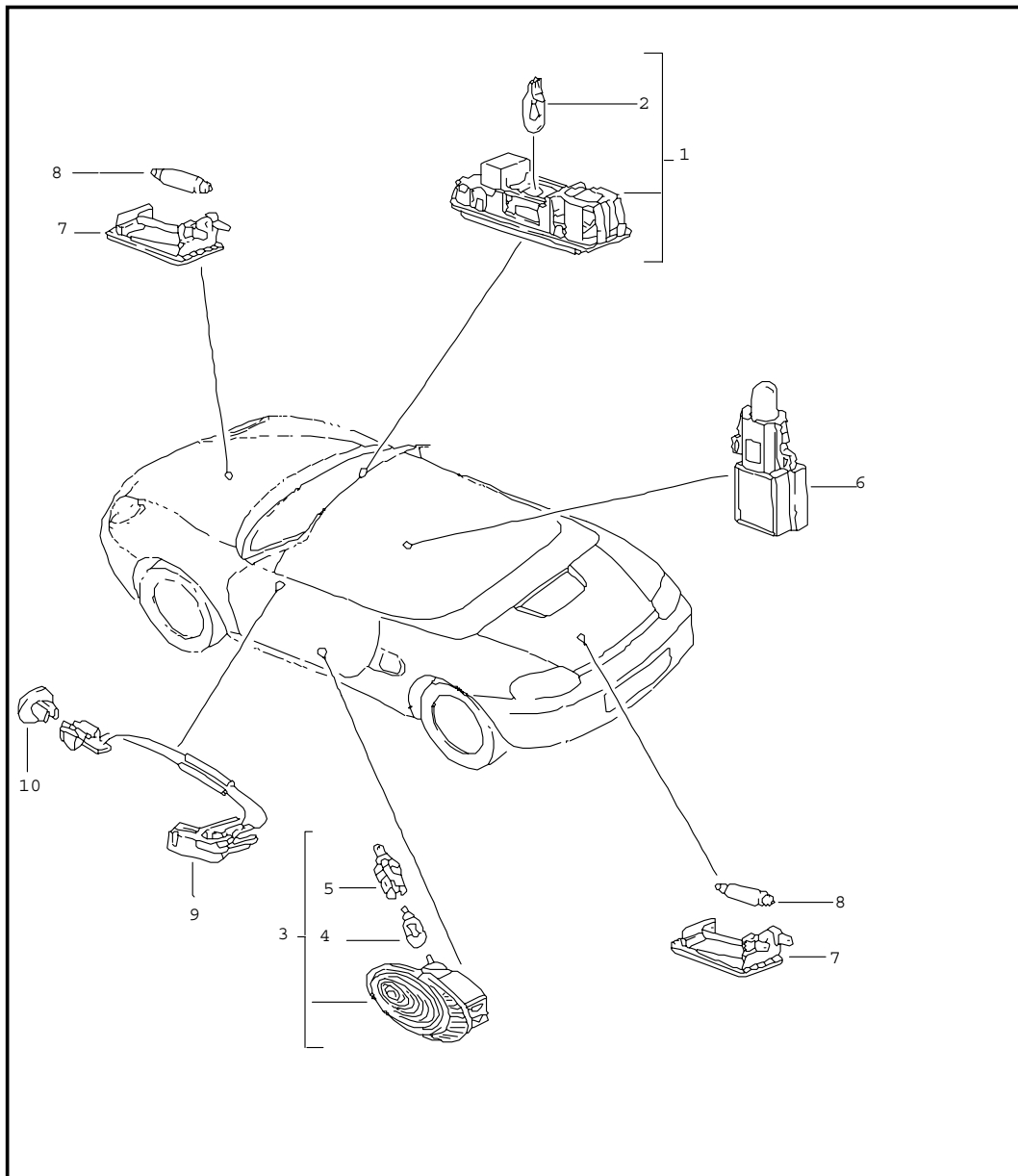


Pos	Part Number	Name	Remarks	Qty	Model
		fanfare horn alarm system			M 536
1	A 996 635 206 03	fanfare high-pitched	-03	1	
1	996 635 206 04	fanfare high-pitched		1	
2	A 996 635 205 03	fanfare low-pitched	-03	1	
2	996 635 205 04	fanfare low-pitched		1	
-	999 650 490 40	plug socket		2	
-	999 650 135 22	connector		4	
-	999 650 126 40	gasket		4	
3	996 635 150 00	support		1	
4	N 042 121 3	shake-proof washer A 6,4		2	
5	900 380 015 09	hexagon nut M 6		2	
6	900 377 003 02	hexagon nut M 8		1	
7	A 996 637 117 01	horn for alarm system		1	
7	996 637 117 02	horn for alarm system		1	
8	900 075 459 09	screw M 6 X 12 Z2		1	
9	A 996 618 237 03	alarm siren		1	M 536
9	996 618 237 04	alarm siren		1	M 536
-	999 652 946 40	plug socket 3-pole		1	
-	999 650 126 40	gasket		X	
-	999 650 127 40	gasket		X	
-	999 652 934 22	contact bush 0,63 - 0,5		X	

Model	Year	MG	SG	Illustration	Restrictions	Update	18:17	23.08.2006	PORSCHE	PET	PORSCHE
986	04	9	03	903-00		203					

Pos	Part Number	Name	Remarks	Qty	Model	Pos	Part Number	Name	Remarks	Qty	Model
10	999 703 459 40	rubber mounting		1	M 536						
11	996 637 420 01	support	/LL	1	M 536						
(11)	996 637 419 01	support	/RL	1	M 536						
12	A 996 618 265 00	tilt sensor see technical manual GR. 9 / 96 64 32 use also:	-01	1	M 536						
-	996 622 904 00	wiring harness		1							
-	999 650 335 40	plug socket 6-pole	-01	1	M 536						
-	999 652 775 22	contact bush 2,5 - 1	-01	X							
-	999 652 934 22	contact bush 2,5 - 0,4	-01	X							
(12)	996 618 265 01	tilt sensor	02-	1	M 536						
-	996 637 421 00	support tilt sensor	02-	1	M 536						
-	900 378 179 09	hexagon-head bolt M 6 X 16	02-	1	M 536						
-	999 500 078 00	sheetmetal press nut M 6	02-	1	M 536						
		- - - E N D - - -									

Model	Year	MG	SG	Illustration	Restrictions	Update	18:17	23.08.2006	PORSCHE	PET	PORSCHE
986	04	9	03	903-04		203					

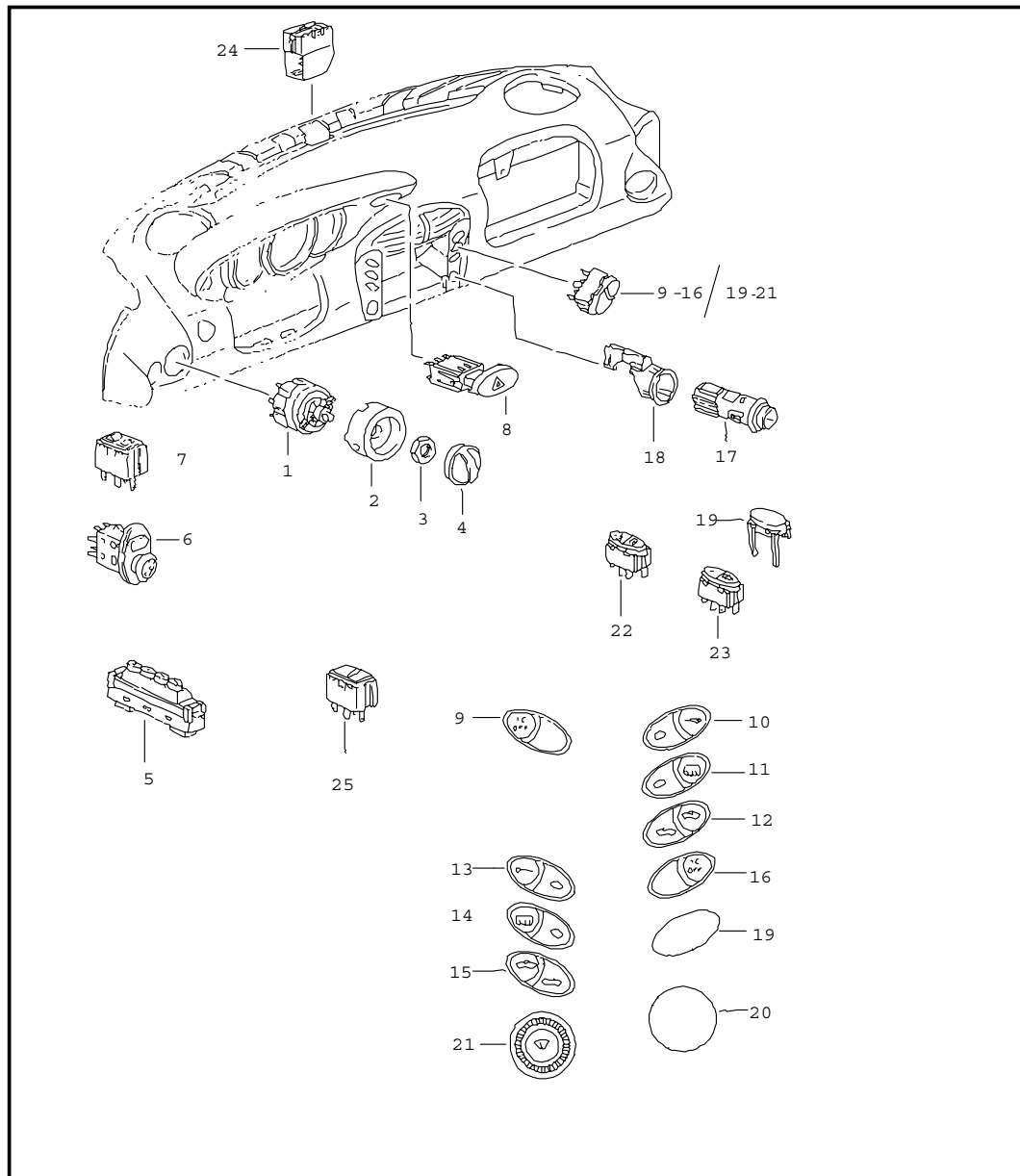


Pos	Part Number	Name	Remarks	Qty	Model
		interior lights luggage boot lamp engine compartment lamp floor light combined lights door opener			XX2
1	986 632 051 00	interior light	-00	1	
(1)	986 632 053 00	interior light	01	1	
(1)	986 632 053 10	interior light	02-	1	
1	986 632 051 00	interior light	01-	1	M 265
2	999 631 032 90	bulb 5 W		1	
-	999 632 018 00	bulb holder	01-	1	
3	996 632 132 01	door guard light		2	M 490
4	999 631 032 90	bulb 5 W		2	M 490
5	161 949 111	bulb holder		2	M 490
6	996 632 113 00	ashtray light		1	
		luggage boot lamp engine compartment lamp floor light			XX2
7 A	959 632 201 00	light		2	
7	997 632 201 00	light		2	
-	815 971 989 B	plug socket		2	
-	N 017 490 6	connector		4	
8	900 631 106 90	linolite lamp 10 W		2	
-	996 632 980 00	support floor light		2	XX2
9	986 632 121 12	combined lights driver's door door opener ignition starter lock	/LL 01-	1	
(9)	986 632 124 12	combined lights driver's door door opener ignition starter lock	/RL 01-	1	

Model	Year	MG	SG	Illustration	Restrictions	Update	18:17	23.08.2006	PORSCHE	PET	PORSCHE
986	04	9	03	903-04		203					

Pos	Part Number	Name	Remarks	Qty	Model	Pos	Part Number	Name	Remarks	Qty	Model
(9)	996 632 122 02	combined lights passenger's door door opener	/LL 01-	1							
(9)	996 632 123 02	combined lights passenger's door door opener	(RL 01-	1							
10	986 632 125 00	rose driver's door combined lights ignition starter lock	/LL 01-	1							
(10)	986 632 126 00	rose driver's door combined lights ignition starter lock	/RL 01-	1							
		- - - E N D - - -									

Model	Year	MG	SG	Illustration	Restrictions	Update	18:18	23.08.2006	PORSCHE	PET	PORSCHE
986	04	9	03	903-05		203					



Pos	Part Number	Name	Remarks	Qty	Model
		switch			
1	996 613 535 00	light switch		1	
-	999 650 346 40	terminal sleeve housing		1	
-	999 650 343 40	cover		1	
-	999 652 437 12	connector \$ 4,0		X	
-	999 652 351 22	connector \$ 2,5		X	
2	996 613 631 01	headlight unit	/LL	1	
(2)	996 613 632 01	headlight unit	/RL	1	
-	999 652 972 40	plug socket		1	
-	999 652 973 40	cap		1	
-	999 652 901 22	connector		5	
3	999 034 030 09	hexagon nut M 16 X 1		1	
4	996 613 533 01	rotary knob	-01	1	
		A01			
4	996 613 533 10	rotary knob	02-	1	
		A05			
5	996 613 103 01	memory switch seat door mirror	-01	1	M 537/M 538
(5)	996 613 103 02	memory switch seat door mirror	02-	1	M 537/M 538
6	996 613 241 00	switch	97	1	M 273
		EAL			
6	996 613 241 00	switch	98-	1	M 273
		01C			
-	993 612 501 00	plug socket		1	
-	N 903 352 04	connector		5	
-	999 652 790 12	cylindrical connector		2	

Model	Year	MG	SG	Illustration	Restrictions	Update	18:18	23.08.2006	PORSCHE	PET	PORSCHE
986	04	9	03	903-05		203					

Pos	Part Number	Name	Remarks	Qty	Model	Pos	Part Number	Name	Remarks	Qty	Model
7	996 613 102 00	tip switch rear spoiler		1		(10)	996 613 144 10	tip switch	/LL 03-	1	
-	999 650 035 40	plug socket		1			A05	black mat central locking system			
-	999 650 330 00	connector		5		-	999 650 107 40	plug socket		1	
8	986 613 120 01	hazard warning light sw.	/LL -01	1		-	999 650 330 00	connector		5	
	A02	gloss black				11	986 613 134 00	tip switch	/LL -01	1	
(8)	986 613 121 01	hazard warning light sw.	/RL -01	1			A02	gloss black heating rear window door mirror			M 550 M 273
	A02	gloss black									
(8)	986 613 120 10	hazard warning light sw.	/LL 02-	1		11	986 613 134 10	tip switch	/LL 02	1	
	A05	black mat					A05	black mat heating rear window door mirror			M 550 M 273
(8)	986 613 121 10	hazard warning light sw.	/RL 02-	1							
	A05	black mat									
-	999 650 191 40	plug socket		1		(11)	996 613 134 10	tip switch	/LL 03-	1	
-	999 650 192 40	locking device		1			A05	black mat heating rear window door mirror			
-	999 652 475 22	connector		9							
9	986 613 141 00	tip switch	/LL -00	1	M 222	-	999 650 110 40	plug socket		1	
	A02	gloss black				-	999 650 103 12	connector		5	
(9)	986 613 145 00	tip switch	/LL 01	1	M 476	12	986 613 138 00	tip switch	/LL -01	1	
	A02	gloss black					A02	gloss black folding top control			
(9)	986 613 145 10	tip switch	/LL 02	1	M 476	12	986 613 138 10	tip switch	/LL 02	1	
	A05	black mat					A05	black mat folding top control			
(9)	996 613 145 10	tip switch	/LL 03-	1	M 476	(12)	996 613 138 10	tip switch	/LL 03-	1	
	A05	black mat					A05	black mat folding top control			
-	999 650 107 40	plug socket		1							
-	999 650 103 12	connector		5		-	999 650 111 40	plug socket		1	
10	986 613 144 00	tip switch	/LL -01	1		-	999 650 330 00	connector		5	
	A02	gloss black central locking system				13	986 613 143 00	tip switch	/RL 01	1	
10	986 613 144 10	tip switch	/LL 02	1			A02	gloss black central locking system			
	A05	black mat central locking system									



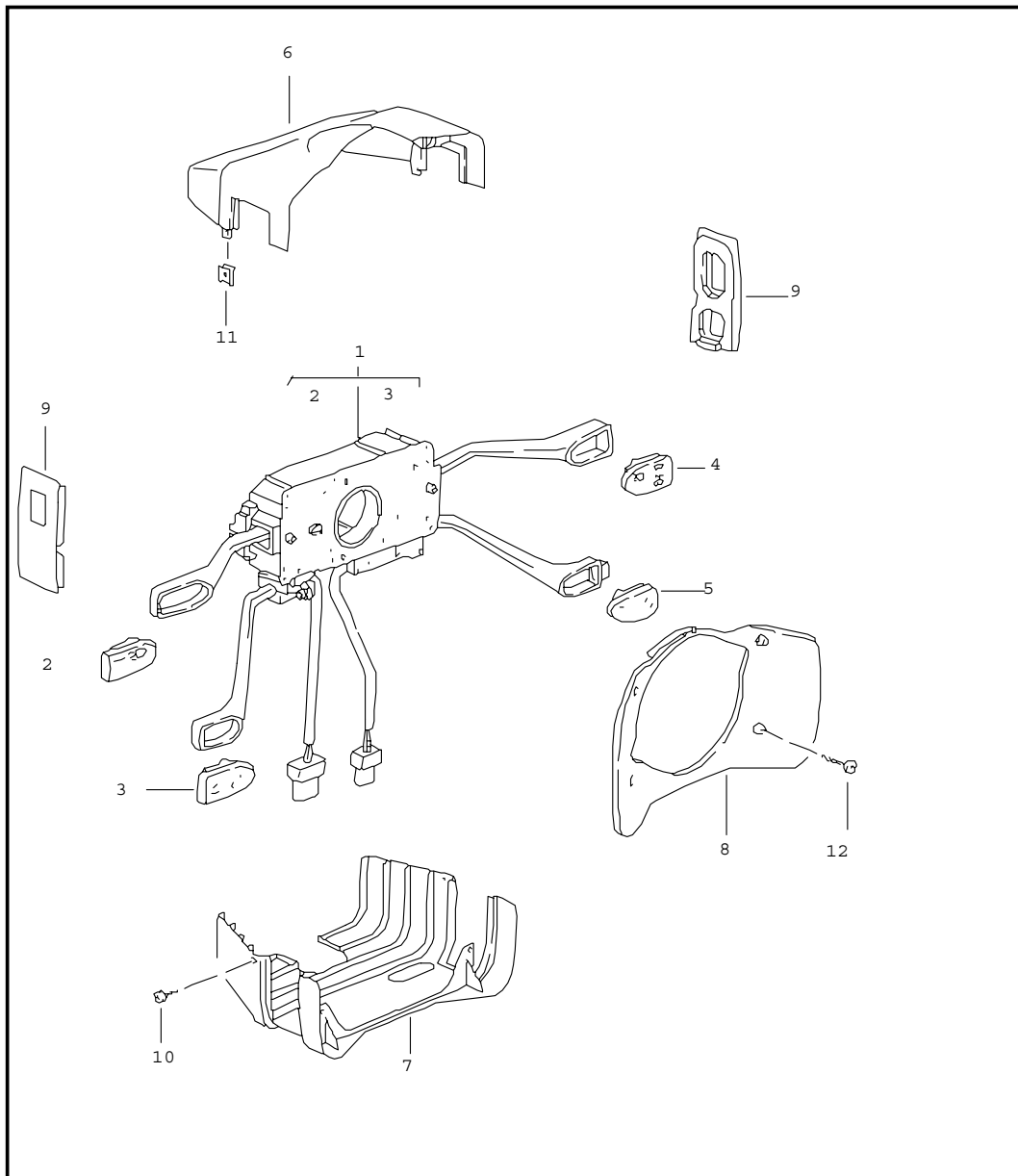
Model	Year	MG	SG	Illustration	Restrictions	Update	18:18	23.08.2006	PORSCHE	PET	PORSCHE
986	04	9	03	903-05		203					

Pos	Part Number	Name	Remarks	Qty	Model	Pos	Part Number	Name	Remarks	Qty	Model
13	986 613 143 10	tip switch	/RL 02	1		16	986 613 142 00	tip switch	/RL -00	1	M 222
	A05	black mat central locking system					A02	gloss black			
(13)	996 613 143 10	tip switch	/RL 03-	1		(16)	986 613 146 00	tip switch	/RL 01	1	M 476
	A05	black mat central locking system					A02	gloss black			
-	999 650 107 40	plug socket		1		(16)	986 613 146 10	tip switch	/RL 02	1	M 476
-	999 650 330 00	connector		5			A05	black mat			
14	986 613 133 00	tip switch	/RL -01	1		(16)	996 613 146 10	tip switch	/RL 03-	1	M 476
	A02	gloss black heating rear window door mirror			M 550 M 273		A05	black mat			
						-	999 650 107 40	plug socket		1	
						-	999 650 103 12	connector		5	
14	986 613 133 10	tip switch	/RL 02	1		17	996 652 101 00	cigarette lighter	-01	1	
	A05	black mat heating rear window door mirror			M 550 M 273	17	996 652 101 10	cigarette lighter	02-	1	
							A05	black mat			
(14)	996 613 133 10	tip switch	/RL 03-	1		-	999 650 284 40	plug socket		1	
	A05	black mat heating rear window door mirror				-	999 652 735 12	connector		3	
						(17)	996 652 103 00	socket		1	M 580
-	999 650 110 40	plug socket		1			A01	gloss black			
-	999 650 103 12	connector		5		18	996 652 102 01	headlight unit	-01	1	
15	986 613 137 00	tip switch	/RL -01	1		18	996 652 102 10	headlight unit	02-	1	
	A02	gloss black folding top control				(18)	996 652 104 00	tensioning sleeve		1	M 580
15	986 613 137 10	tip switch	/RL 02	1		19	996 552 425 00	cover	-99	X	
	A05	black mat folding top control					A01	gloss black			
(15)	996 613 137 10	tip switch	/RL 03-	1		(19)	986 613 425 00	cover	-01	X	
	A05	black mat folding top control					A01	gloss black switch display specimen			
-	999 650 111 40	plug socket		1		(19)	996 613 425 10	cover	02-	X	
-	999 650 330 00	connector		5			A05	black mat switch display specimen			
						(19)	996 613 980 06	tip switch	02-	1	XX2

Model	Year	MG	SG	Illustration	Restrictions	Update	18:18	23.08.2006	PORSCHE	PET	PORSCHE
986	04	9	03	903-05		203					

Pos	Part Number	Name	Remarks	Qty	Model	Pos	Part Number	Name	Remarks	Qty	Model
	A05	black mat floor light					A02	gloss black seat heater			
20	986 552 543 00	cover	97-	X		(23)	986 613 152 10	tip switch	02	2	M 139,M 340,
	B12	black-grey					A05	black mat seat heater	03-		M 342
20	986 552 543 01	cover	98-	X		-	999 650 109 40	plug socket	/L	1	
	D05	granite grey				-	999 650 330 00	connector	/L	5	
	C02	metal grey				-	999 650 035 40	plug socket	/R	1	
	A03	black	00-			-	999 650 330 00	connector	/R	5	
(20)	986 552 983 05	cover arctic silver	01	X	XKW	24	996 637 137 00	light alarm system		1	M 534,M 535
21	996 613 115 00	potentiometer	-01	1	M 008	-	999 650 053 40	plug socket		1	
	A02	gloss black wipe interval				-	N 903 352 04	connector F >>98VS6 04498		2	
21	996 613 115 10	potentiometer	02-	1	M 008	24	996 653 251 00	light alarm system with sensor		1	M 534,M 535, M 573
	A05	black mat wipe interval				-	999 650 221 40	plug socket F 98VS6 04499>>		1	
(21)	996 613 127 00	potentiometer	01	1	M 265						
	A02	gloss black wipe interval				25	996 613 105 10	tip switch	01-	1	
(21)	996 613 127 10	potentiometer	02-	1	M 265		A05	black mat cover front			
	A05	black mat wipe interval									
22	996 613 151 00	tip switch	-01	2		(25)	996 613 106 10	tip switch	01-	1	
	A02	gloss black power windows					A05	black mat cover rear			
22	996 613 151 10	tip switch	02-	2							
	A05	black mat power windows									
-	999 650 109 40	plug socket	/L	1							
-	999 650 330 00	connector	/L	5							
-	999 650 035 40	plug socket	/R	1							
-	999 650 330 00	connector	/R	5							
23	986 613 152 00	tip switch	-01	2	M 139,M 340						
									- - - E N D - - -		

Model	Year	MG	SG	Illustration	Restrictions	Update	7:59	24.08.2006	PORSCHE	PET	PORSCHE
986	04	9	03	903-10		203					



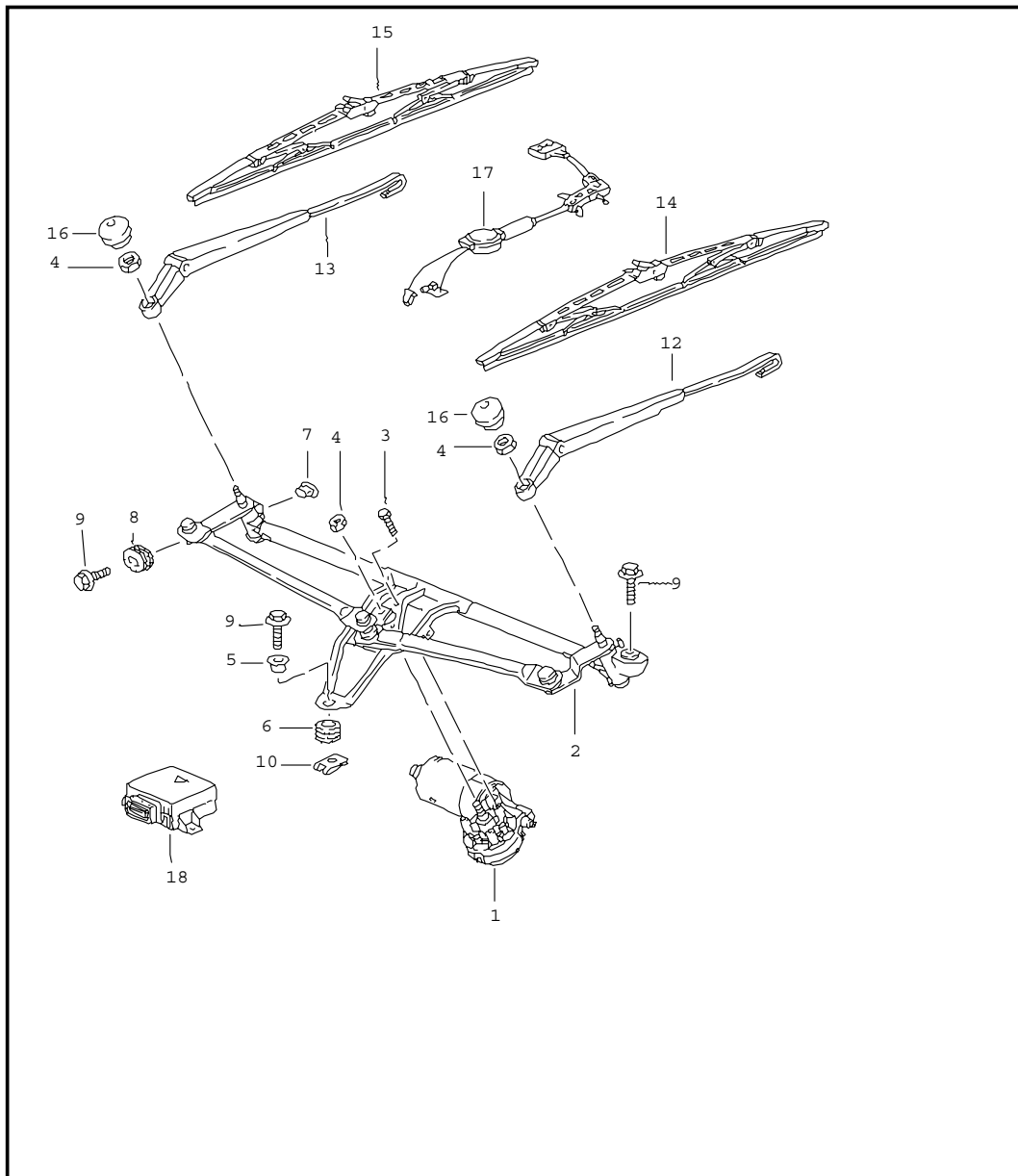
Pos	Part Number	Name	Remarks	Qty	Model
1	996 613 219 10	steering column switch		1	M 454/659
	EWC	black mat/satin black			
1	996 613 217 10	steering column switch		1	M 454
	EWC	black mat/satin black			
1	996 613 215 10	steering column switch		1	M 659
	EWC	black mat/satin black			
1	996 613 213 10	steering column switch		1	
	EWC	black mat/satin black			
-	999 652 640 40	plug socket	/L	1	
-	999 652 639 22	contact bush	/L	X	
-	999 652 641 40	plug socket	/R	1	
-	999 652 639 22	contact bush	/R	X	
-	999 650 056 40	plug socket		1	M 659
-	999 650 057 40	cap		1	M 659
-	999 652 901 22	contact bush		X	M 659
-	999 652 972 40	plug socket		1	M 454
-	999 652 973 40	cap		1	M 454
-	999 652 901 22	contact bush		X	M 454
2	996 613 509 00	cap with symbol	-01	1	
	A01	gloss black direction indicator light high beam			
2	996 613 509 10	cap with symbol	02-	1	
	A05	black mat direction indicator light high beam			
3	996 613 503 01	cap with symbol	-01	1	M 659
	A01	gloss black			
3	996 613 503 10	cap with symbol	02-	1	M 659

Model	Year	MG	SG	Illustration	Restrictions	Update	7:59	24.08.2006	PORSCHE	PET	PORSCHE
986	04	9	03	903-10		203					

Pos	Part Number	Name	Remarks	Qty	Model	Pos	Part Number	Name	Remarks	Qty	Model
	A05	black mat					01C	satin black			
4	996 613 507 00	cap with symbol	-01	1	M 288	7	996 552 275 02	switch housing	99	1	
	A01	gloss black					01C	satin black			
4	996 613 507 10	cap with symbol	02-	1	M 288	(7)	996 552 275 03	switch housing	00-	1	
	A05	black mat					A03	black lacquered			
(4)	996 613 508 00	cap with symbol	-01	1		-	996 610 206 00	support for connector housing		1	
	A01	gloss black									
(4)	996 613 508 10	cap with symbol	02-	1		8	993 552 277 00	cover	-99	1	
	A05	black mat					01C	satin black			
5	996 613 504 00	cap with symbol	-01	1	M 454	(8)	996 552 277 00	cover	00-	1	
	A01	gloss black german					A03	black lacquered			
5	996 613 504 10	cap with symbol	02-	1	M 454	9	993 552 573 00	cover		X	
	A05	black mat german					01C	satin black			
(5)	996 613 505 00	cap with symbol	-01	1	M 454					1	M 454
	A01	gloss black english								1	M 659
(5)	996 613 505 10	cap with symbol	02-	1	M 454	(9)	993 552 573 01	cover		X	
	A05	black mat english					01C	satin black			
(5)	996 613 506 00	cap with symbol	-01	1	M 454	10	900 143 002 07	tapping screw B 2,9 X 9,5		2	
	A01	gloss black french				11	999 591 888 02	speed nut B 2,9		2	
(5)	996 613 506 10	cap with symbol	02-	1	M 454	12	900 143 072 02	oval-head sheetmetal screw B 3,5 X 19		4	
	A05	black mat french									
6	996 552 273 00	switch housing	-99	1							
	01C	satin black									
(6)	996 552 273 01	switch housing	00-	1							
	A03	black lacquered									
7	996 552 275 00	switch housing	-98	1							

- - - E N D - - -

Model	Year	MG	SG	Illustration	Restrictions	Update	8:00	24.08.2006	PORSCHE	PET	PORSCHE
986	04	9	04	904-00		203					

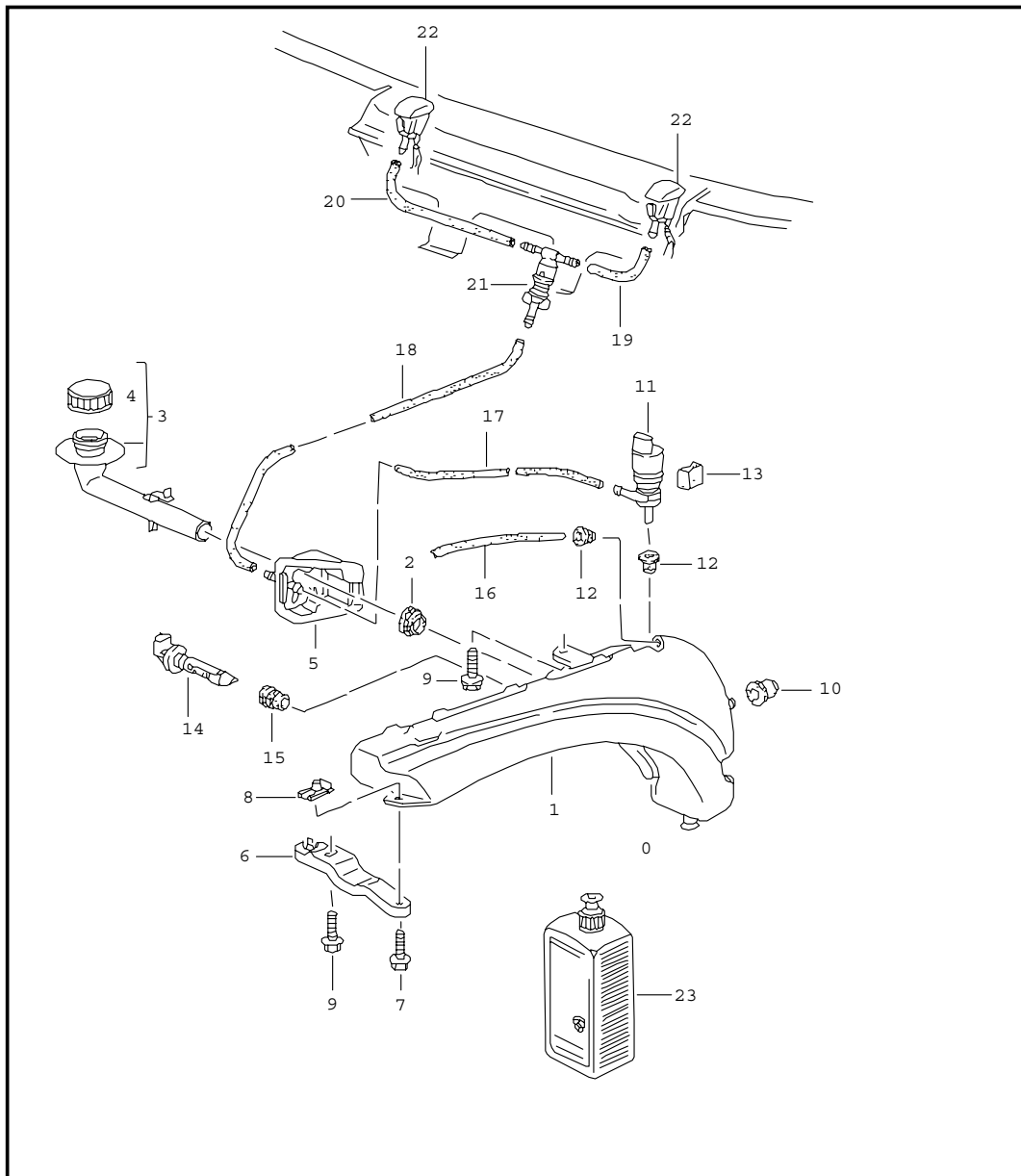


Pos	Part Number	Name	Remarks	Qty	Model
		windscreen wiper system rain sensor			M 265
1	A 996 624 105 00	wiper motor	/LL	1	
1	997 624 105 00	wiper motor	/LL	1	
(1)	A 996 624 106 00	wiper motor	/RL	1	
(1)	997 624 106 00	wiper motor	/RL	1	
2	A 996 628 935 00	crank drive	/LL	1	
2	997 628 235 00	crank drive	/LL	1	
(2)	A 996 628 936 00	crank drive	/RL	1	
(2)	997 628 236 00	crank drive	/RL	1	
3	900 075 014 02	hexagon-head bolt M 6 X 18		3	
4	900 076 025 02	hexagon nut M 8		3	
5	999 924 102 02	sleeve		1	
6	999 702 204 50	rubber bush		1	
7	996 628 713 00	sleeve		1	
8	996 628 703 00	rubber bush		1	
9	999 075 056 09	screw M 6 X 22 Z2		3	
10	999 507 246 02	speed nut M 6		1	
12	986 628 028 00	wiper arm driver's side	/LL	1	
(12)	996 628 027 01	wiper arm passenger's side	/RL	1	
13	996 628 028 01	wiper arm passenger's side	/LL	1	
(13)	986 628 027 00	wiper arm driver's side	/RL	1	
(14)	996 628 901 08	wiper blade see technical information GR. 9 , NR. 1/03 set driver's side passenger's side	/LL	1	

Model	Year	MG	SG	Illustration	Restrictions	Update	8:00	24.08.2006	PORSCHE	PET	PORSCHE
986	04	9	04	904-00		203					

Pos	Part Number	Name	Remarks	Qty	Model	Pos	Part Number	Name	Remarks	Qty	Model
(15)	996 628 901 08	wiper blade see technical information GR. 9 , NR. 1/03 set driver's side passenger's side	/RL	1							
16	944 628 305 01	cap		2							
17	986 612 506 00	rain sensor with wiring harness		1	M 265						
-	000 043 204 65	adhesive film for rain sensor see technical manual GR. 9 / 92 12 19		1	M 265						
18	996 615 113 00	control unit rain sensor		1	M 265						
		- - - E N D - - -									

Model	Year	MG	SG	Illustration	Restrictions	Update	8:00	24.08.2006	PORSCHE	PET	PORSCHE
986	04	9	04	904-10		203					



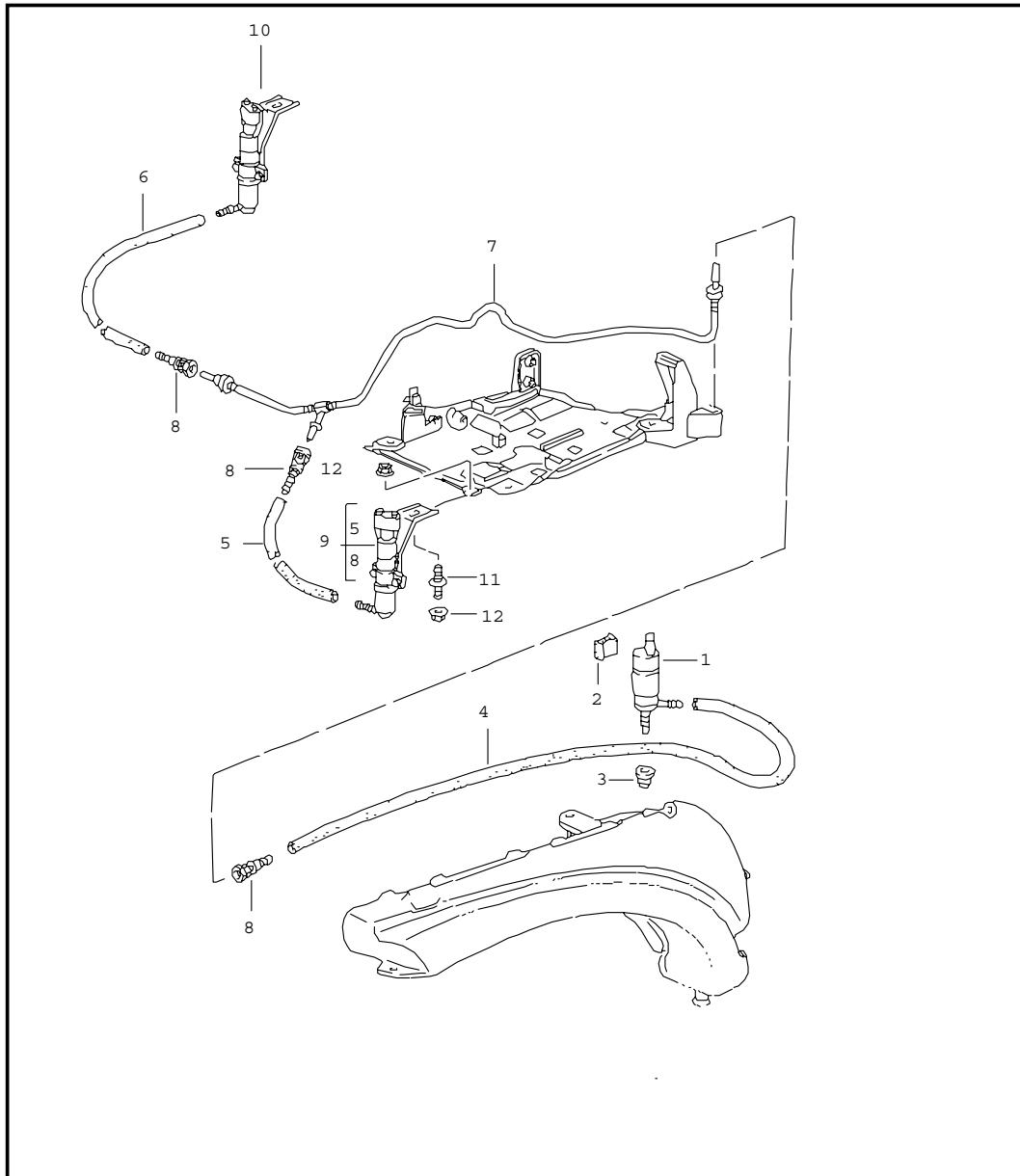
Pos	Part Number	Name	Remarks	Qty	Model
		windscreen washer system			
1	996 528 701 00	water reservoir		1	M 288
(1)	996 528 701 01	water reservoir		1	
2	996 528 711 00	gasket		1	
3	996 528 605 00	filler neck		1	
4	996 528 607 00	cover		1	
5	996 528 615 01	bracket		1	
-	999 137 091 40	socket repair material for bracket 996.528.615.00/01		X	
(6)	996 528 611 02	support		1	M 288
7	900 378 030 09	hexagon-head bolt M 6 X 20		1	M 288
8	999 591 882 02	speed nut M 6		1	M 288
9	900 378 154 09	hexagon-head bolt AM 8 X 35 SB		1	M 288
10	999 702 221 40	grommet		2	
11	996 628 172 00	pump		1	
12	431 955 465 B	gasket		2	
13	993 628 213 00	spacer		1	M 288
14	996 628 105 00	tank gauge		1	
15	996 528 721 00	gasket		1	
16	999 181 347 40	breather pipe 245 MM 640 MM		*	M 288
-	999 181 815 40	hose 5,0 X 2,5		*	
17	-	400 MM		1	
18	-	560 MM		1	
19	-	80 MM		1	
20	-	380 MM		1	

Model	Year	MG	SG	Illustration	Restrictions	Update	8:00	24.08.2006	PORSCHE	PET	PORSCHE
986	04	9	04	904-10		203					

Pos	Part Number	Name	Remarks	Qty	Model	Pos	Part Number	Name	Remarks	Qty	Model
21	996 628 102 00	t-piece		1							
22	A 996 628 077 00	nozzle adjustable	97-98	2							
(22)	A 996 628 077 01	nozzle not adjustable	99-	2							
(22)	P 996 628 077 03	nozzle not adjustable	99-	2							
		when required order also:									
-	P 997 612 976 00	repair kit wiring harness		2							
23	999 901 017 41	window cleaner 250 ML summer		X							
23	999 901 033 40	window cleaner 1000 ML winter		X							
		- - - E N D - - -									

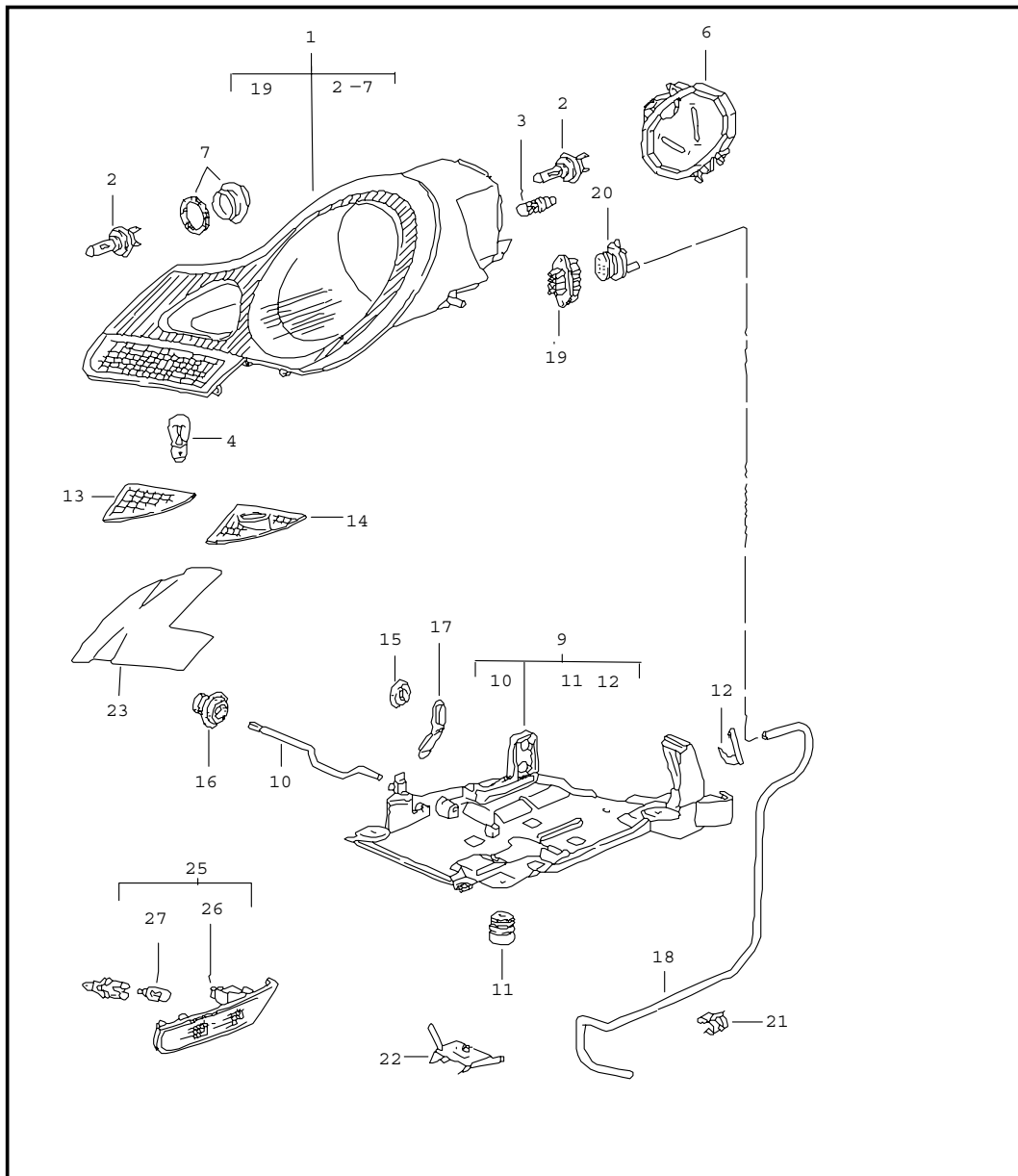


Model	Year	MG	SG	Illustration	Restrictions	Update	8:00	24.08.2006	PORSCHE	PET	PORSCHE
986	04	9	04	904-20		203					



Pos	Part Number	Name	Remarks	Qty	Model
		headlight washer system			M 288
1	996 624 502 00	pump		1	
2	993 628 213 00	spacer		1	
3	928 628 193 00	gasket without strainer		1	
(3)	996 628 393 00	gasket with strainer		1	
-	000 043 204 79	hose 8 X 3		*	
4	-	1020 MM		1	
5	-	170 MM		1	
6	-	930 MM		1	
-	999 512 673 00	hose clamp for POS. 1 + 8		X	
-	999 512 568 02	hose clamp for POS. 5 + 6		X	
7	996 628 673 00	line		1	
8	996 628 675 00	quick-connecting lock		3	
9	996 628 333 00	nozzle	/L	1	
10	996 628 334 00	nozzle	/R	1	
11	996 628 335 00	threaded bolt		2	
12	999 076 064 02	hexagon nut M 6-S		4	
- - - E N D - - -					

Model	Year	MG	SG	Illustration	Restrictions	Update	8:00	24.08.2006	PORSCHE	PET	PORSCHE
986	04	9	05	905-00		203					

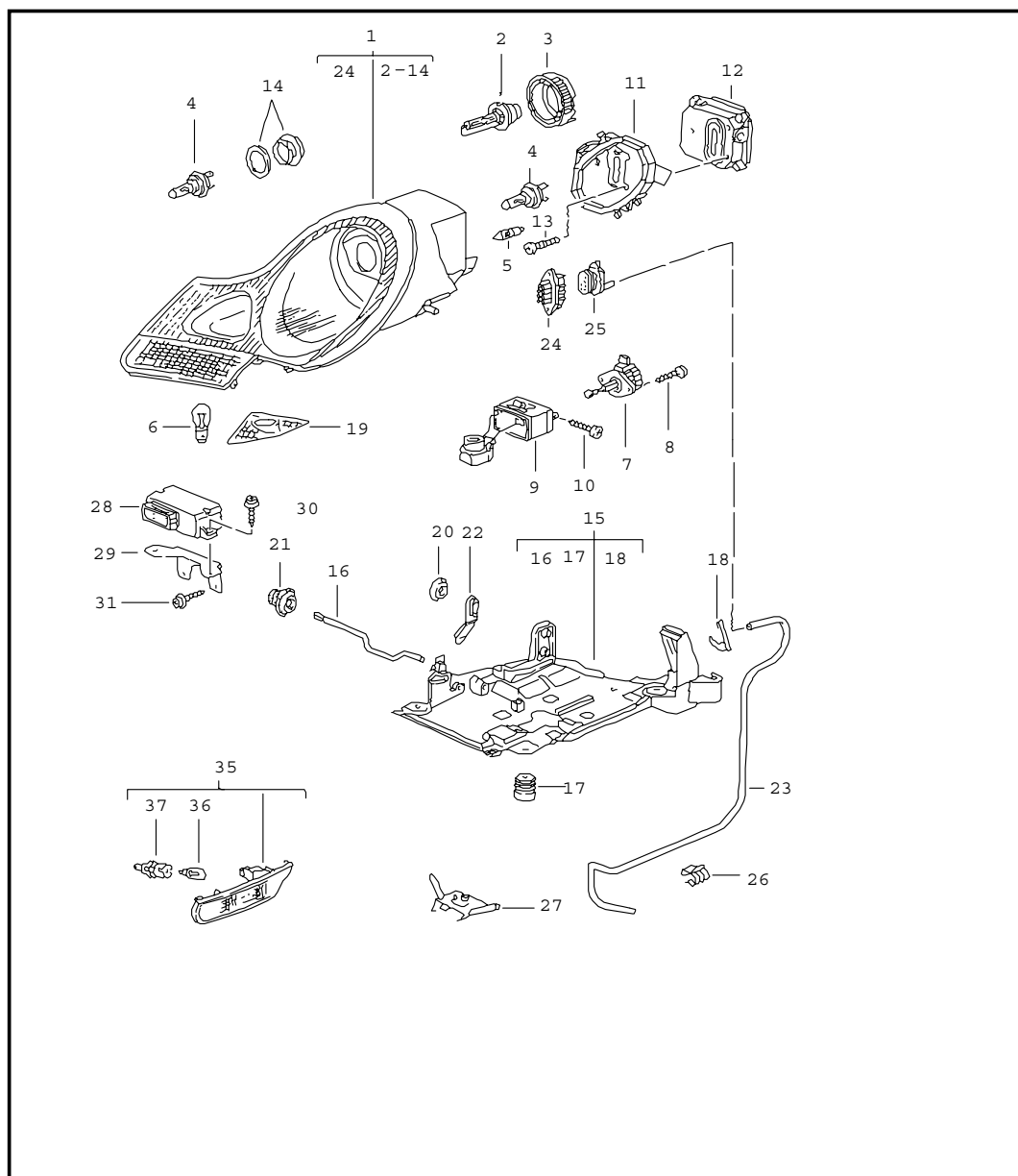


Pos	Part Number	Name	Remarks	Qty	Model
		headlamp side turn signal			
1	986 631 131 07	headlamp	/L -02	1	
1	986 631 131 17	headlamp	/L 03-	1	
1	986 631 132 07	headlamp	/R -02	1	
1	986 631 132 17	headlamp	/R 03-	1	
1	986 631 131 11	headlamp	/L -02	1	M 492
1	986 631 131 21	headlamp	/L 03-	1	M 492
1	986 631 132 11	headlamp	/R -02	1	M 492
1	986 631 132 21	headlamp	/R 03-	1	M 492
1	986 631 131 15	headlamp	/L98 -02	1	M 492 (J)
1	986 631 132 15	headlamp	/R98 -02	1	M 492 (J)
2	999 631 133 90	halogen bulb H 7		2	
3	999 631 032 90	bulb 5 W		2	
4	900 631 127 90	bulb 21 W		2	
6	996 631 231 00	protective cap headlamp		2	
7	996 631 233 00	protective cap fog headlamp		2	
9	996 631 041 00	mounting	/L	1	
(9)	996 631 042 00	mounting	/R	1	
10	996 631 243 00	clamping bow		2	
11	996 631 077 00	fastening part		6	
12	996 631 245 00	locking device connector housing	/L	1	
(12)	996 631 246 00	locking device connector housing	/R	1	
13	996 631 035 00	trim	/L -02	1	
13	996 631 045 00	trim	/L 03-	1	
(13)	996 631 036 00	trim	/R -02	1	

Model	Year	MG	SG	Illustration	Restrictions	Update	8:00	24.08.2006	PORSCHE	PET	PORSCHE
986	04	9	05	905-00		203					

Pos	Part Number	Name	Remarks	Qty	Model	Pos	Part Number	Name	Remarks	Qty	Model
(13)	996 631 046 00	trim	/R 03-	1		(21)	999 651 282 40	cable holder breather pipe front embellisher		X	
14	996 631 035 01	trim	/L -02	1	M 288						
14	996 631 045 01	trim	/L 03-	1	M 288	22	996 631 693 00	support mount front embellisher F 98VS6 02684>>		1	
(14)	996 631 036 01	trim	/R -02	1	M 288						
(14)	996 631 046 01	trim when required order also: only for model year 03 headlamp right	/R 03-	1	M 288	23	996 631 137 00	set cover foil headlamp for left-hand traffic vehicles in rh traffic countries		1	
-	996 631 299 00	retaining strip for trim	/R 03	1		(23)	996 631 138 00	set cover foil headlamp for right-hand traffic vehic. in lh traffic countries see tpi GR. 9 / NR. 15		1	
15	803 803 583 A	cover		2							
16	999 703 413 40	plug		2							
(17)	993 631 170 03	plug		6				side turn signal			
18	996 631 641 02	breather pipe F >>98VS6 02683	/L	1		25	996 631 033 01	side turn signal	/L -02	1	
(18)	996 631 641 03	breather pipe F 98VS6 02684>>	/L	1		25	996 631 043 01	side turn signal	03-	1	
(18)	996 631 642 02	breather pipe F >>98VS6 02683	/R	1		(25)	996 631 034 01	side turn signal	/R -02	1	
(18)	996 631 642 03	breather pipe F 98VS6 02684>>	/R	1		(25)	996 631 044 01	side turn signal	/R 03-	1	
19	999 652 832 40	connector housing headlamp		2		-	999 652 838 40	plug socket		2	
20	999 650 150 40	connector housing wiring harness		2		-	999 652 771 12	connector		4	
-	999 652 744 20	connector		16		-	999 704 161 40	gasket		4	
-	999 704 161 40	gasket		16		26	999 631 032 90	bulb 5 W white	-02	2	
21	999 651 317 09	clamp breather pipe		X		26	999 631 138 90	bulb 5 W yellow	03-	2	
(21)	999 651 276 40	cable holder breather pipe wing strut		X		27	996 631 133 00	bulb holder	-02	2	
						(27)	996 631 133 01	bulb holder	03-	2	
								- - - E N D - - -			

Model	Year	MG	SG	Illustration	Restrictions	Update	8:01	24.08.2006	PORSCHE	PET	PORSCHE
986	04	9	05	905-01		203					



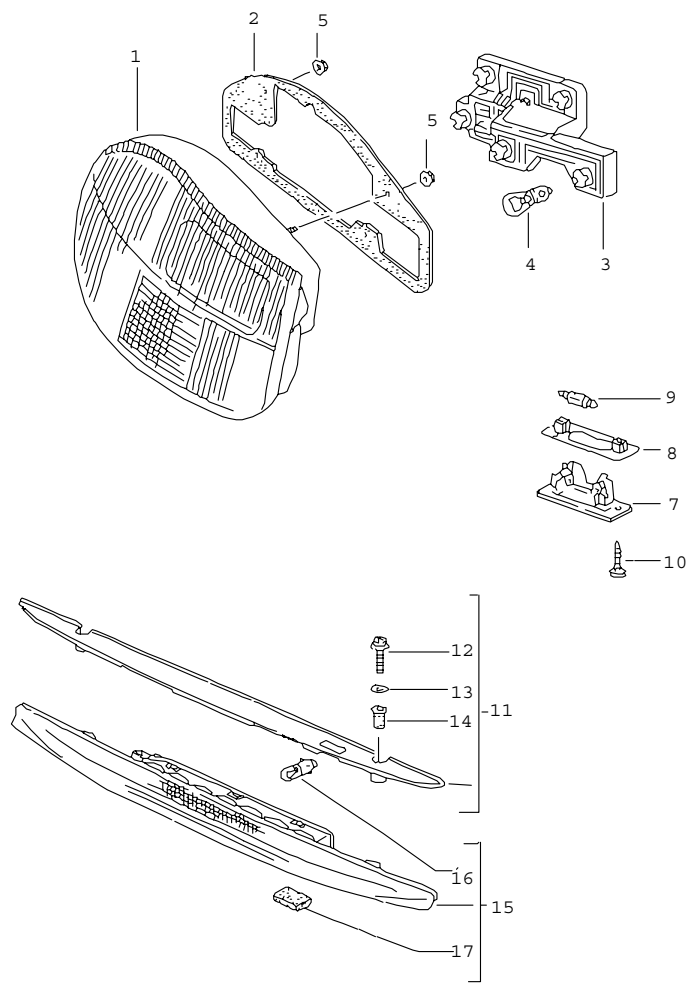
Pos	Part Number	Name	Remarks	Qty	Model
		headlamp side turn signal	99-		M 601
1	996 631 157 01	headlamp	/L	1	
1	996 631 158 01	headlamp	/R	1	
1	996 631 157 04	headlamp	/L	1	M 492
1	996 631 158 04	headlamp	/R	1	M 492
2	999 631 036 90	bulb - PHILIPS -		2	
3	996 631 189 00	retainer		2	
4	999 631 133 90	halogen bulb H 7		4	
5	999 631 140 90	bulb H 6 W position light		2	
6	900 631 127 90	bulb 21 W direction indicator light		2	
7	996 631 125 00	electric motor headlight levelling system		2	
8	996 631 199 00	screw 3,9 X 16		4	
9	996 631 195 01	ignition control unit		2	
10	996 631 199 00	screw 3,9 X 16		4	
11	996 631 241 01	protective cap headlamp	/L	1	
(11)	996 631 242 01	protective cap headlamp	/R	1	
12	993 631 193 02	control unit		2	
13	900 146 123 02	screw M 5 X 16		6	
14	996 631 233 00	protective cap fog headlamp		2	
15	996 631 041 00	mounting	/L	1	
(15)	996 631 042 00	mounting	/R	1	
16	996 631 243 00	clamping bow		2	

Model	Year	MG	SG	Illustration	Restrictions	Update	8:01	24.08.2006	PORSCHE	PET	PORSCHE
986	04	9	05	905-01		203					

Pos	Part Number	Name	Remarks	Qty	Model	Pos	Part Number	Name	Remarks	Qty	Model
17	996 631 077 00	fastening part		6		(29)	996 618 155 13	support F 981S6 01718>> F 981U6 03481>> F 981S6 41602>> F 981U6 43728>>	-01	1	
18	996 631 245 00	locking device connector housing	/L	1							
(18)	996 631 246 00	locking device connector housing	/R	1		(29)	996 618 155 10	support	02-	1	
19	996 631 045 01	trim	/L	1		30	900 143 157 07	screw BZ 4,2 X 13 Z2		2	
(19)	996 631 046 01	trim	/R	1		31	999 073 169 07	tapping screw ST 4,8 X 16	-01	2	
20	803 803 583 A	cover		2		31	999 073 196 09	tapping screw ST 4,8 X 9,5	02-	1	
21	999 703 413 40	plug		2		-	999 591 855 02	speed nut 4,8	02-	1	
22	993 631 170 03	plug		6							
23	996 631 641 03	breather pipe	/L	1							
(23)	996 631 642 03	breather pipe	/R	1							
24	999 652 832 40	connector housing headlamp		2				sensor headlight levelling system see group 4/01/00 5/01/01	/V /H		
25	999 650 150 40	connector housing wiring harness		2				side turn signal			
-	999 652 744 20	connector		16		35	996 631 033 01	side turn signal	/L	1	
-	999 704 161 40	gasket		16		(35)	996 631 034 01	side turn signal	/R	1	
26	999 651 317 09	clamp breather pipe		X		-	999 652 838 40	plug socket		2	
(26)	999 651 276 40	cable holder breather pipe wing strut		X		-	999 652 771 12	connector		4	
(26)	999 651 282 40	cable holder breather pipe front embellisher		X		-	999 704 161 40	gasket		4	
						36	999 631 032 90	bulb 5 W		2	
27	996 631 693 00	support mount front embellisher		1		37	996 631 133 00	bulb holder		2	
28	996 618 151 15	control unit headlight levelling system		1				- - - E N D - - -			
29	996 618 155 00	support F >>981S6 01717 F >>981U6 03480 F >>981S6 41601 F >>981U6 43727	-01	1							

Model	Year	MG	SG	Illustration	Restrictions	Update	8:01	24.08.2006	PORSCHE	PET	PORSCHE
986	04	9	05	905-05		203					

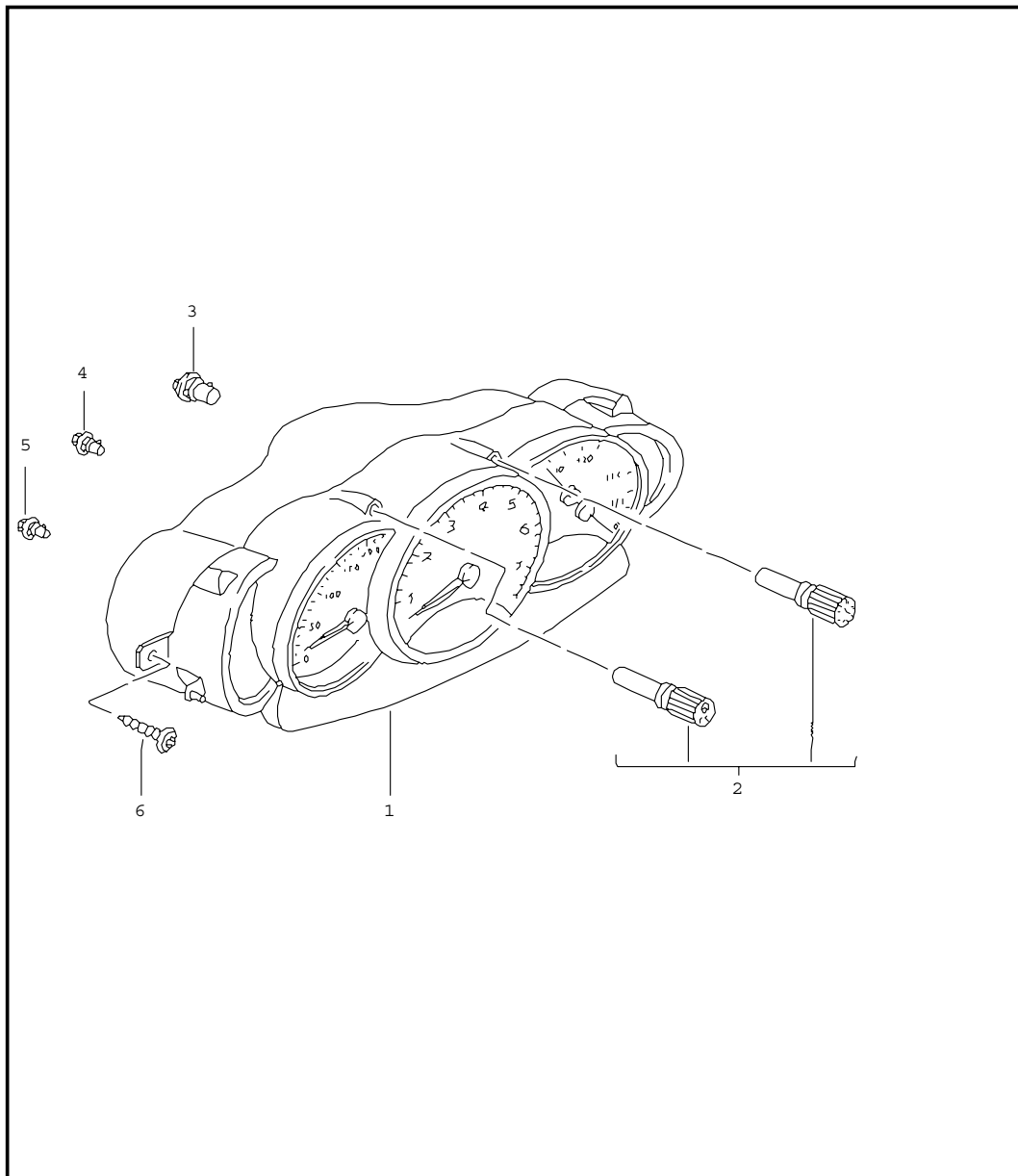
Pos	Part Number	Name	Remarks	Qty	Model
		rear light license plate light additional stoplamp			M 602
1	986 631 441 02	housing with lens use also: gasket 986.631.440.00	/L -98	1	
(1)	986 631 442 02	housing with lens use also: gasket 986.631.440.00	/R -98	1	
1	986 631 441 03	housing with lens use also: gasket	/L -02	1	
(1)	986 631 442 03	housing 986.631.440.01 with lens use also: gasket	/R -02	1	
1	986 631 445 03	housing with lens use also: gasket 986.631.440.01	/L 03-	1	
(1)	986 631 446 03	housing with lens use also: gasket 986.631.440.01	/R 03-	1	
2	986 631 440 00	gasket 6 MM	-98	2	
2	986 631 440 01	gasket 9 MM	98-	2	
3	986 631 451 00	bulb holder	/L -02	1	
3	986 631 453 02	bulb holder	/L 03-	1	
(3)	986 631 452 00	bulb holder	/R -02	1	
(3)	986 631 454 02	bulb holder	/R 03-	1	



Model	Year	MG	SG	Illustration	Restrictions	Update	8:01	24.08.2006	PORSCHE	PET	PORSCHE
986	04	9	05	905-05		203					

Pos	Part Number	Name	Remarks	Qty	Model	Pos	Part Number	Name	Remarks	Qty	Model
-	999 650 079 40	plug socket		2							
-	N 903 352 04	connector		12							
4	900 631 127 90	bulb 21 W white		X							
4	900 631 131 90	bulb 21 W yellow	03-	X							
4	900 631 104 90	bulb 5 W		X							
5	999 076 056 02	hexagon nut M 5		8							
7	964 631 620 00	license plate light		2							
	01C	black									
8	993 631 166 00	desk pad		2							
9	900 631 105 90	bulb 5 W		2							
10	900 143 085 07	tapping screw 4,2 X 16		4							
11	986 631 051 00	trim		1	M 602						
12	900 146 049 02	screw M 5 X 25		2	M 602						
13	900 025 003 02	washer A 5.3		2	M 602						
14	A 999 500 077 00	sheetmetal press nut M 5		2	M 602						
14	999 500 128 00	sheetmetal press nut M 5		2	M 602						
15	986 631 050 00	additional stoplamp		1	M 602						
16	900 631 019 90	bulb 3 W		7	M 602						
17	996 631 105 00	desk pad		2	M 602						
		- - - E N D - - -									

Model	Year	MG	SG	Illustration	Restrictions	Update	8:07	24.08.2006	PORSCHE	PET	PORSCHE
986	04	9	06	906-01		203					



Pos	Part Number	Name	Remarks	Qty	Model
		instruments complete			
		electronic mail TI-9-0696-BOX			
		instruments X45/X71 see group 9/06/02	01-		
		instrument cluster B O X S T E R	-00		
(1)	986 641 105 01	instrument cluster complete	-99	1	M 481/M 016
	70C	rally black			
(1)	986 641 105 05	instrument cluster complete	00	1	M 481/M 016
	70C	rally black			
(1)	986 641 106 01	instrument cluster complete	-99	1	M 249/M 016
	70C	rally black			
(1)	986 641 106 05	instrument cluster complete	00	1	M 249/M 016
	70C	rally black			
(1)	986 641 105 03	instrument cluster complete	98-99	1	M 481/M 011
	EMR	ocean jade/black			
	EBN	zenith blue/black			
(1)	986 641 106 03	instrument cluster complete	98-99	1	M 249/M 011
	EMR	ocean jade/black			
	EBN	zenith blue/black			
(1)	986 641 105 04	instrument cluster complete	98-99	1	M 481/M 012
	EMS	metal grey/black			
(1)	986 641 105 08	instrument cluster complete	00	1	M 481/M 012
	EMS	metal grey/black			



Model	Year	MG	SG	Illustration	Restrictions	Update	8:07	24.08.2006	PORSCHE	PET	PORSCHE
986	04	9	06	906-01		203					

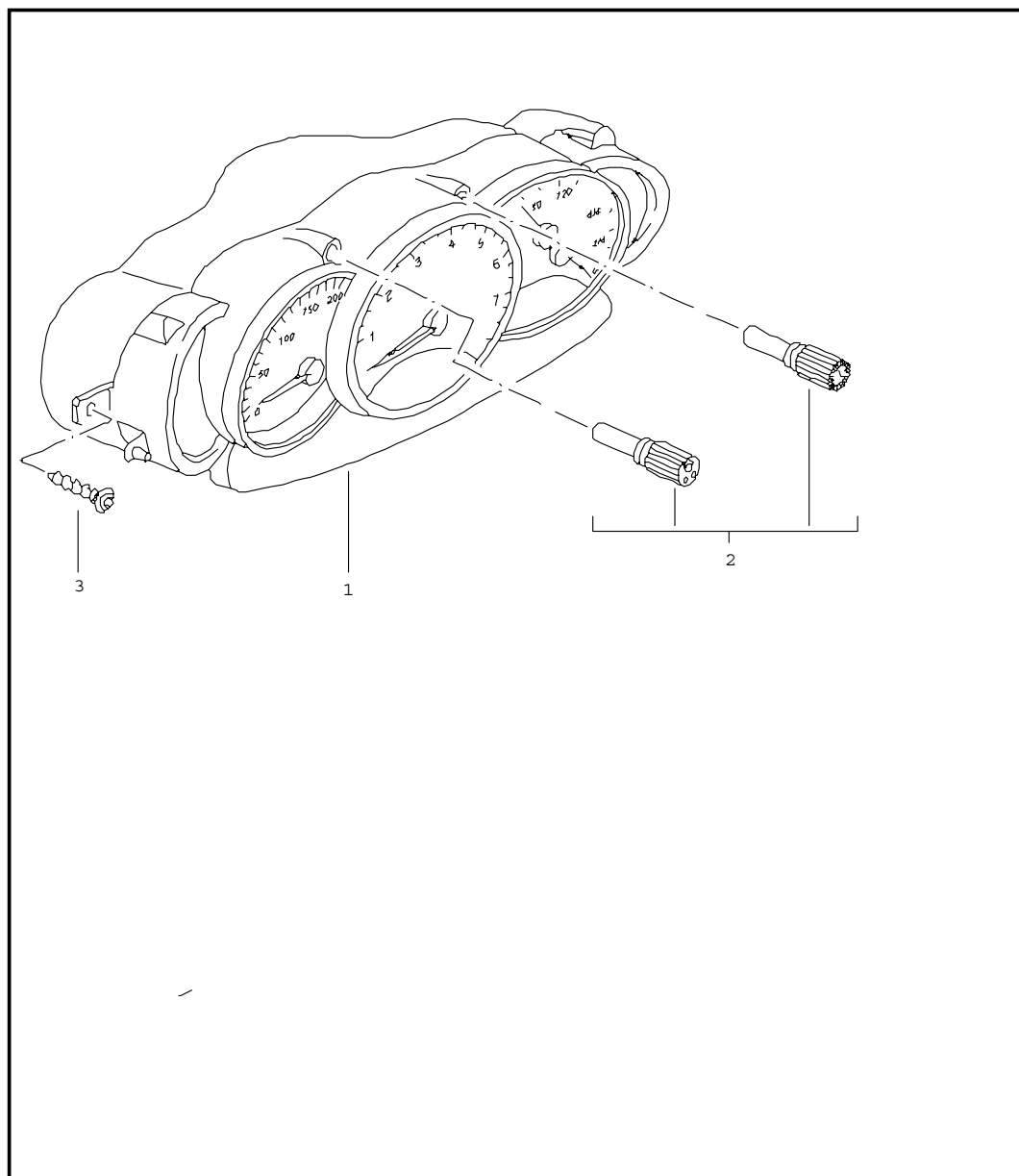
Pos	Part Number	Name	Remarks	Qty	Model	Pos	Part Number	Name	Remarks	Qty	Model
(1)	986 641 106 04	instrument cluster complete EMS metal grey/black	98-99	1	M 249/M 012	(1)	986 641 107 08	instrument cluster complete EMS metal grey/black	00	1	(GB) M 481 M 012
(1)	986 641 106 08	instrument cluster complete EMS metal grey/black	00	1	M 249/M 012	(1)	986 641 108 04	instrument cluster complete	98-99	1	(GB) M 249 M 012
(1)	986 641 107 01	instrument cluster complete 70C rally black	-99	1	(GB) M 481 M 016	(1)	986 641 108 08	instrument cluster complete EMS metal grey/black	00	1	(GB) M 249 M 012
(1)	986 641 107 05	instrument cluster complete 70C rally black	00	1	(GB) M 481 M 016	(1)	986 641 205 06	instrument cluster complete	01-	1	M 481/M 016
(1)	986 641 108 01	instrument cluster complete 70C rally black	-99	1	(GB) M 249 M 016	(1)	986 641 225 04	instrument cluster complete 70C rally black	02-	1	M 481/M 016/ M 659
(1)	986 641 108 05	instrument cluster complete 70C rally black	00	1	(GB) M 249 M 016	(1)	986 641 206 06	instrument cluster complete 70C rally black	01-	1	M 249/M 016
(1)	986 641 107 03	instrument cluster complete EMR ocean jade/black EBN zenith blue/black	98-99	1	(GB) M 481 M 011	(1)	986 641 226 04	instrument cluster complete 70C rally black	02-	1	M 249/M 016/ M 659
(1)	986 641 108 03	instrument cluster complete EMR ocean jade/black EBN zenith blue/black	98-99	1	(GB) M 249 M 011	(1)	986 641 207 06	instrument cluster complete 70C rally black	01-	1	(GB) M 481/ M 016
(1)	986 641 107 04	instrument cluster complete EMS metal grey/black	98-99	1	(GB) M 481 M 012	(1)	986 641 227 04	instrument cluster complete 70C rally black	02-	1	(GB) M 481/ M 016/M 659
						(1)	986 641 208 06	instrument cluster complete	01-	1	(GB) M 249/ M 016



Model	Year	MG	SG	Illustration	Restrictions	Update	8:07	24.08.2006	PORSCHE	PET	PORSCHE
986	04	9	06	906-01		203					

Pos	Part Number	Name	Remarks	Qty	Model	Pos	Part Number	Name	Remarks	Qty	Model
(1)	986 641 237 02	instrument cluster complete FHB black/silver	02-	1	(GB) M 008/ M 480/M 659	(4)	999 631 303 90	bulb 12 V 1,5 W	-00	X	
(1)	986 641 218 03	instrument cluster complete FHB black/silver	01-	1	(GB) M 008/ M 249	(5)	999 631 302 90	bulb 12 V 1,2 W	-00	X	
(1) A	986 641 238 01	instrument cluster complete FHB black/silver	02	1	(GB) M 008/ M 249/M 659	(6) W	999 919 119 09	oval-head screw 5,0 X 22		2	
(1)	986 641 238 02	instrument cluster complete FHB black/silver	02-	1	(GB) M 008/ M 249/M 659	(6)	999 919 188 09	oval-head screw 5,0 X 30		2	
(1)	986 641 245 00	instrument cluster complete 70C rally black	04	1	M 008/M 091/ M 480/M 659	-	999 920 012 40	special nut 5,0 X 3,5 X 8		2	
(1)	986 641 246 00	instrument cluster complete 70C rally black	04	1	M 008/M 091/ M 249/M 659			- - - E N D - - -			
(1)	986 641 247 00	instrument cluster complete 70C rally black	04	1	(GB) M 008/ M 091/M 480/ M 659						
(1)	986 641 248 00	instrument cluster complete 70C rally black	04	1	(GB) M 008/ M 091/M 249/ M 659						
(2)	996 641 911 00	knob actuator tripmeter and clock		1							
(3)	999 631 304 90	bulb 12 V 3 W	-00	X							

Model	Year	MG	SG	Illustration	Restrictions	Update	8:08	24.08.2006	PORSCHE	PET	PORSCHE
986	04	9	06	906-02		203					



Pos	Part Number	Name	Remarks	Qty	Model
		instruments complete	01-		X45/X71
		instrument cluster B O X S T E R dial lacquered interior colour			X45
(1)	986 641 980 64	instrument cluster complete	01	1	M 481
	J33	nephrite green			
	C53	graphite grey			
	S33	savanna			
	G13	metropole blue			
	M33	boxster red			
	P13	cinnamon brown			
	D12	dark grey/natural			
	T12	brown/natural			
(1)	986 641 981 25	instrument cluster complete	02-	1	M 481/M 659
	J33	nephrite green			
	C53	graphite grey			
	S33	savanna			
	G13	metropole blue			
	M33	boxster red			
	P13	cinnamon brown			
	D12	dark grey/natural			
	T12	brown/natural			
(1)	986 641 980 66	instrument cluster complete	01	1	(GB) M 481
	J33	nephrite green			
	C53	graphite grey			
	S33	savanna			
	G13	metropole blue			

Model	Year	MG	SG	Illustration	Restrictions	Update	8:08	24.08.2006	PORSCHE	PET	PORSCHE
986	04	9	06	906-02		203					

Pos	Part Number	Name	Remarks	Qty	Model	Pos	Part Number	Name	Remarks	Qty	Model
	M33	boxster red					M33	boxster red			
	P13	cinnamon brown					P13	cinnamon brown			
	D12	dark grey/natural					D12	dark grey/natural			
	T12	brown/natural					T12	brown/natural			
(1)	986 641 981 27	instrument cluster complete	02-	1	(GB) M 481/ M 659	(1)	986 641 980 67	instrument cluster complete	01	1	(GB) M 249
	J33	nephrite green					J33	nephrite green			
	C53	graphite grey					C53	graphite grey			
	S33	savanna					S33	savanna			
	G13	metropole blue					G13	metropole blue			
	M33	boxster red					M33	boxster red			
	P13	cinnamon brown					P13	cinnamon brown			
	D12	dark grey/natural					D12	dark grey/natural			
	T12	brown/natural					T12	brown/natural			
(1)	986 641 980 65	instrument cluster complete	01	1	M 249	(1)	986 641 981 28	instrument cluster complete	02-	1	(GB) M 249/ M 659
	J33	nephrite green					J33	nephrite green			
	C53	graphite grey					C53	graphite grey			
	S33	savanna					S33	savanna			
	G13	metropole blue					G13	metropole blue			
	M33	boxster red					M33	boxster red			
	P13	cinnamon brown					P13	cinnamon brown			
	D12	dark grey/natural					D12	dark grey/natural			
	T12	brown/natural					T12	brown/natural			
(1)	986 641 981 26	instrument cluster complete	02-	1	M 249/M 659			instrument cluster B O X S T E R dial aluminium			X71
	J33	nephrite green									
	C53	graphite grey				(1)	986 641 983 75	instrument cluster complete	01-	1	M 481
	S33	savanna									
	G13	metropole blue					70C	rally black			

Model	Year	MG	SG	Illustration	Restrictions	Update	8:08	24.08.2006	PORSCHE	PET	PORSCHE
986	04	9	06	906-02		203					

Pos	Part Number	Name	Remarks	Qty	Model	Pos	Part Number	Name	Remarks	Qty	Model
(1)	A 986 641 981 65	instrument cluster complete	02	1	M 481/M 659	(1)	A 986 641 981 68	instrument cluster complete	-02	1	(GB) M 249/M 659
	70C	rally black					70C	rally black			
(1)	986 641 981 75	instrument cluster complete	02-	1	M 481/M 659	(1)	986 641 981 78	instrument cluster complete	02-	1	(GB) M 249/M 659
	70C	rally black					70C	rally black			
(1)	A 986 641 983 67	instrument cluster complete	-02	1	(GB) M 481			instrument cluster B O X S T E R S dial lacquered interior colour			X45 M 008
	70C	rally black									
(1)	986 641 983 77	instrument cluster complete	01-	1	(GB) M 481	(1)	986 641 980 90	instrument cluster complete	01	1	M 008/M 480
	70C	rally black					A03	black			
(1)	A 986 641 981 67	instrument cluster complete	02	1	(GB) M 481/M 659		J33	nephrite green			
	70C	rally black					C53	graphite grey			
(1)	986 641 981 77	instrument cluster complete	02-	1	(GB) M 481/M 659		S33	savanna			
	70C	rally black					G13	metropole blue			
(1)	986 641 983 76	instrument cluster complete	01-	1	M 249		M33	boxster red			
	70C	rally black					P13	cinnamon brown			
(1)	A 986 641 981 66	instrument cluster complete	02	1	M 249/M 659		D12	dark grey/natural			
	70C	rally black					T12	brown/natural			
(1)	986 641 981 76	instrument cluster complete	02-	1	M 249/M 659	(1)	986 641 982 25	instrument cluster complete	02-	1	M 008/M 480/M 659
	70C	rally black					A03	black			
(1)	A 986 641 983 68	instrument cluster complete	-02	1	(GB) M 249		J33	nephrite green			
	70C	rally black					C53	graphite grey			
(1)	986 641 983 78	instrument cluster complete	01-	1	(GB) M 249		S33	savanna			
	70C	rally black					G13	metropole blue			
							M33	boxster red			
							P13	cinnamon brown			
							D12	dark grey/natural			

Model	Year	MG	SG	Illustration	Restrictions	Update	8:08	24.08.2006	PORSCHE	PET	PORSCHE
986	04	9	06	906-02		203					

Pos	Part Number	Name	Remarks	Qty	Model	Pos	Part Number	Name	Remarks	Qty	Model
(1)	986 641 980 92	T12 brown/natural instrument cluster complete	01	1	(GB) M 008/ M 480	(1)	986 641 982 26	M33 boxster red P13 cinnamon brown D12 dark grey/natural T12 brown/natural instrument cluster complete	02-	1	M 008/M 249/ M 659
(1)	986 641 982 27	A03 black J33 nephrite green C53 graphite grey S33 savanna G13 metropole blue M33 boxster red P13 cinnamon brown D12 dark grey/natural T12 brown/natural instrument cluster complete	02-	1	(GB) M 008/ M 480/M 659	(1)	986 641 980 93	A03 black J33 nephrite green C53 graphite grey S33 savanna G13 metropole blue M33 boxster red P13 cinnamon brown D12 dark grey/natural T12 brown/natural instrument cluster complete	01	1	(GB) M 008/ M 249
(1)	986 641 980 91	A03 black J33 nephrite green C53 graphite grey S33 savanna G13 metropole blue instrument cluster complete	01	1	M 008/M 249	(1)	986 641 982 28	M33 boxster red P13 cinnamon brown D12 dark grey/natural T12 brown/natural instrument cluster complete A03 black	02-	1	(GB) M 008/ M 249/M 659

Model	Year	MG	SG	Illustration	Restrictions	Update	8:08	24.08.2006	PORSCHE	PET	PORSCHE
986	04	9	06	906-02		203					

Pos	Part Number	Name	Remarks	Qty	Model	Pos	Part Number	Name	Remarks	Qty	Model
	J33	nephrite green									
	C53	graphite grey									
	S33	savanna									
	G13	metropole blue									
	M33	boxster red									
	P13	cinnamon brown									
	D12	dark grey/natural									
	T12	brown/natural									
2	996 641 911 00	knob actuator tripmeter and clock		2							
3	999 919 188 09	oval-head screw 5,0 X 30		2							
		- - - E N D - - -									



PORSCHE

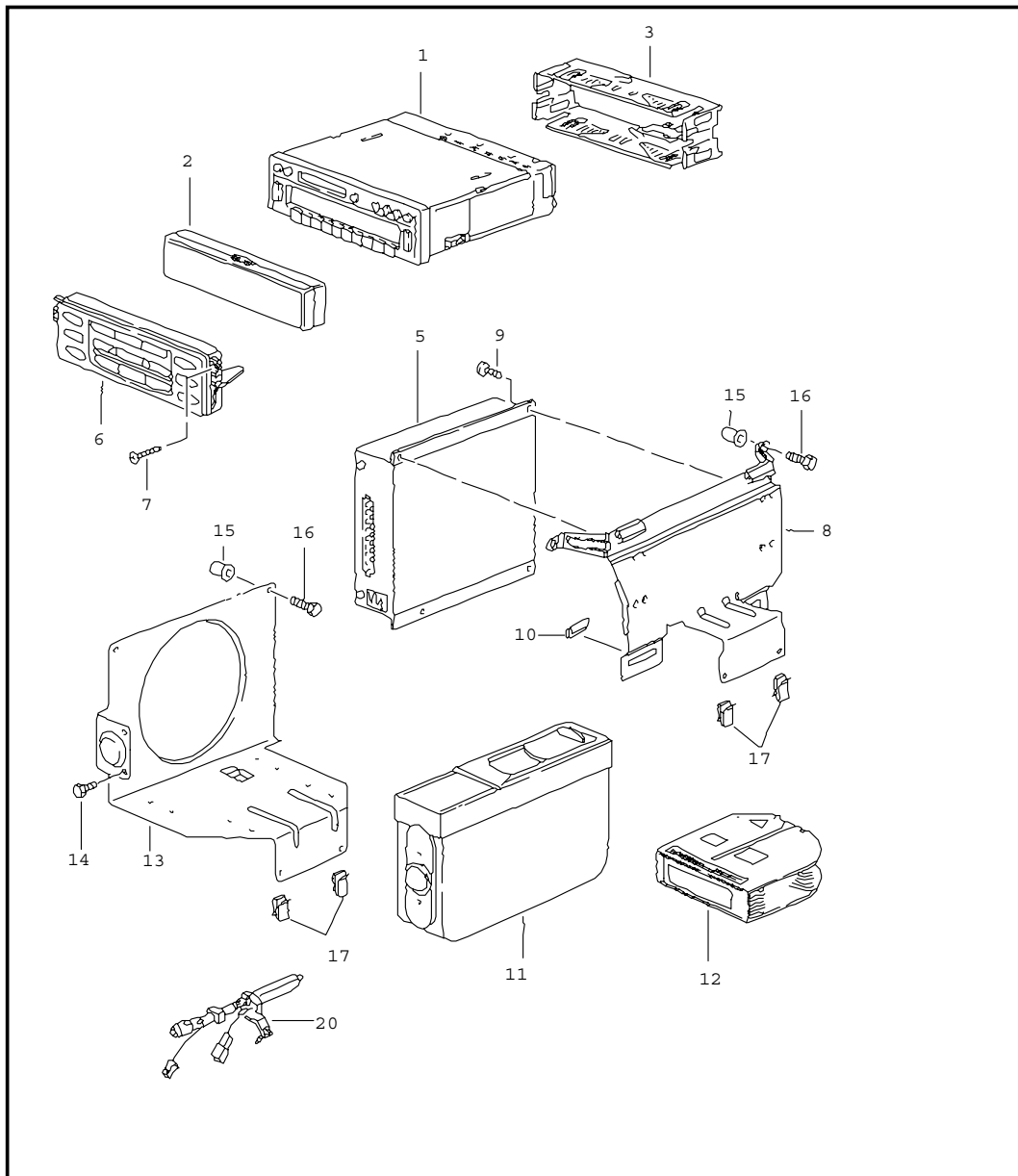
# PET

PORSCHE

Model	Year	MG	SG	Illustration	Restrictions	Update		
986	04	9	07	907-00		203	8:08	24.08.2006

Pos	Part Number	Name	Remarks	Qty	Model
		<p>cruise control</p> <p>see group 4/03/05</p> <p>- - - E N D - - -</p>			

Model	Year	MG	SG	Illustration	Restrictions	Update	8:09	24.08.2006	PORSCHE	PET	PORSCHE
986	04	9	11	911-00		203					

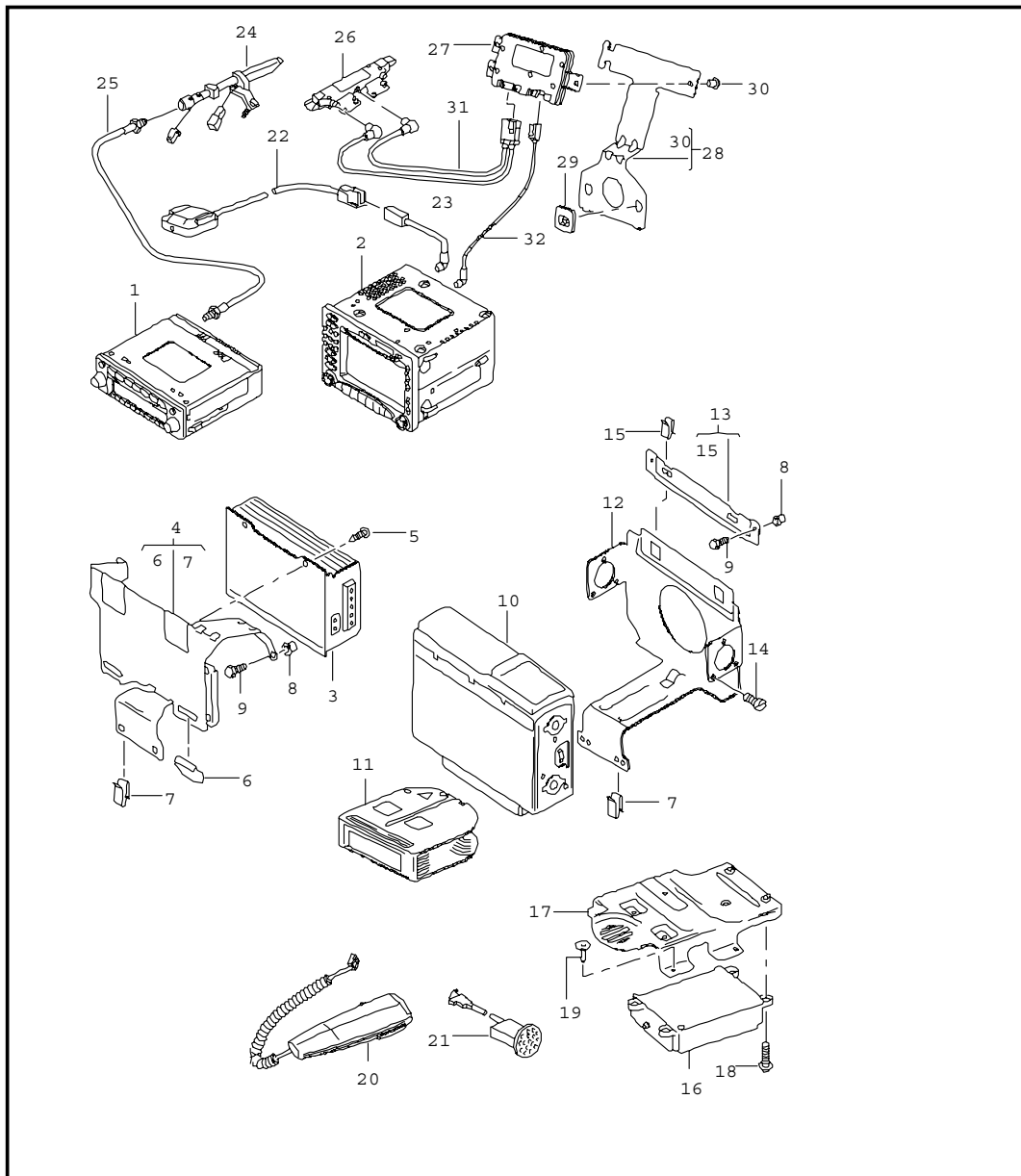


Pos	Part Number	Name	Remarks	Qty	Model
		radio booster	-02 -02		
1	> 993 645 118 01	radio CR - 31	-98	1	M 330
1	> 993 645 116 01	radio CR - 21	-98	1	M 326
1	> 993 645 115 01	radio CR - 11	-98	1	M 320
1	> 993 645 119 01	radio CDR - 21	-98	1	M 686
2	993 645 190 00	case for control part radio	-98	1	
		new design radio see catalogue - TEQUIPMENT -	99-		
(2)	996 645 190 00	case for control part radio	99-	1	
3	993 645 173 00	retaining frame	-98	1	
-	996 645 106 00	alarm contact plate for radio	99-	1	
5	986 645 301 03	booster	-00	1	M 490
(5)	986 645 323 00	booster	01-	1	M 490
-	996 610 149 00	cap connector housing booster		1	M 490
(5)	986 645 302 01	booster digital sound processing	98	1	M 680
(5)	986 645 312 00	booster digital sound processing	-00	1	M 680
(5)	986 645 324 01	booster digital sound processing	01	1	M 680
(5)	986 645 338 00	booster BOSE	02	1	M 680

Model	Year	MG	SG	Illustration	Restrictions	Update	8:09	24.08.2006	PORSCHE	PET	PORSCHE
986	04	9	11	911-00		203					

Pos	Part Number	Name	Remarks	Qty	Model	Pos	Part Number	Name	Remarks	Qty	Model
(5)	996 645 341 00	additional amplifier BOSE	02	1	M 680	20	986 647 105 00	antenna booster		1	
-	996 610 151 00	cap connector housing booster	/LL 02	1	M 680	-	986 612 072 00	connecting cable antenna booster radio		1	
-	996 610 150 01	cover connector housing booster	/RL 02	1	M 680			- - - E N D - - -			
-	996 610 152 00	cap connector housing additional amplifier	02	1	M 680						
6	996 645 201 02	control part EFR gloss black	-01	1	M 680						
7	999 919 182 09	oval-head screw 4,0 X 20	-01	2	M 680						
8	996 646 025 01	support	-01	1	M 490/M 680						
8	996 646 025 01	support	02	1	M 490						
(8)	996 645 255 11	support	02	1	M 680						
9	900 143 031 02	oval-head sheetmetal screw 4,2 X 9,5		2	M 490/M 680						
10	999 507 510 02	u-clamp		2	M 490/M 680						
-	999 073 048 02	tapping screw 3,5 X 13	02	1	M 680						
11	> 993 645 130 00	cd changer CDC - 3		1	M 692						
12	993 645 113 00	rack for cd changer		1	M 692						
13	996 645 221 00	support	/LL	1	M 692/M 689						
(13)	996 645 222 00	support	/RL	1	M 692/M 689						
14	999 075 067 09	screw M 4 X 8 KO		6							
15	999 500 078 00	sheetmetal press nut M 6		4							
16	900 378 188 09	hexagon-head bolt M 6 X 20		4							
17	999 507 532 02	u-clamp		4							

Model	Year	MG	SG	Illustration	Restrictions	Update	8:09	24.08.2006	PORSCHE	PET	PORSCHE
986	04	9	11	911-01		203					



Pos	Part Number	Name	Remarks	Qty	Model
1	-	radio booster navigation system telephone	03- 03- 03- 03-		
2	A 996 642 204 02	radio see catalogue EQUIPMENT			
	A05	control part	03	1	M 665
	A05	black mat see technical information GR.9 , NR. 4/03 GR.9 , NR. 5/03			
2	A 996 642 204 03	control part	03	1	M 665
	A05	black mat see technical information GR.9 , NR. 4/03 GR.9 , NR. 5/03 GR.9 , NR.10/03			
2	A 996 642 204 04	control part	03	1	M 665
	A05	black mat see technical information GR.9 , NR. 4/03 GR.9 , NR. 5/03 GR.9 , NR.10/03			
2	A 996 642 204 05	control part	03-	1	M 665
	A05	black mat see technical information GR.9 , NR. 10/03			
2	A 996 642 204 06	control part	03-	1	M 665
	A05	black mat see technical information GR.9 , NR. 10/03			
2	> 996 642 204 07	control part	03-	1	M 665
	A05	black mat see technical information GR.9 , NR. 10/03			
(2)	A 996 642 214 02	control part	03	1	M665/490/680
	A05	black mat see technical information GR.9 , NR. 4/03 GR.9 , NR. 5/03			
(2)	A 996 642 214 03	control part	03	1	M665/490/680

Model	Year	MG	SG	Illustration	Restrictions	Update	8:09	24.08.2006	PORSCHE	PET	PORSCHE
986	04	9	11	911-01		203					

Pos	Part Number	Name	Remarks	Qty	Model	Pos	Part Number	Name	Remarks	Qty	Model
	A05	black mat see technical information GR.9 , NR. 4/03 GR.9 , NR. 5/03				- A	996 642 034 01	cd-rom navigation system	04	1	(ZA) M 670
(2)	A 996 642 214 04	control part	03	1	M665/490/680	-	996 642 034 02	cd-rom see technical information GR.9 , NR. 10/03 navigation system	04	1	(ZA) M 670
	A05	black mat see technical information GR.9 , NR. 4/03 GR.9 , NR. 5/03 GR.9 , NR.10/03				-	996 642 035 01	cd-rom navigation system see technical information GR.9 , NR. 10/03	04	1	(SA) , (AG) M 670
(2)	A 996 642 214 05	control part	03-	1	M665/490/680	- A	996 642 036 01	cd-rom	04	1	(AUS)_M 670
	A05	black mat see technical information GR.9 , NR. 10/03				-	996 642 036 02	cd-rom navigation system see technical information GR.9 , NR. 10/03	04	1	(AUS) M 670
(2)	A 996 642 214 06	control part	03-	1	M665/490/680	-	996 642 037 01	cd-rom  see technical information GR.9 , NR. 10/03 navigation system	04	1	M 068/M 074 M 670
	A05	black mat see technical information GR.9 , NR. 10/03				3 U	996 645 331 01	booster see technical information GR.9 , NR. 4/03 GR.9 , NR. 5/03	03	1	M 490
(2)	> 996 642 214 07	control part	03-	1	M665/490/680	3 A	996 645 331 02	booster see technical information GR.9 , NR. 4/03 GR.9 , NR. 5/03	03	1	M 490
	A05	black mat see technical information GR.9 , NR. 10/03				3	996 645 331 03	booster see technical information GR.9 , NR. 4/03 GR.9 , NR. 5/03	03-	1	M 490
-	996 642 951 00	rotary knob for POS. 2	/L 03-	1		(3) U	996 645 333 02	booster see technical information GR.9 , NR. 4/03 GR.9 , NR. 5/03	/LL 03	1	M 680
-	996 642 952 00	rotary knob for POS. 2	/R 03-	1		(3) A	996 645 333 03	booster see technical information GR.9 , NR. 4/03 GR.9 , NR. 5/03 GR.9 , NR.10/03	/LL 03	1	M 680
-	A 996 642 205 01	module navigation system	03	1	M 670	(3) A	996 645 333 04	booster see technical information GR.9 , NR. 4/03 GR.9 , NR. 5/03 GR.9 , NR.10/03	/LL 03	1	M 680
-	996 642 205 02	module navigation system	03-	1	M 670						
-	A 996 642 030 00	cd-rom navigation system see technical information GR.9 , NR. 10/03	03	1	M 670						
-	A 996 642 030 01	cd-rom navigation system	03	1	M 670						
-	996 642 030 02	cd-rom see technical information GR.9 , NR. 10/03 navigation system	04	1	M 670						

Model	Year	MG	SG	Illustration	Restrictions	Update	8:09	24.08.2006	PORSCHE	PET	PORSCHE
986	04	9	11	911-01		203					

Pos	Part Number	Name	Remarks	Qty	Model	Pos	Part Number	Name	Remarks	Qty	Model
(3)	996 645 333 05	booster see technical information GR.9 , NR. 14/03 GR.9 , NR. 10/03	/LL 03-	1	M 680	10	> 997 645 140 02	cd changer CDC 4 adjustment installation attention		1	M 692
(3) U	996 645 332 01	booster see technical information GR.9 , NR. 4/03 GR.9 , NR. 5/03	/RL 03	1	M 680			see technical information GR.9 , NR. 4/03 GR.9 , NR. 5/03			
(3) A	996 645 332 03	booster see technical information GR.9 , NR. 4/03 GR.9 , NR. 5/03 GR.9 , NR.10/03	/RL 03	1	M 680	11	996 645 113 00	rack cd changer		1	M 692
(3) A	996 645 332 04	booster see technical information GR.9 , NR. 4/03 GR.9 , NR. 5/03 GR.9 , NR.10/03	/RL 03	1	M 680	12	996 645 225 00	support		1	M 692
(3)	996 645 332 05	booster see technical information GR.9 , NR. 14/03 GR.9 , NR. 10/03	/RL 03-	1	M 680	13	996 645 227 00	support		1	M 692
-	996 610 151 00	cap connector housing booster	/LL	1	M 490/M 680	14	N 014 128 13	oval-head screw M 5 X 8		6	M 692
-	996 610 150 01	cap connector housing booster	/RL	1	M 490/M 680	15	999 591 954 09	u-clamp		2	M 692
4	996 645 255 01	support		1	M 490/M 680	16	A 996 642 207 01	control unit telephone see technical information GR.9 , NR. 4/03 GR.9 , NR. 5/03	03	1	M 666
5	900 143 031 02	tapping screw 4,2 X 9,5		2	M 490/M 680	16	A 996 642 207 02	control unit telephone see technical information GR.9 , NR. 4/03 GR.9 , NR. 5/03	03	1	M 666
6	999 507 510 02	u-clamp		2	M 490/M 680	16	A 996 642 207 04	control unit telephone see technical information GR.9 , NR. 4/03 GR.9 , NR. 5/03	03	1	M 666
7	999 507 532 02	u-clamp		X		16	A 996 642 207 05	control unit telephone see technical information GR.9 , NR. 9/04		1	M 666
8	999 500 078 00	sheetmetal press nut M 6		X		16	A 997 646 207 01	control unit telephone		1	M 666
9	900 378 188 09	hexagon-head bolt M 6 X 20		X		16	A 997 646 207 02	control unit telephone		1	M 666
10	A 996 645 140 01	cd changer CDC 4 adjustment installation attention see technical information GR.9 , NR. 4/03 GR.9 , NR. 5/03		1		16	> 997 646 208 04	control unit telephone  when required order also:		1	M 666

Model	Year	MG	SG	Illustration	Restrictions	Update	8:09	24.08.2006	PORSCHE	PET	PORSCHE
986	04	9	11	911-01		203					

Pos	Part Number	Name	Remarks	Qty	Model	Pos	Part Number	Name	Remarks	Qty	Model
-	997 612 989 00	connecting line adapter for control unit 997.646.208.04		1	M 666		G13	metropole blue			
							J33	nephrite green			
							M33	boxster red			
17	996 642 216 00	support		1	M 666		P13	cinnamon brown			
18	900 378 035 09	hexagon-head bolt M 6 X 16		2	M 666	(21)	996 646 307 05	microphone	/LL 04	1	M 091/M 618/ M 666
19	999 073 060 02	tapping screw 4,8 X 13		4	M 666		M7Z	gt silver metallic			
		antenna telephone see group 9 /11/10				(21)	996 646 308 05	microphone	/RL 04	1	M 091/M 618/ M 666
							M7Z	gt silver metallic			
20	A 996 642 212 01	receiver telephone		1	M 668	(21)	996 646 307 03	microphone	/LL	1	M 618/M 666/ M 680
20	996 642 212 02	receiver telephone		1	M 668		A03	black			
		bracket telephone see group 9 /11/10					C02	metal grey			M 012
							C53	graphite grey			
21	996 646 307 02	microphone	/LL	1	M 618/M 666		S33	savanna			
	A03	black					G13	metropole blue			
	C02	metal grey			M 012		J33	nephrite green			
	C53	graphite grey					M33	boxster red			
	S33	savanna					P13	cinnamon brown			
	G13	metropole blue				(21)	996 646 308 03	microphone	/RL	1	M 618/M 666/ M 680
	J33	nephrite green					A03	black			
	M33	boxster red					C02	metal grey			M 012
	P13	cinnamon brown					C53	graphite grey			
(21)	996 646 308 02	microphone	/RL	1	M 618/M 666		S33	savanna			
	A03	black					G13	metropole blue			
	C02	metal grey			M 012		J33	nephrite green			
	C53	graphite grey					M33	boxster red			
	S33	savanna					P13	cinnamon brown			
						(21)	996 646 307 06	microphone	/LL 04	1	M 091/M 618/ M 666/M 680

Model	Year	MG	SG	Illustration	Restrictions	Update	8:09	24.08.2006	PORSCHE	PET	PORSCHE
986	04	9	11	911-01		203					

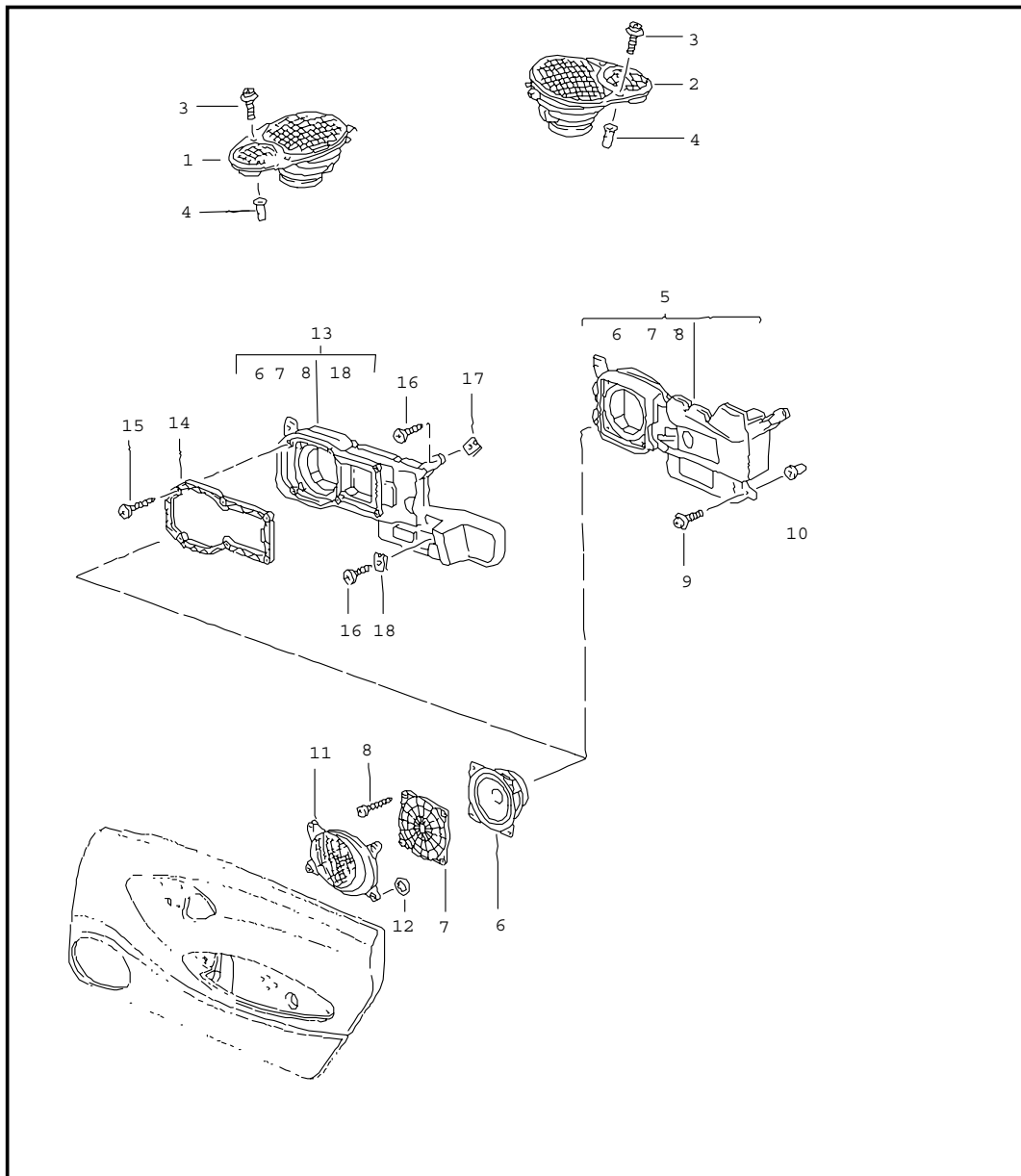
Pos	Part Number	Name	Remarks	Qty	Model	Pos	Part Number	Name	Remarks	Qty	Model
	M7Z	gt silver metallic				24	986 647 105 00	antenna booster radio		1	M 441
(21)	996 646 308 06	microphone	/RL 04	1	M 091/M 618/ M 666/M 680	25	986 612 072 01	connecting line antenna booster radio		1	M 441
	M7Z	gt silver metallic				26	986 647 117 00	antenna booster	/L	1	M 440
(21)	996 646 307 04	microphone	/LL	1	M 680	(26)	986 647 118 00	antenna booster	/R	1	M 440
	A03	black				27	996 647 124 00	control unit		1	M 440
	C02	metal grey			M 012	28	996 647 202 00	support		1	M 440
	C53	graphite grey				29	999 507 772 40	clip		1	M 440
	S33	savanna				30	999 507 771 40	plug		1	M 440
	G13	metropole blue				31	996 612 057 00	connecting line antenna booster left control unit	/LL	1	M 665
	J33	nephrite green				(31)	996 612 067 00	connecting line antenna booster left control unit	/RL	1	M 665
	M33	boxster red				(31)	996 612 056 00	connecting line antenna booster right control unit	/LL	1	M 665
	P13	cinnamon brown				(31)	996 612 066 00	connecting line antenna booster right control unit	/RL	1	M 665
(21)	996 646 308 04	microphone	/RL	1	M 680	32	996 612 058 00	connecting line control unit control part connector CURRY	/LL	1	M 665
	A03	black				(32)	996 612 068 00	connecting line control unit control part connector CURRY	/RL	1	M 665
	C02	metal grey			M 012	(32)	996 612 059 00	connecting line control unit control part connector natural colours	/LL	1	M 665
	C53	graphite grey									
	S33	savanna									
	G13	metropole blue									
	J33	nephrite green									
	M33	boxster red									
	P13	cinnamon brown									
(21)	996 646 307 07	microphone	/LL 04	1	M 091/M 680						
	M7Z	gt silver metallic									
(21)	996 646 308 07	microphone	/RL 04	1	M 091/M 680						
	M7Z	gt silver metallic									
22	996 642 206 00	antenna GPS		1	M 670						
23	996 612 009 00	connecting line antenna module navigation system		1	M 670						



Model	Year	MG	SG	Illustration	Restrictions	Update					
986	04	9	11	911-01		203	8:09	24.08.2006	PORSCHE	PET	PORSCHE

Pos	Part Number	Name	Remarks	Qty	Model	Pos	Part Number	Name	Remarks	Qty	Model
(32)	996 612 069 00	connecting line control unit control part connector natural colours  - - - E N D - - -	/RL	1	M 665						

Model	Year	MG	SG	Illustration	Restrictions	Update	8:09	24.08.2006	PORSCHE	PET	PORSCHE
986	04	9	11	911-05		203					

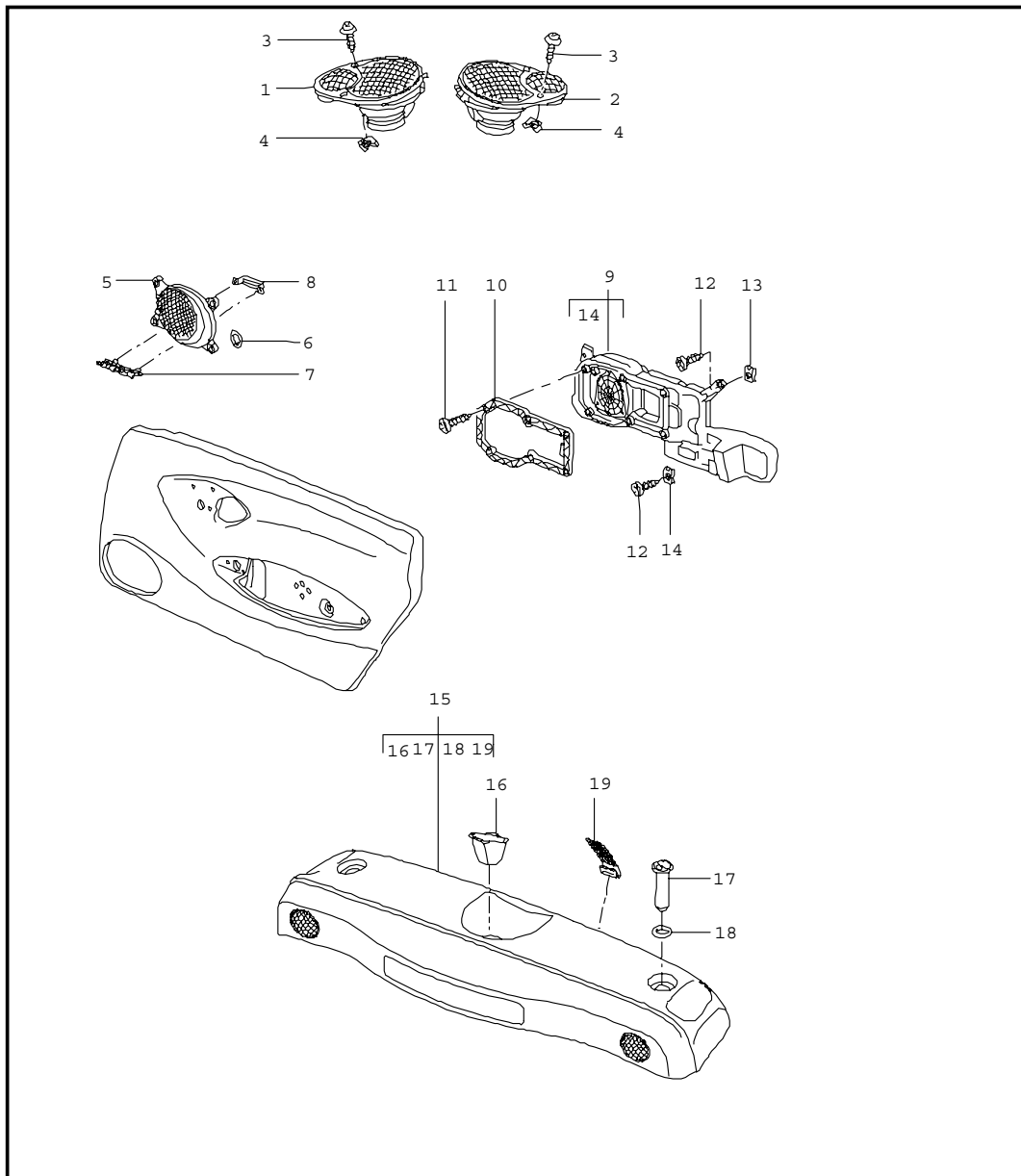


Pos	Part Number	Name	Remarks	Qty	Model
		loudspeaker loudspeaker M 680/MJ.02- see group 9 / 11 / 06			
1	996 645 037 02	loudspeaker	/L	1	M 490
	01C	satin black			
(1)	996 645 035 02	loudspeaker	/L	1	M 441
	01C	satin black			
2	996 645 038 02	loudspeaker	/R	1	M 490
	01C	satin black			
(2)	996 645 036 02	loudspeaker	/R	1	M 441
	01C	satin black			
(2)	996 645 049 02	loudspeaker grille	/L/R	2	
	01C	satin black			
3	999 919 166 07	oval-head screw 4,0 X 30	-01	4	
(3)	999 073 224 09	tapping screw 4,2 X 25	02-	4	
4	999 920 015 40	special nut 4,0	-01	4	
(4)	999 507 767 02	speed nut 4,2	02-	2	
(4)	999 507 768 02	speed nut 4,2	02-	2	
(5)	996 645 011 01	loudspeaker	/L -00	1	M 490
5	996 645 012 01	loudspeaker	/R -00	1	M 490
6	996 645 501 00	woofer	-02	2	M 490
6	996 645 502 00	woofer	03-	2	M 490
7	996 645 550 00	grille		2	M 490
(8)	999 919 176 07	oval-head screw 4,0 X 16		8	M 490
9	999 919 123 09	oval-head screw 5,0 X 20	97	8	M 490

Model	Year	MG	SG	Illustration	Restrictions	Update	8:09	24.08.2006	PORSCHE	PET	PORSCHE
986	04	9	11	911-05		203					

Pos	Part Number	Name	Remarks	Qty	Model	Pos	Part Number	Name	Remarks	Qty	Model
(9)	999 073 061 02	tapping screw ST 4,8 X 16	-00	8	M 490	15	999 919 086 02	oval-head screw 4,0 X 14	01-	12	M 490
10	999 920 013 40	special nut 5,0	97	8	M 490	16	999 073 061 02	tapping screw 4,8 X 16	01-	8	M 490
(10)	999 591 499 02	speed nut ST 4,8 only together with 999.073.061.02	-00	8	M 490	17	999 591 499 02	speed nut 4,8	01-	6	M 490
11	996 555 801 00	loudspeaker grille	-99	2	M 490	18	999 507 759 09	speed nut 4,8	01-	2	M 490
	01C	satin black				-	986 645 503 00	loudspeaker storage box	-01	4	M 680/M 584
11	996 555 801 01	loudspeaker grille	00-	2	M 490	-	986 612 085 00	wiring harness loudspeaker	-01	1	M 680/M 584
	A03	black lacquered						single parts storage box see group 8 / 07 / 07			M 680/M 584
(11)	000 043 206 88	loudspeaker grille frame leather grille aluminium look		2	M 490/XTR			- - - E N D - - -			
	A10	black									
	C50	graphite grey									
	S30	savanna									
	G10	metropole blue									
	J30	nephrite green									
	M30	boxster red									
	P11	cinnamon brown									
	D11	dark grey/natural									
	T11	brown/natural									
12	999 591 946 02	clamping washer 5,0		8	M 490						
13	996 645 551 00	loudspeaker	/L -02	1	M 490						
13	996 645 551 01	loudspeaker	/L 03-	1	M 490						
(13)	996 645 552 00	loudspeaker	/R -02	1	M 490						
(13)	996 645 552 01	loudspeaker	/R 03-	1	M 490						
14	996 645 553 00	frame	01-	2	M 490						

Model	Year	MG	SG	Illustration	Restrictions	Update	8:09	24.08.2006	PORSCHE	PET	PORSCHE
986	04	9	11	911-06		203					



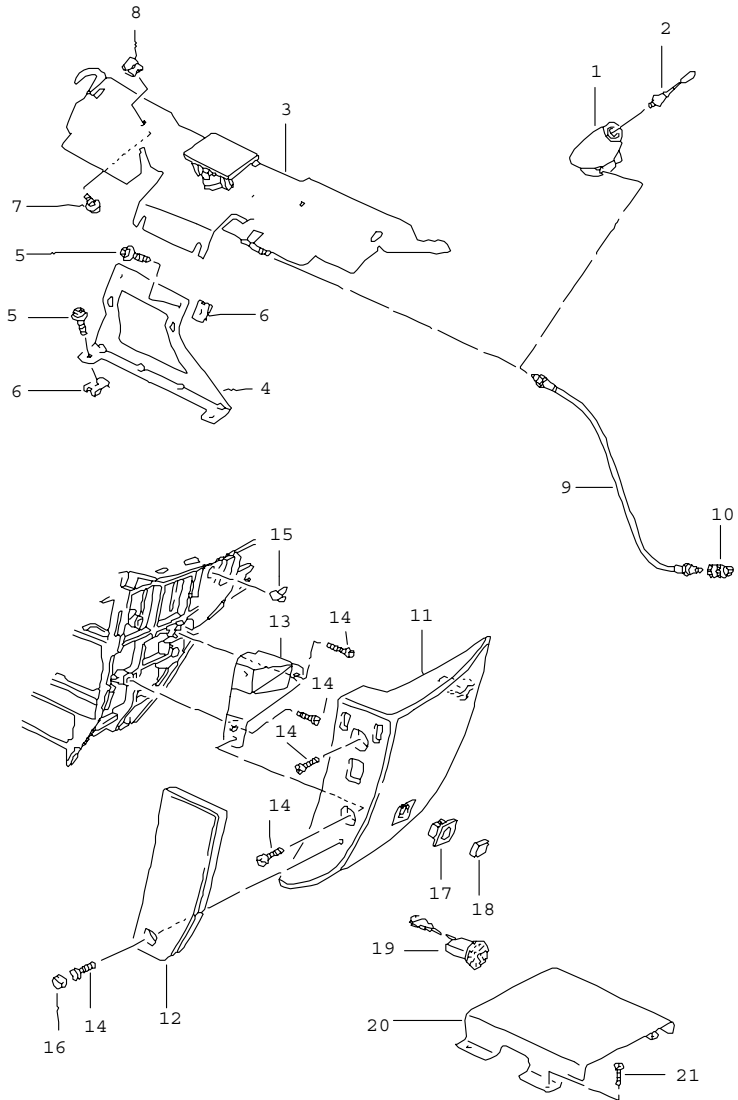
Pos	Part Number	Name	Remarks	Qty	Model
		loudspeaker	02-		M 680
1	996 645 033 01	loudspeaker 01C satin black	/L	1	M 680
2	996 645 034 01	loudspeaker 01C satin black	/R	1	M 680
1	996 645 033 00	loudspeaker C50 graphite grey S30 savanna G10 metropole blue J30 nephrite green M30 boxster red P10 cinnamon brown	/L	1	M 680/ XPP
2	996 645 034 00	loudspeaker C50 graphite grey S30 savanna G10 metropole blue J30 nephrite green M30 boxster red P10 cinnamon brown	/R	1	M 680/ XPP
(3)	999 073 224 09	tapping screw 4,2 X 25		4	
(4)	999 507 767 02	speed nut 4,2		2	
(4)	999 507 768 02	speed nut 4,2		2	
5	996 555 801 01	loudspeaker grille A03 black		2	M 680
(5)	000 043 206 88	loudspeaker grille frame leather grille aluminium look A10 black		2	M 680/XTR

Model	Year	MG	SG	Illustration	Restrictions	Update	8:09	24.08.2006	PORSCHE	PET	PORSCHE
986	04	9	11	911-06		203					

Pos	Part Number	Name	Remarks	Qty	Model	Pos	Part Number	Name	Remarks	Qty	Model
	C50	graphite grey					T11	brown/natural			
	S30	savanna					R10	cocoa			
	G10	metropole blue				16	986 551 427 00	rose		1	M 680
	J30	nephrite green					01C	satin black			
	M30	boxster red				17	986 551 429 00	catch		2	M 680
	P11	cinnamon brown					01C	satin black			
	D11	dark grey/natural				18	986 551 543 00	thrust washer		2	M 680
	T11	brown/natural					01C	satin black			
6	999 591 946 02	clamping washer 5,0		8	M 680	19	986 551 511 00	guide piece	03-	2	M 680
7	996 645 511 00	logo		2	M 680		01C	satin black			
8	996 645 512 00	clip		2	M 680						
9	996 645 561 00	loudspeaker	/L	1	M 680						
(9)	996 645 562 00	loudspeaker	/R	1	M 680						
10	996 645 553 00	frame		2	M 680						
11	999 919 086 02	oval-head screw 4,0 X 14		12	M 680						
12	999 073 061 02	tapping screw 4,8 X 16		8	M 680						
13	999 591 499 02	speed nut 4,8		6	M 680						
14	999 507 759 09	speed nut 4,8		2	M 680						
15	986 645 566 01	subwoofer		1	M 680						
	A10	black									
	C50	graphite grey									
	S30	savanna									
	G10	metropole blue									
	J30	nephrite green									
	M30	boxster red									
	P11	cinnamon brown									
	D11	dark grey/natural									

- - - E N D - - -

Model	Year	MG	SG	Illustration	Restrictions	Update	8:09	24.08.2006	PORSCHE	PET	PORSCHE
986	04	9	11	911-10		203					



Pos	Part Number	Name	Remarks	Qty	Model
		preparation for telephone			M 614, M 618
1	996 647 103 00	antenna base	-00	1	
2	996 647 104 00	antenna rod	-00	1	
3	996 647 125 00	antenna	/LL 01-	1	
(3)	996 647 126 00	antenna	/RL 01-	1	
4	996 647 127 00	support POS. 5 + 6 attention	/LL -04	1	
4	997 647 127 00	support POS. 5 + 6 attention	04	1	
(4)	996 647 128 00	support POS. 5 + 6 attention	/RL -04	1	
(4)	997 647 128 00	support POS. 5 + 6 attention	/RL 04	1	
5	999 073 203 00	round head screw M 5 X 12 - Z2 for support 996.647.127/128.00	-04	4	
5	999 073 236 0A	oval-head screw M 6 X 10 for support 997.647.127/128.00	04	4	
6	999 507 067 09	speed nut M 5 for support 996.647.127/128.00	-04	4	
6	999 507 550 0A	speed nut M 6 for support 997.647.127/128.00	04	4	
7	999 073 210 00	tapping screw 4,8 X 13	01-	2	
8	999 507 441 02	speed nut 4,8	01-	2	
9	986 612 096 00	extension cable	-00	1	

Model	Year	MG	SG	Illustration	Restrictions	Update	8:09	24.08.2006	PORSCHE	PET	PORSCHE
986	04	9	11	911-10		203					

Pos	Part Number	Name	Remarks	Qty	Model	Pos	Part Number	Name	Remarks	Qty	Model
9	996 612 037 00	extension cable	01-	1	M 618		A12	black	00-		
(9)	996 612 007 00	extension cable	03-	1	M 666		C52	graphite grey	00-		
10	964 646 318 00	adapter plug	/LL	1			S32	savanna	00-		
(10)	996 646 318 00	adapter plug	/RL	1			G12	metropole blue	00-		
11	996 552 094 00	bracket leatherette	/LL 97	1			J32	nephrite green	01-		
	A10	black				(11)	996 552 093 04	bracket leatherette	/RL 99-	1	
	C50	graphite grey					A18	black	99		
	S30	savanna					C18	graphite grey	99		
(11)	996 552 093 00	bracket leatherette	/RL 97	1			S18	savanna	99		
	A10	black					G18	metropole blue	99		
	C50	graphite grey					A12	black	00-		
	S30	savanna					C52	graphite grey	00-		
11	996 552 094 02	bracket leatherette	/LL 98	1			S32	savanna	00-		
	A18	black					G12	metropole blue	00-		
	C18	graphite grey					J32	nephrite green	01-		
	S18	savanna				11	996 552 094 01	bracket leather	/LL -98	1	
	G18	metropole blue					A11	black			
(11)	996 552 093 02	bracket leatherette	/RL 98	1			C51	graphite grey			
	A18	black					S31	savanna			
	C18	graphite grey					J31	nephrite green			
	S18	savanna					M31	boxster red			
	G18	metropole blue					G11	metropole blue	98		
11	996 552 094 04	bracket leatherette	/LL 99-	1		(11)	996 552 093 01	bracket leather	/RL -98	1	
	A18	black	99				A11	black			
	C18	graphite grey	99				C51	graphite grey			
	S18	savanna	99				S31	savanna			
	G18	metropole blue	99				J31	nephrite green			
							M31	boxster red			

Model	Year	MG	SG	Illustration	Restrictions	Update	8:09	24.08.2006	PORSCHE	PET	PORSCHE
986	04	9	11	911-10		203					

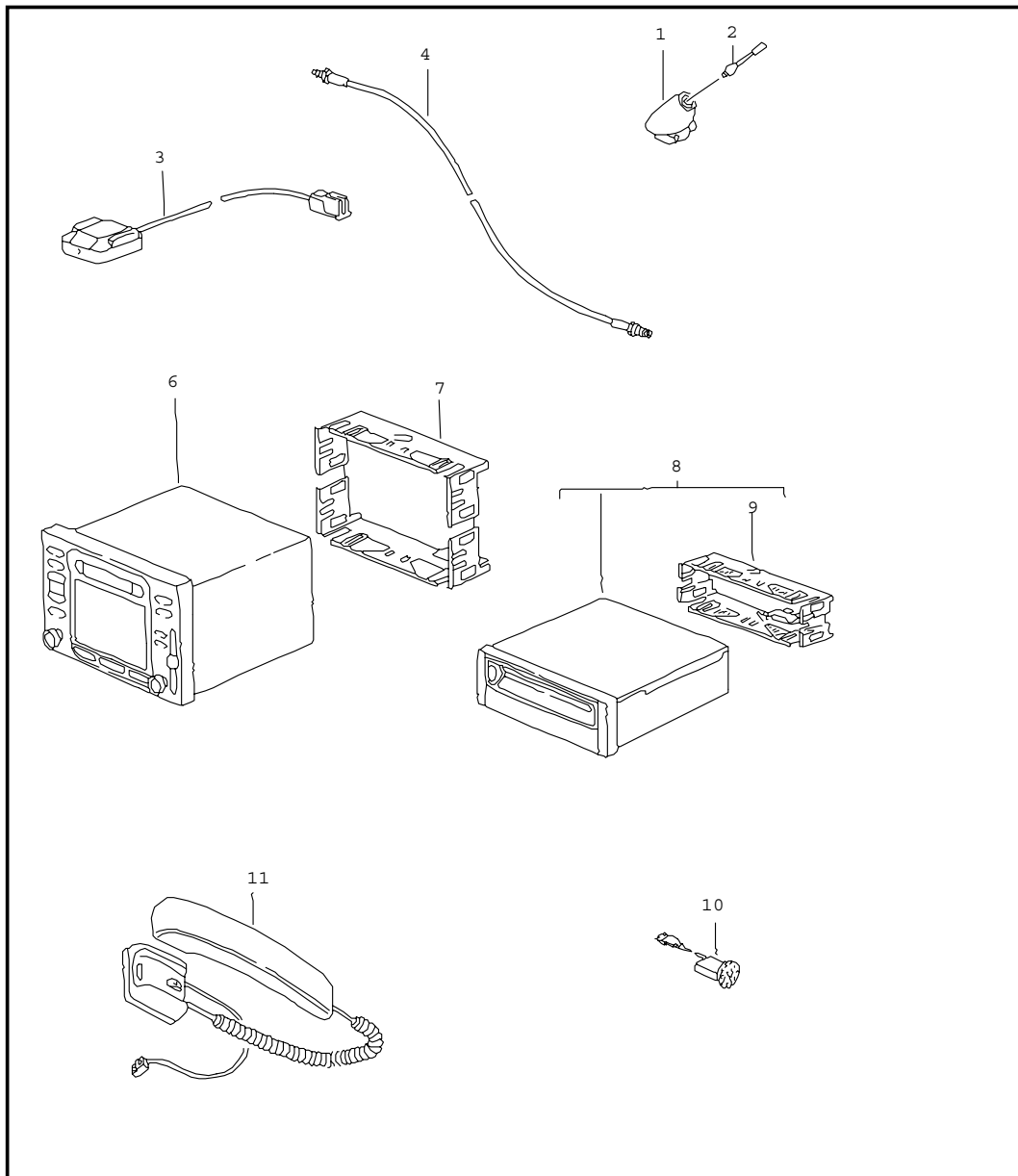
Pos	Part Number	Name	Remarks	Qty	Model	Pos	Part Number	Name	Remarks	Qty	Model
	G11	metropole blue	98				A11	black			
11	996 552 094 03	bracket leather	/LL 99-	1	M 012/M 981		C51	graphite grey			
	A11	black					S31	savanna			
	C51	graphite grey					G11	metropole blue			
	S31	savanna					J31	nephrite green			
	J31	nephrite green					M31	boxster red			
	M31	boxster red					P12	cinnamon brown			
	G11	metropole blue					D12	dark grey/natural			
	D12	dark grey/natural	00-				T12	brown/natural			
	T12	brown/natural	00-			(12)	996 552 979 01	attachment leather	/RL	1	XEA
	P12	cinnamon brown	01-				A11	black			
	9V6	cocoa	04				C51	graphite grey			
(11)	996 552 093 03	bracket leather	/RL 99-	1	M 012/M 981		S31	savanna			
	A11	black					G11	metropole blue			
	C51	graphite grey					J31	nephrite green			
	S31	savanna					M31	boxster red			
	J31	nephrite green					P12	cinnamon brown			
	M31	boxster red					D12	dark grey/natural			
	G11	metropole blue					T12	brown/natural			
	D12	dark grey/natural	00-			13 A	996 552 624 00	adapter	97	1	
	T12	brown/natural	00-			13	996 552 624 01	adapter see tpi GR.9 , NR.17 , JAN/99	98	1	
	P12	cinnamon brown	01-			(13)	996 552 624 02	adapter	99-	1	
	9V6	cocoa	04			-	996 552 581 00	filler piece bracket telephone	/RL 99-	1	
12	996 552 298 00	attachment	/LL	1			01C	satin black			
(12)	996 552 297 00	attachment	/RL	1		-	996 552 582 00	filler piece bracket telephone	/LL 99-	1	
	01C	satin black					01C	satin black			
12	996 552 979 00	attachment leather	/LL	1	XEA						



Model	Year	MG	SG	Illustration	Restrictions	Update	8:09	24.08.2006	PORSCHE	PET	PORSCHE
986	04	9	11	911-10		203					

Pos	Part Number	Name	Remarks	Qty	Model	Pos	Part Number	Name	Remarks	Qty	Model
14	999 919 121 09	oval-head screw 5,0 X 16		6			C02	metal grey	-01		
15	999 507 476 01	clamp 8,0 X 10,2		3			A03	black	-01		
16	996 552 824 00	cap		1		(19)	996 646 307 02	microphone	/LL 02	1	
	01C	satin black					A03	black			
16	996 552 978 00	cap leather		1	XEA	(19)	996 646 308 02	microphone	/RL 02	1	
	A11	black					A03	black			
	C51	graphite grey					C02	metal grey			
	S31	savanna				20	996 646 235 01	support		1	M 618
	G11	metropole blue				21	999 073 060 02	tapping screw 4,8 X 13		4	M 618
	J31	nephrite green				-	996 521 663 01	stop seat rail inner		1	M 437/M 438
	M31	boxster red				-	996 521 665 00	stop seat rail inner		1	M 369/M 370 M 375/M 376 M 540
	P12	cinnamon brown									
	D12	dark grey/natural									
	T12	brown/natural									
(17)	996 646 125 01	frame		1							
18	996 646 126 00	cover		1							
19	996 646 307 00	microphone	/LL -99	1							
	B12	black-grey									
(19)	996 646 308 00	microphone	/RL -99	1							
	B12	black-grey									
(19)	996 646 307 01	microphone	/LL -01	1							
	D05	granite grey	99		M 010						
	C02	metal grey	98-99		M 012						
	C02	metal grey	-01								
	A03	black	-01								
(19)	996 646 308 01	microphone	/RL -01	1							
	D05	granite grey	99		M 010						
	C02	metal grey	98-99		M 012						
- - - E N D - - -											

Model	Year	MG	SG	Illustration	Restrictions	Update	8:10	24.08.2006	PORSCHE	PET	PORSCHE
986	04	9	11	911-15		203					



Pos	Part Number	Name	Remarks	Qty	Model
		navigation system receiver	-02 -02		M 662 M 663
		see technical information GR.0 , NR. 8/97			
		electronic mail GR.9 , NR. 8A/97			
		see technical information GR.9 , NR. 2/02			
1	996 647 103 00	antenna base	-00	1	
2	996 647 104 00	antenna rod	-00	1	
		antenna telephone see group 9 /11/10	01-		
3	996 642 206 00	antenna - GPS -		1	
4	996 612 083 00	extension cable telephone	-00	1	
4	996 612 038 00	extension cable telephone	-02	1	
(4)	996 612 970 01	extension cable - GPS -		1	
(6) >	996 642 904 04	control part	-01	1	
		EFR gloss black electronic mail GR.9 , NR. 1A/00			
-	996 642 953 00	rotary knob	/L -01	1	
-	996 642 954 00	rotary knob	/R -01	1	
(6) >	996 642 944 00	control part	02	1	
		EWD black mat			
-	996 642 955 00	rotary knob	/L 02	1	
-	996 642 956 00	rotary knob	/R 02	1	
7	996 642 103 01	retaining frame		1	
(8) >	996 642 122 01	computer	-01	1	

Model	Year	MG	SG	Illustration	Restrictions	Update	8:10	24.08.2006	PORSCHE	PET	PORSCHE
986	04	9	11	911-15		203					

Pos	Part Number	Name	Remarks	Qty	Model	Pos	Part Number	Name	Remarks	Qty	Model
	EFR	gloss black F >>981S6 01247 F >>981S6 41097 F >>981U6 42573				-	996 642 136 07	cd-rom		1	M 119
		cd-rom for computer 996.642.122.00.EFR 996.642.122.01.EFR				-	996 642 137 07	cd-rom		1	M 062
-	996 642 131 06	cd-rom		1	M 499	-	996 642 138 07	cd-rom		1	M 034
-	996 642 132 06	cd-rom		1	M 124	9	993 645 173 00	retaining frame		1	
-	996 642 133 06	cd-rom		1	M 061	10	996 646 307 00	microphone	/LL -99	1	
-	996 642 134 06	cd-rom		1	M 111/M 277		B12	black-grey			
-	996 642 135 06	cd-rom		1	M 063/M 064/ M 225	10	996 646 308 00	microphone	/RL -99	1	
-	996 642 136 06	cd-rom		1	M 119		B12	black-grey			
-	996 642 137 06	cd-rom		1	M 062	10	996 646 307 01	microphone	/LL -01	1	
-	996 642 138 06	cd-rom		1	M 034		D05	granite grey	99		M 010
(8) >	996 642 122 03	computer	-01	1			C02	metal grey	98-99		M 012
	EFR	gloss black F 981S6 01248>> F 981S6 41098>> F 981U6 42574>>					C02	metal grey	-01		
(8) >	996 642 122 12	computer	02	1			A03	black	-01		
	EWD	black mat				(10)	996 646 307 02	microphone	/LL 02	1	
		cd-rom for computer 996.642.122.03.EFR 996.642.122.12.EWD					A03	black			
-	996 642 131 07	cd-rom		1	M 499	(10)	996 646 308 02	microphone	/RL 02	1	
-	996 642 132 07	cd-rom replacement see catalogue tequipment		1	M 124		C02	metal grey			
-	996 642 133 07	cd-rom		1	M 061	11	996 642 111 01	receiver		1	M 663
-	996 642 134 07	cd-rom		1	M 111/M 277	11	996 642 980 00	receiver leather		1	XEA
-	996 642 135 07	cd-rom		1	M 063/M 064/ M 225		A11	black			
							C51	graphite grey			
							S31	savanna			

Model	Year	MG	SG	Illustration	Restrictions	Update					
986	04	9	11	911-15		203	8:10	24.08.2006	PORSCHE	PET	PORSCHE

Pos	Part Number	Name	Remarks	Qty	Model	Pos	Part Number	Name	Remarks	Qty	Model
	G11	metropole blue									
	J31	nephrite green									
	M31	boxster red									
	P12	cinnamon brown									
	D12	dark grey/natural									
	T12	brown/natural									
		bracket									
		see group									
		9 /11/10									
		stop									
		seat rail									
		see group									
		9 /11/10									
		- - - E N D - - -									

MXI KAT20

KAT.	M-X-I -NR	BENENNUNG-Deutsch DESCRIPTION-English
20	M000	+-----+ ! M-Nummern-Uebersicht ! +-----+  +-----+ ! Summary of optional extras "M"! +-----+
20	M008	986 S 3,2 Liter Hubraum 986 S 3,2 litres displacement
20	M009	986 2,5 Liter Hubraum -> Mj 1999 986 2,5 litres displacement -> mj 1999 986 2,7 Liter Hubraum Mj 2000 -> 986 2,7 litres displacement mj 2000 ->
20	M010	Paket "Classic" "Classic" package
20	M011	Paket "Trend" "Trend" package
20	M012	Paket "Sport Design" "Sport design" package
20	M013	Paket "Sport Technik" "Sport technik" package
20	M016	Paket "Standard" "Standard" package
20	M020	Geschwindigkeitsmesser mit Doppel skala MPH-KM/h Speedometer with two scales mph-km/h
20	M024	Griechenland-Ausführung Version for Greece
20	M030	Sportfahrwerk Sport-type running gear
20	M034	Italien - Ausführung Version for Italy
20	M058	Pralldämpfer vorn und hinten Impact absorbers front and rear
20	M061	Grossbritannien-Ausführung Version for Great Britain
20	M062	Schweden-Ausführung Version for Sweden
20	M063	Luxemburg-Ausführung Version Luxemburg
20	M064	Niederlande-Ausführung Version for Netherlands
20	M065	Dänemark-Ausführung Version for Denmark
20	M066	Norwegen-Ausführung Version for Norway
20	M067	Finnland-Ausführung Version for Finland
20	M068	Thailand-Ausführung Version for Thailand
20	M069	Sonstige-Länderausführung Other country version
20	M071	EU-Länderausführung EU country version
20	M072	Mexico-Ausführung Version for Mexico
20	M073	Russland-Ausführung Version for Russia
20	M091	Sondermodell "50 Jahre Spyder" Special model '50 years spyder'
20	M111	Österreich-Ausführung Version for Austria

## MXI KAT20

20	M113	Kanada - Ausführung Version for Canada
20	M114	Taiwan - Ausführung Version for Taiwan
20	M119	Spanien - Ausführung Version for Spain
20	M124	Frankreich - Ausführung Version for France
20	M126	Beschriftung französisch Control and indications in french lettering
20	M127	Beschriftung schwedisch Control and indications in schwedisch
20	M130	Beschriftung englisch Control and indications in english lettering
20	M139	Sitzheizung, linker Sitz Seat heating system, left seat
20	M150	Betrieb mit verbleitem Kraftstoff Operates with leaded gas
20	M191	Felgenstern in seal grau-metallic Wheel spokes in seal grey-metallic
20	M193	Japan-Ausführung Version for Japan
20	M197	Stärkere Batterie Stronger battery
20	M198	Starter, 1,7Kw Starter 1,7 kw
20	M215	Saudi-Arabien - Ausführung Version for Saudi Arabia
20	M219	Ausgleichsgetriebe Differential
20	M222	Antriebschlupfregelung (ASR) Traction control system
20	M224	Automatisches Bremsdifferential Automatic limited slip differential
20	M225	Belgien-Ausführung Version for Belgium
20	M249	Tiptronic-Getriebe Tiptronic transmission
20	M265	Automatisch abblendbarer Innenspiegel mit Regensensor Automatic anti-dazzle interior mirror with rain sensor
20	M266	Automatisch abblendbarer Aussenspiegel elektrisch verstell- und beheizbar Automatic anti-dazzle exterior mirror
20	M270	Aussenspiegel für Fahrerseite -plan-, Outside mirror -plan- driver's side, electrically adjustable and heatable
20	M271	Aussenspiegel für Fahreseite -asphaerisch-, elektrisch verstell- und beheizbar Outside mirror -aspherical- driver's side, electrically adjustable and heatable
20	M272	Aussenspiegel, manuell verstellbar Outside mirror, manually adjustable
20	M273	Aussenspiegel, elektrisch verstell- und beheizbar Outside mirror, electrically adjustable and heatable
20	M274	Make-up Spiegel beleuchtet Make-up mirror illuminated
20	M277	Schweiz-Ausführung Version for switzerland
20	M288	Scheinwerfer-Reinigungsanlage Headlamp washer
20	M320	Radio "Porsche CR-11", RDW
20	M321	Radio "Porsche CR 22", RDW
20	M322	Radio "Porsche CR 220", USA
20		Radio "Porsche CR 220", USA

MXI KAT20

20	M325	Südafrika/Neuseeland-Ausführung Version for South Africa/New Zealand
20	M326	Radio "Porsche CR-21", RDW Radio "Porsche CR-21", RDW
20	M327	Radio "Porsche CR 2200", Japan Radio "Porsche CR 2200", Japan
20	M329	Radio "Porsche CR-210", USA Radio "Porsche CR-210", USA
20	M330	Radio "Porsche CR-31", RDW Radio "Porsche CR-31", RDW
20	M338	Heck-Antrieb Rear-wheel drive
20	M340	Sitzheizung, rechter Sitz Seat heating system, right seat
20	M342	Sitzheizung, links u. rechts Seat heating system, left/right seat
20	M369	Basissitz links Series seat, left
20	M370	Basissitz rechts Series seat, right
20	M375	Sportstz, Lehnenschale, links Sportseat, backrest shell, left
20	M376	Sportstz, Lehnenschale, rechts Sportseat, backrest shell, right
20	M394	Boxster-Rad 17" Boxster-wheel 17"
20	M395	Gussrad, 16" (AL) Cast wheel, 16 inches
20	M396	Gussrad, 17" (AL) Cast wheel, 17 inches
20	M400	Boxster-S-Rad 17" Boxster-s-wheel 17"
20	M411	Carrera-Rad 18" 18" Carrera-wheel
20	M413	Turbo-Look-Rad 18" 18" turbo-look-wheel
20	M414	Turbo-Look-Rad 18" hochglanzoptik 18" turbo-look-wheel high gloss finish
20	M415	Monobloc-Rad Top 18" 18" monobloc wheel top
20	M421	Kassettenablage vorn Front cassette compartment
20	M422	Kassettenablage hinten Rear cassette compartment
20	M424	CD-Ablage CD compartment
20	M431	4-Speichen-Lederlenkrad, Durchmesser 363 mm 4-spokes steering wheel (leather), diameter 363 mm
20	M432	Lenkrad mit Tiptronic-Bedienung Steering wheel with tiptronic control
20	M436	3-Speichen-Airbaglenkrad 3-spoke airbag steering wheel
20	M437	Komfortstz links, elektrisch verstellbar Comfort seat left, electrically adjustable
20	M438	Komfortstz rechts, elektrisch verstellbar Comfort seat right, electrically adjustable
20	M439	Elektrische Verdeckbetätigung Electrical Roof catch
20	M440	Manuelle Antenne, 4 Lautsprecher --> MJ 2002 MJ 2003 --> Antennen-Diversity Manual antenna, 4 loudspeakers --> mj 2002 mj 2003 --> antenna diversity
20	M441	Radiovorbereitung Prepared for radio
20	M446	Radzierdeckel konkav, mit farbigem Wappen Concave hub cap, with coloured escutcheon
20	M454	Automatische Geschwindigkeitsregelung Automatic speed control

MXI KAT20

20	M465	Nebel schl ussl euchte links Rear foglamp, left
20	M466	Nebel schl ussl euchte rechts Rear foglamp, right
20	M476	Porsche Stability Management (PSM) Porsche stability management (PSM)
20	M479	Australien - Ausführung Version for Australia
20	M480	6-Gang Schal tgetrie be 6-speed manual transmi ssi on
20	M481	5-Gang Schal tgetrie be 5th-speed manuell transmi ssi on
20	M484	USA - Ausführung Version for USA
20	M488	Beschriftung Deutsch Inscriptions in german language
20	M490	Mj 01 Klangpaket Mj 02- Klangpaket Harmann analog Mj 01 sound system Mj 02- sound system Harmann analog
20	M492	Scheinwerfer fuer Linksverkehr For left-hand traffic
20	M499	Ausführung für die Bundesrepubl ik Deutschl and Version for Germany
20	M509	Feuerlöscher Fire extingui sher
20	M513	Lordosenstütze rechter Si tz Back-support (lordose) right seat
20	M524	Wegfahrssi cherung, 433 MHz Anti-drive-off feature, 433 mhz
20	M525	Wegfahrssi cherung, 315 MHz Anti-drive-off feature, 315 mhz
20	M531	Wegfahrssi cherung, Zentral verri egel ung Anti-drive-off feature, central locking system
20	M532	Entfall Fernbedi enung Al armanlage Deleted remote control anti -theft device
20	M534	Diebstahl si cherungsanl age Theft security system
20	M535	Diebstahl si cherung 315 MHz Anti-theft lock 315 mhz
20	M536	Al armsi rene und Nei gungsgeber Alarm siren and tilt sensor
20	M537	Sitzposition s-Steuerung für Komfortsi tz, links Seating position control for confort seat, left
20	M538	Sitzposition s-Steuerung für Komfortsi tz, rechts Seating position control for confort seat, right
20	M539	Mechanische Si tzhöhenverstell ung links Mechanical seat-height adjustment left
20	M540	Mechanische Si tzhöhenverstell ung rechts Mechanical seat-height adjustment right
20	M549	Dachtransportsystem Roof rack system
20	M550	Hardtop
20	M551	Windstop Wind deflector
20	M553	USA-Canada-Ausführung Version for USA, Canada
20	M562	Airbag Fahrer- und Bei fahrersei te Airbagdriver' s side and front passenger' s side
20	M563	Seitenairbag Side airbag
20	M566	Nebel schei nwerfer wei ss Fog-headl amps, whi te
20	M567	Frontschei be im oberen Berei ch stark ei ngefärbt Windshiel d tinted, upper part darker coloured
20	M571	Akti vkohl efi lter Acti vated charcoal fi lter



MXI KAT20

20	M573	Klima-Anlage Air conditioner
20	M574	Ohne Klima-Anlage Without air conditioner
20	M580	Nichtraucherpaket Non-smoker's package
20	M581	Mittelkonsole vorn Center console front
20	M582	Ablagefach (Motordeckel) Storage pocket (motor cover)
20	M584	Ablagebox Storage box
20	M586	Lordosenstütze linker Sitz Back-support (lordose) left seat
20	M590	Motorische Deckelverriegelung Power lid locking
20	M601	Leitronic-Scheinwerfer Headlamp litronic
20	M602	Hochgesetzte Bremsleuchte Araised stop lamp
20	M606	Tagfahrlicht Daytime running lamp
20	M614	Telefonvorbereitung Motorola 2200 Preparation of telephone installation motorola 2200
20	M618	Telefonvorbereitung Preparation of telephone installation
20	M620	E-Gas E-accelerator
20	M635	Ei nparkhilfe Parking assistant
20	M651	Elektrischer Fensterheber Electric window opener
20	M657	Servolenkung Power assisted steering
20	M659	Bordcomputer Computer
20	M660	OBD 2 OBD 2
20	M661	Verschärftes Abgaskonzept Stricter emission-control concept
20	M662	Info- / Navigationsystem Info/navigation system
20	M663	Passivhörer Hands-free receiver
20	M664	ORVR ORVR
20	M665	PCM2 Grundmodul inklusive Radio PCM2 Basic module including radio
20	M666	PCM2 Telefon (GSM) PCM2 telephone (GSM)
20	M668	PCM2 Telefonbedienhörer PCM2 telephone handset
20	M670	PCM2 Navigation PCM2 navigation
20	M680	Mj 01 digitales Soundpaket Mj 02- Soundpaket Bose analog Mj 01 digital sound package Mj 02- sound system Bose analog
20	M686	Radio "Porsche CDR-21" RDW Radio "Porsche CDR-21"
20	M688	Radio "Porsche CDR-210", USA Radio "Porsche CDR-210", USA
20	M689	CD-Wechsler Vorbereitung Preparation of cd-changer
20	M692	CD-Wechsler "Porsche" CD-changer "Porsche"
20	M695	CD-Radio "Porsche CDR 22", RDW CD-Radio "Porsche CDR 22", RDW

MXI KAT20

20	M696	CD-Radio "Porsche CDR 220", USA
		CD-Radio "Porsche CDR 220", USA
20	M698	CD-Radio "Porsche CDR 32", RDW
		CD-Radio "Porsche CDR 32", RDW
20	M699	MD-Radio "Porsche MDR32", RDW
		MD-Radio "Porsche MDR32", RDW
20	M945	Sitzbezüge vorne, Seat covers front Stoff/Kunstleder/Kunstleder cloth/leatherette/leatherette
20	M946	Sitzbezüge vorne, Leder/Leder/kunstleder Seat covers front, leather/leather/leatherette
20	M981	Leder-Ausstattung ohne Sitzbezüge Leather equipment without seat covers
20	M982	Sitzbezüge vorne, Raffleder/Leder/Leder Seat covers front, draped leather/leather/leather
20	M983	Sitzbezüge vorne, Leder Seat covers front, leather
20	M990	Sitzbezüge vorne, Stoff/Stoff/Kunstleder Seat covers front, cloth/cloth/leatherette
20	M999	Innenraumüberwachung Sensor für Lederfarbe nach Wahl Passenger compartment monitoring sensor for leather colour of choice
20	IXAA	Aerokit Cup Aerokit cup
20	IXAB	Speedster-Heck, Wagenfarbe lackiert Spyder rear in body colour
20	IXAF	Aerokit Turbo Turbo aerokit
20	IXAG	Carrera - Heckspoiler Carrera - rear spoiler
20	IXCG	Sportsitzrückenlehne Alu-Optik Sports seat backrest in Aluminium-Look finish
20	IXCZ	Schalwegverkürzung Switch travel shortening
20	IXD9	Felgenstern in Wagenfarbe lackiert Wheel painted in body colour
20	IXE8	Schaltnopf Alu/Wurzelholz Dunkel/Leder Gear lever knob aluminium/dark burr maple/leather
20	IXE9	Handbremshebel Alu/Wurzelholz Dunkel/Leder Handbrake lever aluminium/dark burr maple/leather
20	IXJB	Mittelkonsole hinten arktissilber Rear section of centre console in arctic silver
20	IXJ4	Rosette für Zündschloss Lederbezogen Leather cover for ignition lock surround
20	IXKB	Luftseitentdüse Wurzelholz/Ahorn hell Side air vent in light burr maple
20	IXKC	Luftseitentdüse Wurzelholz/Ahorn dunkel Side air vent in dark burr maple
20	IXKD	Luftseitentdüse carbon Side air vent in carbon
20	IXKE	Luftseitentdüse arktissilber Side air vent in arctic silver
20	IXKG	Defrosterblende Wurzelholz/Ahorn hell, Leder "Windscr. defr. panel in light burr maple; leather"
20	IXKH	Defrosterblende Wurzelholz/Ahorn dunkel, Leder "Windscr. defr. panel in dark burr maple; leather"
20	IXKJ	Defrosterblende Carbon/Leder Defroster trim in carbon/leather
20	IXKX	Instr. Abd. Unterteil arktissilber Instrument surround in arctic silver
20	IXLA	Boxster-Endrohr Boxster tail pipe
20	IXLF	Sportabgasanlage Sports exhaust system
20	IXMA	Himmel mit Leder bezogen Rooflining in leather

MXI KAT20

20	I XME	Mittelkonsole hinten lackiert Rear section of centre console painted
20	I XMF	Mittelkonsole vorn inklusive 2 Ablagen, Leder Front center console incl. 2 storage bins, leather
20	I XMJ	Mittelkonsole hinten Carbon Rear section of centre console in carbon
20	I XMK	Überrollbügel in Exterieurfarbe Roll-over bar in exterior color
20	I XML	Mittelkonsole hinten Wurzelholz Ahorn hell Rear center console in light burr maple
20	I XMP	Sonnenblende Leder, 2 Make-up-Spiegel beleuchtet Leather sun visor, 2 lit make-up mirrors illuminated
20	I XMR	Sonnenblende Leder, 2 Make-Up-Spiegel beleuchtet Leder Sun visor in leather, 2 illuminated vanity mirrors,
20	I XMY	Überrollbügel arktissilber Roll-over bar in arctic silver
20	I XMZ	Mittelkonsole hinten Leder Rear section of centre console in leather
20	I XNB	Mittelkonsole hinten Wurzelholz Ahorn dunkel Rear center console in dark burr maple
20	I XNG	Instrumentenabdeckung Unterteil Leder Instrument surround in leather
20	I XNH	Seitendüse li./re. Leder Defrosterblende Side vent. left/right defroster trim in leather
20	I XNN	Mitteldüsenträger in Leder Center air vent bracket in leather
20	I XNR	Mitteldüsenträger Carbon Carbon center air vent bracket
20	I XNS	Lenkstock-Verkleidung 4-teilig Leder Leather steering column trim, 4-part
20	I XNU	Zierleiste (Nut) in Leder Leather trim strip (dashboard)
20	I XNV	Zierleiste (Nut) Wurzelholz/Ahorn hell Trim strip (dashboard) in light burr maple
20	I XNW	Zierleiste (Nut) Wurzelholz/Ahorn dunkel Trim strip (dashboard) in dark burr maple
20	I XNX	Zierleiste (Nut) in Carbon Carbon trim strip (dashboard)
20	I XNY	Zierleiste (Nut) arktissilber Trim strip in arctic silver
20	I XN3	Luftseitendüse Armaturenbrett Leder Dashboard side air vent in leather
20	I XPA	3-Speichen Sportlenkrad, Leder Interieurfarbe 3-spoke sports steering wheel in leather interior co
20	I XPB	3-Speichen Sportlenkrad, Wurzelholz/Ahorn hell, Leder 3-spoke sports steering wheel, light burr maple, leather
20	I XPC	3-Speichen Sportlenkrad, Wurzelholz/Ahorn dunkel, Leder 3-spoke sports steering wheel, dark burr maple, leather
20	I XPD	3-Speichen Sportlenkrad, Carbon/Leder 3-spoke sports steering wheel, carbon/leather
20	I XPG	3-Speichen Sportlenkrad, Sportsilber 3-spoke sports steering wheel, sports seats
20	I XPP	LAUTSPRECHER-ABDECKUNG SCHALTAFEL INTERIEURFARBE LOUDSPEAKER FINISHER ON SWITCH PANEL IN INTERIOR COLOUR
20	I XPW	Instrumentenabdeckung Unterteil Wurzelholz/Ahorn Hell Instrument surround in light burr maple
20	I XPX	Instrumentenabdeckung Unterteil Wurzelholz/Ahorn Dunkel Instrument surround in dark burr maple dark
20	I XPY	Instrumentenabdeckung Unterteil Carbon Carbon instrument surround
20	I XRA	SPORT-CLASSIC-RAD 17" 17" SPORTCLASSIC WHEEL
20	I XRB	Sport-Classic-2 Rad 18" 18" Sport Classic II wheel
20	I XRC	Sport-Techno Rad 18" 18" SportTechno wheel
20	I XRL	Sport-Design-Rad 18" 18" SportDesign wheel

MXI KAT20

20	I XRN	Di stanzschei ben 17 mm, hi nten 17-mm spacers, rear
20	I XRP	Di stanzschei ben 5 mm, vorn/hi nten 5-mm spacers, front/rear
20	I XSA	Sportsi tZRückenlehne lacki ert Painted sports seat backrest
20	I XSB	Sportsi tZRückenlehne i n Leder Leather sports seat backrest
20	I XSC	Porsche Wappen geprägt i n Kopfstütze Porsche crest embossed i n headrest
20	I XSD	Sitzbedi enelemente i n Leder Front seat controls i n leather
20	I XSE	Schalensi tz li nks Bucket seat, left
20	I XSF	Schalensi tz rechts Bucket seat, right
20	I XSG	Rennschalensi tz li nks Racing bucket seat, left
20	I XSJ	6-Punkt-Gurte 6-point harness
20	I XSL	6-Punkt-Si cherhei tsbügel 6-point safety catch
20	I XSM	Rennsport-Si cherhei tskäfi g Racing safety cage
20	I XSN	Entfall hi ntere Si tzanlage Omission of rear seats
20	I XSR	Schalensi tz rechts, Rücksei te Carbon Carbon back for bucket seat, right
20	I XSS	Schalensi tz li nks, Rücksei te Carbon Carbon back for bucket seat, left
20	I XSU	Abgepol sterter Si tz Uphol stered seat
20	I XSW	Si cherhei tsgurte i n Mari ti mbl au Maritime Blue safety belts
20	I XSX	Si cherhei tsgurte i n i ndi schrot Seat belts i n guards red
20	I XSY	Si cherhei tsgurte i n speedgel b Seat belts i n speed yellow
20	I XTC	TUERTAFELTEILE I N LEDER DOOR FEATURES I N LEATHER
20	I XTE	TUERTAFELTEILE I N CARBON/LEDER DOOR FEATURES I N CARBON/LEATHER
20	I XTF	TUERTAFELTEILE ARKTI SSI LBER/LEDER DOOR FEATURES I N ARCTIC SI LVER/LEATHER
20	I XTG	Schwellerabdeckung i n Leder Inner door sills i n leather
20	I XTJ	Türtafel teile Wurzel hol z/Ahorn hell Door panel parts i n light burr maple
20	I XTK	Türtafel teile Wurzel hol z/Ahorn dunkel Door panel parts i n dark burr maple
20	I XTL	Türtafel teile Carbon Door features i n carbon
20	I XV1	Defrosterblende Lederbezogen Defroster trim i n leather
20	I XX1	Fussmatten, Schri ftzug, Leder ei ngefasst Floor mats, logo, leather border
20	I XX2	Fussraumbel euchtung Illumi nated footwell
20	I XY5	Kulisse Tiptroni c-Wähl hebel i n Leder Tiptronic gear selector gate i n leather
20	I XZD	Abdeckung Innenleuchte i n Leder Interior light surround i n leather
20	I X45	Instrumenten-Zi fferblatt lacki ert i n Interi eurfarbe Instrument dial i n interior color
20	I X46	Tiptroni c-Wähl hebel i n Al u/Leder Tiptronic selector lever i n al umi ni um/l eather
20	I X65	Tiptroni c-Wähl hebel Wurzel hol z Hell /Al u Tiptr. sel. lever i n light burr mapl e/al umi ni um

MXI KAT20

20	IX66	Tiptronic-Wählhebel Wurzelholz Dunkel /Alu Tiptr. sel. lever in dark burr maple/aluminium
20	IX69	Einstiegsblenden Carbon, Schriftzug Door entry guards in carbon with logo
20	IX70	Einstiegsblenden Edelstahl, Schriftzug Door entry guards in stainless steel with logo
20	IX71	Instrumenten-Zifferblatt Lackiert/Alufarbe Instrument dial painted/aluminium-look finish
20	IX72	Schaltnopf Alu/Wurzelholz Hell/Leder Gear lever knob aluminium/light burr maple/leather
20	IX73	Sportfahrwerk Turbo Turbo sports suspension
20	IX74	Sportfahrwerk (exklusiv) Sports suspension (exclusive)
20	IX76	Schwellerverkleidungen links/rechts Inner door sill guard left/right
20	IX91	Handbremshebel Alu/Wurzelholz Hell/Leder Handbrake lever aluminium/light burr maple/leather
20	IX99	Naturleder Natural leather

Model	Year	MG	SG	Illustration	VIN No.	Update		
986	04	9	11	911-15		203	8:27	24.08.2006

TR203

THIS PARTS CATALOGUE CONTAINS ALL ORDER INFORMATION OF  
TYPE BOXSTER FROM MODEL YEAR 1997

IT IS AVAILABLE IN TWO EDITIONS IN THE FOLLOWING LANGUAGES:

EDITION

USA, CANADA - \*

EDITION

ALL OTHER COUNTRIES - GERMAN

\* - ENGLISH

- FRENCH

- ITALIAN

- SPANISH

UPDATING IS BEING PERFORMED BY CHANGING OF UPDATE.

THE EDITION CAN BE RECOGNIZED BY THE CURRENT NO.  
IN THE BOTTOM LINE OF SUBJECT UPDATE.

THE PREVIOUS UPDATE SHOULD NO LONGER BE USED.

ALL ILLUSTRATIONS ARE SUBJECT TO CHANGE WITHOUT OBLIGATION.

THE SEATS FOR EACH MODEL ARE AVAILABLE IN THE PARTS CATALOGUE  
"SEATS (STZ 19)".



Model	Year	MG	SG	Illustration	VIN No.	Update	8:27	24.08.2006
986	04	9	11	911-15		203		

FR203

VEHICLE TYPE	MY	VIN	ENGINE	TYPE
BOXSTER	97 V	98VS6 00061>10000	M96.20	150 KW
BOXSTER (USA) (CDN)	97 V	98VS6 20061>30000	M96.20	150 KW
BOXSTER (BR)	97 V	98TS6 29801>30000	M96.20	150 KW
BOXSTER (BR)	97 V	98VS6 29801>30000	M96.20	150 KW
BOXSTER	98 W	98WS6 00061>10000	M96.20	150 KW
BOXSTER	98 W	98WU6 00061>10000	M96.20	150 KW
BOXSTER (USA) (CDN) (MEX)	98 W	98WS6 20061>30000	M96.20	150 KW
BOXSTER (USA) (CDN)	98 W	98WU6 20061>30000	M96.20	150 KW
BOXSTER (BR)	98 W	98WS6 29801>30000	M96.20	150 KW
BOXSTER (BR)	98 W	98WU6 29801>30000	M96.20	150 KW
BOXSTER	99 X	98XS6 00061>10000	M96.20	150 KW
BOXSTER	99 X	98XU6 00061>10000	M96.20	150 KW
BOXSTER (USA) (CDN) (MEX)	99 X	98XS6 20061>30000	M96.20	150 KW
BOXSTER (USA) (CDN) (MEX)	99 X	98XU6 20061>30000	M96.20	150 KW
BOXSTER (BR)	99 X	98XS6 29801>30000	M96.20	150 KW
BOXSTER (BR)	99 X	98XU6 29801>30000	M96.20	150 KW
BOXSTER	00 Y	98YS6 00061>10000	M96.22	160 KW
BOXSTER	00 Y	98YU6 00061>10000	M96.22	160 KW
BOXSTER (USA) (CDN) (MEX) (BR)	00 Y	98YS6 20061>30000	M96.22	160 KW
BOXSTER (USA) (CDN) (MEX) (BR)	00 Y	98YU6 20061>30000	M96.22	160 KW
BOXSTER "S"	00 Y	98YS6 40061>50000	M96.21	185 KW
BOXSTER "S"	00 Y	98YU6 40061>50000	M96.21	185 KW
BOXSTER "S" (USA.CDN.MEX.BR)	00 Y	98YS6 60061>70000	M96.21	185 KW
BOXSTER "S" (USA.CDN.MEX.BR)	00 Y	98YU6 60061>70000	M96.21	185 KW
BOXSTER	01 1	981S6 00061>10000	M96.22	162 KW
BOXSTER	01 1	981U6 00061>10000	M96.22	162 KW
BOXSTER (USA) (CDN) (MEX) (BR)	01 1	981S6 20061>30000	M96.22	162 KW
BOXSTER (USA) (CDN) (MEX) (BR)	01 1	981U6 20061>30000	M96.22	162 KW
BOXSTER "S"	01 1	981S6 40061>50000	M96.21	185 KW
BOXSTER "S"	01 1	981U6 40061>50000	M96.21	185 KW
BOXSTER "S" (USA.CDN.MEX.BR)	01 1	981S6 60061>70000	M96.21	185 KW
BOXSTER "S" (USA.CDN.MEX.BR)	01 1	981U6 60061>70000	M96.21	185 KW
BOXSTER	02 2	982S6 00061>10000	M96.22	162 KW
BOXSTER	02 2	982U6 00061>10000	M96.22	162 KW
BOXSTER (USA) (CDN) (MEX) (BR)	02 2	982S6 20061>30000	M96.22	162 KW
BOXSTER (USA) (CDN) (MEX) (BR)	02 2	982U6 20061>30000	M96.22	162 KW
BOXSTER "S"	02 2	982S6 40061>50000	M96.21	185 KW
BOXSTER "S"	02 2	982U6 40061>50000	M96.21	185 KW
BOXSTER "S" (USA.CDN.MEX.BR)	02 2	982S6 60061>70000	M96.21	185 KW
BOXSTER "S" (USA.CDN.MEX.BR)	02 2	982U6 60061>70000	M96.21	185 KW
BOXSTER	03 3	983S6 00061>10000	M96.23	168 KW
BOXSTER	03 3	983U6 00061>10000	M96.23	168 KW
BOXSTER (USA) (CDN) (MEX) (BR)	03 3	983S6 20061>30000	M96.23	168 KW
BOXSTER (USA) (CDN) (MEX) (BR)	03 3	983U6 20061>30000	M96.23	168 KW
BOXSTER "S"	03 3	983S6 40061>50000	M96.24	191 KW
BOXSTER "S"	03 3	983U6 40061>50000	M96.24	191 KW
BOXSTER "S" (USA.CDN.MEX.BR)	03 3	983S6 60061>70000	M96.24	191 KW
BOXSTER "S" (USA.CDN.MEX.BR)	03 3	983U6 60061>70000	M96.24	191 KW



# PET V-Pages

Model	Year	MG	SG	Illustration	VIN No.	Update	8:27	24.08.2006
986	04	9	11	911-15		203		

FR203

VEHICLE TYPE	MY	VIN	ENGINE	TYPE
BOXSTER	04 4	984S6 00061>10000	M96.23	168 KW
BOXSTER	04 4	984U6 00061>10000	M96.23	168 KW
BOXSTER (USA) (CDN) (MEX) (BR)	04 4	984S6 20061>30000	M96.23	168 KW
BOXSTER (USA) (CDN) (MEX) (BR)	04 4	984U6 20061>30000	M96.23	168 KW
BOXSTER "S"	04 4	984S6 40061>50000	M96.24	191 KW
BOXSTER "S"	04 4	984U6 40061>50000	M96.24	191 KW
BOXSTER "S" (USA.CDN.MEX.BR)	04 4	984S6 60061>70000	M96.24	191 KW
BOXSTER "S" (USA.CDN.MEX.BR)	04 4	984U6 60061>70000	M96.24	191 KW

# PET V-Pages

Model	Year	MG	SG	Illustration	VIN No.	Update	8:28	24.08.2006
986	04	9	11	911-15		203		

TR830

EXPLANATION OF THE MOTOR-NUMBERS USED IN THE CATALOGUE  
 =====

DIGIT:		1	2	3		4	5	6	7	8
EXAMPLE:		6	5	V		0	0	1	3	6
		=	=	=		=	=	=	=	=
		!	!	!		!				!
ENGINE TYPE (6 = 6-CYL.-ENGINE)	-----+	!	!	!		!				!
		!	!			!				!
ENGINE VERSION	-----+	!				!				!
		!				!				!
MODEL YEAR	-----+					!				!
						!				!
SERIAL NUMBER	-----+					!				!

Model	Year	MG	SG	Illustration	VIN No.	Update	8:28	24.08.2006
986	04	9	11	911-15		203		

MR203

VEHICLE TYPE	ENGINE TYPE	MY	ENGINE NO.	TECHNICAL DATA
BOXSTER	M96.20	97 V	65V 00501>60000	6ZYL/2,5L /150 KW
BOXSTER	M96.20	98 W	65W 00501>60000	6ZYL/2,5L /150 KW
BOXSTER	M96.20	99 X	65X 00501>60000	6ZYL/2,5L /150 KW
BOXSTER	M96.22	00 Y	65Y 00501>60000	6ZYL/2,7L /160 KW
BOXSTER "S"	M96.21	00 Y	67Y 00501>60000	6ZYL/3,2L /185 KW
BOXSTER	M96.22	01 1	651 00501>60000	6ZYL/2,7L /162 KW
BOXSTER "S"	M96.21	01 1	671 00501>60000	6ZYL/3,2L /185 KW
BOXSTER	M96.22	02 2	652 00501>60000	6ZYL/2,7L /162 KW
BOXSTER "S"	M96.21	02 2	672 00501>60000	6ZYL/3,2L /185 KW
BOXSTER	M96.23	03 3	653 00501>60000	6ZYL/2,7L /168 KW
BOXSTER "S"	M96.24	03 3	673 00501>60000	6ZYL/3,2L /191 KW
BOXSTER	M96.23	04 4	654 00501>60000	6ZYL/2,7L /168 KW
BOXSTER "S"	M96.24	04 4	674 00501>60000	6ZYL/3,2L /191 KW

# PET V-Pages

Model	Year	MG	SG	Illustration	VIN No.	Update	8:28	24.08.2006
986	04	9	11	911-15		203		

TR830

EXPLANATION OF THE TRANSMISSION-NUMBERS USED IN THE CATALOGUE

```

=====
DIGIT:                1  2  3  4  5      6  7  8  9 10 11
EXAMPLE:              G  8  6  0  0      1  0  0  5  4  3
                     =  =====      =  =====
                     !                !                !
                     !                !                !
TRANSMISSION TYPE-----+                !                !
                     !                !                !
TRANSMISSION VERSION-----+                !                !
                     !                !                !
INDEX OF VARIANTS-----+                !                !
                     !                !                !
SERIAL NUMBER-----+                !                !
    
```

# PET V-Pages

Model	Year	MG	SG	Illustration	VIN No.	Update		
986	04	9	11	911-15		203	8:29	24.08.2006

TR830

EXPLANATION OF THE TRANSMISSION-NUMBERS USED IN THE CATALOGUE

```

=====
DIGIT:                1  2  3  4  5      6  7  8  9 10 11
EXAMPLE:              G  8  6  0  0      1  0  0  5  4  3
                      =  =====      =  =====
                      !                !                !
                      !                !                !
TRANSMISSION TYPE-----+                !                !
                      !                !                !
TRANSMISSION VERSION-----+                !                !
                      !                !                !
INDEX OF VARIANTS-----+                !                !
                      !                !                !
SERIAL NUMBER-----+                !                !
    
```

# PET V-Pages

Model	Year	MG	SG	Illustration	VIN No.	Update	8:29	24.08.2006
986	04	9	11	911-15		203		

GR203

VEHICLE TYPE	TYPE	MY	TRANSMISSION NO.	TECNICAL DATA
BOXSTER		G86.00 97 V	G8600 1 002001>999999	5-GANG
BOXSTER TIPTRONIC		A86.00 97 V	A8601 1 002001>999999	5-GANG
BOXSTER		G86.00 98 W	G8600 1 002001>999999	5-GANG
BOXSTER TIPTRONIC		A86.00 98 W	A8602 1 002001>999999	5-GANG
BOXSTER		G86.00 99 X	G8600 1 002001>999999	5-GANG
BOXSTER TIPTRONIC		A86.00 99 X	A8603 1 002001>999999	5-GANG
BOXSTER		G86.01 00 Y	G8601 1 002001>999999	5-GANG
BOXSTER TIPTRONIC		A86.05 00 Y	A8605 1 002001>999999	5-GANG
BOXSTER "S"		G86.20 00 Y	G8620 2 002001>999999	6-GANG
BOXSTER "S" TIPTRONIC		A86.20 00 Y	A8620 1 002001>999999	5-GANG
BOXSTER		G86.01 01 1	G8601 1 002001>999999	5-GANG
BOXSTER TIPTRONIC		A86.05 01 1	A8605 1 002001>999999	5-GANG
BOXSTER "S"		G86.20 01 1	G8620 1 002001>999999	6-GANG
BOXSTER "S" TIPTRONIC		A86.20 01 1	A8620 1 002001>999999	5-GANG
BOXSTER		G86.01 02 2	G8601 1 002001>999999	5-GANG
BOXSTER TIPTRONIC		A86.05 02 2	A8605 1 002001>999999	5-GANG
BOXSTER "S"		G86.20 02 2	G8620 1 002001>999999	6-GANG
BOXSTER "S" TIPTRONIC		A86.20 02 2	A8620 1 002001>999999	5-GANG
BOXSTER		G86.01 03 3	G8601 1 002001>999999	5-GANG
BOXSTER TIPTRONIC		A86.05 03 3	A8605 1 002001>999999	5-GANG
BOXSTER "S"		G86.20 03 3	G8620 1 002001>999999	6-GANG
BOXSTER "S" TIPTRONIC		A86.20 03 3	A8620 1 002001>999999	5-GANG
BOXSTER		G86.01 04 4	G8601 1 002001>999999	5-GANG
BOXSTER TIPTRONIC		A86.05 04 4	A8605 1 002001>999999	5-GANG
BOXSTER "S"		G86.20 04 4	G8620 1 002001>999999	6-GANG
BOXSTER "S" TIPTRONIC		A86.20 04 4	A8620 1 002001>999999	5-GANG

Model	Year	MG	SG	Illustration	VIN No.	Update		
986	04	9	11	911-15		203	8:29	24.08.2006

TR830

LEGENDS AND NOTICES

=====

IN COLUMN -S- STATUS

-----

- N NEW ADDITION
- P PART ALREADY IN PROGRAMME, BUT NEW AT THIS APPLICATION
- W DELETED AT THIS APPLICATION, BUT CONTINUED TO BE CARRIED
- A STOCK TO BE USED UP
- U DELETED WITHOUT REPLACEMENT
- \* PART ALSO OR ONLY AVAILABLE IN REPAIR KIT
- > ALSO AVAILABLE IN EXCHANGE

IN COLUMN - ILL. -

-----

- 1 IDENTIFICATION NO. IN ILLUSTRATION
- (1) PART ONLY SIMILAR AS ILLUSTRATED
- PART IS NOT ILLUSTRATED

FIG.-NUMBERS FOR WHICH THERE IS SHOWN NO TEXT ARE NOT VALID FOR THIS EDITION OF CATALOGUE

IN COLUMN -PART NUMBER/CODE-

-----

000 000 000 00 PART NUMBER EQUALS ORDERING NO., IF A CODE IS SHOWN, IT WILL HAVE TO BE PART OF ORDERING NUMBER

01C COLOUR CODE

IN COLUMN -TEXT

-----

INSTALLATION WITH ENGINE OR CHASSIS NUMBER-RANGE

EXAMPLE:

M 65V 00389>> FROM ENGINE NO.  
F >>98VS6 00889 UP TO CHASSIS NO.

# PET V-Pages

Model	Year	MG	SG	Illustration	VIN No.	Update	8:29	24.08.2006
986	04	9	11	911-15		203		

TR830

IN COLUMN - A -  
-----

IDENTIFICATION LETTER FOR PERIOD OF INSTALLATION  
THAT IS REPEATED SEVERAL TIMES IN THE CATALOG GROUP.

EXPLANATION PLEASE FIND IN TEXT COLUMN OF THE CATALOG GROUP

IN COLUMN - QU - = NO. OF PIECES  
-----

- 1 NUMBER PER APPLICATION
- X NUMBER AS NEEDED
- \* AVAILABLE ONLY IN RUNNING LENGTHS 1 = 1 METRE

IN COLUMN - MODEL/SYMBOL -  
-----

- M650 OPTIONAL EQUIPMENT - SEE M-NO. LIST
- 97 LIMITATION OF MODEL YEAR FOR INSTANCE: VALID UP TO  
END OF MODEL YEAR 1997
- /LL LHD
- /RL RHD
- /V FRONT I  
I
- /H REAR I  
I----> APPLIES TO
- /L LEFT I DIRECTION OF TRAVEL  
I
- /R RIGHT I  
-----+
- WW THE PART CAN BE USED INSTEAD OF THE  
PRECEDING ONE.



Model	Year	MG	SG	Illustration	VIN No.	Update	8:29	24.08.2006
986	04	9	11	911-15		203		

TR830

EQUIPMENT BY COUNTRY REGULATIONS  
=====

- (A) AUSTRIA
- (AG) ARABIAN GULF STATES
- (AUS) AUSTRALIA
- (B) BELGIUM
- (BR) BRAZIL
- (CDN) CANADA
- (CH) SWITZERLAND
- (D) FEDERAL REPUBLIC OF GERMANY
- (DK) DENMARK
- (E) SPAIN
- (F) FRANCE
- (GB) GREAT BRITAIN
- (GR) GREECE
- (HK) HONGKONG
- (I) ITALY
- (J) JAPAN
- (L) LUXEMBURG
- (N) NORWAY
- (NL) NETHERLANDS
- (NZ) NEW ZEALAND
- (P) PORTUGAL
- (RC) TAIWAN
- (S) SWEDEN
- (SA) SAUDI ARABIA
- (SF) FINLAND
- (USA) UNITED STATES OF AMERICA
- (ZA) SOUTH AFRICA