

# DIGITAL PROJECTOR | SU964

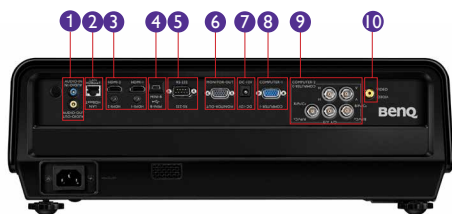


## Features

- Native WUXGA (1920X1200) Resolution
- 6,500 ANSI Lumens
- 8,300:1 High Contrast Ratio
- Horizontal & Vertical Lens Shift
- HDBaseT & Dual HDMI
- LAN Control



## Input and Output Terminals - Left Side View



- |                            |                               |
|----------------------------|-------------------------------|
| 1 Audio in/out (Mini Jack) | 6 Monitor out (D-sub 15pin)   |
| 2 LAN (RJ45)               | 7 12V Trigger                 |
| 3 LAN & HDBaseT            | 8 Computer 1 in (D-sub 15pin) |
| 4 USB (Type Mini B)        | 9 Component Video in (5BNC)   |
| 5 RS232 (DB-9pin)          | 10 Composite Video in (RCA)   |

## Specifications

Projection System	DLP®
Native Resolution	WUXGA (1920X1200)
Brightness	6,500 AL
Contrast Ratio	8300:1
Display Color	1.07 Billion Colors
Lens	F=2.48~2.81, f=24.1~36.15 mm
Aspect Ratio	Native 16:10 (5 aspect ratio selectable)
Throw Ratio	1.62~2.43 (87" @ 3.04m)
Image Size (Diagonal)	70"~300"
Zoom Ratio	1.5:1
Lamp Type	350W x 2
Lamp (Normal/Economic Mode)*	2000/2500 hours
Keystone Adjustment	2D, Vertical & Horizontal ± 30 degrees
Lens Shift	Vertical: -90~+90%; Horizontal: -30~+30%
Resolution Support	VGA(640 x 480) to WUXGA_RB(1920 x 1200)
Horizontal Frequency	15K~102KHz
Vertical Scan Rate	23~120Hz
Compatibility	HDTV Compatibility: 480i, 480p, 576i, 576p, 720p, 1080i, 1080p Video Compatibility: NTSC, PAL, SECAM
Interface	Computer 1 in (D-sub 15pin) x 1 (Share with component) Monitor out (D-sub 15pin) x 1 HDMI x 2 Component Video in (5BNC) x 1 Composite Video in (RCA) x 1 Audio in (Mini Jack) x 1 Audio out (Mini Jack) x 1 Speaker 10W x 1 LAN (RJ45) x 1 (LAN Control & HDBaseT) USB (Type Mini B) x 1 (Download) 12V Trigger x 1 RS232 (DB-9pin) x 1 IR Receiver x 2 (Front & Rear)
Dimensions (WxHxD)	17.4" x 6.5" x 13.9"
Weight	28.6 lbs
Power Supply	AC100 to 240 V, 50 to 60 Hz
Power Consumption	940W (typical), Network standby <6.0W, Standby<0.5W
Power Management Function	Automatic power off after 20 minutes without a display source.
Audible Noise	44/40/41/38 db (Normal Dual / Eco Dual/ Normal Single Alternative / Economic Single Alternativ)
Languages	(28 Languages)
Picture Mode	Expert mode Disabled : Dynamic / Presentation / sRGB / Cinema / (3D) / User 1 / User 2 Expert mode Enabled : Expert Mode 1 / Expert Mode 2 / Dynamic / Presentation / sRGB / Cinema / User 1 / User 2
Accessories (Standard)	Remote Control w/ Battery, Power Cord, User Manual CD, Quick Start Guide, Warranty Card, VGA(D-sub 15pin) Cable
Accessories (Optional)	Spare Lamp Kit #1 P/N: 5J.J8C05.001; #2 P/N: 5J.J8C05.002 Ceiling Mount P/N: 5J.JCY10.001 Remote Control P/N: 5J.JA606.001 3D Glasses P/N: 5J.J9H25.001
UPC / Part #	8400460-3139-8 / 9H.JD577.16A
Limited Warranty	3 Years Parts/Labor; 1 Year or 2,000 hours of lamp life

\*Lamp life results will vary depending on environmental conditions and usage. Actual product's features and specifications are subject to change without notice.



BenQ America Corp.  
www.BenQ.us

BenQ is a registered trademark of BenQ Corp. All rights reserved. Product names, logos, brands, and other trademarks featured or referred to in this material are the property of their respective trademark holders. Specifications subject to change without notice.

SU964 060815\_BQ.us

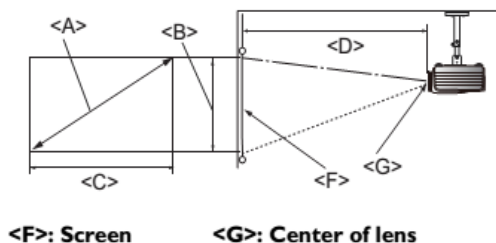
**BenQ**

Because it matters

# SU964 Digital Projector

## Distance Chart

### Ceiling Installation

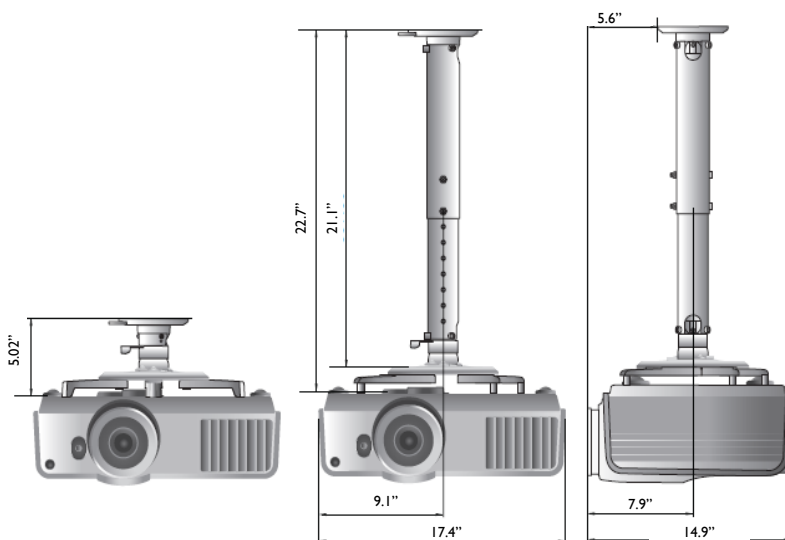
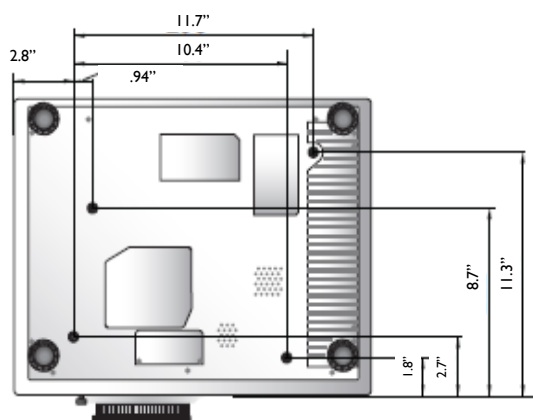


Diagonal		Screen Size		Projection Distance <D> (inch)		
Inch	mm	Height <B> (inch)	Height <C> (inch)	Min distance (with max. zoom)	Average	Max distance (min. zoom)
70	1778	37"	59"	96.4"	120.4"	144.4"
80	2032	42"	68"	110.2"	137.4"	164.9"
90	2286	47"	76"	123.6"	154.7"	185.8"
100	2540	53"	85"	137.4"	172.0"	206.2"
110	2794	58"	93"	151.1"	188.9"	226.7"
120	3048	64"	102"	164.9"	206.2"	247.6"
130	3302	69"	110"	178.7"	223.2"	268.1"
140	3556	74"	119"	192.5"	240.5"	288.5"
150	3810	80"	127"	206.2"	257.8"	309.4"
160	4064	85"	136"	220.0"	274.8"	329.9"
170	4318	90"	144"	233.8"	292.1"	350.3"
180	4572	95"	153"	247.6"	309.4"	371.2"
190	4826	101"	161"	261.0"	326.3"	391.7"
200	5080	106"	170"	274.8"	343.7"	412.2"
250	6350	133"	212"	343.7"	429.5"	515.3"
300	7620	159"	254"	412.2"	515.3"	618.5"

## Ceiling Mount Chart

Ceiling Mount Screws: M6 x 8 (Max. L=8 mm)

Units: inch



## Ceiling Mount Chart

Units: inch



Because it matters