

670	27364	92836	09428	61208	74982	36498	32764	81276	01
4986	40932	70987	32123	49817	26346	81287	65491	87364	81
721	75654	55656	12737	72727	72727	91918	63473	67867	70
723	87629	37677	32612	53498	71296	28756	18276	98716	87
7269	76329	74698	76857	98670	27601	56701	57601	73648	15
591	87364	87265	96710	27630	12673	84769	28743	98127	50
58	63298	75698	27465	87326	49876	28376	81273	98615	62
667	87432	74328	78674	29867	32867	67867	86786	43286	432
667	68768	68763	34234	34238	68768	62342	48273	48768	234
936	98432	32432	86743	43286	43286	43286	43286	43286	432
743	86743	86743	39867	32867	86743	43286	43286	43243	867
741	86743	86743	86743	86743	86743	86743	86743	86743	435
543	98798	98754	98754	98754	98754	29867	67543	67986	867
76	87698	69876	87698	69876	87612	12341	34867	86798	632
667	43298	65656	56756	56123	32143	14321	32143	14321	321
71	02787	58765	76587	58765	76587	58765	76587	58756	765
75477	26543	54365	36543	54365	36543	54365	36543	54365	543

Numbers & Oddities

a.k.a. The Spooks Newsletter

Edition #197, February 2014

Editor: Ary Boender email: ary@luna.nl

Check for previous newsletters, info, sound samples and databases also:

NUMBERS & ODDITIES <http://www.numbersoddities.nl>

SPY NUMBERS ONLINE DATABASE <http://www.spynumbers.com/numbersDB>

UTILITY DXERS FORUM (UDXF) <http://www.udxf.nl>

START PAGE <http://home.luna.nl/~ary>

HF UNDERGROUND <http://www.hfunderground.com/board/>

Hi, welcome to the 197th edition of Numbers & Oddities. Except for the usual station info and lots of logs you will find a voice message from M89 and interesting S30 info and quite some S28, S30 and S32 messages. Enjoy, and keep sending us your logs.

VOICE STATIONS



E06

4836 kHz, 06-02, 2030 UTC:

1321 *) 321 594 20
37839 35787 98273 60187 16202 95625 31691 52538 61025 22567
93296 67423 40968 16891 63781 34820 04842 60491 75924 04594
594 20 00000

*) Starts with 1321 then series of 321. Recording on the N&O website.

9073 kHz, 19-02, 1630 UTC:

527 308 61
95870 96102 61856 93126 84575 55208 89891 68797 05129 92711
69755 23091 17782 93438 18411 80062 13971 45408 05137 06974
09382 98888 15531 78084 81631 48596 31244 17053 01034 91215
36369 72632 27848 55454 86426 07373 74488 06795 00892 03973
56102 94141 65189 19022 77960 30558 53097 38770 33117 65260
05503 16654 08741 09081 26441 97234 24594 20566 82355 56261
52065
308 61 00000

4836 kHz, 21-02, 2030 UTC:

321 594 20
37889 35787 98273 60187 16202 95625 31691 52538 61025 22567
93296 67423 40968 16891 63781 84820 04842 60491 75924 04594
594 20 00000

15634 kHz, 19-02, 1130 UTC:

527 308 61
95870 96102 61856 93126 84575 55208 89891 68797 05129 92711
69755 23091 17782 93438 18411 80062 13971 45408 05137 06974
09382 98888 15531 78084 81631 48596 31244 17053 01034 81215
36369 72632 27848 55454 86426 07373 74488 06795 00892 03973
56102 94141 65189 19022 77960 30558 53097 38770 33117 65260
05503 16654 08741 09081 26441 97234 24594 20566 82355 56261
52065
308 61 00000



E07

7724 kHz, 17-02, 2000 UTC / 6924 kHz, 24-02. 2020 UTC / 6924 kHz, 26-02, 2020 UTC

798 1 160 61

99149 44830 70128 71190 08617 73461 72991 09308 53545 65159
71175 48986 89228 23222 28372 57993 90214 74969 32602 07778
34913 90165 98330 83895 22722 40075 99249 86884 68156 28526
10441 81090 10347 27352 66328 54895 19031 83754 74197 92569
85964 79091 49043 69241 30209 05947 65547 53148 63598 53390
55306 76441 58241 88599 78087 22230 51851 71316 10903 56885
07178
000 000



E11/ E11a

10800 kHz, 04-02, 0710 UTC:

635/38 Attention

98179 70157 32582 07702 77711 64848 30380 56483 22982 03452
02734 55219 52017 23063 04732 66513 93790 09398 16931 20663
11551 58498 06133 81281 77278 69537 07634 62725 50922 72634
43568 61688 78891 25559 39572 67039 85608 63079

Attention, rpt msg, out

12153 kHz, 04-02, 1045 UTC

573/31 Attention

55254 35306 41766 33233 82934 38714 04101 04639 85619 31022
40542 13194 26552 39159 06037 60442 97461 67092 75129 70106
75233 42065 78939 14056 13824 63740 06074 48494 33210 05475
73164

Attention, rpt msg, out

14410 kHz, 03-02, 1110 UTC:

956/30 Attention

98867 42044 13099 95087 42216 39327 15430 58680 44794 31200
39701 66891 63045 53385 44197 67507 11069 76927 47829 80953
08228 07209 83742 33987 77643 75814 55149 99363 09710 80519

Attention, rpt msg, out

5082 kHz, 06-02, 1730 UTC:

410/30 Attention

91889 04566 21061 45668 25800 79953 47878 40155 01521 38235
49482 85033 73529 91278 41492 11419 57827 64781 63727 48035
87872 32064 04016 77570 33869 20098 87267 75746 62827 19662

Attention, rpt msg, out

8091 kHz, 12-02, 1045 UTC:

469/37 Attention

52971 01504 48552 61013 55179 70131 96757 10652 31277 73488
17294 52442 66364 58989 48646 19809 38247 69239 72517 92674
91913 93266 41467 83211 88222 78227 27633 00539 67084 43695
50193 35954 42508 15570 51691 57308 41970

Attention, rpt msg, out

4441 kHz, 12-02/15-02, 1445 UTC:

280/34 Attention

11470 47713 55230 65257 98643 00515 27573 01390 70128 53641
27391 93254 70454 13448 79942 65053 18861 39115 72754 60293
02145 76187 52990 92069 53458 23134 77588 12824 02240 55156
31952 84948 22703 50550

Attention, rpt msg, out

14666 kHz, 18-02, 1300 UTC:

132/37 Attention

02994 66802 88141 40278 13679 85359 08178 21318 49182 22644
96033 06428 05855 63331 38610 14714 10438 71784 34445 17743
06384 99433 91990 85325 57796 43857 67695 90410 89452 02704
80788 55281 63642 72691 80705 54348 62070

Attention, rpt msg, out

4146 kHz, 28-02, 1855 UTC:

??/35 Attention

61483 42005 62717 87788 02321 79310 39021 66525 99252 81946
33194 20164 11037 45427 61427 93491 23623 82803 88751 91790
10329 02039 27254 67649 31300 86844 10951 89752 64532 04524
26012 17506 97042 96928 41606

Attention, rpt msg, out



E17z

11170 kHz, 06-02, 0800 UTC:

674 239 5 53556 25656 56069 96853 54599 239 5 00000



E25

9450 kHz, 06-02, 1250 UTC: 277 6 270 5. No message, windows XP shutdown

9450 kHz, 09-02, 1215 UTC: Enta Omri music, 830 10, gone off air

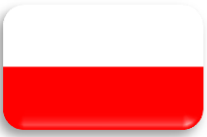
9450 kHz, 13-02, 1216 UTC: Enta Omri music. YL/EE 85 830 11 5555 835 830 11 5555 835 830 11 5555 835 830 11 5555 835 830
11 5555 5555 5555 5555 5555 5555 message message message 4090 1810 3076 9810 8295 6941
7908 1810 7979 rebeat rebeat rebeat 4090 1810 3076 9810 8295 6941 7908 1810 7979 end of
message



G06

4792 kHz, 14-02/28-02, 1930 UTC:

436 789 20
 92411 69428 53871 76397 15673 18367 98356 25478 26743 86464
 73852 53986 21496 93428 89657 26481 76534 09895 14769 06531
 789 20 00000



G11

G11 is definitely gone. Extra E11 schedules seem to fill the gaps.



S06

9234 kHz, 06-02, 1730 UTC:

480 123 47
 73515 05349 11413 98502 54253 41759 84313 53469 62553 56364
 51661 05856 22940 51639 00123 35458 41692 70484 76697 14742
 43512 23295 42807 73066 61407 81142 58965 13748 90739 89759
 73436 51135 43371 84010 13347 59899 62838 07536 01670 53709
 86509 67269 48528 35497 65645 77493 90250
 123 47 00000

10755 kHz, 14-02, 0835 UTC:

975 184 30
 64264 20777 81694 14331 24009 61268 98757 01488 13039 - off - back with -
 975 975 975 62180 18021 1 - WinXp error - off - back with -
 975 975 975 14331 24009 61268 98757 01488 13039 92857 89988 29437
 38615 84153 34934 53405 39340 15547 47430 77027 80634 25344 50039
 43261 03046 20063 69279 29304 90576 84831
 184 30 00000

15721 kHz, 18-02, 0400 UTC:

480 152 60
 82770 29727 87566 69437 53988 36934 98639 97156 40185 35131
 71678 02587 18429 31307 24900 68199 32974 81279 85125 41743
 65813 86199 89041 36320 05763 81729 47845 47340 02023 49585
 23701 28570 13144 06125 91453 94442 87342 47687 84031 40830
 35106 57341 44981 01456 80012 02761 36568 82145 98716 79889
 76873 40088 86031 82106 04347 00315 06047 99556 93224 26560
 152 60 00000

6923/5936 kHz, 24-02, 1700/1730 UTC:

480 267 44
52066 01630 66200 57401 84853 00773 88198 03406 11905 45671
09335 66502 84676 22763 63948 35769 95824 79412 98651 94441
68080 27822 77305 23843 95883 08867 73626 67677 92924 75241
15470 32175 64478 75710 14096 73995 85328 87650 23576 55716
55206 60429 13963 73321
267 44 00000



S11a

9610 kHz, 14-02, 1020 UTC:

422/37 Vnimanie
55782 95214 46544 87359 94048 35169 87301 20834 86508 86279
74913 57657 41206 98021 09089 56246 99569 80802 80561 47070
54569 68437 77156 68557 99580 42124 94087 10411 13614 12278
32946 40670 32262 65096 86189 87728 95948
Vnimanie, rpt msg, Konec

5815 kHz, 28-02, 1955 UTC:

370/36 Vnimanie
98727 88717 26376 44119 70289 29302 41295 78003 89219 03722
33804 35722 88359 59455 25690 08987 78543 92008 84002 70720
61443 76195 51943 07929 03405 27496 17767 53996 96576 16467
93106 18624 35554 57940 83898 16143
Vnimanie, rpt msg, Konec



S28 - The Buzzer

Mode: USB
Frequency: 4625 kHz

02-02, 1203 UTC: MDZhB 68 278 BALOAR 73 83 63 11
09-02, 1443 UTC: MDZhB 35 018 NARYVNYY 87 93 44 40 TIMEYKA 02 81 31 35
13-02, 0950 UTC: MDZhB 55 476 RAZLOZhKA 48 08 23 29
13-02, 1015 UTC: MDZhB 58 161 MAGAYR 39 51 55 78
13-02, 1027 UTC: MDZhB 00 240 TsIMBIDIUM 97 48 40 64
13-02, 1135 UTC: MDZhB 79 955 BASENNYI 35 59 47 61
13-02, 1142 UTC: MDZhB 16 652 PIRIDIN 17 41 48 18
13-02, 1151 UTC: MDZhB 17 582 VETOKhA 51 54 16 07
16-02, 1325 UTC: MDZhB 15 088 MIRIKA 97 78 88 12
16-02, 1330 UTC: MDZhB 52 827 MALTIDIT 25 56 39 77
27-02, 0930 UTC: MDZhB MDZhB 55 778 NADGIBKA 77 92 68 12 priyom
27-02, 1310 UTC: MDZhB MDZhB 69 300 SIRENNYY 12 00 42 59 priyom
27-02, 1347 UTC: MDZhB MDZhB 22 027 KAYNOZOY 07 06 95 58 priyom

3312 kHz, 06-02, 1151 UTC, CW:

XXX XXX MDVB MDVB 05282 MELOTIPI'A 39878693 DEKANTACI'A 73280877 K
Note that MDVB is the morse version of MDZhB. "V" is the Russian morse code for "Zh"

An odd transmission was copied by several people on 12-02, 0840 UTC on 4625 kHz. DJ Peter reported it on radioscanner.ru and recorded it via a remote receiver located in Nakhabino near Moscow:
<http://s01.yapfiles.ru/files/801181/70d15c3e6790ee13d814447b645d92b8.mp3?token=MDA4MDExODEtMTM5MjE5NTM4OA>

Another sound sample was recorded at the same time in St. Petersburg:
<http://www.youtube.com/watch?v=AzmoNLSZqo>

Two ladies chatting in Russian (the voices are loud, the buzzer is audible in the background):

- Alio, Vulcan?
- I can't hear you.
- I don't know what (happened) a moment ago...
- OMG, where? Who is there today?
- But we can hear everything, I don't know.
- Understood. Well, and what to do now? Should I call them again?
- I don't know.
- Look, Masha, which is this channel according to Vulcan?
- 31 2 4 10
- Just a moment, wait a minute, OK? Please repeat: 31 what?
- 31 2 4 10
- 4 10? Just a moment, I will write it down.
- Alio, alio?
- Alio.
- Listen, look again. I will contact him myself. Look at the channel again...

On both recordings the Buzzer is loud and the voices are audible underneath. Which leads to believe that the transmissions came from two transmitters, one near Moscow with the voices (the voices are much louder there), and another one near St. Petersburg with the buzzer (voices are weak here). Vulcan is reportedly St. Petersburg. The voices are probably a telephone conversation that is erroneously patched to the radio.



S30 - The Pip

Modes: CW (Pip), USB (messages)
Frequencies: 3756 kHz (night), 5448 kHz (day)

5448 kHz, 07-02, 0508 UTC, copied by Argonn via Radioscanner.ru

8S1ShCh na segodnya ograničit' primeneniye voysk, massovyy vykhod tekhniki v svyazi s nachalom otkrytiya Olimpiyskikh igr
Translation: 8S1Shch The use of the military forces and use of large scale military equipment must be limited today in connection with the opening of the winter Olympic games."

The Pip - how it started ... **written by RW6HRM for Radioscanner.ru**

Derived from the original Russian article. Published in N&O with permission of the author.

Many short wave listeners known the frequency pair - 3756 and 5448 kHz. Yes, this is the "Pip" or "Капля" going on for more than a quarter century.

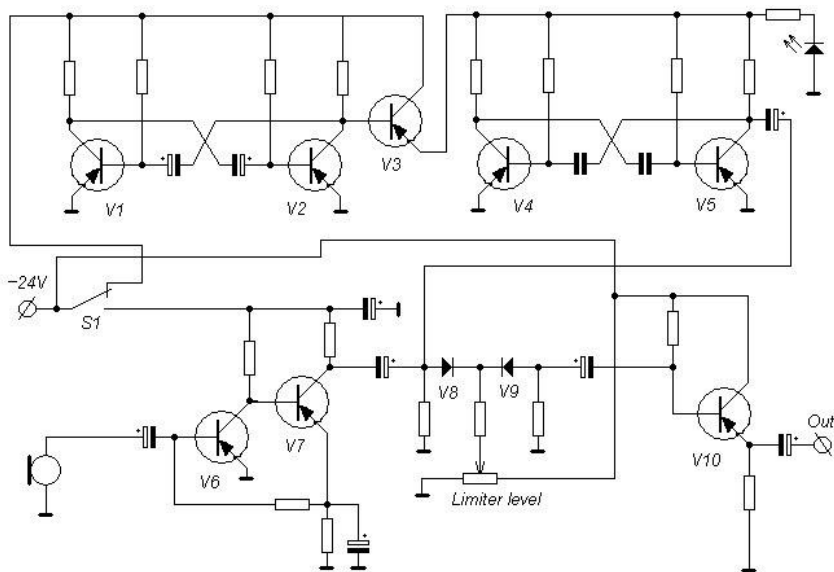
Until 1986 these frequencies carried "Колос" (Kolos) the alerting net of the North Caucasian Military District of the USSR. It was a network of receivers installed in military units and various factories. The receivers rated from professional R-154/155/250 receivers and similar equipment to ordinary household appliances. In order to fine-tune the receivers a daily message was aired by the alert officer of the district headquarters in Rostov-on-Don. This was also the case when the frequency was about to change. The message consisted of the following text "I am Kolos, I am Kolos. Adjust one, two, three, ... ten. I repeat" Sometimes readiness messages were transmitted, like "I am Kolos, I am Kolos. For 815, 223 and 444. How do you read?" The called stations were supposed to report the reception quality of Kolos.

Because it was boring and did not provide the constant readiness of the receiving device one day a new system was introduced. Before the change the network transmitters did not work constantly, they were switched on only for the daily checks. After the change they are continuously on the air. Station "Molniya" with 15 kW on 5448 kHz and station "Vyaz" using a 1/5 kW R-140 transmitter on 3756 kHz. By the end of the 1980's the network receivers were greatly reduced.

The first version of the marker generator, located in Rostov-on-Don, was replaced by a new one in August 1986, after which the old generator was moved to the 72nd node communications receiving center. There was a third backup generator, located at the spare communication node in Aksay and could be used as a local transmitter or to switch on the main broadcasting center .

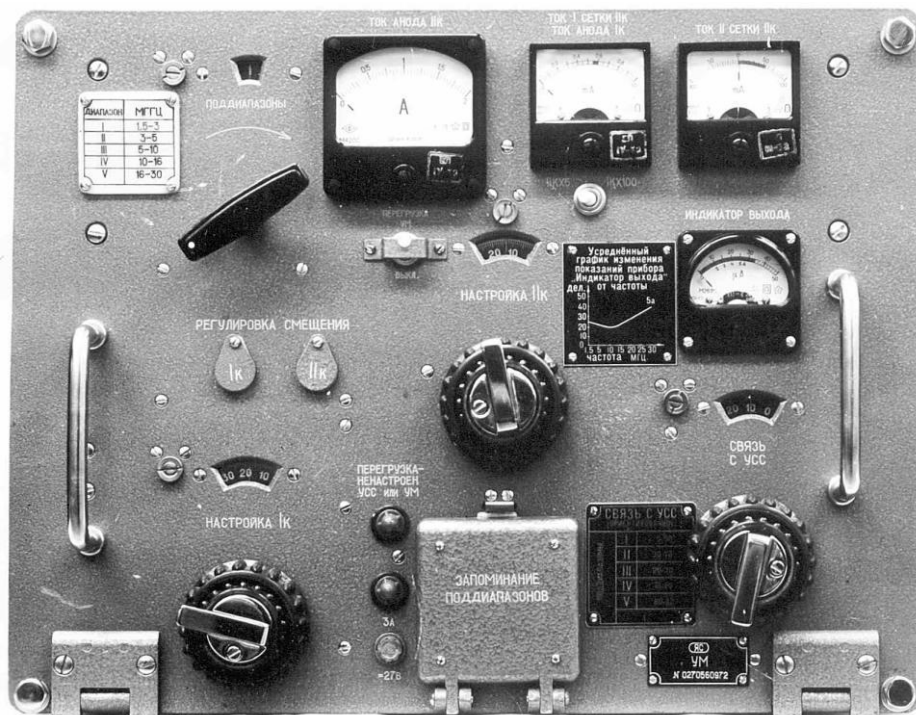
A circuit of the generator is simple. It consists of the two multivibrators - the low frequency and the voice frequency. A porosity (?) of the low frequency multivibrator is approx. 1:3, it is based on the transistors V1 and V2. Transistor V3 manipulates a power supply of the second multivibrator, which is based on the transistors V4 and V5. Both multi-vibrators are self-made. An industrially made voice block taken from the unknown for me equipment is in use as well, it has a microphone amplifier based on the transistors V6 and V7, a circuit of the "hard" limiter based on the diods V8, V9 and the buffer cascade with a transistor V10. Because of the constructive features of the used block a 24 V power supply has been selected. The microphone type is ДЭМШ (DEMSh). All transistors are МП42 (МП42). Operational status of the generator is indicated by the two light diodes: for power supply (not shown in the circuit) and for manipulation (blinking simultaneously with the manipulation level). Routing of the circuit units is activated by a microphone switch - just turning on and off power supply of the particular circuit units.

Below the diagram. I do not think that it has changed since the 1980's.



"The PIP" schematic diagram
"Капля" примерная схема

Below: part of the R-140 transmitter



Freq.	date	UTC	remarks
3756	13-1	1932	DLYA TSIKHS Z7PM 'O6P YKH'Y 7SZHG Z'1B TS19V ZHSK4 5FSSHCH DEAY, KAK SLYSHNO, KAK SLYSHNO, PRIYOM
3756	17-1	1930	DLYA SB7Z 8MUO TUZR 5Y7SHCH 27SHCH' N1DU 53OB 78MV 12TSI 79AY, KAK SLYSHNO, KAK SLYSHNO, PRIYOM
3756	18-1	1830	DLYA 8TSSHCHY TZLM FY5E F61N 37TSN MUDR 7VNSHCH ZH7NZH YMA5 VTKH3, KAK SLYSHNO, KAK SLYSHNO, PRIYOM
3756	19-1	1939	DLYA KHTSLF 61KHZH ZBIL L7O5 V'Z' NLTSE V2MZ SB7Z 8MUO TUZR KAK SLYSHNO, KAK SLYSHNO, PRIYOM
3756	21-1	1710	DLYA F56SHCH 9GSA ZHBZU 4RVZ 3VS' DKY1 6I2ZH ZHD9V SY5TS 42BV KAK SLYSHNO, KAK SLYSHNO, PRIYOM
3756	29-1	1653	DLYA YKH'Y S7ZHG Z'1B TS19V ZHSK4 5FSSHCH DEAY DMTS3 49FT TS2ZA, KAK SLYSHNO, KAK SLYSHNO, PRIYOM
3756	30-1	1710	DLYA 4RVZ 3VS' DKY1 6I3ZH ZHD9V SY5TS 42BV 81BR M7KS PMV5 KAK SLYSHNO, KAK SLYSHNO, PRIYOM
3756	2-2	1726	Dlya 5Y7SHCH 27SHCH' N1DU 53OB 78MV 12TSI 79AY P'KSHCH 6EKHB TSP3' kak slyshno kak slyshno priyom
3756	4-2	1915	DLYA L7O5 V'Z' NLTSE V2MZ SB7Z 8MUO TUZR 6Y7SHCH 27SHCH' N1DU KAK SLYSHNO, KAK SLYSHNO, PRIYOM
3756	5-2	1920	DLYA SHCHGYP 8TSSHCHY TZLM FY5E F51N 37TSN MUDR 7VNSHCH ZH7NZH YMA5 KAK SLYSHNO, KAK SLYSHNO, PRIYOM
5448	7-2	0508	8S1ShCh na segodnya ogranichit' primeneniye voysk, massovyy vykhod tekhniki v svyazi s nachalom otkrytiya Olimpiyskikh igr (8S1Shch The use of the military forces and use of large scale military equipment must be limited today in connection with the opening of the winter Olympic games)
3756	9-2	1952	DLYA 81BR M7KS PMV5 L'GY TSHCHSHCHS KHTSLF VKY1 61KHZH ZBIL L7O5 KAK SLYSHNO, KAK SLYSHNO, PRIYOM
3756	15-2	1535	DLYA NLTSE V2MZ SB7Z 8MUO TUZR 5Y7SHCH 27SHCH' N1DU 53OB 78MV KAK SLYSHNO, KAK SLYSHNO, PRIYOM
3756	17-2	1918	DLYA VKY1 KHTSLF 61KHZH ZBIL L7O5 V'Z' NLTSE V2MZ SB7Z 8MUO KAK SLYSHNO, KAK SLYSHNO, PRIYOM
3756	18-2	1303	DLYA TSP3' SHCHT3O TSIKHS Z7PM 'O6P YKH'Y S7ZHG Z'1B TS19V ZHSKV KAK SLYSHNO, KAK SLYSHNO, PRIYOM
3756	18-2	1547	5FSShCh DEAY DMTS3 49FT TS2ZA LI27 INNNTS SHCHGYP 8TSShChP TZLM
5448	21-2	1020	DLYA 37TSN MUDR 7VNSHCH ZH7NZH YMA5 VTKH3 AGDT 'U1B OSOG BO6TS, KAK SLYSHNO, KAK SLYSHNO, PRIYOM
3756	21-2	1718	DLYA TSIKHS S7PM 'O6P YKH'Y S7ZHG Z'1B TS19V ZHSK4 5FSSHCH FEAY, KAK SLYSHNO, KAK SLYSHNO, PRIYOM
3756	22-2	1632	DLYA 78MV 12TSI 79AY P'KSHCH 6EKHB TSP3' SHCHT3O TSIKHS Z7PM 'O6P, KAK SLYSHNO, KAK SLYSHNO, PRIYOM
3756	25-2	1722	DLYA 8TSShChY TZLM FY5E F51N 37TSN MUDR 7VNSHCH ZH7NZH YMA5 VTKH3, KAK SLYSHNO, KAK SLYSHNO, PRIYOM
5448	27-2	0848	8S1ShCh 8S1ShCh 09 426 PEGIY 13 11 79 30 PRIYOM



S32 - Squeaky Wheel

Mode: USB

Frequencies: 3838 kHz (night), 5473 kHz (day)

5473 kHz, 07-02, 0530 UTC, copied by Argonn via Radioscanner.ru

Al'fa45 na segodnya ogranichit' primeneniye voysk, massovyy vykhod tekhniki v svyazi s nachalom otkrytiya Olimpiyskikh igr
 Translation: Al'fa45 The use of the military forces and use of large scale military equipment must be limited today in connection with the opening of the winter Olympic games.

Freq.	date	UTC	remarks
3828	13-1	1528	DLYA SHTORA62 SLIVA94 RUZH'Ye26 ROSA64 STAZHER29 FONTAN34 NEVKA26 KAK SLYSHNO, KAK SLYSHNO, PRIYOM
3828	18-1	1900	DLYA SHTORA62 SLIVA94 RUZH'Ye26 ROSA64 STAZHER29 FONTAN34 NEVKA26, KAK SLYSHNO, KAK SLYSHNO, PRIYOM
3828	19-1	1344	8S1ShCh 33 827 TOBOGGAN 50 16 66 23 PRIYOM
3828	19-1	1348	AL'FA45 AL'FA45 94 668 VERTOGRAN 70 67 06 55 PRIYOM
3828	21-1	1820	DLYA SHTORA62 SLIVA94 RUZH'Ye26 ROSA64 STAZHER29 FONTAN34 NEVKA26 KAK SLYSHNO, KAK SLYSHNO, PRIYOM
3828	23-1	1915	DLYA ZH7NZH YMA5 VTKH3 AGDT 'U1B OSOG BO6TS F56SHCH 9GSA ZHBZU, KAK SLYSHNO, KAK SLYSHNO, PRIYOM
3828	24-1	1730	DLYA SB7Z 8MUO TUZR 7Y7SHCH 37SHCHR N1DU 73OB 48MV 12UI 79AY KAK SLYSHNO, KAK SLYSHNO, PRIYOM
3828	26-1	1730	DLYA KHTSLF 61KHZH ZBIL L7O5 V'Z' NLTSE V2MZ SB7Z 8MUO TUZR, KAK SLYSHNO, KAK SLYSHNO, PRIYOM
3828	2-2	1810	Dlya Dzhigit46 Nevka26 Yakhta94 kak slyshno? kak slyshno? priyom
5473	3-2	1208	AL'FA45 AL'FA45 99 517 RAZREZKA 76 13 59 37 PRIYOM
5473	3-2	1212	DLYA SHTORA62 SLIVA94 UTES94 ROSA34 STAZHER29 FONTAN34 NEVKA26 KAK SLYSHNO, KAK SLYSHNO, PRIYOM
3828	4-2	1539	Dlya ShVAF 99 130 BAGRYaNIK 75 44 86 74

Freq.	date	UTC	remarks
3828	4-2	1540	Dlya Yahta94 Nevka26 57 609 41 595 GNIL'Ye 13 31 68 48 Priyom
3828	4-2	1540	Dlya Yahta94 45 544 KUSHeNIYe 09 60 15 67 Priyom
3828	4-2	1545	Dlya Yahta94 42 628 BIZUN 55 33 20 39 Priyom
3828	4-2	1629	Dlya ShVAF M7KS 03 286 36 613 PAL'MIRA 78 34 12 68 repeat 03 686 36 613 PAL'MIRA 78 34 13 68 Priyom
3828	6-2	1530	8S1ShCh ALLAKTIT 40 01 PRIYOM
5473	7-2	0530	Al'fa45 na segodnya ogranichit' primeneniye voysk, massovyy vykhod tekhniki v svyazi s nachalom otkrytiya Olimpiyskikh igr (Al'fa45 The use of the military forces and use of large scale military equipment must be limited today in connection with the opening of the winter Olympic games)
3828	17-2	1410	DLYA BIZON64 OTPOR89 ALEUT09 PENZA07 UTES94 DUBLER68
3828	18-2	0253	Dlya DSAS PMV5 03 594 30 536 LIMOPIS 35 63 22 80 Priyom
3828	18-2	0256	Dlya DSAS PMV5 44 776 54 432 MAHEMIR 58 73 01 16 Priyom
3828	18-2	0300	Dlya DSAS PMV5 ?? ??? ?? ??? KOPO????? 11 05 79 Priyom (very weak)
3828	21-2	1532	DLYA HTORA62 SLIVA94 UTES94 DUBLER68 YAKHTA94 DZHIGIT46
3828	24-2	0249	19BT PMV5 51 334 90 721 SMOL'NYa 33 57 86 13 Priyom
3828	24-2	0255	19BT PMV5 90 705 98 504 GAMZUN 11 00 45 93 Priyom
3828	24-2	0259	19BT PMV5 97 345 33 019 KUVAR 19 47 06 82 Priyom
3828	24-2	0459	19BT M7KS 88 058 24 602 TEBERDA 36 19 42 88 Priyom
5473	26-2	1100	M7KS 19BT 11 057... YESZHNO... 29 84 ..
3828	26-2	1449	DLYA DZHIGIT46 KOVBOY39 YAKHTA94 LANDYSH74, KAK SLYSHNO, KAK SLYSHNO, PRIYOM
3828	26-2	1459	M7KS 19BT 39 079 38 736 NAZOYNIK 86 34 73 97 PRIYOM
5473	27-2	0551	DLYA BIZON64 OTPOR89 ALEUT09 PENZA07 UTES94 DUBLER68 FONTAN40, KAK SLYSHNO, KAK SLYSHNO, PRIYOM
5473	27-2	0606	Al'fa45 53 964 EFOLON 35 23 21 42 Priyom
5473	27-2	0631	Al'fa45 59 944 FUKOGAS 92 42 21 47 Priyom
5473	27-2	0640	Al'fa45 93 080 PUSheChNYJ 54 53 92 08 Priyom



V07

frequency	date	UTC	remarks
18368	2-2	0100	329 329 329 000
16268	2-2	0120	329 329 329 000
18368	9-2	0100	329 329 329 1 333 61 12295 38733 ... 28014 000 000
16268	9-2	0120	329 329 329 1 333 61 12295 38733 ... 28014 000 000
13968	9-2	0140	329 329 329 1 333 61 12295 38733 ... 28014 000 000
18368	16-2	0100	329 329 329 1 (x5) 345 83 (x2) 73317 28321 ... 11343 000 000
18368	16-2	0100	329 329 329 1
16268	16-2	0120	329 329 329 1 (x5) 345 83 (x2) 73317 28321 ... 11343 000 000
13968	16-2	0140	329 329 329 1 (x5) 345 83 (x2) 73317 28321 ... 11343 000 000
18368	23-2	0100	329 329 329 000
16268	23-2	0120	329 329 329 000

18368/16268/13968 kHz, 09-02, 0100/0120/0140 UTC:

329 329 329 1 (x5) 333 61 333 61
12295 38733 19238 47038 72833 97379 71744 54310 17827 72851
54324 33177 54937 13931 33033 31729 31349 18294 71785 43839
12720 23373 13328 75388 40137 39429 59310 85737 47718 72138
40170 28510 43717 88891 28717 07785 81435 15011 55308 07837
33128 59037 13123 58913 93738 89243 23354 87359 43473 32592
72033 39472 83197 31303 48707 15943 88335 99935 12122 15324
28014
000 000

18368/16268/13968 kHz, 16-02, 0100/0120/0140 UTC:

329 329 329 1 (x5) 345 83 345 83

73317 28321 22715 74155 00538 71922 37738 27448 72931 90839
43734 58443 83133 79093 04330 43383 70213 13033 29497 38034
42280 51780 17472 33875 21373 22702 39934 17781 43753 22515
85230 32330 53043 95032 73314 54238 44370 93318 35823 73899
03823 81538 84093 71339 40581 77488 23532 35200 92383 37017
33041 20932 29274 10002 37300 94044 74531 17955 27472 73843
34205 00473 93350 53183 34030 33107 47733 83129 25280 73389
99793 80831 94747 47908 99728 87633 77707 34975 94381 75021
31233 22903 11343
000 000



V13 - New Star Broadcasting Station

星星廣播電台 Xīngxīng guǎngbò diàntái

Frequencies: 7654, 7688, 8300, 9276, 9522, 9725, 10182, 10522, 11430, 13750, 15388 kHz

Current schedules

Station #?: 9276 kHz, 0200, 0300, 0400 UTC.

Station #3: 8300 kHz, 0500 and 0600 UTC.

Station #4: 9522 kHz, 0700 and 0800 UTC

Station #4: 8300 kHz, 1200 and 1300 UTC

Note: not all the skeds are not always on the air



V26

9054 kHz, 04-02, 0940 UTC: YL - 3 fig groups.

9153 kHz, 07-02, 0952 UTC: Chinese numbers i.p.



VC01 - Chinese Robot **Chinese Air Defense**

Modes: USB and LSB

The station changes its frequencies frequently. Known frequencies:

3036, 3749, 3837, 4075, 4165, 4175, 4258, 4343, 4410, 4422, 4427, 4480, 4530, 4580, 4726.5, 5195, 5232, 5288, 5303, 5328, 5330, 5393, 5592, 5700, 5742, 5799, 5802, 5832, 5892, 6209, 6479, 6771, 6840, 6858, 6860, 6949, 6960, 7090, 7351, 7608, 7684, 7726, 7739, 7744, 7756, 7770, 7792, 7864, 7865, 7880, 7890, 7924, 7938, 8000, 8025, 8170, 9000, 9129, 9169, 9192, 9290, 9340, 10508, 17392 kHz.

5343 kHz, 02-02, 1508 UTC

5343 kHz, 05-02, 1717 UTC

9129 kHz, 23-02, 0715, 0730 UTC

9129 kHz, 26-02, 2030 UTC

MORSE STATIONS



MX **Russian Military beacons**

Current cluster frequencies:

3594, 4558, 5154, 7039, 8495, 10872, 13528, 16332, 20048 kHz

Other frequencies:

L 6917.5, 8497.8 kHz

V 3658, 4150, 6809, 6928, 7027.5 kHz

R 5466 kHz (seldom reported these days)

W 5835, 8112, 8162 kHz (Air Force)

Cluster beacon slots:

.7 "D", Sevastopol

.8 "P", Kaliningrad

.9 "S", Severomorsk

.0 "C", Moscow

.1 "A", Astrakhan

.2 "F", Vladivostok

.3 "K", Petropavlovsk Kamchatskiy

.4 "M", Magadan

Channel markers:

V: 3335, 3658 kHz

R: 4325.9 kHz

W: 8112 kHz



M01

5685 kHz, 22-02, 1611 UTC:

894 130 50 = =

24036 03797 55883 64886 49443 94693 14057 62277 48984 17365

85807 07194 76832 36965 68611 28827 39503 12164 49852 43359

90634 65236 84653 12647 79361 95459 17878 98609 44932 31745

09386 43907 93652 74350 69796 17703 91270 48852 51089 30980

87553 58112 01991 72055 17270 59391 52901 45303 11394 23767

= = 130 130 50 50 000



Pyongyang Earth Station on Google Earth
38.975029N 125.845727E



M08a
Dirección General de Inteligencia

frequency	date	UTC	remarks
8097	4-2	1404	Cuban cut nbrs
8096.3	6-2	1422	Cuban cut nbrs
8097	10-2	1402	Cuban cut nbrs
8008.9	10-2	2309	Cuban cut nbrs
8135.2	11-2	2300	DDUGN URIAN NTANA Cuban cut nbrs
8097	12-2	1401	Cuban cut nbrs
8096.3	13-2	1403	Cuban cut nbrs
17554	13-2	2008	Cuban cut nbrs
8096.3	14-2	1400	Cuban cut nbrs. NAGWA DUNGN UIRNA AT 141400
8096.2	18-2	1419	Cuban cut nbrs
7554.2	18-2	2002	Cuban cut nbrs
8135.2	18-2	2301	Cuban cut nbrs
8095.9	19-2	1401	Cuban cut nbrs
8096.3	20-2	1405	Cuban cut nbrs
7554	20-2	2009	Cuban cut nbrs
8096.3	21-2	1412	Cuban cut nbrs
8096.3	23-2	1414	Cuban cut nbrs
8098.1	24-2	1400	Cuban cut nbrs
8135	25-2	2300	Cuban cut nbrs



M12

13569 kHz, 06-02, 1010 UTC:

582 582 582 1 2169 77
 91646 18101 60718 18944 69091 92113 38496 28105 93041 45619
 92734 66269 39000 81621 34535 82069 75741 55035 29668 57785
 65210 87057 65665 87156 29116 63853 71463 40792 03056 78917
 19664 56545 42719 67950 41712 71138 85281 69152 26846 94555
 41736 60649 04862 02069 31631 76188 49719 82274 78082 45326
 77266 36266 14429 16490 47335 20987 27442 58457 26200 78830
 25642 10279 88182 64802 96943 53587 10049 07884 63758 11111
 25246 50262 51515 94826 63735 40772 85823
 000 000 11111



M21 + variants
Russian Air Defence Forces
Войска ПВО Voyska PVO

Id 0: 4952 kHz
 Id 8: 4866 kHz
 Id 9: 5754, 6930, 8616 kHz



M24

5093 kHz, 18-02, 0430 UTC:

381 457 102 =

15321 05911 03971 20436 61637 72728 05031 22716 88315 88911
 13609 64252 71143 88452 86664 47974 90471 31156 42881 04581
 61188 73466 49525 70580 41698 61674 84406 41829 20337 57660
 33867 07241 02680 69637 12747 92354 48144 27981 17257 67466
 29371 76814 46705 99984 12776 70071 55011 55721 83741 91283
 17887 78792 64873 38611 26827 04821 00761 42393 45499 87122
 07674 07399 89811 40577 11647 96975 17407 32857 23374 01187
 37561 77704 23356 56804 77441 09949 55749 09272 65641 46958
 54326 37305 18948 66187 49021 78827 43256 53541 26467 27522
 84595 02223 42975 91492 91179 66749 13402 31320 72432 01845
 24324 19702
 457 102 00000



M41

Russian Air Defence Forces
Во́йска ПВО Voyska PVO

5733.5 kHz, 07-02, 0253 UTC: VVV PWZW PWZW =



M89

Chinese military

We finally have a good recording of a M89 voice message. It was recorded by JPL and Sferix translated the message. Thanks gents !! The recording can be found on the N&O website.

Stations, callsigns and strings:

VVV Q2M Q2M Q2M DE NYZ NYZ
 V 7NPE 7NPE 7NPE DE QV5B QV5B
 V DKG6 DKG6 DKG6 DE 3A7D 3A7D
 V RXP7 RXP7 RXP7 DE CZT2 CZT2
 V H2FL H2FL H2FL DE DRV8 DRV8
 V DP9J DP9J DP9J DE CQ CQ
 V MW3D MW3D MW3D DE 2SLC 2SLC
 V WZG6 WZG6 WZG6 DE 4VTG 4VTG
 V YUQW YUQW YUQW DE ASDF ASDF
 V GKLO GKLO GKLO DE TYUI TYUI
 V JKDJ JKDJ JKDJ DE SLBC SLBC
 V BRH0 BRH0 BRH0 DE 8NGG 8NGG
 V EI0B EI0B EI0B DE JHG2 JHG2
 V 8CPZ 8CPZ 8CPZ DE XW6W XW6W
 V S2LZ S2LZ S2LZ DE YBA6YBA6
 V QHV8 QHV8 QHV8 DE 8QPP 8QPP
 V Q5U8 Q5U8 Q5U8 DE 8QPP 8QPP
 V ZRM7 ZRM7 ZRM7 DE LCM0 LCM0
 V RA5J RA5J RA5J DE BP2S BP2S

RCO3R DE OHNT
 F1RZ DE DNM3
 HPS9 DE DNM3
 RCO3R DE GP1R
 80RS DE DNM3
 DHP6 DE DNM3
 G01R DE DNM3
 RCO3R DE GN3R
 4JPN DE DNM3
 RCO3R DE 80PU
 J6TS DE DNM3
 TLKL DE YRM4
 GI6W DE 4KQU

RCO3R DE J1VZ
 HLR8 DE DNM3
 TPA2 DE VBHS
 LP9C DE MJU7
 BGT5 DE AZQ1
 GNT3
 GS7W DE 4KQU
 1OQS DE B6UW
 JRQS DE 4KQT
 JRQS DE PVST
 NOVO
 LEPT

Voice message: 8073 kHz, 25-02, 1154 UTC

???

Please pay attention and copy
Please pay attention and copy

Message number 0179
Message group 134
35 35 0225 0225 1603 1603

Each message group will be repeated twice.

025 326 319 327 012 773 017 773 023 773
356 358 404 93 445 382 480 483 018 773
019 773 020 773 353 363 417 93 445 382
480 488 021 773 012 773 024 773 026 773
027 773 029 934 033 773 352 404 93 445
382 380 486 025 773 356 403 93 446 383
389 938 417 93 445 382 480 486 328 012
73 017 73 356 385 96 358 407 93 445
382 340 938 403 93 446 383 380 483 024
73 025 73 356 37 93 445 382 341 938
403 93 BR P

Page 1 complete, here comes page 2

446 383 480 486 476 329 012 73 37 73
402 73 025 73 356 403 93 446 383 380
386 018 73 356 358 404 93 435 446 380
302 380 483 476

Message over, ??? contact.

Morse messages:

4444 kHz, 03-02, 1753 UTC, i.p.:

R RPT RPT K
AGN (Both stations on this frequency)
HR MSG GA K R GA K
R MSG NR 42/CCK CK 30 .. 0204 0145 RMKS 2082 TO 2581 K
R RPT CLS K
AGN AGN AGN K
R RPT K
R R MSG NR 42/CCK CK 30 84 0204 0145 RMKS 2082 TO 2581 K
R K R = = =
U7D4 T756 4DTU UD67 DA76 5A63 D3AT 6U5A TA7U TTTD
4U6T AN3D T653 3U47 DNU3 A63U D453 D75A 35NT NT46
54A3 7DT5 ATN5 DU4A N45A 36T4 N7TD T7NA 536D D374 AR K (1800z)
R RPT 01W K
R R BT U7D4 AR K
R R QSL 0202 K
R U 7G GA K
R HR MSG GA K
GA K
R MSG NR 42/CCK CK 3A EEEEE
HR MSG GA K
R GA K
R MSG NR 42/CCK CK 30 84 0204 0145 K
RMKS 2581 TO 2082 K K
R R PT R MKS K
GA K = =
U7D4 T756 4DTU UD67 DA77 5A63 D3AT 6U5A TA7U TTTD
4U6T AN3D T653 3U47 DNU3 A63U D453 D75A 35NT NT46
54A3 7DT5 ATN5 DU4A N451 36T4 N7TD T7NA 536D D374 AR
R QSL 0207 K
R K SK SK

(Repeated msg sent by other station. First station msg was handsent, while second station repeat was machine sent at a faster speed)

5657 kHz, 03-02, 1212 UTC:

RMKS 7583 TO 7782 /7593 =
COMM/2100/3 EEEEE FM AREEE =
COMM/2100/LZ31063/7583/7782 AR AGN
NR 122015 RMKS 7583 TO 7782/7593 =
COMM/2100/LZ310 63/7583/778 AR AR
QSL ? HR WK NR 21

5743 kHz, 03-02, 0226 UTC, i.p.:

R RPT 38W TO 39W K.
R RPT 38W TO 39W K (cont'd)
R QSL 1030 HR WK NR 0.013 K

9053 kHz, 04-02, 0928 UTC, i.p.:

NR 094 CK 15 35 0204 1617= (Message format indicates possible 2SLC family.
2SLC presently using XW6W)
UT5T T43U 63A4 TTAT TUTN 3.73 3564 TAN3 D4AD 4454
D63. ACM..AGN
NR 094 CK 15 35 0204 1617 =
UT5T T.3U 63A4 TTAT TUT. 3773 3564 TAN3 D4AD 4454
D.3D A (0936z - Silent)

4708 kHz, 02-02, 1443 UTC, i.p.:

VV LB2C ...
R R B.ZNIL SK
QSTT NW K
RR MB.. GB
VV 4DET BBB5C K
VV 4DET K
VV VV 4DET BBB5C K
VVLDUEEEEE
VV 4DET BBB5C

10405 kHz, 02-02, 0235 UTC, i.p.:

..R8 DE DNM3 K
RCO3R DE OHNT R. QSA 1 QSA ? K
WK NR 26 HR WK NR 26
HR 7G GA
GA
7G NR 001/EX CK 99 40 0202 1030 RMKS CQ =
N67D 7A3A AU43 75UD AD3U UNA6 37U4 DUA3 UD63 DN65 (Cont'd)
AR
VV F1REEEEE
VV F1RZ DE DNM3 K
RCO3R DE GP1R R QSA 2 QSA ? K
R QSA 2 K
R RPT 29W K
RPT 29W BT DU6III ? DU63 AR K (Cont'd repeat groups)
R QSL 1050 K
R QLEEEEE R QSL 1100 K
R HR WK NR 0044 K
R R U 1130 COMM HPS9K
R R HR KP U K
R VV VV HPS9 DE DNM3 K (0300CO3R DE 8LVR R QSA 2 QSA ? K
R QS2 EEEE R QSA 2 EEEE R QSA 2 K
R QSL 1101 K
R HR WK NR 27 K
R U 1130 COMM F1RZ K
R R HR KP U K R
VV 80RS DE DNM3 K VV 80RS DE DNM3 K VV DHP6 DE DNM3 K
VV DHAEIEEE
VV DHP6 DE DNM3 K
RCO3 HE EEEEE RC0..
VV G01R DE DNM3 K
RCO3R DE GN3R R QSA 2 QSA ? K
AGN
RCO3R DE GN3R R QSA 2 QSA ? K
R QSA 2 K
R RPT 95W K
AGN
R RPT 95W K
R R RPT 95W BT 7574 AR K
R RPT 96W K
R R RPT 96W BT TD5U AR K
R RPT 96W BT TD5U AR K
R R AGN (Cont'd repeat groups)
RR QSL 1104 K
R R HR WK NR 0631 K
R HR WK NR 0631 K
R HR WK NR 0631 K
R R U 1130 COMM 4JPR K
R OK
R HR KPU K R .. K
VV VV 4JPN DE DNM3 K
RCO3R DE 80PU R QSA 2 QSA ? K
R QSA 2 K
N QSL 1056 K
AGN
N QSL 1056 K R QSL 1105 K
NZE EEE R QSL 1105 K
R NH WK NR 0706 K
R U 1130 COMM G01R K
NOK
R HR KP.EEEEE R HR XPUK
R VVV J6TS DE DNM3 K
RCO3R DE J1VZ R QSA 2 QSA ? K
R QSA 2 K
RPT 76W K (Cont'd repeat groups)
R QSL 1120 K
VV HLREEEEEEEEE
VV HLT EEEEEEEEE
VV HLR8 DE DNM3 K
VV HLR8 DE DNM3 K

4672 kHz, 04-02, 1125 UTC, i.p.:

UDTU 4767 T4D3 A7TU 66T3 (Cont'd) AR
QSL 1929 QSL 1921 EEEE QSL 1929
N HR CQ 7G GA (Both station on this frequency)
HR CQ 7G GA
HR CQ 7G G NR 163/CCK CK 191 80 0204 1930 RMKS CQ
NR 163/CCK CK 191 80 0204 1930 RMKS CQ
7G GA GA = = (Message format suggest QV5B family)
N557 A37N 76.D 47.. NUA U7? U73N 43.4 AU7T TDN TT35 TU5N (Cont'd)
III
101W GA GA GA = =
AU3T 5.3D T6AN A6D. (Cont'd) AR
QSL 1943 QSL 1943 QSL 1943 K
HR CQ HR CQ 7G GA HR CQ7G GA
NR 164/CCK CK 191 80 0204 1944 RMKS CQ
NR 164/CCK CK 191 80 0204 1944 RMKS CQ
= = =
U4A6 ED53 4TND EE 67D3 4AU. (Cont'd) AR
QSL 1957 QSL 1957
HR CQ 7G GA
NR 165/CCK CK 191 80 0204 1957 RMKS CQ
NR 165/CCK CK 191 80 0204 1957 RMKS CQ
7G GA GA
GA = =
D537 364T 7NT4 UT.4 6.N3 (Cont'd)

7788 kHz, 05-02, 1112 UTC, i.p.:

NSR GA K
NAGN K (Both stations on this frequency)
N FF NR 01/EX 1915 K
NAGN K
N = = HR AGN K
N L FF NR 01/EX 1915 K
N GA K
= = QDC7/PGAJ = = QDC7/PGAJ AR K
NAGN K
= = QDC7/PGAJ = QDC7/PGAJ B EEEEE = = QDC7/PGAJ = = QDC7/PGAEIEEE =
T
QDC7/PGAJ = QDC7/PGAJ AR K
N QSL 1918 K
F GA K
N AS (
R NHR FF GA K
N GA K
R FF 02F EEEEE
R FF 02/EX 1919 K
R K
N = QBZ4/SYB3 AR = QBZ4/SYB3 AR = QBZ4/SYB3 AR K
N QSL 19AEIEEEEE
N QSL 1920 K R

6602 kHz, 07-02, 0248 UTC, i.p.:

TA3U 5D6T 47NU 3N4T 7AU6 (Cont'd)
III
.02W (Both stations on this frequency)
C02W
= 5U7N
R T C 18W
=.NUT (Cont'd repeat groups)
R QSL 1056
R QSY F R QSY 04 QSY 04
R (0254z silent)

9081 kHz, 07-02, 0942 UTC, i.p.:

AR
= RPT .W K (Both stations on this frequency)
R RPT 12W 87.5
RPT 1... (Cont'd repeating groups)
SK
R R

7788 kHz, 07-02, 0306 UTC, i.p.:

NR .. CK 105 69 0207 0930 K
R GA K R ==
DANT U7A6 N64D 5U4A 4D6D N57A 77UT 67U4 ==
DANT U7A6 N64D 5U4A 4D6D N57A 77UT 67U4 TADA TTT4 (Cont'd)
AR K
QSL 105 EEEE QSL 105 EEEE R QLS EEEEE QSL 1008 K
HR F GA K
N GA K
LF NR 03/EX 1113 K
R GA K
R = = L2VE/Y2UR = L2V3/Y2UR = L2VE/Y2UR CK
QSL 1115 K
GA K
N F FF NR 07/EX 1116 K
OK GA K
= = DO EEEE = = DC.1/ACB3 III = DCB1/EEEEEE
= DCB1/ACB3 III = DCB1/ACB3 K
N HR MSG GA K
BNAGN K
HR MSG GA K
R GA K
MSG NR 06 EEEE
MSG NR 06 CK AR 6.. 02 EEEEE
MSG NR 06 CK 35 E9020 AR T98 K EEEEE
MSG NR 06 EEEEEEEEE
R MSG NR 06 CK AR 69 T EEEEE
MSG NR 06 CK 569 -087 098N EEEEE
R MSG NR 06 CK 35 69 0207 0930 K
R GA K R ==
A7T4 DD3N 5N4N 3DA3 5UT3 N54N 3TT? 3NT3 DUT4 5.U3 AU34 AR K
R QSL 1122 K
R MSG GA K
U MSG GA K
R MSG NR 05 CK 3 EEEEE
R MSG NR 0FM NR KCK35 69 T207 0930 K
R R GA K R ==
6UT6 64DA NT5D 3U5A U73T 4A.. DN64 376N TADA TTT5 AR K
R QSL 11 AR K EEEE R QSL 11 = EEEEE R QSL 15 = EEEE 01 EEEE R QSL 11
R K EEEE
R QSL 112 AR K EEEEE R QSL 2 AR = .. EEEEE 01 EEEEE R QSL 1125 K
R QSY TO LS EEEEE BOZ QSY TO LS6 K K
R (0327z - Silent)

5588 kHz, 08-02, 1038 UTC, i.p.:

4D53 7NA7 53A. T74T (Cont'd)
MSG 031 CK 301 34 0208 173. =
47T4 T..5NTUN A.... (Cont'd)

6794 kHz, 08-02, 1018 UTC, i.p.:

AUDT A347 745. (Cont'd)
AR QSL K
QSA 2 QSA ? (Both stations on this frequency)
= K MSG GA GA
MSG A MSG EEE MSG A
MSG NR 0731 CK 8063 29 7136 7030.28 .806 2156 301957..
KF E AGE = TIP NINN =
A= VAT WN.. TUDIT IAK NSTR1
= T83A DT.3 7A36 7AT3 T3D6 ..DT (Cont'd)
AR
T73A DT63 7A3. 7AT3 T3D7
QSL ?
HR WK NR 8022 AR K
QSL ? HR WK NR 0/0 AR K (1025z silent)

3797//4512 kHz, 08-02, 1135 UTC:

CQ 06 /5169 5189 5599 5529
MSG NR 01 CK 999 67 0208 1937 RMKS 5979 TO 5169 5189 5599 5529 =
U6.4 366N ... (Cont'd)

6666 kHz, 07-02, 0032 UTC, i.p.:

6T6N AU6T N7NU 6DU7 NT4T U53A (Cont'd)
AR K
R AS (Both stations on this frequency)
N1P K
R R RPT 60W K
= A55N AR K (0041z)
K NR RPT 90W TO 100W K
R = T44U TA6U 46TA T7D5 4NU6 73NT UD3U 7DU6 A3AT 7D47 5D43 AR K
R N 2P .. K
R R R RPT 7W EEEEE RRPT 70W TO 80W K
R = AA34 5TT5 4T5D 57UA TAAU 7AAU 6DN6 7D6N N5AN 5T4U 43D7 AR K
K R R QSL 0843 K
R R AS
C AGN K
HR MSG GA K
AS
R R GA K
R 7G NR 20 CK 199 88 OAGN
NR 20 CK 199 88 0207 0845 RMKS 2792 6902 K
R AGN K R ==
TN65 U47N U75T T4DN 5NUA D5A6 7TA7 65A4 TA67 TT4N 73DN (Cont'd)
AR
2 P
R RRPT 38W K
R 382 =N63 AR K
R R RPT 38W K
R 38W = 5A7U AR K
R R RPT 36W K
R 36W = N.63 AR K
R 1P K
RR RPT 93W K
R 93W = ST? I = 47UA AR K
R AS
R RPT 55W K
R 55W = AUN3 AR K
KR R QSL 0902 K
R NHR MSG GA K
AS (0103z)
R HR MSG GA K
GA
R AS R R R MSG NR 129 CK 299 88 0207 0904 RMKS 6902 TO 2792 K
R R GA
R AGN K
GA
R = =
ANU7 T6NA D377 575A U77A 5043 TUTU NT6D TA7A T5? TTA3 36UA (Cont'd)
AR (Message machine sent - 0123z)
R 3P 3P K
R .W K
R R = 4NA7 III K
R AGN 50W K
RR = 4UT4 III K (Cont'd repeat groups)
R QSL 0928 K
R R
HR MSG GA
GA K
R 7G NR 21 CK 299 18 AGN
7G NR 21 CK 299 17 0207 0930 RMKS 2792 TO 6902 K
K (Another station in background sending 05 05 05 05)
R R GA K =
6T4N N35? N357 D6AT U75T ADU4 T4N5 UTDU DT56 TA7T TTT4 ND4D
(Cont'd)
AR
R R 3P KR RPT 8W TO 10W K
R 8W TO 10W = = 75DT UN4T TA7T TTT6 AR K (Cont'd to repeat groups)
R QSL 1000 K
HW MSG GA K
GA
R MSG NR 130 CK 299 88 0207 1001 RMKS 6902 TO 2792 K
GA
R = =
UNDA 73NA D547 T3DA U3DA TD56 4NUT TAN6 TA7A TTA6 T67N (Cont'd)
(Unable to monitor any long)

4709 kHz, 09-02, 1805 UTC:

NR 0971/EX 0208 K K
 OK U GA K K
 NR NR
 = AGN AGN K AGN AGN
 R QSL 0211 K K
 MSG GA NR 0972 CK 49 30 0210 0200 K K
 = = = = (Instead of sending T=0, sends O=0)
 7D4. E.T. 56.. (cont'd)
 AR K
 OK U GA K K
 = = GA K K
 = = GA K K (Always sends 2 K)
 4W K K
 QSL 0220 K K (1814z silent)

4773 kHz, 09-02, 2103 UTC:

DE .PN9 K
 R QSA 2 QSA ? K
 R HR F GA K
 R R R HR F NR 073/EX 0505 5RMKS 9910 TO .03.K
 = AC.1/CBA2 AR K
 R GA K
 R R GA
 R QSL 0509 K
 R HR D. GA MSG NR 074 CK 99 15 0210 0509 RMKS 9910 TO .025 K
 R R = MU =
 U5N. S8ST ? 474. 7D5U 4.3A 35UT (Cont'd)
 R ... AR K
 R 10W GA T EEEE = TTUU AR K
 R 11W GA =
 TN7T UTUA .. (Cont'd)
 AR K
 R R U MSG GA K
 R QSL 0526 K
 R R U NR 71 K
 NR 4020 K
 NIL GB SK

5555 kHz, 10-02, 0909 UTC:

05 05 05
 U MSG GA K
 N AGN K
 N AGN K K
 UVV TPA2 TPA2 DE VIB VBHS K
 N U MSG GA K
 N AGN K
 N QSL 1720 K

6822 kHz, 10-02, 1008 UTC:

A345 67DN 3TAU 45.. (Cont'd)
 AR AR
 R QSL 1813 (Both stations on this frequency)
 R QSL 1813 NR QSY ?
 QSY 20
 QSY 20
 OK

7778 kHz, 11-02, 0314 UTC:

NRPT2 EEE RRPT 30W K
 NPT 30W = = D5T4 D5T4 AR K
 RPT 51W K
 NRP 51W = = T657 A657 AR K (Signal fading)
 QSL 1110 K
 SK

10180 kHz, 07-02, 0231 UTC, i.p.:

0207 1030 RMKS 3528 TO 3408 =
 COMM/1100/XZ816/69/3528/3408 AR QSL ? HR WR NR 21 (0232z)
 NR 009/CCK CK 199 19 0207 1030 RMKS 6.. AGN
 NR 009/CCK CK 199 19 0207 1030 RMKS BU EEEEE RMKS 6FS =
 5UTB BDN5 545N TUD. DAT4 563D TN46 NT3A TU6A DAN3 BU6A UD74
 (Cont'd)
 (Machine sent - //5801 kHz)
 AR

6666 kHz, 08-02, 1143 UTC, i.p.:

III = 3D67 U566 U3TU U57A 7TD4 (Cont'd)
 III = 3D67 U566 U3TU U57A 7TD4 (Cont'd)
 III = 3D67 AR
 = 3D67 U566 U3TU U57A 7TD4 T344 73UN (Cont'd)
 7AT3 677A UAAN UDDU NN33 65AU DN4N (Wanted to see ending)
 III = 3D67 U566 U3TU U57A 7TD4 T344 73UN 657A (Cont'd)
 (Keeps sending the same thing over and over)
 III = 3D67 U566 U3TU U57A 7TD4 T344 73UN 657A (Cont'd)
 III = 3D67 U566 U3TU U57A 7TD4 T344 73UN 657A (Cont'd)
 (Another station now on frequency creating interference)
 III = 3D67 AR (1208z silent)

7777 kHz, 08-02, 1214 UTC, i.p.:

6T7U 374D N57T UT5? U6AD 3AU3 (Cont'd)
 VV 1. VV 16 R K
 R 65 K (Both stations on this frequency)
 658 QSA
 ?
 NR 00122 CM (1218z silent)

5111 kHz, 09-02, 1350 UTC:

05 05 05
 = AU34 567D ND. =
 D = = DB7RU 45OTDOSB18P QC. BA.. ?
 J1M4 V MSVVV UCL. (1353z silent)

5166 kHz, 09-02, 1421 UTC:

N4A4 4556 UD74 AN3T UDT6 N6T3 (Cont'd)
 III = 7TAU UD76 AU5D 7T4A D57U TUNA U35D (Cont'd)
 AR
 F R AF GA
 R F GA

5657//3820 kHz, 09-02, 1311 UTC:

HR SVC NR 036 215 RMKS 7583 to 7942/7593 =
 COMM/200/LZ317A/7583/7942 AR
 AGN HR SVC GA
 NR 036 215 RMKS 7583 TO 7942/7593 =
 COMM/200/LZ317A/7583/7942 AR
 QSL ? HR WK NR 47 (Return to roundslip)

4635 kHz, 10-02, 1733 UTC:

R BOZ TO U PS. K
 R (Appears to have gone to voice briefly after which some sort of data/digital mode came up on frequency. BOZ has been previously sent by many M89 stations over time - could BOZ refer to some sort of data/digital mode?)

5656 kHz, 10-02, 1408 UTC:

NR 3550/EX 2200 RMKS MCQ K K
 NR 3550/EX R 2200 K
 R = F = = A4RD/S2NN AR
 = A4RD/S2NN AR
 QSL QSL 2209K
 R GB GB

6666 kHz, 14-02, 1300 UTC:

66AU 37T4 56DD 44NT 55TD UU45 U446 44A6 (Cont'd)
 AR K
 N N GA (Both stations on this frequency)
 R QSL 2100 K
 NR GA K
 7G GA K
 NR A ? R R GA K
 N N 7G EEEE 7G NW EEEEE G EEE
 R 7G NR 063 CK 91 3 EEEEE
 7G NR 063 CK 91 45 0214 20EEEE (Handsnt with lots of mistakes!)
 7G NR 063 CK 91 45 0214 2030 RMKS G938 TO G839 K K
 AGN N = = =
 T6DD 5? 5664 77TA 55NN NUN3 NDA7 A6A7 77TN 6AAA 5NN4 (Cont'd)
 AR K
 FF R R R WET 1W K
 N NA EEEE N NR EEEE NRPT 1W = = T6DD III = T6DD III K
 QSL 1116 K
 NAGN K
 FF L F CY K
 LF CY K
 N N GA K
 LF FF CY
 K
 NR FF CY K
 NAGN K
 NR FF NR 2EEEE
 FF NR 29DNEX 2117 K (Should be NR 29/EX 2117 K)
 N AGN K
 NABDO EEEEE ABDI/DTSA9 K
 AGN K
 = = AB EEEEE = A6D.EEEEE
 = ABD8/DBA9 AR A
 = = ABD8/DBA9 AR K
 N QSL 2118 K
 NR AGN K R AGN K K
 NR QSY TO EMSB K
 N
 R HR FF GA K
 FF GA K K K
 ER R FF GA K
 N FF NR 29/EX 1119 RMKS G93. EEEEE
 FF NR 29/EX 2119 RMKS G938 TO G839 K
 NR GA K
 R = =
 DAC4/NDA8 = DAC4/NDA8 K (1326z)
 FF NR 29/EX 2127 RMSK EEEEE
 FF NR 29/EX 2127 RMKS G938 TO G839 K
 05 05 05 (In background - weak) K
 R GTS EEEE RR GA K
 N = = DAC4/NDA8 = DAC4/NDA8 AR K
 NR AGN
 = = DAC4/NDA8 = DAC4 C EEEEE N = = =
 DAC4/NDA8 = DAC4/NDA8 AR K
 NR QSL 2131 K
 N NAGN K
 N R NR QSL 2129 EEEE RR QSL 2121 K
 N AGN K
 N R QSL 2121 K
 N AGN K
 QSL 2121 K
 N AGN K
 NR R QSL QSL 2130 K
 N AGN K
 NR R AGN K
 NR R N NR QSL 213. K
 T AGN K
 NR R NR QSL 2130 K
 N N TRRR QSL 2130 K
 R R K K K K N N
 BOZ QSY TO LSB K
 N AGN K
 NR BOZ QSY TO USB K
 R (Shifted to voice USB - 1340z)

8888 kHz, 10-02, 0942 UTC:

6374 DA64 AU3N 76D6 35DN (Cont'd)
 7774DUU ATD3 (Cont'd)
 999995555554A4 4.U MSG 473. S =
 VA VA VA VA
 AR = = = = (extremely fast)
 = = = = = (Voice in background)
 67NT D45U T7U3 N736 N667 (Cont'd)

3330 kHz, 12-02, 1736 UTRC:

VV CQ 63 RMKS 6380 TO 0924/82.0 UGT COMM TA =
 .0540/2924./..00/117//63.0 EEE =
 80540/2924/0300/.27 NN EEEE/117/...0 AR AR

7777 kHz, 12-02, 0835 UTC:

5AT3 A375? A37. A3ND ND75 UA34 (Cont'd)
 R QSL 1645 QSL 1645 K
 OK
 R SK SK
 SK
 5 5 5 5 5 5 5 F NR NR 209/EX 1466 K K
 555 5 55555555555555555555
 VV LP9C DE MJU7 K
 LP9C DE MJU7 K
 R IGT5 DE GT5 BG BGT5 DE AZQ1 K
 R QSL QSA ? EEE QSA 2 QSA ? K (0843z silent)

7777 kHz, 13-02,1050 UTC:

3576 3? 530D 76T4 D5A4 DU3N (Cont'd)
 AR AR AR AR AR AR AR AR
 47NA 34T6.4 7NA3 4T63 (Cont'd)
 77N. NA77.. (Cont'd)
 AR R NR 0016 K K (1500z silent)

5657 kHz, 11-02, 1346 UTC:

NR 2... RMKS 7583 TO 7783 / 7593 =
 SVC QRW 7593 .. R187783 22.. COMM 7583 AR
 AGN
 NR AR 2145 RMKS 753 EEEE
 RMKS 77 AR
 TO 7783 AR
 / 7593 AR =
 SVC QRW 7593 QRW R18 7783 30. F. 3 FM FM 758. AR
 QSL ? HR WK NR 2 AR
 WP P P EEEE P P E III A =
 FM E BT A E A BT TU FM 3TYUI E E A =

6216, kHz, 12-02, 0302 UTC:

CCK CK 199 3
 NR 022/CCK CK 199 45 021. 1100
 VV SVC NR
 7G GA 020 EEEEE
 7G GA 7G *NR 022/CCK CK 199 45 0212 1100 RMKS .25EEEE RMKS 8. RMKS
 8. TO 84. =
 = NUTN 76UT 6ADA TUTU NTUA. (Cont'd)

3797//4512 kHz, 12-02, 2204 UTC:

.../0./1../934/A/.3/31 AR
 79/02/./934/A/./31 AR
 572./59...02/1./935/934/A/.... AR

8073 kHz, 25-02, 1144 UTC:

4DT4 D347 6 AR (1146z) (Runs groups together)
 .. GA NR 0179 CK 134 35 0225 1603 =
 TU53 U63A N3U7 TAU7 73TA 7773 TU37 7335 634D (Cont'd)
 AR (Appears to have switched to voice - USB at 1154 UTC)
Recording on the N&O website and text above.

5555 kHz, 18-02, 0942 UTC:

220 =
 III 3094824
 FUNA0262/EX 1520 K J0C/G6Z AR K
 FF NR 034/EX =
 H2/2I AR
 FF NR 026./ 58 = J0C/G6Z AR
 FF NR 02824695 58
 FF NR 02824695 528
 VV FF NR 0262/EX 1520 =
 J0C/G6Z AR
 90T
 FF NR 0262/EX 1520 =
 J0C/G6Z AR
 FF NR 0262/EX 1520 =
 J0C/G6Z AR
 MSG NR 0263 CK 129 AR AR AR
 QSL QSL ? QSA QSA ?
 TATA
 R R HR WK NR 333 IEC =
 VV VV FF NR 026... 520 =
 J0C FM 520 =
 J0C/7 AR =

6666 kHz, 25-02, 1205 UTC:

3333 4T 3333333333 3 33 43433343444
 6.NG059 12745. FIT
 IR NR 257555..34.4433.333333.43434343 AAAAA TAAAA A A A A A4ANET.3AD6
 6AD4 T3TW TATT A3.5N5ND6 (Cont'd)
 AR K
 7G NR F .
 DE NO DE NOVO K
 R DL.NO QSL 2 EEEE QSA 3 QSL? .
 QSA 2 QSA ? K
 R QSA 2 K
 J R 5TR
 R IEC = T.N AR (Normally associated with exercise)
 R BT 4T.. AR K
 R HR . GB K
 R GA
 HR 7G NR 07 N/CCK CK 77 078 0211 .333.
 R GA
 HR 5 TTTTTT
 7G NR 0505.05 05 05
 VV LETP DE OVO. R ... K
 QSA 2 QSA ? K
 R QSA 2 R K
 IEC = = TU7. K
 R TU7N AR K
 R QSA ? K
 R HR N.. K
 NR R
 HR ZNN QSJ? K (Normally sent on RTTY circuits to denote no tfc)
 R R HR Q EEEE HR Q... K
 R NIL
 HR ZNN NIL SK
 R NIL SK GB
 GB
 RN.. GB N.. S..
 R S...
 05 05 05 05 05 05 (Cont'd)
 IW443333377.
 VV 434.3
 AR AR (Silent - 1218z)

6666 kHz, 27-02, 1156 UTC:

365A A3D6 U643 A45D UAUT A5A4 DU6U (Cont'd)
 (Stopped - 1201z)

10405 kHz, 14-02, 0311 UTC:

30COMM 4WPR K
 R R R HR KPU K
 R R
 VV 4JPR DE DN.. K
 3R DE 80PU R QSA 1 QSA ? K
 VV 4.NPR DE DN.. K
 VV J6TS DE DNM. K
 R C EEE R C03R DE J... R QSA 2 QSA ? K
 VV .6TS DE DN.3 K
 R C03R DE QSA 2 QSA ? K
 VV J6TS DE DNM3 K (0314z silent)

10596 kHz, 18-02, 0245 UTC:

7n3U 5UN7 NATU ND74 5AUN (Cont'd)
 AR
 VV J.RS DE 4KQT K
 R JRQS DE PVST R QSA 2 QSA? K
 R QSA1 K
 R R K
 59RM R = GISATA. K
 R RPT... K
 R = UD4D P K
 R RPT 85 K
 = 6NT6 EEEEE = 6NTN AR K
 R QSL 1051 K
 HR NR 23 K
 HR WK NR 0046 K
 ... 1130 C G. K
 GM 3WN
 R OK HN KR UM
 R VV GNT3 WDE I. K KEEEEEE
 VV N.3W DE .KQU K
 R J.QSDE F6.R R QSA 1 QSA? K
 R
 VV GI6W DE 4KQU K
 VV GS7W DE 4KQU K
 R 1OQS. DE B6UW R QSA2 QSA? K
 R QSA . K
 QSA 0... K
 R HR WK NR ... K
 R HR WK NR 0111 K
 UJJ3 03..
 DIU

3642 kHz, 22-02, 1223 UTC:

NR 022/CCK CK 132/CCK CK .. 35 3298 335.. RMKS 5698 EEE RMKS .508 TO
 484.
 4878. 298330 3338 482.
 = DU.4 .. (Cont'd)
 AR
 HR WK
 NR 86 ..A.3198 0/ZDT NR 35..
 CRE/21./Z=/4.1./018 K QSL ? HR 2K NR 36

5657 kHz, 22-02, 1729 UTC:

HW MSG GA
 NR 24/CCK CK 8. 63 0222 0130 <63%200222%200130> RMKS 7583 TO
 7563 .303
 6363 6993 6423 6143 629. 53 =
 NTU4 473U T37A 6TU5 D.3N 4DNU NTTU TZDA A7UA 5N.3 4635 (Cont'd)
 AR

10180 kHz, 26-02, 0227 UTC

/Z6T/ 3528/3335 AR
 AGN NR 101 1 03 0. EEEE RMKS 35.8 TO 33.. /34038 =
 CL/11../Z6T/35.8/33.5 AR
 QSL? HR WK NR 23. (Return to roundslip 0229z)

5555 kHz, 26-02, 1007 UTC

== = BOZ TO UP K
 BO BOZ TO UPE EEEEE BOZ AA BOZ TO UPE EE SOZ TO UPM EEE
 BOZ TO X D BOZ TO UPSB K
 HR HHR 7G THR HR QSA2 ZSL EEEE UHR ZSA2 QSA? K
 HR ZSL EEEEE HR HR ZSA2 QSA? K
 HR HR ZSA2 QSA? K
 HR ZSR ZSA2 ZSA? K
 R
 EIC = 8O8O K
 IEC = EEEE K
 DE QT.3 QS.. K O K
 B BE BOZ QSY O5 K
 U QSY O5 K
 U QSM RT RPT O6
 WK
 == == = AUNU D3A7 A54D 3UD5 7D55 5TT
 HR ZSA2 ZSA? K
 HR ?? GA DHR ? GA K
 HR ? GA K
 ??? NR OS. TF//E/? ? NR /N//EX
 000058223 489 ==
 1292.OE317 1548 3UD5 7D5 == (1015z silent)

3624 kHz, 27-02, 1310 UTC:

In tfc - handsent - very weak

5DN7 543A 6UD3 (Cont'd)
 AR K (1311z)
 R 6W == TUPT EEE = .T...W = 6U7A ..
 AR K
 R 79W = (Cont'd to repeat groups)
 OK GA
 3 0227 2.0 RMKS 5359 TO 5417 =
 TN65 6UD3 A.5A 7DN3 45D4 (Cont'd)
 AR K
 R (Repeats groups)
 OK GA

8073 kHz, 27-02, 1140 UTC:

773. 7733564 = NN34 463D 34DT (Con t'd)
 III 2P GA ==
 3UNU 7733 5736 54A7 NN34 453D U346 (Cont'd)
 AR
 SH 7G AGN
 NR NR 183 CK 142 35 0227 1608 == (Message format would indicate 2SLC family)
 73U6 3AN3 U7TU 773. (Cont'd)
 AR AR (1150z - Silent)

7097 kHz, 27-02,1219 UTC:

III =
 76T5 T5D6 T54T T53A NU66 U344 N547 D5AA D3NA (Cont'd)
 III =
 TTAN 5774 NNUU 73UA T65T 55A6 U333 77.. (Cont'd)
 AR =
 TTAN 5774 NNUU 73UA T65T 55A6 U333 77D5 7AU5 (Cont'd)
 AR
 R R
 = 4UN5 5734 5A3D N3T7 D4AU (Extremely fast)
 III = 4UN5 5734 5A3D N3T7 (Cont'd - Appears to be a repeat of above)
 III = TTAN 5774 NNUU 73UA T65T 55A6 (Cont'd)
 AR
 = 34UN T5U6 4744 D555 A44T (Cont'd)

6636 kHz, 25-02, 1452 UTC:

== AN55 AN55 W
 72W 72W (Both stations on this frequency)
 72W 72W == N434 N434 W
 1W 1W 1W 1W == ..N7 N3 W
 OK OK
 QSL EEEE QSL?
 QSY QSY 22.5 QSY 2255
 OK NIL
 SK SK GB GB (1454z silent)

9140 kHz, 25-02, 1240 UTC:

64T3 D7T6 6DT5 U4N5 5A4T 3A76 (Cont'd)
 AR K K
 14 BT AUT. AR K
 AGN
 = AUTA AR K
 QSL?
 AGN AGN AGN
 QSL 2O43 K
 U MSG GA K
 NR
 R GA

6666 kHz, 26-02, 1025 UTC:

R GA K
 R R QSL 1823 K
 R R GA K
 R FF NR 252/EEEE
 FF NR 252/EX 1823 RMKS G367MO GJ63 K
 R R R =
 MNA1/AMN1 AR =
 MNA1/AMN1 AR K
 R R GA K (To voice - 1028z)

6746 kHz, 26-02, 1105 UTC

NR../EX 0000 NA 4SW/X3IY AR
 NR .7.4/EX .0000 = 4S.W/X3IY AR
 QSY 15 QSY 15
 VV (1106z - Silent)

6953 kHz, 26-02, 1054 UTC:

TT76 6T7N N3A6 UA37 5755 7AN. (Cont'd)
 ? 557A U3U5 NUU5 (Cont'd)
 III
 5P = =
 477U A5NA T656 U4D3 765. (Cont'd)

3742 kHz, 27-02, 1317 UTC:

N4. TUA6 .3DU 73T. (Cont'd)
 AR K
 (Repeats groups)
 U GA K
 (3624 found to be starting message!!!)
 NR 3529 CK 79 .2 0227 2100 RMKS 5417. TO =
 A3NT TD.5 5TUN (Cont'd)

7777 kHz, 27-02, 1203 UTC:

== 4UN5 (Cont'd) == =
 4UN5 D365 TUTN 3N75 5DUA U537 4D6A (Cont'd)
 (Stopped - 1205z)

M901

Enigma 2000's Brian Rogers mailed me a surprising log of a yet another format of "KLM". It looks like it is another version of the Russian diplo stations (M42). Further investigations are needed though.

16720 kHz, 10-02, 0822 UTC.

Brian copied the station in progress using CW:

KLM KLM KLM XSY 20112 XSY 20112
KLM KLM KLM XSY 20112 XSY 20112
KLM KLM KLM XSY 20112 XSY 20112
KLM KLM KLM XSY 20112 XSY 20112
BK XRV K

It went then unexpectedly into RTTY (Baudot 50/450) some of which Brian was able to catch. There was no formal ending, the groups just ceased.

33470 62655 14721 81676 08387 30220 07584 75284 23525 86071
50858 67237 05807 37340 46784 20232 08484 88634 41114 33323
25858 14853 06150 77786 30504 08320 65456 27201 06656 47558
17228 46873 17136 56515 22514 52514 06714 45242 32070 31213
30528 20334 71842 05120 60355 30855 88874 05167 48765 25563
34318 22402 46010 50135 14735 30034 22474 78874 11786 38421
32655 64887 61103 23447 41865 77833 74541 88252 41006 68848
56478 28160 68111 16675 66846 72483 25301 12687 22405 35818
80384 70312 45305 53217 28785 28723 88320 76854 58877 07828
02273 83411 83674 37722 47540 43362 41657 21662 57270 37764
50351 63624 51042 83721 61521 15505 16005 68454 53482 77434
88762 48683 22873 75375 27611 53310 32442 71677 48687 36666
51600 08408 55641 34665 30476

There was then a brief ending in CW: GB 88 SK

16720 kHz, 12-02, 0810 UTC, CW + Baudot 50/500

Short CW exchange incl. a "QRV K QSL1 QSL1 NW NW". Then into RTTY, too weak to copy

16720 kHz, 15-02, 0810 UTC, CW + Baudot 50/500

KLM KLM KLM QSY 20112 QSY 20112, which was rptd for several minutes.

This time they did QSY to 20112 kHz and following a brief CW exchange went into RTTY again, but the sig was so weak it wasn't possible to read anything. They then ended with another very brief CW exchange

Freq.	date	UTC	day	remarks	mode
16718	3-2	0805	Mon	VVV KLM KLM 1/51 NW = = 725T 4197 3294 7438 2723 = k	CW
19292	5-2	0810	Thu	Header: 00111 035 50 5 0810 = =	CW
19292	5-2	0820	Thu	Header: 00111 035 50 5 0810 = =	CW
16720	10-2	0822	Mon	KLM KLM KLM XSY 20112 XSY 20112 followed by RTTY	CW + Baudot50/450
16720	12-2	0810	Thu	Short CW exchange incl. a "QRV K QSL1 QSL1 NW NW". Then into RTTY	CW + Baudot 50/500
16720	15-2	0810	Sat	KLM KLM KLM QSY 20112 QSY 20112. Changed freq to 20113 kHz	CW
20112	15-2	0810	Sat	Brief CW exchange, then into RTTY again, but the sig was to copy	CW + Baudot 50/500



MC03

Chinese Air Defense

5138 kHz, 25-02, 2054 UTC:

45A U47D6D 7TN3535 AT4 56
 45A U47D7D 6U745DA ATT 57
 45A U47D6D 7AN333U AT4 57
 45A U47D73 6TDDD46 ATT 57
 45A U47D7D ATT 57
 456 U47D6N AT6 57
 D7U U47D6N 63NA73U T45D
 45A U47D6D 7AN335N AT4 5D
 45A U47D76 55D3DU6 AAU 5D (Cont'd)

VARIOUS MODES



HM01

Dirección General de Inteligencia

A report from Don Schimmel which he wrote on www.dxing.com/intrigue.htm

HM01 & M08a

Well the Cubans had another month full of operating errors such as frequent starts and stops, being on the wrong frequency, two signals on the same frequency, transmissions running into following schedules, etc.

Receiving conditions at my location on 29 January were extremely poor. Other than hearing M08a CW traffic on 8096.3 kHz at 1400 UT I did not hear any other Cuban signals during the remainder of the day. On 30 January M08a appeared again and HM01 voice groups were noted with the 5th digit of each group increasing by one each day. Some logs from other monitors showed the 31 January 0500, 0700, and 0800 schedules with 83381 22574 15441 50182 08444 51835. But on the afternoon schedules the groups had changed to 83522 76105 65312 66784 17704 28278. The 83881 sequence was a repeat of groups passed 16-21 September. Then the groups changed on 22 September to 56801 22574 15441 50182 08444 51835. On 24 September it was back and forth between the 56801 and 83381 sequences. On 27 September the sequence had reverted to 83381 but by 1 October the groups had been changed again to another sequence. I am firmly convinced, in view of practices like the above, a large volume of the traffic passed has to be DUMMY TRAFFIC! It is a mystery why the Cubans conduct such overkill of these daily transmissions. The electrical cost of transmitter use 12 hours every day must be expensive. Why they persist in needless repetitive transmissions of Agent communications is indeed strange? Perhaps they believe that the sheer volume of traffic would imply to observers that an Extensive Agent capability exists??

frequency	date	UTC	day	remarks
5855	1-2	0505	Sat	83522 76105 65312 66784 17704 28278
11635	1-2	0759	Sat	83522 76105 65712 66784 17704 28278
11435	1-2	1602	Sat	83522 76105 65312 66784 17704 28278
11530	1-2	1701	Sat	83522 76105 65312 66784 17704 28278
11635	1-2	1802	Sat	83522 76105 65312 66784 17704 28278
16180	1-2	2101	Sat	83522 76105 65312 66784 17704 28278
17480	1-2	2201	Sat	83522 76105 65312 66784 17704 28278
17540	1-2	2301	Sat	83522 76105 65312 66784 17704 28278
5855	2-2	0500	Sun	83522 76105 65312 66784 17704 28278
9065	2-2	0803	Sun	Spanish YL reading 5F message and transmitting RDFT traffic
11435	2-2	1606	Sun	83522 76105 65312 66784 17704 28278
11530	2-2	1702	Sun	83522 76105 65312 66784 17704 28278

frequency	date	UTC	day	remarks
11635	2-2	1800	Sun	83522 76105 65312 66784 17704 28278
11635	2-2	2100	Sun	83522 76105 65312 66784 17704 28278
10715	2-2	2201	Sun	83522 76105 65312 66784 17704 28278
5855	3-2	0500	Mon	83522 76105 65312 66784 28278 Cut off after 65312 and tone to begin 2nd half of transmission.
10345	3-2	0745	Mon	in progress with RDFT Data and numbers
11435	3-2	1606	Mon	83522 76105 65312 66784 17704 28278
11530	3-2	1701	Mon	83522 76105 65312 66784 17704 28278
11635	3-2	1801	Mon	83522 76105 65312 66784 17704 28278
11635	3-2	2101	Mon	83522 76105 65312 66784 17704 28278
11435	4-2	1631	Tue	83522 etc
11530	4-2	1701	Tue	83522 etc
11635	4-2	1832	Tue	83522 etc
16180	4-2	2100	Tue	83522 etc
17480	4-2	2201	Tue	83522 etc
5855	5-2	0500	Thu	83522 76105 65312 66784 17704 28278
11435	5-2	1603	Thu	83522 76105 65312 66748 17704 28278
11530	5-2	1700	Thu	83522 76105 65312 66748 17704 28278
11635	5-2	1801	Thu	83522 76105 65312 66748 17704 28278
11635	5-2	2100	Thu	83522 76105 65312 66748 17704 28278
10715	5-2	2201	Thu	83522 76105 65312 66748 17704 28278
16180	6-2	2200	Thu	83522 76105 65312 66784 17704 28278
5855	7-2	0500	Fri	83522 76105 65312 66784 17704 28278
13435	7-2	0700	Fri	83522 76105 65312 66784 17704 28278
11435	7-2	1603	Fri	83522 76105 65312 66784 17704 28278
11530	7-2	1701	Fri	83522 76105 65312 66784 17704 28278
11635	7-2	1806	Fri	83522 76105 65312 66784 17704 28278
11635	7-2	1807	Fri	YL with numbers interspersed with RDFT xmsns
11635	7-2	2100	Fri	83522 76105 65312 66784 17704 28278
10715	7-2	2201	Fri	83522 76105 65312 66784 17704 28278
11435	8-2	1602	Sat	83522 76105 65312 66784 17704 28278
11530	8-2	1701	Sat	83522 76105 65312 66784 17704 28278
11635	8-2	1841	Sat	83522 76105 65312 66784 17704 28278
16180	8-2	2101	Sat	83522 76105 65312 66784 17704 28278
17480	8-2	2201	Sat	83522 76105 65312 66784 17704 28278
5855	9-2	0500	Sun	83522 76105 65312 66784 17704 28278
10345	9-2	0600	Sun	83522 76105 65312 66784 17704 28278
10345	9-2	0600	Sun	YL with numbers interspersed with RDFT xmsns
11435	9-2	1606	Sun	83522 76105 65312 66784 17704 28278
11530	9-2	1706	Sun	83522 76105 65312 66784 17704 28278
11635	9-2	1706	Sun	83522 76105 65312 66784 17704 28278
11635	9-2	1801	Sun	
11635	9-2	2116	Sun	83522 76105 65312 66784 17704 28278
10715	9-2	2200	Sun	83522 76105 65312 66784 17704 28278
11435	10-2	1602	Mon	83522 76105 65312 66784 17704 28278
11530	10-2	1719	Mon	83522 76105 65312 66784 17704 28278
11635	10-2	1823	Mon	83522 76105 65312 66784 17704 28278
11635	10-2	2206	Mon	83522 76105 65312 66784 17704 28278
11530	11-2	1701	Tue	83522 76105 65312 66784 17704 28278
11635	11-2	1821	Tue	83522 76105 65312 66784 17704 28278
16180	11-2	2100	Tue	83522 76105 65312 66784 17704 28278
17480	11-2	2204	Tue	83522 76105 65312 66784 17704 28278
5855	12-2	0500	Thu	83522 76105 65312 66784 17704 28278

frequency	date	UTC	day	remarks
11435	12-2	1613	Thu	83522 76105 65312 66784 17704 28278
11635	12-2	2102	Thu	83522 76105 65312 66784 17704 28278
10715	12-2	2200	Thu	83522 76105 65312 66784 17704 28278
11435	13-2	1603	Thu	83522 76105 65312 66784 17704 28278 //11530
11530	13-2	1603	Thu	83522 76105 65312 66784 17704 28278 //11435
11635	13-2	1701	Thu	83522 76105 65312 66784 17704 28278
16180	13-2	2100	Thu	83522 76105 65312 66784 17704 28278
17480	13-2	2203	Thu	83522 76105 65312 66784 17704 28278
11435	14-2	1604	Fri	83522 76105 65312 66784 17704 28278
11530	14-2	1702	Fri	83522 76105 65312 66784 17704 28278
11635	14-2	1803	Fri	83522 76105 65312 66784 17704 28278
11635	14-2	2101	Fri	83522 76105 65312 66784 17704 28278
10715	14-2	2202	Fri	83522 76105 65312 66784 17704 28278
11530	15-2	1646	Sat	83522 76105 65312 66784 17704 28278
11435	15-2	1656	Sat	83522 76105 65312 66784 17704 28278
11635	15-2	1803	Sat	83522 76105 65312 66784 17704 28278
16180	15-2	2100	Sat	83522 76105 65312 66784 17704 28278
17480	15-2	2204	Sat	83522 76105 65312 66784 17704 28278
11530	16-2	1740	Sun	83522 76105 65312 66784 17704 28278
11635	16-2	1802	Sun	83522 76105 65312 66784 17704 28278
11635	16-2	2103	Sun	83522 76105 65312 66784 17704 28278
10715	16-2	2201	Sun	83522 76105 65312 66784 17704 28278
5855	17-2	0540	Mon	Spanish 5FGs and RDFT data
11435	17-2	1600	Mon	YL/SS w/nbr grps.
11435	17-2	1737	Mon	83522 76105s 65312 66784 17704 28278
11635	17-2	1815	Mon	83522 76105s 65312 66784 17704 28278
11635	17-2	2114	Mon	83522 76105s 65312 66784 17704 28278
10715	17-2	2231	Mon	83522 76105s 65312 66784 17704 28278
11435	18-2	1603	Tue	83522 76105 65312 66784 17704 28278
11530	18-2	1701	Tue	83522 76105 65312 66784 17704 28278
11635	18-2	1759	Tue	83522 76105 65312 66784 17704 28278
16180	18-2	2101	Tue	83522 76105 65312 66784 17704 28278
17480	18-2	2207	Tue	83522 76105 65312 66784 17704 28278
9155	19-2	1048	Wed	Spanish 5FGs and RDFT data
11435	19-2	1630	Thu	83522 76105 65312 66784 17704 28278
11530	19-2	1702	Thu	83522 76105 65312 66784 17704 28278. Still going at 1804 UTC. Should be on 11635.
11635	19-2	1808	Thu	83522 76105 65312 66784 17704 28278
11635	19-2	2100	Thu	83522 76105 65312 66784 17704 28278
10715	19-2	2202	Thu	83522 76105 65312 66784 17704 28278
11435	20-2	1605	Thu	83522 76105 65312 66784 17704 28278
11530	20-2	1658	Thu	83522 76105 65312 66784 17704 28278
11635	20-2	1758	Thu	83522 76105 65312 66784 17704 28278
16180	20-2	2108	Thu	83522 76105 65312 66784 17704 28278
17480	20-2	2200	Thu	83522 76105 65312 66784 17704 28278
11435	21-2	1701	Fri	83522 76105 65312 66784 17704 28278. Still going at 1701. Should be on 11530 kHz
11530	21-2	1706	Fri	83522 76105 65312 66784 17704 28278
11635	21-2	1800	Fri	83522 76105 65312 66784 17704 28278
11635	21-2	2103	Fri	83522 76105 65312 66784 17704 28278
10715	21-2	2200	Fri	83522 76105 65312 66784 17704 28278
10715	21-2	2230	Fri	83522 76105 65312 66784 17704 28278
11435	22-2	1605	Sat	83522 76105 l65312 66784 17704 28278
11530	22-2	1700	Sat	83522 76105 l65312 66784 17704 28278
11635	22-2	1800	Sat	83522 76105 l65312 66784 17704 28278

frequency	date	UTC	day	remarks
16180	22-2	2059	Sat	83522 76105 I65312 66784 17704 28278
11530	22-2	2157	Sat	83522 76105 I65312 66784 17704 28278
17480	22-2	2157	Sat	83522 76105 I65312 66784 17704 28278
11435	23-2	1609	Sun	83522 76105 65312 66784 17704 28278
11530	23-2	1700	Sun	83522 76105 65312 66784 17704 28278
11635	23-2	1800	Sun	83522 76105 65312 66784 17704 28278
11635	23-2	2100	Sun	83522 76105 65312 66784 17704 28278
10715	23-2	2205	Sun	83522 76105 65312 66784 17704 28278
11435	24-2	1605	Mon	83522 76105 65312 66784 17704 28278
11530	24-2	1700	Mon	83522 76105 65312 66784 17704 28278
11635	24-2	2101	Mon	83522 76105 65312 66784 17704 28278
10715	24-2	2200	Mon	83522 76105 65312 66784 17704 28278
11635	25-2	1805	Tue	83522 76105 65312 66784 17704 28278
16180	25-2	2107	Tue	83522 76105 65312 66784 17704 28278
17480	25-2	2200	Tue	83522 76105 65312 66784 17704 28278
5855	26-2	0527	Thu	YL with usual format of 5-digit numbers interspersed w/ RFDT xmns.
11635	26-2	1829	Thu	83522 76105 65312 66784 17704 28278
11635	26-2	2104	Thu	83522 76105 65312 66784 17704 28278
10715	26-2	2202	Thu	83522 76105 65312 66784 17704 28278
11435	27-2	1617	Thu	83522 76105 65312 66784 17704 28278
11530	27-2	1724	Thu	83522 76105 65312 66784 17704 28278
16180	27-2	2112	Thu	83522 76105 65312 66784 17704 28278
17480	27-2	2215	Thu	83522 76105 65312 66784 17704 28278
11435	28-2	1621	Fri	83522 76105 65312 66784 17704 28278
11530	28-2	1703	Fri	83381 22574 15441 50182 08444 51835 (repeats of the groups sent 16-21 Sept. 2013 and 31-01-2014 at 0700 and 0800 UTC.
11635	28-2	1819	Fri	83522 76105 65312 66784 17704 28278
11635	28-2	2115	Fri	83522 76105 65312 66784 17704 28278
10715	28-2	2200	Fri	83522 76105 65312 66784 17704 28278

M42 & X06



Modes:

Various digital modes, CW, Tones (Мазелка / Mazielka)

Russian Government & Intelligence



X06

18750	3-2	1112	Mon	Mazielka. Sequence: 641523
16276	7-2	1332	Fri	Mazielka. Sequence 314265
9163	9-2	1748	Sun	Mazielka. Sequence: 145632
14825	17-2	0748	Mon	Mazielka. Sequence: 641523
15656	24-2	1242	Mon	Mazielka. Sequence:
4565	27-2	1100	Thu	Mazielka. Sequence: 123456
17495	27-2	1319	Thu	Mazielka. Sequence: 123456

M42a

9055 11-2 1633 Tue GRU hfd net. VVV VVV VVV 3K CW
9142 15-2 0742 Sat GRU hfd net. VVV VVV VVV VVV 3K CW

M42

16320 kHz, 03-02, 0150 UTC, FSK 200/1000

Link ID 13374 Msg Number 000 Msg Type 11316 Group Count 0 01856 00000 00000 00511 32009 03851 04096 65279
Link ID 13976 Msg Number 013 Msg Type 02646 Group Count 228 41216 00008 01120 01479 03584 06887 00581 09730

14880 kHz, 03-02, 0230 UTC, FSK 200/1000

Link ID 13366 Msg Number 000 Msg Type 13366 Group Count 0 17248 00000 00000 00343 15371 03851 00000 48887
Link ID 13366 Msg Number 000 Msg Type 13366 Group Count 0 17248 00000 00000 00343 15371 03851 00000 48887
Link ID 41018 Msg Number 090 Msg Type 07145 Group Count 245 32768 08341 51274 22638 21686 03069 47799 63044
Link ID 32826 Msg Number 090 Msg Type 37865 Group Count 245 35840 00145 51264 06254 21686 00509 47271 62020
Link ID 41018 Msg Number 242 Msg Type 07145 Group Count 253 32768 08325 51402 22638 21687 03069 47863 63168
Link ID 13976 Msg Number 013 Msg Type 02775 Group Count 175 03907 00000 01120 01475 02789 06783 00720 09752
Link ID 41023 Msg Number 255 Msg Type 07145 Group Count 245 32768 08341 51407 22782 62646 03069 47799 63044
Link ID 41018 Msg Number 090 Msg Type 08169 Group Count 245 32768 12437 51274 22638 21686 03069 47799 63044

16320 kHz, 04-02, 0150 UTC, FSK 200/1000

Link ID 50041 Msg Number 235 Msg Type 42993 Group Count 118 34560 58281 49615 63742 14744 57593 56474 01423

14880 kHz, 04-02, 0230 UTC, FSK 200/1000

Link ID 41010 Msg Number 095 Msg Type 06633 Group Count 245 32768 33637 25427 11558 20662 01624 60816 63913
Link ID 09490 Msg Number 152 Msg Type 20663 Group Count 156 16686 43479 02510 19445 40016 19556 04135 08647
Link ID 41018 Msg Number 255 Msg Type 07137 Group Count 1 32768 00293 00883 12070 21686 03672 61328 45481
Link ID 41146 Msg Number 255 Msg Type 00489 Group Count 16 32768 00356 25427 11630 29878 03672 60816 45483
Link ID 07863 Msg Number 120 Msg Type 16885 Group Count 34 06830 57605 38143 24253 35739 13204 64739 63948
Link ID 49529 Msg Number 235 Msg Type 02000 Group Count 86 05932 58297 50629 30970 14732 57556 56333 00727

16320 kHz, 05-02, 0150 UTC, FSK 200/1000

Link ID 41022 Msg Number 100 Msg Type 39913 Group Count 245 32768 12400 35803 07823 21686 04042 53638 54534
Link ID 41010 Msg Number 100 Msg Type 07080 Group Count 229 49152 40992 35803 07808 22739 32997 16787 39443
Link ID 43327 Msg Number 100 Msg Type 07144 Group Count 245 32768 45152 33787 03727 21686 04042 49542 54535
Link ID 57402 Msg Number 117 Msg Type 07145 Group Count 240 49152 45155 36827 07823 63805 03732 53768 63751

14880 kHz, 05-02, 0230 UTC, FSK 200/1000

Link ID 45182 Msg Number 253 Msg Type 07145 Group Count 245 32768 45152 35839 07839 62646 04042 49542 54535
Link ID 00058 Msg Number 100 Msg Type 07144 Group Count 245 32768 45088 35803 07823 23734 04042 49542 62727
Link ID 41018 Msg Number 100 Msg Type 07145 Group Count 117 32768 45152 35803 07823 21654 04032 49154 54535
Link ID 41018 Msg Number 100 Msg Type 07145 Group Count 245 32768 45152 35803 07823 21686 04042 49542 54535
Link ID 43612 Msg Number 100 Msg Type 35057 Group Count 248 13384 54081 03379 04773 30400 36317 40905 21447

16320 kHz, 06-02, 0150 UTC, FSK 200/1000

Link ID 13366 Msg Number 000 Msg Type 13366 Group Count 1 01024 00000 00000 01165 00296 00256 02048 57292
Link ID 41087 Msg Number 235 Msg Type 08171 Group Count 247 36880 61936 35835 07377 54454 02938 49542 45258
Link ID 41016 Msg Number 105 Msg Type 15337 Group Count 245 32768 45120 35803 07297 21686 02938 49542 45258
Link ID 41023 Msg Number 251 Msg Type 07145 Group Count 245 32768 45152 35831 07299 64950 08058 53638 61642
Link ID 55195 Msg Number 254 Msg Type 53927 Group Count 51 45529 15971 65519 63441 40956 49085 36570 32624
Link ID 41010 Msg Number 105 Msg Type 07145 Group Count 245 32768 45152 35803 07297 22199 03071 49543 45293
Link ID 41018 Msg Number 105 Msg Type 07145 Group Count 245 32768 45152 35803 07297 21686 02938 49542 45258
Link ID 57726 Msg Number 249 Msg Type 07147 Group Count 245 32770 61681 36859 07297 21686 02906 49542 45194

14880 kHz, 06-02, 0230 UTC, FSK 200/1000

Link ID 16749 Msg Number 211 Msg Type 04800 Group Count 240 36864 45137 01974 10258 43373 05876 37405 25477
Link ID 41018 Msg Number 105 Msg Type 07145 Group Count 240 32768 61552 35803 07297 21687 02942 49551 45262
Link ID 53300 Msg Number 039 Msg Type 00619 Group Count 236 00921 20741 40210 07849 20109 58655 03551 64408

16320 kHz, 07-02, 0150 UTC, FSK 200/1000

Link ID 13366	Msg Number 000	Msg Type 13366	Group Count 0	16384 00000 00000 01852 15371 03212 00000 06190
Link ID 09270	Msg Number 000	Msg Type 29750	Group Count 0	53248 00000 00000 01852 15371 01420 00000 14376
Link ID 14014	Msg Number 128	Msg Type 13367	Group Count 0	16384 00000 00000 01852 15370 03456 00000 14382
Link ID 59991	Msg Number 111	Msg Type 13457	Group Count 208	56770 46777 40047 00124 25939 08179 06254 29900
Link ID 57470	Msg Number 254	Msg Type 07145	Group Count 253	37008 38575 60574 19198 20614 07630 57753 35828
Link ID 15190	Msg Number 060	Msg Type 02765	Group Count 65	23622 19137 08846 05412 49012 61427 37755 15557
Link ID 41018	Msg Number 110	Msg Type 07145	Group Count 253	36881 38564 50326 19070 64950 24014 61849 36852
Link ID 41018	Msg Number 110	Msg Type 07145	Group Count 245	32768 38567 58518 19066 21686 07630 57753 36852

14880 kHz, 07-02, 0230 UTC, FSK 200/1000

Link ID 13366	Msg Number 000	Msg Type 13366	Group Count 0	16384 00000 00000 01852 15369 03468 00000 14383
Link ID 40986	Msg Number 014	Msg Type 07145	Group Count 245	32768 38567 57478 16506 21687 03534 57728 36848
Link ID 10786	Msg Number 158	Msg Type 10643	Group Count 16	32847 63330 30892 02688 48848 37776 49162 19204
Link ID 41018	Msg Number 238	Msg Type 02529	Group Count 117	32768 34439 58518 19066 21686 03534 57753 36852
Link ID 37339	Msg Number 227	Msg Type 04039:	Group Count 218	23645 00000 38528 01679 51399 61362 00237 58964

16320 kHz, 10-02, 0150 UTC, FSK 200/1000

Link ID 13366	Msg Number 000	Msg Type 31798	Group Count 0	00000 00000 00000 01165 00872 00000 12288 65164
Link ID 04611	Msg Number 000	Msg Type 41491	Group Count 0	32896 00128 00000 00582 34836 02048 00000 30054
Link ID 41018	Msg Number 115	Msg Type 07145	Group Count 245	32768 11187 54176 05333 01206 00982 03588 09377
Link ID 57466	Msg Number 115	Msg Type 07147	Group Count 245	32785 15351 37793 15575 23806 02038 52756 11681

14880 kHz, 10-02, 0230 UTC, FSK 200/1000

Link ID 41018	Msg Number 115	Msg Type 07145	Group Count 245	32768 11187 54177 05329 00178 00194 17924 01024
Link ID 41018	Msg Number 115	Msg Type 07145	Group Count 245	32768 11187 54177 05333 20502 00454 52740 00161
Link ID 14069	Msg Number 172	Msg Type 24581	Group Count 30	03339 36401 47984 10890 48293 25967 31263 11318
Link ID 41018	Msg Number 115	Msg Type 07145	Group Count 245	32768 11187 54177 05333 21687 00983 52742 25841
Link ID 57470	Msg Number 247	Msg Type 07147	Group Count 245	32769 11255 63475 15615 64758 06102 52740 27809

16320 kHz, 11-02, 0150 UTC, FSK 200/1000

Link ID 65004	Msg Number 027	Msg Type 58168	Group Count 15	61227 37120 64737 40511 64402 20081 14396 62467
Link ID 00032	Msg Number 000	Msg Type 01153	Group Count 0	32768 00000 00000 01106 03568 01316 00001 17375

14880 kHz, 11-02, 0230 UTC, FSK 200/1000

Link ID 12342	Msg Number 000	Msg Type 13366	Group Count 0	00864 00000 00000 00343 15371 03855 00016 65271
Link ID 41010	Msg Number 056	Msg Type 07145	Group Count 245	36864 57703 19148 29028 21654 01801 36898 43382
Link ID 41018	Msg Number 120	Msg Type 07145	Group Count 245	32768 49511 19148 29156 20543 01932 32889 43251
Link ID 41018	Msg Number 120	Msg Type 07145	Group Count 245	32768 57703 17100 29156 21686 01801 36914 43382
Link ID 20692	Msg Number 051	Msg Type 60593	Group Count 22	34255 33536 05632 14405 50561 35053 25281 64998
Link ID 41018	Msg Number 120	Msg Type 39913	Group Count 245	32768 61799 20172 29156 21654 00777 36978 41078

16320 kHz, 11-02, 0150 UTC, FSK 200/1000

Link ID 57605	Msg Number 075	Msg Type 07113	Group Count 245	32768 45583 08308 52980 43384 00780 59811 50563
Link ID 41018	Msg Number 125	Msg Type 07144	Group Count 125	32768 53762 37306 26610 21558 02455 31825 27368
Link ID 41018	Msg Number 127	Msg Type 16377	Group Count 255	45584 63006 37306 26611 30423 50375 31993 63484
Link ID 63824	Msg Number 222	Msg Type 33116	Group Count 76	43962 61554 12416 07144 60737 07175 32378 49624
Link ID 08250	Msg Number 125	Msg Type 03049	Group Count 117	00080 37378 37306 26610 22167 36311 32505 65532

14880 kHz, 11-02, 0230 UTC, FSK 200/1000

Link ID 57402	Msg Number 253	Msg Type 07145	Group Count 245	32768 45583 37306 26608 00182 02455 31825 27368
Link ID 41018	Msg Number 125	Msg Type 07145	Group Count 245	32768 45574 37306 26610 21682 02435 31744 27624
Link ID 28829	Msg Number 182	Msg Type 15357	Group Count 247	34824 47887 49373 48113 08193 32961 05640 36916
Link ID 41018	Msg Number 125	Msg Type 07145	Group Count 245	32768 45574 37306 26610 21751 02519 32505 28668
Link ID 41018	Msg Number 125	Msg Type 01001	Group Count 144	00000 40966 37306 26610 16402 00131 15360 08424
Link ID 57886	Msg Number 240	Msg Type 10262	Group Count 68	00129 24778 03810 01908 19295 19408 55364 47762

16320 kHz, 13-02, 0150 UTC, FSK 200/1000

Link ID 13366	Msg Number 000	Msg Type 13366	Group Count 0	17251	00000	00000	03504	15375	03763	01300	01271
Link ID 15926	Msg Number 000	Msg Type 38006	Group Count 1	50146	00000	00000	31920	15361	03249	00000	01207
Link ID 31852	Msg Number 000	Msg Type 15486	Group Count 0	18403	00000	00272	19040	26934	02278	00016	06271
Link ID 05019	Msg Number 128	Msg Type 08723	Group Count 0	08497	00000	00000	01616	05645	34395	00136	00595
Link ID 28735	Msg Number 000	Msg Type 15484	Group Count 0	18407	00000	00000	03568	16139	36595	00128	01783
Link ID 26732	Msg Number 000	Msg Type 31852	Group Count 64	55238	00000	00272	02624	59670	02118	00016	06271
Link ID 04744	Msg Number 000	Msg Type 45587	Group Count 8	41457	00000	00000	03648	07691	34427	00128	00759
Link ID 13878	Msg Number 000	Msg Type 13879	Group Count 0	17399	32768	00000	04016	15371	03251	00000	01207
Link ID 05787	Msg Number 128	Msg Type 13362	Group Count 0	16736	00000	00000	01744	05133	01657	00142	00595
Link ID 41018	Msg Number 130	Msg Type 07145	Group Count 247	32784	49016	24937	00753	21686	03103	14950	49591

14880 kHz, 13-02, 0230 UTC, FSK 200/1000

Link ID 41018	Msg Number 130	Msg Type 07145	Group Count 245	32768	48504	08553	00767	62646	03103	14438	57783
Link ID 22594	Msg Number 182	Msg Type 20560	Group Count 148	13766	56969	04653	10178	19424	43852	15105	63491
Link ID 45114	Msg Number 130	Msg Type 07113	Group Count 244	32768	47416	08457	00629	21686	03103	14950	57783
Link ID 32826	Msg Number 130	Msg Type 07145	Group Count 245	32768	48440	00361	00247	65014	03391	32502	58359
Link ID 41018	Msg Number 130	Msg Type 07113	Group Count 245	32768	48440	08553	00757	21686	03103	14950	57783

16320 kHz, 14-02, 0150 UTC, FSK 200/1000

Link ID 00058	Msg Number 135	Msg Type 40937	Group Count 245	51200	40452	36280	21735	21684	00660	38906	32092
Link ID 63541	Msg Number 195	Msg Type 07145	Group Count 181	32768	40066	17500	28403	43735	33091	17279	47862
Link ID 47508	Msg Number 052	Msg Type 14174	Group Count 119	48631	00021	10368	03855	02347	35759	07451	48872

16320 kHz, 17-02, 0150 UTC, FSK 200/1000

Link ID 18638	Msg Number 143	Msg Type 53362	Group Count 234	46492	53269	14357	09466	30874	41976	41629	15154
---------------	----------------	----------------	-----------------	-------	-------	-------	-------	-------	-------	-------	-------

14880 kHz, 17-02, 0230 UTC, FSK 200/1000

Link ID 04726	Msg Number 128	Msg Type 15988	Group Count 0	24576	00000	00000	00056	02035	04078	00801	12793
Link ID 13876	Msg Number 000	Msg Type 13876	Group Count 32	30848	16896	00000	00057	14273	04079	00000	12624
Link ID 61758	Msg Number 140	Msg Type 07136	Group Count 245	32788	10133	36851	12963	28854	02210	63569	32810
Link ID 61810	Msg Number 156	Msg Type 07147	Group Count 253	32770	26365	36851	30419	21686	02218	64851	32809

16320 kHz, 18-02, 0150 UTC, FSK 200/1000

Link ID 21121	Msg Number 016	Msg Type 35790	Group Count 78	14630	30707	29442	01802	01055	49403	31433	35864
Link ID 20596	Msg Number 050	Msg Type 00706	Group Count 203	32787	35097	03804	52852	59500	12288	15430	34801
Link ID 41022	Msg Number 144	Msg Type 03049	Group Count 245	32768	60550	36770	30482	21750	00040	63271	54143

14880 kHz, 18-02, 0230 UTC, FSK 200/1000

Link ID 13331	Msg Number 015	Msg Type 13366	Group Count 0	00000	00000	00015	01039	65535	65535	65535	65535
Link ID 13366	Msg Number 000	Msg Type 13366	Group Count 0	00000	00000	00000	01164	00032	00000	00000	51404
Link ID 41016	Msg Number 144	Msg Type 07145	Group Count 245	32768	60548	36838	30644	00182	00040	05671	50047
Link ID 41018	Msg Number 145	Msg Type 03049	Group Count 117	00000	60548	36838	30646	21686	00040	46631	50047
Link ID 47295	Msg Number 208	Msg Type 01001	Group Count 53	00000	60548	53239	32759	30454	32808	55079	58239

16320 kHz, 19-02, 0150 UTC, FSK 200/1000

Link ID 57406	Msg Number 158	Msg Type 04065	Group Count 255	32768	61650	02999	07935	61502	01023	24633	10364
Link ID 22549	Msg Number 195	Msg Type 39420	Group Count 242	50184	57584	50626	04027	12888	34803	15492	09364

14880 kHz, 19-02, 0230 UTC, FSK 200/1000

Link ID 13366	Msg Number 096	Msg Type 12342	Group Count 0	16739	00000	00000	01915	15375	02351	00000	11167
Link ID 49924	Msg Number 001	Msg Type 32721	Group Count 86	15967	00000	12296	00455	38102	49448	03672	03043
Link ID 22557	Msg Number 195	Msg Type 07028	Group Count 240	32768	55545	50634	04031	48928	51193	16072	45635
Link ID 49922	Msg Number 003	Msg Type 02777	Group Count 86	15444	00000	12288	00271	41196	37185	03314	01006

16320 kHz, 20-02, 0150 UTC, FSK 200/1000

Link ID 41022	Msg Number 155	Msg Type 07153	Group Count 117	00248	58768	15929	19454	21680	04016	03329	31617
Link ID 28128	Msg Number 034	Msg Type 40717	Group Count 187	16220	47671	29061	30116	18025	04574	28462	35168

14880 kHz, 20-02, 0230 UTC, FSK 200/1000

Link ID 00050	Msg Number 155	Msg Type 07153	Group Count 245	32768 58624 03640 35822 05300 01440 02305 00993
Link ID 40960	Msg Number 137	Msg Type 04832	Group Count 245	32768 25988 05657 33006 20662 01440 02307 00899
Link ID 41008	Msg Number 129	Msg Type 16361	Group Count 253	36864 61316 07184 35782 00006 00384 00003 00003
Link ID 32784	Msg Number 001	Msg Type 07145	Group Count 245	32768 58820 05640 33135 02771 00720 03073 02377
Link ID 41018	Msg Number 155	Msg Type 06891	Group Count 240	32768 57476 07737 35822 20662 01184 02051 04995

16320 kHz, 21-02, 0150 UTC, FSK 200/1000

Link ID 41018	Msg Number 160	Msg Type 08169	Group Count 245	51200 63952 52557 10111 21686 03731 61607 30471
Link ID 41018	Msg Number 160	Msg Type 08137	Group Count 253	32768 63696 19789 09855 21751 01723 61615 30471
Link ID 61566	Msg Number 193	Msg Type 32747	Group Count 255	36880 64465 52047 20222 59437 07190 61454 61199
Link ID 41018	Msg Number 160	Msg Type 08169	Group Count 247	32768 63952 52557 09855 21686 03739 61607 30471
Link ID 11391	Msg Number 185	Msg Type 11015	Group Count 123	65456 44434 11627 16351 65101 63117 49516 63849

14880 kHz, 21-02, 0230 UTC, FSK 200/1000

Link ID 41002	Msg Number 032	Msg Type 07145	Group Count 245	32768 63952 52557 08830 01206 03739 28815 30479
Link ID 01030	Msg Number 186	Msg Type 63796	Group Count 192	62198 56113 11190 21473 51199 28976 64749 61208
Link ID 40986	Msg Number 160	Msg Type 07145	Group Count 245	32768 63952 52557 08831 21686 03739 61607 30471
Link ID 41022	Msg Number 160	Msg Type 07145	Group Count 117	32768 63952 52685 09983 01206 03739 61607 30471
Link ID 41018	Msg Number 160	Msg Type 07147	Group Count 245	32768 63952 52557 09855 21686 03739 61607 63239
Link ID 00063	Msg Number 224	Msg Type 07144	Group Count 245	32768 63744 52591 09855 65271 36829 28923 46859
Link ID 41018	Msg Number 160	Msg Type 07144	Group Count 245	32768 63952 52557 09855 21686 03739 61607 30471

16320 kHz, 24-02, 0150 UTC, FSK 200/1000

Link ID 12322	Msg Number 032	Msg Type 13348	Group Count 54	00832 25344 08192 00007 11267 16409 05313 49633
Link ID 41008	Msg Number 033	Msg Type 03049	Group Count 183	00016 03849 61976 29968 01206 03349 01193 03048
Link ID 46132	Msg Number 235	Msg Type 07149	Group Count 245	32768 03849 63032 32568 43516 02619 35155 42945
Link ID 08250	Msg Number 165	Msg Type 08169	Group Count 247	32768 07432 12828 05396 22012 03387 17659 24545
Link ID 41022	Msg Number 165	Msg Type 06345	Group Count 224	32768 02057 62012 30492 65022 03643 52731 63465
Link ID 41018	Msg Number 173	Msg Type 07145	Group Count 245	32768 03337 61980 30004 21758 03903 17595 30697

14880 kHz, 24-02, 0230 UTC, FSK 200/1000

Link ID 13366	Msg Number 099	Msg Type 12342	Group Count 50	16739 17216 13876 02143 15371 16697 14273 55777
Link ID 13366	Msg Number 099	Msg Type 13366	Group Count 54	17251 25408 13876 02143 15371 16697 14273 55777
Link ID 41018	Msg Number 165	Msg Type 07145	Group Count 245	32768 03337 61980 29972 21686 03349 17577 23528
Link ID 40986	Msg Number 160	Msg Type 07145	Group Count 245	32768 03337 61976 29952 01206 03349 17577 23528
Link ID 41018	Msg Number 165	Msg Type 07137	Group Count 245	32768 03337 61980 29972 21686 03349 17577 23528
Link ID 20521	Msg Number 110	Msg Type 01720	Group Count 8	27753 00000 59552 02621 51427 06776 01012 29441
Link ID 41016	Msg Number 164	Msg Type 07145	Group Count 245	32768 03337 61964 29972 21750 03349 17577 19424
Link ID 41018	Msg Number 165	Msg Type 07145	Group Count 245	32768 03337 61980 29972 20610 01024 16520 04200
Link ID 32768	Msg Number 128	Msg Type 07145	Group Count 245	32768 03328 61440 08192 01206 03351 01195 07145
Link ID 41086	Msg Number 239	Msg Type 07145	Group Count 245	32768 03337 63036 32564 21758 03391 17915 23529

16320 kHz, 25-02, 0150 UTC, FSK 200/1000

Link ID 24635	Msg Number 170	Msg Type 07104	Group Count 247	32768 61232 63182 08374 23591 18626 32841 32376
Link ID 24618	Msg Number 142	Msg Type 07104	Group Count 37	00000 19888 46814 08438 24103 03520 49225 65136
Link ID 08338	Msg Number 068	Msg Type 45095	Group Count 4	49664 01953 09056 44360 07902 02880 08080 48832
Link ID 49396	Msg Number 245	Msg Type 14314	Group Count 17	57469 09680 49252 04082 11712 27635 08137 06049

14880 kHz, 25-02, 0230 UTC, FSK 200/1000

Link ID 01008	Msg Number 228	Msg Type 13802	Group Count 241	57405 09432 49156 03938 11661 26291 07817 38723
Link ID 24634	Msg Number 170	Msg Type 03008	Group Count 117	32768 60720 37582 08370 24095 01256 57444 63036
Link ID 08250	Msg Number 170	Msg Type 07104	Group Count 245	32768 60720 42702 16566 23591 00194 49225 65144

16320 kHz, 26-02, 0150 UTC, FSK 200/1000

Link ID 41082	Msg Number 239	Msg Type 07145	Group Count 245	32769 18483 50043 18535 21686 01599 42621 22314
Link ID 61461	Msg Number 218	Msg Type 05097	Group Count 245	49152 02291 49447 19471 58555 01599 01647 13631
Link ID 65456	Msg Number 104	Msg Type 60423	Group Count 20	54126 08133 26899 18662 06872 30743 64166 12593
Link ID 08255	Msg Number 175	Msg Type 05097	Group Count 240	32769 02288 50047 18527 64692 46655 42605 50987
Link ID 62815	Msg Number 174	Msg Type 52369	Group Count 96	62448 57475 17471 08654 06672 32788 13324 33952

14880 kHz, 26-02, 0230 UTC, FSK 200/1000

Link ID 41010 Msg Number 175 Msg Type 06952 Group Count 176 32769 02291 50011 18471 24246 34367 59005 29482
 Link ID 57907 Msg Number 239 Msg Type 18638 Group Count 86 15426 00000 28544 03781 42760 58864 03248 20672

16320 kHz, 27-02, 0150 UTC, FSK 200/1000

Link ID 56561 Msg Number 174 Msg Type 20412 Group Count 97 46599 32589 04591 35283 60787 01415 16125 62315
 Link ID 40390 Msg Number 204 Msg Type 14171 Group Count 56 63443 38389 55529 58163 44062 51995 64948 18371

14880 kHz, 27-02, 0230 UTC, FSK 200/1000

Link ID 13366 Msg Number 096 Msg Type 13348 Group Count 0 17155 00000 00000 01907 13323 00047 00000 00901
 Link ID 12351 Msg Number 096 Msg Type 13331 Group Count 0 17185 00000 02048 00889 07169 02351 00000 11136
 Link ID 00022 Msg Number 032 Msg Type 13360 Group Count 0 17187 00000 00000 00891 15369 02351 00000 11136
 Link ID 13334 Msg Number 000 Msg Type 05142 Group Count 0 00800 00000 00000 00279 15371 03851 00000 48887
 Link ID 13366 Msg Number 000 Msg Type 13334 Group Count 0 16672 00000 00000 00339 07689 01803 00008 05747
 Link ID 00062 Msg Number 244 Msg Type 08169 Group Count 245 32769 22624 63975 07399 21686 00674 18260 11347
 Link ID 45192 Msg Number 063 Msg Type 58319 Group Count 167 50143 38041 01925 26631 63734 62448 62312 64894
 Link ID 41018 Msg Number 180 Msg Type 07017 Group Count 245 32769 22632 63845 07335 20535 00128 18192 11347
 Link ID 25341 Msg Number 008 Msg Type 18948 Group Count 222 17408 32768 01281 03740 16521 02386 00220 55537

14880 kHz, 28-02, 0230 UTC, FSK 200/1000

Link ID 32794 Msg Number 144 Msg Type 03049 Group Count 117 32769 29413 18472 00388 00832 00192 00036 08226

frequency	date	UTC	remarks	mode
19441	1-2	1300	Russian diplo/intel. 6:54	FSK 200/500
17456	1-2	1310	Russian diplo/intel. 6:54	FSK 200/500
15817	1-2	1320	Russian diplo/intel. 6:54	FSK 200/500
16320	3-2	0150	Russian intel/diplo. Messages on links 13374, 13976	FSK 200/1000
14880	3-2	0230	Russian intel/diplo. Messages on links 13366, 41018, 32826, 13976, 41023	FSK 200/1000
16122	3-2	0746	Russian diplo	CROWD-36
14827	3-2	0749	Russian diplo	CROWD-36
16320	4-2	0150	Russian intel/diplo. Messages on link 50041	FSK 200/1000
14880	4-2	0230	Russian intel/diplo. Messages on links 41010, 09490, 41018, 41146, 07863, 49529	FSK 200/1000
16320	5-2	0150	Russian intel/diplo. Messages on links 41022, 41010, 43327, 57402	FSK 200/1000
14880	5-2	0230	Russian intel/diplo. Messages on links 45182, 00058, 41018, 43612	FSK 200/1000
18235	5-2	1230	Russian intel/diplo. Link ID 53277	FSK200/1000
16144	5-2	1240	Russian intel/diplo. Link ID 53277	FSK200/1000
14519	5-2	1250	Russian intel/diplo. Link ID 53277	FSK200/1000
19880	5-2	1319	Russian diplo	CROWD-36
16320	6-2	0150	Russian intel/diplo. Messages on links 13366, 41087, 41016, 41023, 55195, 41010, 41018, 57726	FSK 200/1000
14880	6-2	0230	Russian intel/diplo. Messages on links 16749, 41018, 53300	FSK 200/1000
4030	6-2	2000	Russian diplo/intel. 6:32	FSK 200/500
6796	6-2	2000	Russian diplo/intel. 6:32	FSK 200/500
5205	6-2	2010	Russian diplo/intel. 6:32	FSK 200/500
16320	7-2	0150	Russian intel/diplo. Messages on links 13366, 09270, 14014, 59991, 57470, 15190, 41018	FSK 200/1000
14880	7-2	0230	Russian intel/diplo. Messages on links 13366, 40986, 10786, 41018, 37339	FSK 200/1000
16242	8-2	0810	Russian diplo	CROWD-36
9151	9-2	1753	Russian diplo	CROWD-36
16320	10-2	0150	Russian intel/diplo. Messages on links 13366, 04611, 41018, 57466	FSK 200/1000
14880	10-2	0230	Russian intel/diplo. Messages on links 41018, 14069, 57470	FSK 200/1000
15752	10-2	0740	Russian diplo	CROWD-36
16320	11-2	0150	Russian intel/diplo. Messages on links 65004, 00032	FSK 200/1000
14880	11-2	0230	Russian intel/diplo. Messages on links 12342, 41010, 41018, 20692	FSK 200/1000

frequency	date	UTC	remarks	mode
18344	11-2	0706	Russian gov/intel. Mark after 50 groups	Baudot 50/500
16320	12-2	0150	Russian intel/diplo. Messages on links 57605, 41018, 63824, 08250	FSK 200/1000
14880	12-2	0230	Russian intel/diplo. Messages on links 57402, 41018, 28829, 57886	FSK 200/1000
16320	13-2	0150	Russian intel/diplo. Messages on links 13366, 15926, 31852, 05019, 28735, 26732, 04744, 13878, 05787, 41018	FSK 200/1000
14880	13-2	0230	Russian intel/diplo. Messages on links 41018, 22594, 45114, 32826, 41018	FSK 200/1000
16320	14-2	0150	Russian intel/diplo. Messages on links 00058, 63541, 47508	FSK 200/1000
18275.5	14-2	0815	Russian diplo	CROWD-36
9083	15-2	1011	Russian diplo	CROWD-36
16320	17-2	0150	Russian intel/diplo. Messages on link 18638	FSK 200/1000
14880	17-2	0230	Russian intel/diplo. Messages on links 04726, 13876, 61758, 61810	FSK 200/1000
14827	17-2	0743	Russian diplo	CROWD-36
10220	17-2	1609	Russian diplo	CROWD-36
16320	18-2	0150	Russian intel/diplo. Messages on links 21121, 20596, 41022	FSK 200/1000
14880	18-2	0230	Russian intel/diplo. Messages on links 13331, 13366, 41016, 41018, 47295	FSK 200/1000
5092	18-2	0519	LENJ: CIS Government. VVV VVV LTJQ DE LENJ QSA4 QSA? QTC1 ZCZ ZVP into 5F RTTY msg with =50= group count	CW + Baudot 50/500
4819	18-2	0521	LTJQ: CIS Government. RYRYRYRY 416 120 18 0500 1703 = into 5F message after CW call up LENJ DE LTJQ	CW + Baudot 50/500
6925	18-2	0650	Russian gov. Msg with =50= group count. Ends with QTR	Baudot 50/500
18405	18-2	0653	Russian diplo	CROWD-36
16320	19-2	0150	Russian intel/diplo. Messages on links 57406, 22549	FSK 200/1000
14880	19-2	0230	Russian intel/diplo. Messages on links 13366, 49924, 22557, 49922	FSK 200/1000
7605	19-2	0553	Russian gov.	RUS-ARQ 100/500
7650	19-2	0700	Russian gov.	RUS-ARQ 100/500
5255	19-2	0754	Russian gov.	RUS-ARQ 100/500
16320	20-2	0150	Russian intel/diplo. Messages on links 41022, 28128	FSK 200/1000
14880	20-2	0230	Russian intel/diplo. Messages on links 00050, 40960, 41008, 32784, 41018	FSK 200/1000
10210	20-2	0605	Russian diplo. Header: 11100 60102 28589 20022 05002 + Ops chat	Baudot 100/500 + CW
16320	21-2	0150	Russian intel/diplo. Messages on links 41018, 61566, 11391	FSK 200/1000
14880	21-2	0230	Russian intel/diplo. Messages on links 41002, 01030, 40986, 41022, 41018, 00063	FSK 200/1000
14655.5	21-2	0753	Russian diplo	CROWD-36
9377	21-2	0940	Russian diplo	CROWD-36
16320	24-2	0150	Russian intel/diplo. Messages on links 12322, 41008, 46132, 08250, 41022, 41018	FSK 200/1000
14880	24-2	0230	Russian intel/diplo. Messages on links 13366, 41018, 40986, 20521, 41016, 32768, 41086	FSK 200/1000
16320	25-2	0150	Russian intel/diplo. Messages on links 24635, 24618, 08338, 49396	FSK 200/1000
14880	25-2	0230	Russian intel/diplo. Messages on links 01008, 24634, 08250	FSK 200/1000
10180	25-2	1230	Russian Gov. NT9P DE K4MT K. QSA2 QSA? K. QTC 6ZCK (Switched to RTTY sending RYRYRYRYR)CFM NIL QRU K ZVP K	CW + Baudot 50/500
16320	26-2	0150	Russian intel/diplo. Messages on links 41082, 61461, 65456, 08255, 62815	FSK 200/1000
14880	26-2	0230	Russian intel/diplo. Messages on links 41010, 57907	FSK 200/1000
16320	27-2	0150	Russian intel/diplo. Messages on links 56561, 40390	FSK 200/1000
14880	27-2	0230	Russian intel/diplo. Messages on links 13366, 12351, 00022, 13334, 00062, 45192, 41018, 25341	FSK 200/1000
16320	28-2	0150	Russian intel/diplo.	FSK 200/1000
14880	28-2	0230	Russian intel/diplo. Messages on link 32794	FSK 200/1000



XP family

14610 kHz, 05-02, 0740 UTC

Block Sync

4444444444

Block Sync

456 456 456 1 456 456 456 1 456 456 456 1

Block Sync

4444444444

Block Sync

6

Message Start

03321 00181 00221 97657 87691 14639 04205 36866 24817 65590 78834 07243 79197 55056 11317
24399 09531 87233 88372 64463 53592 81292 33268 70045 38092 55571 21960 22754 04670 58427
43276 48373 1395 7 27401 74637 37962 82428 60363 47456 50637 71903 78333 08263 24771 83984
17761 69597 87972 03655 20954 09398 24684 92309 35463 36021 95404 62426 28995 05505 44417
63501 69464 37470 90309

Block Sync

82505 43835 66656 56175 62509 28408 67163 29451 78635 62465 85671 06012 05931 58900 90593
06952 98689 58921 18192 54139 39359 66352 35633 94770 65270 25748 49733 95416 31347 96373
61081 69286 77184 20479 94505 51695 43931 46265 80084 85956 53407 60886 45646 12061 44988
04505 90760 05679 96193 99426 23454 88450 43800 61547 64110 92271 52959 02920 58754 47942
51318 67031 06136 57819

Block Sync

53191 65023 58101 15186 71511 86590 91240 02492 82274 59275 44362 61118 11497 75056 61739
87321 99151 40637 52508 68343 59728 01076 18589 98261 26813 52850 99706 07211 37358 39512
05236 37213 17803 76605 45447 69470 41308 8 7690 682 63 40284 31978 63762 72216 36029 91409
65491 26065 58077 54615 70689 68400 76566 31021 89924 29890 77744



Czech diplo

frequency	date	UTC	remarks	mode
14812	3-2	0805	Czech Diplo? Text as follows: "y se p_yes den budou pohybovat do t_yistup Encrypt0 (Google translate as: yes today will move into t output Encrypt0). MZVCN=Damascus/0=ZSMVZ@ ZSMZVCN=Algiers/ 0=ZSMZV@ ZSMZVCN=Kahira/ 0=ZSMZV@ ZSMZMU Encrypt 0	Pactor III
14813.5	10-2	0805	Czech Diplo? Praga01/0=ZSMZV/0=ZSMZVU	Pactor III
14813.5	17-2	0805	Czech Diplo	Pactor III
14893.5	17-2	0824	Czech Diplo? clg ZPRAGA	Pactor I



North Korean diplomatic stations

frequency	date	UTC	remarks	mode
18525	4-2	0824	MFA Pyongyang north Korea. All encrypted text	DPRK-ARQ 600/600 LSB
16121	4-2	0954	MFA Pyongyang north Korea. All encrypted text	DPRK-ARQ 600/600 LSB
14743	8-2	0925	MFA Pyongyang. All encrypted text	DPRK-ARQ 600/600 LSB
16121	8-2	0955	MFA Pyongyang. All encrypted text	DPRK-ARQ 600/600 LSB
16150	10-2	1245	North Korean Diplo (QSX 16009kHz)	DPRK-ARQ 1200/1200
20330	19-2	0911	MFA Pyongyang. Encrypted msgs	DPRK-ARQ 600/600 LSB
18892	19-2	1020	MFA Pyongyang. Encrypted msgs	DPRK-ARQ 600/600 LSB
18896	19-2	1023	MFA Pyongyang. Encrypted msgs	DPRK-ARQ 600/600 LSB



Egyptian diplomatic stations

Modes: SITOR-A 100/170 & Codan-9001

frequency	date	UTC	remarks	mode
18471	5-2	1233	MFA Cairo Egypt messages to unknown embassy	Codan 16
18472.7	5-2	1237	MFA Cairo Egypt. Messages in Arabic	SITOR-A 100/170
20124	6-2	0904	MFA Cairo	SITOR-A 100/170
21863.7	6-2	0941	MFA Cairo. ATU80 messages very difficult to copy	SITOR-A 100/170
18315	7-2	1145	MFA Cairo, messages	Codan 16
18316.7	7-2	1147	MFA Cairo. Messages in Arabic	SITOR-A 100/170
22966	7-2	1152	MFA Cairo, messages from 99908 to 33309	Codan 16
22967.7	7-2	1155	MFA Cairo. Messages in Arabic	SITOR-A 100/170
20125.7	11-2	0917	MFA Cairo. 5Fgs and break out into ATU80 plain text	SITOR-A 100/170
19653.7	12-2	0835	Egyptian embassy Bamako (33303) clg MFA Cairo (99907) into SITOR-A ATU-80 Telegrams	Codan Chirp
20126.7	12-2	0842	Egyptian MFA clg KKXE embassy Luanda	SITOR-A 100/170
19523.7	12-2	0858	Egyptian MFA clg OOVQ embassy Beijing	SITOR-A 100/170
20067.7	12-2	0907	Egyptian MFA clg KKVU embassy Accra	SITOR-A 100/170
19426.7	12-2	0927	Egyptian MFA clg KKXT embassy Nairobi	SITOR-A 100/170
19376.7	12-2	0934	Egyptian MFA clg KKXT embassy Nairobi	SITOR-A 100/170
19346.7	12-2	1027	Egyptian MFA clg OOVV embassy Islamabad	SITOR-A 100/170
21863.7	15-2	0828	MFA Cairoá	SITOR-A 100/170
19523.7	17-2	0838	MFA Cairo clg OOVQ embassy Beijing	SITOR-A 100/170
19127.7	17-2	0910	MFA Cairo clg OOVK embassy Jakarta	SITOR-A 100/170
20036.7	17-2	0920	Egyptian embassy Beijing clg Egyptian MFA Cairo	SITOR-A 100/170
20126.7	17-2	0924	MFA Cairo clg KKXE Luanda	SITOR-A 100/170
20036.7	17-2	1620	Egyptian embassy Lagos (33309) to 99908 MFA Cairo	Codan Chirp



Chinese diplomatic stations

21034 kHz, 15-02, 0753 UTC, Mode 4+4 LSB

Short messages using four figure groups.

4287---8612

7395 1730 7426 9134 5681 2457 9405 1277 9920 9749

9749 2456 7890 1283 4159 1356 7803 4796 5024 1370

1370 4581 5325 9845 6293 0629 9801 2346 7104 5073

9157 8354 3579 1294 1297 7083 5916 1890 2563 8914

0637 0647 4530 4268 0864 0629 9801 2346 7104 5073

0124 3581 6271 6709 6297

XYXYXYXYXYXY CY HW?QSL?QSL?QSL?QSL?



Beacons

6550 kHz, 12-02, 0600 UTC: Greek beacon "PRV"

The next unid was first copied by Lio and Fabrizio and later by many others.

8000 kHz, 02-02, 1612 UTC, CW. Unid station sending continuously "QRP QRP QRP"

Freq: 8000 kHz

Callsign: "QRP"

Schedule: probably 24/7

02-02 1612

04-02 0409

08-02 2233

09-02 1900

09-02 1730

10-02 0946

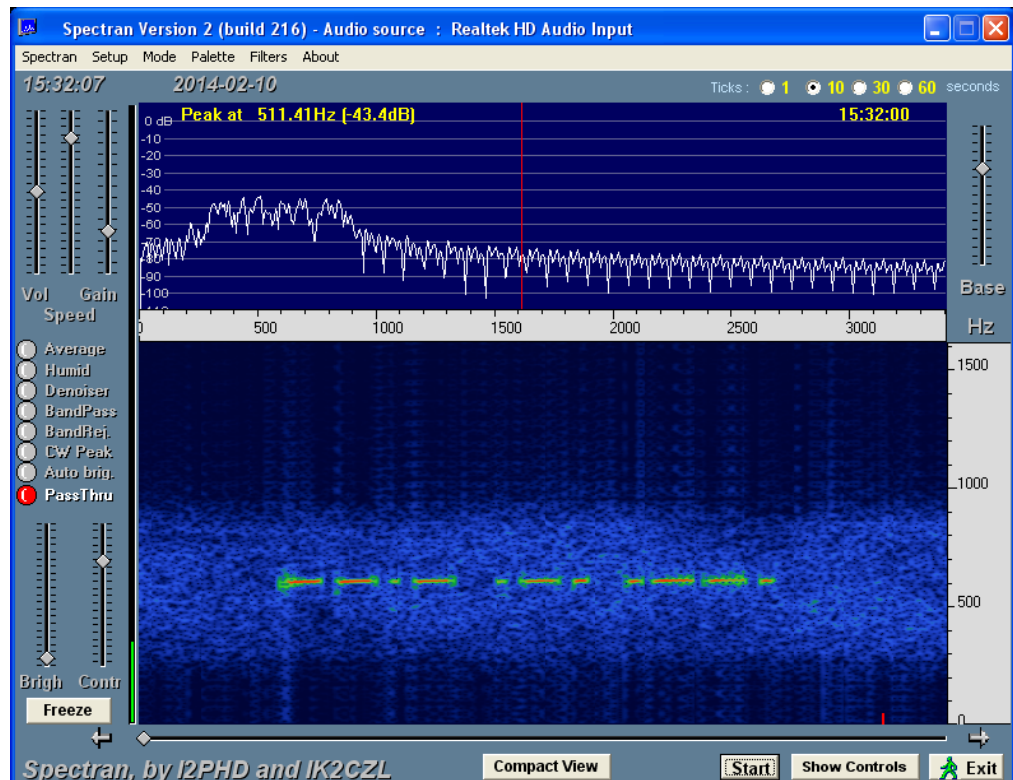
10-02 1300

10-02 1330

10-02 1530

Etc.

Spectrum screen shot
made by Costas.



The Greek beacon "PRV" and the unid beacon QRP might be from the same owner. See <http://sw6hmu.tripod.com/> and click on the left side of the screen on QRP. QRP Electronic makes homebrew transmitters.



Unid “pip” stations

Unid Pip on 15100 kHz on Feb 8th. These stations pop up since a couple of years but their origin and who transmits them is still unknown. Nick reported the net this time and Token adds his comments. Thanks guys.

Nick writes:

*Hi All....I am hearing a strange pip on 15100 kHz (Actually tuned to 15099.00 kHz USB to get a 1000Hz tone). There doesn't seem to be anything but the pips. They are spaced at about 6 seconds apart. I have been listening to it for quite some time today, with no change. Does anyone else hear this or know what it is? I have a 5 minute mp3 recording available from here:
<https://app.box.com/s/sc3usnyo7zwnqta2anlc>*

Token's comments:

Nick and group, sorry I did not check email yesterday, I could have given you some other frequencies to check. This signal was up on more than 60 frequencies yesterday in the same time period. Unfortunately this is probably going to be a long post.

Although you did not give a time for your reception I know the signals in question were on air from before 1616 UTC to off air time at 2304 on Feb 08, 2014, so I assume your report is from in that time period. The same signals were on the air the day before, Feb 07, 2014, from before 2200 (this was when I sat down at the radio desk, no telling how long it was on before that) to off air at 2248 UTC.

These signals have been seen periodically (several times a year) since at least early 2012. They are what I call “Pips” in my log book, I have paid relatively close attention to it whenever I have noticed it was active. There are many ditters and dashers on the air, but Pips has some features that make it fairly unique and identifiable as a family. Yes, Pips is probably some kind of propagation or atmospheric research thing, but so far I have not been able to find out who or what.

Pips is probably sourced in the US, it is seldom reported or seen on European or Asian remotes. DF bearings from my location also support continental US locations.

Pips pulses appear on multiple frequencies for a given time period. I will include a list of freqs seen that were on at the same time as your 15100 kHz yesterday at the end of this post.

Pips pulses are synchronized and sequential. Typically the pulses start at the lowest frequency in the network, make a pulse, move to the next highest frequency, make a pulse, move to the next highest freq, etc. Yesterday's pulses were about 0.125 seconds long and occurred every 6.0 seconds on a given frequency (shown as 0.125 / 6.0 in my logs). Assuming no repeats this allows for 48 frequencies in a cycle. As I said, Pips typically moves up in freq, but I have seen a similar signal that may be the same thing move down in freq.

This sequential nature makes it possible to find and confirm Pips freqs. For example (real World example, from yesterday), if you find a Pip on 16000 kHz and another on 16725 kHz you can then monitor both of them at the same time on 2 receivers. The 2 audio tones (one from each receiver) should form a continuous signal for the duration of the 2 pips, no gaps between the audio of RX 1 and RX 2. If you hear a noticeable gap in the audio then there are one or more frequencies between the 2 you are tuned to. In my example the one between would have been 16550 kHz. The fact that there are 2 networks (third paragraph below) sometimes throws a wrench in this technique, but once you know this issue exist you can work with it.

Example spectrograms here, from activity on June 14, 2013:

<http://www.pbase.com/token/image/150798530/original.jpg>

<http://www.pbase.com/token/image/150798533/original.jpg>

<http://www.pbase.com/token/image/150798529/original.jpg>

Pips always has a definable relationship between the pulse duration and the pulse delay. For example the 0.125 / 6.0 defined above and in use the past couple of days, allowing 48 possible pulses, and assuming each pulse on a unique frequency, 48 possible frequencies. But in my opening paragraph I said the signal was up on more than 60 freqs yesterday, and I just said “allowing for 48 frequencies”...more on that below. Other periods of activity other pulse durations and delays have been seen. In addition to the 0.125 / 6.0 yesterday there has been 0.0625 / 3.0 (again allowing 48 freqs), 0.7 / 5.6 (allowing 8 freqs), 0.7 / 7.0 (allowing 10 freqs), and 1.5 / 10.5 (allowing 7 freqs).

Pips often appears to be from 2 sources, 2 networks of dits / dashes (while more than 2 is obviously possible, I have never seen anything to really indicate more than 2 sources). Above I said over 60 freqs were active yesterday, but timing only allows for 48. 2 sources and 2 networks, on different frequency sets, would allow for 96 possible frequencies. Interestingly the 2 networks generally appear to share a couple of frequencies, 11150 and 16725 kHz are often shared. For the past couple of days (and other times past) each of these freqs had 2 Pips per cycle, each from a separate source. DF cuts on the 2 pulses on these "common" freqs confirm different physical locations. Working "backwards" from these "common" freqs should make it possible to confirm the relationship of any freq to either network.

Pips frequencies seen at my location Feb 08, 2014, 1616 to 2304 UTC (all freqs in kHz):

28800, 27450, 26650, 26500, 26150, 24825, 24050, 23100, 22600, 22450, 22300, 22050, 21150, 20250, 20175, 20100, 19650, 19300, 18675, 18625, 18450, 18100, 18050, 17975, 17950, 17650, 17475, 16725, 16550, 16000, 15625, 15550, 15400, 15100, 14400, 13875, 13500, 13325, 13250, 12025, 11300, 11225, 11150, 11025, 10575, 10050, 9800, 9225, 9050, 8975, 8825, 8275, 7700, 6750, 6725, 6550, 6225

16725 and 11150 kHz were double Pips. This list is only 57 frequencies and there are some timing gaps in it, probably indicating that some of the missing freqs under other signals.

In addition to the above freqs that I heard other listeners in the same time period also reported:

33900, 33675, 33450, 32000, 5575, 5450, 5225, 4900, 4450, 4000, 3450

Of this last set of reported freqs I have seen the ones from 5575 kHz down used by Pips in the past. I have seen frequencies as low as 2225 kHz used. My assumption is between the 2 networks there are 90 to 94 discrete frequencies used for the 0.125 / 6.0 cycle.

TI, Mojave Desert, California, USA



Unid stations

The unid station that was heard in January on 14360 kHz was heard again. This time by Dietmar at 6 Feb. at 0800 UTC. The first 5 minutes he was only counting, but at 0510 UTC he is saying something with "... radio" in it?

5770 kHz, 02-02, 1513 UTC, CW.

In progress. Very slow morse. Short zero. Reported by JPL:

.... 95978 58636 95012 57147 92339 88422 44748 23674
52634 57387 08093 79326 10258 28078 16387 63479 47583
= 797 =
62793 93617 29472 86538 84864 80183 72947 92078 33814
75529 .0767 71893 8492 ... 10258 28078 16387 63479 47583
AR

Another one from JPL. 6358 kHz, 07-02, 0922 UTC, CW.

In progress. Short zero.

09876 43217 65641 84321 56908 32789 43678 12345 56789 09871
43528 17641 95431 65781 06761 54890 54890 32567 54321 61435
89675 07024 098 K (Same group sent twice)

7810 kHz, 25-02, 1250 UTC, CW. Copied by JPL. Unid Chinese?? station

DE DP9J CL K

DP8291 QSA 3 U ?

DUT48291 FM 5. 03 7UD4 FM DP TU4?

DP8291 QSA3 HR MSG PSE CY

GA

MSG NR 021A CK 130 EX T225 2M

MSG NR 021A CK 130 EX O225 2. = 5 =

.NNDDPAAW.PH AA WA EN4 I NS FI. RIN ...NIK

AZI WI NF TAR NE

MSG MSG NR 021A CK 130 EX 0225 2 .MSG NR 023

MSG NR 3210 CK 133 695N

MSG NR 0210

MSG NR 3210 CK 13EE

MSG NR 021A CK 13

MSG NR 021A CK 130 EX 0225 2055 = = =

UNNDDAR ARWLUPH. WAEN4SIB (Cont'd)

(Sending lots of strange lots of strange CW characters)



Unid 10-minutes network

4239 // 3519 kHz, 10-02, 1747 UTC:NELC

3753 kHz, 25-02, 2114 UTC: DEJF

4239 // 3519 kHz, 25-02, 2119 UTC:NELC

RUSSIAN MILITARY TRANSCRIPTS

The logs and transcripts were supplied by Tom, Wolfgang, Topol, JPL, Ron and other dxers.



RMv/RNv/RNAv/RAv

Russian military stations

Frequency: various

Mode: USB / voice

freq	date	UTC	remarks
RMv 4325	19-1	1347	70 84 00 696 PEDESHA 8 45 98 40 YA PLAVETS41 PRIYOM
RMv 4325	22-1	1331	27 948 11 609 MARTIRANIYA 15 80 70 36 YA PLAVETS 41, VREMYA 17 CHASOV 31 MINUTA, PRIYOM
RMv 3872	6-2	1400	Shayba33 Ya Boetc93 Proshu na svyaz!. Primate signal 77 435 PALAMDIYA 05 21 55 64 Prinyali?
RMv 4325	16-2	1325	45 524 14 170 VIRIDIKA 81 45 31 17 YA PLAVETS 41 VREMYA 17 CHASOV 28 MINUT PRIYOM

RAv

11360 kHz, 27-02

1248 78844 (IL-76MD) calling Klarnetist (Russian Air Force 6955th Aviation Base Migalovo/Tver) w/no response.

1302 Klarnetist w/76599 (IL-76MD) reporting departure from Anapa at 1600 MSK and next is Tver.

1312 Proselok (Russian Air Force 566th Military Transport Aviation Regiment Bryansk) w/acft 596 confirming landing at Buntar (Russian AB Orenburg) w/fuel 28 tons

1315 Klarnetist w/78831 (IL-76MD) reporting departure from Ulyanovsk at 1635 MSK w/20 pax, 20 tons cargo and 52 tons fuel. Next is Anapa at 1910 MSK.

1402 Korsar (Russian Air Force 6985th Aviation Base Pskov) w/76549 (IL-76MD) reporting departure from Chkalovskij at 1740Z w/fuel 49 tons and next is Anapa. At 1612Z reports landing at Anapa at 2010 MSK

1410 Korsar w/76719 (IL-76MD) reporting landing at Chkalovskij at 1704 MSK w/fuel 14 tons

1411 Korsar w/76722 (IL-76MD) reporting landing at Tver at 1707 MSK

6685 kHz, 27-02

- 1600 Klarnetist w/76712 (IL-76MD) reporting departure from Kvartet (Russian AB Taganrog) at 2000Z w/fuel 56 tons-next is Chkalovskij.
- 1620 Korsar w/76743 (IL-76MD) reporting departure from Chkalovskij at 2000 MSK and flying to Plesetsk at alt 2700 mtrs. At 1742Z Korsar w/76743 reporting landing at Plesetsk at 2137 MSK
- 1645 Korsar w/94409 (unid) reporting departure from Kvartet at 2030 MSK w/fuel 54 tons next is landing at Chkalovskij. At 1728Z Davlenie (Russian Air Force 6958th Aviation Base Taganrog) w/94406 reporting 1 hr flt passed point LAKUT at alt 2800 mtrs w/fuel 44 tons.
- 1735 Korsar w/76805 (IL-76 MD) reporting departure from Chkalovskij at 2130Z and enroute to Plesetsk at alt 2700 mtrs w/fuel 45 ton
- 2015 Korsar w/76549 (IL-76MD) reporting 2 hr into flt, passed point SUGIR at alt 2800 mtrs w/fuel 27 tons
- 2020 Korsar w/76738 (IL-76MD) reporting departure from Kubinka w/25 pax, 14 tons cargo & 60 tons fuel. ETA landing at Anapa 0245 MSK
- 2035 Klarnetist w/76763 (IL-76MD) reporting departure from Chkalovskij at 2348 MSK and ETA Pushkin at 0210 MSK.
- 2101 Korsar w/76738 (IL-76MD) 1 hr into flt at alt 2700 mtrs w/fuel 50 tons.
- 2105 Klarnetist w/76842 (IL-76MD) reporting departure from (missed) and ETA landing at Anapa 0330 MSK
- 2109 Klarnetist w/76763 (IL-76MD) reporting landing t Pushkin at 0106 MSK
- 2115 Korsar w/76842 (IL-76MD) reporting departure from ? at 0005 MSK w/fuel 60 tons and ETA landing at Anapa 0340 MSK
- 2117 Korsar w/78831 (IL-76MD) reporting landing at Tver w/fuel 16 tons

8131 kHz, 27-02

1911 Balans (unid Russian LRA) w/09151 (poss TU-95) w/msg 258/850/085/391/859/169/765.

11360 kHz, 28-02

- 1219 Korsar (Russian Air Force 6985th Aviation Base Pskov) w/76747 (IL-76) reporting landing at Chkalovski Korsar w/Davlenie (Russian Air Force 6958th Aviation Base Taganrog) confirming that 76776 (IL-76MD) departed Anapa at 1709 MSK w/fuel 50 tons.
- 1552 Korsar w/78803 (IL-76MD) confirming 1 hr into flt & fuel 45 tons
- 1602 Proselok (Russian Air Force 566th Military Transport Aviation Regiment Bryansk) w/76533 w/msg 1419 at 2000 MSK. They advise that 78816 is 323 at 1927 MSK & 76533 is 323 at 1941 MSK.
- 1632 Korsar w/76533 who asks that Korsar relay to Proselok that 78816 is 555.
- 1732 Korsar calling 78817, 78803, 78815, & 76624 (all IL-76MDs) w/no responses.
- 1736 Korsar w/76615 (IL-76MD) reporting landing at Dorozhnij (Russian AB Rostov-na-Donu) w/fuel 29 tons

8131 kHz, 28-02

1518 Unid w/57?54 (prob TU-95) w/msg 969/190/517/202/163/817

6685 kHz, 28-02

2045 Korsar w/76722 (IL-76MD) reporting 430 at (time missed) w/fuel 27 tons.

11360 kHz, 28-02, 1725 UTC

KORSAR in contact with the following IL76MDs 76624 (no frame with this reg) 78803, 78815, 78817 plus one other



M32
Russian/CIS
Military CW Stations

3312 kHz, 06-02, 1151 UTC:

XXX XXX MDVB MDVB 05282 MELOTIPI'A 39878693 DEKANTACI'A 73280877 K

Note that MDVB is the morse version of MDZhB. "V" is the Russian morse code for "Zh"

4538 kHz, 10-02, 1423 UTC:

DE J78I QLW QSA? QXS AR
T1DJ DE J78I QLW QSA? QXS =
D6V1 DE J78I QLW QSA? QXS =
D6V1 DE J78I QLW QSA? QXS AR
IJWK DE J78I QLW QSA? QXS =
IJWK DE J78I QLW QSA? QXS AR
WZ= DE J78I K
J78I DE WZ= K
R K
LW7U DE J78I QLW QSA? QXS =
LW7U DE J78I QLW QSA? QXS AR

3737 kHz, 18-02, 2319 UTC:

VVVVVVVVV (Cont'd)
PMZ8 DE 2TNB QSV K
BK QSA 3 QRJ? K
R K
LWZZ DE 2TNB QSV K
BK QSA 3 QRJ? K
R K

4077 kHz, 19-02, 1545 UTC:

XXX XXX RJT67 RJT67 RJL84 RJL84 71891 SINUSOIDA 7654 7717 K

3159 kHz, 25-02, 1916 UTC:

DE PSPB K. DE PSPB K
R K
2GB4 DE PSPB K
R K
LLWX DE PSPB K
R K
JZ54 DE PSPB K
R K (1918z - Silent)

3327 kHz, 25-02, 2105 UTC. Simplex net. //A = station A, //B = station B

SQ8H DE WNZP QSA? K
BZDT DE WNZP K //A
BZDT K //B
QTC 2 K //A
QRV K //B
WNZP 0.1 49 25 1000 111. //A
AAAAA BBBBB 'A'A'AAA A'A'A'AS SSSSS (Cont'd)



M32a
Russian Navy
Voyenno-Morskoy Flot Rossii

3353 kHz, 02-02

0016 RMUW: NAVY TUG SHAKTER. RJE65 DE RMUW K N.J.
0034 RMJA: NAVY TENDER KIL-158. RJE65 DE RMJA 985 17 2 0429 985 = SML FOR RJH45 RJE73 = 02001 99435 10398 41/98
80504 10065 40293 54000 70222 88/// 22200 00096 2//// 02013 = + RMJA
0012 RCV DE RMEW 903 17 2 0410 903 = SML FOR RJE73 RJH45 = 02001 99435 10397 42/97 /1406 10042 40342 52002 22200
00100 2//// 02011 = + RMEW K
0018 RMUW: NAVY TUG SHAKTER. RCV DE RMUW 186 16 2 0400 186 = SML FOR RJE73 RJH45 = 02001 99414 10398 41597
/1406 10070 40270 54000 70221 22200 00080 20401 02012 = + RMUW K

5838 kHz, 03-02, 2035 UTC: RIT: Navy Severomorsk 5F message to RJC38

3653 kHz, 06-02, 1135 UTC:

31518 53271 41993 67491 12740 70681 38654 95376 09382
74194 29144 19031 03817 03052 58379 41544 67871 95939
15006 84637 63141 59400 65549 88188 06029 k
RDL RDL RDL
22222 72380 30434 70415 70415 (Cont'd)

3353 kHz, 07-02

0008 RMUW: NAVY TUG SHAKTER. RJE65 DE RMUW 228 16 7 0400 228 = SML FOR RJE73 RJH45 = 07001 99436 10396 41597 /0205 10060 40140 54000 70200 22200 00100 20000 07012 = + RMUW K
0013 RJE65 DE REL5 147 16 7 0405 147 = FOR RJE73 RJH45 RJE65 = 07001 99435 10398 43/97 00000 10050 40199 54000 8//// 22200 00100 20000 07012 = + REL 5 K
0016 RMJA: NAVY TENDER KIL-158. RJE65 DE RMJA 431 17 7 0415 431 = SML FOR RJH45 2 = 07001 99434 10400 41/98 00000 10021 40180 54000 70200 80000 22200 00100 10000 07013 = + RMJA K

8345 kHz, 07-02

0603 RMGB: NAVY TANKER IMAN. RCV DE RMGB 649 19 7 1000 649 = SML FOR RJH45 RJE73 = 07061 99422 10325 41598 60901 10060 40190 54010 70211 86211 22222 00090 20000 88000 80000 07015 = + RMGB K

12464 kHz, 07-02

1203 RMGB: NAVY TANKER IMAN. RCV DE RMGB 813 19 7 1600 813 = SML FOR RJH45 RJE73 = 07121 99425 10337 41698 31105 10090 40190 54000 70110 83221 22222 00090 20101 88000 80000 07015 = + RMGB K
1218 RAL48: NAVY TUG NIKOLAY CHIKER. RIW DE RAL48 177 22 7 1610 177 = SML FOR RJH45 RJH74 RJE73 = 07121 99367 10132 41598 12406 10164 40174 54000 70200 81100 22263 00160 20101 3//// 4//// 5//// 6//// 07017 = + RAL48 K

5916 kHz, 07-02

0946 i.p. (short zero) 12841 25491 71536 06761 61984 21947 33878 58780 45517 79602 27364 07065 AR

3568 kHz, 09-02

0922 70996 31015 93879 71997 37043 429185 104
BK BK RPT (Both stations on this frequency)
34AA K
= 42918 51044 61169 57893 77888 21613 36208 25486 81107
44514 527.. 16180 78321 00883 ...46 09048 K
RPT 48 K
= 09048 K
RPT PBL K
RPT 48 BT 09047 K
AS
7L5Z R 36 K
OK K
R K

4212 kHz, 09-02

1820 SW40 DE HF80 QSA? K
DE SW40 QSA 4 QSA? K
QSA 4 K
OK K
R K
VZXK DE HF80 QSA? K
VZXK DE 5F80 QSA
HF80 DE VZXK QSA2 FOR QRJ 2 K
QSA4 K
OK K
R K
CXGA DE HF80 QSA? K
HF80 DE CXGA QSA 2 FW RQRJ 2 K
QSA1 K

OK K
 R K
 ZSAH DE HF80 QSA? K
 HF80 DE Z QSA2 QSA?
 QSA2 FOR QRJ? K
 QRJ1 K
 R K
 Z2MT DE HF80 QSA? K
 NSYB DE HF80 QSA? K
 HF80 DE NSYB QSA3 QSA? K
 QSA2 FOR QRJ? K
 FOR QRJ3 K
 R K
 SUEA DE HF80 QSA? K
 DE SUEA QSA2 FOR QRJ2 QSA? K
 QSA2 K
 OK K
 R K
 9EWN DE HF80 QSA? K
 F80 DE 9EWN QSA1 QSA ? K
 QSA2 FOR QRJ? K
 QRJ4 K
 R K
 XTYW DE HF80 QSA? K
 HF80 DE XTYW QSA1 QSA? K
 QSA4 FOR QRJ? K
 FOR KRJ2 K
 R K
 8TZB DE HF80 QSA? K
 YSTZ DE HF80 QSA? K

12464 kHz, 12-02, 1208 UTC:

RAL48: NAVY TUG NIKOLAY CHIKER. RIW DE RAL48 N.J. RCV DE RAL48 889 22 12 1603 889 = SML FOR RJH45 RJE73 = 12121 99350 70104 41598 32706 10166 40237 52015 70125 83100 22253 00185 20201 3//// 4//// 5//// 6//// 12017 = + RAL48 K

3353 kHz, 13-02, 0004 UTC:

RJE65 DE REL5 361 16 13 0400 361 = FOR RJE73 RJH45 RJE65 = 13001 99435 10398 41/97 00000 10090 40158 67014 22200 00100 20000 13013 = + REL5 K

8345 kHz, 13-02

0624 RAL48: NAVY TUG NIKOLAY CHIKER. RIT DE RAL48 111 21 13 1010 111 = SML FOR RJH74 RJH45 = 13061 99338 70140 41598 23304 10172 40239 57007 70100 81200 22253 00190 20101 3//// 4//// 5//// 6//// 13017 = + RAL48 K
 0559 RIR96: NAVY LS AZOV (151). RCV DE RIR96 393 15 13 0945 393 = FOR RJH45 RJE73 = 13061 99349 10305 41598 10902 10170 40110 51000 71000 22232 20101 00140 13012 = + RIR96 K
 0603 RMGB: NAVY TANKER IMAN. RCV DE RMGB 850 19 13 1000 850 = SML FOR RJH45 RJE73 = 13061 99440 10362 41698 21105 10090 40140 54010 70200 82030 22263 00090 20101 88000 80000 13015 = + RMGB K

10543 kHz, 15-02, 1626 UTC:	RCV: Russian navy Sevastopol
7665 kHz, 15-02, 1932 UTC:	RIW: Russian navy Moscow
7657 kHz, 15-02, 2048 UTC:	RDL: Russian navy Smolensk
4079 kHz, 15-02, 2235 UTC:	RMP: Russian navy Kalinigrad
16112 kHz, 16-02, 0854 UTC:	RJS: Russian navy Vladivostok
12753 kHz, 16-02, 0954 UTC:	RIT: Russian navy Severomorsk

8345 kHz, 17-02

0549 RCV DE RHL80 QYT4 QSX 5372 /5372 OK? K 0701Z QYT4 QSX 10201/10201
 0605 RAL48: NAVY TUG NIKOLAY CHIKER. RCV DE RAL48 735 21 17 1002 735 = SML FOR RJH74 RJH45 = 17061 99268 70330 41498 60909 10191 40250 54021 70222 86200 22253 00220 2141111 3//// 4//// 5//// 6//// 17017 = + RAL48 K

12464 kHz, 17-02

0905 RIR96: NAVY LS AZOV (151). RCV DE RIR96 287 16 17 1255 287 = FOR RJH45 RJE73 = 17091 99350 10304 41598 02804
10250 40000 52000 71000 81000 22273 00170 20101 17013 = + RIR96 K

4077 kHz, 19-02, 1600 UTC:

RMP RMP QTC 186 177 19 1954 186 = SML=

prognoz pogody do 18 asow 20 fewral baltijskoe more pogoda opredelets v noj periferiej ciklona centrom gotlandom rajona 1 weter gozapadnyj zapadnyj 5 tire 10 ms wolnenie 2 tire 3 balla wysotoj 5 tire 1 0 dm urowen baltijske minus 10 minus 20 sm oblanost 7 tire 10 ballow 200 tire 300 metrow kratkowhemennyj dovd mestam i dymka widimost 4 tire 10 wlenih mestami 1 tire 2 km temperatura wozduha pls 2 pls 4 wody 1 tire 3 gradusa rln po my rajon 2 weter naale noi zapadnyj dalnejem sewerowostonyj wostonyj 3 tire 8 ms wolnenine wne lda 2 balla urowen speterburge minus 10 pls 20 sm mestami sneg dymka widimost 4 tire 10 wremenamo mestamo tire 2 km temperatura w mzdaha nox nol minus 3 dnem minus 1 minus 4 gradusa rajon 3 weter seweru rajona wt tsotnyj sewerowostonyj gurajona gozapadnyj zapadnyj 3 tire 8 dnem 5 tire 10 ms wolnenie 2 tire 3 balla no mestami tuman pri widimosti menea 1 km

8014 kHz, 27-02

0705 RCV: NAVY SEVASTOPOL. XXX XXX RJV RJV 98377 DITRAZIN 6479 0811 K 0705Z XXX XXX RJV RJV 98377 DITRAZIN 6479
0811 K

0722 XXX XXX RJV RJV 01843 ROBURIT 4391 0843 K

0728 XXX XXX RJV RJV 79284 DIURIL 4256 4559 K

0705 RIR98: PM-56. RCV DE RIR98 QYT4 QMO K - 0852Z RCV DE RIR98 OK QDW 9344

6776 kHz, 27-02, 1645 UTC:

V52E OK AS NW

QCZB DE V52E FOR 4RJ?

V52E OK AS



M32b
Russian Naval Aviation
Aviatsiya Voennno-morskogo Flota Rossii

8816 kHz, 01-02

---- RJF94 RJC38 DE 12415 QQL ULWC 0811 QBG 7000 K - QQM XUMO 0917 SK

1050 RJF94 RJC38 DE 12415 QTO 1031 QRD XLWF XUMO QRE 1140 QBD 6000 K - QQM XLWF 1134 SK

---- RJF94 RJC38 DE 12415 QTO 1330 QRD XLMV XLWF QRE 1600 QBD 14300 K QTH 6319 3540 QTR 1430 QBG 7900 K - QAY
XLMG 1522 QBG 7500 K - QQM XLMV 1548 SK

5808 kHz, 04-02, 1757 UTC RJF94 DE RCB. RCB RCB DE RJF94 RJF94 QSA?

5823 kHz, 05-02

0604 RAL2: Naval air calling RKA2, RLO2 and RBL70 for radio check

0604 RKA2: Naval air calling RAL2 with QSA

0605 RLO2: Naval air calling RAL2 with QSA

8345 kHz, 20-02

1754 VVV RCV DE RLY80 QSA?

1756 RCV DE RLY80 QYT4 QLS

1800 RLY80 OK QYT4 QWH 6237

1802 RCV DE RLY80 QYT4 QSX 3282 OK?

1807 Rcv DE RLY80 QYT4 QSX 3282 OK?

1810 RCV DE RLY80 QYT4 QLS

1827 RCV DE RLY80 QYT4 QWH 4153

1828 RCV DE RLY80 QYT4 QSX 3344 OK?

2347 VVV RCV DE RCIV QSA? QTC

2351 VVV RIW DE RMMA QSA? QTC

8345 kHz, 21-02

0005 VVV RIW DE RAL48 QSA? QTC
0012 VVV RIT DE RAL48 QSA? QTC
0030 VVV RCV DE RCQ47 QSA? QTC
0034 VVV RCV DE RHV42 QSA? QTC
0035 RCQ47 501 17 21 0405 501 = FOR RJH45 RJE73 = 21001 99363 70002 22213
0038 RCQ47 486 64 21 0415 486 = SML FOR RIW RIT =
22222 87867 34021 15884 53200 26312 10287 61250 71014 25984
50197 36660 10262 30570 03924 26100 67655 57699 08829 61381
13900 76092 66568 21370 27239 38957 22450 90831 01465 66417
14645 36092 78983 55240 88978 43561 72432 78898 90619 33647
30047 90994 91725 67784 41882 02224 68001 82317 58342 37880
7471? 29753 37135 24447 87125 52853 97049 58974 59412 69256
21060 = + RCQ47
0049 VVV RCV DE RHV42 QSA? QTC
0103 VVV RCV DE RHV42 QSA? QTC
0135 VVV RIW DE RAL48 QSA? QTC
0139 RAL48 372 ?1 21 0405 372 = FOR RJH45 RJH73 = 21001 992?? 70??0 222??
0401 VVV RCV DE RHV42 QSA? QTC
RHV42 OK QWH 5989
0402 VVV RCV DE RIR96 QSA?
1745 VVV RCV DE RCIV QSA? QTC
1747 RCV DE RCIV QRR3 QDW?
1748 RCV DE RCIV OK QRR3 QDW 5994
1930 RCV DE RHY73 QSA?
1931 RHY73 OK QAP
2104 VVV RCV DE RCIV QSA? QTC
2108 RCIV 713 17 22 0100 713 = SML FOR RJE73 RJH45 = 21211 99381 10254 22263

12464 kHz, 22-02

1223 VVV RCV DE RCQ47 QSA? QTC
1225 RCQ47 235 17 22 1611 235 = FOR RJH45 RJE73 = 22121 99378 10096 22233
1228 RCQ47 929 43 22 1615 929 = FOR RIW RIT =
11111 95426 80229 46292 54763 16243 39097 72321 49101 82425
7???? 90245 44672 95969 15769 66045 94285 83?38 53194 81577
70561 29974 12526 60422 36051 09319 47702 16576 60745 86902
66929 14240 99707 79901 36417 02500 10007 86387 00407 71793
22040 = + RCQ47

8345 kHz, 25-02

0003 VVV RCV DE RAL46 QSA? QTC
0008 VVV RIT DE RAL46 QSA? QTC
0012 VVV RIW DE RMMA QSA?
0014 VVV RCV DE RAL46 QSA? QTC (sends wx report, too weak to copy)
0028 RAL46 sends 11111 message, too weak to copy
0050 RCQ47 197 ?? 25 ???? 197 = FOR RJH5 RJE73 = 25001 9934? 10248 22233
0054 RCQ47 626 57 25 0402 626 = SML FOR ?? = 11111

0605 VVV RIW DE RAL48 QSA? QTC
0606 RAL48 239 21 25 1005 239 = SML FOR RJH45 RJH74 = 25061 99192 70661 22263
2320 VVV RIW DE RAL48 QSA? QTC
2336 VVV RCV DE RAL48 QSA? QTC
2337 RAL48 673 49 26 0255 673 = SML FOR RIT = 11111 06197 41728 26046 = + RAL48

8345 kHz, 26-02

0002 RCV DE RAL46 QSA? QTC
0003 RAL46 176 18 26 0400 176 = FOR RCV RIW RHY73 = 11111 16217 (faded)
0015 VVV RCV DE RAL48 QSA? QTC
0016 RAL48 551 21 26 0407 551 = FOR RJH45 RJH74 = 26001 99174 70662 22243
0634 RIW DE RMMA QSA?
1909 VVV RCV DE RIL99 QSA?

1911 RCV DE RJL99 QYT4 QSX 5312
1915 RCV DE RJL99 OK QYT4 QSX 6308
2321 VVV RCV DE RAL46 QSA? QTC
2322 RAL46 675 48 27 0316 675 = FOR RCV RIW RIT RHY73 = 11111 75657 33516 27043 = + RAL46
2355 RCV DE RAL46 QSA1 QRV

8345 kHz, 27-02

0011 VVV RCV DE RAL46 QSA?
0014 VVV RIT DE RAL46 QSA?
0016 VVV RCV DE RAL48 QSA? QTC
0017 RAL48 155 21 27 0407 155 = SML FOR RJH45 RJH74 = 27001 9914? 70??? 22241
0101 RAL46 226 27 27 042? 226 = FOR RJH45 RJE73 = 27001 99356 70037 22200
0607 VVV RIW DE RAL48 QSA? QTC
0608 RAL48 717 21 27 1005 717 = SML FOR RJH45 RJH74 = 27061 99146 70693 22241

12464 kHz, 27-02

1207 VVV RCV DE RAL46 QSA? QTC
1223 VVV RIW DE RAL46 QSA? QTC
1226 VVV RCV DE RAL46 QSA? QTC
1227 RAL46 717 56 27 1600 717 = FOR RCV RIW RIT RHY73 = 11111 61??? 39051 27051 = + RAL46
1239 RAL46 151 17 1604 151 = FOR RJH45 RJE73 = 27121 99356 70037 22200

8345 kHz, 27-02

1851 VVV RCV DE RJL99 QSA?
1852 RCV DE RJL99 QYT4 QSX 4983
1901 RCV DE RJL99 QYT4 QSX 4983 OK?



EMERGENCY ACTION MESSAGES & SKYKING MESSAGES

EAMs and Skyking messages copied by Topol and David. Two of them were VERY long.

Frequencies: 4724, 6739, 8992, 11175 kHz

01-02 0630 R4K6OG - UTTUKADPWFVQYKI7JFTVWM6X
01-02 0700 R4K6OG - UTTUKADPWFVQYKI7JFTVWM6X
01-02 0938 SkyKing 6QM T38 Auth MI
01-02 0939 SkyKing BX4 T39 Auth MI
01-02 1736 H6HXDG - ER634K447M6HASCNS
03-02 1415 SkyKing DKQ T15 Auth NK
03-02 1938 6HDAIO - PBSGF7TRQFJQUIKSCTJX24ZWV6EX5HL3X3W7HJ2YNUU6YKXWXXZMXMFFFFYKJNPJX
JUBRGGXGHDUIIIIBEGIYWWL2BW4CCKZZCENNNN54ZOD6HTL3
04-02 1335 H6KZAF Mainsail for SPARK 30 chr EAM
04-02 1407 GYT 07 YI Mainsail Skyking DNA
04-02 1407 TUW 07 YI Mainsail Skyking DNA
04-02 1500 WO7 00 PB Mainsail Skyking DNA
04-02 1501 R4SYU7 Mainsail 30 chr EAM
04-02 1505 R4GX43 Mainsail 30 chr EAM
04-02 1509 R4WQK5 Mainsail 30 chr EAM
04-02 1513 R4NNLP Mainsail 30 chr EAM
04-02 1525 G33 25 BU Mainsail Skyking DNA
04-02 1549 H62QH2 Mainsail 30 chr EAM
04-02 1631 H63SE6 Mainsail 41 chr EAM
04-02 1701 H6D7TD Mainsail 30 chr EAM
04-02 1703 H6VMAB Mainsail 39 chr EAM
04-02 1733 H6VMAB-LL3WU5VBMIA DBTJQNBT4PJ6GPPW2WADL2

04-02 1932 R4TITP Mainsail 30 chr EAM
 04-02 1947 H6IOJ6 Mainsail for ?? 30 chr EAM
 04-02 1958 DKZ 58 SZ Mainsail Skyking DNA
 04-02 2016 R4MEUY Mainsail 30 chr EAM
 04-02 2032 USP 32 ?Y Mainsail Skyking DNA
 04-02 2313 R43TPI-56TKXODGT62UHDKZTALTDXDUQ
 05-02 1128 B5V 28 LB Mainsail Skyking DNA
 05-02 1146 TTY 46 PO Mainsail Skyking DNA
 05-02 1247 4VU 47 GL Mainsail Skyking DNA
 05-02 1247 H?L 47 GL Mainsail Skyking DNA
 05-02 1335 H6PPTH Mainsail for ?? 30 chr EAM
 05-02 1354 H6E4CX Mainsail 34 chr EAM
 05-02 1522 A3W 22 CE Mainsail Skyking DNA
 05-02 1808 R45HDA Mainsail 30 chr EAM
 05-02 1944 6H7SDG Mainsail 121 chr EAM. 6H7SDGXETYN2YIJERI2QKU3DFJQVKFTDJ5AY3YVTOZHO43OQ36
 MNGA2OAJDGC SNALBGA22BNBZBH4TYTTTTQQIIIN67GCJENJ3NRS6WYOGWLLLL6C32BEG3SX
 05-02 1953 R4MISL Mainsail 30 chr EAM
 05-02 2050 H6CIAF Mainsail 30 chr EAM
 05-02 2128 S67 28 LU Mainsail Skyking DNA
 10-02 1250 SkyKing QMU T50 Auth ZY
 10-02 1800 R4PWIR - 5KIF5QWE5NYCFPC3HE3FT7ZC
 10-02 1803 R44DC2 - IEVLDTJIWB2Y5BPOZIENNJXF
 11-02 1123 NGX 23 DW Mainsail Skyking DNA
 11-02 1148 MJF 48 IV Mainsail Skyking DNA
 11-02 1414 R4QRXG Mainsail 30 chr EAM
 11-02 1419 R4ASBJ Mainsail 30 chr EAM
 11-02 1430 R4ASBJ and R4QRXG repeated
 11-02 1500 R4ASBJ and R4QRXG repeated
 11-02 1521 R4NOFI Mainsail 30 chr EAM
 11-02 1524 R452LZ Mainsail 30 chr EAM
 11-02 1637 R4E2MN Mainsail 30 chr EAM
 11-02 1643 HIQ5HD Mainsail 34 chr EAM
 11-02 1700 R4E2MN repeated
 11-02 1730 R4E2MN repeated
 11-02 1751 R44TP3 Mainsail 30 chr EAM
 11-02 1801 R445RK, R44TP3 and R4E2MN repeated
 11-02 1830 R445RK, R44TP3 and R4E2MN repeated
 11-02 1900 R445RK, R44TP3 repeated
 11-02 1912 R4YNIP Mainsail 30 chr EAM
 11-02 1914 R4NBH3 Mainsail 30 chr EAM
 11-02 1916 R4SI67 Mainsail 30 chr EAM
 11-02 1921 R45P4W Mainsail 30 chr EAM
 11-02 1930 R4SP4W, R4SI67 and R4NBH3 repeated
 11-02 1945 HIEXDY Mainsail for IOWA? 30 chr EAM
 17-02 1153 SBP 53 S? Mainsail Skyking DNA
 17-02 1316 MVK 16 HC Mainsail Skyking DNA
 17-02 1318 YOM 18 DY Mainsail Skyking DNA
 17-02 1357 QSI 57 JH Mainsail Skyking DNA
 17-02 1416 R4LUFK Mainsail 30 chr EAM
 17-02 1534 XBT 34 KD Mainsail Skyking DNA
 17-02 1556 R44YC7 Mainsail 30 chr EAM
 17-02 1600 R44YC7 repeat
 17-02 1603 R4JLWV Mainsail 30 chr EAM
 17-02 1632 R4JLWV repeat
 17-02 1634 R44YC7 repeat
 17-02 1638 R4R333 Mainsail 30 chr EAM
 17-02 1715 R4RLK5 Mainsail 30 chr EAM
 17-02 1725 HIVC63 Mainsail 50 chr EAM
 17-02 1742 R45AVK Mainsail 30 chr EAM
 17-02 1747 HIG4CE Mainsail for DIGDIME ?7(maybe Number 7) 30 chr EAM

17-02 1749 2ZEKCG Mainsail 30 chr EAM
17-02 1808 2Z2QHE Mainsail 30 chr EAM
17-02 1817 2ZWQR4 Mainsail 30 chr EAM
17-02 1828 2ZMSON Mainsail 30 chr EAM
17-02 1831 2ZY5DM Mainsail 30 chr EAM
17-02 1834 2ZDHXA Mainsail 30 chr EAM
17-02 1933 2ZMJQQ Mainsail 30 chr EAM
17-02 2003 2Z7 03 VH Mainsail Skyking DNA
17-02 2003 IVO 03 VH Mainsail Skyking DNA
19-02 1021 DSU 21 HK Mainsail Skyking DNA
19-02 1035 DSU 35 KX Mainsail Skyking DNA
19-02 1135 3BI 35 SR Mainsail Skyking DNA
19-02 1311 5ES 11 VW Mainsail Skyking DNA
19-02 1312 5ES 12 LV Mainsail Skyking DNA
19-02 1500 HIMQ6R Mainsail 50 chr EAM
19-02 1506 HI4J32 Mainsail 34 chr EAM
19-02 1537 7IO 37 L?W Mainsail Skyking DNA
19-02 1549 HIGCYJ Mainsail 55 chr EAM
19-02 1600 HIGCYJ repeat 55 chr EAM
19-02 1630 HIGCYJ repeat 55 chr EAM
19-02 1634 HIXJDP Mainsail 39 chr EAM
19-02 1637 HI274G Mainsail for SAVING?? 30 chr EAM
19-02 1642 HINHLQ Mainsail for PAINTBALL for REGION CHARLIE 30 chr EAM
19-02 1700 HIGCYJ repeat 55 chr EAM
19-02 1715 2ZMXAN Mainsail 30 chr EAM
20-02 0924 SkyKing ZRO T24 Auth AX
20-02 1042 SkyKing 4A7 T42 Auth MQ
20-02 1300 SWAY45 this is ACIDTEST with 4 group message 6X36
20-02 1302 SkyKing 7T7 T02 Auth IT
20-02 1306 CHUB01 and ACIDTEST with 4 group message LKHZ
20-02 1320 ACIDTEST reads back for SWAY43 4 group message A1IZ, followed by another but too faint
20-02 1325 ACIDTEST reads back IMLAC47 (spelt out), 4 group message XI53
20-02 1336 HIRMKR - DS6TBT45JFZ4IBLE6TAY6RU5
20-02 1721 SkyKing G6S T21 Auth CR
20-02 1807 This is WASHBURN 2ZHDIT-4ILUXS55QM6CLHUM6PPU5TFL 2ZVGZL-7GHRWLVEKXPIRPNRGT2XNSJR
20-02 1811 CHUB02 calls SkyMaster with 4gp message OYZ8
20-02 1817 This is WASHBURN 2Z35WL-XRTYZHY7U7SA5QT2RUGOTGEF
20-02 1820 This is WASHBURN 2ZUCCC-Z4XMWXZFP262PA5CYMIVTGXO
20-02 1830 This is WASHBURN 2ZUCCC-Z4XMWXZFP262PA5CYMIVTGXO 2Z35WL-XRTYZHY7U7SA5QT2RUGOTGEF
20-02 1833 This is WASHBURN 2ZHDIT-4ILUXS55QM6CLHUM6PPU5TFL
20-02 1837 SWAY45 calls WASHBURN with 4gp message GJKL
20-02 1840 CHUB01 calls WASHBURN with 4gp message DTWA
20-02 1929 WASHBURN 2ZMEY3-A2YDGA6NTWUX52W3E5OEIVBD
20-02 1933 WASHBURN 2ZA4XU-Z4ID5F5SENQXXWTI2BDR77SW
20-02 2102 WASHBURN 2ZIONS-MVVIPSZ37HOJNKAKH5SNUMAQ
20-02 2106 SkyKing BCM T06 Auth WS
21-02 0932 SkyKing LD2 T32 Auth IS
22-02 1404 SkyKing W6W T04 Auth PN
22-02 1623 2ZE5TA - OZEIYN6PLQB4K4IVJD4YIPVP
22-02 1635 SkyKing 2Z7 T35 Auth QP
27-02 0800 2ZBPZI - W4YHTSLM74RY6CZT3DBSISMW
27-02 0803 2JNJX6 - SY5Z5YKFTGHQBINGFDZXW3A4
27-02 0808 SkyKing YXH T08 Auth OI
27-02 0830 2ZBPZI - W4YHTSLM74RY6CZT3DBSISMW
27-02 0832 2JNJX6 - SY5Z5YKFTGHQBINGFDZXW3A4
27-02 0900 2ZBPZI - W4YHTSLM74RY6CZT3DBSISMW
27-02 0902 2JNJX6 - SY5Z5YKFTGHQBINGFDZXW3A4
27-02 0930 2ZBPZI - W4YHTSLM74RY6CZT3DBSISMW
27-02 0932 2JNJX6 - SY5Z5YKFTGHQBINGFDZXW3A4
27-02 0943 SkyKing RTQ T43 Auth BH

27-02 1304 SkyKing RTO T04 Auth PY
 27-02 1351 SkyKing DXY T51 Auth SZ
 27-02 1730 2Z4SGR - AT7ZTYZYTWIIJ26EN74VXKM
 27-02 1737 2ZAAHG - 327YVI7XX6T3FOFY7Y4U4TIB

LOGS SECTION

enigma	frequency	date	UTC	day	remarks	mode	contributor
---	3326	2-2-2014	1426	Sun	Unid 10-mins net: U34D //4112 kHz	CW	(JPL)
---	4112	2-2-2014	1426	Sun	Unid 10-mins net: U34D //3326 kHz	CW	(JPL)
---	5770	2-2-2014	1513	Sun	95978 58636 95012 57147 (see N&O 197)	CW	(JPL)
---	6358	7-2-2014	0922	Fri	i.p. (short zero) 09876 43217 65641 84321 56908 ... 89675 07024 098 K (see N&O 197)	CW	(JPL-Sib)
---	3519	10-2-2014	1747	Mon	Unid 10 mins net: NELC //4239 kHz	CW	(JPL)
---	4239	10-2-2014	1747	Mon	Unid 10 mins net: NELC //3519 kHz	CW	(JPL)
---	9140	13-2-2014	0615	Thu	RUU70: unid station RUS circuit to RRF30	Baudot 100/500	(PPA)
---	3519	13-2-2014	2010	Thu	Unid 10-mins net: NELC //4239 kHz	CW	(JPL-Sib)
---	4239	13-2-2014	2010	Thu	Unid 10-mins net: NELC //3519 kHz	CW	(JPL-Sib)
---	3753	22-2-2014	1637	Sat	Unid 10-mins net: DEJF	CW	(JPL-Sib)
---	7810	25-2-2014	1250	Tue	Unid Chinese?? station. DE DP9J CL K. MSG NR 021A CK 130 EX T225 2M (see N&O 197)	CW	(JPL-Sib)
---	3753	25-2-2014	2114	Tue	Unid 10-mins net: DEJF	CW	(JPL-Sib)
---	3519	25-2-2014	2119	Tue	Unid 10-mins net: NELC //4239 kHz	CW	(JPL-Sib)
---	4239	25-2-2014	2119	Tue	Unid 10-mins net: NELC //3519 kHz	CW	(JPL-Sib)
---	3520	27-2-2014	1547	Thu	Unid 10-mins net: NELC //4239 kHz	CW	(JPL-Sib)
---	4239	27-2-2014	1547	Thu	Unid 10-mins net: NELC //3520 kHz	CW	(JPL-Sib)
---	3753	27-2-2014	2244	Thu	Unid 10-mins net: DEJF	CW	(JPL-Sib)
---	3520	27-2-2014	2247	Thu	Unid 10-mins net: NELC //4239 kHz	CW	(JPL-Sib)
---	4239	27-2-2014	2247	Thu	Unid 10-mins net: NELC //3520 kHz	CW	(JPL-Sib)
CHN	21034	15-2-2014	0753	Sat	Chinese diplo. Short messages using four figure groups (see N&O 197)	4+4 LSB	(EW)
CZE	14812	3-2-2014	0805	Mon	Czech Diplo? Text as follows: "y se p_yes den budou pohybovat do t_yistup Encrypt0 (Google translate as: yes today will move into t output Encrypt0). MZVCN=Damascus/ 0=ZSMVZ@ ZSMZVCN=Algiers/ 0=ZSMZV@ ZSMZVCN=Kahira/ 0=ZSMZV@ ZSMZMU Encrypt 0	Pactor III	(PH)
CZE	14813.5	10-2-2014	0805	Mon	Czech Diplo? Praga01/0=ZSMZV/0=ZSMZVU	Pactor III	(PH)
CZE	14813.5	17-2-2014	0805	Mon	Czech Diplo	Pactor III	(PH)
CZE	14893.5	17-2-2014	0824	Mon	Czech Diplo? clg ZPRAGA	Pactor I	(PH)
DPRK	18525	4-2-2014	0824	Tue	MFA Pyongyang north Korea. All encrypted text	DPRK-ARQ 600/600 LSB	(EW)
DPRK	16121	4-2-2014	0954	Tue	MFA Pyongyang north Korea. All encrypted text	DPRK-ARQ 600/600 LSB	(EW)
DPRK	14743	8-2-2014	0925	Sat	MFA Pyongyang. All encrypted text	DPRK-ARQ 600/600 LSB	(EW)
DPRK	16121	8-2-2014	0955	Sat	MFA Pyongyang. All encrypted text	DPRK-ARQ 600/600 LSB	(EW)
DPRK	16150	10-2-2014	1245	Mon	North Korean Diplo (QSX 16009kHz)	DPRK-ARQ 1200/1200	(MCO)
DPRK	20330	19-2-2014	0911	Thu	MFA Pyongyang. Encrypted msgs	DPRK-ARQ 600/600 LSB	(EW)
DPRK	18892	19-2-2014	1020	Thu	MFA Pyongyang. Encrypted msgs	DPRK-ARQ 600/600 LSB	(EW)
DPRK	18896	19-2-2014	1023	Thu	MFA Pyongyang. Encrypted msgs	DPRK-ARQ 600/600 LSB	(EW)
E06	4836	6-2-2014	2030	Thu	321 594 20 37839 35787 98273 60187 16202 95625 31691 52538 61025 22567 93296 67423 40968 16891 63781 34820 04842 60491 75924 04594 594 20 00000	AM	(Avare)
E06	4836	6-2-2014	2030	Thu	321 594 20	USB	(toto-NL)
E06	4760	7-2-2014	2130	Fri	472 691 20. Failed and returned in the middle of tx. Repeat of 17-01.	USB	(toto-NL)
E06	4527	12-2-2014	1920	Wed	376 376 376 00000	AM	(HFD)
E06	4047	12-2-2014	2020	Wed	376 376 376 00000	AM	(HFD/toto-NL)
E06	15634	19-2-2014	1130	Thu	527 308 61 95870 96102 61856 ... 82355 56261 52065 308 61 00000	AM	(VH)

enigma	frequency	date	UTC	day	remarks	mode	contributor
E06	10755	19-2-2014	1600	Wed	527 308 61 95870 96102 61856 ... 82355 56261 52065 308 61 00000	USB	(13CR-NL)
E06	9073	19-2-2014	1630	Thu	527 308 61 95870 96102 61856 ... 82355 56261 52065 308 61 00000	AM	(Avare/toto)
E06	4836	20-2-2014	2030	Thu	321 594 20 37889 35787 98273 60187 16202 95625 31691 52538 61025 22567 93296 67423 40968 16891 63781 84820 04842 60491 75924 04594 594 20 00000	AM	(Avare)
E06	4836	21-2-2014	2030	Fri	321 594 20 37889 35787 98273 60187 16202 95625 31691 52538 61025 22567 93296 67423 40968 16891 63781 84820 04842 60491 75924 04594 594 20 00000	AM	(Avare)
E07	10219	5-2-2014	1800	Thu	? 215 1 978 106 then 5 Fig grps	AM	(PH/toto)
E07	9119	5-2-2014	1820	Wed	? 215 1 978 106 then 5 Fig grps	USB	(toto-NL)
E07	7519	5-2-2014	1830	Wed	? 215 1 978 106 then 5 Fig grps	USB	(toto-NL)
E07	7724	5-2-2014	2000	Wed	798 798 798 000	USB	(toto-NL)
E07	10219	9-2-2014	1800	Sun	215 1 978 106	AM	(toto-NL)
E07	9119	9-2-2014	1820	Sun	215 1 978 106	AM	(toto-NL/PPA)
E07	7520	9-2-2014	1840	Sun	215 1 978 106	AM	(toto-NL)
E07	10219	12-2-2014	1800	Wed	215 215 215 000	AM	(HFD/toto-NL)
E07	9119	12-2-2014	1820	Wed	215 215 215 000	AM	(HFD)
E07	7724	12-2-2014	2000	Wed	798 798 798 000	AM	(HFD/toto-NL)
E07	6924	12-2-2014	2020	Wed	798 798 798 000	AM	(HFD)
E07	10219	16-2-2014	1800	Sun	215 215 215 000	AM	(toto-NL)
E07	7724	17-2-2014	2000	Mon	798 1 160 61 99149 44830 70128 ... 10903 56885 07178 000 000	AM	(RWO)
E07	6924	24-2-2014	2020	Mon	798 1 160 61 99149 44830 ... 56885 07178 000 000	AM	(RWO)
E07	6924	26-2-2014	2020	Thu	798 1 160 61 99149 44830 ... 56885 07178 000 000	AM	(RWO)
E07a	11053	1-2-2014	0900	Sat	015 015 015 000	USB	(HFD)
E07a	12153	1-2-2014	0920	Sat	015 015 015 000	USB	(HFD)
E07a	9347	7-2-2014	1610	Fri	318 318 318 000	USB	(toto-NL)
E07a	8147	7-2-2014	1630	Fri	318 318 318 000	USB	(toto-NL)
E07a	11053	8-2-2014	0900	Sat	015 015 015 000	USB	(toto-NL)
E07a	5864	12-2-2014	2100	Wed	815 815 815 000	USB	(toto-NL)
E07a	5846	13-2-2014	0550	Thu	188 188 188 000	USB	(13CR)
E07a	9347	21-2-2014	1610	Fri	318 318 318 000	USB	(HFD)
E07a	8147	21-2-2014	1630	Fri	318 318 318 000	USB	(HFD)
E07a	8147	28-2-2014	1630	Fri	77 groups	USB	(saber)
E11	15632	2-2-2014	1500	Sun	228/00	USB	(Avare)
E11	8088	3-2-2014	0820	Mon	438/00	USB	(Avare)
E11	9446	3-2-2014	0830	Mon	649/00	USB	(Avare)
E11	9446	3-2-2014	0900	Mon	534/00	USB	(Avare)
E11	8091	4-2-2014	1045	Tue	469/00	USB	(Avare)
E11	8088	6-2-2014	0820	Thu	438/00	USB	(Avare)
E11	4909	6-2-2014	0900	Thu	248/00	USB	(Avare/KK2)
E11	4441	8-2-2014	0900	Sat	248/00	USB	(toto-NL)
E11	8088	13-2-2014	0820	Thu	538/00	USB	(BCI)
E11	5082	13-2-2014	1730	Thu	416/00	USB	(toto-NL)
E11	10755	14-2-2014	0832	Fri	649/00	USB	(AB)
E11	6304	14-2-2014	2001	Fri	576/00	USB	(MPJ)
E11	15632	16-2-2014	1650	Sun	228/00	USB	(GHn)
E11	9446	17-2-2014	0800	Mon		USB	(LD)
E11	8091	19-2-2014	1045	Thu	469/00	USB	(VH)
E11	10800	21-2-2014	0700	Fri	633/00	USB	(13CR-NL)
E11	4441	22-2-2014	1445	Sat	287/00	USB	(VH)
E11	5082	23-2-2014	0450	Sun	416/00	USB	(VH)
E11	8088	27-2-2014	0820	Thu	438/00	USB	(Topol)
E11a	14410	3-2-2014	1110	Mon	956/30 attention 98867 42044 13099 ... 99363 09710 80519 atten- tion, msg rptd, out	USB	(Avare)
E11a	10800	4-2-2014	0710	Tue	635/38 attention 98179 70157 32582 ... 67039 85608 63079 atten- tion, msg rptd, out	USB	(Avare)
E11a	12153	4-2-2014	1045	Tue	573/31 attention 55254 35306 41766 ... 33210 05475 73164 atten- tion, msg rptd, out	USB	(Avare)
E11a	14666	5-2-2014	1301	Thu	133/22 for 5 minutes then "out"	USB	(MCO)
E11a	5082	6-2-2014	1730	Thu	410/30 attention 91889 04566 21061 ... 75746 62827 19662 atten- tion, rpt msg, out	USB	(Avare)
E11a	10800	7-2-2014	0710	Fri	635/38 98179 70157 32582 ..	USB	(toto-NL)
E11a	14410	7-2-2014	1110	Fri	958/40 57894 47083 33565 ...	USB	(toto-NL)

enigma	frequency	date	UTC	day	remarks	mode	contributor
E11a	14140	7-2-2014	1115	Fri	i.p.	USB	(pjen)
E11a	6923	7-2-2014	1710	Fri	953/20	USB	(toto-NL)
E11a	6304	7-2-2014	2000	Fri	573/31	USB	(toto-NL)
E11a	10213	8-2-2014	1810	Sat	982/10	USB	(toto-NL)
E11a	15632	9-2-2014	1540	Sun	224/36 28798 87962 39723 ...	USB	(toto-NL)
E11a	10213	11-2-2014	1810	Tue	983/10 76952 57298 98714 85451 95202 17511 56871 58891 06500 70277	USB	(toto-NL)
E11a	8091	12-2-2014	1045	Wed	469/37 52971 01504 48552 61013 55179 70131 96757 10652 31277 73488 17294 52442 66364 58989 48646 19809 38247 69239 72517 92674 91913 93266 41467 83211 88222 78227 27633 00539 67084 43695 50193 35954 42508 15570 51691 57308 41970	USB	(toto-NL)
E11a	4441	12-2-2014	1445	Wed	280/34 11470 47713 55230 65257 98643 00515 27573 01390 70128 53641 27391 93254 70454 13448 79942 65053 18861 39115 72754 60293 02145 76187 52990 92069 53458 23134 77588 12824 02240 55156 31952 84948 22730 50550	USB	(toto-NL)
E11a	4441	15-2-2014	1445	Sat	280/34 Attention 11470 47713 55230 ... 84948 22703 50550 Attention, rpt msg, out	USB	(LD)
E11a	10213	15-2-2014	1810	Sat	986/10 08738 33059 90569 44702 33612 67157 24309 94704 49652 09586	USB	(toto-NL)
E11a	6923	17-2-2014	1710	Mon	953/30 11953 39088 27468 64797 ...	USB	(toto-NL)
E11a	14666	18-2-2014	1300	Tue	132/37 02994 66802 88141 40278 ...	USB	(toto-NL)
E11a	10213	18-2-2014	1810	Tue	981/10 Attention 95105 17237 46848 86563 16179 94864 42676 18085 56370 34955	USB	(toto-NL)
E11a	9443	19-2-2014	1715	Thu	new sked	USB	(Avare)
E11a	14410	21-2-2014	1110	Fri		USB	(13CR-NL)
E11a	10213	22-2-2014	1810	Sat	985/10 Attention	USB	(VH)
E11a	10213	25-2-2014	1810	Tue		USB	(13CR-NL)
E11a	4146	28-2-2014	1855	Fri	??/35 Attention 61483 42005 62717 ... 97042 96928 41606	USB	(Avare)
E17z	11170	6-2-2014	0800	Thu	674 239 5 53556 25656 56069 96853 54599 239 5 00000	USB	(Avare)
E25	9450	6-2-2014	1250	Thu	277 6 270 5. No message, windows XP shutdown	AM	(toto-NL)
E25	9450	9-2-2014	1215	Sun	Enta Omri music, 830 10, gone off air	AM	(toto-NL)
E25	9450	13-2-2014	1216	Thu	Enta Omri music. YL/EE 85 930 11 5555 835 830 11 5555 (see N&O 197)	AM	(Gwr/toto)
EGY	18471	5-2-2014	1233	Thu	MFA Cairo Egypt messages to unknown embassy	Codan 16	(EW)
EGY	18472.7	5-2-2014	1237	Thu	MFA Cairo Egypt. Messages in Arabic	SITOR-A 100/170	(EW)
EGY	20124	6-2-2014	0904	Thu	MFA Cairo	SITOR-A 100/170	(LG2)
EGY	21863.7	6-2-2014	0941	Thu	MFA Cairo. ATU80 messages very difficult to copy	SITOR-A 100/170	(LG2)
EGY	18315	7-2-2014	1145	Fri	MFA Cairo, messages	Codan 16	(EW)
EGY	18316.7	7-2-2014	1147	Fri	MFA Cairo. Messages in Arabic	SITOR-A 100/170	(EW)
EGY	22966	7-2-2014	1152	Fri	MFA Cairo, messages from 99908 to 33309	Codan 16	(EW)
EGY	22967.7	7-2-2014	1155	Fri	MFA Cairo. Messages in Arabic	SITOR-A 100/170	(EW)
EGY	20125.7	11-2-2014	0917	Tue	MFA Cairo. 5Fgs and break out into ATU80 plain text	SITOR-A 100/170	(LG2)
EGY	19653.7	12-2-2014	0835	Thu	Egyptian embassy Bamako (33303) clg MFA Cairo (99907) into SITOR-A ATU-80 Telegrams	Codan Chirp	(PH)
EGY	20126.7	12-2-2014	0842	Thu	Egyptian MFA clg KKXE embassy Luanda	SITOR-A 100/170	(PH)
EGY	19523.7	12-2-2014	0858	Thu	Egyptian MFA clg OOVQ embassy Beijing	SITOR-A 100/170	(PH)
EGY	20067.7	12-2-2014	0907	Thu	Egyptian MFA clg KKVU embassy Accra	SITOR-A 100/170	(PH)
EGY	19426.7	12-2-2014	0927	Thu	Egyptian MFA clg KKXT embassy Nairobi	SITOR-A 100/170	(PH)
EGY	19376.7	12-2-2014	0934	Thu	Egyptian MFA clg KKXT embassy Nairobi	SITOR-A 100/170	(PH)
EGY	19346.7	12-2-2014	1027	Thu	Egyptian MFA clg OOVV embassy Islamabad	SITOR-A 100/170	(PH)
EGY	21863.7	15-2-2014	0828	Sat	MFA Cairo	SITOR-A 100/170	(LG2)
EGY	19523.7	17-2-2014	0838	Mon	MFA Cairo clg OOVQ embassy Beijing	SITOR-A 100/170	(PH)
EGY	19127.7	17-2-2014	0910	Mon	MFA Cairo clg OOVK embassy Jakarta	SITOR-A 100/170	(PH)
EGY	20036.7	17-2-2014	0920	Mon	Egyptian embassy Beijing clg Egyptian MFA Cairo	SITOR-A 100/170	(PH)
EGY	20126.7	17-2-2014	0924	Mon	MFA Cairo clg KKXE Luanda	SITOR-A 100/170	(PH)
EGY	20036.7	17-2-2014	1620	Mon	Egyptian embassy Lagos (33309) to 99908 MFA Cairo	Codan Chirp	(PH)
G06	5463	3-2-2014	0800	Mon	215 215 215 00000	AM	(Avare)
G06	7844	7-2-2014	2000	Fri	167 167 167 00000	AM	(HFD/toto)
G06	4792	14-2-2014	1930	Fri	436 789 20 92411 69428 53871 76397 15673 18367 98356 25478 26743 86464 73852 53986 21496 93428 89657 26481 76534 09895 14769 06531 789 20 00000	USB	(MPJ/Avare/toto)
G06	4792	28-2-2014	1930	Fri	436 789 20 92411 69428 53871 ... 09895 14765 06531 789 20 00000	AM	(GHn)
HM01	5855	1-2-2014	0505	Sat	83522 76105 65312 66784 17704 28278	AM/RDFT	(SFNY)
HM01	11635	1-2-2014	0759	Sat	83522 76105 65712 66784 17704 28278	AM/RDFT	(SFNY)

enigma	frequency	date	UTC	day	remarks	mode	contributor
HM01	11435	1-2-2014	1602	Sat	83522 76105 65312 66784 17704 28278	AM/RDFT	(DSch)
HM01	11530	1-2-2014	1701	Sat	83522 76105 65312 66784 17704 28278	AM/RDFT	(DSch)
HM01	11635	1-2-2014	1802	Sat	83522 76105 65312 66784 17704 28278	AM/RDFT	(DSch)
HM01	16180	1-2-2014	2101	Sat	83522 76105 65312 66784 17704 28278	AM/RDFT	(DSch)
HM01	17480	1-2-2014	2201	Sat	83522 76105 65312 66784 17704 28278	AM/RDFT	(DSch)
HM01	17540	1-2-2014	2301	Sat	83522 76105 65312 66784 17704 28278	AM/RDFT	(DSch)
HM01	5855	2-2-2014	0500	Sun	83522 76105 65312 66784 17704 28278	AM/RDFT	(SFNY)
HM01	9065	2-2-2014	0803	Sun	Spanish YL reading 5F message and transmitting RDFT traffic	AM/RDFT	(PPA)
HM01	11435	2-2-2014	1606	Sun	83522 76105 65312 66784 17704 28278	AM/RDFT	(DSch)
HM01	11530	2-2-2014	1702	Sun	83522 76105 65312 66784 17704 28278	AM/RDFT	(DSch)
HM01	11635	2-2-2014	1800	Sun	83522 76105 65312 66784 17704 28278	AM/RDFT	(DSch)
HM01	11635	2-2-2014	2100	Sun	83522 76105 65312 66784 17704 28278	AM/RDFT	(DSch)
HM01	10715	2-2-2014	2201	Sun	83522 76105 65312 66784 17704 28278	AM/RDFT	(DSch)
HM01	5855	3-2-2014	0500	Mon	83522 76105 65312 66784 28278 Cut off after 65312 and tone to begin 2nd half of transmission.	AM/RDFT	(SFNY)
HM01	10345	3-2-2014	0745	Mon	in progress with RDFT Data and numbers	AM/RDFT	(PH)
HM01	11435	3-2-2014	1606	Mon	83522 76105 65312 66784 17704 28278	AM/RDFT	(DSch)
HM01	11530	3-2-2014	1701	Mon	83522 76105 65312 66784 17704 28278	AM/RDFT	(DSch)
HM01	11635	3-2-2014	1801	Mon	83522 76105 65312 66784 17704 28278	AM/RDFT	(DSch)
HM01	11635	3-2-2014	2101	Mon	83522 76105 65312 66784 17704 28278	AM/RDFT	(DSch)
HM01	11435	4-2-2014	1631	Tue	83522 etc	AM/RDFT	(DSch)
HM01	11530	4-2-2014	1701	Tue	83522 etc	AM/RDFT	(DSch)
HM01	11635	4-2-2014	1832	Tue	83522 etc	AM/RDFT	(DSch)
HM01	16180	4-2-2014	2100	Tue	83522 etc	AM/RDFT	(DSch)
HM01	17480	4-2-2014	2201	Tue	83522 etc	AM/RDFT	(DSch)
HM01	5855	5-2-2014	0500	Thu	83522 76105 65312 66784 17704 28278	AM/RDFT	(SFNY)
HM01	11435	5-2-2014	1603	Thu	83522 76105 65312 66784 17704 28278	AM/RDFT	(DSch)
HM01	11530	5-2-2014	1700	Thu	83522 76105 65312 66784 17704 28278	AM/RDFT	(DSch)
HM01	11635	5-2-2014	1801	Thu	83522 76105 65312 66784 17704 28278	AM/RDFT	(DSch)
HM01	11635	5-2-2014	2100	Thu	83522 76105 65312 66784 17704 28278	AM/RDFT	(DSch)
HM01	10715	5-2-2014	2201	Thu	83522 76105 65312 66784 17704 28278	AM/RDFT	(DSch)
HM01	16180	6-2-2014	2200	Thu	83522 76105 65312 66784 17704 28278	AM/RDFT	(DSch)
HM01	5855	7-2-2014	0500	Fri	83522 76105 65312 66784 17704 28278	AM/RDFT	(SFNY)
HM01	13435	7-2-2014	0700	Fri	83522 76105 65312 66784 17704 28278	AM/RDFT	(SFNY)
HM01	11435	7-2-2014	1603	Fri	83522 76105 65312 66784 17704 28278	AM/RDFT	(DSch)
HM01	11530	7-2-2014	1701	Fri	83522 76105 65312 66784 17704 28278	AM/RDFT	(DSch)
HM01	11635	7-2-2014	1806	Fri	83522 76105 65312 66784 17704 28278	AM/RDFT	(DSch)
HM01	11635	7-2-2014	1807	Fri	YL with numbers interspersed with RDFT xmsns	AM/RDFT	(VH)
HM01	11635	7-2-2014	2100	Fri	83522 76105 65312 66784 17704 28278	AM/RDFT	(DSch)
HM01	10715	7-2-2014	2201	Fri	83522 76105 65312 66784 17704 28278	AM/RDFT	(DSch)
HM01	11435	8-2-2014	1602	Sat	83522 76105 65312 66784 17704 28278	AM/RDFT	(DSch)
HM01	11530	8-2-2014	1701	Sat	83522 76105 65312 66784 17704 28278	AM/RDFT	(DSch)
HM01	11635	8-2-2014	1841	Sat	83522 76105 65312 66784 17704 28278	AM/RDFT	(DSch)
HM01	16180	8-2-2014	2101	Sat	83522 76105 65312 66784 17704 28278	AM/RDFT	(DSch)
HM01	17480	8-2-2014	2201	Sat	83522 76105 65312 66784 17704 28278	AM/RDFT	(DSch)
HM01	5855	9-2-2014	0500	Sun	83522 76105 65312 66784 17704 28278	AM/RDFT	(SFNY)
HM01	10345	9-2-2014	0600	Sun	83522 76105 65312 66784 17704 28278	AM/RDFT	(SFNY)
HM01	10345	9-2-2014	0600	Sun	YL with numbers interspersed with RDFT xmsns	AM/RDFT	(VH)
HM01	11435	9-2-2014	1606	Sun	83522 76105 65312 66784 17704 28278	AM/RDFT	(DSch)
HM01	11530	9-2-2014	1706	Sun	83522 76105 65312 66784 17704 28278	AM/RDFT	(DSch)
HM01	11635	9-2-2014	1706	Sun	83522 76105 65312 66784 17704 28278	AM/RDFT	(DSch)
HM01	11635	9-2-2014	1801	Sun		AM/RDFT	(N2UHC)
HM01	11635	9-2-2014	2116	Sun	83522 76105 65312 66784 17704 28278	AM/RDFT	(DSch)
HM01	10715	9-2-2014	2200	Sun	83522 76105 65312 66784 17704 28278	AM/RDFT	(DSch)
HM01	11435	10-2-2014	1602	Mon	83522 76105 65312 66784 17704 28278	AM/RDFT	(DSch)
HM01	11530	10-2-2014	1719	Mon	83522 76105 65312 66784 17704 28278	AM/RDFT	(DSch)
HM01	11635	10-2-2014	1823	Mon	83522 76105 65312 66784 17704 28278	AM/RDFT	(DSch)
HM01	11635	10-2-2014	2206	Mon	83522 76105 65312 66784 17704 28278	AM/RDFT	(DSch)
HM01	11530	11-2-2014	1701	Tue	83522 76105 65312 66784 17704 28278	AM/RDFT	(DSch)
HM01	11635	11-2-2014	1821	Tue	83522 76105 65312 66784 17704 28278	AM/RDFT	(DSch)
HM01	16180	11-2-2014	2100	Tue	83522 76105 65312 66784 17704 28278	AM/RDFT	(DSch)
HM01	17480	11-2-2014	2204	Tue	83522 76105 65312 66784 17704 28278	AM/RDFT	(DSch)

enigma	frequency	date	UTC	day	remarks	mode	contributor
HM01	5855	12-2-2014	0500	Thu	83522 76105 65312 66784 17704 28278	AM/RDFT	(SFNY)
HM01	11435	12-2-2014	1613	Thu	83522 76105 65312 66784 17704 28278	AM/RDFT	(DSch)
HM01	11635	12-2-2014	2102	Thu	83522 76105 65312 66784 17704 28278	AM/RDFT	(DSch)
HM01	10715	12-2-2014	2200	Thu	83522 76105 65312 66784 17704 28278	AM/RDFT	(DSch)
HM01	11435	13-2-2014	1603	Thu	83522 76105 65312 66784 17704 28278 //11530	AM/RDFT	(DSch)
HM01	11530	13-2-2014	1603	Thu	83522 76105 65312 66784 17704 28278 //11435	AM/RDFT	(DSch)
HM01	11635	13-2-2014	1701	Thu	83522 76105 65312 66784 17704 28278	AM/RDFT	(DSch)
HM01	16180	13-2-2014	2100	Thu	83522 76105 65312 66784 17704 28278	AM/RDFT	(DSch)
HM01	17480	13-2-2014	2203	Thu	83522 76105 65312 66784 17704 28278	AM/RDFT	(DSch)
HM01	11435	14-2-2014	1604	Fri	83522 76105 65312 66784 17704 28278	AM/RDFT	(DSch/VH)
HM01	11530	14-2-2014	1702	Fri	83522 76105 65312 66784 17704 28278	AM/RDFT	(DSch/VH)
HM01	11635	14-2-2014	1803	Fri	83522 76105 65312 66784 17704 28278	AM/RDFT	(DSch/VH)
HM01	11635	14-2-2014	2101	Fri	83522 76105 65312 66784 17704 28278	AM/RDFT	(DSch)
HM01	10715	14-2-2014	2202	Fri	83522 76105 65312 66784 17704 28278	AM/RDFT	(DSch)
HM01	11530	15-2-2014	1646	Sat	83522 76105 65312 66784 17704 28278	AM/RDFT	(DSch)
HM01	11435	15-2-2014	1656	Sat	83522 76105 65312 66784 17704 28278	AM/RDFT	(DSch)
HM01	11635	15-2-2014	1803	Sat	83522 76105 65312 66784 17704 28278	AM/RDFT	(DSch)
HM01	16180	15-2-2014	2100	Sat	83522 76105 65312 66784 17704 28278	AM/RDFT	(DSch)
HM01	17480	15-2-2014	2204	Sat	83522 76105 65312 66784 17704 28278	AM/RDFT	(DSch)
HM01	11530	16-2-2014	1740	Sun	83522 76105 65312 66784 17704 28278	AM/RDFT	(DSch)
HM01	11635	16-2-2014	1802	Sun	83522 76105 65312 66784 17704 28278	AM/RDFT	(DSch)
HM01	11635	16-2-2014	2103	Sun	83522 76105 65312 66784 17704 28278	AM/RDFT	(DSch)
HM01	10715	16-2-2014	2201	Sun	83522 76105 65312 66784 17704 28278	AM/RDFT	(DSch)
HM01	5855	17-2-2014	0540	Mon	Spanish 5FGs and RDFT data	AM	(13CR)
HM01	11435	17-2-2014	1600	Mon	YL/SS w/nbr grps.	AM/RDFT	(DSch)
HM01	11435	17-2-2014	1737	Mon	83522 76105s 65312 66784 17704 28278	AM/RDFT	(DSch)
HM01	11635	17-2-2014	1815	Mon	83522 76105s 65312 66784 17704 28278	AM/RDFT	(DSch)
HM01	11635	17-2-2014	2114	Mon	83522 76105s 65312 66784 17704 28278	AM/RDFT	(DSch)
HM01	10715	17-2-2014	2231	Mon	83522 76105s 65312 66784 17704 28278	AM/RDFT	(DSch)
HM01	11435	18-2-2014	1603	Tue	83522 76105 65312 66784 17704 28278	AM/RDFT	(DSch)
HM01	11530	18-2-2014	1701	Tue	83522 76105 65312 66784 17704 28278	AM/RDFT	(DSch)
HM01	11635	18-2-2014	1759	Tue	83522 76105 65312 66784 17704 28278	AM/RDFT	(DSch)
HM01	16180	18-2-2014	2101	Tue	83522 76105 65312 66784 17704 28278	AM/RDFT	(DSch)
HM01	17480	18-2-2014	2207	Tue	83522 76105 65312 66784 17704 28278	AM/RDFT	(DSch)
HM01	9155	19-2-2014	1048	Wed	Spanish 5FGs and RDFT data	AM	(13CR)
HM01	11435	19-2-2014	1630	Thu	83522 76105 65312 66784 17704 28278	AM/RDFT	(DSch)
HM01	11530	19-2-2014	1702	Thu	83522 76105 65312 66784 17704 28278. Still going at 1804 UTC, then evidently realized should be on 11635.	AM/RDFT	(DSch)
HM01	11635	19-2-2014	1808	Thu	83522 76105 65312 66784 17704 28278	AM/RDFT	(DSch)
HM01	11635	19-2-2014	2100	Thu	83522 76105 65312 66784 17704 28278	AM/RDFT	(DSch)
HM01	10715	19-2-2014	2202	Thu	83522 76105 65312 66784 17704 28278	AM/RDFT	(DSch)
HM01	11435	20-2-2014	1605	Thu	83522 76105 65312 66784 17704 28278	AM/RDFT	(DSch)
HM01	11530	20-2-2014	1658	Thu	83522 76105 65312 66784 17704 28278	AM/RDFT	(DSch)
HM01	11635	20-2-2014	1758	Thu	83522 76105 65312 66784 17704 28278	AM/RDFT	(DSch)
HM01	16180	20-2-2014	2108	Thu	83522 76105 65312 66784 17704 28278	AM/RDFT	(DSch)
HM01	17480	20-2-2014	2200	Thu	83522 76105 65312 66784 17704 28278	AM/RDFT	(DSch)
HM01	11435	21-2-2014	1701	Fri	83522 76105 65312 66784 17704 28278. Still going at 1701. Should be on 11530 kHz	AM/RDFT	(DSch)
HM01	11530	21-2-2014	1706	Fri	83522 76105 65312 66784 17704 28278	AM/RDFT	(DSch)
HM01	11635	21-2-2014	1800	Fri	83522 76105 65312 66784 17704 28278	AM/RDFT	(DSch)
HM01	11635	21-2-2014	2103	Fri	83522 76105 65312 66784 17704 28278	AM/RDFT	(DSch)
HM01	10715	21-2-2014	2200	Fri	83522 76105 65312 66784 17704 28278	AM/RDFT	(DSch)
HM01	10715	21-2-2014	2230	Fri	83522 76105 65312 66784 17704 28278	AM/RDFT	(Dan)
HM01	11435	22-2-2014	1605	Sat	83522 76105 65312 66784 17704 28278	AM/RDFT	(DSch)
HM01	11530	22-2-2014	1700	Sat	83522 76105 65312 66784 17704 28278	AM/RDFT	(DSch)
HM01	11635	22-2-2014	1800	Sat	83522 76105 65312 66784 17704 28278	AM/RDFT	(DSch)
HM01	16180	22-2-2014	2059	Sat	83522 76105 65312 66784 17704 28278	AM/RDFT	(DSch)
HM01	11530	22-2-2014	2157	Sat	83522 76105 65312 66784 17704 28278	AM/RDFT	(DSch)
HM01	17480	22-2-2014	2157	Sat	83522 76105 65312 66784 17704 28278	AM/RDFT	(DSch/VH)
HM01	11435	23-2-2014	1609	Sun	83522 76105 65312 66784 17704 28278	AM/RDFT	(DSch)
HM01	11530	23-2-2014	1700	Sun	83522 76105 65312 66784 17704 28278	AM/RDFT	(DSch)
HM01	11635	23-2-2014	1800	Sun	83522 76105 65312 66784 17704 28278	AM/RDFT	(DSch)

enigma	frequency	date	UTC	day	remarks	mode	contributor
HM01	11635	23-2-2014	2100	Sun	83522 76105 65312 66784 17704 28278	AM/RDFT	(DSch)
HM01	10715	23-2-2014	2205	Sun	83522 76105 65312 66784 17704 28278	AM/RDFT	(DSch/Dan)
HM01	11435	24-2-2014	1605	Mon	83522 76105 65312 66784 17704 28278	AM/RDFT	(DSch)
HM01	11530	24-2-2014	1700	Mon	83522 76105 65312 66784 17704 28278	AM/RDFT	(DSch)
HM01	11635	24-2-2014	2101	Mon	83522 76105 65312 66784 17704 28278	AM/RDFT	(DSch)
HM01	10715	24-2-2014	2200	Mon	83522 76105 65312 66784 17704 28278	AM/RDFT	(DSch)
HM01	11635	25-2-2014	1805	Tue	83522 76105 65312 66784 17704 28278	AM/RDFT	(DSch)
HM01	16180	25-2-2014	2107	Tue	83522 76105 65312 66784 17704 28278	AM/RDFT	(DSch)
HM01	17480	25-2-2014	2200	Tue	83522 76105 65312 66784 17704 28278	AM/RDFT	(DSch)
HM01	5855	26-2-2014	0527	Thu	YL with usual format of 5-digit numbers interspersed w/ RFDT xmns.	AM/RDFT	(VH)
HM01	11635	26-2-2014	1829	Thu	83522 76105 65312 66784 17704 28278	AM/RDFT	(DSch)
HM01	11635	26-2-2014	2104	Thu	83522 76105 65312 66784 17704 28278	AM/RDFT	(DSch)
HM01	10715	26-2-2014	2202	Thu	83522 76105 65312 66784 17704 28278	AM/RDFT	(DSch)
HM01	11435	27-2-2014	1617	Thu	83522 76105 65312 66784 17704 28278	AM/RDFT	(DSch)
HM01	11530	27-2-2014	1724	Thu	83522 76105 65312 66784 17704 28278	AM/RDFT	(DSch)
HM01	16180	27-2-2014	2112	Thu	83522 76105 65312 66784 17704 28278	AM/RDFT	(DSch)
HM01	17480	27-2-2014	2215	Thu	83522 76105 65312 66784 17704 28278	AM/RDFT	(DSch)
HM01	11435	28-2-2014	1621	Fri	83522 76105 65312 66784 17704 28278	AM/RDFT	(DSch)
HM01	11530	28-2-2014	1703	Fri	83381 22574 15441 50182 08444 51835 (repeats of the groups sent 16-21 Sept. 2013)	AM/RDFT	(DSch)
HM01	11635	28-2-2014	1819	Fri	83522 76105 65312 66784 17704 28278	AM/RDFT	(DSch)
HM01	11635	28-2-2014	2115	Fri	83522 76105 65312 66784 17704 28278	AM/RDFT	(DSch)
HM01	10715	28-2-2014	2200	Fri	83522 76105 65312 66784 17704 28278	AM/RDFT	(DSch)
M01	14796	13-2-2014	0957	Thu	597 597 597 ..7 .57 41 41 = = 00646 60047 54647 86822 6052. 53036 CW 96887 17666 (Cont'd) = = 317 317 41 41 000		(JPL-Sib)
M01	5685	22-2-2014	1611	Sat	894 894 894 130 130 50 50 = = 24036 03797 55883 ... 45303 11394 23767 = = 130 130 50 50 000	CW	(JPL-FNL)
M01b	3206	17-2-2014	2036	Mon	Nothing at 2015 UTC but after 21 mins at 2036 UTC series of rapid dots were transmitted for 35 secs. Not sure if this is really M01b	CW	(RWO)
M03	13911	7-2-2014	1420	Fri	879/00	CW	(toto-NL)
M03	5358	8-2-2014	1535	Sat	795/37 55362 83135 19331 24618 ...	CW	(toto-NL)
M08a	8097	4-2-2014	1404	Tue	Cuban cut nbrs	CW	(DSch)
M08a	8096.3	6-2-2014	1422	Thu	Cuban cut nbrs	CW	(DSch)
M08a	8097	10-2-2014	1402	Mon	Cuban cut nbrs	CW	(DSch)
M08a	8008.9	10-2-2014	2309	Mon	Cuban cut nbrs	CW	(DSch)
M08a	8135.2	11-2-2014	2300	Tue	DDUGN URIAN NTANA Cuban cut nbrs	CW	(DSch)
M08a	8097	12-2-2014	1401	Thu	Cuban cut nbrs	CW	(DSch)
M08a	8096.3	13-2-2014	1403	Thu	Cuban cut nbrs	CW	(DSch)
M08a	17554	13-2-2014	2008	Thu	Cuban cut nbrs	CW	(DSch)
M08a	8096.3	14-2-2014	1400	Fri	Cuban cut nbrs. NAGWA DUNGN UIRNA AT 141400	CW	(DSch)
M08a	8096.2	18-2-2014	1419	Tue	Cuban cut nbrs	CW	(DSch)
M08a	7554.2	18-2-2014	2002	Tue	Cuban cut nbrs	CW	(DSch)
M08a	8135.2	18-2-2014	2301	Tue	Cuban cut nbrs	CW	(DSch)
M08a	8095.9	19-2-2014	1401	Thu	Cuban cut nbrs	CW	(DSch)
M08a	8096.3	20-2-2014	1405	Thu	Cuban cut nbrs	CW	(DSch)
M08a	7554	20-2-2014	2009	Thu	Cuban cut nbrs	CW	(DSch)
M08a	8096.3	21-2-2014	1412	Fri	Cuban cut nbrs	CW	(DSch)
M08a	8096.3	23-2-2014	1414	Sun	Cuban cut nbrs	CW	(DSch)
M08a	8098.1	24-2-2014	1400	Mon	Cuban cut nbrs	CW	(DSch)
M08a	8135	25-2-2014	2300	Tue	Cuban cut nbrs	CW	(DSch)
M12	7637	1-2-2014	0600	Sat	612 612 612 000	CW	(FN)
M12	9137	1-2-2014	0620	Sat	612 612 612 000	CW	(FN)
M12	13569	2-2-2014	1010	Sun	582 582 582 000	CW	(FN)
M12	14869	2-2-2014	1030	Sun	582 582 582 000	CW	(FN)
M12	4617	3-2-2014	0530	Mon	638 638 638 000	CW	(FN)
M12	4617	3-2-2014	0530	Mon	638 638 638 000	CW	(HFD)
M12	5317	3-2-2014	0550	Mon	638 638 638 000	CW	(FN)
M12	5317	3-2-2014	0550	Mon	638 638 638 000	CW	(HFD)
M12	11435	3-2-2014	1600	Mon	938 1 1488 102 76348	CW	(FN/DSch)
M12	10598	3-2-2014	1620	Mon	938 1 1488 102 76348	CW	(FN)
M12	9327	3-2-2014	1640	Mon	938 1 1488 102 76348	CW	(FN)
M12	9176	3-2-2014	1700	Mon	257 1 3892 76 15609	CW	(FN)

enigma	frequency	date	UTC	day	remarks	mode	contributor
M12	7931	3-2-2014	1720	Mon	257 1 3892 76 15609	CW	(FN)
M12	6904	3-2-2014	1740	Mon	257 1 3892 76 15609	CW	(FN)
M12	9176	3-2-2014	1800	Mon	257 1 2690 44 20584	CW	(FN)
M12	7931	3-2-2014	1820	Mon	257 1 2690 44 20584	CW	(FN)
M12	6904	3-2-2014	1840	Mon	257 1 2690 44 20584	CW	(FN)
M12	9176	3-2-2014	1900	Mon	257 1 4801 112 75467	CW	(FN)
M12	7931	3-2-2014	1920	Mon	257 1 4801 112 75467	CW	(FN)
M12	6904	3-2-2014	1940	Mon	257 1 4801 112 75467	CW	(FN)
M12	10343	4-2-2014	1830	Tue	124 1 5722 52 14080	CW	(FN)
M12	9264	4-2-2014	1850	Tue	124 1 5722 52 14080	CW	(FN)
M12	8116	4-2-2014	1910	Tue	124 1 5722 52 14080	CW	(FN)
M12	8047	5-2-2014	1700	Wed	463 1 9283 45 40751	CW	(FN)
M12	6802	5-2-2014	1720	Wed	463 1 9283 45 40751	CW	(FN)
M12	5788	5-2-2014	1740	Wed	463 1 9283 45 40751	CW	(FN/PPA)
M12	11435	5-2-2014	1830	Wed	938 1 9258 69 87187	CW	(FN)
M12	10598	5-2-2014	1850	Wed	938 1 9258 69 87187	CW	(FN)
M12	9327	5-2-2014	1910	Wed	938 1 9258 69 87187	CW	(FN)
M12	5429	5-2-2014	2200	Wed	460 460 460 000	CW	(FN)
M12	4629	5-2-2014	2220	Wed	460 460 460 000	CW	(FN)
M12	5884	6-2-2014	0730	Thu	888 888 888 000	CW	(FN)
M12	6884	6-2-2014	0750	Thu	888 888 888 000	CW	(FN)
M12	13569	6-2-2014	1010	Thu	582 582 582 1 2169 77 91646 181T1 6T718 ... 63735 4T772 85823 000 000 11111	CW	(FN/Avare)
M12	14869	6-2-2014	1030	Thu	582 1 2169 77 91646	CW	(FN)
M12	16269	6-2-2014	1050	Thu	582 1 2169 77 91646	CW	(FN)
M12	13386	6-2-2014	1600	Thu	725 1 7504 117 85865	CW	(FN)
M12	12189	6-2-2014	1620	Thu	725 1 7504 117 85865	CW	(FN)
M12	11491	6-2-2014	1640	Thu	725 1 7504 117 85865	CW	(FN)
M12	9176	6-2-2014	1700	Thu	257 1 9489 90 06541	CW	(FN)
M12	7931	6-2-2014	1720	Thu	257 1 9489 90 06541	CW	(FN)
M12	6904	6-2-2014	1740	Thu	257 1 9489 90 06541	CW	(FN)
M12	10343	6-2-2014	1800	Thu	124 1 8100 100 11772	CW	(FN)
M12	9264	6-2-2014	1820	Thu	124 1 8100 100 11772	CW	(FN)
M12	8116	6-2-2014	1840	Thu	124 1 8100 100 11772	CW	(FN)
M12	9176	6-2-2014	1900	Thu	257 1 7635 53 73669	CW	(FN)
M12	7931	6-2-2014	1920	Thu	257 1 7635 53 73669	CW	(FN)
M12	6904	6-2-2014	1940	Thu	257 1 7635 53 73669	CW	(FN)
M12	7637	8-2-2014	0600	Sat	612 612 612 000	CW	(FN)
M12	9137	8-2-2014	0620	Sat	612 612 612 000	CW	(FN)
M12	4617	10-2-2014	0530	Mon	638 638 638 000	CW	(FN)
M12	5317	10-2-2014	0550	Mon	638 638 638 000	CW	(FN)
M12	11435	10-2-2014	1600	Mon	938 1 1547 103 29609	CW	(FN)
M12	10598	10-2-2014	1620	Mon	938 1 1547 103 29609	CW	(FN)
M12	9327	10-2-2014	1640	Mon	938 1 1547 103 29609	CW	(FN)
M12	9176	10-2-2014	1700	Mon	257 1 8675 70 58445	CW	(FN/PPA)
M12	7931	10-2-2014	1720	Mon	257 1 8675 70 58445	CW	(FN)
M12	6904	10-2-2014	1740	Mon	257 1 8675 70 58445	CW	(FN)
M12	9176	10-2-2014	1800	Mon	257 1 4249 43 76099	CW	(FN)
M12	7931	10-2-2014	1820	Mon	257 1 4249 43 76099	CW	(FN)
M12	6904	10-2-2014	1840	Mon	257 1 4249 43 76099	CW	(FN)
M12	9176	10-2-2014	1900	Mon	257 1 4671 109 99635	CW	(FN)
M12	7931	10-2-2014	1920	Mon	257 1 4671 109 99635	CW	(FN)
M12	6904	10-2-2014	1940	Mon	257 1 4671 109 99635	CW	(FN)
M12	10343	11-2-2014	1830	Tue	124 1 5797 52 84391	CW	(FN)
M12	9264	11-2-2014	1850	Tue	124 1 5797 52 84391	CW	(FN)
M12	8116	11-2-2014	1910	Tue	124 1 5797 52 84391	CW	(FN)
M12	8047	12-2-2014	1700	Wed	463 1 1216 56 12190	CW	(FN)
M12	6802	12-2-2014	1720	Wed	463 1 1216 56 12190	CW	(FN)
M12	5788	12-2-2014	1740	Wed	463 1 1216 56 12190	CW	(FN)
M12	11435	12-2-2014	1830	Wed	938 1 3910 67 29942	CW	(FN)
M12	10598	12-2-2014	1850	Wed	938 1 3910 67 29942	CW	(FN)
M12	9327	12-2-2014	1910	Wed	938 1 3910 67 29942	CW	(FN)

enigma	frequency	date	UTC	day	remarks	mode	contributor
M12	5429	12-2-2014	2200	Wed	460 1 6226 99 85955	CW	(FN/HFD)
M12	4629	12-2-2014	2220	Wed	460 1 6226 99 85955	CW	(FN/HFD)
M12	4029	12-2-2014	2240	Wed	460 1 6226 99 85955	CW	(FN)
M12	5884	13-2-2014	0730	Thu	888 888 888 000	CW	(FN/HFD)
M12	6884	13-2-2014	0750	Thu	888 888 888 000	CW	(FN/HFD)
M12	13569	13-2-2014	1010	Thu	582 582 582 000	CW	(FN/HFD)
M12	14869	13-2-2014	1030	Thu	582 582 582 000	CW	(FN/HFD)
M12	13386	13-2-2014	1600	Thu	725 1 7675 120 34414	CW	(FN)
M12	12189	13-2-2014	1620	Thu	725 1 7675 120 34414	CW	(FN)
M12	11491	13-2-2014	1640	Thu	725 1 7675 120 34414	CW	(FN)
M12	9176	13-2-2014	1700	Thu	257 1 1570 94 95085	CW	(FN)
M12	10343	13-2-2014	1700	Thu	124 1 9825 73 36251	CW	(FN)
M12	7931	13-2-2014	1720	Thu	257 1 1570 94 95085	CW	(FN)
M12	9264	13-2-2014	1720	Thu	124 1 9825 73 36251	CW	(FN)
M12	6904	13-2-2014	1740	Thu	257 1 1570 94 95085	CW	(FN/toto)
M12	8116	13-2-2014	1740	Thu	124 1 9825 73 36251	CW	(FN)
M12	10343	13-2-2014	1800	Thu	124 1 8246 102 25430	CW	(FN)
M12	9264	13-2-2014	1820	Thu	124 1 8246 102 25430	CW	(FN)
M12	8116	13-2-2014	1840	Thu	124 1 8246 102 25430	CW	(FN)
M12	9176	13-2-2014	1900	Thu	257 1 4994 57 98253	CW	(FN)
M12	7931	13-2-2014	1920	Thu	257 1 4994 57 98253	CW	(FN)
M12	6904	13-2-2014	1940	Thu	257 1 4994 57 98253	CW	(FN)
M12	7637	15-2-2014	0600	Sat	612 1 6226 99 85955	CW	(FN/HFD)
M12	9137	15-2-2014	0620	Sat	612 1 6226 99 85955	CW	(FN/HFD)
M12	10237	15-2-2014	0640	Sat	612 1 6226 99 85955	CW	(FN/HFD)
M12	13569	16-2-2014	1010	Sun	582 582 582 000	CW	(FN)
M12	14869	16-2-2014	1030	Sun	582 582 582 000	CW	(FN)
M12	4617	17-2-2014	0530	Mon	638 638 638 000	CW	(FN)
M12	5317	17-2-2014	0550	Mon	638 638 638 000	CW	(FN)
M12	11435	17-2-2014	1600	Mon	938 1 9122 117 20159	CW	(FN)
M12	10598	17-2-2014	1620	Mon	938 1 9122 117 20159	CW	(FN)
M12	9327	17-2-2014	1640	Mon	938 1 9122 117 20159	CW	(FN)
M12	9176	17-2-2014	1700	Mon	257 1 9783 73 32776	CW	(FN)
M12	7931	17-2-2014	1720	Mon	257 1 9783 73 32776	CW	(FN)
M12	6904	17-2-2014	1740	Mon	257 1 9783 73 32776	CW	(FN)
M12	9176	17-2-2014	1800	Mon	257 1 4986 46 36066	CW	(FN)
M12	7931	17-2-2014	1820	Mon	257 1 4986 46 36066	CW	(FN)
M12	6904	17-2-2014	1840	Mon	257 1 4986 46 36066	CW	(FN)
M12	9176	17-2-2014	1900	Mon	257 1 5886 110 78813	CW	(FN)
M12	7931	17-2-2014	1920	Mon	257 1 5886 110 78813	CW	(FN)
M12	6904	17-2-2014	1940	Mon	257 1 5886 110 78813	CW	(FN)
M12	10343	18-2-2014	1830	Tue	124 1 887 49 96601	CW	(FN)
M12	9264	18-2-2014	1850	Tue	124 1 887 49 96601	CW	(FN)
M12	8116	18-2-2014	1910	Tue	124 1 887 49 96601	CW	(FN)
M12	8047	19-2-2014	1700	Wed	463 1 5977 94 04686	CW	(FN)
M12	6802	19-2-2014	1720	Wed	463 1 5977 94 04686	CW	(FN)
M12	5788	19-2-2014	1740	Wed	463 1 5977 94 04686	CW	(FN)
M12	11435	19-2-2014	1830	Wed	938 1 515 61 26060	CW	(FN)
M12	10598	19-2-2014	1850	Wed	938 1 515 61 26060	CW	(FN)
M12	9327	19-2-2014	1910	Wed	938 1 515 61 26060	CW	(FN)
M12	5429	19-2-2014	2200	Wed	460 460 460 000	CW	(FN)
M12	4629	19-2-2014	2220	Wed	460 460 460 000	CW	(FN)
M12	5884	20-2-2014	0730	Thu	888 888 888 000	CW	(FN)
M12	6884	20-2-2014	0750	Thu	888 888 888 000	CW	(FN)
M12	13569	20-2-2014	1010	Thu	582 1 927 89 49960	CW	(FN)
M12	14869	20-2-2014	1030	Thu	582 1 927 89 49960	CW	(FN)
M12	16269	20-2-2014	1050	Thu	582 1 927 89 49960	CW	(FN)
M12	13386	20-2-2014	1600	Thu	725 1 7279 100 85686	CW	(FN)
M12	12189	20-2-2014	1620	Thu	725 1 7279 100 85686	CW	(FN)
M12	11491	20-2-2014	1640	Thu	725 1 7279 100 85686	CW	(FN)
M12	9176	20-2-2014	1700	Thu	257 1 6355 70 79957	CW	(FN)
M12	10343	20-2-2014	1700	Thu	124 1 7156 79 01421	CW	(FN)

enigma	frequency	date	UTC	day	remarks	mode	contributor
M12	7931	20-2-2014	1720	Thu	257 1 6355 70 79957	CW	(FN)
M12	9264	20-2-2014	1720	Thu	124 1 7156 79 01421	CW	(FN)
M12	6904	20-2-2014	1740	Thu	257 1 6355 70 79957	CW	(FN)
M12	8116	20-2-2014	1740	Thu	124 1 7156 79 01421	CW	(FN)
M12	10343	20-2-2014	1800	Thu	124 1 7272 119 12109	CW	(FN)
M12	9264	20-2-2014	1820	Thu	124 1 7272 119 12109	CW	(FN)
M12	8116	20-2-2014	1840	Thu	124 1 7272 119 12109	CW	(FN)
M12	9176	20-2-2014	1900	Thu	257 1 3668 68 14813	CW	(FN)
M12	7931	20-2-2014	1920	Thu	257 1 3668 68 14813	CW	(FN)
M12	6904	20-2-2014	1940	Thu	257 1 3668 68 14813	CW	(FN)
M12	7637	22-2-2014	0600	Sat	612 612 612 000	CW	(FN)
M12	9137	22-2-2014	0620	Sat	612 612 612 000	CW	(FN)
M12	4617	24-2-2014	0530	Mon	638 638 638 000	CW	(FN)
M12	5317	24-2-2014	0550	Mon	638 638 638 000	CW	(FN)
M12	11435	24-2-2014	1600	Mon	938 1 9472 102 32230	CW	(FN/DSch)
M12	10598	24-2-2014	1620	Mon	938 1 9472 102 32230	CW	(FN)
M12	9327	24-2-2014	1640	Mon	938 1 9472 102 32230	CW	(FN)
M12	9176	24-2-2014	1700	Mon	257 1 6089 80 48677	CW	(FN)
M12	7931	24-2-2014	1720	Mon	257 1 6089 80 48677	CW	(FN)
M12	6904	24-2-2014	1740	Mon	257 1 6089 80 48677	CW	(FN)
M12	9176	24-2-2014	1800	Mon	257 1 6413 44 21654	CW	(FN)
M12	7931	24-2-2014	1820	Mon	257 1 6413 44 21654	CW	(FN)
M12	6904	24-2-2014	1840	Mon	257 1 6413 44 21654	CW	(FN)
M12	9176	24-2-2014	1900	Mon	257 1 1394 112 71907	CW	(FN)
M12	7931	24-2-2014	1920	Mon	257 1 1394 112 71907	CW	(FN)
M12	6904	24-2-2014	1940	Mon	257 1 1394 112 71907	CW	(FN)
M12	10341	25-2-2014	1830	Tue	124 1 887 49 96601 ...	CW	(RWO)
M12	8047	26-2-2014	1700	Wed	463 1 2856 57 16331	CW	(FN)
M12	6802	26-2-2014	1720	Wed	463 1 2856 57 16331	CW	(FN)
M12	5788	26-2-2014	1740	Wed	463 1 2856 57 16331	CW	(FN)
M12	11435	26-2-2014	1830	Wed	938 1 515 61 26060	CW	(FN)
M12	10598	26-2-2014	1850	Wed	938 1 515 61 26060	CW	(FN)
M12	9327	26-2-2014	1910	Wed	938 1 515 61 26060	CW	(FN)
M12	5429	26-2-2014	2200	Wed	460 460 460 000	CW	(FN)
M12	4629	26-2-2014	2220	Wed	460 460 460 000	CW	(FN)
M12	5884	27-2-2014	0730	Thu	888 888 888 000	CW	(FN)
M12	6884	27-2-2014	0750	Thu	888 888 888 000	CW	(FN)
M12	13569	27-2-2014	1010	Thu	582 582 582 000	CW	(FN)
M12	14869	27-2-2014	1030	Thu	582 582 582 000	CW	(FN)
M12	9162	27-2-2014	1310	Thu	104 104 104 000	CW	(FN)
M12	9062	27-2-2014	1330	Thu	104 104 104 000	CW	(FN)
M12	13386	27-2-2014	1600	Thu	725 1 3273 104 05711	CW	(FN)
M12	12189	27-2-2014	1620	Thu	725 1 3273 104 05711	CW	(FN)
M12	11491	27-2-2014	1640	Thu	725 1 3273 104 05711	CW	(FN)
M12	9176	27-2-2014	1700	Thu	257 1 1484 69 32782	CW	(FN)
M12	10343	27-2-2014	1700	Thu	124 1 8467 78 44730	CW	(FN)
M12	7931	27-2-2014	1720	Thu	257 1 1484 69 32782	CW	(FN)
M12	9264	27-2-2014	1720	Thu	124 1 8467 78 44730	CW	(FN)
M12	6904	27-2-2014	1740	Thu	257 1 1484 69 32782	CW	(FN)
M12	8116	27-2-2014	1740	Thu	124 1 8467 78 44730	CW	(FN)
M12	10343	27-2-2014	1800	Thu	124 1 3361 107 13866	CW	(FN)
M12	9264	27-2-2014	1820	Thu	124 1 3361 107 13866	CW	(FN)
M12	8116	27-2-2014	1840	Thu	124 1 3361 107 13866	CW	(FN)
M12	9176	27-2-2014	1900	Thu	257 1 9055 56 43041	CW	(FN)
M12	7931	27-2-2014	1920	Thu	257 1 9055 56 43041	CW	(FN)
M12	6904	27-2-2014	1940	Thu	257 1 9055 56 43041	CW	(FN)
M14	5788	5-2-2014	0500	Thu	681 681 681 00000	CW	(PPA)
M14	5380	18-2-2014	1811	Tue	i.p. 50007 50007 = = 952 952 81 81 00000	CW	(BCI)
M14	4637	25-2-2014	1832	Tue	186 186 186 409 409 020 020 64424 ... 55743 409 409 020 020 00000	CW	(RWO)
M14?	4637.45	25-2-2014	1724	Tue	i.p. ... 88602 91487 ..688 8871 (stops). Groups twice.)	CW	(MPJ)
M21	4952	1-2-2014	0044	Sat	Russian Air Defence =990506??0?????	CW	(LG2)

enigma	frequency	date	UTC	day	remarks	mode	contributor
M21	5754	4-2-2014	1829	Tue	Russian Air Defense. Data plotting =0043507942329? =043507943130?	CW	(PPA)
M21	8616	9-2-2014	0922	Sun	=99?1321?9???? =99?1323?9????	CW	(JPL-Sib)
M21	4952	9-2-2014	1419	Sun	=991822??0????	CW	(JPL-Sib)
M21	4952	9-2-2014	2242	Sun	Russian Air Defence =990245??0???? 3 mins fast.	CW	(MPJ)
M21	6912	10-2-2014	1433	Mon	= 22007 70107 0821 = 12000162505833 = 12002162516233 = 12004257608333 = 12006257689233 = 12007257621933 =	CW	(JPL-FNL)
M21	4866	13-2-2014	1428	Thu	=991828??8????	CW	(JPL-Sib)
M21	4952	17-2-2014	1828	Mon	=992228??0????	CW	(PPA)
M21	4904	17-2-2014	1848	Mon	=992248??8????	CW	(PPA)
M21	4866	17-2-2014	1936	Mon	=992336??0????	CW	(PPA)
M21	6930	18-2-2014	2350	Tue	=99?0349?9???? =99?0351?9????	CW	(JPL-Sib)
M21	6930	22-2-2014	1724	Sat	=160 12 2007979 22 =99?2125?9???? =160 12 2007844 24 =	CW	(JPL-Sib)
M21	8616	26-2-2014	1428	Thu	=99?1828?9????	CW	(MF2)
M22	4331	1-2-2014	0118	Sat	4XZ: IDF/Israeli Navy Haifa	CW	(LG2)
M22	6607	2-2-2014	0118	Sun	4XZ: IDF/Israeli Navy Haifa VVV DE 4XZ	CW	(LG2)
M22	6607	19-2-2014	1745	Thu	4XZ: Navy Haifa ISR vvv de 4xz	CW	(PPA)
M23	5760	12-2-2014	0910	Thu	55555 (Cont'd at least 6 minutes)	CW	(JPL-Sib)
M24	5093	18-2-2014	0430	Tue	381 457 102 = 15321 05911 03971 ... 01845 24324 19702 457 102 00000	CW	(Tom)
M24	9463	19-2-2014	1100	Wed	801 801 801 398 ...	CW	(13CR)
M32	5378	2-2-2014	1504	Sun	MUOX DE NYD9 QTC K	CW	(JPL)
M32	5023	2-2-2014	2006	Sun	ZMKX DE BABK QTC K	CW	(LG2)
M32	5747.4	3-2-2014	0430	Mon	VVV MELC DE BJDF QRJ?	CW	(PPA)
M32	5797.3	3-2-2014	0507	Mon	GCGQ: Russian mil. net control. Duplex radio check with GZQL, AIYN and PLSC	CW	(PPA)
M32	5784	3-2-2014	0509	Mon	LDBO: Russian mil. LDBO LDBO QTC 320 24 3 0900 320 = ZQJ544 =	CW	(PPA)
M32	5736	3-2-2014	0514	Mon	ZI5S: Russian mil. Radio checks with WGGG and SMOI	CW	(PPA)
M32	5736	3-2-2014	1532	Mon	G9XT DE ZI5S K. R K OEMR DE ZI5S K. R K O19X DE ZI5S K	CW	(JPL-Sib)
M32	5166	3-2-2014	2239	Mon	ELHP DE WWJO K. WWJO DE ELHP K. QSA2 QSA? K. QSA2 K. R K	CW	(JPL-Sib)
M32	3354	4-2-2014	1511	Tue	IWOG DE 8KQ6 QTC K. IWOG DE 8KQ6 QTC 402 17 4 1902 402 = ... = VIFDU RDLQG 'OHFQO ... (barred letters)	CW	(JPL-FNL)
M32	3312	6-2-2014	1151	Thu	XXX XXX MDVB MDVB 05282 MELOTIPI'A 39878693 DEKANTACI'A 73280877 K	CW	(JPL-FNL)
M32	3877	6-2-2014	1400	Thu	XXX XXX LNT0 LNT0 85224 MIKOLISTYJ 7221 5634 ALAKAWATYJ 6348 K	CW	(Avare)
M32	3326	7-2-2014	0002	Fri	f55r de kmtw k qsa4 k then clg zypk, tmkk, aott all qsa4	CW	(WP3)
M32	7653	7-2-2014	0933	Fri	XXX XXX BOCR BOCR 86931 FOLXKETING 7851 8628 K	CW	(JPL-Sib)
M32	7653	7-2-2014	0952	Fri	XXX XXX BOCR BOCR 89844 NESTR'AGA 3474 0747	CW	(JPL-Sib)
M32	5769	8-2-2014	0332	Sat	A2D7: Russian mil. Simplex net. Radio checks with TNAR, WMBU and LGOM	CW	(PPA)
M32	4066	9-2-2014	0927	Sun	SJMG DE DWYX QAR. T? K. SJMG DE DWYX QAR 30 ? K R K	CW	(JPL-FNL)
M32	4595	9-2-2014	1344	Sun	XXX DMSB DMSB 15378 TIETAN 8938 3957 TAGANEC 34.0 15 K	CW	(JPL-FNL)
M32	4212	9-2-2014	1820	Sun	SW4O DE HF8O QSA? K. DE SW4O QSA4 QSA? K (see N&O 197)	CW	(JPL-Sib)
M32	3866	9-2-2014	2301	Sun	LDBO: Russian Mil Bcast. QTC 248 23 10 0255 248 = 90. = .T.NX IKKTD ... MWM-K -PPWP 805 +	CW	(MPJ)
M32	12707	10-2-2014	0714	Mon	WTIP 1T11 T4346 = ZCH 699 = MMMMM WLIBT TREIW LIBTT RWECH BCATP	CW	(BCI)
M32	4538	10-2-2014	1423	Mon	DE J78I QLW QSA? QXS AR (see N&O 197)	CW	(JPL-FNL)
M32	3326.5	10-2-2014	2152	Mon	IONT	CW	(BCI)
M32	14682	11-2-2014	0811	Tue	C4I1 C4I1 C4I1 QTC 6 TTüt O1 12 15 T = ZDW 452 = ISUHUE ZVV WDNN KYZBO ABOKAT	CW	(BCI)
M32	2370	11-2-2014	2227	Tue	9EC1 9EC1 9EC1 E II AEBA 804 312 584 00 = 299 =	CW	(BCI)
M32	7789	13-2-2014	0739	Thu	WSGR DE OAPA QRJ3 QJG QYT6K OAPA R K	CW	(BCI)
M32	18764	13-2-2014	0950	Thu	XXX XXX WEGI WEGI 04100 13797 SERPNSA 4384 6103	CW	(BCI)
M32	9073	13-2-2014	1034	Thu	XXX XXX 1GD1 1GD1 58695 ADDUKT 5960 3743 58695 ADDUKT 5960 3743 K	CW	(JPL-Sib)
M32	17460	13-2-2014	1709	Thu	...489 11014 70489 11055 K.96009 44525 96009 44525 96009 44525 K	CW	(LG2)
M32	4054.5	14-2-2014	0535	Fri	RPT 5EQ8	CW	(BCI)
M32	5439	14-2-2014	0552	Fri	TAGN	CW	(BCI)
M32	4871	14-2-2014	1921	Fri	DE G3WM QSY 54175 QSY 54175 K. SK8I DE G3WM SK	CW	(JPL-FNL)
M32	9058	15-2-2014	0802	Sat	LR60 DE 7ZGR ZCA QSA ZCZ ZPV	CW	(PPA)
M32	4879	17-2-2014	0606	Mon	HNKM: Russian mil. Simplex circuit. Net control in contact with AOIK	CW	(PPA)

enigma	frequency	date	UTC	day	remarks	mode	contributor
					and ZC3V		
M32	4862	18-2-2014	0518	Tue	CVOL DE ZTMV QTC 347 32 18 0906 347 = 864 = MMMMM	CW	(PPA)
M32	3737	18-2-2014	2319	Tue	VVVVVVVV PMZ8 DE 2TNB QSV K. BK QSA 3 QRJ? K (see N&O 197)	CW	(JPL-Sib)
M32	4077	19-2-2014	1545	Thu	XXX XXX RJT67 RJL84 RJL84 71891 SINUSOIDA 7654 7717 K	CW	(Avare)
M32	6832	19-2-2014	2023	Thu	WYZA: Russian mil. Duplex net. Net control radio check with KOQD	CW	(PPA)
M32	5596	20-2-2014	2037	Thu	IODA DE QBS3 R422?	CW	(PPA)
M32	10443	22-2-2014	0840	Sat	XXX MSK7 MSK7 41699 BRUPWA 60868839 K	CW	(JPL-Sib)
M32	2654	23-2-2014	2055	Sun	Ends 60-group msg ... IPMYT FDMBX ... YH'ChY WEPYP ZVS ZYQ RPT AL QLN +	CW	(MPJ)
M32	3159	25-2-2014	1916	Tue	2GB4 DE PSPB K. LLWX DE PSPB K. R K JZ54 DE PSPB K	CW	(JPL-Sib)
M32	3327	25-2-2014	2105	Tue	Russian mil. Simplex freq. SQ8H DE WNZP QSA? K. BZDT DE WNZP K //A BZDT K //B	CW	(JPL-Sib)
M32	6836	27-2-2014	1257	Thu	RPT97 DE RMW46 R K. RRR98 DE RMW46 R K. RDQ81 DE RMW46 R K	CW	(JPL-Sib)
M32	9194	27-2-2014	1263	Thu	ZC2B DE ETX5 QSA NO SK	CW	(JPL-Sib)
M32	5394	27-2-2014	1601	Thu	RPT K. 9U9Y ZPG ZAX ZLV ZCH ZQY ZLP QSW3 K. 9U9Y R K	CW	(JPL-Sib)
M32a	21438	9-1-2014	1448		RGX94 de RCV QTC 965 Nawip 036 72	CW	(IARUMS)
M32a	21438	9-1-2014	1455		RKZ de RCV QTC 707 Prognoz Pogody	CW	(IARUMS)
M32a	21438	13-1-2014	1320		RMGB de RCV QSA2 QRV k	CW	(IARUMS)
M32a	21438	22-1-2014	1057		RFH70 DE RCV QWH 13054/14600 K	CW	(IARUMS)
M32a	21438	22-1-2014	1059		RIR96 DE RCV proc.	CW	(IARUMS)
M32a	21438	23-1-2014	1445		RIP90 de RCV QTC .97 Nawip 33 186	CW	(IARUMS)
M32a	21438	25-1-2014	1049		RLD69 DE RCV QYT9 QWH 11143 K	CW	(IARUMS)
M32a	5736	2-2-2014	1748	Sun	RGZ59 DE RCV ZDZ?	CW	(PPA)
M32a	5224	2-2-2014	1932	Sun	RHL80 DE RVQS	CW	(LG2)
M32a	10309	3-2-2014	1541	Mon	RJL99 DE RCV ZGR K	CW	(JPL-Sib)
M32a	5838	3-2-2014	2035	Mon	RIT: Navy Severomorsk 5F message to RJC38	CW	(PPA)
M32a	5916	7-2-2014	0946	Fri	i.p. (short zero) 12841 25491 71536 06761 61984 21947 33878 58780 45517 79602 27364 07065 AR	CW	(JPL-Sib)
M32a	3568	9-2-2014	1332	Sun	70996 31015 93879 71997 37043 429185 104 BK BK RPT (Both stations on this frequency) 34AA K (see N&O 197)	CW	(JPL-FNL)
M32a	4051	9-2-2014	2057	Sun	RLZ2 DE RAL2 K. RAL2 DE RLZ2 QSA4 K. QSA4 ZNN. NIL. SK. VA	CW	(JPL-FNL)
M32a	9145	11-2-2014	1622	Tue	RIW: Navy HQ Moscow. RAL48 DE RIW QSA2 QRV	CW	(PPA)
M32a	7763	12-2-2014	1529	Thu	RIR98: Russian Navy RCV de RIR98	CW	(VL)
M32a	9145	15-2-2014	0742	Sat	RIW: Navy HQ Moscow. RMMA DE RIW QSA2	CW	(PPA)
M32a	8345	16-2-2014	1706	Sun	RIR96: Russian navy ship RCV DE RIR96 QYT4	CW	(PPA)
M32a	8345	16-2-2014	1742	Sun	RHY73: Russian navy ship RCV DE RHY73 QSA?	CW	(PPA)
M32a	8345	16-2-2014	1905	Sun	RAL48: Russian navy ship RCV DE RAL48 QSA1	CW	(PPA)
M32a	5224	20-2-2014	1942	Thu	Navy Sevastopol. RHL80 DE RCV QRO QAP	CW	(PPA)
M32a	10904	22-2-2014	0842	Sat	i.p. 09687 15112 6..81 89905 35137 .25.. 2203. = F III = .RPT AL AR RIW K	CW	(JPL-Sib)
M32a	7794	26-2-2014	2142	Thu	RJF95 345 52 27 0102 345 = UH9LA K. URSU ZKJX KJUJR (Cont'd)	CW	(JPL-Sib)
M32a	3396	27-2-2014	2241	Thu	RCV DE RHL80 K	CW	(JPL-Sib)
M32b	5808	4-2-2014	1757	Tue	RJF94 DE RCB. RCB RCB DE RJF94 RJF94 QSA?	CW	(PPA)
M32b	5823	5-2-2014	0604	Thu	RKA2: Naval air calling RAL2 with QSA	CW	(PPA)
M32b	5823	5-2-2014	0604	Thu	RAL2: Naval air calling RKA2, RLO2 and RBL70 for radio check	CW	(PPA)
M32b	5823	5-2-2014	0605	Thu	RLO2: Naval air calling RAL2 with QSA	CW	(PPA)
M32b	4077	19-2-2014	1600	Thu	RMP RMP QTC 186 177 19 1954 186 = SML= PROGNOZ POGODY DO 18 ASOW (see N&O 197)	CW	(Avare)
M32c	8112	4-2-2014	1120	Tue	W Markers at 1120 and 1140	CW	(Tom)
M32c	8112	4-2-2014	1240	Tue	W Markers at 1240 and 1300	CW	(MPJ)
M32c	8112	6-2-2014	1800	Thu	W Markers at 1800 and 1840	CW	(Tom)
M32c	8112	7-2-2014	1200	Fri	W Markers at 1200 and 1220	CW	(Tom)
M32c	8112	24-2-2014	1200	Mon	W Markers at 1200 and 1220 UTC	CW	(Tom)
M32c	8112	25-2-2014	1200	Tue	W-markers	CW	(Tom)
M32c	8112	27-2-2014	0540	Thu	W Markers at 0540 and 0600 UTC	CW	(Tom)
M32c	8112	28-2-2014	1520	Fri	W Markers	CW	(Tom)
M41	5739	4-2-2014	1805	Tue	J3VT: Russian Air Defense. J3VT J3VT WZD 1101 9932766716003	CW	(PPA)
M41	5733.5	7-2-2014	0253	Fri	Operational Strategic Command Aerospace Defense VVV PWZW PWZW =	CW	(PPA)
M42	19441	1-2-2014	1300	Sat	Russian diplo/intel. 6:54	FSK 200/500	(HFD)
M42	17456	1-2-2014	1310	Sat	Russian diplo/intel. 6:54	FSK 200/500	(HFD)
M42	15817	1-2-2014	1320	Sat	Russian diplo/intel. 6:54	FSK 200/500	(HFD)
M42	16320	3-2-2014	0150	Mon	Russian intel/diplo. Messages on links 13374, 13976	FSK 200/1000	(Dan)

enigma	frequency	date	UTC	day	remarks	mode	contributor
M42	14880	3-2-2014	0230	Mon	Russian intel/diplo. Messages on links 13366, 41018, 32826, 13976, 41023	FSK 200/1000	(Dan)
M42	16122	3-2-2014	0746	Mon	Russian diplo	CROWD-36	(PH)
M42	14827	3-2-2014	0749	Mon	Russian diplo	CROWD-36	(PH)
M42	16320	4-2-2014	0150	Tue	Russian intel/diplo. Messages on link 50041	FSK 200/1000	(Dan)
M42	14880	4-2-2014	0230	Tue	Russian intel/diplo. Messages on links 41010, 09490, 41018, 41146, 07863, 49529	FSK 200/1000	(Dan)
M42	16320	5-2-2014	0150	Thu	Russian intel/diplo. Messages on links 41022, 41010, 43327, 57402	FSK 200/1000	(Dan)
M42	14880	5-2-2014	0230	Thu	Russian intel/diplo. Messages on links 45182, 00058, 41018, 43612	FSK 200/1000	(Dan)
M42	18235	5-2-2014	1230	Thu	Russian intel/diplo. Link ID 53277	FSK200/1000	(PH)
M42	16144	5-2-2014	1240	Thu	Russian intel/diplo. Link ID 53277	FSK200/1000	(PH)
M42	14519	5-2-2014	1250	Thu	Russian intel/diplo. Link ID 53277	FSK200/1000	(PH)
M42	19880	5-2-2014	1319	Thu	Russian diplo	CROWD-36	(PH)
M42	16320	6-2-2014	0150	Thu	Russian intel/diplo. Messages on links 13366, 41087, 41016, 41023, 55195, 41010, 41018, 57726	FSK 200/1000	(Dan)
M42	14880	6-2-2014	0230	Thu	Russian intel/diplo. Messages on links 16749, 41018, 53300	FSK 200/1000	(Dan)
M42	4030	6-2-2014	2000	Thu	Russian diplo/intel. 6:32	FSK 200/500	(HFD)
M42	6796	6-2-2014	2000	Thu	Russian diplo/intel. 6:32	FSK 200/500	(HFD)
M42	5205	6-2-2014	2010	Thu	Russian diplo/intel. 6:32	FSK 200/500	(HFD)
M42	16320	7-2-2014	0150	Fri	Russian intel/diplo. Messages on links 13366, 09270, 14014, 59991, 57470, 15190, 41018	FSK 200/1000	(Dan)
M42	14880	7-2-2014	0230	Fri	Russian intel/diplo. Messages on links 13366, 40986, 10786, 41018, 37339	FSK 200/1000	(Dan)
M42	16242	8-2-2014	0810	Sat	Russian diplo	CROWD-36	(PH)
M42	9151	9-2-2014	1753	Sun	Russian diplo	CROWD-36	(PPA)
M42	16320	10-2-2014	0150	Mon	Russian intel/diplo. Messages on links 13366, 04611, 41018, 57466	FSK 200/1000	(Dan)
M42	14880	10-2-2014	0230	Mon	Russian intel/diplo. Messages on links 41018, 14069, 57470	FSK 200/1000	(Dan)
M42	15752	10-2-2014	0740	Mon	Russian diplo	CROWD-36	(PH)
M42	16320	11-2-2014	0150	Tue	Russian intel/diplo. Messages on links 65004, 00032	FSK 200/1000	(Dan)
M42	14880	11-2-2014	0230	Tue	Russian intel/diplo. Messages on links 12342, 41010, 41018, 20692	FSK 200/1000	(Dan)
M42	18344	11-2-2014	0706	Tue	Russian gov/intel. Mark after 50 groups	Baudot 50/500	(BCI)
M42	16320	12-2-2014	0150	Thu	Russian intel/diplo. Messages on links 57605, 41018, 63824, 08250	FSK 200/1000	(Dan)
M42	14880	12-2-2014	0230	Thu	Russian intel/diplo. Messages on links 57402, 41018, 28829, 57886	FSK 200/1000	(Dan)
M42	16320	13-2-2014	0150	Thu	Russian intel/diplo. Messages on links 13366, 15926, 31852, 05019, 28735, 26732, 04744, 13878, 05787, 41018	FSK 200/1000	(Dan)
M42	14880	13-2-2014	0230	Thu	Russian intel/diplo. Messages on links 41018, 22594, 45114, 32826, 41018	FSK 200/1000	(Dan)
M42	16320	14-2-2014	0150	Fri	Russian intel/diplo. Messages on links 00058, 63541, 47508	FSK 200/1000	(Dan)
M42	18275.5	14-2-2014	0815	Fri	Russian diplo	CROWD-36	(BCI)
M42	9083	15-2-2014	1011	Sat	Russian diplo	CROWD-36	(PPA)
M42	16320	17-2-2014	0150	Mon	Russian intel/diplo. Messages on link 18638	FSK 200/1000	(Dan)
M42	14880	17-2-2014	0230	Mon	Russian intel/diplo. Messages on links 04726, 13876, 61758, 61810	FSK 200/1000	(Dan)
M42	14827	17-2-2014	0743	Mon	Russian diplo	CROWD-36	(PH)
M42	10220	17-2-2014	1609	Mon	Russian diplo	CROWD-36	(PH)
M42	16320	18-2-2014	0150	Tue	Russian intel/diplo. Messages on links 21121, 20596, 41022	FSK 200/1000	(Dan)
M42	14880	18-2-2014	0230	Tue	Russian intel/diplo. Messages on links 13331, 13366, 41016, 41018, 47295	FSK 200/1000	(Dan)
M42	5092	18-2-2014	0519	Tue	LENJ: CIS Government. VVV VVV LTJQ DE LENJ QSA4 QSA? QTC1 ZCC ZVP into 5F RTTY msg with =50= group count	CW + Baudot 50/500	(PPA)
M42	4819	18-2-2014	0521	Tue	LTJQ: CIS Government. RYRYRYRY 416 120 18 0500 1703 = into 5F message after CW call up LENJ DE LTJQ	CW + Baudot 50/500	(PPA)
M42	6925	18-2-2014	0650	Tue	Russian gov. Msg with =50= group count. Ends with QTR	Baudot 50/500	(BCI)
M42	18405	18-2-2014	0653	Tue	Russian diplo	CROWD-36	(EW)
M42	16320	19-2-2014	0150	Thu	Russian intel/diplo. Messages on links 57406, 22549	FSK 200/1000	(Dan)
M42	14880	19-2-2014	0230	Thu	Russian intel/diplo. Messages on links 13366, 49924, 22557, 49922	FSK 200/1000	(Dan)
M42	7605	19-2-2014	0553	Thu	Russian gov.	RUS-ARQ 100/500	(BCI)
M42	7650	19-2-2014	0700	Thu	Russian gov.	RUS-ARQ 100/500	(BCI)
M42	5255	19-2-2014	0754	Thu	Russian gov.	RUS-ARQ 100/500	(BCI)
M42	16320	20-2-2014	0150	Thu	Russian intel/diplo. Messages on links 41022, 28128	FSK 200/1000	(Dan)
M42	14880	20-2-2014	0230	Thu	Russian intel/diplo. Messages on links 00050, 40960, 41008, 32784, 41018	FSK 200/1000	(Dan)
M42	10210	20-2-2014	0605	Thu	Russian diplo. Header: 11100 60102 28589 20022 05002 + Ops chat	Baudot 100/500 + CW	(BCI)
M42	16320	21-2-2014	0150	Fri	Russian intel/diplo. Messages on links 41018, 61566, 11391	FSK 200/1000	(Dan)

enigma	frequency	date	UTC	day	remarks	mode	contributor
M42	14880	21-2-2014	0230	Fri	Russian intel/diplo. Messages on links 41002, 01030, 40986, 41022, 41018, 00063	FSK 200/1000	(Dan)
M42	14655.5	21-2-2014	0753	Fri	Russian diplo	CROWD-36	(BCI)
M42	9377	21-2-2014	0940	Fri	Russian diplo	CROWD-36	(BCI)
M42	16320	24-2-2014	0150	Mon	Russian intel/diplo. Messages on links 12322, 41008, 46132, 08250, 41022, 41018	FSK 200/1000	(Dan)
M42	14880	24-2-2014	0230	Mon	Russian intel/diplo. Messages on links 13366, 41018, 40986, 20521, 41016, 32768, 41086	FSK 200/1000	(Dan)
M42	16320	25-2-2014	0150	Tue	Russian intel/diplo. Messages on links 24635, 24618, 08338, 49396	FSK 200/1000	(Dan)
M42	14880	25-2-2014	0230	Tue	Russian intel/diplo. Messages on links 01008, 24634, 08250	FSK 200/1000	(Dan)
M42	10180	25-2-2014	1230	Tue	Russian Gov. NT9P DE K4MT K. QSA2 QSA? K. QTC 6ZCK (Switched to RTTY sending RYRYRYRYR)CFM NIL QRU K ZVP K	CW + Baudot 50/500	(JPL-Sib)
M42	16320	26-2-2014	0150	Thu	Russian intel/diplo. Messages on links 41082, 61461, 65456, 08255, 62815	FSK 200/1000	(Dan)
M42	14880	26-2-2014	0230	Thu	Russian intel/diplo. Messages on links 41010, 57907	FSK 200/1000	(Dan)
M42	16320	27-2-2014	0150	Thu	Russian intel/diplo. Messages on links 56561, 40390	FSK 200/1000	(Dan)
M42	14880	27-2-2014	0230	Thu	Russian intel/diplo. Messages on links 13366, 12351, 00022, 13334, 00062, 45192, 41018, 25341	FSK 200/1000	(Dan)
M42	16320	28-2-2014	0150	Fri	Russian intel/diplo.	FSK 200/1000	(Dan)
M42	14880	28-2-2014	0230	Fri	Russian intel/diplo. Messages on link 32794	FSK 200/1000	(Dan)
M42a	9055	11-2-2014	1633	Tue	GRU hdfd net. VVV VVV VVV 3K	CW	(PPA)
M42a	9142	15-2-2014	0742	Sat	GRU hdfd net. VVV VVV VVV VVV 3K	CW	(PPA)
M51	8016	3-2-2014	0826	Mon	FAV22 CSTEI FaviPres/Vernon	CW	(LG2)
M51	8016	12-2-2014	1423	Thu	FAV22 in progress	CW	(AB)
M51	8016	22-2-2014	1627	Sat	in progress	CW	(AB)
M51	3164	23-2-2014	2041	Sun	FAV22: French CSTEI FaviPres/Vernon NR 01 F 28 21:42:19 1986 BT VVFLO PWQKT GHLLO ...	CW	(MPJ)
M51	4440.5	23-2-2014	2048	Sun	FAV22: French CSTEI FaviPres/Vernon NR 02 F 18 21:40:40 1986 BT PVTXZ RYTSS YRPKI ...	CW	(MPJ)
M89	16720	1-2-2014	1033	Sat	V BRH0 BRH0 BRH0 DE 8NGG 8NGG	CW	(VL)
M89	3642	1-2-2014	2104	Sat	V DKG6 (x3) DE 3A7D (x2) (Cont'd)	CW	(JPL)
M89	3820	1-2-2014	2108	Sat	V GKLO (x3) DE TYUI (x2) (Cont'd) //5657	CW	(JPL)
M89	5657	1-2-2014	2108	Sat	V GKLO (x3) DE TYUI (x2) (Cont'd) //3820	CW	(JPL)
M89	3797	1-2-2014	2110	Sat	V H2FL (x3) DE DRV8 (x2) (Cont'd) //4512	CW	(JPL)
M89	4512	1-2-2014	2110	Sat	V H2FL (x3) DE DRV8 (x2) (Cont'd) //3797	CW	(JPL)
M89	4225	1-2-2014	2116	Sat	V 7NPE (x3) DE QV5B (x2) (Cont'd) //5500	CW	(JPL)
M89	5500	1-2-2014	2116	Sat	V 7NPE (x3) DE QV5B (x2) (Cont'd) //4225	CW	(JPL)
M89	4860	1-2-2014	2120	Sat	VVV (x3) Q2M (x3) DE NYZ (x2) (R5) QSA? K //6840	CW	(JPL)
M89	6840	1-2-2014	2120	Sat	VVV (x3) Q2M (x3) DE NYZ (x2) (R5) QSA? K //4860	CW	(JPL)
M89	4132	1-2-2014	2138	Sat	V JKDJ (x3) DE SLBC (x2) (Cont'd)	CW	(JPL)
M89	8110	2-2-2014	0228	Sun	V 7NPE (x3) DE QV5B (x2) (Cont'd)	CW	(JPL)
M89	10405	2-2-2014	0235	Sun	In tfc: ..R8 DE DNM3 K. RC03R DE 0HNT R. QSA 1 QSA? K (See N&O 197)	CW	(JPL)
M89	5801	2-2-2014	0236	Sun	V DKG6 (x3) DE 3A7D (x2) (Cont'd) //10180	CW	(JPL)
M89	10180	2-2-2014	0236	Sun	V DKG6 (x3) DE 3A7D (x2) (Cont'd) //5801	CW	(JPL)
M89	3642	2-2-2014	1033	Sun	V DKG6 (x3) DE 3A7D (x2) (Cont'd)	CW	(JPL)
M89	3330	2-2-2014	1304	Sun	V 8CPZ (x3) DE XW6W (x2) (Cont'd)	CW	(JPL)
M89	3797	2-2-2014	1313	Sun	V H2FL (x3) DE DRV8 (x2) (Cont'd) //4512	CW	(JPL)
M89	4512	2-2-2014	1313	Sun	V H2FL (x3) DE DRV8 (x2) (Cont'd) //3797	CW	(JPL)
M89	4225	2-2-2014	1317	Sun	V 7NPE (x3) DE QV5B (x2) (Cont'd) //5500	CW	(JPL)
M89	5500	2-2-2014	1317	Sun	V 7NPE (x3) DE QV5B (x2) (Cont'd) //4225	CW	(JPL)
M89	4860	2-2-2014	1320	Sun	VVV (x3) Q2M (x3) DE NYZ (x2) (R5) QSA ? K //6840	CW	(JPL)
M89	6840	2-2-2014	1320	Sun	VVV (x3) Q2M (x3) DE NYZ (x2) (R5) QSA? K //4860	CW	(JPL)
M89	3642	2-2-2014	1327	Sun	V DKG6 (x3) DE 3A7D (x2) (Cont'd) //7602	CW	(JPL)
M89	7602	2-2-2014	1327	Sun	V DKG6 (x3) DE 3A7D (x2) (Cont'd) //3642	CW	(JPL)
M89	3820	2-2-2014	1354	Sun	V GKLO (x3) DE TYUI (x2) (Cont'd) //5657	CW	(JPL)
M89	5657	2-2-2014	1354	Sun	V GKLO (x3) DE TYUI (x2) (Cont'd) //3820	CW	(JPL)
M89	4672	2-2-2014	1438	Sun	V S2LZ (x3) DE YBA6 (x2) (Cont'd)	CW	(JPL)
M89	4650	2-2-2014	1439	Sun	In tfc: N734 D375 44AT 6A6N 4D4T (Cont'd) III = 4AAN 7356 N3UD NT3T (Cont'd)	CW	(JPL)
M89	4708	2-2-2014	1443	Sun	In chat: VV LB2C ... R R B.ZNIL SK (See N&O 197)	CW	(JPL)
M89	5390	2-2-2014	1452	Sun	In tfc: ? 3DDU 4U5A 44T7 N ? D5TT 3754 ADAA (Cont'd) III = = 6NN4 4N3D T3UA (Cont'd)	CW	(JPL)
M89	3330	2-2-2014	2042	Sun	V 8CPZ (x3) DE XW6W (x2) (Cont'd)	CW	(JPL)

enigma	frequency	date	UTC	day	remarks	mode	contributor
M89	3797	2-2-2014	2046	Sun	V H2FL (x3) DE DRV8 (x2) (Cont'd) //4512	CW	(JPL)
M89	4512	2-2-2014	2046	Sun	V H2FL (x3) DE DRV8 (x2) (Cont'd) //3797	CW	(JPL)
M89	3820	2-2-2014	2048	Sun	V GKLO (x3) DE TYUI (x2) (Cont'd) //5657	CW	(JPL)
M89	5657	2-2-2014	2048	Sun	V GKLO (x3) DE TYUI (x2) (Cont'd) //3820	CW	(JPL)
M89	4672	2-2-2014	2050	Sun	V S2LZ (x3) DE YBA6 (x2) (Cont'd)	CW	(JPL)
M89	4225	2-2-2014	2052	Sun	V 7NPE (x3) DE QV5B (x2) (Cont'd) //5500	CW	(JPL)
M89	5500	2-2-2014	2052	Sun	V 7NPE (x3) DE QV5B (x2) (Cont'd) //4225	CW	(JPL)
M89	8072	3-2-2014	0154	Mon	V GKLO (x3) DE TYUI (x2) (Cont'd)	CW	(JPL)
M89	7582	3-2-2014	0158	Mon	V 7NPE (x3) DE QV5B (x2) (Cont'd) //8110	CW	(JPL)
M89	8110	3-2-2014	0158	Mon	V 7NPE (x3) DE QV5B (x2) (Cont'd) //7582	CW	(JPL)
M89	3642	3-2-2014	0207	Mon	V DKG6 (x3) DE 3A7D (x2) (Cont'd) //7602	CW	(JPL)
M89	7602	3-2-2014	0207	Mon	V DKG6 (x3) DE 3A7D (x2) (Cont'd) //3642	CW	(JPL)
M89	5801	3-2-2014	0208	Mon	V DKG6 (x3) DE 3A7D (x2) (Cont'd) //10180	CW	(JPL)
M89	10180	3-2-2014	0208	Mon	V DKG6 (x3) DE 3A7D (x2) (Cont'd) //5801	CW	(JPL)
M89	5743	3-2-2014	0226	Mon	In tfc: R RPT 38W TO 39W K. R RPT 38W TO 39W K (cont'd) R QSL 1030 HR WK NR 0.013 K	CW	(JPL)
M89	7602	3-2-2014	1120	Mon	V DKG6 (x3) DE 3A7D (x2) (Cont'd) //3642	CW	(JPL)
M89	3642	3-2-2014	1208	Mon	V DKG6 (x3) DE 3A7D (x2) (Cont'd) //7602	CW	(JPL)
M89	7602	3-2-2014	1208	Mon	V DKG6 (x3) DE 3A7D (x2) (Cont'd) //3642	CW	(JPL)
M89	5657	3-2-2014	1212	Mon	in tfc: RMKS 7583 TO 7782 /7593 = COMM/2100/3 EEEEE FM AREEE = (see N&O 197)	CW	(JPL)
M89	4132	3-2-2014	1219	Mon	V JKDJ (x3) DE SLBC (x2) (Cont'd)	CW	(JPL)
M89	6840	3-2-2014	1220	Mon	VVV (x3) Q2M (x3) DE NYZ (x2) (R5) QSA? K	CW	(JPL)
M89	4132	3-2-2014	1506	Mon	V JKDJ (x3) DE SLBC (x2) (Cont'd)	CW	(JPL)
M89	5657	3-2-2014	1513	Mon	V GKLO (x3) DE TYUI (x2) (Cont'd)	CW	(JPL)
M89	3642	3-2-2014	1516	Mon	V DKG6 (x3) DE 3A7D (x2) (Cont'd) //7602	CW	(JPL)
M89	7602	3-2-2014	1516	Mon	V DKG6 (x3) DE 3A7D (x2) (Cont'd) //3642	CW	(JPL)
M89	3330	3-2-2014	1519	Mon	V 8CPZ (x3) DE XW6W (x2) (Cont'd)	CW	(JPL)
M89	3797	3-2-2014	1526	Mon	V H2FL (x3) DE DRV8 (x2) (Cont'd) //4512	CW	(JPL)
M89	4512	3-2-2014	1526	Mon	V H2FL (x3) DE DRV8 (x2) (Cont'd) //3797	CW	(JPL)
M89	4672	3-2-2014	1529	Mon	V S2LZ (x3) DE YBA6 (x2) (Cont'd)	CW	(JPL)
M89	4225	3-2-2014	1545	Mon	V 7NPE (x3) DE QV5B (x2) (Cont'd)	CW	(JPL)
M89	3330	3-2-2014	1731	Mon	V 8CPZ (x3) DE XW6W (x2) (Cont'd)	CW	(JPL)
M89	3642	3-2-2014	1732	Mon	V DKG6 (x3) DE 3A7D (x2) (Cont'd) //7602	CW	(JPL)
M89	5657	3-2-2014	1735	Mon	V GKLO (x3) DE TYUI (x2) (Cont'd)	CW	(JPL)
M89	4225	3-2-2014	1750	Mon	V 7NPE (x3) DE QV5B (x2) (Cont'd)	CW	(JPL)
M89	3797	3-2-2014	1751	Mon	V H2FL (x3) DE DRV8 (x2) (Cont'd) //4512	CW	(JPL)
M89	4512	3-2-2014	1751	Mon	V H2FL (x3) DE DRV8 (x2) (Cont'd) //3797	CW	(JPL)
M89	4672	3-2-2014	1752	Mon	V S2LZ (x3) DE YBA6 (x2) (Cont'd)	CW	(JPL)
M89	4444	3-2-2014	1753	Mon	In tfc: R RPT RPT K. AGN (Both stations on this frequency) HR MSG GA K (see N&O 197)	CW	(JPL)
M89	4860	3-2-2014	1820	Mon	VVV (x3) Q2M (x3) DE NYZ (x2) (R5) QSA? K //6840	CW	(JPL)
M89	6840	3-2-2014	1820	Mon	VVV (x3) Q2M (x3) DE NYZ (x2) (R5) QSA? K //4860	CW	(JPL)
M89	3642	3-2-2014	2230	Mon	V DKG6 (x3) DE 3A7D (x2) (Cont'd) //7602	CW	(JPL)
M89	16720	4-2-2014	0755	Tue	V EI0B EI0B EI0B DE JHG2 JHG2	CW	(Avare)
M89	16720	4-2-2014	0902	Tue	V EI0B (x3) DE JHG2 (x2) (Cont'd)	CW	(JPL)
M89	5801	4-2-2014	0918	Tue	V DKG6 (x3) DE 3A7D (x2) (Cont'd) //10180	CW	(JPL)
M89	10180	4-2-2014	0918	Tue	V DKG6 (x3) DE 3A7D (x2) (Cont'd) //5801	CW	(JPL)
M89	8072	4-2-2014	0919	Tue	V GKLO (x3) DE TYUI (x2) (Cont'd) //10421	CW	(JPL)
M89	10421	4-2-2014	0919	Tue	V GKLO (x3) DE TYUI (x2) (Cont'd) //8072	CW	(JPL)
M89	9053	4-2-2014	0928	Tue	In tfc: 4D63 DUT6 (Cont'd) AR R AGN K (See N&O 197)	CW	(JPL)
M89	5588	4-2-2014	0941	Tue	V 8CPZ (x3) DE XW6W (x2) (Cont'd)	CW	(JPL)
M89	16720	4-2-2014	1114	Tue	V EI0B (x3) DE JHG2 (x2) (Cont'd)	CW	(JPL)
M89	3820	4-2-2014	1117	Tue	V GKLO (x3) DE TYUI (x2) (Cont'd) //5657	CW	(JPL)
M89	5657	4-2-2014	1117	Tue	V GKLO (x3) DE TYUI (x2) (Cont'd) //3820	CW	(JPL)
M89	4225	4-2-2014	1119	Tue	V 7NPE (x3) DE QV5B (x2) (Cont'd) //5500	CW	(JPL)
M89	5500	4-2-2014	1119	Tue	V 7NPE (x3) DE QV5B (x2) (Cont'd) //4225	CW	(JPL)
M89	4860	4-2-2014	1120	Tue	VVV (x3) Q2M (x3) DE NYZ (x2) (R5) QSA? K //6840	CW	(JPL)
M89	6840	4-2-2014	1120	Tue	VVV (x3) Q2M (x3) DE NYZ (x2) (R5) QSA? K //4860	CW	(JPL)
M89	4672	4-2-2014	1125	Tue	In tfc: UDTU 4767 T4D3 A7TU 66T3 (see N&O 197)	CW	(JPL)
M89	3797	4-2-2014	1151	Tue	V H2FL (x3) DE DRV8 (x2) (Cont'd) //4512	CW	(JPL)
M89	4512	4-2-2014	1151	Tue	V H2FL (x3) DE DRV8 (x2) (Cont'd) //3797	CW	(JPL)

enigma	frequency	date	UTC	day	remarks	mode	contributor
M89	3330	4-2-2014	1448	Tue	V 8CPZ (x3) DE XW6W (x2) (Cont'd)	CW	(JPL)
M89	3820	4-2-2014	1452	Tue	V GKLO (x3) DE TYUI (x2) (Cont'd) //5657	CW	(JPL)
M89	5657	4-2-2014	1452	Tue	V GKLO (x3) DE TYUI (x2) (Cont'd) //3802	CW	(JPL)
M89	4225	4-2-2014	1454	Tue	V 7NPE (x3) DE QV5B (x2) (Cont'd) //5500	CW	(JPL)
M89	5500	4-2-2014	1454	Tue	V 7NPE (x3) DE QV5B (x2) (Cont'd) //4225	CW	(JPL)
M89	3642	4-2-2014	1502	Tue	V DKG6 (x3) DE 3A7D (x2) (Cont'd) //7602	CW	(JPL)
M89	7602	4-2-2014	1502	Tue	V DKG6 (x3) DE 3A7D (x2) (Cont'd) //3642	CW	(JPL)
M89	4672	4-2-2014	1701	Tue	V S2LZ (x3) DE YBA6 (x2) (Cont'd)	CW	(JPL)
M89	5657	4-2-2014	1735	Tue	V GKLO GKLO GKLO DE TYUI TYUI	CW	(PPA)
M89	7602	4-2-2014	1940	Tue	v DKG6 DKG6 DKG6 de 3A7D 3A7D	CW	(FN)
M89	16720	5-2-2014	0252	Wed	V EI0B (x3) DE JHG2 (x2) (Cont'd)	CW	(JPL)
M89	7582	5-2-2014	0257	Wed	V 7NPE (x3) DE QV5B (x2) (Cont'd) //8110	CW	(JPL)
M89	8110	5-2-2014	0257	Wed	V 7NPE (x3) DE QV5B (x2) (Cont'd) //7582	CW	(JPL)
M89	5801	5-2-2014	0340	Wed	V DKG6 (x3) DE 3A7D (x2) (Cont'd) //10180	CW	(JPL)
M89	10180	5-2-2014	0340	Wed	V DKG6 (x3) DE 3A7D (x2) (Cont'd) //5801	CW	(JPL)
M89	8072	5-2-2014	0345	Wed	V GKLO (x3) DE TYUI (x2) (Cont'd)	CW	(JPL)
M89	5588	5-2-2014	1100	Wed	V 8CPZ (x3) DE XW6W (x2) (Cont'd)	CW	(JPL)
M89	16720	5-2-2014	1101	Wed	V EI0B (x3) DE JHG2 (x2) (Cont'd)	CW	(JPL)
M89	3820	5-2-2014	1104	Wed	V GKLO (x3) DE TYUI (x2) (Cont'd) //5657	CW	(JPL)
M89	5657	5-2-2014	1104	Wed	V GKLO (x3) DE TYUI (x2) (Cont'd) //3820	CW	(JPL)
M89	8072	5-2-2014	1104	Wed	V GKLO (x3) DE TYUI (x2) (Cont'd)	CW	(JPL)
M89	3797	5-2-2014	1106	Wed	V H2FL (x3) DE DRV8 (x2) (Cont'd) //4512	CW	(JPL)
M89	4512	5-2-2014	1106	Wed	V H2FL (x3) DE DRV8 (x2) (Cont'd) //3797	CW	(JPL)
M89	4225	5-2-2014	1108	Wed	V 7NPE (x3) DE QV5B (x2) (Cont'd) //5500	CW	(JPL)
M89	5500	5-2-2014	1108	Wed	V 7NPE (x3) DE QV5B (x2) (Cont'd) //4225	CW	(JPL)
M89	7788	5-2-2014	1112	Wed	In tfc: NSR GA K. NAGN K (Both stations on this frequency) (See N&O 197)	CW	(JPL)
M89	6840	5-2-2014	1624	Wed	i.p....Q2M Q2M de NYZ NYZ QSA? k	CW	(FN)
M89	5657	5-2-2014	1639	Wed	v GKLO GKLO GKLO de TYUI TYUI	CW	(FN)
M89	3820	5-2-2014	1858	Wed	V GKLO (x3) DE TYUI (x2) (Cont'd) //5657	CW	(JPL)
M89	5657	5-2-2014	1858	Wed	V GKLO (x3) DE TYUI (x2) (Cont'd) //3820	CW	(JPL)
M89	3642	5-2-2014	1902	Wed	V DKG6 (x3) DE 3A7D (x2) (Cont'd)	CW	(JPL)
M89	4132	5-2-2014	1905	Wed	V JKDJ (x3) DE SLBC (x2) (Cont'd) //4886	CW	(JPL)
M89	4886	5-2-2014	1905	Wed	V JKDJ (x3) DE SLBC (x2) (Cont'd) //4132	CW	(JPL)
M89	4123	5-2-2014	1906	Wed	In tfc: D7N3 3..N DT.. 466N (Cont'd) AR QSL? K QSL 0.... R GA K R NR RMKS .438 TO .91... = =	CW	(JPL)
M89	5165	5-2-2014	2020	Wed	V QHV8 QHV8 QHV8 de 8QPP 8QPP	CW	(FN)
M89	3820	5-2-2014	2137	Thu	V GKLO GKLO GKLO DE TYUI TYUI	CW	(VL)
M89	4512	5-2-2014	2144	Thu	V H2FL H2FL H2FL DE DRV8 DRV8	CW	(VL)
M89	3820	5-2-2014	2214	Wed	V GKLO (x3) DE TYUI (x2) (Cont'd) //5657	CW	(JPL)
M89	5657	5-2-2014	2214	Wed	V GKLO (x3) DE TYUI (x2) (Cont'd) //3820	CW	(JPL)
M89	4132	5-2-2014	2216	Wed	V JKDJ (x3) DE SLBC (x2) (Cont'd) //4886	CW	(JPL)
M89	4886	5-2-2014	2216	Wed	V JKDJ (x3) DE SLBC (x2) (Cont'd) //4132	CW	(JPL)
M89	4225	5-2-2014	2219	Wed	V 7NPE (x3) DE QV5B (x2) (Cont'd) //5500	CW	(JPL)
M89	5500	5-2-2014	2219	Wed	V 7NPE (x3) DE QV5B (x2) (Cont'd) //4225	CW	(JPL)
M89	4860	5-2-2014	2220	Wed	VV (x3) Q2M (x3) DE NYZ (x2) (R5) QSA? K //6840	CW	(JPL)
M89	6840	5-2-2014	2220	Wed	VV (x3) Q2M (x3) DE NYZ (x2) (R5) QSA? K //4860	CW	(JPL)
M89	4225	6-2-2014	1119	Thu	V 7NPE (x3) DE QV5B (x2) (Cont'd) //5500	CW	(JPL)
M89	5500	6-2-2014	1119	Thu	V 7NPE (x3) DE QV5B (x2) (Cont'd) //4225	CW	(JPL)
M89	4132	6-2-2014	1144	Thu	V JKDJ (x3) DE SLBC (x2) (Cont'd) //4886	CW	(JPL)
M89	4886	6-2-2014	1144	Thu	V JKDJ (x3) DE SLBC (x2) (Cont'd) //4132	CW	(JPL)
M89	4512	6-2-2014	1157	Thu	V H2FL (x3) DE DRV8 (x2) (Cont'd)	CW	(JPL)
M89	3820	6-2-2014	1330	Thu	V GKLO (x3) DE TYUI (x2) (Cont'd) //5657	CW	(JPL)
M89	5657	6-2-2014	1330	Thu	V GKLO (x3) DE TYUI (x2) (Cont'd) //3820	CW	(JPL)
M89	3642	6-2-2014	1334	Thu	V DKG6 (x3) DE 3A7D (x2) (Cont'd) //7602	CW	(JPL)
M89	7602	6-2-2014	1334	Thu	V DKG6 (x3) DE 3A7D (x2) (Cont'd) //3642	CW	(JPL)
M89	5588	6-2-2014	1914	Thu	V 8CPZ (x3) DE XW6W (x2) (Cont'd)	CW	(JPL)
M89	3642	6-2-2014	1916	Thu	V DKG6 (x3) DE 3A7D (x2) (Cont'd) //7602	CW	(JPL)
M89	4225	6-2-2014	1916	Thu	V 7NPE (x3) DE QV5B (x2) (Cont'd) //5500	CW	(JPL)
M89	5500	6-2-2014	1916	Thu	V 7NPE (x3) DE QV5B (x2) (Cont'd) //4225	CW	(JPL)
M89	7602	6-2-2014	1916	Thu	V DKG6 (x3) DE 3A7D (x2) (Cont'd) //3642	CW	(JPL)
M89	3820	6-2-2014	1919	Thu	V GKLO (x3) DE TYUI (x2) (Cont'd) //5657	CW	(JPL)

enigma	frequency	date	UTC	day	remarks	mode	contributor
M89	5657	6-2-2014	1919	Thu	V GKLO (x3) DE TYUI (x2) (Cont'd) //3820	CW	(JPL)
M89	4860	6-2-2014	1920	Thu	VVV (x3) Q2M (x3) DE NYZ (x2) (R5) QSA? K //6840	CW	(JPL)
M89	6840	6-2-2014	1920	Thu	VVV (x3) Q2M (x3) DE NYZ (x2) (R5) QSA? K //4860	CW	(JPL)
M89	3797	6-2-2014	1929	Thu	V H2FL (x3) DE DRV8 (x2) (Cont'd) //4512	CW	(JPL)
M89	4512	6-2-2014	1929	Thu	V H2FL (x3) DE DRV8 (x2) (Cont'd) //3797	CW	(JPL)
M89	4132	6-2-2014	1931	Thu	V JKDJ (x3) DE SLBC (x2) (Cont'd) //4886	CW	(JPL)
M89	4886	6-2-2014	1931	Thu	V JKDJ (x3) DE SLBC (x2) (Cont'd) //4132	CW	(JPL)
M89	3642	7-2-2014	0012	Fri	V DKG6 (x3) DE 3A7D (x2) (Cont'd)	CW	(JPL)
M89	4860	7-2-2014	0020	Fri	VVV (x3) Q2M (x3) DE NYZ (x2) (R5) QSA? K //6840	CW	(JPL)
M89	6840	7-2-2014	0020	Fri	VVV (x3) Q2M (x3) DE NYZ (x2) (R5) QSA? K //4860	CW	(JPL)
M89	8072	7-2-2014	0026	Fri	V GKLO (x3) DE TYUI (x2) (Cont'd) //5657	CW	(JPL)
M89	6666	7-2-2014	0032	Fri	In tfc: 6T6N AU6T N7NU 6DU7 NT4T U53A (see N&O 197)	CW	(JPL)
M89	5801	7-2-2014	0231	Fri	V DKG6 (x3) DE 3A7D (x2) (Cont'd) //10180	CW	(JPL)
M89	10180	7-2-2014	0231	Fri	In tfc: 0207 1030 RMKS 3528 TO 3408 = COMM/1100/XZ816/69/3528/3408 AR QSL ? HR WR NR 21 (see N&O 197)	CW	(JPL)
M89	6602	7-2-2014	0248	Fri	In tfc: TA3U 5D6T 47NU 3N4T 7AU6 (see N&O 197)	CW	(JPL)
M89	7788	7-2-2014	0306	Fri	In tfc: NR .. CK 105 69 0207 0930 K. R GA K. R = (see N&O 197)	CW	(JPL)
M89	16720	7-2-2014	0858	Fri	V EI0B (x3) DE JHG2 (x2) (Cont'd)	CW	(JPL)
M89	5801	7-2-2014	0901	Fri	V DKG6 (x3) DE 3A7D (x2) (Cont'd) //10180	CW	(JPL)
M89	10180	7-2-2014	0901	Fri	V DKG6 (x3) DE 3A7D (x2) (Cont'd) //5801	CW	(JPL)
M89	8072	7-2-2014	0939	Fri	V GKLO (x3) DE TYUI (x2) (Cont'd) //5657	CW	(JPL)
M89	9081	7-2-2014	0942	Fri	In tfc: AR = RPT ..W K. Both stations on this frequency (see N&O 197)	CW	(JPL)
M89	5588	7-2-2014	1001	Fri	V MW3D (x3) DE 2SLC (x2) (Cont'd)	CW	(JPL)
M89	3820	7-2-2014	1336	Fri	V GKLO (x3) DE TYUI (x2) (Cont'd) //5657	CW	(JPL)
M89	5657	7-2-2014	1336	Fri	V GKLO (x3) DE TYUI (x2) (Cont'd) //3820	CW	(JPL)
M89	3330	7-2-2014	1902	Fri	V MW3D (x3) DE 2SLC (x2) (Cont'd)	CW	(JPL)
M89	3820	7-2-2014	1905	Fri	V GKLO (x3) DE TYUI (x2) (Cont'd) //5657	CW	(JPL)
M89	5657	7-2-2014	1905	Fri	V GKLO (x3) DE TYUI (x2) (Cont'd) //3820	CW	(JPL)
M89	3797	7-2-2014	1909	Fri	V H2FL (x3) DE DRV8 (x2) (Cont'd) //4512	CW	(JPL)
M89	4512	7-2-2014	1909	Fri	V H2FL (x3) DE DRV8 (x2) (Cont'd) //3797	CW	(JPL)
M89	7582	7-2-2014	1916	Fri	V 7NPE (x3) DE QV5B (x2) (Cont'd) //8110	CW	(JPL)
M89	8110	7-2-2014	1916	Fri	V 7NPE (x3) DE QV5B (x2) (Cont'd) //7582	CW	(JPL)
M89	5801	8-2-2014	0945	Sat	V DKG6 (x3) DE 3A7D (x2) (Cont'd) //10180	CW	(JPL)
M89	10180	8-2-2014	0945	Sat	V DKG6 (x3) DE 3A7D (x2) (Cont'd) //5801	CW	(JPL)
M89	8072	8-2-2014	1001	Sat	V GKLO (x3) DE TYUI (x2) (Cont'd) //1042	CW	(JPL)
M89	10421	8-2-2014	1001	Sat	V GKLO (x3) DE TYUI (x2) (Cont'd) //8072	CW	(JPL)
M89	9383	8-2-2014	1005	Sat	V JKDJ (x3) DE SLBC (x2) (Cont'd)	CW	(JPL)
M89	6794	8-2-2014	1018	Sat	In tfc: AUDT A347 745. (Cont'd) AR QSL K. QSA 2 QSA? (see N&O 197)	CW	(JPL)
M89	6636	8-2-2014	1028	Sat	In tfc: 6U3D 4T5A 3A4N 7U5T 6D3T (Cont'd)	CW	(JPL)
M89	5588	8-2-2014	1038	Sat	In tfc: 4D53 7NA7 53A. T74T MSG 031 CK 301 34 0208 173. = 47T4 T..5NTUN A.... (Cont'd)	CW	(JPL)
M89	3330	8-2-2014	1129	Sat	V MW3D (x3) DE 2SLC (x2) (Cont'd)	CW	(JPL)
M89	10180	8-2-2014	1131	Sat	V DKG6 (x3) DE 3A7D (x2) (Cont'd)	CW	(JPL)
M89	3820	8-2-2014	1133	Sat	V GKLO (x3) DE TYUI (x2) (Cont'd) //5657	CW	(JPL)
M89	5657	8-2-2014	1133	Sat	V GKLO (x3) DE TYUI (x2) (Cont'd) //3820	CW	(JPL)
M89	3797	8-2-2014	1135	Sat	DRV8 into traffic //4512 (JPL) M89 CW : CQ 06 /5169 5189 5599 5529 CW MSG NR 01 CK 999 67 0208 1937 (see N&O 197)	CW	(JPL)
M89	4512	8-2-2014	1135	Sat	V H2FL (x3) DE DRV8 (x2) (Cont'd) //3797	CW	(JPL)
M89	6666	8-2-2014	1143	Sat	In tfc: III = 3D67 U566 U3TU U57A 7TD4 (Cont'd) III = 3D67 U566 U3TU U57A 7TD4 (see N&O 197)	CW	(JPL)
M89	7777	8-2-2014	1214	Sat	In tfc: 6T7U 374D N57T UT5? U6AD 3AU3 (see N&O 197)	CW	(JPL)
M89	8072	9-2-2014	0907	Sun	V GKLO (x3) DE TYUI (x2) (Cont'd)	CW	(JPL)
M89	8040	9-2-2014	0909	Sun	V H2FL (x3) DE DRV8 (x2) (Cont'd)	CW	(JPL)
M89	5588	9-2-2014	0911	Sun	V MW3D (x3) DE 2SLC (x2) (Cont'd)	CW	(JPL)
M89	3642	9-2-2014	0915	Sun	V DKG6 (x3) DE 3A7D (x2) (Cont'd) //7602	CW	(JPL)
M89	5801	9-2-2014	0915	Sun	V DKG6 (x3) DE 3A7D (x2) (Cont'd) //10180	CW	(JPL)
M89	7602	9-2-2014	0915	Sun	V DKG6 (x3) DE 3A7D (x2) (Cont'd) //3820	CW	(JPL)
M89	10180	9-2-2014	0915	Sun	V DKG6 (x3) DE 3A7D (x2) (Cont'd) //5801	CW	(JPL)
M89	3330	9-2-2014	1307	Sun	V MW3D (x3) DE 2SLC (x2) (Cont'd)	CW	(JPL)
M89	3797	9-2-2014	1309	Sun	V H2FL (x3) DE DRV8 (x2) (Cont'd) //4512	CW	(JPL)
M89	4512	9-2-2014	1309	Sun	V H2FL (x3) DE DRV8 (x2) (Cont'd) //3797	CW	(JPL)
M89	3820	9-2-2014	1311	Sun	V GKLO (x3) DE TYUI (x2) (Cont'd) //5657	CW	(JPL)

enigma	frequency	date	UTC	day	remarks	mode	contributor
M89	5657	9-2-2014	1311	Sun	TYUI msg //3820 (JPL) M89 CW : HR SVC NR 036 215 RMKS 7583 to 7942/7593 = (see N&O 197)	CW	(JPL)
M89	4860	9-2-2014	1320	Sun	VVV (x3) Q2M (x3) DE NYZ (x2) (R5) QSA? K //6840	CW	(JPL)
M89	6840	9-2-2014	1320	Sun	VVV (x3) Q2M (x3) DE NYZ (x2) (R5) QSA? K //4860	CW	(JPL)
M89	4886	9-2-2014	1349	Sun	V JKDJ (x3) DE SLBC (x2) (Cont'd)	CW	(JPL)
M89	5111	9-2-2014	1350	Sun	In chat: 05 05 05 = AU34 567D ND. = D = = DB7RU 45OTDOSB18P QC. BA.. ? J1M4 V MSVVV UCL.	CW	(JPL)
M89	4132	9-2-2014	1417	Sun	V JKDJ (x3) DE SLBC (x2) (Cont'd) //4886	CW	(JPL)
M89	4886	9-2-2014	1417	Sun	V JKDJ (x3) DE SLBC (x2) (Cont'd) //4132	CW	(JPL)
M89	5166	9-2-2014	1421	Sun	In tfc: N4A4 4556 UD74 AN3T UDT6 N6T3 (see N&O 197)	CW	(JPL)
M89	4225	9-2-2014	1754	Sun	V 7NPE (x3) DE QV5B (x2) (Cont'd) //5500	CW	(JPL)
M89	5500	9-2-2014	1754	Sun	V 7NPE (x3) DE QV5B (x2) (Cont'd) //4225	CW	(JPL)
M89	3820	9-2-2014	1756	Sun	V GKLO (x3) DE TYUI (x2) (Cont'd) //5657	CW	(JPL)
M89	5657	9-2-2014	1756	Sun	V GKLO (x3) DE TYUI (x2) (Cont'd) //3820	CW	(JPL)
M89	3330	9-2-2014	1758	Sun	V MW3D (x3) DE 2SLC (x2) (Cont'd)	CW	(JPL)
M89	3797	9-2-2014	1759	Sun	V H2FL (x3) DE DRV8 (x2) (Cont'd) //4512	CW	(JPL)
M89	4512	9-2-2014	1759	Sun	V H2FL (x3) DE DRV8 (x2) (Cont'd) //3797	CW	(JPL)
M89	4709	9-2-2014	1805	Sun	In chat: NR 0971/EX 0208 K K. OK U GA K K. NR NR = AGN AGN K AGN AGN (see N&O 197)	CW	(JPL)
M89	4132	9-2-2014	1830	Sun	V JKDJ (x3) DE SLBC (x2) (Cont'd) //4886	CW	(JPL)
M89	4886	9-2-2014	1830	Sun	V JKDJ (x3) DE SLBC (x2) (Cont'd) //4132	CW	(JPL)
M89	3642	9-2-2014	2052	Sun	V DKG6 (x3) DE 3A7D (x2) (Cont'd)	CW	(JPL)
M89	3797	9-2-2014	2054	Sun	V H2FL (x3) DE DRV8 (x2) (Cont'd) //4512	CW	(JPL)
M89	4512	9-2-2014	2054	Sun	V H2FL (x3) DE DRV8 (x2) (Cont'd) //3797	CW	(JPL)
M89	3820	9-2-2014	2056	Sun	V GKLO (x3) DE TYUI (x2) (Cont'd) //5657	CW	(JPL)
M89	5657	9-2-2014	2056	Sun	V GKLO (x3) DE TYUI (x2) (Cont'd) //3820	CW	(JPL)
M89	4132	9-2-2014	2100	Sun	V JKDJ (x3) DE SLBC (x2) (Cont'd)	CW	(JPL)
M89	4773	9-2-2014	2103	Sun	In chat: DE .PN9 K. R QSA 2 QSA? K. R HR F GA K (see N&O 197)	CW	(JPL)
M89	8072	9-2-2014	2327	Sun	V GKLO (x3) DE TYUI (x2) (Cont'd) //10421	CW	(JPL)
M89	10421	9-2-2014	2327	Sun	V GKLO (x3) DE TYUI (x2) (Cont'd) //8072	CW	(JPL)
M89	4132	9-2-2014	2330	Sun	V JKDJ (x3) DE SLBC (x2) (Cont'd) //4886	CW	(JPL)
M89	4886	9-2-2014	2330	Sun	V JKDJ (x3) DE SLBC (x2) (Cont'd) //4132	CW	(JPL)
M89	5588	9-2-2014	2332	Sun	V MW3D (x3) DE 2SLC (x2) (Cont'd)	CW	(JPL)
M89	3642	9-2-2014	2338	Sun	V DKG6 (x3) DE 3A7D (x2) (Cont'd) //5230	CW	(JPL)
M89	5230	9-2-2014	2338	Sun	V DKG6 (x3) DE 3A7D (x2) (Cont'd) //3642	CW	(JPL)
M89	6773	9-2-2014	2341	Sun	V H2FL (x3) DE DRV8 (x2) (Cont'd) //8040	CW	(JPL)
M89	8040	9-2-2014	2341	Sun	V H2FL (x3) DE DRV8 (x2) (Cont'd) //6773	CW	(JPL)
M89	5555	10-2-2014	0909	Mon	In chat: 05 05 05 U MSG GA K. N AGN K. UVV TPA2 TPA2 DE VIB VBHS K (see N&O 197)	CW	(JPL)
M89	6841	10-2-2014	0920	Mon	VVV (x3) Q2M (x3) DE NYZ (x2) (R5) QSA? K //10640. Note: On 6841 vice the usual 6840	CW	(JPL)
M89	10640	10-2-2014	0920	Mon	VVV (x3) Q2M (x3) DE NYZ (x2) (R5) QSA? K //6841	CW	(JPL)
M89	5588	10-2-2014	0927	Mon	V MW3D (x3) DE 2SLC (x2) (Cont'd)	CW	(JPL)
M89	8072	10-2-2014	0929	Mon	V GKLO (x3) DE TYUI (x2) (Cont'd) //10421	CW	(JPL)
M89	10421	10-2-2014	0929	Mon	V GKLO (x3) DE TYUI (x2) (Cont'd) //8072	CW	(JPL)
M89	7582	10-2-2014	0932	Mon	V 7NPE (x3) DE QV5B (x2) (Cont'd) //8110	CW	(JPL)
M89	8110	10-2-2014	0932	Mon	V 7NPE (x3) DE QV5B (x2) (Cont'd) //7582	CW	(JPL)
M89	7777	10-2-2014	0935	Mon	In tfc: TN5A 5D6A 4D 5EEE R. 6 EEE R = = R R R = = NA6.. EEEE TEE.. R = U	CW	(JPL)
M89	8888	10-2-2014	0942	Mon	(In tfc: 6374 DA64 AU3N 76D6 35DN (see N&O 197)	CW	(JPL)
M89	5801	10-2-2014	1004	Mon	V DKG6 (x3) DE 3A7D (x2) (Cont'd) //10180	CW	(JPL)
M89	10180	10-2-2014	1004	Mon	V DKG6 (x3) DE 3A7D (x2) (Cont'd) //5801	CW	(JPL)
M89	6822	10-2-2014	1008	Mon	In tfc: A345 67DN 3TAU 45.. (see N&O 197)	CW	(JPL)
M89	9383	10-2-2014	1029	Mon	V JKDJ (x3) DE SLBC (x2) (Cont'd)	CW	(JPL)
M89	3797	10-2-2014	1035	Mon	V H2FL (x3) DE DRV8 (x2) (Cont'd) //4512	CW	(JPL)
M89	4512	10-2-2014	1035	Mon	V H2FL (x3) DE DRV8 (x2) (Cont'd) //3797	CW	(JPL)
M89	4225	10-2-2014	1036	Mon	V 7NPE (x3) DE QV5B (x2) (Cont'd) //5500	CW	(JPL)
M89	5500	10-2-2014	1036	Mon	V 7NPE (x3) DE QV5B (x2) (Cont'd) //4225	CW	(JPL)
M89	5801	10-2-2014	1406	Mon	V DKG6 (x3) DE 3A7D (x2) (Cont'd) //10180	CW	(JPL)
M89	10180	10-2-2014	1406	Mon	V DKG6 (x3) DE 3A7D (x2) (Cont'd) //5801	CW	(JPL)
M89	3820	10-2-2014	1407	Mon	V GKLO (x3) DE TYUI (x2) (Cont'd) //5657	CW	(JPL)
M89	5657	10-2-2014	1407	Mon	V GKLO (x3) DE TYUI (x2) (Cont'd) //3820	CW	(JPL)
M89	5656	10-2-2014	1408	Mon	In tfc: NR 3550/EX 2200 RMKS MCQ K K (see N&O 197)	CW	(JPL)

enigma	frequency	date	UTC	day	remarks	mode	contributor
M89	9383	10-2-2014	1431	Mon	V JKDJ (x3) DE SLBC (x2) (Cont'd)	CW	(JPL)
M89	4132	10-2-2014	1723	Mon	V JKDJ (x3) DE SLBC (x2) (Cont'd)	CW	(JPL)
M89	3797	10-2-2014	1724	Mon	V H2FL (x3) DE DRV8 (x2) (Cont'd) //4512	CW	(JPL)
M89	4512	10-2-2014	1724	Mon	V H2FL (x3) DE DRV8 (x2) (Cont'd) //3797	CW	(JPL)
M89	3820	10-2-2014	1726	Mon	V GKLO (x3) DE TYUI (x2) (Cont'd) //5657	CW	(JPL)
M89	5657	10-2-2014	1726	Mon	V GKLO (x3) DE TYUI (x2) (Cont'd) //3820	CW	(JPL)
M89	4635	10-2-2014	1733	Mon	In chat: R BOZ TO U PS. K R (gone to voice briefly after which some sort of data/digital mode came up on frequency)	CW	(JPL)
M89	3642	10-2-2014	1742	Mon	V DKG6 (x3) DE 3A7D (x2) (Cont'd) //7602	CW	(JPL)
M89	7602	10-2-2014	1742	Mon	V DKG6 (x3) DE 3A7D (x2) (Cont'd) //3642	CW	(JPL)
M89	3330	10-2-2014	1744	Mon	V MW3D (x3) DE 2SLC (x2) (Cont'd)	CW	(JPL)
M89	7582	11-2-2014	0239	Tue	V 7NPE (x3) DE QV5B (x2) (Cont'd)	CW	(JPL)
M89	9383	11-2-2014	0246	Tue	V JKDJ (x3) DE SLBC (x2) (Cont'd)	CW	(JPL)
M89	5801	11-2-2014	0309	Tue	V DKG6 (x3) DE 3A7D (x2) (Cont'd) //10180	CW	(JPL)
M89	10180	11-2-2014	0309	Tue	V DKG6 (x3) DE 3A7D (x2) (Cont'd) //5801	CW	(JPL)
M89	7778	11-2-2014	0314	Tue	In tfc: NRPT2 EEE RRPT 30W K. NPT 30W = = D5T4 D5T4 AR K (see N&O 197)	CW	(JPL)
M89	8072	11-2-2014	0924	Tue	V GKLO (x3) DE TYUI (x2) (Cont'd)	CW	(JPL)
M89	7582	11-2-2014	0926	Tue	V 7NPE (x3) DE QV5B (x2) (Cont'd)	CW	(JPL)
M89	8040	11-2-2014	0928	Tue	V H2FL (x3) DE DRV8 (x2) (Cont'd)	CW	(JPL)
M89	10180	11-2-2014	0934	Tue	V DKG6 (x3) DE 3A7D (x2) (Cont'd)	CW	(JPL)
M89	5801	11-2-2014	1031	Tue	V DKG6 (x3) DE 3A7D (x2) (Cont'd) //10180	CW	(JPL)
M89	10180	11-2-2014	1031	Tue	V DKG6 (x3) DE 3A7D (x2) (Cont'd) //5801	CW	(JPL)
M89	5588	11-2-2014	1035	Tue	V MW3D (x3) DE 2SLC (x2) (Cont'd)	CW	(JPL)
M89	3797	11-2-2014	1036	Tue	V H2FL (x3) DE DRV8 (x2) (Cont'd) //4512	CW	(JPL)
M89	4512	11-2-2014	1036	Tue	V H2FL (x3) DE DRV8 (x2) (Cont'd) //3797	CW	(JPL)
M89	3330	11-2-2014	1326	Tue	V MW3D (x3) DE 2SLC (x2) (Cont'd)	CW	(JPL)
M89	3820	11-2-2014	1328	Tue	V GKLO (x3) DE TYUI (x2) (Cont'd) //5657	CW	(JPL)
M89	5657	11-2-2014	1328	Tue	V GKLO (x3) DE TYUI (x2) (Cont'd) //3820	CW	(JPL)
M89	4225	11-2-2014	1331	Tue	V 7NPE (x3) DE QV5B (x2) (Cont'd) //5500	CW	(JPL)
M89	5500	11-2-2014	1331	Tue	V 7NPE (x3) DE QV5B (x2) (Cont'd) //4225	CW	(JPL)
M89	3642	11-2-2014	1338	Tue	V DKG6 (x3) DE 3A7D (x2) (Cont'd) //5230	CW	(JPL)
M89	5230	11-2-2014	1338	Tue	V DKG6 (x3) DE 3A7D (x2) (Cont'd) //3642	CW	(JPL)
M89	5177	11-2-2014	1345	Tue	V JKDJ (x3) DE SLBC (x2) (Cont'd)	CW	(JPL)
M89	5657	11-2-2014	1346	Tue	NR 2... RMKS 7583 TO 7783 / 7593 = SVC QRW 7593 .. R187783 22.. COMM 7583 AR (see N&O 197)	CW	(JPL)
M89	6212	11-2-2014	1355	Tue	In tfc: 576U .U6T 7N5D UATU N6T5 (Cont'd) III = V 73D. N? DNT4 U5TA (Cont'd)	CW	(JPL)
M89	5177	11-2-2014	1649	Tue	V JKDJ (x3) DE SLBC (x2) (Cont'd)	CW	(JPL)
M89	5230	11-2-2014	1650	Tue	V DKG6 (x3) DE 3A7D (x2) (Cont'd)	CW	(JPL)
M89	3820	11-2-2014	1653	Tue	V GKLO (x3) DE TYUI (x2) (Cont'd) //5657	CW	(JPL)
M89	5657	11-2-2014	1653	Tue	V GKLO (x3) DE TYUI (x2) (Cont'd) //3820	CW	(JPL)
M89	10421	12-2-2014	0233	Wed	V GKLO (x3) DE TYUI (x2) (Cont'd)	CW	(JPL)
M89	7582	12-2-2014	0235	Wed	V 7NPE (x3) DE QV5B (x2) (Cont'd) //8110	CW	(JPL)
M89	8110	12-2-2014	0235	Wed	V 7NPE (x3) DE QV5B (x2) (Cont'd) //7582	CW	(JPL)
M89	8888	12-2-2014	0239	Wed	In tfc: NR 003/EX 09	CW	(JPL)
M89	16720	12-2-2014	0245	Wed	V EI0B (x3) DE JHG2 (x2) (Cont'd)	CW	(JPL)
M89	5801	12-2-2014	0255	Wed	V DKG6 (x3) DE 3A7D (x2) (Cont'd) //10180	CW	(JPL)
M89	10180	12-2-2014	0255	Wed	V DKG6 (x3) DE 3A7D (x2) (Cont'd) //5801	CW	(JPL)
M89	6216	12-2-2014	0302	Wed	In tfc: CCK CK 199 3. NR 022/CCK CK 199 45 021. 1100 (see N&O 197)	CW	(JPL)
M89	8072	12-2-2014	0832	Wed	V GKLO (x3) DE TYUI (x2) (Cont'd) //10421	CW	(JPL)
M89	10421	12-2-2014	0832	Wed	V GKLO (x3) DE TYUI (x2) (Cont'd) //8072	CW	(JPL)
M89	7777	12-2-2014	0835	Wed	In tfc: 5AT3 A375? A37. A3ND ND75 UA34 (see N&O 197)	CW	(JPL)
M89	7582	12-2-2014	0850	Wed	V 7NPE (x3) DE QV5B (x2) (Cont'd) //8110	CW	(JPL)
M89	8110	12-2-2014	0850	Wed	V 7NPE (x3) DE QV5B (x2) (Cont'd) //7582	CW	(JPL)
M89	6773	12-2-2014	0855	Wed	V H2FL (x3) DE DRV8 (x2) (Cont'd) //8040	CW	(JPL)
M89	8040	12-2-2014	0855	Wed	V H2FL (x3) DE DRV8 (x2) (Cont'd) //6773	CW	(JPL)
M89	6840	12-2-2014	0920	Wed	VVU (x3) Q2M (x3) DE NYZ (x2) (R5) QSA? K //10640	CW	(JPL)
M89	10640	12-2-2014	0920	Wed	VVU (x3) Q2M (x3) DE NYZ (x2) (R5) QSA? K //6840	CW	(JPL)
M89	16720	12-2-2014	1212	Wed	V EI0B (x3) DE JHG2 (x2) (Cont'd)	CW	(JPL)
M89	5801	12-2-2014	1219	Wed	V DKG6 (x3) DE 3A7D (x2) (Cont'd) //10180	CW	(JPL)
M89	10180	12-2-2014	1219	Wed	V DKG6 (x3) DE 3A7D (x2) (Cont'd) //5801	CW	(JPL)

enigma	frequency	date	UTC	day	remarks	mode	contributor
M89	9383	12-2-2014	1222	Wed	V JKDJ (x3) DE SLBC (x2) (Cont'd)	CW	(JPL)
M89	3820	12-2-2014	1228	Wed	V GKLO (x3) DE TYUI (x2) (Cont'd) //5657	CW	(JPL)
M89	5657	12-2-2014	1228	Wed	V GKLO (x3) DE TYUI (x2) (Cont'd) //3820	CW	(JPL)
M89	3330	12-2-2014	1736	Wed	VV CQ 63 RMKS 6380 TO 0924/82.0 UGT COMM TA = (see N&O 197)	CW	(JPL)
M89	3642	12-2-2014	1741	Wed	V DKG6 (x3) DE 3A7D (x2) (Cont'd) //7602	CW	(JPL)
M89	7602	12-2-2014	1741	Wed	V DKG6 (x3) DE 3A7D (x2) (Cont'd) //3642	CW	(JPL)
M89	3797	12-2-2014	1743	Wed	V H2FL (x3) DE DRV8 (x2) (Cont'd) //4512	CW	(JPL)
M89	4512	12-2-2014	1743	Wed	V H2FL (x3) DE DRV8 (x2) (Cont'd) //3797	CW	(JPL)
M89	3820	12-2-2014	1749	Wed	V GKLO (x3) DE TYUI (x2) (Cont'd) //5657	CW	(JPL)
M89	5657	12-2-2014	1749	Wed	V GKLO (x3) DE TYUI (x2) (Cont'd) //3820	CW	(JPL)
M89	7065	12-2-2014	1812	Wed	V Q5U8 (x3) DE 8QPP (x2) (Cont'd)	CW	(JPL)
M89	6840	12-2-2014	1820	Wed	VVV (x3) Q2M (x3) DE NYZ (x2) (R5) QSA? K	CW	(JPL)
M89	7065	13-2-2014	0017	Thu	V Q5U8 (x3) DE 8QPP (x2) (Cont'd)	CW	(JPL)
M89	8072	13-2-2014	0019	Thu	V GKLO (x3) DE TYUI (x2) (Cont'd)	CW	(JPL)
M89	10617	13-2-2014	0021	Thu	In chat: R UGA K. R = = GA GA. OK QSL 0.28 K K. SK GB	CW	(JPL)
M89	8072	13-2-2014	0950	Thu	V GKLO (x3) DE TYUI (x2) (Cont'd)	CW	(JPL)
M89	3330	13-2-2014	0953	Thu	V MW3D (x3) DE 2SLC (x2) (Cont'd)	CW	(JPL)
M89	8101	13-2-2014	1025	Thu	V DKG6 (x3) DE 3A7D (x2) (Cont'd) //10180	CW	(JPL)
M89	10180	13-2-2014	1025	Thu	V DKG6 (x3) DE 3A7D (x2) (Cont'd) //8101	CW	(JPL)
M89	10299	13-2-2014	1026	Thu	In chat: AR K. QSL 1833 K. QSL 1833 K. SK GB	CW	(JPL)
M89	5522	13-2-2014	1046	Thu	In chat: RMKS 872. ... K. RTI EEEE NR ... 1840 K. = = N5.7 D7TU 46.A 4TA5 (Cont'd)	CW	(JPL)
M89	7777	13-2-2014	1050	Thu	In tfc: 3576 3? 530D 76T4 D5A4 DU3N (see N&O 197)	CW	(JPL)
M89	5366	13-2-2014	1053	Thu	V GKLO (x3) DE TYUI (x2) (Cont'd)	CW	(JPL)
M89	3820	13-2-2014	1400	Thu	V GKLO (x3) DE TYUI (x2) (Cont'd) //5657	CW	(JPL)
M89	5657	13-2-2014	1400	Thu	V GKLO (x3) DE TYUI (x2) (Cont'd) //3820	CW	(JPL)
M89	3330	13-2-2014	1406	Thu	V MW3D (x3) DE 2SLC (x2) (Cont'd)	CW	(JPL)
M89	3797	13-2-2014	1407	Thu	V H2FL (x3) DE DRV8 (x2) (Cont'd) //4512	CW	(JPL)
M89	4512	13-2-2014	1407	Thu	V H2FL (x3) DE DRV8 (x2) (Cont'd) //3797	CW	(JPL)
M89	3642	13-2-2014	1418	Thu	V DKG6 (x3) DE 3A7D (x2) (Cont'd) //5230	CW	(JPL)
M89	5230	13-2-2014	1418	Thu	V DKG6 (x3) DE 3A7D (x2) (Cont'd) //3642	CW	(JPL)
M89	6840	13-2-2014	1420	Thu	VVV (x3) Q2M (x3) DE NYZ (x2) (R5) QSA? K	CW	(JPL)
M89	3797	13-2-2014	1425	Thu	V H2FL (x3) DE DRV8 (x2) (Cont'd) //4512	CW	(JPL)
M89	4512	13-2-2014	1425	Thu	V H2FL (x3) DE DRV8 (x2) (Cont'd) //3797	CW	(JPL)
M89	3330	13-2-2014	1830	Thu	V MW3D (x3) DE 2SLC (x2) (Cont'd)	CW	(JPL)
M89	3642	13-2-2014	1832	Thu	V DKG6 (x3) DE 3A7D (x2) (Cont'd) //5230	CW	(JPL)
M89	5230	13-2-2014	1832	Thu	V DKG6 (x3) DE 3A7D (x2) (Cont'd) //3642	CW	(JPL)
M89	3820	13-2-2014	1834	Thu	V GKLO (x3) DE TYUI (x2) (Cont'd) //5657	CW	(JPL)
M89	5657	13-2-2014	1834	Thu	V GKLO (x3) DE TYUI (x2) (Cont'd) //3820	CW	(JPL)
M89	3797	13-2-2014	1835	Thu	V H2FL (x3) DE DRV8 (x2) (Cont'd) //4512	CW	(JPL)
M89	4512	13-2-2014	1835	Thu	V H2FL (x3) DE DRV8 (x2) (Cont'd) //3797	CW	(JPL)
M89	4137	13-2-2014	1843	Thu	In tfc: RMKS 991. 9646 K. OK = = .D55 TUAD 46AD ... (Cont'd)	CW	(JPL)
M89	3642	13-2-2014	2200	Thu	V DKG6 (x3) DE 3A7D (x2) (Cont'd) //5230	CW	(JPL)
M89	5230	13-2-2014	2200	Thu	V DKG6 (x3) DE 3A7D (x2) (Cont'd) //3642	CW	(JPL)
M89	3820	13-2-2014	2202	Thu	V GKLO (x3) DE TYUI (x2) (Cont'd) //5657	CW	(JPL)
M89	5657	13-2-2014	2202	Thu	V GKLO (x3) DE TYUI (x2) (Cont'd) //3820	CW	(JPL)
M89	3797	13-2-2014	2204	Thu	DRV8 in tfc: .../0./1./934/A/.3/31 79/02/.934/A/./31 AR 572./59...02/1./935/934/A/.... AR //4512	CW	(JPL)
M89	4512	13-2-2014	2204	Thu	V H2FL (x3) DE DRV8 (x2) (Cont'd) //3797	CW	(JPL)
M89	10405	14-2-2014	0311	Fri	In chat: 30COMM 4WPR K. R R R HR KPU K R R (see N&O 197)	CW	(JPL)
M89	5801	14-2-2014	0944	Fri	V DKG6 (x3) DE 3A7D (x2) (Cont'd) //10180	CW	(JPL)
M89	10180	14-2-2014	0944	Fri	V DKG6 (x3) DE 3A7D (x2) (Cont'd) //5801	CW	(JPL)
M89	8072	14-2-2014	0949	Fri	V GKLO (x3) DE TYUI (x2) (Cont'd)	CW	(JPL)
M89	5801	14-2-2014	1252	Fri	V DKG6 (x3) DE 3A7D (x2) (Cont'd)	CW	(JPL)
M89	3820	14-2-2014	1254	Fri	V GKLO (x3) DE TYUI (x2) (Cont'd) //5657	CW	(JPL)
M89	5657	14-2-2014	1254	Fri	V GKLO (x3) DE TYUI (x2) (Cont'd) //3820	CW	(JPL)
M89	3797	14-2-2014	1256	Fri	V H2FL (x3) DE DRV8 (x2) (Cont'd) //4512	CW	(JPL)
M89	4512	14-2-2014	1256	Fri	V H2FL (x3) DE DRV8 (x2) (Cont'd) //3797	CW	(JPL)
M89	6666	14-2-2014	1300	Fri	In tfc: 66AU 37T4 56DD 44NT 55TD UU45 U446 44A6 (very long chat. See N&O 197)	CW	(JPL)
M89	3330	14-2-2014	1739	Fri	V MW3D (x3) DE 2SLC (x2) (Cont'd)	CW	(JPL)
M89	3820	14-2-2014	1741	Fri	V GKLO (x3) DE TYUI (x2) (Cont'd) //5657	CW	(JPL)

enigma	frequency	date	UTC	day	remarks	mode	contributor
M89	5657	14-2-2014	1741	Fri	V GKLO (x3) DE TYUI (x2) (Cont'd) //3820	CW	(JPL)
M89	3797	14-2-2014	1742	Fri	V H2FL (x3) DE DRV8 (x2) (Cont'd) //4512	CW	(JPL)
M89	4512	14-2-2014	1742	Fri	V H2FL (x3) DE DRV8 (x2) (Cont'd) //3797	CW	(JPL)
M89	6840	14-2-2014	1920	Fri	VVV (x3) Q2M (x3) DE NYZ (x2) (R5) QSA? K	CW	(JPL)
M89	5657	16-2-2014	1339	Sun	V GKLO (x3) DE TYUI (x2) (Cont'd)	CW	(JPL)
M89	3642	16-2-2014	1341	Sun	V DKG6 (x3) DE 3A7D (x2) (Cont'd) //7602	CW	(JPL)
M89	7602	16-2-2014	1341	Sun	V DKG6 (x3) DE 3A7D (x2) (Cont'd) //3642	CW	(JPL)
M89	3797	16-2-2014	2135	Sun	V H2FL (x3) DE DRV8 (x2) (Cont'd) //4512	CW	(JPL)
M89	4512	16-2-2014	2135	Sun	V H2FL (x3) DE DRV8 (x2) (Cont'd) //3797	CW	(JPL)
M89	3820	16-2-2014	2136	Sun	V GKLO (x3) DE TYUI (x2) (Cont'd) //5657	CW	(JPL)
M89	5657	16-2-2014	2136	Sun	V GKLO (x3) DE TYUI (x2) (Cont'd) //3820	CW	(JPL)
M89	4225	16-2-2014	2138	Sun	V 7NPE (x3) DE QV5B (x2) (Cont'd) //5500	CW	(JPL)
M89	5500	16-2-2014	2138	Sun	V 7NPE (x3) DE QV5B (x2) (Cont'd) //4225	CW	(JPL)
M89	3797	17-2-2014	1138	Mon	V H2FL (x3) DE DRV8 (x2) (Cont'd)	CW	(JPL)
M89	4225	17-2-2014	1140	Mon	V 7NPE (x3) DE QV5B (x2) (Cont'd) //5500	CW	(JPL)
M89	5500	17-2-2014	1140	Mon	V 7NPE (x3) DE QV5B (x2) (Cont'd) //4225	CW	(JPL)
M89	3820	17-2-2014	1142	Mon	V GKLO (x3) DE TYUI (x2) (Cont'd) //5657	CW	(JPL)
M89	5657	17-2-2014	1142	Mon	V GKLO (x3) DE TYUI (x2) (Cont'd) //3820	CW	(JPL)
M89	6666	17-2-2014	1147	Mon	In tfc: 3T45 67DA U43T AD65 7N4A ? 7N4D 6NUT A357 (Cont'd) AR	CW	(JPL)
M89	5821	17-2-2014	1208	Mon	In tfc: NR .. 000 RMKS CQ = ... AR K. NR 1 9 CK 100 46 0217 2..RMKS CQ K = = 4N..	CW	(JPL)
M89	7602	17-2-2014	1434	Mon	V DKG6 (x3) DE 3A7D (x2) (Cont'd)	CW	(JPL)
M89	3820	17-2-2014	1448	Mon	V GKLO (x3) DE TYUI (x2) (Cont'd) //5657	CW	(JPL)
M89	5657	17-2-2014	1448	Mon	V GKLO (x3) DE TYUI (x2) (Cont'd) //3820	CW	(JPL)
M89	3642	17-2-2014	1812	Mon	V DKG6 (x3) DE 3A7D (x2) (Cont'd) //7602	CW	(JPL)
M89	7602	17-2-2014	1812	Mon	V DKG6 (x3) DE 3A7D (x2) (Cont'd) //3642	CW	(JPL)
M89	3820	17-2-2014	1816	Mon	V GKLO (x3) DE TYUI (x2) (Cont'd) //5657	CW	(JPL)
M89	5657	17-2-2014	1816	Mon	V GKLO (x3) DE TYUI (x2) (Cont'd) //3820	CW	(JPL)
M89	4132	17-2-2014	1818	Mon	V JKDJ (x3) DE SLBC (x2) (Cont'd)	CW	(JPL)
M89	7582	18-2-2014	0235	Tue	V 7NPE (x3) DE QV5B (x2) (Cont'd) //8110	CW	(JPL)
M89	8110	18-2-2014	0235	Tue	V 7NPE (x3) DE QV5B (x2) (Cont'd) //7582	CW	(JPL)
M89	10568	18-2-2014	0245	Tue	In tfc: NR 206 99 217 1040 RMKS 2.8 .8 TO 2.832 .. K. = A7D5 . D.. UNDA 35DU U6NT (Cont'd)	CW	(JPL)
M89	10596	18-2-2014	0245	Tue	In tfc: 7n3U 5UN7 NATU ND74 5AUN (Cont'd) AR VV J.RS DE 4KQT K (see N&O 197)	CW	(JPL)
M89	5801	18-2-2014	0258	Tue	V DKG6 (x3) DE 3A7D (x2) (Cont'd) //10180	CW	(JPL)
M89	10180	18-2-2014	0258	Tue	V DKG6 (x3) DE 3A7D (x2) (Cont'd) //5801	CW	(JPL)
M89	3330	18-2-2014	0934	Tue	V MW3D (x3) DE 2SLC (x2) (Cont'd)	CW	(JPL)
M89	5588	18-2-2014	0934	Tue	V MW3D (x3) DE 2SLC (x2) (Cont'd)	CW	(JPL)
M89	8072	18-2-2014	0937	Tue	V GKLO (x3) DE TYUI (x2) (Cont'd)	CW	(JPL)
M89	7582	18-2-2014	0938	Tue	V 7NPE (x3) DE QV5B (x2) (Cont'd) //8110	CW	(JPL)
M89	8110	18-2-2014	0938	Tue	V 7NPE (x3) DE QV5B (x2) (Cont'd) //7582	CW	(JPL)
M89	7065	18-2-2014	0940	Tue	V Q5U8 (x3) DE 8QPP (x2) (Cont'd)	CW	(JPL)
M89	5555	18-2-2014	0942	Tue	In tfc: 220 = III 3094824 FUNA0262/EX 1520 K JOC/G6Z AR K (see N&O 197)	CW	(JPL)
M89	5801	18-2-2014	1017	Tue	V DKG6 (x3) DE 3A7D (x2) (Cont'd) //10180	CW	(JPL)
M89	10180	18-2-2014	1017	Tue	V DKG6 (x3) DE 3A7D (x2) (Cont'd) //5801	CW	(JPL)
M89	6840	18-2-2014	1020	Tue	VVV (x3) Q2M (x3) DE NYZ (x2) (R5) QSA? K //10640	CW	(JPL)
M89	10640	18-2-2014	1020	Tue	VVV (x3) Q2M (x3) DE NYZ (x2) (R5) QSA? K //6840	CW	(JPL)
M89	3797	18-2-2014	1407	Tue	V H2FL (x3) DE DRV8 (x2) (Cont'd) //4512	CW	(JPL)
M89	4512	18-2-2014	1407	Tue	V H2FL (x3) DE DRV8 (x2) (Cont'd) //3797	CW	(JPL)
M89	3802	18-2-2014	1409	Tue	V GKLO (x3) DE TYUI (x2) (Cont'd) //5657	CW	(JPL)
M89	5657	18-2-2014	1409	Tue	V GKLO (x3) DE TYUI (x2) (Cont'd) //3820	CW	(JPL)
M89	4225	18-2-2014	1415	Tue	V 7NPE (x3) DE QV5B (x2) (Cont'd) //5500	CW	(JPL)
M89	5500	18-2-2014	1415	Tue	V 7NPE (x3) DE QV5B (x2) (Cont'd) //4225	CW	(JPL)
M89	4860	18-2-2014	1420	Tue	VVV (x3) Q2M (x3) DE NYZ (x2) (R5) QSA? K //6840	CW	(JPL)
M89	6840	18-2-2014	1420	Tue	VVV (x3) Q2M (x3) DE NYZ (x2) (R5) QSA? K //4860	CW	(JPL)
M89	3330	18-2-2014	1815	Tue	V MW3D (x3) DE 2SLC (x2) (Cont'd)	CW	(JPL)
M89	3642	18-2-2014	1817	Tue	V DKG6 (x3) DE 3A7D (x2) (Cont'd)	CW	(JPL)
M89	3802	18-2-2014	1823	Tue	V GKLO (x3) DE TYUI (x2) (Cont'd) //5657	CW	(JPL)
M89	5657	18-2-2014	1823	Tue	V GKLO (x3) DE TYUI (x2) (Cont'd) //3820	CW	(JPL)
M89	4512	18-2-2014	1827	Tue	V H2FL (x3) DE DRV8 (x2) (Cont'd)	CW	(JPL)

enigma	frequency	date	UTC	day	remarks	mode	contributor
M89	5177	18-2-2014	1830	Tue	V JKDJ (x3) DE SLBC (x2) (Cont'd)	CW	(JPL)
M89	5500	18-2-2014	1950	Tue	V 7NPE 7NPE 7NPE de QV5B QV5B	CW	(FN)
M89	5588	18-2-2014	2332	Tue	V MW3D (x3) DE 2SLC (x2) (Cont'd)	CW	(JPL)
M89	5367	18-2-2014	2333	Tue	V GKLO (x3) DE TYUI (x2) (Cont'd) //8072	CW	(JPL)
M89	8072	18-2-2014	2333	Tue	V GKLO (x3) DE TYUI (x2) (Cont'd) //5367	CW	(JPL)
M89	8110	18-2-2014	2336	Tue	V 7NPE (x3) DE QV5B (x2) (Cont'd)	CW	(JPL)
M89	3642	18-2-2014	2342	Tue	V DKG6 (x3) DE 3A7D (x2) (Cont'd) //7602	CW	(JPL)
M89	7602	18-2-2014	2342	Tue	V DKG6 (x3) DE 3A7D (x2) (Cont'd) //3642	CW	(JPL)
M89	3820	22-2-2014	0819	Sat	V GKLO (x3) DE TYUI (x2) (Cont'd) //5657	CW	(JPL)
M89	5657	22-2-2014	0819	Sat	V GKLO (x3) DE TYUI (x2) (Cont'd) //3820	CW	(JPL)
M89	8072	22-2-2014	0819	Sat	V GKLO (x3) DE TYUI (x2) (Cont'd)	CW	(JPL)
M89	6840	22-2-2014	0820	Sat	VVV (x3) Q2M (x3) DE NYZ (x2) (R5) QSA? K //10640	CW	(JPL)
M89	10640	22-2-2014	0820	Sat	VVV (x3) Q2M (x3) DE NYZ (x2) (R5) QSA? K //6840	CW	(JPL)
M89	5555	22-2-2014	0827	Sat	In chat: R QSL 1628 K. GA WK K	CW	(JPL)
M89	10180	22-2-2014	0848	Sat	V DKG6 (x3) DE 3A7D (x2) (Cont'd)	CW	(JPL)
M89	6666	22-2-2014	1208	Sat	TLKL DE YRM4 K. VV TLKL DE YRM4 K. VV TLKL DE YRM4 K	CW	(JPL)
M89	3330	22-2-2014	1212	Sat	V MW3D (x3) DE 2SLC (x2) (Cont'd)	CW	(JPL)
M89	3797	22-2-2014	1214	Sat	V H2FL (x3) DE DRV8 (x2) (Cont'd) //4512	CW	(JPL)
M89	4512	22-2-2014	1214	Sat	V H2FL (x3) DE DRV8 (x2) (Cont'd) //3797	CW	(JPL)
M89	4860	22-2-2014	1220	Sat	VVV (x3) Q2M (x3) DE NYZ (x2) (R5) QSA? K //6840	CW	(JPL)
M89	6840	22-2-2014	1220	Sat	VVV (x3) Q2M (x3) DE NYZ (x2) (R5) QSA? K //4860	CW	(JPL)
M89	3642	22-2-2014	1223	Sat	NR 022/CCK CK 132/CCK CK .. 35 3298 335.. RMKS 5698 (see N&O 197) //7602	CW	(JPL)
M89	7602	22-2-2014	1223	Sat	V DKG6 (x3) DE 3A7D (x2) (Cont'd) //3642	CW	(JPL)
M89	3820	22-2-2014	1602	Sat	V GKLO (x3) DE TYUI (x2) (Cont'd) //5657	CW	(JPL)
M89	5657	22-2-2014	1602	Sat	V GKLO (x3) DE TYUI (x2) (Cont'd) //3820	CW	(JPL)
M89	3642	22-2-2014	1634	Sat	V DKG6 (x3) DE 3A7D (x2) (Cont'd) //7602	CW	(JPL)
M89	7602	22-2-2014	1634	Sat	V DKG6 (x3) DE 3A7D (x2) (Cont'd) //3642	CW	(JPL)
M89	4132	22-2-2014	1640	Sat	V JKDJ (x3) DE SLBC (x2) (Cont'd)	CW	(JPL)
M89	6840	22-2-2014	1720	Sat	VVV (x3) Q2M (x3) DE NYZ (x2) (R5) QSA? K	CW	(JPL)
M89	5657	22-2-2014	1729	Sat	HW MSG GA. NR 24/CCK CK 8. 63 0222 0130 RMKS 7583 TO 7563 .303 (see N&O 197) //3820	CW	(JPL)
M89	7602	22-2-2014	2019	Sat	3A7D Chinese Mil	CW	(Lio)
M89	5367	23-2-2014	1051	Sun	V GKLO (x3) DE TYUI (x2) (Cont'd) //8072	CW	(JPL)
M89	8072	23-2-2014	1051	Sun	V GKLO (x3) DE TYUI (x2) (Cont'd) //5367	CW	(JPL)
M89	5588	23-2-2014	1054	Sun	V MW3D (x3) DE 2SLC (x2) (Cont'd)	CW	(JPL)
M89	3797	23-2-2014	1055	Sun	V H2FL (x3) DE DRV8 (x2) (Cont'd) //4512	CW	(JPL)
M89	4512	23-2-2014	1055	Sun	V H2FL (x3) DE DRV8 (x2) (Cont'd) //3797	CW	(JPL)
M89	5801	23-2-2014	1108	Sun	V DKG6 (x3) DE 3A7D (x2) (Cont'd) //10180	CW	(JPL)
M89	10180	23-2-2014	1108	Sun	V DKG6 (x3) DE 3A7D (x2) (Cont'd) //5801	CW	(JPL)
M89	5657	23-2-2014	1115	Sun	V GKLO (x3) DE TYUI (x2) (Cont'd)	CW	(JPL)
M89	6840	23-2-2014	1120	Sun	VVV (x3) Q2M (x3) DE NYZ (x2) (R5) QSA? K	CW	(JPL)
M89	3820	23-2-2014	1431	Sun	V GKLO (x3) DE TYUI (x2) (Cont'd) //5657	CW	(JPL)
M89	5657	23-2-2014	1431	Sun	V GKLO (x3) DE TYUI (x2) (Cont'd) //3820	CW	(JPL)
M89	3642	23-2-2014	1435	Sun	V DKG6 (x3) DE 3A7D (x2) (Cont'd) //7602	CW	(JPL)
M89	7602	23-2-2014	1435	Sun	V DKG6 (x3) DE 3A7D (x2) (Cont'd) //3642	CW	(JPL)
M89	4132	23-2-2014	1440	Sun	V JKDJ (x3) DE SLBC (x2) (Cont'd)	CW	(JPL)
M89	3330	23-2-2014	1812	Sun	V MW3D (x3) DE 2SLC (x2) (Cont'd)	CW	(JPL)
M89	3642	23-2-2014	1814	Sun	V DKG6 (x3) DE 3A7D (x2) (Cont'd)	CW	(JPL)
M89	4225	23-2-2014	1816	Sun	V 7NPE (x3) DE QV5B (x2) (Cont'd) //5500	CW	(JPL)
M89	5500	23-2-2014	1816	Sun	V 7NPE (x3) DE QV5B (x2) (Cont'd) //4225	CW	(JPL)
M89	3820	23-2-2014	1818	Sun	V GKLO (x3) DE TYUI (x2) (Cont'd) //5657	CW	(JPL)
M89	5657	23-2-2014	1818	Sun	V GKLO (x3) DE TYUI (x2) (Cont'd) //3820	CW	(JPL)
M89	4860	23-2-2014	1820	Sun	VVV (x3) Q2M (x3) DE NYZ (x2) (R5) QSA? K //6840	CW	(JPL)
M89	6840	23-2-2014	1820	Sun	VVV (x3) Q2M (x3) DE NYZ (x2) (R5) QSA? K //4860	CW	(JPL)
M89	4132	23-2-2014	1825	Sun	V JKDJ (x3) DE SLBC (x2) (Cont'd)	CW	(JPL)
M89	16720	24-2-2014	1102	Mon	V ZRM7 (x3) DE LCM0 (x2) (Cont'd)	CW	(JPL)
M89	3820	24-2-2014	1111	Mon	V GKLO (x3) DE TYUI (x2) (Cont'd) //5657	CW	(JPL)
M89	5657	24-2-2014	1111	Mon	V GKLO (x3) DE TYUI (x2) (Cont'd) //3820	CW	(JPL)
M89	3797	24-2-2014	1112	Mon	V H2FL (x3) DE DRV8 (x2) (Cont'd) //4512	CW	(JPL)
M89	4512	24-2-2014	1112	Mon	V H2FL (x3) DE DRV8 (x2) (Cont'd) //3797	CW	(JPL)
M89	4225	24-2-2014	1114	Mon	V 7NPE (x3) DE QV5B (x2) (Cont'd) //5500	CW	(JPL)

enigma	frequency	date	UTC	day	remarks	mode	contributor
M89	5500	24-2-2014	1114	Mon	V 7NPE (x3) DE QV5B (x2) (Cont'd) //4225	CW	(JPL)
M89	4860	24-2-2014	1120	Mon	VVV (x3) Q2M (x3) DE NYZ (x2) (R5) QSA? K //6840	CW	(JPL)
M89	6840	24-2-2014	1120	Mon	VVV (x3) Q2M (x3) DE NYZ (x2) (R5) QSA? K //4860	CW	(JPL)
M89	5801	24-2-2014	1128	Mon	V DKG6 (x3) DE 3A7D (x2) (Cont'd) //10180	CW	(JPL)
M89	10180	24-2-2014	1128	Mon	V DKG6 (x3) DE 3A7D (x2) (Cont'd) //5801	CW	(JPL)
M89	4132	24-2-2014	1141	Mon	V JKDJ (x3) DE SLBC (x2) (Cont'd)	CW	(JPL)
M89	9383	24-2-2014	1141	Mon	V JKDJ (x3) DE SLBC (x2) (Cont'd)	CW	(JPL)
M89	5657	24-2-2014	1639	Mon	V GKCO de TYUI	CW	(MPJ)
M89	5367	24-2-2014	2305	Mon	V GKLO (x3) DE TYUI (x2) (Cont'd) //8072	CW	(JPL)
M89	8072	24-2-2014	2305	Mon	V GKLO (x3) DE TYUI (x2) (Cont'd) //5367	CW	(JPL)
M89	3642	24-2-2014	2314	Mon	V DKG6 (x3) DE 3A7D (x2) (Cont'd) //5230	CW	(JPL)
M89	5230	24-2-2014	2314	Mon	V DKG6 (x3) DE 3A7D (x2) (Cont'd) //3642	CW	(JPL)
M89	4860	24-2-2014	2320	Mon	VVV (x3) Q2M (x3) DE NYZ (x2) (R5) QSA? K //6840	CW	(JPL)
M89	6840	24-2-2014	2320	Mon	VVV (x3) Q2M (x3) DE NYZ (x2) (R5) QSA? K //4860	CW	(JPL)
M89	5588	24-2-2014	2325	Mon	V MW3D (x3) DE 2SLC (x2) (Cont'd)	CW	(JPL)
M89	6773	24-2-2014	2326	Mon	V H2FL (x3) DE DRV8 (x2) (Cont'd) //8040	CW	(JPL)
M89	8040	24-2-2014	2326	Mon	V H2FL (x3) DE DRV8 (x2) (Cont'd) //6773	CW	(JPL)
M89	8073	25-2-2014	1144	Tue	In tfc: 4DT4 D347 6 AR (see N&O 197)	CW	(JPL)
M89	3820	25-2-2014	1150	Tue	V GKLO (x3) DE TYUI (x2) (Cont'd) //5657	CW	(JPL)
M89	5657	25-2-2014	1150	Tue	V GKLO (x3) DE TYUI (x2) (Cont'd) //3820	CW	(JPL)
M89	8073	25-2-2014	1154	Tue	Switched to voice (recording on the N&O website)	CW	(JPL)
M89	6666	25-2-2014	1205	Tue	In tfc: 3333 4T 3333333333 3 33 43433343444 (see N&O 197)	CW	(JPL)
M89	3797	25-2-2014	1226	Tue	V H2FL (x3) DE DRV8 (x2) (Cont'd)	CW	(JPL)
M89	4225	25-2-2014	1227	Tue	V 7NPE (x3) DE QV5B (x2) (Cont'd) //5500	CW	(JPL)
M89	5500	25-2-2014	1227	Tue	V 7NPE (x3) DE QV5B (x2) (Cont'd) //4225	CW	(JPL)
M89	9383	25-2-2014	1238	Tue	V JKDJ (x3) DE SLBC (x2) (Cont'd)	CW	(JPL)
M89	9140	25-2-2014	1240	Tue	In tfc: 64T3 D7T6 6DT5 U4N5 5A4T 3A76 (see N&O 197)	CW	(JPL)
M89	3330	25-2-2014	1424	Tue	V MW3D (x3) DE 2SLC (x2) (Cont'd)	CW	(JPL)
M89	4225	25-2-2014	1426	Tue	V 7NPE (x3) DE QV5B (x2) (Cont'd) //5500	CW	(JPL)
M89	5500	25-2-2014	1426	Tue	V 7NPE (x3) DE QV5B (x2) (Cont'd) //4225	CW	(JPL)
M89	3820	25-2-2014	1427	Tue	V GKLO (x3) DE TYUI (x2) (Cont'd) //5657	CW	(JPL)
M89	5657	25-2-2014	1427	Tue	V GKLO (x3) DE TYUI (x2) (Cont'd) //3820	CW	(JPL)
M89	3797	25-2-2014	1428	Tue	V H2FL (x3) DE DRV8 (x2) (Cont'd) //4512	CW	(JPL)
M89	4512	25-2-2014	1428	Tue	V H2FL (x3) DE DRV8 (x2) (Cont'd) //3797	CW	(JPL)
M89	3642	25-2-2014	1434	Tue	V DKG6 (x3) DE 3A7D (x2) (Cont'd) //7602	CW	(JPL)
M89	7602	25-2-2014	1434	Tue	V DKG6 (x3) DE 3A7D (x2) (Cont'd) //3642	CW	(JPL)
M89	4131	25-2-2014	1437	Tue	V JKDJ (x3) DE SLBC (x2) 377N 7UNA U65N .6AA (Cont'd) AR QSL? HR WK NR 0024 VV	CW	(JPL)
M89	6636	25-2-2014	1452	Tue	In tfc: = = AN55 AN55 W 72W 72W (Both stations on this frequency)	CW	(JPL)
M89	9383	25-2-2014	1500	Tue	V JKDJ (x3) DE SLBC (x2) (Cont'd)	CW	(JPL)
M89	4131	25-2-2014	1748	Tue	V JKDJ (x3) DE SLBC (x2) (Cont'd)	CW	(JPL)
M89	3330	25-2-2014	1752	Tue	V MW3D (x3) DE 2SLC (x2) (Cont'd)	CW	(JPL)
M89	4793	25-2-2014	1935	Tue	V RA5J (x3) DE BP2S (x2) (Cont'd)	CW	(JPL)
M89	3330	25-2-2014	2109	Tue	V MW3D (x3) DE 2SLC (x2) (Cont'd)	CW	(JPL)
M89	3642	25-2-2014	2112	Tue	V DKG6 (x3) DE 3A7D (x2) (Cont'd)	CW	(JPL)
M89	3797	25-2-2014	2115	Tue	V H2FL (x3) DE DRV8 (x2) (Cont'd) //4512	CW	(JPL)
M89	4512	25-2-2014	2115	Tue	V H2FL (x3) DE DRV8 (x2) (Cont'd) //3797	CW	(JPL)
M89	4131	25-2-2014	2118	Tue	V JKDJ (x3) DE SLBC (x2) (Cont'd)	CW	(JPL)
M89	4793	25-2-2014	2203	Tue	V RA5J (x3) DE BP2S (x2) (Cont'd)	CW	(JPL)
M89	8072	26-2-2014	0217	Wed	V GKLO (x3) DE TYUI (x2) (Cont'd)	CW	(JPL)
M89	6840	26-2-2014	0220	Wed	VVV (x3) Q2M (x3) DE NYZ (x2) (R5) QSA? K //10640	CW	(JPL)
M89	10640	26-2-2014	0220	Wed	VVV (x3) Q2M (x3) DE NYZ (x2) (R5) QSA? K //6840	CW	(JPL)
M89	5801	26-2-2014	0227	Wed	V DKG6 (x3) DE 3A7D (x2) (Cont'd) //10180	CW	(JPL)
M89	10180	26-2-2014	0227	Wed	3A7D: /Z6T/ 3528/3335 AR (see N&O 197)	CW	(JPL)
M89	9383	26-2-2014	0235	Wed	V JKDJ (x3) DE SLBC (x2) (Cont'd)	CW	(JPL)
M89	5801	26-2-2014	0950	Wed	V DKG6 (x3) DE 3A7D (x2) (Cont'd) //10180	CW	(JPL)
M89	10180	26-2-2014	0950	Wed	V DKG6 (x3) DE 3A7D (x2) (Cont'd) //5801	CW	(JPL)
M89	8072	26-2-2014	0954	Wed	V GKLO (x3) DE TYUI (x2) (Cont'd)	CW	(JPL)
M89	5588	26-2-2014	0958	Wed	V MW3D (x3) DE 2SLC (x2) (Cont'd)	CW	(JPL)
M89	3797	26-2-2014	0959	Wed	V H2FL (x3) DE DRV8 (x2) (Cont'd) //4512	CW	(JPL)
M89	4512	26-2-2014	0959	Wed	V H2FL (x3) DE DRV8 (x2) (Cont'd) //3797	CW	(JPL)
M89	3797	26-2-2014	1`15	Wed	V H2FL (x3) DE DRV8 (x2) (Cont'd) //4512	CW	(JPL)

enigma	frequency	date	UTC	day	remarks	mode	contributor
M89	5555	26-2-2014	1007	Wed	In tfc: = = = BOZ TO UP K. BO BOZ TO UPE (see N&O 197)	CW	(JPL)
M89	6666	26-2-2014	1025	Wed	In tfc: R GA K. R R QSL 1823 K (see N&O 197)	CW	(JPL)
M89	9383	26-2-2014	1046	Wed	V JKDJ (x3) DE SLBC (x2) (Cont'd)	CW	(JPL)
M89	6953	26-2-2014	1054	Wed	In tfc: TT76 6T7N N3A6 UA37 5755 7AN. (see N&O 197)	CW	(JPL)
M89	6746	26-2-2014	1105	Wed	In tfc: NR../EX 0000 NA 45W/X3IY AR (see N&O 197)	CW	(JPL)
M89	3642	26-2-2014	2123	Wed	V DKG6 (x3) DE 3A7D (x2) (Cont'd) //7602	CW	(JPL)
M89	7602	26-2-2014	2123	Wed	V DKG6 (x3) DE 3A7D (x2) (Cont'd) //3642	CW	(JPL)
M89	3820	26-2-2014	2126	Wed	V GKLO (x3) DE TYUI (x2) (Cont'd) //5657	CW	(JPL)
M89	5657	26-2-2014	2126	Wed	V GKLO (x3) DE TYUI (x2) (Cont'd) //3820	CW	(JPL)
M89	4793	26-2-2014	2138	Wed	V RA5J (x3) DE BP2S (x2) (Cont'd)	CW	(JPL)
M89	5801	27-2-2014	0316	Thu	V DKG6 (x3) DE 3A7D (x2) (Cont'd) //10180	CW	(JPL)
M89	10180	27-2-2014	0316	Thu	In tfc: DDD3 555T (Cont'd) AR QSL? HR WK NR 27 V DKG6 DE 3A7D //5801	CW	(JPL)
M89	9383	27-2-2014	0322	Thu	V JKDJ (x3) DE SLBC (x2) (Cont'd)	CW	(JPL)
M89	8072	27-2-2014	0323	Thu	V GKLO (x3) DE TYUI (x2) (Cont'd)	CW	(JPL)
M89	16720	27-2-2014	1132	Thu	V ZRM7 (x3) DE LCM0 (x2) (Cont'd)	CW	(JPL)
M89	10180	27-2-2014	1139	Thu	V DKG6 (x3) DE 3A7D (x2) (Cont'd)	CW	(JPL)
M89	8073	27-2-2014	1140	Thu	In tfc: hand sent - horrible CW 773. 7733564 = NN34 463D 34DT (see N&O 197)	CW	(JPL)
M89	3820	27-2-2014	1148	Thu	V GKLO (x3) DE TYUI (x2) (Cont'd) //5657	CW	(JPL)
M89	5657	27-2-2014	1148	Thu	V GKLO (x3) DE TYUI (x2) (Cont'd) //3820	CW	(JPL)
M89	3797	27-2-2014	1150	Thu	V H2FL (x3) DE DRV8 (x2) (Cont'd) //4512	CW	(JPL)
M89	4512	27-2-2014	1150	Thu	V H2FL (x3) DE DRV8 (x2) (Cont'd) //3797	CW	(JPL)
M89	5588	27-2-2014	1154	Thu	V MW3D (x3) DE 2SLC (x2) (Cont'd)	CW	(JPL)
M89	6666	27-2-2014	1156	Thu	In tfc: handsent 365A A3D6 U643 A45D UAUT A5A4 DU6U (Cont'd) (Stopped 1201z)	CW	(JPL)
M89	7777	27-2-2014	1203	Thu	In tfc: handsent = = 4UN5 (Cont'd) = = 4UN5 D365 TUTN 3N75 5DUA U537 4D6A (Cont'd)	CW	(JPL)
M89	3330	27-2-2014	1209	Thu	V MW3D (x3) DE 2SLC (x2) (Cont'd)	CW	(JPL)
M89	6666	27-2-2014	1210	Thu	In tfc: i.p. ends AR	CW	(JPL)
M89	16720	27-2-2014	1215	Thu	V ZRM7 (x3) DE LCM0 (x2) (Cont'd)	CW	(JPL)
M89	7097	27-2-2014	1219	Thu	In tfc: III = 76T5 T5D6 T54T T53A NU66 U344 N547 D5AA D3NA (see N&O 197)	CW	(JPL)
M89	3642	27-2-2014	1307	Thu	V DKG6 (x3) DE 3A7D (x2) (Cont'd) //5230	CW	(JPL)
M89	3642	27-2-2014	1307	Thu	V DKG6 (x3) DE 3A7D (x2) (Cont'd) //5230	CW	(JPL)
M89	5230	27-2-2014	1307	Thu	V DKG6 (x3) DE 3A7D (x2) (Cont'd) //3642	CW	(JPL)
M89	3624	27-2-2014	1310	Thu	In tfc: handsent 5DN7 543A 6UD3 (see N&O 197)	CW	(JPL)
M89	3742	27-2-2014	1317	Thu	In tfc: N4. TUA6 .3DU 73T. (see N&O 197)	CW	(JPL)
M89	16720	27-2-2014	1516	Thu	V ZRM7 (x3) DE LCM0 (x2) (Cont'd)	CW	(JPL)
M89	4860	27-2-2014	1520	Thu	VVV (x3) Q2M (x3) DE NYZ (x2) (R5) QSA? K //6840	CW	(JPL)
M89	6840	27-2-2014	1520	Thu	VVV (x3) Q2M (x3) DE NYZ (x2) (R5) QSA? K //4860	CW	(JPL)
M89	4132	27-2-2014	1528	Thu	V JKDJ (x3) DE SLBC (x2) (Cont'd)	CW	(JPL)
M89	3642	27-2-2014	1534	Thu	V DKG6 (x3) DE 3A7D (x2) (Cont'd) //5230	CW	(JPL)
M89	5230	27-2-2014	1534	Thu	V DKG6 (x3) DE 3A7D (x2) (Cont'd) //3642	CW	(JPL)
M89	3797	27-2-2014	1552	Thu	V H2FL (x3) DE DRV8 (x2) (Cont'd) //4512	CW	(JPL)
M89	4512	27-2-2014	1552	Thu	V H2FL (x3) DE DRV8 (x2) (Cont'd) //3797	CW	(JPL)
M89	3820	27-2-2014	1553	Thu	V GKLO (x3) DE TYUI (x2) (Cont'd) //5657	CW	(JPL)
M89	5657	27-2-2014	1553	Thu	V GKLO (x3) DE TYUI (x2) (Cont'd) //3820	CW	(JPL)
M89	4132	27-2-2014	1558	Thu	V JKDJ (x3) DE SLBC (x2) (Cont'd) //4886	CW	(JPL)
M89	4886	27-2-2014	1558	Thu	V JKDJ (x3) DE SLBC (x2) (Cont'd) //4132	CW	(JPL)
M89	8072	27-2-2014	2305	Thu	V GKLO (x3) DE TYUI (x2) (Cont'd) //10421	CW	(JPL)
M89	10421	27-2-2014	2305	Thu	V GKLO (x3) DE TYUI (x2) (Cont'd) //8072	CW	(JPL)
M901	16718	3-2-2014	0805	Mon	VVV KLM KLM 1/51 NW = = 725T 4197 3294 7438 2723 = k	CW	(Avare)
M901	19292	5-2-2014	0810	Thu	Header: 00111 035 50 5 0810 = =	CW	(BR)
M901	19292	5-2-2014	0820	Thu	Header: 00111 035 50 5 0810 = =	CW	(BR)
M901	16720	10-2-2014	0822	Mon	KLM KLM KLM XSY 20112 XSY 20112 followed by RTTY (see N&O 197)	CW + Baudot50/450	(BR)
M901	16720	12-2-2014	0810	Thu	Short CW exchange incl. a "QRV K QSL1 QSL1 NW NW". Then into RTTY, too weak to copy	CW + Baudot 50/500	(BR)
M901	16720	15-2-2014	0810	Sat	KLM KLM KLM QSY 20112 QSY 20112. Changed freq to 20113 kHz	CW	(BR)
M901	20112	15-2-2014	0810	Sat	Brief CW exchange, then into RTTY again, but the sig was to copy	CW + Baudot 50/500	(BR)
MC03	5138	25-2-2014	2054	Tue	Chinese Air Defense 45A U47D6D 7TN3535 AT4 56 (see N&O 197)	CW	(JPL-Sib)
MW	16332	20-2-2014	1539	Thu	Beacon "C" Moscow	CW	(MPJ)
MX	8494.7	1-2-2014	2338	Sat	Beacon "D"	CW	(LG2)

enigma	frequency	date	UTC	day	remarks	mode	contributor
MX	3335	2-2-2014	2038	Sun	Beacon "V"	CW	(MPJ)
MX	3593.7	2-2-2014	2047	Sun	Beacon "D" Odessa/Sevastopol	CW	(MPJ)
MX	3593.9	2-2-2014	2048	Sun	Beacon "S" Severomorsk	CW	(MPJ)
MX	5153.7	2-2-2014	2116	Sun	Beacon "D" Odessa/Sevastopol	CW	(MPJ)
MX	5153.9	2-2-2014	2117	Sun	Beacon "S" Severomorsk	CW	(MPJ)
MX	20048	7-2-2014	1148	Fri	Beacon "C" Moscow	CW	(EW)
MX	20047.7	7-2-2014	1151	Fri	Beacon "D" Odessa	CW	(EW)
MX	10871.7	8-2-2014	1026	Sat	Beacon "D" Sevastopol	CW	(AB)
MX	10871.9	8-2-2014	1026	Sat	Beacon "S" Sevomorsk	CW	(AB)
MX	10872	8-2-2014	1026	Sat	Beacon "C" Moscow	CW	(AB)
MX	13527.9	8-2-2014	1026	Sat	Beacon "S" Sevomorsk	CW	(AB)
MX	15327.7	8-2-2014	1026	Sat	Beacon "D" Sevastopol	CW	(AB)
MX	16331.7	8-2-2014	1026	Sat	Beacon "D" Sevastopol	CW	(AB)
MX	16331.9	8-2-2014	1026	Sat	Beacon "S" Sevomorsk	CW	(AB)
MX	16332	8-2-2014	1026	Sat	Beacon "C" Moscow	CW	(AB)
MX	20047.7	8-2-2014	1026	Sat	Beacon "D" Sevastopol	CW	(AB)
MX	20047.9	8-2-2014	1026	Sat	Beacon "S" Sevomorsk	CW	(AB)
MX	3335	8-2-2014	1806	Sat	Beacon "V" Khiva	CW	(AB)
MX	13528.4	9-2-2014	0654	Sun	Beacon "M" Magadan	CW	(AB)
MX	4557.7	9-2-2014	2249	Sun	Beacon "D" Odessa/Sevastopol	CW	(MPJ)
MX	3658	9-2-2014	2314	Sun	Beacon "V"	CW	(MPJ)
MX	3335	9-2-2014	2319	Sun	Beacon "V"	CW	(MPJ)
MX	4557.7	11-2-2014	2136	Tue	Beacon "D"	CW	(LG2)
MX	5153.7	11-2-2014	2136	Tue	Beacon "D"	CW	(LG2)
MX	5153.9	12-2-2014	2249	Thu	Beacon "S"	CW	(LG2)
MX	16331.7	15-2-2014	1153	Sat	Beacon "D" Odessa/Sevastopol	CW	(MPJ)
MX	16332	15-2-2014	1154	Sat	Beacon "C" Moscow	CW	(MPJ)
MX	16331.7	20-2-2014	1538	Thu	Beacon "D" Odessa/Sevastopol	CW	(MPJ)
MX	5154.4	26-2-2014	1307	Thu	Beacon "M" Magadan	CW	(AB-HK)
MX	7039.4	26-2-2014	1307	Thu	Beacon "M" Magadan	CW	(AB-HK)
MX	8495.4	26-2-2014	1307	Thu	Beacon "M" Magadan	CW	(AB-HK)
MX	10872.2	26-2-2014	1307	Thu	Beacon "F" Vladivostok	CW	(AB-HK)
MX	10872.3	26-2-2014	1307	Thu	Beacon "K" Petropavlovsk	CW	(AB-HK)
MX	10872.4	26-2-2014	1307	Thu	Beacon "M" Magadan	CW	(AB-HK)
MX	5154.4	28-2-2014	1258	Fri	Beacon "M" Magadan	CW	(AB-HK)
MX	7038.7	28-2-2014	1258	Fri	Beacon "D" Sevastopol	CW	(AB-HK)
MX	8494.8	28-2-2014	1258	Fri	Beacon "P" Kaliningrad	CW	(AB-HK)
MX	10871.7	28-2-2014	1258	Fri	Beacon "D" Sevastopol	CW	(AB-HK)
MX	10872	28-2-2014	1258	Fri	Beacon "C" Moscow	CW	(AB-HK)
MX	10872.3	28-2-2014	1258	Fri	Beacon "K" Petropavlovsk	CW	(AB-HK)
MX	10872.4	28-2-2014	1258	Fri	Beacon "M" Magadan	CW	(AB-HK)
MX	13527.7	28-2-2014	1258	Fri	Beacon "D" Sevastopol	CW	(AB-HK)
MX	16331.7	28-2-2014	1258	Fri	Beacon "D" Sevastopol	CW	(AB-HK)
MX	16331.9	28-2-2014	1258	Fri	Beacon "S" Sevomorsk	CW	(AB-HK)
MX	16332	28-2-2014	1258	Fri	Beacon "C" Moscow	CW	(AB-HK)
MX	20047.7	28-2-2014	1258	Fri	Beacon "D" Sevastopol	CW	(AB-HK)
MX	20047.9	28-2-2014	1258	Fri	Beacon "S" Sevomorsk	CW	(AB-HK)
MX	20048	28-2-2014	1258	Fri	Beacon "C" Moscow	CW	(AB-HK)
MX	3658	28-2-2014	1826	Fri	Beacon "V" Khiva	CW	(AB)
MX	4325.9	28-2-2014	1827	Fri	Beacon "R" Izhevsk	CW	(AB)
MX	3335	28-2-2014	1829	Fri	Beacon "V" Khiva	CW	(AB)
RMv	4325	19-1-2014	1347		70 84 00 696 PEDESHA 8 45 98 40 YA PLAVETS41 PRIYOM	USB	(DJPr)
RMv	4325	22-1-2014	1331		27 948 11 609 MARTIRANIYA 15 80 70 36 YA PLAVETS 41, VREMYA 17 CHASOV 31 MINUTA, PRIYOM	USB	(DJPr)
RMv	3872	6-2-2014	1400	Thu	Shayba33 Ya Boetc93 Proshu na svyaz'. Primate signal 77 435 PA-LAMDIYA 05 21 55 64 Prinyali?	USB	(Avare)
RMv	4325	16-2-2014	1325	Sun	45 524 14 170 VIRIDIKA 81 45 31 17 YA PLAVETS 41 VREMYA 17 CHASOV 28 MINUT PRIYOM	USB	(DJPr)
S06	5771	1-2-2014	1605	Sat	194 194 194 00000	AM	(HFD/Geoff/Topol)
S06	3169	1-2-2014	1930	Sat	396 396 396 00000	AM	(HFD)
S06	4024	1-2-2014	2000	Sat	362 362 362 00000	AM	(HFD)

enigma	frequency	date	UTC	day	remarks	mode	contributor
S06	3368	1-2-2014	2100	Sat	362 362 362 00000	AM	(HFD)
S06	3838	3-2-2014	1905	Mon	349 349 349 00000	AM	(HFD)
S06	3645	4-2-2014	1800	Tue	617 617 617 00000	AM	(HFD)
S06	9234	6-2-2014	1730	Thu	480 123 47 73515 05349 11413 ... 65645 77493 90250 123 47 00000	AM	(Avare)
S06	3838	6-2-2014	1905	Thu	349 349 349 00000	AM	(HFD)
S06	10878	7-2-2014	1700	Fri	480 123 47	USB	(toto-NL)
S06	9234	7-2-2014	1730	Fri	480 123 47	USB	(toto-NL)
S06	3842	8-2-2014	1935	Sat	396 396 396 00000	USB	(toto-NL)
S06	3192	10-2-2014	1900	Mon	349 349 349 00000	AM	(HFD/Avare)
S06	9255	10-2-2014	1904	Mon	349 349 349 00000	AM	(Avare)
S06	9255	10-2-2014	1915	Mon	789 798 798 00000	AM	(HFD/toto)
S06	7630	10-2-2014	2015	Mon	789 798 798 00000	AM	(HFD)
S06	10755	14-2-2014	0835	Fri	975 184 30 64264 20777 81694 msg wit various errors (see N&O 197)	AM	(Avare)
S06	5786	15-2-2014	1605	Sat	194 194 194 00000	USB	(toto-NL)
S06	3842	15-2-2014	1935	Sat	396 396 396 00000	USB	(toto-NL)
S06	4024	15-2-2014	2000	Sat	362 362 362 00000	USB	(toto-NL)
S06	10878	16-2-2014	1700	Sun	480 567 567 41 41 77479 ...	AM	(linkz)
S06	9234	16-2-2014	1730	Sun	480 567 567 41 41 77479 ...	AM	(linkz)
S06	3838	17-2-2014	1905	Mon	349 349 349 00000	AM	(HFD/toto)
S06	15721	19-2-2014	0400	Thu	480 152 60 82770 29727 87566 ... 99556 93224 26560 152 60 00000	AM	(Avare)
S06	12365	19-2-2014	1000	Thu	729 485 6 93855 30131 24392 34242 90348 54916 485 5 00000	AM	(AB)
S06	14280	19-2-2014	1010	Thu	729 485 6 93855 30131 24392 34242 90348 54916 485 6 00000	AM	(VH)
S06	7353	19-2-2014	1110	Thu	801 326 57 msg	AM	(Avare)
S06	5786	22-2-2014	1605	Sat	194 194 194 00000	AM	(HFD)
S06	6923	24-2-2014	1700	Mon	480 267 44 52066 01630 66200 ... 60429 13963 73321 267 44 00000	AM	(Avare)
S06	5936	24-2-2014	1730	Mon	480 267 44 52066 01630 66200 ... 60429 13963 73321 267 44 00000	AM	(Avare)
S06	3838	27-2-2014	1905	Thu	349 349 349 00000	AM	(HFD)
S06c	6679	19-2-2014	1140	Thu	111808 - 6fg	USB	(Avare)
S06c	8171	27-2-2014	1300	Thu	11625	USB	(Avare)
S06s	14675	3-2-2014	0900	Mon	872 906 5 53038 76342 15009 34140 36717 906 5 00000	USB	(Avare)
S06s	5250	4-2-2014	0700	Tue	374 928 5 88620 58069 61732 74537 57440 928 5 00000	USB	(Avare)
S06s	9135	4-2-2014	0810	Tue	352 841 6	USB	(toto-NL)
S06s	12952	6-2-2014	0900	Thu	167 403 5 88280 84116 53718 78927 34694 403 5 00000	USB	(Avare)
S06s	6770	6-2-2014	0910	Thu	624 850 7 33796 13577 74526 46647 79302 53516 25616 850 7 00000	USB	(Avare)
S06s	13565	6-2-2014	0915	Thu	167 403 5 88280 84116 53718 78927 34694 403 5 00000	USB	(toto-NL)
S06s	8112	6-2-2014	0930	Thu	314 809 5 95051 13808 71909 83981 24035 5 00000	USB	(Avare)
S06s	6320	18-2-2014	0715	Tue	374 982 5 73213 50592 69954 52235 52992 982 5 00000	USB	(RWO)
S06s	9135	18-2-2014	0810	Tue	352 984 6 33796 11160 43494 37539 25074 48832 984 6 00000	USB	(RWO)
S06s	6845	18-2-2014	1500	Tue	537 814 6 96111 10544 98003 68909 45279 43828 814 6 00000	USB	(toto-NL)
S06s	9170	18-2-2014	1510	Tue	537 814 6 96111 10544 98003 68909 45279 43828 814 6 00000	USB	(toto-NL)
S06s	12570	21-2-2014	0940	Fri		AM	(13CR-NL)
S06s	7150	21-2-2014	7000	Fri		AM	(13CR-NL)
S06s	9118	28-2-2014	0820	Fri	278 278 278 00000	USB	(Avare)
S06s	9640	28-2-2014	0830	Fri	278 278 278 00000	USB	(Avare)
S06s	11117	28-2-2014	0850	Fri	278 278 278 00000	USB	(Avare)
S11a	7504	4-2-2014	0915	Tue	484/00	USB	(Avare)
S11a	12530	6-2-2014	1015	Thu	475/00	USB	(Avare)
S11a	7504	7-2-2014	0915	Fri	484/00	USB	(toto-NL)
S11a	6433	8-2-2014	1020	Sat	221/33	USB	(toto-NL)
S11a	6433	12-2-2014	1020	Thu	221/00	USB	(KK)
S11a	5815	14-2-2014	1955	Fri	370/00	USB	(Mil/KK/Av)
S11a	7505	21-2-2014	0925	Fri		USB	(13CR-NL)
S11a	7504	28-2-2014	0915	Fri	484/00	USB	(Avare)
S11a	9610	28-2-2014	1020	Fri	422/37 Vnimanie 55782 95214 46544 ... 86189 87728 95948 Vnimanie, rpt msg, Konec	USB	(Avare)
S11a	5815	28-2-2014	1955	Fri	370/36 Vnimanie 98727 88717 26376 ... 57940 83898 16143 Vnimanie, rpt msg, Konec	USB	(AB)
S28	4625	16-1-2014	1653		DLYA ZH7NZH ZHMA5 VTKH3 AGDT 'U1B OSOG BO6TS F56SHCH 9GSA ZHBZU, KAK SLYSHNO, KAK SLYSHNO, PRIYOM	USB	(DJPr)
S28	4625	2-2-2014	1203	Sun	MDZhB 68 278 BALOAR 73 83 63 11	USB	(DJPr)
S28	4625	4-2-2014	1600	Tue	Sick Buzzer. Few stops, noise, change buzzer tone	USB	(Avare)

enigma	frequency	date	UTC	day	remarks	mode	contributor
S28	4625	9-2-2014	1443	Sun	MDZhB 35 018 NARYVNYY 87 93 44 40 TIMEYKA 02 81 31 35	USB	(AB)
S28	4625	12-2-2014	0840	Thu	Russian mil. station clg "Vulcan" with buzzer on top (see N&O 197)	USB	(DJPr)
S28	4625	13-2-2014	0950	Thu	MDZhB 55 476 RAZLOZhKa 48 08 23 29	USB	(AB)
S28	4625	13-2-2014	1015	Thu	MDZhB 58 161 MAGAYR 39 51 55 78 (My correction: not 29, but 39)	USB	(AB)
S28	4625	13-2-2014	1027	Thu	MDZhB 00 240 TsIMBIDIUM 97 48 40 64	USB	(AB)
S28	4625	13-2-2014	1135	Thu	MDZhB 79 955 BASENNYJ 35 59 47 61	USB	(AB)
S28	4625	13-2-2014	1142	Thu	MDZhB 16 652 PIRIDIN 17 41 48 18	USB	(AB)
S28	4625	13-2-2014	1151	Thu	MDZhB 17 582 VETOKhA 51 54 16 07	USB	(AB)
S28	4625	16-2-2014	1325	Sun	MDZhB 15 088 MIRIKA 97 78 88 12	USB	(DJPr)
S28	4625	16-2-2014	1330	Sun	MDZhB 52 827 MALTIDIT 25 56 39 77	USB	(DJPr)
S28	4625	27-2-2014	0930	Thu	MDZhB MDZhB 55 778 NADGIBKA 77 92 68 12 PRIYEM	USB	(DJPr)
S28	4625	27-2-2014	1310	Thu	MDZhB MDZhB 69 300 SIRENNYY 12 00 42 59 PRIYOM	USB	(DJPr)
S28	4625	27-2-2014	1347	Thu	MDZhB MDZhB 22 027 KAYNOZOY 07 06 95 58 PRIYEM	USB	(DJPr)
S30	3756	13-1-2014	1932		DLYA TSIKHS Z7PM 'O6P YKH'Y 7SZHG Z'1B TS19V ZHSK4 5FSSHCH DEAY, KAK SLYSHNO, KAK SLYSHNO, PRIYOM	USB	(DJPr)
S30	3756	17-1-2014	1930		DLYA SB7Z 8MUO TUZR 5Y7SHCH 27SHCH' N1DU 53OB 78MV 12TSI 79AY, KAK SLYSHNO, KAK SLYSHNO, PRIYOM	USB	(DJPr)
S30	3756	18-1-2014	1830		DLYA 8TSShCHY TZLM FY5E F61N 37TSN MUDR 7VNSHCH ZH7NZH YMA5 VTKH3, KAK SLYSHNO, KAK SLYSHNO, PRIYOM	USB	(DJPr)
S30	3756	19-1-2014	1939		DLYA KHTSLF 61KHZH ZBIL L7O5 V'Z' NLTSE V2MZ SB7Z 8MUO TUZR KAK SLYSHNO, KAK SLYSHNO, PRIYOM	USB	(DJPr)
S30	3756	21-1-2014	1710		DLYA F56SHCH 9GSA ZHBZU 4RVZ 3VS' DKY1 6I2ZH ZHD9V SY5TS 42BV KAK SLYSHNO, KAK SLYSHNO, PRIYOM	USB	(DJPr)
S30	3756	29-1-2014	1653		DLYA YKH'Y S7ZHG Z'1B TS19V ZHSK4 5FSSHCH DEAY DMTS3 49FT TS2ZA, KAK SLYSHNO, KAK SLYSHNO, PRIYOM	USB	(DJPr)
S30	3756	30-1-2014	1710		DLYA 4RVZ 3VS' DKY1 6I3ZH ZHD9V SY5TS 42BV 81BR M7KS PMV5 KAK SLYSHNO, KAK SLYSHNO, PRIYOM	USB	(DJPr)
S30	3756	2-2-2014	1726	Sun	Dlya 5Y7SHCH 27SHCH' N1DU 53OB 78MV 12TSI 79AY P'KSHCH 6EKHB TSP3' kak slyshno kak slyshno priyom	USB	(Avare)
S30	3756	4-2-2014	1915	Tue	DLYA L7O5 V'Z' NLTSE V2MZ SB7Z 8MUO TUZR 6Y7SHCH 27SHCH' N1DU KAK SLYSHNO, KAK SLYSHNO, PRIYOM	USB	(DJPr)
S30	3756	5-2-2014	1920	Thu	DLYA SHCHGYP 8TSShCHY TZLM FY5E F51N 37TSN MUDR 7VNSHCH ZH7NZH YMA5 KAK SLYSHNO, KAK SLYSHNO, PRIYOM	USB	(DJPr)
S30	5448	7-2-2014	0508	Fri	8S1ShCh na segodnya ogranichit' primeneniye voysk, massovyy vykhod tekhniki v svyazi s nachalom otkrytiya Olimpiyskikh igr (8S1Shch The use of the military forces and use of large scale military equipment must be limited today in connection with the opening of the winter Olympic games)	USB	(Argon)
S30	3756	9-2-2014	1952	Sun	DLYA 81BR M7KS PMV5 L'GY TSHCHSHCHS KHTSLF VKY1 61KHZH ZBIL L7O5 KAK SLYSHNO, KAK SLYSHNO, PRIYOM	USB	(DJPr)
S30	3756	15-2-2014	1535	Sat	DLYA NLTSE V2MZ SB7Z 8MUO TUZR 5Y7SHCH 27SHCH' N1DU 53OB 78MV KAK SLYSHNO, KAK SLYSHNO, PRIYOM	USB	(DJPr)
S30	3756	17-2-2014	1918	Mon	DLYA VKY1 KHTSLF 61KHZH ZBIL L7O5 V'Z' NLTSE V2MZ SB7Z 8MUO KAK SLYSHNO, KAK SLYSHNO, PRIYOM	USB	(DJPr)
S30	3756	18-2-2014	1303	Tue	DLYA TSP3' SHCHT3O TSIKHS Z7PM 'O6P YKH'Y S7ZHG Z'1B TS19V ZHSKV KAK SLYSHNO, KAK SLYSHNO, PRIYOM	USB	(DJPr)
S30	3756	18-2-2014	1547	Tue	5FSSHCh DEAY DMTS3 49FT TS2ZA LI27 INNTS SHCHGYP 8TSShChP TZLM	USB	(DJPr)
S30	5448	21-2-2014	1020	Fri	DLYA 37TSN MUDR 7VNSHCH ZH7NZH YMA5 VTKH3 AGDT 'U1B OSOG BO6TS, KAK SLYSHNO, KAK SLYSHNO, PRIYOM	USB	(DJPr)
S30	3756	21-2-2014	1718	Fri	DLYA TSIKHS S7PM 'O6P YKH'Y S7ZHG Z'1B TS19V ZHSK4 5FSSHCH FEAY, KAK SLYSHNO, KAK SLYSHNO, PRIYOM	USB	(DJPr)
S30	3756	22-2-2014	1632	Sat	DLYA 78MV 12TSI 79AY P'KSHCH 6EKHB TSP3' SHCHT3O TSIKHS Z7PM 'O6P, KAK SLYSHNO, KAK SLYSHNO, PRIYOM	USB	(DJPr)
S30	3756	25-2-2014	1722	Tue	DLYA 8TSShChY TZLM FY5E F51N 37TSN MUDR 7VNSHCH ZH7NZH YMA5 VTKH3, KAK SLYSHNO, KAK SLYSHNO, PRIYOM	USB	(DJPr)
S30	5448	27-2-2014	0848	Thu	8S1ShCh 8S1ShCh 09 426 PEGYI 13 11 79 30 PRIYOM	USB	(DJPr)
S32	3828	13-1-2014	1528		DLYA SHTORA62 SLIVA94 RUZH'Ye26 ROSA64 STAZHER29 FONTAN34 NEVKA26 KAK SLYSHNO, KAK SLYSHNO, PRIYOM	USB	(DJPr)
S32	3828	18-1-2014	1900		DLYA SHTORA62 SLIVA94 RUZH'Ye26 ROSA64 STAZHER29 FONTAN34 NEVKA26, KAK SLYSHNO, KAK SLYSHNO, PRIYOM	USB	(DJPr)
S32	3828	19-1-2014	1344		8S1ShCh 33 827 TOBOGGAN 50 16 66 23 PRIYOM	USB	(DJPr)
S32	3828	19-1-2014	1348		AL'FA45 AL'FA45 94 668 VERTOGRAN 70 67 06 55 PRIYOM	USB	(DJPr)
S32	3828	21-1-2014	1820		DLYA SHTORA62 SLIVA94 RUZH'Ye26 ROSA64 STAZHER29 FONTAN34 NEVKA26 KAK SLYSHNO, KAK SLYSHNO, PRIYOM	USB	(DJPr)
S32	3828	23-1-2014	1915		DLYA ZH7NZH YMA5 VTKH3 AGDT 'U1B OSOG BO6TS F56SHCH 9GSA	USB	(DJPr)

enigma	frequency	date	UTC	day	remarks	mode	contributor
					ZHBZU, KAK SLYSHNO, KAK SLYSHNO, PRIYOM		
S32	3828	24-1-2014	1730		DLYA SB7Z 8MUO TUZR 7Y7SHCH 37SHCHR N1DU 73OB 48MV 12UI 79AY KAK SLYSHNO, KAK SLYSHNO, PRIYOM	USB	(DJPr)
S32	3828	26-1-2014	1730		DLYA KHTSLF 61KHZH ZBIL L7O5 V'Z' NLTSE V2MZ SB7Z 8MUO TUZR, KAK SLYSHNO, KAK SLYSHNO, PRIYOM	USB	(DJPr)
S32	3828	2-2-2014	1810	Sun	Dlya Dzhigit46 Nevka26 Yakhta94 kak slyshno? kak slyshno? priyom	USB	(Avare)
S32	5473	3-2-2014	1208	Mon	AL'FA45 AL'FA45 99 517 RAZREZKA 76 13 59 37 PRIYOM	USB	(DJPr)
S32	5473	3-2-2014	1212	Mon	DLYA SHTORA62 SLIVA94 UTES94 ROSA34 STAZHER29 FONTAN34 NEVKA26 KAK SLYSHNO, KAK SLYSHNO, PRIYOM	USB	(DJPr)
S32	3828	4-2-2014	1539	Tue	Dlya ShVAF 99 130 BAGRYaNIK 75 44 86 74	USB	(Avare)
S32	3828	4-2-2014	1540	Tue	Dlya Yahta94 Nevka26 57 609 41 595 GNIL'Ye 13 31 68 48 Priyom	USB	(Avare)
S32	3828	4-2-2014	1540	Tue	Dlya Yahta94 45 544 KUSHYeNIYe 09 60 15 67 Priyom	USB	(Avare)
S32	3828	4-2-2014	1545	Tue	Dlya Yahta94 42 628 BIZUN 55 33 20 39 Priyom	USB	(Avare)
S32	3828	4-2-2014	1629	Tue	Dlya ShVAF M7KS 03 286 36 613 PAL'MIRA 78 34 12 68 repeat 03 686 36 613 PAL'MIRA 78 34 13 68 Priyom	USB	(Avare)
S32	3828	6-2-2014	1530	Thu	8S1ShCh ALLAKTIT 40 01 PRIYOM	USB	(DJPr)
S32	5473	7-2-2014	0530	Fri	Al'fa45 na segodnya ogranichit' primeneniye voysk, massovyy vykhod tekhniki v svyazi s nachalom otkrytiya Olimpiyskikh igr (Al'fa45 The use of the military forces and use of large scale military equipment must be limited today in connection with the opening of the winter Olympic games)	USB	(Argon)
S32	3828	17-2-2014	1410	Mon	DLYA BIZON64 OTPOR89 ALEUT09 PENZA07 UTES94 DUBLER68	USB	(DJPr)
S32	3828	18-2-2014	0253	Tue	Dlya DSAS PMV5 03 594 30 536 LIMOPIS 35 63 22 80 Priyom	USB	(Argon)
S32	3828	18-2-2014	0256	Tue	Dlya DSAS PMV5 44 776 54 432 MAHTEMIR 58 73 01 16 Priyom	USB	(Argon)
S32	3828	18-2-2014	0300	Tue	Dlya DSAS PMV5 ?? ??? ?? ??? KOPO???? 11 05 79 Priyom (very weak)	USB	(Argon)
S32	3828	21-2-2014	1532	Fri	DLYA HTORA62 SLIVA94 UTES94 DUBLER68 YAKHTA94 DZHIGIT46	USB	(DJPr)
S32	3828	24-2-2014	0249	Mon	19BT PMV5 51 334 90 721 SMOL'NYA 33 57 86 13 Priyom	USB	(Avare)
S32	3828	24-2-2014	0255	Mon	19BT PMV5 90 705 98 504 GAMZUN 11 00 45 93 Priyom	USB	(Avare)
S32	3828	24-2-2014	0259	Mon	19BT PMV5 97 345 33 019 KUVAR 19 47 06 82 Priyom	USB	(Avare)
S32	3828	24-2-2014	0459	Mon	19BT M7KS 88 058 24 602 TEBERDA 36 19 42 88 Priyom	USB	(Avare)
S32	5473	26-2-2014	1100	Thu	M7KS 19BT 11 057... YESZHNO... 29 84 ..	USB	(DJPr)
S32	3828	26-2-2014	1449	Thu	DLYA DZHIGIT46 KOVBOY39 YAKHTA94 LANDYSH74, KAK SLYSHNO, KAK SLYSHNO, PRIYOM	USB	(DJPr)
S32	3828	26-2-2014	1459	Thu	M7KS 19BT 39 079 38 736 NAZOYNIK 86 34 73 97 PRIYOM	USB	(DJPr)
S32	5473	27-2-2014	0551	Thu	DLYA BIZON64 OTPOR89 ALEUT09 PENZA07 UTES94 DUBLER68 FONTAN40, KAK SLYSHNO, KAK SLYSHNO, PRIYOM	USB	(DJPr)
S32	5473	27-2-2014	0606	Thu	Al'fa45 53 964 EFOLON 35 23 21 42 Priyom	USB	(DJPr)
S32	5473	27-2-2014	0631	Thu	Al'fa45 59 944 FUKOGAS 92 42 21 47 Priyom	USB	(DJPr)
S32	5473	27-2-2014	0640	Thu	Al'fa45 93 080 PUSheChNYJ 54 53 92 08 Priyom	USB	(DJPr)
V07	18368	2-2-2014	0100	Sun	329 329 329 000	USB	(Dan)
V07	16268	2-2-2014	0120	Sun	329 329 329 000	USB	(Dan)
V07	18368	9-2-2014	0100	Sun	329 329 329 1 333 61 12295 38733 ... 28014 000 000	AM	(Dan)
V07	16268	9-2-2014	0120	Sun	329 329 329 1 333 61 12295 38733 ... 28014 000 000	AM	(Dan)
V07	13968	9-2-2014	0140	Sun	329 329 329 1 333 61 12295 38733 ... 28014 000 000	AM	(Dan)
V07	18368	16-2-2014	0100	Sun	329 329 329 1 (x5) 345 83 (x2) 73317 28321 ... 11343 000 000	AM	(Dan)
V07	18368	16-2-2014	0100	Sun	329 329 329 1	USB	(toto-CA)
V07	16268	16-2-2014	0120	Sun	329 329 329 1 (x5) 345 83 (x2) 73317 28321 ... 11343 000 000	AM	(Dan)
V07	13968	16-2-2014	0140	Sun	329 329 329 1 (x5) 345 83 (x2) 73317 28321 ... 11343 000 000	AM	(Dan)
V07	18368	23-2-2014	0100	Sun	329 329 329 000	AM	(Dan)
V07	16268	23-2-2014	0120	Sun	329 329 329 000	AM	(Dan)
V13	9522	6-2-2014	0813	Thu	New Star i.p.	USB	(AB)
V13	9522	7-2-2014	0800	Fri	New Star #4	AM	(toto-HK)
V13	9522	10-2-2014	0709	Mon	New Star in progress	USB	(AB)
V13	8300	11-2-2014	1300	Tue	New Star. Began with flute music for about a minute followed by the female reading numbers	AM	(steve)
V13	9522	14-2-2014	0708	Fri	New Star in progress	USB	(AB)
V13	9522	15-2-2014	0700	Sat	New Star #4. Flute tune followed by encrypted messages	AM	(AB-HK)
V13	9522	15-2-2014	0800	Sat	New Star #4. Flute tune followed by encrypted messages	AM	(AB-HK)
V13	9522	16-2-2014	0800	Sun	New Star #4. Flute tune followed by encrypted messages	AM	(AB-HK)
V13	8300	16-2-2014	1210	Sun	New Star. Chinese numbers station w/ 4-digit groups	AM	(VH)
V13	8300	16-2-2014	1218	Sun	New Star i.p.	AM	(AB-HK)
V13	8300	16-2-2014	1300	Sun	New Star. Chinese numbers station w/ 4-digit groups	AM	(VH)
V13	9522	17-2-2014	0800	Mon	New Star #4. Flute tune followed by encrypted messages	AM	(AB-HK)

enigma	frequency	date	UTC	day	remarks	mode	contributor
V13	9522	18-2-2014	0700	Tue	New Star #4. Late start at 0904 UTC. The transmission started while the message was in progress.	AM	(AB-HK)
V13	8300	19-2-2014	1300	Thu	New Star in progress	AM	(VH)
V13	9522	22-2-2014	0700	Sat	New Star #4. Tune and coded messages in Chinese	AM	(AB-HK)
V13	8300	22-2-2014	1300	Sat	YL with usual 4-digit groups in CC	AM	(VH)
V13	9522	24-2-2014	0800	Mon	YL 4-digit number groups	AM	(VH)
V13	9522	25-2-2014	0700	Tue	New Star #4. Tune and coded messages in Chinese	AM	(AB-HK)
V13	8300	26-2-2014	1302	Thu	New Star in progress	USB	(AB-HK)
V13	9522	28-2-2014	0700	Fri	New Star #4. Tune and coded messages in Chinese	AM	(AB-HK)
V13	9522	28-2-2014	0800	Fri	New Star #4. Tune and coded messages in Chinese	AM	(AB-HK)
V13	8300	28-2-2014	1302	Fri	New Star #4. Tune and coded messages in Chinese	USB	(AB-HK)
V26	9054	4-2-2014	0940	Tue	YL - 3 fig groups.	USB	(JPL)
V26	9153	7-2-2014	0952	Fri	Chinese numbers i.p.	USB	(toto-HK)
VC01	5343	2-2-2014	1508	Sun	Chinese Robot	USB	(JPL)
VC01	5343	5-2-2014	1717	Thu	Chinese Robot	USB	(JPL)
VC01	9129	23-2-2014	0715	Sun	Chinese Robot	USB	(NC)
VC01	9129	23-2-2014	0730	Sun	Chinese Robot	USB	(NC)
VC01	9129	26-2-2014	2030	Thu	Chinese Robot	USB	(GT)
X06	18750	3-2-2014	1112	Mon	Mazielka. Sequence: 641523	USB	(PH)
X06	16276	7-2-2014	1332	Fri	Mazielka. Sequence 314265	USB	(PH)
X06	9163	9-2-2014	1748	Sun	Mazielka. Sequence: 145632	USB	(PPA)
X06	14825	17-2-2014	0748	Mon	Mazielka. Sequence: 641523	USB	(PH)
X06	15656	24-2-2014	1242	Mon	Mazielka. Sequence:	USB	(MCO)
X06c	4565	27-2-2014	1100	Thu	Mazielka. Sequence: 123456	USB	(Avare)
X06c	17495	27-2-2014	1319	Thu	Mazielka. Sequence: 123456	USB	(Avare)
XPA	11409	1-2-2014	0700	Sat	456 0	USB	(HFD/toto-NL)
XPA	13509	1-2-2014	0720	Sat	msg	MFSK	(HFD)
XPA	14609	1-2-2014	0740	Sat	msg	MFSK	(HFD)
XPA	11409	5-2-2014	0700	Wed	456 1	USB	(toto-NL)
XPA	14610	5-2-2014	0740	Thu	456 1 03321 00181 00221 97657 87691 14639 04205 (see N&O 197)	MFSK	(PH)
XPA	8123	6-2-2014	1900	Thu	msg	MFSK	(HFD)
XPA	7523	7-2-2014	1920	Fri	msg	MFSK	(HFD)
XPA	6823	7-2-2014	1940	Fri	msg	MFSK	(HFD)
XPA	8123	11-2-2014	1900	Tue	158 158 158 1	USB	(toto-NL)
XPA	11410	12-2-2014	0700	Thu		MFSK	(PH)
XPA	13510	12-2-2014	0720	Thu		MFSK	(PH)
XPA2	14784	3-2-2014	0820	Mon	Null msg	MFSK	(PH)
XPA2	13884	3-2-2014	0840	Mon	Null msg	MFSK	(PH)
XPA2	20258	11-2-2014	0800	Tue	msg	MFSK	(HFD)
XPA2	18058	11-2-2014	0820	Tue	msg	MFSK	(HFD)
XPA2	15858	11-2-2014	0840	Tue	msg	MFSK	(HFD)
XPA2	16338	11-2-2014	1500	Tue	msg	MFSK	(HFD)
XPA2	14538	11-2-2014	1520	Tue	msg	MFSK	(HFD)
XPA2	13538	11-2-2014	1540	Tue	msg	MFSK	(HFD)
XPA2	16338	18-2-2014	1500	Tue	06099 00001 00000 10140	USB	(toto-NL)
XPA2	15983	19-2-2014	0800	Wed	msg	MFSK	(HFD)
XPA2	14783	19-2-2014	0820	Wed	msg	MFSK	(HFD)
XPA2	13956	19-2-2014	0840	Wed	msg	MFSK	(HFD)
XPA2	18667	21-2-2014	1400	Fri	msg	MFSK	(HFD)
XPA2	17419	21-2-2014	1420	Fri	msg	MFSK	(HFD)
XPA2	16212	21-2-2014	1440	Fri	msg	MFSK	(HFD)
XSL	8313	16-2-2014	1735	Sun	Japan Maritime Self-Defense Force	QPSK 1500	(PPA)

CONTRIBUTORS

13CR	13CR697, N. Germany	JPL-Sib	JPL via remote rx Siberia
13CR-NL	13CR697 via remote rx, The Netherlands	KK2	Kristian K, Central Europe
AB	Ary Boender, Netherlands	LG2	Les G, UK
AB-HK	Ary Boender via remote rx Hong Kong	Mil	Miller745
Argonn	Argonn via Radioscanner.ru	MPJ	Jim, SW England
Avare	Avare	N2UHC	N2UHC
BCI	Bruno Casula, Italy	NC	Nick Carrigan, WA, USA
BR	Brian Rogers, UK	PH	Paul H, UK
Dan	Daniel, Argentina	pjen	P. Jennings
DJPr	DJpeter via Radioscanner	PPA	Peter Poelstra, Netherlands
DM0551	Dave moonlight0551, Sydney, Australia	RP-MD	Ron, MD, USA
DSch	Don Schimmel, USA	RWO	RW Observer
EW	Eddy Waters, Australia	Saber	SaberWing, N. Ireland
FN	Fritz Nusser, Switzerland	SFNY	Shawn, Flushing, NY, USA
Geoff	Geoff	Tom	Tom, Lincs, UK
GHn	Gary Hagermann, UK	Topol	Tony, UK
GT	Glimmer Twin	toto-CA	toto CZ via remote rx CA, USA
Gwr	Gwraspe	toto-HK	toto CZ via remote rx Hong Kong
HFD	Hans-Friedrich Dumrese, Germany	toto-NL	toto CZ via remote rx The Netherlands
IARUMS	IARU Monitoring Service	VH	Vince Havrilko
JPL	JPL, Ontario, Canada	VL	Vincent Lecler, France
JPL-FNL	JPL via remote rx Finland	WP3	Wolfgang Palmberger

All information in this newsletter was submitted by independent radio monitors or has been obtained from public available sources and public sites on the web. Wherever data was obtained via the web or elsewhere, references and/or links to these sources have been noted.

Google Earth images Copyright © Google

Portions of this newsletter may be used in electronic or printed hobby bulletins without prior approval so long as "Numbers & Oddities" is credited as the source. This newsletter may NOT be utilized, partly or wholly, in any other COMMERCIAL media format without the written permission of the Editor. Any breach of this may result in action under international copyright legislation.

Relevant mailing lists:

Utility DXers Forum (utility and spooks related logs)

To become a member go to <http://groups.yahoo.com/group/udxf/> and follow the instructions.

Website: <http://www.udxf.nl>

Spooks (spooks related info and logs)

Go to the web interface <http://mailman.qth.net/mailman/listinfo/spooks> to subscribe. Fill in the form and follow the instructions that will be mailed to you.

HF Underground (radio related including numbers stations)

Forum: <http://www.hfunderground.com/board/>