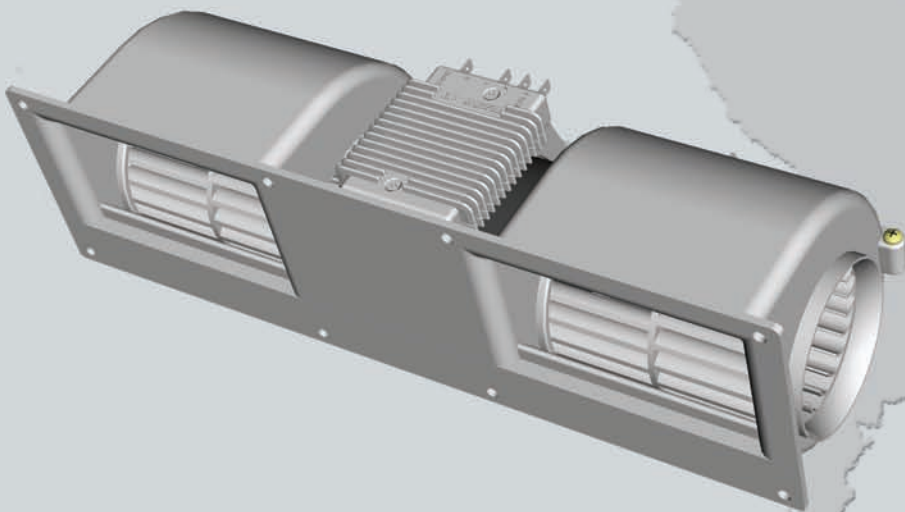
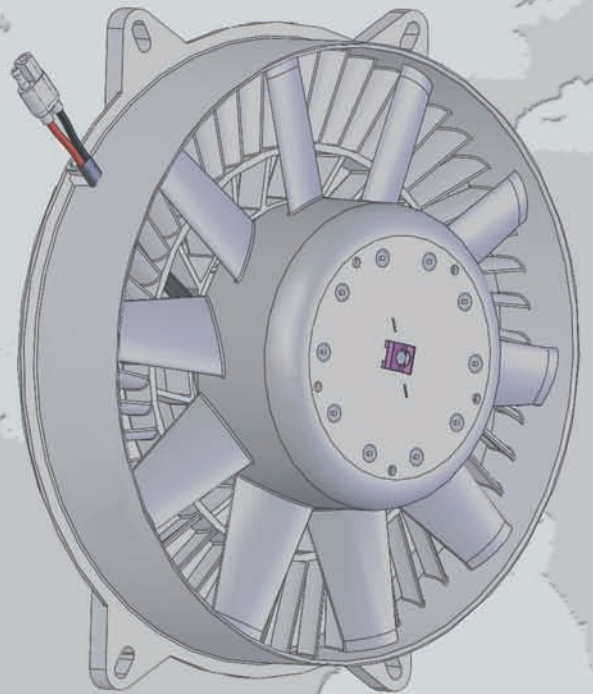


**Axial Fans,
Centrifugal Blowers,
DC Motors, &
Accessories Catalog**

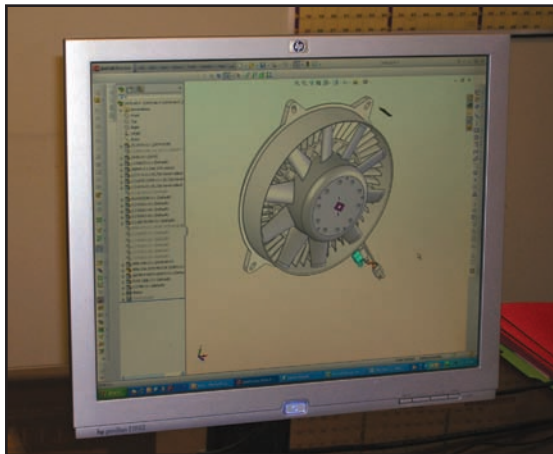
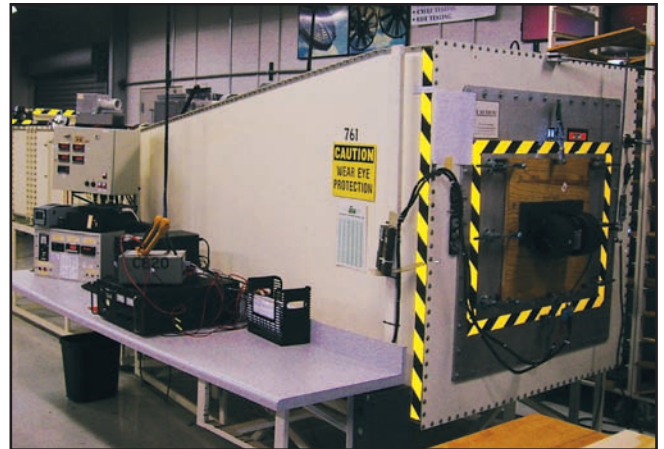


www.dcm-mfg.com

ISO 9001: 2000 Certified

INTRODUCTION

DCM Manufacturing Inc., a Dreison International Company, is a recognized global leader in manufacturing, sales, and service of OEM products for the mobile HVAC and industrial heat transfer markets. Dreison International Inc. began operations in 1976. Corporate offices are located in Cleveland, Ohio and Haltom City, Texas.



Our products include Axial Fans and Centrifugal Blowers utilizing 12 and 24-volt fractional horsepower series wound, and permanent magnet DC motors. DCM also manufactures a complete line of Plastic Louvers and Accessories.

DCM employs cost-effective lean manufacturing methodologies throughout our production facilities. We maintain partnerships with manufacturers in China, Mexico, and Turkey.

Certification of the Haltom City, TX manufacturing facility to ISO 9001: 2000 and adherence to continuous improvement processes through supply chains, engineering and manufacturing ensures world-class quality, reliable delivery, and cost competitive products.

DCM products are found in a variety of applications world wide including the truck, bus, construction, agricultural, and marine markets.

For more information on our company, please visit: www.dcm-mfg.com.



CONTENTS

Axial Fan Key Page 2 - 4
 Options and Accessories 5
 Technical Information 6
 Extreme Long Life Motor 7

Axial Fans (8 - 119)

6.5" [165mm] 9
 8" [190mm] 10 - 16
 9" [225mm] 17 - 27
 10" [255mm] 28 - 41
 11" [280mm] LOW PROFILE 42 - 54
 11" [280mm] HIGH PROFILE 55 - 63
 12" [305mm] LOW PROFILE 64 - 75
 12" [305mm] HIGH PROFILE 76 - 85
 13" [330mm] 86 - 89
 14" [350mm] 90 - 97
 16" [385mm] LOW PROFILE 98 - 106
 16" [385mm] MEDIUM PROFILE 107 - 111

Dash Mount Fans (112 - 116)

Dash Mount Fan Key Page 112
 6.5" Dash Mount Fans & Options 114 - 115
 Soft Blade Dash Fans 116

Centrifugal Blowers (117 - 152)

Blower Key Page 117
 TEC2000 / BH6000 Series 119 - 121
 TEC2001 Series 122 - 123
 TEC2002 Series 124 - 125
 TEC2005 / BH1300 Series 126 - 132
 TEC2006 / BH1400 Series 133 - 139
 TEC2007 / BH1600 Series 140 - 144
 TEC2009 / BH7800 Series 145 - 148
 BH1100 / BH1900 / BH4400 Series 149 - 152

DC Motors (153 - 164)

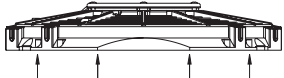
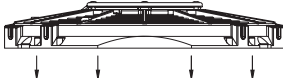

Motor Selection 154 - 156
 Information & RFQ 157
 Permanent Magnet 158 - 164

TA11A1001 = DCM MANUFACTURING, INC.


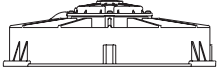
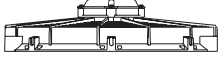
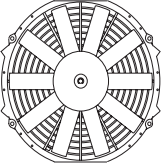
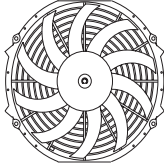
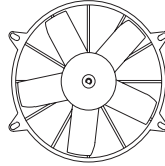
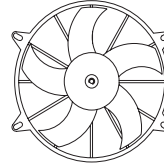
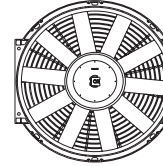
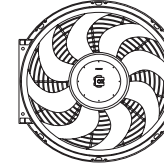
TA11A1001 = NOMINAL VOLTAGE (A = 12VDC, B = 24VDC)

TA11A1001 = FAN DIAMETER

TA11A1001 = AIR FLOW DIRECTION

A = PULLER	S = PUSHER	R = REVERSIBLE
A 	S 	R  FLOW DETERMINED BY BLADE ORIENTATION

TA11A1001 = FAN PROFILE / BLADE TYPE

PROFILES & BLADE TYPES					
					
LOW PROFILE	HIGH PROFILE	MEDIUM PROFILE			
					
1 = LOW PROFILE STRAIGHT BLADE	2 = LOW PROFILE "S" BLADE	3 = HIGH PROFILE STRAIGHT BLADE	4 = HIGH PROFILE "S" BLADE	5 = MEDIUM PROFILE STRAIGHT BLADE	6 = MEDIUM PROFILE "S" BLADE

TA11A1001 = SEQUENTIAL PART NUMBER

AXIAL FANS - KEY

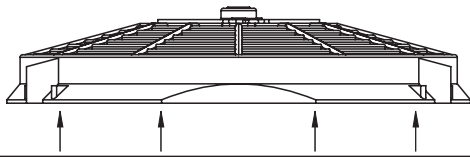
SAMPLE NUMBER
850026HP

850026HP = STRAIGHT BLADE FAN

850026HP = FAN DIAMETER (900 = 8", 100 = 9", 500 = 10", 200 = 11", 600 = 12", 300 = 14", 400 = 16")

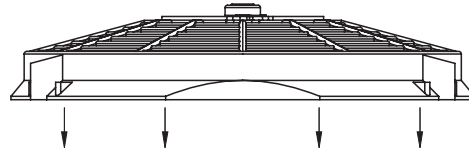
850026HP = AIR FLOW DIRECTION

26 = PULLER



EX: 850026

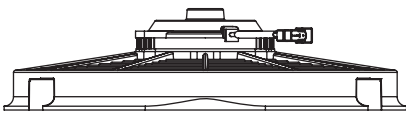
28 = PUSHER



EX: 850028

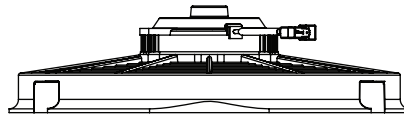
850026HP = MOTOR TYPE

= STANDARD



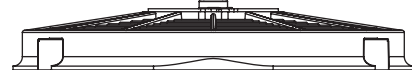
EX: 850026

HP = HIGH PERFORMANCE



EX: 850026HP

-90 = LOW PROFILE

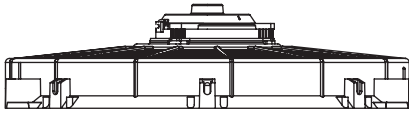


EX: 850026-90

AXIAL FANS - KEY

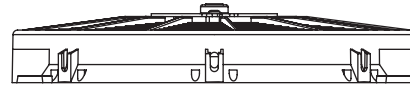
P-4014-A = MOTOR TYPE

G = STANDARD



EX: G-4014-A

P = LOW PROFILE



EX: P-4014-A

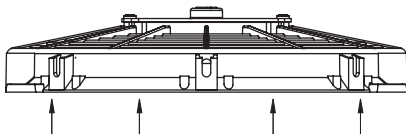
P-4014-A = "S" BLADE FAN

P-4014-A = FAN DIAMETER (09 = 9", 010 = 10", 012 = 11", 014 = 13", 015 = 16", 016 = HP 16")

P-4014-A = AIR FLOW DIRECTION

A = PULLER

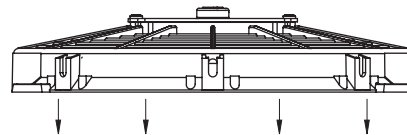
A



EX: P-4014-A

S = PUSHER

S

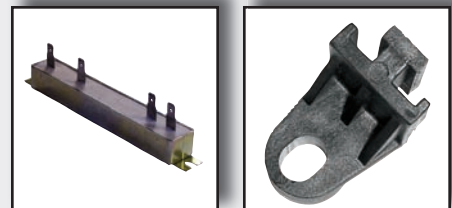
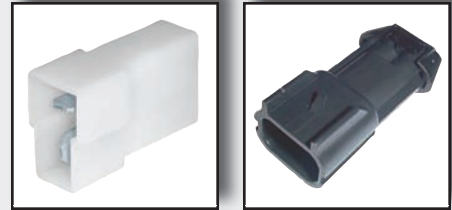


EX: P-4014-S

OPTIONS and ACCESSORIES

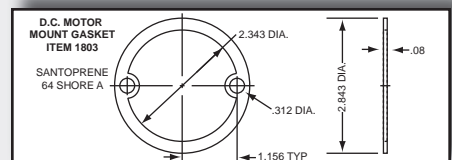
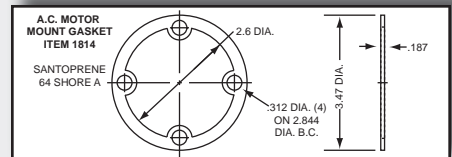
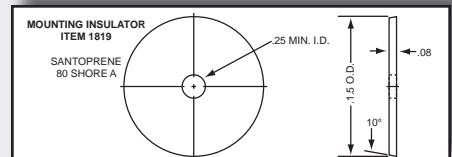
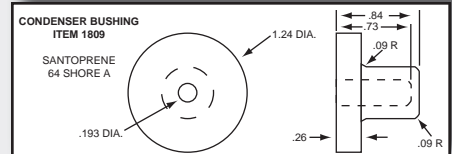
AXIAL AND DASH MOUNT FANS

- PLASTIC AND MOLDED RUBBER CONNECTORS
- MOUNTING BRACKETS
- HIGH AND LOW PROFILE
- STRAIGHT OR "S" BLADE
- 12VDC AND 24VDC
- 90W, 125W, 130W, 140W, 160W, AND 225W UNITS
- VARIOUS OPTIONS FOR DOMESTIC OR EUROPEAN MOUNTING
- SEVERAL SPEED OPTIONS
- PUSHER OR PULLER
- VINYL SLEEVE FOR WIRE HARNESS



CENTRIFUGAL BLOWERS

- PLASTIC AND MOLDED RUBBER CONNECTORS
- ABS, GLASS FILLED NYLON, MINERAL FILLED GLASS FILLED NYLON, OR GLASS FILLED POLYPROPYLENE HOUSINGS
- SINGLE AND MULTI-SPEED MODELS
- 12VDC AND 24VDC
- CW AND CCW UNITS
- DUAL OR SINGLE SCROLL
- BRASS MOUNTING INSERTS
- SPEED CONTROL RESISTORS



DC MOTORS

- BALL OR SLEEVE BEARING CONSTRUCTION
- VARIOUS SHAFT LENGTHS AVAILABLE
- DUAL AND SINGLE SHAFT
- 12VDC AND 24VDC
- CW AND CCW ROTATION
- PLASTIC AND MOLDED RUBBER CONNECTORS
- VARIOUS SPEEDS
- RFI SUPPRESSION
- SPECIAL WIRE HARNESS
- CONDENSER BUSHINGS
- MOUNTING INSULATOR / CONDENSERS
- AC / DC MOTOR MOUNT GASKETS

IP RATING SYSTEM

A rating system established by the International Electrotechnical Commission as IEC 60529.

The **first digit** represents protection against ingress of solid objects.

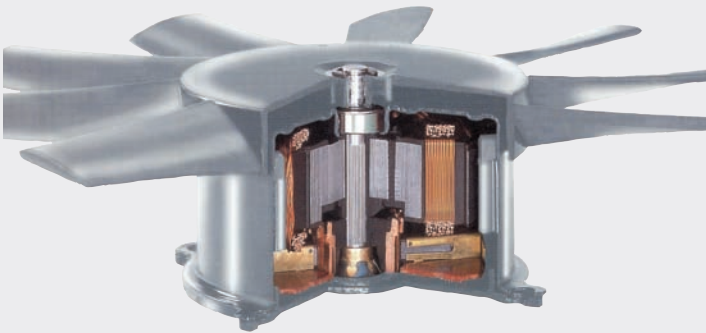
The **second digit** represents protection against ingress of liquids.

The larger the value of each digit, the greater the protection from that influence.

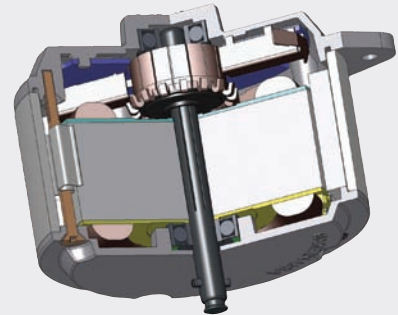
First Number (Solids)		Second Number (Liquids)	
0	No protection	No protection	
1	Protected against solid objects over 50mm.	Protected against vertically falling drops of water or condensation.	
2	Protected against solid objects over 12mm.	Protected against direct sprays of water up to 15° from vertical.	
3	Protected against solid objects over 2.5mm.	Protected against direct sprays of water up to 60° from vertical.	
4	Protected against solid objects over 1.0mm.	Protected against water sprayed from any direction. Limited ingress permitted.	
5	Limited protection against dust ingress (no harmful deposit).	Protected against low pressure water jets from any direction. Limited ingress permitted.	
6	Totally protected against dust ingress.	Protected against high pressure water jets from any direction. Limited ingress permitted. (Shipdeck)	
7		Protected against the effects of immersion between 15cm and 1 meter.	
8		Protected against immersion for periods longer than 30 minutes at a depth of 1 meter minimum. This is a static test, the motor is not intended to operate submerged.	

DUST PROOF/WATER RESISTANT MOTOR

IP68 DRAWN CAN DESIGN



WATER & DUST RESISTANT SEAMLESS FIELD RING



STANDARD MOTOR FEATURES:

- BALL BEARINGS
- REVERSIBLE
- ALUMINUM DIE CAST END PLATES
- BLACK POLYESTER POWDER COAT
- FERRITE MAGNETS

PATENT # 5,959,386

4" MOTOR CERTIFICATION OPTIONS

IP68: Is a rating of environmental sealing established by the International Electrotechnical Commission (IEC 529). IP = Ingress Protection, 6 = completely dust proof, 8 means water tight to 1 meter (cold motor, 1 hour submersion) for a period longer than 30 minutes. Testing was by Emitel to the German version of this standard – DIN EN 60529.

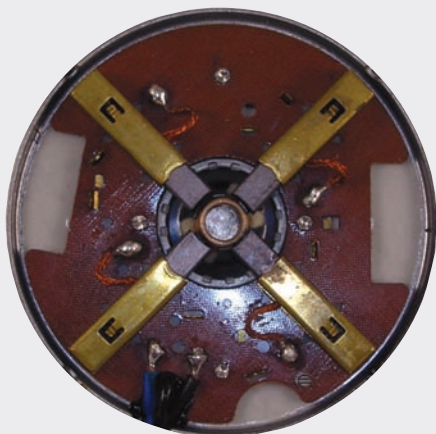
IGNITION PROTECTION: Motors equipped with this option meet the requirements of: EU – ISO 8846 & ISO 9097, U.S. – SAE J1171 and 33CFR183.410 (USCG), Canada – TP1332e Section 8.4.

E^XTREME LONG LIFE MOTOR



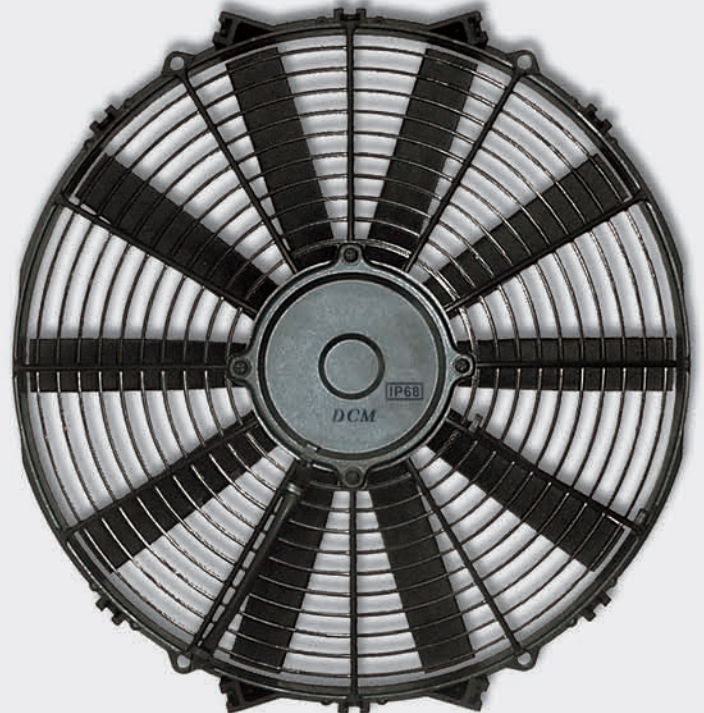
- **26% LONGER BRUSH LIFE THAN CONVENTIONAL DESIGN.**
- **CONSTANT FORCE SPRINGS DESIGNED TO WORK ON THE CENTER OF THE BRUSH ARC TO ENSURE OPTIMUM FORCE DURING SERVICE**
- **IP68 STANDARDS. SPECIAL SILICONE O-RING TO IMPROVE SEALING**
- **BETTER COMMUTATION ANGLE.**
- **SOLDERLESS BRUSH CARD DESIGN WITH MECHANICAL CRIMPING**

STANDARD
BRUSH CARD



EXTREME LONG LIFE
BRUSH CARD





12VDC AXIAL MOTOR FANS

FAN DIAMETER
6.5" [167mm]

6.5" LOW PROFILE

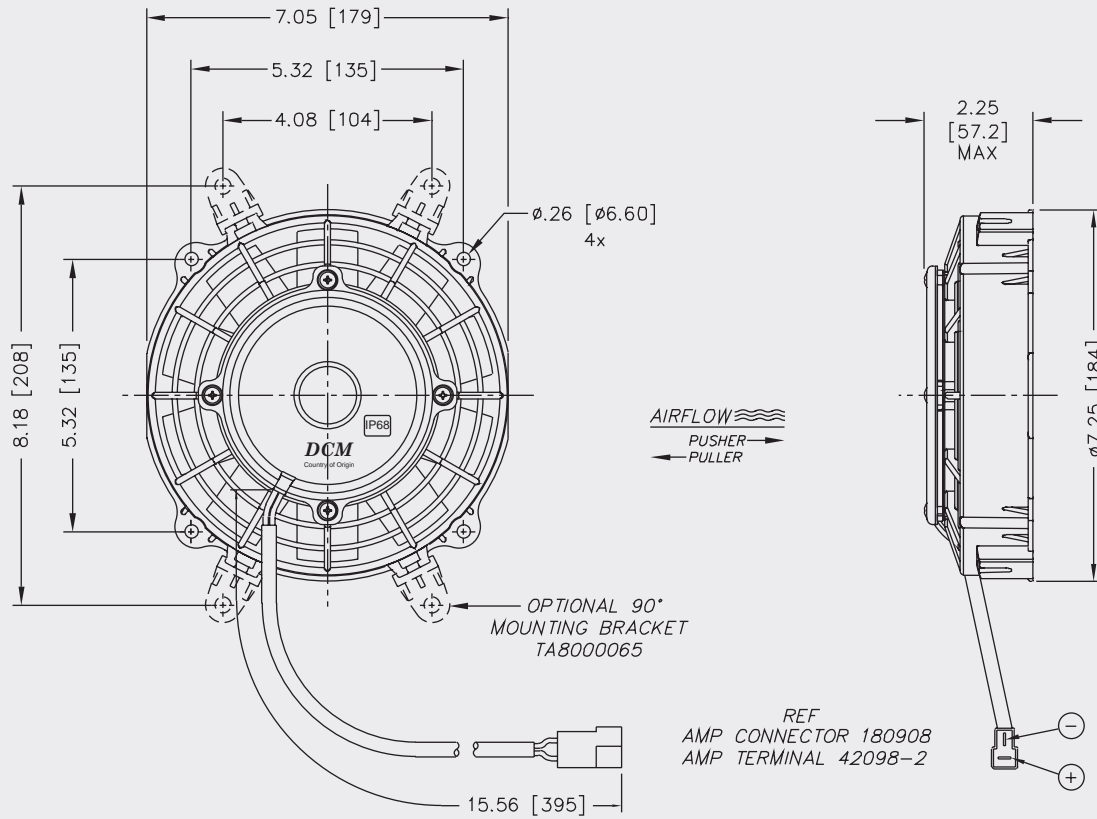
MODEL INFORMATION*

PART#	TYPE	VOLTS	WATTS	BLADE	MATERIAL
TA07A1001	PULLER	12VDC	130W	STRAIGHT	GF NYLON
TA07S1001	PUSHER	12VDC	130W	STRAIGHT	GF NYLON

*ALSO AVAILABLE IN 24VDC



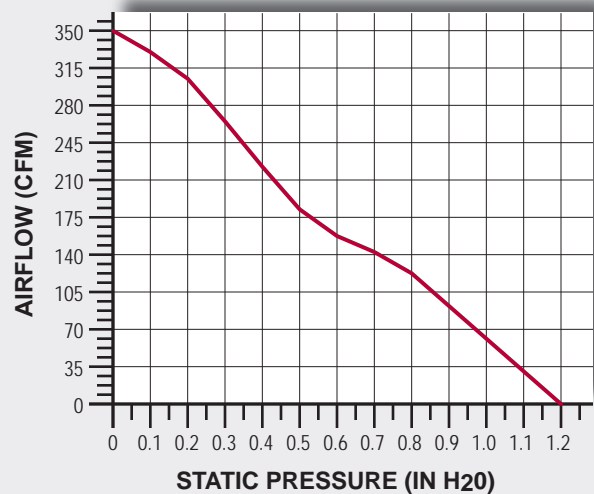
IP68



TYPICAL AIR PERFORMANCE @ 13.5VDC 6.5" 130W "S" BLADE PULLER/PUSHER FANS

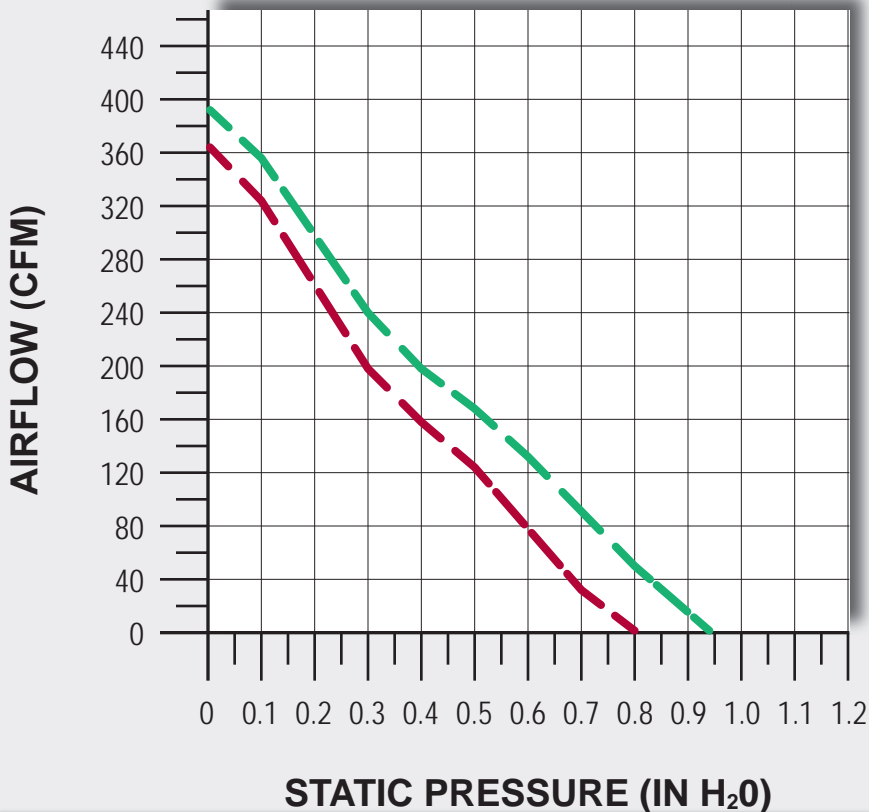
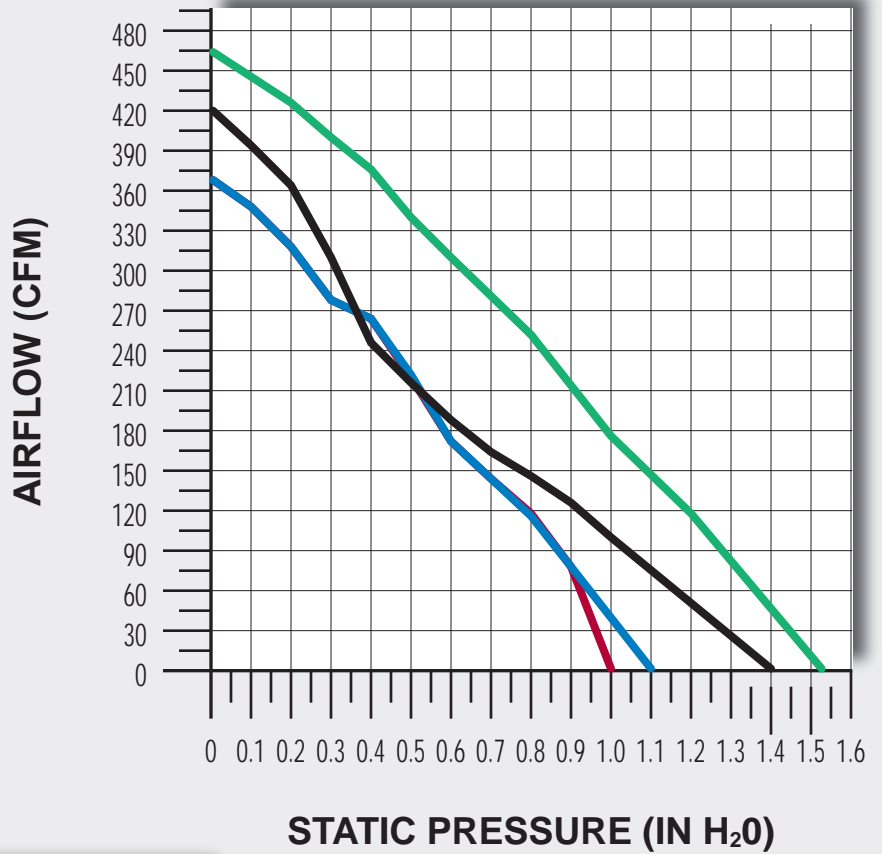
STATIC PRESSURE IN H ₂ O	STATIC PRESSURE mm H ₂ O	CFM	m ³ /h	Amps
0	0.0	349	593	5.4
0.1	2.5	333	566	5.4
0.2	5	303	515	5.4
0.3	7.5	269	457	5.4
0.4	10	226	384	5.2
0.5	12.5	184	313	5.3
0.6	15	160	272	5.3
0.7	17.5	142	241	5.3
0.8	20	125	212	5.3

STALL @ 1.2" [30.5mm] - 6.3 Amps



8" [190mm] AXIAL FANS

- TA08A1001 / TA08S1001 Pg. 11
- TA08A1002 / TA08S1002 Pg. 12
- TA08R2001 Pg. 13
- TA08R2002 Pg. 14



- - - 890026 / 890028 Pg. 15
- - - 890026-90 / 890028-90 Pg. 16

Optional performances may be available. Please contact DCM at (817) 428-3636 for more information.

12VDC AXIAL MOTOR FANS

FAN DIAMETER
8" [190mm]

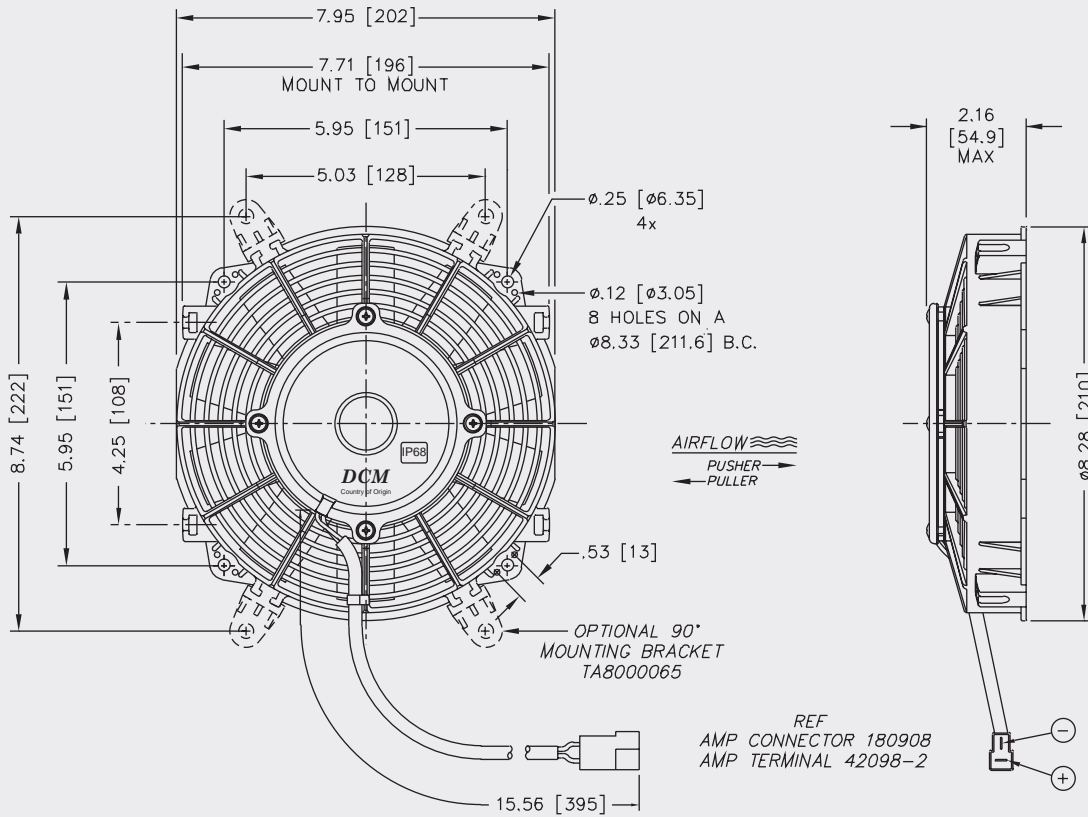
MODEL INFORMATION

PART#	TYPE	VOLTS	WATTS	BLADE	MATERIAL
TA08A1001	PULLER	12VDC	130W	STRAIGHT	GF NYLON
TA08S1001	PUSHER	12VDC	130W	STRAIGHT	GF NYLON
TB08A1001	PULLER	24VDC	130W	STRAIGHT	GF NYLON
TB08S1001	PUSHER	24VDC	130W	STRAIGHT	GF NYLON



IP68

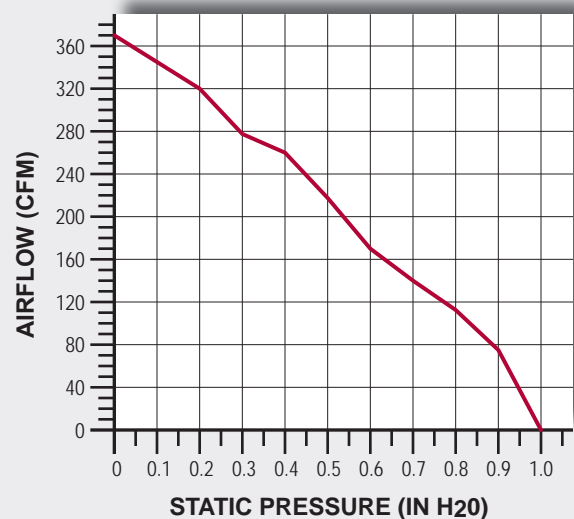
8" LOW PROFILE



TYPICAL AIR PERFORMANCE @ 13.5VDC 8" 130W STRAIGHT BLADE PULLER/PUSHER FANS

STATIC PRESSURE IN H ₂ O	STATIC PRESSURE mm H ₂ O	CFM	m ³ /h	Amps
0	0.0	370	629	5.1
0.1	2.5	348	591	5.1
0.2	5	319	542	5.1
0.3	7.5	278	472	5.1
0.4	10	265	450	5.1
0.5	12.5	221	375	5.0
0.6	15	172	292	4.9
0.7	17.5	144	245	5.1
0.8	20	117	199	5.2
0.9	22.5	79	134	5.3

STALL @ 1.0" [25.4mm] - 5.6 Amps



FAN DIAMETER
8" [190mm]

12VDC AXIAL MOTOR FANS

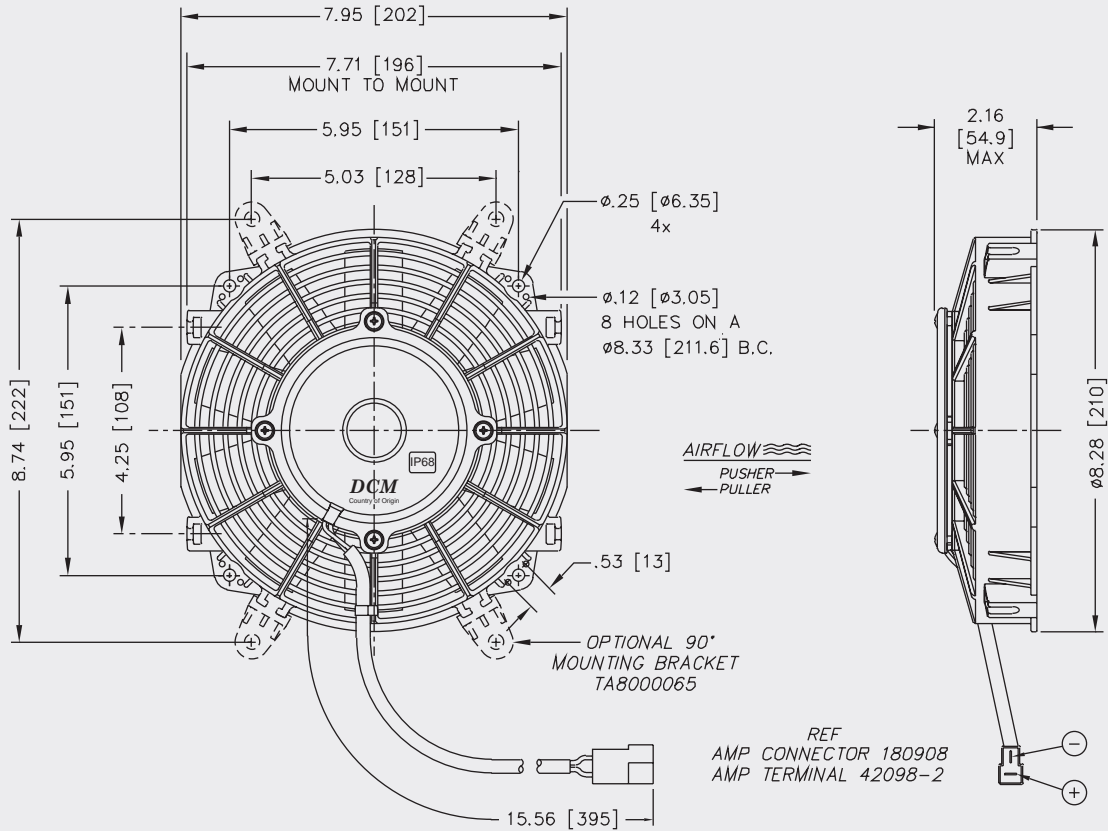


IP68

MODEL INFORMATION*

PART#	TYPE	VOLTS	WATTS	BLADE	MATERIAL
TA08A1002	PULLER	12VDC	130W	STRAIGHT	GF NYLON
TA08S1002	PUSHER	12VDC	130W	STRAIGHT	GF NYLON

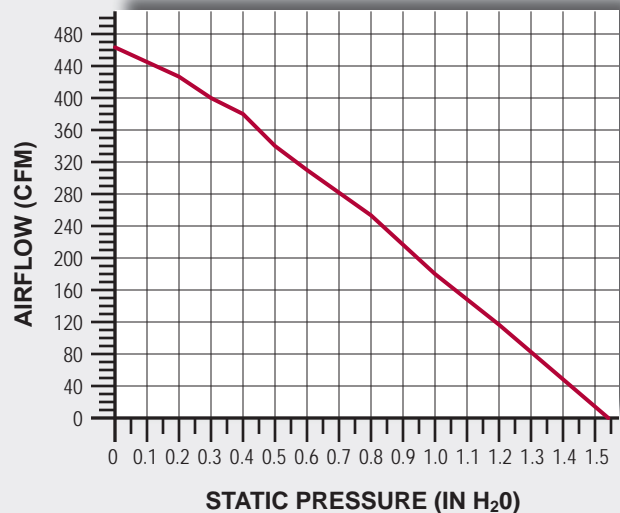
*ALSO AVAILABLE IN 24VDC



TYPICAL AIR PERFORMANCE @ 13.5VDC 8" 130W STRAIGHT BLADE PULLER/PUSHER FANS

STATIC PRESSURE IN H ₂ O	STATIC PRESSURE mm H ₂ O	CFM	m ³ /h	Amps
0	0.0	465	790	8.2
0.2	5	427	725	8.2
0.3	7.5	400	678	8.2
0.4	10	377	641	8.2
0.5	12.5	341	579	8.2
0.6	15	311	528	8.2
0.8	20	253	428	8.2
1.0	25	177	301	8.3
1.2	30	118	200	8.4

STALL @ 1.54" [39.1mm] - 8.4 Amps



12VDC AXIAL MOTOR FANS

FAN DIAMETER
8" [190mm]

MODEL INFORMATION

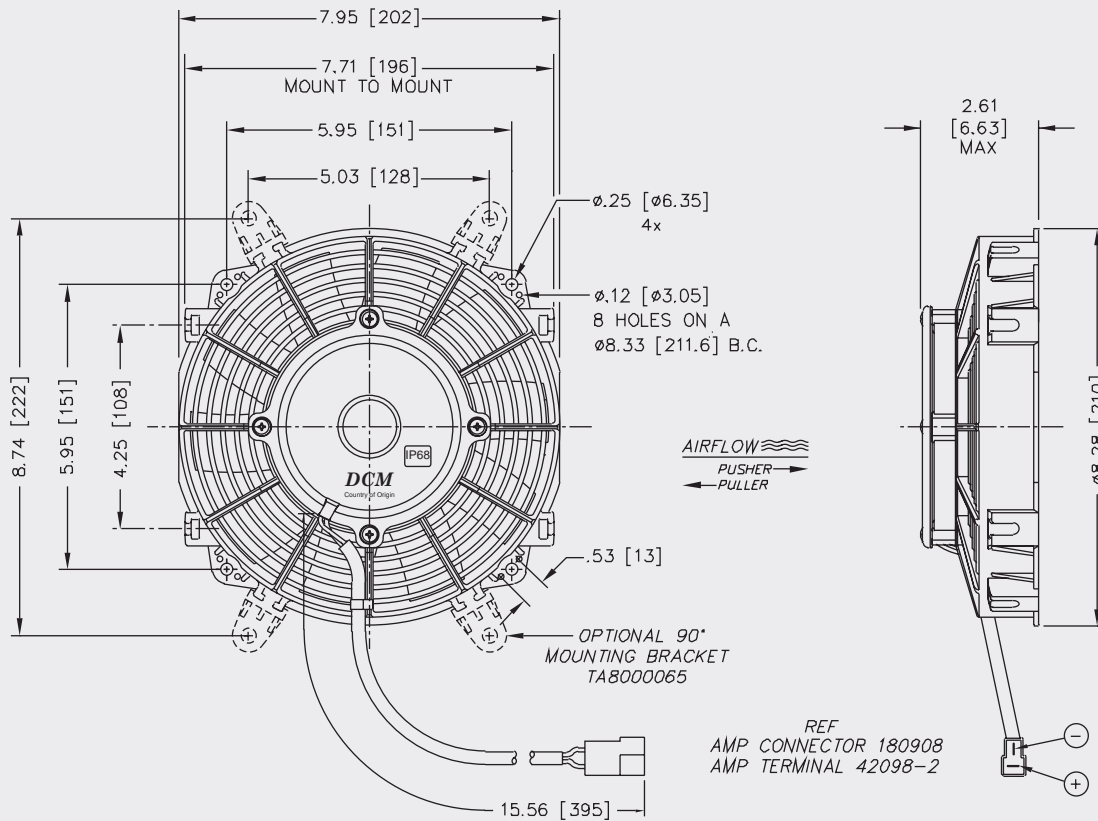
PART#	TYPE*	VOLTS	WATTS	BLADE	MATERIAL
TA08R2001	REVERSIBLE	12VDC	130W	"S"	GF NYLON
TB08R2001	REVERSIBLE	24VDC	130W	"S"	GF NYLON

*SET UP AS PULLER FROM FACTORY



IP68

REVERSIBLE

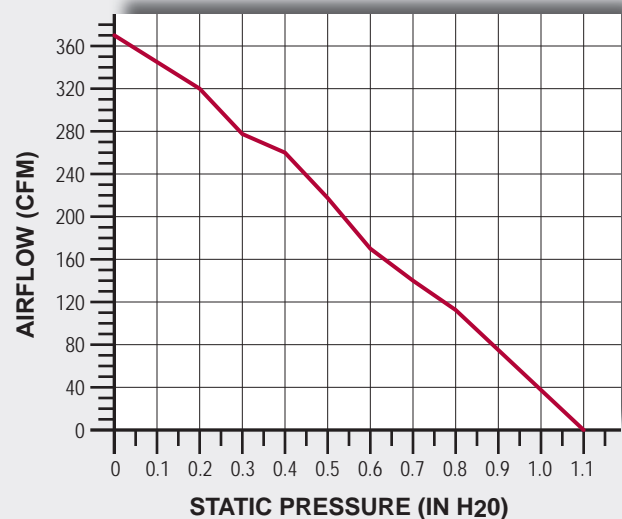


8" LOW PROFILE

TYPICAL AIR PERFORMANCE @ 13.5VDC 8" 130W "S" BLADE REVERSIBLE FANS

STATIC PRESSURE IN H ₂ O	STATIC PRESSURE mm H ₂ O	CFM	m ³ /h	Amps
0	0.0	370	629	5.1
0.1	2.5	348	591	5.1
0.2	5	318	540	5.1
0.3	7.5	278	472	5.1
0.4	10	264	449	5.1
0.5	12.5	221	375	5.0
0.6	15	172	292	4.9
0.7	17.5	144	245	5.1
0.8	20	117	199	5.2
0.9	22.5	79	134	5.3

STALL @ 1.1" [27.9mm] - 6.4 Amps



FAN DIAMETER
8" [190mm]

12VDC AXIAL MOTOR FANS



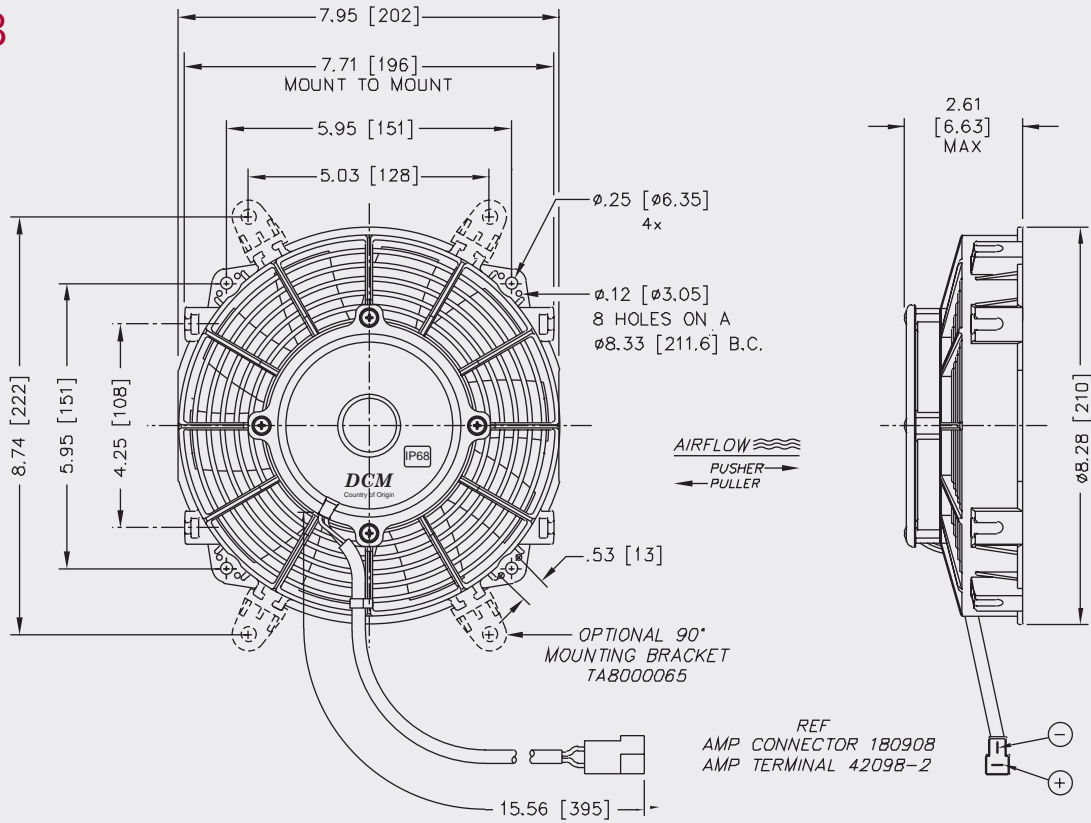
IP68

MODEL INFORMATION*

PART#	TYPE**	VOLTS	WATTS	BLADE	MATERIAL
TA08R2002	REVERSIBLE	12VDC	130W	"S"	GF NYLON

*ALSO AVAILABLE IN 24VDC **SET UP AS PULLER FROM FACTORY

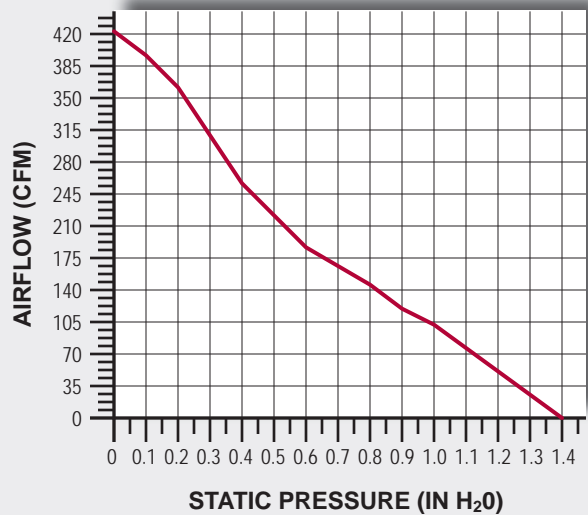
REVERSIBLE



TYPICAL AIR PERFORMANCE @ 13.5VDC 8" 130W "S" BLADE REVERSIBLE FANS

STATIC PRESSURE IN H ₂ O	STATIC PRESSURE mm H ₂ O	CFM	m ³ /h	Amps
0	0.0	421	715	7.9
0.1	2.5	395	671	8.0
0.2	5	365	620	7.9
0.3	7.5	309	525	7.7
0.4	10	255	435	7.6
0.5	12.5	217	369	7.8
0.6	15	189	321	8.0
0.7	17.5	164	279	8.2
0.8	20	146	248	8.5
0.9	22.5	126	214	8.5
1.0	25	100	170	8.6

STALL @ 1.4" [35.6mm] - 9.7 Amps



12VDC AXIAL MOTOR FANS

FAN DIAMETER
8" [190mm]

MODEL INFORMATION*

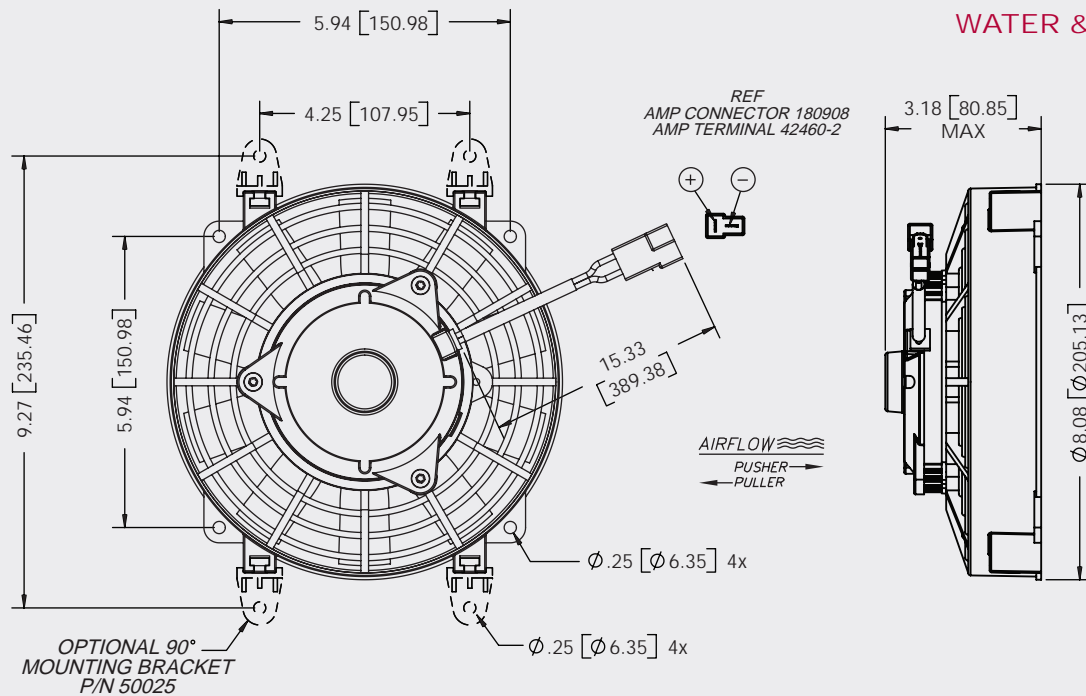
PART#	TYPE	VOLTS	WATTS	BLADE	MATERIAL
890026	PULLER	12VDC	125W	STRAIGHT	MFGF NYLON
890028	PUSHER	12VDC	125W	STRAIGHT	MFGF NYLON

*ALSO AVAILABLE | 24VDC

REVERSIBLE



WATER & DUST RESISTANT

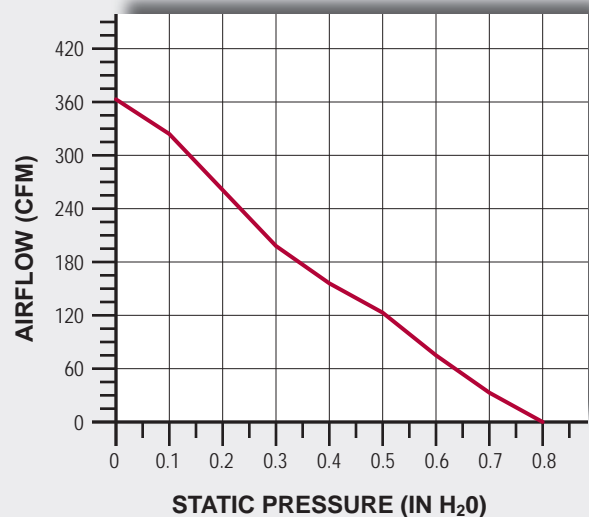


8" LOW PROFILE

TYPICAL AIR PERFORMANCE @ 13.5VDC 8" 125W STRAIGHT BLADE PULLER/PUSHER FANS

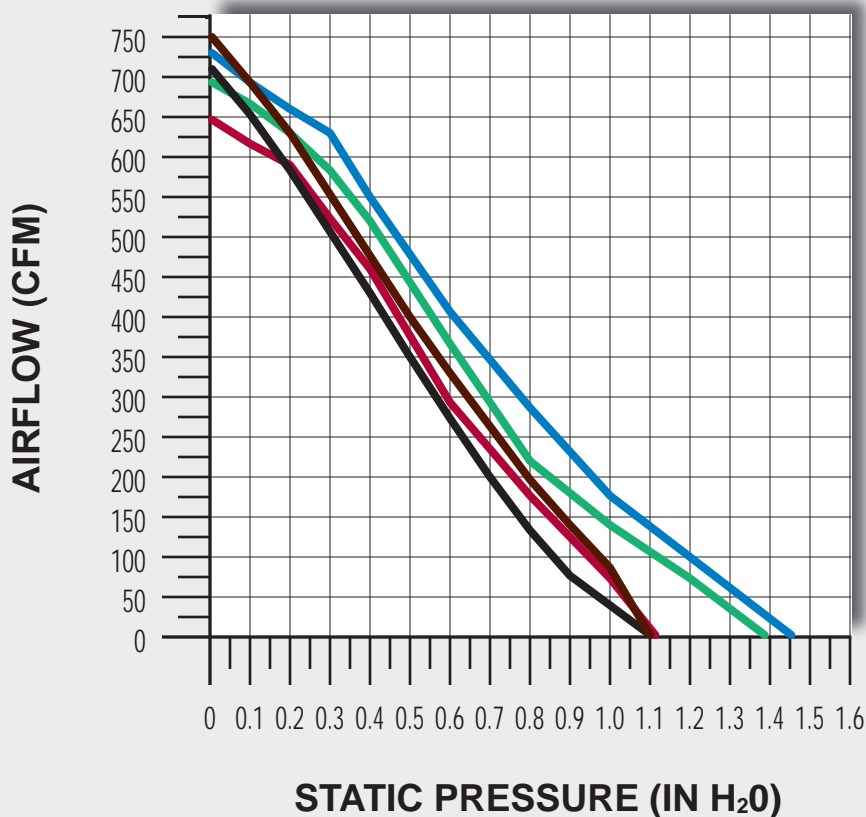
STATIC PRESSURE IN H ₂ O	STATIC PRESSURE mm H ₂ O	CFM	m ³ /h	Amps
0	0.0	364	618	4.9
0.1	2.5	324	550	4.7
0.2	5	262	445	4.5
0.3	7.5	198	336	4.4
0.4	10	157	267	4.6
0.5	12.5	123	209	4.7
0.6	15	76	129	4.7
0.7	17.5	32	54	4.8

STALL @ 0.8" [20.3mm] - 4.8 Amps

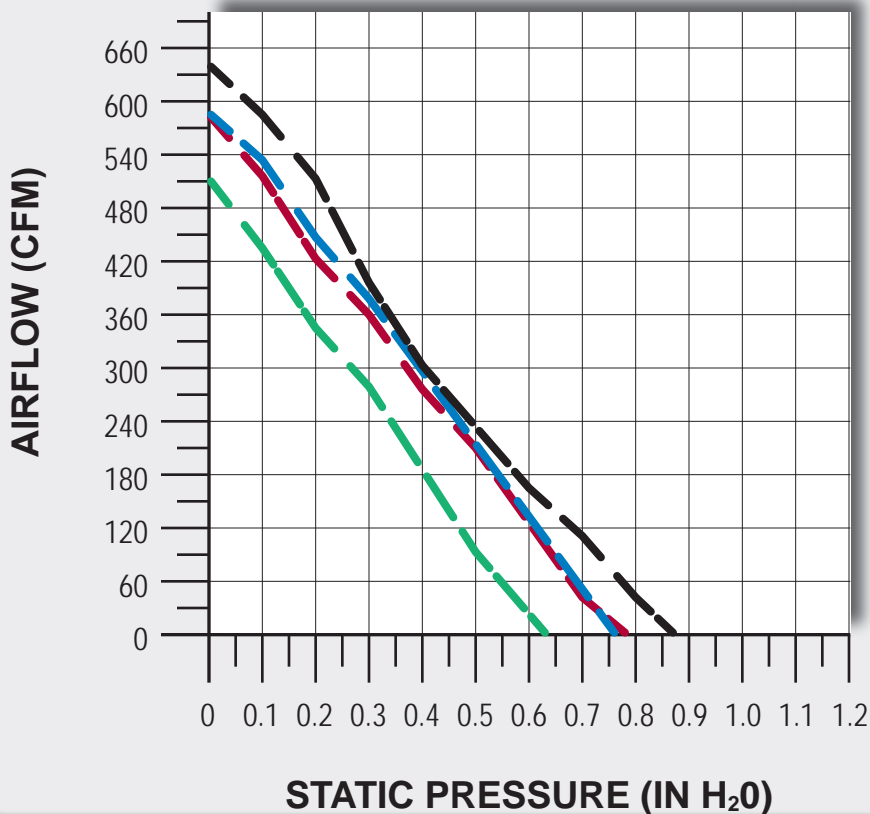


9" [225mm] AXIAL FANS

- TA09A1003 / TA09S1003 Pg. 18
- TA09A2002 Pg. 19
- TA09A2003 Pg. 20
- TA09R2001 Pg. 21
- TA09R2002 Pg. 22



9" LOW PROFILE



- 810026 / 810028 Pg. 23
- 810026HP / 810026HP Pg. 24
- 810026-90 / 810028-90 Pg. 25
- P-809-A / P-809-S Pg. 26

FAN DIAMETER
9" [225mm]

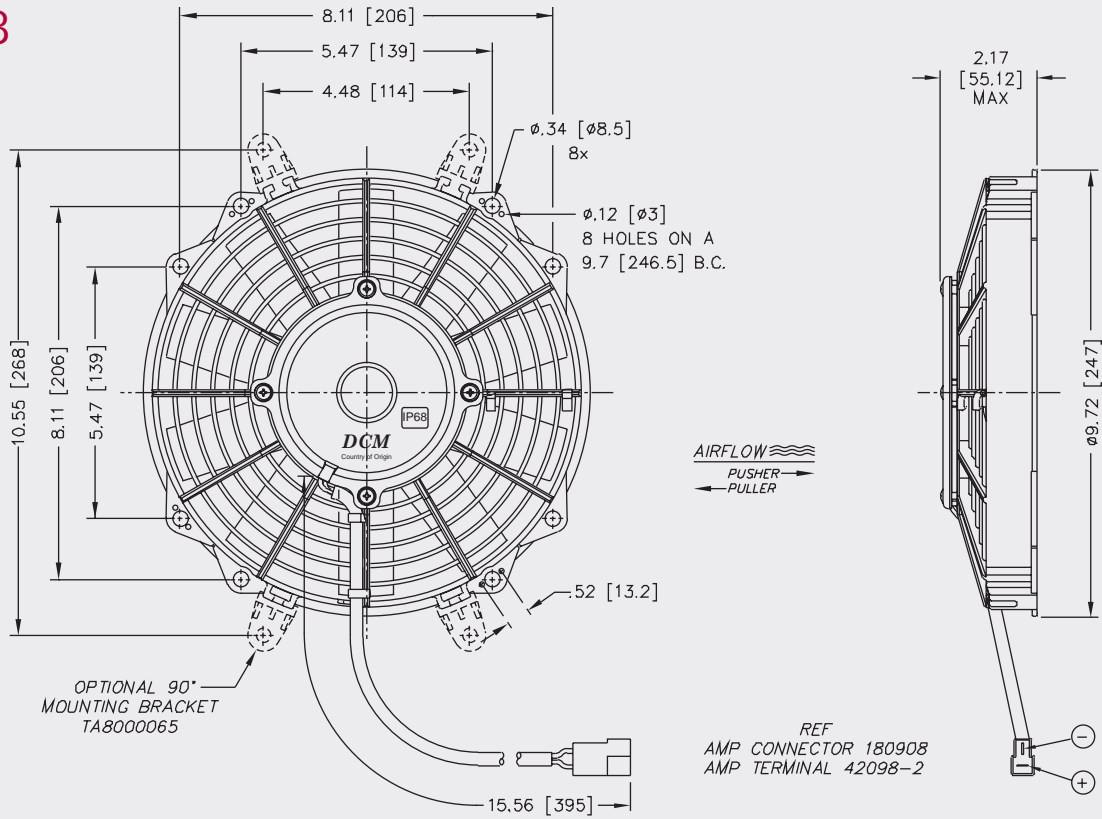
12VDC AXIAL MOTOR FANS



IP68

MODEL INFORMATION

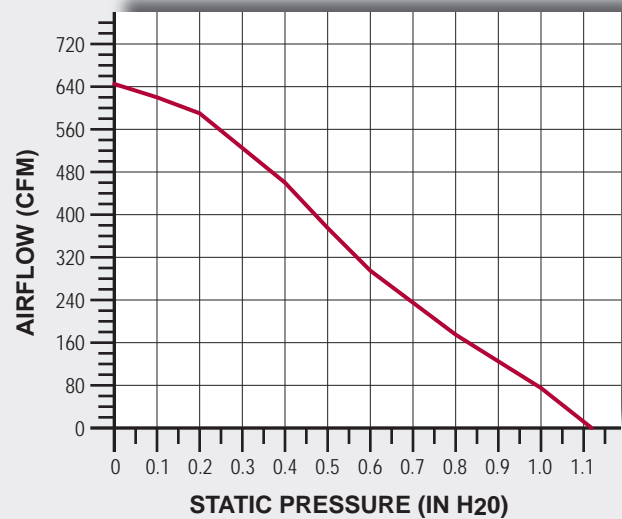
PART#	TYPE	VOLTS	WATTS	BLADE	MATERIAL
TA09A1003	PULLER	12VDC	130W	STRAIGHT	GF NYLON
TA09S1003	PUSHER	12VDC	130W	STRAIGHT	GF NYLON
TB09A1002	PULLER	24VDC	130W	STRAIGHT	GF NYLON
TB09S1002	PUSHER	24VDC	130W	STRAIGHT	GF NYLON



TYPICAL AIR PERFORMANCE @ 13.5VDC 9" 130W STRAIGHT BLADE PULLER/PUSHER FANS

STATIC PRESSURE IN H ₂ O	STATIC PRESSURE mm H ₂ O	CFM	m ³ /h	Amps
0	0.0	647	1099	6.5
0.1	2.5	618	1050	6.7
0.2	5	589	1001	6.8
0.3	7.5	524	890	7.0
0.4	10	459	780	7.0
0.5	12.5	377	641	7.0
0.6	15	294	500	6.9
0.8	20	177	301	7.4
1.0	25	74	126	7.5

STALL @ 1.12" [28.4mm] - 7.6 Amps



12VDC AXIAL MOTOR FANS

FAN DIAMETER
9" [225mm]

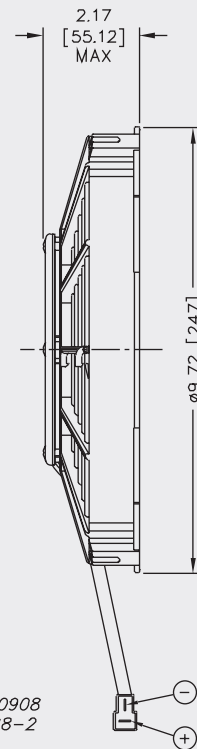
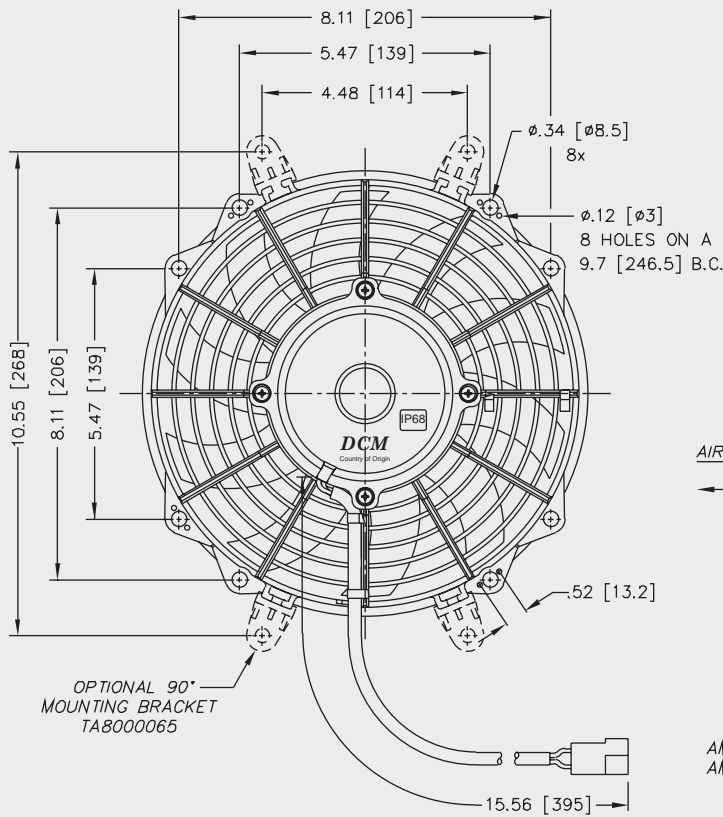
MODEL INFORMATION*

PART#	TYPE	VOLTS	WATTS	BLADE	MATERIAL
TA09A2002	PULLER	12VDC	130W	"S"	GF NYLON

*ALSO AVAILABLE IN 24VDC



IP68



AIRFLOW
PUSHER
PULLER

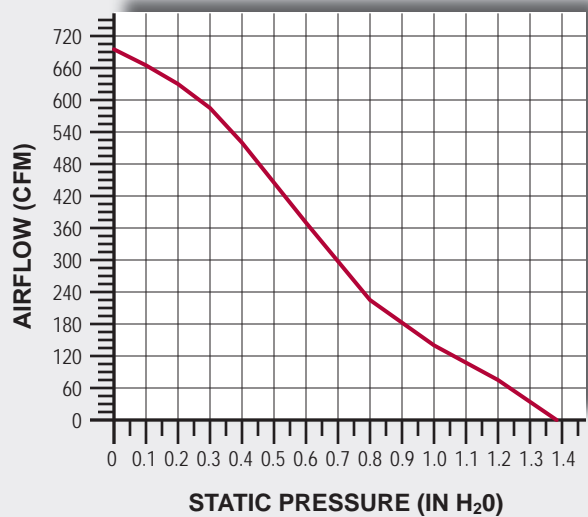
REF
AMP CONNECTOR 180908
AMP TERMINAL 42098-2

9" LOW PROFILE

TYPICAL AIR PERFORMANCE @ 13.5VDC 9" 130W "S" BLADE PULLER FANS

STATIC PRESSURE IN H ₂ O	STATIC PRESSURE mm H ₂ O	CFM	m ³ /h	Amps
0	0.0	695	1181	6.6
0.1	2.5	665	1130	6.9
0.2	5	630	1070	7.1
0.3	7.5	583	991	7.3
0.4	10	518	880	7.5
0.6	15	368	625	7.7
0.8	20	221	375	8.0
1.0	25	141	240	8.4
1.2	30	71	121	9.0

STALL @ 1.38" [35.1mm]



FAN DIAMETER
9" [225mm]

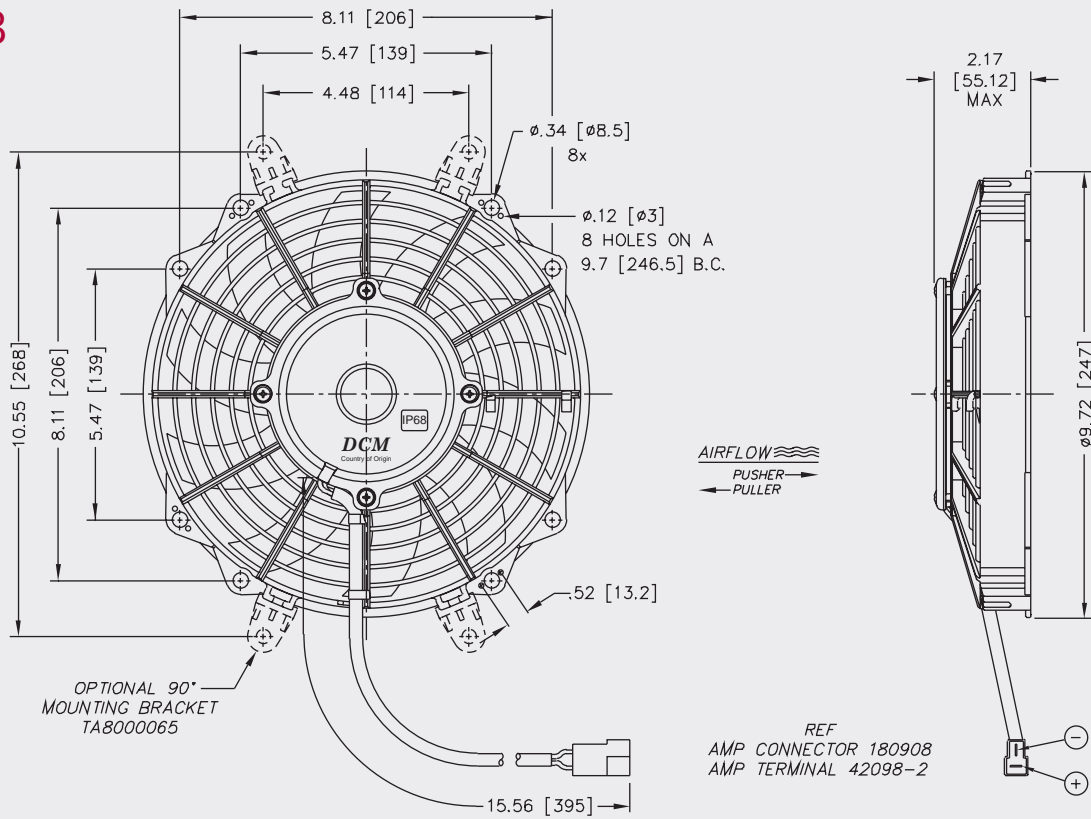
12VDC AXIAL MOTOR FANS



IP68

MODEL INFORMATION

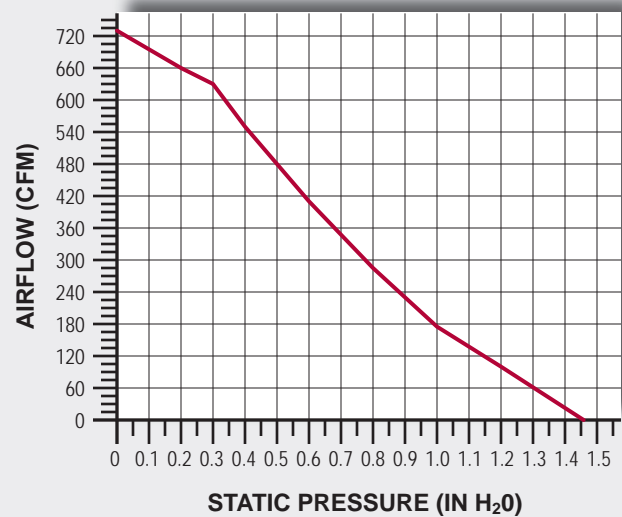
PART#	TYPE	VOLTS	WATTS	BLADE	MATERIAL
TA09A2003	PULLER	12VDC	130W	"S"	GF NYLON
TB09A2002	PULLER	24VDC	"S"	GF NYLON	



TYPICAL AIR PERFORMANCE @ 13.5VDC 9" 130W "S" BLADE PULLER FANS

STATIC PRESSURE IN H ₂ O	STATIC PRESSURE mm H ₂ O	CFM	m ³ /h	Amps
0	0.0	730	1240	7.3
0.1	2.5	695	1180	7.6
0.2	5	659	1114	8.0
0.3	7.5	630	1070	8.2
0.4	10	550	934	8.4
0.6	15	412	700	8.5
0.8	20	286	486	8.8
1.0	25	177	301	9.4
1.2	30	100	170	9.6

STALL @ 1.46" [37.1mm]



12VDC AXIAL MOTOR FANS

FAN DIAMETER
9" [225mm]

MODEL INFORMATION

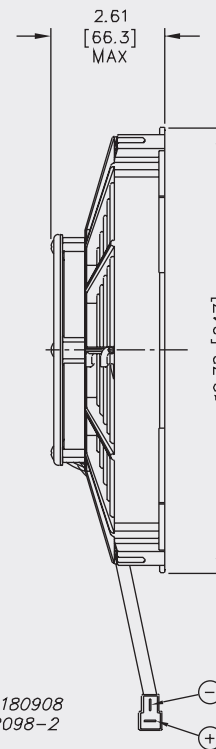
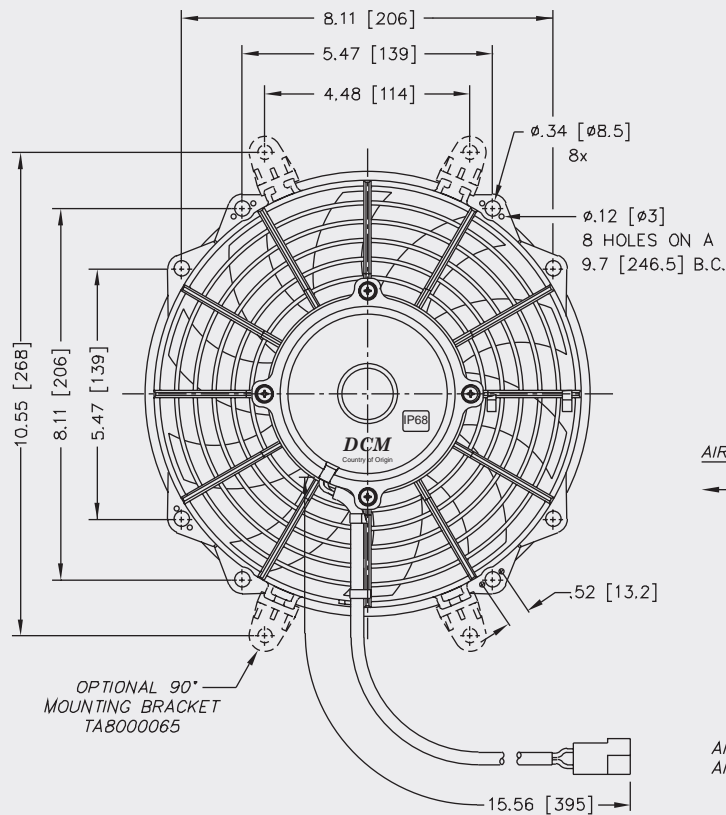
PART#	TYPE*	VOLTS	WATTS	BLADE	MATERIAL
TA09R2001	REVERSIBLE	12VDC	130W	"S"	GF NYLON
TB09R2001	REVERSIBLE	24VDC	130W	"S"	GF NYLON

*SET UP AS PULLER FROM FACTORY



REVERSIBLE

IP68

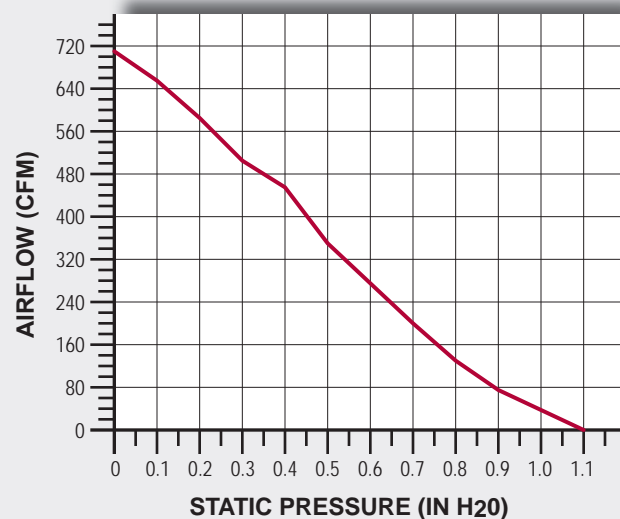


9" LOW PROFILE

TYPICAL AIR PERFORMANCE @ 13.5VDC 9" 130W "S" BLADE REVERSIBLE FANS

STATIC PRESSURE IN H ₂ O	STATIC PRESSURE mm H ₂ O	CFM	m ³ /h	Amps
0	0.0	711	1208	7.1
0.1	2.5	654	1111	7.5
0.2	5	583	991	7.7
0.3	7.5	507	861	7.8
0.4	10	429	729	7.8
0.5	12.5	350	595	7.7
0.6	15	273	464	7.7
0.7	17.5	199	338	7.8
0.8	20	132	224	7.9
0.9	22.5	74	126	8.3

STALL @ 1.1" [27.9mm] - 9.3 Amps



FAN DIAMETER
9" [225mm]

12VDC AXIAL MOTOR FANS



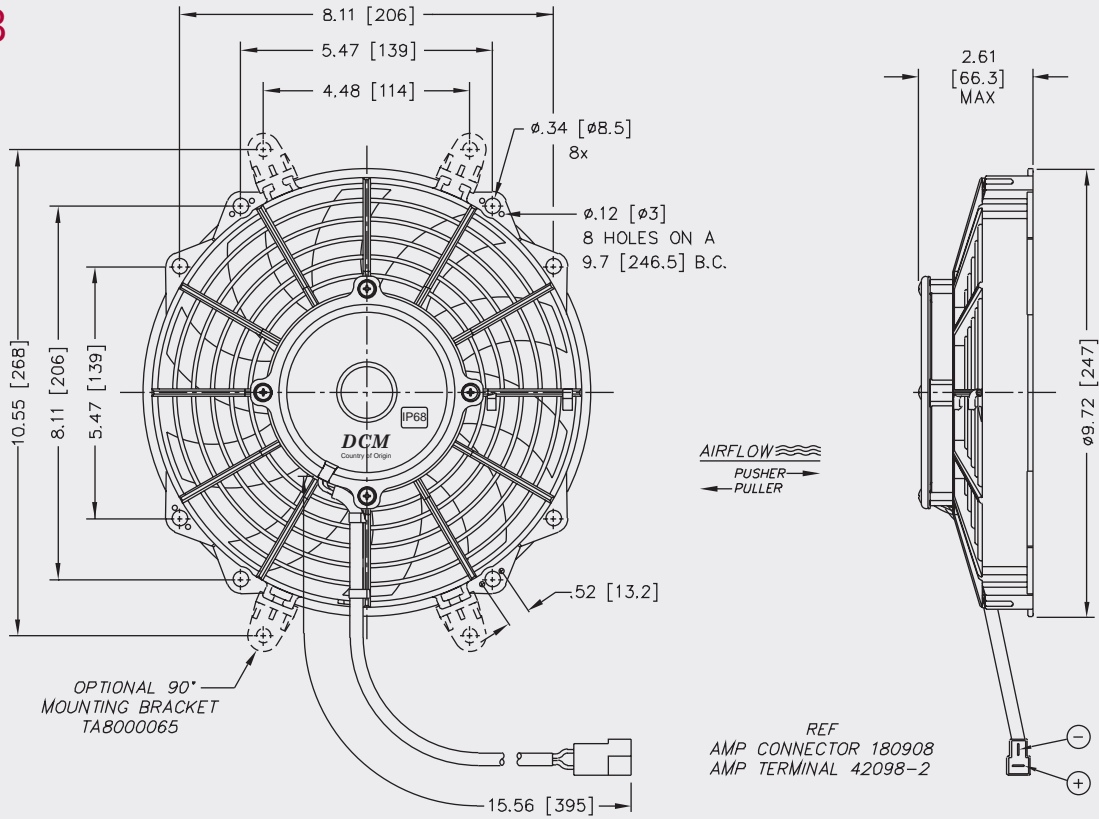
IP68

MODEL INFORMATION

PART#	TYPE*	VOLTS	WATTS	BLADE	MATERIAL
TA09R2002	REVERSIBLE	12VDC	130W	"S"	GF NYLON
TB09R2002	REVERSIBLE	24VDC	130W	"S"	GF NYLON

*SET UP AS PULLER FROM FACTORY

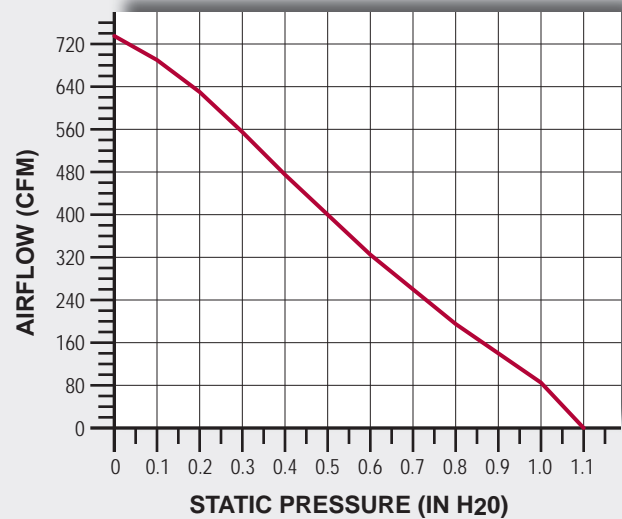
REVERSIBLE



TYPICAL AIR PERFORMANCE @ 13.5VDC 9" 130W "S" BLADE PULLER/PUSHER FANS

STATIC PRESSURE IN H ₂ O	STATIC PRESSURE mm H ₂ O	CFM	m ³ /h	Amps
0	0.0	737	1252	7.7
0.1	2.5	692	1176	8.0
0.2	5	629	1069	8.2
0.3	7.5	554	941	8.3
0.4	10	476	809	8.3
0.5	12.5	399	678	8.3
0.6	15	326	554	8.3
0.7	17.5	259	440	8.3
0.8	20	197	334	8.5
0.9	22.5	141	240	8.7
1.0	25	85	144	9.1

STALL @ 1.1" [27.9mm] - 9.9 Amps



12VDC AXIAL MOTOR FANS

FAN DIAMETER
9" [225mm]

MODEL INFORMATION*

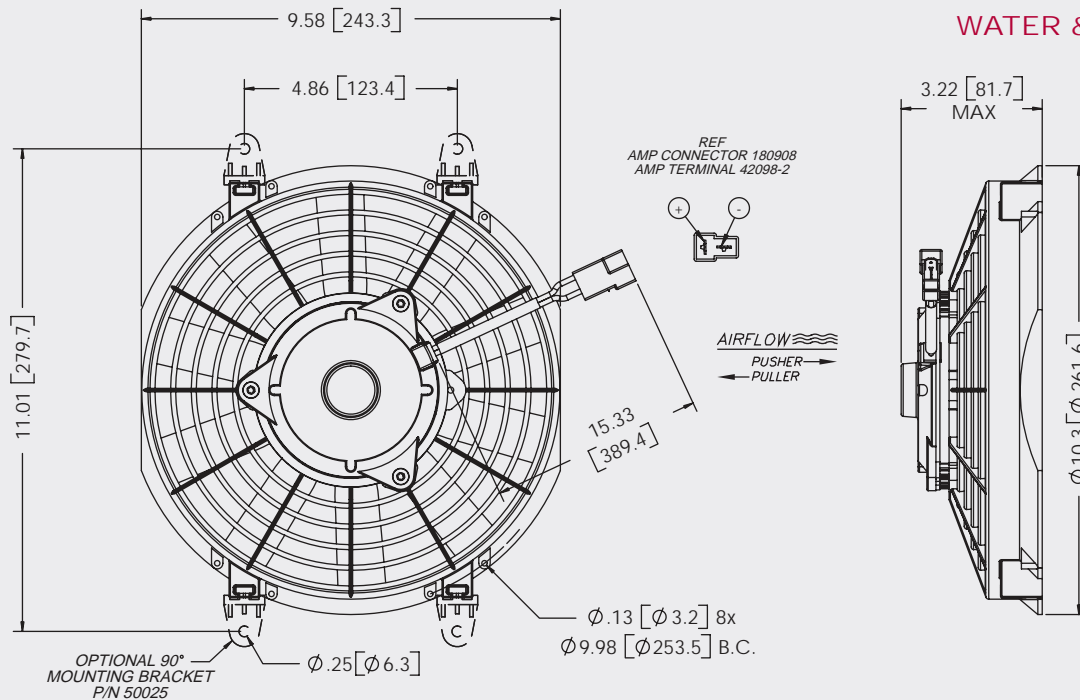
PART#	TYPE	VOLTS	WATTS	BLADE	MATERIAL
810026	PULLER	12VDC	125W	STRAIGHT	MFGF NYLON
810028	PUSHER	12VDC	125W	STRAIGHT	MFGF NYLON

*ALSO AVAILABLE IN 24VDC

REVERSIBLE



WATER & DUST RESISTANT

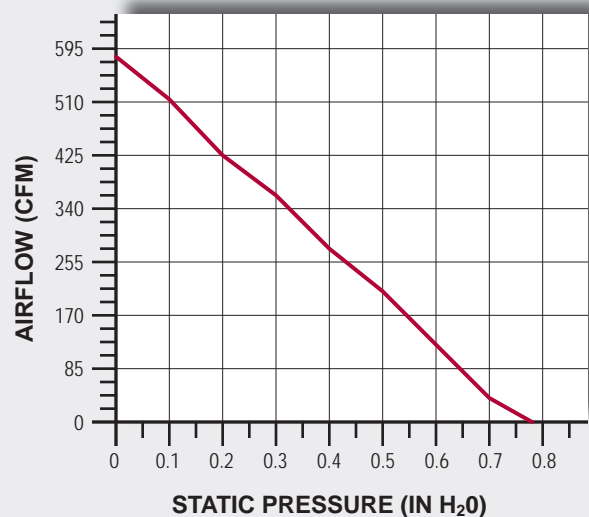


9" LOW PROFILE

TYPICAL AIR PERFORMANCE @ 13.5VDC 9" 125W STRAIGHT BLADE PULLER/PUSHER FANS

STATIC PRESSURE IN H ₂ O	STATIC PRESSURE mm H ₂ O	CFM	m ³ /h	Amps
0	0.0	582	989	6.5
0.1	2.5	516	877	6.3
0.2	5	425	722	6.0
0.3	7.5	360	612	6.0
0.4	10	276	469	6.1
0.5	12.5	209	355	6.3
0.6	15	122	207	6.3
0.7	17.5	40	68	6.3

STALL @ 0.78" [19.8mm] - 6.4 Amps



**FAN DIAMETER
9" [225mm]**

12VDC AXIAL MOTOR FANS

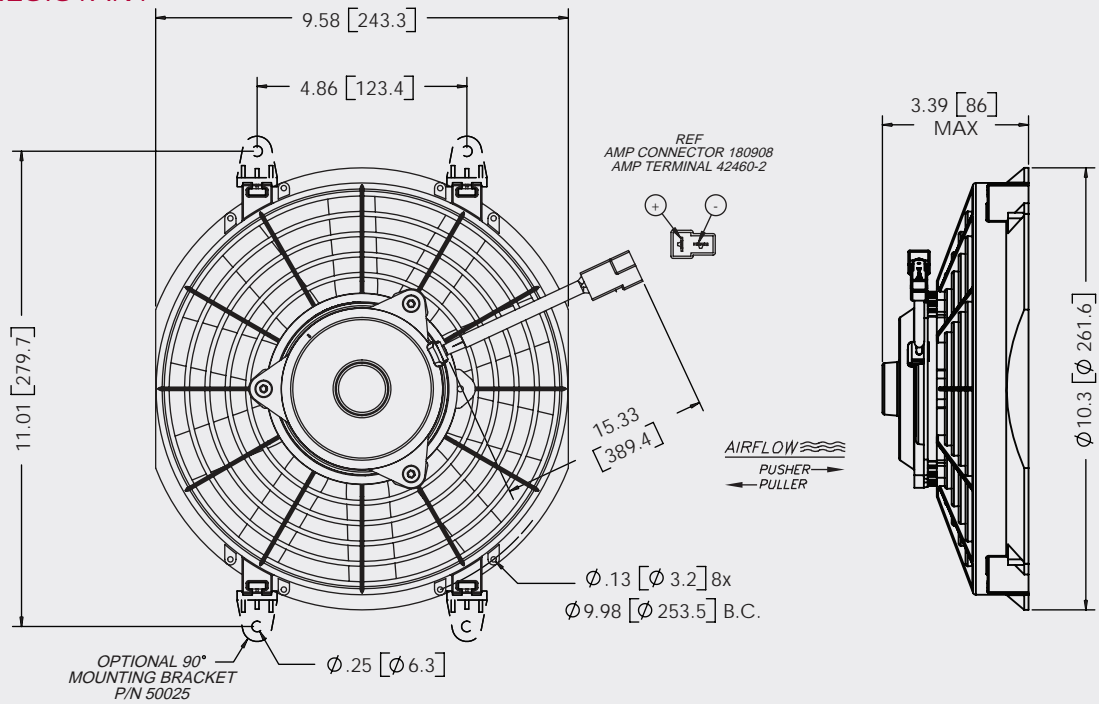


MODEL INFORMATION*					
PART#	TYPE	VOLTS	WATTS	BLADE	MATERIAL
810026HP	PULLER	12VDC	140W	STRAIGHT	MFGF NYLON
810028HP	PUSHER	12VDC	140W	STRAIGHT	MFGF NYLON

*ALSO AVAILABLE IN 24VDC

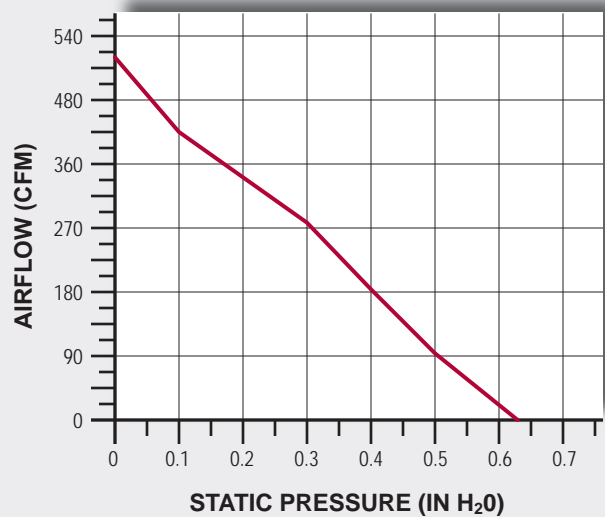
REVERSIBLE

WATER & DUST RESISTANT



TYPICAL AIR PERFORMANCE @ 13.5VDC 9" 140W STRAIGHT BLADE PULLER/PUSHER FANS				
STATIC PRESSURE IN H ₂ O	STATIC PRESSURE mm H ₂ O	CFM	m ³ /h	Amps
0	0.0	511	868	4.3
0.1	2.5	434	737	4.1
0.2	5	340	578	4.0
0.3	7.5	278	472	4.1
0.4	10	184	313	4.2
0.5	12.5	94	160	4.3

STALL @ 0.63" [16mm] - 4.3 Amps



12VDC AXIAL MOTOR FANS

FAN DIAMETER
9" [225mm]

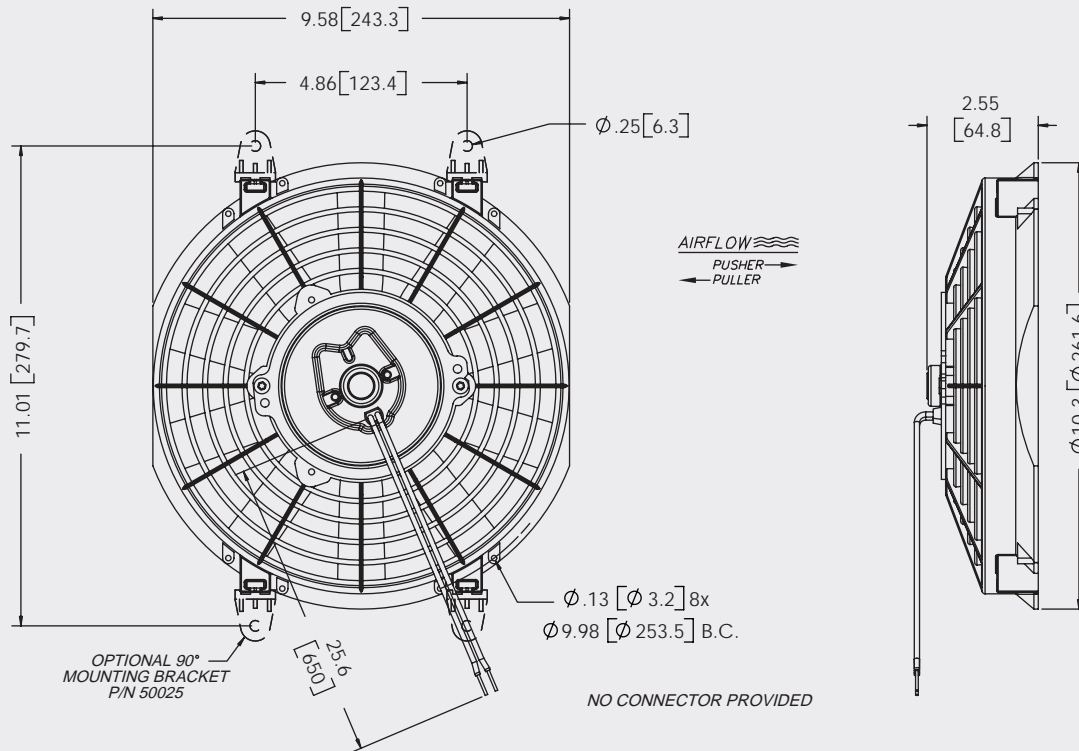
MODEL INFORMATION*

PART#	TYPE	VOLTS	WATTS	BLADE	MATERIAL
810026-90	PULLER	12VDC	90W	STRAIGHT	MFGF NYLON
810028-90	PUSHER	12VDC	90W	STRAIGHT	MFGF NYLON

*ALSO AVAILABLE IN 24VDC



REVERSIBLE

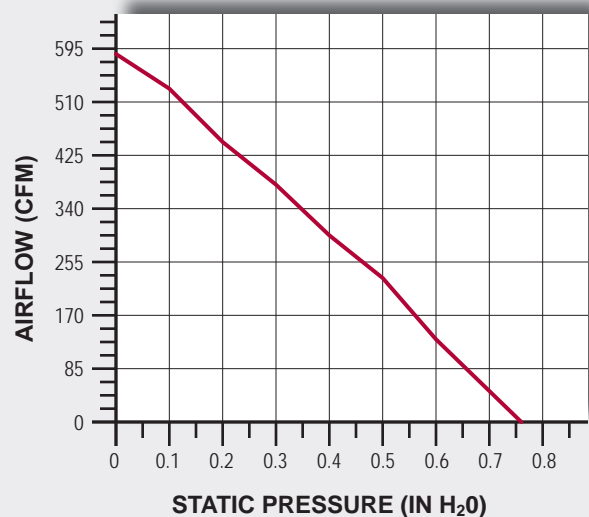


9" LOW PROFILE

TYPICAL AIR PERFORMANCE @ 13.5VDC 9" 90W STRAIGHT BLADE PULLER/PUSHER FANS

STATIC PRESSURE IN H ₂ O	STATIC PRESSURE mm H ₂ O	CFM	m ³ /h	Amps
0	0.0	585	994	6.8
0.1	2.5	533	906	6.7
0.2	5	448	761	6.4
0.3	7.5	379	644	6.4
0.4	10	298	506	6.6
0.5	12.5	218	370	6.7
0.6	15	133	226	6.9
0.7	17.5	51	87	7.0

STALL @ 0.76" [19.3mm] - 7.1 Amps



12VDC VENT & FAN ASSEMBLY

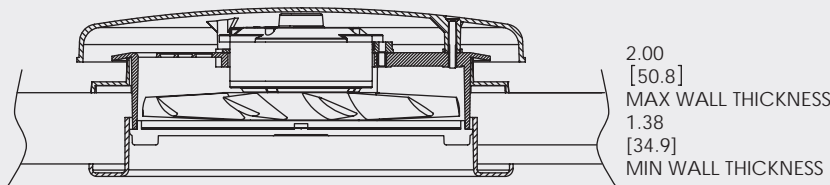
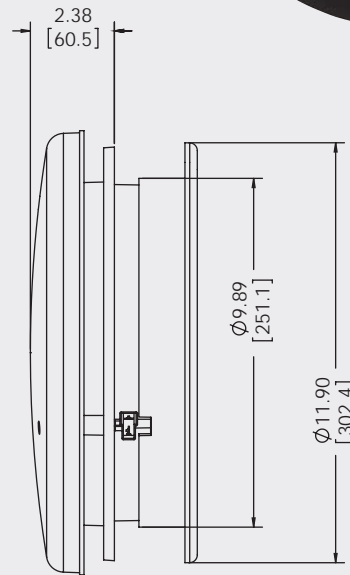
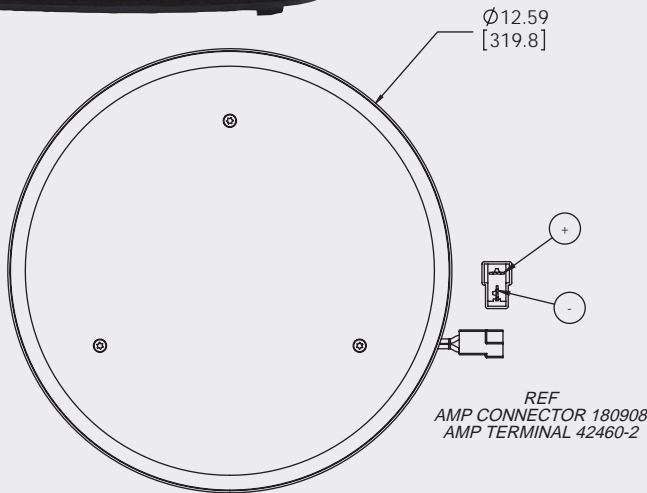
FAN DIAMETER
9" [225mm]

MODEL INFORMATION*

PART#	TYPE	VOLTS	WATTS	BLADE	MATERIAL**
TBD	PULLER	12VDC	125W	STRAIGHT	MFGF NYLON
TBD	PUSHER	12VDC	125W	STRAIGHT	MFGF NYLON

*AVAILABLE IN BLACK ONLY **DOME - PC

REVERSIBLE



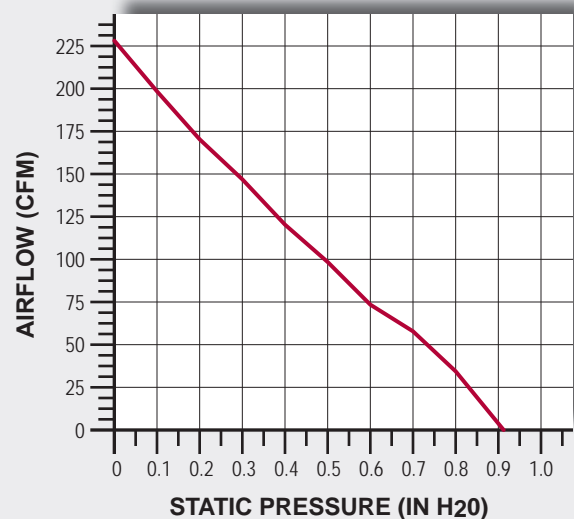
AIRFLOW
PUSHER →
← PULLER

9" LOW PROFILE

TYPICAL AIR PERFORMANCE @ 13.5VDC

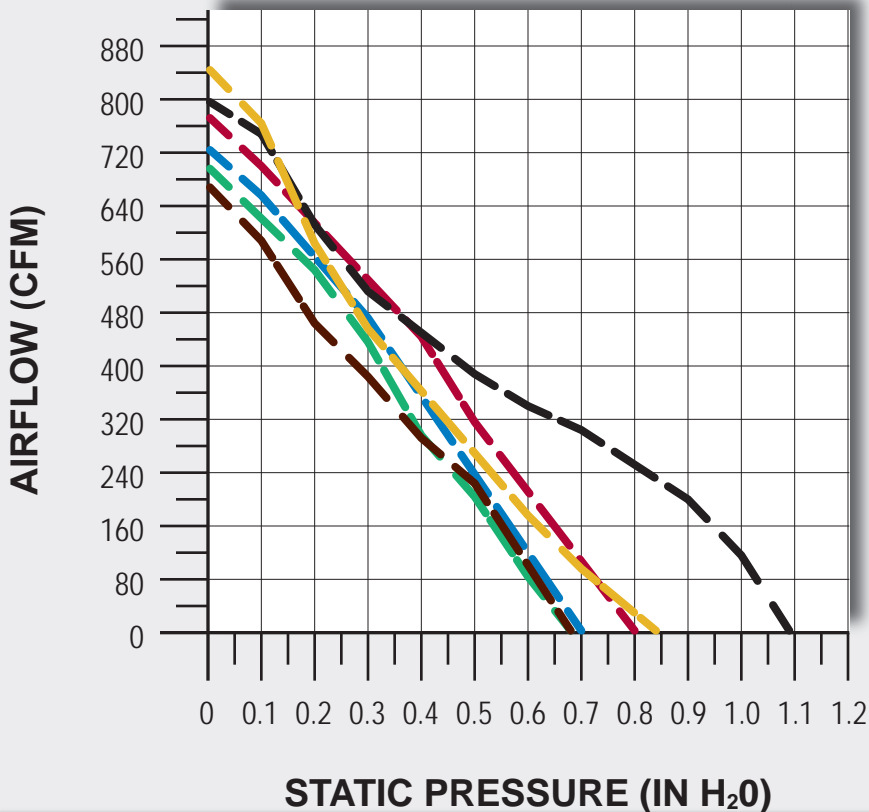
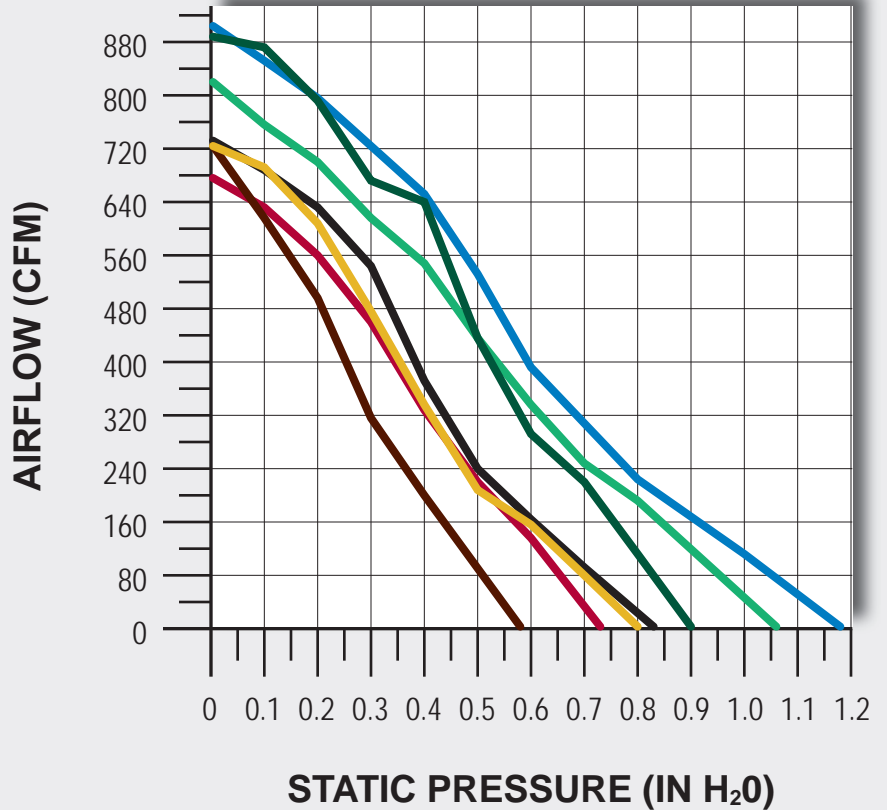
STATIC PRESSURE IN H ₂ O	STATIC PRESSURE mm H ₂ O	CFM	m ³ /h	Amps
0	0.0	223	379	5.5
0.1	2.5	198	336	5.6
0.2	5	171	291	5.6
0.3	7.5	147	250	5.7
0.4	10	121	206	5.8
0.5	12.5	98	167	5.8
0.6	15	74	126	5.8
0.7	17.5	58	99	5.8
0.8	20	35	59	5.8

STALL @ 0.91" [23.1mm] - 5.8 Amps



10" [255mm] AXIAL FANS

- TA10A1002 / TA10S1002 Pg. 29
- TA10A1003 / TA10S1003 Pg. 30
- TA10A2002 Pg. 31
- TA10A2004 Pg. 32
- TA10R2006 Pg. 33
- TA10R2002 Pg. 34
- TA10R2001 Pg. 35



- 850026 / 850028 Pg. 36
- 850026HP / 850028HP Pg. 37
- 850026-90 / 850028-90 Pg. 38
- G-4010-A / G-4010-S Pg. 39
- P-4010-A / P-4010-S Pg. 40
- 470026 / 480026 Pg. 41

Optional performances may be available. Please contact DCM at (817) 428-3636 for more information.

12VDC AXIAL MOTOR FANS

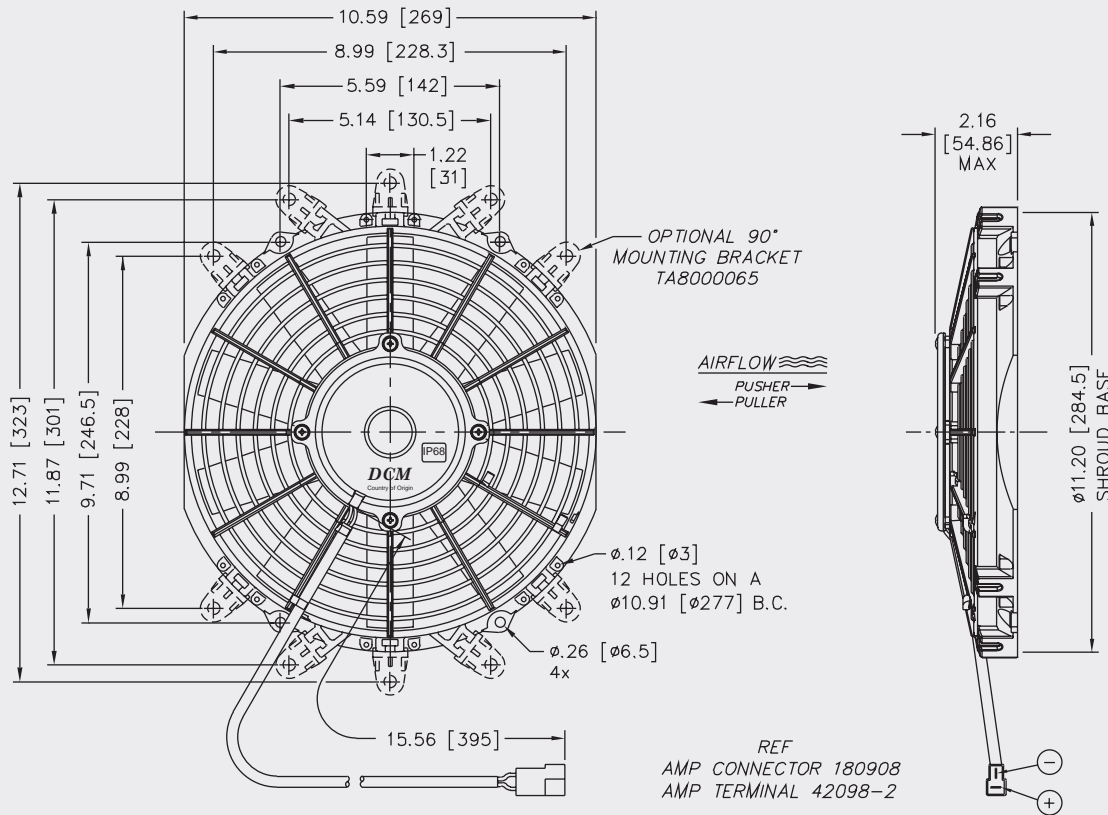
FAN DIAMETER
10" [255mm]

MODEL INFORMATION

PART#	TYPE	VOLTS	WATTS	BLADE	MATERIAL
TA10A1002	PULLER	12VDC	130W	STRAIGHT	GF NYLON
TA10S1002	PUSHER	12VDC	130W	STRAIGHT	GF NYLON
TB10A1002	PULLER	24VDC	130W	STRAIGHT	GF NYLON
TB10S1002	PUSHER	24VDC	130W	STRAIGHT	GF NYLON



IP68

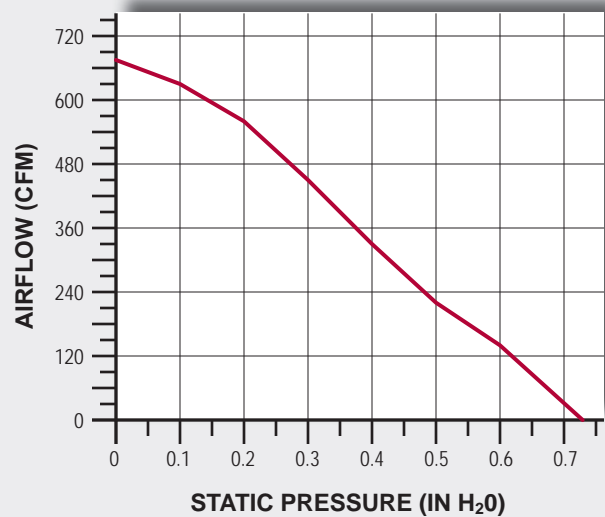


10" LOW PROFILE

TYPICAL AIR PERFORMANCE @ 13.5VDC 10" 130W STRAIGHT BLADE PULLER/PUSHER FANS

STATIC PRESSURE IN H ₂ O	STATIC PRESSURE mm H ₂ O	CFM	m ³ /h	Amps
0	0.0	677	1150	4.4
0.1	2.5	630	1070	4.6
0.2	5	559	950	4.8
0.3	7.5	459	780	5.0
0.4	10	330	561	5.0
0.5	12.5	221	375	5.0
0.6	15	141	240	5.1

STALL @ 0.73" [18.5mm]



FAN DIAMETER
10" [255mm]

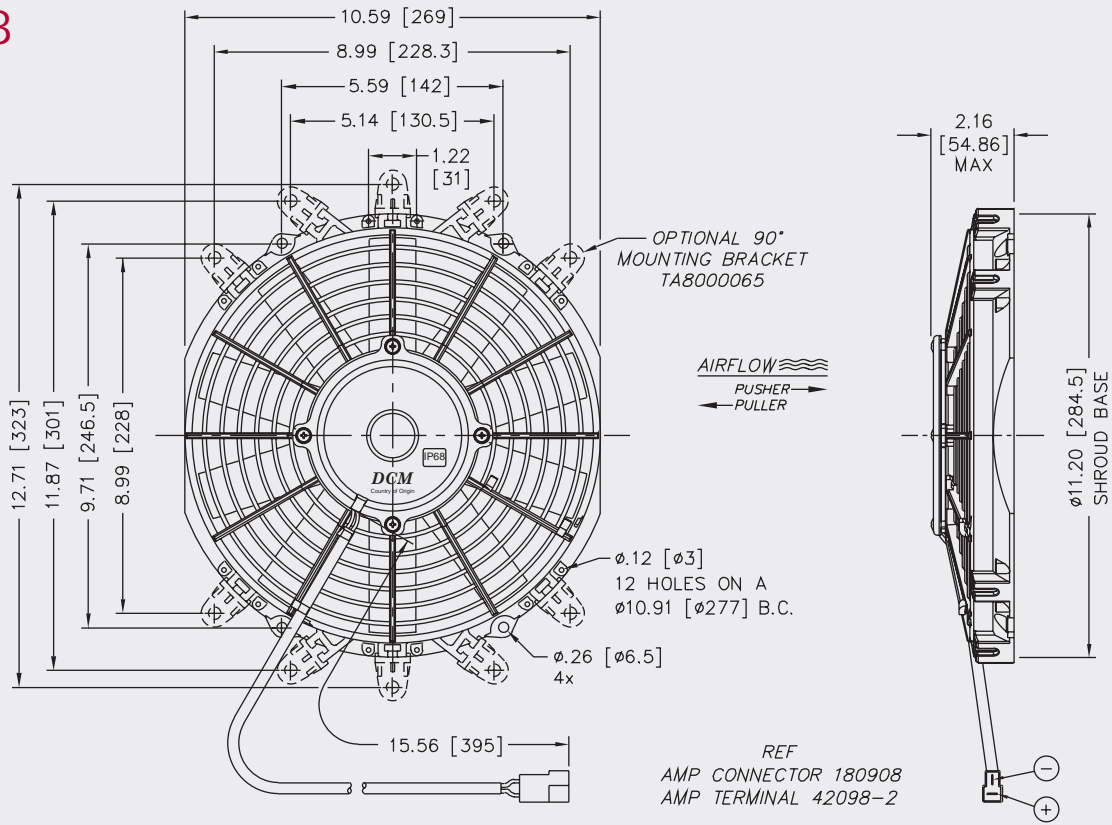
12VDC AXIAL MOTOR FANS



IP68

MODEL INFORMATION

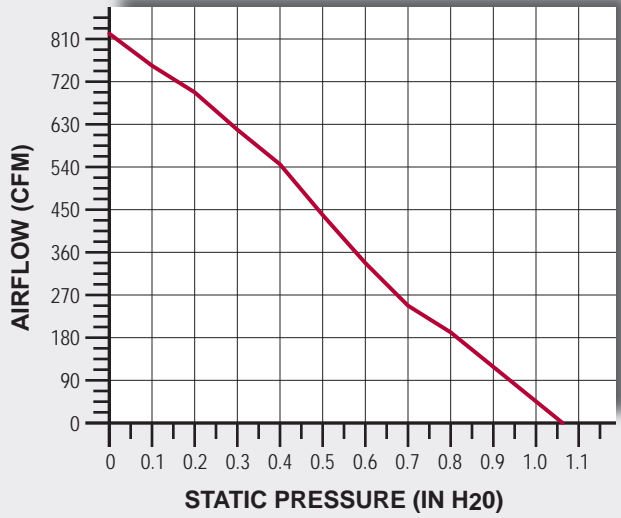
PART#	TYPE	VOLTS	WATTS	BLADE	MATERIAL
TA10A1003	PULLER	12VDC	130W	STRAIGHT	GF NYLON
TA10S1003	PUSHER	12VDC	130W	STRAIGHT	GF NYLON
TB10A1003	PULLER	24VDC	130W	STRAIGHT	GF NYLON
TB10S1003	PUSHER	24VDC	130W	STRAIGHT	GF NYLON



TYPICAL AIR PERFORMANCE @ 13.5VDC 10" 130W STRAIGHT BLADE PULLER/PUSHER FANS

STATIC PRESSURE IN H ₂ O	STATIC PRESSURE mm H ₂ O	CFM	m ³ /h	Amps
0	0.0	819	1391	6.5
0.1	2.5	756	1284	6.8
0.2	5	698	1186	7.0
0.3	7.5	618	1050	7.2
0.4	10	547	929	7.5
0.5	12.5	436	741	7.4
0.6	15	335	569	7.4
0.7	17.5	247	417	7.4
0.8	20	191	325	7.6

STALL @ 1.06" [26.9mm]



12VDC AXIAL MOTOR FANS

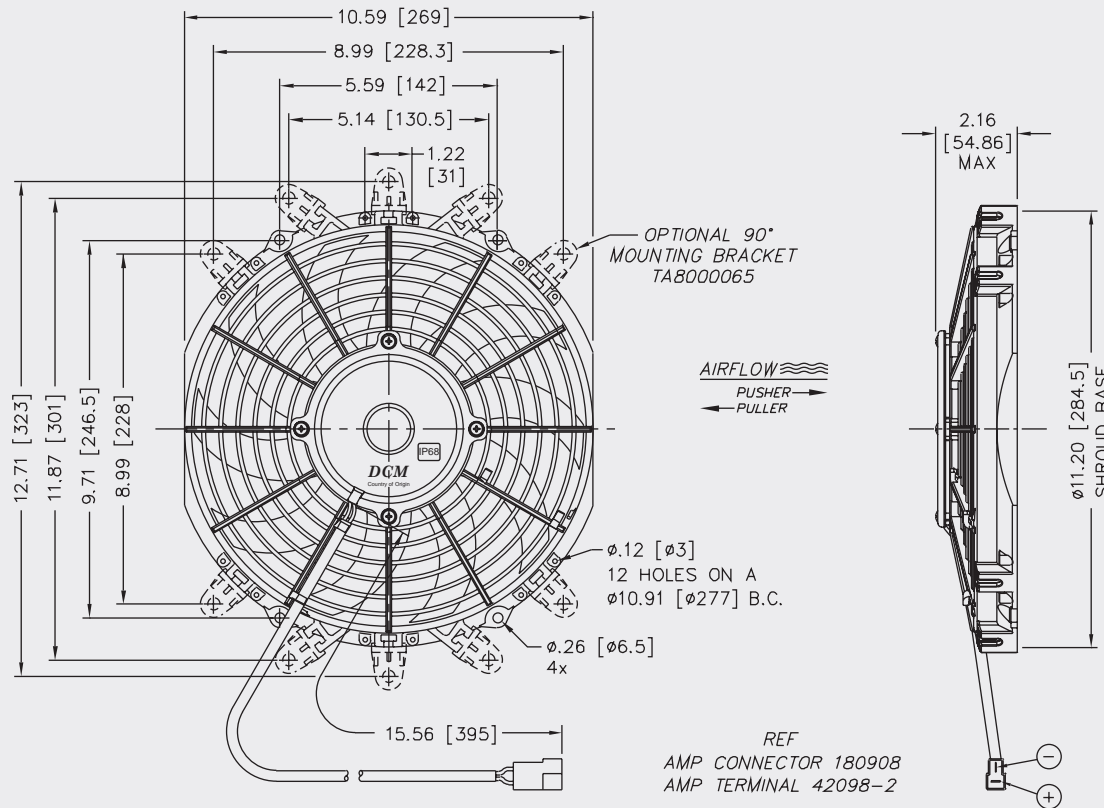
FAN DIAMETER
10" [255mm]

MODEL INFORMATION

PART#	TYPE	VOLTS	WATTS	BLADE	MATERIAL
TA10A2002	PULLER	12VDC	130W	"S"	GF NYLON
TB10A2002	PULLER	24VDC	130W	"S"	GF NYLON



IP68

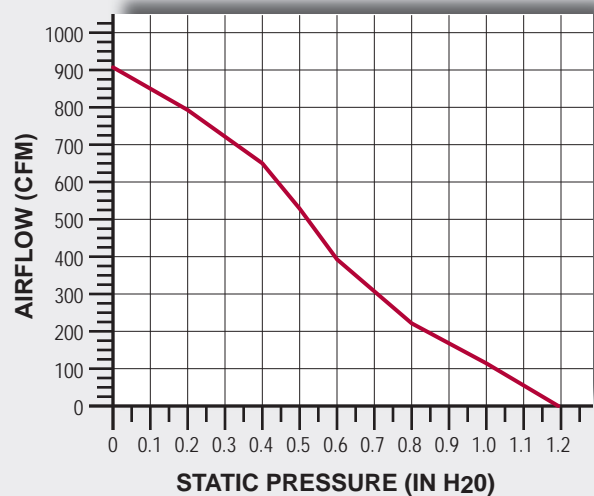


10" LOW PROFILE

TYPICAL AIR PERFORMANCE @ 13.5VDC 10" 130W "S" BLADE PULLER FANS

STATIC PRESSURE IN H ₂ O	STATIC PRESSURE mm H ₂ O	CFM	m ³ /h	Amps
0	0.0	906	1539	7.4
0.1	2.5	853	1449	7.8
0.2	5	795	1351	8.2
0.3	7.5	724	1230	8.4
0.4	10	647	1099	8.6
0.5	12.5	530	900	8.7
0.6	15	394	669	8.6
0.8	20	221	373	9.0
1.0	25	112	190	9.4

STALL @ 1.18" [30mm]



FAN DIAMETER
10" [255mm]

12VDC AXIAL MOTOR FANS

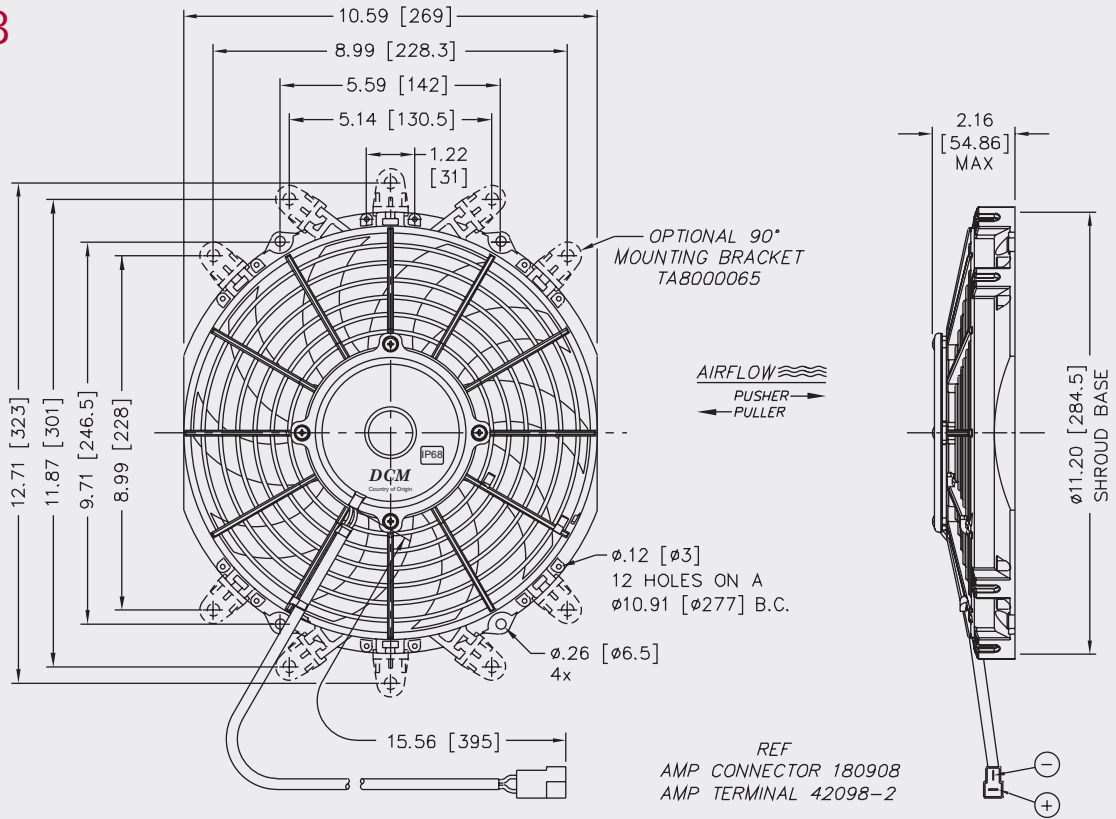


IP68

MODEL INFORMATION*

PART#	TYPE	VOLTS	WATTS	BLADE	MATERIAL
TA10A2004	PULLER	12VDC	130W	"S"	GF NYLON

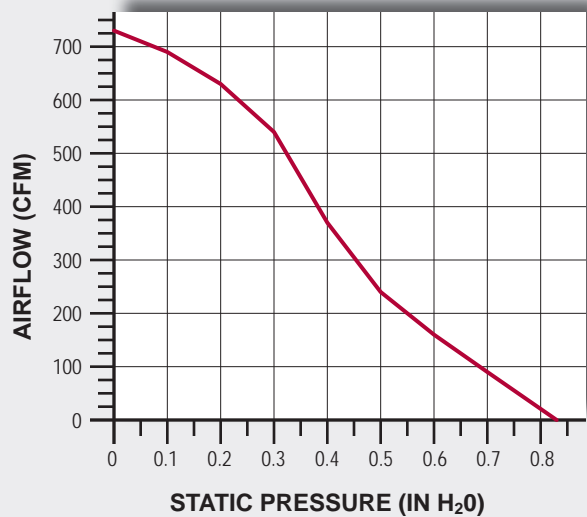
*ALSO AVAILABLE IN 24VDC



TYPICAL AIR PERFORMANCE @ 13.5VDC 10" 130W 'S' BLADE PULLER FANS

STATIC PRESSURE IN H ₂ O	STATIC PRESSURE mm H ₂ O	CFM	m ³ /h	Amps
0	0.0	730	1240	5.0
0.1	2.5	689	1171	5.2
0.2	5	630	1070	5.5
0.3	7.5	542	921	5.6
0.4	10	371	630	5.7
0.5	12.5	241	409	5.8
0.6	15	159	270	6.0
0.7	17.5	88	150	6.2

STALL @ 0.83" [21.1mm]



12VDC AXIAL MOTOR FANS

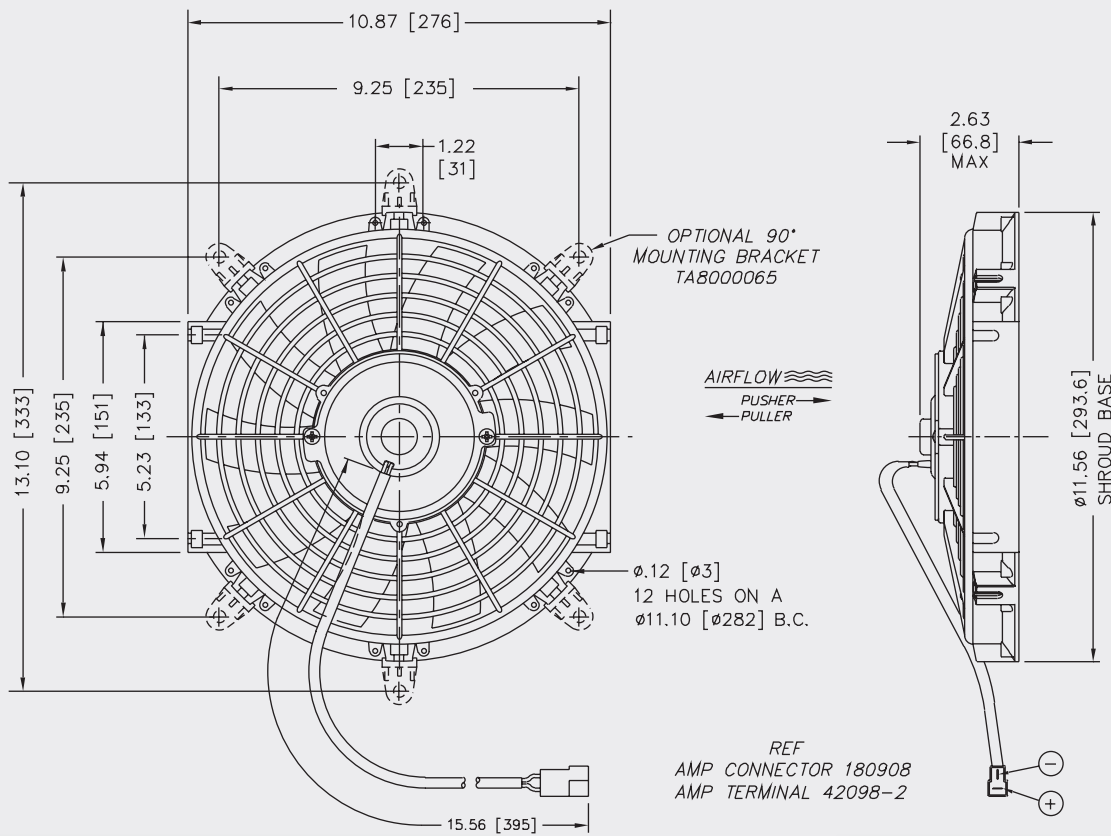
FAN DIAMETER
10" [255mm]

MODEL INFORMATION

PART#	TYPE*	VOLTS	WATTS	BLADE	MATERIAL
TA10R2006	REVERSIBLE	12VDC	90W	"S"	GF NYLON
*SET UP AS PULLER FROM FACTORY					



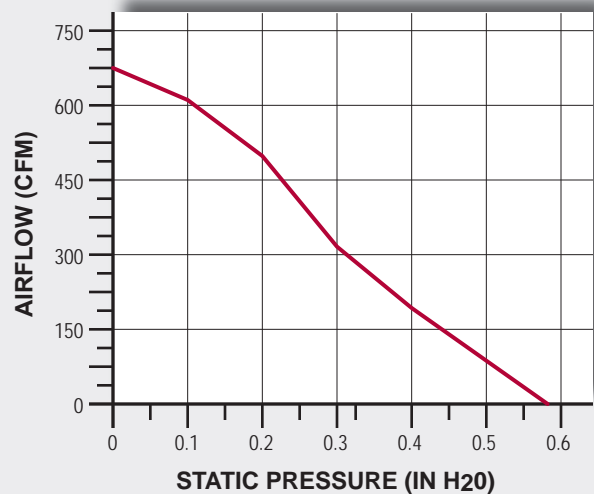
REVERSIBLE



TYPICAL AIR PERFORMANCE @ 13.5VDC 10" 90W "S" BLADE REVERSIBLE FANS

STATIC PRESSURE IN H ₂ O	STATIC PRESSURE mm H ₂ O	CFM	m ³ /h	Amps
0	0.0	725	1232	6.3
0.1	2.5	612	1040	6.4
0.2	5	496	843	6.4
0.3	7.5	318	540	6.4
0.4	10	197	335	6.8

STALL @ 0.58" [14.7mm] - 7.2 Amps



FAN DIAMETER
10" [255mm]

12VDC AXIAL MOTOR FANS

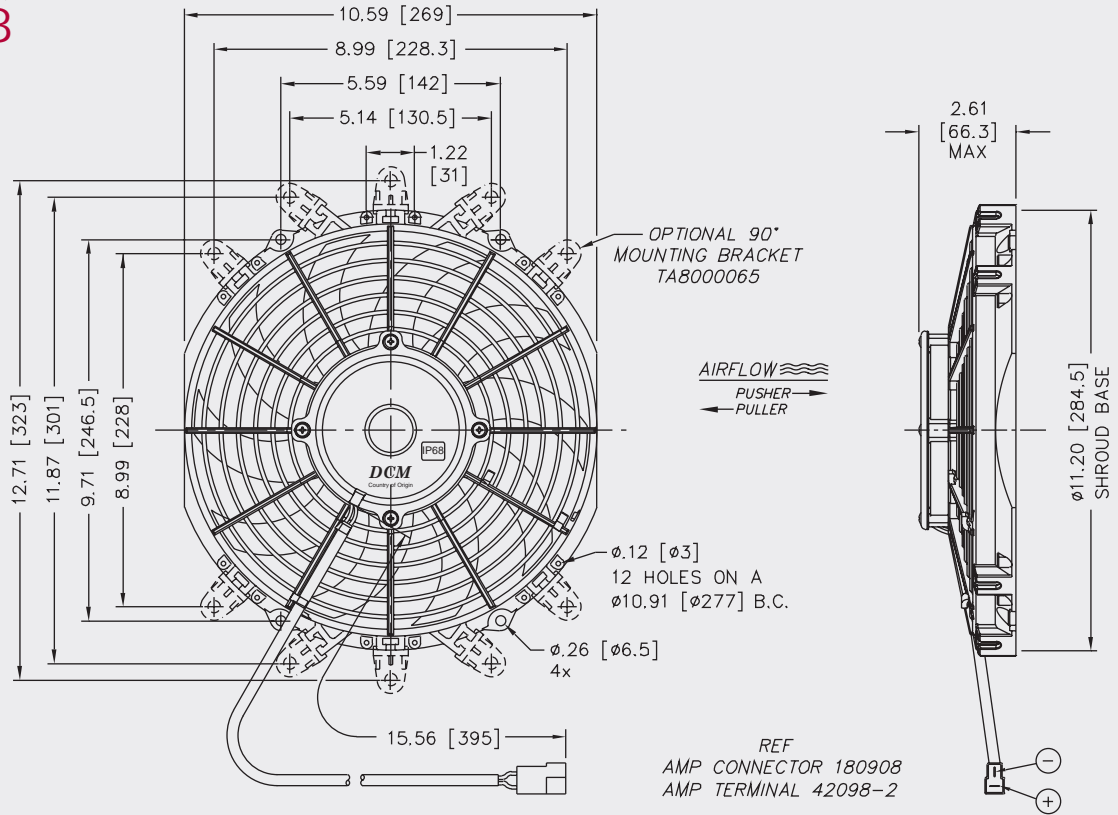


IP68

MODEL INFORMATION*

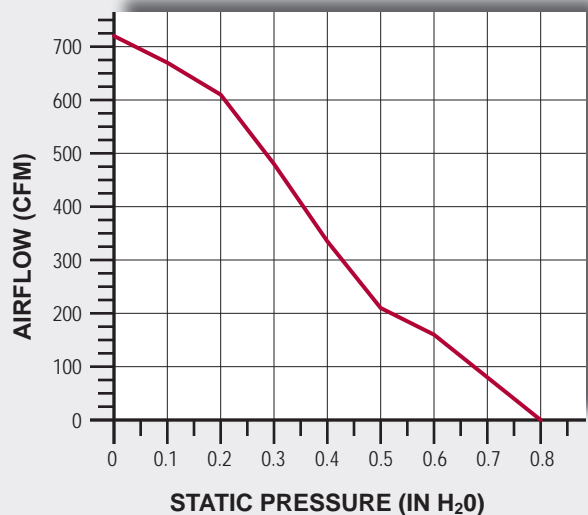
PART#	TYPE**	VOLTS	WATTS	BLADE	MATERIAL
TA10R2002	REVERSIBLE	12VDC	130W	"S"	GF NYLON
*ALSO AVAILABLE IN 24VDC			**SET UP AS PULLER FROM FACTORY		

REVERSIBLE



TYPICAL AIR PERFORMANCE @ 13.5VDC 10" 130W "S" BLADE REVERSIBLE FANS				
STATIC PRESSURE IN H ₂ O	STATIC PRESSURE mm H ₂ O	CFM	m ³ /h	Amps
0	0.0	722	1227	5.4
0.1	2.5	671	1140	5.6
0.2	5	608	1033	5.8
0.3	7.5	478	812	5.8
0.4	10	335	569	5.7
0.5	12.5	208	353	6.0
0.6	15	157	267	6.2
0.7	17.5	79	134	6.3

STALL @ 0.8" [20.3mm]



12VDC AXIAL MOTOR FANS

FAN DIAMETER
10" [255mm]

MODEL INFORMATION

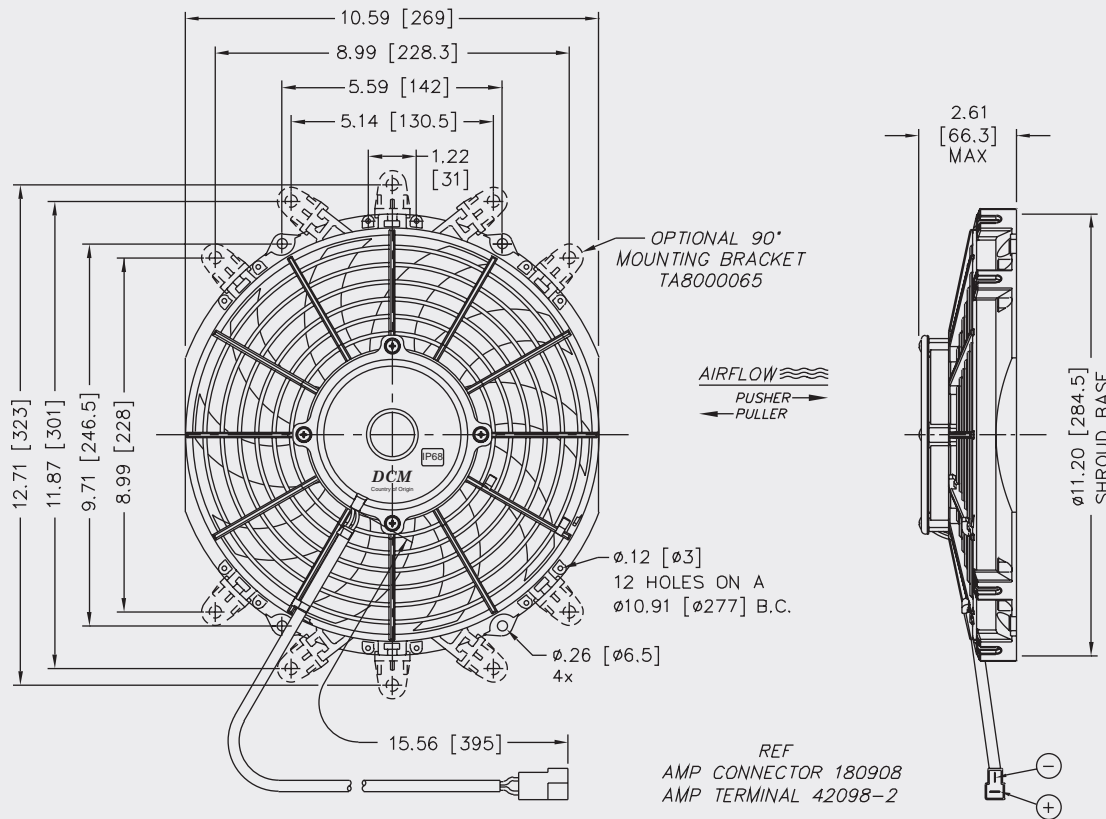
PART#	TYPE*	VOLTS	WATTS	BLADE	MATERIAL
TA10R2001	REVERSIBLE	12VDC	130W	"S"	GF NYLON
TB10R2001	REVERSIBLE	24VDC	130W	"S"	GF NYLON

*SET UP AS PULLER FROM FACTORY

REVERSIBLE



IP68

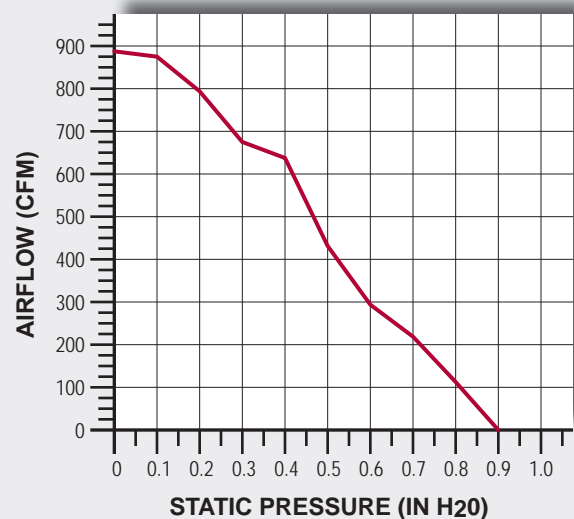


10" LOW PROFILE

TYPICAL AIR PERFORMANCE @ 13.5VDC 10" 130W 'S' BLADE REVERSIBLE FANS

STATIC PRESSURE IN H ₂ O	STATIC PRESSURE mm H ₂ O	CFM	m ³ /h	Amps
0	0.0	882	1499	7.9
0.1	2.5	871	1480	8.0
0.2	5	793	1347	8.3
0.3	7.5	673	1143	8.4
0.4	10	642	1091	8.5
0.5	12.5	433	736	8.2
0.6	15	292	496	8.4
0.7	17.5	218	370	8.3
0.8	20	114	194	8.5

STALL @ 0.9" [22.9mm]



FAN DIAMETER
10" [255mm]

12VDC AXIAL MOTOR FANS

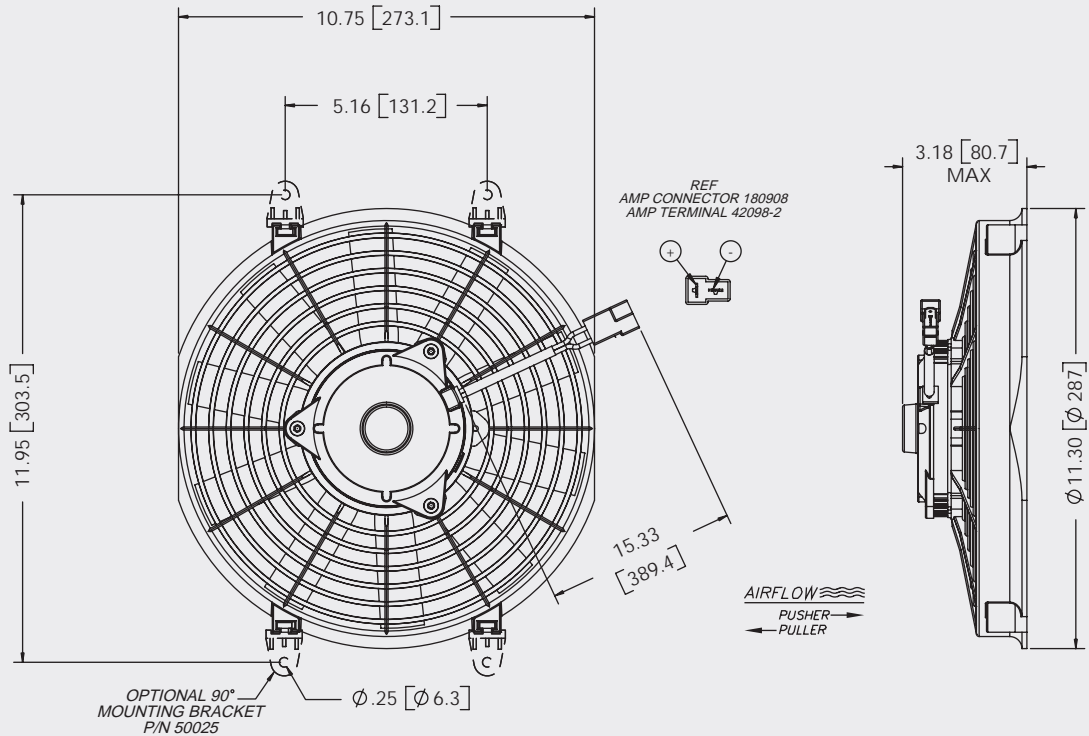


MODEL INFORMATION*					
PART#	TYPE	VOLTS	WATTS	BLADE	MATERIAL
850026	PULLER	12VDC	125W	STRAIGHT	MFGF NYLON
850028	PUSHER	12VDC	125W	STRAIGHT	MFGF NYLON

*ALSO AVAILABLE IN 24VDC

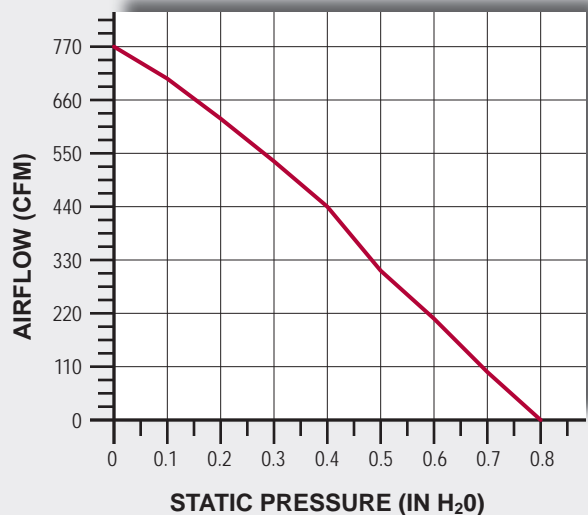
REVERSIBLE

WATER & DUST RESISTANT



TYPICAL AIR PERFORMANCE @ 13.5VDC 10" 125W STRAIGHT BLADE PULLER/PUSHER FANS				
STATIC PRESSURE IN H ₂ O	STATIC PRESSURE mm H ₂ O	CFM	m ³ /h	Amps
0	0.0	771	1310	8.0
0.1	2.5	705	1194	8.0
0.2	5	621	1055	8.0
0.3	7.5	535	909	7.9
0.4	10	439	746	7.9
0.5	12.5	310	527	7.8
0.6	15	207	352	7.8
0.7	17.5	98	167	7.8

STALL @ 0.8" [20.3mm] - 7.9 Amps



12VDC AXIAL MOTOR FANS

FAN DIAMETER
10" [255mm]

MODEL INFORMATION*

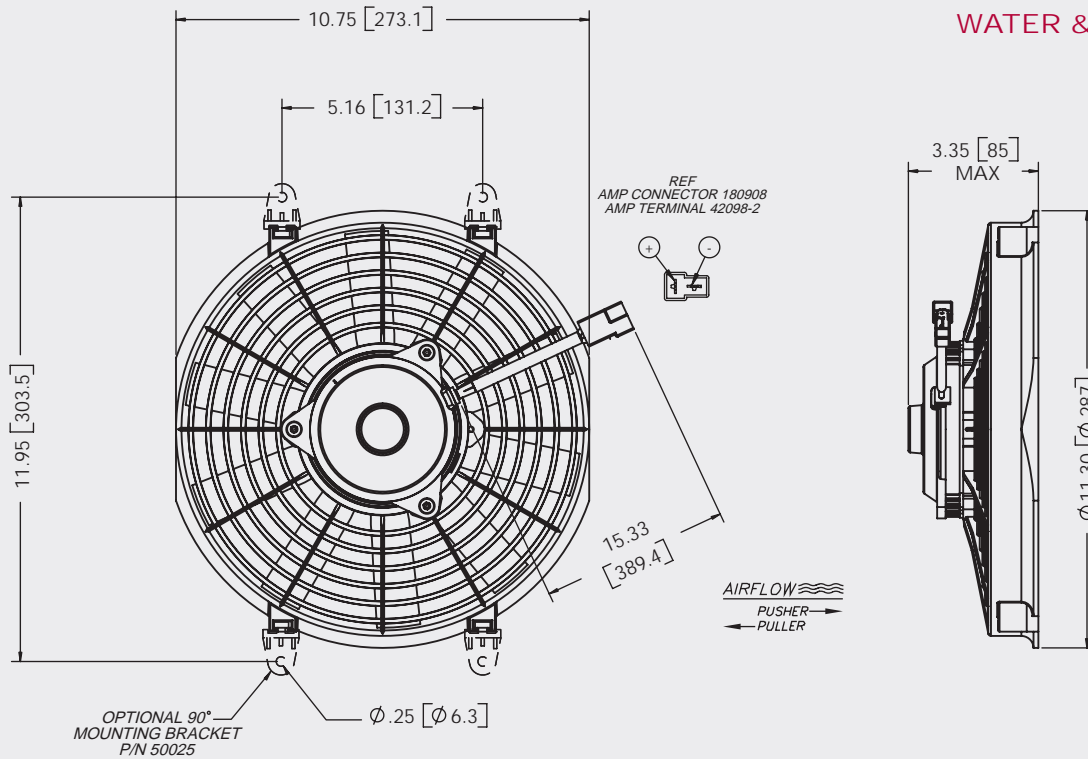
PART#	TYPE	VOLTS	WATTS	BLADE	MATERIAL
850026HP	PULLER	12VDC	140W	STRAIGHT	MFGF NYLON
850028HP	PUSHER	12VDC	140W	STRAIGHT	MFGF NYLON

*ALSO AVAILABLE IN 24VDC



REVERSIBLE

WATER & DUST RESISTANT

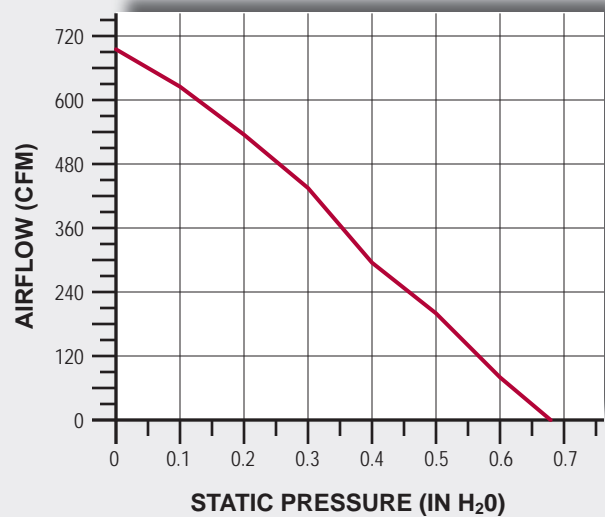


10" LOW PROFILE

TYPICAL AIR PERFORMANCE @ 13.5VDC 10" 140W STRAIGHT BLADE PULLER/PUSHER FANS

STATIC PRESSURE IN H ₂ O	STATIC PRESSURE mm H ₂ O	CFM	m ³ /h	Amps
0	0.0	697	1184	5.5
0.1	2.5	625	1062	5.5
0.2	5	543	923	5.5
0.3	7.5	434	737	5.4
0.4	10	295	501	5.3
0.5	12.5	199	338	5.4
0.6	15	79	134	5.4

STALL @ 0.68" [17.3mm] - 5.5 Amps



FAN DIAMETER
10" [255mm]

12VDC AXIAL MOTOR FANS

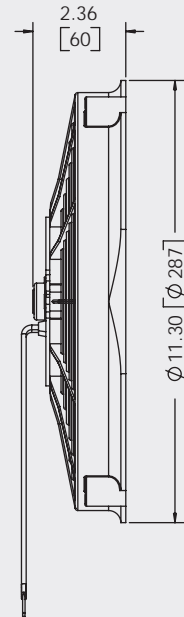
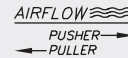
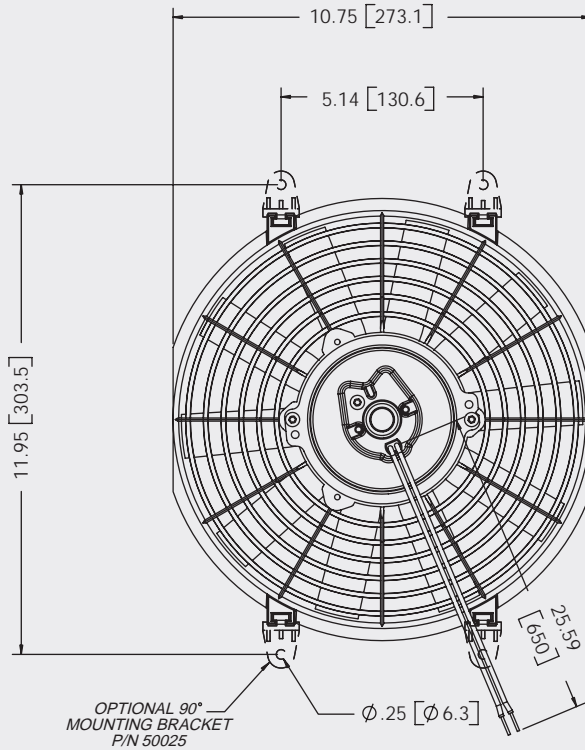


MODEL INFORMATION*

PART#	TYPE	VOLTS	WATTS	BLADE	MATERIAL
850026-90	PULLER	12VDC	90W	STRAIGHT	MFGF NYLON
850028-90	PUSHER	12VDC	90W	STRAIGHT	MFGF NYLON

*ALSO AVAILABLE IN 24VDC

REVERSIBLE

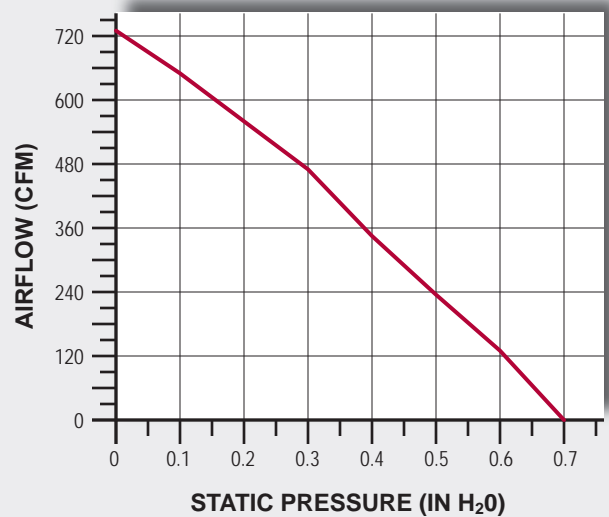


NO CONNECTOR PROVIDED

TYPICAL AIR PERFORMANCE @ 13.5VDC 10" 90W STRAIGHT BLADE PULLER/PUSHER FANS

STATIC PRESSURE IN H ₂ O	STATIC PRESSURE mm H ₂ O	CFM	m ³ /h	Amps
0	0.0	729	1239	8.0
0.1	2.5	652	1108	8.0
0.2	5	561	953	7.9
0.3	7.5	470	799	7.9
0.4	10	343	583	7.9
0.5	12.5	233	396	8.0
0.6	15	128	217	8.0

STALL @ 0.7" [17.8mm] - 8.1 Amps



12VDC AXIAL MOTOR FANS

FAN DIAMETER
10" [255mm]

MODEL INFORMATION*

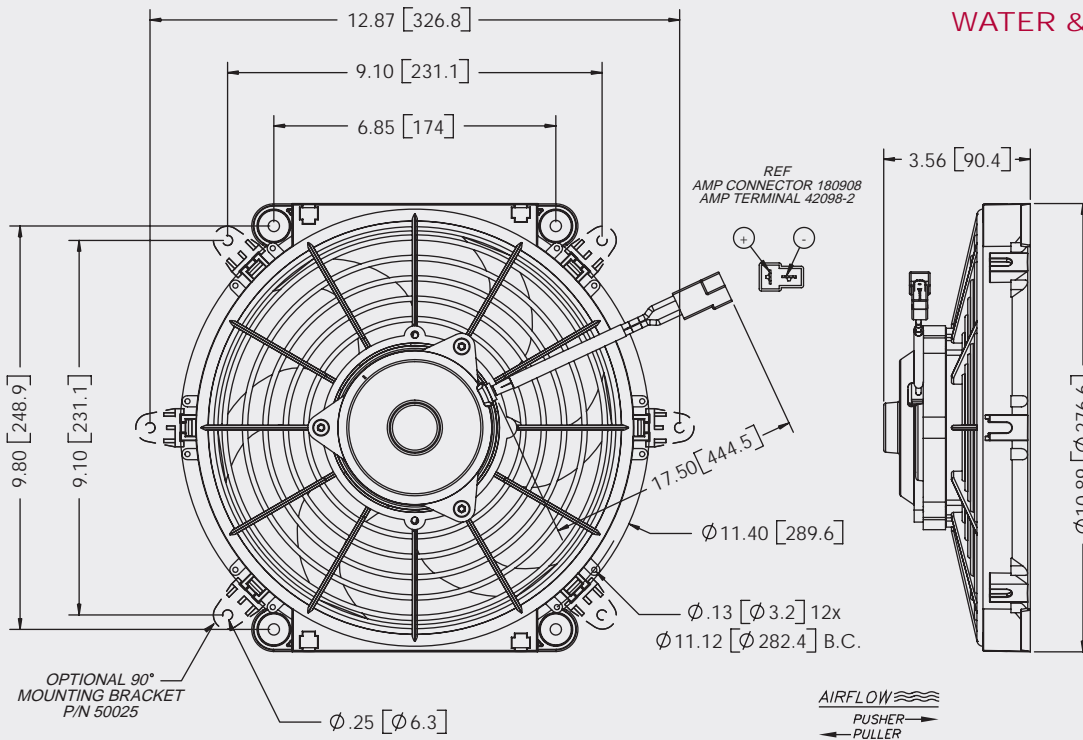
PART#	TYPE	VOLTS	WATTS	BLADE	MATERIAL
G-4010-A	PULLER	12VDC	160W	"S"	MFGF NYLON
G-4010-S	PUSHER	12VDC	160W	"S"	MFGF NYLON

*ALSO AVAILABLE IN 24VDC



REVERSIBLE

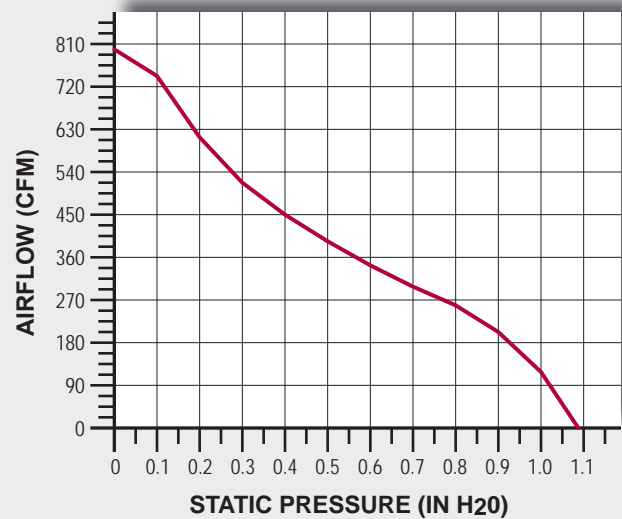
WATER & DUST RESISTANT



10" LOW PROFILE

TYPICAL AIR PERFORMANCE @ 13.5VDC 10" 160W "S" BLADE PULLER/PUSHER FANS

STATIC PRESSURE IN H ₂ O	STATIC PRESSURE mm H ₂ O	CFM	m ³ /h	Amps
0	0.0	799	1358	8.5
0.1	2.5	744	1264	8.4
0.2	5	612	1040	8.3
0.3	7.5	517	878	8.3
0.4	10	451	766	8.5
0.5	12.5	392	666	8.8
0.6	15	344	584	9.3
0.7	17.5	299	508	9.6
0.8	20	257	437	9.8
0.9	22.5	204	347	9.9
1.0	25	120	204	9.9



STALL @ 1.09" [27.7mm] - 10.1 Amps

12VDC AXIAL MOTOR FANS

FAN DIAMETER
10" [255mm]

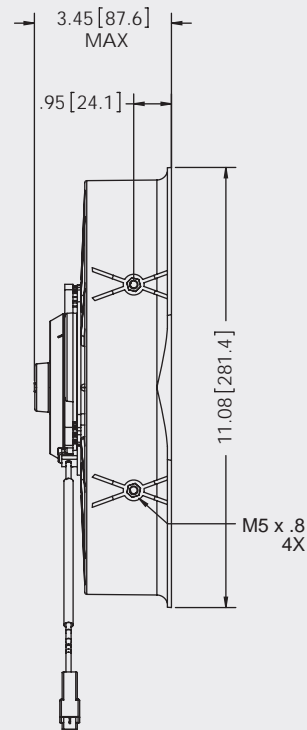
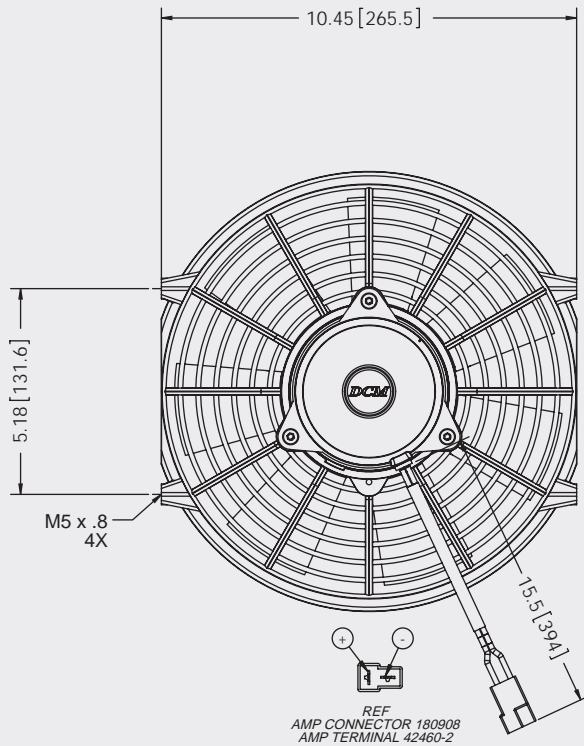
MODEL INFORMATION*

PART#	TYPE	VOLTS	WATTS	BLADE	MATERIAL
470026	PULLER	12VDC	160W	STRAIGHT	MFGF NYLON
480026	PUSHER	12VDC	160W	STRAIGHT	MFGF NYLON

*ALSO AVAILABLE IN 24VDC



WATER & DUST RESISTANT

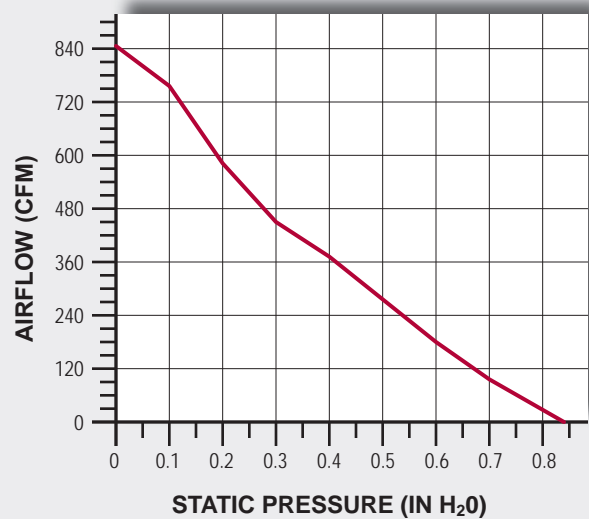


10" LOW PROFILE

TYPICAL AIR PERFORMANCE @ 13.5VDC 10" 160W STRAIGHT BLADE PULLER/PUSHER FANS

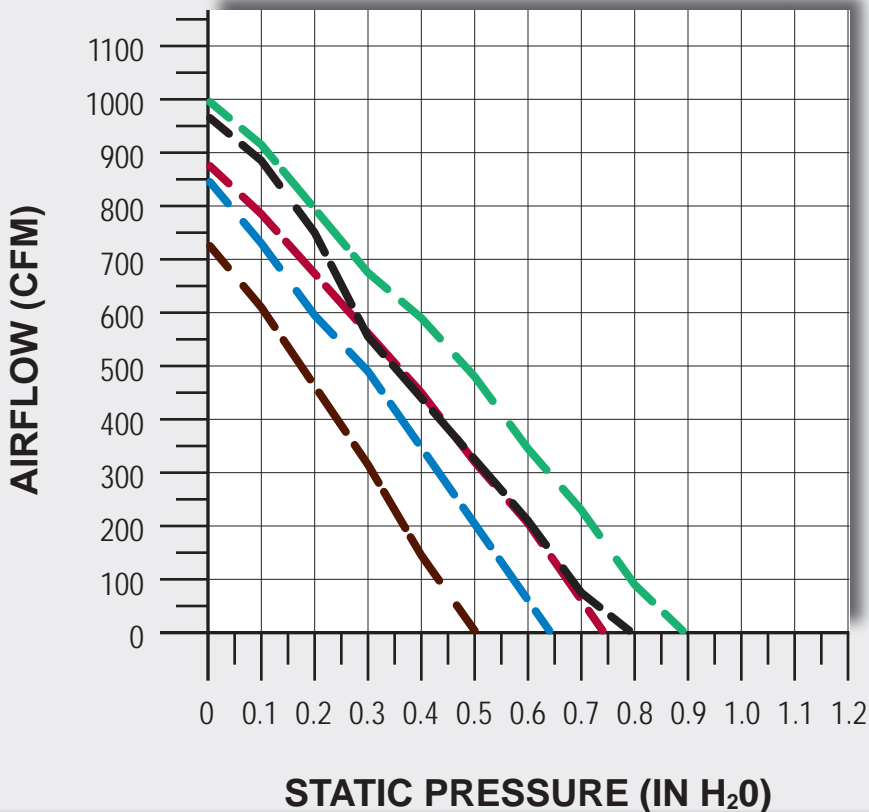
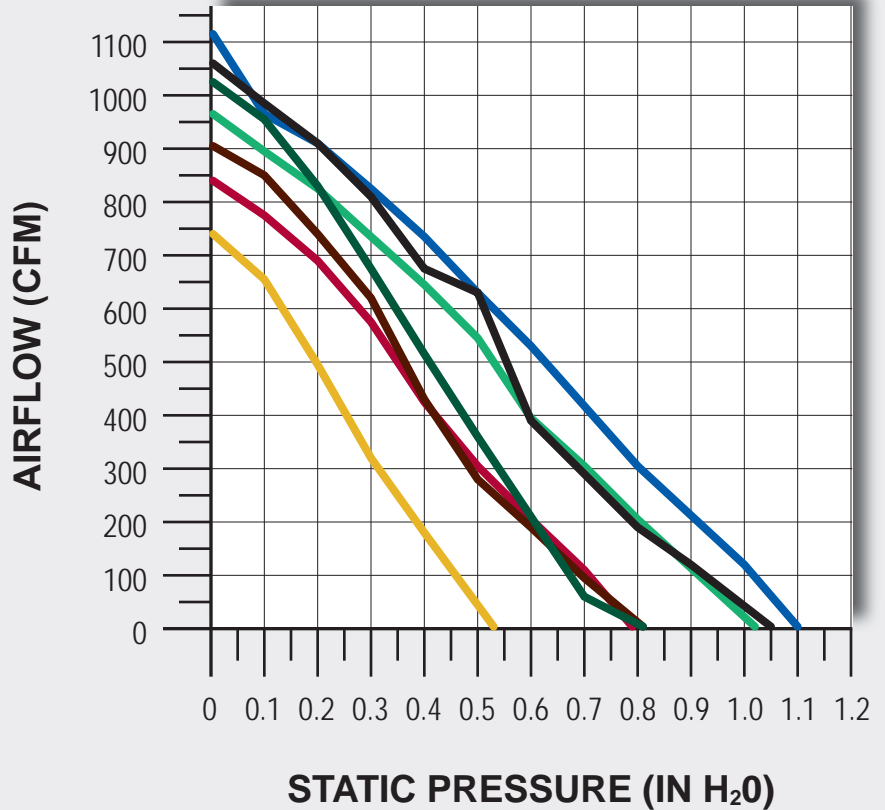
STATIC PRESSURE IN H ₂ O	STATIC PRESSURE mm H ₂ O	CFM	m ³ /h	Amps
0	0.0	847	1439	8.0
0.1	2.5	758	1288	7.8
0.2	5	582	989	7.2
0.3	7.5	451	766	7.6
0.4	10	373	634	8.0
0.5	12.5	277	471	8.3
0.6	15	178	302	8.6
0.7	17.5	99	168	9.1

STALL @ 0.84" [21.3mm] - 9.8 Amps



11" [280mm] LOW PROFILE AXIAL FANS

- TA11A1002 / TA11S1002 Pg. 43
- TA11A1003 / TA11S1003 Pg. 44
- TA11A1004 / TA11S1004 Pg. 45
- TA11A2002 Pg. 46
- TA11A2003 Pg. 47
- TA11R2008 Pg. 48
- TA11R2001 Pg. 49



- 820026 / 820028 Pg. 50
- 820026HP / 820028HP Pg. 51
- 820026-90 / 820028-90 Pg. 52
- G-4012-A / G-4012-S Pg. 53
- P-4012-A / P-4012-S Pg. 54

Optional performances may be available. Please contact DCM at (817) 428-3636 for more information.

12VDC AXIAL MOTOR FANS

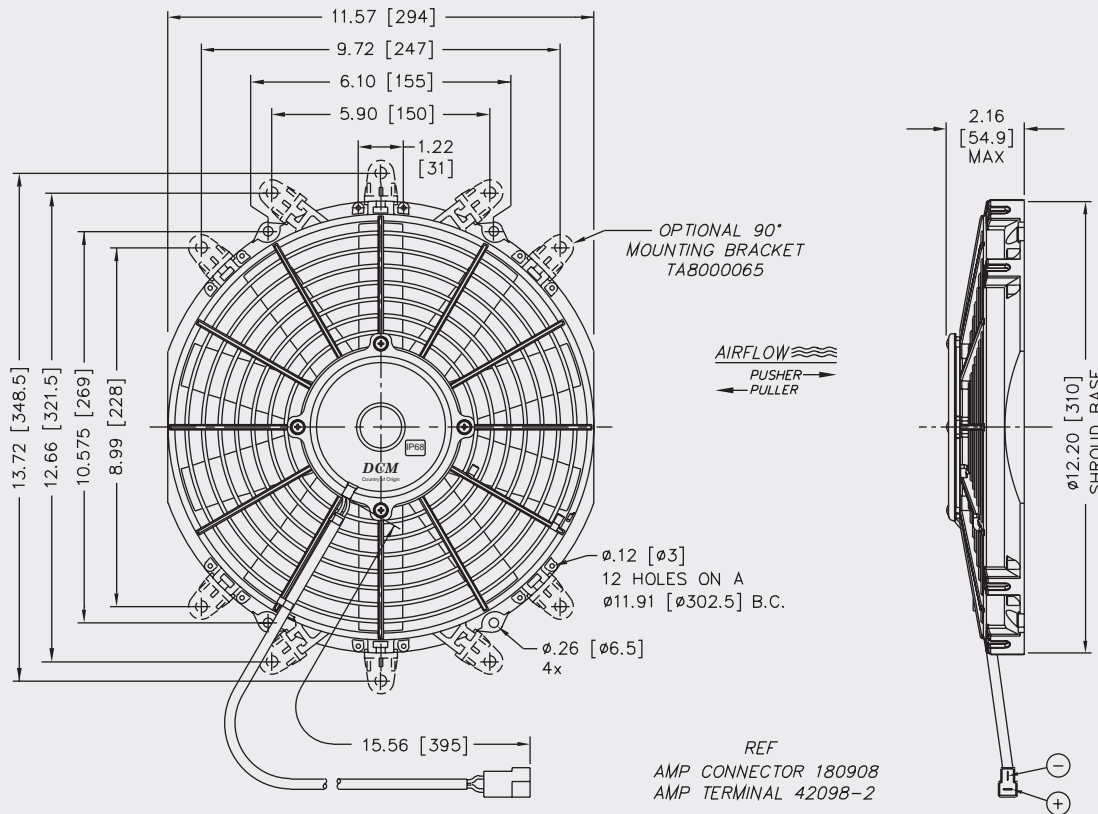
FAN DIAMETER
11" [280mm]

MODEL INFORMATION

PART#	TYPE	VOLTS	WATTS	BLADE	MATERIAL
TA11A1002	PULLER	12VDC	130W	STRAIGHT	GF NYLON
TA11S1002	PUSHER	12VDC	130W	STRAIGHT	GF NYLON
TB11A1002	PULLER	24VDC	130W	STRAIGHT	GF NYLON
TB11S1002	PUSHER	24VDC	130W	STRAIGHT	GF NYLON



IP68

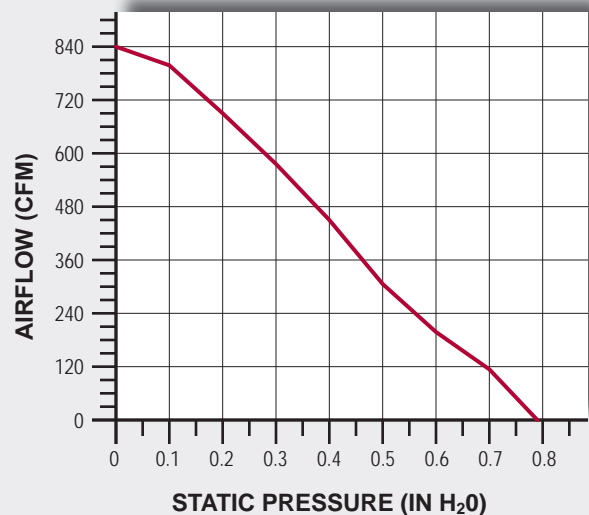


1" LOW PROFILE

TYPICAL AIR PERFORMANCE @ 13.5VDC 11" 130W STRAIGHT BLADE PULLER/PUSHER FANS

STATIC PRESSURE IN H ₂ O	STATIC PRESSURE mm H ₂ O	CFM	m ³ /h	Amps
0	0.0	842	1431	5.7
0.1	2.5	777	1320	6.0
0.2	5	689	1171	6.3
0.3	7.5	574	975	6.4
0.4	10	447	759	6.4
0.5	12.5	306	520	6.3
0.6	15	206	350	6.4
0.7	17.5	112	190	6.5

STALL @ 0.79" [20.1mm]



FAN DIAMETER
11" [280mm]

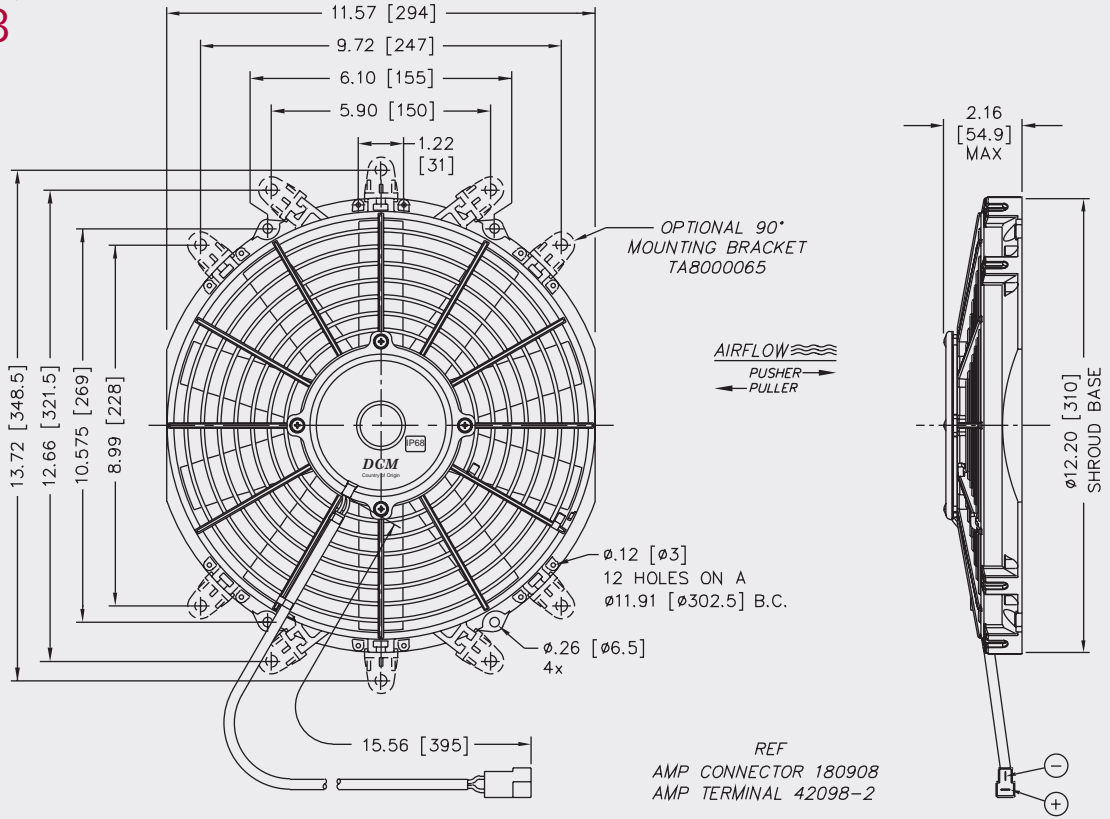
12VDC AXIAL MOTOR FANS



IP68

MODEL INFORMATION

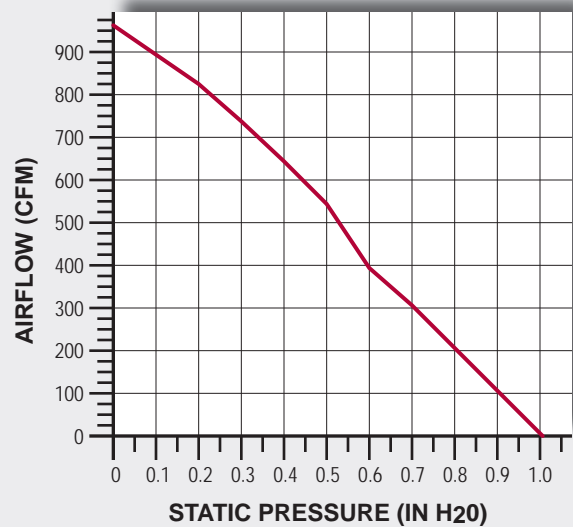
PART#	TYPE	VOLTS	WATTS	BLADE	MATERIAL
TA11A1003	PULLER	12VDC	130W	STRAIGHT	GF NYLON
TA11S1003	PUSHER	12VDC	130W	STRAIGHT	GF NYLON
TB11A1003	PULLER	24VDC	130W	STRAIGHT	GF NYLON
TB11S1003	PUSHER	24VDC	130W	STRAIGHT	GF NYLON



TYPICAL AIR PERFORMANCE @ 13.5VDC 11" 130W STRAIGHT BLADE PULLER/PUSHER FANS

STATIC PRESSURE IN H ₂ O	STATIC PRESSURE mm H ₂ O	CFM	m ³ /h	Amps
0	0.0	965	1640	7.3
0.1	2.5	897	1524	7.6
0.2	5	824	1400	8.0
0.3	7.5	736	1250	8.2
0.4	10	647	1097	8.4
0.5	12.5	544	924	8.5
0.6	15	397	675	8.4
0.7	17.5	306	520	8.4
0.8	20	206	350	8.4

STALL @ 1.02" [25.9mm]



12VDC AXIAL MOTOR FANS

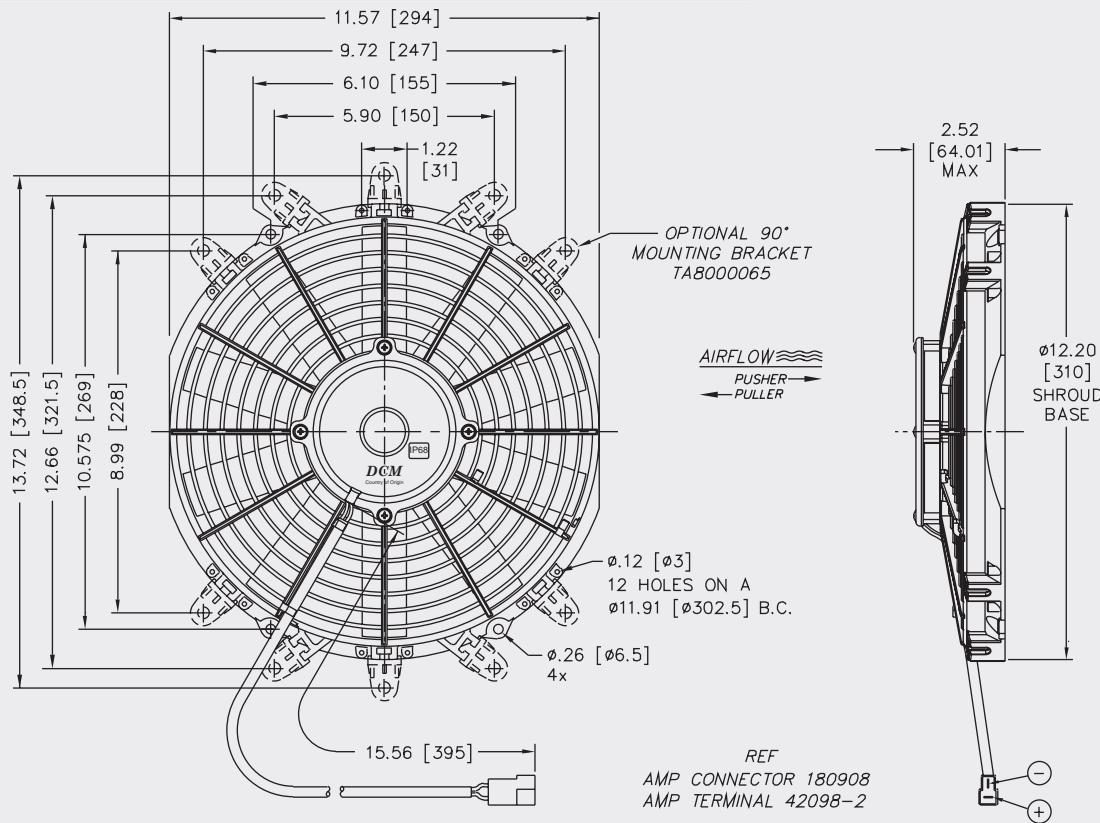
FAN DIAMETER
11" [280mm]

MODEL INFORMATION

PART#	TYPE	VOLTS	WATTS	BLADE	MATERIAL
TA11A1004	PULLER	12VDC	160W	STRAIGHT	GF NYLON
TA11S1004	PUSHER	12VDC	160W	STRAIGHT	GF NYLON
TB11A1004	PULLER	24VDC	160W	STRAIGHT	GF NYLON
TB11S1004	PUSHER	24VDC	160W	STRAIGHT	GF NYLON



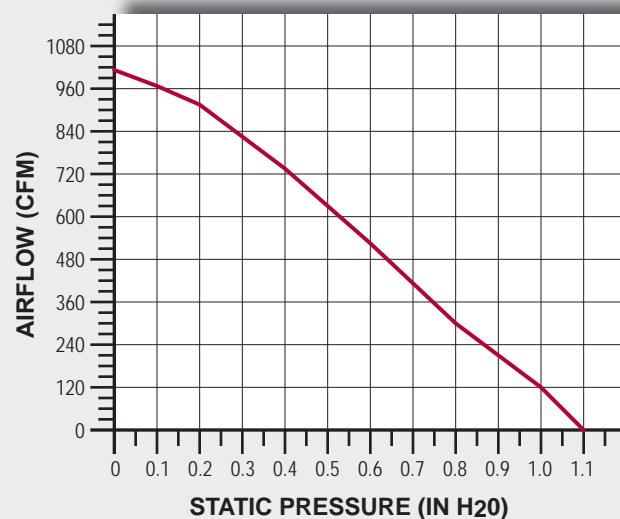
IP68



TYPICAL AIR PERFORMANCE @ 13.5VDC 11" 160W STRAIGHT BLADE PULLER/PUSHER FANS

STATIC PRESSURE IN H ₂ O	STATIC PRESSURE mm H ₂ O	CFM	m ³ /h	Amps
0	0.0	1015	1724	8.1
0.1	2.5	965	1640	8.5
0.2	5	912	1549	8.8
0.3	7.5	824	1400	9.1
0.4	10	736	1250	9.2
0.5	12.5	630	1070	9.1
0.6	15	530	900	9.1
0.8	20	306	520	9.1
1.0	25	118	200	9.2

STALL @ 1.1" [27.9mm]



1" LOW PROFILE

FAN DIAMETER
11" [280mm]

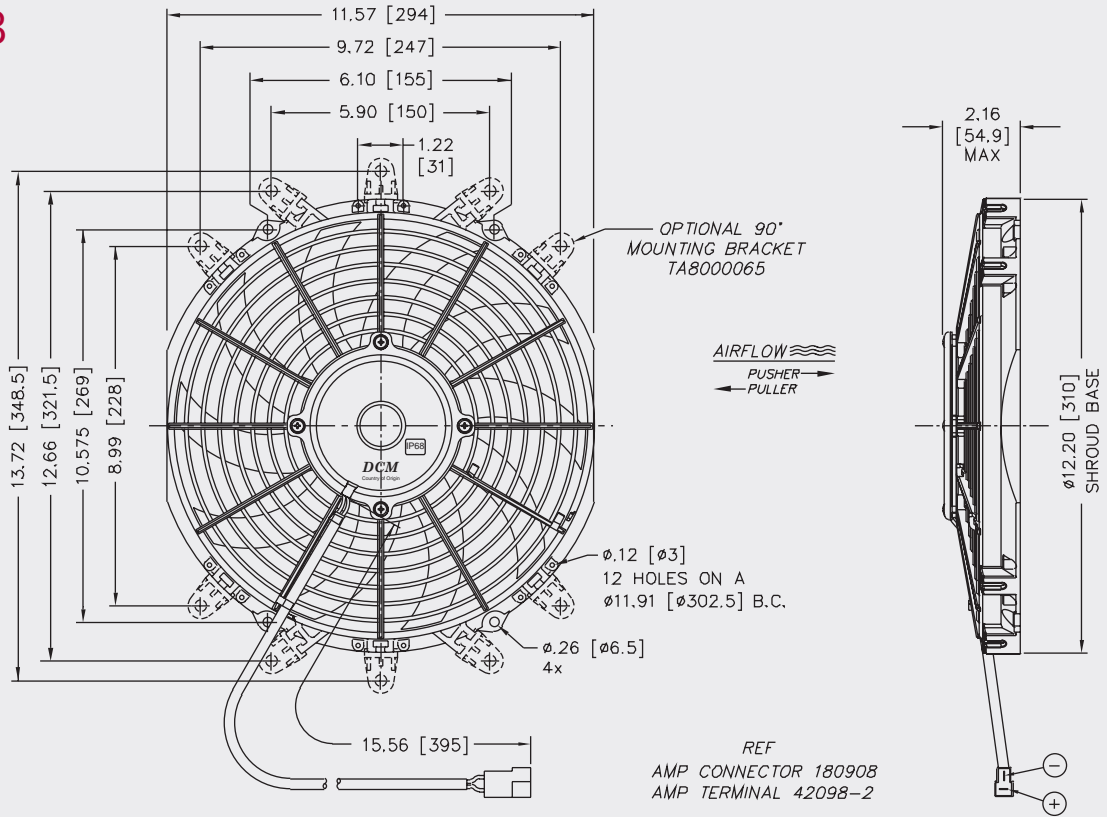
12VDC AXIAL MOTOR FANS



IP68

MODEL INFORMATION

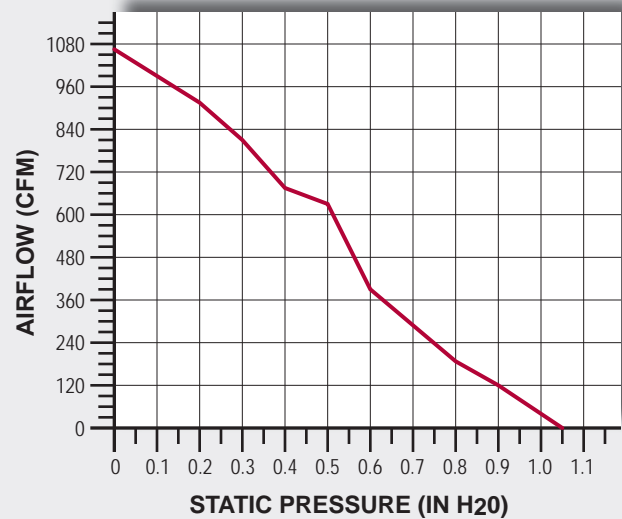
PART#	TYPE	VOLTS	WATTS	BLADE	MATERIAL
TA11A2002	PULLER	12VDC	130W	"S"	GF NYLON
TB11A2003	PULLER	24VDC	"S"	GF NYLON	



TYPICAL AIR PERFORMANCE @ 13.5VDC 11" 130W "S" BLADE PULLER FANS

STATIC PRESSURE IN H ₂ O	STATIC PRESSURE mm H ₂ O	CFM	m ³ /h	Amps
0	0.0	1062	1804	8.1
0.1	2.5	986	1675	8.6
0.2	5	912	1549	9.0
0.3	7.5	809	1374	9.2
0.4	10	677	1150	9.4
0.5	12.5	630	1070	9.5
0.6	15	389	661	9.5
0.8	20	188	319	10.0
0.9	22.5	118	200	10.4

STALL @ 1.05" [26.7mm]



12VDC AXIAL MOTOR FANS

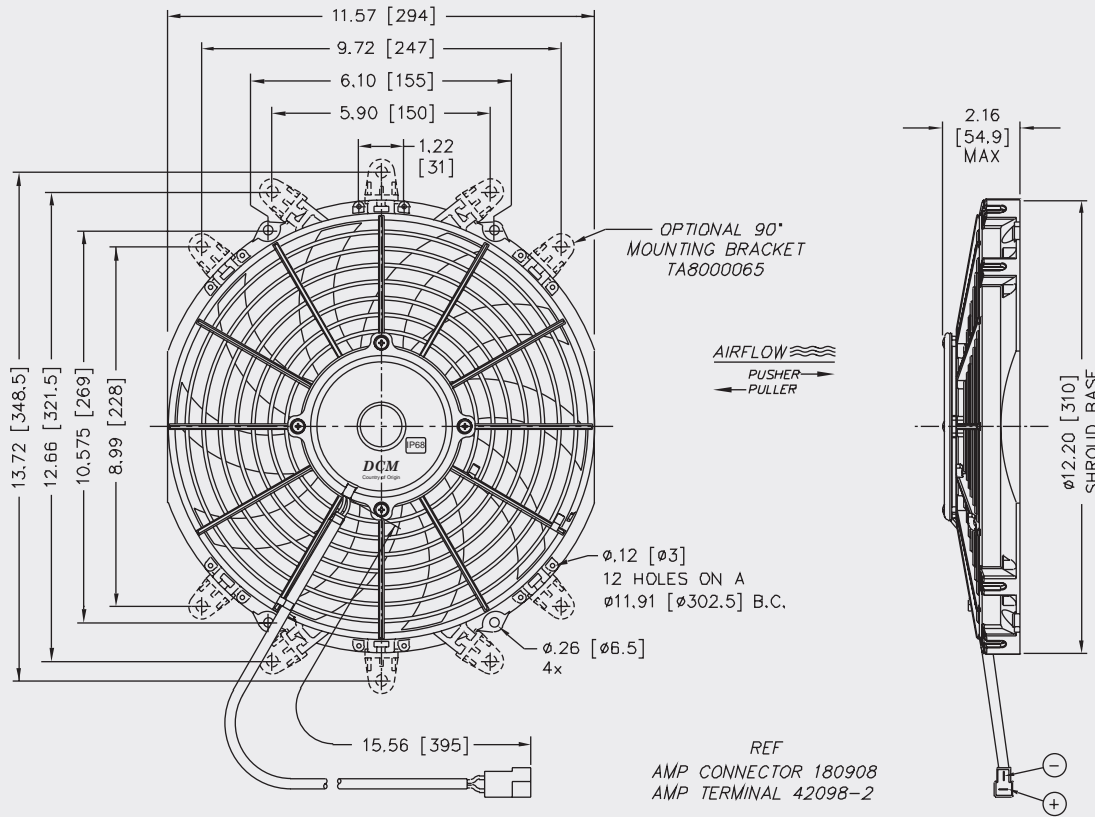
FAN DIAMETER
11" [280mm]

MODEL INFORMATION

PART#	TYPE	VOLTS	WATTS	BLADE	MATERIAL
TA11A2003	PULLER	12VDC	130W	"S"	GF NYLON
TB11A2002	PULLER	24VDC	130W	"S"	GF NYLON



IP68

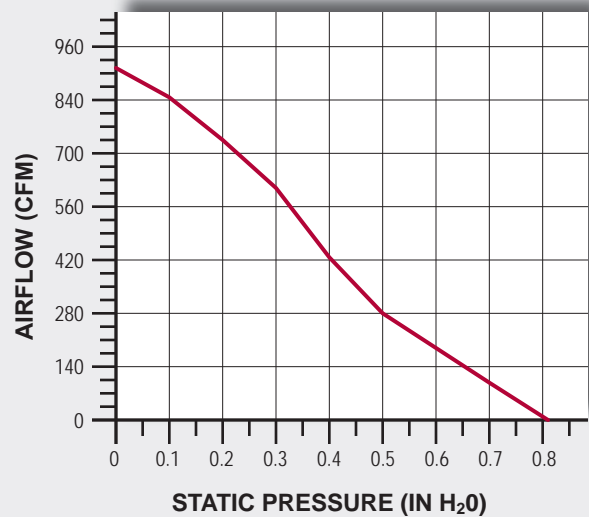


1" LOW PROFILE

TYPICAL AIR PERFORMANCE @ 13.5VDC 11" 130W "S" BLADE PULLER/PUSHER FANS

STATIC PRESSURE IN H ₂ O	STATIC PRESSURE mm H ₂ O	CFM	m ³ /h	Amps
0	0.0	906	1539	6.4
0.1	2.5	848	1441	6.8
0.2	5	738	1254	7.1
0.3	7.5	618	1050	7.2
0.4	10	430	731	7.2
0.5	12.5	280	476	7.4
0.6	15	191	325	7.6
0.7	17.5	97	165	7.8

STALL @ 0.81" [20.6mm]



FAN DIAMETER
11" [280mm]

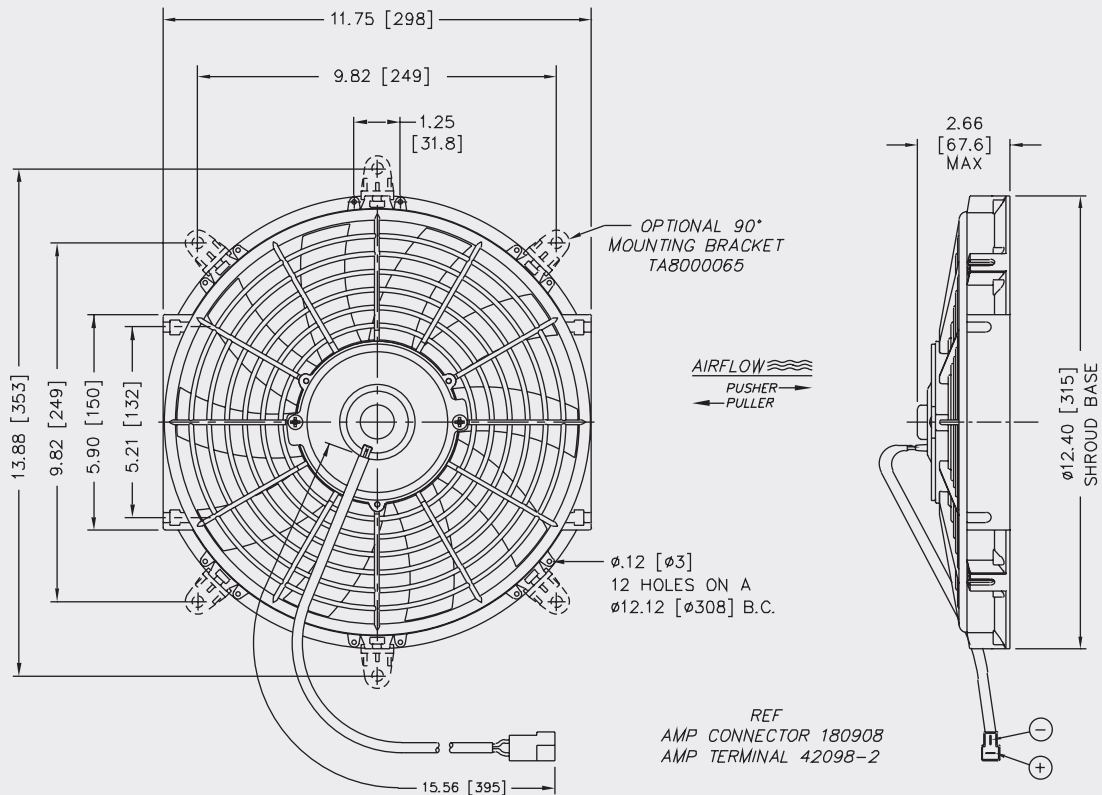
12VDC AXIAL MOTOR FANS



MODEL INFORMATION*

PART#	TYPE**	VOLTS	WATTS	BLADE	MATERIAL
TA11R2008	REVERSIBLE	12VDC	90W	"S"	GF NYLON
*ALSO AVAILABLE IN 24VDC			**SET UP AS PULLER FROM FACTORY		

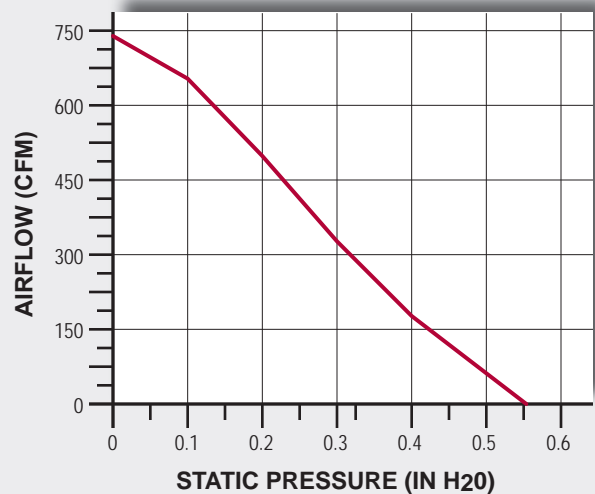
REVERSIBLE



TYPICAL AIR PERFORMANCE @ 13.5VDC 11" 90W "S" BLADE REVERSIBLE FANS

STATIC PRESSURE IN H ₂ O	STATIC PRESSURE mm H ₂ O	CFM	m ³ /h	Amps
0	0.0	738	1254	7.0
0.1	2.5	654	1111	7.2
0.2	5	496	842	7.1
0.3	7.5	318	540	7.1
0.4	10	178	302	7.4

STALL @ 0.53" [13.5mm] - 7.7 Amps



12VDC AXIAL MOTOR FANS

FAN DIAMETER
11" [280mm]

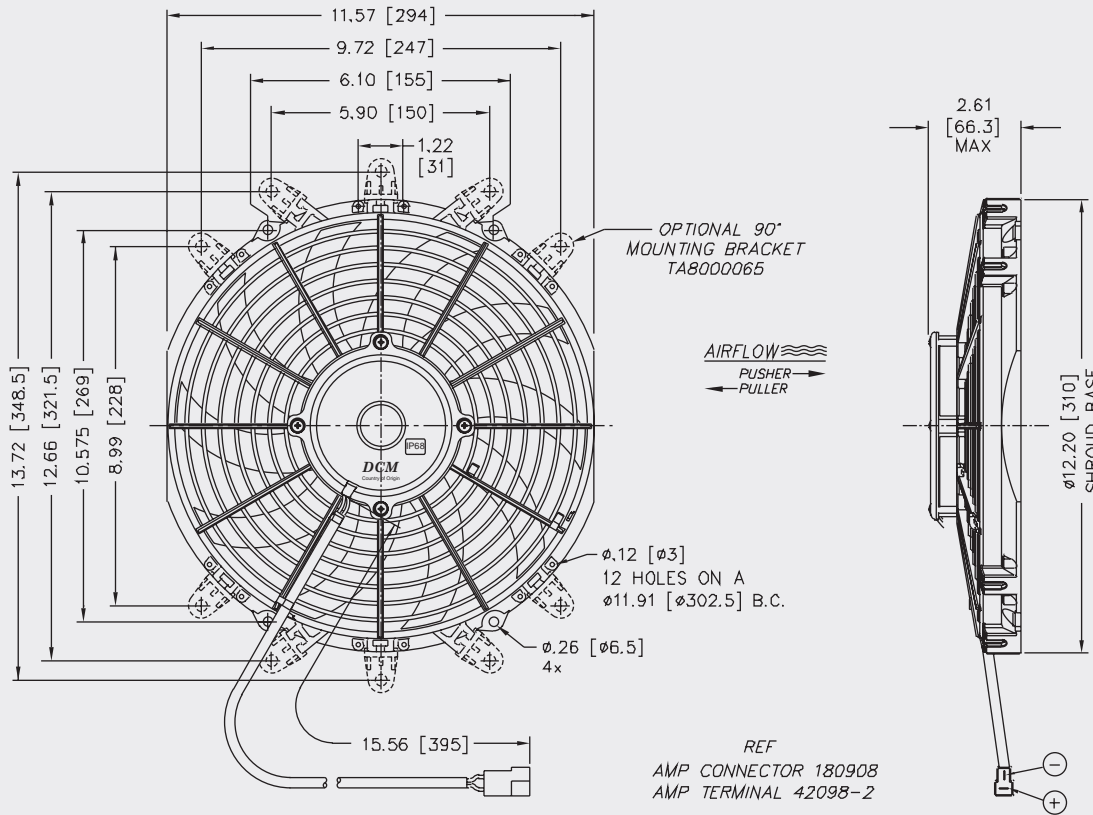
MODEL INFORMATION

PART#	TYPE*	VOLTS	WATTS	BLADE	MATERIAL
TA11R2001	REVERSIBLE	12VDC	130W	"S"	GF NYLON
TB11R2002	REVERSIBLE	24VDC	130W	"S"	GF NYLON

*SET UP AS PULLER FROM FACTORY



IP68

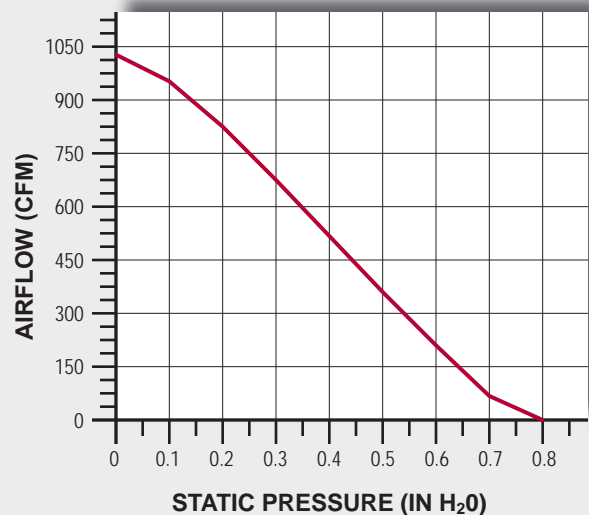


1" LOW PROFILE

TYPICAL AIR PERFORMANCE @ 13.5VDC 11" 130W 'S' BLADE REVERSIBLE FANS

STATIC PRESSURE IN H ₂ O	STATIC PRESSURE mm H ₂ O	CFM	m ³ /h	Amps
0	0.0	1027	1745	7.4
0.1	2.5	956	1624	8.0
0.2	5	828	1407	8.2
0.3	7.5	674	1145	8.2
0.4	10	514	873	8.1
0.5	12.5	359	610	8.0
0.6	15	210	357	8.2
0.7	17.5	62	105	8.8

STALL @ 0.8" [20.3mm]



FAN DIAMETER
11" [280mm]

12VDC AXIAL MOTOR FANS

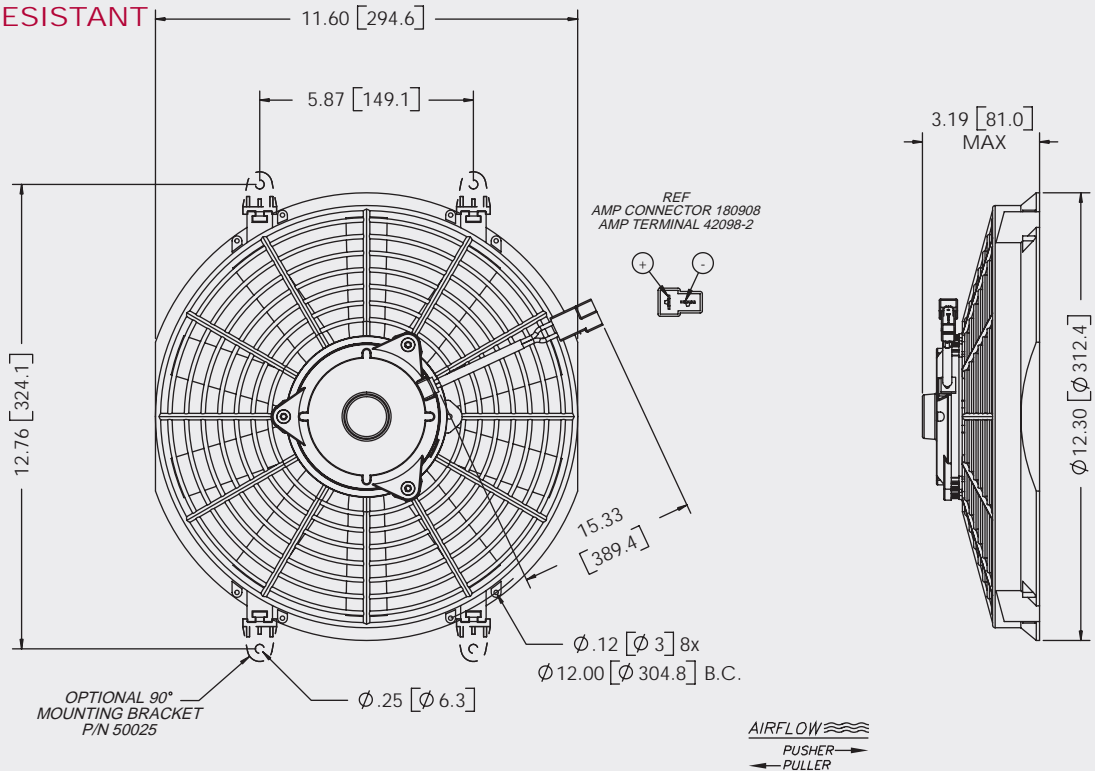


MODEL INFORMATION*					
PART#	TYPE	VOLTS	WATTS	BLADE	MATERIAL
820026	PULLER	12VDC	125W	STRAIGHT	MFGF NYLON
820028	PUSHER	12VDC	125W	STRAIGHT	MFGF NYLON

*ALSO AVAILABLE IN 24VDC

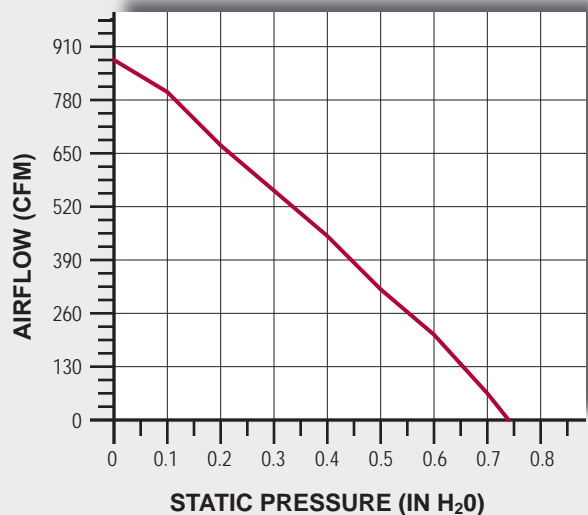
REVERSIBLE

WATER & DUST RESISTANT



TYPICAL AIR PERFORMANCE @ 13.5VDC 11" 125W STRAIGHT BLADE PULLER/PUSHER FANS				
STATIC PRESSURE IN H ₂ O	STATIC PRESSURE mm H ₂ O	CFM	m ³ /h	Amps
0	0.0	876	1488	8.6
0.1	2.5	787	1337	8.7
0.2	5	670	1138	8.5
0.3	7.5	559	950	8.3
0.4	10	449	763	8.4
0.5	12.5	319	542	8.5
0.6	15	205	348	8.7
0.7	17.5	65	110	8.7

STALL @ 0.74" [18.8mm] – 8.7 Amps



12VDC AXIAL MOTOR FANS

FAN DIAMETER
11" [280mm]

MODEL INFORMATION*

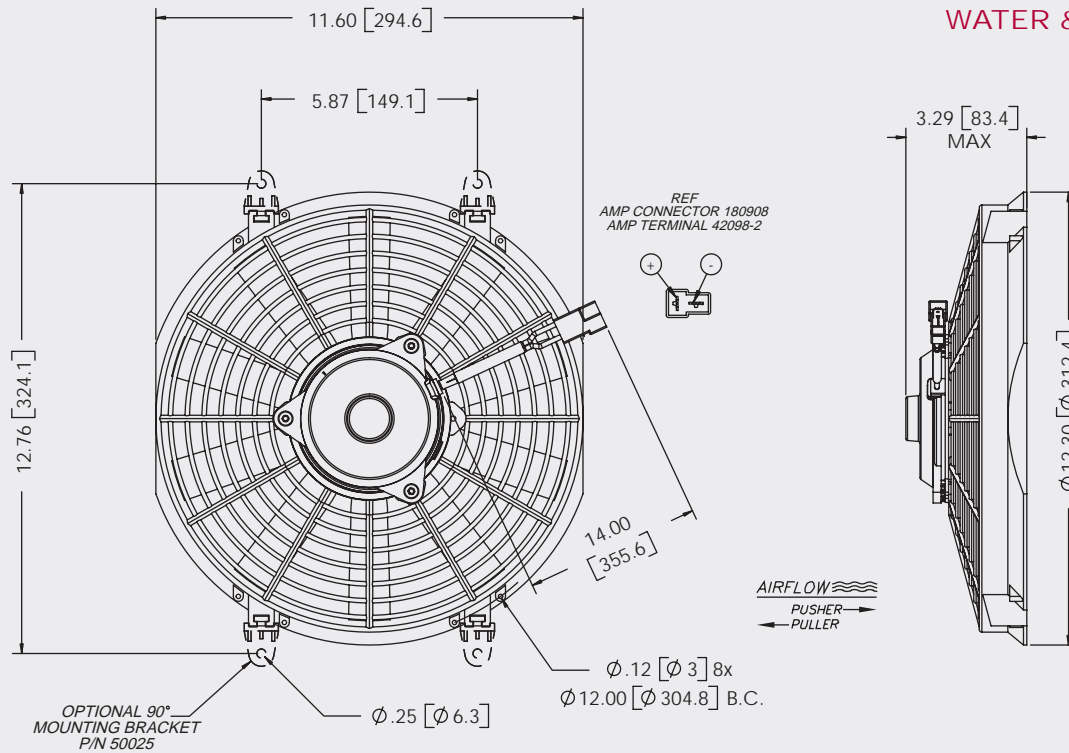
PART#	TYPE	VOLTS	WATTS	BLADE	MATERIAL
820026HP	PULLER	12VDC	140W	STRAIGHT	MFGF NYLON
820028HP	PUSHER	12VDC	140W	STRAIGHT	MFGF NYLON

*ALSO AVAILABLE IN 24VDC

REVERSIBLE



WATER & DUST RESISTANT

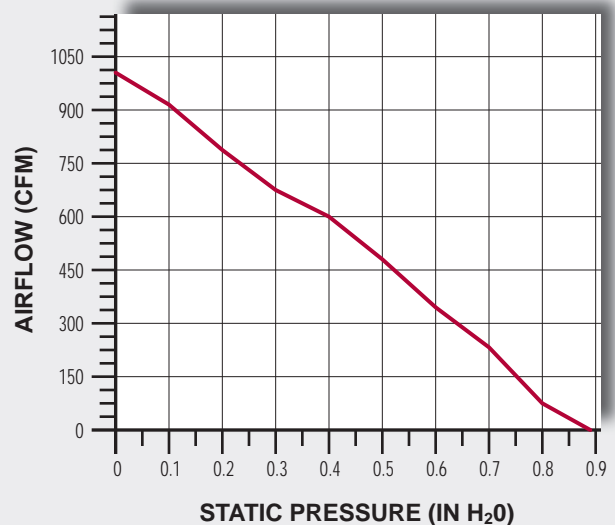


1" LOW PROFILE

TYPICAL AIR PERFORMANCE @ 13.5VDC 11" 140W STRAIGHT BLADE PULLER/PUSHER FANS

STATIC PRESSURE IN H ₂ O	STATIC PRESSURE mm H ₂ O	CFM	m ³ /h	Amps
0	0.0	1002	1702	9.6
0.1	2.5	917	1558	9.7
0.2	5	789	1341	9.4
0.3	7.5	675	1147	9.2
0.4	10	598	1016	9.2
0.5	12.5	478	812	9.4
0.6	15	346	588	9.4
0.7	17.5	229	389	9.4
0.8	20	88	150	9.4

STALL @ 0.89" [22.6mm] - 9.5 Amps



FAN DIAMETER
11" [280mm]

12VDC AXIAL MOTOR FANS

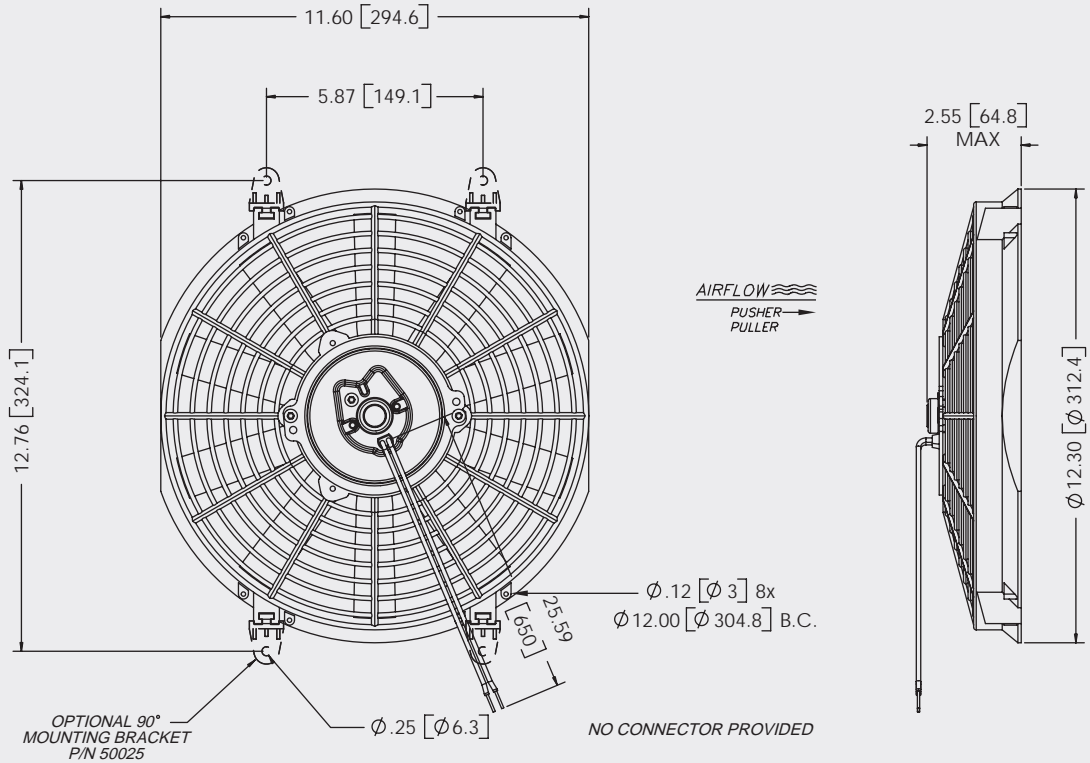


MODEL INFORMATION*

PART#	TYPE	VOLTS	WATTS	BLADE	MATERIAL
820026-90	PULLER	12VDC	90W	STRAIGHT	MFGF NYLON
820028-90	PUSHER	12VDC	90W	STRAIGHT	MFGF NYLON

*ALSO AVAILABLE IN 24VDC

REVERSIBLE

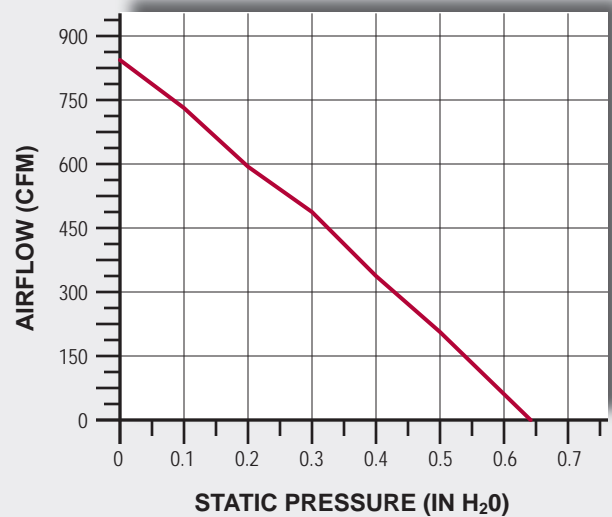


TYPICAL AIR PERFORMANCE @ 13.5VDC

11" 90W STRAIGHT BLADE PULLER/PUSHER FANS

STATIC PRESSURE IN H ₂ O	STATIC PRESSURE mm H ₂ O	CFM	m ³ /h	Amps
0	0.0	846	1437	8.3
0.1	2.5	731	1242	8.3
0.2	5	596	1013	8.4
0.3	7.5	488	829	8.3
0.4	10	338	574	8.5
0.5	12.5	205	348	8.6
0.6	15	75	127	8.6

STALL @ 0.64" [16.3mm] - 8.6 Amps



FAN DIAMETER
11" [280mm]

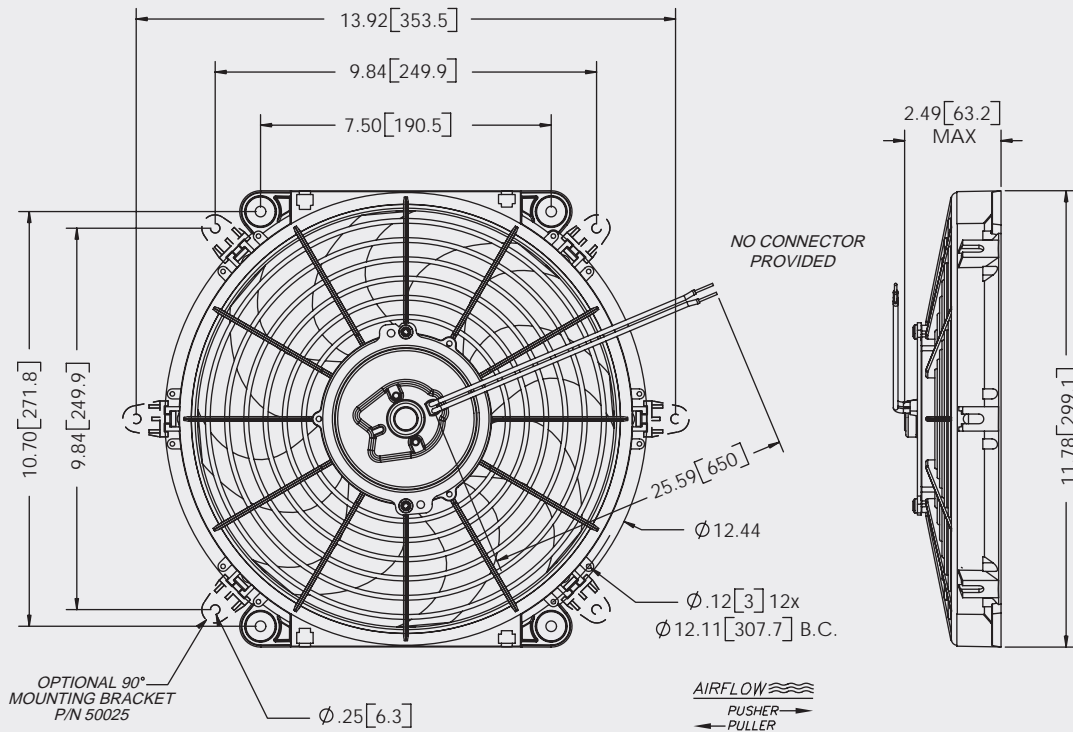
12VDC AXIAL MOTOR FANS



MODEL INFORMATION*					
PART#	TYPE	VOLTS	WATTS	BLADE	MATERIAL
P-4012-A	PULLER	12VDC	90W	"S"	MFGF NYLON
P-4012-S	PUSHER	12VDC	90W	"S"	MFGF NYLON

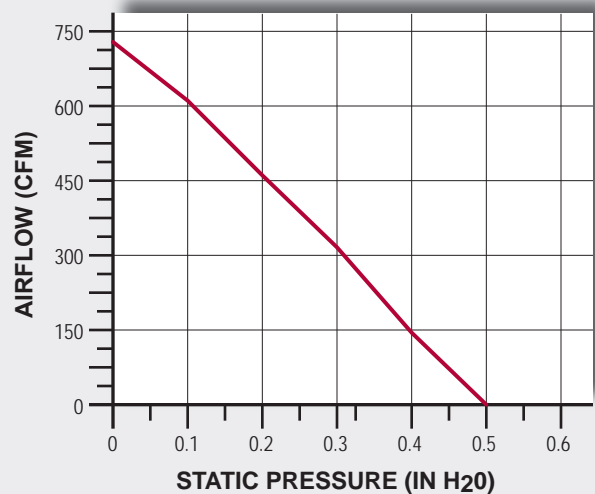
*ALSO AVAILABLE IN 24VDC

REVERSIBLE



TYPICAL AIR PERFORMANCE @ 13.5VDC 11" 90W "S" BLADE REVERSIBLE FANS				
STATIC PRESSURE IN H ₂ O	STATIC PRESSURE mm H ₂ O	CFM	m ³ /h	Amps
0	0.0	727	1235	7.7
0.1	2.5	611	1038	7.7
0.2	5	461	783	7.4
0.3	7.5	314	533	7.5
0.4	10	145	246	7.6

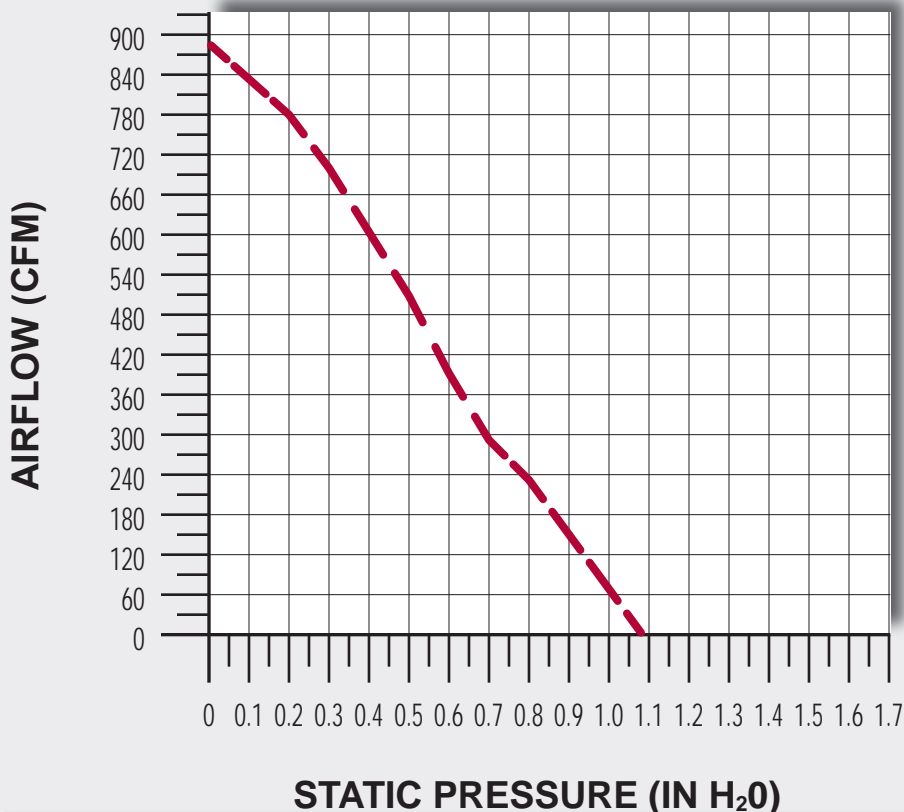
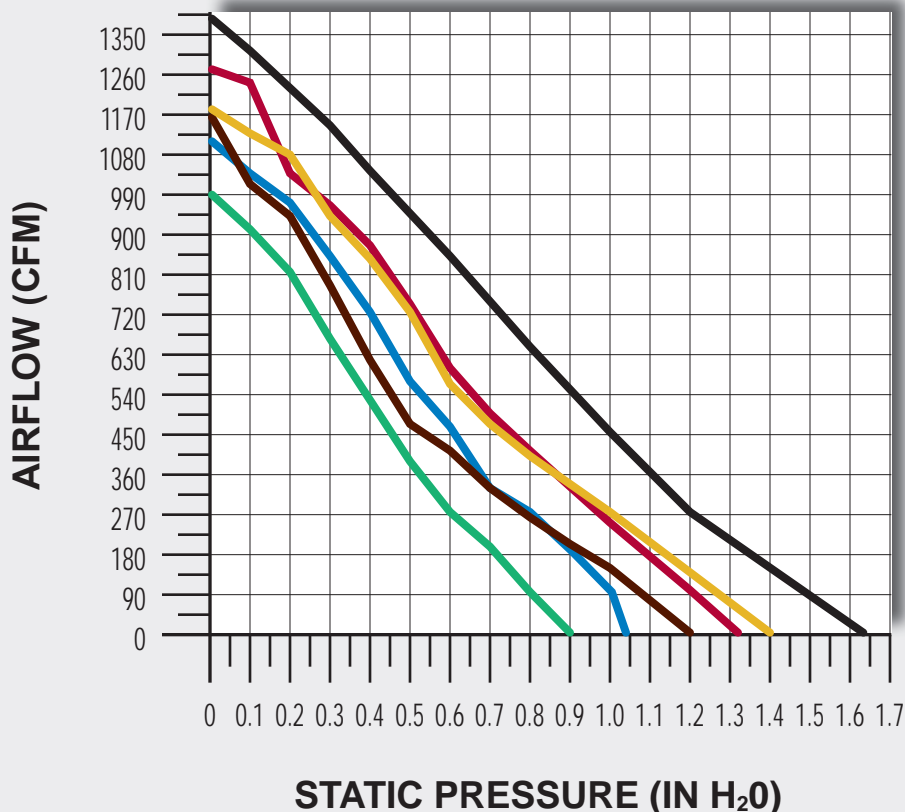
STALL @ 0.5" [12.7mm] - 8.0 Amps



11" [280mm] HIGH PROFILE AXIAL FANS

- TA11A3001 / TA11S3001 Pg. 56
- TA11A3002 / TA11S3002 Pg. 57
- TA11A3004 / TA11S3004 Pg. 58
- TA11A3014 / TA11S3011 Pg. 59
- TA11A3012 / TA11S3009 Pg. 60
- TA11A3010 / TA11S3010 Pg. 61
- TA11R3003* Pg. 62

* Same Data as TA11A3014 / TA11S3011



- - - 2478-A5-F VECTOR FAN Pg. 63

Optional performances may be available. Please contact DCM at (817) 428-3636 for more information.

11" HIGH PROFILE

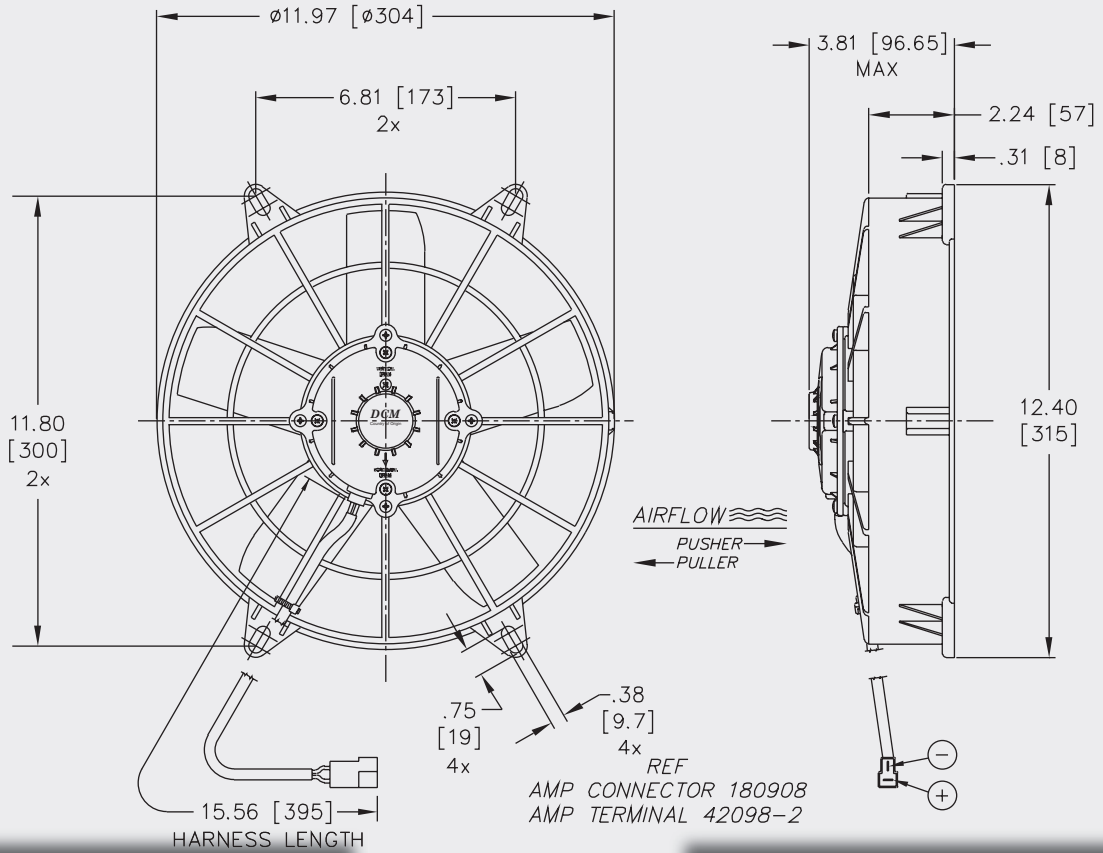
FAN DIAMETER
11" [280mm]

12VDC AXIAL MOTOR FANS



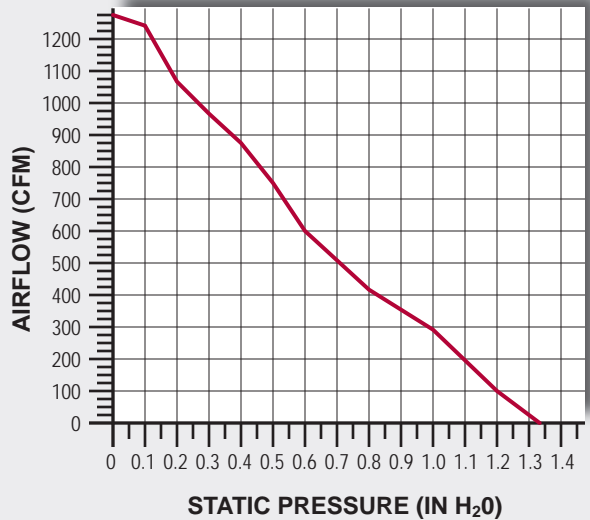
MODEL INFORMATION

PART#	TYPE	VOLTS	WATTS	BLADE	MATERIAL
TA11A3001	PULLER	12VDC	225W	STRAIGHT	GF NYLON
TA11S3001	PUSHER	12VDC	225W	STRAIGHT	GF NYLON
TB11A3001	PULLER	24VDC	225W	STRAIGHT	GF NYLON
TB11S3001	PUSHER	24VDC	225W	STRAIGHT	GF NYLON



TYPICAL AIR PERFORMANCE @ 13.5VDC 11" 225W STRAIGHT BLADE PULLER/PUSHER FANS

STATIC PRESSURE IN H ₂ O	STATIC PRESSURE mm H ₂ O	CFM	m ³ /h	Amps
0	0.0	1276	2168	11.0
0.1	2.5	1243	2112	11.3
0.2	5	1065	1809	12.3
0.3	7.5	967	1643	12.5
0.4	10	872	1482	12.8
0.5	12.5	748	1271	13.2
0.6	15	601	1021	13.2
0.7	17.5	505	858	13.4
0.8	20	417	708	13.6
1.0	25	254	432	13.7
1.2	30	100	170	14.5



STALL @ 1.32" [33.5mm]

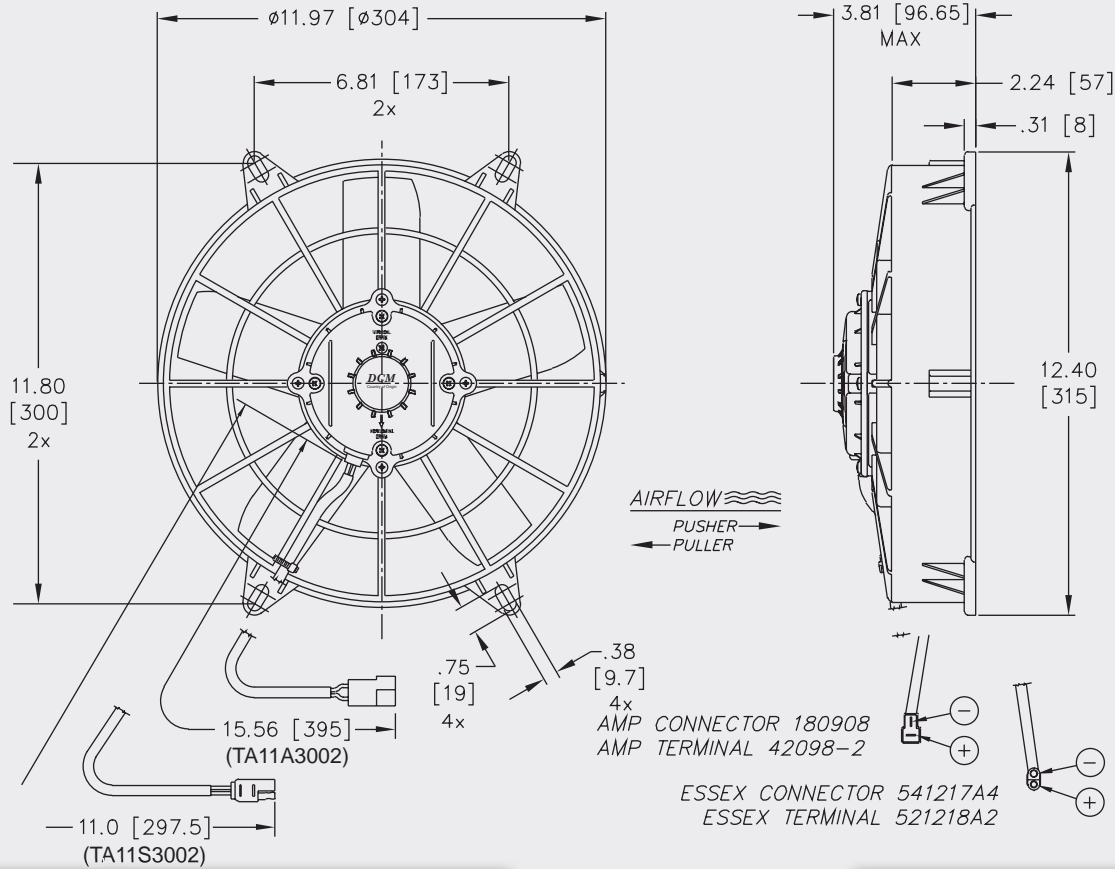
12VDC AXIAL MOTOR FANS

FAN DIAMETER
11" [280mm]

MODEL INFORMATION*

PART#	TYPE	VOLTS	WATTS	BLADE	MATERIAL
TA11A3002	PULLER	12VDC	225W	STRAIGHT	GF NYLON
TA11S3002	PUSHER	12VDC	225W	STRAIGHT	GF NYLON

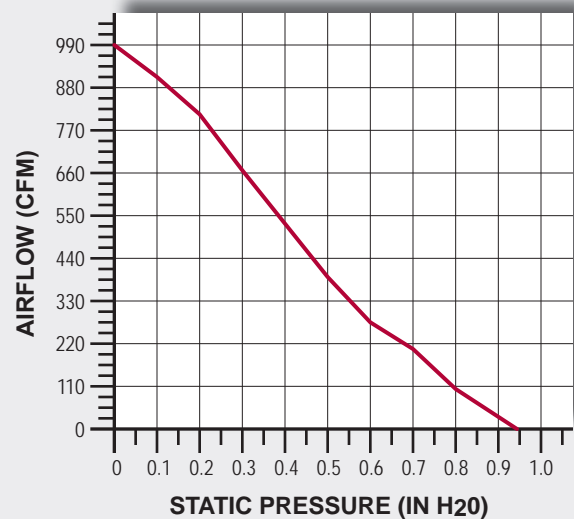
*ALSO AVAILABLE IN 24VDC



TYPICAL AIR PERFORMANCE @ 13.5VDC 11" 225W STRAIGHT BLADE PULLER/PUSHER FANS

STATIC PRESSURE IN H ₂ O	STATIC PRESSURE mm H ₂ O	CFM	m ³ /h	Amps
0	0.0	989	1680	6.3
0.1	2.5	908	1543	6.6
0.2	5	812	1380	6.9
0.3	7.5	669	1137	7.1
0.4	10	530	900	7.2
0.5	12.5	391	664	7.2
0.6	15	275	467	7.3
0.7	17.5	209	355	7.5
0.8	20	96	163	7.8

STALL @ 0.94" [23.9mm]



11" HIGH PROFILE

FAN DIAMETER
11" [280mm]

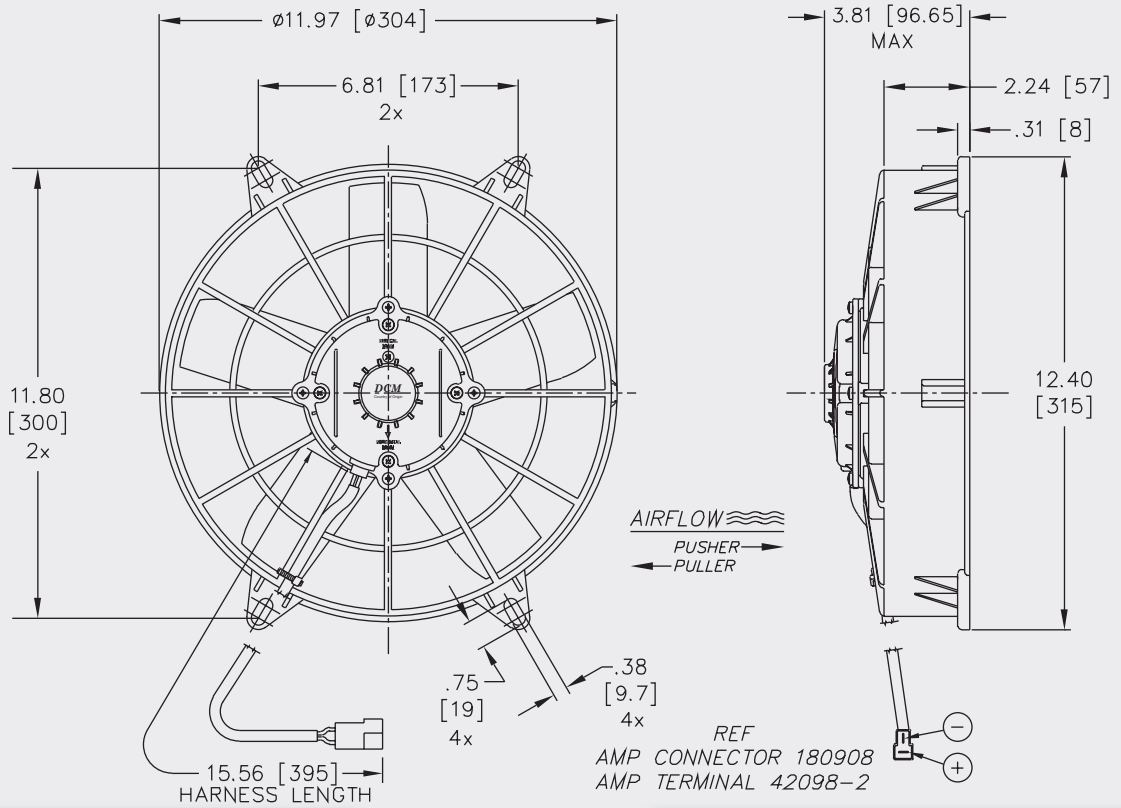
12VDC AXIAL MOTOR FANS



MODEL INFORMATION*

PART#	TYPE	VOLTS	WATTS	BLADE	MATERIAL
TA11A3004	PULLER	12VDC	225W	STRAIGHT	GF NYLON
TA11S3004	PUSHER	12VDC	225W	STRAIGHT	GF NYLON

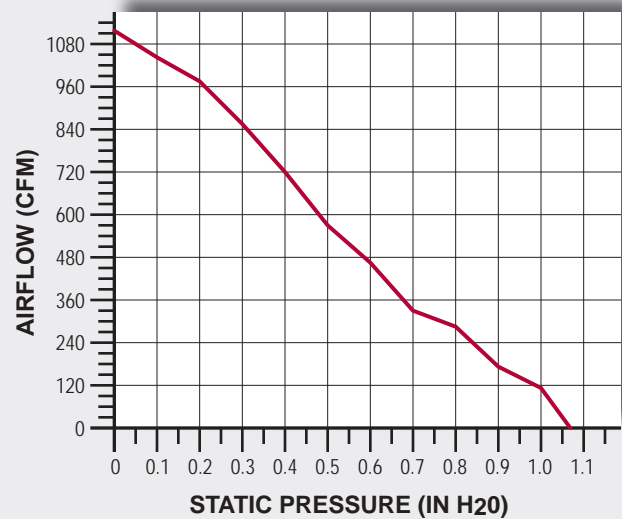
*ALSO AVAILABLE IN 24VDC



TYPICAL AIR PERFORMANCE @ 13.5VDC 11" 225W STRAIGHT BLADE PULLER/PUSHER FANS

STATIC PRESSURE IN H ₂ O	STATIC PRESSURE mm H ₂ O	CFM	m ³ /h	Amps
0	0.0	1108	1882	8.1
0.1	2.5	1046	1777	8.5
0.2	5	973	1653	9.1
0.3	7.5	853	1449	9.6
0.4	10	722	1227	9.8
0.5	12.5	570	968	9.9
0.6	15	466	792	10.0
0.7	17.5	330	561	10.2
0.8	20	283	481	10.3
0.9	22.5	186	316	10.3
1.0	25	114	194	10.8

STALL @ 1.07" [27.2mm]



12VDC AXIAL MOTOR FANS

FAN DIAMETER
11" [280mm]

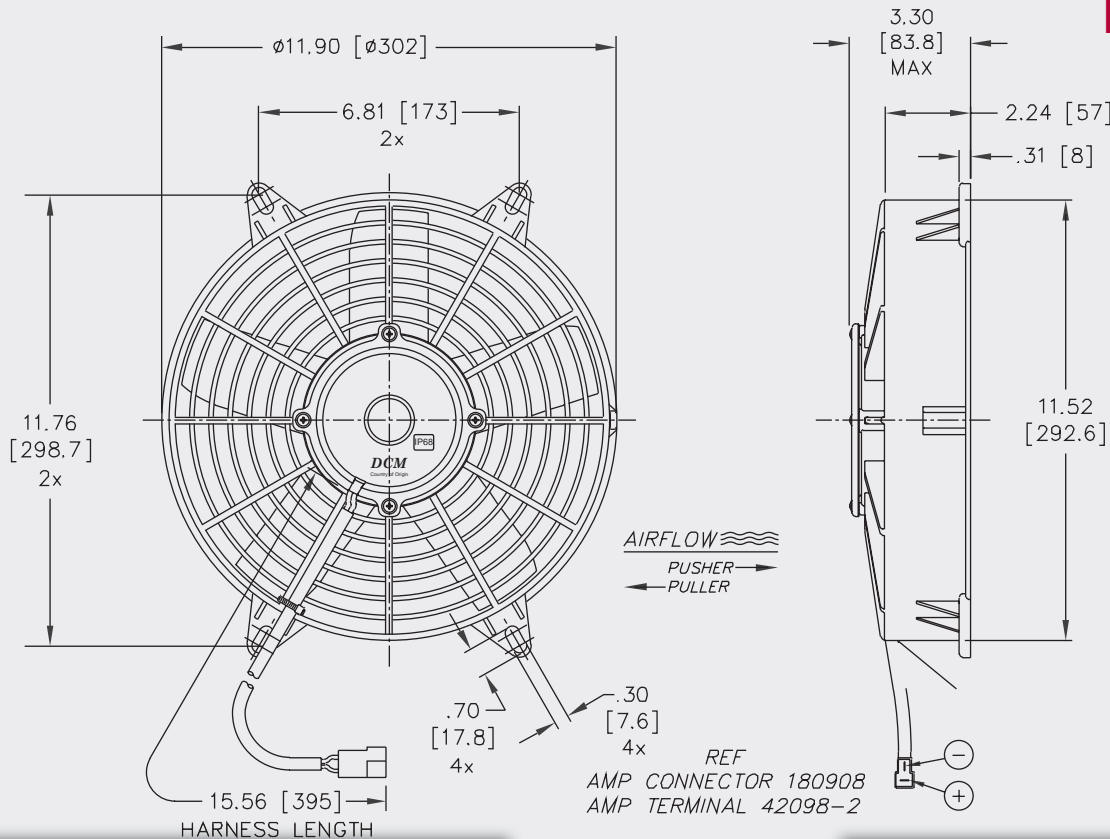
MODEL INFORMATION*

PART#	TYPE	VOLTS	WATTS	BLADE	MATERIAL
TA11A3014	PULLER	12VDC	225W	STRAIGHT	GF NYLON
TA11S3011	PUSHER	12VDC	225W	STRAIGHT	GF NYLON

*ALSO AVAILABLE IN 24VDC



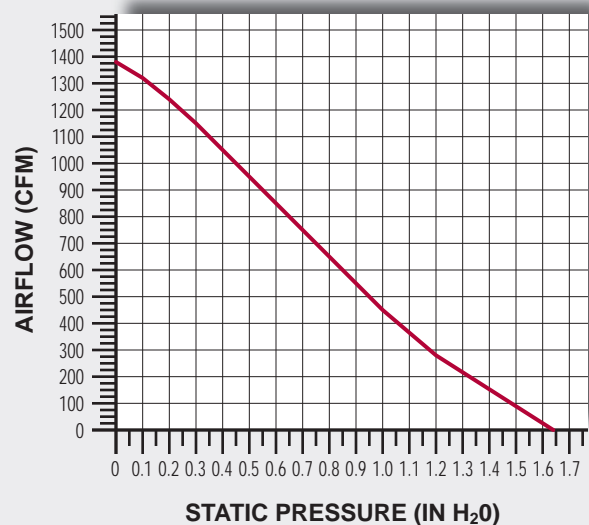
IP68



TYPICAL AIR PERFORMANCE @ 13.5VDC 11" 225W STRAIGHT BLADE PULLER/PUSHER FANS

STATIC PRESSURE IN H ₂ O	STATIC PRESSURE mm H ₂ O	CFM	m ³ /h	Amps
0	0.0	1383	2350	14.7
0.1	2.5	1322	2246	15.3
0.2	5	1237	2102	15.8
0.3	7.5	1146	1947	16.2
0.4	10	1050	1784	16.5
0.5	12.5	951	1616	16.8
0.6	15	851	1446	16.9
0.7	17.5	749	1273	17.1
0.8	20	648	1101	17.2
1.0	25	454	771	17.6
1.2	30	279	474	18.3

STALL @ 1.64" [41.7mm]



11" HIGH PROFILE

FAN DIAMETER
11" [280mm]

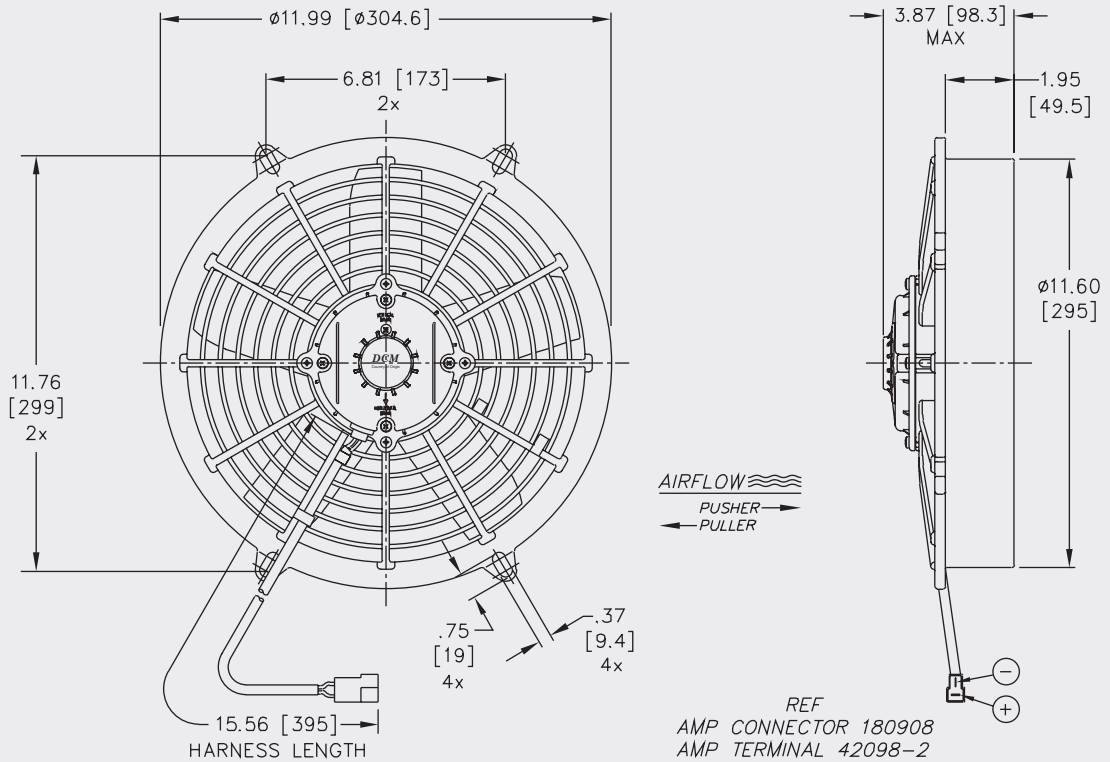
12VDC AXIAL MOTOR FANS



MODEL INFORMATION*

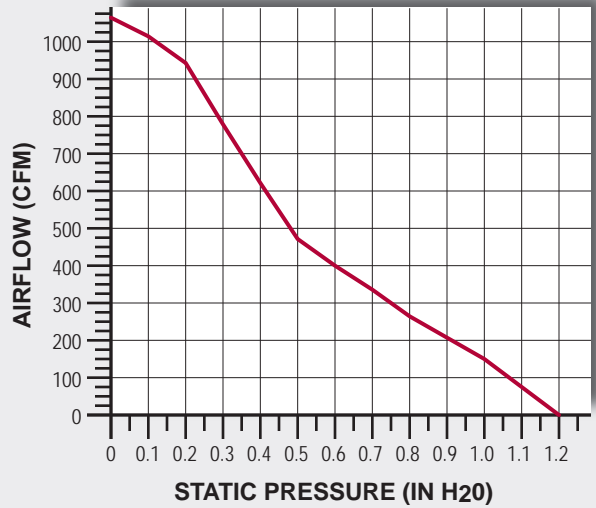
PART#	TYPE	VOLTS	WATTS	BLADE	MATERIAL
TA11A3012	PULLER	12VDC	225W	STRAIGHT	GF NYLON
TA11S3009	PUSHER	12VDC	225W	STRAIGHT	GF NYLON

*ALSO AVAILABLE IN 24VDC



TYPICAL AIR PERFORMANCE @ 13.5VDC 11" 225W STRAIGHT BLADE PULLER/PUSHER FANS

STATIC PRESSURE IN H ₂ O	STATIC PRESSURE mm H ₂ O	CFM	m ³ /h	Amps
0	0.0	1064	1808	8.2
0.1	2.5	1016	1726	8.3
0.2	5	945	1606	8.9
0.3	7.5	778	1322	9.3
0.4	10	616	1047	9.2
0.5	12.5	469	797	9.5
0.6	15	398	676	9.9
0.7	17.5	332	564	10.3
0.8	20	267	454	10.4
0.9	22.5	205	348	10.7
1.0	25	148	251	10.9



STALL @ 1.2" [30.5mm]

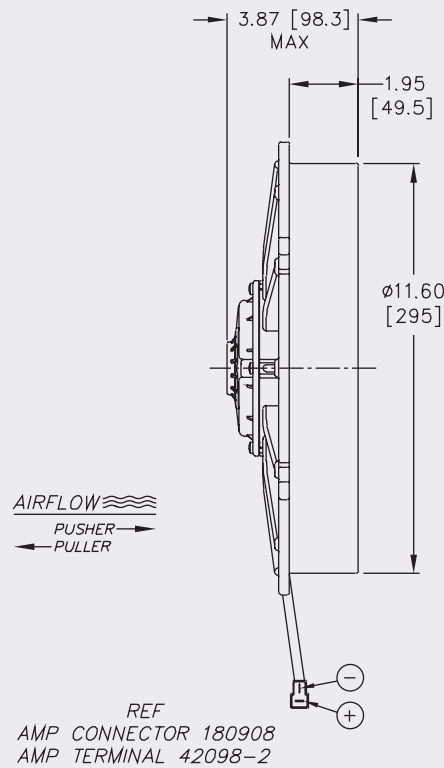
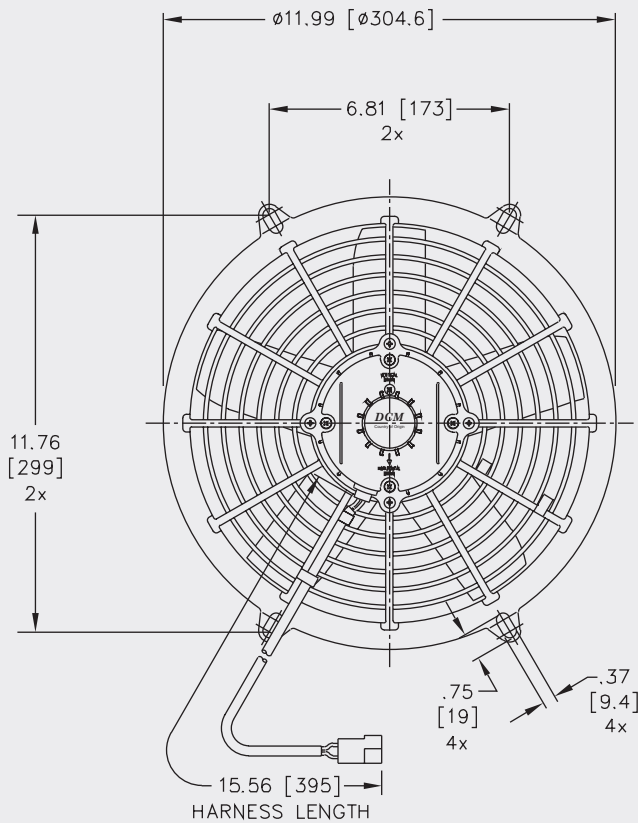
12VDC AXIAL MOTOR FANS

FAN DIAMETER
11" [280mm]

MODEL INFORMATION*

PART#	TYPE	VOLTS	WATTS	BLADE	MATERIAL
TA11A3010	PULLER	12VDC	225W	STRAIGHT	GF NYLON
TA11S3010	PUSHER	12VDC	225W	STRAIGHT	GF NYLON

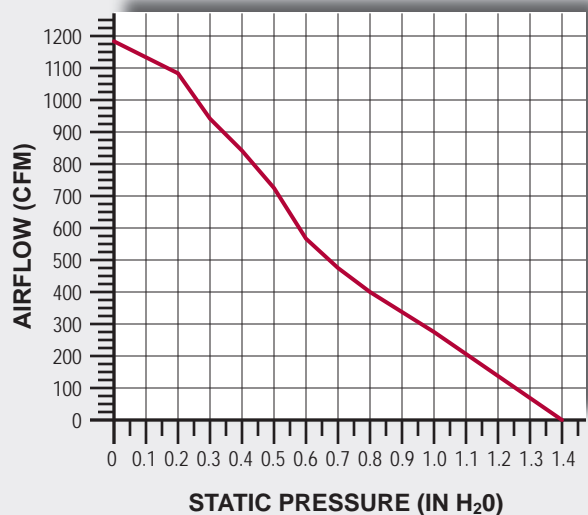
*ALSO AVAILABLE IN 24VDC



TYPICAL AIR PERFORMANCE @ 13.5VDC 11" 225W STRAIGHT BLADE PULLER/PUSHER FANS

STATIC PRESSURE IN H ₂ O	STATIC PRESSURE mm H ₂ O	CFM	m ³ /h	Amps
0	0.0	1183	2010	11.5
0.1	2.5	1132	1923	11.6
0.2	5	1083	1840	12.1
0.3	7.5	942	1600	12.4
0.4	10	845	1436	12.6
0.5	12.5	722	1227	12.7
0.6	15	565	960	12.5
0.7	17.5	474	805	13.1
0.8	20	402	683	13.6
1.0	25	284	483	14.1

STALL @ 1.4" [35.6mm]



11" HIGH PROFILE

FAN DIAMETER
11" [280mm]

12VDC AXIAL MOTOR FANS



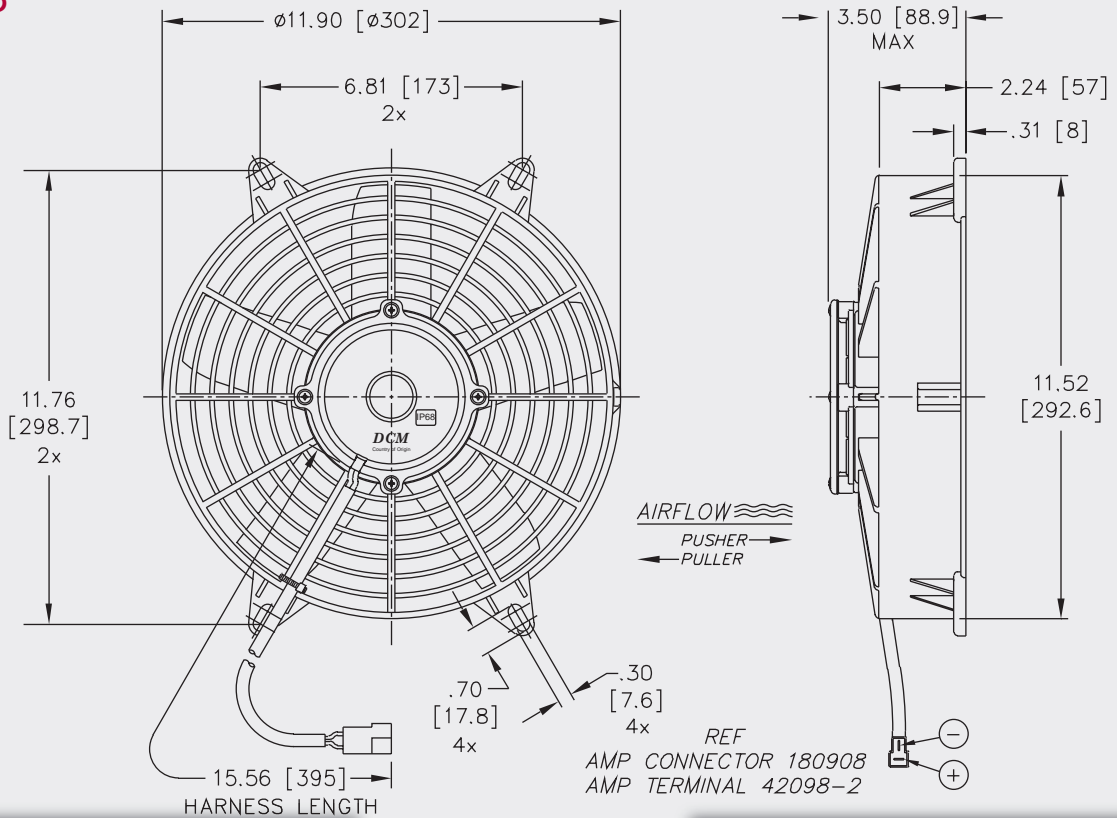
IP68

MODEL INFORMATION

PART#	TYPE*	VOLTS	WATTS	BLADE	MATERIAL
TA11R3003	REVERSIBLE	12VDC	225W	STRAIGHT	GF NYLON
TA11R3003	REVERSIBLE	12VDC	225W	STRAIGHT	GF NYLON

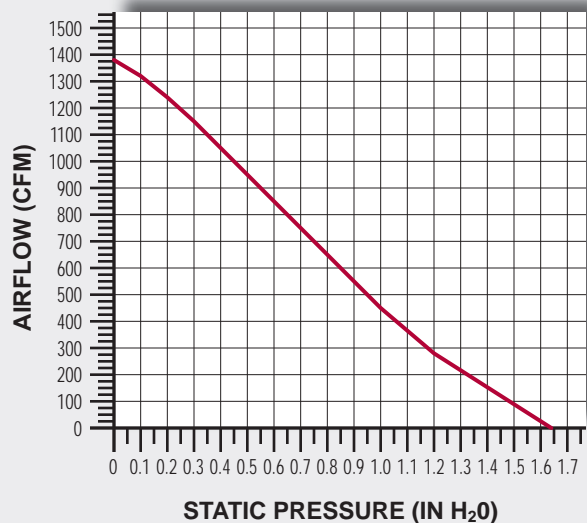
*SET UP AS PULLER FROM FACTORY

REVERSIBLE



TYPICAL AIR PERFORMANCE @ 13.5VDC 11" 225W STRAIGHT BLADE REVERSIBLE FANS

STATIC PRESSURE IN H ₂ O	STATIC PRESSURE mm H ₂ O	CFM	m ³ /h	Amps
0	0.0	1383	2350	14.7
0.1	2.5	1322	2246	15.3
0.2	5	1237	2096	15.8
0.3	7.5	1146	1947	16.2
0.4	10	1050	1784	16.5
0.5	12.5	951	1616	16.8
0.6	15	851	1442	16.9
0.7	17.5	749	1273	17.1
0.8	20	648	1101	17.2
1.0	25	454	771	17.6
1.2	30	279	474	18.3



STALL @ 1.64" [41.7mm] – 21.7 Amps

12VDC AXIAL MOTOR FANS

FAN DIAMETER
11" [280mm]

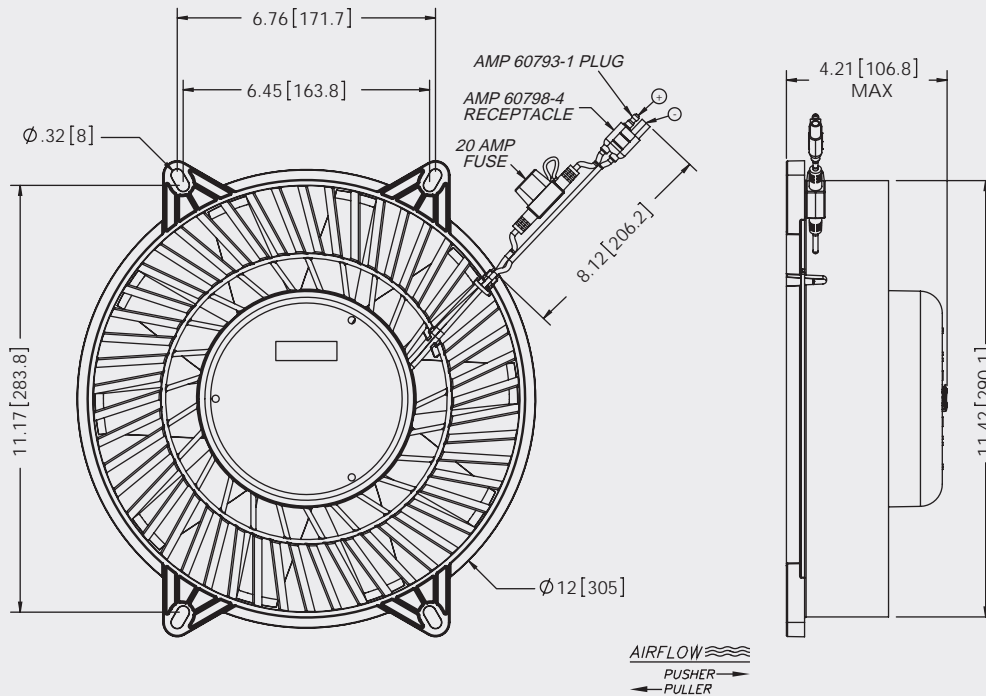
MODEL INFORMATION*

PART#	TYPE	VOLTS	WATTS	BLADE	MATERIAL
2478-A6-F	PULLER	12VDC	160W	STRAIGHT	MFGF NYLON

*ALSO AVAILABLE IN 24VDC



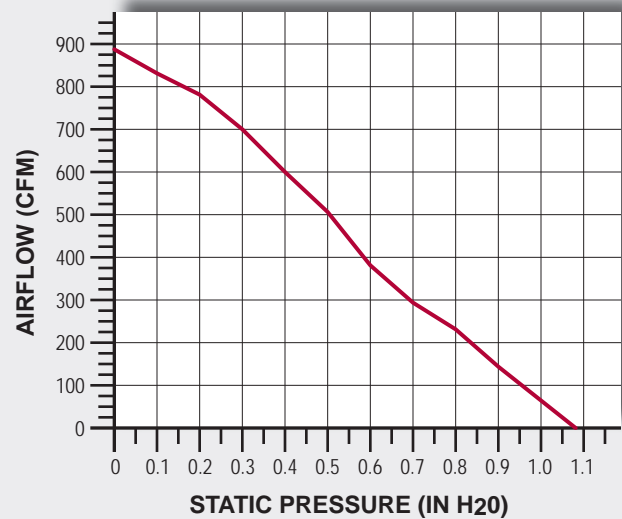
VECTOR FAN



TYPICAL AIR PERFORMANCE @ 13.5VDC 11" 160W STRAIGHT BLADE PULLER FANS

STATIC PRESSURE IN H ₂ O	STATIC PRESSURE mm H ₂ O	CFM	m ³ /h	Amps
0	0.0	885	1504	6.9
0.1	2.5	834	1417	7.3
0.2	5	780	1325	7.6
0.3	7.5	699	1188	7.7
0.4	10	599	1018	7.8
0.5	12.5	508	863	7.6
0.6	15	390	663	7.3
0.7	17.5	291	494	7.4
0.8	20	230	391	7.6
0.9	22.5	151	257	7.6

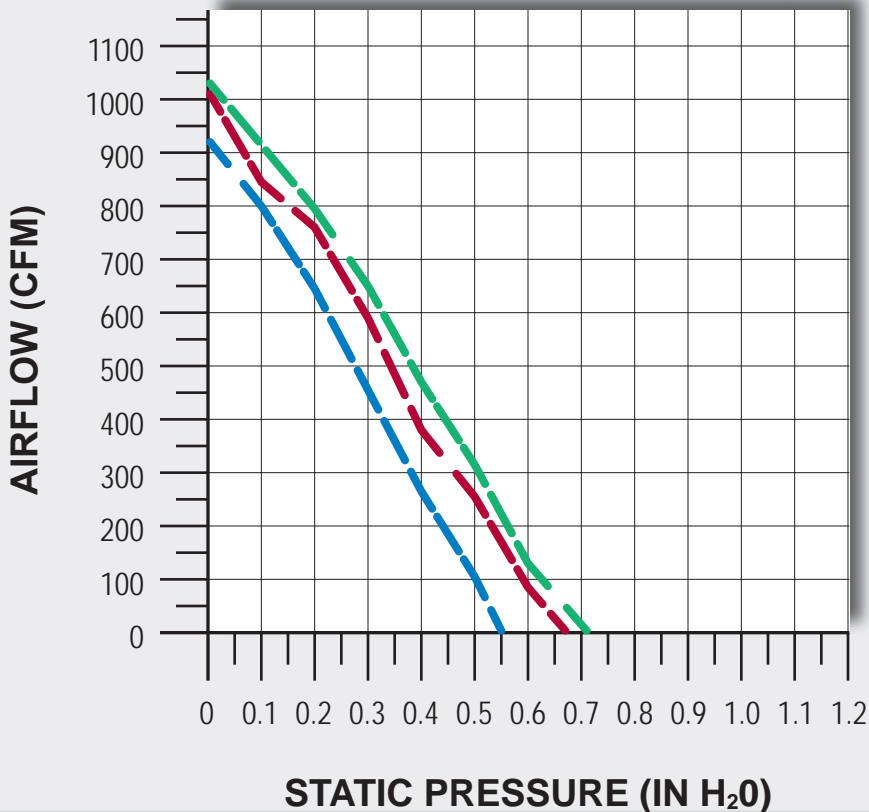
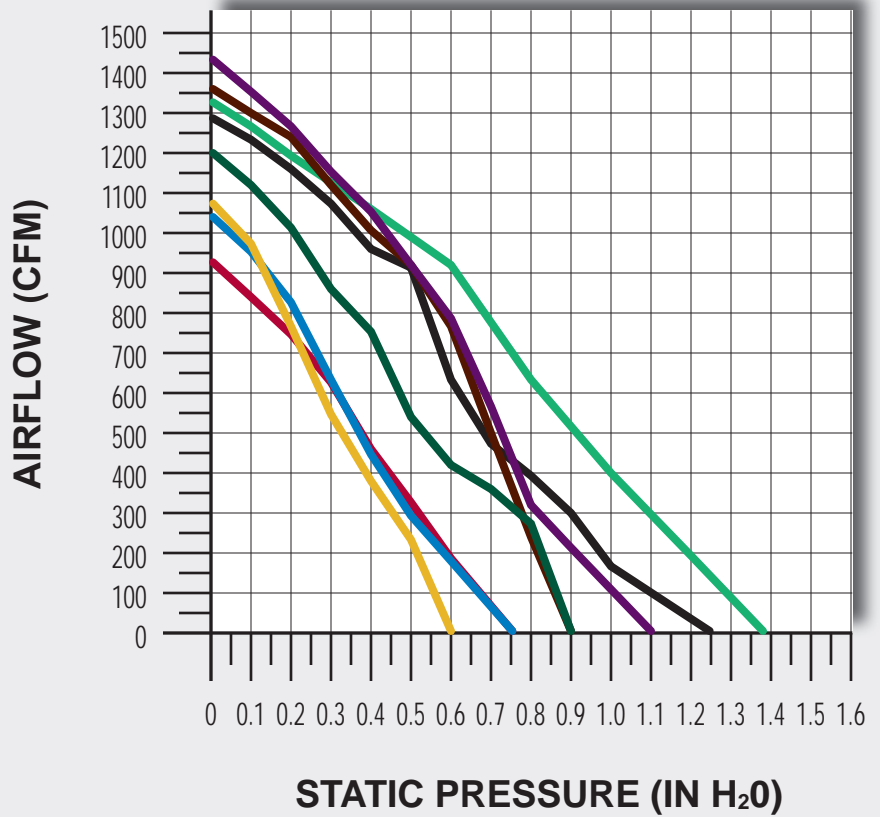
STALL @ 1.08" [27.4mm] - 7.8Amps



11" HIGH PROFILE

12" [305mm] LOW PROFILE AXIAL FANS

- TA12A1002 / TA12S1002 Pg. 65
- TA12A1004 / TA12S1003 Pg. 66
- TA12A2002 Pg. 67
- TA12A2004 Pg. 68
- TA12A2005 Pg. 69
- TA12R2001 Pg. 70
- TA12R2002 Pg. 71
- TA12R2003 Pg. 72



- 860026 / 860028 Pg. 73
- 860026HP / 860028HP Pg. 74
- 860026-90 / 860028-90 Pg. 75

Optional performances may be available. Please contact DCM at (817) 428-3636 for more information.

12VDC AXIAL MOTOR FANS

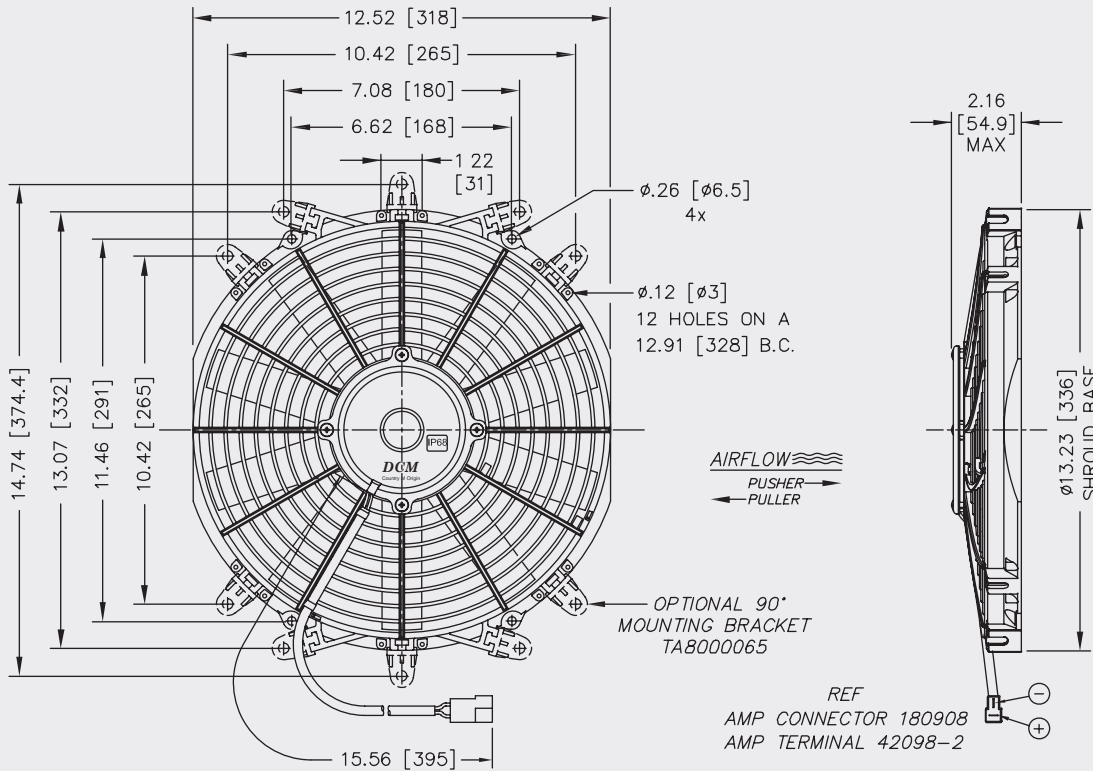
FAN DIAMETER
12" [305mm]

MODEL INFORMATION

PART#	TYPE	VOLTS	WATTS	BLADE	MATERIAL
TA12A1002	PULLER	12VDC	130W	STRAIGHT	GF NYLON
TA12S1002	PUSHER	12VDC	130W	STRAIGHT	GF NYLON
TB12A1002	PULLER	24VDC	130W	STRAIGHT	GF NYLON
TB12S1002	PUSHER	24VDC	130W	STRAIGHT	GF NYLON



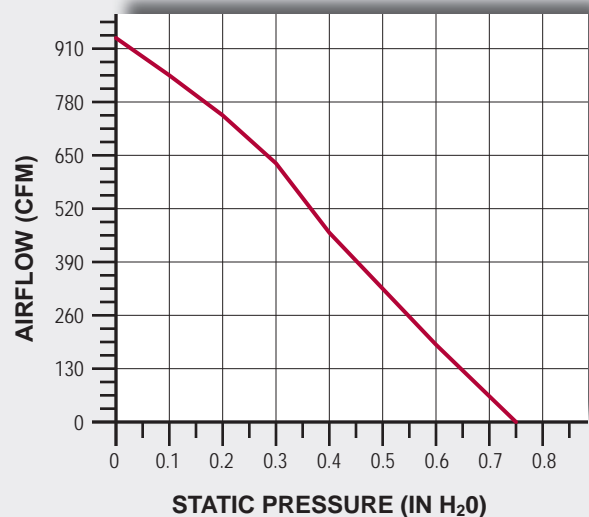
IP68



TYPICAL AIR PERFORMANCE @ 13.5VDC 12" 130W STRAIGHT BLADE PULLER/PUSHER FANS

STATIC PRESSURE IN H ₂ O	STATIC PRESSURE mm H ₂ O	CFM	m ³ /h	Amps
0	0.0	927	1575	5.5
0.1	2.5	842	1431	5.8
0.2	5	748	1271	6.2
0.3	7.5	630	1070	6.5
0.4	10	459	780	6.5
0.5	12.5	324	550	6.4
0.6	15	188	319	6.3

STALL @ 0.75" [19.1mm]



12" LOW PROFILE

FAN DIAMETER
12" [305mm]

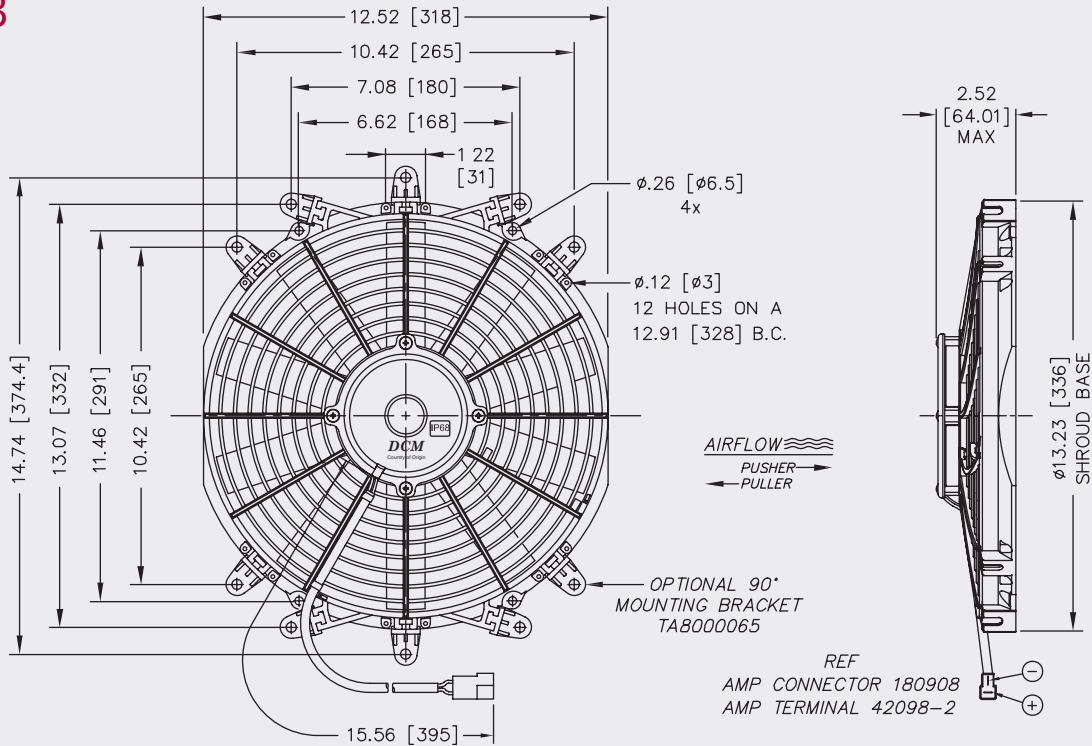
12VDC AXIAL MOTOR FANS



IP68

MODEL INFORMATION

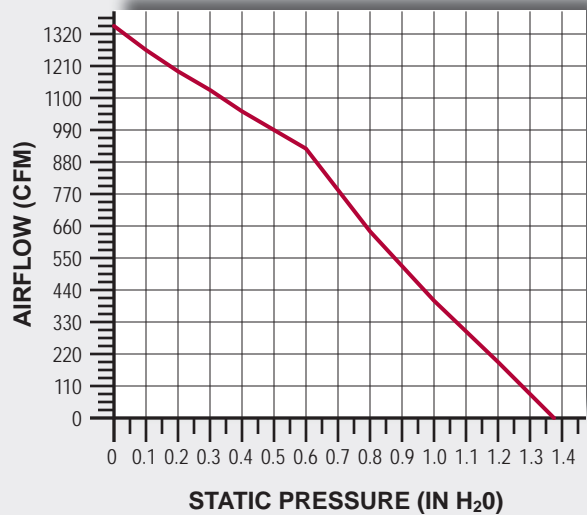
PART#	TYPE	VOLTS	WATTS	BLADE	MATERIAL
TA12A1004	PULLER	12VDC	160W	STRAIGHT	GF NYLON
TA12S1003	PUSHER	12VDC	160W	STRAIGHT	GF NYLON
TB12A1004	PULLER	24VDC	160W	STRAIGHT	GF NYLON
TB12S1003	PUSHER	24VDC	160W	STRAIGHT	GF NYLON



TYPICAL AIR PERFORMANCE @ 13.5VDC 12" 160W STRAIGHT BLADE PULLER/PUSHER FANS

STATIC PRESSURE IN H ₂ O	STATIC PRESSURE mm H ₂ O	CFM	m ³ /h	Amps
0	0.0	1324	2249	12.3
0.1	2.5	1266	2150	12.7
0.2	5	1195	2030	13.1
0.3	7.5	1130	1920	13.6
0.4	10	1059	1799	13.9
0.6	15	927	1575	14.4
0.8	20	642	1091	14.0
1.0	25	400	680	14.0
1.2	30	191	325	13.8

STALL @ 1.38" [35.1mm]



12VDC AXIAL MOTOR FANS

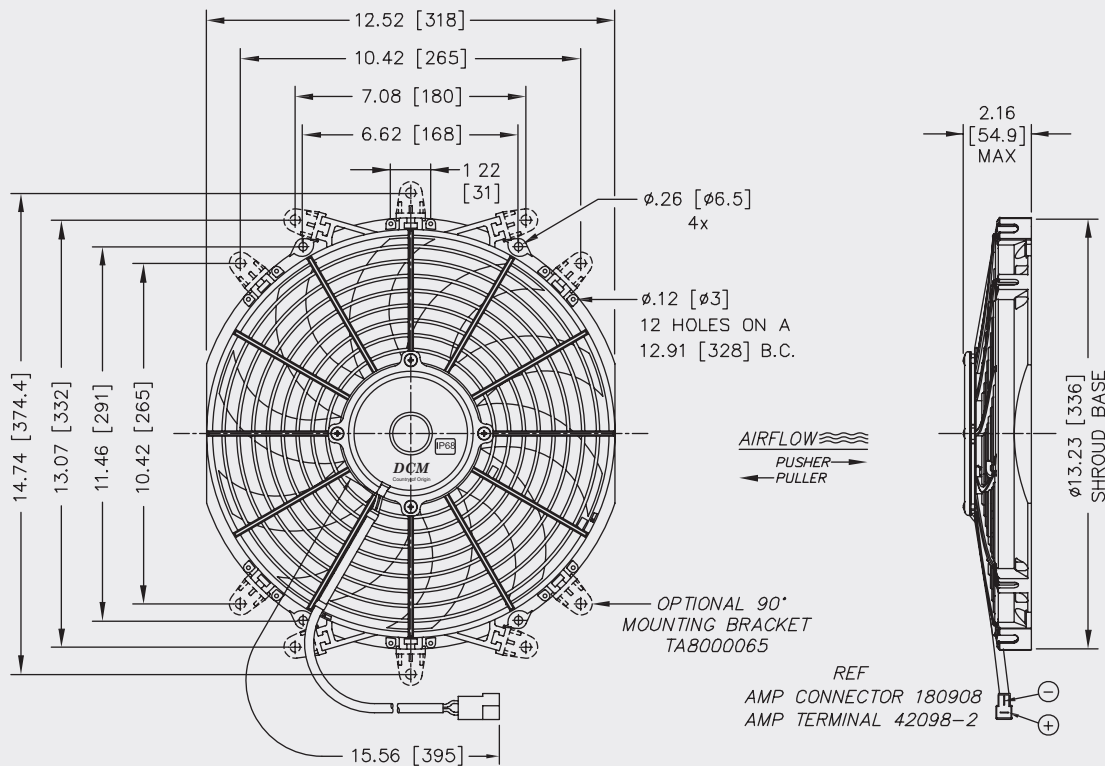
FAN DIAMETER
12" [305mm]

MODEL INFORMATION

PART#	TYPE	VOLTS	WATTS	BLADE	MATERIAL
TA12A2002	PULLER	12VDC	130W	"S"	GF NYLON
TB12A2002	PULLER	24VDC	130W	"S"	GF NYLON



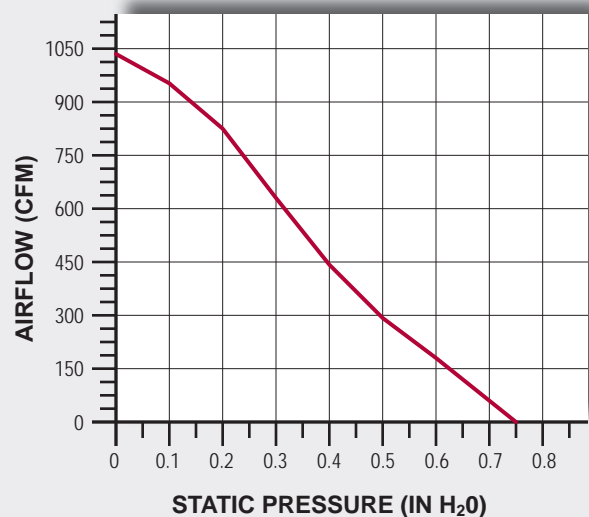
IP68



TYPICAL AIR PERFORMANCE @ 13.5VDC 12" 130W "S" BLADE PULLER FANS

STATIC PRESSURE IN H ₂ O	STATIC PRESSURE mm H ₂ O	CFM	m ³ /h	Amps
0	0.0	1042	1770	7.1
0.1	2.5	954	1621	7.4
0.2	5	824	1400	7.7
0.3	7.5	633	1075	7.9
0.4	10	441	749	8.0
0.5	12.5	294	500	8.3
0.6	15	177	301	8.8

STALL @ 0.75" [19.1mm]



12" LOW PROFILE

FAN DIAMETER
12" [305mm]

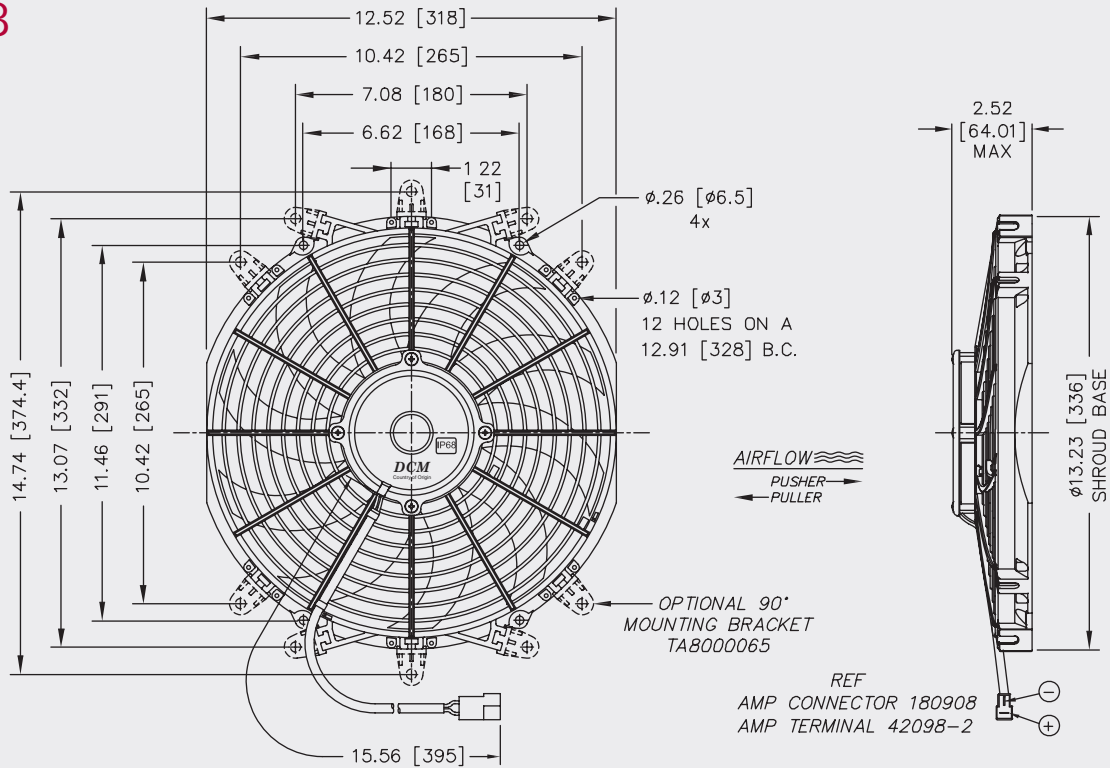
12VDC AXIAL MOTOR FANS



IP68

MODEL INFORMATION

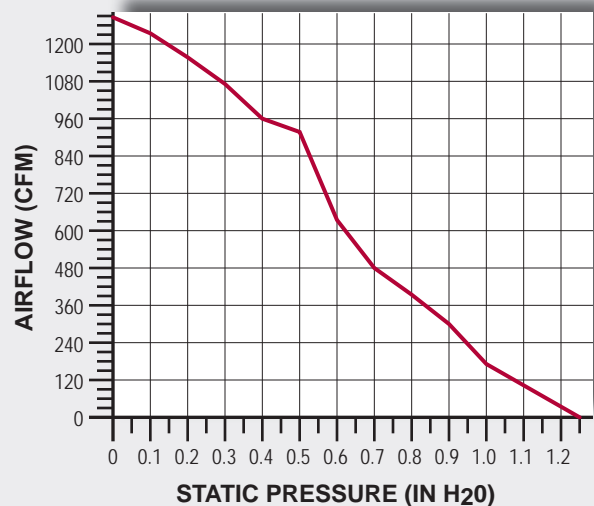
PART#	TYPE	VOLTS	WATTS	BLADE	MATERIAL
TA12A2004	PULLER	12VDC	160W	"S"	GF NYLON
TB12A2004	PULLER	24VDC	160W	"S"	GF NYLON



TYPICAL AIR PERFORMANCE @ 13.5VDC 12" 160W "S" BLADE PULLER FANS

STATIC PRESSURE IN H ₂ O	STATIC PRESSURE mm H ₂ O	CFM	m ³ /h	Amps
0	0.0	1288	2188	13.9
0.1	2.5	1232	2093	14.5
0.2	5	1153	1959	14.7
0.3	7.5	1071	1820	14.9
0.4	10	962	1634	15.2
0.5	12.5	916	1556	15.4
0.6	15	634	1077	14.7
0.7	17.5	481	817	15.2
0.8	20	397	675	15.6
0.9	22.5	299	508	16.2
1.0	25	170	289	16.5

STALL @ 1.25" [31.8mm]



12VDC AXIAL MOTOR FANS

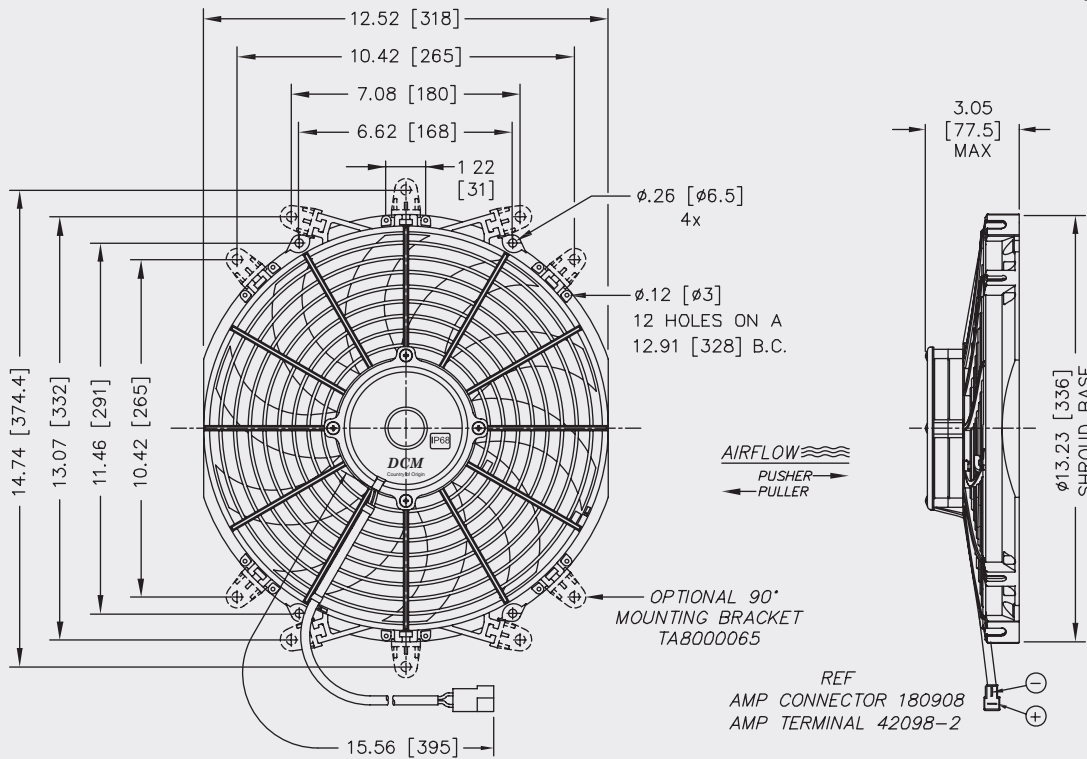
FAN DIAMETER
12" [305mm]

MODEL INFORMATION

PART#	TYPE	VOLTS	WATTS	BLADE	MATERIAL
TA12A2005	PULLER	12VDC	225W	"S"	GF NYLON
TB12A2004	PULLER	24VDC	225W	"S"	GF NYLON



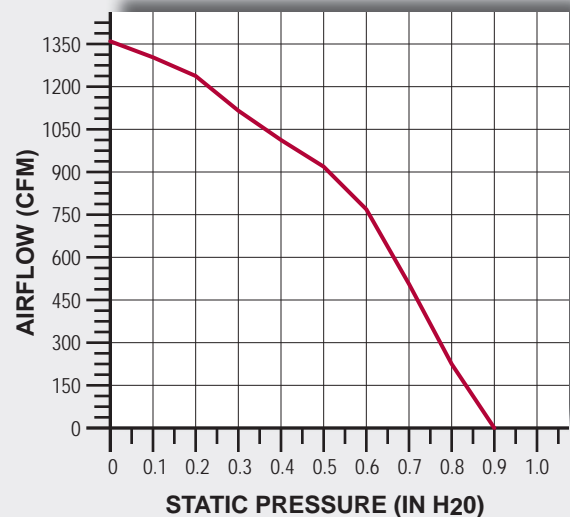
IP68



TYPICAL AIR PERFORMANCE @ 13.5VDC 12" 225W "S" BLADE PULLER FANS

STATIC PRESSURE IN H ₂ O	STATIC PRESSURE mm H ₂ O	CFM	m ³ /h	Amps
0	0.0	1357	2306	13.6
0.1	2.5	1300	2209	13.6
0.2	5	1240	2107	14.0
0.3	7.5	1120	1903	14.1
0.4	10	1005	1707	14.2
0.5	12.5	920	1563	14.2
0.6	15	765	1300	14.2
0.7	17.5	500	850	14.0
0.8	20	236	401	13.7

STALL @ 0.9" [22.9mm] - 13.8 Amps



12" LOW PROFILE

FAN DIAMETER
12" [305mm]

12VDC AXIAL MOTOR FANS



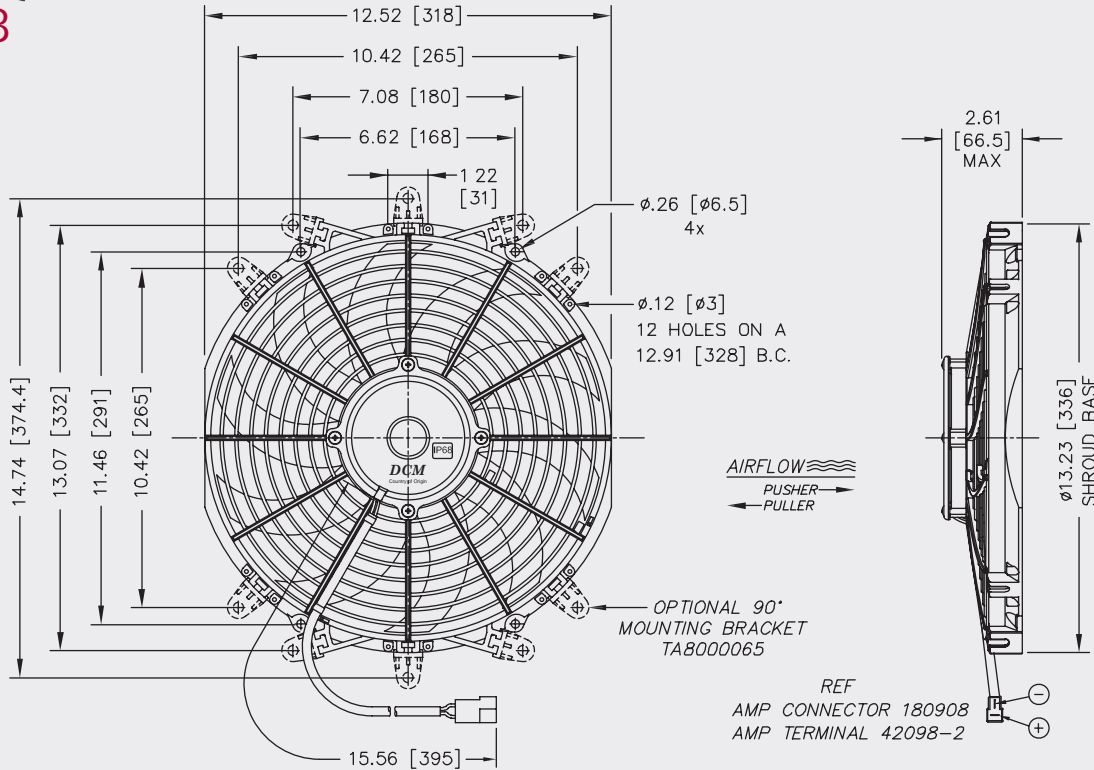
IP68

MODEL INFORMATION

PART#	TYPE*	VOLTS	WATTS	BLADE	MATERIAL
TA12R2001	REVERSIBLE	12VDC	130W	"S"	GF NYLON
TB12R2001	REVERSIBLE	24VDC	130W	"S"	GF NYLON

*SET UP AS PULLER FROM FACTORY

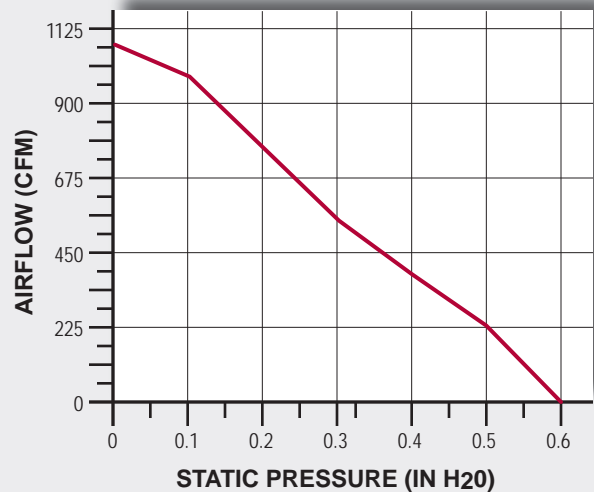
REVERSIBLE



TYPICAL AIR PERFORMANCE @ 13.5VDC 12" 130W "S" BLADE REVERSIBLE FANS

STATIC PRESSURE IN H ₂ O	STATIC PRESSURE mm H ₂ O	CFM	m ³ /h	Amps
0	0.0	1074	1825	7.2
0.1	2.5	981	1668	7.5
0.2	5	764	1298	7.8
0.3	7.5	549	933	7.8
0.4	10	383	651	7.6
0.5	12.5	236	401	7.5

STALL @ 0.6" [15.2mm] - 8.4 Amps



12VDC AXIAL MOTOR FANS

FAN DIAMETER
12" [305mm]

MODEL INFORMATION

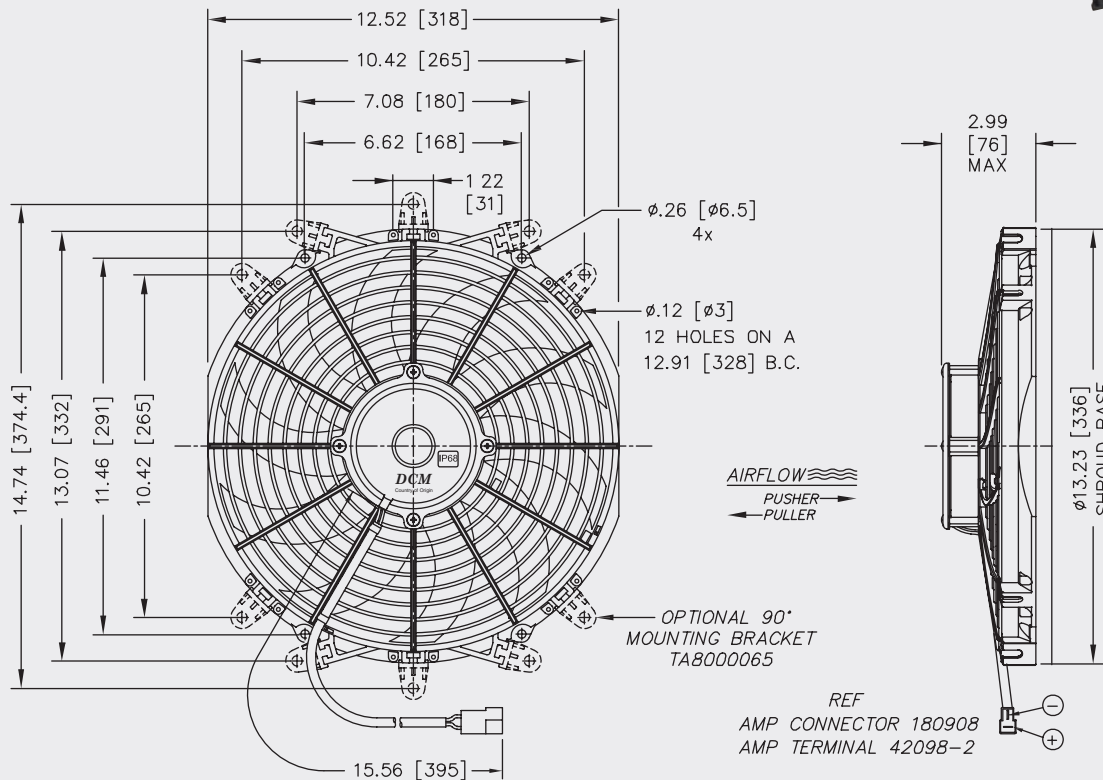
PART#	TYPE*	VOLTS	WATTS	BLADE	MATERIAL
TA12R2002	REVERSIBLE	12VDC	160W	"S"	GF NYLON
TB12R2002	REVERSIBLE	24VDC	160W	"S"	GF NYLON

*SET UP AS PULLER FROM FACTORY

REVERSIBLE



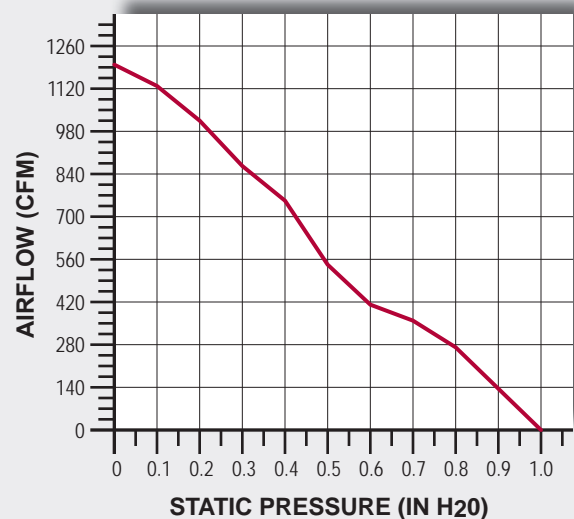
IP68



TYPICAL AIR PERFORMANCE @ 13.5VDC 12" 160W "S" BLADE REVERSIBLE FANS

STATIC PRESSURE IN H ₂ O	STATIC PRESSURE mm H ₂ O	CFM	m ³ /h	Amps
0	0.0	1199	2037	12.4
0.1	2.5	1125	1911	12.7
0.2	5	1014	1723	13.3
0.3	7.5	863	1466	13.4
0.4	10	751	1276	13.5
0.5	12.5	543	923	12.4
0.6	15	416	707	12.4
0.7	17.5	358	608	12.5
0.8	20	271	460	12.7

STALL @ 0.9" [22.9mm] - 13.5 Amps



12" LOW PROFILE

FAN DIAMETER
12" [305mm]

12VDC AXIAL MOTOR FANS



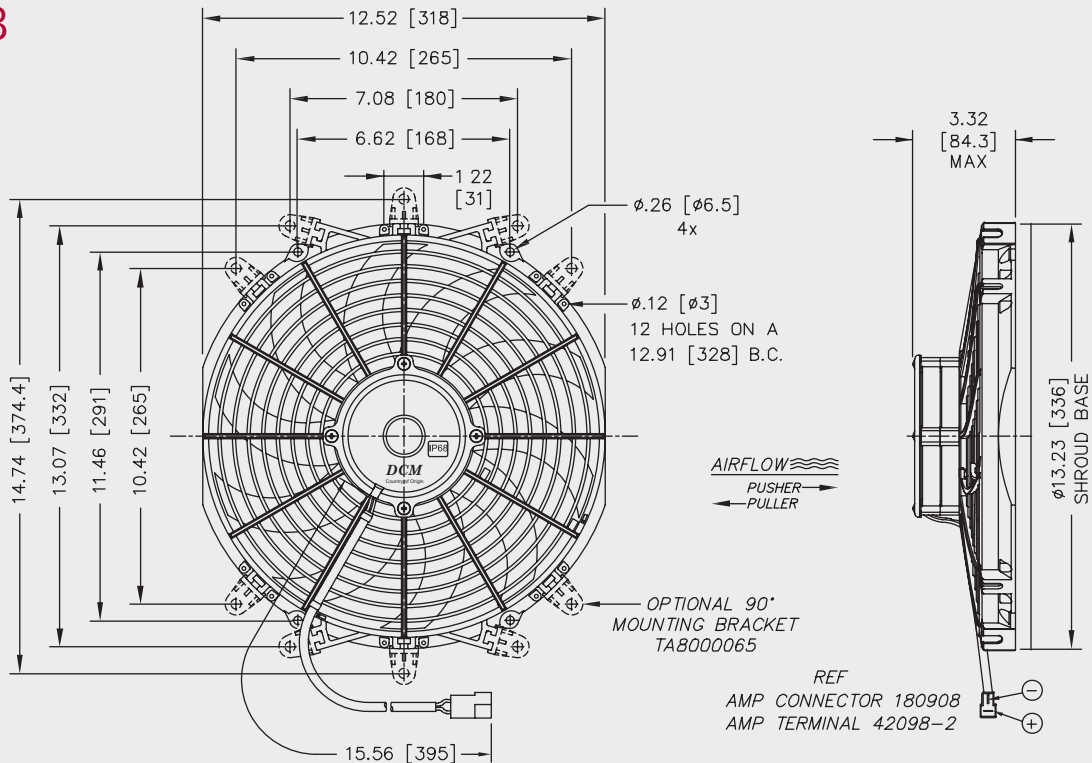
IP68

MODEL INFORMATION

PART#	TYPE*	VOLTS	WATTS	BLADE	MATERIAL
TA12R2003	REVERSIBLE	12VDC	225W	"S"	GF NYLON
TB12R2003	REVERSIBLE	24VDC	225W	"S"	GF NYLON

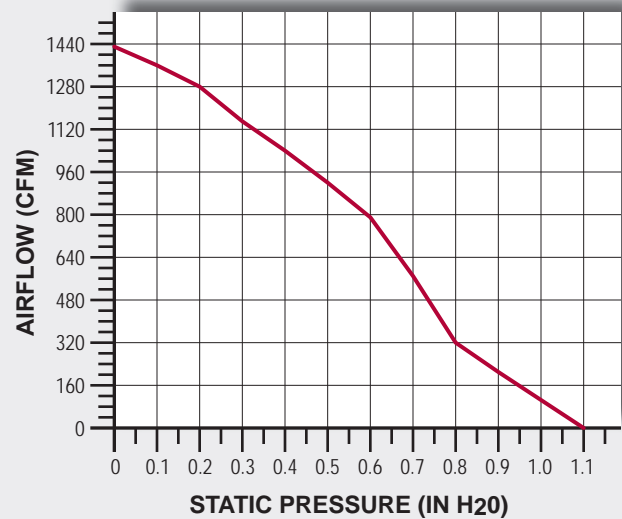
*SET UP AS PULLER FROM FACTORY

REVERSIBLE



TYPICAL AIR PERFORMANCE @ 13.5VDC 12" 225W "S" BLADE PULLER/PUSHER FANS				
STATIC PRESSURE IN H ₂ O	STATIC PRESSURE mm H ₂ O	CFM	m ³ /h	Amps
0	0.0	1433	2435	13.3
0.1	2.5	1356	2304	13.6
0.2	5	1276	2168	13.9
0.3	7.5	1153	1959	14.0
0.4	10	1055	1792	13.9
0.5	12.5	921	1565	14.1
0.6	15	788	1339	14.0
0.7	17.5	568	965	13.7
0.8	20	321	545	13.3
0.9	22.5	215	365	13.6

STALL @ 1.1" [27.9mm] - 15.6 Amps



12VDC AXIAL MOTOR FANS

FAN DIAMETER
12" [305mm]

MODEL INFORMATION*

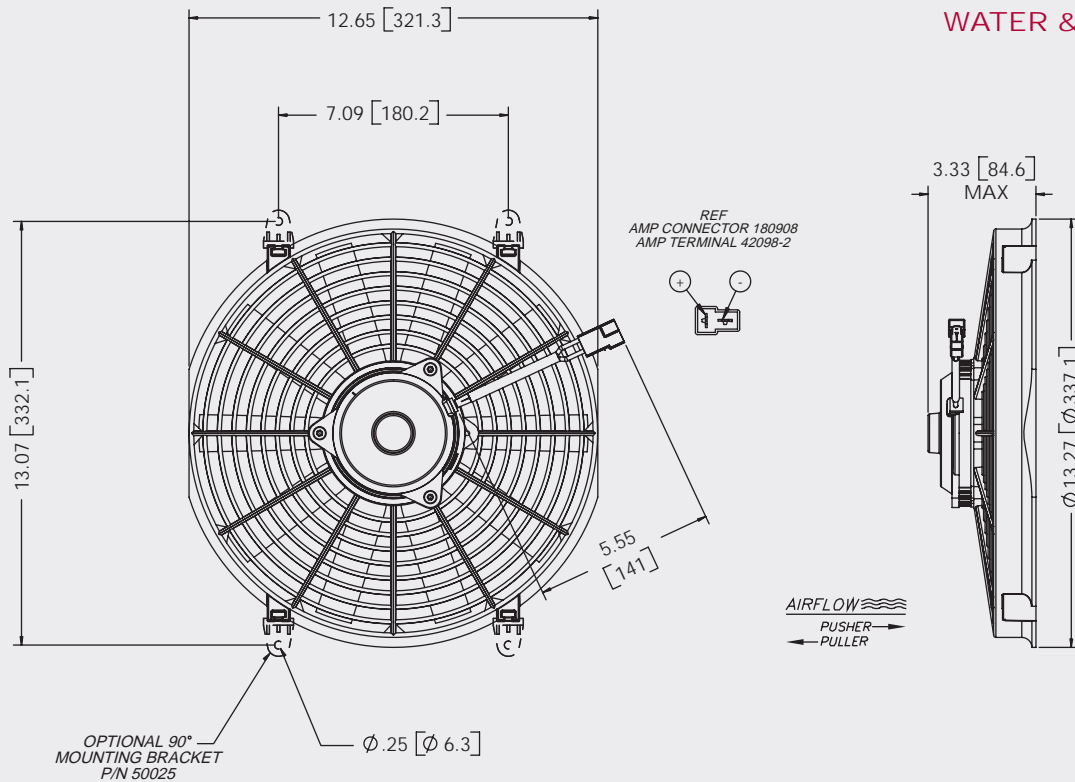
PART#	TYPE	VOLTS	WATTS	BLADE	MATERIAL
860026	PULLER	12VDC	130W	STRAIGHT	MFGF NYLON
860028	PUSHER	12VDC	130W	STRAIGHT	MFGF NYLON

*ALSO AVAILABLE IN 24VDC

REVERSIBLE



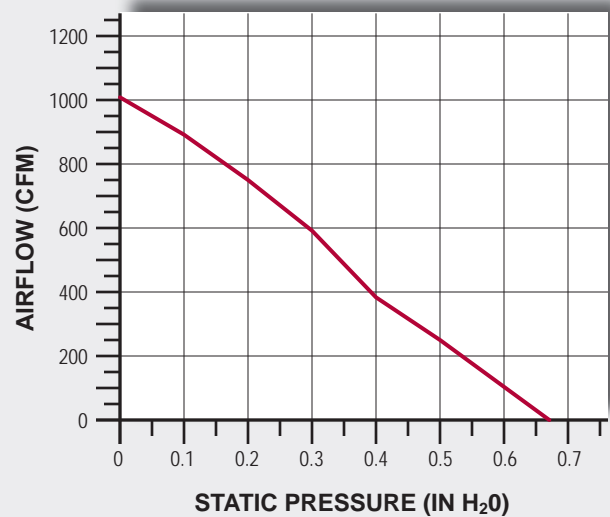
WATER & DUST RESISTANT



TYPICAL AIR PERFORMANCE @ 13.5VDC 12" 130W STRAIGHT BLADE PULLER/PUSHER FANS

STATIC PRESSURE IN H ₂ O	STATIC PRESSURE mm H ₂ O	CFM	m ³ /h	Amps
0	0.0	1009	1714	6.7
0.1	2.5	896	1522	6.9
0.2	5	762	1295	7.0
0.3	7.5	588	999	6.9
0.4	10	381	647	6.7
0.5	12.5	253	430	6.7
0.6	15	84	143	6.7

STALL @ 0.67" [17.0mm] - 6.8 Amps



12" LOW PROFILE

FAN DIAMETER
12" [305mm]

12VDC AXIAL MOTOR FANS

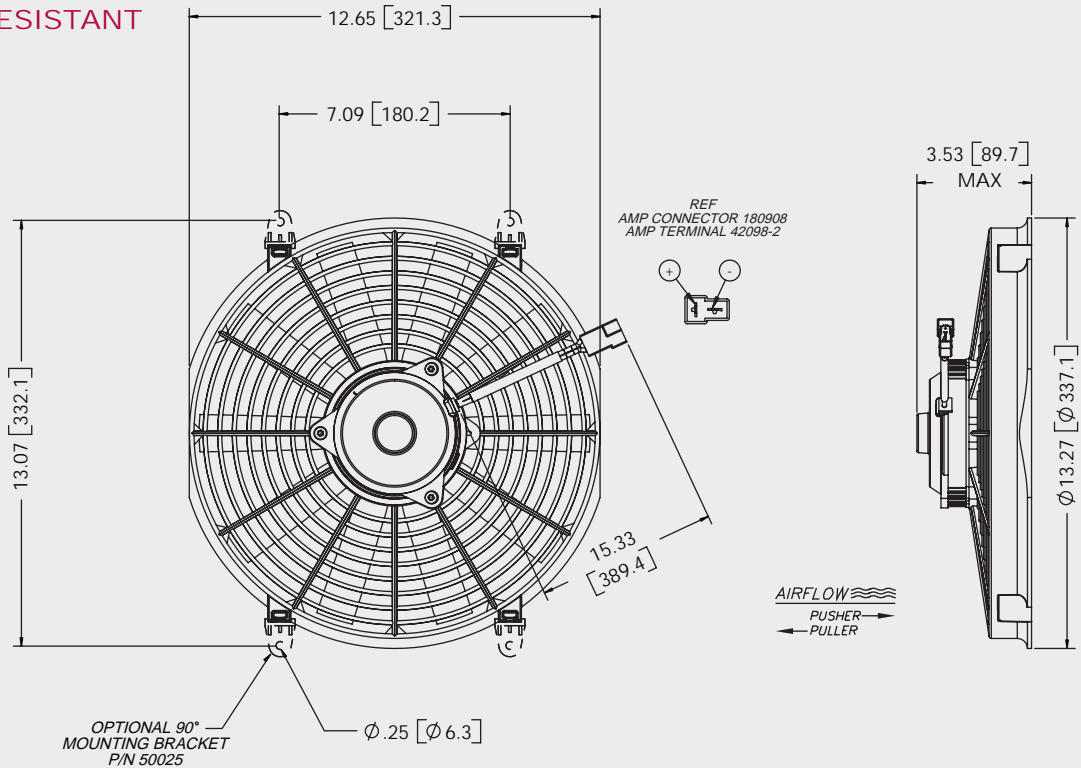


MODEL INFORMATION*					
PART#	TYPE	VOLTS	WATTS	BLADE	MATERIAL
860026HP	PULLER	12VDC	160W	STRAIGHT	MFGF NYLON
860028HP	PUSHER	12VDC	160W	STRAIGHT	MFGF NYLON

*ALSO AVAILABLE IN 24VDC

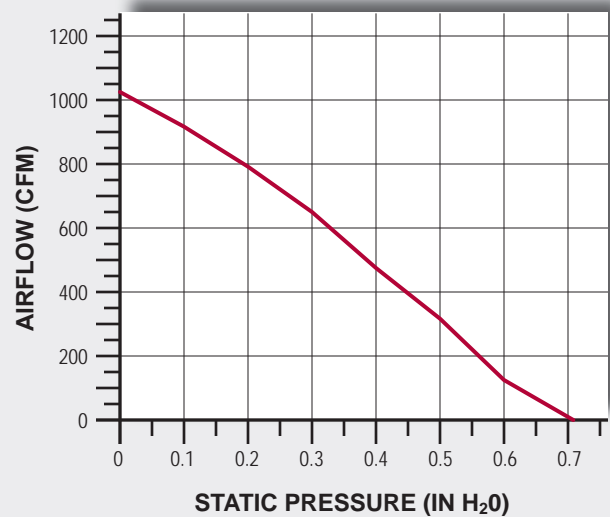
REVERSIBLE

WATER & DUST RESISTANT



TYPICAL AIR PERFORMANCE @ 13.5VDC 12" 160W STRAIGHT BLADE PULLER/PUSHER FANS				
STATIC PRESSURE IN H ₂ O	STATIC PRESSURE mm H ₂ O	CFM	m ³ /h	Amps
0	0.0	1029	1748	7.2
0.1	2.5	916	1556	7.4
0.2	5	793	1347	7.4
0.3	7.5	650	1104	7.3
0.4	10	472	802	7.2
0.5	12.5	315	535	7.2
0.6	15	131	223	7.2

STALL @ 0.71" [18mm] - 7.2 Amps



12VDC AXIAL MOTOR FANS

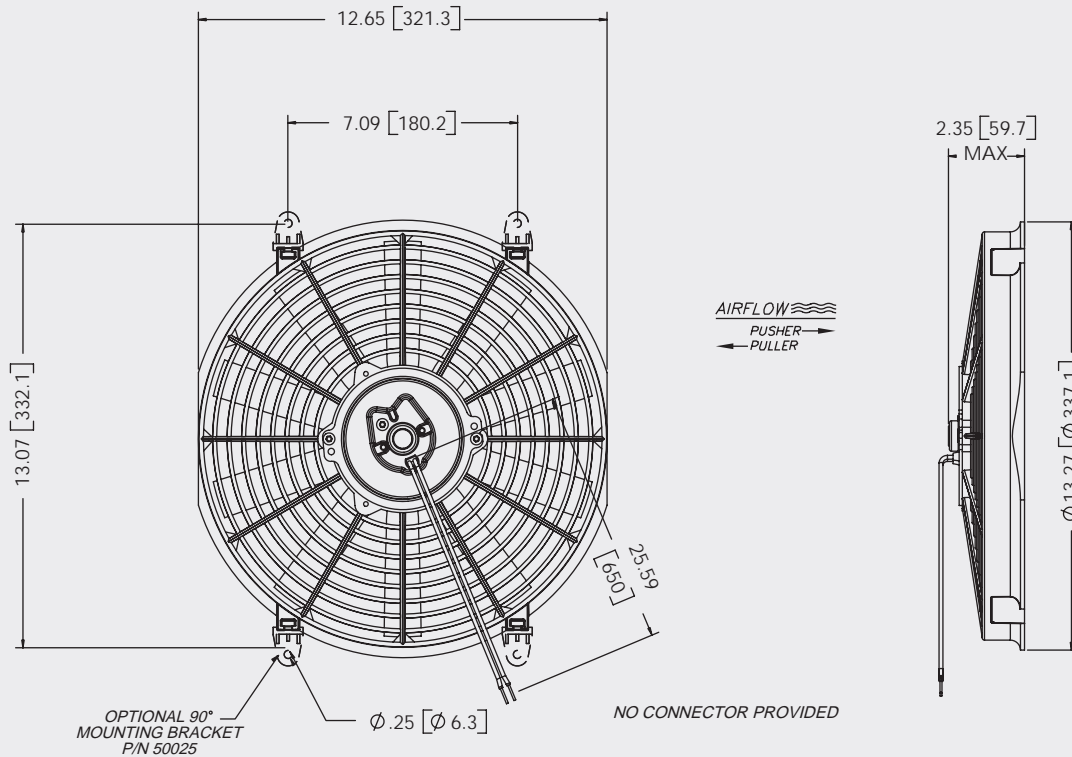
FAN DIAMETER
12" [305mm]

MODEL INFORMATION*

PART#	TYPE	VOLTS	WATTS	BLADE	MATERIAL
860026-90	PULLER	12VDC	90W	STRAIGHT	MFGF NYLON
860028-90	PUSHER	12VDC	90W	STRAIGHT	MFGF NYLON

*ALSO AVAILABLE IN 24VDC

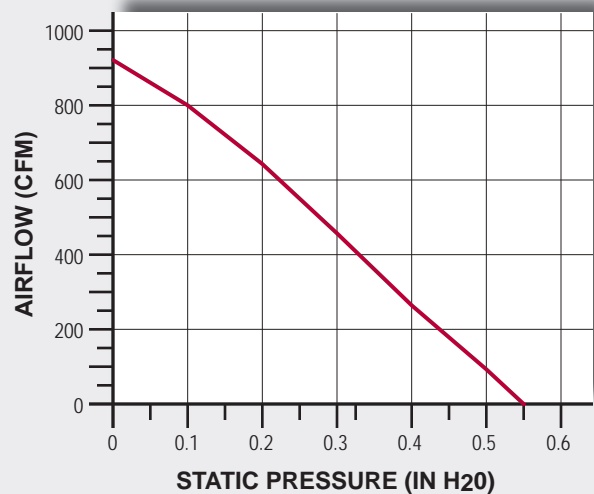
REVERSIBLE



TYPICAL AIR PERFORMANCE @ 13.5VDC 12" 90W STRAIGHT BLADE REVERSIBLE FANS

STATIC PRESSURE IN H ₂ O	STATIC PRESSURE mm H ₂ O	CFM	m ³ /h	Amps
0	0.0	920	1563	9.1
0.1	2.5	798	1356	9.1
0.2	5	644	1094	9.1
0.3	7.5	458	778	9.0
0.4	10	267	454	9.1
0.5	12.5	103	175	9.0

STALL @ 0.55" [14.0mm] - 9.1 Amps

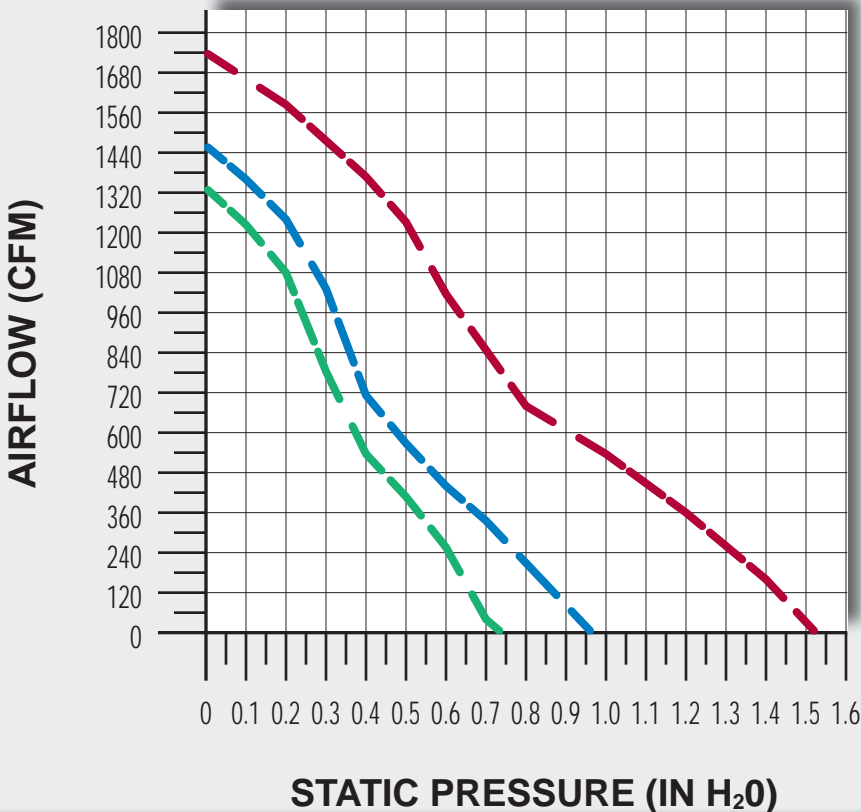
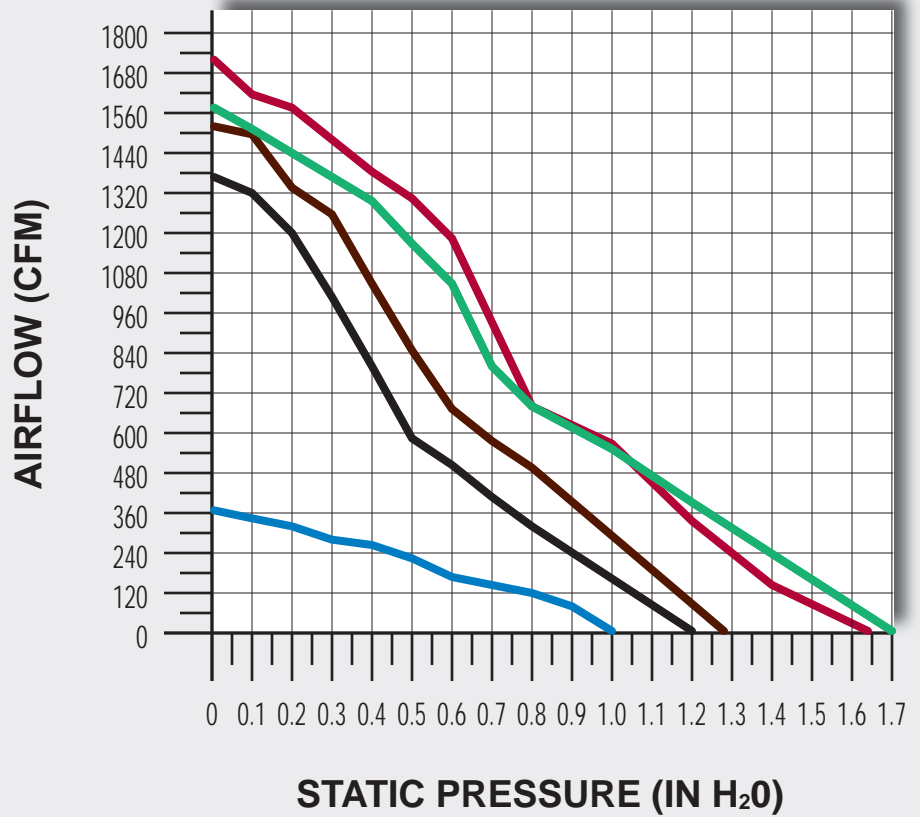


12" LOW PROFILE

12" [305mm] HIGH PROFILE AXIAL FANS

- TA12A3001 / TA12S3001 Pg. 77
- TA12A3004 / TA12S3004 Pg. 78
- TA12A3010 / TA12S3009 Pg. 79
- TA12A3006 / TA12S3006 Pg. 80
- TA12A3005 / TA12S3007 Pg. 81
- TA12R3001* Pg. 82

* Same Data as TA12A3004 / TA12S3004



- - - 2375-A-3 / 2375-A-2 Pg. 83
- - - 470027 / 480027 Pg. 84
- - - 470027HD / 480027HD Pg. 85

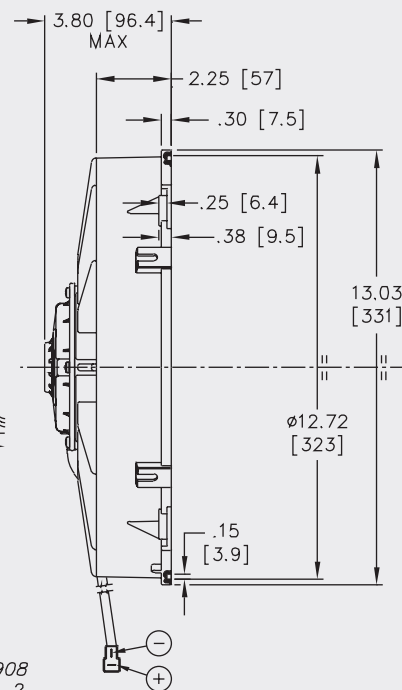
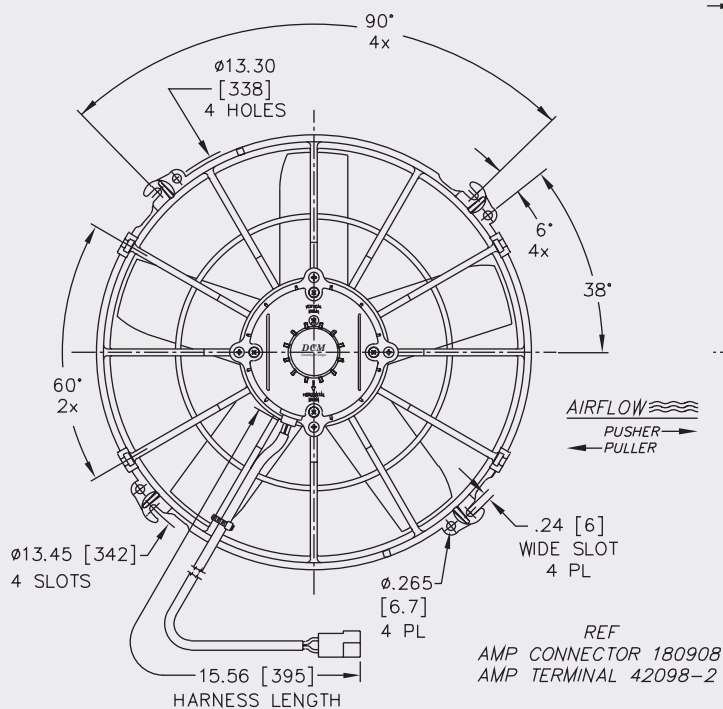
Optional performances may be available. Please contact DCM at (817) 428-3636 for more information.

12VDC AXIAL MOTOR FANS

FAN DIAMETER
12" [305mm]

MODEL INFORMATION

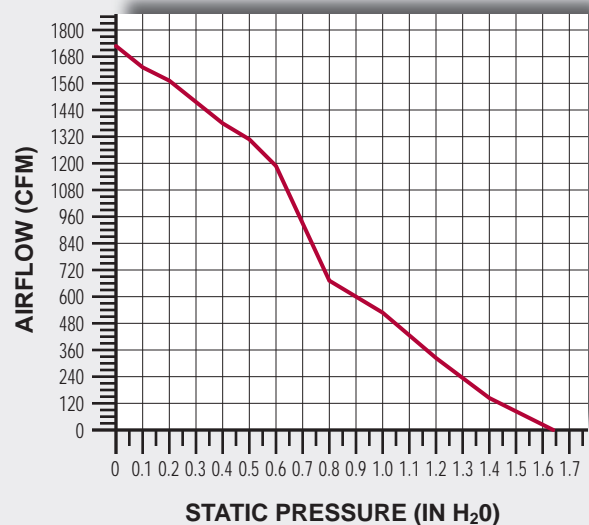
PART#	TYPE	VOLTS	WATTS	BLADE	MATERIAL
TA12A3001	PULLER	12VDC	225W	STRAIGHT	GF NYLON
TA12S3001	PUSHER	12VDC	225W	STRAIGHT	GF NYLON
TB12A3001	PULLER	24VDC	225W	STRAIGHT	GF NYLON
TB12S3001	PUSHER	24VDC	225W	STRAIGHT	GF NYLON



TYPICAL AIR PERFORMANCE @ 13.5VDC 12" 225W STRAIGHT BLADE PULLER/PUSHER FANS

STATIC PRESSURE IN H ₂ O	STATIC PRESSURE mm H ₂ O	CFM	m ³ /h	Amps
0	0.0	1722	2926	15.0
0.1	2.5	1646	2797	15.6
0.2	5	1570	2667	15.8
0.3	7.5	1480	2515	16.8
0.4	10	1386	2355	17.2
0.5	12.5	1306	2219	17.4
0.6	15	1188	2018	17.8
0.8	20	681	1157	17.5
1.0	25	525	892	18.0
1.2	30	328	557	18.9
1.4	35	141	240	19.7

STALL @ 1.64" [41.7mm]



12" HIGH PROFILE

FAN DIAMETER
12" [305mm]

12VDC AXIAL MOTOR FANS

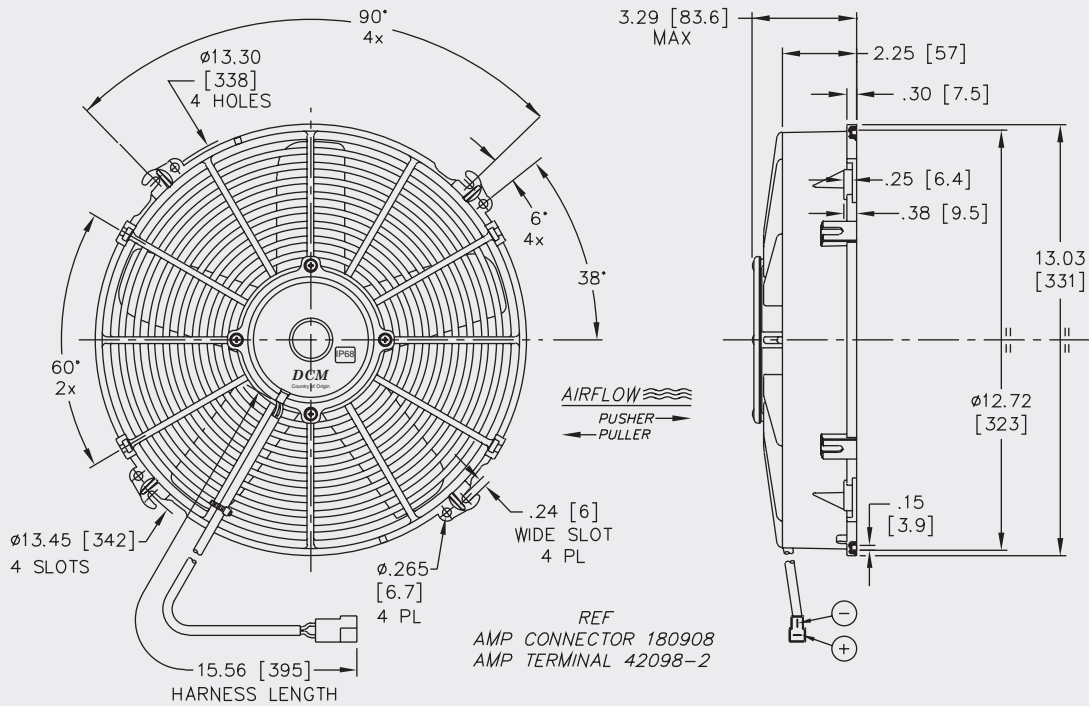


IP68

MODEL INFORMATION*

PART#	TYPE	VOLTS	WATTS	BLADE	MATERIAL
TA12A3004	PULLER	12VDC	225W	STRAIGHT	GF NYLON
TA12S3004	PUSHER	12VDC	225W	STRAIGHT	GF NYLON

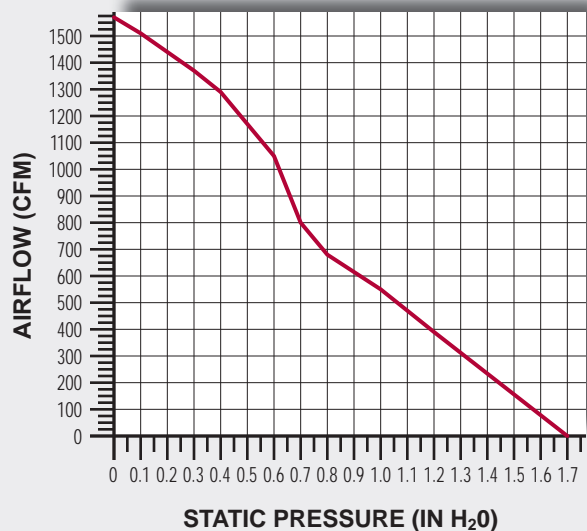
*ALSO AVAILABLE IN 24VDC



TYPICAL AIR PERFORMANCE @ 13.5VDC 12" 225W STRAIGHT BLADE PULLER/PUSHER FANS

STATIC PRESSURE IN H ₂ O	STATIC PRESSURE mm H ₂ O	CFM	m ³ /h	Amps
0	0.0	1577	2680	17.6
0.1	2.5	1512	2569	18.1
0.2	5	1442	2450	18.7
0.3	7.5	1371	2329	18.9
0.4	10	1289	2190	19.1
0.5	12.5	1171	1990	19.2
0.6	15	1051	1786	19.2
0.7	17.5	796	1352	19.5
0.8	20	683	1160	20.2
1.0	25	552	938	21.1
1.2	30	388	659	21.5

STALL @ 1.7" [43.2mm] - 22.5 Amps



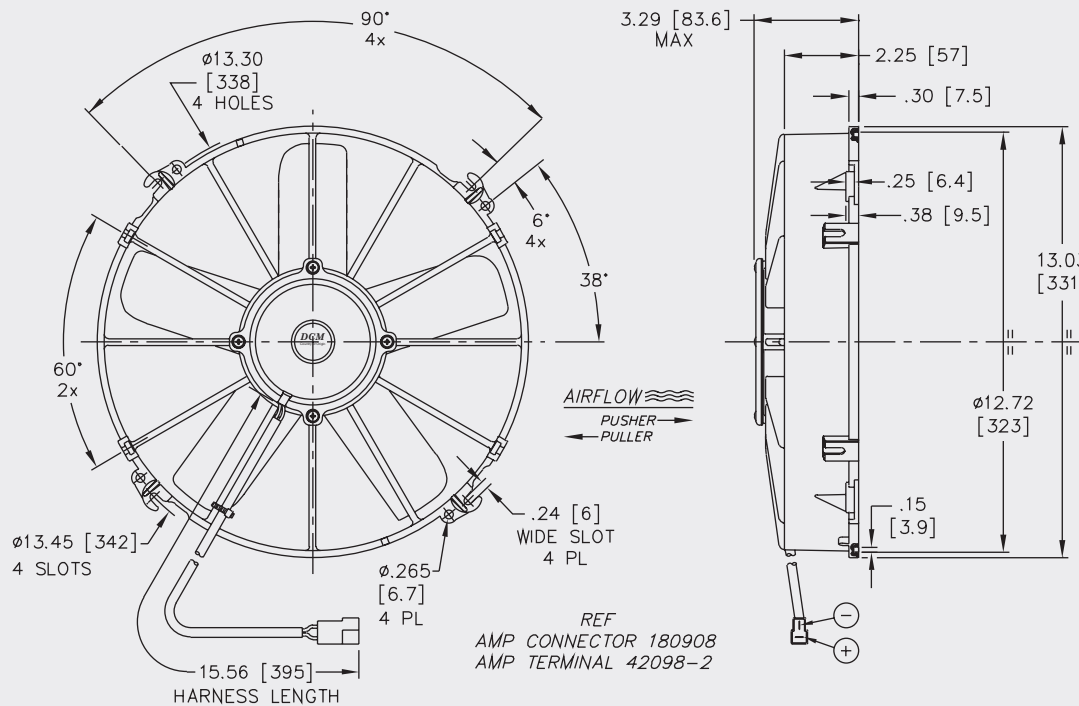
12VDC AXIAL MOTOR FANS

FAN DIAMETER
12" [305mm]

MODEL INFORMATION*

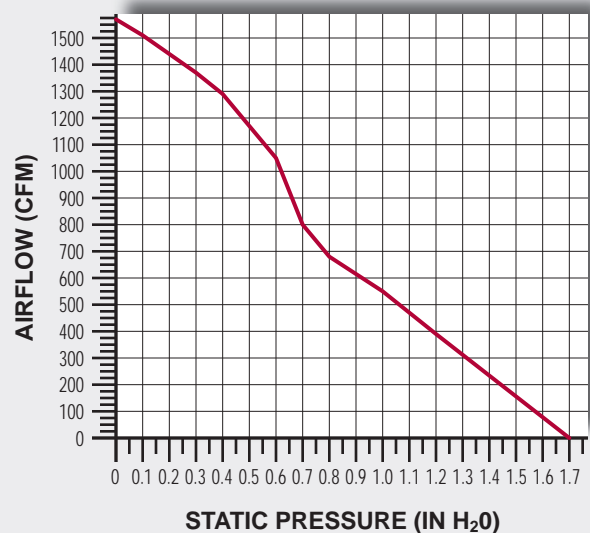
PART#	TYPE	VOLTS	WATTS	BLADE	MATERIAL
TA12A3010	PULLER	12VDC	225W	STRAIGHT	GF NYLON
TA12S3009	PUSHER	12VDC	225W	STRAIGHT	GF NYLON

*ALSO AVAILABLE IN 24VDC



TYPICAL AIR PERFORMANCE @ 13.5VDC 12" 225W STRAIGHT BLADE PULLER/PUSHER FANS

STATIC PRESSURE IN H ₂ O	STATIC PRESSURE mm H ₂ O	CFM	m ³ /h	Amps
0	0.0	1577	2680	17.6
0.1	2.5	1512	2569	18.1
0.2	5	1442	2450	18.7
0.3	7.5	1371	2329	18.9
0.4	10	1289	2190	19.1
0.5	12.5	1171	1990	19.2
0.6	15	1051	1786	19.2
0.7	17.5	796	1352	19.5
0.8	20	683	1160	20.2
1.0	25	552	938	21.1
1.2	30	388	659	21.5



STALL @ 1.7" [43.2mm] - 22.5 Amps

FAN DIAMETER
12" [305mm]

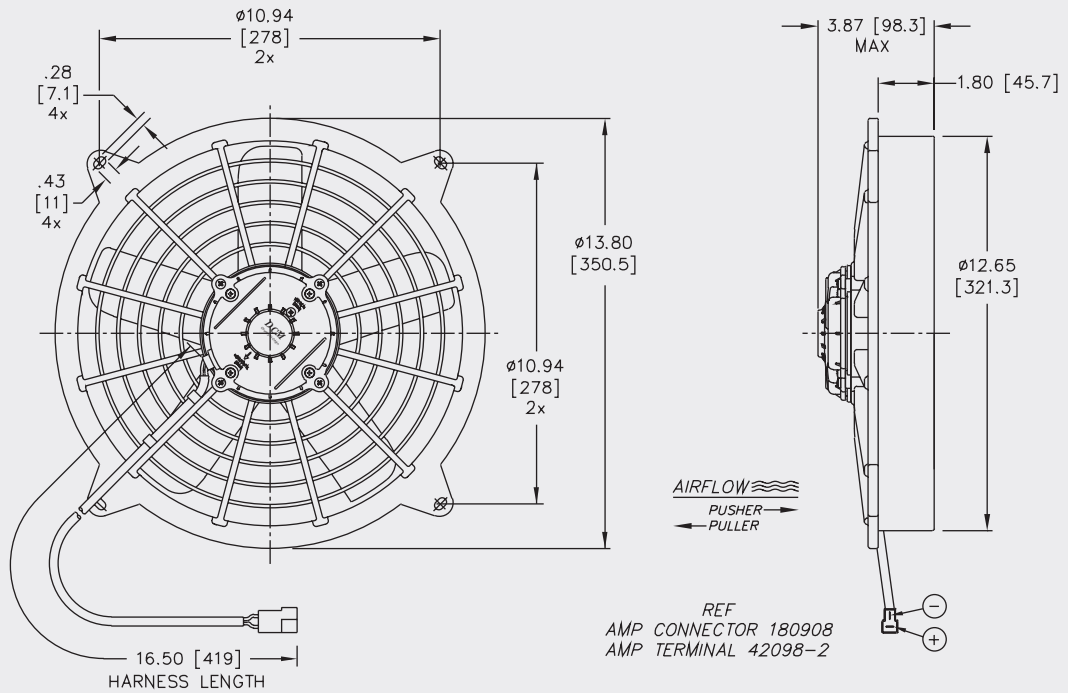
12VDC AXIAL MOTOR FANS



MODEL INFORMATION*

PART#	TYPE	VOLTS	WATTS	BLADE	MATERIAL
TA12A3006	PULLER	12VDC	225W	STRAIGHT	GF NYLON
TA12S3006	PUSHER	12VDC	225W	STRAIGHT	GF NYLON

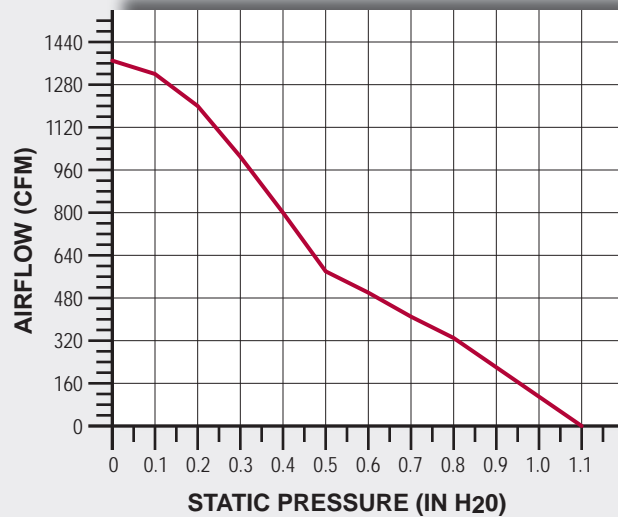
*ALSO AVAILABLE IN 24VDC



TYPICAL AIR PERFORMANCE @ 13.5VDC 12" 225W STR BLADE PULLER/PUSHER FANS

STATIC PRESSURE IN H ₂ O	STATIC PRESSURE mm H ₂ O	CFM	m ³ /h	Amps
0	0.0	1371	2329	10.0
0.1	2.5	1317	2238	10.4
0.2	5	1201	2040	10.8
0.3	7.5	1010	1716	11.7
0.4	10	804	1366	11.6
0.5	12.5	585	994	11.9
0.6	15	504	856	12.6
0.7	17.5	406	690	12.9
0.8	20	325	552	13.3

STALL @ 1.2" [30.5mm] - 16.1 Amps



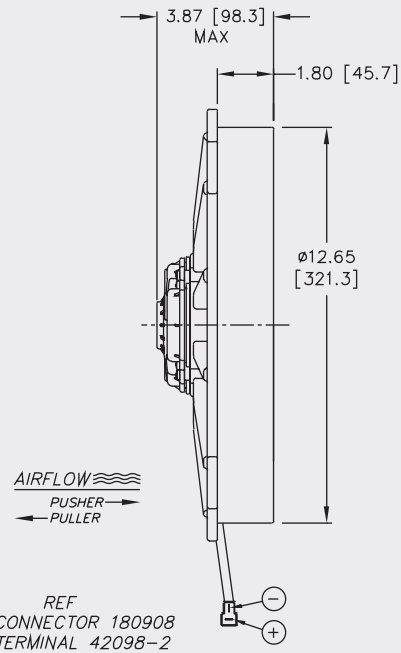
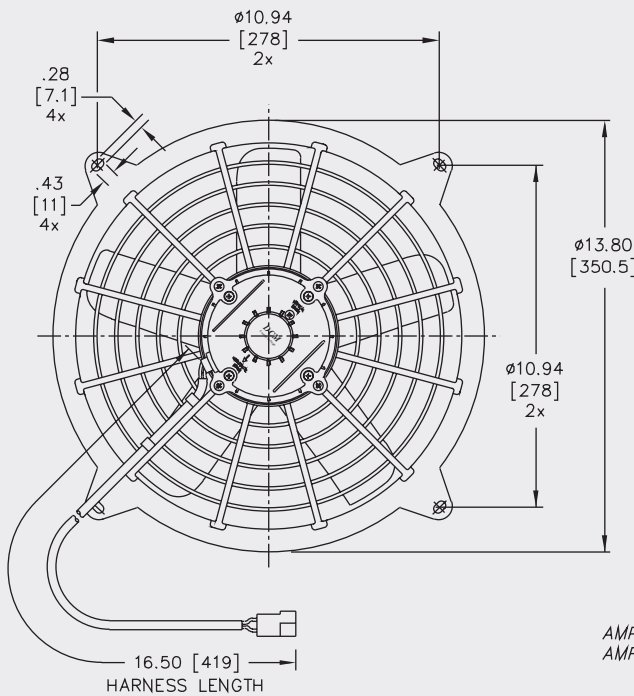
12VDC AXIAL MOTOR FANS

FAN DIAMETER
12" [305mm]

MODEL INFORMATION*

PART#	TYPE	VOLTS	WATTS	BLADE	MATERIAL
TA12A3005	PULLER	12VDC	225W	STRAIGHT	GF NYLON
TA12S3007	PUSHER	12VDC	225W	STRAIGHT	GF NYLON

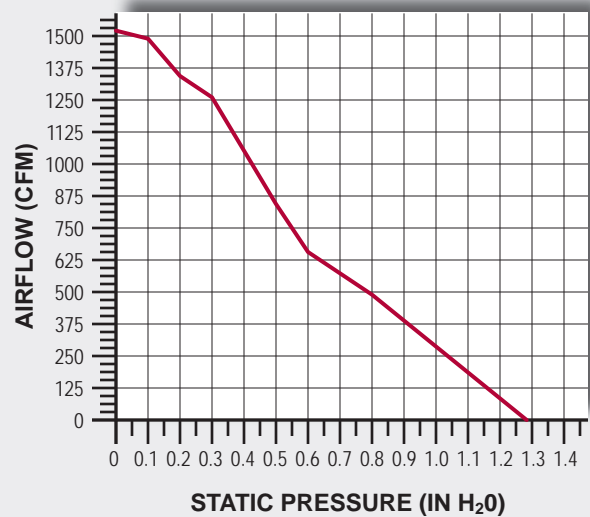
*ALSO AVAILABLE IN 24VDC



TYPICAL AIR PERFORMANCE @ 13.5VDC 12" 225W STRAIGHT BLADE PULLER/PUSHER FANS

STATIC PRESSURE IN H ₂ O	STATIC PRESSURE mm H ₂ O	CFM	m ³ /h	Amps
0	0.0	1524	2589	14.1
0.1	2.5	1494	2538	14.0
0.2	5	1338	2273	14.9
0.3	7.5	1259	2139	15.8
0.4	10	1051	1786	16.4
0.5	12.5	844	1434	16.4
0.6	15	652	1108	17.1
0.7	17.5	575	977	18.0
0.8	20	491	834	18.4

STALL @ 1.28" [32.5mm] - 21.7 Amps



12" HIGH PROFILE

FAN DIAMETER
12" [305mm]

12VDC AXIAL MOTOR FANS

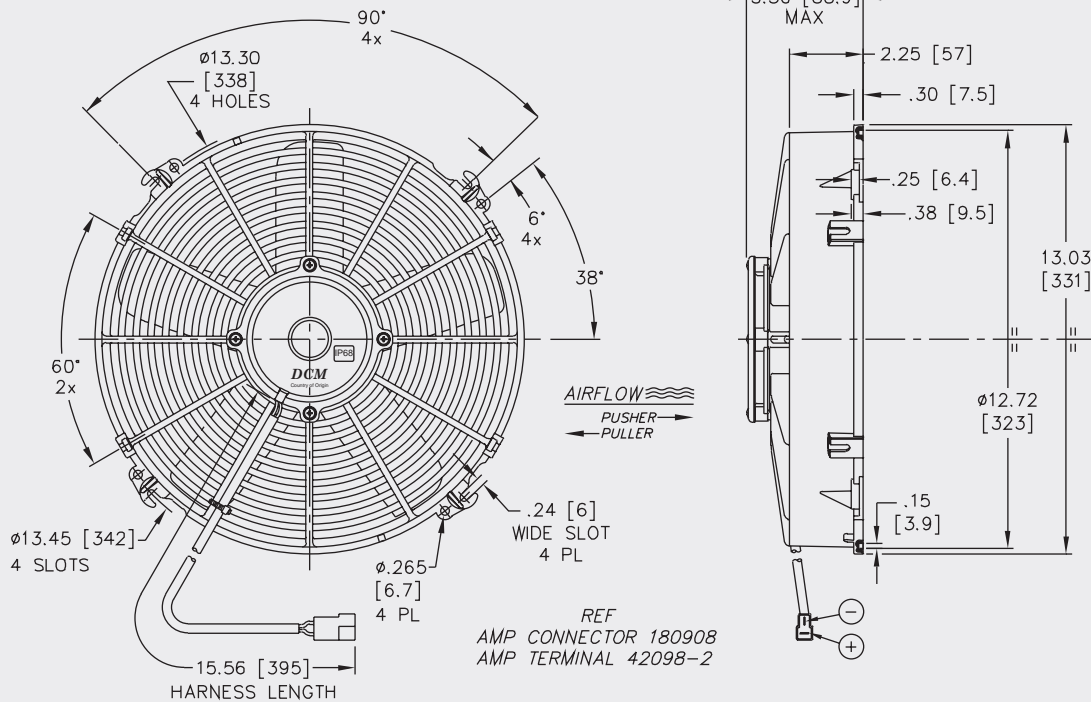


IP68

MODEL INFORMATION*

PART#	TYPE**	VOLTS	WATTS	BLADE	MATERIAL
TA12R3001	REVERSIBLE	12VDC	225W	STRAIGHT	GF NYLON
*ALSO AVAILABLE IN 24VDC		**SET UP AS PULLER FROM FACTORY			

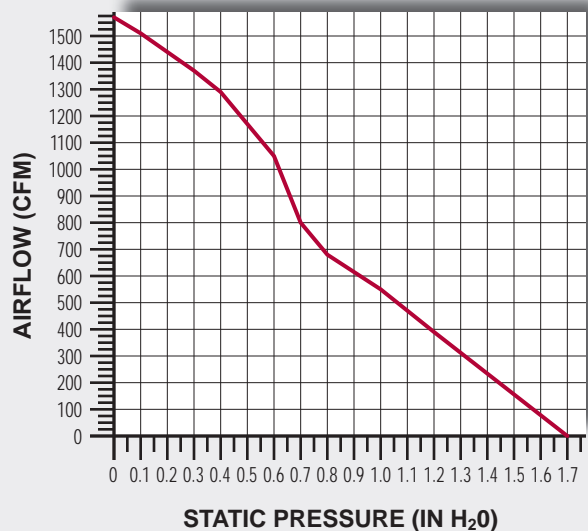
REVERSIBLE



TYPICAL AIR PERFORMANCE @ 13.5VDC 12" 225W STRAIGHT BLADE REVERSIBLE FANS

STATIC PRESSURE IN H ₂ O	STATIC PRESSURE mm H ₂ O	CFM	m ³ /h	Amps
0	0.0	1577	2679	17.6
0.1	2.5	1512	2569	18.1
0.2	5	1442	2450	18.7
0.3	7.5	1371	2330	18.9
0.4	10	1289	2190	19.1
0.5	12.5	1171	1990	19.2
0.6	15	1051	1786	19.2
0.7	17.5	796	1352	19.5
0.8	20	683	1160	20.2
1.0	25	552	938	21.1
1.2	30	388	659	21.5

STALL @ 1.7" [43.2mm] - 22.5 Amps



12VDC AXIAL MOTOR FANS

FAN DIAMETER
12" [305mm]

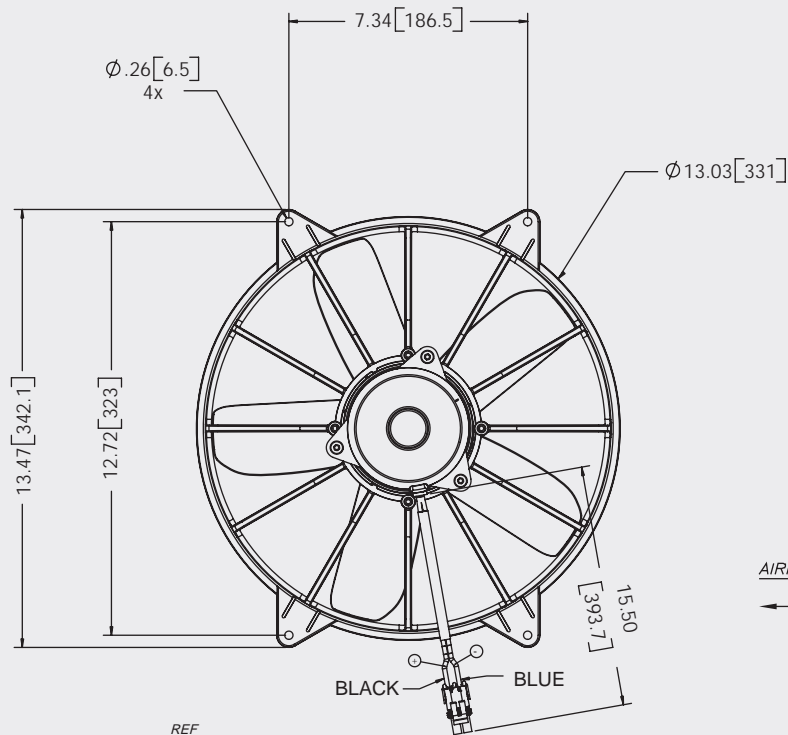
MODEL INFORMATION*

PART#	TYPE	VOLTS	WATTS	BLADE	MATERIAL
2375-A-3	PULLER	12VDC	225W	STRAIGHT	MFGF NYLON
2375-A-2	PUSHER	12VDC	225W	STRAIGHT	MFGF NYLON

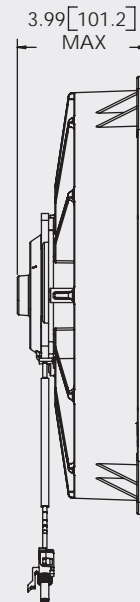
*ALSO AVAILABLE IN 24VDC



WATER & DUST RESISTANT



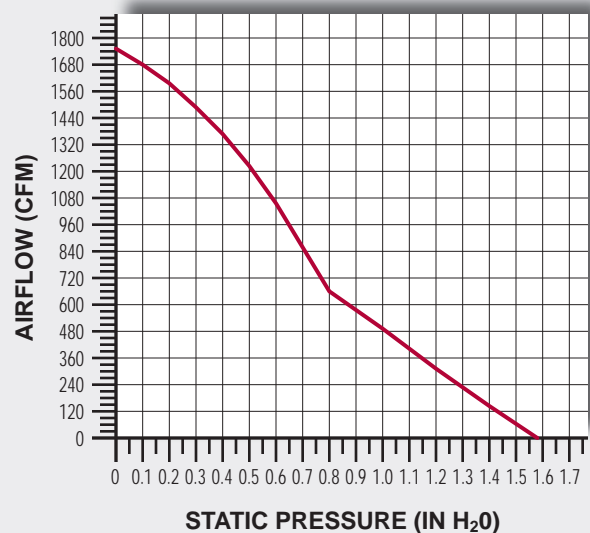
REF
PACKARD MALE TOWER 12015792
PACKARD FEMALE TERMINAL 12124580



TYPICAL AIR PERFORMANCE @ 13.5VDC 12" 225W STRAIGHT BLADE PULLER/PUSHER FANS

STATIC PRESSURE IN H ₂ O	STATIC PRESSURE mm H ₂ O	CFM	m ³ /h	Amps
0	0.0	1755	2982	15.3
0.1	2.5	1676	2848	15.8
0.2	5	1596	2712	16.4
0.3	7.5	1492	2535	17.0
0.4	10	1369	2326	17.4
0.5	12.5	1229	2088	17.7
0.6	15	1058	1798	17.6
0.8	20	661	1123	18.0
1.0	25	491	834	19.7
1.2	30	311	528	21.1
1.4	35	143	243	22.4

STALL @ 1.58" [40.1mm] – 22.8 Amps



12" HIGH PROFILE

**FAN DIAMETER
12" [305mm]**

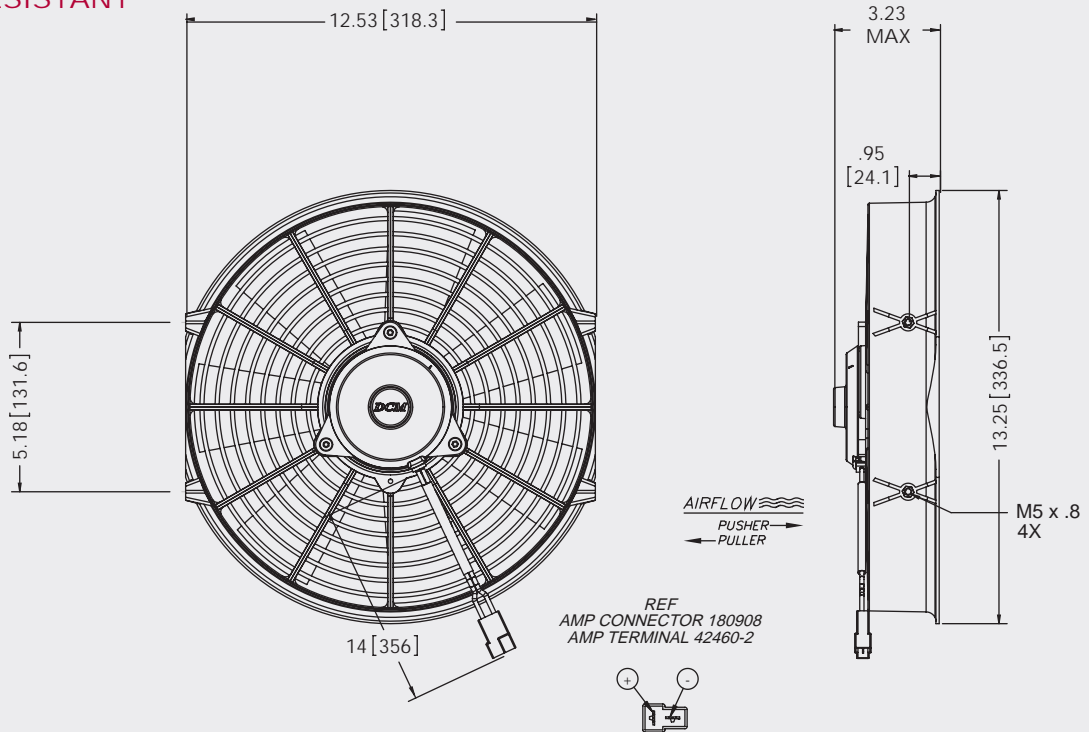
12VDC AXIAL MOTOR FANS



MODEL INFORMATION*					
PART#	TYPE	VOLTS	WATTS	BLADE	MATERIAL
470027	PULLER	12VDC	160W	STRAIGHT	MFGF NYLON
480027	PUSHER	12VDC	160W	STRAIGHT	MFGF NYLON

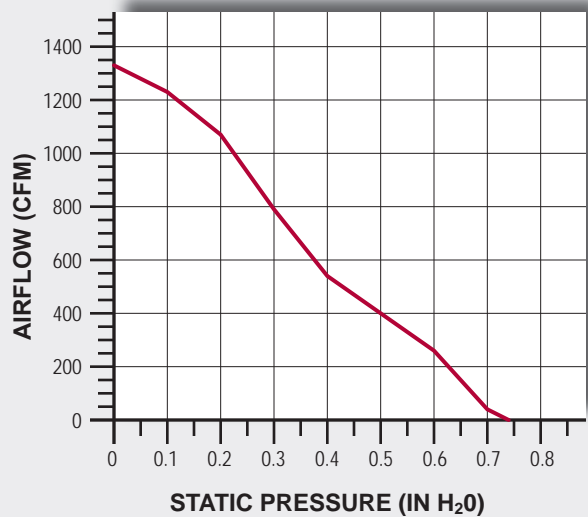
*ALSO AVAILABLE IN 24VDC

WATER & DUST RESISTANT



TYPICAL AIR PERFORMANCE @ 13.5VDC 12" 160W STRAIGHT BLADE PULLER/PUSHER FANS				
STATIC PRESSURE IN H ₂ O	STATIC PRESSURE mm H ₂ O	CFM	m ³ /h	Amps
0	0.0	1329	2258	11.4
0.1	2.5	1226	2083	11.7
0.2	5	1082	1838	11.8
0.3	7.5	786	1335	11.1
0.4	10	540	917	11.3
0.5	12.5	400	680	11.7
0.6	15	256	435	12.1
0.7	17.5	37	63	12.9

STALL @ 0.74" [18.8mm] – 13.1 Amps



12VDC AXIAL MOTOR FANS

FAN DIAMETER
12" [305mm]

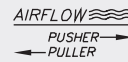
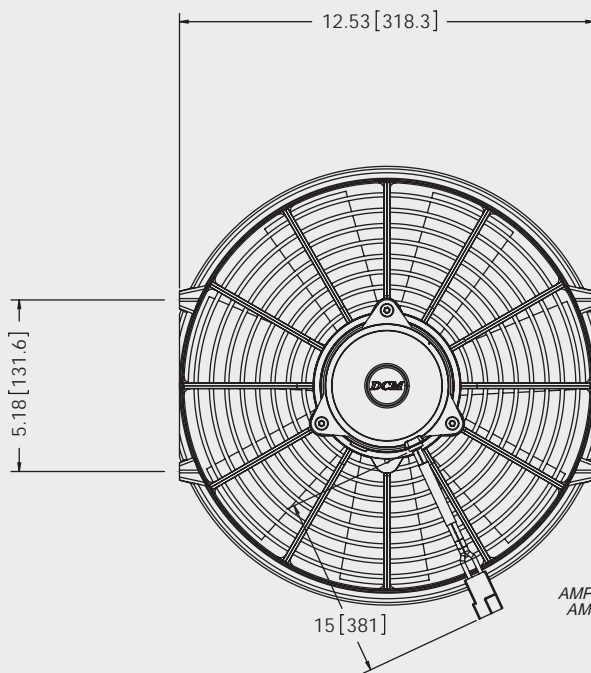
MODEL INFORMATION*

PART#	TYPE	VOLTS	WATTS	BLADE	MATERIAL
470027HD	PULLER	12VDC	225W	STRAIGHT	MFGF NYLON
480027HD	PUSHER	12VDC	225W	STRAIGHT	MFGF NYLON

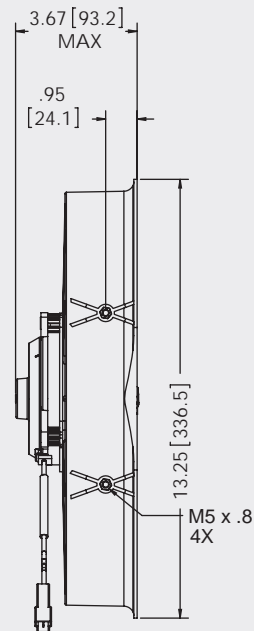
*ALSO AVAILABLE IN 24VDC



WATER & DUST RESISTANT



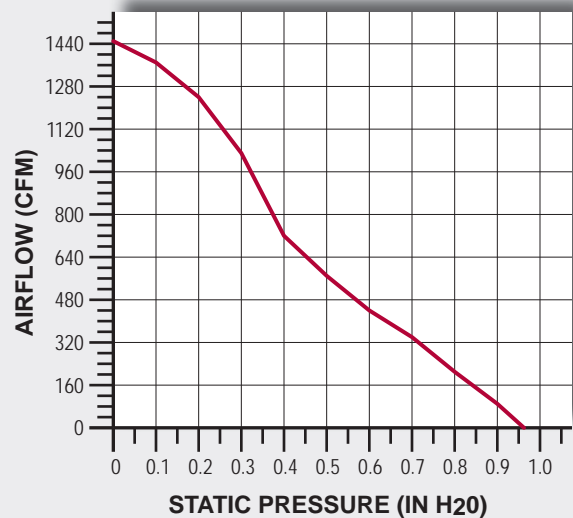
REF
AMP CONNECTOR 180908
AMP TERMINAL 42460-2



TYPICAL AIR PERFORMANCE @ 13.5VDC 12" 225W STRAIGHT BLADE REVERSIBLE FANS

STATIC PRESSURE IN H ₂ O	STATIC PRESSURE mm H ₂ O	CFM	m ³ /h	Amps
0	0.0	1452	2467	12.0
0.1	2.5	1368	2324	12.4
0.2	5	1243	2112	12.4
0.3	7.5	1031	1752	12.0
0.4	10	717	1218	11.6
0.5	12.5	568	965	12.0
0.6	15	441	749	12.4
0.7	17.5	340	578	13.0
0.8	20	213	362	13.5
0.9	22.5	89	151	14.5

STALL @ 0.96" [24.4mm] - 15.0 Amps

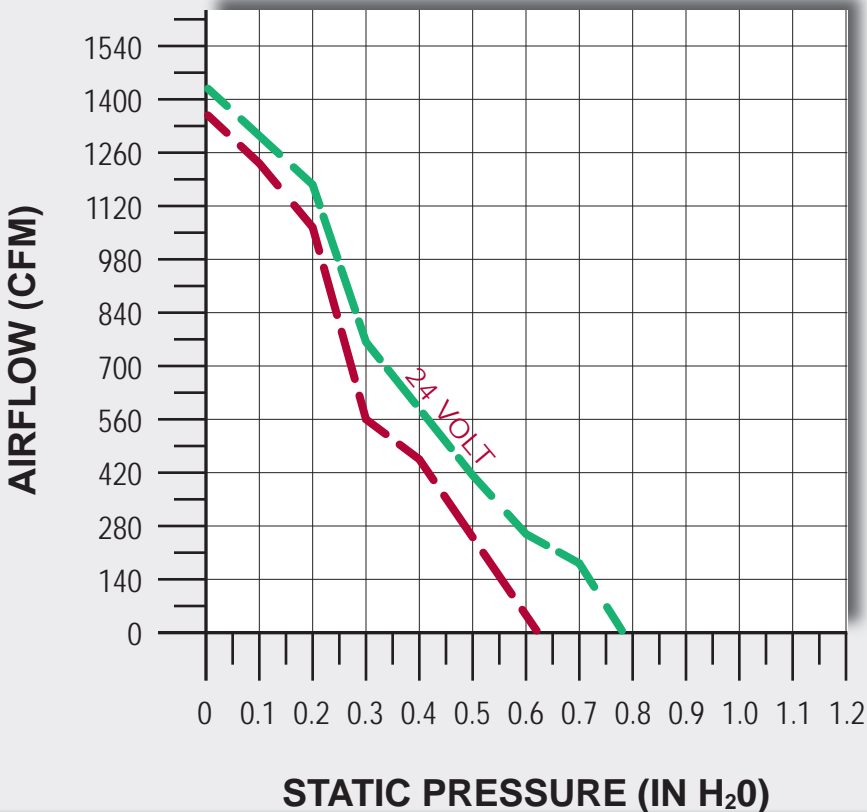
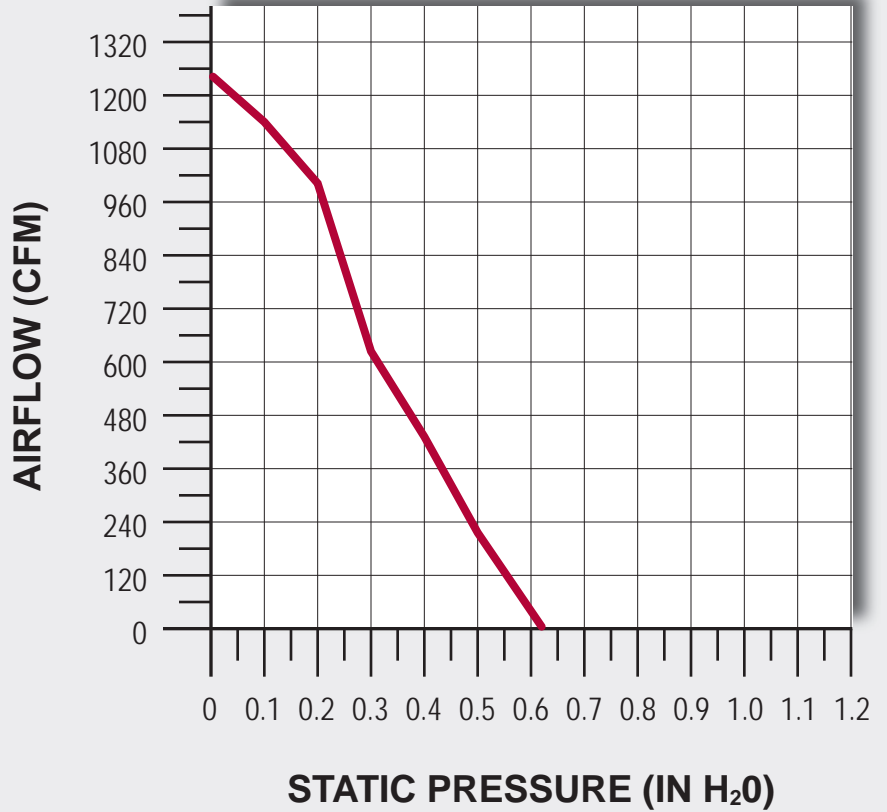


12" HIGH PROFILE

13" [330mm] AXIAL FANS

— TA13R6001

Pg. 87



— G-4014-A / G-4014-S Pg. 88

— G-4014-A-24V / G-4014-S-24V
24 VOLT Pg. 89

Optional performances may be available. Please contact DCM at (817) 428-3636 for more information.

12VDC AXIAL MOTOR FANS

FAN DIAMETER
13" [330mm]

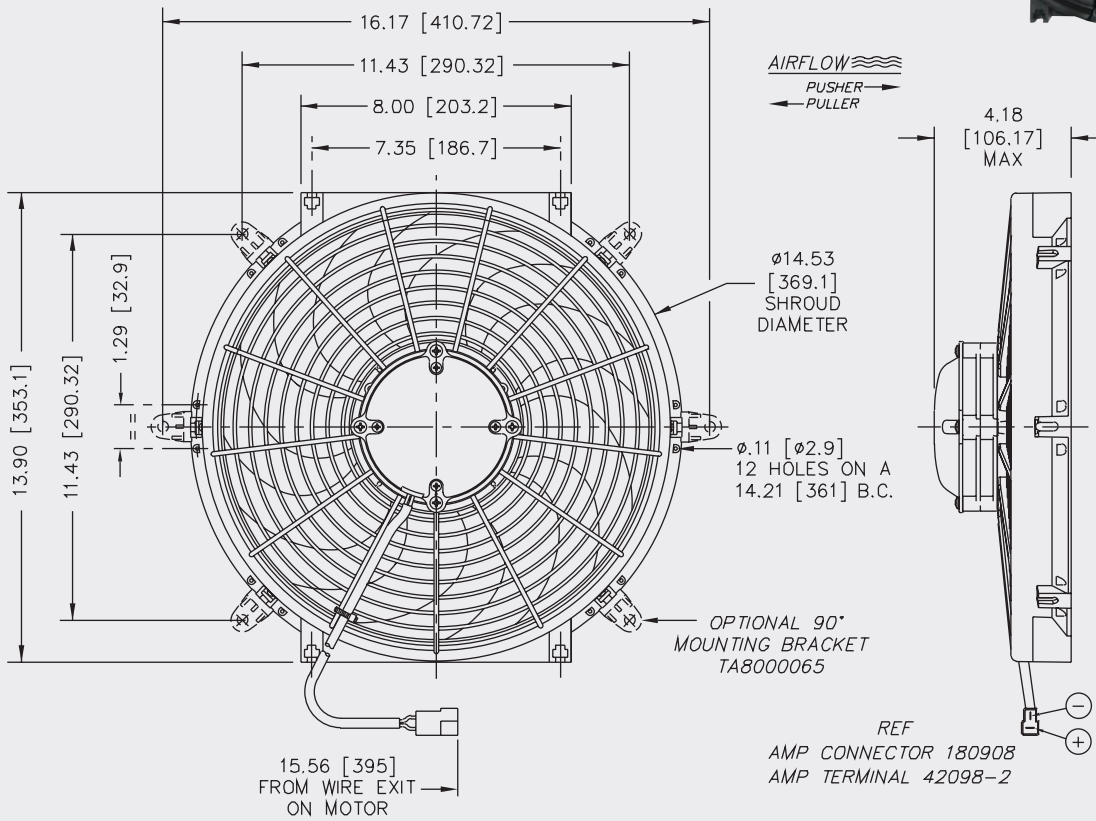
MODEL INFORMATION*

PART#	TYPE**	VOLTS	WATTS	BLADE	MATERIAL
TA13R6001	REVERSIBLE	12VDC	160W	"S"	GF NYLON
*ALSO AVAILABLE IN 24VDC		**SET UP AS PULLER FROM FACTORY			



13" LOW PROFILE

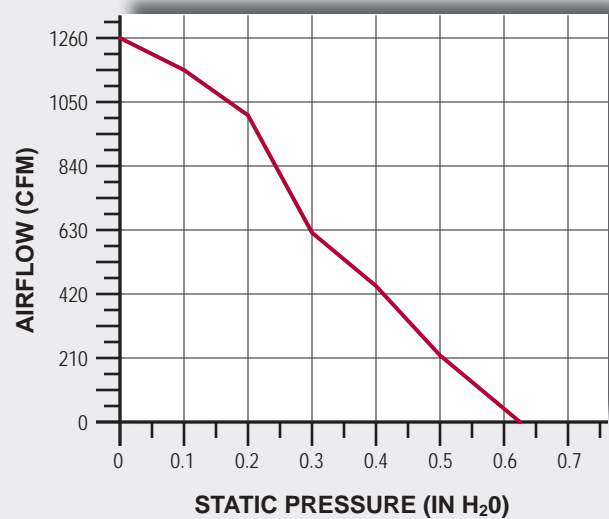
REVERSIBLE



TYPICAL AIR PERFORMANCE @ 13.5VDC 13" 160W "S" BLADE REVERSIBLE FAN

STATIC PRESSURE IN H ₂ O	STATIC PRESSURE mm H ₂ O	CFM	m ³ /h	Amps
0	0.0	1261	2142	9.5
0.1	2.5	1156	1964	9.8
0.2	5	1011	1718	9.9
0.3	7.5	622	1057	9.0
0.4	10	446	758	9.1
0.5	12.5	216	367	9.1

STALL @ 0.62" [15.7mm] - 9.6 Amps



FAN DIAMETER
13" [330mm]

12VDC AXIAL MOTOR FANS

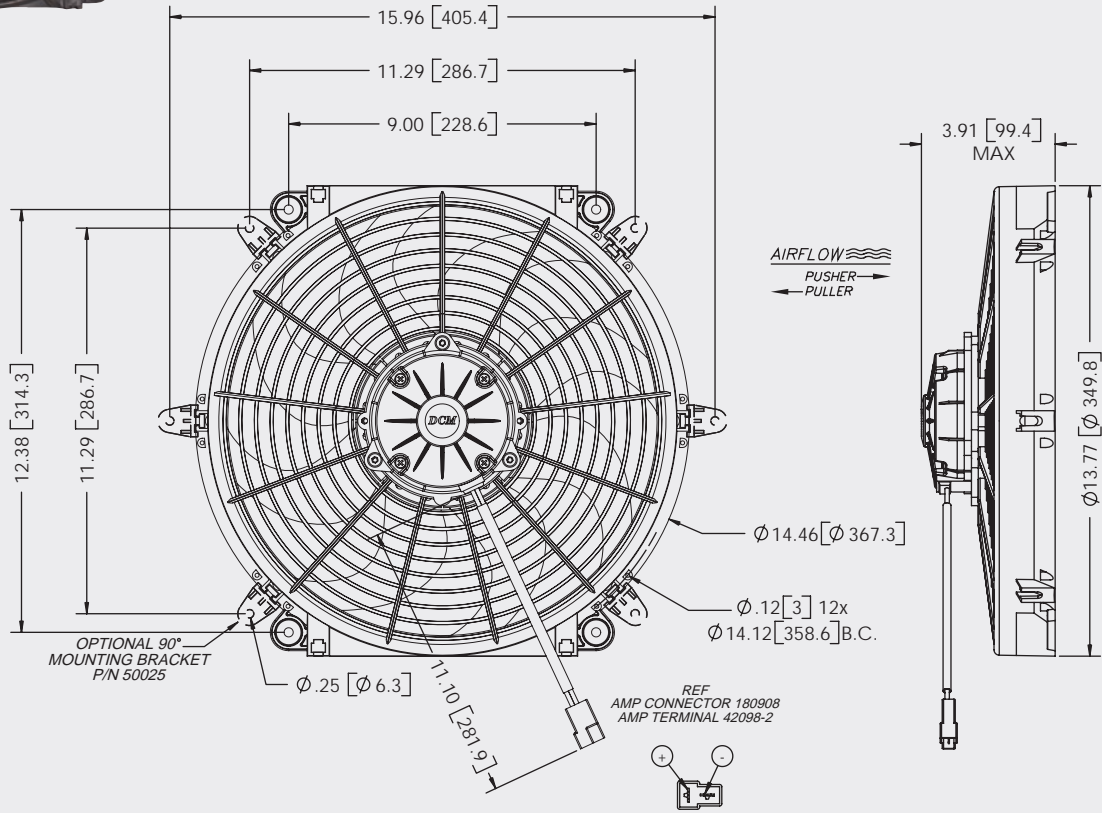


MODEL INFORMATION*

PART#	TYPE	VOLTS	WATTS	BLADE	MATERIAL
G-4014-A	PULLER	12VDC	160W	"S"	MFGF NYLON
G-4014-S	PUSHER	12VDC	160W	"S"	MFGF NYLON

*ALSO AVAILABLE IN 24VDC

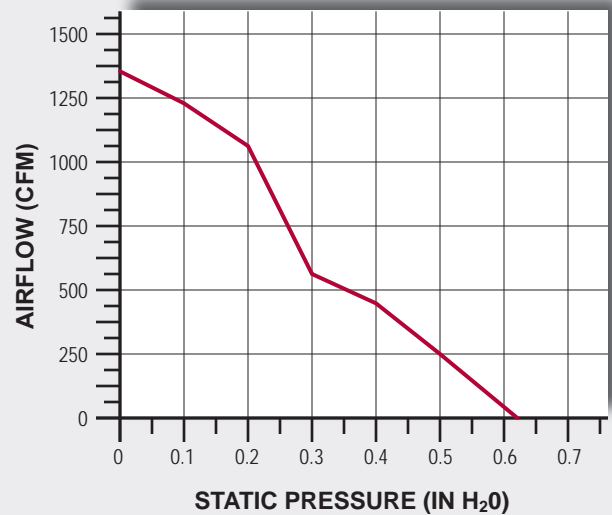
REVERSIBLE



TYPICAL AIR PERFORMANCE @ 13.5VDC 13" 160W "S" BLADE PULLER FAN

STATIC PRESSURE IN H ₂ O	STATIC PRESSURE mm H ₂ O	CFM	m ³ /h	Amps
0	0.0	1356	2304	9.4
0.1	2.5	1232	2093	9.8
0.2	5	1067	1813	9.8
0.3	7.5	558	948	9.1
0.4	10	453	770	9.7
0.5	12.5	246	418	9.7

STALL @ 0.62" [15.7mm] - 10.3 Amps



12VDC AXIAL MOTOR FANS

FAN DIAMETER
13" [330mm]

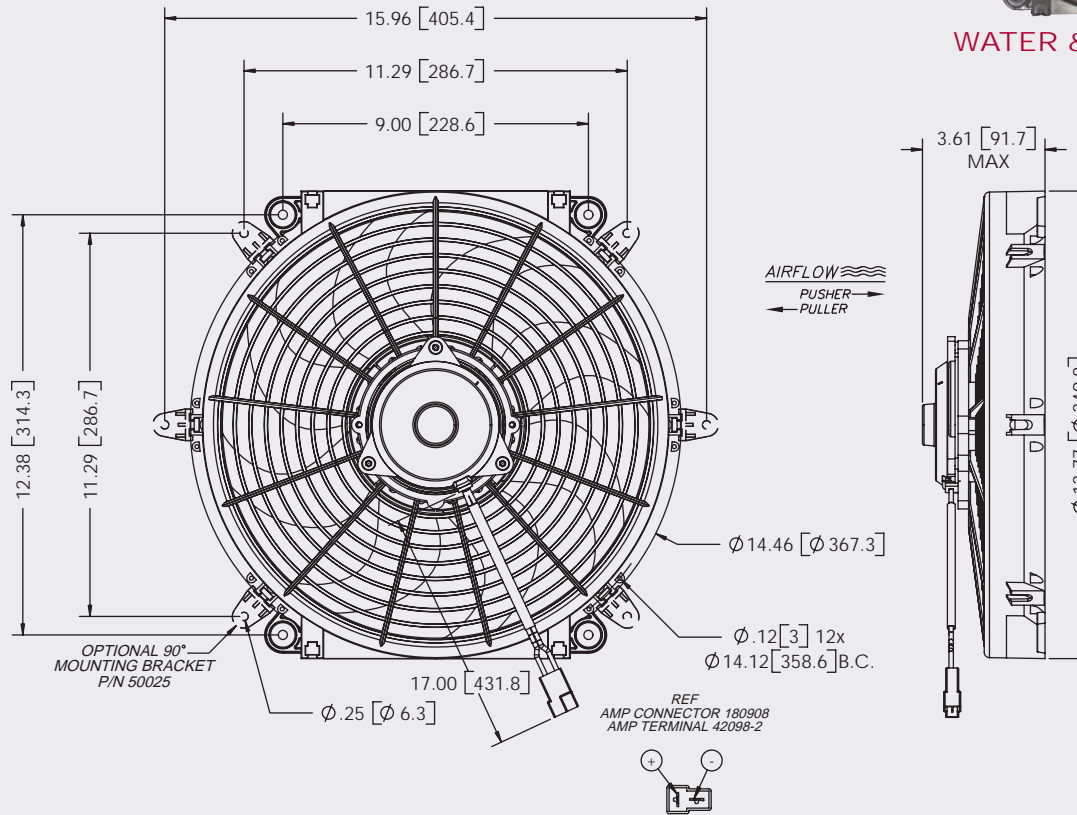
13" LOW PROFILE

MODEL INFORMATION

PART#	TYPE	VOLTS	WATTS	BLADE	MATERIAL
G-4014-A-24V	PULLER	24VDC	160W	"S"	MFGF NYLON
G-4014-S-24V	PUSHER	24VDC	160W	"S"	MFGF NYLON



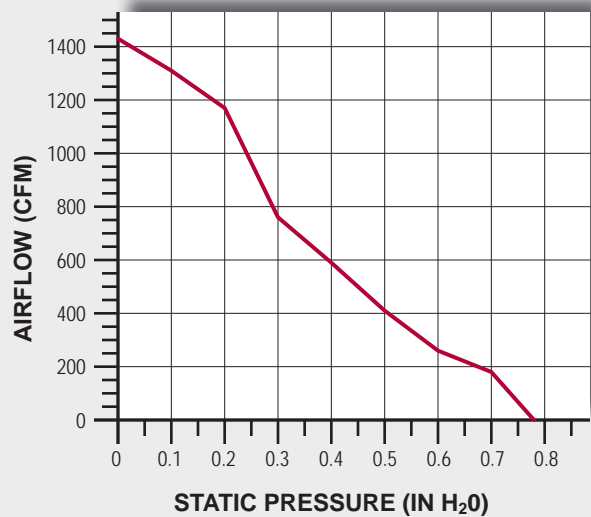
WATER & DUST RESISTANT



TYPICAL AIR PERFORMANCE @ 13.5VDC 13" 160W "S" BLADE PULLER/PUSHER FANS

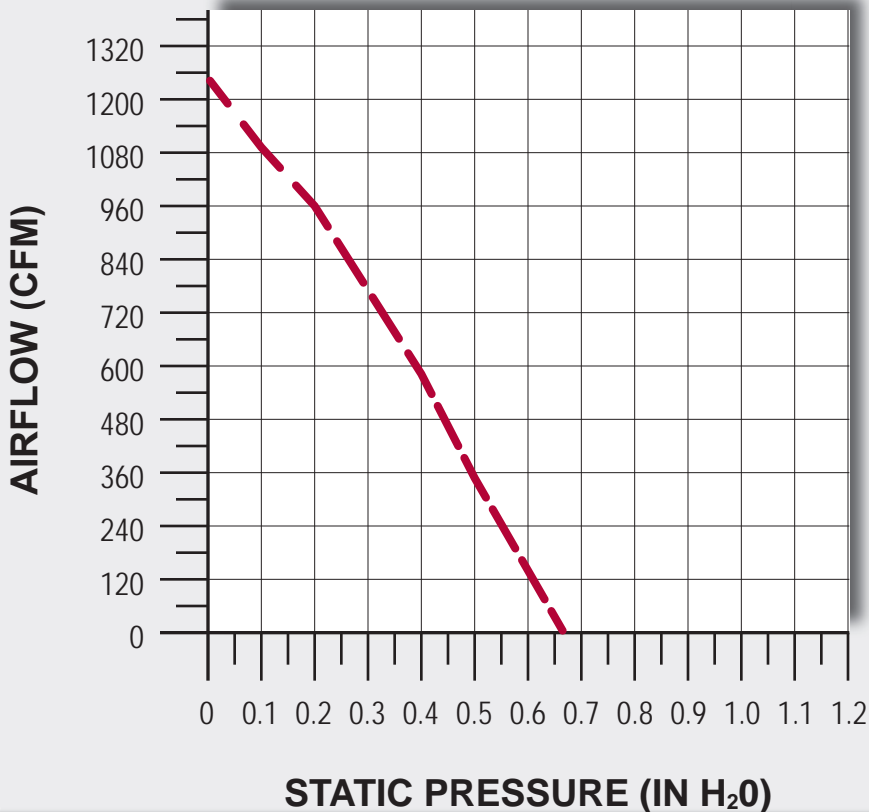
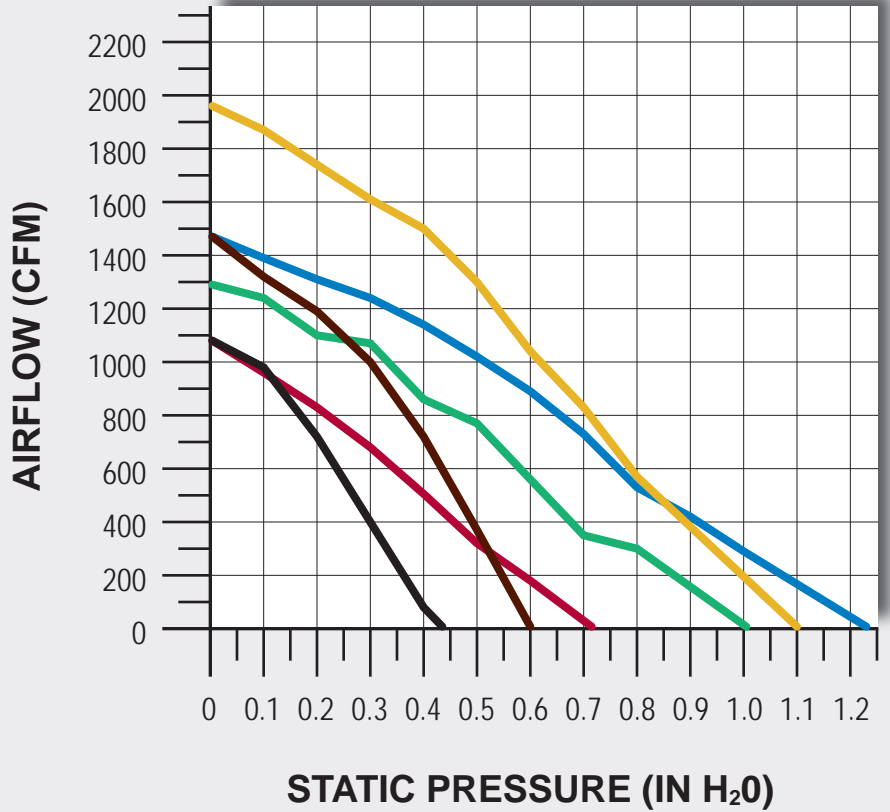
STATIC PRESSURE IN H ₂ O	STATIC PRESSURE mm H ₂ O	CFM	m ³ /h	Amps
0	0.0	1425	2421	5.4
0.1	2.5	1306	2219	5.5
0.2	5	1176	1998	5.6
0.3	7.5	762	1295	5.2
0.4	10	587	997	5.2
0.5	12.5	411	698	5.3
0.6	15	261	443	5.3
0.7	17.5	181	308	5.5

STALL @ 0.78" [19.8mm] – 5.8 Amps



14" [350mm] AXIAL FANS

- TA14A1008 / TA14S1003 Pg. 91
- TA14A1003 / TA14S1004 Pg. 92
- TA14A1007 / TA14S1005 Pg. 93
- TA14R2001 Pg. 94
- TA14R2002 Pg. 95
- TA14R2003 Pg. 96



- - - 830075 / 830077 Pg. 97

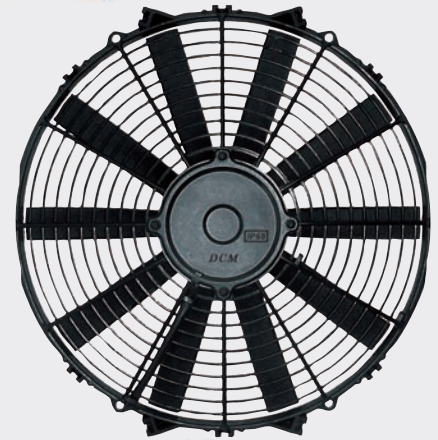
Optional performances may be available. Please contact DCM at (817) 428-3636 for more information.

12VDC AXIAL MOTOR FANS

FAN DIAMETER
14" [350mm]

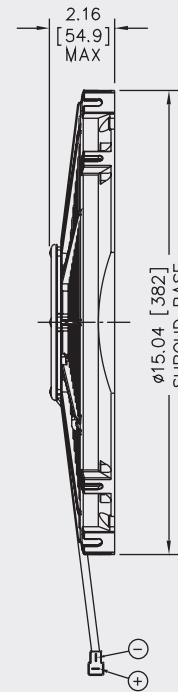
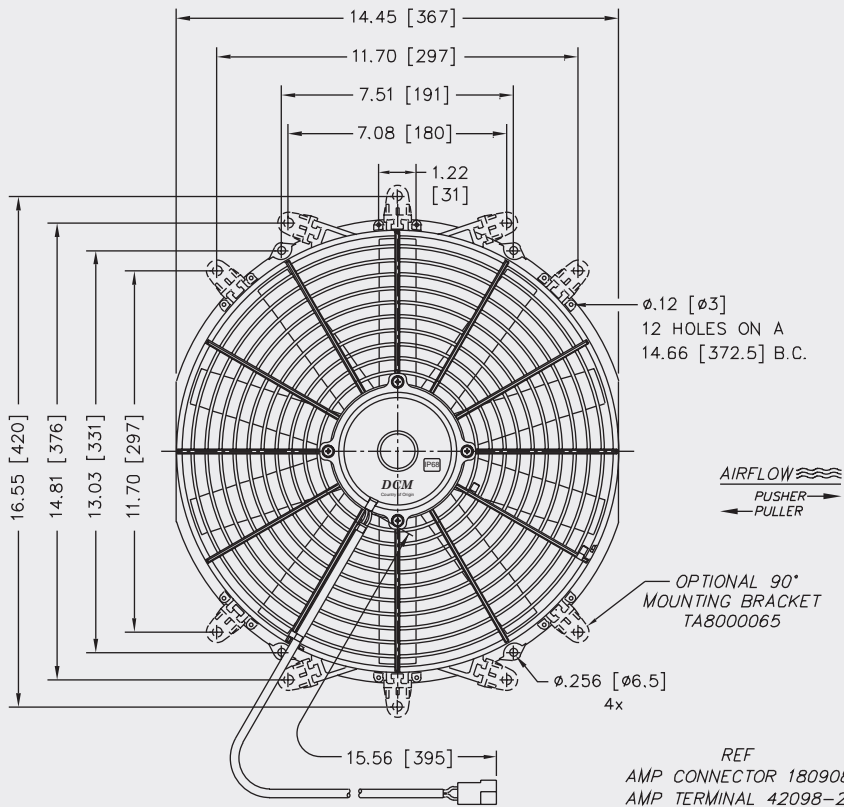
MODEL INFORMATION

PART#	TYPE	VOLTS	WATTS	BLADE	MATERIAL
TA14A1008	PULLER	12VDC	130W	STRAIGHT	GF NYLON
TA14S1003	PUSHER	12VDC	130W	STRAIGHT	GF NYLON
TB14A1008	PULLER	24VDC	130W	STRAIGHT	GF NYLON
TB14S1003	PUSHER	24VDC	130W	STRAIGHT	GF NYLON



IP68

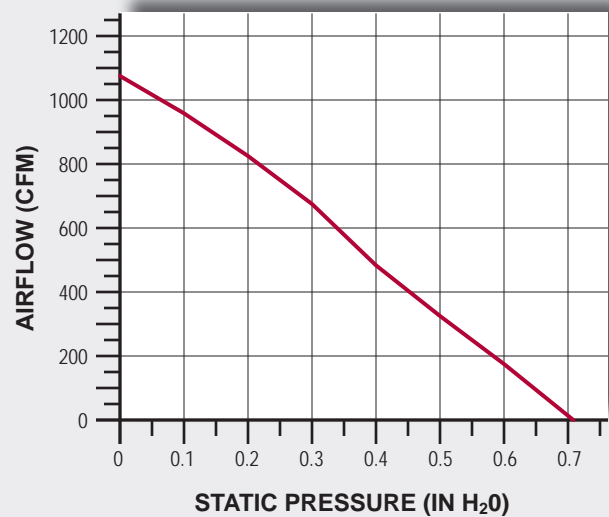
14" LOW PROFILE



TYPICAL AIR PERFORMANCE @ 13.5VDC 14" 130W STRAIGHT BLADE PULLER/PUSHER FANS

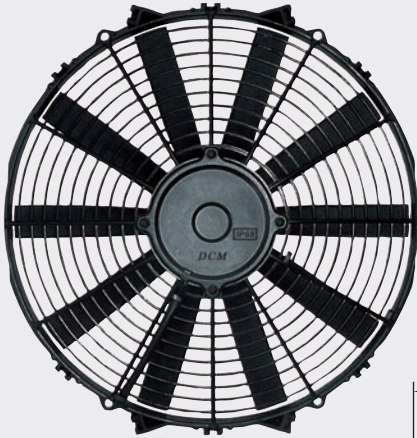
STATIC PRESSURE IN H ₂ O	STATIC PRESSURE mm H ₂ O	CFM	m ³ /h	Amps
0	0.0	1077	1830	6.4
0.1	2.5	956	1624	6.8
0.2	5	824	1400	7.1
0.3	7.5	677	1150	7.2
0.4	10	488	829	7.1
0.5	12.5	324	550	7.1
0.6	15	177	301	7.0

STALL @ 0.71" [18mm]



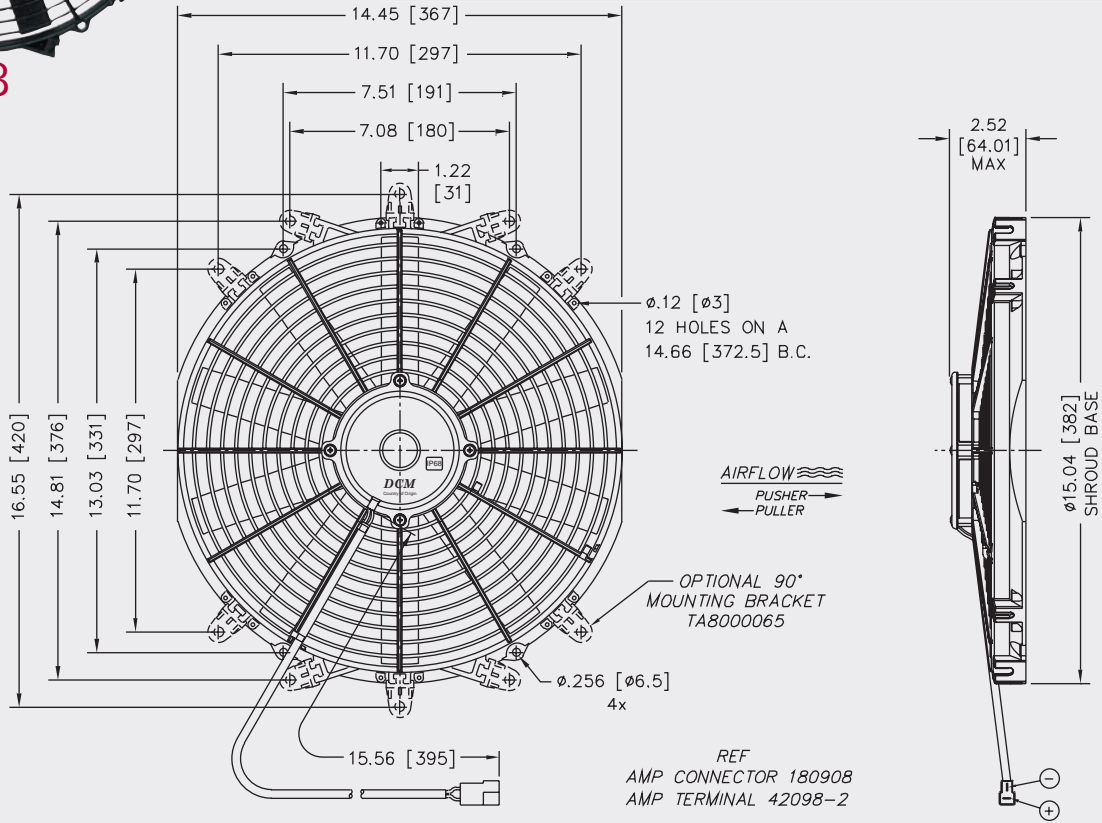
FAN DIAMETER
14" [350mm]

12VDC AXIAL MOTOR FANS



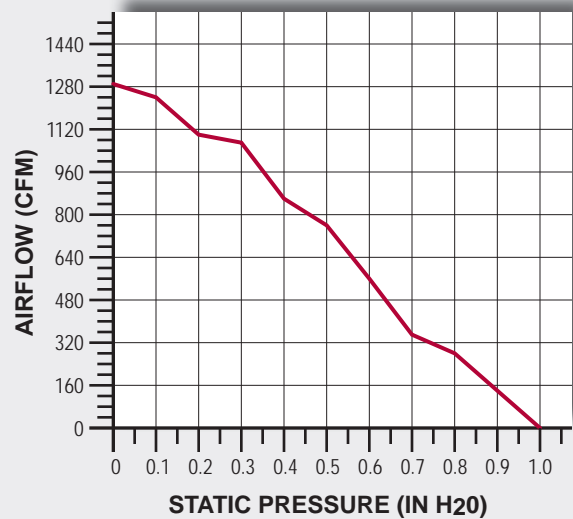
IP68

MODEL INFORMATION					
PART#	TYPE	VOLTS	WATTS	BLADE	MATERIAL
TA14A1003	PULLER	12VDC	160W	STRAIGHT	GF NYLON
TA14S1004	PUSHER	12VDC	160W	STRAIGHT	GF NYLON
TB14A1006	PULLER	24VDC	160W	STRAIGHT	GF NYLON
TB14S1005	PUSHER	24VDC	160W	STRAIGHT	GF NYLON



TYPICAL AIR PERFORMANCE @ 13.5VDC 14" 160W STRAIGHT BLADE PULLER/PUSHER FANS				
STATIC PRESSURE IN H ₂ O	STATIC PRESSURE mm H ₂ O	CFM	m ³ /h	Amps
0	0.0	1288	2188	8.7
0.1	2.5	1240	2107	9.4
0.2	5	1100	1869	9.7
0.3	7.5	1071	1820	9.9
0.4	10	862	1465	10.1
0.5	12.5	765	1300	10.2
0.6	15	561	953	10.0
0.7	17.5	348	591	9.3
0.8	20	285	484	9.4

STALL @ 1.0" [25.4mm]

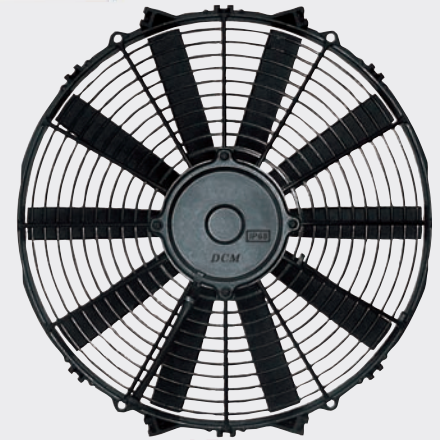


12VDC AXIAL MOTOR FANS

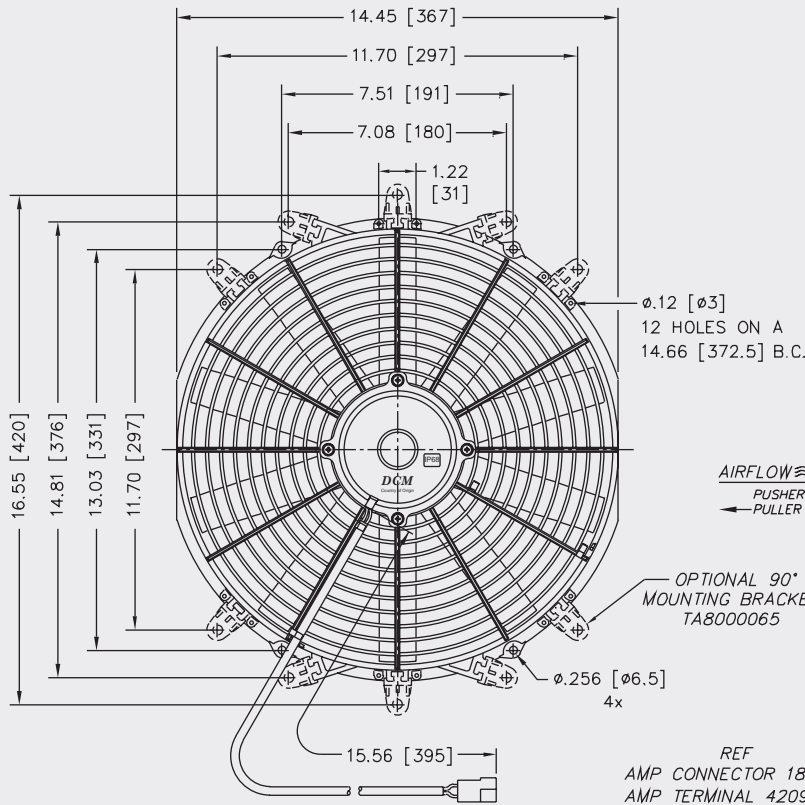
FAN DIAMETER
14" [350mm]

MODEL INFORMATION

PART#	TYPE	VOLTS	WATTS	BLADE	MATERIAL
TA14A1007	PULLER	12VDC	225W	STRAIGHT	GF NYLON
TA14S1005	PUSHER	12VDC	225W	STRAIGHT	GF NYLON
TB14A1005	PULLER	24VDC	225W	STRAIGHT	GF NYLON
TB14S1004	PUSHER	24VDC	225W	STRAIGHT	GF NYLON

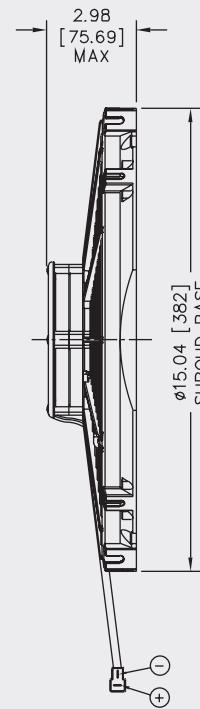


IP68



OPTIONAL 90°
MOUNTING BRACKET
TA8000065

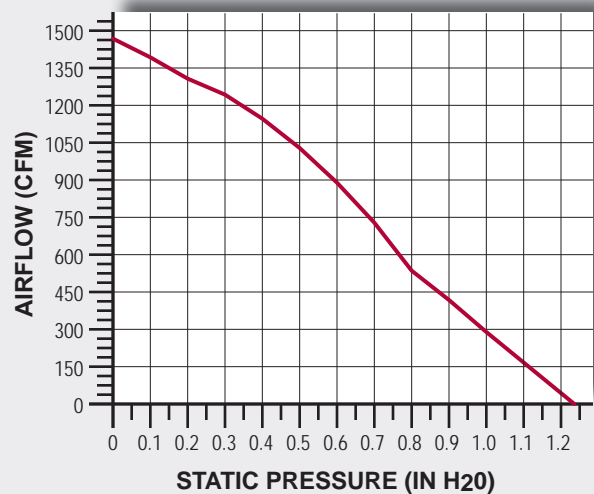
REF
AMP CONNECTOR 180908
AMP TERMINAL 42098-2



TYPICAL AIR PERFORMANCE @ 13.5VDC 14" 225W STRAIGHT BLADE PULLER/PUSHER FANS

STATIC PRESSURE IN H ₂ O	STATIC PRESSURE mm H ₂ O	CFM	m ³ /h	Amps
0	0.0	1473	2503	13.3
0.1	2.5	1386	2355	14.1
0.2	5	1309	2224	14.4
0.3	7.5	1240	2107	15.1
0.4	10	1148	1950	15.3
0.5	12.5	1022	1736	15.3
0.6	15	891	1514	15.4
0.7	17.5	727	1235	15.0
0.8	20	532	904	14.4
0.9	22.5	416	707	14.4
1.0	25	286	486	14.4

STALL @ 1.23" [31.2mm]



FAN DIAMETER
14" [350mm]

12VDC AXIAL MOTOR FANS

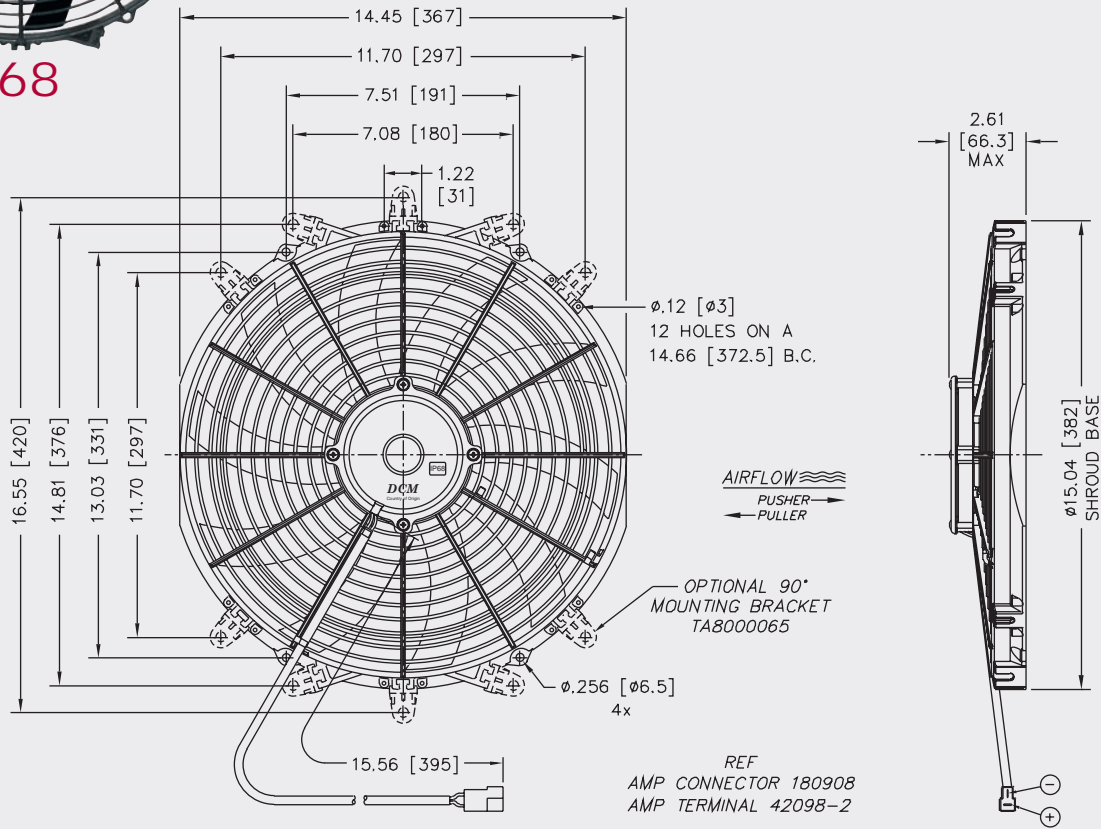


IP68

MODEL INFORMATION					
PART#	TYPE*	VOLTS	WATTS	BLADE	MATERIAL
TA14R2001	REVERSIBLE	12VDC	130W	"S"	GF NYLON
TB14R2001	REVERSIBLE	24VDC	130W	"S"	GF NYLON

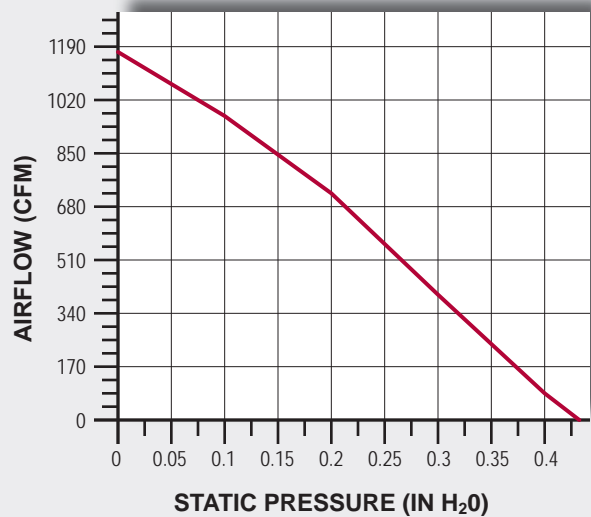
*SET UP AS PULLER FROM FACTORY

REVERSIBLE



TYPICAL AIR PERFORMANCE @ 13.5VDC 14" 130W "S" BLADE REVERSIBLE FAN				
STATIC PRESSURE IN H ₂ O	STATIC PRESSURE mm H ₂ O	CFM	m ³ /h	Amps
0	0.0	1177	2000	4.5
0.1	2.5	977	1660	5.0
0.2	5	720	1223	5.0
0.3	7.5	401	681	4.8
0.4	10	82	139	4.9

STALL @ 0.43" [10.9mm] - 5.1 Amps



12VDC AXIAL MOTOR FANS

FAN DIAMETER
14" [350mm]

MODEL INFORMATION

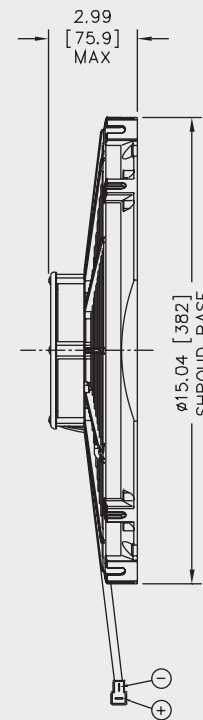
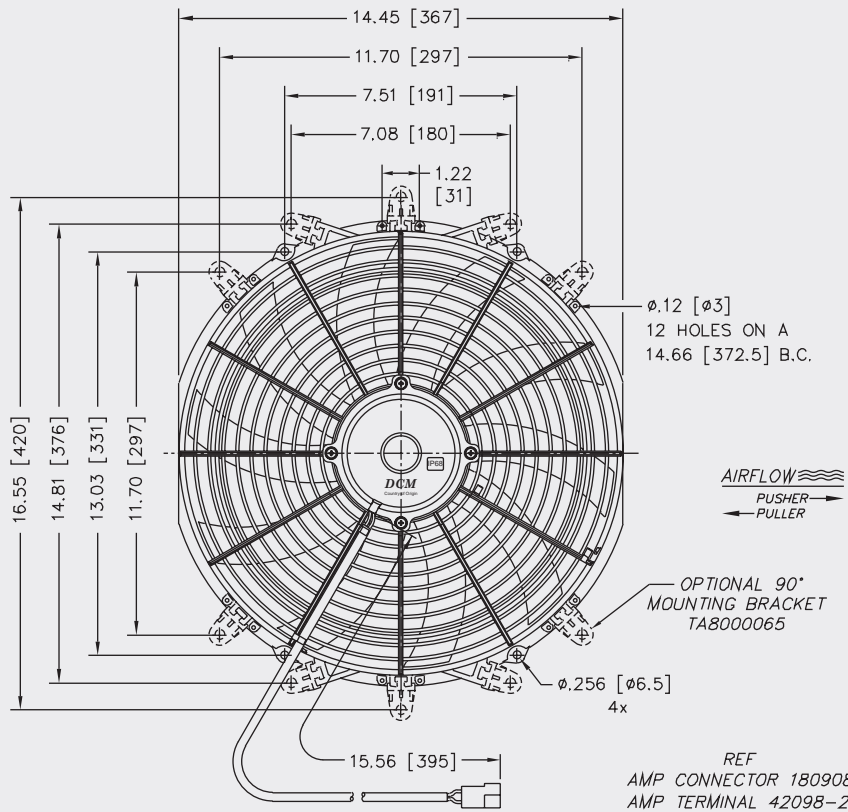
PART#	TYPE*	VOLTS	WATTS	BLADE	MATERIAL
TA14R2002	REVERSIBLE	12VDC	160W	"S"	GF NYLON
TB14R2002	REVERSIBLE	24VDC	160W	"S"	GF NYLON

*SET UP AS PULLER FROM FACTORY

REVERSIBLE



IP68

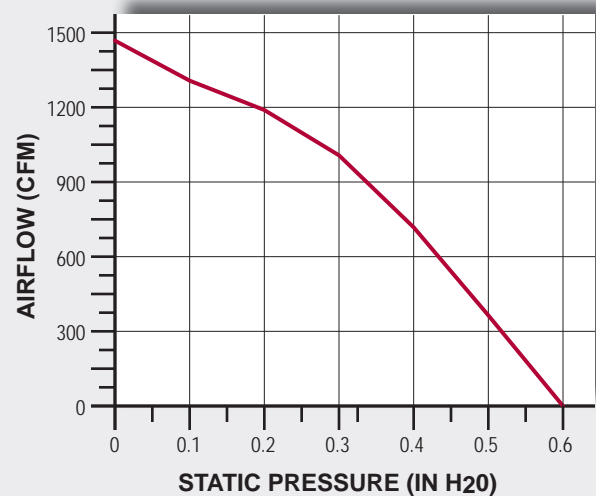


14" LOW PROFILE

TYPICAL AIR PERFORMANCE @ 13.5VDC 14" 160W "S" BLADE REVERSIBLE FAN

STATIC PRESSURE IN H ₂ O	STATIC PRESSURE mm H ₂ O	CFM	m ³ /h	Amps
0	0.0	1467	2492	7.5
0.1	2.5	1315	2234	7.7
0.2	5	1191	2024	8.4
0.3	7.5	1002	1702	8.7
0.4	10	717	1218	8.3
0.5	12.5	369	627	7.7

STALL @ 0.6" [15.2mm] - 8.2 Amps



FAN DIAMETER
14" [350mm]

12VDC AXIAL MOTOR FANS



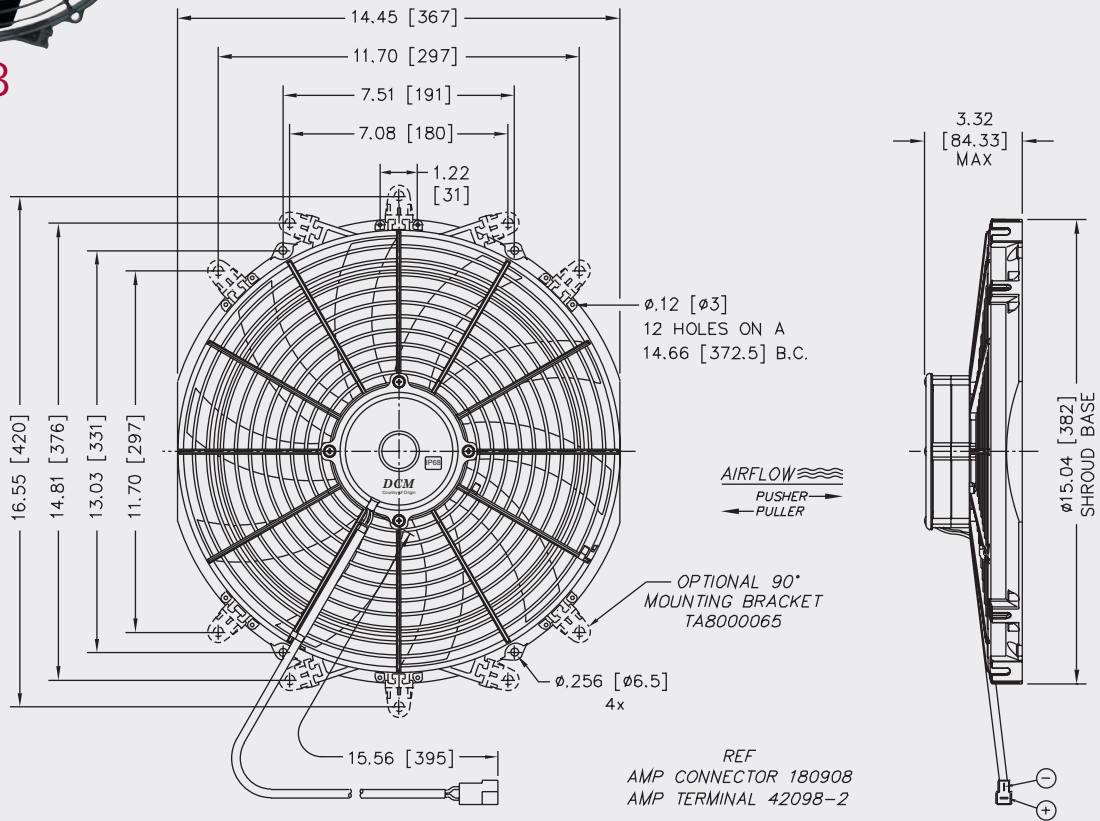
IP68

MODEL INFORMATION

PART#	TYPE*	VOLTS	WATTS	BLADE	MATERIAL
TA14R2003	REVERSIBLE	12VDC	225W	"S"	GF NYLON
TB14R2003	REVERSIBLE	24VDC	225W	"S"	GF NYLON

*SET UP AS PULLER FROM FACTORY

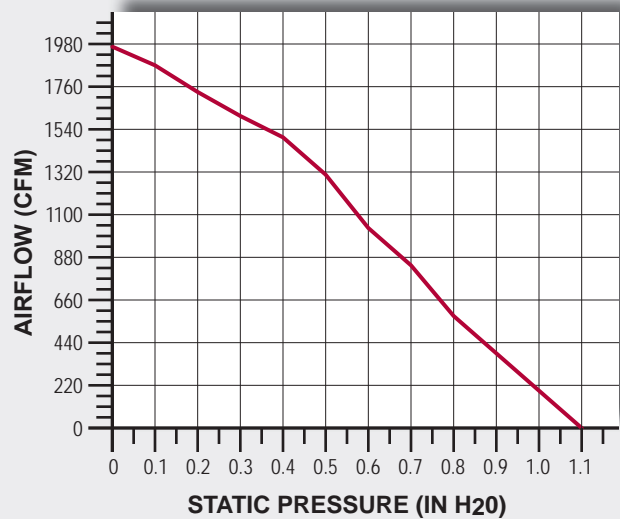
REVERSIBLE



TYPICAL AIR PERFORMANCE @ 13.5VDC 14" 225W "S" BLADE REVERSIBLE FAN

STATIC PRESSURE IN H ₂ O	STATIC PRESSURE mm H ₂ O	CFM	m ³ /h	Amps
0	0.0	1962	3333	16.8
0.1	2.5	1866	3170	17.3
0.2	5	1739	2955	17.5
0.3	7.5	1614	2742	17.6
0.4	10	1495	2540	18.0
0.5	12.5	1305	2217	18.1
0.6	15	1043	1772	17.8
0.7	17.5	832	1414	17.8
0.8	20	574	975	16.4

STALL @ 1.1" [27.9mm]



12VDC AXIAL MOTOR FANS

FAN DIAMETER
14" [350mm]

MODEL INFORMATION*

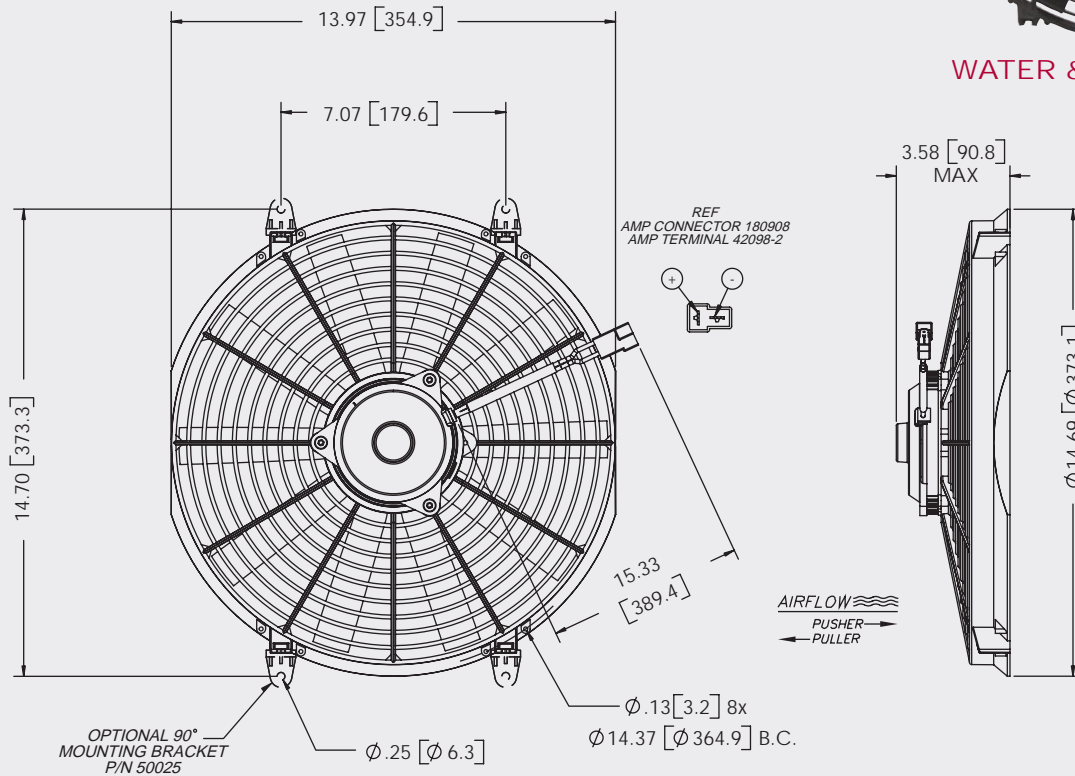
PART#	TYPE	VOLTS	WATTS	BLADE	MATERIAL
830075	PULLER	12VDC	160W	STRAIGHT	MFGF NYLON
830077	PUSHER	12VDC	160W	STRAIGHT	MFGF NYLON

*ALSO AVAILABLE IN 24VDC

REVERSIBLE



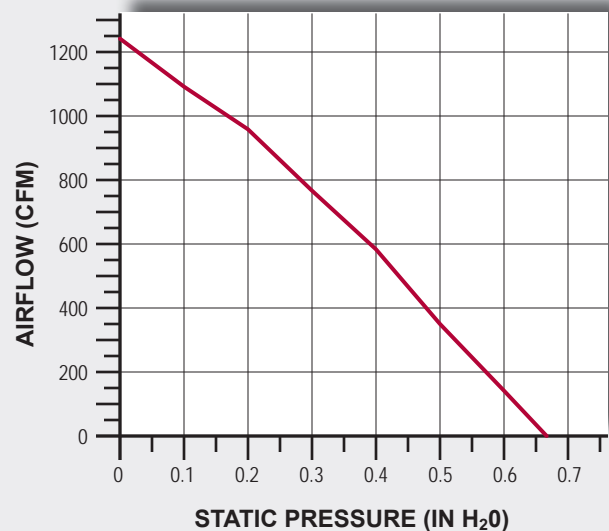
WATER & DUST RESISTANT



TYPICAL AIR PERFORMANCE @ 13.5VDC 14" 160W STRAIGHT BLADE PULLER/PUSHER FANS

STATIC PRESSURE IN H ₂ O	STATIC PRESSURE mm H ₂ O	CFM	m ³ /h	Amps
0	0.0	1245	2115	7.7
0.1	2.5	1093	1857	8.0
0.2	5	959	1629	8.2
0.3	7.5	769	1307	8.0
0.4	10	580	985	7.8
0.5	12.5	347	590	7.7
0.6	15	145	246	7.6

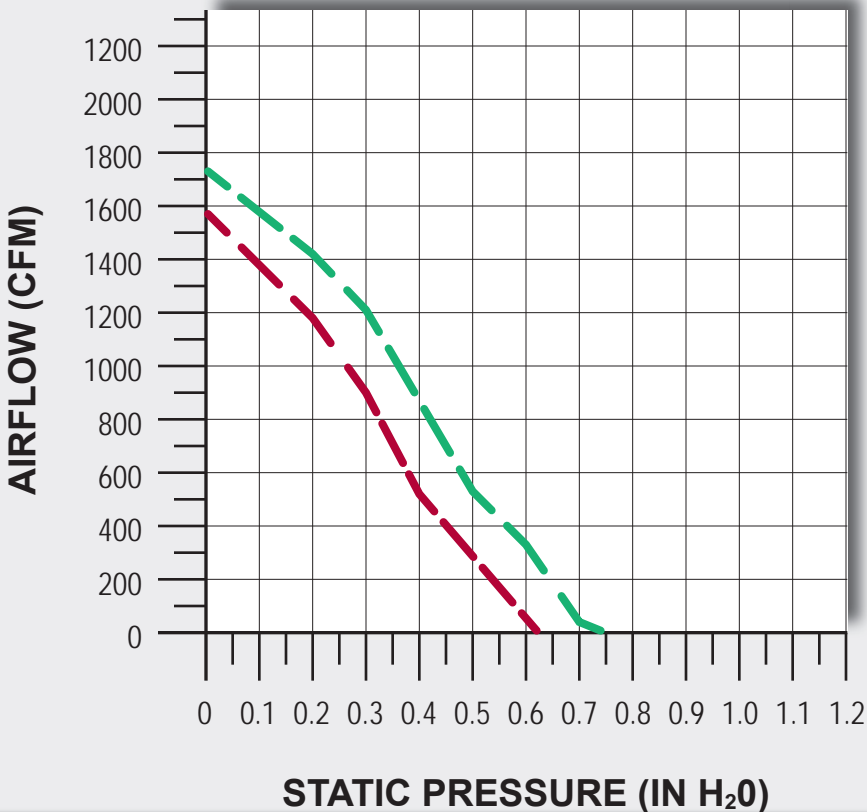
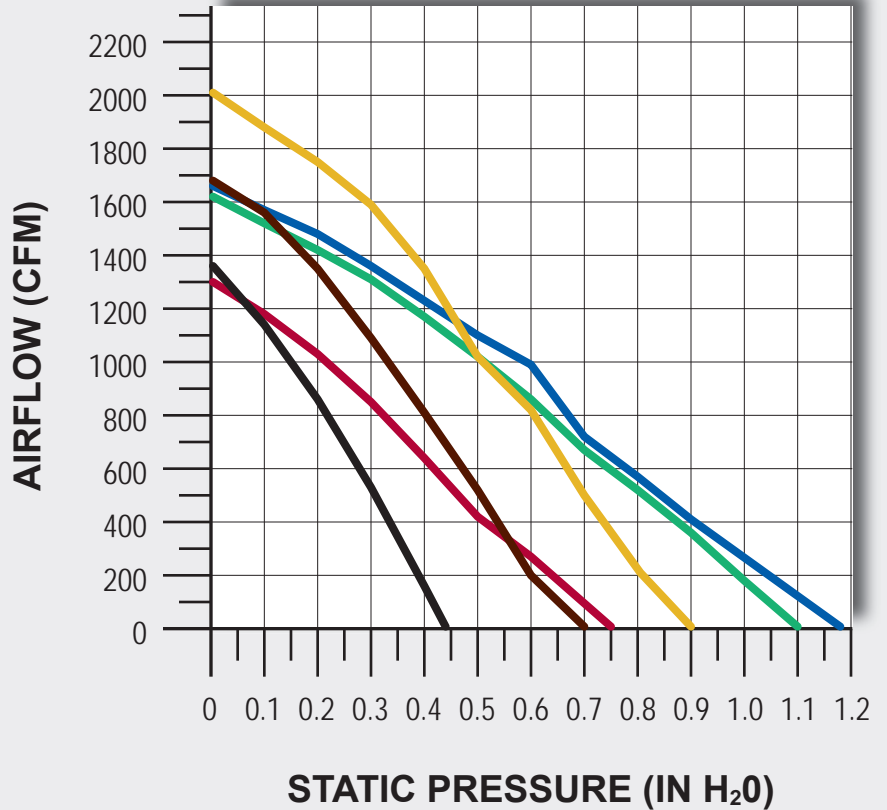
STALL @ 0.67" [17mm] - 7.6 Amps



14" LOW PROFILE

16" [385mm] LOW PROFILE AXIAL FANS

- TA16A1006 / TA16S1006 Pg. 99
- TA16A1003 / TA16S1003 Pg. 100
- TA16A1004 / TA16S1004 Pg. 101
- TA16R2001 Pg. 102
- TA16R2002 Pg. 103
- TA16R2003 Pg. 104

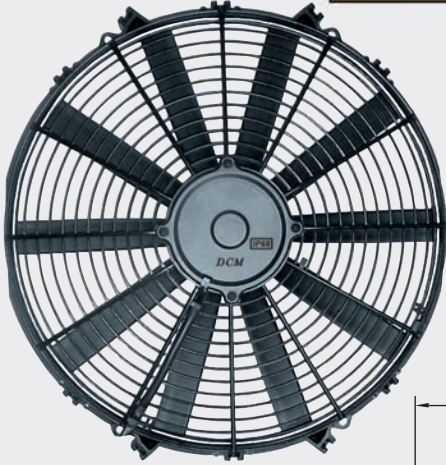


- - - 840025 / 840027 Pg. 105
- - - 840025HP / 840027HP Pg. 106

Optional performances may be available. Please contact DCM at (817) 428-3636 for more information.

FAN DIAMETER
16" [385mm]

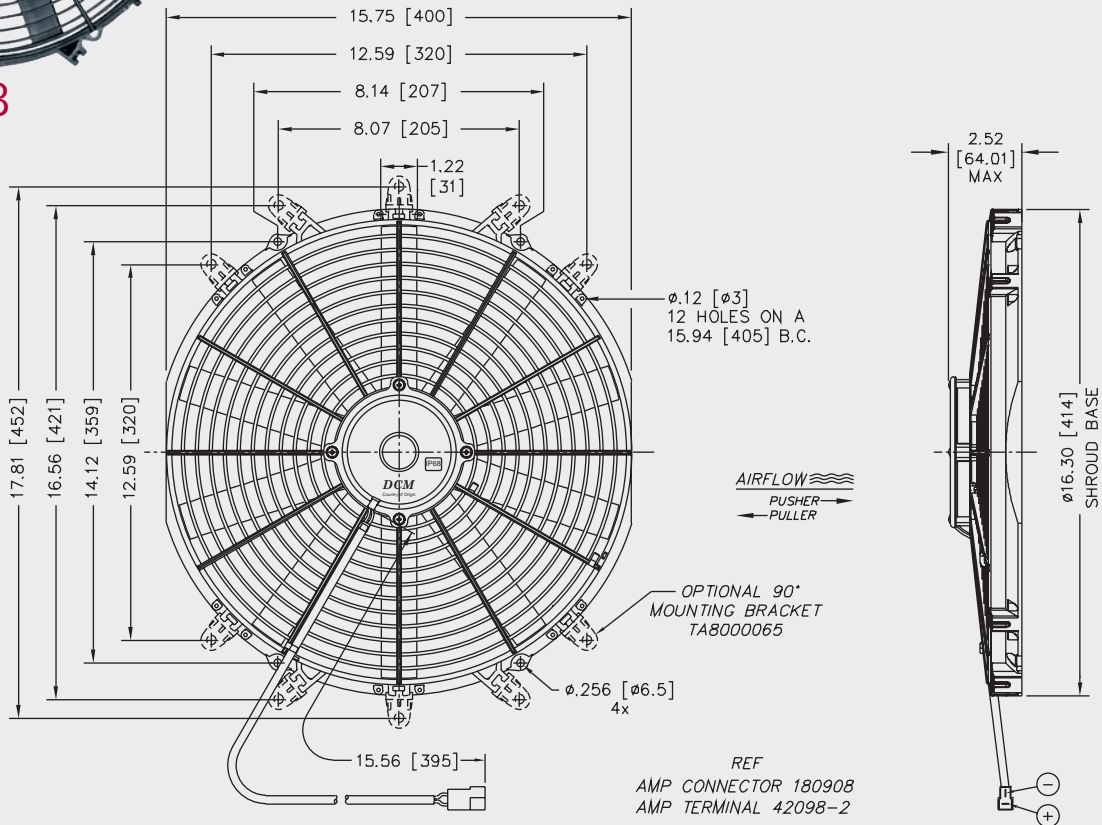
12VDC AXIAL MOTOR FANS



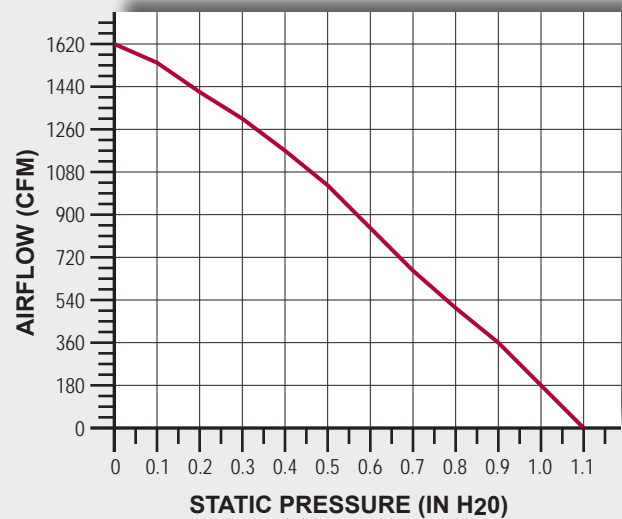
IP68

MODEL INFORMATION

PART#	TYPE	VOLTS	WATTS	BLADE	MATERIAL
TA16A1003	PULLER	12VDC	160W	STRAIGHT	GF NYLON
TA16S1003	PUSHER	12VDC	160W	STRAIGHT	GF NYLON
TB16A1005	PULLER	24VDC	160W	STRAIGHT	GF NYLON
TB16S1005	PUSHER	24VDC	160W	STRAIGHT	GF NYLON



TYPICAL AIR PERFORMANCE @ 13.5VDC 16" 160W STRAIGHT BLADE PULLER/PUSHER FANS				
STATIC PRESSURE IN H ₂ O	STATIC PRESSURE mm H ₂ O	CFM	m ³ /h	Amps
0	0.0	1620	2752	13.7
0.1	2.5	1522	2585	14.4
0.2	5	1418	2409	14.5
0.3	7.5	1307	2221	14.9
0.4	10	1165	1979	14.9
0.5	12.5	1022	1736	15.2
0.6	15	857	1456	15.0
0.7	17.5	665	1164	14.7
0.8	20	515	875	14.7
0.9	22.5	360	612	14.3
1.0	25	176	299	14.0



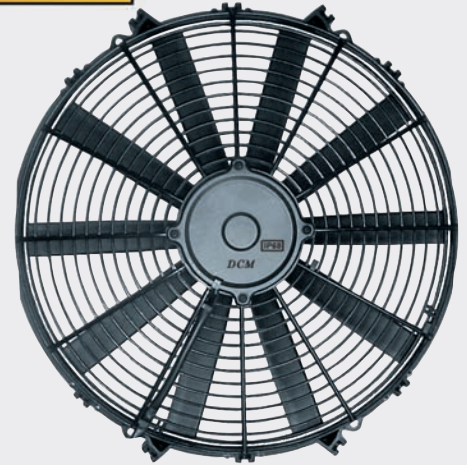
STALL @ 1.1" [27.9mm]

12VDC AXIAL MOTOR FANS

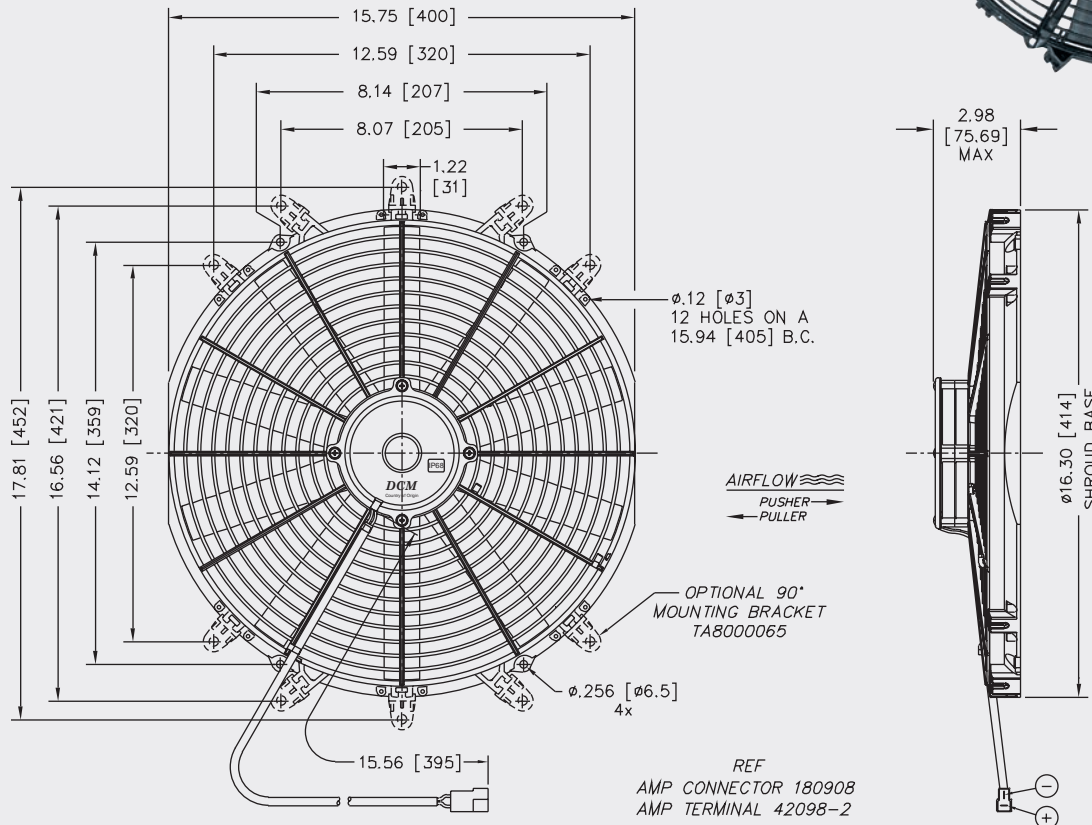
FAN DIAMETER
16" [385mm]

MODEL INFORMATION

PART#	TYPE	VOLTS	WATTS	BLADE	MATERIAL
TA16A1004	PULLER	12VDC	225W	STRAIGHT	GF NYLON
TA16S1004	PUSHER	12VDC	225W	STRAIGHT	GF NYLON
TB16A1004	PULLER	24VDC	225W	STRAIGHT	GF NYLON
TB16S1004	PUSHER	24VDC	225W	STRAIGHT	GF NYLON



IP68

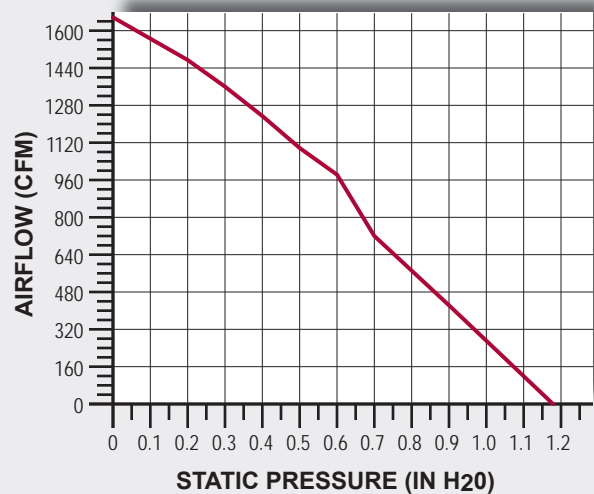


16" LOW PROFILE

TYPICAL AIR PERFORMANCE @ 13.5VDC 16" 225W STRAIGHT BLADE PULLER/PUSHER FANS

STATIC PRESSURE IN H ₂ O	STATIC PRESSURE mm H ₂ O	CFM	m ³ /h	Amps
0	0.0	1662	2824	16.0
0.1	2.5	1572	2671	16.7
0.2	5	1477	2509	16.9
0.3	7.5	1363	2316	17.1
0.4	10	1231	2091	17.4
0.5	12.5	1103	1874	17.3
0.6	15	988	1679	17.5
0.7	17.5	719	1222	16.8
0.8	20	573	974	16.7
0.9	22.5	409	695	16.5

STALL @ 1.18" [30mm]



FAN DIAMETER
16" [385mm]

12VDC AXIAL MOTOR FANS



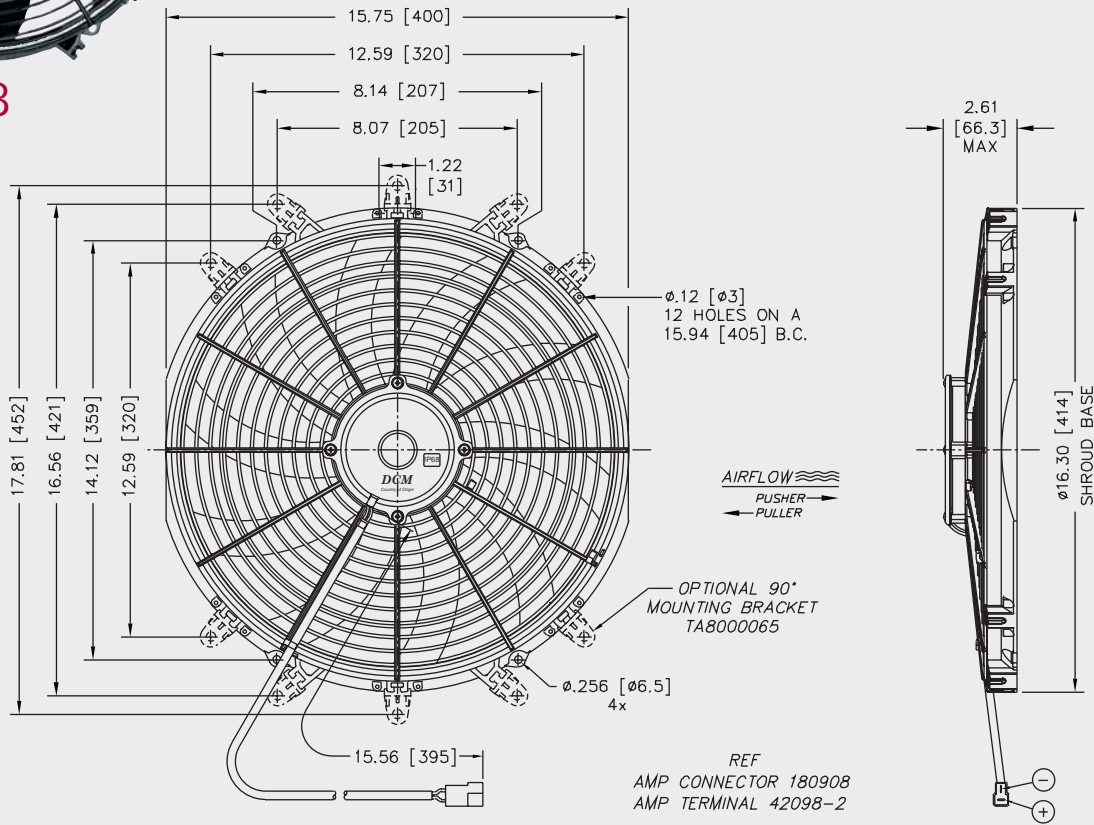
IP68

MODEL INFORMATION

PART#	TYPE*	VOLTS	WATTS	BLADE	MATERIAL
TA16R2001	REVERSIBLE	12VDC	130W	"S"	GF NYLON
TB16R2001	REVERSIBLE	24VDC	130W	"S"	GF NYLON

*SET UP AS PULLER FROM FACTORY

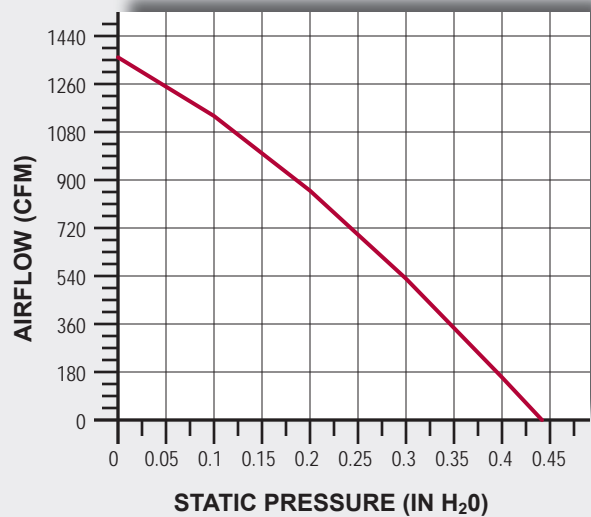
REVERSIBLE



TYPICAL AIR PERFORMANCE @ 13.5VDC 16" 130W "S" BLADE REVERSIBLE FAN

STATIC PRESSURE IN H ₂ O	STATIC PRESSURE mm H ₂ O	CFM	m ³ /h	Amps
0	0.0	1355	2302	6.9
0.1	2.5	1139	1935	7.5
0.2	5	863	1466	7.4
0.3	7.5	534	907	7.2
0.4	10	162	275	7.2

STALL @ 0.44" [11.2mm] - 7.3 Amps



12VDC AXIAL MOTOR FANS

FAN DIAMETER
16" [385mm]

MODEL INFORMATION

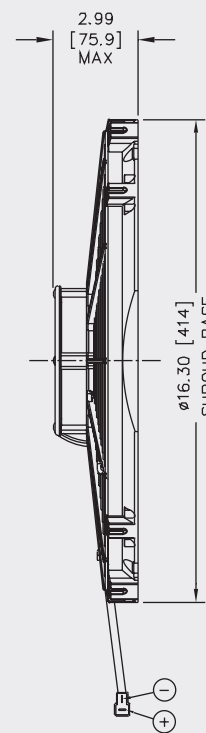
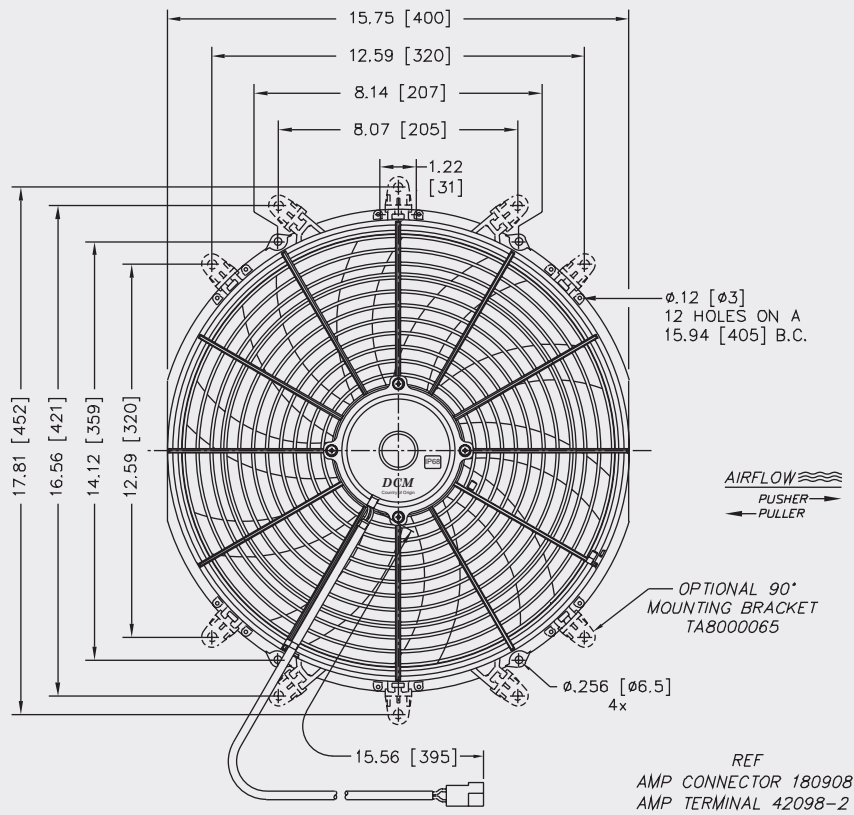
PART#	TYPE*	VOLTS	WATTS	BLADE	MATERIAL
TA16R2002	REVERSIBLE	12VDC	160W	"S"	GF NYLON
TB16R2002	REVERSIBLE	24VDC	160W	"S"	GF NYLON

*SET UP AS PULLER FROM FACTORY

REVERSIBLE



IP68

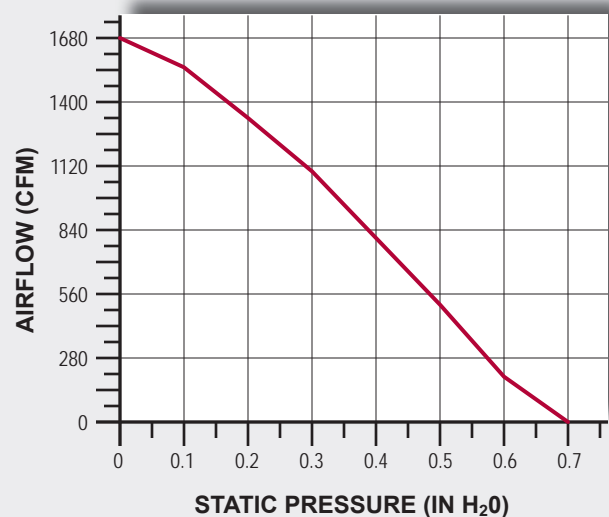


1.6" LOW PROFILE

TYPICAL AIR PERFORMANCE @ 13.5VDC 16" 160W "S" BLADE REVERSIBLE FAN

STATIC PRESSURE IN H ₂ O	STATIC PRESSURE mm H ₂ O	CFM	m ³ /h	Amps
0	0.0	1683	2859	12.3
0.1	2.5	1556	2644	12.8
0.2	5	1348	2290	13.1
0.3	7.5	1093	1857	13.0
0.4	10	812	1380	12.6
0.5	12.5	515	875	12.0
0.6	15	201	341	11.8

STALL @ 0.7" [17.8mm] - 12.1 Amps



FAN DIAMETER
16" [385mm]

12VDC AXIAL MOTOR FANS



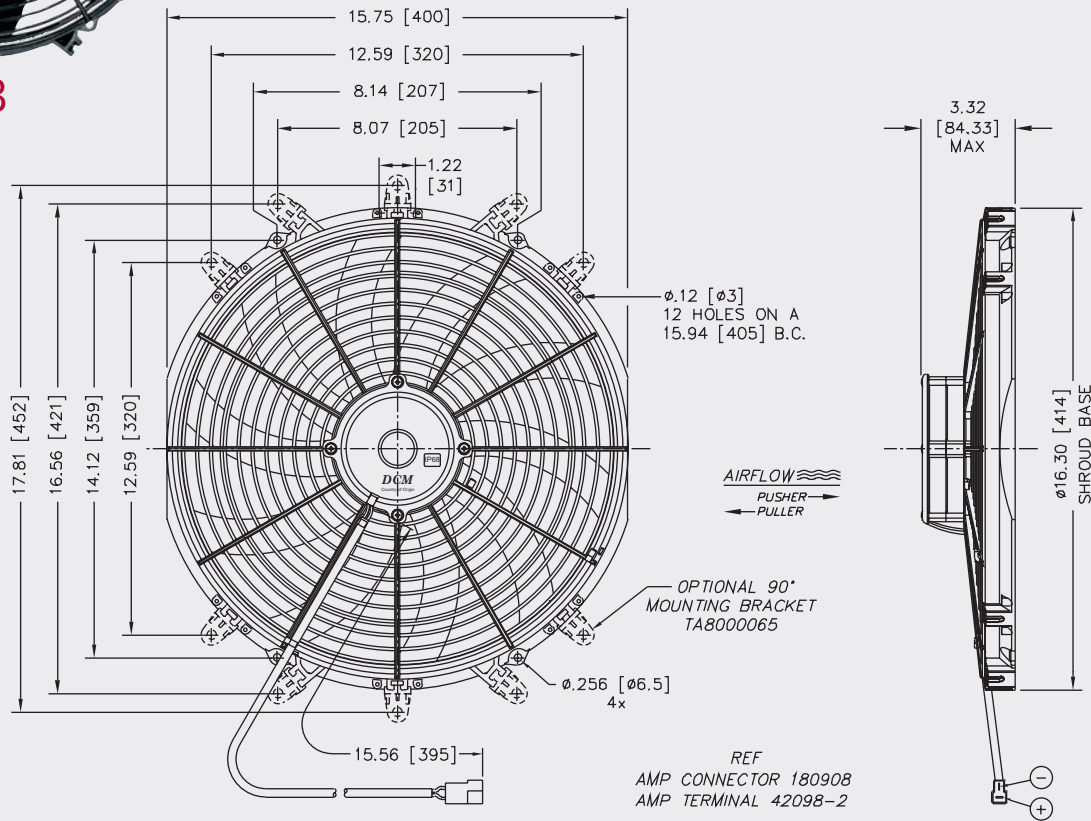
IP68

MODEL INFORMATION

PART#	TYPE*	VOLTS	WATTS	BLADE	MATERIAL
TA16R2003	REVERSIBLE	12VDC	225W	"S"	GF NYLON
TB16R2003	REVERSIBLE	24VDC	225W	"S"	GF NYLON

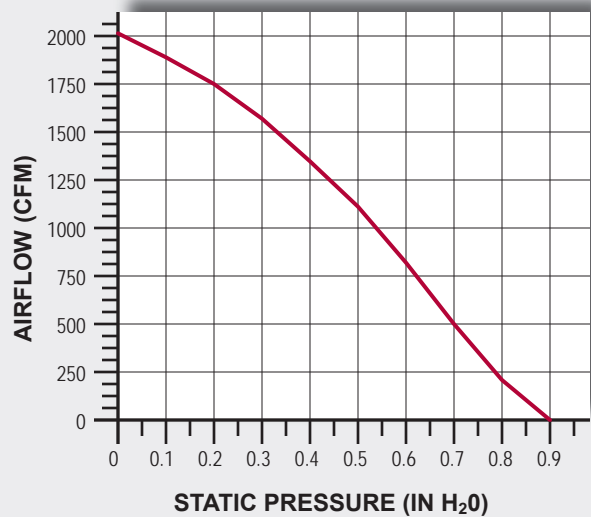
*SET UP AS PULLER FROM FACTORY

REVERSIBLE



TYPICAL AIR PERFORMANCE @ 13.5VDC 16" 225W "S" BLADE REVERSIBLE FAN				
STATIC PRESSURE IN H ₂ O	STATIC PRESSURE mm H ₂ O	CFM	m ³ /h	Amps
0	0.0	2010	3415	17.7
0.1	2.5	1883	3199	18.2
0.2	5	1754	2980	18.8
0.3	7.5	1589	2700	19.0
0.4	10	1354	2300	19.0
0.5	12.5	1118	1899	18.8
0.6	15	824	1400	17.9
0.7	17.5	500	850	17.3
0.8	20	206	350	17.3

STALL @ 0.9" [22.9mm]



12VDC AXIAL MOTOR FANS

FAN DIAMETER
16" [385mm]

MODEL INFORMATION*

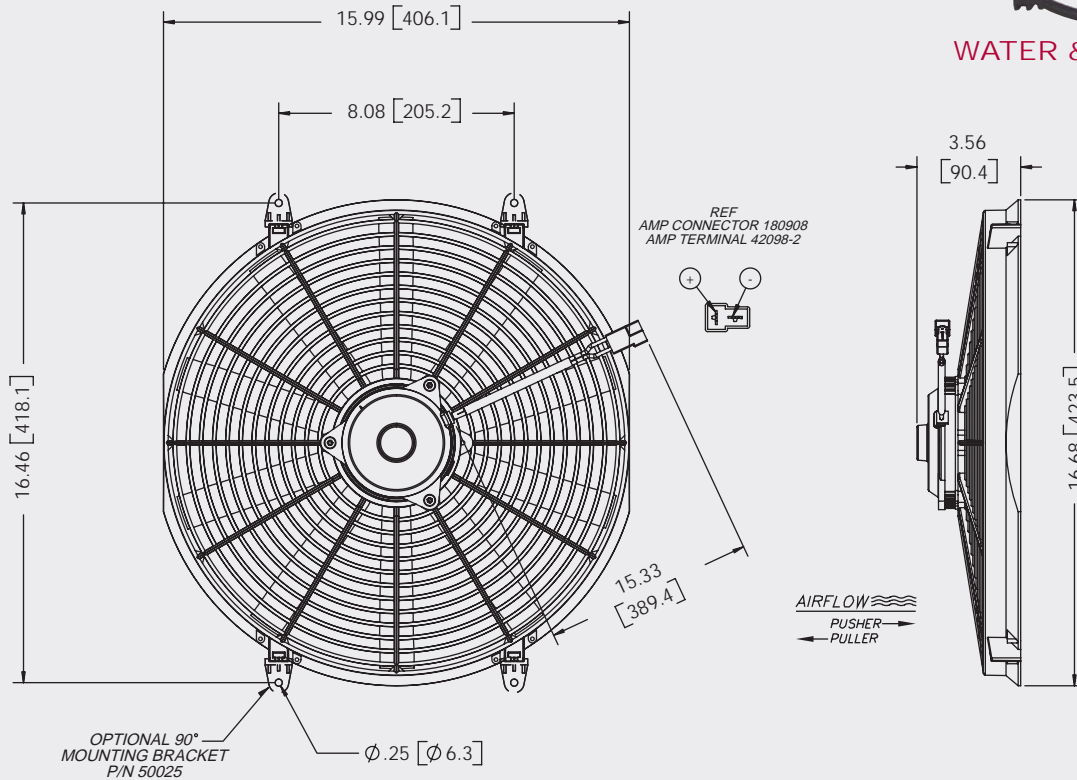
PART#	TYPE	VOLTS	WATTS	BLADE	MATERIAL
840025	PULLER	12VDC	160W	STRAIGHT	MFGF NYLON
840027	PUSHER	12VDC	160W	STRAIGHT	MFGF NYLON

*ALSO AVAILABLE IN 24VDC

REVERSIBLE



WATER & DUST RESISTANT

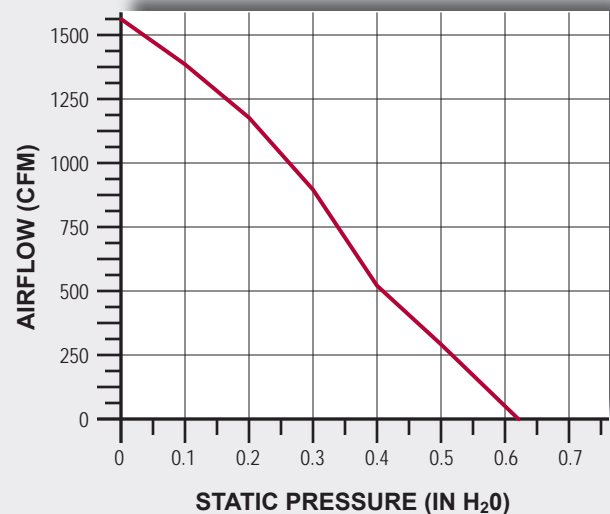


16" LOW PROFILE

TYPICAL AIR PERFORMANCE @ 13.5VDC 16" 160W STRAIGHT BLADE PULLER/PUSHER FANS

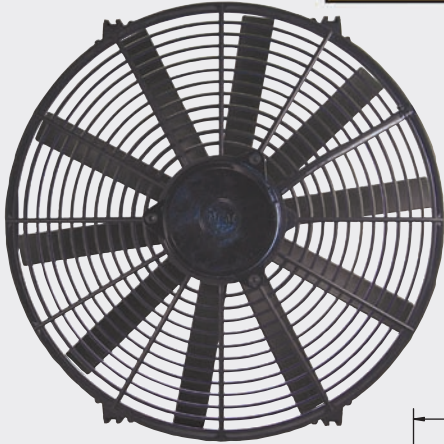
STATIC PRESSURE IN H ₂ O	STATIC PRESSURE mm H ₂ O	CFM	m ³ /h	Amps
0	0.0	1565	2659	11.5
0.1	2.5	1380	2345	11.6
0.2	5	1182	2008	11.7
0.3	7.5	898	1526	11.6
0.4	10	520	883	11.2
0.5	12.5	289	491	11.3
0.6	15	21	36	11.2

STALL @ 0.62" [15.7mm] - 11.2 Amps



FAN DIAMETER
16" [385mm]

12VDC AXIAL MOTOR FANS

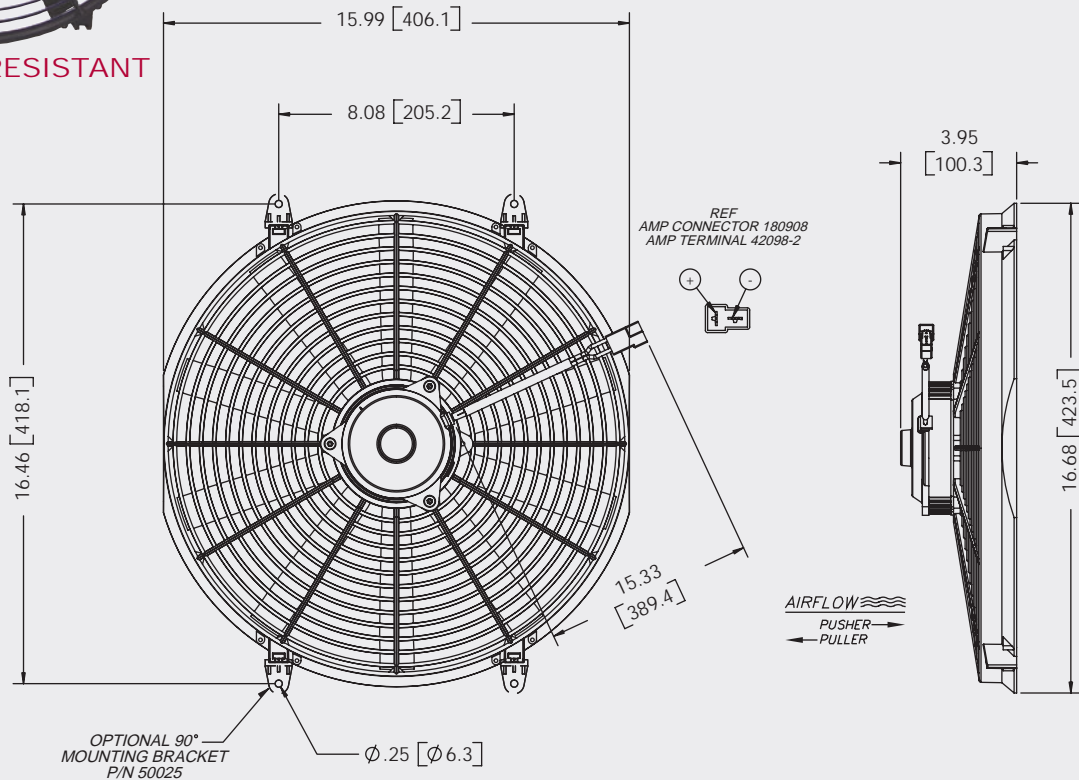


WATER & DUST RESISTANT

MODEL INFORMATION*					
PART#	TYPE	VOLTS	WATTS	BLADE	MATERIAL
840025HP	PULLER	12VDC	225W	STRAIGHT	MFGF NYLON
840027HP	PUSHER	12VDC	225W	STRAIGHT	MFGF NYLON

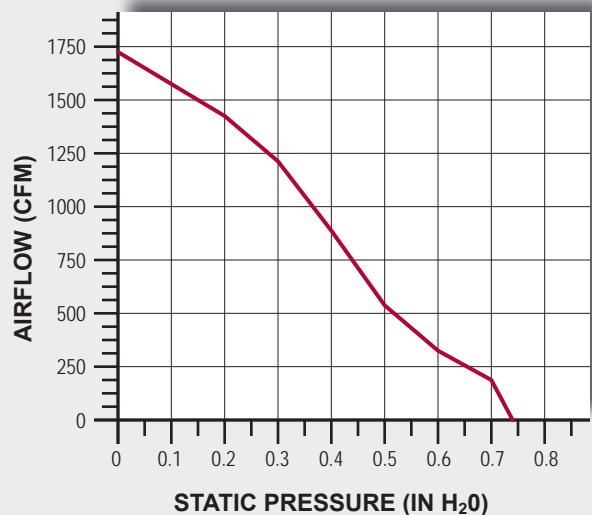
*ALSO AVAILABLE IN 24VDC

REVERSIBLE



TYPICAL AIR PERFORMANCE @ 13.5VDC 16" 225W STRAIGHT BLADE PULLER/PUSHER FANS				
STATIC PRESSURE IN H ₂ O	STATIC PRESSURE mm H ₂ O	CFM	m ³ /h	Amps
0	0.0	1733	2944	12.3
0.1	2.5	1574	2674	12.6
0.2	5	1419	2411	12.7
0.3	7.5	1210	2056	12.6
0.4	10	890	1512	12.3
0.5	12.5	532	904	12.0
0.6	15	330	561	12.0
0.7	17.5	97	165	11.8

STALL @ 0.74" [18.8mm] - 11.8 Amps



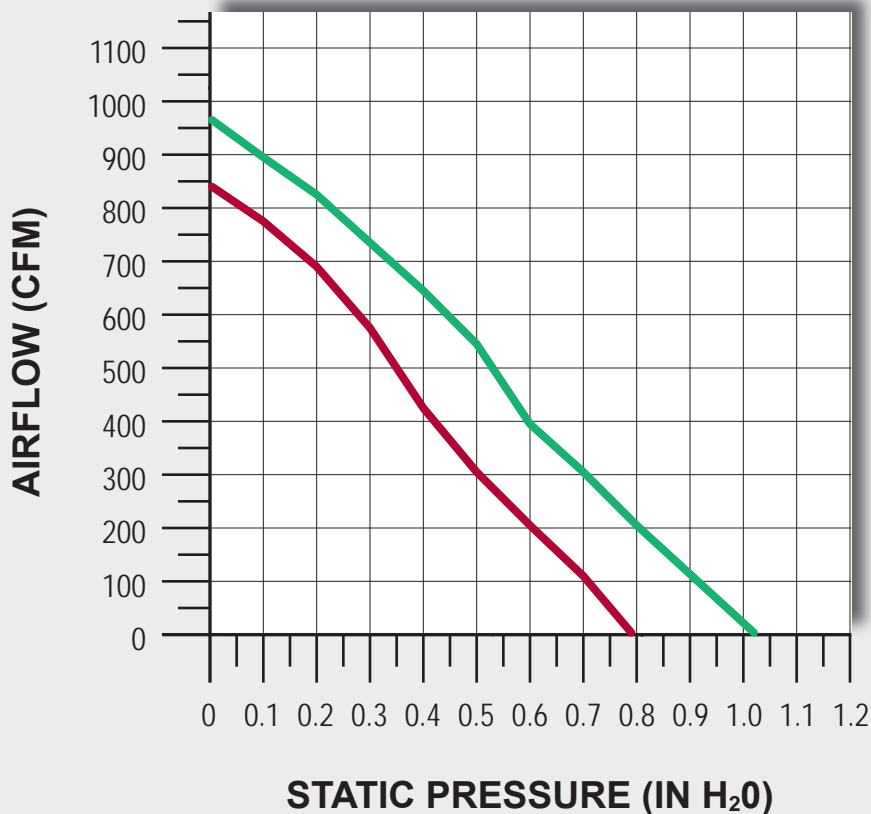
16" [385mm] MEDIUM PROFILE AXIAL FANS

— TA16R6001

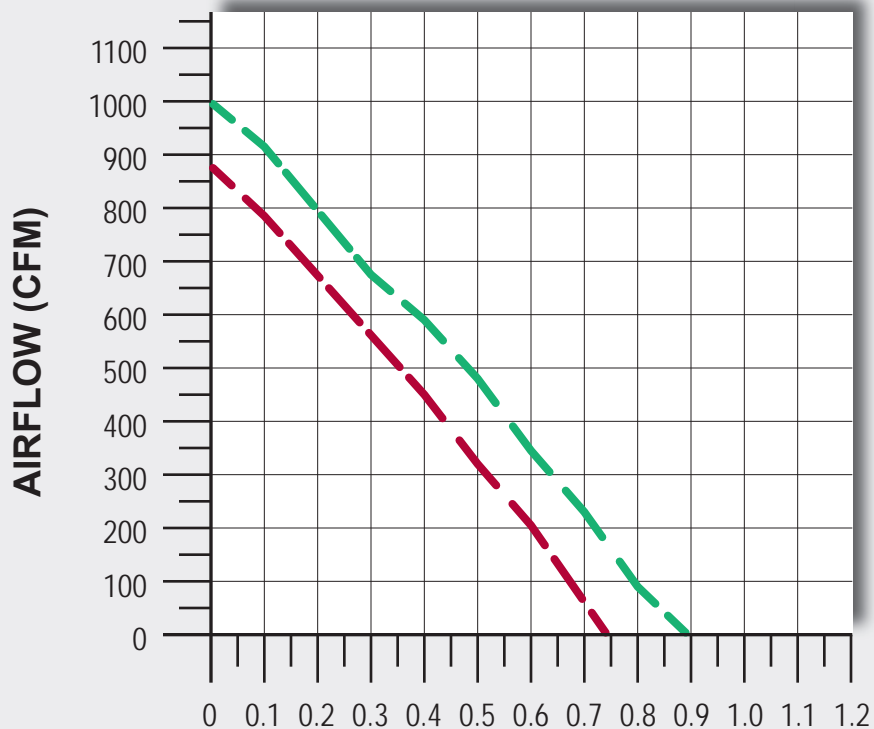
Pg. 108

— TA16R6002

Pg. 109



16" MED PROFILE



— G-4015-A / G-4015-S

Pg. 110

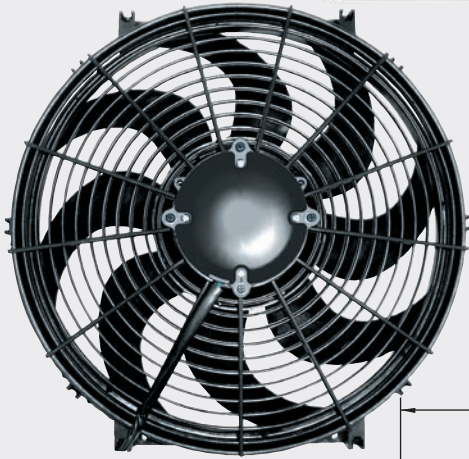
— G-4016-A

Pg. 111

Optional performances may be available. Please contact DCM at (817) 428-3636 for more information.

FAN DIAMETER
16" [385mm]

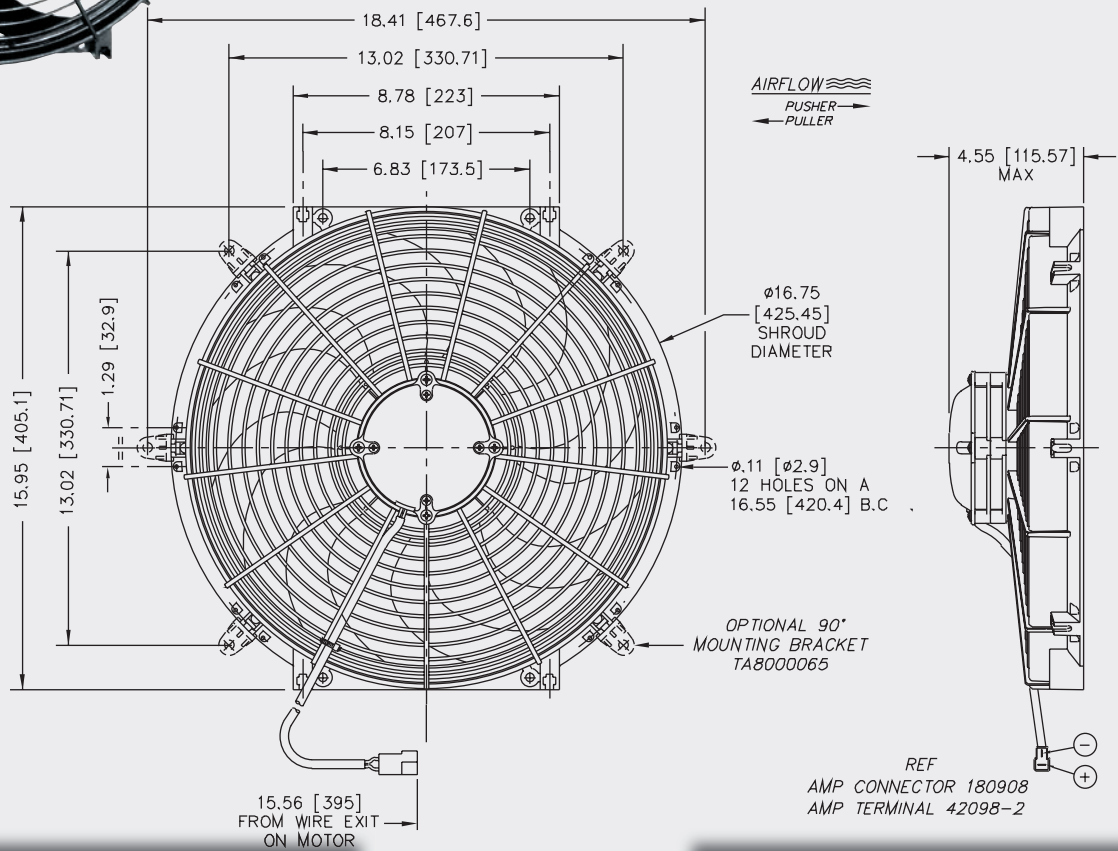
12VDC AXIAL MOTOR FANS



MODEL INFORMATION*

PART#	TYPE**	VOLTS	WATTS	BLADE	MATERIAL
TA16R6001	REVERSIBLE	12VDC	225W	"S"	GF NYLON
*ALSO AVAILABLE IN 24VDC		**SET UP AS PULLER FROM FACTORY			

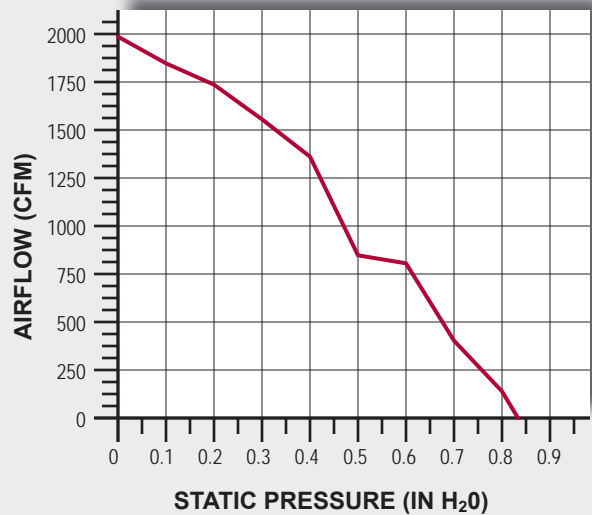
REVERSIBLE



TYPICAL AIR PERFORMANCE @ 13.5VDC 16" 225W "S" BLADE REVERSIBLE FAN

STATIC PRESSURE IN H ₂ O	STATIC PRESSURE mm H ₂ O	CFM	m ³ /h	Amps
0	0.0	1979	3362	17.7
0.1	2.5	1843	3131	18.1
0.2	5	1729	2938	18.0
0.3	7.5	1576	2678	18.3
0.4	10	1360	2311	18.1
0.5	12.5	841	1429	17.2
0.6	15	826	1403	17.1
0.7	17.5	410	697	17.7
0.8	20	155	263	17.9

STALL @ 0.83" [21.1mm] - 18.6 Amps



12VDC AXIAL MOTOR FANS

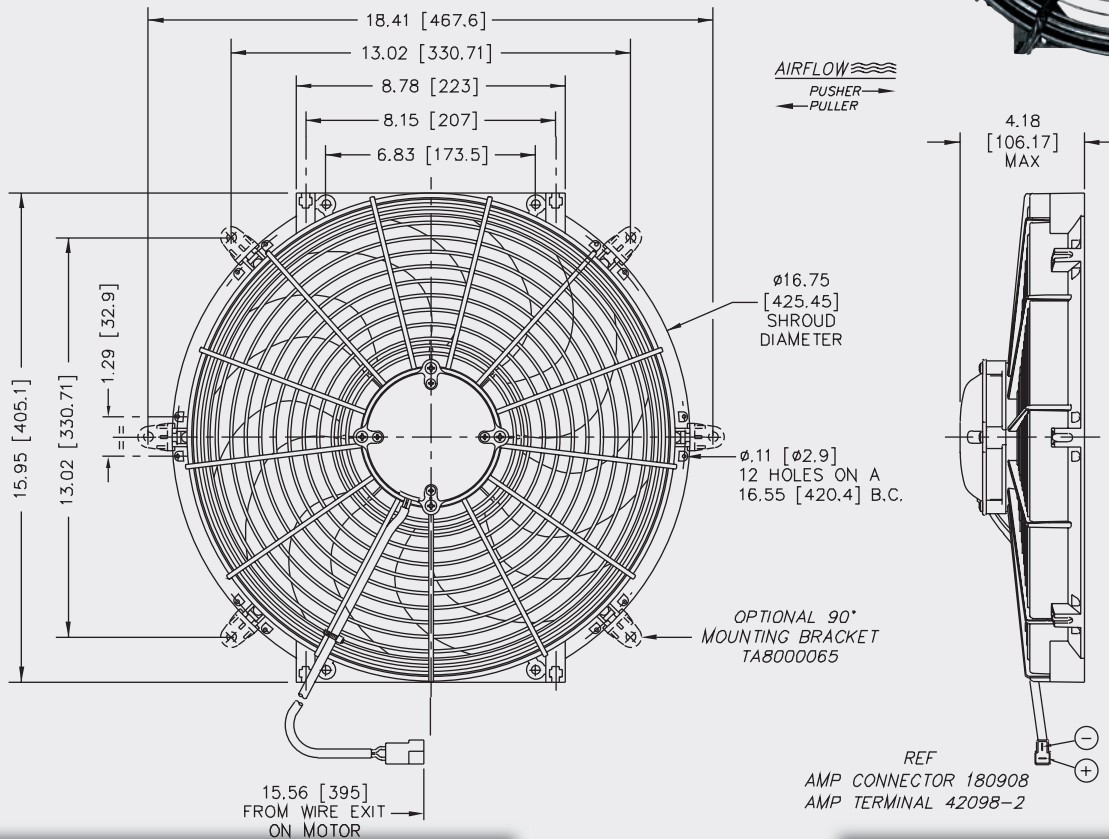
FAN DIAMETER
16" [385mm]

MODEL INFORMATION*

PART#	TYPE**	VOLTS	WATTS	BLADE	MATERIAL
TA16R6002	REVERSIBLE	12VDC	160W	"S"	GF NYLON
*ALSO AVAILABLE IN 24VDC		**SET UP AS PULLER FROM FACTORY			



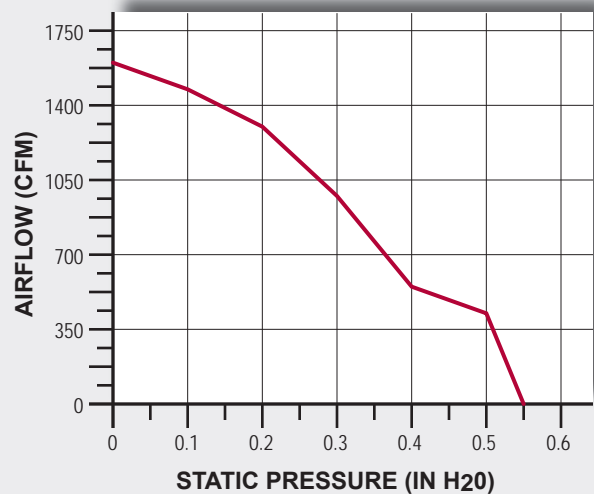
REVERSIBLE



TYPICAL AIR PERFORMANCE @ 13.5VDC 16" 160W "S" BLADE REVERSIBLE FAN

STATIC PRESSURE IN H ₂ O	STATIC PRESSURE mm H ₂ O	CFM	m ³ /h	Amps
0	0.0	1607	2703	12.6
0.1	2.5	1472	2501	12.8
0.2	5	1303	2214	13.1
0.3	7.5	973	1653	12.6
0.4	10	549	933	12.3
0.5	12.5	427	725	12.4

STALL @ 0.55" [14mm] - 13.2 Amps



16" MED PROFILE

FAN DIAMETER
16" [385mm]

12VDC AXIAL MOTOR FANS

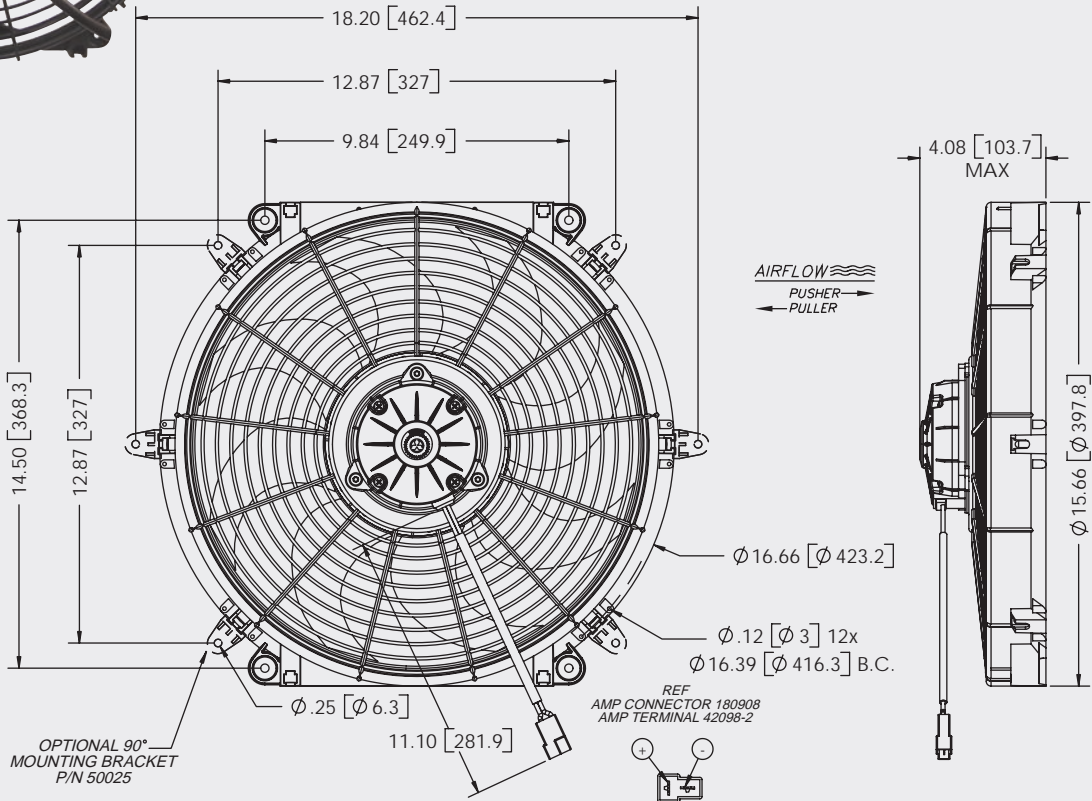


MODEL INFORMATION*

PART#	TYPE	VOLTS	WATTS	BLADE	MATERIAL
G-4015-A	PULLER	12VDC	160W	"S"	MFGF NYLON
G-4015-S	PUSHER	12VDC	160W	"S"	MFGF NYLON

*ALSO AVAILABLE IN 24VDC

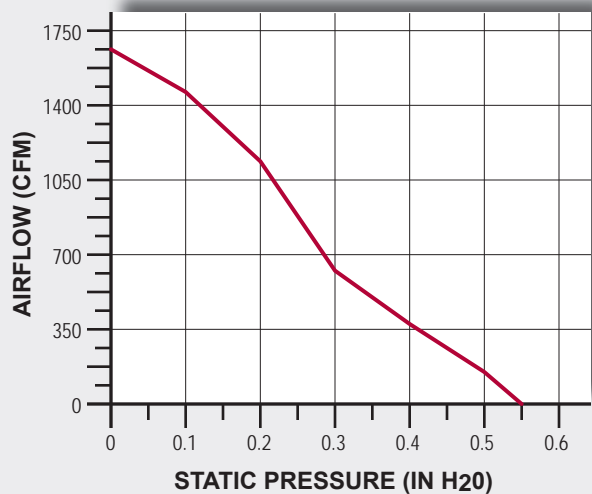
REVERSIBLE



TYPICAL AIR PERFORMANCE @ 13.5VDC 16" 160W "S" BLADE REVERSIBLE FAN

STATIC PRESSURE IN H ₂ O	STATIC PRESSURE mm H ₂ O	CFM	m ³ /h	Amps
0	0.0	1661	2822	15.6
0.1	2.5	1462	2484	15.6
0.2	5	1143	1942	15.6
0.3	7.5	623	1058	15.5
0.4	10	376	639	15.9
0.5	12.5	149	253	16.2

STALL @ 0.55" [14mm] - 16.8 Amps



12VDC AXIAL MOTOR FANS

FAN DIAMETER
16" [385mm]

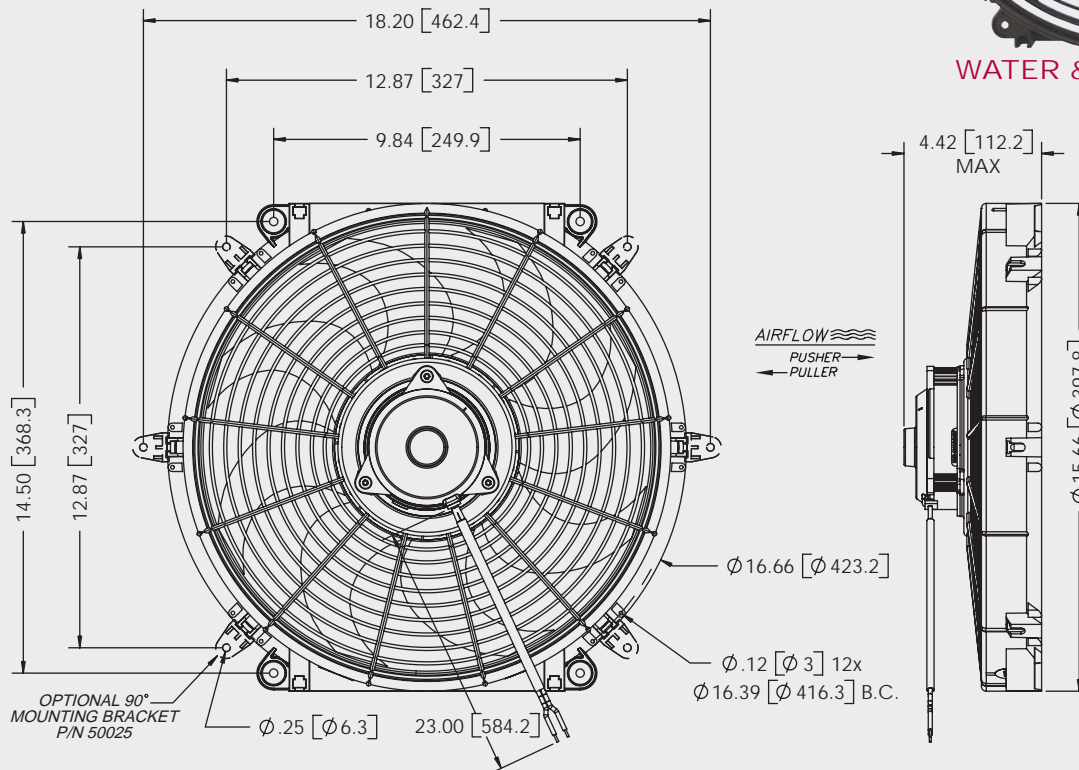
MODEL INFORMATION*

PART#	TYPE**	VOLTS	WATTS	BLADE	MATERIAL
G-4016-A	REVERSIBLE	12VDC	225W	"S"	MFGF NYLON
*ALSO AVAILABLE IN 24VDC		**SET UP AS PULLER FROM FACTORY			



WATER & DUST RESISTANT

REVERSIBLE

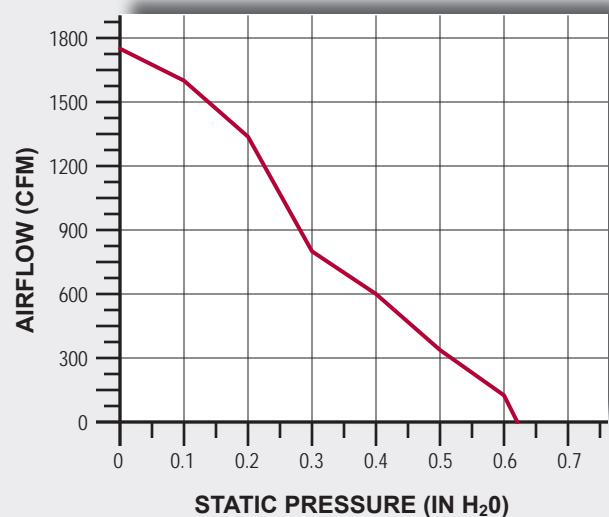


16" MED PROFILE

TYPICAL AIR PERFORMANCE @ 13.5VDC 16" 225W "S" BLADE PULLER/PUSHER FANS

STATIC PRESSURE IN H ₂ O	STATIC PRESSURE mm H ₂ O	CFM	m ³ /h	Amps
0	0.0	1746	2966	12.9
0.1	2.5	1604	2725	13.3
0.2	5	1336	2316	13.3
0.3	7.5	798	1356	12.5
0.4	10	598	1016	13.1
0.5	12.5	343	583	13.1
0.6	15	125	212	13.7

STALL @ 0.67" [17mm] - 14.3 Amps

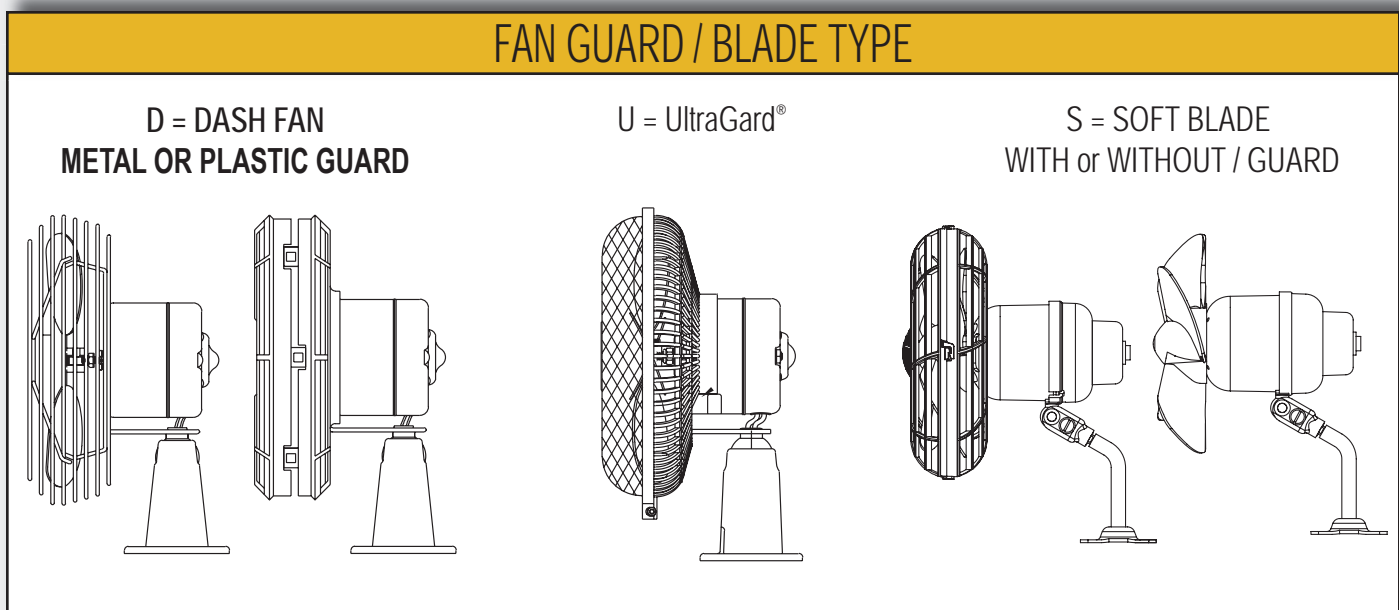


DASH MOUNT FANS - KEY

TAD000035 = DCM MANUFACTURING, INC.

TAD000035 = NOMINAL VOLTAGE (A = 12VDC, B = 24VDC)

TAD000035 = FAN GUARD / BLADE TYPE



TAD000035 = SEQUENTIAL PART NUMBER

DASH MOUNT FANS

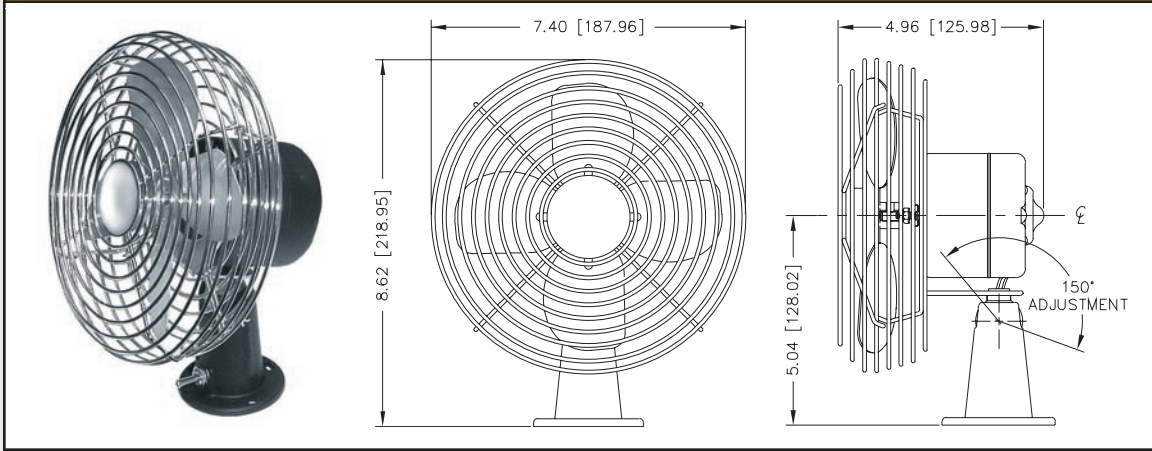


DASH FANS

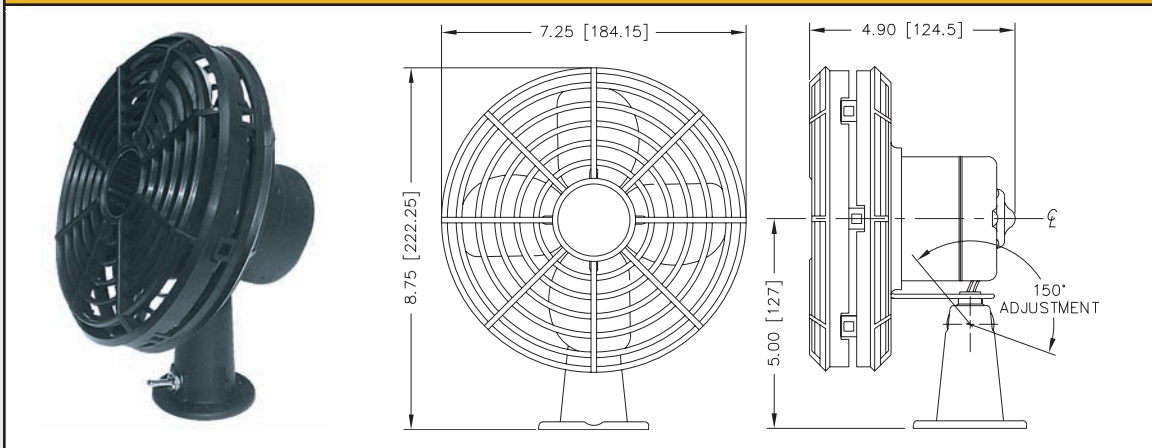
FAN DIAMETER
6.5" [165mm]

DASH MOUNT FANS

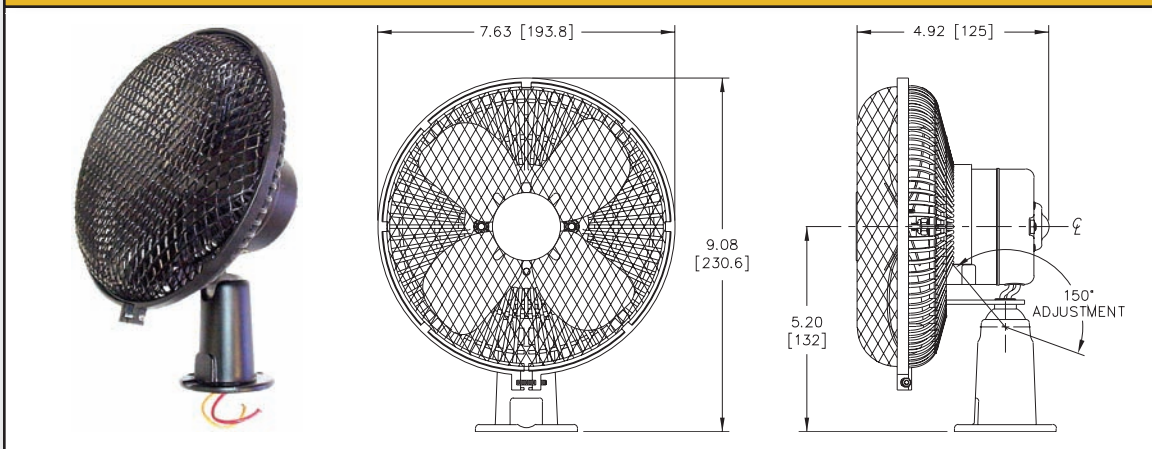
HEAVY DUTY FAN WITH METAL GUARD



HEAVY DUTY FAN WITH PLASTIC GUARD



UltraGard® FANS



DASH MOUNT FANS

FAN DIAMETER
6.5" [165mm]

GUARD OPTIONS



BLACK



CHROME



PLASTIC



UltraGard®

SPECIAL CONTROL OPTIONS



NO SWITCH



TOGGLE



RHEOSTAT

BASE OPTIONS



SQUARE



CHROME ROUND



BLACK ROUND

CUSTOM OPTIONS

- CUSTOM MEDALLION AVAILABLE WITH MINIMUM QUANTITY

GROUNDING OPTIONS

- BASE GROUND
- SEPARATE GROUND WIRE

ALUMINUM BLADE OPTIONS



BLACK



NATURAL

PERFORMANCE OPTIONS

- **2-SPEED HIGH OUTPUT**
HIGH CFM (260 cfm)
LOW CFM (210 cfm)
- **2-SPEED STANDARD OUTPUT**
HIGH CFM (230 cfm)
LOW CFM (130 cfm)

FAN DIAMETER
6.5" [165mm]

SOFT BLADE DASH FANS



WITH GUARD



WITHOUT GUARD

RADIAL BLOWERS - KEY

SAMPLE NUMBER
TA0030003 / BH1400-1

TA0030003 = DCM MANUFACTURING, INC.

TA0030003 = NOMINAL VOLTAGE (A = 12VDC, B = 24VDC, C = 36VDC, D = OTHER)

TA0030003 = MOTOR TYPE (0 = PERMANENT MAGNET, 1 = WOUND FIELD)

TA0030003 = PRODUCT TYPE

PRODUCT TYPE		
00 = TEC2005 = 13" DUAL SCROLL	03 = TEC2006 = 14" DUAL SCROLL	05 = TEC2007 = 16" DUAL SCROLL
13 = TEC2000 = SINGLE SCROLL	14 = TEC2001 = SINGLE SCROLL	15 = TEC2002 = SINGLE SCROLL
16 = TEC2009 = 7.8" SINGLE SCROLL		

TA0030003 = SEQUENTIAL PART NUMBER

BH1400-1 = BLOWER HOUSING

BH1400-1 = PRODUCT TYPE

PRODUCT TYPE		
1100 = 10" DUAL SCROLL	1300 = TEC2005 = 13" DUAL SCROLL	1400 = TEC2006 = 14" DUAL SCROLL
1600 = TEC2007 = 16" DUAL SCROLL	1900 = 19" DUAL SCROLL	4200 = TEC2001 = SINGLE SCROLL
4400 = SINGLE SCROLL	6000 = TEC2000 = SINGLE SCROLL	7800 = TEC2009 = 7.8" SINGLE SCROLL

BH1400-1 = VERSION



12VDC CENTRIFUGAL BLOWERS

**TEC2000 SERIES
SINGLE SCROLL**

MODEL INFORMATION*

PART#	TYPE	VOLTS	WATTS	SPEED	ROTATION**	MATERIAL
TA0130003	SNGL. SQ. OUT.	12VDC	160W	SINGLE	CCW	GF NYLON
TA0130004	SNGL. SQ. OUT.	12VDC	160W	SINGLE	CW	GF NYLON
TA0130014	SNGL. RND. OUT.	12VDC	160W	SINGLE	CCW	GF NYLON
TA0130015	SNGL. RND. OUT.	12VDC	160W	SINGLE	CW	GF NYLON

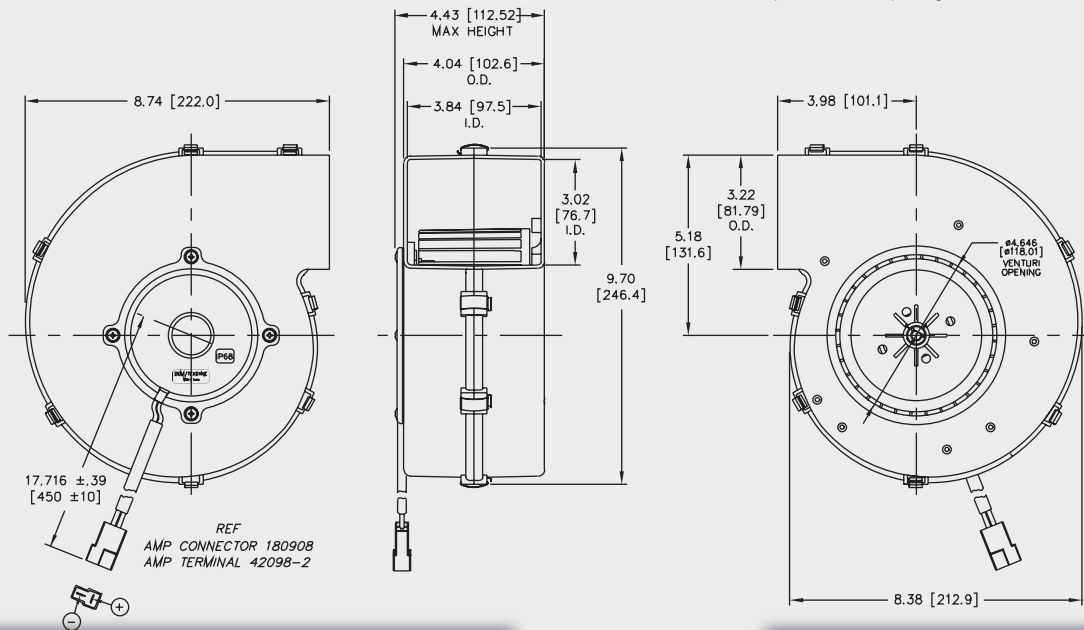
*ALSO AVAILABLE IN 24VDC

**CCW MODEL SHOWN; CW UNIT IS MIRROR BUILD



Optional round opening available. Please call DCM at (817)428-3636 for drawing.

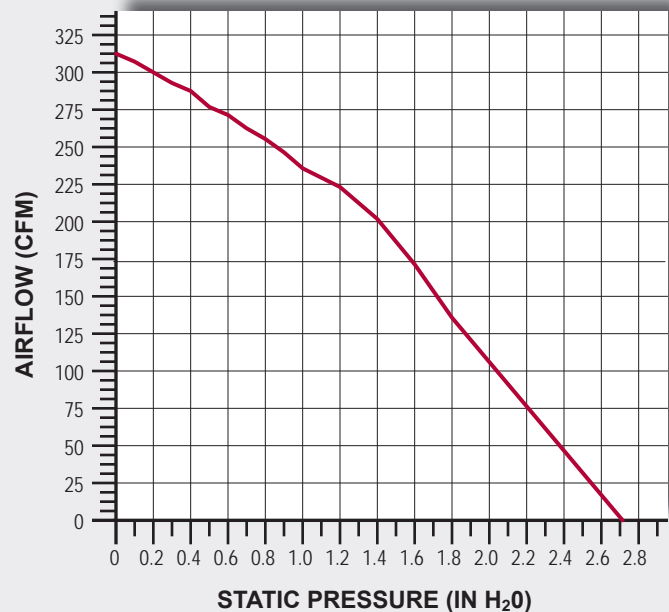
IP68



TYPICAL AIR PERFORMANCE @ 13.5VDC TEC2000 SINGLE SPEED SINGLE SCROLL BLOWER

STATIC PRESSURE IN H ₂ O	STATIC PRESSURE mm H ₂ O	CFM	m ³ /h	Amps
0	0.0	312	530	13.3
0.1	2.5	308	523	13.3
0.2	5	300	508	13.1
0.3	7.5	293	498	12.9
0.4	10	287	488	12.7
0.5	12.5	276	469	12.6
0.6	15	272	462	12.5
0.7	17.5	262	445	12.3
0.8	20	256	435	11.9
0.9	22.5	247	420	11.7
1.0	25	236	401	11.5
1.2	30	223	379	10.9
1.4	35	201	341	10.2
1.6	40	172	292	9.3
1.8	45	135	229	8.2

STALL @ 2.71" [68.8mm]

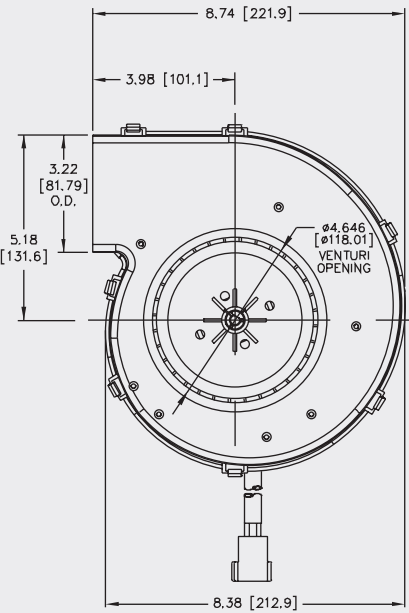
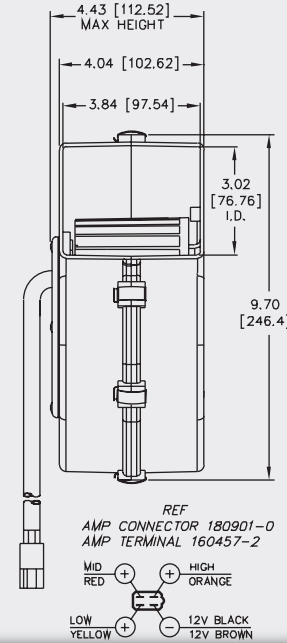
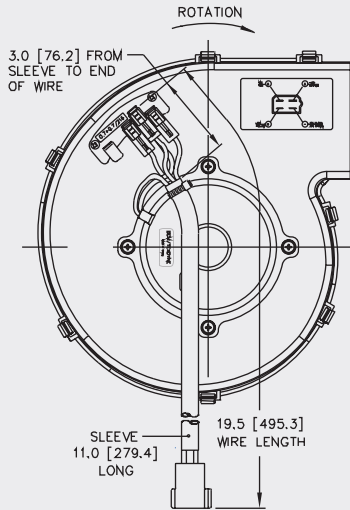


TEC2000 / BH6000

12VDC CENTRIFUGAL BLOWERS



IP68



MODEL INFORMATION*

PART#	TYPE	VOLTS	WATTS	SPEEDS	ROTATION**	MATERIAL
TA0130006	SINGLE SCROLL	12VDC	160W	3 (HI MED LO)	CW	GF NYLON
TA0130007	SINGLE SCROLL	12VDC	160W	3 (HI MED LO)	CCW	GF NYLON

*ALSO AVAILABLE IN 24VDC **CCW MODEL SHOWN; CW UNIT IS MIRROR BUILD

TYPICAL AIR PERFORMANCE @ 13.5VDC TEC2000 SINGLE SCROLL BLOWER HI SPEED				
STATIC PRESSURE IN H ₂ O	STATIC PRESSURE mm H ₂ O	CFM	m ³ /h	Amps
0	0.0	313	532	12.8
0.1	2.5	303	515	12.6
0.2	5	299	508	12.5
0.3	7.5	294	496	12.4
0.4	10	288	489	12.2
0.5	12.5	280	476	12.2
0.6	15	269	457	11.8
0.7	17.5	264	449	11.4
0.8	20	253	430	11.2
0.9	22.5	242	411	11.0
1.0	25	233	396	10.7
1.2	30	213	362	10.1
1.4	35	187	318	9.3
1.6	40	157	267	8.4
1.8	45	113	192	7.2

TYPICAL AIR PERFORMANCE @ 13.5VDC TEC2000 SINGLE SCROLL BLOWER MED SPEED				
STATIC PRESSURE IN H ₂ O	STATIC PRESSURE mm H ₂ O	CFM	m ³ /h	Amps
0	0.0	213	362	6.5
0.1	2.5	204	347	6.4
0.2	5	196	316	6.3
0.3	7.5	186	316	6.2
0.4	10	176	299	6.1
0.5	12.5	163	277	5.9
0.6	15	152	258	5.7
0.7	17.5	137	233	5.4
0.8	20	127	216	5.3
0.9	22.5	110	187	5.0
1.0	25	90	153	4.7

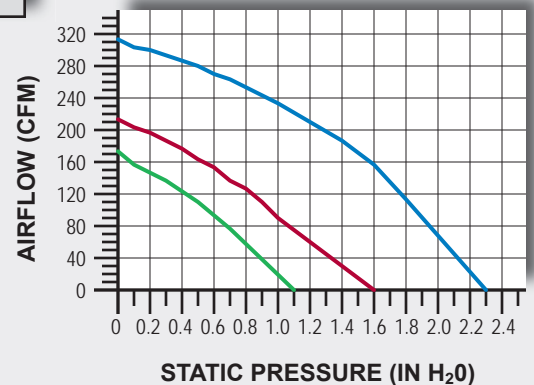
TYPICAL AIR PERFORMANCE @ 13.5VDC TEC2000 SINGLE SCROLL BLOWER LO SPEED				
STATIC PRESSURE IN H ₂ O	STATIC PRESSURE mm H ₂ O	CFM	m ³ /h	Amps
0	0.0	171	291	4.4
0.1	2.5	158	268	4.3
0.2	5	147	250	4.3
0.3	7.5	137	233	4.2
0.4	10	122	207	4.0
0.5	12.5	110	187	3.9
0.6	15	93	158	3.7
0.7	17.5	75	127	3.6

STALL @ 1.6" [40.6mm]

STALL @ 1.1" [27.9mm]

STALL @ 2.3" [58.4mm]

— HI SPEED
— MED SPEED
— LO SPEED

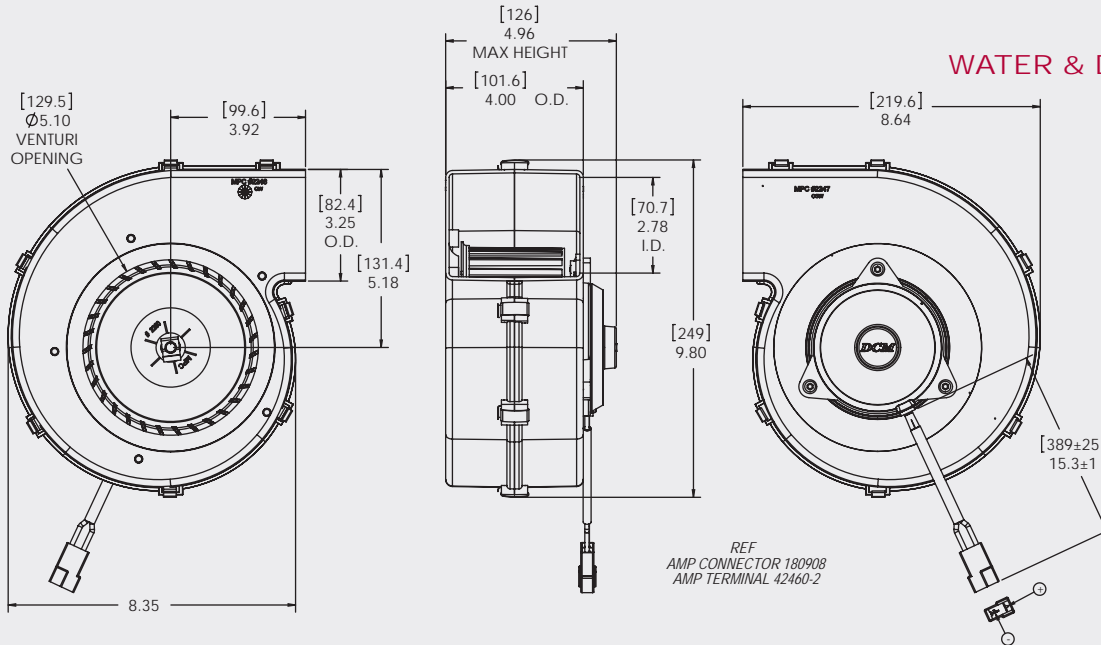


12VDC CENTRIFUGAL BLOWERS

**BH6000 SERIES
SINGLE SCROLL**

MODEL INFORMATION*

PART#	TYPE	VOLTS	WATTS	SPEED	ROTATION**	MATERIAL
2246-A-12	SINGLE SCROLL	12VDC	160W	SINGLE	CW	MFGF NYLON
*ALSO AVAILABLE IN 24VDC		**CW MODEL SHOWN; CCW UNIT IS MIRROR BUILD				

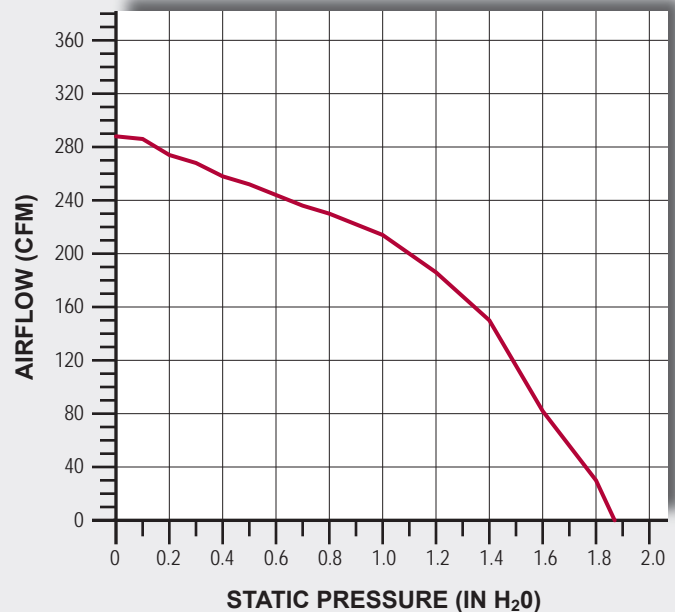


WATER & DUST RESISTANT

TYPICAL AIR PERFORMANCE @ 13.5VDC BH6000 SINGLE SPEED SINGLE SCROLL BLOWER

STATIC PRESSURE IN H ₂ O	STATIC PRESSURE mm H ₂ O	CFM	m ³ /h	Amps
0	0.0	288	489	10.0
0.1	2.5	285	484	9.9
0.2	5	273	464	9.7
0.3	7.5	267	454	9.6
0.4	10	258	438	9.4
0.5	12.5	251	426	9.2
0.6	15	243	413	9.0
0.7	17.5	236	401	8.9
0.8	20	229	389	8.7
0.9	22.5	221	375	8.5
1.0	25	213	362	8.2
1.2	30	185	314	7.5
1.4	35	150	255	6.7
1.6	40	83	141	5.3
1.8	45	30	51	4.6

STALL @ 1.87" [47.5mm] – 4.5 Amps

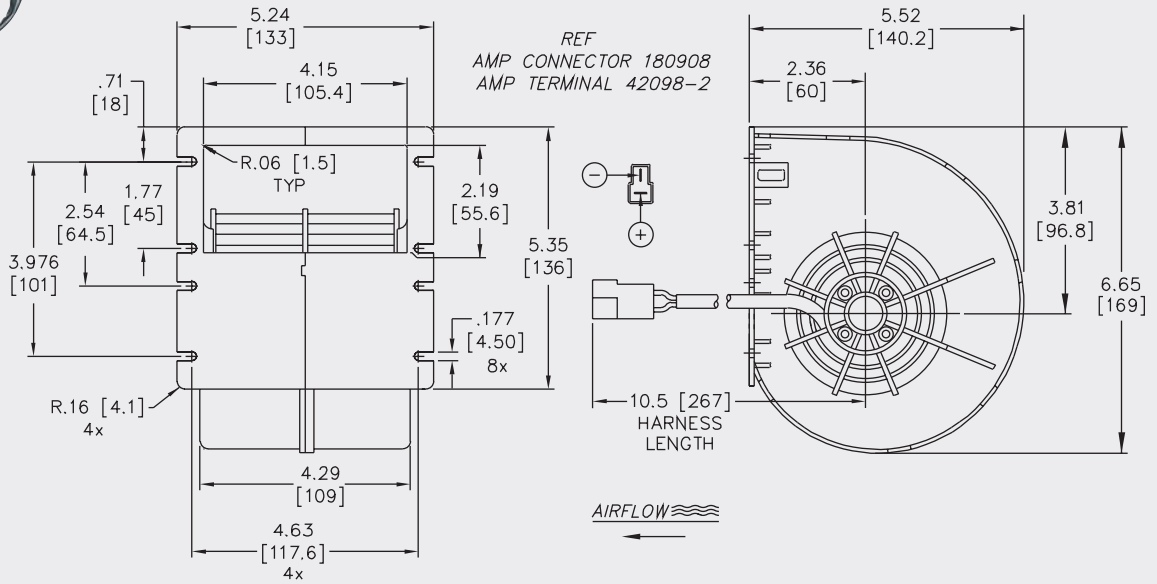


TEC2000 / BH6000

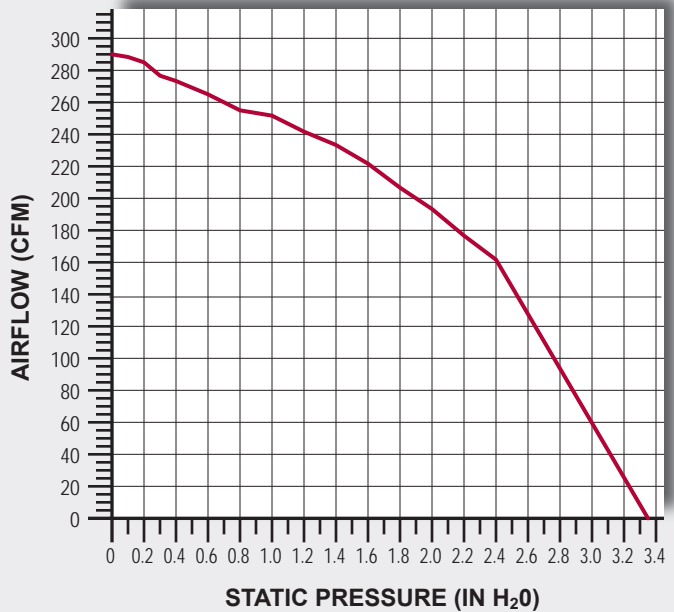
• 12VDC CENTRIFUGAL BLOWERS



MODEL INFORMATION					
PART#	TYPE	VOLTS	WATTS	SPEED	MATERIAL
TA0140002	SINGLE SCROLL	12VDC	160W	SINGLE	GF NYLON
TB0140001		24VDC	160W	SINGLE	GF NYLON



TYPICAL AIR PERFORMANCE @ 13.5VDC TEC2001 SINGLE SPEED SINGLE SCROLL BLOWER				
STATIC PRESSURE IN H ₂ O	STATIC PRESSURE mm H ₂ O	CFM	m ³ /h	Amps
0	0.0	290	493	15.5
0.1	2.5	288	489	15.4
0.2	5	285	484	15.3
0.3	7.5	277	471	15.1
0.4	10	273	463	14.8
0.6	15	265	450	14.5
0.8	20	255	433	14.2
1.0	25	252	428	13.9
1.2	30	241	409	13.6
1.4	35	233	396	13.3
1.6	40	221	375	12.8
1.8	45	211	358	12.3
2.0	50	193	328	11.6
2.2	55	176	299	10.9
2.4	60	161	274	10.3



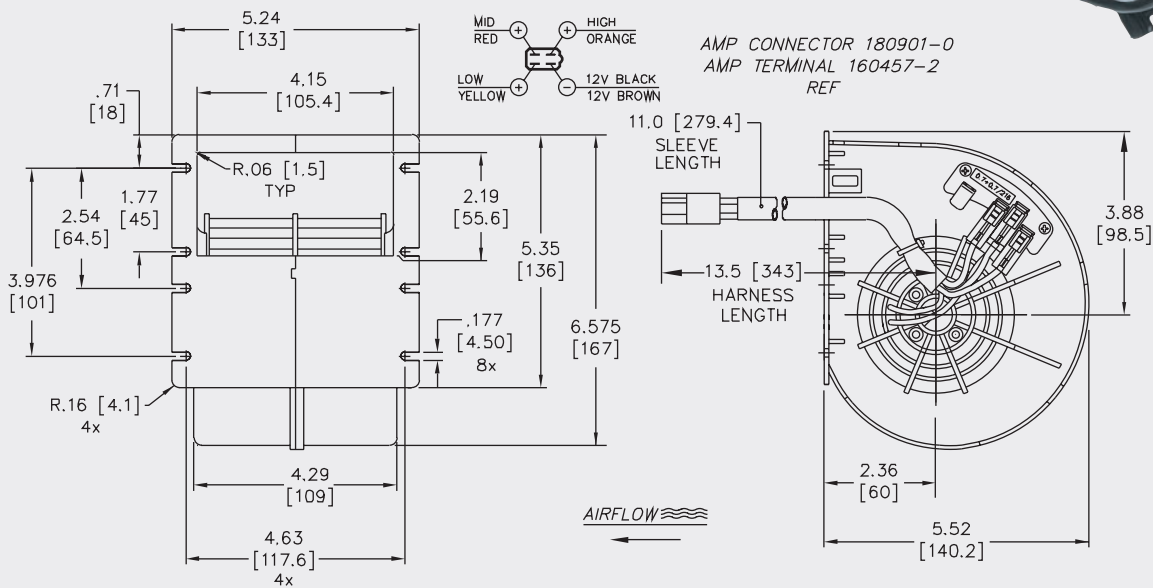
STALL @ 3.37" [85.6mm] – 5.7 Amps

12VDC CENTRIFUGAL BLOWERS

**TEC2001 SERIES
SINGLE SCROLL**

MODEL INFORMATION

PART#	TYPE	VOLTS	SPEEDS	MATERIAL
TA0140004	SINGLE SCROLL	12VDC	3 (HI MED LO)	GF NYLON
TB0140002	SINGLE SCROLL	24VDC	3 (HI MED LO)	GF NYLON



TYPICAL AIR PERFORMANCE @ 13.5VDC TEC2001 SINGLE SCROLL BLOWER HI SPEED

STATIC PRESSURE IN H ₂ O	STATIC PRESSURE mm H ₂ O	CFM	m ³ /h	Amps
0	0.0	277	471	15.3
0.1	2.5	273	464	15.1
0.2	5	270	459	14.9
0.3	7.5	264	449	14.8
0.4	10	259	440	14.5
0.5	12.5	256	435	14.3
0.6	15	254	432	14.2
0.7	17.5	247	420	14.1
0.8	20	244	415	13.9
0.9	22.5	238	404	13.8
1.0	25	234	398	13.5
1.2	30	226	384	13.1
1.4	35	213	362	12.7
1.6	40	206	350	12.4
1.8	45	191	325	11.9
2.0	50	176	299	11.4
2.4	60	146	248	10.2
2.2	55	161	274	10.8

STALL @ 3.26" [82.8mm]

TYPICAL AIR PERFORMANCE @ 13.5VDC TEC2001 SINGLE SCROLL BLOWER MED SPEED

STATIC PRESSURE IN H ₂ O	STATIC PRESSURE mm H ₂ O	CFM	m ³ /h	Amps
0	0.0	182	309	8.1
0.1	2.5	178	302	8.2
0.2	5	172	292	8.3
0.3	7.5	165	280	8.2
0.4	10	155	263	8.3
0.5	12.5	152	258	8.4
0.6	15	141	240	8.4
0.7	17.5	138	234	8.5
0.8	20	129	219	8.6
1.0	25	113	192	8.9
1.2	30	98	167	9.1

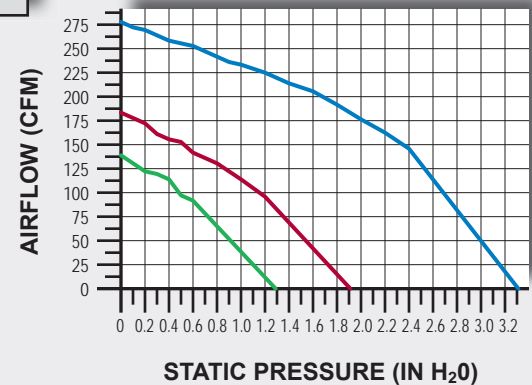
STALL @ 1.9" [48.3mm]

TYPICAL AIR PERFORMANCE @ 13.5VDC TEC2001 SINGLE SCROLL BLOWER LO SPEED

STATIC PRESSURE IN H ₂ O	STATIC PRESSURE mm H ₂ O	CFM	m ³ /h	Amps
0	0.0	138	234	5.8
0.1	2.5	131	223	6.1
0.2	5	123	209	6.2
0.3	7.5	119	202	6.3
0.4	10	112	190	6.4
0.5	12.5	97	165	6.7
0.6	15	90	153	6.8

STALL @ 1.3" [33mm]

— HI SPEED
— MED SPEED
— LO SPEED

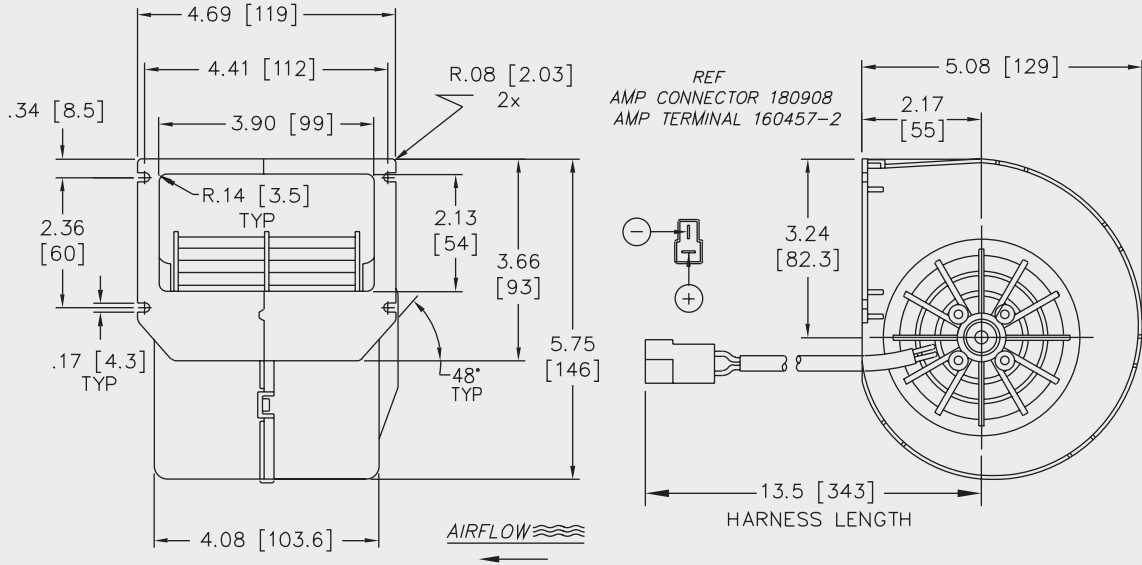


TEC2001

12VDC CENTRIFUGAL BLOWERS

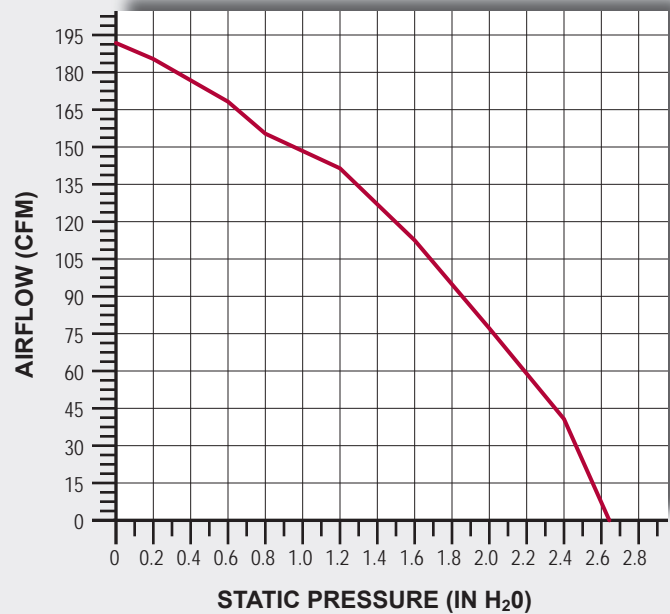


MODEL INFORMATION*				
PART#	TYPE	VOLTS	SPEEDS	MATERIAL
TA0150002	SINGLE SCROLL	12VDC	SINGLE	GF NYLON
TB0150002	SINGLE SCROLL	24VDC	SINGLE	GF NYLON



TYPICAL AIR PERFORMANCE @ 13.5VDC TEC2002 SINGLE SPEED SINGLE SCROLL BLOWER				
STATIC PRESSURE IN H ₂ O	STATIC PRESSURE mm H ₂ O	CFM	m ³ /h	Amps
0	0.0	192	326	10.0
0.2	5	186	316	9.8
0.4	10	177	301	9.5
0.6	15	168	285	9.2
0.8	20	156	264	9.0
1.2	30	142	240	8.5
1.6	40	112	190	7.5
2.0	50	77	131	6.3
2.4	60	41	70	5.2

STALL @ 2.64" [67.1mm]

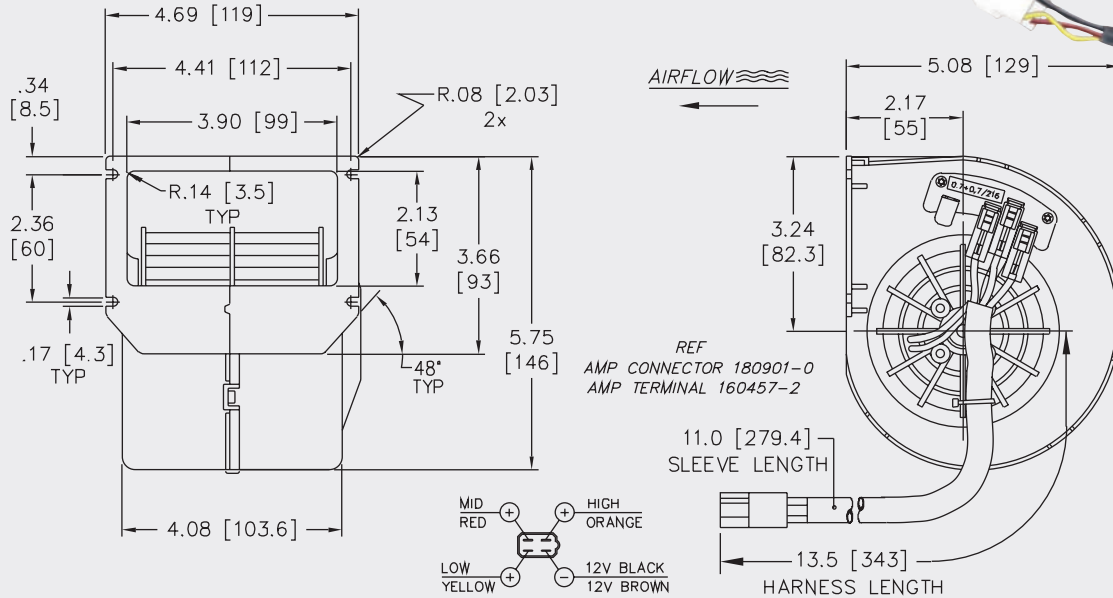


12VDC CENTRIFUGAL BLOWERS

**TEC2002 SERIES
SINGLE SCROLL**

MODEL INFORMATION*

PART#	TYPE	VOLTS	SPEEDS	MATERIAL
TA0150001	SINGLE SCROLL	12VDC	3 (HI MED LO)	GF NYLON
TB0150001	SINGLE SCROLL	24VDC	3 (HI MED LO)	GF NYLON



TYPICAL AIR PERFORMANCE @ 13.5VDC TEC2002 SINGLE SCROLL BLOWER HI SPEED

STATIC PRESSURE IN H ₂ O	STATIC PRESSURE mm H ₂ O	CFM	m ³ /h	Amps
0	0.0	188	319	9.6
0.1	2.5	186	316	9.5
0.2	5	180	306	9.5
0.3	7.5	175	297	9.4
0.4	10	171	291	9.2
0.5	12.5	168	285	9.1
0.6	15	163	277	8.9
0.7	17.5	159	270	8.8
0.8	20	154	262	8.6
0.9	22.5	151	257	8.5
1.0	25	143	243	8.3
1.2	30	133	226	8.5
1.4	35	123	209	8.0

STALL @ 2.95" [74.9mm]

TYPICAL AIR PERFORMANCE @ 13.5VDC TEC2002 SINGLE SCROLL BLOWER MED SPEED

STATIC PRESSURE IN H ₂ O	STATIC PRESSURE mm H ₂ O	CFM	m ³ /h	Amps
0	0.0	137	233	9.1
0.1	2.5	131	223	9.1
0.2	5	125	212	9.2
0.3	7.5	122	207	9.3
0.4	10	116	197	9.3
0.5	12.5	112	190	9.4
0.6	15	101	172	9.5
0.7	17.5	94	160	9.6
0.8	20	86	146	9.6

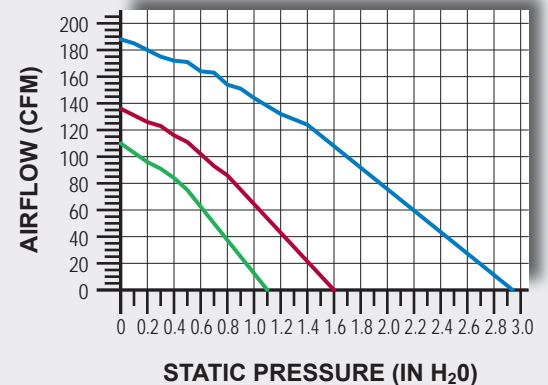
STALL @ 1.6" [40.6mm]

TYPICAL AIR PERFORMANCE @ 13.5VDC TEC2002 SINGLE SCROLL BLOWER LO SPEED

STATIC PRESSURE IN H ₂ O	STATIC PRESSURE mm H ₂ O	CFM	m ³ /h	Amps
0	0.0	110	187	7.1
0.1	2.5	103	175	7.1
0.2	5	96	163	7.3
0.3	7.5	90	153	7.5
0.4	10	83	141	7.5
0.5	12.5	77	131	7.7

STALL @ 1.1" [27.9mm]

— HI SPEED
— MED SPEED
— LO SPEED



TEC2005 & BH1300 CENTRIFUGAL BLOWERS



TA0000002

Pg. 127



TA0000005

Pg. 128



TA0000011

Pg. 129



TA0000016

Pg. 130



TA0000021

Pg. 131



BH1300-30

Pg. 132

Optional performances may be available.
Please contact DCM at (817) 428-3636
for more information.

12VDC CENTRIFUGAL BLOWERS

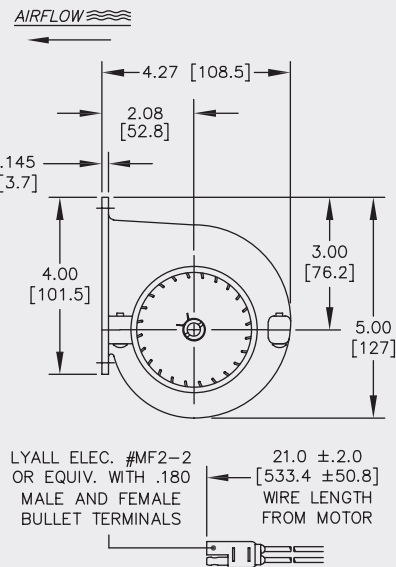
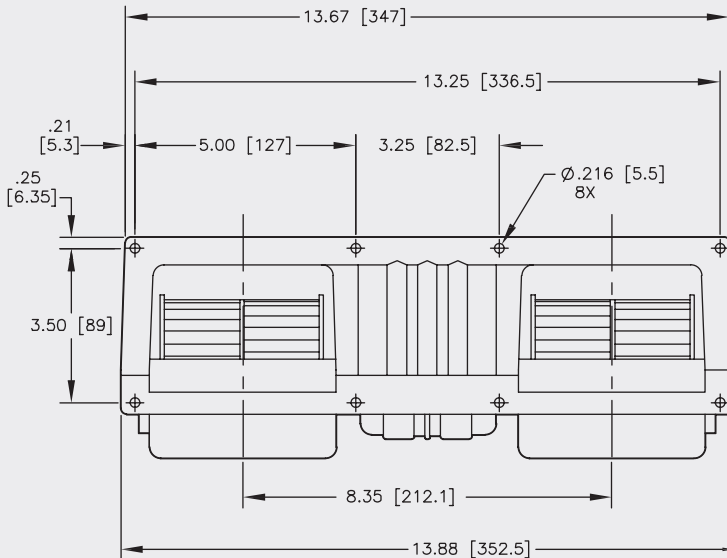
TEC2005 SERIES
DUAL SCROLL

TEC2005 / BH1300



MODEL INFORMATION

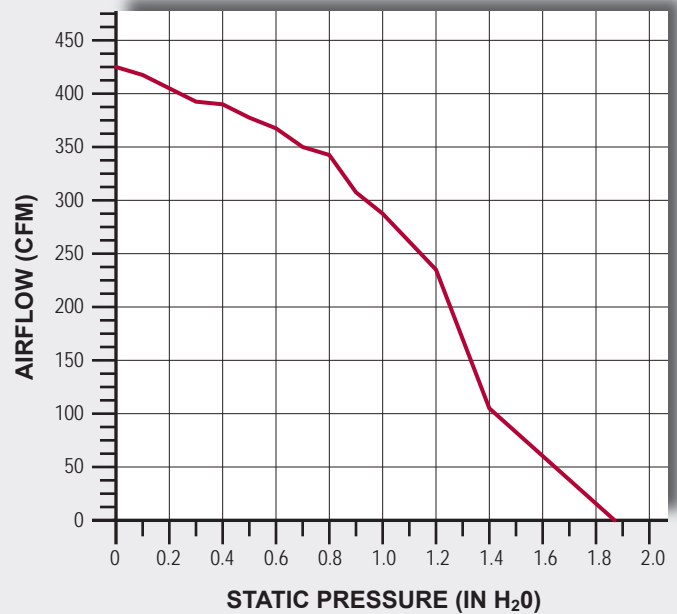
PART#	TYPE	MOTOR	VOLTS	SPEED	MATERIAL
TA0000002	DUAL SCROLL	PERMANENT MAGNET	12VDC	SINGLE	GF NYLON
TB0000001	DUAL SCROLL	PERMANENT MAGNET	24VDC	SINGLE	GF NYLON



TYPICAL AIR PERFORMANCE @ 13.5VDC TEC2005 SINGLE SPEED DUAL SCROLL BLOWER

STATIC PRESSURE IN H ₂ O	STATIC PRESSURE mm H ₂ O	CFM	m ³ /h	Amps
0	0.0	425	722	15.2
0.1	2.5	417	708	15.1
0.2	5	405	688	14.6
0.3	7.5	392	666	14.1
0.4	10	389	661	14.0
0.5	12.5	378	642	13.7
0.6	15	367	624	13.3
0.7	17.5	350	595	12.6
0.8	20	334	567	12.1
0.9	22.5	308	523	11.4
1.0	25	288	489	10.8
1.2	30	234	398	9.4
1.4	35	106	180	6.2

STALL @ 1.87" [47.5mm]

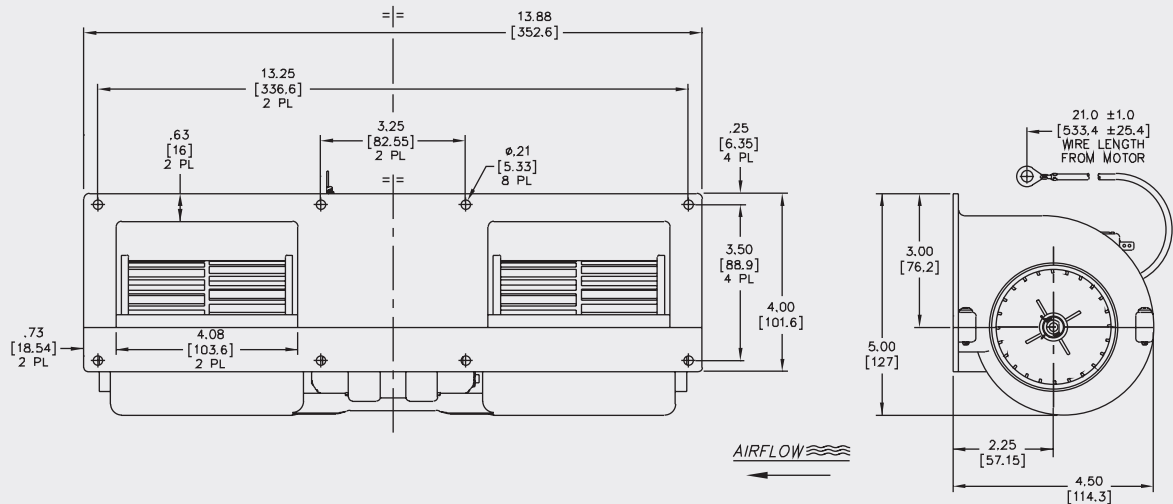


• 12VDC CENTRIFUGAL BLOWERS



MODEL INFORMATION

PART#	TYPE	MOTOR	VOLTS	SPEEDS	MATERIAL
TA0000005	DUAL SCROLL	PERMANENT MAGNET	12VDC	3(HI MED LO)	GF NYLON
TB0000002	DUAL SCROLL	PERMANENT MAGNET	24VDC	3(HI MED LO)	GF NYLON



**TYPICAL AIR PERFORMANCE @ 13.5VDC
TEC2005 DUAL SCROLL BLOWER HI SPEED**

STATIC PRESSURE IN H ₂ O	STATIC PRESSURE mm H ₂ O	CFM	m ³ /h	Amps
0	0.0	346	588	12.2
0.1	2.5	328	557	10.3
0.2	5	307	521	9.7
0.3	7.5	290	492	9.3
0.4	10	276	470	8.7
0.5	12.5	261	443	8.3
0.6	15	239	406	7.7
0.7	17.5	213	362	7.0
0.8	20	196	334	6.5
0.9	22.5	161	274	5.8
1.0	25	108	184	4.6

STALL @ 1.43" [36.2mm] – 3.0 Amps

**TYPICAL AIR PERFORMANCE @ 13.5VDC
TEC2005 DUAL SCROLL BLOWER MED SPEED**

STATIC PRESSURE IN H ₂ O	STATIC PRESSURE mm H ₂ O	CFM	m ³ /h	Amps
0	0.0	312	530	9.0
0.1	2.5	295	500	8.4
0.2	5	276	469	8.1
0.3	7.5	258	439	7.6
0.4	10	242	410	7.3
0.5	12.5	225	382	6.8
0.6	15	201	342	6.2
0.7	17.5	185	315	5.9
0.8	20	151	257	5.2
0.9	22.5	117	199	4.7

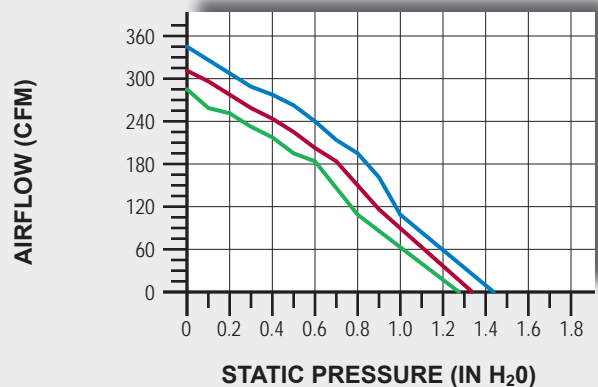
STALL @ 1.33" [33.7mm] – 2.9 Amps

**TYPICAL AIR PERFORMANCE @ 13.5VDC
TEC2005 DUAL SCROLL BLOWER LO SPEED**

STATIC PRESSURE IN H ₂ O	STATIC PRESSURE mm H ₂ O	CFM	m ³ /h	Amps
0	0.0	285	484	7.6
0.1	2.5	260	442	7.1
0.2	5	250	424	6.9
0.3	7.5	231	393	6.5
0.4	10	216	367	6.3
0.5	12.5	196	333	5.9
0.6	15	185	315	5.7
0.8	20	111	188	4.3

STALL @ 1.27" [32.3mm] – 2.8 Amps

— HI SPEED
— MED SPEED
— LO SPEED



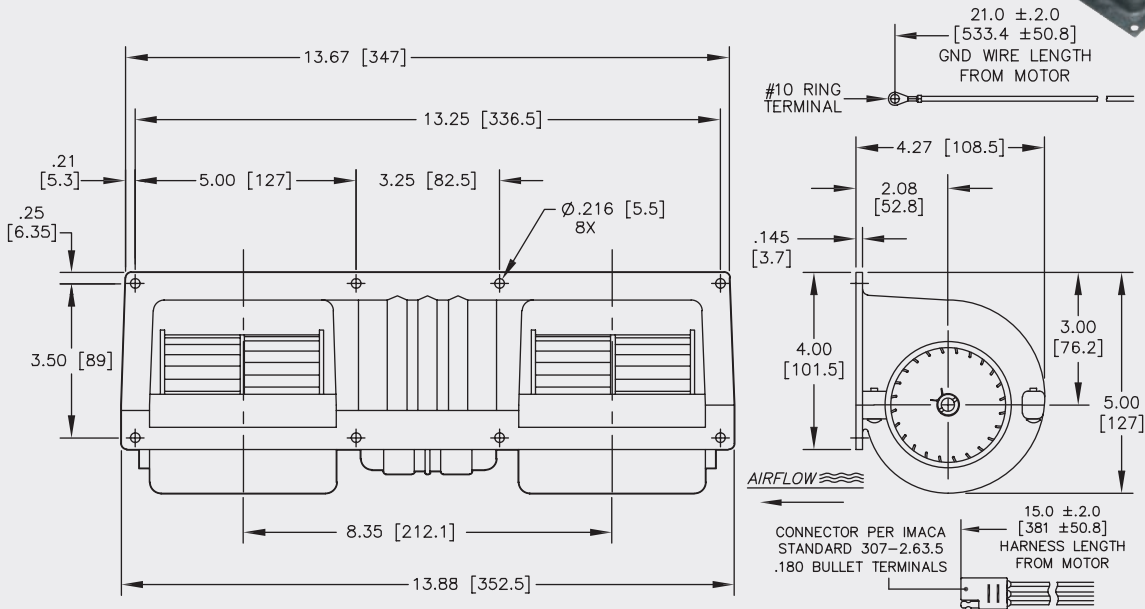
12VDC CENTRIFUGAL BLOWERS

**TEC2005 SERIES
DUAL SCROLL**

TEC2005 / BH1300

MODEL INFORMATION

PART#	TYPE	MOTOR	VOLTS	SPEEDS	MATERIAL
TA1000011	DUAL SCROLL	WOUND FIELD	12VDC	3(HI MED LO)	GF NYLON
TB1000011	DUAL SCROLL	WOUND FIELD	24VDC	3(HI MED LO)	GF NYLON



TYPICAL AIR PERFORMANCE @ 13.5VDC TEC2005 DUAL SCROLL BLOWER HI SPEED

STATIC PRESSURE IN H ₂ O	STATIC PRESSURE mm H ₂ O	CFM	m ³ /h	Amps
0	0.0	378	642	12.8
0.1	2.5	369	627	12.6
0.2	5	356	605	12.5
0.3	7.5	351	596	12.4
0.4	10	345	586	12.2
0.5	12.5	341	579	12.2
0.6	15	332	564	11.8
0.7	17.5	312	530	11.4
0.8	20	303	515	11.2
0.9	22.5	284	483	11.0
1.0	25	270	459	10.7
1.2	30	234	398	10.1
1.4	35	195	331	9.3
1.6	40	153	260	8.4
1.8	45	119	202	7.2

STALL @ 2.6" [66mm]

TYPICAL AIR PERFORMANCE @ 13.5VDC TEC2005 DUAL SCROLL BLOWER MED SPEED

STATIC PRESSURE IN H ₂ O	STATIC PRESSURE mm H ₂ O	CFM	m ³ /h	Amps
0	0.0	269	457	7.6
0.1	2.5	263	447	7.6
0.2	5	258	438	7.6
0.3	7.5	252	428	7.4
0.4	10	237	403	7.3
0.5	12.5	220	374	7.2
0.6	15	203	345	7.0
0.7	17.5	187	318	6.8
0.8	20	167	284	6.6
0.9	22.5	148	251	6.4
1.0	25	122	207	6.1
1.2	30	100	170	5.6

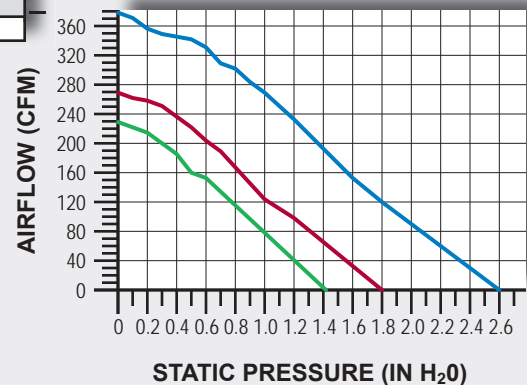
STALL @ 1.8" [45.7mm]

TYPICAL AIR PERFORMANCE @ 13.5VDC TEC2005 DUAL SCROLL BLOWER LO SPEED

STATIC PRESSURE IN H ₂ O	STATIC PRESSURE mm H ₂ O	CFM	m ³ /h	Amps
0	0.0	230	391	5.8
0.1	2.5	224	381	5.8
0.2	5	214	364	5.6
0.3	7.5	201	341	5.5
0.4	10	185	314	5.4
0.5	12.5	159	270	5.1
0.6	15	148	251	5.1
0.8	20	110	187	4.8

STALL @ 1.41" [35.8mm]

— HI SPEED
— MED SPEED
— LO SPEED



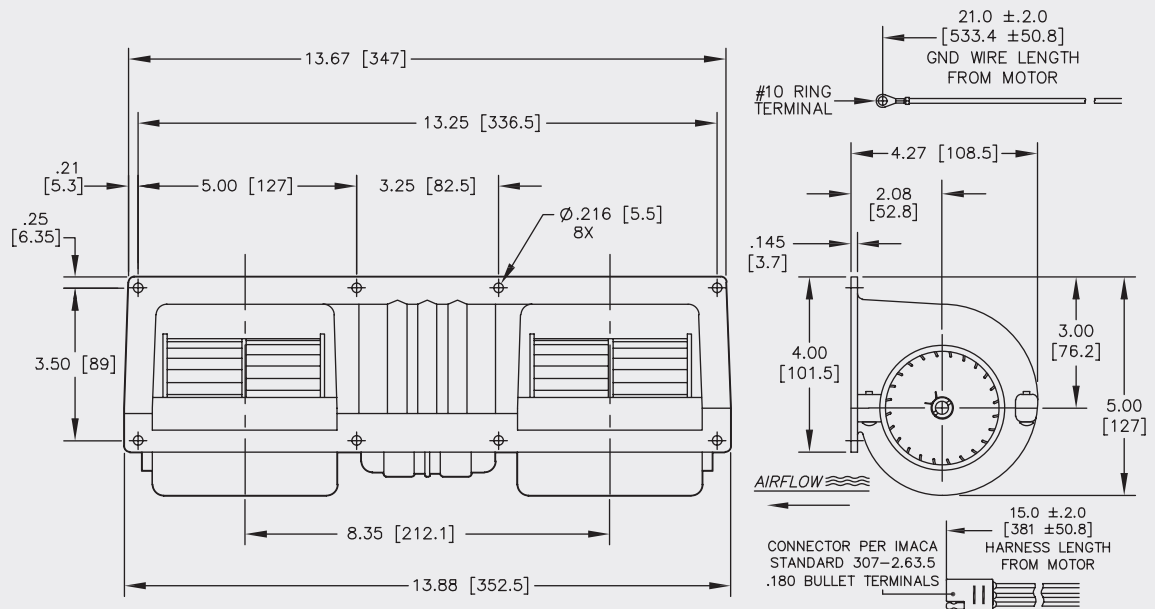
12VDC CENTRIFUGAL BLOWERS



MODEL INFORMATION*

PART#	TYPE	MOTOR	VOLTS	SPEEDS	MATERIAL
TA1000016	DUAL SCROLL	WOUND FIELD	12VDC	3(HI MED LO)	GF NYLON

*ALSO AVAILABLE IN 24VDC



**TYPICAL AIR PERFORMANCE @ 13.5VDC
TEC2005 DUAL SCROLL BLOWER HI SPEED**

STATIC PRESSURE IN H ₂ O	STATIC PRESSURE mm H ₂ O	CFM	m ³ /h	Amps
0	0.0	325	552	8.2
0.1	2.5	310	527	8.1
0.2	5	302	513	7.8
0.3	7.5	290	493	7.5
0.4	10	271	460	7.1
0.5	12.5	255	433	6.9
0.6	15	232	394	6.7
0.7	17.5	215	365	6.5
0.8	20	191	325	6.1
0.9	22.5	169	287	5.8
1.0	25	147	250	5.4
1.2	30	102	173	4.8

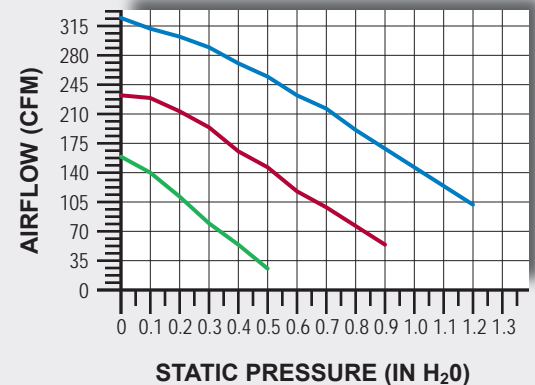
**TYPICAL AIR PERFORMANCE @ 13.5VDC
TEC2005 DUAL SCROLL BLOWER MED SPEED**

STATIC PRESSURE IN H ₂ O	STATIC PRESSURE mm H ₂ O	CFM	m ³ /h	Amps
0	0.0	231	392	5.0
0.1	2.5	228	387	5.0
0.2	5	214	364	4.9
0.3	7.5	195	331	4.7
0.4	10	165	280	4.5
0.5	12.5	145	246	4.3
0.6	15	119	202	4.0
0.7	17.5	100	170	3.9
0.8	20	75	127	3.6
0.9	22.5	53	90	3.5

**TYPICAL AIR PERFORMANCE @ 13.5VDC
TEC2005 DUAL SCROLL BLOWER LO SPEED**

STATIC PRESSURE IN H ₂ O	STATIC PRESSURE mm H ₂ O	CFM	m ³ /h	Amps
0	0.0	160	272	2.8
0.1	2.5	141	240	2.7
0.2	5	110	187	2.6
0.3	7.5	84	142	2.5
0.4	10	56	95	2.4
0.5	12.5	28	48	2.3

— HI SPEED
— MED SPEED
— LO SPEED



12VDC CENTRIFUGAL BLOWERS

TEC2005 SERIES
DUAL SCROLL

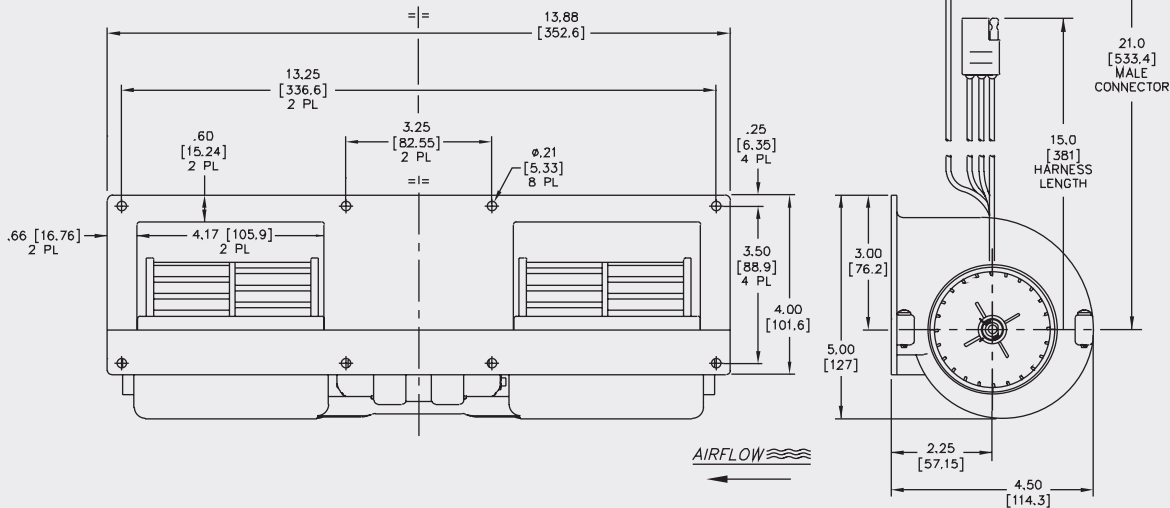
TEC2005 / BH1300



MODEL INFORMATION*

PART#	TYPE	MOTOR	VOLTS	SPEEDS	MATERIAL
**TA1000021	DUAL SCROLL	WOUND FIELD	12VDC	3(HI MED LO)	GF NYLON
*ALSO AVAILABLE IN 24VDC		**NOT FOR USE IN ENVIRONMENTS OVER 110° F			

IGNITION PROTECTED



TYPICAL AIR PERFORMANCE @ 13.5VDC TEC2005 DUAL SCROLL BLOWER HI SPEED

STATIC PRESSURE IN H ₂ O	STATIC PRESSURE mm H ₂ O	CFM	m ³ /h	Amps
0	0.0	378	642	13.4
0.1	2.5	369	627	13.1
0.2	5	356	605	12.9
0.3	7.5	351	596	12.8
0.4	10	345	586	12.7
0.5	12.5	341	579	12.5
0.6	15	332	564	12.2
0.7	17.5	312	530	11.9
0.8	20	303	515	11.7
0.9	22.5	284	483	11.4
1.0	25	270	459	11.2
1.2	30	234	398	10.5
1.4	35	195	331	9.8
1.6	40	153	260	9.1
1.8	45	119	202	8.2

STALL @ 2.6" [66mm]

TYPICAL AIR PERFORMANCE @ 13.5VDC TEC2005 DUAL SCROLL BLOWER MED SPEED

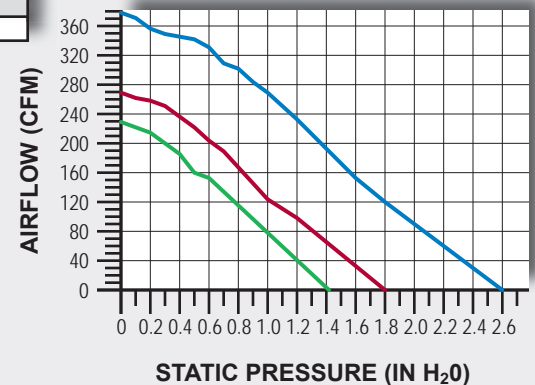
STATIC PRESSURE IN H ₂ O	STATIC PRESSURE mm H ₂ O	CFM	m ³ /h	Amps
0	0.0	269	457	7.6
0.1	2.5	263	447	7.6
0.2	5	258	438	7.6
0.3	7.5	252	428	7.4
0.4	10	237	403	7.3
0.5	12.5	220	374	7.2
0.6	15	203	345	7.0
0.7	17.5	187	318	6.8
0.8	20	167	284	6.6
0.9	22.5	148	251	6.4
1.0	25	122	207	6.1
1.2	30	100	170	5.6

STALL @ 1.8" [45.7mm]

TYPICAL AIR PERFORMANCE @ 13.5VDC TEC2005 DUAL SCROLL BLOWER LO SPEED

STATIC PRESSURE IN H ₂ O	STATIC PRESSURE mm H ₂ O	CFM	m ³ /h	Amps
0	0.0	230	391	5.8
0.1	2.5	224	381	5.8
0.2	5	214	364	5.6
0.3	7.5	201	341	5.5
0.4	10	185	314	5.4
0.5	12.5	159	270	5.1
0.6	15	148	251	5.1
0.8	20	110	187	4.8

STALL @ 1.41" [35.8mm]



- DESIGNED FOR MARINE APPLICATIONS.
- WIRE: SAE J1128 16GA GXL.
- IGNITION PROTECTED: SAE J1171.
- RFI SUPPRESSED.

— HI SPEED
 — MED SPEED
 — LO SPEED

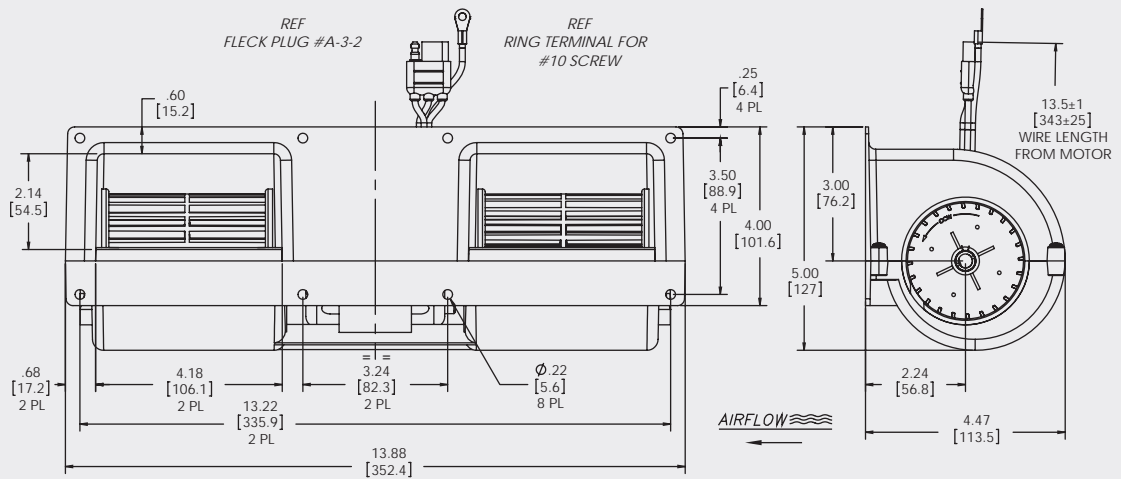
BH1300 SERIES DUAL SCROLL

12VDC CENTRIFUGAL BLOWERS



MODEL INFORMATION*

PART#	TYPE	MOTOR	VOLTS	SPEEDS	MATERIAL**
BH1300-30	DUAL SCROLL	WOUND FIELD	12VDC	3(HI MED LO)	ABS
*ALSO AVAILABLE IN 24VDC			**ALSO AVAILABLE IN OTHER MATERIALS		



TYPICAL AIR PERFORMANCE @ 13.5VDC BH1300 DUAL SCROLL BLOWER HI SPEED

STATIC PRESSURE IN H ₂ O	STATIC PRESSURE mm H ₂ O	CFM	m ³ /h	Amps
0	0.0	371	630	12.0
0.1	2.5	361	613	11.8
0.2	5	355	603	11.3
0.3	7.5	347	590	11.1
0.4	10	342	581	10.9
0.5	12.5	333	566	10.6
0.6	15	322	547	10.3
0.7	17.5	307	522	10.1
0.8	20	293	498	9.7
0.9	22.5	274	466	9.3
1.0	25	252	428	8.5
1.2	30	208	353	7.8
1.4	35	169	287	9.6
1.6	40	129	219	7.1
1.8	45	98	167	6.7

STALL @ 2.54" [64.5mm]

TYPICAL AIR PERFORMANCE @ 13.5VDC BH1300 DUAL SCROLL BLOWER MED SPEED

STATIC PRESSURE IN H ₂ O	STATIC PRESSURE mm H ₂ O	CFM	m ³ /h	Amps
0	0.0	260	442	6.0
0.1	2.5	252	428	5.9
0.2	5	243	413	5.8
0.3	7.5	229	389	5.5
0.4	10	214	364	5.4
0.5	12.5	194	330	5.2
0.6	15	168	285	4.9
0.7	17.5	148	251	4.6
0.8	20	124	211	4.4
0.9	22.5	102	173	4.2
1.0	25	80	136	4.0
1.2	30	46	78	3.7

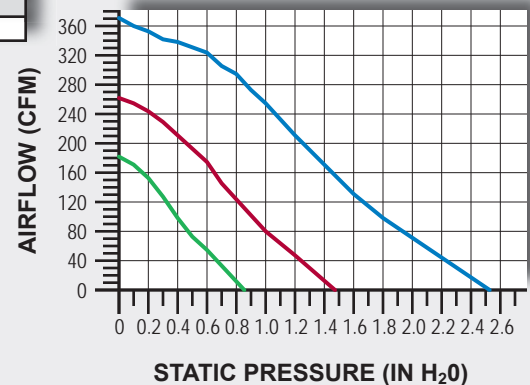
STALL @ 1.48" [37.6mm]

TYPICAL AIR PERFORMANCE @ 13.5VDC BH1300 DUAL SCROLL BLOWER LO SPEED

STATIC PRESSURE IN H ₂ O	STATIC PRESSURE mm H ₂ O	CFM	m ³ /h	Amps
0	0.0	181	308	3.5
0.1	2.5	170	289	3.4
0.2	5	152	258	3.2
0.3	7.5	127	216	3.1
0.4	10	98	167	2.9
0.5	12.5	73	124	2.7
0.6	15	52	88	2.6

STALL @ 0.85" [21.6mm]

— HI SPEED
— MED SPEED
— LO SPEED



TEC2006 & BH1400 CENTRIFUGAL BLOWERS



TA0030003

Pg. 134



TA0030012

Pg. 135



TA0030023

Pg. 136



BH1400-1

Pg. 137



BH1400-74-01

Pg. 138



BH1400-18-01

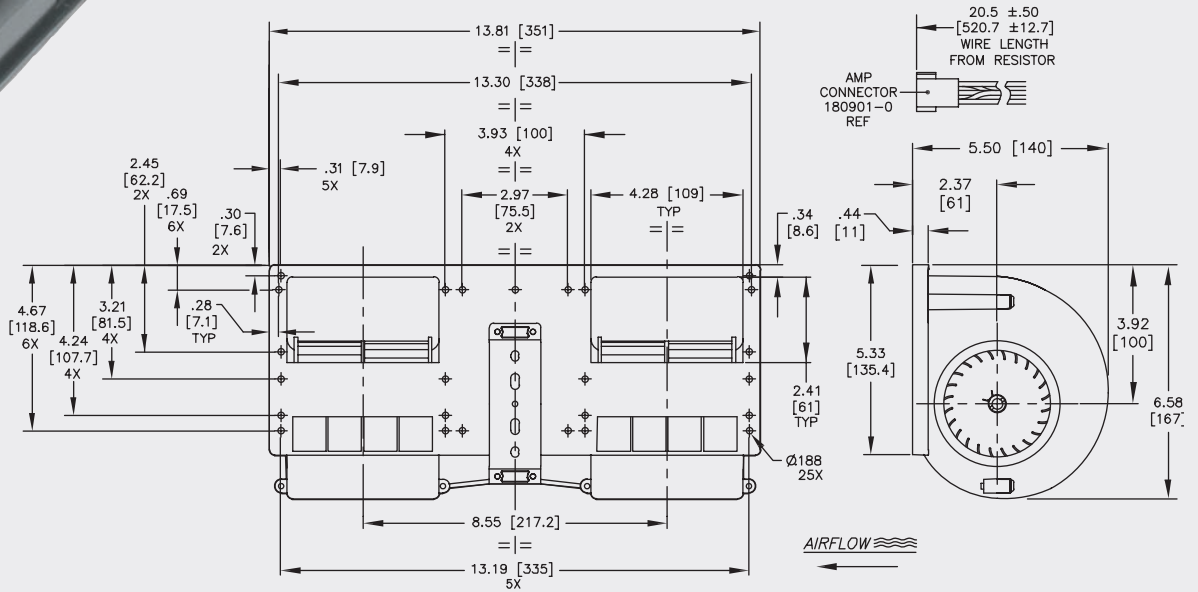
Pg. 139

Optional performances may be available.
Please contact DCM at (817) 428-3636
for more information.

12VDC CENTRIFUGAL BLOWERS



MODEL INFORMATION				
PART#	TYPE	VOLTS	SPEEDS	MATERIAL
TA0030003	DUAL SCROLL	12VDC	3(HI MED LO)	GF NYLON
TB0030003	DUAL SCROLL	24VDC	3(HI MED LO)	GF NYLON



**TYPICAL AIR PERFORMANCE @ 13.5VDC
TEC2006 DUAL SCROLL BLOWER HI SPEED**

STATIC PRESSURE IN H ₂ O	STATIC PRESSURE mm H ₂ O	CFM	m ³ /h	Amps
0	0.0	536	911	18.7
0.1	2.5	531	902	18.3
0.2	5	522	887	17.9
0.3	7.5	496	843	17.6
0.4	10	488	829	17.4
0.5	12.5	478	812	17.1
0.6	15	461	783	16.7
0.7	17.5	452	768	16.5
0.8	20	440	748	16.2
0.9	22.5	424	720	15.9
1.0	25	411	698	15.4
1.2	30	379	644	14.8
1.4	35	332	564	13.7
1.6	40	246	418	12.2
1.8	45	190	323	11.4
2.0	50	123	209	10.0

STALL @ 2.48" [63mm]

**TYPICAL AIR PERFORMANCE @ 13.5VDC
TEC2006 DUAL SCROLL BLOWER MED SPEED**

STATIC PRESSURE IN H ₂ O	STATIC PRESSURE mm H ₂ O	CFM	m ³ /h	Amps
0	0.0	459	780	14.3
0.1	2.5	448	761	14.2
0.2	5	436	741	13.9
0.3	7.5	424	720	13.6
0.4	10	410	697	13.4
0.5	12.5	397	675	13.3
0.6	15	389	661	13.2
0.8	20	357	607	12.4
1.0	25	312	530	11.5
1.2	30	240	408	10.6
1.4	35	182	309	9.8
1.6	40	127	216	8.9

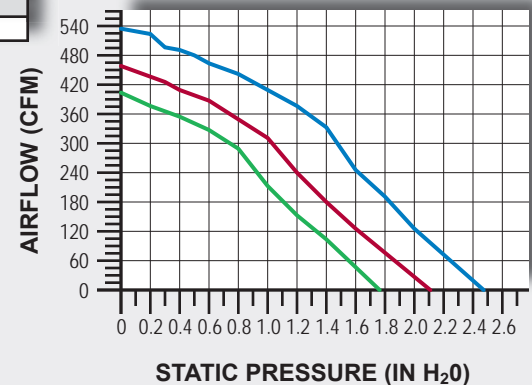
STALL @ 2.11" [53.6mm]

**TYPICAL AIR PERFORMANCE @ 13.5VDC
TEC2006 DUAL SCROLL BLOWER LO SPEED**

STATIC PRESSURE IN H ₂ O	STATIC PRESSURE mm H ₂ O	CFM	m ³ /h	Amps
0	0.0	406	690	12.1
0.2	5	385	654	11.8
0.4	10	355	603	11.2
0.6	15	326	554	10.7
0.8	20	290	493	10.0
1.0	25	214	394	9.1
1.2	30	153	260	8.4
1.4	35	103	175	7.7

STALL @ 1.78" [45.2mm]

— HI SPEED
— MED SPEED
— LO SPEED



12VDC CENTRIFUGAL BLOWERS

TEC2006 SERIES
DUAL SCROLL

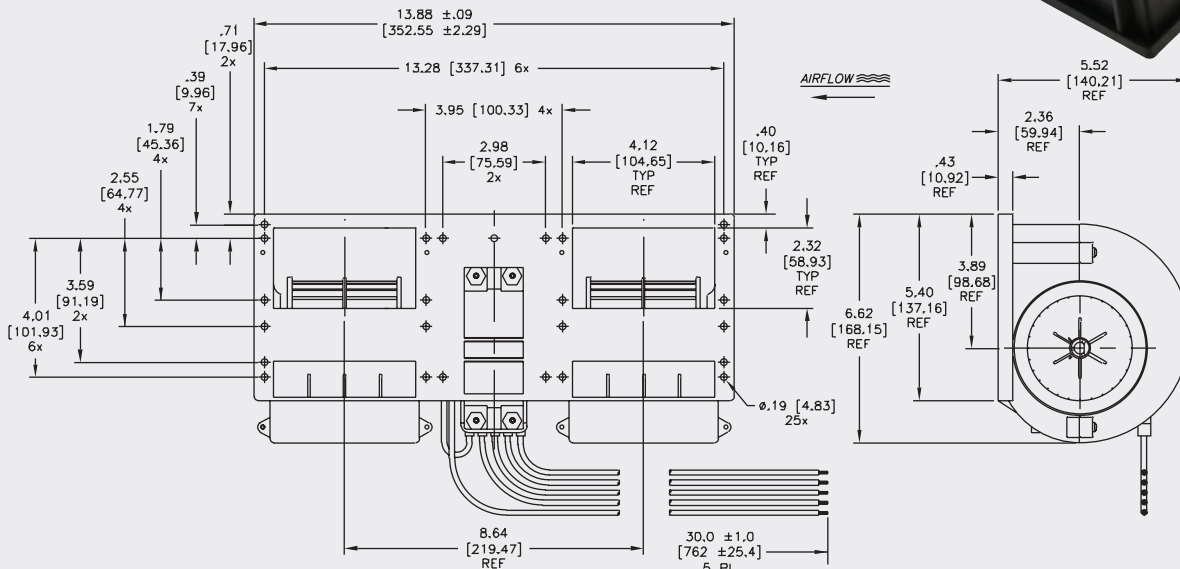
MODEL INFORMATION*

PART#	TYPE	VOLTS	SPEEDS	MATERIAL
TA0030012	DUAL SCROLL	12VDC	4(HI 3 rd 2 nd LO)	GF NYLON

*ALSO AVAILABLE IN 24VDC



TEC2006 / BH1400



TYPICAL AIR PERFORMANCE @ 13.5VDC TEC2006 DUAL SCROLL BLOWER HI SPEED

STATIC PRESSURE IN H ₂ O	STATIC PRESSURE mm H ₂ O	CFM	m ³ /h	Amps
0	0.0	580	985	20.8
0.1	2.5	570	968	20.4
0.2	5	560	951	20.1
0.3	7.5	541	919	19.5
0.4	10	530	900	19.2
0.5	12.5	517	878	18.9
0.6	15	511	868	19.0
0.7	17.5	502	853	18.9
0.8	20	484	822	18.5
1.0	25	456	775	17.8
1.2	30	426	724	17.3
1.4	35	386	656	16.4
1.6	40	335	569	15.0
1.8	45	188	319	12.6

STALL @ 2.62" [66.5mm] - 10.3 Amps

TYPICAL AIR PERFORMANCE @ 13.5VDC TEC2006 DUAL SCROLL BLOWER LO SPEED

STATIC PRESSURE IN H ₂ O	STATIC PRESSURE mm H ₂ O	CFM	m ³ /h	Amps
0	0.0	250	425	5.4
0.1	2.5	224	381	5.2
0.2	5	203	345	5.4
0.3	7.5	173	294	4.9
0.4	10	121	206	4.7

STALL @ 0.73" [18.5mm] - 4.3 Amps

TYPICAL AIR PERFORMANCE @ 13.5VDC TEC2006 DUAL SCROLL BLOWER 3rd SPEED

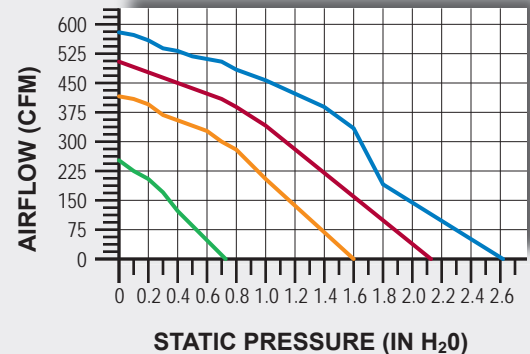
STATIC PRESSURE IN H ₂ O	STATIC PRESSURE mm H ₂ O	CFM	m ³ /h	Amps
0	0.0	504	856	16.2
0.1	2.5	492	836	16.0
0.2	5	480	788	15.8
0.3	7.5	464	768	15.5
0.4	10	452	768	15.3
0.5	12.5	437	742	15.0
0.6	15	423	719	14.8
0.7	17.5	409	695	14.3
0.8	20	390	663	14.0
1.0	25	339	576	13.1

STALL @ 2.14" [54.4mm] - 8.9 Amps

TYPICAL AIR PERFORMANCE @ 13.5VDC TEC2006 DUAL SCROLL BLOWER 2nd SPEED

STATIC PRESSURE IN H ₂ O	STATIC PRESSURE mm H ₂ O	CFM	m ³ /h	Amps
0	0.0	415	705	11.9
0.1	2.5	410	697	11.8
0.2	5	396	673	11.5
0.3	7.5	372	632	11.3
0.4	10	356	605	11.1
0.5	12.5	339	576	10.7
0.6	15	330	561	10.6
0.7	17.5	299	508	10.2
0.8	20	276	469	9.9
1.0	25	203	345	9.1

STALL @ 1.6" [40.6mm] - 7.3 Amps

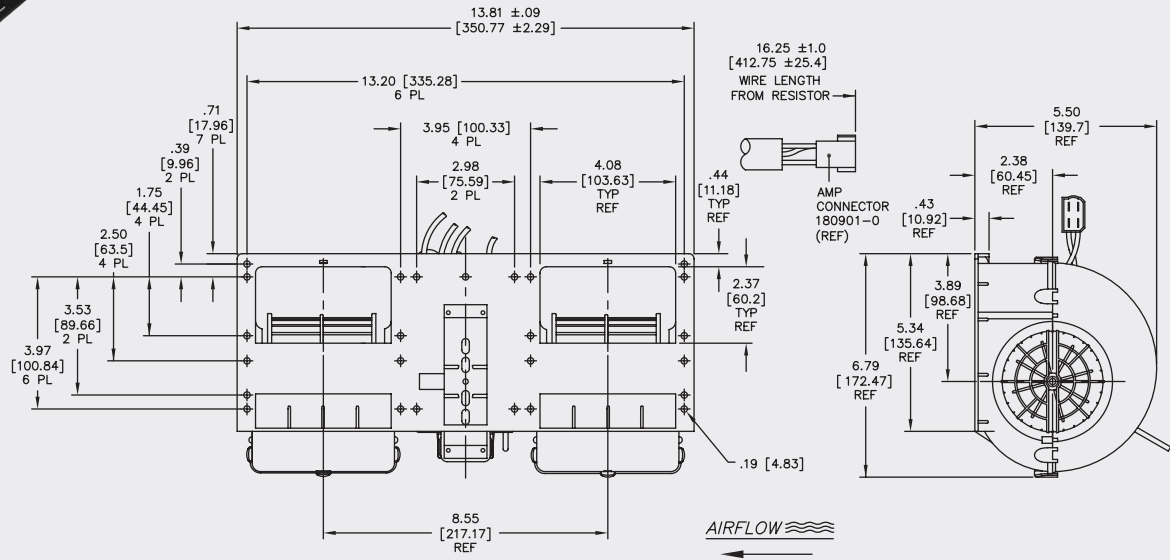


12VDC CENTRIFUGAL BLOWERS



MODEL INFORMATION

PART#	TYPE	VOLTS	SPEEDS	MATERIAL
TA0030023	DUAL SCROLL	12VDC	3(HI MED LO)	GF NYLON
TB0030019	DUAL SCROLL	24VDC	3(HI MED LO)	GF NYLON



**TYPICAL AIR PERFORMANCE @ 13.5VDC
TEC2006 DUAL SCROLL BLOWER HI SPEED**

STATIC PRESSURE IN H ₂ O	STATIC PRESSURE mm H ₂ O	CFM	m ³ /h	Amps
0	0.0	586	996	21.1
0.2	5	548	931	19.7
0.4	10	524	890	18.9
0.6	15	508	863	18.4
0.8	20	493	838	18.1
1.0	25	474	805	17.6
1.2	30	448	761	16.9
1.4	35	412	700	15.9
1.6	40	366	622	14.6
1.8	45	311	528	13.1
2.0	50	249	423	11.3
2.2	55	182	309	9.6

STALL @ 2.9" [73.7mm] - 6.9 Amps

**TYPICAL AIR PERFORMANCE @ 13.5VDC
TEC2006 DUAL SCROLL BLOWER MED SPEED**

STATIC PRESSURE IN H ₂ O	STATIC PRESSURE mm H ₂ O	CFM	m ³ /h	Amps
0	0.0	436	741	12.2
0.2	5	407	691	11.7
0.4	10	383	651	11.3
0.6	15	358	608	11.0
0.8	20	330	561	10.6
1.0	25	296	503	9.9
1.2	30	254	432	9.1
1.4	35	206	350	8.1
1.6	40	151	257	7.1
1.8	45	95	161	6.1
2.0	50	40	68	5.6

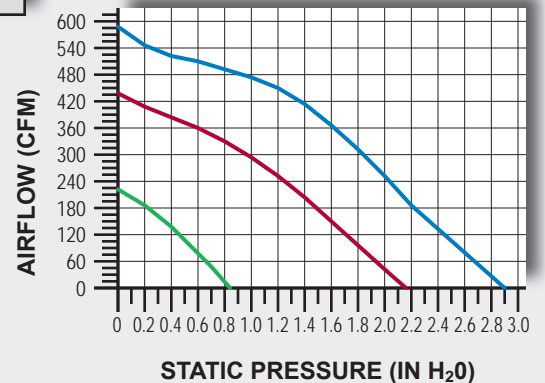
STALL @ 2.17" [55.1mm] - 5.6 Amps

**TYPICAL AIR PERFORMANCE @ 13.5VDC
TEC2006 DUAL SCROLL BLOWER LO SPEED**

STATIC PRESSURE IN H ₂ O	STATIC PRESSURE mm H ₂ O	CFM	m ³ /h	Amps
0	0.0	223	379	4.3
0.1	2.5	205	348	4.2
0.2	5	184	313	4.1
0.3	7.5	162	276	3.9
0.4	10	137	233	3.7
0.5	12.5	109	185	3.5
0.6	15	79	134	3.3
0.7	17.5	47	80	3.2

STALL @ 0.83" [21.1mm] - 3.1 Amps

— HI SPEED
— MED SPEED
— LO SPEED



12VDC CENTRIFUGAL BLOWERS

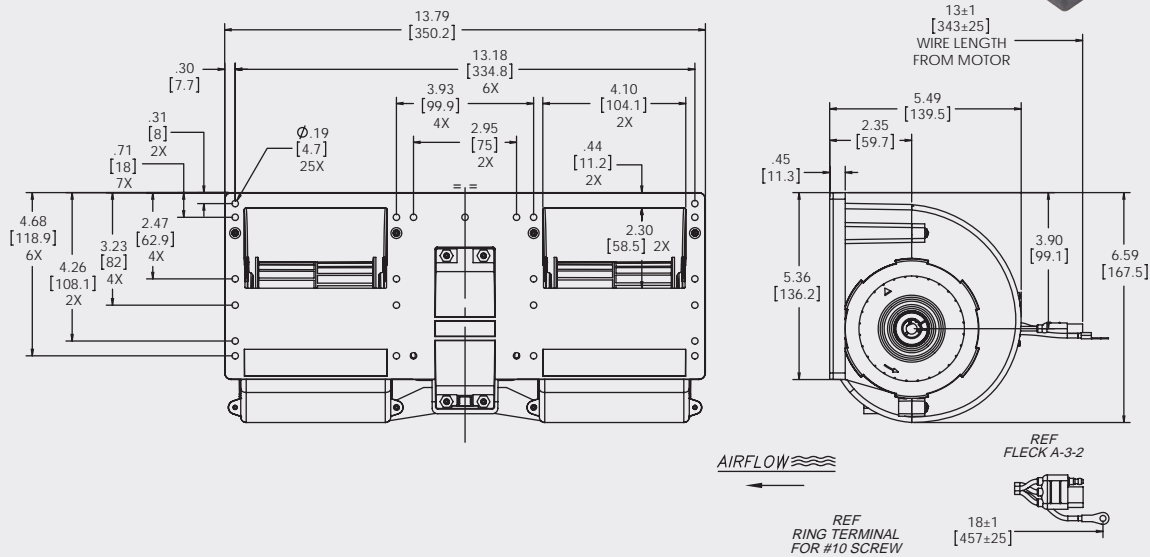
**BH1400 SERIES
DUAL SCROLL**

MODEL INFORMATION*

PART#	TYPE	VOLTS	SPEEDS	MATERIAL**
BH1400-1	DUAL SCROLL	12VDC	3(HI MED LO)	ABS
*ALSO AVAILABLE IN 24VDC		**ALSO AVAILABLE IN OTHER MATERIALS		



TEC2006 / BH1400



TYPICAL AIR PERFORMANCE @ 13.5VDC BH1400 DUAL SCROLL BLOWER HI SPEED				
STATIC PRESSURE IN H ₂ O	STATIC PRESSURE mm H ₂ O	CFM	m ³ /h	Amps
0	0.0	482	819	14.6
0.1	2.5	463	787	14.2
0.2	5	452	768	14.0
0.3	7.5	439	746	13.9
0.4	10	427	725	13.7
0.5	12.5	415	705	13.5
0.6	15	399	678	13.2
0.7	17.5	389	661	13.1
0.8	20	375	637	12.9
0.9	22.5	360	612	12.7
1.0	25	348	591	12.5
1.2	30	313	532	11.9
1.4	35	278	472	11.3
1.6	40	228	387	10.4
1.8	45	200	340	10.0

STALL @ 2.99" [75.9mm]

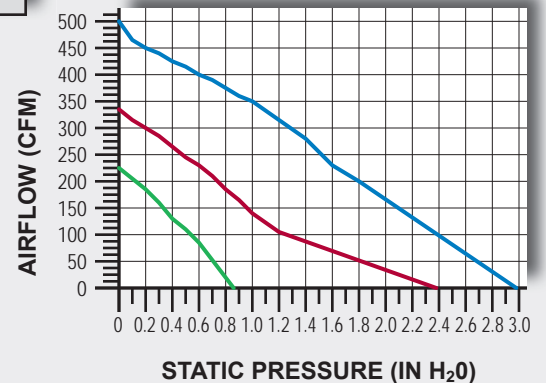
TYPICAL AIR PERFORMANCE @ 13.5VDC BH1400 DUAL SCROLL BLOWER MED SPEED				
STATIC PRESSURE IN H ₂ O	STATIC PRESSURE mm H ₂ O	CFM	m ³ /h	Amps
0	0.0	333	566	6.7
0.1	2.5	317	539	6.6
0.2	5	300	510	6.5
0.3	7.5	285	484	6.4
0.4	10	265	450	6.2
0.5	12.5	247	420	6.1
0.6	15	230	391	6.0
0.7	17.5	212	360	5.8
0.8	20	186	316	5.6
1.0	25	141	240	5.2
1.2	50	105	178	4.8

STALL @ 2.38" [37.6mm]

TYPICAL AIR PERFORMANCE @ 13.5VDC BH1400 DUAL SCROLL BLOWER LO SPEED				
STATIC PRESSURE IN H ₂ O	STATIC PRESSURE mm H ₂ O	CFM	m ³ /h	Amps
0	0.0	227	386	3.7
0.1	2.5	206	350	3.6
0.2	5	185	314	3.5
0.3	7.5	162	275	3.4
0.4	10	132	224	3.3
0.5	12.5	108	183	3.1
0.6	15	84	143	3.0

STALL @ 1.87" [21.6mm]

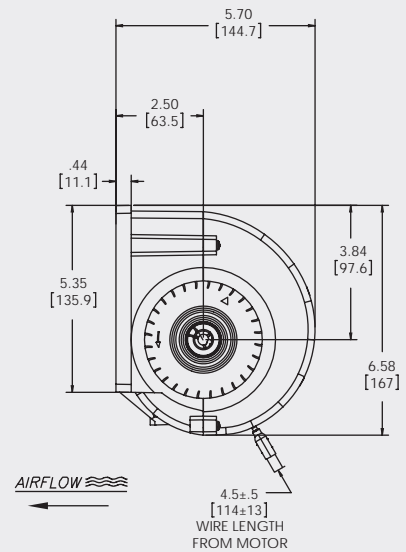
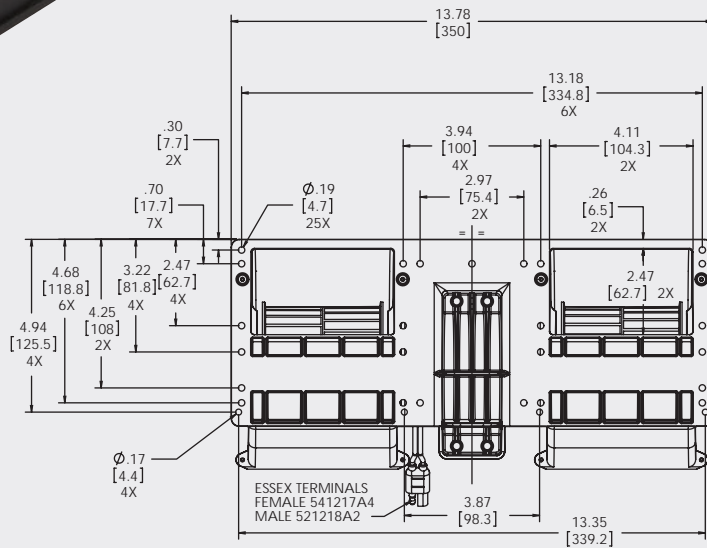
— HI SPEED
— MED SPEED
— LO SPEED



12VDC CENTRIFUGAL BLOWERS



MODEL INFORMATION*				
PART#	TYPE	VOLTS	SPEED	MATERIAL**
BH1400-74-01	DUAL SCROLL	12VDC	4(HI 3 rd 2 nd LO)	**HOUSING - ABS
*ALSO AVAILABLE IN 24VDC				**WHEELS - GFPP
**ALSO AVAILABLE IN OTHER MATERIALS				



TYPICAL AIR PERFORMANCE @ 13.5VDC BH1400 DUAL SCROLL BLOWER HI SPEED				
STATIC PRESSURE IN H ₂ O	STATIC PRESSURE mm H ₂ O	CFM	m ³ /h	Amps
0	0.0	612	1040	22.7
0.2	5	589	1001	22.1
0.4	10	565	960	21.5
0.6	15	539	916	20.8
0.8	20	512	870	20.1
1.0	25	485	824	19.3
1.2	30	458	778	18.6
1.4	35	429	729	17.7
1.6	40	397	675	16.7
1.8	45	354	601	15.6
2.0	50	273	464	13.6
2.2	55	169	287	11.3
2.4	60	116	197	10.6
2.6	65	47	80	9.4

TYPICAL AIR PERFORMANCE @ 13.5VDC BH1400 DUAL SCROLL BLOWER 3 rd SPEED				
STATIC PRESSURE IN H ₂ O	STATIC PRESSURE mm H ₂ O	CFM	m ³ /h	Amps
0	0.0	512	870	16.7
0.1	2.5	500	850	16.4
0.2	5	487	827	16.0
0.4	10	460	782	15.4
0.6	15	428	727	14.7
0.8	20	397	675	14.1
1.0	25	365	620	13.3
1.2	30	330	561	12.6
1.4	35	267	454	11.3
1.6	40	202	343	9.9
1.8	45	125	212	8.7
2.0	50	71	121	7.9

TYPICAL AIR PERFORMANCE @ 13.5VDC BH1400 DUAL SCROLL BLOWER 2 nd SPEED				
STATIC PRESSURE IN H ₂ O	STATIC PRESSURE mm H ₂ O	CFM	m ³ /h	Amps
0	0.0	427	725	11.9
0.1	2.5	413	702	11.7
0.2	5	397	675	11.4
0.4	10	366	622	10.9
0.6	15	333	566	10.4
0.8	20	298	506	9.8
1.0	25	249	423	9.0
1.2	30	180	306	8.0
1.4	35	105	178	7.2
1.6	40	55	93	6.7

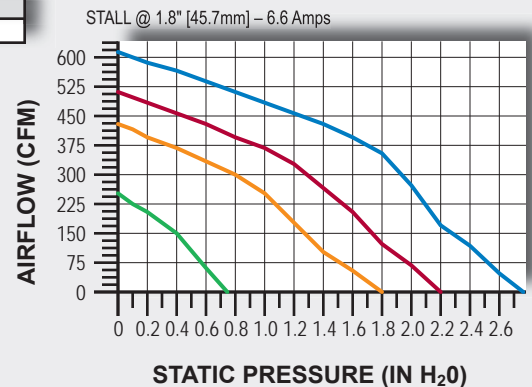
STALL @ 2.75" [69.9mm] - 9.3 Amps

TYPICAL AIR PERFORMANCE @ 13.5VDC BH1400 DUAL SCROLL BLOWER LO SPEED				
STATIC PRESSURE IN H ₂ O	STATIC PRESSURE mm H ₂ O	CFM	m ³ /h	Amps
0	0.0	249	423	5.3
0.1	2.5	227	386	5.1
0.2	5	204	347	4.9
0.4	10	149	253	4.6
0.6	15	63	107	4.1

STALL @ 0.75" [19.1mm] - 3.9 Amps

STALL @ 2.2" [55.9mm] - 7.5 Amps

- HI SPEED
- 3rd SPEED
- 2nd SPEED
- LO SPEED



24VDC CENTRIFUGAL BLOWERS

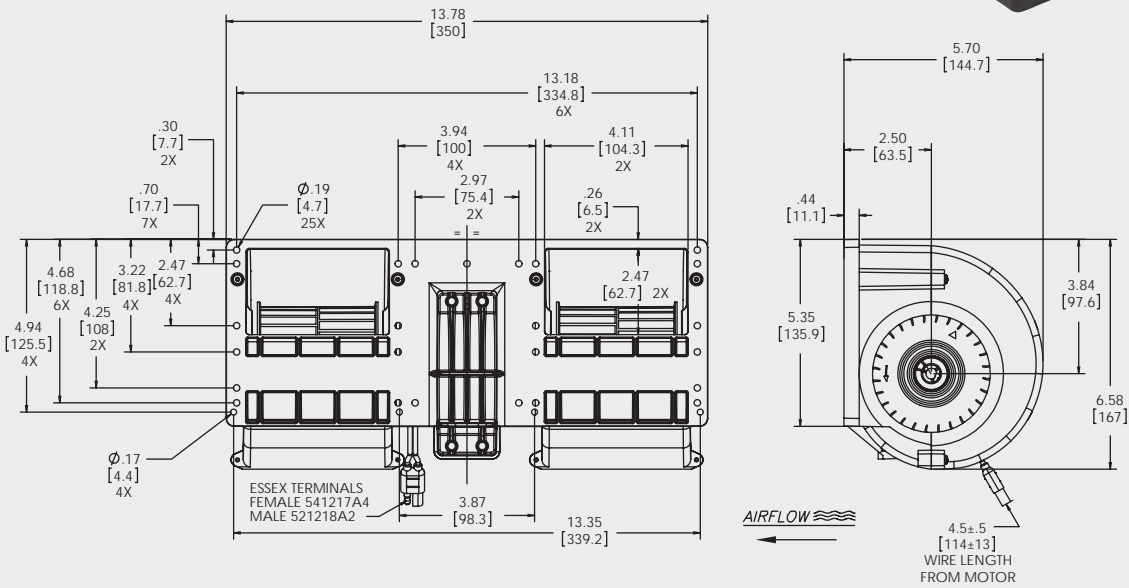
**BH1400 SERIES
DUAL SCROLL**

MODEL INFORMATION

PART#	TYPE	VOLTS	SPEED	MATERIAL*
BH1400-18-01	DUAL SCROLL	24VDC	3(HI MED LO)	*HOUSING - ABS
				*WHEELS - GFPP
*ALSO AVAILABLE IN OTHER MATERIALS				



TEC2006 / BH1400



TYPICAL AIR PERFORMANCE @ 13.5VDC
BH1400 DUAL SCROLL BLOWER HI SPEED

STATIC PRESSURE IN H ₂ O	STATIC PRESSURE mm H ₂ O	CFM	m ³ /h	Amps
0	0.0	655	1113	13.3
0.1	2.5	645	1095	13.1
0.2	5	637	1082	13.0
0.3	7.5	626	1063	12.9
0.4	10	613	1041	12.6
0.5	12.5	602	1022	12.4
0.6	15	589	1000	12.1
0.7	17.5	573	974	11.8
0.8	20	560	951	11.6
0.9	22.5	546	927	11.5
1.0	25	529	898	11.1
1.2	30	497	844	10.5
1.4	35	451	766	9.6
1.6	40	383	651	8.3
1.8	45	331	562	7.6
2.0	50	202	343	5.8

STALL @ 2.86" [72.6mm] - 4.7 Amps

TYPICAL AIR PERFORMANCE @ 13.5VDC
BH1400 DUAL SCROLL BLOWER MED SPEED

STATIC PRESSURE IN H ₂ O	STATIC PRESSURE mm H ₂ O	CFM	m ³ /h	Amps
0	0.0	521	885	8.5
0.1	2.5	505	857	8.3
0.2	5	492	836	8.1
0.3	7.5	479	813	7.9
0.4	10	465	790	7.7
0.5	12.5	450	764	7.5
0.6	15	433	736	7.2
0.7	17.5	414	703	6.7
0.8	20	397	674	6.5
1.0	25	361	612	5.9
1.2	30	316	536	5.8
1.4	35	191	325	4.1

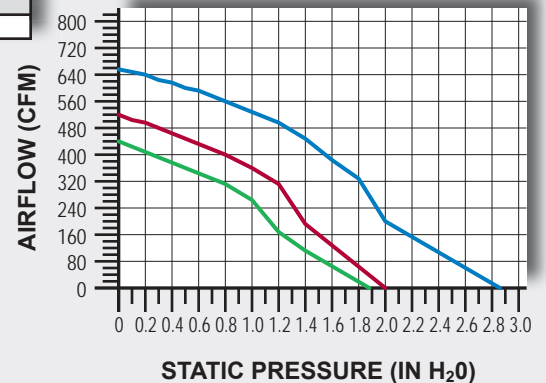
STALL @ 2.0" [50.8mm] - 3.7 Amps

- HI SPEED
- MED SPEED
- LO SPEED

TYPICAL AIR PERFORMANCE @ 13.5VDC
BH1400 DUAL SCROLL BLOWER LO SPEED

STATIC PRESSURE IN H ₂ O	STATIC PRESSURE mm H ₂ O	CFM	m ³ /h	Amps
0	0.0	436	741	6.3
0.2	5	411	697	6.1
0.4	10	379	643	5.8
0.6	15	345	586	5.6
0.8	20	312	529	5.3
1.0	25	260	441	4.9
1.2	30	166	282	4.2
1.4	35	110	186	3.9

STALL @ 1.88" [47.8mm] - 2.7Amps



TEC2007 & BH1600 CENTRIFUGAL BLOWERS



TA0050022 / TA0050023

Pg. 141



BH1600-27

Pg. 142



BH1600-41

Pg. 143



BH1600-41-01

Pg. 144

Optional performances may be available.
Please contact DCM at (817) 428-3636
for more information.

12VDC CENTRIFUGAL BLOWERS

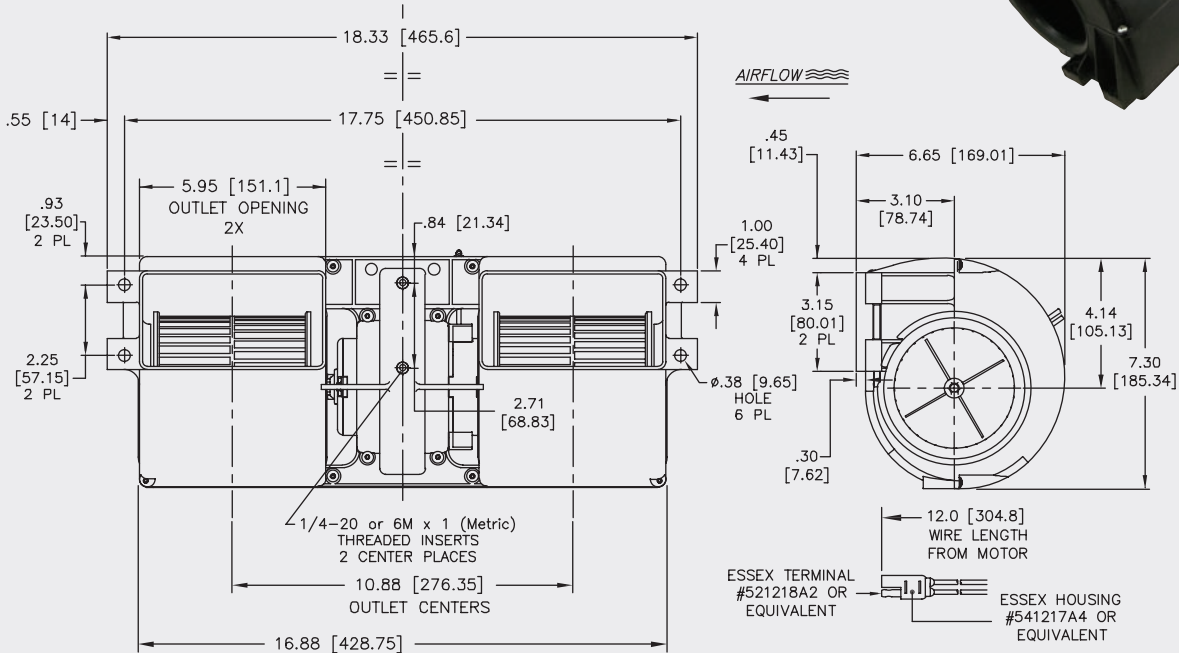
TEC2007 SERIES
DUAL SCROLL



MODEL INFORMATION*

PART#	TYPE	VOLTS	SPEEDS	INSERTS	MATERIAL
TA0050022	DUAL SCROLL	12VDC	SINGLE	STANDARD	GF NYLON
TA0050023	DUAL SCROLL	12VDC	SINGLE	METRIC	GF NYLON

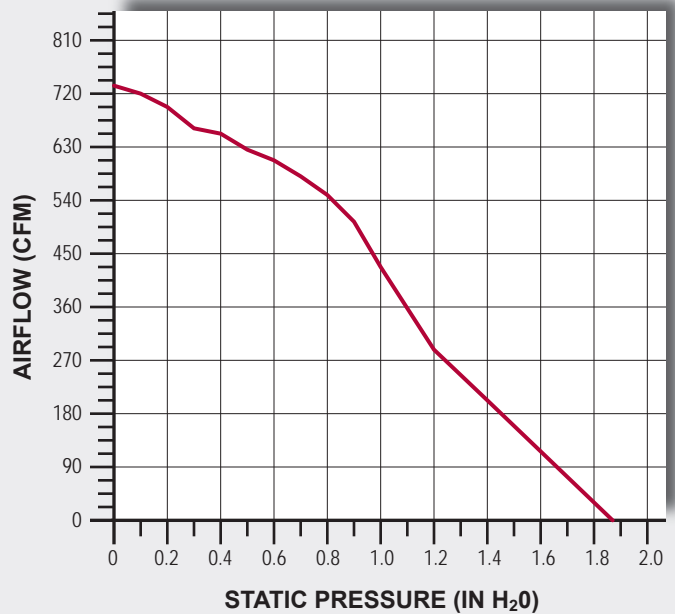
*ALSO AVAILABLE IN 24VDC



TYPICAL AIR PERFORMANCE @ 13.5VDC TEC2007 SINGLE SPEED DUAL SCROLL BLOWER

STATIC PRESSURE IN H ₂ O	STATIC PRESSURE mm H ₂ O	CFM	m ³ /h	Amps
0	0.0	735	1249	19.2
0.1	2.5	718	1220	18.8
0.2	5	699	1188	18.6
0.3	7.5	665	1130	18.0
0.4	10	654	1111	17.8
0.5	12.5	626	1064	17.1
0.6	15	606	1030	16.9
0.7	17.5	581	987	16.2
0.8	20	547	929	15.7
0.9	22.5	502	853	14.8
1.0	25	428	727	13.6
1.2	30	289	491	11.5
1.4	35	202	343	9.8

STALL @ 1.88" [47.8mm]

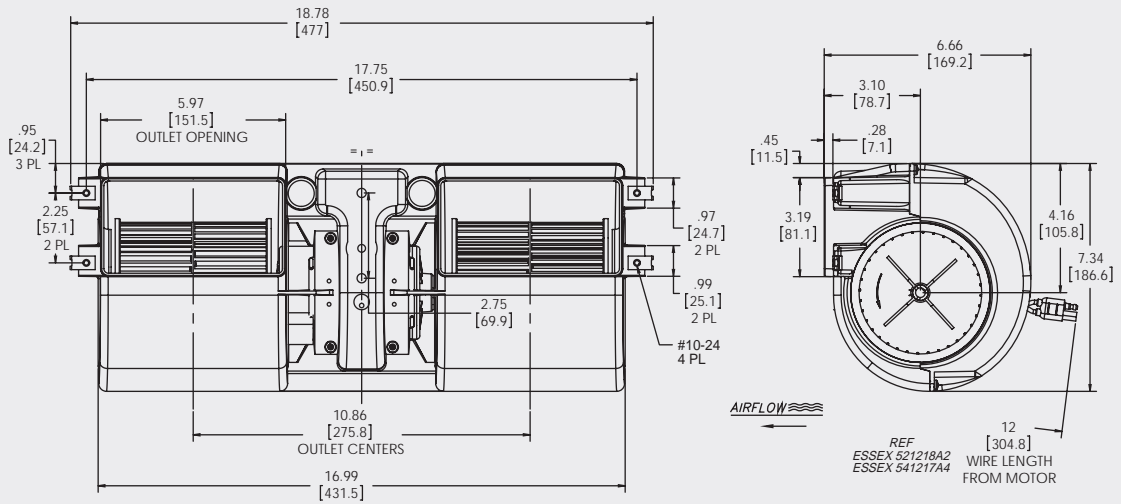


TEC2007 / BH1600

12VDC CENTRIFUGAL BLOWERS

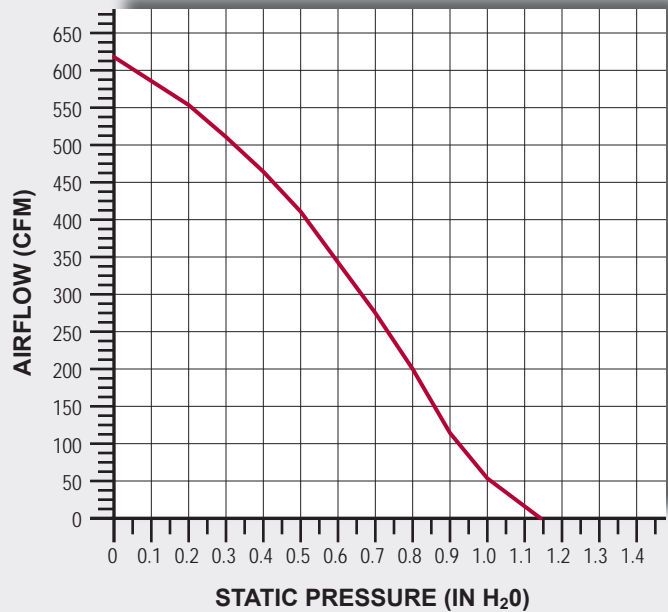


MODEL INFORMATION*				
PART#	TYPE	VOLTS	SPEED	MATERIAL**
BH1600-27	DUAL SCROLL	12VDC	SINGLE	**HOUSING - ABS
*ALSO AVAILABLE IN 24VDC			**WHEELS - MFGF NYLON	
**ALSO AVAILABLE IN OTHER MATERIALS				



TYPICAL AIR PERFORMANCE @ 13.5VDC BH1600 SINGLE SPEED DUAL SCROLL BLOWER				
STATIC PRESSURE IN H ₂ O	STATIC PRESSURE mm H ₂ O	CFM	m ³ /h	Amps
0	0.0	619	1052	10.4
0.1	2.5	587	997	9.8
0.2	5	553	940	9.3
0.3	7.5	510	866	8.7
0.4	10	464	788	8.0
0.5	12.5	410	697	7.3
0.6	15	344	584	6.5
0.7	17.5	275	467	5.7
0.8	20	199	338	4.8
0.9	22.5	113	192	4.1
1.0	25	55	93	3.7

STALL @ 1.14" [29mm] - 3.7 Amps

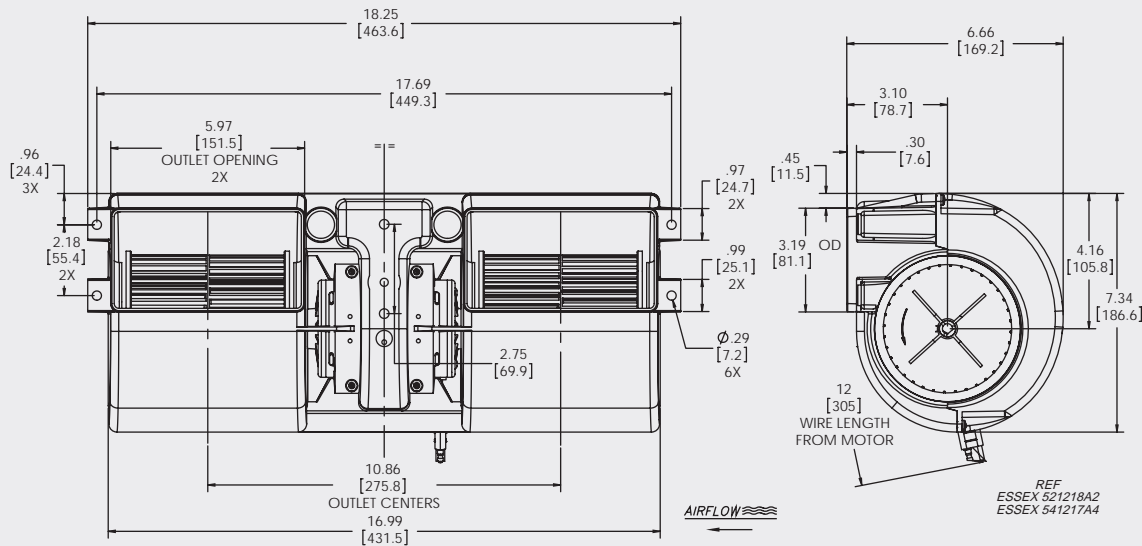
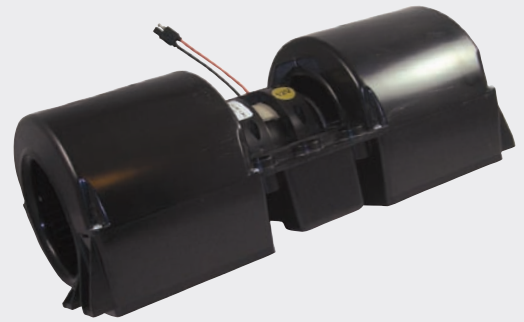


12VDC CENTRIFUGAL BLOWERS

**BH1600 SERIES
DUAL SCROLL**

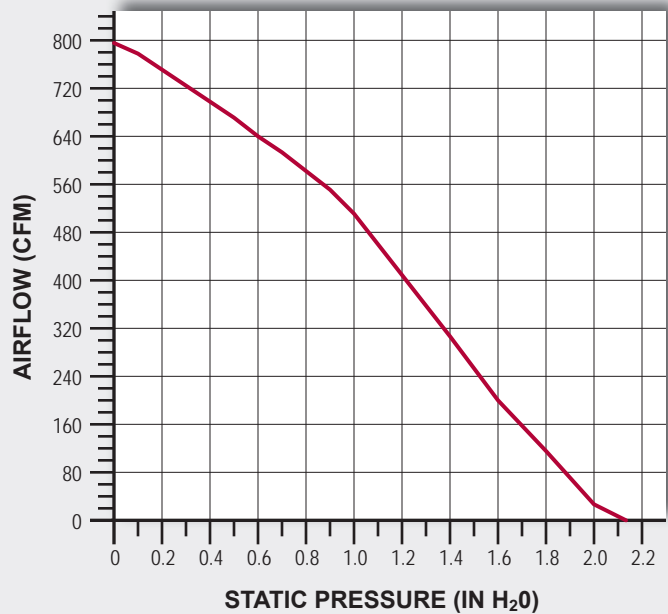
MODEL INFORMATION*

PART#	TYPE	VOLTS	SPEED	MATERIAL**
BH1600-41	DUAL SCROLL	12VDC	SINGLE	**HOUSING - ABS
*ALSO AVAILABLE IN 24VDC		**WHEELS - MFGF NYLON		
**ALSO AVAILABLE IN OTHER MATERIALS				



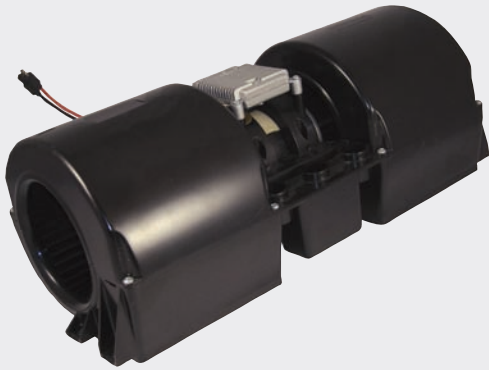
TYPICAL AIR PERFORMANCE @ 13.5VDC BH1600 SINGLE SPEED DUAL SCROLL BLOWER

STATIC PRESSURE IN H ₂ O	STATIC PRESSURE mm H ₂ O	CFM	m ³ /h	Amps
0	0.0	797	1354	21.2
0.1	2.5	776	1318	20.7
0.2	5	750	1274	20.1
0.3	7.5	724	1230	19.5
0.4	10	699	1188	18.9
0.5	12.5	670	1138	18.2
0.6	15	638	1084	17.5
0.7	17.5	615	1045	17.1
0.8	20	583	991	16.4
0.9	22.5	550	934	15.7
1.0	25	511	868	14.7
1.2	30	411	698	12.5
1.4	35	307	522	10.5
1.6	40	199	338	8.4
1.8	45	114	194	7.7
2.0	50	25	42	7.4

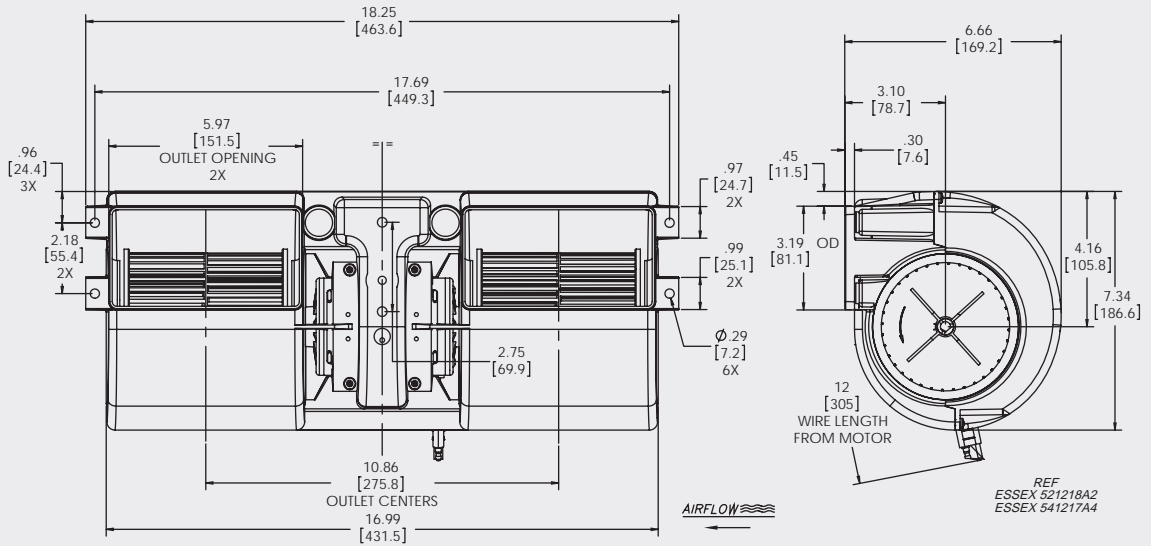


STALL @ 2.13" [54.1mm] – 7.3 Amps

• 12VDC CENTRIFUGAL BLOWERS



MODEL INFORMATION*				
PART#	TYPE	VOLTS	SPEEDS	MATERIAL**
BH1600-41-01	DUAL SCROLL	12VDC	4(HI 3 rd 2 nd LO)	**HOUSING - ABS
*ALSO AVAILABLE IN 24VDC			**WHEELS - MFGF NYLON	
**ALSO AVAILABLE IN OTHER MATERIALS				



TYPICAL AIR PERFORMANCE @ 13.5VDC BH1600 DUAL SCROLL BLOWER HI SPEED				
STATIC PRESSURE IN H ₂ O	STATIC PRESSURE mm H ₂ O	CFM	m ³ /h	Amps
0	0.0	788	1339	21.2
0.1	2.5	763	1296	20.6
0.2	5	741	1259	20.0
0.3	7.5	717	1218	19.4
0.4	10	693	1177	18.7
0.5	12.5	666	1131	18.1
0.6	15	634	1077	17.3
0.7	17.5	610	1036	16.7
0.8	20	580	985	16.0
1.0	25	500	850	14.1
1.2	30	388	659	11.8
1.4	35	258	438	9.2
1.6	40	149	253	7.7
1.8	45	77	131	7.2

TYPICAL AIR PERFORMANCE @ 13.5VDC BH1600 DUAL SCROLL BLOWER 3 rd SPEED				
STATIC PRESSURE IN H ₂ O	STATIC PRESSURE mm H ₂ O	CFM	m ³ /h	Amps
0	0.0	665	1130	14.8
0.1	2.5	639	1086	14.2
0.2	5	613	1041	13.8
0.3	7.5	585	994	13.2
0.4	10	557	946	12.7
0.5	12.5	525	892	12.1
0.6	15	489	831	11.5
0.7	17.5	454	771	10.9
0.8	20	406	690	10.1
1.0	25	304	516	8.4
1.2	30	176	299	6.6
1.4	35	95	161	6.0

TYPICAL AIR PERFORMANCE @ 13.5VDC BH1600 DUAL SCROLL BLOWER 2 nd SPEED				
STATIC PRESSURE IN H ₂ O	STATIC PRESSURE mm H ₂ O	CFM	m ³ /h	Amps
0	0.0	512	870	8.8
0.1	2.5	483	821	8.5
0.2	5	452	768	8.2
0.3	7.5	418	710	7.8
0.4	10	379	644	7.3
0.5	12.5	335	569	6.8
0.6	15	287	488	6.3
0.7	17.5	240	408	5.8
0.8	20	180	306	5.2
1.0	25	95	161	4.7

STALL @ 1.98" [50.3mm] – 7.0 Amps

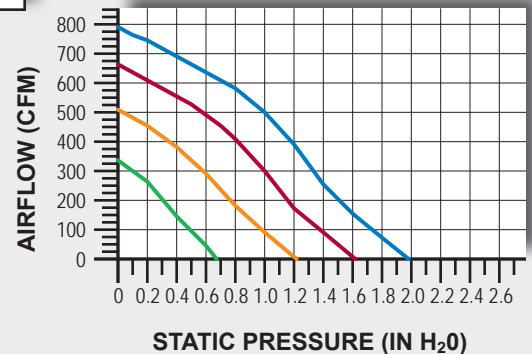
TYPICAL AIR PERFORMANCE @ 13.5VDC BH1600 DUAL SCROLL BLOWER LO SPEED				
STATIC PRESSURE IN H ₂ O	STATIC PRESSURE mm H ₂ O	CFM	m ³ /h	Amps
0	0.0	338	574	4.3
0.1	2.5	298	506	3.9
0.2	5	258	438	3.8
0.4	10	149	253	3.1
0.6	15	46	78	2.8

STALL @ 0.67" [17.0mm] – 2.8 Amps

STALL @ 1.62" [41.1mm] – 5.8 Amps

- HI SPEED
- 3rd SPEED
- 2nd SPEED
- LO SPEED

STALL @ 1.22" [31.0mm] – 4.5 Amps



TEC2009 & BH7800 CENTRIFUGAL BLOWERS



TA0116004

Pg. 146



2302-A-1

Pg. 147

TEC2009 / BH7800



2302-B-1

Pg. 148

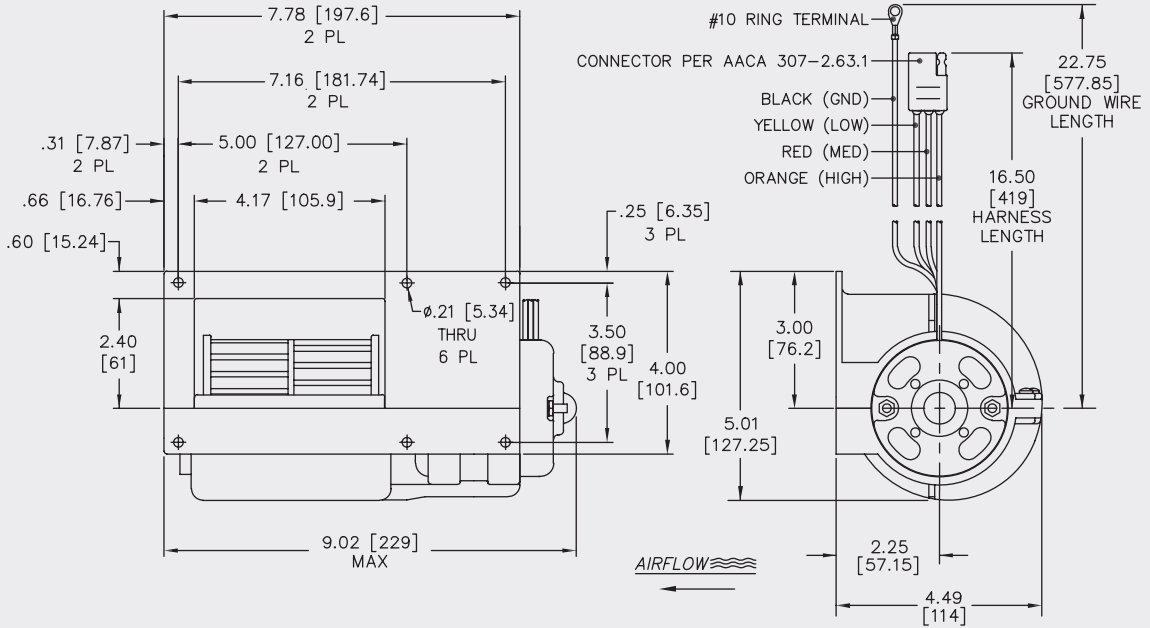
Optional performances may be available.
Please contact DCM at (817) 428-3636
for more information.

12VDC CENTRIFUGAL BLOWERS



MODEL INFORMATION

PART#	TYPE	MOTOR	VOLTS	SPEEDS	MATERIAL
TA1160004	SINGLE SCROLL	WOUND FIELD	12VDC	3(HI MED LO)	GF NYLON
TB1160003	SINGLE SCROLL	WOUND FIELD	12VDC	3(HI MED LO)	GF NYLON



**TYPICAL AIR PERFORMANCE @ 13.5VDC
TEC2009 DUAL SCROLL BLOWER HI SPEED**

STATIC PRESSURE IN H ₂ O	STATIC PRESSURE mm H ₂ O	CFM	m ³ /h	Amps
0	0.0	224	381	10.8
0.1	2.5	220	374	10.7
0.2	5	216	367	10.7
0.3	7.5	215	365	10.6
0.4	10	211	358	10.4
0.5	12.5	207	352	10.3
0.6	15	202	343	10.1
0.7	17.5	200	340	10.2
0.8	20	193	328	9.9
0.9	22.5	193	328	9.9
1.0	25	188	319	9.8
1.2	30	173	294	9.4
1.4	35	159	270	9.0
1.6	40	148	251	8.7
1.8	45	131	223	8.2

**TYPICAL AIR PERFORMANCE @ 13.5VDC
TEC2009 DUAL SCROLL BLOWER MED SPEED**

STATIC PRESSURE IN H ₂ O	STATIC PRESSURE mm H ₂ O	CFM	m ³ /h	Amps
0	0.0	173	294	6.9
0.1	2.5	169	287	6.8
0.2	5	162	275	6.7
0.3	7.5	160	272	6.7
0.4	10	157	267	6.5
0.5	12.5	151	257	6.4
0.6	15	149	253	6.4
0.7	17.5	145	246	6.3
0.8	20	135	229	6.1
0.9	22.5	125	212	6.0
1.0	25	120	204	5.9

**TYPICAL AIR PERFORMANCE @ 13.5VDC
TEC2009 DUAL SCROLL BLOWER LO SPEED**

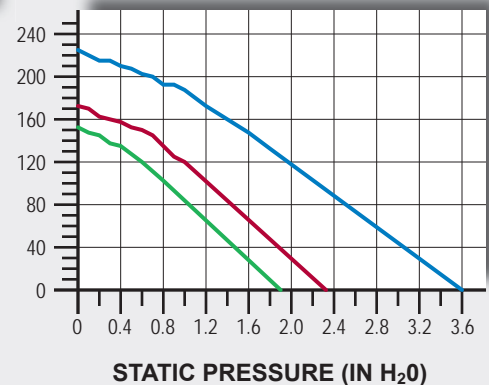
STATIC PRESSURE IN H ₂ O	STATIC PRESSURE mm H ₂ O	CFM	m ³ /h	Amps
0	0.0	152	258	5.2
0.1	2.5	148	251	5.1
0.2	5	145	246	5.1
0.3	7.5	136	231	5.0
0.4	10	133	226	5.0
0.5	12.5	128	217	4.8
0.6	15	121	206	4.8
0.8	20	103	175	4.4

STALL @ 3.6" [91.4mm]

STALL @ 2.3" [58.4mm]

STALL @ 1.9" [48.3mm]

— HI SPEED
— MED SPEED
— LO SPEED

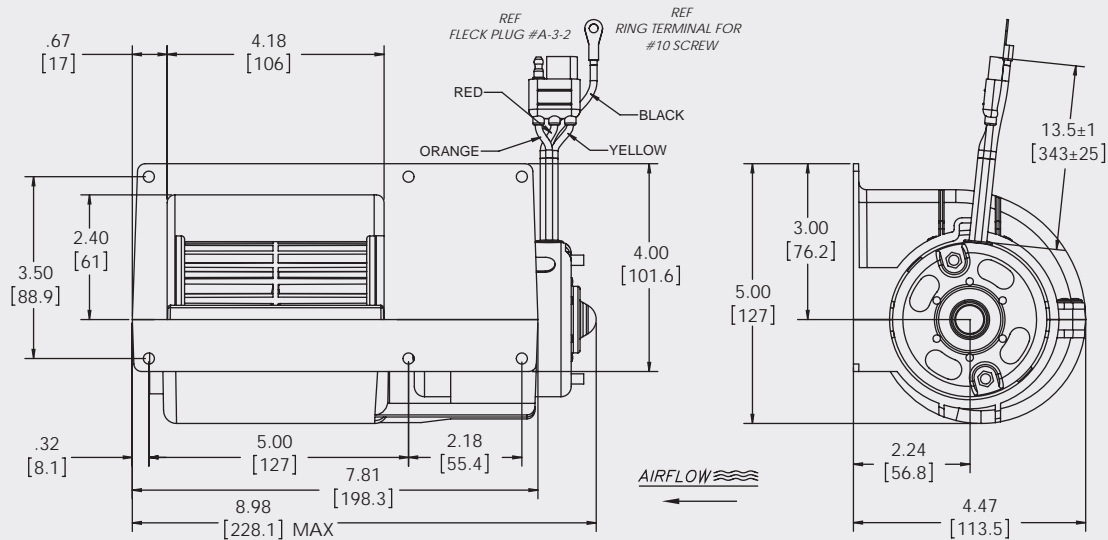
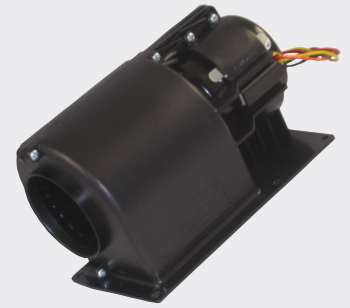


12VDC CENTRIFUGAL BLOWERS

**BH7800 SERIES
SINGLE SCROLL**

MODEL INFORMATION*

PART#	TYPE	VOLTS	SPEED	MATERIAL**
2302-A-1	SINGLE SCROLL	12VDC	SINGLE	**HOUSING - ABS
*ALSO AVAILABLE IN 24VDC				**WHEELS - PC
**ALSO AVAILABLE IN OTHER MATERIALS				



TEC2009 / BH7800

TYPICAL AIR PERFORMANCE @ 13.5VDC BH7800 SINGLE SCROLL BLOWER HI SPEED

STATIC PRESSURE IN H ₂ O	STATIC PRESSURE mm H ₂ O	CFM	m ³ /h	Amps
0	0.0	226	384	11.0
0.1	2.5	221	375	10.9
0.2	5	215	365	10.7
0.3	7.5	209	355	10.5
0.4	10	204	347	10.3
0.5	12.5	197	335	10.2
0.6	15	193	328	10.1
0.7	17.5	187	318	9.9
0.8	20	182	309	9.7
0.9	22.5	176	299	9.6
1.0	25	170	289	9.4
1.2	30	158	268	9.0
1.4	35	143	243	8.6
1.6	40	127	216	8.3
1.8	45	102	173	7.6
2.0	50	73	124	6.9
2.2	55	54	92	6.6
2.4	60	37	63	6.2

STALL @ 2.87" [72.9mm] - 5.8 Amps

TYPICAL AIR PERFORMANCE @ 13.5VDC BH7800 SINGLE SCROLL BLOWER MED SPEED

STATIC PRESSURE IN H ₂ O	STATIC PRESSURE mm H ₂ O	CFM	m ³ /h	Amps
0	0.0	153	260	5.8
0.1	2.5	147	250	5.7
0.2	5	139	236	5.6
0.3	7.5	133	226	5.5
0.4	10	127	216	5.3
0.5	12.5	116	197	5.4
0.6	15	109	185	5.2
0.7	17.5	97	165	5.0
0.8	20	83	141	4.7
0.9	22.5	70	119	4.5
1.0	25	50	85	4.2
1.2	30	30	51	3.9

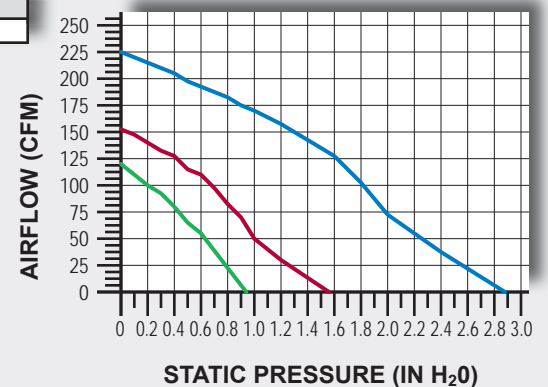
STALL @ 1.51" [38.4mm] - 3.7 Amps

TYPICAL AIR PERFORMANCE @ 13.5VDC BH7800 SINGLE SCROLL BLOWER LO SPEED

STATIC PRESSURE IN H ₂ O	STATIC PRESSURE mm H ₂ O	CFM	m ³ /h	Amps
0	0.0	119	202	4.0
0.1	2.5	111	189	3.8
0.2	5	101	172	3.7
0.3	7.5	93	158	3.6
0.4	10	81	138	3.5
0.5	12.5	65	110	3.3
0.6	15	52	88	3.2
0.8	20	22	37	2.9

STALL @ 0.93" [23.6mm] - 2.8 Amps

- HI SPEED
- MED SPEED
- LO SPEED



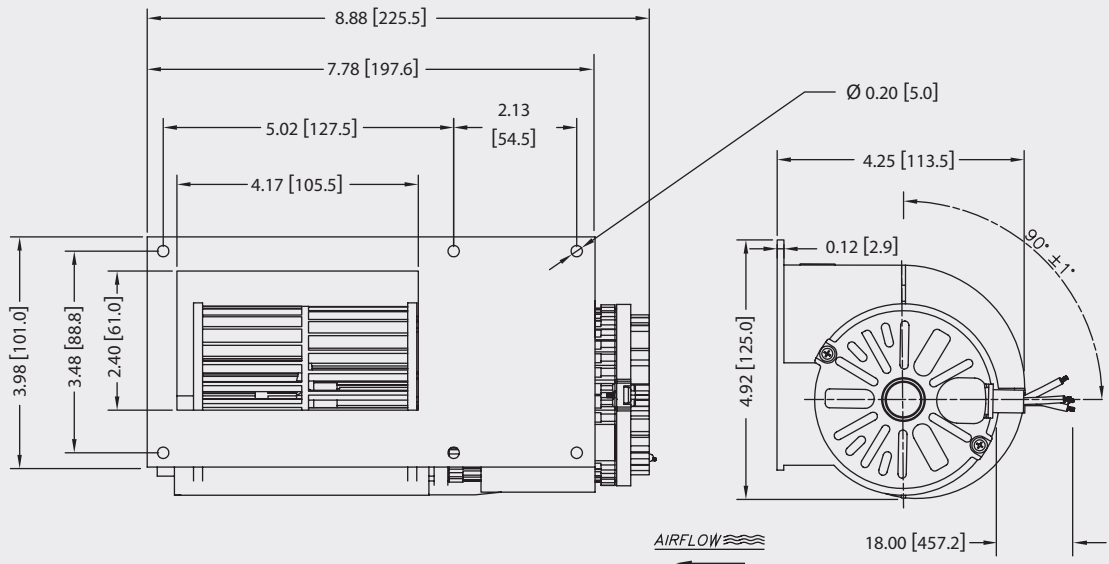
• 12VDC CENTRIFUGAL BLOWERS



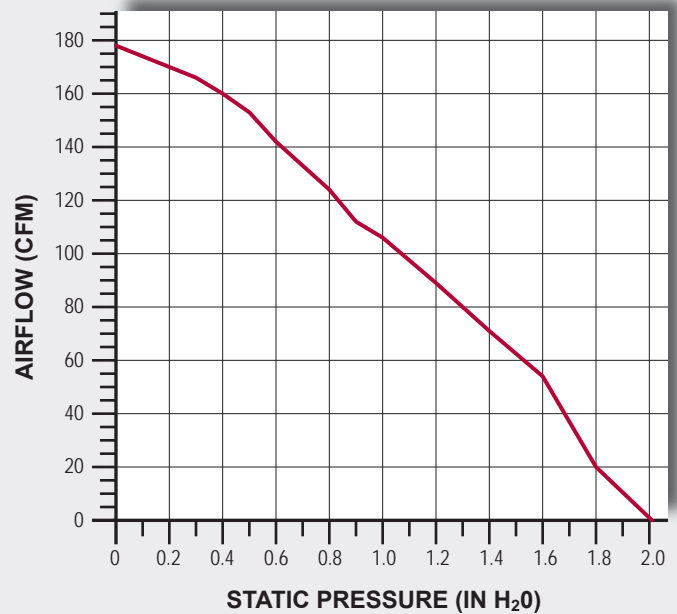
MODEL INFORMATION*				
PART#	TYPE	VOLTS	SPEED	MATERIAL
2302-B-1	SINGLE SCROLL	12VBLDC	SINGLE	GF NYLON

*ALSO AVAILABLE IN 24VDC

BRUSHLESS



TYPICAL AIR PERFORMANCE @ 13.5VDC BH7800 SINGLE SPEED SINGLE SCROLL BLOWER				
STATIC PRESSURE IN H ₂ O	STATIC PRESSURE mm H ₂ O	CFM	m ³ /h	Amps
0	0.0	178	302	6.4
0.1	2.5	174	296	6.3
0.2	5	170	289	6.1
0.3	7.5	166	282	5.9
0.4	10	160	272	5.8
0.5	12.5	153	260	5.6
0.6	15	142	241	5.2
0.7	17.5	133	226	5.0
0.8	20	124	211	4.7
0.9	22.5	112	190	4.4
1.0	25	106	180	4.2
1.2	30	89	151	3.8
1.4	35	71	121	3.4
1.6	40	54	92	3.0
1.8	45	20	34	2.2



STALL @ 2.01" [51.1mm] – 2.1 Amps

BH4400, BH1700, & BH1900 CENTRIFUGAL BLOWERS



2396-A-1 / 2397-A-1

Pg. 150



BH1100-02

Pg. 151



BH1900-01

Pg. 152

Optional performances may be available.
Please contact DCM at (817) 428-3636
for more information.

BH4400 / BH1700 /
BH1900

**BH4400 SERIES
SINGLE SCROLL**

12VDC CENTRIFUGAL BLOWERS

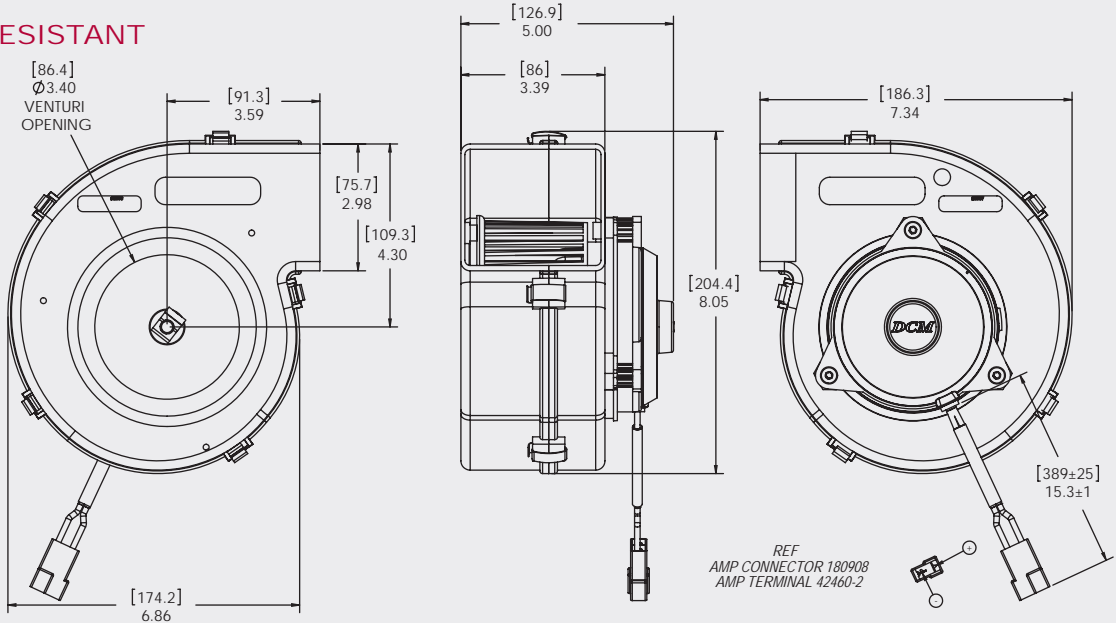


MODEL INFORMATION*						
PART#	TYPE	VOLTS	WATTS	SPEED	ROTATION**	MATERIAL**
2396-A-1-1	SINGLE SCROLL	12VDC	160W	SINGLE	CW	MFGF NYLON
2397-A-1-1	SINGLE SCROLL	12VDC	160W	SINGLE	CCW	MFGF NYLON

*ALSO AVAILABLE IN 24VDC ***ALSO AVAILABLE IN OTHER MATERIALS
**CW MODEL SHOWN; CCW UNIT IS MIRROR BUILD

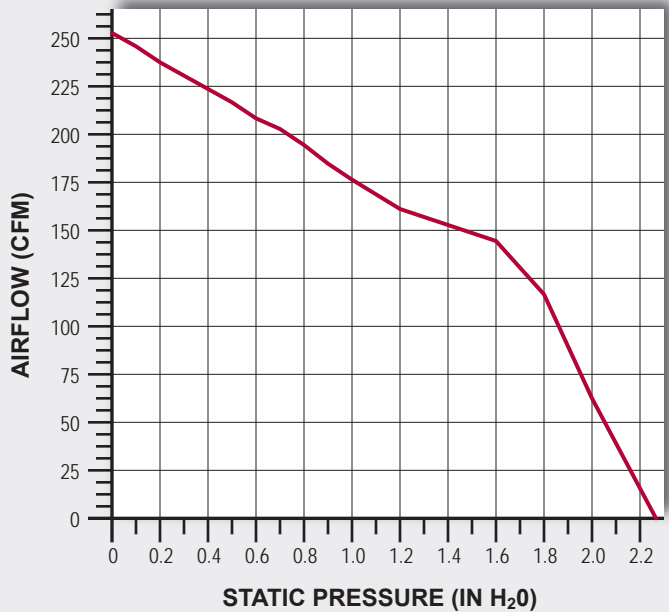
AVAILABLE WITH 3 SPEED RESISTOR

WATER & DUST RESISTANT



TYPICAL AIR PERFORMANCE @ 13.5VDC
BH4400 SINGLE SPEED SINGLE SCROLL BLOWER

STATIC PRESSURE IN H ₂ O	STATIC PRESSURE mm H ₂ O	CFM	m ³ /h	Amps
0	0.0	253	430	11.6
0.1	2.5	246	418	11.3
0.2	5	238	404	10.9
0.3	7.5	230	391	10.7
0.4	10	223	379	10.5
0.5	12.5	217	369	10.2
0.6	15	209	355	10.0
0.7	17.5	203	345	9.7
0.8	20	195	331	9.5
0.9	22.5	185	314	9.2
1.0	25	176	299	8.9
1.2	30	161	274	8.5
1.4	35	153	260	8.0
1.6	40	144	245	7.9
1.8	45	116	197	6.9
2.0	50	62	105	5.6



STALL @ 2.26" [57.4mm] – 4.7 Amps

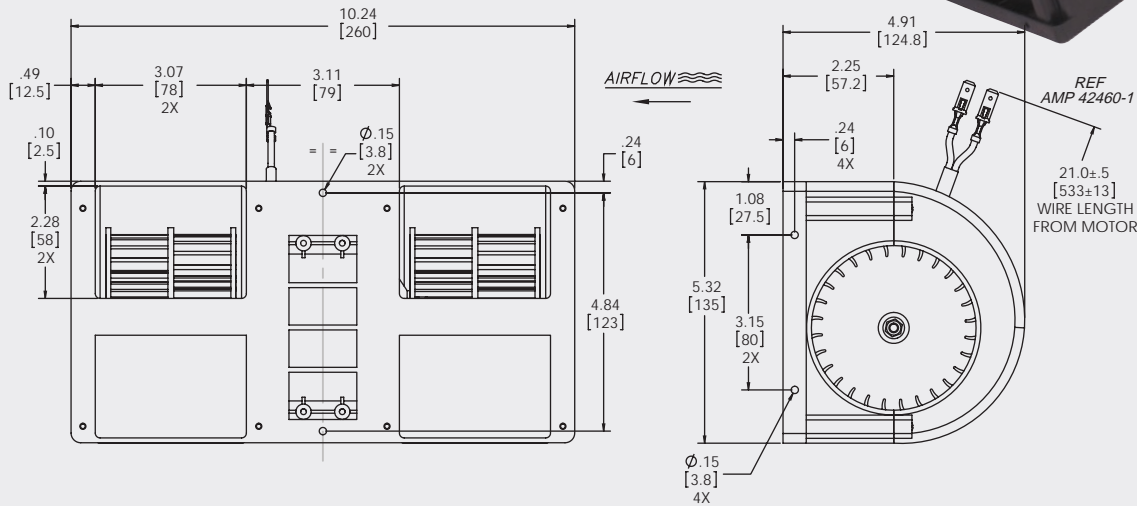
12VDC CENTRIFUGAL BLOWERS

**BH1100 SERIES
SINGLE SCROLL**

MODEL INFORMATION*

PART#	TYPE	VOLTS	SPEED	MATERIAL
BH1100-02	DUAL SCROLL	12VDC	SINGLE	MFGF NYLON

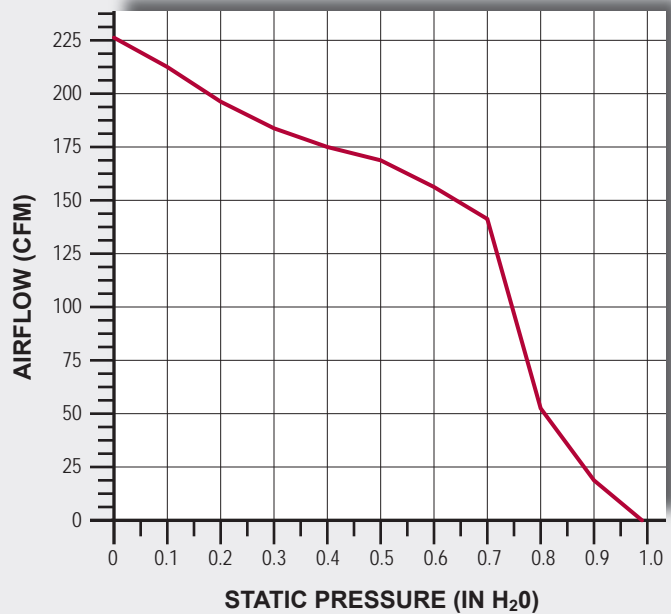
*ALSO AVAILABLE IN 24VDC



TYPICAL AIR PERFORMANCE @ 13.5VDC BH1100 SINGLE SPEED DUAL SCROLL BLOWER

STATIC PRESSURE IN H ₂ O	STATIC PRESSURE mm H ₂ O	CFM	m ³ /h	Amps
0	0.0	227	386	4.6
0.1	2.5	212	360	4.4
0.2	5	196	333	4.2
0.3	7.5	184	313	4.0
0.4	10	175	297	3.9
0.5	12.5	169	287	3.8
0.6	15	156	265	3.6
0.7	17.5	141	240	3.3
0.8	20	52	88	2.1
0.9	22.5	19	32	1.9

STALL @ 0.99" [25.1mm] – 1.8 Amps

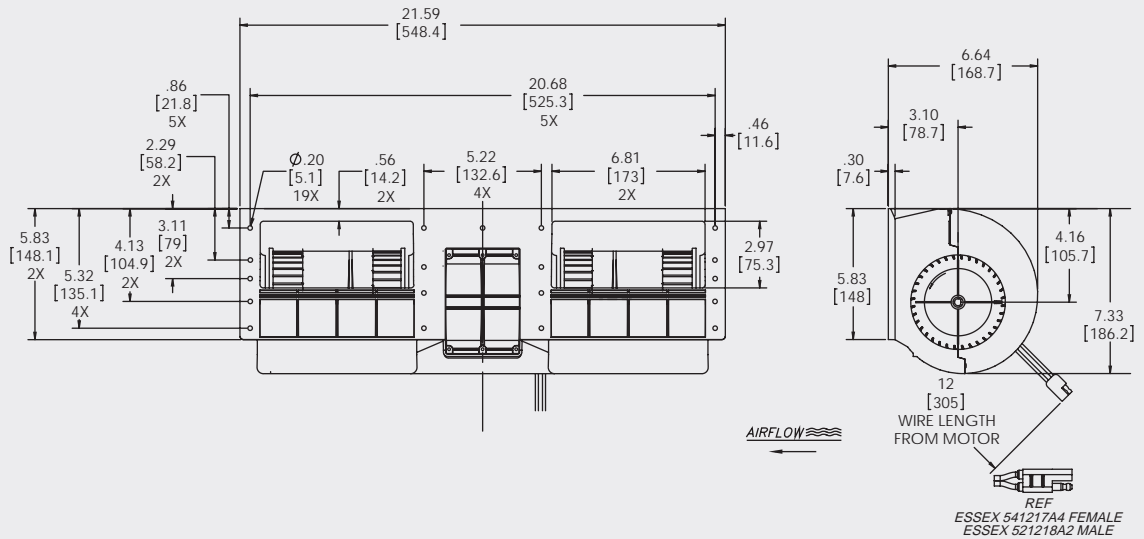


BH4400 / BH1700 /
BH1900

12VDC CENTRIFUGAL BLOWERS

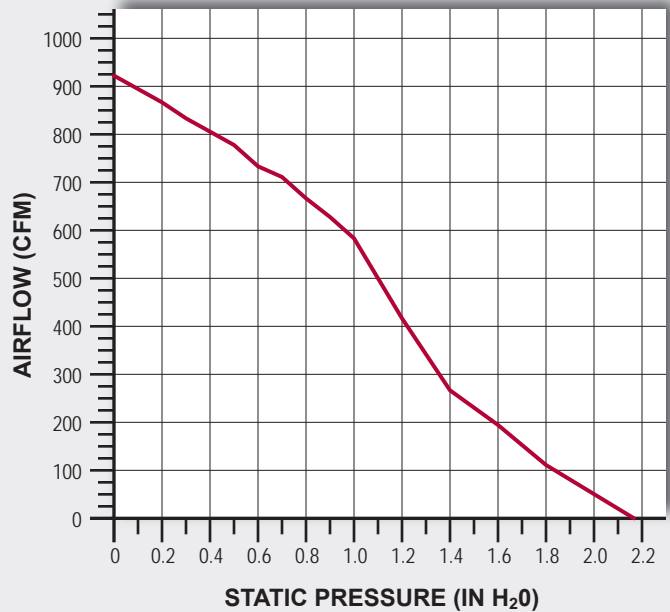


MODEL INFORMATION*				
PART#	TYPE	VOLTS	SPEED	MATERIAL**
BH1900-01-12V	DUAL SCROLL	12VDC	SINGLE	**HOUSING - ABS
*ALSO AVAILABLE IN 24VDC			**WHEELS - MFGF NYLON	
**ALSO AVAILABLE IN OTHER MATERIALS				



TYPICAL AIR PERFORMANCE @ 13.5VDC
BH1900 SINGLE SPEED DUAL SCROLL BLOWER

STATIC PRESSURE IN H ₂ O	STATIC PRESSURE mm H ₂ O	CFM	m ³ /h	Amps
0	0.0	920	1563	25.2
0.1	2.5	894	1519	24.6
0.2	5	865	1470	23.8
0.3	7.5	832	1414	23.0
0.4	10	807	1371	22.4
0.5	12.5	777	1320	21.8
0.6	15	736	1250	20.8
0.7	17.5	709	1205	20.1
0.8	20	667	1133	19.0
0.9	22.5	627	1065	18.1
1.0	25	583	991	17.3
1.2	30	415	705	13.6
1.4	35	266	452	10.5
1.6	40	194	330	9.2
1.8	45	112	190	8.2



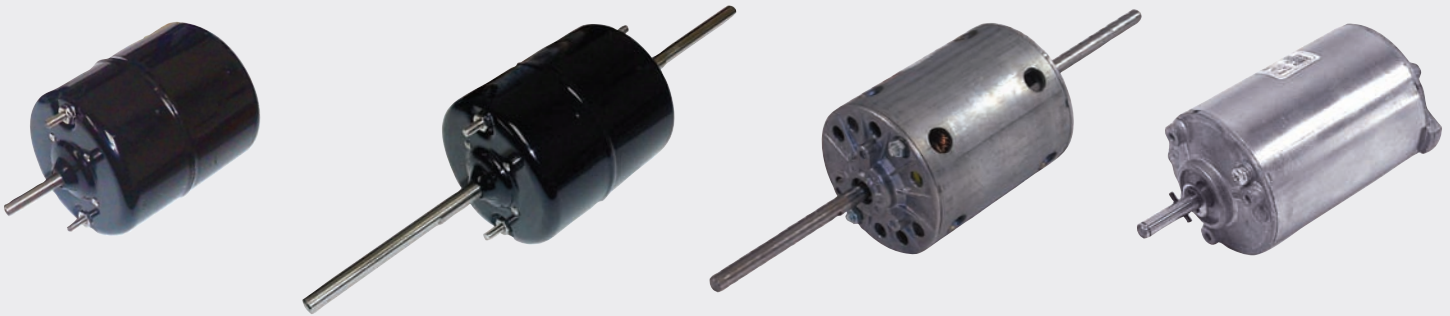
STALL @ 2.16" [54.9mm] – 7.4 Amps

DC MOTORS



DC MOTORS

3" DIAMETER MOTOR SELECTION CRITERIA



MOUNTING:

"3 in. Diameter Can style" motors are available with various stud extensions on a 2.312 bolt circle. Extensions may be on one or both sides of the motor. Consult DCM for availability of a specific length.

CUSTOMER SUPPLIED DATA:

Voltage: (6 thru 48 Volt normally available)

Motor Load: Speed, Torque, and Current.
(An existing motor can be tested by DCM & matched)

Shaft Diameter: Length (Single or Double Extension)

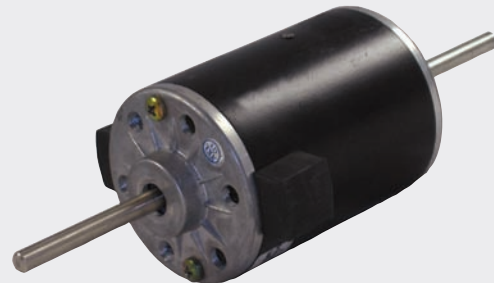
Material: (Carbon Steel Standard - Stainless Steel)

PERFORMANCE & LIFE:

Many factors influence the life of the motor. Both electrical and mechanical factors are involved. In general, if a motor runs cooler, it has a longer life. Factors such as bearing style (i.e. ball, sleeve, etc.), motor length, air flow thru vents or Over non-vented motors, and size of the brush components, all help determine the motor life in a given application.



DCM Series Wound DC Motors have the armature and field windings connected in a series circuit. These type motors normally drive loads that require precise speed regulation. Starting torque developed in series motors normally ranges between 300% and 375% of full load, but can be as high as 800% of full load torque. These motors can easily be configured in 2 & 3 speed, as well as reversible models.



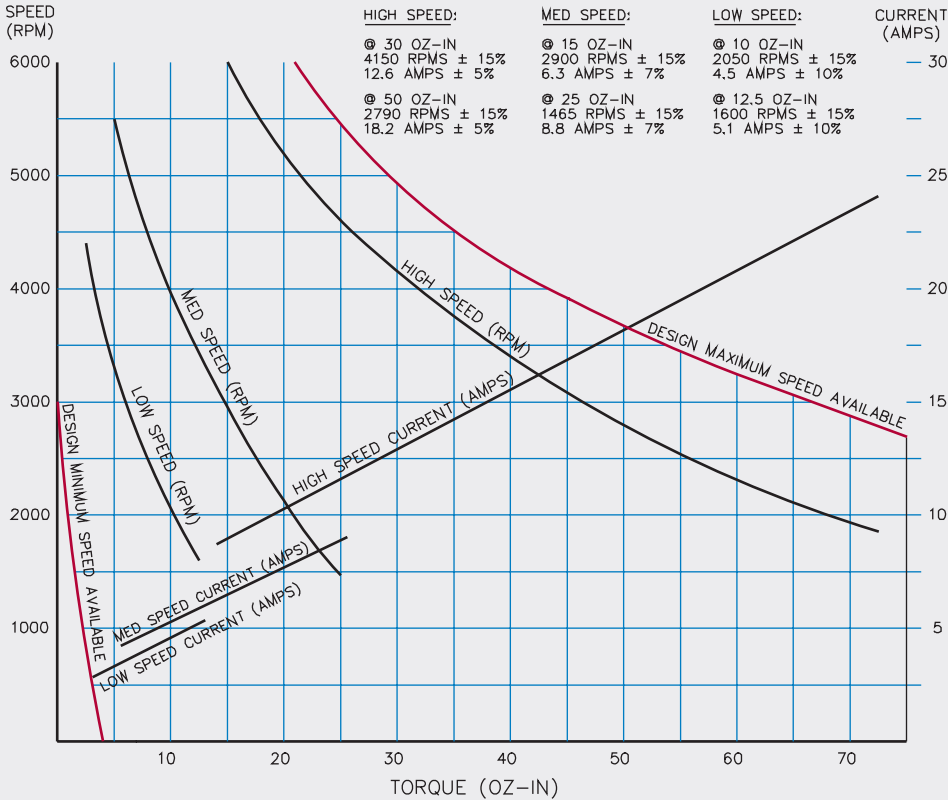
DCM Permanent Magnet DC Motors produce high running torque, and provide a relatively simple, high efficiency DC drive as compared to wound field motors. High efficiency and a linear speed torque curve are primary advantages of a DCM Permanent Magnet DC motor. These motors are easily reversed by changing polarity.

DC MOTORS

**SERIES
WOUND**

EXAMPLE: TYPICAL 3 SPEED MOTOR @ 13.5VDC:

HIGH SPEED:	MED SPEED:	LOW SPEED:	CURRENT (AMPS)
@ 30 OZ-IN 4150 RPMs ± 15% 12.6 AMPS ± 5%	@ 15 OZ-IN 2900 RPMs ± 15% 6.3 AMPS ± 7%	@ 10 OZ-IN 2050 RPMs ± 15% 4.5 AMPS ± 10%	— 30
@ 50 OZ-IN 2790 RPMs ± 15% 18.2 AMPS ± 5%	@ 25 OZ-IN 1465 RPMs ± 15% 8.8 AMPS ± 7%	@ 12.5 OZ-IN 1600 RPMs ± 15% 5.1 AMPS ± 10%	— 25
			— 20
			— 15
			— 10
			— 5



ELECTRICAL SPECIFICATIONS

INSULATION: CLASS B (130° C)

VOLTAGE RATING: 6-48 VOLTS DC NOMINAL

EFFICIENCY: UP TO 75%

ROTATION: CW, CCW, OR REVERSIBLE

BRUSH LIFE: UP TO 2,000 HOURS DEPENDING ON MODEL AND APPLICATION

UP TO 5,000 HOURS WITH SPECIAL BRUSHES & COMPONENTS

MECHANICAL SPECIFICATIONS

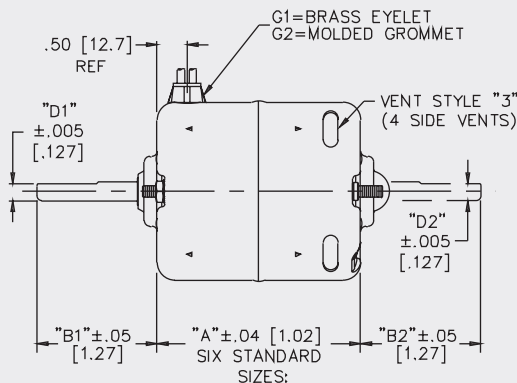
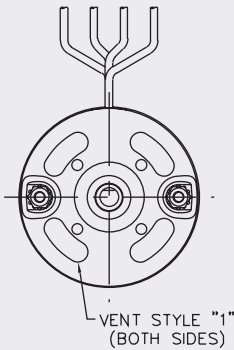
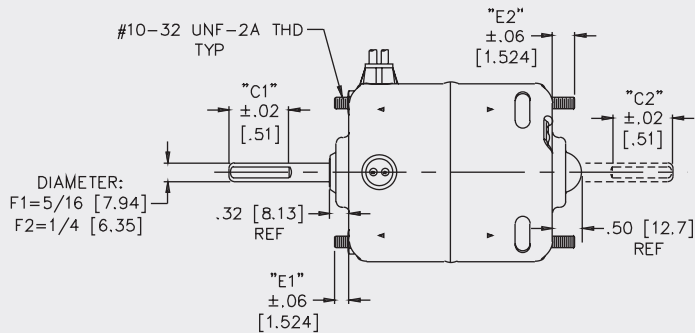
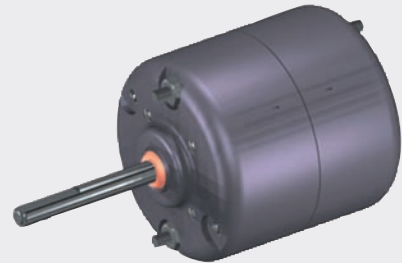
SHAFT: 1137-1144 CRS (STANDARD)
300/400 SERIES SS OR
CUSTOM AS REQ'D

BEARINGS: PM IRON (STANDARD)
PM BRONZE OR
BALL BEARINGS OPTIONAL

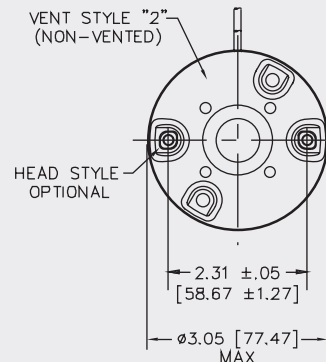
LUBRICATION: SYNTHETIC, LIFETIME LUBRICATED

LEADS: 16GA AWG TYPE GPT (80° C) (STANDARD)
OTHER GAUGES OR
HIGHER RATINGS AS REQ'D

WIRE TERMINATIONS: 1/4" STRIP (STANDARD)
OTHER TERMINALS
(I.E. #10 RING, BULLET) AS REQ'D



A1) 2.27 [57.66]	A2) 2.52 [64.01]
A3) 2.77 [70.36]	A4) 3.02 [76.71]
A5) 3.21 [81.53]	A6) 3.39 [86.12]



DC MOTORS

ELECTRICAL SPECIFICATIONS

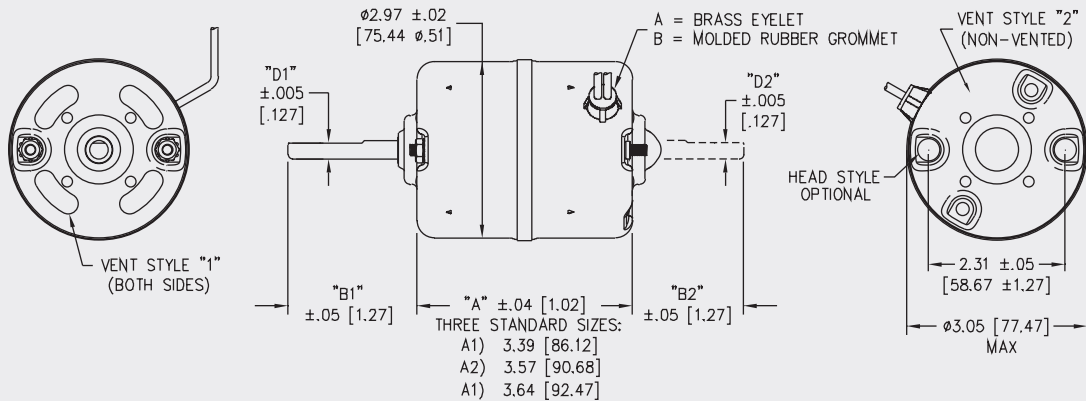
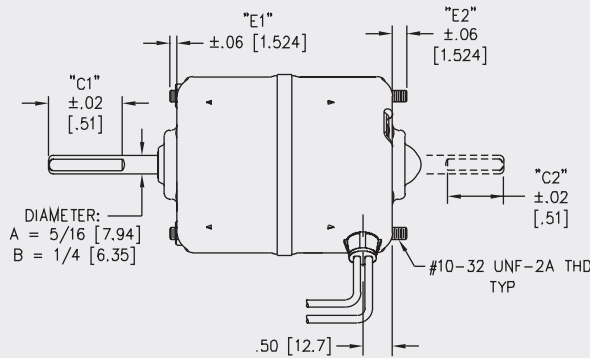
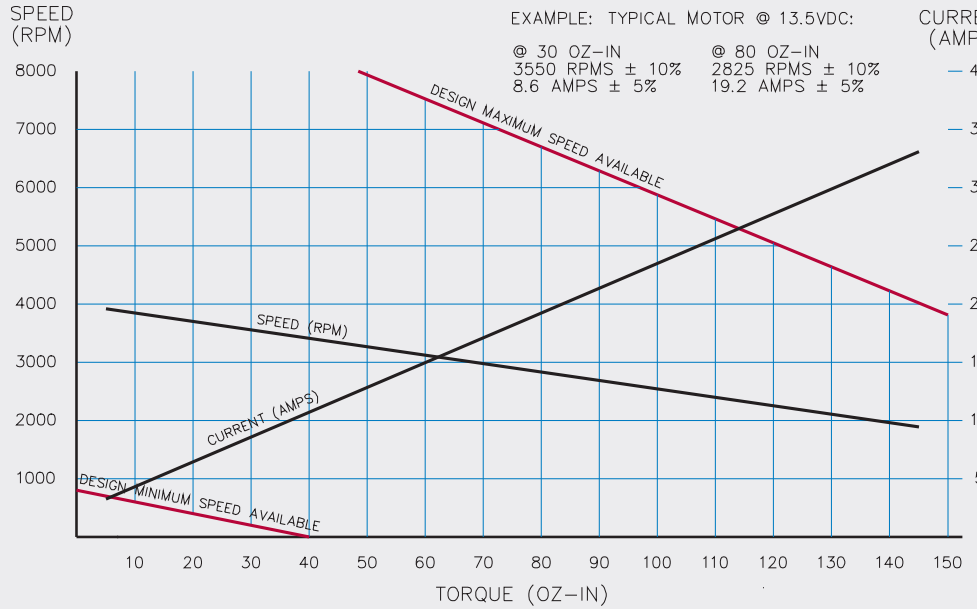
- INSULATION: CLASS B (130° C)
- VOLTAGE RATING: 6-48 VOLTS DC NOMINAL
- EFFICIENCY: UP TO 80%
- ROTATION: CW, CCW, OR REVERSIBLE
- BRUSH LIFE: UP TO 2,000 HOURS DEPENDING ON MODEL AND APPLICATION

MECHANICAL SPECIFICATIONS

- ENCLOSURE: CARBON STEEL (VENTED OR NON-VENTED)
- SHAFT: 1137-1144 CRS (STANDARD) 300/400 SERIES SS OR CUSTOM AS REQ'D
- BEARINGS: PM IRON (STANDARD) PM BRONZE OR BALL BEARINGS OPTIONAL
- LUBRICATION: SYNTHETIC, LIFETIME LUBRICATED
- LEADS: 14GA AWG TYPE GPT (80° C) (STANDARD) OTHER GAUGES OR HIGHER RATINGS AS REQ'D
- WIRE TERMINATIONS: 1/4" STRIP (STANDARD) OTHER TERMINALS (I.E. #10 RING, BULLET) AS REQ'D

EXAMPLE: TYPICAL MOTOR @ 13.5VDC:

TORQUE (OZ-IN)	SPEED (RPM)	CURRENT (AMPS)
30	3550	8.6
80	2825	19.2





MODEL INFORMATION			
PART#	VOLTS	TYPE	SHAFT
TA5000038	12VDC	PERMANENT MAGNET	SINGLE
TB5000026	24VDC	PERMANENT MAGNET	SINGLE

3" DIAMETER MOTOR

FEATURES

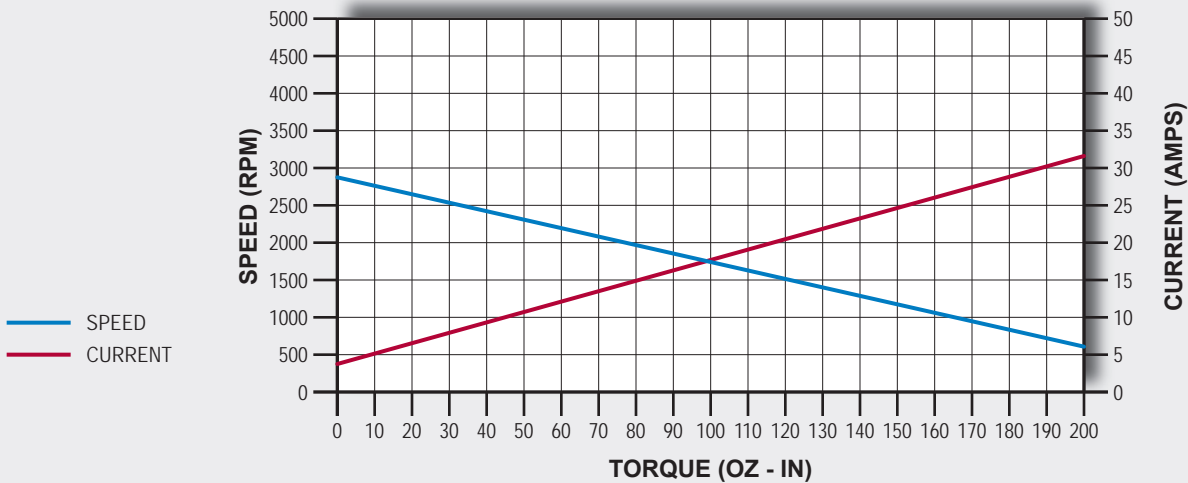
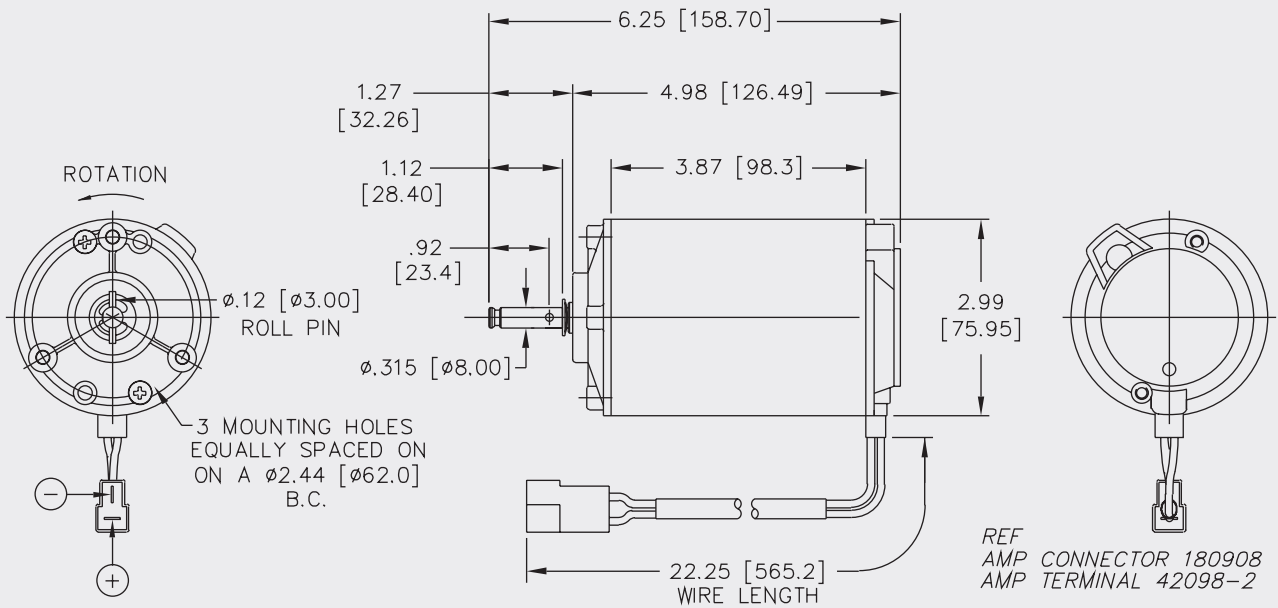
- BALL BEARINGS FRONT AND REAR
- MULTI-PURPOSE END CAP DESIGN FOR MOUNTING
- LONG LIFE
- VARIOUS SHAFT CONFIGURATIONS AVAILABLE

SPECIFICATIONS

- NOMINAL VOLTAGE: 26 VDC
- NOMINAL SPEED: 2600 RMP
- NOMINAL CURRENT: 3.5 A
- ROTATION: REVERSIBLE
- OPERATION: CONTINUOUS
- AMBIENT TEMP: -40° C +80° C

APPLICATIONS

- BLOWERS
- AXIAL SHIFT MOTORS
- REEL DRIVERS
- PUMPS
- BLOWERS FOR AUTOMOBILE AIR CONDITIONERS

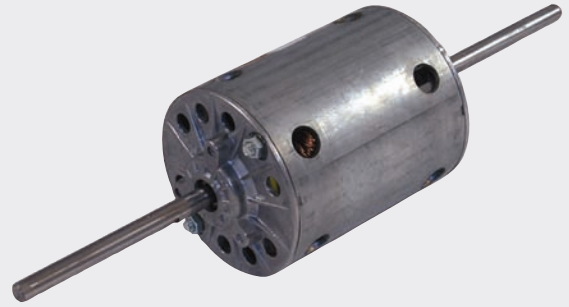


DC MOTORS

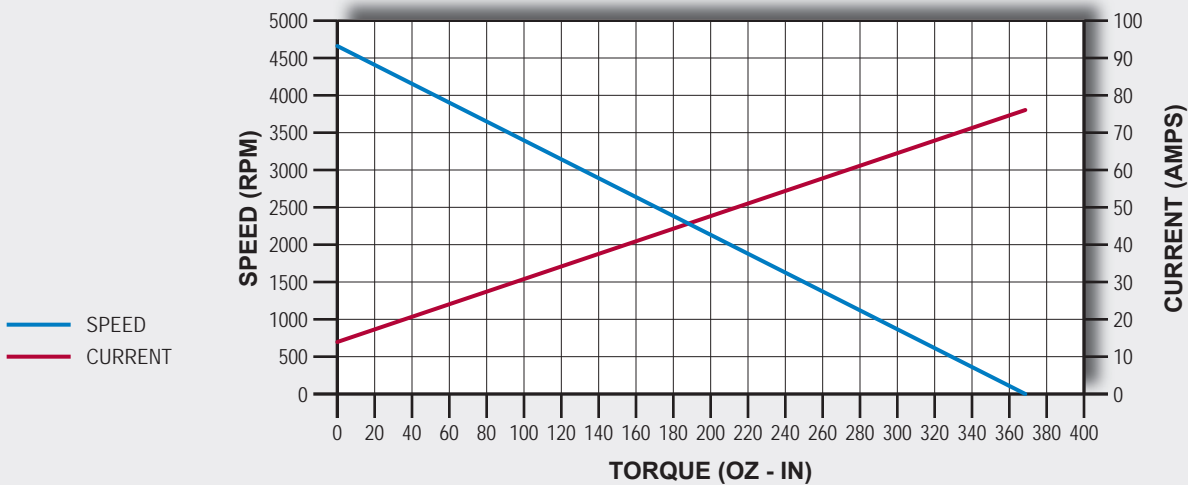
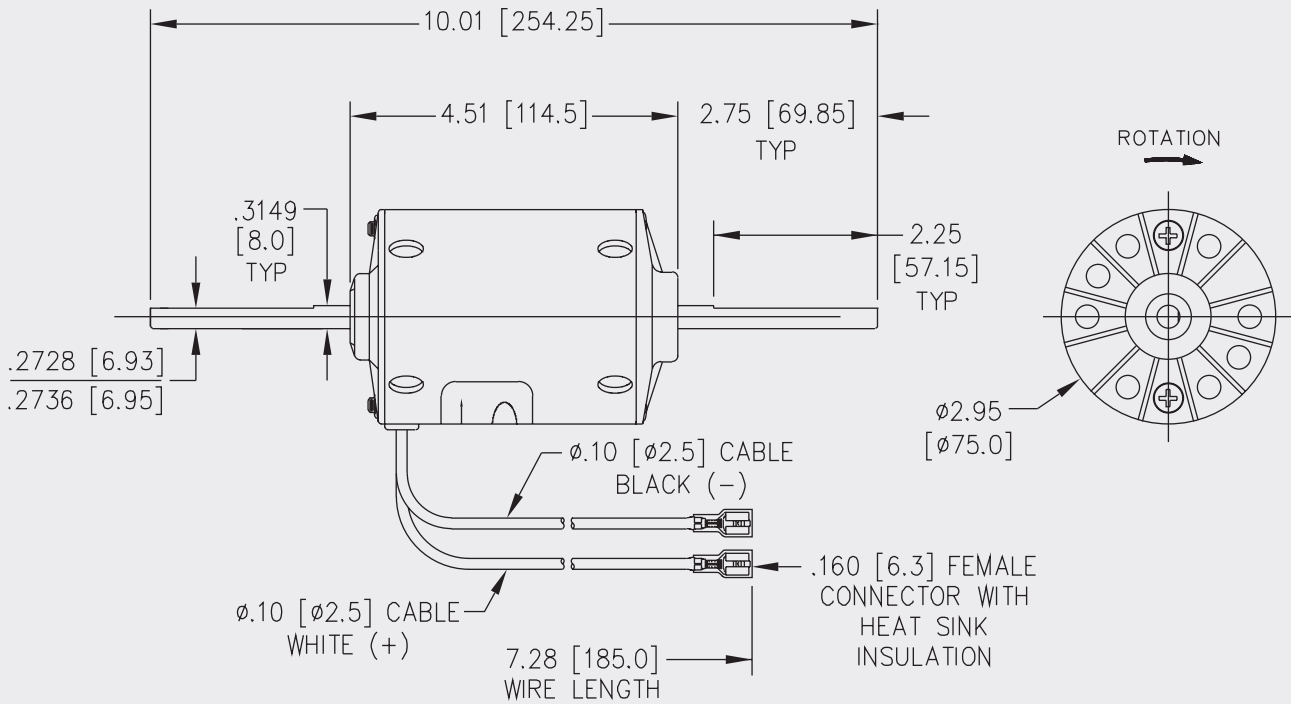
**PERMANENT
MAGNET**

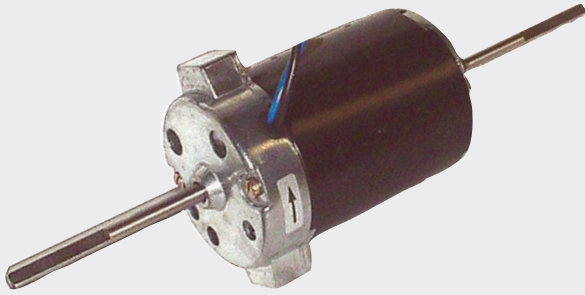
MODEL INFORMATION

PART#	VOLTS	TYPE	SHAFT
D-001-955BBS	12VDC	PERMANENT MAGNET	DOUBLE



3" DIAMETER MOTOR

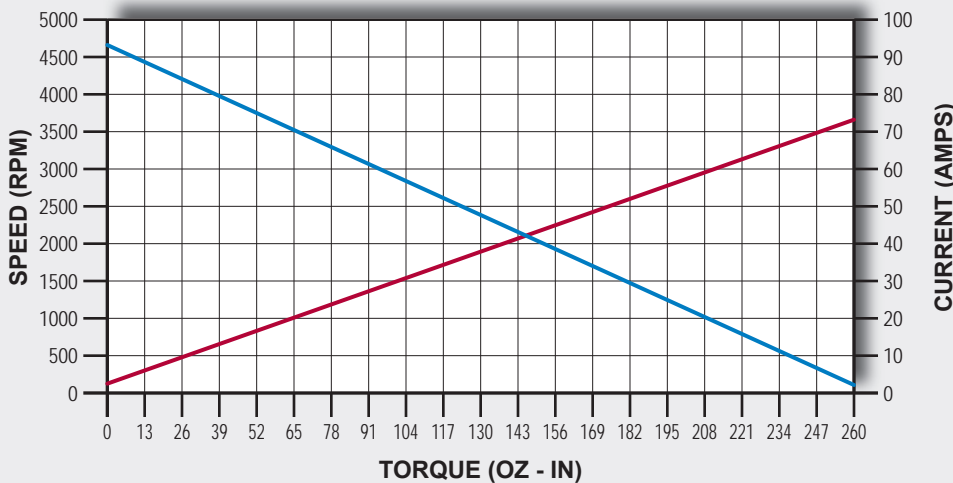
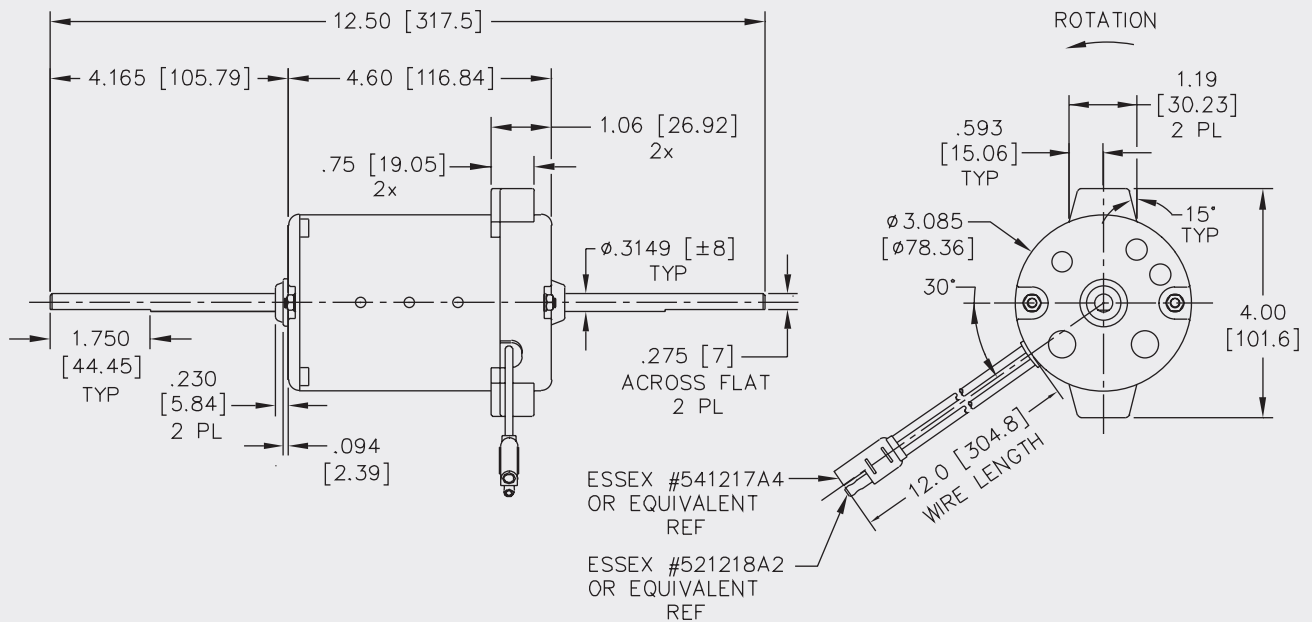




MODEL INFORMATION*				
PART#	VOLTS	WATTS	TYPE	SHAFT
TA5000022	12VDC	180W	PERMANENT MAGNET	DUAL

*STANDARD BUILD 24VDC AND VARIOUS SHAFT LENGTHS AND CONNECTORS AVAILABLE

3" DIAMETER MOTOR



TYPICAL PERFORMANCE @ 13.5VDC 12V 180W 2-POLE PM MOTORS			
TORQUE (OZ/IN)	SPEED (RPM)	CURRENT (AMPS)	VOLTAGE (VOLTS)
10	4500	4.6	13.5
20	4320	7.2	13.5
30	4160	9.8	13.5
40	3980	12.6	13.5
50	3800	15.5	13.5
60	3570	18.6	13.5
70	3290	22.1	13.5

DC MOTORS

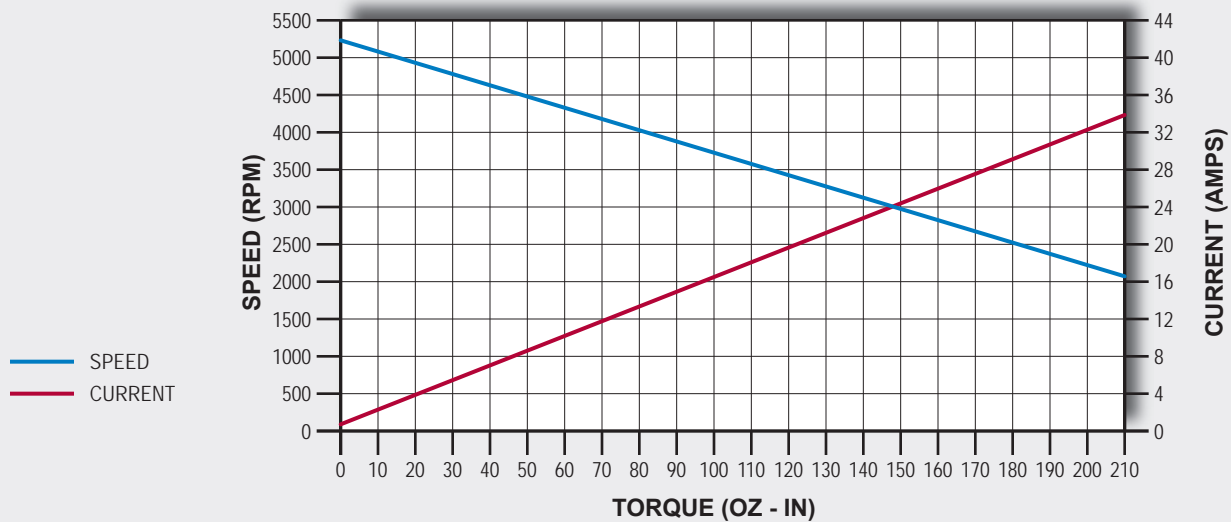
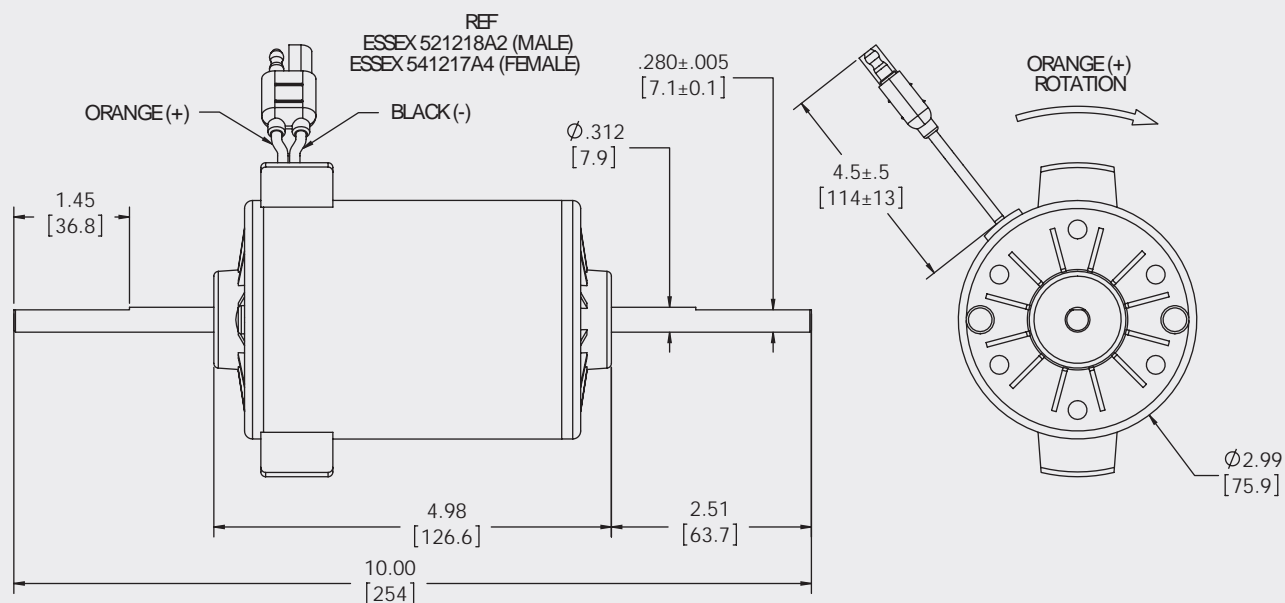
**PERMANENT
MAGNET**

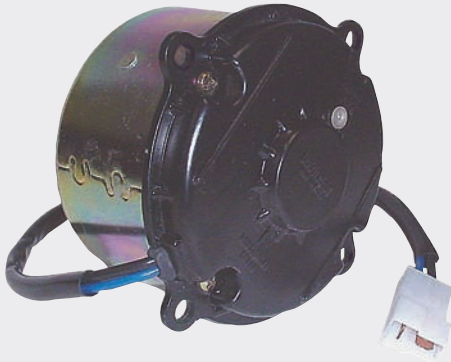
MODEL INFORMATION

PART#	VOLTS	TYPE	SHAFT
MTR-5	12VDC	PERMANENT MAGNET	DOUBLE



3" DIAMETER MOTOR

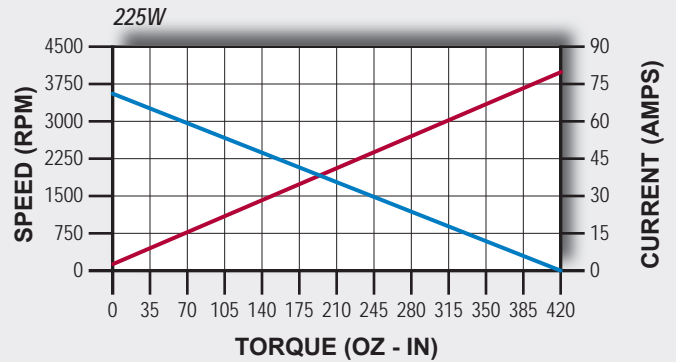
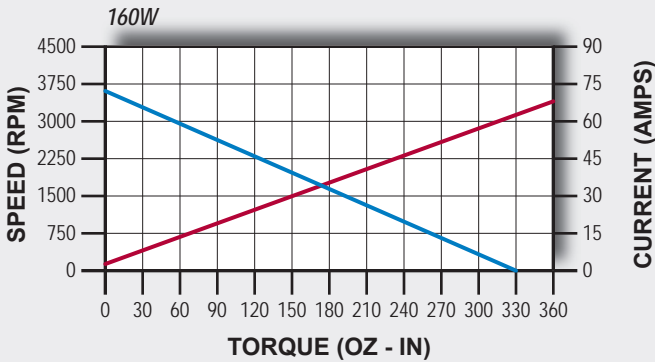
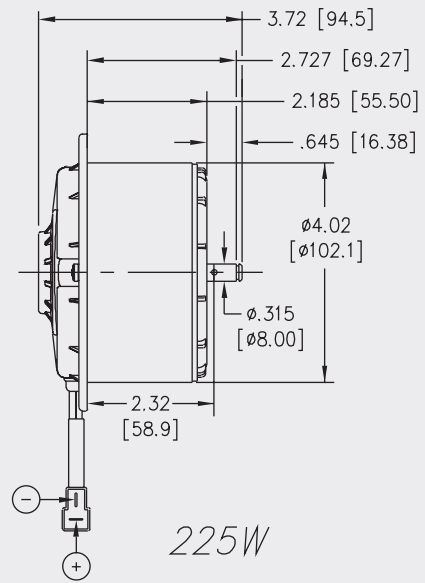
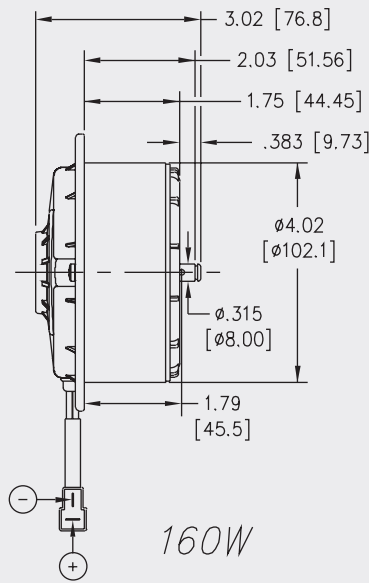
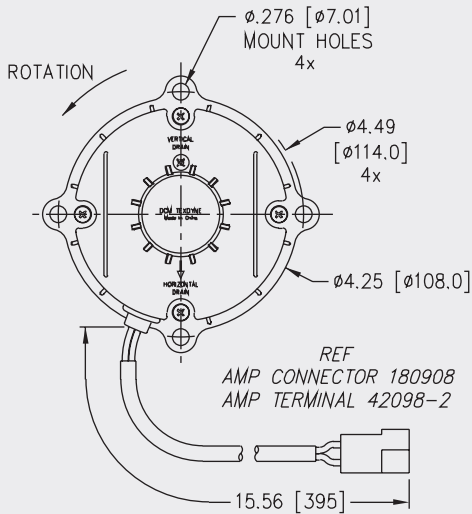




MODEL INFORMATION*				
PART#	VOLTS	WATTS	TYPE	SHAFT
TA5000014	12VDC	160W	PERMANENT MAGNET	SINGLE
TB5000012	12VDC	225W	PERMANENT MAGNET	SINGLE

*STANDARD BUILD 24VDC AND VARIOUS SHAFT LENGTHS AVAILABLE

4" DIAMETER MOTOR



TYPICAL PERFORMANCE @ 13.5VDC 12V 160W 4-POLE PM MOTORS			
TORQUE (OZ/IN)	SPEED (RPM)	CURRENT (AMPS)	VOLTAGE (VOLTS)
10	3520	4.0	13.5
20	3410	5.9	13.5
30	3290	7.9	13.5
40	3180	9.7	13.5
50	3070	11.6	13.5
60	2960	13.5	13.5
70	2850	15.3	13.5
80	2740	17.2	13.5
90	2630	19.1	13.5

TYPICAL PERFORMANCE @ 13.5VDC 12V 225W 4-POLE PM MOTORS			
TORQUE (OZ/IN)	SPEED (RPM)	CURRENT (AMPS)	VOLTAGE (VOLTS)
10	3330	4.6	13.5
20	3250	6.2	13.5
30	3190	7.9	13.5
40	3180	9.6	13.5
50	3015	11.2	13.5
60	2930	12.9	13.5
70	2850	14.5	13.5
80	2780	16.1	13.5
90	2690	17.7	13.5

DC MOTORS

PERMANENT
MAGNET

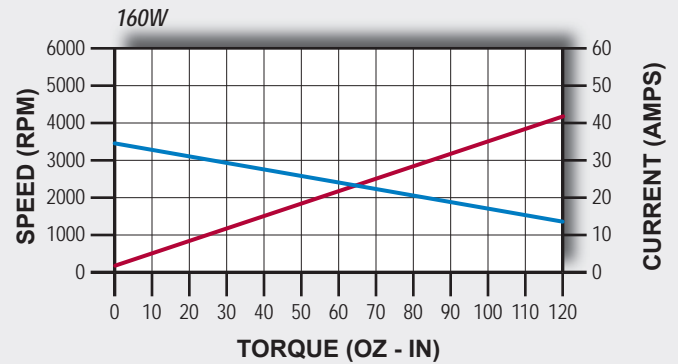
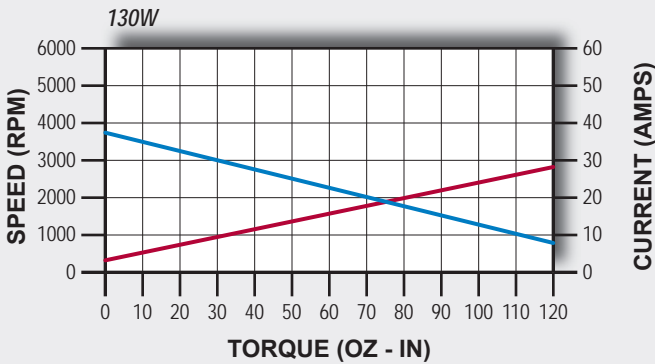
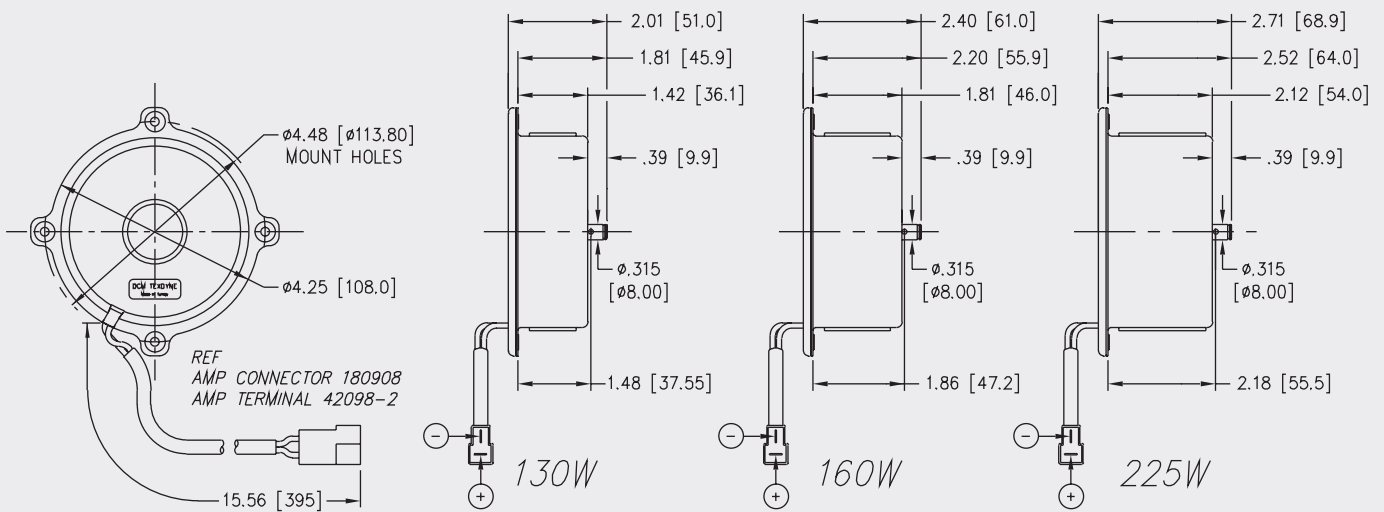
MODEL INFORMATION

PART#	VOLTS	WATTS	TYPE	SHAFT
TA5000076	12VDC	130W	PERMANENT MAGNET	SINGLE
TB5000077	12VDC	160W	PERMANENT MAGNET	SINGLE
TA5000078	12VDC	225W	PERMANENT MAGNET	SINGLE

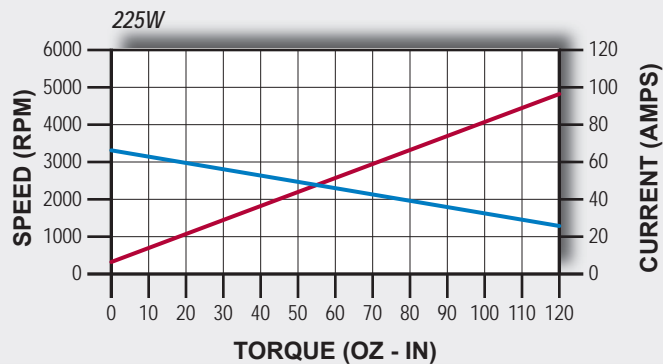


4" DIAMETER MOTOR

IP68



— SPEED
— CURRENT



DC MOTORS

**PERMANENT
MAGNET**

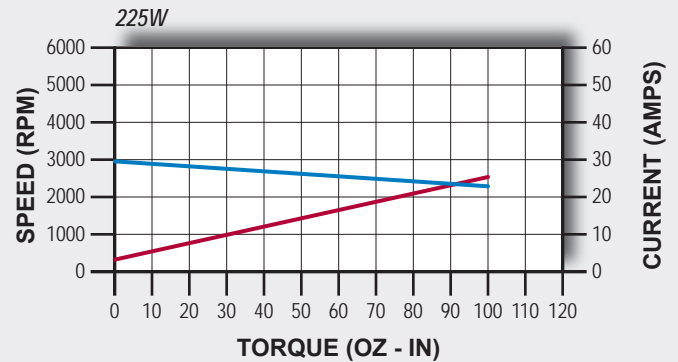
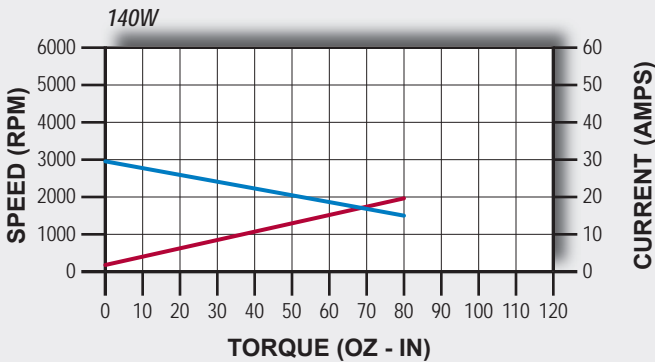
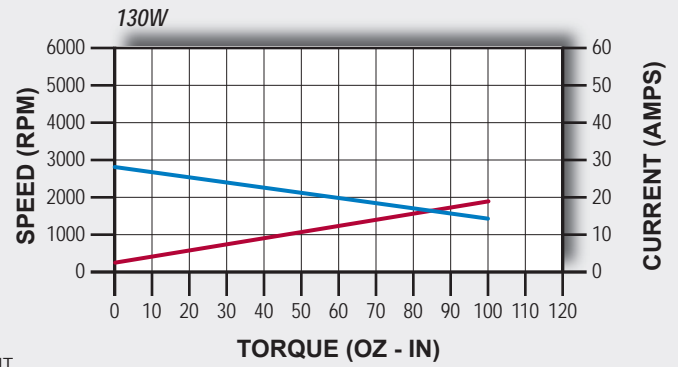
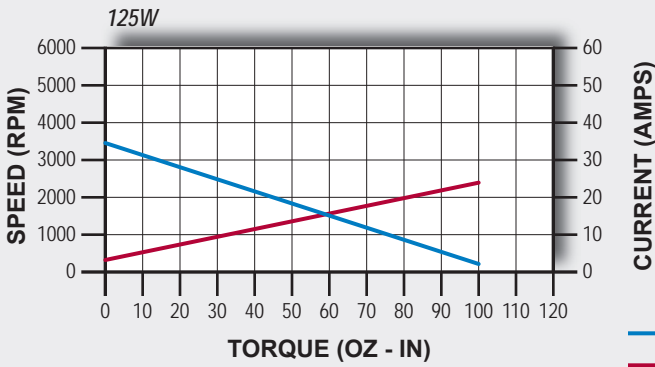
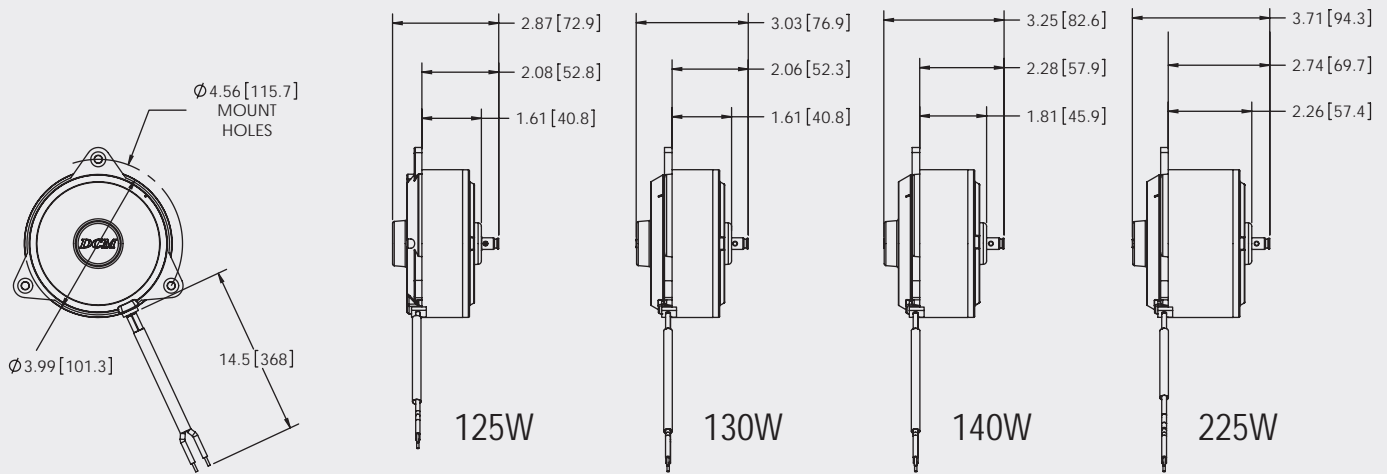
DC MOTORS



MODEL INFORMATION				
PART#	VOLTS	WATTS	TYPE	SHAFT
MTR-1000	12VDC	125W	PERMANENT MAGNET	SINGLE
MTR-1003	12VDC	130W	PERMANENT MAGNET	SINGLE
MTR-1008	12VDC	140W	PERMANENT MAGNET	SINGLE
MTR-1010	12VDC	225W	PERMANENT MAGNET	SINGLE

WATER & DUST RESISTANT

4" DIAMETER MOTOR



CAPABILITIES

ENGINEERING CAPABILITIES

- DESIGN ENGINEERING - DC MOTORS, AXIAL FANS, FAN BLADES, CENTRIFUGAL BLOWERS, BLOWER WHEELS, & ACCESSORIES
- DESIGN SOFTWARE - AUTOCAD & SOLIDWORKS
- PROTOTYPES - MOTOR & PLASTIC INJECTION
- APPLICATION ENGINEERING
- LAB CAPABILITIES - LIFE TEST, AIR PERFORMANCE, & MOTOR DYNAMOMETER

TOOLING CAPABILITIES

- TOOL SHOP - MOLD DESIGN & PROCESS TOOLING
- CNC MACHINING CENTER
- ELECTRICAL DISCHARGE MACHINING (EDM)
- COORDINATE MEASURING MACHINE (CMM)

MANUFACTURING CAPABILITIES



Axial Fans • Centrifugal Blowers • DC Motors • Accessories

