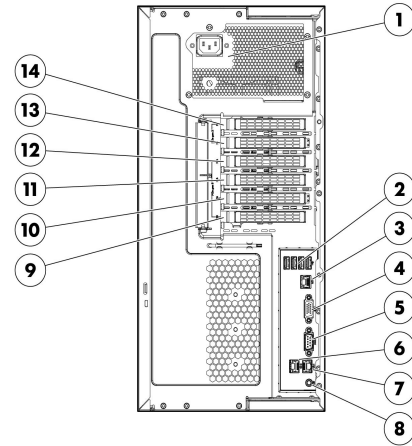
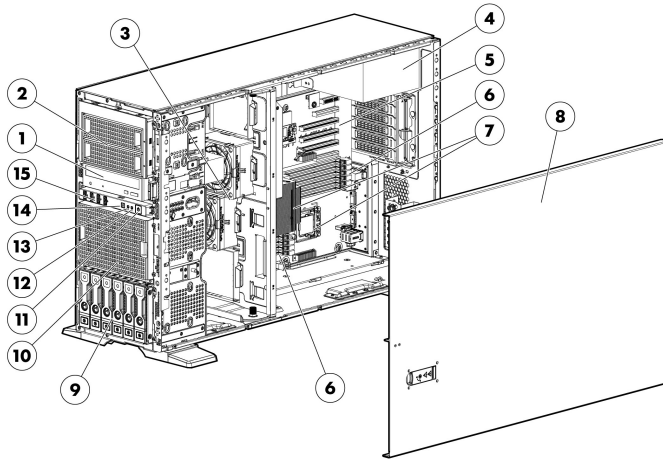


### Overview

The HP ProLiant ML350e Gen8 is a dual processor tower platform, which is built on the latest Intel® Xeon® E5-2400 processors to create unique system architecture. This unique architecture as well as flexible deployment options allow the businesses to scale as needed so they can optimize their IT spending dollars. The HP ProLiant ML350e Gen8 delivers the industry's most powerful embedded management technology with HP integrated Lights-Out 4 (iLO4), which allows businesses to manage the servers anytime and from anywhere.



#### Front View:

1. SATA DVD ROM or DVD RW optical drive
2. Two (2) removable media bays
3. Two (2) standard system fans
4. One (1) standard 460W Non-Hot Plug Power Supply
5. Six (6) PCIe expansion slots (4 PCIe 3.0 and 2 PCIe 2.0)
6. 12 total DIMM slots: DDR3 Registered (RDIMM) or Unbuffered (UDIMM) memory (6 DIMM slots per CPU)
7. Processor and processor heatsink
8. Quick removal access panel
9. Standard drive cage (4LFF or 6LFF or 8SFF)
10. Optional drive cage (6LFF or 8SFF)
11. Power On/Standby button and system power LED button
12. NIC status LED
13. Health LED
14. UID LED button
15. Four (4) USB connectors

#### Rear View:

1. One (1) standard 460W Non-Hot Plug Power supply
2. Four (4) USB connectors
3. iLO connector
4. Video connector
5. Serial connector
6. NIC connector 2
7. NIC connector 1
8. UID LED button
9. PCIe slot 1 (for processor 1)
10. PCIe slot 2 (for processor 1)
11. PCIe slot 3 (for processor 2)
12. PCIe slot 4 (for processor 2)
13. PCIe slot 5 (for processor 1)
14. PCIe slot 6 (for processor 1)

### What's New

- Added new 6G SATA ME Hot Plug Enterprise Mainstream Solid State Drive s
- Supports new HP iLO Essentials license ideal for small and medium business customers

### Standard Features

**NOTE:** For the Standard Features shipped in the "Factory Integrated Models", please see the "Configuration Information - Factory Integrated Models" section.

#### Processor

One of the following depending on Model

#### Eight-Core Processors

**NOTE:** All support up to 1600MHz DDR3 memory speeds.

Intel® Xeon® E5-2470 (2.3GHz/8-core/95W/20MB) Processor

Intel® Xeon® E5-2450 (2.1GHz/8-core/95W/20MB) Processor

Intel® Xeon® E5-2450L (1.8GHz/8-core/70W/20MB) Processor

#### Six-Core Processors

**NOTE:** All support up to 1333MHz DDR3 memory speeds.

Intel® Xeon® E5-2440 (2.4GHz/6-core/95W/15MB) Processor

Intel® Xeon® E5-2430 (2.2GHz/6-core/95W/15MB) Processor

Intel® Xeon® E5-2430L (2.0GHz/6-core/60W/15MB) Processor

Intel® Xeon® E5-2420 (1.9GHz/6-core/95W/15MB) Processor

#### Quad-Core Processors

**NOTE:** All support up to 1066MHz DDR3 memory speeds.

Intel® Xeon® E5-2407 (2.2GHz/4-core/80W/10MB) Processor

Intel® Xeon® E5-2403 (1.8GHz/4-core/80W/10MB) Processor

**NOTE:** DDR3 speed is the maximum memory speed of the processor. Actual memory speed may depend on the quantity and type of DIMMs installed.

**NOTE:** Up to 2 processors supported. Mixing different processor models is not supported.

**NOTE:** For the Intel® C600 Chipset E5-2400 Series, the letter preceding the model number indicates the Product Line (E3, E5, E7); 2400x v#, 2 = number of CPUs in a Node, 4 is socket/segment designation, 00 = Processor SKU, x = L for low power SKUs and v# (not yet designated) = version number.

#### Cache Memory

One of the following depending on Model

20MB (1 x 20MB) Level 3

**NOTE:** For Eight-core processors.

15MB (1 x 15MB) Level 3

**NOTE:** For Six-core processors.

10MB (1 x 10MB) Level 3

**NOTE:** For Quad-core processors.

#### Chipset

Intel® C600 Chipset

Intel® E5-2400 Processor Family

**NOTE:** For more information regarding Intel® chipsets, please see the following URL:

<http://www.intel.com/products/server/chipsets/>.

### Standard Features

#### Upgradeability

Upgradeable to two processors

**NOTE:** Total 8, 12 or 16 cores

Up to 12 DIMM slots available for higher memory capacity

Up to 24 SFF hard drives or 18 LFF hard drives for expanded storage

4 PCIe 3.0 and 2 PCIe 2.0 I/O slots for additional communications and storage expansion

Redundant Power Supplies (92% and 94% efficiency)

Tower to rack conversion

Optical drive bays (up to 2)

Security bezel

#### On System Management Chipset

HP iLO (Firmware: HP iLO4)

**NOTE:** For more information, visit: <http://www.hp.com/go/ilo>

#### Memory Protection

Advanced ECC

Online Spare

Lock-step mode

#### Memory

One of the following depending on model

Type

HP SmartMemory

DDR3 Registered (RDIMM) or Unbuffered (UDIMM)

DIMM Slots Available

12 DIMM slots (6 DIMM slots per CPU)

Standard (Entry Models)

2GB (1 x 2GB) Unbuffered DIMMs PC3L-10600E

Standard (Base Models)

4GB (1 x 4GB) Unbuffered DIMMs PC3L-10600E

Standard (Performance Models)

8GB (2 x 4GB) Unbuffered DIMMs PC3L-10600E

Maximum (RDIMM)

192 GB (12 x 16 GB) RDIMM

Maximum (UDIMM)

96 GB (12 x 8 GB) UDIMM

**NOTE:** Redundant Enablement Kit (part # 664046-B21) is required when Registered DIMM is purchased.

**NOTE:** HP memory from previous generation servers are not fully compatible with the HP ProLiant ML350e Gen8 Server.

**NOTE:** To realize the performance memory capabilities listed in this document, HP SmartMemory is required. For additional information, please see the HP SmartMemory QuickSpecs at:

[http://h18000.www1.hp.com/products/quickspecs/14225\\_na/14225\\_na.html](http://h18000.www1.hp.com/products/quickspecs/14225_na/14225_na.html)

**NOTE:** If one processor is installed, only 6 DIMM slots are available. When populating with two processors 12 DIMM slots are available. For maximum speed, 16 DIMM slots may be populated.

**NOTE:** Depending on the memory configuration and processor model, the memory speed may run up to 1600MHz or at 1333MHz. Please see Memory Population Table or the Online Memory Configuration Tool at: [www.hp.com/go/ddr3memory-configurator](http://www.hp.com/go/ddr3memory-configurator).

#### Network Controller

HP Ethernet 1Gb 2-port 361i Adapter

### Standard Features

#### Expansion Slots

Expansion Slot #	Technology	Bus Width	Connector Width	Bus Number	Form Factor	Notes
6	PCIe 2.0	x1	X4	0	Half Length/Full Height	Activated when installed with Processor 1
5	PCIe 2.0	x4	x8	0	Full-length/Full Height	Activated when installed with Processor 1
4	PCIe 3.0	X8	X16	32	Full Length/Full Height	Activated when installed with Processor 2
3	PCIe 3.0	x16	x16	32	Full Length/Full Height	Activated when installed with Processor 2
2	PCIe 3.0	X16	X16	0	Full Length/Full Height	Activated when installed with Processor 1
1	PCIe 3.0	X4	X8	0	Full Length/Full Height	Activated when installed with Processor 1

**NOTE:** Bus number - Default bus assignment (in decimal). Inserting cards with PCI bridges may alter the actual bus assignment number.

#### HP Server ROM

HP ROM (Read Only Memory) is now digitally signed using HP's Corporate Signing Service. This signature is verified before the flash process starts, reducing accidental programming and preventing malicious efforts to corrupt system ROM.

HP ROM provides for essential initialization and validation of hardware components before control is passed to the customer-installed operating system. The ROM also provides the capability of booting from various fixed media (HDD, CD-ROM) and removable media (USB), to continue operation to the operating system.

HP ROM performs very early configuration of the video controller, to allow monitoring of initialization progress via an attached monitor. If configuration or hardware errors are discovered during this early phase of hardware initialization, suitable messages are now displayed on the connected monitor. Additionally, these configuration or hardware errors are logged to the Integrated Management Log (IML) to assist in diagnosis.

HP's ProLiant ROM is used to configure the following:

- Processor and chipset status registers

### Standard Features

- System memory, memory map, and memory initialization
- System hardware configuration (Integrated PCI devices and optional PCIe cards).
- Customer-specific BIOS configuration (using the HP ROM-Based Setup Utility (RBSU)).

**NOTE:** For further information, please refer to HP's RBSU (ROM based setup utility) user guide: [www.hp.com/support/rbsu](http://www.hp.com/support/rbsu).

<b>Storage Controller</b> One of the following depending on model	Entry Models	HP Dynamic Smart Array B120i/Zero Memory SATA Controller (RAID 0,1,10)
	Base Models	HP Dynamic Smart Array B120i/512MB FBWC SATA Controller (RAID 0,1, 5, 10)
	Performance Models	HP Smart Array P420/1GB FBWC Controller (RAID 0/1/1+0/5/5+0)

<b>Internal Storage Devices</b>	Optical Drives	HP Half-Height SATA DVD-ROM Optical Drive
	Hard Drives	None ship standard
	Hard Drive Bays	Up to 24 SFF hard drive bays or 18 LFF hard drive bays

**NOTE:** All Pre-configured Models come populated with some hard drive blanks installed. Should the customer need additional hard drive blanks, they can order more using either P/N 666987-B21: HP SFF Gen8 Hard Drive Blank Kit or P/N 666986-B21: HP LFF Gen8 Hard Drive Blank Kit. These part numbers for single HDD blanks below are also provided should the customer require replacement HDD blanks for their server.

<b>Maximum Internal Storage</b> One of the following depending on model	Non-Hot Plug LFF SATA	12TB	4 x 3TB
	LFF SATA/SAS	54TB	18 x 3TB
	SFF SATA/SAS	24TB	24 x 1TB
	LFF SATA SSD	1.8TB	18 x 100GB
	SFF SATA SSD	2.4TB	24 x 100GB

<b>Interfaces</b>	Serial	1
	Video	1 (rear)
	Network RJ-45 (Ethernet)	3 (1 dedicated for HP Integrated Lights-Out)
	HP iLO Remote Management Network Port	1 Gb Dedicated
	SD slot	1 (internal)
		<b>NOTE:</b> The SD slot is not a hot-pluggable device. Customers should not attempt to plug an SD card into the SD slot while the server is powered.
	USB	10 (4 front, 4 rear, 2 internal)

### Standard Features

<b>Industry Standard Compliance</b>	ACPI 2.0b Compliant PCIe 3.0 Compliant PXE Support WOL Support Novell Certified IPMI 2.0, SMASH CLP, DCMI 1.0 compliant Microsoft® Logo certifications USB 2.0 Support SMBIOS 2.7.1
-------------------------------------	---

### Server Power Cords

ProLiant ML servers in a rack-mount configuration no longer ship standard with NEMA power cords that allow connection to 110V US wall outlets in a home or office. These servers are primarily connected to PDU's in data center racks so they now ship standard with only a PDU power cord (416151-B21). If a user wishes to power a ProLiant ML rack-mount server using a 110V receptacle (NEMA-15), the NEMA power cord must be ordered separately. The 12' cord (AF556A) or 6' cord (187335-001) can be purchased online at HP.COM. In a tower configuration, the servers ship standard with a 6' NEMA power cord. If customers require a local power cord, they can check the power cord matrix for the appropriate sku. Please see the following power cord matrix: <http://www.hp.com/go/powercordmatrix>.

### Power Specifications

To review typical system power ratings use the HP Power Advisor which is available via the online tool located at URL: [www.hp.com/go/proliant-energy-efficient](http://www.hp.com/go/proliant-energy-efficient) or [www.hp.com/go/hppoweradvisor](http://www.hp.com/go/hppoweradvisor).

**NOTE:** Power Specification and Technical Content for supported power supplies can be found at: [http://h18000.www1.hp.com/products/quickspecs/14209\\_div/14209\\_div.html](http://h18000.www1.hp.com/products/quickspecs/14209_div/14209_div.html)

### Common Slot Power Supplies

**NOTE:** Mixing of power supplies in the same server is not supported. All power supplies inside a server must be exactly the same model. Mixing Gold, Platinum, and Platinum Plus certified power supplies is not supported.

HP's Common Slot (CS) power supplies allow for commonality of power supplies across a wide range of ProLiant and Integrity servers, as well as HP Storage solutions, and are designed to provide the highest power supply efficiency without degrading system performance. HP CS power supplies are tested by the Electric Power Research Institute (EPRI) and certified through the ECOS 80 Plus power supply program. HP CS power supply options provide efficiency ratings of up to 94% (80 Plus Platinum) and are available in power output options - 460W, 750W, and 1200W - allowing the customer to "right-size" a power supply for their specific server configuration. All HP Common Slot power sources are UL, CE Mark Compliant, hot-plug and support redundant configurations.

**NOTE:** Mixing of power supplies in the same server is not supported. All power supplies must be of the same output and efficiency rating. If non-matched power supplies are inserted you will get errors and operation will fail.

HP CS Platinum power supplies are required when enabling HP's Intelligent Power Discovery (IPD) solution. IPD is the first technology to create an automated, energy-aware network between IT systems and facilities. This allows your company to reclaim millions of dollars in wasted power capacity and downtime costs across data centers. For more information on HP's IPD solution, go to [www.hp.com/go/ipd](http://www.hp.com/go/ipd).

### Standard Features

It is highly recommended that you use the HP Power Advisor in defining the "Right-Size" power supply for your needs. HP Power Advisor can be accessed at: [www.hp.com/go/hppoweradvisor](http://www.hp.com/go/hppoweradvisor).

**NOTE:** The 80 PLUS program is a unique forum that unites electric utilities, the computer industry, and consumers in an effort to bring energy efficient technology solutions to the marketplace. 80 Plus independently tests power supply efficiency and publicly posts the results on [80Plus.org](http://80Plus.org).

Redundant Power: Optional (1 + 1 redundant) power supplies can be purchased through power supply option kits (see Power Supplies for part numbers).

**NOTE:** Power Specification and Technical Content for supported power supplies can be found at: [http://h18000.www1.hp.com/products/quickspecs/14209\\_na/14209\\_na.html](http://h18000.www1.hp.com/products/quickspecs/14209_na/14209_na.html)

---

#### System Fans

Two (2) Non-hot plug, non-redundant fans ship standard (support up to 4 fans).

**NOTE:** Redundant Enablement Kit (part # 664046-B21) is required when redundant fans are needed.

---

#### Operating Systems and Virtualization Software Support for ProLiant Servers

[Microsoft Windows Server](#)

[Red Hat Enterprise Linux \(RHEL\)](#)

[SUSE Linux Enterprise Server \(SLES\)](#)

[VMware](#)

**NOTE:** For more information on HP's Certified and Supported ProLiant Servers for OS and Virtualization Software and latest listing of software drivers available for your server, please visit our Support Matrix at: <http://www.hp.com/go/ossupport> and our driver download page <http://www.hp.com/support/ML350eGen8>

---

#### Graphics

Integrated Matrox G200 video standard

- 1280 x 1024 (32 bpp)
- 1920 x 1200 (16 bpp)

HP iLO 4 On System Management Memory

- 16 MB Flash
- 256 MB DDR 3 with ECC (112 MB after ECC and video)

---

#### Form Factor

Tower 5U

Rackable with the purchase of tower to rack conversion tray kit

---

### Standard Features

#### **On System Management** HP iLO Management Engine

HP iLO Management Engine is a comprehensive set of embedded management features supporting the complete lifecycle of the server, from initial deployment, through ongoing management, to service alerting and remote support. HP iLO Management Engine comes standard on all HP ProLiant Gen8 servers. The HP iLO Management Engine portfolio includes:

- **HP iLO:** The HP iLO (Integrated Lights-Out) management processor is the core foundation for the HP iLO Management Engine
- **HP Agentless Management:** Provides built in server health monitoring and alerting capability without OS agents, that starts working the moment a power cord and an Ethernet cable are connected.
- **HP Active Health System:** Always on, continuous monitoring for increased stability and shorter downtimes; 100% configuration history; Health and service alerts and easy export and upload to Service and Support.
- **HP Intelligent Provisioning:** Lets customers provision and configure a single server without any separate media. No more SmartStart CDs or Smart Update Firmware DVD are needed.
  - To start Intelligent Provisioning:
  - Press the F10 key during the ProLiant Gen8 server boot process (also known as power on self test or POST).
  - Please go to the Intelligent Provisioning website at [www.hp.com/go/intelligentprovisioning](http://www.hp.com/go/intelligentprovisioning) for additional information and to view usage videos.
  - Use the Service Pack for ProLiant (SPP) at [www.hp.com/go/spp](http://www.hp.com/go/spp) to get firmware and software updates.
- **HP iLO Mobile App:** Enables the ability to access, deploy, and manage your server anytime from anywhere from select smartphones and mobile devices. For additional information please visit: [www.hp.com/go/ilo/mobileapp](http://www.hp.com/go/ilo/mobileapp)

**NOTE:** For more information, visit: <http://www.hp.com/go/ilo> or HP iLO Management Engine technologies whitepaper

---



### Standard Features

#### HP Insight Management HP Service Pack for ProLiant (SPP)

HP Service Pack for ProLiant (SPP) and HP Smart Update Manager (HP SUM) version 5 provide a new, comprehensive approach to firmware and system software maintenance. Together they provide better operating stability and ensure maximum uptime. The SPP will be updated at a predictable cadence, typically coinciding with new HP server hardware launches. By enabling all firmware to be updated online and integrating firmware and system software updates in one operation HP SUM and the SPP offer faster updates of individual servers and dramatically faster updates of entire BladeSystem enclosures. Further improving system uptime and stability is the fact that HP provides 12 months of support on each Service Pack for ProLiant.

The user experience around HP SUM and the SPP has been improved in several ways, starting with the web download. A single web page provides access to a single download containing both the latest version of HP SUM version 5 and the latest SPP. Optional smaller subsets with only specific types of servers or specific operating systems are offered to save on download time. The HP SUM application has been re-written to provide a more straightforward, intuitive user interface that guides the user through the steps of discovery, analyses and update, providing comprehensive information on available updates, criticality and interdependencies. This information is also available in reports. By providing the option of multiple local or shared repositories which can be easily updated from hp.com, HP SUM provides the tools to optimize stability and consistency throughout the company. While HP SUM and the SPP will recommend the combinations of firmware and system software that HP has found to be the best practice, the application gives customers the flexibility to set their own specific baseline.

The Service Pack for ProLiant has been rigorously tested with specific attention for interaction between firmware, drivers and agents both within the server as well as in interaction with the BladeSystem enclosure components (Onboard Administrator and Virtual Connect). This testing ensures the highest quality as well as providing the input for HP SUM to deploy updates taking into account all interdependencies, when determining the correct updates and order of update deployment.

**NOTE:** The Service Pack for ProLiant (which includes HP SUM 5) can be downloaded from [www.hp.com/go/spp/download](http://www.hp.com/go/spp/download). More information can be found: [www.hp.com/go/spp](http://www.hp.com/go/spp) and <http://www.hp.com/go/hpsum>

---

#### Security

- Power-on password
- Setup password
- Serial interface control
- Power switch security
- Administrator's password

### Standard Features

#### Warranty

This product is covered by a global limited warranty and supported by HP Services and a worldwide network of HP Authorized Channel Partners resellers. Hardware diagnostic support and repair is available for three years from date of purchase. Support for software and initial setup is available for 90 days from date of purchase. Enhancements to warranty services are available through HP Care Pack services or customized service agreements. Hard drives have either a one year or three year warranty; refer to the specific hard drive QuickSpecs for details.

**NOTE:** Server Warranty includes 3-Year Parts, 1-Year Labor, 1-Year Onsite support with next business day response. Warranty repairs may be accomplished through the use of Customer Self Repair (CSR) parts. These parts fall into two categories: 1) Mandatory CSR parts are designed for easy replacement. A travel and labor charge will result when customers decline to replace a Mandatory CSR part; 2) Optional CSR parts are also designed for easy replacement but may involve added complexity. Customers may choose to have HP replace Optional CSR parts at no charge. Additional information regarding worldwide limited warranty and technical support is available at:

<http://h18004.www1.hp.com/products/servers/platforms/warranty/index.html>

### Optional Features

<b>HP Insight Management</b>	HP Insight Control	<p>HP Insight Control, a product option, delivers essential infrastructure management that can help save time and money by making it easy to deploy, migrate, monitor, remote control, and optimize your IT infrastructure through a single, simple management console. HP Insight Control also supports Location and Power Discovery Services to automate many configuration, asset tracking, and power management tasks to speed implementation and prevent downtime. For more information, see <a href="http://www.hp.com/go/insightcontrol">http://www.hp.com/go/insightcontrol</a>.</p> <p>HP Insight Control includes one year of 24 x 7 HP Software Technical Support and Update Service ensuring rapid access to HP support staff and proactive delivery of software updates. For more information about this service, see: <a href="http://www.hp.com/services/insight">http://www.hp.com/services/insight</a>.</p>
	HP iLO Essentials	<p>HP iLO Essentials license ideal for small and medium business customers. The specially created HP iLO Essentials (a subset of iLO Advanced functionality) saves SMB customers time and money, by ease of remote server set up through the interactive virtual media, lowering operational costs with remote access via the Integrated Remote Console, and faster time to resolution with email-based proactive notifications. With this newly designed HP iLO Essentials license SMB customers now have the option of a server management package solely design and priced just right for their IT environments. HP iLO Essentials is available on all HP ProLiant Gen8 e-series making this an ideal solution for small business owners. For more information, see: <a href="http://www.hp.com/go/iLO/essentials">http://www.hp.com/go/iLO/essentials</a></p>
	HP iLO Advanced	<p>HP Integrated Lights-Out Advanced License a product option, providing smart remote server management without compromise. iLO Advanced unlocks the full set of remote administration functionality for all HP ProLiant servers by activating the full Virtual Keyboard Video and Mouse remote console, multi-user collaboration, console record and replay, GUI-based and scripted virtual media and virtual folders, and enhanced security and power management functionality. For more information, see: <a href="http://www.hp.com/go/iloadvance">http://www.hp.com/go/iloadvance</a></p>
	HP Matrix Operating Environment	<p>The HP Matrix Operating Environment (Matrix OE) for ProLiant and Integrity servers is an integrated command center that helps you instantly adjust to dynamic business demands. This advanced infrastructure management software lets you reduce the cost of common data center tasks by up to 40 percent while keeping pace with your changing business.</p> <p>The HP Matrix OE includes the automated provisioning, optimization, and recovery management capabilities for HP CloudSystem Matrix, the ideal platform for private cloud and Infrastructure as a Service (IaaS).</p>

**NOTE:** For more information, visit: <http://www.hp.com/go/matrixoe>

### Optional Features

#### High Performance Clusters

HP Cluster Platforms	HP Cluster Platforms are specifically engineered, factory-integrated large-scale ProLiant clusters optimized for High Performance Computing, with a choice of servers, networks and software. Operating system options include specially priced offerings for Red Hat Enterprise Linux and SUSE Linux Enterprise Server, as well as Microsoft Windows HPC Server. A Cluster Platform Configurator simplifies ordering. <a href="http://www.hp.com/go/clusters">http://www.hp.com/go/clusters</a> .
HPC Interconnects	High Performance Computing (HPC) interconnect technologies are available for this server as part of the HP Cluster Platform portfolio. These high-speed InfiniBand and Gigabit interconnects are fully supported by HP when integrated within an HP cluster. Flexible, validated solutions can be defined with the help of configuration tools. <a href="http://www.hp.com/techservers/clusters/ucp/index.html">http://www.hp.com/techservers/clusters/ucp/index.html</a>
HP Insight Cluster Management Utility	HP Insight Cluster Management Utility (CMU) is an HP-licensed and HP-supported suite of tools that are used for lifecycle management of hyperscale clusters of Linux ProLiant systems. CMU includes software for the centralized provisioning, management and monitoring of nodes. CMU makes the administration of clusters user friendly, efficient, and effective. <a href="http://www.hp.com/go/cmu">http://www.hp.com/go/cmu</a>
HP HPC Linux Value Pack	HP HPC Linux Value Pack (Value Pack) is an HP-licensed and HP-supported option to HP Insight CMU, for the development and deployment of applications on HPC Cluster Platforms. Value Pack includes the Platform LSF workload scheduler and Platform Application Center, as well as the HP-MPI parallelization library. <a href="#">HP HPC Linux Value Pack</a>

#### Storage Software

Whether you need to solve a specific data protection, archiving, or storage command and control challenge, or deliver on strategic consolidation, compliance, or continuity initiatives, look no further than HP storage software. Our storage software helps you reduce costs, simplify storage infrastructure, protect vital assets and respond faster to business opportunities.

Storage software that gets the job done:

- **Data Protection and Recovery Software**  
Whether you're a large enterprise or a smaller business, HP data protection and recovery software will cost-effectively protect you against disaster and ensure business continuity.
- **Data Archive and Migration Software**  
HP's storage software enables you to comply with data retention and retrieval requirements, improve application performance, and reduce costs by efficiently migrating infrequently accessed or less valuable data to lower cost storage.
- **Storage Resource Management Software (SRM)**  
HP's storage resource management software reduces operational costs and provides the command and control foundation you need to efficiently manage and visualize your physical and virtual environments.
- **Data Replication Software**  
HP offers array-based and host-based replication software for use in disaster recovery, testing, application development and reporting.
- **Storage Device Management Software**  
Maximize your investment in HP storage and networking with software that enables hardware-specific configuration, performance tuning and connectivity management.
- **HP StoreVirtual VSA**

### Optional Features

With HP StoreVirtual VSA you can use the power of virtualization to turn a set of heterogeneous and disconnected physical disk drives in your servers and storage devices into a single pool of logical storage capacity.

**NOTE:** For more information available Storage Software including QuickSpecs, please see: [www.hp.com/go/storage/software](http://www.hp.com/go/storage/software).

---

### HP Insight Online

HP Insight Online is a new addition to the HP Support Center for one stop, secure access to product and HP support information personalized to your IT environment. Insight Online can automatically display devices remotely monitored by HP Insight Remote Support. With Insight Online's easy navigation you can efficiently track your IT support contracts and device status from anywhere and at anytime.

[www.hp.com/go/insightonline](http://www.hp.com/go/insightonline)

---

### Factory Express Portfolio for Servers and Storage

HP Factory Express offers configuration, customization, integration and deployment services for HP servers and storage products. Customers can choose how their factory solutions are built, tested, integrated, shipped and deployed.

Factory Express offers service packages for simple configuration, racking, installation, complex configuration and design services as well as individual factory services, such as image loading, asset tagging, and custom packaging. HP products supported through Factory Express include a wide array of servers and storage: HP Integrity, HP ProLiant, HP ProLiant Server Blades, HP BladeSystem, HP 9000 servers as well as the MSAxxxx, VA7xxx, EVA, XP, rackable tape libraries and configurable network switches.

For more information on Factory Express services for your specific server model please contact your sales representative or go to: <http://www.hp.com/go/factory-express>

---

### HP Simple Configurator

SCE is a guided self service tool to help sales and non technical people provide customers with initial configurations in 3 to 5 minutes. You may then send the configuration on for configuration help, or use in your existing ordering processes. If you require "custom" rack configuration or configuration for products not available in SCE, please contact HP's Customer Business Center or an Authorized Partner for assistance. <http://www.hp.com/products/configurator>

### Service and Support

#### Service and Support

##### **HP Technology Services for Industry Standard Servers and BladeSystem**

Capitalizing on HP ProLiant server and HP BladeSystem capabilities requires a service partner who understands your increasingly complex business technology environment. That's why it makes sense to team up with the people who know HP infrastructure hardware and software best - the experienced professionals at HP Services.

##### **What HP ProLiant and BladeSystem Services can do for you**

HP ProLiant and BladeSystem Services can help you design, deploy, test, integrate, support, and manage IT and infrastructure solutions. This way, HP proposes services solutions that include more than just uplift of base warranty. Foundation Care services deliver scalable support-packages for HP industry-standard servers and software. You can choose the type and level of service that is most suitable for their business needs. New to this portfolio is HP Collaborative Support. If you are running business critical environments, HP offers Proactive Care or Critical Advantage. These services help deliver high levels of application availability through proactive service management and advanced technical response

You can get the support you need by choosing from one of a number of service packaged solutions we have designed to address wider set of customer support needs.

HP Technology Services meets business challenges with services offered in three support recommendations - **Optimized Care, Standard Care, and Basic Care** - available for each product group. Such support solutions enable customers to optimize technology operations, minimize risk and drive better business outcomes with easy-to-buy, easy-to-use scalable support recommendations for servers, storage, networking and software designed to meet your specific needs.

All three service recommendations include support services from the broader portfolio of Foundation Care and Proactive Care services.

#### Optimized Care

##### **Optimized Care: Supports maintaining servers at optimum performance availability**

##### **HP ProLiant Server Hardware Installation**

Provides for the basic hardware installation of HP branded servers, storage devices and networking options to assist you in bringing your new hardware into operation in a timely and professional manner <http://h20195.www2.hp.com/V2/GetPDF.aspx/5981-9356EN.pdf>

##### **HP Installation and Startup for Insight Control Software / HP SIM**

Provides for the deployment and basic configuration of HP Insight Control or HP SIM (Systems Insight Manager) on HP ProLiant ML and DL series servers or HP BladeSystem servers <http://h20195.www2.hp.com/v2/GetPDF.aspx/4AA0-9972ENW.pdf>

##### **3-Year HP 24x7 4 hour Response, Proactive Care**

Helps optimize your systems and delivers high levels of application availability through proactive service management and advanced technical response. A skilled Technical Manager will own your call and end to end until resolved, delivering a single point of contact for you. Helping you to resolve your hardware and software issues and minimizing downtime in your business critical environment.

**Additional Services:** Factory Express, Education Services, Proactive Select - 30 Credit Package

#### Standard Care

##### **Standard Care: Service recommendation that maintains high level of server availability**

##### **HP ProLiant Server Hardware Installation**

Provides for the basic hardware installation of HP branded servers, storage devices and networking options to assist you in bringing your new hardware into operation in a timely and professional manner

### Service and Support

<http://h20195.www2.hp.com/V2/GetPDF.aspx/5981-9356EN.pdf>

#### **HP Installation and Startup for Insight Control Software / HP SIM**

Provides for the deployment and basic configuration of HP Insight Control or HP SIM (Systems Insight Manager) on HP ProLiant ML and DL series servers or HP BladeSystem servers

<http://h20195.www2.hp.com/v2/GetPDF.aspx/4AA0-9972ENW.pdf>

#### **3-Year HP 24x7 4 hour Response, Collaborative Support**

Provides problem resolution support across the stack of HW, firmware, and HP and 3rd party SW. In case the issue is with 3rd party SW, HP does known issue resolution. If HP cannot solve the issue, it will contact the third-party vendor and create a problem incident on your behalf.

<http://h20195.www2.hp.com/V2/GetPDF.aspx/4AA3-8232ENW.pdf>

**Additional Services:** Software support service with 24X7 availability with a 2 hour response, Training courses on Microsoft, Linux (Red Hat and SUSE), VMware, and HP Insight Software, 10 Proactive Select Credit package, Factory Express

<http://www8.hp.com/us/en/business-services/it-services.html?compURI=1078865>

### Basic Care

**Basic Care: delivers minimum recommended support service level**

#### **HP ProLiant Server Hardware Installation**

Provides for the basic hardware installation of HP branded servers, storage devices and networking options to assist you in bringing your new hardware into operation in a timely and professional manner

<http://h20195.www2.hp.com/V2/GetPDF.aspx/5981-9356EN.pdf>

#### **3-Year HP 24x7 4 hour Response, Hardware Support Onsite Service**

Provides you with rapid remote support and if required an HP authorized technical engineer will be on site 24X7 begin hardware maintenance service within 4 hours of the service request being logged

<http://h20195.www2.hp.com/V2/GetPDF.aspx/5982-6547EEE.pdf>

#### **3-Year , HP 24x7 Software Support for Insight Control**

Provides remote 3-year software support service that delivers comprehensive software services, including access to HP technical resources and software updates

<http://h20195.www2.hp.com/V2/GetPDF.aspx/5981-6645EEE.pdf>

**Additional Services:** Factory Express, Education Services, Proactive Select - 10 Credits

### Insight Remote Support

Provides 24 X 7 remote monitoring, proactive notifications, and problem resolution. Learn more

<http://www.hp.com/go/insightremotesupport>

### HP Support Center

Personalized online support portal with access to information, tools and experts to support HP business products. Submit support cases online, chat with HP experts, access support resources or collaborate with peers. Learn more

<http://www.hp.com/go/hpsc>

HP's Support Center Mobile App\* allows you to resolve issues yourself or quickly connect to an agent for live support. Now, you can get access to personalized IT support anywhere, anytime.

HP Insight Remote Support and HP Support Center are available at no additional cost with a HP warranty, HP Care Pack or HP contractual support agreement.

\*HP Support Center Mobile App is subject to local availability

### Warranty / Service Coverage

For ProLiant servers and storage systems, the services cover HP-branded hardware options qualified for the server, purchased at the same time or afterward, internal to the enclosure, as well as external

### Service and Support

monitors up to 22" and tower UPS products; these items will be covered at the same service level and for the same coverage period as the server unless the maximum supported lifetime and/or the maximum usage limitation has been exceeded. Coverage of the UPS battery is not included; standard warranty terms and conditions apply.

The defective media retention service feature option applies only to Disk or eligible SSD/Flash Drives replaced by HP due to malfunction. It does not apply to any exchange of Disk or SSD/Flash Drives that have not failed. SSD/Flash Drives that are specified by HP as consumable parts and/or that have exceeded maximum supported lifetime and/or the maximum usage limit as set forth in the manufacturer's operating manual or the technical data sheet are not eligible for the defective media retention service feature option.

#### **For more information**

To learn more on HP ProLiant servers and HP BladeSystem servers, please contact your HP sales representative or HP Authorized Channel Partner. Or visit: <http://www.hp.com/services/proliant>



### Pre-configured Models

**NOTE:** For the Standard Features shipped in the "Factory Integrated Models", please see the "Configuration Information - Factory Integrated Models" section.

**NOTE:** Pre-configured models ship with the configurations below. Options can be selected from the Core or Additional options section of this QuickSpecs.

**NOTE:** HP does not allow factory integration of options into pre-configured models. Any additional options purchased will be shipped separately.

**NOTE:** If you desire a custom configuration please see "Configuration Information - Factory Integrated Models" section of this QuickSpecs.

**NOTE:** All Pre-configured Models come populated with some hard drive blanks installed. Should the customer need additional hard drive blanks, they can order more using either P/N 666987-B21: HP SFF Gen8 Hard Drive Blank Kit or P/N 666986-B21: HP LFF Gen8 Hard Drive Blank Kit.

### Entry Models

<b>HP ProLiant ML350e Gen8 E5-2403 1P 2GB-U Non-hot Plug SATA LFF 460W PS Entry Svr</b> 648375-001	<b>Processor</b>	(1) Intel® Xeon® E5-2403 (1.8GHz/4-core/80W/10MB) Processor
	<b>Cache Memory</b>	10MB (1 x 10MB) Level 3
	<b>Memory</b>	2GB (1 x 2GB) Unbuffered DIMMs PC3L-10600E
	<b>Network Controller</b>	HP Ethernet 1Gb 2-port 361i Adapter
	<b>Storage Controller</b>	HP Dynamic Smart Array B120i/Zero Memory SATA Controller (RAID 0,1,10)
	<b>Hard Drive</b>	(1) 500GB 6G SATA 7.2K NHP 3.5" N MDL HDD; includes 3 hard drive blanks
	<b>Internal Storage</b>	4 LFF Non Hot Plug SATA HDD Bays only
	<b>Optical Drive</b>	HP Half-Height SATA DVD-ROM Optical Drive
	<b>Power Supply</b>	(1) 460 Watt Power Supply (non-hot plug, non-redundant)
	<b>Fans</b>	2 Non-Hot Plug, Non Redundant Fans
	<b>Accessories</b>	USB Keyboard and Mouse ship standard
	<b>Management</b>	HP iLO Management Engine (standard) Optional: HP iLO Essentials or HP Insight Control
	<b>Form Factor</b>	Tower (5U)
	<b>Warranty</b>	Server Warranty includes 3-Year Parts, 1-Year Labor, 1-Year Onsite support with next business day response

### Pre-configured Models

#### Base Models

<b>HP ProLiant ML350e Gen8 E5-2407 1P 4GB-U Hot Plug SATA 4LFF 460W PS Base Svr 648376-001</b>	<b>Processor</b>	(1) Intel® Xeon® E5-2407 (2.2GHz/4-core/80W/10MB) Processor
	<b>Cache Memory</b>	10MB (1 x 10MB) Level 3
	<b>Memory</b>	4GB (1 x 4GB) Unbuffered DIMMs PC3L-10600E
	<b>Network Controller</b>	HP Ethernet 1Gb 2-port 361i Adapter
	<b>Storage Controller</b>	HP Dynamic Smart Array B120i/512MB FBWC SATA Controller (RAID 0,1, 5, 10)
	<b>Hard Drive</b>	None ships standard; includes 3 LFF hard drive blanks
	<b>Internal Storage</b>	4 LFF Hot Plug SATA HDD Bays only
	<b>Optical Drive</b>	HP Half-Height SATA DVD-ROM Optical Drive
	<b>Power Supply</b>	(1) 460 Watt Power Supply (non-hot plug, non-redundant)
	<b>Fans</b>	2 Non-Hot Plug, Non Redundant Fans
	<b>Accessories</b>	USB Keyboard and Mouse ship standard
	<b>Management</b>	HP iLO Management Engine (standard) Optional: HP iLO Essentials or HP Insight Control
	<b>Form Factor</b>	Tower (5U)
	<b>Warranty</b>	Server Warranty includes 3-Year Parts, 1-Year Labor, 1-Year Onsite support with next business day response

#### Performance Models

<b>HP ProLiant ML350e Gen8 E5-2420 1P 8GB-U P420 Hot Plug 6 LFF 460W PS Perf Server 648377-001</b>	<b>Processor</b>	(1) Intel® Xeon® E5-2420 (1.9GHz/6-core/95W/15MB) Processor
	<b>Cache Memory</b>	15MB (1 x 15MB) Level 3
	<b>Memory</b>	8GB (2 x 4GB) Unbuffered DIMMs PC3L-10600E
	<b>Network Controller</b>	HP Ethernet 1Gb 2-port 361i Adapter
	<b>Storage Controller</b>	HP Smart Array P420/1GB FBWC Controller (RAID 0/1/1+0/5/5+0)
	<b>Hard Drive</b>	None ships standard; includes 5 LFF hard drive blanks
	<b>Internal Storage</b>	6 LFF Hot Plug SATA HDD Bays; upgradeable to 12
	<b>Optical Drive</b>	HP Half-Height SATA DVD-ROM Optical Drive
	<b>Power Supply</b>	(1) 460 Watt Power Supply (non-hot plug, non-redundant)
	<b>Fans</b>	2 Non-Hot Plug, Non Redundant Fans
	<b>Accessories</b>	USB Keyboard and Mouse ship standard
	<b>Management</b>	HP iLO Management Engine (standard) Optional: HP iLO Essentials or HP Insight Control
	<b>Form Factor</b>	Tower (5U)
	<b>Warranty</b>	Server Warranty includes 3-Year Parts, 1-Year Labor, 1-Year Onsite support with next business day response

### Smart Buys

<b>HP ProLiant ML350e Gen8 E5-2403 1P 8GB-U Hot Plug 4LFF 460W PS Svr/S-Buy</b> 686770-S01	<b>Processor</b>	(1) Intel® Xeon® E5-2403 (1.8GHz/4-core/80W/10MB) Processor
	<b>Cache Memory</b>	10MB (1 x 10MB) Level 3
	<b>Memory</b>	8GB (2 x 4GB) Unbuffered DIMMs PC3L-10600E
	<b>Network Controller</b>	HP Ethernet 1Gb 2-port 361i Adapter
	<b>Storage Controller</b>	HP Dynamic Smart Array B120i/Zero Memory SATA Controller (RAID 0,1,10)
	<b>Hard Drive</b>	None ship standard; includes 3 LFF hard drive blanks
	<b>Internal Storage</b>	4 LFF Hot Plug HDD Bays
	<b>Optical Drive</b>	HP Half-Height SATA DVD-ROM Optical Drive
	<b>Power Supply</b>	(1) 460 Watt Power Supply (non-hot plug, non-redundant)
	<b>Fans</b>	2 Non-Hot Plug, Non Redundant Fans
	<b>Accessories</b>	USB Keyboard and Mouse ship standard
	<b>Management</b>	HP iLO Management Engine (standard)
<b>Form Factor</b>	Tower (5U)	
<b>Warranty</b>	Server Warranty includes 3-Year Parts, 1-Year Labor, 1-Year Onsite support with next business day response	

<b>HP ProLiant ML350e Gen8 E5-2420 1P 8GB-U Hot Plug 4LFF 460W PS Svr/S-Buy</b> 686771-S01	<b>Processor</b>	(1) Intel® Xeon® E5-2420 (1.9GHz/6-core/95W/15MB) Processor
	<b>Cache Memory</b>	15MB (1 x 15MB) Level 3
	<b>Memory</b>	8GB (2 x 4GB) Unbuffered DIMMs PC3L-10600E
	<b>Network Controller</b>	HP Ethernet 1Gb 2-port 361i Adapter
	<b>Storage Controller</b>	HP Dynamic Smart Array B120i/512MB FBWC SATA Controller (RAID 0,1, 5, 10)
	<b>Hard Drive</b>	None ship standard; includes 3 LFF hard drive blanks
	<b>Internal Storage</b>	4 LFF Hot Plug HDD Bays
	<b>Optical Drive</b>	HP Half-Height SATA DVD-ROM Optical Drive
	<b>Power Supply</b>	(1) 460 Watt Power Supply (non-hot plug, non-redundant)
	<b>Fans</b>	2 Non-Hot Plug, Non Redundant Fans
	<b>Accessories</b>	USB Keyboard and Mouse ship standard
	<b>Management</b>	HP iLO Management Engine (standard)
<b>Form Factor</b>	Tower (5U)	
<b>Warranty</b>	Server Warranty includes 3-Year Parts, 1-Year Labor, 1-Year Onsite support with next business day response	

### Smart Buys

<b>HP ProLiant ML350e Gen8 E5-2420 1P 8GB-U Hot Plug 4LFF 460W PS SBS Svr/S-Buy</b> 686772-S01	<b>Processor</b>	(1) Intel® Xeon® E5-2420 (1.9GHz/6-core/95W/15MB) Processor
	<b>Cache Memory</b>	15MB (1 x 15MB) Level 3
	<b>Memory</b>	8GB (2 x 4GB) Unbuffered DIMMs PC3L-10600E
	<b>Network Controller</b>	HP Ethernet 1Gb 2-port 361i Adapter
	<b>Storage Controller</b>	HP Dynamic Smart Array B120i/512MB FBWC SATA Controller (RAID 0,1, 5, 10)
	<b>Hard Drive</b>	None ship standard; includes 3 LFF hard drive blanks
	<b>Internal Storage</b>	4 LFF Hot Plug HDD Bays
	<b>Optical Drive</b>	HP Half-Height SATA DVD-ROM Optical Drive
	<b>Power Supply</b>	(1) 460 Watt Power Supply (non-hot plug, non-redundant)
	<b>Fans</b>	2 Non-Hot Plug, Non Redundant Fans
	<b>Accessories</b>	USB Keyboard and Mouse ship standard
	<b>Operating System</b>	MS W2011 SBS Standard
	<b>Management</b>	HP iLO Management Engine (standard)
	<b>Form Factor</b>	Tower (5U)
<b>Warranty</b>	Server Warranty includes 3-Year Parts, 1-Year Labor, 1-Year Onsite support with next business day response	

<b>HP ProLiant ML350e Gen8 E5-2440 2P 16GB-R Hot Plug 8SFF 750W PS Svr/S-Buy</b> 686773-S01	<b>Processor</b>	(2) Intel® Xeon® E5-2440 (2.4GHz/6-core/95W/15MB) Processor
	<b>Cache Memory</b>	15MB (1 x 15MB) Level 3
	<b>Memory</b>	16GB (2 x 8GB) Dual Rank x4 PC3L-10600R (DDR3-1333) Registered CAS-9 Low Voltage Memory Kit
	<b>Network Controller</b>	HP Ethernet 1Gb 2-port 361i Adapter
	<b>Storage Controller</b>	HP Smart Array P420/1GB FBWC Controller (RAID 0/1/1+0/5/5+0)
	<b>Hard Drive</b>	None ship standard; includes 7 SFF hard drive blanks
	<b>Internal Storage</b>	8SFF Hot Plug HDD Bays
	<b>Optical Drive</b>	HP Half-Height SATA DVD-ROM Optical Drive
	<b>Power Supply</b>	HP 750W Common Slot Gold Hot Plug Power Supply Kit
	<b>Fans</b>	4 Redundant Fans
	<b>Accessories</b>	USB Keyboard and Mouse ship standard
	<b>Management</b>	HP iLO Management Engine (standard)
	<b>Form Factor</b>	Tower (5U)
	<b>Warranty</b>	Server Warranty includes 3-Year Parts, 1-Year Labor, 1-Year Onsite support with next business day response

### Configuration Information - Factory Integrated Models

**NOTE:** This section lists some of the steps required to configure a Factory Integrated Model. To ensure only valid configurations are ordered, HP recommends the use of an HP approved configurator. Contact your local sales representative for information on configurable product offerings and requirements.

**NOTE:** Factory Integrated Models must start with a CTO Server.

**NOTE:** FIO indicates that this option is only available as a factory installable option.

**NOTE:** All Factory Integrated Models will be populated with sufficient hard drive blanks based on the number of initial hard drives ordered with the server.

### Step 1: Base Configuration (choose one of the following configurable models)

#### HP Models

#### ML350e Gen8 Tower Models

HP ProLiant ML350e Gen8 Non-hot Plug 4 LFF Configure-to-order Server 664043-B21

**Includes:**

HP Ethernet 1Gb 2--port 361i Adapter  
HP Dynamic Smart Array B120i SATA Controller (RAID 0/1/10)  
Four (4) Non-Hot-Plug (LFF) SATA Drive Bays  
Ten (10) USB ports  
Six (6) PCIe slots  
Two (2) Non-hot plug, non-redundant fans  
HP iLO Management Engine (standard)  
Tower (5U) form factor

HP ProLiant ML350e Gen8 Hot Plug 6 LFF Configure-to-order Server 664044-B21

**Includes:**

HP Ethernet 1Gb 2--port 361i Adapter  
HP Dynamic Smart Array B120i SATA Controller (RAID 0/1/10)  
Six (6) Hot-Plug (LFF) SATA Drive Bays  
**NOTE:** A SAS controller is required to support 6 LFF drives. Otherwise, only 4 SATA drives are supported with the embedded controller. HP Hot-Plug 4LFF Shield Metal FIO Kit (704853-B21) must be selected to use 4 SATA drives with embedded controller.  
Ten (10) USB ports  
Six (6) PCIe slots  
Two (2) Non-hot plug, non-redundant fans  
HP iLO Management Engine (standard)  
Tower (5U) form factor

HP ProLiant ML350e Gen8 Hot Plug 8 SFF Configure-to-order Server 664045-B21

**Includes:**

HP Ethernet 1Gb 2--port 361i Adapter  
HP Dynamic Smart Array B120i SATA Controller (RAID 0/1/10)  
Eight (8) Hot-Plug (SFF) SATA Drive Bays  
**NOTE:** A SAS controller is required to support 8 SFF drives.  
Ten (10) USB ports  
Six (6) PCIe slots  
Two (2) Non-hot plug, non-redundant fans  
HP iLO Management Engine (standard)  
Tower (5U) form factor

### Configuration Information - Factory Integrated Models

#### Step 2: Choose Required Options (only one of the following from each list unless otherwise noted)

##### HP Processors

##### Eight-Core Processors

**NOTE:** All support up to 1600MHz memory speeds.

HP ML350e Gen8 Intel® Xeon® E5-2470 (2.3GHz/8-core/20MB/95W) FIO Processor Kit	678905-L21
HP ML350e Gen8 Intel® Xeon® E5-2450 (2.1GHz/8-core/20MB/95W) FIO Processor Kit	678903-L21
HP ML350e Gen8 Intel® Xeon® E5-2450L (1.8GHz/8-core/20MB/70W) FIO Processor Kit	678901-L21

##### Six-Core Processors

**NOTE:** All support up to 1333MHz DDR3 memory speeds.

HP ML350e Gen8 Intel® Xeon® E5-2440 (2.4GHz/6-core/15MB/95W) FIO Processor Kit	665879-L21
HP ML350e Gen8 Intel® Xeon® E5-2430 (2.2GHz/6-core/15MB/95W) FIO Processor Kit	665870-L21
HP ML350e Gen8 Intel® Xeon® E5-2430L (2.0GHz/6-core/15MB/60W) FIO Processor Kit	665862-L21
HP ML350e Gen8 Intel® Xeon® E5-2420 (1.9GHz/6-core/15MB/95W) FIO Processor Kit	665868-L21

##### Quad-Core Processors

**NOTE:** All support up to 1066MHz DDR3 memory speeds.

HP ML350e Gen8 Intel® Xeon® E5-2407 (2.2GHz/4-core/10MB/80W) FIO Processor Kit	665866-L21
HP ML350e Gen8 Intel® Xeon® E5-2403 (1.8GHz/4-core/10MB/80W) FIO Processor Kit	665864-L21

##### HP Memory

**NOTE:** To realize the performance memory capabilities listed in this document, HP SmartMemory is required. For additional information, please see the HP SmartMemory QuickSpecs at:

[http://h18000.www1.hp.com/products/quickspecs/14225\\_na/14225\\_na.html](http://h18000.www1.hp.com/products/quickspecs/14225_na/14225_na.html)

##### Registered DIMMs (RDIMMs)

**NOTE:** Redundant Enablement Kit (part # 664046-B21) is required whenever Registered DIMM is purchased.

HP 4GB (1x4GB) Single Rank x4 PC3L-10600R (DDR3-1333) Registered CAS-9 Low Voltage Memory Kit	647893-B21
HP 4GB (1x4GB) Single Rank x4 PC3-12800R (DDR3-1600) Registered CAS-11 Memory Kit	647895-B21
HP 8GB (1x8GB) Dual Rank x4 PC3L-10600R (DDR3-1333) Registered CAS-9 Low Voltage Memory Kit	647897-B21
HP 8GB (1x8GB) Single Rank x4 PC3-12800R (DDR3-1600) Registered CAS-11 Memory Kit	647899-B21
HP 8GB (1x8GB) Dual Rank x4 PC3-12800R (DDR3-1600) Registered CAS-11 Memory Kit	690802-B21
HP 16GB (1x16GB) Dual Rank x4 PC3L-10600R (DDR3-1333) Registered CAS-9 Low Voltage Memory Kit	647901-B21
HP 16GB (1x16GB) Dual Rank x4 PC3-12800R (DDR3-1600) Registered CAS-11 Memory Kit	672631-B21

##### Unbuffered with ECC DIMMs (UDIMMs)

HP 2GB (1x2GB) Single Rank x8 PC3-12800E (DDR3-1600) Unbuffered CAS-11 Memory Kit	669320-B21
HP 2GB (1x2GB) Single Rank x8 PC3L-10600E (DDR3-1333) Unbuffered CAS-9 Low Voltage Memory Kit	647905-B21

### Configuration Information - Factory Integrated Models

HP 4GB (1x4GB) Dual Rank x8 PC3-12800E (DDR3-1600) Unbuffered CAS-11 Memory Kit	669322-B21
HP 4GB (1x4GB) Dual Rank x8 PC3L-10600E (DDR3-1333) Unbuffered CAS-9 Low Voltage Memory Kit	647907-B21
HP 8GB (1x8GB) Dual Rank x8 PC3-12800E (DDR3-1600) Unbuffered CAS-11 Memory Kit	669324-B21
HP 8GB (1x8GB) Dual Rank x8 PC3L-10600E (DDR3-1333) Unbuffered CAS-9 Low Voltage Memory Kit	647909-B21

**NOTE:** All DDR3 memory option kits consist of one DIMM per kit. For detailed memory configuration rules and guidelines, please use the Online DDR3 Memory Configuration Tool: [www.hp.com/go/ddr3memory-configurator](http://www.hp.com/go/ddr3memory-configurator).

**NOTE:** Kits described as LP include Low Power DIMMs. For more information on ProLiant Energy Efficient Features, see:

<http://h18004.www1.hp.com/products/servers/platforms/energyefficient/>

#### HP Power Supplies

**NOTE:** Mixing of power supplies in the same server is not supported. All power supplies inside a server must be exactly the same model. Mixing Gold, Platinum, and Platinum Plus certified power supplies is not supported.

**NOTE:** Prior to making a power supply selection it is highly recommended that the HP Power Advisor is run to determine the right size power supply for your server configuration. The HP Power Advisor is located at: [www.hp.com/go/hppoweradvisor](http://www.hp.com/go/hppoweradvisor).

#### Primary Power Supplies

HP 460W Factory Integrated Power Supply Kit	667559-B21
---	------------

**NOTE:** This power supply is non-redundant and is factory integrated only.

#### HP Common Slot Platinum Plus Power Supply Kits

**NOTE:** The following Power Supplies offer 94% Efficiency with support for Intelligent Power Discovery.

HP 460W Common Slot Platinum Plus Hot Plug Power Supply Kit	656362-B21
HP 750W Common Slot Platinum Plus Hot Plug Power Supply Kit	656363-B21

#### HP Common Slot Gold Power Supplies

**NOTE:** The following Power Supplies offer up to 92% efficiency.

HP 460W Common Slot Gold Hot Plug Power Supply Kit	503296-B21
HP 750W Common Slot Gold Hot Plug Power Supply Kit	512327-B21

#### Enablement Kit

HP Redundant Enablement Kit	664046-B21
-----------------------------	------------

**NOTE:** Redundant Enablement Kit (part # 664046-B21) is required for any common slot power supply.

**NOTE:** Power Specification and Technical Content for supported power supplies can be found at:

[http://h18000.www1.hp.com/products/quickspecs/14209\\_na/14209\\_na.html](http://h18000.www1.hp.com/products/quickspecs/14209_na/14209_na.html)

#### HP Hard Drives

#### Hard Drive Kits

HP Hot-Plug 4LFF Shield Metal FIO Kit	704853-B21
---------------------------------------	------------

**NOTE:** This FIO kit enables to use 6LFF hot plug chassis as 4LFF hot plug with embedded SATA controller. Shield metal kit must be selected if SAS controller is not required in case of 6LFF hot-plug chassis.

### Configuration Information - Factory Integrated Models

#### Step 3: Choose Additional Factory Integratable Options

<b>HP Security Hardware</b>	HP Hot-Plug 4LFF Shield Metal FIO Kit <b>NOTE:</b> For Hot Plug 6LFF CTO Server Only (P/N 664044-B21) . <b>NOTE:</b> HP Hot-Plug 4LFF Shield Metal FIO Kit must be selected if a SAS controller is not in the order.	704853-B21
<b>HP Insight Software</b>	HP Insight Control including 1yr 24x7 Support ProLiant ML/DL/BL-bundle Single Server FIO License	582765-B21

#### Step 4: Choose Additional Options for Factory Integration

**NOTE:** For additional options, please refer to the "Core Options" and "Additional Options" section below.



### Core Options

**NOTE:** Some options may not be integrated at the factory. Contact your local sales representative for additional information.

#### HP Processors

##### Eight-Core Processors

**NOTE:** All support up to 1600MHz memory speeds.

HP ML350e Gen8 Intel® Xeon® E5-2470 (2.3GHz/8-core/20MB/95W) Processor Kit	678905-B21
HP ML350e Gen8 Intel® Xeon® E5-2450 (2.1GHz/8-core/20MB/95W) Processor Kit	678903-B21
HP ML350e Gen8 Intel® Xeon® E5-2450L (1.8GHz/8-core/20MB/70W) Processor Kit	678901-B21

##### Six-Core Processors

**NOTE:** All support up to 1333MHz DDR3 memory speeds.

HP ML350e Gen8 Intel® Xeon® E5-2440 (2.4GHz/6-core/15MB/95W) Processor Kit	665879-B21
HP ML350e Gen8 Intel® Xeon® E5-2430 (2.2GHz/6-core/15MB/95W) Processor Kit	665870-B21
HP ML350e Gen8 Intel® Xeon® E5-2430L (2.0GHz/6-core/15MB/60W) Processor Kit	665862-B21
HP ML350e Gen8 Intel® Xeon® E5-2420 (1.9GHz/6-core/15MB/95W) Processor Kit	665868-B21

##### Quad-Core Processors

**NOTE:** All support up to 1066MHz DDR3 memory speeds.

HP ML350e Gen8 Intel® Xeon® E5-2407 (2.2GHz/4-core/10MB/80W) Processor Kit	665866-B21
HP ML350e Gen8 Intel® Xeon® E5-2403 (1.8GHz/4-core/10MB/80W) Processor Kit	665864-B21

#### HP Memory

**NOTE:** To realize the performance memory capabilities listed in this document, HP SmartMemory is required. For additional information, please see the HP SmartMemory QuickSpecs at:

[http://h18000.www1.hp.com/products/quickspecs/14225\\_na/14225\\_na.html](http://h18000.www1.hp.com/products/quickspecs/14225_na/14225_na.html)

##### Registered DIMMs (RDIMMs)

**NOTE:** Redundant Enablement Kit (part # 664046-B21) is required whenever Registered DIMM is purchased.

HP 4GB (1x4GB) Single Rank x4 PC3L-10600R (DDR3-1333) Registered CAS-9 Low Voltage Memory Kit	647893-B21
HP 4GB (1x4GB) Single Rank x4 PC3-12800R (DDR3-1600) Registered CAS-11 Memory Kit	647895-B21
HP 8GB (1x8GB) Dual Rank x4 PC3L-10600R (DDR3-1333) Registered CAS-9 Low Voltage Memory Kit	647897-B21
HP 8GB (1x8GB) Single Rank x4 PC3-12800R (DDR3-1600) Registered CAS-11 Memory Kit	647899-B21
HP 8GB (1x8GB) Dual Rank x4 PC3-12800R (DDR3-1600) Registered CAS-11 Memory Kit	690802-B21
HP 16GB (1x16GB) Dual Rank x4 PC3L-10600R (DDR3-1333) Registered CAS-9 Low Voltage Memory Kit	647901-B21
HP 16GB (1x16GB) Dual Rank x4 PC3-12800R (DDR3-1600) Registered CAS-11 Memory Kit	672631-B21

##### Unbuffered with ECC DIMMs (UDIMMs)

HP 2GB (1x2GB) Single Rank x8 PC3-12800E (DDR3-1600) Unbuffered CAS-11 Memory Kit	669320-B21
HP 2GB (1x2GB) Single Rank x8 PC3L-10600E (DDR3-1333) Unbuffered CAS-9 Low Voltage Memory Kit	647905-B21

### Core Options

HP 4GB (1x4GB) Dual Rank x8 PC3-12800E (DDR3-1600) Unbuffered CAS-11 Memory Kit	669322-B21
HP 4GB (1x4GB) Dual Rank x8 PC3L-10600E (DDR3-1333) Unbuffered CAS-9 Low Voltage Memory Kit	647907-B21
HP 8GB (1x8GB) Dual Rank x8 PC3-12800E (DDR3-1600) Unbuffered CAS-11 Memory Kit	669324-B21
HP 8GB (1x8GB) Dual Rank x8 PC3L-10600E (DDR3-1333) Unbuffered CAS-9 Low Voltage Memory Kit	647909-B21

**NOTE:** All DDR3 memory option kits consist of one DIMM per kit. For detailed memory configuration rules and guidelines, please use the Online DDR3 Memory Configuration Tool: [www.hp.com/go/ddr3memory-configurator](http://www.hp.com/go/ddr3memory-configurator).

**NOTE:** Kits described as LP include Low Power DIMMs. For more information on ProLiant Energy Efficient Features, see: <http://h18004.www1.hp.com/products/servers/platforms/energyefficient/>

### HP Optical Drives

HP Half-Height SATA DVD ROM JackBlack Optical Drive	624189-B21
HP Half-Height SATA DVD RW JackBlack Optical Drive	624192-B21

### HP Hard Drives

**NOTE:** The components of a storage subsystem (e.g. the drive, the HBA/controller, firmware, and the server backplane) should operate at the same data transfer rate or the system bandwidth will be negotiated down to an acceptable level for all components.

**NOTE:** Hard drives have either a one year or three year warranty; refer to the specific hard drive QuickSpecs for details.

#### SAS Hot Plug with SmartDrive SFF (2.5-inch) Enterprise Drives

HP 900GB 6G SAS 10K rpm SFF (2.5-inch) SC Enterprise 3yr Warranty Hard Drive	652589-B21
HP 600GB 6G SAS 10K rpm SFF (2.5-inch) SC Enterprise 3yr Warranty Hard Drive	652583-B21
HP 450GB 6G SAS 10K rpm SFF (2.5-inch) SC Enterprise 3yr Warranty Hard Drive	652572-B21
HP 300GB 6G SAS 10K rpm SFF (2.5-inch) SC Enterprise 3yr Warranty Hard Drive	652564-B21
HP 300GB 6G SAS 15K rpm SFF (2.5-inch) SC Enterprise 3yr Warranty Hard Drive	652611-B21
HP 146GB 6G SAS 15K rpm SFF (2.5-inch) SC Enterprise 3yr Warranty Hard Drive	652605-B21

#### SAS Hot Plug SmartDrive SFF (2.5-inch) Midline Drives

HP 1TB 6G SAS 7.2K rpm SFF (2.5-inch) SC Midline 1yr Warranty Hard Drive	652749-B21
HP 500GB 6G SAS 7.2K rpm SFF (2.5-inch) SC Midline 1yr Warranty Hard Drive	652745-B21

#### SAS Hot Plug SmartDrive LFF (3.5-inch) Enterprise Drives

HP 600GB 6G SAS 15K rpm LFF (3.5-inch) SC Enterprise 3yr Warranty Hard Drive	652620-B21
HP 450GB 6G SAS 15K rpm LFF (3.5-inch) SC Enterprise 3yr Warranty Hard Drive	652615-B21

#### SAS Hot Plug SmartDrive LFF (3.5-inch) Midline Drives

HP 3TB 6G SAS 7.2K rpm LFF (3.5-inch) SC Midline 1yr Warranty Hard Drive	652766-B21
HP 2TB 6G SAS 7.2K rpm LFF (3.5-inch) SC Midline 1yr Warranty Hard Drive	652757-B21
HP 1TB 6G SAS 7.2K rpm LFF (3.5-inch) SC Midline 1yr Warranty Hard Drive	652753-B21

### Core Options

**NOTE:** Please see the QuickSpecs for Technical Specifications and additional information:  
[http://h18000.www1.hp.com/products/quickspecs/12244\\_na/12244\\_na.html](http://h18000.www1.hp.com/products/quickspecs/12244_na/12244_na.html)  
 (Worldwide)

**6G SATA Hot Plug with SmartDrive SFF (2.5-inch) Midline (MDL) Drives**

HP 1TB 6G SATA 7.2K rpm SFF (2.5-inch) SC Midline 1yr Warranty Hard Drive	655710-B21
HP 500GB 6G SATA 7.2K rpm SFF (2.5-inch) SC Midline 1yr Warranty Hard Drive	655708-B21

**6G SATA Hot Plug with SmartDrive LFF (3.5-inch) Midline (MDL) Drives**

HP 3TB 6G SATA 7.2K rpm LFF (3.5-inch) SC Midline 1yr Warranty Hard Drive	628061-B21
HP 2TB 6G SATA 7.2K rpm LFF (3.5-inch) SC Midline 1yr Warranty Hard Drive	658079-B21
HP 1TB 6G SATA 7.2K rpm LFF (3.5-inch) SC Midline 1yr Warranty Hard Drive	657750-B21
HP 500GB 6G SATA 7.2K rpm LFF (3.5-inch) SC Midline 1yr Warranty Hard Drive	658071-B21

**6G SATA Non-Hot Plug LFF (3.5-inch) Midline (MDL) Drives**

HP 3TB 6G SATA 7.2K rpm LFF (3.5-inch) Non-hot plug Midline 1yr Warranty Hard Drive	628065-B21
HP 2TB 6G SATA 7.2K rpm LFF (3.5-inch) Non-hot plug Midline 1yr Warranty Hard Drive	659339-B21
HP 1TB 6G SATA 7.2K rpm LFF (3.5-inch) Non-hot plug Midline 1yr Warranty Hard Drive	659337-B21
HP 500GB 6G SATA 7.2K rpm LFF (3.5-inch) Non-hot plug Midline 1yr Warranty Hard Drive	659341-B21

**NOTE:** SATA hard drives have a 1-year warranty. Please see the QuickSpecs for Technical Specifications and additional information:  
[http://h18000.www1.hp.com/products/quickspecs/13021\\_na/13021\\_na.html](http://h18000.www1.hp.com/products/quickspecs/13021_na/13021_na.html)  
 (Worldwide)

**6G SATA ME Hot Plug SFF (2.5-inch) Enterprise Mainstream Solid State Drives**

HP 800GB 6G SATA Mainstream Endurance SFF 2.5-in SC Enterprise Mainstream 3yr Wty Solid State Drive	691868-B21
HP 400GB 6G SATA Mainstream Endurance SFF 2.5-in SC Enterprise Mainstream 3yr Wty Solid State Drive	691866-B21
HP 200GB 6G SATA Mainstream Endurance SFF 2.5-in SC Enterprise Mainstream 3yr Wty Solid State Drive	691864-B21
HP 100GB 6G SATA Mainstream Endurance SFF 2.5-in SC Enterprise Mainstream 3yr Wty Solid State Drive	691862-B21

**6G SATA ME Hot Plug LFF (3.5-inch) Enterprise Mainstream Solid State Drives**

HP 800GB 6G SATA Mainstream Endurance LFF 3.5-in SC Enterprise Mainstream 3yr Wty Solid State Drive	691860-B21
HP 400GB 6G SATA Mainstream Endurance LFF 3.5-in SC Enterprise Mainstream 3yr Wty Solid State Drive	691856-B21
HP 200GB 6G SATA Mainstream Endurance LFF 3.5-in SC Enterprise Mainstream 3yr Wty Solid State Drive	691854-B21
HP 100GB 6G SATA Mainstream Endurance LFF 3.5-in SC Enterprise Mainstream 3yr Wty Solid State Drive	691852-B21

**3G SATA MLC Hot Plug SFF (2.5-inch) Enterprise Mainstream Solid State Drives**

HP 100GB 3G SATA MLC SFF (2.5-inch) SC Enterprise Mainstream 3yr Warranty Solid State Drive	653112-B21
---	------------

**3G SATA MLC Hot Plug LFF (3.5-inch) Enterprise Mainstream Solid State Drives**



### Core Options

HP 100GB 3G SATA MLC LFF (3.5-inch) SC Enterprise Mainstream 3yr Warranty Solid State Drive	653122-B21
<b>NOTE:</b> Please see the QuickSpecs for Technical Specifications and additional information: <a href="http://h18000.www1.hp.com/products/quickspecs/14038_na/14038_na.html">http://h18000.www1.hp.com/products/quickspecs/14038_na/14038_na.html</a> (Worldwide)	
<b>Hard Drive Kits</b>	
<b>NOTE:</b> All Factory Integrated Models will be populated with sufficient hard drive blanks based on the number of initial hard drives ordered with the server.	
HP 2nd Media Bay Cage Kit	661618-B21
HP 5U 6 Large Form Factor (LFF) Hot Plug Drive Cage Kit	659485-B21
HP 5U 8 Small Form Factor (SFF) Hot Plug Drive Cage Kit	659484-B21
HP ML350e Gen8 Large Form Factor (LFF) 5/6 Hard Drive Cable Kit	684527-B21
<b>NOTE:</b> This cable is required for upgrade from 4 LFF hot plug models to 6 LFF hot plug models. A SAS controller needs to be purchased as well.	
HP LFF Gen8 Hard Drive Blank Kit	666986-B21
HP SFF Gen8 Hard Drive Blank Kit	666987-B21

### HP Networking

#### Gigabit Ethernet adapters

HP NC112T PCI Express Gigabit Server Adapter	503746-B21
HP NC365T 4-port Ethernet Server Adapter	593722-B21
HP Ethernet 1Gb 4-port 331T Adapter	647594-B21
HP Ethernet 1Gb 2-port 332T Adapter	615732-B21
HP Ethernet 1Gb 2-port 361T Adapter	652497-B21

#### 10 Gigabit Ethernet adapters

HP NC523SFP 10Gb 2-port Server Adapter	593717-B21
HP NC552SFP 10Gb 2-port Ethernet Server Adapter	614203-B21
HP Ethernet 10Gb 2-port 530SFP Adapter	652503-B21
HP Ethernet 10Gb 2-port 560SFP+ Adapter	665249-B21

**NOTE:** Please see the QuickSpecs for Technical Specifications and additional information: [www.hp.com/go/ProLiantNICs](http://www.hp.com/go/ProLiantNICs)

### Core Options

#### HP Power Supplies

**NOTE:** Mixing of power supplies in the same server is not supported. All power supplies inside a server must be exactly the same model. Mixing Gold, Platinum, and Platinum Plus certified power supplies is not supported.

**NOTE:** Prior to making a power supply selection it is highly recommended that the HP Power Advisor is run to determine the right size power supply for your server configuration. The HP Power Advisor is located at: [www.hp.com/go/hppoweradvisor](http://www.hp.com/go/hppoweradvisor).

#### HP Common Slot Platinum Plus Power Supply Kits

**NOTE:** The following Power Supplies offer 94% Efficiency with support for Intelligent Power Discovery.

HP 460W Common Slot Platinum Plus Hot Plug Power Supply Kit 656362-B21

HP 750W Common Slot Platinum Plus Hot Plug Power Supply Kit 656363-B21

#### HP Common Slot Gold Power Supplies

**NOTE:** The following Power Supplies offer up to 92% efficiency.

HP 460W Common Slot Gold Hot Plug Power Supply Kit 503296-B21

HP 750W Common Slot Gold Hot Plug Power Supply Kit 512327-B21

#### Enablement Kit

HP Redundant Enablement Kit 664046-B21

**NOTE:** Redundant Enablement Kit (part # 664046-B21) is required for any common slot power supply.

**NOTE:** Power Specification and Technical Content for supported power supplies can be found at:

[http://h18000.www1.hp.com/products/quickspecs/14209\\_na/14209\\_na.html](http://h18000.www1.hp.com/products/quickspecs/14209_na/14209_na.html)

### Additional Options

**NOTE:** Some options may not be integrated at the factory. To ensure only valid configurations are ordered, HP recommends the use of an HP approved configurator. Contact your local sales representative for additional information.

#### HP Insight Software

#### HP Insight Control

HP Insight Control including 1yr 24x7 Technical Support and Updates Single Server License C6N27A

HP Insight Control including 1yr 24x7 Technical Support and Updates Electronic License C6N28AAE

HP Insight Control including 1yr 24x7 Technical Support and Updates Electronic License T9074BAE

HP Insight Control including 1yr 24x7 Support ProLiant ML/DL/BL-bundle Electronic License TC278AAE

HP Insight Control including 1yr 24x7 Technical Support and Updates Single Server License 452148-B22

HP Insight Control Server Provisioning Media Kit BD883A

HP Insight Management Media Kit C6N31A

HP Insight Control including 1yr 24x7 Support ProLiant ML/DL/BL-bundle Electronic License C6N36AAE

HP Insight Management Media Kit 436222-B21

**NOTE:** Insight Management DVD media without licenses. Contains HP Systems Insight Manager, HP Insight Control, HP Matrix Operating Environment, and Virtual Connect Enterprise Manager software. An integrated installer to perform quick and accurate software installation and updates.

HP Insight Control Server Deployment including 1yr 24x7 Support Electronic License T9082AAE

HP Insight Control Server Deployment including 1yr 24x7 Support Single Server License 452151-B21

**NOTE:** Electronic and Flexible-Quantity licenses can be used to purchase multiple licenses with a single activation key.

**NOTE:** Customer will receive a license entitlement certificate. The license entitlement certificate must be redeemed online or via fax in order to obtain the license activation key(s). Includes one year of 24 x 7 HP Software Technical Support and Update Service.

**NOTE:** Licenses ship without media. The HP Insight Control Media Kit can be ordered separately, or can be downloaded at: <http://www.hp.com/go/insightupdates>.

**NOTE:** For additional license options please see the QuickSpecs at:

[http://h18000.www1.hp.com/products/quickspecs/12631\\_na/12631\\_na.html](http://h18000.www1.hp.com/products/quickspecs/12631_na/12631_na.html)

#### HP Integrated Lights-Out (iLO)

#### HP Integrated Lights-Out (iLO) Advanced for ProLiant

HP iLO Advanced including 1yr 24x7 Technical Support and Updates Electronic License TA850AAE

HP iLO Advanced Electronic License with 3yr 24x7 Tech Support and Updates BD506AAE

HP iLO Advanced including 1yr 24x7 Technical Support and Updates Single Server License 512485-B21

HP iLO Advanced 1 Server License with 3yr 24x7 Tech Support and Updates BD505A

#### HP iLO Essentials

HP Integrated Lights-Out Essentials including 3yr 24x7 Tech Support and Updates E-LTU BD774AAE

HP Integrated Lights-Out Essentials including 3yr 24x7 Tech Support and Updates Single Svr License BD774A

### Additional Options

HP Integrated Lights-Out Essentials including 1yr 24x7 Tech Support and Updates E-LTU BD775AAE

HP Integrated Lights-Out Essentials including 1yr 24x7 Tech Support and Updates Single Svr License BD775A

**NOTE:** For additional license options please see the QuickSpecs at:

[http://h18004.www1.hp.com/products/quickspecs/14276\\_na/14276\\_na.html](http://h18004.www1.hp.com/products/quickspecs/14276_na/14276_na.html)

**NOTE:** For more information, visit: <http://www.hp.com/go/ilo>.

---

### High Performance Clusters

#### HP Insight Cluster Management Utility

HP Insight Cluster Management Utility 1yr 24x7 Flexible License QL803B

HP Insight Cluster Management Utility 3yr 24x7 Flexible License BD476A

**NOTE:** These part numbers can be used to purchase one certificate for multiple licenses and support with a single activation key. Each license is for one node (server). Customer will receive a printed end user license agreement and license entitlement certificate via physical shipment. The license entitlement certificate must be redeemed online in order to obtain a license key. Customer also will receive a support agreement.

HP Insight Cluster Management Utility Media BD477A

**NOTE:** For additional license kits please see the QuickSpecs at:

[http://h18004.www1.hp.com/products/quickspecs/12612\\_na/12612\\_na.html](http://h18004.www1.hp.com/products/quickspecs/12612_na/12612_na.html)  
(Worldwide)

#### HP HPC Linux Value Pack

HP High Performance Computing Linux Value Pack 1 Processor Flexible License for ProLiant Servers TC293B

**NOTE:** This part number can be used to purchase one certificate for multiple licenses with a single activation key. Each license is for one socket (a.k.a. processor). Customer will receive a printed end user license agreement and license entitlement certificate via physical shipment. The license entitlement certificate must be redeemed online in order to obtain a license key.

HP High Performance Computing Linux Value Pack Media Kit for ProLiant Servers TC294A

**NOTE:** This part number can be used to purchase media including software and documentation, which will be delivered to the customer.

**NOTE:** For additional license kits please see the QuickSpecs at

[http://h18004.www1.hp.com/products/quickspecs/13485\\_na/13485\\_na.html](http://h18004.www1.hp.com/products/quickspecs/13485_na/13485_na.html).

### Additional Options

#### HP Security

HP Trusted Platform Module Option

488069-B21

**NOTE:** The TPM (Trusted Platform Module) is a microcontroller chip that can securely store artifacts used to authenticate the server platform. These artifacts can include passwords, certificates and encryption keys. Windows® BitLocker™ Drive Encryption (BitLocker) is a data protection feature available in Windows Server® 2008. BitLocker leverages the enhanced security capabilities of a Trusted Platform Module (TPM) version 1.2. The TPM works with BitLocker to help protect user data and to ensure that a server running Windows Server 2008 has not been tampered with while the system was offline. For more information about TPM, including a white paper, go to: [www.hp.com/go/TPM](http://www.hp.com/go/TPM).

**NOTE:** ProLiant OS pre-installed units will come with the partition required for TPM deployment.

**NOTE:** The TPM key is unique to every TPM deployed server and must be retained. Misplacing or losing the key could result in data loss.

HP Security Bezel Kit

660584-B21

**NOTE:** For restricting access to rack models only. Tower to Rack Conversion Tray kit (part # 665939-B21 needs to be purchased).

#### HP Storage Controllers

##### SAS Controllers

##### HP Smart Array P222 Controller

HP Smart Array P222/512 FBWC 6Gb 1-port Int/1-port Ext SAS Controller

631667-B21

##### HP Smart Array P420 Controller

HP Smart Array P420/2GB FBWC 6Gb 2-ports Int SAS Controller

631671-B21

HP Smart Array P420/1GB FBWC 6Gb 2-ports Int SAS Controller

631670-B21

##### HP Smart Array P421 Controller

HP Smart Array P421/2GB FBWC 6Gb 2-ports Ext SAS Controller

631674-B21

HP Smart Array P421/1GB FBWC 6Gb 2-ports Ext SAS Controller

631673-B21

##### HP Smart Array P822 Controller

HP Smart Array P822/2GB FBWC 2-ports Int/4-ports Ext SAS Controller

615418-B21

**NOTE:** Please note that this platform can support only one (1) P822 controller. This controller can only be installed in expansion slot#2.

##### Optional Upgrades

HP 2GB P-series Smart Array Flash Backed Write Cache

631681-B21

HP 512MB B-series 36 inch Dynamic Smart Array Flash Backed Write Cache for ML/DL

631922-B21

HP Smart Array Advanced Pack 2.0 No Media 1 Server 1yr 24x7 Support Software

BC377A

HP Smart Array Advanced Pack 2.0 No Media Electronic Lic 1yr 24x7 Support Software

BC390AAE

HP Smart Array Advanced Pack 2.0 No Media Flexible Qty 1yr 24x7 Support Software

BC390A

**NOTE:** Please see the QuickSpecs for Technical Specifications and additional information:

[http://h18000.www1.hp.com/products/quickspecs/14227\\_na/14227\\_na.html](http://h18000.www1.hp.com/products/quickspecs/14227_na/14227_na.html)  
(Smart Array P222 Controller)

[http://h18000.www1.hp.com/products/quickspecs/14228\\_na/14228\\_na.html](http://h18000.www1.hp.com/products/quickspecs/14228_na/14228_na.html)  
(Smart Array P420 Controller)

[http://h18000.www1.hp.com/products/quickspecs/14229\\_na/14229\\_na.html](http://h18000.www1.hp.com/products/quickspecs/14229_na/14229_na.html)  
(Smart Array P421 Controller)



### Additional Options

[http://h18000.www1.hp.com/products/quickspecs/14341\\_na/14341\\_na.html](http://h18000.www1.hp.com/products/quickspecs/14341_na/14341_na.html)  
(Smart Array P822 Controller)

[http://h18000.www1.hp.com/products/quickspecs/13200\\_na/13200\\_na.html](http://h18000.www1.hp.com/products/quickspecs/13200_na/13200_na.html)  
(Smart Array Advanced Pack)

[http://h18000.www1.hp.com/products/quickspecs/14343\\_na/14343\\_na.html](http://h18000.www1.hp.com/products/quickspecs/14343_na/14343_na.html)  
(Dynamic Smart Array Controllers)

#### HP Host Bus Adapters

HP H220 Host Bus Adapter 650933-B21

HP H221 Host Bus Adapter 650931-B21

HP H222 Host Bus Adapter 650926-B21

**NOTE:** Please see the QuickSpecs for Technical Specifications and additional information:

[http://h18004.www1.hp.com/products/quickspecs/14336\\_na/14336\\_na.html](http://h18004.www1.hp.com/products/quickspecs/14336_na/14336_na.html)  
(HBA 220)

[http://h18004.www1.hp.com/products/quickspecs/14222\\_na/14222\\_na.html](http://h18004.www1.hp.com/products/quickspecs/14222_na/14222_na.html)  
(HBA 221)

[http://h18004.www1.hp.com/products/quickspecs/14337\\_na/14337\\_na.html](http://h18004.www1.hp.com/products/quickspecs/14337_na/14337_na.html)  
(HBA 222)

#### SCSI HBA

HP SC11Xe Ultra320 Single Channel/ PCIe x4 SCSI Host Bus Adapter 412911-B21

**NOTE:** Supports external drive attach.

**NOTE:** Please see the following QuickSpecs for additional information:

[http://h18000.www1.hp.com/products/quickspecs/12566\\_na/12566\\_na.html](http://h18000.www1.hp.com/products/quickspecs/12566_na/12566_na.html)

### HP Tape Backup

**NOTE:** For the complete range of tape drives, autoloaders, libraries and media see:

<http://www.hp.com/go/tape>. For hardware and software compatibility of HP tape backup products see: <http://www.hp.com/storage/SPOCK> and [www.hp.com/go/ebs](http://www.hp.com/go/ebs).

**NOTE:** Installation of tape drive requires ordering of 2nd Media Bay Cage, Part Number 661618-B21.

HP StoreEver DAT 160 SCSI Internal Tape Drive Q1573B

HP StoreEver DAT 160 USB Internal Tape Drive Q1580B

HP StoreEver LTO-2 Ultrium 448 SAS Internal Tape Drive DW085B

HP StoreEver LTO-3 Ultrium 920 SAS Internal Tape Drive EH847B

**NOTE:** Connection using HP Smart Array P222Controller (631667-B21) recommended.

HP StoreEver LTO-4 Ultrium 1760 SAS Internal WW Tape Drive EH919B

**NOTE:** Connection using HP Smart Array P222Controller (631667-B21) recommended.

HP StoreEver LTO-4 Ultrium 1840 SAS External Tape Drive EH861B

HP StoreEver LTO-5 Ultrium 3000 SAS Internal Tape Drive EH957B

**NOTE:** Connection using HP Smart Array P222Controller (631667-B21) recommended.

HP StoreEver LTO-5 Ultrium 3000 SAS External Tape Drive EH958B

HP StoreEver LTO-6 Ultrium 6250 Tape Drive in 1U Rack-mount Kit COL99A

HP StoreEver LTO-6 Ultrium 6650 Internal Tape Drive EH963A

HP StoreEver LTO-6 Ultrium 6650 External Tape Drive EH964A

HP StoreEver LTO-6 Ultrium 6250 Internal Tape Drive EH969A

### Additional Options

HP StoreEver LTO-6 Ultrium 6250 External Tape Drive	EH970A
---	--------

---

#### HP Storage Options

#### Converged Network Adapter

HP CN1000Q Dual Port Converged Network Adapter	BS668A
HP CN1100E Dual Port Converged Network Adapter	BK835A

---

#### HP Uninterruptible Power Systems

#### HP Tower UPS

##### HP T1500 G3 UPS Models

HP T1500 G3 1400VA NA Tower Uninterruptible Power System	AF450A
--	--------

##### HP T1000 G3 UPS Models

HP T1000 G3 1000VA NA Tower Uninterruptible Power System	AF448A
--	--------

**NOTE:** Please see the QuickSpecs for additional information:

[http://h18000.www1.hp.com/products/quickspecs/13160\\_na/13160\\_na.html](http://h18000.www1.hp.com/products/quickspecs/13160_na/13160_na.html)

##### HP Rack-mountable UPS

##### HP R1500 G3 Uninterruptible Power Supply (UPS)

HP R1.5kVA G3 1U NA Uninterruptible Power System	AF469A
--	--------

**NOTE:** Please see the QuickSpecs for additional information:

[http://h18000.www1.hp.com/products/quickspecs/14059\\_na/14059\\_na.html](http://h18000.www1.hp.com/products/quickspecs/14059_na/14059_na.html)

##### HP R/T3000 G2 Uninterruptible Power System (UPS)

HP R/T3000 G2 2U L530 Low Voltage NA/JP Uninterruptible Power System	AF466A
--	--------

HP R/T3000 G2 2U L620 High Voltage NA/JP Uninterruptible Power System	AF467A
---	--------

**NOTE:** Please see the QuickSpecs for additional information:

[http://h18000.www1.hp.com/products/quickspecs/14058\\_na/14058\\_na.html](http://h18000.www1.hp.com/products/quickspecs/14058_na/14058_na.html)

##### R5000 Uninterruptible Power System (UPS)

HP R5KVA 3U L630 High Voltage NA/JP Uninterruptible Power System	AF460A
--	--------

**NOTE:** Please see the QuickSpecs for additional information:

[http://h18000.www1.hp.com/products/quickspecs/14109\\_na/14109\\_na.html](http://h18000.www1.hp.com/products/quickspecs/14109_na/14109_na.html)

##### R7000 Uninterruptible Power System (UPS)

HP R7KVA 4U 50A High Voltage NA/JP Uninterruptible Power System	AF462A
---	--------

**NOTE:** Please see the QuickSpecs for additional information:

[http://h18000.www1.hp.com/products/quickspecs/14110\\_na/14110\\_na.html](http://h18000.www1.hp.com/products/quickspecs/14110_na/14110_na.html)

**NOTE:** For additional information on HP Uninterruptible Power Systems please go to:

[www.hp.com/servers/rackups](http://www.hp.com/servers/rackups).

**NOTE:** For additional information on sizing your server, please reference:

<http://www.upssizer.com>.

**NOTE:** Please see the UPS and PDU cable matrix's on the HP Power Protection and Management page. Under Power Cords, click on the "HP Power Cord Matrix" link. That link will list cable descriptions, requirements, and specifications for UPS and PDU units. Please see the following link: [www.hp.com/products/powercords](http://www.hp.com/products/powercords).

---

#### HP Power Distribution

#### Monitored PDUs

### Additional Options

#### Units

#### HP Monitored Power Distribution Unit: Full Rack Version

HP 8.6kVA 24A Single Input Three Phase NA/JP Monitored Power Distribution Unit	AF504A
HP 8.3kVA 40A Single Input Single Phase NA/JP Monitored Power Distribution Unit	AF506A
HP 11kVA 16A Single Input Three Phase INTL Monitored Power Distribution Unit	AF508A
HP 7.3kVA 32A Single Input Single Phase INTL Monitored Power Distribution Unit	AF510A

#### HP Monitored Power Distribution Unit: Half Rack Version

HP 4.9kVA 24A Single Input Single Phase NA/JP Monitored Power Distribution Unit	AF914A
HP 7.3kVA 32A Single Input Single Phase INTL Monitored Power Distribution Unit	AF915A

**NOTE:** Please see the following QuickSpecs for additional information:

[http://h18000.www1.hp.com/products/quickspecs/12118\\_na/12118\\_na.html](http://h18000.www1.hp.com/products/quickspecs/12118_na/12118_na.html)  
(Worldwide)

#### Modular PDUs 1U/0U

**NOTE:** 1U/0U mounting brackets shipped with the unit (optimized for 10000 G2 and 9000 series racks).

HP 3.6kVA 16A High Voltage INTL Modular Power Distribution Unit	252663-B24
HP 4.9kVA 24A High Voltage NA/JP Modular Power Distribution Unit	252663-D72
HP 8.3kVA 40A High Voltage NA/JP Modular Power Distribution Unit	252663-D73
HP 7.3kVA 32A High Voltage INTL Modular Power Distribution Unit	252663-B31

**NOTE:** For additional information on HP Power Distribution Units including accessories please go to: [www.hp.com/go/pdu](http://www.hp.com/go/pdu).

**NOTE:** Please see the UPS and PDU cable matrix's on the HP Power Protection and Management page. Under Power Cords, click on the "HP Power Cord Matrix" link. That link will list cable descriptions, requirements, and specifications for UPS and PDU units. Please see the following link: [www.hp.com/products/powercords](http://www.hp.com/products/powercords).

**NOTE:** This PDU has a detachable input power cord and allows for adaptability to country specific power requirements.

**NOTE:** Please see the following QuickSpecs for additional options including shorter jumper cables and country specific power cords:

[http://h18000.www1.hp.com/products/quickspecs/11041\\_na/11041\\_na.html](http://h18000.www1.hp.com/products/quickspecs/11041_na/11041_na.html)  
(Worldwide)

#### HP Intelligent Power Distribution Units (iPDU)

#### iPDU Core Units

HP 4.9kVA 24A Single Phase NA/JP Core Intelligent Modular Power Distribution Unit	AF520A
HP 8.6kVA 24A Three Phase NA/JP Core Intelligent Modular Power Distribution Unit	AF522A
HP 7.3kVA 32A Single Phase INTL Core Intelligent Modular Power Distribution Unit	AF525A
HP 11kVA 16A Three Phase INTL Core Intelligent Modular Power Distribution Unit	AF526A

#### iPDU Extension Bars

HP 5x13 Intelligent PDU Extension Bar G2 Kit	AF547A
HP 5x13 Outlets Power and UID LEDs Pair Standard Extension Bar	AF528A

**NOTE:** Please see the QuickSpecs for Technical Specifications and additional information:

[http://h18000.www1.hp.com/products/quickspecs/13650\\_na/13650\\_na.html](http://h18000.www1.hp.com/products/quickspecs/13650_na/13650_na.html)  
(Worldwide)

### Additional Options

---

#### HP Rack Series

#### HP Intelligent Series Rack

HP 636 1075mm Pallet Intelligent Series Rack	BW895A
HP 636 1075mm Shock Intelligent Series Rack	BW896A
HP 642 1075mm Pallet Intelligent Series Rack	BW903A
HP 642 1075mm Shock Intelligent Series Rack	BW904A
HP 647 1075mm Pallet Intelligent Series Rack	BW911A
HP 647 1075mm Shock Intelligent Series Rack	BW912A

**NOTE:** Please see the QuickSpecs for Technical Specifications such as height, width, depth, weight, and color:

[http://h18000.www1.hp.com/products/quickspecs/14223\\_na/14223\\_na.html](http://h18000.www1.hp.com/products/quickspecs/14223_na/14223_na.html)  
(Worldwide)

**NOTE:** For additional information regarding Rack Cabinets, please see the following URL: <http://www.hp.com/go/rackandpower>.

---

#### HP Rack Options

#### HP Location Discovery Services

HP 36U Location Discovery Kit	BW945A
HP 42U Location Discovery Kit	BW946A
HP 47U Location Discovery Kit	BW947A

**NOTE:** Please see the QuickSpecs for Technical Specifications and additional information:

[http://h18000.www1.hp.com/products/quickspecs/14429\\_na/14429\\_na.html](http://h18000.www1.hp.com/products/quickspecs/14429_na/14429_na.html)  
(Worldwide)

#### HP USB Keyboard and Mouse

HP USB BFR with PVC Free US Keyboard/Mouse Kit	631341-B21
HP USB BFR with PVC Free UK Keyboard/Mouse Kit	631344-B21
HP USB BFR with PVC Free FR Keyboard/Mouse Kit	631346-B21
HP USB BFR with PVC Free ES Keyboard/Mouse Kit	631348-B21
HP USB BFR with PVC Free DE Keyboard/Mouse Kit	631358-B21
HP USB BFR with PVC Free JP Keyboard/Mouse Kit	631360-B21
HP USB BFR with PVC Free IT Keyboard/Mouse Kit	631362-B21
HP USB BFR with PVC Free CN Keyboard/Mouse Kit	631364-B21
HP USB BFR with PVC Free AE Keyboard/Mouse Kit	638212-B21
HP USB BFR with PVC Free RU Keyboard/Mouse Kit	638214-B21
HP USB BFR with PVC Free IN Keyboard/Mouse Kit	672097-D63
HP USB BFR with PVC Free AP-Intl Keyboard/Mouse Kit	672097-373
HP USB BFR with PVC Free Intl Keyboard/Mouse Kit	672097-B33
HP USB BFR with PVC Free PT Keyboard/Mouse Kit	672097-133
HP USB BFR with PVC Free TR Keyboard/Mouse Kit	672097-143
HP USB BFR with PVC Free CZ Keyboard/Mouse Kit	672097-223
HP USB BFR with PVC Free FI Keyboard/Mouse Kit	672097-353

### Additional Options

HP USB BFR with PVC Free SE Keyboard/Mouse Kit	672097-103
HP USB BFR with PVC Free CH Keyboard/Mouse Kit	672097-113
HP USB BFR with PVC Free KR Keyboard/Mouse Kit	672097-KD3

**NOTE:** Please see the [QuickSpecs for Technical Specifications and additional information:](#)

[http://h18000.www1.hp.com/products/quickspecs/13792\\_na/13792\\_na.html](http://h18000.www1.hp.com/products/quickspecs/13792_na/13792_na.html)  
(Worldwide)

#### HP Server Console Switches

HP Server Console 0x2x8 Port Analog Switch	AF616A
HP Server Console 0x2x16 Port Analog Switch	AF617A
HP TAA 0x2x16xKVM Server Console G2 Switch	AF626A

**NOTE:** Please see the [QuickSpecs for Technical Specifications and additional information:](#)

[http://h18000.www1.hp.com/products/quickspecs/11834\\_na/11834\\_na.html](http://h18000.www1.hp.com/products/quickspecs/11834_na/11834_na.html)  
(Worldwide)

#### HP Server Console Switch G2 with Virtual Media & CAC

HP 0x2x16 KVM Server Console Switch G2 with Virtual Media CAC Software	AF618A
HP 0x2x32 KVM Server Console Switch G2 with Virtual Media CAC Software	AF619A
HP KVM CAT5 1-pack USB Interface Adapter	336047-B21

**NOTE:** Please see the [QuickSpecs for Technical Specifications and additional information:](#)

[http://h18000.www1.hp.com/products/quickspecs/13475\\_na/13475\\_na.html](http://h18000.www1.hp.com/products/quickspecs/13475_na/13475_na.html)  
(Worldwide)

#### HP IP Console Switch G2 with Virtual Media & CAC

HP 1x4 USB/PS2 KVM Console Switch	AF611A
HP 1x1Ex8 KVM IP Console Switch G2 with Virtual Media CAC Software	AF620A
HP 2x1Ex16 KVM IP Console Switch G2 with Virtual Media CAC Software	AF621A
HP 4x1Ex32 KVM IP Console Switch G2 with Virtual Media CAC Software	AF622A

**NOTE:** Please see the [QuickSpecs for Technical Specifications and additional information:](#)

[http://h18000.www1.hp.com/products/quickspecs/13474\\_na/13474\\_na.html](http://h18000.www1.hp.com/products/quickspecs/13474_na/13474_na.html)  
(Worldwide)

#### Rack Kits

HP Tower to Rack Conversion Tray Kit	665939-B21
--------------------------------------	------------

### Additional Options

<b>HP USB and SD Options</b>	<p>HP 2GB USB Flash Media Drive Key Kit <span style="float: right;">608447-B21</span></p> <p><b>NOTE:</b> HP qualified blank USB key for use with HP ProLiant servers that support the VMware virtualization environment and other HP value-add software. HP recommends this industry standard USB flash device for use with VMware ESXi. USB device must be installed in the internal slot of the ProLiant server for use with VMware ESXi. Refer to <a href="#">HP VMware Getting Started Guide</a> for installation instructions.</p> <p>HP 4GB SD Enterprise Performance Flash Media Kit <span style="float: right;">580387-B21</span></p> <p><b>NOTE:</b> Blank SD media device is supported for use with VMware and Citrix. SD media must be installed in the internal slot of the ProLiant server. Learn more at <a href="http://www.hp.com/go/proliantvirtualization">http://www.hp.com/go/proliantvirtualization</a>.</p>
------------------------------	--

### HP Care Pack Services

#### Proactive Care

**NOTE:** Collaborative Support plus Proactive services delivered by the onshore, local language Advanced Solution Center (ASC), end-to-end case ownership from a Technical Solution Specialists and Technical Account Manager who remotely delivers firmware/software revision management, proactive scans and incident trend reports. Recommended for customers running a virtualized infrastructure and/or customers who desire an enhanced call support experience.

HP 3 year 4 hour 24x7 ProLiant ML350e Proactive Care Service	U6C93E
HP 3 year 4 hour 24x7 with Defective Media Retention ProLiant ML350e Proactive Care Service	U6C94E
HP 3 year 6 hour Call to Repair 24x7 ProLiant ML350e Proactive Care Service	U6C99E
HP 3 year 6 hour Call to Repair 24x7 w/Defective Media Retention ProLiant ML350e Proactive Care SVC	U6D00E

#### Collaborative Support

**NOTE:** Hardware break/fix plus 24x7 software diagnosis support with collaborative call management for a broad spectrum of 3rd Party software products including O/S and hypervisors. Recommended for customers procuring 3rd party SW O/S and hypervisors from the software vendors directly and deploying them on HP ProLiant servers.

HP 3 year 4 hour 24x7 ProLiant ML350e Collaborative Support	U6C91E
HP 3 year 4 hour 24x7 with Defective Media Retention ProLiant ML350e Collaborative Support	U6C92E
HP 3 year 6 hour Call to Repair 24x7 ProLiant ML350e Collaborative Support	U6C97E
HP 3 year 6 hour CalltoRepair 24x7 w/Defective Media Retention ProLiant ML350e Collaborative Support	U6C98E

#### Proactive Care Personalized Support Option

**NOTE:** To add an onsite Account Support Manager (ASM) to Proactive Care. ASM is an assigned resource who delivers support planning and brings technical expertise and best practices advices for the customer's environment.

HP 3yr Provides annual personalized proactive supp for existing Proactive Care ISS centric environmt	U6W98E
--	--------

#### Installation Services

**NOTE:** Reduce the time required to get your system up and running and help minimize disruptions to your business.

HP Install ProLiant ML350e Service	U6D41E
------------------------------------	--------

### Additional Options

HP Startup ProLiant ML350e Service

U6D43E

**NOTE:** For more information, customer/resellers can contact:  
<http://www.hp.com/services/carepack>

### Smart Buys

<b>HP ProLiant ML350e Gen8 E5-2403 1P 8GB-U Hot Plug 4LFF 460W PS Svr/S- Buy</b> 686770-S01	<b>Processor</b>	(1) Intel® Xeon® E5-2403 (1.8GHz/4-core/80W/10MB) Processor
	<b>Cache Memory</b>	10MB (1 x 10MB) Level 3
	<b>Memory</b>	8GB (2 x 4GB) Unbuffered DIMMs PC3L-10600E
	<b>Network Controller</b>	HP Ethernet 1Gb 2-port 361i Adapter
	<b>Storage Controller</b>	HP Dynamic Smart Array B120i/Zero Memory SATA Controller (RAID 0,1,10)
	<b>Hard Drive</b>	None ship standard; includes 3 LFF hard drive blanks
	<b>Internal Storage</b>	4 LFF Hot Plug HDD Bays
	<b>Optical Drive</b>	HP Half-Height SATA DVD-ROM Optical Drive
	<b>Power Supply</b>	(1) 460 Watt Power Supply (non-hot plug, non-redundant)
	<b>Fans</b>	2 Non-Hot Plug, Non Redundant Fans
	<b>Accessories</b>	USB Keyboard and Mouse ship standard
	<b>Management</b>	HP iLO Management Engine (standard)
	<b>Form Factor</b>	Tower (5U)
<b>Warranty</b>	Server Warranty includes 3-Year Parts, 1-Year Labor, 1-Year Onsite support with next business day response	

<b>HP ProLiant ML350e Gen8 E5-2420 1P 8GB-U Hot Plug 4LFF 460W PS Svr/S- Buy</b> 686771-S01	<b>Processor</b>	(1) Intel® Xeon® E5-2420 (1.9GHz/6-core/95W/15MB) Processor
	<b>Cache Memory</b>	15MB (1 x 15MB) Level 3
	<b>Memory</b>	8GB (2 x 4GB) Unbuffered DIMMs PC3L-10600E
	<b>Network Controller</b>	HP Ethernet 1Gb 2-port 361i Adapter
	<b>Storage Controller</b>	HP Dynamic Smart Array B120i/512MB FBWC SATA Controller (RAID 0,1, 5, 10)
	<b>Hard Drive</b>	None ship standard; includes 3 LFF hard drive blanks
	<b>Internal Storage</b>	4 LFF Hot Plug HDD Bays
	<b>Optical Drive</b>	HP Half-Height SATA DVD-ROM Optical Drive
	<b>Power Supply</b>	(1) 460 Watt Power Supply (non-hot plug, non-redundant)
	<b>Fans</b>	2 Non-Hot Plug, Non Redundant Fans
	<b>Accessories</b>	USB Keyboard and Mouse ship standard
	<b>Management</b>	HP iLO Management Engine (standard)
	<b>Form Factor</b>	Tower (5U)
<b>Warranty</b>	Server Warranty includes 3-Year Parts, 1-Year Labor, 1-Year Onsite support with next business day response	



### Smart Buys

<b>HP ProLiant ML350e Gen8 E5-2420 1P 8GB-U Hot Plug 4LFF 460W PS SBS Svr/S-Buy</b> 686772-S01	<b>Processor</b>	(1) Intel® Xeon® E5-2420 (1.9GHz/6-core/95W/15MB) Processor
	<b>Cache Memory</b>	15MB (1 x 15MB) Level 3
	<b>Memory</b>	8GB (2 x 4GB) Unbuffered DIMMs PC3L-10600E
	<b>Network Controller</b>	HP Ethernet 1Gb 2-port 361i Adapter
	<b>Storage Controller</b>	HP Dynamic Smart Array B120i/512MB FBWC SATA Controller (RAID 0,1, 5, 10)
	<b>Hard Drive</b>	None ship standard; includes 3 LFF hard drive blanks
	<b>Internal Storage</b>	4 LFF Hot Plug HDD Bays
	<b>Optical Drive</b>	HP Half-Height SATA DVD-ROM Optical Drive
	<b>Power Supply</b>	(1) 460 Watt Power Supply (non-hot plug, non-redundant)
	<b>Fans</b>	2 Non-Hot Plug, Non Redundant Fans
	<b>Accessories</b>	USB Keyboard and Mouse ship standard
	<b>Operating System</b>	MS W2011 SBS Standard
	<b>Management</b>	HP iLO Management Engine (standard)
	<b>Form Factor</b>	Tower (5U)
	<b>Warranty</b>	Server Warranty includes 3-Year Parts, 1-Year Labor, 1-Year Onsite support with next business day response

<b>HP ProLiant ML350e Gen8 E5-2440 2P 16GB-R Hot Plug 8SFF 750W PS Svr/S-Buy</b> 686773-S01	<b>Processor</b>	(2) Intel® Xeon® E5-2440 (2.4GHz/6-core/95W/15MB) Processor
	<b>Cache Memory</b>	15MB (1 x 15MB) Level 3
	<b>Memory</b>	16GB (2 x 8GB) Dual Rank x4 PC3L-10600R (DDR3-1333) Registered CAS-9 Low Voltage Memory Kit
	<b>Network Controller</b>	HP Ethernet 1Gb 2-port 361i Adapter
	<b>Storage Controller</b>	HP Smart Array P420/1GB FBWC Controller (RAID 0/1/1+0/5/5+0)
	<b>Hard Drive</b>	None ship standard; includes 7 SFF hard drive blanks
	<b>Internal Storage</b>	8SFF Hot Plug HDD Bays
	<b>Optical Drive</b>	HP Half-Height SATA DVD-ROM Optical Drive
	<b>Power Supply</b>	HP 750W Common Slot Gold Hot Plug Power Supply Kit
	<b>Fans</b>	4 Redundant Fans
	<b>Accessories</b>	USB Keyboard and Mouse ship standard
	<b>Management</b>	HP iLO Management Engine (standard)
	<b>Form Factor</b>	Tower (5U)
	<b>Warranty</b>	Server Warranty includes 3-Year Parts, 1-Year Labor, 1-Year Onsite support with next business day response

### Memory

**NOTE:** Memory configurations listed do not apply to "Factory Integrated Models".

#### DDR3 memory population guidelines

For detailed memory configuration rules and guidelines, please use the Online DDR3 Memory Configuration Tool:

[www.hp.com/go/ddr3memory-configurator](http://www.hp.com/go/ddr3memory-configurator)

#### General Guidelines:

- White DIMM slots denote the first slot of a channel. For 1 DPC (DIMM per channel) populate white slots only.
- Install DIMMs only if the corresponding processor is installed.
- If only one processor is installed in a two processor system, only half of the DIMM slots are available.
- To maximize performance, balance the total memory capacity between all installed processors
  - Populate DIMMs from heaviest load (quad-rank) to lightest load (single-rank) within a channel
  - Heaviest load (DIMM with most ranks) within a channel goes furthest from the processor
- Do not mix UDIMMs, RDIMMs or LRDIMMs
- Quad rank LR DIMMs are supported at 3 DIMMs per channel.
- DIMMs of different voltages (1.35V & 1.5V) may be mixed in any order
  - The system will power them at the higher voltage
- DIMMs of different speed grades may be mixed in any order
  - The system will select a common optimal speed
- Memory speed is a function of the processor QPI bus speed.

#### Population Guidelines:

- There are three (3) channels per processor; six (6) channels per server
- There are two (2) DIMM slots for each memory channel; twelve (12) total slots
- Memory channel 1 consists of the two (2) DIMMs that are furthest from the processor
- Memory channel 3 consists of the two (2) DIMMs that are closest to the processor

DIMM slot/capacity/populated speed table													
DIMM Type ->	Registered DIMMS (RDIMMs)							Unbuffered with ECC DIMMs (UDIMMs)					
DIMM Rank ->	Single Rank (1R)			Dual Rank (2R)				Single Rank (1R)		Dual Rank (2R)			
DIMM Capacity ->	4GB	4GB	8GB	8GB	8GB	16GB	16GB	2GB	2GB	4GB	4GB	8GB	8GB
DIMM Native Speed (MHz) ->	1333	1600	1600	1333	1600	1333	1600	1333	1600	1333	1600	1333	1600
Voltage	LV	Std	Std	LV	Std	LV	Std	LV	Std	LV	Std	LV	Std
<b>SLOTS THAT CAN BE POPULATED</b>													
12 slot servers	12	12	12	12	12	12	12	12	12	12	12	12	12
<b>MAXIMUM CAPACITY (GB)*</b>													
12 slot servers	48	48	96	96	96	192	192	24	24	48	48	96	96
<b>POPULATED DIMM SPEED (MHz)</b>													
1 DIMM Per Channel	1333	1600	1600	1333	1600	1333	1600	1333	1600	1333	1600	1333	1600
2 DIMM Per Channel	1333	1600	1600	1333	1600	1333	1600	1333**	1600	1333**	1600	1333**	1600

### Memory

Please note:

Memory speed is a function of the processor QPI bus speed.

\* Maximum capacity will vary based on individual server platform qualification schedule

\*\* For HP SmartMemory, UDIMM is supported at 2DPC@DDR3-1333. Third party memory may only support up to 2DPC@DDR3-1066.

#### DIMM slot and configuration diagrams

##### Basic memory slot & population diagram

- Population order; start with "A" first, "B" second, "C" third, etc.

12 DIMM SLOTS (6 per CPU node)					
	Processor 1		Processor 2		
	slot #	population order	slot #	population order	
Chnl 1	6	A	1	A	Chnl 1
	5	D	2	D	
Chnl 2	4	B	3	B	Chnl 2
	3	E	4	E	
Chnl 3	2	C	5	C	Chnl 3
	1	F	6	F	

##### Standard memory configuration (1 CPU model) - Entry models

- 2GB, consisting of one (1) 2GB single-rank PC3L-10600E-9 UDIMM

	Processor 1		Processor 2		
	slot #	population order	slot #	population order	
Chnl 1	6	A; 2GB UDIMM	1	A; empty	Chnl 1
	5	D; empty	2	D; empty	
Chnl 2	4	B; empty	3	B; empty	Chnl 2
	3	E; empty	4	E; empty	
Chnl 3	2	C; empty	5	C; empty	Chnl 3
	1	F; empty	6	F; empty	

##### Standard memory configuration (1 CPU model) - Base models

- 4GB, consisting of one (1) 4GB dual-rank PC3L-10600E-9 UDIMM

### Memory

	Processor 1		Processor 2		
	slot #	population order	slot #	population order	
Chnl 1	6	A; 4GB UDIMM	1	A; empty	Chnl 1
	5	D; empty	2	D; empty	
Chnl 2	4	B; empty	3	B; empty	Chnl 2
	3	E; empty	4	E; empty	
Chnl 3	2	C; empty	5	C; empty	Chnl 3
	1	F; empty	6	F; empty	

### Standard memory configuration (1 CPU model) - Performance models

- 8GB, consisting of two (2) 4GB dual-rank PC3L-10600E-9 UDIMMs

	Processor 1		Processor 2		
	slot #	population order	slot #	population order	
Chnl 1	6	A; 4GB UDIMM	1	A; empty	Chnl 1
	5	D; empty	2	D; empty	
Chnl 2	4	B; 4GB UDIMM	3	B; empty	Chnl 2
	3	E; empty	4	E; empty	
Chnl 3	2	C; empty	5	C; empty	Chnl 3
	1	F; empty	6	F; empty	

### RDIMM maximum configuration (1 CPU model)

- 96GB, consisting of six (6) 16GB dual-rank PC3L-10600R-9 RDIMMs

	Processor 1		Processor 2		
	slot #	population order	slot #	population order	
Chnl 1	6	A; 16GB RDIMM	1	A; empty	Chnl 1
	5	D; 16GB RDIMM	2	D; empty	
Chnl 2	4	B; 16GB RDIMM	3	B; empty	Chnl 2
	3	E; 16GB RDIMM	4	E; empty	
Chnl 3	2	C; 16GB RDIMM	5	C; empty	Chnl 3
	1	F; 16GB RDIMM	6	F; empty	

### UDIMM maximum configuration (1 CPU model)

- 48GB, consisting of six (6) 8GB dual-rank PC3L-10600E-9 UDIMMs

### Memory

	Processor 1		Processor 2		
	slot #	population order	slot #	population order	
Chnl 1	6	A; 8GB RDIMM	1	A; empty	Chnl 1
	5	D; 8GB RDIMM	2	D; empty	
Chnl 2	4	B; 8GB RDIMM	3	B; empty	Chnl 2
	3	E; 8GB RDIMM	4	E; empty	
Chnl 3	2	C; 8GB RDIMM	5	C; empty	Chnl 3
	1	F; 8GB RDIMM	6	F; empty	

### RDIMM maximum configuration (2 CPU model)

- " 192GB, consisting of twenty (12) 16GB dual-rank PC3L-10600R-9 RDIMMs

	Processor 1		Processor 2		
	slot #	population order	slot #	population order	
Chnl 1	6	A; 16GB RDIMM	1	A; 16GB RDIMM	Chnl 1
	5	D; 16GB RDIMM	2	D; 16GB RDIMM	
Chnl 2	4	B; 16GB RDIMM	3	B; 16GB RDIMM	Chnl 2
	3	E; 16GB RDIMM	4	E; 16GB RDIMM	
Chnl 3	2	C; 16GB RDIMM	5	C; 16GB RDIMM	Chnl 3
	1	F; 16GB RDIMM	6	F; 16GB RDIMM	

### UDIMM maximum configuration (2 CPU model)

- 96GB, consisting of twelve (12) 8GB dual-rank PC3L-10600E-9 UDIMMs

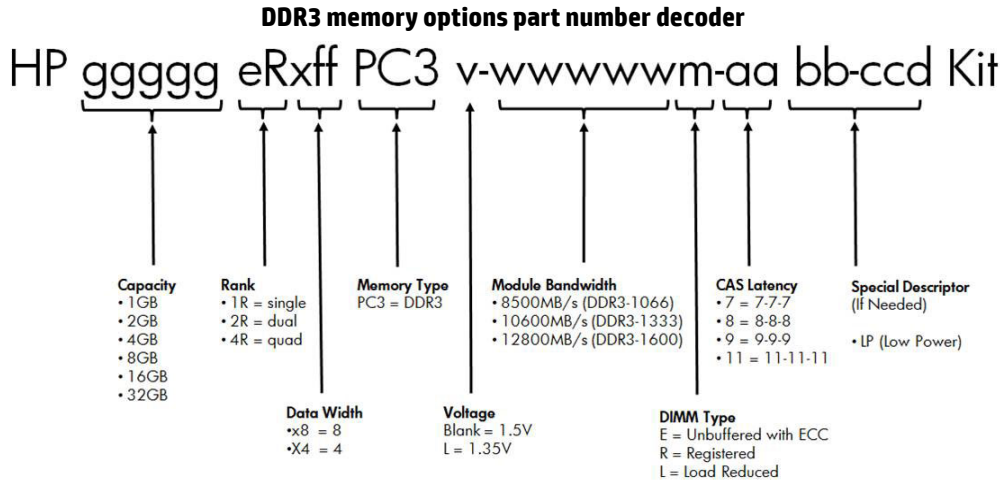
	Processor 1		Processor 2		
	slot #	population order	slot #	population order	
Chnl 1	6	A; 8GB RDIMM	1	A; 8GB RDIMM	Chnl 1
	5	D; 8GB RDIMM	2	D; 8GB RDIMM	
Chnl 2	4	B; 8GB RDIMM	3	B; 8GB RDIMM	Chnl 2
	3	E; 8GB RDIMM	4	E; 8GB RDIMM	
Chnl 3	2	C; 8GB RDIMM	5	C; 8GB RDIMM	Chnl 3
	1	F; 8GB RDIMM	6	F; 8GB RDIMM	

**NOTE:** Capacity references are rounded to the common Gigabyte values.

- 1GB = 1024MB
- 2GB = 2048MB
- 4GB = 4096MB

### Memory

- 8GB = 8192MB
- 16GB = 16384MB



**Following are memory options available from HP:**

**HP Memory**

**NOTE:** To realize the performance memory capabilities listed in this document, HP SmartMemory is required. For additional information, please see the HP SmartMemory QuickSpecs at: [http://h18000.www1.hp.com/products/quickspecs/14225\\_na/14225\\_na.html](http://h18000.www1.hp.com/products/quickspecs/14225_na/14225_na.html)

**Registered DIMMs (RDIMMs)**

**NOTE:** Redundant Enablement Kit (part # 664046-B21) is required whenever Registered DIMM is purchased.

HP 4GB (1x4GB) Single Rank x4 PC3L-10600R (DDR3-1333) Registered CAS-9 Low Voltage Memory Kit	647893-B21
HP 4GB (1x4GB) Single Rank x4 PC3-12800R (DDR3-1600) Registered CAS-11 Memory Kit	647895-B21
HP 8GB (1x8GB) Dual Rank x4 PC3L-10600R (DDR3-1333) Registered CAS-9 Low Voltage Memory Kit	647897-B21
HP 8GB (1x8GB) Single Rank x4 PC3-12800R (DDR3-1600) Registered CAS-11 Memory Kit	647899-B21
HP 8GB (1x8GB) Dual Rank x4 PC3-12800R (DDR3-1600) Registered CAS-11 Memory Kit	690802-B21
HP 16GB (1x16GB) Dual Rank x4 PC3L-10600R (DDR3-1333) Registered CAS-9 Low Voltage Memory Kit	647901-B21
HP 16GB (1x16GB) Dual Rank x4 PC3-12800R (DDR3-1600) Registered CAS-11 Memory Kit	672631-B21

**Unbuffered with ECC DIMMs (UDIMMs)**

HP 2GB (1x2GB) Single Rank x8 PC3-12800E (DDR3-1600) Unbuffered CAS-11 Memory Kit	669320-B21
HP 2GB (1x2GB) Single Rank x8 PC3L-10600E (DDR3-1333) Unbuffered CAS-9 Low Voltage Memory Kit	647905-B21

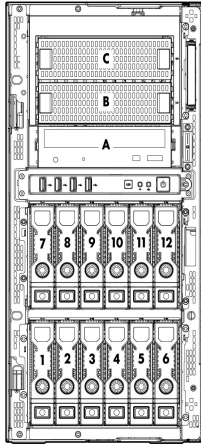
### Memory

HP 4GB (1x4GB) Dual Rank x8 PC3-12800E (DDR3-1600) Unbuffered CAS-11 Memory Kit	669322-B21
HP 4GB (1x4GB) Dual Rank x8 PC3L-10600E (DDR3-1333) Unbuffered CAS-9 Low Voltage Memory Kit	647907-B21
HP 8GB (1x8GB) Dual Rank x8 PC3-12800E (DDR3-1600) Unbuffered CAS-11 Memory Kit	669324-B21
HP 8GB (1x8GB) Dual Rank x8 PC3L-10600E (DDR3-1333) Unbuffered CAS-9 Low Voltage Memory Kit	647909-B21

**NOTE:** All DDR3 memory option kits consist of one DIMM per kit. For detailed memory configuration rules and guidelines, please use the Online DDR3 Memory Configuration Tool: [www.hp.com/go/ddr3memory-configurator](http://www.hp.com/go/ddr3memory-configurator).

**NOTE:** Kits described as LP include Low Power DIMMs. For more information on ProLiant Energy Efficient Features, see: <http://h18004.www1.hp.com/products/servers/platforms/energyefficient/>

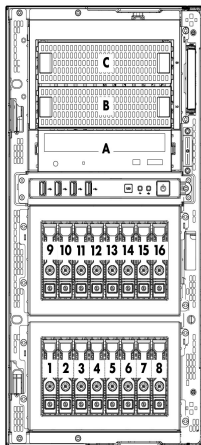
### Storage



1-12 12 x 3.5" (LFF) Hot-Plug SAS/SATA hard drive bays  
**NOTE:** Optional 2<sup>nd</sup> hard drive cage shown in configuration.

A Optical Drive

B-C Available half-height media bays, for up to two half-height optical/tape drives or a single, full-height tape drive.



1-16 16 x 2.5" (SFF) Hot-Plug SAS/SATA hard drive bays  
**NOTE:** Optional 2<sup>nd</sup> hard drive cage shown in configuration.

A Optical Drive

B-C Available half-height media bays, for up to two half-height optical/tape drives or a single, full height tape drive.

### Drive Support



### Storage

#### External Storage

	Quantity Supported	Position Supported	Controller
D2600 Disk Enclosure	Up to 4	External	HP Smart Array P222/512MB FBWC Controller
	Up to 8	External	HP Smart Array P421/1GB FBWC Controller
			HP Smart Array P421/2GB FBWC Controller
D2700 Disk Enclosure	Up to 4	External	HP Smart Array P222/512MB FBWC Controller
	Up to 8	External	HP Smart Array P421/1GB FBWC Controller
			HP Smart Array P421/2GB FBWC Controller
			HP Smart Array P822/2GB FBWC Controller

#### Tape and Disk-Based Backup

**NOTE:** For the complete range of tape drives, autoloaders, libraries and media, including the internal fitting models, see: <http://www.hp.com/go/tape>. For the complete range of D2D Backup Systems see: <http://www.hp.com/go/d2d>. For the complete range of RDX drives and media see: <http://www.hp.com/go/rdx>. For hardware and software compatibility of HP disk and tape backup products see: <http://www.hp.com/storage/SPOCK>.

	Position Supported	Controller	Controller/HBA Option Kit Part Number
<b>HP SCSI Tape Drives</b> LTO-2 Ultrium 448 LTO-3 Ultrium 920 LTO4 Ultrium 1760 LTO-4 Ultrium 1840 DAT 72 DAT 160	Internal or External	HP SC11Xe Ultra320 Single Channel/ PCIe x4 SCSI Host Bus Adapter <b>NOTE:</b> Please check the full compatibility information at: <a href="http://www.hp.com/storage/SPOCK">http://www.hp.com/storage/SPOCK</a>	412911-B21
<b>HP SCSI Rack Mount Kits</b> 1U Rack-Mount Kit 3U Rack-Mount Kit	External	HP SC11Xe Ultra320 Single Channel/ PCIe x4 SCSI Host Bus Adapter	412911-B21
<b>HP USB Tape Drives</b> DAT 72 DAT 160	Internal or External	USB 2.0 Port	N/A
<b>HP USB Rack Mount Kits</b> 1U USB Rack-Mount Kit	External	USB 2.0 Port	
<b>HP SAS Tape Drives</b> DAT 160 LTO-2 Ultrium 448 LTO-3 Ultrium 920 LTO-4 Ultrium 1760	Internal or External	HP Smart Array P222/512 FBWC 6Gb 1-port Int/1-port Ext SAS Controller <b>NOTE:</b> Please check the full compatibility information at: <a href="http://www.hp.com/storage/SPOCK">http://www.hp.com/storage/SPOCK</a>	631667-B21

### Storage

LTO-4 Ultrium 1840  
LTO-5 Ultrium 3000  
LTO-5 Ultrium 3280

<b>HP SCSI Tape Autoloaders</b> 1/8 G2 Autoloader	External	HP SC11Xe Ultra320 Single Channel/ PCIe x4 SCSI Host Bus Adapter	412911-B21
<b>HP SCSI Tape Libraries</b> MSL2024 MSL4048 MSL8096 MSL6000	External	HP SC11Xe Ultra320 Single Channel/ PCIe x4 SCSI Host Bus Adapter <b>NOTE:</b> Please check the full compatibility information at: <a href="http://www.hp.com/storage/SPOCK">http://www.hp.com/storage/SPOCK</a>	412911-B21
<b>HP SAS Tape Autoloaders and Libraries</b> 1/8 G2 Autoloader MSL2024 MSL4048 MSL8096	External	HP Smart Array P222/512 FBWC 6Gb 1-port Int/1-port Ext SAS Controller <b>NOTE:</b> Please check the full compatibility information at: <a href="http://www.hp.com/storage/SPOCK">http://www.hp.com/storage/SPOCK</a>	631667-B21
<b>HP Fibre Channel Tape Libraries</b> MSL2024 MSL4048 MSL8096	External	Please consult the EBS connectivity matrix at: <a href="http://www.hp.com/go/ebs">http://www.hp.com/go/ebs</a> for connectivity information and the supported Fibre Channel HBAs shown in this QuickSpec.	
<b>HP USB RDX Removable Disk Backup System</b> RDX160 RDX320 RDX500 RDX1TB	Internal or External	USB 2.0 port	N/A
<b>HP D2D Backup Systems, iSCSI</b> D2D2500i D2D4000i	External	Embedded Network Controller. If the server requires a hardware iSCSI initiator, the QLogic QLA4050 Host Bus Adapter is recommended.	
<b>HP D2D Backup Systems, Fibre Channel</b> D2D4000fc	External	Direct server attach is not supported, requires connection via SAN fabric. See: <a href="http://www.hp.com/storage/SPOCK">http://www.hp.com/storage/SPOCK</a>	

### Technical Specifications

<b>System Unit</b>	<b>Dimensions</b> (H x W x D) (with feet/bezel)	18.19 x 8.58 x 29.13 in (46.2 x 21.8 x 74.0 cm)	
	<b>Weight</b> (approximate)	Maximum (all hard drives, power supplies, and processors installed)	96.67 lb (43.85 kg)
		Minimum (one hard drive, power supply, and processor installed)	57.21lb (25.95 kg)
<b>Input Requirements</b> (per power supply)	<b>Input Requirements</b> (per power supply)	Rated Line Voltage	100 to 240 VAC
		Rated Input Current	7.1 Amps (at 120VAC) to 3.5 Amps (at 240 VAC)
		Rated Input Frequency	50 to 60 Hz
		Rated Input Power	852 W
<b>BTU Rating</b>	<b>BTU Rating</b>	Maximum	460W - 1773 BTU / hr (at 120 VAC), 1715 (at 240 VAC) 750W - 2892 BTU / hr (at 120 VAC), 2797 (at 240 VAC) 1200W - 3530 BTU / hr (at 120 VAC), 4600 (at 240 VAC)
<b>Power Supply Output</b> (per power supply)	<b>Power Supply Output</b> (per power supply)	Rated Steady-State Power	460(750) W (at 100 VAC) 460(750) W (at 200 VAC)
		Maximum Peak Power	460(750) W (at 100 VAC) 460(750) W (at 200 VAC)
<b>System Inlet Temperature</b>	<b>System Inlet Temperature</b>	Operating	10° to 35°C (50° to 95°F) at sea level with an altitude derating of 1.0°C per every 304.8 m (1.8°F per every 1000 ft) above sea level to a maximum of 3048 m (10,000 ft), no direct sustained sunlight. Maximum rate of change is 10°C/hr (18°F/hr). The upper limit may be limited by the type and number of options installed. System performance may be reduced if operating with a fan fault or above 30°C (86°F).
		Non-operating	-30° to 60°C (-22° to 140°F). Maximum rate of change is 20°C/hr (36°F/hr).
<b>Relative Humidity</b> (non-condensing)	<b>Relative Humidity</b> (non-condensing)	Operating	10 to 90% relative humidity (Rh), 28°C (82.4°F) maximum wet bulb temperature, non-condensing.
		Non-operating	5 to 95% relative humidity (Rh), 38.7°C (101.7°F) maximum wet bulb temperature, non-condensing.
<b>Altitude</b>	<b>Altitude</b>	Operating	3048 m (10,000 ft). This value may be limited by the type and number of options installed. Maximum allowable altitude change rate is 457 m/min (1500 ft/min).

### Technical Specifications

	Non-operating	9144 m (30,000 ft). Maximum allowable altitude change rate is 457 m/min (1500 ft/min).
<b>Acoustic Noise</b>	Listed are the declared A-Weighted sound power levels (LWAd) and declared average bystander position A-Weighted sound pressure levels (LpAm) when the product is operating in a 23°C ambient environment. Noise emissions were measured in accordance with ISO 7779 (ECMA 74) and declared in accordance with ISO 9296 (ECMA 109).	
	Idle	
	L WAd	4.2 B (Entry models) 4.2 B (Base models)
	L pAm	26 dB (Entry models) 25 dB (Base models)
	Operating	
	L WAd	4.2 B (Entry models) 4.3 B (Base models)
L pAm	26 dB (Entry models) 26 dB (Base models)	
	<b>NOTE:</b> Configurations tested for Entry models included Windows 2008 Enterprise 64-bit.	
	<b>NOTE:</b> Configurations tested for Base models included one (1) 1TB non-hot plug LFF SATA HDD and Windows 2008 Enterprise 64-bit.	
	<b>NOTE:</b> The Listed sound levels apply to standard shipping configurations. Additional options may result in increased sound levels.	
<b>Emissions Classification (EMC)</b>	<b>FCC Rating</b>	Class B
	<b>Normative Standards</b>	CISPR 22; EN55022; EN55024; FCC CFR 47, Pt 15; ICES-003; CNS13438; GB9254; K22;K24; EN 61000-3-2; EN 61000-3-3; EN 60950-1; IEC 60950-1
	<b>NOTE:</b> Product conformance to cited product specifications is based on sample (type) testing, evaluation, or assessment. This product or family of products is eligible to bear the appropriate compliance logos and statements.	

### Technical Specifications

<b>HP Dynamic Smart Array B120i Controller</b>	<b>Dimensions</b>	Embedded		
	<b>Disk Drive and Enclosure Interface - Transfer rate</b>	Up to 6Gb/s SATA (Serial ATA)		
	<b>SATA Connectors</b>	6 internal connectors with hot plug support		
	<b>Server Interface</b>	PCIe 2.0		
	<b>SATA Speed</b>	6Gb/s SATA links		
	<b>Cache Memory</b>	optional 40-bit 512MB ECC protected Flash Backed Write Cache (FBWC)		
	<b>Logical Drives Supported</b>	Zero Memory, Up to 2 logical volumes (6 physical drives)		
	<b>Host Memory Addressing</b>	64-bit, supporting greater than 4GB server memory space		
	<b>RAID Support</b>	RAID 0 (Striping), RAID 1 (Mirroring)		
		RAID 1+0 (Striping & Mirroring) RAID 5 with optional 512MB FBWC		
<b>NOTE: 512 MB cache is required to enable RAID 5 support</b>				
<hr/>				
<b>HP Ethernet 1Gb 2-port 361i Adapter</b>	<b>Network Interface</b>	10Base-T/100Base-TX/1000Base-TX		
	<b>Compatibility</b>	IEEE 802.3 10Base-T		
		IEEE 802.3ab 1000Base-T		
		IEEE 802.3u 100Base-TX		
		IEEE 1588, IEEE 802.1AS		
		IEEE 802.3az - Energy Efficient Ethernet (EEE)		
	<b>Data Transfer Method</b>	PCI Express V2.0, 5.0 GT/s with x2 link (fixed)		
	<b>Controller</b>	Intel I350 Powerville		
	<b>Network Transfer Rate</b>	10Base-T (Half-Duplex)	10 Mb/s per port, 20 Mb/s Combined	
		10Base-T (Full-Duplex)	20 Mb/s per port, 40 Mb/s Combined	
100Base-TX (Half-Duplex)		100 Mb/s per port, 200 Mb/s Combined		
100Base-TX (Full-Duplex)		200 Mb/s per port, 400 Mb/s Combined		
1000Base-TX (Half-Duplex)		1000Mb/s per port, 2000 Mb/s Combined		
	1000 Base-TX (Full-Duplex)	2000Mb/s per port, 4000 Mb/s Combined		
<b>Connector</b>	RJ-45			
<b>Cable Support</b>	10Base-T	Categories 3, 4 or 5 UTP; up to 328 ft (100 m)		
	10/100/1000Base-TX	Category 5E or better; up to 328 ft (100 m)		

### Technical Specifications

**Environment-friendly  
Products and Approach****End-of-life Management  
and Recycling**

Hewlett-Packard offers end-of-life HP product return, trade-in, and recycling programs in many geographic areas. For trade-in information, please go to: <http://www.hp.com/go/green>. To recycle your product, please go to: <http://www.hp.com/go/green> or contact your nearest HP sales office. Products returned to HP will be recycled, recovered or disposed of in a responsible manner.

The EU WEEE directive (2002/95/EC) requires manufacturers to provide treatment information for each product type for use by treatment facilities. This information (product disassembly instructions) is posted on the Hewlett Packard web site at: <http://www.hp.com/go/green>. These instructions may be used by recyclers and other WEEE treatment facilities as well as HP OEM customers who integrate and re-sell HP equipment.

---

© Copyright 2013 Hewlett-Packard Development Company, L.P.

The information contained herein is subject to change without notice.

Microsoft and Windows NT are US registered trademarks of Microsoft Corporation. Intel is a US registered trademark of Intel Corporation.

The only warranties for HP products and services are set forth in the express warranty statements accompanying such products and services. Nothing herein should be construed as constituting an additional warranty. HP shall not be liable for technical or editorial errors or omissions contained herein.

For hard drives, 1GB = 1 billion bytes. Actual formatted capacity is less.