



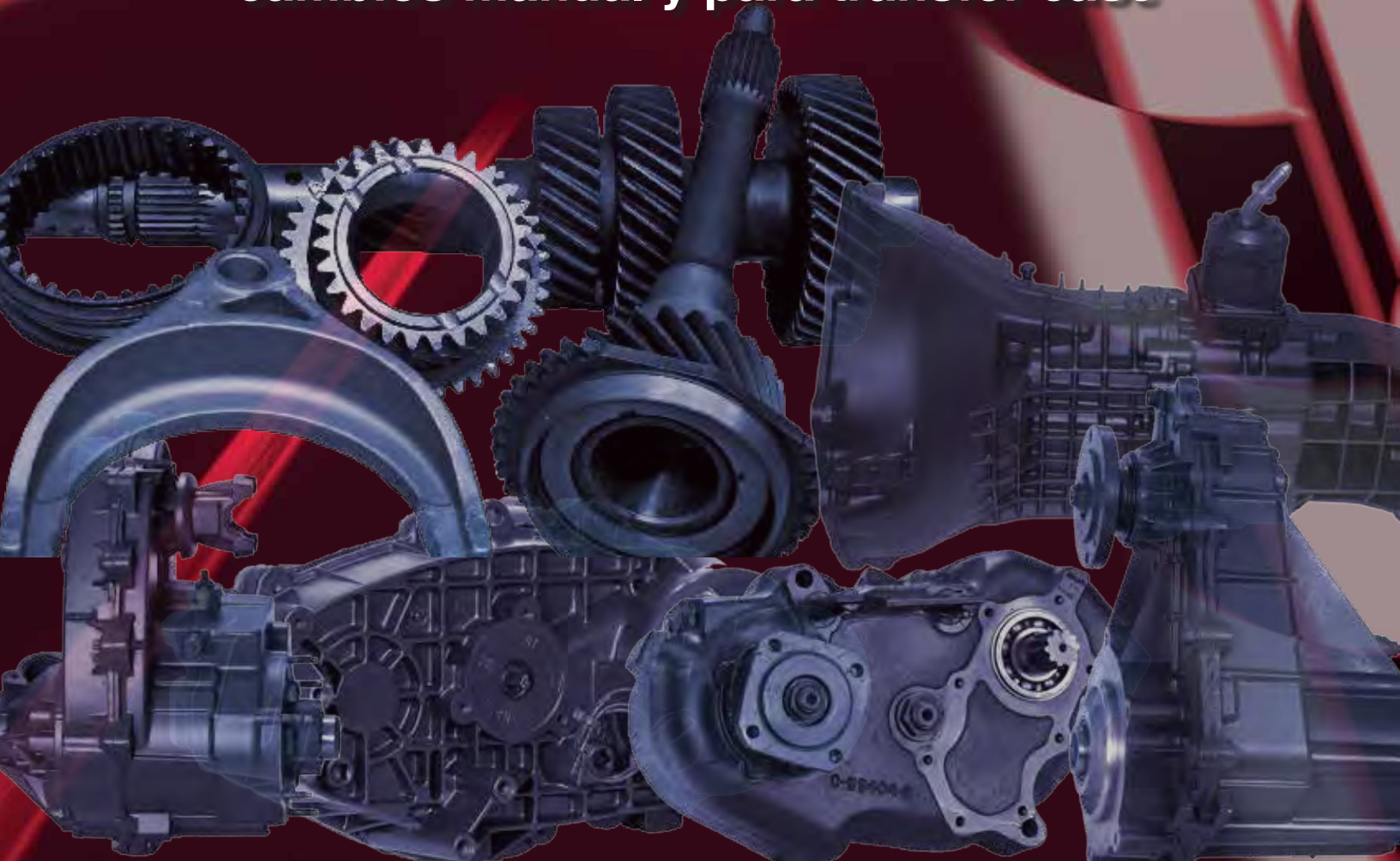
**Standard transmission and  
transfer case parts catalog**

---

**Catalogue de pieces pour transmission  
manuelle et boîtier de transfert**

---

**Catalogo de repuestos para caja de  
cambios manual y para transfer case**





# DRIVELINE SPECIALISTS

*Delivering driveline solutions to Canadian transmission repairers for over half a century.*

## AUTOMATIC TRANSMISSIONS

**Filter Kits** - 100s of OE quality SKUs for North American, European and Asian vehicles catalogued by make, model and year. External kit label with filter photo with service fill that includes fluid type and quantity. Neoprene rubber gasket with 3<sup>rd</sup> hand helping hole for easier installation. Catalogued on-line at [www.kingomatic.com](http://www.kingomatic.com) for ease of use.

**Electronics** - Input, output, speed, shift, VSS, TCC and EPC pressure sensors. Solenoids and solenoid blocks. External and internal harnesses. Vacuum modulators.

**Rebuild Kits** - Basic, Complete and Special Order kits with all components needed to complete each specific rebuild.

**Torque Converters** - Completely remanufactured using OE or better replacement parts. 500+ skus available. Inherent original weaknesses engineered out and all torques harmonically balanced using proprietary Datum Plan Generation. Turbines either furnace brazed or TIG welded. Heavy duty applications available.

## STANDARD TRANSMISSIONS

**Remanufactured Units** - 344 SKUs available. R&R units rebuilt from customer's original. All parts inspected and meet or exceed OE specifications. Units dynamometer tested for leaks, gear noise and shift quality. Non-commercial units covered by 12 month/unlimited mileage warranty and include detailed installation instruction packet. Units are not equipped with shifters or non-attached bell housings.

**Standard Transmission Rebuild Kit** - Includes all bearings, seals and gaskets required to refurbish a standard transmission. Most kits available with snychro rings.

**Small Parts Kits** - Contains pins, needle rollers, washers and shims when required by application.

## TRANSFER CASE UNITS

**Remanufactured Units and Components** - Large 137 SKU inventory. All incoming parts inspected to meet or exceed manufacturers' specs. Units dynamometer tested to confirm proper operation. Units shipped with 12 month / unlimited mileage warranty and installation instruction packet. Manual and electronic shift motors, shift transfer cases and encoders available.

## DIFFERENTIAL COMPONENTS

**Differential Parts** - Nest and shim kits with OE or better parts specifications. Ring and pistons, CV axle shafts, front and rear axle shafts and kits. Front 4X4 shafts, posi clutch packs, actuator motors, posi units and carriers.

**Differential Bearing Kits** - All bearings required for a complete replacement including crush sleeves, if required. If the make, model or year requires it, pinion seals are included. Gasket cover included if required. All bearings meet or exceed OE specifications.

**Differential Rear Axles & Axle Kits** - Direct aftermarket and OE replacement axles. High strength steel and dual heat treating processed. Optional kits include; 110 SKUs include rear axle; 60 Kits include outer axle bearing, outer axle seal, correct wheel studs and nuts.

## ACCESSORY PARTS

**Accessories** - Differential bearing kits with all required OE or better parts for a complete replacement. Differential nest and shim kits with OE or better parts. Ring and pinions, front and rear axle shafts and kits, front 4X4 shafts, posi clutch packs, actuator motors, posi units and carriers.

## DEDICATED TECH ASSISTANCE

**Total Driveline Service Provider** - Industry leading product lines. Knowledgeable in-house Driveline Specialists provide accurate product selection and order expediting. Print and on-line catalogues available. In-stock products meet or exceed OE manufacturer's specifications.

## 8 CANADIAN BRANCHES

**VANCOUVER 800.667.6388**

**CALGARY 800.665.2196**

**EDMONTON 800.837.1125**

**WINNIPEG 800.665.2420**

**MISSISSAUGA 800.268.2368**

**SCARBOROUGH 800.268.2368**

**MONTREAL 800.361.9018**

**HALIFAX 800.473.5933**

**SAME DAY OR OVERNIGHT  
DELIVERY SERVICE TO  
MOST CANADIAN CITIES.**

[www.kingomatic.com](http://www.kingomatic.com)



# Table of Contents

Unit	Speed	Standard Units	Page
A390	3	9 Bolt Cover, Cast "260XXXX"	164
AX4	4	Toyota Design	22
AX5	5	Toyota Design	22
AX15	5	Toyota Design	26
BA10	5	Peugeot Design (Split Case)	30
D50	4/5	Dodge, Mitsubishi	32
F5M33	5	Case Stamped "F5M33XXXX"	36
FM132	5	12 Bolt Tin or Bottom Pan	40
FM145	5	12 Bolt Tin or Bottom Pan	40
FM146	5	12 Bolt Tin or Bottom Pan	40
FS5R30A	5	Rear Load	44
FS5W71C	5	Rear Load	46
G40	4	Removable Bell Housing	50
G52	5	Removable Bell Housing	50
G57	5	Removable Bell Housing	50
G58	5	Removable Bell Housing	50
G59	5	Removable Bell Housing	50
G360	5	Getrag, Alum Top Cover	54
Getrag 290	5	Integral Bell Housing	58
HED	3	4 Bolt Top Cover	64
HEH	4	Toploader, 10 Bolt Top Cover	122
Honda	5	Honda & Acura	67
KM132	4/5	Stamped Steel Bottom Pan	32
KM133	4	Stamped Steel Bottom Pan	32
KM144	4/5	Stamped Steel Bottom Pan	32
KM145	5	Stamped Steel Bottom Pan	32
L45	4	9 Bolt Alum Top Cover	68
L52	5	9 Bolt Alum Top Cover	68
LD42G	5	Stamped Steel Bottom Pan	32
M5R1	5	Alum Top Cover	72
M5R2	5	Alum Top Cover	76
MSG-5ET	5	Integral Iron Tr. Case	80
MSG-5F	5	Integral Alum Tr. Case	81
M20	4	Muncie 7 Bolt Side Cover	82
M21	4	Muncie 7 Bolt Side Cover	82
M22	4	Muncie	82
Nash OD	4	Doug Nash Overdrive	86
NP435	4	Alum Top Cover	88
NP535	5	Alum Top Cover	92
NP833	3	9 Bolt Side Cover (w/ OD)	94
NP833	4	10 Bolt Side Cover	94

Unit	Speed	Standard Units	Page
NV1500	5	Mini Getrag, Rear Load	58
NV2500	5	Getrag Design	92
NV3500	5	Getrag Design	58
NV3550	5	Getrag Design	58
NV4500	5	Alum Top Cover	96
NV5600	6	Dodge 98-Up	102
R151	5	Removable Bell Housing	106
R5M21	5	Dodge, Mitsubishi	32
RAD	4	Alum Top Cover (Cast "1332")	120
Ram 50	4/5	Dodge, Mitsubishi	32
RKE	5	Alum Top Cover	76
RS5F30	5	Nissan	110
RS5F31	5	Nissan	110
RTS	3	SROD Type	122
RUG	3	10 Bolt Tin Top Cover	122
Saginaw	3/4	7 Bolt Side Cover	112
SAM	5	Splits Lengthwise (Samurai)	114
SM465	4	Iron or Alum Top Cover	116
SR4	4	Alum Top Cover (Cast "1332")	120
SROD	3	10 Bolt Top Cover	122
Super T10	4	9 Bolt Top Cover	136
T4	4	Alum Cover ("1352" or "1353")	128
T5	5	Alum Top Cover (Cast "1352")	128
T5 WC	5	Alum Top Cover (Cast "1352")	132
T10	4	9 Bolt Side Cover	136
T14	3	Cast "T14" or "1302"	140
T15	3	Cast "T15" or "1307"	142
T18	4	Cast "T18" or "1301"	144
T19	4	Cast "T19" or "1309"	148
T45	5	Cast "1381"	152
T56	6	Cast "1386"	156
T86	3	Cast "T86" (9 Bolt Cover)	160
T90	3	Cast "T90" (Top Load)	162
T150	3	Top Cover Cast "2603XXXX"	164
T176	4	Top Cover Cast "2604XXXX"	122
TK4	4	14 Bolt Alum Bottom Pan	166
TK5	5	15 Bolt Alum Bottom Pan	166
Tracker	5	Main Case Splits Horiz.	170
TR-3650	5	Cast "CCCA1271AG"	172
Tremec	3	9 Bolt Top Cover	164
V5MT2	5	9 Bolt Alum Top Cover	32

# Table of Contents

Unit	Speed	Standard Units	Page
VW020	4/5	Alum Rear Cover Has a Seal	176
W55	5	Removable Bell Housing	180
W56	5	Removable Bell Housing	180
W58	5	Removable Bell Housing	180
W59	5	Removable Bell Housing	180
W5MG1	5	Getrag Design (Awd)	36
W6MG1	6	Getrag Design (Awd)	36
ZF S5-42	5	Cast "1307"	184
ZF S5-47	5	Cast "1317" (1996-97)	188
ZF S5-47M	5	Cast "1317" (1998-Up)	188
ZF S6-650	6	Cast "1319"	192

Unit	Transfer Case	Page
BW1345	Cast "13-45", Chain Driven	200
BW1350	Cast "13-50", Chain Driven	204
BW1354	Cast "13-54", Chain Driven	204
BW1356	Cast "13-56", Chain Driven	208
BW1370	Cast "13-70" or "44-01" (No Plate)	212
BW1372	Cast "13-72", Chain Driven	216
BW4404	Cast "44-04", Chain Driven	218
BW4405	Cast "44-05", Chain Driven	220
BW4406	Cast "44-06", Chain Driven	224
BW4407	Cast "44-07", Chain Driven	228
BW4470	Cast "44-70" or "44-01" (Case Plate)	230
BW4472	Cast "44-72", Chain Driven	216
Dana 28	Chain Driven	234
NP136	Chain Driven	236
NP149	Chain Driven	238
NP203	Chain Driven	240
NP205	Gear Driven	244
NP207	Chain Driven	248
NP208	Chain Driven	252
NP228	Chain Driven	256
NP229	Chain Driven	256
NP231	Chain Driven	260
NP233	Chain Driven (Electric Shift)	264
NP236	Chain Driven (Electric Shift)	268
NP241	Chain Driven (Manual Shift)	270
NP242	Chain Driven	276
NP243	Chain Driven (Electric Shift)	280
NP246	Chain Driven (Electric Shift)	284

Unit	Transfer Case	Page
NP247	Chain Driven	288
NP249	Chain Driven	288
NP261	Chain Driven	292
NP263	Chain Driven	296
NP271	Chain Driven	300
NP273	Chain Driven	304

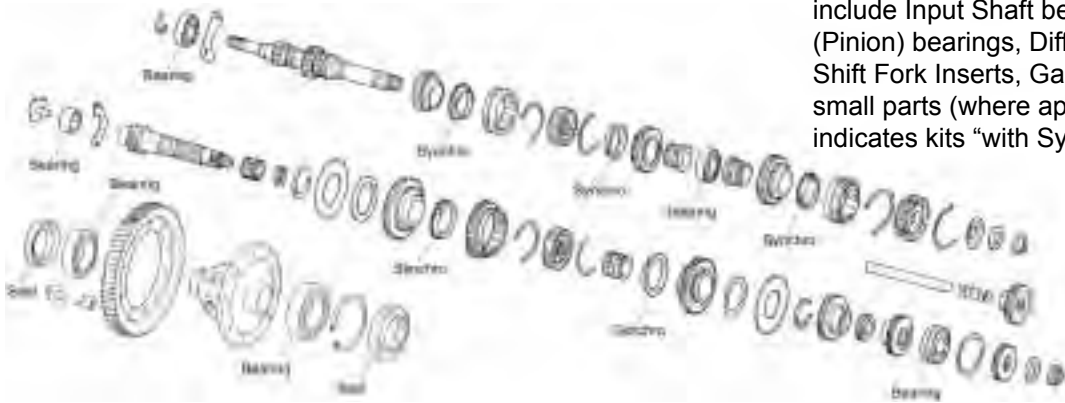
Miscellaneous	Page
Bearing Kit - Typical Components	4
Bearing Kits - Standard Transmissions (8-21)	8
Bearing Kits - Transfer Cases (197-199)	197
Bushings, Extension Housing	316
Case Protectors, Transfer Case	326
Chains - Common Units	311
Chains - Complete Listing	312
Chains - Terms	310
Clips, Transfer Case	326
Clutch Packs, Transfer Case	326
Fluid Chart	324
Fluid Supplements & Treatments	327
Flywheel Shims	322
Frictions & Steels, Transfer Case	326
Gaskets, Transfer Case	308
Identification Photos - Standard Transmissions	329
Identification Photos - Transfer Case	334
Identification Tag - Honda Transmission	6
Identification Tag - Mitsubishi Transmission	6
Identification Tag - Nissan Transmission	6
Identification Tag - Toyota Transmission	6
Identification Tag - Transfer Case (BW & NP)	7
Loctite Products	327
Magnets, Transfer Case	327
Mounts, Transfer Case	327
Pilot Bearings - Direct Replacement	327
Pilot Repair Kits & Self Aligning Bearings	328
Wear Plates, Transfer Case	326
Seals, Transfer Case (Metal Clad Seals)	318
Shift Motors	320
Speed Sensors	315
Viscous Couplings, Transfer Case	328



# Common Bearing Kits

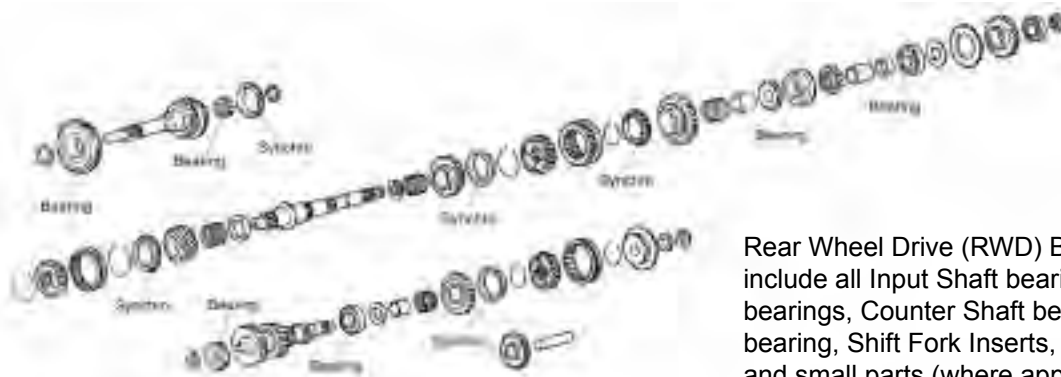
## Typical Bearing Kit

### FRONT WHEEL DRIVE TRANSMISSION



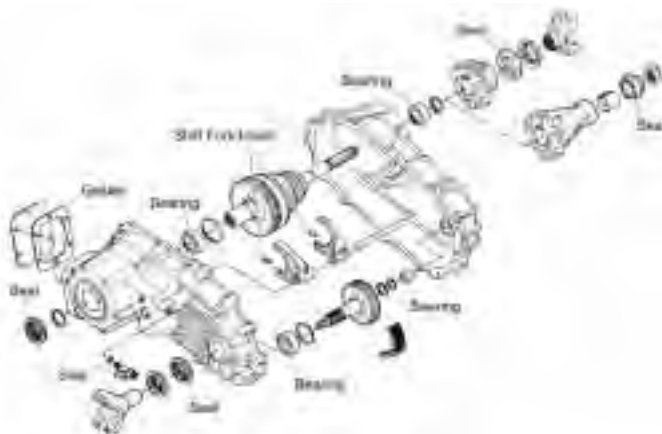
Front Wheel Drive (FWD) Bearing Kits include Input Shaft bearings, Main Shaft (Pinion) bearings, Differential bearings, Shift Fork Inserts, Gaskets, Seals, and small parts (where applicable). "WS" indicates kits "with Synchro Rings."

### REAR WHEEL DRIVE TRANSMISSION



Rear Wheel Drive (RWD) Bearing Kits include all Input Shaft bearings, Main Shaft bearings, Counter Shaft bearings, Pocket bearing, Shift Fork Inserts, Gaskets, Seals, and small parts (where applicable). "WS" indicates kits "with Synchro Rings."

### TRANSFER CASE



Transfer Case Bearing Kits include Bearings, Gaskets, Seals, Shift Fork Inserts and small parts (where applicable). Gasket Kits include Gaskets and Seals.

## Samples of Standard Bearing Kits and Transfer Case Kits

Standard Bearing Kit With Synchros



Standard Bearing Kit Without Synchros



Transfer Case Bearing Kit



Transfer Case Overhaul Kit



\* Kits can contain additional items such as inserts, sleeves, plugs and other small parts.

# Identification Tags

## NISSAN TRANSMISSION IDENTIFICATION TAG

NISSAN MOTOR CO., LTD. JAPAN

形式 TYPE

型式 TPD

CHASSIS NO.

VEH. ID. CHASS

MODEL

MODEL

COLO TRM

COLO QUARTZES

SWOBE

MOTOR

TRANS. ABL

TRANS. SLT

工場 PLANT

PLANT

日産自動車株式会社 MADE IN JAPAN

## MITSUBISHI TRANSMISSION IDENTIFICATION TAG

MITSUBISHI

MODEL COMPANION

MODEL

ENGINE

TRANS. ABL

COLOR

EST

**Transmission Code**

AC141207AB

## TOYOTA TRANSMISSION IDENTIFICATION TAG

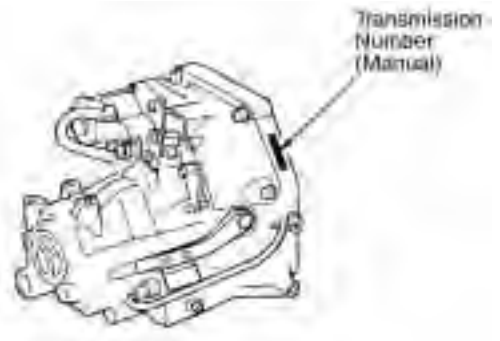
MFD. BY TOYOTA MOTOR SALES U.S.A INC.  
 INC. VEH. MFD. BY TOYOTA MOTOR CORP 08/88  
 GVWR 1234LB GAWR 1234LB RR 1234LB  
 THIS VEHICLE CONFORMS TO ALL APPLICABLE  
 FEDERAL MOTOR VEHICLE SAFETY, BUMPER  
 AND THEFT PREVENTION STANDARDS IN  
 EFFECT IN 08/88

JT5MA70L6GDD15204 PASS. CAR

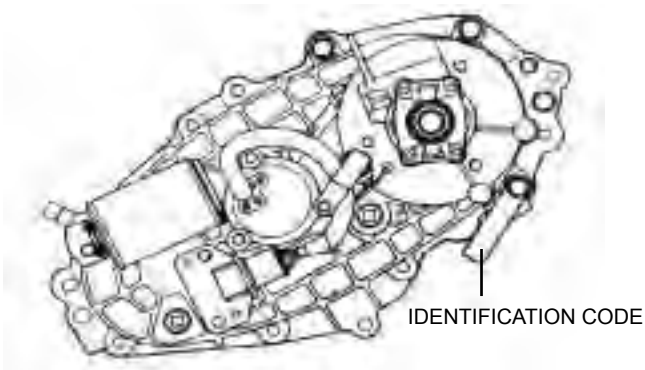
C/TR: 040/FD34      MODEL: VZV130L-BTPVFAB  
 A/TM: G285/A340E      MADE IN JAPAN

TRANSMISSION CODE

## HONDA TRANSMISSION IDENTIFICATION TAG



## BORG WARNER TRANSFER CASE IDENTIFICATION TAG

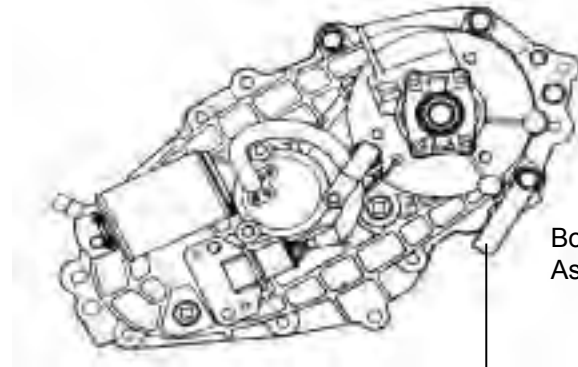


## NEW VENTURE TRANSFER CASE IDENTIFICATION TAG



# Transfer Case Identification

## Borg Warner Transfer Case Identification



**Build  
J662**

- └─ Shift
- └─ Year (last digit)
- └─ Day
- └─ Month (letter)

**J662  
000000**

Borg Warner Automotive  
Serial Number

**4410-00  
ABCD-ZZ**

Vehicle Manufacturer's Transfer  
Case Assembly Number

Borg Warner Automotive  
Assembly Code Number

## New Venture/New Process Transfer Case Identification

Top semi-circle	Model	Stamped with New Venture model number (242 J)
Line above screw	Assembly No.	Stamped with the OE part number for a complete transfer case assembly
Line below screw	Serial No.	N/A
Bottom semi-circle	Ratio	N/A





# Standard Bearing Kits

UNIT	NOTES	BRG KIT	BRG KIT WS
<b>ACURA</b>			
A1	1991	BK350	BK350AWS
C3P4	86-88	BK323	BK323WS
CG	86-89	BK238	BK238WS
DEB6	04-07	BK510	N/A
DEC6	04-07	BK510	N/A
G3T4	88-90	BK323	BK323WS
J4A4	91-96	BK337	N/A
J4F6	97-99	BK337	N/A
K4A6	91-95	BK392A	BK392AWS
K4F6	93-95	BK392	BK392WS
L3A3	92-94	BK338	N/A
P2	1997	BK387	BK387WS
P2	98-99	BK387	BK387AWS
PNSA	02-04	BK483	N/A
PNSA	05-06	BK483A	N/A
PPTA	02-06	BK483	N/A
S1	1990	BK350	BK350WS
S80	96-01 Tapered Diff. Brg	BK391	BK391WS
S80	96-01 (18.0mm Thick Ball Diff. Brg Inner Race)	BK390	BK390WS
S80	96-01 (19.5mm Thick Ball Diff. Brg Inner Race)	BK390B	BK390BWS
SSO	92-93	BK390	BK390WS
Y80	94-95 GS, LS, RS	BK390	BK390WS
Y80	94-95 GSR	BK391	BK391WS
YS1	92-93 GS, LS, RS	BK390	BK390WS
YS1	92-93 GSR	BK390	BK390AWS
<b>AMC</b>			
FOG	77-79 VW Engine	BK126	BK126WS
SR4	76-82 (2wd)	BK124	BK124WS
SR4	76-82 (4wd)	BK124J	BK124JWS
T4	82-86	BK107AJ	BK107AJWS
T5	82-88	BK107J	BK107JWS
T10	64-74 OE Style Brgs	BK177	BK177WS
T10	64-74 (2 Max Load Brg)	BK177HD	BK177HDWS
T14	68-76 w/o OD	BK319	BK319WS
T14	68-76 w/ OD	BK319A	BK319AWS
T15	68-74 w/o OD	BK320	BK320WS
T15	68-74 w/ OD	BK320A	BK320AWS
T86	64-69 w/ OD	BK288B	BK288BWS
T86	64-69 w/o OD	BK288A	BK288AWS
T90	59-69	BK119	BK119WS
T96	64-72 w/ OD	BK317A	BK317AWS
T96	64-72 w/o OD	BK317	BK317WS
T150	74-79	BK297	BK297WS
<b>DAIHATSU</b>			
Charade	88-92	BK314	BK314WS
Rocky	90-92 (1.6L Rocky)	BK294	BK294WS

UNIT	NOTES	BRG KIT	BRG KIT WS
<b>DODGE, CHRYSLER, PLYMOUTH</b>			
<b>Cars</b>			
288	02-Up	BK452	BK452WS
21M5	02-Up	BK452	BK452WS
A390	74-76	BK297	BK297WS
A578	94-05 (63mm OD Rear Input & Pinion Brg)	BK414	BK414WS
A578	94-05 (66mm OD Rear Input & Pinion Brg)	BK414A	BK414AWS
Champ Rwd	71-80 (4 & 5 Speed)	N/A	N/A
Colt Rwd	71-80 Colt 4 & 5 Speed	N/A	N/A
Colt Rwd	71-80 Vista 4 & 5 Speed	N/A	N/A
F4M21	87-93 (1.5L)	BK232A	BK232AWS
F4M21	87-93 (1.6L)	BK232A	BK232BWS
F5M21	87-92	BK232A	BK232AWS
F5M21	93-94	BK232A	BK232CWS
F5M22	86-94 (1.6L, 1.8L Colt Incl Vista)	BK358	BK358WS
F5M22	86-87 (2.0L Colt Incl Vista)	BK358	BK358EWS
F5M22	88-91 (2.0L Colt Incl Vista)	BK358	BK358WS
F5M22	89-93 Laser (30T 3rd Synchro)	BK358	BK358AWS
F5M22	93-94 Laser (36T 3rd Synchro)	BK358	BK358CWS
F5M33	88-94 Colt Incl Vista	BK274	BK274WS
F5M33	89-93 Laser Turbo (1 Piece 2nd Synchro)	BK366	BK366WS
F5M33	93-94 Laser Turbo (3 Piece 2nd Synchro)	BK366	BK366EWS
F5M33	91-92 Stealth (1 Piece 2nd Synchro)	BK366	BK366BWS
F5M33	91-92 Stealth (3 Piece 2nd Synchro)	BK366	BK366CWS
F5M33	93-96 Stealth (1 Piece 2nd Synchro)	BK366	BK366DWS
F5M33	93-96 Stealth (3 Piece 2nd Synchro)	BK366	BK366EWS
F5M42	01-Up	BK497A	BK497AWS
F5M51	01-05	BK497B	BK497BWS
KM110	76-81	N/A	N/A
KM115	76-81	N/A	N/A
KM131	77-83 (1.6L, 2.0L)	BK150	BK150WS
KM131	77-83 (2.6L)	BK145	BK145WS
KM132	84-87 Tin Bottom Pan (w/o Intercooler)	BK227A	BK227AWS
KM132	84-87 Tin Bottom Pan (w/ Intercooler)	BK227	BK227WS
KM132	88-89 Alum. Bottom Pan (w/ Intercooler)	BK227B	BK227BWS
KM160	79-84	BK201	BK201AWS

# Standard Bearing Kits

UNIT	NOTES	BRG KIT	BRG KIT WS
<b>DODGE, CHRYSLER, PLYMOUTH (cont.)</b>			
<b>Cars (cont.)</b>			
KM161	85-87	BK204	BK204WS
KM162	85-87	BK201	BK201WS
KM163	84-88	BK187	BK187WS
KM165	79-84	BK201	BK201WS
KM166	84-87	BK187	BK187WS
KM182	85-90 (61mm ID 1-2 Synchro)	BK183	BK183WS
KM182	88-91 (60mm ID 1-2 Synchro)	BK183	BK183AWS
KM200	87-90 (1.5L)	BK232	BK232WS
KM200	87-90 (1.6L)	BK232A	BK232BWS
KM201	87-92	BK232A	BK232AWS
KM201	93-94	BK232A	BK232CWS
KM206	86-94 (1.6L, 1.8L)	BK358	BK358WS
KM206	86-87 (2.0L)	BK358	BK358EWS
KM206	88-91 (2.0L)	BK358	BK358WS
KM210	88-94	BK274	BK274WS
KM221	90-94	BK365	BK365AWS
NP230	71-80 (80mm OD Input & Output Brg)	BK298	BK298WS
NP230	74-80 (90mm OD Input & Output Brg)	BK298A	BK298AWS
NP250	71-74 (14mm Thick Rear Main Shaft Brg)	BK301A	BK301AWS
NP250	71-74 (17mm Thick Rear Main Shaft Brg)	BK301	BK301WS
NP260	73-74	BK301	BK301WS
NP460	81-83	BK138	BK138BWS
NP460	84-86	BK138	BK138CWS
NP465	83-84	BK138	BK138AWS
NP520	87-90	BK375	BK375AWS
NP523	90-94	BK377	BK377WS
NP525	83-84 (1-2 Synchros Same Size as 3-4)	BK138	BK138AWS
NP525	84-86 (1-2 Synchros Larger Than 3-4)	BK138	BK138WS
NP543	90-94	BK377	BK377WS
NP568	90-94	BK377	BK377WS
NP745	61-71	BK344	BK344AWS
NP833	64-80 (80mm OD Input & Output Brg)	BK340	BK340WS
NP833	64-80 (90mm OD Input & Output Brg)	BK341	BK341WS
NP903	60-72	BK299	BK299WS
NVT355	07-Up	BK414B	BK414BWS
T10	1963	BK166	BK166WS
T56	92-02	BK396	BK396WS
T85	63-64	BK345	BK345WS
T850	03-05	BK453	BK453WS
TR6060	08-Up	BK479	BK479WS

UNIT	NOTES	BRG KIT	BRG KIT WS
<b>DODGE, CHRYSLER, PLYMOUTH (cont.)</b>			
<b>Cars (cont.)</b>			
VW 020	78-83 (4 Speed)	BK411	BK411WS
VW 020	82-83 (5 Speed)	BK412	BK412WS
W5M31	90-94	BK365	BK365AWS
W5M33	89-92 (1 Piece 2nd Synchro) (36T 3rd Synchro)	BK361	BK361WS
W5M33	93-94 (1 Piece 2nd Synchro) (39T 3rd Synchro)	BK361	BK361AWS
W5M33	93-94 (3 Piece 2nd Synchro)	BK361	BK361BWS
W5MG1	90-93	BK428	BK428WS
W6MG1	93-96	BK428	BK428AWS
<b>DODGE, CHRYSLER, PLYMOUTH</b>			
<b>Trucks &amp; Vans</b>			
A230	70-79	BK298A	BK298AWS
A230	74-80	BK298A	BK298AWS
A250	74-75 (14mm Thick Rear Main Shaft Brg)	BK301A	BK301AWS
A250	74-75 (17mm Thick Rear Main Shaft Brg)	BK301	BK301WS
A390	75-79	BK297	BK297WS
A390	75-80	BK297	BK297WS
A903	62-69	BK299	BK299WS
AX15	92-99	BK163B	BK163BWS
G238	05-Up	BK466	BK466WS
G360	89-93	BK261	BK261WS
G56	05-Up (2wd)	BK474A	N/A
G56	05-Up (4wd)	BK474	N/A
KM130	79-83	BK109	BK109WS
KM132	82-89 (2.0L)	BK150	BK150WS
KM132	83-85 (2.3L)	BK145	BK145WS
KM132	90-93 (2.4L)	BK189	BK189WS
KM132	79-86 (2.6L)	BK145	BK145WS
KM132	87-89 (2.6L)	BK180	BK180WS
KM132	1990 (2.6L)	BK189	BK189WS
KM132-8	79-83	BK150	BK150WS
KM132-9	79-83	BK145	BK145WS
KM133	81-85	BK109	BK109WS
KM144	83-84	BK109	BK109WS
KM144	87-89	BK180	BK180WS
KM144	1990	BK189	BK189WS
KM145	83-85 (2.3L)	BK145	BK145WS
KM145	90-93 (2.4L)	BK189	BK189WS
KM145	79-86 (2.6L)	BK145	BK145WS
KM145	87-89 (2.6L)	BK189	BK189WS
NP250	70-73 (14mm Thick Rear Main Shaft Brg)	BK301A	BK301AWS
NP250	70-73 (17mm Thick Rear Main Shaft Brg)	BK301	BK301WS

# Standard Bearing Kits

UNIT	NOTES	BRG KIT	BRG KIT WS
<b>DODGE, CHRYSLER, PLYMOUTH</b>			
<b>Trucks &amp; Vans (cont.)</b>			
NP420	57-68	BK267	N/A
NP435	62-65 Ball Input Brg	BK127E	BK127EWS
NP435	65-69 Tapered Input Brg	BK127D	BK127DWS
NP435	74-87 Ball Input Brg	BK127F	BK127FWS
NP435	74-87 Tapered Input Brg	BK127D	BK127DWS
NP435	88-91 Ball Input Brg	BK127F	BK127FWS
NP445	70-79	BK172	N/A
NP460	82-83	BK138	BK138BWS
NP460	84-85	BK138	BK138CWS
NP465	83-84	BK138	BK138AWS
NP523	90-95	BK377	BK377WS
NP525	84-86	BK138	BK138WS
NP535	87-93	BK233	BK233WS
NP568	90-95	BK377	BK377WS
NP745	61-69	BK344	BK344WS
NP833	77-90	BK130	BK130WS
NV1500	00-02	BK494	BK494WS
NV3500	94-04 (3 Piece 2nd Synchro)	BK235C	BK235GWS
NV3500	94-04 (1 Piece 2nd Synchro)	BK235C	BK235CWS
NV4500	92-06	BK308A	BK308AWS
NV5600	99-00	BK492	N/A
NV5600	01-05	BK492	BK492WS
T85	59-60	BK345	BK345WS
T87	57-66	BK346	BK346WS
V5MT2	89-92	BK304	BK304WS
<b>EAGLE</b>			
A578	95-99	BK414	BK414WS
F4M21	91-92	BK232A	BK232BWS
F5M21	89-92	BK232A	BK232AWS
F5M21	93-96	BK232A	BK232CWS
F5M22	90-93 Summit (30T 3-4 Synchros)	BK358	BK358WS
F5M22	93-96 Summit (36T 3-4 Synchros)	BK358	BK358CWS
F5M22	93-94 Talon (1.8L) (30T 3-4 Synchros)	BK358	BK358AWS
F5M22	93-94 Talon (1.8L) (36T 3-4 Synchros)	BK358	BK358DWS
F5M22	89-93 Talon (2.0L) (30T 3-4 Synchros)	BK358	BK358AWS
F5M22	93-94 Talon (2.0L) (36T 3-4 Synchros)	BK358	BK358CWS
F5M31	89-93 (36T 3-4 Synchros)	BK274	BK274WS
F5M31	93-96 (39T 3-4 Synchros)	BK274	BK274CWS

UNIT	NOTES	BRG KIT	BRG KIT WS
<b>EAGLE (cont.)</b>			
F5M33	89-93	BK366	BK366WS
F5M33	94-99 (1 Piece 2nd Synchro)	BK366	BK366DWS
F5M33	94-99 (3 Piece 2nd Synchro)	BK366	BK366EWS
F5MC1	95-99	BK414	BK414WS
KM200	91-92	BK232A	BK232BWS
KM201	89-92	BK232A	BK232AWS
KM201	93-96	BK232A	BK232CWS
KM221	90-93	BK365	BK365AWS
W5M31	90-93	BK365	BK365AWS
W5M33	89-93 (36T 3-4 Synchros)	BK361	BK361WS
W5M33	93-96 (39T 3-4 Synchros)	BK361	BK361CWS
W5M33	89-92	BK361	BK361WS
W5M33	93-99 (1 Piece 2nd Synchro)	BK361	BK361CWS
W5M33	93-99 (3 Piece 2nd Synchro)	BK361	BK361BWS
<b>FORD, LINCOLN, MERCURY</b>			
<b>Cars</b>			
221	00-02 Lincoln LS	TBA	TBA
259	61-62	BK268	N/A
Aspire	94-97 Aspire	BK200	BK200WS
CAP5	91-94 Non Turbo	BK277	BK277WS
CAP5T	91-94 Turbo	BK210	BK210AWS
CAPRI	70-78 121ci & 140ci	BK170	BK170WS
CAPRI	70-78 159ci & 171ci	BK169	BK169WS
Dagenhiem	65-66	BK342	BK342WS
ENG	70-72 English Design	BK370	TBA
F5F4A	00-04	BK273	BK273WS
FOG	78-83 (1-2 Synchros Larger Than 3-4)	BK126	BK126WS
FOG	83-86 (1-2 Synchros Same Size as 3-4)	BK126	BK126AWS
FTI4	88-93	BK200	BK200AWS
FTI5	88-93	BK200	BK200WS
HED	60-67	BK128	BK128WS
HEH	64-70 Toploader Exc 390ci (OE Style Brgs)	BK135	BK135WS
HEH	64-70 Toploader Exc 390ci (2 Max Load Brgs)	BK135HD	BK135HDWS
HEH	64-70 Toploader w/ 390ci (2 Max Load Brgs)	BK135HD	BK135HDWS
M5TX	91-94 (25.4mm ID Ball Input Brg)	BK277	BK277WS
M5TX	94-96 (24.9mm ID Ball Input Brg)	BK277A	BK277AWS

# Standard Bearing Kits

UNIT	NOTES	BRG KIT	BRG KIT WS
<b>FORD, LINCOLN, MERCURY (cont.)</b>			
<b>Cars (cont.)</b>			
M5TXA	92-03 (15mm Thick Input Brg)	BK210C	BK210CWS
M5TXA	92-03 (16mm Thick Input Brg)	BK210	BK210AWS
MTX4	81-87 (27.00mm ID Front & Rear Input Brg)	BK158	BK158WS
MTX4	85-87 (31.75mm ID Front & Rear Input Brg)	BK158L	BK158LWS
MTX5	84-87 (24T 5th Synchro)	BK159	BK159WS
MTX5	84-87 (30T 5th Synchro)	BK159	BK159AWS
MTX5	88-95 Brass 1-4 Synchros (Exc 3.0L)	BK159	BK159AWS
MTX5	88-95 Fiber 1-4 Synchros (Exc 3.0L)	BK159	BK159LWS
MTX5	88-95 (3.0L Taurus SHO)	BK159B	BK159BWS
MTX75	95-Up (18.5mm Thick Front Pinion Brg)	BK334	BK334WS
MTX75	95-Up (20.5mm Thick Front Pinion Brg)	BK334A	BK334AWS
MTX75	95-Up (20.5mm Thick Front & Rear Pinion Brg)	BK334A	BK334AWS
PR5T	88-92	BK303	BK303WS
RAP	79-82	BK110	BK110WS
RKE	89-97	BK248B	BK248BWS
RUG	77-83 Iron Case	BK113	BK113AWS
RUG	77-83 Alum Case	BK113	BK113WS
SR4	74-78 (2.3L)	BK124	BK124WS
SR4	74-78 (302ci)	BK125	BK125WS
SR4	79-81	BK124	BK124AWS
SROD	81-84	BK113	BK113WS
T10	62-66	BK166	BK166WS
T45	96-97	BK250	BK250WS
T45	98-01	BK250A	BK250AWS
T5 NWC	83-84	BK107	BK107WS
T5 WC	85-93 (2.3L) (65.00mm OD Input Brg)	BK149	BK149WS
T5 WC	85-93 (2.3L) (65.25mm OD Input Brg)	BK149A	BK149AWS
T5 WC	94-04 (3.8L, 3.9L)	BK149	BK149BWS
T5 WC	05-Up (4.0L)	BK149D	BK149DWS
T5 WC	85-91 (5.0L)	BK149	BK149WS
T5 WC	92-95 (5.0L) (Except Cobra & Motor Sports)	BK149	BK149BWS
T5 WC	92-95 (5.0L) (Cobra & Motor Sports)	BK149C	BK149CWS
T56	00-04	BK396	BK396WS
T86	61-67	BK348	N/A
Toploader	64-74 (260ci to 351ci)	BK135	BK135WS
Toploader	64-74 (390ci to 429ci)	BK135HD	BK135HDWS

UNIT	NOTES	BRG KIT	BRG KIT WS
<b>FORD, LINCOLN, MERCURY (cont.)</b>			
<b>Cars (cont.)</b>			
TR4	87-89	BK211	BK211AWS
TR5	87-89	BK211	BK211WS
TR5A	91-96	BK210	BK210AWS
TR5B	91-94 (25.4mm ID Input Ball Brg)	BK277	BK277WS
TR5B	94-96 (24.9mm ID Input Ball Brg)	BK277A	BK277AWS
TR3650	01-04 Slip Yoke	BK255	BK255WS
TR3650	05-Up Bolt Yoke	BK255A	BK255AWS
Tremec	64-77 (1st Synchro Same Size as the 2-3)	BK111	BK111AWS
Tremec	64-77 (1st Synchro Larger Than 2-3)	BK111	BK111WS
XR4	85-89 XR4Ti	N/A	N/A
<b>FORD, LINCOLN, MERCURY</b>			
<b>Trucks &amp; Vans</b>			
259	55-62 w/ OD	BK268A	TBA
259	55-62 w/o OD	BK268	TBA
CR1	72-82	BK164	BK164AWS
CR2	72-82	BK152	BK152WS
FM132	88-92	BK151B	BK151BWS
FM145	85-87	BK151	BK151WS
FM146	88-90	BK151	BK151AWS
G5P0	01-Up	BK210C	BK210CWS
M5R1	88-Up (1 Piece 2nd Synchro) (30T 5-R Slider)	BK247	BK247AWS
M5R1	88-Up (1 Piece 2nd Synchro) (36T 5-R Slider)	BK247	BK247WS
M5R1	01-Up (3 Piece 2nd Synchro)	BK247	BK247BWS
M5R2	88-99 (1 Piece 2nd Synchro) (33T 5-R Slider)	BK248	BK248AWS
M5R2	88-99 (1 Piece 2nd Synchro) (42T 5-R Slider)	BK248	BK248WS
M5R2	99-Up (3 Piece 2nd Synchro)	BK248	BK248CWS
M5R4	02-03	BK354	BK354WS
NP435	65-87	BK127	BK127WS
RUG	78-87 Iron Case	BK112	BK112AWS
RUG	78-87 Alum Case	BK112	BK112WS
T18	65-93 (21mm Thick Input Brg)	BK114	BK114WS
T18	65-93 (23mm Thick Input Brg)	BK114A	BK114AWS



# Standard Bearing Kits

Standard Bearing Kits

UNIT	NOTES	BRG KIT	BRG KIT WS
<b>FORD, LINCOLN, MERCURY (cont.)</b>			
<b>Trucks &amp; Vans (cont.)</b>			
T19	68-87 (20mm Thick, Non Tapered Inp. Brg)	BK146	BK146WS
T19	68-87 (23mm Thick, Non Tapered Inp. Brg)	BK146A	BK146AWS
T19	80-87 (Tapered Input Bearing)	BK146A	BK146AWS
T85	65-73 w/ OD	BK345A	BK345AWS
T85	65-73 w/o OD	BK345	BK345WS
T86	57-64	BK348	N/A
T87	55-72	BK346	BK346WS
T89	56-71	BK345	BK345WS
T98	55-64	BK141	BK141WS
TK4	83-84 Gas	BK143	BK143WS
TK4D	83-84 Diesel	BK137AD	BK137ADWS
TK5	83-87 Gas (External Slave Cylinder)	BK144	BK144WS
TK5	83-87 Gas (Internal Slave Cylinder)	BK144	BK144LWS
TK5D	83-87 Diesel	BK137D	BK137DWS
Tremec	63-86 (1st Synchro Larger Than 2-3)	BK111	BK111WS
Tremec	63-86 (1st Synchro Same Size as the 2-3)	BK111	BK111AWS
ZF S5-42	87-95	BK300ZF	BK300ZFWWS
ZF S5-47	95-98	BK300ZF	BK300ZFAWS
ZF S5-47M	99-01	BK300ZFB	BK300ZFBWS
ZF S650	99-Up	BK486	BK486WS
<b>GEO</b>			
MV3	89-00	BK264	BK264AWS
C51	89-91	BK191	BK191WS
C51	92-Up	BK191	BK191AWS
MR8	90-93 (1 Piece Synchros)	BK194	BK194AWS
MR8	90-93 (3 Piece Synchros)	BK194	BK194AWS
VIT5	99-04 (2.5L 2wd)	BK487	BK487WS
VIT5	99-04 (2.5L 4wd)	BK487	BK487WS
VIT5-A	89-98 (1.6L 4wd) (72mm OD Center Main Shaft Brg)	BK293	BK293WS
VIT5-A	98-02 (1.6L 4wd) (65mm OD Center Main Shaft Brg)	BK293B	BK293BWS
VIT5-A	99-04 (2.0L 4wd)	BK293B	BK293BWS
VIT5-B	89-02 (1.6L 2wd)	BK293A	BK293AWS
VIT5-B	99-04 (2.0L 2wd)	BK293C	BK293CWS

UNIT	NOTES	BRG KIT	BRG KIT WS
<b>GM Incl Chevy, BPO, Cadillac, GMC</b>			
<b>Cars</b>			
284	91-93	N/A	N/A
318	53-65 Muncie 318	BK131A	TBA
319	53-65 Muncie 319	BK140	TBA
330	69-71 HD Muncie 330	BK289	BK289WS
5T45MI	00-05	BK454	BK454WS
70MM	76-87	BK106	BK106WS
A5F4	04-Up	BK508	TBA
C50	83-86 (17.9 Thick Front Pinion Brg)	BK190	BK190WS
C50	86-88 (20.3 Thick Front Pinion Brg)	BK191	BK191WS
C51	89-91 (1-2 & 3-4 Synchro Assemblies Use Wire Type Springs)	BK191	BK191WS
C51	92-02 (1-2 & 3-4 Synchro Assemblies Use Coil Type Springs)	BK191	BK191AWS
C59	03-08	BK418A	BK418BWS
C60	03-06	BK256	BK256AWS
G260	03-04	N/A	N/A
HM282	82-88	BK234	BK234AWS
Lemans	88-93 Lemans, GTO, Tempest (Exc T56)	N/A	N/A
M20	63-65 (72mm OD Input Brg)	BK117A	BK117AWS
M20	63-65 (80mm OD Input Brg) (OE Style Brgs)	BK117	BK117WS
M20	63-65 (80mm OD Input Brg) (2 Max Load Brgs)	BK117HD	BK117HDWS
M21, M22	65-67 (7/8" Diameter Counter Shaft Pin)	BK117	BK117WS
M21, M22	65-73 (1" Diameter Counter Shaft Pin) (OE Style Brgs)	BK116	BK116WS
M21, M22	68-73 (1" Diameter Counter Shaft Pin) (2 Max Load Brgs)	BK116HD	BK116HDWS
M86	00-Up	BK454	BK454WS
MR10	83-94 External Slave Cylinder	BK234	BK234AWS
MR10	93-94 Internal Slave Cylinder	BK234A	BK234AWS
MR2	80-89	BK136	BK136WS
MR8	87-94 (1 Piece 1-2 Synchros)	BK194	BK194AWS
MR8	87-94 (3 Piece 1-2 Synchros)	BK194	BK194AWS
MR8	95-01 (3 Piece 1-2 Synchros)	BK194B	BK194BWS
MSG-5K	81-86	BK155	BK155WS

# Standard Bearing Kits

UNIT	NOTES	BRG KIT	BRG KIT WS
<b>GM Incl Chevy, BPO, Cadillac, GMC (cont.)</b>			
<b>Cars (cont.)</b>			
MU3	05-Up	BK395A	BK395AWS
MV2	85-88	BK175	BK175WS
MV3	89-00	BK264	BK264AWS
Nash	84-88 (4 Speed w/ Overdrive) ("4+3" T10)	BK185	BK185WS
S640	89-96	BK495	BK495WS
Saginaw	64-80 (3 Speed w/o OD)	BK115	BK115AWS
Saginaw	66-79 (3 Speed w/ OD)	BK115B	BK115BWS
Saginaw	64-84 (4 Speed)	BK115	BK115WS
T5 NWC	83-87 Exc T1000	BK107	BK107WS
T5 NWC	83-87 T1000	BK107	BK107AWS
T5 WC	88-91	BK149	BK149WS
T5 WC	92-02	BK149	BK149BWS
T10	55-66 (72mm OD Input Brg)	BK166A	BK166AWS
T10	55-66 (80mm OD Input Brg)	BK166	BK166WS
Super T10	74-82 OE Style Brgs	BK118	BK118WS
Super T10	74-82 (2 Max Load Brg)	BK118HD	BK118HDWS
T50	74-80	N/A	N/A
T56	93-07 Exc Corvette, Lemans, GTO, Tempest	BK396	BK396WS
T56	04-06 Lemans, GTO, Tempest	BK396	BK396BWS
T56	97-04 Corvette	BK396A	BK396AWS
T85	65-66 w/o OD	BK345	BK345WS
T85	65-66 w/ OD	BK345A	BK345AWS
Tremec	68-70 (3 Speed)	BK111	BK111WS
Vega	75-78 Astre, J2000	N/A	N/A
Vega	75-78 Sunbird, Sunfire	N/A	N/A
Vega	71-80 Vega, Monza (Exc Saginaw)	N/A	N/A
<b>GM Incl Chevy, BPO, Cadillac, GMC</b>			
<b>Trucks &amp; Vans</b>			
290	88-89 Double Ball & Roller Output Brg	BK235	BK235WS
290	89-90	BK235A	BK235AWS
290	91-94	BK235B	BK235BWS
290	95-99 (30mm OD Front Counter Shaft Journals) (No Reverse Synchro)	BK235B	BK235DWS
290	95-99 (30mm OD Front Counter Shaft Journals) (w/ Reverse Synchro)	BK235B	BK235GWS
290	95-99 (33mm OD Front Counter Shaft Journals)	BK235E	BK235EWS
290	00-07	BK235B	BK235GWS
318	40-54	BK131	N/A
318	54-69	BK131A	N/A
319	54-69	BK140	TBA

UNIT	NOTES	BRG KIT	BRG KIT WS
<b>GM Incl Chevy, BPO, Cadillac, GMC (cont.)</b>			
<b>Trucks &amp; Vans (cont.)</b>			
330	68-81	BK289	BK289WS
CCSMT	04-Up	BK473	BK473WS
M21, M22	71-74 (OE Style Brgs)	BK116	BK116WS
M21, M22	71-74 (2 Max Load Brg)	BK116HD	BK116HDWS
MSG-4E	72-75	BK352	BK352WS
MSG-4ET	76-80	BK156	BK156WS
MSG-4ET	81-82	BK156A	BK156AWS
MSG-4K	76-82	BK153	BK153WS
MSG-5ET	81-82	BK209	BK209WS
MSG-5K	81-82	BK155	BK155WS
NP435	67-72 Ball Input Brg	BK127E	BK127EWS
NP435	67-72 Tapered Input Brg	BK127	BK127WS
NP833	80-87	BK130	BK130WS
NV1500	96-03	BK416	BK416WS
NV4500	91-95 External Slave Cyl.	BK308	BK308WS
NV4500	96-00 Internal Slave Cyl. (No Reverse Synchro)	BK308B	BK308BWS
NV4500	99-07 Internal Slave Cyl. (Reverse Synchro)	BK308B	BK308CWS
S101	83-86	BK168	BK168WS
Saginaw	71-86 (3 Speed)	BK115	BK115AWS
Saginaw	71-86 (4 Speed)	BK115	BK115WS
SM420	54-67	BK108	N/A
SM465	68-87 (w/ Small Parts)	BK129	BK129WS
SM465	68-87 (w/o Small Parts)	BK129A	BK129AWS
SM465	89-91	BK129L	BK129LWS
T4	82-87 Ball Input Brg	BK148	BK148WS
T4	82-87 Tapered Input Brg	BK107	BK107BWS
T5 NWC	82-92	BK107	BK107WS
T5 WC	88-95	BK149	BK149WS
T89	54-68	BK345	BK345WS
Tremec	76-82	BK111	BK111AWS
VIT5	89-98 (1.6L 4wd)	BK293	BK293WS
VIT5	99-04 (2.5L 2wd)	BK487	BK487WS
VIT5	99-04 (2.5L 4wd)	BK487	BK487WS
VIT5-A	99-01 (1.6L 4wd)	BK293B	BK293BWS
VIT5-A	99-04 (2.0L 4wd)	BK293B	BK293BWS
VIT5-B	89-01 (1.6L 2wd)	BK293A	BK293AWS
VIT5-B	99-04 (2.0L 2wd)	BK293C	BK293CWS
ZF S650	01-06	BK486A	BK486AWS

Standard Bearing Kits

# Standard Bearing Kits

Standard Bearing Kits

UNIT	NOTES	BRG KIT	BRG KIT WS
<b>HONDA</b>			
A2	85-89	BK238	BK238WS
A2B5	85-87	BK238	BK238WS
A2K5	85-87	BK238	BK238WS
APG6	03-07	BK471	BK471WS
ATC6	04-07	BK510	N/A
D2	88-89	BK329	BK329WS
D2	90-91	BK330	BK330WS
GF	73-79	N/A	BK198WS
GJ	80-83	BK197	N/A
GK	79-83	BK186	BK186WS
GM	80-83	BK197	N/A
GM	84-85	BK252	BK252WS
GS	84-85	BK252	BK252WS
GV	84-87	BK225	BK225WS
GW	84-87	BK225	BK225WS
GY	84-85	BK252	BK252WS
H2	90-91	BK328	BK328WS
H2	92-93	BK387	BK387WS
K4F	96-00 Exc SOHC VTEC	BK326	BK326WS
K4F	96-00 SOHC VTEC	BK386	BK386WS
L3	85-91 (4 & 5 Speed)	BK326	BK326WS
L3	85-91 (6 Speed) (2wd)	BK327	BK327WS
L3	85-91 (6 Speed) (4wd)	BK339	BK339WS
M2	92-01 Non Posi Diff.	BK387	BK387AWS
M2	92-01 Posi Diff.	BK387B	BK387BWS
MSG-5F	94-02 (2wd)	BK220C	BK220CWS
MSG-5F	94-97 (4wd)	BK220B	BK220BWS
MSG-5F	98-02 (4wd)	BK220B	BK220DWS
NRH3	02-05	BK483	N/A
P2	94-98	BK387	BK387WS
PCY	00-Up	BK349	N/A
S2	98-02	BK387	BK387AWS
S20	92-95 (1.5L)	BK326	BK326WS
S20	92-95 (1.6L)	BK386	BK386WS
S21	95-97	BK390	BK390AWS
S40	96-00 Exc SOHC VTEC	BK326	BK326WS
S40	96-00 SOHC VTEC	BK386	BK386WS
S4C	99-00	BK390	BK390AWS
SBXM	98-01	BK280	BK280WS
SG8	96-97	BK386	BK386WS
SHR	00-06	BK257	TBA
SLW	01-05	BK499	N/A
SMJM	07-Up	BK520	N/A
SPFM	06-Up	BK514	N/A
SZB	03-05	BK499A	N/A
T5 WC	94-97	BK149	BK149WS
Y21	94-95	BK390	BK390AWS
Z2M4	01-06	BK483	N/A
ZF J3	03-Up	TBA	TBA
ZGM3	03-Up	BK483A	N/A

UNIT	NOTES	BRG KIT	BRG KIT WS
<b>HYUNDAI</b>			
HS5FA	01-06 Santa Fe	BK202	N/A
KM160	84-89	BK201	BK201AWS
KM162	84-89	BK201	BK201WS
KM200	89-94	BK232A	BK232BWS
KM201	89-93 (30T 3-4 Synchros)	BK232A	BK232AWS
KM201	93-94 (36T 3-4 Synchros)	BK232A	BK232CWS
KM208	92-94 (30T 3-4 Synchros)	BK358	BK358WS
KM208	94-95 (36T 3-4 Synchros)	BK358	BK358CWS
KM212	89-94 (36T 3-4 Synchros)	BK274	BK274WS
KM212	94-98 (39T 3-4 Synchros) (No Reverse Synchro)	BK274	BK274AWS
KM212	94-98 (39T 3-4 Synchros) (w/ Reverse Synchro)	BK274	BK274BWS
KM301	93-95	BK331	BK331WS
KM303	91-93 (30T 3-4 Sync.)	BK358	BK358AWS
KM303	93-95 (36T 3-4 Sync.)	BK358	BK358CWS
KM304	99-00 (51T 1-2 Sync.)	BK355	BK355WS
KM304	00-Up (60T 1-2 Sync.)	BK355	BK355AWS
KM305	00-Up	BK373	BK373WS
KM306	03-05	BK353	BK353WS
M5AF3	95-96 (55mm OD Rear Input Brg w/ Step)	BK270	BK270WS
M5AF3	96-98 (58mm OD Rear Input Brg w/o Step)	BK270A	BK270AWS
M5AF3	1999 (33T 3-4 Synchros)	BK270A	BK270AWS
M5AF3	1999 (36T 3-4 Synchros)	BK270A	BK270BWS
M5AF3	00-01 (1 Piece 2nd Synchro) (w/ Key Slots)	BK270A	BK270BWS
M5AF3	01-Up (1 Piece 2nd Synchro) (No Key Slots)	BK270A	BK270CWS
M5AF3	01-Up (3 Piece 2nd Synchro) (No Key Slots)	BK270A	BK270DWS
M5AF3	01-Up (3 Piece 2nd Synchro) (No Key Slots)	BK270A	BK270EWS
M5BF1	96-01 (1 Piece 2-3 Synchros)	BK262	BK262WS
M5BF1	96-01 (3 Piece 2-3 Synchros)	BK262	BK262AWS
M5BF1	02-08	BK373	BK373WS
TIB6	03-07	BK281	BK281WS

# Standard Bearing Kits

UNIT	NOTES	BRG KIT	BRG KIT WS
<b>INFINITI</b>			
FS6R31A	03-Up G35	BK481	BK481WS
FS6R31A	08-Up G37	BK481	BK481WS
RS5F32A	91-99 G20 Non Posi Diff.	BK174C	BK174CWS
RS5F32A	91-99 G20 Posi Diff.	BK174B	BK174BWS
RS5F50A	96-99 I30 Non Posi Diff.	BK182D	BK182DWS
RS5F50A	96-99 I30 Posi Diff.	BK182E	BK182EWS
RS5F70A	00-02 G20 Non Posi Diff.	BK488	BK488WS
RS5F70A	00-02 G20 Posi Diff.	BK488A	BK488AWS
<b>INTERNATIONAL</b>			
NP435	65-80	BK127I	BK127IWS
T15	73-80	BK121I	BK121IWS
T18	64-75	BK114I	BK114IWS
T19	72-80	BK146I	BK146IWS
T33	65-75	BK287	TBA
T87	64-73	BK346	BK346WS
T90	64-73	BK119I	BK119IWS
T98	64-75	BK141I	BK141IWS
<b>ISUZU</b>			
AX15	98-02	BK163E	BK163EWS
MR8	85-93 (1 Piece 1-2 Synchronos)	BK194	BK194AWS
MR8	85-93 (3 Piece 1-2 Synchronos)	BK194	BK194AWS
MSG-4ET	81-87	BK156A	BK156AWS
MSG-4K	81-87 Front Counter Shaft Needle Brg	BK153	BK153WS
MSG-4K	81-87 Front Counter Shaft Ball Brg	BK153A	BK153AWS
MSG-5ET	84-87	BK209	BK209WS
MSG-5F	89-91 (2wd) (1 Piece 1-2 Synchronos)	BK220A	BK220AWS
MSG-5F	91-04 (2wd) (3 Piece 1-2 Synchronos)	BK220C	BK220CWS
MSG-5F	87-92 (4wd) (1 Piece 1-2 Synchronos)	BK220	BK220WS
MSG-5F	92-00 (4wd) (3 Piece 1-2 Synchronos) (5-R Synchronos Have Different Inner Taper)	BK220B	BK220BWS
MSG-5F	98-04 (4wd) (3 Piece 1-2 Synchronos) (5-R Synchronos Have Same Inner Taper)	BK220B	BK220DWS
MSG-5K	82-87	BK155	BK155WS
MSG-5T	81-87 (36T 1-2 Sync.)	BK155	BK155WS
MSG-5T	87-03 (45T 1-2 Sync.)	BK155	BK155AWS
NV1500	96-00	BK416	BK416WS
NV3500	98-00	BK235B	BK235DWS
T5 WC	87-94	BK149	BK149WS

UNIT	NOTES	BRG KIT	BRG KIT WS
<b>JEEP</b>			
AX4	84-87 (20mm Thick Input Brg)	BK160A	BK160AWS
AX4	84-87 (23mm Thick Input Brg)	BK161A	BK161AWS
AX5	84-87 Nut Counter Shaft (20mm Thick Input Brg)	BK160A	BK160AWS
AX5	84-87 Nut Counter Shaft (23mm Thick Input Brg)	BK161A	BK161AWS
AX5	87-02 Snap Ring Style Counter Shaft	BK161LA	BK161LAWS
AX15	90-00	BK163J	BK163JWS
BA10	87-90	BK219	BK219WS
NSG370	05-Up (4 Tab Synchronos)	BK478	BK478WS
NSG370	05-Up (6 Tab Synchronos)	BK478	BK478AWS
NV1500	02-05	BK494A	BK494AWS
NV2550	03-04	BK494A	BK494AWS
NV3550	00-02 (33mm OD Counter Shaft Brg)	BK235E	BK235FWS
NV3550	01-Up (30mm OD Counter Shaft Brg)	BK235C	BK235GWS
NVT355	07-Up	BK414B	BK414BWS
SR4	76-81 SR4J	BK124J	BK124JWS
T4	82-86 T4J	BK107AJ	BK107AJWS
T5	82-86 T5J	BK107J	BK107JWS
T14	67-75	BK120	BK120WS
T15	67-79	BK121	BK121WS
T18	65-85 (3-4 Synchronos Have 10mm Key Slots)	BK114J	BK114JAWS
T18	65-85 (3-4 Synchronos Have 13mm Key Slots)	BK114J	BK114JWS
T84	41-45	BK376	BK376WS
T85	65-66	BK345	BK345WS
T86	58-64	BK288	BK288WS
T86	1965 (30T 2-3 Synchronos)	BK288	BK288WS
T86	1965 (33T 2-3 Synchronos)	BK288	BK288AWS
T86	66-72	BK288	BK288AWS
T89	1966	BK345	BK345WS
T90	46-72	BK119	BK119WS
T96	46-72	BK343	BK343WS
T98	55-72	BK141J	BK141JWS
T150	75-79	BK122	BK122WS
T176	80-86	BK123	BK123WS



# Standard Bearing Kits

UNIT	NOTES	BRG KIT	BRG KIT WS
<b>KIA</b>			
Getrag	95-02 2wd, 4wd, Sport	BK421	BK421WS
KM304	01-Up	BK355	BK355AWS
KSO54W	04-06	BK482	BK482WS
KSP5FW	00-04 (1.8L) (1 Piece 1-2 Synchronos)	BK210	BK210BWS
KSP5FW	02-04 (1.8L) (3 Piece 1-2 Synchronos)	BK210	BK210DWS
KSP5FW	04-Up (2.0L)	BK373	BK373WS
M5TX	94-97 Sephia 1.6L	BK277A	BK277AWS
M5TX	94-01 Sephia 1.8L	BK210	BK210AWS
M5TX	00-01 Rio (19.25mm Thick Rear Pinion Brg)	BK431	BK431WS
M5TX	00-01 Rio (22.00mm Thick Rear Pinion Brg)	BK431A	BK431AWS
M5TX	02-04 Rio	BK431A	BK431AWS
<b>LAND ROVER</b>			
R380	93-98	BK490	BK490WS
<b>LEXUS</b>			
E52	90-91 ES250	BK306	BK306WS
E52	92-93 ES300	BK290A	BK290AWS1
W58	02-05 IS300	BK162B	BK162CWS
W58	91-97 SC300	BK162B	BK162CWS
<b>MAZDA</b>			
B4	80-84	BK137A	BK137AWS
B5V	89-93 (2wd & 4wd)	BK199	BK199WS
B2000	82-84 Double Ball Front Counter Shaft Brg	BK132	BK132WS
B2000	82-84 Single Ball Front Counter Shaft Brg	BK137	BK137WS
B2200	80-84 Double Ball Front Counter Shaft Brg	BK132	BK132WS
B2200	80-84 Single Ball Front Counter Shaft Brg	BK137	BK137WS
B2200	86-89 Double Ball Front Counter Shaft Brg	BK132L	BK132LWS
B2200	86-89 Single Ball Front Counter Shaft Brg	BK137L	BK137LWS
B2200	90-93 Double Ball Front Counter Shaft Brg	BK132L	BK132DWS
B2200	90-93 Single Ball Front Counter Shaft Brg	BK137L	BK137EWS
B2600	87-93	BK199	BK199WS
CR1	72-79	BK164	BK164WS
CR2	76-78	BK152	BK152WS
G5P0	01-06	BK210C	BK210CWS
G5R0	01-06	BK210C	BK210CWS
M12004R	69-72	TBA	
M3234F	81-89	BK211	BK211AWS

UNIT	NOTES	BRG KIT	BRG KIT WS
<b>MAZDA (cont.)</b>			
M3235W	88-89	BK423	BK423WS
M3235F	81-89	BK211	BK211WS
M35F4	04-Up	BK432	BK432WS
M5R1	91-Up (1 Pc 2nd Sync.)	BK247	BK247AWS
M5R1	01-Up (3 Pc 2nd Sync.)	BK247	BK247BWS
M5TX	89-93	BK277	BK277WS
M5TX	94-03 (1.5L)	BK277B	BK277BWS
M5TX	94-03 (1.6L, 1.8L)	BK277A	BK277AWS
M5TXA	83-87	BK210	BK210WS
M5TXA	88-99	BK210	BK210AWS
M5TXA	00-02 (626 2.2L)	BK210	BK210AWS
M5TXA	00-02 (Exc 626 2.2L)	BK210C	BK210CWS
M5TXA	03-Up	BK210C	BK210CWS
M6265RW	79-82	BK132	BK132WS
M65F4	03-Up (68mm OD Differential Brg)	BK432	BK432WS
M65F4	03-Up (75mm OD Differential Brg)	BK513	BK513WS
M65F6	03-Up	BK434	BK434WS
M66A4	06-07	BK504	BK504WS
M9295R	88-89	BK199	BK199WS
MCOS5R	76-78	BK132	BK132WS
MGLC4R	70-86	BK171A	BK171AWS
MGLC5R	75-86	BK171	BK171WS
MP54W	90-91	BK423A	BK423AWS
MRX4R	79-80	BK137A	BK137AWS
MX5	89-95 (5 Speed) (1 Piece 2nd Synchronos)	BK302	BK302WS
MX5	95-04 (5 Speed) (3 Piece 2nd Synchronos)	BK302	BK302AWS
MX56	99-04	BK435	BK435WS
MX56	06-Up	BK435A	BK435AWS
PR5T	88-92	BK303	BK303WS
RX7	79-80 Double Ball Front C/S Brg	BK132	BK132WS
RX7	79-80 Single Ball Front C/S Brg	BK137	BK137WS
RX7	81-85 Double Ball Front C/S Brg	BK132L	BK132LWS
RX7	81-85 Single Ball Front C/S Brg	BK137L	BK137LWS
RX7B	86-88 Double Ball Front C/S Brg	BK132L	BK132BWS
RX7B	86-88 Single Ball Front C/S Brg	BK137L	BK137BWS
RX7B	89-92 Double Ball Front C/S Brg	BK132L	BK132DWS
RX7B	89-92 Single Ball Front C/S Brg	BK137L	BK137CWS
RX7T	87-93	BK199	BK199WS
RX7T	94-95	BK199	BK199AWS
RX8	04-Up	BK436	BK436WS

# Standard Bearing Kits

UNIT	NOTES	BRG KIT	BRG KIT WS
<b>MINI COOPER</b>			
GS5	02-Up Non Supercharge	BK472	BK472WS
<b>MINI COOPER</b>			
<b>MITSUBISHI</b>			
A578	95-99	BK414	BK414WS
F5M22	87-93 30T 3-4 Synchro	BK358	BK358AWS
F5M22	93-94 36T 3-4 Synchro	BK358	BK358CWS
F5M31	92-93 (2.0L) (36T 3-4 Synchros)	BK274	BK274WS
F5M31	92-93 (2.0L) (39T 3-4 Synchros)	BK274	BK274CWS
F5M31	96-99 (2.4L Eclipse & Spyder)	BK366A	BK366FWS
F5M31	92-93 (2.4L Expo) (36T 3-4 Synchros)	BK274	BK274WS
F5M31	93-95 (2.4L Expo) (39T 3-4 Synchros)	BK274	BK274CWS
F5M31	93-98 (2.4L Gallant)	BK274	BK274AWS
F5M33	90-92 Non Turbo (1 Piece 2nd Synchro)	BK366	BK366BWS
F5M33	90-92 Non Turbo (3 Piece 2nd Synchro)	BK366	BK366CWS
F5M33	93-99 Non Turbo (1 Piece 2nd Synchro)	BK366	BK366DWS
F5M33	93-99 Non Turbo (3 Piece 2nd Synchro)	BK366	BK366EWS
F5M33	89-93 Turbo (36T 3-4 Synchro)	BK366	BK366WS
F5M33	93-99 Turbo (39T 3-4 Synchro)	BK366	BK366EWS
F5M41	97-02	BK496	BK496WS
F5M42	97-Up (1 Piece 1-2 Synchros)	BK497	BK497WS
F5M42	99-03 (3 Piece 1-2 Synchros)	BK497A	BK497AWS
F5M51	00-03	BK497B	BK497BWS
F5MC1	95-99	BK414	BK414WS
KM130	83-86	BK109	BK109WS
KM132	83-89 Exc Starion (Snap Ring Groove on Input Brg)	BK145	BK145WS
KM132	83-89 Exc Starion (No Snap Ring Groove on Input Brg)	BK180	BK180WS
KM132	84-87 Starion (Tin Pan w/ Intercooler)	BK227	BK227WS
KM132	84-87 Starion (Tin Pan w/o Intercooler)	BK227A	BK227AWS
KM132	88-89 Starion (Aluminum Pan w/ Intercooler)	BK227B	BK227BWS
KM132-8	83-89	BK150	BK150WS
KM132-9	90-96	BK189	BK189WS

UNIT	NOTES	BRG KIT	BRG KIT WS
<b>MITSUBISHI (cont.)</b>			
KM144	83-84	BK109	BK109WS
KM145	83-89 No Snap Ring Groove on Input Brg	BK180	BK180WS
KM145	83-89 Snap Ring Groove on Input Brg	BK145	BK145WS
KM160	86-89	BK201	BK201AWS
KM161	85-86	BK204	BK204WS
KM162	83-89	BK201	BK201WS
KM163	83-88	BK187	BK187WS
KM165	83-88	BK201	BK201AWS
KM166	83-88	BK187	BK187WS
KM200	86-94	BK232A	BK232BWS
KM201	86-93 No Rev. Synchro	BK232A	BK232AWS
KM201	93-96 w/ Rev. Synchro	BK232A	BK232CWS
KM206	86-89	BK358	BK358WS
KM210	89-92	BK274	BK274WS
LD42G	83-86 (21mm Thick Input Brg w/ Snap Ring)	BK145	BK145WS
LD42G	86-90 (24mm Thick Input Brg w/ Snap Ring)	BK189	BK189WS
R5M21	97-99	BK189	BK189AWS
V5MT2	88-92 (1 Piece 1-2 Synchros)	BK304	BK304WS
V5MT2	92-99 (3 Piece 1-2 Synchros)	BK304	BK304BWS
W5M31	90-93	BK365	BK365AWS
W5M33	89-92 Eclipse & Spyder	BK361	BK361WS
W5M33	93-99 Eclipse & Spyder (1 Piece 2nd Synchro)	BK361	BK361AWS
W5M33	93-99 Eclipse & Spyder (3 Piece 2nd Synchro)	BK361	BK361BWS
W5M33	92-93 Expo (1 Piece 2nd Synchro)	BK364	BK364WS
W5M33	93-95 Expo (3 Piece 2nd Synchro)	BK364	BK364AWS
W5M33	91-92 Gallant	BK361	BK361WS
W5M33	1993 Gallant	BK361	BK361CWS
W5M51	03-Up	BK437	BK437WS
W5MG1	90-93	BK428	BK428WS
W6MG1	93-99	BK428	BK428AWS
<b>NISSAN</b>			
<b>Cars</b>			
4FW56A	73-77	BK139A	TBA
F4W63	65-81	BK134	BK134WS
4FW60	73-82	BK139	TBA
F4W70B	70-74	BK105A	BK105AWS
F4W71B	74-79	BK105	BK105WS
F4WF60A	76-81	N/A	N/A

# Standard Bearing Kits

UNIT	NOTES	BRG KIT	BRG KIT WS
<b>NISSAN (cont.)</b>			
<b>Cars (cont.)</b>			
FS5R30A	86-89 (1 Piece 2nd Synchro)	BK240	BK240LWS
FS5R30A	89-96 (3 Piece 2nd Synchro)	BK240	BK240CWS
FS5R90A	82-83	BK107NA	BK107NAWS
FS5R90A	84-86	BK107N	BK107NWS
FS5W60L	76-78	BK179	TBA
FS5W63A	77-79	BK178	BK178WS
FS5W71A	77-80 Fiber 5th Synchro (Not Incl.)	BK104	BK104AWS
FS5W71C	78-82 B210, 210, 510	BK173	BK173WS
FS5W71C	80-84 (1-2 Synchros Same Size as 3-4)	BK104	BK104WS
FS5W71C	83-84 (1-2 Synchros Larger Than the 3-4)	BK133	BK133AWS
FS5W71C	85-89 (1 Pc 2nd Sync.)	BK133	BK133AWS
FS5W71C	85-89 (3 Pc 2nd Sync.)	BK133	BK133BWS
FS5W71H	88-93 No Rev. Synchro	BK133	BK133BWS
FS5W71H	93-98 Reverse Synchro (26.00mm OD Large Pocket Needle Brg)	BK133	BK133CWS
FS5W71H	93-98 Reverse Synchro (31.25mm OD Large Pocket Needle Brg)	BK133E	BK133FWS
FS5WF60A	75-81	N/A	N/A
FS6R31A	2003	BK481	BK481WS
FS6R31A	2004	BK481	BK481AWS
FS6R31A	05-09	BK481	BK481BWS
RN4F30A	82-87	BK174	BK174WS
RN4F31A	88-90	BK213	BK213WS
RN4F31A	91-93	BK174A	BK174AWS
RN4G30	82-86	BK174	BK174WS
RN5F30A	82-86	BK174	BK174WS
RS5F30A	82-86	BK174	BK174WS
RS5F31A	81-90 (40.0mm ID Differential Brg)	BK213	BK213WS
RS5F31A	91-99 (49.8mm ID Differential Brg)	BK174A	BK174AWS
RS5F31C	82-85	BK213	BK213WS
RS5F31C	86-87	BK269	BK269WS
RS5F31E	87-90 4wd (Does Not Include Brg or Seals for Tr. Case Section)	BK239A	BK239AWS
RS5F31G	91-98	BK174A	BK174AWS
RS5F31H	91-99 Posi Diff.	BK174B	BK174BWS
RS5F31H	91-99 Non Posi Diff.	BK174D	BK174DWS
RS5F50	93-01 Non Posi Diff.	BK182C	BK182CWS
RS5F50	93-01 Posi Diff.	BK182F	BK182FWS
RS5F50	02-06 Non Posi Diff.	BK439	BK439WS
RS5F50	02-06 Posi Diff.	BK439A	BK439AWS

UNIT	NOTES	BRG KIT	BRG KIT WS
<b>NISSAN (cont.)</b>			
<b>Cars (cont.)</b>			
RS5F50A	85-90 (w/ Different Sized Differential Bearings)	BK182B	BK182BWS
RS5F50A	85-E86 (Both Diff. Brgs are (Maxima Only)	BK182	BK182WS
RS5F50A	68mm OD, 74.05mm ID 1st Synchro)	BK182	BK182WS1
RS5F50A	L86-87 (Both Diff. Brgs are (Maxima Only)	BK182	BK182AWS
RS5F50A	L87-90 (Both Diff. Brgs are (Maxima Only)	BK182	BK182WS
RS5F50A	85-86 (74.05mm OD 1st Synchro) (Measure Where Ring Indexes Hub)	BK182	BK182WS1
RS5F50A	85-86 (73.40mm OD 1st Synchro) (Measure Where Ring Indexes Hub)	BK182	BK182AWS
RS5F50A	87-90 Reverse Synchro	BK182	BK182CWS
RS5F50A	87-90 No Rev. Synchro	BK182	BK182DWS
RS5F50A	1991 (40mm ID Diff. Brg)	BK182D	BK182EWS
RS5F50A	1991 (42mm ID Diff. Brg) (Non Posi Differential)	BK182E	BK182DWS
RS5F50A	1991 (42mm ID Diff. Brg) (Posi Differential)	BK182E	BK182EWS
RS5F50A	92-96 Non Posi Diff.	BK182D	BK182HWS
RS5F50A	92-96 Posi Diff.	BK182E	BK182IWS
RS5F50A	97-01 Non Posi Diff.	BK182D	BK182WS
RS5F50A	97-01 Posi Diff.	BK182E	BK239WS
RS5F50C	86-90 (2wd)	BK239	BK182CWS
RS5F50C	86-90 (4wd)	BK239	BK182FWS
RS5F50C	91-92 Non Posi Diff.	BK182C	BK488WS
RS5F50C	91-92 Posi Diff.	BK182F	BK488WS
RS5F70A	00-06 (1.8L)	BK488	BK488AWS
RS5F70A	00-01 (2.0L) (Non Posi)	BK488A	
RS5F70A	00-01 (2.0L) (Posi Diff.)	BK488A	
RS6F50A	02-Up (Non Posi)	BK441	
RS6F50A	02-Up (Posi Diff.)	BK441A	

# Standard Bearing Kits

UNIT	NOTES	BRG KIT	BRG KIT WS
<b>NISSAN</b>			
<b>Trucks &amp; Vans</b>			
F4W71B	73-83 (2wd)	BK105	BK105WS
F4W71B	80-83 (4wd)	BK105B	BK105BWS
F4W71E	87-90	BK133	BK133AWS
FS5R30	05-Up	TBA	TBA
FS5R30A	86-87 (42T 1-2 Sync.)	BK240	BK240WS
FS5R30A	87-91 (54T 1-2 Sync.)	BK240	BK240LWS
FS5R30A	1992 (1 Pc 2nd Sync.)	BK240	BK240LWS
FS5R30A	1992 (3 Pc 2nd Sync.)	BK240	BK240CWS
FS5R30A	93-97	BK240	BK240CWS
FS5R30A	1998 (3-4 Synchros - No Updated Inner Taper)	BK240	BK240CWS
FS5R30A	1998 (3-4 Synchros Have an Updated Inner Taper) (74.95mm ID)	BK240	BK240DWS
FS5R30A	99-04 Non Supercharge	BK240	BK240DWS
FS5R30A	99-04 Supercharged	BK240	BK240EWS
FS5W71A	74-80 Crush Style 5th Synchro Not Incl in Kit	BK104	BK104AWS
FS5W71C	80-84 (56mm OD Front Counter Shaft Brg)	BK104	BK104WS
FS5W71C	84-86 (62mm OD Front Counter Shaft Brg)	BK133	BK133WS
FS5W71C	00-04 Xterra	BK133E	BK133GWS
FS5W71C	00-04 Frontier	BK133E	BK133EWS
FS5W71E	86-93 (1 Piece 2nd Synchro)	BK133	BK133AWS
FS5W71E	93-95 (3 Piece 2nd Synchro)	BK133	BK133BWS
FS5W71E	1996	BK133	BK133CWS
FS5W71E	1997	BK133	BK133DWS
FS5W71E	86-93 (1 Piece 2nd Synchro)	BK133	BK133AWS
FS5W71E	93-95 (3 Piece 2nd Synchro)	BK133	BK133BWS
FS5W71E	1996	BK133	BK133CWS
FS5W71E	1997	BK133	BK133DWS
FS5W71G	86-89	BK212	BK212WS
FS5W71G	90-92 No Rev. Synchro	BK212A	BK212AWS
FS5W71G	92-93 w/ Rev. Synchro (1 Piece 2nd Synchro)	BK212A	BK212BWS
FS5W71G	93-95 w/ Rev. Synchro (3 Piece 2nd Synchro)	BK212A	BK212CWS
FS5W71G	1996 (26mm OD Pocket Needle Brg)	BK212A	BK212CWS
FS5W71G	1996 (31mm OD Pocket Needle Brg)	BK212E	BK212EWS
FS5W71G	97-00	BK212E	BK212EWS
FS6R30A	05-Up	BK481C	BK481CWS
RS5F50V	89-90	BK182	BK182AWS
RS5F50Y	89-90	BK182G	BK182GWS

UNIT	NOTES	BRG KIT	BRG KIT WS
<b>SATURN</b>			
M86	03-Up Ion, Vue	BK454	BK454WS
MU3	05-Up Ion	BK395A	BK395AWS
SAT1	91-02 S Series	BK395	BK395WS
SAT2	00-Up L Series	BK395A	BK395AWS
<b>SCION</b>			
SCION-A	04-Up tC	BK444	BK444WS
SCION-B	04-Up xA, xB	BK191	BK191BWS
<b>SUZUKI</b>			
MV3	88-01	BK264	BK264WS
SASF	02-03	BK264A	BK264BWS
SASF	04-Up	BK446	BK446WS
SAM	86-95	BK165	BK165WS
SE5F-A	95-99 Ball Diff. Brg	BK264	BK264WS
SE5F-B	99-02 Tapered Diff. Brg	BK264A	BK264AWS
SGV56R	06-08	BK515	BK515WS
SIDE-A	89-97	BK293A	BK293AWS
SIDE-A	1998 (2wd) (65mm OD Center Main Shaft Brg)	BK293C	BK293CWS
SIDE-A	1998 (2wd) (72mm OD Center Main Shaft Brg)	BK293A	BK293AWS
SIDE-A	1998 (4wd) (65mm OD Center Main Shaft Brg)	BK293B	BK293BWS
SIDE-B	89-98 (4wd)	BK293	BK293WS
VIT5	99-03 (2wd) (1.6L)	BK293A	BK293AWS
VIT5	99-03 (2wd) (2.0L)	BK293C	BK293CWS
VIT5	99-05 (2wd) (2.5L, 2.7L) (w/ Dummy Tr. Case)	BK487	BK487WS
VIT5	99-03 (4wd) (1.6L)	BK293B	BK293BWS
VIT5	99-03 (4wd) (2.0L)	BK293B	BK293BWS
VIT5	99-05 (4wd) (2.5L)	BK487	BK487WS
VIT5	99-05 (4wd) (2.7L)	BK487	BK487WS
<b>TOYOTA</b>			
<b>Cars</b>			
C50	83-86 (17.9mm Thick Front Pinion Brg)	BK190	BK190WS
C50	86-91 (20.3mm Thick Front Pinion Brg)	BK191	BK191WS
C50	92-02	BK191	BK191AWS
C52	90-91 (1-2 & 3-4 Synchro Assemblies Use Wire Type Springs)	BK191	BK191WS
C52	91-98 (1-2 & 3-4 Synchro Assemblies Use Coil Type Springs)	BK191	BK191AWS
C52	00-03	BK418A	BK418AWS

# Standard Bearing Kits

UNIT	NOTES	BRG KIT	BRG KIT WS
<b>TOYOTA (cont.)</b>			
<b>Cars (cont.)</b>			
C56	92-02	BK191	BK191AWS
C56	03-Up (5 Spd) (2.150" ID 3-4 Rings, Measured at Largest Inner Diameter)	BK418A	BK418BWS
C56	03-Up (5 Spd) (2.170" ID 3-4 Rings, Measured at Largest Inner Diameter)	BK418A	BK418AWS
C56	03-Up (6 Speed)	BK256	BK256AWS
C59	00-05	BK418A	BK418AWS
C60	00-05 Except Matrix	BK256	BK256WS
C60	03-Up Matrix	BK256	BK256AWS
C140	87-96	BK279	BK279AWS
C150	87-94 Straight Synchro Teeth	BK279	BK279WS
C150	92-99 Angled Synchro Teeth	BK279	BK279BWS
C150	00-05	BK279	BK279CWS
E51	1988 Supercharged	BK290	BK290WS
E51	1989 Supercharged	BK291	BK291WS
E52	88-91	BK306	BK306WS
E52	92-93 (1 Piece 2nd Synchro)	BK290A	BK290AWS
E52	93-99 (3 Piece 2nd Synchro)	BK290A	BK290AWS2
E52	00-01 (3 Piece 2nd Synchro)	BK290A	BK290AWS3
E56	84-91	BK307	BK307WS
E57	92-99 (Transfer Case Parts Not Incl.)	BK385	BK385WS
E153	90-92 (1 Piece 2nd & 1 Piece 5th Synchro)	BK290A	BK290AWS
E153	92-93 (1 Piece 2nd & 3 Piece 5th Synchro)	BK290A	BK290AWS1
E153	93-95 (3 Piece 2nd & 3 Piece 5th Synchro)	BK290A	BK290AWS2
E350	88-93 Tr. Case Parts N.I.	BK305	BK305WS
E351	02-Up	BK447	BK447WS
L40	67-70	BK102C	BK102WS
R154	86-93	BK163	BK163WS
S51	83-84	BK192A	N/A
S52	84-91 (22mm Thick Front Pinion Roller Brg)	BK193	BK193WS
S52	84-91 (24mm Thick Front Pinion Roller Brg)	BK290B	BK290BWS
S52	92-01 (1 Piece 2nd Synchro)	BK290B	BK290BWS
S52	92-01 (3 Piece 2nd Synchro)	BK290B	BK290BWS1

UNIT	NOTES	BRG KIT	BRG KIT WS
<b>TOYOTA (cont.)</b>			
<b>Cars (cont.)</b>			
S53	85-89 Celica	BK193	BK193WS
S53	90-93 Celica	BK290B	BK290BWS
S53	94-99 Celica	BK419	BK419WS
S53	91-93 MR2 Incl Spyder (1 Piece 2nd Synchro)	BK290B	BK290BWS
S53	93-95 MR2 Incl Spyder (1 Piece 2nd Synchro)	BK290B	BK290BWS1
T40	71-81	BK176A	BK176AWS
T50	73-81 (62mm OD Input Brg)	BK176	BK176WS
T50A	81-83 (68mm OD Input Brg)	BK188	BK188WS
T51	83-87	BK244	N/A
V160	93-98	N/A	N/A
W40	70-81	BK103A	BK103AWS
W50	70-81	BK103	BK103WS
W55	78-85	BK162	BK162WS
W58	82-91	BK162	BK162WS
W58	92-97	BK162B	BK162CWS
Z50F	83-88 Tercel Wagon (Transmission)	BK224	BK224WS
	Differential Kit w/ 41mm OD Diff. Brg (32005)	BK246	N/A
	Differential Kit w/ 62mm OD Diff. Brg (32007S1)	BK246A	N/A
<b>TOYOTA</b>			
<b>Trucks &amp; Vans</b>			
E250	96-99	BK385	BK385AWS
E250	00-03 Fwd	BK385A	BK385BWS
E250	00-03 Awd	BK385C	BK385CWS
G40	83-90 (20mm Thick	BK160	BK160WS
G40	83-90 (23mm Thick	BK161	BK161WS
G52	83-88 (20mm Thick	BK160	BK160WS
G52	83-88 (23mm Thick	BK161	BK161WS
G53	84-89	BK160B	BK160BWS
G57	84-89	BK161B	BK161BWS
G57	91-93	BK161L	BK161LWS
G58	89-95	BK161L	BK161LWS
G59	84-89	BK161B	BK161BWS
G59	91-93	BK161L	BK161LWS
H41	74-80	BK254	TBA
H42	81-86 (90mm OD	BK254A	TBA
H42	86-87 (92mm OD Input Brg)	BK254B	TBA
J30	67-74	BK253	TBA
L40	67-72	BK102C	BK102WS
L42	72-74	BK102B	BK102BWS
L42	75-50	BK102A	BK102AWS

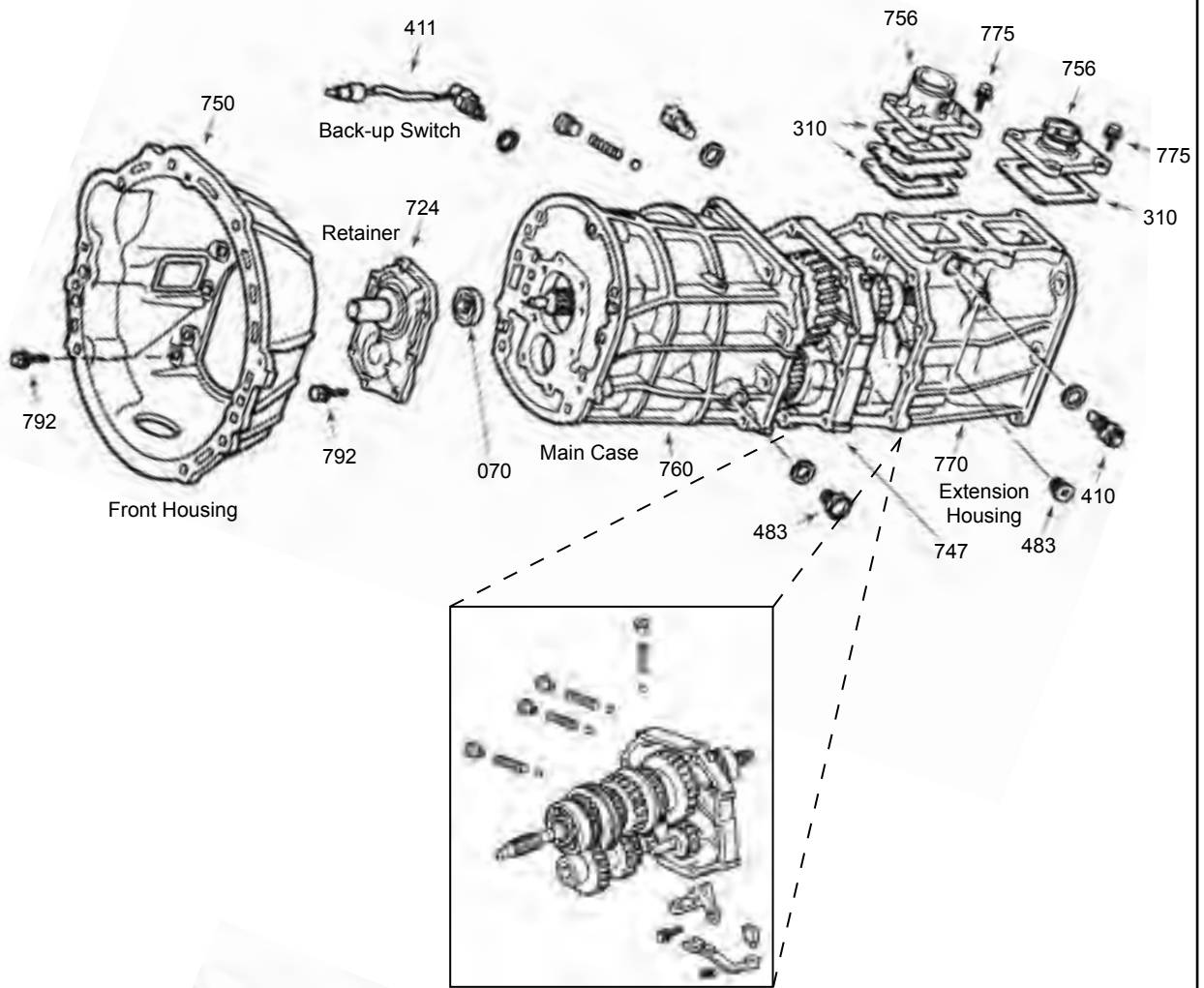
# Standard Bearing Kits

UNIT	NOTES	BRG KIT	BRG KIT WS
<b>TOYOTA (cont.)</b>			
<b>Trucks &amp; Vans (cont.)</b>			
L45	81-84 (75mm Roller Input Brg)	BK101	BK101WS
L45	81-84 (75mm Ball Input Brg)	BK157	BK157WS
L45	81-84 (80mm Ball Input Brg)	BK100	BK100WS
L52	81-84 (75mm Roller Input Brg)	BK101	BK101WS
L52	81-84 (75mm Ball Input Brg)	BK157	BK157WS
L52	81-84 (80mm Ball Input Brg)	BK100	BK100WS
R151	85-94 (72mm OD Rear Main Shaft Brg)	BK163	BK163WS
R151	94-95 (59mm OD Rear Main Shaft Brg) (1 Piece 2nd Synchro)	BK163C	BK163CWS
R151	95-00 (59mm OD Rear Main Shaft Brg) (3 Piece 2nd Synchro)	BK163C	BK163DWS
R151	01-04 (59mm OD Rear Main Shaft Brg) (1 Piece 2nd Synchro)	BK163C	BK163FWS
R155	05-Up	BK163C	BK163GWS
RA60	05-Up (2wd)	BK475A	BK475AWS
RA60	05-Up (4wd)	BK475	BK475WS
W40	72-86	BK103A	BK103AWS
W46	83-91	BK167	BK167WS
W50	75-86	BK103	BK103WS
W55	83-91 If Truck has Original Input Shaft	BK162	BK162WS
W55	83-91 If Truck has OE Replacement Input Shaft	BK162A	BK162AWS
W56	83-91 If Truck has Original Input Shaft	BK162	BK162WS
W56	83-91 If Truck has OE Replacement Input Shaft	BK162A	BK162AWS
W58	92-04 (2.4L)	BK162B	BK162BWS
W58	92-04 (2.7L)	BK162B	BK162CWS
W59	92-04 (2.4L)	BK162B	BK162BWS
W59	92-04 (2.7L)	BK162B	BK162CWS

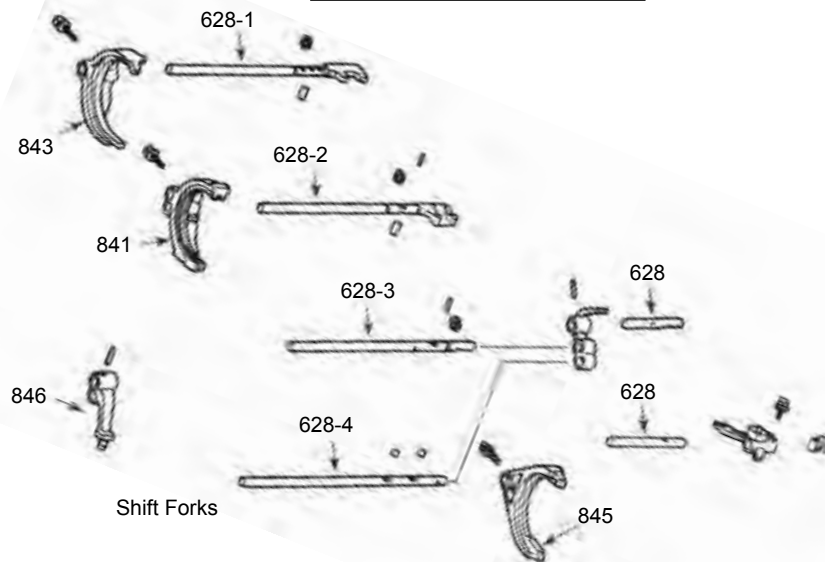
UNIT	NOTES	BRG KIT	BRG KIT WS
<b>VOLKSWAGEN</b>			
02A	89-Up (5 Speed) (27T 2nd Synchro)	BK420	BK420WS
02A	89-Up (5 Speed) (42T 2nd Synchro)	BK420	BK420AWS
02A	02-05 (6 Speed)	BK507	TBA
020	75-84 (4 Speed)	BK411	BK411WS
020	75-81 (5 Speed) (25mm ID Rear Input Bearing)	BK413	BK413WS
020	80-95 (5 Speed) (30mm OD Roller Input Brg)	BK412	BK412WS
020	86-99 (5 Speed) (32mm OD Roller Input Brg)	BK412A	BK412AWS
DASHER	73-81 (Not Serviced)	N/A	N/A
FOX	87-93 (Not Serviced)	N/A	N/A
QUANTUM	81-88 (Not Serviced)	N/A	N/A
TYPE I	54-78 (Not Serviced)	N/A	N/A
TYPE II	54-92 (Not Serviced)	N/A	N/A
TYPE III	54-78 (Not Serviced)	N/A	N/A
<b>VOLVO</b>			
M45 & M46	75-E79	BK266B	BK266BWS
M45 & M46	L79-84	BK266	BK266WS
M45 & M46	85-87	BK266A	BK266AWS
M47	87-91	BK309	BK309WS
M70	98-Up	BK322	BK322WS
TKO-500	04-Up Tremec 5 Spd	BK417A	BK417AWS
TKO-600	04-Up Tremec 5 Spd	BK417A	BK417AWS
TR3550	90-03 Tremec 5 Spd	BK417	BK417WS

Standard Bearing Kits

A

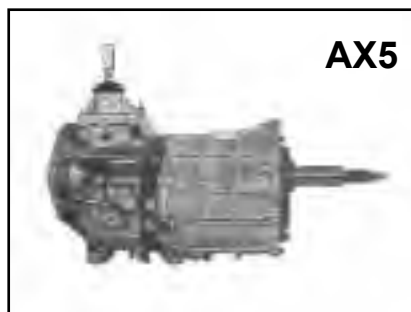
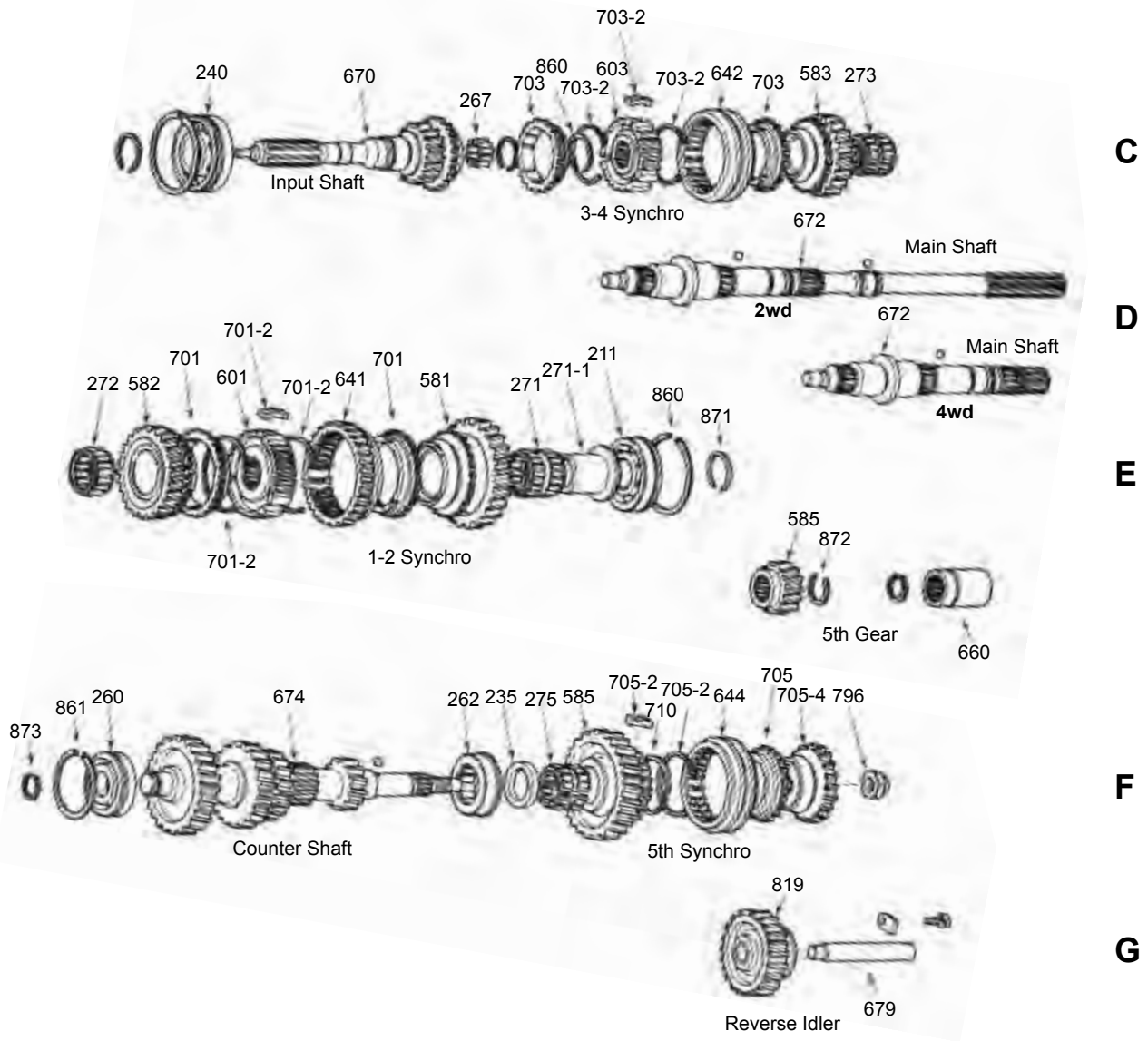


B



372

AX4, AX5



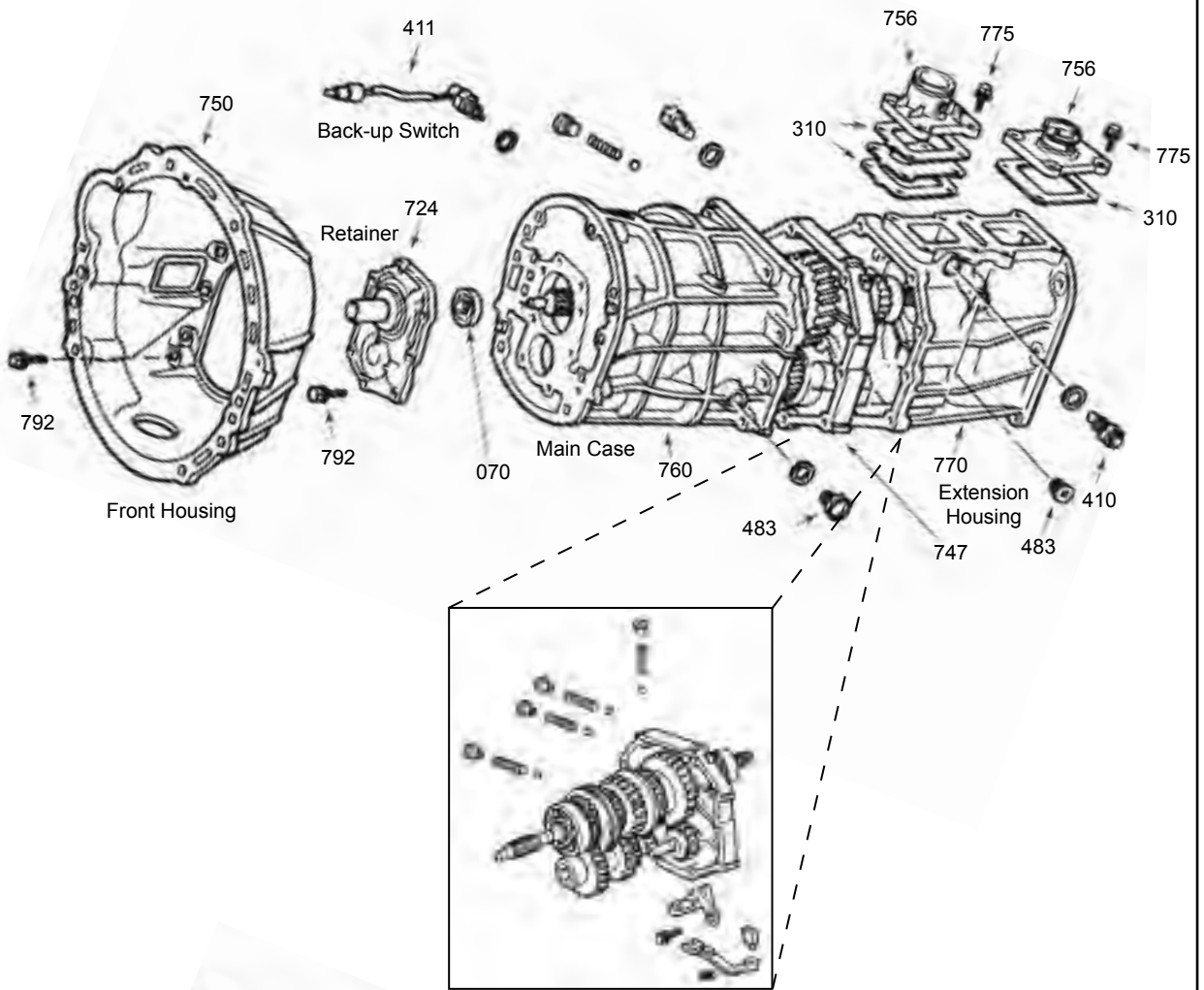
372



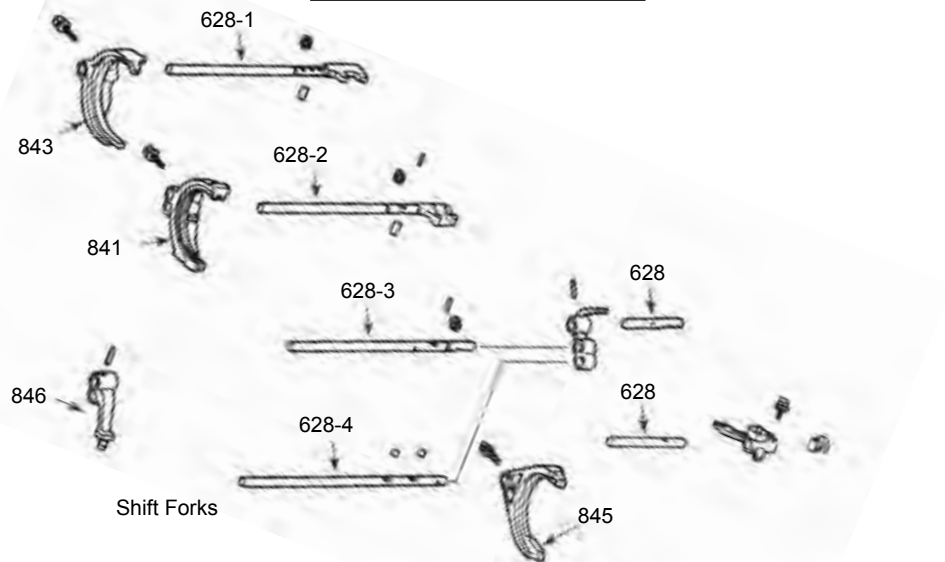
ILL NO.	DESCRIPTION	PART NO.	REFERENCE
<b>BEARING KITS</b>		<b>w/o Synchros</b>	<b>w/Synchros</b>
N.I.	AX4 (20mm Wide Input Bearing) (84-E87) .....	BK160A	BK160AWS
N.I.	AX4 (23mm Wide Input Bearing) (84-E87) .....	BK161A	BK161AWS
N.I.	AX5 (20mm Wide Input Bearing) (84-E87) .....	BK160A	BK160AWS
N.I.	AX5 (23mm Wide Input Bearing, Nut Style Cluster) (84-E87) .....	BK161A	BK161AWS
N.I.	AX5 (23mm Wide Input Bearing, Snap Ring Style Cluster) (L87-Up).....	BK161LA	BK161LAWS
<b>GASKET &amp; SEAL KITS</b>			
N.I.	Gasket & Seal Kit.....	372002	G54G
<b>SEALS</b>			
070A	Front Seal.....	372070	11615
<b>SMALL PARTS KITS</b>			
N.I.	Small Parts Kit .....	372001	SPAX5-50
<b>BUSHINGS</b>			
N.I.	Extension Housing (1.670" OD) (AX5).....	57066A	W50-62
<b>WASHERS</b>			
235F	5th Gear Washer .....	372235	83506025
<b>BEARINGS &amp; RACES</b>			
240C	Input Bearing (20mm Wide).....	317287	B32-14UR
240C	Input Bearing (23mm Wide).....	372210	32TM03UR
271E	1st Gear Needle (84-E87) (Use w/ Nut Style Cluster) .....	317271-2	83500578
271E	1st Gear Needle (L87-Up) (Use w/ Snap Ring Style Cluster).....	372271-2A	83506031
271-1E	1st Gear Inner Race (84-E87) (Use w/ Nut Style Cluster) .....	317271-1	83500560
271-1E	1st Gear Inner Race (L87-Up) (Use w/ Snap Ring Style Cluster).....	372271-1A	83506026
272E	2nd Gear Needle.....	317272-2	83500577
273C	3rd Gear Needle .....	317273-2	83500576
275F	5th Gear Needle .....	307275-2	K26/33/33.5
<b>HUBS &amp; SLIDERS</b>			
601E	1-2 Hub (Inner) .....	317601-1	83500561
603C	3-4 Hub (Inner) .....	317603-1	83500562
641E	1-2 Slider .....	372641	83500555
642C	3-4 Slider (Iron Fork Type) (84-E87).....	372642	33364-35010
644F	5th Slider (Aluminum Fork Type) .....	372644	G52-15
644F	5th Slider (Iron Fork Type) (84-E87).....	317644	83500642
<b>SYNCHRONIZER COMPONENTS</b>			
N.I.	Synchro Ring Kit .....	SRK157	N.L.
701-2E	1-2 Synchro Key & Spring Kit .....	372701-2K	AX5-K1
701E	1-2 Synchro Ring .....	372701	TOY-14A
703-2C	3-4 Synchro Key & Spring Kit .....	372703-2K	AX5-K3
703C	3-4 Synchro Ring .....	372703	TOY-14
705-2F	5th Synchro Key & Spring Kit.....	372705-2K	AX5-K5
705F	5th Synchro Ring .....	372703	TOY-14
705-2F	5th Synchro Key, 5th.....	312705-2	83500641
705-4F	5th Synchro Cone .....	372705-4	G52-152
<b>FORKS</b>			
841B	1-2 Fork (Aluminum).....	372841	83502662
841B	1-2 Fork Kit (Incl Fork, Shift Rail & Bolt) (Replaces Roll Pin Forks .....	372841K	83500527
843B	3-4 Fork Kit (Aluminum includes Slider) .....	372642K	4740236
642C	3-4 Slider Kit (includes Aluminum Fork) .....	372642K	4740236
845B	5th Fork (Early) (Iron) (84-E87) .....	372845A	83500637
845B	5th Fork (Late) (Aluminum) (L87-Up) .....	372845	4746656
775A	Fork Bolt (Aluminum Fork Type).....	372775	90105-06143

ILL NO.	DESCRIPTION	PART NO.	REFERENCE
<b>GEARS</b>			
581E	1st Gear (33 T) (84-E87) (Use w/ Nut Style Cluster) .....	317581	83500550
581E	1st Gear (33 T) (L87-Up) (Use w/ Snap Ring Style Cluster) .....	372581A	AX5-12A
582E	2nd Gear (28 T) (84-E87) (Use w/ Nut Style Cluster) .....	317582	83500551
582E	2nd Gear (28 T) (L87-Up) (Use w/ Snap Ring Style Cluster) .....	372582A	83506018
583C	3rd Gear (27 T) (Use w/ Snap Ring Style Cluster) .....	372583	G52-11
585F	5th Gear Set (24 T & 45 T) .....	317585K	G52-5
585F	5th Gear Main Shaft (24 Left Angled T) 1 ID Groove .....	307585-2	83500971
819G	Reverse Idler Gear (Non Synchro) .....	372819	83503555
819G	Reverse Idler Gear (Synchro Style) .....	372819A	4897102AA
<b>SHAFTS</b>			
670C	Input Shaft (1984) (20mm Wide Input Bearing) .....	372670	AX5-16
670C	Input Shaft (85-E87) (23mm Wide Input Bearing) (Nut Type) .....	372670A	AX5-16A
670C	Input Shaft (L87-Up) (23mm Wide Input Bearing) (Snap Ring Type) .....	372670B	AX5-16B
672D	Main Shaft (4wd) (84-E87) (Nut Type) .....	372672	83506055
672D	Main Shaft (4wd) (L87-Up) (Snap Ring Type) .....	372672A	83503105
674F	Cluster Shaft (45-31-20-13-14) (Nut Type) .....	372674	AX5-8
674F	Cluster Shaft (45-31-20-13-14) (Snap Ring Type) .....	372674A	AX5-8A
<b>RETAINERS</b>			
724A	Front Retainer (84-E87) (External Slave) .....	372724	83502685
724A	Front Retainer (L87-Up) (Internal Slave) .....	372724A	83503112
747A	Rear Retainer (84-E87) (Use w/ Nut Style Cluster) .....	372747	83500508
747A	Rear Retainer (L87-Up) (Use w/ Snap Ring Style Cluster) .....	372747A	83506034
<b>MISCELLANEOUS COMPONENTS</b>			
770A	Adapter Housing (Wrangler) .....	372770B	4897133AA
770A	Adapter Housing (Cherokee) .....	372770C	U-ATP
N.I.	Interlock Pin .....	372485	90250-05020
796F	Nut, Cluster Gear (L87-Up) .....	317796	83500572
628-1B	Shift Rail, 1-2 (Bolt Type) .....	372628-1	33242-35022
628-3B	Shift Rail, 3-4 (Bolt Type) .....	372628-3	83506047
N.I.	Shifter Bushing (end of stick) .....	372330	83500519
N.I.	Shifter Seat (Plastic) .....	372832	4864226X
N.I.	Snap Ring (Rear Cluster Shaft Snap Ring) (Late) (L87-Up) .....	372861	90520-19011
860C	Snap Ring (Shift Rail) .....	372860	83500546
411A	Switch, Reverse Light .....	462411	83500629
<b>NOTES</b>			

A

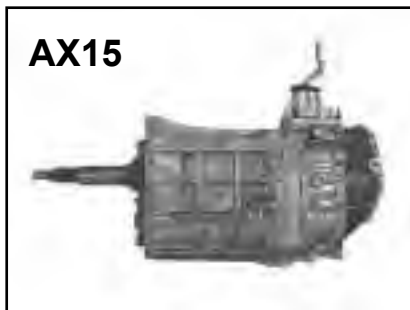
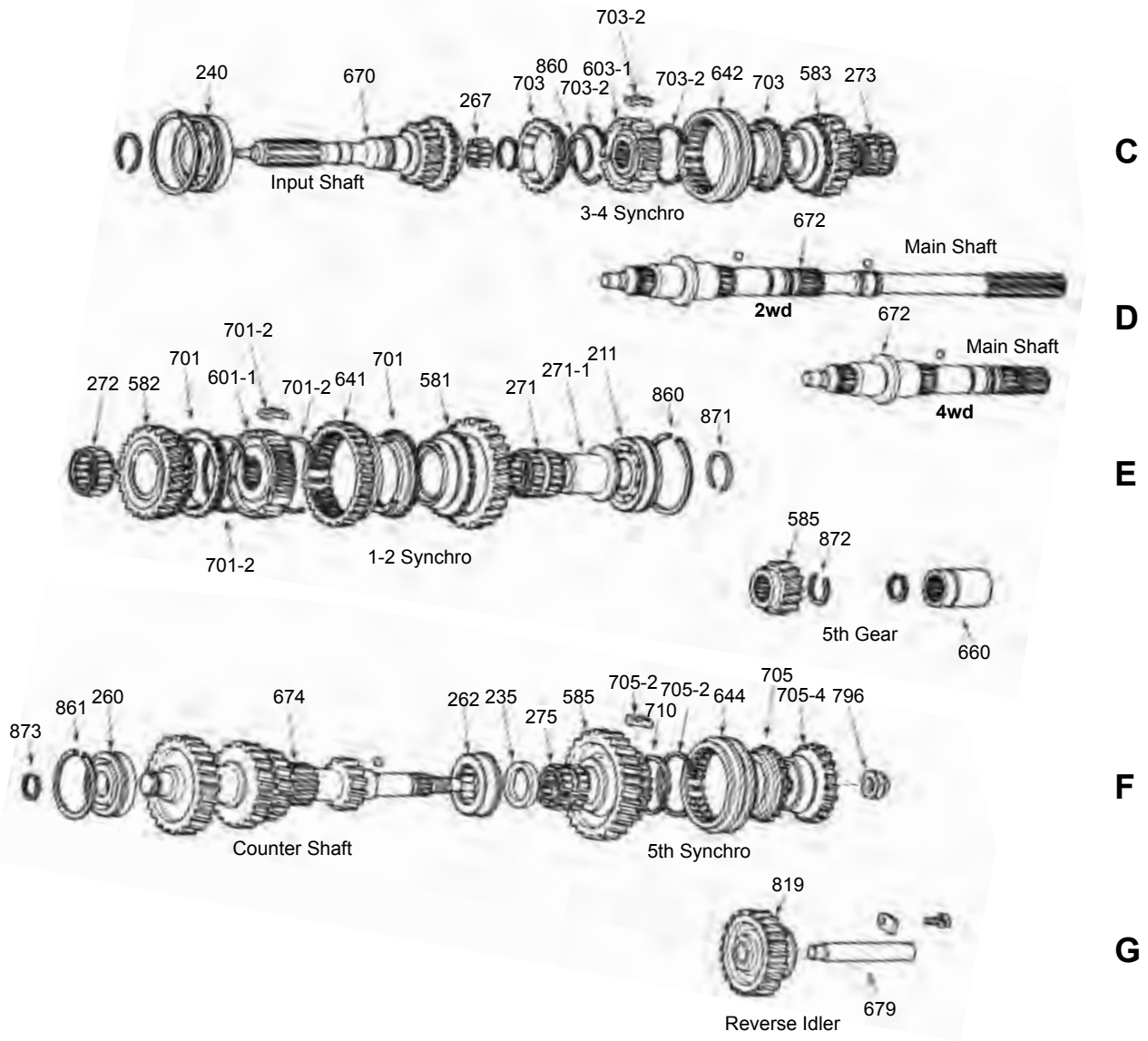


B



462

**AX15**

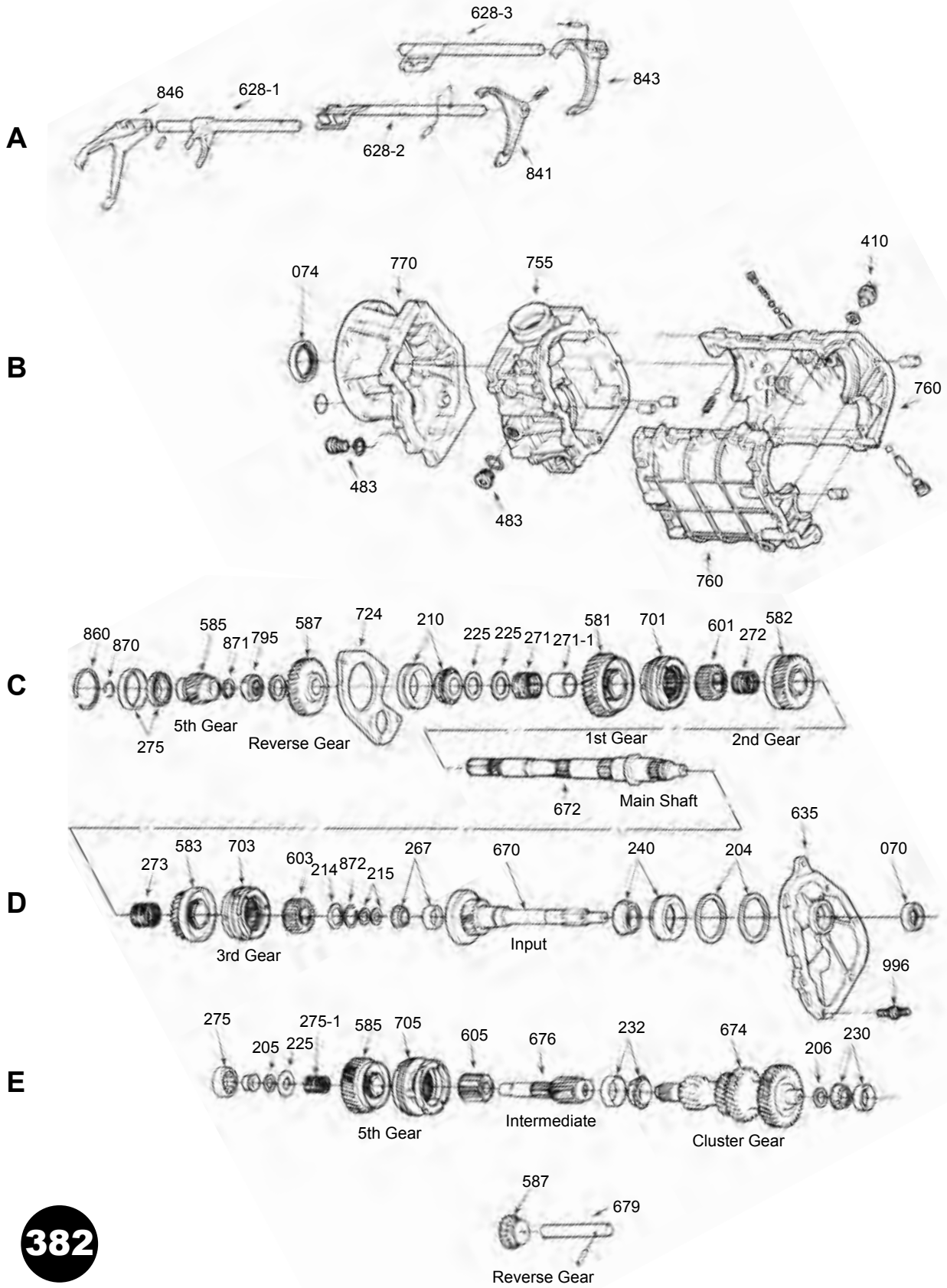


**462**

ILL NO.	DESCRIPTION	PART NO.	REFERENCE
<b>BEARING KITS</b>		<b>w/o Synchros</b>	<b>w/Synchros</b>
N.I.	AX15 (Dakota) (92-99) (Does Not Include Isuzu Trooper).....	BK163B	BK163BWS
N.I.	AX15 (Jeep) (90-00) (Does Not Include Isuzu Trooper) .....	BK163J	BK163JWS
<b>GASKETS</b>			
N.I.	Transfer Case Adapter Gasket .....	331304B	TC2030-12
<b>SEALS</b>			
070A	Front Seal .....	327070	2844
N.I.	Rear Seal (2wd) 2 Bolt mount Type.....	462074	710198
N.I.	Rear Seal (2wd) 4 Bolt mount Type.....	462074A	14730
N.I.	Adapter Seal (4wd) .....	382074	19601
<b>BUSHINGS</b>			
N.I.	Extension Housing (1.670" OD).....	57066A	W50-62
N.I.	Extension Housing (1.725" OD).....	462066	M29-9-44
<b>WASHERS</b>			
235F	5th Gear Washer.....	462215	83506245
<b>BEARINGS</b>			
240C	Input Shaft Bearing .....	462240	DG4092
260F	Counter Shaft Bearing (Front).....	462260	25RT59SN
262F	Counter Shaft Bearing (Rear) .....	462262	VP34-3NX
211E	Main Shaft Bearing (Rear) .....	327211B	35BCS17
267C	Pocket Bearing.....	462267	K25/37/24.5
271E	1st Gear Needle Bearing .....	462271	83506075
272E	2nd Gear Needle Bearing .....	462271A	83506076
273C	3rd Gear Needle Bearing .....	462273	83506077
275F	5th Gear Needle Bearing .....	462275	90364-28009
<b>HUBS &amp; SLIDERS</b>			
601E	1-2 Hub .....	362601	83506247
641E	1-2 Slider.....	462641	5252082
603C	3-4 Hub .....	362603	83506248
642C	3-4 Slider.....	462642	AX15-15
644F	5th Slider.....	462644	83506257
<b>SYNCHRONIZER COMPONENTS</b>			
N.I.	Synchronizer Kit (Jeep Only) .....	SRK163	N.L.
701-2E	1-2 Synchro Key & Spring Kit .....	362701-2K	AX15-K1
701E	1-2 Synchro Ring .....	462701	TOY-14C
703-2C	3-4 Synchro Key & Spring Kit .....	362703-2K	AX15-K3
703C	3-4 Synchro Ring .....	462703	TOY-14D
705-2F	5th Synchro Key & Spring Kit (90-91) (Non Updated) .....	362705-2K	AX15-K5
705-2F	5th Synchro Key & Spring Kit (92-Up) (Updated) .....	362705-2AK	AX15-K5A
705F	5th Synchro Ring .....	462705	TOY-14E
<b>FORKS</b>			
841B	1-2 Fork.....	462841	5252057
843B	3-4 Fork.....	462843	5252058
845B	5th Fork.....	462845	5252059
<b>GEARS</b>			
582E	2nd Gear (33 T, 2 ID Grooves) (92-97) .....	462582	4636369
583C	3rd Gear (31 T, 1 ID Groove) .....	462583	5252079
585F	5th Gear (25 T) (90-91).....	462585	5252083
585F	5th Gear Update Kit (47 T) Includes 5th Gear, Keys & Springs (92-Up).....	462585K	AX15-19
819G	Reverse Idler Gear.....	462819	AX15-10

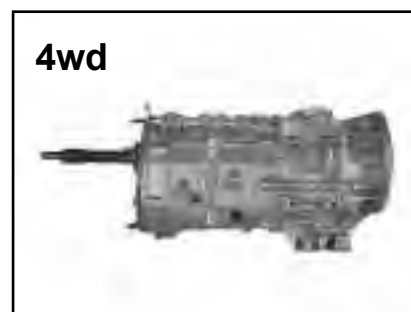
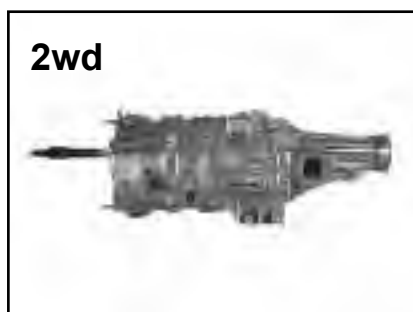
ILL NO.	DESCRIPTION	PART NO.	REFERENCE
<b>SHAFTS</b>			
670C	Input Shaft (10 Splines) (.590" Diameter pilot) (90-91) .....	462670	AX15-16
670C	Input Shaft (10 Splines) (.750" Diameter pilot) (92-Up) .....	462670A	AX15-16A
670C	Input Shaft (14 Splines w/ 29 T) (Dakota 2.5L 95-97) .....	462670B	4864630
672D	Main Shaft (4wd) .....	462672	83506243
674F	Cluster Shaft .....	462674	AX15-8
<b>BEARING RETAINERS</b>			
724A	Bearing Retainer (Front, Internal Slave) .....	462724	5252052
724A	Bearing Retainer (Front, External Slave) .....	462724A	4636382
747A	Rear Retainer Plate .....	327724	AX15-144
<b>CASES &amp; HOUSINGS</b>			
770A	Adapter Housing (Cherokee) (89-91) AX15 .....	372770	83506223
770A	Adapter Housing (Cherokee) (92-99) AX15 .....	462770	4636372
770A	Adapter Housing (Wrangler) (89-91) AX15 .....	372770A	83506224
770A	Adapter Housing (Wrangler) (92-99) AX15 .....	462770A	4636373
<b>MISCELLANEOUS COMPONENTS</b>			
411A	Switch, Back Up Light .....	462411	83500629
796F	Nut, Counter Shaft .....	462797	90179-22005
N.I.	Shifter Seat (Plastic Doughnut) .....	372832	4864226X
N.I.	Shifter Bushing (End of Stick) .....	372330	83500519
<b>NOTES</b>			

AX15



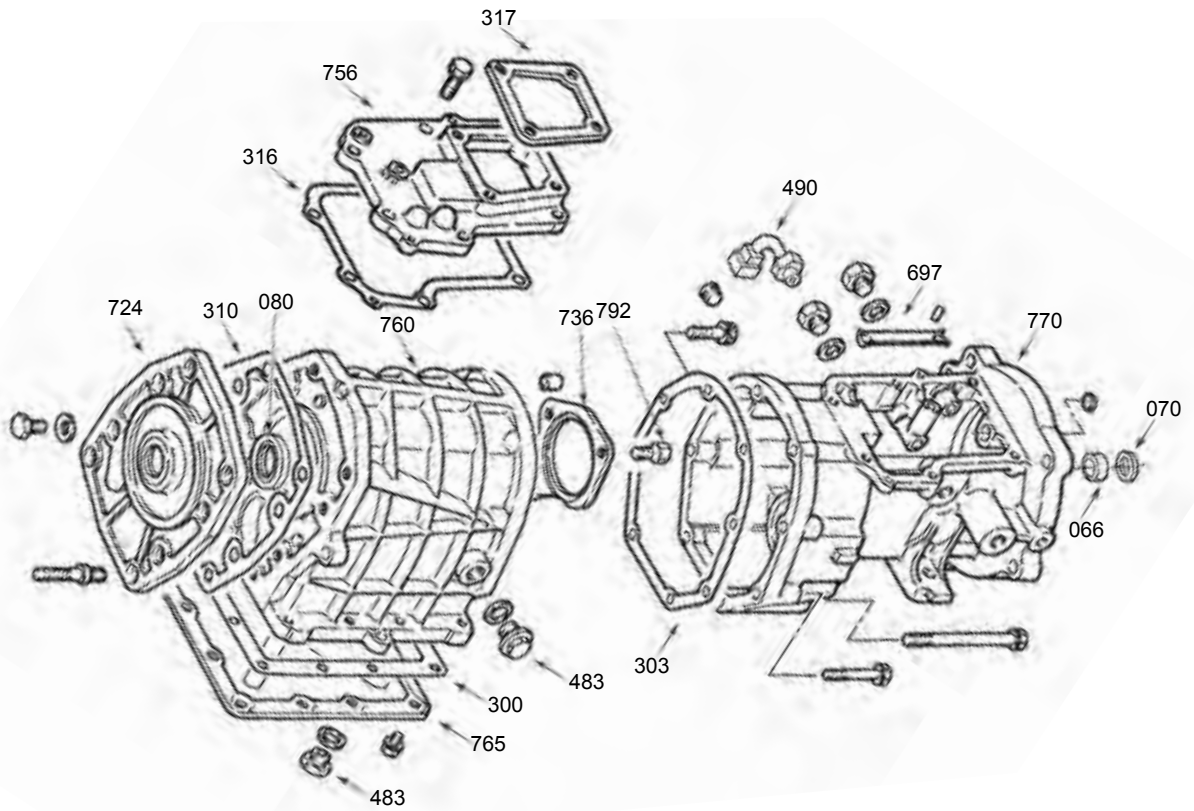
382

ILL NO.	DESCRIPTION	PART NO.	REFERENCE
<b>BEARING KITS</b>		<b>w/o Synchros</b>	<b>w/Synchros</b>
N.I	BA10 (Jeep w/ Peugeot Split Case) .....	BK219	BK219WS
<b>SEALS</b>			
070D	Front Seal .....	382070	12741
074B	Rear Seal (2wd) .....	462074A	14730
074B	Rear Seal (4wd) .....	382074	19601
<b>BEARINGS</b>			
230E	Cluster Bearing (Front) .....	382230	EC12250
232E	Cluster Bearing (Rear) .....	382232	EC12589
210C	Main Shaft Bearing .....	382240	EC12245
240D	Input Bearing .....	382240	EC12245
267D	Pocket Bearing .....	382267	32004
275C	Bearing, Rear (On 5th Gear) .....	382275A	38707
275E	Bearing, Rear (Behind 5th Gear) .....	382275AA	RNU12078
275-1E	5th Gear Needle Bearing .....	382275	83503207
<b>SYNCHRONIZERS</b>			
701C	1-2 Synchro Assembly .....	382701K	BA10-80
703D	3-4 Synchro Assembly .....	382703K	BA10-2.5
705E	5th Synchro Assembly .....	382705K	BA10-40
<b>GEARS</b>			
581C	1st Gear (32 T) use w/ 382674A .....	382581	BA10-12A
582C	2nd Gear (37 T) .....	382582	BA10-21
583D	3rd Gear (31 T) .....	382583	BA10-11
585C,E	5th Gear Set (28 T & 51 T) .....	382585K	BA10-5
587C,E	Reverse Gear Set (18 T & 37 T) .....	382587K	BA10-10
<b>SHAFTS</b>			
670D	Input Shaft .....	382670	BA10-16
674E	Cluster Shaft (37-29-22-12) (1978-86) (ID Groove on 2nd Gear Only) .....	382674	BA10-8E
674E	Cluster Shaft (37-29-22-12) (1987-90) (ID Groove on 1st & 2nd Gear) .....	382674A	BA10-8
<b>MISCELLANEOUS COMPONENTS</b>			
996D	Retainer Stud .....	382996	4897036AA
204D	Input Shim Kit .....	306204K	M5R1-SMK

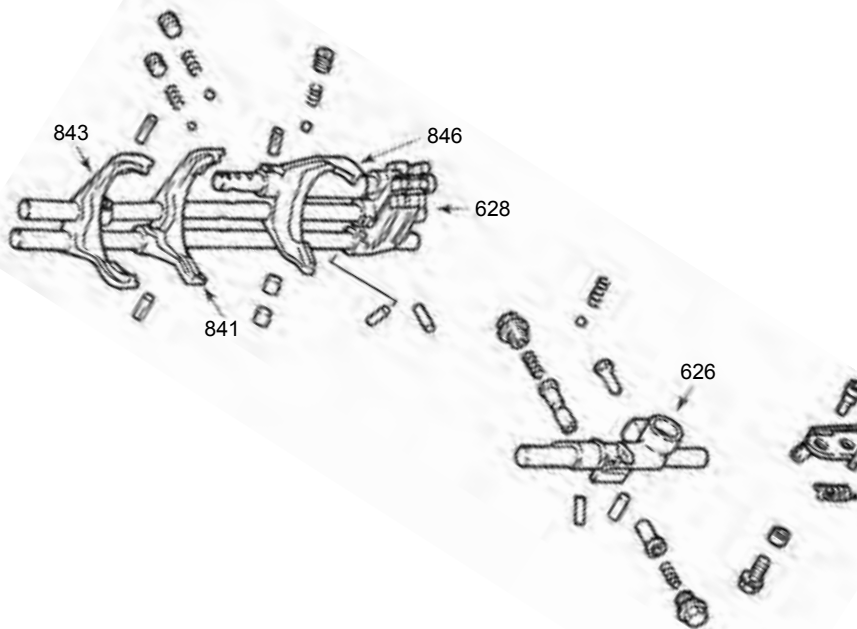




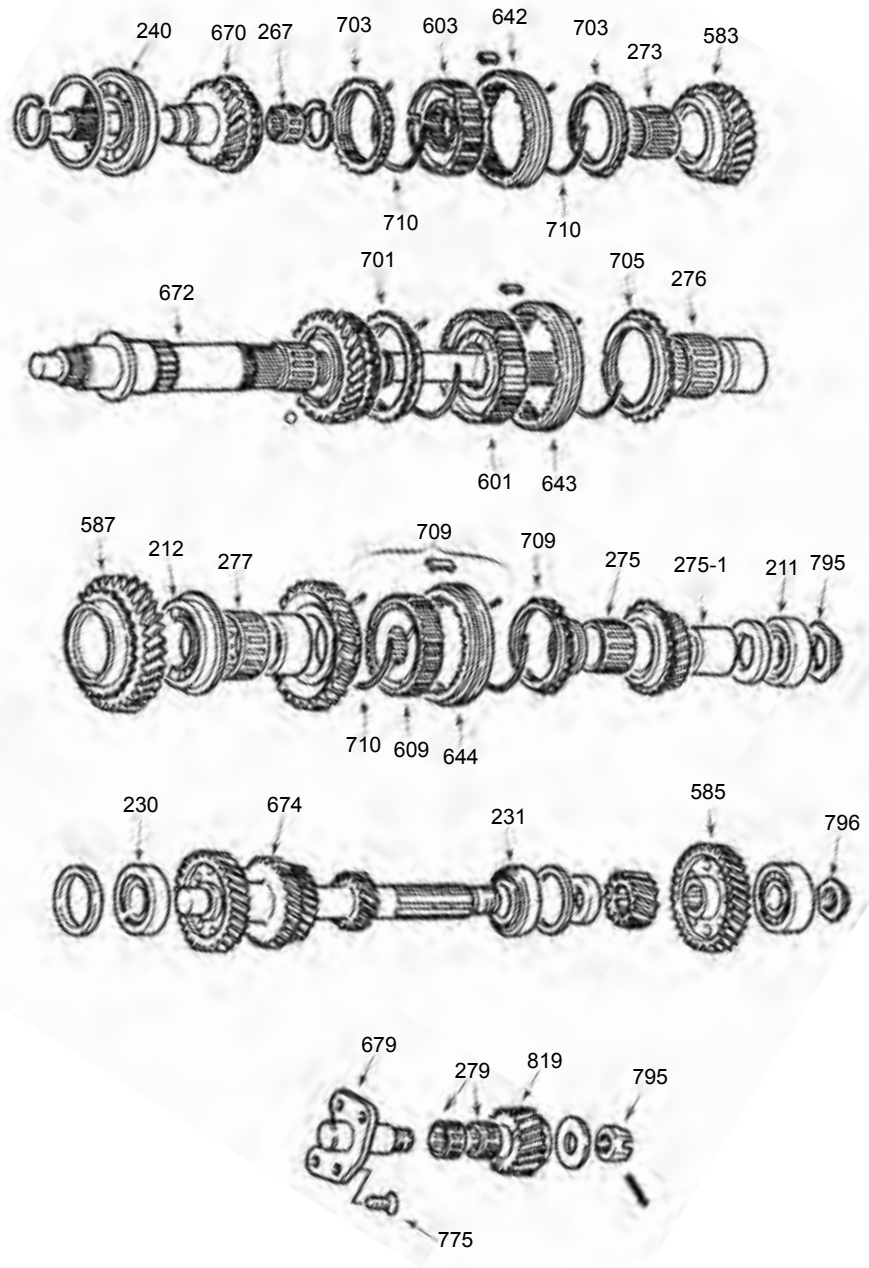
A



B



D50



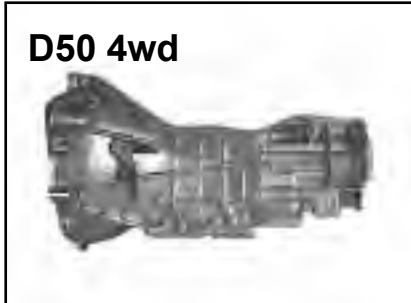
C

D

E

F

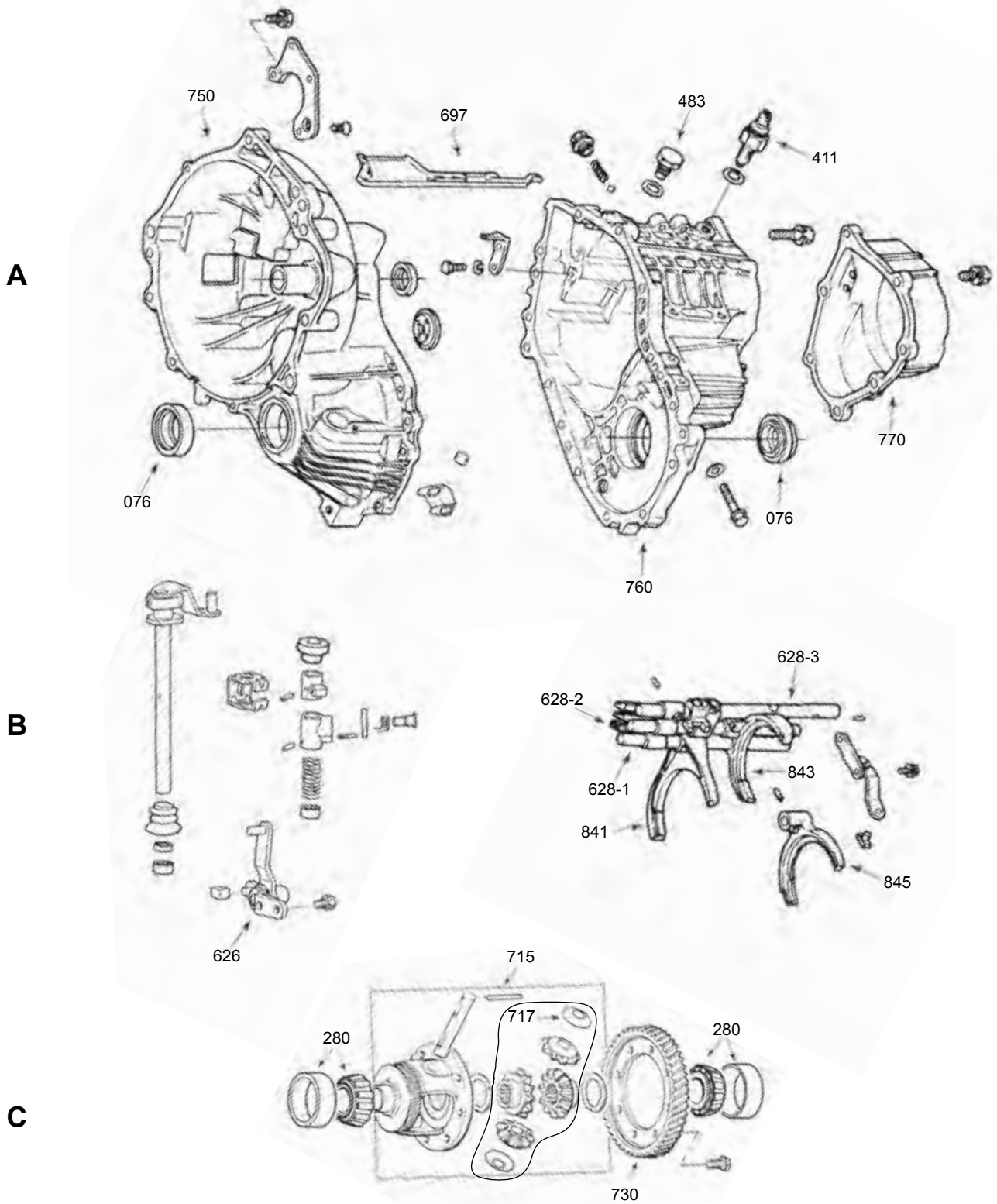
G

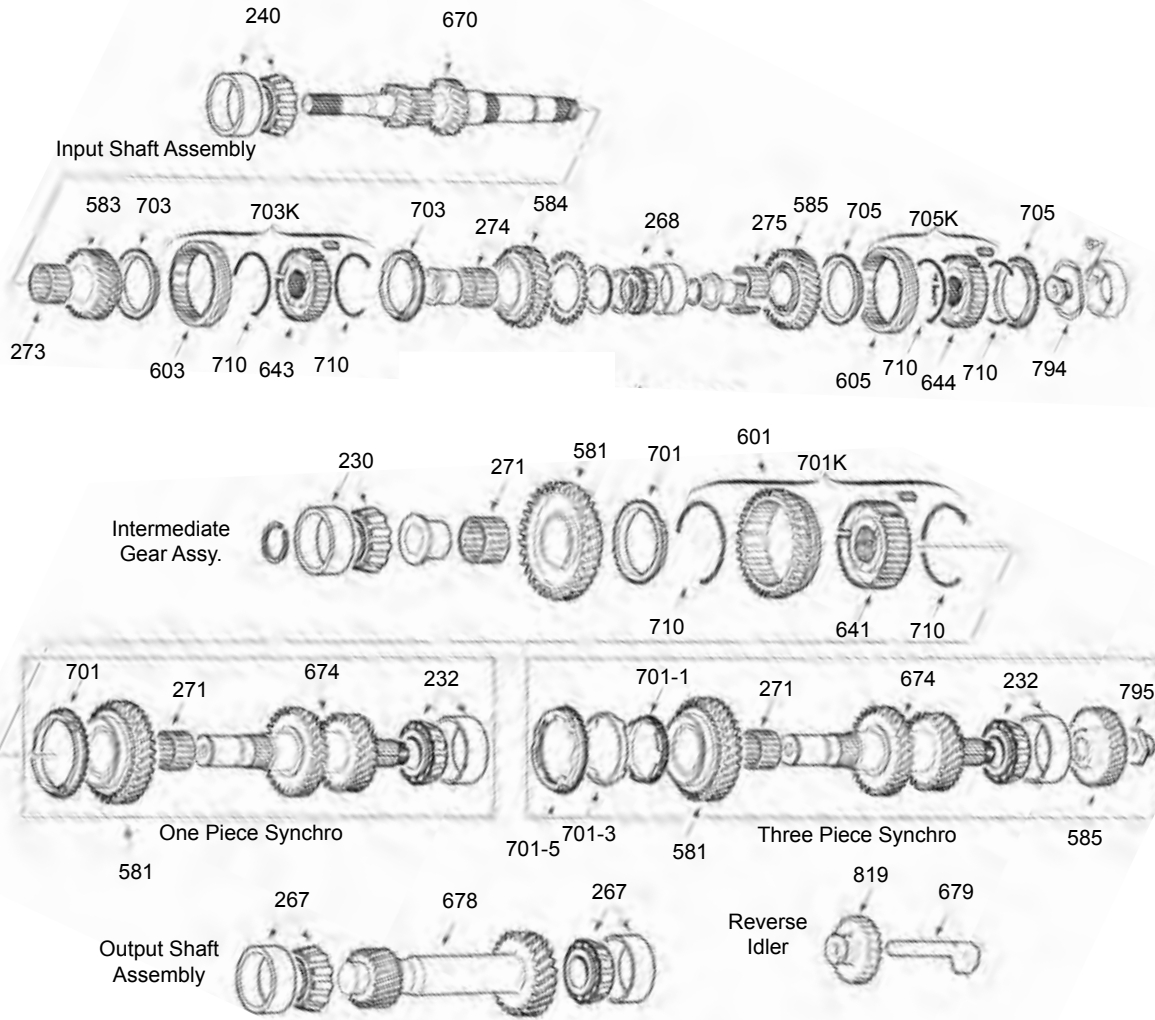


362

ILL NO.	DESCRIPTION	PART NO.	REFERENCE
<b>BEARING KITS</b>		<b>w/o Synchros</b>	<b>w/Synchros</b>
N.I.	2.0L (2wd 4 Speed) (81-85) (KM133) .....	BK109	BK109WS
N.I.	2.0L (2wd 5 Speed) (82-89) (KM132) .....	BK150	BK150WS
N.I.	2.0L (4wd 4 Speed) (83-84) (KM144) .....	BK109	BK109WS
N.I.	2.3L (2wd & 4wd 5 Speed) (83-85) (KM132, KM145) .....	BK145	BK145WS
N.I.	2.4L (2wd & 4wd 5 Speed) (90-93) (KM132, KM145) .....	BK189	BK189WS
N.I.	2.6L (2wd & 4wd 5 Speed) (79-86) (KM132, KM145) .....	BK145	BK145WS
N.I.	2.6L (2wd & 4wd 5 Speed) (87-89) (KM132, KM144) .....	BK180	BK180WS
N.I.	2.6L (2wd & 4wd 5 Speed) (1990) (KM132, KM144) .....	BK189	BK189WS
N.I.	3.0L (4wd 5 Speed) (90-92) (V5MT2) .....	BK304	BK304WS
<b>GASKET &amp; SEAL KITS</b>			
N.I.	Gasket & Seal Kit.....	362002	G132ST
<b>SEALS</b>			
080A	Input Seal.....	362080	MY1-10
N.I.	Rear Seal.....	476074A	14017
<b>BUSHINGS</b>			
066A	Extension Housing (1.580" OD, 1.41" ID) (KM132, D50).....	362066	MITSUBISHI-62
<b>BEARINGS</b>			
230F	Cluster Bearing (Front) .....	362230	25M4517
231F	Cluster Bearing (Center) .....	362230A	25BJ05NRNC2
240C	Input Bearing (Not Stepped) (21mm Thick) .....	342240	6307-N
240C	Input Bearing (Not Stepped) (24mm Thick) .....	406240	SC0708N
240C	Input Bearing (Stepped).....	362240A	F6307X
212E	Main Shaft Bearing (Center) (35mm ID, 77mm OD, 42mm Thick) .....	362212	35BVV072
212E	Main Shaft Bearing (Center) (35mm ID, 72mm OD, 17mm Thick) .....	351268A	6207-N
211E	Main Shaft Bearing (Rear) .....	336260	62/28N
275-1E	5th Gear Bearing Race .....	406275-1	E5TZ7173C
275E	5th Gear Needle Bearing .....	406275	K35/40/31.7
267C	Pocket Bearing.....	336267	K20/28/20
<b>SYNCHRONIZER ASSEMBLIES</b>			
709E	5th-Reverse Synchro Assembly.....	406709K	FM145-40
<b>SYNCHRONIZER COMPONENTS</b>			
701D	1-2 Synchro.....	406702	MIT-14B
703C	3-4 Synchro.....	406703	MIT-14A
705D	5-R Synchro.....	406703	MIT-14A
<b>FORKS</b>			
841B	1-2 Fork.....	406841	D50-23
843B	3-4 Fork.....	406843	D50-23A
846B	5th-Reverse Fork.....	406846	D50-23B
<b>SHAFTS</b>			
670C	Input Shaft (19 T) (21mm Thick Bearing).....	362670	D50-16
670C	Input Shaft (19 T) (23mm Thick Bearing w/ Snap Ring) .....	362670B	D50-16B
670C	Input Shaft (19 T) (23mm Thick Bearing w/ Step).....	362670A	D50-16A
674F	Cluster Shaft (28-26-20-13) (Uses Tapered Roller Bearings) .....	362674A	D50-8A
674F	Cluster Shaft (28-26-20-13) (Uses Roller & Ball Bearings).....	362674	D50-8
<b>MISCELLANEOUS COMPONENTS</b>			
736A	Rear Retainer.....	406736	D50-57
792A	Rear Retainer Bolt (Tapered) .....	406792	MIT-58
795E	Main Shaft Nut .....	406795	D50-148
796F	Cluster Gear Nut.....	406796	D50-156
585F	5th Gear Set.....	406585K-1	MIT-5
775G	Idler Shaft Bolt (Tapered).....	362775	D50-158







D

E

F

G

H

**F5M33**



# F5M33, W5MG1, W6MG1

2.0L Turbo Eclipse, Laser,  
Talon & 3.0L Stealth, 3000 GT

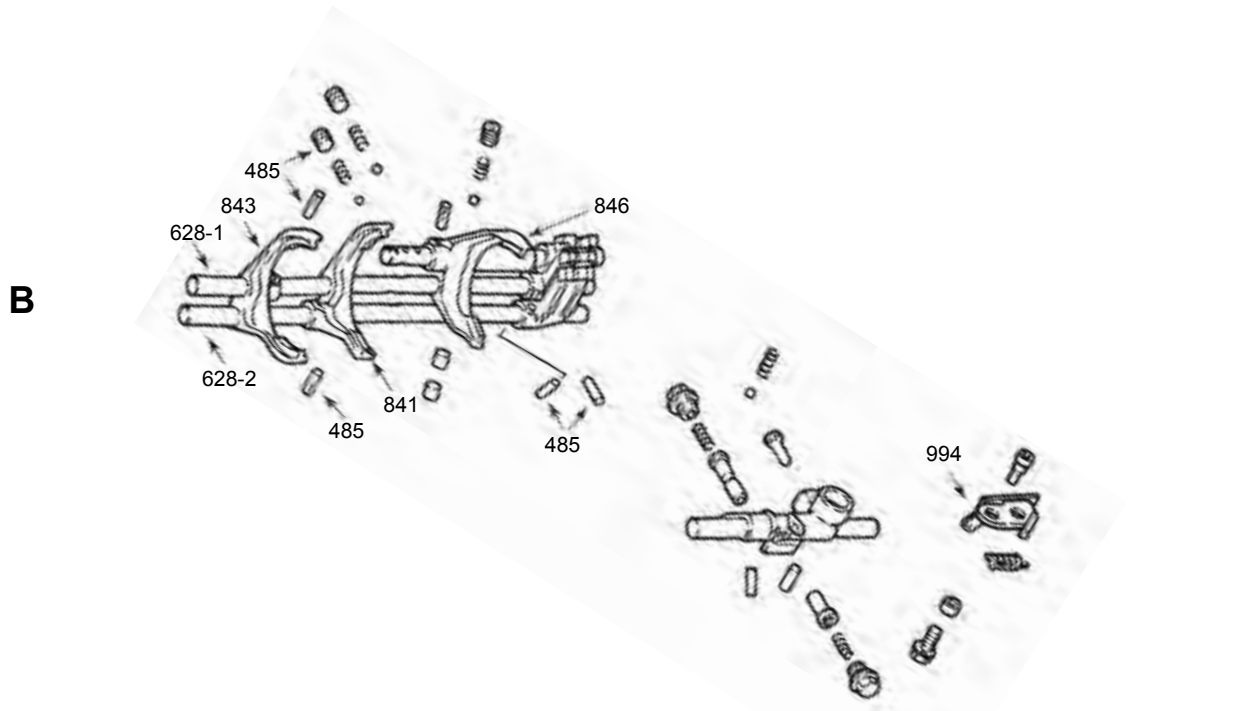
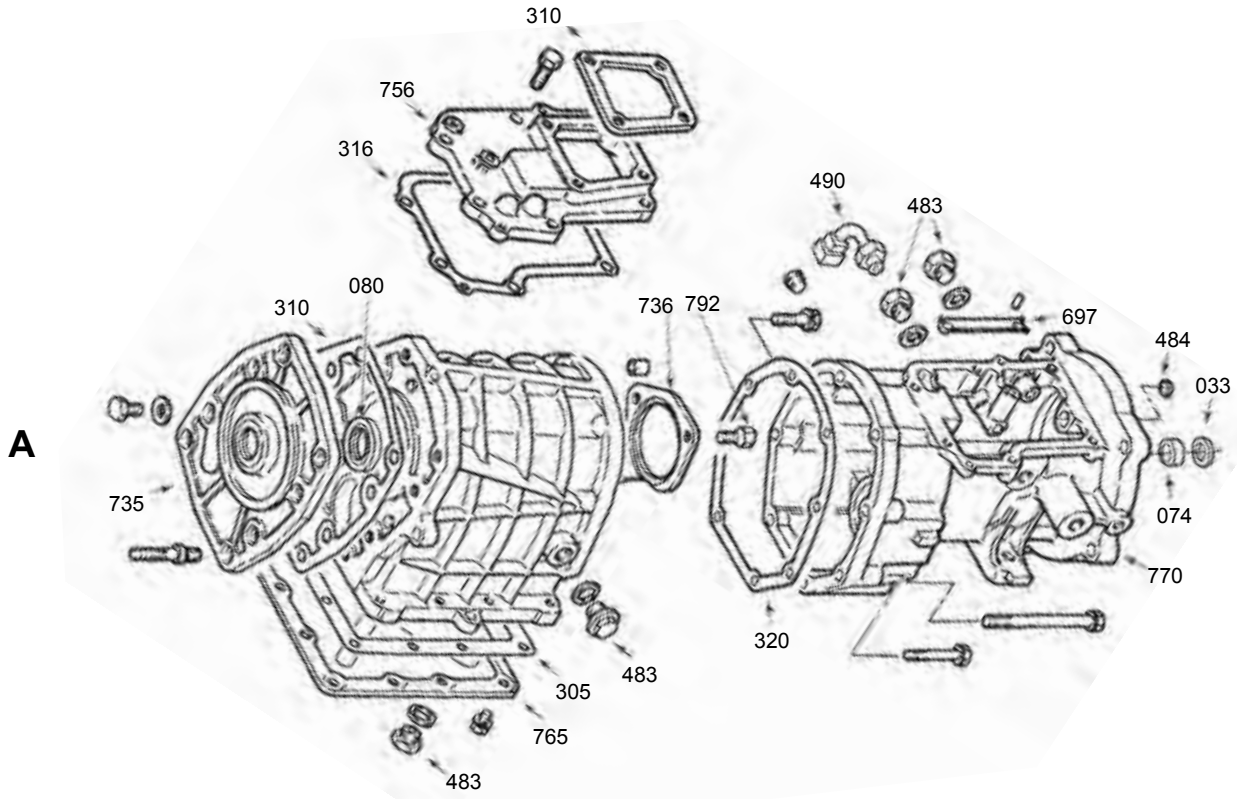
F5M33, W5MG1, W6MG1

ILL NO.	DESCRIPTION	PART NO.	REFERENCE
<b>BEARING KITS</b>		<b>w/o Synchros</b>	<b>w/Synchros</b>
<b>Eclipse, Laser, Spyder &amp; Talon</b>			
N.I.	F5M33 (1 Piece Fiber 2nd, 36 T 3-4, 30 T 5-R Synchros).....	BK366	BK366WS
N.I.	F5M33 (1 Piece Brass 2nd, 39 T 3-4, 36 T 5-R Synchros).....	BK366	BK366DWS
N.I.	F5M33 (3 Piece 2nd, 39 T 3-4, 36 T 5-R Synchros).....	BK366	BK366EWS
<b>Stealth &amp; 3000GT (Fwd Only)</b>			
N.I.	F5M33 (1 Piece 2nd, 36 T 3-4, 30 T 5-R Synchros).....	BK366	BK366BWS
N.I.	F5M33 (1 Piece 2nd, 39 T 3-4, 36 T 5-R Synchros).....	BK366	BK366DWS
N.I.	F5M33 (3 Piece 2nd, 36 T 3-4, 30 T 5-R Synchros).....	BK366	BK366CWS
N.I.	F5M33 (3 Piece 2nd, 39 T 3-4, 36 T 5-R Synchros).....	BK366	BK366EWS
<b>Stealth &amp; 3000GT (Awd Only)</b>			
N.I.	W5MG1 (5 Speed).....	BK428	BK428WS
N.I.	W6MG1 (6 Speed).....	BK428	BK428AWS
<b>Transfer Case (For the Awd Units)</b>			
N.I.	Transfer Case, W5MG1 (90-92) (35mm ID Tapered Input Front Bearing).....	BK429A	N.L.
N.I.	Transfer Case, W5MG1 (92-Up) (38mm ID Tapered Input Front Bearing).....	BK429	N.L.
N.I.	Transfer Case, W6MG1 (6 Speed Only).....	BK429B	N.L.
<b>SEALS</b>			
N.I.	Transfer Case Seal (Output).....	494081B	15829
N.I.	Output Seal (18 Spline, 4wd W5MG1).....	494081	9710
N.I.	Output Seal (except 18 Spline, 4wd W5MG1).....	494081A	110306
076A	Axle Seal (Bell Housing Side).....	494076	15292
076A	Axle Seal (Passenger Side).....	494076A	37029
<b>BEARINGS &amp; RACES</b>			
230F	Counter Shaft Bearing, Front (All).....	494260	30209
232G	Counter Shaft Bearing, Rear (W5).....	306210	30207
232G	Counter Shaft Bearing, Rear (W6).....	494262A	30208
N.I.	Center Differential Cap Inner Pocket Bearing (All) 58mm OD, 20mm Thick.....	303211A	HK5020
N.I.	Center Differential Cap Inner Sealed Bearing (All) 35mm OD, 28mm ID.....	494211	HK2820
280C	Differential Bearing (40mm ID, 68mm OD, 19mm Thick).....	394274	32008
280C	Differential Bearing (45mm ID, 75mm OD, 20mm Thick).....	494280	32009X
280C	Differential Bearing (50mm ID, 80mm OD, 20mm Thick).....	494280A	32010X
240B	Input Bearing (Tapered) (35mm ID).....	494240	32007
240B	Input Bearing (Tapered) (38mm ID) (Cup & Cone).....	395220	LM29710 & 49
N.I.	Transfer Case Bearing Cup & Cone (Input Side) (25 Spline).....	395220	LM29710 & 49
N.I.	Transfer Case Bearing, Drive Gear Side (18 Spline).....	494280	32009X
N.I.	Transfer Case Bearing, Drive Gear Side (25 Spline).....	494280A	32010X
N.I.	Transfer Case Input Bearing, Side (18 Spline).....	494240	32007
N.I.	Transfer Case Rear Output Bearing (Front) (25 Spline).....	494220	32208
N.I.	Transfer Case Rear Output Bearing (Rear) (25 Spline).....	494240	32007
<b>COUPLER &amp; SHAFTS</b>			
N.I.	Coupler w/ Output (18 Spline) (W5MG1) (Uses 35mm ID Input Bearing).....	494695	GT3000-18S
N.I.	Coupler w/ Output (18 Spline) (W5MG1) (Uses 38mm ID Input Bearing).....	494695A	GT3000-18B
N.I.	Coupler w/ Output (25 Spline & 16 5/8").....	494695B	GT3000



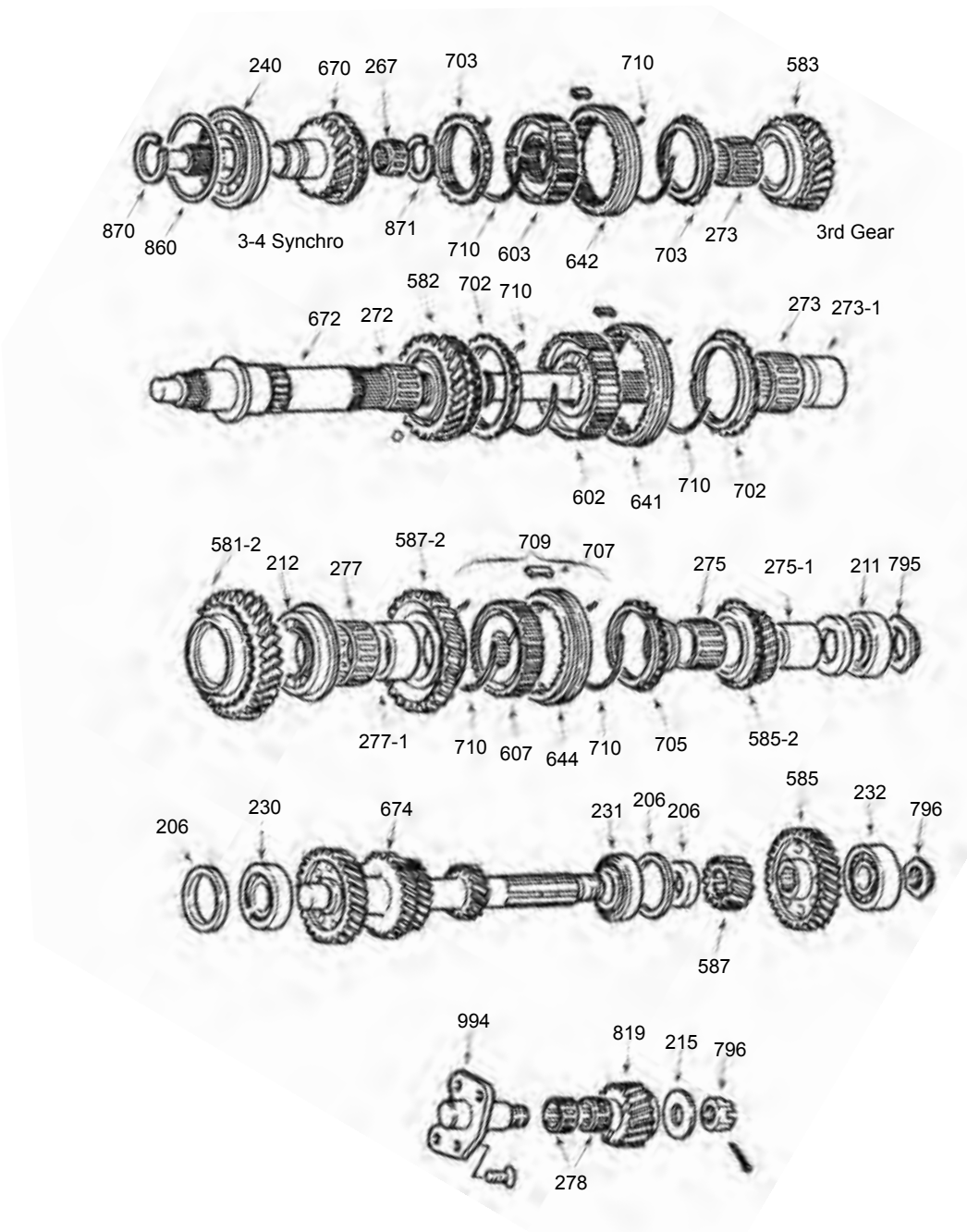


FM132, FM145, FM146



406

FM132, FM145, FM146



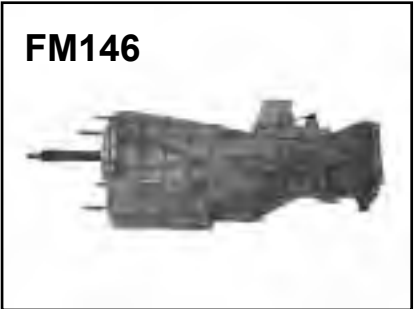
C

D

E

F

G



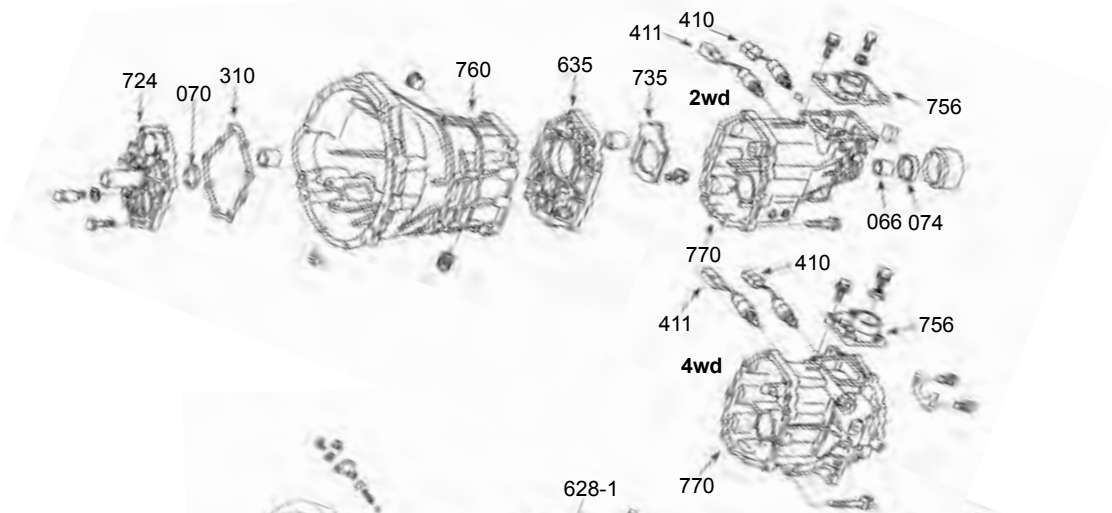
ILL NO.	DESCRIPTION	PART NO.	REFERENCE
<b>BEARING KITS</b>		<b>w/o Synchros</b>	<b>w/Synchros</b>
N.I.	FM132 (2wd).....	BK151B	BK151BWS
N.I.	FM145 (4wd) (No Reverse Synchro Ring).....	BK151	BK151WS
N.I.	FM146 (4wd) (Uses Reverse Synchro Ring).....	BK151	BK151AWS
<b>GASKET &amp; SEAL KITS</b>			
N.I.	FM145, FM146.....	406002	G155ST
<b>SEALS</b>			
080A	Front Seal (Input).....	372070	11615
074A	Rear Seal (FM146).....	384074	2655
<b>BEARINGS</b>			
212E	Main Shaft Bearing (Center) (Stepped).....	406212	35BVV07X
232F	Rear Cluster Bearing.....	336214	63/22N
230F	Cluster Bearing (Front & Center) (qty 2).....	406230	HR30205
231F	Cluster Bearing (Front & Center) (qty 2).....	406230	HR30205
240C	Input Bearing (35mm ID, 80mm OD, 24mm Thick).....	406240	SC0708N
267C	Pocket Bearing.....	336267	K20/28/20
211E	Main Shaft Bearing (Rear).....	351268	6206-N
275-1E	5th Gear Bearing Race.....	406275-1	E5TZ7173C
275E	5th Gear Needle Bearing.....	406275	K35/40/31.7
<b>SYNCHRONIZERS</b>			
702D	Synchro Ring, 1-2.....	406702	MIT-14B
703C	Synchro Ring, 3-4.....	406703	MIT-14A
705E	Synchro Ring, 5th.....	406703	MIT-14A
N.I.	Synchro Ring, Reverse.....	406706	MIT-14H
<b>SYNCHRONIZER ASSEMBLIES</b>			
709E	5th-Reverse Synchro Assembly (FM145).....	406709K	FM145-40
709E	5th-Reverse Synchro Assembly (FM146).....	406709AK	MIT-40
<b>FORKS</b>			
841B	1-2 Fork.....	406841	D50-23
843B	3-4 Fork.....	406843	D50-23A
846B	5th-Reverse Fork.....	406846	D50-23B
<b>GEARS</b>			
583C	3rd Gear (24 T) (FM145).....	406583	MIT-11
N.I.	5th Gear & Synchro Assembly Kit (FM145 Updated).....	406585AK	GK-MIT
N.I.	5th Gear Kit (Updated).....	406585K-1	MIT-5
N.I.	6th Gear & Synchro Assembly Kit (FM146 Updated).....	406585BK	GK-MITA
<b>SHAFTS</b>			
670C	Input Shaft (19 T) (FM145).....	406670A	MIT-16F
670C	Input Shaft (20 T) (FM146).....	406670	MIT-16D
674F	Cluster Shaft (28-24-19-13) (FM146).....	406674A	MIT-8A
674F	Cluster Shaft (28-26-20-13) (FM145).....	406674	MIT-8
<b>MISCELLANEOUS COMPONENTS</b>			
796F	Cluster Gear Nut.....	406796	D50-156
795E	Main Shaft Nut.....	406795	D50-148
736A	Rear Retainer.....	406736	D50-57
792A	Tapered Rear Retainer Bolt.....	406792	MIT-58



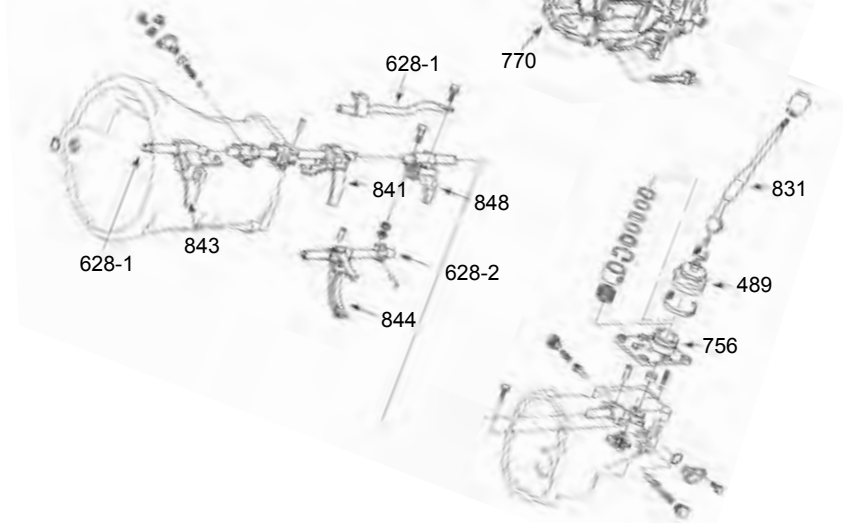
# FS5R30A

FS5R30A

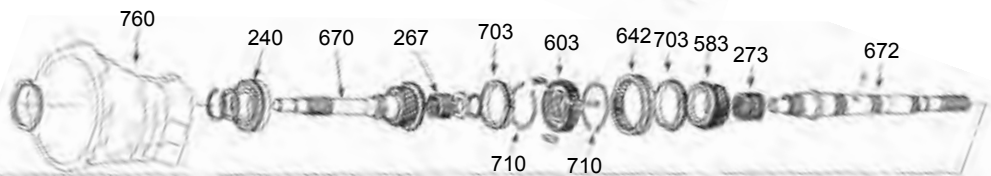
**A**



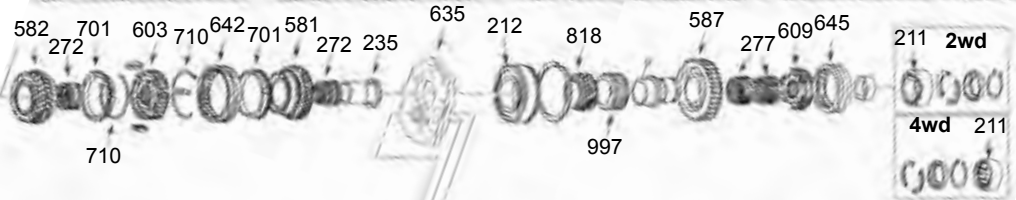
**B**



**C**



**D**



**E**

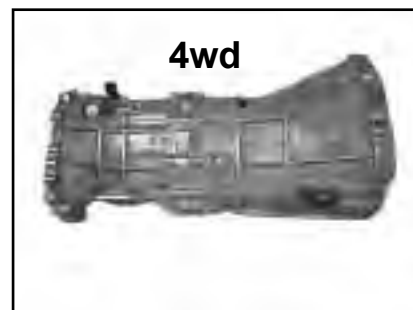
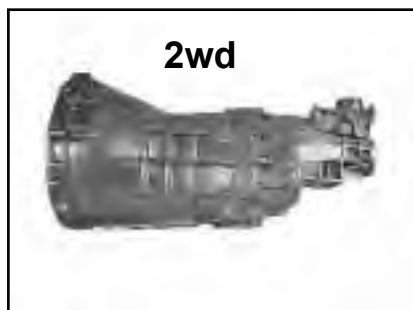


**F**

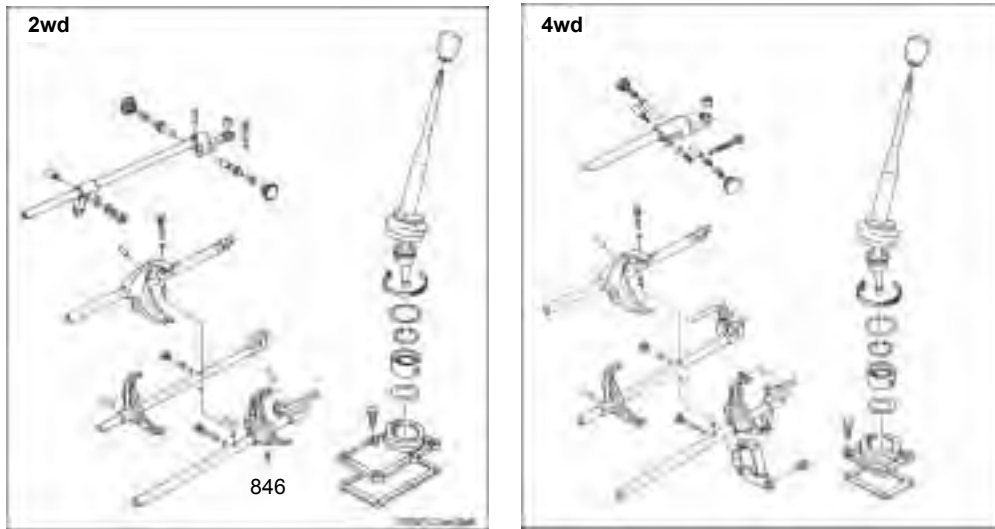


**323**

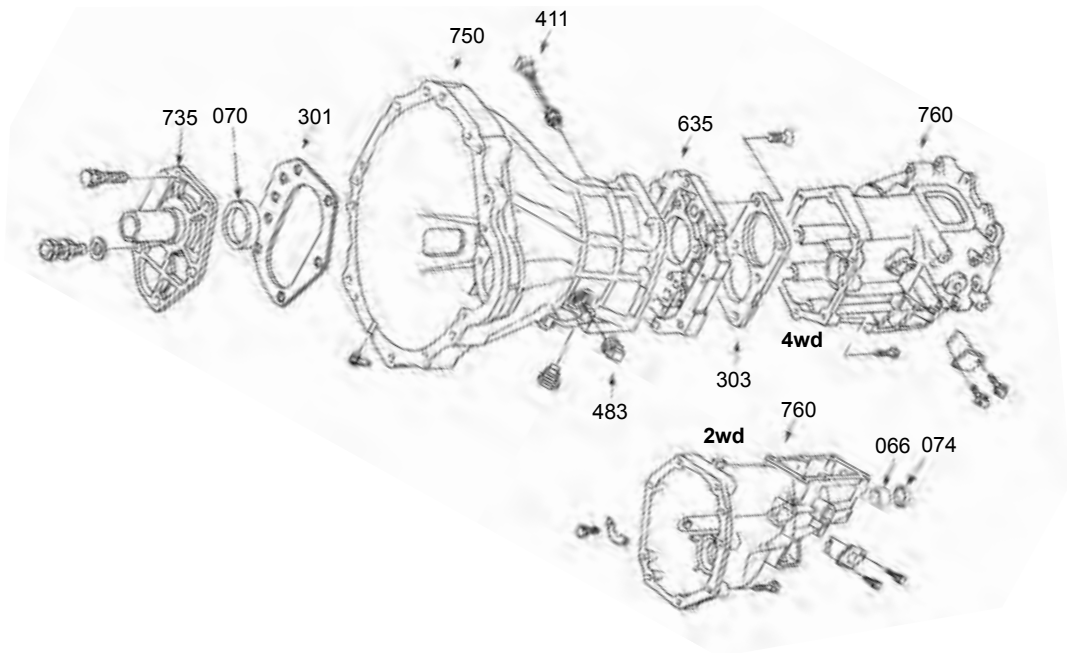
ILL NO.	DESCRIPTION	PART NO.	REFERENCE
<b>BEARING KITS</b>			
		<b>w/o Synchronos</b>	<b>w/Synchronos</b>
N.I.	300ZX (86-89) (1 Piece 2nd Synchro).....	BK240	BK240LWS
N.I.	300ZX (89-96) (3 Piece 2nd Synchro).....	BK240	BK240CWS
N.I.	Hardbody Truck (86-87) (3.0L) (42 T 1 Piece 2nd Synchro) .....	BK240	BK240WS
N.I.	Hardbody Truck (87-92) (3.0L) (54 T 1 Piece 2nd Synchro) .....	BK240	BK240LWS
N.I.	Hardbody Truck (92-97) (3.0L) (3 Piece 2nd Synchro) .....	BK240	BK240CWS
N.I.	Frontier (02-04) (3.3L) (Supercharged) .....	BK240	BK240EWS
N.I.	Frontier (05-Up) (2.5L) .....	TBA	TBA
N.I.	Frontier (99-04) (3.3L) (Non Supercharged) .....	BK240	BK240DWS
N.I.	Pathfinder (01-04) (3.5L) (3 Piece 2nd Synchro, 2.95" ID 4th Synchro) .....	BK240	BK240DWS
N.I.	Pathfinder (86-87) (3.0L) (42 T 1 Piece 2nd Synchro) .....	BK240	BK240WS
N.I.	Pathfinder (87-92) (3.0L) (54 T 1 Piece 2nd Synchro) .....	BK240	BK240LWS
N.I.	Pathfinder (92-95) (3.0L) (3 Piece 2nd Synchro, 2.79" ID 4th Synchro) .....	BK240	BK240CWS
N.I.	Pathfinder (96-98) (3.3L) (3 Piece 2nd Synchro, 2.79" ID 4th Synchro) .....	BK240	BK240CWS
N.I.	Pathfinder (98-00) (3.3L) 3 Piece 2nd Synchro, 2.95" ID 4th Synchro).....	BK240	BK240DWS
N.I.	Xterra (00-04) (3.3L) (Non Supercharged) .....	BK240	BK240DWS
N.I.	Xterra (00-04) (3.3L) (Supercharged).....	BK240	BK240EWS
<b>GASKET KITS</b>			
N.I.	Gasket Kit (All) .....	323000	NISSAN V6-55
<b>SEALS</b>			
070A	Front Seal .....	372070	11615
074A	Rear Seal .....	323074	3004
<b>BEARINGS</b>			
240C	Input Bearing .....	304240	6308-N
212D	Main Shaft Bearing (Center).....	304240	6308-N
211D	Main Shaft Bearing (Rear) (2wd).....	323211	62/32
211D	Main Shaft Bearing (Rear) (4wd).....	323211A	HMK3220
260E	Counter Shaft Bearing (Front) (Stamped DB) .....	323260A	DB503403A
260E	Counter Shaft Bearing (Front) (Stamped AXJ).....	323260	AXJ43X60X3.2
N.I.	Counter Shaft Bearing (Center).....	323260A	DB503403A
262E	Counter Shaft Bearing (Rear) (Stamped 63/22N) .....	336214	63/22N
262E	Counter Shaft Bearing (Rear) (Stamped ARJX).....	323262	ARJX38X60X75
260-1E	Counter Shaft Race (Front) .....	323260-1	AX47X65X2.2
267C	Pocket Bearing .....	323267	KMJ3038/263X
<b>GEARS</b>			
581D	Gear, 1st (32 T w/ 54 Engagement Teeth).....	313581	NISV6-12
<b>SHAFTS</b>			
670C	Input Shaft (20 T) (4wd) (87-95) .....	323670	NISV6-16
674E	Cluster Shaft (33-31-21-13) (4wd) (87-95) .....	323674	NISV6-8



A



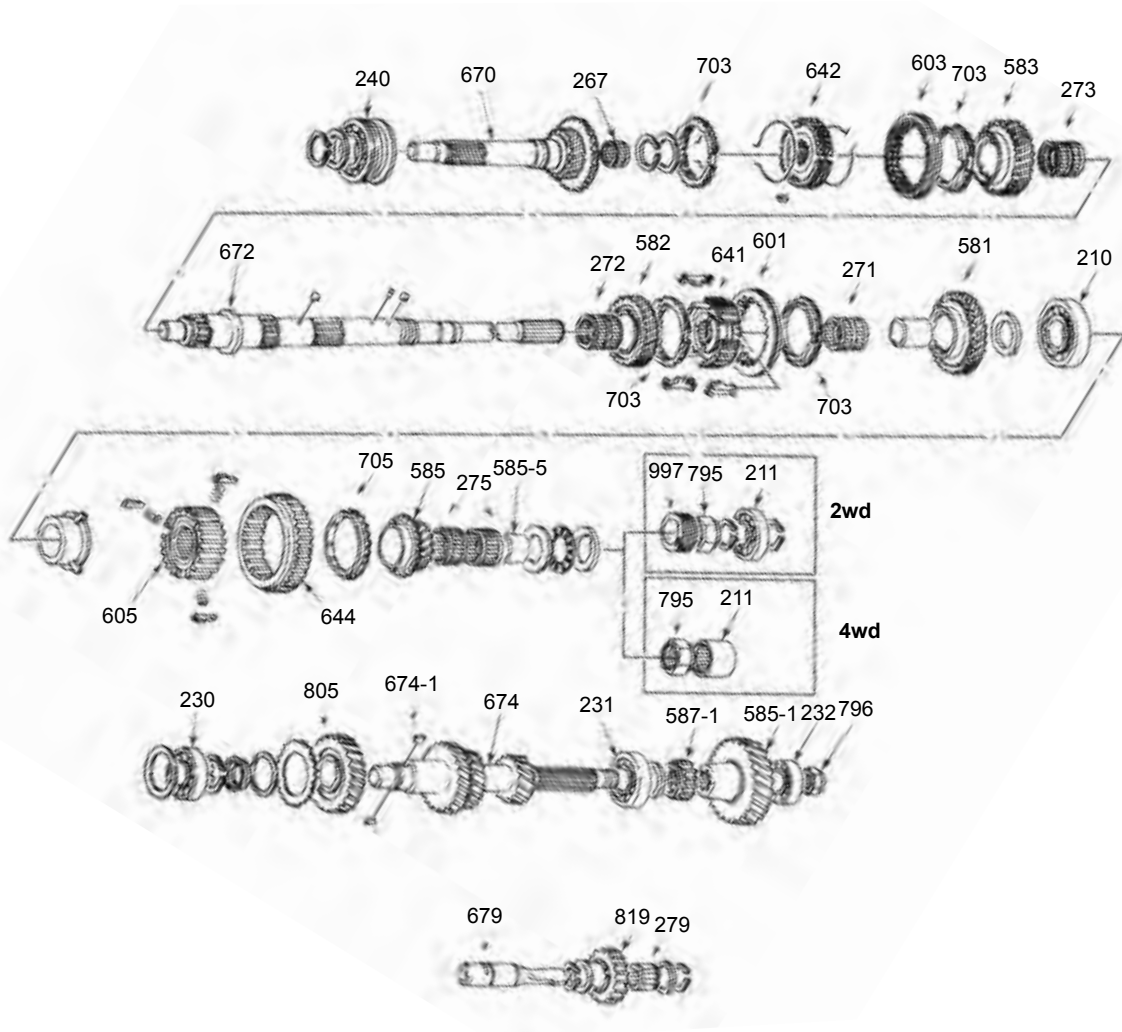
B



C



303



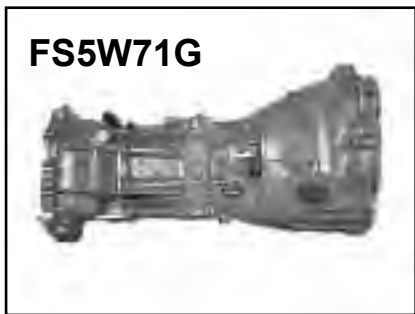
D

E

F

G

H



**303**



# FS5W71

FS5W71

ILL NO.	DESCRIPTION	PART NO.	REFERENCE
<b>BEARING KITS</b>		<b>w/o Synchros</b>	<b>w/Synchros</b>
<b>Cars</b>			
N.I.	210, B210 (79-82).....	BK173	BK173WS
N.I.	200SX (80-84) (1-4 Synchros Rings Are The Same Size).....	BK104	BK104WS
N.I.	200SX (84-88) (1-2 Rings Larger Than 3-4) (1 Piece 2nd Synchro).....	BK133	BK133AWS
N.I.	200SX (1988) (1-2 Rings Larger Than 3-4) (3 Piece 2nd Synchro).....	BK133	BK133BWS
N.I.	240SX (88-93) (no Synchro for Reverse).....	BK133	BK133BWS
N.I.	240SX (93-98) (w/ Reverse Synchro) (No Pocket Needle Brg).....	BK133	BK133CWS
N.I.	240SX (93-98) (w/ Reverse Synchro) (31.25mm OD Pocket Needle Brg).....	BK133E	BK133FWS
N.I.	280Z (77-78) (2.8L).....	BK104	BK104AWS
N.I.	280ZX (79-80) (2.8L) (5th Ring is Black Fiber - Not Included in Kit).....	BK104	BK104AWS
N.I.	280ZX (80-83) (2.8L) (5th Ring is Brass).....	BK104	BK104WS
N.I.	300ZX (83-87) (3.0L) (1 Piece 2nd Synchro).....	BK133	BK133AWS
N.I.	300ZX (87-89) (3.0L) (3 Piece 2nd Synchro).....	BK133	BK133BWS
N.I.	510 (78-81) (1.8L).....	BK173	BK173WS
N.I.	810 (79-80) (2.4L) (5th Ring is Black Fiber - Not Included in Kit).....	BK104	BK104AWS
N.I.	810 (80-81) (2.4L, 2.8L) (5th Ring is Brass).....	BK104	BK104WS
N.I.	Maxima (82-84) (2.4L, 2.8L).....	BK104	BK104WS
<b>FS5W71 (Trucks except Hardbody Trucks)</b>			
N.I.	Frontier 2wd (98-04).....	BK133E	BK133EWS
N.I.	Frontier 4wd (98-00).....	BK212E	BK212EWS
N.I.	Pathfinder 4wd (86-88).....	BK212	BK212WS
N.I.	Xterra 2wd (00-04).....	BK133E	BK133GWS
N.I.	720 Series Truck (74-80) (2.0L) (5th Ring is Black Fiber - Not Incl.).....	BK104	BK104AWS
N.I.	720 Series Truck (80-84) (2.0L, 2.2L, 2.4L, 2.5L) (5th Ring is Brass).....	BK104	BK104WS
N.I.	.....(56mm OD Front Cluster Bearing).....		
N.I.	720 Series Truck (84-86) (2.0L, 2.4L, 2.5L) (5th Ring is Brass).....	BK133	BK133WS
N.I.	.....(62mm OD Front Cluster Bearing).....		
<b>FS5W71 (2wd Hardbody Trucks)</b>			
N.I.	2wd Hardbody (86-7/93) (2.4L, 2.5L Diesel).....	BK133	BK133AWS
N.I.	.....(1 Piece 2nd Synchro, no Synchro for Reverse).....		
N.I.	2wd Hardbody (7/93-95) (2.4L).....	BK133	BK133BWS
N.I.	.....(3 Piece 2nd Synchro, no Synchro for Reverse).....		
N.I.	2wd Hardbody (1996) (2.4L).....	BK133	BK133CWS
N.I.	.....(3 Piece 2nd Synchro, Uses Synchro for Reverse).....		
N.I.	2wd Hardbody (1997) (2.4L).....	BK133	BK133DWS
N.I.	.....(1 Piece 2nd Synchro, Uses Synchro for Reverse).....		
<b>FS5W71 (4wd Hardbody Trucks)</b>			
N.I.	4wd Hardbody (86-8/89) (2.4L).....	BK212	BK212WS
N.I.	.....(1 Piece 2nd Synchro, no Synchro for Reverse).....		
N.I.	4wd Hardbody (8/89-1/92) (2.4L).....	BK212A	BK212AWS
N.I.	.....(1 Piece 2nd Synchro, no Synchro for Reverse).....		
N.I.	4wd Hardbody (1/92-7/93) (2.4L).....	BK212A	BK212BWS
N.I.	.....(1 Piece 2nd Synchro, Uses Synchro for Reverse).....		
N.I.	4wd Hardbody (7/93-96) (2.4L) (26mm OD Pocket Needle Bearing).....	BK212A	BK212CWS
N.I.	.....(3 Piece 2nd Synchro, Uses Synchro for Reverse).....		
N.I.	4wd Hardbody (96-98) (2.4L) (31mm OD Pocket Needle Bearing).....	BK212E	BK212EWS
N.I.	.....(3 Piece 2nd Synchro, Uses Synchro for Reverse).....		
<b>GASKET &amp; SEAL KITS</b>			
N.I.	Gasket & Seal Kit.....	303002	G32D
<b>SEALS</b>			
070B	Front Seal.....	372070	11615
074C	Rear Seal (2wd).....	303074	13944
<b>BUSHINGS</b>			
066C	Extension Housing (1.500" OD).....	303066	NISSAN-62

# FS5W71

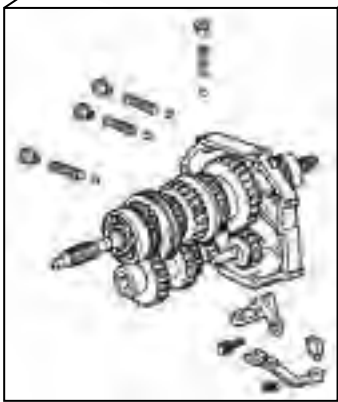
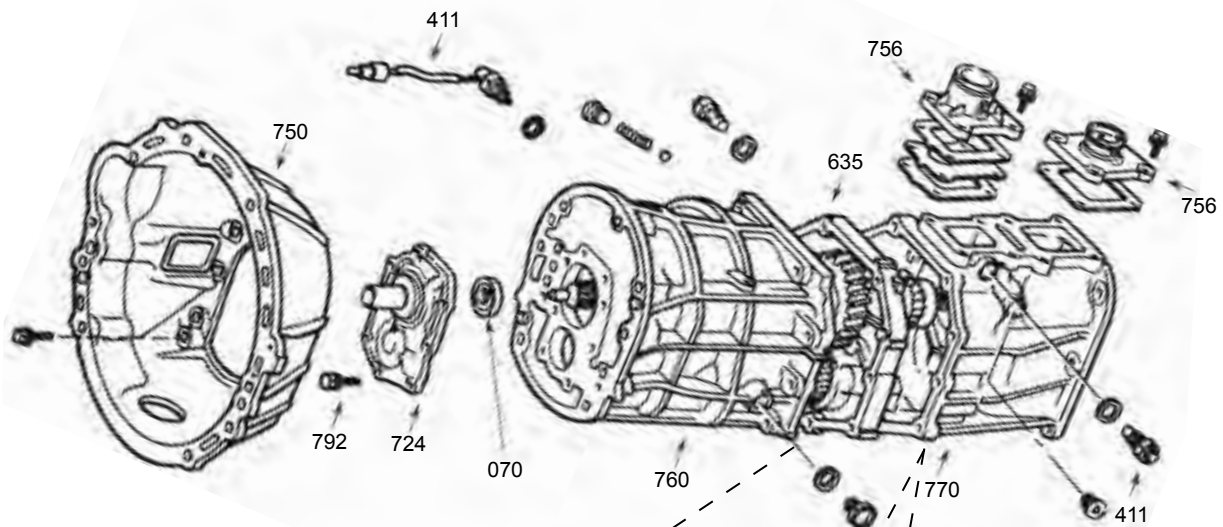
FS5W71

ILL NO.	DESCRIPTION	PART NO.	REFERENCE
<b>BEARINGS</b>			
240D	Input Bearing.....	456211	6306-N
210E	Main Shaft Bearing .....	303210	306
211F	Main Shaft Bearing (Rear).....	303211	205
211F	Rear Bearing (4wd).....	303211A	HK5020
230G	Cluster Bearing (Front) (74-83).....	336214	63/22N
230G	Cluster Bearing (Front) (84-Up).....	303230A	22BCO6S5X
231G	Cluster Bearing (Center).....	303231	305
232G	Cluster Bearing (Rear) (Ball Type).....	303232	204
232G	Cluster Bearing (Rear) (Roller Type) .....	313232A	NIS-219
267D	Pocket Bearing.....	303267	K20/26/20
267D	Pocket Bearing.....	303267A	K20/31/21
<b>HUBS &amp; SLIDERS</b>			
605F	5-R Hub (92-Up).....	303605	NIS-192
644F	Reverse Slider (93-Up).....	303644A	NIS-40
644F	Reverse Slider (36 T) (81-92).....	303644	NIS-36
<b>GEARS</b>			
585F	5th Gear Set (21 T, 39 T) (4wd) (86-93) (Non Synchronized Reverse) .....	303585AK	NIS-5
585F	5th Gear Set (21 T, 39 T) (4wd) (93-Up) (Synchronized Reverse) .....	303585CK	NIS-5C
585F	5th Gear Set (22 T, 37 T) (4wd) (86-Up) (Non Synchronized Reverse).....	303585BK	NIS-5B
585F	5th Gear Set (24 T, 45 T) (4wd) (78-85).....	303585K	NIS-5A
585-5F	5th Gear Sleeve (1.490" Long) (9/85-Up).....	303585-5	NIS-198
N.I.	Reverse Gear Kit (86-93) (Non Synchronized Reverse).....	303587K	NIS-REV KIT
N.I.	Reverse Gear (93-Up) (Synchronized Reverse).....	303587	NIS-37
587-1G	Reverse Gear Cluster (15 T).....	303587-1	NIS-46
819H	Reverse Idler Gear (21 T) (11/85-Up).....	303819	NIS-10A
819H	Reverse Idler Gear (22 T) (11/85-Up).....	303819A	NIS-10B
<b>SHAFTS</b>			
670D	Input Shaft (2wd) (22 T, 31 T) (86-93) (Narrow Gear).....	303670A	NIS-16A
670D	Input Shaft (2wd) (22 T, 31 T) (93-Up) (Wide Gear) .....	303670B	NIS-16B
670D	Input Shaft (4wd) (21 T, 32 T) (86-Up) (No Synchro Stop Engagement) .....	303670	NIS-16
670D	Input Shaft (4wd) (21 T, 32 T) (86-Up) (w/ Synchro Stop Engagement).....	303670C	NIS-16C
672E	Main Shaft (4wd) (Married) (11/85-8/86).....	303672	NIS-2
672E	Main Shaft (4wd) (Married) (8/86-Up).....	303672A	NIS-2A
674G	Cluster Shaft (28-19-13) 4wd) (8/86-Up) .....	303674	NIS-8
<b>MISCELLANEOUS COMPONENTS</b>			
735B	Front Retainer (Cluster Bearing is 2.2" OD) (74-83).....	303735	NIS-6
735B	Front Retainer (Cluster Bearing is 2.4" OD) (84-Up) .....	303735A	NIS-6A
795F	Main Shaft Nut (Left Threads).....	303795L	NIS-204
795F	Main Shaft Nut (Right Threads).....	303795R	NIS-204A
796G	Cluster Gear Nut.....	303796	NIS-220
846A	5-R Fork (Synchronized Reverse).....	303846	NISSAN-23B
<b>NOTES</b>			

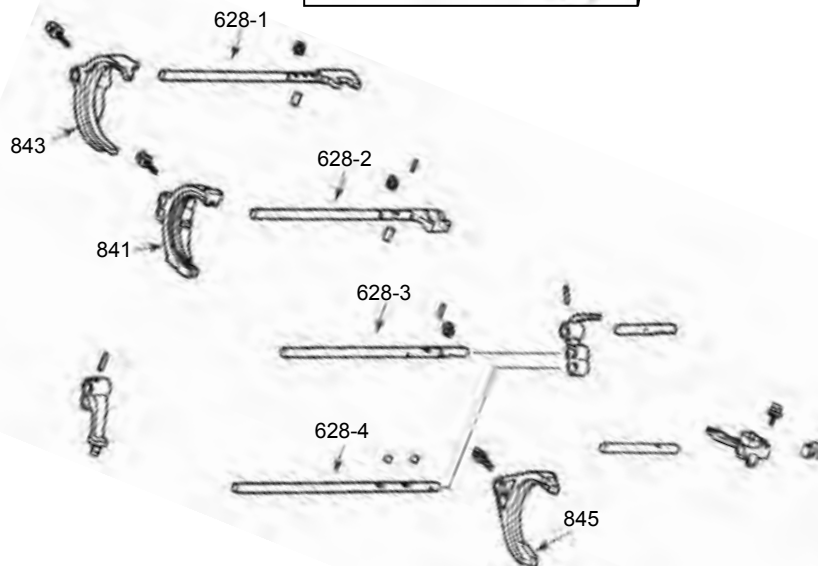
# G40, G52, G57, G58, G59

G40, G52, G57, G58, G59

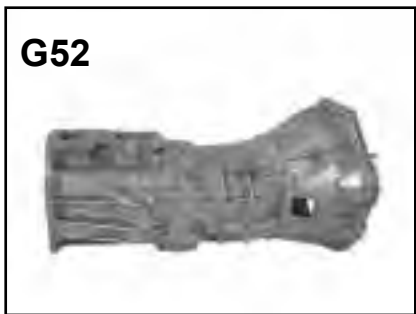
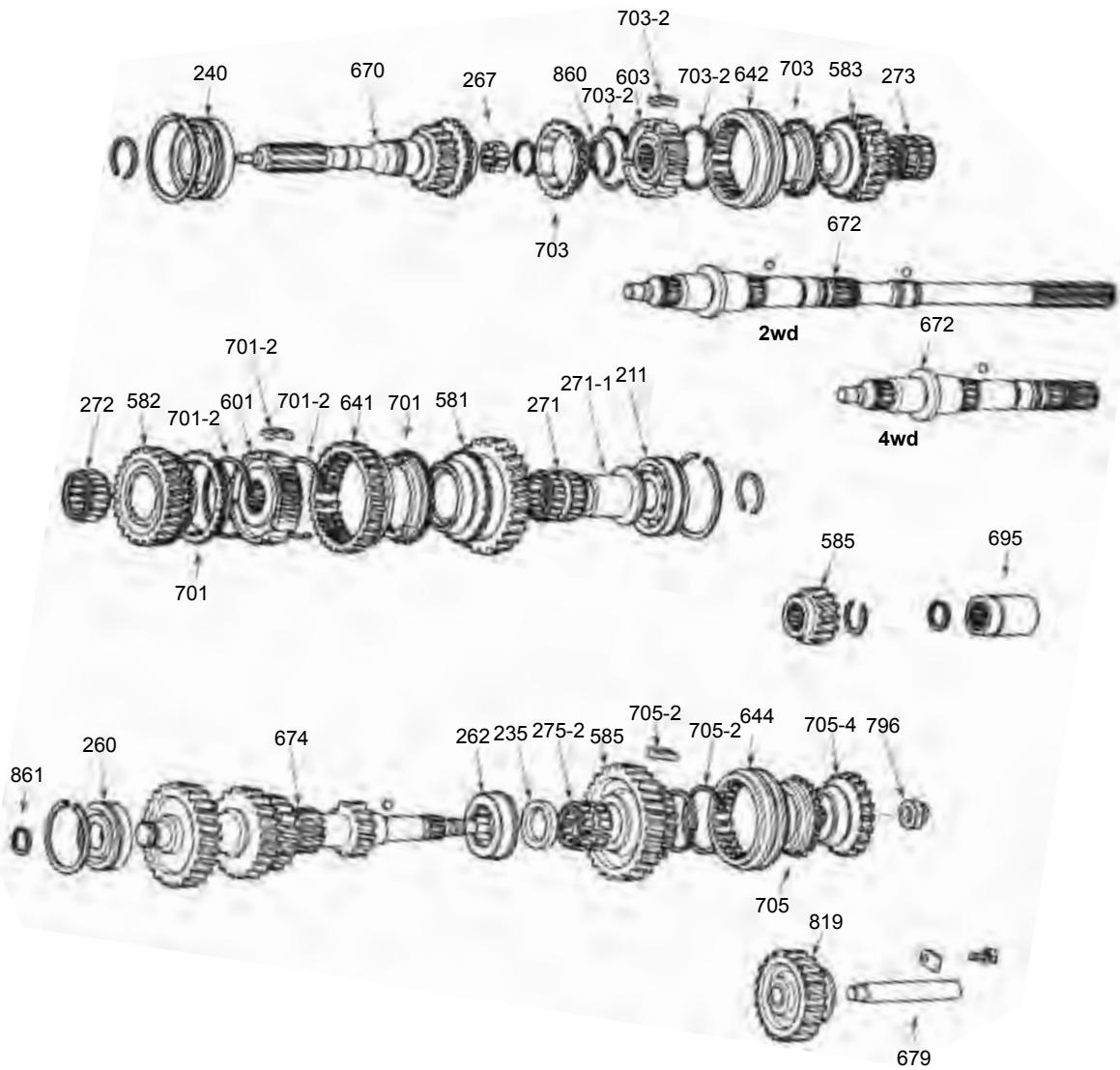
A



B



307



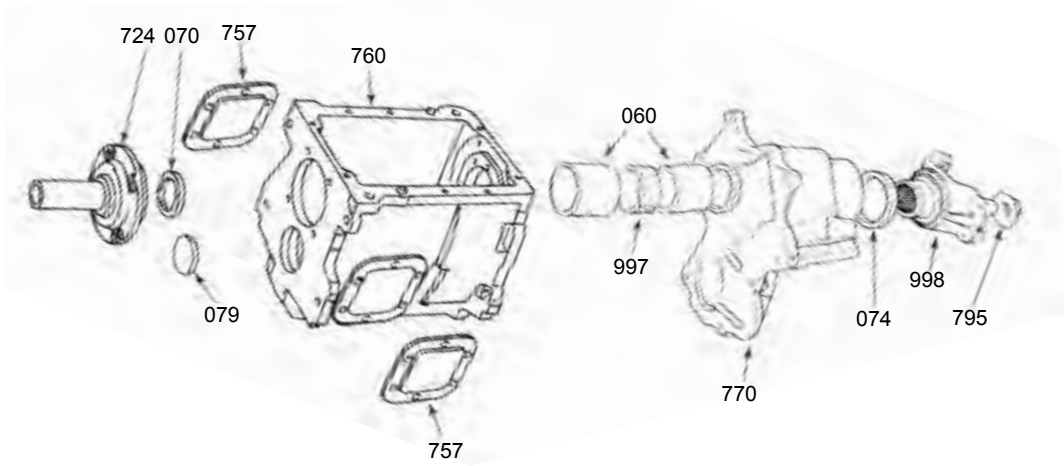
# G40, G52, G57, G58, G59

G40, G52, G57, G58, G59

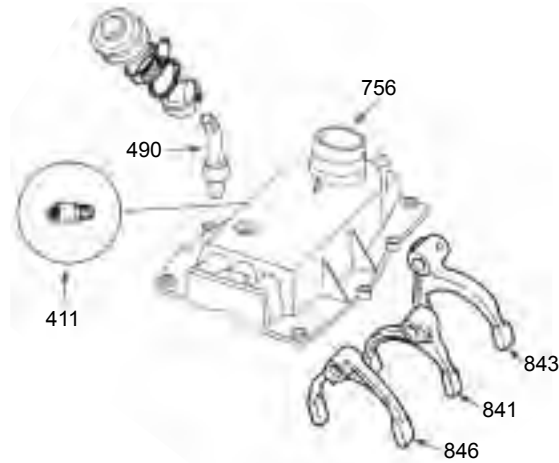
ILL NO.	DESCRIPTION	PART NO.	REFERENCE
<b>BEARING KITS</b>		<b>w/o Synchros</b>	<b>w/Synchros</b>
N.I.	G40, G52 (w/ Nut on the back of the Cluster Gear)..... .....(20mm Wide Input Bearing).....	BK160	BK160WS
N.I.	G40, G52 (w/ Nut on the back of the Cluster Gear)..... .....(23mm Wide Input Bearing).....	BK161	BK161WS
N.I.	G57, G58, G59 (w/ Snap Ring on the back of the Cluster Gear)..... .....(except 1984-89 Toyota Van).....	BK161L	BK161LWS
N.I.	G57, G58, G59 (w/ Snap Ring on the back of the Cluster Gear)..... .....(1984-89 Toyota Van only).....	BK161B	BK161BWS
<b>GASKET &amp; SEAL KITS</b>			
N.I.	Gasket & Seal Kit.....	372002	G54G
<b>GASKETS &amp; SEALS</b>			
N.I. 070A	Adapter Gasket..... Front Seal .....	307304 372070	TC2030-G52 11615
<b>SMALL PARTS KITS</b>			
N.I.	Small Parts Kit .....	372001	SPAX5-50
<b>BEARINGS &amp; RACES</b>			
240C	Input Bearing (20mm Thick) (84-88).....	317287	B32-14UR
240C	Input Bearing (23mm Thick) (8/83-12/83).....	372210	32TM03UR
271-1E	1st Gear Inner Race (to 7/1988) (Use w/ Nut Style Cluster Gears).....	317271-1	83500560
271-1E	1st Gear Inner Race (8/88-Up) (Snap Ring Style Cluster).....	372271-1A	83506026
271E	1st Gear Needle (84-7/88) (Use w/ Nut Style Cluster Gears).....	317271-2	83500578
271E	1st Gear Needle (8/88-Up) (Snap Ring Style Cluster).....	372271-2A	83506031
272E	2nd Gear Needle.....	317272-2	83500577
273C	3rd Gear Needle .....	317273-2	83500576
275-2F	5th Gear Needle.....	307275-2	K26/33/33.5
<b>HUBS &amp; SLIDERS</b>			
601E	1-2 Hub (Inner).....	317601-1	83500561
603C	3-4 Hub (Inner).....	317603-1	83500562
641E	1-2 Slider.....	372641	83500555
642C	3-4 Slider (Iron Fork Type) (.315" Fork Groove) .....	372642	33364-35010
N.I.	3-4 Slider & Fork Kit (Bolt On Style) (Aluminum).....	372642K	4740236
644F	5th Slider (Aluminum Fork Type) .....	372644	G52-15
644F	5th Slider (Iron Fork Type) .....	317644	83500642
<b>SYNCHRONIZER COMPONENTS</b>			
N.I.	Synchronizer Kit.....	SRK157	N.L.
701E	1-2 Synchro.....	372701	TOY-14A
701-2E	1-2 Synchro Key & Spring Kit .....	372701-2K	AX5-K1
703C	3-4 Synchro.....	372703	TOY-14
703-2C	3-4 Synchro Key & Spring Kit .....	372703-2K	AX5-K3
705F	5th Synchro.....	372703	TOY-14
705-4F	5th Synchro Cone .....	372705-4	G52-152
705-2F	5th Synchro Key & Spring Kit.....	372705-2K	AX5-K5
<b>FORKS</b>			
841B	1-2 Fork (Aluminum) (Bolt On Style).....	372841	83502662
841B	1-2 Fork Kit (Replaces Iron Fork) (Includes Fork, Shift Rail & Bolt).....	372841K	83500527
642C	3-4 Slider & Fork Kit (Bolt On Style) (Aluminum).....	372642K	4740236
845B	5th Fork (Iron) (84-93).....	372845A	83500637
845B	5th Fork (Late) (Aluminum) (94-Up).....	372845	4746656
<b>GEARS</b>			
581E	1st Gear (33 T) (84-7/88) (Use w/ Nut Style Cluster Gears).....	317581	83500550
581E	1st Gear (33 T) (8/88-Up) (Snap Ring Style Cluster).....	372581A	AX5-12A
582E	2nd Gear (28 T) (to 7/88).....	372582A	83506018
582E	2nd Gear (28 T) (8/88-Up) (Use w/ Nut Style Cluster Gears) .....	317582	83500551
583C	3rd Gear (27 T) (84-88) (Use w/ Nut Style Cluster Gears) .....	372583	G52-11
585F	5th Gear Set (24 T, 47 T) .....	317585K	G52-5
585F	5th Gear (24 T) (One ID Groove).....	307585-2	83500971
819G	Reverse Idler (All) .....	372819	83503555



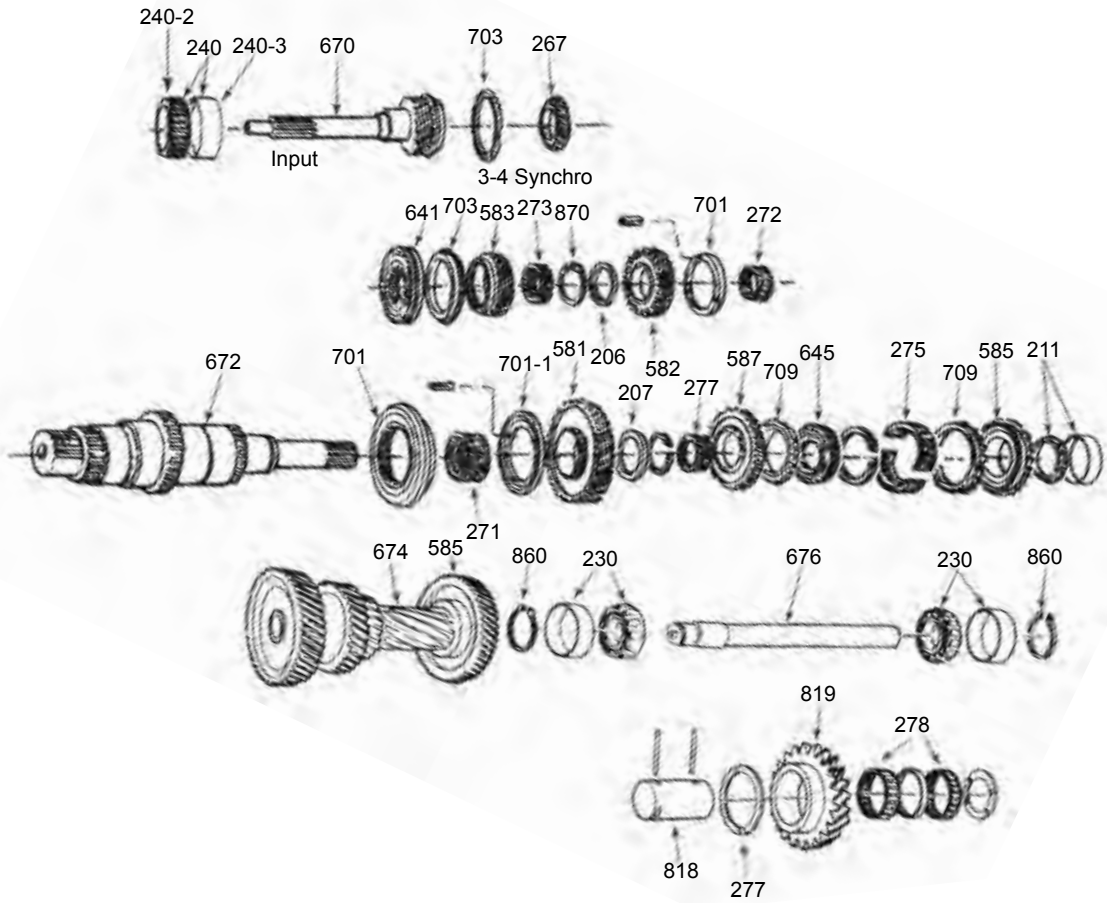
A



B



G360



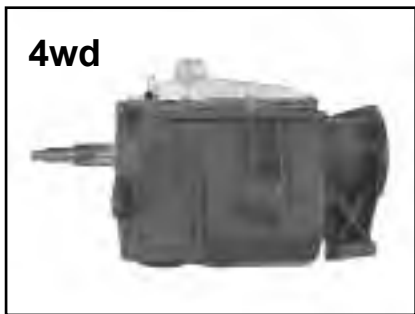
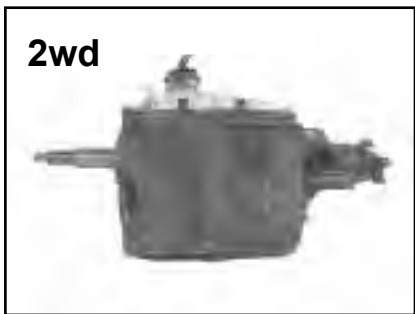
C

D

E

F

G



**302**



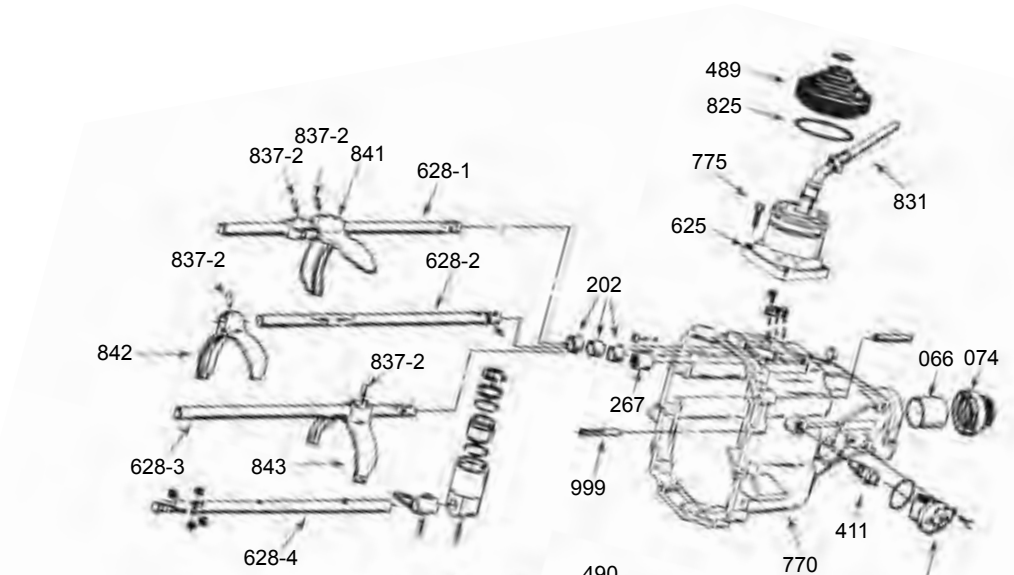
ILL NO.	DESCRIPTION	PART NO.	REFERENCE
<b>BEARING KITS</b>		<b>w/o Synchros</b>	<b>w/Synchros</b>
N.I.	G360 .....	BK261	BK261WS
<b>GASKET &amp; SEAL KITS</b>			
N.I.	Gasket & Seal Kit.....	302002	G360
<b>SEALS</b>			
070A	Front Seal .....	302070	16521
074A	Rear Seal (2wd).....	311074A	19762
074A	Rear Seal (4wd).....	476074A	14017
079A	Front Seal Counter Cap.....	302079	G360-1
<b>BEARINGS</b>			
240-2C	Input Bearing Cone.....	302203	360S1
240-3C	Input Bearing Cup.....	302203	360S1
240C	Input Bearing.....	394274A	SET5
211E	Rear Bearing Cone (Can Use 302220).....	394210-2	25572
211E	Rear Bearing Cup (Can Use 302220).....	394210-2	25572
230F	Cluster Bearing .....	302230	30305
271E	1st Gear Needle Bearing .....	302271	G360-86
272E	2nd Gear Needle Bearing .....	302272	G360-85
273D	3rd Gear Needle Bearing .....	302273	G360-79
275E	5th Gear Needle Bearing .....	302275	G360-94
277E	Needle bearing, reverse.....	302276	G360-91
267C	Pocket Bearing.....	394274	32008
<b>SLIDERS</b>			
641D	3-4 Slider.....	302641	290-15
645E	5th-Reverse Slider .....	302641	290-15
<b>SYNCHRONIZER COMPONENTS</b>			
701E	1-2 Synchro Assembly .....	302701K	G360-80
701E	1-2 Synchro Ring .....	302701	G360-83
N.I.	1-2 Synchro Key & Spring Kit (Ball Type) .....	302701-2K	G360-K1
N.I.	1-2 Synchro Spring .....	302701-4	G360-78
N.I.	3-4 Synchro Assembly .....	302703K	G360-2.5
703C	3-4 Synchro Ring .....	404701A	290-14
N.I.	3-4 Synchro Key & Spring Kit .....	302703-2K	WT290-K
N.I.	5th-Reverse Synchro Assembly.....	302709K	G360-40
709E	5th-Reverse Synchro Ring.....	404701A	290-14
N.I.	5th-Reverse Synchro Key & Spring Kit.....	302703-2K	WT290-K
<b>FORKS</b>			
841B	1-2 Fork.....	302841	G360-23
843B	3-4 Fork.....	302843	G360-23A
846B	5th-Reverse Fork .....	302846	G360-23B
<b>GEARS</b>			
583D	3rd Gear (30 T) .....	302583	G360-11
585E,F	5th Gear (21 T) .....	302585	G360-18
585E,F	5th Gear (48 T) .....	302585A	G360-19
<b>SHAFTS</b>			
670C	Input Shaft (25 T).....	302670	G360-16
672E	Main Shaft (2wd).....	302672	G360-2
672E	Main Shaft (4wd).....	302672A	G360-2A
674F	Cluster Shaft w/ 5th Gear.....	302674	G360-8A
676F	Counter Shaft.....	302676	G360-3
<b>BEARING RETAINERS</b>			
724A	Front Bearing Retainer.....	302724	G360-6

ILL NO.	DESCRIPTION	PART NO.	REFERENCE
<b>MISCELLANEOUS COMPONENTS</b>			
795A	Nut, Main Shaft (2wd) .....	302795	4504585
N.I.	Shim Kit, Counter Shaft .....	302225K	G360-SMK
N.I.	Shim Kit, Input.....	424225K	NV5600-SMK
N.I.	Shim Kit, Main Shaft .....	302225AK	G360-SMKA
860F	Snap Ring, Counter Shaft .....	302860	G360-97
997A	Speedometer Drive Gear.....	302997	4549212
N.I.	Speedometer Drive Gear Spacer.....	302997-2	G360-54
411B	Switch, reverse light.....	302411	4373814
756B	Top Cover Complete (Rebuilt, w/o Shifter).....	302756	G360-22
N.I.	Top Cover Pin .....	302756-4	G360-P1
N.I.	Top Cover Soft Plug (Front & Back).....	302484	219-2151
N.I.	Top Cover Spring .....	302979	G360-105
<b>NOTES</b>			

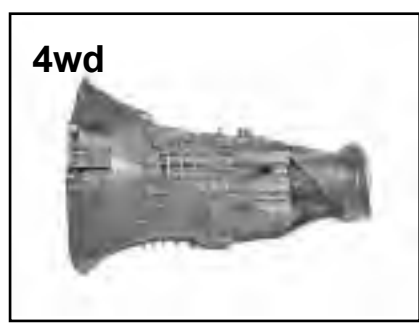
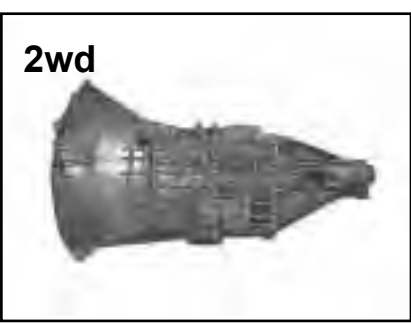
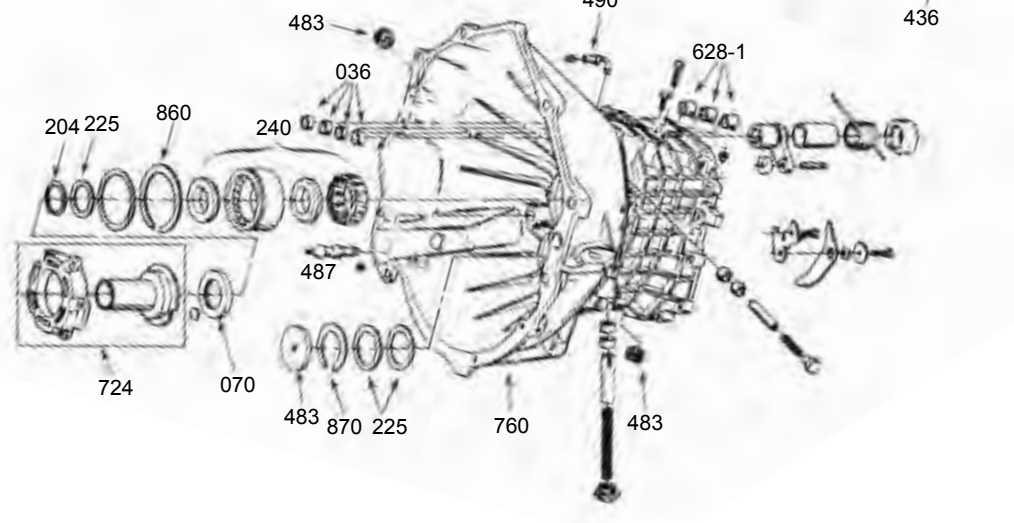
G360

Getrag 290, NV1500, NV3500, NV3550

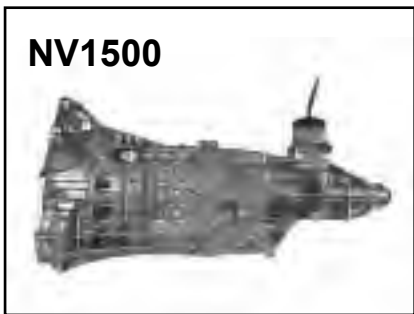
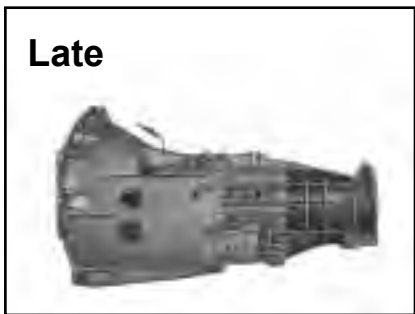
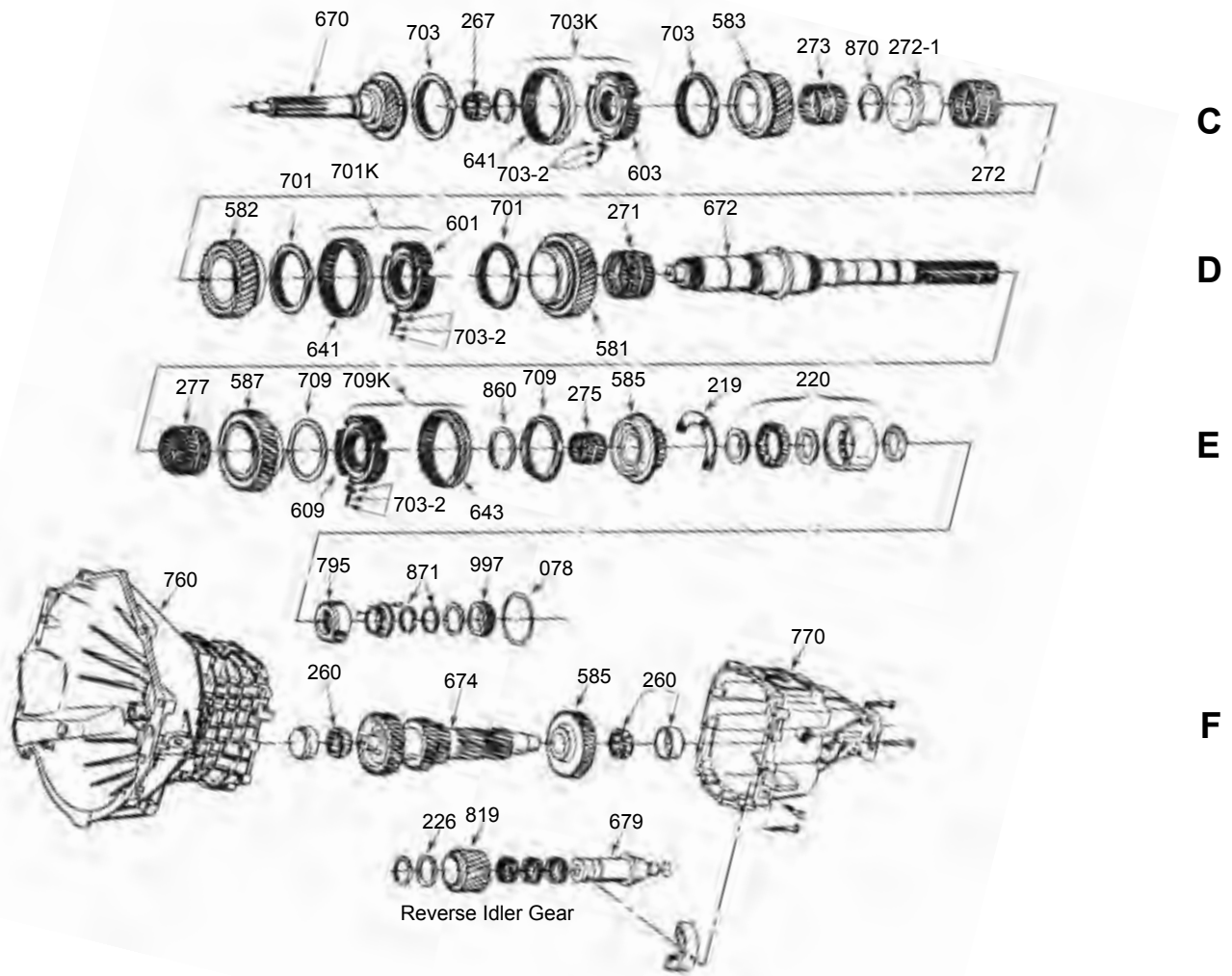
A



B



**404**



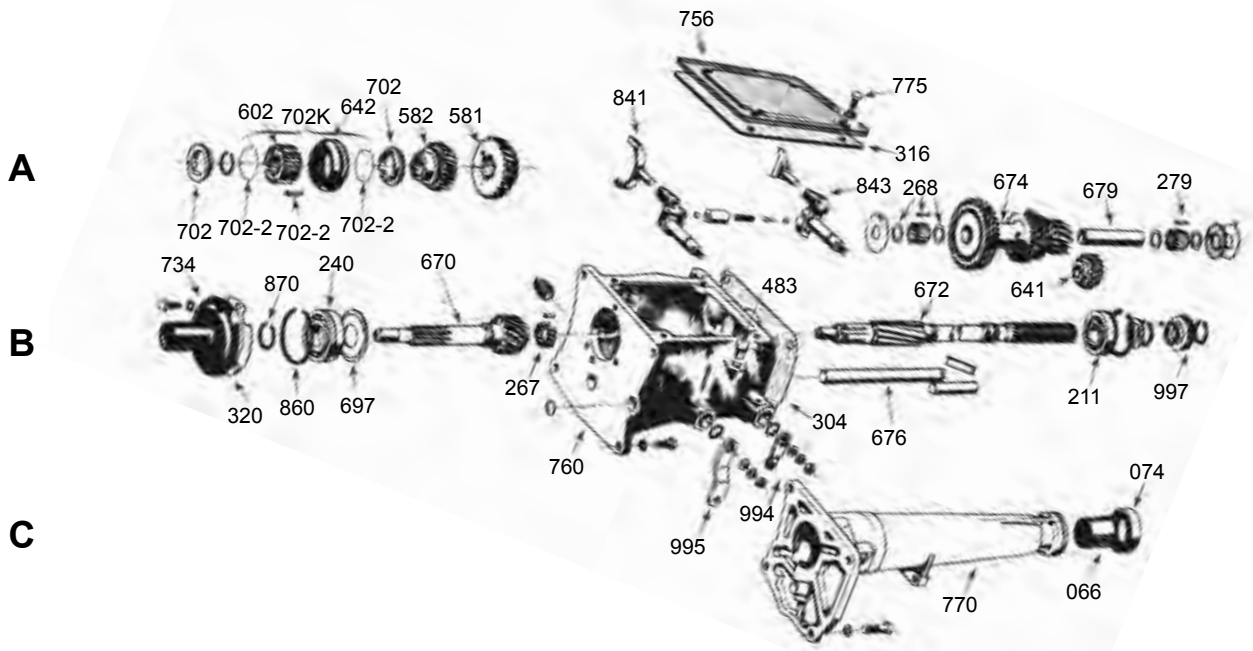
ILL NO.	DESCRIPTION	PART NO.	REFERENCE
<b>BEARING KITS</b>		<b>w/o Synchros</b>	<b>w/Synchros</b>
<b>Getrag 290 (Except NV 1500, NV 3500, NV 3550)</b>			
N.I.	1988-90 (Input Uses Ball & Roller Brg, Output Uses Single Ball Brg) .....	BK235A	BK235AWS
N.I.	1988-89 (Double Ball Input & Output Bearings).....	BK235	BK235WS
N.I.	1991-Up (Single Ball Input & Output Bearings) (1 Piece 1-2 Synchro).....	BK235B	BK235BWS
N.I.	1991-Up (Single Ball Input & Output Bearings) (3 Piece 1-2 Synchro)..... .....(Cluster Journals Measure 30mm OD).....	BK235B	BK235DWS
N.I.	1991-Up (Single Ball Input & Output Bearings) (3 Piece 1-2 Synchro)..... .....(Cluster Journals Measure 33mm OD).....	BK235E	BK235EWS
<b>NV 1500</b>			
N.I.	Dodge .....	BK494	BK494WS
N.I.	GM .....	BK416	BK416WS
N.I.	Isuzu Hombre.....	BK416	BK416WS
N.I.	Jeep Liberty .....	BK494A	BK494AWS
<b>NV 3500, NV 3550</b>			
N.I.	Isuzu Hombre (NV 3500).....	BK235B	BK235DWS
N.I.	Dodge (NV 3500) (1 Piece 1-2 Synchros) .....	BK235C	BK235CWS
N.I.	Dodge (NV 3500) (3 Piece 1-2 Synchros) .....	BK235C	BK235GWS
N.I.	Jeep (NV 3550) (3 Piece 1-2 Synchro, Cluster Journals Measure 30mm OD).....	BK235C	BK235GWS
N.I.	Jeep (NV 3550) (3 Piece 1-2 Synchro, Cluster Journals Measure 33mm OD).....	BK235E	BK235FWS
<b>SEALS</b>			
070B	Front Seal (Except NV 1500) .....	404070A	HM290-10
070B	Front Seal (NV 1500) .....	324070	11623
N.I.	Seal (Inside Stick) (2.16" OD) .....	404071B	290-45
N.I.	Seal (Inside Stick) (2.69" OD) .....	404071C	290-45A
074A	Rear Seal (65mm OD) (2wd) .....	404074	10289
074A	Rear Seal (90mm OD) (4wd) .....	404074A	23049636
074A	Rear Seal (54mm OD) (S10 Only) .....	404074B	9846
<b>SMALL PARTS KITS</b>			
N.I.	Small Parts Kit .....	404001A	SP3500-50
<b>BUSHINGS</b>			
066A	Extension Housing (1.630" OD) (NV 1500, NV 3500).....	44066	WT266-62
066A	Extension Housing (2.050" OD) (NV 3500 GM Full Size).....	404066	290-62
066A	Extension Housing (NV 3500 GM S10 Only).....	404066A	290-62A
066A	Extension Housing (1.820" OD) (NV 3500 Dodge Full Size) .....	386066	T85-62
066A	Extension Housing (1.700" OD) (NV 3500 Dakota) .....	12066	WT243-62B
<b>BEARINGS</b>			
N.I.	Needle Bearing Kit (GM) (88-90) .....	404201K	NK-290
N.I.	Needle Bearing Kit (GM) (91-Up w/o Sealed 5th Gear).....	404201AK	NK-290A
N.I.	Needle Bearing Kit (GM) (91-Up w/ Sealed 5th Gear).....	404201BK	NK-290B
N.I.	Needle Bearing Kit (Dodge & Jeep).....	404201BK	NK-290B
240B	Input Bearing (23mm Thick) (91-Up) .....	404220A	573305D
240B	Input Bearing (33mm Thick) (88-91) .....	404220	565493B
220E	Output Bearing (23mm Thick) (91-Up).....	404220A	573305D
220E	Output Bearing (33mm Thick) (88-89) .....	404220	565493B
260F	Counter Shaft Bearing (1.020" ID) w/ Outer Race (qty 2) (88-91) .....	404260K	K308-338
260F	Counter Shaft Bearing (Pocket Type) (1st & 2nd Design) (qty 2) (88-91).....	404260	308-338
260F	Counter Shaft Bearing (1.180" ID) (3rd Design) (qty 2) (91-Up).....	404260A	FC67063
267C	Pocket Bearing, Input Shaft .....	404260	308-338
267A	Shift Rail Bearing (in Extension Housing).....	404267	F82852
N.I.	Pilot Bearing (not a Bushing) .....	404279	L381
<b>SLIDERS</b>			
641C	Slider, 1-2, 3-4.....	302641	290-15
643E	Slider, 5th-Reverse (88-E93) .....	302641	290-15
643E	Slider, 5th-Reverse (L93-Up) .....	404643	290-15A

ILL NO.	DESCRIPTION	PART NO.	REFERENCE
<b>SYNCHRONIZER COMPONENTS</b>			
701KD	1-2 Synchro Assembly (Reverse Seal) (88-E93) .....	404701K	18131
701KD	1-2 Synchro Assembly (NV 3500) (3 Piece Type) (L93-Up) .....	404701AK	34403
703-2D	Synchro Key, Spring & Ball Kit (requires 1 kit per Synchro Assembly) .....	302703-2K	WT290-K
703KC	3-4 Synchro Assembly (88-Up) .....	404703K	18130
703-2C	Synchro Key, Spring & Ball Kit (requires 1 kit per Synchro Assembly) .....	302703-2K	WT290-K
709E	5th-Reverse Synchro Assembly (Non Synchro Reverse) (88-E93) .....	404709K	18132
709E	5th-Reverse Synchro Assembly (Synchro Reverse) (L93-Up) .....	404709AK	18723
703-2E	Synchro Key, Spring & Ball Kit (requires 1 kit per Synchro Assembly) .....	302703-2K	WT290-K
<b>SYNCHRONIZER KITS</b>			
N.I.	Dodge (NV 3500) (3 Piece 1-2 Synchros) .....	SRK235F	N.L.
N.I.	Jeep (NV 3500) (3 Piece 1-2 Synchro) .....	SRK235F	N.L.
<b>SYNCHRO RINGS (SINGLE PIECE)</b>			
701D	1-2 Synchro (Except NV 1500) (Single Piece) .....	404701A	290-14
703C	3-4 Synchro (NV 1500) .....	404701A-3	NV1500-14
703C	3-4 Synchro (Except NV 1500) .....	404701A	290-14
709E	5th Synchro (NV 1500) .....	404701A-3	NV1500-14
709E	5th Synchro (Except NV 1500) .....	404701A	290-14
709E	Reverse Synchro (NV 1500) .....	404701-6A	NV1500-14B
709E	Reverse Synchro (Except NV 1500) .....	404701-6B	18291
<b>SYNCHRO RINGS (MULTI PIECE)</b>			
701D	1-2 Synchro (Inner) (NV 1500) .....	404701A-1	NV1500-14A
701D	1-2 Synchro (Inner) (Except NV 1500) .....	404701B-1	18835
701D	1-2 Synchro (Middle) (NV 1500) .....	404701C-3	U1500137
701D	1-2 Synchro (Middle) (Except NV 1500) .....	404701B-3	21241
701D	1-2 Synchro (Outer) (NV 1500) .....	404701A-3	NV1500-14
701D	1-2 Synchro (Outer) (Except NV 1500) .....	404701B-5	18831
<b>FORKS</b>			
841A	1-2 Shift Fork (4 Rail Design) (88-92) .....	404841	290-23
841A	1-2 Shift Fork, 1.875" Steel Piece (NV 3500) (93-Up) .....	404841A	25416
841A	1-2 Shift Fork, 1.950" Steel Piece (NV 3500) (93-Up) .....	404841B	25420
842A	3-4 Shift Fork (4 Rail Design) (88-92) .....	404842A	290-23A
842A	3-4 Shift Fork (NV 3500) (93-Up) .....	404842	25418
843A	5th-Reverse Shift Fork (4 Rail Design) (88-92) .....	404843B	290-23B
843A	5th-Reverse Shift Fork (NV 3500 Full Size Truck) (93-Up) .....	404843	20046
843A	5th-Reverse Shift Fork (NV 3500 S10, Dakota) (93-Up) .....	404843A	20047
N.I.	Fork Pivot Ball, External Slave (Ref # LAC152) .....	404837-1	290-102
837-2A	Fork Roll Pin (qty 4) .....	404837-2	8672316
N.I.	Clutch fork, External Slave (88-94) GM .....	404837	12385352
<b>GEARS</b>			
582D	2nd Gear (39 T) Dodge w/ Single Piece Synchro .....	404582	290-21
582D	2nd Gear (39 T) GM w/ Single Piece Synchro .....	404582	290-21
582D	2nd Gear (39 T) Dodge w/ Multi Piece Synchro .....	404582A	290-21A
582D	2nd Gear (39 T) GM w/ Multi Piece Synchro .....	404582A	290-21A
582D	2nd Gear (39 T) Jeep w/ Multi Piece Synchro .....	404582B	33190
582D	2nd Gear, Dual Synchro Cone (39 T Multi Piece Synchro) (94-Up) .....	404582A	290-21A
583C	3rd Gear (30 T) 1st Design (Chevy 88-90) (Snap Ring between 2nd & 3rd) .....	404583	290-11
583C	3rd Gear (30 T) 2nd Design (Chevy 91-96 & Dodge 94-96) .....	404583A	290-11A
585E	5th Gear (26 T) .....	404585B	290-18B
585E	5th Gear (24 T, No Seal) 1st, 2nd & Early 3rd Design (88-93) .....	404585	290-18
585E	5th Gear (24 T, Use w/ Seal) Late 3rd Design (94-Up) .....	404585A	290-18A
585E	5th Gear (27 T) (Does Not Use Needle Bearing) .....	324585	24994
587E	Reverse Gear (38 T) (Non Synchro) .....	404587	290-36
587E	Reverse Gear (40 T) .....	404587A	290-36A

ILL NO.	DESCRIPTION	PART NO.	REFERENCE
<b>SHAFTS (INPUT)</b>			
670C	Input Shaft (26 T) (GM 80-90) (33mm Bearing Type).....	404670	290-16R
670C	Input Shaft (26 T) (GM 91-95) (23mm Bearing Type, 1 Spline Groove).....	404670A	290-16AR
670C	Input Shaft (26 T) (GM 96-Up) (23mm Bearing Type, 3 Spline Grooves).....	404670C	290-16CR
670C	Input Shaft (26 T) (Dodge) (Except 2 ID Grooves on Clutch Spline).....	404670B	290-16BR
670C	Input Shaft (26 T) (Dodge) (w/ 2 ID Grooves on Clutch Spline).....	404670E	NV3550-16
670C	Input Shaft (35 T) (Dodge) (97-Up).....	404670D	290-16FR
670C	Input Shaft (26 T) (Jeep) NV 3550.....	404670E	NV3550-16
<b>SHAFTS (MAIN)</b>			
672D	Main Shaft (NV 1500).....	324672	21442
672D	Main Shaft (4wd) GM Full Size (Non World Class) (88-91).....	404672	290-2
672D	Main Shaft (4wd) GM Full Size (Non World Class) (91-93).....	404672A	290-2A
672D	Main Shaft (4wd) GM Full Size (World Class) (94-Up).....	404672AA	290-2C
672D	Main Shaft (2wd) GM Full Size (World Class) (94-Up).....	404672B	290-2B
672D	Main Shaft (2wd) Dodge (Non World Class) w/ Speedometer.....	404672D	290-2D
672D	Main Shaft (2wd) Dodge (World Class) w/ Speedometer.....	404672E	290-2E
<b>SHAFTS (CLUSTER)</b>			
674F	Cluster Shaft, 1" Groove, 1" Brg Journal (88-90).....	404674	290-8R
674F	Cluster Shaft, 1" Groove, 1.1875" Brg Journal (91-93).....	404674A	290-8AR
674F	Cluster Shaft, No Groove, 1.1875" Brg Journal (94-96) (34-28-22-14-43).....	404674B	290-8BR
674F	Cluster Shaft, 1/4" Groove (96-Up) S10 Only.....	404674C	290-8CR
674F	Cluster Shaft, 1/4" Groove (94-95) S10 & Dakota (34-28-23-14-37).....	404674D	290-8DR
674F	Cluster Shaft, 1" Groove, 1.300" Brg Journal (96-Up) (46-37-22-14-52).....	404674E	290-8ER
674F	Cluster Shaft, No Groove (97-Up).....	404674G	290-8FR
674F	Cluster Shaft (NV 3550) (46-37-22-14-57).....	404674H	NV3550-8A
<b>BEARING RETAINERS</b>			
724B	Front Bearing Retainer (Chevy) (88-91) (33mm Bearing Type).....	404724	290-6N
724B	Front Bearing Retainer (Chevy) (92-Up) (23mm Bearing Type).....	404724A	290-6A
<b>SHIFT COMPONENTS</b>			
625A	Shifter Assembly, 1st & 2nd Design (no Internal Detent).....	404625	8678461
625A	Shifter Assembly, 3rd Design (Internal Detent).....	404625B	27874
625A	Shifter Assembly, Updated (Internal Detent) (S10).....	404625A	27964
<b>MISCELLANEOUS COMPONENTS</b>			
483B	Front Counter Plug (BK235B).....	404483	8672243
436A	Speed Sensor, Magnetic.....	335436A	1370-640-001
795F	Main Shaft Nut (88-89).....	404795	23049751
N.I.	Shift Rail Bushing.....	404330	14080583
490B	Vent Tube.....	404490	15548812
411A	Switch, Reverse Light.....	404411	290-71
625A	Shifter, Square Stub (Dodge) NV 3500.....	404625D	26375
625A	Shifter, Square Stub (Jeep) NV 3550.....	404625J	30616
860E	Snap Ring, 5th-Reverse Hub.....	404860	12382901
871F	Snap Ring, 5th Gear Main Shaft (w/ Needle Bearing) NV 1500.....	404861A	23049936
871F	Snap Ring, 5th Gear Main Shaft (w/o Needle Bearing) NV 1500.....	404861B	12549402
997F	Speedometer Tone Wheel.....	404997A	8672207
N.I.	Tool, Assembly Fixture & Tool.....	404460	J36515
N.I.	Tool, Pivot Ball Remover (NV 3500).....	404460A	TL290







486



ILL NO.	DESCRIPTION	PART NO.	REFERENCE
<b>BEARING KITS</b>		<b>w/o Synchros</b>	<b>w/Synchros</b>
N.I.	HED (60-67).....	BK128	BK128WS
<b>GASKET &amp; SEAL KITS</b>			
N.I.	HED .....	486002	G280
<b>SEALS</b>			
N.I.	Input Seal.....	342070	10515
074A	Rear Seal.....	311074	13676
N.I.	Linkage Seal (Rubber Coated) .....	486072	6130
<b>SMALL PARTS KITS</b>			
N.I.	Small Parts Kit .....	486001	SP280-50
<b>BUSHINGS</b>			
066C	Extension Housing (1.500" OD).....	486066	WT280-62
<b>BEARINGS</b>			
211B	Rear Bearing.....	351268	6206-N
240B	Input Bearing.....	351268A	6207-N
<b>SLIDERS</b>			
641A	1st & Reverse Slider Gear (27 T).....	486641	WT280-12A
642A	2-3 Slider.....	486642	T96-15
<b>SYNCHRONIZER COMPONENTS</b>			
702KA	2-3 Synchro Assembly .....	486702K	1AT96-2.5A
702-2A	2-3 Synchro Key & Spring Kit .....	486702-2K	T96-K
702A	2-3 Synchro Ring .....	486702	T96-14A
N.I.	Synchronizer Ring Kit .....	SRK128	N.L.
<b>GEARS</b>			
582A	2nd Gear (19 T) .....	486582	WT280-11A
582A	2nd Gear (20 T) .....	486582A	WT280-11B
582A	2nd Gear (22 T) .....	486582B	WT280-11
819A	Reverse Idler Gear.....	486819	AWT280-10A
<b>SHAFTS</b>			
670B	Input Shaft (7 13/16" w/ 16 T) .....	486670	WT280-16A
670B	Input Shaft (7 13/16" w/ 17 T) .....	486670A	WT280-16B
670B	Input Shaft (8 3/4" w/ 17 T) .....	486670B	WT280-16C
672B	Main Shaft (22 13/16" w/ 22 T) .....	486672	WT280-2
672B	Main Shaft (24 13/16" w/ 24 T) .....	486672A	WT280-2B
674A	Cluster Shaft (33-23-19-14).....	486674	WT280-8B
674A	Cluster Shaft (37-24-19-14).....	486674A	WT280-8A
674A	Cluster Shaft (37-29-19-14).....	486674B	WT280-8
676B	Counter Shaft.....	486676	WT280-3
<b>NOTES</b>			

# COMMITMENT IS MORE THAN SKIN DEEP

Yeah, we're that  
**serious.** When you see  
the Transtar seal of  
quality, you can trust that  
when you build it once,  
you've built it right.

You Can Count On Us.



**Transtar Hard Parts.**  
Build it once. Build it right.

The Premier Provider of World Class Driveline Solutions.

**TRANSTAR**  
TRANSTAR INDUSTRIES, INC. ®

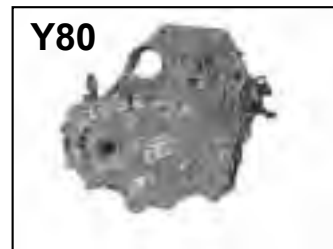
WWW.TRANSTAR1.COM 1.800.359.3339



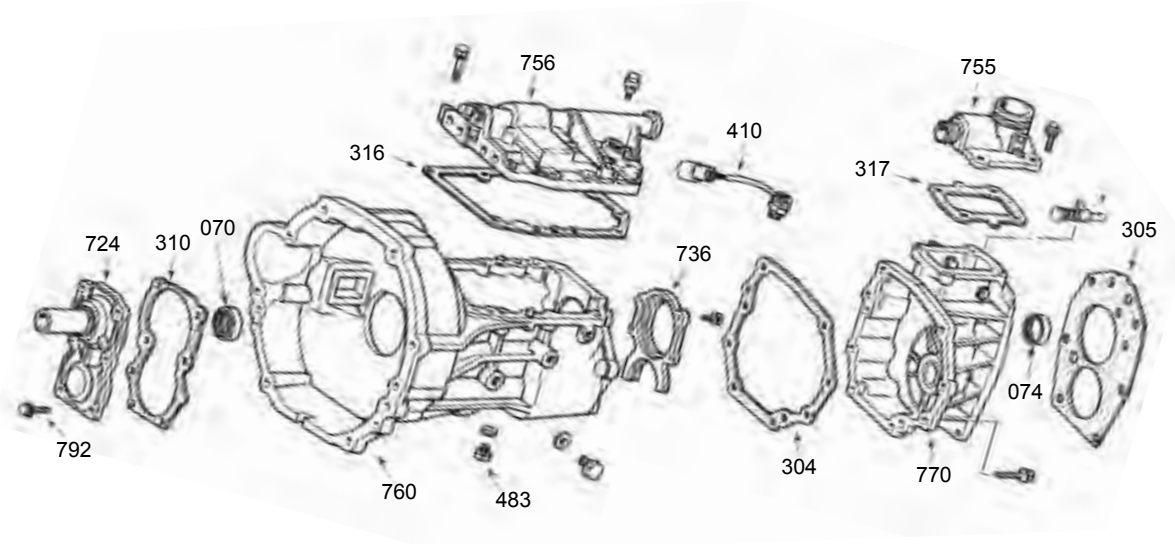
**TRANSTAR  
HARD PARTS**

OEM / Aftermarket  
Good Used / Remanufactured

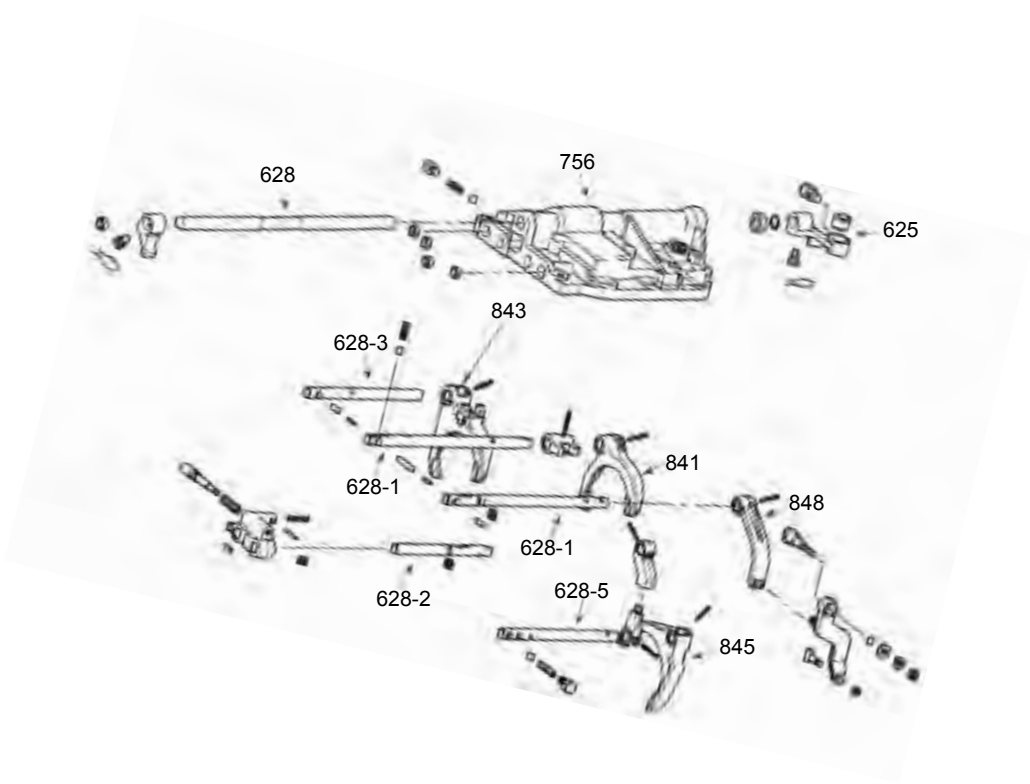
ILL NO.	DESCRIPTION	PART NO.		REFERENCE
		w/o Synchros	w/Synchros	
<b>BEARING KITS</b>				
N.I.	A2 (Accord 2.0L) (86-89) .....	BK238	BK238WS	
N.I.	A2 (Prelude 1.8L, 2.0L) (85-87) .....	BK238	BK238WS	
N.I.	A2B5 (Prelude 2.0L) (85-87) .....	BK238	BK238WS	
N.I.	A2K5 (Prelude 2.0L) (85-87) .....	BK238	BK238WS	
N.I.	H2 (Accord 2.2L) (90-91) .....	BK328	BK328WS	
N.I.	H2 (Accord 2.2L) (92-93) .....	BK387	BK387WS	
N.I.	M2 (Prelude 2.2L) (92-01) (Standard Differential - Non-Posi) .....	BK387	BK387AWS	
N.I.	M2 (Prelude 2.2L) (97-01) (Limited Slip Differential - Posi) .....	BK387B	BK387BWS	
N.I.	M2 (Prelude 2.3L) (92-96) .....	BK387	BK387AWS	
N.I.	P2 (Accord 2.2L) (94-98) .....	BK387	BK387WS	
N.I.	S40 (Civic 1.6L) (96-00) (Except SOHC VTEC) .....	BK326	BK326WS	
N.I.	S40 (Civic 1.6L) (96-00) (SOHC VTEC) .....	BK386	BK386WS	
N.I.	S80 (Integra 1.8L) (96-01) .....	BK390	BK390WS	
N.I.	S80 (Integra 1.8L) (96-01) .....	BK391	BK391WS	
N.I.	S80 (Integra 1.8L) (97-01) .....	BK390B	BK390BWS	
N.I.	Y80 (Integra 1.8L) (94-95) (GSR Models) .....	BK391	BK391WS	
N.I.	Y80 (Integra 1.8L) (94-95) (RS, LS & GS Models) .....	BK390	BK390WS	
<b>BEARINGS</b>				
N.I.	Output Bearing (40mm ID, 18mm Thick, 80mm OD) .....	342210	6208-N	
N.I.	Output Bearing (40mm ID, 23mm Thick, 90mm OD) .....	304240	6308-N	
N.I.	Differential Bearing (40mm ID) .....	66289A	208	
<b>HUBS &amp; SLIDERS</b>				
N.I.	1-2 Slider (S80, Y80) .....	320641	Y80-137	
N.I.	3-4 Hub & Slider (S40) .....	310642K	S40-2.5	
N.I.	3-4 Slider (S80, Y80) (3.270" OD) .....	320642A	Y80-120A	
N.I.	3-4 Slider (S80, Y80) (3.580" OD) .....	320642	Y80-120	
N.I.	5th Hub & Slider (A2Q6) .....	330644K	HON-40	
N.I.	5th Slider (S80, Y80, H2, M2, P2) .....	320644	Y80-115	
<b>FORKS</b>				
N.I.	3-4 Fork (S40) .....	310843	S40-23A	
<b>GEARS</b>				
N.I.	5th Gear Kit (36 T / 25 T) (A2Q6) .....	330585K	HON-5	
<b>MISCELLANEOUS COMPONENTS</b>				
N.I.	Input Nut (A2Q6) .....	330797	90201-PB6-010	
N.I.	Pinion Nut (A2Q6) .....	330796	90202-PB6-010	



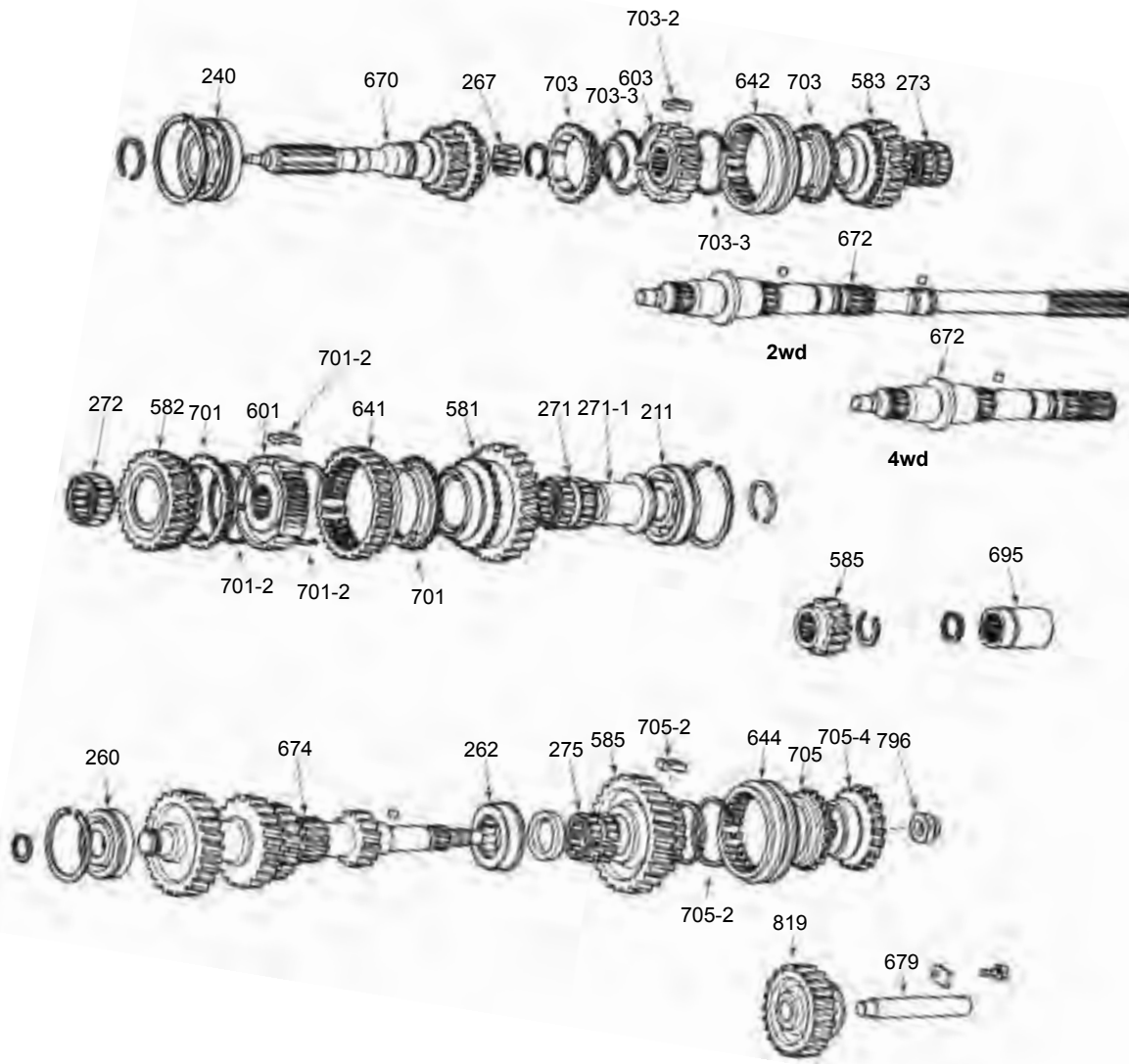
A



B



317



C

D

E

F

G



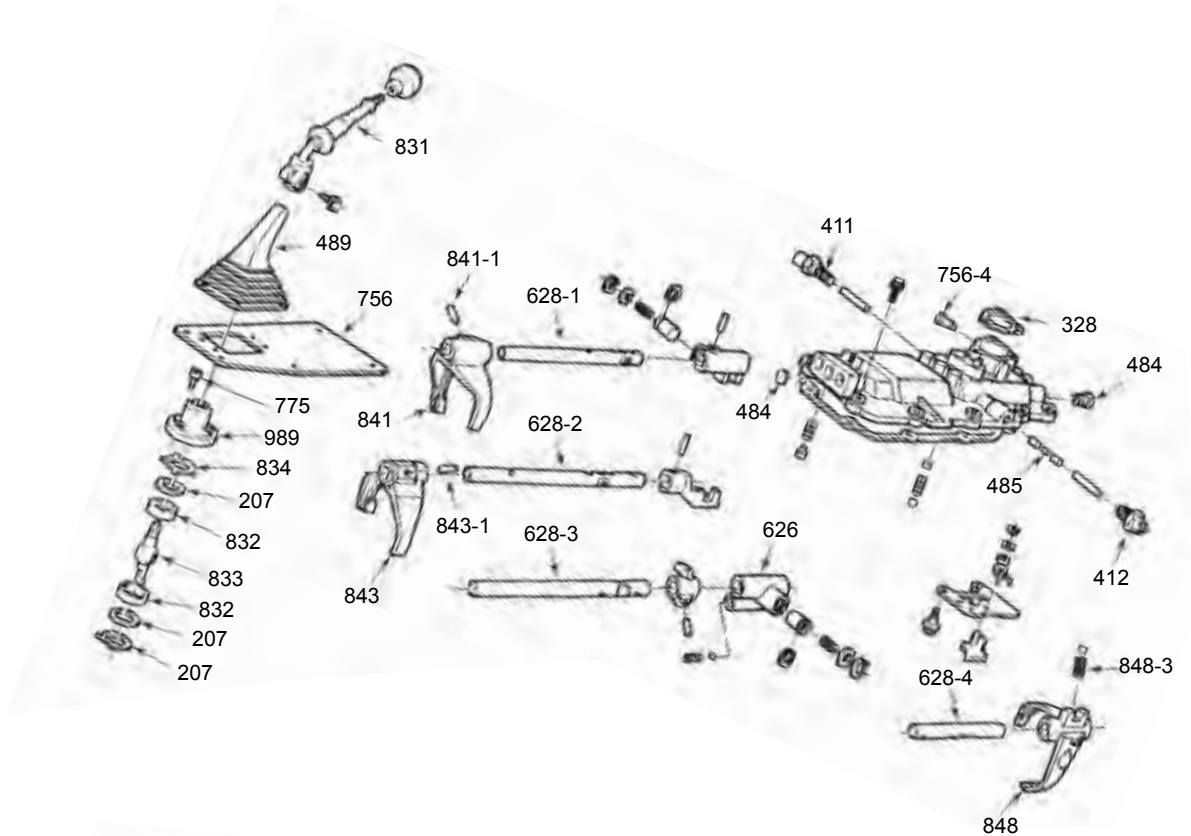
ILL NO.	DESCRIPTION	PART NO.	REFERENCE
<b>BEARING KITS</b>		<b>w/o Synchros</b>	<b>w/Synchros</b>
N.I.	L45 (4 Speed) & L52 (5 Speed) (75mm OD Roller Type Input Bearing).....	BK101	BK101WS
N.I.	L45 (4 Speed) & L52 (5 Speed) (75mm OD Ball Type Input Bearing).....	BK157	BK157WS
N.I.	L45 (4 Speed) & L52 (5 Speed) (80mm OD Ball Type Input Bearing).....	BK100	BK100WS
<b>GASKET &amp; SEAL KITS</b>			
N.I.	L52 .....	317002A	G52T
<b>GASKETS</b>			
304A	Adapter Gasket.....	317304	TC2030-L52
<b>SEALS</b>			
070A	Front Seal .....	372070	11615
074A	Rear Seal (2wd).....	462074A	14730
N.I.	Adapter Seal (4wd).....	317077	12745
<b>SMALL PARTS KITS</b>			
N.I.	Small Parts Kit .....	372001	SPAX5-50
<b>BUSHINGS</b>			
N.I.	Extension Housing (1.670" OD) (2wd).....	57066A	W50-62
<b>BEARINGS &amp; RACES</b>			
240C	Input Bearing (74mm OD) (Ball Type).....	336269	63/32RZNA1C
240C	Input Bearing (74mm OD) (Roller Type).....	317287A	032-2C/3
240C	Input Bearing (80mm OD) (B32-14UR or 32BC08S1N) .....	317287	B32-14UR
260F	Counter Shaft Bearing (Front).....	317260	025-5C/3
262F	Counter Shaft Bearing (Rear).....	317262	31RUK5NRC3
211E	Main Shaft Bearing (Rear).....	317211	0T-30BS19
267C	Pocket Bearing (Needle Type).....	317267	L52NR
271-1E	1st Gear Inner Race.....	317271-1	83500560
271E	1st Gear Needle.....	317271-2	83500578
272E	2nd Gear Needle.....	317272-2	83500577
273C	3rd Gear Needle .....	317273-2	83500576
275F	5th Gear Needle.....	307275-2	K26/33/33.5
<b>HUBS &amp; SLIDERS</b>			
601E	1-2 Hub (Inner).....	317601-1	83500561
603C	3-4 Hub (Inner).....	317603-1	83500562
641E	1-2 Slider (34 T) (Straight Teeth) .....	317641	33331-35040
642C	3-4 Slider (Iron Fork Type).....	372642	33364-35010
644F	5th Slider (Iron Fork Type).....	317644	83500642
<b>SYNCHRONIZER COMPONENTS</b>			
N.I.	Synchronizer Kit (All) .....	SRK157	N.L.
701E	1-2 Synchro.....	372701	TOY-14A
701-2E	1-2 Synchro Key & Spring Kit .....	372701-2K	AX5-K1
703C	3-4 Synchro.....	372703	TOY-14
703-2C	3-4 Synchro Key .....	312703-2	83506029
703-2/3C	3-4 Synchro Key & Spring Kit .....	372703-2K	AX5-K3
N.I.	3-4 Synchro Spring .....	312629-3	83500568
705F	5th Synchro.....	372703	TOY-14
705-4F	5th Synchro Cone .....	372705-4	G52-152
705-2F	5th Synchro Key.....	312705-2	83500641
705-2F	5th Synchro Key & Spring Kit.....	372705-2K	AX5-K5
<b>FORKS</b>			
841B	1-2 Fork.....	317841	33212-35010
843B	3-4 Fork.....	317843	33213-35020
<b>GEARS</b>			
581E	1st Gear (33 T).....	317581	83500550
582E	2nd Gear (28 T) .....	317582	83500551
583C	3rd Gear (27 T).....	372583	G52-11
585E,F	5th Gear Set (24 T, 47 T) (L52 Only) .....	317585K	G52-5

ILL NO.	DESCRIPTION	PART NO.	REFERENCE
<b>SHAFTS</b>			
670C	Input Shaft (27 T).....	317670	L52-16
672D	Main Shaft (4wd) 11".....	317672	33321-28010
674F	Cluster Shaft (45-31-20-12-14).....	317674	L52-8
<b>MISCELLANEOUS COMPONENTS</b>			
N.I.	Snap Ring Kit.....	317860K	L52SRK
796F	Counter Shaft Nut.....	317796	83500572
695F	Coupling Sleeve (4wd).....	317695	33399-35011
N.I.	Shifter Seat (Plastic).....	307832	33505-35020
N.I.	Shifter Bushing (end of stick).....	372330	83500519
<b>NOTES</b>			

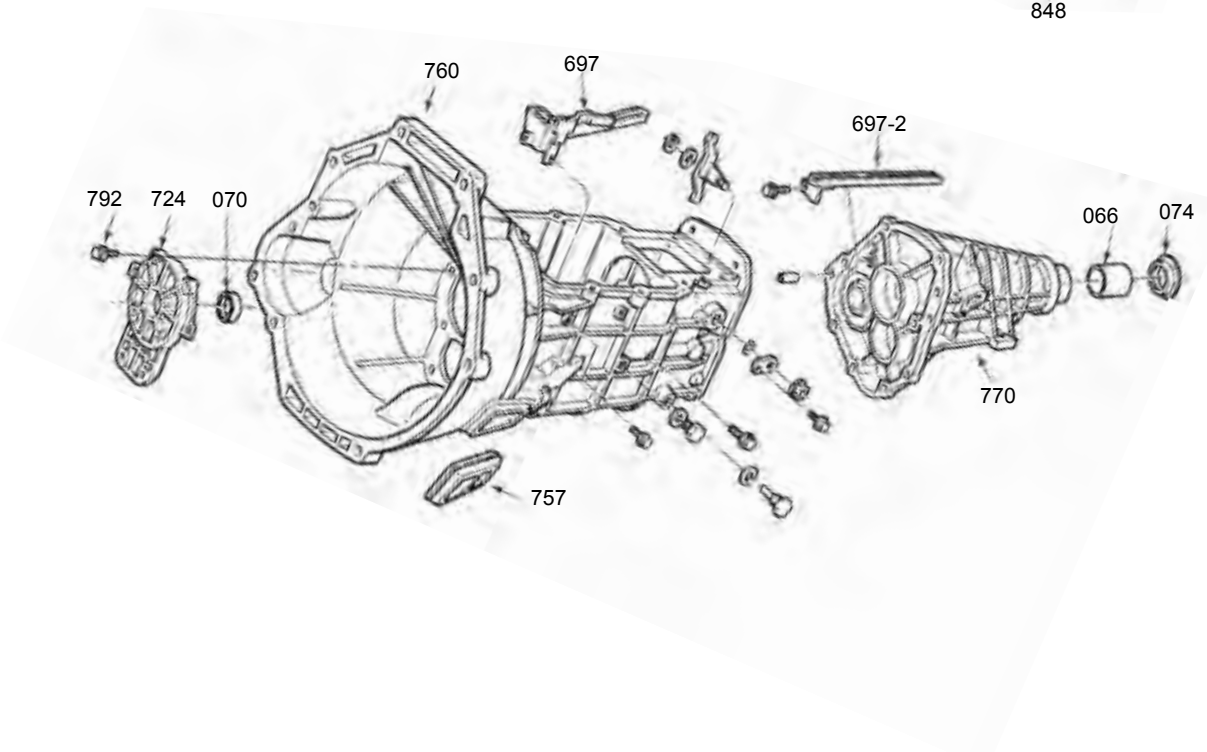
L45, L52



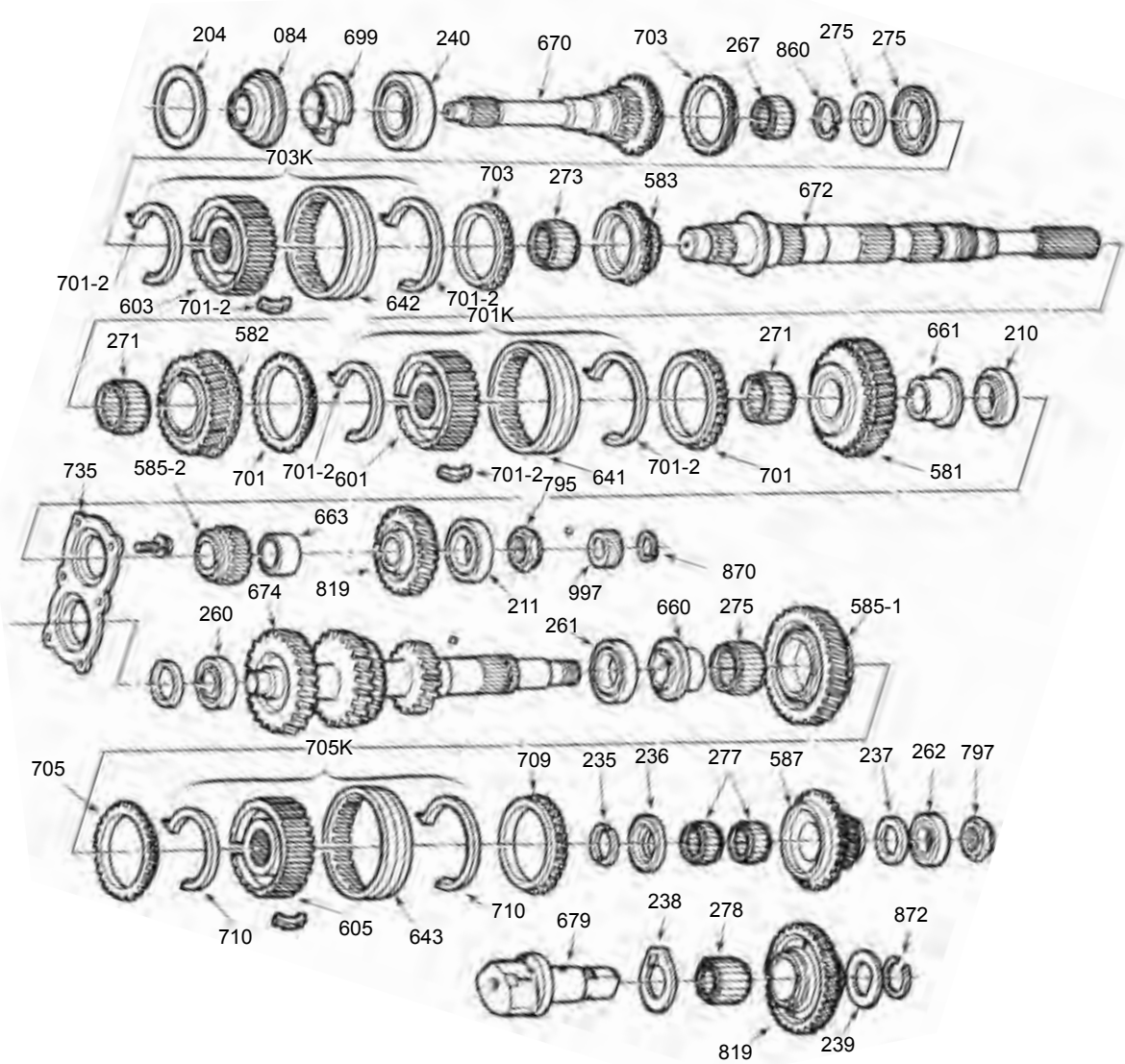
A



B



M5R1



C  
D  
E  
F  
G  
H  
I



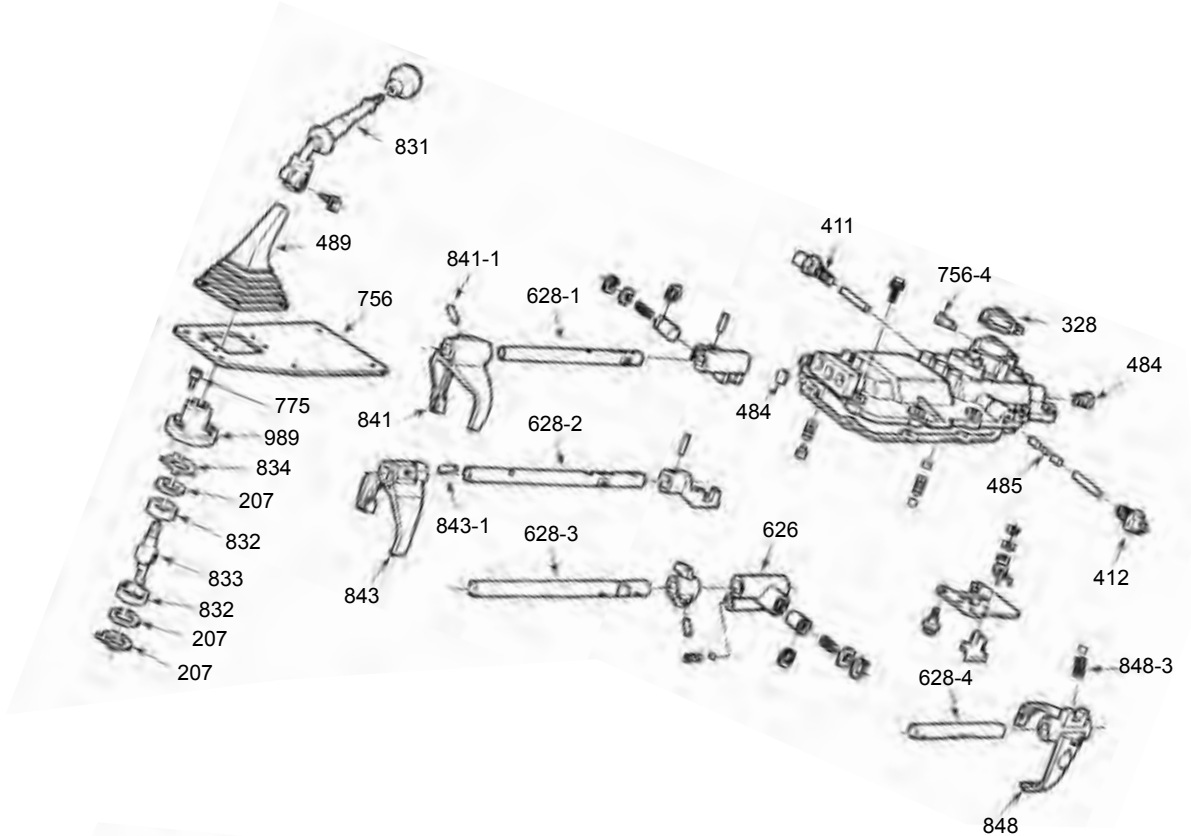
306

ILL NO.	DESCRIPTION	PART NO.	REFERENCE
<b>BEARING KITS</b>		<b>w/o Synchros</b>	<b>w/Synchros</b>
N.I.	M5R1 (1 Piece 2nd Synchro, 30 T 5th & Reverse Slider).....	BK247	BK247AWS
N.I.	M5R1 (1 Piece 2nd Synchro, 36 T 5th & Reverse Slider).....	BK247	BK247WS
N.I.	M5R1 (3 Piece 2nd Synchro).....	BK247	BK247BWS
<b>GASKET &amp; SEAL KITS</b>			
N.I.	M5R1 .....	306002	G50DB
<b>SEALS</b>			
070B	Front Seal .....	336070	10640
074B	Rear Seal (2wd).....	476074	2245
074B	Rear Seal (4wd).....	372074	E8TZ7052D
084C	Baffle Seal.....	306084	3541
<b>BUSHINGS</b>			
066B	Extension Housing (1.740" OD) (2wd).....	306066	M5R1-62
<b>BEARINGS</b>			
N.I.	Needle Bearing Kit .....	306201B	NK-M5R1
211F	Main Shaft Bearing (Rear) .....	306211	6207/33
210E	Main Shaft Bearing .....	306210	30207
260G	Counter Shaft Bearing (Front).....	306260	NJ2205
261G	Counter Shaft Bearing (Center).....	306261-1	NJ206EX
262H	Counter Shaft Bearing (Rear).....	476262	6304-N
267C	Pocket Bearing.....	306267	K25/33/24
271E	1st & 2nd Gear Needle Bearing .....	306271	M5R1-136
273D	3rd Gear Needle Bearing .....	306273	M5R1-134
275G	5th Gear Needle Bearing .....	306275	M5R1-157
278I	Reverse Idler Gear Needle Bearing.....	306278	E8TZ7E139A
240C	Input Shaft Bearing .....	306287	30207/80
275C	Input to 3-4 Hub Bearing.....	306240A	AXJ39X62.3X4
277H	Reverse Gear Needle .....	306277-1	K24/28/16.5
<b>SLIDERS</b>			
643H	5th-Reverse Slider (30 T).....	306643A	M5R1-15A
643H	5th-Reverse Slider (36 T).....	306643	M5R1-15
<b>SYNCHRONIZER KITS</b>			
N.I.	M5R1 (1 Piece 2nd Synchro, 30 T 5th & Reverse Synchro).....	SRK247A	N.L.
N.I.	M5R1 (1 Piece 2nd Synchro, 36 T 5th & Reverse Synchro).....	SRK247	N.L.
N.I.	M5R1 (3 Piece 2nd Synchro).....	N/A	N.L.
<b>SYNCHRONIZER COMPONENTS</b>			
701-2E	1-2 Synchro Key & Spring Kit .....	306701-2K	M5R1-K3
701E	1st Synchro Ring (Use w/ Multi Piece Ring - 2nd Gear).....	306701	1L2Z7107AA
701E	1st Synchro Ring (42 T) (Use w/ Single Piece Ring - 2nd Gear).....	476701	M5R2-14E
701E	2nd Synchro Ring (42 T) (Single Piece Design) .....	476701	M5R2-14E
701E	2nd Synchro Ring (Multi Design) .....	306702	2L5Z7124BA
703D	3-4 Synchro Assembly (Complete) .....	306703K	M5R1-2.5A
N.I.	3-4 Synchro Assembly (Slider & Hub Only) .....	306703-1K	M5R1-2.5
701-2D	3-4 Synchro Key & Spring Kit .....	306701-2K	M5R1-K3
703D	3rd Synchro Ring (42 T).....	476701	M5R2-14E
703D	4th Synchro Ring (42 T).....	476701	M5R2-14E
705H	5th Synchro Ring (30 T).....	306705	M5R1-14B
705H	5th Synchro Ring (36 T) (Non Updated) .....	306705A	MAZ-14A
709H	Reverse Synchro Ring (30 T) .....	306706A	M5R1-14C
709H	Reverse Synchro Ring (36 T) .....	306706	M5R1-14
<b>FORKS</b>			
841A	1-2 Fork.....	306841	M5R1-23
843A	3-4 Fork.....	306843	M5R1-23A

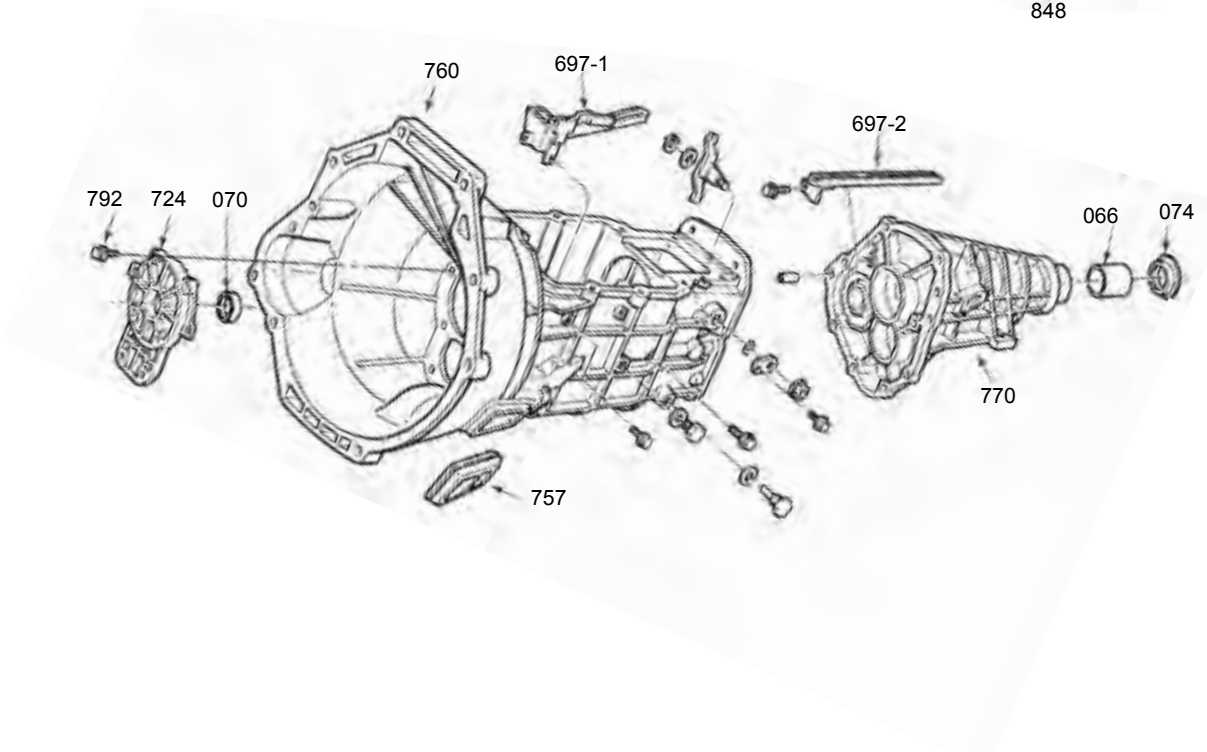
ILL NO.	DESCRIPTION	PART NO.	REFERENCE
<b>GEARS</b>			
582E	2nd Gear (32 T) .....	306582	M5R1-21
582E	2nd Gear (31 T) .....	306582A	M5R1-21A
583D	3rd Gear (27 T) .....	306583A	M5R1-11A
583D	3rd Gear (29 T) .....	306583	M5R1-11
585-2F	5th Gear (Main Shaft) w/ spacer #146 (87-00) .....	306585-2	M5R1-18A
585-1G	5th Gear (Counter Shaft) (01-Up) .....	306585-1	M5R1-19A
587H	Reverse Gear (Main Shaft) (36 T) (87-00) .....	306587	M5R1-36
587H	Reverse Gear (Cluster) (30 T) (01-Up) .....	306587A	M5R1-36A
N.I.	Reverse Kit (Gear, Slider & Synchro) (87-00) .....	306587K	RK-M5R1
N.I.	Reverse Kit (Gear, Slider & Synchro) (01-Up) .....	306587AK	RK-M5R1A
<b>SHAFTS</b>			
670C	Input Shaft (23 T) use w/ 306674 (87-00) .....	306670	M5R1-16
670C	Input Shaft (23 T) use w/ 306674A (01-Up) .....	306670A	M5R1-16A
672D	Main Shaft (2wd) .....	306672A	M5R1-2A
672D	Main Shaft (4wd) (Except w/ Sensor in Adapter Housing) .....	306672	M5R1-2
674G	Cluster Shaft (38-32-24-16) (87-00) .....	306674	M5R1-8
674G	Cluster Shaft (38-34-25-17) (01-Up) .....	306674A	M5R1-8A
<b>BEARING RETAINERS</b>			
724B	Front Bearing Retainer .....	306724	M5R1-6
<b>SHIFT COMPONENTS</b>			
775A	Shift Boot Bolts .....	476775K	M5R1-111
989A	Shift Stick Rubber Retainer .....	306989	E8TZ7277A
832A	Shifter Seat .....	306832	M5R-28A
207A	Shifter Spacer Bottom w/ no Tabs (use 306834) .....	306834	M5R1-109
207A	Shifter Spacer Bottom w/ tabs (use 306834) .....	306834	M5R1-109
207A	Shifter Spacer w/ no tabs (use 306834) .....	306834	M5R1-109
833A	Shifter Stub (4 5/8") (88-94) .....	306833	M5R1-105
N.I.	Shifter Stub Kit .....	306833K	M5R1-105K
834A	Shifter Stub Spacer .....	306834	M5R1-109
<b>MISCELLANEOUS COMPONENTS</b>			
411A	Back Up Light Switch, Red (no wires) .....	306411	M5R1-72
411A	Back Up Light Switch, Red (w/ wires) .....	306411A	M5R1-70
N.I.	Front Repair Kit (87-00) .....	306201	FK-M5R1
N.I.	Front Repair Kit (01-Up) (Updated) .....	306201A	FK-M5R1C
699C	Input Oil Slinger .....	306699	M5R1-46A
204C	Input Shim Kit .....	306204K	M5R1-SMK
485A	Interlock Pin (3-4 Rail) .....	306485	1L2Z7235BA
797H	Nut, Counter Shaft .....	476797	M5R1-167
795F	Nut, Main Shaft .....	306795	M5R1-149
697B	Oil Trough .....	306697	M5R1-63
735F	Rear Retainer Plate .....	306735	M5R1-144
860C	Snap Ring, 3-4 Synchro Assembly .....	306860	M5R1-127
997F	Speedometer Gear (7 T) White .....	306997A	M5R1-151W
997F	Speedometer Gear (8 T) Green .....	306997	M5R1-151G
756-4A	Top Cover Pin .....	476756-4	M50-P1
484A	Top Cover Plug (Front) .....	306484	219-1135
484A	Top Cover Plug (Rear) .....	476484	555-108

M5R2, RKE

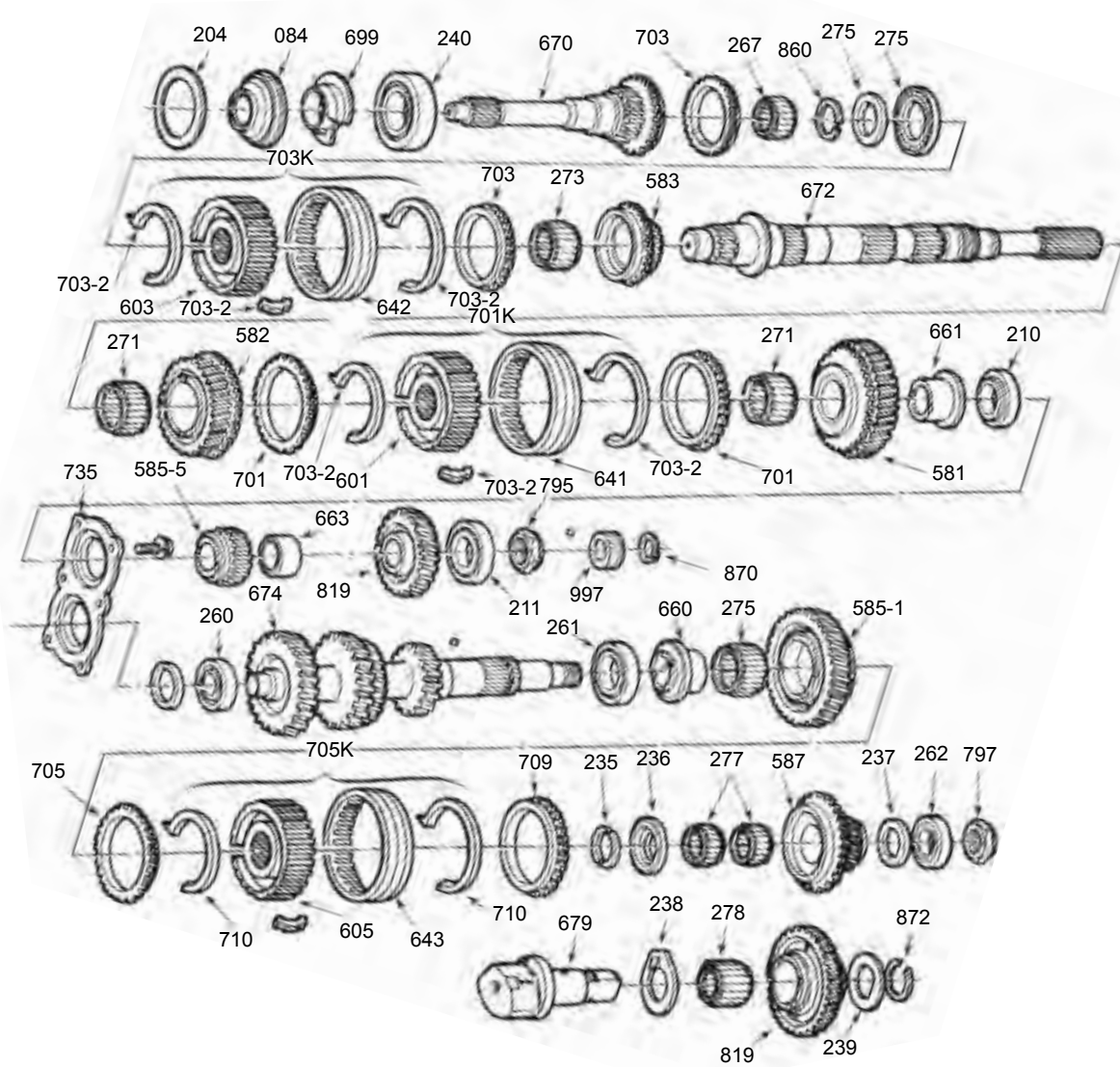
A



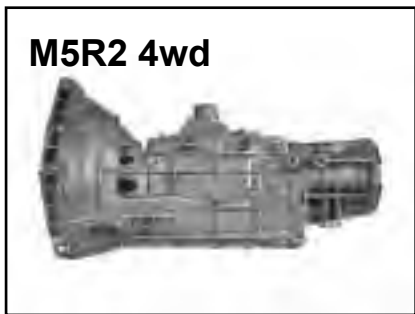
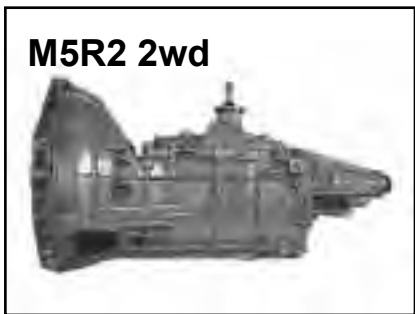
B



476



C  
D  
E  
F  
G  
H  
I



ILL NO.	DESCRIPTION	PART NO.	REFERENCE
<b>BEARING KITS</b>		<b>w/o Synchros</b>	<b>w/Synchros</b>
N.I.	M5R2 (88-99) (1 Piece 2nd Synchro) (33 T 5th & Reverse Slider).....	BK248	BK248AWS
N.I.	M5R2 (88-97) (1 Piece 2nd Synchro) (42 T 5th & Reverse Slider).....	BK248	BK248WS
N.I.	M5R2 (99-Up) (3 Piece 2nd Synchro).....	BK248	BK248CWS
N.I.	RKE (Mazda Design) (89-97).....	BK248B	BK248BWS
<b>GASKET &amp; SEAL KITS</b>			
N.I.	M5R2 .....	476002	G50DA
<b>SEALS</b>			
070B	Front Seal .....	476070	1673
074B	Rear Seal (2wd).....	476074	2245
074B	Rear Seal (4wd).....	476074A	14017
084C	Baffle Seal.....	476084	3421
<b>BUSHINGS</b>			
066B	Extension Housing (1.740" OD) (2wd).....	306066	M5R1-62
<b>BEARINGS</b>			
N.I.	Needle Bearing Kit.....	476201	NK-M5R2
210E	Main Shaft Bearing (Center).....	476212	R40-38
211F	Main Shaft Bearing (Rear).....	476211	6208/37
240C	Input Bearing.....	476240A	R39Z-2
240C	Input to 3-4 Hub Needle Thrust Bearing.....	476240	AXJ42X58.9X3.7
260G	Counter Shaft Bearing (Front).....	476260	05NJ0620
261G	Counter Shaft Bearing (Center).....	476261	NJK207
262H	Counter Shaft Bearing (Rear).....	476262	6304-N
267C	Pocket Bearing.....	476267	K31/42/24
271E	1st Gear Needle Bearing.....	306271	M5R1-136
271E	2nd Gear Needle Bearing.....	306271	M5R1-136
273D	3rd Gear Needle Bearing.....	476273	M5R2-134
275G	5th Gear Needle Bearing.....	306275	M5R1-157
277H	Reverse Gear Needle Bearing.....	476277-1	K25/30/20S
<b>SLIDERS</b>			
643H	5th-Reverse Slider (33 T (96-Up).....	476643A	M5R2-15A
643H	5th-Reverse Slider (42 T) (87-95).....	476643	M5R2-15
<b>SYNCHRONIZER KITS</b>			
N.I.	M5R2 (1 Piece Synchros, 33 T 5th & Reverse Synchro).....	SRK248A	N.L.
N.I.	M5R2 (1 Piece Synchros, 42 T 5th & Reverse Synchro).....	SRK248	N.L.
N.I.	M5R2 (3 Piece 2nd Synchro).....	SRK248C	N.L.
N.I.	RKE (Mazda Design).....	SRK248B	N.L.
<b>SYNCHRONIZER COMPONENTS</b>			
701-2E	1-2 Synchro Key & Spring Kit .....	476701-2K	M5R2-K3
701E	1st Synchro Ring.....	476701A	M5R2-14G
701E	2nd Synchro Ring.....	476701A	M5R2-14G
703D	3-4 Synchro Assembly (Complete).....	476703K	M5R2-2.5A
N.I.	3-4 Synchro Assembly (Slider & Hub Only).....	476703-1K	M5R2-2.5
703-2D	3-4 Synchro Key & Spring Kit.....	476701-2K	M5R2-K3
703D	3rd Synchro Ring.....	476701A	M5R2-14G
703D	4th Synchro Ring.....	476701A	M5R2-14G
705H	5th Synchro Ring (33 T).....	476705A	M5R2-14A
705H	5th Synchro Ring (42 T).....	476701	M5R2-14E
709H	Reverse Synchro Ring (33 T).....	476706A	M5R2-14D
709H	Reverse Synchro Ring (42 T).....	476706	M5R2-14
<b>FORKS</b>			
841A	1-2 Fork (87-95) (Iron).....	476841	M5R2-23
841A	1-2 Fork (96-97) (Iron).....	476841A	M5R2-23AA
841A	1-2 Fork (98-Up) (Aluminum).....	476841B	F75Z7230BA
843A	3-4 Fork (87-95) (Iron).....	476843	M5R2-23A
843A	3-4 Fork (96-97) (Iron).....	476843A	M5R2-23AB
841A	3-4 Fork (98-Up) (Aluminum).....	476843B	F75Z72301AA
848A	5th-Reverse Fork (Retrofits).....	476848	F1TZ7289C

**M5R2, RKE**

ILL NO.	DESCRIPTION	PART NO.	REFERENCE
<b>GEARS</b>			
583D	3rd Gear (30 T) .....	476583	M5R2-11
585-1G	5th Gear Counter Shaft (87-95) (42 T Synchro) .....	476585-1	M5R2-19
585-1G	5th Gear Counter Shaft (96-Up) (33 T Synchro).....	476585-1A	M5R2-19A
585-5F	5th Gear Main Shaft (27 T) (Includes Spacer).....	476585-2	M5R2-18
N.I.	Reverse Kit w/ Gear, Slider & Ring (87-95) (42 T Synchro).....	476587K	RK-M5R2
N.I.	Reverse Kit w/ Gear, Slider & Ring (96-Up) (33 T Synchro).....	476587AK	RK-M5R2A
587H	Reverse Cluster Gear (42 T Synchro) (87-95).....	476587	M5R2-36
587H	Reverse Cluster Gear (33 T Synchro) (96-Up) .....	476587A	M5R2-36A
<b>SHAFTS</b>			
670C	Input Shaft (11") (87-95).....	476670	M5R2-16
670C	Input Shaft (11 3/8") (96-Up).....	476670A	M5R2-16A
672D	Main Shaft (4wd).....	476672	M5R2-2
674G	Cluster Shaft (37-31-24-15).....	476674	M5R2-8
<b>SHIFT COMPONENTS</b>			
833A	Shifter Stub .....	476833	M5R2-105
833A	Shifter Stub Kit (includes Retainer, 3 Bolts, 2 Washers, 2 Donuts) .....	476833K	M5R2-105K
775A	Shift Boot Bolts .....	476775K	M5R1-111
832A	Shifter Seat .....	306832	M5R-28A
989A	Shift Stick Rubber Retainer.....	306989	E8TZ7277A
<b>MISCELLANEOUS COMPONENTS</b>			
N.I.	Front Retainer & Case Repair Kit .....	476735K	FK-M5R2
699C	Input Oil Slinger .....	476699	M5R2-46B
204C	Input Shim Kit.....	476204K	M5R2-SMK
485A	Interlock Pin (3-4 Rail) .....	306485	1L2Z7235BA
797H	Nut, Counter Shaft (Cluster) .....	476797	M5R1-167
795F	Nut, Main Shaft .....	476795	M5R2-149
697-1B	Oil Trough .....	476697	M5R2-63
735F	Rear Retainer Plate .....	476735	M5R2-144
756-4A	Top Cover Guide Pin.....	476756-4	M50-P1
484A	Top Cover Soft Plug (Front) .....	306484	219-1135
484A	Top Cover Soft Plug (Rear) (Steel).....	476484	555-108
<b>NOTES</b>			

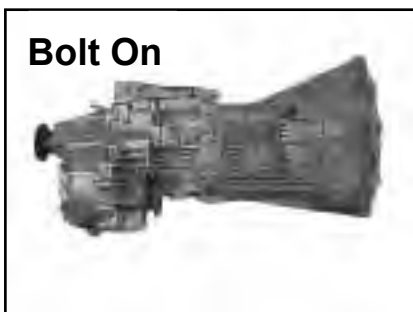


ILL NO.	DESCRIPTION	PART NO.	REFERENCE
<b>BEARING KITS</b>		<b>w/o Synchros</b>	<b>w/Synchros</b>
N.I.	MSG-5ET .....	BK209	BK209WS
<b>GASKET &amp; SEAL KITS</b>			
N.I.	Gasket & Seal Kit.....	446002	G4C
<b>BUSHINGS</b>			
N.I.	Extension Housing (1.505" OD) (1.80" Overall Length).....	446066	ISUZU-62
N.I.	Extension Housing (1.580" OD, 1.41" ID) (2.31" Overall Length).....	362066	MITSUBISHI-62
<b>SYNCHRONIZER COMPONENTS</b>			
N.I.	1-2 Synchro.....	446701	ISUZU-14
N.I.	3-4 Synchro.....	446703	ISUZU-14A
N.I.	5th Synchro.....	446703	ISUZU-14A
<b>SHAFTS</b>			
N.I.	Input Shaft (23 T).....	446670	ISUZU-16
N.I.	Cluster Shaft (37-33-20-17).....	446674	ISUZU-8

**446**



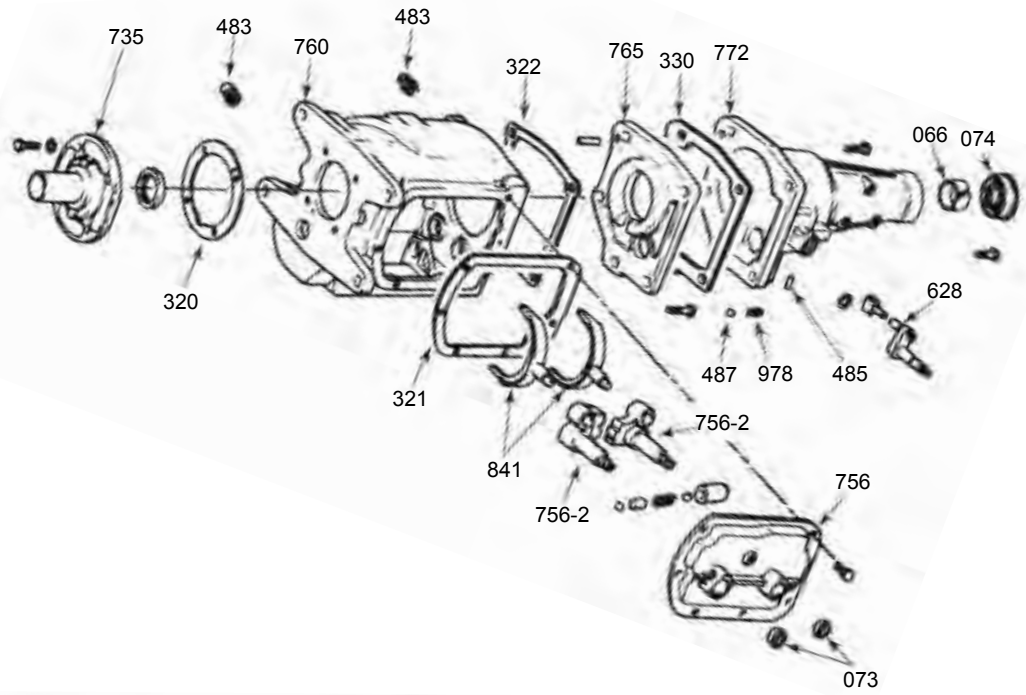
ILL NO.	DESCRIPTION	PART NO.	REFERENCE
<b>BEARING KITS</b>		<b>w/o Synchros</b>	<b>w/Synchros</b>
N.I.	2wd (89-E91) (1 Piece 1-2 Synchros).....	BK220A	BK220AWS
N.I.	2wd (L91-04) (3 Piece 1-2 Synchros).....	BK220C	BK220CWS
N.I.	4wd (87-E92) (1 Piece 1-2 Synchros).....	BK220	BK220WS
N.I.	4wd (L92-00) (3 Piece 1-2 Synchros)..... .....(5th & Reverse Synchros Have Different Inside Taper).....	BK220B	BK220BWS
N.I.	4wd (98-04) (3 Piece 1-2 Synchros)..... .....(5th & Reverse Synchros Have The Same Inside Taper).....	BK220B	BK220DWS
<b>GASKET &amp; SEAL KITS</b>			
N.I.	Gasket & Seal Kit.....	446002A	GSK-220
<b>BUSHINGS</b>			
N.I.	Extension Housing (1.630" OD) (1.5" Wide).....	26066	WT259-62
<b>BEARINGS &amp; RACES</b>			
N.I.	Input Bearing (40mm ID, 18mm Thick, 80mm OD).....	342210	6208-N
N.I.	Input Bearing (40mm ID, 23mm Thick, 90mm OD).....	304240	6308-N
N.I.	Counter Shaft Bearing (Front) (Sealed Double Ball Type) (87-92).....	446260	BD25-9
N.I.	Counter Shaft Bearing (Front) (Roller Type) (92-Up).....	446260A	025-52NX
<b>HUBS &amp; SLIDERS</b>			
N.I.	Hub & Slider (42 T Synchro) (88-91).....	446642	ISUZU-179
N.I.	Hub & Slider (48 T Synchro) (91-97).....	446642A	ISUZU-179A
<b>GEARS</b>			
N.I.	3rd Gear (29 T) (88-97).....	446583	ISUZU-11A
<b>SHAFTS</b>			
N.I.	Input Shaft (25 T) (9 1/4").....	446670A	ISUZU-16A
N.I.	Input Shaft (25 T) (9 3/4").....	446670B	ISUZU-16B
N.I.	Cluster Shaft (46-38-27-21) (91-97).....	446674B	ISUZU-8B
N.I.	Cluster Shaft (46-38-31-21) (87-91).....	446674A	ISUZU-8A
<b>BEARING RETAINERS</b>			
N.I.	Rear Retainer.....	446736	ISUZU-114



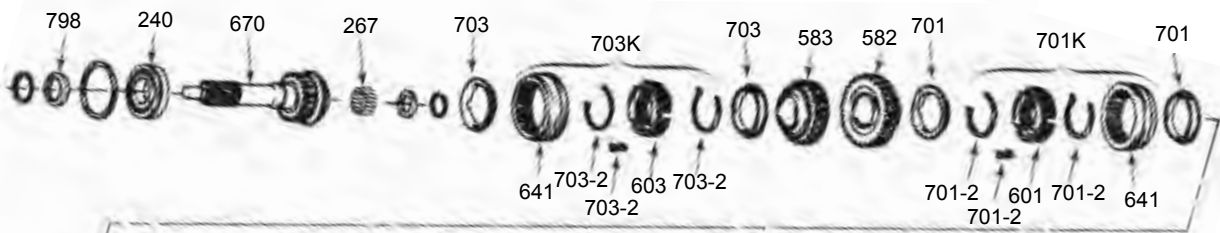
**446**

Muncie M20, M21, M22

A



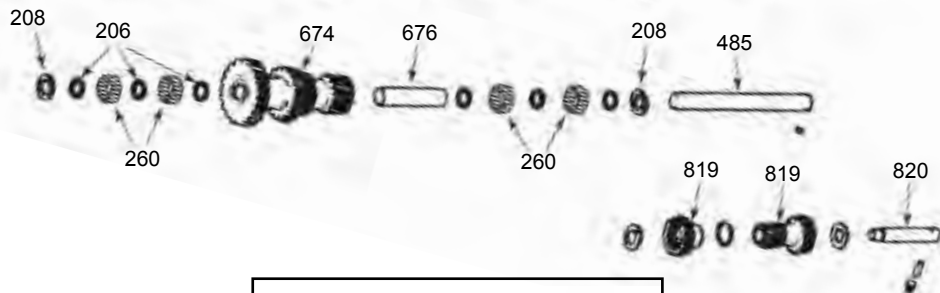
B



C



D



Muncie M21



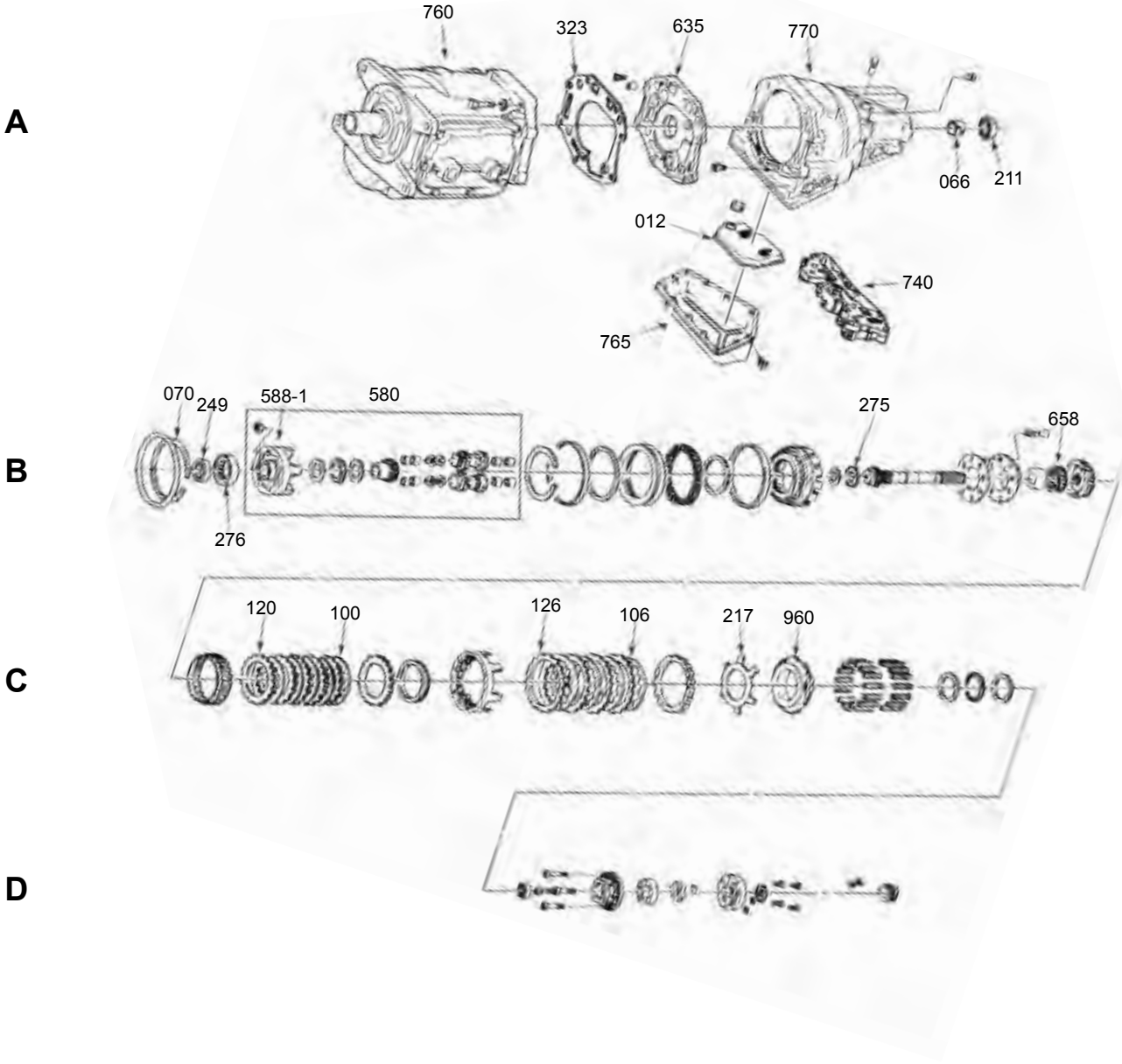
304

ILL NO.	DESCRIPTION	PART NO.	REFERENCE
<b>BEARING KITS</b>		<b>w/o Synchros</b>	<b>w/Synchros</b>
<b>Kits w/ OE Style Bearings</b>			
N.I.	M20 (63-65) (72mm OD Input Bearing) .....	BK117A	BK117AWS
N.I.	M20 (63-65) (80mm OD Input Bearing) * HD Kits Available .....	BK117	BK117WS
N.I.	M21, M22 (66-74) (7/8" Dia. Counter Shaft Pin) * HD Kits Available .....	BK117	BK117WS
N.I.	M21, M22 (66-74) (1" Dia. Counter Shaft Pin) * HD Kits Available .....	BK116	BK116WS
<b>* HD Kits Available w / Maxload Bearings</b>			
N.I.	M20 (63-65) (80mm OD Input Bearing) .....	BK117HD	BK117HDWS
N.I.	M21, M22 (66-74) (7/8" Dia. Counter Shaft Pin) .....	BK117HD	BK117HDWS
N.I.	M21, M22 (66-74) (1" Dia. Counter Shaft Pin) .....	BK116HD	BK116HDWS
<b>GASKET &amp; SEAL KITS</b>			
N.I.	Gasket & Seal Kit .....	304002	G297A
N.I.	Gasket Kit .....	304000	297-55
<b>GASKETS</b>			
320A	Gasket, Bearing Retainer .....	304301	297-55R
<b>SEALS</b>			
073A	Shifter Seal .....	344073	7410
074A	Rear Seal (27 Spline Main Shaft) .....	44074	15041
074A	Rear Seal (32 Spline Main Shaft) (2.710" x 1.830") .....	34074	18992
<b>SMALL PARTS KITS</b>			
N.I.	Small Parts Kit (7/8" OD Counter Shaft) (M20) .....	304001	SP297-50
N.I.	Small Parts Kit (1" OD Counter Shaft) (M21 & M22) .....	304001A	SP297-50A
N.I.	Transmission Conversion Kit (Complete) (M21 to M22) .....	304006	TK-M22
<b>BUSHINGS</b>			
041C	1st Gear .....	304041	18-103-001
066A	Extension Housing (1.630" OD) .....	44066	WT266-62
066A	Extension Housing (2.010" OD) .....	331066	WT297-62
<b>WASHERS</b>			
208D	Cluster Thrust Washer .....	304208	3864860
<b>BEARINGS</b>			
240B	Input Bearing (Standard) .....	304240B	N307LOE
240B	Input Bearing (Heavy Duty) .....	304240A	N1307L
N.I.	Input Bearing Slinger .....	304699	SP835
211C	Rear Main Shaft Bearing (40mm ID, 23mm Thick, 90mm OD) .....	304240	6308-N
211C	Rear Main Shaft Bearing (40mm ID, 23mm Thick, 90mm OD) Maxload .....	304232A	M6308N
267B	Pocket Needle Bearing (w/ Cage) .....	304267	JV441419
<b>SLIDERS</b>			
641B	Slider, 1-2 & 3-4 (Torque Lock Type) .....	304641	T10-15
<b>SYNCHRONIZER KITS</b>			
701B	M20 .....	SRK117	N.L.
701B	M21 .....	SRK116	N.L.
701B	M22 .....	SRK116	N.L.
<b>SYNCHRONIZER COMPONENTS</b>			
701KB	1-2 Synchro Assembly (Complete) .....	304701K	AWT297-80A
701-2B	1-2 Synchro Key & Spring Kit .....	304701-2K	WT297-K
701B	1-2 Synchro Ring (Early, Non-Stepped Shoulder) .....	304701	WT297-14
701B	1-2 Synchro Ring (Late, Stepped Shoulder) .....	304701A	WT297-14A
703KB	3-4 Synchro Assembly (Complete) .....	304703K	AWT297-2.5A
703-2B	3-4 Synchro Key & Spring Kit .....	304701-2K	WT297-K
703B	3-4 Synchro Ring (Early, Non-Stepped Shoulder) .....	304701	WT297-14
703B	3-4 Synchro Ring (Late, Stepped Shoulder) .....	304701A	WT297-14A
703-2B	Synchro Key, 1-4 .....	304701-2	WT297-77

ILL NO.	DESCRIPTION	PART NO.	REFERENCE
<b>FORKS</b>			
841A	1-2 & 3-4 Shift Fork.....	304841	WT297-23
841A	Reverse Fork .....	304848	WT297-23A
<b>GEARS</b>			
581C	1st Gear (36 T) (Except M22) (64-74).....	304581	WT297-12A
581C	1st Gear (36 T) (M22) (64-74).....	304581A	WT297-12B
582B	2nd Gear (30 T) (Except M22) (63-74) .....	304582	WT297-21
582B	2nd Gear (30 T) (M22) (63-74) .....	304582A	WT297-21A
583B	3rd Gear (27 T) (Except M22) (63-74) .....	304583	WT297-11
583B	3rd Gear (27 T) (M22) (63-74) .....	304583A	WT297-11A
587C	Reverse Gear (35 T) (63-74) .....	304587	WT297-36
587C	Reverse Gear (40 T) (63-74) .....	404587A	290-36A
819D	Front Idler Gear (Except M22) .....	304819B	WT297-10
819D	Front Idler Gear (M22) .....	304819A	WT297-10B
819D	Reverse Idler Gear (17 T) 27 Spline .....	304819	AWT297-10A
820D	Reverse Idler Shaft .....	304820	WT297-35
<b>GEAR KITS</b>			
<b>(Close Ratio = 26T Input Shaft, Wide Ratio = 21T or 24T Input Shaft)</b>			
N.I.	M20 (10 Spline, 7/8" Counter Shaft) Wide Ratio 2.56 1st Gear.....	304580	GK-M20
N.I.	M20 (10 Spline, 1" Counter Shaft) Wide Ratio 2.52 1st Gear .....	304580A	GK-M20A
N.I.	M20 (26 Spline, 1" Counter Shaft) Wide Ratio 2.52 1st Gear.....	304580AA	GK-M20B
N.I.	M21 (10 Spline, 7/8" Counter Shaft) Close Ratio 2.20 1st Gear.....	304580BB	GK-M21
N.I.	M21 (10 Spline, 1" Counter Shaft) Close Ratio 2.20 1st Gear.....	304580B	GK-M21A
N.I.	M21 (26 Spline, 1" Counter Shaft) Close Ratio 2.20 1st Gear.....	304580BA	GK-M21B
N.I.	M22 (1st Gear Kit) Updated incl. Gear, Spacer, Bushing, Bearing .....	304581K	18-410-014
N.I.	Gear Conversion Kit (M21 to M22) w/ 10 Spline Input.....	304580CK	GK-M22
N.I.	Gear Conversion Kit (M21 to M22) w/ 26 T & 26 Spline Input Shaft.....	304580CAK	GK-M22A
N.I.	Gear Conversion Kit (M21 to M22) w/ 21 T & 26 Spline Input Shaft.....	304580CBK	GK-M22B
<b>SHAFTS</b>			
<b>(Close Ratio = 26T Input Shaft, Wide Ratio = 21T or 24T Input Shaft)</b>			
670B	Input Shaft (21 T) 10 Spline (66-70) (Wide Ratio) .....	304670B	AWT297-16B
670B	Input Shaft (21 T) 26 Spline (71-74) (Wide Ratio) .....	304670C	AWT297-16C
670B	Input Shaft (24 T) 10 Spline (63-65) (Wide Ratio) .....	304670A	AWT297-16A
670B	Input Shaft (26 T) 10 Spline (Except M22) (Close Ratio).....	304670	AWT297-16
670B	Input Shaft (26 T) 10 Spline (M22) (66-77).....	304670F	AWT297-16U
670B	Input Shaft (26 T) 26 Spline (Except M22) (71-74) (Close Ratio).....	304670D	AWT297-16D
670B	Input Shaft (26 T) 26 Spline (M22).....	304670E	AWT297-16F
672C	Main Shaft (27 Splines).....	304672	WT297-2A
672C	Main Shaft (32 Splines).....	304672A	WT297-2G
674D	Cluster Shaft (M20) (27-22-19-17) Close Ratio (63-65).....	304674	WT297-8
674D	Cluster Shaft (M20) (29-22-19-17) Wide Ratio (63-65).....	304674A	WT297-8A
674D	Cluster Shaft (M21) (25-22-19-17) Wide Ratio (66-74).....	304674B	AWT297-8C
674D	Cluster Shaft (M21) (27-22-19-17) Close Ratio (66-74).....	304674C	WT297-8D
674D	Cluster Shaft (M22) (27-22-19-17) Close Ratio (66-74).....	304674D	WT297-8E
676D	Counter Shaft (7/8" OD) (M20) .....	304676	WT297-3
676D	Counter Shaft (1" OD) (M21) .....	304676A	WT297-3A
820D	Reverse Idler Shaft .....	304820	WT297-35
<b>CASES &amp; HOUSINGS</b>			
760A	Case (7/8" OD Counter Shaft) (M20).....	304760	18-410-001
760A	Case (1" OD Counter Shaft) (M21).....	304760A	18-410-002
772A	Extension Housing (27 Spline Main Shaft) (Pass. Side Speedo) .....	304772	18-410-021
772A	Extension Housing (32 Spline Main Shaft) .....	304772A	18-410-022
<b>COVERS</b>			
756A	Side Cover Kit (3/8" External Threads).....	304756K	18-410-0231X
756A	Side Cover Kit (3/8" Internal Threads) .....	304756AK	18-410-023
756-2A	Side Cover Shift Lug, 1-2 & 3-4 (Bolt Type).....	304756-2	18-598-005
765A	Cover (Center Support) (Iron).....	304765	18-672-001

ILL NO.	DESCRIPTION	PART NO.	REFERENCE
<b>MISCELLANEOUS COMPONENTS</b>			
487A	Detent Ball, Reverse .....	304487	453593
978A	Detent Spring, Reverse.....	304978	T8B-42
997C	Drive Speedometer Gear (8 T) 1.18" ID, 1.76" OD .....	304997	3708145
997C	Drive Speedometer Gear (8 T) 1.18" ID, 1.84" OD .....	304997A	3708144
997C	Drive Speedometer Gear (8 T) 1.41" ID, 1.84" OD .....	304997B	3978758
735A	Front Retainer.....	304735	WT297-6
798B	Input Nut .....	304798	PR707A
N.I.	Input Nut Wrench .....	304460	WT297-W
628A	Lug, Reverse (External Threads).....	304628	18-598-002-1X
628A	Lug, Reverse (Internal Threads).....	304628A	18-598-006
676D	Spacer Tube (Fits 1" Counter Shaft).....	304676	3912195
485A	Tapered Roll Pin.....	304485	OX112-558-0
<b>NOTES</b>			

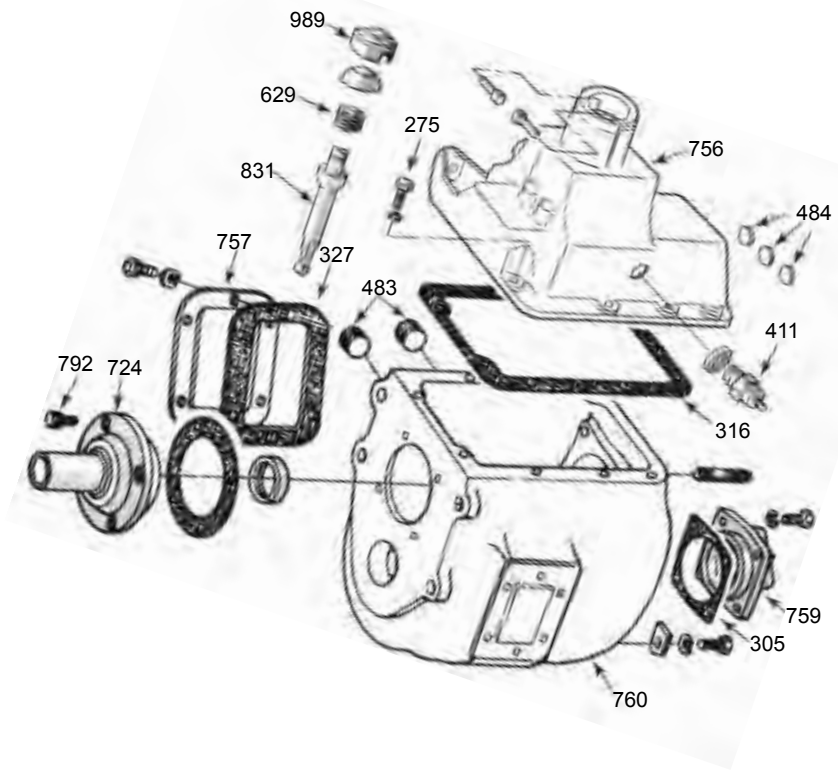
Muncie M20, M21, M22



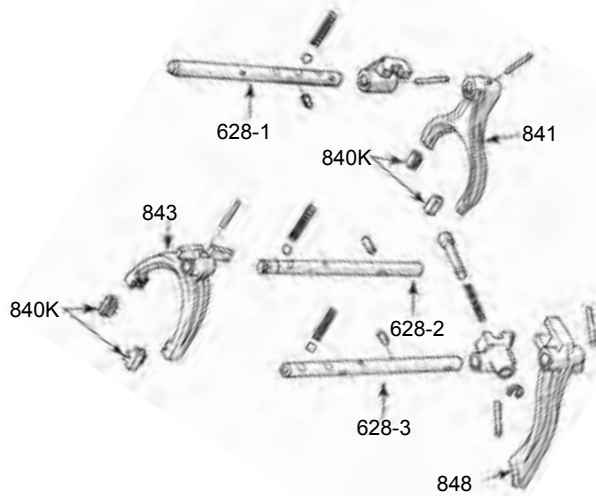
ILL NO.	DESCRIPTION	PART NO.	REFERENCE
<b>BEARING KITS</b>		<b>w/o Synchros</b>	<b>w/Synchros</b>
N.I.	Nash (5 Speed) (Doug Nash / Richmond) .....	BK393	BK393WS
N.I.	Nash (6 Speed) (Doug Nash / Richmond) .....	BK393A	BK393AWS
N.I.	Corvette (84-88) (4 Speed w/ Overdrive) (Trans used w/ Nash OD) .....	BK185	BK185WS
<b>OVERHAUL KITS</b>			
N.I.	Overhaul Kit w/ Frictions & Steels (.071" Steels) .....	194006	K3000A
N.I.	Overhaul Kit w/ Frictions & Steels (.061" Steels) .....	194006B	K3000B
N.I.	Overhaul Kit w/ Frictions & w/o Steels .....	194004	K3000L/S
N.I.	Gasket & Seal Kit .....	194002	K30300
<b>GASKETS</b>			
N.I.	Pan Gasket .....	194300	N.L.
323A	Rear Adapter Plate Gasket (Corvette) .....	194323	14081178
<b>SEALS</b>			
070B	Overdrive Seal (In Plate) .....	18070	17754
N.I.	Front Seal .....	194070	N.L.
N.I.	Rear Seal .....	44074	15041
<b>FILTERS</b>			
012A	Filter .....	A106010A	14082735
<b>BUSHINGS</b>			
066A	Extension Housing (1.630" OD) .....	44066	WT266-62
<b>WASHERS</b>			
217C	Star Washer .....	194217	NASH-178
<b>BEARINGS</b>			
249B	Planet Bearing .....	194249	61912
211A	Rear Bearing .....	384268A	35TM06
275B	Needle Bearing .....	194275	AXK3552
<b>SYNCHRONIZER KITS</b>			
N.I.	Nash (5 Speed) (Doug Nash / Richmond) .....	N/A	N.L.
N.I.	T10N (4 Speed) (Super T10 & Corvette 4+3) (used w/ Nash OD) (84-88) .....	SRK118	N.L.
<b>FRICTIONS</b>			
100C	Overdrive .....	194100	14082705
106C	Direct .....	194106	14081192
<b>STEELS</b>			
120C	Overdrive (.061") .....	194120A	14105934
120C	Overdrive (.071") .....	194120	14082706
126C	Direct (.061") .....	194126A	14105931
126C	Direct (.071") .....	194126	14081193
<b>MISCELLANEOUS COMPONENTS</b>			
747A	Aluminum Plate .....	194747	NASH-255
960C	Piston .....	194960	NASH-256
588-1B	Planet Housing .....	194588-1	NASH-254
658B	Sprag, Direct Clutch .....	74658	10121024



A

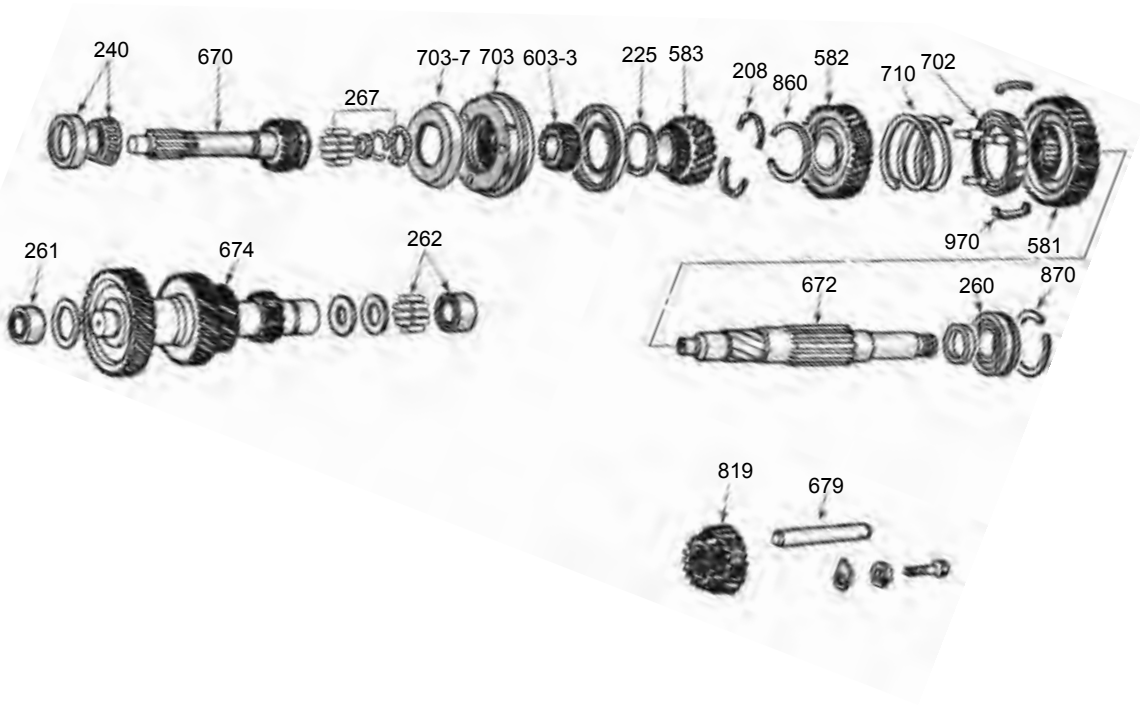


B



316

NP435



C

D

E

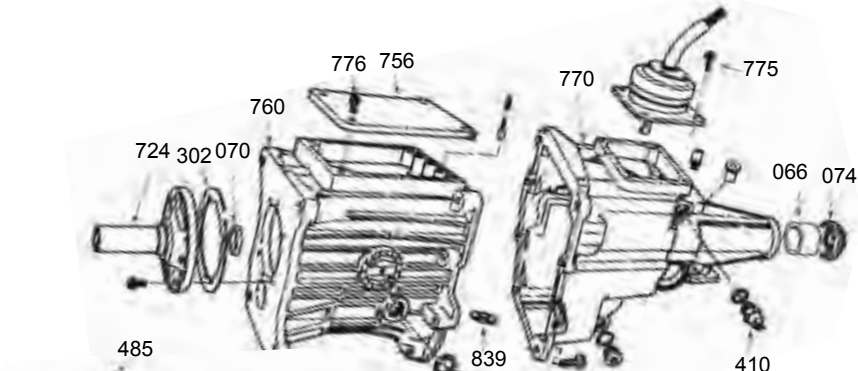


316

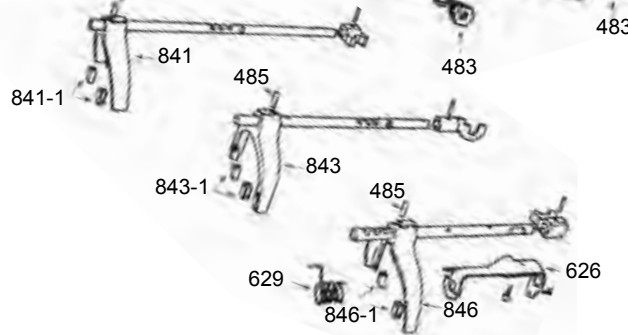
ILL NO.	DESCRIPTION	PART NO.	REFERENCE
<b>BEARING KITS</b>		<b>w/o Synchros</b>	<b>w/Synchros</b>
N.I.	Dodge (62-65) (w/ Ball Input Bearing) .....	BK127E	BK127EWS
N.I.	Dodge (65-Up) (w/ Tapered Input Bearing) .....	BK127D	BK127DWS
N.I.	Dodge (86-91) (w/ Ball Input Bearing) .....	BK127F	BK127FWS
N.I.	Plymouth Trailduster (w/ Ball Input Bearing) .....	BK127F	BK127FWS
N.I.	Plymouth Trailduster (w/ Tapered Input Bearing) .....	BK127D	BK127DWS
N.I.	Ford .....	BK127	BK127WS
N.I.	GM (w/ Ball Input Bearing) .....	BK127E	BK127EWS
N.I.	GM (w/ Tapered Input Bearing) .....	BK127	BK127WS
N.I.	International .....	BK127I	BK127IWS
<b>GASKETS</b>			
301A	Bearing Retainer Gasket (Tapered Bearing Type) .....	316301	291-55R
<b>SMALL PARTS KITS</b>			
N.I.	Small Parts Kit .....	316001	SP291-50
<b>BUSHINGS</b>			
N.I.	Extension Housing (1.630" OD) (1.5" Wide) (28 Spline) (Ford) .....	26066	WT259-62
N.I.	Extension Housing (2.260" OD) (32 Spline) (Ford) .....	316066	WT291-62
<b>BEARINGS</b>			
240C	Input Bearing (Tapered Roller Type w/ Cup) .....	316240-2K	S41
240C	Input Bearing (Ball Bearing Type) Maxload .....	304232A	M6308N
260D	Output Bearing (Maxload) .....	304232A	M6308N
261D	Cluster Bearing (Front) .....	316230	M24161
262D	Cluster Bearing (Rear) .....	311232	B3216
<b>HUBS</b>			
603-3C	3-4 Hub (Inner) Ball Bearing Type .....	316606-1	WT291-2.5
603-3C	3-4 Hub (Inner) Tapered Bearing Type .....	316606-1A	AWT291-2.5B
<b>SYNCHRONIZERS</b>			
702C	2nd Synchro .....	316702	AWT291-83
703C	3-4 Synchro (Aluminum) .....	316703	WT275-14
703C	3-4 Synchro Synchros & Sliders Kit .....	316703K-1	AWT275-2.5B
703C	3-4 Synchro Assembly (Ford, Uses a Tapered Input Bearing) .....	301703AK	AWT291-2.5D
703C	3-4 Synchro Assembly (Dodge 62-E65, Uses a Ball Input Bearing) .....	316703K	AWT291-2.5E
703C	3-4 Synchro Assembly (Dodge L65-E86, Uses Tapered Input Brg) .....	301703AK	AWT291-2.5D
<b>FORKS</b>			
840KB	Fork Insert Kit .....	316840K	INSK-435
841B	1-2 Fork .....	316841	WT291-23
843B	3-4 Fork .....	316843	WT291-23A
848B	Reverse Fork .....	316848	WT291-23B
<b>GEARS (Low &amp; Reverse, Reverse Idler)</b>			
582C	2nd Gear (33 T) .....	316582	WT291-21
583C	3rd Gear (23 T) .....	316583	WT291-11
583C	3rd Gear (24 T) .....	316583A	WT291-11C
581C	Low & Reverse Slider Gear (37 T) .....	316581	AWT291-12A
819E	Reverse Idler Gear (21 T) Bearing Type .....	316819	AWT291-10B
819E	Reverse Idler Gear (21 T) Bushing Type .....	316819A	AWT291-10C

ILL NO.	DESCRIPTION	PART NO.	REFERENCE
<b>SHAFTS (Input)</b>			
670C	Input Shaft (9 1/8") (17 T) (GM) .....	316670B	WT291-16B
670C	Input Shaft (9 1/8") (17 T, 1 1/16" Spline Dia.) (Ford) .....	316670A	WT291-16J
670C	Input Shaft (9 1/8") (21 T) (GM) .....	316670F	WT291-16D
670C	Input Shaft (9 5/16") (17 T, 1 3/8" Spline Dia.) (Ford) .....	316670C	WT291-16C
670C	Input Shaft (10 1/16") (17 T, 1 1/16" Spline Dia.) (Ford) .....	316670	WT291-16H
670C	Input Shaft (10 7/8") (17 T) (Dodge) .....	316670D	WT291-16Q
670C	Input Shaft (11 11/16") (17 T) (Dodge) .....	316670E	WT291-16R
<b>SHAFTS (Main)</b>			
672D	Main Shaft (13 1/2") (35 Splines) .....	316672B	AWT291-2B
672D	Main Shaft 2wd (13 5/8") (10 Splines) International .....	316672	WT291-2D
672D	Main Shaft 2wd (13 5/8") (35 Splines) Dodge w/ Ball Input Bearing .....	316672A	WT291-2
672D	Main Shaft 2wd (16 3/8") (32 Splines) Ford .....	316672D	WT291-2G
672D	Main Shaft 2wd (16 3/4") (28 Splines) Ford .....	316672C	WT291-2E
672D	Main Shaft 2wd (19 1/2") (32 Splines) Ford .....	316672J	WT291-2K
672D	Main Shaft 4wd (16 3/4") (23 Splines) Dodge w/ Tapered Input Bearing .....	316672G	WT291-2H
672D	Main Shaft 4wd (17 3/4") (23 Splines) Dodge w/ Tapered Input Bearing .....	316672H	WT291-2L
672D	Main Shaft 4wd (17 3/4") (23 Splines) Dodge w/ Ball Input Bearing .....	316672L	4340267
672D	Main Shaft 4wd (19 5/32") (31 Splines) Ford .....	316672E	WT291-2J
<b>SHAFTS (Cluster)</b>			
674D	Cluster Shaft (43-34-25-14) .....	316674	WT291-3D
674D	Cluster Shaft (43-35-25-14) .....	316674A	WT291-3
<b>BEARING RETAINERS</b>			
724A	Bearing Retainer (Dodge) (74-87) .....	316724A	WT291-6A
724A	Bearing Retainer (Dodge) (88-Up) .....	316724	4340264
724A	Bearing Retainer (Ford) (4 31/64") (Cast # 13559) .....	316724B	WT291-6
<b>MISCELLANEOUS COMPONENTS</b>			
N.I.	Nut, Bolt-on Yoke .....	316798	WT277-90
N.I.	Nut, Main Shaft .....	316795	WT291-90
N.I.	Nut, Main Shaft (2wd) common .....	334795	18693
989A	Shifter Retainer .....	354989	B8T7220D
831A	Shifter Stick (3 3/4" Finger) .....	316831	11306
225C	Shim, 3rd Gear .....	316225	69241B
860C	Snap Ring, 2nd Gear .....	316860	1664321
N.I.	Speedometer Gear (6 T) Black, OE (Fits 32 Spline Main Shaft) .....	316997	D4TZ17285A
N.I.	Speedometer Gear (6 T) Green, Aftermarket .....	366997A	T18-169A
N.I.	Speedometer Gear (7 T) Yellow .....	366997	T18-169
N.I.	Speedometer Gear (8 T) Brown .....	366997B	T18-169D
970C	Spring, 1st Gear Flat (Tension Clip) .....	316970	97042
<b>NOTES</b>			

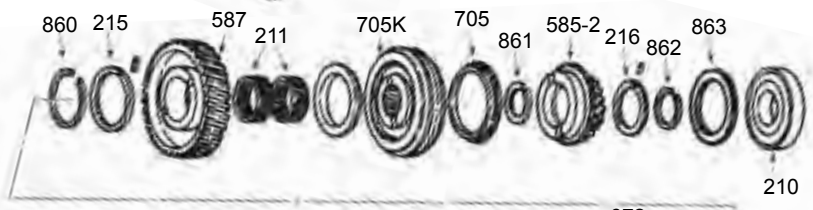
A



B



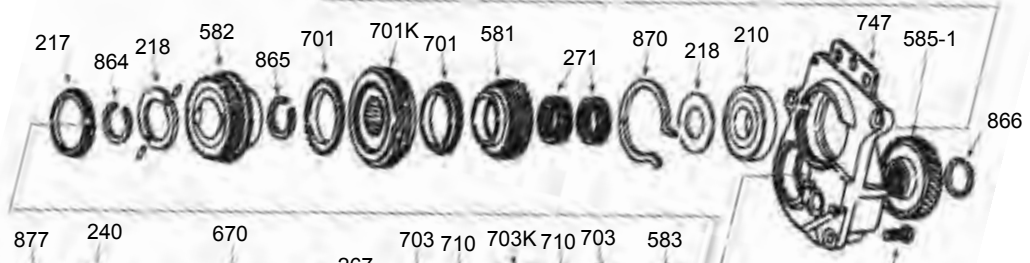
C



D



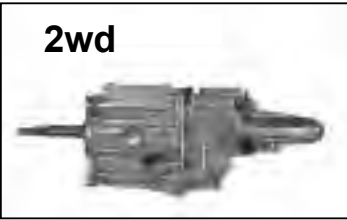
E



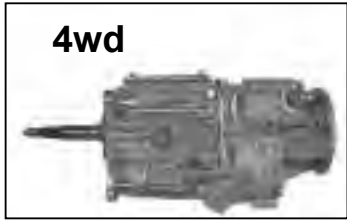
F



G



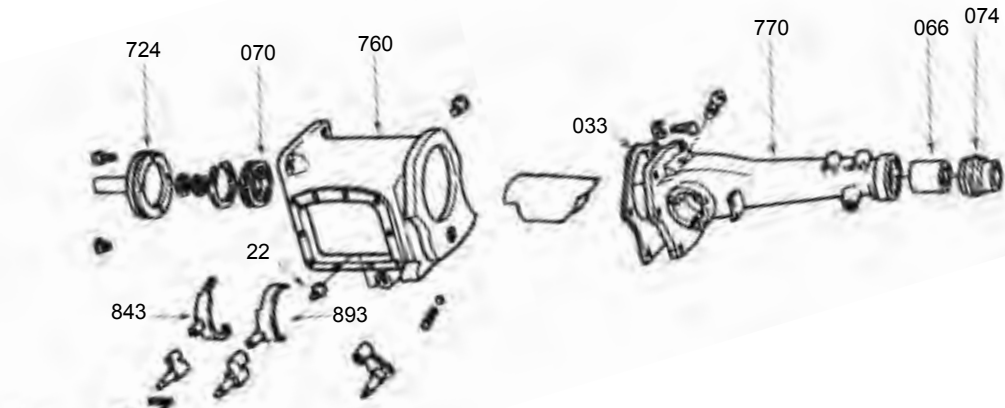
2wd



4wd

ILL NO.	DESCRIPTION	PART NO.	REFERENCE
<b>BEARING KITS</b>		<b>w/o Synchros</b>	<b>w/Synchros</b>
N.I.	NP 535, NV2500 .....	BK233	BK233WS
<b>GASKET &amp; SEAL KITS</b>			
N.I.	Gasket & Seal Kit.....	342002	G535
<b>GASKETS</b>			
302A	Front Gasket .....	342323	4338302
<b>SEALS</b>			
070A	Front Seal .....	342070	10515
074A	Rear Seal (2wd).....	12074E	15546
074A	Rear Seal (4wd).....	382074	19601
<b>SMALL PARTS KITS</b>			
N.I.	Small Parts Kit .....	342001	SP535-50
<b>BUSHINGS</b>			
066A	Extension Housing (1.700" OD).....	12066	WT243-62B
<b>BEARINGS</b>			
210C	Main Shaft Bearing (.668" Thick) Rear .....	351268A	6207-N
210E	Main Shaft Bearing (.705" Thick) .....	342210	6208-N
231G	Cluster Bearing (Center).....	342231	BH3312
232G	Cluster Bearing (Rear).....	342232	SET2
240F	Input Bearing.....	342240	6307-N
260-2G	Front Bearing Cone.....	346260A-2	LM67048
260-3G	Front Bearing Cup.....	346260A-3	LM67010BCE
<b>SYNCHRONIZER COMPONENTS</b>			
701KE	1-2 Synchro Assembly (Hub & Slider Only) .....	342701K	535-80
701E	1-2 Synchro Ring .....	342701	A525-83
703KF	3-4 Synchro Assembly (w/ Keys & Springs).....	342703AK	535-2.5A
703KF	3-4 Synchro Assembly (Hub & Slider Only) .....	342703K	535-2.5
N.I.	3-4 Synchro Key & Spring Kit .....	342703-2K	535-K
703F	3-4 Synchro Ring.....	342703	A525-14
705KC	5th-Reverse Synchro Assembly (w/ Keys & Springs).....	342703AK	535-2.5A
705KC	5th-Reverse Synchro Assembly (Hub & Slider Only).....	342703K	535-2.5
N.I.	5th-Reverse Synchro Key & Spring Kit.....	342703-2K	535-K
705C	5th Synchro Ring .....	342703	A525-14
<b>FORKS</b>			
N.I.	Fork Insert Kit (Dakota).....	342840K	INSK-535
<b>GEARS</b>			
581E	1st Gear (37 T).....	342581	535-12
583F	3rd Gear (30 T) .....	342583	535-11
585-2C	5th Gear Main Shaft (23 T) .....	342585-2	535-18
585-3G	5th Gear Cluster Shaft & Keyway .....	342585-3	535-8A
585-1E	5th Gear Counter Shaft (39 T) (Keyway Type) .....	342585-1	535-19
587C	Reverse Gear (38 T).....	342587	535-36
<b>MISCELLANEOUS COMPONENTS</b>			
770A	Adapter Housing .....	342770	4338236
724A	Bearing Retainer (Front) .....	342724	535-6
760A	Case .....	342760	4338261
670F	Input Shaft (23 Spline) .....	342670	535-16
672D	Main Shaft (4wd).....	342672	535-2
485B	Roll Pins.....	342485	442934

A



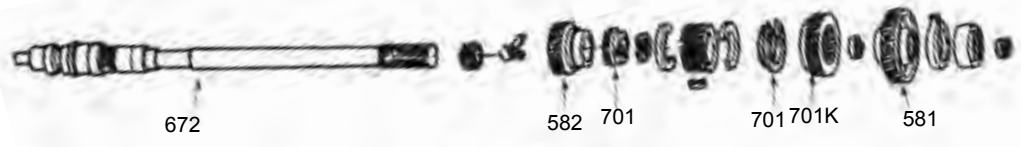
B



C



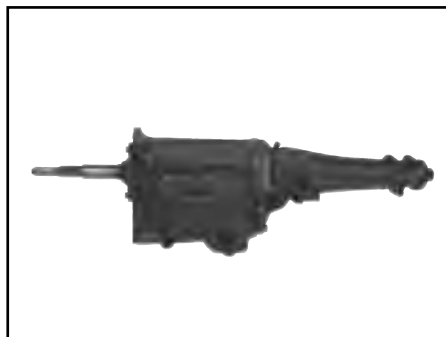
D



E



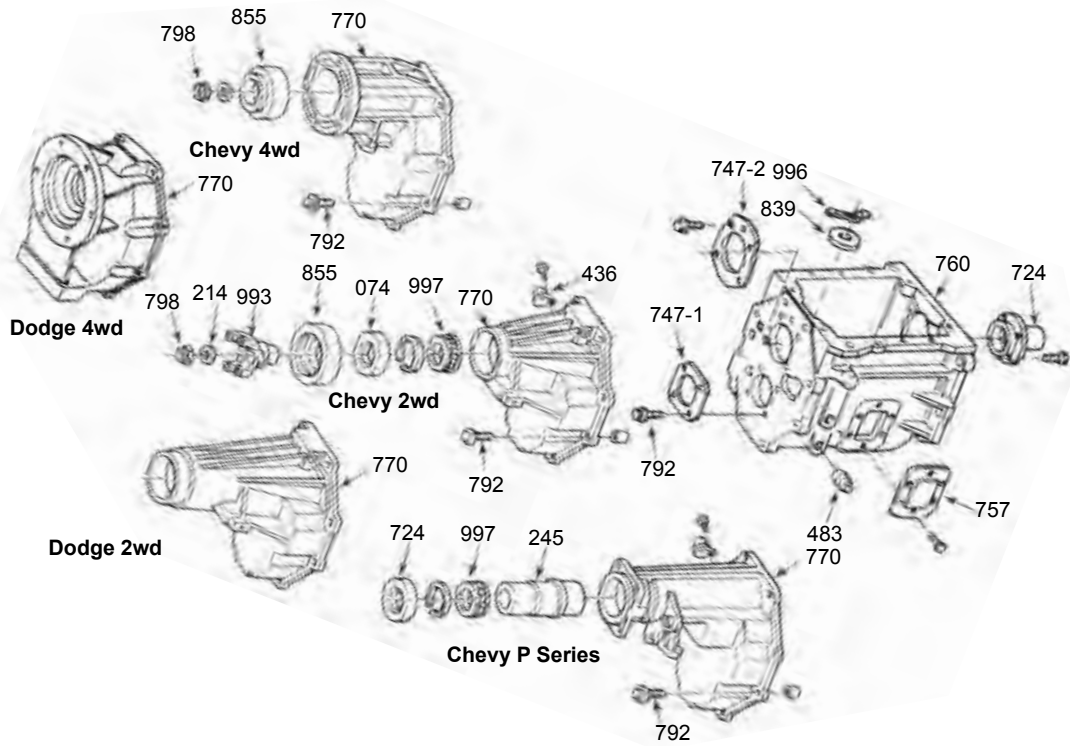
F



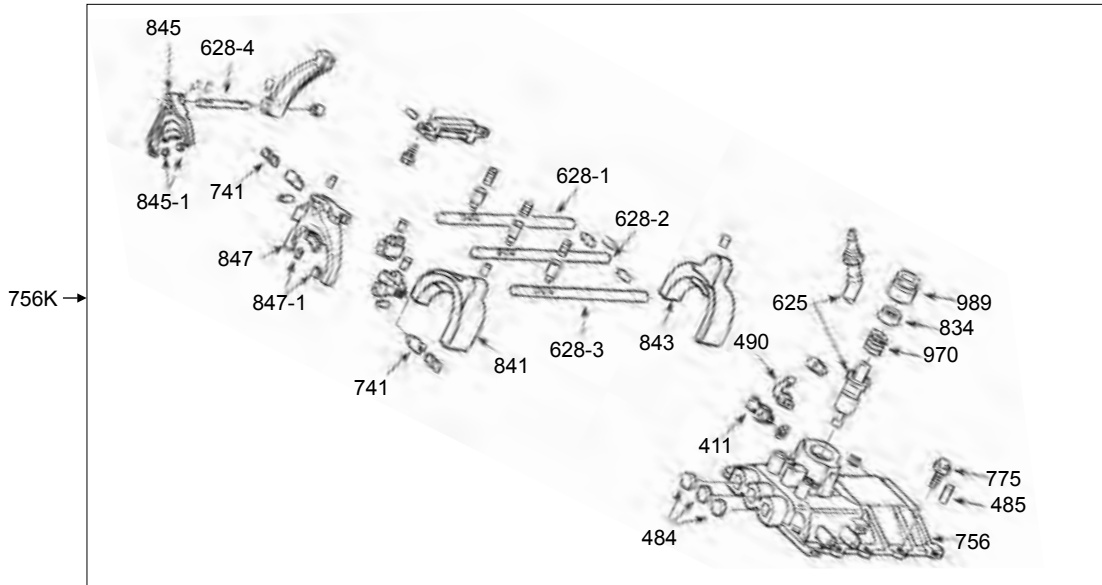
ILL NO.	DESCRIPTION	PART NO.	REFERENCE
<b>BEARING KITS</b>		<b>w/o Synchros</b>	<b>w/Synchros</b>
N.I.	NP 833 (Truck, Van, SUV) .....	BK130	BK130WS
N.I.	NP 833 (Cars w/ 80mm OD Input & Output Bearings).....	BK340	BK340WS
N.I.	NP 833 (Cars w/ 90mm OD Input & Output Bearings).....	BK341	BK341WS
<b>SMALL PARTS KITS</b>			
N.I.	Small Parts Kit .....	412002	SP294-50
<b>BUSHINGS</b>			
066A	Extension Housing (1.630" OD) .....	44066	WT266-62
066A	Extension Housing (1.700" OD) .....	12066	WT243-62B
066A	Extension Housing (1.815" OD) .....	36066	N.L.
066A	Extension Housing (1.820" OD) .....	386066	T85-62
<b>SYNCHRONIZER COMPONENTS</b>			
701KD	1-2 Synchro Assembly (Narrow Keys) .....	412701AK	1AWT294-80A
701KD	1-2 Synchro Assembly (Wide Keys).....	412701K	1AWT294-80C
701D	1-2 Synchro (Narrow Keys).....	412701A	WT294-14
701D	1-2 Synchro (Wide Keys).....	412701	WT307-14
703KC	3-4 Synchro Assembly (Narrow Keys) .....	412703AK	AWT294-2.5
703KC	3-4 Synchro Assembly (Wide Keys).....	412703K	1AWT307-2.5A
703C	3-4 Synchro (Narrow Keys).....	412701A	WT294-14
703C	3-4 Synchro (Wide Keys).....	412701	WT307-14
<b>FORKS</b>			
843B	3-4 Fork.....	412843	3410038
<b>GEARS</b>			
N.I.	Gear Kit (Incl 18 Spline Input Shaft, 1st, 2nd , 3rd & Cluster Gear).....	412583K	GK-NP 833
N.I.	Gear Kit (Incl 23 Spline Input Shaft, 1st, 2nd , 3rd & Cluster Gear).....	412583AK	GK-NP 833A
581D	1st Gear (33 T).....	412581A	WT294-12A
581D	1st Gear (35 T).....	412581	WT294-12
582D	2nd Gear (30 T) .....	412582C	WT294-21C
582D	2nd Gear (34 T) .....	412582	WT294-21
583C	3rd Gear (26 T) .....	412583C	WT294-11C
583C	3rd Gear (29 T) .....	412583	WT294-11
<b>SHAFTS</b>			
670C	Input Shaft (21 T) (18 Spline).....	412670B	WT294-16B
670C	Input Shaft (24 T) (23 Spline).....	412670	WT294-16
674E	Cluster Shaft (27-24-20-17-16).....	412674C	WT294-8C
674E	Cluster Shaft (31-27-23-17-17).....	412674	WT294-8
676E	Counter Shaft (Aluminum Case).....	412676	WT833-3A
676E	Counter Shaft (Iron Case).....	412676A	WT294-3
<b>BEARING RETAINERS</b>			
724A	Front Retainer (18 Spline Input Shaft) .....	412724	P4529697
724A	Front Retainer (23 Spline Input Shaft) (4.35" OD) (Uses 307 Input Brg).....	412724A	P4529694
724A	Front Retainer (23 Spline Input Shaft) (4.80" OD) (Uses 307 Input Brg).....	412724B	P4529695
724A	Front Retainer (23 Spline Input Shaft) (4.80" OD) (Uses 308 Input Brg).....	412724C	WT294-6



A



B

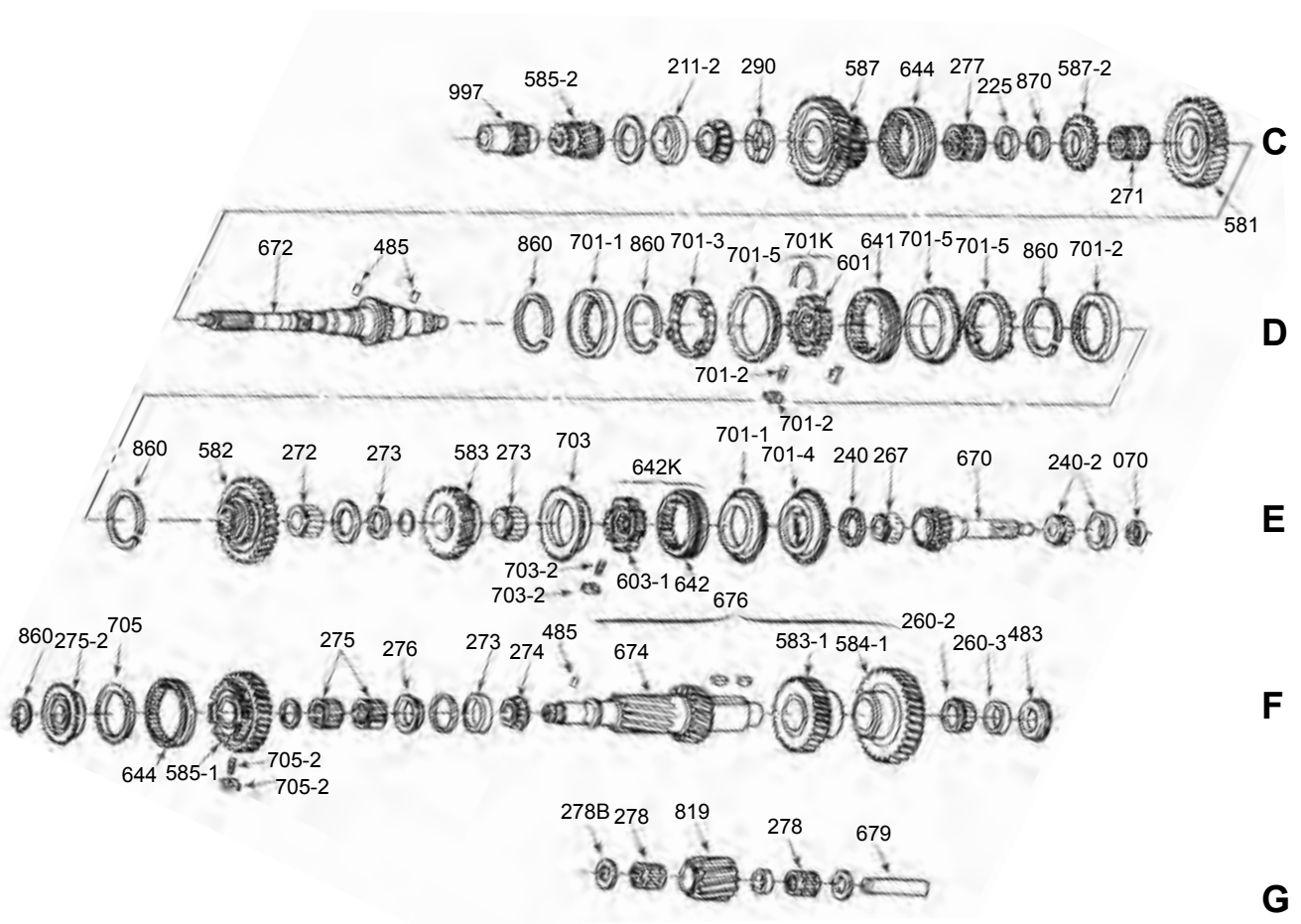


Chevy 2wd



Chevy 4wd





ILL NO.	DESCRIPTION	PART NO.	REFERENCE
<b>BEARING KITS</b>		<b>w/o Synchros</b>	<b>w/Synchros</b>
N.I.	NV 4500 (Dodge).....	BK308A	BK308AWS
N.I.	NV 4500 (GMC w/ External Clutch Slave).....	BK308	BK308WS
N.I.	NV 4500 (GMC w/ Internal Clutch Slave, no Reverse Synchro).....	BK308B	BK308BWS
N.I.	NV 4500 (GMC w/ Internal Clutch Slave, Uses a Reverse Synchro).....	BK308B	BK308CWS
<b>SEALS</b>			
070E	Front Seal .....	334070	16780
074A	Rear Seal (2wd GM) .....	334074C	19970
074A	Rear Seal (GM w/ Bolt-on Yoke).....	334074A	18972
074A	Rear Seal (2wd Dodge) .....	334074	16725
074A	Rear Seal (2wd Dodge) Diesel (3.035" x 2.125").....	424074	21938
N.I.	Adapter Seal (GM, Dodge) (4wd) .....	382074	19601
N.I.	Brake Drum Seal (2.84" OD).....	334076	17773CR
N.I.	Brake Drum Seal (3.50" OD).....	334076A	24982
<b>SMALL PARTS KITS</b>			
N.I.	Small Parts Kit .....	334001	SP4500-50
N.I.	Small Parts Kit (Top Cover).....	334001A	SP4500-50Y
<b>BUSHINGS</b>			
N.I.	Extension Housing (2.340" OD) (2wd Dodge Diesel V10).....	334066	18172
N.I.	Extension Housing (1.820" OD) (2wd Dodge Gas).....	386066	T85-62
<b>WASHERS</b>			
273E	3rd Gear.....	334273	16795
290C	Reverse.....	334290	16797
278G	Reverse Idler.....	334278B	23211
<b>BEARINGS</b>			
271C	1st Gear Needle Bearing .....	334271	21503
272E	2nd Gear Needle Bearing .....	334271	21503
273E	3rd Gear Needle Bearing .....	334274	21504
275F	5th Gear Needle Bearing .....	334275	21505
275-2F	5th Gear Clutch Cone .....	334275-2	18921
260-2F	Front Cluster Bearing Cone .....	424260-2	LM102949
260-3F	Front Cluster Bearing Cup .....	424260-3	LM102910
240-2E	Input Bearing Cone & Cup Kit.....	334240-2K	M802011 & 48
240-2E	Input Bearing Cup & Cone Kit.....	334240-2K	M802011 & 48
267E	Input Pocket Bearing.....	334267	K28/40/25
240E	Input to 3-4 Hub Bearing (Needle Type) .....	334240	AXJ37X56.8X4.7
211-2C	Main Shaft Bearing Cone (Rear).....	334211-2K	M804010 & 49
211-2C	Main Shaft Bearing Cup (Rear).....	334211-2K	M804010 & 49
278G	Needle bearing, reverse idler, 97-on.....	334278A	25833
N.I.	Needle Kit .....	334271K	NK-NV4500
274F	Rear Cluster Bearing Cone.....	32274A	LM501349
273F	Rear Cluster Bearing Cup.....	32273A	LM501310
277C	Reverse Gear Needle Bearing.....	334277	16803
<b>HUBS &amp; SLIDERS</b>			
642KE	3-4 Hub & Slider Kit .....	334642K	18412
603-1E	3-4 Hub (Inner).....	334606-3	17301
642E	3-4 Slider.....	334642	18321
644C	5th Slider.....	334644	17306
644C	Reverse Slider .....	334644	17306
<b>SYNCHRONIZER KITS</b>			
N.I.	NV 4500 (Uses a Reverse Synchro).....	SRK308A	N.L.
N.I.	NV 4500 (no Reverse Synchro).....	SRK308	N.L.

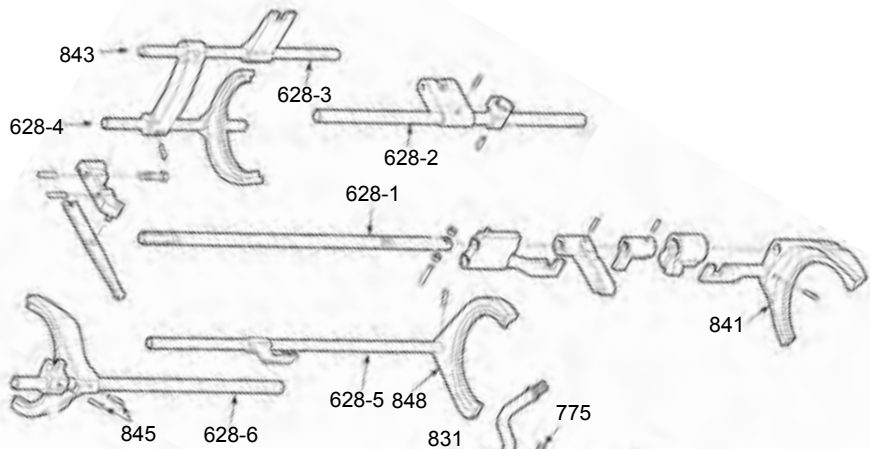
ILL NO.	DESCRIPTION	PART NO.	REFERENCE
<b>SYNCHRONIZER COMPONENTS</b>			
701KD	1-2 Synchro Assembly .....	334701K	23678
701-2D	1-2 Synchro Key .....	334707-1	17289
701-2D	1-2 Synchro Key & Spring Kit .....	334701-2K	NV4500-K1
701-1D	1-2 Synchro Ring (Inner).....	334701-1	17084
701-3D	1-2 Synchro Ring (Middle).....	334701-3	17078
701-5D	1-2 Synchro Ring (Outer).....	334701-5	17284
701-2D	1-2 Synchro Spring .....	334710-1	17285
703-2E	3-4 Synchro Key .....	334707-3	17299
703-2E	3-4 Synchro Key & Spring Kit .....	334703-2K	NV4500-K3
703E	3-4 Synchro Ring .....	334703	24025
703-2E	3-4 Synchro Spring .....	334710-3	17346
705-2F	5th Synchro Key.....	334707-3	17299
705-2F	5th Synchro Key & Spring Kit.....	334703-2K	NV4500-K3
705F	5th Synchro Ring .....	334705	24024
705-2F	5th Synchro Spring .....	334710-3	17346
701-4E	Input Synchro Cone .....	334701-1A	21313
<b>FORKS</b>			
N.I.	Fork Insert Kit.....	334840K	INSK-4500
841B	1-2 Fork.....	334841	18303
843B	3-4 Shift Fork .....	334843	18302
845B	5th Shift Fork.....	334845	18937
847B	Reverse Fork (4" Bolt Square Style Top Cover).....	334847A	25661
847B	Reverse Fork (Push / Twist Style Top Cover) .....	334847	18931
<b>GEARS</b>			
581C	1st Gear .....	334581	17290
582E	2nd Gear (37 T) .....	334582	17293
583E	3rd Gear Main Shaft (28 T) 6.34 Ratio.....	334583	18922
583E	3rd Gear Main Shaft (29 T) 5.61 Ratio.....	334583A	23712
583-1F	3rd Gear Counter Shaft (30 T) 5.61 Ratio.....	334583-1A	17330
584-1F	4th Gear Counter Shaft (38 T) 5.61 Ratio.....	334584-1A	17272
584-1F	4th Gear Counter Shaft (39 T) 6.34 Ratio.....	334584-1	17271
585-1F	5th Gear Counter Shaft Kit (Slider, Keys & Springs) 5.61 Ratio .....	334585-1AK	17582
585-1F	5th Gear Counter Shaft Kit (Slider, Keys & Springs) 6.34 Ratio .....	334585-1K	17581
585-1F	5th Gear Counter Shaft (51 T) 5.61 Ratio (22 T Main Shaft 5th Gear).....	334585-1	17318
585-1F	5th Gear Counter Shaft (51 T) 6.34 Ratio (19 T Main Shaft 5th Gear).....	334585-1A	17317
585-2C	5th Gear Main Shaft (19 T) .....	334585-2B	16799
585-2C	5th Gear Main Shaft (22 T w/ 31 T Spline).....	334585-2	16999
585-2C	5th Gear Main Shaft (22 T w/ 35 T Spline).....	334585-2A	18164
275-2F	5th Gear Clutch Cone .....	334275-2	18921
587C	Reverse Gear (35 T) (GM) (Non Synchro) (97-Up) .....	334587C	23267
587C	Reverse Gear (35 T) (Dodge) Synchronized (97-Up).....	334587	23271
587C	Reverse Gear (39 T) (GM) (92-96) .....	334587A	17308
587C	Reverse Gear (39 T) (Dodge) (92-96) .....	334587B	17309
587-2C	Reverse Gear Clutch Cone (GM).....	334587-2	18920
587-2C	Reverse Gear Clutch Cone (Dodge).....	334587-2A	18923
819G	Reverse Idler Gear (Use w/ 35 T Reverse Gear).....	334819	23263
<b>SHAFTS</b>			
670E	Input Shaft (20 T) (GM).....	334670	17310
670E	Input Shaft (22 T) (GM) (8.1L) .....	334670E	26922
670E	Input Shaft (22 T) (GM) (Except 8.1L) .....	334670D	20018
670E	Input Shaft (22 T) (Dodge Gas V8).....	334670A	25354
670E	Input Shaft (22 T) (Dodge Diesel V10).....	334670B	25356
670E	Input Shaft (22 T) (Dodge Gas & Diesel) (19 Splines).....	334670C	17311
672D	Main Shaft (23 T) (Dodge 2wd Gas) (24 1/4") .....	334672G	27172
672D	Main Shaft (23 T) (Dodge 4wd Gas).....	334672C	27171
672D	Main Shaft (29 T) (Dodge 4wd Diesel).....	334672D	27173
672D	Main Shaft (31 T) (Dodge 2wd Diesel).....	334672E	27176
672D	Main Shaft (32 T) (GM 2wd) (24 9/16" w/o Brake Drum).....	334672P	25331
672D	Main Shaft (32 T) (GM 4wd) (19 3/4").....	334672A	27170
672D	Main Shaft (35 T) (GM 2wd) (20 1/4" w/o Brake Drum).....	334672	25330
672D	Main Shaft (35 T) (GM 2wd) (25 1/2" w/ Brake Drum).....	334672B	25332
674F	Cluster Shaft (Use w/ 35 T Main Shaft Reverse).....	334674A	22657
674F	Cluster Shaft (Use w/ 39 T Main Shaft Reverse).....	334674	22608
679G	Reverse Idler Shaft (3 1/8").....	334679	23266

ILL NO.	DESCRIPTION	PART NO.	REFERENCE
<b>RETAINERS</b>			
724A	Bearing Retainer, Front (External Slave) (GM) (92-95) .....	334724	17507
724A	Bearing Retainer, Front (Internal Slave) (GM) (Aluminum, Flat) (96-Up).....	334724B	22414
724A	Bearing Retainer (Dodge Gas) 10 Spline .....	334724C	18347
724A	Bearing Retainer (Dodge Gas) 19 Spline .....	NLA	NLA
724A	Bearing Retainer (Dodge Diesel V10).....	334724D	18161
747-1A	Bearing Retainer, Rear Cluster Bearing.....	334747	18191
747-2A	Bearing Retainer, Rear Main Shaft Bearing.....	334747A	16835
834B	Retainer, Shift Stub (Push / Twist Top Cover).....	334834A	18453
<b>SHIFT COMPONENTS</b>			
625B	Shifter Assembly (Dodge) (98-Up).....	334625	25982
<b>CASES &amp; HOUSINGS</b>			
770A	Adapter Housing (Dodge 4wd Gas) (92-93) .....	334770	18106
770A	Adapter Housing (Dodge) (94-Up).....	334770A	26705
770A	Adapter Housing (GM 4wd) .....	334770B	18305
N.I.	Bell Housing (External Slave Type) .....	334750	15990014
<b>COVER COMPONENTS</b>			
756KB	Top Cover, Complete (Square Shifter Type) (Shifter Not Included) .....	334756AK	26382
756B	Top Cover (Shell Only) (Square Shifter Type) (Shifter Not Included).....	334756A	18861
756KB	Top Cover, Complete (Push / Twist) (Shifter Not Included).....	334756K	26381
756B	Top Cover (Shell Only) (Push / Twist) (Shifter Not Included).....	334756	25140
757A	PTO Cover.....	334757	35662
<b>SHIFT RAIL</b>			
628-2B	1-2 Shift Rail .....	334628A	17288
628-2B	1-2 Shift Rail Lug (4 Bolt Top Cover) .....	334628-1A	25657
628-2B	1-2 Shift Rail Lug (Push / Twist Top Cover) .....	334628-1B	18188
628-3B	3-4 Shift Rail .....	334628B	18320
628-3B	3-4 Shift Rail Lug .....	334628-3A	18863
628-4B	5th Shift Rail.....	334628C	4778216
628-1B	Reverse Shift Rail .....	334628D	16816
<b>MISCELLANEOUS COMPONENTS</b>			
N.I.	Baffle, Top Cover, Vent .....	334084	4500-63
N.I.	Bolt, Shifter .....	334775	18872NV
792A	Bolts, Adapter.....	334792	16862
483F	Front Counter Gear Cap (Seal).....	334483	16846
N.I.	Input Pilot Bearing Repair Kit.....	KPBG606HD	N.L.
N.I.	Input Pilot Bearing Repair Sleeve .....	PBG606HD	N.L.
N.I.	Nut, Main Shaft (GM 2wd) .....	334795	18693
N.I.	Nut, Main Shaft (GM 4wd) .....	334795AK	27134
N.I.	Nut Kit, Main Shaft (GM 4wd) (Exc w/ Vibration Dampener) .....	334795BK	27134M
N.I.	Nut, Main Shaft (Dodge Gas).....	334795AK	27134
N.I.	Nut, Main Shaft (Dodge Diesel Updated).....	334795K	27133
N.I.	Nut Kit, Main Shaft (Dodge Gas Updated) (Exc w/ Vibration Dampener).....	334795BK	27134M
798A	Nut, Yoke (2wd).....	316798	WT277-90
485D,F	Thrust Washer Locator Pin .....	301485	99086
485B	Pin, Top Cover .....	334485A	18737
N.I.	Pivot Ball, External Slave.....	334837-1	15552866
741B	Plunger, Detent .....	334741	16841
N.I.	Repair Kit, Front.....	334201	FK-NV4500
625B	Shifter Assembly (4 Bolt Top Cover) (GM).....	334625A	25818
625B	Shifter Stick (Dodge) (4 Bolt Top Cover).....	334625B	716050D1
625B	Shifter Stick (GM).....	334625C	716050C
N.I.	Shim Kit, Counter Shaft .....	334206K	16853
N.I.	Shim Kit, Main Shaft .....	334205K	16811
N.I.	Snap Ring Kit.....	334860K	4637715
860F	Snap Ring, Counter Shaft Rear (.050").....	334860	17018
860F	Snap Ring, Counter Shaft Rear (.100").....	334860A	22418
484B	Soft Plug, Top Cover (Front) .....	334484A	S542-74
N.I.	Soft Plug, Top Cover (Rear).....	359483	630361077

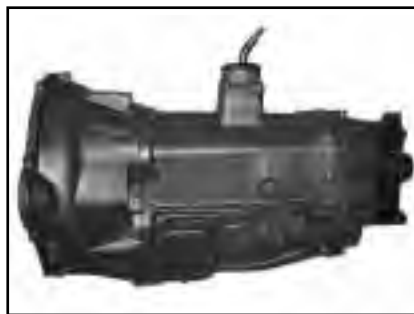
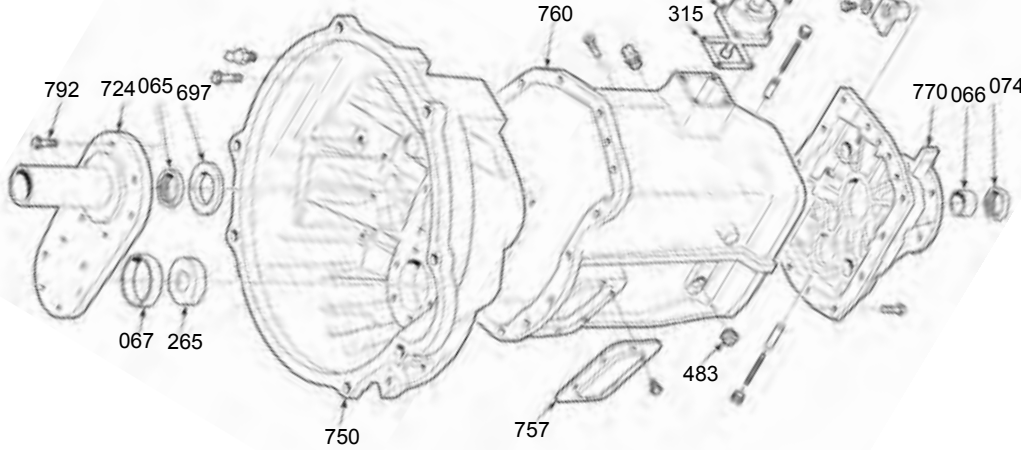
ILL NO.	DESCRIPTION	PART NO.	REFERENCE
<b>MISCELLANEOUS COMPONENTS (Cont.)</b>			
245A	Spacer (GM P-Series) (4 9/16").....	334207	17066
839A	Spacer / Plate (4 Bolt" Top Cover, Fits Under Shifter) .....	334839	18873
273E	Spacer, 3rd Needle Bearing.....	334205	16792
N.I.	Spacer, 4wd (Replaces Vibration Dampener).....	334206	18425
276F	Spacer, 5th on Cluster Shaft.....	334206A	16874
436A	Speed Sensor, Magnetic.....	335436A	1370-640-001
N.I.	Speedometer Gear (13 T) Green (Dodge).....	334997	18881
997A	Speedometer Tone Wheel .....	334997A	18777
411B	Switch, Reverse Light .....	334411	1000-140-011
N.I.	Tool, Front Retainer Bearing Race Puller .....	334460A	TL4500D
N.I.	Tool, Main Shaft Nut Socket (GM 4wd only).....	334460	J38805
490B	Vent .....	44490	44490
490B	Vent, Elbow .....	435490	17988
993A	Yoke, 2wd (Diesel V10).....	334993	4773016
<b>NOTES</b>			

NV4500

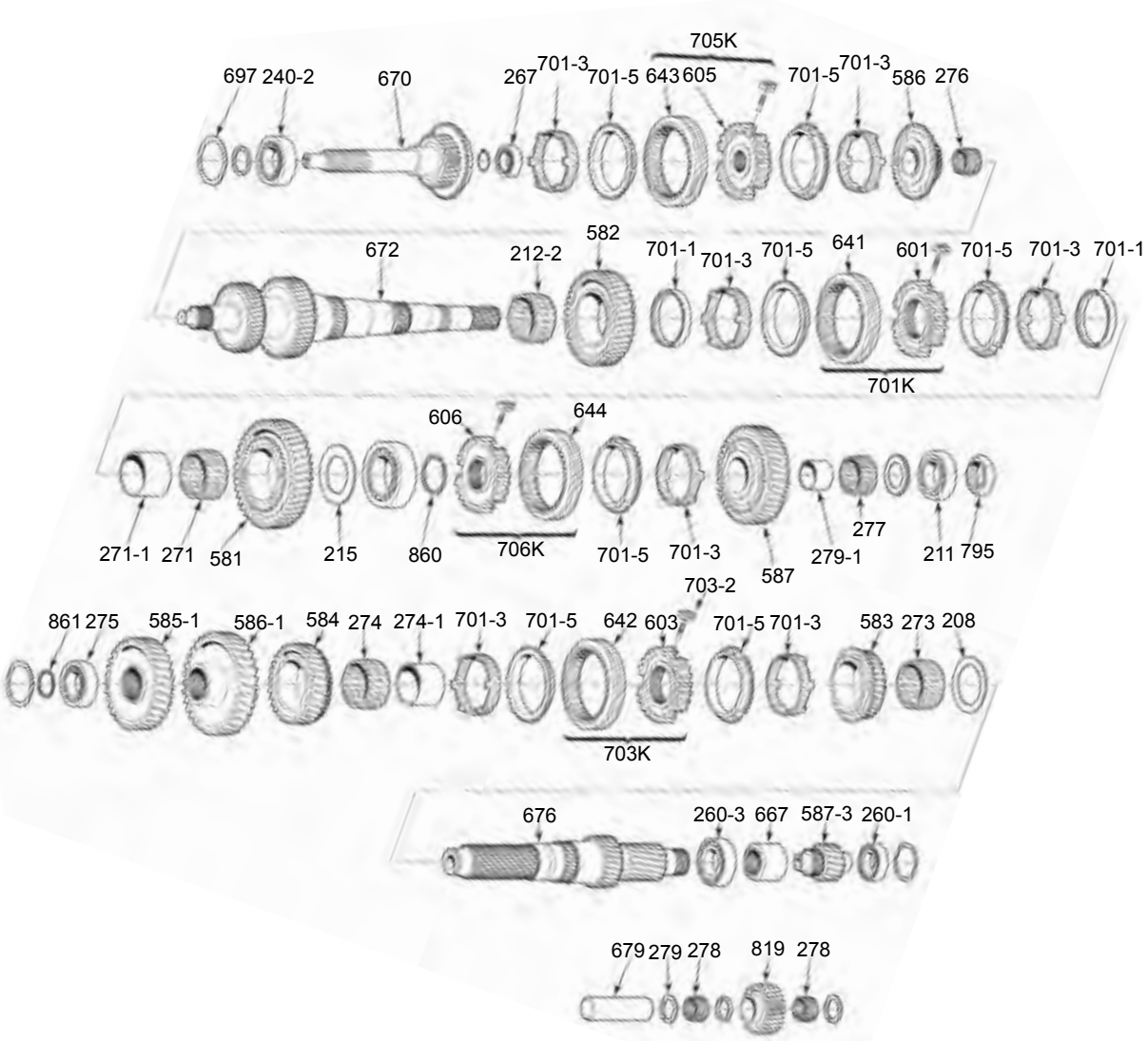
**A**



**B**



**424**



C

D

E

F

G

H



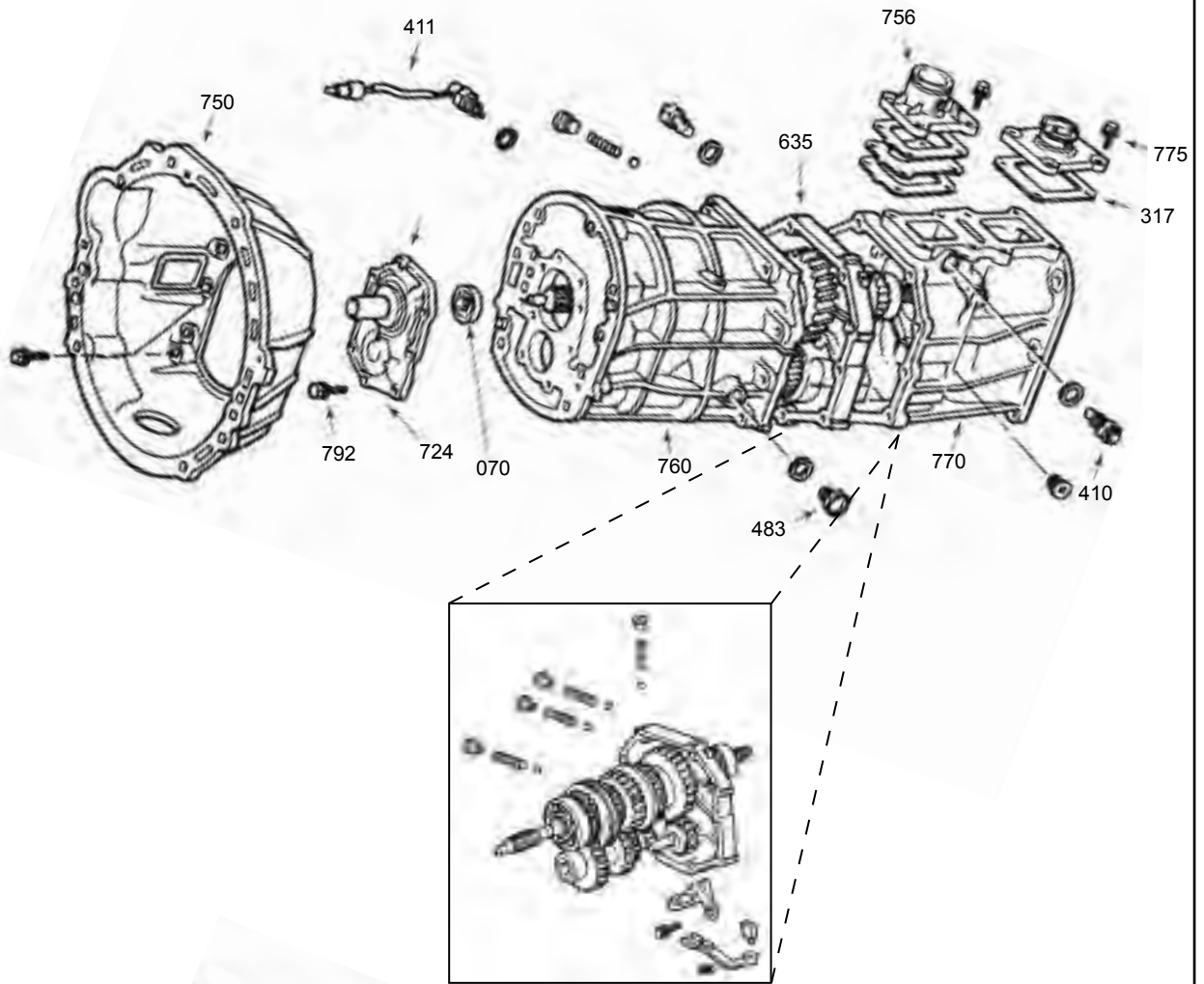
# NV5600

NV5600

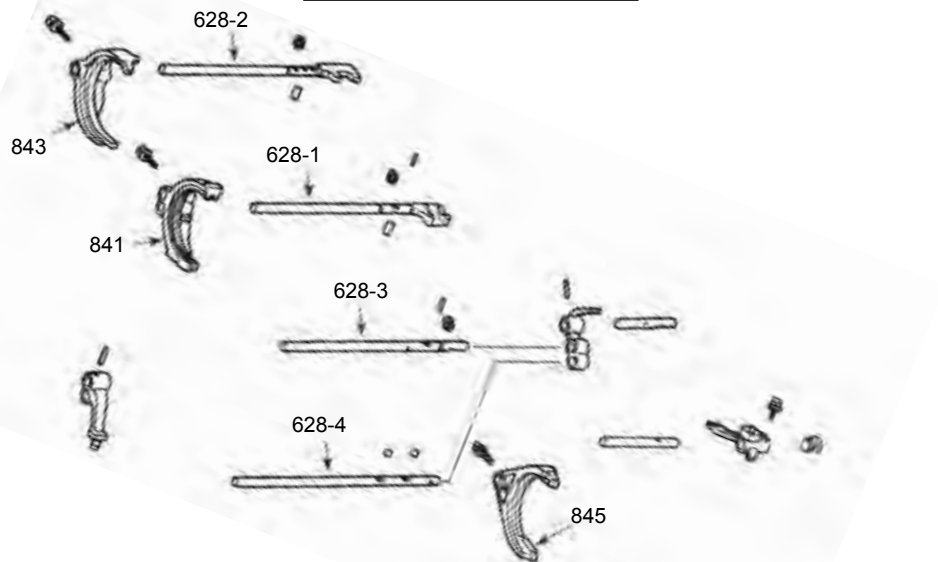
ILL NO.	DESCRIPTION	PART NO.	REFERENCE
<b>BEARING KITS</b>		<b>w/o Synchros</b>	<b>w/Synchros</b>
N.I.	NV 5600 (99-00) .....	BK492	BK492AWS
N.I.	NV 5600 (01-05) .....	BK492	BK492WS
<b>SEALS</b>			
N.I.	Front Seal .....	424070	14703
074B	Rear Seal (2wd) .....	424074	21938
N.I.	Adapter Seal (4wd) .....	424077	19211
<b>BUSHINGS</b>			
066B	Extension Housing (2.340" OD) .....	334066	18172
<b>WASHERS</b>			
215E	Washer, 1st .....	424271A	22787
279H	Washer, Reverse Idler .....	424278A	5012118AA
<b>BEARINGS</b>			
211E	Main Shaft Bearing (Rear) .....	424211	6309-N
212-2D	Main Shaft Bearing Cone (Center) .....	424212-2	45290
N.I.	Main Shaft Bearing Cup (Center) .....	424212-3	45220
240-2C	Input Bearing Cone .....	424240-2	HM804849
240-2C	Input Bearing Cup .....	424240-3	HM804810
260-3G	Counter Shaft Bearing Cone (Center) .....	394210-3	25520
260-1G	Counter Shaft Bearing Cone (Front) .....	424260-2	LM102949
260-1G	Counter Shaft Bearing Cup (Front) .....	424260-3	LM102910
N.I.	Counter Shaft Bearing Cup (Center) .....	424261-3	25590
260-1G	Counter Shaft Bearing Cone (Rear) .....	394274A	SET5
260-1G	Counter Shaft Bearing Cup (Rear) .....	394274A	SET5
267C	Pocket Bearing Cup & Cone .....	424267-2K	32305JR
N.I.	Needle Bearing Kit .....	424270K	NK-NV5600
271E	Needle Bearing (1st & 2nd) .....	424271	22769
276C	Needle Bearing (6th) .....	424276	22759
277E	Needle Bearing (Reverse Main Shaft) .....	334277	16803
278H	Needle Bearing (Reverse Idler) .....	424278	43061
<b>SYNCHRONIZERS</b>			
701-3F	Synchro, 1-6, Reverse (Middle) (Fiber) (Exc. Early w/ Serrated Bottom) .....	424701-3	44548
701-5F	Synchro, 1-6, Reverse (Outer) (Metal) .....	424701-5	22761
701KD	1-2 Synchro Assembly .....	424701K	22777
703KF	3-4 Synchro Assembly .....	424703K	22799
705KC	5-6 Synchro Assembly .....	424705K	22762
706KE	Reverse Synchro Assembly .....	424706K	22880
703-2F	Key, Spring And Ball Kit .....	302703-2K	WT290-K
701-1D	Synchro Cone, 1-2, Inner .....	424701-1	32470
<b>FORKS</b>			
841A	1-2 Fork .....	424841	43265
843A	3-4 Fork .....	424843	22830
845A	5-6 Fork .....	424845	22841
848A	Reverse Fork .....	424848	22884
<b>GEARS</b>			
581E	1st Gear (39 T) .....	424581	22784
582D	2nd Gear (39 T) .....	424582	22770
583F	3rd Gear Counter Shaft (28 T) .....	424583-1	22794
584F	4th Gear Counter Shaft (36 T) .....	424584-1	38194
585-1F	5th Gear Counter Shaft (45 T) .....	424585-1	26164
586C	6th Gear Main Shaft (24 T) .....	424586	22756
586-1F	6th Gear Counter Shaft (57 T) .....	424586-1	26165
587E	Reverse Gear (39 T) .....	424587	22886



A

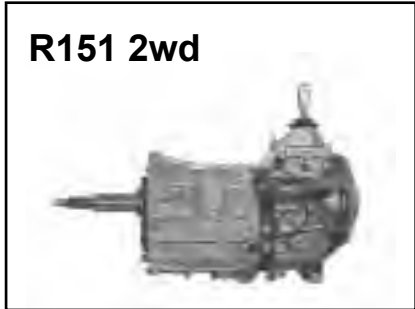
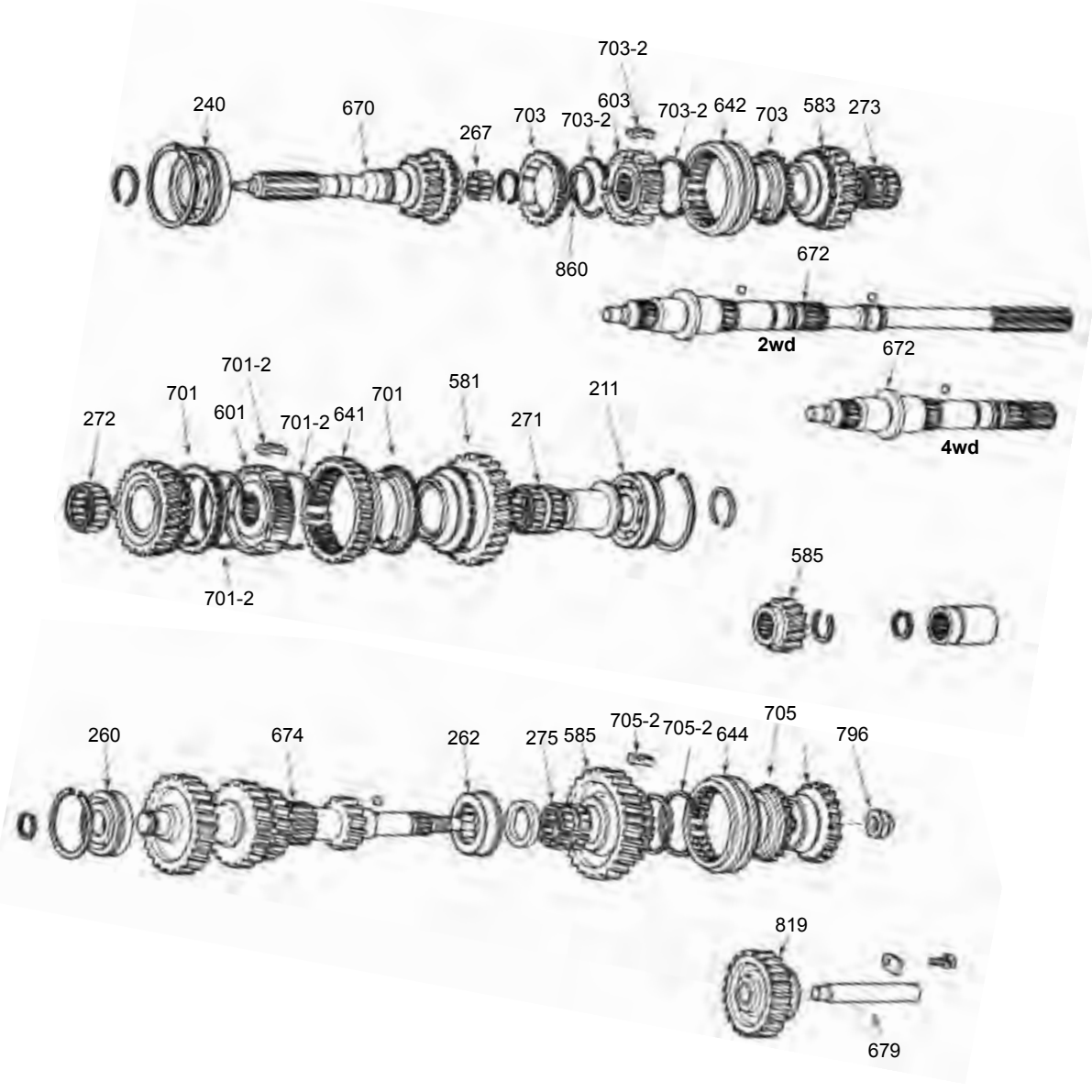


B



327

R151



327

ILL NO.	DESCRIPTION	PART NO.	REFERENCE
<b>BEARING KITS</b>		<b>w/o Synchros</b>	<b>w/Synchros</b>
N.I.	R151 (85-94) (72mm OD Rear Main Shaft Bearing).....	BK163	BK163WS
N.I.	R151 (94-95) (59mm OD Rear Main Shaft Bearing) (1 Piece 2nd Synchro).....	BK163C	BK163CWS
N.I.	R151 (95-00) (59mm OD Rear Main Shaft Bearing) (3 Piece 2nd Synchro).....	BK163C	BK163DWS
N.I.	R151 (01-04) (59mm OD Rear Main Shaft Bearing).....	BK163C	BK163FWS
<b>GASKETS</b>			
N.I.	Adapter Gasket.....	327304	152R-143
<b>SEALS</b>			
070A	Front Seal.....	327070	2844
N.I.	Rear Seal (2wd) 2 Bolt Mount.....	462074	710198
N.I.	Rear Seal (2wd) 4 Bolt mount Type.....	462074A	14730
N.I.	Adapter Seal (Except V8) (94-Up).....	327077	34538
N.I.	Adapter Seal (V8) (92-Up).....	382074	19601
<b>BUSHINGS</b>			
N.I.	Extension Housing (1.670" OD) (2wd).....	57066A	W50-62
N.I.	Extension Housing (1.735" OD) (2wd).....	327066	N.L.
<b>BEARINGS</b>			
240C	Input Bearing.....	462240	DG4092
211E	Main Shaft Bearing (Rear) (30.5mm ID, 72mm OD, 19mm Thick) (86-3/94).....	327211A	031BC07
211E	Main Shaft Bearing (Rear) (31mm ID, 59mm OD, 17mm Thick) (4/94-Up).....	327211	031BC05
211E	Main Shaft Bearing (Rear) (35mm ID, 85mm OD, 23mm Thick) (4/94-Up).....	327211B	35BCS17
260F	Counter Shaft Bearing (Front).....	462260	25RT59SN
262F	Counter Shaft Bearing (Rear).....	462262	VP34-3NX
267C	Pocket Bearing.....	462267	K25/37/24.5
271E	1st Gear Needle Bearing.....	462271	83506075
272E	2nd Gear Needle Bearing.....	462271A	83506076
273C	3rd Gear Needle Bearing.....	462273	83506077
275F	5th Gear Needle Bearing (28mm Journal).....	462275	90364-28009
275F	5th Gear Needle Bearing (30mm Journal).....	462275A	90364-30009
<b>HUBS &amp; SLIDERS</b>			
601E	1-2 Hub (Used w/ Single Piece 2nd Synchro).....	362601	83506247
603C	3-4 Hub.....	362603	83506248
641E	1-2, Reverse Slider.....	462641	5252082
642C	3-4 Slider.....	462642	AX15-15
644F	5th Slider.....	462644	83506257
<b>SYNCHRONIZER KITS</b>			
N.I.	R151 (1 Piece 1st & 1 Piece 2nd Synchro) (59mm OD Rear Main Shaft Brg).....	SRK163C	N.L.
N.I.	R151 (1 Piece 1st & 1 Piece 2nd Synchro) (72mm OD Rear Main Shaft Brg).....	SRK163	N.L.
N.I.	R151 (1 Piece 1st & 3 Piece 2nd Synchro).....	SRK163D	N.L.
N.I.	R151 (3 Piece 1st & 3 Piece 2nd Synchro)..... (Kits Include 701E, 703, 705F)	N/A	N.L.
<b>SYNCHRONIZER COMPONENTS</b>			
701E	1-2 Synchro.....	462701	TOY-14C
701-2E	1-2 Synchro Key & Spring Kit (Used w/ Single Piece 2nd Synchro).....	362701-2K	AX15-K1
703C	3-4 Synchro.....	462703	TOY-14D
703-2C	3-4 Synchro Key & Spring Kit.....	362703-2K	AX15-K3
705F	5th Synchro.....	462703	TOY-14D
705-2F	5th Synchro Key & Spring Kit (86-91) (Non Updated).....	362705-2K	AX15-K5
705-2F	5th Synchro Key & Spring Kit (92-Up) (Updated).....	362705-2AK	AX15-K5A
<b>FORKS</b>			
841B	1-2 Fork.....	462841	5252057
843B	3-4 Fork.....	462843	5252058
845B	5th Fork (Non Synchronized Reverse Idler).....	462845	5252059

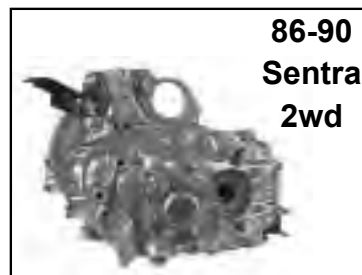
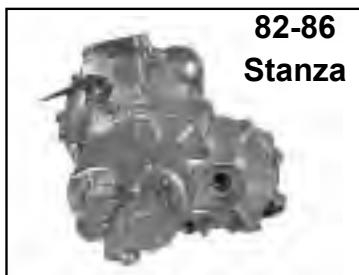
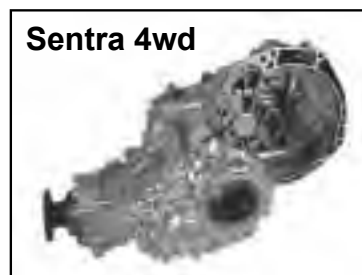
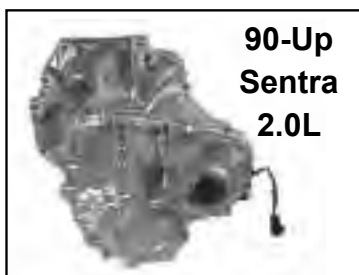
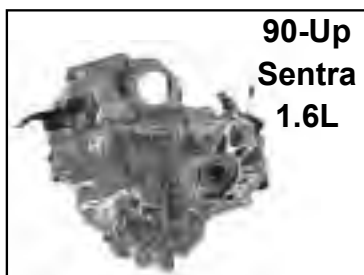
R151

ILL NO.	DESCRIPTION	PART NO.	REFERENCE
<b>GEARS</b>			
581E	1st Gear (31 T) 1 ID Groove .....	327581	33032-35031
583C	3rd Gear (31 T) 1 ID Groove .....	462583	5252079
585F	Main Shaft 5th Gear (26 T) 1 ID Groove .....	327585-2	33336-35100
819G	Reverse Idler Gear (23 T) (Non Synchronized) .....	462819	AX15-10
<b>SHAFTS</b>			
670C	Input Shaft (29 T) (8 7/8") (One ID Groove) .....	327670	R151-16
670C	Input Shaft (29 T) (10") (Four ID Groove) .....	327670A	R151-16A
674F	Cluster Shaft (43-32-23-13-12) (w/ 28mm 5th Journal) .....	327674	33421-60151
674F	Cluster Shaft (43-32-23-13-12) (w/ 30mm 5th Journal) .....	327674A	R151-8A
<b>BEARING RETAINERS</b>			
N.I.	Main Shaft Rear Bearing Retainer .....	327724	AX15-144
<b>MISCELLANEOUS COMPONENTS</b>			
796F	Nut, Counter Shaft .....	462797	90179-22005
N.I.	Oil Pipe Feeder .....	327990	33124-36010
N.I.	Shifter Bushing .....	372330	83500519
N.I.	Shifter Seat (1.650" diameter) .....	307832	33505-35020
N.I.	Shifter Seat (1.850" diameter) .....	372832	4864226X
860C	Snap Ring, 3-4 Hub .....	327860	90520-30017
411A	Switch, Reverse Light .....	327411	TOY-72
<b>NOTES</b>			

# RS5F30, RS5F31

RS5F30, RS5F31

ILL NO.	DESCRIPTION	PART NO.	REFERENCE
<b>BEARING KITS</b>		<b>w/o Synchros</b>	<b>w/Synchros</b>
N.I.	NX (1.6L).....	BK174A	BK174AWS
N.I.	NX (2.0L) (Posi Differential).....	BK174B	BK174BWS
N.I.	NX (2.0L) (Non Posi Differential).....	BK174D	BK174DWS
N.I.	Pulsar (1.5L).....	BK213	BK213WS
N.I.	Pulsar (1.6L) (SOHC) (82-86).....	BK174	BK174WS
N.I.	Pulsar (1.6L) (SOHC) (87-90).....	BK213	BK213WS
N.I.	Pulsar (1.6L) (DOHC) (86-87).....	BK269	BK269WS
N.I.	Sentra (1.6L) (86-90) (4wd) * Does not include Transfer Case Bearings.....	BK239A	BK239AWS
N.I.	Sentra (1.6L) (86-90) (Except 4wd) (40mm ID Differential Bearings).....	BK213	BK213WS
N.I.	Sentra (1.6L) (90-99) (Except 4wd) (49.8mm ID Differential Bearings).....	BK174A	BK174AWS
N.I.	Sentra (2.0L) (91-99) (Posi Differential).....	BK174B	BK174BWS
N.I.	Sentra (2.0L) (91-99) (Non Posi Differential).....	BK174D	BK174DWS
N.I.	Stanza (2.0L) (81-86).....	BK213	BK213WS
<b>SLIDERS</b>			
N.I.	5th Slider (Only).....	313644	SEN-109
<b>FORKS</b>			
N.I.	5th Fork (Flat Bar) 4.250" (86-90).....	313845	32819-D0201
N.I.	5th Fork (Flat Bar) 4.500" (2.0L) (90-Up).....	313845A	32819-50J00
<b>GEARS</b>			
N.I.	5th Gear (45 T) (3.150" OD, One ID Groove).....	313585	SEN-5
N.I.	5th Gear (45 T) (3.180" OD, No ID Groove).....	313585A	SEN-5A

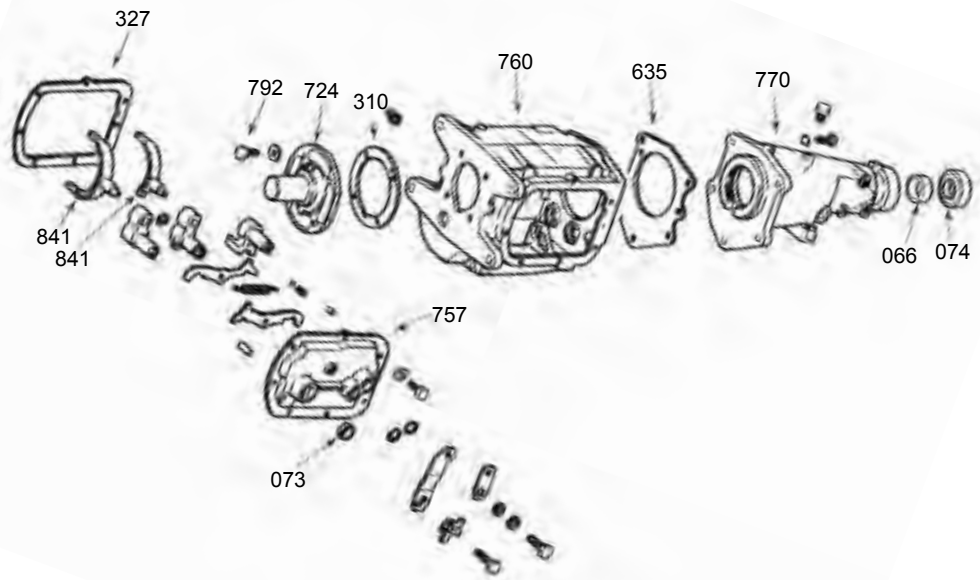


NOTES

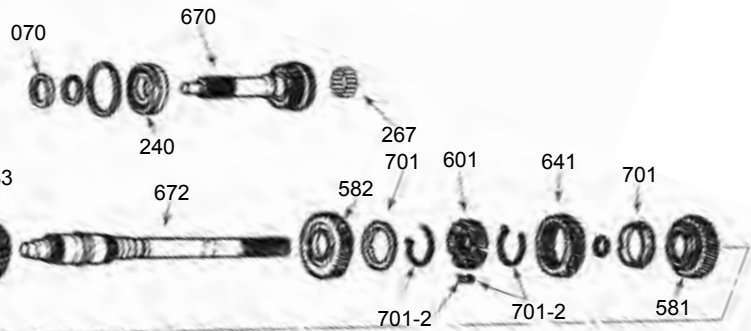
RS5F30, RS5F31



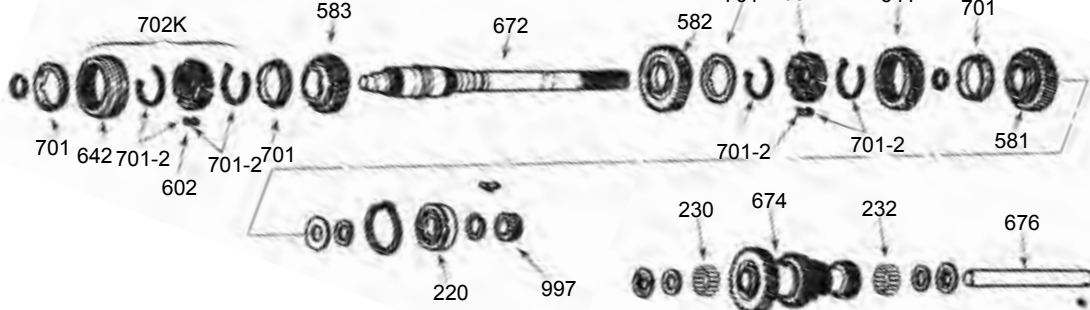
A



B



C



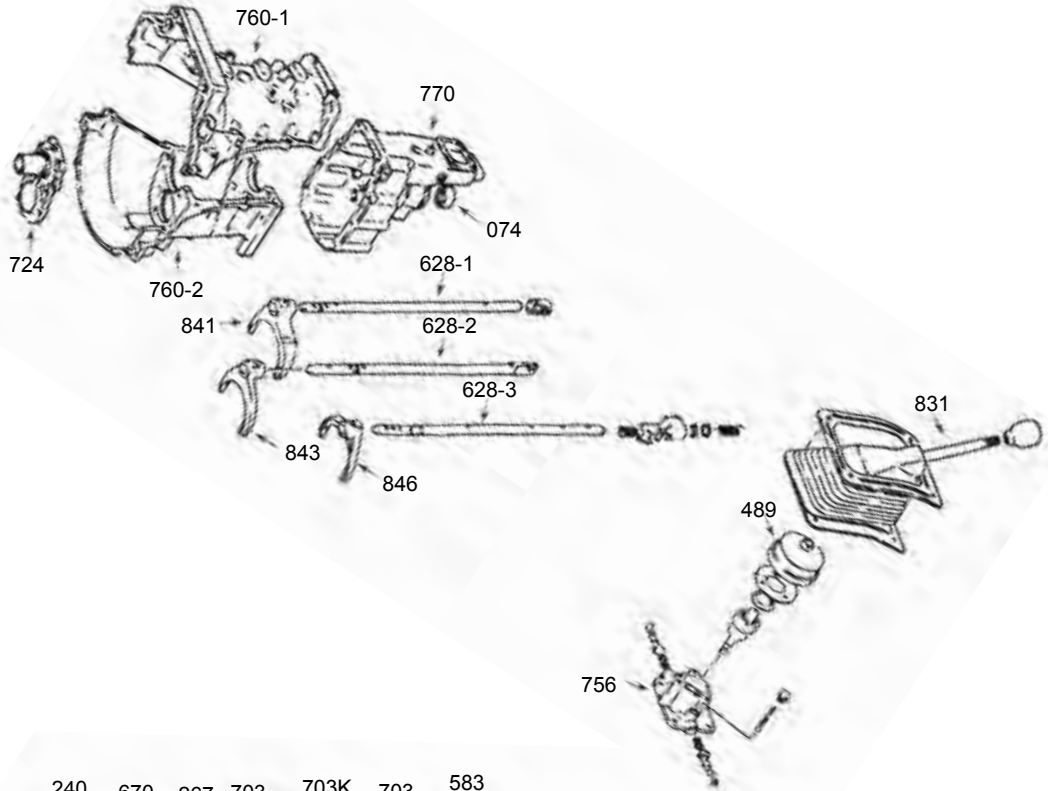
D



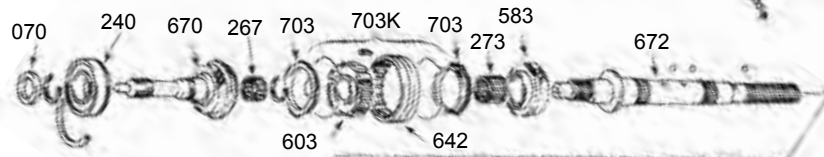
344

ILL NO.	DESCRIPTION	PART NO.	REFERENCE
<b>BEARING KITS</b>		<b>w/o Synchros</b>	<b>w/Synchros</b>
N.I.	Saginaw (3 speed).....	BK115	BK115AWS
N.I.	Saginaw (3 Speed) (w/ Overdrive).....	BK115B	BK115BWS
N.I.	Saginaw (4 speed).....	BK115	BK115WS
<b>GASKET &amp; SEAL KITS</b>			
N.I.	Gasket & Seal Kit.....	344002	GSK-115
<b>SEALS</b>			
070B	Front Seal .....	394070	12363
073A	3-4 Shift Shaft Seal.....	344073	7410
074A	Rear Seal.....	44074	15041
<b>SMALL PARTS KITS</b>			
N.I.	Small Parts Kit .....	344001	SP301-50
<b>BUSHINGS</b>			
066A	Extension Housing (1.630" OD) .....	44066	WT266-62
<b>BEARINGS</b>			
240B	Input Bearing.....	351268A	6207-N
220D	Output Bearing.....	456211	6306-N
<b>SLIDERS</b>			
642C	Slider, 2-3 (3 Speed) & 3-4 (4 Speed).....	344642K	WT301-15
<b>SYNCHRONIZER COMPONENTS</b>			
702KC	1st-Reverse Synchro Assembly (3 Speed).....	344702K	AWT301-2.5
702KC	2-3 Synchro Assembly (3 Speed) .....	344702K	AWT301-2.5
702KC	3-4 Synchro Assembly (4 Speed) .....	344702K	AWT301-2.5
701C	1-3 Synchro (3 Speed).....	344701	WT301-83
701C	1-4 Synchro (4 Speed).....	344701	WT301-83
701-2C	Synchro Key & Spring Kit (All) (Requires 1 kit per Synchro Assembly).....	344701-2K	WT301-K
<b>FORKS</b>			
841A	1st-Reverse (3 Speed).....	344842	WT301-23
841A	2-3 Fork (3 Speed).....	344842	WT301-23
841A	1-2 Fork (4 Speed).....	344842	WT301-23
841A	3-4 Fork (4 Speed).....	344841A	WT302-23
<b>GEARS</b>			
N.I.	Gear Kit (4 Speed) (Incl Input, Cluster, 2nd, 3rd Gear) (670B, 674D, 582C, 583C).....	344580	GK-SAG
581C	1st Gear (29 T) (3 Speed).....	344581A	WT301-12
581C	1st Gear (29 T) (4 Speed).....	344581B	WT302-12
582C	2nd Gear (26 T) (4 Speed).....	344582B	WT302-21
583C	Main Shaft Reverse Gear (3 Speed).....	344587-2	AWT301-36
N.I.	Reverse Gear (39 T).....	424587	22886
819D	Reverse Idler Gear.....	344819A	AWT302-10A
<b>MISCELLANEOUS COMPONENTS</b>			
724A	Bearing Retainer (4 5/8" Diameter) (Car).....	344724B	AWT301-6
724A	Bearing Retainer (5 1/8" Diameter) (Truck) .....	344724C	AWT301-6A
670B	Input Shaft (19 T).....	344670	WT301-16A
674D	Cluster Shaft (29, 23, 19, 15, 15) (4 Speed).....	344674	AWT302-8B
676D	Counter Shaft (9 9/16").....	344676	WT301-3

A



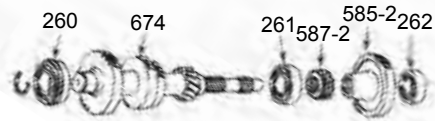
B



C



D



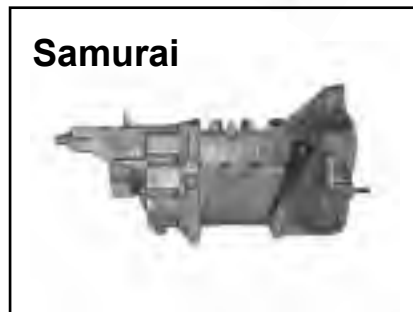
E



TS45



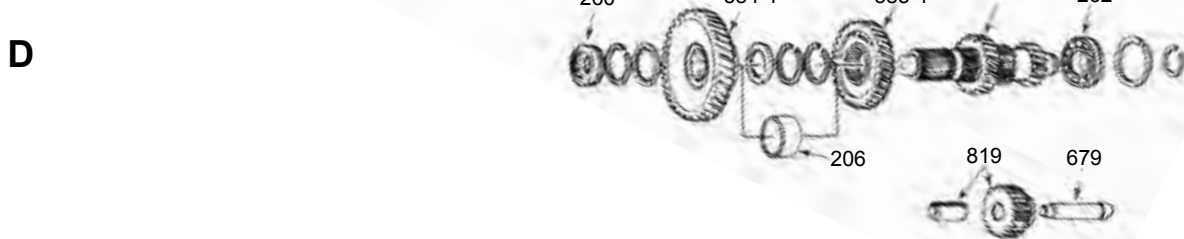
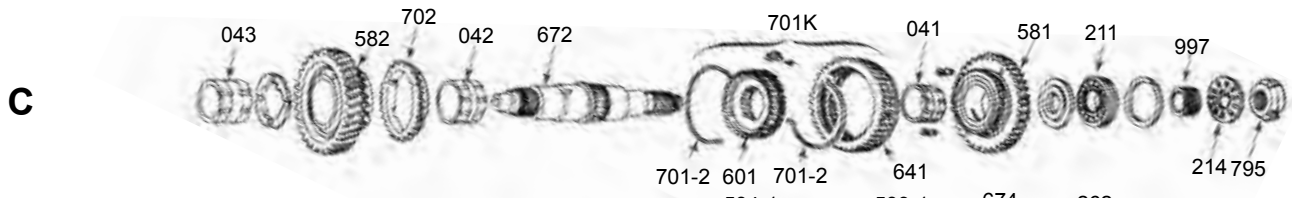
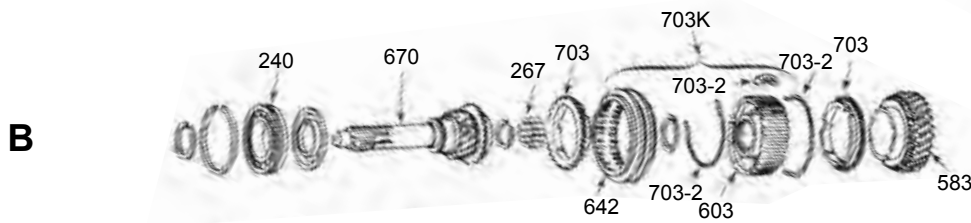
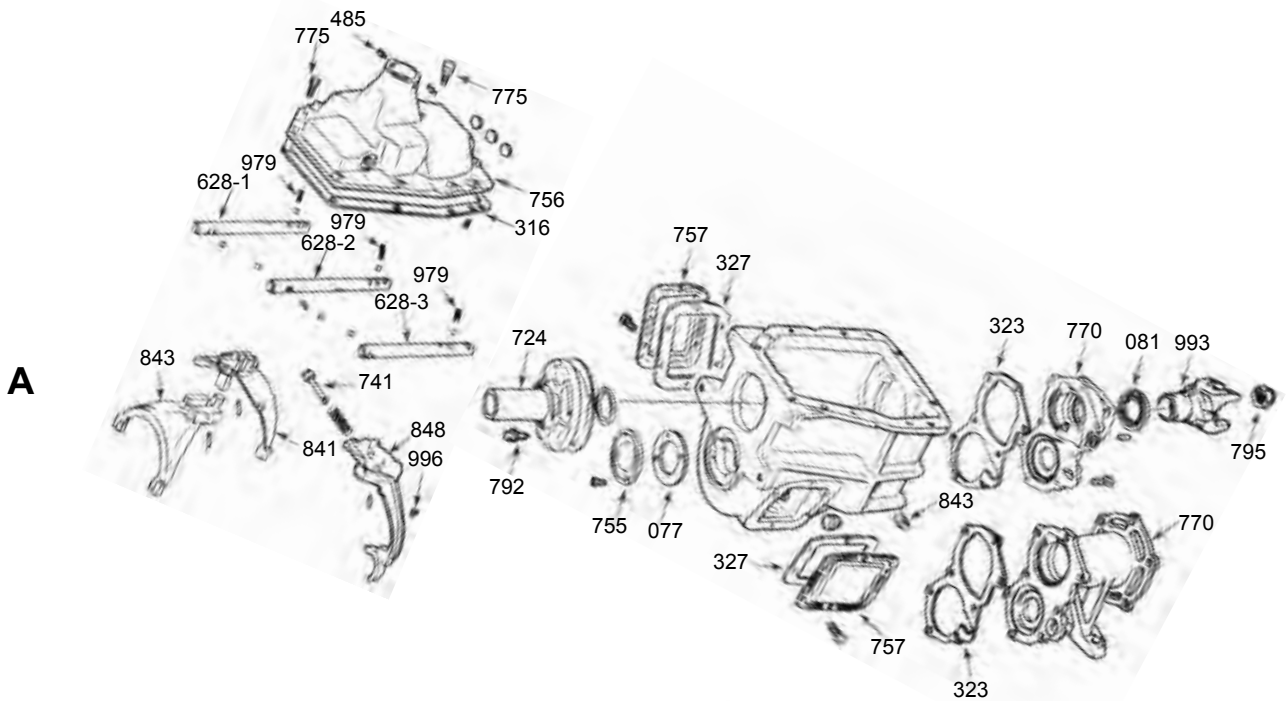
Samurai



456



ILL NO.	DESCRIPTION	PART NO.	REFERENCE
<b>BEARING KITS</b>		<b>w/o Synchros</b>	<b>w/Synchros</b>
N.I.	SAM (Samurai 5 Speed) (4wd) (86-95) .....	BK165	BK165WS
N.I.	TS45 Transfer Case (does not use Synchros) (86-95) .....	BK236	N.L.
<b>GASKET &amp; SEAL KITS</b>			
N.I.	Transfer Case Only .....	TSK236	TSK-236
<b>SEALS</b>			
070B	Front Seal .....	456070	9720
074A	Rear Seal .....	456074	32/42/10
<b>BUSHINGS</b>			
N.I.	Extension Housing (1.420" OD) (w/ ID Groove).....	456066	SUZUKI-62
<b>BEARINGS &amp; RACES</b>			
260D	Counter Shaft Bearing (Front).....	336260	62/28N
261D	Counter Shaft Bearing (Center).....	336260	62/28N
262D	Counter Shaft Bearing (Rear) .....	476262	6304-N
210C	Main Shaft Bearing (Front).....	351268	6206-N
211C	Main Shaft Bearing (Rear).....	456211A	6305-N
240B	Input Bearing.....	336271	63/28N
267B	Pocket Bearing.....	336267B	K20/26/17
<b>SYNCHRONIZER COMPONENTS</b>			
701C	1-2 Synchro.....	456701	SUZ-14
703B	3-4 Synchro.....	456703	SUZ-14A
705C	5th Synchro.....	456703	SUZ-14A
<b>SHAFTS</b>			
670B	Input Shaft (23 T) 20 Spline, 6.5" Long.....	456670	SAM-16
674D	Cluster Shaft .....	456674	SAM-8
<b>NOTES</b>			



ILL NO.	DESCRIPTION	PART NO.	REFERENCE
<b>BEARING KITS</b>		<b>w/o Synchros</b>	<b>w/Synchros</b>
N.I.	SM 465 (Aluminum Top Cover).....	BK129L	BK129LWS
N.I.	SM 465 (Iron Top Cover) (Includes Small Parts) .....	BK129	BK129WS
N.I.	SM 465 (Iron Top Cover) (w/o Small Parts) .....	BK129A	BK129AWS
<b>GASKET &amp; SEAL KITS</b>			
N.I.	SM 465.....	354002	G304
<b>SMALL PARTS KITS</b>			
N.I.	Small Parts Kit .....	354001	SP304-50
N.I.	Small Parts Kit (Top Cover).....	354001A	SP304-50Y
<b>BUSHINGS</b>			
041C	1st Gear (68-77).....	354041	WT304-19
041C	1st Gear (78-Up).....	354041A	WT304-19B
042C	2nd Gear .....	354041	WT304-19
043C	3rd Gear.....	354043	WT304-19A
<b>BEARINGS</b>			
240B	Input Bearing (.680" Thick) .....	354240	N1211L
240B	Input Bearing (.830" Thick) .....	354240A	6211A3NX
<b>HUBS &amp; SLIDERS</b>			
601C	1-2 Hub .....	354601	WT304-81
641C	1-2 & Reverse Slider (44 T) .....	354641	WT304-36
703KB	3-4 Synchro Hub Kit.....	354703K	AWT304-2.5
603B	3-4 Synchro Hub (use 354703K) .....	354603	WT304-2.5
642B	3-4 Slider.....	354642	WT304-15
N.I.	3rd Gear & 3-4 Slider Kit (Updated Torque Lock Design) (583B, 642B).....	354583K	WT304-11AX
<b>SYNCHRONIZER COMPONENTS</b>			
701KC	1-2 Synchro Assembly .....	354701K	AWT304-80
701-2C	1-2 Synchro Key & Spring Kit .....	354701-2K	WT304-K1
702C	1-2 Synchro.....	354702	WT304-83A
703KB	3-4 Synchro Assembly (includes 3-4 Synchro Hub).....	354703K	AWT304-2.5
703B	3-4 Synchro.....	354703	WT304-14A
703-2B	3-4 Synchro Key & Spring Kit .....	354703-2K	WT304-K3
<b>FORKS</b>			
841A	1-2 Fork (Aluminum Top Cover).....	354841A	WT304-23G
841A	1-2 Fork (Iron Top Cover).....	354841	WT304-23
843A	3-4 Fork (Aluminum Top Cover).....	354843A	WT304-23H
843A	3-4 Fork (Iron Top Cover).....	354843	WT304-23A
848A	Reverse Fork (Aluminum Top Cover).....	354848A	WT304-23J
848A	Reverse Fork (Iron Top Cover) .....	354848	WT304-23B
<b>GEARS</b>			
581C	1st Gear (39 T).....	354581	AWT304-12
582C	2nd Gear (35 T) .....	354582	WT304-21
N.I.	3rd Gear & 3-4 Slider Kit (Updated Torque Lock Design) (583B, 642B).....	354583K	WT304-11AX
583B	3rd Gear (26 T) .....	354583	WT304-11
583-1D	3rd Gear Counter Shaft (36 T).....	354583-1	WT304-34
584-1D	4th Gear Counter Shaft (40 T) .....	354584-1	AWT304-9A
819D	Idler Gear (23 T) .....	354819	AWT304-10
<b>SHAFTS</b>			
670B	Input Shaft (1 1/16" Clutch Spline) (88-Up Also Sell 354240 Bearing) .....	354670A	WT304-16A
670B	Input Shaft (1 1/2" Clutch Spline) (88-Up Also Sell 354240 Bearing) .....	354670	WT304-16
672C	Main Shaft (2wd) 35 Spline.....	354672A	WT304-2A
672C	Main Shaft (4wd) 10 Spline.....	354672	AWT304-2C
672C	Main Shaft (4wd) 31 Spline.....	354672B	WT304-2D
674D	Cluster Shaft (1.330" Front Counter Shaft Bearing).....	354674	WT304-3
674D	Cluster Shaft (1.400" Front Counter Shaft Bearing).....	354674A	WT304-3A

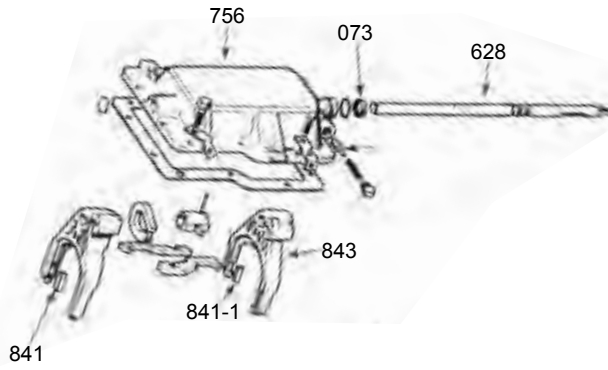
ILL NO.	DESCRIPTION	PART NO.	REFERENCE
<b>BEARING RETAINERS</b>			
724A	Bearing Retainer (1 1/16" Input Spline Type).....	354724	AWT304-6
724A	Bearing Retainer (1 1/2" Input Spline Type).....	354724A	AWT304-6A
<b>MISCELLANEOUS COMPONENTS</b>			
770A	Adapter Housing .....	354770	15598986
206D	Counter Shaft Spacer Between 3rd & 4th Gear on Cluster (Updated) .....	354206	WT304-91
214C	Lock Washer .....	354214	335366
795C	Main Shaft Nut (2wd) .....	354795	WT304-90
795C	Main Shaft Nut (4wd) .....	354795A	WT304-90A
N.I.	Output Sleeve Coupler, 3 3/8" (4wd).....	354695B	3932269
N.I.	Output Sleeve Coupler, 4 1/4" (4wd).....	354695	6259656
N.I.	Output Sleeve Coupler, 4 3/4" (4wd).....	354695A	6263040
996A	Reverse Clips.....	354996	3727182
741A	Reverse Fork Plunger .....	354741	3864968
N.I.	Shifter Retainer .....	354989	B8T7220D
N.I.	Shifter Stick (Aluminum Top Cover).....	354831A	WT304-28A
N.I.	Shifter Stick (Cast Iron Top Cover) .....	354831	WT304-28
485A	Top Cover Roll Pin .....	354485	623-024
979A	Top Cover Spring (Heavy Duty) .....	354979	WT304-40
<b>NOTES</b>			

NOTES

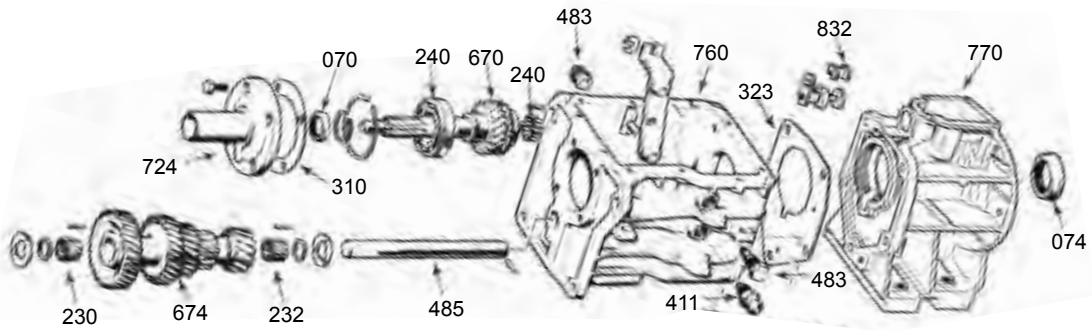
SM465



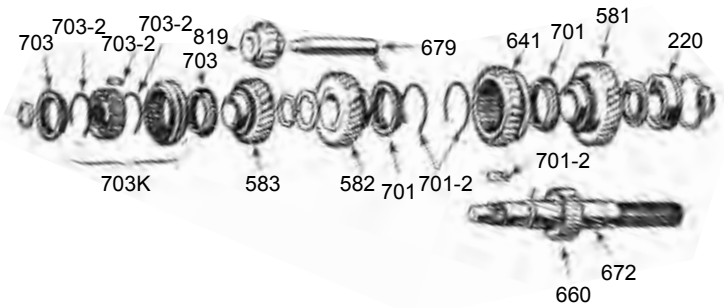
A



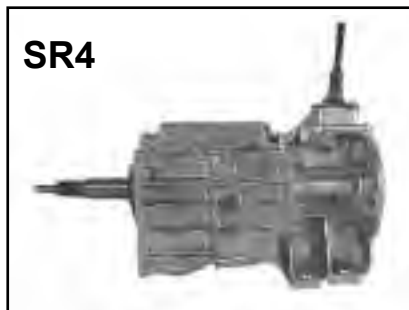
B



C



SR4

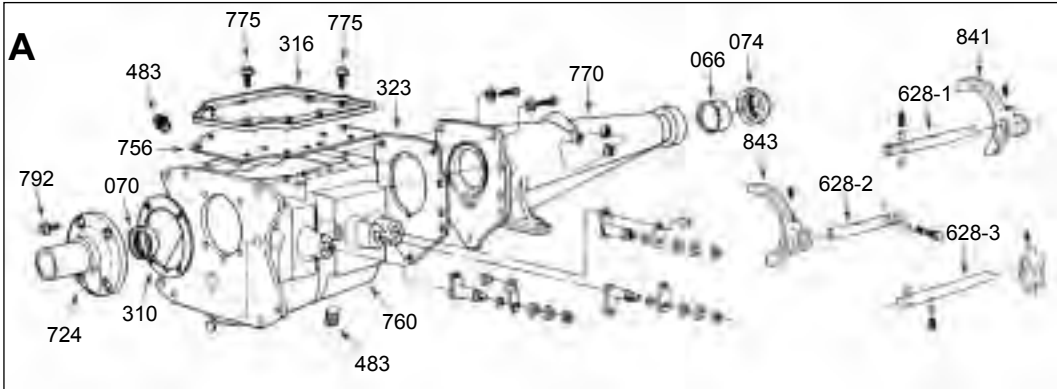


496

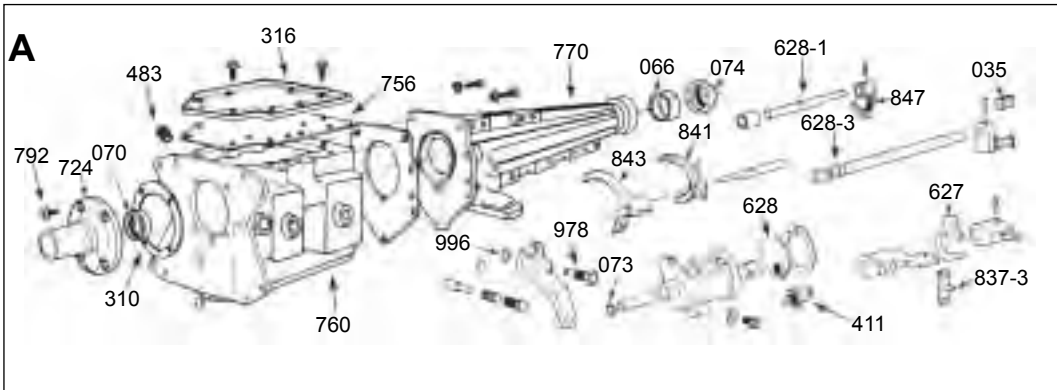
SR4, RAD

ILL NO.	DESCRIPTION	PART NO.	REFERENCE
<b>BEARING KITS</b>			
		<b>w/o Synchronos</b>	<b>w/Synchronos</b>
N.I.	Ford Mustang (74-78) (4 Cylinder).....	BK124	BK124WS
N.I.	Ford Mustang (76-78) (8 Cylinder).....	BK125	BK125WS
N.I.	Mercury Capri (80-81).....	BK124	BK124WS
N.I.	AMC & Eagle (2wd) (76-82).....	BK124	BK124WS
N.I.	AMC & Eagle (4wd) (78-82).....	BK124J	BK124JWS
N.I.	Jeep (76-81).....	BK124J	BK124JWS
<b>GASKET &amp; SEAL KITS</b>			
N.I.	RAD, SR4 .....	496002	G247
<b>SEALS</b>			
070B	Front Seal .....	442070	11111
074B	Rear Seal (Jeep 4wd) .....	496074A	18580
073A	Shift Shaft Seal .....	326073	5510
<b>SMALL PARTS KITS</b>			
N.I.	Small Parts Kit .....	496001	SP1103-50
<b>BUSHINGS</b>			
N.I.	Extension Housing (1.500" OD) (except V8).....	486066	WT280-62
N.I.	Extension Housing (1.630" OD) (V8) .....	44066	WT266-62
<b>BEARINGS</b>			
240B	Input Bearing (.668" Thick) .....	351268A	6207-N
240B	Input Bearing (.705" Thick) .....	342210	6208-N
N.I.	Rear Bearing .....	342240	6307-N
220C	Output Bearing (.668" Thick).....	351268A	6207-N
<b>SLIDERS</b>			
641C	1-2 Slider (32 T) .....	496641	1332-070-005
<b>SYNCHRONIZER COMPONENTS</b>			
701-2C	1-2 Synchro Key & Spring Kit .....	346701-2K	T3-K1
701C	1-2 Synchro Ring .....	346701	1332-83
703KC	3-4 Synchro Assembly .....	496703K	1332-590-004
703-2C	3-4 Synchro Key & Spring Kit .....	496703-2K	T3-K3
703C	3-4 Synchro Ring .....	346705	1332-14
<b>FORKS</b>			
841-1A	1-2 & 3-4 Fork Insert .....	346841-1	1352-127-008
<b>GEARS</b>			
582C	2nd Gear (31 T) .....	496582A	1340-080-001
582C	2nd Gear (32 T) .....	496582	1332-080-005
583C	3rd Gear (25 T) .....	496583A	1340-080-002
583C	3rd Gear (26 T) .....	496583	1332-080-006
819C	Reverse Idler Gear (18 T).....	496819	1340-584-001
<b>SHAFTS</b>			
670B	Input Shaft (2wd Jeep) (20 T) 9 3/8" .....	496670	1340-085-002
670B	Input Shaft (2wd Jeep) (22 T) 9 3/8" .....	496670A	1340-085-003
672C	Main Shaft (4wd Jeep) (Includes 1-2 Synchro Assembly) .....	496672	1340-671-006
674B	Cluster Shaft (37-31-24-15-15) (Jeep).....	496674	1340-077-002
<b>MISCELLANEOUS COMPONENTS</b>			
832B	Plastic Shift Saddle .....	496832	D4ZZ7K453B

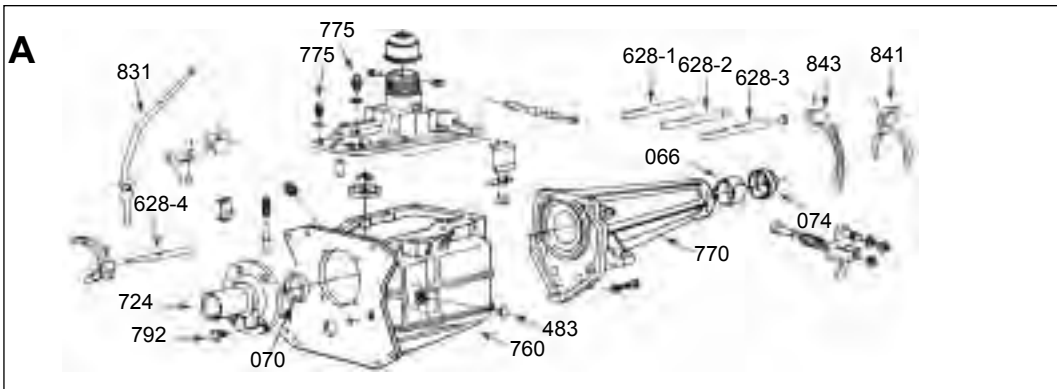
**SROD, RUG, RTS, T176, HEH**



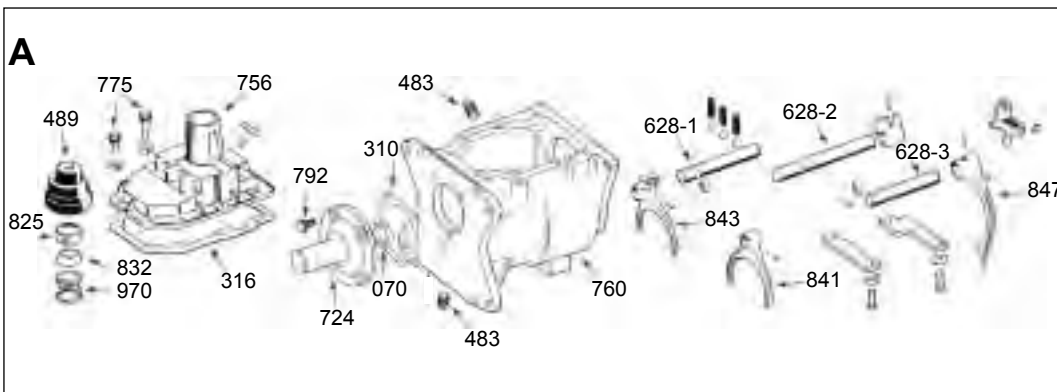
**HEH RUG 4spd  
and Iron Case  
RUG 3spd O/D**



**Aluminum Case  
SROD 3spd O/D**

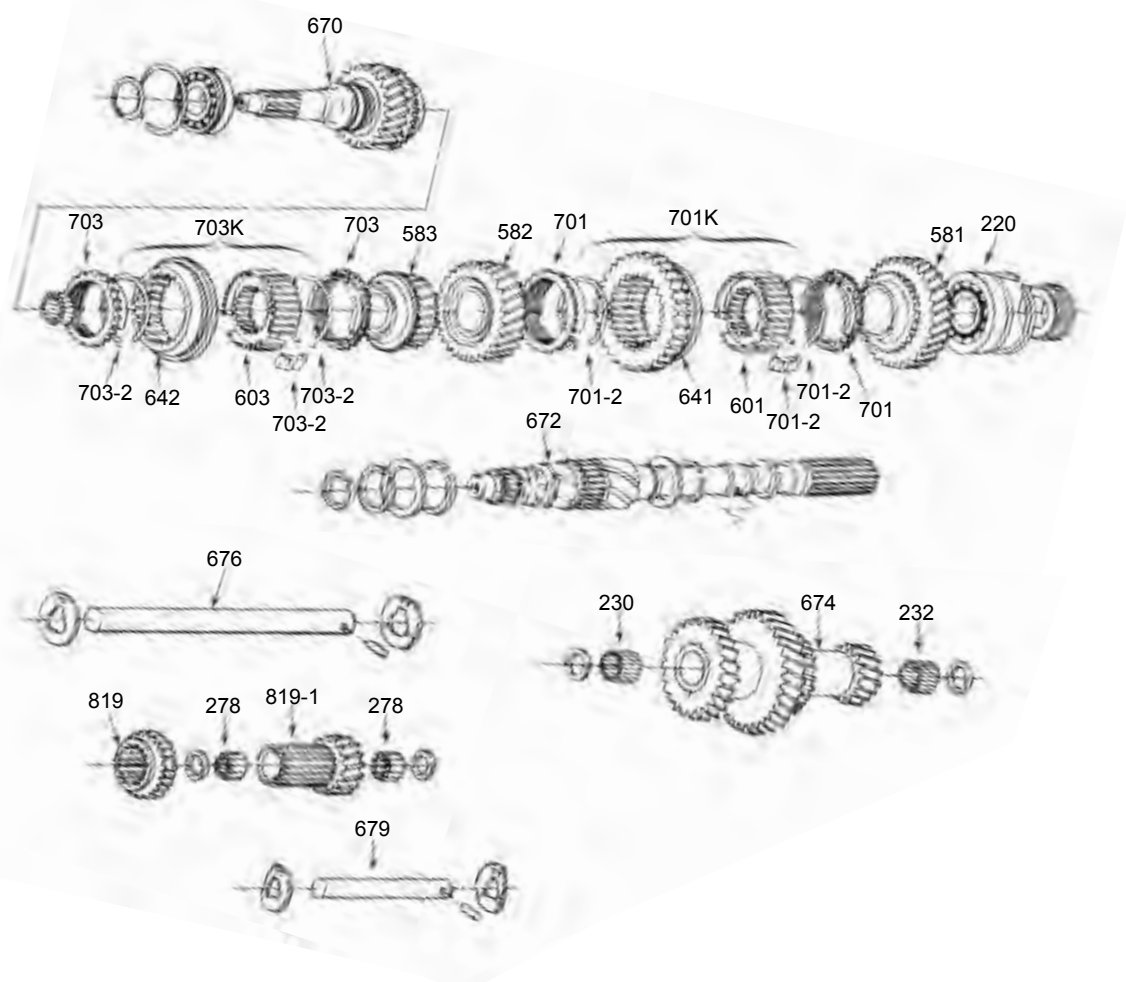


**Aluminum Case  
RTS 3spd O/D**



**T176 Jeep 4spd**

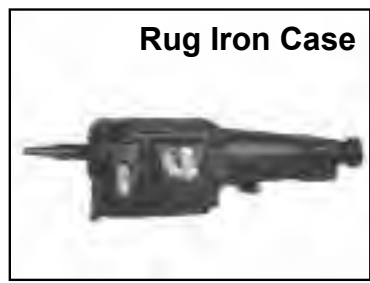
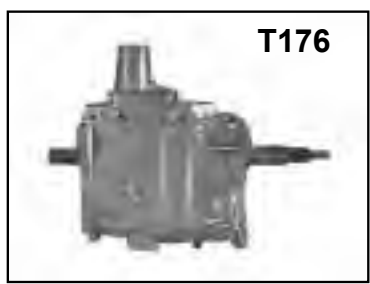
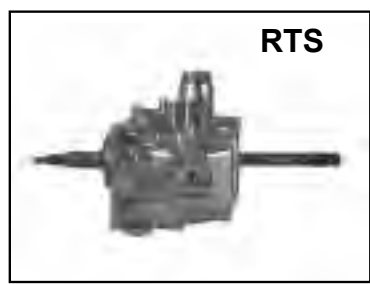
**326**



B

C

D



**SROD, RUG, RTS, T176, HEH**

ILL NO.	DESCRIPTION	PART NO.	REFERENCE
<b>BEARING KITS</b>		<b>w/o Synchros</b>	<b>w/Synchros</b>
<b>Kits w/ OE Style Bearings</b>			
N.I.	Ford Car (64-74) (4 Speed) (Toploader) * HD Kits Available .....	BK135	BK135WS
N.I.	Ford Car (77-84) (3 Speed w/ Overdrive) (Iron Case) .....	BK113	BK113AWS
N.I.	Ford Car (79-84) (3 Speed w/ Overdrive) (Aluminum Case) .....	BK113	BK113WS
N.I.	Ford Truck (78-87) (3 Speed w/ Overdrive) (Iron Case) .....	BK112	BK112AWS
N.I.	Ford Truck (80-87) (3 Speed w/ Overdrive) (Aluminum Case) .....	BK112	BK112WS
N.I.	Jeep (80-896) (4 Speed) (T176) .....	BK123	BK123WS
<b>* HD Kits Available w / Maxload Bearings</b>			
N.I.	Ford Car (64-74) (4 Speed) (Toploader) .....	BK135HD	BK135HDWS
<b>GASKET &amp; SEAL KITS</b>			
N.I.	RUG, T176, Tremec.....	326002	G296TG
<b>GASKETS</b>			
N.I.	Adapter Gasket (T176) .....	326301	TC2030-30
<b>SEALS</b>			
070A	Front Seal .....	442070	11111
074A	Rear Seal (T176) 1.840" ID Not Flanged (Green).....	326074A	19244
073A	Shift Shaft Seal (Aluminum Case) .....	326073	5510
<b>SMALL PARTS KITS</b>			
N.I.	Small Parts Kit (4 Speed) (Toploader) .....	326001A	SP296-50
N.I.	Small Parts Kit (3 Speed w/ Overdrive) .....	326001	SP170-50
<b>BUSHINGS</b>			
066A	Extension Housing (1.630" OD) (1.5" Wide) (28 Spline Main Shaft).....	26066	WT259-62
066A	Extension Housing (1.820" OD) (31 Spline Main Shaft) .....	386066	T85-62
<b>SLIDERS</b>			
641B	1-2 & Reverse Slider (qty 2).....	326641	WT296-81
642B	3-4 Slider.....	326642A	WT296-15
<b>SYNCHRONIZER KITS</b>			
701&3B	Car (4 Speed) Toploader w/ OE Style Bearings (64-73) .....	SRK135	N.L.
701&3B	Car (3 Speed w/ Overdrive) (Iron Case) (77-81).....	SRK135	N.L.
701&3B	Car (3 Speed w/ Overdrive) (Aluminum Case) (81-84).....	SRK112	N.L.
701&3B	Truck (3 Speed w/ Overdrive) (Iron Case) (77-84) .....	SRK135	N.L.
701&3B	Truck (3 Speed w/ Overdrive) (Aluminum Case) (81-Up).....	SRK112	N.L.
701&3B	Jeep (4 Speed) (T176, Cast # 's 2604-XXX) (80-84).....	SRK135	N.L.
<b>SYNCHRONIZER COMPONENTS</b>			
701KB	1-2 Synchro Assembly (Aluminum Case) .....	326701AK	1AT170-80B
701KB	1-2 Synchro Assembly (Iron Case) .....	326701K	1AT170-80A
701B	1-2 Synchro (Iron Case).....	326701	T91L-14A
701B	1-2 Synchro (Aluminum Case).....	326701A	WT170-14A
701-2B	1-2 Synchro Key & Spring Kit .....	326701-2K	WT296-K1
703KB	3-4 Synchro Assembly (Aluminum Case) .....	326703K	1AT170-2.5B
703KB	3-4 Synchro Assembly (Iron Case) .....	326703AK	1AT170-2.5A
703B	3-4 Synchro (Iron Case).....	326701	T91L-14A
703B	3-4 Synchro (Aluminum Case).....	326701	T91L-14A
703-2B	3-4 Synchro Key & Spring Kit .....	326702-2AK	WT296-K3
<b>FORKS</b>			
841A	1-2 Fork (Brass w/ Aluminum Case Type) (SROD).....	326841C	WT170-23
841A	1-2 Fork (Iron) .....	326841AA	WT296-23
841A	1-2 Fork (T176).....	326841B	WT170-23E
843A	3-4 Fork (Brass w/ Aluminum Case) (SROD, RTS) .....	326843	WT170-23A
843A	3-4 Fork (Iron) .....	326843A	WT296-23A
843A	3-4 Fork (T176).....	326843B	WT170-23F
847A	Reverse Fork (Brass) (SROD).....	326847	WT170-23B
847A	Reverse Fork (T176).....	326847AA	WT170-23G

ILL NO.	DESCRIPTION	PART NO.	REFERENCE
<b>FORKS (cont.)</b>			
N.I. 837-3A	Fork Set Screw .....	326775	WT296-72
	Fork Swivel .....	326837-3	WT170-142
<b>GEARS</b>			
581B	1st Gear (Aluminum Case) (Must Use w/ 326701A Synchro Ring) .....	326581	WT170-12B
582B	2nd Gear (28 T) Close Ratio (64-73) .....	326582D	WT296-21
582B	2nd Gear (29 T) (Truck w/ Aluminum Case) (80-85) .....	326582B	WT170-21F
582B	2nd Gear (29 T) (Truck w/ Iron Case) (78-84) .....	326582	WT170-21C
582B	2nd Gear (31 T) (1964-73) (Wide Ratio) .....	326582E	WT296-21A
582B	2nd Gear (31 T) (1979-83) (Aluminum Case) .....	326582A	WT170-21E
582B	2nd Gear (32 T) (T176) .....	326582J	WT170-21J
582B	2nd Gear (33 T) (T176) .....	326582C	WT170-21G
583B	3rd Gear (22 T) (T176) .....	326583	WT170-11M
583B	3rd Gear (23 T) (T176) .....	326583J	WT170-11K
583B	3rd Gear (25 T) (3.570" OD) Wide Ratio (64-73) .....	326583B	WT296-11A
583B	3rd Gear (25 T) (3.780" OD) Close Ratio (64-73) .....	326583A	WT296-11
583B	4th & Overdrive Gear (18 T) Truck (78-84) .....	326584	WT170-11C
583B	4th & Overdrive Gear (19 T) Truck (78-84) .....	326584A	WT170-11D
583B	4th & Overdrive Gear (20 T) Car 6 cyl. (79-83) .....	326584B	WT170-11F
583B	4th & Overdrive Gear (20 T) Car 8 cyl. (79-83) .....	326584C	WT170-11G
583B	4th & Overdrive Gear (21 T) Car (77-78) .....	326584D	WT170-11B
819D	Reverse Idler Gear, Front (19 T) .....	326819	WT170-10C
819D	Reverse Idler Gear, Front (19 T) (HEH) .....	326819B	WT296-10A
<b>SHAFTS (Input)</b>			
670B	(19 T) (9 5/8") (T176) .....	326670G	WT170-16S
670B	(20 T) (9 5/8") (T176) .....	326670D	WT170-16Q
670B	(20 T) (13 1/2") (T176) .....	326670H	WT170-16T
670B	(21 T) (8 7/8") (Ford Truck) .....	326670BA	WT170-16N
670B	(22 T) (8 7/8") (Ford Truck) .....	326670CA	WT170-16P
670B	(22 T) (13 1/2") (T176 Jeep) .....	326670E	WT170-16R
670B	(23 T) (8 15/16") (Small Block 289, 302 & 351) (3.38" OD) .....	326670N	WT296-16C
	.....(1 1/16" Clutch Spline Diameter of the Input) .....		
670B	(23 T) (8 3/8") (Small Block) (Close Ratio) (28 T 2nd Gear) (3.38" OD) .....	326670N	WT296-16C
	.....(1 1/16" Input Clutch Spline Diameter) Replacement shaft is 8 15/16" .....		
670B	(23 T) (8 3/8") (Small Block) (Wide Ratio) (31 T 2nd Gear) (3.03" OD) .....	326670L	WT296-16B
	.....(1 1/16" Input Clutch Spline Diameter) Replacement shaft is 8 15/16" .....		
670B	(23 T) (8 7/16") (Big Block) (Close Ratio) (28 T 2nd Gear) .....	326670M	WT296-16A
	.....(1 3/8" Input Clutch Spline Diameter) Replacement shaft is 8 15/16" .....		
670B	(23 T) (8 7/16") (Big Block) (Wide Ratio) (31 T 2nd Gear) .....	326670P	WT296-16AW
	.....(1 3/8" Input Clutch Spline Diameter) Replacement shaft is 8 15/16" .....		
670B	(25 T) (9 5/8" Long) (Car 8 cyl.) (79-83) .....	326670A	WT170-16J
<b>SHAFTS (Main)</b>			
672B	(11 5/8") (T176 4wd) .....	326672C	WT170-2L
672B	(19 11/32") (Truck 4wd) .....	326672D	WT170-2M
672B	(23 11/32") (Car) (77-78) .....	326672	WT170-2G
672B	(23 11/32") (Truck 2wd w/ Aluminum Case) (80-85) .....	326672B	WT170-2K
672B	(23 11/32") (Truck 2wd w/ Iron Case) (78-84) .....	326672AA	WT170-2H
672B	(23 3/4") (28 Spline) (HEH 2wd Mustang, Falcon) .....	326672E	WT296-2C
672B	(24") (31 Spline) (HEH 2wd Mustang) .....	346672E	WT296-2E
<b>SHAFTS (Cluster)</b>			
674C	(25-21-18-15) (Close Ratio) (Rug) .....	326674G	WT296-8
674C	(30-24-21-15) (Wide Ratio) (Rug) .....	326674H	WT296-8A
674C	(R32-35-23-15) (Truck) .....	326674	WT170-8C
674C	(R33-26-24-15) (T176) .....	326674D	WT170-8K
674C	(R34-27-25-15) (T176) .....	326674E	WT170-8M
<b>SHAFTS (Counter)</b>			
676C	Counter Shaft (T176) (8132407) .....	326676C	WT296-3

SROD, RUG, RTS, T176, HEH

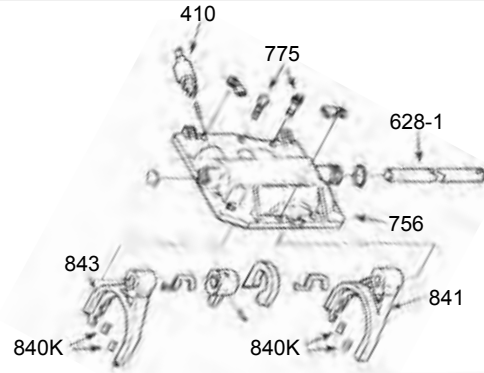
ILL NO.	DESCRIPTION	PART NO.	REFERENCE
<b>BEARING RETAINERS</b>			
724A	Bearing Retainer (Car) (8 3/8" or 8 15/16" Length) (4 5/8" Dia.).....	326724	WT170-6E
724A	Bearing Retainer (Car) (8 7/16" Overall Length) (1 3/8" Clutch Spline).....	326724C	WT296-6A
724A	Bearing Retainer (Car) (8 7/8" Overall Length) (1 1/16" Clutch Spline).....	326724B	WT170-6G
724A	Bearing Retainer (Truck).....	326724A	WT170-6C
<b>MISCELLANEOUS COMPONENTS</b>			
N.I.	Adapter Plate (T176).....	326771	5359381
N.I.	Detent Pin (Torpedo Type) (Aluminum Case) .....	326486	WT170-119
978A	Detent Spring in Top Cover (RTS) .....	326978	RTS-66
627A	Horseshoe Shift Plate .....	326627	WT170-20A
035A	Plastic Shifter Bushing (Aluminum Case) .....	326035	WT170-28
628A	Shifter Lug (T176).....	326628	2604903
N.I.	Shifter Stick (T176).....	326831	J5359835
N.I.	Speedometer Drive Gear (7 T Black).....	326997	C4DZ17285A
996A	Swivel Clip, Reverse Pivot Pin.....	326996	WT170-47
756A	Top Cover (Unloaded) (T176) .....	326756	2670151
756A	Top Cover Retainer Cap, Spring & Boot (T176).....	326756K	SLR-176K
<b>NOTES</b>			



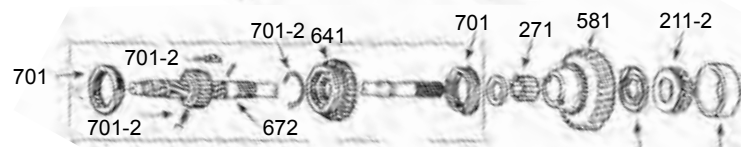


T4, T5 Non World Class

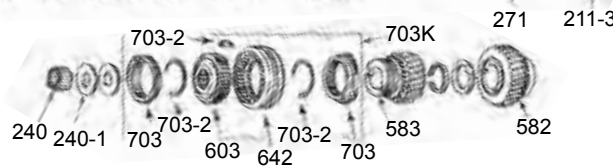
A



B



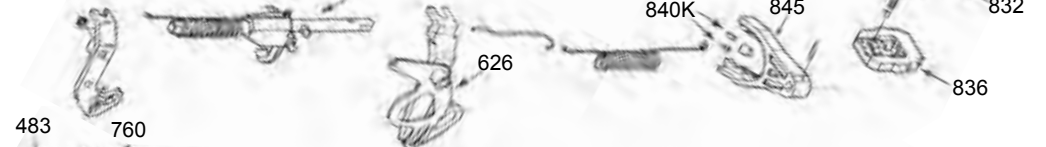
C



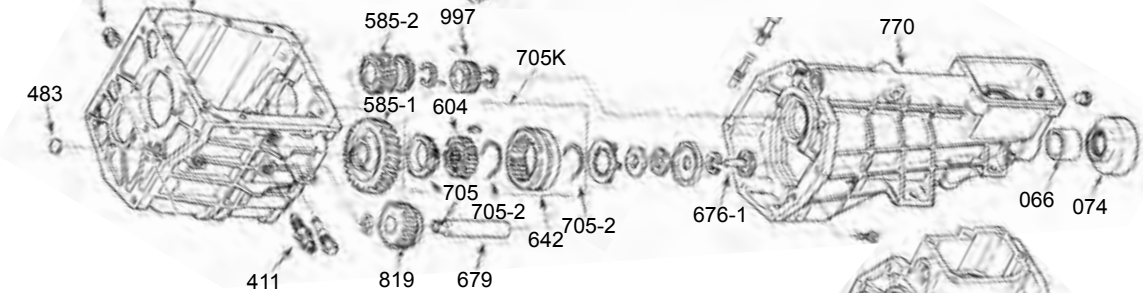
D



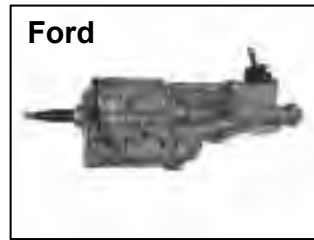
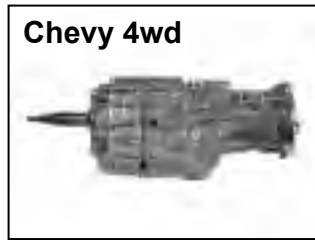
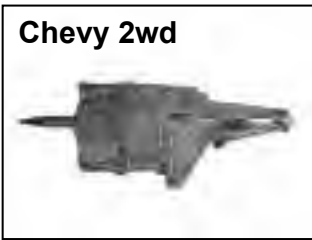
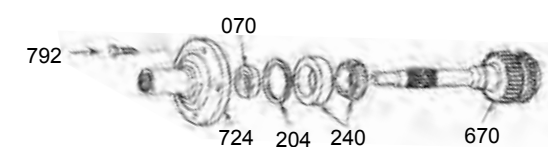
E



F



G



**346**

ILL NO.	DESCRIPTION	PART NO.	REFERENCE
<b>BEARING KITS</b>		<b>w/o Synchros</b>	<b>w/Synchros</b>
<b>4 Speed (T4 Cast # 1351 or 1352)</b>			
N.I.	AMC (82-88) .....	BK107AJ	BK107AJWS
N.I.	GM (81-Up) .....	BK107	BK107BWS
N.I.	Jeep (82-86) .....	BK107AJ	BK107AJWS
<b>5 Speed Non World Class (T5 Cast # 1352)</b>			
N.I.	AMC (82-88) .....	BK107J	BK107JWS
N.I.	Ford (83-84) .....	BK107	BK107WS
N.I.	GM (82-92) (Except Chevette & T1000) .....	BK107	BK107WS
N.I.	GM (82-85) (Chevette & T1000) .....	BK107	BK107AWS
N.I.	Jeep (82-86) .....	BK107J	BK107JWS
<b>SEALS</b>			
070G	Front Seal .....	394070	12363
074F	Rear Seal .....	44074	15041
<b>SMALL PARTS KITS</b>			
N.I.	Small Parts Kit (T4) .....	346001B	SP1104-50C
N.I.	Small Parts Kit (T5) (All) .....	346001	SP1105-50
<b>BUSHINGS</b>			
066F	Extension Housing (1.630" OD) (1.0" Wide) .....	44066	WT266-62
066F	Extension Housing (1.630" OD) (1.5" Wide) .....	26066	WT259-62
<b>WASHERS</b>			
271B	Washer, 1st Gear .....	346271A	1000-018-011
290D	Washer, Front Counter Shaft (Non World Class) .....	346290	1352-193-001
290D	Washer, Front Counter Shaft (T4) (Also Fits T5 Chevette) .....	346208	1351-193-001
<b>BEARINGS &amp; RACES</b>			
211-2B	Main Shaft Bearing Cone (Rear) .....	346211-2	25877
211-3B	Main Shaft Bearing Cup (Rear) .....	346211-3	25821
240C	Input Bearing (Thrust Type) .....	346240A	1351-132-004
240C	Input Bearing (Roller Type) .....	394274A	SET5
240-1C	Input Bearing Race .....	346240-1	1351-018-005
211D	Counter Shaft Bearing & Race (Rear) .....	346240B	SET6
260D	Counter Shaft Bearing (Front) (T4) .....	346260A	DC51932
260D	Counter Shaft Bearing (Front) (T5) .....	346260	DK55836
211D	Counter Shaft Bearing (Rear) .....	346262	JH14070
271B	1st Gear Needle Bearing .....	346271	1000-132-046
271B	1st Gear Needle Bearing & Race (Jeep) .....	346271AK	1352-603-006
N.I.	5th Gear Thrust Bearing .....	346240	1351-132-001
N.I.	5th Gear Thrust Bearing Front Race .....	346240-1A	1352-018-001
<b>SLIDERS</b>			
641B	1-2 Slider & Reverse Gear (32 T) (All) .....	346641AK	1352-070-044
<b>SYNCHRONIZER COMPONENTS</b>			
701-2B	1-2 Synchro Key & Spring Kit (All) .....	346701-2K	T3-K1
701B	1-2 Synchro (All) .....	346701	1332-83
703KC	3-4 Synchro Assembly (All) .....	346703K	1352-590-012
703-2C	3-4 Synchro Key & Spring Kit (All) .....	346703-2K	T4-K3
703C	3-4 Synchro (All) .....	346703	1351-14
705KF	5th Synchro Assembly (All) .....	346705K	1352-590-001
705-2F	5th Synchro Key & Spring Kit (All) .....	346705-2K	T5-K5
705F	5th Synchro (All) .....	346705	1332-14
701-2B	1-2 Synchro Key .....	346701-2	1352-093-002
701-2B	1-2 Synchro Spring .....	346710-1	1352-156-018
703-2C	3-4 Synchro Key (w/o Wings) .....	346705-2	1332-093-002
703-2C	3-4 Synchro Key (w/ Wings) .....	346703-2A	1351-093-001
703-2C	3-4 Synchro Spring .....	346710-1	1352-156-018
705F	5th Synchro Key (w/o Wings) .....	346705-2	1332-093-002
705-2F	5th Synchro Spring .....	346710-5	1332-156-002
705F	5th Synchronizer Ring (w/ Reverse Brake) .....	346705	1332-14

# T4, T5 Non World Class

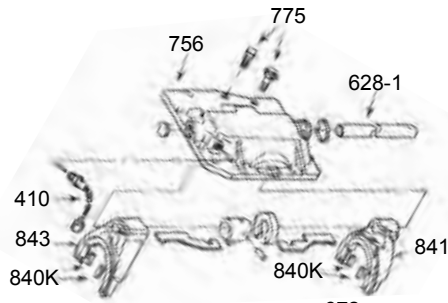
GM, Ford, Jeep, AMC, Honda, Isuzu

T4, T5 Non World Class

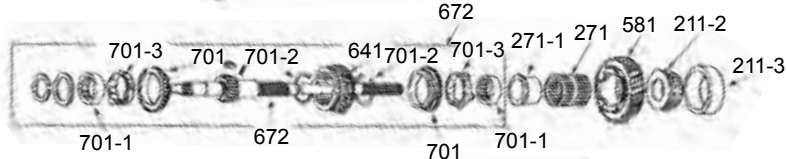
ILL NO.	DESCRIPTION	PART NO.	REFERENCE
<b>FORKS</b>			
841A	1-2 Fork (All) .....	346841	1352-096-002
843A	3-4 Fork (All) .....	346843	1352-096-004
845E	5th Fork (All) .....	346845	1352-096-014
840KA,KE	Fork Insert Kit (All) .....	346840K	INSK-T5
<b>1st GEARS</b>			
581B	1st Gear (32 T) 4.370" OD (Camaro, Chevette & S10 4 cyl.) .....	346581B	1352-080-119
581B	1st Gear (32 T) 4.430" OD (Multiple Applications) .....	346581	1352-080-123
581B	1st Gear (32 T) Jeep w/ Needle Bearing Main Shaft (84-86) .....	346581D	1352-080-125
<b>2nd GEARS</b>			
582C	2nd Gear (31 T) (Camaro V6) (85-87) .....	346582C	1352-080-132
582C	2nd Gear (31 T) 3.617" OD (Camaro, S10, Astro Van, Chevette) .....	346582A	1352-080-127
582C	2nd Gear (31 T) 3.707" OD (Ford, S10, Astro Van, Jeep, Nissan) .....	346582	1352-080-126
582C	2nd Gear (33 T) (Ford V8 83-84 & Camaro 83-87) .....	346582B	1352-080-131
<b>3rd GEARS</b>			
583C	3rd Gear (25 T) (Chevrolet) .....	346583B	1352-080-025
583C	3rd Gear (27 T) (All) (Except 3.093" OD) (Use w/ 346674 Cluster Shaft) .....	346583A	1352-080-017
583C	3rd Gear (27 T) (Chevrolet) (3.093" OD) (Use w/346674CC Cluster Shaft) .....	346583M	1352-080-015
583C	3rd Gear (29 T) (Chevrolet) (82-83) .....	346583D	1352-080-011
583C	3rd Gear (30 T) (Chevrolet, Ford) (83-87 Camaro & 83-84 Ford V8) .....	346583	1352-080-016
<b>5th GEARS (Counter Shaft)</b>			
585-1F	5th Gear Counter Shaft (51 T) (Multiple Applications) .....	346585-1	1352-080-065
585-1F	5th Gear Counter Shaft (53 T) (Camaro V6) (86-87) .....	346585-1E	1352-080-108
585-1F	5th Gear Counter Shaft (53 T) (Jeep) .....	346585-1H	1352-080-056
585-1F	5th Gear Counter Shaft (61 T) (Camaro, S10, Astro Van) .....	346585-1D	1352-080-067
<b>5th GEARS (Main Shaft)</b>			
585-2F	5th Gear Main Shaft (23 T) (Camaro & S10 V6) .....	346585-2E	1352-070-028
585-2F	5th Gear Main Shaft (23 T) (Camaro & S10 4 cyl.) .....	346585-2M	1352-070-014
585-2F	5th Gear Main Shaft (23 T) (Jeep 6 cyl.) (82-86) .....	346585-2W	1352-070-024
585-2F	5th Gear Main Shaft (25 T) (Ford) .....	346585-2A	1352-070-010
585-2F	5th Gear Main Shaft (25 T) (Camaro, S10, Astro Van) .....	346585-2N	1352-070-015
585-2F	5th Gear Main Shaft (25 T) (Camaro, S10, Chevette) .....	346585-2P	1352-070-023
585-2F	5th Gear Main Shaft (25 T) (Jeep & Nissan) .....	346585-2V	1352-070-004
585-2F	5th Gear Main Shaft (25 T) (Ford) .....	346585-2D	1352-070-027
585-2F	5th Gear Main Shaft (27 T) .....	346585-2	1352-070-009
585-2F	5th Gear Main Shaft (27 T) (Ford) .....	346585-2X	1352-070-022
585-2F	5th Gear Main Shaft (29 T) .....	346585-2C	1352-070-018
585-2F	5th Gear Main Shaft (29 T) (Tag 151) (1986) .....	346585-2G	1352-070-036
585-2F	5th Gear Main Shaft (31 T) .....	346585-2B	1352-070-013
585-2F	5th Gear Main Shaft (31 T) (Camaro V8) (83-84) .....	346585-2L	1352-070-012
585-2F	5th Gear Main Shaft (31 T) (Ford SVO) .....	346585-2Q	1352-070-045
585-2F	5th Gear Main Shaft (33 T) (SVO) .....	346585-2R	1352-070-046
<b>REVERSE IDLER GEARS</b>			
819F	Reverse Idler Gear (20 T) (All) .....	346819	1352-584-008
<b>SHAFTS (Input)</b>			
670G	8 3/4" (21 T) (Camaro & Astro Van) .....	346670AA	1352-085-012
670G	8 3/4" (22 T, 14 Spline) (Camaro & Astro Van) .....	346670AB	1352-085-040
670G	8 3/4" (24 T, 26 Spline) (Camaro V8) (83-87) .....	346670CB	1352-085-010
670G	8 7/8" (21 T) (84 S10 2.2L & 82-84 S10 & Isuzu 1.9L) .....	346670CA	1352-085-004
670G	9 1/4" (21 T, 14 Spline) (S10) .....	346670C	1352-085-003
670G	9 1/4" (21 T) & 24 Spline (Isuzu) .....	346670AC	1352-085-063
670G	9 1/4" (24 T) (Mustang V8) (83-84) .....	346670A	1352-085-011
670G	9 5/16" (21 T, 10 Spline) (Jeep) .....	346670AG	1351-085-008
670G	9 5/16" (21 T, 14 Spline) (Jeep) .....	346670D	1351-085-010
670G	9 5/16" (22 T) (280Z Turbo) (82-83) .....	346670	1352-085-008

ILL NO.	DESCRIPTION	PART NO.	REFERENCE
<b>SHAFTS (Main)</b>			
672B	14 3/4" (23 Spline) no 1st Gear Needle (Jeep 4wd) .....	346672D	1352-671-076
672B	14 3/4" (23 Spline) w/ 1st Gear Needle (Jeep) .....	346672DA	1352-671-080
672B	19" (27 Spline) (S10 4wd) .....	346672CB	1352-671-097
672B	24" (28 Spline) (Ford) .....	346672A	1352-671-084
672B	24 1/8" (27 Spline) (S10 2wd) (Mechanical Speedo) .....	346672CA	1352-671-096
672B	24 1/8" (27 Spline) (S10 2wd) (Electronic Tone Wheel Speedo) .....	346672CC	1352-671-100
672B	24 3/4" (27 Spline) (Camaro) .....	346672C	1352-671-088
<b>SHAFTS (Cluster)</b>			
674D	31-29-22-15-14 (1983-87) (Chevrolet, Ford) .....	346674CB	1352-077-060
674D	31-29-22-15-14 (1988-92) (Chevrolet, Ford) .....	346674CA	1352-077-070
674D	34-29-23-15-15 (Nissan) .....	346674DA	1352-077-018
674D	35-31-23-15-15 (Chevrolet) .....	346674CD	1352-077-064
674D	35-34-23-15-15 (Camaro) .....	346674C	1352-077-005
674D	37-31-25-15-15 (Chevrolet) .....	346674CC	1352-077-063
674D	37-32-23-15-14 (All incl T5 Jeep 5 Speed) .....	346674	1352-077-062
674D	37-32-23-15-14 (T4 Jeep 4 Speed) .....	346674D	1351-077-004
674D	43-34-28-15-15 (Chevrolet) (93-95 V6 4.3L) .....	346674CE	1352-077-067
<b>BEARING RETAINERS</b>			
724G	Cast # 027-907 (Camaro, Astro Van & Isuzu) (11/92-Up) .....	346724A	1352-027-007
724G	Cast # 027-910 (S10, Isuzu) (89-10/92) .....	346724	1352-027-003
724G	Cast # 027-919 (Ford 4 cyl. Turbo) .....	346724C	1352-027-019
724G	Cast # 027-930 (External Slave) (Camaro) .....	346724E	1352-027-030
724G	Ford (Iron) Cast # 027-908 .....	346724B	1352-027-008
724G	Ford (Aluminum Base & Steel Tube) (83-93) .....	346724D	1352-527-004
724G	Jeep .....	346724F	1351-027-001
<b>CASES &amp; HOUSING</b>			
760F	Case (Ford & Jeep) .....	346760	1352-565-002
770F	Adapter Housing (Jeep) .....	346770	1352-566-009
<b>MISCELLANEOUS COMPONENTS</b>			
676-1F	Counter Shaft Oiler / Funnel (All) .....	346676-1	1352-034-001
204G	Input Shim Kit (All) .....	346204K	T5-SMK
330E	Shifter Bushing (All) .....	346330	1352-127-009
411F	Switch, Reverse (Chevrolet) .....	404411	290-71
N.I.	Synchro Cone, Reverse Brake (Ford) .....	346706-4	1352-025-003

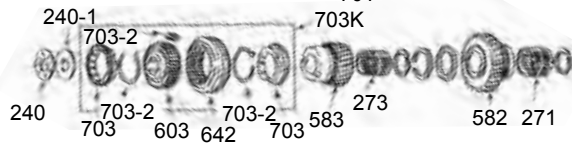
A



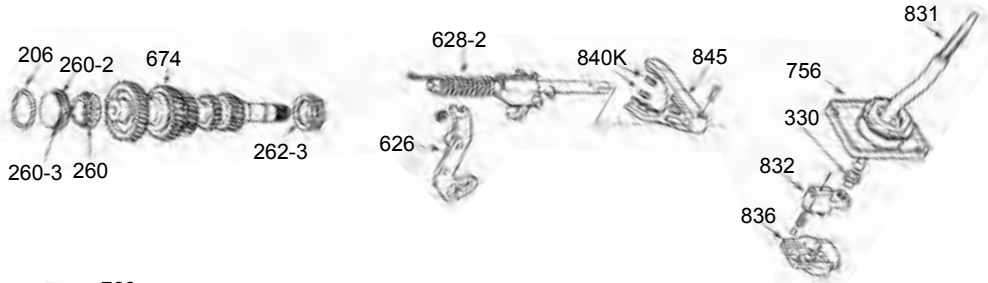
B



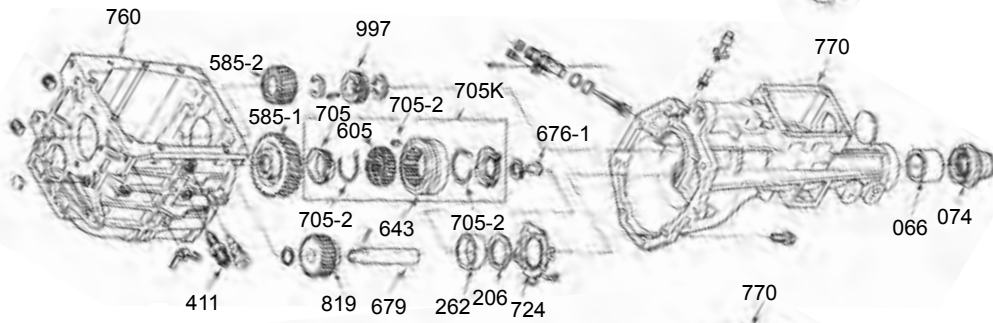
C



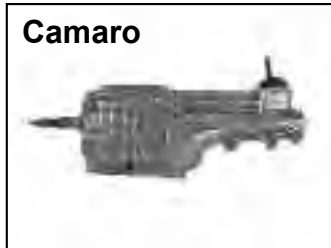
D



E



F



**346**

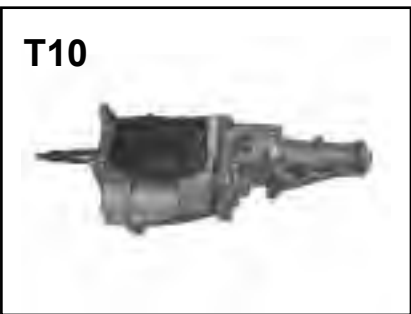
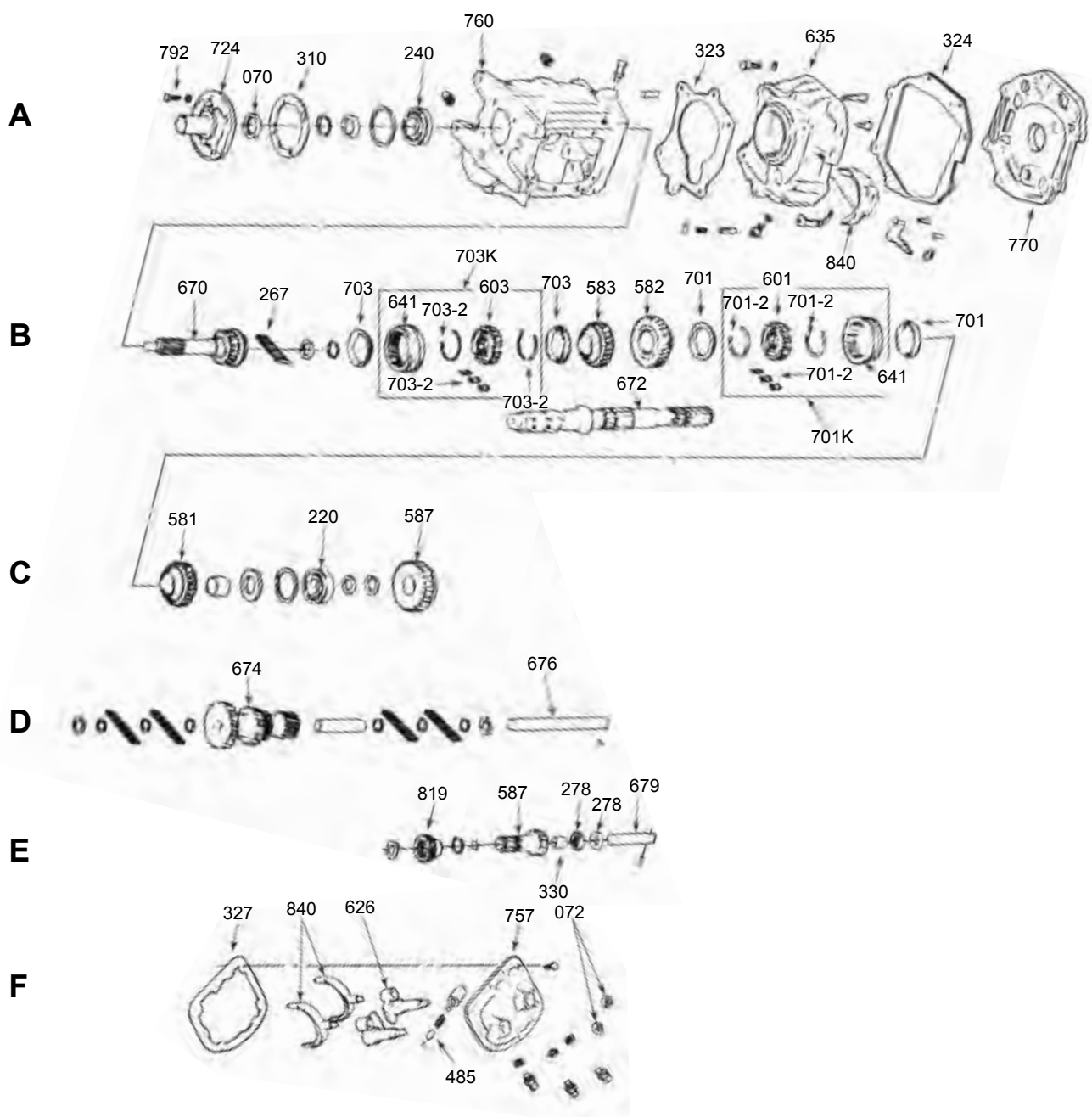
ILL NO.	DESCRIPTION	PART NO.	REFERENCE
<b>BEARING KITS</b>			
		<b>w/o Synchros</b>	<b>w/Synchros</b>
N.I.	Ford Mustang (2.3L) (87-93) (65.00mm OD Input Bearing).....	BK149	BK149WS
N.I.	Ford Mustang (2.3L) (87-93) (68.25mm OD Input Bearing).....	BK149A	BK149AWS
N.I.	Ford Mustang (3.8L, 3.9L) (94-04).....	BK149	BK149BWS
N.I.	Ford Mustang (4.0L) (05-Up).....	BK149D	BK149DWS
N.I.	Ford Mustang (5.0L) (85-91).....	BK149	BK149WS
N.I.	Ford Mustang (5.0L) (92-95) (Except Cobra & Motorsports).....	BK149	BK149BWS
N.I.	Ford Mustang (5.0L) (93-95) (Cobra & Motorsports Only).....	BK149C	BK149CWS
N.I.	Ford Thunderbird (2.3L) (85-86).....	BK149	BK149WS
N.I.	Ford Thunderbird (2.3L) (87-88).....	BK149A	BK149AWS
N.I.	GM (88-02).....	BK149	BK149WS
N.I.	Honda (94-97 Passport).....	BK149	BK149WS
N.I.	Isuzu (88-Up Amigo, Pickup, Pup, Rodeo).....	BK149	BK149WS
N.I.	Mercury Capri (5.0L) (85-86).....	BK149	BK149WS
N.I.	Mercury Cougar (2.3L) (85-86).....	BK149	BK149WS
<b>SEALS</b>			
070F	Front .....	394070	12363
074E	Rear .....	44074	15041
<b>SMALL PARTS KITS</b>			
N.I.	Small Parts Kit .....	346001A	SP1105-50A
<b>BUSHINGS</b>			
066E	Extension Housing (1.630" OD) (1.0" Wide).....	44066	WT266-62
066E	Extension Housing (1.630" OD) (1.5" Wide).....	26066	WT259-62
<b>BEARINGS &amp; RACES</b>			
271B	1st Gear Needle Bearing & Race.....	346271AK	1352-603-006
271C	2nd Gear Needle Bearing .....	346272	1352-132-002
273C	3rd Gear Needle Bearing.....	346273	1352-132-003
N.I.	5th Gear Thrust Bearing .....	346240	1351-132-001
N.I.	5th Gear Thrust Bearing Front Race.....	346240-1A	1352-018-001
260-2D	Counter Shaft Bearing & Front Cone.....	346260A-2	LM67048
260-3D	Counter Shaft Bearing & Front Cup.....	346260A-3	LM67010BCE
260D	Counter Shaft Bearing (Front).....	346260	DK55836
262-3D	Counter Shaft Bearing (Rear Cup).....	346240B	SET6
262D	Input Bearing Cone Ford 4 cyl. Turbo.....	346240K	M88010 & 48
262-3D	Input Bearing Cup Ford 4 cyl. Turbo.....	346240K	M88010 & 48
211-2B	Main Shaft Bearing Cone (Rear).....	346211-2	25877
211-3B	Main Shaft Bearing Cup (Rear).....	346211-3	25821
240F	Input Pocket Bearing (Tapered) Cobra .....	346267	SET1
267F	Input Pocket Rollers (qty 16).....	346267-1	QBR23549
<b>SLIDERS</b>			
641B	1-2 / Reverse Slider (32 T) All.....	346641A	1352-070-044
<b>SYNCHRONIZER KITS*</b>			
N.I.	GM & Ford (no Reverse Brake Synchro).....	SRK149	N.L.
N.I.	GM & Ford (Uses Reverse Brake Synchro).....	N/A	N.L.
N.I.	Honda .....	SRK149	N.L.
N.I.	Isuzu .....	SRK149	N.L.
	*Kits Include 701B, 703C, 705E.....		
<b>SYNCHRONIZER COMPONENTS</b>			
701-1B	1-2 Synchro (Inner).....	346701-1A	1352-025-001
701-3B	1-2 Synchro (Middle).....	346701-3A	1352-525-001
701B	1-2 Synchro (Outer).....	346701-5A	1352-091-001
701-2KB	1-2 Synchro Key & Spring Kit .....	346701-2AK	T5WC-K1
701-2B	1-2 Synchro Key .....	346701-2A	1352-093-001
703KC	3-4 Synchro Assembly .....	346703AK	1352-590-013
703C	3-4 Synchro.....	346703A	1352-591-003
703-2C	3-4 Synchro Key & Spring Kit .....	346703A-2K	T5WC-K3
705KE	5th Synchro Assembly (w/o Reverse Brake).....	346705BK	1352-590-003

ILL NO.	DESCRIPTION	PART NO.	REFERENCE
<b>SYNCHRONIZER COMPONENTS (cont.)</b>			
705KE	5th Synchro Assembly (w/ Reverse Brake).....	346705AK	1352-590-020
705E	5th Synchro.....	346705	1332-14
705-2E	5th Synchro Key & Spring Kit.....	346705-2K	T5-K5
N.I.	Synchro Cone, Reverse Brake .....	346706-4	1352-025-003
<b>FORKS</b>			
841A	1-2 Fork (All).....	346841	1352-096-002
843A	3-4 Fork (All).....	346843	1352-096-004
845D	5th Fork (All).....	346845	1352-096-014
N.I.	Fork Insert Kit (All).....	346840K	INSK-T5
<b>1st Gears</b>			
581B	1st Gear (32 T) (Camaro V8, S10, Thunderbird & Mustang SVO).....	346581E	1352-080-031
581B	1st Gear (32 T) (87-93 Ford 4 cyl. EFI) (Use w/ 346674B).....	346581G	1352-080-112
581B	1st Gear (32 T) (93-95 S10 V6, 89-01 Isuzu, Does Not Fit V8 Camaro).....	346581C	1352-080-149
581B	1st Gear (33 T) (85-96 Ford 4 cyl. Turbo).....	346581F	1352-080-032
581B	1st Gear (34 T) (93-01 Camaro V6).....	346581H	1352-080-154
581B	1st Gear (34 T) (94-01 Mustang V6, 85-95 Mustang V8).....	346581A	1352-080-030
<b>2nd Gears</b>			
582C	2nd Gear (30 T) (94-98 Mustang V6, 85-89 Mustang V8).....	346582G	1352-080-060
582C	2nd Gear (31 T) (S10 4 cyl., Mustang SVO 4 cyl.) (Use w/ 346674CF).....	346582F	1352-080-037
582C	2nd Gear (31 T) (88-92 Camaro V6).....	346582D	1352-080-027
582C	2nd Gear (31 T) (87-93 Ford 4 cyl. & Turbos) (Use w/ 346674B).....	346582H	1352-080-113
582C	2nd Gear (31 T) (99-01 Ford V6, 90-95 Ford V8) (Use w/ 346674BB).....	346582J	1352-080-152
582C	2nd Gear (31 T) (93-95 S10 V6, 93-95 Isuzu) (Use w/ 346674BC).....	346582L	1352-080-150
582C	2nd Gear (33 T) (88-92 Camaro V8, Mustang SVO).....	346582E	1352-080-028
582C	2nd Gear (37 T) (93-01 Camaro V6).....	346582M	1352-080-155
<b>3rd Gears</b>			
583C	3rd Gear (25 T) (93 S10 V6, 89-01 Isuzu).....	346583E	1352-080-048
583C	3rd Gear (26 T) (87-92 Mustang 4 cyl., 87 T-Bird 2.3L) (Use w/346674B).....	346583G	1352-080-115
583C	3rd Gear (26 T) (99-01 Mustang V6, 90-95 Mustang V8) (Use w/ 346674BA).....	346583H	1352-080-151
583C	3rd Gear (27 T) (Camaro, S10 & Thunderbird).....	346583F	1352-080-046
583C	3rd Gear (27 T) (Ford Except Thunderbird) (Use w/ 346674BA).....	346583C	1352-080-044
583C	3rd Gear (29 T) (93-01 Camaro V6).....	346583L	1352-080-156
583C	3rd Gear (30 T) (88-92 Camaro V8, Mustang SVO).....	346583J	1352-083-002
<b>5th Gears (Counter Shaft)</b>			
585-1E	5th Gear Counter Shaft (51 T) (Ford & GM).....	346585-1A	1352-080-051
585-1E	5th Gear Counter Shaft (53 T) (Mustang SVO).....	346585-1B	1352-080-074
585-1E	5th Gear Counter Shaft (53 T) (Camaro V6).....	346585-1F	1352-080-029
585-1E	5th Gear Counter Shaft (55 T) (Camaro V8).....	346585-1G	1352-080-052
585-1E	5th Gear Counter Shaft (59 T) (Ford & Isuzu).....	346585-1C	1352-080-114
<b>5th Gears (Main Shaft)</b>			
585-2E	5th Gear Main Shaft (25 T) (Mustang & Mustang SVO).....	346585-2D	1352-070-027
585-2E	5th Gear Main Shaft (25 T) (Isuzu).....	346585-2F	1352-070-029
585-2E	5th Gear Main Shaft (25 T) (88-92 Camaro V8, 92-95 S10 4 cyl.).....	346585-2S	1352-070-032
585-2E	5th Gear Main Shaft (27 T) (Isuzu Rodeo).....	346585-2J	1352-070-031
585-2E	5th Gear Main Shaft (27 T) (Mustang & Thunderbird).....	346585-2X	1352-070-022
585-2E	5th Gear Main Shaft (29 T) (Tag 151) (1986 300ZX Turbo).....	346585-2G	1352-070-036
585-2E	5th Gear Main Shaft (31 T) (Mustang SVO).....	346585-2Q	1352-070-045
585-2E	5th Gear Main Shaft (31 T) (88-92 Camaro V8).....	346585-2T	1352-070-047
585-2E	5th Gear Main Shaft (33 T) (Jeep).....	346585-2H	1352-070-034
<b>Reverse Idler Gears</b>			
819E	Reverse Idler Gear (20 T).....	346819	1352-584-008

ILL NO.	DESCRIPTION	PART NO.	REFERENCE
<b>SHAFTS (Input)</b>			
670F	8 3/4" (24 T, 26 Spline) (88-92 Camaro V8).....	346670AF	1352-085-019
670F	8 7/8" (21 T) (92-00 Isuzu).....	346670BC	1352-085-049
670F	9 1/4" (21 T, 14 Spline - Short) (93 S10 2.5L & 2.8L, 89-92 Isuzu).....	346670CD	1352-085-045
670F	9 1/4" (21 T, 14 Spline - Long) (88-92 Camaro V6).....	346670CC	1352-085-043
670F	9 1/4" (21 T, 26 Spline) (93-95 S10 2.2L).....	346670CF	1352-085-048
670F	9 1/4" (23 T) (85-92 Mustang V8) (Except Tapered Pocket Bearing Type).....	346670BA	1352-085-025
670F	9 1/4" (23 T) (93 Mustang) (Tapered Pocket Bearing Type).....	346670BD	1352-085-050
670F	9 1/4" (24 T) (85-93 Mustang SVO) (Except Tapered Pocket Bearing Type).....	346670B	1352-085-020
670F	9 1/4" (24 T) (85-93 Mustang SVO & Cobra) (Tapered Pocket Brg Type).....	346670BG	1352-085-060
670F	9 1/4" (24 T, 26 Spline) (93-01 Camaro) (Exc Tapered Pocket Brg Type).....	346670CE	1352-085-047
670F	9 3/4" (24 T) (Mustang Cobra) (Tapered Pocket Brg Type).....	346670BH	1352-085-056
670F	9 9/16" (19 T) (87-93 Mustang & Thunderbird 4 cyl.).....	346670BB	1352-085-038
670F	9 9/16" (21 T) (85-86 Thunderbird 4 cyl.).....	346670AD	1352-085-017
670F	10" (23 T) (94-01 Mustang V6) (Exc Tapered Pocket Brg Type).....	346670BE	1352-085-052
670F	10" (23 T) (94-95 Mustang V8) (Exc Tapered Pocket Brg Type).....	346670BE	1352-085-052
670F	10" (23 T) (94-95 Mustang Cobra) (Tapered Pocket Bearing Type).....	346670BF	1352-085-055
<b>SHAFTS (Main)</b>			
672B	14 3/4" (23 Spline) (Jeep & Panther).....	346672BB	1352-671-103
672B	24 1/4" (27 Spline) (Isuzu).....	346672CD	1352-671-102
672B	24 3/4" (27 Spline) (Camaro).....	346672BA	1352-671-039
672B	24 3/4" (27 Spline) (S10 2wd).....	346672BD	1352-671-105
672B	24" (28 Spline) (Ford Cobra) (Use w/ Tapered Pocket Bearing).....	346672BC	1352-671-111
672B	24" (28 Spline) (Ford Except Cobra).....	346672B	1352-671-035
<b>SHAFTS (Cluster)</b>			
674D	31-29-22-15-14 (Chevrolet & Ford).....	346674CA	1352-077-070
674D	33-31-23-15-14 (Ford).....	346674B	1352-077-048
674D	34-29-23-15-15 (Ford).....	346674BB	1352-077-068
674D	34-31-23-15-15 (Ford).....	346674BA	1352-077-052
674D	37-31-25-15-15 (Chevrolet).....	346674BC	1352-077-056
674D	37-32-23-15-14 (Chevrolet & Ford).....	346674CF	1352-077-054
674D	43-34-28-15-15 (Chevrolet).....	346674CG	1352-077-071
<b>BEARING RETAINERS</b>			
724F	Cast # 027-907 (Camaro, Astrovan & Isuzu) (Front Internal Slave).....	346724A	1352-027-007
724F	Cast # 027-908 (Ford) (Front Iron).....	346724B	1352-027-008
724F	Cast # 027-910 (S10, Isuzu) (89-10/92).....	346724	1352-027-003
724F	Cast # 027-923 (Ford) (94-Up).....	346724G	1352-527-003
724F	Cast # 027-930 (Camaro) (Front External Slave).....	346724E	1352-027-030
724F	Ford (Aluminum Base & Steel Tube) (83-93).....	346724D	1352-527-004
724F	Counter Shaft Rear Bearing Retainer.....	346724AA	1352-027-015
<b>CASES &amp; HOUSINGS</b>			
760E	Case (Early Chevrolet).....	346760A	1352-565-014
<b>MISCELLANEOUS COMPONENTS</b>			
676-1E	Counter Shaft Oiler / Funnel.....	346676-1A	1352-034-002
206D	Counter Shaft Shim Kit.....	346206K	T5-45BX
204F	Input Shim Kit.....	346204K	T5-SMK
204F	Input Shim Kit (Use w/ 65mm OD Input Bearing).....	346204K	T5-SMK
204F	Input Shim Kit (Use w/ 68mm OD Input Bearing).....	346204AK	T5-45AX
330D	Shifter Bushing.....	346330	1352-127-009
411E	Switch, Reverse.....	404411	290-71



T10, Super T10



**384**

ILL NO.	DESCRIPTION	PART NO.	REFERENCE
<b>BEARING KITS</b>		<b>w/o Synchros</b>	<b>w/Synchros</b>
<b>Kits w/ OE Style Bearings</b>			
N.I.	Iron Case (AMC) (64-74) .....	BK177	BK177WS
N.I.	Iron Case (Except AMC) (55-66) (Uses 72mm OD Input Bearing) .....	BK166A	BK166AWS
N.I.	Iron Case (Except AMC) (55-66) (Uses 80mm OD Input Bearing) .....	BK166	BK166WS
N.I.	Aluminum Case (GM) (74-82) (Super T10) * HD Kits Available .....	BK118	BK118WS
N.I.	Aluminum Case T10 (84-88) (Nash Overdrive & Corvette 4+3) .....	BK185	BK185WS
<b>*HD Kits Available w/ Maxload Bearings</b>			
N.I.	Aluminum Case (GM) (74-82) (Super T10) .....	BK118HD	BK118HDWS
<b>GASKET KITS</b>			
N.I.	Gasket Kit (4 Speed) .....	384000	10-55
<b>SEALS</b>			
070A	Front Seal .....	394070	12363
N.I.	Rear Seal w/o Boot, Flange Type (Red) .....	44074	15041
N.I.	Rear Seal (1.570" OD) .....	384074	2655
N.I.	Rear Seal, Large (Super T10) .....	384074A	18658
072F	Shift Linkage Seal (Metal Clad) (Green) .....	384072	WGT10-45
072F	Shift Linkage Seal (Rubber Coated) .....	486072	6130
<b>SMALL PARTS KITS</b>			
N.I.	Small Parts Kit (57-66) .....	384001	SP10-50
N.I.	Small Parts Kit (66-73) .....	384001A	SP10P-50
N.I.	Small Parts Kit (74-83) .....	384001B	SP10W-50
<b>BUSHINGS</b>			
N.I.	Extension Housing (1.630" OD) (1.0" Wide) .....	44066	WT266-62
N.I.	Extension Housing (1.630" OD) (1.5" Wide) .....	26066	WT259-62
N.I.	Extension Housing (2.010" OD) (32 Spline Output) (Super T10) .....	331066	WT297-62
<b>WASHERS</b>			
278E	Reverse Idler Washer (Super T10) .....	384278A	TWA1427
<b>BEARINGS</b>			
240A	Input Bearing .....	342240	6307-N
220C	Output Bearing .....	342240	6307-N
220C	Output Bearing (for the Nash Overdrive) .....	384268A	35TM06
N.I.	2-3 Thrust Bearing (1st Design) .....	384272	4830
278E	Reverse Idler Needle Bearing (Super T10) .....	384278	TC1427
<b>SLIDERS</b>			
641B	1-2 Slider Early (T10) .....	304641	T10-15
641B	1-2 Slider Late (T10) .....	384641	T10S-15
641B	3-4 Slider Early (T10) .....	304641	T10-15
641B	3-4 Slider Late (T10) .....	384641	T10S-15
<b>SYNCHRONIZER COMPONENTS</b>			
701KB	1-2 Synchro Assembly .....	384701K	AT10P-80
701B	1-2 Synchro .....	384701	T10W-14A
701-2B	1-2 Synchro Key & Spring Kit (T10) .....	384701-2AK	T10-K
701-2B	1-2 Synchro Key & Spring Kit (Super T10) .....	384701-2K	T10-KS
703KB	3-4 Synchro Assembly .....	384703K	AT16-2.5
703B	3-4 Synchro .....	384701	T10W-14A
703-2B	3-4 Synchro Key & Spring Kit (T10) .....	384701-2AK	T10-K
703-2B	3-4 Synchro Key & Spring Kit (Super T10) .....	384701-2K	T10-KS
<b>FORKS</b>			
840A,F	Fork 1-2 & 3-4 .....	384840	T10-23
626F	1-2 Shift Cam (Corvette 4+3 Nash) .....	384626	T10-122

ILL NO.	DESCRIPTION	PART NO.	REFERENCE
<b>GEARS</b>			
581C	1st Gear (30 Angled Teeth).....	384581A	T10U-12
581C	1st Gear (34 Angled Teeth).....	384581B	T10W-12
581C	1st Gear (36 Angled Teeth).....	384581	T10H-12
582B	2nd Gear (24 T).....	384582B	T10X-31A
582B	2nd Gear (25 T).....	384582A	T10S-31A
582B	2nd Gear (30 T).....	384582	T10H-31
582B	2nd Gear (32 T) (GM).....	384582C	T10-31
583B	3rd Gear (20 T).....	384583C	T10U-11A
583B	3rd Gear (21 T).....	384583D	T10X-11
583B	3rd Gear (22 T).....	384583B	T10S-11
583B	3rd Gear (24 T).....	384583E	T10P-11
583B	3rd Gear (28 T).....	384583	T10H-11A
583B	3rd Gear (29 T).....	384583A	T10J-11
587C	Reverse Gear (39 T) 32 Splines.....	384587A	T10W-46
587C	Reverse Gear (Bushing Type).....	384587	AT10-34C
<b>HUBS</b>			
601B	1-2 Hub.....	384601	1304-090-008
603B	3-4 Hub.....	384603	1304-090-007
<b>SHAFTS</b>			
670B	Input Shaft (17 T) 3.42 Ratio.....	384670	T10U-16B
670B	Input Shaft (19 T) (2.88 Ratio).....	384670C	T10Y-16B
670B	Input Shaft (20 T) 2.64 Ratio.....	384670B	T10W-16G
670B	Input Shaft (21 T) 2.43 Ratio.....	384670A	T10W-16CH
670B	Input Shaft (25 T) Not Threaded (GM).....	384670D	T10A-16
670B	Input Shaft (27 T) 9" Not Threaded (GM).....	384670E	T10-16
672B	Main Shaft (12") Nash Overdrive (Corvette 4+3 Overdrive).....	384672A	T10W-2N
672B	Main Shaft (21") 27 Splines (6-10-32-27) Includes 1982 GM.....	384672C	T10W-2A
672B	Main Shaft (21") 27 Splines (GM).....	384672B	T10D-2
672B	Main Shaft (21 3/4") 32 Splines.....	384672	1304-171-005
674D	Cluster Shaft (27-23-20-18) (2.43 Ratio).....	384674B	T10W-8CH
674D	Cluster Shaft (28-23-20-18) (2.64 Ratio).....	384674A	T10W-8B
674D	Cluster Shaft (29-24-20-18) (2.88 Ratio).....	384674C	T10Y-8B
674D	Cluster Shaft (31-25-20-16) (3.42 Ratio).....	384674	T10U-8C
676D	Counter Shaft (7/8" Diameter).....	384676A	T85B-3
676D	Counter Shaft (1 " Diameter).....	384676	T10W-3
679E	Reverse Idler Shaft.....	384679	T10-35
<b>CASES &amp; HOUSINGS</b>			
760A	Case 2nd Design (Aluminum) (Super T10).....	384760	1304-065-903
770A	Extension Housing (Super T10) (Retros Iron Type) (32 Spline Output).....	384770	1304-066-903
<b>MISCELLANEOUS COMPONENTS</b>			
724A	Front Bearing Retainer (Ford) (4.85" OD).....	384724B	T85P-6
724A	Front Bearing Retainer (GM) (Non Seal Type).....	384724A	T89B-6
724A	Front Bearing Retainer (GM) (Seal Type).....	384724	T89C-6A
485F	Interlock Pin.....	384485	3709315
330E	Reverse Idler Bushing.....	384330	T10-85A
626F	Shift Cam, 1-2.....	384626	6692012
N.I.	Speedo Sleeve (Ford).....	384997-1	T10-168
N.I.	Speedometer Gear (7 T) Green (Super T10).....	384997A	361002
N.I.	Speedometer Gear (8 T) Blue.....	384997B	6260705
N.I.	Tapered Roll Pin (Retains Reverse Lug).....	304485	OX112-558-0

NOTES

T10, Super T10

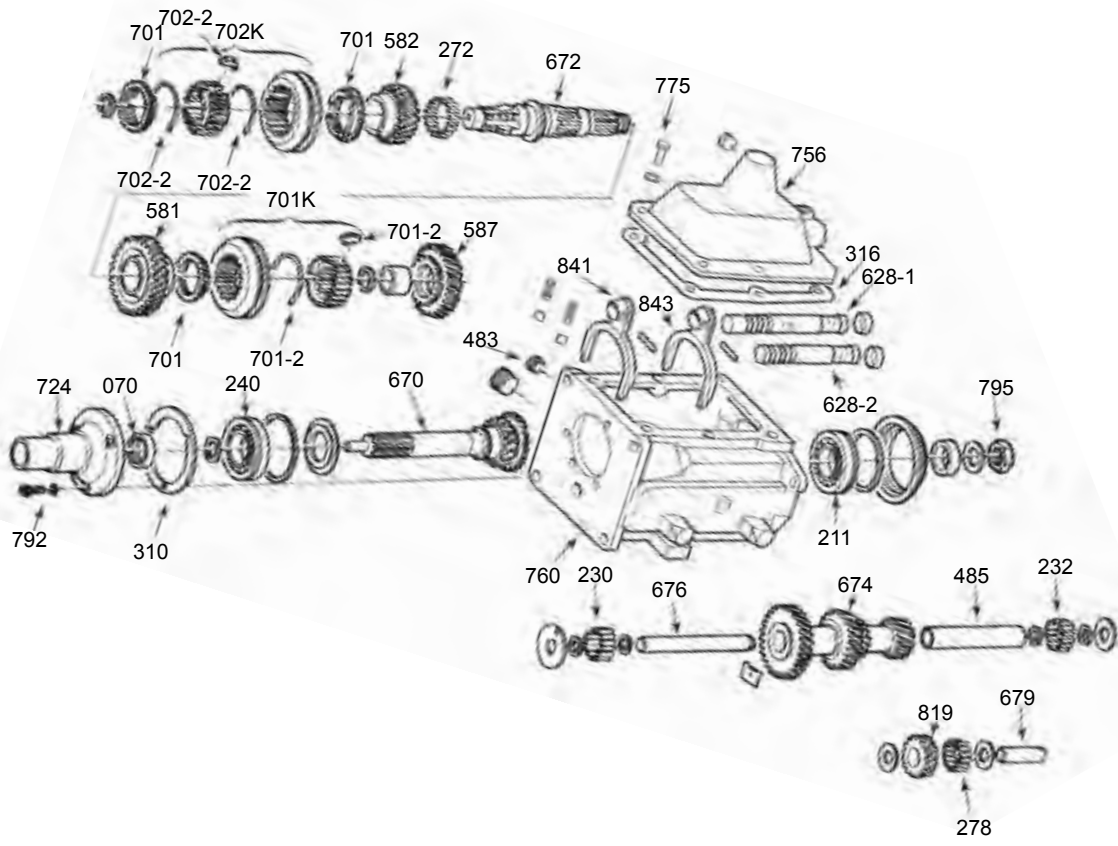
A

B

C

D

E



442

ILL NO.	DESCRIPTION	PART NO.	REFERENCE
<b>BEARING KITS</b>		<b>w/o Synchronos</b>	<b>w/Synchronos</b>
N.I.	AMC & Eagle (68-76) (3 Speed).....	BK319	BK319WS
N.I.	AMC & Eagle (68-76) (3 Speed w/ Overdrive).....	BK319A	BK319AWS
N.I.	Jeep (67-75).....	BK120	BK120WS
<b>GASKET &amp; SEALS KITS</b>			
N.I.	Gasket & Seal Kit.....	442002	G14A
<b>SEALS</b>			
070C	Front Seal .....	442070	11111
<b>SMALL PARTS KITS</b>			
N.I.	Small Parts Kit .....	442001	SP14-50
<b>BEARINGS</b>			
211C	Rear Bearing.....	442211	1207LOE
240C	Input Bearing.....	304240	6308-N
<b>SYNCHRONIZERS</b>			
701KB	1st & Reverse Synchro Assembly.....	442701K	3AT14-80
701A,B	1-3 Synchro.....	442701	T14-14
701-2B	1st & Reverse Key .....	442701-2	T14-82
702KA	2-3 Synchro Assembly .....	442702K	3AT14-2.5
702-2A	2-3 Key.....	442702-2	T14-13
<b>GEARS</b>			
581B	1st Gear (30 T).....	442581	T14A-31
582A	2nd Gear (26 T) .....	442582	T14A-11
582A	2nd Gear (27 T) .....	442582A	T14-11A
587B	Reverse Gear (28 T) .....	442587	AT14A-46
<b>SHAFTS</b>			
670C	Input Shaft (10 1/2").....	442670A	T14A-16A
670C	Input Shaft (11 1/2") .....	442670	T14A-16
672A	Main Shaft.....	442672	T14A-2
674D	Cluster Shaft (31-24-15-14) *note 2nd tooth count.....	442674	T14-8A
674D	Cluster Shaft (31-25-15-14) *note 2nd tooth count.....	442674A	T14A-8
676D	Counter Shaft.....	442676	T14-3
<b>NOTES</b>			

T15

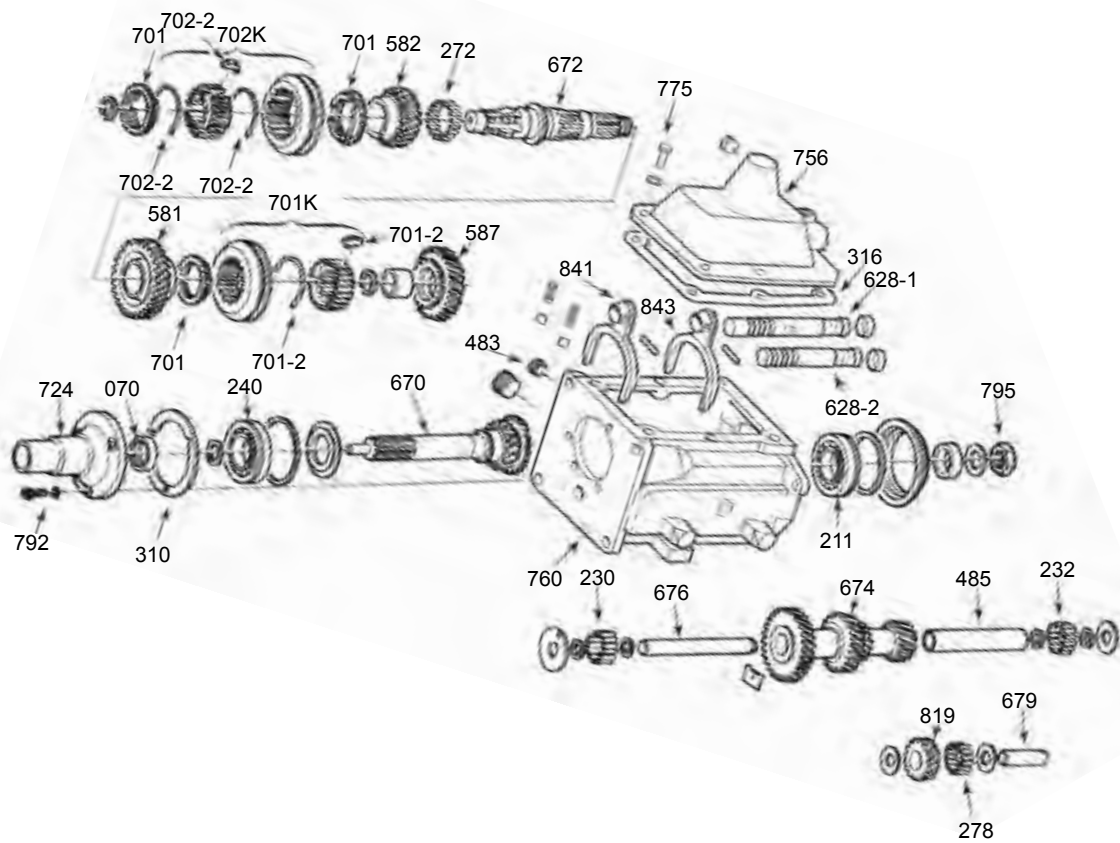
A

B

C

D

E

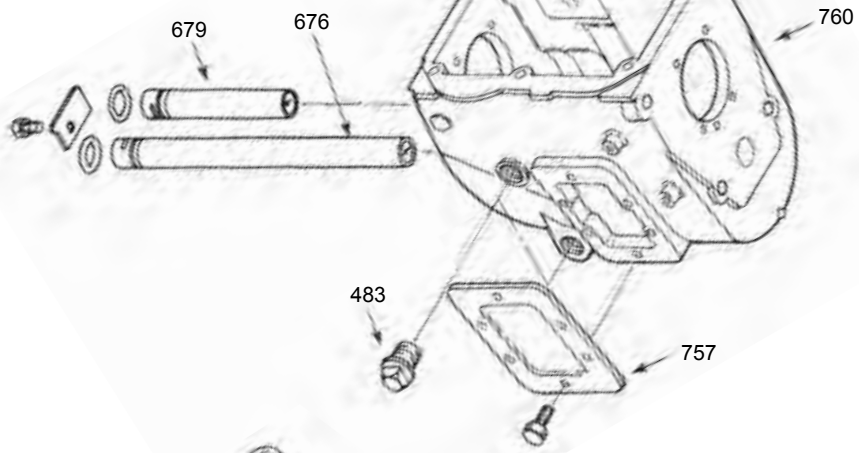


452

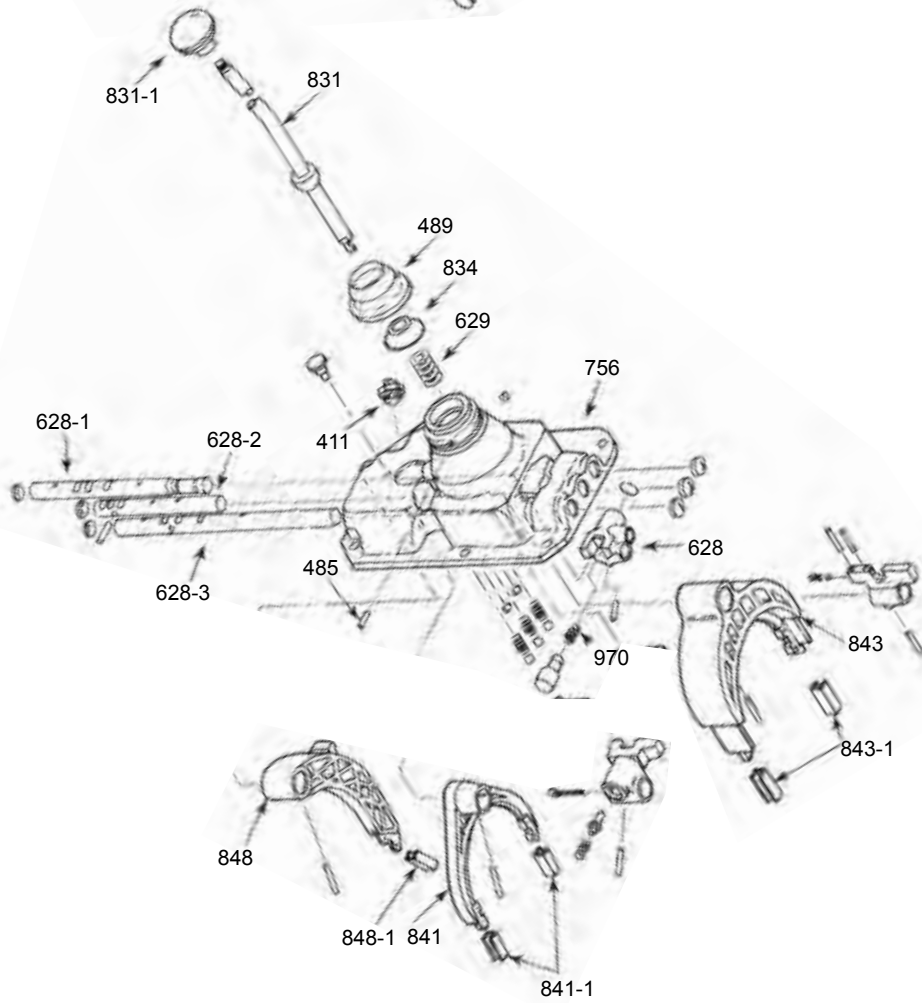
ILL NO.	DESCRIPTION	PART NO.	REFERENCE
<b>BEARING KITS</b>			
		<b>w/o Synchros</b>	<b>w/Synchros</b>
N.I.	AMC & Eagle (68-71) (3 Speed).....	BK320	BK320WS
N.I.	AMC & Eagle (68-71) (3 Speed w/ Overdrive).....	BK320A	BK320AWS
N.I.	International (73-80).....	BK121I	BK121IWS
N.I.	Jeep (67-79).....	BK121	BK121WS
<b>GASKET &amp; SEALS KITS</b>			
N.I.	Gasket & Seal Kit.....	452002	G15A
<b>SEALS</b>			
070C	Front Seal .....	442070	11111
<b>SMALL PARTS KITS</b>			
N.I.	Small Parts Kit .....	452001	SP15-50
<b>BEARINGS</b>			
211C	Rear Bearing .....	452220	308SG9
240C	Input Bearing.....	366240	1308SG1
<b>SYNCHRONIZERS</b>			
701KB	1st & Reverse Synchro Assembly.....	452701K	3AT15-80
701A,B	1-3 Synchro.....	452701	T15-14
702A	2-3 Synchro Assembly .....	452702K	4AT15-2.5
702-2A	2-3 Key.....	442702-2	T14-13
<b>GEARS</b>			
581B	1st Gear (29 T).....	452581	T15A-31
582A	2nd Gear (26 T) .....	452582	T15A-11
587B	Reverse Gear (29 T) .....	452587	AT15A-46
819E	Reverse Idler Gear.....	452819	T15-10
<b>SHAFTS</b>			
670C	Input Shaft (10 15/16").....	452670	T15A-16A
672A	Main Shaft.....	452672	T15A-2
674D	Cluster Shaft (31-22-15-15).....	452674	T15A-8
676D	Counter Shaft.....	452676	T15-3
<b>BEARING RETAINERS</b>			
724C	Bearing Retainer (4 7/8" Diameter).....	452724	T15A-6A
<b>NOTES</b>			



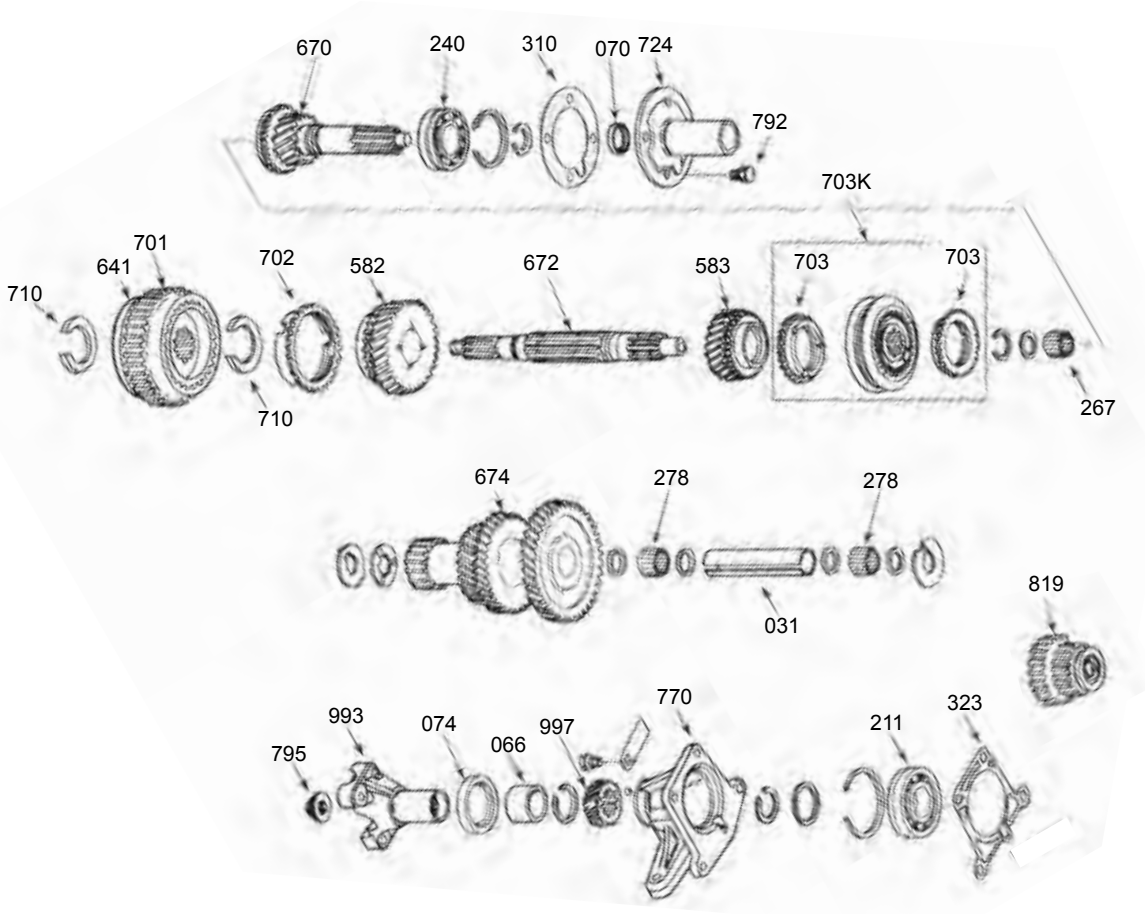
A



B



T18

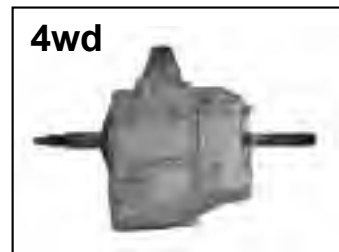


C

D

E

F



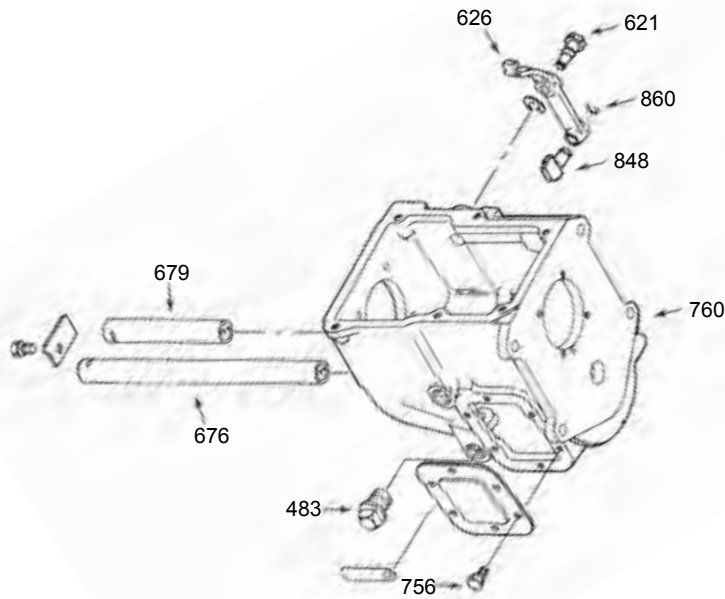
366

ILL NO.	DESCRIPTION	PART NO.	REFERENCE
<b>BEARING KITS</b>		<b>w/o Synchros</b>	<b>w/Synchros</b>
N.I.	Ford (Uses 20mm Thick Input Bearing).....	BK114	BK114WS
N.I.	Ford (Uses 23mm Thick Input Bearing).....	BK114A	BK114AWS
N.I.	International.....	BK114I	BK114IWS
N.I.	Jeep (3rd & 4th Synchros have 13mm Key Slots).....	BK114J	BK114JWS
N.I.	Jeep (3rd & 4th Synchros have 10mm Key Slots).....	BK114J	BK114JAWS
<b>GASKET &amp; SEAL KITS</b>			
N.I.	Gasket & Seal Kit.....	366002	G18
<b>GASKETS</b>			
310C	Bearing Retainer Gasket.....	366301	18-55R
323F	Adapter Gasket (Jeep).....	366301A	TC2030-10
N.I.	Case Gasket.....	366302	TC2030-18
<b>SEALS</b>			
070C	Front Seal (Ford).....	394070	12363
074F	Rear Seal (Ford).....	44074	15041
<b>SMALL PARTS KITS</b>			
N.I.	Small Parts Kit.....	366001	SP18-50A
N.I.	Small Parts Kit (Top Cover).....	366001A	SP18-50Y
<b>BEARINGS</b>			
240C	Input Shaft Bearing (20mm Thick).....	366240	1308SG1
240C	Input Shaft Bearing (23mm Thick).....	304240	6308-N
<b>SLIDERS</b>			
641D	1st & Reverse Slider.....	366641	T18-12
<b>SYNCHRONIZER COMPONENTS</b>			
701D	1st & Reverse Synchro Assembly.....	366701K	2AT18-80
702D	2nd Synchro (Narrow Key Late).....	366702A	T18-83A
702D	2nd Synchro (Wide Key Early).....	366702	T98-83
703D	3-4 Synchro (Large Cone).....	366703A	T19-14
703D	3-4 Synchro (Small Cone).....	366703	T87D-14
703KD	3-4 Synchro Assembly (Early Rings).....	376703AK	3AT87D-2.5C
703KD	3-4 Synchro Assembly (Late Rings).....	376703K	1AT19-2.5
N.I.	Synchro Key & Spring Kit (Narrow 1-2 Keys).....	376703-2K	T19-K3
<b>FORKS</b>			
841B	1-2 Fork (Aluminum).....	366841	T18-23
841-1B	1-2 Fork Insert (Aluminum Forks).....	366841-1	T18-28
843B	3-4 Fork (Aluminum).....	366843	T18-23A
843-1B	3-4 Fork Insert (Aluminum Forks).....	366841-1	T18-28
848B	Reverse Fork (Aluminum).....	366848	T18-23B
848-1B	Reverse Fork Insert.....	366848-1	T18-28B
<b>GEARS</b>			
582D	2nd Gear (33 T).....	366582	T18-31
583D	3rd Gear (24 T) Small Cone, Early Ring.....	366583	T18-11
819F	Reverse Idler Gear (17 T / 20 T).....	366819	AT18-10
<b>SHAFTS</b>			
670C	Input Shaft (17 T) 10 1/2" (1 3/8" Spline, Early Ring).....	366670A	T18-16C
670C	Input Shaft (17 T) 9 1/8" (Ford).....	366670	T18-16LX
672D	Main Shaft (4wd) 15" (6 Spline).....	366672A	T18-2D
672D	Main Shaft (4wd) 19 5/32" (31 Spline).....	366672	T18-2J
674E	Cluster Shaft (46-36-27-16).....	366674	T18-8
676A	Counter Shaft.....	366676	T18-3

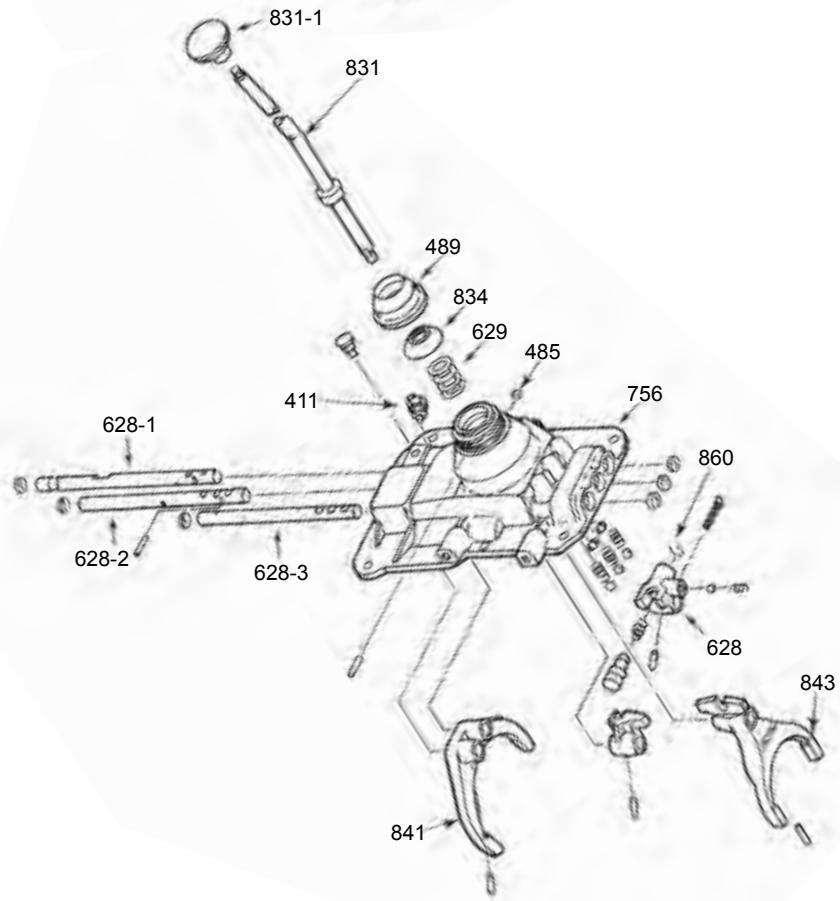
ILL NO.	DESCRIPTION	PART NO.	REFERENCE
<b>BEARING RETAINERS</b>			
724C	Bearing Retainer (Ford w/ 9 1/8" Input Shaft).....	366724	T18-6
724C	Bearing Retainer (Jeep w/ 9 15/16" or 16 5/8" Input Shaft).....	366724	T18-6
724C	Bearing Retainer (Jeep w/ 10" Input Shaft).....	366724A	T18-6G
<b>CASES &amp; HOUSINGS</b>			
N.I.	Adapter Housing .....	366770	1301-566-010
<b>MISCELLANEOUS COMPONENTS</b>			
628B	Rail End (Reverse Shift Rail) .....	366628A	T18-37
489B	Retainer, Shifter (Screw-on).....	366489	4496L
679A	Reverse Idler Shaft .....	366679	1301-568-002
970B	Reverse Plunger Spring.....	366970B	1309-156-003
N.I.	Reverse Spring .....	366970	41T7219A
831-1B	Shift Knob .....	366831-1	C37J-50A
628-2B	Shift Rail (3-4, Pin Style).....	366628-2	T18-20
485B	Shifter Pin for Top Cover.....	366485A	QAR34604
629B	Shifter Spring .....	366629	4498B
834B	Shifter Spring Spacer.....	366834	4497
997F	Speedometer Gear (6 T) Green.....	366997A	T18-169A
997F	Speedometer Gear (7 T) Yellow.....	366997	T18-169
997F	Speedometer Gear (8 T) Brown.....	366997B	T18-169D
831B	Stick (18 3/4") (Jeep) .....	376831B	1301-598-010
831B	Stick (29 1/4") 3 1/8" Finger (from bottom of ball to the end).....	366831	AC98-2U
831B	Stick (30 3/4") 3 1/2" Finger (from bottom of ball to the end).....	366831B	AC98A-2BE
831B	Stick (34 5/8") 3 1/8" Finger (from bottom of ball to the end).....	376831A	AC98A-2L
031E	Tube (Needle Bearing Spacer) (Cluster) .....	366031	T98-28A
<b>NOTES</b>			

**T18**

A

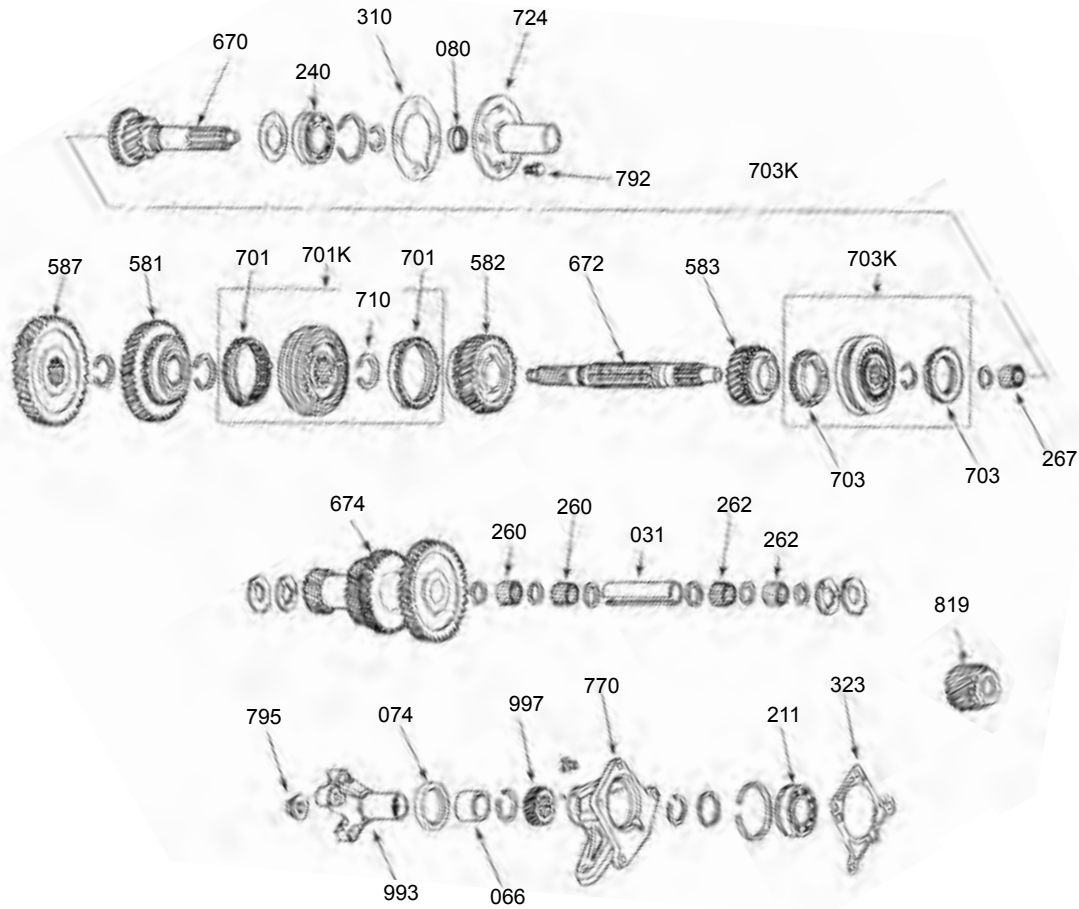


B



376

T19



**376**

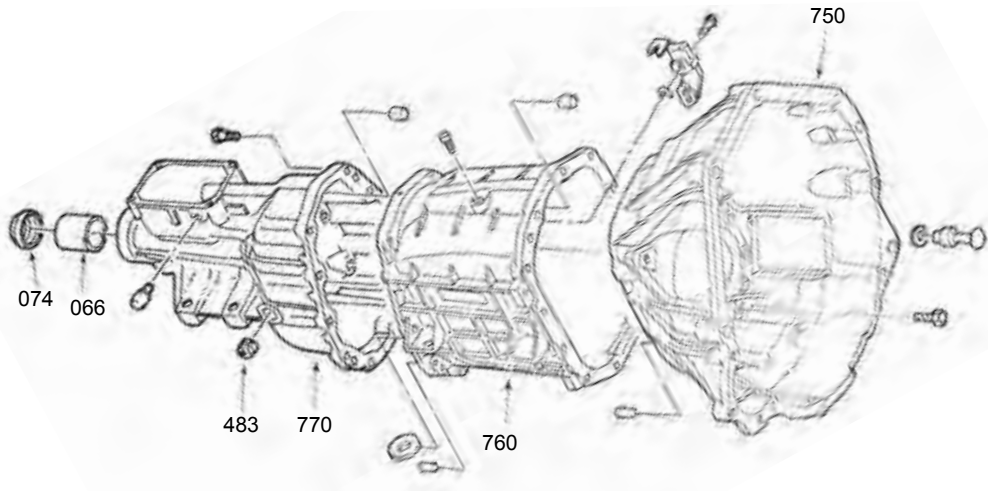
ILL NO.	DESCRIPTION	PART NO.	REFERENCE
<b>BEARING KITS</b>		<b>w/o Synchros</b>	<b>w/Synchros</b>
N.I.	Ford (Uses 20mm Thick "non Tapered" Input Bearing).....	BK146	BK146WS
N.I.	Ford (Uses 23mm Thick "non Tapered" Input Bearing).....	BK146A	BK146AWS
N.I.	Ford (w/ Tapered Input & Output Bearings) (Very Rare).....	BK147	BK147WS
N.I.	International.....	BK146I	BK146IWS
<b>GASKET &amp; SEAL KITS</b>			
N.I.	Gasket & Seal Kit.....	366002	G18
<b>SEALS</b>			
080C	Input Seal.....	394070	12363
074F	Rear Seal (2.38" OD).....	44074	15041
074F	Rear Seal (3.25" OD).....	376074	24910
<b>SMALL PARTS KITS</b>			
N.I.	Small Parts Kit.....	376001	SP19-50
N.I.	Small Parts Kit (Top Cover).....	376001A	SP19-50Y
<b>BEARINGS</b>			
240C	Input Bearing (20mm Thick "non Tapered").....	366240	1308SG1
240C	Input Bearing (23mm Thick "non Tapered").....	304240	6308-N
211F	Main Shaft Bearing (Rear).....	304240	6308-N
<b>SYNCHRONIZER COMPONENTS</b>			
701KD	1-2 Synchro Assembly.....	376701K	1AT19-80
701D	Synchro ring, 1-2.....	376701	T19-83
N.I.	1-2 Synchro Key & Spring Kit.....	376701-2K	T19-K1
703KD	3-4 Synchro Assembly.....	376703K	1AT19-2.5
703D	Synchro ring, 3-4.....	366703A	T19-14
N.I.	3-4 Synchro Key & Spring Kit.....	376703-2K	T19-K3
<b>FORKS</b>			
841B	1-2 Fork.....	376841	T19-24
843B	3-4 Fork.....	376843	T19-23
<b>GEARS</b>			
581D	1st Gear (40 T).....	376581	T19-12
582D	2nd Gear (33 T).....	376582	T19-31
582D	2nd Gear (36 T).....	376582B	T19-31C
582D	2nd Gear (37 T).....	376582A	T19-31B
583D	3rd Gear (24 T).....	376583	T19-11
583D	3rd Gear (28 T) No ID Groove.....	376583A	T19-11E
583D	3rd Gear (28 T) 1 ID Groove.....	376583B	T19-11F
587D	Reverse Gear (44 T).....	376587	T19-46
819F	Idler Gear (18 T).....	376819	AT19-10
<b>SHAFTS (Input)</b>			
670C	Input Shaft (22 T) (Uses 21mm 3662040 Bearing).....	376670C	T19A-16F
670C	Input Shaft (22 T) (Uses 23mm 304240 Bearing).....	376670B	T19A-16E
670C	Input Shaft (23 T) (Uses 21mm 3662040 Bearing).....	376670	T19A-16C
670C	Input Shaft (23 T) (Uses 23mm 304240 Bearing).....	376670A	T19A-16D
670C	Input Shaft (17 T) (9 1/2", 1 3/8" Spline).....	376670D	T19-16A
670C	Input Shaft (17 T) (8 1/4", 6 Splines).....	376670E	T19-16B
670C	Input Shaft (17 T) (7 1/4", 19 Splines).....	376670F	T19-16C
672D	Main Shaft (14 3/4") (10 Spline, Industrial).....	376672	T19-2A
672D	Main Shaft (16 3/4") (Ford 2wd).....	376672A	T19-2E
672D	Main Shaft (19 7/32") (Ford 4wd).....	376672B	T19-2F
674E	Cluster Shaft (37-32-24-16).....	376674B	T19-8E
674E	Cluster Shaft (43-36-27-16).....	376674	T19-8
674E	Cluster Shaft (45-32-25-16).....	376674A	T19-8C
676A	Counter Shaft.....	366485	T18-3

ILL NO.	DESCRIPTION	PART NO.	REFERENCE
<b>CASES &amp; HOUSINGS</b>			
N.I.	Adapter Housing .....	366770	1301-566-010
756B	Cover, PTO access .....	301756	T53-160B
848A	Fork, Reverse .....	376848	T19-51
795F	Nut, Yoke.....	316795	WT291-90
621A	Pin, Reverse Arm Pivot.....	376621	1352-183-002
724C	Retainer, Front .....	366724	T18-6
489B	Retainer, Shifter (Screw-on).....	366489	4496L
819F	Reverse Idler Shaft .....	366819A	1301-568-002
831-1B	Shift Knob .....	366831-1	C37J-50A
628-1B	Shift Rail, 1-2 .....	376628	T19-21
628-2B	Shift Rail, 3-4 .....	376628A	T19-20
679A	Shift Rail, Reverse .....	376679	T19-99
629B	Shifter Spring .....	366629	4498B
834B	Shifter Spring Spacer.....	366834	4497
831B	Shifter Stick (Jeep Only) .....	376831B	1301-598-010
860B	Snap ring, Reverse Shift Shoe.....	376860	4747A
831B	Stick (29 1/4") 3 1/8" Finger (from bottom of ball to the end).....	366831	AC98-2U
831B	Stick (30 3/4") 3 1/2" Finger (from bottom of ball to the end).....	366831B	AC98A-2BE
831B	Stick (34 5/8") 3 1/8" Finger (from bottom of ball to the end).....	376831A	AC98A-2L
485B	Top Cover Shift Pin .....	366485A	QAR34604
<b>NOTES</b>			

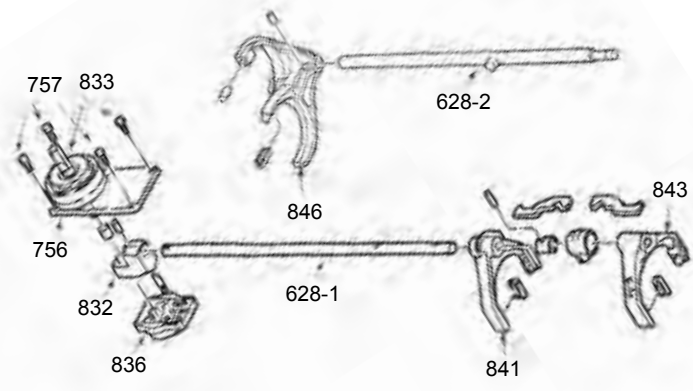
**T19**



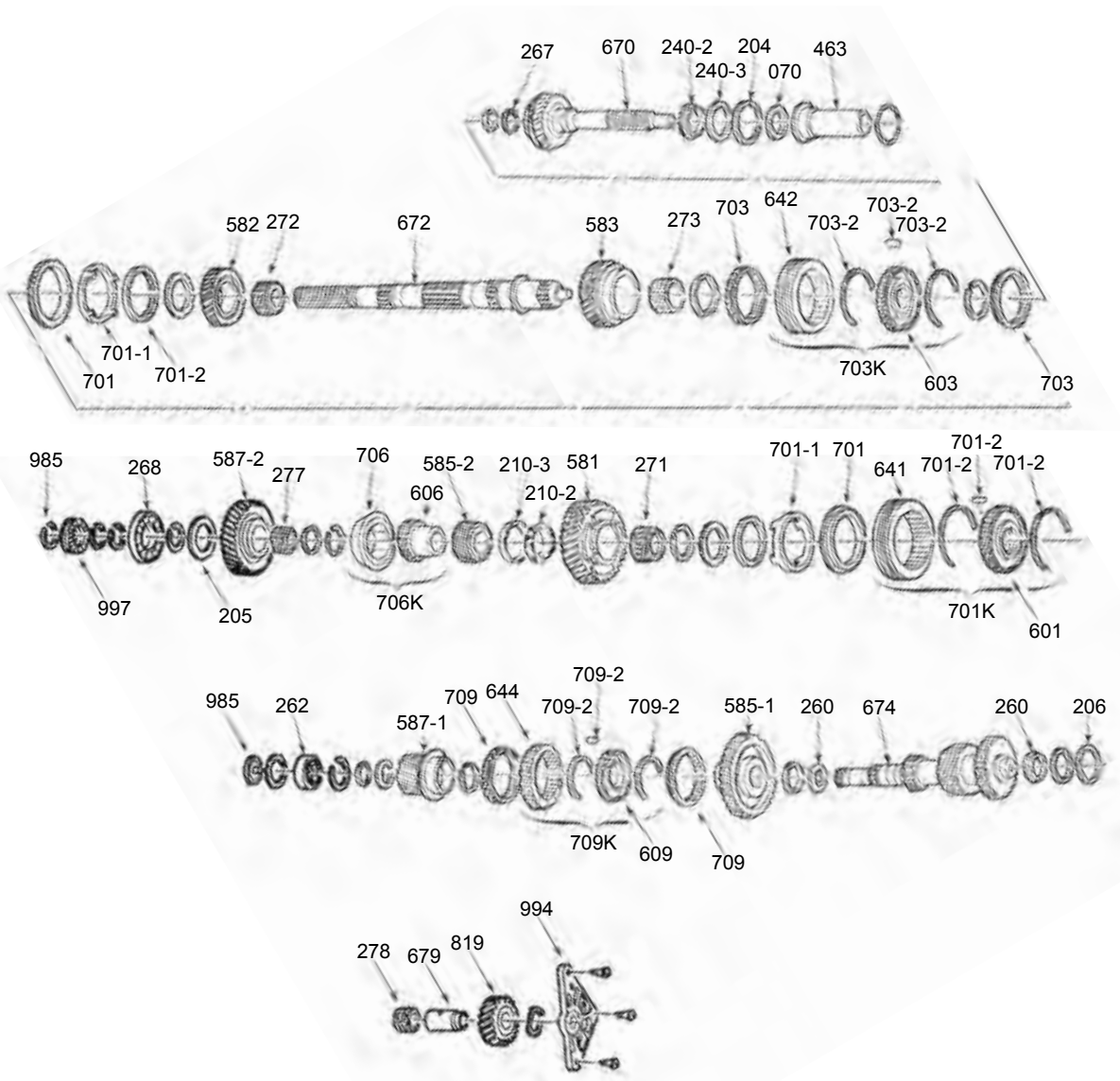
A



B



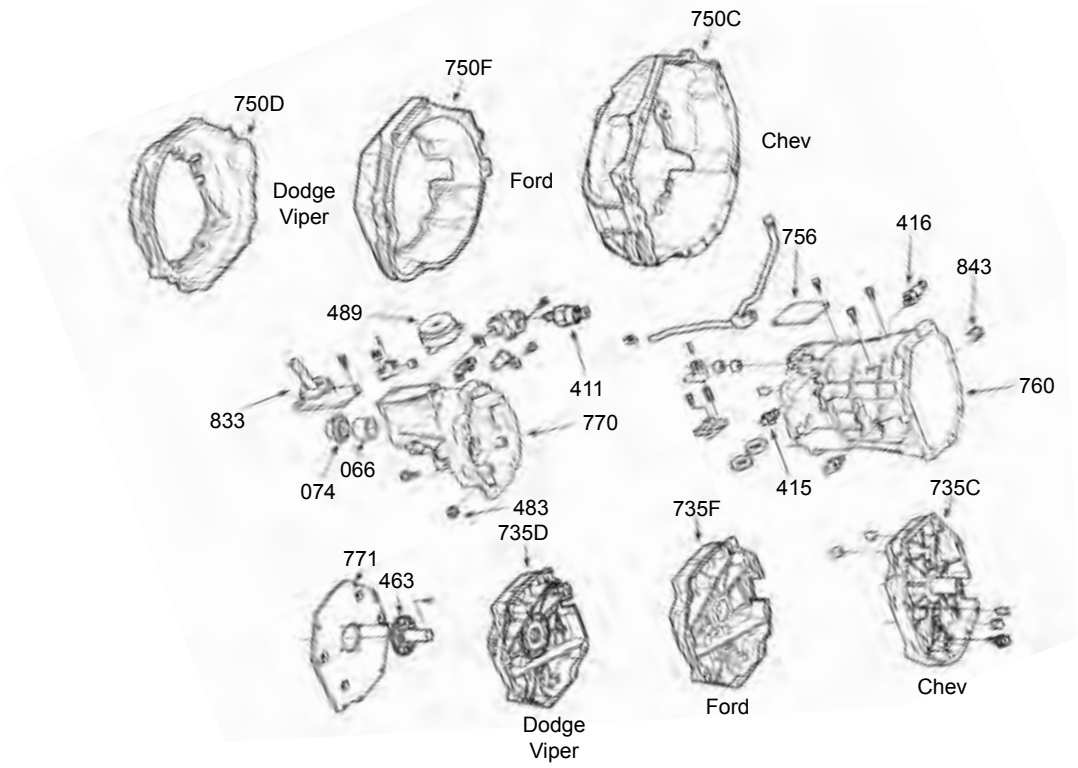
386



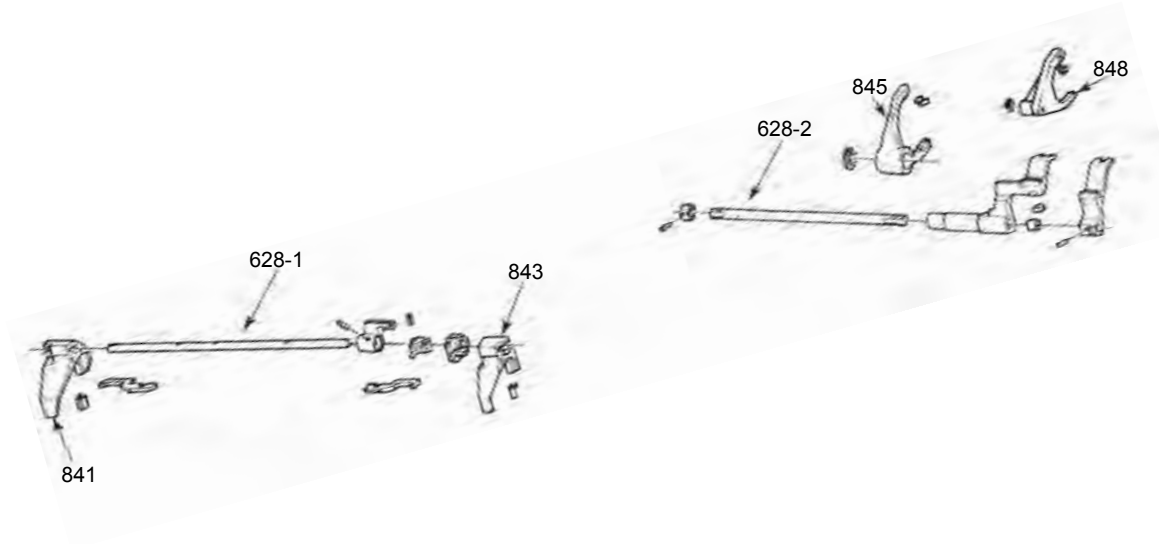
ILL NO.	DESCRIPTION	PART NO.	REFERENCE
<b>BEARING KITS</b>		<b>w/o Synchros</b>	<b>w/Synchros</b>
N.I.	T45 (96-97) .....	BK250	BK250WS
N.I.	T45 (98-01) .....	BK250A	BK250AWS
<b>SEALS</b>			
070C	Front Seal .....	394070	12363
074A	Rear Seal .....	386074	1695C
<b>BUSHINGS</b>			
066A	Extension Housing (1.820" OD) .....	386066	T85-62
<b>BEARINGS</b>			
210-2E	Main Shaft Bearing Cone (Rear) .....	394210-2	25572
210-3E	Main Shaft Bearing Cup (Rear) .....	394210-3	25520
240-2C	Input Bearing Cone .....	346240K	M88010 & 48
240-3C	Input Bearing Cup .....	346240K	M88010 & 48
260F	Counter Shaft Bearing (Front & Center) .....	346240B	SET6
262F	Counter Shaft Bearing (Rear) .....	386262	F92214.3
267C	Input Pocket Bearing .....	346267	SET1
268E	Rear Extension Bearing .....	331268	207
<b>SYNCHRONIZER COMPONENTS</b>			
701KE	1-2 Synchro Assembly .....	394701K	1386-590-001
701-1E	1-2 Synchro (Inner) .....	386701-1	1386-525-006
701-2E	1-2 Synchro Key & Spring Kit .....	394701-2K	T56-K1
703KD	3-4 Synchro Assembly .....	394701K	1386-590-001
703D	3-4 Synchro .....	394703	1386-591-003
703-2D	3-4 Synchro Key & Spring Kit .....	394703-2K	T56-K3
709KF	5th-Reverse Synchro Assembly .....	386709K	1381-590-001
709F	5th-Reverse Synchro .....	346703A	1352-591-003
709-2F	5th-Reverse Synchro Key & Spring Kit .....	346703A-2K	T5WC-K3
706KE	Reverse Main Shaft Synchro Assembly .....	386706K	1381-590-002
<b>FORKS</b>			
841B	1-2 Fork .....	386841	1381-596-001
843B	3-4 Fork .....	386843	1381-596-002
846B	5th-Reverse Fork, Short Throw (Green Stripe) .....	386846B	1381-596-006
846B	5th-Reverse Fork, Medium Throw (Gold Stripe) .....	386846	1381-596-003
846B	5th-Reverse Fork, Long Throw (Blue Stripe) .....	386846A	1381-596-005
<b>GEARS</b>			
581E	1st Gear (37 T) .....	386581	1381-081-001
582D	2nd Gear (35 T) .....	386582	1381-082-001
583D	3rd Gear (32 T) .....	386583	1381-083-001
585-1F	5th Gear Counter Shaft .....	386585-1	1381-086-001
585-2E	5th Gear Main Shaft (31 T) .....	386585-2	1381-070-001
587-2E	Reverse Main Shaft Gear .....	386587-2	1381-088-001
587-1F	Reverse Counter Shaft Gear (14 T) .....	386587-1	1381-088-002
<b>MISCELLANEOUS COMPONENTS</b>			
674F	Cluster Shaft .....	386674	1381-077-001
206F	Counter Shaft Shim Kit .....	386206K	1381-410-001
463C	Input Quill & Tube .....	394463A	1386-034-006
670C	Input Shaft .....	386670	1381-085-001
204C	Input Shim Kit .....	386204K	T45-45AX
672D	Main Shaft .....	386672	1381-171-001
205E	Reverse Main Shaft Shim Kit .....	386205K	1381-410-002



A

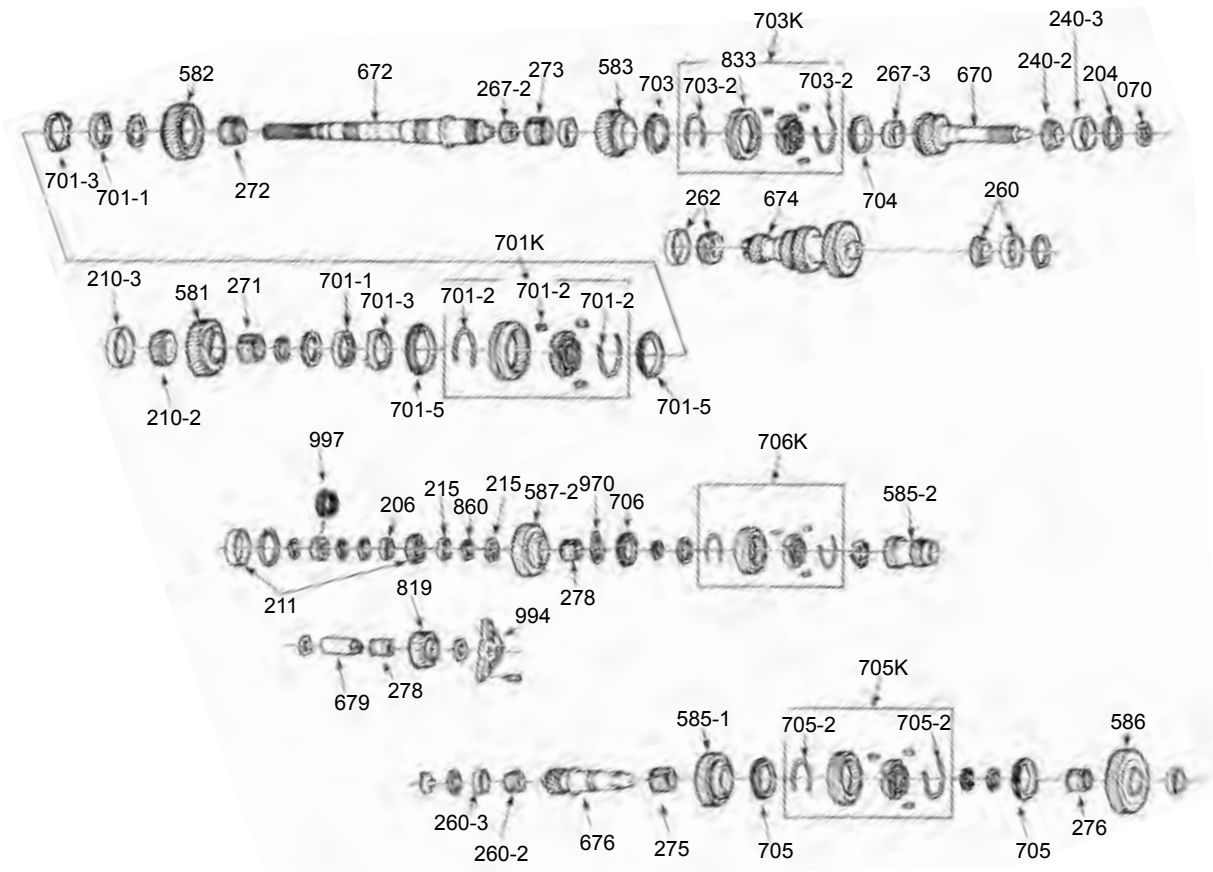


B



394

T56



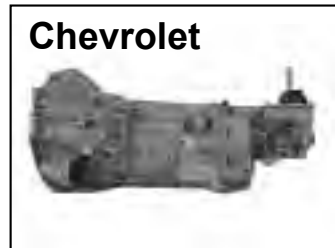
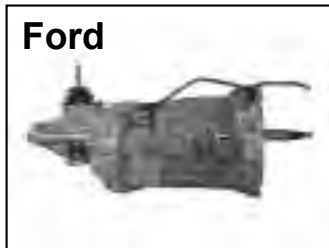
C

D

E

F

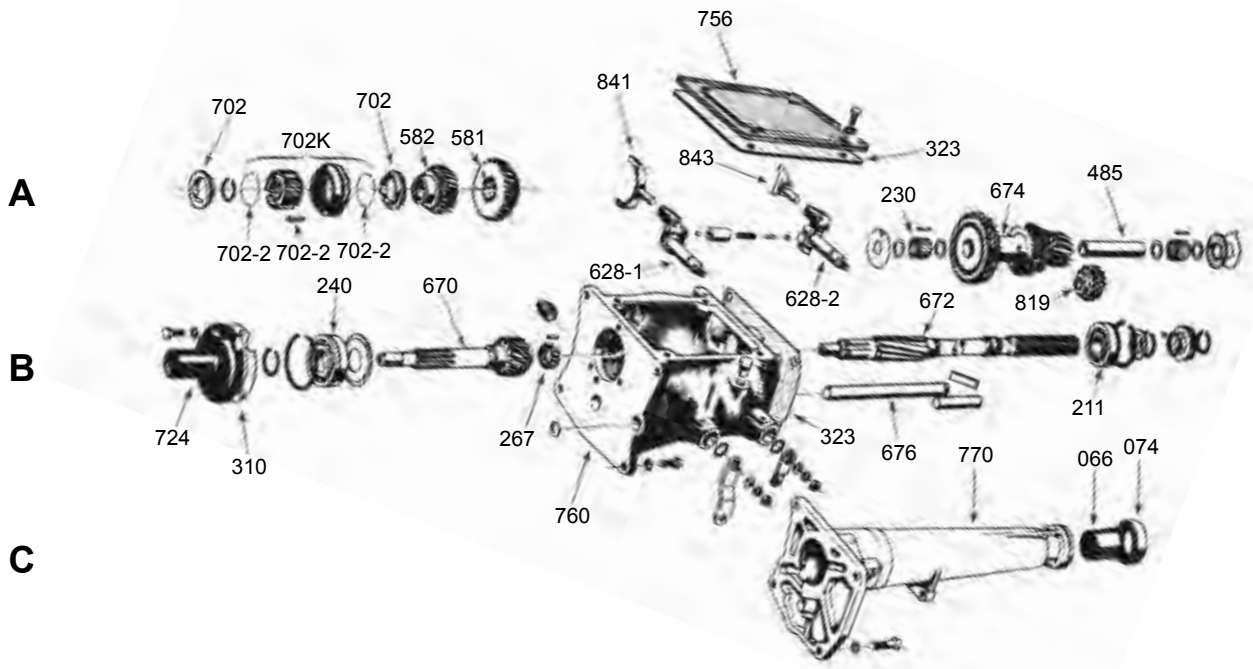
G



ILL NO.	DESCRIPTION	PART NO.	REFERENCE
<b>BEARING KITS</b>		<b>w/o Synchronos</b>	<b>w/Synchronos</b>
N.I.	T56 (93-08) (Except Corvette).....	BK396	BK396WS
N.I.	T56 (97-04) (Corvette).....	BK396A	BK396AWS
<b>SEALS</b>			
070C	Front Seal.....	394070	12363
074A	Rear Seal.....	394074	1300-044-013
<b>BUSHINGS</b>			
066A	Extension Housing (1.630" OD) (1.0" Wide).....	44066	WT266-62
066A	Extension Housing (1.630" OD) (1.5" Wide).....	26066	WT259-62
<b>WASHERS</b>			
215F	Reverse Washer (Metal).....	394215	1386-193-004
215F	Reverse Washer (Plastic).....	394215A	1386-193-005
<b>BEARINGS</b>			
206F	Bearing Spacer (Rear Main Shaft).....	394206	1386-193-006
210-2E	Main Shaft Bearing Cone.....	394210-2	25572
210-3E	Main Shaft Bearing Cup.....	394210-3	25520
260D	Counter Shaft Bearing (Front).....	394274A	SET5
240-2C	Input Bearing Cone.....	346240K	M88010 & 48
240-3C	Input Bearing Cup.....	346240K	M88010 & 48
260-2G	Counter Shaft Extension Bearing Cone.....	394260-2	LM12749
260-3G	Counter Shaft Extension Bearing Cup.....	394260-3	LM12711
267-2C	Input Pocket Bearing Cone.....	394260-2	LM12749
267-3C	Input Pocket Bearing Cup.....	394260-3	LM12711
211F	Main Shaft Bearing (Rear).....	394211	RT5305S
262D	Counter Shaft Bearing (Rear).....	394274	32008
278F	Reverse Needle Bearing.....	394278	1386-132-003
<b>SYNCHRONIZER KITS</b>			
N.I.	T56 (Except Corvette) (93-Up).....	SRK396	N.L.
N.I.	T56 (Corvette) (97-Up).....	N/A	N.L.
<b>SYNCHRONIZER COMPONENTS (Except Rings)</b>			
701KE	1-2 Synchro Assembly (Except Corvette) (Single Lined).....	394701K	1386-590-001
701KE	1-2 Synchro Assembly (Corvette) (Double Lined).....	394701AK	1386-590-008
701-2E	1-2 Synchro Key & Spring Kit (Except Corvette).....	394701-2K	T56-K1
703KC	3-4 Synchro Assembly (Except Corvette).....	394703K	1386-590-002
703C	3-4 Synchro Assembly (Corvette).....	394703AK	1386-590-006
703-2C	3-4 Synchro Key & Spring Kit.....	394703-2K	T56-K3
705KG	5-6 Synchro Assembly.....	394705K	1386-590-003
705-2G	5-6-Reverse Synchro Key & Spring Kit.....	394705-2K	T56-K5
706KF	Reverse Synchro Assembly.....	394706K	1386-590-004
<b>SYNCHRONIZER RINGS</b>			
701-1E	1-2 Synchro (Corvette) (Inner) (Single Lined) (qty 2).....	394701-1	1386-525-008
701-3E	1-2 Synchro (Corvette) (Middle).....	394701-3	1386-525-007
701-3E	1-2 Synchro (Except Corvette) (Middle) (Corvette has no inner).....	386701-1	1386-525-006
701-5E	1-2 Synchro (Corvette) (Outer).....	394701-5A	1386-091-008
701-5E	1-2 Synchro (Except Corvette) (Outer) (Unlined) (Requires 2).....	394701-5	1386-091-001
701-1E	1-2 Synchro Cone (Inner).....	394701-4	1386-025-001
701-2E	1-2 Synchro Key (Corvette).....	394701-2A	1386-093-002
701-2E	1-2 Synchro Spring (Corvette).....	394701-2B	1386-156-013
703C	3rd Synchro (Except Corvette).....	394703	1386-591-003
703C	3rd Synchro (Corvette) (Inner).....	394703-1	1386-025-002
703C	3rd Synchro (Corvette) (Middle).....	394703-3	1386-525-009
703C	3rd Synchro (Corvette) (Outer).....	394703-5	1386-091-009
704C	4th Synchro (Except Corvette).....	394703	1386-591-003
704C	4th Synchro (Corvette) (Inner).....	394704-1	1386-025-003
704C	4th Synchro (Corvette) (Middle).....	394704-3	1386-525-010
704C	4th Synchro (Corvette) (Outer).....	394704-5	1386-091-011
705G	5-6 Synchro (Except Corvette).....	394705	1386-591-005
705G	5-6 Synchro (Corvette) (Middle).....	394704-3	1386-525-010

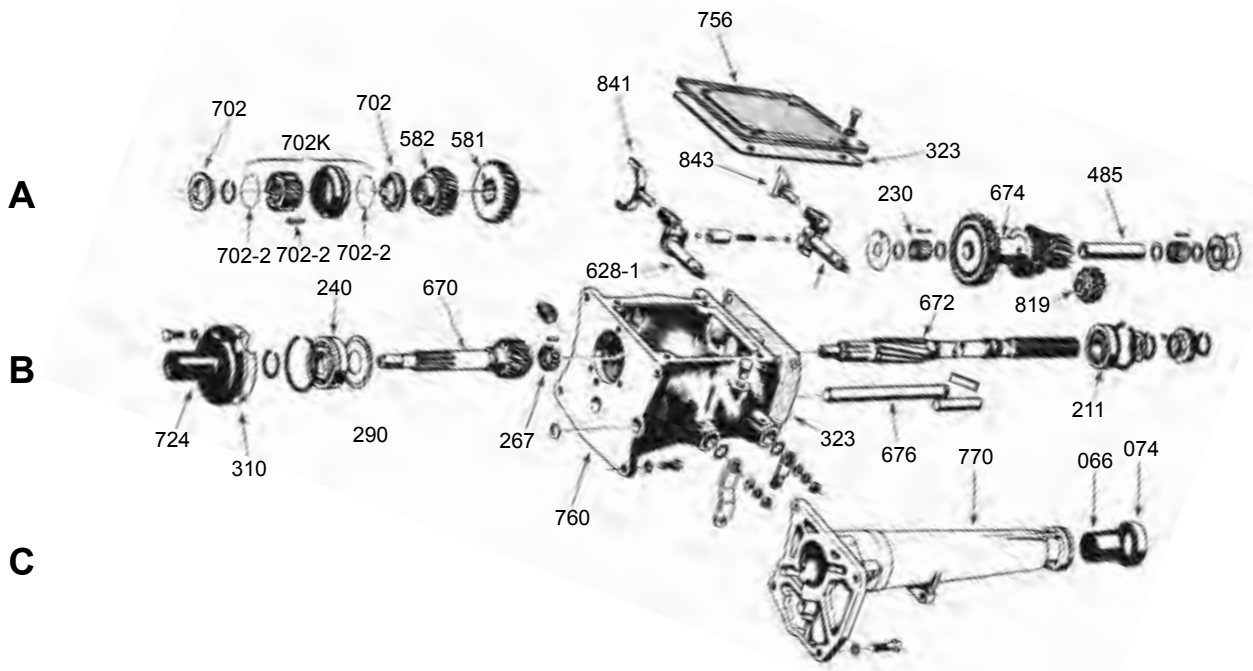
ILL NO.	DESCRIPTION	PART NO.	REFERENCE
<b>SYNCHRONIZER RINGS (cont.)</b>			
706F	Reverse Synchro (Corvette) .....	394706	1386-091-007
706F	Reverse Synchro (All Including Corvette).....	394706	1386-091-007
<b>FORKS</b>			
841B	1-2 Fork (All) .....	394841	1386-596-013
843B	3-4 Fork (Steel) (All) (Requires 2).....	394843	TNEC0843
845B	5-6 Fork (Cast # 1386-096-903) .....	394845	1386-596-003
848B	Reverse Fork (Cast # 1386-096-909).....	394848	1386-596-009
<b>GEARS</b>			
581E	1st Gear (39 T) Close Ratio (Tag #'s 003, 005, 009) .....	394581A	1386-081-007
581E	1st Gear (39 T) Close Ratio (Tag #'s 013, 014, 016, 017, 018) .....	394581A	1386-081-007
581E	1st Gear (39 T) Close Ratio (Tag #'s 015, 019) (Corvette Except Z06) .....	394581B	1386-081-008
581E	1st Gear (43 T) Wide Ratio (Tag #'s 007, 011, 012).....	394581	1386-081-006
581E	1st Gear (43 T) Wide Ratio (Tag #'s 006) (Corvette Z06 Only).....	394581C	TUEN1122
582C	2nd Gear (41 T) (Exc Corvette) Wide Ratio (Some 006, 007, 011, 012) .....	394582	1386-082-004
582C	2nd Gear (41 T) (Corvette) Wide Ratio (Tag #'s Some 006).....	394582C	TUEN1123
582C	2nd Gear (43 T) Close Ratio (Tag #'s 003, 005, 009) .....	394582A	1386-082-005
582C	2nd Gear (43 T) Close Ratio (Tag #'s 013, 014, 016, 017, 018) .....	394582A	1386-082-005
582C	2nd Gear (43 T) Close Ratio (Tag #'s 015, 019) .....	394582B	1386-082-006
583C	3rd Gear (37 T) "906" on Gear (Tag #'s 007, 011, 012) .....	394583	1386-083-006
583C	3rd Gear (37 T) "907" on Gear (Tag #'s 003, 005, 009).....	394583A	1386-083-007
583C	3rd Gear (37 T) "907" on Gear (Tag #'s 013, 014, 016, 017, 018) .....	394583A	1386-083-007
583C	3rd Gear (37 T) (Corvette Except Z06) Close Ratio (Tag #'s 015, 019).....	394583B	1386-083-008
583C	3rd Gear (37 T) (Corvette Z06) Wide Ratio (Tag #'s 006).....	394583C	TUEN1124
585-1G	5th Counter Shaft Gear (58 T) (except Corvette).....	394585-1	1386-086-004
586G	6th Gear Cluster (67 T) (except Corvette) .....	394586	1386-087-004
585-2F	5-6 Main Shaft Driven Gear (use w/ 394672) .....	394585-2A	1386-070-002
585-2F	5-6 Main Shaft Driven Gear (use w/ 394672A).....	394585-2	T56-160
587-2F	Reverse Main Shaft Gear (35 T).....	394587-2	1386-088-003
<b>SHAFTS</b>			
670C	Input Shaft (29 T) (GM Exc Corvette) 9 1/4" (LT1) (Tag #'s 006 & 007).....	394670H	1386-585-003
670C	Input Shaft (29 T) (GM Exc Corvette) 11 1/8" (LS1) (Tag #'s 011).....	394670D	1386-585-007
670C	Input Shaft (29 T) (Corvette Z06) Wide Ratio .....	394670G	TUEF1218
670C	Input Shaft (29 T) (Ford) 9 3/4" (Tag #'s 012) .....	394670B	1386-585-008
670C	Input Shaft (31 T) (GM Exc Corvette) 9 1/4" (LT1) (#'s 009, 013, 016).....	394670	1386-585-005
670C	Input Shaft (31 T) (GM Except Corvette) 10 3/4" (LS1) (98-00).....	394670A	1386-585-010
670C	Input Shaft (31 T) (Corvette Exc Z06) Close Ratio (Tag #'s 015, 019) .....	394670E	1386-585-009
670C	Input Shaft (31 T) (Viper) 11 1/2" .....	394670C	1386-585-004
672C	Main Shaft (27 Spline) (GM Exc Corvette) used w/ 394585-2A.....	394672	1386-171-003
672C	Main Shaft (27 Spline) (GM) used w/ 394585-2.....	394672A	T56-2
672C	Main Shaft (30 Spline) (Viper).....	394672B	1386-171-004
672C	Main Shaft (31 Spline) (Ford).....	394672C	1386-171-005
674D	Cluster Shaft (36-33-28-17) .....	394674AK	1386-410-008
674D	Cluster Shaft (38-34-26-19) .....	394674K	1386-410-007
<b>MISCELLANEOUS COMPONENTS</b>			
771A	Front Adapter Plate (GM) Aftermarket (LT1 w/ 31 T Input Shaft) .....	A394771	1386-672-003
771A	Front Adapter Plate (GM) OEM Style.....	D394771	1386-172-008
463A	Front Quill & Tube (GM Except Corvette) .....	394463	1386-034-001
463A	Front Quill & Tube (Ford Only).....	394463A	1386-034-006
204C	Input Shim Kit.....	394204K	1386-410-009
860F	Reverse Washer Snap Ring .....	394860	1386-139-001
970F	Reverse Wave Spring .....	394970	1386-156-005
N.I.	Shim Kit (Complete).....	394225K	TRKT1371
N.I.	Fork Insert Kit.....	394840K	INSK-T56





453





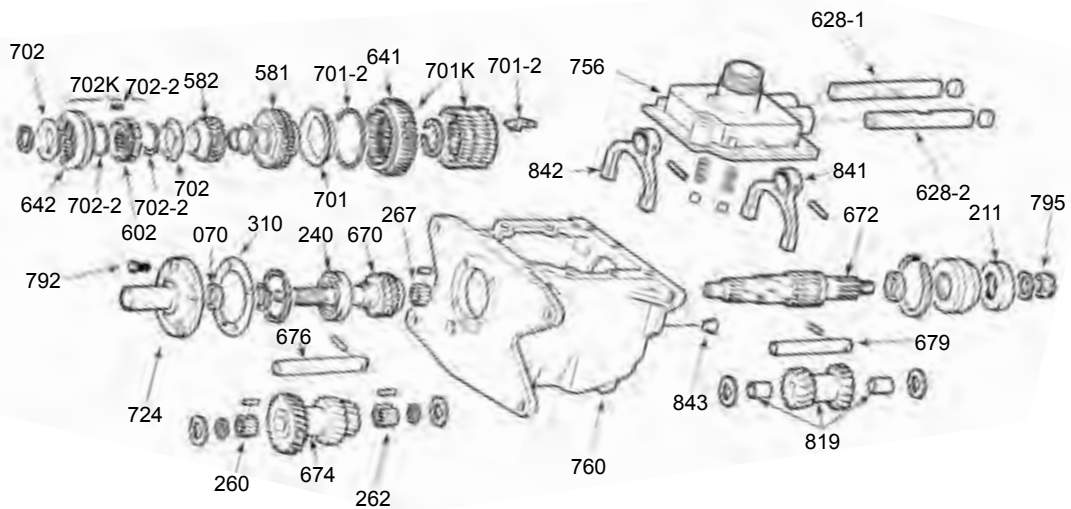
453

ILL NO.	DESCRIPTION	PART NO.	REFERENCE
<b>BEARING KITS</b>		<b>w/o Synchros</b>	<b>w/Synchros</b>
N.I.	AMC .....	BK119	BK119WS
N.I.	Jeep .....	BK119	BK119WS
N.I.	International .....	BK119I	BK119IWS
<b>GASKET KITS</b>			
N.I.	Gasket Kit .....	453000B	90A-55
<b>SEALS</b>			
N.I.	Front Seal (Felt) .....	453070	671
N.I.	Front Seal (International) .....	394070	12363
<b>SMALL PARTS KITS</b>			
N.I.	Small Parts Kit .....	453001B	SP90A-50
<b>BEARINGS</b>			
211B	Rear Bearing .....	342240	6307-N
240B	Input Bearing .....	342210	6208-N
<b>SYNCHRONIZERS</b>			
702KA	2-3 Synchro Assembly .....	453702K	1AT90A-2.5
702A	2-3 Synchro (International) .....	453702	T91H-14
702A	2-3 Synchro (Jeep) .....	453702B	WT243-14F
702-2A	2-3 Synchro Key & Spring Kit .....	453702-2K	T90-K
<b>GEARS</b>			
581A	Low & Reverse Gear (29 Straight T) .....	453581A	T90A-12
582A	2nd Gear (22 T) .....	453582A	AT90A-11
819A	Reverse Idler Gear (Straight) (15 T & 16 T Interchange) .....	453819A	AT90A-10
<b>SHAFTS</b>			
670B	Input Shaft (9") (16 T) .....	453670C	T90E-16
670B	Input Shaft (9 1/8") (18 T) .....	453670B	T90A-16
670B	Input Shaft (11 1/2") (18 T) .....	453670A	T90J-16
672B	Main Shaft (10 1/4") (6 Splines) .....	453672	T90A-2
674A	Cluster Shaft (L 33-26-19-14) .....	453674A	T90A-8
674A	Cluster Shaft (R 33-26-19-14) .....	453674C	T90AA-8
674A	Cluster Shaft (R 35-26-19-14) .....	453674B	T90B-8
676B	Counter Shaft (8 3/16") .....	453676	T86E-3
<b>MISCELLANEOUS COMPONENTS</b>			
290B	Oil Baffle Plate .....	453581A	T90A-136A
<b>NOTES</b>			

A

B

C



T150



326

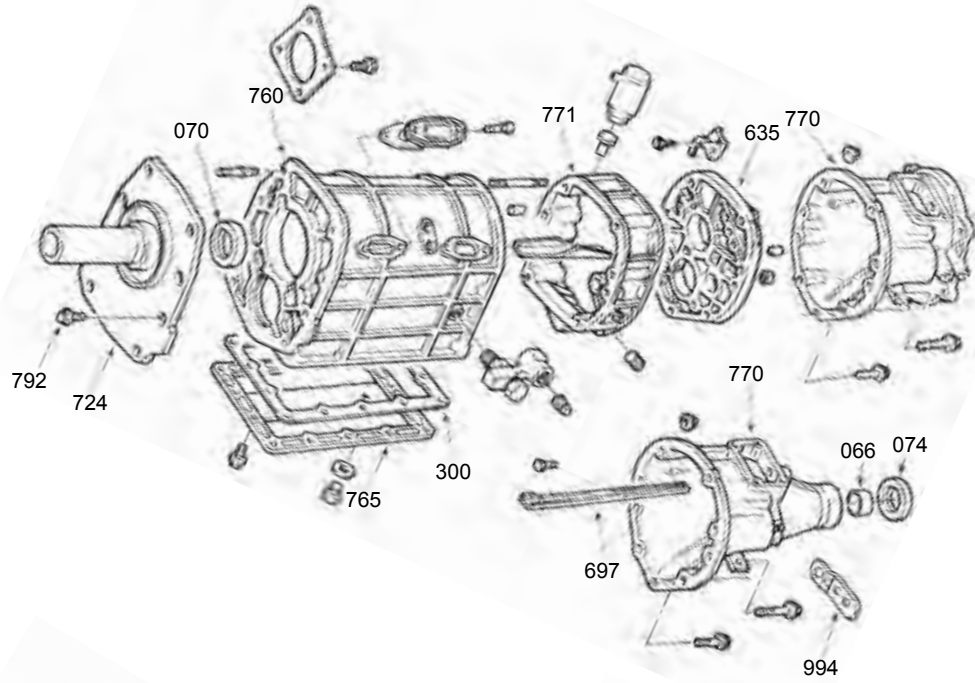
ILL NO.	DESCRIPTION	PART NO.	REFERENCE
<b>BEARING KITS</b>		<b>w/o Synchros</b>	<b>w/Synchros</b>
N.I.	AMC (T150) .....	BK297	BK297WS
N.I.	Dodge (A390).....	BK297	BK297WS
N.I.	Ford (1st Synchro has 36 T, the 2-3 Synchros have 33 T) .....	BK111	BK111WS
N.I.	Ford (All 3 Synchros have 36 T) .....	BK111	BK111AWS
N.I.	GM (1st Synchro has 36 T, the 2-3 Synchros have 33 T).....	BK111	BK111WS
N.I.	GM (All 3 Synchros have 36 T).....	BK111	BK111AWS
N.I.	Jeep (T150).....	BK122	BK122WS
<b>GASKET &amp; SEAL KITS</b>			
N.I.	T150 (Top Shift) .....	326002A	G287T
N.I.	T150 (Side Shift).....	326002	G296TG
N.I.	TREMEC (RAB, RAC, RAN, RAT, HEF, HEG, etc).....	326002	G296TG
<b>SEALS</b>			
070B	Front Seal .....	442070	11111
N.I.	Rear Seal (2wd).....	44074	15041
N.I.	Rear Seal (T150) .....	326074	17726
<b>SMALL PARTS KITS</b>			
N.I.	Small Parts Kit .....	326001B	SP287-50
<b>BUSHINGS</b>			
N.I.	Extension Housing (1.630" OD) (1.0" Wide) .....	44066	WT266-62
N.I.	Extension Housing (1.630" OD) (1.5" Wide) .....	26066	WT259-62
N.I.	Extension Housing (1.700" OD).....	12066	WT243-62B
N.I.	Extension Housing (1.815" OD) .....	36066	N.L.

**T150**

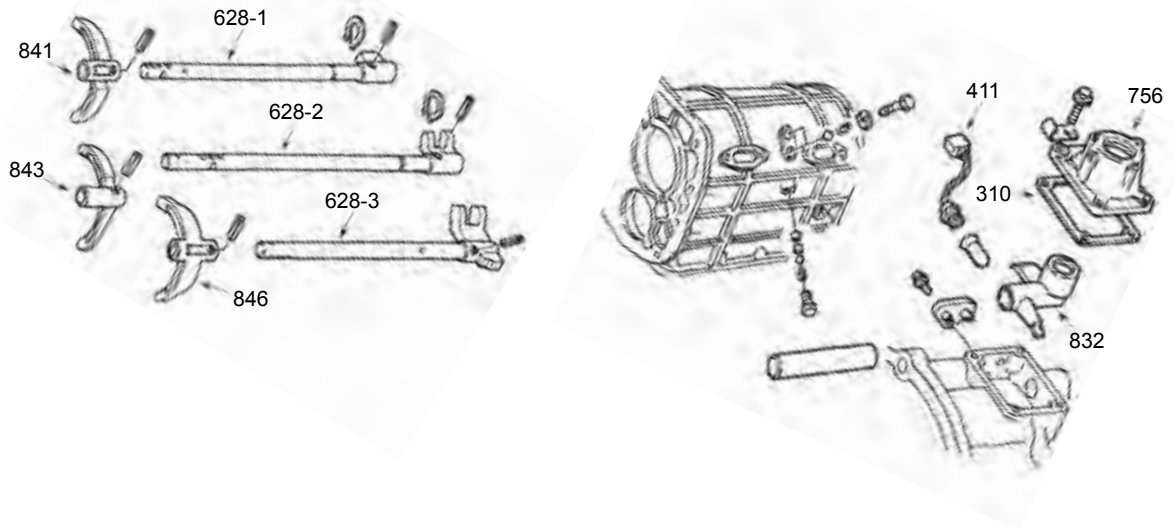
ILL NO.	DESCRIPTION	PART NO.	REFERENCE
<b>BEARINGS</b>			
240B	Input Bearing.....	342210	6208-N
211B	Rear Bearing (21mm Thick) (T150).....	342240	6307-N
211B	Rear Bearing (17mm Thick).....	351268A	6207-N
<b>SLIDERS</b>			
642A	2-3 Slider (33 Engagement Teeth).....	326642	T91J-15
642A	2-3 Slider (36 Engagement Teeth).....	326642A	WT296-15
641A	1st & Reverse Slider.....	326641A	WT299-81
<b>SYNCHRONIZER COMPONENTS</b>			
701KA	1st & Reverse Synchro Assembly.....	326701BK	AWT299-80
701-2A	1st & Reverse Synchro Key & Spring Kit.....	326701-2AK	WT299-K1
701A	1st Synchro (36 Engagement Teeth).....	326701	T91L-14A
702KA	2-3 Synchro Assembly (33 Engagement Teeth).....	326702K	1AT91J-2.5A
702KA	2-3 Synchro Assembly (36 Engagement Teeth).....	326702AK	1AT91K-2.5A
702A	2-3 Synchro (33 Engagement Teeth).....	326702	T91J-14A
702A	2-3 Synchro (36 Engagement Teeth).....	326701	T91L-14A
702-2A	2-3 Synchro Key & Spring Kit (36 Engagement Teeth).....	326702-2AK	WT296-K3
702-2A	2-3 Synchro Key & Spring Kit (33 Engagement Teeth).....	326702-2K	WT150-K
<b>FORKS</b>			
841A	1st & Reverse Fork (Tremec).....	326841	WT299-23
841A	1st & Reverse Fork (T150).....	326841A	WT150-23
842A	2-3 Fork (Tremec) Fits Slider w/ 33 Engagement Teeth).....	326842A	WT299-23A
842A	2-3 Fork (T150).....	326842B	WT150-23A
<b>GEARS</b>			
581A	1st Gear (32 T) (RAT & S36).....	326581B	WT288-12A
581A	1st Gear (32 T).....	326581A	WT299-12
582A	2nd Gear (25 T) (36 Engagement Teeth) (Except RAT).....	326582AA	WT299-11
582A	2nd Gear (25 T) (Straight 25 T - Straight 33 Engagement Teeth).....	326582BA	WT300-11
582A	2nd Gear (25 T) (Left Angled 25 T - Straight 33 Engagement Teeth).....	326582CA	WT288-11C
819C	Reverse Idler Gear (19 T / 17 T).....	326819A	AWT299-10
<b>SHAFTS</b>			
670B	Input Shaft (8 3/4") (33 Engagement Teeth) (Except RAT).....	326670C	WT299-16
670B	Input Shaft (8 15/16") (33 Engagement Teeth) (Late RAT).....	326670AB	WT288-16D
670B	Input Shaft (8 15/16") (36 Engagement Teeth) (Early RAT).....	326670AA	WT300-16
670B	Input Shaft (9 5/8") (T150).....	326670B	WT150-16Q
672B	Main Shaft (4wd 11 1/4") (32, 37, 6 Splines) (T150).....	326672A	WT150-2P
674C	Cluster Shaft (28-20-15) (RAN, T150).....	326674B	WT299-8
674C	Cluster Shaft (28-20-15) (RAT).....	326674A	WT300-8
676C	Counter Shaft (6 9/32").....	326676A	WT287-3A
676C	Counter Shaft (6 15/32").....	326676	WT287-3
676C	Counter Shaft (6 15/16").....	326676B	WT288-3
<b>MISCELLANEOUS COMPONENTS</b>			
795B	Main Shaft Nut (T150).....	326795	WT275-90
N.I.	Speedometer Gear (6 T) Green.....	366997A	T18-169A
N.I.	Speedometer Gear (7 T) Yellow.....	366997	T18-169
N.I.	Speedometer Gear (8 T) Brown.....	366997B	T18-169D

TK4, TK5

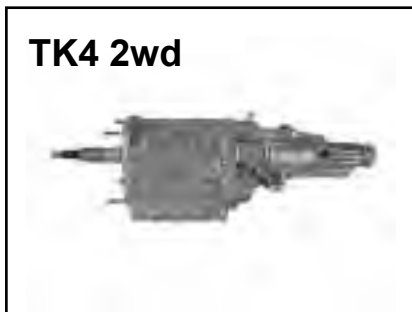
A



B



TK4 2wd

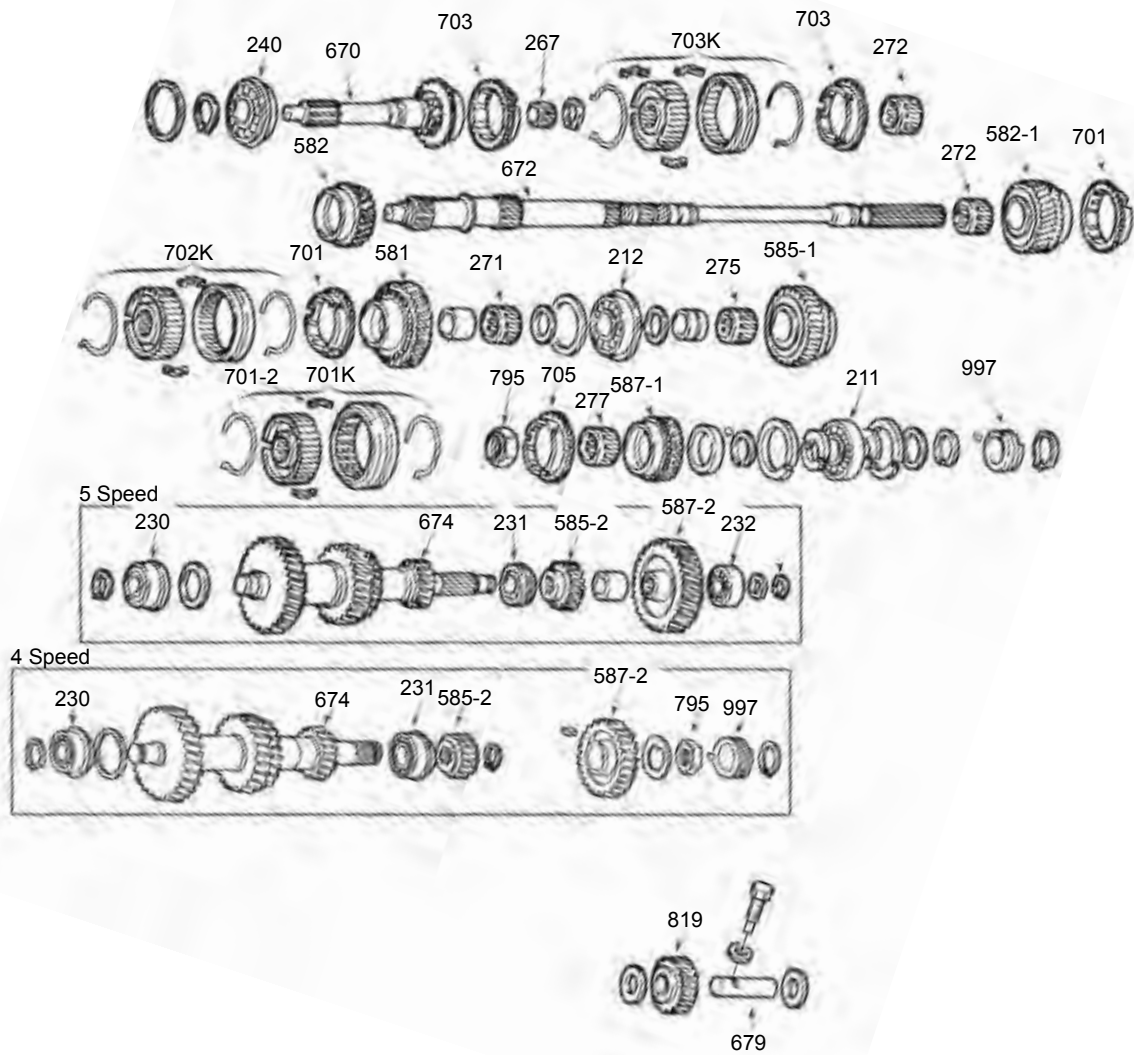


TK4 4wd



336

TK4, TK5



C  
D  
E  
F  
G

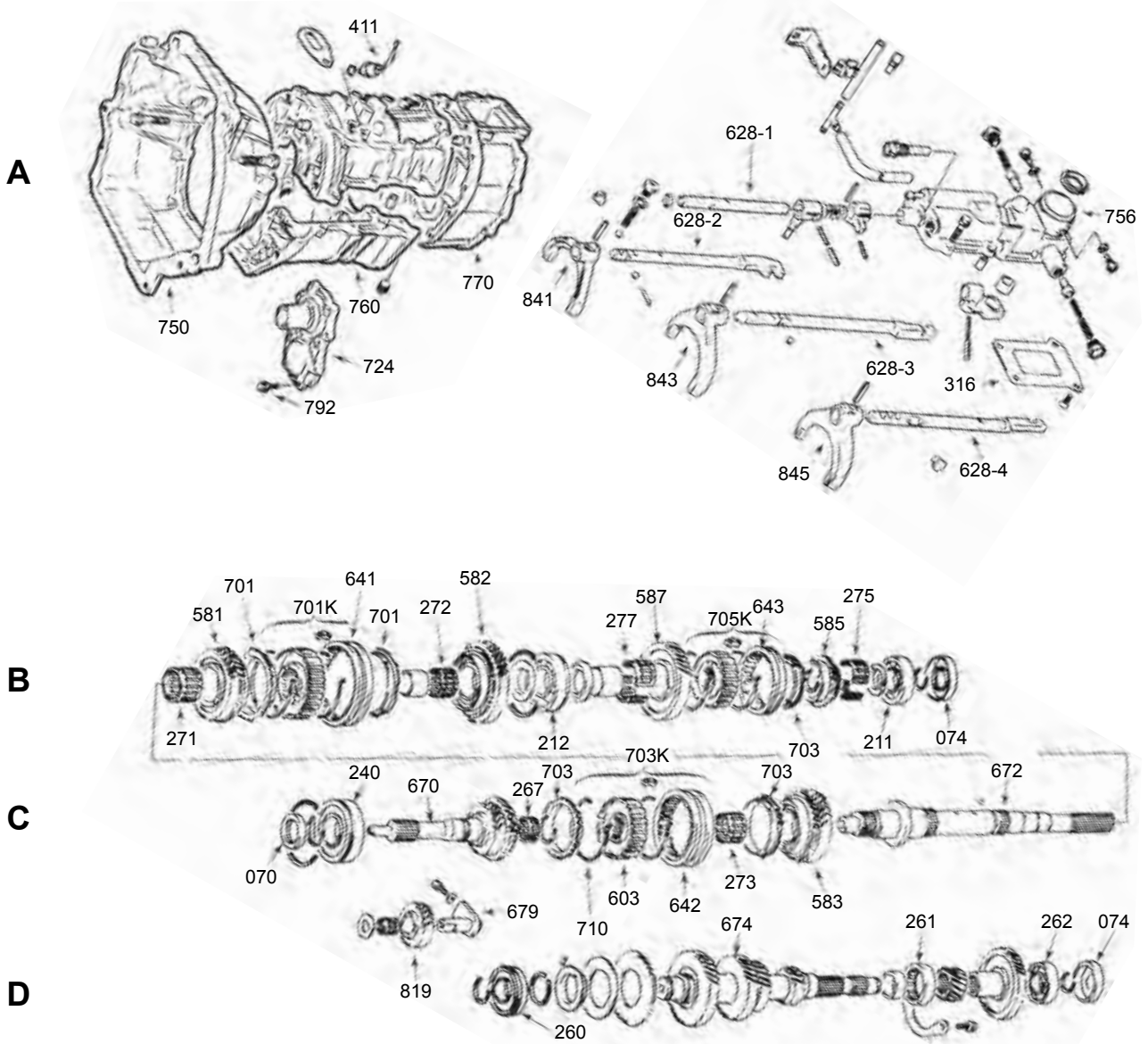


**336**



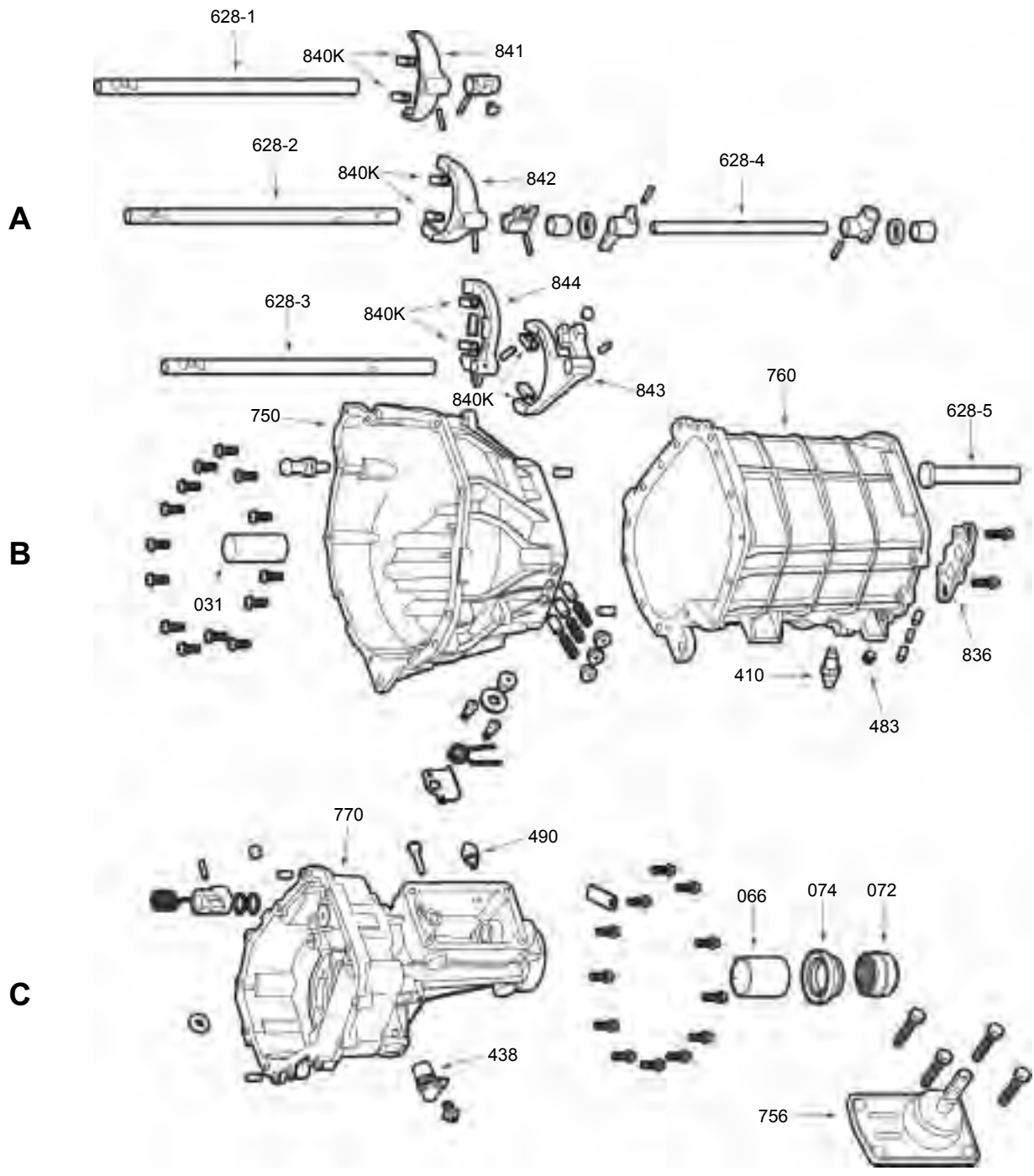
ILL NO.	DESCRIPTION	PART NO.	REFERENCE
<b>BEARING KITS</b>		<b>w/o Synchronos</b>	<b>w/Synchronos</b>
N.I.	TK4 (4 Speed) Gas .....	BK143	BK143WS
N.I.	TK4D (4 Speed) Diesel .....	BK137AD	BK137ADWS
N.I.	TK5 (5 Speed) Gas (30 T Synchronos) (83-85) .....	BK144	BK144WS
	.....Externally Mounted Hydraulic Slave Cylinder .....		
N.I.	TK5 (5 Speed) Gas (42 T Synchronos) (85-87) .....	BK144	BK144LWS
	..... Internally Mounted Hydraulic Slave Cylinder .....		
N.I.	TK5D (5 Speed) Diesel .....	BK137D	BK137DWS
<b>GASKET &amp; SEAL KITS</b>			
N.I.	Gasket & Seal Kit .....	336002	G150F
<b>SEALS</b>			
070A	Front Seal .....	336070	10640
074B	Rear Seal (2wd) 1.500" OD .....	336074	1623
074B	Rear Seal (2wd) 1.570" OD .....	384074	2655
<b>BUSHINGS</b>			
066B	Extension Housing (1.505" OD) .....	336066	RANGER-62
066B	Extension Housing (1.580" OD) .....	336066A	RANGER-62A
<b>BEARINGS</b>			
230G	Cluster Bearing (Front) .....	362230A	25BJ05NRNC2
231G	Cluster Bearing (Center) (5 Speed) .....	336231	25M5820
232G	Cluster Bearing (Rear) .....	336214	63/22N
240C	Input Bearing .....	342240	6307-N
267C	Pocket Bearing .....	336267	K20/28/20
212E	Main Shaft Bearing (Center) .....	336269	63/32RZNA1C
211F	Main Shaft Bearing (Rear) .....	336271	63/28N
<b>SYNCHRONIZER COMPONENTS</b>			
701D,E	1-2 Synchro (30 T) .....	336701	MAZ-14C
701D,E	1-2 Synchro Ring(42 T) .....	476701	M5R2-14E
703C	3-4 Synchro (30 T) .....	336701	MAZ-14C
703C	3-4 Synchro Ring (42 T) .....	476701	M5R2-14E
705F	5th Synchro .....	336705	MAZ-14B
<b>SHAFTS</b>			
670C	Input Shaft (19 T) 10 1/4" (1984-85) (Use w/ 30 T Synchronos) .....	336670A	TK5-16A
670C	Input Shaft (19 T) 10 1/4" (1986-87) (Use w/ 42 T Synchronos) .....	336670B	TK5-16B
670C	Input Shaft (19 T) 11 1/2" (1984) .....	336670	TK5-16
672D	Main Shaft (4wd) Requires Updated Shim Kit (86-87) .....	336672	TK5-2
674G	Cluster Shaft (31-27-22-14) .....	336674	TK5-8
<b>MISCELLANEOUS COMPONENTS</b>			
795F	Main Shaft Nut .....	336795	D67Z7045A
N.I.	Main Shaft Shim Kit (4wd) (Updated) .....	336205K	E6TZ7B331A
N.I.	Shifter Assembly, Complete (TK5) .....	336625	TK5-STICK
N.I.	Shifter .....	336831	E7TZ7210S

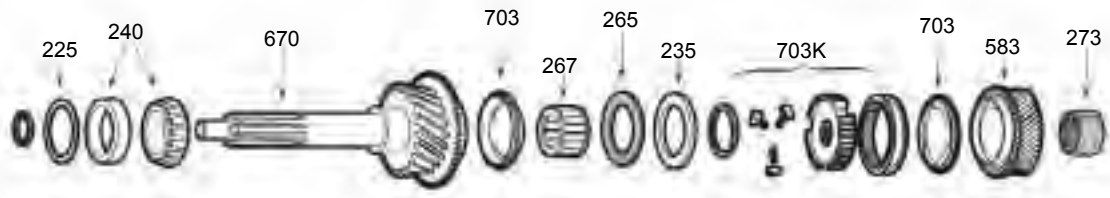
NOTES



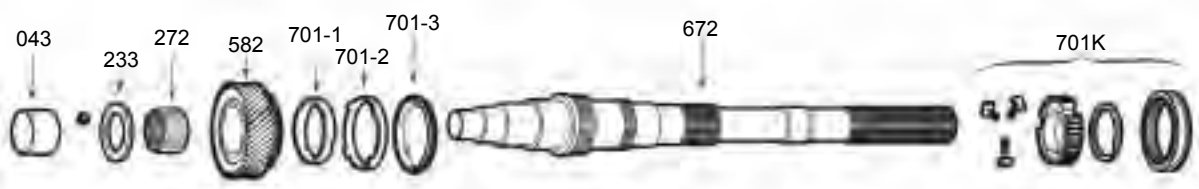
**456**

ILL NO.	DESCRIPTION	PART NO.	REFERENCE
<b>BEARING KITS</b>		<b>w/o Synchros</b>	<b>w/Synchros</b>
N.I.	2wd (Uses 65mm OD Main Shaft Center Bearing) .....	BK293C	BK293CWS
N.I.	4wd (Uses 72mm OD Main Shaft Center Bearing) .....	BK293A	BK293AWS
N.I.	4wd (Uses 65mm OD Main Shaft Center Bearing) .....	BK293B	BK293BWS
N.I.	4wd (Uses 72mm OD Main Shaft Center Bearing) .....	BK293	BK293WS
N.I.	Transfer Case (G130) (Uses 72mm OD Input Bearing) (Automatic Trans) .....	BK236A	N.L.
N.I.	Transfer Case (G130) (Uses 80mm OD Input Bearing) (Manual Trans) .....	BK236B	N.L.
<b>SEALS</b>			
070C	Front Seal (Early) (to 6/1998) .....	456070	9720
070C	Front Seal (Late) (Except 1.6L Engine) (6/98-Up) .....	456070A	11043
070C	Front Seal (Late) (1.6L Engine) (6/98-Up) .....	456070	9720
074D	Rear Seal (2wd) (87-98) .....	456074	32/42/10
074D	Rear Seal Counter Shaft (87-98) .....	456074A	5211
N.I.	Adapter Seal (4wd) (87-98) .....	456077	9795
<b>BUSHINGS</b>			
N.I.	Extension Housing (1.580" OD) .....	456066A	N.L.
<b>BEARINGS</b>			
261D	Counter Shaft Bearing (Center) .....	303211	205
211B	Main Shaft Bearing (Rear) (25mm ID) (98-Up) .....	456211A	6305-N
211B	Main Shaft Bearing (Rear) (30mm ID) (87-98) .....	456211	6306-N
212B	Main Shaft Bearing (Center) (25mm ID) (87-98) .....	456211A	6305-N
212B	Main Shaft Bearing (Center) (30mm ID) (98-Up) .....	456212A	SC06897N
260D	Counter Shaft Bearing (Front) .....	336260	62/28N
262D	Counter Shaft Bearing (Rear) .....	476262	6304-N
267C	Pocket Bearing (Sidekick) (87-98) .....	336267B	K20/26/17
267C	Pocket Bearing (Tracker) (98-Up) .....	336267A	K20/27.5/165
240C	Input Bearing .....	336271	63/28N
<b>SLIDERS</b>			
643B	5th-Reverse Slider .....	456643	91172177
<b>SYNCHRONIZERS</b>			
701B	1-2 Synchro .....	456701	SUZ-14
703C	3-4-5 Synchro .....	456703A	SUZ-14B
<b>GEARS</b>			
585B	5th Gear Main Shaft (25 T) .....	456585	96058164
587B	Reverse Gear (41 T) .....	456587	24681-60A00
<b>SHAFTS</b>			
670C	Input Shaft (7 1/2") (.390" OD Pilot) .....	456670A	TRACKER-16
670C	Input Shaft (8") (.590" OD Pilot) .....	456670B	TRACKER-16A
670C	Input Shaft (8 1/2") (.390" OD Pilot) .....	456670C	24110-66D01
674D	Cluster Shaft (35-32-25-15) (No ID Grooves, .945" OD Rear Splines) .....	456674A	24131-60A05
674D	Cluster Shaft (35-32-25-15) (One ID Grooves, .931" OD Rear Splines) .....	456674B	TRACKER-8A
<b>BEARING RETAINERS</b>			
724A	Retainer, Front (1.6L, 1.8L) (89-98) .....	456724	96059691
724A	Retainer, Front (2.0L) (98-04) .....	456724A	91174554
N.I.	Shifter Seat .....	456832	96058384
N.I.	Shifter Bushing .....	456330	96067099
N.I.	Transfer Case Chain .....	HV-110	HV110

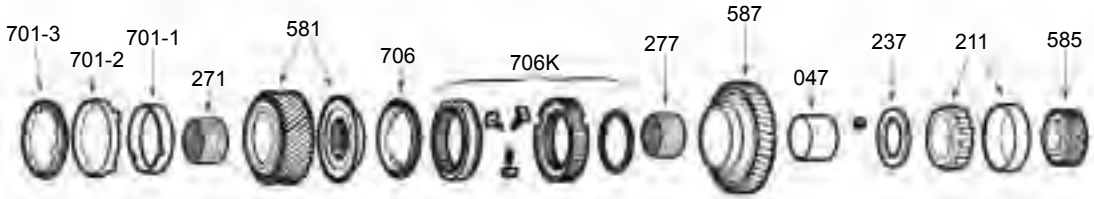




D



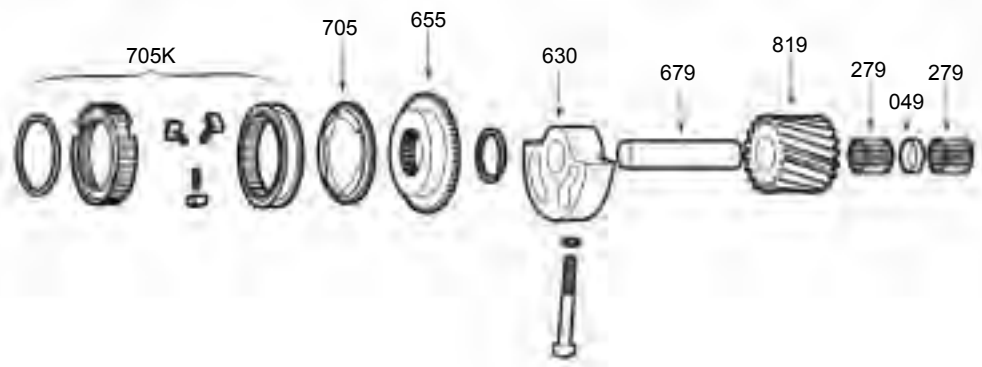
E



F



G



H

# TR-3650

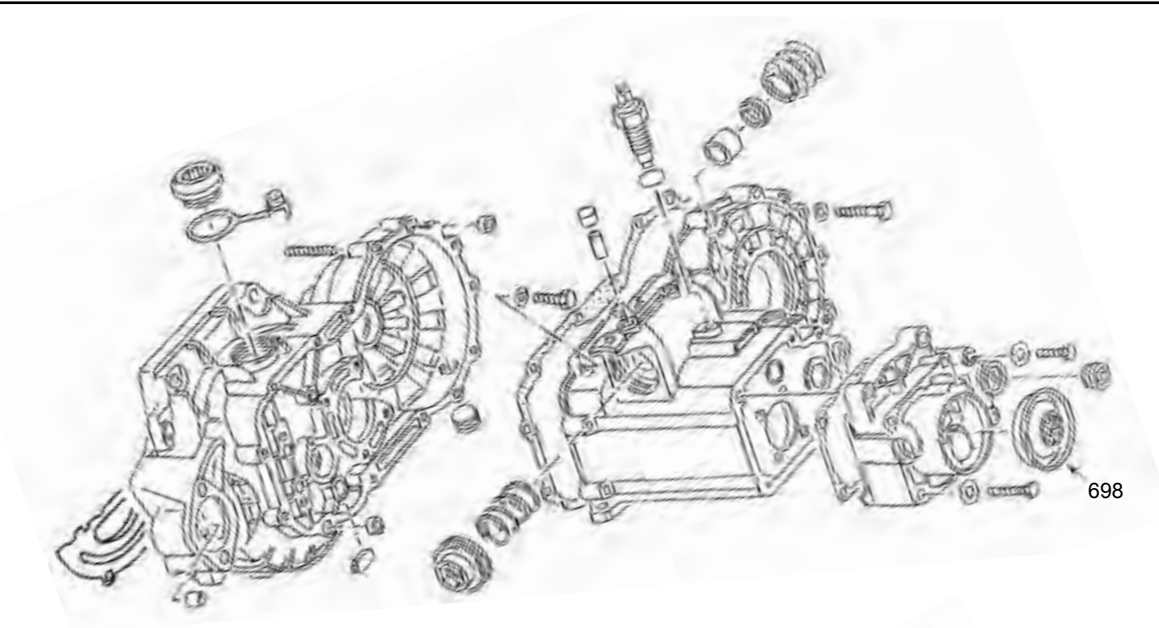
TR-3650

ILL NO.	DESCRIPTION	PART NO.	REFERENCE
<b>BEARING KITS</b>		<b>w/o Synchros</b>	<b>w/Synchros</b>
N.I.	Cast "CCCA1271AG" .....	BK255	BK255WS
<b>GASKET &amp; SEAL KITS</b>			
N.I.	Cast "CCCA1271AG" .....	416002	N.L.
<b>SEALS</b>			
074C	Seal, Rear .....	416071	N.L.
072C	Seal, Output Splines .....	416072	N.L.
<b>BUSHINGS</b>			
066C	Bushing, Extension Housing .....	416066	N.L.
043E	Bushing, Main Shaft 3rd Gear.....	416043	N.L.
047F	Bushing, Reverse Gear.....	416047	N.L.
049H	Spacer, Reverse Idler Gear .....	416049	N.L.
<b>WASHERS &amp; SHIMS</b>			
233E	Washer, Main Shaft 3rd Gear .....	416233	N.L.
236G	Washer, Counter Shaft 5th Gear.....	416236	N.L.
235D	Washer, Input Thrust.....	416235	N.L.
237F	Washer, Reverse Gear .....	416237	N.L.
206G	Shim, Counter Shaft.....	416206	N.L.
226G	Spacer, Counter Shaft 5th Gear Bearing .....	416226	N.L.
225D	Shim, Input (0.550mm) .....	416225	N.L.
225D	Shim, Input (0.610mm) .....	416225A	N.L.
225D	Shim, Input (0.660mm) .....	416225B	N.L.
225D	Shim, Input (0.710mm) .....	416225C	N.L.
225D	Shim, Input (0.760mm) .....	416225D	N.L.
225D	Shim, Input (0.860mm) .....	416225E	N.L.
225D	Shim, Input (0.960mm) .....	416225F	N.L.
225D	Shim, Input (1.040mm) .....	416225G	N.L.
<b>BEARINGS &amp; RACES</b>			
211F	Bearing & Race, Main Shaft 5th Gear Rear.....	416211	N.L.
240D	Bearing/Race, Input .....	416240	N.L.
260G	Bearing, Front Counter Shaft.....	416260	N.L.
262G	Bearing, Rear Counter Shaft.....	416262	N.L.
267D	Bearing, Input Pocket.....	416267	N.L.
271F	Needle Bearing, Main Shaft 1st Gear .....	416273	N.L.
272E	Needle Bearing, Main Shaft 2nd Gear.....	416273	N.L.
273D	Needle Bearing, Main Shaft 3rd Gear.....	416273	N.L.
275G	Needle Bearing, Counter Shaft 5th Gear .....	416275	N.L.
277F	Needle Bearing, Main Shaft Reverse Gear.....	416273	N.L.
279H	Needle Bearing, Reverse Idler Gear.....	416279	N.L.
<b>FORKS</b>			
841A	Shift Fork, 1-2 (Incl Inserts).....	416841	N.L.
842A	Shift Fork, 3-4 (Incl Inserts).....	416842	N.L.
843A	Shift Fork, 5-R (Incl Inserts).....	416843	N.L.
844A	Shift Fork, Reverse (Incl Inserts) .....	416844	N.L.
840KA	Shift Fork Pad Kit.....	416840K	N.L.
<b>GEARS</b>			
587F	Reverse Gear (Tag #'s TCET1265, 1789) .....	416587	N.L.
587F	Reverse Gear (Tag #'s TCET1858, 1903, 1925, 1986) .....	416587A	N.L.
581F	Main Shaft, 1st Gear Assembly (Tag #'s TCET1265, 1789) .....	416581	N.L.
581F	Main Shaft, 1st Gear Assembly (Tag #'s TCET1858, 1903) .....	416581A	N.L.
582E	Main Shaft, 2nd Gear Assembly .....	416582	N.L.
583D	Main Shaft, 3rd Gear Assembly .....	416583	N.L.
585F	Main Shaft, 5th Gear (Tag #'s TCET1265, 1868).....	416585	N.L.
585F	Main Shaft, 5th Gear (Tag #'s TCET1789, 1903, 1925).....	416585A	N.L.
585F	Main Shaft, 5th Gear (Tag # TCET1986) .....	416585B	N.L.
585-1F	Counter Shaft, 5th Gear (Tag #'s TCET1265, 1858).....	416585-1	N.L.
585-1F	Counter Shaft, 5th Gear (Tag #'s TCET1789, 1903, 1925).....	416585-1A	N.L.
585-1F	Counter Shaft, 5th Gear (Tag # TCET1986) .....	416585-1B	N.L.

ILL NO.	DESCRIPTION	PART NO.	REFERENCE
<b>SHAFTS</b>			
679H	Shaft, Reverse Gear .....	416679	N.L.
670D	Input Shaft.....	416670	N.L.
672E	Main Shaft (Tag #'s TCET1265, 1789, 1903, 1925, 1986).....	416672	N.L.
672E	Main Shaft (Tag #'s TCET1858).....	416672A	N.L.
674G	Counter Shaft.....	416674	N.L.
<b>SYNCHRONIZER ASSEMBLIES*</b>			
701KE	1-2 Synchro Assembly .....	416701K	N.L.
703KD	3-4 Synchro Assembly .....	416703K	N.L.
705KH	5th Synchro Assembly (Tag #'s TCET1265, 1858) .....	416705K	N.L.
705KH	5th Synchro Assembly (Tag #'s TCET1789, 1903, 1925) .....	416705AK	N.L.
705KH	5th Synchro Assembly (Tag # TCET1968).....	416705BK	N.L.
706KF	Reverse Synchro Assembly.....	416706K	N.L.
	* Assemblies Include Hub, Slider, Keys, Spring & Snap Ring.....		
<b>SYNCHRONIZER COMPONENTS</b>			
701-1E,F	1-2 Synchronizer (Inner) .....	416701-1	N.L.
701-2E,F	1-2 Synchronizer (Center) (w/ Friction Lining) .....	416701-2	N.L.
701-3E,F	1-2 Synchronizer (Outer) .....	416701-3	N.L.
703D	3-4 Synchro.....	416703	N.L.
705H	5th Synchro.....	416705	N.L.
706F	Reverse Synchro .....	416706	N.L.
<b>MISCELLANEOUS COMPONENTS</b>			
750B	Bell Housing (Tag # TCET1858) .....	416750A	N.L.
750B	Bell Housing (Tag #'s TCET1265, 1789, 1903, 1925, 1986).....	416750	N.L.
490C	Breather, Extension Housing .....	416490	N.L.
760B	Case .....	416760	N.L.
655H	Clutch Cone, Counter Shaft 5th Gear .....	416655	N.L.
770C	Extension Housing .....	416770	N.L.
483B	Filler Plug.....	416483	N.L.
836B	Interlock Support.....	416836	N.L.
628-5A	Rail, Reverse Inhibitor.....	416628-5	N.L.
819H	Reverse Idler Gear (Tag #'s TCET1265, 1868) .....	416819	N.L.
819H	Reverse Idler Gear (Tag #'s TCET1858, 1903, 1925, 1986) .....	416819A	N.L.
628-4A	Selector Rail.....	416628-4	N.L.
756C	Shift Lever Assembly .....	416756	N.L.
628-1A	Shift Rail, 1-2 .....	416628-1	N.L.
628-2A	Shift Rail, 3-4 .....	416628-2	N.L.
628-3A	Shift Rail, 5-R.....	416628-3	N.L.
438C	Speed Sensor (exc Tag # TCET1858).....	416438	N.L.
997G	Speedo Gear (exc Tag # TCET1858) .....	416997	N.L.
630H	Support, Reverse Idler Gear Shaft.....	416630	N.L.
410B	Switch, Back-Up Light.....	416410	N.L.

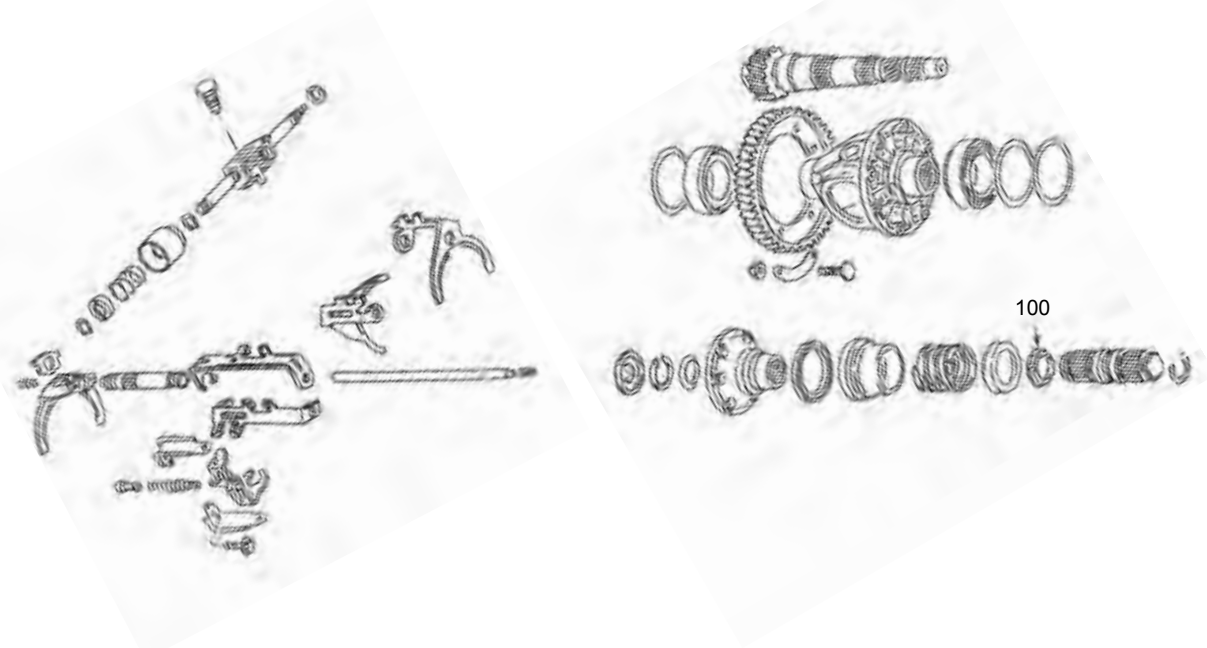


A



698

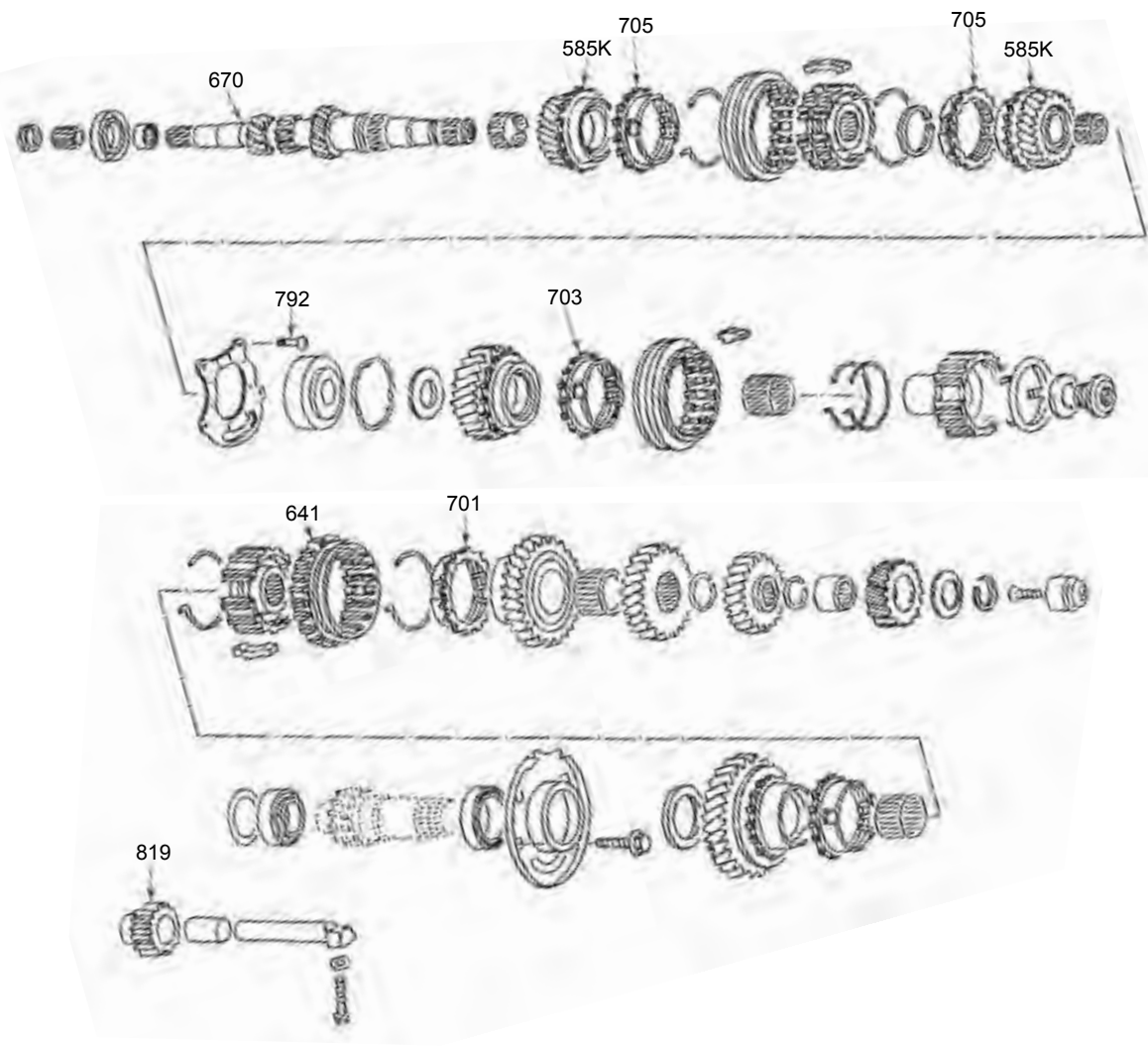
B



100



395



C

D

E

F

# VW 020

VW 020

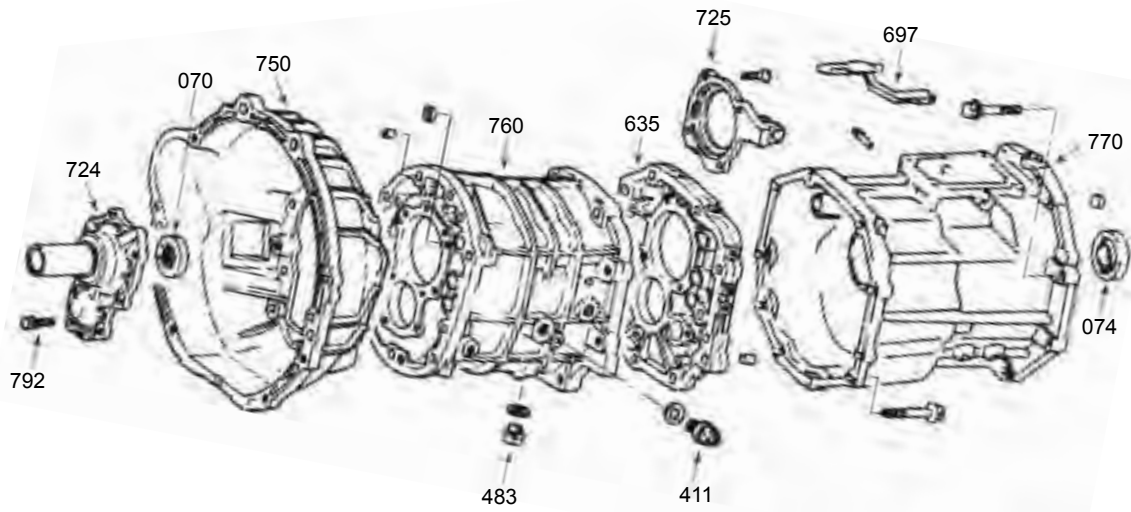
ILL NO.	DESCRIPTION	PART NO.	REFERENCE
<b>BEARING KITS</b>		<b>w/o Synchros</b>	<b>w/Synchros</b>
N.I.	VW 020 (4 Speed) .....	BK411	BK411WS
N.I.	VW 020 (5 Speed) (25mm ID Rear Input Bearing) (Early Models - NLA) .....	BK413	BK413WS
N.I.	VW 020 (5 Speed) (26mm ID Rear Input Bearing) .....	BK412	BK412WS
	.....30mm OD Caged Roller Input Bearing .....		
N.I.	VW 020 (5 Speed) (26mm ID Rear Input Bearing) .....	BK412A	BK412AWS
	.....32mm OD Caged Roller Input Bearing .....		
<b>GASKET KITS</b>			
N.I.	VW4 (4 Speed) (75-Up) .....	395002A	020-398-001F
N.I.	VW5 (5 Speed) (75-81) .....	395002	020-398-001B
N.I.	VW5 (5 Speed) (82-94 8 Valve Motor) .....	395002A	020-398-001F
N.I.	VW5 (5 Speed) (95-Up 8 Valve Motor) (90-Up 16 Valve Motor) .....	395002B	020398-001FA
<b>BEARINGS &amp; RACES</b>			
N.I.	Input Bearing VW4 (4 Speed) .....	395240C	F52867
N.I.	Input Bearing VW5 (5 Speed) (75-81) .....	395240C	F52867
N.I.	Input Bearing VW5 (5 Speed) (82-94) 8 Valve Motor .....	395240C	F52867
N.I.	Input Bearing VW5 (5 Speed) (95-Up) 8 Valve Motor .....	395240	F203122
N.I.	Input Bearing VW5 (5 Speed) (90-Up) 16 Valve Motor .....	395240	F203122
N.I.	Rear Input Bearing (4 Speed) .....	395240D	538367A
N.I.	Rear Input Bearing (5 Speed) (28mm ID) (75-81) .....	395240A	536906B
N.I.	Rear Input Bearing (5 Speed) (26mm ID) (82-94) .....	395240B	536906C
N.I.	Rear Pinion Bearing Cone (4 & 5 Speed) (75-99) .....	395267	LM78310A & 49
N.I.	Rear Pinion Bearing Cup (4 & 5 Speed) (75-99) .....	395267	LM78310A & 49
N.I.	Differential Bearing Cone (4 & 5 Speed) (75-99) .....	395220	LM29710 & 49
N.I.	Differential Bearing Cup (4 & 5 Speed) (75-99) .....	395220	LM29710 & 49
N.I.	Front Pinion Bearing (4 & 5 Speed) (75-99) .....	395267A	SET8
<b>SLIDERS</b>			
641E	1-2 & Reverse Gear Slider (38 T Rabbit & Jetta) .....	395641	VW-36
<b>SYNCHRONIZER COMPONENTS</b>			
701E	1-2 Synchro .....	395701	VW-14
703D	3-4 Synchro .....	395701	VW-14
705C	5th Synchro .....	395701	VW-14
<b>GEARS</b>			
585KC	5th Gear Set (Rabbit & Jetta) .....	395585K	VW-5
	.....(Groove 1/8" from the Inner Spline of the Small Gear) .....		
585KC	5th Gear Set (Rabbit & Jetta) (Machined for Retaining Clip) .....	395585AK	VW-5A
	.....(.120" Recess 1/4" Wide near the Inner Spline of the Small Gear) .....		
819F	Reverse Idler Gear (Rabbit & Jetta) .....	395819	VW-10
<b>SHAFTS</b>			
670C	Input Shaft (11-12-18) (12", 28 Spline, 2 ID Grooves) .....	395670	VW-16
<b>MISCELLANEOUS COMPONENTS</b>			
100B	Differential Friction Ring (Limited Slip) .....	395100	020-409-374
698A	Rear Access Cap (Green Metal) .....	395698	020-141-073A
792D	Rear Retainer Bolt .....	395792	N-906-984-01



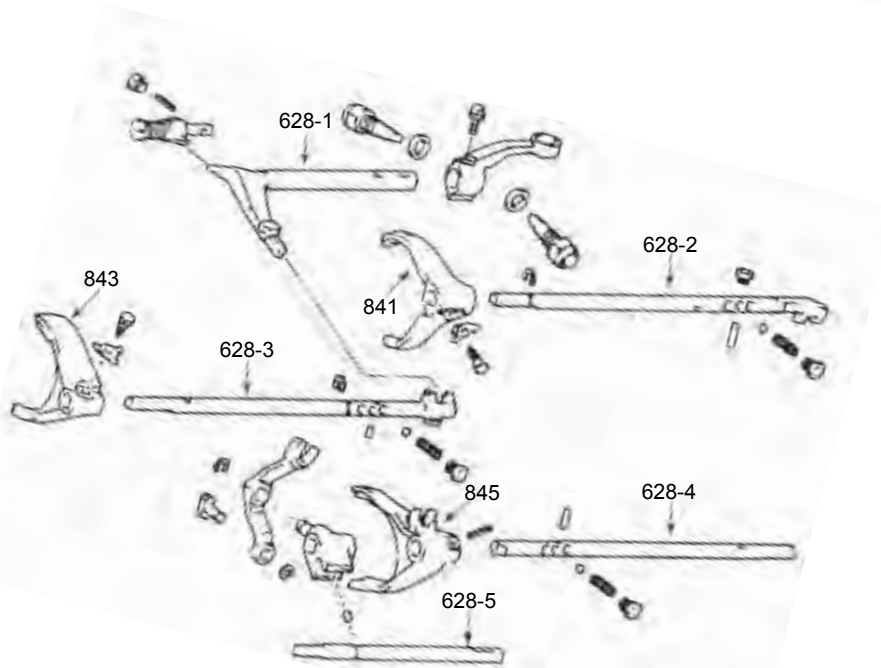
# W55, W56, W58, W59

W55, W56, W58, W59

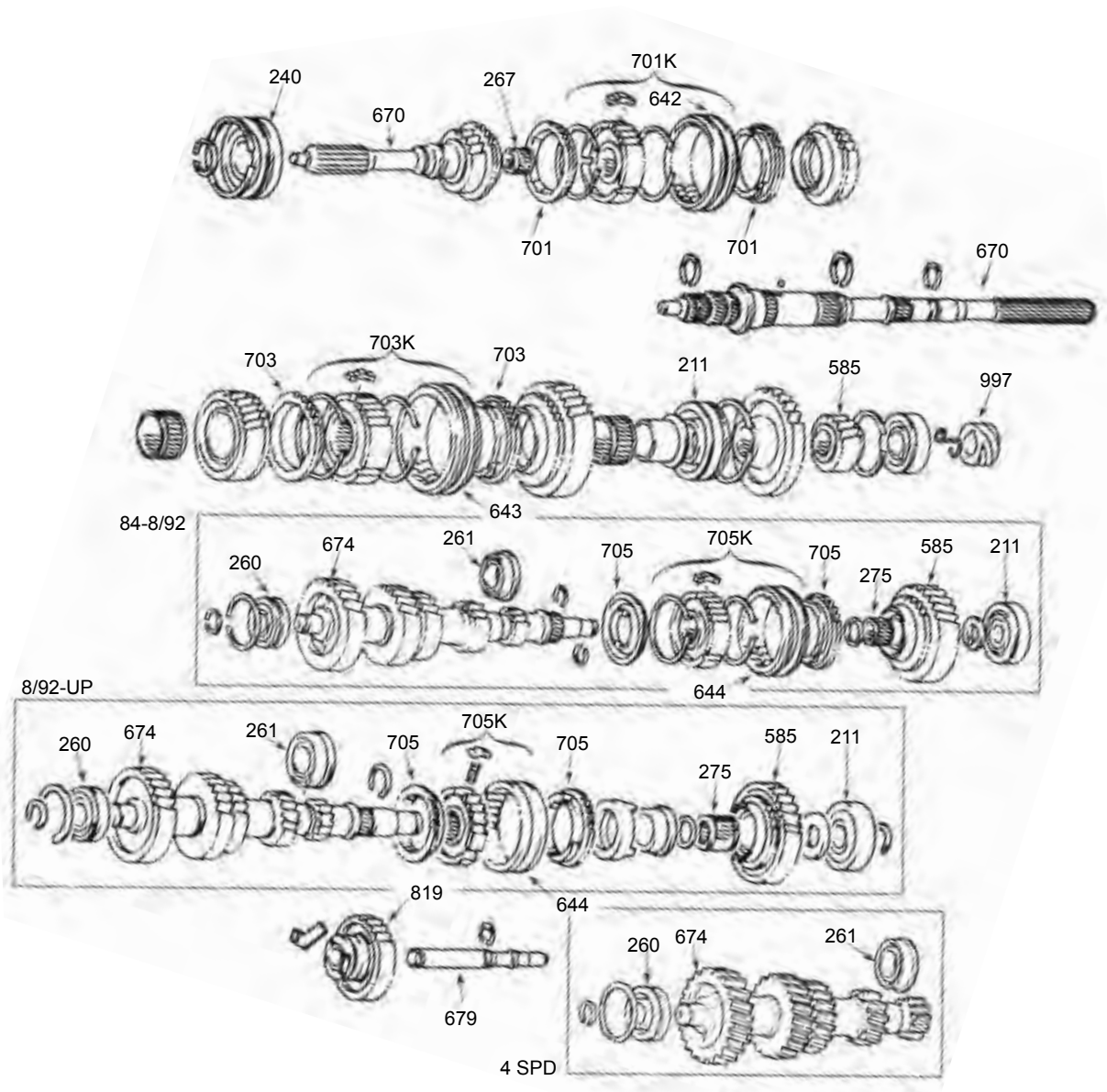
**A**



**B**



**337**



C

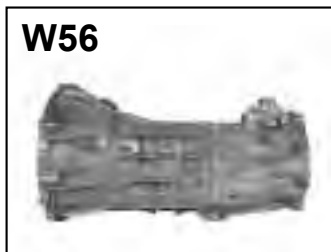
D

E

F

G

H



# W55, W56, W58, W59

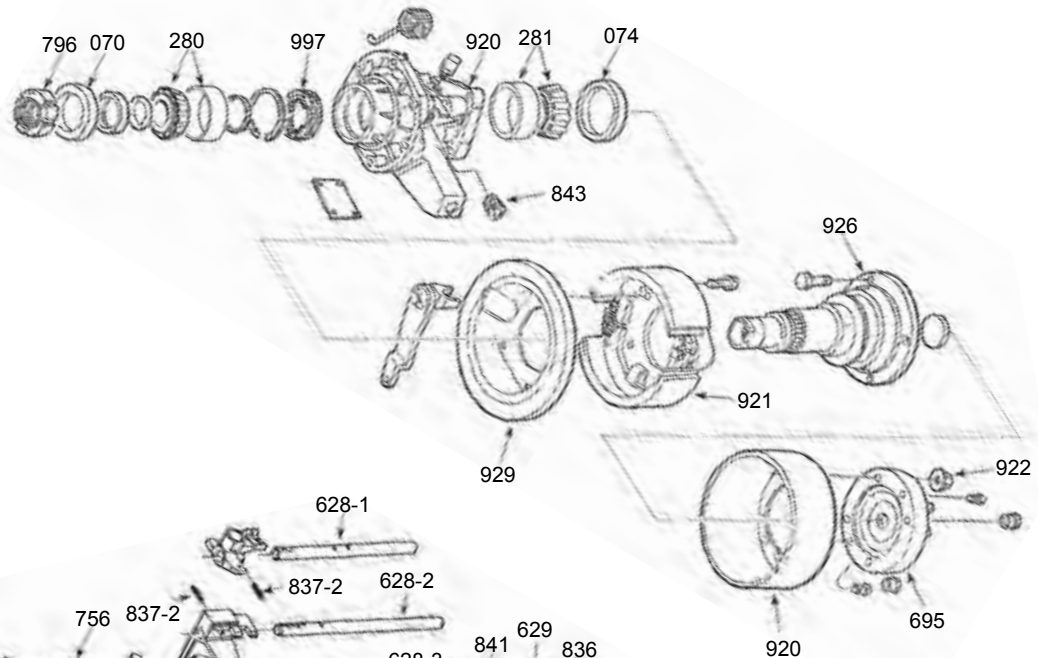
W55, W56, W58, W59

ILL NO.	DESCRIPTION	PART NO.	REFERENCE
<b>BEARING KITS</b>		<b>w/o Synchronos</b>	<b>w/Synchronos</b>
N.I.	4Runner (2.4L) (84-91) (Truck has Original Input Shaft) .....	BK162	BK162WS
N.I.	4Runner (2.4L) (84-91) (Truck has an OE Replacement Input Shaft) .....	BK162A	BK162AWS
N.I.	4Runner (2.4L) (92-94) .....	BK162B	BK162BWS
N.I.	4Runner (2.7L) (96-00) .....	BK162B	BK162CWS
N.I.	Celica (2.4L) (78-85) .....	BK162	BK162WS
N.I.	Cressida (2.8L) (83-88) .....	BK162	BK162WS
N.I.	Lexus IS300 (3.0L) (02-05) .....	BK162B	BK162CWS
N.I.	Lexus SC300 (3.0L) (91-97) .....	BK162B	BK162CWS
N.I.	Supra (2.8L) (82-85) .....	BK162	BK162WS
N.I.	Supra (3.0L) (86-91) .....	BK162	BK162WS
N.I.	Supra (3.0L) (92-97) .....	BK162B	BK162CWS
N.I.	T100 (2.7L) (94-98) .....	BK162B	BK162CWS
N.I.	Tacoma (2.4L) (95-04) .....	BK162B	BK162BWS
N.I.	Tacoma (2.7L) (95-04) .....	BK162B	BK162CWS
N.I.	Toyota Pickup (2.4L) (83-91) (Truck has Original Input Shaft) .....	BK162	BK162WS
N.I.	Toyota Pickup (2.4L) (83-91) (Truck has an OE Replacement Input Shaft) .....	BK162A	BK162AWS
N.I.	Toyota Pickup (2.4L) (92-95) .....	BK162B	BK162CWS
<b>GASKET &amp; SEAL KITS</b>			
N.I.	Gasket & Seal Kit .....	337002	GW56
<b>SEALS</b>			
070A	Front Seal .....	372070	11615
074A	Rear Seal (2wd) .....	462074A	14730
N.I.	Adapter Seal (4wd) .....	317077	12745
<b>BUSHINGS</b>			
N.I.	Extension Housing (1.670" OD) .....	57066A	W50-62
N.I.	Extension Housing (1.725" OD) .....	462066	M29-9-44
<b>BEARINGS &amp; RACES</b>			
240C	Input Bearing (Updated) .....	337287A	B35-151NXC3
240C	Input Bearing (W59 Only) (91-Up) .....	337287	35TM11NX1
240C	Input Shaft Bearing .....	342240	6307-N
211E	Main Shaft Bearing (Rear) .....	342240	6307-N
211E	Main Shaft Bearing (Rear) w/ Outer Race (84-91) .....	337211	L28-3
211E	Main Shaft Bearing (Rear) No Outer Race (91-Up) .....	337211A	L28-4
261F	Counter Shaft Bearing (Center) (84-10/91) .....	337261	30RFSNR
261F	Counter Shaft Bearing (Center) (11/91-Up) .....	337261A	P30RFSNRW2S
211F	Counter Shaft Bearing (Rear) .....	337261B	DG2263Z
267C	Pocket Bearing .....	337267	19VP3124A
<b>SLIDERS</b>			
642C	3-4 Slider .....	337642	W56-117
<b>FORKS</b>			
843B	3-4 Fork .....	337843	W56-23A
<b>GEARS</b>			
585E,F	5th Gear Set .....	337585K	W56-5
<b>SHAFTS</b>			
670C	Input Shaft (32 T) (1 Groove) (4wd) (84-95) (Pickup & 4-Runner) .....	337670	W56-16
670C	Input Shaft (32 T) (1 Groove) (4wd) (95-04) (Tacoma & 4-Runner) .....	337670A	W59-16
674F	Cluster Shaft (47-35-24-13-14) (4wd) (84-95) (Pickup & 4-Runner) .....	337674	W56-8
674F	Cluster Shaft (47-35-24-13-14) (4wd) (95-04) (Tacoma & 4-Runner) .....	337674A	W59-8

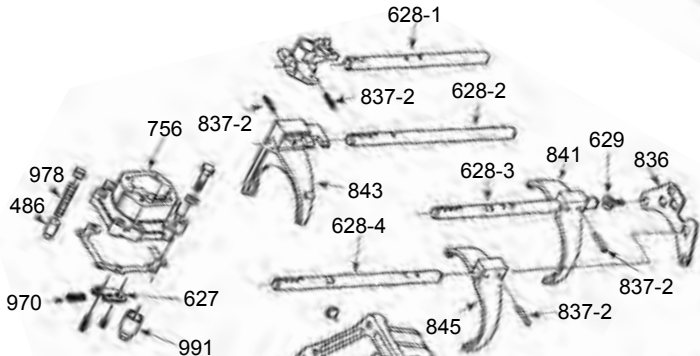
NOTES



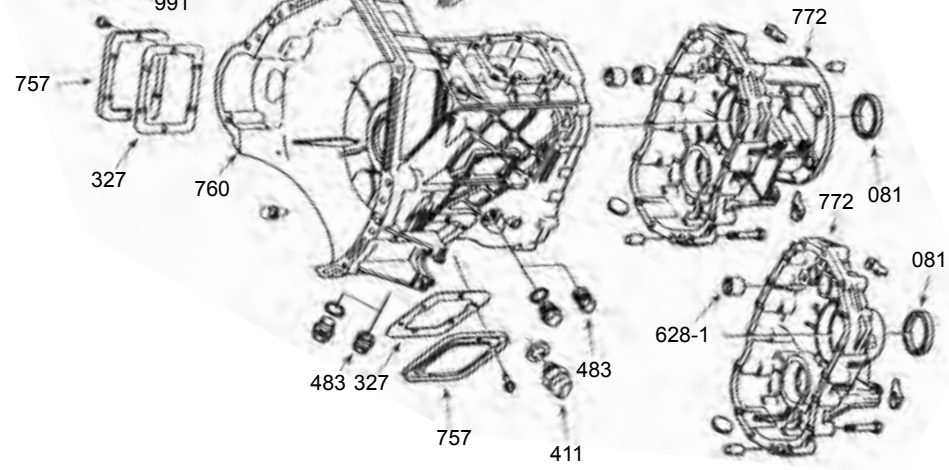
A



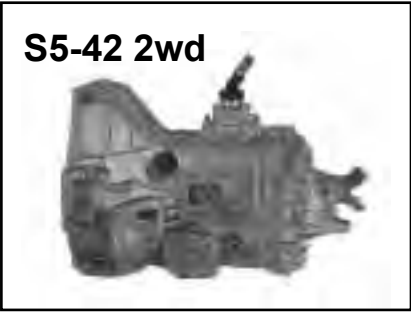
B



C



S5-42 2wd

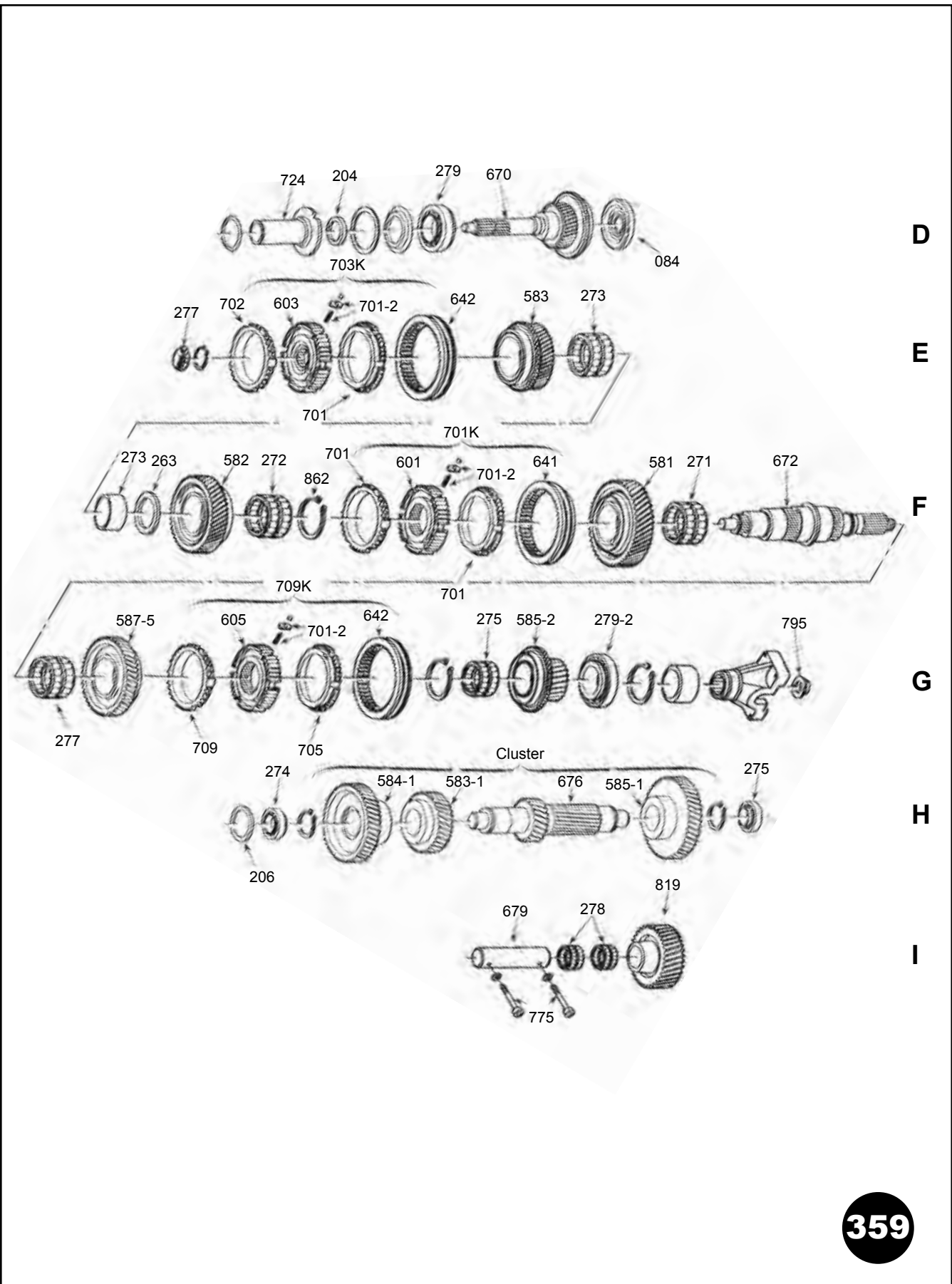


S5-42 4wd



359

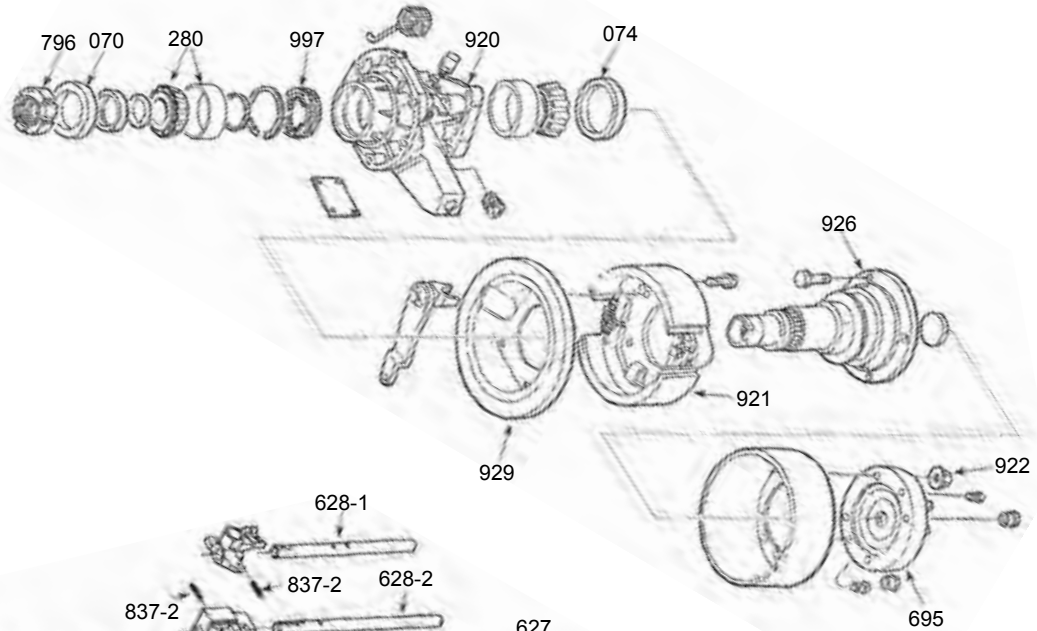
ZF S5-42



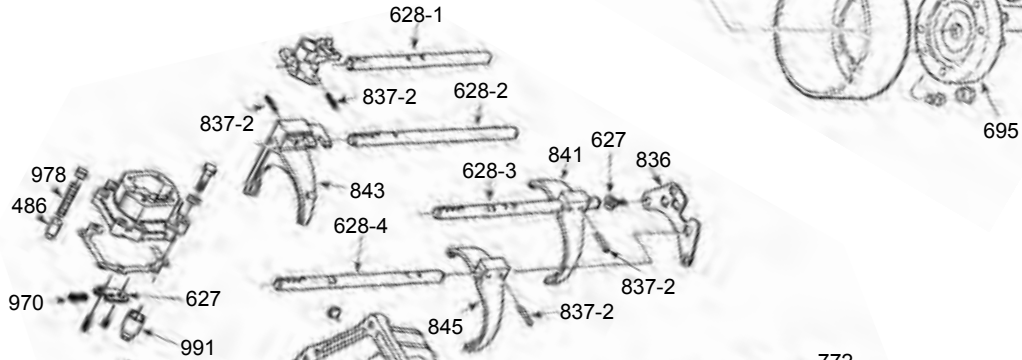
ILL NO.	DESCRIPTION	PART NO.	REFERENCE
<b>BEARING KITS</b>		<b>w/o Synchros</b>	<b>w/Synchros</b>
N.I.	S5-42 (87-95).....	BK300ZF	BK300ZFWS
N.I.	Brake Drum Section Only (not included in above kit) .....	BK300BDZF	N.L.
<b>GASKET &amp; SEAL KITS</b>			
N.I.	Gasket & Seal Kit.....	359002	GSK-ZF
<b>SMALL PARTS KITS</b>			
N.I.	Kit w/ Gaskets, Seals, Soft Plugs & Main Shaft Nuts.....	359001	1307RBK
N.I.	Install Kit (Updated Case).....	359001A	CK-ZF42
<b>BEARINGS</b>			
N.I.	Needle Bearing Kit (Complete) .....	359270K	NK-ZF42
271F	1st & Reverse Gear Needle Bearing (qty 2) .....	359271	F206756
272F	2nd Gear Needle Bearing (qty 2) .....	359273	F206755
273F	3rd Gear Bearing Race .....	359273-1	FC66829.1
273E	3rd Gear Needle Bearing (qty 2).....	359273	F206755
263F	3rd Gear Thrust Race .....	359263	E7TZ7119D
275G	5th Gear Needle Bearing .....	359275	F209031
278I	Reverse Idler Needle Bearing (qty 2).....	359278	F59707.1
628-1C	Shift Rail Needle Bearing (qty 2).....	359628-1	F205995
<b>HUBS &amp; SLIDERS</b>			
701KF	1-2 Hub & Slider Kit .....	359641K	ZF42-80
601F	1-2 Hub .....	359601B	ZF42-123
641F	1-2 Slider.....	359641	ZF42-128
642KE	3-4 Hub & Slider Kit .....	359642K	ZF42-2.5
603E	3-4 Hub .....	359603	ZF42-111
642E	3-4 Slider.....	359642A	ZF42-116
709KG	5th-Reverse Hub & Slider Kit.....	359643K	ZF42-40
605G	5th-Reverse Hub .....	359605	ZF42-131
642G	5th-Reverse Slider .....	359643	ZF42-136
<b>SYNCHRONIZER COMPONENTS</b>			
N.I.	Synchronizer Kit (701E, 702E, 701F, 709G).....	SRK300ZF	N.L.
701KF	1-2 Synchro Assembly (w/ Rings).....	359701K	ZF42-80A
701-2F	1-2 Synchro Key, Spring & Ball Kit.....	359700-2K	S542-K
701F	1st Synchro .....	359703	S542-14A
702E	2nd Synchro.....	359703	S542-14A
703KE	3-4 Synchro Assembly (w/ Rings).....	359703K	ZF42-2.5A
701-2E	3-4 Synchro Key, Spring & Ball Kit.....	359700-2K	S542-K
701E	3-4 Synchro.....	359703	S542-14A
709G	5th Synchro .....	359703	S542-14A
709KG	5-R Synchro Assembly (w/ Rings) .....	359709K	ZF42-40A
701-2G	5-R Synchro Key, Spring & Ball Kit.....	359700-2K	S542-K
709G	Reverse Synchro .....	359706	S542-14B
<b>FORKS</b>			
841B	1-2 Fork.....	359841	ZF42-23
843B	3-4 Fork.....	359843	ZF42-23A
845B	5th-Reverse Fork .....	359845	ZF42-23B
837-2B	Fork Roll Pin (qty 4).....	359837-2	631329069
<b>GEARS (1st-4th)</b>			
581F	1st Gear (48 T).....	359581	ZF42-12
582F	2nd Gear (37 T) .....	359582A	ZF42-21A
582F	2nd Gear (51 T) .....	359582	ZF42-21
583E	3rd Gear (30 T) .....	359583	ZF42-11
583E	3rd Gear (40 T).....	359583A	ZF42-11A
583-1H	3rd Gear Counter Shaft (31 T).....	359583-1B	ZF42-34A
583-1H	3rd Gear Counter Shaft (34 T).....	359583-1C	ZF42-34
584-1H	4th Gear Counter Shaft (41 T).....	359584-1B	ZF42-9A
584-1H	4th Gear Counter Shaft (45 T).....	359584-1	ZF42-9

ILL NO.	DESCRIPTION	PART NO.	REFERENCE
<b>GEARS (5th-Reverse)</b>			
585-1H	5th Gear Counter Shaft (47 T) .....	359585-1	ZF42-19A
585-1H	5th Gear Counter Shaft (57 T) .....	359585-1A	ZF42-19
585-2G	5th Gear Main Shaft (26 T) .....	359585-2	ZF42-18
585-2G	5th Gear Main Shaft (30 T) .....	359585-2A	ZF42-18A
587-5G	Reverse Gear Main Shaft (44 T) .....	359587-2	ZF42-36
<b>SHAFTS</b>			
670D	Input Shaft (27 T) (9 1/2") .....	359670	ZF42-16
670D	Input Shaft (27 T) (11 3/4") .....	359670B	ZF42-16B
670D	Input Shaft (34 T) (9 5/8") .....	359670A	ZF42-16A
672F	Main Shaft (16 3/8") (2wd) .....	359672B	ZF42-2A
672F	Main Shaft (18 3/4") (4wd) .....	359672A	ZF42-2
672F	Main Shaft (20") (4wd) .....	359672	1307-304-353
676H	Counter Shaft (w/o Press On Gears) (1st, 2nd & Reverse) (21 T / 14 T) .....	359676	ZF42-3
676H	Counter Shaft (w/o Press On Gears) (1st, 2nd & Reverse) (26 T / 14 T) .....	359676A	ZF42-3A
<b>CASES &amp; HOUSINGS</b>			
760C	Case (7.3L Diesel) .....	359760A	1307201076
760C	Case (7.5L Gas) .....	359760	1307201080
772C	Rear Housing (2wd w/ Speedo) (4.9L & 5.8L Gas) .....	359772A	1307301041
772C	Rear Housing (2wd w/ Speedo) (7.3L & 7.5L) .....	359772	1307301015
772C	Rear Housing (2wd) (8 7/8") (7.3L & 7.5L) .....	359772B	1307301093
772C	Rear Housing (2wd) (10") (4.9L & 5.8L) .....	359772C	1307301094
<b>BEARING RETAINERS</b>			
724D	Bearing Retainer Front (Press-in Type) .....	359724	ZF42-6
724D	Bearing Retainer Front (3 Bolt Type) .....	359724A	ZF47-6
<b>MISCELLANEOUS COMPONENTS</b>			
084D	Baffle Seal .....	359084	300ZF
929A	Brake Drum Dust Shield .....	359929	ZFBD-155
695A	Brake Drum Flange (U-Joint Style) .....	359695	ZFBD-179
920A	Brake Drum Housing (Aluminum) .....	359920	ZFBD-164
926A	Brake Drum Main Shaft .....	359926	ZFBD-175
922A	Brake Drum Nut .....	359922	E8TZ2L616A
921A	Brake Shoe (Requires 2) .....	359921	2086DD
991B	Detent, Shifter .....	359991	501206040
775I	Idler Shaft Bolt .....	359775	636101663
N.I.	Input Pilot Bearing Repair Kit (87-Up Except PTO) .....	KPBZ73HD	N.L.
N.I.	Input Pilot Bearing Repair Sleeve (87-Up Except PTO) .....	PBZ73HD	N.L.
795G	Main Shaft Nut (2wd) .....	359795	F3TZ7045A
483C	Plug, Drain / Fill (Fits Cases w/ 3 Bolt Retainer Only) .....	359483B	501209879
483C	Plug, Soft (Large) .....	359843A	630361099
483C	Plug, Soft (Small) .....	359483	630361077
486B	Shift Components, Detent Pin .....	359486	1307-306-170
978B	Shift Components, Detent Spring .....	359978	732041946
629B	Shift Components, Interlock Plate "T" Bolt .....	359627	1307-306-121
970B	Shift Components, Reverse Stop Plate Spring .....	359970	732041947
836B	Shift Components, Shifter Interlock .....	359836	1307-306-230
N.I.	Shift Components, Shifter Stub (Bent) .....	359833A	1307-218-007
N.I.	Shift Components, Shifter Stub (Straight) .....	359833	1307-218-006
627B	Shift Components, Stop Plate .....	359627A	1307-306-229
206H	Shim Kit, Cluster .....	359206K	ZF42-SMKA
204D	Shim Kit, Input .....	359204K	ZF42-SMK
N.I.	Snap Ring Kit .....	359860K	1307SRK
862F	Snap Ring, 1-2 Hub (1.8mm Thick) .....	359862	730501264
862F	Snap Ring, 1-2 Hub (1.9mm Thick) .....	359862A	730501265
997A	Speedometer Gear (6 T) Green .....	359997B	ZFBD-163
997A	Speedometer Gear (7 T) White .....	359997	1307-204-047
997A	Speedometer Gear (8 T) Black .....	359997A	1307-204-048
N.I.	Tool, Assembly Jig .....	359460	JS542
N.I.	Tool, Race Driver .....	359460A	TL542-7

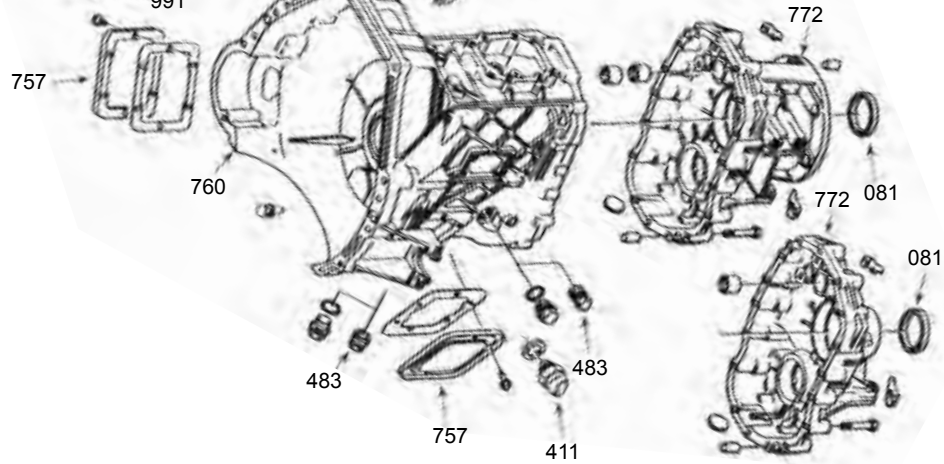
A



B



C



S5-47 2wd

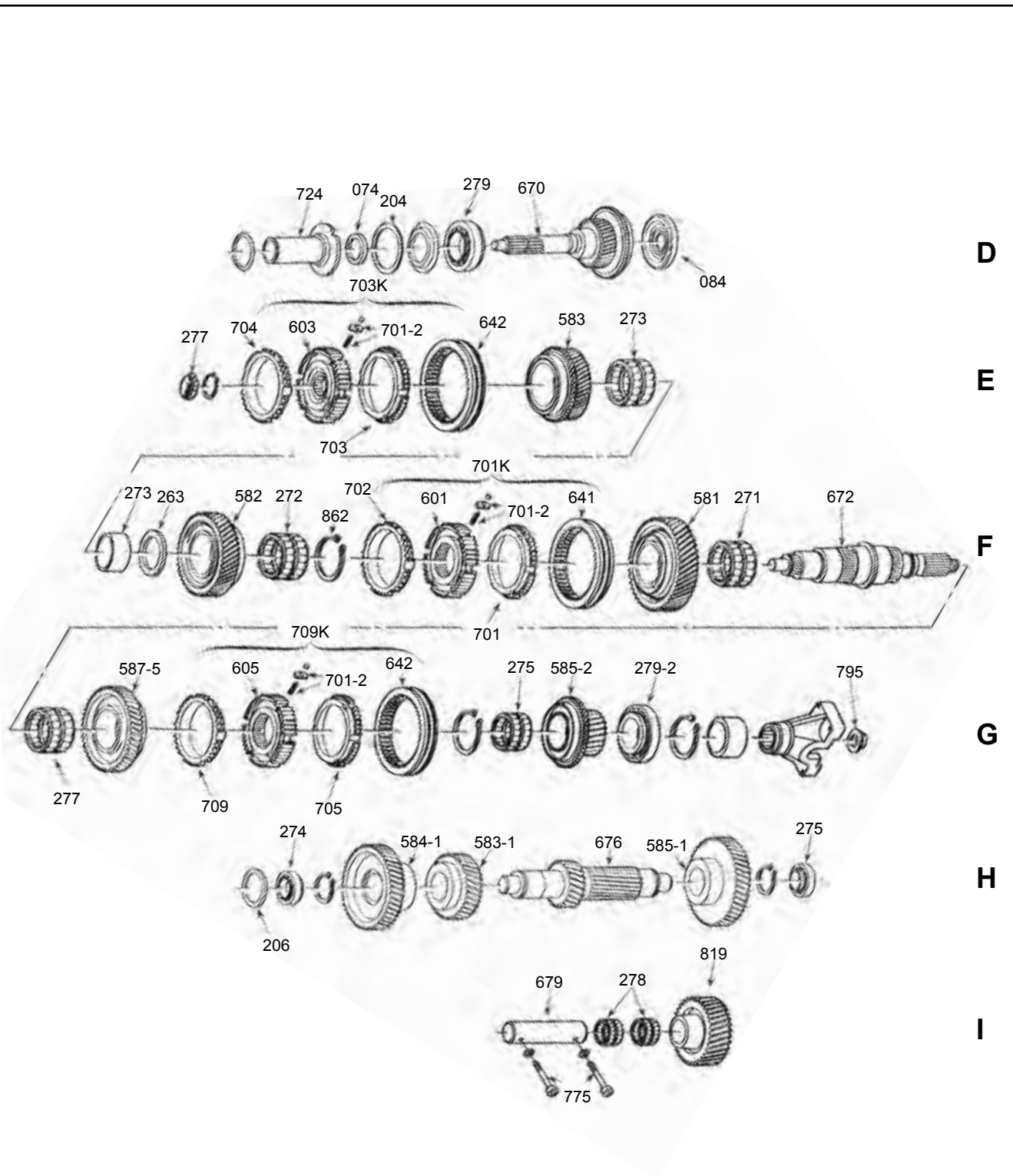


S5-47 4wd



359

ZF S5-47



D

E

F

G

H

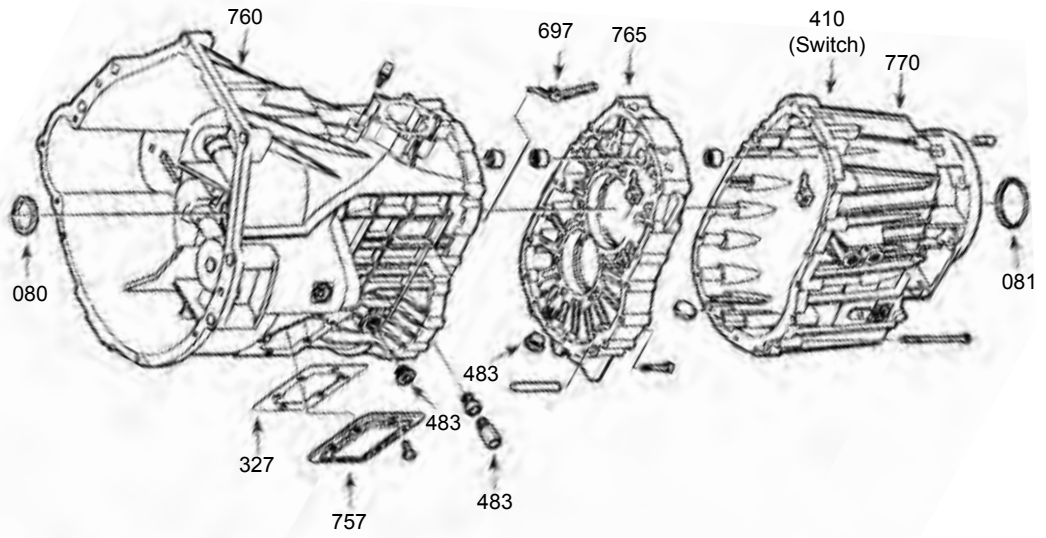
I

ILL NO.	DESCRIPTION	PART NO.	REFERENCE
<b>BEARING KITS</b>		<b>w/o Synchros</b>	<b>w/Synchros</b>
N.I.	S5-47 (95-98) (4.9L, 5.0L, 5.8L, 7.3L, 7.5L) .....	BK300ZF	BK300ZFAWS
N.I.	S5-47 (99-01) (5.4L, 6.8L V10) (S5-47M) .....	BK300ZFB	BK300ZFBWS
N.I.	Brake Drum Section Only (not included in above kits) (95-Up) .....	BK300BDZF	N.L.
<b>GASKET &amp; SEAL KITS</b>			
N.I.	Gasket & Seal Kit .....	359002	GSK-ZF
N.I.	Install Kit (Case) .....	359001B	CK-ZF47
<b>BEARINGS</b>			
N.I.	Needle Bearing Kit .....	359270K	NK-ZF42
271F	1st & Reverse Gear Needle Bearing (qty 2) .....	359271	F206756
272F	2nd Gear Needle Bearing (qty 2) .....	359273	F206755
273F	3rd Gear Bearing Race .....	359273-1	FC66829.1
273E	3rd Gear Needle Bearing (qty 2) .....	359273	F206755
263F	3rd Gear Thrust Race .....	359263	E7TZ7119D
275G	5th Gear Needle Bearing .....	359275	F209031
278I	Reverse Idler Needle Bearing (qty 2) .....	359278	F59707.1
628-1C	Shift Rail Needle Bearing (qty 2) .....	359628-1	F205995
<b>HUBS &amp; SLIDERS</b>			
601F	1-2 Hub .....	359601A	1317-304-031
641F	1-2 Slider .....	359641A	ZF47-128
701KF	1-2 Hub & Slider Kit .....	359641AK	ZF47-80
642KE	3-4 Hub & Slider Kit .....	359642AK	ZF47-2.5
603E	3-4 Hub .....	359603A	ZF47-111
642E	3-4 Slider (also 5th-Reverse) .....	359642	ZF47-136A
605G	5th-Reverse Hub .....	359605A	ZF47-131
642G	5th-Reverse Slider (also 3-4) .....	359642	ZF47-136A
709KG	5th-Reverse Hub & Slider Kit .....	359643AK	ZF47-40
<b>SYNCHRONIZER COMPONENTS</b>			
N.I.	Synchronizer Kit (701E, 702E, 701F, 709G) .....	SRK300ZFA	N.L.
701KF	1-2 Synchro Assembly (w/ Rings) .....	359701AK	ZF47-80A
701-2F	1-2 Synchro Key, Spring & Ball Kit .....	359700-2K	S542-K
701F	1st Synchro .....	359701A	S547-14
702F	2nd Synchro .....	359701A	S547-14
703KE	3-4 Synchro Assembly (w/ Rings) .....	359703AK	ZF47-2.5A
701-2E	3-4 Synchro Key, Spring & Ball Kit .....	359700-2K	S542-K
703E	3rd Synchro .....	359703	S542-14A
704E	4th, 5th Synchro .....	359703A	S547-14A
709KG	5-R Synchro Assembly (w/ Rings) .....	359709AK	ZF47-40A
701-2G	5-R Synchro Key, Spring & Ball Kit .....	359700-2K	S542-K
709G	Reverse Synchro .....	359706A	S547-14B
<b>FORKS</b>			
841B	1-2 Fork (w/ Rail) .....	359841	ZF42-23
843B	3-4 Fork .....	359843	ZF42-23A
845B	5th-Reverse Fork .....	359845	ZF42-23B
<b>GEARS</b>			
581F	1st Gear (48 T) .....	359581A	1317-204-032
582F	2nd Gear (37 T) .....	359582B	ZF47-21
583E	3rd Gear (30 T) .....	359583B	ZF47-11A
583E	3rd Gear (31 T) .....	359583C	ZF47-11
583-1H	3rd Gear Counter Shaft (30 T) .....	359583-1A	1317-303-013
583-1H	3rd Gear Counter Shaft (31 T) .....	359583-1	1317-303-012
584-1H	4th Gear Counter Shaft (43 T) .....	359584-1A	ZF47-9B
584-1H	4th Gear Counter Shaft (45 T) .....	359584-1	ZF42-9
585-1H	5th Gear Counter Shaft (48 T) .....	359585-1B	1317-303-016
585-2G	5th Gear Main Shaft (25 T) .....	359585-2C	ZF47-18
585-2G	5th Gear Main Shaft (26 T) .....	359585-2B	1317-204-018
587-5G	Reverse Gear Main Shaft (44 T) .....	359587-2A	ZF47-36A

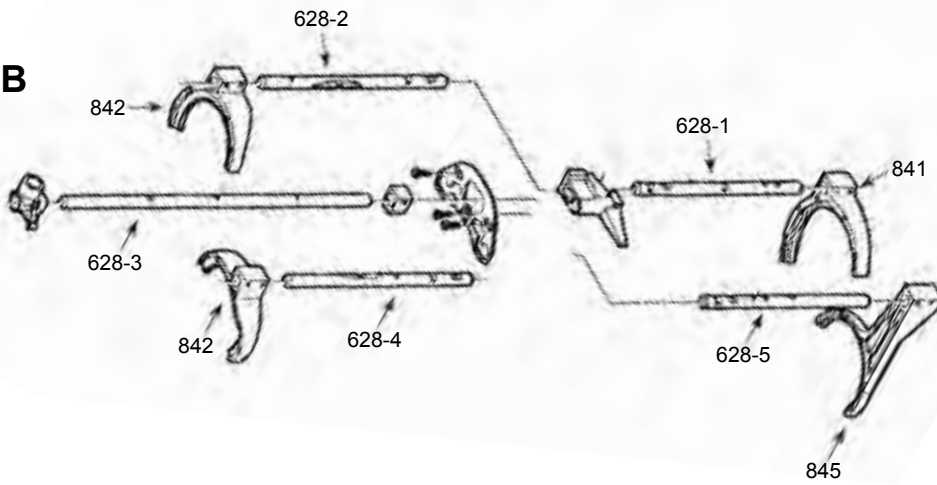
ILL NO.	DESCRIPTION	PART NO.	REFERENCE
<b>SHAFTS (Input)</b>			
670D	Input Shaft (S5-47) (27 T) (9 1/2") .....	359670D	1317-202-017
670D	Input Shaft (S5-47) (27 T) (11 3/4") .....	359670C	1317-202-015
670D	Input Shaft (S5-47) (29 T) (9 1/2") .....	359670E	ZF47-16B
670D	Input Shaft (S5-47M) (27 T) (12 3/8") .....	359670G	ZF47-16C
<b>SHAFTS (Main)</b>			
672F	Main Shaft (16 3/8") (2wd) .....	359672B	ZF42-2A
672F	Main Shaft (18 3/4") (4wd) .....	359672A	ZF42-2
672F	Main Shaft (20") (4wd) .....	359672	1307-304-353
<b>BEARING RETAINERS</b>			
724D	Bearing Retainer Front (S5-47) (3 Bolt Type) .....	359724A	ZF47-6
724D	Bearing Retainer (S5-47M) .....	359724B	1317-302-041
<b>CASES &amp; HOUSINGS</b>			
760B	Case (S5-47) (7.3L Diesel) .....	359760B	1317201015
760B	Case (S5-47) (7.5L Gas) .....	359760C	1317201016
760B	Case (S5-47M) .....	359760D	1317301016
772B	Rear Housing (S5-47) (2wd) .....	359772D	1317301004
772B	Rear Housing (S5-47) (4wd) .....	359772E	1317301034
772B	Rear Housing (S5-47M) .....	359772G	1317301017
<b>MISCELLANEOUS COMPONENTS</b>			
084D	Baffle Seal .....	359084	300ZF
929A	Brake Drum Dust Shield .....	359929	ZFBD-155
695A	Brake Drum Flange (U-Joint Style) .....	359695	ZFBD-179
920A	Brake Drum Housing (Aluminum) .....	359920	ZFBD-164
926A	Brake Drum Main Shaft .....	359926	ZFBD-175
922A	Brake Drum Nut .....	359922	E8TZ2L616A
921A	Brake Shoe (Requires 2) .....	359921	2086DD
991B	Detent, Shifter .....	359991	501206040
775I	Idler Shaft Bolt .....	359775	636101663
N.I.	Input Pilot Bearing Repair Kit (87-Up Except PTO) .....	KPBZ73HD	N.L.
N.I.	Input Pilot Bearing Repair Sleeve (87-Up Except PTO) .....	PBZ73HD	N.L.
627B	Interlock Plate "T" Bolt .....	359627	1307-306-121
483B	Plug, Drain / Fill (Fits Cases w/ 3 Bolt Retainer Only) .....	359483B	501209879
206H	Shim Kit, Cluster .....	359206K	ZF42-SMKA
204D	Shim Kit, Input .....	359204K	ZF42-SMK
862F	Snap Ring, 1-2 Hub (1.8mm Thick) .....	359862	730501264
862F	Snap Ring, 1-2 Hub (1.9mm Thick) .....	359862A	730501265
997A	Speedometer Gear (6 T) Green .....	359997B	ZFBD-163
N.I.	Tool, Assembly Jig .....	359460	JS542
N.I.	Tool, Race Driver .....	359460A	TL542-7



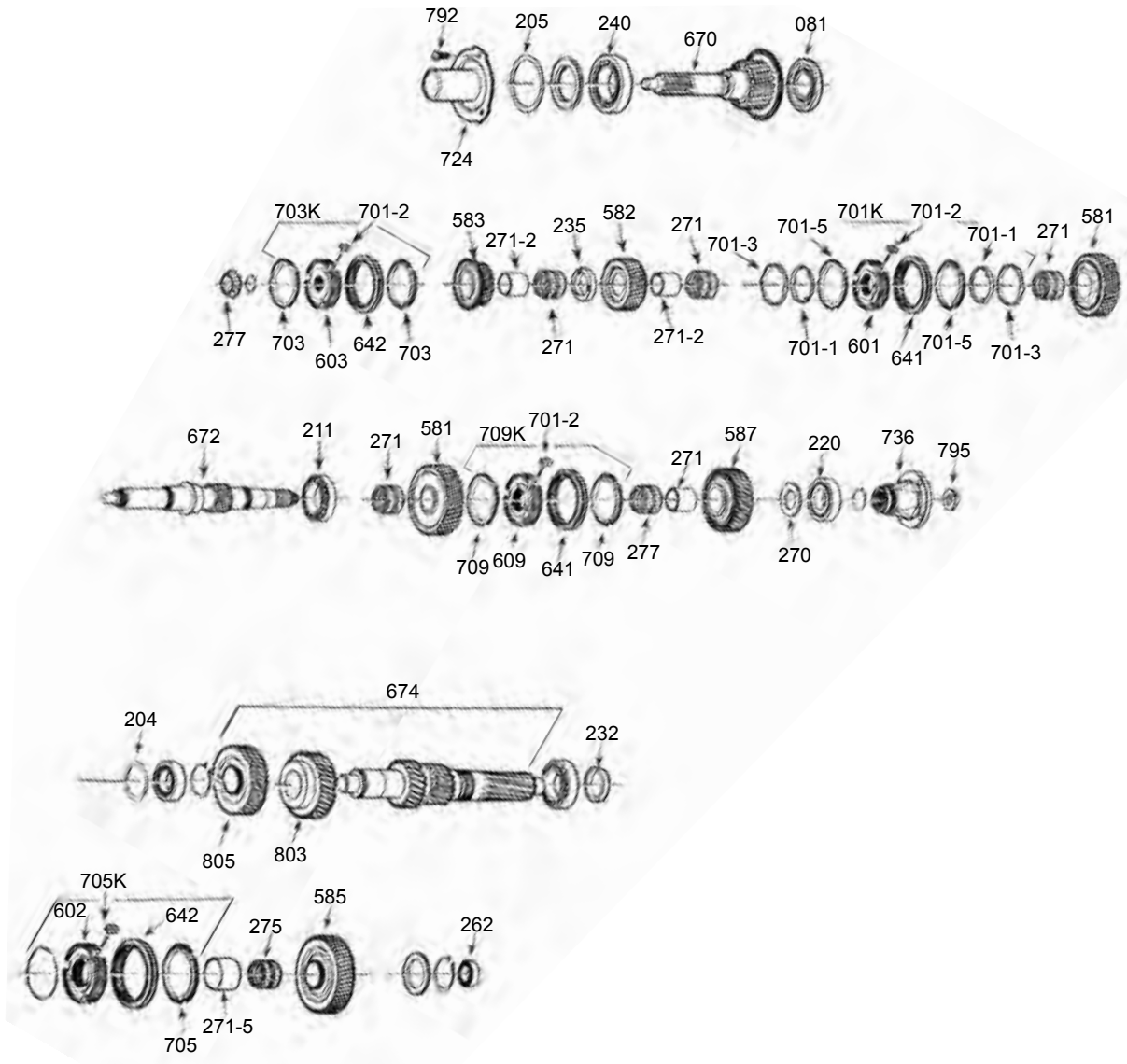
**A**



**B**



**434**



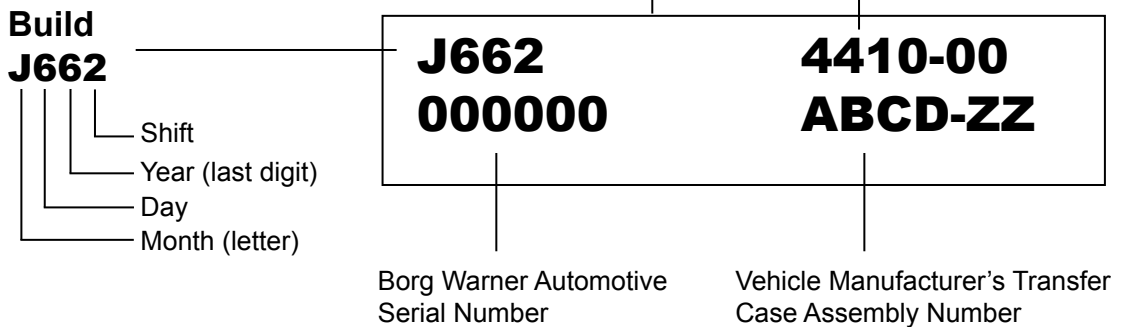
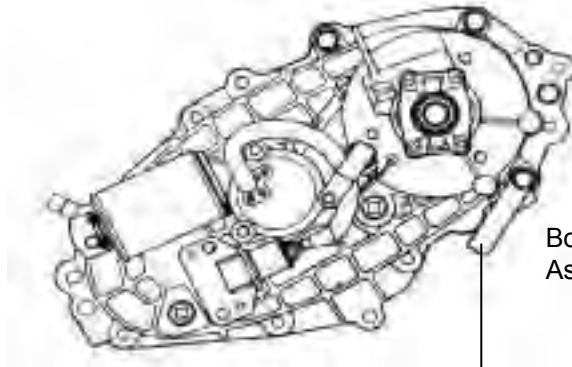
ILL NO.	DESCRIPTION	PART NO.	REFERENCE
<b>BEARING KITS</b>		<b>w/o Synchros</b>	<b>w/Synchros</b>
N.I.	Ford (99-Up) (5.4L, 6.0L, 6.8L, 7.3L).....	BK486	BK486WS
N.I.	GM (01-07) (6.6L, 8.1L).....	BK486A	BK486AWS
<b>GASKET &amp; SEAL KITS</b>			
N.I.	S650 .....	434002	GSK-486
<b>WASHERS</b>			
235D	2nd & 3rd Thrust Washer.....	434235	ZFS6-22
<b>BEARINGS</b>			
271-2D	Inner Bearing Race (2nd & 3rd Gear).....	434271-2	ZFS6-20
271-5G	Inner Bearing Race (5th Gear).....	434271-5	ZFS6-66
271D	Inner Bearing Race (Reverse).....	434271B	ZFS6-49
N.I.	Needle Bearing Kit.....	434270K	NK-ZFS6
271D	Needle Bearing (1st, 2nd & 3rd).....	434271	F95407
275G	Needle Bearing (5th).....	434275	KF-83828
271D	Needle Bearing (Low Gear aka Creeper).....	434271A	FC68920
270E	Race behind Main Shaft Reverse Gear.....	434270	ZFS6-51
<b>HUBS &amp; SLIDERS</b>			
N.I.	1-2 Hub and Slider Kit (601D, 641D).....	434641K	ZFS6-80
601D	1-2 Hub (High Torque) (.675" Wide Splines).....	434606-1	1319304088
601D	1-2 Hub (Except High Torque).....	434606-1A	ZFS6-37
641D	1-2 Slider.....	434641	ZFS6-28
642D	3-4 Slider.....	359642	ZF47-136A
602G	5th Hub.....	434606-5	1319303047
642G	5th Slider.....	359642	ZF47-136A
641D	Low & Reverse (aka Creeper) Slider.....	359641A	ZF47-128
<b>SYNCHRONIZER KITS*</b>			
N.I.	S650 (All synchros including the friction component of the 1-2 Synchro).....	SRK486	N.L.
N.I.	S650 (All synchros including all three components of the 1-2 Synchro)..... * Include 701D, 701-1D, 701-3D, 703D, 709E, 705G.....	SRK486M	N.L.
<b>SYNCHRONIZER COMPONENTS</b>			
701KD	1-2 Synchro Assembly.....	434701K	ZFS6-80A
701-2D	1-2 Synchro Key & Spring Kit.....	434701-2K	ZFS6-K1
701-1D	1-2 Synchro (Inner).....	434701-1	1319304032
701-3D	1-2 Synchro (Intermediate).....	434701-3	1319304075
701-5D	1-2 Synchro (Outer).....	434701-5	ZFS6-14
703KD	3-4 Synchro Assembly.....	434703K	ZFS6-2.5
701-2D	3-4 Synchro Key & Spring Kit.....	359700A-2K	S547-K
703D	3-4 Synchro.....	359703A	S547-14A
705KG	5th Synchro Assembly.....	434705K	ZFS6-50
701-2G	5th Synchro Key & Spring Kit.....	359700A-2K	S547-K
705G	5th Synchro.....	359703A	S547-14A
709KE	Low & Reverse (aka Creeper) Synchro Assembly.....	434701AK	ZFS6-40
701-2D	Low & Reverse (aka Creeper) Synchro Key & Spring Kit.....	359700A-2K	S547-K
709E	Low & Reverse (aka Creeper) Synchro.....	359701A	S547-14
<b>FORKS</b>			
842B	1-2 & 3-4 Fork.....	359845	ZF42-23B
845B	5th Fork.....	434845	1319306047
841B	Low & Reverse Fork.....	434841	1319306045
<b>GEARS</b>			
581E	Low Gear (41 T).....	434581A	ZFS6-48
581D	1st Gear (37 T).....	434581	ZFS6-12
582D	2nd Gear (31 T).....	434582	ZFS6-21
583D	3rd Gear (27 T).....	434583	ZFS6-11
N.I.	3rd Gear Cluster Shaft.....	434583-1	ZFS6-34
585G	5th Gear (54 T).....	434585	ZFS6-18
587E	Reverse Gear (37 T).....	434587	ZFS6-36
805F	Counter Shaft Drive Gear (39 T).....	434805	ZFS6-9

ILL NO.	DESCRIPTION	PART NO.	REFERENCE
<b>SHAFTS</b>			
670C	Input Shaft (23 T) Ford Gas .....	434670B	1319202023
670C	Input Shaft (23 T) Ford, 6.0L Diesel .....	434670A	4C3Z7017AA
670C	Input Shaft (23 T) Ford, 7.3L Diesel .....	434670	ZFS6-16
670C	Input Shaft (23 T) GM .....	434670C	1319202017
672E	Main Shaft (2wd) Ford Except High-Torque Diesel (005 Tag) .....	434672	ZFS6-2
672E	Main Shaft (2wd) Ford High-Torque Diesel (024 Tag) .....	434672B	1319304095
672E	Main Shaft (4wd) Ford Except High-Torque Diesel (006 Tag) .....	434672C	ZFS6-2A
672E	Main Shaft (4wd) Ford High-Torque Diesel (025 Tag) .....	434672A	ZFS6-2B
672E	Main Shaft (4wd) GM .....	434672E	1319304089
674F	Cluster Shaft (39-35-25-19-12) .....	434674	ZFS6-8
<b>RETAINERS</b>			
724C	Bearing Retainer Front .....	434724	ZFS6-6
N.I.	Relief Valve Retainer .....	434737A	630532207
<b>PUMP COMPONENTS</b>			
N.I.	Oil Pump Housing .....	434510	1319220008
N.I.	Oil Pump Shaft .....	434529	501211188
N.I.	Oil Relief Valve Assembly .....	434741K	501212996
<b>CASES &amp; HOUSINGS</b>			
760A	Case, Ford (7.3L Diesel) .....	434760	1319-201-001
760A	Case, Ford (5.4L, 6.8L Gas) .....	434760A	1319301084
760A	Case, GM .....	434760B	1319301092
772A	Rear Housing (2wd) (7.3L) .....	434772	1319301021
772A	Rear Housing (4wd) (7.3L) .....	434772A	1319301073
<b>MISCELLANEOUS COMPONENTS</b>			
770A	Adapter Housing (GM 4wd) .....	434770	1319301040
N.I.	Boot / Bellows .....	434489	1319-306-061
765A	Center Plate (Case Spacer) .....	434765	1319301047
N.I.	Input Pilot Bearing Repair Kit (87-Up Except PTO) .....	KPBZ73HD	N.L.
N.I.	Input Pilot Bearing Repair Sleeve (87-Up Except PTO) .....	PBZ73HD	N.L.
795E	Nut, Main Shaft (2wd) .....	359795	F3TZ7045A
697A	Oil trough .....	434697	1319301012
483A	Plug, Drain / Fill .....	359483B	501209879
N.I.	Shifter Housing .....	434625	1319306043
N.I.	Shifter Stub .....	434833	1319218004
204F	Shim Kit, Cluster .....	434204K	ZFS6-SMK
N.I.	Shim Kit, Complete .....	434225K	1319SMK
205C	Shim Kit, Input .....	434204K	ZFS6-SMK
N.I.	Snap Ring Kit .....	434860K	1319SRK
N.I.	Tool, Bearing Race Driver .....	434460	TL650

# Transfer Case Identification

Transfer Case Identification

## Borg Warner Transfer Case Identification



## New Venture/New Process Transfer Case Identification

Top semi-circle	Model	Stamped with New Venture model number (242 J)
Line above screw	Assembly No.	Stamped with the OE part number for a complete transfer case assembly
Line below screw	Serial No.	N/A
Bottom semi-circle	Ratio	N/A



# Transfer Case Bearing Kits

TR. CASE	NOTES	BRG KIT	DR KIT
<b>ACURA</b>			
BW422	98-99	BK422	TSK422
MDXTC	01-Up	BK450	TSK450
SLXTC	98-99	BK425	TSK425
<b>AMC</b>			
NP119	80-85	BK228B	TSK208
NP128	81-85	BK228B/S	TSK208
NP129	81-85	BK228B/S	TSK208
<b>BMW</b>			
NP124	01-03	BK509	TSK509
NP125	00-03	BK516	TSK126
<b>DAIHATSU</b>			
ROCKY	80-82	BK296	TSK296
<b>DODGE, CHRYSLER, PLYMOUTH</b>			
604	83-04 w/ A604	BK427	TBA
KM100	81-82	BK181	TSK181
KM271	85-89	BK271	TBA
KM272	89-94	BK383	TBA
NP133	02-03	BK457	TSK133
NP140	08-Up	BK476	TSK345
NP144	04-Up	BK461	TSK144
NP201	57-68	BK200P	TSK200/P
NP203	74-79	BK200G	TSK200G
NP206	89-90 w/ Direct Mount - Married (Exc 5.9L)	BK205GDM	TSK205GDM
NP208	89-90 w/ Remote Mount - Divorced (Exc 5.9L)	BK205RDF	TSK205RDF
NP205	80-89 w/ 5.9L	BK205GDM	TSK205GDM
NP205	89-92 w/ 5.9L	BK205D	TSK205DD
NP205	1993	BK205D	TSK205DD
NP207	1987	BK207	TSK207
NP208	80-81	BK208	TSK208
NP231	88-01 24mm Thick Input Bearing	BK231	TSK231
NP231	84-01 18mm Thick Input Bearing	BK231A	TSK231
NP233	03-Up	BK430	TSK233D
NP241	88-92 2 Pc Ext Housing	BK241D	TSK241
NP241	83-01 2 Pc Ext Housing 18mm Thick Input Brg	BK241A	TSK241
NP241	83-01 2 Pc Ext Housing 24mm Thick Input Brg	BK241	TSK241
NP241	02-Up 2 Pc Ext Housing Input Brg w/ Snap Ring Groove on the Edge	BK241	TSK241
NP241	02-Up 2 Pc Ext Housing Input Brg w/ Snap Ring Groove in the Center	BK241E	TSK241D
NP241HD	87-02 1 Pc Ext Housing 18mm Thick Input Brg	BK241B	TSK241A
NP241HD	87-02 1 Pc Ext Housing 24mm Thick Input Brg	BK241C	TSK241A
NP242	98-03 18mm Thick Input Bearing	BK242B	TSK242B
NP242	98-03 24mm Thick Input Bearing	BK242D	TSK242B
NP243	03-Up	BK448	TSK448D

TR. CASE	NOTES	BRG KIT	DR KIT
<b>DODGE, CHRYSLER, PLYMOUTH (cont.)</b>			
NP244	01-Up	BK424	TSK242
NP246	2006 Dakota	TBA	TBA
NP248	06-Up Except Dakota	BK381A	TSK130
NP271	03-Up	BK488A	TSK273D
NP273	03-Up	BK488A	TSK273D
Stealth	90-93 5 Spd (38mm ID Front Input Bearing)	BK429A	TBA
Stealth	90-93 5 Spd (38mm ID Front Input Bearing)	BK429	TBA
Stealth	93-96 6 Spd	BK429E	TBA
<b>EAGLE</b>			
KM272	89-89	BK383	TBA
<b>FORD, LINCOLN, MERCURY</b>			
BW1345	80-82	BK1345	TSK1345
BW1350	83-83	BK1350	TSK1350
BW1354	88-Up	BK1354	TSK1354
BW1358	87-87	BK1358	TSK1358
BW1359	87-89 2wd	BK1359	TSK1359
BW4404	95-01 w/ Speedo	BK4404	TSK4404
BW4404	95-01 w/o Speedo	BK4404A	TSK4404
BW4405	95-01	BK4405	TSK4405
BW4406	97-03	BK4406	TSK4406
BW4407	97-89	BK4407	TSK4407
BW4410	02-Up	BK4410	TSK4410
BW4411	02-05	BK4411	TSK4411
BW4412	08-Up 4.0L	BK4411	TSK4411
BW4412	08-Up 4.6L	BK4412	TSK4411
BW4416	02-Up	BK4416	TSK4416
BW4417	07-Up	BK4417	TSK4417
Dana 20	88-72	BK20FE	TSK20F
Dana 20	73-77	BK20F	TSK20F
Dana 21	65-78	BK21	TSK21E
Dana 24	65-75	BK24	TSK24
Dana 28	80-87	BK38B	TSK38B
FETA/C	01-Up Escape	BK456	TSK456
FFV9T/C	04-Up Freestyle	BK457	TBA
NP203	73-79 Direct Mount	BK203F	TSK203F
NP203	73-79 Remote Mount	BK203FD	TSK203F
NP205	73-79 Direct Mount	BK205FDM	TSK205FDM
NP205	73-79 Remote Mount	BK205RDF	TSK205RDF
NP208	80-88	BK208	TSK208
NP271F	99-Up	BK488	TSK273
NP273F	99-Up	BK488	TSK273
<b>GEO</b>			
G130	89-04	BK236A	TSK236A
<b>GM Incl CHEVY, BPO, CADILLAC, GMC</b>			
221	83-89 Rockwell	BK221	TSK221
BRTC	02-06 Also Montana	BK455	TSK455
BW1370	89-00 No Center Plate	BK1370	TSK1370
BW4470	90-00 Case Center Plate	BK4470	TSK4470
BW4472	80-88	BK1372	TSK1372
BW4473	03-07	BK4473	TSK4473
BW4475	04-Up	BK4470	TSK4470
BW4481	03-07 6.0L	BK4484	TSK4484
BW4481	03-07 6.1L w/ NR3	BK4481	TSK4481
BW4481	03-07 6.1L w/ NR4	BK4484	TSK4484

# Transfer Case Bearing Kits

Transfer Case Bearing Kits

TR. CASE	NOTES	BRG KIT	DR KIT
<b>GM Incl CHEVY, BPO, CADILLAC, GMC</b>			
BW4482	03-Up NR# Two Spd	BK4482	TSK4482
BW4485	07-Up	BK4485	TSK4485
CVTC	02-Up	TBA	TBA
Dana 20	89-72	BK20	TSK20
Dana 20	1973 33.25mm ID Front Output Bearing Cones	BK20	TSK20
Dana 20	1973 30.00mm ID Front Output Bearing Cones	BK20A	TSK20
Dana 20	74-75	BK20A	TSK20
G130	89-04	BK295A	TBA
MP1222LD	07-Up 6.0L Manual Shift	BK511	TSK1222
MP1226XHD	07-Up 6.0L Manual Shift	BK511	TSK1222
MP1228XHD	07-Up 6.6L Manual Shift	BK511	TSK1222
MP1625HD	07-Up 5.0L Electric Shift	BK512	TSK1625XHD
MP1625HD	07-Up 6.5L Electric Shift	BK512	TSK1625XHD
MP3023	07-Up 4.8L Electric Shift	BK517	TSK3023LD
MP3023	07-Up 5.3L Electric Shift	BK517	TSK3023LD
MP3025	07-Up 4.8L Electric Shift	BK517	TSK3023LD
MP3026	07-Up 5.3L Electric Shift	BK517	TSK3023LD
NP120	08-07	BK519	TSK226
NP126	02-Up	BK243	TSK226
NP198	08-07	BK353	TSK136
NP148	01-05 Same 03-Up Escalade use NP149 BW4481 or BW4485	BK198	TSK246
NP203	73-79	BK203G	TSK203G
NP205	89-82 w/ 80mm OD Input Bearing	BK205GDM	TSK205GDM
NP206	89-82 w/ 80mm OD Input Bearing	BK205GDM4	TSK205GDM
NP205	83-87 Synchronized	BK205G	TSK205GDM
NP205	83-87 Non Synchronized w/ 80mm OD Input Brg	BK205GDM	TSK205GDM
NP205	83-87 Non Synchronized w/ 90mm OD Input Brg	BK205GDM4	TSK205GDM
NP205	88-81	BK205GDM4	TSK205GDM
NP207	82-88	BK207	TSK207
NP208	81-88	BK208	TSK208
NP226	02-Up	BK243	TSK226
NP231	88-94	BK231	TSK231
NP231	85-87	BK231A	TSK231
NP233	80-84	BK230A	TSK233
NP233	85-05	BK230	TSK233
NP236	89-05	BK333	TSK136
NP241	88-94	BK241	TSK208
NP241	88-89	BK241A	TSK208
NP243	88-89	BK333	TSK243
NP246	98-Up	BK351	TSK246
NP261	01-07	BK371	TSK261
NP261XHD	01-07	BK371A	TSK261XHD
NP263	01-07	BK371	TSK261
NP263XHD	01-07	BK371A	TSK261XHD
NP273	03-Up	BK455C	TSK273C
T150	04-Up	BK301	TSK150
<b>HONDA</b>			
CVTR	85-89 (To # 9025946)	BK339	TBA
CVTR	89-91 (# 9025947-Lto)	BK339	TBA
CRVTC	98-01	BK458	TSK458
HPTC	84-02	BK425	OSK220
MDXTC	03-Up	BK450	TSK450

TR. CASE	NOTES	BRG KIT	DR KIT
<b>HUMMER</b>			
BW4484	03-Up	BK4484	TSK4484
BW4493	07-Up	BK4493	TSK4493
NP218	85-Up	BK226	TSK226
NP242	94-Up 16mm Thick Input Bearing	BK242B	TSK242B
NP242	95-Up 24mm Thick Input Bearing	BK242	TSK242
<b>HYUNDAI</b>			
HEFTC	01-Up Awd	BK450	TSK450
<b>INFINITI</b>			
ATX14B	04-07 QX56	BK508	TSKATX14B
QX4	89-04 QX4	BK483	TBA
<b>INTERNATIONAL</b>			
Dana 20	89-79	BK20	TSK20
Dana 300	1980	BK300	TSK300
NP201	84-88	BK200/1	TSK200/1
TC145	73-80	N/A	N/A
<b>ISUZU</b>			
BW4422	89-01	BK4422	TSK4422
NTC	99-01	BK469	TSK469
MSG-5ETC	81-87 MSG-5ET	BK208W6	BK303
MSG-5FTC	87-02 MSG-5F	BK425	OSK220
NP233	08-00	BK330	TSK233
<b>JEEP</b>			
BW1305	74-79 Quadraac	BK1305	TSK1305
Dana 18	44-49 134c w/ 19.0mm OD Ider Shaft	BK118	TSK20
Dana 18	60-61 134c w/ 20.8mm OD Ider Shaft	BK18A	TSK20
Dana 18	61-71 134c w/ 21.8mm OD Ider Shaft	BK18	TSK20
Dana 18	85-71 235c	BK18	TSK20
Dana 20	88-73	BK20	TSK20
Dana 20	74-79	BK20A	TSK20
Dana 300	80-88	BK300	TSK300
MP1522	08-Up Liberty	TBA	TBA
MP3022	08-Up Liberty	TBA	TBA
NP140	05-Up	BK475	TSK245J
NP146	08-Up	BK475	TSK245J
NP147	2004	BK484	TSK247
NP207	84-87	BK207	TSK207
NP208	80-85	BK208	TSK208
NP218	80-82	BK226/B	TSK226
NP225	84-86	BK226/B	TSK226
NP226	82-91	BK226/B	TSK226
NP231	87-93	BK231	TSK231
NP231	1994 24mm Thick Input Bearing	BK231	TSK231
NP231	1994 16mm Thick Input Bearing	BK231J	TSK231J
NP231	02-07 Exc Liberty	BK231J	TSK231J
NP231	02-07 Liberty	BK231JA	TSK231JA
NP241	03-07	BK241J	TSK241J



# Transfer Case Bearing Kits

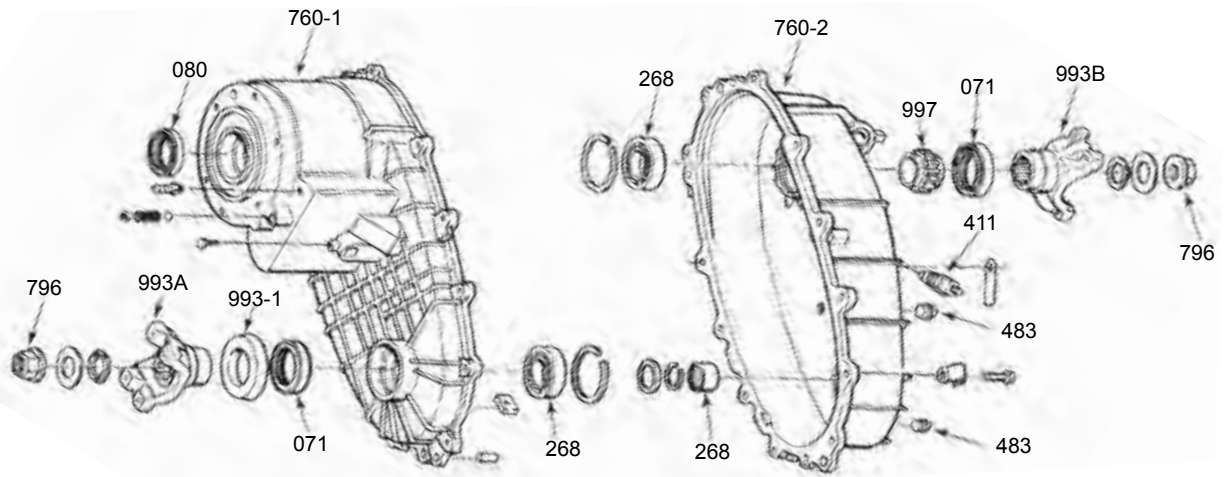
TR. CASE	NOTES	BRG KIT	DR KIT
<b>JEEP (Cont.)</b>			
NP242	07-94	BK242	TSK242
NP242	95-01	BK242B	TSK242B
NP242	02-07	BK242C	TSK242B
NP245	05-Up	BK475	TSK245J
NP247	88-04	BK454	TSK247
NP248	83-94	BK248J	TSK248
NP249	95-04	BK248JA	TSK248
QuadraTrac	74-79 BW1305	BK1305	TSK1305
<b>KIA</b>			
BW4424	04-Up Part Time TOD	BK4424	TSK4424
BW4424	04-Up Full Time Awd	BK4424A	TSK4424A
KIATR	95-02	BK425	TBA
<b>LAND ROVER</b>			
BW1361	88-95	BK1361	TBA
BW4462	88-02	BK4462	TBA
LT230	87-Up	BK431	TBA
RRTC	03-Up	TBA	TBA
<b>LEXUS</b>			
LC18	88-02	BK422	TSK422
RX300TR	88-Up	BK451	TBA
<b>MAZDA</b>			
BW1354	81-Up	BK1354	TSK1354
BW4405	84-87	BK4405	TSK4405
FETC	01-Up	BK458	TSK458
MACTR	87-83	BK366	TBA
MPVTR	88-97	BK354	BK384
<b>MERCEDES</b>			
BW4409	88-Up	BK4409	TBA
<b>MITSUBISHI</b>			
3000TC	80-82 35mm ID Tapered Front Input Bearing	BK429A	TBA
3000TC	82-99 38mm ID Tapered Front Input Bearing	BK429	TBA
EVDTR	03-Up	BK436	TBA
KM100	83-94	BK181	TSK181
KM120	82-84	BK181B	TSK181
KM150	85-06	BK181A	TSK181
KM155	87-01 Automatic	BK181C	TSK181
KM155	87-01 Manual	BK181D	TSK181
KM190	01-05 4 Spd Automatic	BK181F	TSK181
KM198	01-05 5 Spd Automatic	BK181E	TSK181
KM272	88-99	BK363	TBA
METR	04-Up	BK463	TSK463
MCTR	03-Up	BK462	TSK462
Stealth	80-82 35mm ID Tapered Front Input Bearing	BK425A	TBA
Stealth	82-99 38mm ID Tapered Front Input Bearing	BK429	TBA

TR. CASE	NOTES	BRG KIT	DR KIT
<b>NISSAN</b>			
ATX14B	04-07 Armada	BK504	TSK47X14B
ATX15B	05-Up Pathfinder	BK508	TSK47X14B
MURANOTC	03-07 Murano	BK500	TSK500
T100L	80-85	BK200	TSK200
TX10	88-04	BK390	TSK280
TX14	01-04	BK448	TSK448
TX15A	04-07 Titan	BK505	TSKTX15A
TY10B	80-85	N/A	N/A
<b>PORSCHE</b>			
NP235	04-Up	BK470	TSK470
<b>SATURN</b>			
M18	03-Up	TBA	TBA
M45	03-Up	TBA	TBA
MJ8	03-Up	TBA	TBA
<b>SUZUKI</b>			
G130	85-Up Automatic	BK236A	TSK236A
G130	89-Up Manual	BK236B	TSK236A
TS45	88-95	BK236	TSK236
<b>TOYOTA</b>			
LC10	87-74	BK263	TSK263
LC12	73-80	BK275	TSK275
LC14	81-87	BK258	TSK258
LC18	88-90	BK208A	TSK258
LC18	91-02	BK422	TSK422
R100	88-Up	BK185A	TBA
R150	85-97 Except Provia	18700G	18700D
T100	91-94	BK105B	TBA
THLTC	01-Up	BK484A	TSK464A
TR4TC	01-05	BK484	TSK464
VF3AM	98-Up	BK185	TSK465
W100	78-87 Pickup	BK195	TSK195
W100	81-85 4 Runner	BK195	TSKW100
<b>VOLKSWAGEN</b>			
NP235	04-Up	BK470	TSK470

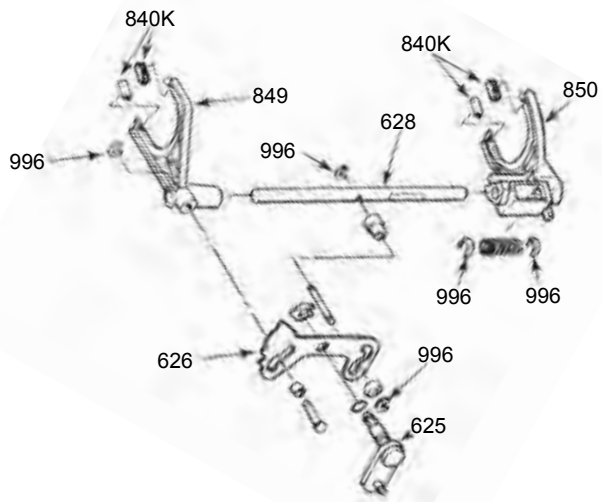
Transfer Case Bearing Kits

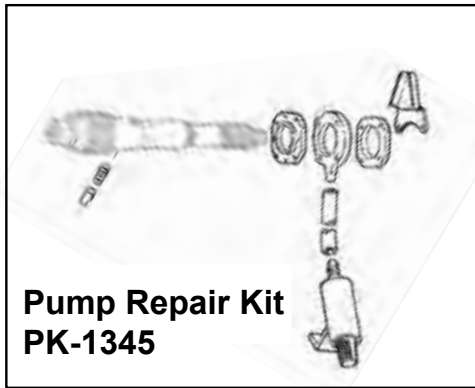


A

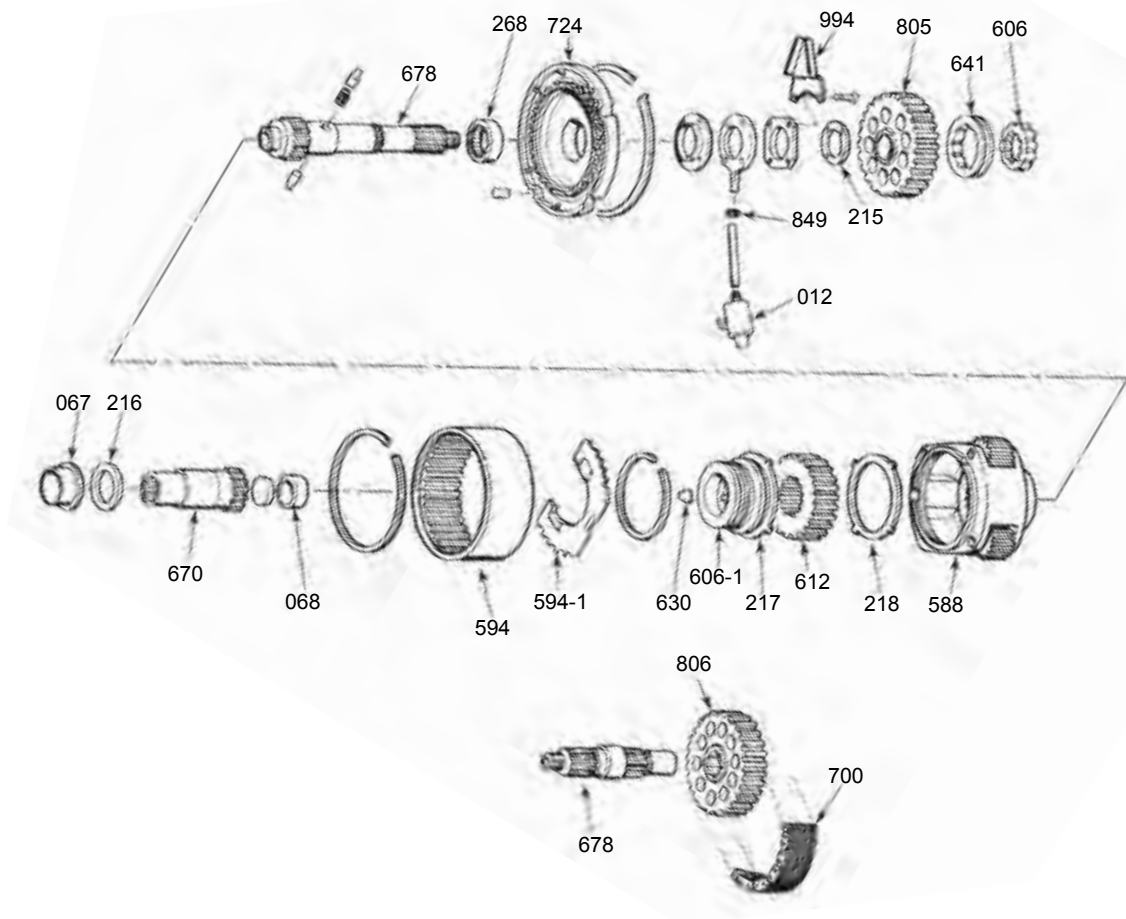


B





**Pump Repair Kit  
PK-1345**



C

D

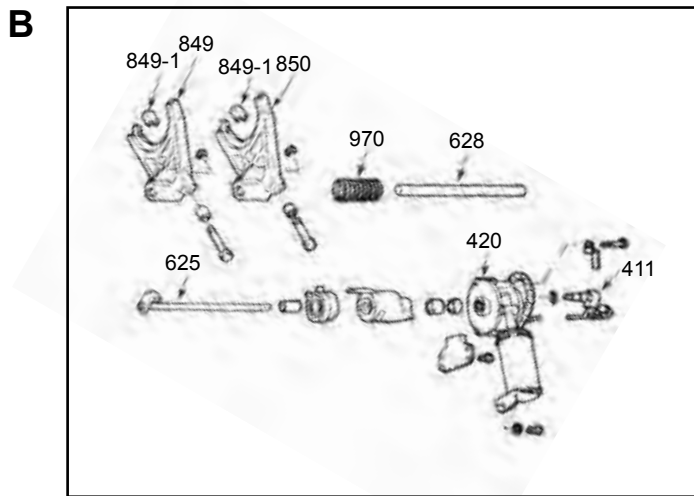
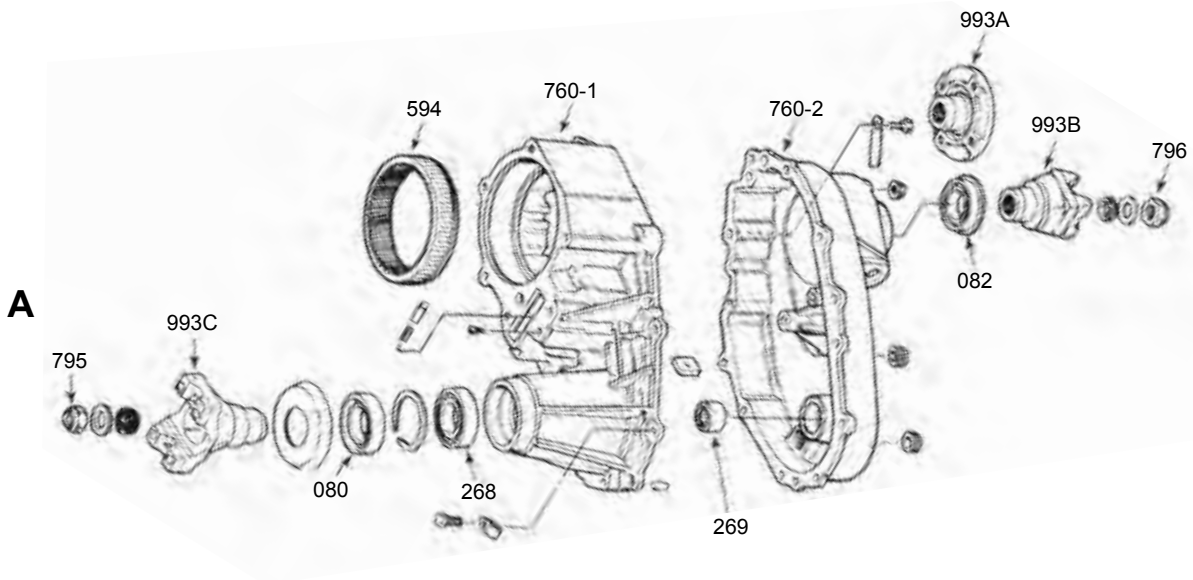
E



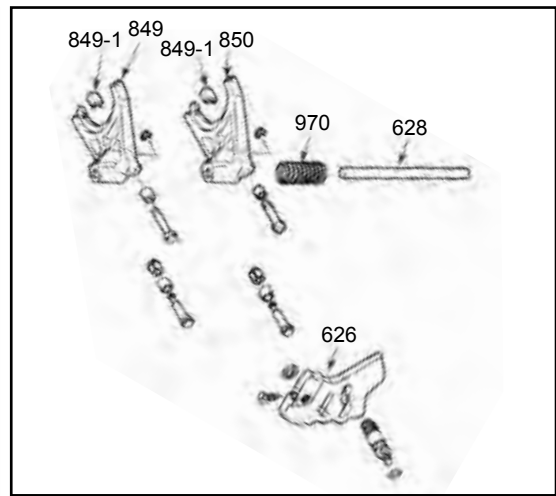
**BW 1345**

ILL NO.	DESCRIPTION	PART NO.	REFERENCE
<b>BEARING KITS</b>			
N.I.	BW 1345 (Cast 13-45) .....	BK1345	N.L.
<b>GASKET &amp; SEAL KITS</b>			
N.I.	BW 1345 .....	TSK1345	TSK-1345
<b>FILTERS</b>			
012C	Pump Screen (Filter).....	305012	1345-238-001
<b>SEALS</b>			
080A	Input Seal.....	305080	1000-044-054
071A	Front Output Seal.....	325080	1356-10
072A	Rear Output Seal.....	305071	18662
<b>GASKETS</b>			
N.I.	Transfer Case to Adapter Gasket (C-6) .....	325304	TC2030-12
N.I.	Transfer Case to Adapter Gasket (A4LD, 4R44E, 5R55E, 5R55W) .....	315304	1350-143
N.I.	Transmission to Adapter Gasket (AOD, AODE, 4R70W).....	76305	E0AZ-7086A
N.I.	Transmission to Adapter Gasket (C-4, C-5).....	26305	C4AZ-7086C
N.I.	Transmission to Adapter Gasket (C-6).....	36305	C6AZ-7086A
N.I.	Transmission to Adapter Gasket (E4OD).....	36305E	E9TZ-7A086B
N.I.	Transmission to Adapter Gasket (C-3, A4LD, 4R44E, 4R55E).....	56305	D4ZZ-7086B
<b>BUSHINGS</b>			
067D	Input to Case.....	305067	1345-127-001
068D	Input to Output .....	305068	1345-127-002
<b>WASHERS</b>			
216D	Input Thrust Washer.....	305216	1345-193-001
217D	Sun Gear Thrust Washer (Fiber).....	305217	1345-193-003
215C	Drive Sprocket Thrust Washer.....	305215	1345-193-004
<b>BEARINGS</b>			
268A	Front Output Shaft Bearing (Front) .....	331268	207
268A	Front Output Shaft Bearing (Rear).....	305268B	SCE2012
268A	Output Bearing (Rear) (35mm ID).....	331268	207
268A	Rear Output Center Support Bearing.....	305268A	B2812
<b>FORKS</b>			
850B	Mode Shift Fork.....	305850	1345-096-004
840KB	Fork Insert Kit.....	305840K	INSK-1345
<b>HUBS &amp; SLIDERS</b>			
606C	Mode Inner Hub .....	305606	1345-090-001
606-1D	Range Shift Hub (Aluminum) .....	305606-1	1345-124
641C	Mode Slider.....	305641	1345-055-001
<b>PUMPS &amp; COMPONENTS</b>			
500KC	Pump Kit .....	305500K	PK1345
849C	Pump Hose Clamp.....	305996D	1345-056-005
994C	Pump Housing Retainer Bracket.....	305994	1345-056-007
<b>PLANETS</b>			
588D	Planet.....	305588	1345-659-004
612D	Sun Gear (Planetary).....	305612	1345-165-002
<b>SHAFTS</b>			
670D	Input Shaft.....	305670	1345-689-003
678C	Output Shaft (31 Spline) .....	305678A	1345-171-004
678C	Output Shaft (32 Spline) .....	305678	1345-171-003

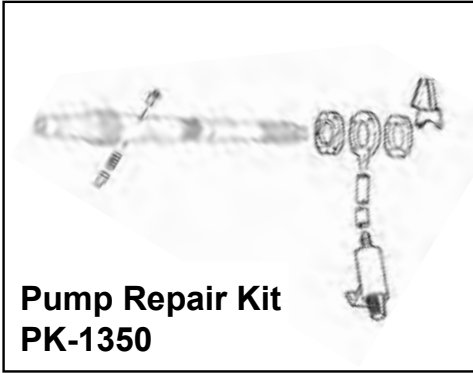




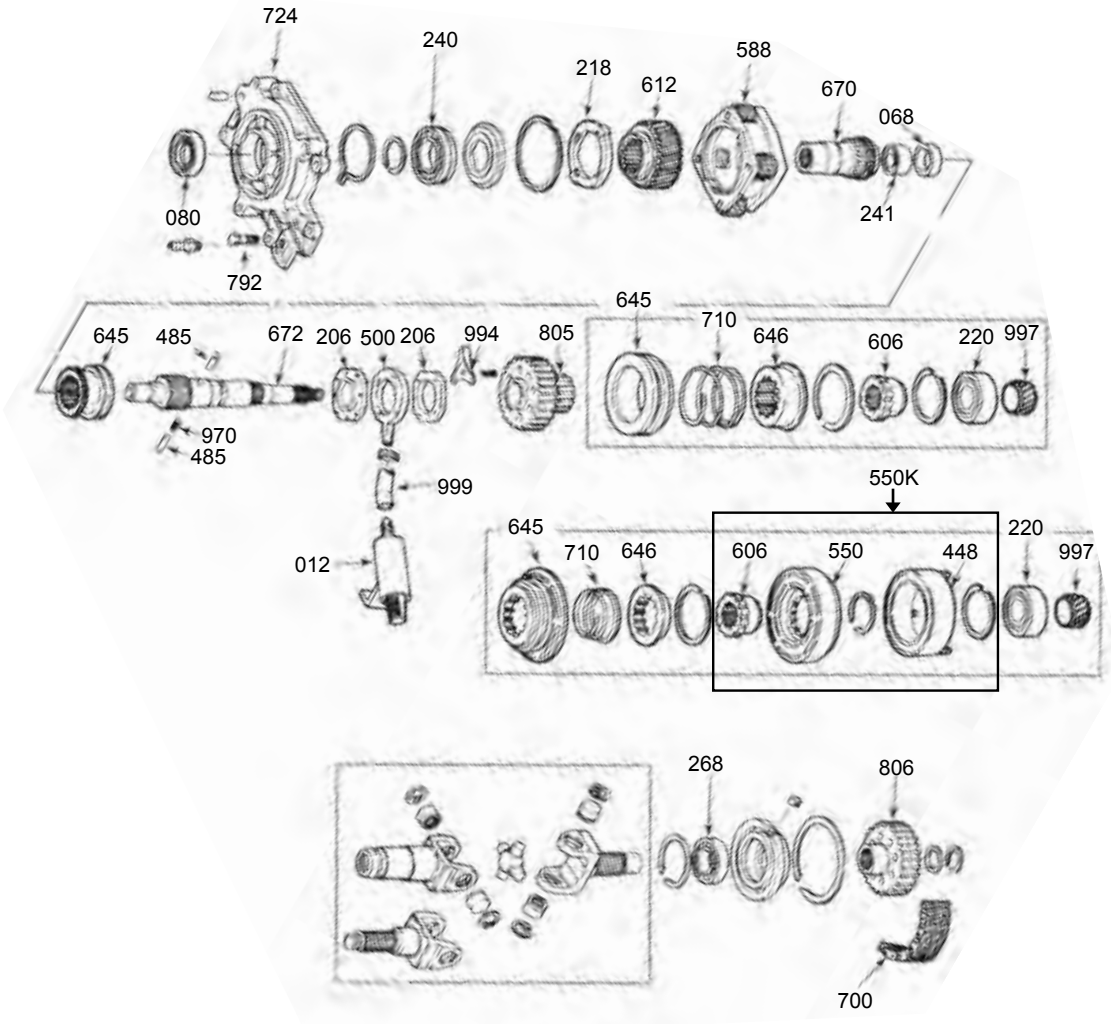
Electric Shift



Mechanical Shift



← 500K

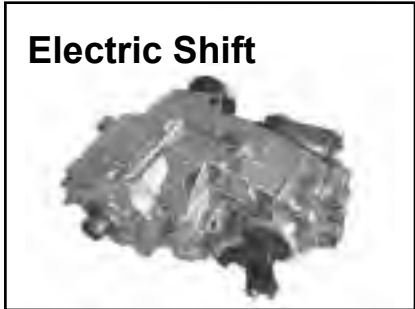


C

D

E

F

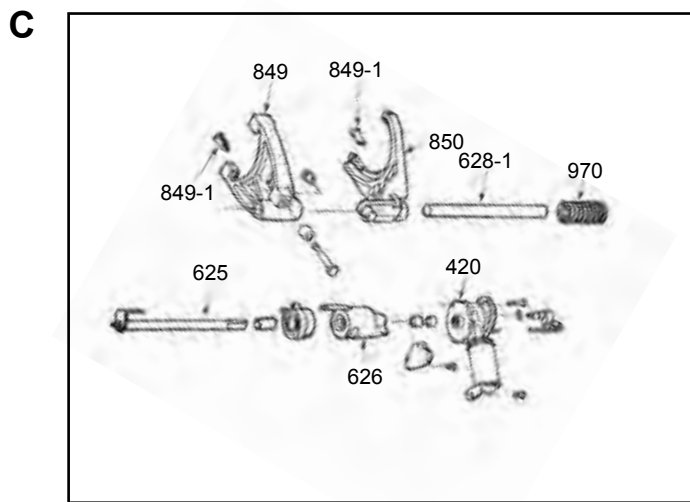
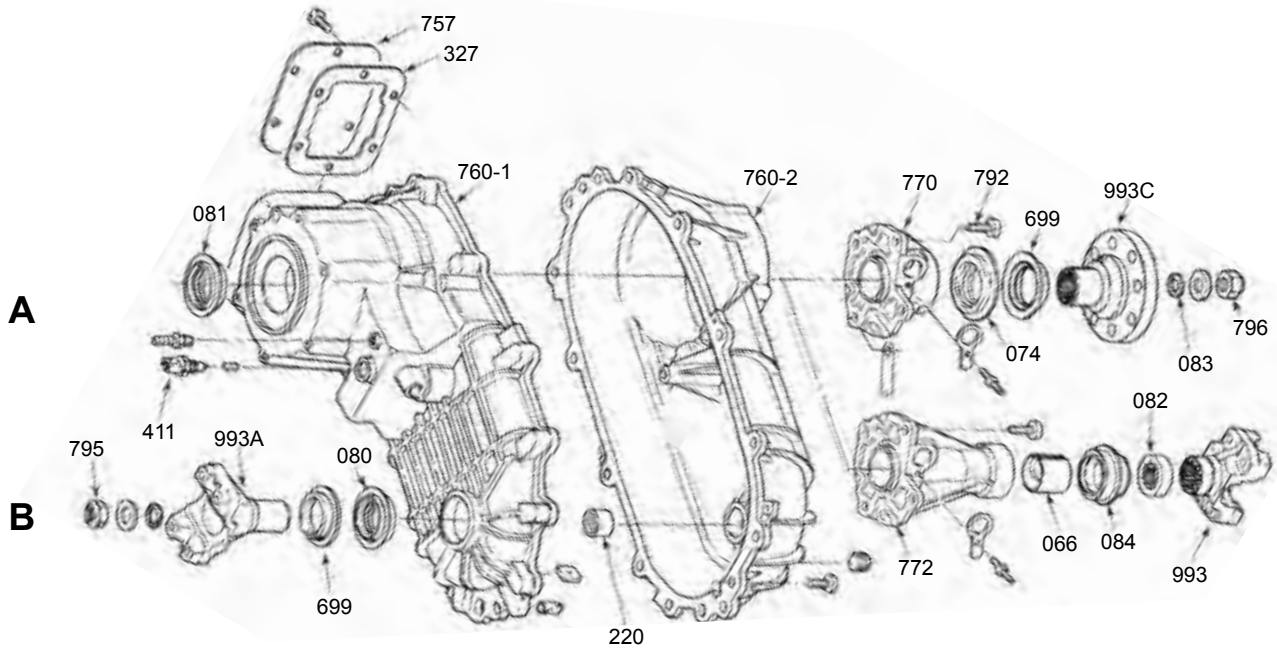


**BW 1350, BW 1354**

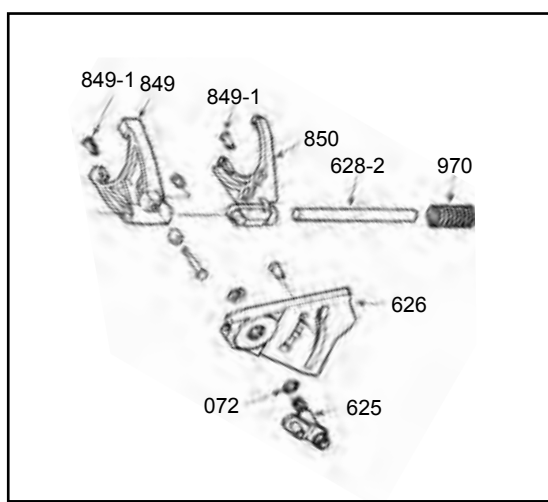
ILL NO.	DESCRIPTION	PART NO.	REFERENCE
<b>BEARING KITS</b>			
N.I.	BW 1350 (Cast 13-50) .....	BK1350	N.L.
<b>GASKET &amp; SEAL KITS</b>			
N.I.	BW 1350 .....	TSK1350	TSK-1350
<b>FILTERS</b>			
012E	Pump Screen (Filter) (use 315500K) .....	305012	1345-238-001
<b>SEALS</b>			
N.I.	Input Seal .....	305080	1000-044-054
080A	Front Output Seal .....	315080	1000-044-051
082A	Rear Output Seal .....	345080	1900-044-009
<b>GASKETS</b>			
N.I.	Transfer Case to Adapter Gasket (A4LD, 4R44E, 5R55E, 5R55W) .....	315304	1350-143
N.I.	Transfer Case to Adapter Gasket (C-6) .....	325304	TC2030-12
N.I.	Transmission to Adapter Gasket (C-3, A4LD, 4R44E, 4R55E) .....	56305	D4ZZ-7086B
<b>BUSHINGS</b>			
068C	Input to Output .....	305068	1345-127-002
<b>BEARINGS</b>			
268A	Front Output Shaft Bearing (Front) .....	426268	108
269A	Front Output Shaft Bearing (Center) .....	351268	6206-N
268F	Front Output Shaft Bearing (Rear) .....	315268	JH1612
241C	Input Shaft Bearing (Inner) .....	315241	M18161
240C	Input Bearing .....	351240B	109L
220D,E	Output Bearing (Rear) .....	351268	6206-N
<b>FORKS</b>			
849B	Range Fork .....	315849	1350-096-004
850B	Mode Fork .....	315850	1354-096-003
849-1B	Fork Insert Kit .....	315840K	INSK-1350
849-1B	Fork Insert .....	305849-1	1345-235-001
<b>HUBS &amp; SLIDERS</b>			
606E	Mode Hub (Electric Shift) .....	315606	1350-090-002
645D	Range Slider .....	315645	1350-089-001
646E	Mode Slider (Lockup Collar) Electric .....	315646	4400-055-001
<b>PUMPS &amp; COMPONENTS</b>			
500KC	Pump Kit .....	315500K	PK1350
999D	Lube Tube (use 315500K) .....	315999	1356-034-001
485D	Main Shaft Pin (use 315500K) .....	315485	1345-043-007
012E	Pump Screen (Filter) (use 315500K) .....	305012	1345-238-001
206D	Pump Support Spacer (Pump to Drive Sprocket) (use 315500K) .....	315206	1345-039-005
206D	Spacer, Pump Support to Range Slider (use 315500K) .....	315206A	1345-039-007
994D	Pump Housing Retainer Bracket (use 315500K) .....	315994	1350-056-004
<b>CHAINS &amp; SPROCKETS</b>			
700F	Chain (1.25" Wide) 31 Links .....	HV-022	HV022
805D	Drive Sprocket .....	315805	1350-144-003
<b>MISCELLANEOUS COMPONENTS</b>			
550KE	Clutch Housing Kit (Incl Magnet, Housing & Mode Assembly Flange) .....	315550K	1354-410-003
550E	Clutch Housing (Electric) .....	315550	1354-212-001
448E	Magnet .....	315448	4400-645-006
672D	Main Shaft .....	315672	1350-171-001
420B	Shift Motor .....	315420	600-800

ILL NO.	DESCRIPTION	PART NO.	REFERENCE
<b>BEARING KITS</b>			
N.I.	BW 1354 (Cast 13-54) .....	BK1354	N.L.
<b>GASKET &amp; SEAL KITS</b>			
N.I.	BW 1354 .....	TSK1354	TSK-1354
<b>FILTERS</b>			
012E	Pump Screen (Filter) (use 315500K) .....	305012	1345-238-001
<b>SEALS</b>			
N.I.	Input Seal .....	345080	1900-044-009
080A	Front Output Seal .....	345080	1900-044-009
082A	Rear Seal Output .....	345080	1900-044-009
<b>GASKETS</b>			
N.I.	Transfer Case to Adapter Gasket (A4LD, 4R44E, 5R55E, 5R55W) .....	315304	1350-143
N.I.	Transfer Case to Adapter Gasket (C-6) .....	325304	TC2030-12
N.I.	Transmission to Adapter Gasket (C-3, A4LD, 4R44E, 4R55E) .....	56305	D4ZZ-7086B
<b>BUSHINGS</b>			
068C	Input to Output .....	305068	1345-127-002
<b>BEARINGS</b>			
268A	Front Output Shaft Bearing (Center) .....	351268	6206-N
268F	Front Output Shaft Bearing (Rear) .....	315268	JH1612
240C	Input Bearing .....	351240B	109L
241C	Input Shaft Bearing (Inner) .....	315241	M18161
220D,E	Output Bearing (Rear) .....	351268	6206-N
<b>FORKS</b>			
850B	Mode Fork .....	315850	1354-096-003
849B	Range Fork (Male Fork, Female Slider) .....	315849	1350-096-004
849B	Range Fork (Female Fork, Male Slider) .....	315849A	1354-596-001
849-1B	Range Fork Insert (Male Fork, Female Slider) .....	305849-1	1345-235-001
849-1B	Range Fork Insert (Female Fork, Male Slider) .....	315849-1	1356-235-001
<b>HUBS &amp; SLIDERS</b>			
606E	Mode Hub (Electric Shift) .....	315606	1350-090-002
646E	Mode Slider (Lockup Collar) Electric Shift .....	315646	4400-055-001
645D	Range Slider (use w/ 1354-000-004, 005, 014) .....	315645	1350-089-001
645D	Range Slider (Female Fork, Male Slider) .....	315645A	1354-089-002
<b>PUMPS &amp; COMPONENTS</b>			
500KC	Pump Kit (Complete) (Iron Housing Type) .....	315500K	PK1350
500D	Pump Housing (Aluminum) .....	315500	4400-508-001
994D	Pump Housing Retainer Bracket (use 315500K) .....	315994	1350-056-004
012E	Pump Screen (Filter) (use 315500K) .....	305012	1345-238-001
206D	Spacer, Pump Support (Pump to Drive Sprocket) (use 315500K) .....	315206	1345-039-005
206D	Spacer, Pump Support to Range Slider (use 315500K) .....	315206A	1345-039-007
<b>CHAINS &amp; SPROCKETS</b>			
700F	Chain (1.00" Wide) 31 Links (05-Up Explorer Sport & Sport Trac) .....	HV-505	HV505
700F	Chain (1.25" Wide) 31 Links (00-Up Explorer Sport & Sport Trac) .....	HV-068	HV068
700F	Chain (1.25" Wide) 31 Links (Except 00-Up Explorer Sport & Sport Trac) .....	HV-022	HV022
805D	Drive Sprocket .....	315805	1350-144-003
806F	Driven Sprocket .....	315806	1354-144-004
<b>MISCELLANEOUS COMPONENTS</b>			
550E	Clutch Housing .....	315550	1354-212-001
448E	Magnet .....	315448	4400-645-006
485D	Main Shaft Pin (use 315500K) .....	315485	1345-043-007
672D	Main Shaft (Aluminum Pump Type) .....	315672A	1354-171-005
672D	Main Shaft (Iron Pump Type) .....	315672	1350-171-001
420B	Shift Motor (10 Hole connector) (90-E95) .....	315420	600-800
420B	Shift Motor (8 Hole connector) (L95-05) .....	315420B	600-807



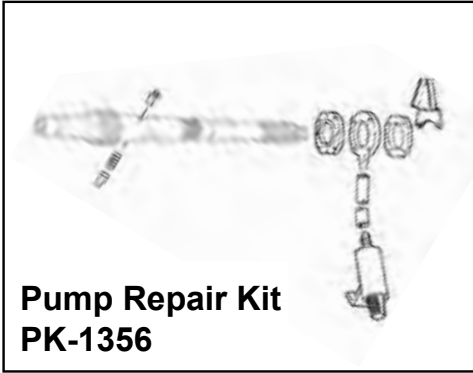


Electric Shift

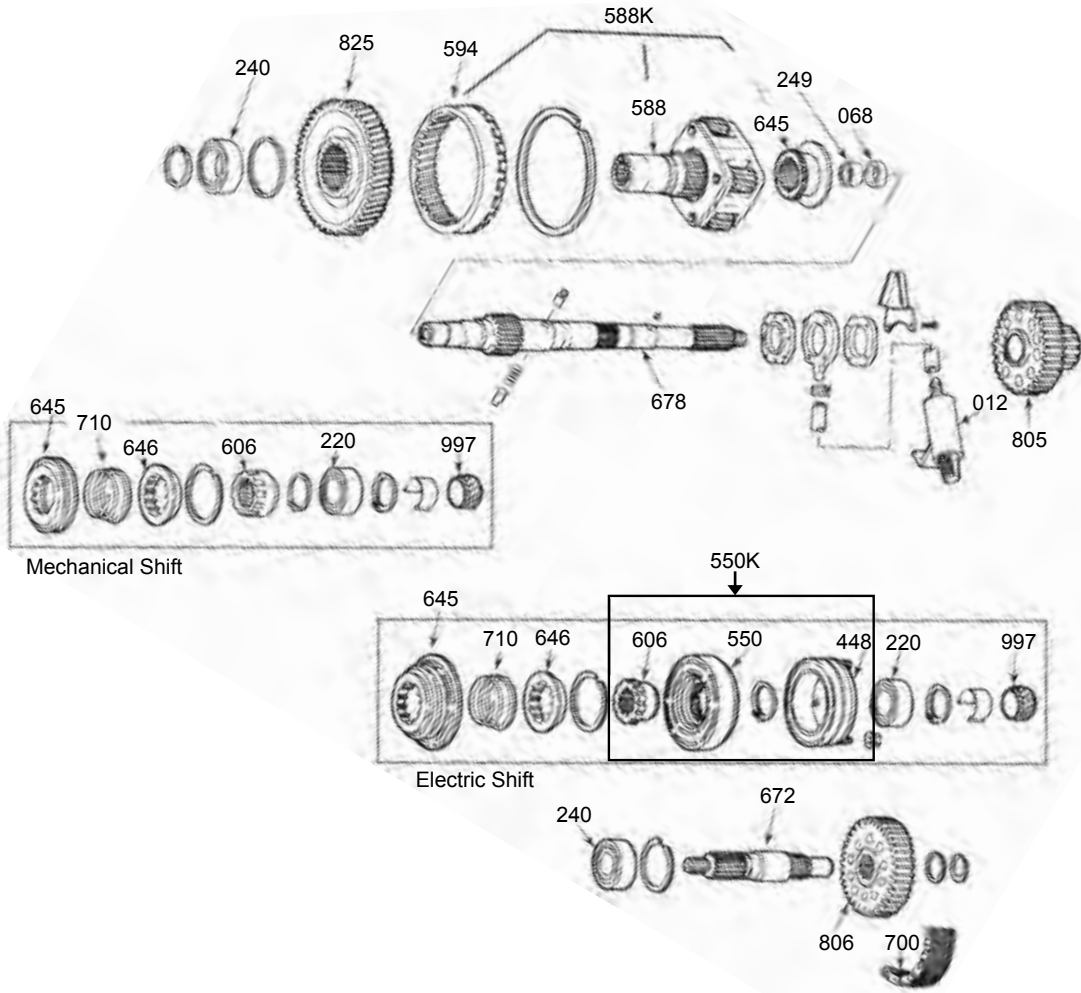


Mechanical Shift





← 500K



Mechanical Shift

Electric Shift

D

E

F

G

H

**BW 1356**

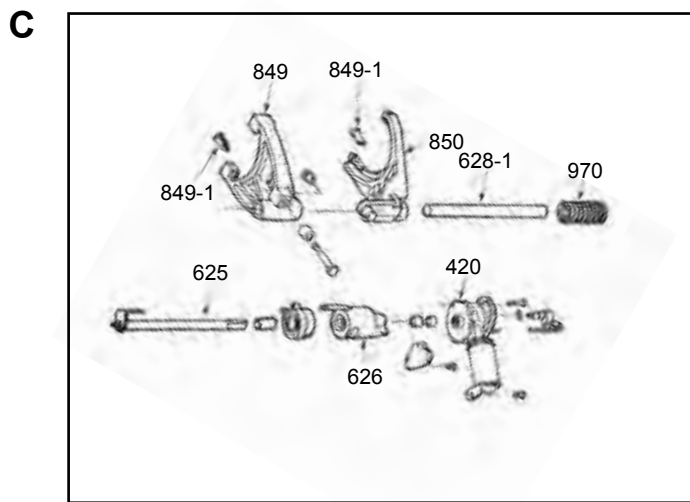
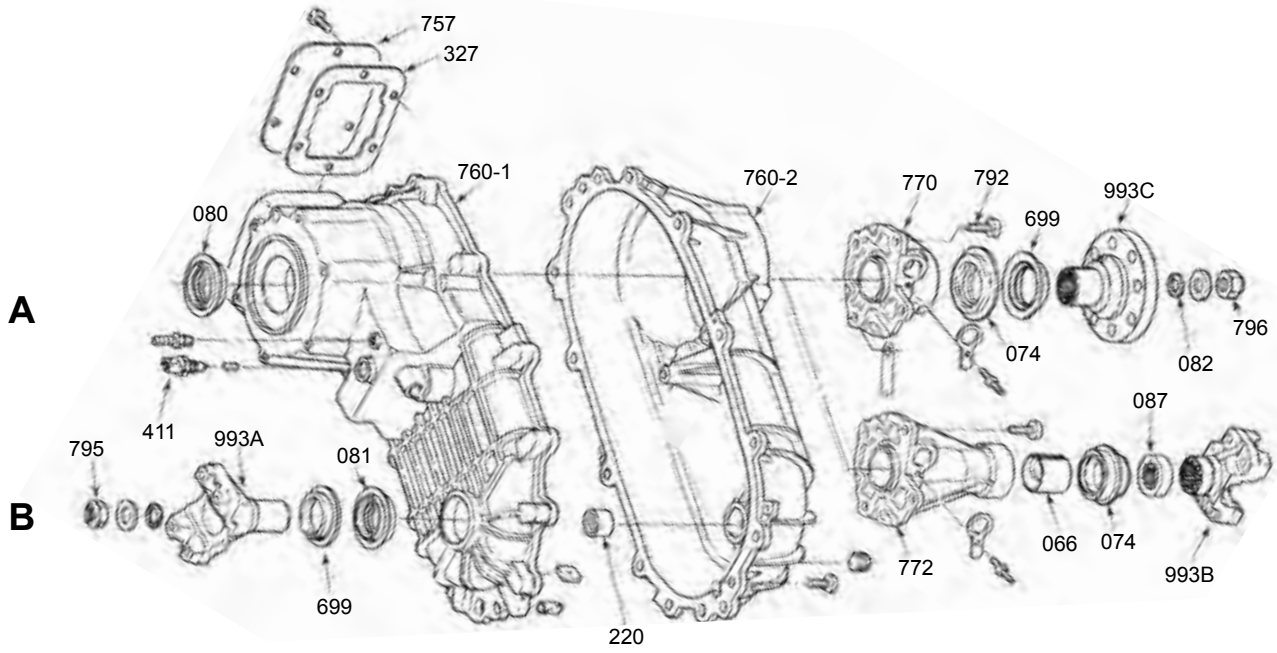


**325**

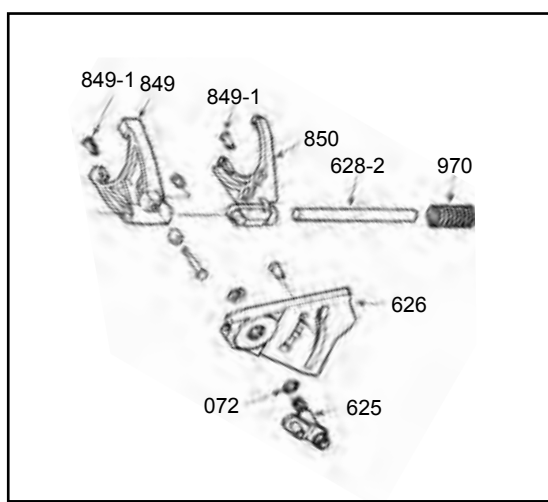
ILL NO.	DESCRIPTION	PART NO.	REFERENCE
<b>BEARING KITS</b>			
N.I.	BW 1356 (Cast 13-56) .....	BK1356	N.L.
<b>SMALL PARTS KITS</b>			
N.I.	BW 1356 .....	325001	SP1356-50
<b>GASKET &amp; SEAL KITS</b>			
N.I.	BW 1356 .....	TSK1356	TSK-1356
<b>FILTERS</b>			
012E	Pump Screen (Filter) .....	305012	1345-238-001
<b>SEALS</b>			
081A	Input Seal .....	325080	1356-10
080A	Front Output Seal .....	325080	1356-10
074A	Rear Output Seal (w/ Boot) .....	325081A	1300-044-014
074A	Rear Output Seal (w/o Boot) .....	325080	1356-10
083A	Linkage Seal (Rubber Coated) .....	486072	6130
082A	Yoke Seal .....	325082	1356-1
<b>GASKETS</b>			
N.I.	Transfer Case to Adapter Gasket (C-6) .....	325304	TC2030-12
N.I.	Transmission to Adapter Gasket (AOD, AODE, 4R70W) .....	76305	E0AZ-7086A
N.I.	Transmission to Adapter Gasket (C-6) .....	36305	C6AZ-7086A
N.I.	Transmission to Adapter Gasket (E4OD) .....	36305E	E9TZ-7A086B
<b>BUSHINGS</b>			
068D	Input to Output .....	305068	1345-127-002
066B	Extension Housing (2.020" OD) .....	335066	BW1356-62
<b>BEARINGS</b>			
240D	Input Bearing (.630" Wide, 50mm ID) .....	325287	110
220F,G	Output Bearing (35mm ID) .....	331268	207
220F,G	Output Bearing (32mm ID) (Front) .....	305268B	SCE2012
249D	Planet Bearing .....	325249	BK3026
<b>FORKS</b>			
850C	Mode (Lockup) Fork .....	325850	4400-596-002
849C	Range & Reduction Fork .....	325849	4400-596-001
849-1C	Range Fork Inserts Kit .....	325840K	INSK-1356
<b>HUBS &amp; SLIDERS</b>			
606F,G	Mode Hub, Inner (Manual Shift) .....	325606	1356-090-004
606F,G	Mode Hub, Inner (Electric Shift) .....	325606A	1356-090-002
646F,G	Mode Slider (Lockup) .....	325646	1356-089-002
646F,G	Mode Slider Flange (Lockup Collar) Electric Shift .....	315646	4400-055-001
645D	Range Slider (38T) (Non Updated) .....	325645	1356-089-001
645D	Range Slider (31T) (Updated) .....	325645A	1356-089-003
<b>PUMPS &amp; COMPONENTS</b>			
500KD	Pump Kit (9 Pieces) .....	325500K	PK1356
<b>PLANETS &amp; COMPONENTS</b>			
588KD	Planet Kit, Updated (Includes Planet, Ring Gear & Range Slider) .....	325588K	1356-410-004
588D	Planet (38 Range Slider Teeth) (Non Updated) .....	325588	1356-659-007
<b>SHAFTS</b>			
678E	Output Shaft (Slip Yoke Style) (Long Shaft) .....	325678	1356-171-007
678E	Output Shaft (Bolt On Flange Style) (Long Shaft) .....	325678A	1356-171-013
678E	Output Shaft (Bolt On Yoke Style) (Long Shaft) .....	325678B	1356-171-009

ILL NO.	DESCRIPTION	PART NO.	REFERENCE
<b>CASES &amp; HOUSINGS</b>			
760-1A	Case Half (Front) Manual Shift .....	325760-1	1356-565-011
760-1A	Case Half (Front) Electrical Shift.....	325760-1A	1356-565-006
760-2A	Case Half (Rear) Manual Shift.....	325760-2	1356-539-003
760-2A	Case Half (Rear) Electrical Shift.....	325760-2A	1356-539-004
772B	Extension Housing (Slip Yoke w/ Speedometer Hole) .....	325772	1356-566-012
<b>CHAINS &amp; SPROCKETS</b>			
700H	Chain (1.25" Wide) 42 Links .....	HV-012	HV012
805E	Drive Sprocket .....	325805	1356-144-003
806H	Driven Sprocket .....	325806	1356-144-002
<b>MISCELLANEOUS COMPONENTS</b>			
N.I.	Case Saver Kit, Shifter Shaft Spacers (Fixes Neutral Condition) .....	325460	36605-01
550KG	Magnet Kit (Incl Magnet, Housing & Mode Assembly Flange).....	325550K	1356-410-001
550G	Clutch Housing (Electric) .....	325550	4400-212-001
448G	Magnet.....	315448	4400-645-006
626C	Shift Cam (Electric Shift) (Aluminum) (Replaces 1356-099-007).....	325626	1356-099-008
420C	Shift Motor (87-90).....	325420	600-804
420C	Shift Motor (91-97).....	325420A	600-801
625C	Shift Shaft, Manual Shift (Bolt On Style).....	325625	1356-122-001
625C	Shift Shaft, Electric Shift .....	325625A	1356-122-007
997F	Speedometer Gear (6T Green).....	366997A	T18-169A
997F	Speedometer Gear (7T Yellow).....	366997	T18-169
997F	Speedometer Gear (8T Brown).....	366997B	T18-169D
<b>NOTES</b>			

**BW 1356**

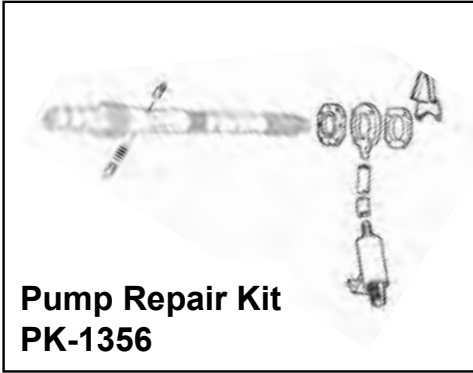


Electric Shift

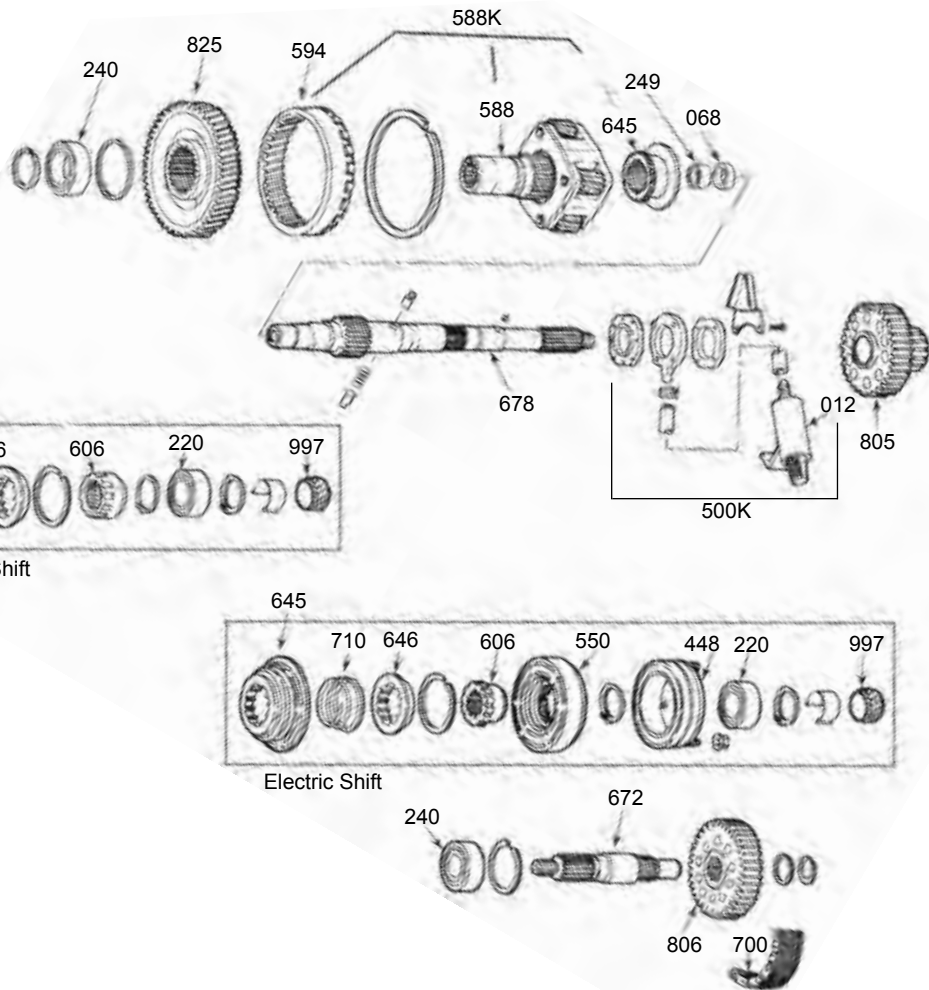


Mechanical Shift





← 500K



Mechanical Shift

Electric Shift

D

E

F

G

H

**BW 1370**



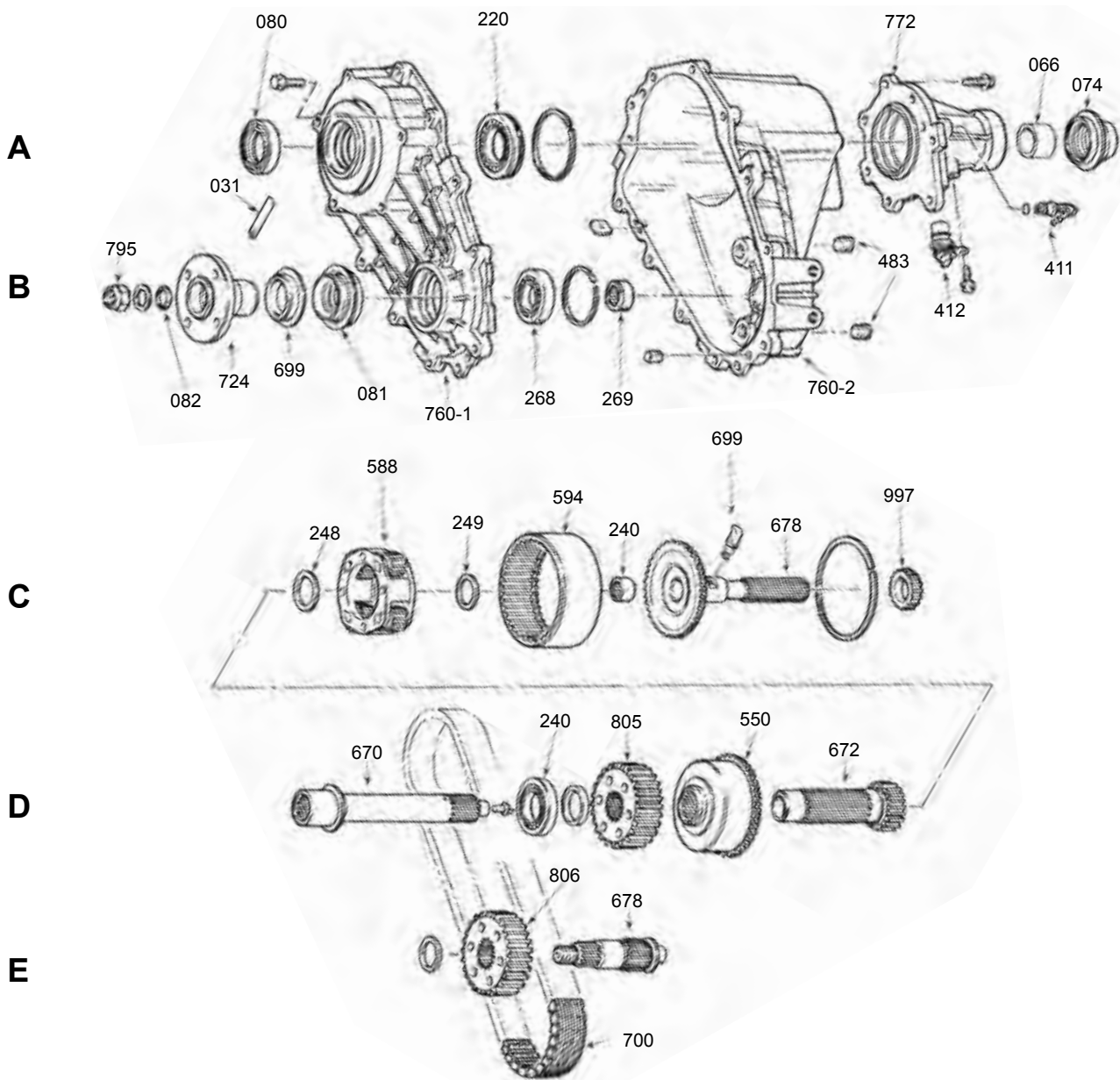
**325**

ILL NO.	DESCRIPTION	PART NO.	REFERENCE
<b>BEARING KITS</b>			
N.I.	BW 1370 (Cast 13-70 or 44-01) no Plate Between Case Halves ..... .....Cast # 44-01 see also BW4470	BK1356	N.L.
<b>SMALL PARTS KITS</b>			
N.I.	BW 1370 .....	325001A	SP1370-50
<b>GASKET &amp; SEAL KITS</b>			
N.I.	BW 1370 .....	TSK1356	TSK-1356
<b>GASKETS &amp; O-RINGS</b>			
N.I.	Adapter to Transfer Case Gasket .....	331304A	TC2030-9
N.I.	Transmission to Adapter Gasket (TH400).....	34305	12148
N.I.	Transmission to Adapter O-Ring (TH400).....	114348	N.L.
N.I.	Transmission to Adapter O-Ring (700-R4, 4L60E, TH350, TH350C).....	44348	24064
<b>SEALS</b>			
080A	Input Seal .....	325080	1356-10
081A	Front Output Seal.....	325080	1356-10
074B	Rear Output Seal .....	325080	1356-10
<b>BUSHINGS</b>			
068D	Input to Output .....	305068	1345-127-002
<b>BEARINGS</b>			
240D	Input Bearing (.630" Wide) (50mm ID).....	325287	110
240D	Input Bearing (35mm ID) (Front).....	331268	207
220F,G	Output Bearing (32mm ID) (Front).....	305268B	SCE2012
249D	Planet Bearing .....	325249	BK3026
<b>FORKS</b>			
849C	Range Fork .....	325849	4400-596-001
849-1C	Fork Insert (Mode) .....	305849-1	1345-235-001
849-1C	Fork Insert (Range).....	315849-1	1356-235-001
849-1C	Fork insert kit .....	325840K	INSK-1356
<b>HUBS &amp; SLIDERS</b>			
606F,G	Mode Hub, Inner (Electric Shift).....	325606A	1356-090-002
606F,G	Mode Hub, Inner (Manual Shift).....	325606	1356-090-004
646F,G	Mode Slider (Lockup).....	325646	1356-089-002
645D	Range Slider .....	325645	1356-089-001
<b>PUMPS &amp; COMPONENTS</b>			
500KD	Pump Kit (9 Pieces) .....	325500K	PK1356
<b>PLANETS &amp; COMPONENTS</b>			
588D	Planet (Input) .....	325588A	1370-659-004R
<b>SHAFTS</b>			
678E	Output Shaft (Front) (7.5") .....	325678C	1370-171-003
672H	Output Shaft (Rear) Kit (Bolt On Yoke) Updated.....	325672K	4401-410-003
672H	Output Shaft (Rear) Kit (Slip On Yoke) Updated.....	325672AK	4401-410-002
<b>CHAINS &amp; SPROCKETS</b>			
700H	Chain (1.25" Wide) 36 Links (Rocker Joint).....	HV-014	HV014
700H	Chain (1.25" Wide) 36 Links (Round Pins).....	HV-025	HV025
805E	Drive Sprocket .....	325805	1356-144-003
806H	Driven Sprocket .....	325806	1356-144-002

ILL NO.	DESCRIPTION	PART NO.	REFERENCE
<b>MISCELLANEOUS COMPONENTS</b>			
646F,G	Flange, Mode Collar (Lockup Collar) Electric Shift .....	315646	4400-055-001
N.I.	Housing Kit (Incl Magnet, Housing & Mode Assembly Flange).....	325550K	1356-410-001
448G	Magnet.....	315448	4400-645-006
625C	Shift Shaft (Bolt-on Arm) .....	325625A	4401-598-001
N.I.	Speed Sensor, Magnetic.....	335436A	1370-640-001
997F,G	Speedometer Tone Wheel (Smooth Inner Bore).....	325997A	1370-110-002
997F,G	Speedometer Tone Wheel (Spline Inner Bore) (40T).....	325997	1370-110-001
411A	Switch, Indicator (2 Pin).....	404411	290-71
411A	Switch, 4wd Indicator (3 Prong).....	351411A	15693423
<b>NOTES</b>			

**BW 1370**

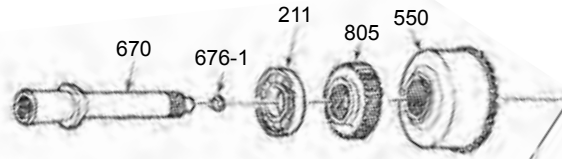




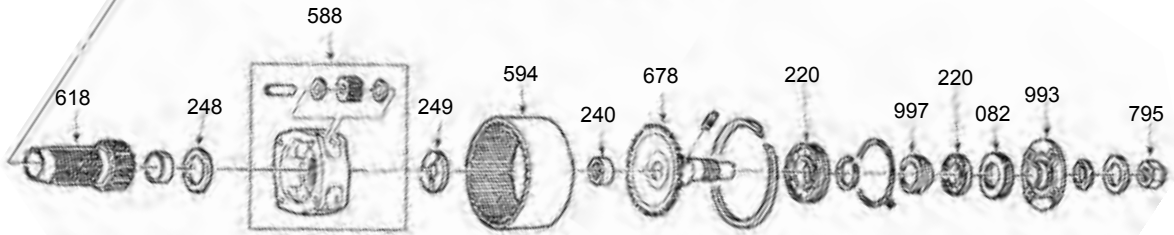
**335**

ILL NO.	DESCRIPTION	PART NO.	REFERENCE
<b>BEARING KITS</b>			
N.I.	BW 1372, BW 4472 (Cast 13-72 or 44-72).....	BK1372	N.L
<b>GASKET &amp; SEAL KITS</b>			
N.I.	BW 1372, BW 4472 .....	TSK1372	TSK-1372
<b>SEALS</b>			
080A	Input Seal.....	305080	1000-044-054
081B	Front Output Seal.....	325080	1356-10
074A	Rear Output Seal (2.385" x 1.425").....	335080	MC226
074A	Rear Output Seal (2.760" x 1.820").....	325081A	1300-044-014
082B	Yoke Seal.....	335082	1900-044-002
<b>GASKETS &amp; O-RINGS</b>			
N.I.	Adapter to Transfer Case Gasket (GM) .....	351304	TC2030-6
N.I.	Transmission to Adapter O-Ring (700-R4, 4L60E, TH350, TH350C) .....	44348	24064
<b>BUSHINGS</b>			
031A	Front Case .....	335031	1900-127-003
066A	Extension Housing (1.630" OD) (27 Spline).....	44066	WT266-62
066A	Extension Housing (2.020" OD) (32 Spline).....	335066	BW1356-62
<b>WASHERS</b>			
248C	Planet Thrust Washer (Front).....	335248	1900-193-005
249C	Planet to Ring Gear Hub.....	335248A	1900-193-006
<b>BEARINGS</b>			
268B	Front Output Shaft Bearing (Front) .....	351268A	6207-N
269B	Front Output Shaft Bearing (Rear).....	315268	JH1612
220A	Output Bearing (Rear).....	342210	6208-N
240D	Input Bearing.....	351240B	109L
240C	Input to Output Needle Bearing .....	335240	BH1310
<b>PLANETS</b>			
588C	Planet.....	335588	4472-659-003
<b>SHAFTS</b>			
678E	Output Shaft (Front).....	335678	4472-171-001
<b>CASES &amp; HOUSINGS</b>			
772A	Extension Housing (32 Spline).....	335772	4472-566-001
<b>CHAINS &amp; SPROCKETS</b>			
700D	Chain (1.75" Wide) 43 Links (1 Blue Link) .....	HV-033	HV033
805D	Drive Sprocket .....	335805	1372-144-001
806D	Driven Sprocket .....	335806	1372-144-002
<b>MISCELLANEOUS COMPONENTS</b>			
412B	Speed Sensor, Magnetic (Push In) .....	335436A	1370-640-001
997C	Tone Wheel / Speedometer .....	325997A	1370-110-002
550D	Viscous Coupler (BW 1372, BW 4472) (1372-625-001).....	335550	1372-VISCOUS

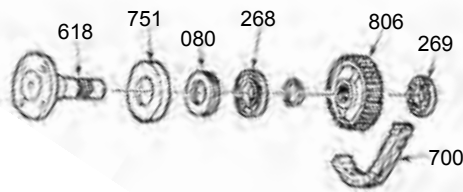
A



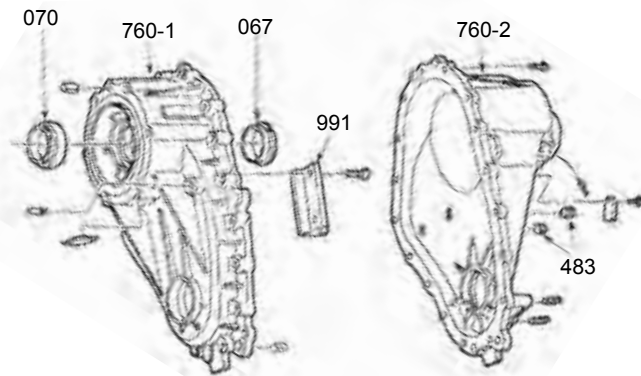
B



C

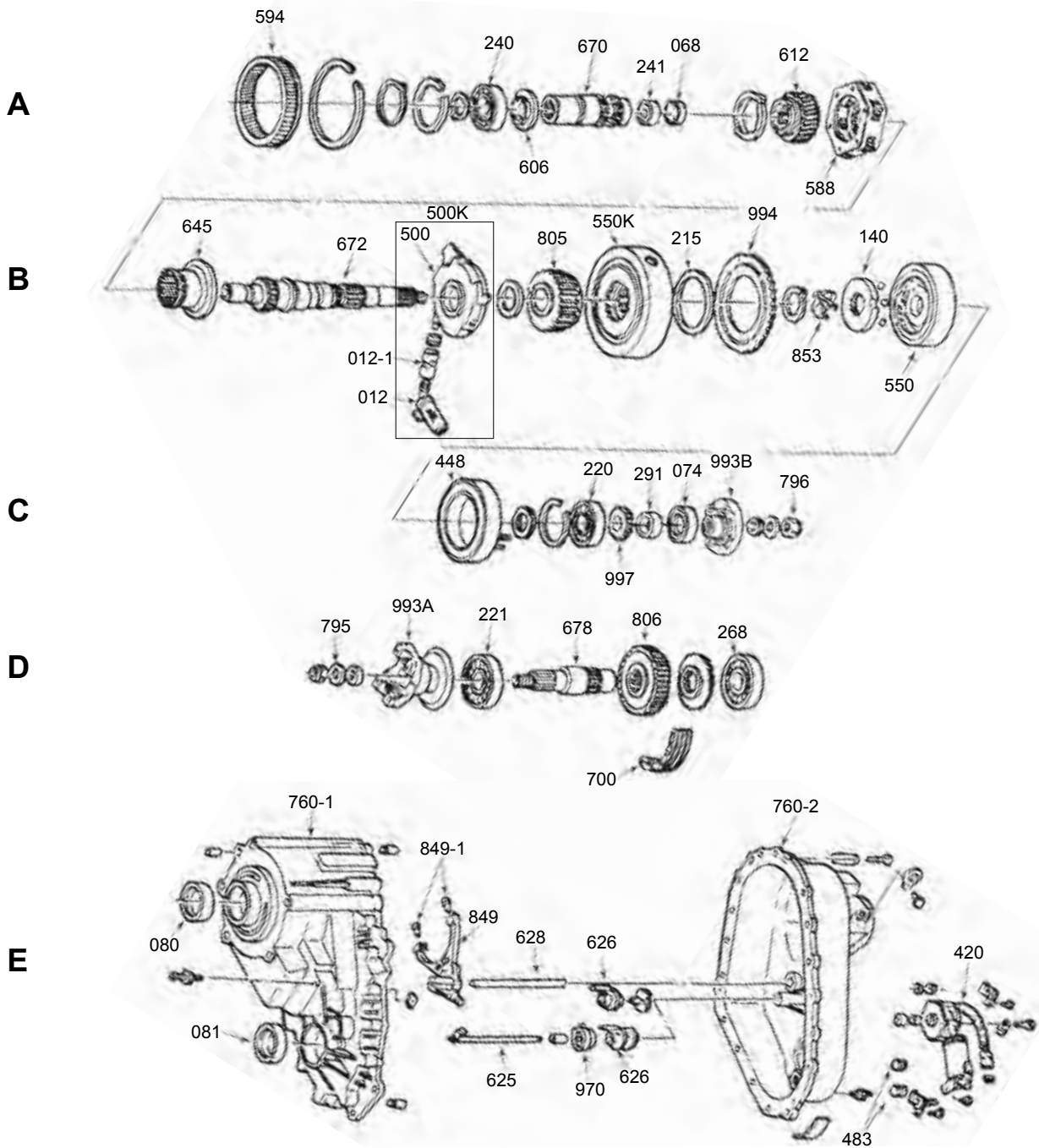


D



345

ILL NO.	DESCRIPTION	PART NO.	REFERENCE
<b>BEARING KITS</b>			
N.I.	BW 4404 (Cast 44-04) (Uses a Speedo in Rear Case) .....	BK4404	N.L.
N.I.	BW 4404 (Cast 44-04) (no Speedo in Rear Case) .....	BK4404A	N.L.
<b>GASKET &amp; SEAL KITS</b>			
N.I.	BW 4404 .....	TSK4404	TSK-4404
<b>SEALS</b>			
070D	Input Seal .....	345080	1900-044-009
080C	Front Output Seal .....	345080	1900-044-009
082B	Rear Output Seal .....	345080	1900-044-009
<b>GASKETS</b>			
N.I.	Adapter to Transfer Case to (9 Holes) .....	345304	TC4411
N.I.	Transfer Case to Adapter Gasket (7 Holes) .....	315304	1350-143
N.I.	Transfer Case to Adapter Gasket (6 Outside Holes) .....	331304B	TC2030-12
N.I.	Transmission to Adapter Gasket (AOD, AODE, 4R70W) .....	76305	E0AZ-7086A
N.I.	Transmission to Adapter Gasket (C-3, A4LD, 4R44E, 4R55E) .....	56305	D4ZZ-7086B
<b>BUSHINGS</b>			
067D	Front Case .....	335067	1900-127-016
<b>WASHERS</b>			
248B	Sun Gear to Planet Washer .....	335248	1900-193-005
249B	Rear Planet to Ring Gear Hub .....	335248A	1900-193-006
<b>BEARINGS</b>			
220B	Rear Output Shaft Bearing (Front) .....	342210	6208-N
220B	Rear Output Shaft Bearing (Rear) .....	345220	16006
211A	Drive Sprocket Bearing .....	351240B	109L
240B	Input Pilot Bearing .....	335240	BH1310
268C	Front Output Shaft Bearing (Front) .....	331268	207
269C	Front Output Shaft Bearing (Rear) .....	351268	6206-N
<b>PLANETS</b>			
588B	Planet .....	335588	4472-659-003
<b>SHAFTS</b>			
670A	Input Shaft .....	345670	4404-689-001
<b>CASES &amp; HOUSINGS</b>			
760-1D	Case Half (Front) .....	345670A-1	4404-565-003
760-2D	Case Half (Rear) (No Speedo Hole) .....	345670A-2	4404-539-004
<b>CHAINS &amp; SPROCKETS</b>			
700C	Chain (1.25" Wide) 37 Links (1 Blue Link) (4.0L) .....	HV-051	HV051
700C	Chain (1.25" Wide) 37 Links (2 Blue Links) (5.0L) .....	HV-070	HV070
N.I.	Chain Guide .....	345991	4400-150-001
805A	Drive Sprocket .....	345805A	4404-144-001
806C	Driven Sprocket .....	345806	4404-144-002
<b>MISCELLANEOUS COMPONENTS</b>			
676-1A	Oil Funnel (Input Shaft) .....	346676-1A	1352-034-002
550A	Viscous Coupler (4404-625-001) .....	345550	4404-VISCOUS



ILL NO.	DESCRIPTION	PART NO.	REFERENCE
<b>BEARING KITS</b>			
N.I.	BW 4405 (Cast 44-05) .....	BK4405	N.L.
<b>GASKET &amp; SEAL KITS</b>			
N.I.	BW 4405 .....	TSK4405	TSK-4405
<b>FILTERS</b>			
012-1B	Oil Pump Hose .....	345012-1	1900-034-008
012B	Oil Pump Screen (Filter) .....	345012	4400-238-002
<b>SEALS</b>			
080E	Input Seal .....	345080	1900-044-009
081E	Front Output Seal .....	345080	1900-044-009
074C	Rear Output Seal .....	345080	1900-044-009
N.I.	Shift Shaft Seal (Electric Motor) .....	345073	3940
<b>GASKETS</b>			
N.I.	Transfer Case to Adapter Gasket (Not Round w/ 9 Holes) .....	345304	TC4411
N.I.	Transfer Case to Adapter Gasket (Round w/ 7 Holes) .....	315304	1350-143
N.I.	Transmission to Adapter Gasket (AOD, AODE, 4R70W) .....	76305	E0AZ-7086A
N.I.	Transmission to Adapter Gasket (C-3, A4LD, 4R44E, 4R55E) .....	56305	D4ZZ-7086B
N.I.	Transmission to Adapter Gasket (5R55W) .....	345304	TC4411
<b>BUSHINGS</b>			
068A	Bushing (Inside Input Shaft) .....	305068	1345-127-002
<b>WASHERS</b>			
215B	Thrust Washer (Plastic) .....	345215	4400-248-001
<b>BEARINGS</b>			
220C	Output Bearing (Rear) .....	303210	306
221D	Front Output Shaft Bearing (Front) .....	303210	306
268D	Front Output Shaft Bearing (Rear) .....	351268	6206-N
240A	Input Bearing (45mm ID, 85mm OD, 19mm Thick) .....	345240	6209-N
241A	Input Shaft Bearing (Inner) .....	315241	M18161
<b>FORKS</b>			
849E	Range Fork .....	345849	4405-596-002
849-1E	Range Fork Insert .....	315849-1	1356-235-001
849-1E	Range Fork Insert Kit .....	345840K	INSK-4405
N.I.	Shift Fork Guide Roller Repair Kit (Sonnax) .....	S345840A-4K	100329-01K
<b>SLIDERS</b>			
645B	Range Slider .....	315645A	1354-089-002
<b>PUMPS &amp; COMPONENTS</b>			
500KB	Pump Assembly .....	345500	4400-508-004
<b>CASES &amp; HOUSES</b>			
760-1E	Case Half (Front) .....	345760-1	4405-565-008
760-2E	Case Half (Rear) (w/ Speedometer Hole) .....	345760-2	4405-539-004
<b>SHAFTS</b>			
670A	Input Shaft .....	345670A	4405-108
<b>CHAINS &amp; SPROCKETS</b>			
700D	Chain (1.00" Wide) 37 Links (Rocker Joint) .....	HV-067	HV067
700D	Chain (1.25" Wide) 37 Links (1 Blue Link) (90-97) .....	HV-051	HV051
700D	Chain (1.25" Wide) 37 Links (2 Blue Links) (98-Up) .....	HV-070	HV070
805B	Drive Sprocket (1.00" Wide Chain) .....	345805B	4405-644-002
805B	Drive Sprocket (1.25" Wide Chain) .....	345805	4405-644-001
806D	Driven Sprocket (1.00" Wide Chain) .....	345806B	4405-144-008
806D	Driven Sprocket (1.25" Wide Chain) .....	345806A	4405-144-006

ILL NO.	DESCRIPTION	PART NO.	REFERENCE
<b>MISCELLANEOUS COMPONENTS</b>			
N.I.	Case Protector Clip - Anti Wear (Prevents Pump Lug Wear in Case) .....	345996	TC4405C
550KB	Clutch Pack Assembly (includes Housing, Clutches & Steels) .....	345550AK	4405-625-003
N.I.	Magnet .....	345448	4400-645-001
550B	Magnet Housing .....	345550C	4400-712-001
N.I.	Housing Coil .....	345448-1	N.L.
626E	Electric Shift Cam (Range Fork) .....	345626	4405-099-009
N.I.	Friction Plates (Single Sided - Internal Teeth) .....	345118B	18730-195
N.I.	Friction Plates (Single Sided - External Teeth) .....	345118BA	18731-195
N.I.	Friction Plates (Double Sided) .....	345118	N.L.
N.I.	Steel Plates (.040") .....	345138	N.L.
N.I.	Steel Plates (.060") .....	345138A	N.L.
420E	Shift Motor .....	345420	600-803
N.I.	Shim Kit, Rear Case .....	334206K	16853
997C	Speedometer Gear (7T) .....	345997	4405-110-001
853B	Spring, Clutch Pack .....	345970	1900-156-006
<b>NOTES</b>			

**BW 4405**



# Think “INSIDE” The Box

These days, it seems that everyone is telling you to “think outside the box”. When it comes to clutch replacement, that’s just not good advice. Many clutch marketers mix and match parts from various sources, a practice that creates quality and installation problems. The parts may bolt up, but can fail prematurely, resulting in a comeback for you. When you install a LuK RepSet, you get the same flawless performance as the original equipment parts.

Designed and engineered to work together. Why risk your time and reputation with anything else?

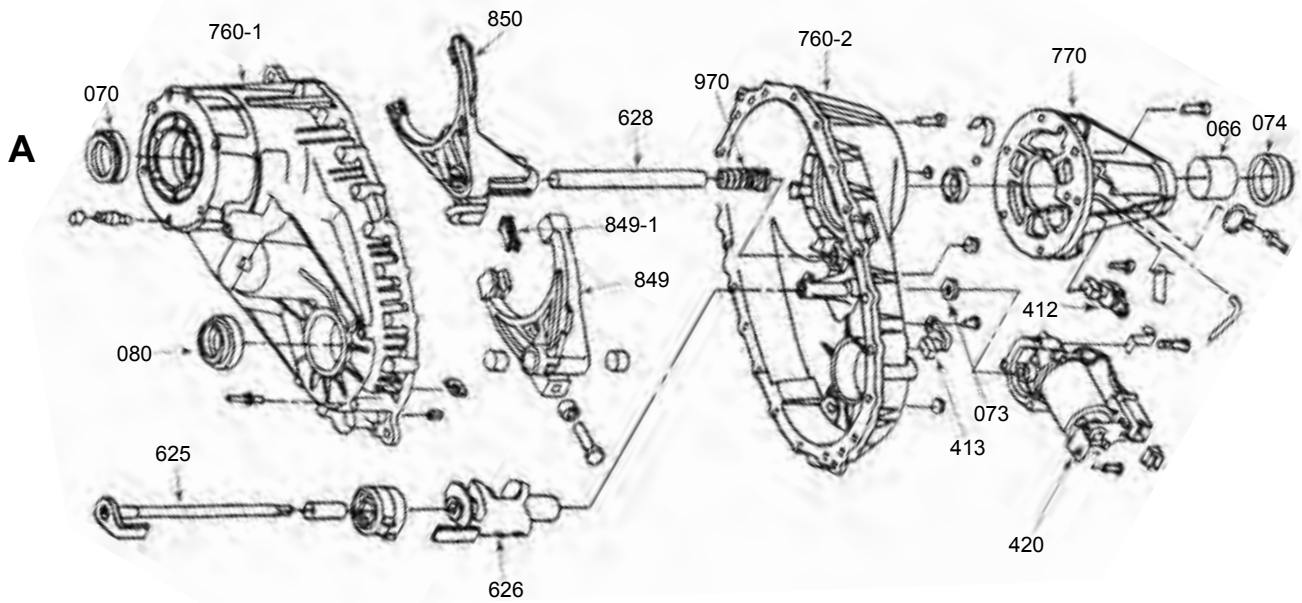
## Trust the quality of **LUK** Trust the yellow box

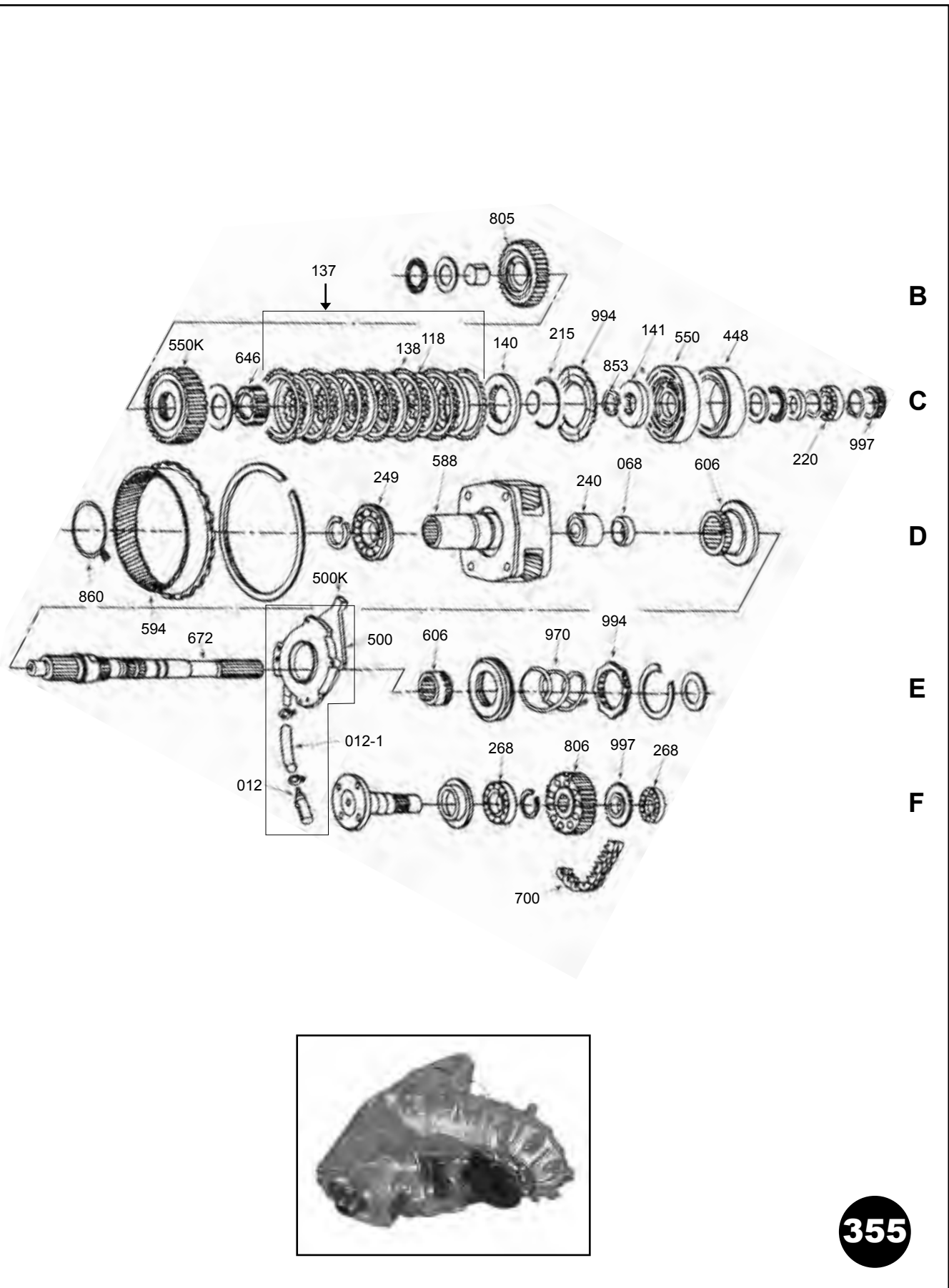


Certified to  
ISO 9001:2008  
without Design









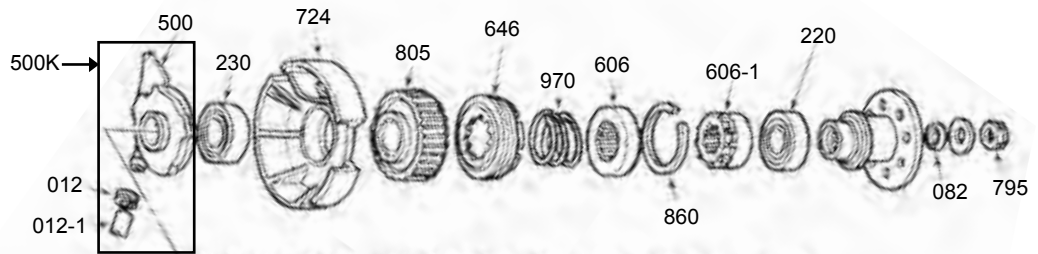
**BW 4406**

ILL NO.	DESCRIPTION	PART NO.	REFERENCE
<b>BEARING KITS</b>			
N.I.	BW 4406 (Cast 44-06) .....	BK4406	N.L.
<b>GASKET &amp; SEAL KITS</b>			
N.I.	BW 4406 .....	TSK4406	TSK-4406
<b>FILTERS</b>			
012F	Pump Screen (Filter) .....	345012	4400-238-002
012-1F	Pump Hose .....	355012-1	1900-034-009
<b>SEALS</b>			
070A	Input Seal .....	325080	1356-10
080A	Front Output Seal .....	325080	1356-10
074A	Rear Output Seal .....	325081A	1300-044-014
N.I.	Linkage Seal (Rubber Coated) .....	486072	6130
073A	Shift Shaft Seal (Electric Motor) .....	345073	3940
<b>GASKETS</b>			
N.I.	Transfer Case to Adapter Gasket (C-6) .....	325304	TC2030-12
N.I.	Transfer Case to Adapter Gasket (4R100, 5R110W) .....	325304	TC2030-12
N.I.	Transmission to Adapter Gasket (C-6) .....	36305	C6AZ-7086A
<b>BUSHINGS</b>			
068D	Bushing (inside Input Shaft) .....	305068	1345-127-002
066A	Extension Housing Bushing (2.020" OD) .....	335066	BW1356-62
<b>WASHERS</b>			
215C	Thrust Washer, Clutch Pack (Plastic) .....	345215	4400-248-001
<b>BEARINGS</b>			
268F	Front Output Shaft Bearing (Front) .....	66289A	208
268F	Front Output Shaft Bearing (Rear) .....	331268	207
249D	Input Bearing .....	355249	6211-N
240D	Input Bearing (Inner) .....	325249	BK3026
220C	Output Bearing (Rear) (35mm ID) .....	331268	207
<b>FORKS</b>			
850A	Mode Fork (except Torque On Demand) .....	355850	4406-096-007
850A	Mode Fork (Torque On Demand) .....	355850A	4406-096-008
849A	Range Fork .....	355849	4406-596-005
849-1A	Range Fork Insert .....	315849-1	1356-235-001
<b>HUBS &amp; SLIDERS</b>			
606E	Mode Hub .....	355606	4416-179-001
606D	Range Shift Hub .....	355606A	4407-089-003
<b>PUMPS, PLANETS &amp; COMPONENTS</b>			
500E	Pump Assembly .....	345500	4400-508-004
588D	Planet (except Torque On Demand) .....	355588	4406-659-002
588D	Planet (Torque On Demand) .....	355588A	4406-659-003
672E	Main Shaft (except Torque On Demand) .....	355672	4406-171-005
672E	Main Shaft (Torque On Demand) .....	355672A	4406-171-006
<b>CHAINS &amp; SPROCKETS</b>			
700F	Chain (1.00" Wide) 43 Links (Rocker Joint) (Torque On Demand) .....	HV-066	HV066
700F	Chain (1.25" Wide) 43 Links (Rocker Joint) (Torque On Demand) .....	HV-053	HV053
700F	Chain (1.25" Wide) 43 Links (Round Pins) (except Torque On Demand) .....	HV-052	HV052
805B	Drive Sprocket, 1.25" Chain (except Torque On Demand) .....	355805	4406-144-002
805B	Drive Sprocket, 1.25" Chain (Torque On Demand) .....	355805A	4406-644-001
806F	Driven Sprocket, 1.25" Chain .....	355806	4406-144-001

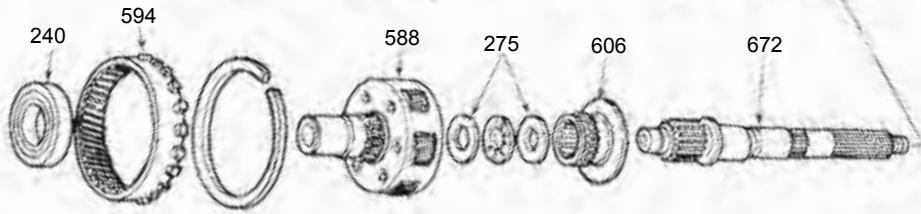
ILL NO.	DESCRIPTION	PART NO.	REFERENCE
<b>MISCELLANEOUS COMPONENTS</b>			
N.I.	Case Protector Clip - Anti Wear (Prevents Pump Lug Wear in Case) .....	345996	TC4405C
550KC	Clutch Pack (includes Housing & 13 Plates) (99-02) .....	355550K	4406-625-002
550KC	Clutch Pack (includes Housing & 19 Plates) (98-Up Harley) .....	355550AK	N.L.
550C	Coil Assembly .....	345448	N.L.
448C	Housing Coil.....	355448-1	N.L.
137C	Friction & Steel Kit (Double Sided Frictions - Replaces Single Sided) (Qty 2) .....	355137	N.L.
118C	Friction (Double Sided) (Use w/ 355138A) .....	355118	N.L.
118C	Friction (19 Internal Teeth) .....	355118B	138730
118C	Friction (31 External Teeth).....	355118C	138731
138C	Steels (Fits Double Sided Frictions).....	355138A	N.L.
420A	Shift Motor (96-04) .....	355420	600-802
420A	Shift Motor (05-08) .....	355420A	600-911
<b>NOTES</b>			

**BW 4406**

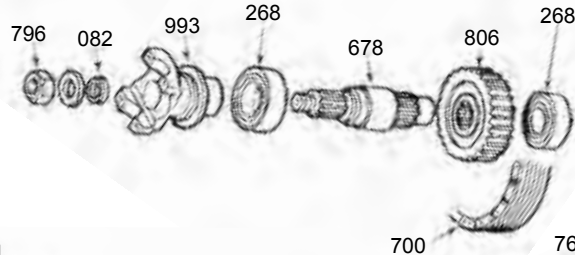
A



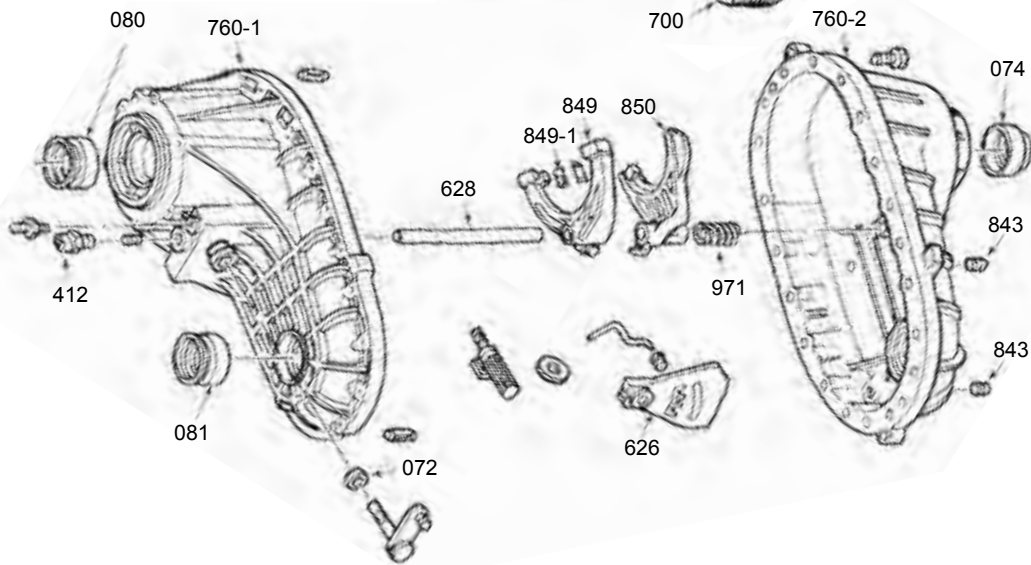
B



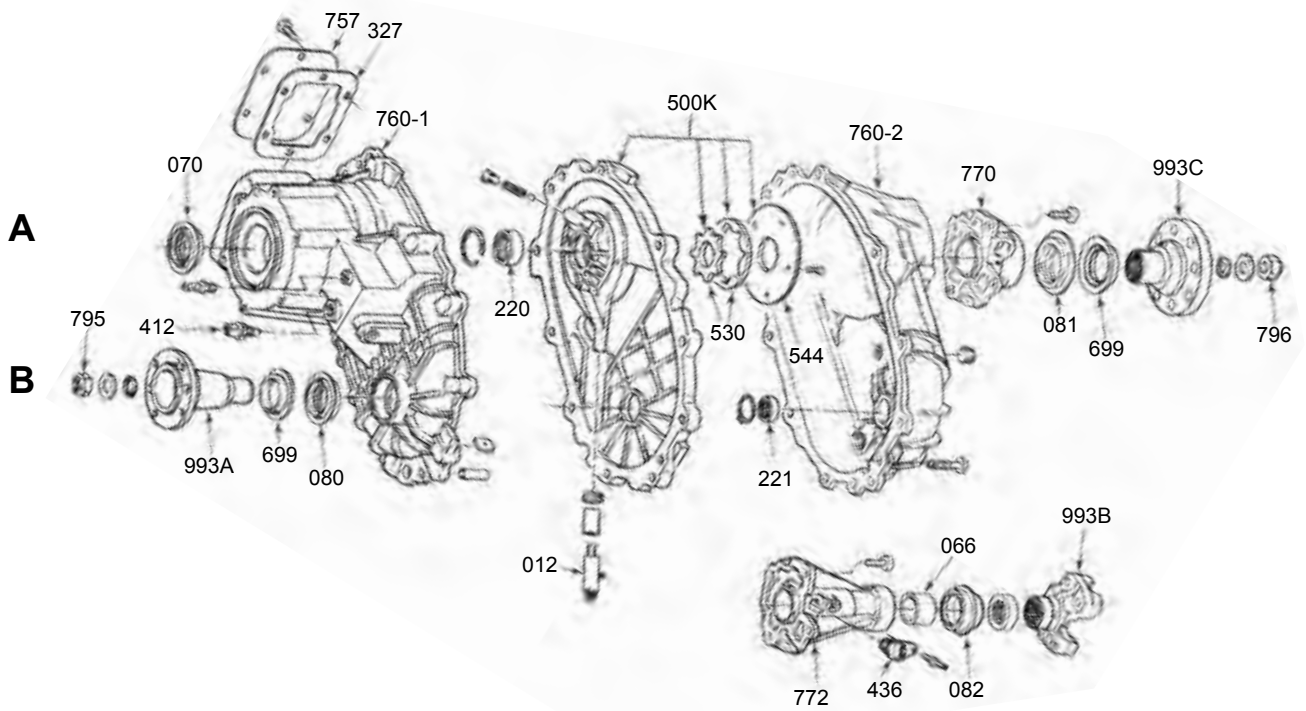
C

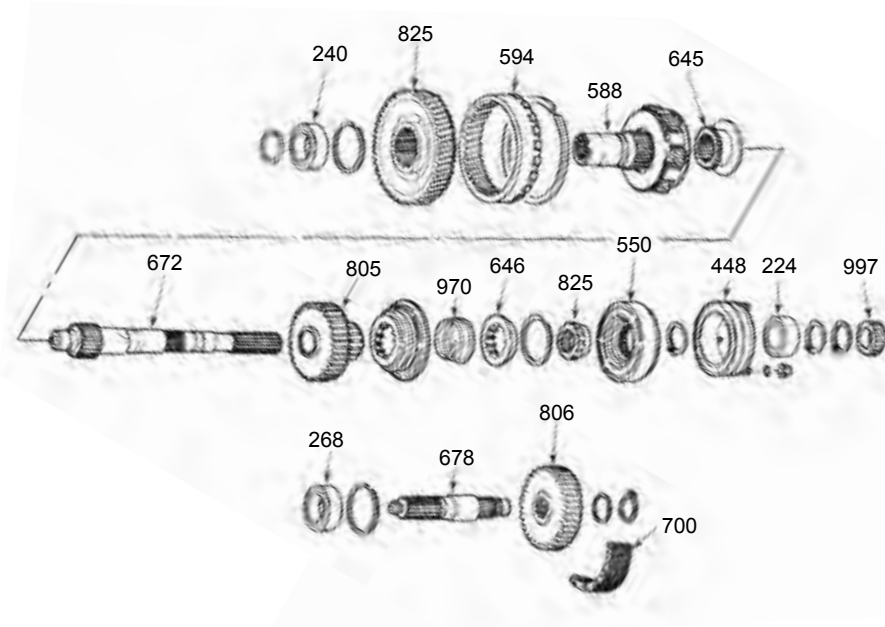


D



ILL NO.	DESCRIPTION	PART NO.	REFERENCE
<b>BEARING KITS</b>			
N.I.	BW 4407 (Cast 44-07) .....	BK4407	N.L.
<b>GASKET &amp; SEAL KITS</b>			
N.I.	BW 4407 .....	TSK4407	TSK-4407
<b>FILTERS</b>			
012A	Pump Screen (Filter) .....	355012	4400-238-003
012-1A	Pump Hose .....	355012-1	1900-034-009
<b>SEALS</b>			
080D	Input Seal .....	325080	1356-10
081D	Front Output Seal .....	325080	1356-10
074D	Rear Output Seal .....	325080	1356-10
072D	Shift Shaft Seal .....	355072	1900-044-011
082A,C	Yoke Seal .....	335082	1900-044-002
<b>GASKETS</b>			
N.I.	Transfer Case to Adapter Gasket (C-6) .....	325304	TC2030-12
N.I.	Transmission to Adapter Gasket (C-6) .....	36305	C6AZ-7086A
N.I.	Transmission to Adapter Gasket (E4OD) .....	36305E	E9TZ-7A086B
<b>BUSHINGS</b>			
N.I.	Bushing (inside Input Shaft) .....	305068	1345-127-002
<b>BEARINGS</b>			
230A	Center Support Bearing .....	355230	6210-N
268C	Front Output Shaft Bearing (Front) .....	66289A	208
268C	Front Output Shaft Bearing (Rear) .....	331268	207
240B	Input Bearing .....	355249	6211-N
220A	Output Bearing (Rear) (40mm ID, 23mm Thick, 90mm OD) .....	304240	6308-N
275B	Thrust Bearing (Planet to Main Shaft) (qty 2) .....	355275	1900-132-006
<b>FORKS</b>			
850D	Mode Fork .....	355850B	4407-096-002
849D	Range Fork .....	355849A	4407-596-003
849-1D	Range Fork Insert Kit .....	345840K	INSK-4405
<b>HUBS &amp; SLIDERS</b>			
606A	Mode Collar Assembly .....	355606B	4407-589-001
606-1A	Mode Collar Hub (Inner) .....	355606BA	4407-090-002
646A	Mode Collar Slider .....	355646A	4407-055-001
606B	Range Slider .....	355606A	4407-089-003
<b>PUMPS &amp; COMPONENTS</b>			
500KA	Pump Assembly .....	355500	4400-508-006
<b>PLANETS</b>			
588B	Planet (w/ PTO) .....	355588B	4407-659-002
588B	Planet (w/o PTO) .....	355588C	4407-659-003
<b>SHAFTS</b>			
672B	Main Shaft (Includes Pump) .....	355672BK	4407-671-002
<b>CHAINS &amp; SPROCKETS</b>			
700C	Chain (1.50" Wide) 42 Links .....	HV-054	HV054
805A	Drive Sprocket .....	355805AA	4407-144-001
806C	Driven Sprocket .....	355806A	4407-144-002
<b>MISCELLANEOUS COMPONENTS</b>			
860A	Snap Ring, Mode Hub .....	355860	1900-139-041
970A	Spring, Mode Assembly .....	355970	1900-156-008

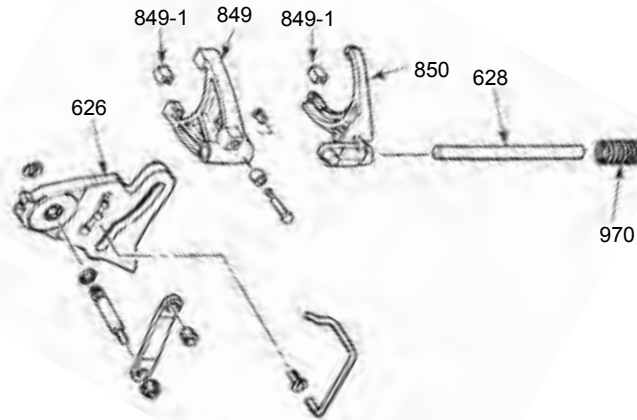




C

D

E



F



**365**

**BW 4470**

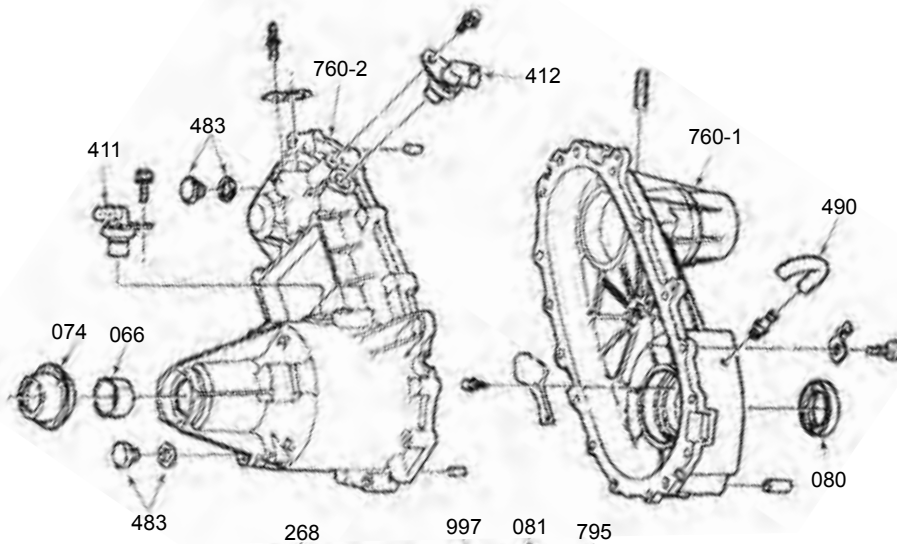


ILL NO.	DESCRIPTION	PART NO.	REFERENCE
<b>BEARING KITS</b>			
N.I.	BW 4470 (Cast 44-01 or 44-70) (1" Plate Between Case Halves)..... .....Cast # 44-01 see also BW 1372	BK4470	N.L.
<b>SMALL PARTS KITS</b>			
N.I.	BW 4470 .....	365001	SP4470-50
<b>GASKET &amp; SEAL KITS</b>			
N.I.	BW 4470 .....	TSK4470	TSK-4470
<b>SEALS</b>			
070A	Input Seal.....	325080	1356-10
080B	Front Output Seal.....	325080	1356-10
081A	Rear Output Seal (w/o Boot).....	325080	1356-10
082B	Rear Output Seal (w/ Boot).....	325081A	1356-10
<b>FILTERS</b>			
012B	Pump Screen (Filter).....	325012	1370-238-001
<b>GASKETS &amp; O-RINGS</b>			
N.I.	Adapter to Transfer Case Gasket .....	331304A	TC2030-9
N.I.	Transmission to Adapter Gasket (TH400).....	34305	12148
N.I.	Transmission to Adapter O-Ring (TH400).....	114348	N.L.
N.I.	Transmission to Adapter O-Ring (700-R4, 4L60E, TH350, TH350C).....	44348	24064
<b>BUSHINGS</b>			
066B	Extension Housing (2.020" OD).....	335066	BW1356-62
<b>BEARINGS</b>			
268E	Front Output Shaft Bearing (Front).....	351268A	6207-N
221B	Front Output Shaft Bearing (Rear).....	365240	R1204E
240C	Input Bearing (.630" Wide).....	325287	110
224D	Rear Output Shaft Bearing (Rear) .....	342210	6208-N
<b>FORKS</b>			
850F	Mode Fork.....	365850	4470-596-001
849-1F	Mode Fork Insert.....	305849-1	1345-235-001
849-1F	Range Fork Insert.....	315849-1	1356-235-001
849F	Range Fork .....	325849	4400-596-001
<b>SLIDERS</b>			
645C	Range Slider .....	325645	1356-089-001
646D	Mode Slider (Lockup).....	325646	1356-089-002
<b>PUMPS &amp; COMPONENTS</b>			
500KA	Pump Assembly & Center Plate Assembly .....	365500K	1370-607-002
<b>PLANETS</b>			
588C	Planet.....	325588A	1370-659-004R
<b>SHAFTS</b>			
672D	Main Shaft Update Kit (Bolt On Yoke Type).....	365672	4470-410-002
<b>CASES &amp; HOUSINGS</b>			
760-1A	Case Half (Front) .....	365760-1	4401-565-001
<b>CHAINS &amp; SPROCKETS</b>			
700E	Chain (1.50" Wide) 36 Links (Round Pins) .....	HV-031	HV031
805D	Drive Sprocket .....	365805	1370-144-001

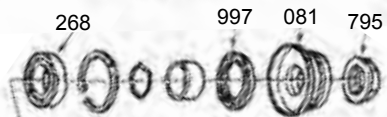
ILL NO.	DESCRIPTION	PART NO.	REFERENCE
<b>MISCELLANEOUS COMPONENTS</b>			
N.I.	Housing Kit (Incl Magnet, Housing & Mode Assembly Flange).....	365550K	4470-410-001
448D	Magnet.....	315448	4400-645-006
436B	Speed Sensor, Magnetic.....	335436A	1370-640-001
997D	Tone Wheel / Speedometer (Smooth Bore).....	325997A	1370-110-002
997D	Tone Wheel / Speedometer (Splined Bore) (40T).....	325997	1370-110-001
<b>NOTES</b>			

**BW 4470**

A



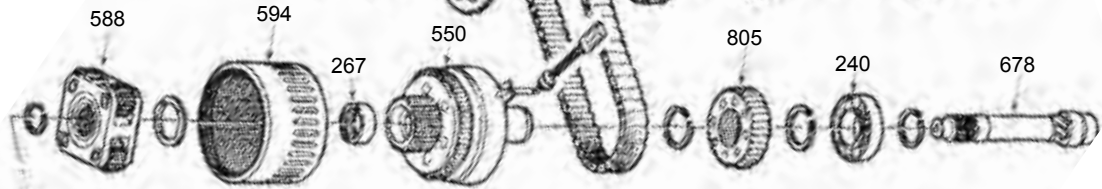
B



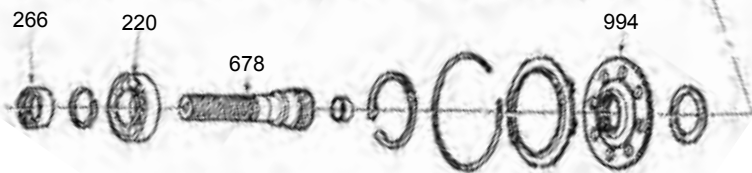
C



D



E

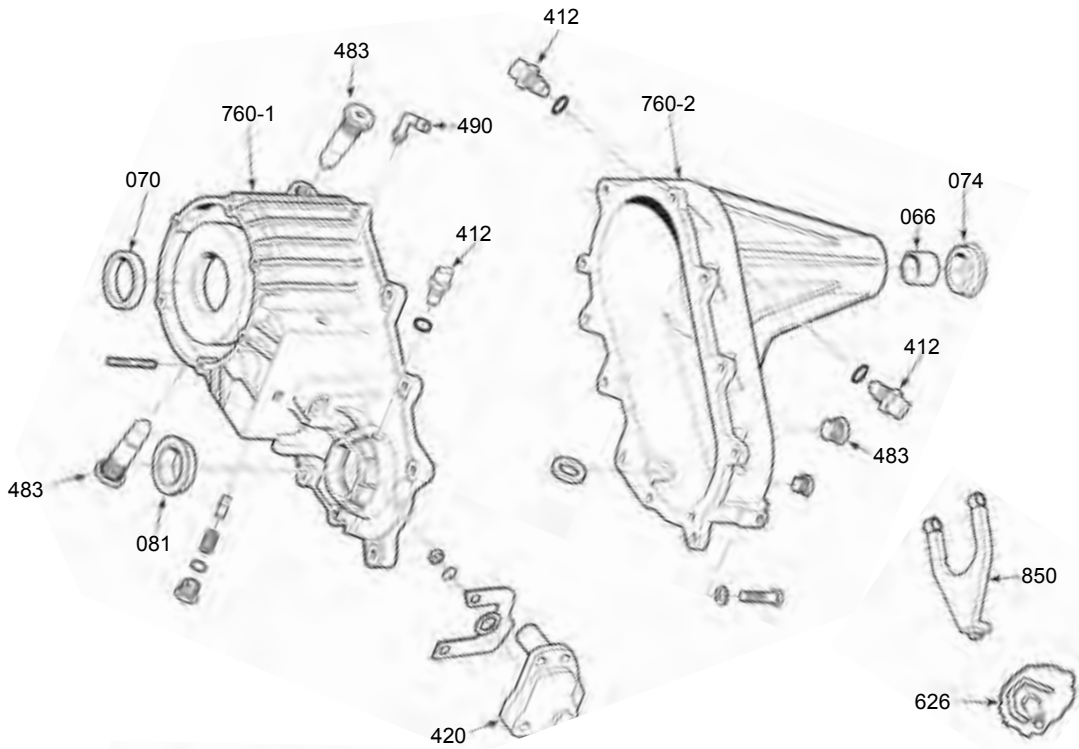


426

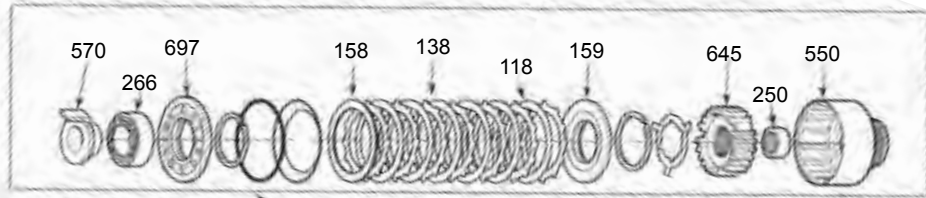
ILL NO.	DESCRIPTION	PART NO.	REFERENCE
<b>BEARING KITS</b>			
N.I.	Dana 28 .....	BK369	N.L.
<b>GASKET &amp; SEAL KITS</b>			
N.I.	Dana 28 .....	TSK369	TSK-369
<b>SEALS</b>			
080A	Input Seal .....	426080	17386
081B	Front Output Seal .....	426081	43387
074A	Rear Output Seal .....	394074	1300-044-013
<b>GASKETS</b>			
N.I.	Transfer Case to Adapter Gasket .....	315304	1350-143
N.I.	Transmission to Adapter Gasket (AOD, AODE, 4R70W).....	76305	E0AZ-7086A
N.I.	Transmission to Adapter Gasket (C-3, A4LD, 4R44E, 4R55E).....	56305	D4ZZ-7086B
<b>BUSHINGS</b>			
066A	Extension Housing (1.670" OD).....	57066A	W50-62
<b>BEARINGS</b>			
268B	Front Output Shaft Bearing (40mm ID, 68mm OD, 15mm Thick).....	426268	108
220C	Front Output Shaft Bearing (45mm ID, 85mm OD, 19mm Thick).....	345240	6209-N
269C	Front Output Shaft Needle Type Pocket Bearing (Rear).....	426267	SCE2110
220E	Output Bearing (Rear).....	345240	6209-N
266E	Rear Output Shaft Needle Type Pocket Bearing (Rear) .....	426267	SCE2110
240D	Input Bearing.....	345240	6209-N
267D	Input Shaft Needle Type Pocket Bearing (Rear).....	426267	SCE2110
N.I.	Clutch Bearing .....	426250	50BG07S1
<b>CASES &amp; HOUSINGS</b>			
760-2A	Case Half (Rear) (w/ or w/o Speedo).....	426760	DANA281
<b>CHAINS &amp; SPROCKETS</b>			
700C	Chain (1.25" Wide) 43 Links .....	HV-048	HV048
805D	Drive Sprocket .....	426805	DANA28-91
806C	Driven Sprocket .....	426806	DANA28-82
<b>NOTES</b>			

Dana 28

A



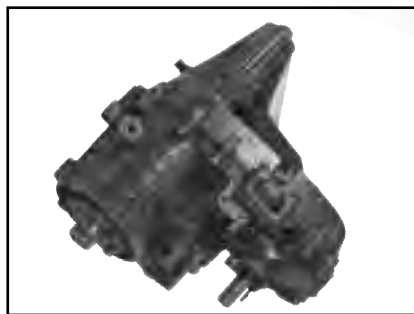
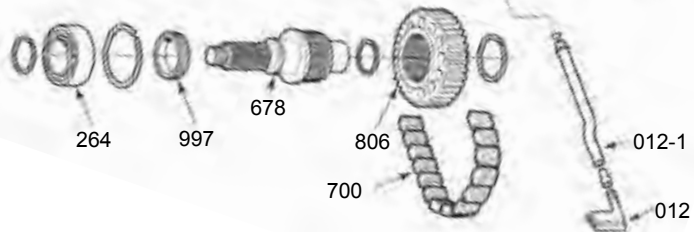
B



C



D

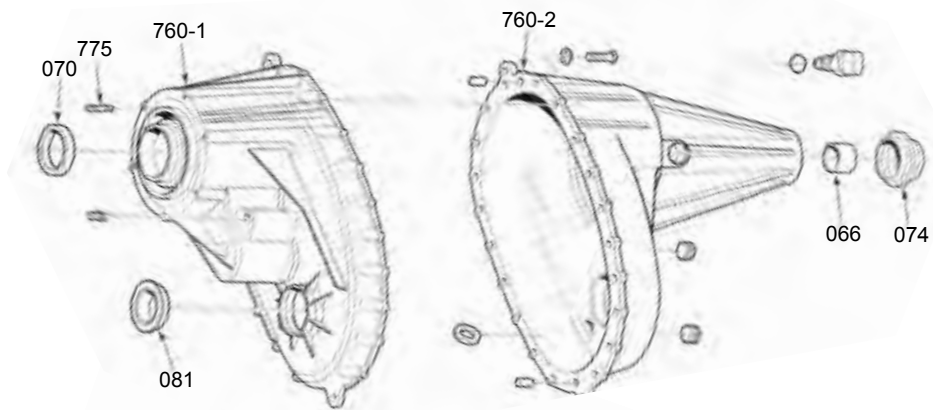


411

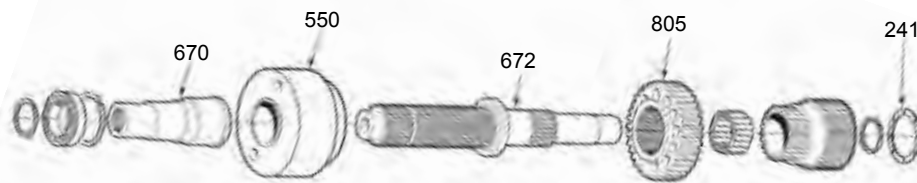
ILL NO.	DESCRIPTION	PART NO.	REFERENCE
<b>BEARING KITS</b>			
N.I.	NP 136 .....	BK333	N.L.
<b>GASKET &amp; SEAL KITS</b>			
N.I.	NP 136 .....	TSK136	TSK-136
<b>FILTERS</b>			
012D	Pump Screen (Filter).....	351012	16217
<b>SEALS</b>			
070A	Input Seal.....	411070	22441
081A	Front Output Seal.....	411081	22452
074A	Rear Output Seal .....	411074	22507
<b>BUSHINGS</b>			
066A	Extension Housing (2.010" OD).....	331066	WT297-62
<b>WASHERS</b>			
N.I.	Planet Thrust Washer (Plastic) .....	411215	5012367AA
<b>BEARINGS</b>			
N.I.	Shift Shaft Bearing .....	411279	FC68828
250B	Clutch Drum Bearing.....	411250	FC69343
240C	Input Bearing (Inner) (38mm OD) .....	411240	DB59856
268C	Input Bearing (.630" Wide).....	325287	110
264D	Front Output Shaft Bearing (Front).....	331268	207
N.I.	Front Output Shaft Bearing (Rear).....	331268B	SCE2416
266B	Main Shaft Bearing (Front).....	411210	6011
269C	Main Shaft Bearing (Rear) .....	404220A	573305D
<b>SLIDERS</b>			
645B	Range Slider & Hub .....	492645K	17982
<b>FORKS</b>			
850A	Fork (Clutch Pack Apply) .....	411850	12474067
N.I.	Fork Insert (29mm Long) .....	411850-1A	4338376
N.I.	Fork Insert (52mm Long) .....	411850-1	4167969
<b>PUMPS</b>			
500C	Pump Assembly .....	371500	16686
<b>PLANETS</b>			
N.I.	Planet (6 Pinion) .....	351588A	17869
<b>CHAINS</b>			
700D	Chain (1.00" Wide) 49 Links .....	HV-062	HV062
<b>MISCELLANEOUS COMPONENTS</b>			
N.I.	Case Protector Clip - Anti Wear (Prevents Pump Lug Wear in Case) .....	411460	54319
N.I.	Case Protector Plate - Anti Wear (Prevents Pump Lug Wear in Case) .....	482460	100246-02K
118B	Friction Plate .....	428118A	27747
138B	Steel Plate.....	12120	4461047
420A	Shift Motor (Rect. Plug w/ 2 Pins) (RPO Code NP4) .....	411420B	600-906
420A	Shift Motor (Rect. Plug w/ 6 Pins) (RPO Code NP8) .....	482420	600-901
860C	Snap Ring, Rear Main Shaft (Outer).....	411860	12547637
412A	Speed Sensor .....	411436	22512
490A	Vent Tube (Plastic).....	411490	26162

NP 136

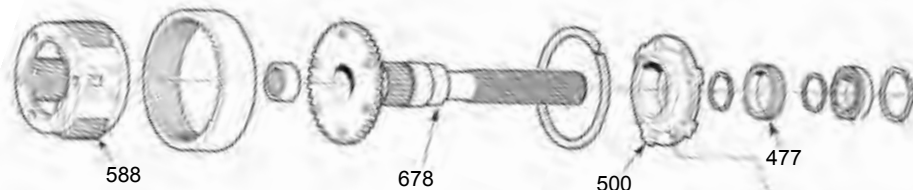
A



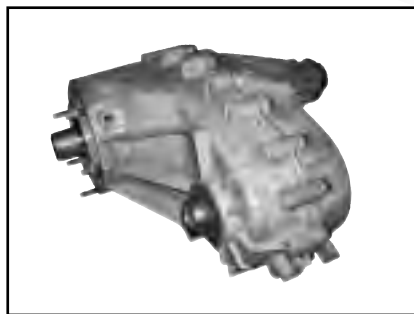
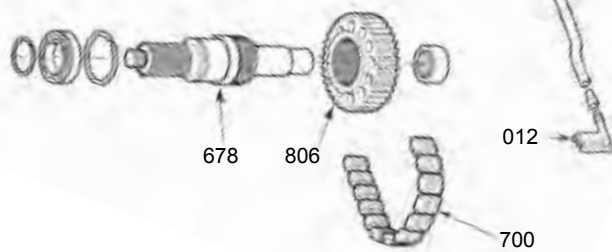
B



C



D



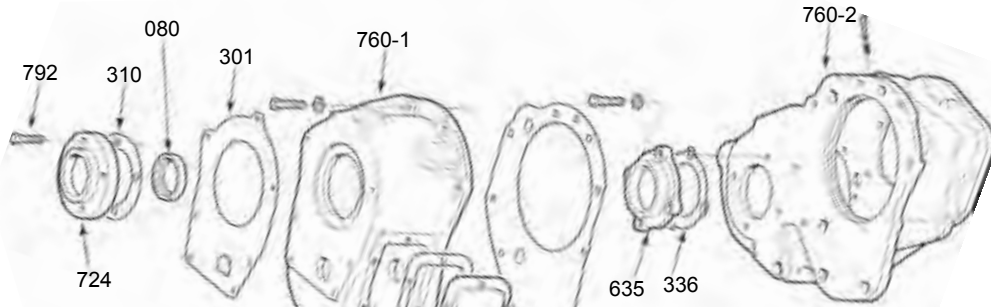
381

ILL NO.	DESCRIPTION	PART NO.	REFERENCE
<b>BEARING KITS</b>			
N.I.	NP 149 .....	BK196	N.L.
<b>GASKET &amp; SEAL KITS</b>			
N.I.	NP 149 .....	TSK246	TSK-246
<b>SEALS</b>			
070A	Input .....	411070	N.L.
081A	Front Output .....	411081A	N.L.
074A	Rear Output Seal .....	411074	22507
<b>FILTERS</b>			
012D	Filter, Oil Pump .....	381012	29747
<b>BUSHINGS</b>			
066A	Rear Case (2.010" OD) .....	331066	WT297-62
<b>WASHERS</b>			
241B	Thrust Washer, Sun Gear .....	381241	12478158
<b>PUMP COMPONENTS</b>			
500C	Oil Pump .....	381500	29074
<b>SHAFTS</b>			
670B	Input Shaft .....	381670	12478151
672B	Main Shaft .....	381672	12478154
<b>CASES &amp; HOUSINGS</b>			
760-1A	Case Half, Front .....	401760D-1	12478150
760-2A	Case Half, Rear .....	401760A-2	30961
<b>DIFFERENTIAL CARRIERS</b>			
588C	Planet .....	381588	32798
<b>CHAINS &amp; SPROCKETS</b>			
700D	Chain .....	HV-072	HV072
805B	Drive Sprocket .....	401805	31269
806D	Driven Sprocket .....	401805	31269
<b>MISCELLANEOUS COMPONENTS</b>			
N.I.	Case Protector Plate - Anti Wear (Prevents Pump Lug Wear in Case) .....	482460	100246-02K
N.I.	Case Protector Clip - Anti Wear (Prevents Pump Lug Wear in Case) .....	411460	54319
477C	Reluctor Wheel .....	381477	12472605
775A	Stud, Front Case .....	492775	26070
550B	Viscous Coupling .....	381550	32475

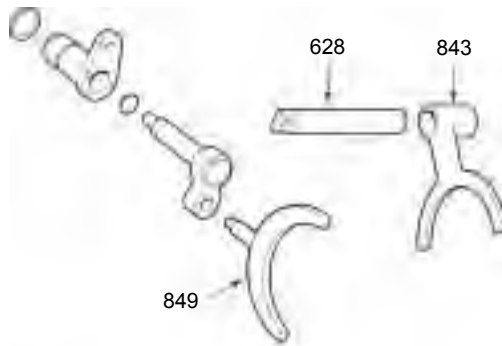
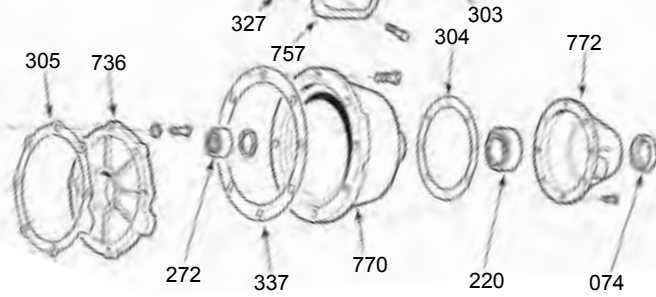
NP 149



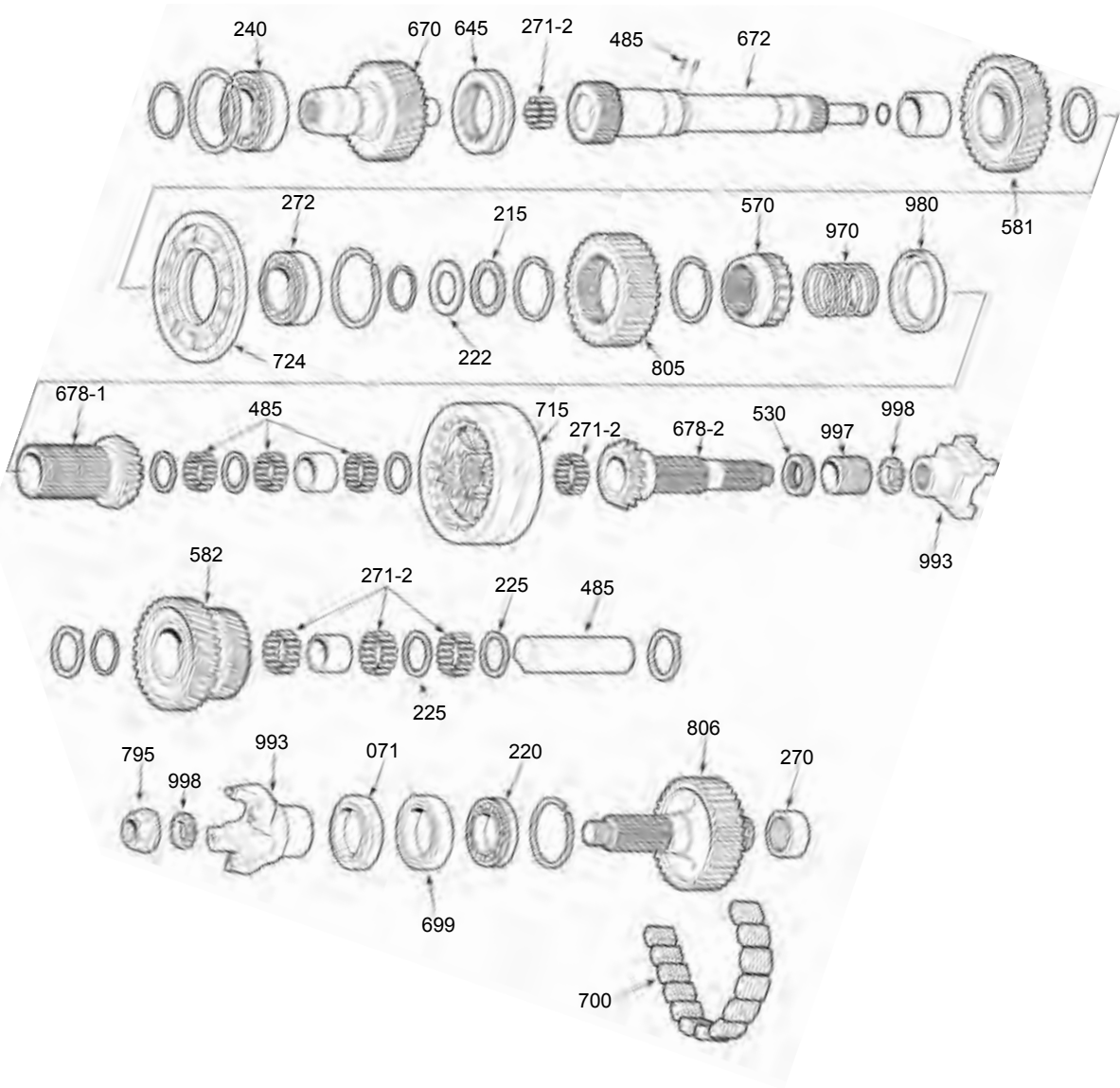
A



B



**301**



C  
D  
E  
F  
G

NP 203

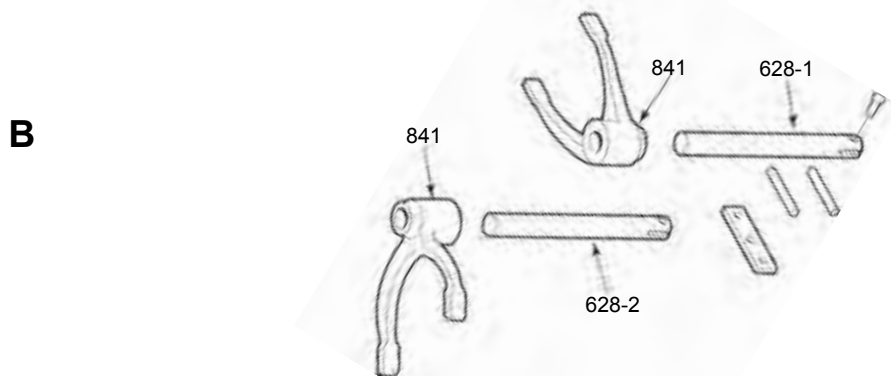
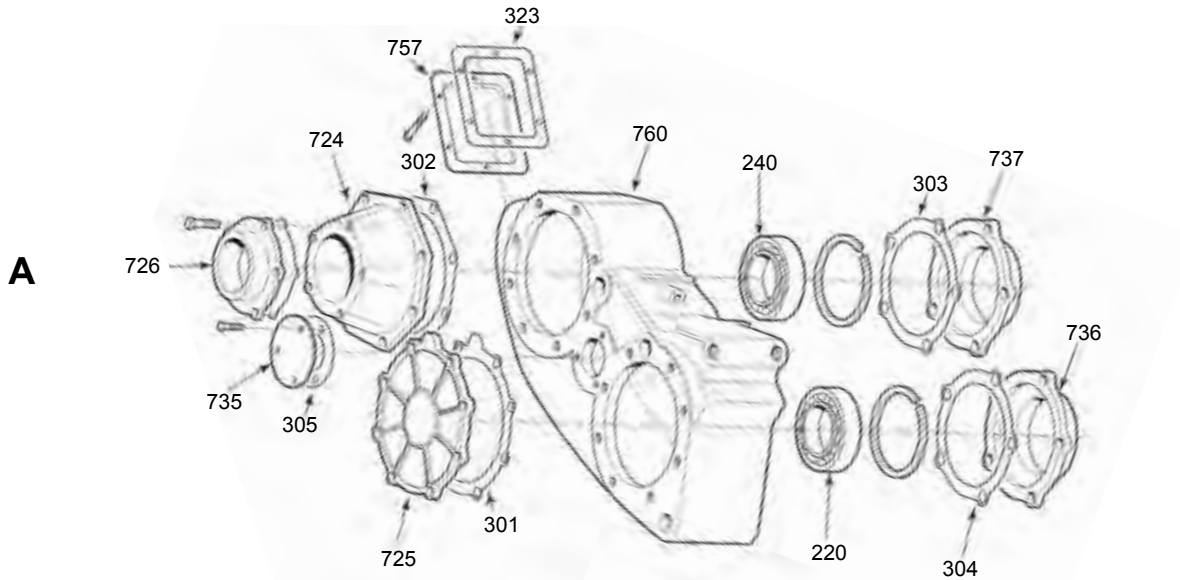


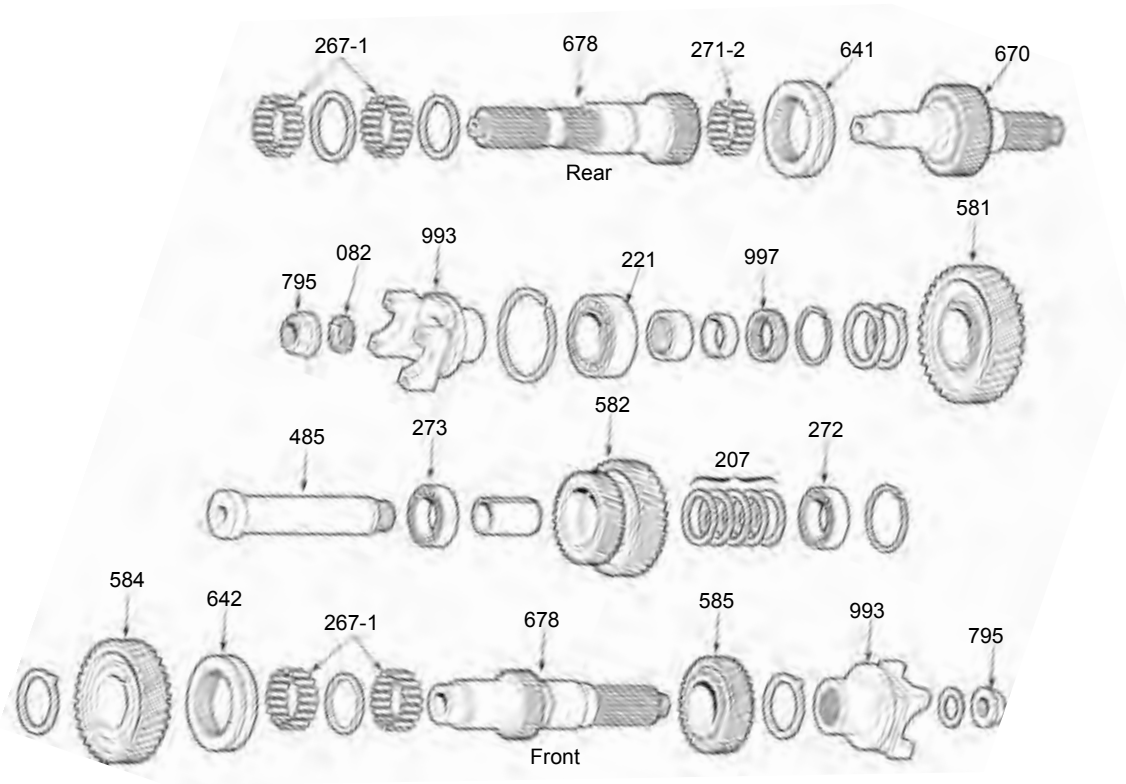
301

ILL NO.	DESCRIPTION	PART NO.	REFERENCE
<b>BEARING KITS</b>			
N.I.	NP 203 (Dodge).....	BK203G	N.L.
N.I.	NP 203 (GM).....	BK203G	N.L.
N.I.	NP 203 (Ford w/ Direct Mount).....	BK203F	N.L.
N.I.	NP 203 (Ford w/ Remote Mount) (6 Cylinder).....	BK203FDM	N.L.
N.I.	NP 203 (Ford w/ Remote Mount) (8 Cylinder).....	BK203FD	N.L.
<b>SMALL PARTS KITS</b>			
N.I.	NP 203.....	301001	SP203-50
<b>GASKET &amp; SEAL KITS</b>			
N.I.	NP 203 (Ford).....	TSK203F	TSK-203F
N.I.	NP 203 (GM, Dodge).....	TSK203G	TSK-203G
<b>GASKET KITS</b>			
N.I.	NP 203.....	301000	203-55
<b>SEALS</b>			
080A	Input Seal (No Flange) (Double Lip).....	301080	4435
080A	Input Seal (19mm Thick).....	36074D	21213
071G	Front Output Seal (Double Lip) 78mm OD, 12mm Thick.....	301071	NP 203-10C
071G	Front Output Seal (Red w/o Boot) Flanged.....	305071	18662
074B	Rear Output Seal (Double Lip) 78mm OD, 12mm Thick.....	301071	NP 203-10C
074B	Rear Output Seal.....	301071A	21061
<b>GASKETS &amp; O-RINGS</b>			
303A	Adapter to Transfer Case Gasket.....	301304	TC44144
303A	Adapter to Transfer Case Gasket (GM).....	301304A	13743
310A	Input Gear Bearing Retainer Gasket.....	311305	205-103
327A	PTO Cover Gasket.....	301305	517351
337B	Differential Housing Gasket.....	301307	N.L.
336A	Housing to Chain Cover Gasket.....	301306	D4TZ-7086C
301A	Transmission to Adapter Gasket (Dodge).....	22305AB	2466954
301A	Transmission to Adapter Gasket (C-4, C-5).....	26305	C4AZ-7086C
301A	Transmission to Adapter Gasket (C-6).....	36305	C6AZ-7086A
301A	Transmission to Adapter Gasket (TH400).....	34305	12148
N.I.	Transmission to Adapter O-Ring (TH400).....	114348	N.L.
N.I.	Transmission to Adapter O-Ring (700-R4, 4L60E, TH350, TH350C).....	44348	24064
<b>WASHERS</b>			
485C	Thrust Washer Locator Pin.....	301485	99086
N.I.	Lubrication Washer.....	301221	3821370
222D	Thrust Washer.....	301222	3821369
<b>BEARINGS</b>			
220B	Front Output Shaft Bearing (Front) (35mm ID).....	342240	6307-N
272B	Front Output Shaft Bearing (Rear).....	301220A	BCE2816
240C	Input Bearing.....	355230	6210-N
272D	Main Shaft Bearing (Center).....	355230	6210-N
271-2CEF	Bearing Needles (qty 102).....	301271-2	QAR29523
485E	Bearing Needles (qty 132).....	301485A	C1086Q
220G	Rear Output Shaft Bearing (Front).....	301220	SCE3616
220G	Rear Output Shaft Bearing (Rear) (35mm ID).....	342240	6307-N
<b>SLIDERS</b>			
645C	Range Slider.....	301645	3821362
<b>PUMP COMPONENTS</b>			
530E	Pump Gear.....	331530	11801

ILL NO.	DESCRIPTION	PART NO.	REFERENCE
<b>SHAFTS</b>			
670C	Input Shaft (10 Spline) (SM 465) (Chevrolet).....	301670C	11857
670C	Input Shaft (23 Spline) 5" Dodge (Married).....	301670B	3820891
670C	Input Shaft (27 Spline) (TH350) (Chevrolet).....	301670	11624
670C	Input Shaft (32 Spline) (TH400) (Chevrolet).....	301670A	13343
N.I.	Input Shaft (One Piece Conversion) Part Time Type.....	301670D	95-92203
<b>DIFFERENTIAL CARRIERS</b>			
715E	Differential Carrier (w/ Cage & Bolts, w/o Gears) .....	301715	203DIFF
<b>CHAINS</b>			
700G	Chain (2.00" Wide) 36 Links .....	HV-009	HV009
700G	Chain (2.50" Wide) 49 Links .....	HV-005	HV005
<b>MISCELLANEOUS COMPONENTS</b>			
N.I.	Baffle, Foam.....	301990	11930
N.I.	Bearing & Shims for Part Time Kit (Mile Marker Type) .....	301201K	701
757A	Cover, PTO Access.....	301756	T53-160B
N.I.	Part Time Conversion Kit (Mile Marker Type) .....	301002	501
N.I.	Shim Kit.....	341204K	15128
997E	Speedometer Gear (7T Red) .....	301997	6273992
485C	Thrust Washer Locator Pin .....	301485	99086
N.I.	Transfer Case Mount (Lower).....	MT144	92-2108
N.I.	Transfer Case Mount (Upper).....	MT144U	92-2107
<b>NOTES</b>			

**NP 203**





C

D

E

F

NP 205



**311**

NP 205

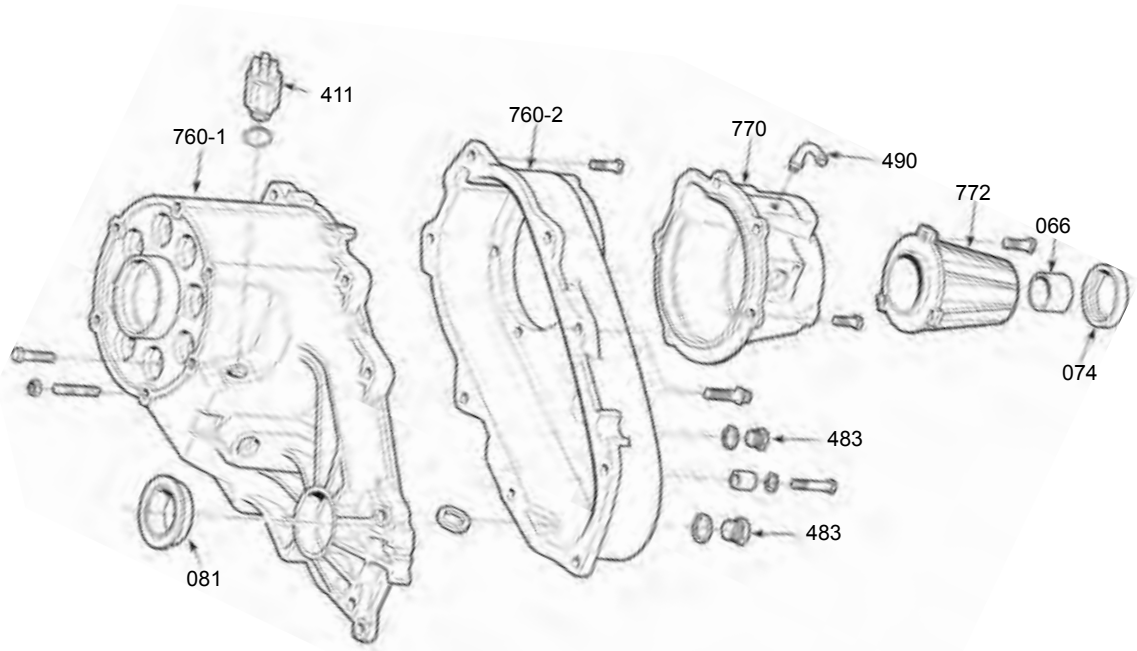
ILL NO.	DESCRIPTION	PART NO.	REFERENCE
<b>BEARING KITS</b>			
N.I.	NP 205 (Dodge) (69-88) (w/ Direct Mount).....	BK205GDM	N.L.
N.I.	NP 205 (Dodge) (69-88) (w/ Remote Mount).....	BK205RDF	N.L.
N.I.	NP 205 (Dodge) (89-93) .....	BK205D	N.L.
N.I.	NP 205 (GM) (Synchronized).....	BK205G	N.L.
N.I.	NP 205 (GM) (Non Synchronized) (w/ TH350) (80mm OD Input Bearing).....	BK205GDM	N.L.
N.I.	NP 205 (GM) (Non Synchronized) (w/ TH400) (90mm OD Input Bearing).....	BK205GDM4	N.L.
N.I.	NP 205 (Ford w/ Direct Mount) .....	BK205FDM	N.L.
N.I.	NP 205 (Ford w/ Remote Mount).....	BK205RDF	N.L.
<b>SMALL PARTS KITS</b>			
N.I.	NP 205 .....	311001	SP205-50
<b>GASKET &amp; SEAL KITS</b>			
N.I.	NP 205 (GM, Dodge except Cummins Diesel) .....	TSK205	TSK-205
N.I.	NP 205 (Dodge Cummins Diesel).....	TSK205DCD	TSK-205DCD
N.I.	NP 205 (Ford w/ Direct Mount Transfer Case).....	TSK205FDM	TSK-205FDM
N.I.	NP 205 (GM, Dodge w/ Direct Mount Transfer Case).....	TSK205GDM	TSK-205GDM
N.I.	NP 205 (Ford, Dodge w/ Remote Mount Transfer Case).....	TSK205RDF	TSK-205RDF
<b>GASKET KITS</b>			
N.I.	NP 205 .....	311000	205-55
<b>SEALS</b>			
N.I.	Adapter Seal (TH350).....	311074A	19762
N.I.	Adapter Seal (TH400 & SM 465).....	311074	13676
N.I.	Adapter Seal (Dodge Cummins Diesel).....	311077B	13557
N.I.	Front Output Seal (12mm Thick, 78mm OD).....	301071	NP 203-10C
N.I.	Front Output Seal (19mm Thick).....	36074D	21213
N.I.	Front Output Seal Dodge Cummins Diesel.....	301081A	13970
N.I.	Input Seal (No Flange) (Double Lip).....	301080	4435
N.I.	Input Seal (19mm Thick).....	36074D	21213
N.I.	Rear Seal (19mm Thick).....	36074D	21213
N.I.	Rear Output Seal (2.385" x 1.430") (w/o Boot) Flanged .....	44074	15041
N.I.	Rear Seal (8mm Thick) (Ford Married).....	311071A	18872
N.I.	Shift Shaft Seal.....	311073	7443
082D	Yoke Seal.....	311082	611689
<b>GASKETS &amp; O-RINGS</b>			
N.I.	Adapter to Transfer Case Gasket .....	331304A	TC2030-9
N.I.	Adapter to Transfer Case Gasket .....	311304	205-143
N.I.	Adapter to Transfer Case Gasket .....	311304A	206-143
N.I.	Input Gear Bearing Retainer Gasket.....	311305	205-103
N.I.	Output Shaft Bearing Retainer Gasket .....	311306	205-100
N.I.	Front Bearing Retainer Gasket .....	311308	TC2030-3
N.I.	Idler Cover Gasket.....	311307	205-102
N.I.	PTO Cover Gasket.....	301305	517351
N.I.	Transmission to Adapter Gasket (Dodge).....	22305AB	2466954
N.I.	Transmission to Adapter Gasket (C-6).....	36305	C6AZ-7086A
N.I.	Transmission to Adapter Gasket (TH400).....	34305	12148
N.I.	Transmission to Adapter O-Ring (TH400).....	114348	N.L.
N.I.	Transmission to Adapter O-Ring (700-R4, 4L60E, TH350, TH350C).....	44348	24064
<b>WASHERS</b>			
N.I.	Thrust Washer (Low Gear) .....	311215	2952591
<b>BEARINGS</b>			
N.I.	Front Output Shaft Bearing (Front) (35mm ID).....	342240	6307-N
221D	Front Output Shaft Bearing (Rear) (Capped on One End).....	301220A	BCE2816
221D	Front Output Shaft Bearing (Rear) (Uncapped on Both Ends) .....	311268A	SCE2816
240A	Input Bearing (35mm ID).....	342240	6307-N
240A	Input Bearing (50mm ID).....	355230	6210-N
220A	Rear Output Shaft Bearing (Rear) (35mm ID) .....	342240	6307-N
220A	Rear Output Shaft Bearing (Rear) (52mm ID) .....	311232	B3216
273E	Idler Bearing (Cone).....	311240-3	2793

ILL NO.	DESCRIPTION	PART NO.	REFERENCE
<b>BEARINGS (cont.)</b>			
273E	Idler Bearing (Cup).....	311240-2	2720
267-1C	Needles (qty 128).....	346267-1	QBR23549
267-1F	Needles (qty 128).....	346267-1	QBR23549
271-2C	Bearing Needles (qty 15).....	301271-2	QAR29523
<b>FORKS</b>			
841B	Fork, Range & Mode.....	311841	2954135
<b>SLIDERS</b>			
641C	Slider, Range & Mode.....	311641	2954116
<b>SYNCHRONIZERS</b>			
N.I.	Synchro Assembly, Mode, Front Output (No Cones or Hub).....	316703K-1	AWT275-2.5B
<b>SHAFTS</b>			
670C	Input Shaft (10 Spline) GM SM 465.....	311670C	99646
670C	Input Shaft (23 Spline) (Dodge, Direct Mount Transfer Case - Married).....	311670E	4167905
670C	Input Shaft (27 Spline) GM w/ TH350.....	311670A	11401
670C	Input Shaft (29 Spline) (Dodge Diesel).....	311670G	16615
670C	Input Shaft (31 Spline) Ford.....	311670	11656
670C	Input Shaft (32 Spline) (7 1/2") GM w/ TH400.....	311670B	13929
670C	Input Shaft (32 Spline) (10") TH400 & SM 465.....	311670H	16047
670C	Input Shaft (23 Splines) (Dodge, Remote Mount Transfer Case -Divorced).....	311670D	2954104
678F	Output Shaft, Front (32 Spline).....	311678	99653
<b>MISCELLANEOUS COMPONENTS</b>			
N.I.	Coupling Sleeve (10 Spline) (4 1/4") GM.....	354695	6259656
N.I.	Coupling Sleeve (10 Spline) (4 3/4") GM.....	354695A	6263040
N.I.	Coupling Sleeve (27 Spline) GM.....	311695	6273964
N.I.	Coupling Sleeve (29 Spline) Dodge Diesel.....	311695A	4505302
997D	Speedometer Gear (7T Red).....	311997	11432
N.I.	Thrust Washer Locator Pin.....	301485	99086
N.I.	Transfer Case Mount (Lower).....	MT144	92-2108
N.I.	Transfer Case Mount (Upper).....	MT144U	92-2107
<b>NOTES</b>			

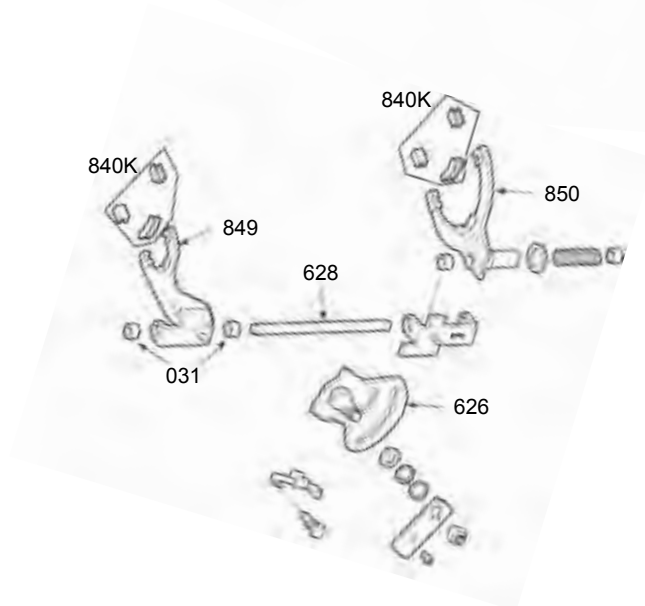
NP 205



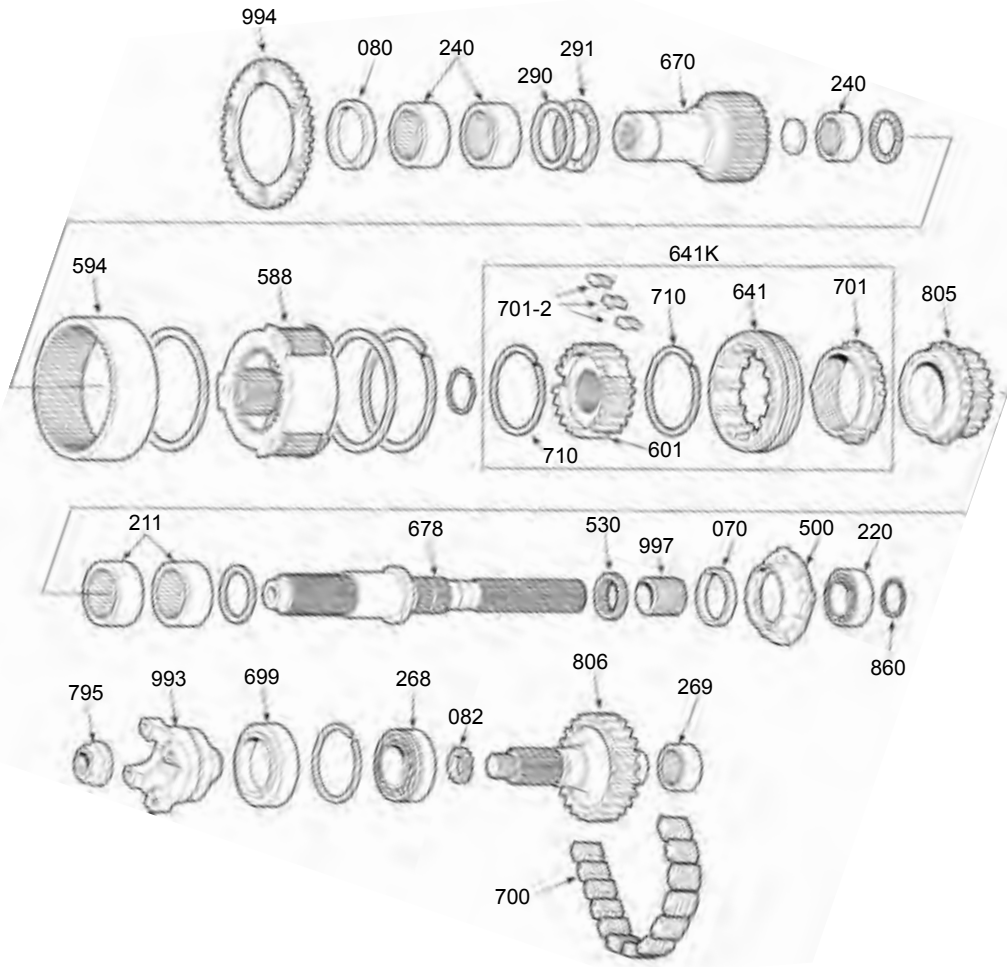
A



B



321



C

D

E

F

NP 207



321

NP 207

ILL NO.	DESCRIPTION	PART NO.	REFERENCE
<b>BEARING KITS</b>			
N.I.	NP 207 .....	BK207	N.L.
<b>SMALL PARTS KITS</b>			
N.I.	NP 207 .....	321001	SP207-50
<b>GASKET &amp; SEAL KITS</b>			
N.I.	NP 207 .....	TSK207	TSK-207
<b>SEALS</b>			
080C	Input Seal (No Flange) (Double Lip) .....	301080	4435
081A	Front Output Seal (Flanged) (Double Lip).....	321081	15440
074A	Rear Output Seal (2.380" x 1.510").....	321071	2506
074A	Rear Output Seal (2.385" x 1.430").....	44074	15041
070E	Pump Seal .....	321070	22306
082F	Star Seal (Yoke).....	321082	15578
<b>GASKETS &amp; O-RINGS</b>			
N.I.	Adapter to Transfer Case Gasket .....	351304	TC2030-6
N.I.	Adapter to Transfer Case Gasket .....	331304A	TC2030-9
N.I.	Transmission to Adapter O-Ring (700-R4, 4L60E, TH350, TH350C).....	44348	24064
<b>BUSHINGS</b>			
066A	Extension Housing (1.630" OD) .....	44066	WT266-62
031B	Range Fork Rail .....	321031	14071722
<b>WASHERS</b>			
290C	Input Thrust Washer.....	321290	4329189
<b>BEARINGS</b>			
268F	Front Output Shaft Bearing (Front) .....	351268	6206-N
269F	Front Output Shaft Bearing (Rear).....	321268B	B228
291C	Input Thrust Bearing .....	321291	NTA3244
240C	Input Bearing (Inner).....	321240A	BH1810
240C	Input Bearing (qty 2) .....	321240	B3210
220E	Output Bearing (Rear).....	351268	6206-N
211E	Drive Sprocket Bearing (qty 2).....	321201	HK4020
<b>FORKS</b>			
849B	Range Fork .....	321849	4446436
840KB	Fork Insert Kit.....	321840K	INSK-207
<b>SYNCHRONIZERS</b>			
701D	Synchro.....	351701	241-14
701-2D	Synchro Key.....	351701-2	14037972
<b>PUMP COMPONENTS</b>			
500E	Pump Assembly .....	321500	4446463
<b>CHAINS</b>			
700F	Chain (1.25" Wide) 31 Links .....	HV-022	HV022
<b>MISCELLANEOUS COMPONENTS</b>			
411A	Vacuum Switch (3 Prong) .....	321411	15664811
860E	Snap Ring, Rear Output Shaft Bearing.....	351860B	4446478

NOTES

The Automatic Choice

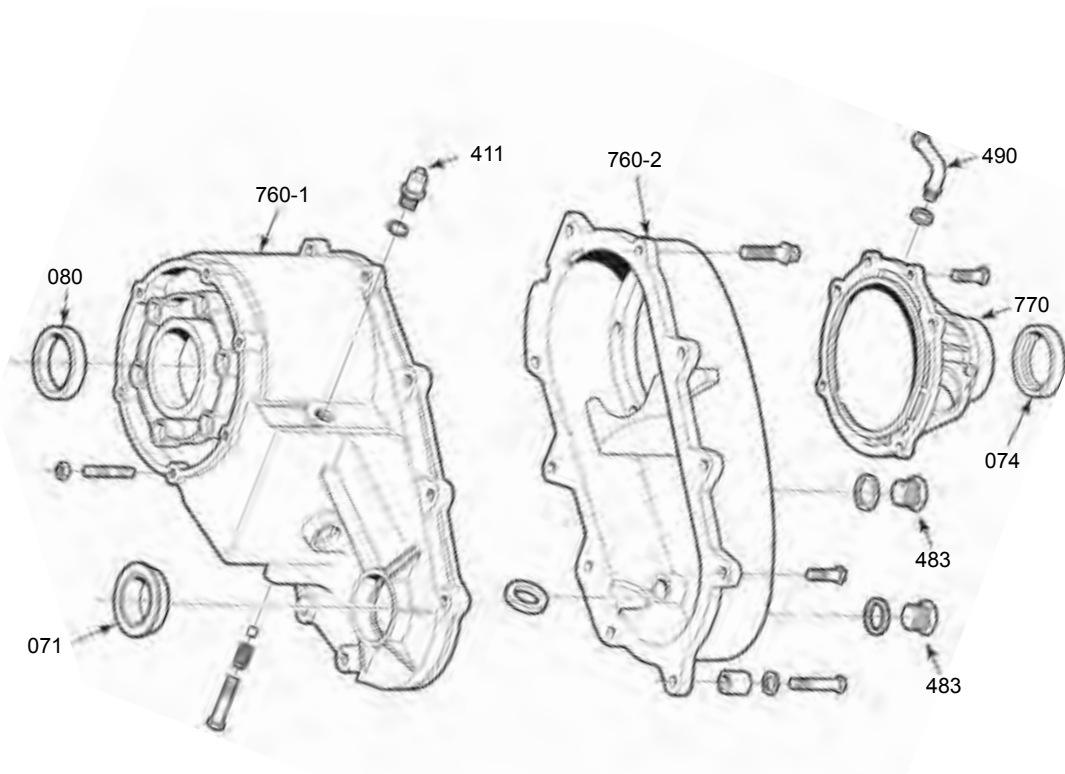


**FILTRAN**

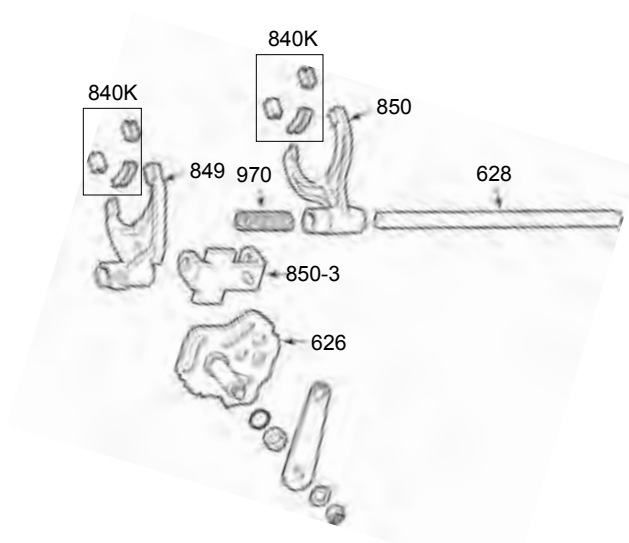
Premium Transmission Filters

[www.filtranllc.com](http://www.filtranllc.com)

A



B



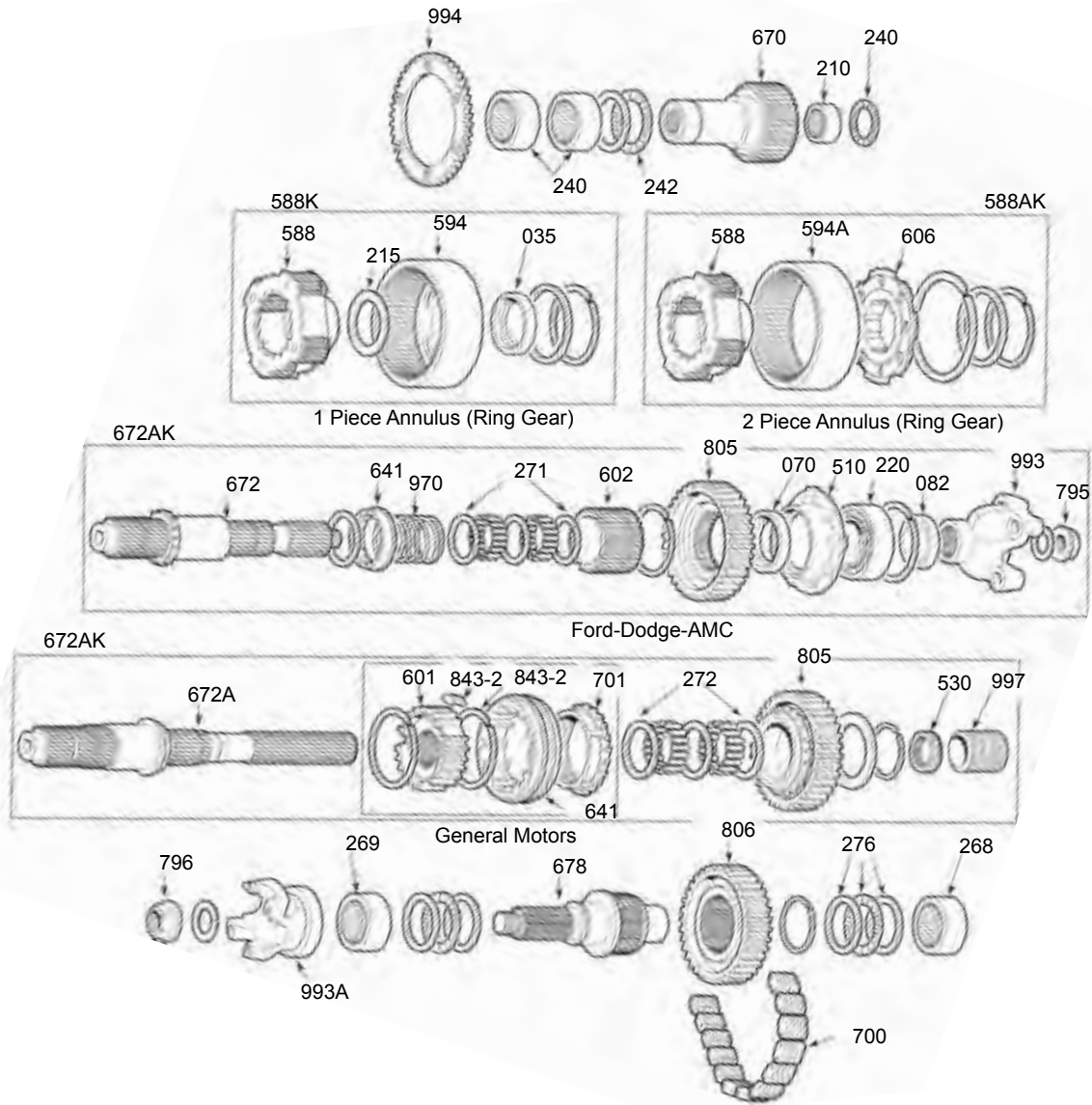
Chevy



Chevy Bolt On



331



C

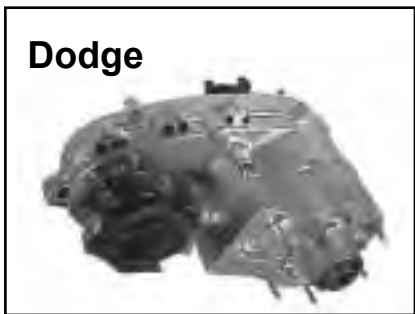
D

E

F

G

NP 208



331

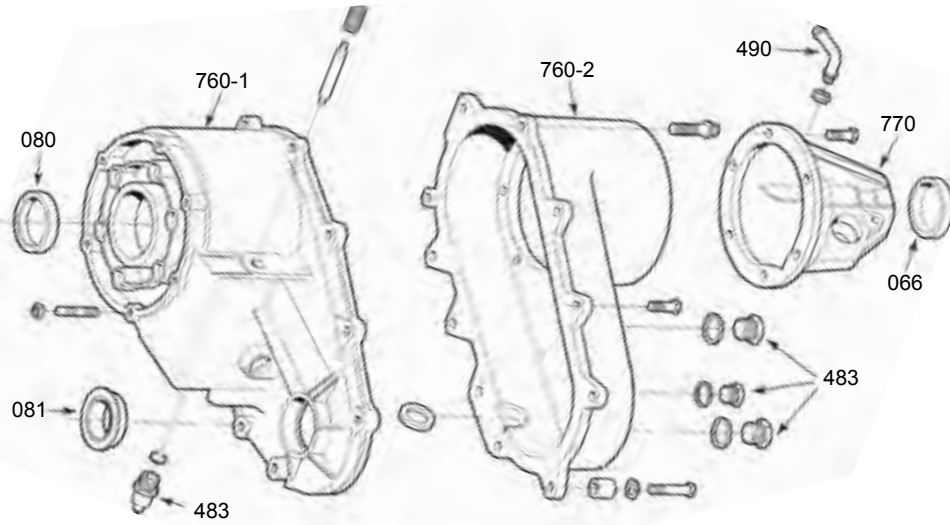
ILL NO.	DESCRIPTION	PART NO.	REFERENCE
<b>BEARING KITS</b>			
N.I.	NP 208 .....	BK208	N.L.
<b>SMALL PARTS KITS</b>			
N.I.	NP 208 .....	331001	SP208-50
<b>GASKET &amp; SEAL KITS</b>			
N.I.	NP 208 .....	TSK208	TSK-208
<b>SEALS</b>			
070E	Pump Seal .....	321070	22306
080A	Input Seal (No Flange) (Double Lip) .....	301080	4435
071A	Front Output Seal .....	305071	18662
074A	Rear Output Seal (2.385" x 1.430") .....	44074	15041
074A	Rear Output Seal (2.710" x 1.830") .....	34074	18992
074A	Rear Output Seal (2.760" x 1.800") .....	305071	18662
074A	Rear Output Seal (3.035" x 2.125") .....	424074	21938
<b>GASKETS &amp; O-RINGS</b>			
N.I.	Adapter to Transfer Case Gasket (Chevy) .....	331304A	TC2030-9
N.I.	Adapter to Transfer Case Gasket (Ford except C-6) .....	331304B	TC2030-12
N.I.	Transfer Case to Adapter Gasket (C-6) .....	325304	TC2030-12
N.I.	Transmission to Adapter Gasket (TH400) .....	34305	12148
N.I.	Transmission to Adapter O-Ring (TH400) .....	114348	N.L.
N.I.	Transmission to Adapter O-Ring (700-R4, 4L60E, TH350, TH350C) .....	44348	24064
N.I.	Transmission to Adapter Gasket (C-4, C-5) .....	26305	C4AZ-7086C
N.I.	Transmission to Adapter Gasket (C-6) .....	36305	C6AZ-7086A
N.I.	Transmission to Adapter Gasket (A727, A904) .....	22305AB	2466954
<b>BUSHINGS</b>			
035D	Annulus Ring Gear (2.775" OD) .....	341035	NP 208-62
N.I.	Extension Housing (2.010" OD) .....	331066	WT297-62
<b>WASHERS</b>			
215D	Planet to Ring Gear (.060" Thick, 2.95" OD) .....	331215A	4167959
215D	Planet to Ring Gear (.071" Thick, 3.44" OD) .....	331215B	4167953
<b>BEARINGS &amp; RACES</b>			
268G	Front Output Shaft Bearing (Front) .....	311268A	SCE2816
269G	Front Output Shaft Bearing (Rear) .....	331268B	SCE2416
211C	Input Bearing (Caged) (.940" Wide) .....	303211A	HK5020
242C	Input Thrust Bearing .....	331287A	AXK5070
240C	Input to Output Bearing .....	341220	NTA2435
240C	Input to Output Race .....	331270	TRA2435
210C	Main Shaft Pilot Bearing .....	305268B	SCE2012
220E	Output Bearing (Rear) (35mm ID) .....	331268	207
<b>FORKS</b>			
850B	Mode Fork, Chevrolet .....	331850	4219070
849B	Range Fork, Ford (Non-Updated, Does Not Use Inserts) .....	331849A	15380
849B	Range Fork, Chevrolet .....	331849B	4167966R
849B	Range Fork, Ford (Updated, Uses Inserts) .....	331849	15111
840KB	Fork Insert Kit .....	331840K	INSK-208
<b>SYNCHRONIZERS</b>			
701F	Synchros (Chevrolet) .....	331701	15210
843-2F	Key & Spring Kit, Mode .....	331843-2K	NP 208-K
843-2F	Synchro Spring .....	331710	4329524
843-2F	Synchro Key .....	351701-2	14037972
<b>PUMPS &amp; COMPONENTS</b>			
510E	Pump Housing .....	331510	15486
530F	Pump Gear .....	331530	11801

ILL NO.	DESCRIPTION	PART NO.	REFERENCE
<b>PLANETS</b>			
588D	Planet.....	331588	4329198R
<b>HUBS</b>			
606D	Annulus Hub .....	331606	TC-20813CS
<b>SHAFTS</b>			
670C	Input Shaft (23 Spline) Dodge.....	331670C	15786
670C	Input Shaft (27 Spline) Chevrolet (TH350, 700-R4).....	331670A	13948
670C	Input Shaft (31Spline) Ford.....	331670	13779
670C	Input Shaft (32 Spline) Chevrolet (TH400).....	331670B	15112
<b>CASES &amp; HOUSINGS</b>			
760-1A	Case Half (Front) Chevy .....	331760-1	15166
760-2A	Case Half (Rear) Chevy (Cast C-15085) .....	331760-2	15079
<b>CHAINS</b>			
700G	Chain (1.25" Wide) 42 Links (Ford).....	HV-012	HV012
700G	Chain (1.25" Wide) 36 Links (Rocker Joint) (Dodge, GM) .....	HV-014	HV014
700G	Chain (1.25" Wide) 36 Links (Round Pins) (Dodge, GM).....	HV-025	HV025
<b>MISCELLANEOUS COMPONENTS</b>			
997F	Speedometer Gear (18T Blue).....	331997	14037996
997F	Speedometer Gear (15T Brown).....	331997A	14037997
411A	Switch, 4wd Indicator .....	331411	14037986
N.I.	Transfer Case Mount (Lower) .....	MT144	92-2108
N.I.	Transfer Case Mount (Upper) .....	MT144U	92-2107
<b>NOTES</b>			

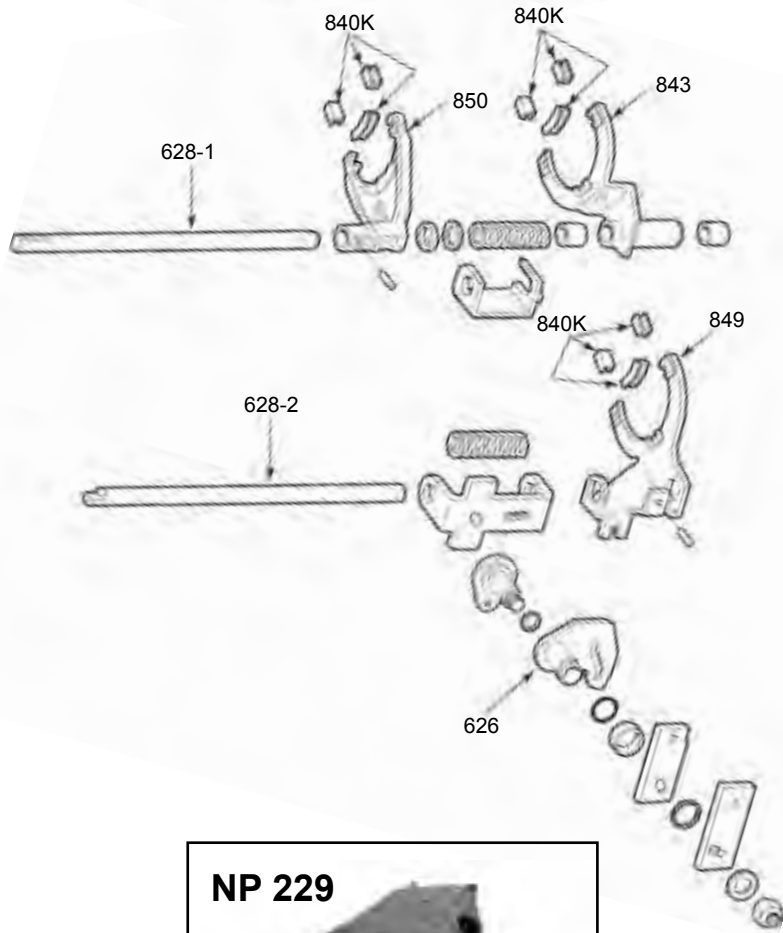
NP 208



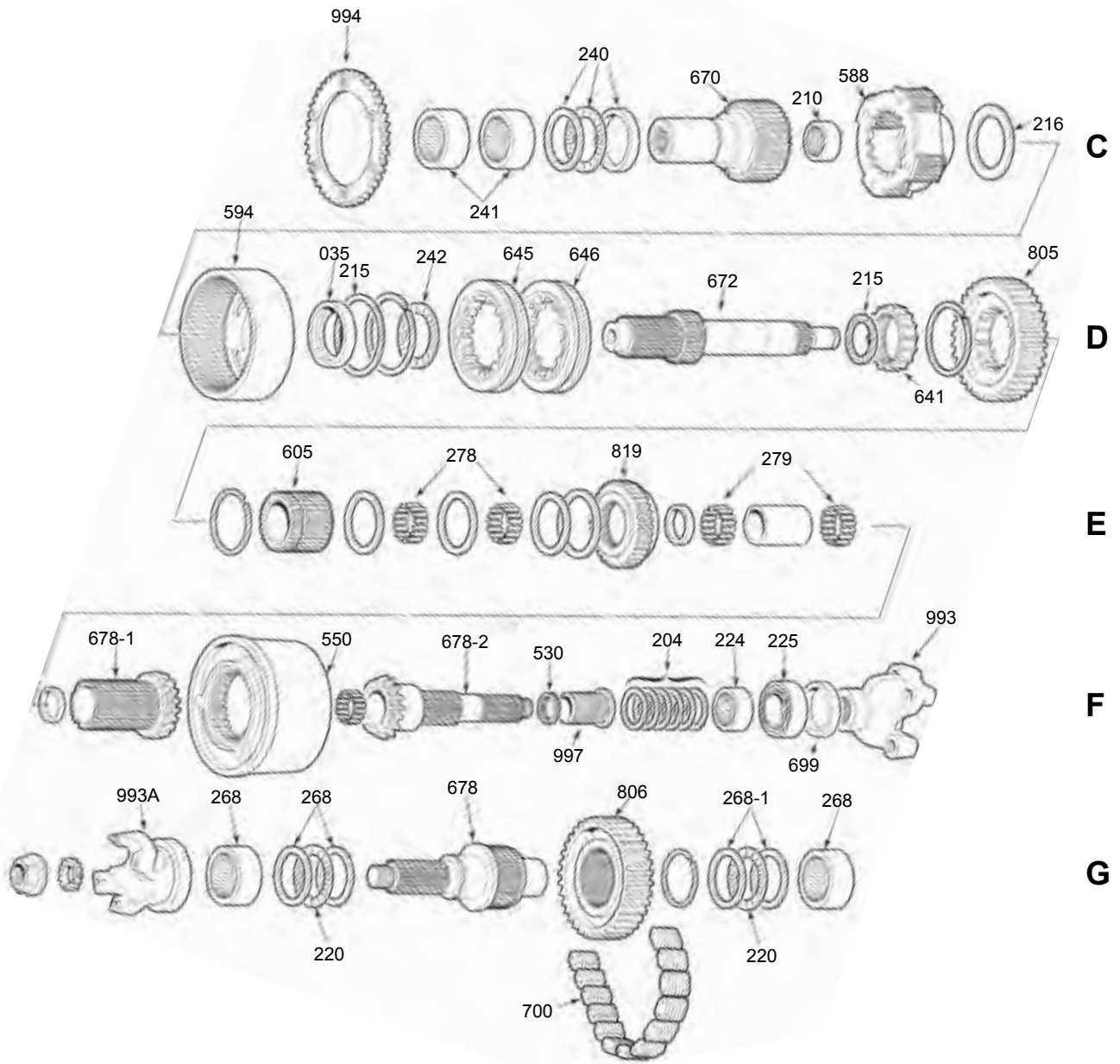
A



B



341

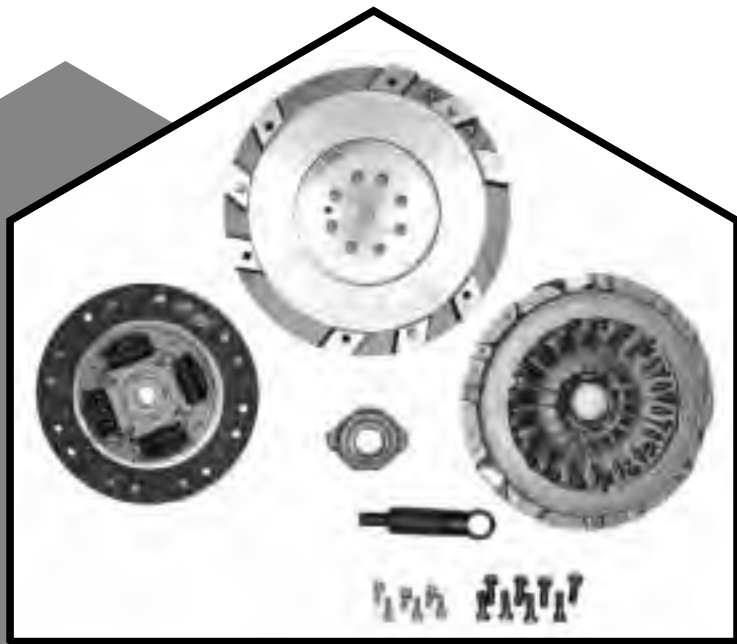


NP 228, NP 229

NP 228, NP 229

ILL NO.	DESCRIPTION	PART NO.	REFERENCE
<b>BEARING KITS</b>			
N.I.	NP 228, NP 229 .....	BK228/9	N.L.
<b>SMALL PARTS KITS</b>			
N.I.	NP 228 .....	341001	SP228/9-50
N.I.	NP 229 (Updated) .....	341001A	SP228/9-50A
<b>GASKET &amp; SEAL KITS</b>			
N.I.	NP 228, NP 229 .....	TSK208	TSK-208
<b>SEALS</b>			
080A	Input Seal .....	301080	N.L.
081A	Front Output Seal .....	305071	18662
N.I.	Rear Output Seal .....	305071	18662
<b>BUSHINGS</b>			
035D	Annulus Ring Gear (2.775" OD) .....	341035	NP 208-62
<b>WASHERS</b>			
215D	Main Shaft to Drive Sprocket .....	341215B	13851
216C	Planet to Ring Gear (.060" Thick, 2.95" OD) .....	331215A	4167959
216C	Planet to Ring Gear (.071" Thick, 3.44" OD) .....	331215B	4167953
<b>BEARINGS &amp; RACES</b>			
268G	Front Output Shaft Bearing (Front) .....	311268A	SCE2816
224F	Front Output Shaft Bearing (Rear) .....	331268B	SCE2416
220G	Front Output Thrust Bearing .....	341220A	NTA2840
268G	Front Output Thrust Race .....	341268A-1	TRA2840
241C	Input Bearing (Caged) (.940" Wide) .....	303211A	HK5020
240C	Input Thrust Bearing Assembly .....	341240	16027
242D	Input & Main Shaft Thrust Bearing .....	341220	NTA2435
210C	Main Shaft Pilot Bearing .....	305268B	SCE2012
220G	Rear Case Thrust Bearing .....	341220B	SCE3612
225F	Rear Output Rear Bearing .....	331268	207
<b>FORKS</b>			
849B	Range Fork (Front) .....	341849	15618
850B	Mode Fork (Rear) (Stamped "635") .....	341850	15635
843B	Locking Fork (Center) 4WD .....	341843	15621
840KB	Fork Insert Kit .....	341840K	INSK-229
<b>SLIDERS</b>			
645D	Range Slider .....	341645	16112
646D	Mode Slider .....	341646	16111
<b>PLANETS</b>			
588C	Planet .....	331588	4329198R
<b>SHAFTS</b>			
670C	Input Shaft (23 Spline) .....	331670C	15786
<b>CASES &amp; HOUSINGS</b>			
760-1A	Case Half (Front) (Cast "15366") .....	341760-1	15608
760-2A	Case Half (Rear w/ no Switch Hole) .....	341760A-2	15639
760-2A	Case Half (Rear w/ Switch Hole) .....	341760-2	16129
<b>CHAINS</b>			
700G	Chain (1.75" Wide) 49 Links .....	HV-015	HV015
<b>MISCELLANEOUS COMPONENTS</b>			
204F	Shim Kit .....	341204K	15128
997F	Speedometer Drive Gear (13T Green) .....	341997	15461
550F	Viscous Clutch .....	341550	13855

NOTES



**Solid Flywheel Conversion Clutch Kits**

## 7 Good Reasons to Choose Valeo Conversion Kits

- 1 — RELIABLE
- 2 — PRICE SAVINGS
- 3 — 100% TORQUE TRANSFER
- 4 — NO ADDITIONAL INSTALLATION COMPLEXITY
- 5 — PROVEN MARKET SUCCESS
- 6 — NEW APPLICATIONS IN DEVELOPMENT
- 7 — DURABLE


### Why convert to a solid flywheel setup?

When dual mass flywheels fail, the high cost of replacement can be a major expense.

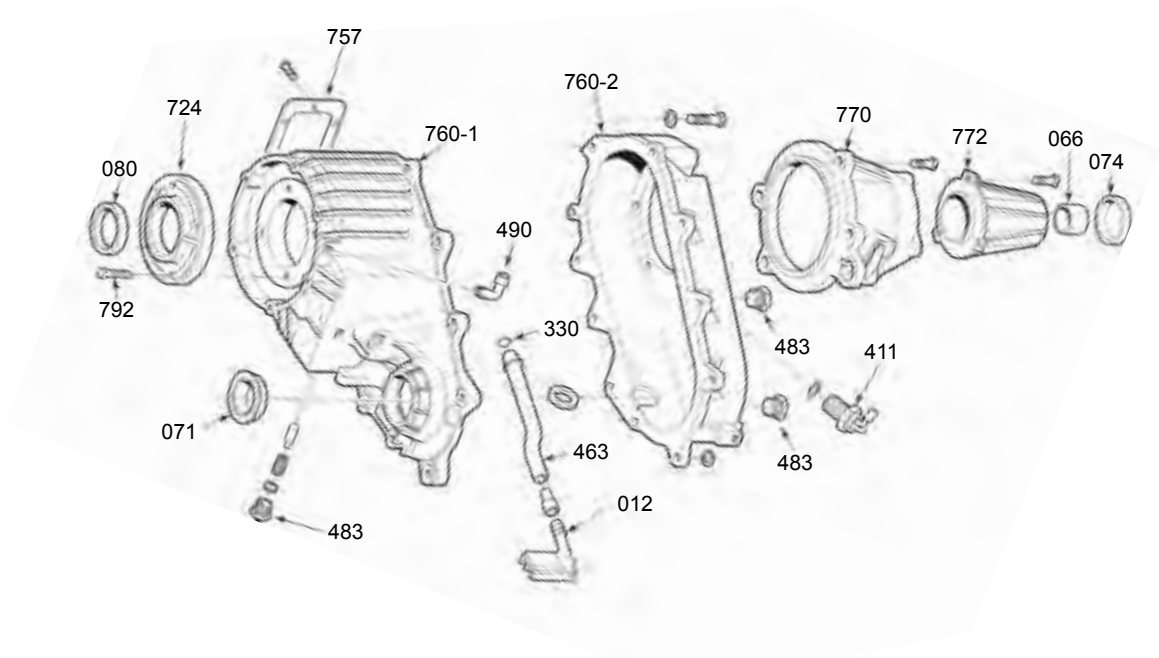
Recognizing this dilemma, Valeo developed new damper technology that resulted in a low cost conventional clutch system with a solid flywheel that matches the performance of the Dual Mass Flywheel system. These new Clutch Kits, called Conversion Kits are available for many vehicles.

The key to the technology is the patented long travel damper design of the clutch disc assembly which permits increased rotational damping for a given torque. This robust design gives the Valeo Conversion Kit performance equivalent to that of the Dual Mass Flywheel system at a fraction of the cost.

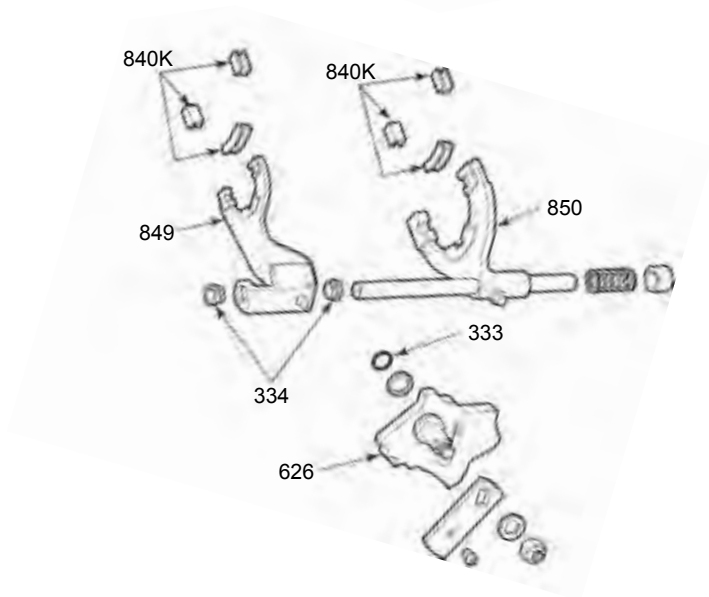


valeo added 

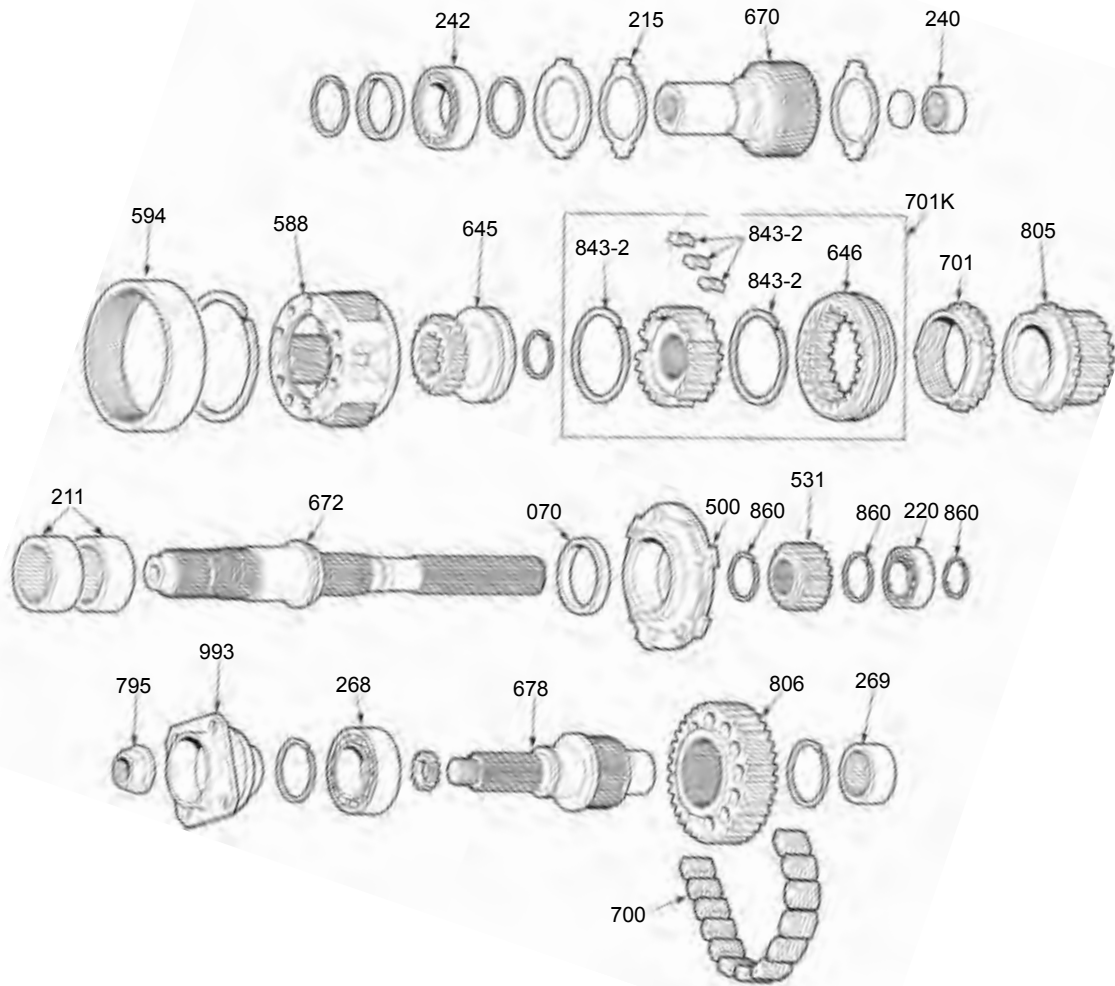
A



B



351



NP 231

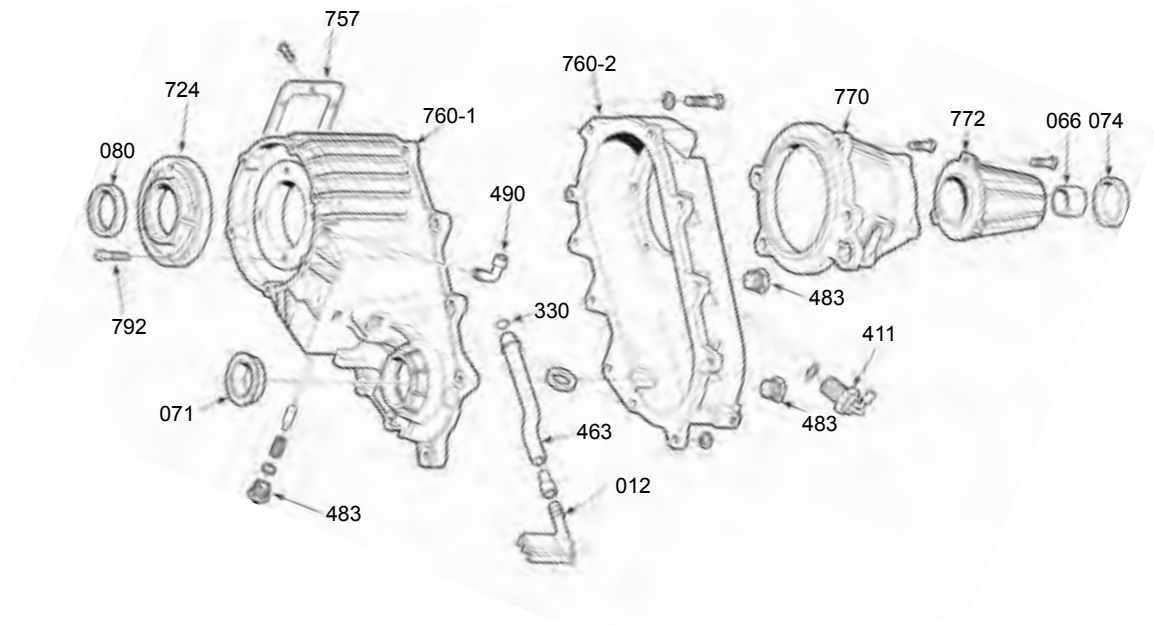
ILL NO.	DESCRIPTION	PART NO.	REFERENCE
<b>BEARING KITS</b>			
N.I.	NP 231 (GM) (88-94) .....	BK231	N.L.
N.I.	NP 231 (GM) (95-97) .....	BK231A	N.L.
N.I.	NP 231 (Dodge) (Uses 24mm Wide Input Bearing) .....	BK231	N.L.
N.I.	NP 231 (Dodge) (Uses 16mm Wide Input Bearing) .....	BK231A	N.L.
N.I.	NP 231 (Jeep except Liberty) (87-94) (Uses 24mm Wide Input Bearing) .....	BK231	N.L.
N.I.	NP 231 (Jeep except Liberty) (94-06) (Uses 16mm Wide Input Bearing) .....	BK231J	N.L.
N.I.	NP 231 (Jeep Liberty) (02-07) .....	BK231JA	N.L.
<b>SMALL PARTS KITS</b>			
N.I.	NP 231 .....	351001	SP231-50
<b>GASKET &amp; SEAL KITS</b>			
N.I.	NP 231 (except Jeep) .....	TSK231	TSK-231
N.I.	NP 231 (Jeep except Liberty) .....	TSK231J	TSK-231J
N.I.	NP 231 (Jeep Liberty) .....	TSK231JA	TSK-231JA
<b>FILTERS</b>			
012A	Pump Screen (Filter) .....	351012	16217
<b>SEALS</b>			
070E	Pump Seal .....	321070	22306
080A	Input Seal .....	301080	4435
071A	Front Output Seal (2.455" x 1.110") .....	351080A	11778
071A	Front Output Seal (2.455" x 1.485") .....	321081	15440
074A	Rear Output Seal (2.380" x 1.510") .....	321071	2506
074A	Rear Output Seal (2.385" x 1.430") .....	44074	15041
074A	Rear Output Seal (2.455" x 1.485") .....	321081	15440
074A	Rear Output Seal (2.585" x 1.090") .....	361071	19129
074A	Rear Output Seal (2.695" x 1.825") .....	411074	22507
074A	Rear Output Seal (2.710" x 1.830") .....	34074	18992
<b>GASKETS &amp; O-RINGS</b>			
N.I.	Transmission to Adapter O-Ring (700-R4, 4L60E, TH350, TH350C) .....	44348	24064
N.I.	Adapter to Transfer Case Gasket (GM) .....	351304	TC2030-6
330A	Oil Pickup Tube O-Ring .....	411330	AS109
<b>BUSHINGS</b>			
334B	Range Fork Bushings (Plastic) .....	351334	15547404
066A	Extension Housing (1.630" OD) (27 Spline) (GM) .....	44066	WT266-62
066A	Extension Housing (1.700" OD) (26 & 27 Spline) Dodge .....	12066	WT243-62B
066A	Extension Housing (2.010" OD) (32 Spline) (GM) .....	331066	WT297-62
<b>WASHERS</b>			
215C	Planet Thrust Washer (Plastic) .....	411215	5012367AA
<b>BEARINGS &amp; RACES</b>			
268F	Front Output Shaft Bearing (Front) .....	351268	6206-N
269F	Front Output Shaft Bearing (Rear) .....	331268B	SCE2416
242C	Input Bearing (.630" Wide) (94-Up) .....	351240A	6010-N
242C	Input Bearing (.940" Wide) (87-94) .....	351240	BD50-8
240C	Input Needle Assembly .....	411240	DB59856
211E	Drive Sprocket Bearing (.940" Wide) .....	303211A	HK5020
220E	Output Bearing (Rear) (2.439"OD, .629" Thick) (87-94) .....	351268	6206-N
220E	Output Bearing (Rear) (2.833"OD, .668" Thick) (94-Up) .....	351268A	6207-N
<b>FORKS</b>			
850B	Mode Fork (Iron) (Cast # 16196) .....	352850A	16267
850B	Mode Fork, Iron (30T) (Cast "17769") (Late Dodge) .....	351850	17790
849B	Range Fork (Aluminum) (Cast # 17833) .....	352849A	17833
840KB	Fork Insert Kit .....	321840K	INSK-207

ILL NO.	DESCRIPTION	PART NO.	REFERENCE
<b>HUBS &amp; SLIDERS</b>			
646D	Mode Slider (48T) .....	351646	241-15
646D	Mode Slider (60T) .....	352646B	17773
645D	Range Slider & Hub .....	351645K	19114
<b>SYNCHRONIZERS</b>			
701KD	Mode Assembly (Complete) (48T) .....	351701K	17915
701D	Mode Synchro (48T) .....	351701	241-14
701D	Mode Synchro (60T) .....	351701A	17779
843-2D	Key and Spring Kit (48T Only) .....	331843-2K	NP 208-K
<b>PUMPS</b>			
500E	Pump Assembly .....	351500	16209
<b>PLANETS</b>			
588D	Planet (6 Pinion) (used w/ .630" Wide Input Bearing) (94-Up).....	351588A	17869
588D	Planet (6 Pinion) (used w/ .940" Wide Input Bearing) (88-94) .....	351588	16550
<b>SHAFTS</b>			
670C	Input Shaft (Jeep) (21 Spline) (4.30") (used w/ .940" Wide Input Brg).....	351670	16758
670C	Input Shaft (Jeep) (23 Spline) (5.30") (used w/ .940" Wide Input Brg).....	371670B	17822
670C	Input Shaft (Dodge) (23 Spline) (4.30") (used w/ .940" Wide Input Brg).....	361670A	17449
670C	Input Shaft (Dodge) (23 Spline) (5.30") (used w/ .630" Wide Input Brg).....	352670CC	17949
672E	Main Shaft (Dodge) (26 Spline) (18 3/8").....	351672	16353
N.I.	Jeep Short Shaft Conversion Kit: Includes Main Shaft, Yoke, Speedo, .....	351672AK	50-7906
	.....Small Parts & Extension Housing / Bearing Support (Bolt Yoke) .....		
<b>CASES &amp; HOUSINGS</b>			
760-1A	Case Half (Front) (Cast # 16118).....	351760-1	20357
760-2A	Case Half (Rear) (Cast "16117").....	351760-2	16721
772A	Extension Housing, 5 3/4" (Cast # 16356) (Dakota) .....	351772	16354
772A	Extension Housing, Slip Yoke (32 Spline, 4 Bolt) (Cast # 16258).....	351772A	17477
<b>CHAINS &amp; SPROCKETS</b>			
700F	Chain (1.00" Wide) 36 Links .....	HV-027	HV027
700F	Chain (1.25" Wide) 31 Links .....	HV-022	HV022
805D	Drive Sprocket (1.25" Wide Chain) .....	351805	19043
806F	Driven Sprocket (1.25" Wide Chain) .....	351806	16619
<b>MISCELLANEOUS COMPONENTS</b>			
860E	Output Bearing Retainer Snap Ring (27 Spline Shaft).....	351860B	4446478
860E	Output Bearing Retainer Snap Ring (32 Spline Shaft).....	351860A	1300-139-027
N.I.	Output Bearing Retainer Split Sleeve (27 Spline Shaft) (Sonnax).....	S100420-01K	100420-01K
N.I.	Output Bearing Retainer Split Sleeve (32 Spline Shaft) (Sonnax).....	S100420-02K	100420-02K
411A	Switch, 4wd Indicator (3 Prong).....	321411	15664811
411A	Switch, 4wd Indicator (4 Prong).....	351411B	15832
411A	Switch, 4wd Indicator (Electric).....	361410	56006755

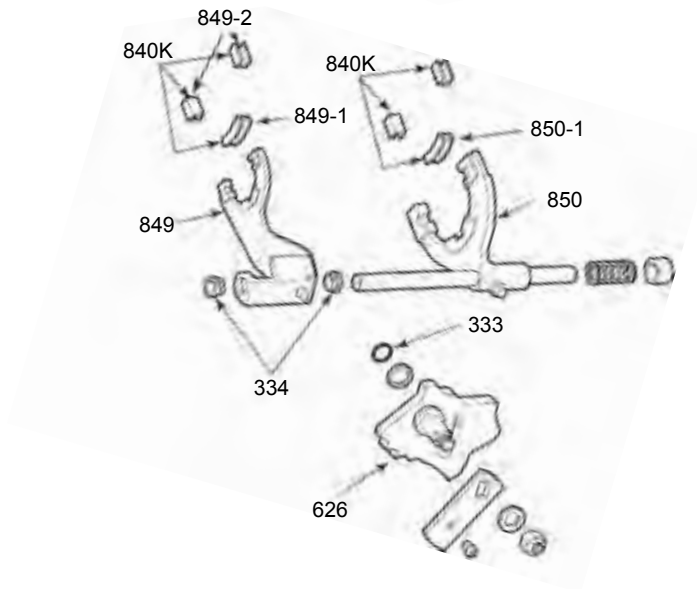
NP 231



A



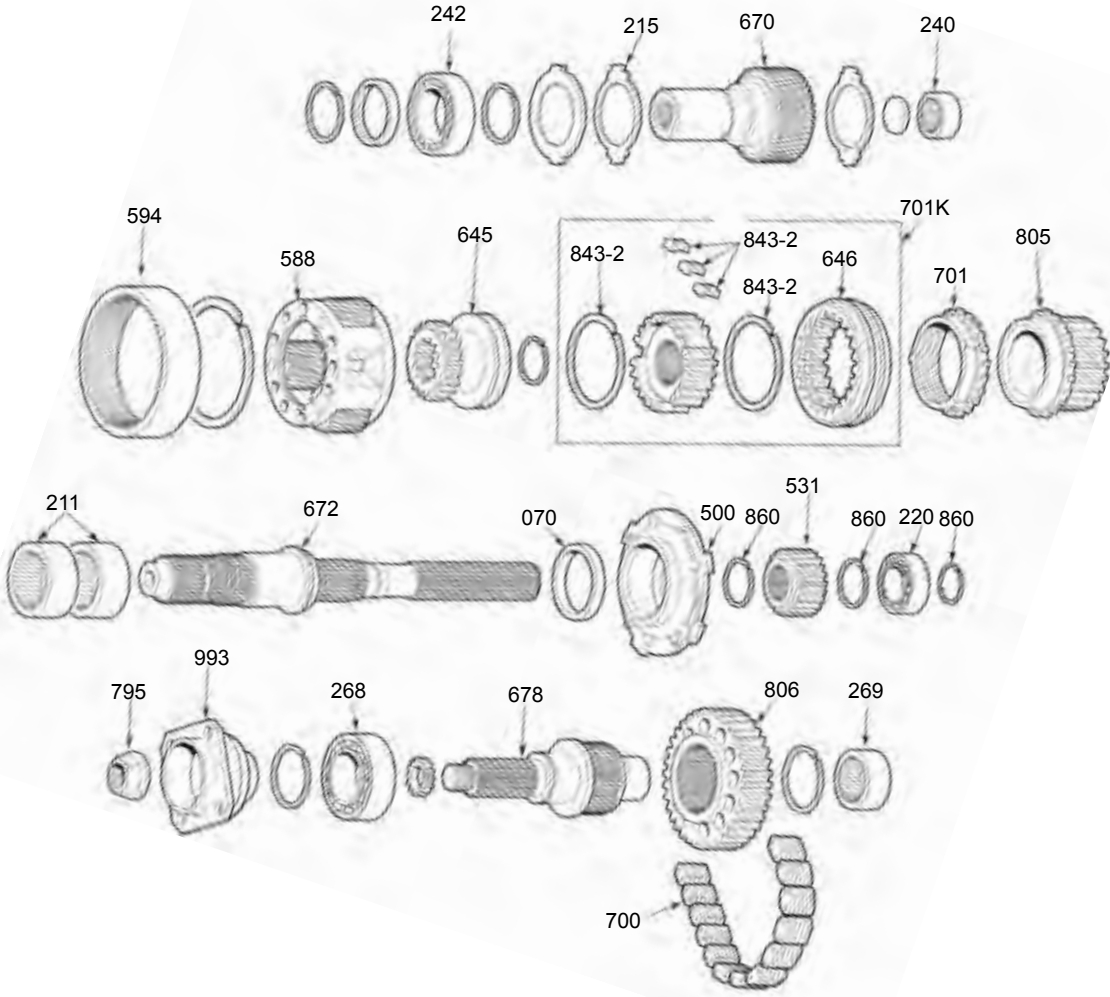
B



NP 233



492



C

D

E

F

NP 233

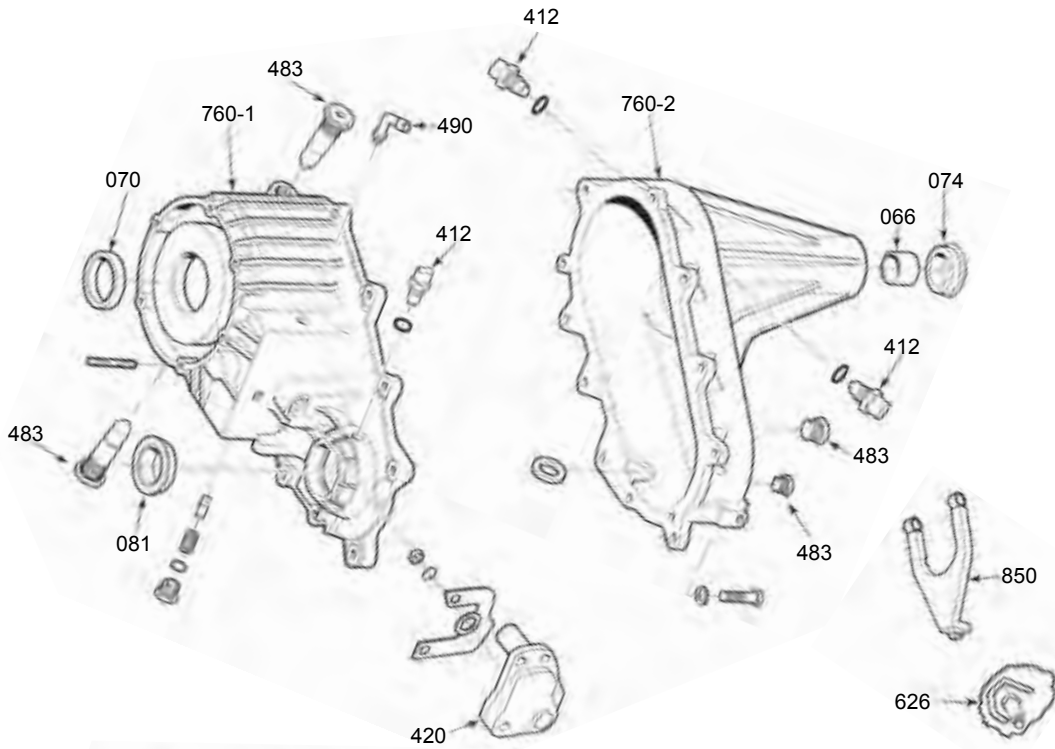
# NP 233

NP 233

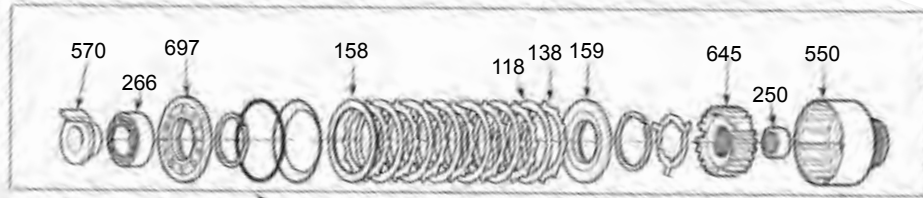
ILL NO.	DESCRIPTION	PART NO.	REFERENCE
<b>BEARING KITS</b>			
N.I.	NP 233 (GM) (92-94) .....	BK230	N.L.
N.I.	NP 233 (GM) (95-05) (24mm Wide Input Bearing) .....	BK230A	N.L.
N.I.	NP 233 (GM) (95-05) (16mm Wide Input Bearing) .....	BK230	N.L.
N.I.	NP 233 (Dodge) .....	BK430	N.L.
N.I.	NP 233 (Isuzu Hombre) .....	BK430	N.L.
<b>SMALL PARTS KITS</b>			
N.I.	NP 233 .....	492001	SP233-50
<b>GASKET &amp; SEAL KITS</b>			
N.I.	NP 233 (GM) .....	TSK233	TSK-233
N.I.	NP 233 (Dodge) .....	TSK233D	TSK-233D
N.I.	NP 233 (Isuzu) .....	TSK233	TSK-233
<b>FILTERS</b>			
012A	Pump Screen (Filter) .....	351012	16217
<b>SEALS</b>			
070E	Pump Seal .....	321070	22306
080A	Input Seal .....	301080	4435
071A	Front Output Seal (2.455" x 1.110") .....	351080A	11778
071A	Front Output Seal (2.455" x 1.485") .....	321081	15440
071A	Front Output Seal (2.695" x 1.850") .....	326074A	19244
074A	Rear Output Seal (2.385" x 1.430") .....	44074	15041
074A	Rear Output Seal (2.695" x 1.825") .....	411074	22507
074A	Rear Output Seal (2.710" x 1.830") .....	34074	18992
<b>GASKETS &amp; O-RINGS</b>			
N.I.	Adapter to Transfer Case Gasket (GM) .....	351304	TC2030-6
333B	Shifter O-Ring .....	351333	4167963
<b>BUSHINGS</b>			
066A	Extension Housing (1.630" OD) (27 Spline) .....	44066	WT266-62
066A	Extension Housing (2.010" OD) (32 Spline) .....	331066	WT297-62
<b>WASHERS</b>			
215C	Planet Thrust Washer (Plastic) .....	411215	5012367AA
<b>BEARINGS &amp; RACES</b>			
268F	Front Output Shaft Bearing (Front) .....	351268	6206-N
269F	Front Output Shaft Bearing (Rear) .....	331268B	SCE2416
240C	Input Bearing (Inner) .....	411240	DB59856
242C	Input Bearing (.630" Wide) .....	351240A	6010-N
242C	Input Bearing (.940" Wide) .....	351240	BD50-8
220E	Output Bearing (Rear) (35mm ID) .....	331268	207
<b>FORKS</b>			
850B	Mode Fork (Iron) (Cast # 16196) .....	352850A	16267
850B	Mode Fork (Iron) (Cast # 17178) .....	492850A	24668
850B	Mode Fork (30T) .....	351850	17790
850-1B	Mode Fork Insert (45mm Long) .....	321700-2A	4219073
849B	Range Fork (Aluminum) (Cast # 17833) .....	352849A	17833
849B	Range Fork (Must Use Updated Range Slider w/ .368" Wide Fork Slot) .....	492849	17896
849-1B	Fork Insert (29mm Long) .....	411850-1A	4338376
849-2B	Fork Insert (52mm Long) .....	411850-1	4167969
840KB	Fork Insert Kit .....	321840K	INSK-207
<b>HUBS &amp; SLIDERS</b>			
646D	Mode Slider (48T) .....	351646	241-15
646D	Mode Slider (30T) .....	352646B	17773
645D	Range Slider & Hub Kit .....	351645K	19114
645D	Range Slider & Hub (.318" Wide Fork Slot) (Non-Updated) .....	492645K	17982
645D	Range Slider (.368" Wide Fork Slot) (Updated) .....	492645A	51007

ILL NO.	DESCRIPTION	PART NO.	REFERENCE
<b>SYNCHRONIZERS</b>			
701KD	Mode Assembly (48T).....	351701K	17915
701D	Mode Synchro (48T).....	351701	241-14
701D	Mode Synchro (60T).....	351701A	17779
843-2D	Key & Spring Kit, Mode Assembly (48T).....	331843-2K	NP 208-K
843-2D	Key & Spring Kit, Mode Assembly (60T).....	331843A-2K	NP 241-K
<b>PUMPS</b>			
500E	Pump Assembly .....	351500	16209
<b>PLANETS</b>			
588D	Planet (6 Pinion) (used w/ .630" Wide Input Bearing) (94-Up).....	351588A	17869
588D	Planet (6 Pinion) (used w/ .940" Wide Input Bearing) (Up to 94).....	351588	16550
<b>CASES &amp; HOUSINGS</b>			
760-2A	Case Half (Rear) (Cast "16117").....	351760-2	16721
772A	Extension Housing (32T Output).....	351772A	17477
<b>CHAINS &amp; SPROCKETS</b>			
700F	Chain (1.00" Wide) 36 Links .....	HV-027	HV027
700F	Chain (1.25" Wide) 31 Links .....	HV-022	HV022
806F	Driven Sprocket (1.25" Wide Chain).....	351806	16619
<b>MISCELLANEOUS COMPONENTS</b>			
860E	Output Bearing Retainer Snap Ring (27 Spline Shaft).....	351860B	4446478
860E	Output Bearing Retainer Snap Ring (32 Spline Shaft).....	492860	1300-139-007
N.I.	Output Bearing Retainer Split Sleeve (27 Spline Shaft) (Sonnax).....	S100420-01K	100420-01K
N.I.	Output Bearing Retainer Split Sleeve (32 Spline Shaft) (Sonnax).....	S100420-02K	100420-02K
463A	Pickup Tube.....	351463	15546611
N.I.	Shift Motor (92-05).....	492420	600-900
N.I.	Speed Sensor (K Models up to 2000, S Models up to 2005).....	492436	15547452
N.I.	Stud, Case and Adapter (Metric 10.5mm) (Coarse / Coarse).....	492775	26070
N.I.	Stud, Case and Adapter (Metric 3/8") (Fine / Coarse).....	492775A	15053
411A	Switch, 4wd Indicator (3 Prong).....	321411	15664811
490A	Vent Tube.....	435490	17988
<b>NOTES</b>			

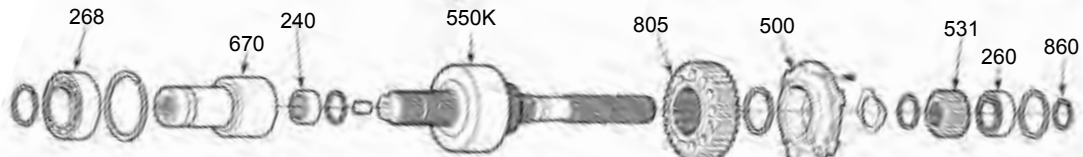
A



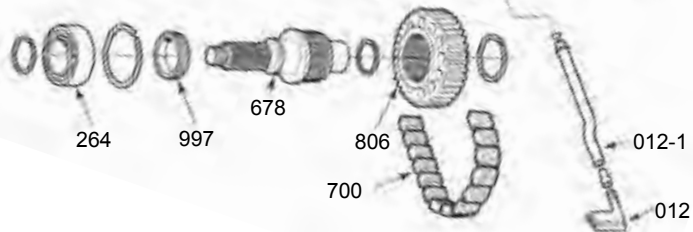
B



C



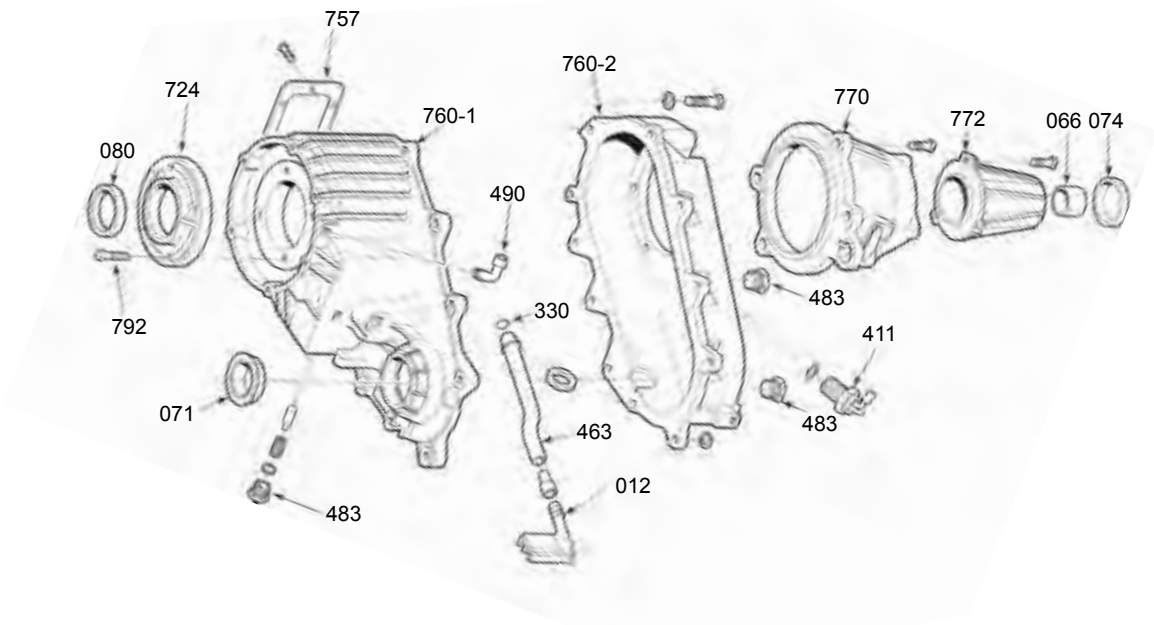
D



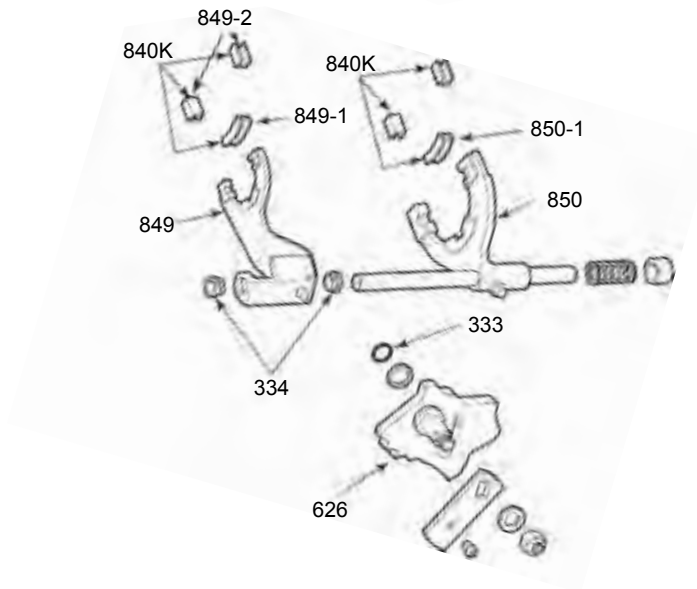
482

ILL NO.	DESCRIPTION	PART NO.	REFERENCE
<b>BEARING KITS</b>			
N.I.	NP 236 .....	BK333	N.L.
<b>GASKET &amp; SEAL KITS</b>			
N.I.	NP 236 .....	TSK136	TSK-136
<b>FILTERS</b>			
012D	Pump Screen (Filter).....	351012	16217
<b>SEALS</b>			
070A	Input Seal.....	411070	22441
081A	Front Output Seal .....	411081	22452
074A	Rear Output Seal .....	411074	22507
<b>BUSHINGS</b>			
066A	Extension Housing (2.010" OD).....	331066	WT297-62
<b>WASHERS</b>			
N.I.	Planet Thrust Washer (Plastic) .....	411215	5012367AA
<b>BEARINGS</b>			
N.I.	Shift Shaft Bearing .....	411279	FC68828
N.I.	Main Shaft Bearing (Rear) .....	404220A	573305D
240C	Input Bearing (Inner).....	411240	DB59856
268C	Input Bearing (.630" Wide).....	325287	110
260C	Rear Output Shaft Bearing (Rear) .....	342210	6208-N
240B	Front Output Shaft Bearing (Front) .....	331268	207
264D	Front Output Shaft Bearing (Rear).....	331268B	SCE2416
266B	Main Shaft Bearing (Front).....	411210	6011
250B	Clutch Drum Bearing.....	411250	FC69343
<b>FORKS</b>			
N.I.	Fork Insert (52mm long).....	411850-1	4167969
N.I.	Fork Insert (29mm Long) .....	411850-1A	4338376
<b>SLIDERS</b>			
645B	Range Slider & Hub .....	492645K	17982
<b>PUMPS &amp; COMPONENTS</b>			
500C	Pump Assembly .....	371500	16686
<b>PLANETS</b>			
N.I.	Planet (6 Pinion) (used w/ .630" Wide Input Bearing).....	351588A	17869
<b>SHAFTS</b>			
670C	Input Shaft (27 Spline) (used w/ .630" Wide Input Bearing).....	352670B	19020
670C	Input Shaft (32 Spline) .....	391670	19019
<b>CASES &amp; HOUSINGS</b>			
760-1A	Case Half (Front) (Cast # 22439).....	411760-1	22437
<b>CHAINS</b>			
700D	Chain (1.00" Wide) 49 Links .....	HV-062	HV062
<b>MISCELLANEOUS COMPONENTS</b>			
N.I.	Case Protector Clip - Anti Wear (Prevents Pump Lug Wear in Case) .....	411460	54319
N.I.	Case Protector Plate - Anti Wear (Prevents Pump Lug Wear in Case) .....	482460	100246-02K
118B	Friction Plate .....	482118A	27747
138B	Steel Plate.....	12120	4461047
420A	Shift Motor (Rect. Plug w/ 2 Pins) (RPO Code NP4) .....	411420B	600-906
420A	Shift Motor (Rect. Plug w/ 6 Pins) (RPO Code NP8) .....	482420	600-901

**A**



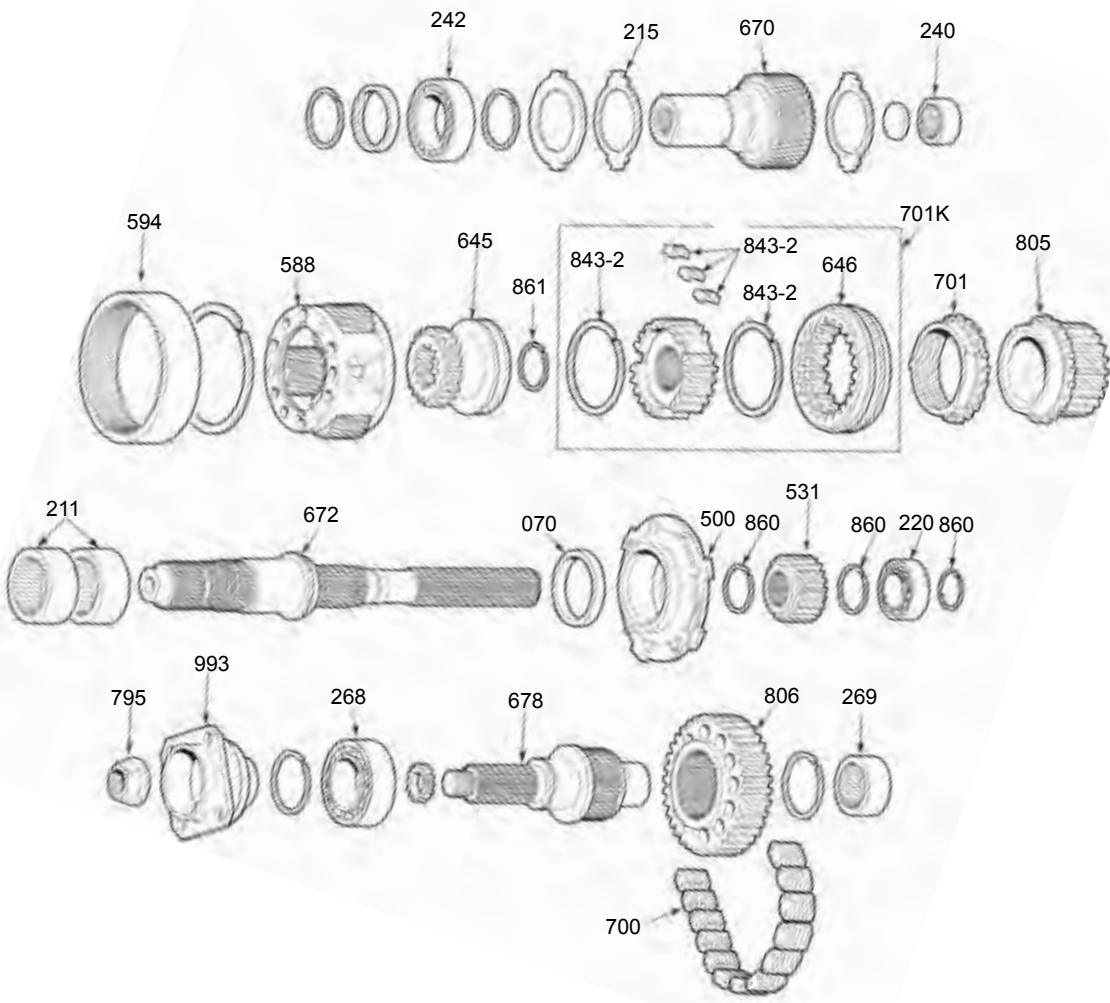
**B**



**NP 241**



**352**



C

D

E

F

NP 241



# NP 241

NP 241

ILL NO.	DESCRIPTION	PART NO.	REFERENCE
<b>BEARING KITS</b>			
N.I.	GM (88-94) (Uses 24mm Wide Input Bearing) .....	BK241	N.L.
N.I.	GM (95-99) (Uses 16mm Wide Input Bearing) .....	BK241A	N.L.
N.I.	Jeep .....	BK241J	N.L.
N.I.	Dodge Exc HD (88-92) (Passenger Side Front Output Shaft) .....	BK241D	N.L.
N.I.	Dodge Exc HD (93-01) (Uses 16mm Wide Input Bearing) .....	BK241A	N.L.
N.I.	Dodge Exc HD (93-01) (Uses 24mm Wide Input Bearing) .....	BK241	N.L.
N.I.	Dodge Exc HD (02-Up) (Uses 24mm Wide Input Bearing)..... ..... Snap Ring Groove for the Input Bearing is Near the Edge .....	BK241	N.L.
N.I.	Dodge Exc HD (02-Up) (Uses 24mm Wide Input Bearing)..... ..... Snap Ring Groove for the Input Bearing is in the Middle .....	BK241E	N.L.
N.I.	Dodge NP241DHD (97-02) (1 Piece Ext. Hsg, Uses 16mm Wide Input Brg).....	BK241B	N.L.
N.I.	Dodge NP241DHD (97-02) (1 Piece Ext. Hsg, Uses 24mm Wide Input Brg).....	BK241C	N.L.
<b>SMALL PARTS KITS</b>			
N.I.	All .....	352001	SP241-50
<b>GASKET &amp; SEAL KITS</b>			
N.I.	NP 241 (GM).....	TSK208	TSK-208
N.I.	NP 241 (Jeep).....	TSK241J	TSK-241J
N.I.	NP 241D (Dodge) (Manual Shift) (02-Up).....	TSK241D	TSK-241D
N.I.	NP 241D (Dodge) (2 Piece Ext. Housing).....	TSK241	TSK-241
N.I.	NP 241D (Dodge) (1 Piece Ext. Housing).....	TSK241A	TSK-241A
<b>FILTERS</b>			
012A	Pump Screen (Filter) (GM, Dodge).....	351012	16217
<b>SEALS</b>			
070E	Pump Seal .....	321070	22306
080A	Input Seal .....	301080	4435
071A	Front Output Seal.....	305071	18662
074A	Rear Output Seal (2.760" x 1.800").....	305071	18662
074A	Rear Output Seal (2.710" x 1.830").....	34074	18992
074A	Rear Output Seal (3.035" x 2.125").....	424074	21938
074A	Rear Output Seal (2.385" x 1.430").....	44074	15041
<b>GASKETS &amp; O-RINGS</b>			
N.I.	Adapter to Transfer Case Gasket (Ford).....	331304B	TC2030-12
N.I.	Adapter to Transfer Case Gasket (GM) .....	331304A	TC2030-9
N.I.	Transmission to Adapter Gasket (Dodge).....	22305AB	2466954
330A	Oil Pickup Tube O-Ring (All Except NP 241DHD) .....	411330	AS109
333B	Selector Shaft O-Ring .....	351333	4167963
<b>BUSHINGS</b>			
066A	Extension Housing (2.340" OD) (31 Spline Output) (97-02) (NP 241DHD).....	334066	18172
066A	Extension Housing (2.010" OD) (32 Spline Output) (Slip Yoke Type).....	331066	WT297-62
334B	Range Fork Rail Bushing (All Except NP 241DHD).....	351334	15547404
<b>WASHERS</b>			
215C	Planet Thrust Washer (Plastic) .....	411215	5012367AA
<b>BEARINGS &amp; RACES</b>			
268F	Front Output Shaft Bearing (Front) (72mm OD) .....	331268	207
268F	Front Output Shaft Bearing (Front) (80mm OD) .....	342240	6307-N
269F	Front Output Shaft Bearing (Rear).....	331268B	SCE2416
242C	Input Bearing (.630" Wide).....	351240A	6010-N
242C	Input Bearing (.940" Wide) (BD50-8).....	351240	BD50-8
240C	Input to Main Shaft Pocket Bearing .....	411240	DB59856
240C	Input to Main Shaft Needle Type Pocket Bearing (NP 241DHD) .....	426267	SCE2110
211E	Mode Sprocket Bearing (.940" Wide).....	303211A	HK5020
220E	Output Bearing (Rear) (35mm ID).....	331268	207
220E	Output Bearing (Rear) (41mm ID) use w/ 352672 .....	352268A	BB1-1015

ILL NO.	DESCRIPTION	PART NO.	REFERENCE
<b>FORKS</b>			
850B	Mode Fork (Iron) (Cast # 16196) (All Except NP 241DHD) .....	352850A	16267
850B	Mode Fork (Cast # 16342-B) .....	352850	17025
850B	Mode Fork (Cast # 17769) (Dodge Including NP 241DHD).....	351850	17790
849B	Range Fork (Cast # 17833) (Drivers Side Front Output) (Aluminum).....	352849A	17833
849B	Range Fork (Cast/Stamped # 338).....	352849	16337
849B	Range Fork (Cast # 17524) (NP 241DHD).....	352849B	17543
N.I.	Fork Insert Kit.....	321840K	INSK-207
<b>COLLARS</b>			
645D	Range Collar (Retained on Tube w/ Snap Ring) (NP 241DHD).....	352825	17522
<b>SLIDERS</b>			
646D	Mode Slider (48T) (All Except NP 241DHD).....	351646	241-15
646D	Mode Slider (60T) (NP 241DHD).....	352646B	17773
645D	Range Slider & Hub (All Except NP 241DHD).....	351645K	19114
N.I.	Range Slider Tube (2 Piece Design) (NP 241DHD) .....	352463	17521
<b>SYNCHRONIZERS</b>			
701KD	Mode Assembly (Complete) (48T) (All Except NP 241DHD).....	351701K	17915
701D	Mode Synchro (48T) (NP 241) (All Except NP 241DHD).....	351701	241-14
701D	Mode Synchro (60T) (Dodge Including NP 241DHD).....	351701A	17779
843-2D	Key & Spring Kit (48T) (All Except NP 241DHD).....	331843-2K	NP 208-K
843-2D	Key & Spring Kit (60T) (Dodge Including NP 241DHD).....	331843A-2K	NP 241-K
N.I.	Synchro Spring (Mode Assembly).....	352710	17778
N.I.	Synchro Key (Mode Assembly).....	351701-2	14037972
<b>PUMPS</b>			
500E	Pump Assembly (31 Spline).....	352500	24956
500E	Pump Assembly (32 Spline).....	351500	16209
<b>PLANETS</b>			
588D	Except Dodge HD (used w/ .940" Wide Input Brg) (Wide Teeth) (88-94) .....	351588	16550
588D	Except Dodge HD (used w/ .630" Wide Input Brg) (Narrow Teeth) (94-Up) .....	351588A	17869
588D	Dodge NP241DHD (used w/ .940" Wide Input Brg) (Wide Teeth) (1994 Only).....	352588C	17517
588D	Dodge NP241DHD (used w/ .630" Wide Input Brg) (Narrow Teeth) (94-02) .....	352588B	17944
<b>INPUT SHAFTS</b>			
670C	GM (27 Spline) (.630" Wide Input Bearing).....	352670B	19020
670C	GM (27 Spline) (.940" Wide Input Bearing).....	352670D	16959
670C	GM (32 Spline) (.630" Wide Input Bearing).....	391670	19019
670C	GM (32 Spline) (.940" Wide Input Bearing).....	352670C	17118
670C	Dodge (23 Spline) (4.25") (.630" Wide Input Brg).....	352670DA	21288
670C	Dodge (23 Spline) (5") (.630" Wide Input Brg) (Wide Teeth) (88-94) .....	352670CG	22390
670C	Dodge (23 Spline) (5") (.630" Wide Input Brg) (Narrow Teeth) (94-Up) .....	352670CC	17949
670C	Dodge (23 Spline) (5") (.940" Wide Input Brg) (Wide Teeth) (88-94) .....	371670B	17822
670C	Dodge (23 Spline) (5") (.940" Wide Input Brg) (Narrow Teeth) (94-Up) .....	352670CB	17953
670C	Dodge (29 Spline) (5") (.630" Wide Input Bearing) .....	352670EA	22409
670C	Dodge (29 Spline) (5") (.940" Wide Input Bearing) .....	352670CD	17954
<b>OUTPUT SHAFTS</b>			
672E	Main Shaft (31 Spline) (19 7/16") (Dodge NP 241DHD) .....	352672	34955
672E	Main Shaft (32 Spline) (19 7/16") (Dodge NP 241DHD).....	352672A	20480
672E	Main Shaft (32 Spline) (18 1/2") (Dodge Except NP 241DHD).....	352672B	20482
<b>CASES &amp; HOUSINGS</b>			
760-2A	Case Half (Rear) (Cast # 17547) (NP 241DHD).....	352760-2	21653
770A	Rear Bearing Housing w/ Speedo (Cast # 21655) (NP 241DHD).....	352770	21654
772A	Extension Housing, Slip-Yoke (94-96) (Cast # 16258) (NP 241DHD) .....	352772	4746150

# NP 241

ILL NO.	DESCRIPTION	PART NO.	REFERENCE
<b>CHAINS &amp; SPROCKETS</b>			
700F	Chain (1.25" Wide) 36 Links (Round Pins) .....	HV-025	HV025
700F	Chain (1.25" Wide) 42 Links (Rocker Joint) .....	HV-081	HV081
700F	Chain (1.25" Wide) 49 Links (Rocker Joint) .....	HV-072	HV072
700F	Chain (1.50" Wide) 36 Links (Round Pins) (NP241DHD) .....	HV-031	HV031
805D	Mode Drive Sprocket (All Except NP 241DHD) .....	352805	241-235
805D	Mode Drive Sprocket (1 1/8" Wide) (NP 241DHD) .....	352805B	17814
805D	Mode Drive Sprocket (1 3/8" Wide) (NP 241DHD) .....	352805A	17813
<b>MISCELLANEOUS COMPONENTS</b>			
860E	Output Bearing Retainer Snap Ring .....	351860A	1300-139-027
860E	Output Bearing Retainer Snap Ring (Pump Gear Side) .....	352860B	4883597AA
N.I.	Output Bearing Retainer Split Sleeve (Sonnax) .....	S100420-02K	100420-02K
861D	Snap Ring, Range Collar (2 Piece Design) (NP 241DHD) .....	352861	4746128
N.I.	Speed Sensor (K Models up to 2000, S Models up to 2005) .....	492436	15547452
411A	Switch, 4wd Indicator (2 Prong) .....	351411	15582030
411A	Switch, 4wd Indicator (3 Prong) .....	351411A	15693423
411A	Switch, 4wd Indicator (4 Prong) .....	351411B	15832
<b>NOTES</b>			

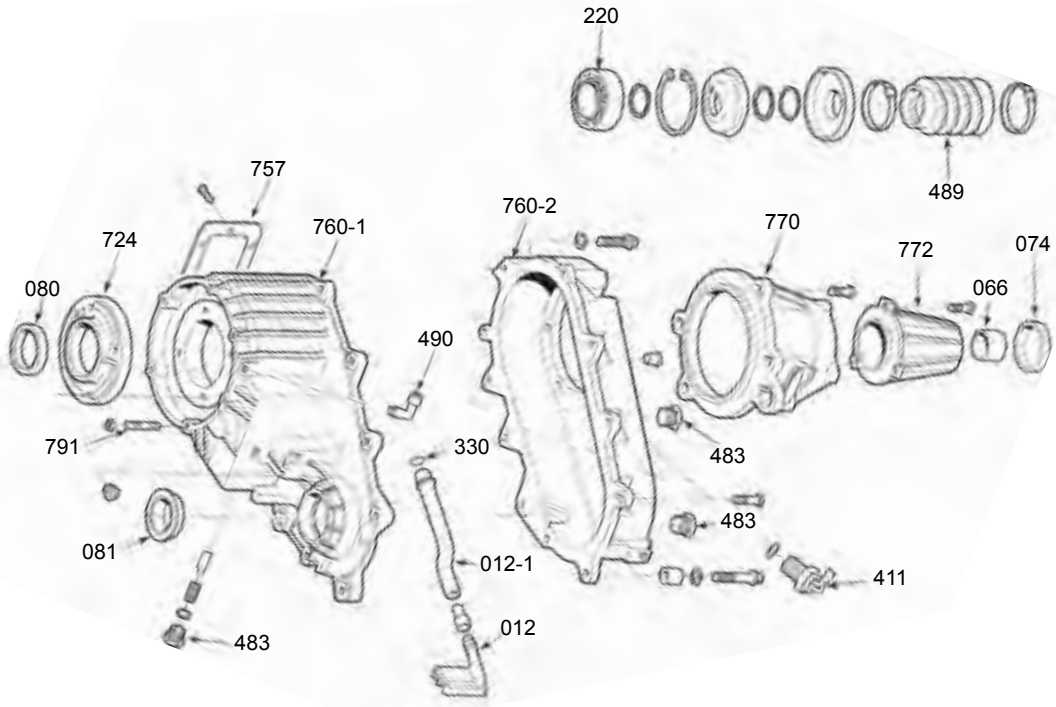
NP 241

NOTES

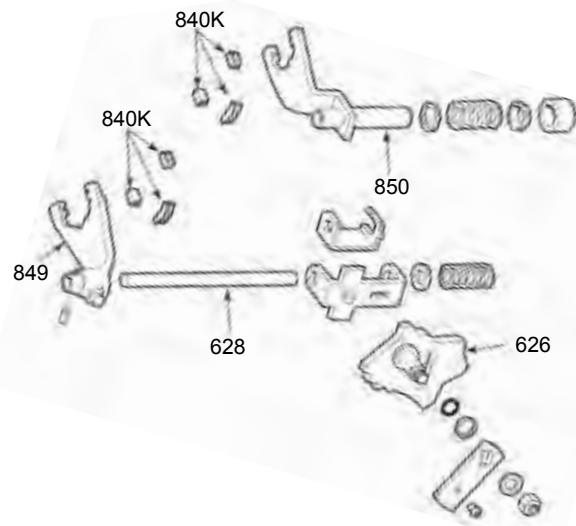
NP 241

NP 242

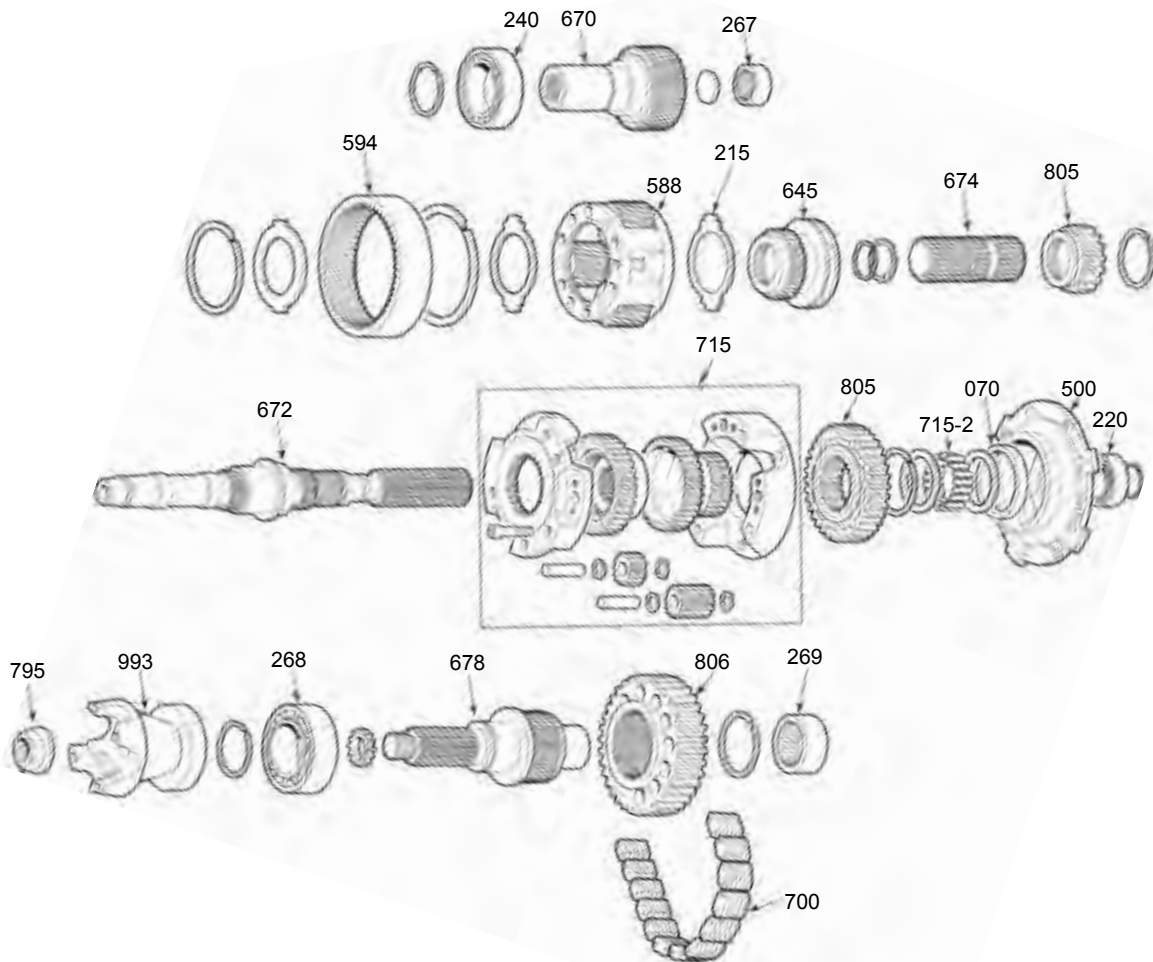
A



B



361



C

D

E

F

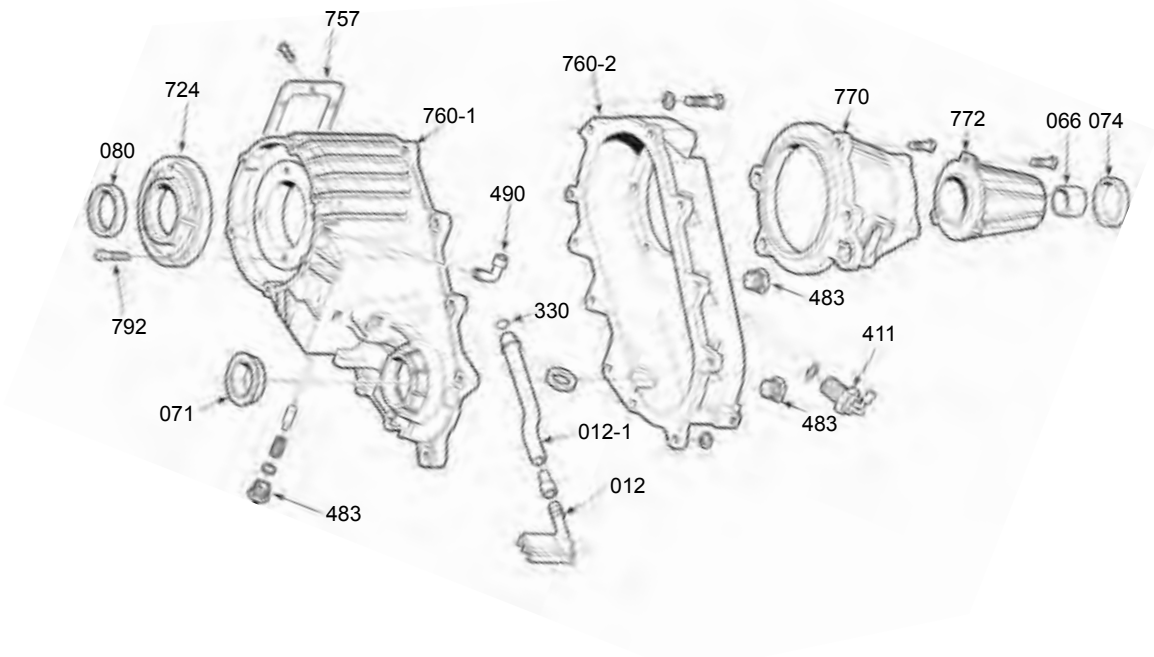
NP 242

ILL NO.	DESCRIPTION	PART NO.	REFERENCE
<b>BEARING KITS</b>			
N.I.	NP 242 (Dodge, Hummer H1) (2 Piece Extension Housing) .....	BK242	N.L.
N.I.	NP 242 (Dodge, Hummer H1) (1 Piece Extension Housing) .....	BK242B	N.L.
N.I.	NP 242 (Jeep Except Liberty) (2 Piece Extension Housing) .....	BK242	N.L.
N.I.	NP 242 (Jeep Except Liberty) (1 Piece Extension Housing) .....	BK242B	N.L.
N.I.	NP 242 (Jeep Liberty) .....	BK242C	N.L.
<b>SMALL PARTS KITS</b>			
N.I.	Dodge, Jeep .....	361001	SP242-50
N.I.	Hummer H1 .....	361001A	SP242-50B
<b>GASKET &amp; SEAL KITS</b>			
N.I.	NP 242 (2 Piece Extension Housing) .....	TSK242	TSK-242
N.I.	NP 242 (1 Piece Extension Housing) .....	TSK242B	TSK-242B
<b>FILTERS</b>			
012A	Pump Screen (Filter) .....	351012	16217
<b>SEALS</b>			
070E	Pump Seal .....	321070	22306
080A	Input Seal .....	301080	4435
081A	Front Output Seal .....	305071	18662
074A	Rear Output Seal (2.385" x 1.430") .....	44074	15041
074A	Rear Output Seal (2.455" x 1.485") .....	321081	15440
074A	Rear Output Seal (2.585" x 1.090") .....	361071	19129
074A	Rear Output Seal (2.695" x 1.825") .....	411074	22507
<b>GASKETS &amp; O-RINGS</b>			
N.I.	Adapter to Transfer Case Gasket .....	331304A	TC2030-9
N.I.	Gasket, Output Bearing Inspection Cover Gasket .....	12305J	2801398
330A	Oil Pickup Tube O-Ring .....	411330	AS109
<b>BUSHINGS</b>			
066A	Extension Housing (1.630" OD) .....	44066	WT266-62
<b>WASHERS</b>			
215D	Planet Thrust Washer (Plastic) .....	411215	5012367AA
<b>BEARINGS &amp; RACES</b>			
268F	Front Output Shaft Bearing (Front) .....	351268A	6207-N
269F	Front Output Shaft Bearing (Rear) .....	331268B	SCE2416
267C	Input Bearing (Inner) .....	411240	DB59856
240C	Input Bearing (.940" Wide) .....	351240	BD50-8
240C	Input Bearing (.630" Wide) (94-Up) .....	351240A	6010-N
220E	Output Bearing (Rear) .....	351268	6206-N
715-2E	Differential Needle Bearings (qty 53) .....	361715-2	Q8308
<b>FORKS</b>			
849B	Range Fork (Iron) (Cast # 16448) .....	361849	21222
849B	Range Fork (Iron) (Cast # 29960) .....	361849B	31199
849B	Range Fork (Aluminum) (Cast # 17833) .....	352849A	17833
840KB	Fork Insert Kit .....	321840K	INSK-207
<b>SLIDERS</b>			
645D	Range Slider (used w/ Iron Fork) .....	361645	16662
645D	Range Slider (used w/ Aluminum Fork) .....	361645A	19068
<b>PUMPS</b>			
500E	Pump Assembly .....	351500	16209
<b>PLANETS</b>			
588D	Planet (6 Pinion) (used w/ .630" Wide Input Bearing) (94-Up) .....	351588A	17869
588D	Planet (6 Pinion) (used w/ .940" Wide Input Bearing) (88-94) .....	351588	16550

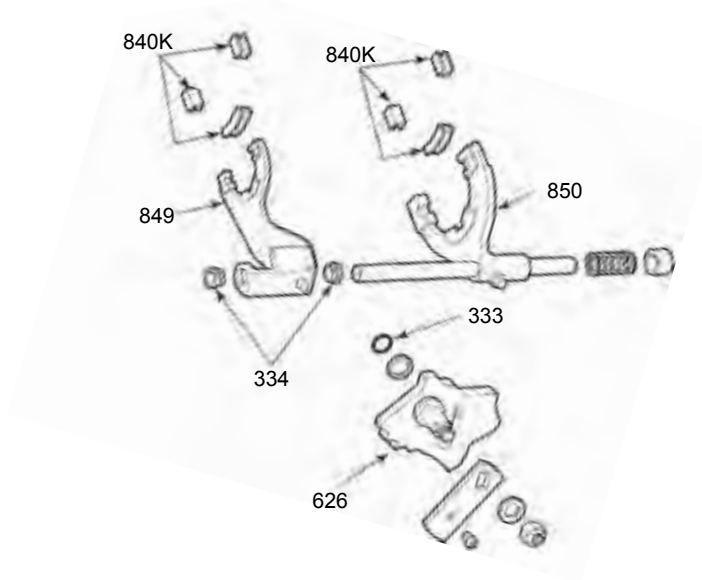




**A**



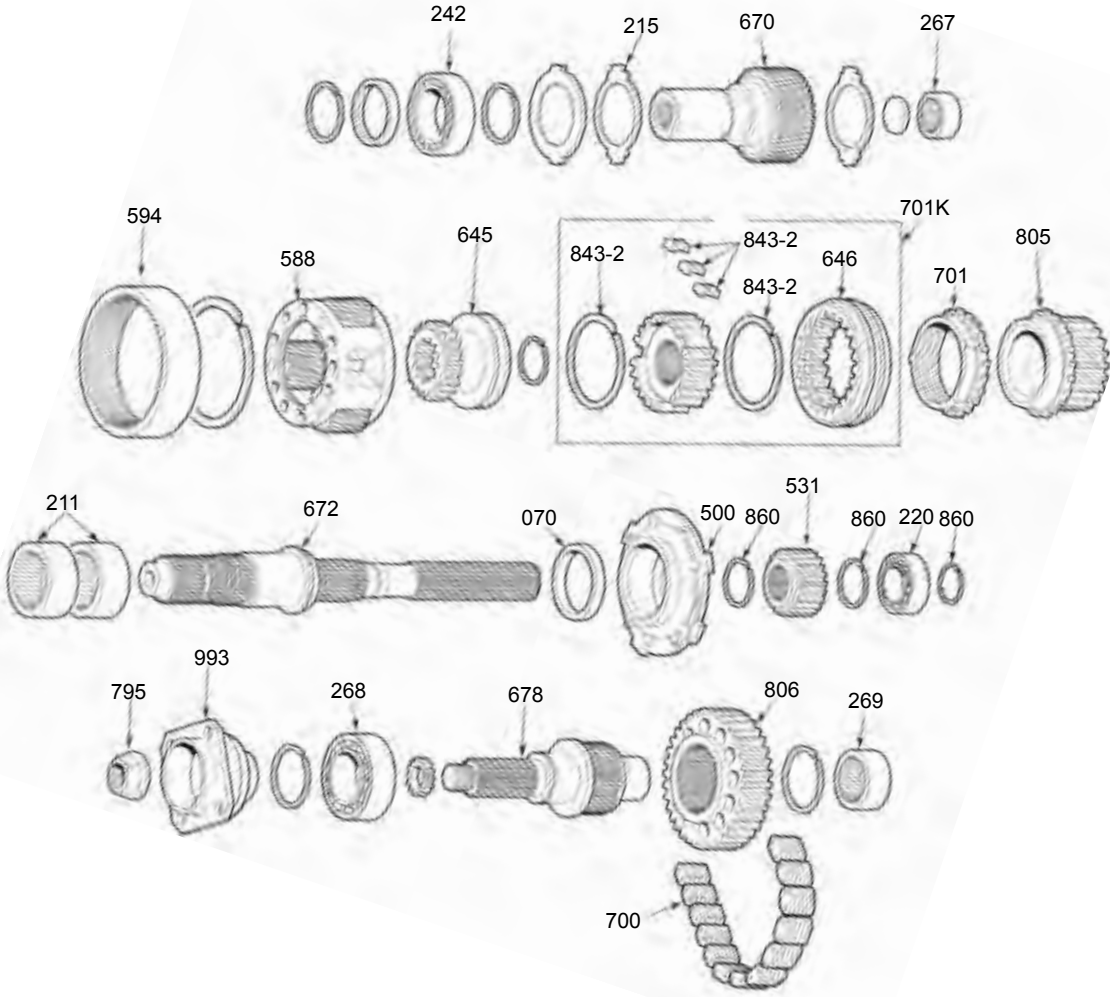
**B**



**NP 243**



**391**



C

D

E

F

NP 243

# NP 243

NP 243

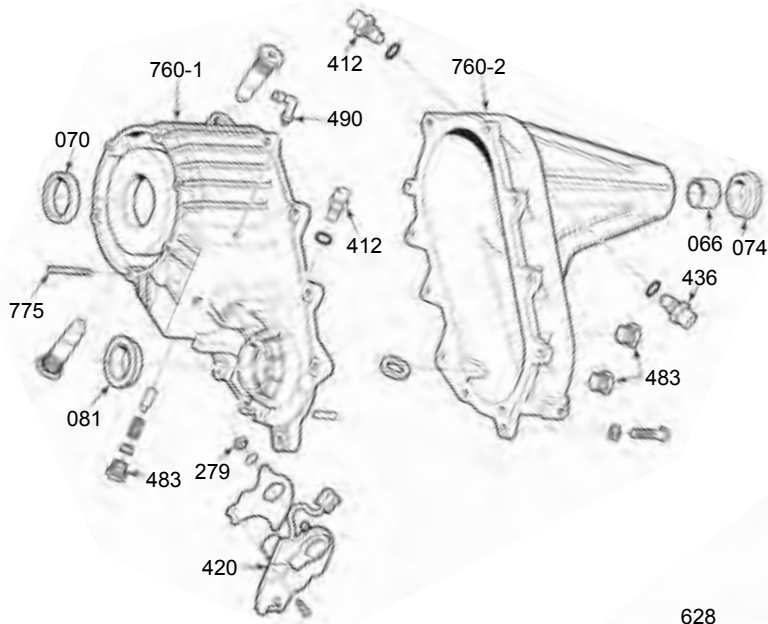
ILL NO.	DESCRIPTION	PART NO.	REFERENCE
<b>BEARING KITS</b>			
N.I.	NP 243 (Dodge).....	BK449	N.L.
N.I.	NP 243 (GM).....	BK332	N.L.
<b>SMALL PARTS KITS</b>			
N.I.	NP 243.....	391001	SP243-50TC
<b>GASKET &amp; SEAL KITS</b>			
N.I.	NP 243 (Dodge).....	TSK241D	TSK-241D
N.I.	NP 243 (GM).....	TSK243	TSK-243
<b>FILTERS</b>			
012A	Pump Screen (Filter).....	351012	16217
<b>SEALS</b>			
070E	Pump Seal.....	321070	22306
080A	Input Seal.....	301080	4435
071A	Front Output Seal.....	305071	18662
074A	Rear Output Seal (2.710" x 1.830").....	34074	18992
074A	Rear Output Seal (2.760" x 1.800").....	305071	18662
<b>GASKETS &amp; O-RINGS</b>			
N.I.	Adapter to Transfer Case Gasket.....	331304A	TC2030-9
330A	O-Ring, Pump Pick-up Tube.....	401330	AS015
<b>BUSHINGS</b>			
066A	Extension Housing (2.010" OD).....	331066	WT297-62
<b>WASHERS</b>			
215C	Planet Thrust Washer (Plastic).....	411215	5012367AA
<b>BEARINGS</b>			
268F	Front Output Shaft Bearing (Front).....	331268	207
269F	Front Output Shaft Bearing (Rear).....	331268B	SCE2416
267C	Input Bearing (Inner).....	411240	DB59856
267C	Input Bearing (.630" Wide).....	351240A	6010-N
220E	Output Bearing (Rear) (35mm ID).....	331268	207
<b>FORKS &amp; SLIDERS</b>			
850B	Mode Fork.....	492850A	24668
849B	Range Fork.....	391849	17991
840KB	Fork Insert Kit.....	321840K	INSK-207
646D	Mode Slider (24T).....	351646	241-15
645D	Range Slider & Hub.....	492645K	17982
<b>SYNCHRONIZERS</b>			
701KD	Mode Assembly (Complete).....	351701K	17915
701D	Mode Synchro Ring.....	391701	20938
843-2D	Mode Key & Spring Kit.....	331843-2K	NP 208-K
<b>PUMPS &amp; PLANETS</b>			
500E	Pump Assembly.....	351500	16209
463A	Pump Pickup Tube.....	351463	15546611
588D	Planet (6 Pinion).....	351588A	17869
<b>SHAFTS</b>			
670C	Input Shaft (27 Spline) (used w/ .630" Wide Input Bearing).....	352670B	19020
670C	Input Shaft (32 Spline).....	391670	19019
<b>CHAINS &amp; SPROCKETS</b>			
700F	Chain (1.25" Wide) 36 Links.....	HV-025	HV025
700F	Chain (1.25" Wide) 42 Links.....	HV-081	HV081
700F	Chain (1.25" Wide) 49 Links.....	HV-072	HV072
805D	Drive Sprocket.....	391805	20939

ILL NO.	DESCRIPTION	PART NO.	REFERENCE
<b>MISCELLANEOUS COMPONENTS</b>			
860E	Output Bearing Retainer Snap Ring .....	351860A	1300-139-027
N.I.	Output Bearing Retainer Split Sleeve (Sonnax).....	S100420-02K	100420-02K
N.I.	Shift Motor (96-02) .....	391420	600-902
N.I.	Speed Sensor (K Models up to 2000, S Models up to 2005).....	492436	15547452
490A	Vent Tube.....	435490	17988

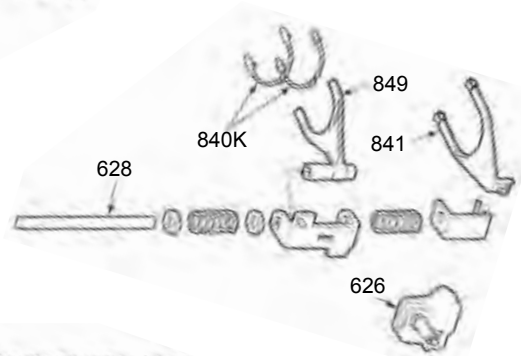
<b>NOTES</b>			

NP 243

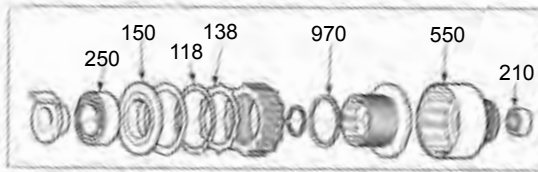
A



B



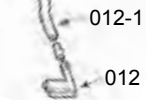
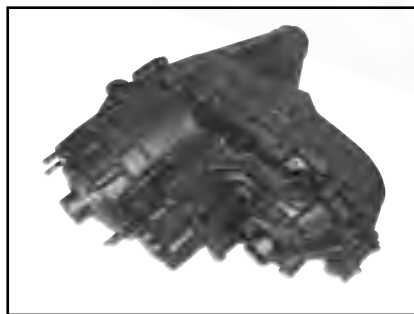
C



D



E



**482**

ILL NO.	DESCRIPTION	PART NO.	REFERENCE
<b>BEARING KITS</b>			
N.I.	NP 246 (GM).....	BK351	N.L.
N.I.	NP 246 (Dodge Except Dakota).....	BK351A	N.L.
N.I.	NP 246 (Dodge Dakota).....	TBA	N.L.
<b>GASKET &amp; SEAL KITS</b>			
N.I.	NP 246 (GM).....	TSK246	TSK-246
N.I.	NP 246 (Dodge Except Dakota).....	TSK136	TSK-136
N.I.	NP 246 (Dodge Dakota).....	TBA	TBA
<b>FILTERS</b>			
012E	Pump Screen (Filter).....	351012	16217
<b>SEALS</b>			
070A	Input Seal.....	411070	22441
081A	Front Output Seal.....	411081A	23740
074A	Rear Output Seal.....	411074	22507
<b>BUSHINGS</b>			
066A	Extension Housing (2.010" OD).....	331066	WT297-62
<b>WASHERS</b>			
215D	Planet Thrust Washer (Plastic).....	411215	5012367AA
<b>BEARINGS</b>			
211E	Main Shaft Bearing (Rear).....	404220A	573305D
210C	Clutch Drum Bearing.....	411250	FC69343
267D	Input Bearing (Inner).....	411240	DB59856
N.I.	Rear Output Shaft Bearing (Center).....	365240A	B3012
N.I.	Rear Output Shaft Bearing (Rear).....	342210	6208-N
287D	Input Bearing (.630" Wide).....	325287	110
212E	Front Output Shaft Bearing (Rear) (.940" Wide).....	303211A	HK5020
288E	Front Output Shaft Bearing (Front) (.630" Wide).....	325287	110
250C	Main Shaft Bearing (Front).....	411210	6011
279A	Needle Bearing, Shift Cam.....	411279	FC68828
<b>FORKS</b>			
841B	Apply Fork (03-Up).....	401841	40966
849B	Range Fork.....	411849	26542
840KB	Insert Kit, Range Fork.....	321840K	INSK-207
N.I.	Fork Insert (29mm Long) (Range Fork).....	411850-1A	4338376
N.I.	Fork Insert (52mm Long) (Range Fork).....	411850-1	4167969
<b>SLIDERS</b>			
645D	Range Slider & Hub.....	492645K	17982
<b>PUMPS &amp; COMPONENTS</b>			
500E	Pump Assembly.....	371500	16686
<b>PLANETS</b>			
588D	Planet (6 Pinion) (used w/ .630" Wide Input Bearing).....	351588A	17869
<b>CASES &amp; HOUSINGS</b>			
760-1A	Case Half (Front) (98-02).....	411760A-1	30597
760-1A	Case Half (Front) (03-Up).....	411760B-1	42410
760-2A	Case Half (Rear).....	411760A-2	30603
<b>SHAFTS</b>			
670D	Input Shaft (27 Spline) (used w/ .630" Wide Input Bearing).....	352670B	19020
670D	Input Shaft (32 Spline).....	391670	19019
678E	Output Shaft (Front).....	482678	29733

NP 246

# NP 246

ILL NO.	DESCRIPTION	PART NO.	REFERENCE
<b>CHAINS &amp; SPROCKETS</b>			
700E	Chain (1.25" Wide) 49 Links (1 Blue Link) .....	HV-063	HV063
700E	Chain (1.25" Wide) 49 Links (3 Blue Links) .....	HV-072	HV072
805D	Drive Sprocket (Same as the Driven) .....	401805	31269
806E	Driven Sprocket (Same as the Drive) .....	401805	31269
<b>MISCELLANEOUS COMPONENTS</b>			
N.I.	Case Protector Plate - Anti Wear (Prevents Pump Lug Wear in Case) .....	482460	100246-02K
N.I.	Case Protector Clip - Anti Wear (Prevents Pump Lug Wear in Case) .....	411460	54319
150C	Clutch, Apply Plates .....	482150	52766
118C	Clutch, Friction Plates .....	482118A	27747
138C	Clutch, Steel Plates .....	12120	4461047
N.I.	Clutch, Wave Spring (Bottom of Clutch Drum) .....	482850	22487
483A	Plug, Drain - Fill .....	482483	30412
626B	Shift Cam (03-Up) .....	482626	45528
420B	Shift Motor (Rect. Plug w/ 2 Pins) (RPO Code NP4) .....	411420B	600-906
420B	Shift Motor (Rect. Plug w/ 6 Pins) (RPO Code NP8) .....	482420	600-901
420B	Shift Motor (Oval Plug w/ 5 Pins) (RPO Code NP8) .....	482420B	600-910
860E	Snap Ring, Rear Main Shaft Bearing, Outer .....	482860	22506
436A	Speed Sensor .....	411436	22512
970C	Spring, Inner Clutch Hub .....	482970	22478
775A	Stud, Front Case (Metric 10.5mm) (Coarse / Coarse) .....	492775	26070
012-1E	Tube, Oil Pump .....	482012-1	47530
490A	Vent Tube (Plastic) .....	411490	26162
<b>NOTES</b>			

NP 246

# Intelligence Behind the Wheel

## FAG Hub and Wheel Bearings

It all comes down to the wheel end. Smart technicians know this is no place to cut corners. For more than 125 years, FAG premium bearings have set the standard for quality, durability and performance.

Now, FAG offers a complete line of premium-quality hub and wheel end bearings for the North American automotive aftermarket. Built to the same exacting standards as our original-equipment products and engineered to thrive under pressure, FAG Hub & Wheel Bearings deliver everything you'd expect a company that supplies O.E. manufacturers around the world:

- Quality engineering
- Original-equipment fit
- Integrated sensors (where applicable)
- Fully-integrated rolling units

### Want to know more?

Everything you need to know is at [www.replaceyourbearings.com](http://www.replaceyourbearings.com). The site features a fully-searchable application listing, detailed product specifications, and in-depth information about FAG brand components.

The right choice is the smart choice: FAG brand hub and wheel bearings. Anything less just isn't intelligent.



# Install genuine FAG Hub & Wheel Bearings

Brought to you by the manufacturer of



**Why risk your time and reputation with anything else?**

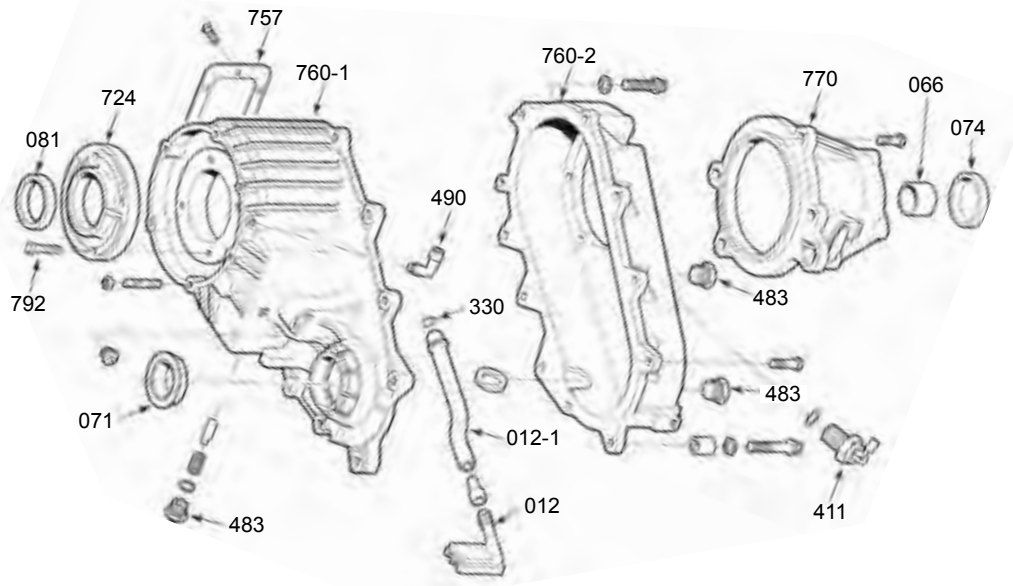


Certified to  
ISO 9001:2008  
without Design

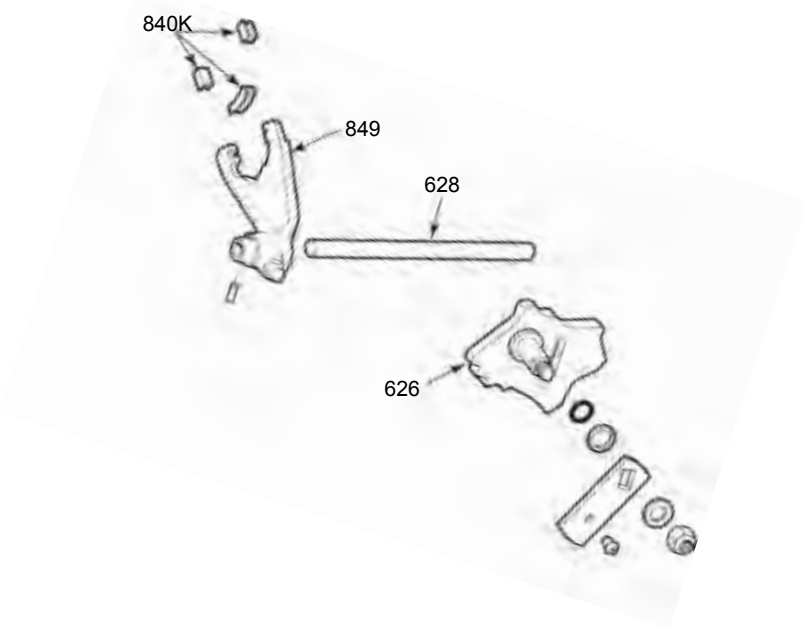




A

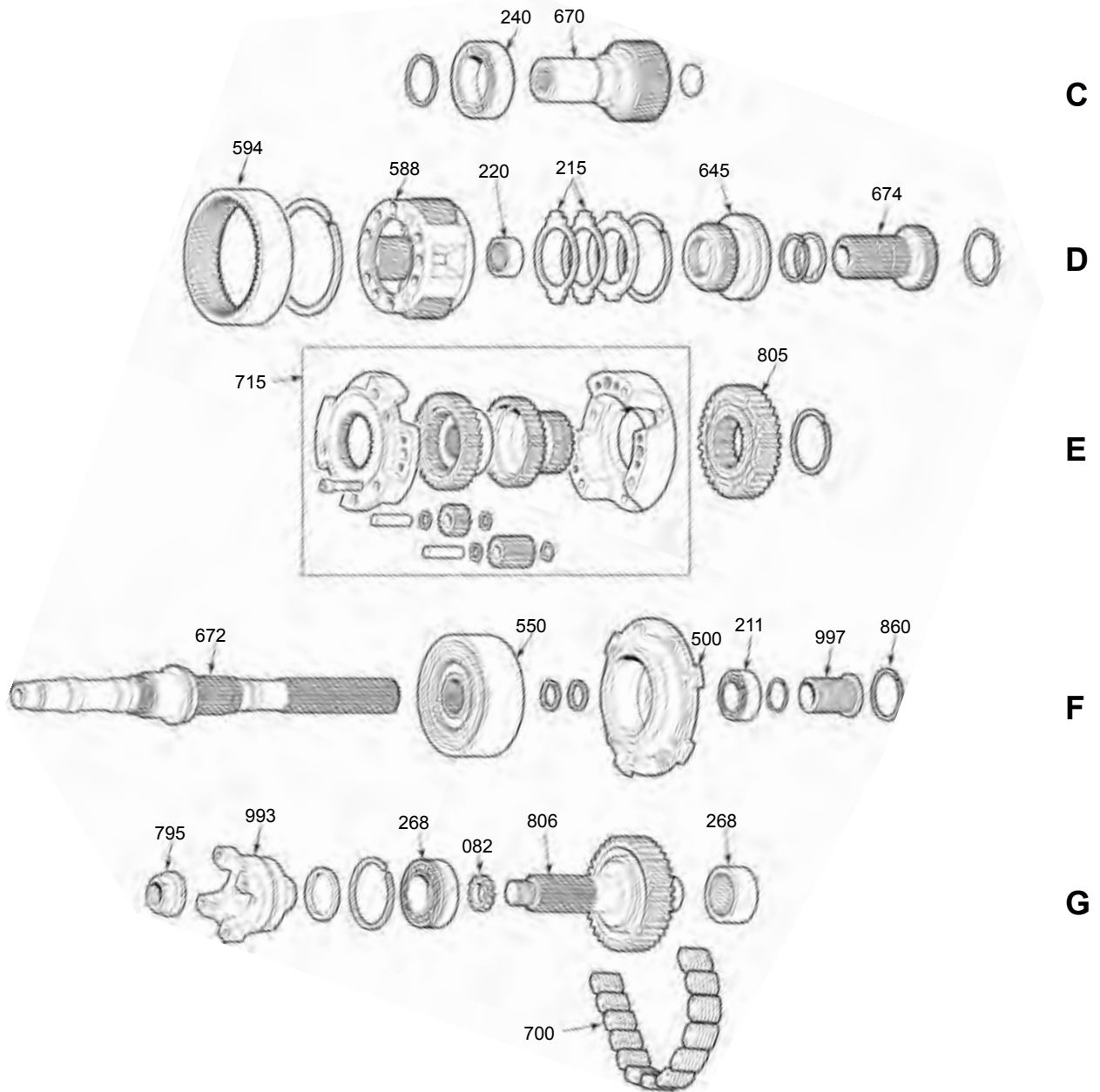


B

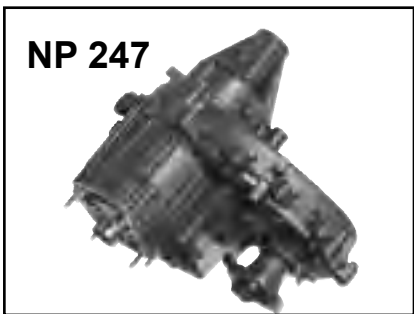


**435** (NP 247)

**371** (NP 249)



NP 247, NP 249



(NP 247) **435**

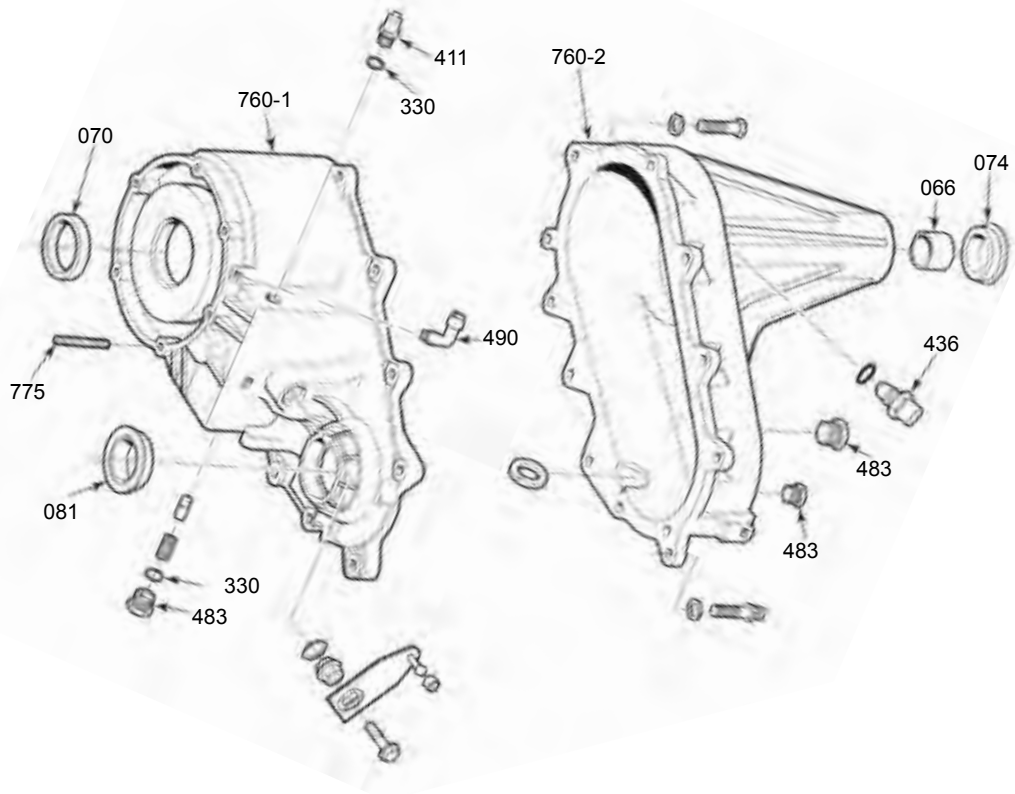
(NP 249) **371**

ILL NO.	DESCRIPTION	PART NO.	REFERENCE
<b>BEARING KITS</b>			
N.I.	NP 247 .....	BK484	N.L.
<b>GASKET &amp; SEAL KITS</b>			
N.I.	NP 247 .....	TSK247	TSK-247
<b>FILTERS</b>			
012A	Filter .....	435012	25502
<b>SEALS</b>			
081A	Input Seal .....	301080	4435
071A	Front Output Seal .....	325080	1356-10
074A	Rear Output Seal .....	44074	15041
<b>GASKETS &amp; O-RINGS</b>			
330A	Oil Pickup Tube O-Ring .....	411330	AS109
<b>BUSHINGS</b>			
066A	Extension Housing (1.630" OD) .....	44066	WT266-62
<b>WASHERS</b>			
N.I.	Pump Thrust Washer .....	435211	25491
215D	Planet Thrust Washer (Plastic) .....	411215	5012367AA
<b>BEARINGS</b>			
N.I.	Drive Sprocket Needles (qty 47) .....	361715-2	Q8308
268G	Front Output Shaft Bearing (Front) .....	331268	207
268G	Front Output Shaft Bearing (Rear) .....	331268B	SCE2416
240C	Input Bearing (.630" Wide) .....	351240A	6010-N
220D	Input Pocket Bearing .....	411240	DB59856
211F	Main Shaft Bearing (Rear) (2.439" OD, 0.629" Thick) .....	351268	6206-N
<b>FORKS</b>			
849B	Range Fork (Aluminum) (Cast # 17833) .....	352849A	17833
<b>SLIDERS</b>			
645D	Range Slider .....	435645	26948
<b>PUMPS &amp; PLANETS</b>			
500F	Pump Assembly .....	435500	33261
588D	Planet .....	351588A	17869
<b>SHAFTS</b>			
670C	Input Shaft (23 Spline) (4 3/16") .....	361670B	19061
670C	Input Shaft (23 Spline) (5 7/8") .....	435670	27304
<b>CHAINS &amp; SPROCKETS</b>			
700G	Chain (1.00" Wide) 49 Links .....	HV-071	HV071
N.I.	Chain Guide .....	435990	26976
N.I.	Chain Snubber .....	HVS-071	N.L.
805E	Drive Sprocket (Same as Driven) .....	435805	25446
806G	Driven Sprocket (Same as Drive) .....	435805	25446
<b>MISCELLANEOUS COMPONENTS</b>			
N.I.	Friction Plate (Single Sided - External Teeth) .....	435118AA	N.L.
N.I.	Friction Plate (Single Sided - Internal Teeth) .....	435118A	N.L.
860F	Snap Ring, Rear Main Shaft Bearing (Outer) .....	435860	4638905
N.I.	Stud, Case and Adapter (Metric 3/8") (Fine / Coarse) .....	492775A	15053
490A	Vent Tube .....	435490	17988
550F	Viscous Coupling Kit (99-Up) (Gero Disc) .....	435550K	25457

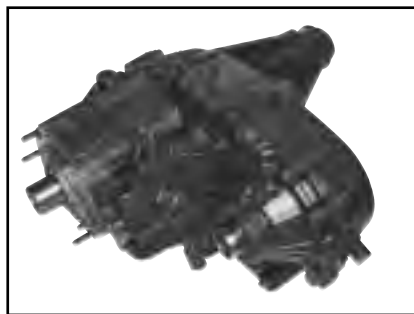
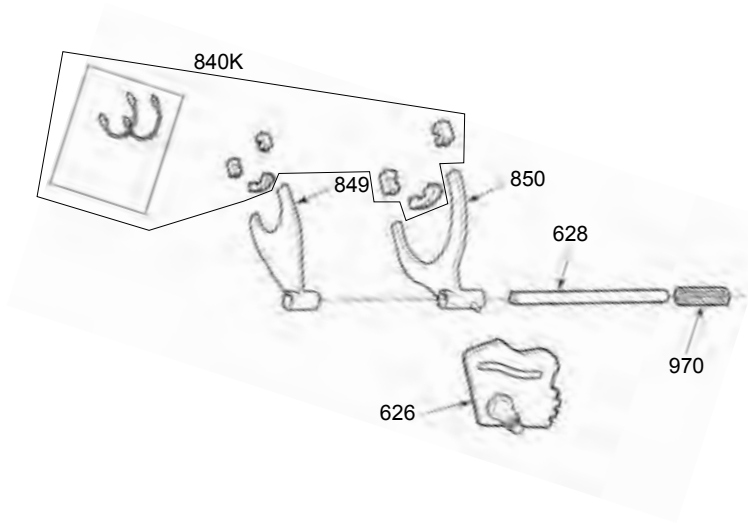
ILL NO.	DESCRIPTION	PART NO.	REFERENCE
<b>BEARING KITS</b>			
N.I.	NP 249 (93-94) .....	BK249J	N.L.
N.I.	NP 249 (95-04) .....	BK249JA	N.L.
<b>SMALL PARTS KITS</b>			
N.I.	NP 249 .....	371001	SP249-50
<b>GASKET &amp; SEAL KITS</b>			
N.I.	NP 249 .....	TSK249	TSK-249
<b>FILTERS</b>			
012A	Pump Screen (Filter).....	351012	16217
<b>SEALS</b>			
081A	Input Seal.....	301080	4435
071A	Front Output Seal.....	305071	18662
074A	Rear Output Seal .....	44074	15041
082G	Front Output Yoke Star Seal .....	311082	611689
<b>GASKET &amp; O-RINGS</b>			
N.I.	Adapter to Transfer Case Gasket .....	331304A	TC2030-9
330A	Oil Pickup Tube O-Ring .....	411330	AS109
<b>BUSHINGS</b>			
066A	Extension Housing (1.630" OD) .....	44066	WT266-62
<b>WASHERS</b>			
215D	Planet Thrust Washer (Plastic) .....	411215	5012367AA
<b>BEARINGS &amp; RACES</b>			
268G	Front Output Shaft Bearing (Front) .....	331268	207
268G	Front Output Shaft Bearing (Rear).....	331268B	SCE2416
240C	Input Bearing (Inner) .....	411240	DB59856
240C	Input Bearing (.940" Wide) (90-94) .....	351240	BD50-8
240C	Input Bearing (.630" Wide) (94-Up) (qty 2) .....	351240A	6010-N
220D	Output Bearing (Rear) (# 207) .....	331268	207
211F	Output Bearing (Rear) (# 6206-N) .....	351268	6206-N
N.I.	Differential Needle Bearings (qty 53).....	361715-2	Q8308
<b>FORKS &amp; SLIDERS</b>			
849B	Range Fork (Iron) (Cast # 16448) (93-95) .....	361849	21222
849B	Range Fork (Aluminum) (Cast # 17833) (96-99) .....	352849A	17833
645D	Range Slider (Iron Fork) (92-95).....	361645	16662
645D	Range Slider (used w/ Aluminum Fork) (96-99).....	361645A	19068
840KB	Fork Insert Kit.....	321840K	INSK-207
<b>PUMPS &amp; PLANETS</b>			
500F	Pump Assembly .....	371500	16686
588D	Planet (6 Pinion) (used w/ .940" Wide Input Bearing) (93-94) .....	351588	16550
588D	Planet (6 Pinion) (used w/ .630" Wide Input Bearing) (94-99) .....	351588A	17869
<b>SHAFTS</b>			
670C	Input Shaft (23 Spline) (4.25") (used w/ .630" Wide Input Bearing) .....	361670B	19061
670C	Input Shaft (23 Spline) (4.25") (used w/ .940" Wide Input Bearing) .....	361670A	17449
670C	Input Shaft (23 Spline) (5.00") (used w/ .630" Wide Input Bearing) .....	352670CC	17949
670C	Input Shaft (23 Spline) (5.00") (used w/ .940" Wide Input Bearing) .....	371670B	17822
<b>CHAINS &amp; SPROCKETS</b>			
700G	Chain (1.25" Wide) 49 Links .....	HV-034	HV034
805E	Drive Sprocket .....	371805	17548
<b>MISCELLANEOUS COMPONENTS</b>			
550F	Viscous Coupling .....	371550	26676
490A	Vent Tube.....	435490	17988

NP 249

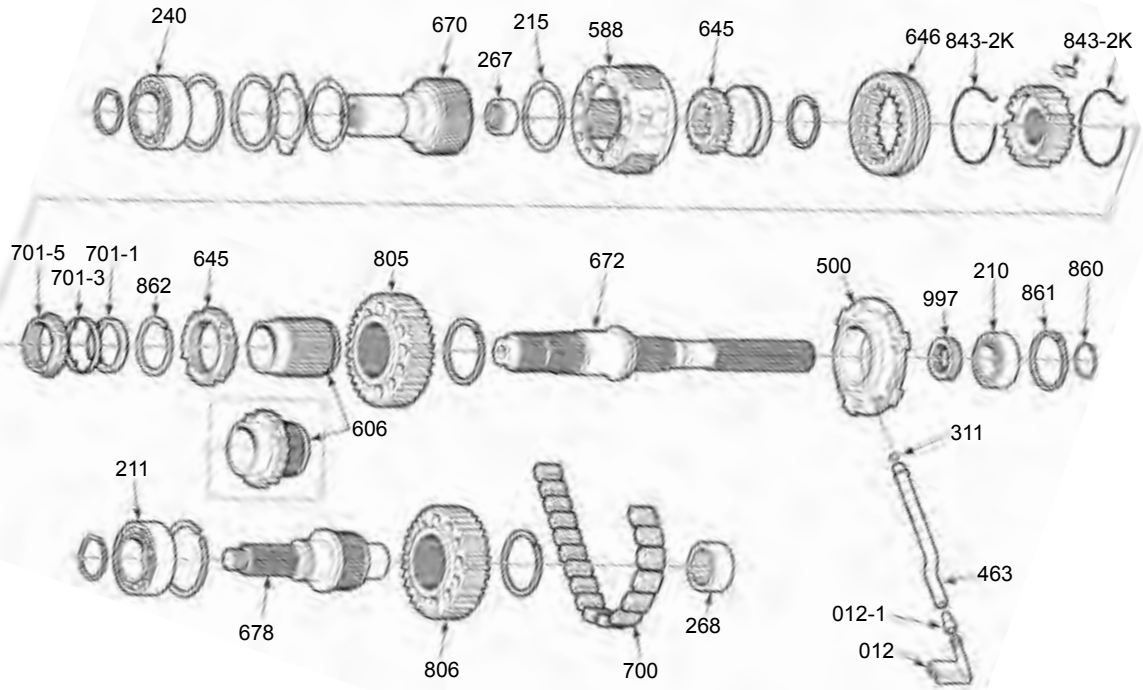
A



B



401



C

D

E

NP 261

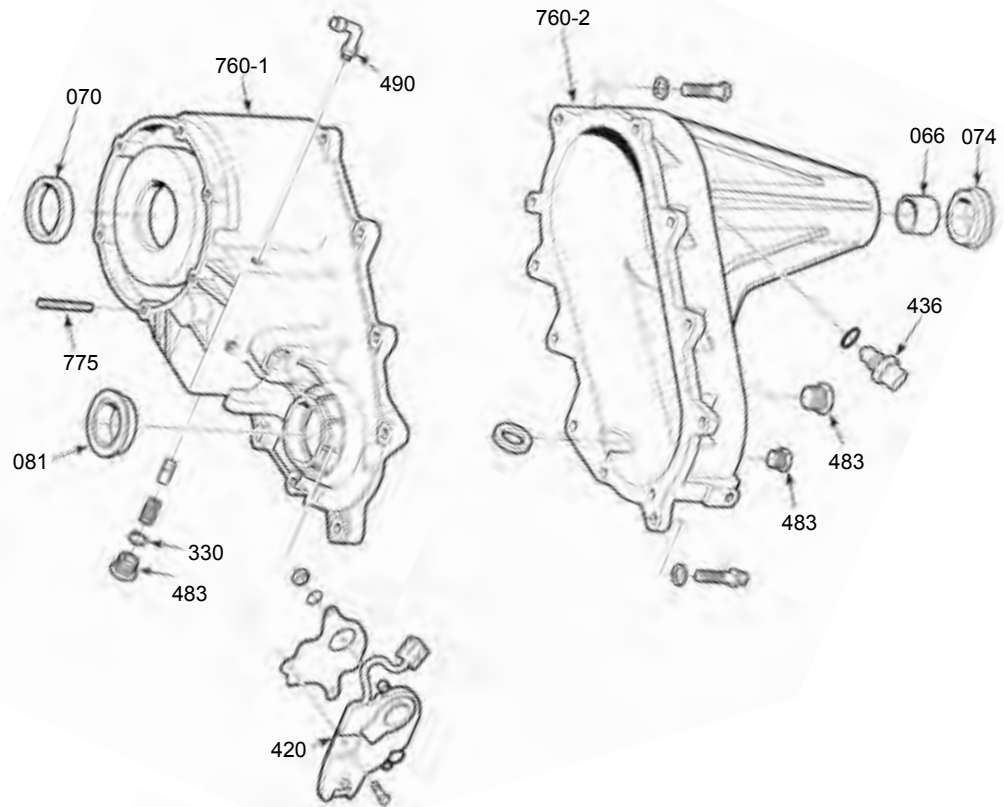
ILL NO.	DESCRIPTION	PART NO.	REFERENCE
<b>BEARING KITS</b>			
N.I.	NP 261 (32 Spline Output).....	BK371	N.L.
N.I.	NP 261XHD (31 Spline Output).....	BK371A	N.L.
<b>SMALL PARTS KITS</b>			
N.I.	NP 261, NP 261XHD .....	401001A	SP261-50
<b>GASKET &amp; SEAL KITS</b>			
N.I.	NP 261 (32 Spline Output).....	TSK261	TSK-261
N.I.	NP 261XHD (31 Spline Output).....	TSK261XHD	TSK-261XHD
<b>SEALS</b>			
070A	Input Seal.....	411070	22441
081A	Front Output Seal.....	411081A	23740
074A	Rear Output Seal (2.695" x 1.825").....	411074	22507
074A	Rear Output Seal (3.035" x 2.125").....	424074	21938
<b>FILTERS</b>			
012E	Pump Screen (38 Spline Oil Pump) (NP 261).....	351012	16217
012E	Pump Screen (49 Spline Oil Pump) (NP 261, NP 261XHD).....	435012	25502
012-1E	Hose, Filter to Tube (NP 261XHD).....	351012-1	25500
<b>GASKETS &amp; O-RINGS</b>			
N.I.	Adapter to Transfer Case Gasket .....	331304A	TC2030-9
N.I.	O-Ring, Detent (All).....	401330	AS015
330A	O-Ring, Indicator Switch (All).....	401330	AS015
311E	O-Ring, Pump Pick-Up Tube (38 Spline Pump) (NP 261) .....	401330	AS015
311E	O-Ring, Pump Pick-Up Tube (49 Spline Pump) (NP 261, NP 261XHD).....	401330A	AS012
<b>BUSHINGS</b>			
066A	Extension Housing (2.010" OD) (32 Spline Output) (NP 261) .....	331066	WT297-62
066A	Extension Housing (2.340" OD) (31 Spline Output) (NP 261XD) .....	334066	18172
<b>WASHERS</b>			
215C	Planet Thrust Washer (Plastic) (All).....	411215	5012367AA
<b>BEARINGS &amp; RACES</b>			
268E	Front Output Shaft Bearing (Rear) (.630" Wide).....	325287	110
268E	Front Output Shaft Bearing (Rear) (.940" Wide).....	303211A	HK5020
267C	Input Needle Type Pocket Bearing (Inner).....	426267	SCE2110
240C	Input Bearing (.630" Wide).....	325287	110
210D	Output Bearing (Rear).....	342210	6208-N
<b>FORKS</b>			
850B	Mode Fork (Aluminum) (Cast # 28624) (All) .....	401850	27756
849B	Range Fork (Aluminum) (Cast # 17833) (All).....	352849A	17833
840KB	Fork insert kit .....	401840K	INSK-261
<b>HUBS &amp; SLIDERS</b>			
646C	Mode Slider (All) .....	401646	26082
645C	Range Slider & Hub (NP 261).....	401645BK	27761
645C	Range Slider & Hub (NP 261XHD).....	401645CK	43350
606D	Drive Hub / Bushing (Splines into Drive Sprocket) (2 Piece Synchro).....	401606	27721
606D	Drive Hub / Bushing (Splines into Drive Sprocket) (1 Piece Synchro).....	401606A	4510
<b>PUMPS</b>			
500D	Pump Assembly (38 Spline) (NP 261) .....	371500	16686
500D	Pump Assembly (49 Spline) (NP 261, NP 261XHD).....	371500	16686
463E	Tube, Oil Pump (38 Spline Pump) (NP 261).....	482463	47530
463E	Tube, Oil Pump (49 Spline Pump) (NP 261XHD) .....	482463A	35212

ILL NO.	DESCRIPTION	PART NO.	REFERENCE
<b>PLANETS</b>			
588C	Planet (6 Pinion) (used w/ .630" Wide Input Bearing) (All) .....	351588A	17869
<b>SHAFTS</b>			
670C	Input Shaft (27 Spline) (NP 261) .....	401670	25890
670C	Input Shaft (32 Spline) (NP 261) .....	401670A	42740
670C	Input Shaft (29 Spline) (NP 261XHD) .....	401670B	43996
672D	Main Shaft (38 Spline Pump) (NP 261) .....	401672	27718
672D	Main Shaft (49 Spline Pump) (NP 261) .....	401672B	48714
672D	Main Shaft (49 Spline Pump) (NP 261XHD) .....	401672A	47936
<b>CASES &amp; HOUSINGS</b>			
760-1A	Case Half (Front) (NP 261) .....	401760A-1	30959
760-1A	Case Half (Front) (Cast # 30601) (NP 261XHD) .....	401760B-1	21943
760-2A	Case Half (Rear) (NP 261) .....	401760A-2	30961
760-2A	Case Half (Rear) (Cast # 25909) (NP 261XHD) .....	401760-2	25900
<b>CHAINS &amp; SPROCKETS</b>			
700E	Chain (1.25" Wide) 49 Links .....	HV-072	HV072
700E	Chain (1.50" Wide) 42 Links .....	HV-074	HV074
700E	Chain (1.50" Wide) 49 Links .....	HV-069	HV069
805D	Drive Sprocket (1.25" Chain) (NP 261) .....	401805	31269
805D	Drive Sprocket (1.50" Chain) (NP 261) .....	401805B	21965
805D	Drive Sprocket (1.50" Chain) (NP 261XHD) .....	401805A	40910
806E	Driven Sprocket (1.25" Chain) (NP 261) .....	401805	31269
806E	Driven Sprocket (1.50" Chain) (NP 261) .....	401805B	21965
806E	Driven Sprocket (1.50" Chain) (NP 261XHD) .....	401805A	40910
<b>MISCELLANEOUS COMPONENTS</b>			
N.I.	Case Protector Plate - Anti Wear (Prevents Pump Lug Wear in Case) .....	482460	100246-02K
N.I.	Case Protector Clip - Anti Wear (Prevents Pump Lug Wear in Case) .....	411460	54319
N.I.	Selector Support, Shift Cam (All) .....	401626A	27025
626B	Shift Cam (All) .....	401626	27092
862D	Snap Ring, Drive Hub (All) .....	401860	16205
861D	Snap Ring, Rear Output Shaft Bearing (NP 261) .....	352860C	44716
861D	Snap Ring, Rear Output Shaft Bearing (NP 261XHD) .....	352860B	4883597AA
860D	Snap Ring, Rear Main Shaft Bearing, Outer (All) .....	482860	22506
436A	Speed Sensor (All) .....	411436	22512
997D	Speedometer Tone Wheel (38 Spline) (NP 261) .....	401997	24576
997D	Speedometer Tone Wheel (49 Spline) (NP 261, NP 261XHD) .....	401997A	25902
775A	Stud, Front Case (NP 261) .....	492775	26070
411A	Switch, 4wd Indicator (3 Prong) (Electrical) (All) .....	351411A	15693423
490A	Vent Tube (All) .....	411490	26162

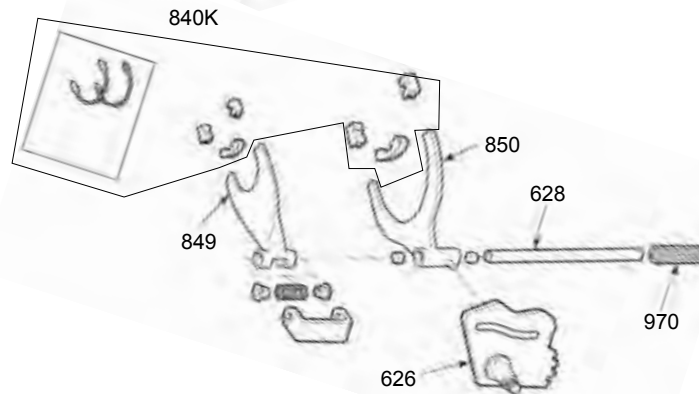
**NP 261**



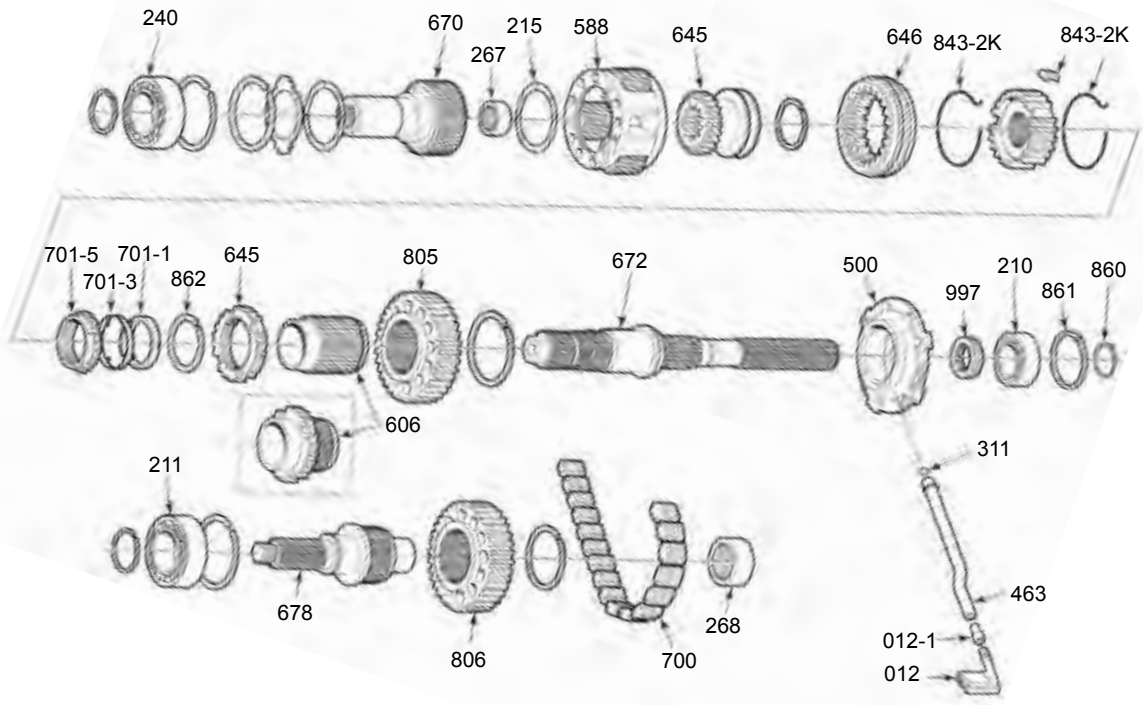
A



B



401



C

D

E

NP 263

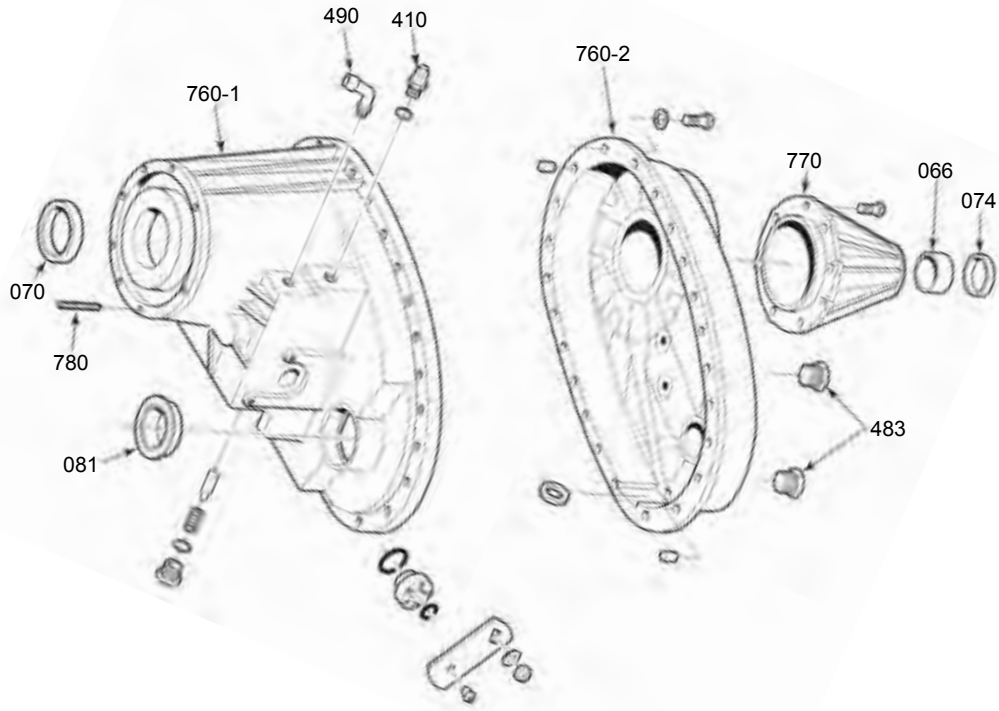
401

ILL NO.	DESCRIPTION	PART NO.	REFERENCE
<b>BEARING KITS</b>			
N.I.	NP 263 (32 Spline Output).....	BK371	N.L.
N.I.	NP 263XHD (31 Spline Output).....	BK371A	N.L.
<b>SMALL PARTS KITS</b>			
N.I.	NP 263, NP 263XHD .....	401001A	SP261-50
<b>GASKET &amp; SEAL KITS</b>			
N.I.	NP 263 .....	TSK261	TSK-261
N.I.	NP 263XHD .....	TSK261XHD	TSK-261XHD
<b>SEALS</b>			
070A	Input Seal.....	411070	22441
081A	Front Output Seal.....	411081A	23740
074A	Rear Output Seal (2.695" x 1.825").....	411074	22507
074A	Rear Output Seal (3.035" x 2.125").....	424074	21938
<b>FILTERS</b>			
012E	Pump Screen (38 Spline Pump) (NP 263).....	351012	16217
012E	Pump Screen (49 Spline Pump) (NP 263, NP 263XHD) .....	435012	25502
012-1	Hose, Filter to Tube (NP 263XHD).....	351012-1	25500
<b>GASKETS &amp; O-RINGS</b>			
330A	O-Ring, Detent (All).....	401330	AS015
330A	O-Ring, Indicator Switch (All).....	401330	AS015
330A	O-Ring, Pump Pick-Up Tube (38 Spline Pump) (NP 263) .....	401330	AS015
330A	O-Ring, Pump Pick-Up Tube (49 Spline Pump) (NP 263, NP 263XHD).....	401330A	AS012
<b>BUSHINGS</b>			
066A	Extension Housing (2.010" OD) (NP 263).....	331066	WT297-62
066A	Extension Housing (2.340" OD) (NP 263XHD).....	334066	18172
<b>WASHERS</b>			
215C	Planet Thrust Washer (Plastic) .....	411215	5012367AA
<b>BEARINGS &amp; RACES</b>			
210D	Output Bearing (Rear) (NP 263) .....	342210	6208-N
<b>FORKS</b>			
850B	Mode Fork (Aluminum) (Cast # 28624) (All) .....	401850	27756
849B	Range Fork (Fits Slider w/ .368" Wide Fork Groove) (All) .....	401849	41819
849B	Range Fork (NP 263XHD) .....	401849A	43682
840KB	Fork Insert Kit (All) .....	401840K	INSK-261
<b>HUBS &amp; SLIDERS</b>			
646C	Mode Slider (NP 263, NP 263XHD).....	401646	26082
645C	Range Slider & Hub (Updated) (.368" Wide Fork Groove) (NP 263).....	401645K	41817
645C	Range Slider & Hub (NP 263XHD) .....	401645AK	43681
606D	Drive Hub / Bushing (Splines into Drive Sprocket) (1 Piece Synchro).....	401606A	45109
606D	Drive Hub / Bushing (Splines into Drive Sprocket) (2 Piece Synchro).....	401606	27721
<b>SYNCHRONIZERS</b>			
701-1D	Mode Synchro (Inner) (All).....	401701-1	27722
701-3D	Mode Synchro (Middle) Friction (All).....	401701-3	21635
701-5D	Mode Synchro (Outer) (All).....	401701-5	26081
843-2KC	Mode Key & Spring Kit (All) .....	331843-2K	NP 208-K
<b>PUMPS</b>			
500D	Pump Assembly (38 Spline) (NP 263) .....	371500	16686
500D	Pump Assembly (49 Spline) (NP 263, NP 263XHD).....	401500	25904
463E	Tube, Oil Pump (38 Spline Pump) (NP 263).....	482463	47530
463E	Tube, Oil Pump (49 Spline Pump) (NP 263XHD) .....	482463A	35212

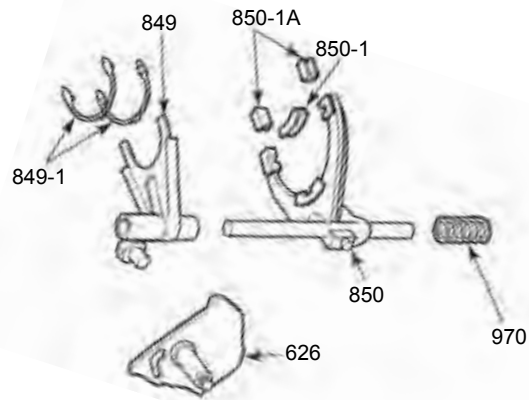
ILL NO.	DESCRIPTION	PART NO.	REFERENCE
<b>PLANETS</b>			
588C	Planet (6 Pinion) (used w/ .630" Wide Input Bearing).....	351588A	17869
<b>SHAFTS</b>			
670C	Input Shaft (27 Spline) (NP 263).....	401670	25890
670C	Input Shaft (32 Spline) (NP 263).....	401670A	42740
670C	Input Shaft (29 Spline) (NP 263XHD).....	401670B	43996
672D	Main Shaft (38 Spline Pump) (NP 263).....	401672	27718
672D	Main Shaft (49 Spline Pump) (NP 263).....	401672B	48714
672D	Main Shaft (49 Spline Pump) (NP 263XHD).....	401672A	47936
<b>CASES &amp; HOUSINGS</b>			
760-1A	Case Half (Front) (NP 263).....	401760C-1	29231
760-1A	Case Half (Front) (NP 263XHD) (Cast # 30601).....	401760-1	45545
760-2A	Case Half (Rear) (NP 263).....	401760A-2	30961
760-2A	Case Half (Rear) (NP 263XHD) (Cast # 25909).....	401760-2	25900
<b>CHAINS &amp; SPROCKETS</b>			
700E	Chain (1.25" Wide) 49 Links.....	HV-072	HV072
700E	Chain (1.50" Wide) 42 Links.....	HV-074	HV074
700E	Chain (1.50" Wide) 49 Links.....	HV-069	HV069
805D	Drive Sprocket (1.25" Chain) (NP 263).....	401805	31269
805D	Drive Sprocket (1.50" Chain) (NP 263).....	401805B	21965
805D	Drive Sprocket (1.50" Chain) (NP 263XHD).....	401805A	40910
806E	Driven Sprocket (1.25" Chain) (NP 263).....	401805	31269
806E	Driven Sprocket (1.50" Chain) (NP 263).....	401805B	21965
806E	Driven Sprocket (1.50" Chain) (NP 263XHD).....	401805A	40910
<b>MISCELLANEOUS COMPONENTS</b>			
N.I.	Case Protector Plate - Anti Wear (Prevents Pump Lug Wear in Case).....	482460	100246-02K
N.I.	Case Protector Clip - Anti Wear (Prevents Pump Lug Wear in Case).....	411460	54319
N.I.	Selector Support, Shift Cam (All).....	401626A	27025
420A	Shift Motor (99-02).....	401420	600-907
420A	Shift Motor (03-07).....	401420A	600-909
862D	Snap Ring, Drive Hub (All).....	401860	16205
861D	Snap Ring, Rear Output Shaft Bearing (NP 263).....	352860C	44716
861D	Snap Ring, Rear Output Shaft Bearing (NP 263XHD).....	352860B	4883597AA
860D	Snap Ring, Rear Main Shaft Bearing, Outer (All).....	482860	22506
436A	Speed Sensor (All).....	411436	22512
997D	Speedometer Tone Wheel (38 Spline) (NP 263).....	401997	24576
997D	Speedometer Tone Wheel (49 Spline) (NP 263, NP 263XHD).....	401997A	25902
775A	Stud, Front Case (All).....	492775	26070
490A	Vent Tube (All).....	411490	26162

NP 263

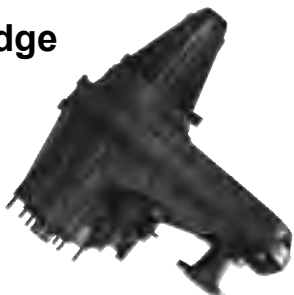
A



B



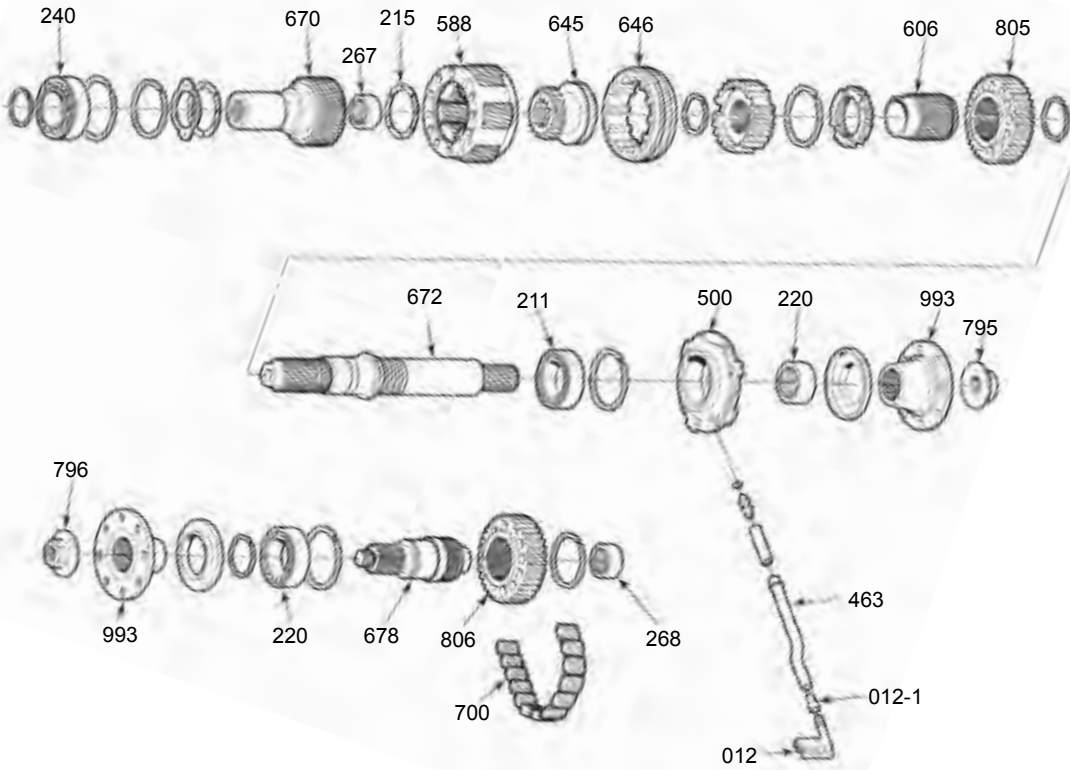
Dodge



Ford



421



C  
D  
E

NP 271

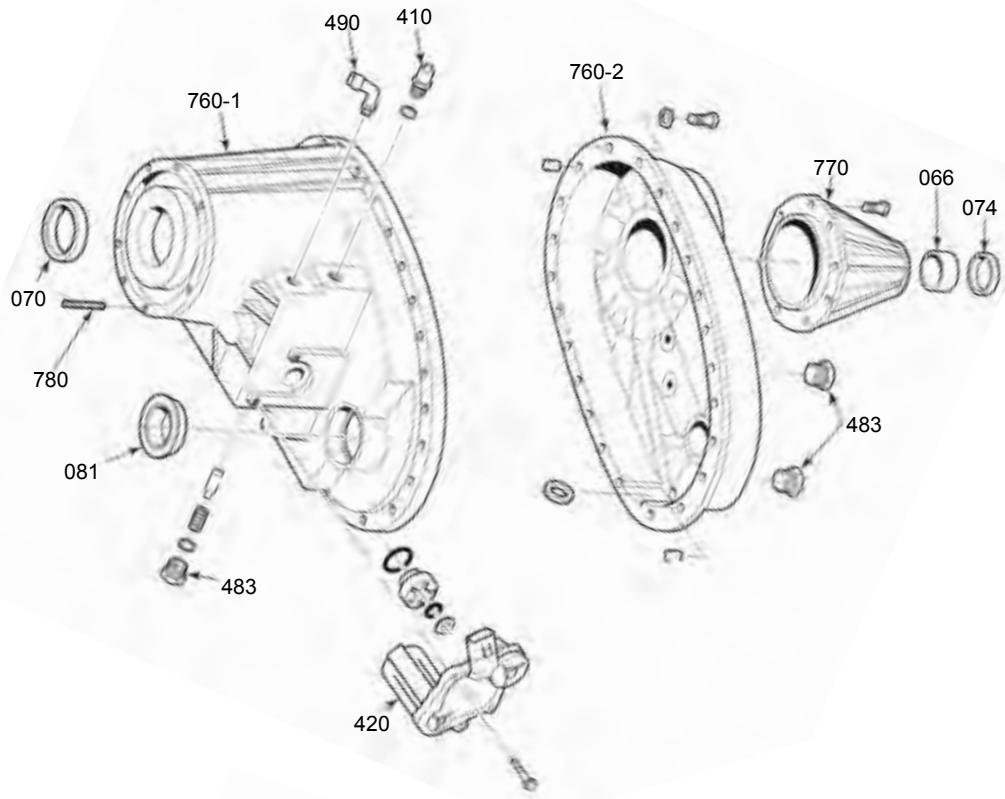
ILL NO.	DESCRIPTION	PART NO.	REFERENCE
<b>BEARING KITS</b>			
N.I.	NP 271 (Ford) .....	BK485	N.L.
N.I.	NP 271 (Dodge) .....	BK485A	N.L.
<b>GASKET &amp; SEAL KITS</b>			
N.I.	NP 271 (Ford) .....	TSK273	TSK-273
N.I.	NP 271 (Dodge) .....	TSK273D	TSK-273D
<b>FILTERS</b>			
012E	Pump Screen (Filter) .....	351012	16217
<b>SEALS</b>			
N.I.	Pump Seal .....	321070	22306
070A	Input Seal .....	421080	25626
081A	Front Output Seal .....	421081	24288
074A	Rear Output Seal .....	421081	24288
<b>BUSHINGS</b>			
066A	Extension Housing (Dodge) .....	421066	45379
<b>WASHERS</b>			
215C	Planet Thrust Washer (Plastic) .....	411215	5012367AA
<b>BEARINGS &amp; RACES</b>			
220E	Front Output Shaft Bearing (Front) .....	411210	6011
268E	Front Output Shaft Bearing (Rear) .....	331268B	SCE2416
240C	Input Bearing .....	355249	6211-N
267C	Pocket Bearing .....	421267	24260
211D	Main Shaft Bearing (Rear) .....	421211	212
220D	Rear Output Needle Bearing .....	421220	B3416
<b>FORKS</b>			
849B	Range Fork (Cast # 17524) (Ford) (Non Updated) .....	352849B	17543
849B	Range Fork (Cast # 38356) (Ford) (Updated) .....	421849	41113
849B	Range Fork (Cast # 41816) (Dodge) .....	482849K	41815
850-1B	Mode Fork Insert (45mm Long) .....	321850-1	4219073
849-1B	Range Fork Insert (Updated) .....	421849-1	37284
849-1B	Fork Insert (Non Updated) .....	411850-1	4167969
850-1AB	Fork Insert (29mm Long) .....	411850-1A	4338376
840KB	Fork Insert Kit .....	401840K	INSK-261
<b>SLIDERS</b>			
646C	Mode Slider (24T) .....	351646	241-15
645C	Range Slider (Ford) (Non Updated) .....	435645	26948
645C	Range Slider (.368" Wide Fork Groove) (Updated) .....	421645A	38304
<b>PUMPS</b>			
500D	Pump Assembly .....	421500	25519
<b>PLANETS</b>			
588C	Planet (6 Pinion) (used w/ .630" Wide Input Bearing) .....	351588A	17869
<b>SHAFTS</b>			
670C	Input Shaft (24 Spline) (Ford) .....	421670	26605
670C	Input Shaft (29 Spline) (Dodge) .....	421670D	5086311AA
670C	Input Shaft (31 Spline) (Ford) .....	421670A	24257
670C	Input Shaft (34 Spline) (Ford) .....	421670B	44631
672D	Main Shaft (Ford) (Updated) .....	421672	42757
N.I.	Main Shaft Kit (Ford) (Updated) .....	421672K	43218
	.....includes Late Main Shaft, Range Fork, Slider & Fork Inserts .....		

ILL NO.	DESCRIPTION	PART NO.	REFERENCE
<b>CASES &amp; HOUSINGS</b>			
760-1A	Case Half, Front (Ford).....	421760-1	26962
760-1A	Case Half, Front (Dodge) (Cast # 46901A).....	421760-1A	46903
<b>CHAINS &amp; SPROCKETS</b>			
700E	Chain (1.50" Wide) 49 Links .....	HV-064	HV064
805C	Drive Sprocket .....	421805	21966
806E	Driven Sprocket .....	421805	21966
<b>MISCELLANEOUS COMPONENTS</b>			
490A	Vent Tube.....	435490	17988
<b>NOTES</b>			

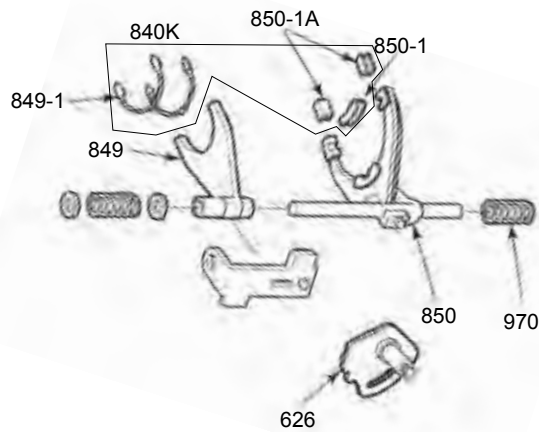
**NP 271**



A



B



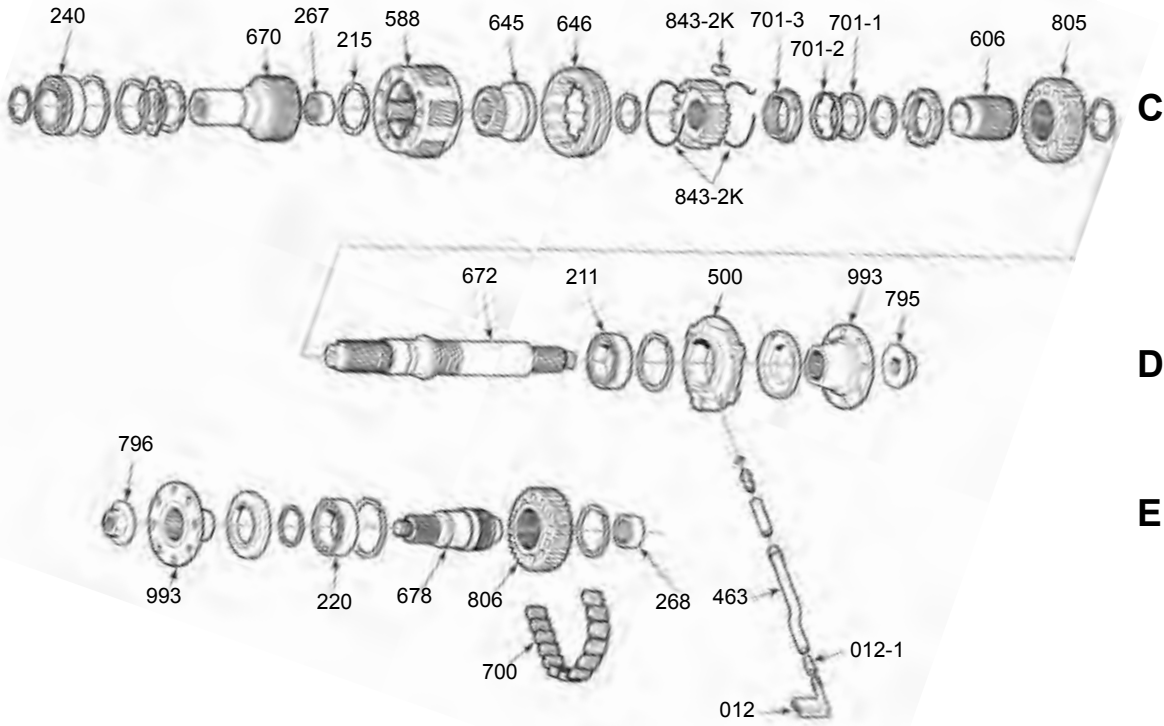
Dodge



Ford



421



NP 273

# NP 273








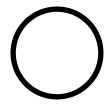
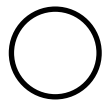




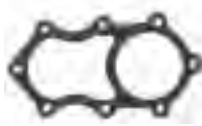


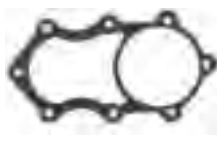






NP 273

ILL NO.	DESCRIPTION	PART NO.	REFERENCE
<b>BEARING KITS</b>			
N.I.	NP 273 (Ford) .....	BK485	N.L.
N.I.	NP 273 (Dodge) .....	BK485A	N.L.
<b>GASKET &amp; SEAL KITS</b>			
N.I.	NP 273 (Ford) .....	TSK273	TSK-273
N.I.	NP 273 (Dodge) .....	TSK273D	TSK-273D
<b>FILTERS</b>			
012E	Pump Screen (Filter) .....	351012	16217
<b>SEALS</b>			
N.I.	Pump Seal .....	321070	22306
070A	Input Seal .....	421080	25626
081A	Front Output Seal .....	421081	24288
074A	Rear Output Seal .....	421081	24288
<b>BUSHINGS</b>			
066A	Extension Housing (Dodge) .....	421066	45379
<b>WASHERS</b>			
215C	Planet Thrust Washer (Plastic) .....	411215	5012367AA
<b>BEARINGS &amp; RACES</b>			
220E	Front Output Shaft Bearing (Front) .....	411210	6011
268E	Front Output Shaft Bearing (Rear) .....	331268B	SCE2416
240C	Input Bearing .....	355249	6211-N
267C	Pocket Bearing .....	421267	24260
211D	Main Shaft Bearing (Rear) .....	421211	212
N.I.	Rear Output Needle Bearing .....	421220	B3416
<b>FORKS</b>			
849B	Range Fork (Cast # 17524) (Ford) (Non Updated) .....	352849B	17543
849B	Range Fork (Updated) .....	421849A	27885
849B	Range Fork (Fits .318" Wide Fork Groove) .....	421849A	27885
850-1B	Mode Fork Insert (45mm Long) .....	321850-1	4219073
849-1B	Range Fork Insert (Updated) .....	421849-1	37284
840KB	Fork Insert Kit .....	401840K	INSK-261
<b>SLIDERS</b>			
646C	Mode Slider (24T) .....	351646	241-15
645C	Range Slider (.318" Wide Fork Groove) (Non Updated) .....	435645	26948
645C	Range Slider (.318" Wide Fork Groove) (Updated) .....	421645A	38304
<b>SYNCHRONIZERS</b>			
701-1C	Synchro (Inner) .....	421701-1	26549
701-2C	Synchro (Middle) .....	421701-2	30130
701-3C	Synchro (Outer) .....	421701-3	30131
843-2KC	Mode Key & Spring Kit .....	331843-2K	NP 208-K
<b>PUMPS</b>			
500D	Pump Assembly .....	421500	25519
<b>PLANETS</b>			
588C	Planet (6 Pinion) (used w/ .630" Wide Input Bearing) .....	351588A	17869

ILL NO.	DESCRIPTION	PART NO.	REFERENCE
<b>SHAFTS</b>			
670C	Input Shaft (23 Spline) (Dodge) .....	421670C	5086348AA
670C	Input Shaft (24 Spline) (Ford) .....	421670	26605
670C	Input Shaft (29 Spline) (Dodge) .....	421670D	5086311AA
670C	Input Shaft (31 Spline) (Ford) .....	421670A	24257
670C	Input Shaft (34 Spline) (Ford) .....	421670B	44631
672D	Main Shaft Update Kit (Ford) .....	421672AK	43219
	.....includes Late Main Shaft, Range Fork, Slider & Fork Inserts.....		
<b>CASES &amp; HOUSINGS</b>			
760-1A	Case Half, Front (Dodge).....	421760A-1	46905
<b>CHAINS &amp; SPROCKETS</b>			
700E	Chain (1.50" Wide) 49 Links .....	HV-064	HV064
805C	Drive Sprocket .....	421805	21966
806E	Driven Sprocket .....	421805	21966
<b>MISCELLANEOUS COMPONENTS</b>			
420A	Shift Motor (Ford).....	421420	600-805
490A	Vent Tube.....	435490	17988
<b>NOTES</b>			













NP 273

# Transfer Case Gaskets

TRANSMISSION TO ADAPTER GASKETS				
<p>AOD/E-W BW-1345, 1356, 4404, 4405, DANA TC-28</p>  <p>76305</p>	<p>A727/904 A998/999 NPG-203, 205, 208, 241</p>  <p>22305AB</p>	<p>C6, BW-1345, 1356, 4406, 4407, NPG-203, 205, 208</p>  <p>36305</p>	<p>C4, C5, NPG-203, 208, BW-1345</p>  <p>26305</p>	<p>E4OD, BW-1345, 1356, 4407</p>  <p>36305E</p>
<p>A4LD/4R44E/4R55E C3 BW-1345, 1350, 1352, 1354, 4404, 4405, DANA TC-28</p>  <p>56305</p>	<p>TH-400 NPG-203, 205, 208 BW-1370, 4470</p>  <p>34305</p>	<p>TH-400 NPG-203, 205, 208 BW-1370, 4470</p>  <p>114348</p>	<p>TH-700-R4/4L60E TH-350/C, NPG-203, 205, 207, 208, 231C, BW-1370, 4401, 4470, 4472</p>  <p>44348</p>	
ADAPTER TO TRANSFER CASE GASKETS				
<p>DANA 18</p>  <p>Available only in Kit TSK20</p>	<p>DANA 18, DANA 20</p>  <p>Available only in Kit TSK20</p>	<p>NPG-203</p>  <p>301304</p>	<p>NPG-203, 205, 208, 241</p>  <p>331304B w/ cut out removed</p>	<p>NPG-205</p>  <p>311304</p>
<p>NPG-203</p>  <p>301304A</p>	<p>BW-1345, 1350, 1354, 1356, 4406, 4407, NPG-208</p>  <p>325304</p>	<p>NPG-205</p>  <p>311304A</p>	<p>NPG-207, 231C BW-4472</p>  <p>351304</p>	<p>BW-1345, 1350, 1352, 1354, 4404, 4405, DANA TC-28</p>  <p>315304</p>
<p>NPG-205, 208</p>  <p>Replaced by 331304B</p>	<p>NPG-205, 208</p>  <p>331304A</p>	<p>QUADRA-TRAC</p>  <p>Available only in Kit TSKQUAD</p>	<p>NPG-208</p>  <p>331305</p>	

Transfer Case Gaskets

# Transfer Case Gaskets

MISCELLANEOUS GASKETS			
<p>NPG-242 OUTPUT BEARING INSPECTION COVER GASKET</p>  <p>12305J</p>	<p>QUADRA-TRAC REDUCTION CASE COVER GASKET</p>  <p>Available only in Kit TSKQUAD</p>	<p>DANA 300 PAN GASKET</p>  <p>Available only in Kit TSK300</p>	<p>NPG-203, 205 INPUT GEAR BEARING RETAINER GASKET</p>  <p>311305</p>
<p>NPG-203, 205 PTO COVER GASKET</p>  <p>301305</p>	<p>NPG-203, 205 FRONT OUTPUT BEARING RETAINER GASKET</p>  <p>Available only in Kit TSK203 or TSK205</p>	<p>NPG-205 OUTPUT SHAFT BEARING RETAINER GASKET</p>  <p>311306</p>	<p>NPG-203 DIFF. HOUSING GASKET</p>  <p>301307</p>
<p>NPG-203 HOUSING TO CHAIN COVER GASKET</p>  <p>301306</p>	<p>NPG-205 IDLER COVER GASKET</p>  <p>311307</p>	<p>NPG-205 FRONT BEARING RETAINER GASKET</p>  <p>311308</p>	<p>FILTER NPG-231, 241</p>  <p>351012</p>

## Transfer Case Chain Terms

**Pitch:** Measured from the center to center of the two pins in a link.



**Pitches:** Number of pins in the chain. Pitches divided by two equals # of links.

**Width:** Measured between the inside and outside guide links.



**Round Pins:** Single round pins are used to connect the links. Round pin chains can be rolled into a ball. Rocker Joint chains cannot be.



**Rocker Joint:** Two non-round pins are used to connect the links. Round pin chains can be rolled into a ball. Rocker Joint chains cannot be. (2 examples below)



# Chains-Quick Reference

Unit	Description	Part #
BW1345	1.25" Wide, 42 Links	HV-012
	1.50" Wide, 43 Links	HV-013
BW1350	1.25" Wide, 31 Links	HV-022
BW1354	1.00" Wide, 31 Links	HV-505
	1.25" Wide, 31 Links (00-Up Explorer Sport & Sport Trac)	HV-068
	1.25" Wide, 31 Links (Except 00-Up Explorer Sport & Sport Trac)	HV-022
BW1356	1.25" Wide, 42 Links	HV-012
BW1370	1.25" Wide, 36 Links (Rocker Joint)	HV-014
	1.25" Wide, 36 Links (Round Pins)	HV-025
BW1372	1.75" Wide, 43 Links (1 Blue Link)	HV-033
BW4404	1.25" Wide, 37 Links (1 Blue Link) (4.0L)	HV-051
	1.25" Wide, 37 Links (2 Blue Links) (5.0L)	HV-070
BW4405	1.00" Wide, 37 Links (Rocker Joint)	HV-067
	1.25" Wide, 37 Links (1 Blue Link) (90-97)	HV-051
	1.25" Wide, 37 Links (2 Blue Links) (98-Up)	HV-070
BW4406	1.00" Wide, 43 Links (Rocker Joint) (TOD)	HV-066
	1.25" Wide, 43 Links (Rocker Joint) (TOD)	HV-053
	1.25" Wide, 43 Links (Round Pins) (except TOD)	HV-052
BW4407	1.50" Wide, 42 Links	HV-054
BW4470	1.50" Wide, 36 Links (Round Pins)	HV-031
DANA 28	1.25" Wide, 43 Links	HV-048
NP136	1.00" Wide, 49 Links	HV-062
NP149	1.25" Wide, 49 Links	HV-072
NP203	2.00" Wide, 36 Links	HV-009
	2.50" Wide, 49 Links	HV-005
NP207	1.25" Wide, 31 Links	HV-022
NP208	1.25" Wide, 36 Links (Rocker Joint) (Dodge, GM)	HV-014
	1.25" Wide, 36 Links (Round Pins) (Dodge, GM)	HV-025
	1.25" Wide, 42 Links (Ford)	HV-012
NP228	1.75" Wide, 49 Links	HV-015
NP231, NP233	1.00" Wide, 36 Links	HV-027
	1.25" Wide, 31 Links	HV-022
NP236	1.00" Wide, 49 Links	HV-062
NP241	1.25" Wide, 36 Links (Round Pins)	HV-025
	1.25" Wide, 42 Links (Rocker Joint)	HV-081
	1.25" Wide, 49 Links (Rocker Joint)	HV-072
	1.50" Wide, 36 Links (Round Pins)	HV-031
NP242	1.00" Wide, 36 Links (Dodge, Jeep Except Liberty)	HV-028
	1.00" Wide, 49 Links (Liberty)	HV-062
	1.25" Wide, 36 Links (Hummer)	HV-060
	1.25" Wide, 49 Links (Dodge, Jeep Except Liberty)	HV-063
NP243, NP246	1.25" Wide, 36 Links	HV-025
	1.25" Wide, 42 Links	HV-081
	1.25" Wide, 49 Links (1 Blue Link)	HV-063
	1.25" Wide, 49 Links (3 Blue Links)	HV-072
NP247	1.00" Wide, 49 Links	HV-071
NP249	1.25" Wide, 49 Links	HV-034
NP261, NP263	1.25" Wide, 49 Links	HV-072
	1.50" Wide, 42 Links	HV-074
	1.50" Wide, 49 Links	HV-069
NP271, NP273	1.50" Wide, 49 Links	HV-064



# Chains

Tr. Case	Description	Part #	Pitch	Width	Pitches	Pin
<b>Borg Warner</b>						
BW 1305	Jeep (73-79) (48 Links)	HV-007	3/8"	2.50"	96	Rocker
BW 1305	Jeep CJ7 w/ Overdrive (73-80) (46 Links)	HV-007X	3/8"	2.50"	92	Rocker
BW 1345	Ford F150/250/350 (80-82)	HV-013	1/2"	1.50"	86	Rocker
BW 1350	Ford 80-83, Jeep 84-88 (80-88)	HV-022	1/2"	1.25"	62	Round
BW 1354	Ford Explorer Sport, Sport Trac (00-Up)	HV-068	1/2"	1.25"	62	Round
BW 1354	Ford (90-Up)	HV-022	1/2"	1.25"	62	Round
BW 1356	Ford F Series, Bronco (80-96)	HV-012	1/2"	1.25"	84	Round
BW 1361	Range Rover (88-96)	HV-049	1/2"	2.00"	74	Rocker
BW 1370	GM Full Size Truck (80-Up)	HV-025	1/2"	1.25"	72	Round
BW 1372	GM L Van Awd (2 Blue Links & Rounded Black Links) (90-95)	HV-032	3/8"	1.75"	86	Rocker
BW 1372	GM S Blazer Truck, Bravada, Cyclone, Typhoon (1 Blue Link & Combination Round/Square Link Backs) (90-97)	HV-033	3/8"	1.75"	86	Rocker
BW 4401	GMC 3500	HV-025	1/2"	1.25"	72	Round
BW 4402	Hyundai A1 Van, Galloper	HV-027	1/2"	1.00"	62	Round
BW 4404	Ford Explorer, Mountaineer (1 Blue Link) (to 1997)	HV-051	7/16"	1.25"	74	Rocker
BW 4404	Ford Explorer, Mountaineer (2 Blue Links) (5.0L) (98-00)	HV-070	7/16"	1.25"	74	Rocker
BW 4405	Explorer (1.25" Wide) (to 1997)	HV-051	7/16"	1.25"	74	Rocker
BW 4405	Ford Explorer (1.00" Wide) TOD (9/98-Up)	HV-067	7/16"	1.00"	74	Rocker
BW 4406	Ford F150, F250 (1.25" Wide) (96-4/98)	HV-052	7/16"	1.25"	86	Round
BW 4406	Ford F150, F250 (1.00" Wide) (5/98-Up)	HV-066	7/16"	1.00"	86	Round
BW 4406	Ford F250 96-Up, Expedition, Navigator 99-Up (1.25" Wide)	HV-053	7/16"	1.25"	86	Rocker
BW 4407	Ford F250 HD, F350	HV-054	1/2"	1.50"	84	Round
BW 4408	Daewoo (formerly Sang Yang)	HV-022	1/2"	1.25"	62	Round
BW 4409	Mercedes (97-Up)	HV-055	7/16"	1.50"	70	Rocker
BW 4410	Ford Explorer (5.0L) (2001)	HV-078	7/16"	1.25"	74	Rocker
BW 4411	Ford Explorer (4.0L) (2001)	HV-067	7/16"	1.00"	74	Rocker
BW 4411	Lincoln Aviator, Mountaineer (TOD) (2002)	HV-067	7/16"	1.00"	74	Rocker
BW 4416	Ford Expedition, Navigator (TOD) (2001)	HV-053	7/16"	1.25"	86	Rocker
BW 4421	SUV - Sang Yang 4400143015	HV-051	7/16"	1.25"	74	Rocker
BW 4422	Isuzu (95-Up)	HV-056	7/16"	1.25"	70	Rocker
BW 4423	SUV - Sang Yang 4400143015	HV-051	7/16"	1.25"	74	Rocker
BW 4424	Hyundai Terracan, Highlander, A1, Kia BL (1.00" Wide) ESOE	HV-027	1/2"	1.00"	62	Round
BW 4424	Hyundai Terracan, Highlander, A1, Kia BL (1.25" Wide) TOD	HV-070	7/16"	1.25"	74	Rocker
BW 4462	Range Rover (Land Rover) (97-Up)	HV-057	1/2"	2.00"	80	Rocker
BW 4470	GM Full Size Truck 3500, K30 (90-96)	HV-031	1/2"	1.50"	72	Round
BW 4472	GM L Van (2 Blue Links & Rounded Black Links) (90-97)	HV-032	3/8"	1.75"	86	Rocker
BW 4472	GM S 10 (1 Blue Link, Combination Round/Square Links) (90-97)	HV-033	3/8"	1.75"	86	Rocker
BW 4472	GM Safari (1 Blue Link, Combination Round/Square Links) (1996)	HV-033	3/8"	1.75"	86	Rocker
BW 4473	GM 610 G Van (Silverado), Full Time (02-Up)	HV-076	7/16"	1.25"	84	Rocker
BW 4476	GM 610 G Van (Silverado), Full Time (02-Up)	HV-076	7/16"	1.25"	84	Rocker
BW 4476	Cadillac SRX (03-Up)	HV-080	3/8"	1.50"	74	Rocker
BW 4476	Cadillac 265, 295 (04-Up)	HV-095	3/8"	1.50"	74	Rocker
BW 4479	Cadillac 265, 295 (04-Up)	HV-095	3/8"	1.50"	74	Rocker
BW 4481	GMT 820, LD, Tahoe, Yukon, Warrior, Avalanche	HV-076	7/16"	1.25"	84	Rocker
BW 4482	GMT 820, LD, Tahoe, Yukon, Warrior, Avalanche	HV-076	7/16"	1.25"	84	Rocker
BW 4484	Hummer 2 ( Full Time)	HV-077	7/16"	1.25"	84	Rocker
<b>Dana 28</b>						
Dana 28	Ford Aerostar (90-97)	HV-048	3/8"	1.25"	86	Round
<b>New Process / New Venture Gear</b>						
NP 119	Jeep (80-88)	HV-015	3/8"	1.75"	98	Rocker
NP 125	Ford Australia, Full Time, Jeep Grand Cherokee (2005)	HV-059	3/8"	1.25"	86	Rocker
NP 126	GM 360, 370 Active On Demand Envoy, Trailblazer	HV-059	3/8"	1.25"	86	Rocker
NP 129	Jeep (80-88)	HV-015	3/8"	1.75"	98	Rocker
NP 136	GM Blazer, Bravada, Astro Van (98-Up)	HV-062	3/8"	1.00"	98	Rocker
NP 140	Jeep Grand Cherokee (05-Up)	HV-089	3/8"	1.25"	86	Rocker
NP 140WK	Ford Australia, Full Time, Jeep Grand Cherokee (2005)	HV-059	3/8"	1.25"	86	Rocker

# Chains

Tr. Case	Description	Part #	Pitch	Width	Pitches	Pin
<b>New Process / New Venture Gear (continued)</b>						
NP 149	GM Full Time, Full Size Truck, Silverado SS, GMC Sierra Denali	HV-072	3/8"	1.25"	98	Rocker
NP 203	GM, Ford, Chrysler (73-78)	HV-005	3/8"	2.50"	98	Rocker
NP 203	GM, Ford, Chrysler (78-79)	HV-009	1/2"	2.00"	72	Rocker
NP 207	Jeep (84-88)	HV-022	1/2"	1.25"	62	Round
NP 208	Ford (80-88)	HV-012	1/2"	1.25"	84	Round
NP 208	Jeep (w/ Rocker Joint) (80-88)	HV-014	1/2"	1.25"	72	Rocker
NP 208	Jeep (w/ Round Pins) (80-88)	HV-025	1/2"	1.25"	72	Round
NP 218	Hummer (86-99)	HV-026	1/2"	1.25"	72	Round
NP 219	Jeep (80-90)	HV-015	3/8"	1.75"	98	Rocker
NP 225	Land Rover	HV-083	3/8"	1.75"	90	Rocker
NP 226	GM 360, 370 Active On Demand Envoy, Trailblazer	HV-059	3/8"	1.25"	86	Rocker
NP 228	Jeep (80-90)	HV-015	3/8"	1.75"	98	Rocker
NP 229	Jeep (80-90)	HV-015	3/8"	1.75"	98	Rocker
NP 231A	Jeep (89-Up)	HV-027	1/2"	1.00"	62	Round
NP 231C	GM w/ 2.8L (89-Up)	HV-027	1/2"	1.00"	62	Round
NP 231C	GM w/ 4.3L (89-98)	HV-022	1/2"	1.25"	62	Round
NP 231D	Jeep (89-Up)	HV-027	1/2"	1.00"	62	Round
NP 231HD	GM T Truck S10, Dodge Dakota	HV-022	1/2"	1.25"	62	Round
NP 233	Jeep (NP 233 Electric) (95-Up)	HV-027	1/2"	1.00"	62	Round
NP 233C	GM w/ 2.8L (89-Up)	HV-027	1/2"	1.00"	62	Round
NP 233C	GM w/ 4.3L (89-98)	HV-022	1/2"	1.25"	62	Round
NP 233HD	GM T Truck S10, Dodge Dakota	HV-022	1/2"	1.25"	62	Round
NP 235	VW & Porsche SUV	HV-082	3/8"	1.50"	98	Rocker
NP 236	GM Blazer, Bravada, Astro Van (98-Up)	HV-062	3/8"	1.00"	98	Rocker
NP 241	Jeep Part Time Jeep Rubicon	HV-081	7/16"	1.25"	84	Rocker
NP 241C	GM, 243 Electric Shift, Dodge Full Time 93-98 (89-98)	HV-025	1/2"	1.25"	72	Round
NP 241G2	Dodge Ram 1500 Part Time Electric Shift, Standard (02-5/04)	HV-081	7/16"	1.25"	84	Rocker
NP 241G2	Dodge Ram 1500 Part Time Electric Shift, Standard (6/04-Up)	HV-072	3/8"	1.25"	98	Rocker
NP 241HD	Dodge (90-99)	HV-031	1/2"	1.50"	72	Round
NP 242	Dodge Durango, Dakota (5.2L, 5.9L) (98-04)	HV-063	3/8"	1.25"	98	Rocker
NP 242	Jeep (Round Pin) (89-00)	HV-028	1/2"	1.00"	72	Round
NP 242	Jeep (Rocker Joint) (5.2L, 5.9L) (98-04)	HV-063	3/8"	1.25"	98	Rocker
NP 242ECE	Jeep (Europe) XJ & ZJ (89-Up)	HV-061	1/2"	1.00"	72	Rocker
NP 242H	Hummer H1	HV-060	1/2"	1.25"	72	Round
NP 242KJ	Jeep Liberty Select Trac (02-Up)	HV-062	3/8"	1.00"	98	Rocker
NP 242WJ	Dodge Durango, Dakota (5.2L, 5.9L) (98-04)	HV-063	3/8"	1.25"	98	Rocker
NP 243C	GM, 243 Electric Shift, Dodge Full Time 93-98 (89-98)	HV-025	1/2"	1.25"	72	Round
NP 243G2	Dodge Ram 1500 Part Time Electric Shift, Standard (02-5/04)	HV-081	7/16"	1.25"	84	Rocker
NP 243G2	Dodge Ram 1500 Part Time Electric Shift, Standard (6/04-Up)	HV-072	3/8"	1.25"	98	Rocker
NP 244	Jeep (89-00)	HV-028	1/2"	1.00"	72	Round
NP 244DR	Dodge Dakota w/ Quad Cab (4.7L, 5.9L) (2004)	HV-072	3/8"	1.25"	98	Rocker
NP 244HB	Dodge Durango Gemini System (2 Chains) (04-Up)	HV-084	3/8"	0.625"	98	Rocker
NP 244HB	Dodge Durango Gemini System (2 Sprockets, 2 Chains) (04-Up)	TK006	3/8"	0.625"	98	Rocker
NP 245	Jeep Grand Cherokee 2-Speed Low Range (05-Up)	HV-090	3/8"	1.25"	86	ZX
NP 246	GM SUV (99 Only) One Blue Guide Link (1999)	HV-063	3/8"	1.25"	98	Rocker
NP 246	GM GMT 800 (99-Up), SUV (00-Up) Three Blue Guide Links	HV-072	3/8"	1.25"	98	Rocker
NP 247	Jeep Grand Cherokee (1999)	HV-071	3/8"	1.00"	98	Rocker
NP 247	Chain Snubber, Jeep (used w/ HV-071) (1999)	HVS-071	--	--	--	--
NP 249	Jeep (92-98)	HV-034	3/8"	1.25"	98	Rocker
NP 261	GM Full Time GMT 800, Three Blue Guide Links (99-Up)	HV-072	3/8"	1.25"	98	Rocker
NP 261HD	GM Part Time GMT 800 Full Size K Truck (99-Up)	HV-069	3/8"	1.50"	98	Rocker
NP 261SHD	Chrysler D/C Grand Cherokee, CJ (01-Up)	HV-074	7/16"	1.50"	84	Round
NP 263	Gm Full Time GMT 800, Three Blue Guide Links (99-Up)	HV-072	3/8"	1.25"	98	Rocker
NP 263HD	GM Part Time GMT 800 Full Size K Truck (99-Up)	HV-069	3/8"	1.50"	98	Rocker
NP 263HD2	Chrysler D/C Grand Cherokee, CJ (01-Up)	HV-074	7/16"	1.50"	84	Round
NP 263SHD	Chrysler D/C Grand Cherokee, CJ (01-Up)	HV-074	7/16"	1.50"	84	Round
NP 271	Ford F250/350/450/550 & 2003 Dodge (98-Up)	HV-064	7/16"	1.50"	98	Round
NP 273	Ford F250/350/450/550 & 2003 Dodge (98-Up)	HV-064	7/16"	1.50"	98	Round

# Chains

Tr. Case	Description	Part #	Pitch	Width	Pitches	Pin
<b>IMPORT</b>						
Austin	Austin Maxi Allegro	HV-008	3/8"	1.00"	74	Rocker
BMW	BMW 325i 4wd (All Rounded Link Backs) (to 1988)	HV-024	3/8"	1.75"	68	Rocker
BMW	BMW 325i 4wd (Rounded & Square Link Backs) (89-90)	HV-024R	3/8"	1.75"	68	Rocker
BMW	BMW X3 Single Speed Case w/ TOD (ATC 400) (03-Up)	HV-086	3/8"	1.25"	80	Rocker
BMW	BMW X3 Chain Snubber (used w/ HV-086 & HV-087) (03-Up)	HVS-072	--	--	--	--
BMW	BMW X5 Single Speed w/ TOD (LWX 500) (01-02)	HV-088	3/8"	1.25"	86	Rocker
BMW	BMW X5 Single Speed w/ TOD (ATC 500) (03-Up)	HV-087	3/8"	1.25"	86	Rocker
BMW	BMW X5 Chain Snubber (used w/ HV-086 & HV-087) (03-Up)	HVS-072	--	--	--	--
Daewoo	Daewoo (formerly Sang Yang) BW 4408	HV-022	1/2"	1.25"	62	Round
Dodge	Dodge Ram 50 4wd (80-Up)	HV-104	3/8"	1.75"	82	Rocker
Geo	Geo, Chevy Tracker (88-Up) (Round Pin)	HV-110	3/8"	1.00"	68	Round
Geo	Geo, Chevy Tracker (8/96-Up) (Rocker Joint)	HV-118	3/8"	1.00"	68	Rocker
Hyundai	Hyundai A1 Van, Galloper (BW 4402)	HV-027	1/2"	1.00"	62	Round
Hyundai	Hyundai Terracan, Highlander, A1 (1.00" Wide) ESOF (BW 4424)	HV-027	1/2"	1.00"	62	Round
Hyundai	Hyundai Terracan, Highlander, A1 (1.25" Wide) TOD (BW 4424)	HV-070	7/16"	1.25"	74	Rocker
Isuzu	Isuzu (BW 4422) (95-Up)	HV-056	7/16"	1.25"	70	Rocker
Isuzu	Isuzu Trooper, Truck (84-Up)	HV-102	1/2"	1.25"	62	Round
Kia	Kia BL (1.00" Wide) ESOF (BW 4424) (01-Up)	HV-027	1/2"	1.00"	62	Round
Kia	Kia BL (1.25" Wide) TOD (BW 4424) (01-Up)	HV-070	7/16"	1.25"	74	Rocker
Land Rover	Land Rover 2-Speed Case w/ Locking Center Diff. (04-Up)	HV-085	3/8"	1.75"	84	Rocker
Land Rover	Land Rover (NP 225)	HV-083	3/8"	1.75"	90	Rocker
Mazda	Mazda Van & Pickup (84-Up)	HV-105	3/8"	1.75"	80	Rocker
Mazda	Mazda MPV (89-Up)	HV-111	7/16"	1.50"	84	Rocker
Mercedes	Mercedes (BW 4409) (97-Up)	HV-055	7/16"	1.50"	70	Rocker
Mercedes	Mercedes M (03-Up)	HV-091	3/8"	1.50"	84	Rocker
Mitsubishi	Mitsubishi Forte (1.50" Wide) (11/90-Up)	HV-112	7/16"	1.50"	70	Rocker
Mitsubishi	Mitsubishi Forte (1.25" Wide) (11/90-Up)	HV-113	7/16"	1.25"	68	Rocker
Mitsubishi	Mitsubishi Montero 4wd (80-Up)	HV-104	3/8"	1.75"	82	Rocker
Mitsubishi	Mitsubishi Montero, Montero Sports (1.50" Wide) (11/90-Up)	HV-112	7/16"	1.50"	70	Rocker
Mitsubishi	Mitsubishi Montero, Montero Sports (1.25" Wide) (11/90-Up)	HV-113	7/16"	1.25"	68	Rocker
Mitsubishi	Mitsubishi Montero, Montero Sports (7/93-Up)	HV-114	7/16"	1.75"	70	Rocker
Mitsubishi	Mitsubishi Montero Sports (8/98-Up)	HV-115	3/8"	1.50"	80	Rocker
Nissan	Nissan Pathfinder, Trucks (1.75" Wide) (85-Up)	HV-106	3/8"	1.75"	88	Rocker
Nissan	Nissan Pathfinder (1.25" Wide) (7/95-Up)	HV-116	7/16"	1.25"	76	Rocker
Nissan	Nissan Vans (86-Up)	HV-107	3/8"	1.25"	88	Rocker
Porsche	Porsche & VW SUV (NP 235)	HV-082	3/8"	1.50"	98	Rocker
Range Rover	Range Rover (BW 1361) (88-96)	HV-049	1/2"	2.00"	74	Rocker
Range Rover	Range Rover (Land Rover) (BW 4462) (97-Up)	HV-057	1/2"	2.00"	80	Rocker
Sang Yang	Sang Yang SUV 4400143015 (BW 4421)	HV-051	7/16"	1.25"	74	Rocker
Sang Yang	Sang Yang SUV 4400143015 (BW 4423)	HV-051	7/16"	1.25"	74	Rocker
Sang Yang	Sang Yang SUV (Daewoo) BW 4408	HV-022	1/2"	1.25"	62	Round
Suzuki	Suzuki Sidekick (88-Up)	HV-110	3/8"	1.00"	68	Round
Suzuki	Suzuki Vitara (8/96-Up)	HV-118	3/8"	1.00"	68	Rocker
Toyota	Toyota 4 Runner, Trucks (84-86)	HV-102	1/2"	1.25"	62	Round
Toyota	Toyota 4 Runner, Trucks (1.50" Wide) (87-93)	HV-109B	7/16"	1.50"	74	Round
Toyota	Toyota 4 Runner, Tacoma (1.25" Wide) (4/93-Up)	HV-117	7/16"	1.25"	74	Rocker
Toyota	Toyota Vans (85-Up)	HV-103	1/2"	1.00"	62	Round
VW	VW & Porsche SUV (NP 235)	HV-082	3/8"	1.50"	98	Rocker

# Speed Sensors

**Part No:** D335436  
**OEM Part No:** 15546837  
**Description:** BW 4472, Up to 1998

- Astro Vans
- Safari



**Part No:** D335436A  
**OEM Part No:** 88984527  
**Description:** BW 4473, 4481, 2003-05

- Express
- K Models
- Savanna



**Part No:** D411436  
**OEM Part No:** 12376520  
**Description:** NP 126, 226, 2003-Up

- Bravada
- Envoy
- Rainier
- Trailblazer



**Part No:** D492436  
**OEM Part No:** 15547452  
**Description:** NP 233, 241 & 243

- K Models, up to 2000
- S Models, up to 2005



# Extension Housing Bushings

Standard Transmissions			
Unit	Dimensions	Part #	Reference #
A230	1.700" OD	12066	WT243-62B
A230	1.815" OD	36066	N.L.
A390	1.700" OD	12066	WT243-62B
A390	1.815" OD	36066	N.L.
AX15	1.670" OD	57066A	W50-62
AX15	1.725" OD	462066	N.L.
AX4, AX5	1.670" OD	57066A	W50-62
D50	1.580" OD	362066	MIT5-62
Doug Nash	1.630" OD	44066	WT266-62
FS5W71C	1.500" OD	303066	NIS-62
HED	1.500" OD	486066	WT280-62
HEH	1.630" OD	26066	WT259-62
HEH	1.820" OD	386066	T85-62
KM132	1.580" OD	362066	MIT5-62
L42, L52	1.670" OD	57066A	W50-62
M20 - M22	1.630" OD	44066	WT266-62
M20 - M22	2.015" OD	331066	WT297-62
M5R1, M5R2	1.740" OD	306066	M5R1-62
M5R2	1.740" OD	306066	M5R1-62
MSG-5ET	1.505" OD	446066	ISUZU-62
MSG-5ET	1.580" OD	362066	MIT5-62
MSG-5F	1.630" OD	26066	WT259-62
NP435	1.630" OD	26066	WT259-62
NP435	2.260" OD	316066	WT291-62
NP535	1.700" OD	12066	WT243-62B
NP833	1.630" OD	44066	WT266-62
NP833	1.700" OD	12066	WT243-62B
NP833	1.815" OD	36066	N.L.
NP833	1.820" OD	386066	T85-62
NV1500	1.630" OD	44066	WT266-62
NV2500	1.700" OD	12066	WT243-62B
NV3500	1.630" OD	44066	WT266-62
NV3500	1.700" OD	12066	WT243-62B
NV3500	1.820" OD	386066	T85-62
NV3500	2.050" OD	404066	290-62
NV3500	N/A	404066A	290-62A
NV4500	1.820" OD	386066	T85-62
NV4500	2.340" OD	334066	18172
NV5600	2.340" OD	334066	18172
R151	1.670" OD	57066A	W50-62
R151	1.735" OD	327066	N.L.
RAD	1.500" OD	486066	WT280-62
RAD	1.630" OD	44066	WT266-62
RTS	1.630" OD	26066	WT259-62
RTS	1.820" OD	386066	T85-62
RUG	1.630" OD	26066	WT259-62
RUG	1.820" OD	386066	T85-62
Saginaw	1.630" OD	44066	WT266-62
SAM	1.420" OD	456066	SUZ-62
SR4	1.500" OD	486066	WT280-62
SR4	1.630" OD	44066	WT266-62

# Extension Housing Bushings

Standard Transmissions (cont.)			
Unit	Dimensions	Part #	Reference #
SROD	1.630" OD	26066	WT259-62
SROD	1.820" OD	386066	T85-62
Super T10	2.015" OD	331066	WT297-62
T10	1.630" OD x 1.0"	44066	WT266-62
T10	1.630" OD x 1.5"	26066	WT259-62
T10	2.015" OD	331066	WT297-62
T150	1.630" OD x 1.0"	44066	WT266-62
T150	1.630" OD x 1.5"	26066	WT259-62
T150	1.700" OD	12066	WT243-62B
T150	1.815" OD	36066	N.L.
T176	1.630" OD	26066	WT259-62
T176	1.820" OD	386066	T85-62
T4, T5	1.630" OD x 1.0"	44066	WT266-62
T4, T5	1.630" OD x 1.5"	26066	WT259-62
T45	1.820" OD	386066	T85-62
T5 WC	1.630" OD x 1.0"	44066	WT266-62
T5 WC	1.630" OD x 1.5"	26066	WT259-62
T56	1.630" OD x 1.0"	44066	WT266-62
T56	1.630" OD x 1.5"	26066	WT259-62
TK4, TK5	1.505" OD	336066	RANGER-62
TK4, TK5	1.580" OD	336066A	RANGER-62A
Tracker	1.580" OD	456066A	N.L.
W55-W59	1.670" OD	57066A	W50-62
W55-W59	1.725" OD	462066	N.L.

Transfer Cases			
Unit	Dimensions	Part #	Ref #
BW1356	2.020" OD	335066	BW1356-62
BW1372	1.630" OD	44066	WT266-62
BW1372	2.020" OD	335066	BW1356-62
BW4406	2.020" OD	335066	BW1356-62
BW4470	2.020" OD	335066	BW1356-62
Dana 28	1.670" OD	57066A	W50-62
NP136	2.010" OD	331066	WT297-62
NP149	2.010" OD	331066	WT297-62
NP207	1.630" OD	44066	WT266-62
NP208	2.010" OD	331066	WT297-62
NP231	1.630" OD	44066	WT266-62
NP231	1.700" OD	12066	WT243-62B
NP231	2.010" OD	331066	WT297-62
NP233	1.630" OD	44066	WT266-62
NP233	2.010" OD	331066	WT297-62
NP236	2.010" OD	331066	WT297-62
NP241	2.010" OD	331066	WT297-62
NP241	2.340" OD	334066	18172
NP246	2.010" OD	331066	WT297-62
NP247, NP249	1.630" OD	44066	WT266-62
NP261, NP263	2.010" OD	331066	WT297-62
NP261, NP263	2.340" OD	334066	18172
NP271, NP273	N/A	421066	45379

# Metal Clad Seals

Unit	Make	Input Seal	Input Seal Dimensions	Output Seal (Front)	Output (Front) Dimensions	Output Seal (Rear)	Output (Rear) Dimensions
BW1345	Ford	305080	2.380 x 1.690	325080	2.760 x 1.825	305071	2.760 x 1.800
BW1350	Ford	305080	2.380 x 1.690	315080	2.685 x 1.525	345080	2.450 x 1.575
BW1354	Ford	345080	2.450 x 1.575	345080	2.450 x 1.575	345080	2.450 x 1.575
BW1356	Ford	325080	2.760 x 1.825	325080	2.760 x 1.825	325080	2.760 x 1.825
						325081A	2.760 x 1.820
BW1359	Ford	305080	2.380 x 1.690	N/A	N/A	345080	2.450 x 1.575
BW1370	GM	325080	2.760 x 1.825	325080	2.760 x 1.825	325080	2.760 x 1.825
BW1372	GM	305080	2.380 x 1.690	325080	2.760 x 1.825	335080	2.385 x 1.425
						325081A	2.760 x 1.820
BW4401	GM	325080	2.760 x 1.825	325080	2.760 x 1.825	325080	2.760 x 1.825
BW4403	Ford	325080	2.760 x 1.800	345080	2.450 x 1.575	345080	2.450 x 1.575
BW4404	Ford	345080	2.450 x 1.575	345080	2.450 x 1.575	345080	2.450 x 1.575
BW4405	Ford	345080	2.450 x 1.575	345080	2.450 x 1.575	345080	2.450 x 1.575
BW4406	Ford	325080	2.760 x 1.800	325080	2.760 x 1.825	325081A	2.760 x 1.820
BW4407	Ford	325080	2.760 x 1.825	325080	2.760 x 1.825	325080	2.760 x 1.825
BW4410	Ford	345080	2.450 x 1.575	345080	2.450 x 1.575	345080	2.450 x 1.575
BW4411	Ford	345080	2.450 x 1.575	345080	2.450 x 1.575	345080	2.450 x 1.575
BW4416	Ford	325080	2.760 x 1.800	325080	2.760 x 1.825	325081A	2.760 x 1.820
BW4470	GM	325080	2.760 x 1.825	325080	2.760 x 1.825	325080	2.760 x 1.825
						325081A	2.760 x 1.820
BW4472	GM	305080	2.380 x 1.690	325080	2.760 x 1.825	335080	2.385 x 1.425
						325081A	2.760 x 1.820
BW4481	GM	325080	2.760 x 1.800	405070	2.770 x 1.735	325081A	2.760 x 1.820
BW4482	GM	325080	2.760 x 1.800	405070	2.770 x 1.735	325081A	2.760 x 1.820
BW4484	GM	325080	2.760 x 1.800	405070	2.770 x 1.735	325081A	2.760 x 1.820
NP136	GM	411070	2.695 x 1.865	411081	2.570 x 1.300	411074	2.695 x 1.825
NP149	GM	411070	2.695 x 1.865	411081A	2.885 x 1.800	411074	2.695 x 1.825
NP207	GM	301080	2.695 x 1.875	321081	2.455 x 1.485	44074	2.385 x 1.430
						321071	2.380 x 1.510
NP208	GM	301080	2.695 x 1.875	305071	2.760 x 1.800	305071	2.760 x 1.800
						424074	3.035 x 2.125
						34074	2.710 x 1.830
NP226	GM	301080	2.695 x 1.875	481070	2.250 x 1.320	411074	2.695 x 1.825
				411081	2.570 x 1.300		
NP228	Jeep	301080	2.695 x 1.875	305071	2.760 x 1.800	305071	2.760 x 1.800
NP229	Jeep	301080	2.695 x 1.875	305071	2.760 x 1.800	305071	2.760 x 1.800

# Metal Clad Seals

Unit	Make	Input Seal	Input Seal Dimensions	Output Seal (Front)	Output (Front) Dimensions	Output Seal (Rear)	Output (Rear) Dimensions
NP231	Dodge	301080	2.695 x 1.875	321081	2.455 x 1.485	321071	2.380 x 1.510
						34074	2.710 x 1.830
						44074	2.385 x 1.430
						411074	2.695 x 1.825
NP231	GM	301080	2.695 x 1.875	321081	2.455 x 1.485	34074	2.710 x 1.830
				351080A	2.455 x 1.110	44074	2.385 x 1.430
NP231	Jeep	301080	2.695 x 1.875	321081	2.455 x 1.485	44074	2.385 x 1.430
						361071	2.585 x 1.090
						321081	2.455 x 1.485
NP233	Dodge	301080	2.695 x 1.875	326074A	2.695 x 1.850	411074	2.695 x 1.825
NP233	GM	301080	2.695 x 1.875	321081	2.455 x 1.485	44074	2.385 x 1.430
				351080A	2.455 x 1.110	34074	2.710 x 1.830
NP236	GM	411070	2.695 x 1.865	411081	2.570 x 1.300	411074	2.695 x 1.825
NP241	Dodge	301080	2.695 x 1.875	305071	2.760 x 1.800	305071	2.760 x 1.800
						34074	2.710 x 1.830
						424074	3.035 x 2.125
NP241	GM	301080	2.695 x 1.875	305071	2.760 x 1.800	34074	2.710 x 1.830
NP242	Dodge	301080	2.695 x 1.875	305071	2.760 x 1.800	321081	2.455 x 1.485
						411074	2.695 x 1.825
NP242	Jeep	301080	2.695 x 1.875	305071	2.760 x 1.800	44074	2.385 x 1.430
						361071	2.585 x 1.090
						411074	2.695 x 1.825
NP243	Dodge	301080	2.695 x 1.875	305071	2.760 x 1.800	305071	2.760 x 1.800
						34074	2.710 x 1.830
NP243	GM	301080	2.695 x 1.875	305071	2.760 x 1.800	34074	2.710 x 1.830
NP246	GM	411070	2.695 x 1.865	411081A	2.885 x 1.800	411074	2.695 x 1.825
NP247	Jeep	301080	2.695 x 1.875	325080	2.760 x 1.825	44074	2.385 x 1.430
NP249	Jeep	301080	2.695 x 1.875	305071	2.760 x 1.800	44074	2.385 x 1.430
NP261	GM	411070	2.695 x 1.865	411081A	2.885 x 1.800	411074	2.695 x 1.825
						424074	3.035 x 2.125
NP263	GM	411070	2.695 x 1.865	411081A	2.885 x 1.800	411074	2.695 x 1.825
						424074	3.035 x 2.125
NP271	Ford	421080	2.890 x 2.050	421081	3.035 x 2.030	421081	3.035 x 2.030
NP273	Ford	421080	2.890 x 2.050	421081	3.035 x 2.030	421081	3.035 x 2.030



# Shift Motors

Unit	Description	Years
BW1350	Round Plug w/ 7 Pins (10 Hole Connector)	90-95
BW1354	Round Plug w/ 7 Pins (10 Hole Connector)	90-E95
	Round Plug w/ 7 Pins (8 Hole Connector)	L95-05
BW1356	Round Plug w/ 7 Pins	87-90
	Round Plug w/ 7 Pins	91-97
BW4405	Rect. Plug w/ 7 Pins	95-01
BW4406	Rect. Plug w/ 7 Pins	96-04
	Rect. Plug w/ 7 Pins	05-08
BW4411	Rect. Plug w/ 8 Pins	02-04
BW4416	Round Plug w/ 7 Pins	02-03
BW4484	Rect. Plug w/ 7 Pins (RPO Code NR4)	03-05
NP126	Oval Plug w/ 5 Pins (RPO Code NP4)	02-09
NP136	Rect. Plug w/ 2 Pins (RPO Code NP4)	98-05
	Rect. Plug w/ 6 Pins & Square Plug w/ 4 Pins (RPO Code NP8)	98-05
NP226	Rect. Plug w/ 7 Pins (RPO Code NP8)	02-09
NP233	Round Plug w/ 7 Pins (RPO Code NP1)	92-05
NP236	Rect. Plug w/ 2 Pins (RPO Code NP4)	98-05
	Rect. Plug w/ 6 Pins & Square Plug w/ 4 Pins (RPO Code NP8)	98-05
NP243	Rect. Plug w/ 2 or 6 Pins (RPO Code NP1)	96-02
NP246	Rect. Plug w/ 2 Pins (RPO Code NP4)	98-05
	Rect. Plug w/ 6 Pins (RPO Code NP8)	98-05
	Oval Plug w/ 5 Pins (RPO Code NP8)	03-07
NP263	Oval Plug w/ 2 Pins & Rect. Plug w/ 6 Pins (RPO Code NP1)	01-02
	Rect. Plug w/ 5 Pins	03-07
NP273	Rect. Plug w/ 2 Pins & Square Plug w/ 6 Pins	99-10

# Shift Motors

315420



315420B



325420



325420A



345420



355420



355420A



375420



385420



391420



401420



401420A



405420



411420B



421420



481420



482420



482420A



483420



492420



# Flywheel Shims

Application	Engine	Photo ID	Thickness	Part #	
<b>GM</b>	3.0L, 3.2L, 3.3L, 3.9L, 4.1L, 5.0L, 5.4L, 5.7L, 6.0L (70-81), 6.2L, 6.5L, 6.6L (70-72), 6.7L, 7.0L, 7.4L	SC857	.025"	SC85725	
			.050"	SC85750	
			.089"	SC85789	
	4.3L (98-Up), 4.8L, 5.3L, 6.0L (98-Up), 6.6L Diesel, 8.1L	SC866		.025"	SC86625
				.050"	SC86650
				.089"	SC86689
	2.0L Non HO (82-89), 2.2L, 2.3L, 2.4L, 2.5L, 2.8L, 3.1L, 3.4L, 3.8L	SG628		.025"	SG62825
				.050"	SG62850
				.089"	SG62889
	2.0L HO (87-94), 4.3L (84-97)	SG643		.025"	SG64325
				.050"	SG64350
				.089"	N.L.
<b>Ford</b> (See Mazda for 1.6L, 2.2L, & 01-Up 2.3L)	2.9L, 4.0L*	SF629 (*6 Hole)	.025"	SF62925	
			.050"	SF62950	
			.089"	N.L.	
	1.9L, 2.0L, 2.3L, 2.5L, 3.0L*, 3.8L, 3.9L, 4.1L, 4.2L, 4.6L*, 4.7L, 4.9L, 5.0L, 5.4L*, 5.8L	SF468 (*6 Hole)		.025"	SF46825
				.050"	SF46850
				.089"	SF46889
	3.0L*, 4.0L*	SF340 *8 Hole)		.025"	SF34025
				.050"	SF34050
				.089"	N.L.
	5.7L, 5.9L, 6.4L, 6.9L, 7.3L, 7.5L (Not for use with Dual Mass FW)	SF460		.025"	SF46025
				.050"	SF46050
				.089"	SF46089
<b>Chrysler &amp; Mitsubishi</b>	1.4L, 1.5L, 1.6L, 1.8L, 2.0L, 2.2L, 2.4L, 2.5L, 2.6L, 2.7L, 3.0L*, 3.3L, 3.5L, 3.8L	SY46 (*8 Hole)	.025"	SY4625	
			.050"	SY4650	
			.089"	N.L.	
	3.7L, 3.9L, 4.7L, 5.2L, 5.6L, 5.8L, 5.9L Gas, 6.3L, 6.5L, 7.2L	SY852		.025"	SY85225
				.050"	SY85250
				.089"	SY85289
	5.7L, 5.9L Diesel, 8.0L, 8.3L	SY810		.025"	SY81025
				.050"	SY81050
				.089"	SY81089
<b>Honda</b>	1.2L, 1.3L, 1.5L, 1.6L, 1.8L	SH40	.025"	SH4025	
			.050"	SH4050	
			.089"	N.L.	
<b>Jeep</b>	2.5L, 2.8L	SG628	.025"	SG62825	
			.050"	SG62850	
			.089"	SG62889	
	4.0L, 5.9L	SY852		.025"	SY85225
				.050"	SY85250
				.089"	SY85289
<b>Mazda</b>	1.2L, 1.3L, 1.4L, 1.5L, 1.6L, 1.8L, 2.0L, 2.2L, 2.3L (94-96), 2.5L, 2.6L, 3.0L	SM420	.025"	SM42025	
			.050"	SM42050	
			.089"	N.L.	
<b>Nissan</b> (6 Hole)	1.2L, 1.3L, 1.4L, 1.5L, 1.6L, 1.7L, 1.8L, 2.0L, 2.2L, 2.4L, 2.5L, 2.6L, 2.8L, 3.0L (4 Cyl), 3.3L	SN418	.025"	SN41825	
			.050"	SN41850	
			.089"	N.L.	
<b>Toyota</b> (6 Hole)	1.5L, 1.6L, 1.8L, 1.9L, 2.0L, 2.2L, 2.3L, 2.4L, 2.6L, 2.8L, 3.0L (Replaced by the 8 Hole)	ST46	.025"	ST4625	
			.050"	ST4650	
			.089"	N.L.	
<b>Toyota</b> (8 Hole)	1.8L, 2.0L, 2.2L, 2.4L, 2.7L, 3.0L, 3.4L, 4.0L (Replaces the 6 Hole)	ST46-B	.025"	ST4625-B	
			.050"	ST4650-B	
			.089"	N.L.	

# Flywheel Shims

**SC857**



**SC866**



**SG628**



**SG643**



**SF629**



**SF468**



**SF340**



**SF460**



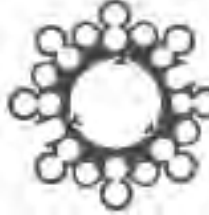
**SY46**



**SY852**



**SY810**



**SH40**



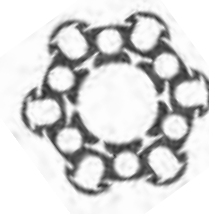
**SG628**



**SY852**



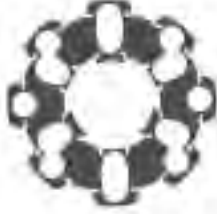
**SM420**



**SN418**



**ST46**



**ST46-B**



# Fluid Chart

ACURA	
A1	10W30
C3F4, C3P4	10W30
CG	10W30
G3T4	10W30
K4A6	10W30
K4F6	10W30
S1	10W30
S80	10W30
SS0	10W30
Y80	10W30
YS1	10W30

AMC	
F4M21	75W90
F5M21	75W90
F5M22	75W90
F5M33	75W90
W5M33	75W90
T350	MOPAR# 4874465

COLT	
KM200	75W90
KM201	75W90
KM206	75W90
KM210	75W90
KM221	75W90

DODGE	
A578	OE # 4874465
AX15	SYNTHETIC 75W90
D50	SYNTHETIC 75W90
F5M22	75W90
F5M33	75W30
G360	5W30
NP435	50WT
NP520, NP523	5W30
NP525	ATF
NP535	5W30
NP543	5W30
NP555	5W30
NP568	5W30
NP833	80W90
NV3500	MOPAR# 4874464
NV4500	MOPAR# 4637579
NV5600	MOPAR# 4874464
T56	ATF
W5M33	75W90
W5MG1	75W90
W6MG1	75W90

DODGE (Transfer Case)	
NP203	30WT
NP205	80W90
NP207	ATF
NP208	ATF
NP231	NON-DETERGENT 30WT
NP241	ATF
NP242	ATF

EAGLE	
F4M21	75W90
F5M21	75W90
F5M22	75W90
F5M33	75W90
T350	MOPAR# 4874465
W5M33	75W90

FORD	
FM132	75W90
FM145	75W90
FM146	75W90
HEH	80W
M5R1	ATF
M5R2	ATF
M5TX	ATF
MTX	ATF
MTX75	ATF
NP435	50WT
RAD	80W
RAP	80W
RKE	ATF
RTS	50WT
RUG	50WT
RUG O/D	80W
SROD	80W
SROD	50WT
T5	ATF
T18	80W90
T19	80W90
T45	ATF
TK4, TK5	SYNTHETIC 75W90
TR3650	MERCON ATF
TREMEC	50WT
ZF S5-42	SYNTHETIC ATF
ZF S5-47	SYNTHETIC ATF
ZF S5-47M	SYNTHETIC ATF
ZF S6-650	SYNTHETIC ATF

FORD (Transfer Case)	
BW1345	ATF
BW1350	ATF
BW1354	ATF
BW1356	ATF
BW4404	ATF
BW4405	ATF
BW4406	ATF
BW4407	ATF
DANA28	ATF
NP203	30WT
NP205	80W90
NP208	ATF
NP271, NP273	ATF

GEO	
METRO	75W90
PRISM	SYNTHETIC 75W90
STORM	GM# 12345349
TRACKER	SYNTHETIC 75W90

GM	
290 GETRAG	GM# 12345349
C51	SYNTHETIC 75W90
MR10	GM# 12345349
MR8	GM# 12345349
MSG-5ET	10W30
MSG-5F	10W30
MUNCIE	80W90
MP3	SYNTHETIC 75W90
NP833	ATF
NV1500	GM# 12377916
NV4500	GM# 12346190
SAGINAW	80W90
SM465 (Up to 88)	80W90
SM465 (88-Up)	GM# 12345577
T10	80W90
T4	ATF
T5	ATF
T56	ATF
ZF S6-40	GM# 1052931

GM (Transfer Case)	
BW1370	ATF
BW4470	ATF
BW4472	ATF
NP136	GM# 12378396
NP203	30WT
NP205	80W90
NP207	ATF
NP208	ATF
NP231	ATF
NP233	ATF
NP236	GM# 12378396
NP241	ATF
NP243	ATF
NP246	GM# 12378396
NP261	ATF

HONDA	
A2K5	10W30
A2Q6	10W30
D2A4	10W30
D2J4	10W30
E2Q5	10W30
E2Q6	10W30
GK	10W30
GM	10W30
GMP	10W30
GV	10W30
GW	10W30
H2A5	10W30
L3	10W30
M2L5	10W30
M2U5	10W30
P2A5	10W30
S20	10W30
S40	10W30

# Fluid Chart

HYUNDAI	
KM200	75W90
KM206	75W90
KM210	75W90
KM301	75W90
KM302	75W90
KM303	75W90

ISUZU	
MSG-5ET	10W30
MSG-5F	10W30
NV1500	GM# 12377916
T5	ATF

JEEP	
AX4	75W90
AX5	75W90
AX15	SYNTHETIC 75W90
BA10	75W90
NV3550	MOPAR# 4874464
SR4	80W90
T4	ATF
T5	ATF
T15	80W90
T90	80W90
T150	80W90
T176	80W90

JEEP (Transfer Case)	
NP119	ATF
NP207	ATF
NP208	ATF
NP219	ATF
NP228	ATF
NP229	ATF
NP231	NON-DETERGENT 30WT
NP242	ATF
NP247	MOPAR# 5016796AA
NP249	ATF

KIA	
RIO	SYNTHETIC 75W90
SEPHIA	SYNTHETIC 75W90
SPECTRA	SYNTHETIC 75W90
SPORTAGE	SYNTHETIC 75W90

MAZDA	
626	75W90
929	75W90
B2000	75W90
B2200	75W90
B2600	75W90
NAVAJO (M5R1)	ATF
RX7	75W90

MITSUBISHI	
A578	MOPAR# 4874465
AX15	SYNTHETIC 75W90
D50	SYNTHETIC 75W90
F5M22	75W90
F5M33	75W30
G360	5W30
MONTERO	75W90
NP435	50WT
NP520	5W30
NP523	5W30
NP525	ATF
NP535	5W30
NP543	5W30
NP555	5W30
NP568	5W30
NP833	80W90
NV3500	MOPAR# 4874464
NV4500	MOPAR# 4637579
NV5600	MOPAR# 4874464
RAIDER	75W90
T56	ATF
W5M33	75W90
W5MG1	75W90
W6MG1	75W90

MITSUBISHI (Transfer Case)	
NP203	30WT
NP205	80W90
NP207	ATF
NP208	ATF
NP231	NON-DETERGENT 30WT
NP241	ATF
NP242	ATF

NISSAN	
200SX	75W90
240SX	75W90
280ZX	75W90
300ZX	75W90
ALTIMA	75W90
AXXESS	75W90
FS5R30	75W90
FS5W71	75W90
MAXIMA	75W90
SENTRA	75W90
STANZA	75W90

SATURN	
TAAT	ATF

SUZUKI	
ESTEEM	75W90
SAMURAI	SYNTHETIC 75W90
SIDEKICK	75W90
SWIFT	75W90
VITARA	75W90
X90	75W90

TOYOTA	
C50	75W90
C51	75W90
C52	75W90
C140	75W90
C150	75W90
E52	75W90
E56	75W90
E57	75W90
E250	75W90
G40	75W90
G52	75W90
G53	75W90
G57	75W90
L40	75W90
L42	75W90
L43	75W90
L52	75W90
R151	75W90
S51	75W90
S52	75W90
S53	75W90
W40	75W90
W46	75W90
W50	75W90
W55	75W90
W56	75W90
W58	75W90
W59	75W90

# Miscellaneous Items

Clips, Plates & Case Savers (Transfer Case)		Part #
BW1345	Center Support Saver	305630K
BW1356	Case Saver Kit (Shifter Shaft Spacers)	325460
BW4405, BW4406	Pump Protector Clip, Anti-Wear	345996
BW4405, BW4411	Shift Fork Guide Roller Kit	S345840A-4K
BW4405, BW4411	Pump Stop Tab Repair Kit	S100912-01K
BW4405, BW4411	Main Bearing Shim Kit	S345204A
NP136, NP149, NP236, NP246, NP261, NP263	Transfer Case Pump Plate, Anti-Wear	S482460
NP136, NP149, NP236, NP246, NP261, NP263	Case Saver, Anti-Wear Plate Kit	S411460
NP231, NP233	Split Ring Retainer (1.180" Dia Output Shaft)	S100420-01K
NP231, NP233, NP241 to NP249	Split Ring Retainer (1.375" Dia Output Shaft)	S100420-02K

Clutch Packs (Transfer Case)		Part #
BW1350	Clutch Housing	315550
	Clutch Housing Kit	315550K
BW1354	Clutch Housing	315550
BW1356	Clutch Housing	325550
	Clutch Housing Kit	325550K
BW1370	Clutch Housing Kit	325550K
BW4405	Clutch Housing Kit	345550AK
BW4406	Clutch Housing & 13 Plates (99-02)	355550K
	Clutch Housing & 19 Plates (98-Up Harley)	355550AK
BW4470	Clutch Housing Kit	365550K

Frictions & Steels (Transfer Case)		Part #
BW4405	Friction Plate (Single Sided - Internal Teeth)	345118B
	Friction Plate (Single Sided - External Teeth)	345118BA
	Friction Plate (Double Sided)	345118
	Steel Plate (.040") (Use w/ Double Sided Fr)	345138
	Steel Plate (.060") (Use w/ Double Sided Fr)	345138A
BW4406	Friction & Steel Kit (Replaces Single Sided)	355137
	Friction Plate (Single Sided - Internal Teeth)	355118B
	Friction Plate (Single Sided - External Teeth)	355118C
	Friction Plate (Double Sided)	355118
	Steel Plate (Use w/ Double Sided Frictions)	355138A
NP136	Friction Plate	428118A
	Steel Plate	12120
NP236	Friction Plate	482118A
	Steel Plate	12120
NP246	Friction Plate	482118A
	Steel Plate	12120
	Apply Plate	482150
	Wave Spring	482850
NP247	Friction Plate ( Internal Teeth)	435118A
	Friction Plate ( External Teeth)	435118AA

# Miscellaneous Items

Fluid Supplements / Treatments		Part #
Gear Fluid Supplement (Life Automotive)		M465SBG
Gear Fluid Supplement (Lubegard)		M465G
Limited Slip Supplement (Life Automotive)		M465SBD
Limited Slip Supplement (Lubegard)		M465D
Metal Treatment (Muscle Products)		M465MT8

Loctite Products		Part #
242 Thread locker (36 ml Bottle)		M478-242
242 Blue Thread locker (19 gram Stick)		M478-242S
262 Thread locker (36 ml Bottle)		M478-262
271 Thread locker (36 ml Bottle)		M478-271
271 Thread locker (50 ml Bottle) (High Strength)		M478-271A
271 Red Thread locker (19 gram Stick)		M478-271S
518 Gasket Maker (50 ml Tube)		M469-518
609 Bearing Mount (36 ml Bottle)		M478-609
620 Bearing Mount (36 ml Bottle)		M478-620
680 Bearing Mount (36 ml Bottle)		M478-680
Dielectric Tune-Up Grease (Plastic Electric Plugs)		M469LDG
Hi-Tack Gasket Sealant (16 oz Brush top Container)		M469LGS
Klean 'N Prime (Surface Prep) (Aerosol)		M469LKP
Ready Gasket (7 oz Can)		M469LRG
Viper-Lube (Slip Yokes & U-joints) (Aerosol)		M465VLA
Viper-Lube (Slip Yokes & U-joints) (Cartridge)		M465VL

Magnets (Transfer Case)		Part #
BW1350	Magnet	315448
BW1354	Magnet	315448
BW1356	Magnet	315448
BW1370	Magnet	315448
BW4405	Magnet	345448
	Magnet Housing	345550C
	Magnet Housing Coil	345448-1
BW4406	Magnet	345448
	Magnet Housing Coil	345448-1
BW4470	Magnet	315448

Mounts (Transfer Case)		Part #
NP203, NP205, NP208	Mount, Transfer Case (Lower)	MT144
	Mount, Transfer Case (Upper)	MT144U

Pilot Bearings (Direct Replacement)				Part #
Audi	.873" OD	.594" ID	.551" Thick	PBG28
Ford Ranger, Explorer, Mazda	.873" OD	.594" ID	.551" Thick	PBG28
GM	.873" OD	.594" ID	.551" Thick	PBG28
GM	1.094" OD	.594" ID	.720" Thick	PBC57
Volkswagen	.873" OD	.594" ID	.551" Thick	PBG28



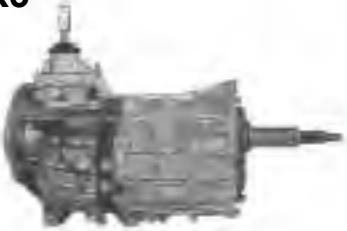

















# Miscellaneous Items

<b>Pilot Bearings (Self Aligning)</b> (Installs in a new location on the worn shaft)				<b>Part #</b>
BMW	1.260" OD	.470" ID	.370" Thick	PBT46HD
Dodge, Plymouth	1.250" OD	.590" ID	.366" Thick	PBH46HD
Dodge, Plymouth	1.574" OD	.670" ID	.470" Thick	PBI46HD
Ford Diesel	1.379" OD	.810" ID	.824" Thick	PBZ73HD
Ford Gas	1.379" OD	.672" ID	.420" Thick	PBF50HD
GM	1.700" OD	.590" ID	.340" Thick	PBC57HD
Honda	1.250" OD	.590" ID	.366" Thick	PBH46HD
International Truck	1.379" OD	.590" ID	.390" Thick	PBM46HD
Isuzu	1.574" OD	.670" ID	.470" Thick	PBI46HD
Mazda (exc 8/87-89 B2600 2.6L)	1.379" OD	.590" ID	.390" Thick	PBM46HD
Mercedes	1.379" OD	.590" ID	.390" Thick	PBM46HD
Mitsubishi	1.250" OD	.590" ID	.366" Thick	PBH46HD
Subaru	1.260" OD	.470" ID	.370" Thick	PBT46HD
Toyota	1.260" OD	.470" ID	.370" Thick	PBT46HD
Volvo	1.379" OD	.590" ID	.390" Thick	PBM46HD

<b>Pilot Repair</b>	<b>Part #</b>
Ford ZF 5 & 6 Speed (Exc PTO) (Driver, Bearing & Sleeve)	KPBZ73HD
Ford ZF 5 & 6 Speed (Exc PTO) (Bearing & Sleeve Only)	PBZ73HD
GM 4.3L, 4.8L, 5.3L, 6.0L Gas Engines (98-Up) (Driver, Bearing & Sleeve) (KPBG53HD)	334670-6AK
GM 4.3L, 4.8L, 5.3L, 6.0L Gas Engines (98-Up) (Bearing & Sleeve Only) (PBG53HD)	334670-6A
GM 6.6L Diesel & 8.1L Gas (02-Up w/ ZF Transmissions) (Driver, Bearing & Sleeve) (KPBC66HD)	334670-6K
GM 6.6L Diesel & 8.1L Gas (02-Up w/ ZF Transmissions) (Bearing & Sleeve Only) (PBC66HD)	334670-6
GM 6.6L Duramax Diesel (98-02 w/ ZF Transmissions) (Driver, Bearing & Sleeve)	KPBG606HD
GM 6.6L Duramax Diesel (98-02 w/ ZF Transmissions) (Bearing & Sleeve Only)	PBG606D















<b>Viscous Couplings</b>		<b>Part #</b>
BW1372	Viscous Coupling	335550
BW4404	Viscous Coupling	345550
BW4472	Viscous Coupling	335550
NP149	Viscous Coupling	381550
NP228	Viscous Coupling	341550
NP247	Viscous Coupling Kit	435550K
NP249	Viscous Coupling	371550

# Transmission ID







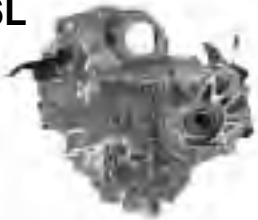
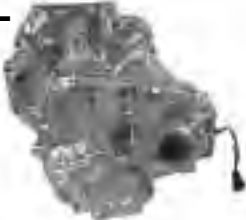



<b>AX5</b> 	<b>AX15</b> 	<b>BA10 2wd</b> 
<b>BA10 4wd</b> 	<b>D50 4wd</b> 	<b>F5M33</b> 
<b>FM145</b> 	<b>FM146</b> 	<b>FS5R30A 2wd</b> 
<b>FS5R30A 4wd</b> 	<b>FS5W71C</b> 	<b>FS5W71E</b> 
<b>FS5W71F</b> 	<b>FS5W71G</b> 	<b>G52</b> 
<b>G360 2wd</b> 	<b>G360 4wd</b> 	<b>Getrag 290 2wd</b> 

Transmission ID

# Transmission ID

















<p><b>Getrag 290 4wd</b></p> 	<p><b>Getrag 290 Late</b></p> 	<p><b>Honda A1</b></p> 
<p><b>Honda S20</b></p> 	<p><b>Honda Y80</b></p> 	<p><b>L52 2wd</b></p> 
<p><b>L52 4wd</b></p> 	<p><b>M5R1 2wd</b></p> 	<p><b>M5R1 4wd</b></p> 
<p><b>M5R2 2wd</b></p> 	<p><b>M5R2 4wd</b></p> 	<p><b>MSG-5ET</b></p> 
<p><b>MSG-5F Bolt On</b></p> 	<p><b>MSG-5F Slip On</b></p> 	<p><b>Muncie M21</b></p> 
<p><b>Nash Overdrive</b></p> 	<p><b>Nash T10</b></p> 	<p><b>NP435</b></p> 

# Transmission ID



















<p><b>NP535 2wd</b></p> 	<p><b>NP535 4wd</b></p> 	<p><b>NP833</b></p> 
<p><b>NV1500</b></p> 	<p><b>NV4500 Chevy 2wd</b></p> 	<p><b>NV4500 Chevy 4wd</b></p> 
<p><b>NV4500 Dodge 2wd</b></p> 	<p><b>NV4500 Dodge 4wd</b></p> 	<p><b>NV5600</b></p> 
<p><b>RS5F30 Sentra 82-86</b></p> 	<p><b>RS5F30 Sentra 86-90 2wd</b></p> 	<p><b>RS5F30 Sentra 86-90 4wd</b></p> 
<p><b>RS5F30 Sentra 90-Up 1.6L</b></p> 	<p><b>RS5F30 Sentra 90-Up 2.0L</b></p> 	<p><b>RS5F30 Stanza 82-86</b></p> 
<p><b>Saginaw</b></p> 	<p><b>SAM</b></p> 	<p><b>SAM TS45</b></p> 

Transmission ID

# Transmission ID








<p><b>SM465</b></p> 	<p><b>SR4</b></p> 	<p><b>SROD</b></p> 
<p><b>SROD-RTS</b></p> 	<p><b>SROD-RUG</b></p> 	<p><b>SROD-T176</b></p> 
<p><b>T5 Chevy 2wd</b></p> 	<p><b>T5 Chevy 4wd</b></p> 	<p><b>T5 Ford</b></p> 
<p><b>T5 WC Astro</b></p> 	<p><b>T5 WC Camaro</b></p> 	<p><b>T5 WC Isuzu</b></p> 
<p><b>T10</b></p> 	<p><b>T10 Nash</b></p> 	<p><b>T14</b></p> 
<p><b>T15</b></p> 	<p><b>T18 2wd Bolt On</b></p> 	<p><b>T18 2wd Slip On</b></p> 

# Transmission ID

<p><b>T18 4wd</b></p> 	<p><b>T19 2wd</b></p> 	<p><b>T19 4wd</b></p> 
<p><b>T45</b></p> 	<p><b>T56 Chevy</b></p> 	<p><b>T56 Ford</b></p> 
<p><b>T56 Viper</b></p> 	<p><b>T86</b></p> 	<p><b>T90</b></p> 
<p><b>T150</b></p> 	<p><b>TK4 2wd</b></p> 	<p><b>TK4 4wd</b></p> 
<p><b>TK5 2wd</b></p> 	<p><b>TK5 4wd</b></p> 	<p><b>Tracker</b></p> 
<p><b>Tracker Transfer Case</b></p> 	<p><b>VW020</b></p> 	<p><b>W55</b></p> 

Transmission ID

# Transmission ID



















<p><b>W56</b></p> 	<p><b>W58</b></p> 	<p><b>ZF S5-42 2wd</b></p> 
<p><b>ZF S5-42 4wd</b></p> 	<p><b>ZF S5-47 2wd</b></p> 	<p><b>ZF S5-47 4wd</b></p> 
<p><b>ZF S650</b></p> 		

# Transfer Case ID

<p><b>BW1345</b></p> 	<p><b>BW1350 Electric</b></p> 	<p><b>BW 1350 Mechanical</b></p> 
<p><b>BW1356 Bolt On</b></p> 	<p><b>BW1356 Slip On</b></p> 	<p><b>BW1370 Bolt On</b></p> 

Transmission ID/Transfer Case ID



















# Transfer Case ID

<b>BW 1370 Slip On</b> 	<b>BW1372</b> 	<b>BW4404</b> 
<b>BW4405</b> 	<b>BW4406</b> 	<b>BW4407</b> 
<b>BW4470 Bolt On</b> 	<b>BW4470 Slip On</b> 	<b>BW4472</b> 
<b>Dana 28</b> 	<b>NP136</b> 	<b>NP149</b> 
<b>NP203</b> 	<b>NP205 Chevy</b> 	<b>NP205 Dodge</b> 
<b>NP207</b> 	<b>NP208 Chevy Bolt On</b> 	<b>NP208 Chevy Slip On</b> 

Transfer Case ID



# Transfer Case ID

<b>NP208 Dodge</b> 	<b>NP208 Ford</b> 	<b>NP229</b> 
<b>NP231</b> 	<b>NP233</b> 	<b>NP236</b> 
<b>NP241</b> 	<b>NP242</b> 	<b>NP243</b> 
<b>NP246</b> 	<b>NP247</b> 	<b>NP249</b> 
<b>NP261</b> 	<b>NP263</b> 	<b>NP271 Dodge</b> 
<b>NP271 Ford</b> 	<b>NP273 Dodge</b> 	<b>NP273 Ford</b> 

Transfer Case ID

# WARRANTY INFORMATION

## LIMITED 90 DAY WARRANTY (This Warranty Gives No Rights To Any Consumer)

We warrant to our direct purchaser only, that we will replace, F.O.B. factory, any parts sold by us which proves defective in material or workmanship during the 90-day period following installation by the first consumer user (the "Warranty Period") or that proves not be interchangeable with those parts of the original car or truck model which it is intended to replace. Our obligation under this Warranty is expressly conditioned on proper installation of the part and operation under normal conditions. In addition, we do not warrant a part if used with a mating part of another brand. To make a claim under this Warranty, the part or parts claimed to be defective must be sent within the above warranty period to our factory for inspection with return transportation charges prepaid and with a letter giving the reason for the return and details as to the conditions under which the part or parts were operated. THIS WARRANTY IS THE SOLE WARRANTY COVERING ANY PARTS SOLD BY US AND WE HAVE NOT AUTHORIZED ANY PERSON TO MAKE ANY OTHER WARRANTY ON OUR BEHALF WITH RESPECT TO OUR MERCHANDISE. ANY IMPLIED WARRANTY OF MERCHANTABILITY OR FITNESS ARISING IN CONNECTION WITH THE SALE OF ANY OF OUR MERCHANDISE IS HEREBY EXPRESSLY DISCLAIMED. REPLACEMENT IS YOUR SOLE REMEDY IN ANY CLAIM AGAINST US BASED ON A DEFECT IN ONE OF OUR PRODUCTS, WHETHER SUCH A CLAIM IS BASED ON BREACH OF WARRANTY, NEGLIGENCE OR STRICT LIABILITY AND IN NO SUCH CLAIM SHALL WE BE LIABLE FOR ANY DAMAGES WHETHER DIRECT, INDIRECT, CONSEQUENTIAL OR INCIDENTAL.

The above Warranty is given only to commercial customers who purchase directly from King-O-Matic (our "Direct Purchasers"). The warranty gives no rights to any consumer who purchases or otherwise obtains any of our products from such Direct Purchasers. Direct Purchasers are not authorized, under any circumstances, to use or refer to the King-O-Matic 90-Day Limited Warranty in any way in connection with advertising or sale of King-O-Matic products to consumer purchasers. By making purchases from King-O-Matic, Direct Purchaser agrees to follow this policy and further agrees to indemnify and hold King-O-Matic harmless from any liability, penalty, cost or expense incurred by King-O-Matic which arises from any such Direct Purchaser having in any way used or referred to the King-o-Matic 90-Day Limited Warranty in connection with advertising or sale of King-O-Matic products to consumer purchasers.

### NOTICE

This catalogue has been prepared from reliable information with the utmost of care. However, we cannot assume any responsibility for error or misapplication.  
All parts listed in this catalogue are for replacement purposes only.

## GARANTIE LIMITÉE DE 90 JOURS (Cette garantie ne donne aucun droit à un consommateur)

Nous garantissons à nos acheteurs directs exclusivement que nous remplacerons F.O.B. usine, toute pièce vendue par nous qui s'avérerait défectueuse quant au matériel ou à la fabrication dans les 90 jours suivants l'installation de la dite pièce par le premier consommateur l'utilisant (durant la période de la garantie) ou qui ne serait pas interchangeable avec les pièces d'origine sur le modèle de voiture ou de camion auquel elle est destinée. Notre responsabilité en vertu de cette garantie est assujettie à une installation correcte de la pièce et à son utilisation dans des conditions normales. En plus, notre garantie sur une pièce est annulée si cette pièce est accouplée à une autre pièce de marque différente. Pour faire une réclamation en vertu de cette garantie, la pièce (ou les pièces) présumée défectueuse doit être renvoyée à notre usine dans les délais de la garantie pour y être inspectées. Cette pièce doit être accompagnée d'un montant couvrant les frais de re-expédition et d'une lettre donnant les raisons du renvoi ainsi que des détails sur les conditions dans lesquelles cette pièce a été utilisée. CETTE GARANTIE EST LA SEULE GARANTIE S'APPLIQUANT À TOUTES LES PIÈCES QUE NOUS FABRIQUONS ET NUL N'EST AUTORISÉ À ÉMETTRE UNE AUTRE GARANTIE EN NOTRE NOM QUANT À NOTRE MARCHANDISE. NOUS CONSIDÉRENS COMME NULLE ET NON AVENUE TOUTE GARANTIE IMPLICITE DE QUALITÉ LOYALE ET MARCHANDE OU D'ADAPTATION DONNÉE LORS DE LA VENTE D'UNE DE NOS PRODUITS. LE REMPLACEMENT D'UNE PIÈCE EST LE SEUL RECOURS DANS TOUTE RÉCLAMATION QUI NOUS EST FAITE BASÉE SUR UN DÉFAUT DE FABRICATION D'UN DE NOS PRODUITS QUE CETTE RÉCLAMATION SOIT BASÉE SUR UNE VIOLATION DE LA GARANTIE, SUR LA NÉGLIGENCE OU SUR UNE STRICTE RESPONSABILITÉ ET EN AUCUN CAS LORS D'UNE TELLE RÉCLAMATION N'ACCEPTONS NOUS DE RESPONSABILITÉ POUR TOUT DOMMAGE ENCOURU QUE CE SOIT DIRECTEMENT, INDIRECTEMENT, CONSÉQUEMMENT OU INCIDEMMENT.

Le garantie ci-dessus n'est donnée qu'aux entreprises commerciales qui achètent directement chez King-O-Matic (nos «acheteurs directs»). Cette garantie ne donne aucun droit à un consommateur qui achète ou obtient un de nos produits de tels acheteurs directs. Le acheteurs directs ne sont autorisés en aucune circonstance à faire usage de la garantie 90 jours de King-O-Matic ou à y faire référence dans une annonce publicitaire ou lors de la vente de produits King-O-Matic à des consommateurs. En achetant chez King-O-Matic, les acheteurs directs acceptent de se conformer à ces directives et acceptent en plus d'indemniser et de libérer King-O-Matic de toute responsabilité, pénalité, coûts ou frais encourus par King-O-Matic suite à une utilisation ou une référence faite à la garantie de 90 jours de King-O-Matic par un acheteur direct dans une annonce publicitaire ou lors de la vente de produits King-O-Matic à des consommateurs.

### AVIS

Le présent catalogue a été rédigé avec le plus grand soin à partir de données sûres. Cependant, nous ne pouvons assumer aucune responsabilité quant à une erreur ou un mauvais usage. Toutes les pièces énumérées dans le catalogue sont réservées à des fins de remplacement.

Catalogue published by KING-O-MATIC INDUSTRIES INC. (A TRANSTAR COMPANY), 955 Pantera Drive, Mississauga, Ontario CANADA L4W 2T4. All rights reserved. No part of this publication may be reproduced, stored in a retrieval system, or transmitted, in any form, or by any means, electronic, mechanical, photocopying, recording, or otherwise, without the prior written permission of KING-O-MATIC INDUSTRIES INC.



**INDUSTRIES  
LIMITED**

**VANCOUVER**

1486 Cliveden Avenue  
Delta, BC V3M 6Z9  
**800.667.6388**  
T 604.540.1818  
F 604.540.8881

**CALGARY**

6025 - 3rd Street SE  
Calgary, AB T2H 1K3  
**800.665.2196**  
T 403.253.9555  
F 403.253.2520

**EDMONTON**

15917 - 114th Avenue  
Edmonton, AB T5M 2Z3  
**877.837.1125**  
T 780.451.1152  
F 780.451.1194

**WINNIPEG**

1401 Church Avenue  
Winnipeg, MB R2X 1G5  
**800.665.2420**  
T 204.943.2469  
F 204.947.9571

**MISSISSAUGA**

Canadian Head Office  
955 Pantera Drive  
Mississauga, ON L4W 2T4  
**800.268.2368**  
T 905.624.1000  
F 905.624.4628

**SCARBOROUGH**

Unit 11 - 945 Middlefield Road  
Toronto, ON M1V 5E1  
**800.268.2368**  
T 905.624.1000  
F 416.291.6194

**MONTREAL**

Les Industries King-O-Matic Ltée  
10442 Armand-Lavergne Avenue  
Montréal-Nord, QC H1H 3N4  
**800.361.9018**  
T 514.325.6602  
F 514.325.1947

**HALIFAX**

Unit B - 95 Ilsley Avenue  
Dartmouth, NS B3B 1L5  
**800.473.5933**  
T 902.481.8888  
F 902.481.0575

SAME DAY AND OVERNIGHT  
SERVICE AVAILABLE TO  
MOST CANADIAN CITIES

EXPÉDITION LE JOUR MÊME  
OU LA LIVRAISON LE LENDEMAIN  
DANS LA PLUPART DES VILLES  
CANADIENNES

**KING-O-MATIC ALSO FEATURES  
THESE OTHER PRODUCTS**



**Differential Components**



**Automatic Transmission Parts**



**Filters and Filter Kits**



**Torque Converters**