

GAS & SPECIALTY SENSORS

TELAIRE DUCT PROBE CO2 TRANSMITTERS

T8041, T8042



TELAIRE
Amphenol
Advanced Sensors



DESCRIPTION

The Telaire CO2 transmitters are ideal for application targeting indoor air quality and energy conservation. The Ventostat® T8041/T8042 duct mount CO2 transmitters offer accuracy and versatility at an affordable price. This exceptional product line touts an unobtrusive form factor that is easy to install, simple to use, and remains accurate over the expected life of the device using Telaire's patented ABC Logic™ (Automatic Background Calibration) technology



T8041

FEATURES

- Analog output, 0-5/10 VDC (field selectable) or 4-20 mA models
- ABC Logic (TM) automated calibration
- Non-dispersive infrared technology

SPECIFICATIONS

Supply Voltage	18 to 30 VAC RMS, 50/60 Hz or 18 to 42 VDC, polarity protected.	Response Time	Three minutes typical for a 90% step change at low duct speeds
Signal Output	0 to 5V or 0 to 10V (Factory Configured)	Pressure Dependence	0.13% of reading per mm of mercury
Power Consumption	Typical values (1.65 watts peak, 0.65 watts avg. @ 42 VDC)	Wiring Terminations	Leads, Terminals
Accuracy	±40 ppm +3% of reading @ 22°C (72°F) when compared with a factory	Operating Temperature	0°C to 50°C (32°F to 122°F)
Non-Linearity	<1% of full scale @ 22°C (72°F)	Operating Humidity	0% to 95% RH, noncondensing
Temperature Dependence	0.2% of full scale per °C	Dimensions	
Measurement Range	0-2000 ppm	Probe Length	T8041 4.09" (10.38 cm) T8042 8.07" (20.51 cm)
Calibration Interval	None, uses ABC Logic (Automatic Background Calibration)	Probe Diameter	1.24" (3.15 cm)
Warm Up Time	<Two minutes (operational); 10 minutes to achieve maximum accuracy	Junction Box Depth	1.58" (4.02 cm)
		Junction Box H x L	3.05" x 3.05" (7.46 cm x 7.46 cm)
		Weight	0.5 lb (0.23 Kg)
		Approvals	CE EMC, RoHS Compliant
		Warranty	1 year

7

GAS & SPECIALTY SENSORS

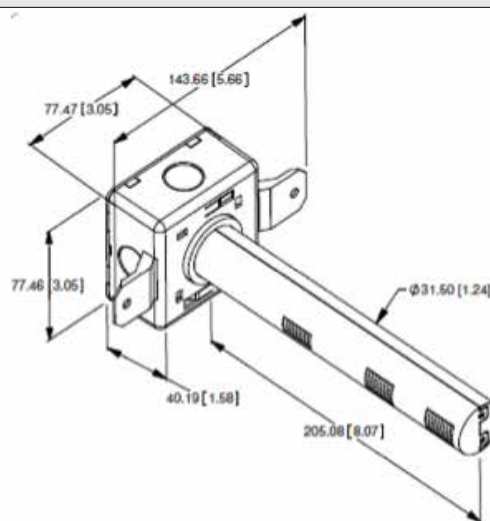
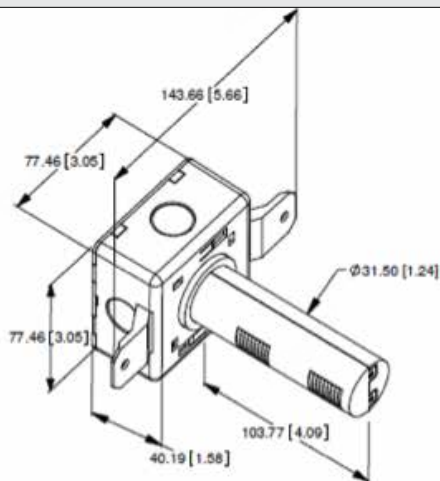


GAS & SPECIALTY SENSORS

TELAIRE DUCT PROBE CO2 TRANSMITTERS

T8041, T8042

DIMENSIONS



7

GAS & SPECIALTY SENSORS

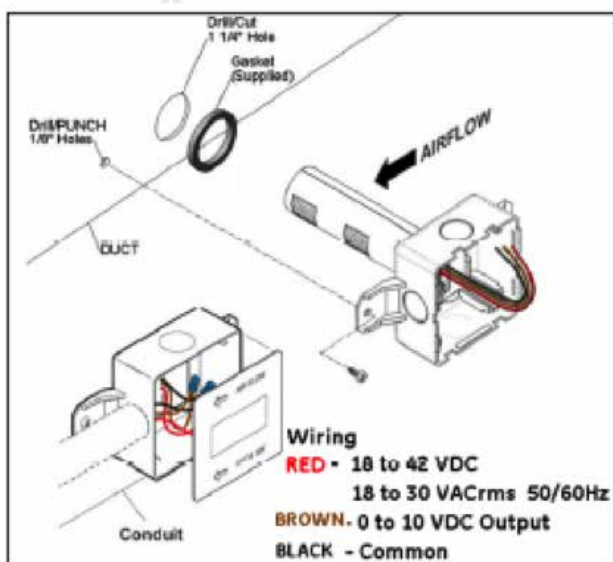


Figure 1: T8041 Installation

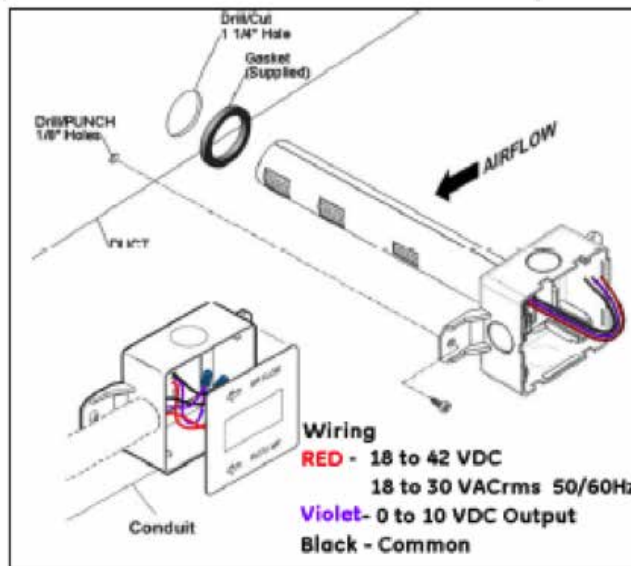


Figure 2: T8042 Installation

1. Before installing the sensor, note the direction of the airflow. Ensure all mounting holes are sealed tightly.
2. Drill/cut one 1-1/2" hole and punch/drill two 1/8" holes for mounting screws.
3. Slide the sensor into 1-1/2" hole and secure with #10 sheet metal screws.
4. Connect the conduit and make necessary wire connections.
5. Install lid, and ensure it snaps into place.

ORDERING INFORMATION

MODEL	DESCRIPTION
T8041	Duct Mount CO2 Sensor, 0 to 10VDC analog output, 4"Probe
T8041-5V	Duct Mount CO2 Sensor, 0 to 5VDC analog output, 4"Probe
T8042	Duct Mount CO2 Sensor, 0 to 10VDC analog output, 8"Probe
T8042-5V	Duct Mount CO2 Sensor, 0 to 5VDC analog output, 8"Probe