

ECOSPLIT III	NEW ECOSPLIT
16 S 151 NEW	16 S 1620 TO 16 S 1620 TD 16 S 1621 TO 16 S 1621 TD 16 S 1625 TO 16 S 1625 TD 16 S 1820 TO 16 S 1820 TD 16 S 1821 TO 16 S 1821 TD 16 S 1822 TO 16 S 1822 TD 16 S 1823 TO 16 S 1823 TD 16 S 1825 TO 16 S 1825 TD

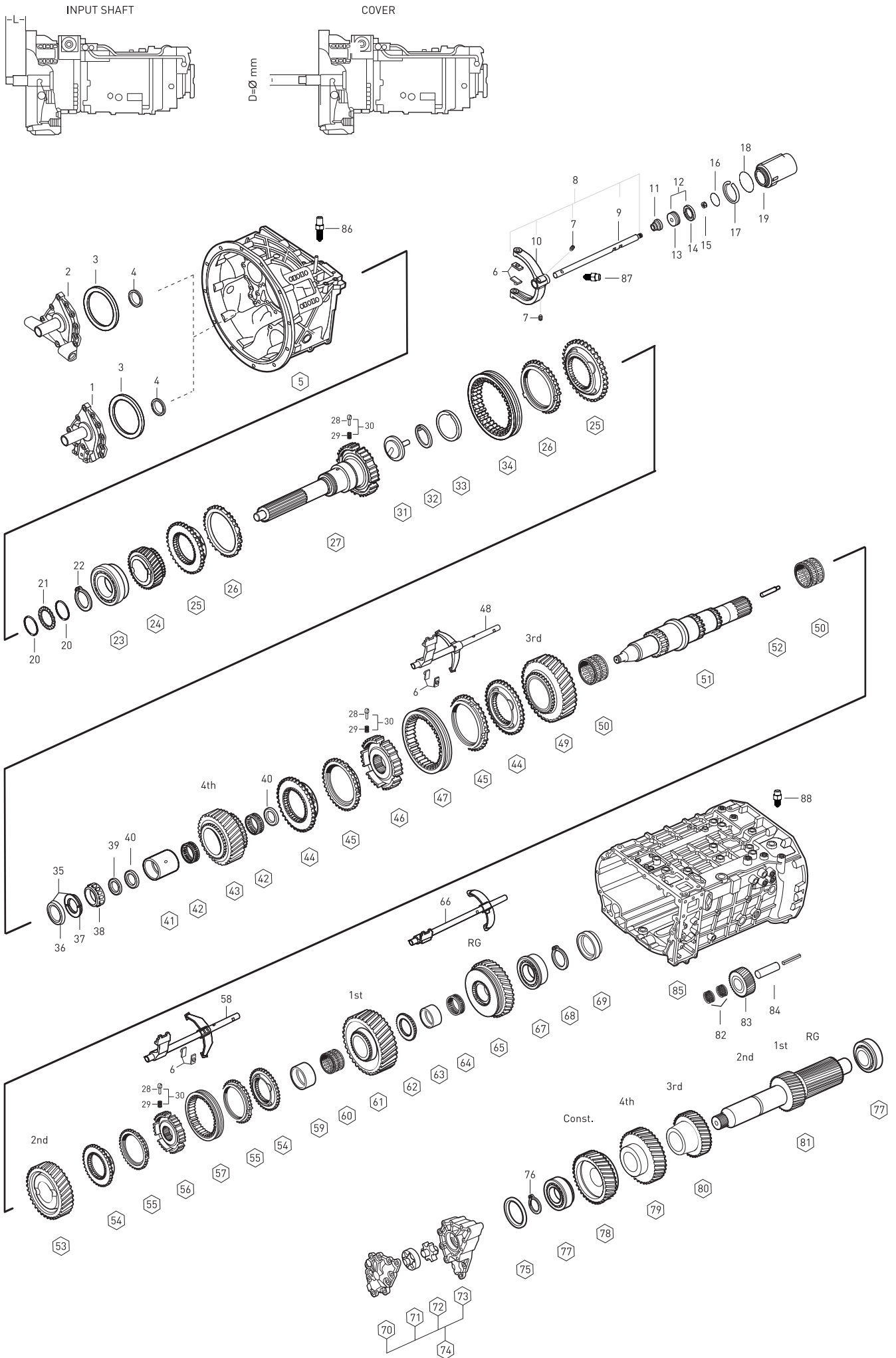


Fig.	Kacmaz No.	Oem No	Oem Old No	Pcs.	Ürün Tanımı	Description	Sizes	Notes	X1:SG-TO 1380-084	X2:DG-TD 1641-1.00
1	K20.00560	1315 302 136	(1315 402 136)	1	PRİZDİREK KEÇE KAPAĞI	COVER	L=7 D=60	(M)(R)(B)	◆	◆
1	K20.00559	1315 302 075	(1315 402 075)	1	PRİZDİREK KEÇE KAPAĞI	COVER	L=7 D=60	(D)	◆	◆
2	K20.00663	1315 302 134	(1315 302 122)	1	PRİZDİREK KEÇE KAPAĞI	COVER		(M)	◆	◆
2	K20.00634	1315 302 106	(1315 402 106)	1	PRİZDİREK KEÇE KAPAĞI	COVER	L=7 D=66	(R)	◆	◆
2	K20.00653	1315 302 072	(1315 402 072)	1	PRİZDİREK KEÇE KAPAĞI	COVER	L=3 D=62.6	(I)	◆	◆
2		1315 202 060	(4130 306 306)	1	PRİZDİREK KEÇE KAPAĞI	COVER		(WSK)	◆	◆
3	K20.01683	0730 007 486		1	PRİZ.ÖN BİLYA RAYNELİ	SHIM	2.00mm		◆	◆
3	K20.01684	0730 007 483		1	PRİZ.ÖN BİLYA RAYNELİ	SHIM	1.85mm		◆	◆
3	K20.01685	0730 007 479		1	PRİZ.ÖN BİLYA RAYNELİ	SHIM	1.65mm		◆	◆
3	K20.01686	0730 007 136		1	PRİZ.ÖN BİLYA RAYNELİ	SHIM	1.60mm		◆	◆
3	K20.01687	0730 007 129		1	PRİZ.ÖN BİLYA RAYNELİ	SHIM	1.25mm		◆	◆
3	K20.01668	0730 005 748		1	PRİZ.ÖN BİLYA RAYNELİ	SHIM	0.90mm		◆	◆
3	K20.01671	2050 309 067		1	PRİZ.ÖN BİLYA RAYNELİ	SHIM	0.30mm		◆	◆
3	K20.01582	0730 005 747		1	PRİZ.ÖN BİLYA RAYNELİ	SHIM	0.25mm		◆	◆
3	K20.01672	2050 309 068		1	PRİZ.ÖN BİLYA RAYNELİ	SHIM	0.20mm		◆	◆
3	K20.01673	2001673		1	PRİZ.ÖN BİLYA RAYNELİ	SHIM	0.10mm		◆	◆
4	K20.01003	0734 310 386	(0734 310 387)	1	PRİZDİREK ÖN KEÇE	OIL SEAL	55x75x8mm		◆	◆
4	K20.01008	0734 310 104		1	PRİZDİREK ÖN KEÇE	OIL SEAL	52x68x8mm	(WSK)	◆	◆
5		1316 201 142	(1316 301 064)	1	ŞANZIMAN ÖN GÖVDE	HOUSING			◆	◆
5		1316 201 149		1	ŞANZIMAN ÖN GÖVDE	HOUSING			◆	◆
5		1316 221 015		1	ŞANZIMAN ÖN GÖVDE	HOUSING		(NMW)	◆	◆
6	K20.00325	1316 306 015		6	TAK.-1-2-3-4.VİT.HİL.PABUCU	SLIDING PAD			◆	◆
7	K20.01688	1315 312 047		2	TAK.HİLAL VİDASI	SCREW	M12x1.00mm		◆	◆
8	K20.00637	1315 212 013		1	TAKVİYE HİLALİ KOMPLE	G.S.FORK and RAIL ASSY.			◆	◆
9	K20.00636	1315 312 073		1	TAKVİYE HİLAL MİLİ	G SHIFT RAIL			◆	◆
10	K20.00635	1315 312 074		1	TAKVİYE HİLALİ	G SHIFT FORK			◆	◆
11	K20.01026	0750 112 253	(0750 112 131)	1	TAKVİYE HİLAL MİL KEÇESİ	FLANGE PACKING	25x40x14.50mm		◆	◆
12	K20.01779	0501 324 670		1	TAKVİYE PİSTON SİLİNDİRİ	PISTON			◆	◆
13	K20.01772	1315 312 020		1	TAKVİYE HİLAL MİL PİSTON	PISTON			◆	◆
14	K20.01020	0750 112 177		1	TAKVİYE HAVA KEÇESİ	DOUBLE PACKING	55x63x9.40mm		◆	◆
15	K20.01774	0737 006 095		1	TAK.HİLAL MİL SOMUNU	NUT	M16x1.50mm		◆	◆
16		0634 313 320		1	TAKVİYE SİLİNDİR ORİNGİ	O-RING			◆	◆
17	K20.01689	1315 312 034		1	TAKVİYE SİLİNDİR SEKMANI	RETAINING RING			◆	◆
18		0634 313 018		1	TAKVİYE SİLİNDİR ORİNGİ	O-RING			◆	◆
19	K20.00877	1315 312 048		1	TAKVİYE SİLİNDİR GÖVDESİ	CYLINDER			◆	◆
20	K20.01530	0730 150 766		2	P.DİREK YAĞLAMA PULU	THRUST WASHER			◆	◆
21		1315 302 040		1	P.DİREK YAĞLAMA SACI	SPACER RING			◆	◆
22	K20.01897	0730 501 598		1	P.DİREK B.BİLYA SEKMANI	RETAINING RING			◆	◆
23	K20.01104	0750 117 732		1	PRİZDİREK ÖN BİLYA	ROLLER BEARING	80x150x30.50mm		◆	◆
24	K20.00162	1315 302 158		1	TAKVİYE DIŞLİSİ 35 DİŞ	CONSTANT GEAR 35 T			◆	
24	K20.00163	1315 302 157		1	TAKVİYE DIŞLİSİ 30 DİŞ	CONSTANT GEAR 30T				◆

NOTES :

X1,X2 are used conjunction with the encoded parts.
 Alphabetical Coding has been done according to Input Shaft
 X1 : 16 S 151 SG, 16 S 1620 TO, 16 S 1621 TO
 16 S 1625 TO, 16 S 1820 TO, 16 S 1821 TO 16 S 1822 TO
 16 S 1823 TO, 16 S 1825 TO

X2 : 16 S 151 DG, 16 S 1620 TD, 16 S 1621 TD
 16 S 1625 TD, 16 S 1820 TD, 16 S 1821 TD, 16 S 1822 TD
 16 S 1823 TD, 16 S 1825 TD

NOTLAR :

X1,X2 ile kodlanan parçalar birlikte kullanılır.
 Alfabetik kodlamalar prizdireklere göre yapılmıştır.
 X1 : 16 S 151 SG, 16 S 1620 TO, 16 S 1621 TO
 16 S 1625 TO, 16 S 1820 TO, 16 S 1821 TO 16 S 1822 TO
 16 S 1823 TO, 16 S 1825 TO

X2 : 16 S 151 DG, 16 S 1620 TD, 16 S 1621 TD
 16 S 1625 TD, 16 S 1820 TD, 16 S 1821 TD, 16 S 1822 TD
 16 S 1823 TD, 16 S 1825 TD

Original parts names, oem numbers, symbols and descriptions used in this catalogue are for reference purposes only.

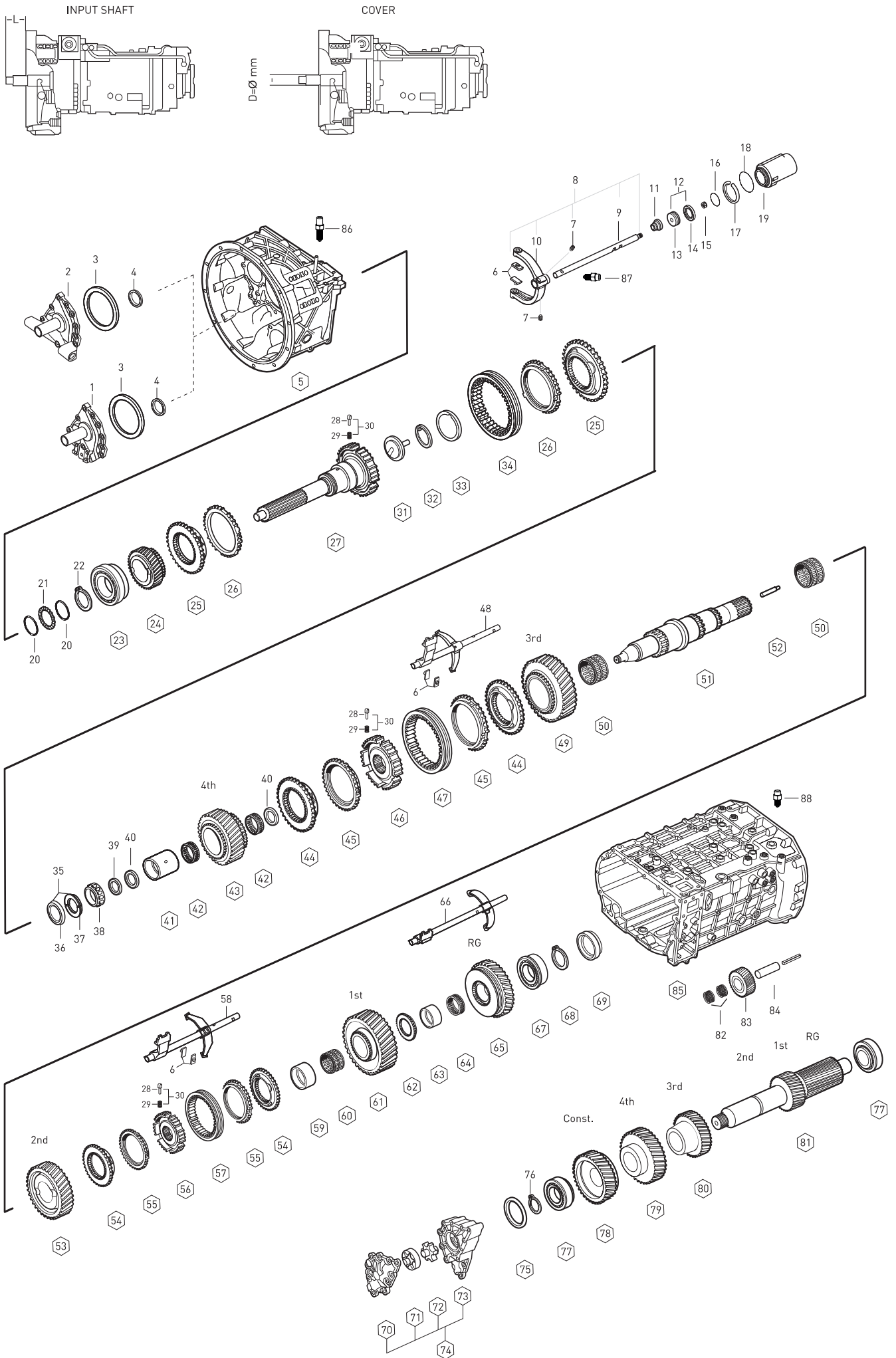


Fig.	Kacmaz No.	Oem No	Oem Old No	Pcs.	Ürün Tanımı	Description	Sizes	Notes	X1:SG-TO 1380-084	X2:DG-TD 1641-1.00
25	K20.00101	1312 304 027		2	TAKVİYE SENKROMENÇ	ENGAGING RING			◆	◆
26	K20.00108	1297 304 484	{1297 304 402}	2	TAKVİYE SENK.FRENLEME	SYNCHRONIZING CONE			◆	◆
27	K20.00151	1315 202 037	{1315 302 153}	1	PRİZDİREK	INPUT SHAFT	L=109 SAE 2	{M}{R}{B}	◆	◆
27	K20.00152	1315 202 040	{1315 302 162}	1	PRİZDİREK	INPUT SHAFT	L=117 SAE 2	{I}	◆	◆
27	K20.00640	1315 202 038	{1315 302 164}	1	PRİZDİREK	INPUT SHAFT	L=109 SAE 2	{RVI}	◆	◆
27	K20.00668	1315 202 070	{1315 302 203}	1	PRİZDİREK	INPUT SHAFT		{F}	◆	◆
27	K20.00153	1315 202 048		1	PRİZDİREK	INPUT SHAFT		{WSK}	◆	◆
27	K20.00154	1315 221 002		1	PRİZDİREK	INPUT SHAFT	L=109 SAE 2	{NMV}	◆	◆
28	K20.00111	1297 304 436		9	PRİZ.ve YILDIZ DİŞLİ FİŞEĞİ	PRESSURE PIECE			◆	◆
29	K20.00110	0732 040 409		9	PRİZ.ve YILDIZ DİŞLİ YAYI	SPRING			◆	◆
30	K20.01745	1295 298 956		kit	YAY FİŞEK TAKIMI	REPAIR KIT			◆	◆
31	K20.01504	1315 302 196		1	PRİZDİREK YAĞ PİPETİ	OIL PIPET			◆	◆
32	K20.01505	0630 502 027		1	P.DİREK YAĞ PİPETİ SEKM.	RETAINING RING	50x2mm		◆	◆
33	K20.01011	0501 314 060	{0750 101 179}	1	P.DİREK ARKA KEÇE	OIL SEAL			◆	◆
34	K20.00098	1310 304 202	{1310 304 174}	1	TAKVİYE VİTES SENK.HALKA	ENGAGING SLEEVE			◆	◆
			{1312 302 057}							
35	K20.01561	1499 298 027		1	EMN.SACI VE P.KİLİT TAK.	SPLIT RING KIT	5.00mm		◆	◆
35	K20.01563	1499 298 026		1	EMN.SACI VE P.KİLİT TAK.	SPLIT RING KIT	4.90mm		◆	◆
35	K20.01580	2001580		1	EMN.SACI VE P.KİLİT TAK.	SPLIT RING KIT	4.85mm		◆	◆
35	K20.01565	1499 298 025		1	EMN.SACI VE P.KİLİT TAK.	SPLIT RING KIT	4.80mm		◆	◆
35	K20.01567	1499 298 024		1	EMN.SACI VE P.KİLİT TAK.	SPLIT RING KIT	4.70mm		◆	◆
35	K20.01569	1499 298 023		1	EMN.SACI VE P.KİLİT TAK.	SPLIT RING KIT	4.60mm		◆	◆
36	K20.01571	0730 062 781		1	P. KİLİT EMNİYET SACI	RETAINING RING			◆	◆
37	K20.01562	0730 107 023		2	PARÇALI KİLİT	SPLIT RING	5.00mm		◆	◆
37	K20.01564	0730 107 022		2	PARÇALI KİLİT	SPLIT RING	4.90mm		◆	◆
37	K20.01581	2001581		2	PARÇALI KİLİT	SPLIT RING	4.85mm		◆	◆
37	K20.01566	0730 107 021		2	PARÇALI KİLİT	SPLIT RING	4.80mm		◆	◆
37	K20.01568	0730 107 020		2	PARÇALI KİLİT	SPLIT RING	4.70mm		◆	◆
37	K20.01570	0730 107 019		2	PARÇALI KİLİT	SPLIT RING	4.60mm		◆	◆
38	K20.01109	0750 117 232		1	KAMALI MİL UÇ BİLYA	ROLLER BEARING	42x40.3mm		◆	◆
39	K20.01781	1315 304 051		1	KAMALI MİL UÇ BİLYA PULU	THRUST WASHER	8.30mm		◆	◆
39	K20.01527	1315 304 048		1	KAMALI MİL UÇ BİLYA PULU	THRUST WASHER	8.00mm		◆	◆
39	K20.01528	1315 304 047		1	KAMALI MİL UÇ BİLYA PULU	THRUST WASHER	7.90mm		◆	◆
39	K20.01529	1315 304 046		1	KAMALI MİL UÇ BİLYA PULU	THRUST WASHER	7.80mm		◆	◆
39	K20.01762	1315 304 045		1	KAMALI MİL UÇ BİLYA PULU	THRUST WASHER	7.70mm		◆	◆
40	K20.01533	0750 101 158		2	4.VİTES ÇANAK ALIN PULU	THRUST WASHER			◆	◆
41	K20.00174	0750 119 125		1	4.VİT.MAS.BİLYA ÇANAĞI	BEARING RACE	67x77x54.10mm		◆	◆
42	K20.01303	0750 115 531	{0750 115 534}	2	4.VİT.DİŞLİ MASURA BİLYA	NEEDLE CAGE	77x101x29mm		◆	◆
43	K20.00173	1315 304 089		1	4.VİTES DİŞLİSİ 32 DİŞ	GEAR 4th 32 T			◆	◆
44	K20.00102	1316 304 159	{1316 304 145}	2	3./ 4.VİT.SENKROMENÇ	ENGAGING RING			◆	◆
44	K20.00881	1316 304 190	{1356 304 025}	2	3./ 4.VİT.SENKROMENÇ	ENGAGING RING	NEW		◆	◆

NOTES :

X1,X2 are used conjunction with the encoded parts.
 Alphabetical Coding has been done according to Input Shaft
 X1 : 16 S 151 SG, 16 S 1620 TO, 16 S 1621 TO
 16 S 1625 TO, 16 S 1820 TO, 16 S 1821 TO 16 S 1822 TO
 16 S 1823 TO, 16 S 1825 TO

X2 : 16 S 151 DG, 16 S 1620 TD, 16 S 1621 TD
 16 S 1625 TD, 16 S 1820 TD, 16 S 1821 TD, 16 S 1822 TD
 16 S 1823 TD, 16 S 1825 TD

Original parts names, oem numbers, symbols and descriptions used in this catalogue are for reference purposes only.

NOTLAR :

X1,X2 ile kodlanan parçalar birlikte kullanılır.
 Alfabetik kodlamalar prizdireklere göre yapılmıştır.
 X1 : 16 S 151 SG, 16 S 1620 TO, 16 S 1621 TO
 16 S 1625 TO, 16 S 1820 TO, 16 S 1821 TO 16 S 1822 TO
 16 S 1823 TO, 16 S 1825 TO

X2 : 16 S 151 DG, 16 S 1620 TD, 16 S 1621 TD
 16 S 1625 TD, 16 S 1820 TD, 16 S 1821 TD, 16 S 1822 TD
 16 S 1823 TD, 16 S 1825 TD

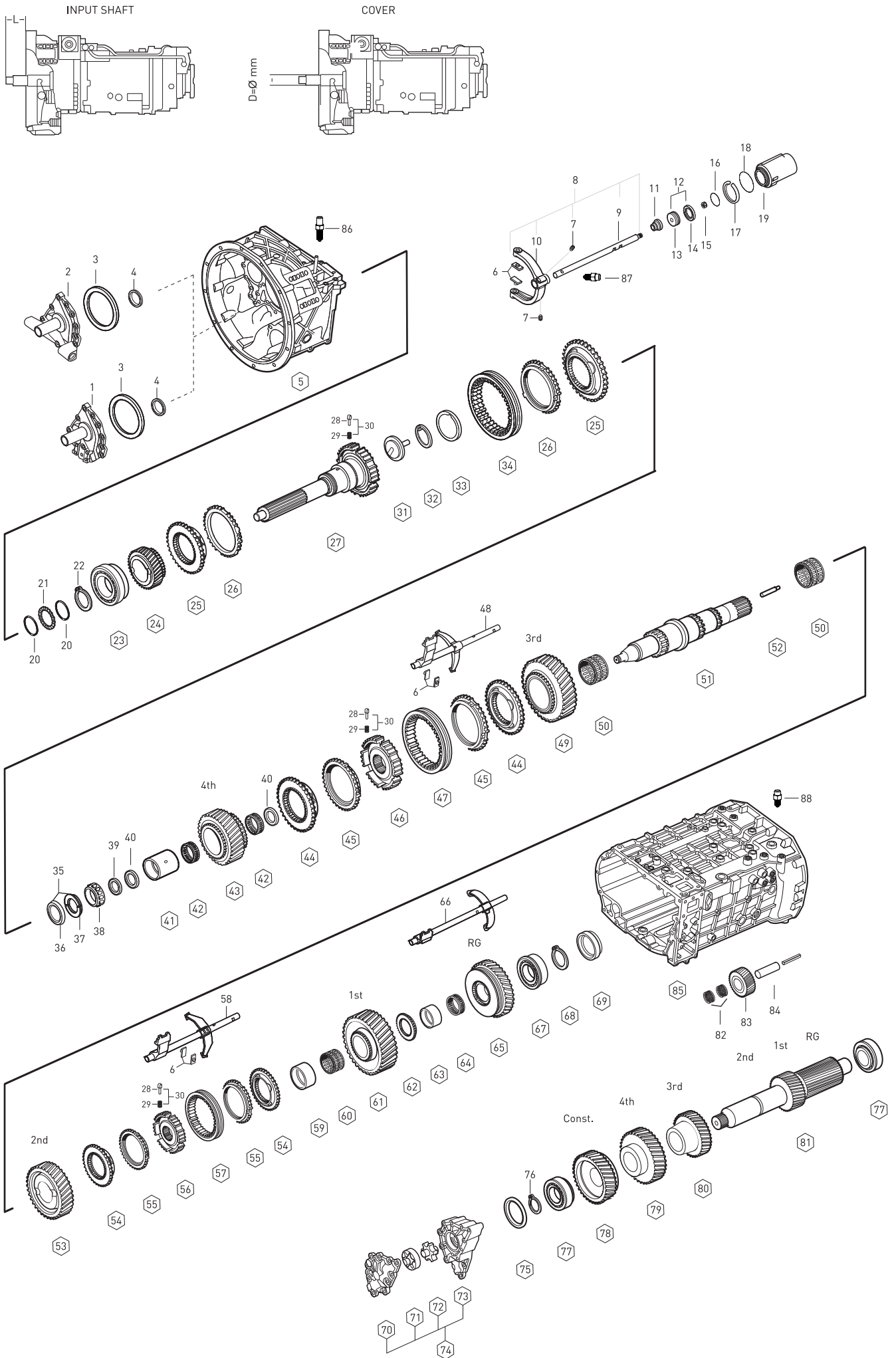


Fig.	Kacmaz No.	Oem No	Oem Old No	Pcs.	Ürün Tanımı	Description	Sizes	Notes	X1:SG-TO 1380-084	X2:DG-TD 1641-1.00
45	K20.00109	1316 304 168	(1316 304 149)	2	3./ 4.VİT.SENK.FRENLEME	SYNCHRONIZING CONE			◆	◆
45	K20.00880	1316 304 189	(1316 304 196)	2	3./ 4.VİT.SENK.FRENLEME	SYNCHRONIZING CONE	NEW		◆	◆
46	K20.00136	1316 304 162		1	3./ 4.VİT.YILDIZ DİŞLİ	GUIDE SLEEVE			◆	◆
46	K20.00898	1356 304 019		1	3./ 4.VİT.YILDIZ DİŞLİ	GUIDE SLEEVE	NEW		◆	◆
47	K20.00103	1316 304 167	(1315 304 135)	1	3./ 4.VİT.SENK.HALKA	ENGAGING SLEEVE			◆	◆
47	K20.00871	1356 304 023	(1316 304 188)	1	3./ 4.VİT.SENK.HALKA	ENGAGING SLEEVE	NEW		◆	◆
48		1315 206 079		1	3./4.VİTES HİLALİ	GEAR SHIT FORK 3rd/4th			◆	◆
49	K20.00176	1315 304 027		1	3.VİTES DİŞLİSİ 34 DİŞ	GEAR 3rd 34 T			◆	◆
50	K20.01322	0735 321 087		2	2./3.VİTES MASURA BİLYA	NEEDLE CAGE	92x100x53mm		◆	◆
51	K20.00299	1315 304 131		1	KAMALI MİL	MAIN SHAFT			◆	◆
52	K20.01506	1312 304 150		1	KAMALI MİL YAĞ BORUSU	OIL PIPE			◆	◆
53	K20.00178	1315 304 025		1	2.VİTES DİŞLİSİ 38 DİŞ	GEAR 2nd 38 T			◆	◆
54	K20.00183	1316 304 156		2	1./ 2.VİTES SENKROMENÇ	ENGAGING RING			◆	◆
54	K20.00910	1356 304 026	(1316 304 146)	2	1./ 2.VİTES SENKROMENÇ	ENGAGING RING			◆	◆
55	K20.00113	1316 304 170	(1316 304 173)	2	1./ 2.VİT.SENK.FRENLEME	SYNCHRONIZING CONE			◆	◆
			(1316 304 150)							
56	K20.00180	1316 304 163	(1316 304 148)	1	1./ 2.VİT.YILDIZ DİŞLİ	GUIDE SLEEVE			◆	◆
56	K20.00889	1356 304 022		1	1./ 2.VİT.YILDIZ DİŞLİ	GUIDE SLEEVE	NEW		◆	◆
57	K20.00114	1316 304 169	(1315 304 136)	1	1./ 2.VİT.SENK.HALKA	ENGAGING SLEEVE			◆	◆
57	K20.00803	1356 304 024		1	1./ 2.VİT.SENK.HALKA	ENGAGING SLEEVE	NEW		◆	◆
58		1315 206 076		1	1./2.VİTES HİLALİ	GEAR SHIT FORK 1st/2nd			◆	◆
59	K20.00374	1313 304 038		1	1.VİTES MAS.BİLYA ÇANAĞI	BEARING RACE			◆	◆
60	K20.01323	0750 115 325		1	1.VİTES MASURA BİLYA	NEEDLE CAGE	96x104x55mm		◆	◆
61	K20.00391	1315 304 004		1	1.VİTES DİŞLİSİ 47 DİŞ	GEAR 1st 47 T			◆	◆
62	K20.00393	1315 304 018		1	GERİ VİTES YILDIZ DİŞLİ	HUB			◆	◆
63	K20.00378	1315 304 132	(1313 304 036)	1	GERİ VİT.MAS.BİLYA ÇANAĞI	BEARING RACE			◆	◆
64	K20.01324	0750 115 324		1	GERİ VİTES MASURA BİLYA	NEEDLE CAGE	90x98x41mm		◆	◆
65	K20.00395	1315 304 006		1	GERİ VİTES DİŞLİSİ 44 DİŞ	REVERSE GEAR 44 T			◆	◆
66		1315 206 083		1	GERİ VİTES HİLALİ	GEAR SHIFT FORK/RG			◆	◆
67	K20.01119	0750 117 677		1	KAMALI MİL ARKA BİLYA	ROLLER BEARING	80x130x36mm		◆	◆
68		0630 501 339		1	K.MİL ARKA BİLYA SEKMANI	RETAINING RING	80x3.65mm		◆	◆
68		0630 501 338		1	K.MİL ARKA BİLYA SEKMANI	RETAINING RING	80x3.60mm		◆	◆
68		0630 501 316		1	K.MİL ARKA BİLYA SEKMANI	RETAINING RING	80x3.50mm		◆	◆
68		0630 501 315		1	K.MİL ARKA BİLYA SEKMANI	RETAINING RING	80x3.40mm		◆	◆
68		0630 501 314		1	K.MİL ARKA BİLYA SEKMANI	RETAINING RING	80x3.30mm		◆	◆
68		0630 501 313		1	K.MİL ARKA BİLYA SEKMANI	RETAINING RING	80x3.20mm		◆	◆
68		0630 501 333		1	K.MİL ARKA BİLYA SEKMANI	RETAINING RING	80x3.15mm		◆	◆
68		0630 501 312		1	K.MİL ARKA BİLYA SEKMANI	RETAINING RING	80x3.10mm		◆	◆
69	K20.01593	1315 332 073	(1316 332 108)	1	KAMALI MİL ARKA PUL	WASHER			◆	◆
70	K20.00568	1315 302 120	(1315 302 116)	1	ŞANZ.YAĞ POMPA KAPAĞI	PUMP COVER			◆	◆
			(1315 402 120)							

NOTES :

X1,X2 are used conjunction with the encoded parts.
 Alphabetical Coding has been done according to Input Shaft
 X1 : 16 S 151 SG, 16 S 1620 TO, 16 S 1621 TO
 16 S 1625 TO, 16 S 1820 TO, 16 S 1821 TO 16 S 1822 TO
 16 S 1823 TO, 16 S 1825 TO

X2 : 16 S 151 DG, 16 S 1620 TD, 16 S 1621 TD
 16 S 1625 TD, 16 S 1820 TD, 16 S 1821 TD, 16 S 1822 TD
 16 S 1823 TD, 16 S 1825 TD

Original parts names, oem numbers, symbols and descriptions used in this catalogue are for reference purposes only.

NOTLAR :

X1,X2 ile kodlanan parçalar birlikte kullanılır.
 Alfabetik kodlamalar prizdireklere göre yapılmıştır.
 X1 : 16 S 151 SG, 16 S 1620 TO, 16 S 1621 TO
 16 S 1625 TO, 16 S 1820 TO, 16 S 1821 TO 16 S 1822 TO
 16 S 1823 TO, 16 S 1825 TO

X2 : 16 S 151 DG, 16 S 1620 TD, 16 S 1621 TD
 16 S 1625 TD, 16 S 1820 TD, 16 S 1821 TD, 16 S 1822 TD
 16 S 1823 TD, 16 S 1825 TD

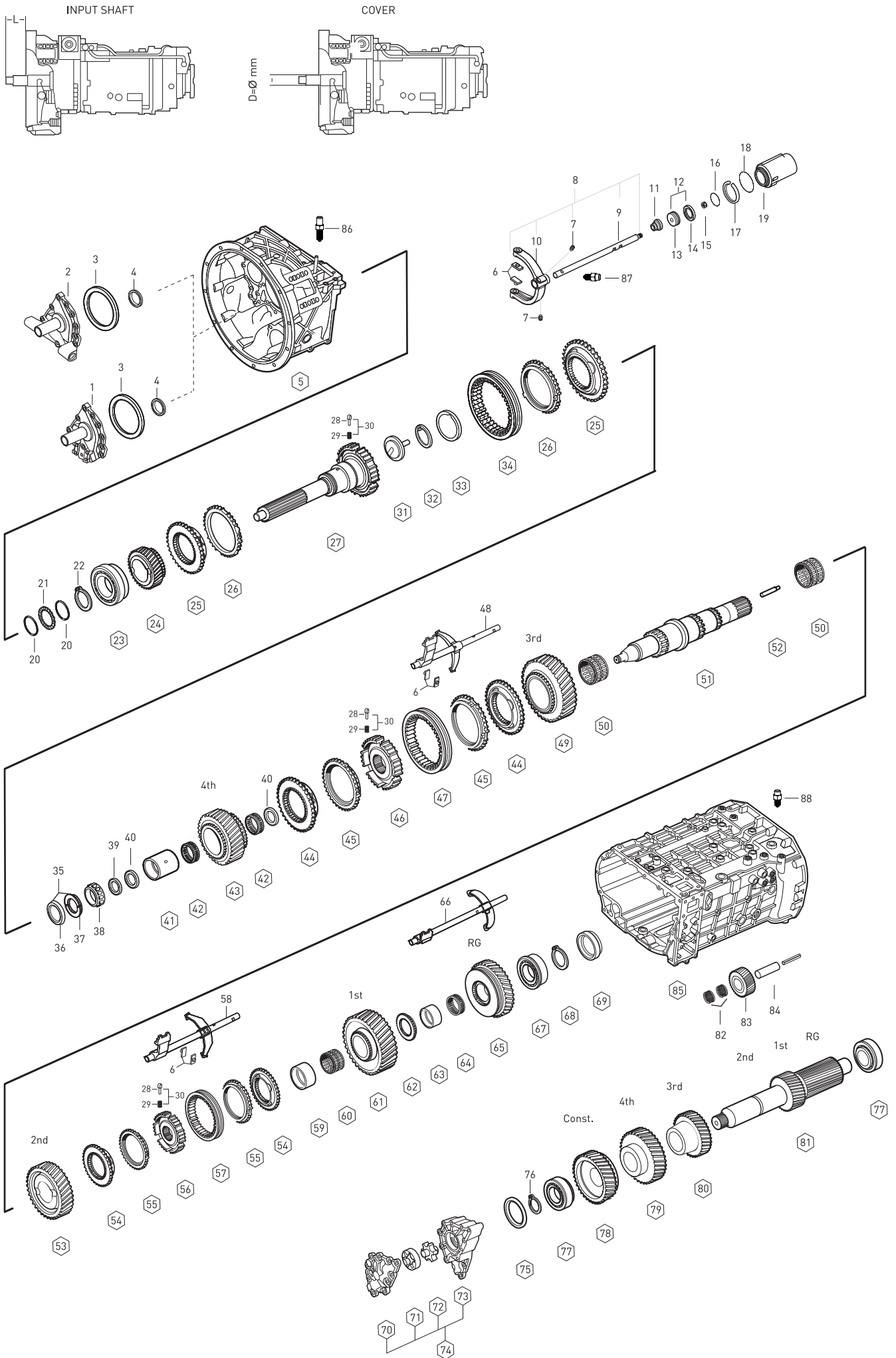


Fig.	Kacmaz No.	Oem No	Oem Old No	Pcs.	Ürün Tanımı	Description	Sizes	(X1)SG=TO13.80-0.84	(X2)DG=TD16.41-1.00
71	K20.00542	1314 202 039		1	YAĞ POMPA İÇ ROTOR	OIL PUMP GEAR		◆	◆
72	K20.00543	1315 303 027		1	YAĞ POMPA DIŞ ROTOR	ROTOR		◆	◆
73	K20.00569	1315 302 121	(1315 302 117)	1	ŞANZ.YAĞ POMPA GÖVDESİ	PUMP HOUSING		◆	◆
			(1315 402 121)						
74	K20.00570	2000570		kit	ŞANZ.YAĞ POMPASI KOMPLE	OIL PUMP ASSY.		◆	◆
75	K20.01674	0730 106 917		1	G.MİLİ ÖN BİLYA RAYNELİ	SHIM	3.00mm	◆	◆
75		0730 106 916		1	G.MİLİ ÖN BİLYA RAYNELİ	SHIM	2.95mm	◆	◆
75	K20.01651	0730 106 915		1	G.MİLİ ÖN BİLYA RAYNELİ	SHIM	2.90mm	◆	◆
75	K20.01650	0730 106 913		1	G.MİLİ ÖN BİLYA RAYNELİ	SHIM	2.80mm	◆	◆
75	K20.01649	0730 106 911		1	G.MİLİ ÖN BİLYA RAYNELİ	SHIM	2.70mm	◆	◆
75	K20.01675	0730 106 909		1	G.MİLİ ÖN BİLYA RAYNELİ	SHIM	2.60mm	◆	◆
75	K20.01748	0730 100 799		1	G.MİLİ ÖN BİLYA RAYNELİ	SHIM	2.50mm	◆	◆
75	K20.01747	0730 100 801		1	G.MİLİ ÖN BİLYA RAYNELİ	SHIM	2.40mm	◆	◆
75	K20.01746	0730 100 803		1	G.MİLİ ÖN BİLYA RAYNELİ	SHIM	2.30mm	◆	◆
75	K20.01676	0730 101 467		1	G.MİLİ ÖN BİLYA RAYNELİ	SHIM	2.20mm	◆	◆
75		0730 101 469		1	G.MİLİ ÖN BİLYA RAYNELİ	SHIM	2.10mm	◆	◆
75	K20.01739	0730 106 906		1	G.MİLİ ÖN BİLYA RAYNELİ	SHIM	1.90mm	◆	◆
75	K20.01737	2001737		1	G.MİLİ ÖN BİLYA RAYNELİ	SHIM	0.25mm	◆	◆
75	K20.01736	2001736		1	G.MİLİ ÖN BİLYA RAYNELİ	SHIM	0.20mm	◆	◆
75	K20.01735	2001735		1	G.MİLİ ÖN BİLYA RAYNELİ	SHIM	0.10mm	◆	◆
76		0631 531 065		1	G.MİLİ ÖN BİLYA RAYNELİ	RETAINING RING	50x3mm	◆	◆
77	K20.01126	0750 117 009	(0735 372 156)	2	G.MİLİ ÖN VE ARKA BİLYA	ROLLER BEARING	49.20x103.10x43.60mm	◆	◆
78	K20.00165	1315 303 051	(1315 303 064)	1	TAK.DİŞLİ KARŞILIĞI 32 DİŞ	CONST GEAR 32 T		◆	◆
78	K20.00166	1315 303 008		1	TAK.DİŞLİ KARŞILIĞI 39 DİŞ	CONST GEAR 39 T		◆	◆
79	K20.00168	1315 303 050		1	4.VİT. DİŞLİ KARŞILIĞI 35 DİŞ	GEAR 4th 35 T		◆	◆
80	K20.00171	1315 303 004		1	3.VİT. DİŞLİ KARŞILIĞI 26 DİŞ	GEAR 3rd 26 T		◆	◆
81	K20.00463	1315 303 063		1	GRUP MİLİ 17-20 DİŞ	COUNTER SHAFT 17-20 T		◆	◆
82	K20.01337	0750 115 366		2	K.GERİ VİT. MASURA BİLYA	NEEDLE CAGE	45x57x21mm	◆	◆
83	K20.00970	1315 305 002	(1315 305 011)	1	K.GERİ VİTES DİŞLİSİ 22 DİŞ	REV.IDLER GEAR 22 T		◆	◆
84	K20.00643	1315 201 053		1	KÜÇÜK GERİ VİTES PİMİ	PIN		◆	◆
85		1315 201 178		1	ŞANZİMAN ORTA GÖVDE	HOUSING		◆	◆
85		1315 201 208		1	ŞANZİMAN ORTA GÖVDE	HOUSING		◆	◆
86	K20.00813	1324 207 004	(1315 207 014)	1	İSTİNLAMA FİŞEĞİ	DETENT PLUNGER	168 N	◆	◆
87	K20.00819	1324 207 033	(1313 207 003)	1	İSTİNLAMA FİŞEĞİ	DETENT PLUNGER	235 N	◆	◆
88	K20.00838	1324 207 035	(1313 207 005)	1	İSTİNLAMA FİŞEĞİ	DETENT PLUNGER	145 N	◆	◆
			(1313 207 001)						

NOTES :

X1,X2 are used conjunction with the encoded parts.
 Alphabetical Coding has been done according to Input Shaft
 X1 : 16 S 151 SG, 16 S 1620 TO, 16 S 1621 TO
 16 S 1625 TO, 16 S 1820 TO, 16 S 1821 TO 16 S 1822 TO
 16 S 1823 TO, 16 S 1825 TO

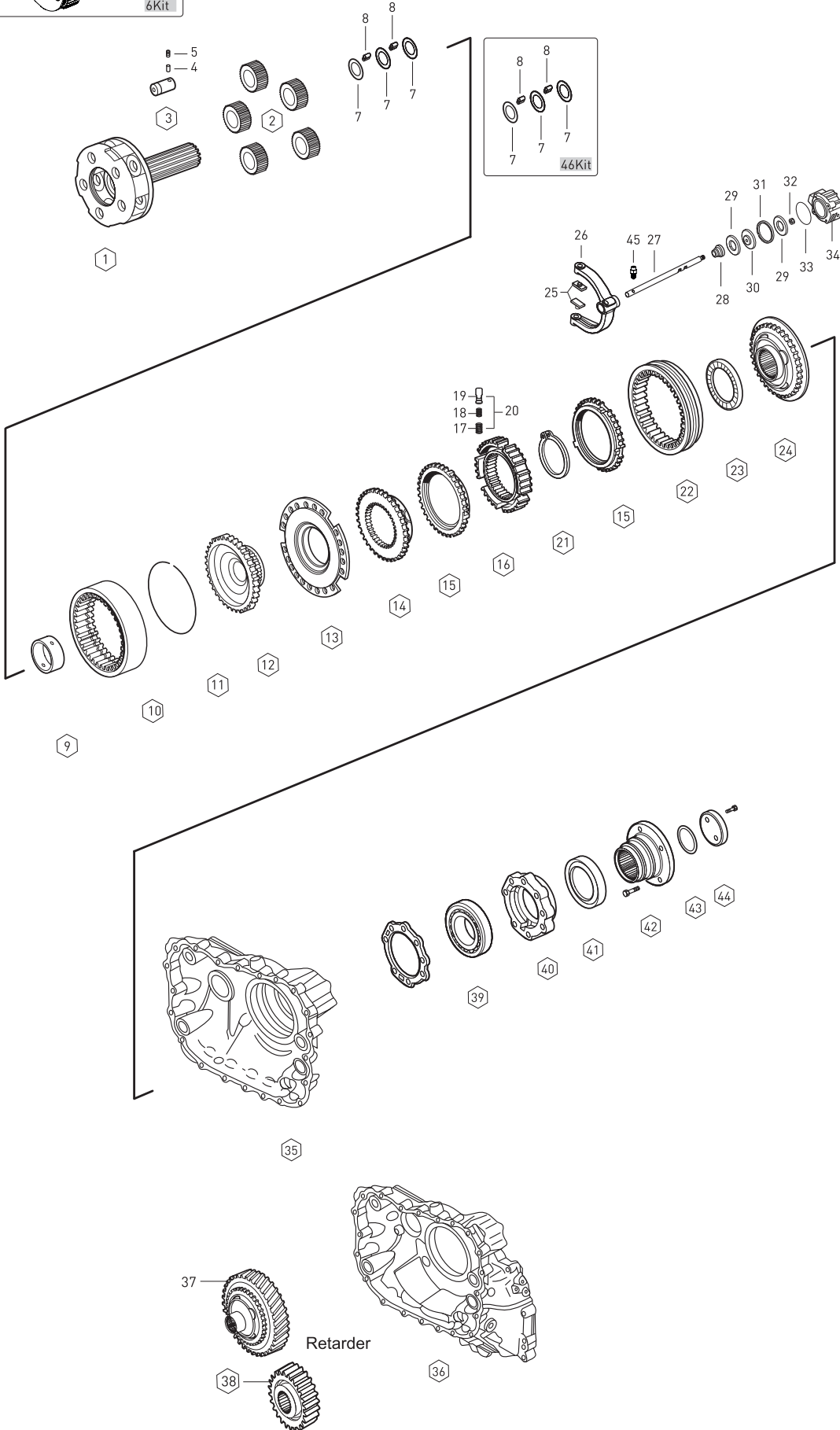
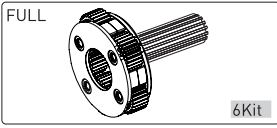
X2 : 16 S 151 DG, 16 S 1620 TD, 16 S 1621 TD
 16 S 1625 TD, 16 S 1820 TD, 16 S 1821 TD, 16 S 1822 TD
 16 S 1823 TD, 16 S 1825 TD

NOTLAR :

X1,X2 ile kodlanan parçalar birlikte kullanılır.
 Alfabetik kodlamalar prizdireklere göre yapılmıştır.
 X1 : 16 S 151 SG, 16 S 1620 TO, 16 S 1621 TO
 16 S 1625 TO, 16 S 1820 TO, 16 S 1821 TO 16 S 1822 TO
 16 S 1823 TO, 16 S 1825 TO

X2 : 16 S 151 DG, 16 S 1620 TD, 16 S 1621 TD
 16 S 1625 TD, 16 S 1820 TD, 16 S 1821 TD, 16 S 1822 TD
 16 S 1823 TD, 16 S 1825 TD

Original parts names, oem numbers, symbols and descriptions used in this catalogue are for reference purposes only.



Retarder

Fig.	Kacmaz No.	Oem No	Oem Old No	Pcs.	Ürün Tanımı	Description	Sizes	Notes	[X1]	[X2]
1	K20.00645	1315 232 017	(1315 232 016)	1	ŞANZIMAN HEYKELİ (BOŞ)	PLANETARY CARRIER		EMPTY	◆	
1	K20.00925	1315 232 027		1	ŞANZIMAN HEYKELİ (BOŞ)	PLANETARY CARRIER	NEW	EMPTY		◆
2	K20.00156	1315 232 010		1	HEYKEL KOZA DİŞLİ TK. 28 DİŞ	PLANET.GEAR SET 28T			◆	◆
3	K20.00400	1315 332 053		5	HEYKEL KOZA DİŞLİ PİMİ	PLANET SHAFT			◆	
3	K20.00924	1315 332 091		5	HEYKEL KOZA DİŞLİ PİMİ	PLANET SHAFT	NEW			◆
4		0631 329 147		5	HEYK.KOZA DİŞ.PİM KİLİT PİMİ	LOCK PIN			◆	
4		0631 329 051		5	HEYK.KOZA DİŞ.PİM KİLİT PİMİ	LOCK PIN			◆	
5		0631 329 261		5	HEYK.KOZA DİŞ.PİM KİLİT PİMİ	LOCK PIN	NEW			◆
5		0631 329 167		5	HEYK.KOZA DİŞ.PİM KİLİT PİMİ	LOCK PIN	NEW			◆
6	K20.00645	1315 232 017		1	ŞANZIMAN HEYKELİ (DOLU)	PLANETARY CARRIER		FULL	◆	
6	K20.00925	1315 232 027		1	ŞANZIMAN HEYKELİ (DOLU)	PLANETARY CARRIER	NEW	FULL		◆
7	K20.01514	0730 107 168		15	HEYKEL KOZA DİŞLİ PULU	THRUST WASHER			◆	◆
8	K20.01454	0750 119 116		140	HEYK.KOZA DİŞLİ TANE BİLYA	NEEDLE ROLLER	10X16.8mm		◆	◆
9	K20.01578	1316 333 014		1	ŞANZIMAN HEYKEL BURCU	BUSHING			◆	◆
10	K20.00646	1315 332 041		1	ÇEMBER DİŞLİ 82 DİŞ	RING WHEEL 82T			◆	◆
11	K20.01690	0730 513 583		1	ÇEMBER DİŞLİ SEGMANI	SPRING RING	3.20mm		◆	◆
12	K20.00647	1316 332 130	(1316 332 103)	1	PLANET ÇAN DİŞLİ	CARRIER HUB	H=91.00mm		◆	◆
13	K20.00220	1296 333 046	(1296 333 039)	1	PLEYT	PLATE			◆	◆
14	K20.00074	1296 333 050		1	AĞIR SERİ SENKROMENÇ	ENGAGING RING			◆	◆
15	K20.00038	1296 333 045	(1296 333 022)	2	AĞIR SERİ SENK.FRENLEME	SYNCHRONIZING CONE			◆	◆
16	K20.00185	1313 333 001		1	AĞIR SERİ YILDIZ DİŞLİ	GUIDE SLEEVE			◆	◆
17	K20.00469	0732 040 385		9	AĞIR SERİ YILDIZ DİŞLİ YAYI	SPRING			◆	◆
18	K20.00470	0732 040 386		9	AĞIR SERİ YILDIZ DİŞLİ YAYI	SPRING			◆	◆
19	K20.00471	1240 304 278		9	AĞIR SERİ YILDIZ DİŞLİ FİŞEĞİ	PRESSURE PIECE			◆	◆
20	K20.00474	1295 298 933		kit	A.SERİ YILDIZ DİŞLİ YAY FİŞEK TK.	REPAIR KIT			◆	◆
21		0630 501 061		1	AĞIR SERİ YILDIZ DİŞLİ SEKMANI	RETAINING RING	125x4.00mm		◆	◆
22	K20.00039	1296 333 023		1	AĞIR SERİ SENKROMENÇ HALKA	ENGAGING SLEEVE			◆	
22	K20.00831	1316 333 034		1	AĞIR SERİ SENKROMENÇ HALKA	ENGAGING SLEEVE	NEW			◆
23	K20.01332	0735 298 169		1	SERİ SENK.ALIN MAS.BİLYA	NEEDLE BEARING	104.50X128.40X10mm		◆	◆
24	K20.00158	1316 233 015		1	SERİ SENKROMENÇ	ENGAGING RING			◆	
24	K20.00896	1316 233 011	(1316 233 029)	1	SERİ SENKROMENÇ	ENGAGING RING	NEW			◆
25	K20.00341	1296 334 004		2	AĞIR SERİ HİLAL PABUCU	SLIDING PAD			◆	◆
26		1315 334 039		1	AĞIR SERİ HİLALİ	GEAR SHIFT FORK			◆	◆
27	K20.00648	1315 334 071	(1315 334 058)	1	AĞIR SERİ HİLAL MİLİ	GEAR SHIFT RAIL			◆	◆
28	K20.01026	0750 112 253	(0750 112 131)	1	AĞIR SERİ HİLAL MİL KEÇESİ	FLANGE PACKING	25.0X40.0X15.0mm		◆	◆
29	K20.01019	0734 307 294	(0734 307 280)	2	AĞIR SERİ HAVA KEÇESİ	SEALING RING			◆	◆
30	K20.01773	1315 334 034		1	AĞIR SERİ HİLAL MİL PİSTONU	PISTON			◆	◆
31	K20.01657	0750 112 066		1	AĞIR SERİ HİLAL MİL FİBERİ	GUIDE RING	85.1X90.0X5.4mm		◆	◆
32	K20.01774	0737 006 095		1	AĞIR SERİ HİLAL MİL SOMUNU	NUT	M16X1.5mm		◆	◆
33		0501317 536		1	A.SERİ SİLİNDİR ORİNGİ	O-RING			◆	◆
34	K20.00842	1315 334 069	(1315 334 056)	1	AĞIR SERİ SİLİNDİR GÖVDESİ	CYLINDER			◆	◆

NOTES :

X1,X2 are used conjunction with the encoded parts.

X1 : 16 S 151 SG, 16 S 1620 TO, 16 S 1621 TO
16 S 1625 TO, 16 S 1820 TO, 16 S 1821 TO 16 S 1822 TO
16 S 1823 TO, 16 S 1825 TO

X2 : 16 S 151 DG, 16 S 1620 TD, 16 S 1621 TD
16 S 1625 TD, 16 S 1820 TD, 16 S 1821 TD, 16 S 1822 TD
16 S 1823 TD, 16 S 1825 TD

NOTLAR :

X1,X2 ile kodlanan parçalar birlikte kullanılır.

X1 : 16 S 151 SG, 16 S 1620 TO, 16 S 1621 TO
16 S 1625 TO, 16 S 1820 TO, 16 S 1821 TO 16 S 1822 TO
16 S 1823 TO, 16 S 1825 TO

X2 : 16 S 151 DG, 16 S 1620 TD, 16 S 1621 TD
16 S 1625 TD, 16 S 1820 TD, 16 S 1821 TD, 16 S 1822 TD
16 S 1823 TD, 16 S 1825 TD

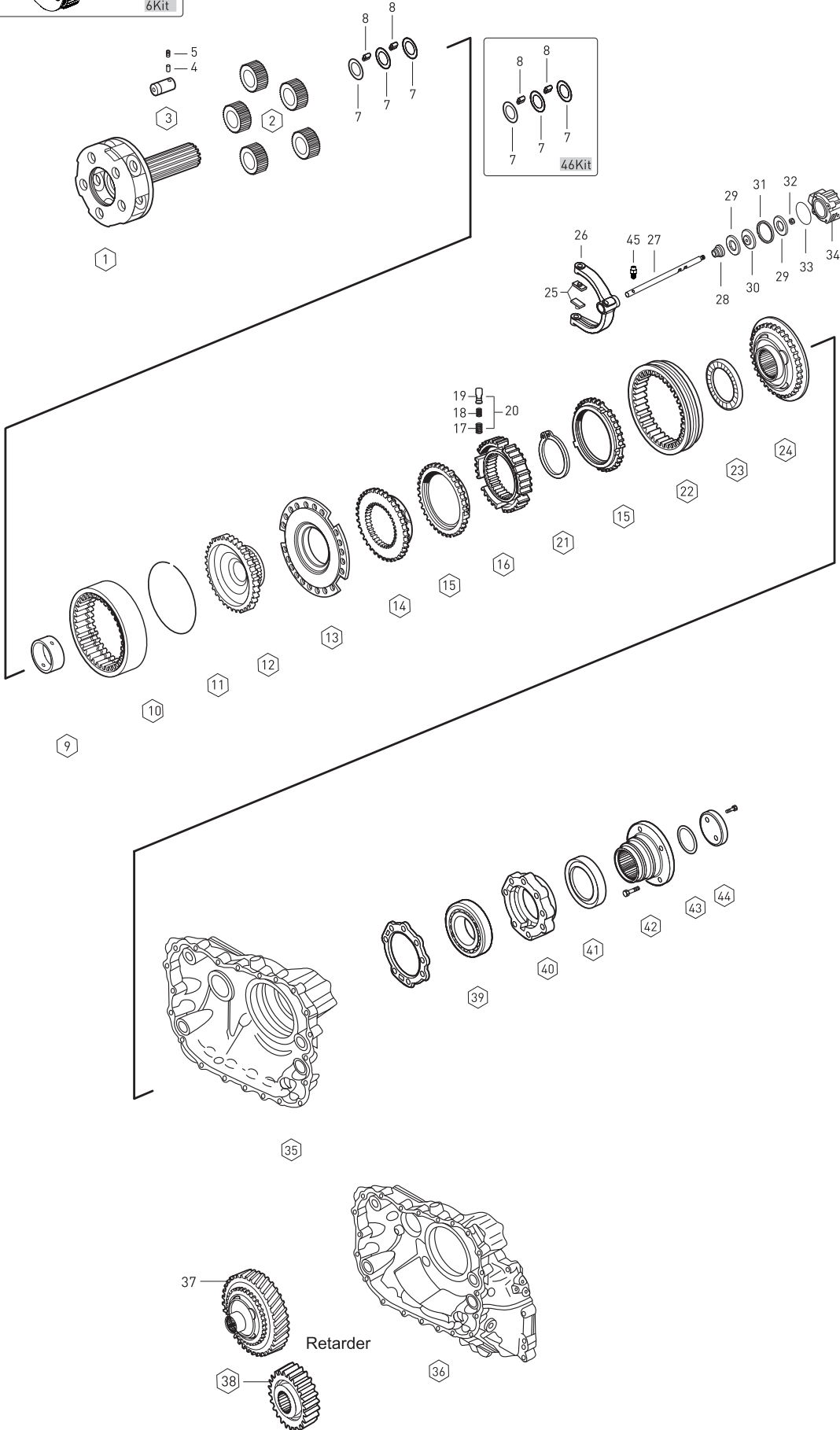
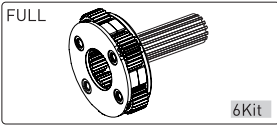


Fig. Kacmaz No.	Oem No	Oem Old No	Pcs.	Ürün Tanımı	Description	Sizes	Notes	[X1]	[X2]
35	1315 201 224	(1315 301 223)	1	ŞANZIMAN ARKA GÖVDE	HOUSING			◆	◆
36	6085 201 079		1	ŞANZIMAN ARKA GÖVDE	HOUSING	RETARDER		◆	◆
37	K20.00403	1316 233 014	1	RETARDER DİŞLİSİ 59 DİŞ	GEAR 59 T	RETARDER		◆	
37	K20.00796	1316 233 028	1	RETARDER DİŞLİSİ 59 DİŞ	GEAR 59 T	NEW - RETARDER			◆
38	K20.00649	6085 301 012	1	RETARDER DİŞLİ KARŞILIĞI 29 DİŞ	GEAR 29 T	RETARDER		◆	◆
39	K20.01134	0750 116 394	(0750 116 002)	ŞANZIMAN ARKA BİLYA	ROLLER BEARING	90x160x30mm		◆	◆
40	1315 231 004		1	ŞANZIMAN ARKA KEÇE KAPAĞI	COVER			◆	◆
41	K20.01013	0750 111 341	1	ŞANZIMAN ARKA KEÇE	OIL SEAL	105x130x12mm		◆	◆
41	K20.01022	0734 319 459	1	ŞANZIMAN ARKA KEÇE	OIL SEAL	RETARDER		◆	◆
42	K20.00427	1297 333 110	(1315 333 048)	ŞANZIMAN FLANŞI	COMPANION FLANGE			◆	◆
43	K20.02113	0634 313 805	1	ŞANZIMAN FLANŞ ORİNGİ	O-RING	82x4mm		◆	◆
44	K20.01861	1312 332 028	1	ŞANZIMAN FLANŞ PULU	WASHER			◆	◆
45	K20.00838	1324 207 035	(1313 207 005)	İSTİNATLAMA FİŞEĞİ	DETENT PLUNGER	145 N		◆	◆
			(1313 207 001)						
46	K20.01744	2001744	kit	ŞANZ.HEYKELİ BİLYA VE PUL TK.	REPAIR KIT			◆	◆

NOTES :

X1,X2 are used conjunction with the encoded parts.

X1 : 16 S 151 SG, 16 S 1620 TO, 16 S 1621 TO
16 S 1625 TO, 16 S 1820 TO, 16 S 1821 TO 16 S 1822 TO
16 S 1823 TO, 16 S 1825 TO

X2 : 16 S 151 DG, 16 S 1620 TD, 16 S 1621 TD
16 S 1625 TD, 16 S 1820 TD, 16 S 1821 TD, 16 S 1822 TD
16 S 1823 TD, 16 S 1825 TD

NOTLAR :

X1,X2 ile kodlanan parçalar birlikte kullanılır.

X1 : 16 S 151 SG, 16 S 1620 TO, 16 S 1621 TO
16 S 1625 TO, 16 S 1820 TO, 16 S 1821 TO 16 S 1822 TO
16 S 1823 TO, 16 S 1825 TO

X2 : 16 S 151 DG, 16 S 1620 TD, 16 S 1621 TD
16 S 1625 TD, 16 S 1820 TD, 16 S 1821 TD, 16 S 1822 TD
16 S 1823 TD, 16 S 1825 TD

SYNCHRONIZER KIT CONST.

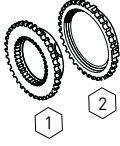


Fig.	Kacmaz No.	Oem No	Oem Old No	Pcs.	Ürün Tanımı	Description
	K20.00523	1312 204 031		Kit	TAKVIYE SENK.KİT	SYNCH.KIT Const.
1	K20.00101	1312 304 027		1	TAKVIYE SENKROMENÇ	ENGAGING RING
2	K20.00108	1297 304 484	[1297 304 402]	1	TAKVIYE FRENLEME	SYNCHRONIZING CONE

SYNCHRONIZER KIT Const.

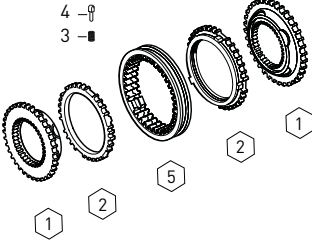


Fig.	Kacmaz No.	Oem No	Oem Old No	Pcs.	Ürün Tanımı	Description
	K20.00524	1315 298 030		Kit	TAKVIYE SENKROMENÇ KİT	SYNCH.KIT Const.
1	K20.00101	1312 304 027		2	TAKVIYE SENKROMENÇ	ENGAGING RING
2	K20.00108	1297 304 484	[1297 304 402]	2	TAKVIYE SENK.FRENLEME	SYNCHRONIZING CONE
3	K20.00111	1297 304 436		3	TAK.YILDIZ DİŞLİ FİŞEĞİ	PRESSURE PIECE
4	K20.00110	0732 040 409		3	TAKVIYE YILDIZ DİŞLİ YAYI	SPRING
5	K20.00098	1310 304 202	[1312 302 057]	1	TAKVIYE SENK.HALKA	ENGAGING SLEEVE

SYNCHRONIZER KIT 3rd/4th

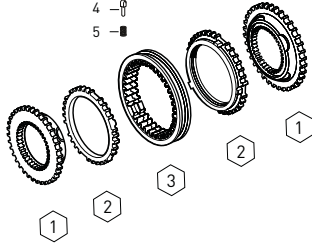


Fig.	Kacmaz No.	Oem No	Oem Old No	Pcs.	Ürün Tanımı	Description
	K20.00894	1315 298 067		Kit	3./4.VİT.SENKROMENÇ KİT	SYNCH.KIT 3rd/4th
1	K20.00102	1316 304 159	[1316 304 145]	2	3./4.VİT.SENKROMENÇ	ENGAGING RING
2	K20.00109	1316 304 168	[1316 304 149]	2	3./4.VİT.SENK.FRENLEME	SYNCH.CONE
3	K20.00103	1316 304 167	[1315 304 135]	1	3./4.VİT.SENK.HALKA	ENGAGING SLEEVE
4	K20.00111	1297 304 436		3	3./4.VİT.YILDIZ DİŞLİ FİŞEĞİ	PRESSURE PIECE
5	K20.00110	0732 040 409		3	3./4.VİT.YILDIZ DİŞLİ YAYI	SPRING

SYNCHRONIZER KIT 3rd/4th

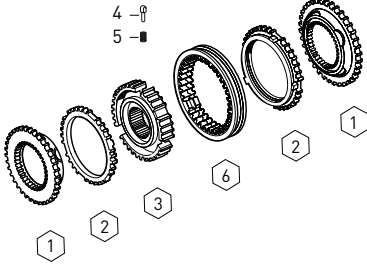


Fig.	Kacmaz No.	Oem No	Oem Old No	Pcs.	Ürün Tanımı	Description
	K20.00088	1315 298 061		Kit	3./4.VİT.SENKROMENÇ KİT	SYNCH.KIT 3rd/4th
1	K20.00102	1316 304 159	[1316 304 145]	2	3./4.VİT.SENKROMENÇ	ENGAGING RING
2	K20.00109	1316 304 168	[1316 304 149]	2	3./4.VİT.SENK.FRENLEME	SYNCHRONIZING CONE
3	K20.00136	1316 304 162		1	3./4.VİT.YILDIZ DİŞLİ	GUIDE SLEEVE
4	K20.00111	1297 304 436		3	3./4.VİT.YILDIZ DİŞLİ FİŞEĞİ	PRESSURE PIECE
5	K20.00110	0732 040 409		3	3./4.VİT.YILDIZ DİŞLİ YAYI	SPRING
6	K20.00103	1316 304 167	[1315 304 135]	1	3./4.VİT.SENK.HALKA	ENGAGING SLEEVE

SYNCHRONIZER KIT 3rd/4th

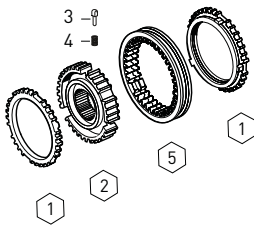


Fig.	Kacmaz No.	Oem No	Oem Old No	Pcs.	Ürün Tanımı	Description
	K20.00794	1316 204 016	[1316 204 014]	Kit	3./4.VİT.FRENLEME KİTİ	SYNCH.KIT 3rd/4th
1	K20.00109	1316 304 168	[1316 304 149]	2	3./4.VİT.SENK.FRENLEME	SYNCHRONIZING CONE
2	K20.00136	1316 304 162		1	3./4.VİT.YILDIZ DİŞLİ	GUIDE SLEEVE
3	K20.00111	1297 304 436		3	3./4.VİT.YILDIZ DİŞLİ FİŞEĞİ	PRESSURE PIECE
4	K20.00110	0732 040 409		3	3./4.VİT.YILDIZ DİŞLİ YAYI	SPRING
5	K20.00103	1316 304 167	[1315 304 135]	1	TAKVIYE SENK.HALKA	ENGAGING SLEEVE

SYNCHRONIZER KIT 3rd/4th

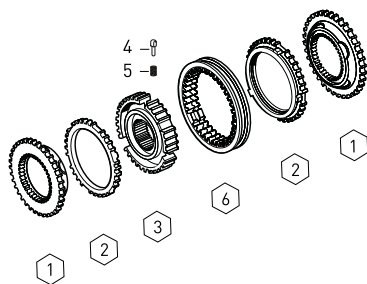


Fig.	Kacmaz No.	Oem No	Oem Old No	Pcs.	Ürün Tanımı	Description
	K20.01794	1356 204 006		Kit	3./4.VİT.FRENLEME KİTİ	SYNCH.KIT 3rd/4th
1	K20.00881	1316 304 190	[1356 304 025]	2	3./4.VİT.SENKROMENÇ	ENGAGING RING
2	K20.00880	1316 304 189	[1316 304 196]	2	3./4.VİT.SENK.FRENLEME	SYNCH.CONE (mlb)
3	K20.00898	1356 304 019		1	3./4.VİT.YILDIZ DİŞLİ	GUIDE SLEEVE
4	K20.00111	1297 304 436		3	3./4.VİT.YILDIZ DİŞLİ FİŞEĞİ	PRESSURE PIECE
5	K20.00110	0732 040 409		3	3./4.VİT.YILDIZ DİŞLİ YAYI	SPRING
6	K20.00871	1356 304 023	[1316 304 188]	1	3./4.VİT.SENK.HALKA	ENGAGING SLEEVE

Fig.	Kacmaz No.	Oem No	Oem Old No	Pcs.	Ürün Tanımı	Description
	K20.00879	1325 298 008		Kit	3./4.VİT.SENKROMENÇ KİT	SYNCH.KIT 3rd/4th
1	K20.00881	1316 304 190	[1356 304 025]	2	3./4.VİT.SENKROMENÇ	ENGAGING RING
2	K20.00880	1316 304 189	[1316 304 196]	2	3./4.VİT.SENK.FREN. (mlb)	SYNCH.CONE (mlb)
3	K20.00111	1297 304 436		3	3./4.VİT.YILDIZ DİŞLİ FİŞEĞİ	PRESSURE PIECE
4	K20.00110	0732 040 409		3	3./4.VİT.YILDIZ DİŞLİ YAYI	SPRING
5	K20.00871	1356 304 023	[1316 304 188]	1	3./4.VİT.SENK.HALKA	ENGAGING SLEEVE

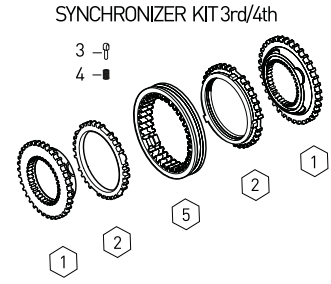


Fig.	Kacmaz No.	Oem No	Oem Old No	Pcs.	Ürün Tanımı	Description
	K20.01793	1356 204 007		Kit	1./2.VİT.SENKROMENÇ KİT	SYNCH.KIT 1st/2nd
1	K20.00183	1316 304 156		2	1./2.VİT.SENKROMENÇ	ENGAGING RING
2	K20.00113	1316 304 170	[1316 304 150]	2	1./2.VİT.FRENLEME (mlb)	SYNCH.CONE (mlb)
3	K20.00889	1356 204 022		1	1./2.VİT.YILDIZ DİŞLİ	GUIDE SLEEVE
4	K20.00111	1297 304 436		3	1./2.VİT.YILDIZ DİŞLİ FİŞEĞİ	PRESSURE PIECE
5	K20.00110	0732 040 409		3	1./2.VİT.YILDIZ DİŞLİ YAYI	SPRING
6	K20.00803	1356 304 024		1	1./2.VİT.SENK.HALKA	ENGAGING SLEEVE

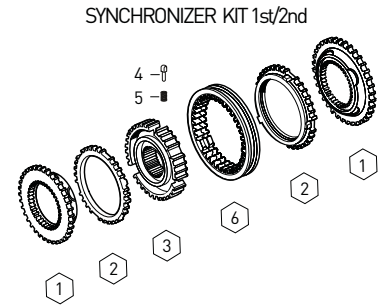


Fig.	Kacmaz No.	Oem No	Oem Old No	Pcs.	Ürün Tanımı	Description
	K20.00087	1315 298 060	[1316 204 017]	Kit	1./2.VİT.SENKROMENÇ KİT	SYNCH.KIT 1st/2nd
1	K20.00183	1316 304 156		2	1./2.VİT.SENKROMENÇ	ENGAGING RING
2	K20.00113	1316 304 170	[1316 304 150]	2	1./2.VİT.FRENLEME	SYNCH.CONE
3	K20.00180	1316 304 163		1	1./2.VİT.YILDIZ DİŞLİ	GUIDE SLEEVE
4	K20.00111	1297 304 436		3	1./2.VİT.YILDIZ DİŞLİ FİŞEĞİ	PRESSURE PIECE
5	K20.00110	0732 040 409		3	1./2.VİT.YILDIZ DİŞLİ YAYI	SPRING
6	K20.00114	1316 304 169	[1315 304 136]	1	1./2.VİT.SENK.HALKA	ENGAGING SLEEVE

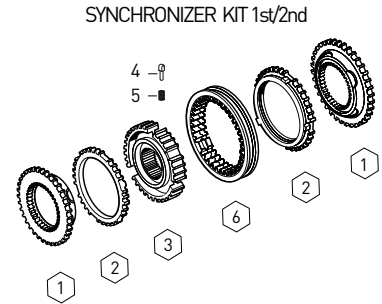
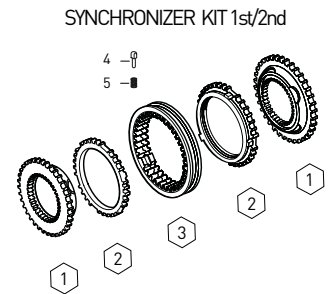


Fig.	Kacmaz No.	Oem No	Oem Old No	Pcs.	Ürün Tanımı	Description
	K20.00893	1315 298 066		Kit	1./2.VİT.SENKROMENÇ KİT	SYNCH.KIT 1st/2nd
1	K20.00183	1316 304 156		2	1./2.VİT.SENKROMENÇ	ENGAGING RING
2	K20.00113	1316 304 170	[1316 304 150]	2	1./2.VİT.FRENLEME	SYNCH.CONE
3	K20.00114	1316 304 169	[1315 304 136]	1	1./2.VİT.SENK.HALKA	ENGAGING SLEEVE
4	K20.00111	1297 304 436		3	1./2.VİT.YILDIZ DİŞLİ FİŞEĞİ	PRESSURE PIECE
5	K20.00110	0732 040 409		3	1./2.VİT.YILDIZ DİŞLİ YAYI	SPRING



SYNCHRONIZER KIT PLANETARY

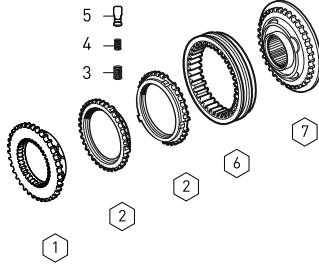


Fig.	Kacmaz No.	Oem No	Oem Old No	Pcs.	Ürün Tanımı	Description
	K20.00906	2000906		Kit	AĞIR SERİ SENK.KİT	SYNCHRONIZER KIT
1	K20.00074	1296 333 050		1	AĞIR SERİ SENKROMENÇ	ENGAGING RING
2	K20.00038	1296 333 045	[1296 333 022]	2	AĞIR SERİ FRENLEME	SYNCHRONIZING CONE
3	K20.00469	0732 040 385		9	AĞIR SERİ YILDIZ DIŞLI YAYI	SPRING
4	K20.00470	0732 040 386		9	AĞIR SERİ YILDIZ DIŞLI YAYI	SPRING
5	K20.00471	1240 304 278		9	AĞIR SERİ YILDIZ DIŞ.FİŞEĞİ	PRESSURE PIECE
6	K20.00831	1316 333 034		1	AĞIR SERİ SENK.HALKA	ENGAGING SLEEVE
7	K20.00896	1316 233 011	[1316 233 029]	1	SERİ SENKROMENÇ	ENGAGING RING

SYNCHRONIZER KIT PLANETARY

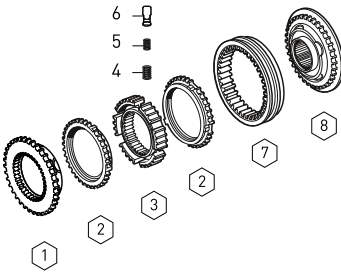


Fig.	Kacmaz No.	Oem No	Oem Old No	Pcs.	Ürün Tanımı	Description
	K20.00907	2000907		Kit	AĞIR SERİ SENK.KİT	SYNCHRONIZER KIT
1	K20.00074	1296 333 050		1	AĞIR SERİ SENKROMENÇ	ENGAGING RING
2	K20.00038	1296 333 045	[1296 333 022]	2	AĞIR SERİ FRENLEME	SYNCHRONIZING CONE
3	K20.00185	1313 333 001		1	AĞIR SERİ YILDIZ DIŞLI	GUIDE SLEEVE
4	K20.00469	0732 040 385		9	AĞIR SERİ YILDIZ DIŞLI YAYI	SPRING
5	K20.00470	0732 040 386		9	AĞIR SERİ YILDIZ DIŞLI YAYI	SPRING
6	K20.00471	1240 304 278		9	AĞIR SERİ YILDIZ DIŞ.FİŞEĞİ	PRESSURE PIECE
7	K20.00831	1316 333 034		1	AĞIR SERİ SENK.HALKA	ENGAGING SLEEVE
8	K20.00896	1316 233 011	[1316 233 029]	1	SERİ SENKROMENÇ	ENGAGING RING

SYNCHRONIZER KIT PLANETARY

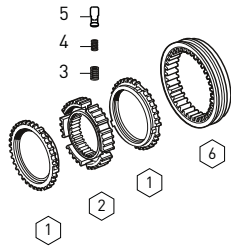


Fig.	Kacmaz No.	Oem No	Oem Old No	Pcs.	Ürün Tanımı	Description
	K20.00532	1315 233 029		Kit	AĞIR SERİ SENK.KİT	SYNCHRONIZER KIT
1	K20.00038	1296 333 045	[1296 333 022]	2	AĞIR SERİ FRENLEME	SYNCHRONIZING CONE
2	K20.00185	1313 333 001		1	AĞIR SERİ YILDIZ DIŞLI	GUIDE SLEEVE
3	K20.00469	0732 040 385		9	AĞIR SERİ YILDIZ DIŞLI YAYI	SPRING
4	K20.00470	0732 040 386		9	AĞIR SERİ YILDIZ DIŞLI YAYI	SPRING
5	K20.00471	1240 304 278		9	AĞIR SERİ YILDIZ DIŞ.FİŞEĞİ	PRESSURE PIECE
6	K20.00039	1296 333 023		1	AĞIR SERİ SENK.HALKA	ENGAGING SLEEVE

SYNCHRONIZER KIT PLANETARY

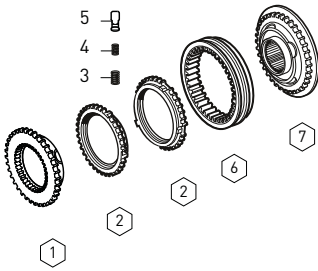


Fig.	Kacmaz No.	Oem No	Oem Old No	Pcs.	Ürün Tanımı	Description
	K20.00546	1315 298 034		Kit	AĞIR SERİ SENK.KİT	SYNCHRONIZER KIT
1	K20.00074	1296 333 050		1	AĞIR SERİ SENKROMENÇ	ENGAGING RING
2	K20.00038	1296 333 045	[1296 333 022]	2	AĞIR SERİ FRENLEME	SYNCHRONIZING CONE
3	K20.00469	0732 040 385		9	AĞIR SERİ YILDIZ DIŞLI YAYI	SPRING
4	K20.00470	0732 040 386		9	AĞIR SERİ YILDIZ DIŞLI YAYI	SPRING
5	K20.00471	1240 304 278		9	AĞIR SERİ YILDIZ DIŞ.FİŞEĞİ	PRESSURE PIECE
6	K20.00039	1296 333 023		1	AĞIR SERİ SENK.HALKA	ENGAGING SLEEVE
7	K20.00158	1316 233 015		1	SERİ SENKROMENÇ	ENGAGING RING

SYNCHRONIZER KIT PLANETARY

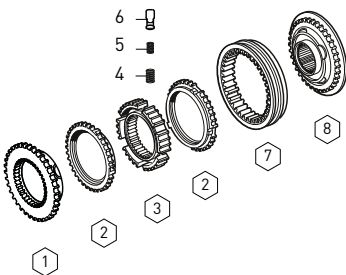


Fig.	Kacmaz No.	Oem No	Oem Old No	Pcs.	Ürün Tanımı	Description
	K20.00545	1315 298 029		Kit	AĞIR SERİ SENK.KİT	SYNCHRONIZER KIT
1	K20.00074	1296 333 050		1	AĞIR SERİ SENKROMENÇ	ENGAGING RING
2	K20.00038	1296 333 045	[1296 333 022]	2	AĞIR SERİ FRENLEME	SYNCHRONIZING CONE
3	K20.00185	1313 333 001		1	AĞIR SERİ YILDIZ DIŞLI	GUIDE SLEEVE
4	K20.00469	0732 040 385		9	AĞIR SERİ YILDIZ DIŞLI YAYI	SPRING
5	K20.00470	0732 040 386		9	AĞIR SERİ YILDIZ DIŞLI YAYI	SPRING
6	K20.00471	1240 304 278		9	AĞIR SERİ YILDIZ DIŞ.FİŞEĞİ	PRESSURE PIECE
7	K20.00039	1296 333 023		1	AĞIR SERİ SENK.HALKA	ENGAGING SLEEVE
8	K20.00158	1316 233 015		1	SERİ SENKROMENÇ	ENGAGING RING

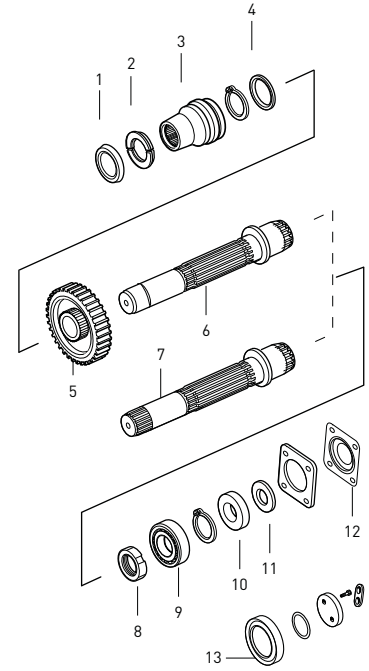
Fig.	Kacmaz No.	Oem No	Oem Old No	Pcs.	Ürün Tanımı	Description
1	K20.01585	1315 298 001		Kit	ŞANZIMAN CONTA TAKIMI	GASKET KIT
2		1315 301 233		1	ŞANZ.ÖN GÖVDE CONTASI	GASKET
3		0501 314 246		1	PRİZ.KEÇE KAPAK CONTASI	GASKET
3		0501 314 587		1	PRİZ.KEÇE KAPAK CONTASI	GASKET
4		1316 301 042		2	ŞANZ.ARKA GÖVDE CONTASI	GASKET
4		1315 301 007		2	ŞANZ.ARKA GÖVDE CONTASI	GASKET
5		0501 318 308		2	ŞANZ.KULE KAPAK CONTASI	GASKET
6		1315 307 012		1	ŞANZ.KULESİ GÖVDE CONTASI	GASKET
7		1315 307 013		1	ŞANZ.KULE ALT KAPAK CONTASI	GASKET
8		0501 317 240		1	ŞANZ.KULE ÜST KAPAK CONTASI	GASKET
9		1315 331 001		1	ŞANZ.BİLYA KAPAK CONTASI	GASKET
10		1238 308 201		1	PTO BAĞLANTI KAPAK CONTASI	GASKET
11		0501 316 146		1	ŞANZ.DAMPER CONTASI	GASKET
11		1315 301 234		1	ŞANZ.DAMPER CONTASI	GASKET
12		1316 301 022		1	ŞANZ.MÜŞÜR KAPAK CONTASI	GASKET
13		1315 303 060		1	YAĞ POMPA CONTASI	GASKET
14		1315 307 242		1	SERVO KULE PISTON CONTASI	GASKET

GEARBOX GASKET KIT



Fig.	Kacmaz No.	Oem No	Oem Old No	Pcs.	Ürün Tanımı	Description
1		1296 313 131		1	P.KİLİT EMNİYET SACI	RETAINING RING
2		0730 104 627		1	PARÇALI KİLİT	SPLIT RING
3		1296 313 238		1	PTO MİL KOVANI	SLIDING SLEEVE
4		0730 104 628		1	PTO DİŞLİ AYAR PULU	THRUST WASHER
5		1296 313 082		1	PTO DİŞLİ	GEAR 33 T
5		1296 313 083		1	PTO DİŞLİ	GEAR 36 T
5		1296 313 084		1	PTO DİŞLİ	GEAR 38 T
5		1296 313 085		1	PTO DİŞLİ	GEAR 39 T
5		1296 313 086		1	PTO DİŞLİ	GEAR 46 T
6	K20.00556	1296 213 028		1	PTO MİLİ DÜZ	INTERM.SHAFT
7	K20.00555	1296 213 028		1	PTO MİLİ FREZELİ	INTERM.SHAFT (Milled)
8		1296 313 125		1	PTO MİL SOMUNU	NUT
9		0735 410 139		1	PTO MİL BİLYASI	ROLLER BEARING
10		7429 032 102		1	PTO BİLYA KAPAK PULU	THRUST WASHER
11		1232 304 062		1	PTO BİLYA KAPAK RAYNELİ	SHIM (1.00mm)
11		1232 304 063		1	PTO BİLYA KAPAK RAYNELİ	SHIM (0.90mm)
11		1232 304 072		1	PTO BİLYA KAPAK RAYNELİ	SHIM (0.70mm)
12		1250 313 190		1	PTO BAĞLANTI KAPAĞI	COVER
13	K20.01013	0750 111 341		1	ŞANZ.ARKA KAPAK KEÇESİ	OIL SEAL

P.T.O. (POWER TAKE OFF)



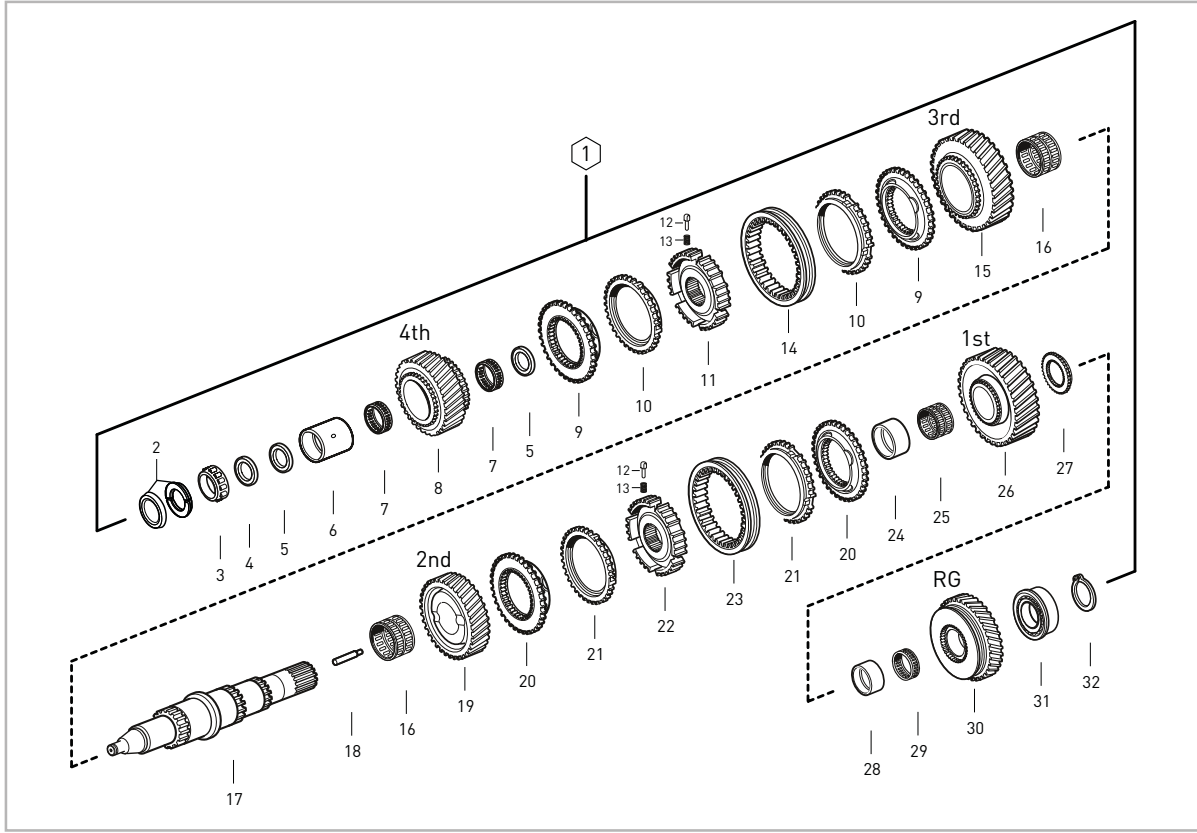


Fig.	Kacmaz No.	Oem No	Oem Old No	Pcs.	Ürün Tanımı	Description	Sizes
1	K20.01887	2001887		1	KAMALI MİL KOMPLE	MAIN SHAFT COMPLETE	
2	K20.01565	1499 298 025		1	EMN.SACI ve KİLİT TAK.	SPLIT RING KIT	4.80mm
3	K20.01109	0750 117 232		1	KAMALI MİL UÇ BİLYA	ROLLER BEARING	
4	K20.01527	1315 304 048		1	KAMALI MİL UÇ BİLYA PULU	THRUST WASHER	8.00mm
5	K20.01533	0750 101 158		2	4.VİT.ÇANAK ALIN PULU	THRUST WASHER	
6	K20.00174	0750 119 125		1	4.VİT.MASURA BİLYA ÇANAĞI	BEARING RACE	
7	K20.01303	0750 115 531	[0750 115 534]	2	4.VİT.DİŞLİ MASURA BİLYA	NEEDLE CAGE	77X101X29mm
8	K20.00173	1315 304 089		1	4.VİTES DİŞLİSİ 32 DİŞ	GEAR 4th. 32 T	
9	K20.00881	1316 304 190		2	3./4.VİTES SENKROMENÇ	ENGAGING RING	
10	K20.00880	1316 304 189		2	3./4.VİT.SENK.FRENLEME	SYNCHRONIZING CONE	
11	K20.00898	1356 304 019		1	3./4.VİTES YILDIZ DİŞLİ	GUIDE SLEEVE	
12	K20.00111	1297 304 436		6	YILDIZ DİŞLİ FİŞEĞİ	PRESSURE PIECE	
13	K20.00110	0732 040 409		6	YILDIZ DİŞLİ YAYI	SPRING	
14	K20.00871	1356 304 023	[1316 304 188]	1	3./4.VİT.SENK.HALKA	ENGAGING SLEEVE	
15	K20.00176	1315 304 027		1	3.VİTES DİŞLİSİ 34 DİŞ	GEAR 3rd. 34 T	
16	K20.01322	0735 321 087		2	2./3.VİTES MASURA BİLYA	NEEDLE CAGE	
17	K20.00299	1315 304 131	[1315 304 084]	1	KAMALI MİL	MAIN SHAFT	
18	K20.01506	1312 304 150		1	KAMALI MİL YAĞ BORUSU	OIL PIPE	
19	K20.00178	1315 304 025		1	2.VİTES DİŞLİSİ 38 DİŞ	GEAR 2nd 38 T	
20	K20.00183	1316 304 156		2	1./2.VİTES SENKROMENÇ	ENGAGING RING	
21	K20.00113	1316 304 170	[1316 304 150]	2	1./2.VİTES SENK.FRENLEME	SYNCHRONIZING CONE	
22	K20.00889	1356 304 022		1	1./2.VİTES YILDIZ DİŞLİ	GUIDE SLEEVE	
23	K20.00803	1356 304 024		1	1./2.VİTES SENK.HALKA	ENGAGING SLEEVE	
24	K20.00374	1313 304 038		1	1.VİT.MASURA BİLYA ÇANAĞI	BEARING RACE	
25	K20.01323	0750 115 325		1	1.VİTES MASURA BİLYA	NEEDLE CAGE	96X104X55mm
26	K20.00391	1315 304 004		1	1.VİTES DİŞLİSİ 47 DİŞ	GEAR 1st. 47 T	
27	K20.00393	1315 304 018		1	GERİ VİTES YILDIZ DİŞLİ	HUB	
28	K20.00378	1315 304 132		1	GERİ VİT.MASURA BİLYA ÇANAĞI	BEARING RACE	
29	K20.01324	0750 115 324		1	GERİ VİTES MASURA BİLYA	NEEDLE CAGE	90X98X41mm
30	K20.00395	1315 304 006	[1315 304 380]	1	GERİ VİTES DİŞLİSİ 44 DİŞ	REVERSE GEAR 44 T	
31	K20.01119	0750 117 677		1	KAMALI MİL ARKA BİLYA	ROLLER BEARING	80X130X36mm
32		0630 501 316		1	KAMALI MİL ARKA BİLYA SEKMANI	RETAINING RING	3.50 mm

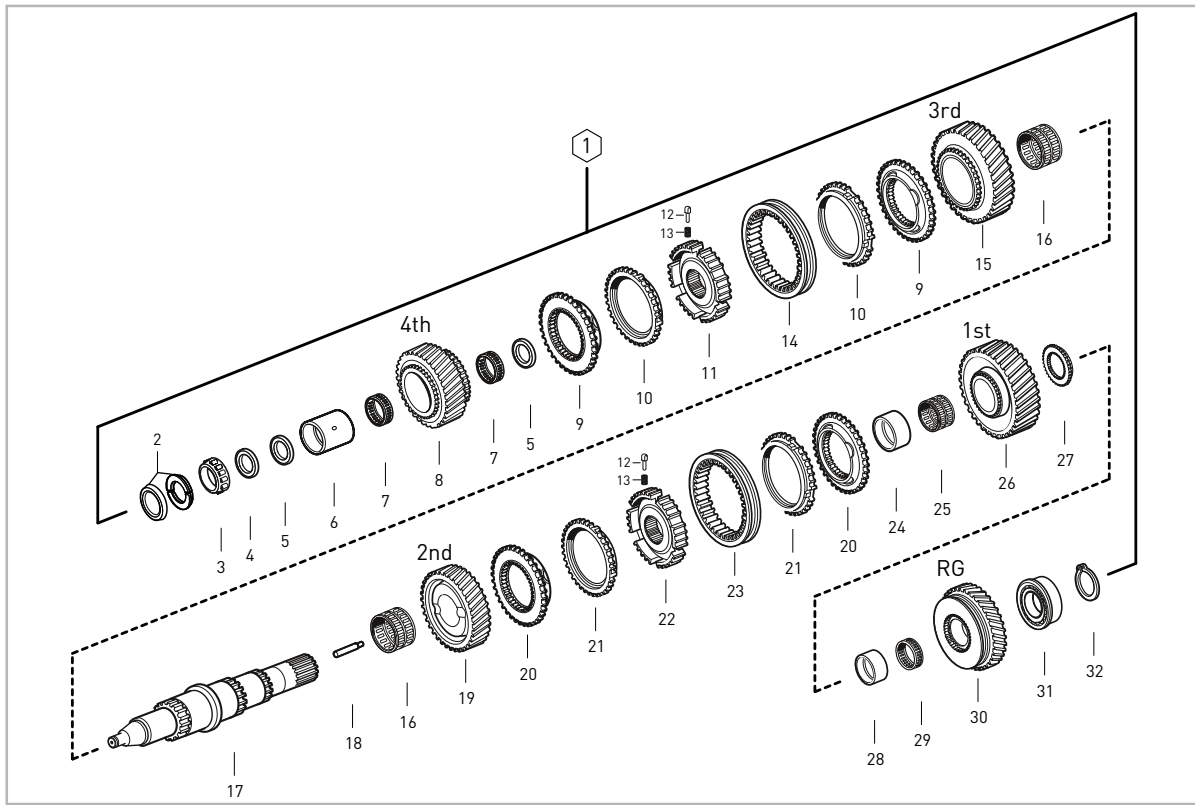
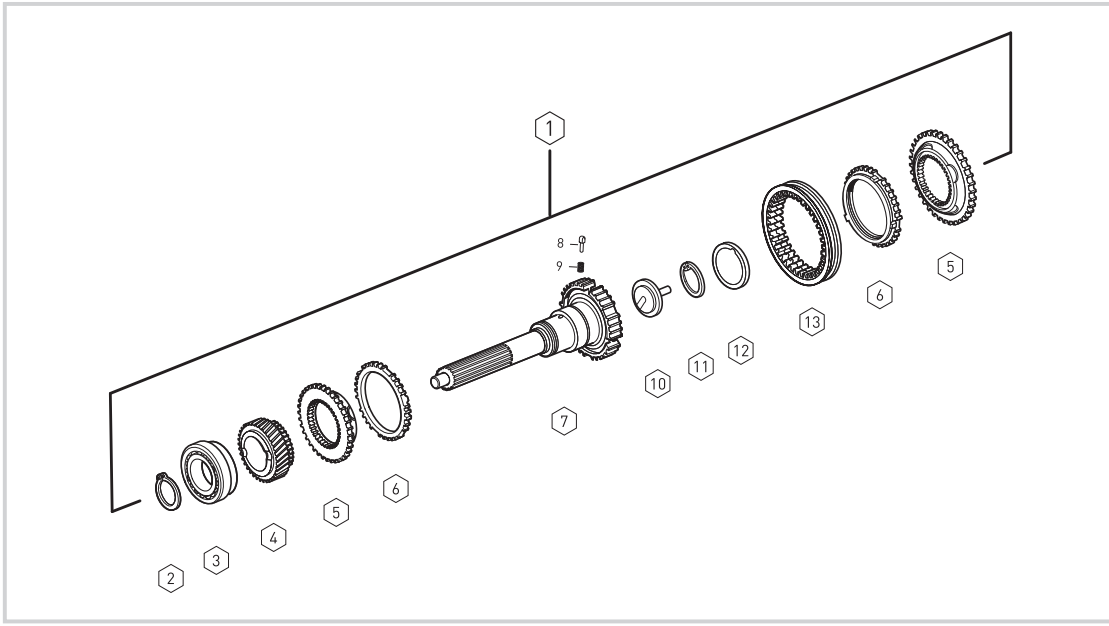


Fig.	Kacmaz No.	Oem No	Oem Old No	Pcs.	Ürün Tanımı	Description	Sizes
1	K20.00853	1315 104 026		1	KAMALI MİL KOMPLE	MAIN SHAFT COMPLETE	
2	K20.01565	1499 298 025		1	EMN.SACI ve KİLİT TAK.	SPLIT RING KIT	4.80mm
3	K20.01109	0750 117 232		1	KAMALI MİL UÇ BİLYA	ROLLER BEARING	
4	K20.01527	1315 304 048		1	KAMALI MİL UÇ BİLYA PULU	THRUST WASHER	8.00mm
5	K20.01533	0750 101 158		2	4.VİT.ÇANAK ALIN PULU	THRUST WASHER	
6	K20.00174	0750 119 125		1	4.VİT.MASURA BİLYA ÇANAĞI	BEARING RACE	
7	K20.01303	0750 115 531	[0750 115 534]	2	4.VİT.DİŞLİ MASURA BİLYA	NEEDLE CAGE	77X101X29mm
8	K20.00173	1315 304 089		1	4.VİTES DİŞLİSİ 32 DİŞ	GEAR 4th. 32 T	
9	K20.00102	1316 304 159	[1316 304 145]	2	3./4.VİTES SENKROMENÇ	ENGAGING RING	
10	K20.00109	1316 304 168	[1316 304 149]	2	3./4.VİT.SENK.FRENLEME	SYNCHRONIZING CONE	
11	K20.00136	1316 304 162	[1316 304 147]	1	3./4.VİTES YILDIZ DİŞLİ	GUIDE SLEEVE	
12	K20.00111	1297 304 436		6	YILDIZ DİŞLİ FİŞEĞİ	PRESSURE PIECE	
13	K20.00110	0732 040 409		6	YILDIZ DİŞLİ YAYI	SPRING	
14	K20.00103	1316 304 167		1	3./4.VİT.SENK.HALKA	ENGAGING SLEEVE	
15	K20.00176	1315 304 027		1	3.VİTES DİŞLİSİ 34 DİŞ	GEAR 3rd. 34 T	
16	K20.01322	0735 321 087		2	2./3.VİTES MASURA BİLYA	NEEDLE CAGE	
17	K20.00299	1315 304 131	[1315 304 084]	1	KAMALI MİL	MAIN SHAFT	
18	K20.01506	1312 304 150		1	KAMALI MİL YAĞ BORUSU	OIL PIPE	
19	K20.00178	1315 304 025		1	2.VİTES DİŞLİSİ 38 DİŞ	GEAR 2nd 38 T	
20	K20.00183	1316 304 156		2	1./2.VİTES SENKROMENÇ	ENGAGING RING	
21	K20.00113	1316 304 170	[1316 304 150]	2	1./2.VİTES SENK.FRENLEME	SYCNHRONIZING CONE	
22	K20.00180	1316 304 163	[1316 304 148]	1	1./2.VİTES YILDIZ DİŞLİ	GUIDE SLEEVE	
23	K20.00114	1316 304 169	[1315 304 136]	1	1./2.VİTES SENK.HALKA	ENGAGING SLEEVE	
24	K20.00374	1313 304 038		1	1.VİT.MASURA BİLYA ÇANAĞI	BEARING RACE	
25	K20.01323	0750 115 325		1	1.VİTES MSURA BİLYA	NEEDLE CAGE	96X104X55mm
26	K20.00391	1315 304 004		1	1.VİTES DİŞLİSİ 47 DİŞ	GEAR 1st. 47 T	
27	K20.00393	1315 304 018		1	GERİ VİTES YILDIZ DİŞLİ	HUB	
28	K20.00378	1315 304 132		1	GERİ VİT.MASURA BİLYA ÇANAĞI	BEARING RACE	
29	K20.01324	0750 115 324		1	GERİ VİTES MASURA BİLYA	NEEDLE CAGE	90X98X41mm
30	K20.00395	1315 304 006	[1315 304 380]	1	GERİ VİTES DİŞLİSİ 44 DİŞ	REVERSE GEAR 44 T	
31	K20.01119	0750 117 677		1	KAMALI MİL ARKA BİLYA	ROLLER BEARING	80X130X36mm
32		0630 501 316		1	KAMALI MİL ARKA BİLYA SEKMANI	RETAINING RING	3.50 mm

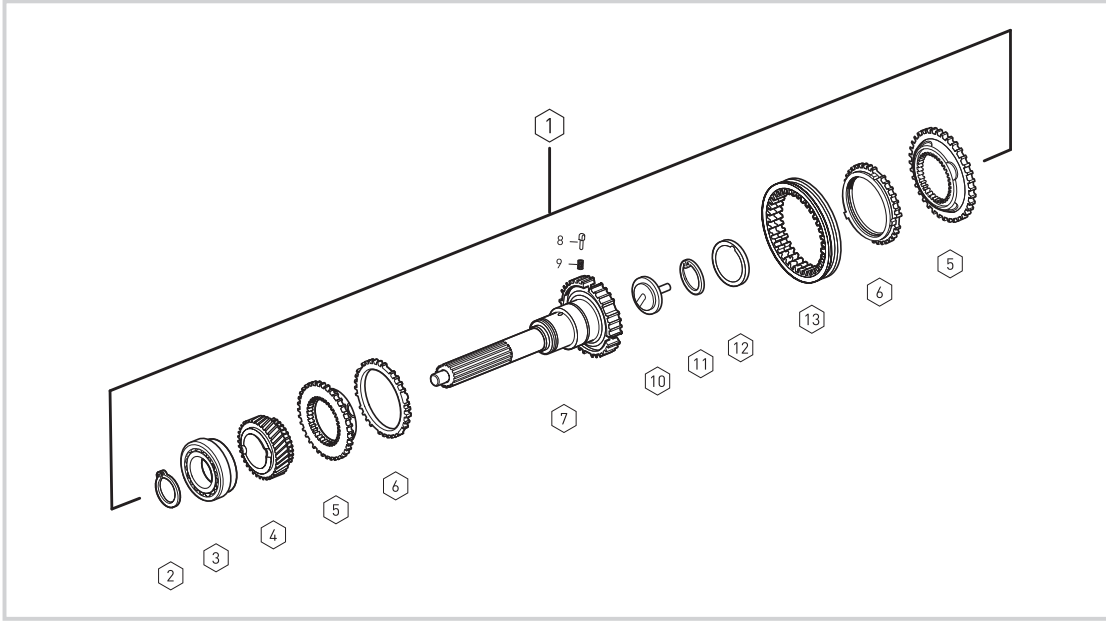


DG-TD

Fig.	Kacmaz No.	Oem No	Oem Old No	Pcs.	Ürün Tanımı	Description	Sizes
1	K20.00848	1315 102 036		Kit	PRİZDİREK KOMPLE	INPUT SHAFT COMPLETE	
2	K20.01897	0730 501 598		1	PRİZDİREK ÖN BİLYA SEKMANI	RETAINING RING	4.00 mm
3	K20.01104	0750 117 732		1	PRİZDİREK ÖN BİLYA	ROLLER BEARING	
4	K20.00163	1315 302 157		1	TAKVİYE DİŞLİSİ 30 DİŞ	CONSTANT GEAR 30 T	
5	K20.00101	1312 304 027		2	TAKVİYE KİLİT SENKROMENÇ	ENGAGING RING	
6	K20.00108	1297 304 484	(1297 304 402)	2	TAKVİYE FRENLEME	SYNCHRONIZING CONE	
7	K20.00151	1315 202 037	(1315 302 153) (1355 302 002)	1	PRİZDİREK	INPUT SHAFT	
8	K20.00111	1297 304 436		3	PRİZDİREK FİŞEĞİ	PRESSURE PIECE	
9	K20.00110	0732 040 409		3	PRİZDİREK FİŞEK YAYI	SPRING	
10	K20.01504	1315 302 196		1	PRİZDİREK YAĞ PİPETİ	OIL PIPET	
11	K20.01505	0630 502 027		1	PRİZDİREK SEKMANI	RETAINING RING	
12	K20.01011	0501 314 060		1	PRİZDİREK ARKA KEÇE	OIL SEAL	
13	K20.00098	1310 304 202	(1310 304 174) (1312 304 057)	1	TAKVİYE SENK.HALKA	ENGAGING SLEEVE	

SG-T0

Fig.	Kacmaz No.	Oem No	Oem Old No	Pcs.	Ürün Tanımı	Description	Sizes
1	K20.00849	1315 102 055		Kit	PRİZDİREK KOMPLE	INPUT SHAFT COMPLETE	
2	K20.01897	0730 501 598		1	PRİZDİREK ÖN BİLYA SEKMANI	RETAINING RING	4.00 mm
3	K20.01104	0750 117 732		1	PRİZDİREK ÖN BİLYA	ROLLER BEARING	
4	K20.00162	1315 302 158		1	TAKVİYE DİŞLİSİ 35 DİŞ	CONSTANT GEAR 35 T	
5	K20.00101	1312 304 027		2	TAKVİYE KİLİT SENKROMENÇ	ENGAGING RING	
6	K20.00108	1297 304 484	(1297 304 402)	2	TAKVİYE FRENLEME	SYNCHRONIZING CONE	
7	K20.00151	1315 202 037	(1315 302 153) (1355 302 002)	1	PRİZDİREK	INPUT SHAFT	
8	K20.00111	1297 304 436		3	PRİZDİREK FİŞEĞİ	PRESSURE PIECE	
9	K20.00110	0732 040 409		3	PRİZDİREK FİŞEK YAYI	SPRING	
10	K20.01504	1315 302 196		1	PRİZDİREK YAĞ PİPETİ	OIL PIPET	
11	K20.01505	0630 502 027		1	PRİZDİREK SEKMANI	RETAINING RING	
12	K20.01011	0501 314 060		1	PRİZDİREK ARKA KEÇE	OIL SEAL	
13	K20.00098	1310 304 202	(1310 304 174) (1312 304 057)	1	TAKVİYE SENK.HALKA	ENGAGING SLEEVE	

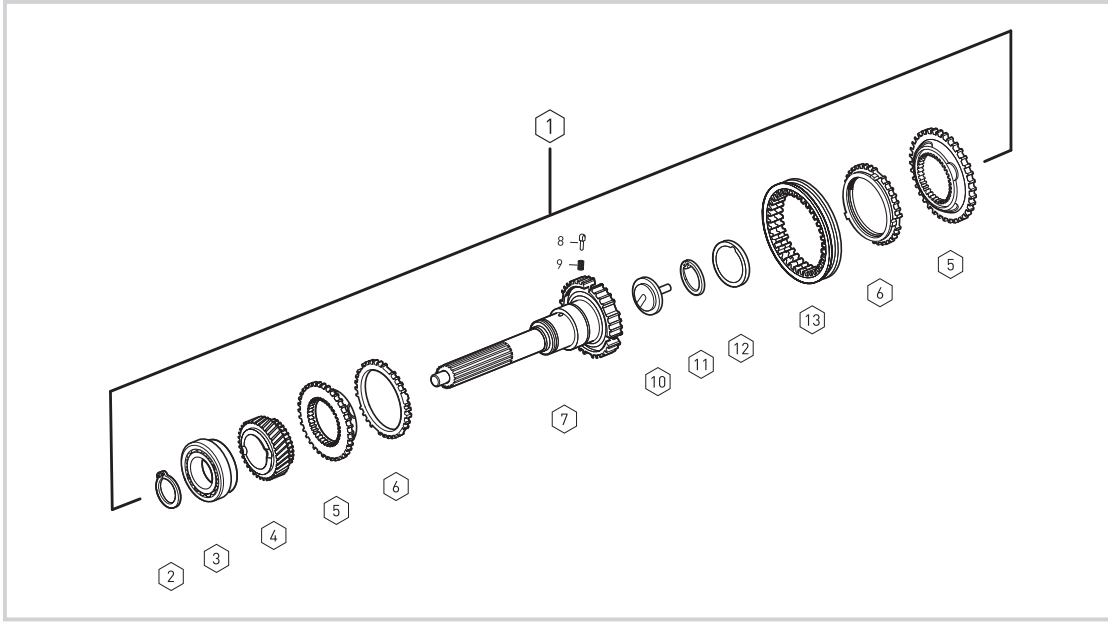


DG-TD

Fig.	Kacmaz No.	Oem No	Oem Old No	Pcs.	Ürün Tanımı	Description	Sizes
1	K20.01888	1315 102 073		Kit	PRİZDİREK KOMPLE	INPUT SHAFT COMPLETE	
2	K20.01897	0730 501 598		1	PRİZDİREK ÖN BİLYA SEKMANI	RETAINING RING	4,00 mm
3	K20.01104	0750 117 732		1	PRİZDİREK ÖN BİLYA	ROLLER BEARING	
4	K20.00163	1315 302 157		1	TAKVİYE DİŞLİSİ 30 DİŞ	CONSTANT GEAR 30 T	
5	K20.00101	1312 304 027		2	TAKVİYE KİLİT SENKROMENÇ	ENGAGING RING	
6	K20.00108	1297 304 484	(1297 304 402)	2	TAKVİYE FRENLEME	SYNCHRONIZING CONE	
7	K20.00640	1315 202 038	(1315 302 164)	1	PRİZDİREK	INPUT SHAFT	
8	K20.00111	1297 304 436		3	PRİZDİREK FİŞEĞİ	PRESSURE PIECE	
9	K20.00110	0732 040 409		3	PRİZDİREK FİŞEK YAYI	SPRING	
10	K20.01504	1315 302 196		1	PRİZDİREK YAĞ PİPETİ	OIL PIPET	
11	K20.01505	0630 502 027		1	PRİZDİREK SEKMANI	RETAINING RING	
12	K20.01011	0501 314 060		1	PRİZDİREK ARKA KEÇE	OIL SEAL	
13	K20.00098	1310 304 202	(1310 304 174)	1	TAKVİYE SENK.HALKA	ENGAGING SLEEVE	
			(1312 304 057)				

SG-T0

Fig.	Kacmaz No.	Oem No	Oem Old No	Pcs.	Ürün Tanımı	Description	Sizes
1	K20.01889	1315 102 072		Kit	PRİZDİREK KOMPLE	INPUT SHAFT COMPLETE	
2	K20.01897	0730 501 598		1	PRİZDİREK ÖN BİLYA SEKMANI	RETAINING RING	4,00 mm
3	K20.01104	0750 117 732		1	PRİZDİREK ÖN BİLYA	ROLLER BEARING	
4	K20.00162	1315 302 158		1	TAKVİYE DİŞLİSİ 35 DİŞ	CONSTANT GEAR 35 T	
5	K20.00101	1312 304 027		2	TAKVİYE KİLİT SENKROMENÇ	ENGAGING RING	
6	K20.00108	1297 304 484	(1297 304 402)	2	TAKVİYE FRENLEME	SYNCHRONIZING CONE	
7	K20.00640	1315 202 038	(1315 302 164)	1	PRİZDİREK	INPUT SHAFT	
8	K20.00111	1297 304 436		3	PRİZDİREK FİŞEĞİ	PRESSURE PIECE	
9	K20.00110	0732 040 409		3	PRİZDİREK FİŞEK YAYI	SPRING	
10	K20.01504	1315 302 196		1	PRİZDİREK YAĞ PİPETİ	OIL PIPET	
11	K20.01505	0630 502 027		1	PRİZDİREK SEKMANI	RETAINING RING	
12	K20.01011	0501 314 060		1	PRİZDİREK ARKA KEÇE	OIL SEAL	
13	K20.00098	1310 304 202	(1310 304 174)	1	TAKVİYE SENK.HALKA	ENGAGING SLEEVE	
			(1312 304 057)				

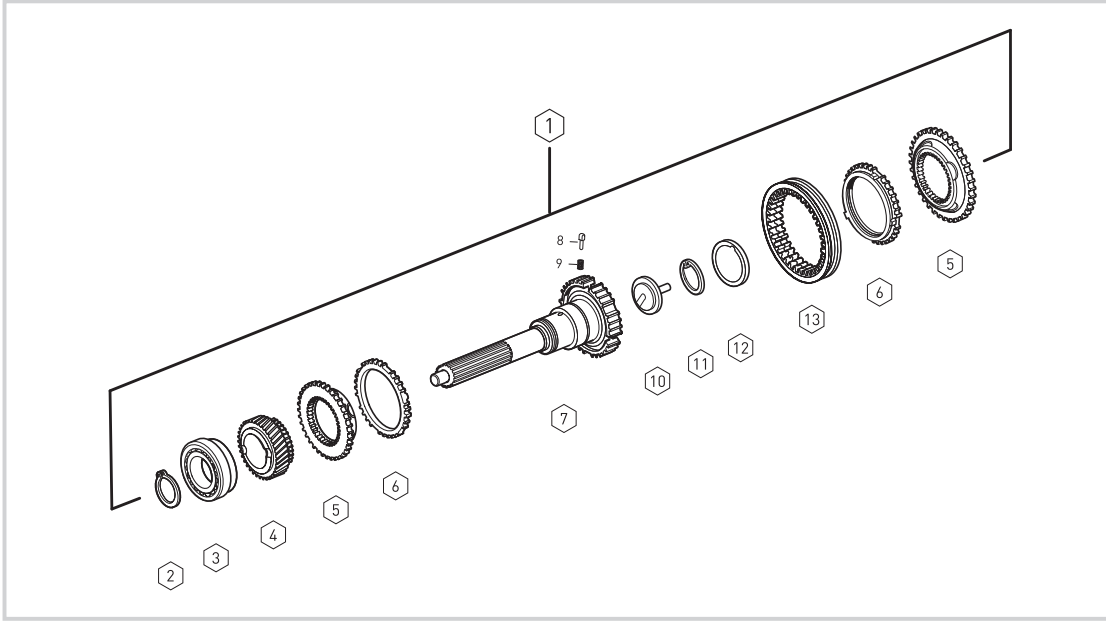


DG-TD

Fig.	Kacmaz No.	Oem No	Oem Old No	Pcs.	Ürün Tanımı	Description	Sizes
1	K20.00850	1315 102 040		Kit	PRİZDİREK KOMPLE	INPUT SHAFT COMPLETE	
2	K20.01897	0730 501 598		1	PRİZDİREK ÖN BİLYA SEKMANI	RETAINING RING	4,00 mm
3	K20.01104	0750 117 732		1	PRİZDİREK ÖN BİLYA	ROLLER BEARING	
4	K20.00163	1315 302 157		1	TAKVIYE DİŞLİSİ 30 DİŞ	CONSTANT GEAR 30 T	
5	K20.00101	1312 304 027		2	TAKVIYE KİLİT SENKROMENÇ	ENGAGING RING	
6	K20.00108	1297 304 484	(1297 304 402)	2	TAKVIYE FRENLEME	SYNCHRONIZING CONE	
7	K20.00152	1315 202 040	(1315 302 162)	1	PRİZDİREK	INPUT SHAFT	
8	K20.00111	1297 304 436		3	PRİZDİREK FİŞEĞİ	PRESSURE PIECE	
9	K20.00110	0732 040 409		3	PRİZDİREK FİŞEK YAYI	SPRING	
10	K20.01504	1315 302 196		1	PRİZDİREK YAĞ PİPETİ	OIL PIPET	
11	K20.01505	0630 502 027		1	PRİZDİREK SEKMANI	RETAINING RING	
12	K20.01011	0501 314 060		1	PRİZDİREK ARKA KEÇE	OIL SEAL	
13	K20.00098	1310 304 202	(1310 304 174)	1	TAKVIYE SENK.HALKA	ENGAGING SLEEVE	
			(1312 304 057)				

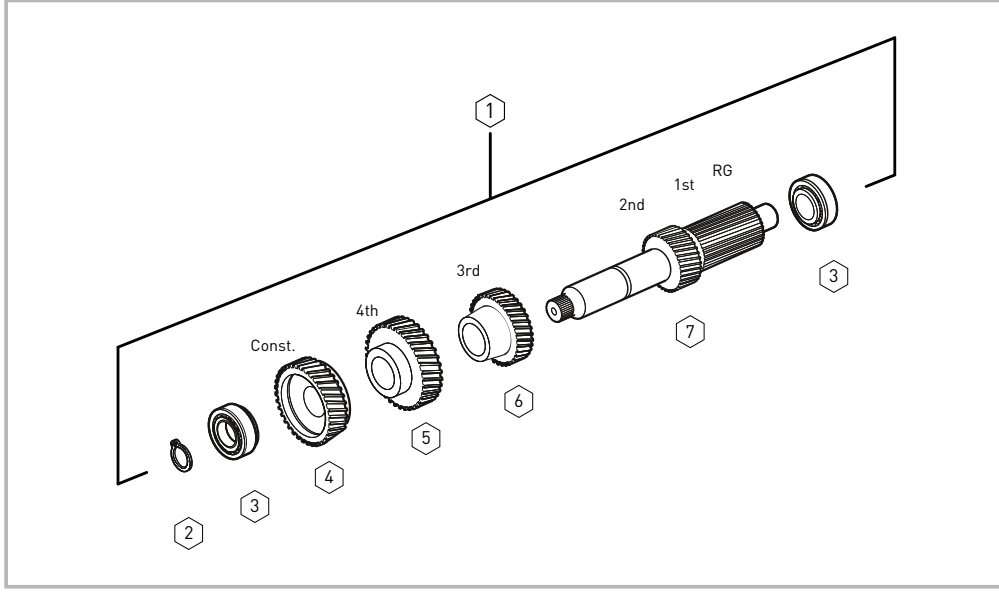
SG-T0

Fig.	Kacmaz No.	Oem No	Oem Old No	Pcs.	Ürün Tanımı	Description	Sizes
1	K20.00846	1315 102 056		Kit	PRİZDİREK KOMPLE	INPUT SHAFT COMPLETE	
2	K20.01897	0730 501 598		1	PRİZDİREK ÖN BİLYA SEKMANI	RETAINING RING	4,00 mm
3	K20.01104	0750 117 732		1	PRİZDİREK ÖN BİLYA	ROLLER BEARING	
4	K20.00162	1315 302 158		1	TAKVIYE DİŞLİSİ 35 DİŞ	CONSTANT GEAR 35 T	
5	K20.00101	1312 304 027		2	TAKVIYE KİLİT SENKROMENÇ	ENGAGING RING	
6	K20.00108	1297 304 484	(1297 304 402)	2	TAKVIYE FRENLEME	SYNCHRONIZING CONE	
7	K20.00152	1315 202 040	(1315 302 162)	1	PRİZDİREK	INPUT SHAFT	
8	K20.00111	1297 304 436		3	PRİZDİREK FİŞEĞİ	PRESSURE PIECE	
9	K20.00110	0732 040 409		3	PRİZDİREK FİŞEK YAYI	SPRING	
10	K20.01504	1315 302 196		1	PRİZDİREK YAĞ PİPETİ	OIL PIPET	
11	K20.01505	0630 502 027		1	PRİZDİREK SEKMANI	RETAINING RING	
12	K20.01011	0501 314 060		1	PRİZDİREK ARKA KEÇE	OIL SEAL	
13	K20.00098	1310 304 202	(1310 304 174)	1	TAKVIYE SENK.HALKA	ENGAGING SLEEVE	
			(1312 304 057)				



DG-TD

Fig.	Kacmaz No.	Oem No	Oem Old No	Pcs.	Ürün Tanımı	Description	Sizes
1	K20.00847	1315 102 079		Kit	PRİZDİREK KOMPLE	INPUT SHAFT COMPLETE	
2	K20.01897	0730 501 598		1	PRİZDİREK ÖN BİLYA SEKMANI	RETAINING RING	4.00 mm
3	K20.01104	0750 117 732		1	PRİZDİREK ÖN BİLYA	ROLLER BEARING	
4	K20.00163	1315 302 157		1	TAKVİYE DİŞLİSİ 30 DİŞ	CONSTANT GEAR 30 T	
5	K20.00101	1312 304 027		2	TAKVİYE KİLİT SENKROMENÇ	ENGAGING RING	
6	K20.00108	1297 304 484	(1297 304 402)	2	TAKVİYE FRENLEME	SYNCHRONIZING CONE	
7	K20.00668	1315 202 070	(1355 302 012)	1	PRİZDİREK	INPUT SHAFT	
8	K20.00111	1297 304 436		3	PRİZDİREK FİŞEĞİ	PRESSURE PIECE	
9	K20.00110	0732 040 409		3	PRİZDİREK FİŞEK YAYI	SPRING	
10	K20.01504	1315 302 196		1	PRİZDİREK YAĞ PİPETİ	OIL PIPET	
11	K20.01505	0630 502 027		1	PRİZDİREK SEKMANI	RETAINING RING	
12	K20.01011	0501 314 060		1	PRİZDİREK ARKA KEÇE	OIL SEAL	
13	K20.00098	1310 304 202	(1310 304 174)	1	TAKVİYE SENK.HALKA	ENGAGING SLEEVE	
			(1312 304 057)				



DG-TD

Fig.	Kacmaz No.	Oem No	Oem Old No	Pcs.	Ürün Tanımı	Description	Sizes
1	K20.00864	1315 103 017		Kit	GRUP MİLİ KOMPLE	COUNTER SHAFT COMPLETE	
2	K20.01960	0630 531 065		1	GRUP MİLİ ÖN BİLYA SEKMANI	RETAINING RING	
3	K20.01126	0750 117 009	[0735 372 156]	2	GRUP MİLİ ÖN VE ARKA BİLYA	ROLLER BEARING	49,2X103,1X43,6mm
4	K20.00166	1315 303 008		1	TAKVİYE DİŞLİ KARŞILIĞI 39 DİŞ	CONSTANT GEAR 39 T	
5	K20.00168	1315 303 050		1	4.VİT.DİŞLİ KARŞILIĞI 35 DİŞ	GEAR 4th 35 T	
6	K20.00171	1315 303 004		1	3.VİT.DİŞLİ KARŞILIĞI 26 DİŞ	GEAR 3rd 26 T	
7	K20.00463	1315 303 063		1	GRUP MİLİ 17-20 DİŞ	COUNTER SHAFT 17-20 T	

SG-T0

Fig.	Kacmaz No.	Oem No	Oem Old No	Pcs.	Ürün Tanımı	Description	Sizes
1	K20.00863	1315 103 019		Kit	GRUP MİLİ KOMPLE	COUNTER SHAFT COMPLETE	
2	K20.01960	0630 531 065		1	GRUP MİLİ ÖN BİLYA SEKMANI	RETAINING RING	
3	K20.01126	0750 117 009	[0735 372 156]	2	GRUP MİLİ ÖN VE ARKA BİLYA	ROLLER BEARING	49,2X103,1X43,6mm
4	K20.00165	1315 303 051	[1315 303 064]	1	TAKVİYE DİŞLİ KARŞILIĞI 32 DİŞ	CONSTANT GEAR 32 T	
5	K20.00168	1315 303 050		1	4.VİT.DİŞLİ KARŞILIĞI 35 DİŞ	GEAR 4th 35 T	
6	K20.00171	1315 303 004		1	3.VİT.DİŞLİ KARŞILIĞI 26 DİŞ	GEAR 3rd 26 T	
7	K20.00463	1315 303 063		1	GRUP MİLİ 17-20 DİŞ	COUNTER SHAFT 17-20 T	