

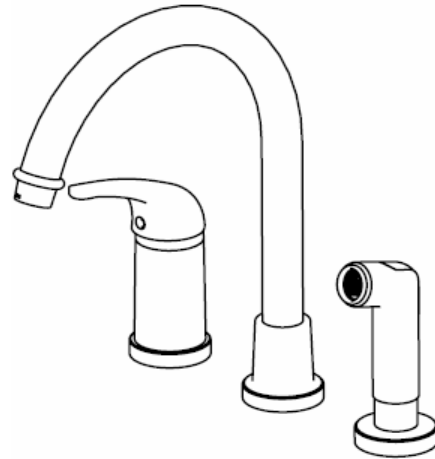
SINGLE HANDLE KITCHEN FAUCET

810-478

F87J4610BNV

FEATURES:

- Solid brass and copper waterways
- Fits 3 hole sinks with 8" center
- Drip-free ceramic cartridge
- ½" 14 NPSM Inlet
- Metal lever handle
- Side sprayer included
- Max flow rate: 2.2 GPM at 60Psi
- Meets ADA requirements
- 100% factory pressure tested before shipment



CODES / STANDARDS APPLICABLE:

Specified model meets or exceeds the following:

- ANSI/ASME A112.18.1
- ANSI/NSF 61 – Sec. 9
- IAPMO/UPC
- CSA B125
- AB 1953
- ADA

COLOR FINISHES:

- BNV = Brushed Nickel

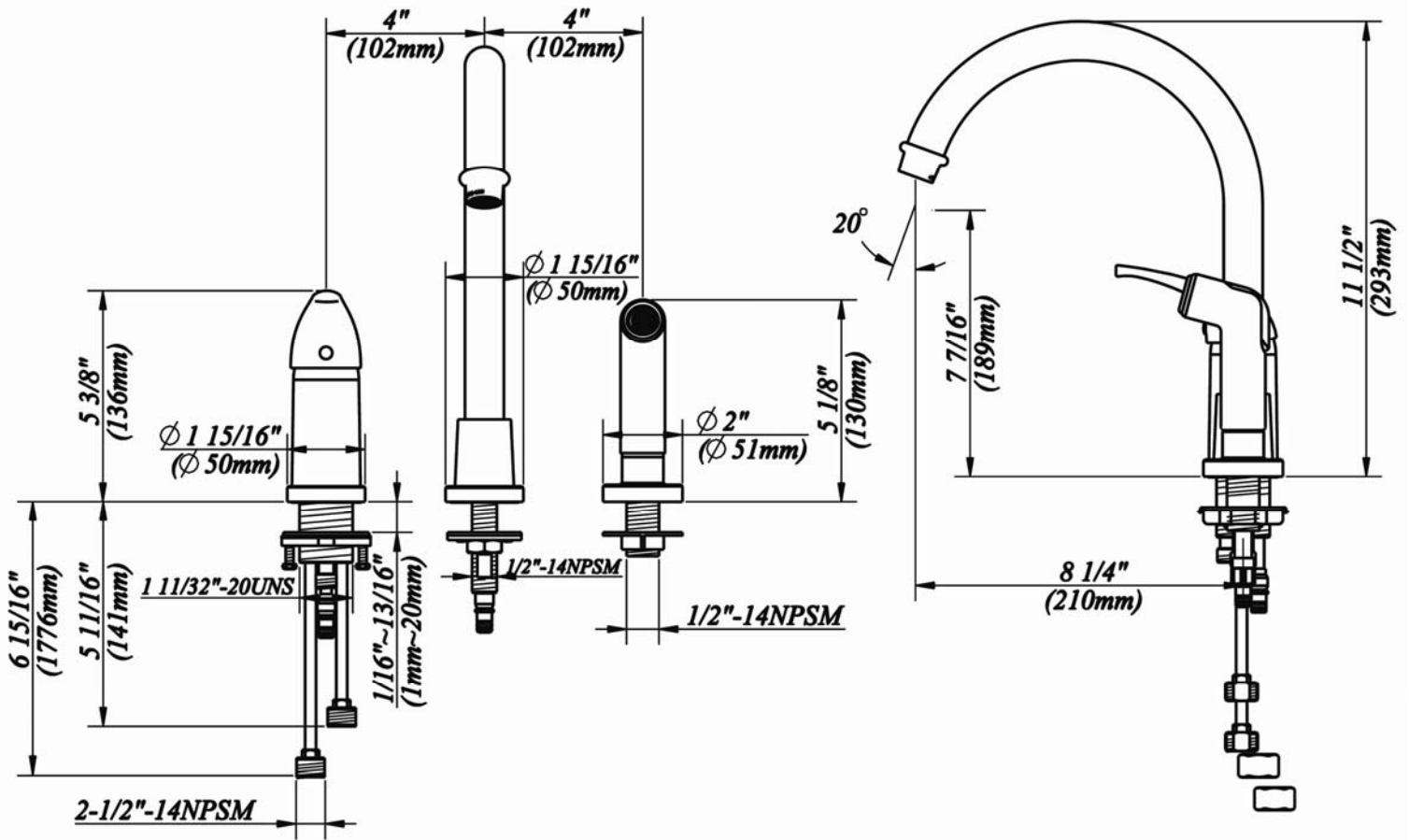
SPECIFIED MODEL:

Model	Description	Finish
810-478	Single Handle Kitchen Faucet	Brushed Nickel

810-478

F87J4610BNV

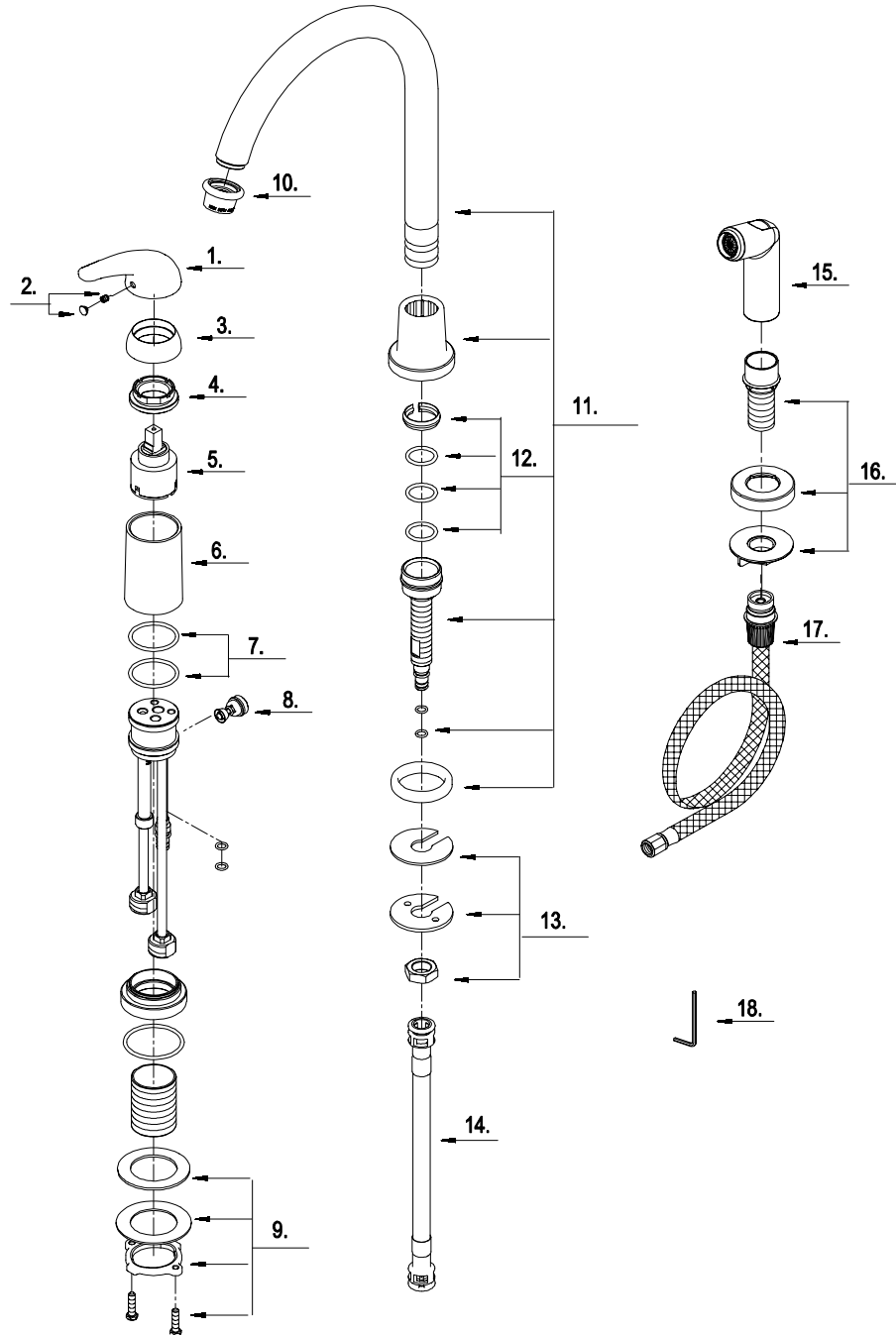
PRODUCT SPECIFICATION DIAGRAM



EXPLODED DRAWING

810-478

F87J4610BNV



810-478

F87J4610BNV

PARTS LISTING

No.	Part Number	Finish	Part Description
		810-478	
1	A029048	BNV	Metal Handle
2	A66D569		Index Button-Cold/Hot
3	A103024	BN	Trim Cap
4	A104002		Locking Nut
5	A507348N		Ceramic Disc Cartridge
6	A041792N	BNV	Sleeve
7	A608276N		O-Ring (Φ 1-5/16" ID * Φ 1-1/2" OD)
8	A501011N		Spray Diverter w/Vacuum Breaker
9	A663038		Mounting Hardware
10	A500954N	BNV	Aerator
11	A666243W	BNV	Spout Assembly
12	A663040N		Spout Seal Kit
13	A66D301		Mounting Hardware
14	A135146N		Supply Hose
15	A503002N	BNV	Side Spray
16	A66D268	BNV	Spray Holder Assembly (2-1/2" L)
17	A511000N		Spray Hose
18	A031000NI		Hex Wrench (H2.5 * 19 mm L * 53 mm L)