

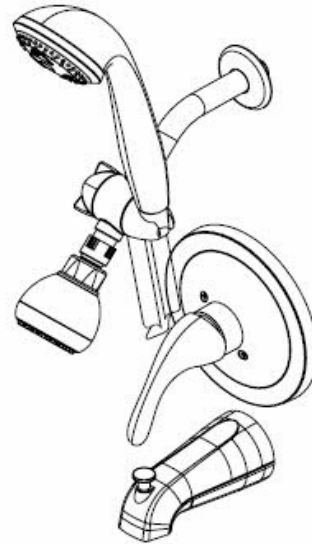
PRESSURE BALANCED TUB & SHOWER SET

476-615

F1BA4502CP

FEATURES:

- 3 Setting handheld showerhead and 1 setting fixed showerhead.
- Drip-free ceramic cartridge
- Metal lever handle
- Max flow rate: 2.5 GPM at 80Psi
- Meets ADA requirements
- 100% factory pressure tested before shipment



CODES / STANDARDS APPLICABLE:

Specified model meets or exceeds the following:

- ANSI/ASME A112.18.1
- IAPMO/UPC
- CSA B125
- ADA

COLOR FINISHES:

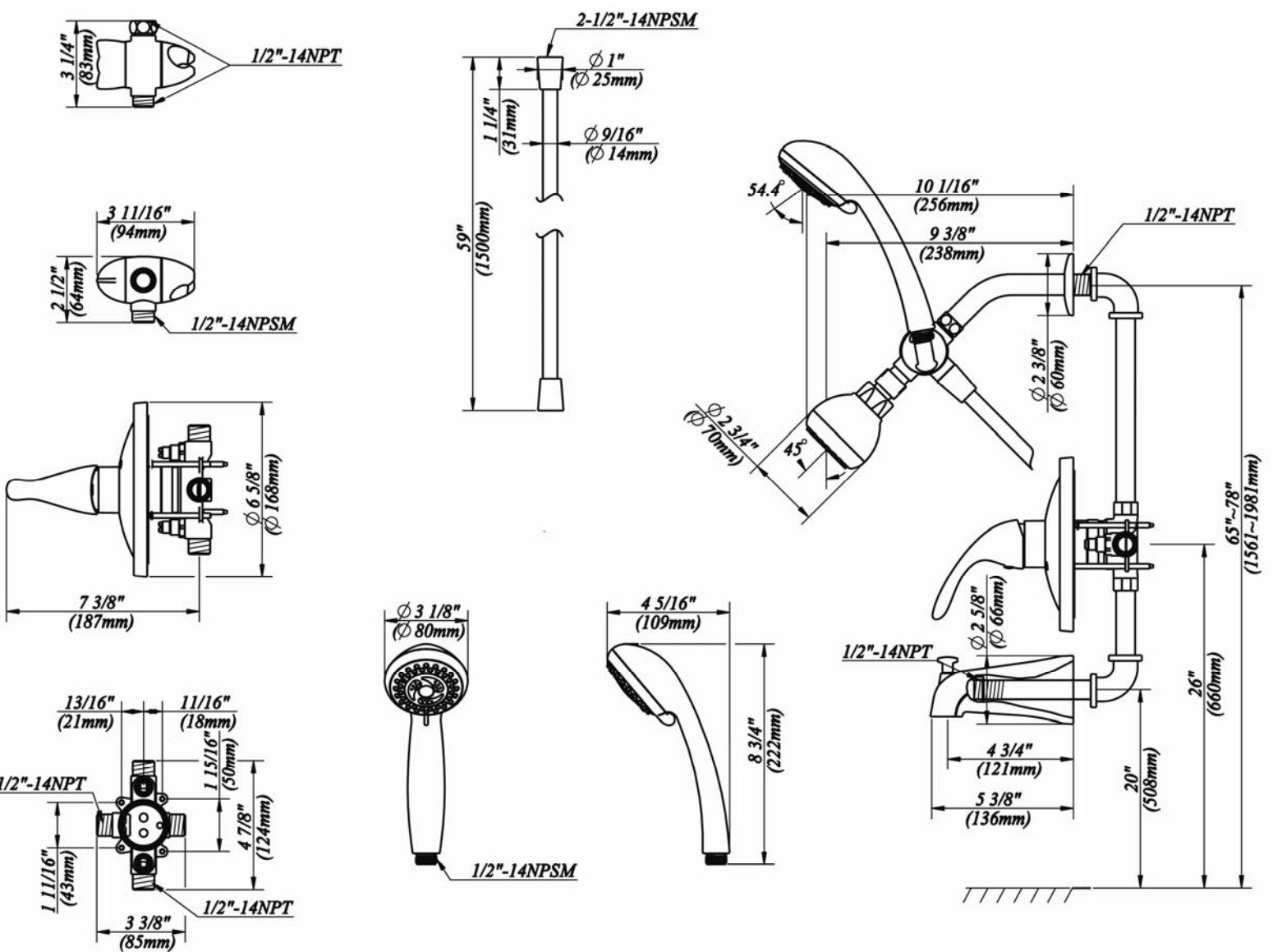
- CP = Polished Chrome

SPECIFIED MODEL:

Model	Description	Finish
476-615	Pressure Balanced Tub & Shower Set	Polished Chrome

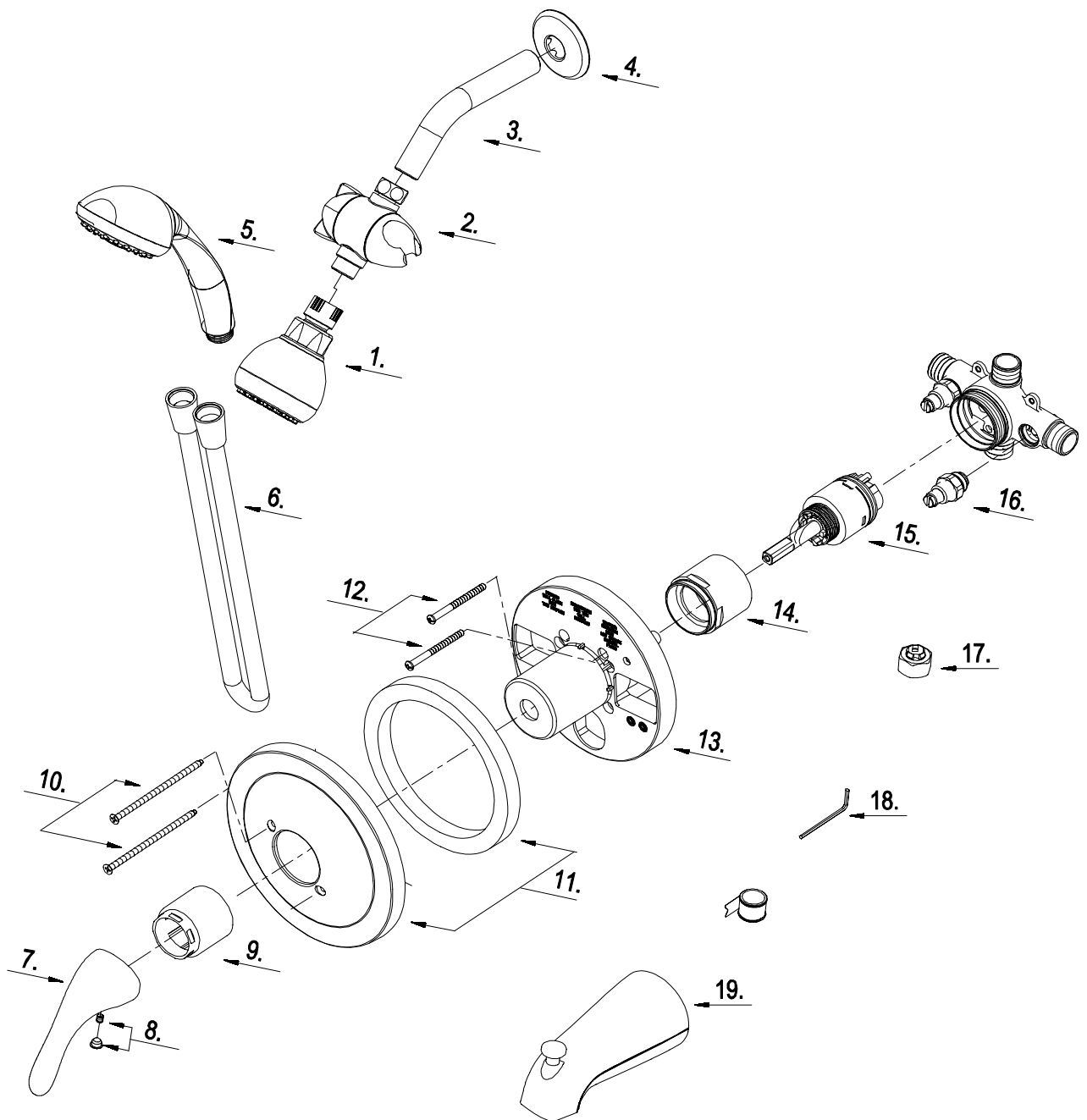
476-615
F1BA4502CP

PRODUCT SPECIFICATION DIAGRAM



**476-615
F1BA4502CP**

EXPLODED DRAWING



476-615**F1BA4502CP****PARTS LISTING**

No.	Part Number	Finish	Part Description
		476-615	
1	S1211306	CP	Shower Head
2	A501384	CP	Shower Bracket
3	A020002	CP	Shower Arm
4	A019001	CP	Shower Arm Flange
5	S2234300	CP	Hand Shower
6	A105771	CP	Shower Hose
7	A069752	CP	Metal Handle
8	A66D814		Handle Cap
9	A103311	CP	Trim Cap
10	A608564		Screw Set (3/16" -24 * 4 " L)
11	A667103	CP	Escutcheon Assembly
12	A608519		Screw Set (3/16" -24 * 2-3/16" L)
13	A127211KP		Plaster Guard
14	A103303	CP	Sleeve
15	A507887		Ceramic Disc Cartridge
16	A603120	CP	Check Valve
17	A028452		Plug
18	A031000	NI	Hex Wrench (H2.5 * 19 mm L * 53 mm L)
19	A100012	CP	Spout W/Diverter (Threaded)