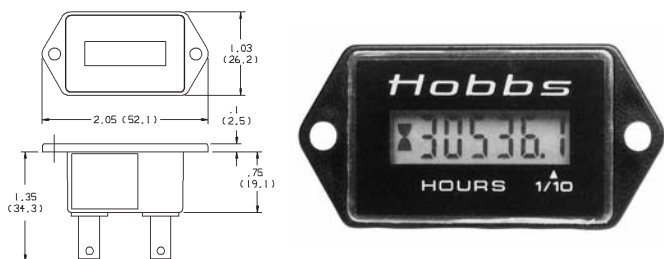


TWO SCREW STANDARD BEZEL

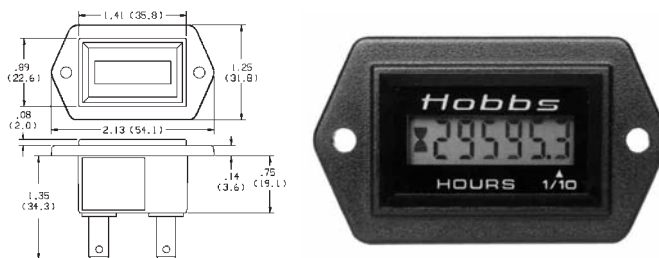
9-64 Volts



2 Terminal	3 Terminal w/Enable	4 Terminal / Resettable
98310	98320	98300

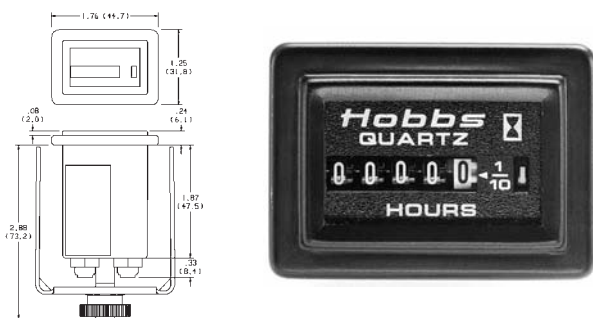
TWO SCREW DELUXE BEZEL

9-64 Volts



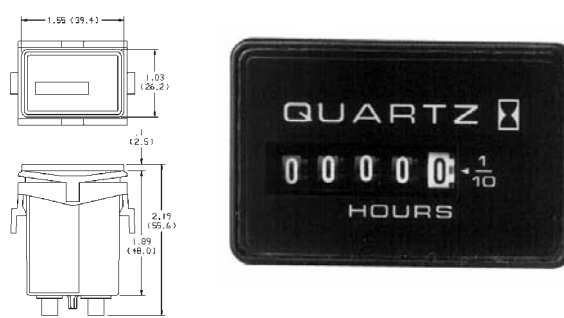
2 Terminal	3 Terminal w/Enable	4 Terminal / Resettable
98313	98323	98303

RECTANGULAR STIRRUP



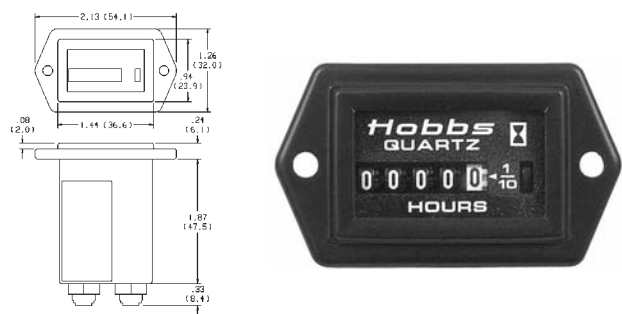
10-32 Volts	30-110 Volts
85010	85023

RETAINER MOUNT



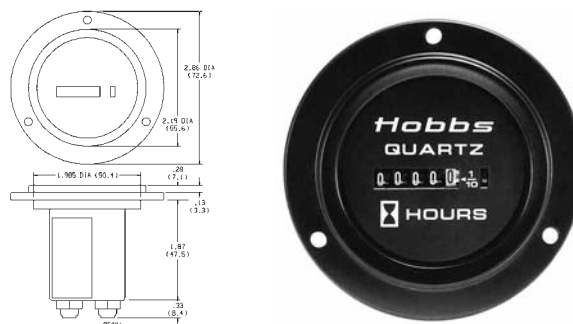
10-80 Volts
82320

TWO SCREW RECTANGULAR



10-80 Volts
85094

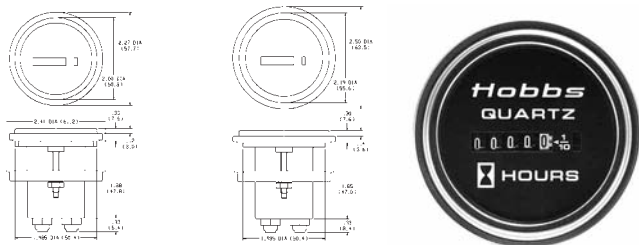
THREE SCREW ROUND



10-80 Volts
85097

ROUND CHROME BEZEL

10-80 Volts



Chrome Flush Mount (Cup)
2.27": Panel cutout
2.00 diameter opening.*

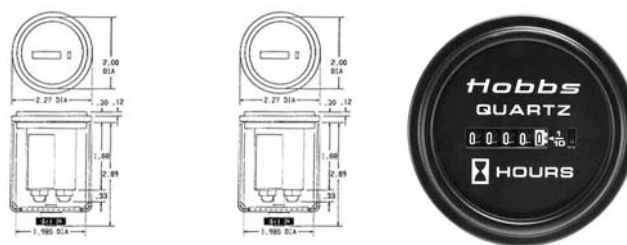
Chrome Flush Mount (Cup)
2.5": Panel cutout
2.00 diameter opening.*

2.27" Outer Diameter
85342

2.5" Outer Diameter
85098

ROUND BLACK BEZEL

10-80 Volts



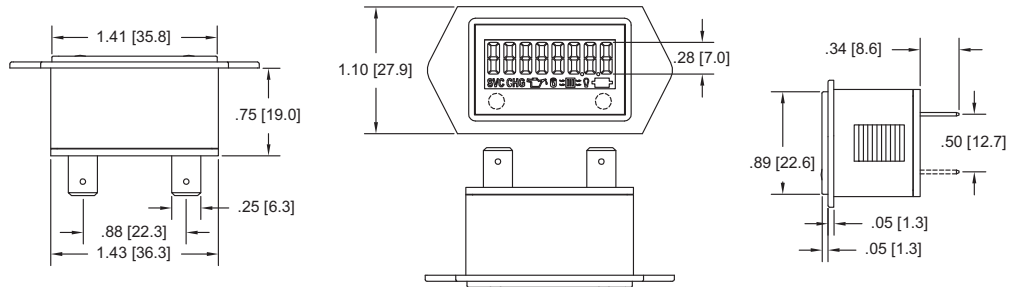
Black Flush Mount (Stirrup)
2.27": Panel cutout
2.00 diameter opening.*

Black Flush Mount (Stirrup)
2.5": Panel cutout
2.00 diameter opening.*

2.27" Outer Diameter
85093

2.5" Outer Diameter
85099

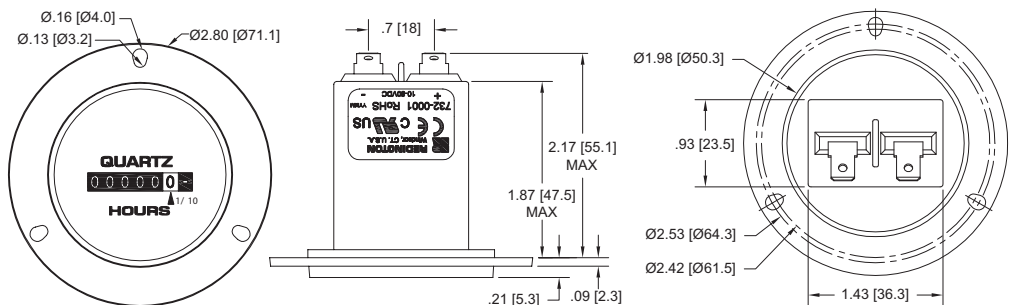
2-HOLE NO-HOLE MOUNT



3410-0000

10-80VDC, 1/4" [6.3mm] spade terminals, hours & 1/10's

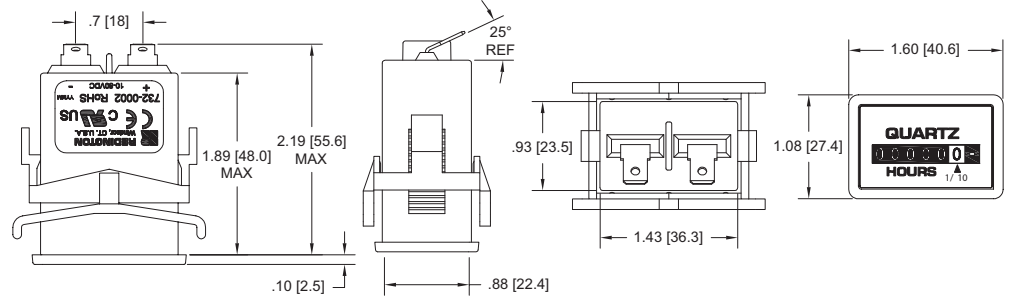
3-HOLE ROUND



732-0001

10-80VDC, 1/4" [6.3mm] spade terminals, hours & 1/10's

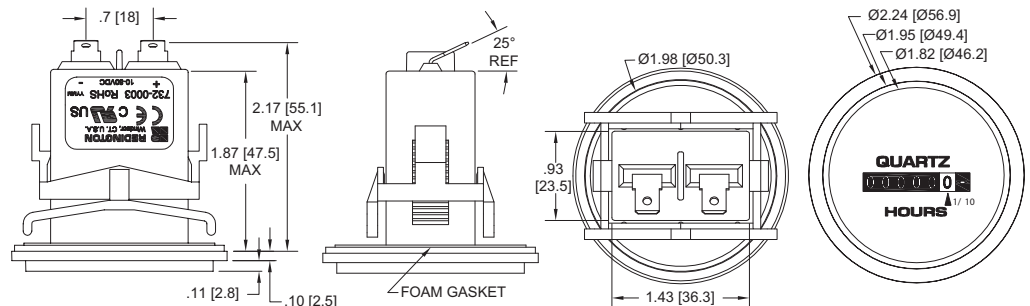
FLUSH - REGTANGULAR



732-0002

10-80VDC, 1/4" [6.3mm] spade terminals, hours & 1/10's

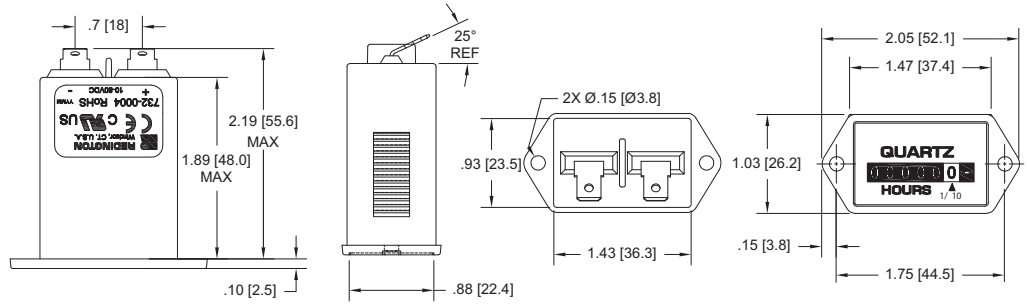
FLUSH - ROUND



732-0003

10-80VDC, 1/4" [6.3mm] spade terminals, hours & 1/10's

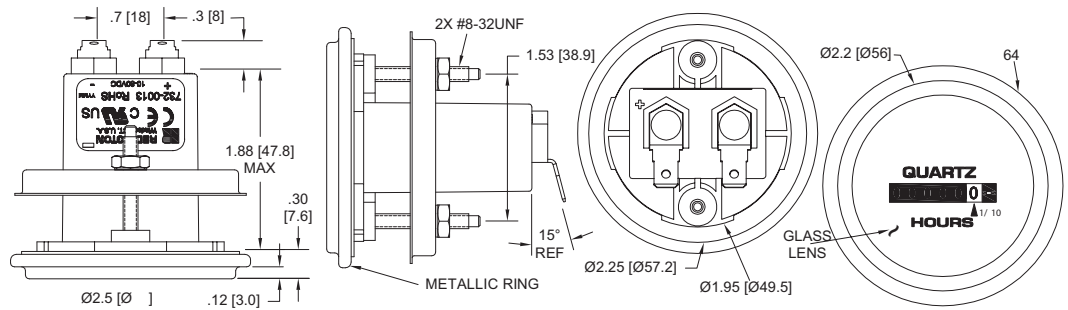
2-HOLE NO-HOLE MOUNT



732-0004

10-80VDC, 1/4" [6.3mm] spade terminals, hours & 1/10's

PANEL MOUNT ROUND CUP



stainless steel bezel

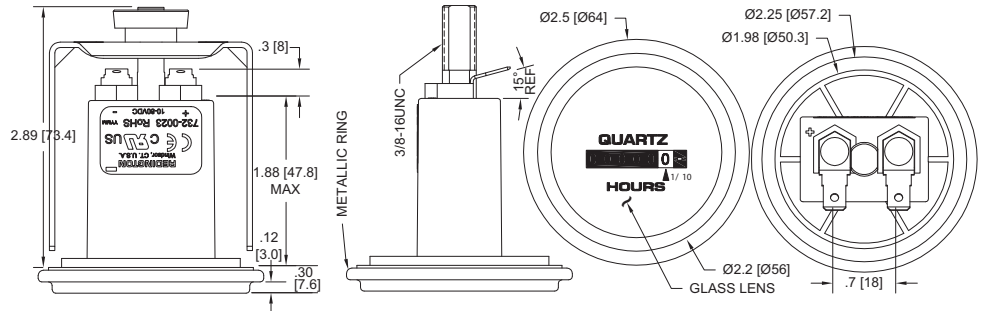
black metallic bezel

732-0013

732-0014

10-80VDC, 1/4" [6.3mm] spade terminals, hours & 1/10's

PANEL MOUNT ROUND STIRRUP



stainless steel bezel

black metallic bezel

732-0023

732-0024

10-80VDC, 1/4" [6.3mm] spade terminals, hours & 1/10's

BATTERY DISCHARGE GAUGE

Gauge includes shutdown switch to prevent battery damage.

TECHNICAL DATA

- Quartz Accuracy: ± 0.02% (± 200 ppm)
- Sealed, Shock-Resistant Case
- Run Indicator
- Voltage Range: 10-80 VDC
- Temperature Range of -40°F to +185°F
- Numeral Size: 0.12"
- UL Recognized
- CSA Certified
- Polycarbonate Case and Lens
- 1/4" Blade Terminals

FEATURES & SPECIFICATIONS

Charge Degree	2.09V/cell
Discharge Limit Degree	1.73V/cell
Time Delay	3min.
Current Consumption	25mA
Ambient Temperature	-30°C to +50°C
Front Installing Dia.	53mm
Weight	90g
Max. Current Of The Relay:	1A
Protection Degree:	1P - 65



2020 Series



30030 Series

12 Volt

24 Volt

36 Volt

48 Volt

72 Volt

80 Volt

30030-12

20020-24 / 30030-24

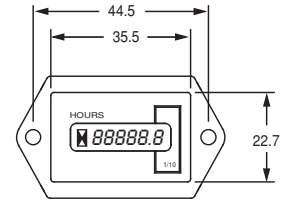
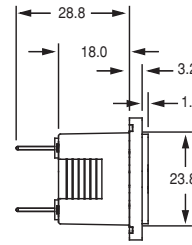
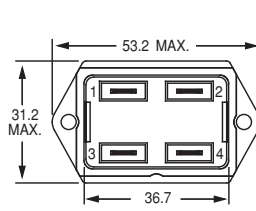
20020-36 / 30030-36

20020-48 / 30030-48

30030-72

30030-80

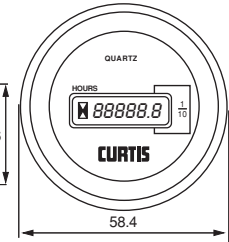
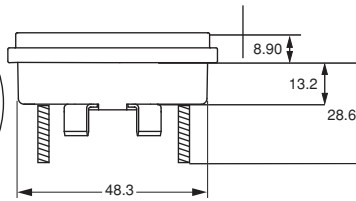
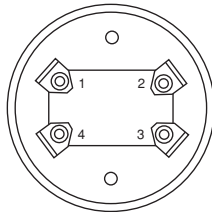
HOUR METER



700FN00101248D

701FN00101248D

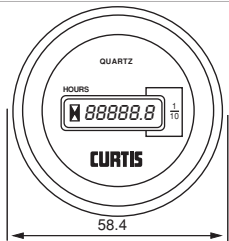
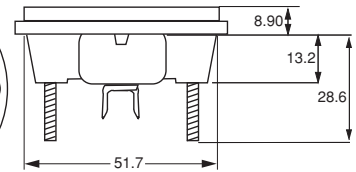
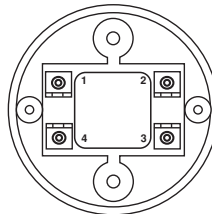
HOUR METER



700QN00101248D

701QN00101248D

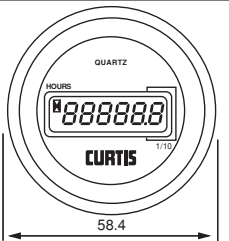
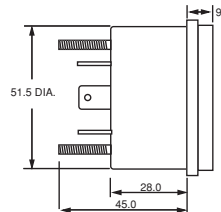
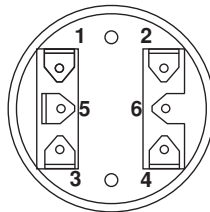
HOUR METER



700RN00101248D

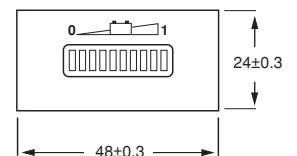
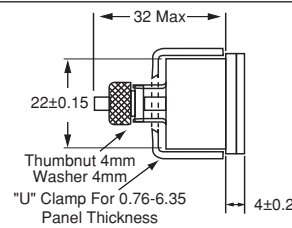
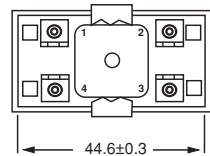
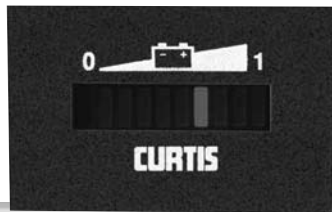
701RN00101248D

HOUR METER



701TR00101248D

BATTERY FUEL GAUGE



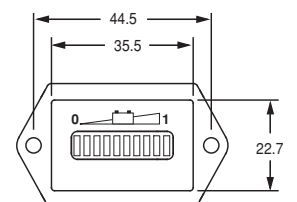
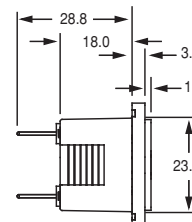
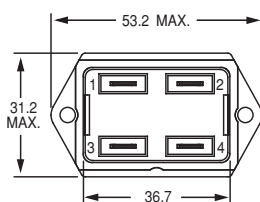
12 Volt
906D-12H

24 Volt
906D-24H

36 Volt
906D-36H

48 Volt
906D-48H

BATTERY FUEL GAUGE



12 Volt
906T-12HG

24 Volt
906T-24HG

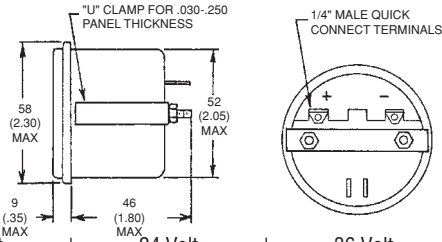
36 Volt
906T-36H

48 Volt
906T-48H

CURTIS METERS AND GAUGES

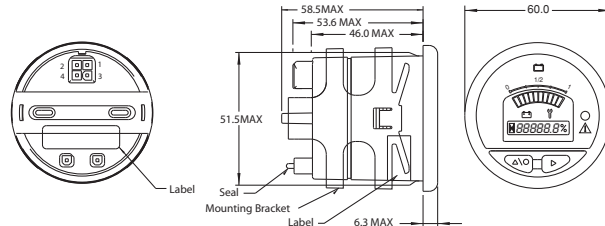
400

BATTERY FUEL GAUGE



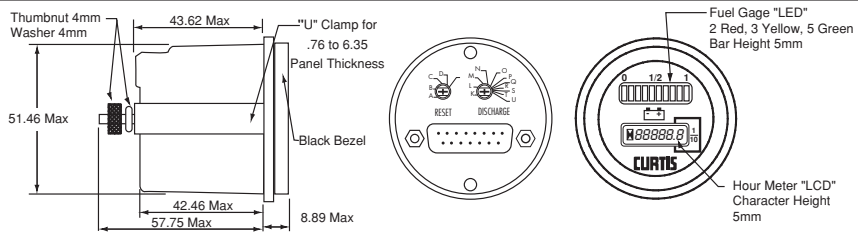
12 Volt 900RB12BN	24 Volt 900RB24BN	36 Volt 900R36BN	48 Volt 900R48BN	72 Volt 900R72BN
-----------------------------	-----------------------------	----------------------------	----------------------------	----------------------------

HOUR/BATTERY DISCHARGE



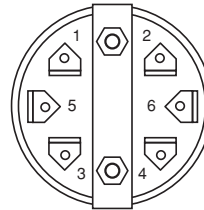
12-48 Volt - BDI/Hourmeter Molex Connector 3002R-57X-0001	12-48 Volt - Maintenance Monitor Amp Connector 3003R-67X-0001
---------------------------------------------------------------------	-------------------------------------------------------------------------

HOUR/BATTERY DISCHARGE



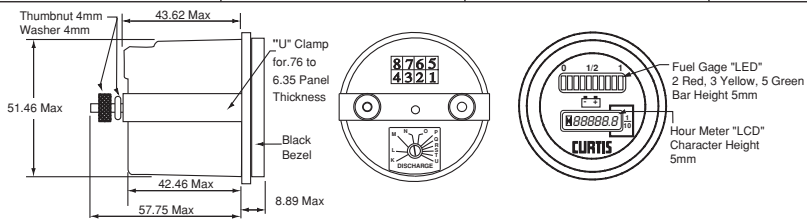
933-1C1224	933-1C243648
-------------------	---------------------

HOUR/BATTERY DISCHARGE



12 Volt 802RB12BN	24 & 36 Volt 802RB2436BN	36 & 48 Volt 802RB3648BN	24 & 48 Volt 802RB2448BN
-----------------------------	------------------------------------	------------------------------------	------------------------------------

HOUR/BATTERY DISCHARGE



12 Volt 803RB12BCJ	24 & 36 Volt 803RB2436BCJ	24 & 48 Volt 803RB2448BCJ	24 & 48 Volt 803RB2448BCK3010	36 & 48 Volt 803RB3648BCJ
------------------------------	-------------------------------------	-------------------------------------	-----------------------------------------	-------------------------------------