



Parts Manual

Proportioning Unit

Easy Spray

Issue 3.9 24/07/17
Ref. NR-00018-ENG



Before installing the unit and starting it up, carefully read all the technical and safety documentation included in this manual. Pay special attention to the information to know and understand the handling and the conditions of use of the unit. All of the information is aimed at enhancing User Safety and avoiding possible breakdowns derived from the incorrect use of the unit.



WARRANTY

GARRAF MAQUINARIA, S. A. (hereinafter "GAMA") provides this **LIMITED WARRANTY** (hereinafter "Warranty") to the original purchaser (hereinafter "Customer") covering this equipment and the original GAMA manufactured accessories delivered with the equipment (hereinafter "Product") against defects in material or workmanship of the Product (hereinafter "Defect" or "Defective") for a period of two (2) years from the date of first purchase as shown on the original GAMA invoice (hereinafter "Warranty Period").

If during the Warranty Period under normal use, the Product is suspected by Customer to be Defective in material or workmanship, it is Customer's responsibility to contact GAMA and return the Product to GAMA as directed by GAMA, freight prepaid. If GAMA determines that the Product is Defective and that such Defect is covered by this Warranty, GAMA will credit Customer for the reasonable freight charges incurred by Customer in returning the Defective Product to GAMA, and GAMA (or its authorized agent) will, at GAMA's option, repair or replace the Product, subject to the following:

Original Invoice: The original invoice must be kept as proof of the date of first sale and the Product serial number. The Warranty does not cover any Product if the Original Invoice appears to have been modified or altered, or when the serial number on the Product appears to have been altered or defaced.

Product Maintenance: It is the Customer's responsibility to maintain the Product properly. See your maintenance schedule and owner's manual for details. The Warranty does not cover an improperly maintained Product.

Non-GAMA Components and Accessories: Non-GAMA manufactured components and accessories that are used in the operation of the Product are not covered by this Warranty. Such components and accessories shall be subject to the warranty offered to the Customer, if any, by the original manufacturer of such component or accessory.

Other Warranty Exclusions: The Warranty does not cover any Product that GAMA determines has been damaged or fails to operate properly due to misuse, negligence, abuse, carelessness, neglect, or accident. By way of example only, this includes:

- Normal wear and tear.
- Improper or unauthorized installation, repair, alteration, adjustment or modification of the Product.
- Use of heating devices, pumping equipment, dispensers, or other parts or accessories with the Product that have not been approved or manufactured by GAMA.
- Failure to follow the operating instructions and recommendations provided by GAMA.
- Cosmetic damage.
- Fire, flood, "acts of God," or other contingencies beyond the control of GAMA.

THE WARRANTY DESCRIBED HEREIN IS THE EXCLUSIVE REMEDY FOR THE CUSTOMER AND IS IN LIEU OF ALL OTHER WARRANTIES, EXPRESS, IMPLIED, STATUTORY OR OTHERWISE, AND THE IMPLIED WARRANTIES OF MERCHANTABILITY AND FITNESS FOR A PARTICULAR PURPOSE AND ALL OTHER WARRANTIES ARE HEREBY DISCLAIMED. TO THE FULLEST EXTENT PERMITTED BY LAW, GAMA SHALL NOT BE RESPONSIBLE, WHETHER BASED IN CONTRACT, TORT (INCLUDING, WITHOUT LIMITATION, NEGLIGENCE), WARRANTY OR ANY OTHER LEGAL OR EQUITABLE GROUNDS, FOR ANY CONSEQUENTIAL, INDIRECT, INCIDENTAL, LOST PROFITS, SPECIAL, PUNITIVE OR EXEMPLARY DAMAGES, WHETHER TO PERSON OR PROPERTY, ARISING FROM OR RELATING TO THE PRODUCT, EVEN IF GAMA HAS BEEN ADVISED OF THE POSSIBILITY OF SUCH LOSSES OR DAMAGES.

Non-Warranty Service by GAMA: If GAMA determines that the suspected Defect of the Product is not covered by this Warranty, disposition of the Product will be made pursuant to the terms and conditions of GAMA's written estimate on a time and materials basis.

Continuing Warranty for Products Repaired or Replaced under Warranty: Following the repair or replacement of a Product covered by this Warranty, such Product will continue to be subject to the original Warranty for the remainder of original Warranty Period or for three (3) months from the repair or replacement date, whichever is longer.

No Rights Implied: Nothing in the sale, lease or rental of any Product by GAMA shall be construed to grant any right, interest or license in or under any patent, trademark, copyright, trade secret or other proprietary right or material owned by anyone; nor does GAMA encourage the infringement of same.

Exclusive Warranty: This writing is the final, complete, and exclusive expression of the Warranty covering the Product. Any statements made by GAMA, its employees or agents that differ from the terms of this Warranty shall have no effect. It is expressly understood that Customer's acceptance of this Warranty, by performance or otherwise, is upon and subject solely to the terms and conditions hereof, and any additional or different terms and conditions proposed or expressed by Customer or anyone, whether in writing or otherwise, are null and void unless specifically agreed to in writing by an Officer of GAMA.

PROPORTIONING UNIT Easy Spray MODEL

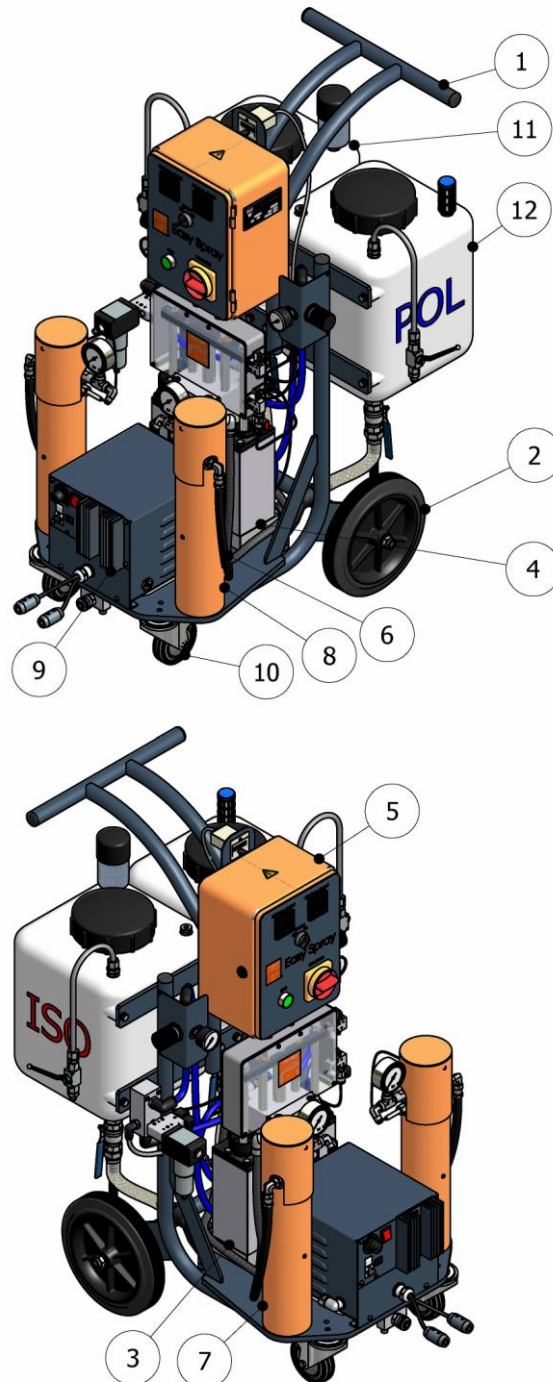


Figure 1. Proportioning Unit Easy Spray Model



Table 1. Proportioning Unit Easy Spray Model, Parts List

Ref.	Description	Part Number	Qty.
1	Framework	MQ-06001-00	1
2	Wheel	MQ-06014-01	2
3	"A" Proportioning Pump Assembly	See Table 2	1
4	"R" Proportioning Pump Assembly	See Table 3	1
5 (*)	Electrical Console Assembly	EL-00175	1
6	"A"/"R" Pump/Heater Hose Assy.	MA-00036	2
7	"A" Primary Heater	See Table 5	1
8	"R" Primary Heater	See Table 5	1
9	Hose Transformer (OPTIONAL)	EL-00127-08	1
10	Wheel	MQ-06021	2
11	"A" Assy Product Tank	MQ-06013-00	1
12	"R" Assy Product Tank	MQ-06012-00	1

Table 2. "A" Proportioning Pump Assy. Easy Spray Model, Parts List

Proportioning Pump Size	Description	Part Number
4,5	"A" Proportioning Pump Assembly	PU-02001-AES

Table 3. "R" Proportioning Pump Assy. Easy Spray Model, Parts List

Proportioning Pump Size	Description	Part Number
4,5	"R" Proportioning Pump Assembly	PU-02001-AES

Notes:

From revision 3.1 of the manual, the ISO and POL pump are the same and therefore, have the same code.

The temperature regulators are not inter-changeable with those attached to previous versions of the machine.



Table 4. Air Motor and Pump Size Combinations, Easy Spray

		Air Motor Size	
		100	125
Proportioning Pump Size	4,5	100 bar	200 bar

Note: For further details regarding to the features of each combination, please refer to the Technical Specifications in the Service Manual.

Table 5. Heaters Models, Easy Spray

Ref.	Description
CLH-06003-00	ISO Heater (Low pressure)
CLH-06003-01	ISO Heater (High pressure)
CLH-06004-00	POL Heater (Low pressure)
CLH-06004-01	POL Heater (High pressure)

FRAMEWORK Easy Spray MODEL

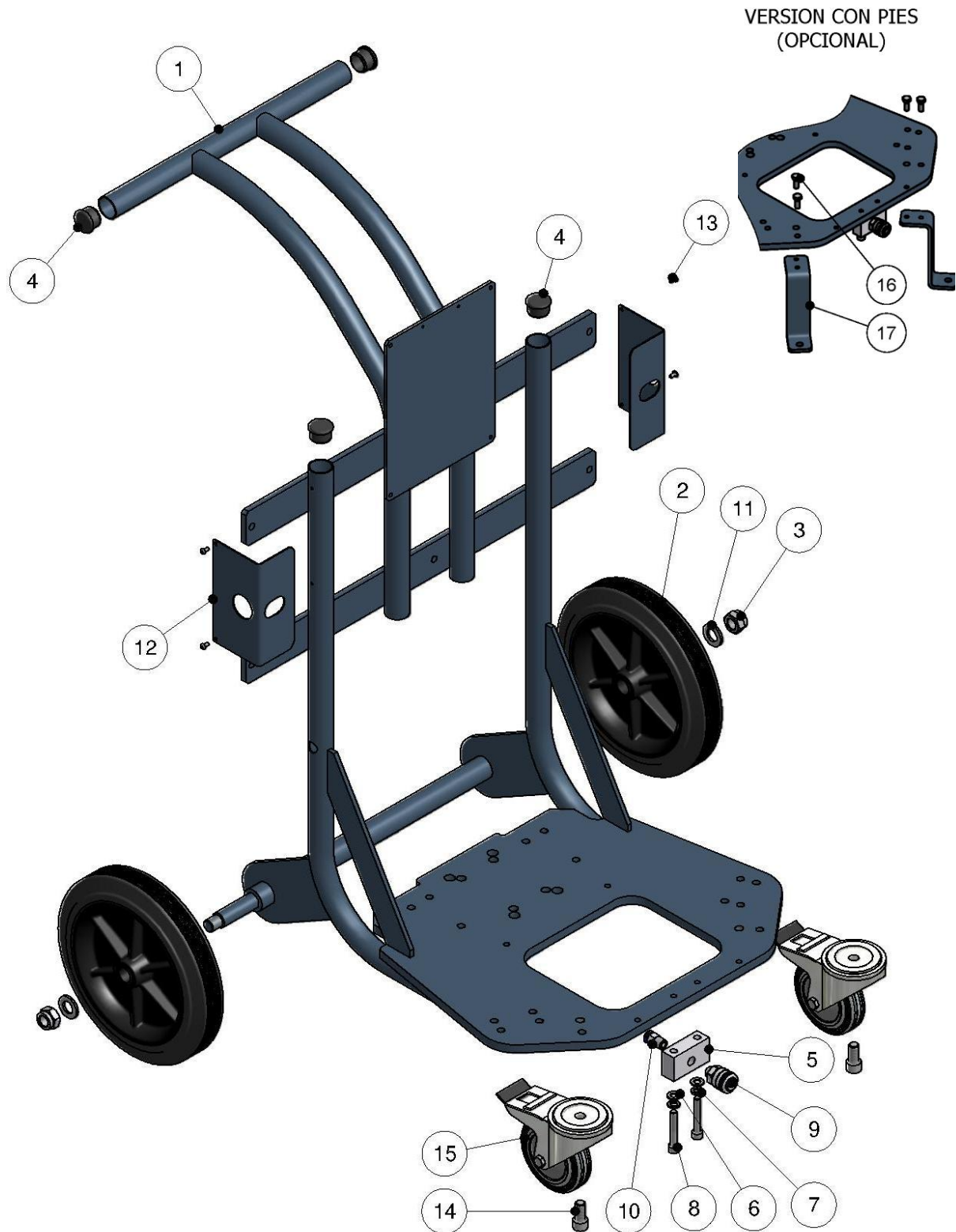


Figure 2. Framework Easy Spray Model, Exploded View



Table 6. Framework Easy Spray Model, Parts List

Ref.	Description	Part Number	Qty.
1	Framework	MA-06001-00	1
2	Wheel	MQ-06014-01	2
3	Nut	TN-00195	2
4	Plug	MQ-06017-03	4
5	Air Gun Support	MQ-02005	1
6	Washer	TN-00119	2
7	Lock Washer	TN-00028	2
8	Socket Head Cap Screw	TN-00090	2
9	Fast Socket	RA-00095	1
10	Tube Fitting	RA-00150	1
11	Washer	TN-00045	2
12	Pressure Regulator Support	MQ-06010	2
13	Screw	TN-00031	6
14	Socket Head Cap Screw	TN-00189	2
15	Wheel	MQ-06021	2
16	Hex Head Cap Screw (OPCIONAL)	TN-00187	4
17	"Z" Bracket (OPCIONAL)	MQ-02014	2

PRODUCT TANKS Easy Spray MODEL

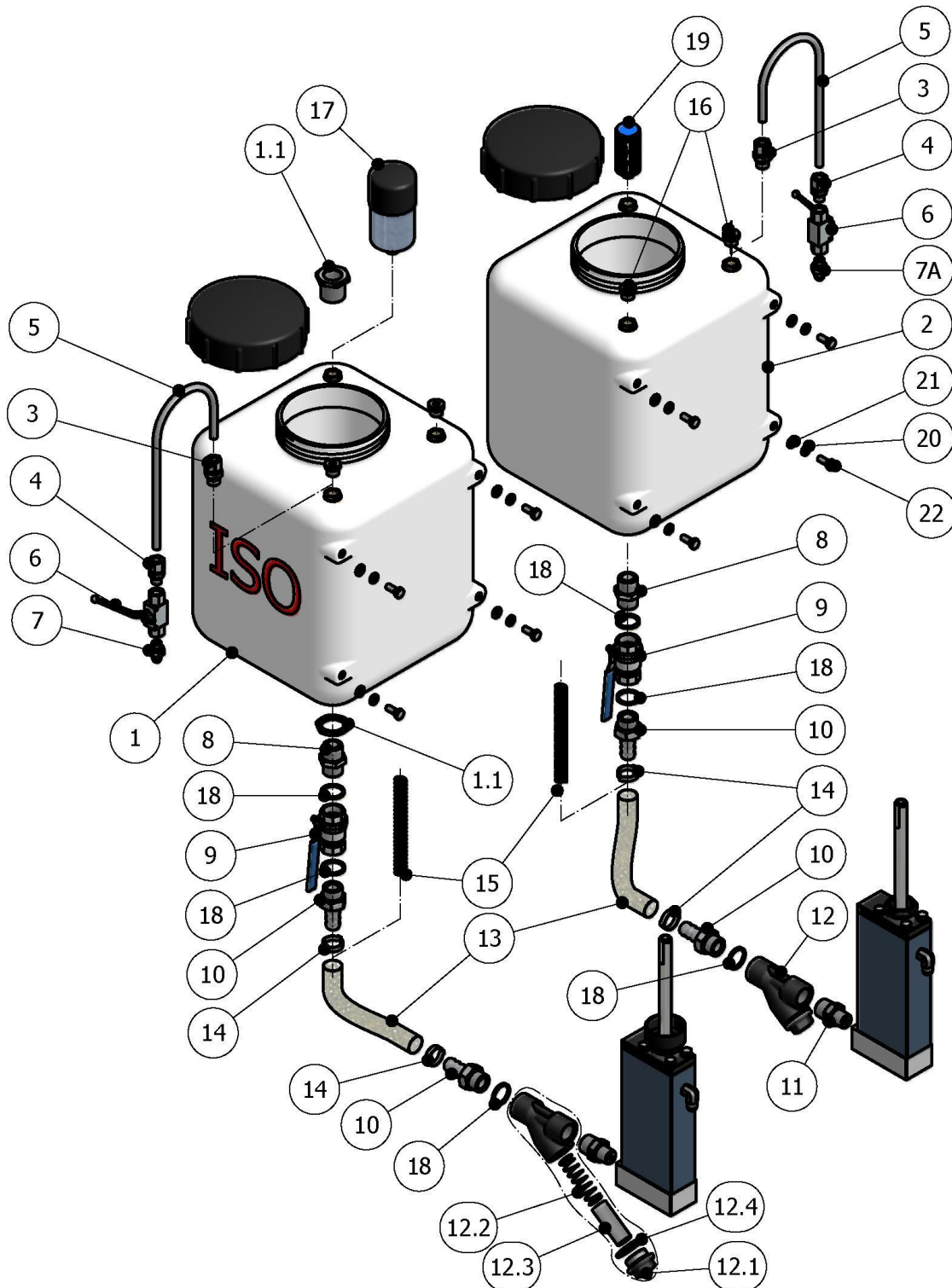


Figure 3. Product Tanks, Easy Spray Model, Exploded View



Table 7. Product Tanks Easy Spray Model, Parts List

Ref.	Description	Part Number	Qty.
1	"A" Assy Product Tank	MQ-06013-00	1
1.1	Bulkhead Coupling	RA-00216	1(*) 1(#)
2	"R" Product Tank	MQ-06012-00	1
3	Tube Fitting (Optional), Recirculation Kit	RA-00282	2
4	Tube Fitting (Optional), Recirculation Kit	RA-00218	2
5	Tube (Optional), Recirculation Kit	MQ-06016	2
6	Ball Valve (Optional), Recirculation Kit	RA-00217	2
7	Hex Nipple (Optional), Recirculation Kit	RA-00144	1
7A	Hex Nipple (Optional), Recirculation Kit	RA-00145	1
8	Hex Nipple	RA-00142	2
9	Ball Valve	RA-00078	2
10	Coupler Plug	RA-00219	4
11	Thread Reducer (Included in the Pump Assy)	RA-00081	2
12	Y-Strainer	RA-00074	2
12.1	Filter Plug (Included in Ref. 12) (*)	RA-00074-01	1
12.2	Filter Spring (Included in Ref. 12) (*)	SP-00017	1
12.3	Filter (Included in Ref. 12) (*)	RA-00074-03-30	1
12.4	Filter Gasket (Included in Ref. 12) (*)	OR-00061	1
13	Hose	MA-00058	2
14	Hose Bridle	RA-00228	4
15	Spring	SP-00019	2
16	Plug	RA-00049	2(*) 2(#)
17	Mini Disposable Breathers	NE-00045	1(*)
18	O-Ring	OR-00082	6
19	Muffler	NE-00056	2(#)
20	Washer	TN-00028	8
21	Lock Washer	TN-00119	8
22	Screw	TN-00187	8

(*) Items included in ISO Tank Assy Ref. 1

(#) Items included in POL Tank Assy Ref. 2.

Ref. Tank only with Cover; MQ-06012-01 (common for ISO & POL).

ELECTRICAL CONSOLE Easy Spray MODEL

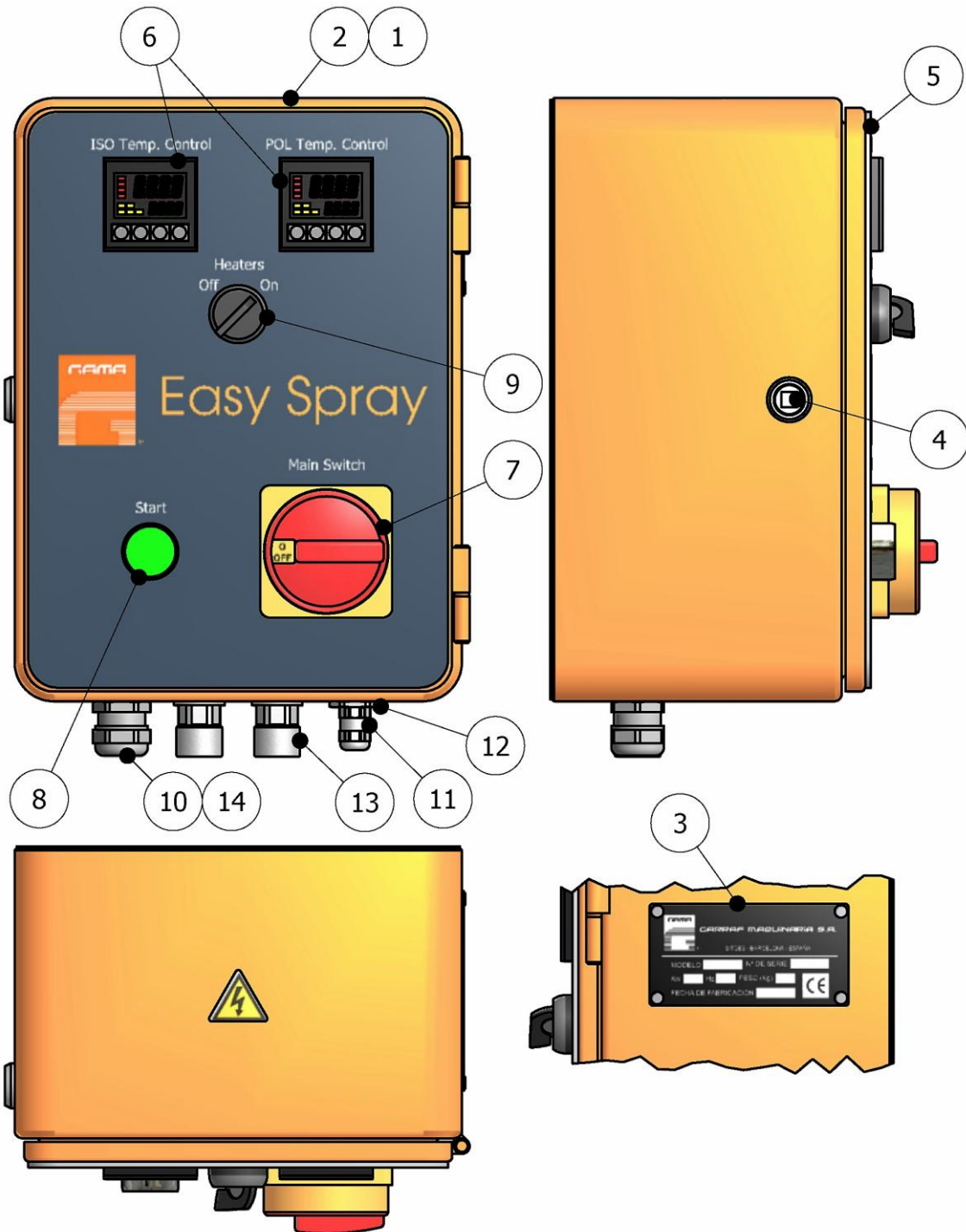


Figure 4. Electrical Console Easy Spray Model



Table 8. Electrical Console Easy Spray Model, Parts List

Ref.	Description	Part -Number	Qty.
1	Assembly Body Electrical Console	EL-00175-A	1
2	Electrical Console Fund Base Plate	EL-00174-02	1
3	Standard Features Bezel	MQ-01010	1
4	Lock Electrical Console	EL-00134	1
5 (*)	Bezel	EL-00168	1
6 (*)	Temperature Controller	EL-00147-06	2
7	Main Switch	EL-00107-07 AS	1
8	Start Push-button	EL-00131-38	1
9	2 Position Heat Switch	EL-00131-40	1
10	Strain Relief	EL-00088-02	1
11	Strain Relief	EL-00088	1
12	Port Reducer	EL-00091.02	1
13	Strain Relief	EL-00087-00	2
14	Brass Nut	EL-00090-01	4

Notes:

(*) The temperature regulators and Bezel are not interchangeable with those who were mounted in previous versions.

MOTOR #100 GUIDE SYSTEM Easy Spray MODEL

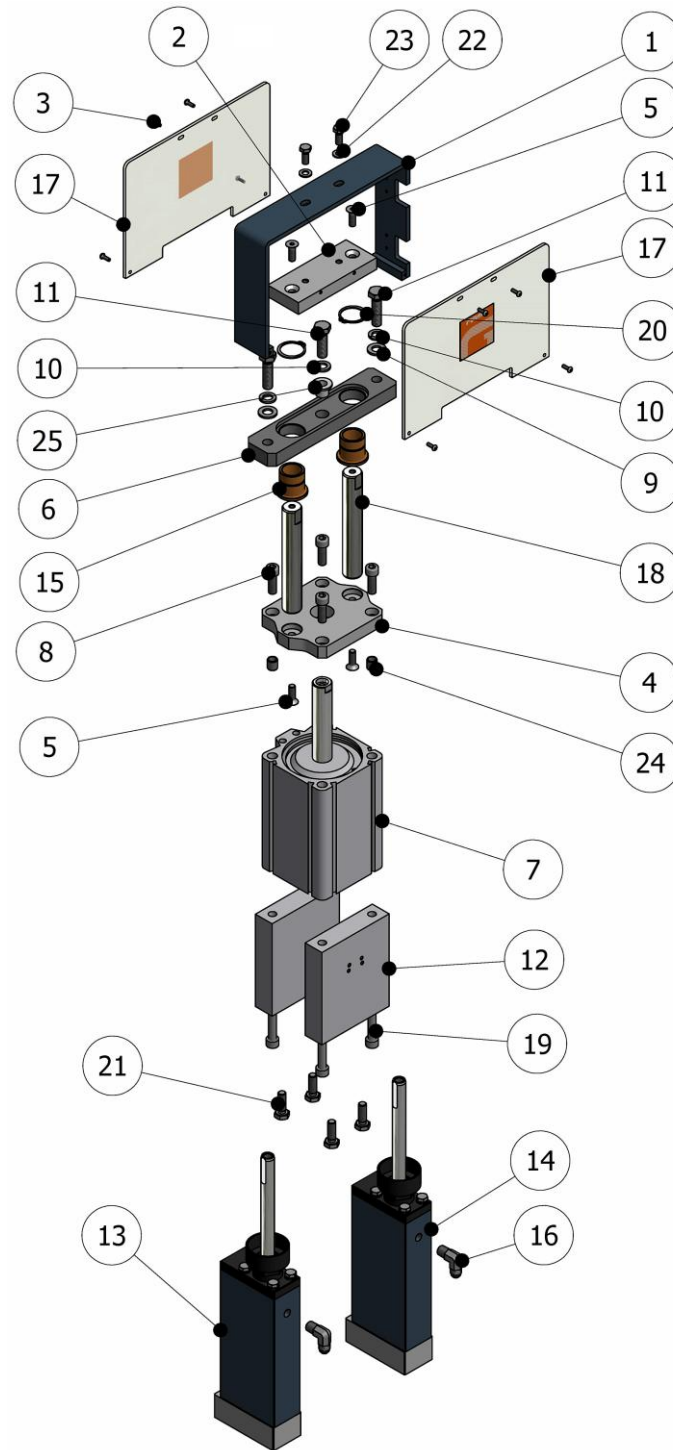


Figure 5. Motor #100 Guide System Easy Spray Model, Exploded View



Table 9. Motor #100 Guide System Easy Spray Model, Parts List

Ref.	Description	Part Number	Qty.
1	Prot	MQ-06024-00	1
2	Upper Plate	MQ-06025	1
3	Screw	TN-00049	8
4	Lower Plate	MQ-06027	1
5	Screw	TN-00191	4
6	Puma Yoke	MQ-06023	1
7	Air Motor	NE-00029	1
8	Socket Head Cap Screw	TN-00189	4
9	Washer	TN-00040	2
10	Lock Washer	TN-00039	3
11	Hex Head Cap Screw	TN-00056	3
12	Air Motor Support	MQ-06003	2
13	“A” Proportioning Pump Assembly	PU-02001-AES	1
14	“R” Proportioning Pump Assembly	PU-02001-AES	1
15	Bearing	TN-00314	2
16	Hose Elbow (Included in Pump Assy)	RA-00044	2
17	Cover	MQ-06006	2
18	Column	MQ-06029	2
19	Socket Head Cap Screw	TN-00204	4
20	Retainer Ring	TN-	2
21	Hex Head Cap Screw	TN-00129	4
22	Washer	TN-00119	2
23	Screw	TN-00187	2
24	Pin	MQ-06028	2
25	Bush	MQ-06031	1

Note:

From the review of the manual 3.1, the ISO pump and the POL pump are exactly equal, as what they have the same Part Number.

MOTOR #125 GUIDE SYSTEM Easy Spray MODEL

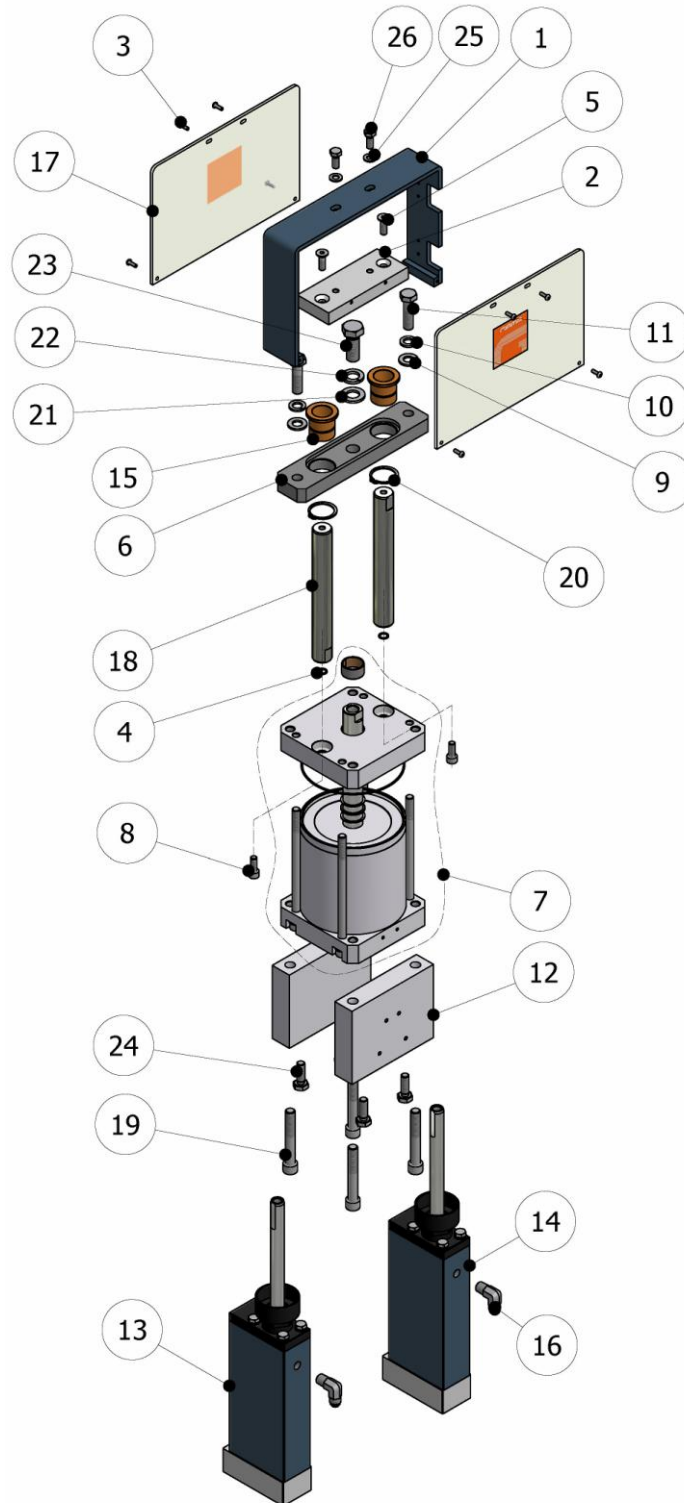


Figure 6. Motor #125 Guide System Easy Spray Model, Exploded View



Table 10. Motor #125 Guide System Easy Spray Model, Parts List

Ref.	Description	Part Number	Qty.
1	Prot	MQ-06024-00	1
2	Upper Plate	MQ-06025	1
3	Screw	TN-00049	8
4	O-Ring	OR-00003	2
5	Screw	TN-00191	2
6	Puma Yoke	MQ-06023	1
7	Air Motor	NE-00062	1
8	Socket Head Cap Screw	TN-00176	2
9	Washer	TN-00040	2
10	Lock Washer	TN-00039	2
11	Hex Head Cap Screw	TN-00037	2
12	Air Motor Support	MQ-07007	2
13	“A” Proportioning Pump Assembly	PU-02001-AES	1
14	“R” Proportioning Pump Assembly	PU-02001-AES	1
15	Bearing	TN-00314	2
16	Hose Elbow (Included in Pump Assy)	RA-00044	2
17	Cover	MQ-07008	2
18	Column	MQ-06026	2
19	Socket Head Cap Screw	TN-00201	4
20	Retainer Ring	TN-	2
21	Washer	TN-00045	1
22	Lock Washer	TN-00044	1
23	Hex Head Cap Screw	TN-00095	1
24	Hex Head Cap Screw	TN-00129	4
25	Washer	TN-00119	2
26	Screw	TN-00187	2

Note:

From the review of the manual 3.1, the ISO pump and the POL pump are exactly equal, as what they have the same Part Number.

PROPORTIONING PUMP ASSEMBLY Easy Spray MODEL

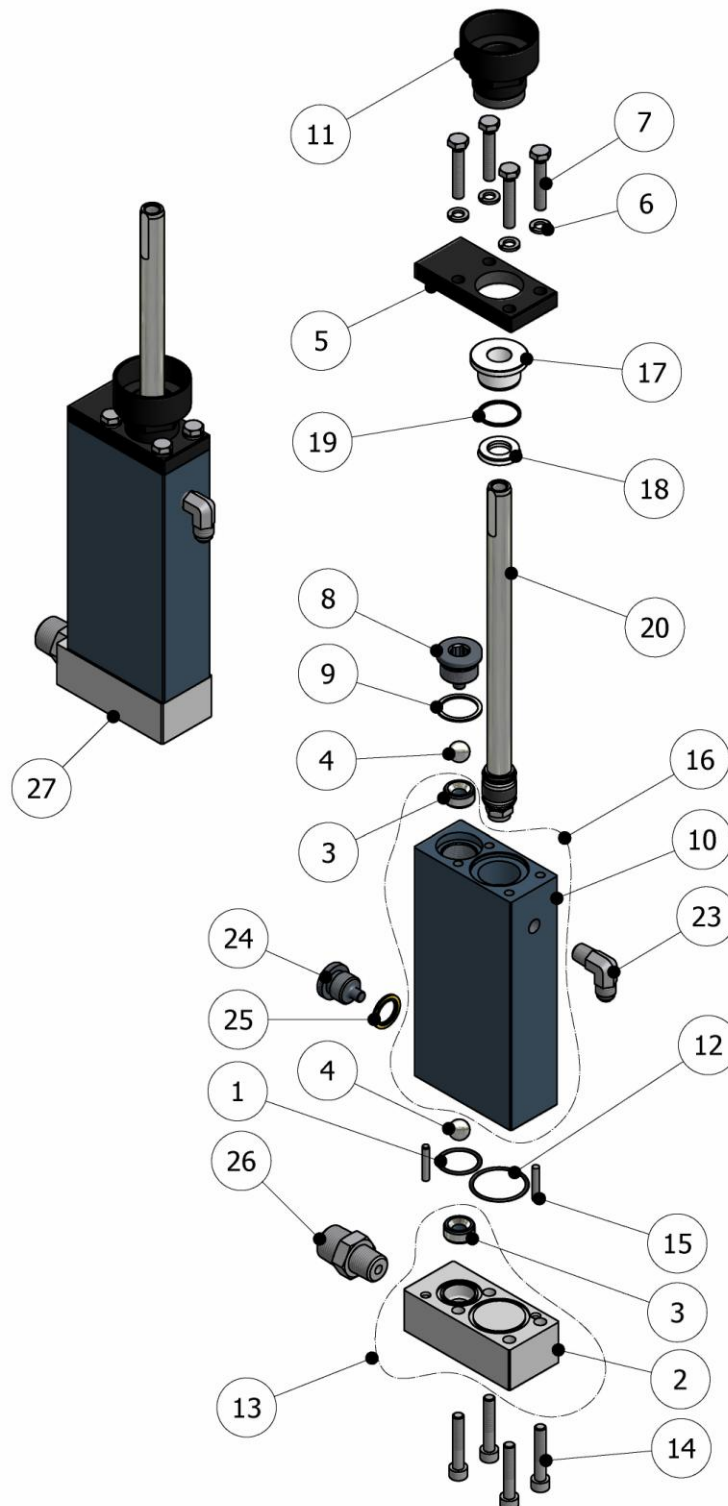


Figure 7. Proportioning Pump Assembly Easy Spray Model, Exploded View



Parts Manual

Table 11. Proportioning Pump Assembly Easy Spray Model, Parts List

Ref.	Description	Part Number	Qty.
1	O-Ring	OR-00014	1-1
2	Base Plate	PU-02000-01	1-1
3	Check Valve Assembly	PU-02000-09	2-2
4	Ball Valve	TN-00012	2-2
5	Packing Retainer	PU-02000-03	1-1
6	Lock Washer	TN-00028	4-4
7	Hex Head Cap Screw	TN-00051	4-4
8	Plug	PU-02000-21	1-1
9	Seal	PU-02000-27	1-1
10	Pump Body	See Table 12	1-1
11	Packing Nut	See Table 13	1-0
12	O-Ring	OR-00013	1-1
13	Pump Base With Check Valve Assembly	PU-02000-01A	1-1
14	Hex Head Cap Screw	TN-00046	4-4
15	Dowel Pin	TN-00055	2-2
16	Pump Body With Check Valve Assembly	See Table 14	1-1
17	Bearing (#)	See Table 15	1-1
18	Seal (#)	See Table 16	1-1
19	O-Ring (#)	See Table 17	1-1
20	Piston Rod Assembly	See Page 19	1-1
21			
22			
23	Hose Elbow	RA-00044	1-1
24	Plug	PU-02000-10	1-1
25	O-Ring	OR-00023	1-1
26	Thread Reducer	RA-00081	1-1
27	Isocyanate Pump Assembled	PU-02001-AES	1
28	Poliol Pump Assembled	PU-02001-AES	1
29	Repair Seal Kit	See Table 20	1-1

(#) Parts Included in the Repair Seal Kit Ref. 29.

The Quantities indicated are ISO – POL.

From the review of the manual 3.1, the ISO pump and the POL pump are exactly equal, as what they have the same Part Number.



Table 12. Pump Body Size Easy Spray Model, Parts List

Proportioning Pump Size	Description	Part Number
4,5	Pump Body	PU-02001-02

Table 13. Packing Nut Size Easy Spray Model, Parts List

Proportioning Pump Size	Description	Part Number
4,5	Packing Nut	PU-02001-31

Table 14. Pump Body With Check Valve Assembly Size Easy Spray Model, Parts List

Proportioning Pump Size	Description	Part Number
4,5	Pump Body With Check Valve Assembly	PU-02001-02A

Table 15. Bearing Size Easy Spray Model, Parts List

Proportioning Pump Size	Description	Part Number
4,5	Bearing (#)	PU-02001-30

Table 16. Seal Size Easy Spray Model, Parts List

Proportioning Pump Size	Description	Part Number
4,5	Seal (#)	OR-00117

Table 17. O-Ring Size Easy Spray Model, Parts List

Proportioning Pump Size	Description	Part Number
4,5	O-Ring (#)	OR-00125

(#) Parts included in Repair Seal Kit, see Table 20.

PISTON ROD ASSEMBLY

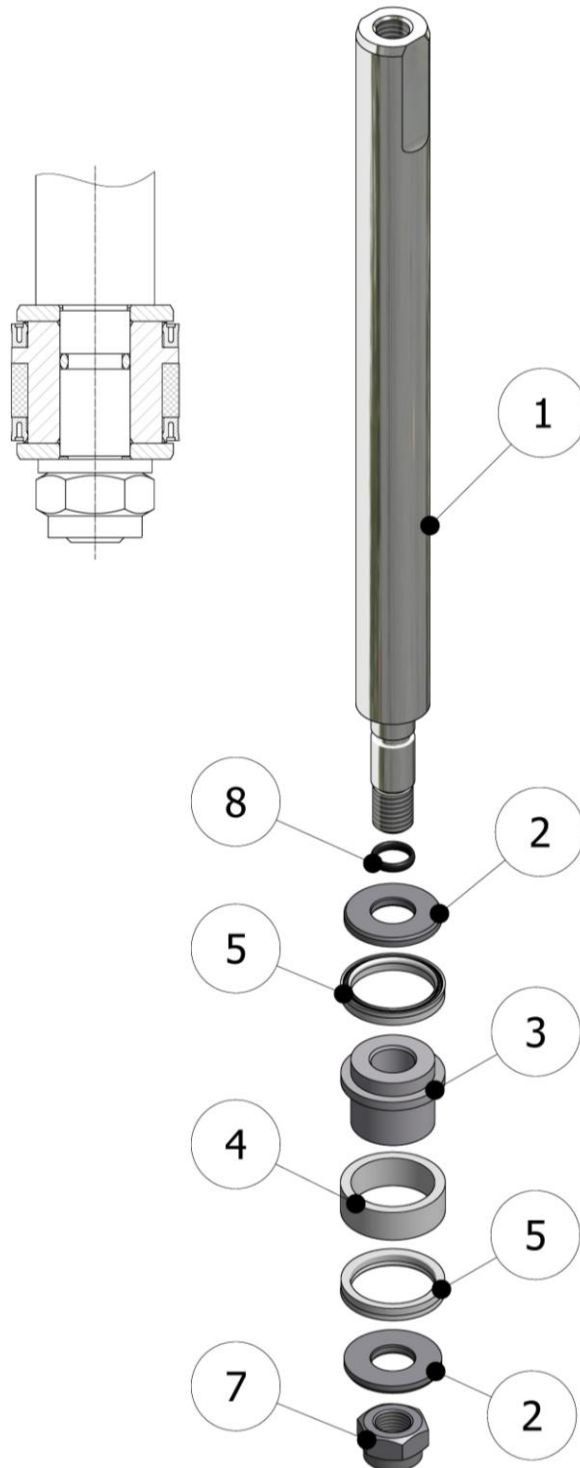


Figure 8. Piston Rod Assembly, Exploded View



Table 18. Piston Rod Assembly, Parts List

Ref.	Description	Part Number	Qty.
1	Pump Piston Rod	See Table 19	1
2	Washer	See Table 19	2
3	Piston Seal Support	See Table 19	1
4	Piston Seal (#)	See Table 19	1
5	O-Ring (#)	See Table 19	2
6			
7	Nut	See Table 19	1
8	O-Ring (#)	See Table 19	1
9	Repair Seal Kit	See Table 20	1

(#) Parts are included in the Repair Seal Kit Ref. 9.

Table 19. Piston Rod Size, Parts List

Proportioning Pump Size	Ref. 1	Ref. 2	Ref. 3	Ref. 4
4,5	PU-02001-06	PU-02001-08	PU-02001-07	OR-00050

Pump Size	Ref. 5	Ref. 6	Ref. 7	Ref. 8
4,5	OR-00051		TN-00165	OR-00049

Table 20. Repair Seal Kit, Parts List, Easy Spray

Proportioning Pump Size	Description	Ref.
4,5	Repair Seal Kit	KT-00032-R

The Repair Seal Kit Include the parts for 1 set of pump.

AIR CONTROL ASSEMBLY Easy Spray MODEL

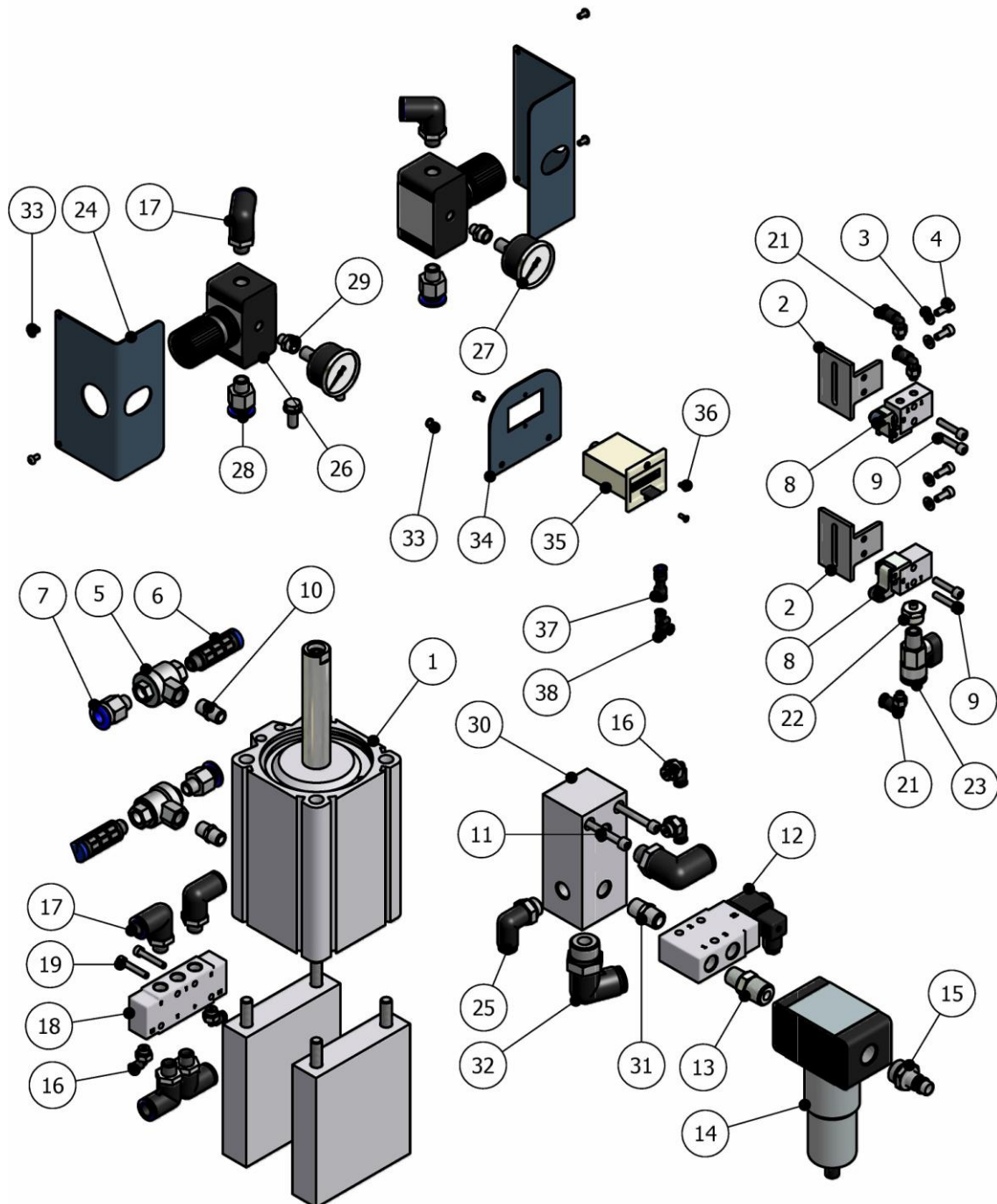


Figure 9. Air Control Assembly Easy Spray Model, Exploded View



Table 21. Air Control Assembly Easy Spray Model, Parts List

Ref.	Description	Part Number	Qty.
1	Air Motor	See Table 22	1
2	Reversing Switch Support	MQ-06009-A	2
3	Washer	TN-00104	4
4	Socket Head Cap Screw	TN-00002	4
5	Exhaust Valve	See Table 22	2
6	Muffler	See Table 22	2
7	Tube Fitting	See Table 22	2
8	Reversing Switch	NE-00051	2
9	Socket Head Cap Screw	TN-00155	4
10	Hex Nipple	See Table 22	2
11	Socket Head Cap Screw	TN-00198	2
12	Directional Valve	NE-00036	1
13	Port Reducer	RA-00220	1
14	Air Filter	NE-00034	1
15	Coupler Plug	RA-00096	1
16	Tube Fitting	RA-00222	4
17	Tube Fitting	RA-00046	7
18	Directional Valve	NE-00030	1
19	Socket Head Cap Screw	TN-00148	2
20	-	-	-
21	Tube Fitting	RA-00223	3
22	Adapter	RA-00227	1
23	Ball Valve	RA-00221	1
24	Pressure Regulator Support	MQ-06010	2
25	Tube Fitting	RA-00235	1



Parts Manual

Ref.	Description	Part Number	Qty.
26	Pressure Regulator	NE-00032	2
27	Gauge	NE-00033	1
28	Tube Fitting	RA-00086	2
29	Adapter	RA-00224	2
30	Air Manifold	MQ-06011	1
31	Hex Nipple	RA-00048	1
32	Tube Fitting	RA-00236	1
33	Screw (*)	TN-00031	6
34	Cycles Counter Support (Optional)	MQ-06015	1
35	Cycles Counter (Optional)	NE-00035	1
36	Screw (Optional)	TN-00200	2
37	Adapter (Optional)	RA-00239	1
38	Pipe "T" (Optional)	RA-00226	1

() 2 out of the 6 Ref. 33 Screws are Optional*

Table 22. Air Control Variable Components Easy Spray Model, Parts List

Ref.	Description	Part Number (Motor 100)	Part Number (Motor 125)
1	Air Motor	NE-00029	NE-00062
5	Exhaust Valve	NE-00002C	NE-00060
6	Muffler	NE-00005	NE-00056
7	Tube Fitting	RA-00086	RA-00156
10	Hex Nipple	RA-00048	RA-00054

PRIMARY HEATER Easy Spray

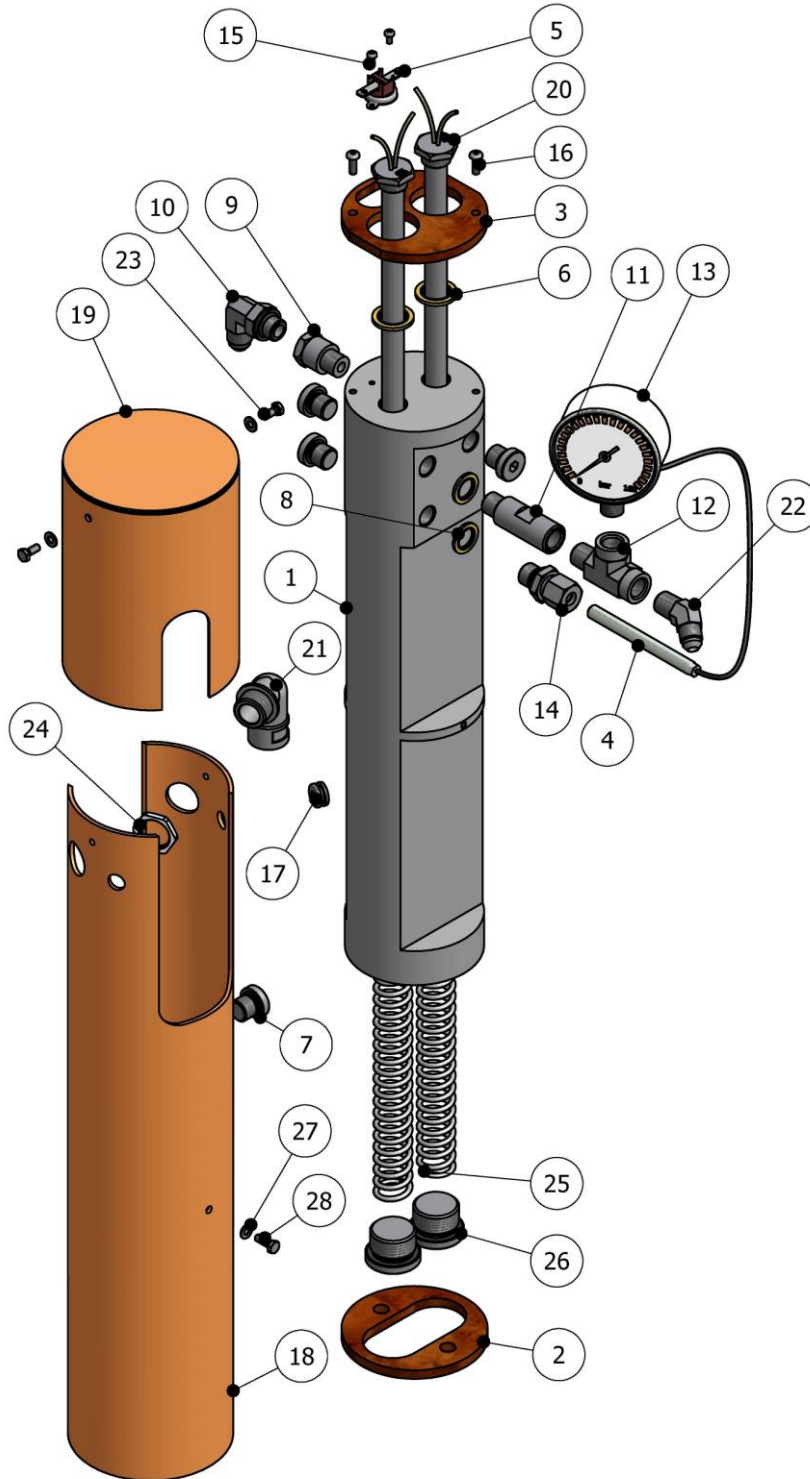


Figure 10. Primary Heater Easy Spray Model, Exploded View



Table 23. Primary Heater Easy Spray Model, Parts List

Ref.	Description	Part Number	Qty.
1	Heat Block	CLH-06001-01	1
2	Bottom Insulate Plate	CL-06001-03	1
3	Top Insulate Plate	CL-06001-02	1
4	Thermocouple	EL-00156-01	1
5	Thermal Limit Switch	EL-00006	1
6	Seal	OR-00018	2
7	Plug	RA-00013	4
8	Seal	OR-00054	2
9	Swivel Union	RA-00077	1
10	Hose Nipple	RA-00050	1
11	Adapter	RA-00100	1
12	Pipe Tee	RA-00018	1
13	Liquid Fill Gauge	See Table 24	1
14	Thermocouple Nipple	RA-00231	1
15	Screw	TN-00128	2
16	Screw	TN-00143	4
17	Rubber Grommet	EL-00095-00	1
18	Heater Cover	CL-06001-05	1
19	Top Cap	See Table 24	1
20	Heat Resistance	EL-00155	2
21	Conduit Connector	EL-00087-01	1
22	Hose Nipple	See Table 24	1
23	Screw	TN-00317	2
24	Nut	EL-00090-01	1
25	Spring	SP-00009	2
26	Plug	RA-00012	2
27	Washer	TN-00104	3
28	Screw	TN-00324	1



Table 24. Parts List for each model of Heater

Ref.	Description	Ref. 19	Ref. 22	Ref. 13
CLH-06003-00	ISO Heater (Low pressure)	CL-06001-06	RA-00017	HI-00015
CLH-06003-01	ISO Heater (High pressure)	CL-06001-06	RA-00017	HI-00019
CLH-06004-00	POL Heater (Low pressure)	CL-06002-06	RA-00043	HI-00015
CLH-06004-01	POL Heater (High pressure)	CL-06002-06	RA-00043	HI-00019



ELECTRICAL SCHEMATIC DIAGRAM 2 x 230v.

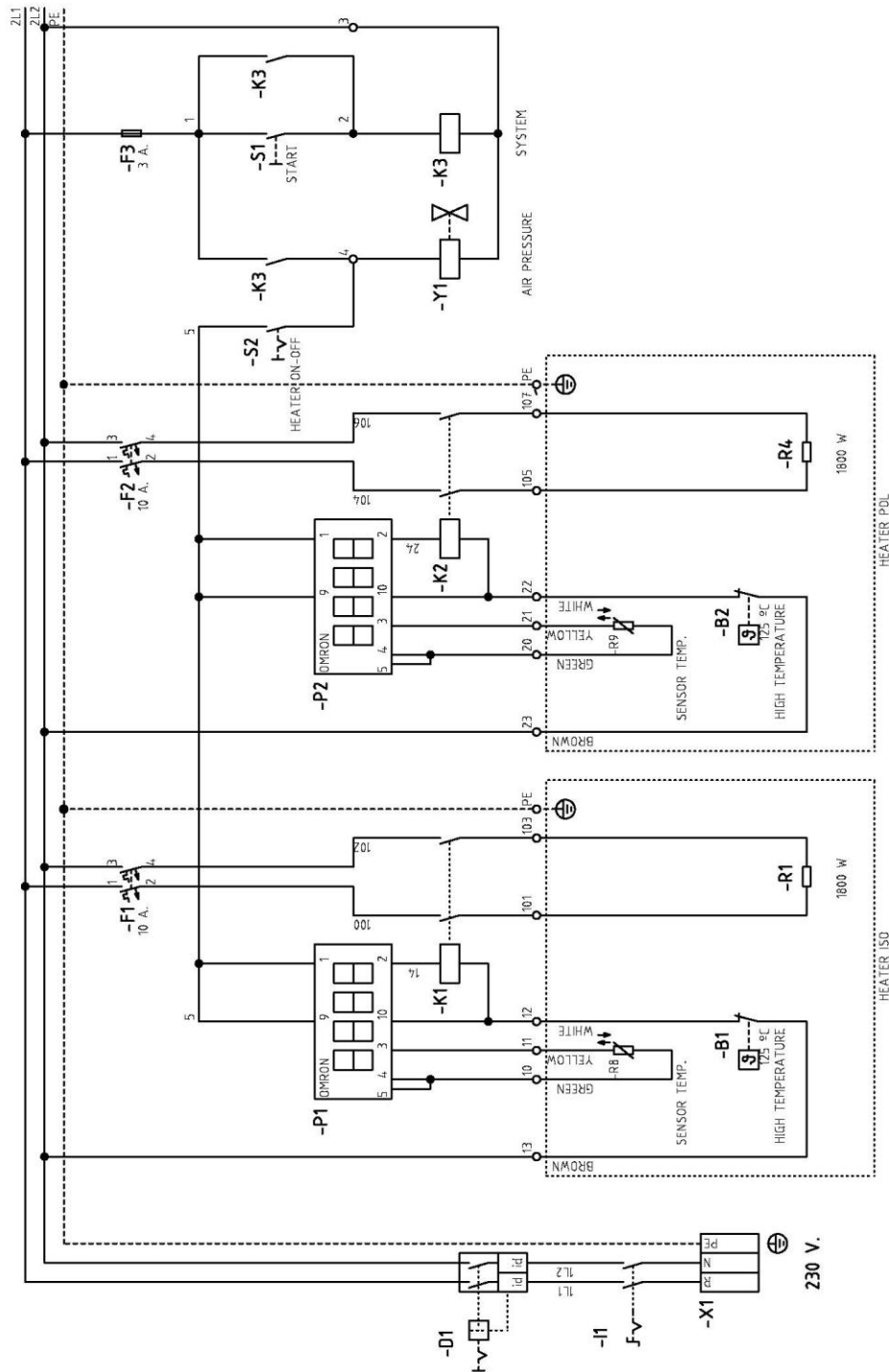


Figure 11. Electrical Schematic Diagram 2 x 230v.(Sheet 1 of 3), Easy Spray

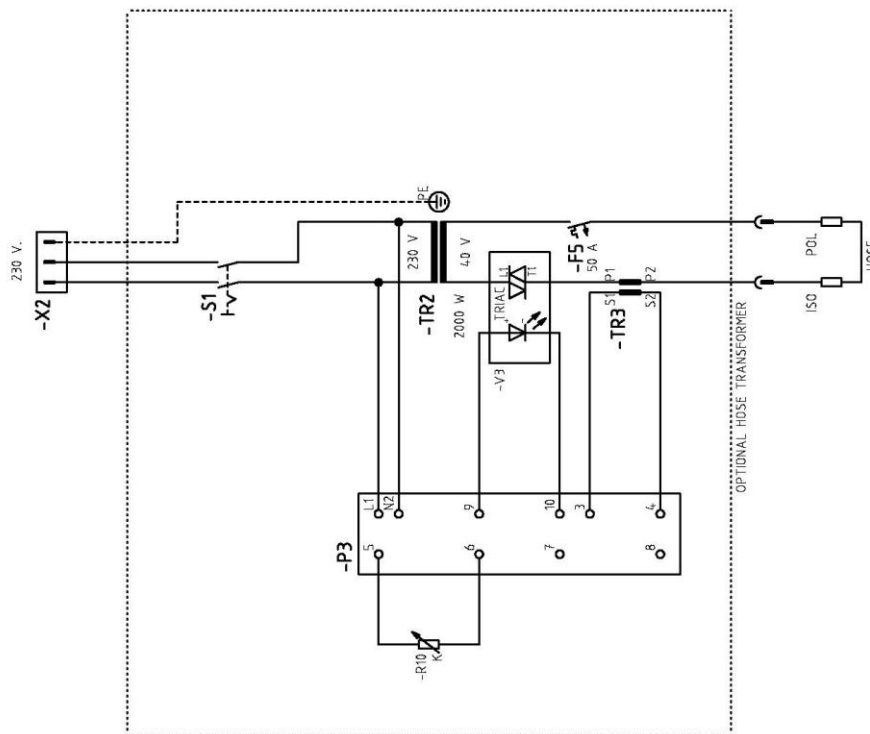


Figure 12. Electrical Schematic Diagram 2 x 230v.(Sheet 2 of 3), Easy Spray

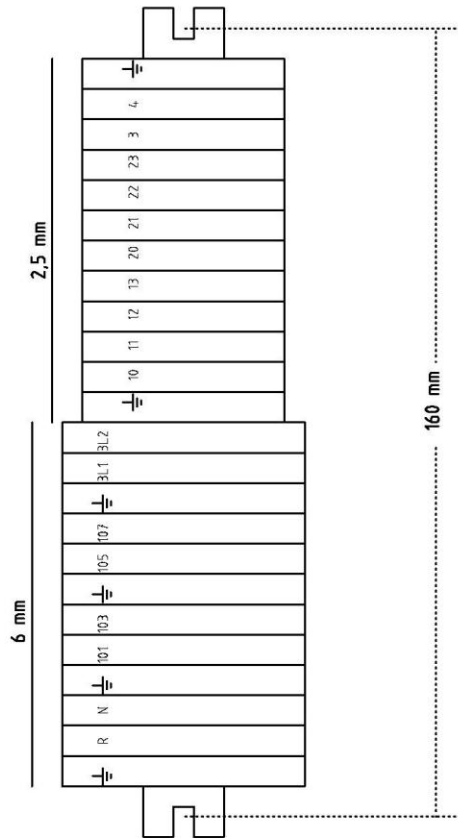


Figure 13. Electrical Schematic Diagram 2 x 230v.(Sheet 3 of 3), Easy Spray



Table 25. Electrical Schematic Diagram 2 x 230v., Parts List

Ref.	Description	Part Number	Qty.
D1	Differential	EL-00108-02	1
F1	Circuit Breaker	EL-00112-10	1
F2	Circuit Breaker	EL-00112-10	1
I1	Switch	EL-00107-07	1
I1	Switch Control	EL-00107-06	1
K1	Relay	EL-00163-00	1
K2	Relay	EL-00163-00	1
K3	Relay	EL-00163-00	1
P1 (*)	Regulator	EL-00147-06	2
R8	Thermocouple	EL-00156-01	1
R9	Thermocouple	EL-00156-01	1
TR2	Transformer	EL-00127-09	1
TR3	Intensity Transformer	EL-00127-03	1
V3	Triac	EL-00126-02	1

N.B. (*) :

The temperature regulators are not interchangeable with those who were mounted in previous versions.

PNEUMATIC SCHEMATIC DIAGRAM

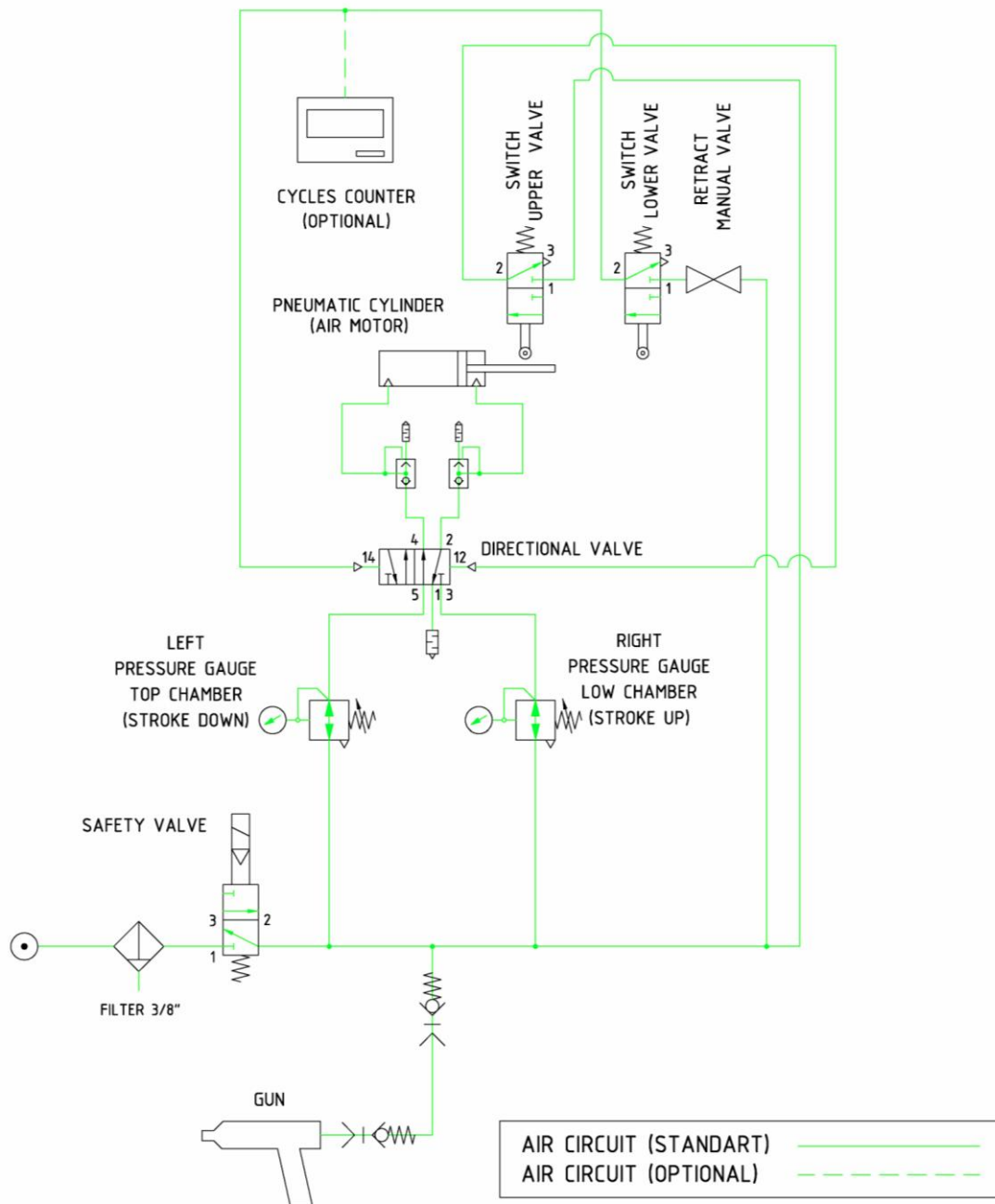


Figure 14. Pneumatic Schematic Diagram

FUNCTIONING SCHEMATIC DIAGRAM

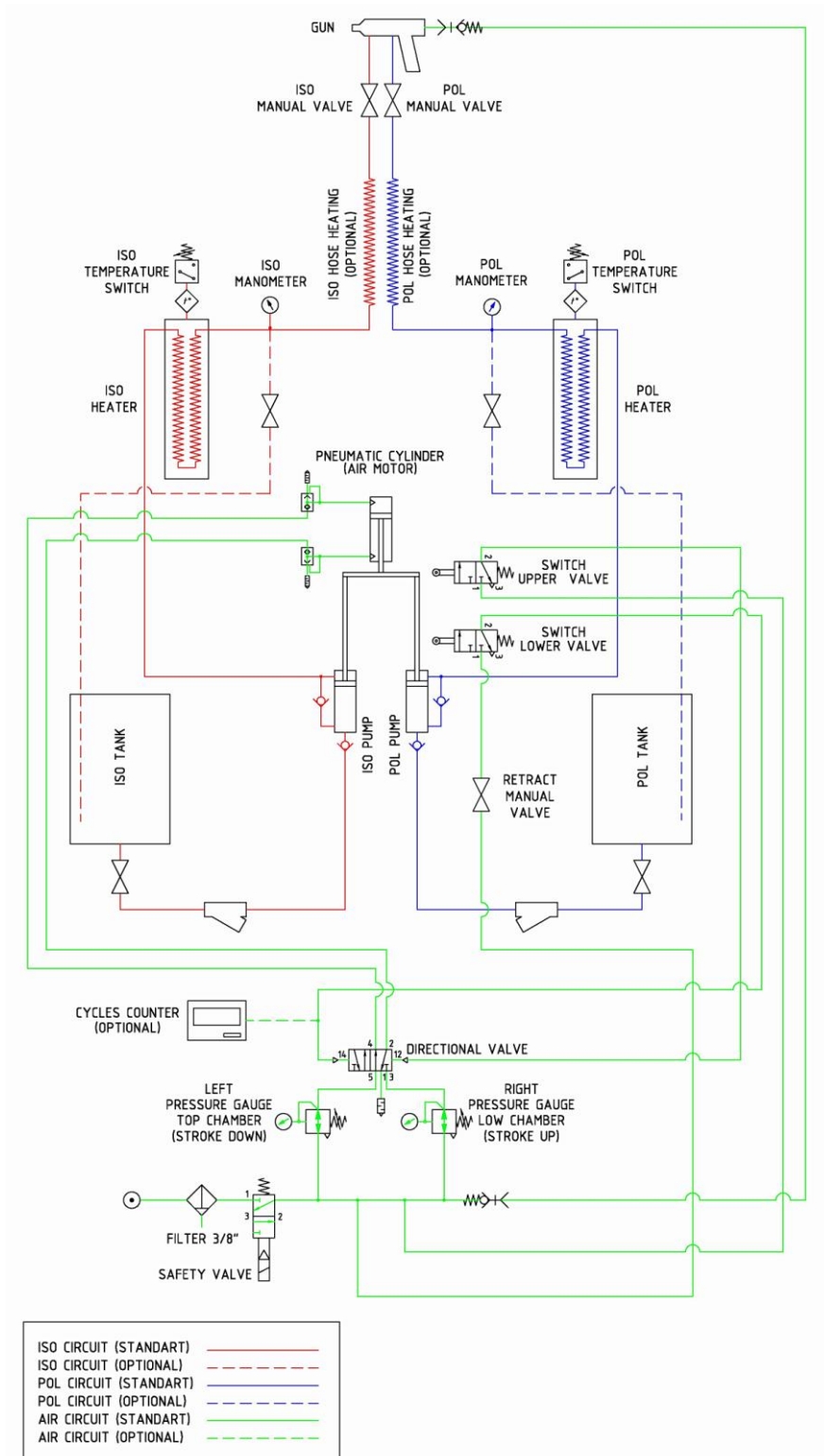


Figure 15. Functioning Schematic Diagram



TABLE OF CONTENTS

Warranty _____	2
Proportioning Unit Easy Spray MODEL _____	3
Framework Easy Spray MODEL _____	6
Product TankS Easy Spray Model _____	8
Electrical Console Easy Spray Model _____	10
Motor #100 Guide System Easy Spray Model _____	12
Motor #125 Guide System Easy Spray Model _____	14
Proportioning Pump Assembly Easy Spray Model _____	16
Piston Rod Assembly _____	19
Air Control Assembly Easy Spray Model _____	21
Primary Heater Easy Spray _____	24
Electrical Schematic Diagram 2 x 230v. _____	27
Pneumatic Schematic Diagram _____	31
Functioning Schematic Diagram _____	32
Table of Contents _____	33
List of Illustrations _____	34



LIST OF ILLUSTRATIONS

Figure 1. Proportioning Unit Easy Spray Model	3
Figure 2. Framework Easy Spray Model, Exploded View	6
Figure 3. Product Tanks, Easy Spray Model, Exploded View	8
Figure 4. Electrical Console Easy Spray Model	10
Figure 5. Motor #100 Guide System Easy Spray Model, Exploded View	12
Figure 6. Motor #125 Guide System Easy Spray Model, Exploded View	14
Figure 7. Proportioning Pump Assembly Easy Spray Model, Exploded View	16
Figure 8. Piston Rod Assembly, Exploded View	19
Figure 9. Air Control Assembly Easy Spray Model, Exploded View	21
Figure 10. Primary Heater Easy Spray Model, Exploded View	24
Figure 11. Electrical Schematic Diagram 2 x 230v.(Sheet 1 of 3), Easy Spray	27
Figure 12. Electrical Schematic Diagram 2 x 230v.(Sheet 2 of 3), Easy Spray	28
Figure 13. Electrical Schematic Diagram 2 x 230v.(Sheet 3 of 3), Easy Spray	29
Figure 14. Pneumatic Schematic Diagram	31
Figure 15. Functioning Schematic Diagram	32