

Only

FONTAINE®

Gives You the TechLock® System Advantage

Kenworth Order Codes




FONTAINE®

New Product!

NEW 7000 Series Cast Top Plate

Now you can get the world's most advanced locking technology in a cast fifth wheel

You know Fontaine® as the manufacturer of the #1 selling pressed steel fifth wheel in the world. In fact, our legendary 6000 Series No-Slack® II is the preferred choice for on highway applications from coast-to-coast.

At the same time, we recognize there is a market segment that prefers cast

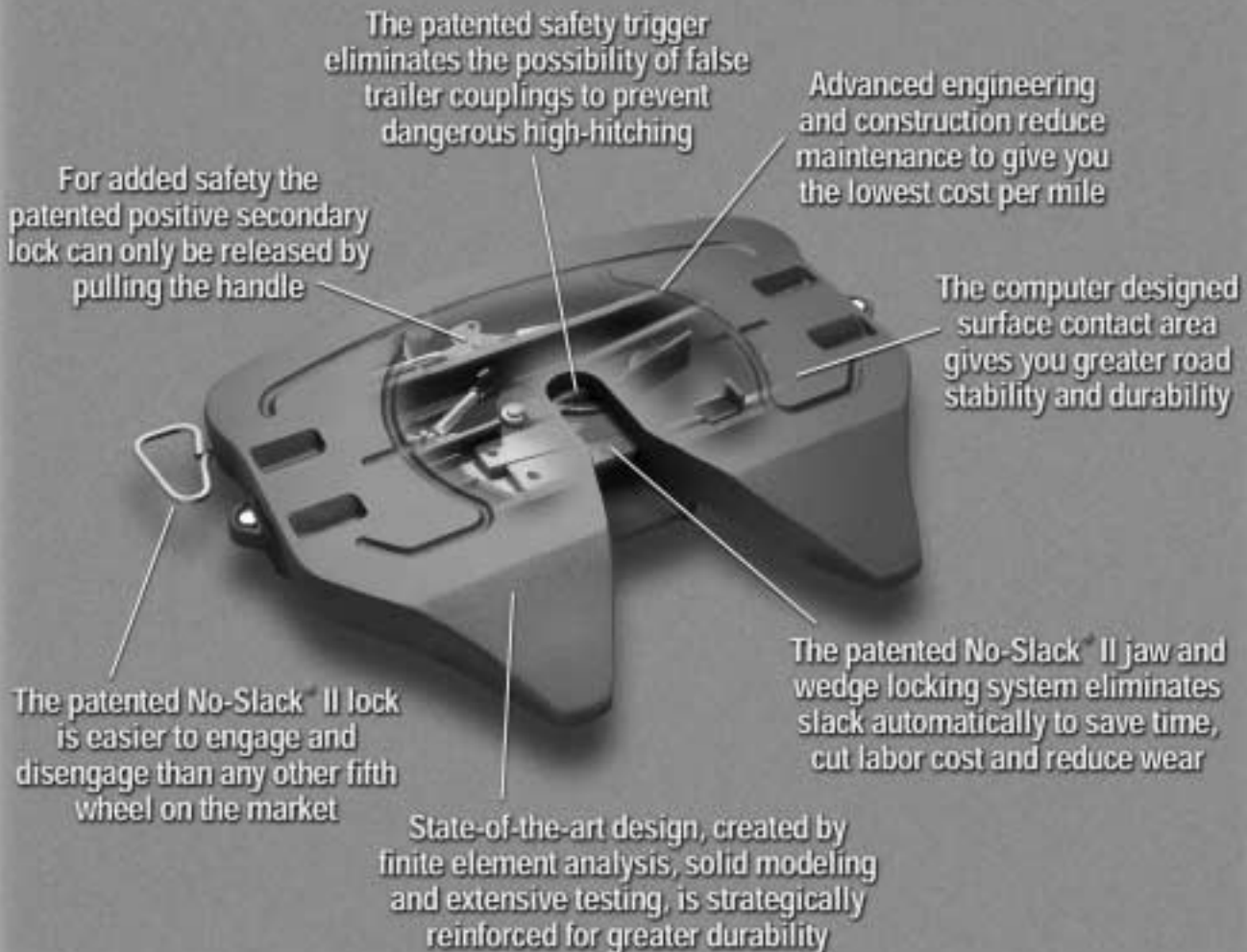
rather than pressed steel products. We are pleased to respond with an innovative design promising to delight our customers: the new Fontaine® 7000 Series.

The 7000 Series No-Slack® II fifth wheels offer all the benefits of our 6000 Series, but in a cast design rather than pressed steel.

Now customers who prefer cast fifth wheels will no longer have to settle for less than the best locking technology.

Adding the new 7000 Series cast fifth wheel to the Fontaine TechLock® System gives our customers one more reason to say, "You just can't beat the System."

Patented No-Slack® II Locking Technology



Choosing the Right Fifth Wheel

With The FFW TechLock® System you can easily select the perfect fifth wheel for your application. We offer a complete line of top plates and mounting options in a wide variety of sizes to handle even the most demanding applications.

To specify the right fifth wheel for your application two factors must be considered: Load Capacity and Service Conditions.

“Load Capacity” refers to the amount of weight that a fifth wheel can handle. “Service Conditions” refers to the operating environment and the type of equipment used in an application.

As you can see from the Application Restriction Level Chart, you don’t choose a top plate based on load capacity only. Consider service conditions because a heavy load pulled on a paved road places less stress on a fifth wheel than a lighter load pulled in severe off-highway conditions.

The Application Restriction Level Chart, Top Plate Styles and Mounting Options on pages 6-8 can be used as a guide to help you select the right fifth wheel for your job. If you need further assistance contact your FFW Fifth Wheel expert.

Notes:

- If any single restriction factor is surpassed within a given duty level, the next duty level must be selected.
- When selecting a fifth wheel, if the application or vehicle usage places the maximum capacity on a certain fifth wheel, then the selection of a fifth wheel with a higher capacity is advised. For example, a tractor that is at a maximum vertical load of 50,000 lbs in a moderate duty application should be using a fifth wheel with a vertical load capacity of 55,000 lbs. or greater. This additional capacity should give better service life over a longer period of time.
- All logging applications are considered severe duty. Do not select fifth wheels in the standard or moderate levels when a logging application is designated.
- Minimum Static Load Warning!!! The trailer that is attached to the fifth wheel should impose a consistent vertical load. Repeated negative loading (trying to pull the fifth wheel off of the brackets with the kingpin) is not allowed. A minimum static load applied to the fifth wheel through the trailer is 10% of the gross trailer weight. See the load rating for the specific fifth wheel for maximum vertical load values.

Important: Contact your OEM or Fontaine for more information on the right fifth wheel for your application. Please refer to the Fontaine Fifth Wheel warranty statement for important warranty information. A copy of the Fontaine Service Handbook may be obtained by contacting Customer Service at 800-874-9780.

Application Restriction Levels:

STANDARD DUTY

6000, 7000, H5092 top plate models depending on application, rated vertical capacity and GCW.

Fifth Wheel must be used in a 100% on-highway application, with more than 30 miles between each stop. The total number of towed axles equals 2. Road type must be maintained concrete or asphalt. Gross Combination Weight (GCW) is less than 95,000 pounds or 43,000 kilograms.

MODERATE DUTY

6000, 7000, H5092 & X5092 top plate models depending on application, rated vertical capacity and GCW.

Fifth Wheel must be used in a less than 10% off-highway application, with no minimum mileage between each stop. The maximum total number of towed axles equals 4. Road type must be maintained concrete, asphalt, gravel, or crushed rock. Gross Combination Weight (GCW) is less than 115,000 pounds or 52,000 kilograms.

SEVERE DUTY

7000, H5092 & X5092 top plate models depending on application, rated vertical capacity and GCW.

Fifth Wheel can be used in any off-highway application, with no minimum mileage between each stop. The total number of towed axles equals 5 or more. All road types are acceptable including hard packed dirt and non-maintained roads. Gross Combination Weight (GCW) is more than 115,000 pounds or 52,000 kilograms.

Choosing the Right Fifth Wheel – Top Plate Styles

No-Slack® II (6000 Series)

50,000 pounds vertical load
150,000 pounds drawbar pull

The innovative 6000 Series fifth wheel is designed for standard and moderate duty applications. It features the patented self-adjusting No-Slack® II locking mechanism with a positive secondary lock that can only be released by pulling the handle. A safety trigger eliminates the possibility of false couplings to prevent dangerous high hitching. The pull force required to open the wheel is only 65 lbs. Approximate weight: 223 lbs.



No-Slack® II (7000 Series)

55,000 pounds vertical load
150,000 pounds drawbar pull

The new 7000 Series offers all the benefits of our 6000 Series, but in a cast design rather than pressed steel. It features the patented self-adjusting No-Slack® II locking mechanism with a positive secondary lock that can only be released by pulling the handle. A safety trigger eliminates the possibility of false couplings to prevent dangerous high hitching. The pull force required to open the wheel is only 85 lbs. Approximate weight: 235 lbs.



No-Slack® (H5092 Series)

62,500 pounds vertical load
150,000 pounds drawbar pull

The H5092 Series fifth wheel is designed for applications such as logging, chip hauling and end dump trailers. This rugged fifth wheel uses a patented self-adjusting No-Slack® locking mechanism. Special steel cross members reinforce this wheel to reduce damaging fifth wheel flex under heavy loads. Approximate weight: 280 lbs.



No-Slack® (X5092 Series)

75,000 pounds vertical load
200,000 pounds drawbar pull

The X5092 Series fifth wheel is designed for severe service applications. It offers the same great features as the H5092 Series, plus additional steel reinforcement for even greater capacity. Approximate weight: 334 lbs.



Choosing the Right Fifth Wheel – Mounting Options

Air Slide (LWS)
Model LWS Top plate: 6000/7000



Air Slide (AWB)
Model AWB Top plate: 6000/7000
Model HAWB Top plate: H5092



Manual Slide (MWS)
Model MWS Top plate: 6000/7000
Model HMWS Top plate: H5092



Adjustable Flat Plate Mount (PMA)
Model PMA Top plate: 6000/7000
Model HPMA Top plate: H5092



Stationary Frame Mount (FMA)
Model FMA Top plate: 6000/7000
Model HFMA Top plate: H5092



Stationary Angle Mount (A36)
Model A36 Top plate: 6000/7000
Model HA36 Top plate: H5092



Stationary Long Plate Mount (PLA)
Model PLA Top plate: 6000/7000



Stationary Short Plate Mount (PSA)
Model PSA Top plate: 6000/7000



Blocked Air Slide (BLHAWB)*
Model BLHAWB Top plate: H5092



Reinforced Stationary Long Plate Mount (HPLA, XPLA)
Model HPLA Top plate: H5092
Model XPLA Top plate: X5092



Reinforced Stationary Short Plate Mount (HPSA, XPSA)
Model HPSA Top plate: H5092
Model XPSA Top plate: X5092



Xtra™ Heavy Duty Air Wedge Slide Bracket (XAWX)
Model XAWX Top plate: X5092



*Blocked slides also available in HMWS, HPLA & HPSA models.

6000, 7000 & H5092 Series Air Slides



6AWB
pictured

The **New No-Slack® II** 7000 cast steel top plate is now available.

All listed top plates are rated at 150,000 lbs. drawbar load.

“SL” as the first two digits designates left side release model. “SR” designates right side release model. All models are available as left or right side release.

“AA” as the first two digits designates air actuated release model. All models are available with air actuated release.

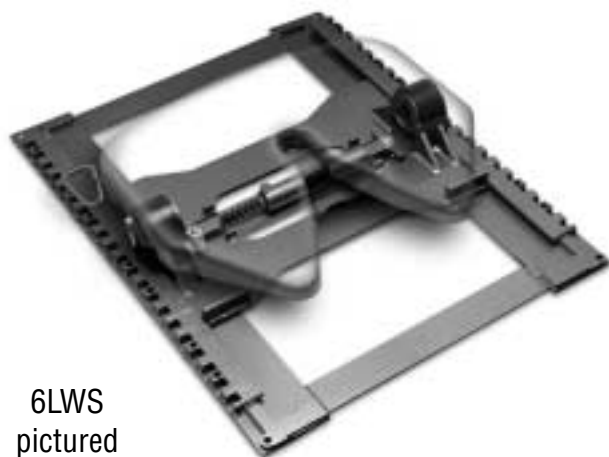
Models are also available in slide travels of 60" & 72".

* Air Actuated Air Controlled Slide with Knock Out Rod

Slide Travel	Height	FFW 6000 Model No. 50,000 lbs. vert. load	Kenworth Order Code	FFW 7000 Model No. 55,000 lbs. vert. load	Kenworth Order Code	FFW H5092 Model No. 62,500 lbs. vert. load	Kenworth Order Code
12"	6.75"	SL6AWB675012		SL7AWB675012		-	-
16	6.75	SL6AWB675016	6533060	SL7AWB675016		-	-
20	6.75	SL6AWB675020		SL7AWB675020		-	-
24	6.75	SL6AWB675024	6533057	SL7AWB675024		SLHAWS675024	6533303
24	6.75	AA6AWB675024	6533152	AA7AWB675024		-	-
24	6.75	AA6AWB-D434-1*	6533183	-	-	-	-
36	6.75	SL6AWB675036	6533058	SL7AWB675036		SLHAWS675036	
36	6.75	AA6AWB675036	6533153	AA7AWB675036		AAHAWS675036	
48	6.75	SL6AWB675048		SL7AWB675048		-	-
12	7.75	SL6AWB775012	6533011	SL7AWB775012		SLHAWB775012	
16	7.75	SL6AWB775016	6533061	SL7AWB775016	6533131	SLHAWB775016	
20	7.75	SL6AWB775020		SL7AWB775020		SLHAWB775020	
24	7.75	SL6AWB775024	6533062	SL7AWB775024		SLHAWB775024	6533088
24	7.75	-		-	-	SLHAWB-D393-2	6533107
24	7.75	SR6AWB775024	6533084	SR7AWB775024		SRHAWB775024	
24	7.75	AA6AWB775024	6533162	AA7AWB775024		AAHAWB775024	
36	7.75	SL6AWB775036	6533063	SL7AWB775036		SLHAWB775036	6533008
48	7.75	SL6AWB775048	6533064	SL7AWB775048		SLHAWB775048	
12	8.75	SL6AWB875012		SL7AWB875012		SLHAWB875012	
16	8.75	SL6AWB875016	6533041	SL7AWB875016		SLHAWB875016	
20	8.75	SL6AWB875020		SL7AWB875020		SLHAWB875020	
24	8.75	SL6AWB875024	6533051	SL7AWB875024		SLHAWB875024	6533080
24	8.75	SR6AWB875024		SR7AWB875024		SRHAWB875024	
24	8.75	AA6AWB-D388-3	6533181	-	-	-	-
36	8.75	SL6AWB875036		SL7AWB875036		SLHAWB875036	6533087
48	8.75	SL6AWB875048		SL7AWB875048		SLHAWB875048	6533104
12	9.75	SL6AWB975012		SL7AWB975012		SLHAWB975012	
16	9.75	SL6AWB975016		SL7AWB975016		SLHAWB975016	
20	9.75	SL6AWB975020		SL7AWB975020		SLHAWB975020	
24	9.75	SL6AWB975024	6533067	SL7AWB975024		SLHAWB975024	6533095
36	9.75	SL6AWB975036		SL7AWB975036		SLHAWB975036	6533102
48	9.75	SL6AWB975048		SL7AWB975048		SLHAWB975048	
12	10.75	SL6AWB1075012		SL7AWB1075012		SLHAWB1075012	
16	10.75	SL6AWB1075016	6533016	SL7AWB1075016		SLHAWB1075016	
20	10.75	SL6AWB1075020		SL7AWB1075020		SLHAWB1075020	
24	10.75	SL6AWB1075024	6533071	SL7AWB1075024		SLHAWB1075024	6533111
36	10.75	SL6AWB1075036		SL7AWB1075036		SLHAWB1075036	
48	10.75	SL6AWB1075048		SL7AWB1075048		SLHAWB1075048	

Contact Fontaine Customer Service at 1-800-874-9780 for additional product information.

6000, 7000 LWS Air Slides (Light Weight Slide)



6LWS
pictured

The **New No-Slack® II** 7000 cast steel top plate is now available.

All listed top plates are rated at 150,000 lbs. drawbar load.

“SL” as the first two digits designates left side release model. “SR” designates right side release model. All models are available as left or right side release.

“AA” as the first two digits designates air actuated release model. All models are available with air actuated release.

Models are also available in slide travels of 60" & 72".

Slide Travel	Height	FFW 6000 Model No. 50,000 lbs. vert. load	Kenworth Order Code	FFW 7000 Model No. 55,000 lbs. vert. load	Kenworth Order Code
12" 24" 36"	6.75" 6.75" 6.75"	SL6LWS675012 SL6LWS675024 SL6LWS675036		SL7LWS675012 SL7LWS675024 SL7LWS675036	
12" 24" 36"	7.75" 7.75" 7.75"	SL6LWS775012 SL6LWS775024 SL6LWS775036	6533115	SL7LWS775012 SL7LWS775024 SL7LWS775036	
12" 24" 36"	8.75" 8.75" 8.75"	SL6LWS875012 SL6LWS875024 SL6LWS875036	6533117	SL7LWS875012 SL7LWS875024 SL7LWS875036	

Contact Fontaine Customer Service at 1-800-874-9780 for additional product information.

6000, 7000 & H5092 Series PMA Mounts (Plate Mount Adjustable)



6PMA
pictured

The **New No-Slack® II** 7000 cast steel top plate is now available.

Bold Kenworth Order Code numbers are published options.

“SL” as the first two digits designates left side release model. “SR” designates right side release model. All models are available as left or right side release.

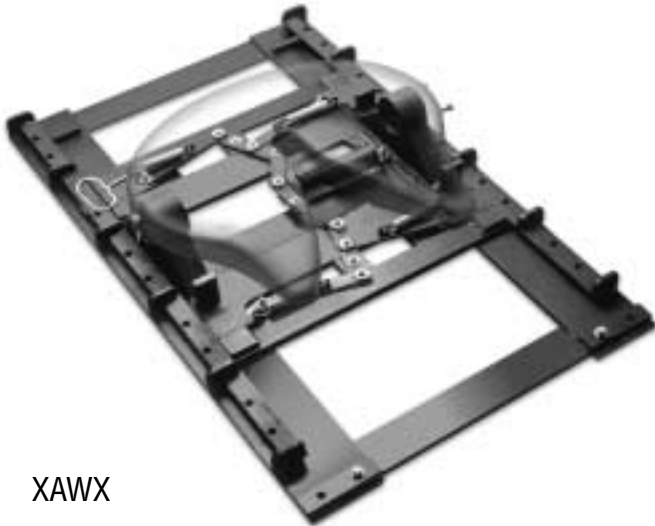
“AA” as the first two digits designates air actuated release model. All models are available with air actuated release.

Note: PMA replaces old style AFP mounts.

Height	FFW 6000 Model No. 50,000 lbs. vert. load	Kenworth Order Code	FFW 7000 Model No. 55,000 lbs. vert. load	Kenworth Order Code	FFW H5092 Model No. 62,500 lbs. vert. load	Kenworth Order Code
6.25"	SL6PMA6250	6531070	SL7PMA6250		SLHPMA6250	6531073
7.25"	SL6PMA7250	6531075	SL7PMA7250	6531083	SLHPMA7250	6531074
8.25"	SL6PMA8250	6531077	SL7PMA8250		SLHPMA8250	6531078
9.25"	SL6PMA9250	6531080	SL7PMA9250		SLHPMA9250	

Contact Fontaine Customer Service at 1-800-874-9780 for additional product information.

X5092 Air Slide



XAWX

Slide Travel	Height	FFW X5092 Model No. 75,000 lbs. vert. load	Kenworth Order Code
24"	11.50"	SLXAWX1150024	6533993
48"	11.50"	SLXAWX1150048	6533994

X5092 top plate is rated at 200,000 lbs. drawbar load.

“SL” as the first two digits designates left side release model. “SR” designates right side release model. All models are available as left or right side release.

Available in slide travels of 12", 16", 24", 36" and 48".

Available in heights of 9.50", 10.50" and 11.50".

Contact Fontaine Customer Service at 1-800-874-9780 for additional product information.

Blocked H5092 Air Slide



BLHAWB

Slide Travel	Height	FFW H5092 Model No. 62,500 lbs. vert. load	Kenworth Order Code
8.75"	24"	BLHAWB875024	6533100
9.75"	24"	BLHAWB975024	6533103
10.75"	24"	BLHAWB1075024	6533106

H5092 top plate is rated at 150,000 lbs. drawbar load.

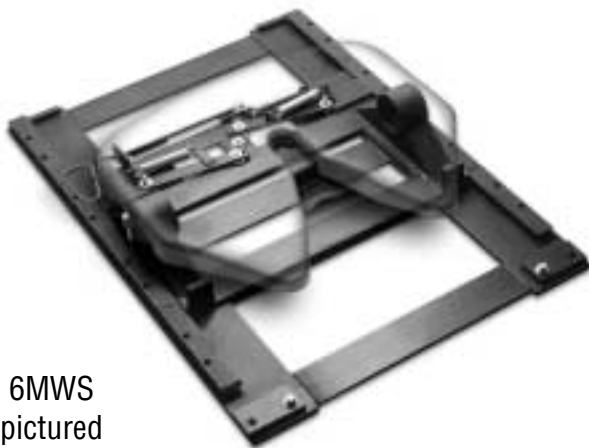
“BL” as the first two digits designates left side release model. “BR” designates right side release model. All models are available as left or right side release.

Available in slide travels of 12", 16", 24", 36" and 48".

Available in heights of 8.75", 9.75" and 10.75".

Contact Fontaine Customer Service at 1-800-874-9780 for additional product information.

6000, 7000 & H5092 Series Manual Slides



6MWS
pictured

All listed top plates are rated at 150,000 lbs. drawbar load.

“SL” as the first two digits designates left side release model. “SR” designates right side release model. All models are available as left or right side release.

“AA” as the first two digits designates air actuated release model. All models are available with air actuated release.

Models are available in slide travels of 12", 16", 24", 36", 48", 60" & 72".

Models are available in heights of 6.75", 7.75", 8.75" 9.75" & 10.75".

Slide Travel	Height	FFW 6000 Model No. 50,000 lbs. vert. load	Kenworth Order Code	FFW 7000 Model No. 55,000 lbs. vert. load	Kenworth Order Code	FFW H5092 Model No. 62,500 lbs. vert. load	Kenworth Order Code
24	7.75	SL6MWS775024	6535172	SL7MWS775024		SLHMWS775024	

Contact Fontaine Customer Service at 1-800-874-9780 for additional product information.

6000, 7000 & H5092 Series FMA Mounts (Stationary Frame Mount)

6FMA
pictured

The **New No-Slack® II** 7000 cast steel top plate is now available.

All listed top plates are rated at 150,000 lbs. drawbar load.

“SL” as the first two digits designates left side release model. “SR” designates right side release model. All models are available as left or right side release.

“AA” as the first two digits designates air actuated release model. All models are available with air actuated release.

Also available in heights of 9.375" and 10.375".

Height	FFW 6000 Model No. 50,000 lbs. vert. load	Kenworth Order Code	FFW 7000 Model No. 55,000 lbs. vert. load	Kenworth Order Code	FFW H5092 Model No. 62,500 lbs. vert. load	Kenworth Order Code
6.375"	SL6FMA6375	6531013	SL7FMA6375		–	–
7.375"	SL6FMA7375	6531015	SL7FMA7375		SLHFMA7375	
8.375"	SL6FMA8375	6531017	SL7FMA8375		SLHFMA8375	6531001

Contact Fontaine Customer Service at 1-800-874-9780 for additional product information.

6000, 7000 & H9092 Series A44 Mounts (Stationary Angle Mount)

6A36
pictured

The **New No-Slack® II** 7000 cast steel top plate is now available.

All listed top plates are rated at 150,000 lbs. drawbar load.

C = 34" Frame Width with 5"x5" Angle Bracket. Also available in 33.5" Frame Width.

“SL” as the first two digits designates left side release model. “SR” designates right side release model. All models are available as left or right side release.

“AA” as the first two digits designates air actuated release model. All models are available with air actuated release.

Models are available in heights of 5.75", 6.25", 7.25", 8.25", 9.25" & 10.25".

36" angle lengths are also available.

Height	Angle Length	FFW 6000 Model No. 50,000 lbs. vert. load	Kenworth Order Code	FFW 7000 Model No. 55,000 lbs. vert. load	Kenworth Order Code	FFW H5092 Model No. 62,500 lbs. vert. load	Kenworth Order Code
7.25"	44"					SLHA447250C	6532004

Contact Fontaine Customer Service at 1-800-874-9780 for additional product information.

6000, 7000 & H9092 Series PSA Mounts (Stationary Short Plate)



6PSA
pictured

The **New No-Slack® II** 7000 cast steel top plate is now available.

All listed top plates are rated at 150,000 lbs. drawbar load.

“SL” as the first two digits designates left side release model. “SR” designates right side release model. All models are available as left or right side release.

“AA” as the first two digits designates air actuated release model. All models are available with air actuated release.

6000 and 7000 models are available in heights of 7.125", 8.125", 9.125" 10.125" and 11.125". H5092 models are available in heights of 7.375", 8.375", 9.375" 10.375" and 11.375".

Plate dimensions: 23³/₄" x 40" x 1¹/₈".

Height	FFW 6000 Model No. 50,000 lbs. vert. load	Kenworth Order Code	FFW 7000 Model No. 55,000 lbs. vert. load	Kenworth Order Code	Height	FFW H5092 Model No. 62,500 lbs. vert. load	Kenworth Order Code
9.125"	SL6PSA9125	6531022	SL7PSA9125		9.375"	SLHPSA9375	

Contact Fontaine Customer Service at 1-800-874-9780 for additional product information.

6000, 7000 & H9092 Series PLA Mounts (Stationary Long Plate)



6PLA
pictured

PLA Stationary Long Plat Mounts are available from Fontaine.

The **New No-Slack® II** 7000 cast steel top plate is now available.

6000 and 7000 models are available in heights of 7.125", 8.125", 9.125" 10.125" and 11.125". H5092 models are available in heights of 7.375", 8.375", 9.375" 10.375" and 11.375".

Plate dimensions: 35³/₄" x 40" x 1¹/₈".

Contact Fontaine Customer Service at 1-800-874-9780 for additional product information.

5007 Retractable Handle Fifth Wheel

Height	Slide	FFW 5007 Model No. 50,000 lbs. vert. load	Kenworth Order Code	Description
7.375"	N/A	SL5FMA-D20-2	6531002	FMA Fixed Bracket with 5007 Fifth Wheel
6.375"	N/A	SL5FMA-D20-1	6531007	FMA Fixed Bracket 5007 Fifth Wheel
6.75"	N/A	AL5AFP-D57-1*	6531058	PMA Fixed Bracket 5007 Fifth Wheel
6.75"	16"	SL5AWB-D264-1	6533047	AWB Air slide with 5007 Fifth Wheel
6.75"	24"	SL5AWB-D259-1	6533047	AWB Air slide with 5007 Fifth Wheel
6.75"	36"	SL5AWB-D249-6	6533047	AWB Air slide with 5007 Fifth Wheel

* AFP has been replaced by the PMA.

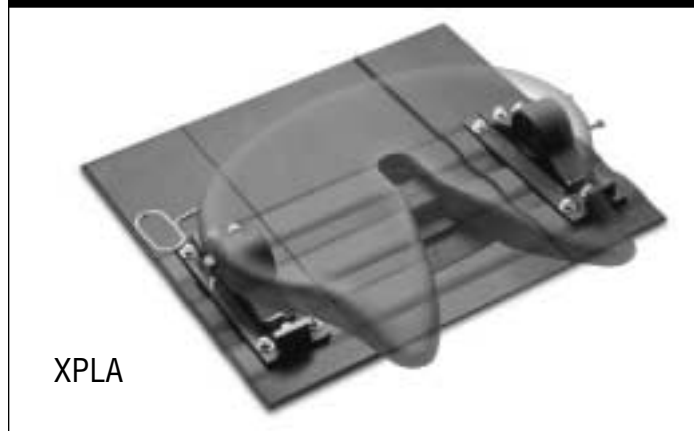
Contact Fontaine Customer Service at 1-800-874-9780 for additional product information.

X5092 Stationary Short Plate Mount



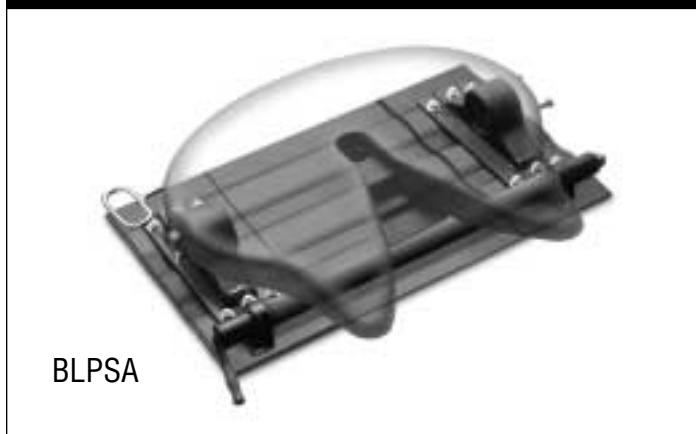
X5092 top plate is rated at 200,000 lbs. drawbar load. "SL" as the first two digits designates left side release model. "SR" designates right side release model. All models are available as left or right side release. Available in heights of 8.125", 9.125", 10.125", 11.125" and 12.125". Plate dimensions: 23³/₄" x 40" x 1¹/₈". Contact Fontaine Customer Service at 1-800-874-9780 for additional product information.

X5092 Stationary Long Plate Mount



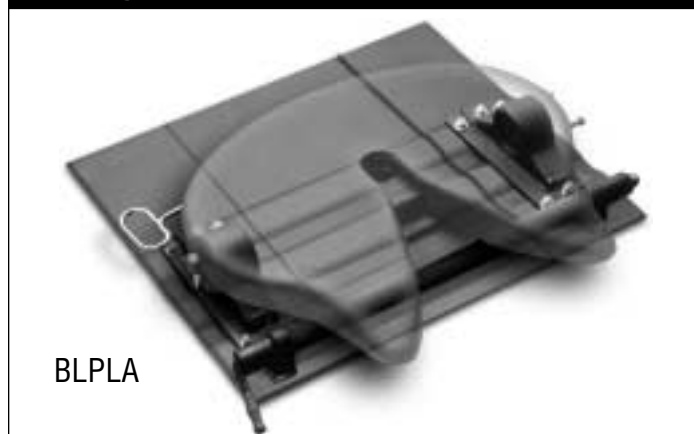
X5092 top plate is rated at 75,000 lbs. vert. load and 200,000 lbs. drawbar load. "SL" as the first two digits designates left side release model. "SR" designates right side release model. All models are available as left or right side release. Available in heights of 8.125", 9.125", 10.125", 11.125" and 12.125". Plate dimensions: 35³/₄" x 40" x 1¹/₈". Contact Fontaine Customer Service at 1-800-874-9780 for additional product information.

Blocked H5092 Stationary Short Plate Mount



Blocked H5092 PSA Stationary Short Plate mounts are available from Fontaine. H5092 top plate is rated at 62,500 lbs. vert. load and 150,000 lbs. drawbar load. "BL" as the first two digits designates left side release model. "BR" designates right side release model. All models are available as left or right side release. Available in heights of 8.375", 9.375" and 10.375". Plate dimensions: 23³/₄" x 40" x 1¹/₈". Contact Fontaine Customer Service at 1-800-874-9780 for additional product information.

Blocked H5092 Stationary Long Plate Mount



Blocked H5092 PSA Stationary Long Plate mounts are available from Fontaine. H5092 top plate is rated at 62,500 lbs. vert. load and 150,000 lbs. drawbar load. "BL" as the first two digits designates left side release model. "BR" designates right side release model. All models are available as left or right side release. Available in heights of 8.375", 9.375" and 10.375". Plate dimensions: 35³/₄" x 40" x 1¹/₈". Contact Fontaine Customer Service at 1-800-874-9780 for additional product information.

Complete Assembly Part Number Identification Guide

This guide explains the nomenclature for Fontaine Fifth Wheel complete assembly part numbers. Listed is an example of part number SL6AWB675012.

Release	Top Plate	Mounting Style	Height	Slide Travel/ Frame Width
<div style="display: flex; justify-content: space-around; align-items: center;"> <div style="border: 1px solid black; padding: 2px 5px;">S</div> <div style="border: 1px solid black; padding: 2px 5px;">L</div> </div> <p>SR - Side Right SL - Side Left AA - Air-Actuated BL - Blocked Left</p>	<div style="border: 1px solid black; padding: 2px 5px; display: inline-block;">6</div> <p>6 - 6000 (No-Slack®II) 7 - 7000 (No-Slack®II) H - H5092 (No-Slack®) X - X5092 (No-Slack®) 5 - 5007 (No-Slack®)</p>	<div style="display: flex; justify-content: space-around; align-items: center;"> <div style="border: 1px solid black; padding: 2px 5px;">A</div> <div style="border: 1px solid black; padding: 2px 5px;">W</div> <div style="border: 1px solid black; padding: 2px 5px;">B</div> </div> <p>AWB - Air Wedge Slide LWS - Light Weight Slide MWS - Manual Wedge Slide AFP* - Adjustable Flat Plate PMA - Plate Mount Adjustable PLA - Long Plate Mount PSA - Short Plate Mount FMA - Frame Mount BSM - Bracket Stationary Mount A36 - 36" Angle Mount AWX - Xtra® Heavy Duty Air Wedge Slide</p>	<div style="border: 1px solid black; padding: 2px 5px; display: inline-block;">6750</div> <p>Actual height from truck frame to top of fifth wheel.</p> <p>Example: 6750 = 6.75"</p> <p>(Additional heights available.)</p>	<div style="display: flex; justify-content: space-around; align-items: center;"> <div style="border: 1px solid black; padding: 2px 5px;">1</div> <div style="border: 1px solid black; padding: 2px 5px;">2</div> </div> <p>Slide travel for sliding fifth wheels. Example: 12 = 12"</p> <p style="text-align: center;">- OR -</p> <div style="border: 1px solid black; padding: 2px 5px; display: inline-block; margin: 0 auto;">E</div> <p>Frame width for angle mount fifth wheels. E - 34" truck frame L - 33.50" truck frame</p>

* AFP has been superceded to PMA



www.fifthwheel.com