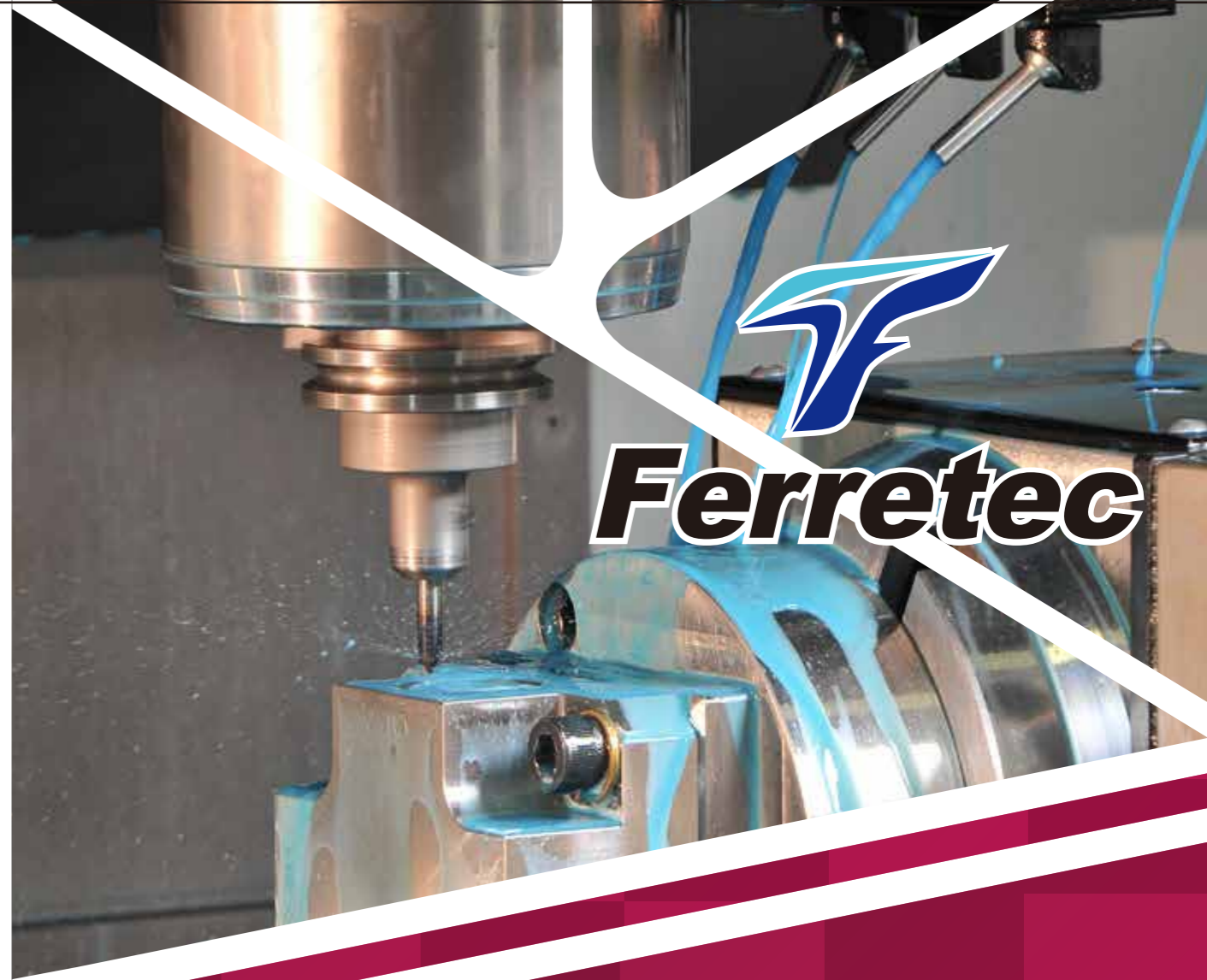




Let's make tools better



Ferretec

ADD:27H,BLDG-A JINDU MANSION,37#
DONGHAI XI ROAD,QINGDAO CHINA
TEL:+86-532-85973559
FAX:+86-532-85975191
E-mail:master@ferretec.com
WEB:www.ferretec.com



2019-2020
Machine Accessories
Qingdao Ferretec Co.,Ltd

52 CAT-ER Collet Chuck 	53 DAT-ER Collet Chuck 	54 BT-SK/CAT Force Collet Chuck 	55 BT EOC Collet Chuck
-----------------------------------	-----------------------------------	--	-----------------------------------

55 R8-FMB/FMA FACE Mill Cutter Holder 	56 ISO(NT)-FMB FACE Mill Cutter Holder 	57 ISO(NT)-FMA FACE Mill Cutter Holder 	58 BT-FMA FACE Mill Cutter Holder
--	---	---	--

59 BT-FMB Mill Cutter Holder 	60 BT-FMC Mill Cutter Holder/Coolant Type 	60 Tool Locking Device 	61 BT-CMA Combi Shell End Mill Holder
---	--	-----------------------------------	--

62 CAT-FMA Mill Cutter Holder 	62 DAT-FMA Mill Cutter Holder 	63 DAT-FMB Mill Cutter Holder 	64 NT-SLN Side Lock End Mill Holder
--	--	--	--

65 BT-SLN Side Lock End Mill Holder 	66 SK-SLN Side Lock End Mill Holder 	67 CAT-SLN Side Lock End Mill Holder 	68 BT-SK Tooling Holder
--	--	---	------------------------------------

69 SK-SK Tooling Holder 	70 CAT-SK Tooling Holder 	71 SK-MTA Morse Taper Adapter 	71 SK-MTB Morse Taper Adapter
------------------------------------	-------------------------------------	--	--

72 CAT-MTA Morse Taper Adapter 	72 CAT-MTB Morse Taper Adapter 	72 ISO(NT)-MTA Morse Taper Adapter 	73 BT-MTA Morse Taper Adapter
---	---	---	--

74 BT-MTB Morse Taper Adapter 	74 BT-45 °C Square Cutter Boring Bar 	75 BT-90 °C Square Cutter Boring Bar 	75 F1 Boring Head
--	---	---	------------------------------

76 F1 Boring Shank 	77 R8 Stub Mill Cutter Arbor 	77 MT Stub Mill Cutter Arbor 	78 ISO(NT) Stub Mill Cutter Arbor
-------------------------------	---	---	--

78 BT Stub Mill Cutter Arbor 	79 ADAPTER PLATES 	79 ADAPTER PLATES 	79 ADAPTER PLATES
---	------------------------------	------------------------------	------------------------------

80 ADAPTER PLATES 	80 ADAPTER PLATES 	81 ADAPTER PLATES 	82 PIN FOR ADAPTER PLATES
------------------------------	------------------------------	------------------------------	--------------------------------------

84 Standard Rotary Center 	84 Heavy Duty Rotary Center 	85 High Speed Rotary Center 	85 Outward Rotary Center
--------------------------------------	--	--	-------------------------------------

86 Heavy Duty Rotary Center 	86 BT Drill Adapter 	87-88 MT Drill Adapter 	89-90 Straight Shank Drill Adapter 
91 R8 Drill Adapter 	91 ISO(NT) Drill Adapter 	92-94 Pull Studs 	95 QUICK Change Tool Posts (USA STYLE) 
96 TOOL POST 	96 TOOL POST 	97-99 TOOL HOLDERS 	100 QUICK Change Tool Posts (UK STYLE) 
100-102 TOOL HOLDERS 	103 QGG Tooling Vise 	103 QKG Tooling Vise 	104-105 GT Precision Milling Vise 
106 SWIVEL BASE 	107 H-V Accu-lock Machine Vise 	107-108 Accu-lock Vise 	109 Dual Action Machine Vise 
109 QH Machine Vise 	110 QHK Series Machine Vise 	110 QB Series Machine Vise 	111 Hydraulic Machine Vise 

112 Free Style Machine Vise 	112-114 Drill Press Vise 	115 Cross Slide Vise 	116 Precision Drill Press Vise 
116 Quick Grip Drill Press Vise 	117-118 Cross Slide Table 	119 Clamping Kits 	120-122 Rotary Table 
123 Horizontal & Vertical Rotary Table 	124-125 Tilting Rotary Table 	126 Hobby Rotary Table 	127-128 Semi Universal Dividing Head 
129 Horizontal/vertical Super Indexing Spacers 	130-131 Universal Index Spacer 	132-133 Heavy Duty Semi-universal Index Spacer 	134-140 Professional Bench Vise 
140 Table Vise 	140 Anvil 		

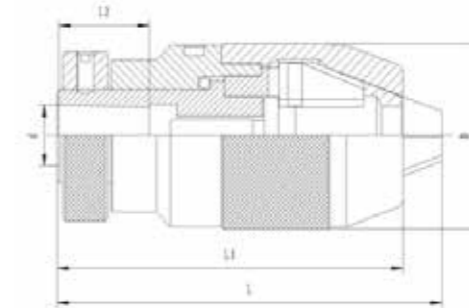
Success is thinking like your customer

* Jaw Hardness: HRC 55-58

* High Rigidity:machining after heat treatment

NOTE

HEAVY DUTY KEYLESS DRILL CHUCK

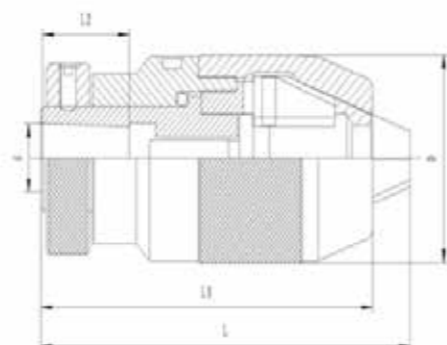


MORSE TAPER STOCK

Order No.	No.	Range mm	d Taper	D mm	L mm	L1 mm	L2 mm	KGS	Accuracy			
									P _{mm}	Price	M _{mm}	Price
100-0001	HPJ0106	0.5-6	B10 (φ10.094)	φ35	70.5	63	14.5	0.35	0.12			
100-0002	HMJ0106	0.5-6	B10 (φ10.094)	φ35	70.5	63	14.5	0.35			0.06	
100-0003	HPJ0108	0.5-8	B12 (φ12.065)	φ37	74	68	18.5	0.50	0.12			
100-0004	HMJ0108	0.5-8	B12 (φ12.065)	φ37	74	68	18.5	0.50			0.06	
100-0005	HPJ0110	1-10	B12 (φ12.065)	φ42	90.5	83	18.5	0.60	0.12			
100-0006	HMJ0110	1-10	B12 (φ12.065)	φ42	90.5	83	18.5	0.60			0.06	
100-0007	HPJ0110	1-10	B16 (φ15.733)	φ42	90.5	83	18.5	0.60	0.12			
100-0008	HMJ0110	1-10	B16 (φ15.733)	φ42	90.5	83	18.5	0.60			0.06	
100-0009	HPJ0113	1-13	B16 (φ15.733)	φ50	103	91.5	21.5	1.05	0.12			
100-0010	HMJ0113	1-13	B16 (φ15.733)	φ50	103	91.5	21.5	1.05			0.06	
100-0011	HPJ0113	1-13	B12 (φ12.065)	φ50	103	91.5	18.5	1.05	0.12			
100-0012	HMJ0113	1-13	B12 (φ12.065)	φ50	103	91.5	18.5	1.05			0.06	
100-0013	HPJ0116	1-16	B18 (φ17.780)	φ54	111.5	101	32	1.28	0.14			
100-0014	HMJ0116	1-16	B18 (φ17.780)	φ54	111.5	101	32	1.28			0.07	
100-0015	HPJ0116	1-16	B16 (φ15.733)	φ54	111.5	101	25.4	1.28	0.14			
100-0016	HMJ0116	1-16	B16 (φ15.733)	φ54	111.5	101	25.4	1.28			0.07	
100-0017	HPJ0120	1-20	B22 (φ21.793)	φ63	139	126	40.6	2.10	0.2			
100-0018	HMJ0120	1-20	B22 (φ21.793)	φ63	139	126	40.6	2.10			0.14	
100-0019	HPJ0120	1-20	B18 (φ17.780)	φ63	139	126	32	2.10	0.2			
100-0020	HMJ0120	1-20	B18 (φ17.780)	φ63	139	126	32	2.10			0.14	
100-0021	HPJ0125	5-25	B24 (φ23.825)	φ68	139	126	40.6	3.70	0.2			
100-0022	HMJ0125	5-25	B24 (φ23.825)	φ68	139	126	40.6	3.70			0.14	
100-0023	HPJ0125	5-25	B22 (φ21.793)	φ68	139	126	40.6	3.70	0.2			
100-0024	HMJ0125	5-25	B22 (φ21.793)	φ68	139	126	40.6	3.70			0.14	

* Jaw Hardness: HRC 55-58
 * High Rigidity:machining after heat treatment

HEAVY DUTY KEYLESS DRILL CHUCK

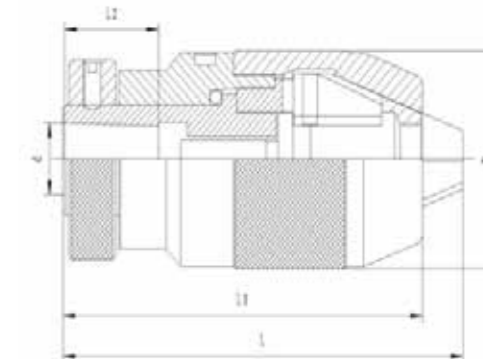


MORSE TAPER STOCK (CHROME-PLATED)

Order No.	No.	Range mm	d Taper	D mm	L mm	L1 mm	L2 mm	KGS	Accuracy				
									P _s mm	Price	M _s mm	Price	
100-0101	HPJ0106	0.5-6	B10 (φ10.094)	φ35	70.5	63	14.5	0.35	0.12				
100-0102	HMJ0106	0.5-6	B10 (φ10.094)	φ35	70.5	63	14.5	0.35			0.06		
100-0103	HPJ0108	0.5-8	B12 (φ12.065)	φ37	74	68	18.5	0.50	0.12				
100-0104	HMJ0108	0.5-8	B12 (φ12.065)	φ37	74	68	18.5	0.50			0.06		
100-0105	HPJ0110	1-10	B12 (φ12.065)	φ42	90.5	83	18.5	0.60	0.12				
100-0106	HMJ0110	1-10	B12 (φ12.065)	φ42	90.5	83	18.5	0.60			0.06		
100-0107	HPJ0110	1-10	B16 (φ15.733)	φ42	90.5	83	18.5	0.60	0.12				
100-0108	HMJ0110	1-10	B16 (φ15.733)	φ42	90.5	83	18.5	0.60			0.06		
100-0109	HPJ0113	1-13	B16 (φ15.733)	φ50	103	91.5	21.5	1.05	0.12				
100-0110	HMJ0113	1-13	B16 (φ15.733)	φ50	103	91.5	21.5	1.05			0.06		
100-0111	HPJ0113	1-13	B12 (φ12.065)	φ50	103	91.5	18.5	1.05	0.12				
100-0112	HMJ0113	1-13	B12 (φ12.065)	φ50	103	91.5	18.5	1.05			0.06		
100-0113	HPJ0116	1-16	B18 (φ17.780)	φ54	111.5	101	32	1.28	0.14				
100-0114	HMJ0116	1-16	B18 (φ17.780)	φ54	111.5	101	32	1.28			0.07		
100-0115	HPJ0116	1-16	B16 (φ15.733)	φ54	111.5	101	25.4	1.28	0.14				
100-0116	HMJ0116	1-16	B16 (φ15.733)	φ54	111.5	101	25.4	1.28			0.07		
100-0117	HPJ0120	1-20	B22 (φ21.793)	φ63	139	126	40.6	2.10	0.2				
100-0118	HMJ0120	1-20	B22 (φ21.793)	φ63	139	126	40.6	2.10			0.14		
100-0119	HPJ0120	1-20	B18 (φ17.780)	φ63	139	126	32	2.10	0.2				
100-0120	HMJ0120	1-20	B18 (φ17.780)	φ63	139	126	32	2.10			0.14		
100-0121	HPJ0125	5-25	B24 (φ23.825)	φ68	139	126	40.6	3.70	0.2				
100-0122	HMJ0125	5-25	B24 (φ23.825)	φ68	139	126	40.6	3.70			0.14		
100-0123	HPJ0125	5-25	B22 (φ21.793)	φ68	139	126	40.6	3.70	0.2				
100-0124	HMJ0125	5-25	B22 (φ21.793)	φ68	139	126	40.6	3.70			0.14		

* Jaw Hardness: HRC 55-58
 * High Rigidity:machining after heat treatment

HEAVY DUTY KEYLESS DRILL CHUCK

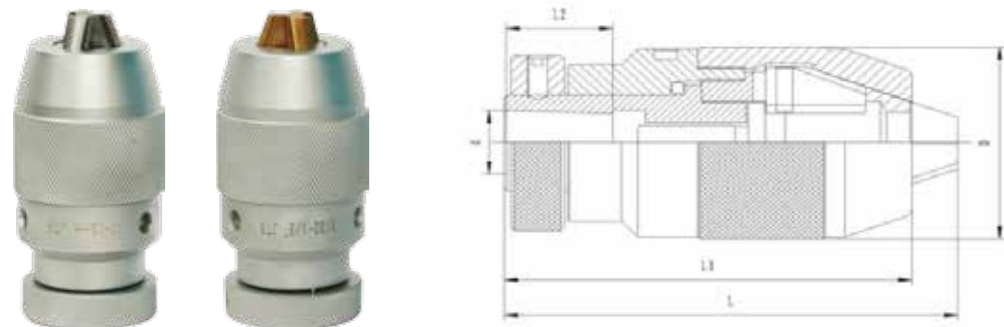


JACOBS TAPER STOCK

Order No.	No.	Range Inch	d Taper	D mm	L mm	L1 mm	L2 mm	KGS	Accuracy				
									P _s "	Price	M _s "	Price	
100-0201	HPJ0206	1/64"-1/4"	JT1 (φ9.754)	φ35	70.5	63	11.112	0.35	0.00472				
100-0202	HMJ0206	1/64"-1/4"	JT1 (φ9.754)	φ35	70.5	63	11.112	0.35			0.00236		
100-0203	HPJ0208	1/64"-5/16"	JT2 (φ14.199)	φ37	74	68	19.05	0.50	0.00472				
100-0204	HMJ0208	1/64"-5/16"	JT2 (φ14.199)	φ37	74	68	19.05	0.50			0.00236		
100-0205	HPJ0210	1/32"-3/8"	JT2 (φ14.199)	φ42	90.5	83	19.05	0.60	0.00472				
100-0206	HMJ0210	1/32"-3/8"	JT2 (φ14.199)	φ42	90.5	83	19.05	0.60			0.00236		
100-0207	HPJ0213	1/32"-1/2"	JT33 (φ15.850)	φ50	103	91.5	25.4	1.05	0.00472				
100-0208	HMJ0213	1/32"-1/2"	JT33 (φ15.850)	φ50	103	91.5	25.4	1.05			0.00236		
100-0209	HPJ0213	1/32"-1/2"	JT6 (φ17.170)	φ50	103	91.5	25.4	1.05	0.00472				
100-0210	HMJ0213	1/32"-1/2"	JT6 (φ17.170)	φ50	103	91.5	25.4	1.05			0.00236		
100-0211	HPJ0216	1/32"-5/8"	JT3 (φ20.599)	φ54	111.5	101	42.069	1.28	0.00551				
100-0212	HMJ0216	1/32"-5/8"	JT3 (φ20.599)	φ54	111.5	101	42.069	1.28			0.002755		
100-0213	HPJ0216	1/32"-5/8"	JT6 (φ17.170)	φ54	111.5	101	25.4	1.28	0.00551				
100-0214	HMJ0216	1/32"-5/8"	JT6 (φ17.170)	φ54	111.5	101	25.4	1.28			0.002755		
100-0215	HPJ0220	1/32"-3/4"	JT3 (φ20.599)	φ63	136	121.5	30.956	2.10	0.00788				
100-0216	HMJ0220	1/32"-3/4"	JT3 (φ20.599)	φ63	136	121.5	30.956	2.10			0.00551		
100-0217	HPJ0220	1/32"-3/4"	JT6 (φ17.170)	φ63	136	121.5	25.4	2.10	0.00788				
100-0218	HMJ0220	1/32"-3/4"	JT6 (φ17.170)	φ63	136	121.5	25.4	2.10			0.00551		
100-0219	HPJ0225	3/16"-1"	JT4 (φ28.825)	φ68	139	126	30.956	3.70	0.00788				
100-0220	HMJ0225	3/16"-1"	JT4 (φ28.825)	φ68	139	126	30.956	3.70			0.00551		
100-0221	HPJ0225	3/16"-1"	JT3 (φ20.599)	φ68	139	126	30.956	3.70	0.00788				
100-0222	HMJ0225	3/16"-1"	JT3 (φ20.599)	φ68	139	126	30.956	3.70			0.00551		

* Jaw Hardness: HRC 55-58
 * High Rigidity:machining after heat treatment

HEAVY DUTY KEYLESS DRILL CHUCK



JACOBS TAPER STOCK(CHROME-PLATED)

Order No.	No.	Range Inch	d Taper	D mm	L mm	L1 mm	L2 mm	KGS	Accuracy				
									Ps*	Price	Ms*	Price	
100-0301	HPJ0206	1/64"-1/4"	JT1 (φ9.754)	φ35	70.5	63	11.112	0.35	0.00472				
100-0302	HMJ0206	1/64"-1/4"	JT1 (φ9.754)	φ35	70.5	63	11.112	0.35			0.00236		
100-0303	HPJ0208	1/64"-5/16"	JT2 (φ14.199)	φ37	74	68	19.05	0.50	0.00472				
100-0304	HMJ0208	1/64"-5/16"	JT2 (φ14.199)	φ37	74	68	19.05	0.50			0.00236		
100-0305	HPJ0210	1/32"-3/8"	JT2 (φ14.199)	φ42	90.5	83	19.05	0.60	0.00472				
100-0306	HMJ0210	1/32"-3/8"	JT2 (φ14.199)	φ42	90.5	83	19.05	0.60			0.00236		
100-0307	HPJ0213	1/32"-1/2"	JT33 (φ15.850)	φ50	103	91.5	25.4	1.05	0.00472				
100-0308	HMJ0213	1/32"-1/2"	JT33 (φ15.850)	φ50	103	91.5	25.4	1.05			0.00236		
100-0309	HPJ0213	1/32"-1/2"	JT6 (φ17.170)	φ50	103	91.5	25.4	1.05	0.00472				
100-0310	HMJ0213	1/32"-1/2"	JT6 (φ17.170)	φ50	103	91.5	25.4	1.05			0.00236		
100-0311	HPJ0216	1/32"-5/8"	JT3 (φ20.599)	φ54	111.5	101	42.069	1.28	0.00551				
100-0312	HMJ0216	1/32"-5/8"	JT3 (φ20.599)	φ54	111.5	101	42.069	1.28			0.002755		
100-0313	HPJ0216	1/32"-5/8"	JT6 (φ17.170)	φ54	111.5	101	25.4	1.28	0.00551				
100-0314	HMJ0216	1/32"-5/8"	JT6 (φ17.170)	φ54	111.5	101	25.4	1.28			0.002755		
100-0315	HPJ0220	1/32"-3/4"	JT3 (φ20.599)	φ63	136	121.5	30.956	2.10	0.00788				
100-0316	HMJ0220	1/32"-3/4"	JT3 (φ20.599)	φ63	136	121.5	30.956	2.10			0.00551		
100-0317	HPJ0220	1/32"-3/4"	JT6 (φ17.170)	φ63	136	121.5	25.4	2.10	0.00788				
100-0318	HMJ0220	1/32"-3/4"	JT6 (φ17.170)	φ63	136	121.5	25.4	2.10			0.00551		
100-0319	HPJ0225	3/16"-1"	JT4 (φ28.825)	φ68	139	126	30.956	3.70	0.00788				
100-0320	HMJ0225	3/16"-1"	JT4 (φ28.825)	φ68	139	126	30.956	3.70			0.00551		
100-0321	HPJ0225	3/16"-1"	JT3 (φ20.599)	φ68	139	126	30.956	3.70	0.00788				
100-0322	HMJ0225	3/16"-1"	JT3 (φ20.599)	φ68	139	126	30.956	3.70			0.00551		

* Jaw Hardness: HRC 55-58
 * High Rigidity:machining after heat treatment

HEAVY DUTY KEYLESS DRILL CHUCK



THREADED STOCK

Order No.	No.	Range		d		D mm	L mm	L1 mm	KGS	Accuracy			
		mm	Inch	mm	UNF					Ds*	Price	Ps*	Price
100-0401	HDJ0306		1/64"-1/4"		3/8"-24UNF	φ35	70.5	63	0.35	0.00788"			
100-0402	HPJ0306		1/64"-1/4"		3/8"-24UNF	φ35	70.5	63	0.35			0.0063"	
100-0403	HDJ0406	0.5-6			M10*1	φ35	70.5	63	0.35	0.2mm			
100-0404	HPJ0406	0.5-6			M10*1	φ35	70.5	63	0.35			0.16mm	
100-0405	HDJ0308		1/64"-5/16"		3/8"-24UNF	φ37	74	68	0.50	0.00788"			
100-0406	HPJ0308		1/64"-5/16"		3/8"-24UNF	φ37	74	68	0.50			0.0063"	
100-0407	HDJ0408	0.5-8			M10*1	φ37	74	68	0.50	0.2mm			
100-0408	HPJ0408	0.5-8			M10*1	φ37	74	68	0.50			0.16mm	
100-0409	HDJ0310		1/32"-3/8"		3/8"-24UNF	φ42	90.5	83	0.60	0.00788"			
100-0410	HPJ0310		1/32"-3/8"		3/8"-24UNF	φ42	90.5	83	0.60			0.0063"	
100-0411	HDJ0410	1-10			M12*1.25	φ42	90.5	83	0.60	0.2mm			
100-0412	HPJ0410	1-10			M12*1.25	φ42	90.5	83	0.60			0.16mm	
100-0413	HDJ0310		1/32"-3/8"		1/2"-20UNF	φ42	90.5	83	0.60	0.00788"			
100-0414	HPJ0310		1/32"-3/8"		1/2"-20UNF	φ42	90.5	83	0.60			0.0063"	
100-0415	HDJ0410	1-10			M10*1	φ42	90.5	83	0.60	0.2mm			
100-0416	HPJ0410	1-10			M10*1	φ42	90.5	83	0.60			0.16mm	
100-0417	HDJ0313		1/32"-1/2"		1/2"-20UNF	φ50	103	91.5	1.05	0.00788"			
100-0418	HPJ0313		1/32"-1/2"		1/2"-20UNF	φ50	103	91.5	1.05			0.0063"	
100-0419	HDJ0413	1-13			M12*1.25	φ50	103	91.5	1.05	0.2mm			
100-0420	HPJ0413	1-13			M12*1.25	φ50	103	91.5	1.05			0.16mm	
100-0421	HDJ0313		1/32"-1/2"		3/8"-24UNF	φ50	103	91.5	1.05	0.00788"			
100-0422	HPJ0313		1/32"-1/2"		3/8"-24UNF	φ50	103	91.5	1.05			0.0063"	
100-0423	HDJ0413	1-13			M10*1	φ50	103	91.5	1.05	0.2mm			
100-0424	HPJ0413	1-13			M10*1	φ50	103	91.5	1.05			0.16mm	
100-0425	HDJ0316		1/32"-5/8"		5/8"-16UN	φ54	111.5	101	1.28	0.00788"			
100-0426	HPJ0316		1/32"-5/8"		5/8"-16UN	φ54	111.5	101	1.28			0.0063"	
100-0427	HDJ0416	1-16			M16*1.5	φ54	111.5	101	1.28	0.2mm			
100-0428	HPJ0416	1-16			M16*1.5	φ54	111.5	101	1.28			0.16mm	
100-0429	HDJ0316		1/32"-5/8"		1/2"-20UNF	φ54	111.5	101	1.28	0.00788"			
100-0430	HPJ0316		1/32"-5/8"		1/2"-20UNF	φ54	111.5	101	1.28			0.0063"	
100-0431	HDJ0416	1-16			M12*1.25	φ54	111.5	101	1.28	0.2mm			
100-0432	HPJ0416	1-16			M12*1.25	φ54	111.5	101	1.28			0.16mm	

* Jaw Hardness: HRC 55-58
 * High Rigidity:machining after heat treatment

LIGHT DUTY KEYLESS DRILL CHUCK



MORSE TAPER STOCK

Order No.	No.	Range mm	d Taper mm	D mm	L mm	L1 mm	L2 mm	KGS	Accuracy				
									Ds*	Price	Ps*	Price	
100-0501	LDJ0506	0.5-6	B10 (φ10.094)	φ35	70.5	63	14.5	0.35	0.2				
100-0502	LPJ0506	0.5-6	B10 (φ10.094)	φ35	70.5	63	14.5	0.35			0.16		
100-0503	LDJ0508	0.5-8	B12 (φ12.065)	φ37	74	68	18.5	0.50	0.2				
100-0504	LPJ0508	0.5-8	B12 (φ12.065)	φ37	74	68	18.5	0.50			0.16		
100-0505	LDJ0508	0.5-8	B10 (φ10.094)	φ37	74	68	19.05	0.50	0.2				
100-0506	LPJ0508	0.5-8	B10 (φ10.094)	φ37	74	68	19.05	0.50			0.16		
100-0507	LDJ0510	1-10	B12 (φ12.065)	φ37	79.5	73	18.5	0.60	0.2				
100-0508	LPJ0510	1-10	B12 (φ12.065)	φ37	79.5	73	18.5	0.60			0.16		
100-0509	LDJ0510	1-10	B16 (φ15.733)	φ45	96.5	88	21.5	0.60	0.2				
100-0510	LPJ0510	1-10	B16 (φ15.733)	φ45	96.5	88	21.5	0.60			0.16		
100-0511	LDJ0513	1-13	B16 (φ15.733)	φ45	96.5	88	21.5	0.76	0.2				
100-0512	LPJ0513	1-13	B16 (φ15.733)	φ45	96.5	88	21.5	0.76			0.16		
100-0513	LDJ0513	1-13	B12 (φ12.065)	φ45	96.5	88	25.4	0.76	0.2				
100-0514	LPJ0513	1-13	B12 (φ12.065)	φ45	96.5	88	25.4	0.76			0.16		
100-0515	LDJ0516	1-16	B18 (φ17.780)	φ50	112	98	32	1.03	0.2				
100-0516	LPJ0516	1-16	B18 (φ17.780)	φ50	112	98	32	1.03			0.16		
100-0517	LDJ0516	1-16	B16 (φ15.733)	φ50	112	98	21.5	1.03	0.2				
100-0518	LPJ0516	1-16	B16 (φ15.733)	φ50	112	98	21.5	1.03			0.16		
100-0519	LDJ0520	5-20	B22 (φ21.793)	φ54	124.5	116.5	40.5	1.50	0.25				
100-0520	LPJ0520	5-20	B22 (φ21.793)	φ54	124.5	116.5	40.5	1.50			0.20		
100-0521	LDJ0520	5-20	B18 (φ17.780)	φ54	124.5	116.5	32	1.50	0.25				
100-0522	LPJ0520	5-20	B18 (φ17.780)	φ54	124.5	116.5	32	1.50			0.20		

* Jaw Hardness: HRC 55-58
 * High Rigidity:machining after heat treatment

LIGHT DUTY KEYLESS DRILL CHUCK

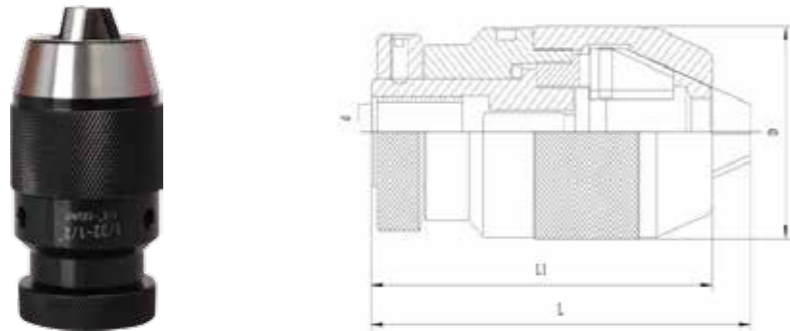


JACOBS TAPER STOCK

Order No.	No.	Range Inch	d Taper mm	D mm	L mm	L1 mm	L2 mm	KGS	Accuracy				
									Ds*	Price	Ps*	Price	
100-0601	LDJ0606	1/64"-1/4"	JT1 (φ9.754)	φ35	70.5	63	16.669	0.35	0.00788				
100-0602	LPJ0606	1/64"-1/4"	JT1 (φ9.754)	φ35	70.5	63	16.669	0.35				0.0063	
100-0603	LDJ0608	1/64"-5/16"	JT2 (φ14.199)	φ37	74	68	19.05	0.50	0.00788				
100-0604	LPJ0608	1/64"-5/16"	JT2 (φ14.199)	φ37	74	68	19.05	0.50				0.0063	
100-0605	LDJ0608	1/64"-5/16"	JT1 (φ9.754)	φ37	74	68	19.05	0.50	0.00788				
100-0606	LPJ0608	1/64"-5/16"	JT1 (φ9.754)	φ37	74	68	19.05	0.50				0.0063	
100-0607	LDJ0610	1/32"-3/8"	JT2 (φ14.199)	φ37	79.5	73	19.05	0.60	0.00788				
100-0608	LPJ0610	1/32"-3/8"	JT2 (φ14.199)	φ37	79.5	73	19.05	0.60				0.0063	
100-0609	LDJ0610	1/32"-3/8"	JT33 (φ15.850)	φ45	96.5	88	25.4	0.60	0.00788				
100-0610	LPJ0610	1/32"-3/8"	JT33 (φ15.850)	φ45	96.5	88	25.4	0.60				0.0063	
100-0611	LDJ0613	1/64"-5/16"	JT33 (φ15.850)	φ45	96.5	88	25.4	0.76	0.00788				
100-0612	LPJ0613	1/64"-5/16"	JT33 (φ15.850)	φ45	96.5	88	25.4	0.76				0.0063	
100-0613	LDJ0613	1/32"-1/2"	JT6 (φ17.170)	φ45	96.5	88	25.4	0.76	0.00788				
100-0614	LPJ0613	1/32"-1/2"	JT6 (φ17.170)	φ45	96.5	88	25.4	0.76				0.0063	
100-0615	LDJ0616	1/32"-5/8"	JT3 (φ20.599)	φ50	112	98	30.956	1.03	0.00788				
100-0616	LPJ0616	1/32"-5/8"	JT3 (φ20.599)	φ50	112	98	30.956	1.03				0.0063	
100-0617	LDJ0616	1/32"-5/8"	JT6 (φ17.170)	φ50	112	98	25.4	1.03	0.00788				
100-0618	LPJ0616	1/32"-5/8"	JT6 (φ17.170)	φ50	112	98	25.4	1.03				0.0063	
100-0619	LDJ0620	3/16"-3/4"	JT3 (φ20.599)	φ54	124.5	116.5	30.965	1.50	0.0098				
100-0620	LPJ0620	3/16"-3/4"	JT3 (φ20.599)	φ54	124.5	116.5	30.965	1.50				0.00788	
100-0621	LDJ0620	3/16"-3/4"	JT6 (φ17.170)	φ54	124.5	116.5	30.965	1.50	0.0098				
100-0622	LPJ0620	3/16"-3/4"	JT6 (φ17.170)	φ54	124.5	116.5	30.965	1.50				0.00788	

* Jaw Hardness: HRC 55-58
 * High Rigidity:machining after heat treatment

LIGHT DUTY KEYLESS DRILL CHUCK

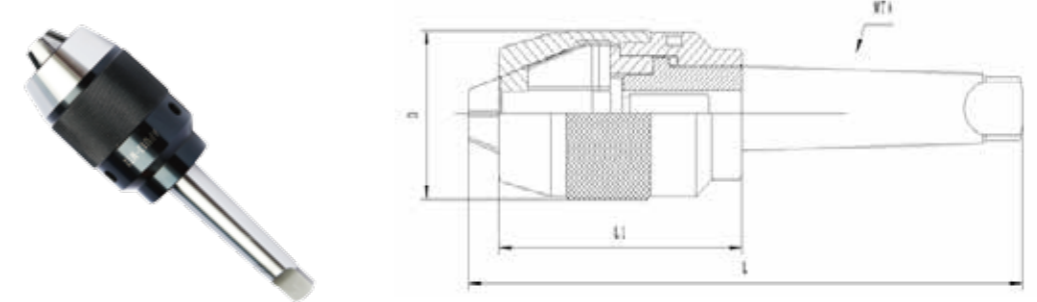


THREADED STOCK

Order No.	No.	Range		d		D	L	L1	KGS	Accuracy			
		mm	Inch	mm	UNF					Ds	Price	Ps	Price
100-0701	LDJ0706		1/64"-1/4"		3/8"-24UNF	φ35	70.5	63	0.35	0.00788"			
100-0702	LPJ0706		1/64"-1/4"		3/8"-24UNF	φ35	70.5	63	0.35			0.0063"	
100-0703	LDJ0806	0.5-6		M10*1		φ35	70.5	63	0.35	0.2mm			
100-0704	LPJ0806	0.5-6		M10*1		φ35	70.5	63	0.35			0.16mm	
100-0705	LDJ0708		1/64"-5/16"		3/8"-24UNF	φ37	74	68	0.5	0.00788"			
100-0706	LPJ0708		1/64"-5/16"		3/8"-24UNF	φ37	74	68	0.5			0.0063"	
100-0707	LDJ0808	0.5-8		M10*1		φ37	74	68	0.5	0.2mm			
100-0708	LPJ0808	0.5-8		M10*1		φ37	74	68	0.5			0.16mm	
100-0709	LDJ0710		1/32"-3/8"		3/8"-24UNF	φ37	79.5	73	0.6	0.00788"			
100-0710	LPJ0710		1/32"-3/8"		3/8"-24UNF	φ37	79.5	73	0.6			0.0063"	
100-0711	LDJ0810	1-10		M12*1.25		φ37	79.5	73	0.6	0.2mm			
100-0712	LPJ0810	1-10		M12*1.25		φ37	79.5	73	0.6			0.16mm	
100-0713	LDJ0710		1/32"-3/8"		1/2"-20UNF	φ37	79.5	73	0.6	0.00788"			
100-0714	LPJ0710		1/32"-3/8"		1/2"-20UNF	φ37	79.5	73	0.6			0.0063"	
100-0715	LDJ0810	1-10		M10*1		φ37	79.5	73	0.6	0.2mm			
100-0716	LPJ0810	1-10		M10*1		φ37	79.5	73	0.6			0.16mm	
100-0717	LDJ0713		1/32"-1/2"		1/2"-20UNF	φ45	96.5	88	0.8	0.00788"			
100-0718	LPJ0713		1/32"-1/2"		1/2"-20UNF	φ45	96.5	88	0.8			0.0063"	
100-0719	LDJ0813	1-13		M12*1.25		φ45	96.5	88	0.8	0.2mm			
100-0720	LPJ0813	1-13		M12*1.25		φ45	96.5	88	0.8			0.16mm	
100-0721	LDJ0713		1/32"-1/2"		3/8"-24UNF	φ45	96.5	88	0.8	0.00788"			
100-0722	LPJ0713		1/32"-1/2"		3/8"-24UNF	φ45	96.5	88	0.8			0.0063"	
100-0723	LDJ0813	1-13		M10*1		φ45	96.5	88	0.8	0.2mm			
100-0724	LPJ0813	1-13		M10*1		φ45	96.5	88	0.8			0.16mm	
100-0725	LDJ0716		1/32"-5/8"		5/8"-16UN	φ50	112	98	1.03	0.00788"			
100-0726	LPJ0716		1/32"-5/8"		5/8"-16UN	φ50	112	98	1.03			0.0063"	
100-0727	LDJ0816	1-16		M16*1.5		φ50	112	98	1.03	0.2mm			
100-0728	LPJ0816	1-16		M16*1.5		φ50	112	98	1.03			0.16mm	
100-0729	LDJ0716		1/32"-5/8"		1/2"-20UNF	φ50	112	98	1.03	0.00788"			
100-0730	LPJ0716		1/32"-5/8"		1/2"-20UNF	φ50	112	98	1.03			0.0063"	
100-0731	LDJ0816	1-16		M12*1.25		φ50	112	98	1.03	0.2mm			
100-0732	LPJ0816	1-16		M12*1.25		φ50	112	98	1.03			0.16mm	

* Jaw Hardness: HRC 55-58
 * High Rigidity:machining after heat treatment

DRILL CHUCK WITH INTEGRATED SHANK

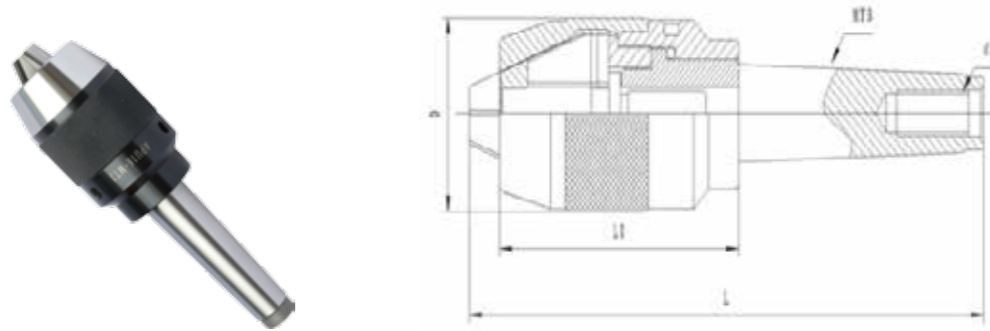


APU-MORSE TAPER WITH TANG

Order No.	No.	Range		MTA Taper	D	L	L1	KGS	Accuracy				
		mm(Inch)							Psmm	Price	Msmm	Price	
100-1001	HPJ1006	0.5-6	(1/64-1/4)	MTA2 (φ17.780)	φ35	143	54	0.60	0.10				
100-1002	HMJ1006	0.5-6	(1/64-1/4)	MTA2 (φ17.780)	φ35	143	54	0.60			0.05		
100-1003	HPJ1008	0.5-8	(1/64-5/16)	MTA2 (φ17.780)	φ37	145	59.5	0.70	0.10				
100-1004	HMJ1008	0.5-8	(1/64-5/16)	MTA2 (φ17.780)	φ37	145	59.5	0.70			0.05		
100-1005	HPJ1008	0.5-8	(1/64-5/16)	MTA3 (φ23.825)	φ37	164.5	59.5	1.00	0.10				
100-1006	HMJ1008	0.5-8	(1/64-5/16)	MTA3 (φ23.825)	φ37	164.5	59.5	1.00			0.05		
100-1007	HPJ1010	1-10	(1/32-3/8)	MTA2 (φ17.780)	φ42	158	70	0.90	0.10				
100-1008	HMJ1010	1-10	(1/32-3/8)	MTA2 (φ17.780)	φ42	158	70	0.90			0.05		
100-1009	HPJ1010	1-10	(1/32-3/8)	MTA3 (φ23.825)	φ42	177	70	1.10	0.10				
100-1010	HMJ1010	1-10	(1/32-3/8)	MTA3 (φ23.825)	φ42	177	70	1.10			0.05		
100-1011	HPJ1013	1-13	(1/32-1/2)	MTA2 (φ17.780)	φ50	170	79.5	1.20	0.10				
100-1012	HMJ1013	1-13	(1/32-1/2)	MTA2 (φ17.780)	φ50	170	79.5	1.20			0.05		
100-1013	HPJ1013	1-13	(1/32-1/2)	MTA3 (φ23.825)	φ50	189	79.5	1.40	0.10				
100-1014	HMJ1013	1-13	(1/32-1/2)	MTA3 (φ23.825)	φ50	189	79.5	1.40			0.05		
100-1015	HPJ1013	1-13	(1/32-1/2)	MTA4 (φ31.267)	φ54	221	85	1.50	0.10				
100-1016	HMJ1013	1-13	(1/32-1/2)	MTA4 (φ31.267)	φ54	221	85	1.50			0.05		
100-1017	HPJ1013	1-13	(1/32-1/2)	MTA5 (φ44.399)	φ54	221	85	2.00	0.10				
100-1018	HMJ1013	1-13	(1/32-1/2)	MTA5 (φ44.399)	φ54	221	85	2.00			0.05		
100-1019	HPJ1016	1-16	(1/32-5/8)	MTA2 (φ17.780)	φ54	177	85	1.30	0.10				
100-1020	HMJ1016	1-16	(1/32-5/8)	MTA2 (φ17.780)	φ54	177	85	1.30			0.05		
100-1021	HPJ1016	1-16	(1/32-5/8)	MTA3 (φ23.825)	φ54	196	85	1.50	0.10				
100-1022	HMJ1016	1-16	(1/32-5/8)	MTA3 (φ23.825)	φ54	196	85	1.50			0.05		
100-1023	HPJ1016	1-16	(1/32-5/8)	MTA4 (φ31.267)	φ54	221	85	1.70	0.10				
100-1024	HMJ1016	1-16	(1/32-5/8)	MTA4 (φ31.267)	φ54	221	85	1.70			0.05		
100-1025	HPJ1016	1-16	(1/32-5/8)	MTA5 (φ44.399)	φ54	221	85	2.30	0.10				
100-1026	HMJ1016	1-16	(1/32-5/8)	MTA5 (φ44.399)	φ54	221	85	2.30			0.05		
100-1027	HPJ1020	1-20	(1/32"-3/4")	MTA3 (φ23.825)	φ63	219	103.5	2.70	0.16				
100-1028	HMJ1020	1-20	(1/32"-3/4")	MTA3 (φ23.825)	φ63	219	103.5	2.70			0.14		
100-1029	HPJ1020	1-20	(1/32"-3/4")	MTA4 (φ31.267)	φ63	244.5	103.5	3.10	0.16				
100-1030	HMJ1020	1-20	(1/32"-3/4")	MTA4 (φ31.267)	φ63	244.5	103.5	3.10			0.14		
100-1031	HPJ1020	1-20	(1/32"-3/4")	MTA5 (φ44.399)	φ63	244.5	103.5	4.30	0.16				
100-1032	HMJ1020	1-20	(1/32"-3/4")	MTA5 (φ44.399)	φ63	244.5	103.5	4.30			0.14		

* Jaw Hardness: HRC 55-58
 * High Rigidity:machining after heat treatment

DRILL CHUCK WITH INTEGRATED SHANK

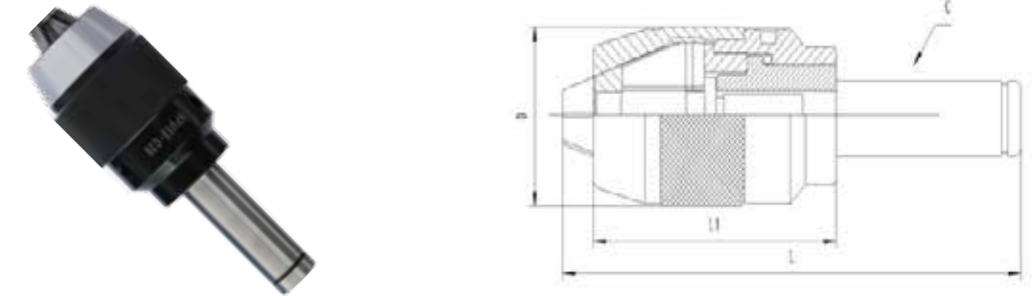


APU-MORSE TAPER WITH THREADED STOCK

Order No.	No.	Range Inch(mm)	MTB Taper	d1 UNF	D mm	L mm	L1 mm	KGS	Accuracy			
									Psmm	Price	Msmm	Price
100-1101	HPJ1006	1/64"-1/4" (0.5-6)	MTB2 (φ17.780)	3/8-16 (M10)	φ35	131	54	0.60	0.10			
100-1102	HMJ1006	1/64"-1/4" (0.5-6)	MTB2 (φ17.780)	3/8-16 (M10)	φ35	131	54	0.60			0.05	
100-1103	HPJ1008	1/64"-5/16" (0.5-8)	MTB2 (φ17.780)	3/8-16 (M10)	φ37	133	59.5	0.70	0.10			
100-1104	HMJ1008	1/64"-5/16" (0.5-8)	MTB2 (φ17.780)	3/8-16 (M10)	φ37	133	59.5	0.70			0.05	
100-1105	HPJ1008	1/64"-5/16" (0.5-8)	MTB3 (φ23.825)	1/2-13 (M12)	φ37	150.5	59.5	1.00	0.10			
100-1106	HMJ1008	1/64"-5/16" (0.5-8)	MTB3 (φ23.825)	1/2-13 (M12)	φ37	150.5	59.5	1.00			0.05	
100-1107	HPJ1010	1/32"-3/8" (1-10)	MTB2 (φ17.780)	3/8-16 (M10)	φ42	146	70	0.90	0.10			
100-1108	HMJ1010	1/32"-3/8" (1-10)	MTB2 (φ17.780)	3/8-16 (M10)	φ42	146	70	0.90			0.05	
100-1109	HPJ1010	1/32"-3/8" (1-10)	MTB3 (φ23.825)	1/2-13 (M12)	φ42	163	70	1.10	0.10			
100-1110	HMJ1010	1/32"-3/8" (1-10)	MTB3 (φ23.825)	1/2-13 (M12)	φ42	163	70	1.10			0.05	
100-1111	HPJ1013	1/32"-1/2" (1-13)	MTB2 (φ17.780)	3/8-16 (M10)	φ50	158	79.5	1.20	0.10			
100-1112	HMJ1013	1/32"-1/2" (1-13)	MTB2 (φ17.780)	3/8-16 (M10)	φ50	158	79.5	1.20			0.05	
100-1113	HPJ1013	1/32"-1/2" (1-13)	MTB3 (φ23.825)	1/2-13 (M12)	φ50	175	79.5	1.40	0.10			
100-1114	HMJ1013	1/32"-1/2" (1-13)	MTB3 (φ23.825)	1/2-13 (M12)	φ50	175	79.5	1.40			0.05	
100-1115	HPJ1013	1/32"-1/2" (1-13)	MTB4 (φ31.267)	5/8-11 (M16)	φ54	205	85	1.50	0.10			
100-1116	HMJ1013	1/32"-1/2" (1-13)	MTB4 (φ31.267)	5/8-11 (M16)	φ54	205	85	1.50			0.05	
100-1117	HPJ1013	1/32"-1/2" (1-13)	MTB5 (φ44.399)	5/8-11 (M16)	φ54	205	85	2.00	0.10			
100-1118	HMJ1013	1/32"-1/2" (1-13)	MTB5 (φ44.399)	5/8-11 (M16)	φ54	205	85	2.00			0.05	
100-1119	HPJ1016	1/32"-5/8" (1-16)	MTB2 (φ17.780)	3/8-16 (M10)	φ54	165	85	1.30	0.10			
100-1120	HMJ1016	1/32"-5/8" (1-16)	MTB2 (φ17.780)	3/8-16 (M10)	φ54	165	85	1.30			0.05	
100-1121	HPJ1016	1/32"-5/8" (1-16)	MTB3 (φ23.825)	1/2-13 (M12)	φ54	182	85	1.50	0.10			
100-1122	HMJ1016	1/32"-5/8" (1-16)	MTB3 (φ23.825)	1/2-13 (M12)	φ54	182	85	1.50			0.05	
100-1123	HPJ1016	1/32"-5/8" (1-16)	MTB4 (φ31.267)	5/8-11 (M16)	φ54	205	85	1.70	0.10			
100-1124	HMJ1016	1/32"-5/8" (1-16)	MTB4 (φ31.267)	5/8-11 (M16)	φ54	205	85	1.70			0.05	
100-1125	HPJ1016	1/32"-5/8" (1-16)	MTB5 (φ44.399)	5/8-11 (M16)	φ54	205	85	2.30	0.10			
100-1126	HMJ1016	1/32"-5/8" (1-16)	MTB5 (φ44.399)	5/8-11 (M16)	φ54	205	85	2.30			0.05	
100-1127	HPJ1020	1/32"-3/4" (1-20)	MTB3 (φ23.825)	1/2-13 (M12)	φ63	205	103.5	2.70	0.16			
100-1128	HMJ1020	1/32"-3/4" (1-20)	MTB3 (φ23.825)	1/2-13 (M12)	φ63	205	103.5	2.70			0.14	
100-1129	HPJ1020	1/32"-3/4" (1-20)	MTB4 (φ31.267)	5/8-11 (M16)	φ63	228.5	103.5	3.10	0.16			
100-1130	HMJ1020	1/32"-3/4" (1-20)	MTB4 (φ31.267)	5/8-11 (M16)	φ63	228.5	103.5	3.10			0.14	
100-1131	HPJ1020	1/32"-3/4" (1-20)	MTB5 (φ44.399)	5/8-11 (M16)	φ63	228.5	103.5	4.30	0.16			
100-1132	HMJ1020	1/32"-3/4" (1-20)	MTB5 (φ44.399)	5/8-11 (M16)	φ63	228.5	103.5	4.30			0.14	

* Jaw Hardness: HRC 55-58
 * High Rigidity:machining after heat treatment

DRILL CHUCK WITH INTEGRATED SHANK

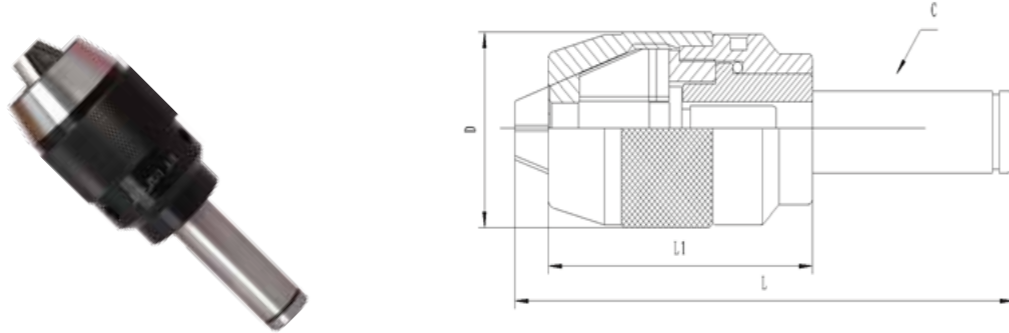


APU-STRAIGHT SHANK Metric

Order No.	No.	Range mm(Inch)	C dia.	D mm	L mm	L1 mm	KGS	Accuracy				
								Psmm	Price	Msmm	Price	
100-1201	HPJ1106	0.5-6 (1/64-1/4)	C-16	φ35	124	54	0.35	0.10				
100-1202	HMJ1106	0.5-6 (1/64-1/4)	C-16	φ35	124	54	0.35			0.05		
100-1203	HPJ1108	0.5-8 (1/64-5/16)	C-16	φ37	65.5	59.5	0.40	0.10				
100-1204	HMJ1108	0.5-8 (1/64-5/16)	C-16	φ37	65.5	59.5	0.40				0.05	
100-1205	HPJ1108	0.5-8 (1/64-5/16)	C-20	φ37	138	59.5	0.52	0.10				
100-1206	HMJ1108	0.5-8 (1/64-5/16)	C-20	φ37	138	59.5	0.52				0.05	
100-1207	HPJ1110	1-10 (1/32-3/8)	C-16	φ42	138	70	0.52	0.10				
100-1208	HMJ1110	1-10 (1/32-3/8)	C-16	φ42	138	70	0.52				0.05	
100-1209	HPJ1110	1-10 (1/32-3/8)	C-20	φ42	138	70	0.60	0.10				
100-1210	HMJ1110	1-10 (1/32-3/8)	C-20	φ42	138	70	0.60				0.05	
100-1211	HPJ1113	1-13 (1/32-1/2)	C-16	φ50	139	79.5	0.90	0.10				
100-1212	HMJ1113	1-13 (1/32-1/2)	C-16	φ50	139	79.5	0.90				0.05	
100-1213	HPJ1113	1-13 (1/32-1/2)	C-20	φ50	145	79.5	0.98	0.10				
100-1214	HMJ1113	1-13 (1/32-1/2)	C-20	φ50	145	79.5	0.98				0.05	
100-1215	HPJ1113	1-13 (1/32-1/2)	C-25	φ50	177	79.5	1.12	0.10				
100-1216	HMJ1113	1-13 (1/32-1/2)	C-25	φ50	177	79.5	1.12				0.05	
100-1217	HPJ1113	1-13 (1/32-1/2)	C-32	φ50	177	79.5	1.37	0.10				
100-1218	HMJ1113	1-13 (1/32-1/2)	C-32	φ50	177	79.5	1.37				0.05	
100-1219	HPJ1116	1-16 (1/32-5/8)	C-16	φ54	157	85	1.20	0.10				
100-1220	HMJ1116	1-16 (1/32-5/8)	C-16	φ54	157	85	1.20				0.05	
100-1221	HPJ1116	1-16 (1/32-5/8)	C-20	φ54	157	85	1.33	0.10				
100-1222	HMJ1116	1-16 (1/32-5/8)	C-20	φ54	157	85	1.33				0.05	
100-1223	HPJ1116	1-16 (1/32-5/8)	C-25	φ54	177	85	1.50	0.10				
100-1224	HMJ1116	1-16 (1/32-5/8)	C-25	φ54	177	85	1.50				0.05	
100-1225	HPJ1116	1-16 (1/32-5/8)	C-32	φ54	177	85	1.70	0.10				
100-1226	HMJ1116	1-16 (1/32-5/8)	C-32	φ54	177	85	1.70				0.05	
100-1227	HPJ1120	1-20 (1/32-3/4)	C-20	φ63	173	102.5	2.30	0.16				
100-1228	HMJ1120	1-20 (1/32-3/4)	C-20	φ63	173	102.5	2.30				0.14	
100-1229	HPJ1120	1-20 (1/32-3/4)	C-25	φ63	193	102.5	2.50	0.16				
100-1230	HMJ1120	1-20 (1/32-3/4)	C-25	φ63	193	102.5	2.50				0.14	
100-1231	HPJ1120	1-20 (1/32-3/4)	C-32	φ63	193	102.5	2.70	0.16				
100-1232	HMJ1120	1-20 (1/32-3/4)	C-32	φ63	193	102.5	2.70				0.14	

* Jaw Hardness: HRC 55-58
 * High Rigidity:machining after heat treatment

DRILL CHUCK WITH INTEGRATED SHANK

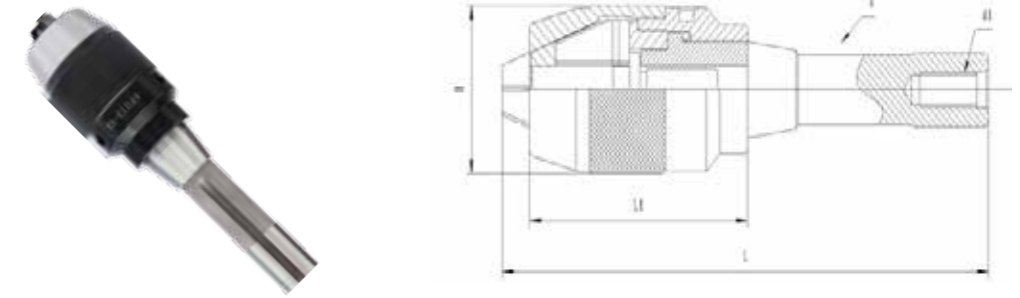


APU-STRAIGHT SHANK Imperial

Order No.	No.	Range mm(Inch)	C TApria.	D mm	L mm	L1 mm	KGS	Accuracy			
								Psinch	Price	Msinch	Price
100-1301	HPJ1106	1/64"-1/4" (0.5-6)	C-5/8"	φ35	124	54	0.35	0.00394			
100-1302	HMJ1106	1/64"-1/4" (0.5-6)	C-5/8"	φ35	124	54	0.35			0.001968	
100-1303	HPJ1108	1/64"-5/16" (0.5-8)	C-5/8"	φ37	65.5	59.5	0.40	0.00394			
100-1304	HMJ1108	1/64"-5/16" (0.5-8)	C-5/8"	φ37	65.5	59.5	0.40			0.001968	
100-1305	HPJ1108	1/64"-5/16" (0.5-8)	C-3/4"	φ37	138	59.5	0.52	0.00394			
100-1306	HMJ1108	1/64"-5/16" (0.5-8)	C-3/4"	φ37	138	59.5	0.52			0.001968	
100-1307	HPJ1110	1/32"-3/8" (1-10)	C-5/8"	φ42	138	70	0.52	0.00394			
100-1308	HMJ1110	1/32"-3/8" (1-10)	C-5/8"	φ42	138	70	0.52			0.001968	
100-1309	HPJ1110	1/32"-3/8" (1-10)	C-3/4"	φ42	138	70	0.60	0.00394			
100-1310	HMJ1110	1/32"-3/8" (1-10)	C-3/4"	φ42	138	70	0.60			0.001968	
100-1311	HPJ1113	1/32"-1/2" (1-13)	C-5/8"	φ50	139	79.5	0.90	0.00394			
100-1312	HMJ1113	1/32"-1/2" (1-13)	C-5/8"	φ50	139	79.5	0.90			0.001968	
100-1313	HPJ1113	1/32"-1/2" (1-13)	C-3/4"	φ50	145	79.5	0.98	0.00394			
100-1314	HMJ1113	1/32"-1/2" (1-13)	C-3/4"	φ50	145	79.5	0.98			0.001968	
100-1315	HPJ1113	1/32"-1/2" (1-13)	C-1"	φ50	177	79.5	1.12	0.00394			
100-1316	HMJ1113	1/32"-1/2" (1-13)	C-1"	φ50	177	79.5	1.12			0.001968	
100-1317	HPJ1113	1/32"-1/2" (1-13)	C-1-1/4"	φ50	177	79.5	1.37	0.00394			
100-1318	HMJ1113	1/32"-1/2" (1-13)	C-1-1/4"	φ50	177	79.5	1.37			0.001968	
100-1319	HPJ1116	1/32"-5/8" (1-16)	C-5/8"	φ54	157	85	1.20	0.00394			
100-1320	HMJ1116	1/32"-5/8" (1-16)	C-5/8"	φ54	157	85	1.20			0.001968	
100-1321	HPJ1116	1/32"-5/8" (1-16)	C-3/4"	φ54	157	85	1.33	0.00394			
100-1322	HMJ1116	1/32"-5/8" (1-16)	C-3/4"	φ54	157	85	1.33			0.001968	
100-1323	HPJ1116	1/32"-5/8" (1-16)	C-1"	φ54	177	85	1.50	0.00394			
100-1324	HMJ1116	1/32"-5/8" (1-16)	C-1"	φ54	177	85	1.50			0.001968	
100-1325	HPJ1116	1/32"-5/8" (1-16)	C-1-1/4"	φ54	177	85	1.70	0.00394			
100-1326	HMJ1116	1/32"-5/8" (1-16)	C-1-1/4"	φ54	177	85	1.70			0.001968	
100-1327	HPJ1120	1/32"-3/4" (1-20)	C-3/4"	φ63	173	102.5	2.30	0.00788			
100-1328	HMJ1120	1/32"-3/4" (1-20)	C-3/4"	φ63	173	102.5	2.30			0.00551	
100-1329	HPJ1120	1/32"-3/4" (1-20)	C-1"	φ63	193	102.5	2.50	0.00788			
100-1330	HMJ1120	1/32"-3/4" (1-20)	C-1"	φ63	193	102.5	2.50			0.00551	
100-1331	HPJ1120	1/32"-3/4" (1-20)	C-1-1/4"	φ63	193	102.5	2.70	0.00788			
100-1332	HMJ1120	1/32"-3/4" (1-20)	C-1-1/4"	φ63	193	102.5	2.70			0.00551	

* Jaw Hardness: HRC 55-58
 * High Rigidity:machining after heat treatment

DRILL CHUCK WITH INTEGRATED SHANK

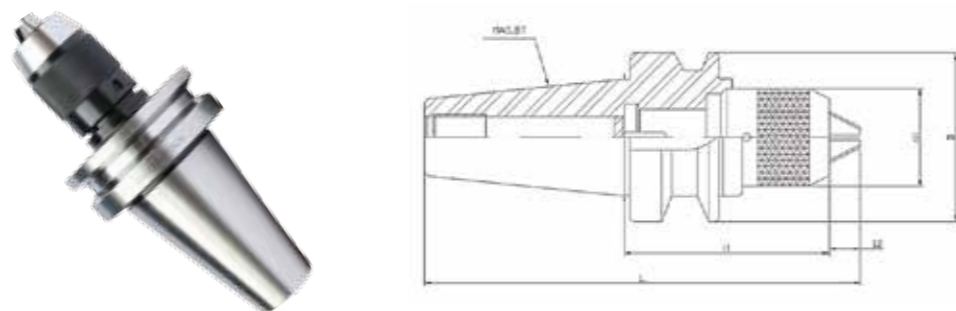


APU DRILL CHUCK R8 SHANK

Order No.	No.	Range		d Taper	d1		D mm	L mm	L1 mm	KGS	Accuracy			
		mm	Inch		mm	UNF					Psmm	Price	Msmm	Price
100-1401	HPJ1213	1-13		R8	M12*1.75		φ54	200.5	85.5	1.30	0.10			
100-1402	HMJ1213	1-13		R8	M12*1.75		φ54	200.5	85.5	1.30			0.05	
100-1403	HPJ1216	1-16		R8	M12*1.75		φ54	200.5	85.5	1.60	0.10			
100-1404	HMJ1216	1-16		R8	M12*1.75		φ54	200.5	85.5	1.60			0.05	
100-1405	HPJ1220	1-20		R8	M12*1.75		φ63	209.5	102.5	2.60	0.16			
100-1406	HMJ1220	1-20		R8	M12*1.75		φ63	209.5	102.5	2.60			0.14	
100-1407	HPJ1313		1/32"-1/2"	R8		7/16"-20UNF	2"	7.894"	3.346"	1.30	0.00394"			
100-1408	HMJ1313		1/32"-1/2"	R8		7/16"-20UNF	2"	7.894"	3.346"	1.30			0.00197"	
100-1409	HPJ1316		1/32"-5/8"	R8		7/16"-20UNF	2.125"	7.894"	3.346"	1.60	0.00394"			
100-1410	HMJ1316		1/32"-5/8"	R8		7/16"-20UNF	2.125"	7.894"	3.346"	1.60			0.00197"	
100-1411	HPJ1320		1/32"-3/4"	R8		7/16"-20UNF	2.48"	8.248"	4.035"	2.60	0.00788"			
100-1412	HMJ1320		1/32"-3/4"	R8		7/16"-20UNF	2.48"	8.248"	4.035"	2.60			0.00551"	

* Jaw Hardness: HRC 55-58
 * High Rigidity:machining after heat treatment

DRILL CHUCK WITH INTEGRATED SHANK

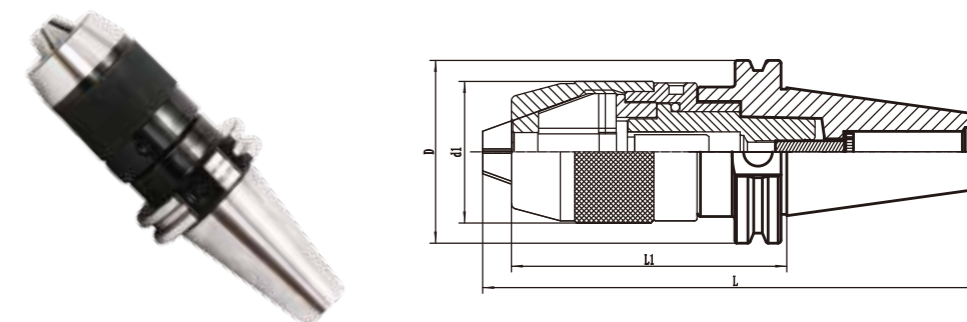


APU-BT Shank Imperial

Order No.	No.d1-L1	D mm	D1 mm	L mm	L1 mm	KGS	Accuracy			
							Psmm	Price	Msmm	Price
100-1501	BT30-APU08-80L	46	37	137.4	80	0.72	0.10			
100-1502	BT30-APU08-80L	46	37	137.4	80	0.72			0.05	
100-1503	BT30-APU10-80L	46	42	137.4	80	0.75	0.10			
100-1504	BT30-APU10-80L	46	42	137.4	80	0.75			0.05	
100-1505	BT30-APU13-110L	46	50	170.4	110	1.85	0.10			
100-1506	BT30-APU13-110L	46	50	170.4	110	1.85			0.05	
100-1507	BT30-APU16-115L	46	57	180.4	115	2.18	0.12			
100-1508	BT30-APU16-115L	46	57	180.4	115	2.18			0.08	
100-1509	BT40-APU08-85L	63	37	159.4	85	1.46	0.10			
100-1510	BT40-APU08-85L	63	37	159.4	85	1.46			0.05	
100-1511	BT40-APU10-85L	63	42	159.4	85	1.56	0.10			
100-1512	BT40-APU10-85L	63	42	159.4	85	1.56			0.05	
100-1513	BT40-APU13-100L	63	50	177.4	100	2.00	0.10			
100-1514	BT40-APU13-100L	63	50	177.4	100	2.00			0.05	
100-1515	BT40-APU16-105L	63	57	187.4	105	2.33	0.12			
100-1516	BT40-APU16-105L	63	57	187.4	105	2.33			0.08	
100-1517	BT50-APU08-90L	100	37	200.8	90	4.16	0.10			
100-1518	BT50-APU08-90L	100	37	200.8	90	4.16			0.05	
100-1519	BT50-APU10-90L	100	42	200.8	90	4.26	0.10			
100-1520	BT50-APU10-90L	100	42	200.8	90	4.26			0.05	
100-1521	BT50-APU13-100L	100	50	213.8	100	4.70	0.10			
100-1522	BT50-APU13-100L	100	50	213.8	100	4.70			0.05	
100-1523	BT50-APU13-120L	100	50	223.8	120	5.00	0.10			
100-1524	BT50-APU13-120L	100	50	223.8	120	5.0			0.05	
100-1525	BT50-APU13-180L	100	50	293.8	180	5.80	0.10			
100-1526	BT50-APU13-180L	100	50	293.8	180	5.80			0.05	
100-1527	BT50-APU16-105L	100	57	218.8	105	5.03	0.12			
100-1528	BT50-APU16-105L	100	57	218.8	105	5.03			0.08	
100-1529	BT50-APU16-190L	100	57	303.8	190	6.00	0.12			
100-1530	BT50-APU16-190L	100	57	303.8	190	6.00			0.08	

* Jaw Hardness: HRC 55-58
 * High Rigidity:machining after heat treatment

DRILL CHUCK WITH INTEGRATED SHANK

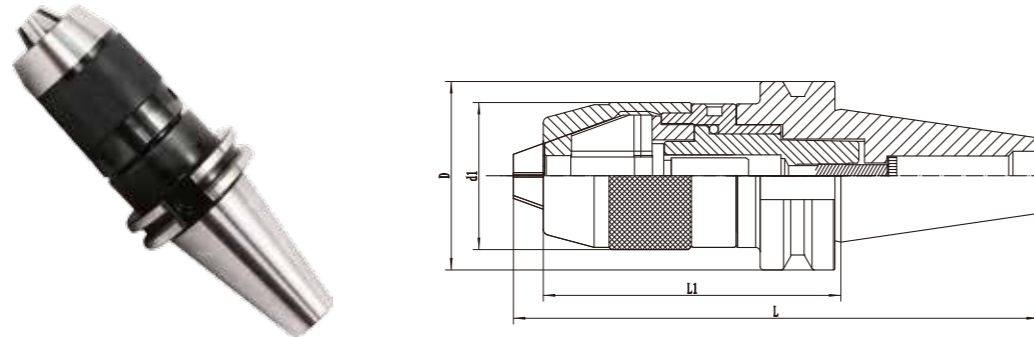


APU-SK Shank Imperial

Order No.	No.d1-L1	D mm	D1 mm	L mm	L1 mm	KGS	Accuracy			
							Psmm	Price	Msmm	Price
100-1601	SK30-APU08-80L	50	37	136.8	80	0.60	0.10			
100-1602	SK30-APU08-80L	50	37	136.8	80	0.60			0.05	
100-1603	SK30-APU10-80L	50	42	136.8	80	0.70	0.10			
100-1604	SK30-APU10-80L	50	42	136.8	80	0.70			0.05	
100-1605	SK30-APU13-120L	50	50	179.8	120	1.45	0.10			
100-1606	SK30-APU13-120L	50	50	179.8	120	1.45			0.05	
100-1607	SK30-APU16-125L	50	57	189.8	125	1.78	0.12			
100-1608	SK30-APU16-125L	50	57	189.8	125	1.78			0.08	
100-1609	SK40-APU08-80L	63.55	37	148.4	80	1.78	0.10			
100-1610	SK40-APU08-80L	63.55	37	148.4	80	1.78			0.05	
100-1611	SK40-APU10-80L	63.55	42	148.4	80	1.88	0.10			
100-1612	SK40-APU10-80L	63.55	42	148.4	80	1.88			0.05	
100-1613	SK40-APU13-105L	63.55	54	173.4	105	2.33	0.10			
100-1614	SK40-APU13-105L	63.55	54	173.4	105	2.33			0.05	
100-1615	SK40-APU13-135L	63.55	54	203.4	135	2.63	0.10			
100-1616	SK40-APU13-135L	63.55	54	203.4	135	2.63			0.05	
100-1617	SK40-APU16-125L	63.55	62	193.4	125	2.83	0.12			
100-1618	SK40-APU16-125L	63.55	62	193.4	125	2.83			0.08	
100-1619	SK40-APU16-150L	63.55	62	218.4	150	3.18	0.10			
100-1620	SK40-APU16-150L	63.55	62	218.4	150	3.18			0.05	
100-1621	SK50-APU08-80L	97.5	37	181.75	80	2.33	0.10			
100-1622	SK50-APU08-80L	97.5	37	181.75	80	2.33			0.05	
100-1623	SK50-APU10-80L	97.5	42	181.75	80	2.43	0.10			
100-1624	SK50-APU10-80L	97.5	42	181.75	80	2.43			0.05	
100-1625	SK50-APU13-100L	97.5	54	201.75	100	2.63	0.10			
100-1626	SK50-APU13-100L	97.5	54	201.75	100	2.63			0.05	
100-1627	SK50-APU13-120L	97.5	54	221.75	120	2.83	0.10			
100-1628	SK50-APU13-120L	97.5	54	221.75	120	2.83			0.05	
100-1629	SK50-APU16-100L	97.5	62	201.75	100	3.15	0.12			
100-1630	SK50-APU16-100L	97.5	62	201.75	100	3.15			0.08	
100-1631	SK50-APU16-120L	97.5	62	221.75	120	3.25	0.12			
100-1632	SK50-APU16-120L	97.5	62	221.75	120	3.25			0.08	

* Jaw Hardness: HRC 55-58
 * High Rigidity:machining after heat treatment

DRILL CHUCK WITH INTEGRATED SHANK

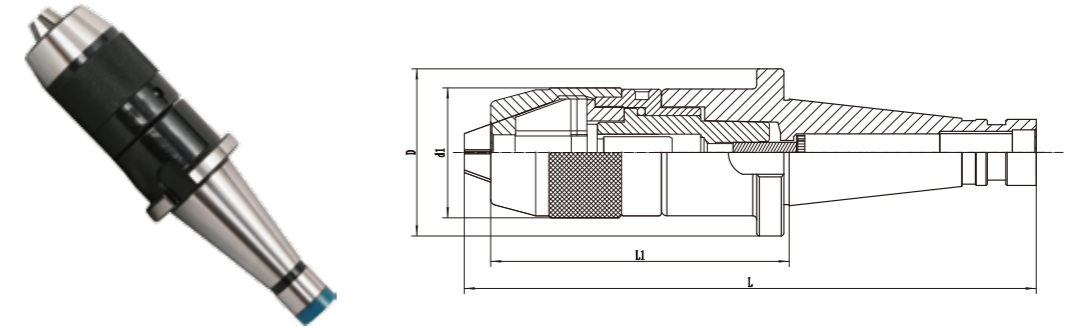


APU-CAT Shank Imperial

Order No.	No.d1-L1	D				KGS	Accuracy			
		Inch	Inch	Inch	Inch		Psinch	Price	Msinch	Price
100-1701	CAT40-APU5/16-3.75"L	2.5"	1.46"	6.44"	3.75"	1.85	0.00472"			
100-1702	CAT40-APU5/16-3.75"L	2.5"	1.46"	6.44"	3.75"	1.85			0.00236"	
100-1703	CAT40-APU3/8-3.75"L	2.5"	1.65"	6.44"	3.75"	1.95	0.00472"			
100-1704	CAT40-APU3/8-3.75"L	2.5"	1.65"	6.44"	3.75"	1.95			0.00236"	
100-1705	CAT40-APU1/2-4.75"L	2.5"	2.13"	7.44"	4.75"	2.1	0.00472"			
100-1706	CAT40-APU1/2-4.75"L	2.5"	2.13"	7.44"	4.75"	2.1			0.00236"	
100-1707	CAT40-APU5/8-6"L	2.5"	2.44"	8.69"	6"	2.95	0.00551"			
100-1708	CAT40-APU5/8-6"L	2.5"	2.44"	8.69"	6"	2.95			0.00319"	
100-1709	CAT50-APU5/16-4"L	3.875"	1.65"	8"	4"	2.10	0.00472"			
100-1710	CAT50-APU5/16-4"L	3.875"	1.65"	8"	4"	2.10			0.00236"	
100-1711	CAT50-APU3/8-4"L	3.875"	1.65"	8"	4"	2.20	0.00472"			
100-1712	CAT50-APU3/8-4"L	3.875"	1.65"	8"	4"	2.20			0.00236"	
100-1713	CAT50-APU1/2-4.25"L	3.875"	2.13"	8.25"	4.25"	2.85	0.00472"			
100-1714	CAT50-APU1/2-4.25"L	3.875"	2.13"	8.25"	4.25"	2.85			0.00236"	
100-1715	CAT50-APU5/8-4.5"L	3.875"	2.44"	8.5"	4.5"	3.45	0.00551"			
100-1716	CAT50-APU5/8-4.5"L	3.875"	2.44"	8.5"	4.5"	3.45			0.00319"	

* Jaw Hardness: HRC 55-58
 * High Rigidity:machining after heat treatment

DRILL CHUCK WITH INTEGRATED SHANK

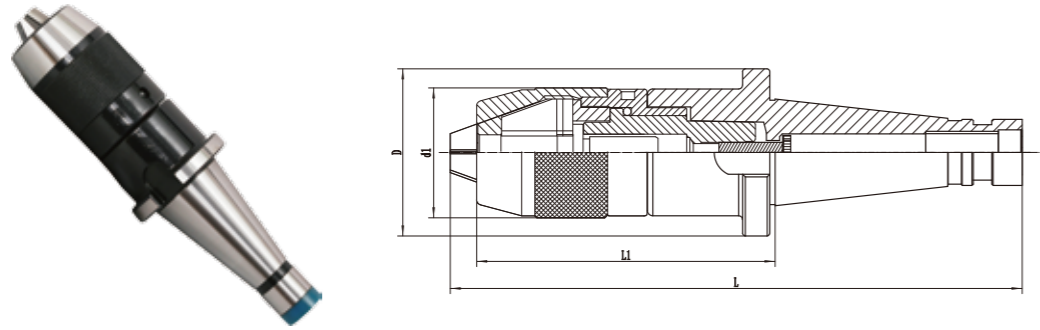


APU-ISO(NT) Shank Imperial

Order No.	No.d1-L1	D				KGS	Accuracy			
		mm	mm	mm	mm		Psmm	Price	Msmm	Price
100-1801	ISO(NT)30-APU08-80L	50	37	148.4	80	0.60	0.1			
100-1802	ISO(NT)30-APU08-80L	50	37	148.4	80	0.60			0.05	
100-1803	ISO(NT)30-APU10-80L	50	42	148.4	80	0.70	0.1			
100-1804	ISO(NT)30-APU10-80L	50	42	148.4	80	0.70			0.05	
100-1805	ISO(NT)30-APU13-120L	50	50	188.4	120	1.45	0.1			
100-1806	ISO(NT)30-APU13-120L	50	50	188.4	120	1.45			0.05	
100-1807	ISO(NT)30-APU16-125L	50	57	193.4	125	1.78	0.12			
100-1808	ISO(NT)30-APU16-125L	50	57	193.4	125	1.78			0.08	
100-1809	ISO(NT)40-APU08-80L	63.55	37	173.4	80	1.78	0.1			
100-1810	ISO(NT)40-APU08-80L	63.55	37	173.4	80	1.78			0.05	
100-1811	ISO(NT)40-APU10-80L	63.55	42	173.4	80	1.88	0.1			
100-1812	ISO(NT)40-APU10-80L	63.55	42	173.4	80	1.88			0.05	
100-1813	ISO(NT)40-APU13-105L	63.55	54	198.4	105	2.33	0.1			
100-1814	ISO(NT)40-APU13-105L	63.55	54	198.4	105	2.33			0.05	
100-1815	ISO(NT)40-APU13-135L	63.55	54	228.4	135	2.63	0.1			
100-1816	ISO(NT)40-APU13-135L	63.55	54	228.4	135	2.63			0.05	
100-1817	ISO(NT)40-APU16-125L	63.55	62	218.4	125	2.83	0.12			
100-1818	ISO(NT)40-APU16-125L	63.55	62	218.4	125	2.83			0.08	
100-1819	ISO(NT)40-APU16-150L	63.55	62	243.4	150	3.18	0.1			
100-1820	ISO(NT)40-APU16-150L	63.55	62	243.4	150	3.18			0.05	
100-1821	ISO(NT)50-APU08-80L	97.5	37	206.8	80	2.33	0.1			
100-1822	ISO(NT)50-APU08-80L	97.5	37	206.8	80	2.33			0.05	
100-1823	ISO(NT)50-APU10-80L	97.5	42	206.8	80	2.43	0.1			
100-1824	ISO(NT)50-APU10-80L	97.5	42	206.8	80	2.43			0.05	
100-1825	ISO(NT)50-APU13-100L	97.5	54	226.8	100	2.63	0.1			
100-1826	ISO(NT)50-APU13-100L	97.5	54	226.8	100	2.63			0.05	
100-1827	ISO(NT)50-APU13-120L	97.5	54	246.8	120	2.83	0.1			
100-1828	ISO(NT)50-APU13-120L	97.5	54	246.8	120	2.83			0.05	
100-1829	ISO(NT)50-APU16-100L	97.5	62	226.8	100	3.15	0.12			
100-1830	ISO(NT)50-APU16-100L	97.5	62	226.8	100	3.15			0.08	
100-1831	ISO(NT)50-APU16-120L	97.5	62	246.8	120	3.25	0.12			
100-1832	ISO(NT)20-APU16-120L	97.5	62	246.8	120	3.25			0.08	

* Jaw Hardness: HRC 55-58
 * High Rigidity:machining after heat treatment

DRILL CHUCK WITH INTEGRATED SHANK

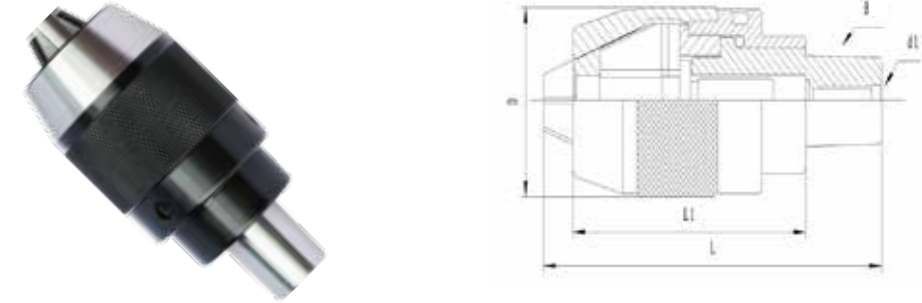


APU-NMTB Shank Imperial

Order No.	No.d1-L1	D Inch	D1 Inch	L Inch	L1 Inch	KGS	Accuracy			
							Psinch	Price	Msinch	Price
100-1901	NMTB30-APU5/16"-3.15"L	2"	1.46"	5.9"	3.15"	0.60	0.00472"			
100-1902	NMTB30-APU5/16"-3.15"L	2"	1.46"	5.9"	3.15"	0.60			0.00236"	
100-1903	NMTB30-APU3/8"-3.15"L	2"	1.65"	5.9"	3.15"	0.70	0.00472"			
100-1904	NMTB30-APU3/8"-3.15"L	2"	1.65"	5.9"	3.15"	0.70			0.00236"	
100-1905	NMTB30-APU1/2"-4.75"L	2"	2.13"	7.45"	4.75"	1.45	0.00472"			
100-1906	NMTB30-APU1/2"-4.75"L	2"	2.13"	7.45"	4.75"	1.45			0.00236"	
100-1907	NMTB30-APU5/8"-5"L	2"	2.44"	7.7"	5"	1.78	0.00551"			
100-1908	NMTB30-APU5/8"-5"L	2"	2.44"	7.7"	5"	1.78			0.00319"	
100-1909	NMTB40-APU5/16-3.75"L	2.5"	1.46"	7.45"	3.75"	1.85	0.00472"			
100-1910	NMTB40-APU5/16-3.75"L	2.5"	1.46"	7.45"	3.75"	1.85			0.00236"	
100-1911	NMTB40-APU3/8-3.75"L	2.5"	1.65"	7.45"	3.75"	1.95	0.00472"			
100-1912	NMTB40-APU3/8-3.75"L	2.5"	1.65"	7.45"	3.75"	1.95			0.00236"	
100-1913	NMTB40-APU1/2-4.75"L	2.5"	2.13"	8.45"	4.75"	2.10	0.00472"			
100-1914	NMTB40-APU1/2-4.75"L	2.5"	2.13"	8.45"	4.75"	2.10			0.00236"	
100-1915	NMTB40-APU5/8-6"L	2.5"	2.44"	9.70"	6"	2.95	0.00551"			
100-1916	NMTB40-APU5/8-6"L	2.5"	2.44"	9.70"	6"	2.95			0.00319"	
100-1917	NMTB50-APU5/16-4"L	3.875"	1.65"	9.00"	4"	2.10	0.00472"			
100-1918	NMTB50-APU5/16-4"L	3.875"	1.65"	9.00"	4"	2.10			0.00236"	
100-1919	NMTB50-APU3/8-4"L	3.875"	1.65"	9.00"	4"	2.20	0.00472"			
100-1920	NMTB50-APU3/8-4"L	3.875"	1.65"	9.00"	4"	2.20			0.00236"	
100-1921	NMTB50-APU1/2-4.25"L	3.875"	2.13"	9.24"	4.25"	2.85	0.00472"			
100-1922	NMTB50-APU1/2-4.25"L	3.875"	2.13"	9.24"	4.25"	2.85			0.00236"	
100-1923	NMTB50-APU5/8-4.5"L	3.875"	2.44"	9.5"	4.5"	3.45	0.00551"			
100-1924	NMTB50-APU5/8-4.5"L	3.875"	2.44"	9.5"	4.5"	3.45			0.00319"	

* Jaw Hardness: HRC 55-58
 * High Rigidity:machining after heat treatment

DRILL CHUCK WITH INTEGRATED SHANK

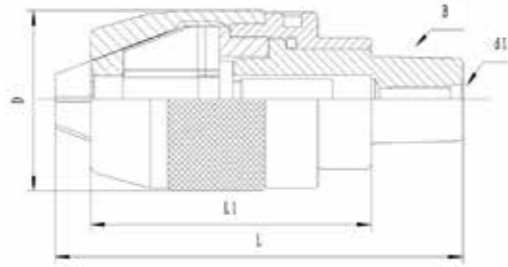


Morse Taper Shank (Short)

Order No.	No.	Range mm(Inch)	B Taper	D mm	L mm	L1 mm	KGS	Accuracy			
								Psmm	Price	Msmm	Price
100-0801	HPJ0906	0.6-6 (1/64"-1/4")	B16 (φ15.733)	φ35	89.5	54	0.40	0.1			
100-0802	HMJ0906	0.6-6 (1/64"-1/4")	B16 (φ15.733)	φ35	89.5	54	0.40			0.05	
100-0803	HPJ0908	0.5-8 (1/64"-5/16")	B24 (φ23.825)	φ37	91.5	59.5	0.44	0.1			
100-0804	HMJ0908	0.5-8 (1/64"-5/16")	B24 (φ23.825)	φ37	91.5	59.5	0.44			0.05	
100-0805	HPJ0910	1-10 (1/32"-3/8")	B24 (φ23.825)	φ42	104	70	0.45	0.1			
100-0806	HMJ0910	1-10 (1/32"-3/8")	B24 (φ23.825)	φ42	104	70	0.45			0.05	
100-0807	HPJ0913	1-13 (1/32"-1/2")	B24 (φ23.825)	φ50	115	79.5	0.86	0.1			
100-0808	HMJ0913	1-13 (1/32"-1/2")	B24 (φ23.825)	φ50	115	79.5	0.86			0.05	
100-0809	HPJ0916	1-16 (1/32"-5/8")	B24 (φ23.825)	φ54	121	85	1.17	0.1			
100-0810	HMJ0916	1-16 (1/32"-5/8")	B24 (φ23.825)	φ54	121	85	1.17			0.05	
100-0811	HPJ0920	1-20 (1/32"-3/4")	B24 (φ23.825)	φ63	146	103	2.20	0.16			
100-0812	HMJ0920	1-20 (1/32"-3/4")	B24 (φ23.825)	φ63	146	103	2.20			0.14	

- * Jaw Hardness: HRC 55-58
- * High Rigidity:machining after heat treatment

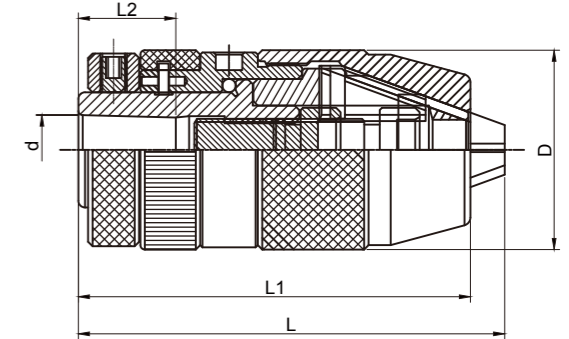
DRILL CHUCK WITH INTEGRATED SHANK



Morse Taper Shank (Short/chrome Plated)

Order No.	No.	Range mm(Inch)	B Taper	D mm	L mm	L1 mm	KGS	Accuracy			
								P≤mm	Price	M≤mm	Price
100-0901	HPJ0906	0.6-6 (1/64"-1/4")	B16 (φ15.733)	φ35	89.5	54	0.40	0.1			
100-0902	HMJ0906	0.6-6 (1/64"-1/4")	B16 (φ15.733)	φ35	89.5	54	0.40			0.05	
100-0903	HPJ0908	0.5-8 (1/64"-5/16")	B24 (φ23.825)	φ37	91.5	59.5	0.44	0.1			
100-0904	HMJ0908	0.5-8 (1/64"-5/16")	B24 (φ23.825)	φ37	91.5	59.5	0.44			0.05	
100-0905	HPJ0910	1-10 (1/32"-3/8")	B24 (φ23.825)	φ42	104	70	0.45	0.1			
100-0906	HMJ0910	1-10 (1/32"-3/8")	B24 (φ23.825)	φ42	104	70	0.45			0.05	
100-0907	HPJ0913	1-13 (1/32"-1/2")	B24 (φ23.825)	φ50	115	79.5	0.86	0.1			
100-0908	HMJ0913	1-13 (1/32"-1/2")	B24 (φ23.825)	φ50	115	79.5	0.86			0.05	
100-0909	HPJ0916	1-16 (1/32"-5/8")	B24 (φ23.825)	φ54	121	85	1.17	0.1			
100-0910	HMJ0916	1-16 (1/32"-5/8")	B24 (φ23.825)	φ54	121	85	1.17			0.05	
100-0911	HPJ0920	1-20 (1/32"-3/4")	B24 (φ23.825)	φ63	146	103	2.20	0.16			
100-0912	HMJ0920	1-20 (1/32"-3/4")	B24 (φ23.825)	φ63	146	103	2.20			0.14	

SELF-LOCKING DRILL CHUCK

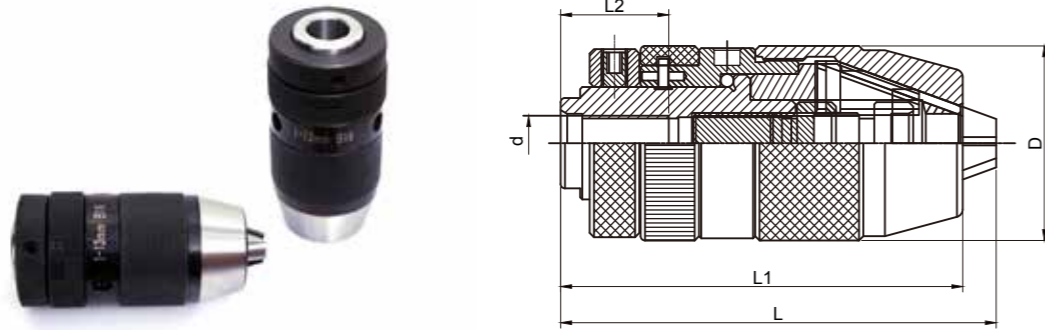


TAPERED

Order No.	No.	Range mm	d Taper	D mm	L mm	L1 mm	L2 mm	KGS	Accuracy			
									D≤mm	Price	P≤mm	Price
100-0921	WL-LJ0510	1-10	B12	37	77.5	69	18.5	0.5	0.2		0.12	
100-0922	WL-LJ0513	1-13	B16	45	96.5	88	24	0.76	0.2		0.12	
100-0923	WL-LJ0513A	1-13	B12	45	96.5	88	18.5	0.76	0.2		0.12	
100-0924	WL-LJ0516	1-16	B16	50	112	98	24	1.03	0.2		0.12	
100-0925	WL-LJ0516A	1-16	B18	50	112	98	32	1.03	0.2		0.12	
Order No.	No.	Range Inch	d Taper	D mm	L mm	L1 mm	L2 mm	KGS	Accuracy			
100-0926	WL-LJ0610	1/32"-3/8"	JT2	37	77.5	69	22.23	0.5	0.0078		0.0063	
100-0927	WL-LJ0613	1/32"-1/2"	JT33	45	96.5	88	25.4	0.76	0.0078		0.0063	
100-0928	WL-LJ0613A	1/32"-1/2"	JT2	45	96.5	88	22.23	0.76	0.0078		0.0063	
100-0929	WL-LJ0616	1/32"-5/8"	JT6	50	112	98	25.4	1.03	0.0078		0.0063	
100-0930	WL-LJ0616A	1/32"-5/8"	JT33	50	112	98	25.4	1.03	0.0078		0.0063	

SELF-LOCKING DRILL CHUCK

NEW



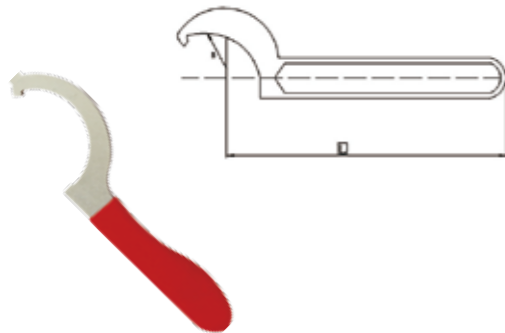
Application: Recommended for power impact electric drills.

- Features:
1. Self-tightening feature automatically increase gripping force proportion to increase torque to prevent tool shank slippage.
 2. Positive lock mechanism prevents chucks from loosening in operation when suddenly stopped or in the reverse operation.
 3. High precision, and high gripping force, high reliability and stability.
 4. Flimsy parts are shaped by quenching.
 5. The chuck can be attached with a loosed key. It can be used when the clamping force was too strong.

THREADED

Order No.	No.	Range Inch	d Threaded	D mm	L mm	L1 mm	L2 mm	KGS	Accuracy			
									D \leq "	Price	P \leq "	Price
100-0931	WL-LJ0710	1/32"-3/8"	3/8"-24UNF	37	82	73.5	25	0.5	0.0078		0.0063	
100-0932	WL-LJ0713	1/32"-1/2"	1/2"-20UNF	45	101	92.5	25	0.76	0.0078		0.0063	
100-0933	WL-LJ0713A	1/32"-1/2"	3/8"-24UNF	45	101	92.5	25	0.76	0.0078		0.0063	
100-0934	WL-LJ0716	1/32"-5/8"	5/8"-16UN	50	116.5	102.5	25	1.03	0.0078		0.0063	
100-0935	WL-LJ0716A	1/32"-5/8"	1/2"-20UNF	50	116.5	102.5	25	1.03	0.0078		0.0063	
Order No.	No.	Range mm	d Mount	D mm	L mm	L1 mm	L2 mm	KGS	Accuracy			
100-0936	WL-LJ0810	1-10	3/8"-24UNF	37	82	73.5	25	0.5	0.2		0.12	
100-0937	WL-LJ0813	1-13	1/2"-20UNF	45	101	92.5	25	0.76	0.2		0.12	
100-0938	WL-LJ0813A	1-13	3/8"-24UNF	45	101	92.5	25	0.76	0.2		0.12	
100-0939	WL-LJ0816	1-16	5/8"-16UN	50	116.5	102.5	25	1.03	0.2		0.12	
100-0940	WL-LJ0816A	1-16	1/2"-20UNF	50	116.5	102.5	25	1.03	0.2		0.12	

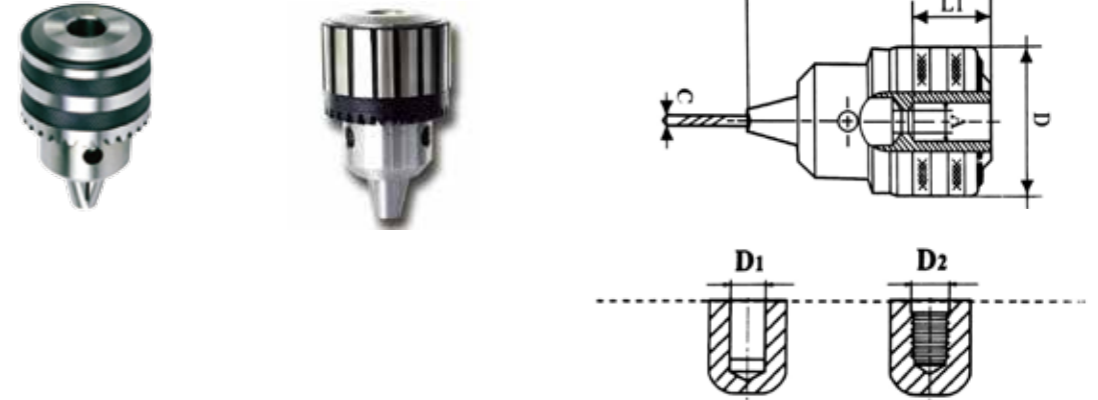
SPANNER



SPANNER FOR KEYLESS DRILL CHUCK

Order No.	Chuck Range	D(mm)	L(mm)	Price
100-1991	6mm	36	125	
100-1992	8-10mm	41	135	
100-1993	13mm	47.5	140	
100-1994	16mm	52.5	155	
100-1995	20mm	58	169	
100-2991	10mm	37	150	
100-2992	13mm	43	160	
100-2993	16mm	48	170	

HEAVY DUTY KEY TYPE DRILL CHUCK



Order No.	TYPE	C		D1		D2	D	L	L1	A	G	Price
		mm	in	TAPER	TAPER	in	mm	mm	mm			
100-2101	J216	0.6-6		B10(ϕ 10.094)			30	49	17.5		125	K2
100-2102	J226	0.6-6	1/32"-3/8"		JT1(ϕ 9.754)		30	49	19.2		125	K2
100-2103	J2110	1-10		B12(ϕ 12.064)			43	69	22		335	K4
100-2104	J2210	1-10	1/32"-3/8"		JT2(ϕ 14.199)		43	69	26		335	K4
100-2105	J3110A	1-10	1/32"-3/8"			3/8"-24UNF	43	69	16		335	K4
100-2106	J3110B	1-10	1/32"-3/8"			1/2"-20UNF	43	69	17.5		335	K4
100-2107	J2113	1-13		B16(ϕ 15.733)			53	86	28		625	K5
100-2108	J2213	1-13	1/32"-1/2"		JT33(ϕ 15.85)		53	86	29		625	K5
100-2109	J2213A	1-13	1/32"-1/2"		JT6(ϕ 17.170)		53	86	29		625	K5
100-2110	J3113	1-13	1/32"-1/2"			1/2"-20UNF	53	86	17.5		625	K5
100-2111	J3113A	1-13	1/32"-1/2"			3/8"-24UNF	53	86	16		625	K5
100-2112	J2116	1-16		B18(ϕ 17.780)			57	93	36		818	K5
100-2113	J2216	1-16	1/32"-5/8"		JT6(ϕ 17.170)		57	93	29		818	K5
100-2114	J2116A	3-16		B16(ϕ 15.733)			53	93	28		818	K5
100-2115	J2116B	3-16		B18(ϕ 17.780)			53	93	36	ϕ 6.5	818	K5
100-2116	J3116	1-16	1/32"-5/8"			5/8"-16UN	57	93	19		818	K5
100-2117	J3116A	1-16	1/32"-5/8"			1/2"-20UNF	57	93	17.5		818	K5
100-2118	J2120	5-20		B22(ϕ 21.793)			65	107	45		1214	K6
100-2119	J2220	5-20	13/64"-3/4"		JT3(ϕ 20.599)		65	107	35		1214	K6

NOTE

COLLET NUT

- *DIN6499D & DIN 6499E
- *Hardness: HRC 52
- *Thread tolerance:4H class
- *Accuracy: Grade AA (0.005MM)
- *Default Balancing: G6.3 12000 rpm,18000 rpm



A Type

Order No.	Specification	D	L	T	Price.
200-0261	ER8A	13.5	11	M10*0.75P	
200-0262	ER11A	19	11.3	M14*0.75P	
200-0263	ER16A	28	17.5	M22*1.5P	
200-0264	ER20A	34	19	M25*1.5P	



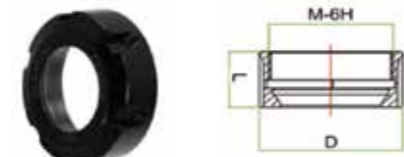
M Type

Order No.	Specification	D	L	T	Price.
200-0271	ER8M	12	11	M10*0.75P	
200-0272	ER11M	16	12	M13*0.75P	
200-0273	ER16M	22	18	M19*1.0P	
200-0274	ER20M	28	19	M24*1.0P	
200-0275	ER25M	35	20	M30*1.0P	



UM Type

Order No.	Specification	D	L	T	Price.
200-0281	ER16UM	32	17	M22*1.5P	
200-0282	ER20UM	35	19	M25*1.5P	
200-0283	ER25UM	42	20	M32*1.5P	
200-0284	ER32UM	50	22.5	M40*1.5P	
200-0285	ER40UM	63	22.5	M50*1.5P	
200-0286	ER50UM	78	35.5	M64*2.0P	

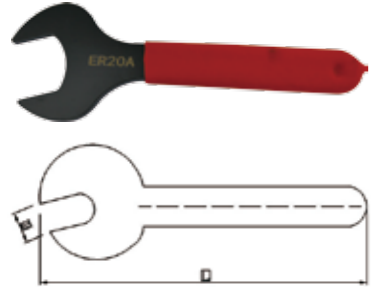


K Type

Order No.	Specification	D	L	T	Price.
200-0291	ER25K	42	25.5	M32*1.5P	
200-0292	ER32K	50	26	M40*1.5P	
200-0293	ER40K	63	29	M50*1.5P	
200-0294	ER50K	78	40	M64*2.0P	

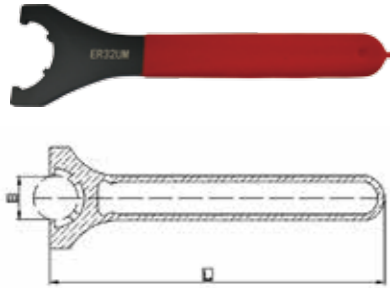
SPANNER

*Material: Fine Carbon Steel
*Handle: Plastic Stained/Sand Blasted/Black Oxide



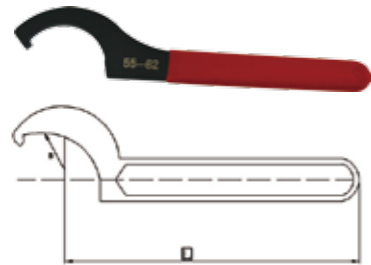
A Type

Order No.	Model	B(mm)	L(mm)	Price.
200-0301	ER11A	17	117	
200-0302	ER16A	25	135	
200-0303	ER20A	30	175	



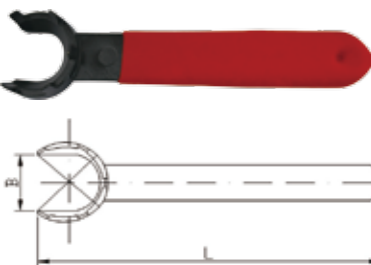
UM Type

Order No.	Model	B(mm)	L(mm)	Price.
200-0311	ER25UM	37	210	
200-0312	ER32UM	45	250	
200-0313	ER40UM	58	290	
200-0314	ER50UM	72	350	



K Type

Order No.	Model	B(mm)	L(mm)	Price.
200-0321	ER25K	38-42	168	
200-0322	ER32K	45-52	190	
200-0323	ER40K	55-63	210	
200-0324	ER50K	78-85	240	

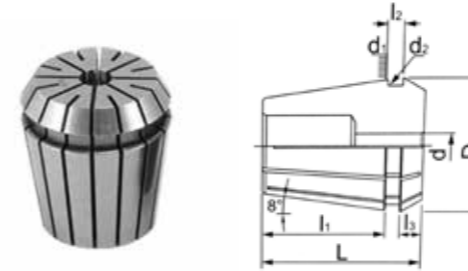


M Type

Order No.	Model	B(mm)	L(mm)	Price.
200-0331	ER8M	8	70	
200-0332	ER11M	115	90	
200-0333	ER16M	15	110	
200-0334	ER20M	195	120	
200-0335	ER25M	25	130	

*Material: 65Mn
*Hardness: HRC 44-48
*DIN6499B

ER COLLET



Accuracy Inspection Table

Order No.	L	Grade	Run out
		G	≤0.015
	4xD	A	≤0.01
		AA	≤0.005

Statistics Table

Order No.	Size	L	h	l2	l3	D	d1	d2	Size Range	Weight (KGS)
	ER16	27.5	20.8	3.4	4	16.8	16	13.8	3.0-10	0.03
	ER20	31.5	23.9	3.4	4.8	20.8	20	17.4	3.0-13	0.04
	ER25	34	25.9	3.6	5	25.8	25	21.9	3.0-16	0.06
	ER32	40	30.9	4.1	5.5	32.7	32	29.2	3.0-20	0.10
	ER40	46	34.5	4.5	7	40.85	40	36.2	6.0-26	0.25

Metric

Order No.	ER-8	ER-11	Size(mm)	Range(mm)	ER-8	ER-11
	200-0001	200-0011	1	1-0.5	200-0001	200-0011
200-0002	200-0012	1.5	1.5-1	200-0002	200-0012	
200-0003	200-0013	2	2-1.5	200-0003	200-0013	
200-0004	200-0014	2.5	2.5-2	200-0004	200-0014	
200-0005	200-0015	3	3-2.5	200-0005	200-0015	
200-0006	200-0016	3.5	3.5-3	200-0006	200-0016	
200-0007	200-0017	4	4-3.5	200-0007	200-0017	
200-0008	200-0018	4.5	4.5-4	200-0008	200-0018	
200-0009	200-0019	5	5-4.5	200-0009	200-0019	
	200-0020	5.5	5.5-5		200-0020	
	200-0021	6	6-5.5		200-0021	
	200-0022	6.5	6.5-6		200-0022	
	200-0023	7	7-6.5		200-0023	
Price						



*Material:65Mn
*Hardness:HRC 44-48
*DIN6499B

ER COLLET

Metric

	ER-16	ER-20	ER-25	ER-32	ER-40	Size(mm)	Range(mm)
Order No.	200-0031	200-0051	200-0071	200-0091		1	1-0.5
	200-0032	200-0052	200-0072	200-0092		1.5	1.5-1
	200-0033	200-0053	200-0073	200-0093		2	2-1.5
	200-0034	200-0054	200-0074	200-0094		2.5	2.5-2
	200-0035	200-0055	200-0075	200-0095	200-0121	3	3-2
	200-0036	200-0056	200-0076	200-0096	200-0122	4	4-3
	200-0037	200-0057	200-0077	200-0097	200-0123	5	5-4
	200-0038	200-0058	200-0078	200-0098	200-0124	6	6-5
	200-0039	200-0059	200-0079	200-0099	200-0125	7	7-6
	200-0040	200-0060	200-0080	200-0100	200-0126	8	8-7
	200-0041	200-0061	200-0081	200-0101	200-0127	9	9-8
	200-0042	200-0062	200-0082	200-0102	200-0128	10	10-9
		200-0063	200-0083	200-0103	200-0129	11	11-10
		200-0064	200-0084	200-0104	200-0130	12	12-11
		200-0065	200-0085	200-0105	200-0131	13	13-12
			200-0086	200-0106	200-0132	14	14-13
			200-0087	200-0107	200-0133	15	15-14
			200-0088	200-0108	200-0134	16	16-15
				200-0109	200-0135	17	17-16
				200-0110	200-0136	18	18-17
				200-0111	200-0137	19	19-18
				200-0112	200-0138	20	20-19
					200-0139	21	21-20
					200-0140	22	22-21
					200-0141	23	23-22
					200-0142	24	24-23
				200-0143	25	25-24	
				200-0144	26	26-25	
Price							



*ER Collet Set In Aluminum Case



*Material:65Mn
*Hardness:HRC 44-48
*DIN6499B

ER COLLET

Imperial

	ER-11	ER-16	ER-20	ER-25	ER-32	ER-40	Model No.	Range
Order No.	200-0151	200-0161					1/32"	
	200-0152	200-0162	200-0171	200-0191			1/16"	
	200-0153	200-0163	200-0172	200-0192	200-0211		3/32"	
	200-0154	200-0164	200-0173	200-0193	200-0212	200-0231	1/8"	
	200-0155	200-0165	200-0174	200-0194	200-0213	200-0232	5/32"	
	200-0156	200-0166	200-0175	200-0195	200-0214	200-0233	3/16"	
	200-0157	200-0167	200-0176	200-0196	200-0215	200-0234	7/32"	
	200-0158	200-0168	200-0177	200-0197	200-0216	200-0235	1/4"	
		200-0169	200-0178	200-0198	200-0217	200-0236	9/32"	
		200-0170	200-0179	200-0199	200-0218	200-0237	5/16"	
		200-0171	200-0180	200-0200	200-0219	200-0238	11/32"	
		200-0172	200-0181	200-0201	200-0220	200-0239	3/8"	
			200-0182	200-0202	200-0221	200-0240	13/32"	
			200-0183	200-0203	200-0222	200-0241	7/16"	
			200-0184	200-0204	200-0223	200-0242	15/32"	
			200-0185	200-0205	200-0224	200-0243	1/2"	
				200-0206	200-0225	200-0244	17/32"	
				200-0207	200-0226	200-0245	9/16"	
				200-0208	200-0227	200-0246	19/32"	
				200-0209	200-0228	200-0247	5/8"	
					200-0229	200-0248	21/32"	
					200-0230	200-0249	11/16"	
					200-0231	200-0250	23/32"	
					200-0232	200-0251	3/4"	
					200-0233	200-0252	25/32"	
						200-0253	13/16"	
						200-0254	27/32"	
						200-0255	7/8"	
						200-0256	29/32"	
					200-0257	15/16"		
					200-0258	31/32"		
					200-0259	1"		
Price								



*ER Collet Set In Aluminum Case

BT/ER COLLETS SETS/METRIC



*Made from alloy spring steel and hardend to HRC 44-48.

*Turnout 0.008mm for size above 3mm, and 0.015mm for size under 3mm.

*Conform to DIN6499B

Order	Type	Clamping range	Collet	Price
200-0341	ER11-7PCS	1-7mm	1;2;3;4;5;6;7	
200-0342	ER11-9PCS	3+0.5-7mm	3; 3.5; 4; 4.5; 5; 5.5; 6; 6.5; 7	
200-0343	ER11-13PCS	1+0.5-7mm	1;1.5;2;2.5;3;3.5;4;4.5;5;5.5;6;6.5;7	
200-0344	ER16-8PCS	3-10mm	3;4;5;6;7;8;9;10	
200-0345	ER16-10PCS	1-10mm	1;2;3;4;5;6;7;8;9;10	
200-0346	ER20-10PCS	4-13mm	4;5;6;7;8;9;10;11;12;13	
200-0347	ER20-12PCS	2-13mm	2;3;4;5;6;7;8;9;10;11;12;13	
200-0348	ER25-5PCS	6-16mm	6;8;10;12;16	
200-0349	ER25-7PCS	4-16mm	4;5;6;7;8;9;10;11;12;13;14;15;16	
200-0350	ER25-13PCS	4-16mm	4;6;8;10;12;14;16	
200-0351	ER25-15PCS	2-16mm	2;3;4;5;6;7;8;9;10;11;12;13;14;15;16	
200-0352	ER32-6PCS	6-20mm	6; 8; 10; 12; 16; 20	
200-0353	ER32-11PCS	4-20mm	4; 5; 6; 8; 10; 12; 13; 15; 16; 18; 20	
200-0354	ER32-12PCS	3-20mm	3; 4; 5; 6; 8; 10; 12; 13; 15; 16; 18; 20	
200-0355	ER32-18PCS	3-20mm	3;4;5;6;7;8;9;10;11;12;13;14;15;16;17;18;19;20	
200-0356	ER40-8PCS	5-26mm	5;8;12;15;18;22;24;26	
200-0357	ER40-15PCS	4-26mm	4;5;6;8;10;11;12;13;15;16;18;20;22;24;26	
200-0358	ER40-18PCS	4-26mm	4;5;6;7;8;9;10;11;12;13;14;15;16;17;18;20;22;24;26	
200-0359	ER40-23PCS	4-26mm	4;5;6;7;8;9;10;11;12;13;14;15;16;17;18;19;20;21;22;23;24;25;26	
200-0360	ER40-24PCS	3-26mm	3;4;5;6;7;8;9;10;11;12;13;14;15;16;17;18;19;20;21;22;23;24;25;26	

ER COLLETS SETS/IMPERIAL



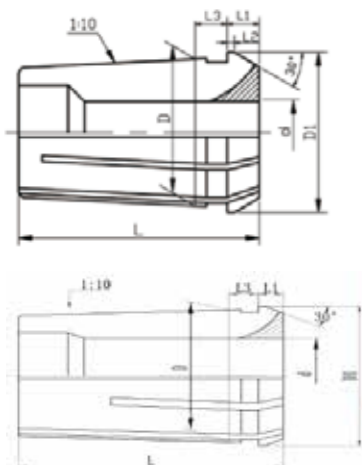
*Made from alloy spring steel and hardend to HRC 45-48.

*Turnout 0.0003" for size above 1/8", and 0.00059" for size under 1/8".

*Conform to DIN6499B

Order	Type	Clamping range	Collet	Price
200-0401	ER11-8PCS	1/32"-1/4"	1/32";1/16";3/32";1/8";5/32";3/16";7/32";1/4"	
200-0402	ER16-5PCS	1/8"-3/8"	1/8";3/16";1/4";5/16";3/8"	
200-0403	ER16-8PCS	1/8"-3/8"	1/8";5/32";3/16";7/32";1/4";5/16";11/32";3/8"	
200-0404	ER16-12PCS	1/32"-3/8"	1/32";1/16";3/32";1/8";5/32";3/16";7/32"; 1/4";9/32";5/16"; 11/32";3/8"	
200-0405	ER20-11PCS	1/8"-1/2"	1/8";5/32";3/16";7/32"; 1/4";9/32";5/16"; 11/32";3/8";7/16";1/2"	
200-0406	ER20-14PCS	3/32"-1/2"	3/32";1/8";5/32";3/16";7/32";1/4"; 9/32"; 5/16"; 11/32";3/8";7/16";15/32";1/2"	
200-0407	ER20-16PCS	1/32"-1/2"	1/32";1/16";3/32";1/8";5/32";3/16";7/32";1/4"; 9/32"; 5/16";11/32";3/8";13/32";7/16";15/32";1/2"	
200-0408	ER25-9PCS	1/8"-5/8"	1/8";3/16";1/4";5/16";3/8";7/16";1/2";9/16";5/8"	
200-0409	ER25-18PCS	3/32"-5/8"	3/32";1/8";5/32";3/16";7/32";1/4";9/32";5/16";11/32"; 3/8";13/32";7/16";15/32";1/2";17/32";9/16";19/32"; 5/8"	
200-0410	ER32-11PCS	1/8"-3/4"	1/8";3/16";1/4";5/16";3/8";7/16";1/2";9/16";5/8"; 11/16"; 3/4";	
200-0411	ER32-12PCS	1/8"-3/4"	1/8";5/32";3/16";1/4";5/16";3/8";7/16";1/2";9/16";5/8";11/16"; 3/4";	
200-0412	ER32-15PCS	1/8"-3/4"	1/8";5/32";3/16";7/32";1/4";9/32";5/16"; 11/32";3/8"; 7/16";1/2";9/16";5/8";11/16"; 3/4";	
200-0413	ER32-18PCS	1/8"-3/4"	1/8";5/32";3/16";7/32";1/4";9/32";5/16";11/32";3/8"; 7/16";15/32";1/2";9/16";19/32";5/8";11/16";23/32"; 3/4";	
200-0414	ER32-21PCS	1/8"-3/4"	1/8";5/32";3/16";7/32";1/4";9/32";5/16";11/32";3/8"; 13/32"; 7/16";15/32";1/2";17/32";9/16";19/32";5/8";21/32";11/16";23/32"; 3/4";	
200-0415	ER40-8PCS	1/8"-1"	1/8";1/4";3/8";1/2";5/8";3/4";7/8";1"	
200-0416	ER40-14PCS	1/8"-1"	1/8";3/16";1/4";5/16";3/8";7/16";1/2";9/16";5/8";11/16"; 3/4";13/16";7/8";1"	
200-0417	ER40-15PCS	1/8"-1"	1/8";3/16";1/4";5/16";3/8";7/16";1/2";9/16";5/8";11/16"; 3/4";13/16";7/8";15/16";1"	
200-0418	ER40-23PCS	1/8"-1"	1/8";5/32";3/16";7/32";1/4";9/32";5/16";11/32";3/8"; 7/16";15/32"; 1/2";9/16";19/32";5/8";11/16";23/32"; 3/4";13/16";27/32";7/8";29/32";1"	
200-0419	ER40-24PCS	1/8"-1"	1/8";5/32";3/16";7/32";1/4";9/32";5/16";11/32";3/8"; 7/16";15/32"; 1/2";9/16";19/32";5/8";11/16";23/32"; 3/4";13/16";27/32";7/8";29/32";15/16";1"	
200-0420	ER40-29PCS	1/8"-1"	1/8";5/32";3/16";7/32";1/4";9/32";5/16";11/32";3/8"; 13/32";7/16";15/32";1/2";17/32";9/16";19/32";5/8";21/32"; 11/16";23/32";3/4";25/32";13/16";27/32";7/8";29/32"; 15/16";31/32";1"	

EOC(OZ) COLLET



DIN6388B	D	D1	dh7	L	L1	L2	L3
EOC16B	22.65	25.5	2-16	40	5.5	1.2	1.2
EOC20B	27.4	29.8	2-20	45	6	1.35	1.35
EOC25B	32.9	35.05	2-25	52	6	1.4	1.4
EOC32B	41.3	43.7	4-32	60	6	1.45	1.45
EOC40B	49.7	52.2	6-40	68	6	1.45	1.45
EOC50B	61.1	63.8	8-50	80	7	1.55	1.55

DIN6388A	D	D1	dh7	L	L1	L2	L3
EOC6A	10	11.5	1-6	21	3.5	0.5	4
EOC8A	12.65	14.5	1-8	26	4	0.8	4.5
EOC10A	15.15	17.2	1-10	30	4.5	0.8	4.5
EOC12A	17.75	19.8	1-12	34	5	1.1	4.5
EOC16A	22.65	25.5	2-16	40	5.5	1.2	9.5
EOC20A	27.4	29.8	2-20	45	6	1.35	10
EOC25A	32.9	35.05	2-25	52	6	1.4	10
EOC32A	41.3	43.7	4-32	60	6	1.45	11
EOC40A	49.7	52.2	6-40	68	6	1.45	12
EOC50A	61.1	63.8	8-50	80	7	1.55	13

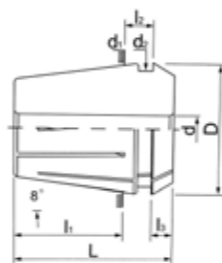
Clamping range

Type	D
EOC6A	1;2;3;4;5;6
EOC8A	1;2;3;4;5;6;7;8
EOC10A	1;2;3;4;5;6;7;8;9;10;
EOC12A	1;2;3;4;5;6;7;8;9;10;11;12;
EOC16A	2; 3; 4; 5; 6; 7; 8; 9; 10; 11; 12; 13; 14; 15; 16
EOC20A	2; 3; 4; 5; 6; 7; 8; 9; 10; 11; 12; 13; 14; 15; 16; 17; 18; 19; 20
EOC25A	2; 3; 4; 5; 6; 7; 8; 9; 10; 11; 12; 13; 14; 15; 16; 17; 18; 19; 20; 21; 22; 23; 24; 25
EOC32A	4; 5; 6; 7; 8; 9; 10; 11; 12; 13; 14; 15; 16; 17; 18; 19; 20; 21; 22; 23; 24; 25; 26; 27; 28; 29; 30; 31; 32
EOC40A	6; 7; 8; 9; 10; 11; 12; 13; 14; 15; 16; 17; 18; 19; 20; 21; 22; 23; 24; 25; 26; 27; 28; 29; 30; 31; 32; 33; 34; 35; 36; 37; 38; 39; 40
EOC50A	8; 9; 10; 11; 12; 13; 14; 15; 16; 17; 18; 19; 20; 21; 22; 23; 24; 25; 26; 27; 28; 29; 30; 31; 32; 33; 34; 35; 36; 37; 38; 39; 40; 41; 42; 43; 44; 45; 46; 47; 48; 49; 50

EOC(OZ) COLLET

	16B	20B	25B	32B	40B	50B	25A	32A	40A	50A	size(mm)
200-0501	200-0521	200-0541					200-0691				2
200-0502	200-0522	200-0542					200-0692				3
200-0503	200-0523	200-0543	200-0571				200-0693	200-0721			4
200-0504	200-0524	200-0544	200-0572				200-0694	200-0722			5
200-0505	200-0525	200-0545	200-0573	200-0601			200-0695	200-0723	200-0751	200-0791	6
200-0506	200-0526	200-0546	200-0574	200-0602			200-0696	200-0724	200-0752	200-0792	7
200-0507	200-0527	200-0547	200-0575	200-0603	200-0641	200-0697	200-0725	200-0753	200-0793		8
200-0508	200-0528	200-0548	200-0576	200-0604	200-0642	200-0698	200-0726	200-0754	200-0794		9
200-0509	200-0529	200-0549	200-0577	200-0605	200-0643	200-0699	200-0727	200-0755	200-0795		10
200-0510	200-0530	200-0550	200-0578	200-0606	200-0644	200-0700	200-0728	200-0756	200-0796		11
200-0511	200-0531	200-0551	200-0579	200-0607	200-0645	200-0701	200-0729	200-0757	200-0797		12
200-0512	200-0532	200-0552	200-0580	200-0608	200-0646	200-0702	200-0730	200-0758	200-0798		13
200-0513	200-0533	200-0553	200-0581	200-0609	200-0647	200-0703	200-0731	200-0759	200-0799		14
200-0514	200-0534	200-0554	200-0582	200-0610	200-0648	200-0704	200-0732	200-0760	200-0800		15
200-0515	200-0535	200-0555	200-0583	200-0611	200-0649	200-0705	200-0733	200-0761	200-0801		16
	200-0536	200-0556	200-0584	200-0612	200-0650	200-0706	200-0734	200-0762	200-0802		17
	200-0537	200-0557	200-0585	200-0613	200-0651	200-0707	200-0735	200-0763	200-0803		18
	200-0538	200-0558	200-0586	200-0614	200-0652	200-0708	200-0736	200-0764	200-0804		19
	200-0539	200-0559	200-0587	200-0615	200-0653	200-0709	200-0737	200-0765	200-0805		20
		200-0560	200-0588	200-0616	200-0654	200-0710	200-0738	200-0766	200-0806		21
		200-0561	200-0589	200-0617	200-0655	200-0711	200-0739	200-0767	200-0807		22
		200-0562	200-0590	200-0618	200-0656	200-0712	200-0740	200-0768	200-0808		23
		200-0563	200-0591	200-0619	200-0657	200-0713	200-0741	200-0769	200-0809		24
		200-0564	200-0592	200-0620	200-0658	200-0714	200-0742	200-0770	200-0810		25
			200-0593	200-0621	200-0659		200-0743	200-0771	200-0811		26
			200-0594	200-0622	200-0660		200-0744	200-0772	200-0812		27
			200-0595	200-0623	200-0661		200-0745	200-0773	200-0813		28
			200-0596	200-0624	200-0662		200-0746	200-0774	200-0814		29
			200-0597	200-0625	200-0663		200-0747	200-0775	200-0815		30
			200-0598	200-0626	200-0664		200-0748	200-0776	200-0816		31
			200-0599	200-0627	200-0665		200-0749	200-0777	200-0817		32
				200-0628	200-0666			200-0778	200-0818		33
				200-0629	200-0667			200-0779	200-0819		34
				200-0630	200-0668			200-0780	200-0820		35
				200-0631	200-0669				200-0821		36
				200-0632	200-0670				200-0822		37
				200-0633	200-0671				200-0823		38
				200-0634	200-0672				200-0824		39
				200-0635	200-0673				200-0825		40
					200-0674				200-0826		41
					200-0675				200-0827		42
					200-0676				200-0828		43
					200-0677				200-0829		44
					200-0678				200-0830		45
					200-0679				200-0831		46
					200-0680				200-0832		47
					200-0681				200-0833		48
					200-0682				200-0834		49
					200-0683				200-0835		50
Price											

SEALER ER COOLANT COLLET DIN6499B



Size	L	I1	I2	I3	D	d	d1	Weight (KGS)	Price
ER16	27.5	20.8	6.25	4	16.6	0.5-10.0	16	0.03	
ER20	31.5	23.9	6.36	4.8	20.6	1.0-13.0	20	0.04	
ER25	34	25.9	6.66	5	25.6	1.0-16.0	25	0.06	
ER32	40	30.9	7.16	5.5	32.6	2.0-20.0	32	0.10	
ER40	46	34.9	7.66	7	40.6	3.0-26.0	40	0.25	

ER16

Order No.	Size	inch	Size Range	Weight(KGS)	Price
200-0901	ER16-03	1/8"	3	0.03	
200-0902	ER16-04		4		
200-0903	ER16-05	16/32"	5		
200-0904	ER16-06	7/32"	6		
200-0905	ER16-07	1/4"	7		
200-0906	ER16-08	5/16"	8		
200-0907	ER16-09	11/32"	9		
200-0908	ER16-10	3/8"	10		

ER20

Order No.	Size	inch	Size Range	Weight(KGS)	Price
200-0911	ER20-03	1/8"	3	0.04	
200-0912	ER20-04		4		
200-0913	ER20-05	16/32"	5		
200-0914	ER20-06	7/32"	6		
200-0915	ER20-07	1/4"	7		
200-0916	ER20-08	5/16"	8		
200-0917	ER20-09	11/32"	9		
200-0918	ER20-10	3/8"	10		
200-0919	ER20-11	13/32"	11		
200-0920	ER20-12	7/16"	12		
200-0921	ER20-13	1/2"	13		

SEALER ER COOLANT COLLET DIN6499B

ER25

Order No	Size	inch	Size Range	Weight (KGS)	Price
200-0931	ER25-03	1/8"	3	0.10	
200-0932	ER25-04		4		
200-0933	ER25-05	16/32"	5		
200-0934	ER25-06	7/32"	6		
200-0935	ER25-07	1/4"	7		
200-0936	ER25-08	5/16"	8		
200-0937	ER25-09	11/32"	9		
200-0938	ER25-10	3/8"	10		
200-0939	ER25-11	13/32"	11		
200-0940	ER25-12	7/16"	12		
200-0941	ER25-13	1/2"	13		
200-0942	ER25-14		14		
200-0943	ER25-15	9/16"	15		
200-0944	ER25-16	5/8"	16		

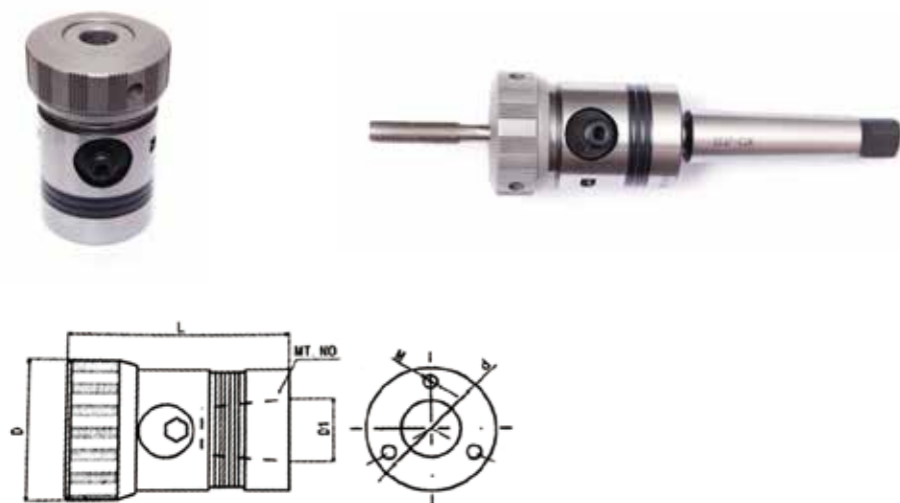
ER32

Order No	Size	inch	Size Range	Weight (KGS)	Price
200-0951	ER32-03	1/8"	3	0.06	
200-0952	ER32-04		4		
200-0953	ER32-05	16/32"	5		
200-0954	ER32-06	7/32"	6		
200-0955	ER32-07	1/4"	7		
200-0956	ER32-08	5/16"	8		
200-0957	ER32-09	11/32"	9		
200-0958	ER32-10	3/8"	10		
200-0959	ER32-11	13/32"	11		
200-0961	ER32-12	7/16"	12		
200-0962	ER32-13	1/2"	13		
200-0963	ER32-14	17/32"	14		
200-0964	ER32-15	9/16"	15		
200-0965	ER32-16	5/8"	16		
200-0966	ER32-17	21/32"	17		
200-0967	ER32-18	11/16"	18		
200-0968	ER32-19	3/4"	19		
200-0969	ER32-20	25/32"	20		

ER40

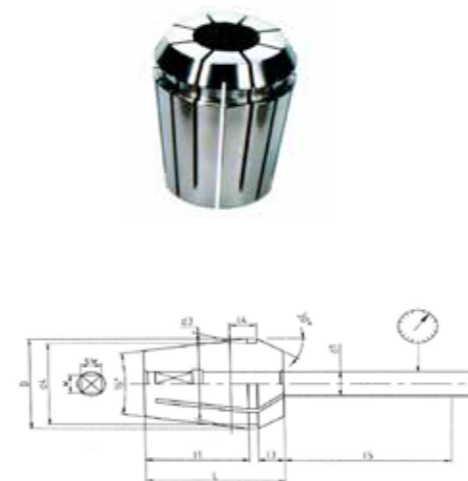
Order No	Size	inch	Size Range	Weight(KGS)	Price
200-0971	ER40-03	1/8"	3	0.25	
200-0972	ER40-04		4		
200-0973	ER40-05	16/32"	5		
200-0974	ER40-06	7/32"	6		
200-0975	ER40-07	1/4"	7		
200-0976	ER40-08	5/16"	8		
200-0977	ER40-09	11/32"	9		
200-0978	ER40-10	3/8"	10		
200-0979	ER40-11	13/32"	11		
200-0980	ER40-12	7/16"	12		
200-0981	ER40-13	1/2"	13		
200-0982	ER40-14	17/32"	14		
200-0983	ER40-15	9/16"	15		
200-0984	ER40-16	5/8"	16		
200-0985	ER40-17	21/32"	17		
200-0986	ER40-18	11/16"	18		
200-0987	ER40-19	3/4"	19		
200-0988	ER40-20	25/32"	20		
200-0989	ER40-21	13/16"	21		
200-0990	ER40-22	27/32"	22		
200-0991	ER40-23	7/8"	23		
200-0992	ER40-24	15/16"	24		
200-0993	ER40-25	31/32"	25		
200-0994	ER40-26	1"	26		

INTEGRATED MULTI-PURPOSE TAPPING CHUCK



Order No.	Model	Capacity	tapping holder diameter	Taper Shank	D	D1	L	d	M	Price
400-1941	TC13-B16	M2-M13 1/8"-1/2"	Ø2.5-Ø10	B16	48	15.733	73	36	M5	
400-1942	TC13-JT6	M2-M13 1/8"-1/2"	Ø2.5-Ø10	JT6	48	17.17	73	36	M5	
400-1943	TC16-B18	M3-M16 1/8"-5/8"	Ø3-Ø12.5	B18	54	17.78	76	36	M5	
400-1944	TC16-JT6	M3-M16 1/8"-5/8"	Ø3-Ø12.5	JT6	54	17.18	76	36	M5	
400-1945	TC20-B18	M5-M20 3/16"-3/4"	Ø4.5-Ø15	B18	54	17.78	85	36	M5	
400-1946	TC20-JT6	M5-M20 3/16"-3/4"	Ø4.5-Ø15	JT6	54	17.17	85	36	M5	
400-1947	TC24-B22	M12-M24 1/2"-15/16"	Ø8.5-Ø18	B22	60	21.793	95	36	M5	

ER TAPPING COLLET



Inspection Of Accuracy

L5	d1	8slot	16slot
6	1.0-1.4	≅ 0.02	≅ 0.02
10	1.5-2.9		
16	3.0-5.9		
25	6.0-9.9		
40	10.0-17.9		
50	18.0-26.9		

Model No.	D	d3	d4	L	I1	I3	I4	Capacity
ER16G	17	16	13.8	27.5	20.8	4	6.26	M2-M12
ER20G	21	20	17.4	31.5	23.9	4.8	6.36	M3-M17
ER25G	26	25	22	34	25.9	5	6.66	M3-M22
ER32G	33	32	29.2	40	31.8	5.5	7.16	M3-M27
ER40G	42	40	36.2	46	35.5	7	7.66	M3-M27

ER TAPPING COLLET

METRIC SIZE

ER16G RIGID TAP COLLET					ER20G RIGID TAP COLLET						
Order No	d1	W□	SW	d2 (M)	Price	Order No	d1	W□	SW	d2 (M)	Price
200-1001	2.24	1.8	2	3		200-1043	2.24	1.8	2	3	
200-1002	2.5	2.1	2.2	3.5		200-1044	2.5	2.1	2.2	3.5	
200-1003	2.5	2.0			200-1045	2.5	2.0				
200-1004	2.8	2.1	2.6	4		200-1046	2.8	2.1	2.6	4	
200-1005	3	2.5	2.8	2		200-1047	3	2.5	2.8	2	
200-1006	3.15				3	200-1048	3.15				3
200-1007	3.15		4	200-1049	3.15	4					
200-1008	3.5	2.7	3.3	3		200-1050	3.5	2.7	3.3	3	
200-1009				5	200-1051	5					
200-1010	3.55	2.8	3.3	3.5		200-1052	3.55	2.8	3.3	3.5	
200-1011				4.5	200-1053	4.5					
200-1012	4	3	3.8	3.5		200-1054	4	3	3.8	3.5	
200-1013				3.1	3	200-1055				3.1	3
200-1014		3.15		4	200-1056	4	4				
200-1015				5	200-1057	5	5				
200-1016	4.5	3.4	4.3	4		200-1058	4.5	3.4	4.3	4	
200-1017				6	200-1059	6					
200-1018		3.55		200-1060	3.55						
200-1019	5	4	4.7	4		200-1061	5	4	4.7	4	
200-1020				4.5	4.5	200-1062				4.5	
200-1021	5.5	4.3	4.37	5		200-1063	5.5	4.3	4.37	5	
200-1022				7	200-1064	7					
200-1023				5	5	200-1065				5	
200-1024	6	4.9	5.09	5.5		200-1066	6	4.9	5.09	5.5	
200-1025				6	6	200-1067				6	
200-1026	6.2	5	5.21	5		200-1068	6.2	5	5.21	5	
200-1027				6	6	200-1069				6	
200-1028				8	200-1070	8					
200-1029				7	200-1071	7					
200-1030	6.3	5	5.21	8		200-1072	6.3	5	5.21	8	
200-1031				6	200-1073	6					
200-1032	7	5.5	5.84	8		200-1074	7	5.5	5.84	8	
200-1033				9	200-1075	9					
200-1034				10	200-1076	10					
200-1035	8	6.2	6.88	11		200-1077	6.2	6.88	11		
200-1036				8	200-1078	8					
200-1037		6.3		10	200-1079	10					
200-1038				10	200-1080	10					
200-1039	8.5	6.5	7.14		200-1081	8.5	6.5	7.14			
200-1040	9	7	7.95	12		200-1082	9	7	7.95	12	
200-1041		7.1		200-1083	7.1						
200-1042	10	8	9.16	10		200-1084	10			10	
						200-1085	10.5	8	9.16	14	
						200-1086				15	
						200-1087	11			14	
						200-1088	11.2	9	10.53	14	
						200-1089				12	
						200-1090	12.5	10	11.91	16	
						200-1091	13				

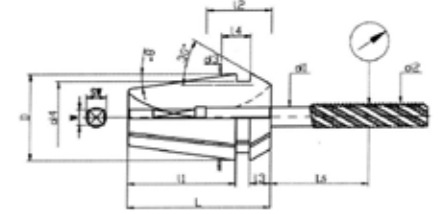
ER TAPPING COLLET

METRIC SIZE

ER25G RIGID TAP COLLET					ER32G RIGID TAP COLLET							
Order No	d1	W□	SW	d2 (M)	Price	Order No	d1	W□	SW	d2 (M)	Price	
200-1092	2.24	1.8	2	3		200-1146	2.24	1.8	2	3		
200-1093	2.5	2.1	2.2	3.5		200-1147	2.5	2.1	2.2	3.5		
200-1094	2.5	2.0			200-1148	2.5	2.0					
200-1095	2.8	2.1	2.6	4		200-1149	2.8	2.1	2.6	4		
200-1096	3	2.5	2.8	2		200-1150	3	2.5	2.8	2		
200-1097	3.15				3	200-1151	3.15				3	
200-1098	3.5		2.7	3.3	4		200-1152		3.5	2.7	3.3	4
200-1099		3			200-1153	3						
200-1100	3.55	2.8	3.3	5		200-1154	3.55	2.8	3.3	5		
200-1101				3.5	3.5	200-1155				3.5		
200-1102	4	3.1	3.8	4.5		200-1156	4	3.1	3.8	4.5		
200-1103				3	3.5	200-1157				3	3.5	
200-1104				3.15	3	200-1158				3.15	3	
200-1105	4.5	3.4	4.3	4		200-1159	4.5	3.4	4.3	4		
200-1106				3.55	6	200-1160				3.55	5	
200-1107	5	4	4.7	4		200-1161	5	4	4.7	4		
200-1108				4	4	200-1162				4		
200-1109	5.5	4.3	4.37	6		200-1163	5.5	4.3	4.37	6		
200-1110				4.5	4	200-1164				4.5	4	
200-1111				5	4.7	200-1165				5	4.7	
200-1112	5.5	4.9	5.09	5		200-1166	5.5	4.9	5.09	5		
200-1113				7	7	200-1167				7		
200-1114	6	5	5.21	4.37		200-1168	6	4.9	5.09	4.37		
200-1115				5	5.5	200-1169				5	5.5	
200-1116	6.2	6.5	7.14	6		200-1170	6.2	6.5	7.14	6		
200-1117				5	200-1171	5						
200-1118				6	200-1172	6						
200-1119	6.3	6.3	6.88	8		200-1173	6.3	6.88	8			
200-1120				7	200-1174	7						
200-1121	7	5.5	5.84	5		200-1175	7	5.5	5.84	5		
200-1122				6	200-1176	6						
200-1123	8	6.2	6.88	8		200-1177	8	6.2	6.88	8		
200-1124				6	200-1178	6						
200-1125				8	200-1179	8						
200-1126	8.5	6.5	7.14	9		200-1180	8.5	6.5	7.14	9		
200-1127				10	200-1181	10						
200-1128	9	7	7.95	8		200-1182	9	7	7.95	8		
200-1129				10	200-1183	10						
200-1130	10	8	9.16	12		200-1184	10	8	9.16	12		
200-1131				7	200-1185	7						
200-1132	10.5	8	9.16	7.1		200-1186	10.5	8	9.16	7.1		
200-1133				10	200-1187	10						
200-1134	11	9	10.53	14		200-1188	11	9	10.53	14		
200-1135				10.5	15	200-1189				10.5	15	
200-1136	11.2	10	11.91	14		200-1190	11.2	10	11.91	14		
200-1137				14	200-1191	14						
200-1138	12	11	12.97	16		200-1192	12	11	12.97	16		
200-1139				12.5	12	200-1193				12.5	12	
200-1140	13	11.2	14.06	17		200-1194	13	11.2	14.06	17		
200-1141				18	200-1195	18						
200-1142	14	12	14.06	18		200-1196	14	12	14.06	18		
200-1143				15	200-1197	15						
200-1144	16	12.5	14.06	20		200-1198	16	12.5	14.06	20		
200-1145				22	200-1199	22						
						200-1200	17	13	15.44	22		
						200-1201	18	14.5	17.52	22		
						200-1202				24		
						200-1203	19	15	18.22	24		
						200-1204				25		
						200-1205	20	19.61	19.61	25		
						200-1206				26		
						200-1207	20			26		

ER TAPPING COLLET
METRIC SIZE

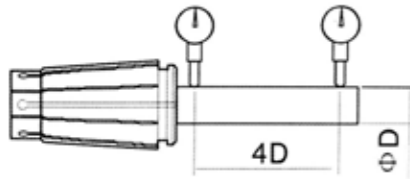
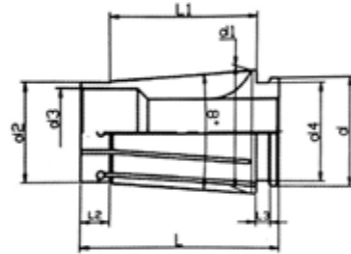
ER40G RIGID TAP COLLET					
Order No	d1	W□	SW	d2 (M)	Price
200-1211	2.24	1.8	2	3	
200-1212	2.5	2.1	2.2	3.5	
200-1213	2.5	2.0			
200-1214	2.8	2.1	2.6	4	
200-1215	3	2.5	2.8	2	
200-1216	3.15		2.9	3	
200-1217		4			
200-1218	3.5	2.7	3.3	3	
200-1219	3.55	2.8		5	
200-1220			3.5		
200-1221	4	3	4.5		
200-1222			3.5		
200-1223	4	3.1	3		
200-1224		4			
200-1225	4.5	3.15	5		
200-1226		4			
200-1227	4.5	3.4	4.3		
200-1228		3.55	6		
200-1229	5	4	4.7	4	
200-1230			4.5		
200-1231	5.5	4.3	4.37	5	
200-1232				7	
200-1233	6	4.5	5.09	5	
200-1234				5.5	
200-1235	6	4.9	5.09	6	
200-1236				5	
200-1237	6.2	5	5.21	6	
200-1238				8	
200-1239	6.3	5.5	5.84	7	
200-1240				8	
200-1241	7	6.2	6.88	8	
200-1242				6	
200-1243	8	6.3	7.14	8	
200-1244				10	
200-1245	8.5	7	7.95	9	
200-1246				11	
200-1247	9	7.1	9.16	10	
200-1248				10	
200-1249	10	8	10.53	12	
200-1250				7	
200-1251	10.5	9	11.91	14	
200-1252				15	
200-1253	11	10	12.97	14	
200-1254				16	
200-1255	11.2	11	14.06	14	
200-1256				17	
200-1257	12	11.2	15.44	16	
200-1258				17	
200-1259	12.5	12	17.52	16	
200-1260				17	
200-1261	13	14	18.22	17	
200-1262				18	
200-1263	14	15	19.61	18	
200-1264				22	
200-1265	17	14	24	22	
200-1266				22	
200-1267	18	15	25	24	
200-1268				24	
200-1269	19	15	26	25	
200-1270				26	
200-1271	20	15	27	26	
200-1272				27	

ER TAPPING COLLET

IMPERIAL SIZE

ER16G RIGID TAP COLLET						ER20G RIGID TAP COLLET					
Order No	d2	d1	SW	S□	Price	Order No	d2	d1	SW	S□	Price
200-1281	5/32"	0.168"	0.151"	0.1431"		200-1313	5/32"	0.168"	0.151"	0.1431"	
200-1282	3/16"	0.194"	0.180"	0.152"		200-1314	3/16"	0.194"	0.180"	0.152"	
200-1283	7/32"	0.220"	0.198"	0.165"		200-1315	7/32"	0.220"	0.198"	0.165"	
200-1284	1/4"	0.255"	0.198"	0.191"		200-1316	1/4"	0.255"	0.198"	0.191"	
ER25G RIGID TAP COLLET						ER32G RIGID TAP COLLET					
Order No	d2	d1	SW	S□	Price	Order No	d2	d1	SW	S□	Price
200-1285	5/32"	0.168"	0.151"	0.1431"		200-1317	5/16"	0.318"	0.258"	0.238"	
200-1286	3/16"	0.194"	0.180"	0.152"		200-1318	7/16"	0.323"	0.263"	0.242"	
200-1287	7/32"	0.220"	0.198"	0.165"		200-1319	1/2"	0.367"	0.307"	0.275"	
200-1288	1/4"	0.255"	0.198"	0.191"		200-1320	3/8"	0.381"	0.321"	0.286"	
200-1289	5/16"	0.318"	0.258"	0.238"		200-1321	9/16"	0.429"	0.370"	0.322"	
200-1290	7/16"	0.323"	0.263"	0.242"							
200-1291	1/2"	0.367"	0.307"	0.275"							
200-1292	3/8"	0.381"	0.321"	0.286"							
200-1293	9/16"	0.429"	0.370"	0.322"							
200-1294	1/8 PT	0.437"	0.378"	0.328"							
200-1295	5/8"	0.480"	0.422"	0.360"							
ER40G RIGID TAP COLLET						ER40G RIGID TAP COLLET					
Order No	d2	d1	SW	S□	Price	Order No	d2	d1	SW	S□	Price
200-1296	1/4"	0.255"	0.198"	0.191"		200-1322	5/32"	0.168"	0.151"	0.1431"	
200-01297	5/16"	0.318"	0.258"	0.238"		200-1323	3/16"	0.194"	0.180"	0.152"	
200-1298	7/16"	0.323"	0.263"	0.242"		200-1324	7/32"	0.220"	0.198"	0.165"	
200-1299	1/2"	0.367"	0.307"	0.275"		200-1325	1/4"	0.255"	0.198"	0.191"	
200-1300	3/8"	0.381"	0.321"	0.286"		200-1326	5/16"	0.318"	0.258"	0.238"	
200-1301	9/16"	0.429"	0.370"	0.322"		200-1327	7/16"	0.323"	0.263"	0.242"	
200-1302	1/8 PT	0.437"	0.378"	0.328"		200-1328	1/2"	0.367"	0.307"	0.275"	
200-1303	5/8"	0.480"	0.422"	0.360"		200-1329	3/8"	0.381"	0.321"	0.286"	
200-1304	11/16"	0.542"	0.486"	0.406"		200-1330	9/16"	0.429"	0.370"	0.322"	
200-1305	1/4PT	0.562"	0.483"	0.421"		200-1331	1/8 PT	0.437"	0.378"	0.328"	
200-1306	3/4"	0.590"	0.512"	0.442"		200-1332	5/8"	0.480"	0.422"	0.360"	
200-1307	13/16"	0.649"	0.576"	0.489"		200-1333	11/16"	0.542"	0.486"	0.406"	
200-1308	1/2PT	0.687"	0.612"	0.515"		200-1334	1/4PT	0.562"	0.483"	0.421"	
200-1309	7/8"	0.697"	0.623"	0.523"		200-1335	3/4"	0.590"	0.512"	0.442"	
200-1310	3/8PT	0.700"	0.634"	0.531"		200-1336	13/16"	0.649"	0.576"	0.489"	
200-1311	15/16"	0.760"	0.689"	0.570"							
200-1312	1"	0.800"	0.730"	0.600"							

SK HIGH SPEED COLLET

- Made of special esastic steel;65Mn
- Hardness;HRC 44-48



Inspection of Accuracy		
Run out		
L	A class	AA class
4*D	≡ 0.008	≡ 0.005

Model	d	d1	d2	d3	d4	L	L1	L2	L3
SK 06	8.9(8.6)	10.5	7.5	6	7.8	25	17.5	3.5	2.5
SK 10	13.7(13.1)	15.6	12	10	12	30.5	22	5	2.3
SK 13	18.5	20.1	17	13	15	39	28	5	2.5
SK 16	21.3(20.6)	24.6	18.8	16	19	45	32	8	2.8
SK 20	26.5	30	24	20	23	50	42	8	2.8
SK 25	31.1(29.9)	35.6	28.8	25.4	28.2	57	43	8.5	2.9

SK HIGH SPEED COLLET

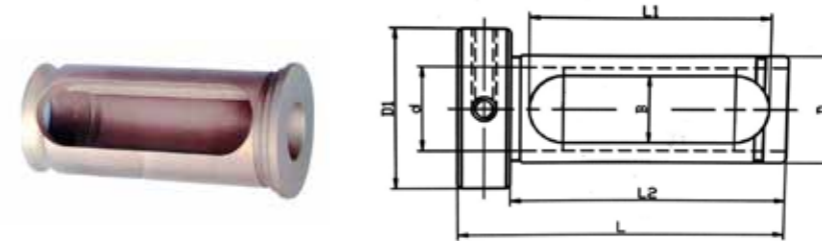
SK 06				SK 10			
Order No	Model	RANGE mm	Price	Order No	Model	RANGE mm	Price
200-1341	SK06-2	2-1.75		200-1350	SK10-2	2-1.75	
200-1342	SK06-2.5	2.5-2.25		200-1351	SK10-2.5	2.5-2.25	
200-1343	SK06-3	3-2.75		200-1352	SK10-3	3-2.75	
200-1344	SK06-3.5	3.5-3		200-1353	SK10-3.175	3.175-2.7	
200-1345	SK06-4	4-3.5		200-1354	SK10-3.5	3.5-3	
200-1346	SK06-4.5	4.5-4		200-1355	SK10-4	4-3.5	
200-1347	SK06-5	5-4.5		200-1356	SK10-4.5	4.5-4	
200-1348	SK06-5.5	5.5-5		200-1357	SK10-5	5-4.5	
200-1349	SK06-6	6-5.5		200-1358	SK10-5.5	5.5-5	
				200-1359	SK10-6	6-6.5	
				200-1360	SK10-6.5	6.5-6	
				200-1361	SK10-7	7-6.5	
				200-1362	SK10-7.5	7.5-6	
				200-1363	SK10-8	8-7.5	
				200-1364	SK10-8.5	8.5-8	
				200-1365	SK10-9	9-8.5	
				200-1366	SK10-9.5	9.5-9	
				200-1367	SK10-10	10-9.5	

SK 13				SK 16			
Order No	Model	RANGE mm	Price	Order No	Model	RANGE mm	Price
200-1368	SK13-3	3-2.75		200-1391	SK16-3	3-2.75	
200-1369	SK13-3.5	3.5-3		200-1392	SK16-3.175	3.175-2.75	
200-1370	SK13-4	4-3.5		200-1393	SK16-3.5	3.5-3	
200-1371	SK13-4.5	4.5-4		200-1394	SK16-4	4-3.5	
200-1372	SK13-5	5-4.5		200-1395	SK16-4.5	4.5-4	
200-1373	SK13-5.5	5.5-5		200-1396	SK16-5	5-4.5	
200-1374	SK13-6	6-5.5		200-1397	SK16-5.5	5.5-5	
200-1375	SK13-6.5	6.5-6		200-1398	SK16-6	6-5.5	
200-1376	SK13-7	7-6.5		200-1399	SK16-6.5	6.5-6	
200-1377	SK13-7.5	7.5-7		200-1400	SK16-7	7-6.5	
200-1378	SK13-8	8-7.5		200-1401	SK16-7.5	7.5-7	
200-1379	SK13-8.5	8.5-8		200-1402	SK16-8	8-7.5	
200-1380	SK13-9	9-8.5		200-1403	SK16-8.5	8.5-8	
200-1381	SK13-9.5	9.5-9		200-1404	SK16-9	9-8.5	
200-1382	SK13-10	10-9.5		200-1405	SK16-9.5	9.5-9	
200-1383	SK13-10.5	10.5-10		200-1406	SK16-10	10-9.5	
200-1384	SK13-11	11-10.5		200-1407	SK16-10.5	10.5-10	
200-1385	SK13-11.5	11.5-11		200-1408	SK16-11	11-10.5	
200-1386	SK13-12	12-11.5		200-1409	SK16-11.5	11.5-11	
200-1387	SK13-12.5	12.5-12		200-1410	SK16-12	12-11.5	
200-1388	SK13-13	13-12.5		200-1411	SK16-12.5	12.5-12	
				200-1412	SK16-13	13-12.5	
				200-1413	SK16-13.5	13.5-13	
				200-1414	SK16-14	14-13.5	
				200-1415	SK16-14.5	14.5-14	
				200-1416	SK16-15	15-14.5	
				200-1417	SK16-15.5	15.5-15	
				200-1418	SK16-16	16-15.5	

SK HIGH SPEED COLLET

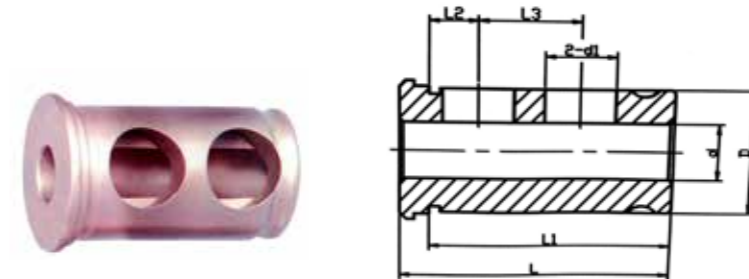
SK 20				SK 25			
Order No	Model	RANGE mm	Price	Order No	Model	RANGE mm	Price
200-1421	SK20-4	4-3.5		200-1461	SK25-6	6-5.5	
200-1422	SK20-4.5	4.5-4		200-1462	SK25-6.5	6.5-6	
200-1423	SK20-5	5-4.5		200-1463	SK25-7	7-6.5	
200-1424	SK20-5.5	5.5-5		200-1464	SK25-7.5	7.5-7	
200-1425	SK20-6	6-5.5		200-1465	SK25-8	8-7.5	
200-1426	SK20-6.5	6.5-6		200-1466	SK25-8.5	8.5-8	
200-1427	SK20-7	7-6.5		200-1467	SK25-9	9-8.5	
200-1428	SK20-7.5	7.5-7		200-1468	SK25-9.5	9.5-9	
200-1429	SK20-8	8-7.5		200-1469	SK25-10	10-9.5	
200-1430	SK20-8.5	8.5-8		200-1470	SK25-10.5	10.5-10	
200-1431	SK20-9	9-8.5		200-1471	SK25-11	11-10.5	
200-1432	SK20-9.5	9.5-9		200-1472	SK25-11.5	11.5-11	
200-1433	SK20-10	10-9.5		200-1473	SK25-12	12-11.5	
200-1434	SK20-10.5	10.5-10		200-1474	SK25-12.5	12.5-12	
200-1435	SK20-11	11-11.5		200-1475	SK25-13	13-12.5	
200-1436	SK20-11.5	11.5-11		200-1476	SK25-13.5	13.5-13	
200-1437	SK20-12	12-11.5		200-1477	SK25-14	14-13.5	
200-1438	SK20-12.5	12.5-12		200-1478	SK25-14.5	14.5-14	
200-1439	SK20-13	13-12.5		200-1479	SK25-15	15-14.5	
200-1440	SK20-13.5	13.5-13		200-1480	SK25-15.5	15.5-15	
200-1441	SK20-14	14-13.5		200-1481	SK25-16	16-15.5	
200-1442	SK20-14.5	14.5-14		200-1482	SK25-16.5	16.5-16	
200-1443	SK20-15	15-14.5		200-1483	SK25-17	17-16.5	
200-1444	SK20-15.5	15.5-15		200-1484	SK25-17.5	17.5-17	
200-1445	SK20-16	16-15.5		200-1485	SK25-18	18-17.5	
200-1446	SK20-16.5	16.5-16		200-1486	SK25-18.5	18.5-18	
200-1447	SK20-17	17-16.5		200-1487	SK25-19	19-18.5	
200-1448	SK20-17.5	17.5-17		200-1488	SK25-19.5	19.5-19	
200-1449	SK20-18	18-17.5		200-1489	SK25-20	20-19.5	
200-1450	SK20-18.5	18.5-18		200-1490	SK25-20.5	20.5-20	
200-1451	SK20-19	19-18.5		200-1491	SK25-21	21-20.5	
200-1452	SK20-19.5	19.5-19		200-1492	SK25-21.5	21.5-21	
200-1453	SK20-20	20-19.5		200-1493	SK25-22	22-21.5	
				200-1494	SK25-22.5	22.5-22	
				200-1495	SK25-23	23-22.5	
				200-1496	SK25-23.5	23.5-23	
				200-1497	SK25-24	24-23.5	
				200-1498	SK25-24.5	24.5-24	
				200-1499	SK25-25	25-24.5	

TOOL HOLDER SLEEVE



C SERIES SLEEVE

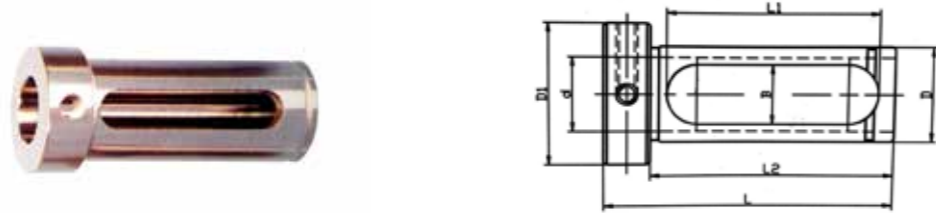
Order No	Model No. (D-L)	Size					Price
		D	d	L	L1	L2	
400-1951	3/4"-2-1/2"	3/4"	1/4";5/16";3/8"; 1/2"	2-1/2"	2-1/4"	1-7/8"	
400-1952	1"-3"	1"	1/4";5/16";3/8";1/2";5/8";3/4"	3"	2-3/4"	2-3/8"	
400-1953	1-1/4"-3-1/2"	1-1/4"	3/8";1/2";5/8";3/4";7/8";1"	3-1/2"	3-1/4"	2-7/8"	
400-1954	1-1/2"-3-5/8"	1-1/2"	3/8";1/2";5/8";3/4";7/8";1";1-1/4"	3-5/8"	3-3/8"	3"	
400-1955	1-3/4"-3-3/4"	1-3/4"	1/2";5/8";3/4";7/8";1"; 1-1/4";1-1/2"	3-3/4"	3-1/2"	3-1/8"	
400-1956	2"-4-1/4"	2"	1/2";5/8";3/4";7/8";1"; 1-1/4";1-1/2";1-3/4"	4-1/4"	4"	3-5/8"	



J SERIES SLEEVE

Order No	Model No. (D-L)	Size							Price
		D	d	d1	L	L1	L2	L3	
400-1961	3/4"-1-3/4"	3/4"	1/4";5/16";3/8";1/2"	3/8"	1-3/4"	1-1/2"	3/8"	13/16"	
400-1962	1"-2"	1"	3/8";1/2";5/8";3/4"	5/8"	2"	1-3/4"	7/16"	7/8"	
400-1963	1-1/4"-2-3/8"	1-1/4"	3/8";1/2";5/8";3/4";7/8";1"	5/8"	2-3/8"	2-1/8"	5/8"	1"	
400-1964	1-1/2"-2-3/4"	1-1/2"	3/8";1/2";5/8";3/4";7/8";1";1-1/4"	7/8"	2-3/4"	2-1/2"	11/16"	1-1/8"	
400-1965	1-3/4"-3-1/4"	1-3/4"	1/2";5/8";3/4";7/8";1"; 1-1/4";1-1/2"	7/8"	3-1/4"	3"	3/4"	1-1/4"	
400-1966	2"-3-3/4"	2"	1/2";5/8";3/4";7/8";1"; 1-1/4";1-1/2";1-3/4"	1"	3-3/4"	3-1/2"	3/4"	1-1/2"	

TOOL HOLDER SLEEVE



Z SERIES SLEEVE

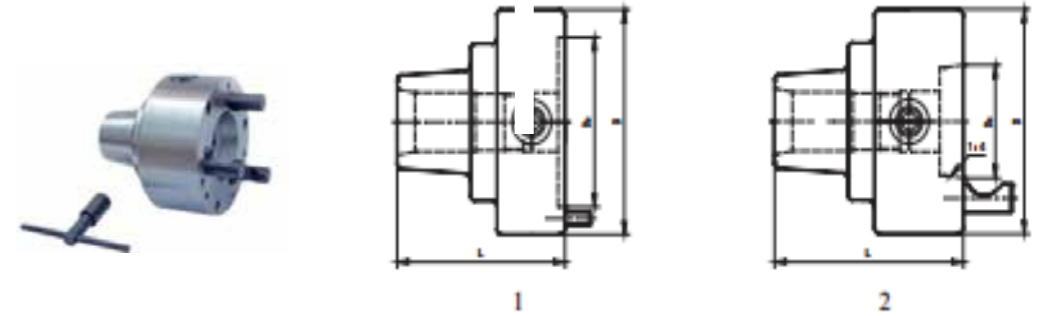
Order No	Model No. (D-L)	Size							Price
		D	D1	d	L	L1	L2	B	
400-1967	1"-3-1/4"	1"	1-1/2"	1/4";5/16";3/8"; 1/2";5/8";3/4"	3-1/4"	2-3/8"	2-3/4"	5/8"	
400-1968	1-1/4"-3-5/8"	1-1/4"	1-7/8"	3/8";1/2";5/8"; 3/4";7/8";1"	3-5/8"	2-5/8"	3"	5/8"	
400-1969	1-1/2"-4"	1-1/2"	2-1/4"	3/8";1/2";5/8"; 3/4";7/8";1";1-1/4"	4"	2-7/8"	3-1/4"	7/8"	
400-1970	1-3/4"-4-1/4"	1-3/4"	3"	1/2";5/8";3/4";7/8";1";1-1/4";1-1/2"	4-1/4"	3-1/8"	3-1/2"	7/8"	
400-1971	2"-4-1/2"	2"	3"	1/2";5/8";3/4";7/8";1";1-1/4"; 1-1/2"; 1-3/4"	4-1/2"	3-3/8"	3-3/4"	1"	



MORSE TOOL HOLDER SLEEVE

Order No	Model	Fig	φDh7	φC	L	L1	MT No.		Price
							MT No.	φd	
400-1972	D20-1 MT	1	20	23	76	20	1	12.65	
400-1973	D20-2 MT				93	35	2	17.78	
400-1974	D25-1 MT		25	31	81	15	1	12.65	
400-1975	D25-2 MT				93	20	2	17.78	
400-1976	D32-1 MT	2	32	37	81	15	1	12.65	
400-1977	D32-2 MT				91	20	2	17.78	
400-1978	D32-3 MT				3	23.825			
400-1979	D42-1 MT	1	42	47	96	20	1	12.65	
400-1980	D42-2 MT				2	17.78			
400-1981	D42-3 MT	2			92	15	3	23.825	
400-1982	D42-4 MT				115	30	4	31.267	

5C PRECISION COLLET CHUCK



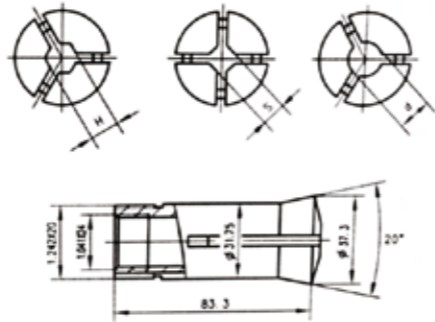
Order No	Type	D mm (in)	D0 mm (in)	L mm (in)	Clamping rang			Figure	Price			
					Round mm (in)	Square mm (in)	Hex mm (in)					
400-1983	125(5")-5C	126(5")	95(3.74")	107(4.213")	3/64"~1-1/8"	3mm~19mm	3mm~22mm	Fig.1				
400-1984	125(5")-D3	126(5")	53.975(2.125")	120.5(4.744")								
400-1985	125(5")-D4	126(5")	63.513(2.5")	120.5(4.744")								
400-1986	125(5")-D5	140(5.5")	82.563(3.251")	143.5(5.65")								
400-1987	125(5")-D6	165(6.5")	106.375(4.188")	143.5(5.65")								
400-1988	125(5")-D8	210(8")	139.719(5.5")	143.5(5.65")								

5" Machined adapter plates for plain back chuck

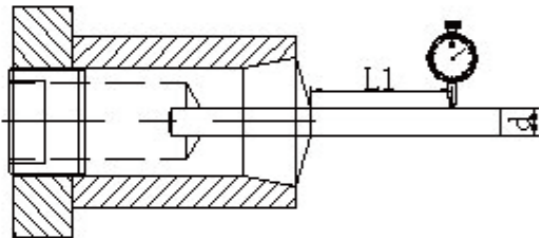
Order No	Spindle	Price
400-1991	A-4	
400-1992	A-5	
400-1993	A-6	
400-1994	A-8	
400-1995	D1-3	
400-1996	D1-4	
400-1997	D1-5	
400-1998	D1-6	



5C COLLETS



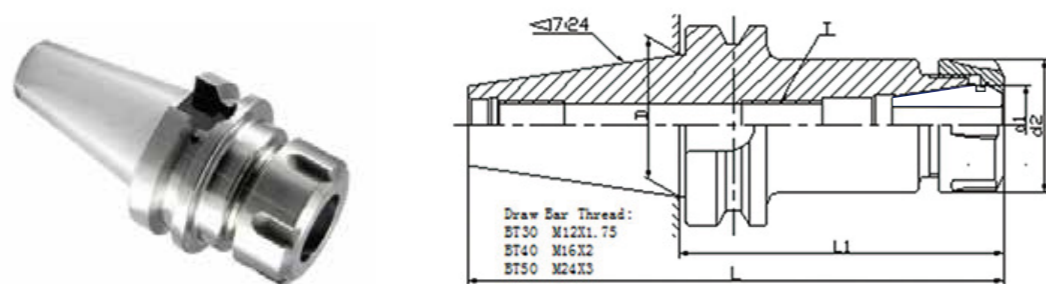
Order No.	Type	Clamping rang		Weight(kg)
		mm	inch	
200-5C-R-d	Round	1-28	1/32-1-1/8	0.24
200-5C-S-d	Square	3-19	1/8-3/4	0.24
200-5C-H-H	Hex	3-22	1/8-7/8	0.24



d		L1	Run out	
mm	in	mm	in	mm
1-1.6	1/32-1/16	6.35	0.005	0.013
>1.6-3	>1/16-1/8	12.7		
>3-10	>1/8-3/8	25.4		
>10-16	>3/8-5/8	38.1		
>16-20	>5/8-7/8	50.8		

NOTE

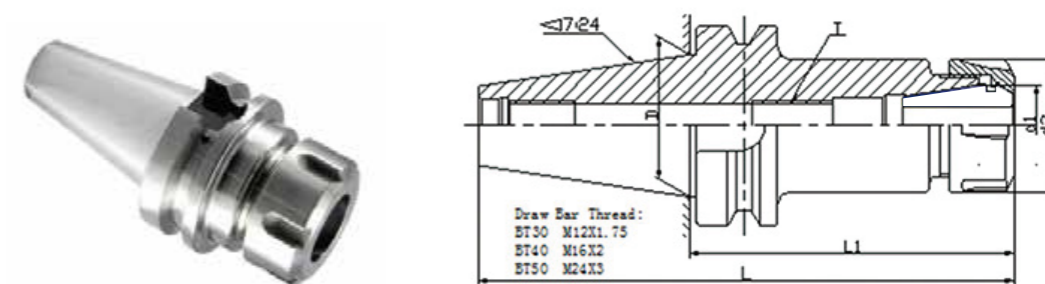
BT-ER COLLET CHUCK



MAS 403/BT

Order No.	Type	L1	L	D	d1	d2	T	N.W. (kg)	Price
					ER				
300-0081	BT30-ER11-40	40	88.4	31.75	11	19	M6×1.0P	0.4	
300-0082	BT30-ER11-60	60	108.4					0.45	
300-0083	BT30×ER16-70	70	118.4					0.55	
300-0084	BT30×ER16-100	100	148.4		16	28	M10×1.5P	0.8	
300-0085	BT30×ER16-120	120	168.4					0.95	
300-0086	BT30×ER20-70	70	118.4					0.75	
300-0087	BT30×ER20-100	100	148.4		20	34	M12×1.75P	1.02	
300-0088	BT30×ER20-135	135	183.4					1.15	
300-0089	BT30×ER25-70	70	118.4					0.7	
300-0090	BT30×ER25-100	100	148.4		25	42	M16×2.0P	1.01	
300-0091	BT30×ER25-135	135	183.4					1.45	
300-0092	BT30×ER32-70	70	118.4					0.85	
300-0093	BT30×ER32-100	100	148.4		32	50	M16×2.0P	1	
300-0094	BT30×ER40-80	80	128.4					1.1	
300-0121	BT40×ER16-70	70	135.4					1.2	
300-0122	BT40×ER16-100	100	165.4	16	28	M10×1.5P	1.3		
300-0123	BT40×ER16-125	125	190.4				1.36		
300-0124	BT40×ER16-150	150	215.4				1.54		
300-0125	BT40×ER20-70	70	135.4	20	34	M12×1.75P	1.4		
300-0126	BT40×ER20-100	100	165.4				1.5		
300-0127	BT40×ER20-135	135	200.4				1.7		
300-0128	BT40×ER20-150	150	215.4	25	42	M16×2.0P	1.8		
300-0129	BT40×ER25-70	70	135.4				1.3		
300-0130	BT40×ER25-100	100	155.4				1.5		
300-0131	BT40×ER25-125	125	190.4	32	50	M16×2.0P	1.9		
300-0132	BT40×ER25-150	150	215.4				2.25		
300-0133	BT40×ER32-70	70	135.4				1.3		
300-0134	BT40×ER32-100	100	165.4	40	63	M20×2.0P	1.7		
300-0135	BT40×ER32-150	150	215.4				2.5		
300-0136	BT40×ER40-80	80	145.4				1.5		
300-0137	BT40×ER40-100	100	165.4	40	63	M20×2.0P	2.05		
300-0138	BT40×ER40-120	120	185.4				2.5		
300-0139	BT40×ER40-150	150	215.4				3.1		

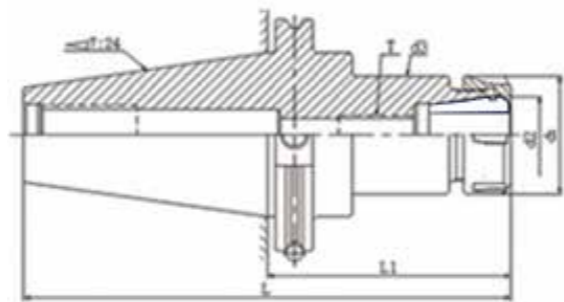
BT-ER COLLET CHUCK



MAS 403/BT

Order No.	Type	L1	L	D	d1	d2	T	N.W. (kg)	Price
					ER				
300-0171	BT50×ER16-70	70	171.8	69.85	16	28	M10×1.5P	4.05	
300-0172	BT50×ER16-90	90	191.8					4.2	
300-0173	BT50×ER16-105	105	206.8					4.3	
300-0174	BT50×ER16-135	135	236.8					4.4	
300-0175	BT50×ER16-165	165	266.8					4.5	
300-0176	BT50×ER20-70	70	171.8		20	34	M12×1.75P	4.2	
300-0177	BT50×ER20-90	90	191.8					4.25	
300-0178	BT50×ER20-105	105	206.8					4.3	
300-0179	BT50×ER20-135	135	236.8					4.55	
300-0180	BT50×ER20-150	150	251.8					4.7	
300-0181	BT50×ER20-165	165	266.8		25	42	M16×2.0P	4.8	
300-0182	BT50×ER20-200	200	301.8					4.9	
300-0183	BT50×ER25-70	70	171.8					4.2	
300-0184	BT50×ER25-105	105	206.8					4.4	
300-0185	BT50×ER25-135	135	236.8					4.7	
300-0186	BT50×ER25-165	165	266.8	32	50	M16×2.0P	5		
300-0187	BT50×ER32-80	80	181.8				4.7		
300-0188	BT50×ER32-100	100	201.8				4.8		
300-0189	BT50×ER32-120	120	221.8				4.9		
300-0190	BT50×ER32-150	150	251.8				5.3		
300-0191	BT50×ER32-200	20	301.8	40	63	M20×2.0P	5.5		
300-0192	BT50×ER40-80	80	181.8				4.3		
300-0193	BT50×ER40-100	100	201.8				4.4		
300-0194	BT50×ER40-120	120	221.8				5.2		
300-0195	BT50×ER40-135	135	236.8				5.5		
300-0196	BT50×ER40-150	150	251.8	40	63	M24×2.0P	4.6		

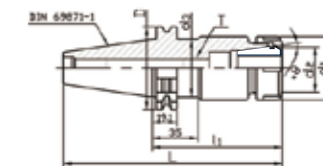
CAT-ER COLLET CHUCK



ANSI B5.50 CAT

Order No.	Type	L	L1	d1	d2	d3	T	N.W. (kg)	Price			
300-0221	CAT40×ER16-2.76"	5.447	2.76"	1.102	0.63	1.750"	M10×1.5P	1.05				
300-0222	CAT40×ER16-4"	6.0687						1.35				
300-0223	CAT40×ER16-6"	8.687						1.65				
300-0224	CAT40×ER16-8"	10.687						1.85				
300-0225	CAT40×ER20-2.76"	5.447		1.339	0.788		M12×1.75P	1.25				
300-0226	CAT40×ER20-4"	6.687						1.65				
300-0227	CAT40×ER25-2.76"	5.447						1.35				
300-0228	CAT40×ER25-4"	6.687						1.7				
300-0229	CAT40×ER25-6"	8.687		1.654	0.984		M16×2.0P	2.25				
300-0230	CAT40×ER25-8"	10.687						2.25				
300-0231	CAT40×ER32-2.76"	5.447						1.969	1.26	M16×2.0P	1.25	
300-0232	CAT40×ER32-4"	6.687									1.75	
300-0233	CAT40×ER32-6"	8.687		2.15								
300-0234	CAT40×ER32-8"	10.687		2.65								
300-0235	CAT40×ER40-3.15"	5.837		2.48	1.575		M20×2.0P	1.8				
300-0236	CAT40×ER40-4"	6.687						2.05				
300-0237	CAT40×ER40-6"	8.687						3.3				
300-0238	CAT40×ER40-8"	5.837						2.65				
300-0261	CAT50×ER16-4"	8		4.00"	1.102		0.63	M10×1.5P4.28	4.1			
300-0262	CAT50×ER16-6"	10							4.28			
300-0263	CAT50×ER16-8"	12	4.4									
300-0264	CAT50×ER20-4"	8	1.399			0.788			M12×1.75P	4.2		
300-0265	CAT50×ER20-6"	10			4.45							
300-0266	CAT50×ER20-8"	12			4.6							
300-0267	CAT50×ER25-4"	8			1.654		0.984	M16×2.0P		4.15		
300-0268	CAT50×ER25-6"	10	4.5									
300-0269	CAT50×ER25-8"	12	4.7									
300-0270	CAT50×ER32-4"	8	1.969			1.26			M16×2.0P	4.35		
300-0271	CAT50×ER32-6"	10			4.6							
300-0272	CAT50×ER32-8"	12			4.9							
300-0273	CAT50×ER40-4"	8			2.48		1.575	M20×2.0P		4.25		
300-0274	CAT50×ER40-6"	10	4.8									
300-0275	CAT50×ER40-8"	12	5.1									
300-0276	CAT50×ER50-4"	8	3.07			1.969			M24×2.0P	4.85		
300-0277	CAT50×ER50-6"	10			5.55							
300-0278	CAT50×ER50-8"	12			5.7							

DAT-ER COLLET CHUCK

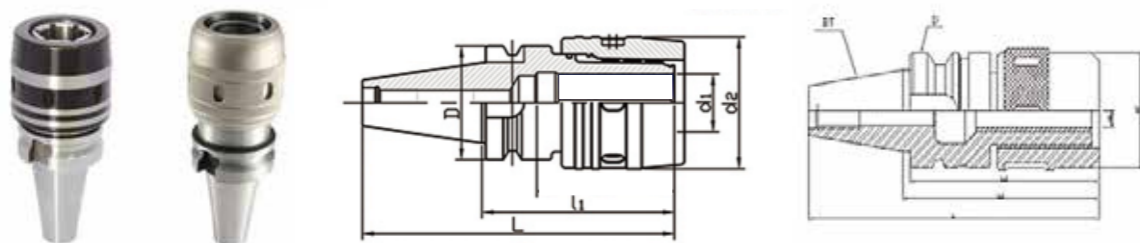


DIN69871-1

Order No.	Type	L	D	d1	d2	d3	T	N.W. (kg)	Price		
					ER	MAX					
300-0301	DAT30×ER11-80	127.8	69.85	19	11	45	M10×1.5P	0.6			
300-0302	DAT30×ER16-63	110.8		28	16			0.7			
300-0303	DAT30×ER16-120	167.8		34	20			M12×1.75P	0.85		
300-0304	DAT30×ER20-63	110.8							1.05		
300-0305	DAT30×ER20-120	167.8							M16×2.0P	0.85	
300-0306	DAT30×ER25-63	110.8								0.9	
300-0307	DAT30×ER32-63	110.8		0.9							
300-0331	DAT40×ER11-80	148.4	63.55	19	11	M10×1.5P	1.05				
300-0332	DAT40×ER11-125	193.4		28	16		1.15				
300-0333	DAT40×ER16-70	138.4					1.3				
300-0334	DAT40×ER16-100	168.4					1.4				
300-0335	DAT40×ER16-125	193.4					1.6				
300-0336	DAT40×ER16-150	218.4					1.65				
300-0337	DAT40×ER16-180	248.4					1.85				
300-0338	DAT40×ER20-70	138.4		34	20	M12×1.75P	1.4				
300-0339	DAT40×ER20-100	168.4					1.5				
300-0340	DAT40×ER20-135	203.4					1.95				
300-0341	DAT40×ER20-160	228.4					2.2				
300-0342	DAT40×ER25-70	138.4					42	25	M16×2.0P	1.6	
300-0343	DAT40×ER25-100	168.4								1.85	
300-0344	DAT40×ER25-150	218.4								2.25	
300-0345	DAT40×ER25-180	248.4	2.45								
300-0346	DAT40×ER25-200	268.4	2.55								
300-0347	DAT40×ER32-70	138.4	1.6								
300-0348	DAT40×ER32-100	168.4	2								
300-0349	DAT40×ER32-135	203.4	50	32	M16×2.0P	2.15					
300-0350	DAT40×ER40-150	218.4				2.65					
300-0351	DAT40×ER40-70	138.4				63	40	M20×2.0P	1.5		
300-0352	DAT40×ER40-100	168.4							2		
300-0353	DAT40×ER40-150	218.4							3.3		
300-0381	DAT50×ER16-100	201.75				97.5	28	16	M10×1.5P	3.2	
300-0382	DAT50×ER16-135	236.75								4.3	
300-0383	DAT50×ER16-160	261.75	4.5								
300-0384	DAT50×ER16-180	281.75	4.8								
300-0385	DAT50×ER20-100	201.75	34	20	M12×1.75P		3.4				
300-0386	DAT50×ER20-135	236.75					3.6				
300-0387	DAT50×ER20-160	261.75					3.8				
300-0388	DAT50×ER25-70	171.75					3.4				
300-0389	DAT50×ER25-100	201.75	42	25	M16×2.0P		4.15				
300-0390	DAT50×ER25-150	251.75					4.5				
300-0391	DAT50×ER25-200	301.75					4.7				
300-0392	DAT50×ER32-80	181.75					3.6				
300-0393	DAT50×ER32-120	221.75	50	32	M16×2.0P		4.6				
300-0394	DAT50×ER32-160	261.75					4.75				
300-0395	DAT50×ER32-200	301.75				4.9					
300-0396	DAT50×ER40-80	181.75				3.65					
300-0397	DAT50×ER40-120	221.75	63	40	M20×2.0P	4.8					
300-0398	DAT50×ER40-160	261.75				5.2					
300-0399	DAT50×ER40-200	301.75				5.4					

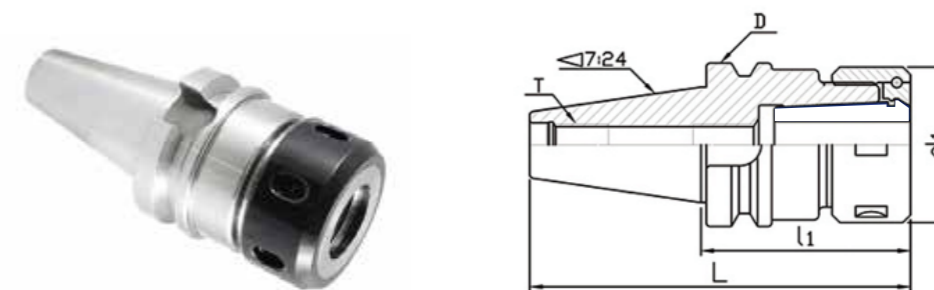
BT-SK/CAT FORCE COLLET CHUCK

- Material: 20 CrMn Ti
- Does: hardness HRC56 ° to 60 °, carburized depth of > 0.8 mm
- Taper shank tolerance grade: < AT3
- Default dynamic balancing G6.3-8000 RPM, precision dynamic balancing G6.3-12000 RPM
- The handle hole divided six slots in order to prevent the tool rotation, force increases
- The use of special material ball bearing cage, prolong the service life, enhances the clamping force
- With blessings great strength, high centering precision, especially for strong cutting



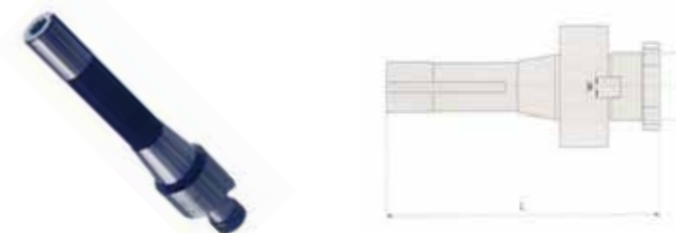
Order No.	Type	D	d1	d2	L1	L
300-0451	BT30-C20-75	46	20	55	75	123.4
300-0452	BT30-C20-90				90	138.4
300-0453	BT30-C22-90		22	58	90	138.4
300-0454	BT30-C25-80				80	128.4
300-0455	BT30-C32-100	63	20	55	100	148.4
300-0481	BT40-C20-90				90	155.4
300-0482	BT40-C22-90		22	58	90	155.4
300-0483	BT40-C25-95				95	160.4
300-0484	BT40-C25-130	32	68	130	195.4	
300-0485	BT40-C32-95			95	160.4	
300-0486	BT40-C32-105			105	170.4	
300-0487	BT40-C32-135	100	25	58	135	200.4
300-0501	BT50-C25-95				95	196.8
300-0502	BT50-C32-105		32	68	105	206.8
300-0503	BT50-C32-135				135	236.8
300-0504	BT50-C32-165	42	84	165	266.8	
300-0505	BT50-C42-115			115	216.8	
300-0531	SK30-C20-85			50	20	55
300-0532	SK30-C20-100	100	147.8			
300-0533	SK30-C32-135	32	68		135	182.8
300-0571	SK40-C20-85			63.55	20	55
300-0572	SK40-C20-100	100	168.4			
300-0573	SK40-C20-135	32	68		135	203.4
300-0574	SK40-C32-105				105	173.4
300-0575	SK50-C20-105	97.5	20	55	105	206.75
300-0576	SK50-C32-110				32	68
300-0577	SK50-C32-135		135	236.75		
300-0578	SK50-C42-110		42	211.75		
300-0601	CAT40-C3/4"-3.385"	2.5"	0.75"	2.17"	3.385"	5.23"
300-0602	CAT40-C3/4"-4.13				4.13"	6.82"
300-0603	CAT40-C1-1/4"-4.53"		1.25"	2.87"	3.35"	7.21"
300-0621	CAT50-C3/4"-4.13	3.875"			0.75"	2.17"
300-0622	CAT50-C1-1/4"-4.13"		1.25"	2.87"		

BT-EOC COLLET CHUCK



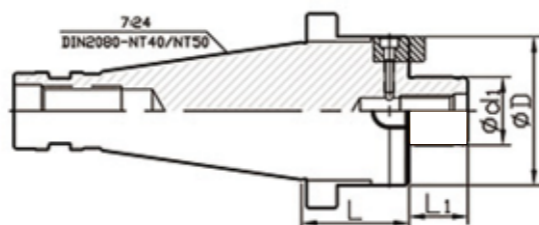
Order No.	Type	L	L1	D	d1	T	N.W. (kg)	Price
300-0001	BT30×EOC25-70	118.4	70	46	60	M12×1.75P	1	
300-0031	BT40×EOC25-70	135.4	70	63	60	M16×2.0P	1.65	
300-0032	BT40×EOC25-100	165.4	100				2.25	
300-0033	BT40×EOC25-120	185.4	120				2.7	
300-0034	BT40×EOC32-90	155.4	90	63	72		2	
300-0035	BT40×EOC32-105	170.4	105				2.2	
300-0036	BT40×EOC32-120	185.4	120				2.45	
300-0051	BT50×EOC25-85	186.8	85	100	60	M24×2.0P	4.4	
300-0052	BT50×EOC25-100	201.8	100				4.8	
300-0053	BT50×EOC25-120	221.8	120				5.2	
300-0054	BT50×EOC32-90	191.8	90	100	72		4.6	
300-0055	BT50×EOC32-105	206.8	105				4.85	
300-0056	BT50×EOC32-120	221.8	120				5.35	

R8-FMB/FMA FACE MILL CUTTER HOLDER



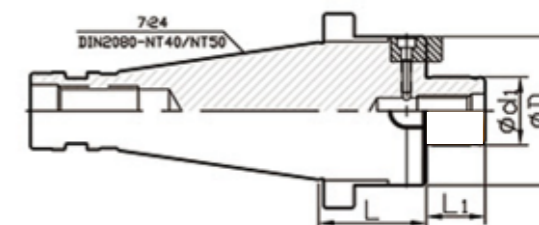
Order No.	Type	d	W	L	Price
300-0801	R8-FMB16	16	8	148	
300-0802	R8-FMB22	22	10	155	
300-0803	R8-FMB27	27	12	160	
300-0804	R8-FMB32	32	14	166	
300-0805	R8-FMB40	40	16	170	
300-0806	R8-FMA1/2"	1/2"	6.35	150	
300-0807	R8-FMA3/4"	3/4"	7.94	154	
300-0808	R8-FMA7/8"	7/8"	8.7	155	
300-0809	R8-FMA1"	1"	9.53	155	
300-0810	R8-FMA1-1/4"	1-1/4"	12.7	156	
300-0811	R8-FMA1-1/2"	1-1/2"	15.88	163	

ISO(NT)-FMB FACE MILL CUTTER HOLDER



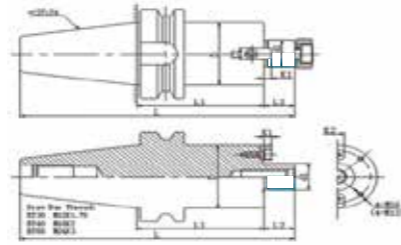
Order No.	Shank Type	d1	D	W	L	KGS	Price
300-0881	NT30-d1	FMB13	31.75	8	121	0.315	
300-0882		FMB16		8	126	0.369	
300-0883		FMB22		10	129	0.47	
300-0884		FMB27		12	134	0.6	
300-0885		FMB32		14	141	1.04	
300-0921	NT40-d1	FMB16	44.45	8	153	0.711	
300-0922		FMB22		10	156	0.82	
300-0923		FMB27		12	159	0.95	
300-0924		FMB32		14	178	1.45	
300-0925		FMB40		16	182	1.91	
300-0926		FMB50		18	187	2.8	
300-0927		FMB60		20	209	4.23	
300-0961	NT50-d1	FMB16	69.85	8	205	2.88	
300-0962		FMB22		10	208	3.04	
300-0963		FMB27		12	211	3.22	
300-0964		FMB32		14	215	3.49	
300-0965		FMB40		16	219	3.91	
300-0966		FMB50		18	224	4.75	
300-0967		FMB60		20	246	6.15	

ISO(NT)-FMA FACE MILL CUTTER HOLDER



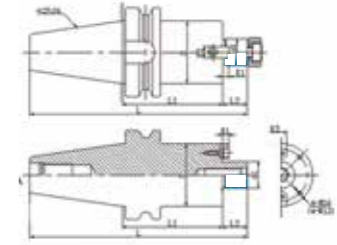
Order No.	Shank Type	d1	D	W	L	KGS	Price
300-0991	NT30-d1	FMA1/2	31.75	6.35	139.5	0.549	
300-0992		FMA5/8		7.14	140.5	0.639	
300-0993		FMA3/4		7.94	144	0.753	
300-0994		FMA7/8		8.7	145	0.879	
300-0995		FMA1"		9.53	145	1.021	
300-1021	NT40-d1	FMA1/2	44.45	6.35	164.5	0.922	
300-1022		FMA5/8		7.14	165.5	1.012	
300-1023		FMA3/4		7.94	169	1.126	
300-1024		FMA7/8		8.7	170	1.252	
300-1025		FMA1"		9.53	170	1.415	
300-1026		FMA1-1/4		12.7	171	1.712	
300-1027		FMA1-1/2		15.88	178	2.206	
300-1028	NT50-d1	FMA2"	69.85	19.05	205	3.921	
300-1051		FMA1/2		6.35	198	2.705	
300-1052		FMA5/8		7.14	199	2.799	
300-1053		FMA3/4		7.94	202	2.913	
300-1054		FMA7/8		8.7	203	3.039	
300-1055		FMA1"		9.53	203	3.202	
300-1056		FMA1-1/4		12.7	204	4	
300-1057		FMA1-1/2		15.88	211.5	4.018	
300-1058		FMA2"		19.05	238.5	5.693	

BT-FMA FACE MILL CUTTER HOLDER



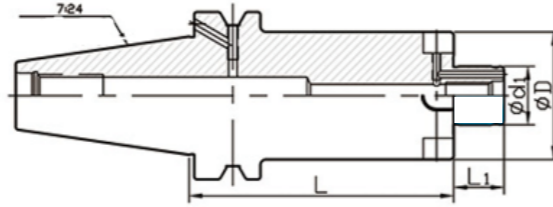
Order No.	Type	d1	L1	D	d2	L	L2	K1	K2	N.W. (kg)	Price
300-1081	BT30×FMA25.4-45	25.4	45	50	31.5	113.4	20	4.52	9.52	1.1	
300-1082	BT30×FMA25.4-60		60			128.4				1.3	
300-1083	BT30×FMA31.75-45	31.75	45	60	41	115.4	22	6.7	12.7	1.35	
300-1121	BT40×FMA25.4-45	25.4	45	50	31.5	130.4	20	4.52	9.52	1.8	
300-1122	BT40×FMA25.4-60		60			145.4				2	
300-1123	BT40×FMA25.4-90		90			175.4				2.6	
300-1124	BT40×FMA25.4-105		105			190.4				2.7	
300-1125	BT40×FMA31.75-45		45			132.4				2	
300-1126	BT40×FMA31.75-75	31.75	75	60	41	162.4	22	6.7	12.7	2.7	
300-1127	BT40×FMA31.75-90		90			177.4				2.9	
300-1128	BT40×FMA38.10-60	38.1	60	75	44.5	150.4	25	8.87	15.87	2.8	
300-1129	BT40×FMA50.80-60	50.8	60	98	68	161.4	36	9.75	19.05	4	
300-1151	BT50×FMA25.4-45	25.4	45	50	31.5	166.4	20	4.52	9.52	4.4	
300-1152	BT50×FMA25.4-90		90			211.8				5.1	
300-1153	BT50×FMA25.4-150		150			271.8				6.1	
300-1154	BT50×FMA31.75-45		45			168.8				4.5	
300-1155	BT50×FMA31.75-75	31.75	75	60	41	198.8	22	6.7	12.7	5.3	
300-1156	BT50×FMA31.75-105		105			228.8				5.7	
300-1157	BT50×FMA38.10-45	38.1	45	80	44.5	171.8	25	8.87	15.87	4.8	
300-1158	BT50×FMA38.10-75		75			201.8				6	
300-1159	BT50×FMA50.80-45	50.8	45	98	65	182.8	36	9.75	19.05	5.7	
300-1160	BT50×FMA50.80-75		75			212.8				6.8	
300-1161	BT50×FMA47.62-75	47.62	75	128.75	-	208.8	32	12.5	25.4	7.9	

BT-FMB FACE MILL CUTTER HOLDER



Order No.	Type	d1	L1	D	d2	L	L2	K1	K2	N.W. (kg)	Price
300-1201	BT30×FMB22-45	22	45	48	26	111.4	18	4.8	10	0.85	
300-1202	BT30×FMB22-60		60			126.4				1.25	
300-1203	BT30×FMB27-45	27	45	60	31.5	113.4	20	5.8	12	1.2	
300-1204	BT30×FMB27-60		60			128.4				1.35	
300-1205	BT30×FMB32-45	32	45	78	41	115.4	22	6.8	14	1.35	
300-1251	BT40×FMB22-45	22	45	48	26	128.4	18	4.8	10	1.45	
300-1252	BT40×FMB22-60		60			143.4				1.7	
300-1253	BT40×FMB22-100		100			183.4				2.2	
300-1254	BT40×FMB22-150		150			233.4				3.1	
300-1255	BT40×FMB22-200		200			283.4				3.1	
300-1256	BT40×FMB27-45	27	45	60	32.5	130.4	20	5.8	12	1.6	
300-1257	BT40×FMB27-60		60			145.4				2	
300-1258	BT40×FMB27-90		90			175.4				2.3	
300-1259	BT40×FMB27-105		105			190.4				2.5	
300-1260	BT40×FMB32-45	32	45	78	41	132.4	22	6.8	14	1.75	
300-1261	BT40×FMB32-60		60			147.4				2.1	
300-1262	BT40×FMB40-60	40	60	80	48	150.4	25	8.3	16	2.8	
300-1301	BT50×FMB22-45	22	45	48	26	164.4	18	4.8	10	4.5	
300-1302	BT50×FMB22-90		90			209.8				5.1	
300-1303	BT50×FMB22-150		150			269.8				6.8	
300-1304	BT50×FMB22-200		200			319.8				7	
300-1305	BT50×FMB22-250		250			369.8				8	
300-1306	BT50×FMB22-300		300			419.8				9.2	
300-1307	BT50×FMB22-350		350			469.8				10.5	
300-1308	BT50×FMB22-400		400			519.8				11.5	
300-1309	BT50×FMB27-50		27			50				60	31.5
300-1310	BT50×FMB27-90	90		211.8	5.4						
300-1311	BT50×FMB27-150	150		271.8	7.5						
300-1312	BT50×FMB27-200	200		321.8	9.5						
300-1313	BT50×FMB27-250	250		371.8	11						
300-1314	BT50×FMB32-50	32		50	78	41	173.8	22	6.8		
300-1315	BT50×FMB32-90		90	213.8			5.8				
300-1316	BT50×FMB40-50	40	50	89	48	176.8	25	8.3	16	5.2	
300-1317	BT50×FMB40-90		90			216.8				6	
300-1318	BT50×FMB40-105		105			231.8				7.2	
300-1319	BT50×FMB40F-75	75	110	-	202.8	26	6				
300-1320	BT50×FMB60-75	60	75	140	-	210.8	25	12.5	25.4	8.5	

BT-FMC FACE MILL CUTTER HOLDER/Coolant Type



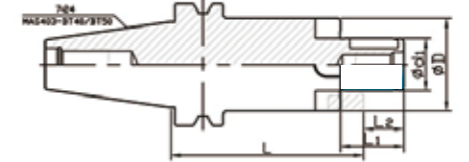
Order No.	Type	d1	D	L1	L	Price
300-1401	BT40-FMC16-35	16	38	17	35	
300-1402	BT40-FMC22-35	22	48	19	35	
300-1403	BT40-FMC27-35	27	58	21	35	
300-1404	BT40-FMC32-50	32	78	24	50	
300-1405	BT40-FMC40-60	40	80	27	60	
300-1451	BT50-FMC16-35	16	38	17	35	
300-1452	BT50-FMC22-55	22	48	19	55	
300-1453	BT50-FMC22-100	22	48	19	100	
300-1454	BT50-FMC27-55	27	58	21	55	
300-1455	BT50-FMC27-100	27	58	21	100	
300-1456	BT50-FMC32-50	32	78	24	55	
300-1457	BT50-FMC32-100	32	78	24	100	
300-1458	BT50-FMC40-55	40	80	27	55	
300-1459	BT50-FMC40-100	40	80	27	100	

TOOL LOCKING DEVICE



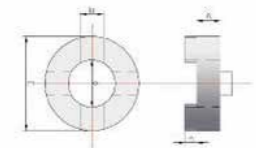
Order No.	Type	N.W.(KG)	Price
300-1471	BT30	3.9	
300-1472	BT40	4.2	
300-1473	BT50	11.6	
300-1476	CAT40	4.2	
300-1477	CAT50	11.6	
300-1481	SK30	3.9	
300-1482	SK40	4.2	
300-1483	SK50	11.6	

BT-CMA-COMBI SHELL END MILL ARBOR



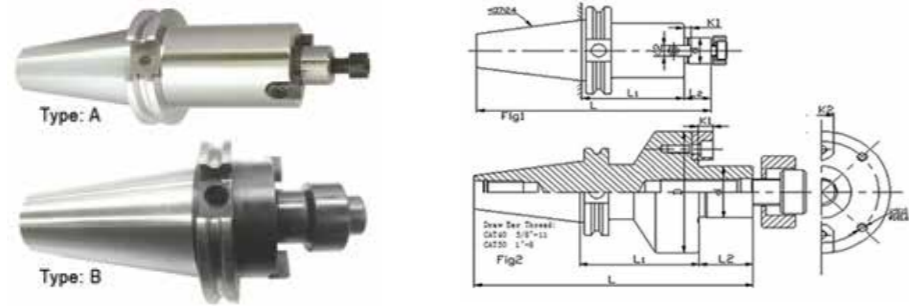
Order No.	Type	d1	D	L1	L2	L	Price
300-1501	BT40-CMA16-55	16	32	27	17	55	
300-1502	BT40-CMA16-100	16	32	27	17	100	
300-1503	BT40-CMA22-55	22	40	31	19	55	
300-1504	BT40-CMA22-100	22	40	31	19	100	
300-1505	BT40-CMA27-55	27	48	33	21	55	
300-1506	BT40-CMA27-100	27	48	33	21	100	
300-1507	BT40-CMA32-60	32	58	38	24	60	
300-1508	BT40-CMA32-100	32	58	38	24	100	
300-1509	BT40-CMA40-60	40	70	41	27	60	
300-1510	BT40-CMA40-100	40	70	41	27	100	
300-1561	BT50-CMA16-70	16	32	27	17	70	
300-1562	BT50-CMA16-100	16	32	27	17	100	
300-1563	BT50-CMA22-70	22	40	31	19	70	
300-1564	BT50-CMA22-100	22	40	31	19	100	
300-1565	BT50-CMA27-70	27	48	33	21	70	
300-1566	BT50-CMA27-100	27	48	33	21	100	
300-1567	BT50-CMA32-70	32	58	38	24	70	
300-1568	BT50-CMA32-100	32	58	38	24	100	
300-1569	BT50-CMA40-70	40	70	41	27	70	
300-1570	BT50-CMA40-100	40	70	41	27	100	

DRIVE RING/DIN6366



Order No.	Order No.	d	D	A	b	h	Price
300-1591	CDR16	16	32	10	8	8	
300-1592	CDR22	22	40	12	10	10	
300-1593	CDR27	27	46	12	12	12	
300-1594	CDR32	32	55	14	14	14	
300-1595	CDR40	40	68	14	16	16	

CAT-FMA FACE MILL CUTTER HOLDER



Order No.	Type	L	L2	L3	d2	d3	K1	K2	N.W. (kg)	Price
300-1601	CAT40×FMA3/4"-1.5"	4.744	0.687	0.512	0.925	1.75	0.188	0.3125	1.5	
300-1602	CAT40×FMA1"-2.06"	5.434		0.63	1.24	1.969	0.188	0.375	2.4	
300-1603	CAT40×FMA1-1/4"-2.21"	5.584		0.63	1.614	2.362	0.25	0.5	2.6	
300-1604	CAT40×FMA1-1/2"-2.21"	5.835	0.938	0.807	1.752	2.953	0.349	0.625	2.7	
300-1651	CAT50×FMA3/4"-1.50"	6.187	0.687	0.512	0.925	1.766	0.188	0.3725	4.2	
300-1652	CAT50×FMA1"-2.00"	6.687		0.63	1.24	1.969	0.188	0.375	4.5	
300-1653	CAT50×FMA1-1/4"-1.50"	6.187		0.63	1.614	1.75	0.25	0.5	4.7	
300-1654	CAT50×FMA1-1/2"-2.40"	7.338	0.938	0.807	1.752	2.953	0.349	0.625	5	
300-1655	CAT50×FMA2"-2.40"			0.807	2.5	3.858	0.384	0.75	5.4	

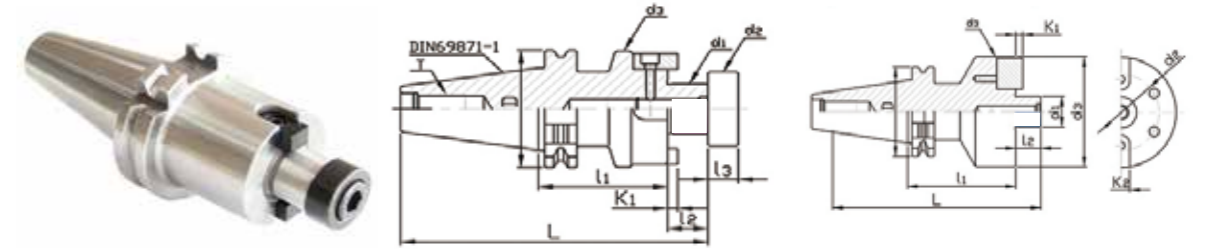
DAT-FMA FACE MILL CUTTER HOLDER



DIN6357

Order No.	Type-L1	L	L2	L3	d2	d3	K1	K2	N.W. (kg)	Price
300-1701	DAT40×FMA3/4"-1.5"	4.879	0.687	0.512	0.925	1.75	0.188	0.3125	1.5	
300-1702	DAT40×FMA1"-2.06"	5.439		0.63	1.24	1.969	0.188	0.375	2.4	
300-1703	DAT40×FMA1-1/4"-2.21"	5.589		0.63	1.614	2.362	0.25	0.5	2.6	
300-1704	DAT40×FMA1-1/2"-2.21"	5.835	0.938	0.807	1.752	2.953	0.349	0.625	2.7	
300-1751	DAT50×FMA3/4"-1.50"	6.187	0.687	0.512	0.925	1.766	0.188	0.3725	4.2	
300-1752	DAT50×FMA1"-2.00"	6.687		0.63	1.24	1.969	0.188	0.375	4.5	
300-1753	DAT50×FMA1/4"-1.50"	6.187		0.63	1.614	1.75	0.25	0.5	4.7	
300-1754	DAT50×FMA1-1/2"-2.40"	7.338	0.938	0.807	1.752	2.953	0.349	0.625	5	
300-1755	DAT50×FMA2"-2.40"			0.807	2.5	3.858	0.384	0.75	5.4	

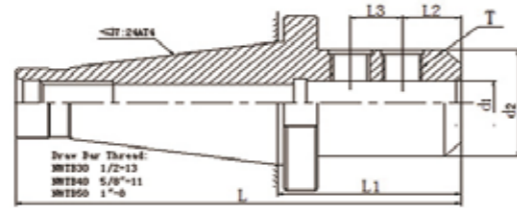
DAT-FMB FACE MILL CUTTER HOLDER



DIN6357

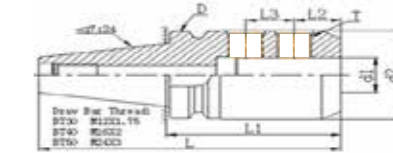
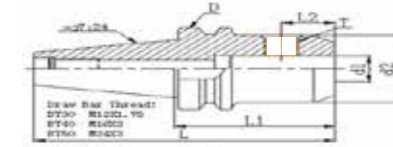
Order No.	Type-L1	L	L2	L3	d2	d3	K1	K2	N.W. (kg)	Price
300-1801	DAT30×FMB22-35	100.8	18	14	26	47	4.8	10	1	
300-1802	DAT30×FMB27-35	102.8	20	16	31.5	58	5.8	12	1.05	
300-1851	DAT40×FMB22-35	121.4	18	14	26	47	4.8	10	1.2	
300-1852	DAT40×FMB27-60	148.4	20	16	31.5	58	5.8	12	1.8	
300-1853	DAT40×FMB32-60	150.4	22	16	41	66	6.8	14	2.3	
300-1901	DAT50×FMB40-60	153.4	25	20.5	48	82	8.3	16	2.8	
300-1902	DAT50×FMB22-35	154.75	18	14	26	47	4.8	10	3.4	
300-1903	DAT50×FMB27-35	156.75	20	16	31.5	58	5.8	12	3.5	
300-1904	DAT50×FMB32-35	158.75	22	16	41	66	6.8	14	3.7	
300-1905	DAT50×FMB40-50	176.75	25	20.5	48	82	8.3	16	4.7	
300-1906	DAT50×FMB50-60	191.75	30	25	68	95	9.7	19	5.8	
300-1907	DAT50×FMB40F-60	158.4	30	66.7	M12	89	8.3	15.9	2.9	
300-1908	DAT50×FMB40F-70	201.75	30	66.7	M12	89	8.3	15.9	5.5	
300-1909	DAT50×FMB60F-70	211.75	40	101.6	M16	129	12.5	25.4	5.7	
300-1921	DAT40×FS40-60	154.4	26	66.7	50	110	8.3	16	3.2	
300-1922	DAT50×FS40-70	197.75	26	66.7	50	110	8.3	16	5.7	
300-1923	DAT50×FS60-70	196.75	25	101.6	M16	140	12.5	25.4	5.5	

NT-SLN SIDE LOCK END MILL HOLDER



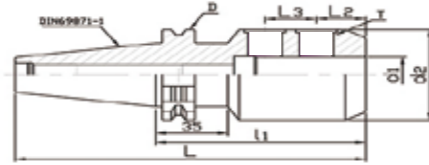
Order No.	Type d1-L1	d2	L	L2	L3	Price
300-2001	NT30-SLN6-40	25	108.4	18		
300-2002	NT30-SLN8-40	28	108.4	18		
300-2003	NT30-SLN10-40	35	108.4	20		
300-2004	NT30-SLN12-40	42	108.4	22.5		
300-2005	NT30-SLN16-50	48	118.4	24		
300-2006	NT30-SLN20-63	52	131.4	25		
300-2007	NT30-SLN25-80	65	148.4	24	25	
300-2021	NT40-SLN6-50	25	143.4	18		
300-2022	NT40-SLN8-50	28	143.4	18		
300-2023	NT40-SLN10-50	35	143.4	20		
300-2024	NT40-SLN12-50	42	143.4	22.5		
300-2025	NT40-SLN16-63	48	143.4	24		
300-2026	NT40-SLN20-63	52	143.4	25		
300-2027	NT40-SLN25-50	65	173.4	24	25	
300-2028	NT40-SLN32-80	72	173.4	24	28	
300-2051	NT50-SLN6-63	25	189.8	18		
300-2052	NT50-SLN8-63	28	189.8	18		
300-2053	NT50-SLN10-63	35	189.8	20		
300-2054	NT50-SLN12-63	42	189.8	22.5		
300-2055	NT50-SLN16-63	48	189.8	24		
300-2056	NT50-SLN20-63	52	189.8	25		
300-2057	NT50-SLN25-80	65	206.8	24	25	
300-2058	NT50-SLN32-80	72	206.8	24	28	
300-2059	NT50-SLN40-100	90	226.8	30	32	
300-2060	NT50-SLN42-100	90	226.8	30	32	
300-2061	NT50-SLN40-120	90	246.8	30	32	
300-2062	NT50-SLN50-120	100	246.8	35	35	
300-2063	NT50-SLN63-120	125	246.8	40	40	

BT-SLN SIDE LOCK END MILL HOLDER



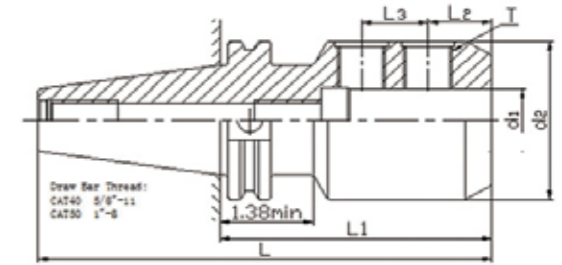
Order No.	Type d1-L1	d2	L	L2	L3	Price
300-2101	BT30-SLN1/8"-2.38"	0.75"	4.286"	0.38"		
300-2102	BT30-SLN3/16"-2.38"	0.75"	4.286"	0.38"		
300-2103	BT30-SLN1/4"-2.38"	0.81"	4.286"	0.5"		
300-2104	BT30-SLN3/8"-2.38"	1.38"	4.286"	0.75"		
300-2105	BT30-SLN1/2"-2.38"	1.38"	4.286"	0.88"		
300-2106	BT30-SLN5/8"-2.38"	1.44"	4.286"	0.94"		
300-2107	BT30-SLN3/4"-2.38"	1.75"	4.286"	1"	25	
300-2108	BT30-SLN1"-2.75"	2.38"	4.656"	1.12"		
300-2131	BT40-SLN3/8"-1.38"	1"	3.955"	0.75"		
300-2132	BT40-SLN3/8"-2.25"	1"	4.825"	0.75"		
300-2133	BT40-SLN3/8"-4"	1"	6.575"	0.75"		
300-2134	BT40-SLN7/16"-2.62"	1.25"	5.195"	0.75"		
300-2135	BT40-SLN1/2"-1.75"	1.25"	4.325"	0.88"		
300-2136	BT40-SLN1/2"-2.25"	1.25"	4.825"	0.88"	25	
300-2137	BT40-SLN1/2"-4"	1.25"	6.575"	0.88"	28	
300-2138	BT40-SLN5/8"-1.75"	1.5"	4.325"	0.88"		
300-2139	BT40-SLN5/8"-2.25"	1.5"	4.825"	0.88"		
300-2140	BT40-SLN5/8"-6"	1.5"	8.575"	0.88"		
300-2141	BT40-SLN3/4"-1.75"	1.75"	4.325"	1"		
300-2142	BT40-SLN3/4"-3.38"	1.75"	5.955"	1"		
300-2143	BT40-SLN3/4"-6"	1.75"	8.575"	1"		
300-2144	BT40-SLN7/8"-3.75"	1.88"	6.325"	1"	0.88"	
300-2145	BT40-SLN1"-1.75"	2"	4.325"	1.12"		
300-2146	BT40-SLN1"-4"	2"	6.575"	1.12"	1"	
300-2147	BT40-SLN1"-6"	2"	8.575"	1.12"	1"	
300-2148	BT40-SLN1-1/4"-2"	2.362"	4.575"	1.12"		
300-2149	BT40-SLN1-1/4"-4"	2.362"	6.575"	1.12"	1.12"	
300-2150	BT40-SLN1-1/2"-4"	2.62"	6.575"	1.12"	1"	

SK-SLN SIDE LOCK END MILL HOLDER



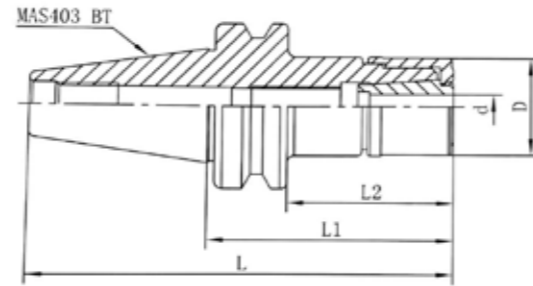
Order No.	Type d1-L1	d2	L	L2	L3	Price
300-2191	SK30-SLN6-60	25	108.4	18		
300-2192	SK30-SLN8-60	28	108.4	18		
300-2193	SK30-SLN10-60	35	108.4	20		
300-2194	SK30-SLN12-60	42	108.4	22.5		
300-2195	SK30-SLN16-75	48	123.4	24		
300-2196	SK30-SLN20-75	52	123.4	25		
300-2197	SK30-SLN25-90	65	138.4	24	25	
300-2221	SK40-SLN6-50	25	115.4	18		
300-2222	SK40-SLN8-50	28	115.4	18		
300-2223	SK40-SLN10-63	35	128.4	20		
300-2224	SK40-SLN12-63	42	128.4	22.5		
300-2225	SK40-SLN16-63	48	128.4	24		
300-2226	SK40-SLN20-63	52	128.4	25		
300-2227	SK40-SLN25-100	65	165.4	24	25	
300-2228	SK40-SLN32-100	72	165.4	24	28	
300-2251	SK50-SLN6-63	25	164.8	18		
300-2252	SK50-SLN8-63	28	164.8	18		
300-2253	SK50-SLN10-63	35	164.8	20		
300-2254	SK50-SLN12-80	42	181.8	22.5		
300-2255	SK50-SLN16-80	48	181.8	24		
300-2256	SK50-SLN20-80	52	181.8	25		
300-2257	SK50-SLN25-100	65	201.8	24	25	
300-2258	SK50-SLN32-105	72	206.8	24	28	
300-2259	SK50-SLN40-110	90	216.8	30	32	
300-2260	SK50-SLN42-120	90	221.8	30	32	

CAT-SLN SIDE LOCK END MILL HOLDER



Order No.	Type d1-L1	d2	L	L2	L3	Price
300-2291	CAT40-SLN3/8"-1.38"	1"	3.955"	0.75"		
300-2292	CAT40-SLN3/8"-2.25"	1"	4.825"	0.75"		
300-2293	CAT40-SLN3/8"-4"	1"	6.575"	0.75"		
300-2294	CAT40-SLN7/16"-2.62"	1.25"	5.195"	0.75"		
300-2295	CAT40-SLN1/2"-1.75"	1.25"	4.325"	0.88"		
300-2296	CAT40-SLN1/2"-2.25"	1.25"	4.825"	0.88"		
300-2297	CAT40-SLN1/2"-4"	1.25"	6.575"	0.88"		
300-2298	CAT40-SLN5/8"-1.75"	1.5"	4.325"	0.88"		
300-2299	CAT40-SLN5/8"-2.25"	1.5"	4.825"	0.88"		
300-2300	CAT40-SLN5/8"-6"	1.5"	8.575"	0.88"		
300-2301	CAT40-SLN3/4"-1.75"	1.75"	4.325"	1"		
300-2302	CAT40-SLN3/4"-3.38"	1.75"	5.955"	1"		
300-2303	CAT40-SLN3/4"-6"	1.75"	8.575"	1"		
300-2304	CAT40-SLN7/8"-3.75"	1.88"	6.325"	1"	0.88"	
300-2305	CAT40-SLN1"-1.75"	2"	4.325"	1.12"		
300-2306	CAT40-SLN1"-4"	2"	6.575"	1.12"	1"	
300-2307	CAT40-SLN1"-6"	2"	8.575"	1.12"	1"	
300-2308	CAT40-SLN1-1/4"-2"	2.362"	4.575"	1.12"		
300-2309	CAT40-SLN1-1/4"-4"	2.362"	6.575"	1.12"	1.12"	
300-2310	CAT40-SLN1-1/2"-4"	2.62"	6.575"	1.12"	1"	

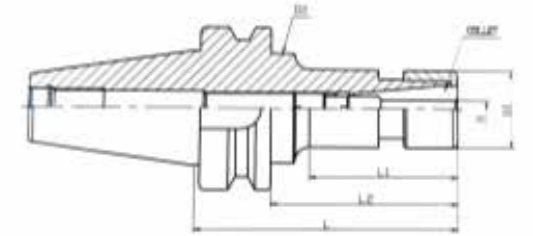
BT-SK TOOLING HOLDER



MAS 403 BT□□-SKS□

Order No	Model No.	L	L1	L2	D	d	Price
300-3801	BT30-SKS06-60L	108.4	60	38	19.5	2-6	
300-3802	BT30-SKS06-90L	138.4	90	68	19.5	2-6	
300-3803	BT30-SKS10-60L	108.4	60	38	27.5	3-10	
300-3804	BT30-SKS10-90L	138.4	90	68	27.5	3-10	
300-3805	BT30-SKS13-60L	108.4	60	38	35.5	3-13	
300-3806	BT30-SKS13-90L	138.4	90	68	35.5	3-13	
300-3807	BT30-SKS16-60L	108.4	60	38	40.5	3-16	
300-3808	BT30-SKS16-90L	138.4	90	68	40.5	3-16	
300-3811	BT40-SKS10-60L	125.4	60	33	27.5	3-10	
300-3812	BT40-SKS10-100L	165.4	100	73	27.5	3-10	
300-3813	BT40-SKS13-60L	125.4	60	33	35.5	3-13	
300-3814	BT40-SKS13-100L	165.4	100	73	35.5	3-13	
300-3815	BT40-SKS16-60L	125.4	60	33	40.5	3-16	
300-3816	BT40-SKS16-100L	165.4	100	73	40.5	3-16	
300-3817	BT40-SKS20-70L	135.4	70	33	48.5	3-20	
300-3818	BT40-SKS20-100L	165.4	100	73	48.5	3-20	
300-3821	BT50-SKS10-100L	201.8	100	62	27.5	3-10	
300-3822	BT50-SKS10-150L	251.8	150	112	27.5	3-10	
300-3823	BT50-SKS13-100L	201.8	100	62	35.5	3-13	
300-3824	BT50-SKS13-150L	251.8	150	112	35.5	3-13	
300-3825	BT50-SKS16-100L	201.8	100	62	40.5	3-16	
300-3826	BT50-SKS16-150L	251.8	150	112	40.5	3-16	
300-3827	BT50-SKS20-100L	201.8	100	62	48.5	3-20	
300-3828	BT50-SKS20-150L	251.8	150	112	48.5	3-20	
300-3829	BT50-SKS25-100L	201.8	100	62	55.5	3-25	
300-3830	BT50-SKS25-150L	251.8	150	112	55.5	3-25	

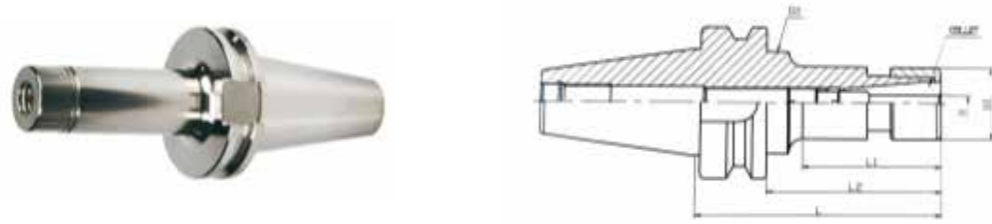
SK-SK TOOLING HOLDER



DIN 69871 SK□□-SKS□

Order No	Model No.	L	L1	L2	D	d	Price
300-3851	SK30-SKS06-60L	107.8	60	38	19.5	2-6	
300-3852	SK30-SKS06-90L	137.8	90	68	19.5	2-6	
300-3853	SK30-SKS10-60L	107.8	60	38	27.5	3-10	
300-3854	SK30-SKS10-90L	137.8	90	68	27.5	3-10	
300-3855	SK30-SKS13-60L	107.8	60	38	35.5	3-13	
300-3856	SK30-SKS13-90L	137.8	90	68	35.5	3-13	
300-3857	SK30-SKS16-60L	107.8	60	38	40.5	3-16	
300-3858	SK30-SKS16-90L	137.8	90	68	40.5	3-16	
300-3861	SK40-SKS10-60L	128.4	60	33	27.5	3-10	
300-3862	SK40-SKS10-100L	168.4	100	73	27.5	3-10	
300-3863	SK40-SKS13-60L	128.4	60	33	35.5	3-13	
300-3864	SK40-SKS13-100L	168.4	100	73	35.5	3-13	
300-3865	SK40-SKS16-60L	128.4	60	33	40.5	3-16	
300-3866	SK40-SKS16-100L	168.4	100	73	40.5	3-16	
300-3867	SK40-SKS20-70L	138.4	70	33	48.5	3-20	
300-3868	SK40-SKS20-100L	168.4	100	73	48.5	3-20	
300-3871	SK50-SKS10-100L	201.75	100	62	27.5	3-10	
300-3872	SK50-SKS10-150L	251.75	150	112	27.5	3-10	
300-3873	SK50-SKS13-100L	201.75	100	62	35.5	3-13	
300-3874	SK50-SKS13-150L	251.75	150	112	35.5	3-13	
300-3875	SK50-SKS16-100L	201.75	100	62	40.5	3-16	
300-3876	SK50-SKS16-150L	251.75	150	112	40.5	3-16	
300-3877	SK50-SKS20-100L	201.75	100	62	48.5	3-20	
300-3878	SK50-SKS20-150L	251.75	150	112	48.5	3-20	
300-3879	SK50-SKS25-100L	201.75	100	62	55.5	3-25	
300-3880	SK50-SKS25-150L	251.75	150	112	55.5	3-25	

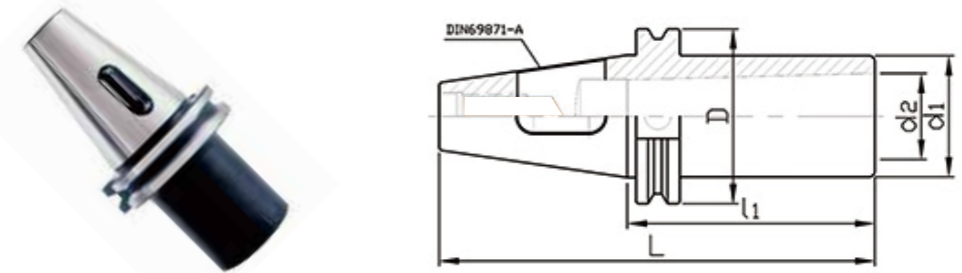
CAT-SK TOOLING HOLDER



ANSI B5.50 CAT□□-SKS□

Order No	Model No.	L	L1	L2	D	d (in)	Price
300-3901	CAT30-SKS06-2.36"	4.235	2.36	1.5	0.7677	5/64-1/4	
300-3902	CAT30-SKS06-3.543"	5.418	3.543	2.677	0.7677	5/64-1/4	
300-3903	CAT30-SKS10-2.36"	4.235	2.36	1.5	1.083	1/8-3/8	
300-3904	CAT30-SKS10-3.543"	5.418	3.543	2.677	1.083	1/8-3/8	
300-3905	CAT30-SKS13-2.36"	4.235	2.36	1.5	1.398	1/8-1/2	
300-3906	CAT30-SKS13-3.543"	5.418	3.543	2.677	1.398	1/8-1/2	
300-3907	CAT30-SKS16-2.36"	4.235	2.36	1.5	1.595	1/8-5/8	
300-3908	CAT30-SKS16-3.543"	5.418	3.543	2.677	1.595	1/8-5/8	
300-3911	CAT40-SKS10-2.36"	5.049	2.36	1.299	1.083	1/8-3/8	
300-3912	CAT40-SKS10-4"	6.687	4	3	1.083	1/8-3/8	
300-3913	CAT40-SKS13-2.36"	5.049	2.36	1.299	1.398	1/8-1/2	
300-3914	CAT40-SKS13-4"	6.687	4	3	1.398	1/8-1/2	
300-3915	CAT40-SKS16-2.36"	5.049	2.36	1.299	1.595	1/8-5/8	
300-3916	CAT40-SKS16-4"	6.687	4	3	1.595	1/8-5/8	
300-3917	CAT40-SKS20-2.76"	5.049	2.76	1.693	1.91	1/8-3/4	
300-3918	CAT40-SKS20-4"	6.687	4	3	1.91	1/8-3/4	
300-3921	CAT50-SKS10-4"	8	4	2.441	1.083	1/8-3/8	
300-3922	CAT50-SKS10-6"	10	6	4.41	1.083	1/8-3/8	
300-3923	CAT50-SKS13-4"	8	4	2.441	1.398	1/8-1/2	
300-3924	CAT50-SKS13-6"	10	6	4.41	1.398	1/8-1/2	
300-3925	CAT50-SKS16-4"	8	4	2.441	1.595	1/8-5/8	
300-3926	CAT50-SKS16-6"	10	6	4.41	1.595	1/8-5/8	
300-3927	CAT50-SKS20-4"	8	4	2.441	1.91	1/8-3/4	
300-3928	CAT50-SKS20-6"	10	6	4.41	1.91	1/8-3/4	
300-3929	CAT50-SKS25-4"	8	4	2.441	2.185	1/8-1	
300-3930	CAT50-SKS25-6"	10	6	4.41	2.185	1/8-1	

SK-MTA MORSE TAPER ADAPTER



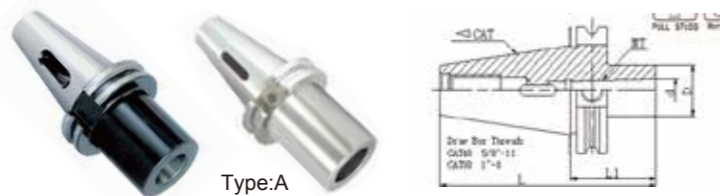
Order No.	Type	L	L2	D	d1	d2	KGS	Price
300-2351	SK30-MTA1-50	97.8	6	50	25	12.065	0.55	
300-2352	SK30-MTA2-60	117.8	67		32	17.780	0.80	
300-2353	SK30-MTA3-75	122.8	84		40	23.825	1.00	
300-2381	SK40-MTA1-50	118.4	56	63.55	25	12.065	1.20	
360-2382	SK40-MTA2-50	118.4	67		32	17.780	1.00	
360-2383	SK40-MTA3-70	138.4	84		40	23.825	1.10	
300-2384	SK40-MTA4-95	163.4	107	97.50	48	31.267	1.35	
300-2401	SK50-MTA1-45	146.75	56		25	12.065	3.00	
300-2402	SK50-MTA2-60	161.75	67		32	17.780	3.10	
300-2403	SK50-MTA3-65	166.75	84		40	23.825	3.20	
300-2404	SK50-MTA4-95	196.75	107		48	31.267	3.40	
300-2405	SK50-MTA5-105	206.75	133	63	44.399	3.60		

SK-MTB MORSE TAPER ADAPTER



Order No.	Type	L	D	d1	d2	T	Price
300-2451	SK30-MTB1-45	93.4	50	25	12.065	M6	
300-2452	SK30-MTB2-60	108.4	50	32	17.78	M10	
300-2481	SK40-MTB2-50	115.4	63.55	32	17.78	M10	
300-2482	SK40-MTB3-75	140.4	63.55	40	23.825	M12	
300-2483	SK40-MTB4-90	155.4	63.55	48	31.267	M16	
300-2501	SK50-MTB2-45	146.8	97.5	32	17.78	M12	
300-2502	SK50-MTB3-60	161.8	97.5	40	23.825	M12	
300-2503	SK50-MTB4-75	176.8	97.5	48	31.267	M16	

CAT-MTA MORSE TAPER ADAPTER



Order No.	Type	L	L2	D	d1	d2	KGS	Price
300-2551	CAT-40MTA1-1.60"	4.287"	2.205"	2.5"	1"	0.475"	1.3	
300-2552	CAT-40MTA2-2.00"	4.687"	2.638"		1.25"	0.7"	1.5	
300-2553	CAT-40MTA3-2.75"	5.437"	3.307"		1.55"	0.938"	1.8	
300-2554	CAT-40MTA4-3.75"	6.437"	4.213"		1.75"	1.23"	2.4	
300-2601	CAT-50MTA1-2.00"	6"	2.205"	3.875"	1"	0.475"	1.05	
300-2602	CAT-50MTA2-2.00"	6"	2.638"		1.25"	0.7"	4.4	
300-2603	CAT-50MTA3-2.50"	6.5"	3.307"		1.55"	0.938"	4.5	
300-2604	CAT-50MTA4-3.30"	7.3"	4.213"		1.75"	1.23"	4.9	
300-2605	CAT-50MTA5-4.10"	8.1"	5.236"		2.48"	1.748"	3.15	

CAT-MTB MORSE TAPER ADAPTER



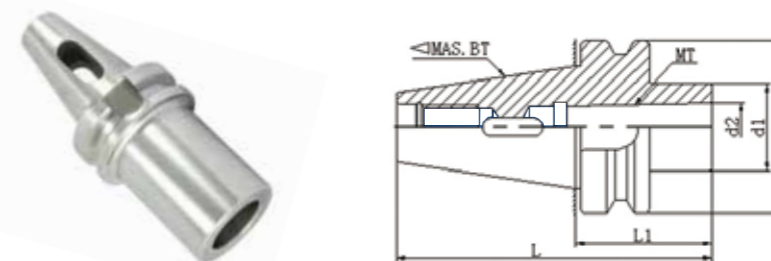
Order No.	Type	L	C	G	KGS	Price
300-2651	CAT-40MTB1-1.77"	4.287"	1"	M6	1.3	
300-2652	CAT-40MTB2-2.00"	4.687"	1.25"	M10	1.5	
300-2653	CAT-40MTB3-2.75"	5.437"	1.575"	M12	1.8	
300-2654	CAT-40MTB4-3.55"	6.437"	1.875"	M16	2.4	
300-2681	CAT-50MTB1-2.00"	6"	1"	M6	3.8	
300-2682	CAT-50MTB2-2.00"	6"	1.25"	M10	3.9	
300-2683	CAT-50MTB3-2.50"	6.5"	1.575"	M12	3.9	
300-2684	CAT-50MTB4-3"	7.3"	2"	M16	4.2	
300-2685	CAT-50MTB5-4.75"	8.1"	2.755"	M24	4.3	

NT-MTA MORSE TAPER ADAPTER



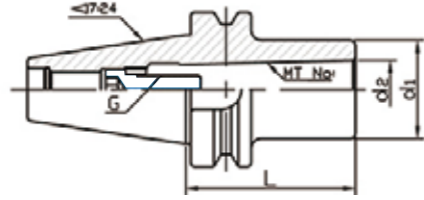
Order No.	Type	L	L1	D	d	Price
300-2701	NT30-MTA1-25	95	25	25	12.065	
300-2702	NT30-MTA2-55	122	55	32	17.78	
300-2703	NT30-MTA3-70	140	70	40	23.825	
300-2751	NT40-MTA1-25	118	25	25	12.065	
300-2752	NT40-MTA2-50	148	50	32	17.78	
300-2753	NT40-MTA3-55	151	55	40	23.825	
300-2754	NT40-MTA4-80	175	80	50	31.267	
300-2801	NT50-MTA2-50	177.8	59	32	17.78	
300-2802	NT50-MTA3-60	188	60	40	23.825	
300-2803	NT50-MTA4-85	210	85	50	31.267	
300-2804	NT50-MTA5-120	245	120	70	44.399	

BT-MTA MORSE TAPER ADAPTER



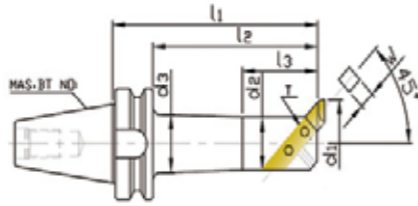
Order No.	Type	L	L1	D	d1	d2	N.W. (kg)	Price
300-2901	BT30×MTA1-45	93.4	45	46	25	12.065	0.55	
300-2902	BT30×MTA1-105	153.4	105		0.8			
300-2903	BT30×MTA2-60	108.4	60		32	17.78	0.6	
300-2904	BT30×MTA2-120	168.4	120		0.9			
300-2905	BT30×MTA3-80	128.4	80	40	23.825	8		
300-2951	BT40×MTA1-45	110.4	45	63	25	12.065	1.05	
300-2952	BT40×MTA1-120	185.4	120		1.4			
300-2953	BT40×MTA2-50	115.4	50		32	17.78	1.1	
300-2954	BT40×MTA2-120	185.4	120		1.85			
300-2955	BT40×MTA3-70	135.4	70		40	23.825	1.2	
300-2956	BT40×MTA3-135	200.4	135		1.9			
300-2957	BT40×MTA4-95	160.4	95		48	31.207	1.4	
300-2958	BT40×MTA4-165	230.4	165	2.5				
300-3001	BT50×MTA1-45	146.8	45	100	25	12.065	3.8	
300-3002	BT50×MTA1-120	221.8	120		4.3			
300-3003	BT50×MTA1-180	281.8	180		5			
300-3004	BT50×MTA2-60	161.8	60		32	17.18	4	
300-3005	BT50×MTA2-135	236.8	135		4.7			
300-3006	BT50×MTA2-180	281.8	180		5			
300-3007	BT50×MTA3-165	166.8	65		40	23.825	3.9	
300-3008	BT50×MTA3-150	251.8	150		5			
300-3009	BT50×MTA3-180	281.8	180		5.5			
300-3010	BT50×MTA4-95	196.8	95		48	31.267	4.2	
300-3011	BT50×MTA4-180	281.5	180		5.5			
300-3012	BT50×MTA5-105	206.8	105		63		44.399	4.3

BT-MTB MORSE TAPER ADAPTER



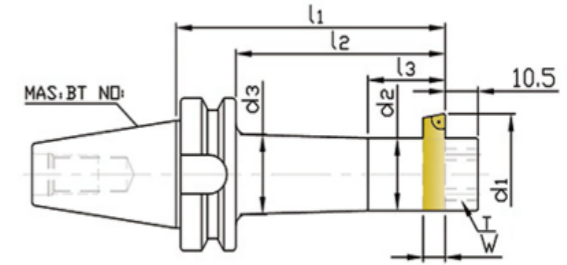
Order No.	Type	MT/d2	L	d1	G	N.W. (kg)	Price
300-3051	BT30-MTB1-45	1/12.065	45	25	M6×25	0.55	
300-3052	BT30-MTB2-60	2/17.78	60	32	M10×62	0.6	
300-3101	BT40-MTB1-45	1/12.065	45	25	M6×25	1.05	
300-3102	BT40-MTB2-45	2/17.78	45	32	M10×35	1.85	
300-3103	BT40-MTB3-75	3/23.825	75	40	M12×45	1.3	
300-3104	BT40-MTB4-90	4/31.267	90	48	M16×45	1.6	
300-3154	BT50-MTB1-45	1/12.065	45	25	M6×35	3.8	
300-3155	BT50-MTB2-45	2/17.78	45	32	M10×35	3.9	
300-3156	BT50-MTB3-60	3/23.825	60	40	M12×45	3.9	
300-3157	BT50-MTB4-75	4/31.267	75	48	M16×45	4.2	
300-3158	BT50-MTB5-120	5/44.399	120	63	M20×50	4.3	

BT-45° SQUARE CUTTER BORING BAR TYPE A



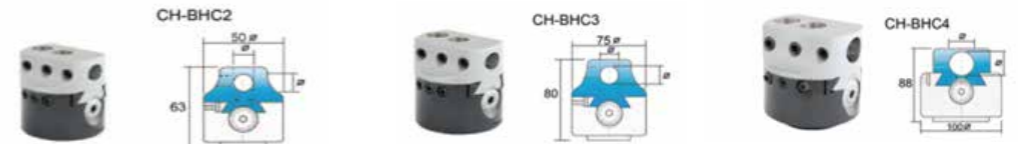
Order No.	Type	d1		d2	d3	L2	L3	W	T	N.W. (kg)	Price
		Max	Min								
300-3201	BT40×BSA25-120	38	25	20	22	90	35	8	M6	1.2	
300-3202	BT40×BSA30-150	42	30	24	26	120	40			1.4	
300-3203	BT40×BSA38-165	52	38	30	33	135	50	10	M8	1.7	
300-3204	BT40×BSA42-165	56	42	34	37			2			
300-3205	BT40×BSA50-165	65	50	40	44	150	65	13		2.3	
300-3206	BT40×BSA62-180	90	62	50	56			80	16	M10	2.4
300-3207	BT40×BSA72-180	110	72	60	-	150	95	19		3.9	
300-3208	BT40×BSA90-180	125	90	75	-			110			5.2
300-3251	BT50×BSA25-135	38	25	20	22	92	35	8	M6	4.2	
300-3252	BT50×BSA30-165	42	30	24	26	122	40			4.4	
300-3253	BT50×BSA38-180	52	38	30	33	137	50	10	M8	4.8	
300-3254	BT50×BSA42-210	56	42	34	37	167	60			5	
300-3255	BT50×BSA50-180	65	50	40	44	137	65	13	M10	5.4	
300-3256	BT50×BSA50-240	65	50	40	44	197	65			5.7	
300-3257	BT50×BSA62-195	90	62	50	56	152	80	16		0.2	
300-3258	BT50×BSA62-270	90	62	50	56	227	80			7.6	
300-3259	BT50×BSA72-195	110	72	60	66	152	95	19		7	
300-3260	BT50×BSA90-285	110	72	60	66	242	95			9.3	
300-3261	BT50×BSA90-210	125	90	75	80	167	110		M12	9.2	
300-3262	BT50×BSA90-300	125	90	75	80	257	110			12.3	
300-3263	BT50×BSA105-195	160	105	90	-	-	-	25		10.7	
300-3264	BT50×BSA105-285	160	105	90	94	-	130			15	
300-3265	BT50×BSA130-255	190	130	110	-	-	120			14.5	

BT-90° SQUARE CUTTER BORING BAR TYPE B



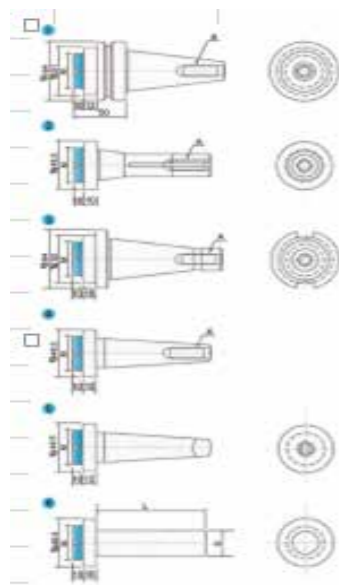
Order No.	Type	d1		d2	d3	L2	L3	W	T	N.W. (kg)	Price
		Max	Min								
300-3301	BT40×BSB25-120	52	25	20	22	90	35	8	M6	1.2	
300-3302	BT40×BSB38-150	70	38	30	33	120	55	10	M8	1.7	
300-3303	BT40×BSB50-165	90	50	40	44	135	70	13	M10	2.5	
300-3304	BT40×BSB62-180	115	62	50	56	150	80	16	M10	3.6	
300-3305	BT40×BSB90-180	150	90	75	-	150	115	19	M12	5.9	
300-3351	BT50×BSB25-135	52	25	20	22	92	35	8	M6	4.3	
300-3352	BT50×BSB38-180	70	38	30	32	137	55	10	M8	4.9	
300-3353	BT50×BSB50-180	90	50	40	44	137	70	13	M10	5.5	
300-3354	BT50×BSB50-240	90	50	40	44	197	70			5.8	
300-3355	BT50×BSB62-195	115	62	50	56	152	80	16		6.4	
300-3356	BT50×BSB62-270	115	62	50	56	227	80	19	M12	7.8	
300-3357	BT50×BSB72-195	135	72	60	66	152	95			7.3	
300-3358	BT50×BSB72-285	135	72	60	66	242	95	9.6			
300-3359	BT50×BSB90-210	150	90	75	80	167	115	25	M12	9.7	
300-3360	BT50×BSB90-300	150	90	75	80	257	115			12.8	
300-3361	BT50×BSB105-195	190	105	90	90	-	-	11.4			
300-3362	BT50×BSB105-285	190	105	90	94	-	135	15.7			
300-3363	BT50×BSB130-255	260	130	110	-	-	60	14.1			

F1 BORING HEAD



Order No.	Type	Actual size	Overall length	Boring bar hole size	Center dist between holes	Cross hole dia	Max Offset	N.W. (kg)	Price
300-3401	F1-2(50)	2"Dia	2-7/16"	1/2"	5/8"	1/2"	5/8"	0.7	
300-3402	F1-50(2")	50	63	12	16	12	16	0.7	
300-3403	F1-3(75)	3"Dia	3-5/32"	3/4"	15/16"	3/4"	1"	2	
300-3404	F1-75(3")	75	80	18	25	18	25	2	
300-3405	F1-4(100)	4"Dia	3-1/2"	1"	1-1/4"	1"	1-5/8"	4	
300-3406	F1-100(4")	100	88	25	32	25	41	4	

F1 BORING SHANK



Order No.	Type	T	N.W.(kg)	Price
300-3421	BT30	M12*1.75		
300-3422	BT40	M16*2	1.24	
300-3423	BT50	M24*3	3.97	
300-3424	(SK)JT30	M12*1.75		
300-3425	(SK)JT40	M16*2	1.24	
300-3426	(SK)JT50	M24*3	3.97	
300-3427	CAT40	5/8"-11UNC	1.24	
300-3428	CAT50	1"-8UNC	3.97	

Order No.	Type	T	N.W.(kg)	Price
300-3429	R8	7/16**20UNF	0.6	

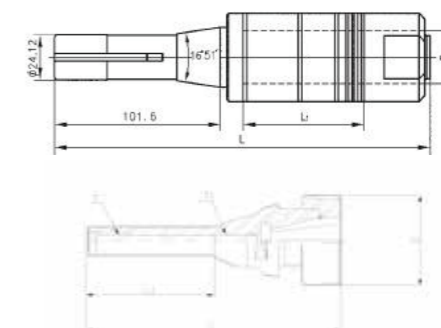
Order No.	Type	T	N.W.(kg)	Price
300-3430	(ISO)NT30	1/2"-12UNC	0.6	
300-3431	(ISO)NT40	5/8"-11UNC	1.2	
300-3432	(ISO)NT50	1"-8UNC	3.14	
300-3433	(ISO)NT30	M12*1.75	0.6	
300-3434	(ISO)NT40	M16*2	1.2	
300-3435	(ISO)NT50	M24*3	3.14	
300-3436	NMTB30	1/2"-12UNC	0.6	
300-3437	NMTB40	5/8"-11UNC	1.2	
300-3438	NMBT50	1"-8UNC	3.14	

Order No.	Type	T	N.W.(kg)	Price
300-3441	MT2	3/8"-16UNC	0.4	
300-3442	MT3	3/8"-16UNC	0.44	
300-3443	MT3	1/2"-13UNC	0.44	
300-3444	MT3	1/2"-12UNC	0.44	
300-3445	MT4	5/8"-11UNC	0.95	
300-3446	MT5	1"-8UNC	1.7	
300-3447	MT2	M10*1.5	0.4	
300-3448	MT3	M12*1.75	0.44	
300-3449	MT4	M16*2	0.95	
300-3450	MT5	M24*3	1.7	

Order No.	Type	T	N.W.(kg)	Price
300-3461	MT2	TANGED	0.4	
300-3462	MT3	TANGED	0.5	
300-3463	MT4	TANGED	0.8	
300-3464	MT5	TANGED	1.8	

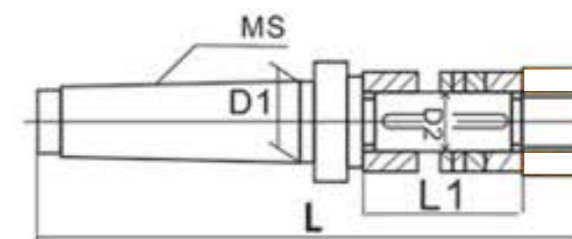
Order No.	Type	D	L	N.W.(kg)	Price
300-3471	C16	16	50	0.35	
300-3472	C20	20	52	0.4	
300-3473	C25	25	55	0.5	
300-3474	C32	32	60	0.6	
300-3475	5/8"	5/8"	2"	0.35	
300-3476	3/4"	3/4"	2"	0.5	
300-3477	1"	1"	2-3/8"	0.6	
300-3478	1-1/4"	1-1/4"	2-3/8"	0.6	

R8 STUB MILLING CUTTER ARBOR



Order No.	Type	D1(mm)	L1(mm)	L	N.W.(kg)	Price
300-3501	R8-13	13	63	199	0.53	
300-3502	R8-16	16		201	0.6	
300-3503	R8-22	22		206	0.73	
300-3504	R8-1"	25.4	50.8	193	0.8	
300-3505	R8-27	27	63	211	0.91	
300-3506	R8-1-1/4"	31.75	50.8	196	0.95	
300-3507	R8-32	32	63	215	1.1	

MORSE TAPER STUB MILLING CUTTER ARBOR



Order No.	Type	Shank	D1(mm)	D2(mm)	L(mm)	L1	N.W.(kg)	Price	
300-3521	MS2-22	MS2	17.78	22	171	63	0.42		
300-3522	MS2-1/2"			12.7	148		0.43		
300-3523	MS2-5/8"			17.875	151.6		50.8	0.48	
300-3524	MS2-1"			25.4	157		0.51		
300-3551	MS3-13	MS3	23.825	13	199	63	0.53		
300-3552	MS3-16			16	201		0.6		
300-3553	MS3-22			22	206		0.8		
300-3554	MS3-1"			25.4	174		51	0.64	
300-3555	MS3-27			27	211		63	0.91	
300-3556	MS3-1-1/4"			31.75	177		51	0.8	
300-3557	MS3-32			32	215	63	1.1		
300-3581	MS4-13	MS4	31.267	13	227	63	1.34		
300-3582	MS4-16			16	229		1.4		
300-3583	MS4-22			22	234		1.6		
300-3584	MS4-27			27	239		1.7		
300-3585	MS4-32			32	243		1.9		

ISO(NT) STUB MILLING CUTTER ARBOR



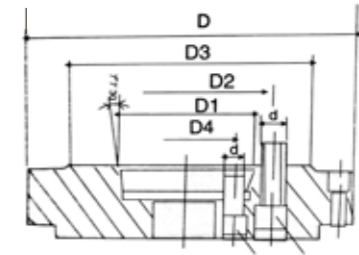
Order No.	Type	D2(mm)	L(mm)	Price
300-3601	NT30-13	13	199	
300-3602	NT30-16	16	201	
300-3603	NT30-22	22	206	
300-3604	NT30-27	27	211	
300-3605	NT30-32	32	215	
300-3606	NT30-1"	25.4	174	
300-3607	NT30-1-1/4"	31.75	177	
300-3631	NT40-13	13	227	
300-3632	NT40-16	16	229	
300-3633	NT40-22	22	234	
300-3634	NT40-27	27	239	
300-3635	NT40-32	32	243	

BT STUB MILLING CUTTER ARBOR



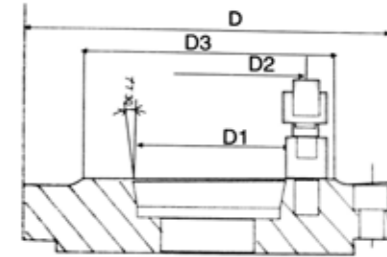
Order No.	Type	D2(mm)	L(mm)	Price
300-3681	BT30-13	13	199	
300-3682	BT30-16	16	201	
300-3683	BT30-22	22	206	
300-3684	BT30-27	27	211	
300-3685	BT30-32	32	215	
300-3686	BT30-1"	25.4	174	
300-3687	BT30-1-1/4"	31.75	177	
300-3701	BT40-13	13	227	
300-3702	BT40-16	16	229	
300-3703	BT40-22	22	234	
300-3704	BT40-27	27	239	
300-3705	BT40-32	32	243	

ADAPTER PLATES



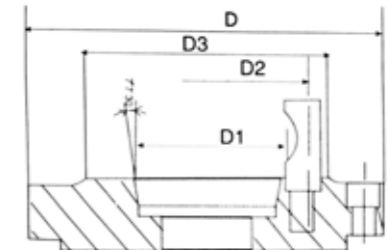
Type A (A1;A2)

Order No.	400-1801	400-1802	400-1803	400-1804	400-1805	400-1806	400-1807
Spindle Head Number	3	4	5	6	8	11	15
D1 H7	53.975	63.513	82.563	106.375	139.719	196.869	285.775
D2	70.6	82.6	104.8	133.4	171.4	235	330.2
D3	92	108	133	165	210	280	380
D4			61.9	82.6	111.1	165.1	247.6
d	M10	M10	M10	M12	M16	M20	M24
Unit Price							



Type C

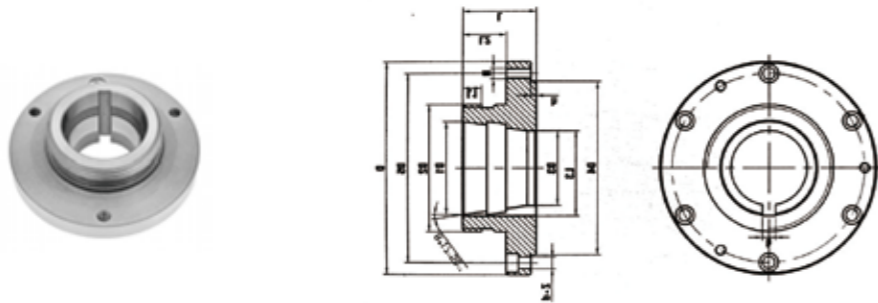
Order No.	400-1811	400-1812	400-1813	400-1814	400-1815	400-1816	400-1817
Spindle Head Number	3	4	5	6	8	11	15
D1 H7	53.975	63.513	82.563	106.375	139.719	196.869	285.775
D2	75	85	104.8	133.4	171.4	235	330.2
D3	102	112	135	170	220	290	400
Unit Price							



Type D

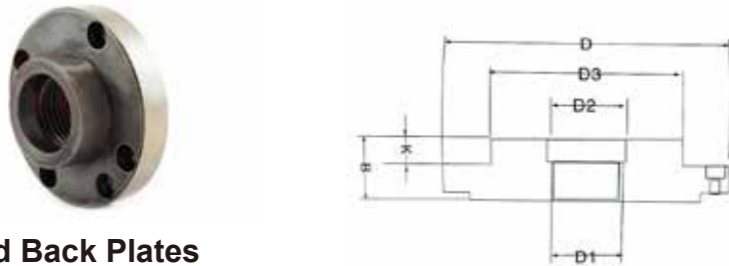
Order No.	400-1821	400-1822	400-1823	400-1824	400-1825	400-1826	400-1827
Spindle Head Number	3	4	5	6	8	11	15
D1 H7	53.975	63.513	82.563	106.375	139.719	196.869	285.775
D2	70.6	82.6	104.8	133.4	171.4	235	330.2
D3	92	117	146	181	225	298	403
Unit Price							

ADAPTER PLATES



Type L

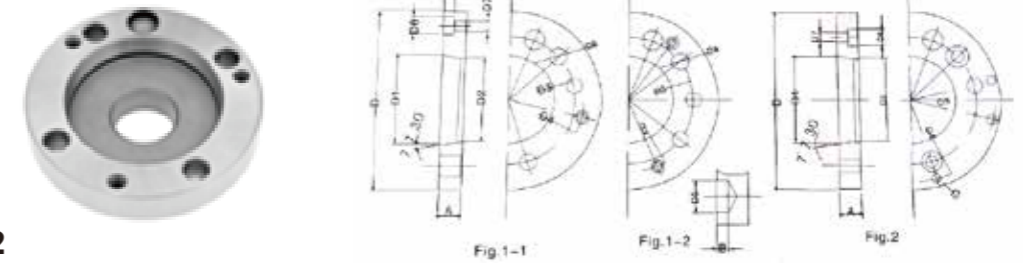
Size	L00	L0	L1	L2	L3
B	54	63.5	76.2	89	102
D1 H7	69.85	69.85	82.55	133.35	165.11
D2 UNS	3-3/4"-6UNS	4-1/2"-6UNS	6"-6UNS	7-3/4"-5UNS	10-3/8"-4UNS
D3	56	66	84.5	109	56
H	14	15	16	22	14
H1	22	22	22		
Size	L00	L0	L1	L2	L3
160	400-1831	400-1841			
200	400-1832	400-1842	400-1851		
250	400-1833	400-1843	400-1852	400-1861	
315(325)		400-1844	400-1853	400-1862	
380			400-1854	400-1863	
500				400-1864	400-1871
630					400-1872



Threaded Back Plates

Order No.	Size	D1	D2	D3	K	B	Unit Price
400-1881	125	1"-10UNS	25.781	55	12.7	39	
400-1882	125	1-1/2"-8UNS	38.481	68	12.7	39	
400-1883	160	1-1/2"-8UNS	38.481	68	12.7	39	
400-1884	160	2-1/4"-8UNS	57.404	81	15.9	45.5	
400-1885	200	1-1/2"-8UNS	38.481	68	12.7	39	
400-1886	200	2-1/4"-8UNS	57.404	81	15.9	45.5	
400-1887	200	2-3/8"-6UNS	60.579	110	19	52	
400-1888	250	2-1/4"-8UNS	57.404	81	15.9	45.5	
400-1889	325	2-3/8"-6UNS	60.579	110	19	52	
400-1890	325	2-3/4"-8UNS	70.104	110	19	52	

ADAPTER PLATES



Type A2

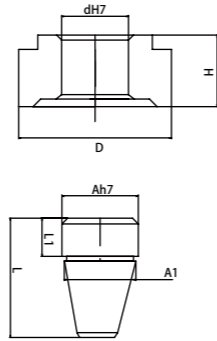
Order No.	Size	D	D1	D2	D3	D4	D5	D6	D7	D8	A	B	C	E	Fig	Price	
400-1891	160	A2-5	140	82.563	79.2	104.78	116	16.3	11	6.6	12	15	6.5	-	6.5	1-1	
400-1892	200	A2-5	170	82.563	79.7	104.78	133.35	16.3	17.5	11	-	25	6.5	M12	11.5	2	
400-1893	200	A2-6	170	106.375	103	133.35	150	19.45	11	6.6	13.5	17	6.5	-	6.5	1-1	
400-1894	250/300	A2-6	220	106.375	103	133.35	171.45	19.45	20	14	-	25	6.5	M16	13.5	2	
400-1895	250/300	A2-8	220	139.719	136	171.45	190	24.2	14	9	18	18	8	-	10	1-1	
400-1896	380	A2-11	300	196.87	192.1	235	260	29.36	17	11	21	22	10	-	11	1-1	
400-1897	160	A2-5	140	82.563	79.7	104.78	116	16.3	11	6.6	12	15	6.5	-	6.5	1-2	
400-1898	200	A2-6	170	106.375	103	133.35	150	19.45	11	6.6	13.5	17	6.5	-	6.5	1-2	
400-1899	250	A2-8	220	139.719	136	171.45	190	24.2	14	9	18	18	8	-	10	1-2	



Type D

Order No.	Size	D1	D2	D3	D4	D5	A	B	C	D	Price
400-1901	160	82.6	65.513	117	165	130	16	2.5	12	13	
400-1902	180	82.6	65.513	117	190	155	18	2.5	12	13	
400-1903	200	82.6	65.513	117	200	160	20	3	12	13	
400-1904	160	104.8	82.563	146	165	145	16	2.5	8	13	
400-1905	180	104.8	82.563	146	190	155	18	3	8	14.3	
400-1906	200	104.8	82.563	146	200	160	20	3	8	14.3	
400-1907	230	104.8	82.563	146	232	190	22	3	8	14.3	
400-1908	250	104.8	82.563	146	273	230	26	3	8	14.3	
400-1909	180	133.4	106.375	180	190	155	18	2.5	15	16	
400-1910	200	133.4	106.375	180	200	160	20	3	12	16	
400-1911	230	133.4	106.375	180	232	190	22	3	10	16	
400-1912	250	133.4	106.375	180	273	230	24	3	10	16	
400-1913	300(315)	133.4	106.375	180	310	260	26	4	10	16	
400-1914	350	133.4	106.375	180	355	300	28	4	10	16	
400-1915	380(400)	133.4	106.375	180	405	345	30	4	10	16	
400-1916	230	171.4	139.719	225	232	190	22	3	15	17.5	
400-1917	250	171.4	139.719	225	273	230	24	3	15	17.5	
400-1918	300(315)	171.4	139.719	225	310	260	26	4	15	17.5	
400-1919	350	171.4	139.719	225	355	300	28	4	10	17.5	
400-1920	380(400)	171.4	139.719	225	405	345	30	4	10	17.5	
400-1921	300(315)	235	196.869	300	310	260	26	4	15	22.1	
400-1922	350	235	196.869	300	355	300	28	4	15	22.1	
400-1923	380(400)	235	196.869	300	405	345	30	4	15	22.1	

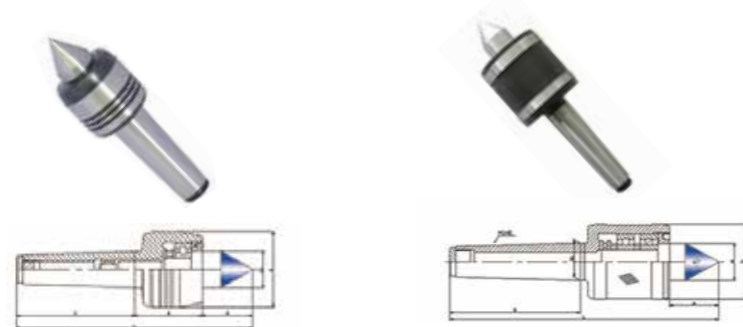
PIN FOR ADAPTER PLATES



Order No.	Chuck Size	MT Pin	L	L1	Ah7	A1	D	dH7	H	Price
400-1931	5"	2	85	25	20	17.785	130	20	27	
400-1932	6"	3	85	25	25	23.825	155	25	27	
400-1933	8"	3	85	25	25	23.825	205	25	27	
400-1934	10"	3	85	25	25	23.825	255	25	30	
400-1935	12-1/2"	4	85	25	34	31.267	320	34	33	
400-1936	15-3/4"	5	100	25	45	44.399	400	45	35	

NOTE

STANDARD TYPE ROTARY CENTER

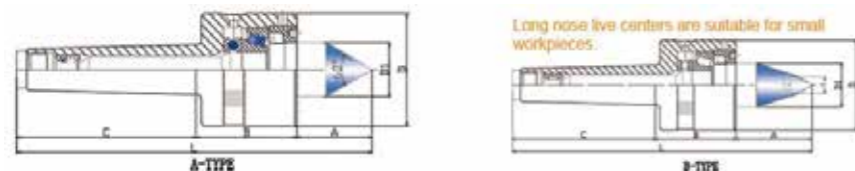


Order No.	Type	A	B	C	D	D1	d	L	Accuracy	θ	N.W. (kg)	Price
400-0001	BZ-MT.3B	36	61	86	53.5	26	-	180	≤0.008	60°	1.28	
400-0002	BZ-MT.4B	42	72	108	63	30	-	208	≤0.008	60°	2.2	
400-0003	BZ-MT.5B	53	83	136	78	44	-	262	≤0.008	60°	4.33	
400-0004	BZ-MT.6B	80	110	189	128	70	-	379	≤0.008	60°	14.2	
400-0011	BZ-MT.3D	36	65	86	53.5	26	-	192	≤0.008	60°	1.28	
400-0012	BZ-MT.4D	40	74.5	108	63	28	-	215	≤0.008	60°	2.2	
400-0013	BZ-MT.5D	54	93.5	136	76	36.5	-	272	≤0.008	60°	4.33	
400-0014	BZ-MT.6D	80	110	189	128	70	-	379	≤0.008	60°	14.2	

HEAVY DUTY PRECISION ROTARY CENTER

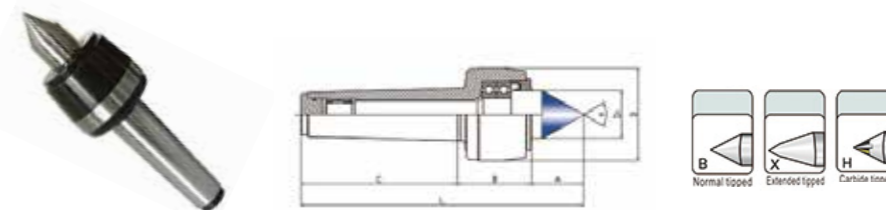


- *Applicable to medium and heavy loads.
- *Use the combination of taper roller bearing, thrust bearing and needle bearing.
- *The unique waterproof design
- *The center can be adjusted to reach original accuracy of actual demand capacity .The shaft of alloy steel of HRC 60 ± 2.



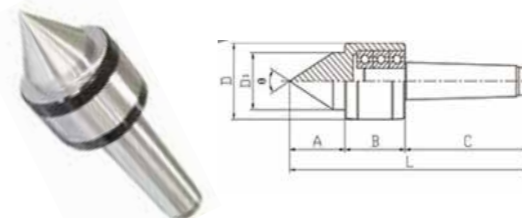
Order No.	Type	A	B	C	D	D1	d	L	Accuracy mm	MAX Radial Load kg	MAX R.P.M	Price
400-0021	MT2-A	31	41	68	46	21	-	140	0.005	400	6000	
400-0022	MT3-A	37	42	86	54	26	-	175	0.005	600	5000	
400-0023	MT4-A	44	64.5	107	68	32	-	216	0.005	1000	4500	
400-0024	MT5-A	50	72	135	84	42	-	237	0.005	2500	3500	
400-0025	MT6-A	75	101	190	120	63	-	366	0.008	5000	1500	
400-0026	MT7-A	106	130	254	155	78	-	490	0.015	10000	1500	
400-0031	MT2-B	38.5	41	68	46	21	-	148	0.005	400	6000	
400-0032	MT3-B	47	52	86	54	26	-	185	0.005	600	5000	
400-0033	MT4-B	54	64.5	107	68	32	-	226	0.005	1000	4500	
400-0034	MT5-B	62	72	135	84	42	-	149	0.005	2500	3500	
400-0035	MT6-B	89	101	190	120	63	-	380	0.008	5000	1500	
400-0036	MT7-B	120	130	254	155	78	-	504	0.015	5000	1500	

HIGH SPEED ROTARY CENTER



Order No.	Type	A	B	C	D	D1	d	L	Co Accuracy	θ	N.W. (kg)	Price
400-0051	GS-MT.3B	38	58	86	53	30	-	182	0.005	60°	1.25	
400-0052	GS-MT.4B	45	65	108	63	32	-	215	0.005	60°	2.22	
400-0053	GS-MT.5B	50	70	136	82	40	-	256	0.005	60°	3.6	
400-0061	GS-MT.3H	38	58	86	53	30	-	182	0.005	60°	1.25	
400-0062	GS-MT.4H	45	65	108	63	32	-	215	0.005	60°	2.22	
400-0063	GS-MT.5H	50	70	136	83	40	-	256	0.005	60°	3.6	
400-0071	GS-MT.3X	48	58	86	53	30	10	192	0.005	60°	1.28	
400-0072	GS-MT.4X	52	65	108	63	32	12	225	0.005	60°	2.26	
400-0073	GS-MT.5X	60	70	136	83	40	14	266	0.005	60°	3.66	

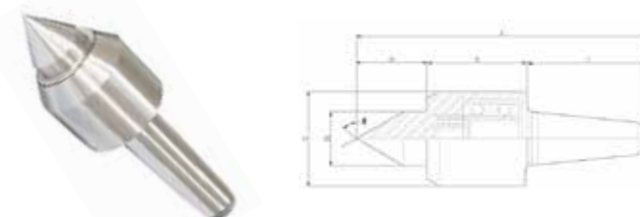
OUTWARD ROTARY CENTER



- *Ball bearings & plane thrust bearing in centre top.
- *Spindle of hardened alloy steel (58-62 HRC) to reach, high rigidity and wear resistance.

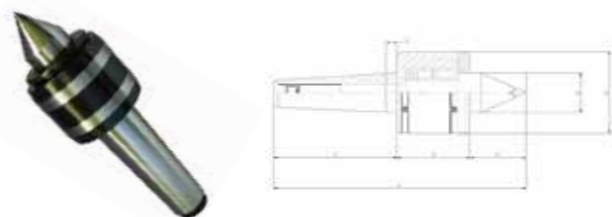
Order No.	Type	A	B	C	D	D1	d	L	Accuracy	θ	N.W. (kg)	Price
400-0101	WX-MT.3B	39	55	86	53	45	-	180	0.005	60°	1.28	
400-0102	WX-MT.4B	42	62	108	63	53	-	208	0.005	60°	2.2	
400-0103	WX-MT.5B	49	71	136	83	83	-	256	0.005	60°	4.33	
400-0111	WX-MT.3X	45	55	86	53	53	10	186	0.005	60°	1.28	
400-0112	WX-MT.4X	52	62	108	63	63	12	218	0.005	60°	2.2	
400-0113	WX-MT.5X	59	71	136	83	83	14	266	0.005	60°	4.42	

HEAVY DUTY OUTWARD ROTARY CENTER



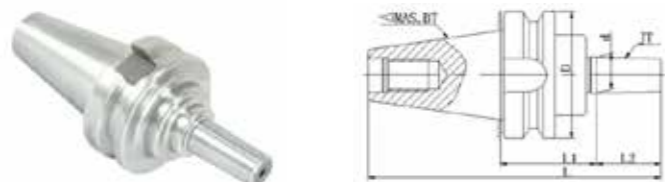
Order No.	Type	A	B	C	D	D1	L	Accuracy	θ	N.W. (kg)	Price
400-0121	WX-MT.3B	39	55	86	53	45	180	0.005	60°	1.28	
400-0122	WX-MT.4B	42	62	108	63	53	208	0.005	60°	2.2	
400-0123	WX-MT.5B	49	71	136	83	68	256	0.005	60°	4.33	

HEAVY DUTY ROTARY CENTER



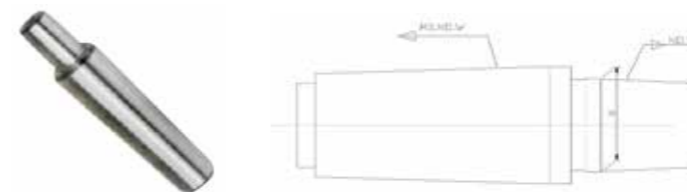
Order No.	Type	A	B	C	D	E	F	L	Load Capacity	Max R.P.M	θ	N.W. (kg)	Price
400-0131	MT4	66	32	108	52	40	8	200	650kg	3000	60°	1.28	
		2 10/16	1 4/16	4 4/16	2	1 9/16	5 16	7 14/16	1430N		60°	2.2	
400-0132	MT5	93	40	136	70	43.7	8	249.7	2000kg	2000	60°	4.33	
		3 11/16	1 9/16	5 3/8	2 3/4	1 11/16	5 16	9 13/16	4400N		60°	1.28	
400-0133	MT6	127	60	189	92.7	61.5	10	343.3	4000kg	1000	60°	2.2	
		5	2 3/8	7 7/16	3 5/8	2 7/16	3 8	13 7/13	8000N		60°	4.42	

BT DRILL ADAPTER



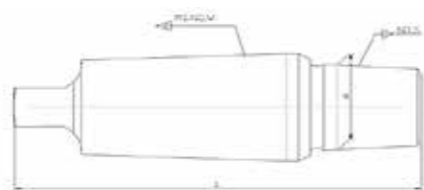
Order No.	Type	L	L1	D	d1	L2	T	N.W. (kg)	Price
400-0201	BT30-B10-45	107.9	45	46	10.094	14.5	M12	0.7	
400-0202	BT30-B12-45	111.9			12.065	18.5		0.75	
400-0203	BT30-B16-45	117.4			15.733	24		0.85	
400-0204	BT30-B18-45	125.4			17.785	32		0.86	
400-0221	BT40-B10-45	124.9	45	63	10.094	14.5	M16	1.2	
400-0222	BT40-B12-45	128			12.065	18.5		1.3	
400-0223	BT40-B16-45	134.4			15.733	24		1.3	
400-0224	BT40-B18-45	142.4			17.785	32		1.65	
400-0225	BT40-B22-45	150.9			21.793	40.5		1.85	
400-0226	BT40-B24-45	160.9			23.825	50.5		2.1	
400-0241	BT50-B10-45	161.3	45	100	10.094	14.5	M24	3.1	
400-0242	BT50-B12-45	165.3			12.065	18.5		3.1	
400-0243	BT50-B16-45	170.8			15.733	24		3.2	
400-0244	BT50-B18-45	178.8			17.785	32		3.4	
400-0245	BT50-B22-45	187.3			21.793	40.5		4.85	
400-0246	BT50-B24-45	197.3			23.825	50.5		5.4	
400-0261	BT30×JT2-45	116.625	45	46	14.199	22.225	M12	0.7	
400-0262	BT30×JT33-45	118.8			15.85	25.4		0.75	
400-0263	BT30×JT6-45	118.8			17.17	25.4		0.8	
400-0281	BT40×JT2-45	132.625	45	63	14.199	22.225	M16	1.3	
400-0282	BT40×JT33-45	135.8			15.85	25.4		1.3	
400-0283	BT40×JT6-45	135.8			17.17	25.4		1.2	
400-0284	BT40×JT6-105	195.8	105	63	17.17	25.4		1.65	
400-0301	BT50×JT2-45	169.025	45	100	14.199	22.225	M24	4.1	
400-0302	BT50×JT33-45	172.2			15.85	25.4		4	
400-0303	BT50×JT6-45	172.2			17.17	25.4		4.2	
400-0304	BT50×JT6-105	232.2	105	100	17.17	25.4		4.6	

MORSE TAPER DRILL ADAPTER



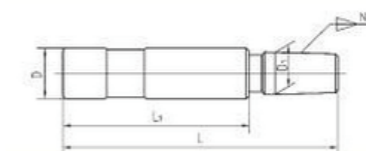
Order No.	Type	d mm	L mm	Price	Order No.	Type	d mm	L mm	Price
400-0351	MS0W-J0	6.350	67		400-0436	MS3W-J6	17.170	114	
400-0352	MS0W-J1	9.754	72		400-0437	MS3W-J33	15.850	114	
400-0353	MS0W-J2	14.199	78		400-0438	MS3W-B10	10.094	107	
400-0354	MS0W-J3	20.599	87		400-0439	MS3W-B12	12.065	111	
400-0355	MS0W-J6	17.170	81		400-0440	MS3W-B16	15.733	118	
400-0356	MS0W-J33	15.850	81		400-0441	MS3W-B18	17.780	126	
400-0357	MS0W-B10	10.094	74		400-0442	MS3W-B22	21.793	135	
400-0358	MS0W-B12	12.065	78		400-0443	MS3W-B24	23.825	145	
400-0359	MS0W-B16	15.733	85		400-0444	MS4W-J2	14.199	111	
400-0360	MS0W-B18	17.780	93		400-0445	MS4W-J3	20.599	120	
400-0381	MS1W-J0	6.350	71		400-0446	MS4W-J4	28.550	131	
400-0382	MS1W-J1	9.754	76		400-0447	MS4W-J5	35.890	136	
400-0383	MS1W-J2	14.199	82		400-0448	MS4W-J6	17.170	114	
400-0384	MS1W-J3	20.599	91		400-0449	MS4W-J33	15.850	137	
400-0385	MS1W-J6	17.170	85		400-0450	MS4W-B10	10.094	130	
400-0386	MS1W-J33	15.850	85		400-0451	MS4W-B12	12.065	134	
400-0387	MS1W-B10	10.094	78		400-0452	MS4W-B16	15.733	141	
400-0388	MS1W-B12	12.065	82		400-0453	MS4W-B18	17.780	149	
400-0389	MS1W-B16	15.733	89		400-0454	MS4W-B22	21.793	158	
400-0390	MS1W-B18	17.780	97		400-0455	MS4W-B24	23.825	168	
400-0401	MS2W-J0	6.350	83		400-0481	MS5W-J2	14.199	161	
400-0402	MS2W-J1	9.754	88		400-0482	MS5W-J3	20.599	170	
400-0403	MS2W-J2	14.199	94		400-0483	MS5W-J4	28.550	181	
400-0404	MS2W-J3	20.599	103		400-0484	MS5W-J5	35.890	186	
400-0405	MS2W-J4	28.550	114		400-0485	MS5W-J6	17.170	164	
400-0406	MS2W-J5	35.890	119		400-0486	MS5W-J33	15.850	164	
400-0407	MS2W-J6	17.170	97		400-0487	MS5W-B16	15.733	168	
400-0408	MS2W-J33	15.850	97		400-0488	MS5W-B18	17.780	176	
400-0409	MS2W-B10	10.094	90		400-0489	MS5W-B22	21.793	185	
400-0410	MS2W-B12	12.065	94		400-0490	MS5W-B24	23.825	195	
400-0411	MS2W-B16	15.733	101		400-0511	MS6W-J3	20.599	224	
400-0412	MS2W-B18	17.780	109		400-0512	MS6W-J4	28.550	235	
400-0413	MS2W-B22	21.793	117		400-0513	MS6W-J5	35.890	240	
400-0414	MS2W-J24	23.825	127		400-0514	MS6W-J6	17.170	218	
400-0431	MS3W-J1	9.754	105		400-0515	MS6W-J33	15.850	218	
400-0432	MS3W-J2	14.199	111		400-0516	MS6W-B16	15.733	222	
400-0433	MS3W-J3	20.599	120		400-0517	MS6W-B18	17.780	230	
400-0434	MS3W-J4	28.550	131		400-0518	MS6W-B22	21.793	238	
400-0435	MS3W-J5	35.890	136		400-0519	MS6W-B24	23.825	248	

MORSE TAPER DRILL ADAPTER WITH TANG



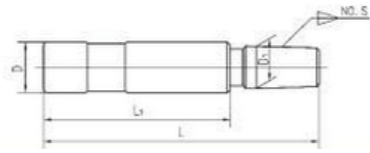
Order No.	Type	d mm	L mm	Price	Order No.	Type	d mm	L mm	Price
400-0551	MS0-B6	6.35	75		400-0655	MS3-B22	21.793	147	
400-0552	MS0-B10	10.094	80		400-0656	MS3-B24	23.825	157	
400-0553	MS0-B12	12.065	84		400-0657	MS3-J0	6.35	113	
400-0554	MS0-B16	15.733	91		400-0658	MS3-J1	9.754	118	
400-0555	MS0-B18	17.785	99		400-0659	MS3-J2	14.199	124	
400-0556	MS0-B22	21.793	108		400-0660	MS3-J3	20.599	133	
400-0557	MS0-B24	23.825	118		400-0661	MS3-J4	28.55	144	
400-0558	MS0-J0	6.35	73		400-0662	MS3-J5	35.89	149	
400-0559	MS0-J3	20.599	93		400-0663	MS3-J6	17.17	127	
400-0560	MS0-J33	15.85	88		400-0664	MS3-J33	15.85	127	
400-0581	MS1-B10	10.094	86		400-0681	MS4-B10	10.094	145	
400-0582	MS1-B12	12.065	90		400-0682	MS4-B12	12.065	149	
400-0583	MS1-B16	15.733	97		400-0683	MS4-B16	15.733	156	
400-0584	MS1-B18	17.785	105		400-0684	MS4-B18	17.785	164	
400-0585	MS1-B22	21.793	114		400-0685	MS4-B22	21.793	172	
400-0586	MS1-B24	23.825	124		400-0686	MS4-B24	23.825	182	
400-0587	MS1-J0	6.35	79		400-0687	MS4-J0	6.35	138	
400-0588	MS1-J1	9.754	85		400-0688	MS4-J1	9.754	143	
400-0589	MS1-J2	14.199	90		400-0689	MS4-J2	14.199	149	
400-0590	MS1-J3	20.599	99		400-0690	MS4-J3	20.599	158	
400-0591	MS1-J4	28.55	110		400-0691	MS4-J4	28.55	169	
400-0592	MS1-J5	35.89	116		400-0692	MS4-J5	35.89	174	
400-0593	MS1-J6	17.17	94		400-0693	MS4-J6	17.17	152	
400-0594	MS1-J33	15.85	94		400-0694	MS4-J33	15.85	152	
400-0621	MS2-B10	10.094	101		400-0721	MS5-B10	10.094	177	
400-0622	MS2-B12	12.065	105		400-0722	MS5-B12	12.065	181	
400-0623	MS2-B16	15.733	112		400-0723	MS5-B16	15.733	188	
400-0624	MS2-B18	17.785	120		400-0724	MS5-B18	17.785	196	
400-0625	MS2-B22	21.793	128		400-0725	MS5-B22	21.793	204	
400-0626	MS2-B24	23.825	138		400-0726	MS5-B24	23.825	214	
400-0627	MS2-J0	9.754	100		400-0727	MS5-J0	6.35	170	
400-0628	MS2-J1	14.199	105		400-0728	MS5-J1	9.754	175	
400-0629	MS2-J2	20.599	114		400-0729	MS5-J2	14.199	181	
400-0630	MS2-J3	28.55	125		400-0730	MS5-J3	20.599	190	
400-0631	MS2-J4	35.89	130		400-0731	MS5-J4	28.55	201	
400-0632	MS2-J5	17.17	108		400-0732	MS5-J5	35.89	206	
400-0633	MS2-J6	15.85	108		400-0733	MS5-J6	17.17	184	
400-0634	MS2-J33	10.094	120		400-0734	MS5-J33	15.85	184	
400-0651	MS3-B10	12.065	124		400-0761	MS6-B16	15.733	250	
400-0652	MS3-B12	12.065	124		400-0762	MS6-J3	20.599	252	
400-0653	MS3-B16	15.733	131		400-0763	MS6-J6	17.17	246	
400-0654	MS3-B18	17.785	139						

STRAIGHT SHANK DRILL ADAPTER/Metric



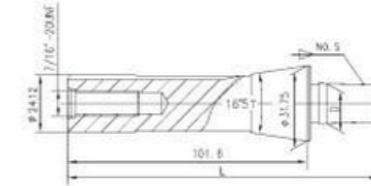
Order No.	Type	D1(mm)	D mm	Price	Order No.	Type	D1(mm)	D mm	Price
400-0801	D-J0	6.350	16		400-0874	D-J33	15.850	32	
400-0802			20		400-0875			40	
400-0803			25		400-0876			42	
400-0804			32		400-0881			16	
400-0805			40		400-0882			20	
400-0806	D-J1	9.754	42		400-0883	D-B6	6.350	25	
400-0811			16		400-0884			32	
400-0812			20		400-0885			40	
400-0813			25		400-0886			42	
400-0814			32		400-0891			16	
400-0815	D-J2	14.199	40		400-0892	D-B10	10.094	20	
400-0816			42		400-0893			25	
400-0821			16		400-0894			32	
400-0822			20		400-0895			40	
400-0823			25		400-0896			42	
400-0824	D-J3	20.599	32		400-0901	D-B12	12.065	16	
400-0825			40		400-0902			20	
400-0826			42		400-0903			25	
400-0831			16		400-0904			32	
400-0832			20		400-0905			40	
400-0833	D-J4	28.550	25		400-0906	D-B16	15.733	42	
400-0834			32		400-0911			16	
400-0835			40		400-0912			20	
400-0836			42		400-0913			25	
400-0841			16		400-0914			32	
400-0842	D-J5	35.890	20		400-0915	D-B18	17.780	40	
400-0843			25		400-0916			42	
400-0844			32		400-0921			16	
400-0845			40		400-0922			20	
400-0846			42		400-0923			25	
400-0851	D-J6	17.170	16		400-0924	D-B22	21.793	32	
400-0852			20		400-0925			40	
400-0853			25		400-0926			42	
400-0854			32		400-0931			16	
400-0855			40		400-0932			20	
400-0856	D-J33	15.850	42		400-0933	D-B24	23.825	25	
400-0861			16		400-0934			32	
400-0862			20		400-0935			40	
400-0863			25		400-0936			42	
400-0864			32		400-0941			16	
400-0865	D-J33	15.850	40		400-0942	D-B24	23.825	20	
400-0866			42		400-0943			25	
400-0871			16		400-0944			32	
400-0872			20		400-0945			40	
400-0873			25		400-0946			42	

STRAIGHT SHANK DRILL ADAPTER/Imperial



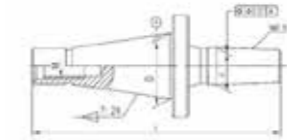
Order No.	Type	D1(mm)	D Inch	Price	Order No.	Type	D1(mm)	D mm	Price
400-0891	D-J0	6.350	3/8"		400-1035	D-J33	15.850	1"	
400-0892			1/2"		400-1036			1-1/4"	
400-0893			5/8"		400-1051			3/8"	
400-0894			3/4"		400-1052			1/2"	
400-0895			7/8"		400-1053			5/8"	
400-0896			1"		400-1054			3/4"	
400-0897	D-J1	9.754	1-1/4"		400-1055	D-B6	6.350	7/8"	
400-0911			3/8"		400-1056			1"	
400-0912			1/2"		400-1057			1-1/4"	
400-0913			5/8"		400-1071			3/8"	
400-0914			3/4"		400-1072			1/2"	
400-0915			7/8"		400-1073			5/8"	
400-0916	D-J2	14.199	1"		400-1074	D-B10	10.094	3/4"	
400-0917			1-1/4"		400-1075			7/8"	
400-0931			1/2"		400-1076			1"	
400-0932			5/8"		400-1077			1-1/4"	
400-0933			3/4"		400-1091			1/2"	
400-0934			7/8"		400-1092			5/8"	
400-0935	D-J3	20.599	1"		400-1093	D-B12	12.065	3/4"	
400-0936			1-1/4"		400-1094			7/8"	
400-0951			1/2"		400-1095			1"	
400-0952			5/8"		400-1111			1/2"	
400-0953			3/4"		400-1112			5/8"	
400-0954			7/8"		400-1113			3/4"	
400-0955	D-J4	28.550	1"		400-1114	D-B16	15.733	7/8"	
400-0956			1-1/4"		400-1115			1"	
400-0957			1-1/2"		400-1116			1-1/4"	
400-0971			1"		400-1131			1/2"	
400-0972			1-1/4"		400-1132			5/8"	
400-0973			1-1/2"		400-1133			3/4"	
400-0974	D-J5	35.890	1-3/4"		400-1134	D-B18	17.780	7/8"	
400-0991			1"		400-1135			1"	
400-0992			1-1/4"		400-1136			1-1/4"	
400-0993			1-1/2"		400-1137			1-1/2"	
400-0994			1-3/4"		400-1151			3/4"	
400-1011			1/2"		400-1152			7/8"	
400-1012	D-J6	17.170	5/8"		400-1153	D-B22	21.793	1"	
400-1013			3/4"		400-1154			1-1/4"	
400-1014			7/8"		400-1155			1-1/2"	
400-1015			1"		400-1156			1-3/4"	
400-1016			1-1/4"		400-1171			3/4"	
400-1017			1-1/2"		400-1172			7/8"	
400-1031	D-J33	15.850	1/2"		400-1173	D-B24	23.825	1"	
400-1032			5/8"		400-1174			1-1/4"	
400-1033			3/4"		400-1175			1-1/2"	
400-1034			7/8"		400-1176			1-3/4"	

R8 SHANK DRILL ADAPTER



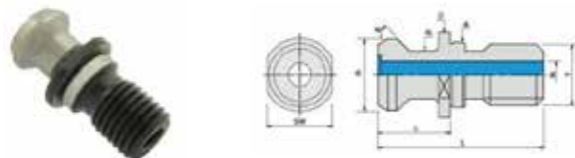
Order No.	Type	D(mm)	L(mm)	N.W.(kg)	Order No. R8-No.S	D(mm)	L(mm)	N.W.(kg)	Price
400-0771	R8-J0	6.350	6.350	0.393	R8-J5	35.890	154	0.742	
400-0772	R8-J1	9.754	9.754	0.409	R8-B6	6.350	118.5	0.250	
400-0773	R8-J2S	13.940	13.940	0.400	R8-B10	10.094	124	0.386	
400-0774	R8-J2	14.199	14.199	0.414	R8-B12	12.065	128	0.408	
400-0775	R8-J33	15.850	15.850	0.418	R8-B16	15.733	135	0.440	
400-0776	R8-J6	17.170	17.170	0.426	R8-B18	17.780	143	0.454	
400-0777	R8-J3	20.599	20.599	0.465	R8-B22	21.793	152	0.514	
400-0778	R8-J4	28.550	28.550	0.600	R8-B24	23.825	162	0.567	

ISO(NT) DRILL ADAPTER



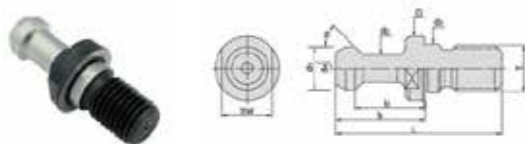
Order No.	Type	D mm	d mm	L mm	N.W. kg	Price	Order No.	Type	D mm	d mm	L mm	N.W. kg	Price
400-1201	ISO30-J0	31.75	6.35	6.35	6.35		400-1245	ISO50-J6	69.85	17.170	184	2.739	
400-1202	ISO30-J1		9.754	9.754	9.754		400-1246	ISO50-J3		20.599	191	2.777	
400-1203	ISO30-J2S		13.940	13.940	13.940		400-1247	ISO50-J4		28.550	202	2.953	
400-1204	ISO30-J2	31.75	14.199	14.199	14.199		400-1248	ISO50-J5	69.85	35.890	208	3.178	
400-1205	ISO30-J33		15.850	15.850	15.850		400-1261	ISO30-B10		10.094	104	0.325	
400-1206	ISO30-J6		17.170	17.170	17.170		400-1262	ISO30-B12		12.065	108	0.330	
400-1207	ISO30-J3	44.45	20.599	20.599	20.599		400-1263	ISO30-B16	31.75	15.733	116	0.372	
400-1208	ISO30-J4		28.550	28.550	28.550		400-1264	ISO30-B18		17.780	124	0.372	
400-1209	ISO30-J5		35.890	35.890	35.890		400-1265	ISO30-B22		21.793	133	0.393	
400-1221	ISO40-J0	44.45	6.350	6.350	6.350		400-1266	ISO30-B24	69.85	23.825	143	0.460	
400-1222	ISO40-J1		9.754	9.754	9.754		400-1281	ISO40-B10		10.094	132	0.518	
400-1223	ISO40-J2S		13.940	13.940	13.940		400-1282	ISO40-B12		12.065	136	0.801	
400-1224	ISO40-J2	44.45	14.199	14.199	14.199		400-1283	ISO40-B16	44.45	15.733	143	0.809	
400-1225	ISO40-J33		15.850	15.850	15.850		400-1284	ISO40-B18		17.780	151	0.848	
400-1226	ISO40-J6		17.170	17.170	17.170		400-1285	ISO40-B22		21.793	160	0.869	
400-1227	ISO40-J3	69.85	20.599	20.599	20.599		400-1286	ISO40-B24	69.85	23.825	169	0.936	
400-1228	ISO40-J4		28.550	28.550	28.550		400-1301	ISO50-B10		10.094	170	0.994	
400-1229	ISO40-J5		35.890	35.890	35.890		400-1302	ISO50-B12		12.065	174	2.684	
400-1241	ISO50-J1	69.85	9.754	9.754	9.754		400-1303	ISO50-B16	69.85	15.733	182	2.676	
400-1242	ISO50-J2S		13.940	13.940	13.940		400-1304	ISO50-B18		17.780	195	2.723	
400-1243	ISO50-J2		14.199	14.199	14.199		400-1305	ISO50-B22		21.793	200	2.811	
400-1244	ISO50-J33		15.850	15.850	15.850		400-1306	ISO50-B24		23.825	215	2.869	

MAZAK/BT PULL STUDS



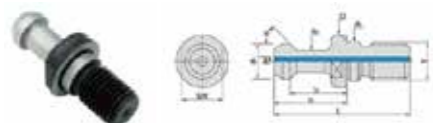
Order No.	Specification	L	L1	L2	D	d1	d2	d3	d4	SW	T	θ	Weight KGS	Price
400-1351	MAZAK-BT40	44.1	19.1	14.02	22	18.8	12.45	17	7	19	M16	45°	0.06	
400-1352	MAZAK-BT50	65.2	25.2	17.78	37	29	20.83	25	10	30	M24			

BT PULL STUDS



Order No.	Specification	L	L1	L2	D	d1	d2	d3	SW	T	θ	Weight KGS	Price
400-1371	BT30-45°	43	23	18	16.5	11	7	12.5	13	M12	45°	0.04	
400-1372	BT40-45°	60	35	28	23	15	10	17	19	M16		0.10	
400-1373	BT50-45°	85	45	35	38	23	17	25	30	M24		0.30	
400-1374	BT30-60°	43	23	18	16.5	11	7	12.5	13	M12	60°	0.04	
400-1375	BT40-60°	60	35	28	23	15	10	17	19	M16		0.10	
400-1376	BT50-60°	85	45	35	38	23	17	25	30	M24		0.30	
400-1377	BT30-90°	43	23	18	16.5	11	7	12.5	13	M12	90°	0.04	
400-1378	BT40-90°	60	35	28	23	15	10	17	19	M16		0.10	
400-1379	BT50-90°	85	45	35	38	23	17	25	30	M24		0.30	

BT PULL STUDS/COOLANT TYPE



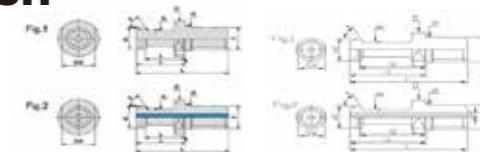
Order No.	Specification	L	L1	L2	D	d1	d2	d3	d4	SW	T	θ	Weight KGS	Price
400-1401	BT40-45°W	60	35	28	23	15	10	17	4	19	M16	45°	0.10	
400-1402	BT40-60°W											60°	0.10	
400-1403	BT40-90°W											90°	0.10	
400-1404	BT50-45°W	85	45	35	38	23	17	25	5	30	M24	45°	0.30	
400-1405	BT50-60°W											60°	0.30	
400-1406	BT50-90°W											90°	0.30	

DAT PULL STUDS



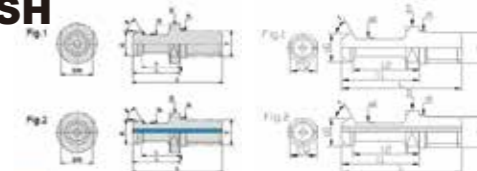
Order No.	Specification	L	L1	L2	L3	L4	D	d1	d2	d3	d4	SW	T	Fig.	Weight KGS	Price	
400-1431	DAT30-A	44	24	19			17	13	9	13	-	14	M12	2	0.03		
400-1432	DAT40-A	54	26	20			23	19	14	17	7	19	M16	1		0.09	
400-1433	DAT50-A	74	34	25			36	28	21	25	11.5	30	M24				
400-1434	DAT30-B	44	24	19	2.3	17	13	9	13	-	14	M12	2		0.03		
400-1435	DAT40-B	54	26	20	27	3.0	23	19	14	17	7	19					M16
400-1436	DAT50-B	74	34	25	37	4.5	36	28	21	23	11.5	30	M24		0.25		

BT PULL STUDS FOR POLISH



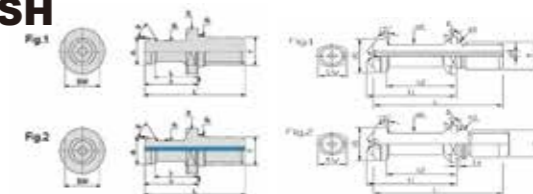
Order No.	Specification	L	L1	L2	D	d1	d2	d3	d4	SW	T	Fig.	θ	Price
400-1471	BT30-45°-G	43	23	18	16.5	11	7	12.5		13	M12x1.75P	1	45°	
400-1472	BT30-60°-G												60°	
400-1473	BT30-90°-G												90°	
400-1494	BT40-45°-G	60	35	28	23	15	10	17		19	M16x2.0P	1	45°	
400-1495	BT40-60°-G												60°	
400-1496	BT40-90°-G												90°	
400-1511	BT50-45°-G	85	45	35	38	23	17	25		30	M24x3.0P	1	45°	
400-1512	BT50-60°-G												60°	
400-1513	BT50-90°-G												90°	
400-1551	BT30-45°-HG(2x3)	43	23	18	16.5	11	7	12.5	2x3	13	M12x1.75P	1	45°	
400-1552	BT30-60°-HG(2x3)												60°	
400-1571	BT40-45°-HG(4)												45°	
400-1572	BT40-60°-HG(4)	60	35	28	23	15	10	17	4	19	M16x2.0P	2	60°	
400-1573	BT40-90°-HG(4)												90°	
400-1574	BT40-45°-HG(5)												45°	
400-1575	BT40-60°-HG(5)	85	45	35	38	23	17	25	7	30	M24x3.0P	1	60°	
400-1591	BT50-45°-HG(7)												45°	
400-1592	BT50-60°-HG(7)												60°	
400-1593	BT50-90°-HG(7)												90°	

BT-HS PULL STUDS FOR POLISH



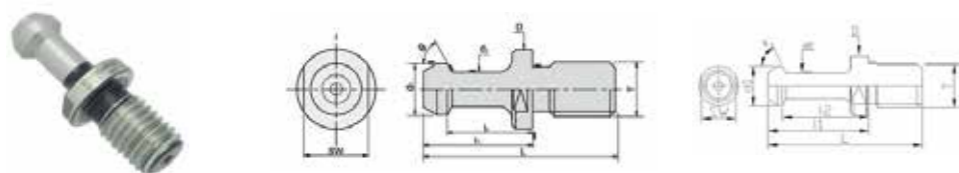
Order No.	Specification	L	L1	L2	D	d1	d2	d3	SW	T	θ	Fig.	Weight KGS	Price
400-1611	BT30-45°-HS	43	23	18	16.5	11	7	12.5	13	M12x1.75P	45°	1	0.03	
400-1612	BT30-60°-HS										60°		0.03	
400-1613	BT40-45°-HS	60	35	28	23	15	10	17	19	M16x2.0P	45°	2	0.08	
400-1614	BT40-45°-HS-W										0.08			

DAT PULL STUDS FOR POLISH



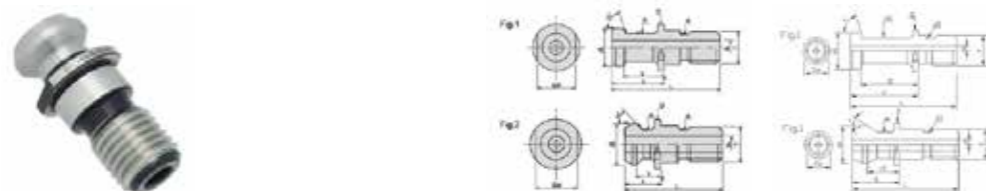
Order No.	Specification	L	L1	L2	L3	L4	D	d1	d2	d3	d4	SW	T	Weight KGS	Price				
400-1631	DAT30-A-G	44	24	19			17	13	9	13		14	M12x1.75P	0.04					
400-1632	DAT30-B-G													0.04					
400-1633	DAT40-A-G	54	26	20			23	19	14	17	7	19	M16x2.0P	0.07					
400-1634	DAT40-A-L-G													29	23			0.07	
400-1635	DAT40-B-G													26	20	27	3	0.08	
400-1636	DAT40-B-L-G	29	23											0.08					

CAT PULL STUDS FOR POLISH



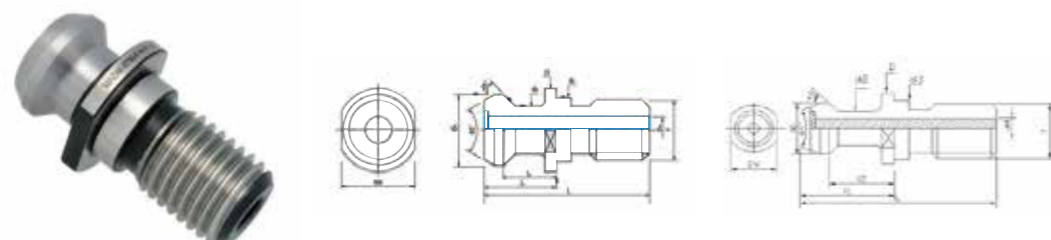
Order No.	Specification	L	L1	L2	D	d1	d2	SW	T	θ	Weight KGS	Price
400-1661	CAT40-45°-G	57.15	32.15	25.15	23	15	10	19	5/8"W1	45°	0.07	
400-1662	CAT40-60°-G									60°	0.07	
400-1663	CAT40-90°-G									90°	0.07	

ISO PULL STUDS FOR POLISH



Order No.	Specification	L	L1	L2	D	d1	d2	d3	d4	SW	T	Fig.	Weight KGS	Price
400-1681	ISO40-A-G	54	26	20	23	19	14	17	7	19	M16×2.0P	1	0.07	
400-1682	ISO40-B-G	44.5	16.4	11.15	22.5	18.95	12.95		7.35			2	0.05	
400-1683	ISO50-A-G	74	34	25	36	28	21	25	7	30	M24×3.0P	1	0.20	
400-1684	ISO50-B-G	65.5	25.5	17.98	37	29.1	19.6		11.5			2	0.08	

MAZAK PULL STUDS FOR POLISH



Order No.	Specification	L	L1	L2	D	d1	d2	d3	d4	SW	T	Weight KGS	Price
400-1701	MAZAK-BT40-G	44.1	19.1	14	22	18.8	12.45	17	7	19	M16×2.0P	0.05	
400-1702	MAZAK-BT50-G	65.2	25.2	17.58	37	28.95	20.83	25	10	30	M24×3.0P	0.19	
400-1703	MAZAK-CAT40-G	41.1	16.1	11	22	18.8	12.45	17	7	19	M16×2.0P	0.05	

QUICK CHANGE TOOL POSTS (USA STYLE)



PISTON TYPE QUICK CHANGE TOOL POST SETS

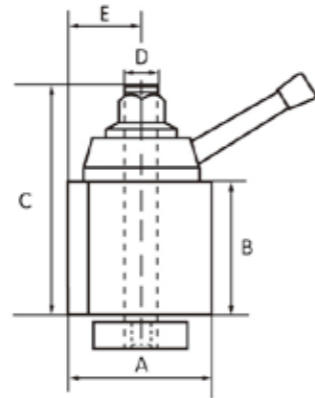
Order No	Model No.	For Lathes with swing(in.)	Set includes	Price
400-2001	251-100	12	250-100,250-101,250-102,250-104,250-107,250-110	
400-2002	251-200	10-15	250-200,250-201,250-202,250-204,250-207,250-210	
400-2003	251-300	13-18	250-300,250-301,250-302,250-304,250-307,250-310	
400-2004	251-400	14-20	250-400,250-401,250-402,250-404,250-407,250-410	



WEDGE TYPE QUICK CHANGE TOOL POST SETS

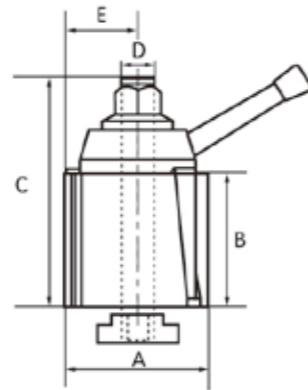
Order No	Model No.	For Lathes with swing(in.)	Set includes	Price
400-2005	251-111	12	250-111,250-101,250-102,250-104,250-107,250-110	
400-2006	251-222	10-15	250-222,250-201,250-202,250-204,250-207,250-210	
400-2007	251-333	13-18	250-333,250-301,250-302,250-304,250-307,250-310	
400-2008	251-444	14-20	250-444,250-401,250-402,250-404,250-407,250-410	
400-2009	251-555	17-48	250-555,250-501,250-502,250-504,250-507,250-510	

TOOL POST



PISTON TYPE TOOL POST

Model No.	A	B	C	D	E	Order No	Price
250-100	2-1/2	2-1/4	3-3/4	M14x1.5	1-7/16	400-2100	
250-200	3	2-3/4	4-3/8	M16x1.5	1-5/8	400-2200	
250-300	3-3/8	3	4-7/8	M20x2	1-7/8	400-2300	
250-400	4	3-5/8	6	M22x2	2-1/8	400-2400	



WEDGE TYPE TOOL POST

Model No.	A	B	C	D	E	Order No	Price
250-111	2-1/2	2-1/4	3-3/4	M14x1.5	1-3/8	400-2111	
250-222	3	2-3/4	4-3/8	M16x1.5	1-9/16	400-2222	
250-333	3-1/2	3	4-7/8	M18x1.5	1-29/32	400-2333	
250-444	4	3-5/8	6	M22x2	2-1/8	400-2444	
250-555	5	4-5/8	7-3/8	M24x2	2-11/16	400-2555	

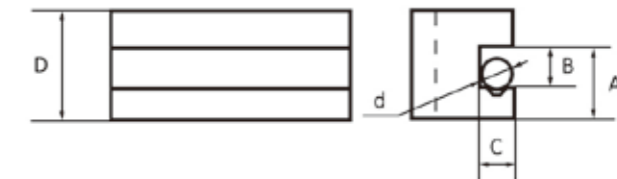
TOOL HOLDERS



NO.1 TURNING AND FACING HOLDER

Take various sizes of bits. turning and facing tools can be locked together.

Model No.	250-101	250-201	250-301	250-401	250-501
A	15/16	1-1/8	1-7/16	1-11/16	3-3/16
B	1/2	5/8	3/4	1	1-1/4
C	7/16	1/2	5/8	3/4	1
D	1-1/2	1-3/4	2-1/8	2-1/2	3-1/8
Order Number	400-2101	400-2201	400-2301	400-2401	400-2501
Price					

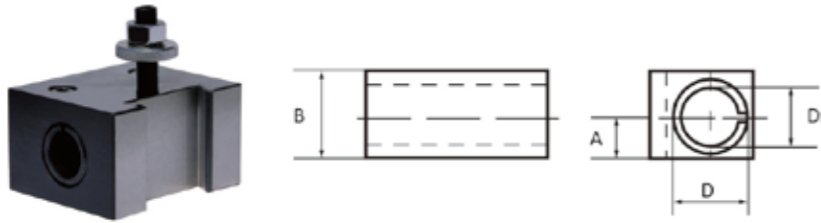


NO.2 BORING ,TURNING AND FACING HOLDER

"V" Groove holds round shank boring bars and tools as well as square tool bits.

Model No.	250-102	250-202	250-302	250-402	250-502
A	15/16	1-1/8	1-7/16	1-11/16	3-3/16
B	1/2	5/8	3/4	1	1-1/4
C	7/16	1/2	5/8	3/4	1
D	1-1/2	1-3/4	2-1/8	1-1/2	3-1/8
d	7/16	1/2	5/8	3/4	1-1/8
Order Number	400-2102	400-2202	400-2302	400-2402	400-2502
Price					

TOOL HOLDERS

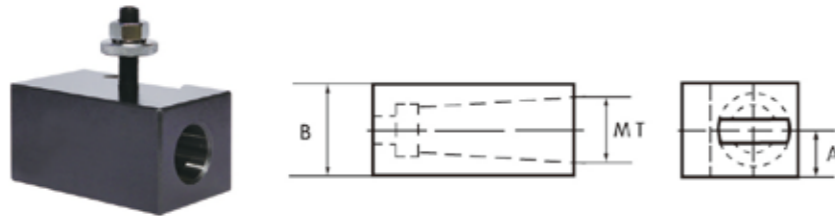


NOS.4 AND 41 HEAVY DUTY BORING BAR HOLDER

Equipped with a split bushing to accommodate a boring bar of smaller diameter. It permits drilling and boring, etc.

Model No.	250-101	250-201	250-301	250-401	250-501
A	3/4	7/8	1	1-1/4	1-9/16
B	1-1/2	1-3/4	2	2-1/2	3-1/8
C	3/4	1	1	1-1/4	1-1/2
D1	5/8	3/4	3/4	1	1-1/4
Order Number	400-2104	400-2204	400-2304	400-2404	400-2504
Price					

Model No.	250-141	250-241	250-341	250-441
A	7/8	1	1-1/8	1-3/8
B	1-3/4	2	2-1/4	2-3/4
C	1	1-1/4	1-1/4	1-1/2
D1	3/4	1	1	1-1/4
Order Number	400-2141	400-2241	400-2341	400-2441
Price				



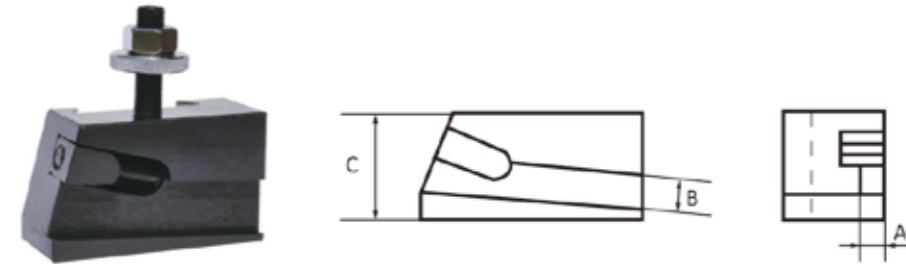
NOS.5 AND 53 MORSE TAPER HOLDER FOR DRILLING

Drills with carriage by using power feed instead of tail-stock. It permits drilling, boring, and reaming, etc.

Model No.	250-105	250-205	250-305	250-405
A	3/4	7/8	1	1-1/4
B	1-1/2	1-3/4	2	2-1/2
MT	2	2	3	3
Order Number	400-2105	400-2205	400-2305	400-2405
Price				

Model No.	250-153	250-253	250-353	250-453
A	3/4	7/8	1-1/16	1-3/16
B	1-1/2	1-3/4	2-1/8	2-3/8
MT	3	3	4	4
Order Number	400-2153	400-2253	400-2353	400-2453
Price				

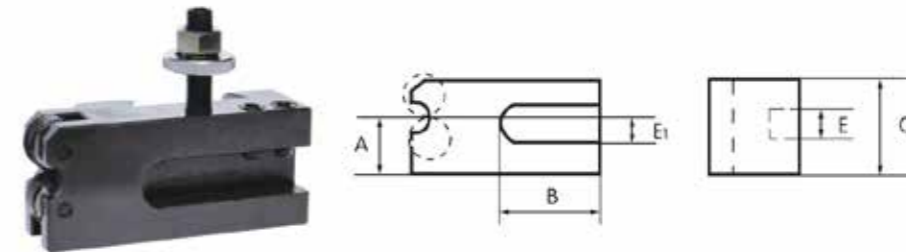
TOOL HOLDERS



NO.7 UNIVERSAL PARTING BLADE TOOL HOLDER

Equipped with T-cut blades enable you to cut off to chuck.

Model No.	250-107	250-207	250-307	205-407	250-507
A	3/16	3/16	3/16	1/4	1/4
B	1/2	11/16	3/4	7/8	1-3/16
C	1-1/2	1-3/4	2	2-1/2	2-3/4
Order Number	400-2107	400-2207	400-2307	400-2407	400-2507
Price					

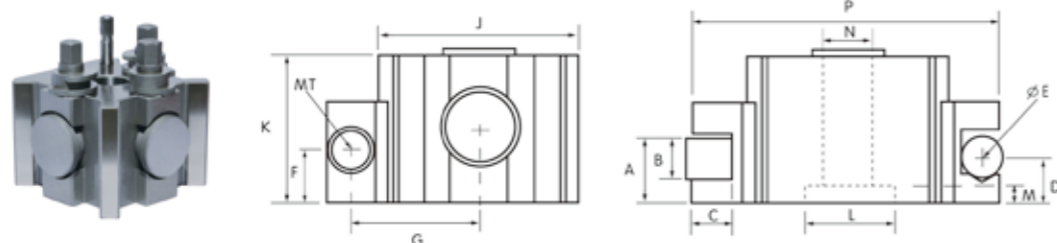


NO.10 KNURLING, TURNING & FACING HOLDER

Equipped with knurls and square tools, enable you to knurl, face, bore, etc.

Model No.	250-110	250-210	250-310	205-410	250-510
A	7/8	1	1-3/16	1-7/16	1-7/8
B	2-1/2	2-5/8	3-1/8	3-3/4	4-1/2
C	1-9/16	1-3/4	2	2-1/2	3-1/8
E	1/2	5/8	3/4	1	1-1/4
E1	3/8	1/2	1/2	3/4	1
Order Number	400-2110	400-2210	400-2310	400-2410	400-2510
Price					

QUICK CHANGE TOOL POSTS (UK STYLE)



Order No	Model No.	A	B	C	D	ØE	F	G	MT	J	K	ØL	M	ØN	P	Price
400-2011	S00	min 19.5 max 35	13	13	min 11.5 max 28	10	-	-	-	57	42	-	-	16	77.5	
400-2012	S0	min 26.5 max 39	16	16	min 17 max 30	16	min 19 max 32	50	1	73	50.8	22.03	11	19	98	
400-2013	S1	min 31 max 53	20	16	min 22.5 max 44	16	min 23 max 42	50	1	73	63.5	31.75	6.3	19	123	
400-2014	S1X	min 40.5 max 62.5	20	16	min 32 max 53.5	16	min 32.5 max 51.5	50	1	73	73	31.75	6.3	19	123	
400-2015	S2	min 34.5 max 51.5	20	20	min 26 max 47	19	min 28 max 50	65	2	97.4	71.4	44.45	7.9	25.4	158	
400-2016	S2T	min 41.5 max 59	25	25	min 24.5 max 42	19	min 32.5 max 52	70	2	106	76.2	44.45	7.9	25.4	167	
400-2017	S3	min 52 max 76	32	25	min 29 max 58.5	25	min 36 max 61	85	3	125.7	95.2	50.8	9.5	25.4	200	
400-2018	S3X	min 68 max 92	32	25	min 45 max 74.5	25	min 52 max 77	85	3	125.7	111	50.8	9.5	25.4	200	
400-2019	S4	min 57.5 max 89	32	32	min 40.5 max 75	25	-	-	-	149	120.5	63.5	12.7	38.1	241	

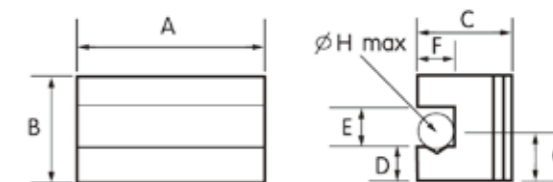
TOOL HOLDERS



STANDARD HOLDERS

Order No	Model No.	A	B	C	D	E	F	Price
400-2021	S00 141T	57.5	27	27	6.7	13.5	11	
400-2022	S0 143T	73	38	31.5	10.3	17.5	14	
400-2023	S1 141T	73	44.5	31.5	11	22	14	
400-2024	S2 141T	98	49.8	40	12	22.3	19	
400-2025	S2 143T	98	57	40	14.3	28.5	19	
400-2026	S3 141T	124	70	47	17.5	35	22	
400-2027	S4 143T	147	92	60	25.4	41	25.4	

TOOL HOLDERS



BORING BAR HOLDERS

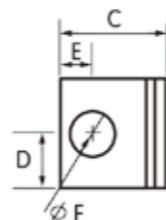
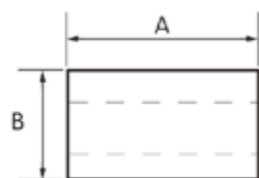
Order No	Model No.	A	B	C	D	E	F	G	H	Price
400-2031	S00 151T	57.5	27	27	8	13.5	11	11.5	10	
400-2032	S0 153T	73	38	31.5	10.3	17.5	14	17	16	
400-2033	S1 151T	73	44.5	31.5	16	17.5	14	23	16	
400-2034	S2 151T	98	49.8	40	15.3	22.4	19	23	19	
400-2035	S2 153T	98	57	40	14.3	28.5	19	22	19	
400-2036	S3 151T	124	70	47	17.5	35	22	29	25	
400-2037	S4 151T	147	79.4	60	19	41	25.4	29	25	



MORSE TAPER HOLDERS

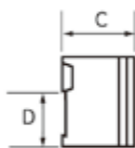
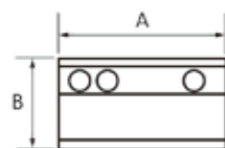
Order No	Model No.	A	B	C	D	E	MT	Price
400-2041	S0 161T	73	38	31.5	19	9.4	1	
400-2042	S1 161T	73	44.5	31.5	22.3	9.4	1	
400-2043	S1 167T	95	44.5	41	22.3	15.7	2	
400-2044	S2 161T	98	49.8	40	25	14	2	
400-2045	S2 167T	111	49.8	49.8	25	18	3	
400-2046	S3 161T	124	70	47	35	15.5	3	
400-2047	S3 167T	140	70	67	35	24.3	4	

TOOL HOLDERS



PLAIN BORE HOLDERS

Order No	Model No.	A	B	C	D	E	F	Price
400-2051	S1 181T	73	44.5	47	19	19	25	
400-2052	S2 181T	98	50	60	25	25	32	
400-2053	S3 181T	124	70	76	32	34	40	
400-2054	S4 181T	149	82.5	95	38	39	50	



PART OFF HOLDERS

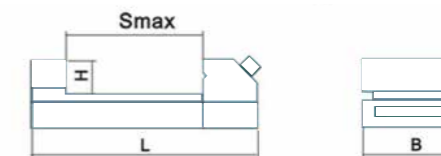
Order No	Model No.	A	B	C	D	Price
400-2061	S00 171T	57.5	27	27	16	
400-2062	S0 171T	73	38	31.5	25.5	
400-2063	S1 171T	73	44.5	31.5	27	
400-2064	S2 171T	98	49.8	40	33.5	
400-2065	S3 171T	124	70	47	39.5	

QGG TOOLING VISE



Order No.	Model	B mm	H mm	Max Opening mm	L mm	N.W. (kg)	Price
500-0071	QGG50	50	25	55	110	2.4	
500-0072	QGG60	60	25	65	155	3	
500-0073	QGG63	63	32	85	190	3.8	
500-0074	QGG73	73	35	100	210	5	
500-0075	QGG80	80	40	100	220	6.5	
500-0076	QGG88	88	40	125	250	11	
500-0077	QGG100	100	45	125	260	13	
500-0078	QGG125	125	50	160	300	19.5	
500-0079	QGG125A	125	50	210	350	23	
500-0080	QGG150	150	50	175	315	23.8	

QKG TOOLING VISE

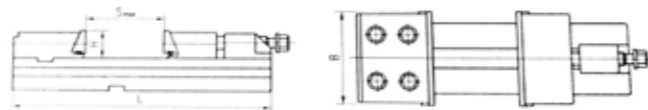


Order No.	Model	B mm	H mm	Max Opening mm	L mm	N.W. (kg)	Price
500-0091	QKG25	26	9.15	22	65.4	0.5	
500-0092	QKG36	36	20	40	100	1.2	
500-0093	QKG38	38	20	44	105	1.3	
500-0094	QKG50	50	25	65	140	2	
500-0095	QKG63	63	32	85	175	3	
500-0096	QKG73	73	35	100	190	4.1	
500-0097	QKG80	80	40	100	200	5.5	
500-0098	QKG88	88	40	125	235	7.3	
500-0099	QKG100	100	45	125	245	10	
500-0100	QKG125	125	50	160	285	18	
500-0101	QKG150	150	50	200	330	21.5	
500-0102	QKG150A	150	50	250	380	23	
500-0103	QKG150B	150	50	300	430	24	

GT PRECISION MILLING VISE

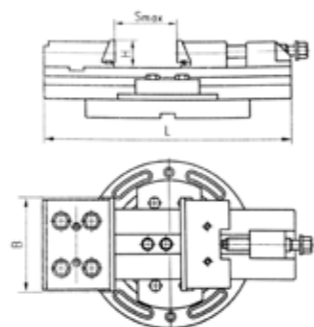
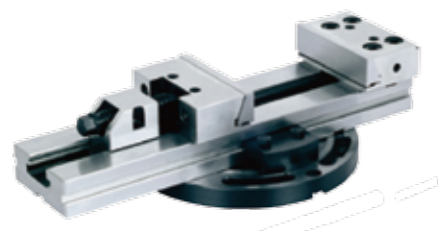


1. Made of high-quality alloy steel
2. Accuracy (parallelism and squareness) 0.005mm/100mm
3. Hardness HRC55-62



STATIONARY

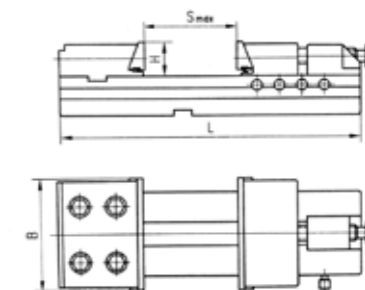
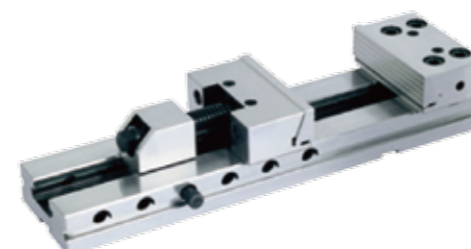
Order No.	Model No.	B mm/in	H mm/in	Smax mm/in	L mm/in	(kg) Clamping force	Wt(kg)	Price
500-0341	GT100-I	100/4	30/1-3/16	100/4	270/10-5/8	3000	7	
500-0342	GT125-I	125/5	40/1-37/64	150/6	345/13-9/16	3000	12.7	
500-0343	GT150A-I	150/6	50/2	200/7-7/8	420/16-17/32	5000	25.6	
500-0344	GT150B-I	150/6	50/2	300/11-13/16	520/20-1/2	5000	29.5	
500-0345	GT175A-I	175/6-7/8	60/2-3/8	200/7-7/8	455/17-29/32	6000	33.8	
500-0346	GT175B-I	175/6-7/8	60/2-3/8	300/11-13/16	555/21-21/32	6000	42.5	
500-0347	GT175C-I	175/6-7/8	60/2-3/8	400/15-3/4	655/25-13/16	6000	51.2	
500-0348	GT200A-I	200/7-7/8	65/2-9/16	200/7-7/8	495/19-1/2	10000	57	
500-0349	GT200B-I	200/7-7/8	65/2-9/16	300/11-13/16	595/23-7/16	10000	64	
500-0350	GT200C-I	200/7-7/8	65/2-9/16	400/15-3/4	695/27-3/8	10000	71	



SWIVEL

Order No.	Model No.	B mm/in	H mm/in	Smax mm/in	L mm/in	(kg) Clamping force	Wt(kg)	Price
500-0551	GT100- II	100/4	30/1-3/16	100/4	270/10-5/8	3000	10.3	
500-0552	GT125- II	125/5	40/1-37/64	150/6	345/13-9/16	3000	18.2	
500-0553	GT150A- II	150/6	50/2	200/7-7/8	420/16-17/32	5000	36.4	
500-0554	GT150B- II	150/6	50/2	300/11-13/16	520/20-1/2	5000	40.3	
500-0555	GT175A- II	175/6-7/8	60/2-3/8	200/7-7/8	455/17-29/32	6000	44.6	
500-0556	GT175B- II	175/6-7/8	60/2-3/8	300/11-13/16	555/21-21/32	6000	55.5	
500-0557	GT175C- II	175/6-7/8	60/2-3/8	400/15-3/4	655/25-13/16	6000	64.2	
500-0558	GT200A- II	200/7-7/8	65/2-9/16	200/7-7/8	495/19-1/2	10000	78.0	
500-0559	GT200B- II	200/7-7/8	65/2-9/16	300/11-13/16	595/23-7/16	10000	85.0	
500-0560	GT200C- II	200/7-7/8	65/2-9/16	400/15-3/4	695/27-3/8	10000	92.0	

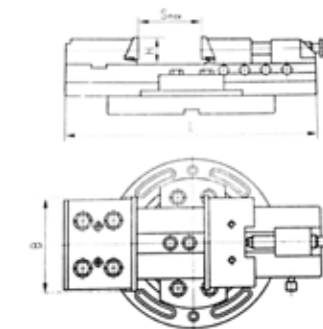
GT PRECISION MILLING VISE



1. Made of high-quality alloy steel
2. Parallelism and squareness within 0.005mm/100mm

STATIONARY

Order No.	Model No.	B mm/in	H mm/in	Smax mm/in	L mm/in	(kg) Clamping force	Price
500-0581	GT125- III	125/5	40/1-37/64	150/6	345/13-9/16	3000	
500-0582	GT150A- III	150/6	50/2	200/7-7/8	420/16-17/32	5000	
500-0583	GT150B- III	150/6	50/2	300/11-13/16	520/20-1/2	5000	
500-0584	GT175C- III	175/6-7/8	60/2-3/8	400/15-3/4	655/25-13/16	6000	

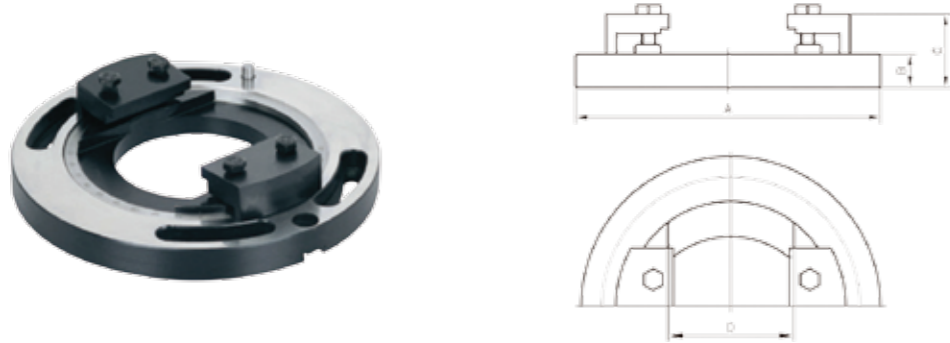


1. Made of high-quality alloy steel
2. Parallelism and squareness within 0.005mm/100mm

SWIVEL

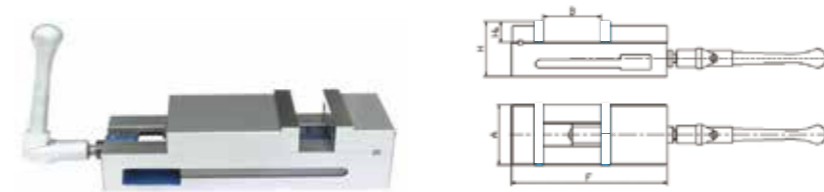
Order No.	Model No.	B mm/in	H mm/in	Smax mm/in	L mm/in	(kg) Clamping force	Price
500-0591	GT125-IV	125/5	40/1-37/64	150/6	345/13-9/16	3000	
500-0592	GT150A-IV	150/6	50/2	200/7-7/8	420/16-17/32	5000	
500-0593	GT150B-IV	150/6	50/2	300/11-13/16	520/20-1/2	5000	
500-0594	GT175C-IV	175/6-7/8	60/2-3/8	400/15-3/4	655/25-13/16	6000	

SWIVEL BASE



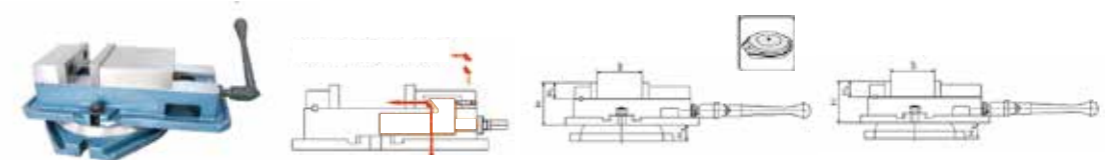
Order No.	Model	A mm/in	B mm/in	C mm/in	D mm/in	Clamping force	Price
500-0595	GT100-08	180/7-5/64	20/49/64	43.5/1-3/4	75/3	GT100- I	
500-0596	GT125-08	226/8-7/8	23/7/8	47/1-7/8	95/3-3/4	GT125- I GT125 III	
500-0597	GT150-08	290/11-27/64	28/1-7/64	58/2-5/16	125/5	GT150A(B)- I GT150A(B)- III	
500-0598	GT175-08	320/12-19/32	28/1-7/64	58/2-5/16	145/5-11/16	GT175A(B, C)- I GT175C- III	
500-0599	GT200-08	370/14-19/32	34/1-11/32	74/3	170/6-11/16	GT200A(B,C)- I	

HORIZONTAL-VERTICAL ACCU-LOCK MACHINE VISE



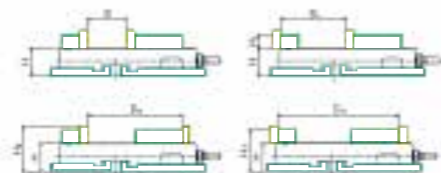
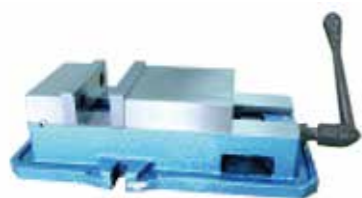
Order No.	Model	Jaw Width	Jaw Opening	Jaw Height	H	F	N.W. (kg)	Price
		A	B	H1				
500-0011	LV-4PGN	4"	3-15/16"	1-1/2"	3-27/32"	11"	16	
		102	100	38	98	280		
500-0012	LV-5PGN	5"	5-3/64"	1-9/16"	4-1/16"	12-53/64"	20.1	
		127	128	40	103	326		
500-0013	LV-6PGN	6"	5-9/16"	1-7/8"	4-3/4"	14-31/32"	29	
		150	160	48	121	380		
500-0014	LV-6XPGN	6"	7-1/2"	1-7/8"	4-3/4"	17"	38	
		150	190	48	121	432		
500-0015	LV-8PGN	8"	7-7/8"	2-23/64"	5-11/16"	19-3/8"	59.2	
		203	200	60	145	492		

ACCU-LOCK MACHINE VISE/SWIVEL



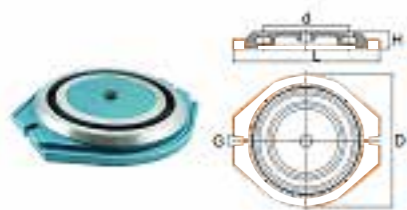
Order No.	Model	Jaw Width	Jaw Opening	Jaw Height	H	E	F	G	Base Height	N.W. (kg)	Price
		A	B	H1					H2		
500-0021	LV-75	3"	2-61/64"	63/64"	3-5/32"	4-1/4"	10-15/32"	6-7/64"	1-3/16"	12	
		78	75	25	80	108	266	155	30		
500-0022	LV-100	4"	4-5/16"	1-9/64"	3-37/64"	6-3/16"	12-3/4"	9-7/32"	1-29/64"	27	
		102	110	29	91	157	324	234	37		
500-0023	LV-130	5"	4-3/4"	1-1/2"	4-1/16"	7-1/64"	14-5/16"	9-3/4"	1-1/2"	32	
		127	120	38	103	178	363	248	38		
500-0024	LV-150	6"	5-9/16"	1-7/8"	4-27/32"	8-1/2"	16-21/32"	12-1/4"	1-1/2"	48	
		152	166	48	123	215	423	318	38		
500-0025	LV-150X	6X"	7-1/2"	1-7/8"	4-27/32"	8-1/2"	17"	12-1/4"	1-1/2"	56	
		152	190	48	123	215	432	318	38		
500-0026	LV-200	8"	8-5/8"	2-23/64"	5-45/64"	10-3/4"	21-5/8"	14-3/8"	1-49/64"	93	
		203	219	60	145	273	550	366	45		

ACCU-LOCK MACHINE VISE/STATIONARY



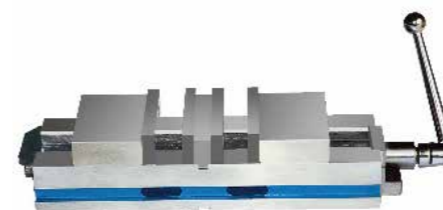
Order No.	Model	Maximum Jaw Opening Capacity				Price
		B	B1	B2	B3	
500-0031	LV-75S	2-61/64"	4-1/2"	6-9/32"	8"	
500-0032		75	115	160	200	
500-0033	LV-100S	4-5/16"	6"	8-9/16"	8-3/16"	
500-0034		110	152	218	208	
500-0035	LV-130S	4-3/4"	5-9/16"	9-11/16"	12"	
500-0036		120	165	247	305	
500-0037	LV-150S	5-9/16"	8-5/8"	12-3/8"	15"	
500-0038		166	220	315	380	
500-0039	LV-150XS	7-1/2"	10-5/32"	13"	15-11/16"	
500-0040		190	258	330	399	
500-0041	LV-200S	8-5/8"	10-27/32"	15-9/32"	18-1/2"	
500-0042		219	276	389	470	

SWIVEL BASE



Order No.	Model	Applicable vise	L	D	d	H	G	N.W.(kg)	Price
500-0051	SB-3LV	LV-75	8-9/16"	8-9/16"	8-9/16"	1-3/16"	9/16"	9/16"	
500-0052			218	218	218	30	14	14	
500-0053	SB-4LV	LV-100	10"	10"	10"	1-29/64"	5/8"	5/8"	
500-0054			250	250	250	37	16	16	
500-0055	SB-5LV	LV-130	10-3/4"	10-3/4"	10-3/4"	1-1/2"	5/8"	5/8"	
500-0056			273	273	273	38	16	16	
500-0057	SB-6LV	LV-150 LV-15X	13-5/8"	13-5/8"	13-5/8"	1-1/2"	11/16"	11/16"	
500-0058			345	345	345	38	18	18	
500-0059	SB-8LV	LV-200	15-7/16"	15-7/16"	15-7/16"	1-49/64"	11/16"	11/16"	
500-0060			392	392	392	45	18	18	

DUAL ACTION MACHINE VICE



Order No.	Width of Jaw mm	Height of Jaw mm	Total Height mm	Max. Opening mm	G./N.Weight kg	Q'TY	Packing Size cm	Price
500-0106	100	35	95	76	18/17	1	58x18x17	
500-0107	160	50	130	100	49/48	1	73x28x20	

QH SERIES MACHINE VICE



Order No.	Width of Jaw mm	Height of Jaw mm	Total Height mm	Max. Opening mm	G./N.Weight kg	Q'TY	Packing Size cm	Price
500-0111	80	32	91	63	30/28	4	25x13x11	
500-0112	100	35	105	80	45/44	4	28x15x13	
500-0113	125	40	122	100	18/17	1	33x20x17	
500-0114	160	52	158	125	34/33	1	43x23x18	
500-0115	200	63	175	160	45/44	1	47x27x19	

QHK SERIES MACHINE VICE



Performance and character:

- 1.It adopts the high-quality cast irons.
- 2.Both parallelism and verticality about the two jaws are 0.025mm/100mm.
- 3.The vice can be adjusted and locked at random from the horizontal position to the vertical position(0°-90°)with swivelling base being rotated 360°
- 4.It can be widely used for processing all kinds angles of surface,slots and holes.

Order No.	Width of Jaw mm	Height of Jaw mm	Total Height mm	Max.Opening mm	G./N.Weight kg	Q'TY	Packing Size cm	Price
500-0121	100	41	148	80	18/17	1	35x21x20	
500-0122	125	45	152	95	28/27	1	41x24x18	
500-0123	125	45	152	130	25/24	1	45x24x18	
500-0124	160	50	196	125	37/36	1	44x26x20	

QB SERIES MACHINE VICE



Performance and character:

- 1.It adopts the high-quality cast irons.
- 2.Both parallelism and verticality about the two jaws are 0.025mm/100mm.
- 3.It is widely used for themilling machine and the drilling machine to process some surface,slots and holes.

Order No.	Width of Jaw mm	Height of Jaw mm	Total Height mm	Max.Opening mm	G./N.Weight kg	Q'TY	Packing Size cm	Price
500-0131	135	36	118	170	17/16	1	42x20x15	
500-0132	160	51	142	180	27/26	1	42x21x17	
500-0133	200	64	172	220	38/37	1	50x24x18	
500-0134	250	64	186	280	57/55	1	61x30x20	
500-0135	320	81	205	360	86/84	1	72x39x22	

Hydraulic Machine Vice



3 RANGES FOR JAW OPENING

Model No.	3 Steps Clamping Position		
	X	Y	Z
HP-4V	0-60	57-115	110-170
HP-5V	0-72	70-140	135-220
HP-6V	0-100	98-200	195-305
HP-8V	0-100	98-200	195-305



SPECIFICATIONS

Order No.	MODEL NO.	Jaw Width (A)	Jaw Depth (a)	Jaw Opening (c)	D	E	F	G	H	I	J	K	L	Clamping Force	Weight		Price
															Plain	W/Swivel Base	
500-0141	HP-4V	100 4"	36 1.42"	170 6.7"	525	430	130	160	94	60	78	100	155	2600kgs 5720lbs	16kgs 36lbs	22kgs 48.5lbs	
500-0142	HP-5V	125 5"	46 1.81"	220 8.66"	670	540	165	185	118	72	97	117	185	3500kgs 7700lbs	32kgs 70.4lbs	42kgs 92.4lbs	
500-0143	HP-6V	155 6"	53.6 2.10"	305 12"	960	615	202	232	136	82	115	125	255	4600kgs 10120lbs	58kgs 128lbs	75kgs 165lbs	
500-0144	HP-8V	200 8"	62 2.44"	305 12"	1020	700	240	280	162	100	160	165	266	7200kgs 15840lbs	96kgs 212lbs	125kgs 275lbs	

FREE STYLE MACHINE VISE



Order No.	Width of Jaw mm	Height of Jaw mm	Jaw Micro Adjusting Size	G./N.Weight kg	Q'TY	Packing Size cm	Price
500-0149	160	81	0-16	19/18	1	35x17x13	
500-0150	200	81	0-24	29/28	1	41x21x15	

EU TYPE DRILL PRESS VISE



Order No.	Width of Jaw mm	Height of Jaw mm	Max.Opening mm	G./N.Weight mm	Q'TY	Packing Size cm	Price
500-0151	85	29	65	25/23	10	32x30x27	
500-0152	100	32	85	35/33	10	37x33x32	
500-0153	120	32	110	24/22	5	38x25x37	
500-0154	150	39	135	32/30	5	43x27x43	

PROFESSIONAL DRILL PRESS VISE



Order No.	Width of Jaw mm	Height of Jaw mm	Max.Opening mm	G./N.Weight mm	Q'TY	Packing Size cm	Price
500-0156	81	30	76	30/26	10	32x30x34	
500-0157	100	40	100	40/38	8	33x27x26	
500-0158	127	50	130	53/49	6	43x30x30	

DELUXE DRILL PRESS VICE



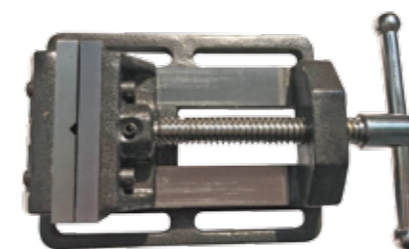
Order No.	Width of Jaw	Height of Jaw	Max.Opening	G./N.Weight	Q'TY	Packing Size	Price
500-0161	85	27	70	30/29	10	380x300x280	
500-0162	100	30	102	33/32	8	320x365x320	
500-0163	120	30	120	31/30	6	380x255x335	
500-0164	150	30	142	30/29	4	480x195x405	

DRILL PRESS VICE



Order No.	Width of Jaw	Height of Jaw	Max.Opening	G./N.Weight	Q'TY	Packing Size	Price
500-0171	75	27	60	18/17	10	265x265x235	
500-0172	100	30	90	25/24	8	370x255x270	
500-0173	125	30	115	26/25	6	400x195x325	
500-0174	150	30	145	35/34	6	450x210x345	
500-0175	200	45	180	14/13	1	395x275x100	

PROFESSIONAL DRILL PRESS VISE



Order No.	Width of Jaw mm	Height of Jaw mm	Max.Opening mm	G./N.Weight mm	Q'TY	Packing Size cm	Price
500-0176	81	30	76	28/24	10	32x30x34	
500-0177	100	40	100	38/36	8	33x27x26	
500-0178	127	50	130	51/47	6	43x30x30	

HEAVY DUTY AMERICAN TYPE DRILL PRESS VICE



Order No.	Size	Width of Jaw(mm)	Max. Opening	Depth of Throat(mm)	Qty/Ctn	Weight/Ctn(kg)	Ctn Size(cm)	Price
500-0181	3"/75mm	78	78	19	10	22/20	32x30x22	
500-0182	4"/100mm	100	110	26	10	32/30	37x35x26	
500-0183	5"/125mm	125	128	26	8	44/42	43x30x29	
500-0184	6"/150mm	150	150	26	5	32/30	40x26x33	

LIGHT DUTY AMERICAN TYPE DRILL PRESS VICE



Order No.	Size	Width of Jaw(mm)	Max. Opening	Depth of Throat(mm)	Qty/Ctn	Weight/Ctn(kg)	Ctn Size(cm)	Price
500-0186	3"/75mm	78	78	19	10	22/20	32x30x22	
500-0187	4"/100mm	100	110	26	10	32/30	37x35x26	
500-0188	5"/125mm	125	128	26	8	44/42	43x30x29	
500-0189	6"/150mm	150	150	26	5	32/30	40x26x33	

CROSS SLIDE VICE



Order No.	Width of Jaw mm	Height of Jaw mm	Max. Opening mm	G./N. Weight kg	Packing Size cm	Price
500-0191	75	35	76	7.5/7	24x24x17	
500-0192	100	46	102	9.5/9	27x27x17	
500-0193	125	50	125	19/18	30x30x22	
500-0194	160	53	152	28/27	37x37x22	
500-0195	200	53	203	36/35	37x45x24	

CROSS SLIDE VICE



Order No.	Size	Width of Jaw(mm)	Qty/Ctn	Weight/Ctn(kg)	Ctn Size(cm)	Price
500-0201	4"/100mm	100	1	10.5	29x29x17	
500-0202	5"/125mm	125	1	14.5	30x30x20	
500-0203	6"/150mm	150	1	17.5	32x32x20	

PRECISION DRILL PRESS VISE



Order No.	Size	GW/NW(kg)	Carton Size(cm)	Qty/Carton	Opening(MM)	Price
500-0208	4"/100mm	8.0/7.0	40x22x12	1	110	
500-0209	6"/150mm	13.0/11.0	50x29x15	1	140	
500-0210	8"/200mm	22.0/20.0	64x36x17	1	200	

QUICK GRIP DRILL PRESS VISE



Order No.	Size	GW/NW(kg)	Carton Size(cm)	Qty/Carton	Opening(MM)	Price
500-0211	3"/75mm	6.0/5.0	33x17x12	1	75	
500-0212	4"/100mm	9.0/8.0	33x17x12	1	95	
500-0213	6"/150mm	16.0/15.0	46x29x16	1	130	
500-0214	8"/200mm	20.0/19.0	56x34x17	1	200	

CROSS SLIDE TABLE



Order No.	Length(mm)	Width(mm)	Height(mm)	X travel(mm)	Y travel(mm)	Qty/ctn	Packing size(cm)	NW/GW(kg)	Price
500-0251	185	100	102	80	50	1	28X28X17	10.5/11.5	
500-0252	225	175	108	105	90	1	36X36X20	16/17	
500-0253	330	220	115	190	100	1	41X35.6X17.3	23/26	
500-0254	425	240	150	225	150	1	60X44X18.5	41.5/45	
500-0255	600	240	150	400	150	1	77.2X44X18	51/56	
500-0256	730	210	154	500	210	1	91x51x19	67/73	

CROSS SLIDE TABLE WITH SWIVEL BASE



Order No.	Length(mm)	Width(mm)	Height(mm)	X travel(mm)	Y travel(mm)	Qty/ctn	Packing size(cm)	NW/GW(kg)	Price
500-0261	225	175	138	105	90	1	36X36X20	16/17	
500-0262	330	280	155	190	100	1	41X35X21	28/33	
500-0263	425	335	165	225	150	1	60X44X21.5	47.5/53	
500-0264	600	335	165	400	150	1	77.2X44X21.5	55/60	

COMPOUND TABLE



Order No.	Length(mm)	Width(mm)	Height(mm)	X travel(mm)	Y travel(mm)	Qty/ctn	Packing size(cm)	NW/GW(kg)	Price
500-0271	300	140	95	180	100	1	38X30X14	13/14	
500-0272	300	140	95	180	100	1	38X30X14	17/18	
500-0273	300	140	95	180	100	1	39.2X29.8X16.2	17/18	

CROSS SLIDE TABLE



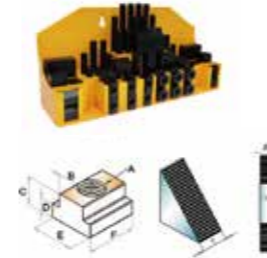
Order No.	Length(mm)	Width(mm)	Height(mm)	X travel(mm)	Y travel(mm)	Qty/ctn	Packing size(CM)	NW/GW(kg)	Price
500-0278	473	156	134	270	120	1	67X43X21.5	26/28	

PRECISION CROSS SLIDE TABLE



Order No.	Length(mm)	Width(mm)	Height(mm)	X travel(mm)	Y travel(mm)	Qty/ctn	Packing size(cm)	NW/GW(kg)	Price
500-0281	425	240	150	225	150	1	56X44X21.5	44/49	
500-0282	600	240	150	400	150	1	77.5X44X21.5	52/58	
500-0283	730	210	154	500	210	1	90X50X21.5	67/73	

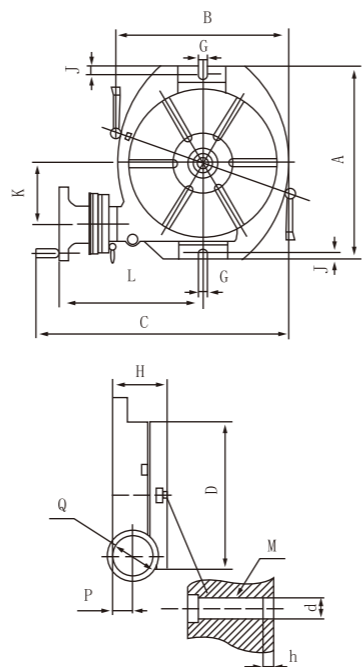
CLAMPING KITS



Combination	52pcs/set	50pcs/set	38pcs/set
Stud	24pcs	24pcs	24pcs
T-slot nut	6pcs	6pcs	6pcs
Flange nut	6pcs	4pcs	4pcs
Coupling nut	4pcs	4pcs	4pcs
Step clamp	6pcs	6pcs	
Step block	6sets (12pcs)	6pcs (12pcs)	

Order No.	Model	A(mm)	B(mm)	C(mm)	D(mm)	E(mm)	F(mm)	T(mm)	Packing	Price
500-0301	CK-8P	M8×1.25	9.7	12	6	16	20	25	Plastic frame	
500-0302	CK-10P	M10×1.5	11.5	12	6.8	17.5	22	25	Plastic frame	
500-0303	CK-12A1P	M12×1.75	13.8	16	8	22	28	25	Plastic frame	
500-0304	CK-12A2P		15.5	16	8	25	28	25	Plastic frame	
500-0305	CK-12B1P	M14×2.0	13.8	16	8	22	28	32	Plastic frame	
500-0306	CK-12B2P		15.5	16	8	25	28	32	Plastic frame	
500-0307	CK-14AP	M16×2.0	15.5	16	8	25	28	25	Plastic frame	
500-0308	CK-14BP		15.5	16	8	25	28	32	Plastic frame	
500-0309	CK-16AP	M16×2.0	17.5	19	11	28	31	25	Plastic frame	
500-0310	CK-16BP		17.5	19	11	28	31	32	Plastic frame	
500-0311	CK-104A(1/2-121)P	1/2"-12	13.8	16	8	22	28	32	Plastic frame	
500-0312	CK-104A(1/2-122)P		15.5	16	8	25	28	32	Plastic frame	
500-0313	CK-104A(1/2-123)P	1/2"-13UNC	17.5	19	11	28	31	32	Plastic frame	
500-0314	CK-104A(1/2-131)P		13.8	16	8	22	28	32	Plastic frame	
500-0315	CK-104A(1/2-132)P		15.5	16	8	25	28	32	Plastic frame	
500-0316	CK-104A(1/2-133)P	1/2"-12	17.5	19	11	28	31	25	Plastic frame	
500-0317	CK-104B(1/2-121)P		13.8	16	8	22	28	32	Plastic frame	
500-0318	CK-104B(1/2-122)P		15.5	16	8	25	28	32	Plastic frame	
500-0319	CK-104B(1/2-123)P	1/2"-13UNC	17.5	19	11	28	31	32	Plastic frame	
500-0320	CK-104B(1/2-131)P		13.8	16	8	22	28	32	Plastic frame	
500-0321	CK-104B(1/2-132)P		15.5	16	8	25	28	32	Plastic frame	
500-0322	CK-104B(1/2-133)P	5/8"-11	17.5	19	11	28	31	32	Plastic frame	
500-0323	CK-105A1P		17.5	19	11	28	31	25	Plastic frame	
500-0324	CK-105A2P		18.6	19	12	31.8	31	25	Plastic frame	
500-0325	CK-105A3P		20.2	25	14	32	38	25	Plastic frame	
500-0326	CK-105A1W		17.5	19	11	28	31	25	Wooden tray	
500-0327	CK-105A2W		18.6	19	12	31.8	31	25	Wooden tray	
500-0328	CK-105A3W		20.2	25	14	32	38	25	Wooden tray	
500-0329	CK-105B1P		17.5	19	11	28	31	32	Plastic frame	
500-0330	CK-105B2P	3/4"-10	18.6	19	12	31.8	31	32	Plastic frame	
500-0331	CK-105B3P		20.2	25	14	32	38	32	Plastic frame	
500-0332	CK-1061W		20.2	25	14	32	38	38	Wooden tray	
500-0333	CK-1062W	3/4"-10	21.7	28	14	35	38	38	Wooden tray	
500-0334	CK-1063W		25	25	15.5	40	44.5	38	Wooden tray	

ROTARY TABLE



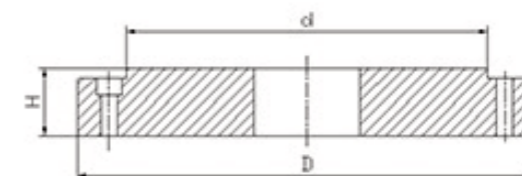
Main technical parameter:

Order No.	500-0401	500-0402	500-0403	500-0404	500-0405	500-0406	500-0407	500-0408	500-0409
Model	TS160A	TS200A	TS250A	TS320A	TS400A	TS500A	TS630A	TS800A	TS1000A
Table diameter mm	Φ160	Φ200	Φ250	Φ320	Φ400	Φ500	Φ630	Φ800	Φ1000
Morse taper of the center hole	2#	3#	4#	5#	6#				
Width of the T-slot mm	10	12	14	18	22				
Adjacent angle of table T-slot	90°	60°	45°						
Width of the locating key mm	12	14	18	-	-	-	-		
Graduation of the table	360°								
Minimum value of vernier	10"								
Indexing accuracy	80"	60"							
Max.workload kg	100	150	200	250	300	550	700	1200	2000
Net weight kg	16.5	22.5	33.5	65	125	215	345	800	1300
Gross weight kg	21.5	31	44.5	76	145	238	377	855	1400
Overall dimensions mm	400×330 ×200	400×360 ×208	500×400 ×210	580×480 ×238	750×616 ×280	850×730 ×302	995×900 ×326	1175×1090 ×391	1430×1224 ×550
Price									

Installation sketch and dimensions

Order No.	500-0401	500-0402	500-0403	500-0404	500-0405	500-0406	500-0407	500-0408	500-0409
Model	TS160A	TS200A	TS250A	TS320A	TS400A	TS500A	TS630A	TS800A	TS1000A
A	260	290	330	410	530	640	920	1000	1170
B	196	238	286	360	450	560	700	890	1080
C	332	368	422	493	612	753	898	1090	1295
D	Φ160	Φ200	Φ250	Φ320	Φ400	Φ500	Φ630	Φ900	Φ1000
G	12	14	18	22	22	—			
H	75	80	90	110	140	158.5	160	215	250
J	12	14	18	22	30	—			
K	76	91.25	102.5	128.5	180	230	295	364	364
L	194	211	241	273	337	383	488	535	654
M	MT2	MT3	MT4	MT5	MT6				
P	27	27	30.5	44	60	65	60	78	108
Q	125				160	180	220	250	
d	Φ25	Φ30	Φ40	Φ50	Φ50				
h	6			10	12	14			

FLANGE



Order No.	Type	D	d	H	H	Price
500-0411	FLG-0/5C	138	100	20	TS160A,TS200A/HV6,HV8	
500-0412	FLG-1/6C	170	130	21	TS200A,TS250A/HV8,HV10	
500-0413	FLG-2/8C	195	155	24	TS250A,TS320A,TS400A/HV10,HV12,HV14	

DIVIDING PLATES



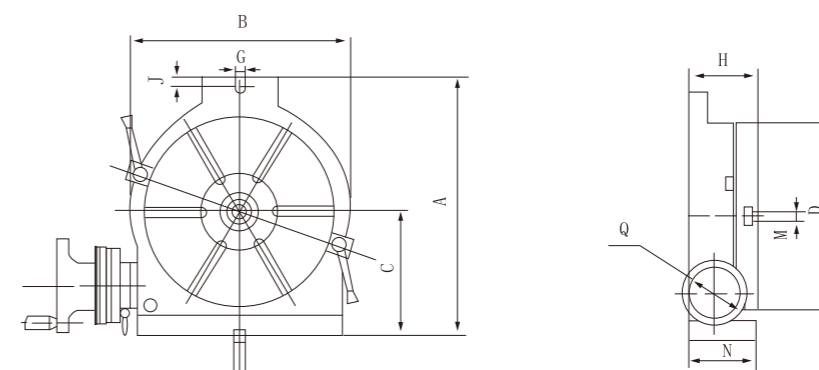
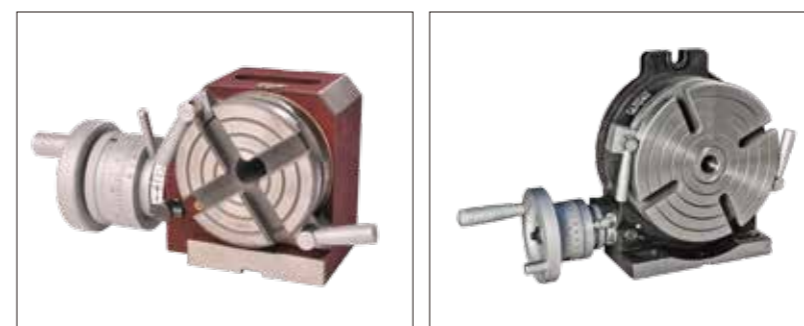
Order No.	MModel	Dividing Plate	Qty of holes	Used for	N.W.(kg)	Price
500-0414	DP1	A	15,16,17,18,19,20	TS160A/HV4,HV6	2.7	
		B	21,23,27,29,31,33			
		C	37,39,41,43,47,49			
500-041	DP2	A	A1/26,30,34,38,41,44,47,51,57	TS200A,TS250A,TS300A,TS350A	4.8	
			A2/28,32,37,39,43,46,49,54,59	HV8,HV10,HV12,HV14,HV16		
		B	B1/61,67,71,77,81,87,91,97	CS6,CS8		
	B2/63,69,73,79,83,89,93,99					

TAIL STOCK



Order No.	Model	Center height		Used for	N.W.(KG)	Price
		Max.(mm)	Min.(mm)			
500-0581	TS0A	85	65	HV-3, HV-4	3.9	
		3.34	2.55			
500-0582	TS0	110	76	HV-4	3.9	
		4.3	3			
500-0583	TS1	131	97	HV-6	13	
		5.15	3.81			
500-0584	TS2	210	130	HV-8, HV-10, HV-12	18	
		8.26	5.12			
500-0585	TS3	300	210	HV-14, HV-16	21	
		11.81	8.27			
500-0586	TS4	145	115	CS-6, CC-6	18	
		5.7	4.5			
500-0587	TS5	200	130	CS-8, CC-8	18	
		7.9	5.1			

HORIZONTAL & VERTICAL ROTARY TABLE



TSLInstallation sketch and dimensions:

Order No.	500-0421	500-0422	500-0423	500-0424	500-0425	500-0426	500-0427	500-0428	500-0429
Model	HV-3"	HV-4"	HV-5"	HV-6"	HV-8	HV-10	HV-12	HV-14	HV-16
A	98	145	155	200	265	325	388	450	525
B	78	114	127	160	220	280	330	390	450
C	59	85.5	90	100	135	195	195	230	260
D	Φ76.2	Φ110	Φ127	Φ150	Φ200	Φ250	Φ300	Φ350	Φ400
E	12	12	12	16	16	16	16	16	18
G	/	/	/	17	17	17	17	17	17
H	83	85	85	83	105	115	135	138	150
J	/	/	15	10	10	15	/	/	/
M	MT2	MT2	MT2	MT2	MT3	MT4	MT4	MT4	MT4
N	71	68	68	78	98	113	133	128	145
	8	11	13.5	14	28	43	71	83	93
Gross weight kg	9	11.5	14	15	30	45	73	85	95
Gas dimensions	187x94x113	294x243x130	294x243x130	27x24x13	38x30x16	43x35x18	55x45x19	55x48x19	55x50x20
Price									

TILTING ROTARY TABLE



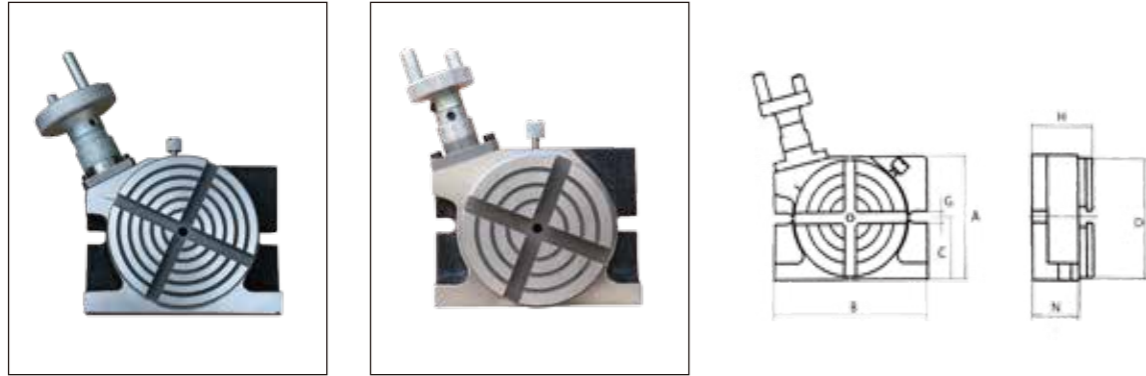
Order No.	500-0441	500-0442	500-0443
Model	TSK250	TSK320	TSK400
Diameter of table mm	Φ250	Φ320	Φ400
Morse taper of the center hole	3#	4#	
Width of T-Slot mm	14	14	
Modules of worm and worm gear	1.5	2	2.5
Width of the locating key mm	18	18	
Adjacent angle of T-slot	60°		
Transmission ratio of the worm gear	1:120		
Graduation of the table	360°		
Tilting angle	0°~90°		
Readout of the handwheel	1'		
Minimum value of vernier	10"		
Minimum reading of the tilting vernier	2'		
Indexing accuracy	60"		
Max.bearing(With table Hor.)kg	200	250	300
Max.bearing(with table Vert.)kg	100	1125	150
Net weight kg	80	135	280
Gross weight kg	93	150	305
Overall dimensions mm	550×430×330	630×490×950	830×600×460
Price			

TILTING ROTARY TABLE



Order No.	500-0431	500-0432	500-0433	500-0434	500-0435
Model	TSK3"	TSK4"	TSK5"	TSK6"	TSK8"
Diameter of table mm	Φ75	Φ110	Φ127	Φ150	Φ200
Morse taper of the center hole	/	2#	2#	2#	3#
Width of T-slot mm	8	12	12	14	14
Modules of worm and worm gear	1	1	1	1	1.5
Width of the locking key mm	16	16	16	16	16
Adjacent angle of T-slot	90°	120°	120°	90°	90°
Transmission ratio of the worm gear	1 : 36	1 : 72	1 : 72	1 : 90	1 : 90
Graduation of the table	360°	360°	360°	360°	360°
Tilting angle	0~90°	0~90°	0~90°	0~90°	0~90°
Readout of the handwheel	1"	1"	1"	1"	1"
Minimum value of vernier	10"	10"	10"	10"	10"
Minimum reading of the tilting vernier	1°	1°	1°	1°	1°
Indexing accuracy	80"	60"	60"	60"	60"
Net weight Kg	7	15	16	19	38
Gross weight Kg	7.5	17	18	21	41
Overall dimensions mm	220×140×140	320×200×190	320×200×190	340×250×185	400×300×240
Price					

HOBBY ROTARY TABLE

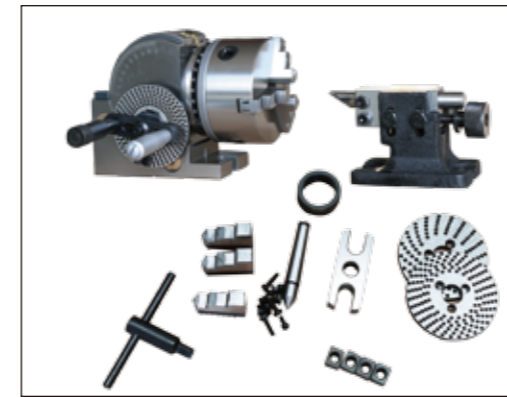


Order No.	Model	A	B	C	D	G	H	N	Price
500-0436	HB-3	84	108	42	80	8	44	30	
500-0437	HB-4	105.5	133	54	102	10	55	40	



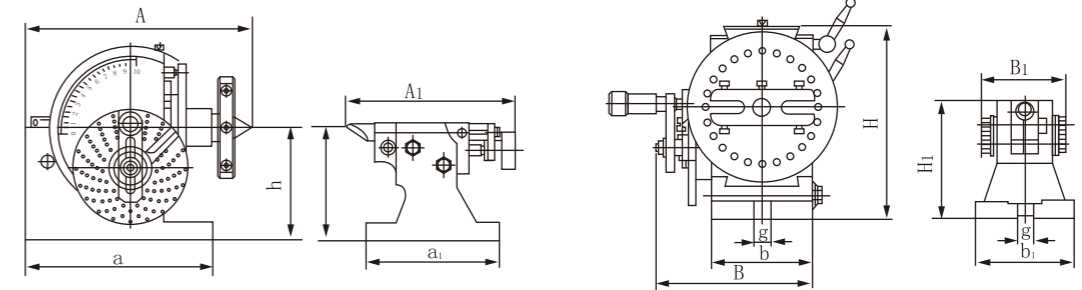
Order No.	Model	A	B	C	D	d	H	Price
500-0438	HBT-3	104	108	95	80	8	55	
500-0439	HBT-4	143	130	105	102	18	68	

SEMI UNIVERSAL DIVIDING HEAD



3-Jaw Chuck

Order No.	Size	Order No.	Price
500-0521	4"	500-0521	
500-0522	5"	500-0522	
500-0523	6"	500-0523	
500-0524	8"	500-0524	



SEMI-UNIVERSAL INDEX CENTER B&S TYPE NO.0,NO.1(HEAD-STOCK)

Order No.	Model	A	B	H	h	a	b	g	Taper of center	Diameter of Spindle hole	N.W.(kg)	Price
500-0501	BS-0	193	140	173	100	166	90	16	MT2	18	23.8	
500-0502	BS-0	7.59	5.51	6.81	3.93	6.53	3.54	0.63	B&S NO.7			
500-0503	BS-1	242	168	220	128	206	113	16	MT3	20	35.8	
500-0504	BS-1	9.52	6.61	8.66	5.04	8.11	4.45	0.63	B&S NO.9			

Unit:mm/in

STANDARD ACCESSORIES
 Dividing plate A.B.C.
 Numbers of holes of dividing plate
 (worm gear reduction ratio 1:40)

Unit:mm

Order No.	Numbers of hole	Price
500-0510	15 16 17 18 19 20	
500-0511	21 23 27 29 31 33	
500-0512	37 39 41 43 47 49	

OPTIONAL ACCESSORY

- 3-jaw Chuck
- 4" or 5" 3-jaw Chuck for BS-0
- 5" or 6" 3-jaw Chuck for BS-1
- 6" or 7" 8" 3-jaw Chuck for BS-2

SEMI-UNIVERSAL INDEX CENTER B&S TYPE NO.0,NO.1(HEAD-STOCK)

Unit:mm/in

Order No.	Model	A1	B1	H1	h	a1	b1	g1	N.W.(kg)	Mueasurement m ³	Price
500-0516	BS-0	175	87	107	100	130	92	16	Packed with the Dividing Head		
500-0517	BS-0	6.89	3.42	4.21	3.93	5.12	3.62	0.63			
500-0518	BS-1	183	87	137	128	158	110	16	Packed with the Dividing Head		
500-0519	BS-1	7.20	3.42	5.39	5.04	6.22	4.33	0.63			

SEMI UNIVERSAL DIVIDING HEAD

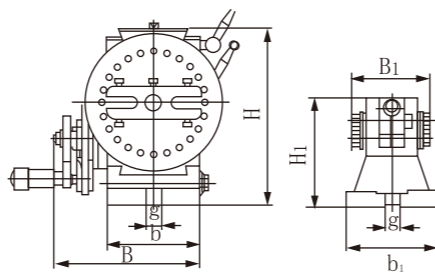
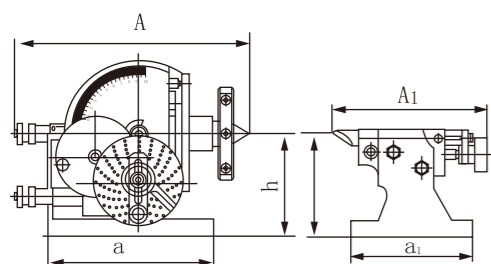


BS-2A



3-Jaw Chuck

Order No.	Size	Order No.	Price
500-0521	4"	500-0521	
500-0522	5"	500-0522	
500-0523	6"	500-0523	
500-0524	8"	500-0524	



UNIVERSAL INDEX CENTER B&S NO.2,(HEAD-STOCK)

Unit:mm/in

Order No.	Model	A	B	H	h	a	b	g	Work hole taper	N.W.(kg)	Price
500-0516	BS-2	370	280	236	133	212	134	16	MT4	73	
500-0517	BS-2	14.57	11.02	9.29	5.24	8.35	5.28	0.63	B&S NO.10		
500-0518	BS-2A	264	210	236	133	212	134	16	MT4	52	
500-0519	BS-2A	10.39	8.26	9.29	5.24	8.35	5.28	0.63	B&S NO.10		

STANDARD ACCESSORIES
Dividing plate A.B.C.
Numbers of holes of dividing plate
(worm gear reduction ratio 1:40)

Unit:mm/in

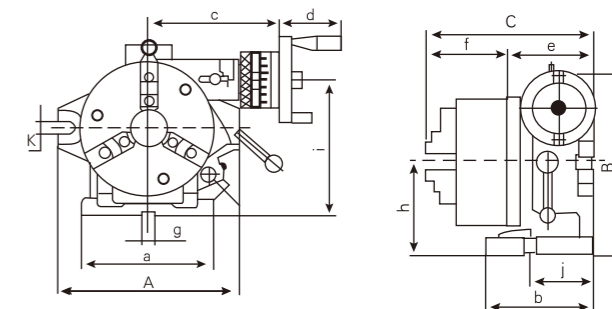
UNIVERSAL INDEX CENTER B&S NO.2,(TAIL-STOCK)

Unit:mm/in

Order No.	Model	A1	B1	H1	h	a1	b1	g1	N.W.(kg)	Mueasurement m ³	Price
500-0535	BS-2	183	87	156	133	175	122	16	Packed with the Dividing Head		
500-0536	BS-2A	7.2	3.42	6.14	5.24	6.89	4.80	0.63			

Order No.		Numbers of hole						Price
500-0510	PlateA	15	16	17	18	19	20	
500-0511	PlateB	21	23	27	29	31	33	
500-0512	PlateC	37	39	41	43	47	49	

HORIZONTAL/VERTICAL SUPER INDEXING SPACERS



Standard Accessories

- 3-jaw chuck
- Six masking plates(2,3,4,6,8&12 position)
- T-slotted face plate(8"or10")

ACCURACY for CS-6,8 CS-6,8	TOLERANCE(Max.)
Parallelism of table surface to base	.0006".015m/m
Axial movement of table surface	.0006".015m/m
True running of center boss	.0004".01m/m
Squareness of base to angle face per12"	.0008".02m/m
Positioning accuracy	45 sec.

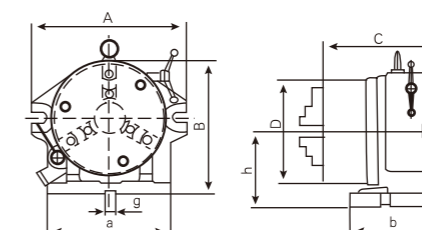
SPECIFICATIONS

Unit:inches/mm

MODEL NO.	Chuck				Face Plate	
	Outer Dia.	ThruHole Dia.	Inner Jaw	Outer Jaw	Outer Dia.	Thickness
CS-6	160	40	3~55	55~145	205	40
	6.30	1.57	0.12~2.17	2.17~5.71	8.07	1.57
CS-8	200	65	4~85	65~200	254	42
	7.87	2.56	0.16~3.35	2.55~7.87	10	1.65

Order No.	MODEL NO.	Guide Block	Turret Hole Dia	A	B	C	a	b	c	d	e	f	g	h	i	j	k	Gross Weight kgs/lbs	Price
500-0541	CS-6	16	50	250	238	207	182	140	186	93	112	65	16	122	191	80	16	32	
		0.63	1.97	9.84	9.37	8.15	7.17	5.51	7.32	3.66	4.41	2.56	0.63	4.80	7.52	3.15	0.63	70	
500-0542	CS-8	16	63	320	294	235.5	320	160	213	93	126.5	75	16	155	234.67	95	20	52	
		0.63	2.48	12.60	11.57	9.27	9.06	6.30	9.27	3.66	4.99	2.95	0.63	6.10	9.24	3.74	0.79	114	

HORIZONTAL/VERTICAL BASIC INDEXING SPACERS



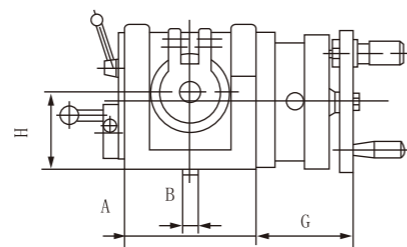
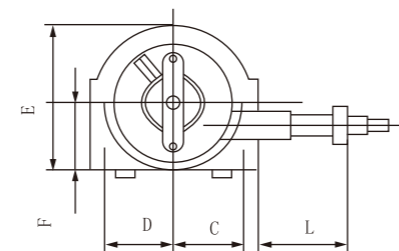
Standard Accessories

- 3-jaw chuck
- Six masking plates(2,3,4,6,8and12 position)

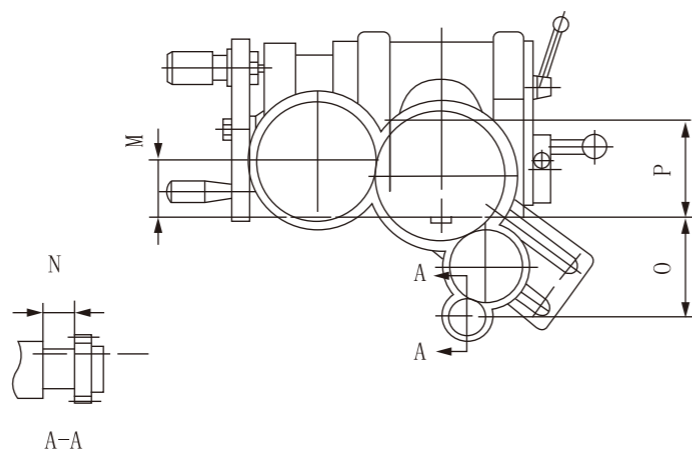
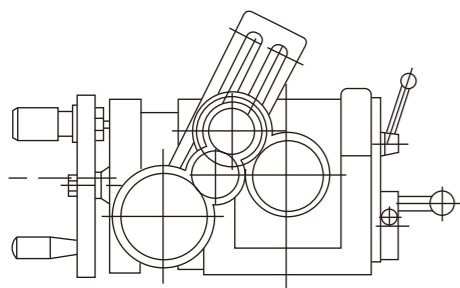
SPECIFICATIONS

Order No.	MODEL NO.	Chuck				Guide Block	Turret Hole Dia	A	B	C	D	a	b	h	Gross Weight kgs/lbs	Price
		Outer Dia.	ThruHole Dia.	Inner Jaw	Outer Jaw											
500-0543	CC-6	160	40	3~55	55~145	16	50	255	255	152	160	190	115	130	32	
		6.30	1.57	0.12~2.17	2.17~5.71	0.63	1.97	10.04	8.86	5.98	6.30	7.48	4.53	5.12	70	
500-0544	CC-8	200	65	4~85	65~200	16	63	320	272	174	200	230	154	154	52	
		7.87	2.56	0.16~3.35	2.55~7.87	0.63	2.48	12.60	10.71	6.85	7.87	9.06	6.06	6.06	114	

UNIVERSAL INDEX SPACER



DIMENSIONAL SKETCH



Accessories

Tailstock Change gear bracket 12×change gear Jack Center
Dividing plate Flange 3-jaw chuck Round table(optional)

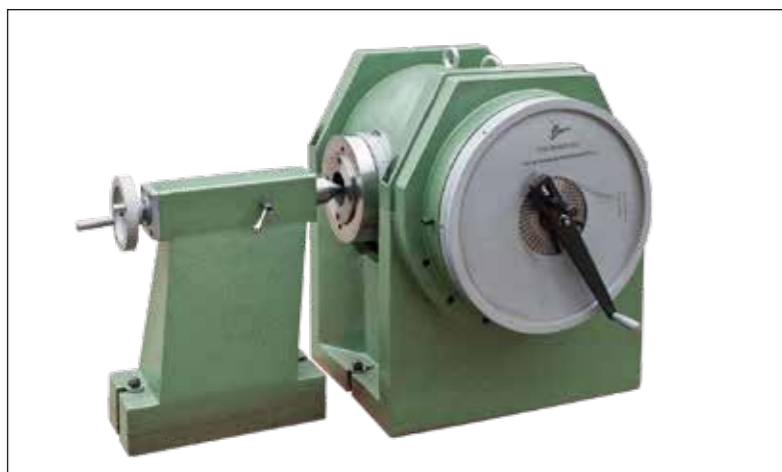
Main technical parameter:

Items	Specifications	FW80	F11100A	F11125A	F11160A	F111200A
Center high mm		80	100	125	160	200
Swivel angle of spindle from horizontal to upward	≤90°	≤95°				
Horizontal position(downward)	≤6°	≤5°				
Rotating angle of spindle for one complete revolution dividing handle		9° (540grad., 1 each)				
Min.reading of vernier		10"				
Worm gear ratio		1:40				
Taper of spindle bore		MT3		MT4		
Width of locating key mm		14		18		
Diameter of short taper of spindlenose for mounting flange mm		Φ36.54	Φ41.275	Φ53.975	Φ53.975	Φ53.975
Numbers of hole in dividing plate	1st plate	24.25.28.30.34.37.38.39.41.42.43				
	2nd plate	46.47.49.51.53.54.57.58.59.62.66				
Change gear	Module	1.5		2		
	Teeth Numbers	25.30.35.40.50.55.30.70.80.90.100				
Individual indexing error of the spindle for one complete revolution of diving handle		±45"				
Cumulate error at any 1/4 periphery of spindle		±1"				
Max.bearing kg		80	100	130	130	130
Net weight kg		36	67	101.5	113	130
Gross weight kg		45	79	111.5	125	140
Overall dimensions mm		542×403×220	616×465×265	635×530×530	710×535×342	710×535×342

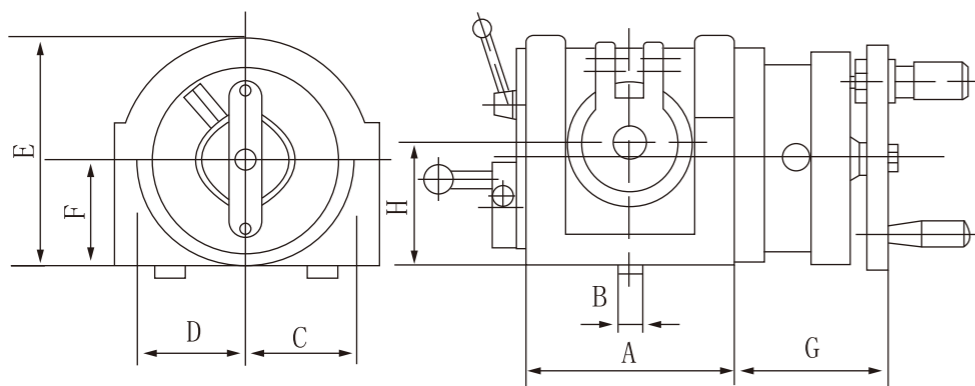
F11 Installation sketc and dimensions:

Order No.	Model	A	B	C	D	E	F	G	H	L	M	N	O	P	Price
500-0561	FW80	139	14	77	73	147	77	98	80	106	43	30	60	80	
500-0562	F11100A	162	14	102	87	186	95	116	100	93	54.7	30	100	100	
500-0563	F11125A	209	18	116	98	224	117	120	125	103	68.5	34.5	100	125	
500-0564	F11160A	209	18	116	98	259	152	120	160	103	68.5	34.5	100	160	
500-0565	F11200A	209	18	116	98	299	192	120	200	103	68.5	34.5	100	200	

HEAVY DUTY SEMI-UNIVERSAL INDEX SPACER



F12 DIMENSIONAL SKETCH



Items	Specifications	F12100	F12125	F12160	F12200	F11260	F11300	F11400	F12500
Center height mm		100	125	160	200	260	300	400	500
Swivel angel of spidle from horizontal to upward		≤95 °	≤95 °	≤95 °	≤95 °	≤95 °	≤95 °	≤95 °	≤95 °
Horizontal position (downward)		≤5°	≤5°	≤5°	≤5°	≤5°	≤5°	≤5°	≤5°
Rotating angel of spindle for one complete revolution dividing handle	9° (540grad,1 each)								
Min.reading of vernier		10"	10"	10"	10"	10"	10"	10"	10"
Worm gear radio		1:40	1:40	1:40	1:40	1:40	1:40	1:40	1:40
Taper of spindle bore		MT3	MT4	MT4	MT4	MT6	MT6	MT6	MT5
Width of locating key mm		14	18	18	18	18/20	18/20	18/20	18/20
Diameter of short taper of spindlenose for mounting flange mm		41.275	53.975	53.975	53.975	82.563	82.563	82.563	106.375
Numbers of hole in dividing plate	1st plate	24 . 25 . 28 . 30 . 34 . 37 . 38 . 41 . 42 . 43							
	2nd plate	46 . 47 . 49 . 51 . 53 . 54 . 57 . 58 . 59 . 62 . 66							
Individual indexing error of the spindle for one complete revolution of diving handle		±45"	±45"	±45"	±45"	80"	80"	80"	80"
Cumulate error at any 1/4 periphery of spindle		±1"	±1"	±1"	±1"	±70"	±70"	±70"	±70"
Max.bearing kg		100	130	130	130	100	130	130	130
Net weight Kg		57	83.5	100	130	/	/	/	/
Gross weight Kg		69	96	114	140	/	/	/	/
Overall dimensions mm		616 495255	536 460310	710 535342	710 53534	/	/	/	/

F12 Installation sketch and dimensions:

Order No.	Model	A	B	C	D	E	F	G	H	L	M	N	O	P	Price
500-0571	F11100A	162	14	102	87	186	95	116	100	93	54.7	30	100	100	
500-0572	F11125A	209	18	116	98	224	117	120	125	103	68.5	34.5	100	125	
500-0573	F11160A	209	18	116	98	259	152	120	160	103	68.5	34.5	100	160	
500-0574	F11200A	209	18	116	98	299	192	120	200	103	68.5	34.5	100	200	
500-0575	F12500	490	22	300	330	790	500	160	500						

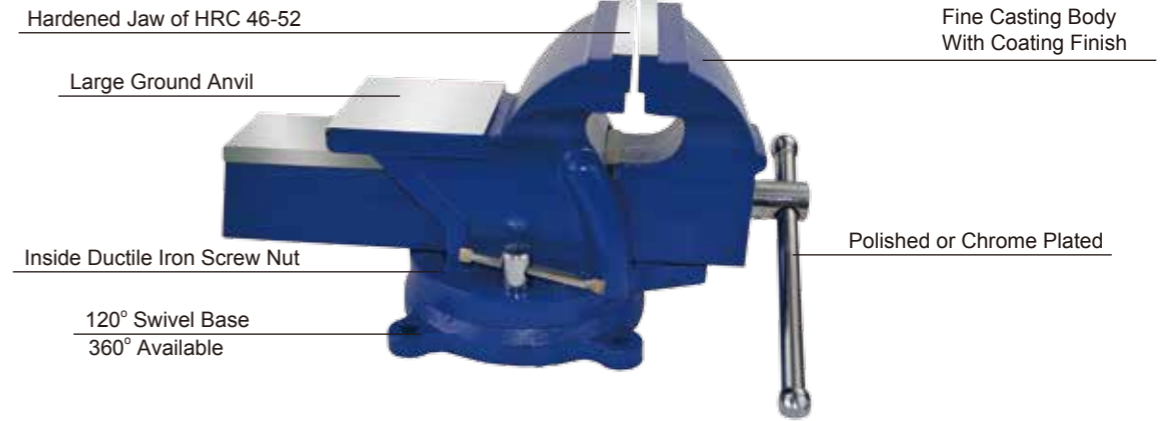
Accessories

Tailstock Center Dividing plate Flange 3-jaw chuck
Round table(optional)

INDUSTRIAL GRADE BENCH VISE



PROFESSIONAL BENCH VISE



Heavy duty Type (swivel with Anvil)

Model	Size	Width of Jaw(mm)	Max Opening (mm)	Throat Depth (mm)	Clamping Force (kN)	Qty/Ctn	Weight/Ctn(kg)	Ctn Size(cm)	Price
8303	3"/75mm	75	80	50	15	4	28/26	56x29x17	
8304	4"/100mm	100	110	60	20	2	24/22	37x36x21	
8305	5"/125mm	125	140	76	25	1	19/18	43x20x22	
8306	6"/150mm	150	170	86	29	1	29/27	50x22x25	
8308	8"/200mm	200	220	110	40	1	42/40	60x26x28	
8310	10"/250mm	250	230	110	40	1	68/60	75x35x36	
8312	12"/300mm	300	230	110	40	1	70/62	75x35x36	

Heavy duty Type (stationary with Anvil)

Model	Size	Width of Jaw(mm)	Max Opening (mm)	Throat Depth (mm)	Clamping Force (kN)	Qty/Ctn	Weight/Ctn(kg)	Ctn Size(cm)	Price
8323	3"/75mm	75	75	50	15	4	24/22	56x29x15	
8324	4"/100mm	100	100	60	20	2	21/19	37x36x18	
8325	5"/125mm	125	125	76	25	1	18/17	43x20x20	
8326	6"/150mm	150	150	86	29	1	25/23	50x22x25	
8328	8"/200mm	200	200	110	40	1	38/35	60x25x26	
8330	10"/250mm	250	250	110	40	1	60/53	75x36x33	
8332	12"/300mm	300	300	110	40	1	62/57	75x36x33	

Light duty Type Bench Vise (swivel with Anvil)

Model	Size	Width of Jaw(mm)	Max Opening (mm)	Throat Depth (mm)	Clamping Force (kN)	Qty/Ctn	Weight/Ctn(kg)	Ctn Size(cm)	Price
8903	3"/75mm	75	60	50	10	4	21/19	56x28x17	
8904	4"/100mm	100	100	55	15	4	30/28	58x31x19	
8905	5"/125mm	125	110	70	20	2	25/23	37x36x21	
8906	6"/150mm	150	130	75	25	1	20/19	43x20x22	
8908	8"/200mm	200	150	85	29	1	30/28	50x22x25	
8910	10"/250mm	250	200	110	40	1	46/44	60x26x28	

Light duty Type Bench vise (stationary with Anvil)

Model	Size	Width of Jaw(mm)	Max Opening (mm)	Throat Depth (mm)	Clamping Force (kN)	Qty/Ctn	Weight/Ctn(kg)	Ctn Size(cm)	Price
8923	3"/75mm	75	60	50	10	4	18/16	56x28x15	
8924	4"/100mm	100	100	55	15	4	26/24	58x31x17	
8925	5"/125mm	125	110	70	20	2	22/20	37x36x18	
8926	6"/150mm	150	130	75	25	1	18/17	43x20x20	
8928	8"/200mm	200	150	85	29	1	27/25	50x22x23	
8930	10"/250mm	250	200	110	40	1	41/39	60x26x26	

Heavy Duty Bench Vise (swivel with anvil)

Model	Size	Width of Jaw(mm)	Max Opening (mm)	Throat Depth (mm)	Clamping Force (kN)	Qty/Ctn	Weight/Ctn(kg)	Ctn Size(cm)	Price
9803	3"/75mm	75	60	50	10	4	21/19	24x12x13	
9804	4"/100mm	100	100	55	10	2	28/26	26x12x15	
9805	5"/125mm	125	105	69	15	2	23/21	34x14x17	
9806	6"/150mm	150	125	76	20	1	18/17	41x17x20	
9808	8"/200mm	200	130	88	25	1	27/25	47x20x23	
9810	10"/250mm	250	130	110	29	1	42/20	56x25x26	

Heavy Duty Bench Vise (stationary with anvil)

Model	Size	Width of Jaw(mm)	Max Opening (mm)	Throat Depth (mm)	Clamping Force (kN)	Qty/Ctn	Weight/Ctn(kg)	Ctn Size(cm)	Price
9823	3"/75mm	75	60	50	10	4	18/16	56x28x15	
9824	4"/100mm	100	100	55	10	2	25/23	58x38x17	
9825	5"/125mm	125	105	69	15	2	21/19	37x36x18	
9826	6"/150mm	150	125	76	20	1	16/15	37x36x18	
9828	8"/200mm	200	130	88	25	1	25/23	43x20x20	
9830	10"/250mm	250	130	110	29	1	38/36	43x22x22	

Light Duty Bench Vise (swivel with Anvil)

Model	Size	Width of Jaw(mm)	Max Opening (mm)	Throat Depth (mm)	Clamping Force (kN)	Qty/Ctn	Weight/Ctn(kg)	Ctn Size(cm)	Price
9833	3"/75mm	75	60	50	10	4	21/19	56x28x17	
9834	4"/100mm	100	70	50	10	4	26/20	56x28x17	
9835	5"/125mm	125	100	55	15	2	16/15	31x28x18	
9836	6"/150mm	150	110	70	20	2	26/24	37x26x20	
9838	8"/200mm	200	125	77	25	1	19/18	43x22x22	
9840	10"/250mm	250	125	85	29	1	32/30	50x2+x25	

Light Duty Bench Vise (stationary with Anvil)

Model	Size	Width of Jaw(mm)	Max Opening (mm)	Throat Depth (mm)	Clamping Force (kN)	Qty/Ctn	Weight/Ctn(kg)	Ctn Size(cm)	Price
9843	3"/75mm	75	60	50	10	4	18/16	51x27x14	
9844	4"/100mm	100	70	50	10	4	19/17	51x27x14	
9845	5"/125mm	125	100	55	15	2	15/13	31x29x16	
9846	6"/150mm	150	110	70	20	2	23/21	37x36x18	
9848	8"/200mm	200	125	77	25	1	17/16	43x22x20	
9850	10"/250mm	250	125	85	29	1	28/26	50x22x23	

CAST IRON BENCH VISE



Model	Size	Width of Jaw	GW/NW(kg)	CARTON SIZE(cm)	QTY	OPENNING(mm)	CLAMPING FORCE(KGS)	Price
9225	5.5"/140mm	140mm	15.0/14.0	45x20x24	1	180mm	3000	
9226	6"/160mm	160mm	23.0/22.0	50x22x25	1	200mm	3500	
9227	7"/180mm	180mm	30.0/29.0	57x23.5x27	1	240mm	4200	
9228	8"/200mm	200mm	39.0/37.0	59x25.5x27	1	240mm	5200	
9230	10"/250mm	250mm	57.0/55.0	66x29x34	1	240mm	5500	

ENCLOSED TYPE SWIVEL BENCH VISE WITH ANVIL



★ Made Of Nodular Iron

Model	Size	GW/NW(kg)	CARTON SIZE(cm)	QTY	OPENNING(mm)	CLAMPING FORCE(KGS)	Price
9644	4"/100mm	18.0/17.0	37X22X23	1	100	2500	
9645	5"/125mm	24.0/23.0	42X27X25	1	125	3500	
9646	6"/150mm	31.0/29.0	48X30X28	1	150	4500	
9648	8"/200mm	41.0/39.0	54X29X30	1	215	5000	

QUICK RELEASE BENCH VISE



Model	Size	GW/NW(kg)	CARTON SIZE(cm)	QTY	OPENNING(mm)	CLAMPING FORCE(KGS)	Price
9634	4"/100mm	22.0/21.0	35X36X20	2	100	1200	
9635	5"/125mm	15.0/14.0	41X20X23	1	125	1500	
9636	6"/150mm	25.0/24.0	47X22X25	1	150	2000	

ENGLISH TYPE BENCH VISE



★ Moveable Jaw Made Of Nodular Iron

Model	Size	Width of Jaw(mm)	Max Opening(mm)	Throat Depth (mm)	Clamping Force (kN)	Qty/Ctn	Weight/Ctn(kg)	Ctn Size(cm)	Price
9204	4#	114.3	140	19	18	1	8/7.6	33x15x17	
9205	5#	127	160	19.6	22	1	14.5/14	40x17x20	
9206	6#	152.4	195		24	1	18/17	45x18x22	
9208	8#	203.2	230		30	1	39/38	53x25x25	

HEAVY DUTY AMERICAN TYPE 3 SIDES MACHINED PRESS VISE



Model	Size	GW/NW(kg)	CARTON SIZE(cm)	QTY	OPENNING(mm)	CLAMPING FORCE(KGS)	Price
9654	4"/100mm	11.5/10.5	36X17X19	1	102	1000	
9655	5"/125mm	14.5/13.5	39X20X22	1	127	1200	
9656	6"/150mm	21.5/20.0	45X20X24	1	153	1500	
9658	8"/200mm	32.0/30.0	56X27X28	1	200	2000	

140MM MULTI-PURPOSE BENCH VISE



★ Made Of Nodular Iron

Model	Size	Width of Jaw(mm)	Max Opening (mm)	Depth of Throat(mm)	Qty/Ctn	Weight/Ctn(kg)	Ctn Size(cm)	Price
9460	5-1/2"/140mm	140	100	20	1	22/20	46.5x19x27.5	



125MM MULTI-PURPOSE BENCH VICE

★ Made Of Nodular Iron

Model	Size	Width of Jaw(mm)	Max Opening(mm)	Qty/Ctn	Weight/Ctn(kg)	Ctn Size(cm)	Price
9465	5"/125mm	125	125	1	20/19	47x23x24	



125MM LIGHT DUTY MULTI-PURPOSE BENCH VICE

★ Made Of Nodular Iron

Model	Size	Width of Jaw(mm)	Max Opening(mm)	Qty/Ctn	Weight/Ctn(kg)	Ctn Size(cm)	Price
9468	5"/125mm	125	125	1	16.5/15	46x23x20	



CAST STEEL BENCH VICE

Cast Steel Bench Vice(Swivel With Anvil)

Model	Size	Width of Jaw(mm)	Qty/Ctn	Weight/Ctn(kg)	Ctn Size(cm)	CLAMPING FORCE(KGS)	Price
9104	4"/100mm	100	1	6.2/5.7	30x13x15	2000	
9105	5"/125mm	125	1	13.5/12.8	40x17x19	2500	
9106	6"/150mm	150	1	28/26.8	60x20x23	3000	
9108	8"/200mm	200	1	31.5/30	58x27x28	4000	

Cast Steel Bench Vice(Stationary With Anvil)

Model	Size	Width of Jaw(mm)	Qty/Ctn	Weight/Ctn(kg)	Ctn Size(cm)	CLAMPING FORCE(KGS)	Price
9124	4"/100mm	100	1	5.3/4.8	30x13x13	2000	
9125	5"/125mm	125	1	12.1/11.4	40x17x19	2500	
9126	6"/150mm	150	1	26/24.8	60x20x23	3000	
9128	8"/200mm	200	1	29.5/28	58x25x26	4000	



AMERICAN TYPE BENCH VICE (SWIVEL WITH ANVIL)

★ Made Of Nodular Iron

Model	Size	Width of Jaw(mm)	Max Opening(mm)	Qty/Ctn	Weight/Ctn(kg)	Ctn Size(cm)	CLAMPING FORCE(KGS)	Price
9504	4"/100mm	100	127	2	28/26	36x31x22	1200	
9505	5"/125mm	125	152	1	19/18	42x18x21	1500	
9506	6"/150mm	150	178	1	29/27	45x23x25	2000	



LIGHT DUTY AMERICAN TYPE BENCH VICE (SWIVEL WITH ANVIL)

★ Made Of Nodular Iron

Model	Size	Width of Jaw(mm)	Max Opening(mm)	Qty/Ctn	Weight/Ctn(kg)	Ctn Size(cm)	CLAMPING FORCE(KGS)	Price
9514	4"/100mm	100	90	1	9/8	33x19x19	1000	
9515	5"/125mm	125	102	1	13.5/12.5	38x20x22	1200	
9516	6"/150mm	150	127	1	18/17	43x22x24	1500	



HOME VICE (SWIVEL WITH ANVIL)

Model	Size	Width of Jaw(mm)	Max Opening(mm)	Throat Depth (mm)	CLAMPING FORCE(KN)	Qty/Ctn	Weight/Ctn(kg)	Ctn Size(cm)	Price
9303	3-1/2"/90mm	87.5	76	6	10	4	20/18	55x27x17	
9304	4"/100mm	100	103	6	10	4	21/19	55x27x17	
9305	4-1/2"/115mm	115	110	6	10	4	21/19	55x27x17	

