

# Pressure Washer Accessories

A.



\*Units sold separately

## A. Product Display Rack

Compact display rack solves your limited show floor space issues.

**AW-9300-0013**

- Easy to assemble - no tools required
  - Requires only 15 square foot of floor space
  - Constructed of powder coated metal square tubing
  - Dim.: 62 in. H x 60 in. W x 36 in. D
- Includes:
- Two shelves, header card and 3-ring product display shelf

## B. Pressure Washer Replacement Parts Rack

Customized to meet your customers needs.

**AW-9300-0001**

- Increase profit margins
- Laser cut logo
- Powder coated frame
- Dim.: 73 in. H x 29.5 in. W x 24.5 in. D

## C. Rental Rack

Designate floor space for your rental equipment and accessories.

**AW-9300-0009**

- Dim.: 67 in. H x 29.5 in. W x 21 in. D
- Includes:
- Rack
  - Rental signage
  - Clipboard organizer

B.



\*Parts sold separately

- Suggested rental inventory
- Rental procedures form
- Machine instruction decals
- Mi-T-M literature

## D. Pump Oil

Mi-T-M's pump oil offers trouble-free performance with no lubricant related failures. Our pump oil is specially designed for pressure washer pumps. It will keep pumps cooler than regular oil and is suitable for all climates.

**AW-4085-0016** (1 pint - 6 or 12 per case)

- Convenient pour spout and resealable cap
- Contains rust and corrosion additives, anti-wear additives, foam suppressant and dispersant for system cleanliness

## E. Detergents All Purpose Cleaner

The most versatile and efficient all-around cleaner. Use all purpose cleaner on vehicles, glass, stainless-steel, aluminum, painted surfaces and lawn equipment.

**AW-4018-0025** (1 pint) 6 per case

**AW-4018-0026** (1 gallon) 4 per case

**AW-4018-0005** (5 gallons)

**AW-4018-0055** (55 gallons)

- Environmentally friendly, will not harm plants, biodegradable
- Hard water stable prevents spotting
- Indoor and outdoor use

C.



\*Unit and parts sold separately

D.



E.



F.

For use on:

- Rust
- Paint
- Stains
- Graffiti



## Heavy-Duty Degreaser

Heavy-duty degreaser is great for the removal of oil and grease. It is capable of handling all your equipment and automotive cleaning needs.

**AW-4059-0025** (1 pint) 6 per case

**AW-4059-0026** (1 gallon) 4 per case

**AW-4059-0005** (5 gallons)

**AW-4059-0055** (55 gallons)

- Contains rust inhibitors to reduce corrosion
- Hard water stable prevents spotting

## Deck & House Wash

Deck & house wash removes mildew and dirt. It is recommended for decks, homes and wooden surfaces.

**AW-4034-0025** (1 pint) 6 per case

**AW-4034-0026** (1 gallon) 4 per case

**AW-4034-0005** (5 gallons)

**AW-4034-0055** (55 gallons)

- Environmentally friendly, will not harm plants, biodegradable
- Hard water stable prevents spotting

## F. Sand Injector

Wet sandblasting is efficient and dust-free. Remove coatings from steel and concrete surfaces.

**AW-3000-0000** (Carbide tip)

**AW-3020-0000** (Ceramic tip)

- Includes sand probe and clear hose

- Consult factory before ordering

Our accessory packages let you custom-design your Mi-T-M pressure washer for maximum satisfaction. Our customer service representatives can help you decide which accessory is best for you.



**A.**  
For use on:  
Cars  
Boats  
Vans  
Engines



**B.**  
For use on:  
Farm equipment  
Tractor trailers  
RV's  
Bridges



**C.**  
When your unit needs a little protection on the job site



**D.**

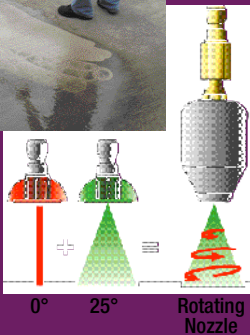


For use on:  
Decks  
Patios  
Sidewalks  
Driveways  
Pool decks  
Parking lots  
Any horizontal surface



**E.**

For use on:  
Sidewalks  
Driveways  
Track vehicles  
Muddy areas  
Old peeling paints  
Concrete surfaces



**F.**  
For use on:  
Fiberglass  
Wood  
Brick  
Painted surfaces



**A. Low Pressure Detergent Injection**

The low pressure detergent injector allows you to apply recommended detergents.

- AW-8400-0021** (2000-4000 PSI)
- AW-8000-0001** (5000 PSI)

- Adjustable chemical draw
- Clear, pliable detergent nozzle
- Solid brass body with stainless-steel orifice for durability
- Quick connects for easy installation

**B. High Pressure Detergent Injection**

With the high pressure detergent injector, large tasks become small. High pressure water mixes with detergent to clean even the heaviest build-up.

- 50-0161**
- AW-8007-0000** (Diaphragm-style)

- Brass and stainless-steel construction
- Adjustable metering valve
- Steel mesh in-line water strainer
- 6.0 GPM maximum operating capacity

**C. Roll Cage**

Designed to protect cold water pressure.

- CX-0053** (9.0 HP Gas)
- CX-0054** (11.0-13.0 HP Gas)
- CX-0055** (16.0 HP Gas)
- CX-0056** (9.0 HP Yanmar)

- Lifting hook
- 1½ inch powder coated steel tubing
- Retro-fits to existing frame

**C. Rotary Surface Cleaners**

Clean large surfaces faster and easier with our rotary surface cleaners than with a standard cleaning nozzle. Rotary surface cleaners are equipped with a strong bristle brush for long life and easy glide action.

- AW-7020-8000**

- 18 inch diameter
- 4000 PSI rated
- Heavy-duty, lightweight aluminum portable handle
- Heat treated pressure swivel
- Professional-grade high pressure trigger gun
- 212°F maximum temperature
- 3.0 GPM - 10.0 GPM water volume
- 2500 maximum RPM

- AW-7020-8001**

- 28 inch diameter
- 4000 PSI rated
- Large wheels for mobility
- Lightweight, portable frame with walk behind design
- Professional-grade aluminum housing
- 212°F maximum temperature
- 3.0 GPM - 10.0 GPM water volume
- 2500 maximum RPM

**E. Rotating Nozzles**

Rotating nozzles increase your cleaning power and decrease your cleaning time. They offer 0° spray impact with 25° coverage. Nozzles include filter with quick connect and offers heavy-duty components for long life and reliability.

- AW-7004-Series\***

- 5000 PSI maximum rating
- AW-7300-Series\***
- 3000 PSI maximum rating
- AW-7500-Series\***
- 5000 PSI maximum rating

**\*Consult factory for correct orifice size**

**F. Rotating Brush**

The rotating brush offers low pressure rotation for hard to remove debris on sensitive surfaces.

- AW-7003-1500**

- Natural hair bristles
- Quick connect
- Adjustable angle
- 3.5 GPM flow rate
- Can be used with low pressure detergent injector

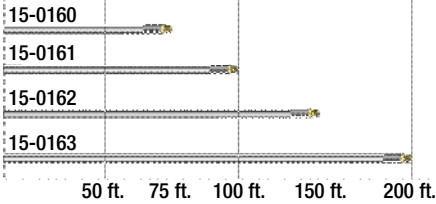


# Pressure Washer Accessories

**A.** For when you need extra mobility and length.



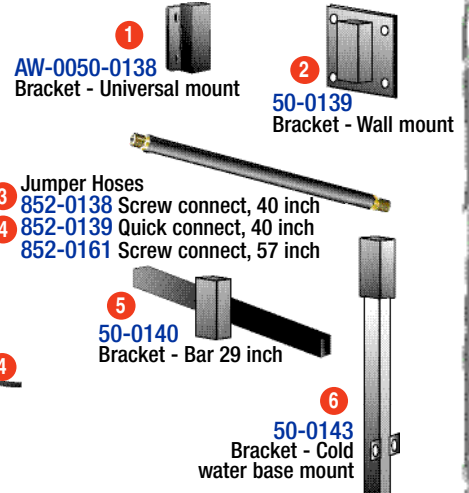
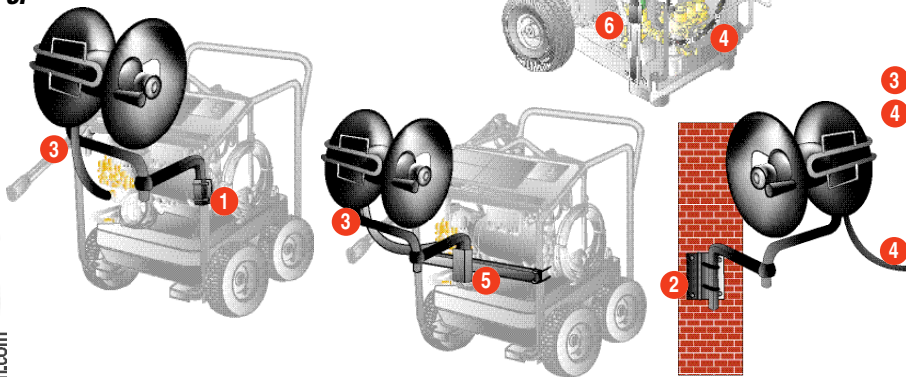
851-0006, 851-0007, 851-0317, 15-0006, 15-0077, 850-0174, 850-0199, 15-0146



**B.** For use on:  
Siding  
House eaves  
Farm equipment  
Semi-tractor trailers  
Multi-story buildings



**C.**



**A. Extension Hoses**

When you need extra mobility and length.

**Cold Water**

- 851-0006 (4000 PSI)
- 851-0007 (3000 PSI)
- 851-0317 (5000 PSI)

- 50 foot x 3/8 inch I.D.
- Non-marking
- High pressure hoses include quick connects, swivel and bend restrictors
- Chemical resistant
- Wire-braided

- 15-0006 (Industrial water supply)
- 50 foot x 3/4 inch

**Hot Water**

- 15-0077 (Steam combination)
- 850-0174 (2500 PSI & HSP models)
- 850-0199 (4000 PSI & HSP models)
- 50 foot x 3/8 inch I.D.
- Includes bend restrictors, swivel and screw connects

- 15-0146 (3000 PSI, 50 foot x 3/8 inch)
- 15-0160 (4000 PSI, 75 foot x 3/8 inch)
- 15-0161 (4000 PSI, 100 foot x 3/8 inch)
- 15-0162 (4000 PSI, 150 foot x 3/8 inch)
- 15-0163 (3000 PSI, 200 foot x 3/8 inch)
- 3/8 inch male swivel
- For use with hose reels

**B. Extended Reach Wands**

Clean hard to reach places by using extended reach wands.

- AW-7015-1200 (12 foot)
- AW-7015-1800 (18 foot)
- AW-7015-2400 (24 foot)
- Fiberglass housing
- Professional-grade trigger gun with safety lock-off
- Complete with quick connects
- Extends from 6 feet to 12, 18 or 24 feet
- Lightweight and easy to control
- Compatible with all makes of pressure washers rated up to 3500 PSI
- Easy hose retraction

- AW-7016-1200 (12 foot)
- AW-7016-1800 (18 foot)
- Heavy-duty aluminum housing
- Quick Pin-Lock adjustment collar
- Large heavy wall tubing for added strength
- Extends from 6 feet to 12 or 18 feet
- Large diameter handle
- Universal gun mount
- Compatible with all makes of pressure washers rated up to 4000 PSI

**C. Hose Reels**

Hose reels are convenient for the storage of hoses.

- 50-0136 (13 inch reel - 100 foot maximum hose length)
- 50-0137 (16 inch reel - 200 foot maximum hose length)
- Frame mount
- 360° pivoting action
- Easy mount bracket design
- Clean hands hose guide
- Live system

# Replacement Parts Kit

Everything you need to keep your pressure washer up and running.

Pressure Washers

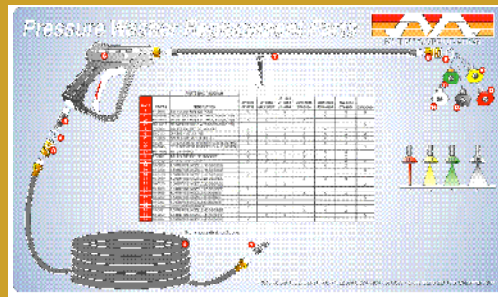
Air Compressors

Wet/Dry Vacuums

Jobsite Toolboxes

Metal Cutting Saw

A.



Includes a parts chart that fits into the plastic lid with a numbered diagram to help identify parts and an application chart for easy part recognition and unit capability.



## A. Replacement Parts Kit

The perfect pressure washer replacement parts kit.

**See chart for part numbers needed to order the kit**

- Secure case locking system to keep lid attached and parts secure
- Diagram card includes Mi-T-M part numbers for quick reorder reference
- Lid hinges to reveal kit components and location
- Storage compartments with adjustable plastic separators, keeps all parts organized for easy access
- Durable plastic case is made of heavy plastic

## Kit Includes:

Part #	Description	Included Quantity
17-0001	1/4" F x 1/4" Socket	2
17-0002	1/4" M x 1/4" Plug	2
17-0004	3/8" F x 3/8" Socket	2
17-0005	3/8" M x 3/8" Plug	2
17-0006	3/8" F x 3/8" Plug	2
17-0007	3/8" M x 3/8" Socket	2
17-0028	1/4" M x 1/4" Socket	2
17-0029	1/2" M x 3/8" Socket	2
18-0028	4.0 Orifice - 0° (Red)	2
18-0029	4.0 Orifice - 15° (Yellow)	2
18-0030	4.0 Orifice - 25° (Green)	2
18-0031	4.0 Orifice - 40° (White)	2
18-0257	3.5 Orifice - 0° (Red)	2
18-0258	3.5 Orifice - 15° (Yellow)	2
18-0259	3.5 Orifice - 25° (Green)	2
18-0260	3.5 Orifice - 40° (White)	2
18-0302	3.0 Orifice - 0° (Red)	2
18-0150	3.0 Orifice - 15° (Yellow)	2
18-0303	3.0 Orifice - 25° (Green)	2
18-0304	3.0 Orifice - 40° (White)	2
18-0148	65° Chemical Injector Nozzle	2
19-0050	Chemical Injector Strainer	2
25-0122	O-ring Seal (Tips)	10
25-0123	O-ring Seal (3/8" Quick connect)	10
62-0174	Replacement Parts Box	1

Mi-T-M Corporation • 800-553-9053 • E-mail: corp@mfm.com • Website: www.mfm.com