

Mi-T-M[®] CORPORATION

8650 Enterprise Drive, Peosta IA 52068

563-556-7484 / Fax 563-556-1235

PARTS LIST FOR ***CWC-4004-1MGV***

Engine Oil Grade:

Above 40°F=SAE 30

Below 40°F=SAE 10W-30

Engine Oil Capacity:

56 oz.

Pump Oil Grade:

Mi-T-M Pump Oil #AW-4085-0016

Pump Oil Capacity:

32 oz.

Nozzle Size:

4.0

This Parts Listing has been compiled for your benefit. You can be assured your Mi-T-M Cold Water Pressure Washer was constructed and designed with quality and performance in mind using over 25 years experience in the pressure washer business. Each component has been rigorously tested to insure the highest level of acceptance.

The contents of this Parts Listing are based on the latest product information available at the time of publication. Mi-T-M reserves the right to make changes in price, color, materials, equipment, specifications or models at any time without notice.

WARNING

THIS IS A PROFESSIONAL HIGH PRESSURE, COLD WATER PRESSURE WASHER. CAUTION SHOULD BE OBSERVED WHEN USING OR REPAIRING THIS UNIT! READ AND FOLLOW THE SAFETY WARNINGS LISTED BELOW BEFORE ATTEMPTING ANY REPAIRS ON THIS PRESSURE WASHER!

SAFETY WARNINGS

1. NEVER alter or modify the equipment. Be sure any accessory items and system components being used will withstand the pressure developed. Use only genuine Mi-T-M parts for repair of your pressure washer. Failure to do so can cause hazardous operating conditions and will VOID warranty.
2. NEVER make adjustments on machinery while the unit is connected to the power source. Turning over the machinery by hand during adjustment or cleaning might start the machinery, causing serious injury to the operator.
3. Know how to stop and bleed pressures quickly. Be thoroughly familiar with controls.
4. Before servicing the unit, turn unit off, relieve the water pressure and allow the unit to cool down. Do not make repairs while the unit is running. Service in a clean, dry, flat area.
5. After testing the machine, DO NOT leave the pressurized unit unattended. Shut off the unit and release trapped pressure before leaving.

Table of Contents

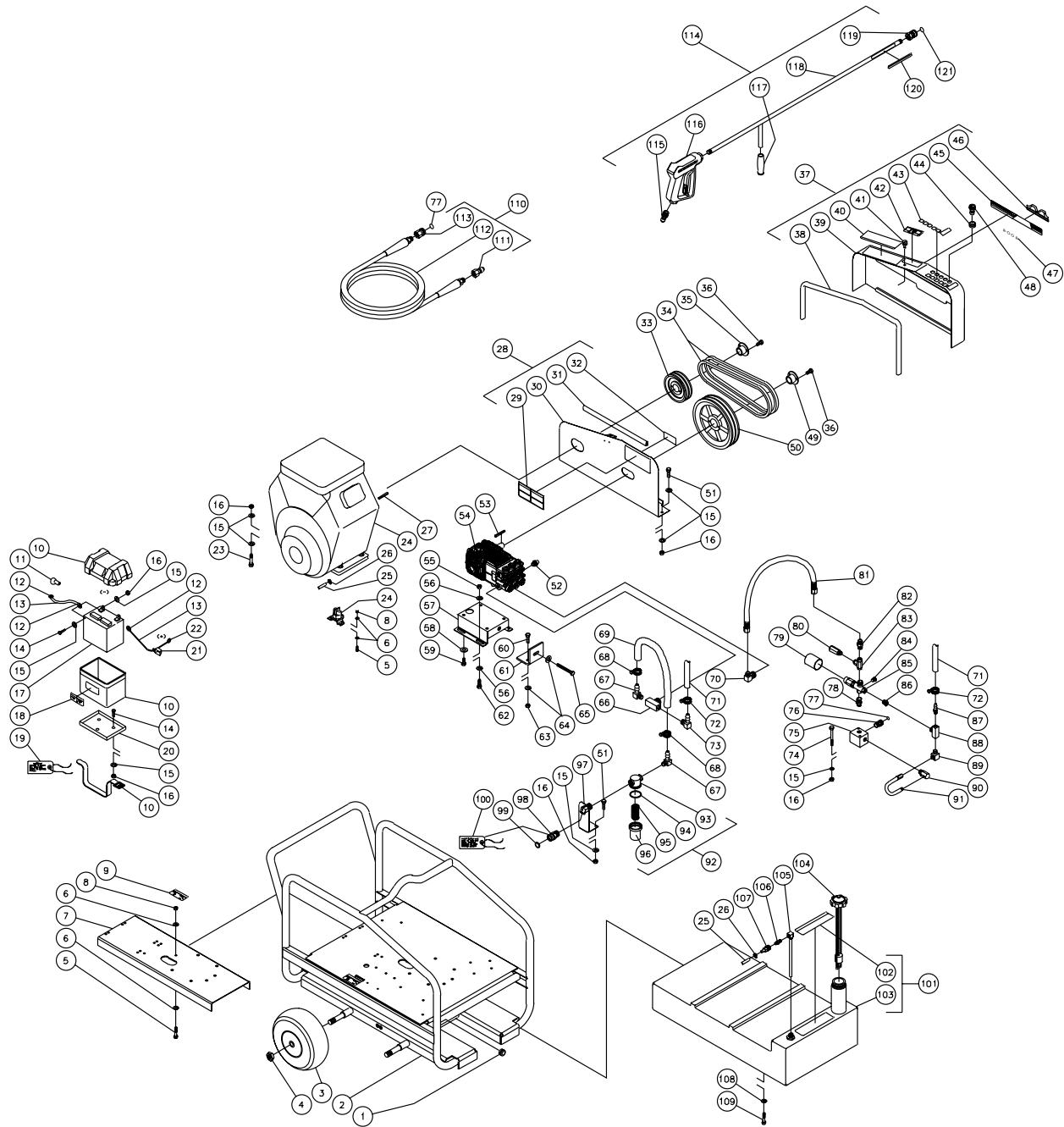
SPECIFICATIONS	3
FRAME ASSEMBLY FOR CWC-4004-1MGV	4
PUMP ASSEMBLY (3-0213)	6
UNLOADER ASSEMBLY (8-0522)	8
GUN ASSEMBLY (16-0001)	10
MOTOR ASSEMBLY (851-0345)	12
NOTES	14

SPECIFICATIONS

CWC-4004-1MGV

MODEL NUMBER	CWC-4004-1MGV
Operating Pressure (PSI/Bar):	4000/276
High Pressure Nozzle:	4.0
Water Volume (GPM/lpm):	4.0/15.1
Engine:	Briggs & Stratton Vanguard
Horsepower	16.0
Engine Type	4 Stroke, Overhead Valve, V-Twin
Oil Type	Above 40 F = SAE30/Below 40 F = SAE10W-30
Oil Capacity (oz./liter)	56/1.66
Low Oil Protection	Oil Guard
Fuel Type	Unleaded Gasoline 86 Octane Minimum
Fuel Capacity (gal./liter)	11.5/43.5
Starting	Electric
Maximum No Load RPM	3600 (+/- 100) RPM
Heat Dump Valve	Relieves heated water during unloader bypass stage
Pump:	Belt Driven, Oil Bath, Triplex Piston
Oil Type	Mi-T-M Pump Oil #AW-4085-0016
Oil Capacity (oz./liters)	32 oz.
Plungers	Ceramic
Manifold	Forged Brass
Valves	Stainless Steel
Unloader	Preset
Heat Dump Valve	Relieves heated water during unloader bypass stage
Detergent Injector	Adjustable low pressure down stream from pump
Unloader	Preset
Unit Net Weight (lbs/Kg)	358/162
Unit Shipping Weight (lbs/Kg)	481/218
Unit Net Dimension (in/cm)	43Lx27.75Wx36H/109Lx70.5Wx91.5H
Unit Shipping Dimension (in/cm)	46.5Lx31.5Wx48.5H/118Lx80Wx123H

FRAME ASSEMBLY FOR CWC-4004-1MGV



CWC-4004-1MGV-102601-RD

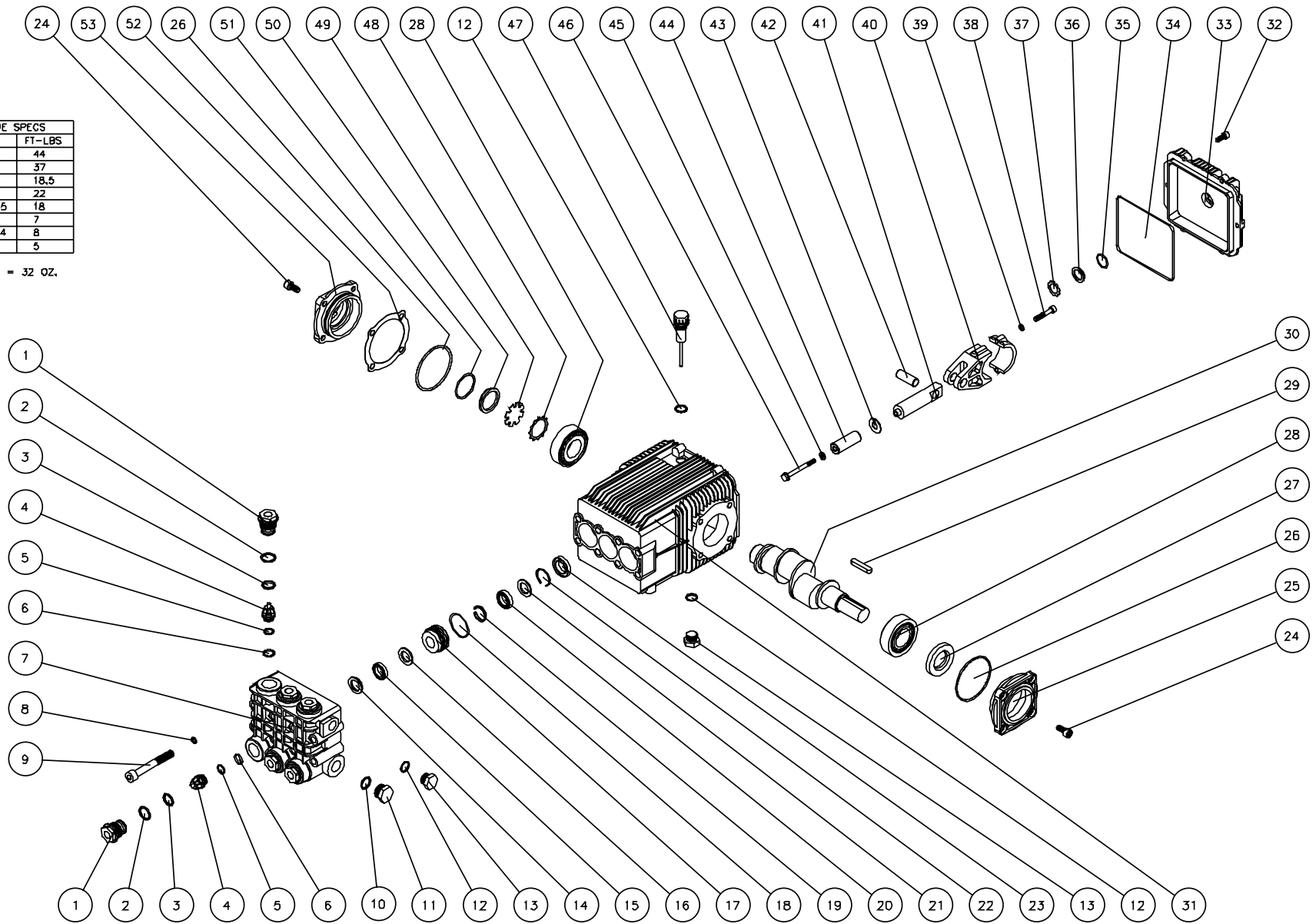
FRAME ASSEMBLY FOR CWC-4004-1MGV											
REF. #	DESCRIPTION	PART #	QTY.	REF. #	DESCRIPTION	PART #	QTY.	REF. #	DESCRIPTION	PART #	QTY.
1	Grommet	33-0002	2	43	Decal-Die Cut Nozzles	34-0500	1	82	Nipple	24-0002	1
2	Frame Assembly	5-0136A01	1	44	Grommet	33-0001	5	83	Tee	24-0026	1
3	Wheel	14-0006	4	45	Decal-Mi-T-M Stripe Large	34-0501	1	84	Plug	39-0017	1
4	Jamnut	30-0117	4	46	Mi-TM Logo	62-0086	1	85	Unloader	8-0522	1
5	Bolt	27-0016	3	47	Decal-White Die Cut 4005	34-0833	1	86	Bushing	23-0016	1
6	Washer	28-0021	6	48	Spray Nozzle-0004	18-0028	1	87	Barb	23-0105	1
7	Support Bracket	13-0120A01	1	-	Spray Nozzle-1504	18-0029	1	88	Branch Tee	23-0117	1
8	Nut	30-0155	3	-	Spray Nozzle-2504	18-0030	1	89	Elbow	23-0324	1
9	Decal- Data Plate	N/A	1	-	Spray Nozzle-4004	18-0031	1	90	Easy Start Valve	22-0242	1
10	Battery Box	33-0092	1	49	Bushing	9-0017	1	91	Hose Barb *(One Foot Required)	15-0140	1
11	Terminal Protector	33-0273	1	50	Sheave	10-0037	1	92	Strainer Assembly (Inc. 93-96, 98, 99)	19-0057	1
12	Terminal Ring	32-0097	3	51	Bolt	27-0067	6	93	Strainer Cap	19-0058	1
13	Battery Cable *(Four Feet Required) Pos.=22" Neg.=16"	32-0065	1	52	Thermal Valve	22-0005	1	94	Strainer Gasket	26-0160	1
14	Bolt	27-0066	4	53	Key w/Pump	43-0091	1	95	Strainer Screen	19-0059	1
15	Washer	28-0003	28	54	Pump	3-0213	1	96	Strainer Bowl	19-0060	1
16	Ny-Lock Nut	30-0157	16	55	Locknut	30-0161	4	97	Bracket	20-0428A01	1
17	Battery	32-0058	1	56	Washer	28-0030	8	98	Garden Hose Swivel	23-0095	1
18	Decal- Caution: Disconnect Battery	34-0589	1	57	Pump Bracket	5-0101A01	1	99	Garden Hose Gasket	26-0001	1
19	Tag- Battery	34-0096	1	58	Washer	29-0055	4	100	Tag- Water Inlet Supply	34-0097	1
20	Battery Retainer	20-0264A01	1	59	Bolt	27-8471	4	101	Fuel Tank Assembly (Inc. 102, 103)	851-0319	1
21	Terminal Protector	33-0004	1	60	Bolt	27-0118	2	102	Decal- Caution: Gas Only (E/S)	34-0835	1
22	Terminal Ring	32-0098	1	61	Brace Tightener	13-0003A01	1	103	Fuel Tank (See 851-0319)	N/A Sep.	1
23	Bolt	27-0071	4	62	Bolt	27-0167	4	104	Fuel Cap w/Gauge	12-0061	1
24	Motor Assembly	851-0345	1	63	Locknut	30-0159	2	105	Fuel Pick-up	33-0271	1
25	Fuel Line *(Three Feet Required)	15-0031	1	64	Washer	28-0023	3	106	Quick Connect Plug	17-0038	1
26	Hose Clamp	42-0004	2	65	Bolt	27-0576	1	107	Quick Connect Socket	17-0018	1
27	Key	43-0078	1	66	Branch Tee	23-0235	1	108	Washer	28-0022	4
28	Beltguard Back Assembly (Inc. 29-32)	851-0310	1	67	Elbow	23-0037	2	109	Bolt	27-9524	4
29	Decal- Warning/Caution (E/S)	34-0812	1	68	Worm Clamp	42-0003	2	110	Pressure Hose Assembly (Inc. 111-113)	851-0006	1
30	Beltguard Back (See 851-0310)	N/A Sep.	1	69	Hose *(Two Feet Required)	15-0033	1	111	Quick Connect Plug	17-0006	1
31	Edging *(Two Feet Required)	33-0020	1	70	Elbow	24-0092	1	112	Pressure Hose	15-0004	1
32	Decal- Warning: Beltguard (E/S)	34-0826	1	71	Hose *(Three Feet Required)	15-0007	1	113	Quick Connect Socket	17-0004	1
33	Sheave	10-0118	1	72	Clamp	42-0011	2	114	Gun/Lance Assembly (Inc. 115-119)	851-0095	1
34	Belt	11-0055	2	73	Elbow	23-0053	1	115	Quick Connect Plug	17-0005	1
35	Bushing	9-0005	1	74	Bolt	27-0074	2	116	Gun	16-0001	1
36	Bolt	27-0015	4	75	Manifold Block	51-0020	1	117	Grip Handle	7-0002	1
37	Beltguard Cover Assembly (Inc. 38-46)	851-0311	1	76	Quick Connect Socket	17-0007	1	118	Lance	16-0120A01	1
38	Edging *(Four Feet Required)	33-0020	1	77	O-ring (Replacement Only)	25-0123	-	119	Quick Connect	17-0001	1
39	Beltguard Cover (See 851-0311)	N/A Sep.	1	78	Nipple	24-0010	1	120	Decal- Warning: Risk of Injection (E/S)	34-1253	1
40	Decal- Operating Instructions (E/S)	34-0813	1	79	Heat Shrink Tubing *(One Foot Required)	33-0272	1	121	O-ring (Replacement Only)	25-0122	-
41	Fastener	33-0197	1	80	Safety Valve	22-0319	1				
42	Decal- Warning: Muffler Hot (E/S)	34-0598	1	81	High Pressure Cross-Over Hose	15-0177	1				

*Must Order in One Foot Lengths

PUMP ASSEMBLY (3-0213)

TORQUE SPECS		
REF	Nm	FT-LBS
1	60	44
9	50	37
11	25	18.5
13	30	22
24	24.5	18
32	10	7
38	10.4	8
46	7	5

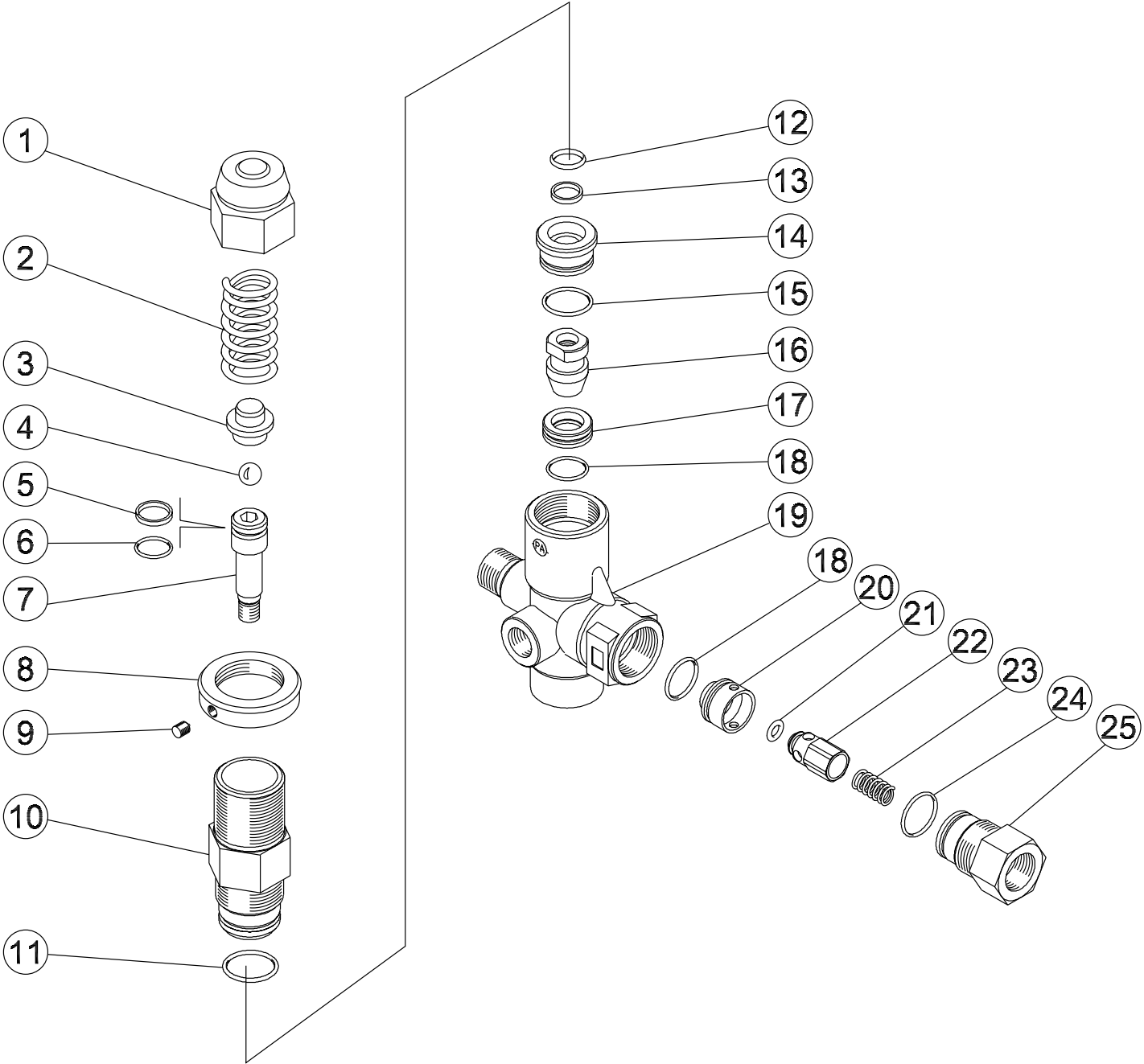
OIL CAP. = 32 OZ.



3-0212 & 3-0213-040901-EDW

PUMP ASSEMBLY (3-0213)											
REF. #	DESCRIPTION	PART #	QTY.	REF. #	DESCRIPTION	PART #	QTY.	REF. #	DESCRIPTION	PART #	QTY.
1	Valve Cap	39-0201	6	20	Low Pressure Seal (See 70-0317)	N/A Sep.	3	39	Lockwasher	N/A	6
2	Back-Up Ring	25-0509	6	21	Spacer	46-0907	3	40	Connecting Rod	46-0913	3
3	O-Ring	25-0386	6	22	Snap-Ring	46-0908	3	41	Plunger Rod	46-0915	3
4	Valve w/O-ring (See 70-0314)	N/A Sep.	6	23	Oil Seal	26-0242	3	42	Connecting Rod Pin	46-0914	3
5	Back-Up Ring	25-0516	6	24	Screw	27-8884	8	43	Slinger Washer	46-0916	3
6	O-ring	25-0515	6	25	Shaft Cover	N/A	1	44	Piston	46-0917	3
7	Pump	46-0900	1	26	O-ring	25-0512	2	45	Washer	28-1041	3
8	Lockwasher	29-0155	8	27	Oil Seal	26-0243	1	46	Screw	27-8965	3
9	Screw	27-8470	8	28	Bearing	48-0073	2	47	Oil Dipstick	39-0204	1
10	O-ring	25-0372	1	29	Key	43-0091	1	48	Spring Retainer	46-0924	1
11	Plug	39-0202	1	30	Crankshaft	N/A	1	49	Pump	46-0925	1
12	O-ring	25-0510	3	31	Crankcase	46-0911	1	50	Oil Sight	46-0926	1
13	Plug	39-0203	2	32	Screw	27-8888	6	51	O-ring	25-0514	1
14	Support Ring (See 70-0317)	N/A Sep.	3	33	Crankcase Cover (Inc. 35-37)	46-0912	1	52	Shim	46-0947	1
15	High Pressure Seal (See 70-0317)	N/A Sep.	3	34	O-ring	25-0513	1	53	Support Bearing Cover (Inc. 48-51)	46-0918	1
16	Low Pressure Seal (See 70-0317)	N/A Sep.	3	35	O-ring	25-0370	1		Valve Kit (Inc. 6 each 4-6)	70-0314	1
17	Piston Guide	46-0904	3	36	Oil Sight Glass	46-0670	1		Oil Seals Kit (Inc. 14-16, 18-20)	70-0317	1
18	O-ring (See 70-0317)	N/A Sep.	3	37	Spring Retainer	46-0671	1				
19	Back-Up Ring (See 70-0317)	N/A Sep.	3	38	Screw	N/A	6				

UNLOADER ASSEMBLY (8-0522)

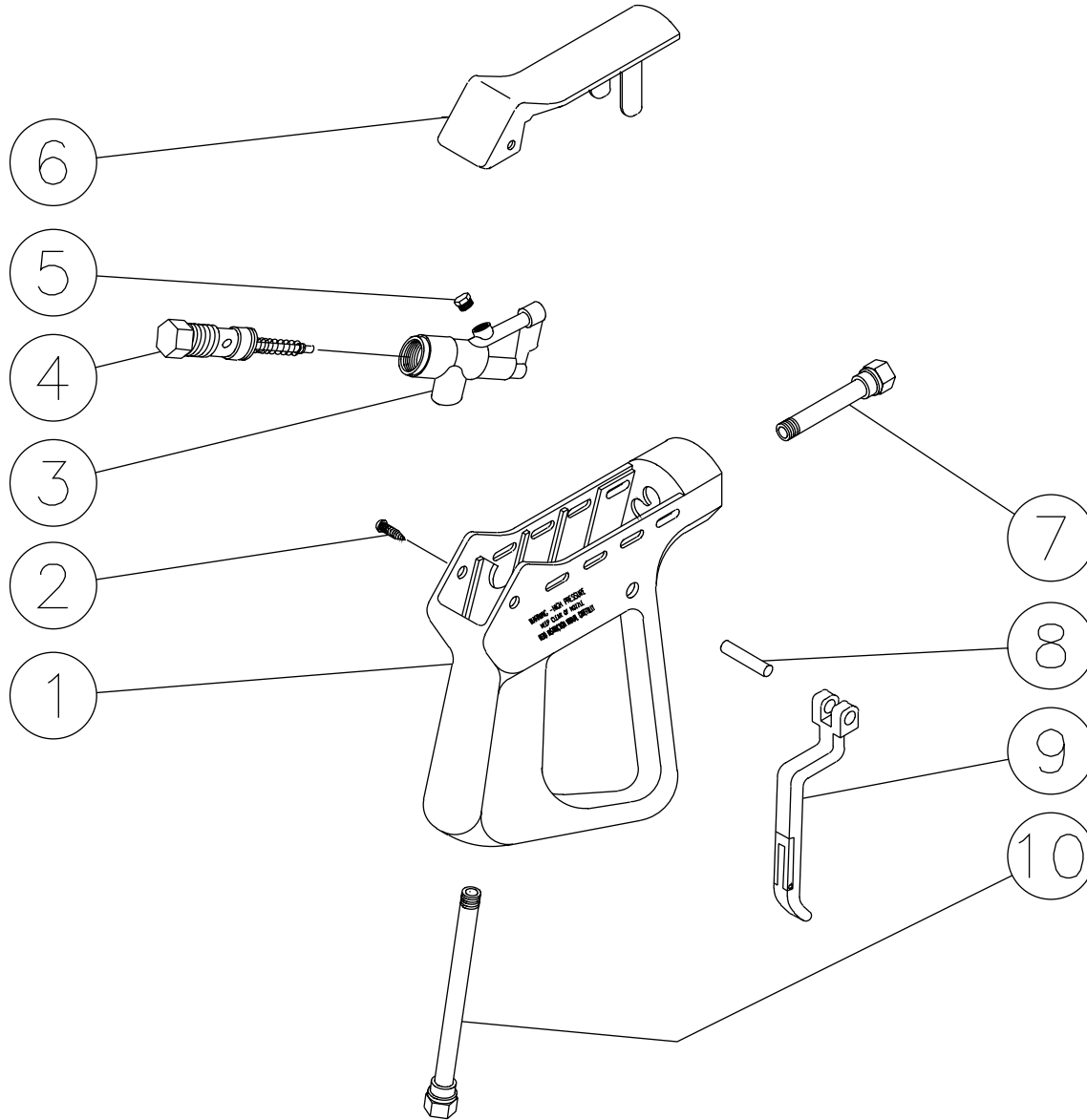


8-0522-120501-RD

UNLOADER ASSEMBLY (8-0522)

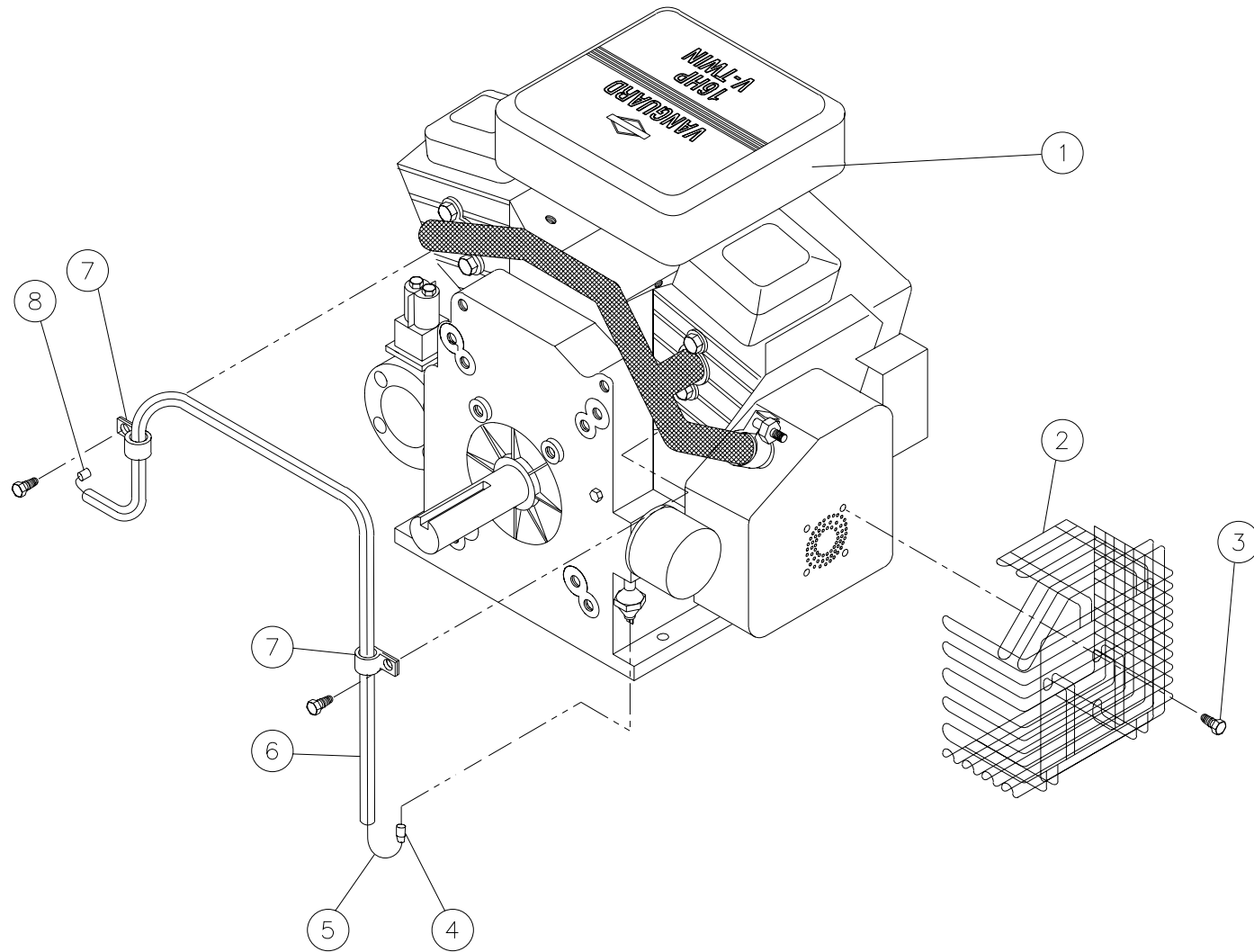
REF. #	DESCRIPTION	PART #	QTY.	REF. #	DESCRIPTION	PART #	QTY.
1	Brass Cap	8-0534	1	15	O-ring	25-0368	1
2	Spring	49-0149	1	16	Shutter	8-0540	1
3	Spring Guide	8-0535	1	17	Seat	8-0541	1
4	Ball	8-0318	1	18	O-ring	25-0220	2
5	Back-up Ring (See 70-0342)	N/A Sep.	1	19	Valve Body	8-0542	1
6	O-ring (See 70-0342)	N/A Sep.	1	20	Check Valve Seat	8-0543	1
7	Piston	8-0536	1	21	O-ring	25-0369	1
8	Lock Ring	8-0537	1	22	Check Valve	8-0486	1
9	Set Screw	8-0408	1	23	Spring	49-0150	1
10	Piston Housing	8-0538	1	24	O-ring	25-0325	1
11	O-ring	25-0189	1	25	Nipple	8-0485	1
12	Back-up Ring (See 70-0343)	N/A Sep.	1		Upper Seal Kit (Inc. 5, 6)	70-0342	1
13	O-ring (See 70-0343)	N/A Sep.	1		Lower Seal Kit (Inc. 12, 13)	70-0343	1
14	Spacer	8-0539	1				

GUN ASSEMBLY (16-0001)



GUN ASSEMBLY (16-0001)			
REF. #	DESCRIPTION	PART #	QTY.
1	Plastic Housing	16-0008	1
2	Screw	27-3230	2
3	Brass Housing	16-0012	1
4	Gun Repair Kit	70-0055	1
5	Brass Plug	39-0024	1
6	Plastic Cover	16-0009	1
7	Pipe Assembly	16-0013	1
8	Trigger Pin	16-0063	1
9	Trigger/Safety Lock-off	16-0010	1
10	Pipe Assembly- Inlet	16-0016	1
	Complete Gun Assembly	16-0001	1

MOTOR ASSEMBLY (851-0345)



851-0345-080900-EDW

MOTOR ASSEMBLY (851-0345)			
REF. #	DESCRIPTION	PART #	QTY.
1	Engine- 16.0 HP Vanguard	1-0105	1
2	Muffler Guard	6-0065	1
3	Screw	27-3062	4
4	Terminal	32-0221	1
5	Wire	32-0092	1
6	Hose	15-0021	1
7	Wire Fastener Clip	43-0003	2
8	Terminal	32-0099	1

NOTES

NOTES

