

# TECHNICAL DATA SHEET -

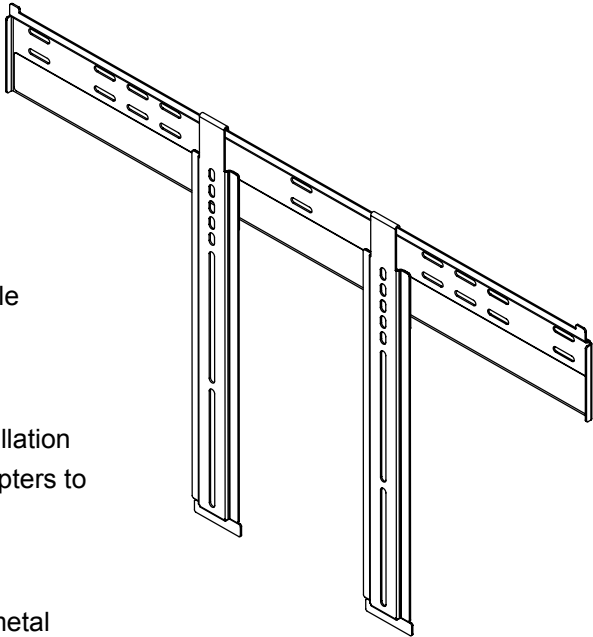
MODEL: SUF660P



## Slimline® Ultra-Thin Flat Mount for 37" to 65" Flat Panel Screens



The world's thinnest mount, at only 0.4" thin, brings the screen closer to the wall than any other product in the industry. This near-invisible mount is ideal for ultra-thin flat panels and supports the weight of standard screens. Its all-steel, universal design is the ultimate solution in delivering a space-saving, ultra-sleek look that brings the screen closer to the wall than any other mount in the world.



**Features:**

- Ultra-thin design holds only 0.4" from the wall for a near-invisible application
- Universal mount compatible with ultra-thin LCD screens with mounting patterns up to 32.48" W x 17.67" H
- Universal brackets easily hook onto wall plate for an easy installation
- Industrial-strength Velcro® latching system secures screen adapters to wall plate in a single step, making installation fast and secure
- Horizontal screen adjustment of up to 8" (depending on screen model) for perfect screen placement
- Mounts to wood studs, concrete, cinder block or metal studs (metal stud accessory required)
- Comes with Peerless' Sorted-for-You™ fastener pack with all necessary screen attachment hardware
- Max UL Load Capacity: 150 lbs.
- UL Listed

**Accessories:**

- ACC215 – Metal Stud Fastener Kit
- IBA1 - In-wall Accessory Box

**\*Screen Compatibility Requirements**

- The depth of this mount (0.4") may not provide sufficient space for proper ventilation on some screens. Please refer to the screen manufacturer's requirements for mounting your screen before installation.
- The screen must have a flat mounting surface, or the mounting holes need to be on the furthest back surface of the screen.
- Input/Output connection must be properly oriented to accommodate mounting 0.4" from the wall. In-wall accessory (IBA1) may provide additional clearance needed for plugs, depending on their location on the back of the screen.

**Dimensions:**

**Weight:**  
7.1 lb (3.2 kg)

**Shipping weight:**  
7.8 lb (3.6 kg)

**Maximum UL Load Capacity:**  
150 lb (68.1 kg)

**Shipping Carton dimensions:**  
L = 37.063 in (941 mm)  
W = 6.313 in (160 mm)  
H = 2.375 in (60 mm)

### ARCHITECTS SPECIFICATIONS

The Ultra-Thin Universal Flat Wall Mount shall be a Peerless model \_\_\_\_\_ and shall be located where indicated on the plans. It shall be constructed of cold rolled steel and feature scratch resistant gloss black fused epoxy finish. Assembly and installation shall be done according to instructions provided by the manufacturer.

**TECHNICAL DATA SHEET**

**MODEL: SUF660P**

ALL DIMENSIONS: inch [mm]

