

TABLE OF CONTENTS



CASTERS

Caster Selection Information	3 - 4
Furniture/S1102-2 Casters	5 - 6
Total Lock Casters	7
Creeper/CR Casters	8
Stainless Steel Casters	8
Series 03/13 Casters	9
S11 Stem Casters	10
Shopping Cart Casters	10
Series 21/31 Casters	11 - 12
Series 23/33 Casters	13 - 14
Series E23-4/EL23-4	13 - 14
Series N22/ N32 Casters	15 - 17
Quick Change Caster Mounting Pad	17
322 Sanitation Container Casters	19
P22/P32 Casters	18
Series W26/W36 Casters	20 - 21
Series 24/34 Casters	22
Series 25/35 Casters	23 - 24
Series 28/38 Casters	25 - 26



WHEELS

Wheel Selection Information	27
Series 100 Semi-Steel Wheels	28 - 29
Series DU Ductile Iron Wheels	30
Series 200 V-Groove Wheels	31
Series 300 Soft Tread Rubber Wheels	32
Series 310 Hard Tread Rubber Wheels	33
Series 500 Rubber/Mold-On Wheels	34 - 35
Series 900 Hi-Cap™ Rubber/Mold-on Wheels	36 - 37
Series 600 Polyolefin Wheels	38
Series 600 (HD) Heavy-Duty Polyolefin Wheels	39
Series 800 Polyurethane/Mold-on Wheels	40 - 41
Series AC800 Polyurethane/Aluminum Wheels	42
Series 1800 Polyurethane/Polyethylene Wheels	43
Series 1700 Phenolic Wheels	44 - 45
Series 2500 Thermoplastic Rubber Wheels	46
Series FPN Full-Pneumatic Wheels	47
Series SP Semi-Pneumatic Wheels	47
Series FF Puncture Proof Wheel	47
Spanner Bushing Chart	48
Axle/Bolt & Nut Kit Chart	48
Bearings, Retainer & Seal Washers	49



PLATFORM TRUCKS

Truck Accessories, Handles & Parts	50
V-Deck Trucks	51
Economy Decks	52
Bantamweight Decks	53
SD Steel Decks	54 - 55
Steel U-Boats	55
Aluminum Decks	56
Factory Trucks	57
LQ, MQ, HQ, Trucks (Steel bound)	58
ELQ Trucks (Steel bound)	59
Steel-Bound Oak, Tilt Style Trucks	60
Oak Tilt Style Trucks	60
Semi-Live Skids and Jacks	61
Plasticwood Truck	62
Folding Table Trucks	63



HANDTRUCKS

Steel Handtrucks	64 - 65
Wheel Options for Steel Handtrucks	65
MCG & MCW Handtrucks	66
MCS Convertible Handtrucks	67
CVN-1500 Convertible Handtrucks	67
MHS Trucks	68
Aluminum Handtrucks	69
Aluminum Handtruck Replacement Parts	70
Original Oak Handtrucks	71 - 73



DOLLIES

Steel Dollies	74
Panel Mover	75
AT-02 Dolly	76
KD Movers Dolly	76
MT Dollies	77
T-Dollies	78 - 79
C-Series & E-Series Lever Dollies	80
Drum Trucks	81
Drum Cradles	82
MDS Drum Dolly	83
Circular Drum Dollies	83

CASTER CHART



SELECTION & SPECIFICATION GUIDES

Load capacities are based on the following conditions or have been established through industry standards:

General Conditions

Listed load capacities apply only to operation on smooth surfaces. Any surface obstruction or severe shock will require a higher capacity rating. All bearings must be properly lubricated. Conditions of excessive temperature, dirt or other contaminants will reduce capacity and performance. Load capacity ratings cannot be used when the product is incorrectly applied or modified.

Manual Operation

All load capacities refer only to a manually operated, non-powered force, at speeds of 3 mph or less on relatively clean, smooth floors unless otherwise specified.

Power Operation

Power-drawn equipment, whether it is towline, tractor drawn or any other mechanical powered method, will require a caster designed and manufactured for those conditions.

This type of operation will require consultation with the factory to ensure caster range and safety.

Long-Term Storage Loads

Storage load conditions require the use of hard tread, steel, or polyurethane wheels for best results, as soft tread wheels will develop a flat spot within a short time. It is recommended that wheels with higher rated capacities than would otherwise be required be selected.

Load Capacity

Truck load ratings are not an indication of the capacity of the truck or the wheel but are the recommended total load capacity that the average individual can comfortably handle on that particular truck model. Load capacities are based on a uniformly distributed load and are established as only a guide for ease of movement.

Caster Category	Page No.	Load Range (lbs.)	Swivel Series	Rigid Series	Wheel Size (inches)	Ball Raceway	Swivel Construction
Light Duty	5	100 - 125	02	-	2 - 3	DOUBLE	STEM (6)
Total Lock	7	125 - 275	TL03	H13	3 - 5	DOUBLE	STEM (6)
Total Lock	7	125 - 275	TLS11	-	3 - 5	DOUBLE	STEM (6)
Creeper Light	8	75	CR	-	2 - 3	DOUBLE	STEM (6) / CONNECTOR NUT
Furniture Light	6	75 - 90	ICC	-	2	SINGLE / DOUBLE	STEM (6)
Shopping Cart	10	275	SK	-	5	DOUBLE	STEM (6)
Light / Medium Duty	9 - 10	125 - 300	03	13	3 - 5	DOUBLE	STEM (6)
Regular Duty	11 - 12	100 - 650	21	31	2 - 6	SINGLE	LOCKWELD
Medium Duty	13 - 14	125 - 800	23	33	3 - 8	DOUBLE	LOCKWELD
Regular / Medium Duty	13 - 14	110 - 600	E23 / EL23	-	3 - 4	DOUBLE	KING PIN (6)
Medium / Heavy Duty	15 - 17	290 - 1200	N22	N32	4 - 8	DOUBLE	KING PIN (3)
Medium / Heavy Duty	20 - 21	300 - 1200	W26	W36	4 - 8	DOUBLE	KING PIN (3)
Heavy Duty	22	500 - 1800	24	34	8 - 10	DOUBLE	KING PIN (3)
Heavy Duty	23 - 24	450 - 2500	25	35	5 - 8	DOUBLE	KING PIN (4)
Extra Heavy Duty	25 - 26	180 - 3500	28	38	6 - 12	DOUBLE	KING BOLT (5)

1) For 3" swivel caster only 2) Standard on upper ball race only
3) Orbital cold forged 4) Hot forged 5) Threaded 6) Staked

Caster Category	Tread Brake	Foot Brake	4-Position Lock	Ball Race Dust Seal	Wheel Grease Seals	Tread Guards
Light Duty	NO	NO	NO	NO	NO	NO
Total Lock	YES	YES	NO	NO	NO	NO
Total Lock	YES	YES	NO	NO	NO	NO
Creeper Light	NO	NO	NO	NO	NO	NO
Furniture Light	NO	YES	NO	NO	NO	NO
Shopping Cart	NO	NO	NO	NO	NO	NO
Light / Medium Duty	YES	YES	NO	NO	YES	YES
Regular Duty	NO	YES (1)	YES	YES	YES	YES
Medium Duty	NO	YES (1)	YES	YES	YES	YES
Regular / Medium Duty	NO	NO	NO	NO	NO	NO
Medium / Heavy Duty	NO	YES	YES	YES (2)	YES	YES
Heavy Duty	NO	YES	YES	YES (2)	YES	YES
Heavy Duty	NO	NO	YES	YES	YES	NO
Extra Heavy Duty	NO	NO	NO	YES	YES	NO
Extra Heavy Duty	NO	NO	NO	YES (2)	YES	NO

1) For 3" swivel caster only 2) Standard on upper ball race only
3) Orbital cold forged 4) Hot forged 5) Threaded 6) Staked

FURNITURE CASTERS



LIGHT-DUTY, THREADED STEM CASTERS



Light-duty, cold-forged steel caster has a bright, zinc-plated finish to resist corrosion. These casters feature a double ball bearing raceway and staked king pin. Applications include office furniture, factories and warehouses.

FEATURES

- Zinc plated
- Double ball raceway
- Threaded stem

Wheel Diameter	Tread Width	Wheel Type	Load Capacity	Caster Order No.	Overall Height	Stem Size	Stem Type	Ship Weight
2	3/4	Hard Rubber	100	S11-02-2-HR	2-5/8	5/16-18 X 3/4	Threaded	0.3



ALL PURPOSE CASTERS



Wheel Diameter	Tread Width	Wheel Type	Load Capacity	Caster Order No.	Overall Height	Stem Size	Stem Type	Ship Weight
2	13/16	Soft Rubber	75	1CCSTA01-2-SR	2-17/32	3/8 X 1	Friction Ring	0.4
2	13/16	Soft Rubber	75	1CCSTC01-2-SR	2-17/32	7/16 X 1-3/8	Friction Ring	0.41
2-1/2	3/4	Hard Rubber	90	1CCSTA01-25-HR	3-1/16	3/8 X 1	Friction Ring	0.48
2-1/2	3/4	Hard Rubber	90	1CCSTC01-25-HR	3-1/16	7/16 X 1-3/8	Friction Ring	0.52

FEATURES

- Wide range of applications
- Easy rolling
- Soft rubber wheel

General purpose casters offered with either soft rubber tread with hard rubber core wheels for use on all types of hard floors and chair mats or all hard rubber wheels for use on carpeted floors. Applications include office furniture, display racks, tool boxes, dollies and chairs.



HALF-HOOD CASTER



Half metal hooded caster with soft rubber tread and hard rubber core wheel for quiet movement, cushioned ride and floor protection on hard floors, chair mats and office furniture. Not recommended for carpeted floors.

FEATURES

- Floor protection
- Quiet movement

Wheel Diameter	Tread Width	Wheel Type	Load Capacity	Caster Order No.	Overall Height	Stem Size	Stem Type	Ship Weight
2	13/16	Soft Rubber	80	1CCHTA07-2-SR	2-1/2	3/8 X 1	Friction Ring	0.51
2	13/16	Soft Rubber	80	1CCHTB07-2-SR	2-1/2	7/16 X 1-7/8	Straight	0.89



HOODED, ROUND BALL CASTER

FEATURES

- Easy rolling
- Non-marking

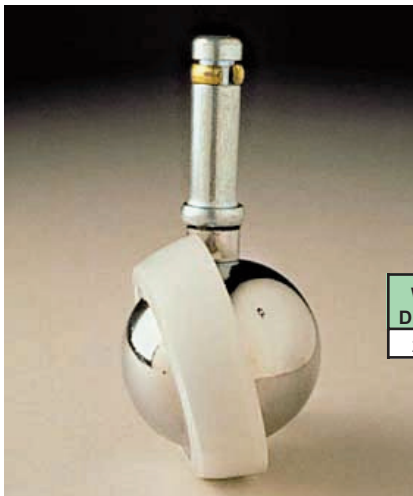
Recommended for low pile carpets, chair mats and hard flooring. Uses include office furniture, institutional equipment and hospital/health-care environments. Wheel is non-marking and safe for all floors types.



Wheel Diameter	Tread Width	Wheel Type	Load Capacity	Caster Order No.	Overall Height	Stem Size	Stem Type	Ship Weight
2	2	Polyolefin	85	1CCHBD04-2PH	2-1/2	5/16 X 1-1/2	Gripneck	0.4



BALL CASTER w/ POLYPROPYLENE RING



Bright, chrome metal ball with polypropylene floor protecting ring. For use on low- to medium-pile carpeting. Lowered pivot point allows the casters to swivel with very little effort. Ideal for all types of office furniture.

FEATURES

- Easy rolling
- Floor protection

Wheel Diameter	Tread Width	Wheel Type	Load Capacity	Caster Order No.	Overall Height	Stem Size	Stem Type	Ship Weight
2-5/32	N/A	Ball	80	1CCBC05-2DC	2-3/8	7/16 X 1-3/8	Friction Ring	0.41



DUAL-WHEEL CASTER

FEATURES

- Easy rolling
- Floor protection
- Available with brake

Black matte, nylon dual-wheel casters with chrome hood. Excellent for office furniture, chairs, television and stereo stands. Can be used on both carpet and hard floors. Available with or without wheel brake.



Wheel Diameter	Tread Width	Wheel Type	Load Capacity	Caster Order No.	Overall Height	Stem Size	Stem Type	Ship Weight	Foot Brake
2	N/A	Nylon	90	1CCDWE062NY	2-3/8	7/16 X 7/8	Friction Ring	0.3	No
2	N/A	Nylon	90	1CCDWE062NYTB	2-3/8	7/16 X 7/8	Friction Ring	0.31	Yes

CASTERS



TOTAL LOCK SWIVEL & RIGID CASTERS

Capacity to 275 lbs.



Series TL03 Swivel Caster



Series H13 Rigid Caster

A double-braking swivel caster for light-duty applications. Foot-operated brake will lock both the swivel of the caster and also will lock the wheel from rolling.

Top plate size: 2-5/8" x 3-3/4"
Bolt spacing: 1-3/4" x 2-7/8" to 3"
Bolt size: 5/16"

Wheel Diameter	Tread Width	Wheel Type	Load Capacity	Wheel Order No.	Swivel Order No.	Rigid Order No.	Overall Height	Swivel Weight	Axle No.	Bushing No.
3	1-1/4	Soft Rubber	125	303-OB	TL-03-3-SR	H-13-3-SR	4-7/16	1.9	03	X-3H
		Soft Rubber	125	303-RB	TL-03-3-SRR	H-13-3-SRR		2.0	X-3H	
		Thermoplastic/Rubber	200	2503-BX	TL-03-3-TPR	H-13-3-TPR		2.1	03	
4	1-1/4	Soft Rubber	150	1-304-RX	TL-03-4-SRR	H-13-4-SRR	5-5/16	2.5	X-3H	
		Thermoplastic/Rubber	225	2504-BX	TL-03-4-TPR	H-13-4-TPR		2.6	03	
5	1-1/4	Soft Rubber	200	1-305-OA	TL-03-5-SR	H-13-5-SR	6-3/8	2.9	03	
		Thermoplastic/Rubber	275	2505-BX	TL-03-5-TPR	H-13-5-TPR		3.1	03	

For rigid caster weights deduct 0.2 lbs. on 3-inch and 4-inch sizes, deduct 0.3 lbs on 5-inch sizes.



TOTAL LOCK STEM CASTERS

Capacity to 275 lbs.

FEATURES

- Double braking
- Available with stem or top plate



FTM *The Fairbanks® Company*
 Since 1830

Copyright© 2007
 All rights reserved

Wheel Diameter	Tread Width	Wheel Type	Load Capacity	Wheel Order No.	Swivel Order No.	Stem Size	Overall Height	Swivel Weight	Axle No.	Bushing No.
3	1-1/4	Soft Rubber	125	303-OB	TL-S11-03-3-SR	1/2-13 X 1	4-1/2	1.5	03	X-3H
		Soft Rubber	125	303-RB	TL-S11-03-3-SRR			1.6	X-3H	
		Thermoplastic/Rubber	200	2503-BX	TL-S11-03-3-TPR			1.7	03	
4	1-1/4	Soft Rubber	150	1-304-RX	TL-S11-03-4-SRR	1/2-13 X 1	5-1/4	2.1	X-3H	X-3H
		Thermoplastic/Rubber	225	2504-BX	TL-S11-03-4-TPR			2.2	03	-
5	1-1/4	Thermoplastic/Rubber	275	2505-BX	TL-S11-03-5-TPR	1/2-13 X 1	6-5/16	2.7	03	-
		Polyurethane*	275	1-1805-BX	TL-S11-03-5-PBB			2.6	03	-

* Polyethylene center



CREEPER DOLLY CASTERS

Capacity to 75 lbs.

Wheel Diameter	Tread Width	Wheel Type	Load Capacity	Order No.	Threaded Stem Size	Connector Nut	Overall Height	Ship Weight
2	5/8	Polyurethane	75	CR-2	5/16-18 X 1/2	T-40 Torx	2-1/2	0.3



CR-2 Caster with polyurethane wheel

Two styles of creeper swivel casters for mechanic's creeper dollies. Available in the traditional 3", all-steel, plate mount caster or the new 2", double-ball raceway stem caster with polyurethane wheel. Flanged connector nut included for 2" stem caster will mount in 7/8" to 1" thick frames. Both casters are zinc-plated steel.



CR-3 Caster with steel wheel

Wheel Diameter	Tread Width	Load Capacity	Order No.	Top Plate	2-Hole Centers	Bolt Size	Overall Height	Ship Weight
3	Steel	75	CR-3	2-5/8 x 1-5/8	2-1/16	1/4	3-1/8	0.5



SERIES SS STAINLESS STEEL CASTERS

Capacity to 300 lbs.

All stainless steel construction with stainless steel double-ball raceway swivel caster and one-piece rigid caster. Furnished with stainless steel axle and axle nut. Ideal for applications in corrosive and wet environments.

Top Plate Size: 2-5/8" x 3-3/4"
Bolt Hole Pattern: 1-3/4" x 2-7/8" to 3"
Bolt Size: 5/16"



SS-03-5PBB



SS-13-5PBB

Wheel Diameter	Tread Width	Wheel Type	Load Capacity	Swivel Order No.	Swivel Weight	Rigid Order No.	Height	Swivel Lead	Wheel Order No.
3	1-1/4	Polyurethane*	150	SS-03-3PBB	1.5	SS-13-3PBB	4-1/2	1-3/8	1-1803-BX
		Thermoplastic Rubber*	150	SS-03-3TPR	1.8	SS-13-3TPR			2503-BX
4		Polyurethane*	250	SS-03-4PBB	1.7	SS-13-4PBB	5		1-1804-BX
		Thermoplastic Rubber*	275	SS-03-4TPR	1.9	SS-13-4TPR			2504-BX
5		Polyurethane*	275	SS-03-5PBB	2.1	SS-03-5PBB	6-1/6		1-1805-BX
		Thermoplastic Rubber*	300	SS-03-5TPR	2.7	SS-13-5TPR			2505-BX

For rigid caster weights, deduct 0.2 lbs. * Polyethylene center

CASTERS



SERIES 03/13 LIGHT / MEDIUM-DUTY

Capacity to 300 lbs.

These are easy-rolling casters, cold-formed for extra strength and rigidity. Rugged king pin construction. Zinc electro-galvanized finish assures a bright appearance and rust prevention. These economy casters serve a multitude of applications where smooth, quiet and mobile operation is essential. They move easily over door sills, ramps, and other floor obstructions. The popular answer for economical, light- to medium-load applications.

APPLICATIONS

- Light-duty warehouse
- Bakeries Computer rooms
- Laundries Laboratories
- Libraries Food service

FEATURES

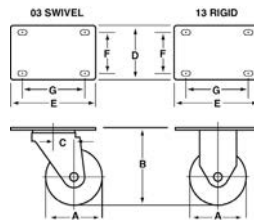
- Easy rolling — moves easily over door sills, ramps and other floor obstructions
- Cold-formed for extra strength and rigidity
- Zinc electro-galvanized finish for bright look, rust prevention
- Foot brake (FB-03) on 3" swivels only (must be factory installed)



Series 13 Rigid Caster
w/ polyolefin wheel



Series 03 Swivel Caster
w/ polyolefin wheel



Wheel Diameter "A"	Fork Leg Spacing	Top Plate		
		Size "D" x "E"	Bolt Hole Spacing "F" x "G"	Bolt Size
3	1-5/8	2-5/8 x 3-3/4	F = 1-3/4 G = 2-7/8 to 3	5/16
4				
5				

Wheel Diameter	Tread Width	Wheel Type	Load Capacity	Bearing Type	Wheel Order No.	Swivel Order No.	Rigid Order No.	Overall Height	Swivel Lead	Swivel Weight	Axle No.	Bushing No.
3	1-1/4	Semi-Steel	300	Plain	3-MC	03-3-IW	13-3-IW	4-1/2	1-3/8	2.2	03	X3H
		Semi-Steel	300	Roller	3-MCR	03-3-IRB	13-3-IRB			2.3	X-3H	
		Solid Rubber Soft	125	Plain	303-OB	03-3-SR	13-3-SR			1.5	03	
		Solid Rubber Hard	250	Plain	313-OB	03-3-HR	13-3-HR			1.6	03	
		Thermoplastic/Rubber	150	Ball	2503-BX	03-3-TPR	13-3-TPR	4-1/16		1.8	03	-
		Phenolic	250	Roller	1703-RB+	03-3-MC	13-3-MC	4-1/2		1.6	X-3H	X3H
		Polyurethane*	150	Ball	1-1803-BX	03-3-PBB	13-3-PBB			1.5	03	-
Polyurethane**	290	Roller	803-RB	03-3-PO	13-3-PO	2.3	X-3H		-			
3-1/2	1-1/4	Semi-Steel	300	Plain	1035-B	03-35-IW	13-35-IW	4-3/4	2.4	03	X3H	
		Polyurethane**	300	Roller	1-8035-RX	03-35-PO	13-35-PO		2.4	X-3H	-	
		Polyurethane*	225	Ball	1-1835-BX	03-35-PBB	13-35-PBB		1.6	03	-	
4	1-1/4	Semi-Steel	300	Plain	104-B	03-4-IW	13-4-IW	5	2.6	03	X3H	
		Solid Rubber Soft	150	Plain	1-304-OA	03-4-SR	13-4-SR		1.9	03		
		Solid Rubber Soft	150	Roller	1-304-RX	03-4-SRR	13-4-SRR		2.0	X-3H		
		Solid Rubber Hard	300	Plain	1-314-OA	03-4-HR	13-4-HR		2.0	03		
		Polyolefin	275	Plain	1-604-OA	03-4-PH	13-4-PH		1.3	03	-	
		Thermoplastic/Rubber	275	Ball	2504-BX	03-4-TPR	13-4-TPR		1.9	03	-	
		Phenolic	300	Roller	1704-RX+	03-4-MC	13-4-MC		1.7	X-3H	X3H	
		Polyurethane**	300	Roller	1-804-RX	03-4-PO	13-4-PO		2.6	X-3H	-	
		Polyurethane*	250	Ball	1-1804-BX	03-4-PBB	13-4-PBB		1.8	03	-	
5	1-1/4	Solid Rubber Soft	200	Plain	1-305-OA	03-5-SR	13-5-SR	6-1/6	2.5	03	X3H	
		Solid Rubber Hard	300	Roller	1-315-RA	03-5-HRR	13-5-HRR		2.8	X-3H		
		Polyolefin	300	Plain	1-605-OA	03-5-PH	13-5-PH		1.7	03		
		Thermoplastic/Rubber	300	Ball	2505-BX	03-5-TPR	13-5-TPR		2.7	03	-	
		Phenolic	300	Roller	1705-RX+	03-5-MC	13-5-MC		2.6	X-3H	X3H	
		Polyurethane*	275	Ball	1-1805-BX	03-5-PBB	13-5-PBB		2.1	03	-	

* Polyethylene center ** Semi-Steel center + Requires 2 spacers



SERIES S11-03 LIGHT / MEDIUM-DUTY STEM Capacity to 300 lbs.

FEATURES

- ☑ Easy rolling — moves easily over door sills, ramps and other floor obstructions
- ☑ Cold-formed for extra strength and rigidity
- ☑ Zinc electro-galvanized finish for bright appearance and rust prevention



Series S11-03 Stem Swivel Caster
with solid rubber wheel

The stem version of our Series 03 caster. Cold-formed for extra strength and rigidity. Rugged king pin construction. Zinc electro-galvanized finish assures a bright appearance and rust prevention. These economy casters serve a multitude of applications where smooth, quiet and mobile operation is essential. They move easily over door sills, ramps, and other floor obstructions. The popular answer for economical light- to medium-load applications.



Copyright © 2007
All rights reserved

Wheel Diameter	Tread Width	Wheel Type	Load Capacity	Bearing Type	Wheel Order No.	Swivel Order No.	Stem Size	Overall Height	Swivel Lead	Swivel Weight	Axle No.	Bushing No.
2	3/4	Hard Rubber	100	Plain	-	S11-02-2-HR	5/16-18 x 3/4	2-5/8	1-1/8	0.3	-	-
3	3/4	Hard Rubber	125	Plain	-	S11-02-3-HR	5/16-18 x 3/4	3-1/4	1-1/2	0.4	-	-
	1-1/4	Semi-Steel	300	Roller	3-MCR	S11-03-3-IRB	1/2-13 x 1	4-1/4	1-3/8	2.4	X-3H	X3H
		Soft Rubber Soft	125	Plain	303-OB	S11-03-3-SR				1.6	03	
		Soft Rubber Hard	250	Plain	313-OB	S11-03-3-HR				1.7	03	
		Soft Rubber Hard	250	Roller	313-RB	S11-03-3-HRR				1.7	X-3H	
Thermoplastic/Rubber	150	Ball	2503-BX	S11-03-3-TPR	1.8	03	-					
3-1/2	1-1/4	Semi-Steel	300	Plain	1035-B	S11-03-35-IW	1/2-13 X 1	4-3/4	1-3/8	2.5	X-3H	X3H
		Polyurethane*	225	Ball	1-1835-BX	S11-03-35-PBB				1.7	03	-
4	1-1/4	Soft Rubber Hard	300	Plain	1-314-OA	S11-03-4-HR	1/2-13 X 1	5	1-3/8	2.1	03	X3H
		Polyolefin	275	Plain	1-604-OA	S11-03-4-PH				1.4	03	
		Thermoplastic/Rubber	275	Roller	2504-BX	S11-03-4-TPR				1.9	03	
		Phenolic	300	Roller	1704-RX	S11-03-4-MC				1.8	X-3H	
		Polyurethane**	300	Roller	1-804-RX	S11-03-4-PO				2.7	X-3H	
		Polyurethane*	250	Ball	1-1804-BX	S11-03-4-PBB				1.9	03	
5	1-1/4	Soft Rubber Soft	200	Plain	1-305-OA	S11-03-5-SR	1/2-13 X 1	6-1/6	1-3/8	2.6	03	X3H
		Polyolefin	300	Plain	1-605-OA	S11-03-5-PH				1.8	03	
		Phenolic	300	Roller	1705-RX	S11-03-5-MC				2.7	X-3H	
		Polyurethane*	275	Ball	1-1805-BX	S11-03-5-PBB				2.2	03	

* Polyethylene center ** Semi-Steel center



SHOPPING CART CASTER Capacity to 275 lbs.



The universal shopping cart swivel caster features a durable, non-marking polyurethane wheel molded to a polyethylene core. The zinc-plated caster features sealed double-ball raceways and the wheel has steel ball bearings with a 3/8" bore. The wheel comes standard with tough polyolefin threadguards.

For rigid caster, order H-13-5PBB. Contact factory for pricing.

Wheel Diameter	Tread Width	Wheel Type	Load Capacity	Bearing Type	Wheel Order No.	Swivel Order No.	Stem Size	Overall Height	Swivel Lead	Ship Weight	Axle No.
5	1-1/4	Polyurethane on polyethylene	275	Ball	1-1805-BX	SK-S11-03-5-PBB	1/2-13 X 1	6	1-3/8	2.2	03

SK-S11-03-5PBB

CASTERS



SERIES 21/31 REGULAR-DUTY

Capacity to 650 lbs.



Series 21 Swivel Caster
with semi-steel wheel



Series 31 Rigid Caster
with semi-steel wheel

These swivel and rigid regular-duty casters are all steel, featuring the exclusive LOCKWELD construction. LOCKWELD is an exclusive feature from The Fairbanks Company. This unique construction replaces the king pin with a rigid, strong welded structure. This gives you perfect alignment and more structural strength for extra miles of service. Economical, all-purpose construction of cold-formed, steel raceway, hardened ball bearings and hardened steel spanner bushings. Their simple design offers an all-purpose caster that can provide long, reliable service. Zinc electro-galvanized finish for a bright appearance and rust prevention. The leg design disperses shocks and overloads over a larger portion of the ball race, resulting in a smoother swiveling action. Also known as "the performance caster."

APPLICATIONS

- Office and computer rolling equipment
- Box and platform trucks
- Laundry and linen baskets
- Food service operations
- Warehouse rolling equipment

FEATURES

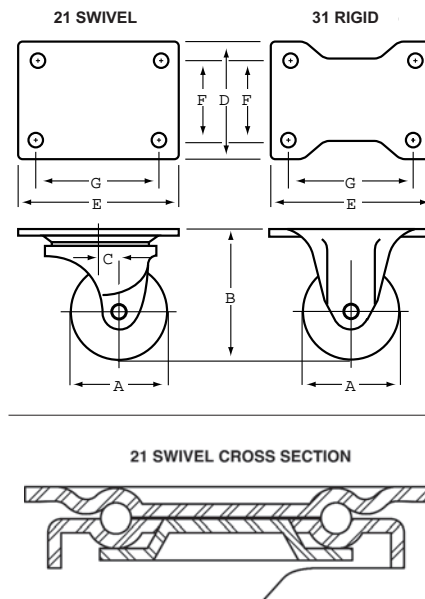
- Swivel casters are single ball race
- Zinc plated
- All steel featuring exclusive LOCKWELD construction
- Economical all-purpose construction of cold-formed steel raceways, hardened ball bearings and hardened steel spanner bushings
- Simple design for long, reliable service

OPTIONS

- Foot brake for 3" swivel only (FB-21)
- Wheel grease seals
- Contact factory for ball race dust seal

Swivel Caster Series 21				
Wheel Diameter "A"	Fork Leg Spacing	Top Plate		
		Size "D" x "E"	Bolt Hole Spacing "F" x "G"	Bolt Size
2	1-1/16	1-7/8 x 2-5/8	31/32 x 2-1/8	1/4
2-1/2	1-5/16	2-5/8 x 3-3/4	1-3/4 x 3	5/16
3	1-1/2	3-1/8 x 4-1/8	2-3/8 x 3-7/16	5/16
4	1-3/4	4 x 5	3 x 4	3/8
5	1-15/16	5 x 6-1/2	3-3/8 x 5-1/4	3/8
6	2-1/4	5 x 6-1/2	3-3/8 x 5-1/4	3/8

Rigid Caster Series 31				
Wheel Diameter "A"	Fork Leg Spacing	Top Plate		
		Size "D" x "E"	Bolt Hole Spacing "F" x "G"	Bolt Size
2-1/2	1-5/16	2-1/8 x 4-3/8	1-1/16 x 3-15/32	5/16
3	1-1/2	2-1/4 x 5-1/8	1-3/16 x 4	5/16
4	1-3/4	3-1/4 x 6-1/4	2 x 5	3/8
5	1-15/16	3-3/4 x 6-1/4	2-1/2 x 5	3/8
6	2-1/4	3-3/4 x 6-1/4	2-1/2 x 5	3/8





SERIES 21/31 REGULAR-DUTY

Capacity to 650 lbs.

Wheel Diameter	Tread Width	Wheel Type	Load Capacity	Bearing Type	Wheel Order No.	Swivel Order No.	Rigid Order No.	Overall Height	Swivel Lead	Swivel Weight	Axle No.	Bushing No.
2	15/16	Semi-Steel	125	Plain	2-M	21-2-IW	N/A	2-1/2	7/16	0.7	2	N/A
	7/8	Solid Rubber Soft	100	Plain^	301-OA	21-2-SR	N/A			0.4	2	
		Solid Rubber Hard	125	Plain^	311-OA	21-2-HR	N/A			0.4	2	
	1	Polyolefin	125	Plain	601-OA	21-2-PH	N/A			0.4	2	
2-1/2	1	Semi-Steel	200	Plain	2-1/2 MB	21-25-IW	31-25-IW	3-1/4	5/8	1.2	2-1/2	2-1/2
		Solid Rubber Soft	110	Plain^	302-XB	21-25-SR	31-25-SR			0.9	2-1/2	
		Solid Rubber Hard	150	Plain^	312-XB	21-25-HR	31-25-HR			0.9	2-1/2	
	1-1/8	Polyolefin	175	Plain	602-XB	21-25-PH	31-25-PH			0.9	2-1/2	L2-1/2
3	1-1/4	Semi-Steel	300	Plain	3-MB	21-3-IW	31-3-IW	3-3/4	5/8	2.0	X-3H	N/A
		Semi-Steel	300	Roller	3-MCR	21-3-IRB	31-3-IRB			2.1	3H	
		Solid Rubber Soft	125	Plain^	303-OB	21-3-SR	31-3-SR			1.3	X-3H	
		Solid Rubber Hard	250	Plain^	313-OB	21-3-HR	31-3-HR			1.4	3H	
		Solid Rubber Hard	250	Roller	313-RB	21-3-HRR	31-3-HRR			1.4	3H	
		Polyurethane**	290	Roller	803-RB	21-3-PO	31-3-PO			2.1	X-3H	
		Phenolic	250	Roller	1703-RB	21-3-MC	31-3-MC			1.4	X-3H	
	Thermoplastic/Rubber	150	Ball	2503-BX	21-3-TPR	31-3-TPR	1.6			X-3H		
	1-3/8	Rubber Mold-On**	170	Roller	503-RB	21-3-RT	31-3-RT			2.1	3H	N/A
	4	1-1/2	Semi-Steel	400	Plain	4-MC	21-4-IW			31-4-IW	5	1-1/16
Semi-Steel			400	Roller	4-MR	21-4-IRB	31-4-IRB	4.4	4			
Solid Rubber Soft			225	Plain^	304-OA	21-4-SR	31-4-SR	2.7	4	4H		
Solid Rubber Soft			225	Roller	304-RA	21-4-SRR	31-4-SRR	2.8	4H			
Solid Rubber Hard			400	Plain^	314-OA	21-4-HR	31-4-HR	2.9	4			
Solid Rubber Hard			400	Roller	314-RA	21-4-HRR	31-4-HRR	2.9	4H			
Polyurethane**			400	Roller	804-RA	21-4-PO	31-4-PO	3.8	4H			
Polyolefin			375	Roller	604-RA	21-4-PDR	31-4-PDR	2.3	4H			
Phenolic			400	Roller	1704-RA	21-4-MC	31-4-MC	2.7	4H	MC9H		
5			1-5/8	Semi-Steel	500	Plain	5-MC	21-5-IW	31-5-IW	6-1/4		
	1-1/2	Semi-Steel	500	Roller	5-MCR	21-5-IRB	31-5-IRB	7.6	5			
		Solid Rubber Soft	250	Plain^	305-OB	21-5-SR	31-5-SR	5.9	5			
		Solid Rubber Hard	500	Plain^	315-OB	21-5-HR	31-5-HR	6.2	5			
		Solid Rubber Hard	500	Roller	305-RB	21-5-HRR	31-5-HRR	6.2	5H			
		Rubber Mold-On**	280	Roller	505-RB	21-5-RT	31-5-RT	6.9	5			
		Hi-Cap / Mold-On**	500	Roller	905-RB	21-5-HC	31-5-HC	6.9	5			
6	2	Semi-Steel	650	Plain	136-B	21-6-IW	31-6-IW	7-1/4	1-3/8	9.8	22	P6HT
		Semi-Steel	650	Roller	136-RB	21-6-IRB	31-6-IRB			9.8	22	
		Solid Rubber Soft	400	Plain^	306-OA	21-6-SR	31-6-SR			7.2	22	6H
		Solid Rubber Hard	650	Plain^	316-OA	21-6-HR	31-6-HR			7.5	22	
		Solid Rubber Hard	650	Roller	316-RB	21-6-HRR	31-6-HRR			7.8	22-6H	P6H
		Rubber Mold-On**	410	Roller	526-RC	21-6-RT	31-6-RT			7.9	22	P6HT
		Polyurethane**	650	Roller	826-RC	21-6-PO	31-6-PO			9.0	22	
		Polyolefin	650	Roller	626-RC	21-6-PDR	31-6-PDR			5.5	22-6H	
		Phenolic	650	Roller	1726-RC	21-6-MC	31-6-MC			7.5	22-6H	

For rigid caster weights deduct 0.3 lbs. on 2-1/2"; .2 lbs. on 3"; 0.9 lbs. on 4"; 1.2 lbs. on 5" and 2.5 lbs. on 6".

* Polyethylene center ** Semi-Steel center ^ Self-Lube bearing

Not finding what you're looking for?

Feel free to contact us — We'll be happy to help.

Call toll free at 800-441-9955



CASTERS



SERIES 23/33 MEDIUM-DUTY

Capacity to 800 lbs.

APPLICATIONS

- Floor trucks
- Warehouse trucks
- Chair trucks
- Bakery equipment
- Display racks
- Shelf trucks

FEATURES

- Double ball race swivels
- E23-4, EL23-4 swivel casters have 1/2" diameter, cold-forged king pin
- Large secondary raceway offers greater swiveling, efficiency and shock absorption
- 23-3, 23-4, 23-5, 23-6 and 23-8 feature LOCKWELD construction with no king pin

OPTIONS

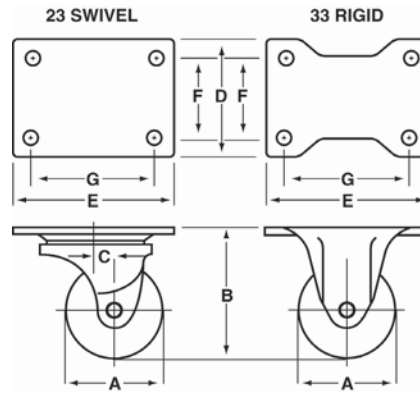
- Foot brake for 3" swivel
- 4-position lock. (5", 6" and 8" only)
- Wheel grease seals
- Ball race dust seal



Series 23 Swivel Caster
with rubber mold-on wheel



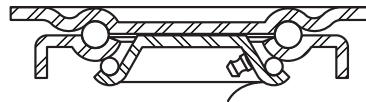
Series 33 Rigid Caster
with rubber mold-on wheel



These units are cold formed. They have mirror-smooth, high-density primary and secondary raceways for long-lasting life. They feature an exceptionally large secondary raceway for greater swiveling efficiency and better shock absorption.

 **The Fairbanks Company**
Since 1830
Copyright © 2007
All rights reserved

23 SWIVEL CROSS SECTION



Swivel Caster Series 23					Rigid Caster Series 33				
Wheel Diameter "A"	Fork Leg Spacing	Top Plate			Wheel Diameter "A"	Fork Leg Spacing	Top Plate		
		Size "D" x "E"	Bolt Hole Spacing "F" x "G"	Bolt Size			Size "D" x "E"	Bolt Hole Spacing "F" x "G"	Bolt Size
3	1-1/2	3-1/8 x 4-1/8	2-3/8 x 3-7/16	5/16	3	1-1/2	2-1/4 x 5-1/8	1-3/16 x 4	5/16
4	1-3/4	4 x 5	3 x 4	3/8	4	1-3/4	3-1/4 x 6-1/4	2 x 5	5/16
5	1-15/16	5 x 6-1/2	3-3/8 x 5-1/4	3/8	5	1-15/16	3-3/4 x 6-1/4	2-1/2 x 5	3/8
6	2-1/4	5 x 6-1/2	3-3/8 x 5-1/4	3/8	6	2-1/4	3-3/4 x 6-1/4	2-1/2 x 5	3/8
8	2-1/4	5 x 6-1/2	3-3/8 x 5-1/4	3/8	8	2-1/4	3-3/4 x 6-1/4	2-1/2 x 5	3/8
Swivel Caster Series EL23-4					Swivel Caster Series E23-4				
Wheel Diameter "A"	Fork Leg Spacing	Top Plate			Wheel Diameter "A"	Fork Leg Spacing	Top Plate		
		Size "D" x "E"	Bolt Hole Spacing "F" x "G"	Bolt Size			Size "D" x "E"	Bolt Hole Spacing "F" x "G"	Bolt Size
4	1-1/2	3-1/8 x 4-1/8	1-3/4 to 2-5/16 x 3 to 3-3/8	5/16	4	1-3/4	4 x 5	3 to 3-3/16 x 3-13/16 to 4-1/8	5/16



SERIES N22/N32 MEDIUM / HEAVY-DUTY

Capacity to 1200 lbs.

Wheel Diameter	Tread Width	Wheel Type	Load Capacity	Bearing Type	Wheel Order No.	Swivel Order No.	Rigid Order No.	Overall Height	Swivel Lead	Swivel Weight	Axle No.	Bushing No.
4	2	Semi-Steel	1000	Plain	42-MC	N22-4-IW	N32-4-IW	5-5/8	1-1/2	6.6	22	P6HT
		Semi-Steel	1000	Roller	42-MRC	N22-4-IRB	N32-4-IRB			6.5	22-6H	
		Semi-Steel/V-Groove	1000	Roller	234-RB	N22-4-VG	N32-4-VG			6.8	22-6H	
		Ductile V-Groove	1000	Roller	DU-244-RC	DU-N22-4-VG	DU-N32-4-VG			7.7	22-6H	
		Solid Rubber Soft	300	Plain [^]	2-304-OB	N22-4-SR	N32-4-SR			4.3	22	6H
		Solid Rubber Hard	500	Plain [^]	2-314-OB	N22-4-HR	N32-4-HR			4.4	22	P6H
		Solid Rubber Hard	500	Roller	2-314-RC	N22-4-HRR	N32-4-HRR			4.6	22-6H	6H
		Rubber/Mold-On**	290	Roller	524-RC	N22-4-RT	N32-4-RT			5.8	22-6H	P6H
		Polyurethane**	900	Roller	824-RC	N22-4-PO	N32-4-PO			5.8	22-6H	P6HT
		Polyurethane/Alum.	900	Roller	AC-824-RC	N22-4-POAC	N32-4-POAC			5.1	22	
		Polyolefin	400	Plain	624-OC	N22-4-PH	N32-4-PH			3.7	22-6H	P6H
		Polyolefin	450	Delrin	624-CC	N22-4-PDI	N32-4-PDI			3.6	22-6H	
		Polyolefin	500	Roller	624-RC	N22-4-PDR	N32-4-PDR			3.8	22-6H	
		Polyurethane*	500	Delrin	1824-CC	N22-4-PRI	N32-4-PRI			4.2	22-6H	P6HT
		Polyurethane*	500	Roller	1824-RC	N22-4-PRB	N32-4-PRB			4.4	22-6H	
Thermoplastic/Rubber	325	Roller	2524-RC	N22-4-TPR	N32-4-TPR	4.1	22-6H					
Phenolic	800	Roller	1724-RC	N22-4-MC	N32-4-MC	4.4	22-6H	6-1/2	1-3/4	8.0	22	P6HT
Semi-Steel	1000	Roller	52-MRC	N22-5-IRB	N32-5-IRB	7.8	22			S6H		
Rubber/Mold-On**	350	Roller	525-RC	N22-5-RT	N32-5-RT	6.2	22			P6HT		
Hi-Cap/Mold-On**	700	Roller	925-RC	N22-5-HC	N32-5-HC	6.5	22					
Polyurethane**	1000	Roller	825-RC	N22-5-PO	N32-5-PO	6.5	22					
Polyurethane/Alum.	1000	Roller	AC-825-RC	N22-5-POAC	N32-5-POAC	6.1	22			P6HT		
Polyurethane*	750	Roller	1825-RC	N22-5-PRB	N32-5-PRB	6.2	22-6H					
Polyurethane*	675	Delrin	1825-CC	N22-5-PRI	N32-5-PRI	4.8	22-6H					
Polyolefin	550	Plain	625-OC	N22-5-PH	N32-5-PH	3.9	22-6H			P6H		
Polyolefin	650	Roller	625-RC	N22-5-PDR	N32-5-PDR	4.1	22-6H			P6HT		
Polyolefin	650	Delrin	625-CC	N22-5-PDI	N32-5-PDI	4.0	22-6H					
Thermoplastic/Rubber	325	Roller	2525-RC	N22-5-TPR	N32-5-TPR	4.3	22-6H					
Phenolic	1000	Roller	1725-RC	N22-5-MC	N32-5-MC	4.9	22-6H			P6HT		
Phenolic	675	Delrin	1725-CC	N22-5-MCI	N32-5-MCI	4.8	22-6H					
Polyolefin (HD)	675	Delrin	HD-625-CC	N22-5-PDI-HD	N32-5-PDI-HD	4.8	22-6H					
6	2	Semi-Steel	1200	Plain	136-B	N22-6-IW	N32-6-IW	7-1/4 standard For 7-1/2 height add "X" prefix to model number	1-3/4	8.5	22	P6HT
		Semi-Steel	1200	Roller	136-RB	N22-6-IRB	N32-6-IRB			8.5	22	
		Semi-Steel/V-Groove	1200	Roller	236-RB	N22-6-VG	N32-6-VG			8.8	22	
		Solid Rubber Hard	650	Plain [^]	316-OA	N22-6-HR	N32-6-HR			6.2	22	6H
		Rubber/Mold-On**	410	Roller	526-RC	N22-6-RT	N32-6-RT			6.6	22	P6HT
		Hi-Cap/Mold-On**	820	Roller	926-RC	N22-6-HC	N32-5-HC			7.4	22	
		Polyurethane**	1100	Roller	826-RC	N22-6-PO	N32-6-PO			7.6	22	
		Polyurethane/Alum.	1100	Roller	AC-826-RC	N22-6-POAC	N32-6-POAC			7.3	22	
		Polyurethane*	750	Roller	1826-RC	N22-6-PRB	N32-6-PRB			5.2	22-6H	
		Polyurethane*	675	Delrin	1826-CC	N22-6-PRI	N32-6-PRI			5.1	22-6H	
		Polyolefin	650	Plain	626-OC	N22-6-PH	N32-6-PH			4.0	22-6H	P6HT
		Polyolefin	750	Roller	626-RC	N22-6-PDR	N32-6-PDR			4.6	22-6H	
		Polyolefin (HD)	1200	Roller	HD-626-RC	N22-6-PDR-HD	N32-6-PDR-HD			5.5	22-6H	
Phenolic/Canvas	1200	Roller	1726-RC	N22-6-MC	N32-6-MC	5.5	22-6H					
Thermoplastic/Rubber	410	Roller	2526-RC	N22-6-TPR	N32-6-TPR	5.8	22-6H					

For rigid caster weights deduct 0.5 lbs. on 3"; 1.2 lbs. on 4"; 2.4 lbs. on 5"; 2.6 lbs. on 6" and 3.0 lbs. on 8".

* Polyethylene center ** Semi-Steel center ^ Self-Lube bearing

CASTERS

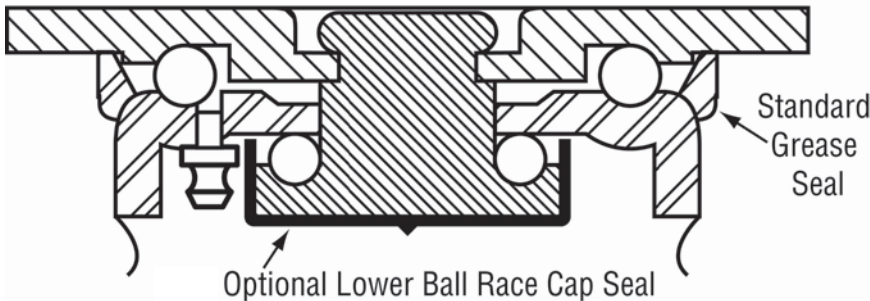
Series N22/N32 Casters continued - Capacity to 1,200 lbs.

Wheel Diameter	Tread Width	Wheel Type	Load Capacity	Bearing Type	Wheel Order No.	Swivel Order No.	Rigid Order No.	Overall Height	Swivel Lead	Swivel Weight	Axle No.	Bushing No.
8	2	Semi-Steel	1200	Roller	108-SRB	N22-8-IRB	N32-8-IRB	9-1/2	2-1/4	11.6	22	P6HT
		Rubber/Mold-On**	500	Roller	508-SA	N22-8-RT	N32-8-RT			8.0	22	
		Hi-Cap/Mold-On**	1000	Roller	908-SA	N22-8-HC	N32-8-HC			10.7	22	
		Polyurethane**	1200	Roller	808-SA	N22-8-PO	N32-8-PO			10.2	22	
		Polyurethane/Alum.	1200	Roller	AC-828-RC	N22-8-POAC	N32-8-POAC			9.8	22	
		Polyolefin	800	Roller	608-SA	N22-8-PDR	N32-8-PDR			5.5	22-6H	
		Polyolefin	675	Delrin	608-CC	N22-8-PDI	N32-8-PDI			5.3	22-6H	
		Polyolefin (HD)	1200	Roller	HD-608-SA	N22-8-PDR-HD	N32-8-PDR-HD			7.1	22-6H	
		Polyolefin (HD)	675	Delrin	HD-608-CC	N22-8-PDI-HD	N32-8-PDI-HD			7.0	22-6H	
		Phenolic/Canvas	1200	Roller	1708-SA	N22-8-MC	N32-8-MC			7.2	22-6H	
		Polyurethane*	800	Roller	1828-RC	N22-8-PRB	N32-8-PRB			6.4	22-6H	
		Thermoplastic/Rubber	500	Roller	2528-RC	N22-8-TPR	N32-8-TPR			7.1	22-6H	

For rigid caster weights deduct 0.5 lbs. on 3"; 1.2 lbs. on 4"; 2.4 lbs. on 5"; 2.6 lbs. on 6" and 3.0 lbs. on 8".

* Polyethylene center ** Semi-Steel center + Requires 2 spacers ++ Requires 3 spacers ^ Self-Lube bearing

N22 SWIVEL CROSS SECTION



Optional lower ball race cap seal

Flexible PVC cap that can be factory or field installed and protects against dirt and grit getting into lower raceway. Temp. range: -40°F to 200°F. Before lubricating, be sure to attach an alemite coupler #308730A to your push-type grease gun.



Quick-Change Mounting Pad

Change pad will accept N22/N32, XN22/XN32, 322, EP22/EP32, E29/E39 series casters

Heavy-duty 10 ga. (.140) formed steel, one-piece, weld-on mounting pads for swivel and rigid casters with a top plate size of 4" x 4-1/2". Casters are securely held in position in the pad with a single 5/16" diameter cross bolt at rear of caster and integral front retaining lip. Corrosive-resistant, zinc-plated finish.

Order No.	Pad Size	Height	Caster Top Plate Size	Cross Bolt Diameter	Ship Weight
N22-QCP	4-3/8 X 5-9/16	1-1/8	4 X 4-1/2	5/16	1.5

Not finding what you're looking for?

Feel free to contact us — We'll be happy to help.

email us at
dickjones@dickjonessales.com
 or call toll free
 800-441-9955



EP22/EP32 SERIES FULL-PNEUMATIC

Capacity to 450 lbs.



EP22-10-FPN Swivel Caster



EP32-10-FPN Rigid Caster

FEATURES

- ☑ Fairbanks' "Air Ride" full-pneumatic wheel caster greatly reduces bouncing and jostling
- ☑ 4-ply tire with inner tube for extra cushion
- ☑ Zinc-plated steel with double ball race and grease fitting
- ☑ Non-skidding, smooth, quiet operation and floor protection



Copyright© 2007
All rights reserved

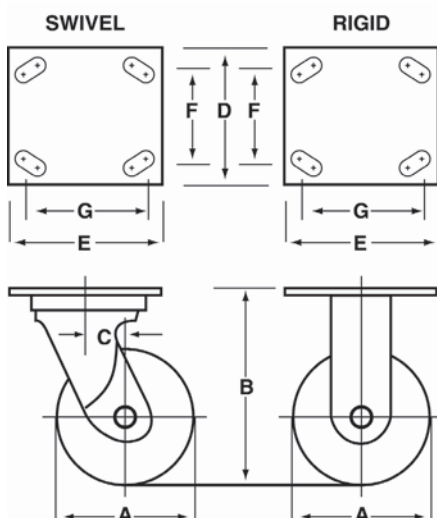
Wheel Diameter	Tread Width	Wheel Type	Ply	Load Capacity	Bearing Type	Wheel Order No.	Swivel Order No.	Swivel Weight	Rigid Order No.	Rigid Weight	Overall Height	Swivel Lead
8	2-1/2	Full-Pneumatic	4	300	Ball	FPN-8-CW	E-P22-8-FPN	7.0	E-P32-8-FPN	6.4	10-1/2	2-1/2
10	3-1/2			350		FPN-10-CW	E-P22-10-FPN	9.0	E-P32-10-FPN	8.2	12-1/2	2-1/2
12	3-1/2			450		FPN-12-CW	E-P22-12-FPN	12.0	E-P32-12-FPN	11.2	15-1/2	3-1/2

Swivel & Rigid Caster Series FPN				
Wheel Diameter "A"	Fork Leg Spacing	Top Plate		
		Size "D" x "E"	Bolt Hole Spacing "F" x "G"	Bolt Size
8	3-1/4	4 x 4-1/2	F = 2-5/8 to 3 G = 3 to 3-5/8	3/8
10	4			
12				

Now delicate loads move more smoothly and safely over rough surfaces with these full-pneumatic wheel casters. Fairbanks' "Air Ride" full-pneumatic wheel casters greatly reduce the bouncing and jostling associated with other casters over difficult surfaces.

Wheels are a 4-ply tire with inner tube for that extra cushion. Casters feature zinc-plated steel with double ball race and grease fitting.

Recommended for hotels, hospitals and institutions, these casters provide a cushion-tire ride for rough floors and fragile loads. Perfect for quiet operation and floor protection. They're non-skidding, giving you smooth and even movement.



CASTERS



SERIES 322 SANITATION CONTAINER

Capacity to 1,200 lbs.

Specifically designed for the punishing and harsh environment of today's sanitation container industry. These durable medium- to heavy-duty casters are constructed with less swivel lead and have greater vertical impact resistance. All swivel casters feature a hardened, single ball raceway for extra strength, 3/4" orbital cold-forged king pin, standard grease fitting and gray epoxy powder coated finish.

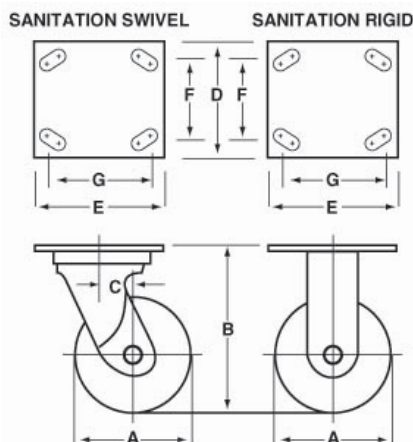
Manufacturer's Note: These swivel casters are not intended to be used as a standard swivel caster in a normal, manual-powered push/pull application.



Series 322 Swivel Caster with rubber/mold-on wheel



Series N32 Rigid Caster with rubber/mold-on wheel



FEATURES

- 3/4" orbital, cold-forged king pin
- Specifically designed for the punishing and harsh environment of today's sanitation container industry
- Hardened, single-ball raceway for extra strength
- Gray epoxy powder coated

OPTIONS

- Foot brake on swivel and rigid casters. (FB-322) Can be factory or field installed.
- Available with roller bearing wheels. Contact sales office for details.

F™ *The Fairbanks Company*
Since 1830
Copyright© 2007
All rights reserved

Swivel Caster Series 322 & Rigid Caster Series N32				
Wheel Diameter "A"	Fork Leg Spacing	Top Plate		
		Size "D" x "E"	Bolt Hole Spacing "F" x "G"	Bolt Size
5	2-1/2	4 x 4-1/2	F = 2-5/8 to 3	3/8
6			G = 3 to 3-5/8	

Wheel Diameter	Tread Width	Wheel Type	Load Capacity	Bearing Type	Wheel Order No.	Swivel Order No.	Rigid Order No.	Overall Height	Swivel Lead	Swivel Weight	Axle No.	Bushing No.
5	2	Polyolefin	650	Plain	625-H	322-5-PHP	N32-5-PHP	6-1/2	1-1/4	3.9	22	-
		Phenolic	1000	Plain	1725-OC	322-5-MCP	N32-5-MCP			4.9		NP-6H
		Rubber/Mold-On**	350	Delrin	525-CH	322-5-RTI	N32-5-RTI			5.1		-
		Semi-Steel	1000	Plain	52-M	322-5-IWP	N32-5-IWP			8.0		P6HT
		Hi-Cap/Mold-On**	675	Delrin	925-CH	322-5-HCI	N32-5-HCI			6.3		-
6	2	Polyolefin	650	Plain	626-H	322-6-PHP	XN32-6-PHP	7-1/2	1-1/4	4.0	22	-
		Phenolic	1200	Plain	1726-H	322-6-MCP	XN32-6-MCP			5.5		-
		Rubber/Mold-On**	410	Delrin	526-CH	322-6-RTI	XN32-6-RTI			6.4		-
		Semi-Steel	1200	Plain	136-B	322-6-IWP	XN32-6-IWP			8.5		P6HT
		Phenolic	675	Delrin	926-CH	322-6-HCI	XN32-6-HCI			7.2		-

Manufacturer's Note: Deduct 0.7 lbs. for rigid caster weights ** Semi-Steel center



SERIES W26/W36 MEDIUM / HEAVY-DUTY

Capacity to 1,200 lbs.

APPLICATIONS

- Core trucks
- Frame racks
- Heavy-duty platform trucks
- Maintenance carts
- Assembly line dollies
- Transport trailers

FEATURES

- One-piece swivel caster fork construction – no welds — assures less failure, longer life
- Fewer swivel caster parts mean less chance of failure.
- 3/4" king bolt is orbit formed — unitized design provides longer life
- Swivel casters have hardened top plate and fork to assure longer wear life to both upper and lower ball raceways
- Swivel casters have a standard nylon grease seal ring on the upper ball raceway, keeping dirt out and retaining a large grease reservoir
- Swivel Seal Ring Temp. = -20°F to 350°F
- Gray epoxy powder coat finish provides better corrosion resistance
- Meets ASME B56.11.1 industry standards

OPTIONS

- Foot brake. (Can be factory or field installed) FB-W26
- 2- or 4-position lock on all swivel casters. Add suffix 2-PL or 4-PL and add 0.2 lbs. to caster weight.
- Wheel grease seals.
- Optional lower ball race cap seal. Flexible PVC cap that can be factory or field installed and protects against dirt getting into lower raceway. Temp. range: -40°F to 200°F.



Series W26 Swivel Caster with rubber mold-on wheel

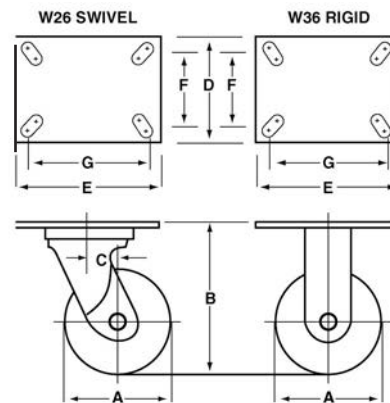


Series W36 Rigid Caster with polyurethane wheel

Medium to heavy-duty caster designed to bring cold-forged construction to users that require heavier-duty service up to 1200 lbs. These casters have a standard 4-1/2" x 6-1/4" top plate.

The one-piece swivel horn/fork design with no welds distributes loads across a larger portion of the ball race. The one-piece combination lower ball race and king pin is orbital cold-forged for superior strength and stability.

The unique design provides smoother swivel action, less swivel strain, assuring longer life. Lubricated hardened roller bearings and ground bushings give you a caster that can withstand loads up to 1200 lbs. Epoxy powder coat finish fights corrosion. American-made with superior quality control at every manufacturing step, these are the heavy-duty answers for demanding caster applications.



Foot brakes available on 4" - 8" casters. One kit fits all sizes.
2- and 4-position locks available on 4" - 8" casters. Spring loaded plunger locks swivel model to hold caster in 2 or 4 positions.

Swivel Caster Series W26 & Rigid Caster Series W36

Wheel Diameter "A"	Fork Leg Spacing	Top Plate		
		Size "D" x "E"	Bolt Hole Spacing "F" x "G"	Bolt Size
4	2-1/2	4-1/2 x 6-1/4	F = 2-7/16 to 3-3/8 G = 4-15/16 to 5-1/4	3/8
5				
6				
8				

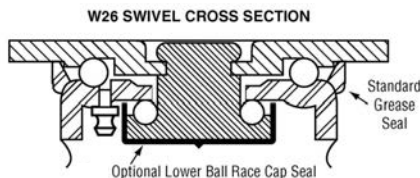
CASTERS



SERIES W26/W36 MEDIUM / HEAVY-DUTY Capacity to 1,200 lbs.

Wheel Diameter	Tread Width	Wheel Type	Load Capacity	Bearing Type	Wheel Order No.	Swivel Order No.	Rigid Order No.	Overall Height	Swivel Lead	Swivel Weight	Axle No.	Bushing No.
4	2	Semi-Steel	1000	Plain	42-MC	W26-4-IW	W36-4-IW	5-5/8	1-1/2	7.7	22	P6HT
		Semi-Steel	1000	Roller	42-MRC	W26-4-IRB	W36-4-IRB			7.5	22	
		Solid Rubber Hard	500	Roller	2-314-RC	W26-4-HRR	W36-4-HRR			5.7	22-6H	6H
		Rubber/Mold-On**	290	Roller	524-RC	W26-4-RT	W36-4-RT			6.9	22-6H	P6H
		Polyurethane**	900	Roller	824-RC	W26-4-PO	W36-4-PO			6.9	22	P6HT
		Polyurethane/Alum.	900	Roller	AC-824-RC	W26-4-POAC	W36-4-POAC			6.5	22	
		Polyolefin	400	Plain	624-OC	W26-4-PH	W36-4-PH			4.8	22-6H	P6H
		Polyolefin	500	Roller	624-RC	W26-4-PDR	W36-4-PDR			4.9	22-6H	
		Polyolefin	450	Delrin	624-CC	W26-4-PDI	W36-4-PDI			4.7	22-6H	P6HT
		Polyurethane*	500	Roller	1824-RC	W26-4-PRB	W36-4-PRB			5.2	22-6H	
		Thermoplastics/Rubber	325	Roller	2524-CC	W26-4-TPR	W36-4-TPR			4.9	22-6H	
		Phenolic	800	Roller	1724-RC	W26-4-MC	W36-4-MC			5.4	22-6H	
5	2	Semi-Steel	1000	Plain	52-MC	W26-5-IW	W36-5-IW	6-1/2	1-3/4	9.1	22	P6HT
		Semi-Steel	1000	Roller	52-MRC	W26-5-IRB	W36-5-IRB			8.9	22	S6H
		Solid Rubber Hard	550	Roller	2-315-RC	W26-5-HRR	W36-5-HRR			6.5	22-6H	P6HT
		Rubber/Mold-On**	350	Roller	525-RC	W26-5-RT	W36-5-RT			7.0	22	P6H
		Polyurethane**	1000	Roller	825-RC	W26-5-PO	W36-5-PO			7.6	22	P6HT
		Polyurethane/Alum.	1000	Roller	AC-825-RC	W26-5-POAC	W36-5-POAC			7.2	22	
		Polyolefin	650	Roller	625-RC	W26-5-PDR	W36-5-PDR			5.2	22-6H	P6H
		Polyolefin	650	Delrin	625-CC	W26-5-PDI	W36-5-PDI			5.1	22-6H	
		Phenolic	1000	Roller	1725-RC	W26-5-MC	W36-5-MC			6.0	22-6H	P6HT
		Thermoplastics/Rubber	325	Roller	2525-RC	W26-5-TPR	W36-5-TPR			6.2	22-6H	
		Polyolefin (HD)	1000	Roller	HD-625-RC	W26-5-PDR-HD	W36-5-PDR-HD			6.0	22-6H	
		Polyolefin (HD)	675	Delrin	HD-625-CC	W26-5-PDI-HD	W36-5-PDI-HD			5.9	22-6H	
6	2	Semi-Steel	1200	Roller	136-RB	W26-6-IRB	W36-6-IRB	7-1/4	1-3/4	9.6	22	P6HT
		Solid Rubber Hard	650	Roller	316-RB	W26-6-HRR	W36-6-HRR			7.6	22-6H	6H
		Rubber/Mold-On**	410	Roller	526-RC	W26-6-RT	W36-6-RT			7.7	22	P6H
		Polyurethane**	1100	Roller	826-RC	W26-6-PO	W36-6-PO			8.8	22	P6HT
		Polyurethane/Alum.	1100	Roller	AC-826-RC	W26-6-POAC	W36-6-POAC			8.4	22	
		Polyurethane*	750	Roller	1826-RC	W26-6-PRB	W36-6-PRB			6.3	22-6H	P6H
		Polyurethane*	675	Delrin	1826-CC	W26-6-PRI	W36-6-PRI			6.3	22-6H	
		Polyolefin	675	Delrin	626-CC	W26-6-PDI	W36-6-PDI			5.3	22-6H	P6HT
		Phenolic	1200	Roller	1726-RC	W26-6-MC	W36-6-MC			6.5	22-6H	
		Thermoplastics/Rubber	410	Delrin	2526-CC	W26-6-TPI	W36-6-TPI			6.8	22-6H	
		Thermoplastics/Rubber	410	Roller	2526-RC	W26-6-TPR	W36-6-TPR			6.9	22-6H	
		8	2	Polyolefin (HD)	1200	Roller	HD-626-RC			W26-6-PDR-HD	W36-6-PDR-HD	9-1/2
Polyolefin (HD)	675			Delrin	HD-626-CC	W26-6-PDI-HD	W36-6-PDI-HD	6.5	22-6H			
Semi-Steel	1200			Roller	108-SRB	W26-8-IRB	W36-8-IRB	12.9	22	P6HT		
Rubber/Mold-On**	500			Roller	508-SA	W26-8-RT	W36-8-RT	10.1	22			
Hi-Cap/Mold-On**	1000			Roller	908-SA	W26-8-HC	W36-8-HC	11.9	22			
Polyurethane**	1200			Roller	808-SA	W26-8-PO	W36-8-PO	11.9	22			
Polyurethane/Alum.	1200			Roller	AC-828-RC	W26-8-POAC	W36-8-POAC	11.5	22			
Phenolic	1200			Roller	1708-SA	W26-8-MC	W36-8-MC	8.4	22-6H			
Polyurethane*	750			Roller	1828-RC	W26-8-PRB	W36-8-PRB	9.2	22-6H			
Thermoplastics/Rubber	500			Roller	2528-RC	W26-8-TRP	W36-8-TRP	9.8	22-6H			
Polyolefin (HD)	1200			Roller	HD-608-SA	W26-8-PDR-HD	W36-8-PDR-HD	8.3	22-6H			

For rigid caster weights deduct 0.9 lbs. on 4"; 0.7 lbs. on 5" and 6" * Polyethylene center ** Semi-Steel center ^ Self-Lube bearing



F™ *The Fairbanks Company*
Since 1830

Copyright © 2007
All rights reserved

CASTERS



SERIES 25/35 HEAVY-DUTY

Capacity to 2,500 lbs.

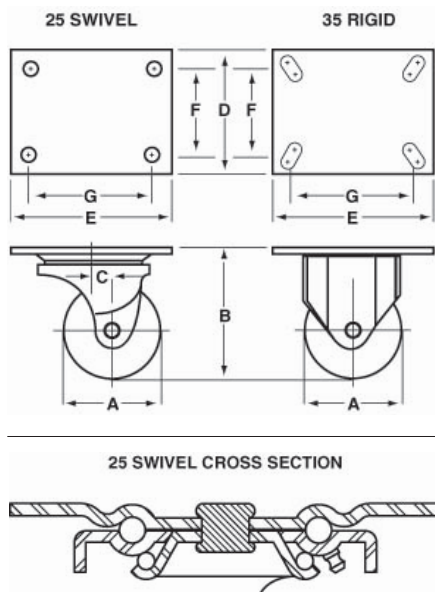


Series 25 Swivel Caster
with V-Groove semi-steel wheel



Series 35 Rigid Caster
with ductile iron wheel

One of the strongest double ball race swivel casters available on the market. All parts are made of heavy steel plate. All components are cold-forged and swivel caster components are hardened for added strength and rigidity. Exclusive leg construction makes these casters hard to beat when it comes to those tough applications. The Series 35 heavy-duty rigid casters are made of the same heavy steel plate as the matching swivel series. Considered almost indestructible by many, these casters' heavy construction and structural leg shape absorb shock loads and thrust without undue wear.



Swivel Caster Series 25				
Wheel Diameter "A"	Fork Leg Spacing	Top Plate		
		Size "D" x "E"	Bolt Hole Spacing "F" x "G"	Bolt Size
5	2-7/8	5 x 6-1/2	3-3/8 x 5-1/4	3/8
6				
8				
Rigid Caster Series 35				
Wheel Diameter "A"	Fork Leg Spacing	Top Plate		
		Size "D" x "E"	Bolt Hole Spacing "F" x "G"	Bolt Size
5	2-7/8	4-1/2 x 6-1/4	F = 2-7/16 x 3-3/8 G = 4-15/16 to 5-1/4	3/8
6				
8				

APPLICATIONS

- Steel trucks
- Food-processing trucks
- Scrap trucks
- Transport trailers
- Frame racks
- Conveyor-drawn tow trucks
- Production dollies
- Bakery racks
- Pan trucks

FEATURES

- One-piece swivel caster horn/fork construction — no welds — assures less failure, longer life
- 3/4" king pin is hot-forged, securing ball races, holding raceway alignment and adding strength, durability
- Fully hardened 1/2" main upper steel balls roll freely in a hardened raceway for top performance under maximum rated loads
- Hardened 5/16" steel balls roll freely in hardened lower raceway
- All swivel caster components are hardened for excellent wear resistance
- Grey epoxy powder coat finish provides better corrosion resistance

OPTIONS

- Wheel retainer seal on wheels with roller bearings. Add suffix WS to model number.
- Ball race dust seals on all swivel casters. Add suffix CS.



Copyright© 2007
All rights reserved



SERIES 25/35 HEAVY-DUTY

Capacity to 2,500 lbs.

Wheel Diameter	Tread Width	Wheel Type	Load Capacity	Bearing Type	Wheel Order No.	Swivel Order No.	Rigid Order No.	Overall Height	Swivel Lead	Swivel Weight	Axle No.	Bushing No.		
5	2-1/2	Semi-Steel	1500	Roller	145-RD	25-5-IRB	35-5-IRB	7-1/4	1-3/4	13.8	25-5			
		Ductile Iron	2500	Roller	DU-145-RD	25-5-DU	35-5-DU			13.8				
6	2-1/2	Semi-Steel	1500	Roller	146-RD	25-6-IRB	35-6-IRB	7-3/4	1-3/4	15.4			25-5	
		Semi-Steel/V-Groove	2000	Roller	246-RD	25-6-VG	35-6-VG			17.3				
		Ductile Iron	2500	Roller	DU-146-RD	25-6-DU	35-6-DU			15.7				
		Polyurethane**	1300	Roller	836-RD	25-6-PO	35-6-PO			13.3				
		Phenolic	1600	Roller	1736-RD	25-6-MC	35-6-MC			10.4				
8	2-1/2	Semi-Steel	2000	Roller	168-SRD	25-8-IRB	35-8-IRB	10	1-3/4	18.0	25-5			
		Ductile Iron	2500	Roller	DU-168-SRD	25-8-DU	35-8-DU			20.7				
		Rubber/Mold-on**	670	Roller	558-SA	25-8-RT	35-8-RT			18.3				
		Hi-Cap/Mold-On**	1300	Roller	958-SA	25-8-HC	35-8-HC			18.4	27-8			
		Polyurethane**	1500	Roller	858-SA	25-8-PO	35-8-PO			17.2				
		Phenolic	2000	Roller	1758-SA	25-8-MC	35-8-MC			14.0				

For rigid caster weights, deduct 1.3 lbs. on 5" and 6"; 1.0 lb. on 8" ** Semi-steel center



FAIRBANKS® CASTER FACTS - Terms

A) SIZE OF CASTER

Nominal outside diameter of wheel determines the basic size of the caster.

B) OVERALL HEIGHT

Vertical measurement from the top plate mounting surface to the floor.

C) TREAD WIDTH

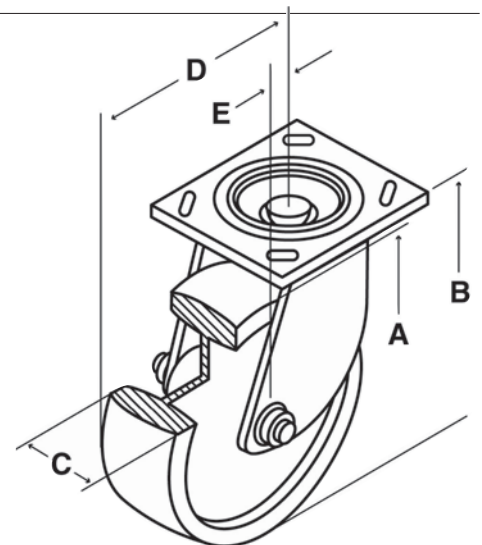
Nominal width of wheel tread.

D) SWIVEL RADIUS

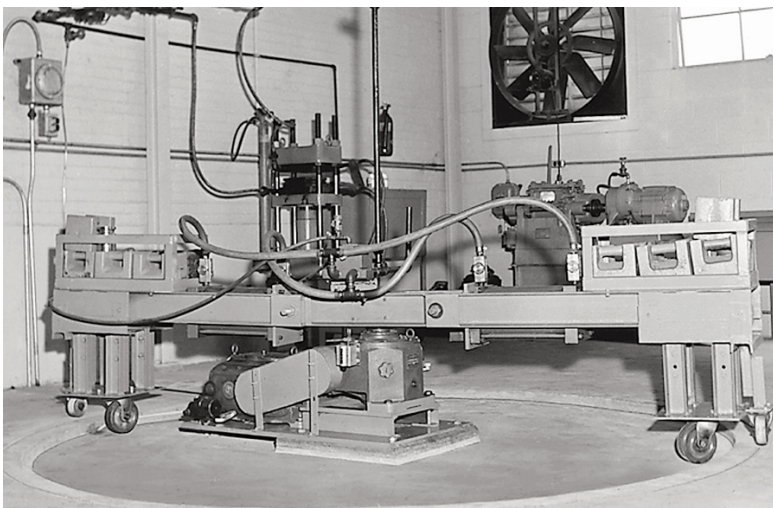
Horizontal measurement from center of the top plate to the trailing edge of the wheel tread. Can also be determined by adding the caster lead (E) + 1/2 of the nominal wheel diameter.

E) CASTER LEAD

Horizontal measurement from center of the top plate to the center of the wheel axle.



FAIRBANKS® CASTER FACTS - Dynamic Load Testing Equipment



One of several specialized laboratory testing machines used to subject abusive dynamic forces on all components of assembled swivel casters while being overloaded and power driven. Track surface can be altered from standing water, to dry grit, to metal shavings and obstacles for impact testing. Pneumatic slides create side loading by changing directional course of caster while overloaded.

The Fairbanks® Company
Since 1830

Copyright© 2007
All rights reserved

TRAILER CASTERS



SERIES 28/38 EXTRA HEAVY-DUTY

Capacity to 3,500 lbs.

APPLICATIONS

- Corrugated steel box trucks
- Heavy production fixtures/jigs
- Machinery dollies
- Portable work benches/storage racks
- Steel trucks
- Gantry cranes
- Aircraft assembly dollies
- Parts bins
- Conveyor systems

FEATURES

- Load ratings up to 3,500 lbs. Withstands severe shock and overloading
- Center-mounted, precision tapered roller bearing assures exact raceway alignment for easier swiveling.
- 6", 8", and 10" V-Groove wheels available with load ratings up to 3,500 lbs.
- 10" Hi-Cap mold-on rubber wheels start easier and move 1,800-lb. loads with less effort
- Easier trailing action with cushioned mold-on rubber and polyurethane wheels offers unhampered swiveling action
- Green epoxy powder coat finish

OPTIONS

- For wheel retainer seal on wheels with roller bearings, add suffix WS.

When applications call for extra heavy-duty, this series meets the requirements. Casters feature load ratings up to 3,500 lbs. per caster with 3" tread width wheels. The casters are built from heavy plate steel with heat-treated ball races, hardened bearings and sealed raceways. Equipped with a hardened 1" king bolt welded to the top plate that will not stretch or break loose. Heavy-duty features include precision tapered roller bearing with seal that keeps dirt and dust out while greasing purges old lube. Wheels are available for all types of floor surfaces and job conditions. A slotted nut is used to adjust the swivel bearings to give you smooth, accurate swiveling.

The rigid units match the swivel casters in height and hole spacing. Extra heavy top plate and structurally formed legs can withstand severe shock and overloading.

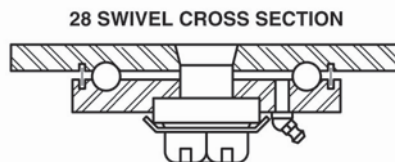
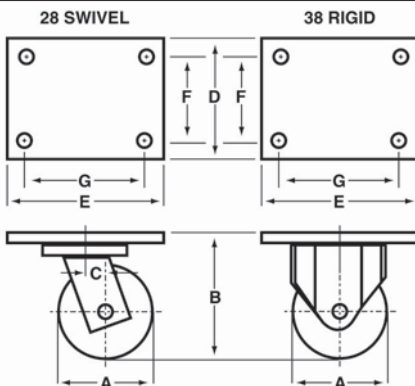


Series 28 Swivel Caster
with polyurethane mold-on/cast iron wheel



Series 38 Rigid Caster
with polyurethane mold-on/cast iron wheel

Swivel Caster Series 28 & Rigid Caster Series 38				
Wheel Diameter "A"	Fork Leg Spacing	Top Plate		
		Size "D" x "E"	Bolt Hole Spacing "F" x "G"	Bolt Size
6	3	6 x 7-1/4	4-1/8 x 6-1/8	1/2
8	3-3/8			
10				
12				



FTM *The*
Fairbanks® Company
Since 1830
Copyright© 2007
All rights reserved

TRAILER CASTERS



SERIES 28/38 EXTRA HEAVY-DUTY TRAILER Capacity to 3,500 lbs.

Wheel Diameter	Tread Width	Wheel Type	Load Capacity	Bearing Type	Wheel Order No.	Swivel Order No.	Rigid Order No.	Overall Height	Swivel Lead	Swivel Weight	Axle No.	Bushing No.
6	2-1/2	Semi-Steel/V-Groove	2500	Roller	246-RD	28-6-VG+	38-6-VG+	8-1/8	2-1/2	25.0	28	T-10
		Ductile Iron/V-Groove	3500	Roller	DU-246-RD	DU-28-6-VG+	DU-38-6-VG			24.9		
		Semi-Steel	1500	Roller	146-RD	28-6-IRB+	38-8-IRB			23.1		
		Ductile Iron	3500	Roller	DU-146-RD	28-6-DU+	38-6-DU			23.4		
		Polyurethane**	1300	Roller	836-RD	28-6-PO+	38-6-PO			21.1		
Phenolic+	1600	Roller	1736-SRE	28-6-MC+	38-6-MC	18.2	SP-T10					
8	3	Semi-Steel	2500	Roller	1308-SRD	28-8-IRB	38-8-IRB	10-1/2	2-1/2	32.8	28	T-10
		Ductile Iron	3500	Roller	DU-1308-SRD	28-8-DU	38-8-DU			33.3		
		Rubber/Mold-On#***	840	Roller	LP-5308-SB	28-8-LP	38-8-LP			27.7		
		Polyurethane**	2500	Roller	868-SB	28-8-PO	38-8-PO			27.6		
		Phenolic	2500	Roller	1768-SB	28-8-MC	38-8-MC			21.2		
10	3	Semi-Steel	2700	Roller	1310-SRD	28-10-IRB	38-10-IRB	12-1/2	2-1/2	38.2	28	T-10
		Ductile Iron	3500	Roller	DU-1310-SRD	28-10-DU	38-10-DU			38.7		
		Polyurethane**	2800	Roller	810-SX	28-10-PO	38-10-PO			34.4		
		Phenolic	2900	Roller	1710-SX	28-10-MC	38-10-MC			24.7		
12	3	Rubber/Mold-On#***	1140	Roller	LP-5312-SA	28-12-LP	38-12-LP	14-1/2	2-1/2	38.5	28	T-10
		Polyurethane**	3000	Roller	812-SX	28-12-PO	38-12-PO			38.7		
		Phenolic	3500	Roller	1712-SX	28-12-MC	38-12-MC			28.9		

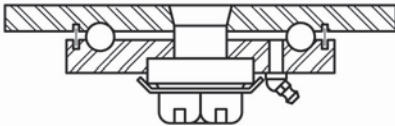
For rigid caster weights, deduct 4.7 lbs. on 8"; 4.6 lbs. on 10"; 4.5 lbs. on 12" # Low profile wheels recommended for towline and warehouse applications

** Semi-Steel center + Spacers needed



FAIRBANKS® CASTER FACTS - Swivel Types

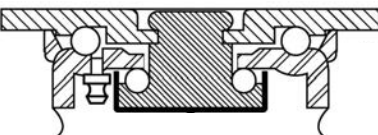
PRECISION TAPERED ROLLER BEARINGS



Extra Heavy-Duty

An upper set of polished steel balls rotate in a hardened machined raceway. Radial thrust is absorbed by a precision tapered roller bearing. A 1" diameter king bolt with castle nut is pinned at the correct torque position when assembled. Series 28 Casters.

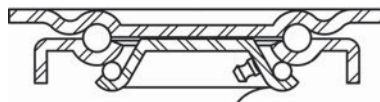
DOUBLE BALL RACE



Medium Heavy-Duty

Two sets of steel balls rotate in die-coined raceways. The upper top plate raceway absorbs direct downward forces and the lower king pin raceway absorbs side forces. The 3/4" diameter king pin is orbitally cold-formed for superior strength. Series N22 & W26 Casters.

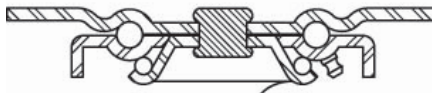
LOCKWELD® DOUBLE BALL RACE CASTER



Medium Duty

An exclusive caster system that replaces the king pin with a projected weld construction. Accomplished by projection welding the lower cup to the top plate. The plate raceway and the lower formed cup raceway use hardened steel balls. Series 23 Casters.

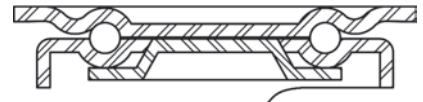
KING PIN DOUBLE BALL RACE



Light Medium & Heavy Duty

King pin or rivet-type casters that will withstand both downward forces and absorbs side thrust. The lower cup raceway is bonded to the upper top plate raceway by either a staked rivet or a formed king pin. Series 03 light medium casters and Series 24 & 25 heavy-duty casters.

LOCKWELD® SINGLE BALL RACE



Regular Duty

Economical, all-purpose regular duty caster with unique Fairbanks caster system that replaces the king pin. Consists of a single upper ball raceway and a lower thrust cup that is projection welded to the top of the plate. Series 21 Casters.



The
Fairbanks® Company
Since 1830

Copyright© 2007
All rights reserved

WHEELS



FAIRBANKS® WHEEL FACTS - Wheel Specifications

Wheel Type	Page No.	Wheel Symbol	Load Range (lbs.)	Wheel Series	Wheel Diameters (inches)	Ease of Rolling*	Durometer	Quiet Operation	Floor Protection	Abrasion Resistance	Water Absorption	Oil / Acid Resistance	Relative Cost	Temp. Range** (Fahrenheit)
Semi-Steel	28 - 29	IW, IRB	300 - 2700	100	2 - 12	HIGH	-	NO	POOR	HIGH	NONE	HIGH	LOW	-30° to 600° ***
Ductile Iron	30	DU	3500 - 4000	DU	5 - 12	HIGH	-	NO	POOR	HIGH	NONE	HIGH	HIGH	-30° to 600° ***
Semi-Steel & Ductile V-Groove	31	VG, DU-VG	800 - 4000	200	4 - 10	HIGH	-	NO	POOR	HIGH	NONE	HIGH	MEDIUM	-30° to 600° ***
Soft Tread Rubber	32	SR, SRR, SRI	100 - 410	300	2 - 6	LOW	SHORE A 65 - 75	YES	GOOD	LOW	LOW	LOW	LOW	-40° to 150°
Hard Tread Rubber	33	HR, HRR, HRI	145 - 650	310	2 - 6	HIGH	SHORE D 65 - 75	NO	FAIR	MEDIUM	LOW	LOW	LOW	-20° to 200°
Rubber / Mold-On Cast Iron	34 - 35	RT	170 - 1500	500	3 - 18	LOW	SHORE A 65 - 75	YES	GOOD	LOW	LOW	LOW	MEDIUM	-40° to 200°
Hi-Cap Rubber / Mold-on Cast Iron	36 - 37	HC	340 - 2500	900	3 - 16	MEDIUM	SHORE A 85 - 95	YES	FAIR	MEDIUM	LOW	LOW	MEDIUM	-20° to 230°
Polyolefin	38	PH, PDI, PDR	150 - 800	600	2 - 8	HIGH	SHORE D 70 - 75	NO	FAIR	MEDIUM	LOW	HIGH	LOW	-20° to 230°
Heavy-Duty Polyolefin	39	HD	675 - 1400	600 HD	5 - 8	HIGH	SHORE D 70 - 75	NO	FAIR	MEDIUM	LOW	HIGH	LOW	-20° to 230°
Polyurethane / Mold-on Cast Iron	40 - 41	PO	800 - 2800	800	3 - 12	MEDIUM	SHORE A 90 - 92	YES	GOOD	HIGH	LOW	HIGH	MEDIUM	-30° to 180°
Polyurethane / Mold-On Aluminum	42	PO-AC	675 - 1260	AC 800	4 - 8	MEDIUM	SHORE A 90 - 92	YES	GOOD	HIGH	LOW	HIGH	MEDIUM	-45° to 180°
Polyurethane / Mold-On Polyethylene	43	PBB, PRB, PRI	225 - 750	1800	3-1/2 - 6	MEDIUM	SHORE A 90 - 92	YES	GOOD	HIGH	LOW	HIGH	MEDIUM	-50° to 180°
Phenolic	44 - 45	MC	250 - 3500	1700	3 - 12	HIGH	SHORE A 90 - 95	NO	FAIR	MEDIUM	HIGH	HIGH	LOW	-50° to 250°
Thermoplastic Rubber	46	TPR	150 - 500	2500	3 - 8	MEDIUM	SHORE A 78 - 82	YES	GOOD	HIGH	LOW	HIGH	MEDIUM	-45° to 180°
Semi-Pneumatic	47	PN	100 - 400	PN	6 - 12	MEDIUM	SHORE A 65 - 75	YES	GOOD	LOW	LOW	LOW	LOW	-20° to 120°
Full-Pneumatic	47	FPN	300 - 700	FPN	8 - 12	LOW	SHORE A 60 - 65	YES	GOOD	MEDIUM	LOW	LOW	LOW	-20° to 120°

Chart gives general comparative data. Unusual conditions necessitate consultation with sales department.

* On smooth floor without obstructions and with rated load capacity

** Standard grease has a temperature range of -30°F to 250°F

*** A 600°F temperature range is obtained with optional steel retaining washers. Confirm with sales department



SERIES 100 SEMI-STEEL Capacity to 2,700 lbs.

Look to Fairbanks for one of the broadest lines of semi-steel wheels in the industry. These wheels are made of cast iron to produce a high-performance, abrasive-resistant, long-wearing wheel. In many cases, these wheels will serve where steel or malleable iron wheels would otherwise be required. 4" wheels and larger are furnished with grease fittings in hub.

The comprehensive tables on this page demonstrate the many options available.



5-MCR
Roller Bearing Wheel



124-A
Plain Bore Wheel

FEATURES

- Cast iron construction ensures a high-performance, abrasive-resistant, long-wearing wheel

Wheel Diameter	Tread Width	Hub Length	Bore or Bearing Size	Load Capacity	Plain		Roller Bearing		Ship Weight
					Order No.	w/ Bushing Order No.*	Order No.	w/ Bushing Order No.*	
2	15/16	1-1/16	1/4	300	2-M				0.4
2-1/2	1	1-5/16	1/4	400	2-1/2-MB				0.5
			1/4	400		2-1/2-MC 2-1/2			0.6
			3/8	400	2-1/2-MC				0.5
			5/16	450			2-1/2-XR-3H		0.9
		1-1/2	3/8	450			2-1/2-XR-X3H		0.9
			1/2	450	2-1/2-M				0.9
			1/2	450			2-1/2-XR		0.9
			15/16	450	2-1/2-XR-LB				0.8
3	1-1/4	1-1/2	5/16	450				3-MCR-3H	1.2
			5/16	450		3-MC-3H			1.1
			3/8	450	3-MB				1.1
			3/8	450		3-MC-X3H			1.1
			3/8	450				3-MCR-X3H	1.2
			1/2	450	3-MC				1.1
			1/2	450			3-MCR		1.2
			15/16	450	3-MCR-LB				1.1
3-1/2	1-1/4	1-1/2	1/2	450	1035-B				1.4
4	1-1/4	1-1/2	5/16	550		104-B-3H			1.6
			3/8	550		104-B-X3H			1.6
			1/2	550	104-B				1.6
	1-1/2	1-11/16	3/8	650	4-M				2.5
			3/8	650			4-MR-4H		2.5
			1/2	650	4-MC				2.5
			1/2	650			4-MR		2.5
			15/16	650	4-MR-LB				2.4
	2	2-3/16	5/8	100		42-MR			3.4
			1/2	100		42-MC-P6HT			3.4
			1/2	100			42-MRC-P6HT		3.4
			3/4	1000	42-MC				3.4
			3/4	1000			42-MRC		3.4
			1-3/16	1000	42-MR-LB				3.1

* Bushing sold separately

WHEELS

Series 100 Semi-Steel Wheels continued - Capacity to 2,700 lbs.

Wheel Diameter	Tread Width	Hub Length	Bore or Bearing Size	Load Capacity	Plain		Roller Bearing		Ship Weight		
					Less Bushing Order No.	w/ Bushing Order No.*	Less Bushing Order No.	w/ Bushing Order No.*			
5	1-1/2	1-11/16	7/8	1000	124-A				3.7		
	1-5/8	1-15/16	1/2	700		5-MC-5H				3.7	
				700				5-MCR-5H		3.3	
			5/8	700	5-MC					3.7	
				700				5-MCR			3.3
			1-3/16	700	5-MCR-LB						3.2
	2	2-3/16	1/2	1000		52-M-S6H				4.9	
				1000				52-MRC-P6HT		4.7	
			3/4	1000	52-M						4.9
				1000			52-MR				4.7
				1000				52-MRC			4.7
			1-3/16	1000	52-MR-LB						4.4
	2-1/2	2-3/4	3/4	1500				145-RD-25-5		7.1	
			1	1500			145-RD			6.9	
			1-9/16	1500	145-RD-LB					6.4	
6	2	2-3/16	1/2	1200		136-B-P6HT				5.4	
				1200				136-RB-P6HT		5.4	
			5/8	1200			136-RA			5.4	
			3/4	1200	136-B						5.3
				1200			136-RB				5.3
	1-3/16	1200	136-RA-LB						5.1		
	2-1/2	2-3/4	3/4	1500				146-RD-25-5		8.7	
			1	1500			146-RD			8.5	
			1-9/16	1500	146-RD-LB					7.7	
8	2	2-3/16	1/2	1400				108-SRB-P6HT		8.2	
			5/8	1400			108-SRA			8.2	
			3/4	1400			108-SRB			8.3	
		2-3/16	1-3/16	1400	108-SRA-LB					7.9	
	2-1/2	2-3/4	5/8	2000				168-SRC-8		9.5	
			3/4	2000				168-SRD-25-5		9.5	
			7/8	2000			168-SRC			9.4	
			1	2000			168-SRD			9.3	
			1-9/16	2000	168-SRC-LB						8.7
	3	3-1/4	3/4	2500				1308-SRD-T-10		17.9	
			1	2500			1308-SRD			17.6	
1-1/4			2500			1308-SRF			17.4		
1-15/16			2500	1308-SRD-LB						16.2	
10	2-1/2	2-3/4	5/8	2200				110-SRC-8		14.4	
			3/4	2200				110-SRC-27-8		14.3	
			7/8	2200			110-SRC			14.2	
			1	2200			110-SRD			14.1	
			1-9/16	2200	110-SRD-LB						13.5
	3	3-1/4	3/4	2700				1310-SRD-T-10		22.9	
			1	2700			1310-SRD			22.6	
			1-1/4	2700			1310-SRF			22.4	
			1-15/16	2700	1310-SRD-LB						21.2

* Bushing sold separately



SERIES DU DUCTILE IRON

Capacity to 4,000 lbs.



DU-168-SRD

Roller Bearing Wheel (machined tread)

Considered one of the most rugged wheels in the industry, these superior service wheels will withstand the most severe treatment anywhere. Ductile iron material has a tensile strength of 40,000 psi. They'll handle loads up to 4000 lbs. Available with hardened alloy steel roller bearings or precision tapered bearings.

Treads are fully machined, so that they will distribute loads over the entire surface. Protects floors while providing a smooth ride. Ductile iron has an extremely high resistance to breakage, chipping or cracking, even under the heaviest impact loads.

FEATURES

- ☑ Ductile iron material has a tensile strength of 40,000 psi, making this wheel one of the most rugged in the industry
- ☑ Can handle loads up to 4000 lbs.-resists breakage, chipping and cracking

Wheel Diameter	Tread Width	Hub Length	Bore or Bearing Size	Load Capacity	Less bearing	Roller Bearing		Ship Weight
					Order No.	Less Bushing Order No.	w/ Bushing Order No.*	
5	2-1/2	2-3/4	3/4	3500			DU-145-RD-25-5	7.1
			1	3500		DU-145-RD	6.9	
			1-9/16	3500	DU-145-RD-LB		6.1	
6	2-1/2	2-3/4	3/4	3500			DU-146-RD-25-5	9.0
			1	3500		DU-146-RD	8.8	
			1-9/16	3500	DU-146-RD-LB		8.1	
8	2-1/2	2-3/4	5/8	3500			DU-168-SRD-8DU	12.3
			3/4	3500			DU-168-SRD-25-5	12.3
			7/8	3500		DU-168-SRD	12.1	
				3500		DU-168-SRD-8	12.2	
			1	3500		DU-168-SRD	12.0	
			1-9/16	3500	DU-168-SRD-LB		11.2	
	3	3-1/4	3/4	4000			DU-1308-SRD-T-10	18.4
			1	4000		DU-1308-SRD	18.1	
1-15/16			4000	DU-1308-SRD-LB		16.7		
10	2-1/2	2-3/4	1	3500		DU-110-SRD	15.2	
			1-9/16	3500	DU-110-SRD-LB		14.4	
	3	3-1/4	1	4000		DU-1310-SRD	23.1	
			1-15/16	4000	DU-1310-SRD-LB		21.5	

* Bushing sold separately

Not finding what you're looking for?

Feel free to contact us — We'll be happy to help.

Call toll free at 800-441-9955



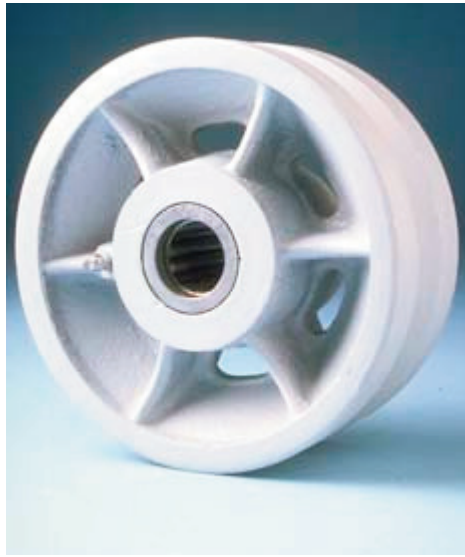
WHEELS



SERIES 200 V-GROOVE

Capacity to 4,000 lbs.

V-Groove wheels are designed to move heavy loads on inverted angle iron tracks without destroying floor surfaces. These same wheels can also be used to roll on regular floors. When operated on tracks, they offer a most effective low-cost method of taking loads off the plant floor and establishing production line flow. Look to this type of wheel where you encounter acute impact, or where temperatures can crystallize other kinds of wheels. V-Groove wheels, in either semi-steel or ductile iron, come with standard hardened alloy steel roller bearings. Grease fittings for lubrication are provided in all wheel hubs. Ductile iron V-Groove wheels have machined groove and tread.



246-RD

Roller Bearing Wheel (machined tread)

FEATURES

- ☑ Designed to move very heavy loads on inverted angle iron track or regular floors
- ☑ Best choice for situations where acute impact occurs or temperatures can crystallize other kinds of wheels
- ☑ Available in semi-steel or ductile iron



The
Fairbanks® Company
Since 1830

Copyright© 2007
All rights reserved

Wheel Diameter	Tread Width	Hub Length	Width of Groove	Depth of Groove	Bore or Bearing Size	Load Capacity	Less bearing		Roller Bearing		Ship Weight
							Order No.	Less Bushing Order No.	w/ Bushing Order No.*		
4	1-1/2	1-11/16	7/8	7/16	3/8	800			244-RA-4H	3.5	
					1/2	800		244-RA	3.5		
					15/16	800	244-RA-LB		3.4		
					1/2	1200		DU-244-RC-P6HT+	4.6		
	2	2-3/16			5/8	1200		DU-224-RB+	4.6		
					3/4	1200		DU-224-RC+	4.6		
					3/4	1200		234-RB	4.6		
					1-3/16	1200	DU-224-RB-LB+		4.4		
5	2	2-3/16	7/8	7/16	3/4	1200		235-RB	5.2		
					1-3/16	1200	235-RB-LB		5.0		
6	2	2-3/16	7/8	7/16	1/2	1200			236-RB-P6HT	5.7	
					5/8	1200		236-RA	5.7		
					3/4	1200		236-RB	5.7		
					1-3/16	1200	236-RA-LB		5.4		
	2-1/2	2-3/4			3/4	2500			246-RD-25-5	10.6	
					3/4	3500			DU-246-RD-25-5+	10.5	
					1	2500		246-RD	10.4		
					1	3500		DU-246-RD+	10.3		
					1-9/16	2500	246-RD-LB		9.6		
					1-9/16	3500	DU-246-RD-LB+		9.5		
8	2-1/2	2-3/4	7/8	7/16	5/8	2500			268-SRD-8DU	16.3	
					5/8	3500			DU-268-SRD-8DU+	16.2	
					3/4	2500			268-SRD-25-5	16.2	
					3/4	3500			DU-268-SRD-25-5+	16.1	
					1	2500		268-SRD	16.0		
					1	3500		DU-268-SRD	15.9		
					1-9/16	2500	268-SRD-LB		15.2		
					1-9/16	3500	DU-268-SRD-LB+		15.1		
	3	3-1/4			1-15/16	4000	DU-2308-SRD-LB+		17.0		

* Bushing sold separately + Ductile Iron



SERIES 300 SOFT RUBBER TREAD

Capacity to 410 lbs.

FEATURES

- ☑ Best suited for light loads, noise reduction or rough flooring
- ☑ Maintenance-free and easy-rolling with press-in, oil impregnated bearing sleeves
- ☑ Resistant to water, oil and most chemicals



These wheels feature a soft rubber tread, molded around a hard rubber composition hub. These wheels are best suited for light loads, noise reduction and rough flooring. Easy rolling with press-in, oil-impregnated bearing sleeves that require no maintenance. These wheels are resistant to water, oil and most chemicals.



Copyright© 2007
All rights reserved

304-RA

Roller Bearing Wheel

Wheel Diameter	Tread Width	Hub Length	Bore or Bearing Size	Load Capacity	Plain		Roller Bearing		Plain Self-Lube Bearing		Ship Weight	
					Order No.	Less Bushing Order No.	w/ Bushing Order No.*	Less Bushing Order No.	w/ Bushing Order No.*			
2	7/8	1-1/16	1/4	100					301-OA		0.1	
2-1/2	1	1-5/16	1/4	110						302-XB-2-1/2	0.2	
			3/8	110					302-XB		0.2	
			5/16	170				303-RB-3H			0.5	
3	1-1/4	1-1/2	5/16	170						303-OB-3H	0.4	
			3/8	170				303-RB-X3H			0.5	
			3/8	170						303-OB-X3H	0.4	
			1/2	170			303-RB				0.5	
			1/2	170						303-OB	0.4	
			15/16	170	303-RB-LB						0.4	
			5/16	150					1-304-RX-3H			0.9
4	1-1/4	1-1/2	5/16	150						1-304-OA-3H	0.8	
			3/8	150				1-304-RX-X3H			0.9	
			3/8	150						1-304-OA-X3H	0.8	
			1/2	150			1-304-RX				0.9	
			1/2	150						1-304-OA	0.8	
			15/16	150	1-304-RX-LB						0.8	
	1-1/2	1-11/16	3/8	225						304-RA-4H	0.9	
			3/8	225						304-OA-4H	0.8	
			1/2	225			304-RA				0.9	
			1/2	225						304-OA	0.8	
15/16			225	304-RA-LB						0.8		
2	2-1/4	1/2	300						2-304-OB-6H	1.3		
		5/8	300						2-304-OB	1.3		
5	1-1/4	1-1/2	5/16	200						1-305-OA-3H	1.2	
			3/8	200						1-305-OA-X3H	1.2	
			1/2	200						1-305-OA	1.2	
	1-1/2	1-15/16	1/2	280						305-RB-5H	1.6	
			1/2	280						305-OB-5H	1.6	
			5/8	280			305-RB				1.6	
			5/8	280						305-OB	1.6	
1-3/16	280	305-RB-LB						1.3				
6	2	2-1/4	1/2	410						306-RB-P6H	2.9	
			1/2	410							306-OA-6H	2.8
			5/8	410			306-RA				2.9	
			5/8	410						306-OA	2.8	
			3/4	410				306-RB			2.9	
			1-3/16	410	306-RA-LB						2.5	

Manufacturer's Note: Add prefix WS when grease seals are required. Not available on 1/2" size * Bushing sold separately

WHEELS



SERIES 310 HARD RUBBER TREAD

Capacity to 650 lbs.

These solid, hard rubber wheels offer excellent floor protection. They have a high resistance to chemicals, grease and oils. They offer a higher load rating than soft rubber wheels and are easy to roll with press-in, oil-impregnated bearing sleeves.



314-OA

Plain, Self-Lube Bearing Wheel

FEATURES

- Excellent floor protection
- High resistance to chemicals, grease and oil
- Swivels easily
- Rolls easily with press-in, oil-impregnated bearing sleeves



The Fairbanks Company
Since 1830

Copyright© 2007
All rights reserved

Wheel Diameter	Tread Width	Hub Length	Bore or Bearing Size	Load Capacity	Plain	Roller Bearing		Plain Self-Lube Bearing		Ship Weight	
					Order No.	Less Bushing Order No.	w/ Bushing Order No.*	Less Bushing Order No.	w/ Bushing Order No.*		
2	7/8	1-1/16	1/4	145				311-OA		0.1	
2-1/2	1	1-5/16	1/4	150					312-XB	312-XB-2-1/2	0.2
			3/8	150							
3	1-1/4	1-1/2	5/16	250			313-RB-3H				0.5
			5/16	250					313-OB-3H		0.5
			3/8	250			313-X3H				0.5
			3/8	250					313-OB-X3H		0.5
			1/2	250		313-RB					0.5
			1/2	250					313-OB		0.5
			15/16	250	313-RB-LB						0.4
			5/16	300						1-314-OA-3H	
4	1-1/4	1-1/2	3/8	300					1-314-OA-X3H		0.9
			1/2	300				1-314-OA			0.9
			3/8	450			314-RA-4H				1.0
	1-1/2	1-11/16	3/8	450					314-OA-4H		1.0
			1/2	450		314-RA					1.0
			1/2	450				314-OA			1.0
			15/16	450	314-RA-LB						0.9
			1/2	500			2-314-RC-P6H				1.6
			1/2	500					2-314-OB-6H		1.4
			5/8	500			2-314-RB				1.6
2	2-1/4	5/8	500					2-314-OB		1.4	
		3/4	500		2-314-RC					1.5	
		1-3/16	500	2-314-RB-LB						1.3	
5	1-1/4	1-1/2	5/16	350			1-315-RA-3H			1.5	
			3/8	350			1-315-RA-X3H			1.5	
			1/2	350		1-315-RA				1.5	
			15/16	350	1-315-RA-LB					1.4	
	1-1/2	1-15/16	1/2	500			315-RB-5H			1.9	
			1/2	500				315-OB-5H		1.9	
			5/8	500		315-RB				1.9	
			5/8	500				315-OB		1.7	
			1-3/16	500	315-RB-LB					1.6	
			3/4	500				2-315-CC+		2.3	
			3/4	500		2-315-RC				2.4	
			1-3/16	500	2-315-RB-LB					2.2	
6	2	2-1/4	1/2	650					316-OA-6H	3.1	
			5/8	650		316-RA				3.4	
			5/8	650				316-OA		3.1	
			3/4	650		316-RB				3.3	
			1-3/16	650	316-RA-LB					3.1	

+ w/ Delrin bearing * Bushing sold separately Manufacturer's Note: Shade or color of wheel may vary. Please verify when placing order.

Manufacturer's Note: Add prefix WS when grease seals are required. Not available on 1/2" size

WHEELS

Series 500 Rubber Mold-On Wheels continued - Capacity to 1,400 lbs.

Wheel Diameter	Tread Width	Hub Length	Bore or Bearing Size	Load Capacity	Less Bearing	Roller Bearing		Delrin Bearing	Ship Weight		
					Order No.	Less Bushing Order No.	w/ Bushing Order No.*	Less Bushing Order No.			
8	1-5/8	2	5/8	350		AC-508-BX [^]			3.6		
	2	2-3/16	1/2	500			508-SA-P6HT			5.5	
			5/8	500		508-SX				5.5	
			3/4	500		508-SA				5.4	
			3/4	500				508-CC		5.2	
			1-3/16	500	508-SA-LB					5.2	
	2-1/4	2-1/4	7/8	500		508-SB				7.1	
			1	500		508-SC				7.0	
			1-7/16	500	508-SB-LB					6.7	
	2-1/2	2-3/4	5/8	670			558-SA-8			9.9	
			3/4	670			558-SA-27-8			9.8	
			7/8	670		558-SA				9.7	
			1	670		558-SB				9.6	
			1-9/16	670	558-SA-LB					9.0	
	10	2-1/2	2-3/4	5/8	790			510-SA-8			15.0
				3/4	790		510-RM				14.5
3/4				790			510-SA-27-8			14.9	
7/8				790		510-SA				14.8	
1				790		510-SB				14.7	
1-1/8				790		510-SC				14.3	
1-9/16				790	510-SA-LB					14.1	
3		3-1/4	3/4	1000			510-SX-T10			16.7	
			1	1000		510-SX				16.4	
			1-1/4	1000		510-SW				16.2	
			1-15/16	1000	510-SX-LB					15.0	
12	2-1/2	2-3/4	7/8	900		512-SF				17.6	
			1	900		512-SA				17.5	
			1-1/8	900		512-SB				16.4	
			1-1/4	900		512-SC				17.4	
			1-9/16	900	512-SA-LB					16.9	
			1-15/16	900	512-SB-LB					16.4	
	3	3-1/4	3/4	1140			LP-5312-SA-T10+			22.6	
			1	1140		LP-5312-SA+				22.3	
			1-1/4	1140		LP-5312-SW+				22.1	
			1-15/16	1140	LP-5312-SA-LB+					20.9	
			1-1/4	1370		512-SRX				25.4	
3-1/2	4-1/4	1-15/16	1370	512-SRX-LB					23.2		
		1	1400		5316-RA**				35.8		
16	3	3	1-1/8	1400		5316-RB**				35.7	
			1-1/4	1400		5316-RC**				35.7	
			1-15/16	1400	5316-RA-LB					34.1	

Manufacturer's Note: Add prefix WS when grease seals are required. Not available in 1/2" or 7/8" bore/bearings sizes.

Manufacturer's Note: 5" through 16" wheels have zirk fittings in wheel hub. * Bushing sold separately

[^] Ball bearing with aluminum center + Indicates low profile ** Check bearing outside diameter before ordering replacements

WHEELS

Series 900 Hi-Cap Rubber Mold-on continued - Capacity to 2,500 lbs.

Wheel Diameter	Tread Width	Hub Length	Bore or Bearing Size	Load Capacity	Less Bearing	Roller Bearing		Delrin Bearing	Ship Weight		
					Order No.	Less Bushing Order No.	w/ Bushing Order No.*	Less Bushing Order No.			
8	2	2-3/16	1/2	1000			908-SA-P6HT		5.5		
			5/8	1000		908-SX			5.5		
			3/4	1000		908-SA			5.4		
			3/4	675				908-CC	5.1		
		1-3/16	1000	908-SA-LB				5.2			
		2-1/4	7/8	1000		908-SB			7.1		
			1	1000		908-SC			7.0		
			1-7/16	1000	908-SB-LB				6.7		
	2-1/2		2-3/4	5/8	1300			958-SA-8		9.9	
		3/4		1300			958-SA-27-8		9.8		
		7/8		1300		958-SA			9.7		
		1		1300		958-SB			9.6		
		1-9/16	1300	958-SA-LB				9.0			
		10	2-1/2	2-3/4	5/8	1500			910-SA-8		15.0
					3/4	1500			910-SA-27-8		14.9
					7/8	1500		910-SA			14.8
1	1500					910-SB			14.7		
1-1/8	1500				910-SC			14.3			
1-9/16	1500			910-SA-LB				14.2			
3	3-1/4		3/4	1800			910-SX-T10		16.7		
			1	1800		910-SX			16.4		
12	2-1/2	2-3/4	1-15/16	1800	910-SX-LB				15.0		
			7/8	1700		912-SF			17.7		
			1	1700		912-SA			17.6		
			1-1/4	1700		912-SC			17.4		
			1-9/16	1700	912-SA-LB				17.0		
			1-15/16	1700	912-SB-LB				16.4		
16	3	3	1	2500		9316-RA**			35.8		
			1-1/8	2500		9316-RB**			35.7		
			1-1/4	2500		9316-RC**			35.7		
			1-15/16	2500	9316-RA-LB				34.1		

Manufacturer's Note: Add prefix WS when grease seals are required. Not available in 1/2", 7/8" or 1-1/8" bore sizes or wheels larger than 12".

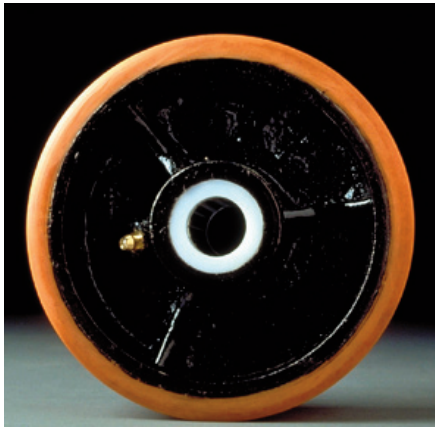
Manufacturer's Note: 5" through 16" wheels have zirk fittings in wheel hub. * Bushing sold separately

** Check bearing outside diameter before ordering replacements



SERIES 800 POLYURETHANE/MOLD-ON CAST IRON

Capacity to 3,000 lbs.



826-RB
Roller Bearing Wheel

FEATURES

- ☑ Not affected by oils, greases and most industrial solvents
- ☑ Non-marking and non-staining
- ☑ Resistant to impact, shock and abrasion
- ☑ Outwears rubber four to ten times with twice the load capacity and floor-protecting qualities of rubber

These wheels are excellent for heavy loads. Truly versatile, they can be used on virtually any floor surface. Application temperatures range from -30°F to 180°F. The wheels are not affected by oils or greases and most industrial solvents. Constructed of polyurethane 90 Durometer (± 5 Shore A). Their non-marking, non-staining qualities are combined with their resistance to impact, shock and abrasion. Outwears rubber four to ten times with twice the load capacity. Polyurethane also deadens sound with the floor-protecting qualities of rubber.

Designed and built with quality and performance in mind, these wheels are tougher and more cost efficient. Resists scuffing and chipping out. They retain their new look, start easily, run quietly and roll effortlessly.

Wheel Diameter	Tread Width	Hub Length	Bore or Bearing Size	Load Capacity	Plain	Roller Bearing		Ship Weight
					Less Bearing Order No.	Less Bushing Order No.	w/ Bushing Order No.*	
3	1-1/4	1-1/2	5/16	290			803-RB-3H	1.2
			3/8	290			803-RB-X3H	1.2
			1/2	290		803-RB		1.2
			15/16	290	803-RB-LB			1.1
3-1/2	1-1/4	1-1/2	5/16	320			1-8035-RX-3H	1.3
			3/8	320			1-8035-RX-X3H	1.3
			1/2	320		1-8035-RX		1.3
			15/16	320	1-8035-RX-LB			1.2
4	1-1/4	1-1/2	5/16	350			1-804-RX-3H	1.5
			3/8	350			1-804-RX-X3H	1.5
			1/2	350		1-804-RX		1.5
			15/16	350	1-804-RX-LB			1.4
	1-1/2	1-11/16	3/8	675			804-RA-4H	1.9
			1/2	675		804-RA		1.9
			15/16	675	804-RA-LB			1.8
	2	2-3/16	1/2	900			824-RC-P6HT	2.8
			5/8	900		824-RB		2.8
			3/4	900		824-RC		2.7
5	1-1/2	1-5/16	1-3/16	900	824-RB-LB			2.5
			1/2	750			805-RB-5H	2.7
			5/8	750		805-RB		2.7
			3/4	750		805-RC		2.6
	2	2-3/16	1-3/16	750	805-RB-LB			2.4
			1/2	1000			825-RC-P6HT	3.4
			5/8	1000		825-RB		3.4
			3/4	1000		825-RC		3.3
			1-3/16	1000	825-RB-LB			3.1
			1/2	1100			826-RC-P6HT	4.9
6	2	2-3/16	5/8	1100		826-RB		4.7
			3/4	1100		826-RC		4.6
			1-3/16	1100	826-RB-LB			4.4
			3/4	1300			836-RD-27-8	6.9
	2-1/2	2-3/4	7/8	1300		836-RD		6.8
			1-7/16	1300	836-RD-LB			6.3

Manufacturer's Note: Add prefix WS when grease seals are required. Not available in 1/2", 7/8" or 1-1/8" bore/bearings sizes.

Manufacturer's Note: 4" through 12" wheels have grease fittings in wheel hub, except for 1-804 and 804 wheels.

* Bushing sold separately

WHEELS

Series 800 Polyurethane Mold-on continued - Capacity to 3,000 lbs.

Wheel Diameter	Tread Width	Hub Length	Bore or Bearing Size	Load Capacity	Plain	Roller Bearing		Ship Weight	
					Less Bearing Order No.	Less Bushing Order No.	w/ Bushing Order No.*		
8	2	2-3/16	1/2	1260			808-SA-P6HT	7.7	
			5/8	1260		808-SX		7.6	
			3/4	1260		808-SA		7.5	
		1-3/16	1260	808-SX-LB			6.8		
		7/8	1260		808-SB		7.4		
		1	1260		808-SC		7.5		
	2-1/2	2-3/4	1-7/16	1260	808-SB-LB			7.0	
			5/8	1575			858-SA-8	11.8	
			3/4	1575		858-SM		11.3	
			3/4	1575			858-SA-27-8	11.7	
			7/8	1575		858-SA		11.2	
			1	1575		858-SB		11.1	
			1-1/8	1575		858-SC		11.0	
		3	3-1/4	1-9/16	1575	858-SA-LB			10.0
				3/4	2500			868-SB-T10	15.9
				1	2500		868-SB		15.5
				1-1/8	2500		868-SY		15.4
				1-1/4	2500		868-SW		15.2
				1-15/16	2500	868-SB-LB			14.0
				3/4	2800			810-SX-T10	23.9
10	3	3-1/4	1	2800		810-SX		23.7	
			1-1/4	2800		810-SW		24.0	
			1-15/16	2800	810-SX-LB			21.5	
			3/4	3000			812-SX-T10	25.9	
12	3	3-1/4	1	3000		812-SX		25.0	
			1-1/4	3000		812-SW		25.6	
			1-15/16	3000	812-SX-LB			23.5	

Manufacturer's Note: Add prefix WS when grease seals are required. Not available in 1/2", 7/8" or 1-1/8" bore/bearings sizes.

Manufacturer's Note: 4" through 12" wheels have grease fittings in wheel hub, except for 1-804 and 804 wheels.

* Bushing sold separately



FAIRBANKS® WHEEL BEARINGS FACTS

Bearing Types

Precision Tapered Roller Bearings

Ideal for heavy duty and towline caster applications because their precision tapered raceway will handle any combination of downward and side forces. Used in the assembly of Fairbanks' 28 Series swivel casters, as well as in many wheels. Two bearings are installed per wheel, one in each side of the hub consisting of a cup (hardened and ground outer raceway) and cone (roller assembly). Tapered bearings extend overall hub length of the wheel itself by approximately 1/8".



Straight Roller Bearings



Most popular anti-friction bearing for industrial equipment. Consists of an inner, cage-type roller assembly and an outer-sleeved race that is separate. Fairbanks uses hardened and ground steel roller bearings for maximum loads and life.

No-Oil Sleeve Bearings

A bushing of sintered iron or oil-impregnated metal is press-fit into the wheel bore. Practical for light loads or where re-lubrication is a problem. (A light application of lubricant improves ability to roll and extends bearing life.)



Ball Bearings

The standard flanged ball bearings offered are the ungrounded, radial type. Intended for light- to medium-duty service. Very popular with steel hand truck wheels.

Plain Bore

The term applies to running machine-bored wheels directly on an axle with the absence of any bearing. Suitable for light or seldom moved loads, where ease of starting and rolling is not important or where price is a factor. Fairbanks machines "plain bore" wheels 1/64" oversize for good running fit. Closer tolerance machining available at extra cost.

WHEELS

Series 1700 Phenolic Wheels continued - Capacity to 3,500 lbs.

Wheel Diameter	Tread Width	Hub Length	Bore or Bearing Size	Load Capacity	Plain	Roller Bearing		Delrin Bearing		Ship Weight
					Less Bearing Order No.	Less Bushing Order No.	w/ Bushing Order No.	Less Bushing Order No.	w/ Bushing Order No.	
6	2	2-3/16	1/2	1200	1726-H					1.8
			1/2	1200			1726-RC-P6HT			2.4
			5/8	1200		1726-RB				2.4
			3/4	1200		1726-RC				2.3
	2-1/2	2-3/4	1-3/16	1200	1726-RB-LB					2.1
			3/4	1600			1736-RD-27-8			3.7
			7/8	1600		1736-RD				3.6
		1-7/16	1600	1736-RD-LB					3.2	
8	2	2-3/16	1/2	1400			1708-SA-P6HT			3.8
			1/2	675				1708-CC-P6HT		3.7
			5/8	1400		1708-SX				3.8
			5/8	1400			1708-SB-8			4.0
			3/4	1400		1708-SA				3.7
			3/4	675				1708-CC		3.6
			7/8	1400		1708-SB				3.8
			1	1400		1708-SC				3.7
	2-1/2	2-3/4	1-3/16	1400	1708-SA-LB					3.5
			5/8	2000			1758-SA-8			5.6
			3/4	2000			1758-SA-27-8			5.5
			7/8	2000		1758-SA				5.4
			1	2000		1758-SB				5.4
			1-7/16	2000	1758-SA-LB					5.0
	3	3-1/4	3/4	2500			1768-SB-T10			7.3
			1	2500		1768-SB				7.0
			1-15/16	2500	1768-SB-LB					6.6
10	2-1/2	2-3/4	5/8	2500			1710-SA-8			7.2
			3/4	2500			1710-SA-27-8			7.1
			3/4	2500		1710-SM				7.1
			7/8	2500		1710-SA				7.0
			1	2500		1710-SB				7.0
	3	3-1/4	1-9/16	2500	1710-SA-LB					6.7
			3/4	2900			1710-SX-T10			9.4
			1	2900		1710-SX				8.9
			1-1/4	2900		1710-SW				9.1
		1-15/16	2900	1710-SX-LB				8.5		
12	3	3-1/4	3/4	3500			1712-SX-T10			13.0
			1	3500		1712-SX				12.7
			1-1/4	3500		1712-SW				12.5
			1-15/16	3500	1712-SX-LB					12.1

Manufacturer's Note: Add prefix WS when grease seals are required. Not available in 1/2", 7/8" or 1-1/8" bore/bearings sizes.

Manufacturer's Note: 8" x 2-1/2" through 12" x 3" wheels have zirk fittings in wheel hub. * Bushing sold separately

Not finding what you're looking for?

Feel free to contact us — We'll be happy to help.

Call toll free at 800-441-9955



WHEELS



SEMI- & FULL-PNEUMATIC RUBBER

Capacity to 400 lbs.



Solid, cushioned rubber compound tire mounted on steel, aluminum or plastic center. A very popular handtruck wheel that is shock absorbing, puncture proof and requires no air pressure.

FEATURES

- Shock absorbing and puncture proof

Semi-Pneumatic / Series SP

Wheel Diameter	Tread Width	Hub Length	Bore or Bearing Size	Load Capacity	Ship Weight	Wheel Type	Wheel Order No.
8	2-1/2	2-1/4 Offset	5/8	300	3.4	Plastic*	SP-8-5-A
	1-1/2	1-3/8 Offset	1/2	250	3.0	Steel	SP-8-SC
10	2-3/4	2-1/8 Offset	5/8	400	7.6	Plastic*	SP-10-2-A

* Polypropylene hub

Full-pneumatic tires with separate inflatable inner tube are mounted on steel, two-piece bolted wheel centers. These wheels are similar to the automotive type in that they require air inflation and provide excellent shock-absorption when handling delicate or fragile items. Easy rolling with ball bearings and quiet operating, even on rough flooring.

FEATURES

- Separate, inflatable inner tube provides excellent shock absorption
- Quiet, easy operation, even on rough flooring



Full-Pneumatic / Series FPN

Wheel Diameter	Tread Width	Hub Length	Bore or Bearing Size	Load Capacity	Ship Weight	Bearing Type	Wheel Order No.	Ply
8	2-1/2	4 Centered*	5/8	300	4.7	Ball	FPN-8-CW*	4
10	3-1/2	2-1/8 Offset		300	4.9		FPN-10-6	
		4 Centered*		350	7.2		FPN-10-CW*	
12	3-1/2	4 Centered*		450	8.9		FPN-12-CW*	

* Caster wheel only with centered hub for P22/P32 Series casters



PUNCTURE PROOF

Capacity to 400 lbs.



The Fairbanks puncture-proof tire is completely maintenance free. The tire also has excellent traction in all types of wet floor conditions. The tire is mounted on a welded steel rim with a 2-1/2" offset hub. Ideal for mounting on handtrucks with a 5/8" axle.

Puncture Proof / Series FF

Wheel Diameter	Tread Width	Hub Length	Bore or Bearing Size	Load Capacity	Ship Weight	Bearing Type	Wheel Order No.	Ply
10	3-1/2	2-1/2 Offset	5/8	400	6.1	Ball	E-FF-10	4

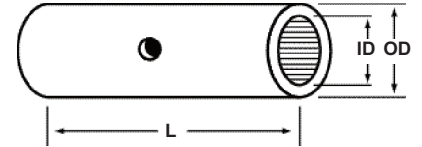
COMPONENTS & PARTS



SPANNER BUSHINGS

Outside Diameter	Inside Diameter	Length	Maximum Hub Length	Bushing Type	Bushing Order No.	Ship Weight	
3/8	1/4	1-3/8	1-5/16	Plain	2-1/2-BU	.05	
		1-7/16	1-3/8	Plain	L-2-1/2-BU	.05	
	5/16	1-9/16	1-1/2	Plain	S-3-3/8-BU	.02	
1/2	5/16	1-5/16	1-1/4	Oiler	SP-3-H-BU	.05	
		1-9/16	1-1/2	Oiler	3-H-BU	.05	
		1-7/16	1-3/8	Oiler	SX-3-H-BU	.05	
	3/8	1-9/16	1-1/2	Oiler	X-3-H-BU	.05	
		1-11/16	1-5/8	Oiler	MC-4-H-BU	.05	
		1-3/8	-	Oiler	FB-X-3-H-BU	.05	
		1-3/4	1-11/16	Oiler	4-H-BU	.05	
5/8	1/2	2	1-15/16	Oiler	5-H-BU	.05	
		2-5/16	2-1/4	Oiler	6-H-BU	.05	
		2-3/32	2-1/4*	Oiler	FB-P-6-H-BU	.10	
3/4	1/2	1-7/8	1-3/4	Oiler	SP-5-H-BU	.10	
		2	1-15/16	Oiler	P-5-H-BU	.10	
		2-1/4	2-13/16	Oiler	P-6-H-T-BU	.10	
		2-5/16	2-1/4	Oiler	P-6-H-BU	.10	
		2-5/16	2-1/4	Nylon	NP-6-H-BU	.10	
		2-7/16	2-3/8	Oiler	LP-6-H-BU	.10	
	5/8	2-13/16	2-3/4	Plain	8-DU-TR-BU	.10	
7/8	5/8	2-13/16	2-3/4	Plain	8-BU	.20	
		3/4	2-13/16	2-3/4	Plain	27-8-BU	.10
			3-11/32	3-1/4	Plain	SP-T-10	.10
1	3/4	2-13/16	2-3/4	Plain	25-5-BU	.20	
		3-11/32	3-1/4	Plain	T-10-BU	.30	
	7/8	2-13/16	2-3/4	Plain	27-10-BU	.20	

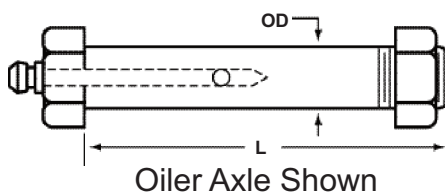
SP-3-H-BU used for FB-21-3, FB-23-3; L-23-4-BU used with 1700 Series wheels
 * For FB-N22-4, 5, 6, 8 and FB-N32-4, 5, 6, 8



FTM *The Fairbanks Company*
 Since 1830
 Copyright © 2007
 All rights reserved



AXLES



Outside Diameter	Length	Type	Ship Weight	Kit Order No.
1/4	1-1/2	Plain	.05	2-KIT
	1-3/4	Plain	.06	2-1/2-KIT
5/16	2-1/4	Plain	.07	3-AXL-KIT
		Oiler	.07	3-H-AXL-KIT
3/8	2-1/4	Plain	.08	03-AXL-KIT
		Oiler	.08	X-3H-AXL-KIT
	2-1/2	Plain	.09	4-AXL-KIT
		Oiler	.09	4-H-AXL-KIT
1/2	2-7/8	Oiler	.10	5-H-AXL-KIT
	3	Plain	.10	5-AXL-KIT
		Plain	.11	22-AXL-KIT
	3-1/4	Oiler	.11	22-6-H-AXL-KIT
5/8	3-3/4	Plain	.18	8-AXL-KIT
3/4	4	Plain	.20	25-5-AXL-KIT
	5	Plain	.23	28-AXL-KIT

* Axles include nut and lockwasher where applicable

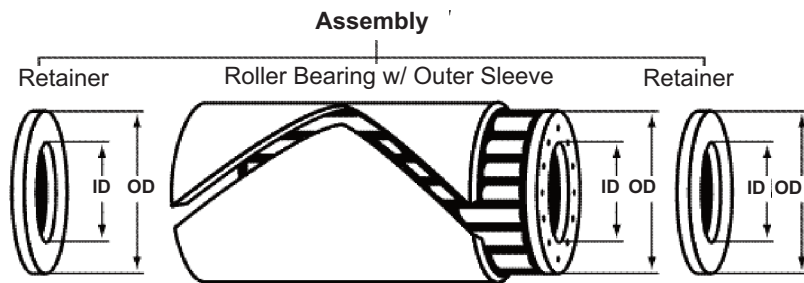
COMPONENTS & PARTS



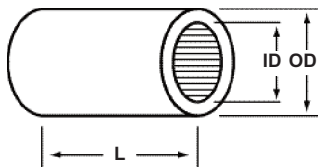
ROLLER BEARINGS, RETAINER & SEAL WASHERS

Inside Diameter	Outside Diameter	Roller Bearing w/ Sleeve			Bearing Retainer Washer (2 required)			Wheel Seal Retainer Washers (2 required)			
		Length	Wheel Hub Length	Part No.	Inside x Outside x Thickness	Part No.	Type	Inside x Outside x Thickness	Part No.		
1/2	15/16	1	1-3/8	HP-93116	15/16 x 9/16 x 3/16	1009089	Nylon				
		1-1/8	1-1/2	HP-93118	15/16 x 9/16 x 3/16	1009089	Nylon				
		1-1/4	1-11/16	HP-93120	15/16 x 9/16 x 3/16	1009089	Nylon				
5/8	1-3/16	1-1/4	1-5/8	HP-94220	1-3/16 x 11/16 x 7/32	1009074	Nylon				
		1-3/4	1-15/16	HP-94224	1-3/16 x 11/16 x 7/32	1009074	Nylon				
		1-3/4	2-1/4	HP-94228	1-3/16 x 11/16 x 7/32	1009074	Nylon				
		2	2-3/16	HP-94232	1-3/16 x 11/16 x 7/32	1009074	Nylon				
3/4	1-3/16	1-1/4	1-5/8	HP-93320	1-3/16 x 13/16 x 7/32	1009076	Nylon			1 3/16x13/16x.075(2)	12-19
		1-1/2	1-15/16	HP-93324	1-3/16 x 13/16 x 7/32	1009076	Nylon				
		1-3/4	2-1/4	HP-93328						1 3/16x13/16x.075(2)	12-19
		1 7/8	2-1/4	HP-63330	1-3/16 x 13/16 x 5/32	10090761	Nylon				
	2	2-1/4	HP-93332				1 3/16x13/16x.075(2)			12-19	
	2-1/4	2-3/4	HP-96336	1-3/16 x 1-13/16 x 7/32	1009076	Nylon					
	1-9/16	2-1/4	2-3/4	HP-93336	1-9/16 x 1-1/16 x 1/4	1009080	Steel				
7/8	1-7/16	1-3/4	2	HP-94428	1-7/16 x 1-1/16 x 1/8	1009079	Steel				
		2	2-1/4	HP-94432	1-7/16 x 1-1/16 x 1/8	1009079	Steel				
		1-7/8	2-3/16	HP-94430	1-7/16 x 1-1/16 x 1/8	1009079	Steel				
	2-1/2	2-3/4	HP-94440	1-7/16 x 1-1/16 x 1/8	1009079	Steel					
	1-9/16	2-1/4	2-3/4	HP-95436	1-9/16 x 1-1/16 x 1/8	1009080	Steel				
1	1-7/16	1-7/8	2-3/16	HP-93530	1-7/16 x 1-1/16 x 1/8	1009079	Steel	1 7/16x1/1/8	16-23		
		2	2-1/4	HP-93532	1-7/16 x 1-1/16 x 1/8	1009079	Steel	1 7/16x1/1/8	16-23		
		2-1/2	2-3/4	HP-93540	1-7/16 x 1-1/16 x 1/8	1009079	Steel	1 7/16x1/1/8	16-23		
	1-9/16	2-1/2	2-3/4	HP-94536	1-9/16 x 1-1/16 x 1/4	1009080	Steel	1-9/16 x 1-1/16 x 1/8	16-25		
		2-1/2	2-3/4	HP-94540H&G	1-9/16 x 1-1/16 x 1/4	1009080	Steel				
	1-15/16	2-1/4	2-3/4	HP-94536H&G	1-9/16 x 1-1/16 x 1/4	1009080	Steel	1-9/16 x 1-1/16 x 1/8	16-25		
		2-1/2	2-3/4	PA-96540	1-15/16 x 1-1/16 x 1/8	1009072	Steel				
1-1/8	1-15/16	3	3-1/4	PA-96548H&G	1-15/16 x 1-1/16 x 1/8	1009072	Steel				
		2-1/2	2-3/4	PA-95640	1-15/16 x 1-5/16 x 1/8	1009112*	Steel				
	1-9/16	2-1/4	2-3/4	PA-95648H&G	1-15/16 x 1-5/16 x 1/8	1009112	Steel				
1-1/4	1-15/16	2-1/4	2-3/4	HP-93636	1-9/16 x 1-3/16 x 1/8	1009082	Steel				
		2-1/2	2-3/4	PA-94740	1-15/16 x 1-5/16 x 1/8	1009112*	Steel				
		4	4-1/4	PA-94764	1-15/16 x 1-5/16 x 1/8	1009112	Steel				

* 4 metal retainer washers required



DELRIN® BEARINGS



Outside Diameter	Inside Diameter	Length	For Hub Length	Bearing Order No.	Ship Weight
1-3/16	3/4	1-5/8	1-5/8*	C-326	0.1
	3/4	2-1/8	2-1/8*	C-334	0.1
	1/2	2-1/8	2-1/8*	LS-121A	1.5

* Specify if hub length is different

Note: Delrin temperature range -20° to 180° @ 300 PSI deflection



PLATFORM TRUCK HANDLES & PARTS



409 style kit

Removable Rack Handle		
For Deck Size	Part No.	Ship Weight
24	409-24-HDL	11.0
27	409-27-HDL	12.0
30	409-30-HDL	13.0
36	409-36-HDL	14.0



411 style kit

Removable Pipe Handle		
For Deck Size	Part No.	Ship Weight
24	411-24-HDL	6.0
27	411-27-HDL	6.5
30	411-30-HDL	7.0
36	411-36-HDL	7.5



407 style handle

Fixed, Bolt-on Pipe Handle		
For Deck Size	Part No.	Ship Weight
24	407-24-HDL	7.0
27	407-27-HDL	7.5
30	407-30-HDL	8.0
36	407-36-HDL	8.5



408 style handle

Fixed, Bolt-on Rack Handle		
For Deck Size	Part No.	Ship Weight
24	408-24-HDL	12.0
27	408-27-HDL	13.0
30	408-30-HDL	14.0
36	408-36-HDL	15.0

Removable Rack Handle Kit		
For Deck Size	Part No.	Ship Weight
24	409-24-KIT	13.0
27	409-27-KIT	14.0
30	409-30-KIT	15.0
36	409-36-KIT	16.0

Removable Pipe Handle Kit		
For Deck Size	Part No.	Ship Weight
24	411-24-KIT	8.0
27	411-27-KIT	8.5
30	411-30-KIT	9.0
36	411-36-KIT	9.5

Order handles separately according to platform size.

Example:

For a B-28-Q-3060-RT, order a 409-30-KIT for a removable rack handle.

One or two pipe or rack handles may be selected depending on truck type. Kits include the handle and two bolt-on pipe pockets. Handles extend 23" to 25" above deck depending on handle and truck deck thickness.

Tubing size measures 1-5/16" outside diameter.

LQ Truck Parts		
Description	Part No.	Ship Weight
Axle Box - Semi-Steel	S-95 Axle Box	4.6
Caster Support	Q-27 Caster Support	0.9
MQ Truck Parts		
Description	Part No.	Ship Weight
Axle Box	Q-14 Axle Box	8.0
Bolster Bracket*	S-14 Bolster Bracket	4.8
HQ Truck Parts		
Description	Part No.	Ship Weight
Axle Box	Q-18 Axle Box	11.8
Bolster Bracket*	S-18 Bolster Bracket	7.0
Semi-Live Skid Parts		
Description	Part No.	Ship Weight
Tow Plate	500 Tow Plate	2.2
Leg - 500 Series	500 Jack Leg	1.7
Leg - 580 Series	T-4 Leg	2.4
Factory Truck Parts		
Description	Part No.	Ship Weight
Axle Box	451 - 7/8 Axle Box	3.5
Stake Pocket	FS Stake Pocket	2.2
Wooden Stake	FS Oak Stake	3.0

* Left and right sold separately

Standard Accessories		
Description	Part No.	Ship Weight
Corner Bumper - Steel* (For HQ, MQ, LQ Trucks)	#24 - L or R	1.3
Corner Bumper - Rubber (4" x 4" x 1" Thick)	R-25	0.5
Strip Bumper - Rubber w/ steel insert (1" x 1")	Strip Bumper	0.9**
Nuts, bolts for Econoweight, Bantamweight trucks	Platform Bolt Kit	2.3

* Left and right sold separately ** Weight per foot

Floor Locks w/ 4" x 4-1/2" top plate				
Description	Part No.	Ship Weight	Height Retracted	Height Extended
Decks w/ 5" N22, W26, E29	FL5-2	3.4	5-11/16	6-5/8
Decks w/ 6" N22/32, W26/36, E29/39	FL6-2	3.5	6-11/16	7-5/8
Decks w/ 8" N22/32, W26/36, E29/39	FL8-2	3.6	8-11/16	9-5/8



Copyright© 2007
All rights reserved

PLATFORM TRUCKS



V-PLATFORM Capacity to 2,000 lbs.

FEATURES

- ☑ Durable green epoxy powder coated finish on frame and handle (handle optional)
- ☑ Sturdy 1" tubular steel frame
- ☑ Weather resistant, varnished hardwood deck is easy to replace when damaged or soiled
- ☑ Rounded front corners to protect door frames and walls
- ☑ Unitized, welded steel frame
- ☑ Widest selection of wheels from 5" rubber/mold-on to 12" full pneumatic



V-25-Q-2448-RT
w/ 409-24 Rack Handle

 **The Fairbanks Company**
Since 1830
Copyright © 2007
All rights reserved

A platform truck built for the 21st century that offers value, function and style. The "V" Series platform truck features a 1" continuous tubular steel frame. The deck and casters are bolted to steel channel cross members and the frame has rounded front corners to protect walls, boxes and doorways. The decks are weather resistant, varnished hardwood which are easy to replace when damaged or soiled. Also, the complete unitized welded steel frames have fixed pipe pockets for use with a removable rack (409 style) or pipe (411 style) handle.

Deck Size	Deck Height	Load Capacity	Ship Weight	Part No.	Wheel Size	Wheel Type
24 x 48	7	1400	37	V-25-Q-2448-RT	5 x 2	Rubber/Mold-on
	7-3/4	1650	41	V-26-Q-2448-RT	6 x 2	Rubber/Mold-on
	10	2000	45	V-28-Q-2448-RT	8 x 2	Rubber/Mold-on
	10	1200	37	V-28-Q-2448-FPN	8 x 2-1/2	Full Pneumatic
	12-1/2	1400	41	V-210-Q-2448-FPN	10 x 3-1/2	Full Pneumatic
	16-1/2	1800	58	V-212-Q-2448-FPN	12 x 3-1/2	Full Pneumatic
30 x 60	7	1400	59	V-25-Q-3060-RT	5 x 2	Rubber/Mold-on
	7-3/4	1650	62	V-26-Q-3060-RT	6 x 2	Rubber/Mold-on
	10	2000	66	V-28-Q-3060-RT	8 x 2	Rubber/Mold-on
	10	1200	59	V-28-Q-3060-FPN	8 x 2-1/2	Full Pneumatic
	12-1/2	1400	63	V-210-Q-3060-FPN	10 x 3-1/2	Full Pneumatic
	16-1/2	1800	80	V-212-Q-3060-FPN	12 x 3-1/2	Full Pneumatic
36 x 72	7	1400	70	V-25-Q-3672-RT	5 x 2	Rubber/Mold-on
	7-3/4	1650	82	V-26-Q-3672-RT	6 x 2	Rubber/Mold-on
	10	2000	85	V-28-Q-3672-RT	8 x 2	Rubber/Mold-on
	10	1200	88	V-28-Q-3672-FPN	8 x 2-1/2	Full Pneumatic
	12-1/2	1400	92	V-210-Q-3672-FPN	10 x 3-1/2	Full Pneumatic
	16-1/2	1800	109	V-212-Q-3672-FPN	12 x 3-1/2	Full Pneumatic
Handle sold separately						
Manufacturer's Note: Polyurethane and other wheels available. Contact sales department for pricing.						

WHEELS & CASTERS

RUBBER/MOLD-ON		
Wheel Size	Swivel Order No.	Rigid Order No.
5 x 2	N22-5-RT	N32-5-RT
6 x 2	N22-6-RT	N32-6-RT
8 x 2	N22-8-RT	N32-8-RT
FULL PNEUMATIC		
Wheel Size	Swivel Order No.	Rigid Order No.
8 x 2-1/2	P22-8-FPN	P32-8-FPN
10 x 3-1/2	P22-10-FPN	P32-10-FPN
12 x 3-1/2	P22-12-FPN	P32-12-FPN

PLATFORM TRUCKS



ECONOWEIGHT HARDWOOD

Capacity to 2,000 lbs.

WHEELS & CASTERS

RUBBER/MOLD-ON		
Wheel Size	Swivel Order No.	Rigid Order No.
5 x 2	N22-5-RT	N32-5-RT
6 x 2	N22-6-RT	N32-6-RT
8 x 2	N22-8-RT	N32-8-RT
FULL PNEUMATIC		
Wheel Size	Swivel Order No.	Rigid Order No.
8 x 2-1/2	P22-8-FPN	P32-8-FPN
10 x 3-1/2	P22-10-FPN	P32-10-FPN
12 x 3-1/2	P22-12-FPN	P32-12-FPN
HI-CAP/MOLD-ON		
Wheel Size	Swivel Order No.	Rigid Order No.
5 x 2	N22-5-HC	N32-5-HC
6 x 2	N22-6-HC	N32-6-HC
8 x 2	N22-8-HC	N32-8-HC



E-25-Q-3060-RT

w/ 408-30 Rack Handle

FEATURES

- Durable epoxy powder coated finish on casters and handles
- Hardwood deck
- Reinforcing cross battens

The Econoweight Series trucks have sanded, sealed and varnished hardwood deck attached to reinforcing cross battens. Standard wheels for trucks are rubber/mold-on (RT) or full pneumatic (FPN). Optional hi-capacity (HC) rubber/mold-on wheels are also available. Consult factory for additional wheel options.

Deck Size	Deck Height	Load Capacity	Ship Weight	Part No.	Wheel Size	Wheel Type
18 x 30	8-1/2	1400	36	E-25-Q-1830-RT	5 x 2	Rubber/Mold-On
24 x 42	8-1/2	1400	49	E-25-Q-2442-RT	5 x 2	Rubber/Mold-On
24 x 48	8-1/2	1400	53	E-25-Q-2448-RT	5 x 2	Rubber/Mold-On
	9-1/4	1600	57	E-26-Q-2448-RT	6 x 2	Rubber/Mold-On
	11-1/2	2000	63	E-28-Q-2448-RT	8 x 2	Rubber/Mold-On
	11-1/2	1200	60	E-28-Q-2448-FPN	8 x 2-1/2	Full Pneumatic
	14	1400	64	E-210-Q-2448-FPN	10 x 3-1/2	Full Pneumatic
27 x 54	18	1800	81	E-212-Q-2448-FPN	12 x 3-1/2	Full Pneumatic
	8-1/2	1400	61	E-25-Q-2754-RT	5 x 2	Rubber/Mold-On
	9-1/4	1600	65	E-26-Q-2754-RT	6 x 2	Rubber/Mold-On
	11-1/2	2000	71	E-28-Q-2754-RT	8 x 2	Rubber/Mold-On
	11-1/2	1200	68	E-28-Q-2754-FPN	8 x 2-1/2	Full Pneumatic
30 x 60	14	1400	72	E-210-Q-2754-FPN	10 x 3-1/2	Full Pneumatic
	18	1800	89	E-212-Q-2754-FPN	12 x 3-1/2	Full Pneumatic
	8-1/2	1400	71	E-25-Q-3060-RT	5 x 2	Rubber/Mold-On
	9-1/4	1600	75	E-26-Q-3060-RT	6 x 2	Rubber/Mold-On
	11-1/2	2000	81	E-28-Q-3060-RT	8 x 2	Rubber/Mold-On
36 x 72	11-1/2	1200	78	E-28-Q-3060-FPN	8 x 2-1/2	Full Pneumatic
	14	1400	82	E-210-Q-3060-FPN	10 x 3-1/2	Full Pneumatic
	18	1800	99	E-212-Q-3060-FPN	12 x 3-1/2	Full Pneumatic
	9-1/4	1600	97	E-26-Q-3672-RT	6 x 2	Rubber/Mold-On
36 x 72	11-1/2	2000	103	E-28-Q-3672-RT	8 x 2	Rubber/Mold-On
	11-1/2	1200	100	E-28-Q-3672-FPN	8 x 2-1/2	Full Pneumatic
	14	1400	104	E-210-Q-3672-FPN	10 x 3-1/2	Full Pneumatic
	18	1800	121	E-212-Q-3672-FPN	12 x 3-1/2	Full Pneumatic

Handle sold separately

Manufacturer's Note: Polyurethane and other wheels available. Contact sales department for pricing.

PLATFORM TRUCKS



BANTAMWEIGHT OAK Capacity to 2,000 lbs.

FEATURES

- Durable epoxy powder coated finish on casters and handles
- Kiln-dried, machined tongue-and-grooved, oak deck
- Reinforcing cross battens
- Decks have countersunk bolts providing a smooth platform

Bantamweight Series trucks are constructed of tongue-and-grooved, seasoned oak decks with underside battens for added rigidity so platform will not warp or separate. Decks have countersunk bolts providing a smooth platform. Standard wheels for trucks are rubber/mold-on (RT) or full pneumatic (FPN). Optional hi-capacity (HC) rubber/mold-on wheels are also available. Consult factory for additional wheel options.



Copyright© 2007
All rights reserved

WHEELS & CASTERS

RUBBER/MOLD-ON		
Wheel Size	Swivel Order No.	Rigid Order No.
5 x 2	N22-5-RT	N32-5-RT
6 x 2	N22-6-RT	N32-6-RT
8 x 2	N22-8-RT	N32-8-RT

FULL PNEUMATIC		
Wheel Size	Swivel Order No.	Rigid Order No.
8 x 2-1/2	P22-8-FPN	P32-8-FPN
10 x 3-1/2	P22-10-FPN	P32-10-FPN
12 x 3-1/2	P22-12-FPN	P32-12-FPN

HI-CAP/MOLD-ON		
Wheel Size	Swivel Order No.	Rigid Order No.
5 x 2	N22-5-HC	N32-5-HC
6 x 2	N22-6-HC	N32-6-HC
8 x 2	N22-8-HC	N32-8-HC



B-28-Q-3060-RT
w/ 408-30 Rack Handle

Deck Size	Deck Height	Load Capacity	Ship Weight	Part No.	Wheel Size	Wheel Type
24 x 42	8-5/8	1400	57	B-25-Q-2442-RT	5 x 2	Rubber/Mold-On
	8-5/8	1400	66	B-25-Q-2448-RT	5 x 2	Rubber/Mold-On
24 x 48	9-1/4	1600	69	B-26-Q-2448-RT	6 x 2	Rubber/Mold-On
	11-1/4	1200	70	B-28-Q-2448-FPN	8 x 2-1/2	Full Pneumatic
	13-3/4	1400	73	B-210-Q-2448-FPN	10 x 3-1/2	Full Pneumatic
	17-3/4	1800	81	B-212-Q-2448-FPN	12 x 3-1/2	Full Pneumatic
	8-5/8	1400	71	B-25-Q-2748-RT	5 x 2	Rubber/Mold-On
27 x 48	9-1/4	1600	74	B-26-Q-2748-RT	6 x 2	Rubber/Mold-On
	11-3/4	2000	80	B-28-Q-2754-RT	8 x 2	Rubber/Mold-On
	11-1/4	1200	74	B-28-Q-2748-FPN	8 x 2-1/2	Full Pneumatic
	13-3/4	1400	77	B-210-Q-2748-FPN	10 x 3-1/2	Full Pneumatic
	17-3/4	1800	90	B-212-Q-2748-FPN	12 x 3-1/2	Full Pneumatic
27 x 54	8-5/8	1400	72	B-25-Q-2754-RT	5 x 2	Rubber/Mold-On
	9-1/4	1600	76	B-26-Q-2754-RT	6 x 2	Rubber/Mold-On
	11-3/4	2000	85	B-28-Q-2754-RT	8 x 2	Rubber/Mold-On
	11-1/4	1200	74	B-28-Q-2754-FPN	8 x 2-1/2	Full Pneumatic
	13-3/4	1400	78	B-210-Q-2754-FPN	10 x 3-1/2	Full Pneumatic
30 x 60	17-3/4	1800	95	B-212-Q-2754-FPN	12 x 3-1/2	Full Pneumatic
	8-5/8	1400	76	B-25-Q-3060-RT	5 x 2	Rubber/Mold-On
	9-1/4	1600	80	B-26-Q-3060-RT	6 x 2	Rubber/Mold-On
	11-3/4	2000	91	B-28-Q-3060-RT	8 x 2	Rubber/Mold-On
	11-1/4	1200	78	B-28-Q-3060-FPN	8 x 2-1/2	Full Pneumatic
	13-3/4	1400	82	B-210-Q-3060-FPN	10 x 3-1/2	Full Pneumatic
36 x 72	17-3/4	1800	99	B-212-Q-3060-FPN	12 x 3-1/2	Full Pneumatic
	9-1/4	1600	133	B-26-Q-3672-RT	6 x 2	Rubber/Mold-On
	11-3/4	2000	139	B-28-Q-3672-RT	8 x 2	Rubber/Mold-On
	11-1/4	1200	133	B-28-Q-3672-FPN	8 x 2-1/2	Full Pneumatic
	13-3/4	1400	139	B-210-Q-3672-FPN	10 x 3-1/2	Full Pneumatic
	17-3/4	1800	154	B-212-Q-3672-FPN	12 x 3-1/2	Full Pneumatic

Handle sold separately

Manufacturer's Note: Polyurethane and other wheels available. Contact sales department for pricing.

PLATFORM TRUCKS

F™ ALL STEEL Capacity to 3,500 lbs.

Strong, 12-gauge steel deck construction reinforced with steel cross-battens for convenient handling of uniformly distributed loads up to 3500 lbs. Platforms have rounded corners that prevent damage to door frames or other obstacles. Casters are bolted onto extra caster top plates welded underneath the deck. This results in a simple but secure caster attachment. Standard wheels are rubber/mold-on (RT), full pneumatic (FPN) or high-capacity (HC) rubber/mold-on. Consult factory for additional wheel options.

FEATURES

- Durable epoxy powder coated finish
- Strong, 12-gauge steel deck construction
- Steel cross-battens for added strength
- Decks have rounded corners that prevent damage to walls and door frames



WHEELS & CASTERS

RUBBER/MOLD-ON		
Wheel Size	Swivel Order No.	Rigid Order No.
5 x 2	N22-5-RT	N32-5-RT
6 x 2	N22-6-RT	N32-6-RT
8 x 2	N22-8-RT	N32-8-RT
FULL PNEUMATIC		
Wheel Size	Swivel Order No.	Rigid Order No.
8 x 2-1/2	P22-8-FPN	P32-8-FPN
10 x 3-1/2	P22-10-FPN	P32-10-FPN
12 x 3-1/2	P22-12-FPN	P32-12-FPN
HI-CAP/MOLD-ON		
Wheel Size	Swivel Order No.	Rigid Order No.
5 x 2	N22-5-HC	N32-5-HC
6 x 2	N22-6-HC	N32-6-HC
8 x 2	N22-8-HC	N32-8-HC



SD-26-3060-RT
w/ 409-30 Rack Handle

Deck Size	Deck Height	Load Capacity	Ship Weight	Part No.	Wheel Size	Wheel Type
24 x 48	7-7/8	1400	90	SD-25-2448-RT	5 x 2	Rubber/Mold-On
	8-5/8	1600	93	SD-26-2448-RT	6 x 2	Rubber/Mold-On
	10-7/8	2000	99	SD-28-2448-RT	8 x 2	Rubber/Mold-On
	10-7/8	1200	93	SD-28-2448-FPN	8 x 2-1/2	Full Pneumatic
	13-3/8	1400	97	SD-210-2448-FPN	10 x 3-1/2	Full Pneumatic
	17-3/8	1800	114	SD-212-2448-FPN	12 x 3-1/2	Full Pneumatic
	7-7/8	2200	90	SD-25-2448-HC	5 x 2	Hi-Cap/Mold-On
	8-5/8	3200	93	SD-26-2448-HC	6 x 2	Hi-Cap/Mold-On
27 x 48	10-7/8	3500	99	SD-28-2448-HC	8 x 2	Hi-Cap/Mold-On
	7-7/8	1400	96	SD-25-2748-RT	5 x 2	Rubber/Mold-On
	8-5/8	1600	99	SD-26-2748-RT	6 x 2	Rubber/Mold-On
	10-7/8	2000	105	SD-28-2748-RT	8 x 2	Rubber/Mold-On
	10-7/8	1200	99	SD-28-2748-FPN	8 x 2-1/2	Full Pneumatic
	13-3/8	1400	103	SD-210-2748-FPN	10 x 3-1/2	Full Pneumatic
	17-3/8	1800	120	SD-212-2748-FPN	12 x 3-1/2	Full Pneumatic
	7-7/8	2200	96	SD-25-2748-HC	5 x 2	Hi-Cap/Mold-On
27 x 54	8-5/8	3200	99	SD-26-2748-HC	6 x 2	Hi-Cap/Mold-On
	10-7/8	3500	105	SD-28-2748-HC	8 x 2	Hi-Cap/Mold-On
	7-7/8	1400	102	SD-25-2754-RT	5 x 2	Rubber/Mold-On
	8-5/8	1600	105	SD-26-2754-RT	6 x 2	Rubber/Mold-On
	10-7/8	2000	111	SD-28-2754-RT	8 x 2	Rubber/Mold-On
	10-7/8	1200	105	SD-28-2754-FPN	8 x 2-1/2	Full Pneumatic
	13-3/8	1400	109	SD-210-2754-FPN	10 x 3-1/2	Full Pneumatic
	17-3/8	1800	126	SD-212-2754-FPN	12 x 3-1/2	Full Pneumatic
27 x 54	7-7/8	2200	102	SD-25-2754-HC	5 x 2	Hi-Cap/Mold-On
	8-5/8	3200	105	SD-26-2754-HC	6 x 2	Hi-Cap/Mold-On
	10-7/8	3500	111	SD-28-2754-HC	8 x 2	Hi-Cap/Mold-On

Handle sold separately

Manufacturer's Note: Polyurethane and other wheels available. Contact sales department for pricing.

PLATFORM TRUCKS

Steel Platform Trucks continued - Capacity to 3,500 lbs.

FTM *The*
Fairbanks® Company
Since 1830
Copyright© 2007
All rights reserved

Deck Size	Deck Height	Load Capacity	Ship Weight	Part No.	Wheel Size	Wheel Type
30 x 60	7-7/8	1400	114	SD-25-3060-RT	5 x 2	Rubber/Mold-On
	8-5/8	1600	117	SD-26-3060-RT	6 x 2	Rubber/Mold-On
	10-7/8	2000	123	SD-28-3060-RT	8 x 2	Rubber/Mold-On
	10-7/8	1200	119	SD-28-3060-FPN	8 x 2-1/2	Full Pneumatic
	13-3/8	1400	123	SD-210-3060-FPN	10 x 3-1/2	Full Pneumatic
	17-3/8	1800	140	SD-212-3060-FPN	12 x 3-1/2	Full Pneumatic
	7-7/8	2200	114	SD-25-3060-HC	5 x 2	Hi-Cap/Mold-On
36 x 60	8-5/8	3200	117	SD-26-3060-HC	6 x 2	Hi-Cap/Mold-On
	10-7/8	3500	123	SD-28-3060-HC	8 x 2	Hi-Cap/Mold-On
	7-7/8	1400	130	SD-25-3660-RT	5 x 2	Rubber/Mold-On
	8-5/8	1600	133	SD-26-3660-RT	6 x 2	Rubber/Mold-On
	10-7/8	2000	139	SD-28-3660-RT	8 x 2	Rubber/Mold-On
	10-7/8	1200	133	SD-28-3660-FPN	8 x 2-1/2	Full Pneumatic
	13-3/8	1400	137	SD-210-3660-FPN	10 x 3-1/2	Full Pneumatic
36 x 72	17-3/8	1800	154	SD-212-3660-FPN	12 x 3-1/2	Full Pneumatic
	7-7/8	2200	130	SD-25-3660-HC	5 x 2	Hi-Cap/Mold-On
	8-5/8	3200	133	SD-26-3660-HC	6 x 2	Hi-Cap/Mold-On
	10-7/8	3500	139	SD-28-3660-HC	8 x 2	Hi-Cap/Mold-On
	7-7/8	1400	144	SD-25-3672-RT	5 x 2	Rubber/Mold-On
	8-5/8	1600	147	SD-26-3672-RT	6 x 2	Rubber/Mold-On
	10-7/8	2000	153	SD-28-3672-RT	8 x 2	Rubber/Mold-On
36 x 72	10-7/8	1200	143	SD-28-3672-FPN	8 x 2-1/2	Full Pneumatic
	13-3/8	1400	149	SD-210-3672-FPN	10 x 3-1/2	Full Pneumatic
	17-3/8	1800	170	SD-212-3672-FPN	12 x 3-1/2	Full Pneumatic
	7-7/8	2200	144	SD-25-3673-HC	5 x 2	Hi-Cap/Mold-On
	8-5/8	3200	147	SD-26-3672-HC	6 x 2	Hi-Cap/Mold-On
	10-7/8	3500	153	SD-28-3672-HC	8 x 2	Hi-Cap/Mold-On
	Handle sold separately					
Manufacturer's Note: Polyurethane and other wheels available. Contact sales department for pricing.						

FTM **U-BOAT** Capacity to 1,800 lbs.

Deck Size	Deck Height	Load Capacity	Ship Weight (No shelf)	Ship Weight (1 shelf)	Ship Weight (2 shelf)	Part No.	Wheel Size	Wheel Size	Wheel Type
16 x 60	10-5/8	1,800	122	146	170	E-SD94-1660-POE	(4) 4 X 2	(2) 8 X 2	Polyurethane

Heavy-duty, tilt-style, U-Boat platform truck that is ideal for maneuvering in confined spaces and narrow aisles. The tilt-style design helps in passing over thresholds and allows the truck to turn within its own length. The 16" wide x 60" long steel deck is made from 11-ga., diamond-pattern safety plate for added strength and helps prevent load shifting. The two 8" x 2" center load wheels and the four 4" x 2" swivel caster wheels are non-marking polyurethane. The removable rack handles extend 48" above the deck. Optional removable steel shelves also available. The truck and removable rack handles have a durable green epoxy powder coated finish. No shelf ship weight 122 lbs.; one shelf ship weight 146 lbs.; two shelf ship weight 170 lbs.



Optional shelves are 13" wide x 60" long x 13-gauge, reinforced steel. For added safety the shelves have two steel tabs on each end that will lock into loops located on the rack handle cross bars. There is 15" of clearance between the shelves to allow loading of tall items. The shelves have an epoxy powder coating green finish for durability. 100 lb. load capacity per shelf. 24 lb. shipping weight.

Shelf Size	Clearance Between Shelf	Load Capacity Per Shelf	Ship Weight Per Shelf
13 x 60	15	100	24

PLATFORM TRUCKS

ALUMINUM Capacity to 2,600 lbs.

Heavy-duty, extra strong, corrosion resistant aluminum platform trucks have a clean, attractive appearance and are constructed for heavy-duty applications. Applications include offices, stockrooms, warehouses, schools, laboratories, etc. The frame is constructed with high-strength, welded aluminum channel with heavy-duty diamond pattern aluminum deck. Removable aluminum handles can be placed on both or either end of the platform truck. Rubber corner bumpers on both ends of the deck to guard against damage to furniture, walls and equipment.

FEATURES

- Diamond-pattern deck helps keep loads from slipping
- Rubber bumpers prevent damage to furniture, equipment
- Pipe pockets at both ends offer versatility for many applications



Rubber Corner Bumpers



The Fairbanks® Company
Since 1830

Copyright© 2007
All rights reserved

AL-96-3060-RT
w/ AL-411-30 Pipe Handle

Deck Size	Deck Height	Load Capacity	Ship Weight	Part No.	Wheel Size	Wheel Type
24 x 48	9-1/4	1400	51.4	AL-95-2448-RT	5 x 2	Rubber/Mold-On**
	10-1/2	1640	55.2	AL-96-2448-RT	6 x 2	Rubber/Mold-On**
	12-1/4	2000	65.8	AL-98-2448-RT	8 x 2	Rubber/Mold-On**
	9-1/4	2600	53.0	AL-95-2448-PO	5 x 2	Polyurethane**
	10-1/2	2600	56.2	AL-96-2448-PO	6 x 2	Polyurethane**
	12-1/4	2600	69.0	AL-98-2448-PO	8 x 2	Polyurethane**
	13-1/2	1200	55.8	AL-28-2448-FPN	8 x 2-1/2	Full Pneumatic
	15-1/2	1400	63.4	AL-210-2448-FPN	10 x 3-1/2	Full Pneumatic
	9-1/4	2600	45.0	AL-25-2448-PRB	5 x 2	Polyurethane*
	10-1/2	2600	47.0	AL-26-2448-PRB	6 x 2	Polyurethane*
30 x 60	12-1/4	2600	50.0	AL-28-2448-PRB	8 x 2	Polyurethane*
	9-1/4	1400	59.4	AL-95-3060-RT	5 x 2	Rubber/Mold-On**
	10-1/2	1640	63.2	AL-96-3060-RT	6 x 2	Rubber/Mold-On**
	12-1/4	2000	73.8	AL-98-3060-RT	8 x 2	Rubber/Mold-On**
	9-1/4	2600	61.0	AL-95-3060-PO	5 x 2	Polyurethane**
	10-1/2	2600	64.2	AL-96-3060-PO	6 x 2	Polyurethane**
	12-1/4	2600	77.0	AL-98-3060-PO	8 x 2	Polyurethane**
	13-1/2	1200	63.8	AL-28-3060-FPN	8 x 2-1/2	Full Pneumatic
	15-1/2	1400	71.4	AL-210-3060-FPN	10 x 3-1/2	Full Pneumatic
	9-1/4	2600	53.0	AL-25-3060-PRB	5 x 2	Polyurethane*
10-1/2	2600	55.0	AL-26-3060-PRB	6 x 2	Polyurethane*	
12-1/4	2600	58.0	AL-28-3060-PRB	8 x 2	Polyurethane*	

* Polyethylene center ** Semi-Steel center Handle sold separately

WHEELS & CASTERS

RUBBER/MOLD-ON		
Wheel Size	Swivel Order No.	Rigid Order No.
5 x 2	EW29-5-RT	EW39-5-RT
6 x 2	EW29-6-RT	EW39-6-RT
8 x 2	EW29-8-RT	EW39-8-RT
POLYURETHANE/MOLD-ON		
Wheel Size	Swivel Order No.	Rigid Order No.
5 x 2	EW29-5-PO	EW39-5-PO
6 x 2	EW29-6-PO	EW39-6-PO
8 x 2	EW29-8-PO	EW39-8-PO
FULL PNEUMATIC		
Wheel Size	Swivel Order No.	Rigid Order No.
8 x 2-1/2	P22-8-FPN	P32-8-FPN
10 x 3-1/2	P22-10-FPN	P32-10-FPN
12 x 3-1/2	P22-12-FPN	P32-12-FPN
POLYURETHANE/POLYETHYLENE		
Wheel Size	Swivel Order No.	Rigid Order No.
5 x 2	N22-5-PRB	N32-5-PRB
6 x 2	N22-6-PRB	N32-6-PRB
8 x 2	N22-8-PRB	N32-8-PRB

Aluminum Pipe Handle

Deck Size	Part No.	Ship Weight
24	AL-411-24	3.5
30	AL-411-30	4.0

PLATFORM TRUCKS



FACTORY Capacity to 2,500 lbs.

Stacked loads move easily, as this truck is tilt style and turns in its own length. Four removable wooden stakes — 1-1/4" x 2-3/4" — sit into steel corner pockets. Stakes are 30" above platform deck. Load wheels are 12" x 2-1/2" and swivel- end caster wheels are 5" x 1-5/8".



FS-2748-2RT

FEATURES

- Tilt-style truck turns in its own length
- Four removable stakes 30" above deck
- Three wheel options
- Complete varnished oak construction

Deck Size	Overall Length	Platform Height	Load Capacity	Ship Weight	Part No.	Load Wheel Model No.	Caster Model No.
27 x 48	53-1/2	14	2500	145	FS-2748-2RT	512-SF	21-5-RT
					FS-2748-2HC	912-SF	21-5-HC
30 x 60	65-1/2			162	FS-3060-3RT	512-SF	21-5-RT
					FS-3060-3HC	912-SF	21-5-HC

Manufacturer's Note: Optional polyurethane wheel available

Manufacturer's Note: Other deck sizes available on special order



STAPLE REMOVER U.S. Patent # 5,008,692



Remove carton staples easily and safely without ever using a screwdriver or pliers. Quickly removes and holds staple for safe disposal. Ideal for shipping and receiving areas. Green epoxy powder coated with vinyl grip handles. 11-gauge steel.

FEATURES

- Durable epoxy powder coated finish
- 11-gauge steel construction
- Vinyl-coated hand grips

TM *The Fairbanks[®] Company*
Since 1830

Copyright© 2007
All rights reserved

PLATFORM TRUCKS



STEEL BOUND Capacity to 4,000 lbs.

Built for strength and mobility for uniformly distributed loads up to 4000 lbs. Hardwood deck boards are bolted to steel frame. Platform boards are square jointed and varnished. Semi-steel corner bumpers are located at load wheel end. Bolted construction absorbs shocks.

Load wheels are mounted to platform with strong, semi-steel axle boxes. Standard wheels for all Commander Trucks are rubber mold-on (RT). Consult factory for other wheel options, such as high- capacity (HC) rubber/mold-on or polyurethane (PO) wheels.



LQ-3060-RT
w/ 407-30 Pipe Handle

FEATURES

- Hardwood deck boards are bolted to steel frame
- Platform boards are square jointed and varnished
- Semi-steel corner bumpers
- Bolted construction absorbs shocks



MQ-2748-RT
w/ 407-27 Pipe Handle



HQ-3060-RT
w/ 407-30 Pipe Handle

WHEELS & CASTERS

SWIVEL CASTERS		
Truck Type	Wheel Size	Swivel Order No.
Light Duty	6 x 2	EW29-6-RT
Medium Duty	6 x 2	EW29-6-RT
Heavy Duty	8 x 2-1/2	24-85-RT
LOAD WHEELS		
Truck Type	Wheel Size	Wheel Order No.
Light Duty	8 X 2-1/2	558-SA
Medium Duty	12 X 2-1/2	512-SA
Heavy Duty	16 X 3	5316-RB

Each steel bound platform truck has 2 load wheels and 2 swivel casters

Deck Size	Deck Height	Load Capacity	Ship Weight	Part No.
24 x 48	9-1/2	2000	110	LQ-2448-RT
	14	2800	154	MQ-2448-RT
	18	4000	233	HQ-2448-RT
27 x 48	9-1/2	2000	117	LQ-2748-RT
	14	2800	158	MQ-2748-RT
	18	4000	237	HQ-2748-RT
27 x 54	9-1/2	2000	121	LQ-2754-RT
	14	2800	168	MQ-2754-RT
	18	4000	240	HQ-2754-RT
30 x 48	9-1/2	2000	119	LQ-3048-RT
	14	2800	166	MQ-3048-RT
	18	4000	256	HQ-3048-RT
30 x 60	9-1/2	2000	148	LQ-3060-RT
	14	2800	192	MQ-3060-RT
	18	4000	272	HQ-3060-RT
36 x 60	9-1/2	2000	162	LQ-3660-RT
	14	2800	205	MQ-3660-RT
	18	4000	282	HQ-3660-RT
36 x 72	9-1/2	2000	180	LQ-3672-RT
	14	2800	233	MQ-3672-RT
	18	4000	306	HQ-3672-RT

Handle sold separately



Copyright© 2007
All rights reserved

PLATFORM TRUCKS



ELQ TRUCK Capacity to 2,500 lbs.



E-LQ-3060-6POE
w/ 411-30 Pipe Handle

Deck Size	Deck Height	Load Capacity	Ship Weight	Part No.	Wheel Size	Wheel Type
24 x 48	9-1/4	1600	87	E-LQ-2448-6RT	6 x 2	Rubber/Mold-On
	9-1/4	2500	79	E-LQ-2448-6POE	6 x 2	Polyurethane/Mold-On
	11-1/2	2000	93	E-LQ-2448-8RT	8 x 2	Rubber/Mold-On
	11-1/2	1200	89	E-LQ-2448-8FPN	8 x 2-1/2	Full Pneumatic
27 x 54	9-1/4	1600	98	E-LQ-2754-6RT	6 x 2	Rubber/Mold-On
	9-1/4	2500	90	E-LQ-2754-6POE	6 x 2	Polyurethane/Mold-On
	11-1/2	2000	104	E-LQ-2754-8RT	8 x 2	Rubber/Mold-On
	11-1/2	1200	100	E-LQ-2754-8FPN	8 x 2-1/2	Full Pneumatic
30 x 60	9-1/4	1600	108	E-LQ-3060-6RT	6 x 2	Rubber/Mold-On
	9-1/4	2500	100	E-LQ-3060-6POE	6 x 2	Polyurethane/Mold-On
	11-1/2	2000	114	E-LQ-3060-8RT	8 x 2	Rubber/Mold-On
	11-1/2	2500	114	E-LQ-3060-8POE	8 x 2	Polyurethane/Mold-On
	11-1/2	1200	110	E-LQ-3060-8FPN	8 x 2-1/2	Full Pneumatic
36 x 72	14	1400	117	E-LQ-3060-10FPN	10 x 3-1/2	Full Pneumatic
	9-1/4	2500	131	E-LQ-3672-6PDR	6 x 2	Polyolefin
	11-1/2	2500	145	E-LQ-3672-8POE	8 x 2	Polyurethane/Mold-On
	11-1/2	2000	145	E-LQ-3672-8RT	8 x 2	Rubber/Mold-On
	11-1/2	1200	141	E-LQ-3672-8FPN	8 x 2-1/2	Full Pneumatic
	14	1400	148	E-LQ-3672-10FPN	10 x 3-1/2	Full Pneumatic
	18	1800	160	E-LQ-3672-12FPN	12 x 3-1/2	Full Pneumatic

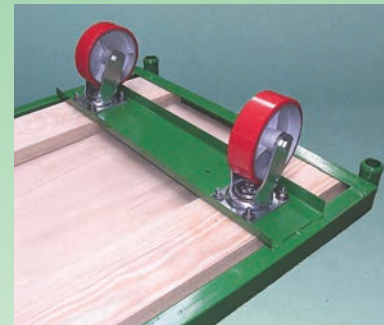
Manufacturer's Note: Trucks w/ 4 pipe pockets available on special order

Handles sold separately

FEATURES

- ☑ Hardwood deck with heavy-duty battens
- ☑ Heavy angle and tubular steel frame
- ☑ Deck can be easily replaced when soiled, damaged

This all-steel bound frame platform truck is ideal for industrial and commercial applications. Heavy angle and rectangular tubing steel frame is welded to formed channel caster mounts. Hardwood deck has two lengthwise heavy-duty battens for added strength. Deck can be easily replaced when soiled or damaged. Fixed pipe pockets are used for removable rack and pipe handles. Has durable epoxy coated green finish.



CONSTRUCTION FEATURES

- ① Rectangular tubing sides with angle iron ends
- ② Formed channel caster mounts
- ③ Hardwood deck with heavy-duty, full-length battens
- ④ Weld-on handle pipe pockets
- ⑤ Green epoxy powder coated finish
- ⑥ Varnished hardwood deck



Copyright© 2007
All rights reserved

PLATFORM TRUCKS



STEEL-BOUND OAK, TILT STYLE

Capacity to 1,600 lbs.

Not only built for strength and durability by using the "Commander" series platform, but also extremely maneuverable. The square-jointed, oak deck boards are bolted to a steel angle outer frame. The 8" x 2-1/2" center load wheels roll on a common axle which is mounted with strong, semi-steel axle supports. One 23-5-RT swivel caster is mounted at each end in the "S" style pattern, allowing this heavy-duty tilt truck to pivot within its own length. This bolted construction allows for greater shock absorption. Optional handles can be mounted on both ends for improved maneuverability in either direction.



S-3060-RT
w/ 408-30 Rack Handle

FEATURES

- 1" thick, kiln-dried, machined tongue-and-groove oak decking
- Reinforcing cross battens
- Decks have countersunk bolts providing a smooth platform

Deck Size	Deck Height	Load Capacity	Ship Weight	Part No.	Wheel Type
24 x 48	9-1/2	1600	114	S-2448-RT	Rubber/Mold-On
27 x 48			118	S-2748-RT	Rubber/Mold-On
27 x 54			123	S-2754-RT	Rubber/Mold-On
30 x 60			148	S-3060-RT	Rubber/Mold-On
36 x 72			188	S-3672-RT	Rubber/Mold-On
Handles sold separately					
Contact factory for additional wheel options					



OAK, TILT STYLE

Capacity to 1,500 lbs.



B-26-S-3060-RT
w/ 408-30 Rack Handles

WHEELS & CASTERS

RUBBER/MOLD-ON		
Wheel Size	Swivel Order No.	Rigid Order No.
5 x 2	N22-5-RT	N32-5-RT
6 x 2	N22-6-RT	N32-6-RT
8 x 2	N22-8-RT	N32-8-RT

Tilt style truck uses a Bantamweight Series varnished oak, tongue-and-groove oak deck with rigid center load casters and swivel end caster to allow the truck to pivot within its own length. This "S" style positioning makes the truck ideally suited for narrow aisles, maneuvering between equipment or quick turns. The center rigid load casters are 5", 6", or 8" and are mounted on a thicker center cross batten than the swivel casters mounted on each end. An optional rack handle at each end is a popular choice among customers.

Deck Size	Deck Height	Load Capacity	Ship Weight	Part No.	Wheel Size	Wheel Type
27 x 48	8-5/8	1000	70	B-25-S-2748-RT	5 x 2	Rubber/Mold-On
	9-1/4	1200	75	B-26-S-2748-RT	6 x 2	Rubber/Mold-On
30 x 60	8-5/8	1000	97	B-25-S-3060-RT	5 x 2	Rubber/Mold-On
	9-1/4	1200	99	B-26-S-3060-RT	6 x 2	Rubber/Mold-On
	11-3/4	1500	112	B-28-S-3060-RT	8 x 2	Rubber/Mold-On
Handles sold separately						
Contact factory for additional wheel options						

PLATFORM TRUCKS



SEMI-LIVE SKID PLATFORMS & JACKS

Capacity to 2,000 lbs.

Semi-live skid platform trucks help save time and space and are best used for temporary storage and transportation of raw materials, parts, food cartons and finished goods. Two sturdy models are available:



500-9-RT

500 Series Skid features an all- hardwood deck and 6" x 2" rubber/mold-on wheels. Load capacity up to 1,000 lbs.

Deck Size	Deck Height	Tow Plate Height	Load Capacity	Ship Weight	Part No.	Wheel Size	Caster Order No.
24 x 36	9-1/2	6-7/8	1000	49	500-4-RT	6 x 2	N32-6-RT
24 x 28	9-1/2	6-7/8	1000	59	500-6-RT	6 x 2	N32-6-RT
30 x 48	9-1/2	6-7/8	1000	71	500-7-RT	6 x 2	N32-6-RT
30 x 60	9-1/2	6-7/8	1000	77	500-9-RT	6 x 2	N32-6-RT



580-9-RT

580 Series Skid offers steel-bound, hardwood deck, angle iron ends, full-length center batten and 8" x 2" rubber/mold-on wheels. Load capacity up to 2,000 lbs.

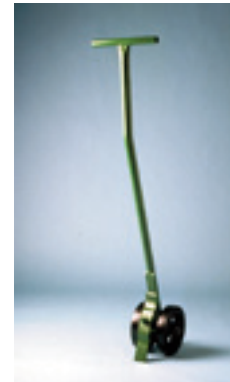
Deck Size	Deck Height	Tow Plate Height	Load Capacity	Ship Weight	Part No.	Wheel Size	Caster Order No.
30 x 48	10-1/2	8-3/8	2000	95	580-7-RT	8 x 2	N32-8-RT
30 x 60	10-1/2	8-3/8	2000	120	580-9-RT	8 x 2	N32-8-RT

FEATURES

- Great for temporary storage space
- Separate jack handles instantly engage and disengage platform for easy movement



500-RT-JACK



580-RT-JACK

JACK HANDLES

Part No.	Load Capacity	Ship Weight
500-RT-JACK	1000	14
580-RT-JACK	2000	20

500 Series Jack Handle

Height to top of lack lift: 7-3/8"
Height to top of jack pin: 8-3/4"

580 Series Jack Handle

Height to top of lack lift: 8-7/8"
Height to top of jack pin: 10-3/8"



The Fairbanks[®] Company
Since 1830

Copyright© 2007
All rights reserved

PLATFORM TRUCKS



PLASTICWOOD Capacity to 2,000 lbs.



PW-28-3060-RT
w/ 409-30 Rack Handle Kit

The plasticwood platform truck — a combination of modern technology with traditional design — can handle the most adverse conditions. The deck is made of solid, high-density, polyethylene/polypropylene recycled plastics. The non-porous deck is 100% waterproof and will not warp, rot, splinter, chip, peel, rust or crack and never requires painting or varnishing. It is corrosion resistant to industrial solvents, oils, greases, mild acids and alkaline. The 1-1/2" thick deck boards are tongue and grooved for added strength and are securely attached to the 1-1/2" thick cross battens. Standard casters are rubber/mold-on (RT), full pneumatic (FPN) or high-capacity rubber/mold-on (HC). Consult factory for other wheel options.

Deck Size	Deck Height	Load Capacity	Ship Weight	Part No.	Wheel Size	Wheel Type
25 x 48	9-1/2	1100	106	PW-25-2548-RT	5 x 2	Rubber/Mold-on
	10-1/4	1600	109	PW-26-2548-RT	6 x 2	Rubber/Mold-on
	12-1/2	2000	118	PW-28-2548-RT	8 x 2	Rubber/Mold-on
	12-1/2	1200	111	PW-28-2548-FPN	8 x 2-1/2	Full Pneumatic
	15	1400	115	PW-210-2548-FPN	10 x 3-1/2	Full Pneumatic
	19	1800	132	PW-212-2548-FPN	12 x 3-1/2	Full Pneumatic
	9-1/2	1300	106	PW-25-2548-HC	5 x 2	Hi-Cap/Mold-on
30 x 60	10-1/4	1700	109	PW-26-2548-HC	6 x 2	Hi-Cap/Mold-on
	12-1/2	2000	118	PW-28-2548-HC	8 x 2	Hi-Cap/Mold-on
	9-1/2	1100	150	PW-25-3060-RT	5 x 2	Rubber/Mold-on
	10-1/4	1600	153	PW-26-3060-RT	6 x 2	Rubber/Mold-on
	12-1/2	2000	162	PW-28-3060-RT	8 x 2	Rubber/Mold-on
	12-1/2	1200	155	PW-28-3060-FPN	8 x 2-1/2	Full Pneumatic
	15	1400	159	PW-210-3060-FPN	10 x 3-1/2	Full Pneumatic
30 x 60	19	1800	176	PW-212-3060-FPN	12 x 3-1/2	Full Pneumatic
	9-1/2	1300	150	PW-25-3060-HC	5 x 2	Hi-Cap/Mold-on
	10-1/4	1700	153	PW-26-3060-HC	6 x 2	Hi-Cap/Mold-on
	12-1/2	2000	162	PW-28-3060-HC	8 x 2	Hi-Cap/Mold-on
	12-1/2	2000	162	PW-28-3060-HC	8 x 2	Hi-Cap/Mold-on

Handle sold separately

FEATURES

- Durable epoxy powder coated finish on all metal parts
- Deck is completely waterproof — will not warp, rot, splinter
- Tongue-and-grooved deck boards for added strength
- 1-1/2" thick deck and cross battens

WHEELS & CASTERS

RUBBER/MOLD-ON		
Wheel Size	Swivel Order No.	Rigid Order No.
5 x 2	N22-5-RT	N32-5-RT
6 x 2	N22-6-RT	N32-6-RT
8 x 2	N22-8-RT	N32-8-RT

FULL PNEUMATIC		
Wheel Size	Swivel Order No.	Rigid Order No.
8 x 2-1/2	P22-8-FPN	P32-8-FPN
10 x 3-1/2	P22-10-FPN	P32-10-FPN
12 x 3-1/2	P22-12-FPN	P32-12-FPN

HI-CAP/MOLD-ON		
Wheel Size	Swivel Order No.	Rigid Order No.
5 x 2	N22-5-HC	N32-5-HC
6 x 2	N22-6-HC	N32-6-HC
8 x 2	N22-8-HC	N32-8-HC



Copyright© 2007
All rights reserved

PLATFORM TRUCKS



FOLDING TABLE TRUCKS

All-welded steel constructed table trucks are built to make for easy moving and storing of both rectangular and round folding tables.

Tubular frame design has cross bracing and formed channel caster mounts. Tables are protected from scratching with solid, high-density polymer bolt-on protector strips. Trucks maneuver easily using two swivel and two rigid casters with non-marking, 5" wheels. All handles are made of 1-5/16" diameter round tubing.

The round table truck will edge stack 6 to 8 round, folded tables 48" to 72" in diameter.

The rectangular table truck will flat stack 10 to 12 folded tables, 48" to 84" in length. Both trucks have a green epoxy powder coated finish for durability. Shipped knocked down.



RDT-3054-5PBB



RTT-3072-5PBB

FEATURES

- ☑ Tables protected from damage with solid, high-density polymer bolt-on protective strips
- ☑ Round table truck will stack 6-8 folded tables
- ☑ Rectangular table truck will stack 10-12 folded tables



Copyright© 2007
All rights reserved

Deck Size	Deck Height	Ship Weight	Part No.	Swivel Caster Model No.	Rigid Caster Model No.	No. of Tables per Truck	Table Size
30 x 54	7	55	RDT-3054-5PBB	03-5-PBB*	13-5-PBB	6 - 8	48 - 72 round
30 x 72	7	55	RTT-3072-5PBB	03-5-PBB*	13-5-PBB	10 - 12	48 - 84 long

* Foot brakes available for swivel casters Handle sold separately

Manufacturer's Note: Trucks may also be ordered with 4 swivel casters for increased maneuverability

STEEL HANDTRUCKS



MCG & MCW CONVERTIBLE

Capacity to 350 lbs.



MCW-1630-8PN

Convertible Truck Specifications				
Part No.	2-Wheel Load Capacity	4-Wheel Load Capacity	Height	Ship Weight
MCG-1630-8PN	300	350	44	28
MCW-1630-8PN	300	350	44	28

Convertible Truck Wheel Specifications					
Load Wheel Type	Load Wheel Size	Wheel Model No.	Swivel Wheel Size	Swivel Wheel Type	Caster Model No.
Semi-Pneumatic	8 x 1-3/4	SP8-111	3 x 1-1/4	Soft Rubber	S11-02-3SR

FEATURES

- ☑ 10-gauge, Super Slik™ nose plate
- ☑ Non-marking vinyl edging around deck
- ☑ Durable gray epoxy powder coated finish

Ideal for medium and small packages in offices, hospitals, schools or hotels. Converts quickly from a 300 lb. capacity 2-wheeler to a 350 lb. capacity 4-wheeler. Ruggedly built with a 1" tubular steel handle, steel bracing under platform and the Fairbanks 8" x 14", 10-gauge Super Slik™ nose plate. 16" x 30" platform in oak wood grain (W) or gray textured (G) finish with rounded corners and full wrap-around, non-marking, vinyl edging. 8" semi-pneumatic tires and 3" soft rubber swivel casters offer mobility on floors and carpets. Durable gray epoxy powder coated finish. Shipped knocked down.



SNAP-ON DECKS FOR CONVERTIBLE HANDTRUCKS

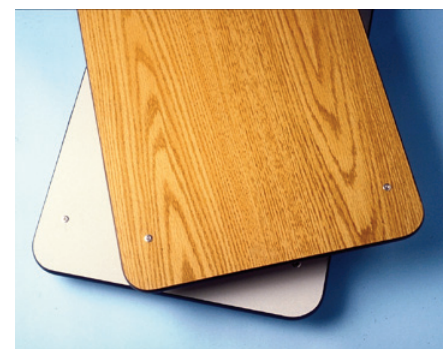
Convertible Truck Snap-On Deck			
Part No.	Deck Size	Deck Finish	Ship Weight
1630-IDG	16 x 30	Gray	8.0
1630-IDW	16 x 30	Oak	8.0

FEATURES

- ☑ Easily snaps on and off all Fairbanks convertible handtrucks
- ☑ Non-marking vinyl edging around deck

Now you can turn your Fairbanks convertible truck into a platform truck with this handy Snap-On/Snap-Off deck. An optional 16" x 30" deck has rounded corners and a full wrap-around, non-marking, vinyl edging. Easily snaps on and off all Fairbanks convertible trucks. Select oak wood grain or gray non-slip finish. Shipped knocked down in a UPSable box.

The Snap-On/Snap-Off Deck will fit the following convertible trucks: **MCS-1436-8PN, CVN-1500-10FPN and CVN-1500-10PN**



1630-IDG & 1630-IDW

STEEL HANDTRUCKS



CVN 1500 CONVERTIBLE

Capacity to 800 lbs. in 4-wheel position

Packed with all the features of our 800 lb. capacity steel handtrucks, this heavy-duty, dual-purpose truck converts from a 2-wheeler to 4-wheeler and back quickly and easily with a new, unique adjustable height snap button system. The 1-1/4" steel tubing gives it lasting durability. As a platform truck, it features a comfortable 48-1/2" high push handle and two center straps with a usable 14" x 40" platform space. Optional Snap-On/Snap-Off, 16" x 30" deck available.



CVN 1500

Part No.	2-Wheel Load Capacity	4-Wheel Load Capacity	Height	Width	Ship Weight
CVN-1500-10PN	800	800	52	14	48
CVN-1500-10FPN	600				46
CVN-1500-10FF	800				50

Load Wheel Size	Load Wheel Type	Wheel Model No.	Caster Wheel Size	Caster Wheel Type	Caster Model No.
10 x 2-3/4	Semi-Pneumatic	SP-10-2A	3 x 1-1/4	Soft Rubber	S11-03-3SR
10 x 3-1/2	Full-Pneumatic	FPN-10-5		Soft Rubber	S11-03-3SR
10 x 3-1/2	Puncture Proof	EEF-10		Soft Rubber	S11-03-3SR

FEATURES

- Super Slik™ nose plate
- Durable green epoxy powder coated finish
- New snap-button system for easy conversion, height adjustment
- Optional snap-on deck available



MCS 1436 CONVERTIBLE

Capacity to 600 lbs. in 4-wheel position



MCS-1436-8PN

This rugged convertible truck is available with a capacity of 500 lbs. as a 2-wheeler, converting to a 600 lb. 4-wheeler with 8" semi-pneumatic wheels with self-lubricating steel bearings. Both trucks use a unique snap-button system for converting from 2-wheel to 4-wheel position and for quick height adjustment of handle. Also feature 1-1/4" steel tubular frame for strength and durability, 3" rubber swivel casters and a overall height of 46".

Part No.	2-Wheel Load Capacity	4-Wheel Load Capacity	Height	Width	Ship Weight
MCS-1436-8PN	500	600	46	14	26

Load Wheel Size	Load Wheel Type	Wheel Model No.	Caster Wheel Size	Caster Wheel Type	Caster Model No.
8 x 1-3/4	Semi-Pneumatic	SP-8-11	3 x 1-1/4	Soft Rubber	S11-02-3SR

FEATURES

- 10-gauge Super Slik™ nose plate
- Durable green epoxy powder coated finish
- New snap-button system for easy conversion and height adjustment
- Optional snap-on deck available

STEEL HANDTRUCKS



MHS SERIES

Capacity to 500 lbs.

FEATURES

- ☑ Robotic welded for greater consistency
- ☑ Green epoxy powder coated for a longer lasting finish
- ☑ Back lip on nose plate adds strength, while holding small loads in place
- ☑ Large 8" x 14" nose plate with Super Slik™ raised runners to help slide load on and off with minimal effort
- ☑ Curved crossbars hold load in place



MHS-111-8PN



MHS-112-8PN



MHS-113-8PN



The
Fairbanks® Company

Since 1830

Copyright© 2007
All rights reserved

Part No.	Handle Style	Load Capacity	Height	Ship Weight	Wheel Order No.
MHS-113-8PN	Loop	500	46	21	SP8-SC
MHS-112-8PN	Double	500	47	20	
MHS-111-8PN	Continuous	500	45	20	



TRASH CONTAINER

Capacity to 250 lbs.

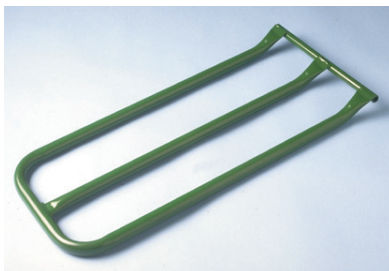
The answer to light applications. The center chime hook and curved cross straps securely hold round containers such as small drums, barrels and garbage cans. The 16" wide, 1" x 16-gauge tubular frame is also ideal for wider cartons. The rear handle brace protects handle when in horizontal position. Furnished with 5" x 1-1/2" solid rubber wheels only. Green epoxy powder coated. All-welded construction.



Trash Container Truck						
Part No.	Load Capacity	Height	Width	Ship Weight	Wheel Type	Nose Plate
B-3079-5SR	250	45	16	20	Soft Rubber	6 x 14



STEEL HANDTRUCK ACCESSORIES



Folding Nose Extension

For all A1448, C114, C118, C115, and C116 steel handtrucks.
(Not for CVN 1500) Model No. 26-3-FN, Ship weight 6 lbs. Size: 12" x 26"

"D" Axle

Fits all 800 lb. capacity industrial steel handtrucks including the CVN1500 2-in-1 truck. Model No. A-1448-D, Ship weight 1.7 lbs.

ALUMINUM HANDTRUCKS



ALUMINUM HANDTRUCKS

Capacity to 600 lbs.

Completely user friendly, heavy-duty all aluminum, modular handtrucks. These lightweight handtrucks are easier to maneuver and have more balance and overall performance than steel handtrucks.



FBAL14-SC-10FPN



FBAL48-SC-10FPN



FBAL18-SC-8ACRT



FBAL14-10FPN



FBAL48-8ACRT



FBAL18-10FPN

Part No.	Wheel Type	Wheel Size	Frame Extension	Overall Width	Overall Height	Ship Weight	Load Capacity
Aluminum Handtrucks with Stairclimbers							
FBAL14-SC-8ACRT	Rubber/Mold-On	8 x 1-5/8	N/A	17	52	25	500
FBAL14-SC-10FPN	Full Pneumatic	10 x 3-1/2	N/A	21	52	28	600
FBAL14-SC-10PN	Semi-Pneumatic	10 x 2-3/4	N/A	18	52	35	600
FBAL14-SC-10FF	Puncture Proof	10 x 3-1/2	N/A	21	52	33	600
FBAL48-SC-8ACRT	Rubber/Mold-On	8 x 1-5/8	Yes	17	51	23	500
FBAL48-SC-10FPN	Full Pneumatic	10 x 3-1/2	Yes	21	51	26	600
FBAL48-SC-10PN	Semi-Pneumatic	10 x 2-3/4	Yes	18	51	33	600
FBAL48-SC-10FF	Puncture Proof	10 x 3-1/2	Yes	21	51	31	600
FBAL18-SC-8ACRT	Rubber/Mold-On	8 x 1-5/8	Yes	17	50	24	500
FBAL18-SC-10FPN	Full Pneumatic	10 x 3-1/2	Yes	21	50	27	600
FBAL18-SC-10PN	Semi-Pneumatic	10 x 2-3/4	Yes	18	50	34	600
FBAL18-SC-10FF	Puncture Proof	10 x 3-1/2	Yes	21	50	32	600

Part No.	Wheel Type	Wheel Size	Frame Extension	Overall Width	Overall Height	Ship Weight	Load Capacity
Aluminum Handtrucks without Stairclimbers							
FBAL14-8ACRT	Rubber/Mold-On	8 x 1-5/8	N/A	17	52	22	500
FBAL14-10FPN	Full Pneumatic	10 x 3-1/2	N/A	21	52	25	600
FBAL14-10PN	Semi-Pneumatic	10 x 2-3/4	N/A	18	52	32	600
FBAL14-10FF	Puncture Proof	10 x 3-1/2	N/A	21	52	30	600
FBAL48-8ACRT	Rubber/Mold-On	8 x 1-5/8	Yes	17	51	20	500
FBAL48-10FPN	Full Pneumatic	10 x 3-1/2	Yes	21	51	23	600
FBAL48-10PN	Semi-Pneumatic	10 x 2-3/4	Yes	18	51	30	600
FBAL48-10FF	Puncture Proof	10 x 3-1/2	Yes	21	51	28	600
FBAL18-8ACRT	Rubber/Mold-On	8 x 1-5/8	Yes	17	50	21	500
FBAL18-10FPN	Full Pneumatic	10 x 3-1/2	Yes	21	50	24	600
FBAL18-10PN	Semi-Pneumatic	10 x 2-3/4	Yes	18	50	31	600
FBAL18-10FF	Puncture Proof	10 x 3-1/2	Yes	21	50	29	600



ALUMINUM CONVERTIBLE HANDTRUCKS

Capacity to 800 lbs.

This high-capacity convertible handtruck easily converts from a 2-wheel handtruck to a 4-wheel platform truck. The truck features a high-strength, double-locking cam mechanism that securely locks the pivoting handle. The frame and cross tubes are made of heavy-duty extruded aluminum. Swivel casters are 5" x 1-1/4" thermoplastic rubber with thread guards.

Part No.	Wheel Type	Wheel Size	Handtruck Size	Handtruck Capacity	Platform Truck Size	Truck Capacity	Ship Weight
FBALCV-15-10FPN	Full Pneumatic	10 x 3-1/2	21 x 52	600	39 x 12 x 42	800	38
FBALCV-15-10PN	Semi-Pneumatic	10 x 2-3/4	21 x 52		39 x 12 x 42		45
FBALCV-15-10FF	Puncture Proof	10 x 3-1/2	21 x 52		39 x 12 x 42		43
FBALCV-20-10FPN	Full Pneumatic	10 x 3-1/2	21 x 6-1/2		49 x 12 x 45		44
FBALCV-20-10PN	Semi-Pneumatic	10 x 2-3/4	21 x 6-1/2		49 x 12 x 45		51
FBALCV-20-10FF	Puncture Proof	10 x 3-1/2	21 x 6-1/2		49 x 12 x 45		49



FBALCV-20-10FPN

ALUMINUM HANDTRUCKS



OPTIONS & REPLACEMENT PARTS



Handle Kits			
Item	Part No.	Specs	Ship Weight
A	FBAL-14-16	16 Height	2.2
B	FBAL-14-24	24 Height	2.9
C	FBAL-48-KIT	14 Height	1.3
D	FBAL-18-KIT	12 Height	1.2
E	FBAL-18-KIT w/ Vinyl	12-1/4 Height	1.5
Handle Only			
F	FBAL-48 Right or Left	14 Height	1.1
G	FBAL-18	12 Height	1.0
H	FBAL-18 w/ Vinyl	12-1/4 Height	1.3
Nose Plates			
I	FBAL-14 Cast	7-1/2 x 14	3.5
J	FBAL-18 Cast	7-1/2 x 18	4.4
K	FBAL-18 Solid	8 x 18	5.8
L	FBAL-20 Folding	20 x 12	2.5
L	FBAL-27 Folding	27 x 12	3.5
Frame Extensions			
M	FBAL-17	17 Height	0.9
N	FBAL-9	9 Height	0.6
Accessories			
O	FBAL Stair Climbers	R or L	1.5
P	FBAL Axle Boxes	R or L	1.0
Q	FBALCV-5TPR Caster	5 x 1-1/4	2.3
Wheels			
R	FPN-10-6	10 x 3-1/2	4.9
S	SP-10-2A	10 x 2-3/4	6.3
T	EFF-10	10 x 3-1/2	6.1
U	8 ACRT	8 x 1-5/8	3.6



Note: All parts are interchangeable on frames.

ORIGINAL OAK HANDTRUCKS



GENERAL PURPOSE Capacity to 600 lbs.

An extremely popular truck. Considered an essential tool in most shipping departments. Unsurpassed for handling small lot merchandise, including round objects in stores, warehouses, manufacturing plants and bakeries. Wooden handles are ideal for cold climates. For extended loads, order 20-1/2" folding nose by specifying FN before truck model number.



FEATURES

- One of the best all-around trucks for many different applications
- Eastern pattern with wheels outside truck frame

WHEELS

Size	Type	Model No.
6 x 2	Rubber/Mold-On+	526-RC

Part No.	Height	Handle Length	Load Capacity	Ship Weight	Frame Top	Nose Width	Nose Length
9215-SRT	46	48	600	41	20-1/2	13-1/2	6
9215-SRT-FN	46	48	600	45	20-1/2	13-1/2	6 - 20

For folding nose only, order 26-3FN (4.9 lbs.)

FEATURES

- All metal parts are epoxy powder coated
- Robotic-welded steel frame
- Rectangular tubing frame uprights
- Replaceable wooden insert handles
- Recessed, straight cross bars
- 13-1/2" x 6" nose iron



THE GENERAL Capacity to 600 lbs.



A combination of the most popular features in a small- to medium-size handtruck. Ideal for warehouses, plants and freight lines.

Part No.	Height	Handle Length	Load Capacity	Ship Weight	Frame Top	Nose Width	Nose Length
2015-SRT	46	24	600	41	21	13-1/2	6

WHEELS

Size	Type	Model No.
6 x 2	Rubber/Mold-On+	526-RC



BAG TRUCK Capacity to 700 lbs.

Specially designed not to damage paper, cloth or burlap bags containing cement, lime, grain, flour, fertilizer and similar materials. Heavy, solid steel nose plate extends 13" up the handles. Straight crossbars strengthened by vertical center strap, parallel handles. Western pattern with wheels inside truck frame.



FEATURES

- Designed not to damage paper, cloth or burlap bags
- Heavy, solid steel nose plate extends 13" up the handles

WHEELS

Size	Type	Model No.
8 x 2	Rubber/Mold-On+	508-SB

Part No.	Height	Handle Length	Load Capacity	Ship Weight	Frame Top	Nose Width	Nose Length
9217-2SRT	49	52	700	72	20	20	8



DRY GOODS TRUCK Capacity to 700 lbs.



Heavy, bulky cases found in the textile and garment industries are easily broken over and balanced due to the long, sloping design of this truck. Three straight crossbars. Eastern pattern with wheels outside truck frame.

Part No.	Height	Handle Length	Load Capacity	Ship Weight	Frame Top	Nose Width	Nose Length
9304-SRT	49	52	700	58	22-1/2	16-1/2	6

+ Semi-Steel center

FEATURES

- All metal parts are epoxy powder coated
- Eastern pattern with wheels outside truck frame

WHEELS

Size	Type	Model No.
8 x 2	Rubber/Mold-On+	508-SB

ORIGINAL OAK HANDTRUCKS



WAREHOUSE TRUCK Capacity to 800 lbs.

Widely regarded as one of the best trucks for handling cartons and crates in stores, warehouses, freight terminals and industrial facilities. Eastern pattern with wheels placed outside truck frame.

Part No.	Height	Handle Length	Load Capacity	Ship Weight	Frame Top	Nose Width	Nose Length
9272-3SRT	51	54	800	56	23	14-1/2	7



FEATURES

- One of the best all around trucks for many different applications
- Eastern pattern with wheels outside truck frame

WHEELS

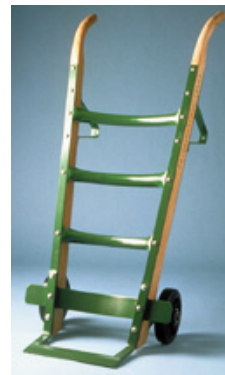
Size	Type	Model No.
8 x 2	Rubber/Mold-On+	508-SB



BARREL TRUCK Capacity to 800 lbs.

Very popular for stevedore work, freight terminals, warehouses, breweries and stores. Four curved cross bars easily handle barrels and drums as well as cartons, boxes and crates. Eastern pattern with wheels outside truck frame.

Part No.	Height	Handle Length	Load Capacity	Ship Weight	Frame Top	Nose Width	Nose Length
9301-3SRT	51	54	800	60	23	14-1/2	7



FEATURES

- Curved crossbars easily handle barrels and drums as well as cartons and boxes
- Eastern pattern with wheels outside truck frame

WHEELS

Size	Type	Model No.
8 x 2	Rubber/Mold-On+	508-SB

FEATURES

- For heavy, bulky loads packed in cartons, cases
- Great for narrow aisles, doorways

WHEELS

Size	Type	Model No.
8 x 2	Rubber/Mold-On+	508-SB



WAREHOUSE TRUCK Capacity to 800 lbs.



Recommended for handling heavy, bulky merchandise packed in cartons or cases. Ideal for areas where narrow aisles or doorways are encountered. Truck has parallel handles and Western pattern with wheels placed inside truck frame.

Part No.	Height	Handle Length	Load Capacity	Ship Weight	Frame Top	Nose Width	Nose Length
9201-3SRT	51	54	800	72	22	22	5

+ Semi-Steel center

Not finding what you're looking for?

Feel free to contact us — We'll be happy to help.

Call toll free at 800-441-9955



ORIGINAL OAK HANDTRUCKS



FREIGHT TRUCK Capacity to 1,000 lbs.

A 57" tall, heavy-duty truck with 10" wheels that handles loads up to 1000 lbs. Two vertical center straps, parallel handles and Western pattern with wheels inside truck frame.

Part No.	Height	Handle Length	Load Capacity	Ship Weight	Frame Top	Nose Width	Nose Length
9202-SRT	57	60	1000	104	23	23	6

WHEELS

Size	Type	Model No.
10 x 2-1/2	Rubber/Mold-On+	510-SC



FEATURES

- Heavy-duty, 57" tall truck with 10" wheels
- Handles small and large loads up to 1000 lbs
- Western pattern with wheels inside truck frame



FEED TRUCK Capacity to 1,000 lbs.

Part No.	Height	Handle Length	Load Capacity	Ship Weight	Frame Top	Nose Width	Nose Length
9310-SRT	55	58	1000	91	23-1/2	16-1/2	8-1/4

WHEELS

Size	Type	Model No.
10 x 2-1/2	Rubber/Mold-On+	510-SB

Commonly referred to as the "Five-Bag Grain Truck". Curved handles and straight crossbars. Eastern pattern with wheels outside frame.

FEATURES

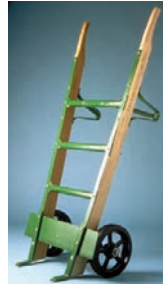
- Known as the "Five-Bag Grain Truck"
- Eastern pattern with wheels outside frame

FEATURES

- Extra-wide bottom crossbar and wheel guard
- Short, stout nose points firmly grip bale



COTTON TRUCK Capacity to 1,500 lbs.



Handles bales of cotton, waste paper and other similarly packed materials. Straight handles and cross bars. Wide bottom crossbar and wheel guard gives added support to load. Short stout nose points firmly grip bale. Eastern pattern with wheels outside frame.

Part No.	Height	Handle Length	Load Capacity	Ship Weight	Frame Top	Nose Width	Nose Length
9213-5RT	61	64	1500	98	26	16-1/2	3

+ Semi-Steel center

WHEELS

Size	Type	Model No.
12 x 2-1/2	Rubber/Mold-On+	512-SA



OAK HANDLES, BOLT & NUT KITS, STEEL LEGS

For 9200 & 9300 Series Wooden Handtrucks

Truck No.	Handle Order No.*	Ship Weight	Bolt Kit Order No.	Ship Weight	Leg Order No.**	Ship Weight	Leg Brace Order No.**	Ship Weight
9215-SRT	9215-S	2.6	9215-SRT Bolt Kit	1.3	T-15	1.0	-	-
9272-3SRT	73-S	4.0	9272-3SRT Bolt Kit	3.1	T-2	1.5	-	-
9301-3SRT	73-S	4.0	9301-3SRT Bolt Kit	3.1	T-2	1.5	-	-
9304-SRT	9304	3.0	9304-SRT Bolt Kit	2.9	T-2	1.5	-	-
9213-5RT	9213-5	7.0	9213-5RT Bolt Kit	3.0	T-4	2.3	74	1.7
9310-SRT	9310	5.0	9310-SRT Bolt Kit	2.5	T-4	2.3	74	1.7
9201-3SRT	23	4.7	9201-3SRT Bolt Kit	2.8	T-2	1.5	-	-
9202-SRT	24-S	6.0	9202-SRT Bolt Kit	2.5	T-4	2.3	74	1.7
2015-SRT	M-24	2.0	-	-	-	-	-	-
9217-2SRT	9217-S	4.0	9217-2SRT Bolt Kit	2.6	T-1	1.3	-	-

* Order No. is for one handle only ** Order No. is for one leg/brace only



STEEL DOLLIES

Capacity to 2,000 lbs.

FEATURES

- ☑ Tough, heavy-duty steel, open frame design
- ☑ Solid platform dollies formed from 11-gauge steel
- ☑ "LU" & "LD" feature 1" lips on all sides
- ☑ All models have towing eye
- ☑ Optional solid steel rod handle

Find our new Lip-Up/Lip-Down dollies with bolt-on casters in The Fairbanks Company's Value Line catalog

"AI" heavy-duty, open frame dolly has 2" x 1-1/2" x 1/8" welded angle iron, flush top frame. Built to withstand tough factory, warehouse and loading dock requirements. Handles extra heavy loads up to 2000 lbs.*



AI-1830-4HR

Angle iron open frame dolly

Lip-Up and Lip-Down solid platform dollies are formed from a single 11-gauge steel sheet and have 1" lips on all sides. Lip-Up (LU) dollies are ideal for retaining heavy loads. Select Lip-Down (LD) models when a flush, solid steel deck is preferred.

All dollies are equipped with four double ball race, swivel casters welded to the frame.

Select either 4" x 1-1/2" hard rubber (HR) wheels, with self-lube bearing, or semi-steel (IW) wheels. Both types of wheels allow for great maneuverability in confined areas and narrow aisles. Durable green epoxy finish.

All steel dollies are shipped knocked down and boxed.

*Rating based on evenly distributed loads



H-37
Towing Handle

For easy movement with heavy loads, all dolly models have a towing eye. The H-37 towing handle is ordered separately. The 3/8" diameter steel rod handle is 37" long.



LU-1830-4HR
Lip-up dolly



LD-1830-4HR
Lip-down dolly

Angle Iron Dollies (AI)				
Deck Size	Part No.	Deck Height	Load Capacity*	Ship Weight
16 x 27	AI-1627-4HR	5-1/2	1600	29
	AI-1627-4IW		2000	32
18 x 30	AI-1830-4HR		1600	30
	AI-1830-4IW		2000	33
24 x 36	AI-2436-4HR		1600	32
	AI-2436-4IW		2000	35

Manufacturer's Note: Dollies shipped knocked down and boxed

* Rating based on evenly distributed loads

Lip-Up Dollies (LU)				
Deck Size	Part No.	Deck Height	Load Capacity*	Ship Weight
16 x 27	LU-1627-4HR	5-3/8	1600	33
	LU-1627-4IW		2000	36
18 x 30	LU-1830-4HR		1600	37
	LU-1830-4IW		2000	40
24 x 36	LU-2436-4HR		1600	55
	LU-2436-4IW		2000	58

Manufacturer's Note: Dollies shipped knocked down and boxed

* Rating based on evenly distributed loads

Lip-Down Dollies (LD)				
Deck Size	Part No.	Deck Height	Load Capacity*	Ship Weight
16 x 27	LD-1627-4HR	5-3/8	1600	33
	LD-1627-4IW		2000	36
18 x 30	LD-1830-4HR		1600	37
	LD-1830-4IW		2000	40
24 x 36	LD-2436-4HR		1600	55
	LD-2436-4IW		2000	58

Manufacturer's Note: Dollies shipped knocked down and boxed

* Rating based on evenly distributed loads

SPECIALTY DOLLIES



PANEL MOVER Capacity to 2,000 lbs.



PM-2838-5PRB

The ideal panel and sheet truck for the office, plant and warehouse. It can handle partitions, doors, folding tables, windows and sheet material such as plywood and wall boards along with tubing materials. The three removable tubular handles are 1.315" dia. x 26" high with protective nylon sleeve webbing. The three cross rails are carpet padded to protect loads and prevent load shifting. All welded construction has an epoxy powder coated finish for durability. Equipped with your choice of wheels. Shipped knocked down (KD) and boxed.

Handle Height Above Deck

26-1/2" above tube cross members
25-1/2" above carpet cross members

Deck Size	Deck Height [^]	Load Capacity	Overall Height	Part No.	Ship Weight ^{^^}	Wheel Size	Wheel Type
28 x 38	9	1400	35-1/2	PM-2838-5RT	83	5 x 2	Rubber/Mold-On*
		2000		PM-2838-5PO	85		Polyurethane*
		2000		PM-2838-5PRB	79		Polyurethane**
		2000		PM-2838-5PDR	76		Polyolefin
	9-3/4	1600	36-1/4	PM-2838-6RT	86	6 x 2	Rubber/Mold-On*
		2000		PM-2838-6PO	91		Polyurethane*
		2000		PM-2838-6PRB	81		Polyurethane**
		2000		PM-2838-6PDR	77		Polyolefin

[^] Deck heights listed with carpet protection kit. Deduct 1-1/4" from deck height if ordered without kit
^{^^} Ship weights listed with carpet protection kit. Deduct 4.0 lbs. from ship weight if ordered without kit
 * Semi-Steel center ** Polyurethane/Polyethylene center

FEATURES

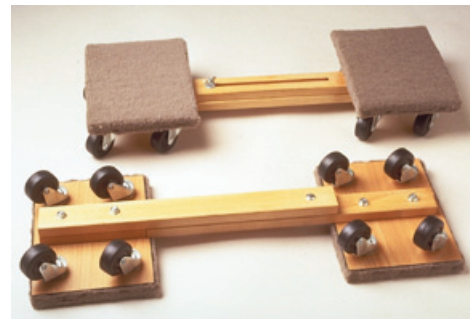
- Maximum floor protection
- Non-marking
- Easy rolling
- High resistance to corrosion, rust, chemicals, solvents, oils



ADJUSTABLE TWIN SKATE DOLLY

Skate dolly twin frames can be enlisted to meet odd-sized or odd-shaped objects such as appliances, pianos, cabinets and furniture. Center bolt with wing nut makes for easy adjustment of skate dolly twin frames from 24" up to 32" long. Skate dolly twin frames are made of kiln-dried oak and each 8-3/4" x 6-1/2" twin platform deck is carpet covered to protect load. Each dolly twin frame has eight swivel casters with soft or hard rubber wheels.

Skate dolly twin frames, are sold in pairs only, consisting of two complete twin frames with sixteen swivel casters. Overall height 3-3/8". Load capacity up to 700 lbs. per pair. UPSable.



AD-8524-022H

FEATURES

- Easy adjustment
- Load protection

Frame Size	Part No.	Adjustable Size	Deck Height	Wheel Type	Caster Order No.	Capacity Per Pair	Ship Weight
8-1/2 x 24	AD-8524-022H	24 to 32	3-3/8	Hard Rubber	S11-02-2HR	700	15

SPECIALTY DOLLIES



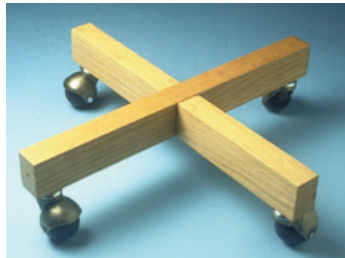
PLANTER DOLLIES Capacity to 400 lbs.

FEATURES

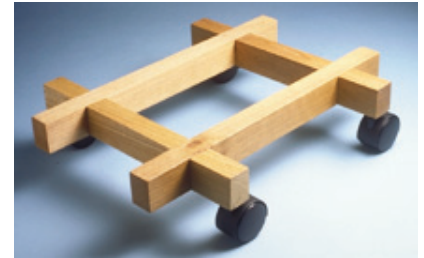
- Oak construction
- Easy rolling
- Quick and easy assembly

Ideal for office or light industrial work. Features varnished, 2" thick, oak construction for extra support. Designed to accommodate round or square containers. Rolls on 2-1/4" black polymer, hooded stem casters. Easily rolls over all types of flooring. Easy snap together assembly — no glue, screw or nails required. Shipped knocked down (KD) in a UPSable box.

Part No.	Load Capacity	Overall Height	Ship Weight
UX-2020	400	4-1/2	6
UH-1620	400	4-1/2	8



UX2020



UH1620



AT-02 DOLLY Capacity to 400 lbs.



AT-02-1525-3SR

Ideal for 15" x 25" loads, especially to carry vertical, letter-sized filing cabinets. Lightweight, maneuverable and easy to store. It has a welded 1" square, tubular steel frame with reinforced gusset corners and protective vinyl end caps. It is easy to roll on four light-duty, swivel stem casters with soft rubber tread wheels. Green epoxy powder coated finish for durability. Shipped knocked down (KD) in a UPSable box.

Frame Size	Part No.	Load Capacity*	Ship Weight	Deck Height	Caster Order No.
15 X 25	AT-02-1525-3SR	400	9.0	4-3/4	S11-02-3SR

* Rating based on evenly distributed loads



Movin' Things BY FAIRBANKS KD MOVERS DOLLIES

Capacity to 1,000 lbs.

Unlike wood dollies, these do not splinter, warp, or crack. Thick, tough polymer coated 4" wide, steel end members protect the load. Durable gray epoxy powder coat finish on side members. For easier loading and unloading, dolly is only 4-3/8" off the ground. Easy rolling, 3" swivel polyolefin casters. For shops, offices or warehouses. Shipped knocked down (KD) in a UPSable box.

Frame Size	Part No.	Load Capacity*	Ship Weight	Deck Height	Caster Order No.
16 x 24	MMS-1624-3PH	1000	14	4-3/8	E23-3-PH
18 x 30	MMS-1830-3PH	1000	16	4-3/8	
24 x 36	MMS-2436-3PH	1000	19	4-3/8	

* Rating based on evenly distributed loads



MMS-1830-3PH
Patent# D340562

MOVIN' THINGS™ DOLLIES



Movin' Things
BY FAIRBANKS

MT SERIES DOLLIES

Capacity to 1,000 lbs.

The MT Series open-top, steel dolly has been engineered for both function and design by using a reliable combination of steel sides with wood or plastic, load bearing end members. All MT Series steel dollies feature gray epoxy powder coated, formed side members with lengthwise sectioning for greater strength and 1" raised end members.

Please note that all MT Series dollies are shipped knocked down (KD) in a UPSable box.



**Lengthwise Sectioning
on Steel Side Members**



MT24-1830-3HR
w/ Polypropylene ends

High-Density Polypropylene						
Deck Size	Part No.	Height	Wheel Type	Wheel Size	Load Capacity *	Ship Weight
18 x 30	MT24-1830-3HR	5	Solid Hard Rubber	3	1000	13
	MT24-1830-3PH	5	Polyolefin	3		12
	MT24-1830-4HR	6-1/4	Solid Hard Rubber	4		18
	MT-24-1830-4PH	6-1/4	Polyolefin	4		15



MT25-1830-3HR
w/ Oak ends

Oak Raised End Members						
Deck Size	Part No.	Height	Wheel Type	Wheel Size	Load Capacity *	Ship Weight
18 x 30	MT25-1830-3HR	5	Solid Hard Rubber	3	1000	11
	MT25-1830-3PH	5	Polyolefin	3		10
	MT25-1830-4HR	6-1/4	Solid Hard Rubber	4		16
	MT25-1830-4PH	6-1/4	Polyolefin	4		13



MT26-1830-3HR
w/ Carpet ends

Carpet Covered Oak Raised End Members						
Deck Size	Part No.	Height	Wheel Type	Wheel Size	Load Capacity *	Ship Weight
18 x 30	MT26-1830-3HR	5-1/4	Solid Hard Rubber	3	1000	15
	MT26-1830-3PH	5-1/4	Polyolefin	3		14
	MT26-1830-4HR	6-1/2	Solid Hard Rubber	4		21
	MT26-1830-4PH	6-1/2	Polyolefin	4		18



MT27-1830-3HR
w/ Rubber Cap ends

Rubber Capped Oak Raised End Members						
Deck Size	Part No.	Height	Wheel Type	Wheel Size	Load Capacity *	Ship Weight
18 x 30	MT27-1830-3HR	5-1/4	Solid Hard Rubber	3	1000	17
	MT27-1830-3PH	5-1/4	Polyolefin	3		16
	MT27-1830-4HR	6-1/2	Solid Hard Rubber	4		23
	MT27-1830-4PH	6-1/2	Polyolefin	4		20

* Ratings based on evenly distributed loads

HARDWOOD DOLLIES



HARDWOOD DOLLIES

Capacity to 1,000 lbs.

Flush, Open Style

Deck Size	Part No.	Height	Wheel Type	Wheel Size	Load Capacity*	Ship Weight
16 x 24	T-14-1624-3HR	5-3/4	Solid Hard Rubber	3	1000	19
	T-14-1624-3PH	5-3/4	Polyolefin	3		18
	T-14-1624-4HR	7	Solid Hard Rubber	4		24
	T-14-1624-4PH	7	Polyolefin	4		22
16 x 27	T-14-1627-3HR	5-3/4	Solid Hard Rubber	3		20
	T-14-1627-3PH	5-3/4	Polyolefin	3		19
	T-14-1627-4HR	7	Solid Hard Rubber	4		25
	T-14-1627-4PH	7	Polyolefin	4		23
18 x 30	T-14-1830-3HR	5-3/4	Solid Hard Rubber	3		20
	T-14-1830-3PH	5-3/4	Polyolefin	3		19
	T-14-1830-4HR	7	Solid Hard Rubber	4		25
	T-14-1830-4PH	7	Polyolefin	4		23
24 x 36	T-14-2436-3HR	5-3/4	Solid Hard Rubber	3		21
	T-14-2436-3PH	5-3/4	Polyolefin	3		20
	T-14-2436-4HR	7	Solid Hard Rubber	4		26
	T-14-2436-4PH	7	Polyolefin	4		24



T-14-1627-3HR

Solid Top

Deck Size	Part No.	Height	Wheel Type	Wheel Size	Load Capacity*	Ship Weight
16 x 24	T-15-1624-3HR	5-3/4	Solid Hard Rubber	3	1000	21
	T-15-1624-3PH	5-3/4	Polyolefin	3		20
	T-15-1624-4HR	7	Solid Hard Rubber	4		26
	T-15-1624-4PH	7	Polyolefin	4		24
18 x 30	T-15-1830-3HR	5-3/4	Solid Hard Rubber	3		26
	T-15-1830-3PH	5-3/4	Polyolefin	3		25
	T-15-1830-4HR	7	Solid Hard Rubber	4		31
	T-15-1830-4PH	7	Polyolefin	4		29
24 x 36	T-15-2436-3HR	5-3/4	Solid Hard Rubber	3		37
	T-15-2436-3PH	5-3/4	Polyolefin	3		36
	T-15-2436-4HR	7	Solid Hard Rubber	4		42
	T-15-2436-4PH	7	Polyolefin	4		40



T-15-1830-4PH

Oak Raised End Cross Members

Deck Size	Part No.	Height	Wheel Type	Wheel Size	Load Capacity*	Ship Weight
16 x 24	T-25-1624-3HR	6	Solid Hard Rubber	3	1000	14
	T-25-1624-3PH	6	Polyolefin	3		13
	T-25-1624-4HR	7-1/4	Solid Hard Rubber	4		23
	T-25-1624-4PH	7-1/4	Polyolefin	4		21
18 x 30	T-25-1830-3HR	6	Solid Hard Rubber	3		15
	T-25-1830-3PH	6	Polyolefin	3		14
	T-25-1830-4HR	7-1/4	Solid Hard Rubber	4		24
	T-25-1830-4PH	7-1/4	Polyolefin	4		22
24 x 36	T-25-2436-3HR	6	Solid Hard Rubber	3		17
	T-25-2436-3PH	6	Polyolefin	3		16
	T-25-2436-4HR	7-1/4	Solid Hard Rubber	4		26
	T-25-2436-4PH	7-1/4	Polyolefin	4		24



T-25-1830-3PH

* Ratings based on evenly distributed loads

LEVER DOLLIES



C SERIES OAK Capacity to 5,000 lbs.



Fairbanks' C Series lever dollies feature kiln-dried, 1-3/4" thick, oak handles with rounded edges. Reversed beveled nose iron is 6" wide x 3" deep and bolted to the handle and heavy-duty axle. Handle lengths are 60", 72" and 84". Wheel options are: Semi-steel with plain bore (IW), solid hard rubber with Delrin bearings (HRI), polyurethane mold-on cast on and rubber mold-on cast iron (RT). Lever dollies typically used in pairs.

C Series Oak				
Handle Length	Part No.	Load Capacity	Ship Weight	Wheel Order No.
60	C-60-IW	3500	30	124-A
	C-60-RT	3500	28	525-RC
	C-60-PO	3500	28	825-RC
	C-60-HRI	1000	27	2-315-CC
72	C-72-IW	4250	33	124-A
	C-72-RT	4250	31	525-RC
	C-72-PO	4250	31	825-RC
	C-72-HRI	1000	30	2-315-CC
84	C-84-IW	5000	35	124-A
	C-84-RT	5000	33	525-RC
	C-84-PO	5000	33	825-RC
	C-84-HRI	1000	32	2-315-CC



E SERIES OAK HARDWOOD Capacity to 5,000 lbs.



These husky, durable E Series lever dollies easily get under extremely heavy loads with the reversed beveled nose iron, which is bolted to the handle for greater strength. E Series lever dollies have a 5" wide x 3" deep nose iron and the oak hardwood handles have smooth, rounded edges. Wheel options are: Semi-steel with plain bore (IW), polyurethane mold-on cast iron (PO), and rubber mold-on cast iron (RT). Lever dollies typically used in pairs.

E Series Hardwood				
Handle Length	Part No.	Load Capacity	Ship Weight	Wheel Order No.
60	E-60-IW	3500	29	124-A
	E-60-PO	3500	27	825-RC
	E-60-RT	3500	26	525-RC
72	E-72-IW	4250	31	124-A
	E-72-PO	4250	29	825-RC
	E-72-RT	4250	28	525-RC
84	E-84-IW	5000	33	124-A
	E-84-PO	5000	31	825-RC
	E-84-RT	5000	30	525-RC

C/E72 Axle

10-3/4" in length
7/8" in diameter

C/E72-L Axle

11-3/4" in length
3/4" in diameter

Lever Dolly Parts								
Lever Dolly No.	Handle Order No.	Ship Weight	Nose Iron Order No.	Ship Weight	Axle Order No.	Ship Weight	Axle Order No.	Ship Weight
C60	C60-HDL	12	C72 Nose Iron	12	C72 Axle*	2.9	C72-L Axle**	2.6
C72	C72-HDL	14		12		2.9		2.6
C84	C84-HDL	16		12		2.9		2.6
E60	E60-HDL	10	E72 Nose Iron	8	E72 Axle*	2.6	E72-L Axle**	2.3
E72	E72-HDL	12		8		2.6		2.3
E84	E84-HDL	14		8		2.6		2.3

* Axle for IW wheels ** Axle for HRI, PO and RT wheels

DRUM TRUCKS



DRUM TRUCKS

Capacity to 1,000 lbs.

A husky, "workhorse of the industry", barrel truck with two-column frame design which is more stable than a single-column frame. Properly cradles drums weighing up to 1000 lbs. Adjustable chine hook engages 30- and 55-gallon drum rims. As truck is pulled backward into wheels, the drum is automatically positioned onto the chamfered nose toes. Select 10" x 2-1/2" rubber mold-on (RT), easier rolling high-capacity rubber mold-on (HC) or long-lasting semi-steel (IRB) wheels.

9090					
Part No.	Height	Load Capacity	Ship Weight	Handle Width	Nose Width
9090-RT	58	1000	75	20	17
9090-IRB	58	1000	74	20	17
9090-HC	58	1000	75	20	17



9191-RT

Similar to the 9090 model, but stands by itself and out of the way when not in use. Spring loaded, floating axle assists in breaking over load. Designed so the load is balanced over and ahead of the wheels for easy maneuvering. Two types of wheels available.

WHEELS

9090		
Size	Type	Model No.
10 x 2-1/2	Rubber/Mold-On	510-SB
10 x 2-1/2	Semi-Steel	110-SRD
10 x 2-1/2	Hi-Cap/Mold-On	910-SB
9191		
Size	Type	Model No.
10 x 2-1/2	Rubber/Mold-On	510-SB
10 x 2-1/2	Hi-Cap/Mold-On	910-SB

FEATURES

- Two-column frame design more stable than single-column frame
- Adjustable chine hook
- Chamfered nose toes



9090-RT

9191					
Part No.	Height	Load Capacity	Ship Weight	Handle Width	Nose Width
9191-RT	58	1000	80	20	17
9191-HC	58	1000	80	20	17

DRUM CRADLES



50 SERIES STEEL DRUM CRADLES

Capacity to 700 lbs.

Available in two styles: Knocked down (KD) packaged in convenient, protective UPSable cartons or factory welded for maximum strength and rigidity, also UPS shippable. Both have 700 lb. capacity and rugged steel angle iron construction for long life. We offer the largest variety of models available in the industry. Select from rigid wheels or easily steered models with swivel casters and retractable steel handles with rim hook. Wheels are non-spark polyolefin or semi-steel.

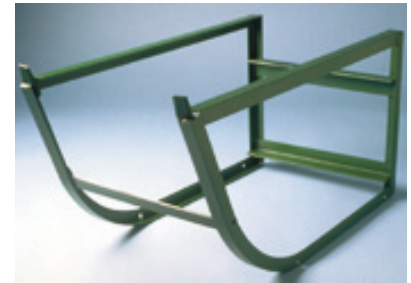


55-H-PH
w/ 2 wheels, 2 casters and steel handle

All Steel Drum Cradles Knocked down models (KD)								
Part No.	Height	Drain Height	Load Capacity	Ship Weight	Wheel Size	Wheel Type	Wheel Order No.	Caster Order No.
55-H-IW**	18	16	700	38	2-1/2 x 1	Semi-Steel	2-1/2 MC	E23-3-IW
55-H-PH**		16	700	36	2-1/2 x 1-1/8	Polyolefin	602-XB	E23-3-PH
56-PH		16	700	34.5	2-1/2 x 1-1/8	Polyolefin	602-XB	-
56-H-PH**		16	700	38	2-1/2 x 1-1/8	Polyolefin	602-XB	-

All Steel Drum Cradles Factory-welded models								
Part No.	Height	Drain Height	Load Capacity	Ship Weight	Wheel Size	Wheel Type	Wheel Order No.	Caster Order No.
50	17	15-3/4	700	29	-	-	-	-
51-IW	18	16	700	33	2-1/2 x 1	Semi-Steel	2-1/2 MC	E23-3-IW
51-PH		16	700	34	2-1/2 x 1-1/8	Polyolefin	602-XB	E23-3-PH
51-H-IW**		16	700	35-1/2	2-1/2 x 1	Semi-Steel	2-1/2 MC	E23-3-IW
52-IW		16	700	34	2-1/2 x 1	Semi-Steel	2-1/2 MC	-
52-H-PH**		16	700	36-1/2	2-1/2 x 1-1/8	Polyolefin	602-XB	-

* w/ wooden telescoping handles ** w/ steel telescoping handles



50
Drum cradle



60 SERIES STEEL DRUM CRADLES

Capacity to 700 lbs.



62-WH-IW
w/ 4 wheels and oak handle

Drum cradles can handle 30- and 55-gallon drums up to 1000 lbs. The 61 and 62 have two telescoping oak handles that provide proper leverage for pulling drum from vertical to horizontal. Rim hook fits drum and holds it in place while tilting. One man can lift, drain or transport heavy drums with ease. Cradle is UPSable.

All frame widths measure 17-1/2". Overall length of oak handled models with handle extended is 66-1/4". Oak handled models have two telescoping tipping handles.

FEATURES

- Telescoping oak handle
- Handles drums up to 1000 lbs.
- Rim hook holds drum in place while tilting
- Easy one-man operation — lifting, moving and draining heavy drums

Drum Cradles w/ Oak Handles Factory-welded models								
Part No.	Height	Drain Height	Load Capacity	Ship Weight	Wheel Size	Wheel Type	Wheel Order No.	Caster Order No.
61-WH-IW*	18-3/4	16-3/4	1000	43	4 x 1-1/4	Semi-Steel	104-B	03-3-IW
62-WH-IW*		16-3/4	1000	42	4 x 1-1/4	Semi-Steel	104-B	-
62-WH-PH*		16-3/4	1000	36	4 x 1-1/4	Polyolefin	1-604-OA	-

DRUM DOLLIES



Movin' Things
BY FARIBANKS

DRUM DOLLIES Capacity to 1,000 lbs.

Tested under severe conditions. Durability and ruggedness are achieved by a sturdy steel frame with a unique, formed cross section and a long-lasting gray epoxy powder coated finish. 1-1/2" lip height on MDS-24 models, 5/8" lip height on MDS-20 models. 3" swivel polyolefin casters are located directly under the load for added stability. Dollies can be used to transport round or square containers. Shipped knocked down in a UPSable box.



MDS-24-3PH
Patent# D340563

Heavy-Duty Drum Dolly			
Part No.	Load Capacity	Drum Size	Ship Weight
MDS-20-3IW	1000	Up to 19	15
MDS-20-3PH	1000	Up to 19	12
MDS-24-3PH	1000	Up to 24	12

FEATURES

- Stabilizing lip for extra security for round or square 55-gallon containers
- Epoxy powder coat finish



STEEL DRUM DOLLIES

Capacity to 1,000 lbs.



427-HR

Easily transports 30- and 55-gallon drums weighing up to 1000 lbs. Steel outrigger design provides wide, stable stance for swivel casters and also protects casters. Available with welded on or easily replaceable bolted-on casters. 2-1/2" deep lip frame with cross straps. Available with polyolefin, hard rubber or semi-steel wheels. Knocked down models have bolted-on casters and are packaged in UPSable boxes with casters unmounted.

FEATURES

- Transports 30- and 55-gallon drums up to 1000 lbs.
- 2-1/2" deep lip frame with cross straps

Circular Drum Dolly							
Part No.	Load Capacity	Ship Weight	Frame Diameter	Wheel Size	Wheel Type	Caster Order No.	Caster Type
427-IW	1000	20	24	3	Semi-Steel	21-3-IW	Plate
427-HR		19			Solid Hard Rubber	21-3-HR	
427-PH		18			Polyolefin	21-3-PH	
KD427-IW		23			Semi-Steel	21-3-IW	
KD427-HR		21			Solid Hard Rubber	21-3-HR	
KD427-PH		20			Polyolefin	21-3-PH	