

# CRYSTAL PRO

POU Water Cooler



**Model: CRSP3KHK1C** (Hot, Cook & Cold)

**Voltage:** 100-115VAC 60Hz, single phase

**Amp Draw:** : 5.5 amps

**Dimensions:**

15.4"(W) X 14.8 "(D) X46.3"(H)

**Net Weight** (approx.):51 lbs.

**Refrigerant Type:** R134a

**Refrigerant Charge:** 1.4 oz

**Noise Level:** 45dB(A)



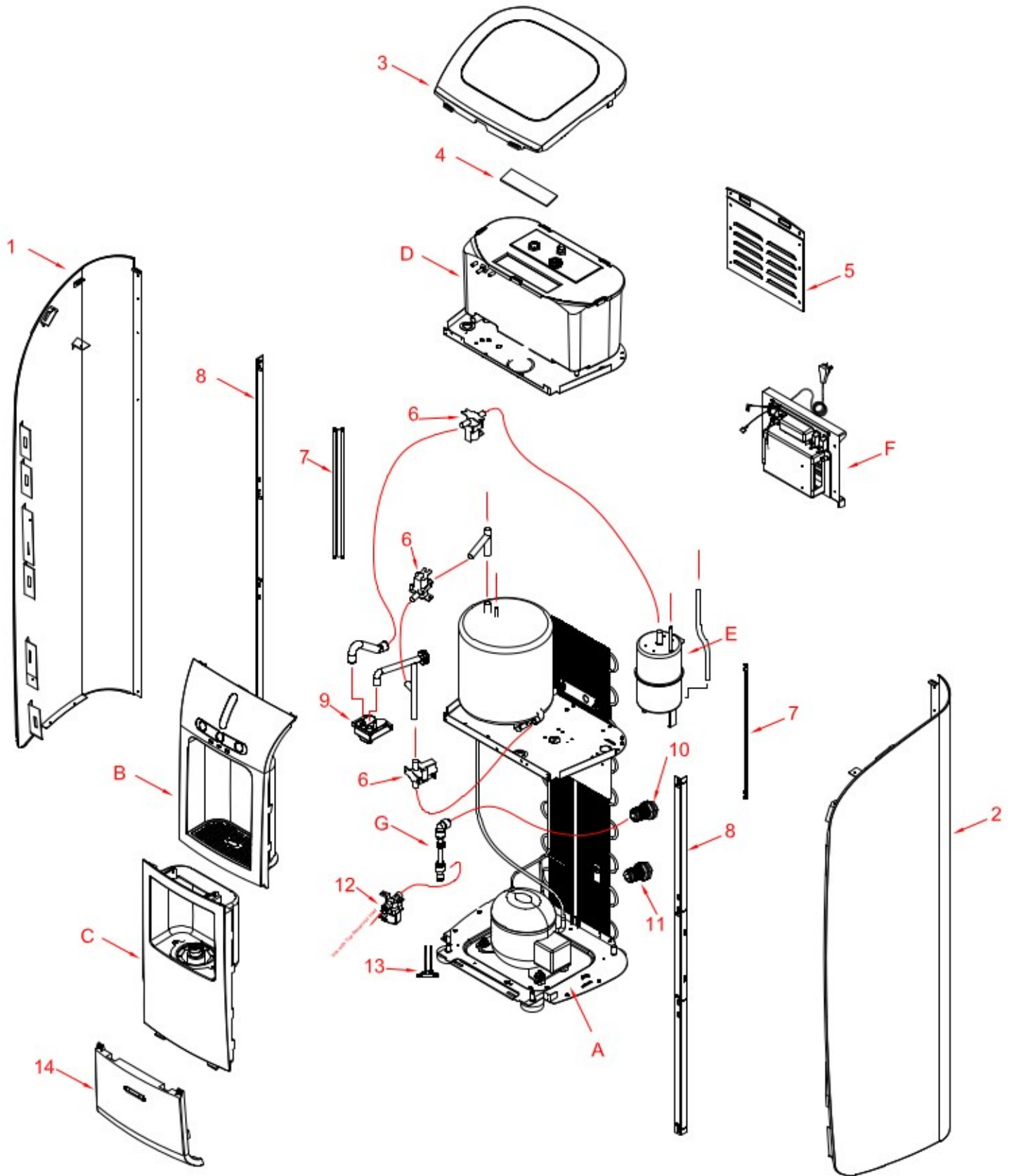
Crystal Mountain Products, Inc. • 1000 H Taylor Station Rd • Gahanna OH 43230

614.454.1618 • 614.866.7765 Fax • [www.crystalcoolers.com](http://www.crystalcoolers.com)

Copyright © 2020

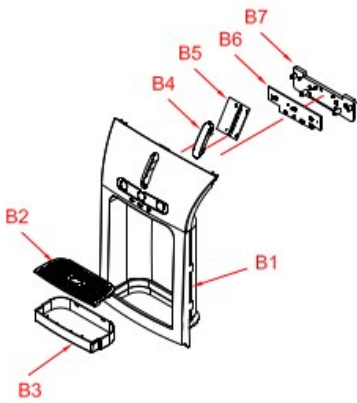
Form 2001

# PARTS DIAGRAM: CRSP3KHK1C

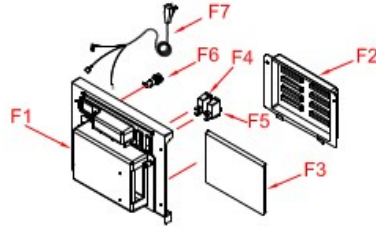


# PARTS DIAGRAM DETAIL: CRSP3KHK1C

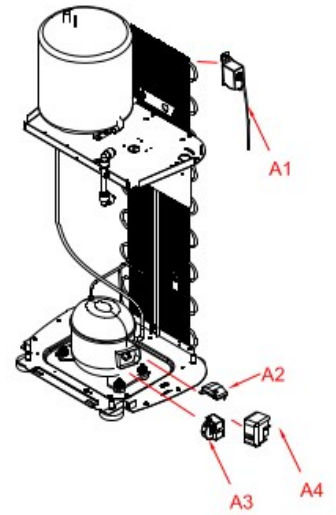
B Upper Front Panel Assembly



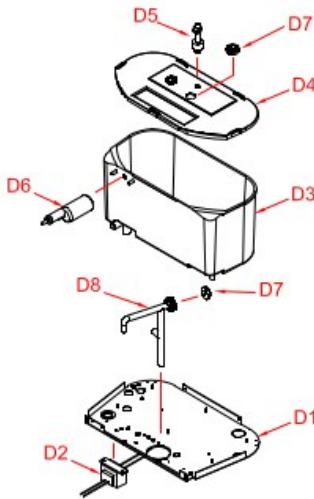
F PCBA + PCBA BOX Assembly



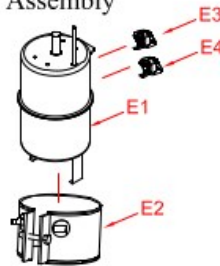
A Refrigeration System



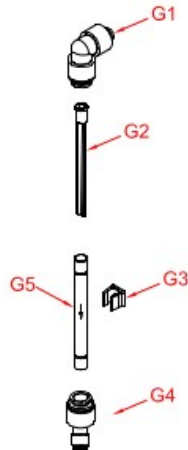
D Top Shelf + Top Reservoir Assembly



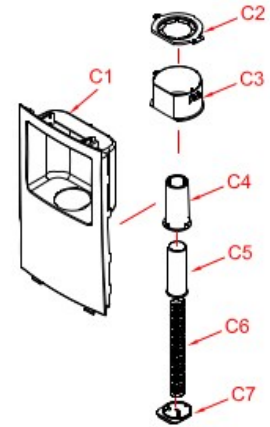
E Hot Tank Assembly



G 3/8in PushFit Connector Assembly



C Middle Front Panel Assembly



# PARTS LISTING: CRSP3KHK1C

DESCRIPTION	Part Number
1 Side Panel, Left.....	SMT-C400002
2 Side Panel, Right.....	SMT-C400003
3 Top Cover.....	SUB-C400032
4 Lamp, Logo.....	ELE-C100419
5 Cover, Back.....	SMT-C400005
6 Solenoid, Low Pressure 24V DC (3 in unit).....	POU-C400001
7 Support Bracket, Rear Upper (2 in unit).....	SMT-C400008
8 Support Bracket, Front (2 in unit).....	SMT-C400007
9 Water Outlet.....	PLC-C400015
10 Bulkhead Ftg, JG 1/4 x 1/4.....	POU-C000003
11 Bulkhead Ftg, JG 1/4 x 1/4.....	POU-C400012
12 Solenoid, High Pressure.....	POU-C400002
13 Leak Detector Assy.....	SUB-C400014
14 Panel, Lower Front.....	SUB-C400035
A Refrigeration System.....	N/A
A1 Cold Control.....	REF-C400004
A2 Overload.....	REF-C100300
A3 Relay.....	REF-C100229
A4 Cover, Compressor PW2.5DV.....	REF-C100301
B Upper Front Panel Assy.....	SUB-C400033
B1 Upper Front Panel, Black.....	N/A
B2 Grill, Drip Tray.....	PLC-C400011
B3 Drip Tray Base.....	PLC-C400009
B4 Cover, UV.....	N/A
B5 PCB, UV Display.....	N/A
B6 PCB, Push Button Module.....	N/A
B7 Bracket, Push Button, Black.....	N/A
C Middle Front Panel Assy, Black.....	SUB-C400034
C1 Middle Front Panel, Black.....	N/A
C2 Bracket, Cup.....	PLC-C400007
C3 Door Lock.....	PLC-C400008
C4 Cup Dispenser, Outer.....	PLC-C400023
C5 Cup Dispenser, Inner.....	PLC-C400024
C6 Spring, Cup Dispenser.....	FAS-C400011
C7 Cup Dispenser Bottom.....	PLC-C400022
D Top Shelf & Reservoir.....	N/A
D1 Top Shelf.....	SMT-C400013
D2 Transformer (120V/18V/1A).....	ELE-C400033
D3 Reservoir, Ambient.....	PLC-C400001
D4 Lid, Reservoir.....	PLC-C400002
D5 Float, Electronic.....	ELE-C400026
D6 Float Valve, Mechanical.....	POU-C400005
D7 UVC LED Module, 0.8W, 12-24 VDC.....	ELE-C100401
D8 Water Outlet, SS, UV.....	SMT-C100235
E Hot Tank Assy.....	SUB-C400001
E1 Hot Tank, SS.....	N/A
E2 Heater Band.....	ELE-C100298
E3 Heat Limiter.....	ELE-C100170
E4 Thermostat.....	ELE-C100109
F PCB, Box & Cover Assy.....	SUB-C400037
F1 PCB Box.....	PLC-C400017
F2 Cover, PCB.....	PLC-C400018
F3 Main PCB, UVC.....	ELE-C100416
F4 Power Switch, Green.....	ELE-C400007
F5 Power Switch, Red.....	ELE-C400006
F6 Fuse, 10Amp.....	ELE-C400032
F7 Power Cord.....	ELE-C400029
G 3/8" Pushfit Connector Assembly.....	N/A
G1 DM Elbow, 1/4 x 3/8(AEU0604), Gray.....	POU-C100071
G2 In-Line, Screen Filter, 3/8 (70 Mesh).....	POU-C100063
G3 "C" Clip, 8mm, Plastic.....	MIS-C100222
G4 Union, JG 3/8 x 1/4.....	POU-C100026
G5 Tube, SS, 9.5mm OD x 95mm.....	SMT-C100220
Parts Not Shown	
Adjustable Foot.....	MIS-C400006
Filter Bracket.....	SMT-C400006

# WIRING DIAGRAM: CRSP3KHK1C

