

Parts Manual



Savannah (Chatham)

Chassis Numbers 73624-73654

Coach Numbers 3001-3031

T.O.C. Click here to go to the **Table of Contents**

Specs Click here to go to the **Specifications Page**

Index Click here to go to the **Index by Part Number**

Desc. Index Click here to go to the **Index by Part Description**

How To Use This Manual

This manual simplifies the task of ordering parts for your Gillig Phantom. Each page illustrates and lists the break-down of parts for a component or system on your coach. This enables maintenance and service personnel to identify and order parts quickly and efficiently. The new two-page format presents parts lists and illustrations on facing pages, facilitating parts identification by providing larger and sharper text and illustrations. Please refer to the illustration on the following page for an explanation of all the common elements used on each page of this manual.

Parts information in this manual is arranged in the same order as the Gillig bill of material. Each page represents a sub-bill from the bill of material. A page may represent more than one bill. Occasionally a single bill can be broken down on more than one page. A list of all bills used on a page appears in the lower right corner of the illustration page. Page numbers, located at the bottom each page, consist of a prefix at the outside, which corresponds to a bill number, and a page number in the center. An extensive table of contents and index is included in this manual to help you identify the part you need. The index lists parts both alphabetically by part name and numerically by part number.

The abbreviations A/R (As Required), and N/S (Not Shown) appear frequently throughout the manual. As Required indicates that a part should be replaced in measurements or quantities determined by the customer. The other abbreviations that appear throughout this manual are taken from the American National Standards Institute (ANSI).

Information in this manual is for the Gillig Phantom coaches listed in this manual only. Do not use this manual as a basis for ordering parts for any other Gillig coaches in your fleet. Additional copies of this or any other Gillig publication may be purchased by contacting the Gillig Parts Department. We hope you find this manual user-friendly, and we welcome your comments, questions, or suggestions regarding this manual or your Phantom coach. You may contact the Gillig Corporation by phone, fax, or letter.

Gillig Corporation
Phone: (800) 735-1500
or (510) 785-1500
Fax: (510) 887-0981
P.O. Box 3008
Hayward, CA 94545

Page Title & Item Description

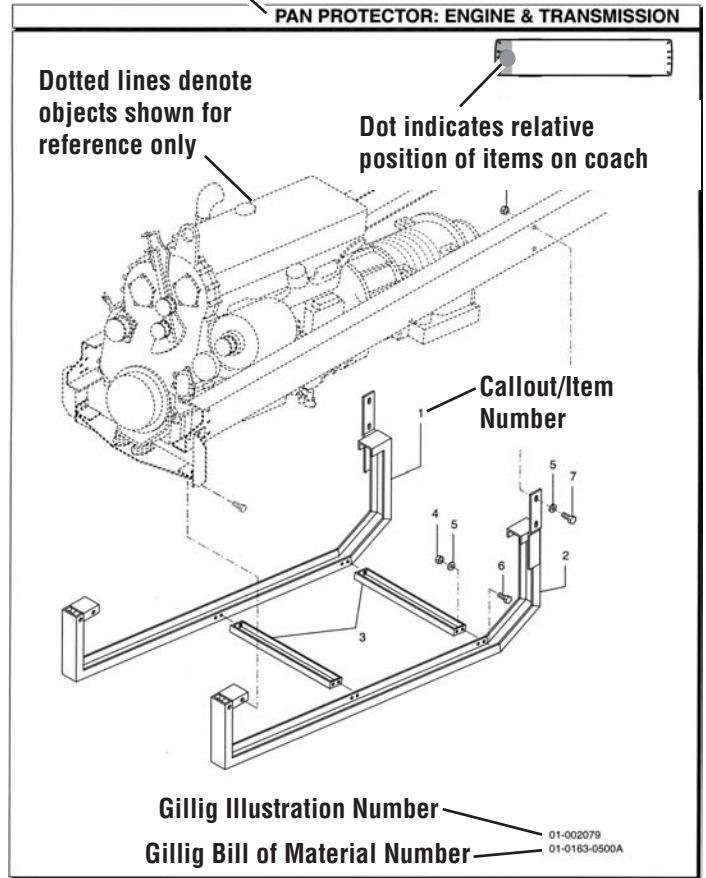
PAN PROTECTOR: ENGINE & TRANSMISSION			
Item	Part No.	Description	Qty
1.	42-33139-000	BRACKET ASM, ENGINE & TRANS	1
2.	42-33139-000R	BRACKET ASM, ENGINE & TRANS	1
3.	42-33190-000	BRACKET ASM, ENGINE & TRANS	2
4.	54-12541-009	NUT, HXHD NYLOCK, 1/2"-13, GR8	12
5.	54-12601-010	WASHER, 1/2" HARD, FLAT	12
6.	54-12589-005	BOLT, FLG HD, 1/2"-13 X 1.50, GR8	8
7.	54-12589-006	BOLT, FLG HD, 1/2"-13 X 1.75, GR8	4

Quantity of item required for this assembly

Item Description

Gillig Part Number

Callout/Item Number



Dotted lines denote objects shown for reference only

Dot indicates relative position of items on coach

Callout/Item Number

Gillig Illustration Number

Gillig Bill of Material Number

01-002079
01-0163-0500A

Page Number

Date page last revised

Page Number

W I N D O W S

GLAZING PART NUMBERS

The base part numbers (82-12026-xxx) are the same for any window of a certain type and size, regardless of the glazing which was installed to comply with customer specifications. The suffix number (82-12026-010) is used to identify the specific glazing desired. The table below lists the various glazings in use at the time this manual was printed. The glazing in your coaches can be found in the Specification Section of this manual. In addition, your Parts Representative will gladly assist you in identifying the unique part number suffix of the glazing used in your coaches. (SAR, Lucite or Alma=Plastic and Lam=Glass). For frames which are clear anodized add 'C' to the appropriate number.

Suffix	Glazing	Suffix	Glazing
x01	1/4" 16% Gray SAR	x02	1/4" 44% Gray Lam
x03	1/4" 28% Gray Lam	x04	1/4" 28% Gray SAR
x05	1/4" 17% Gray Lam	x06	1/4" 73% Green Lam w/o Shade Bar
x07	1/2" 28% Gray SAR	x08	1/4" 89% Clear Lam
x09	1/4" 92% Clear SAR	x10	
x11	1/2" 92% Clear SAR	x12	1/4" 55% Gray Lam
x13	1/4" 76% Gray SAR	x14	1/4" 55% Gray SAR
x15	1/4" 55% Blue SAR	x16	1/4" 46% Gray SAR
x17	1/4" 28% Bronze SAR	x18	1/4" 28% Bronze Lam
x19	1/4" 44% Gray SAR	x20	1/4" 17% Gray SAR
x21		x22	1/4" 92% Clear Alma
x23	1/4" 23% Brown Lam	x24	
x25	1/4" 28% Gray Almacoat 2000	x26	1/4" 73% Green w/ Shade Bar
x27	1/4" 50% Bronze Lexan	x28	1/4" 50% Gray Lexan
x29	1/4" 63% Green SMG	x30	4.0mm 71% Solar Management Lam

Table of Contents

HOW TO USE THIS MANUAL 2

SPECIFICATIONS 13

 Window & Exterior Panel Layout 14

SECTION 1-DRIVETRAIN 15

 Engine Mounting 16

 Throttle Control 18

 Belt Guard 20

 Exhaust System 22

 Air Cleaner System 24

 Charge Air Cooler Piping 26

 Radiator/CAC Mounting 28

 Radiator/CAC Assembly 30

 Transmission Oil Cooler Piping 32

 Transmission D864.3E Oil Cooler Piping 34

 Surge Tank 36

 Fan, Fan Motor and Shroud 38

 Fan Motor 40

 Hydraulic Fan Motor Piping 42

 Hydraulic Cooler Mounting 44

 Engine Oil Filler Tube 46

 Engine Oil, Pressure Sensor & Manifold 48

 Fuel Piping 50

 Fuel Tank and Mounting, Filler Tube 52

 Transmission Mounting 54

 Transmission Dipstick and Tube 56

 Driveline Assembly 58

SECTION 2- CHASSIS 61

 Rear Chassis and Outriggers - SSTL 62

 Center Chassis SSTL & Outriggers - 35' 64

Forward Chassis SSTL - W/Lift-U Fold Out Ramp 66

Battery Box Assembly 68

Brake Chambers, Front 70

Front Brakes 72

Front Hub and Drum 74

Steering Knuckle 76

Front Suspension 78

Hubodometer 80

Carrier Assembly: R160 @ 5.38 82

Rear Axle Housing 84

Rear Brakes 86

Rear Hub and Drum 88

Rear Brake Chamber Assemblies 90

Rear Suspension w/61143 Axle 92

Wheels and Hardware 94

SECTION 3- ELECTRICAL SYSTEM 97

Headlight Assembly 98

Exterior Lighting 100

Electrical Panel Compartment 102

Electrical Compartment 104

Main Electrical Control Panel 106

Electrical Panel, Rear Bulkhead 108

Electrical Panel, Remote I/O 110

Dash Console Assembly 112

Tail Lights 114

Stop Lights (Grille Mounted) 116

Batteries and Cables 118

Battery Cut-Off Switch 120

Power Panel, Driver’s Console 122

Battery Cables 124

Battery Cut Off Switch and Jump Start 126

Jump Start Connector 128

Starter Mounting 130

Starter Internal Components 132

Voltage Regulator and Battery Fuse Bracket 136

Alternator Internal Components 138

Rear Run Box 142

Electric Horns 144

Fire Detection System 146

Crime Alarm System 148

Front Stepwell Light 150

Tube Lamps, Rear Steps 152

Map Light 154

External P. A. Speaker 156

Speakers, Ceiling-Mounted 158

Voice Annunciator Control 160

Two-way Radio Antenna 162

ABS - ECU Mounting 164

Defroster Fans 166

Stop Request Signal Pull Cords 168

Closeout: Exit Door 170

Lamp Panel Assembly - 144" 172

Lamp Panel Assembly - 84" 174

Lamp Panel Assembly - 108" 176

Lamp Panel Assembly - 120" 178

Lamp Panel Assembly - 48" 180

Lamp Panel Assembly - 98" 182

Lamp Panel Assembly - 50" 184

Harness Listing 186

SECTION 4- AIR SYSTEM..... 187

Front Suspension Kneeling 188

Rear Suspension Leveling Valve 190

Air Compressor Piping 192

Air Piping Components 194

Air Tanks and Fittings 196

Air Tanks & Mounting 198

Air Piping 200
 Rear Shop Air Connector 202
 Shop Air & Tow Connectors - FRONT 204
 Brake Piping 206
 Air Tank Drain Valves 208
 Air Dryer Assembly 210
 Door Control Piping 212

SECTION 5- STEERING/HYDRAULICS 215

Steering Gear Mounting 216
 Steering Gear Assembly 218
 Steering Mitre Box 220
 Steering Column and Mounting 222
 Steering Column Assembly 224
 Power Steering Pump 226
 Power Steering Piping 228
 Hydraulic Fluid Reservoir 230

SECTION 6- BODY/WINDOWS/AD FRAMES 233

Front Structure 234
 LH Sidewall Framing-Front 236
 LH Sidewall Framing-Rear 238
 RH Sidewall Framing, Front 240
 RH Sidewall Framing, Rear 242
 Settee Structure & Insulation 244
 Bulkhead Mounting 246
 Rear Body Framing 248
 Roof Framing 250
 Flooring & Supports 252
 Floor Hatch 254
 Entrance Door Assembly 256
 Entrance Door Baseplate Assembly 260
 Entrance Door Motor Assembly 262
 Panel: Entrance Door Control 264

Engine Door	266
Door Assembly: Exit	268
Baseplate & Pivot Assembly: Exit Door	270
Baseplate Assembly: Exit Door	272
Emergency Door Release Valve Box	278
Front Cap Assembly	280
Rear Cap	282
Rear Grille	284
Roof Skin & Hatches	286
Taillight Panels	288
Windshield	290
Side Window: 56" Non-Egress	292
Side Window: Destination Sign	294
Side Window: Driver's	296
Side Window: 34" Transom	298
Side Window: 32" Fixed	300
Side Window: 46" Non-Egress	302
Side Window: 46" Transom, Egress	304
Side window: 46" Stationary, Non-Egress	306

SECTION 7- TRIM PANELS 309

Flooring and Trim	310
Front Wheelhouse Closeouts	312
Sidewall Panels-Interior LH	314
Interior Sidewall Panels: RH 35'	316
Interior Roof Panels	318
A/C Return Air Grille	320
Ramp And Stepwell Trim	322
Driver's Barrier	324
Entrance Door Barrier	326
Exit Door Barrier	328
Grab rails, Ceiling Mounted: 35'	330
Grab Handle, Dash Mounted	332
Wheelchair Grabrail	334

Grab Handle, Entrance Door	336
Exit Door Grab Handles	338
Interior Mirrors	340
Driver's Seat	342
Driver's Seat Suspension	344
Stanchions, Vertical	346
Electrical Storage Box	348
Air Tank Closeout	350
Driver's Sunshades	352
Package Rack: Curbside	354
Farebox and Mounting	356
Coat Hook/Tie-Back.....	358
LH Exterior Mirror	360
Exterior Mirror, Curb Side	362
Mudflaps	364
Bike Rack w/Slide-in Standoff Bracket (Front)	366
LH Exterior Side Panels	368
Skirt Panel, Battery Box.....	370
Skirt Panel, Rear Wheel	372
Skirt Panel, Radiator Access	374
Exterior Panels: RH	376
Skirt Panel, Rear Wheel	378
Skirt Panel, Filter Access	380
Fender Flares	382
Exterior Trim	384
Front Bumper.....	386
Rear Bumper	388
Wiper, Motor and Arm	390
Windshield Washer Bottle Assembly	392
License Plate Holder	394

SECTION 8- SIGNS/LIFT/SAFETY EQUIPMENT 397

Front Destination Sign Assembly.....	398
Side Destination Sign Streetside	400

Rear Run Sign 402
 Entrance Door W/Lift-U Fold Out Ramp 404
 Fire Extinguisher & Flare Kit 406

SECTION 9- HEATING & AC 409

Driver’s Heater 410
 Heater Piping - Rear 412
 Heater Piping - Front 414
 Defroster Duct 416
 A/C Support Platform 418
 Heater Booster Pump and Connections 420
 Heater-A/C Transition Ducts 422
 Driver’s Air Duct Assembly 424
 A/C-Heater Drain Hoses 426
 Air Conditioning Compressor Mounting 428

SECTION 10- DASH & DECALS 431

Dash Panels, Gauges and Switches 432
 Interior Decals 436
 Exterior Decals 440

INDEX 443

Index (by Part Number) 444
 Index (by Part Description) 477

Specifications

Customer Name: SAVANNAH (CHATHAM)

Coach Model: 35'X102"

Delivery Date: 02/26/03

SN: 73624-73654 (31)

Bus Numbers: 3001-3031

Major Components

Engine Asm: ISL, 280HP

53-47378-001

Transmission Asm: D864.3

53-49483-001

Axle Asm, Front: FH946RX160

53-50362-021 (ABS)

Axle Asm, Rear: 61143WX324

53-49582-003(ABS)

Ratio: 5.1710

HVAC: 53-49098-001

A/C Compressor: 53-49099-001

Lift-U

LIFT-U

Model:LU6-03-03

S/N: 4023-003

Date of Mfg: 01/31/03

17-45533CDCX903

Flooring

Altro Flooring:

MS-40484CWR082 Weld Rod, Flooring Altro, Storm

MS-40485CAS082 Sealer, Flooring Altro, Storm

MS-45865CWR082 Floor Weld Rod HB-Type, Altro,
Storm

15-48236CD25903 Kit, Diag., Altro Flooring,

Transflor

Nosing: Yellow

Standee: Yellow

Miscellaneous Options

Destination Sign: Twin Vision, 16-43879N000

Cover, Vin Label 6.13X4.63: 56-18828-001

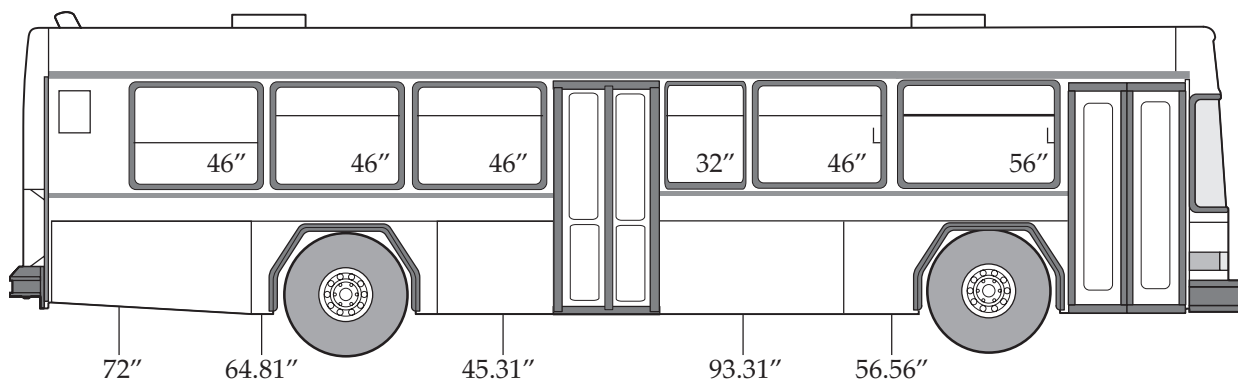
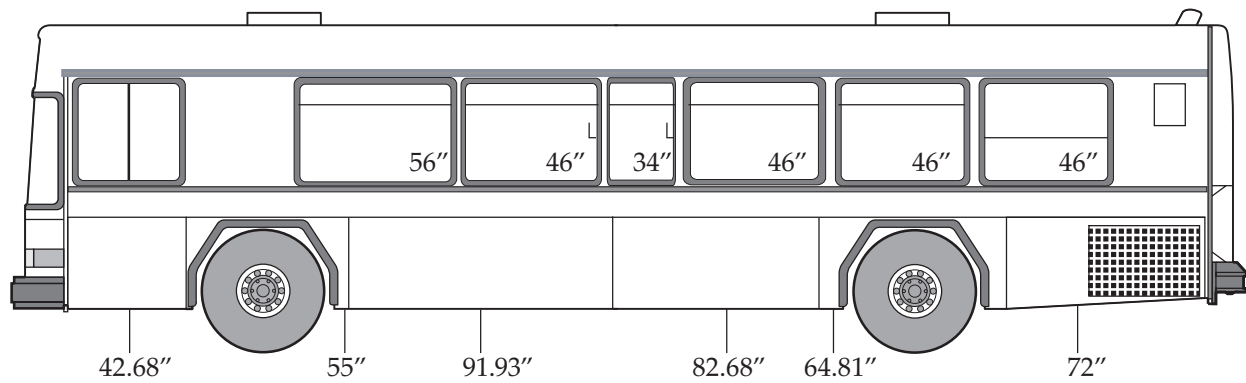
Decal, Data Plate: 59-35132-000

Window & Exterior Panel Layout

SAVANNAH (CHATHAM) 73625

02/26/03

35'X102"



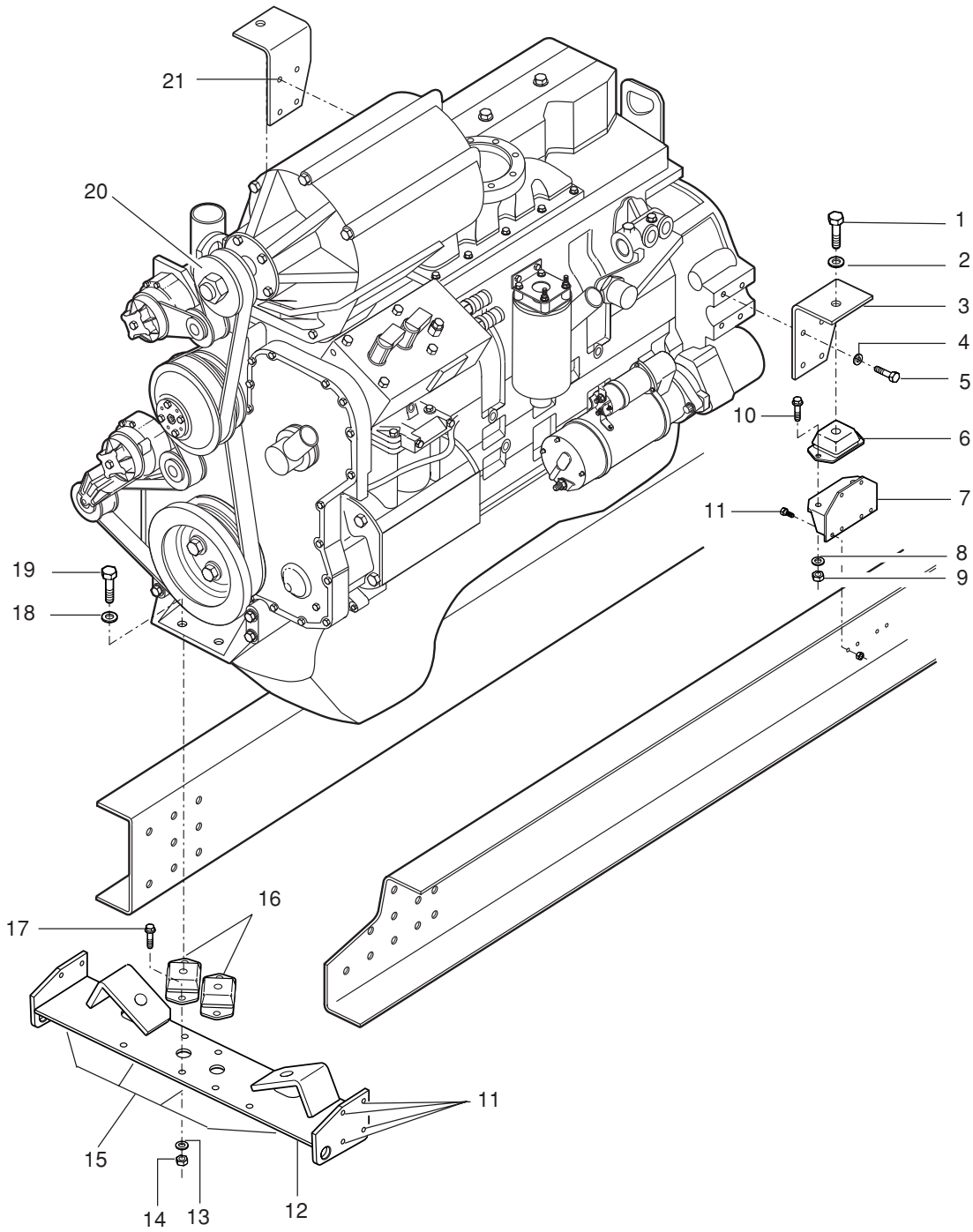
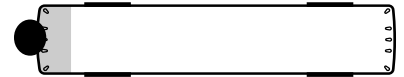
Section 1-Drivetrain

Engine Mounting	16
Throttle Control	18
Belt Guard	20
Exhaust System	22
Air Cleaner System	24
Charge Air Cooler Piping	26
Radiator/CAC Mounting	28
Radiator/CAC Assembly	30
Transmission Oil Cooler Piping	32
Transmission D864.3E Oil Cooler Piping	34
Surge Tank	36
Fan, Fan Motor and Shroud	38
Fan Motor	40
Hydraulic Fan Motor Piping	42
Hydraulic Cooler Mounting	44
Engine Oil Filler Tube	46
Engine Oil, Pressure Sensor & Manifold	48
Fuel Piping	50
Fuel Tank and Mounting, Filler Tube	52
Transmission Mounting	54
Transmission Dipstick and Tube	56
Driveline Assembly	58

ENGINE MOUNTING

Item	Part No.	Description	Qty
1.	54-17492-018	BOLT, HXHD M20 X 2.5-60MM	2
2.	54-13112-017	LOCKWASHER M20 SPLIT	2
3.	01-45827-000	BRACKET, ENG MTG	1
4.	54-13112-010	LOCKWASHER,M12	8
5.	54-17489-014	BOLT, HXHD M12 X 1.75-40MM	8
6.	53-21338-000	MOUNT, ENG RR CUSHYFLOAT	2
7.	06-47957-000	BRACKET ASM, ENG SUPT, RH/RH	2
	06-47958-000	PLATE, BACKING (AT FRAME) LH	1
	06-47959-000	PLATE, BACKING (AT FRAME) RH	1
8.	54-12601-012	FLATWASHER, 5/8" HARDENED	4
9.	54-12540-011	NUT, HXHD NYLOCK 5/8"-11 GR5	4
10.	54-11328-006	BOLT 5/8"-11 X 1.75 GR5	4
11.	54-13559-007	BOLT, FLGHD 1/2"-20 X 2	16
	54-12555-009	NUT, HXHD FLG 1/2"-20 GR8	20
12.	01-47872-000	CROSSMEMBER ASM-ENG MTG	1
13.	54-12601-010	FLATWASHER 1/2"	4
14.	54-12540-009	LOCKNUT, NYLOK 1/2"-13 GR5	4
15.	54-13559-005	BOLT, FLGHD 1/2"-20 X 1.5" GR8	4
16.	53-21338-001	MOUNT, ENG FRT CUSHYFLOAT	2
17.	54-11324-005	BOLT, HXHD 1/2"-13 X 1.5" GR5	4
18.	54-13112-014	LOCKWASHER M16 SPLIT	2
19.	54-17491-015	BOLT, HXHD M16 X 2.0" / 45MM	2
20.	82-18408-000	PULLEY, ALTERNATOR	1
	82-19964-000	POLY BELT, 8PK 1270MM / 50" ALTERNATOR	1
	82-28291-000	POLY BELT, 8PK 1435MM / 57.5" WATER PUMP/CRANKSHAFT	1
21.	01-45828-000	BRACKET, ENG MTG	1

ENGINE MOUNTING

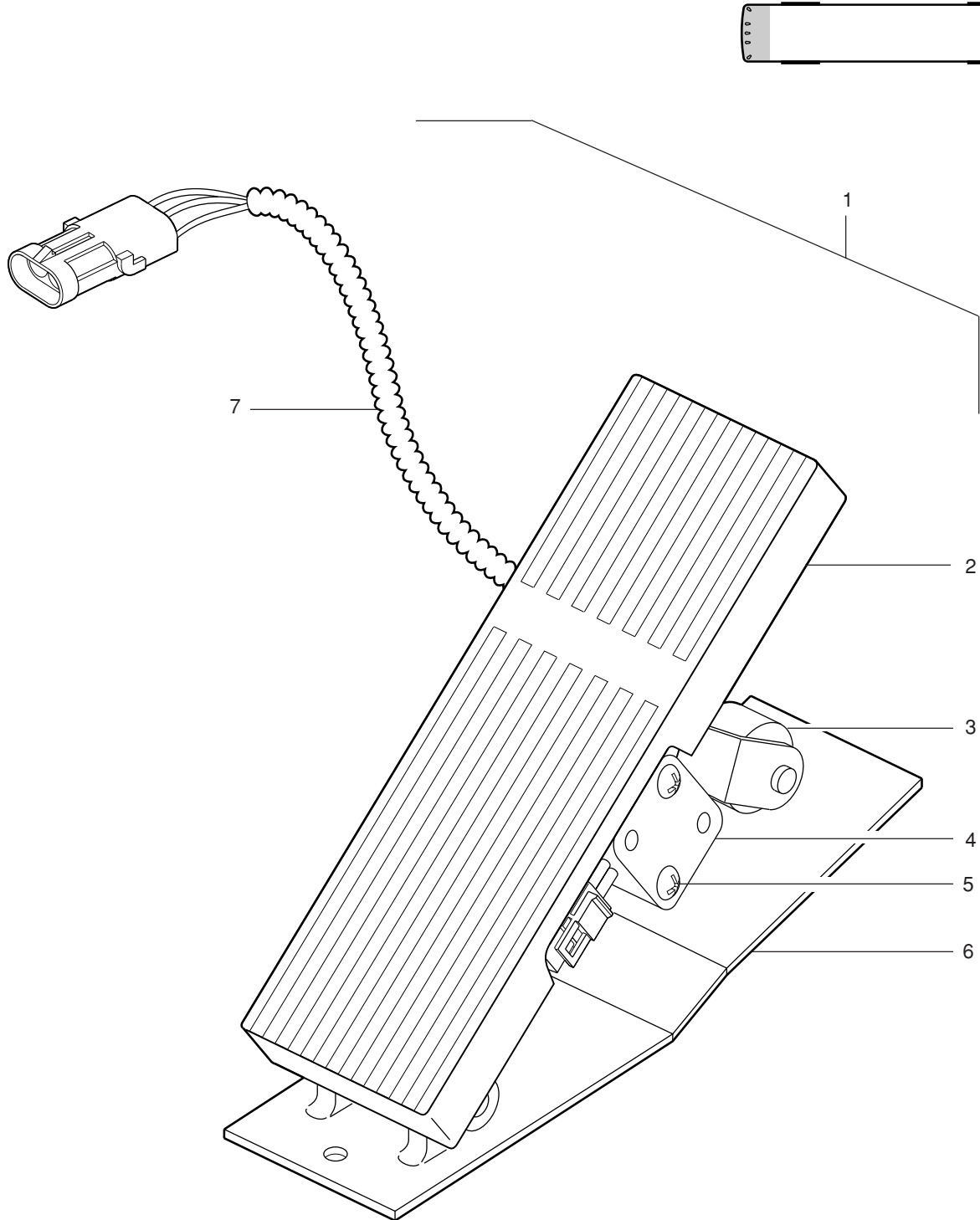


01-0050-0701B
01-002697
01-0050-0701B

THROTTLE CONTROL

Item	Part No.	Description	Qty
1.	51-19017-016	PEDAL ASM, ELECTRONIC THROTTLE 41°	1
	82-15661	KIT, TREADLE ASM W/O BASEPLATE	1
	82-15650	BUSHING, TREADLE PIN, OUTER	2
	82-15651	BUSHING, INNER TREADLE PIN	2
	82-15658	KIT, TREADLE PIN	1
2.	82-15656	PAD, TREADLE COVER	1
3.	82-15649	SNAPRING, TRUARC	1
	82-07506-003	KIT, PHASE 4 ROLLER	1
4.	82-07506-004	KIT, POTENTIOMETER	1
5.	82-15655	SCREW, TR #10-32 X 1.25	2
6.	82-07506-005	BASEPLATE, 41°	1
7.	82-15657	HARNES, SENSOR	1
	82-15654	CLAMP, HARNES	2
	82-15653	SCREW, PAN HD, #8-32 X .31"	2

THROTTLE CONTROL

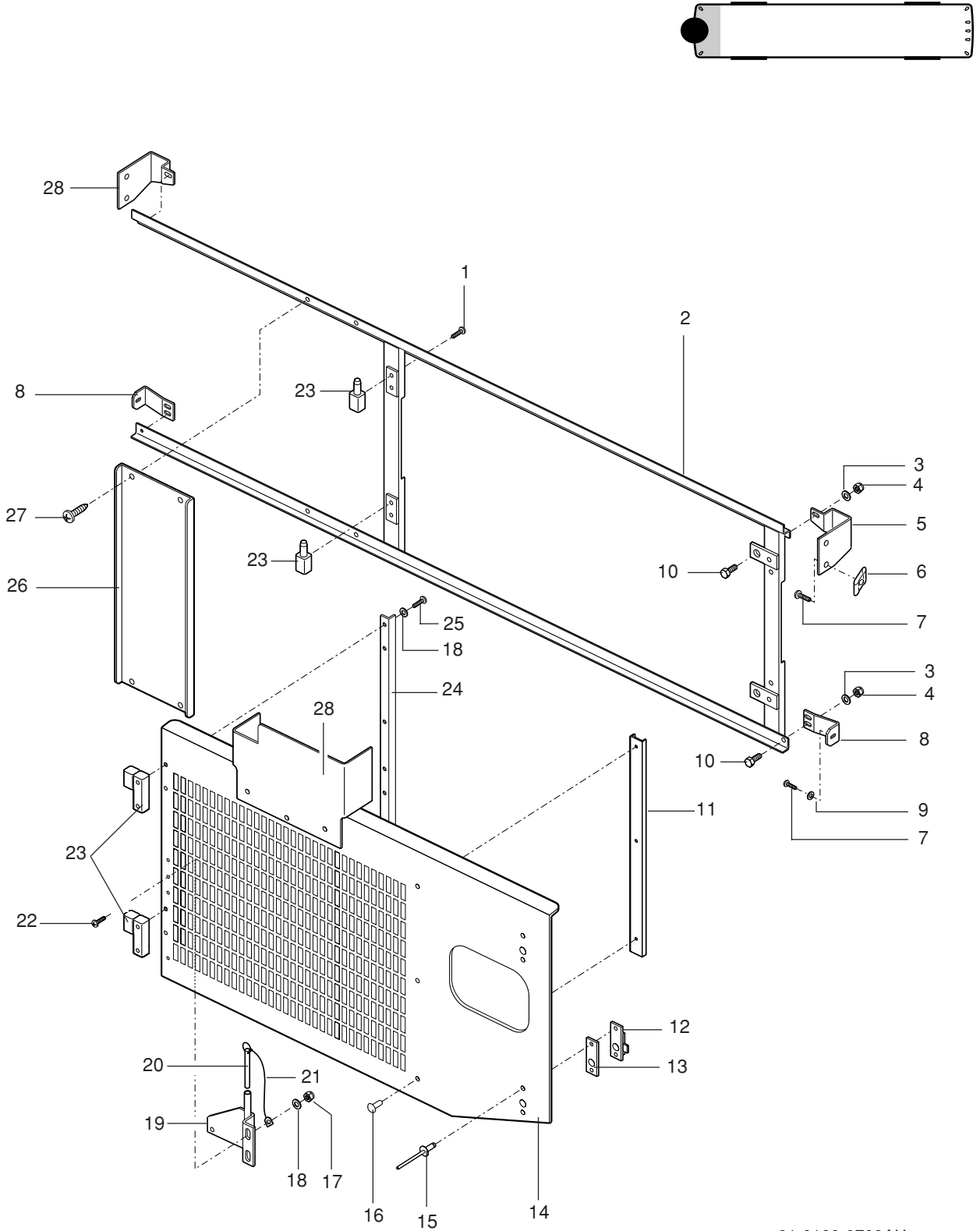


01-0102-0700A•
01-000315
01-0102-0700A

BELT GUARD

Item	Part No.	Description	Qty
1.	54-14288-06Z	SCREW, PHCRST #10-24X0.75	2
2.	01-43215-000	FRAME ASM-HINGED BELT GUARD	1
3.	54-12600-008	FLATWASHER 3/8"	4
4.	54-12540-007	NUT, HXHD NYLOCK 3/8"-16 GR5	4
5.	01-43208-000R	BRACKET, BELT GUARD SUPT	1
6.	54-37358-000	NUT PLATE, COBOLT M8	6
7.	54-37359-001	BOLT, BUTTON TORX HEAD M8 X 15MM	6
8.	01-43206-000	BRACKET, BELT GUARD SUPT	2
9.	54-12600-007	FLATWASHER 5/16"	2
10.	54-11320-002	BOLT, HXHD 3/8"-16 X 3/4 GR5	4
11.	01-38224-000	CHANNEL, BELT GUARD	1
12.	50-00019-000	LOCK ASM, 5/16" SQ KEY 1/4 TURN	2
13.	40-00445-002	PLATE, LOCK	2
14.	01-43224M008	PANEL, BELT GUARD (MAIN HINGED)	1
15.	54-10163-006	RIVET, MONOBOLT	4
16.	54-10163-005	RIVET, MONOBOLT	8
17.	54-12540-003	LOCKNUT, NYLOK #10-24 GR5	2
18.	54-12600-003	FLATWASHER #10 STD	4
19.	01-43332-000	BRACKET-LOCK PIN	1
20.	53-10828-000	PIN, SELF-LOCKING	1
21.	01-42954N000	CABLE, LOCK PIN	1
22.	54-14275-06Z	SCREW PHILLIPS CHROME #10-32 X 3/4"	4
23.	01-38230N000	HINGE ASM, BELT GUARD	2
24.	01-43233-000	BRACE-BELT GUARD	1
25.	54-14275-04Z	SCREW, PHCR #10-32 X 1/2"	4
26.	01-43235-000	PANEL, BELT GUARD	1
27.	54-13111-001	SCREW, #10 X 5/8" TORX	4
28.	01-43208-000L	BRACKET, BELT GUARD SUPT	1
29.	01-40318-000	SHIELD, DRIVE BELT	1
	59-28297-000	DECAL, REAR RUN WARNING-ENGLISH	1
	59-28302-000	DECAL, BELT WARNING-ENGLISH	1

BELT GUARD

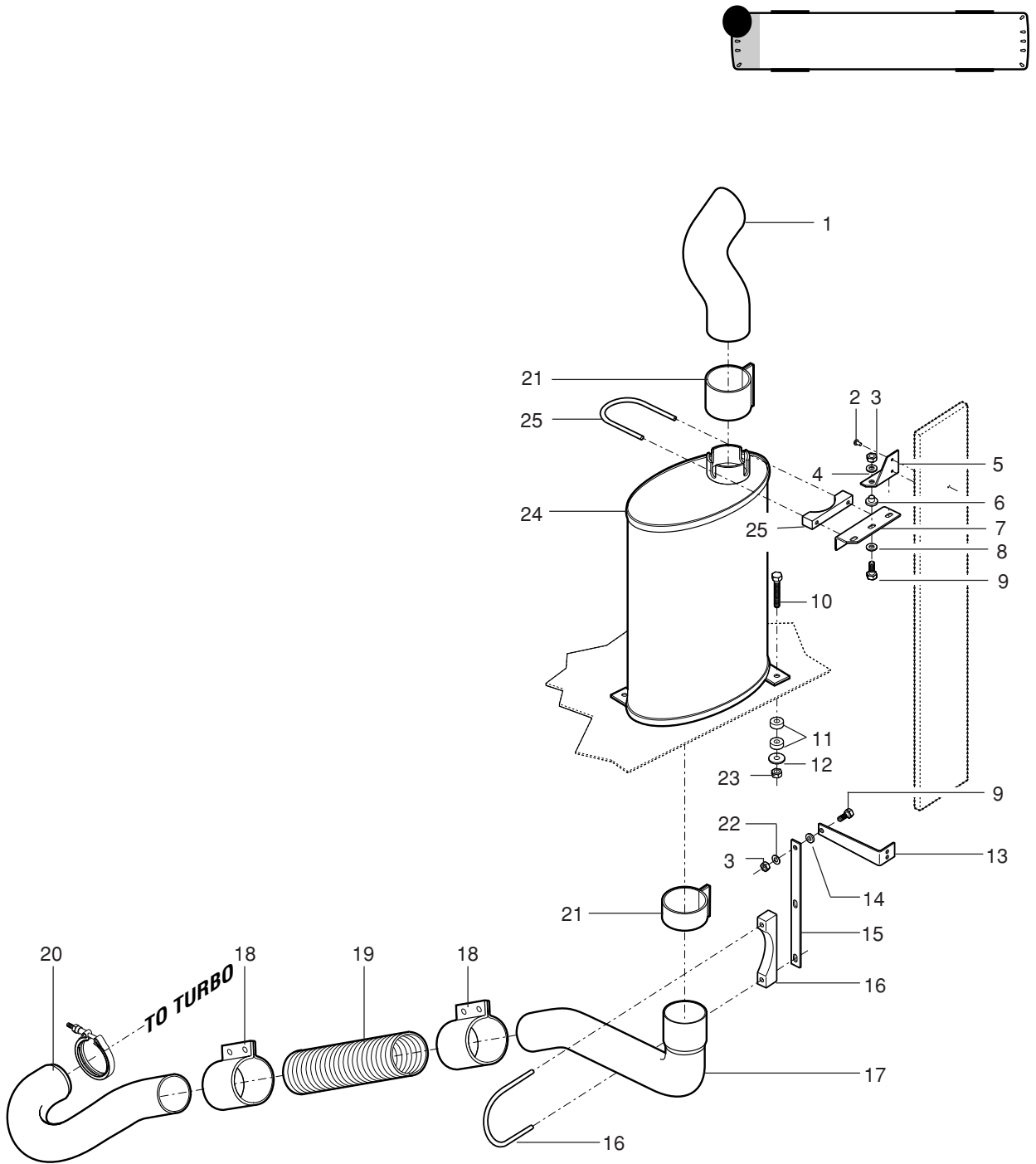


01-0160-0700AH
01-003092
01-0160-0700AH

EXHAUST SYSTEM

Item	Part No.	Description	Qty
1.	01-39454-000	PIPE, EXHAUST TAIL	1
2.	54-10163-006	RIVET, MONOBOLT, 1/4 STL(.350-.625 GRIP)	4
3.	54-12540-007	NUT, HXHD NYLOCK, 3/8"-16, GR5	3
4.	54-12605-000	FLATWASHER, 3/8" FENDER	4
5.	01-36623-000	BRACKET, MUFFLER MTG	1
6.	53-28088-001	MOUNT, CENTER BONDED NEOPRENE	2
7.	42-19698-000	BRACKET, MUFFLER MTG	1
8.	54-12600-008	FLATWASHER, 3/8"	2
9.	54-11320-005	BOLT, HXHD, 3/8"-16 X 1.5, GR5	2
10.	54-11324-012	BOLT, 1/2"-13 X 3.25", GR5	4
11.	53-34748-000	ISOLATOR, MOUNT	4
12.	54-12605-004	WASHER 3/8"	A/R
13.	01-37454-000	BRACKET, PIPE SUPT	1
14.	56-08690-000	MOUNT, CENTER BOND, 3/8" BOLT	1
15.	01-37455-000	BRACKET, PIPE SUPT	1
16.	54-00029-002	CLAMP, 4" EXHAUST	1
17.	01-43114-000	PIPE, EXHAUST MUFFLER INLET	1
18.	53-02322-002	CLAMP, 4.00 OD	2
19.	01-46208-003	TUBE, FLEX, EXHAUST	1
20.	01-45866-000H	PIPE, EXH TURBO OUTLET	1
	82-18503-000	CLAMP, 4"-4.5" TURBO TO FLANGED PIPE	1
	01-38905N000	ADAPTER, TURBO FLANGE	1
21.	53-02322-001	CLAMP, 5.00 OD	4
22.	54-12605-004	FLATWASHER, 3/8" FENDER	1
23.	54-12540-009	LOCKNUT, NYLOK 1/2"-13, GR5	2
24.	01-49826N000	MUFFLER/CATALYIC ASM	1
25.	54-00029-001	CLAMP ASM, 5" EXHAUST	1
	54-12957-002	PLUG, HXHD 1/8"MPT BRASS	1

EXHAUST SYSTEM

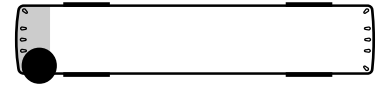


01-0200-0701C,V
01-000088
01-0200-0701C, V

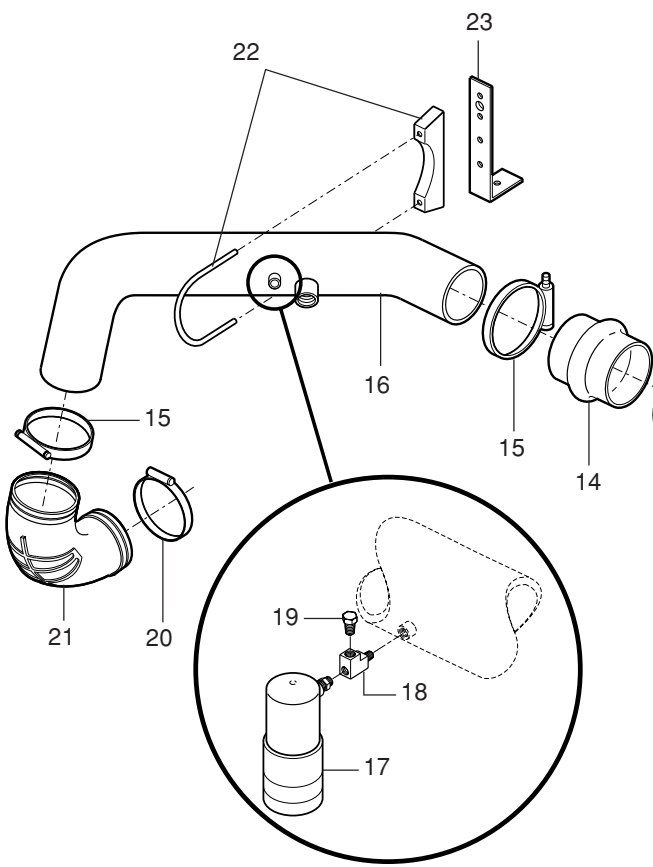
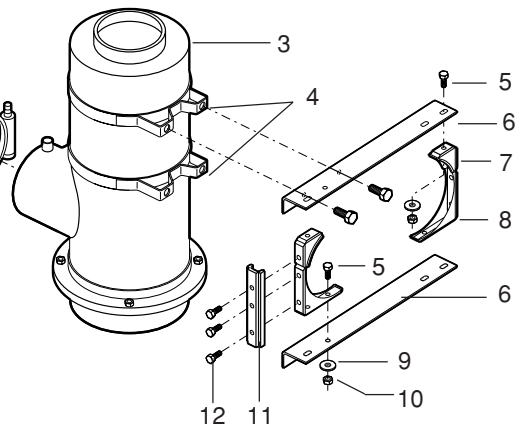
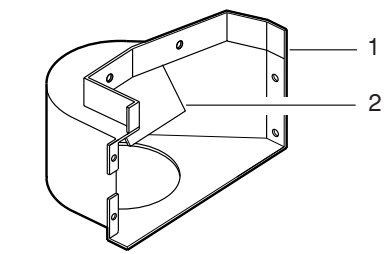
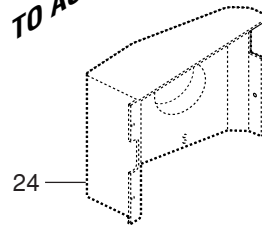
AIR CLEANER SYSTEM

Item	Part No.	Description	Qty
1.	20-37701-000	CLOSEOUT, AIR CLEANER	1
	54-37359-001	BOLT, TORX HD, M8 X 15MM	A/R
	54-37358-000	NUT PLATE, COBOLT M8	3
	54-12600-008	FLATWASHER, 3/8"	3
2.	20-37717-000	BAFFLE, AIR CLEANER	1
3.	01-50113N000	CLEANER ASM, AIR	1
4.	01-36872-000N	BRACKET, AIR CLEANER MTG 9 IN. LOW FLOOR	2
	54-11320-003	BOLT, HXHD, 3/8"-16 X 1.0", GR5	4
	54-12540-007	NUT, HXHD NYLOCK, 3/8"-16, GR5	4
5.	54-11318-003	BOLT, HXHD, 5/16"-18 X 1.0", GR5	6
	54-11316-003	BOLT, HXHD, 1/4"-20 X 1.0", GR5	6
6.	01-36619-000	BRACKET, AIR CLEANER MTG	2
7.	54-43619-000	GUSSET, COBOLT 2 BOLT	4
	54-37359-001	BOLT, TORX HD, M8 X 16MM	3
8.	54-43619-000	GUSSET, COBOLT 2 BOLT	2
9.	54-12600-007	FLATWASHER, 5/16"	6
10.	54-12540-006	NUT, HXHD NYLOCK 5/16"-18 GR5	6
11.	REF. ONLY	SPACER	1
12.	54-37359-001	BOLT, TORX HD, M8 X 15MM	A/R
	54-37358-000	NUT PLATE, M8	6
	54-10163-005	RIVET, MONOBOLT, 1/4 STL(.080-.375 GRIP)	2
13.	53-16126-001	CLAMP, T-BOLT, 6.5"	1
14.	56-00031-010	HOSE, HUMP	1
15.	53-16126-008	CLAMP, T-BOLT, 5.5"	2
16.	01-45868-000	PIPE, AIR CLEANER OUTLET	1
17.	53-27698-001	INDICATOR, AIR RESTRICTION	1
18.	54-12955-002	TEE, 1/8" STREET, BRASS	1
19.	54-12957-002	PLUG, HXHD 1/8" MPT, BRASS	1
20.	53-16126-009	CLAMP, T-BOLT, 4.5"	1
21.	56-18898-005	ELBOW, 90° RUBBER	1
22.	54-00029-001	CLAMP, 5"	1
23.	01-48993-000	BRACKET, PIPE SUPT	1
	54-10163-006	RIVET, MONOBOLT	2
24.	22-41880M000	CLOSE-OUT, AIR CLEANER	1
	54-09120-001	FASTENER, SPRING NUT	2
	54-11316-003	BOLT, HXHD 1/4"-20 X 1.0" GR.5	2
	54-12605-001	WASHER, FLAT FENDER 1/4	2
	54-37359-001	BOLT, BUTTON TORX HD. M8 X 15MM	3
	54-12600-008	FLATWASHER, 3/8"	3
	40-08157-000	BRACKET, CLIP SUPT.	1
	01-37551-000	BRACKET, PIPE SUPT.	1

AIR CLEANER SYSTEM



TO AC UNIT

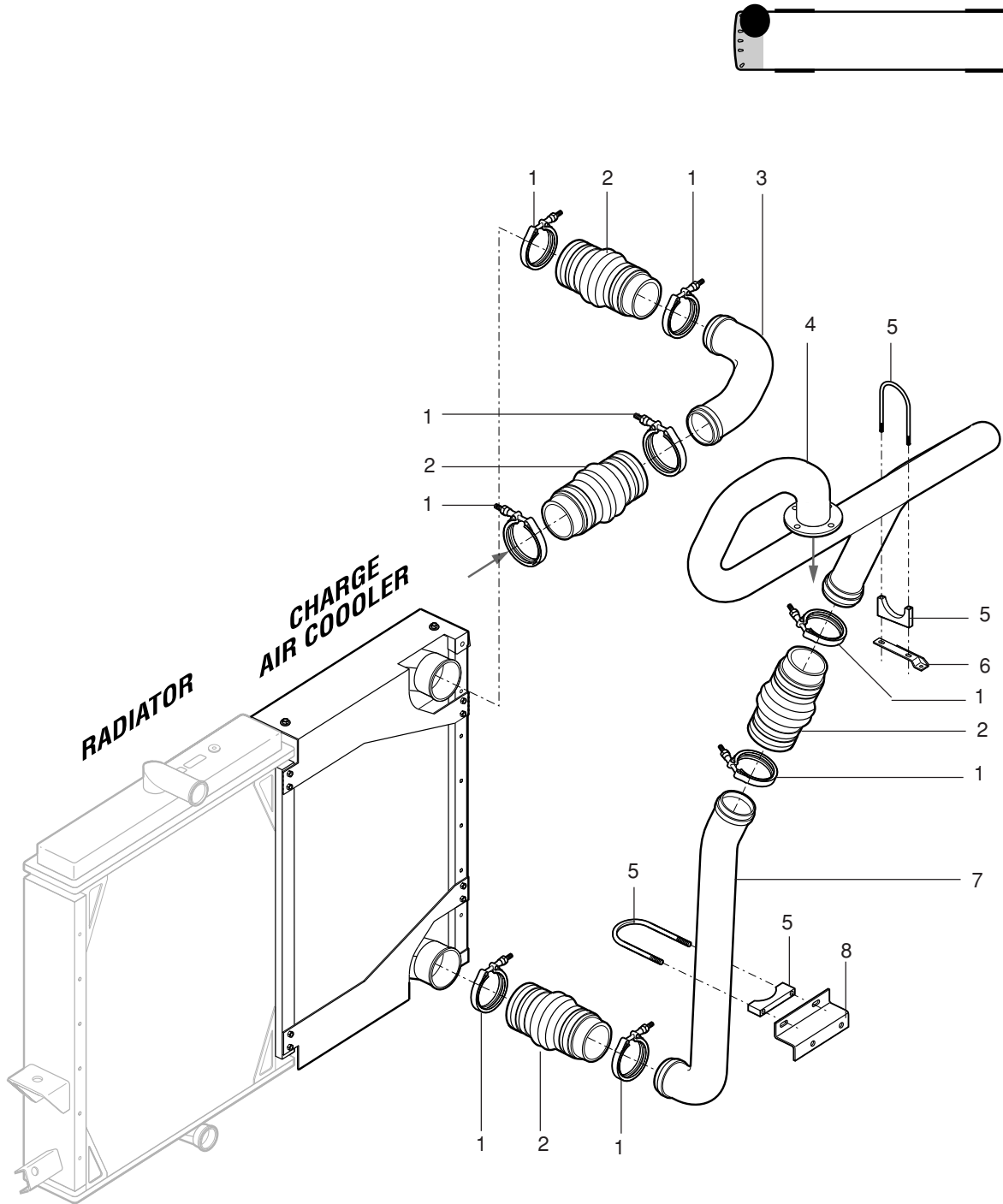


- 01-0252-0700D,Q+(L,X+C)
- 01-003299
- 01-0252-0700D, Q
- 01-0254-0700L, X
- 21-0220-0700C

CHARGE AIR COOLER PIPING

Item	Part No.	Description	Qty
1.	53-18882-001	CLAMP, BREEZE "T"-BOLT (3.75"-4.62" RANGE)	8
	53-26075-003	CLAMP, CT "T" BOLT, 4"	A/R
2.	56-18875-006	HOSE, HUMP, 4.0" X 7.5" HI-TEMP	4
3.	01-39484-000	PIPE, CAC ENG. INLET	1
4.	01-45854-000	PIPE, CAC ENG. OUTLET	1
5.	54-00029-002	CLAMP ASM, 4" (2 PC SET)	4
6.	01-45856-000	BRACKET, PIPE SUPPORT	1
	54-17487-008	BOLT, M8 X 1.25 X 20MM	1
	54-13112-011	WASHER, SPLIT LOCK M8	1
	54-12600-007	WASHER, 5/16" FLAT	1
7.	01-42468-000	PIPE, CAC OUTLET	1
8.	06-42470-000	BRACKET, PIPE SUPPORT	1
	40-19084-000	BRACKET, STAND OFF	1
	54-11318-004	BOLT, HXHD, 5/16-18 X 1.25 GR5	A/R

CHARGE AIR COOLER PIPING

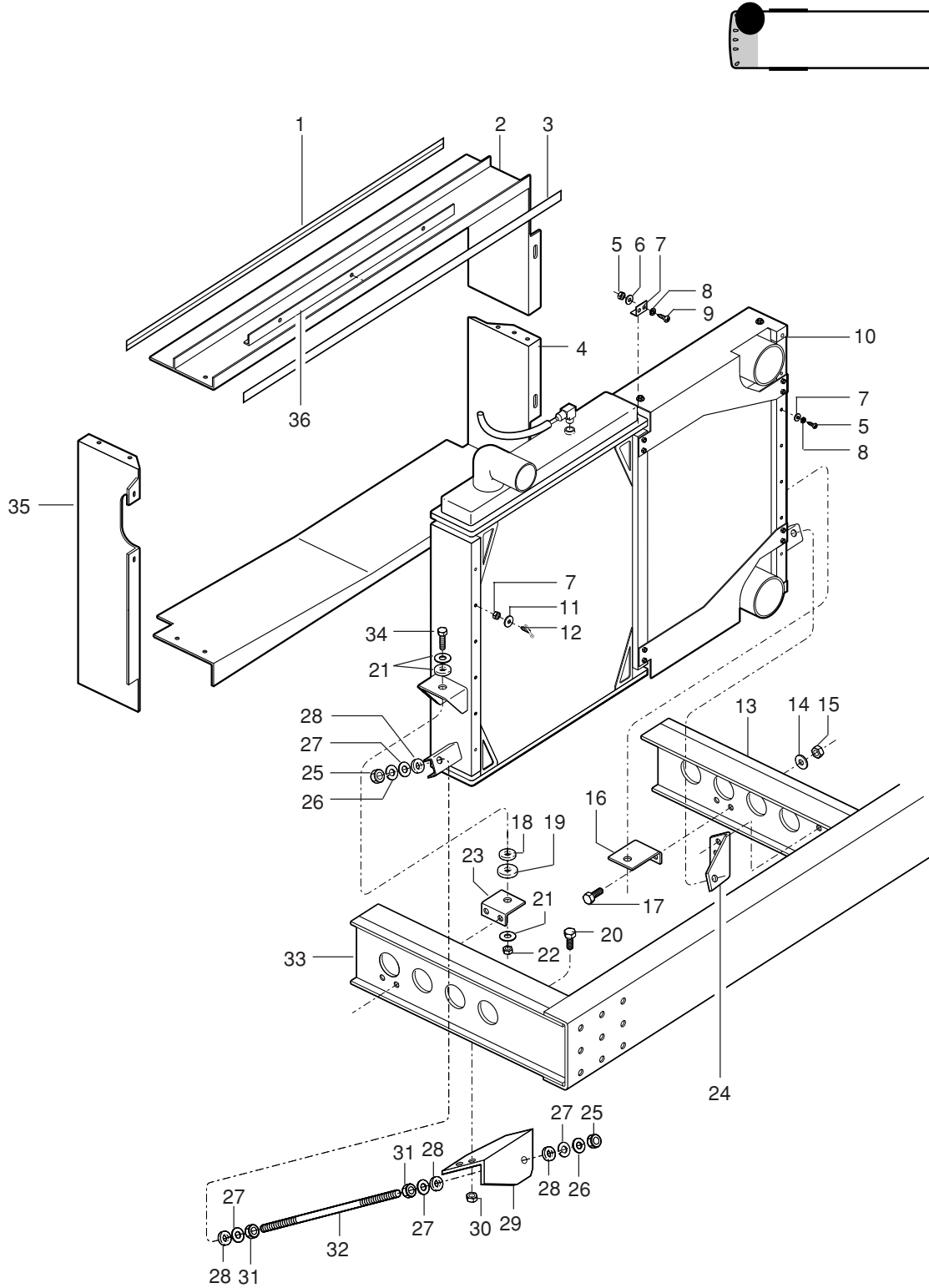


01-0280-0700E,P
01-003479
01-0280-0700E, P

RADIATOR/CAC MOUNTING

Item	Part No.	Description	Qty
1.	01-43664L144.00	EXTRUSION, RUBBER	1
	53-02195-015	ADHESIVE	1
2.	01-38525-000	BAFFLE, UPPER	1
3.	56-02111-004	TAPE, FOAM	12
4.	01-38526-000	BAFFLE, LOWER	1
5.	54-12540-005	LOCKNUT, NYLOK 1/4"-20 GR5	10
6.	54-12602-011	LOCKWASHER, 3/8"	4
7.	40-32983-000	BRACKET, SHROUD MTG	2
8.	54-12605-002	FLATWASHER, 1/4" FENDER	32
9.	54-11316-002	CAPSCREW, 1/4"-20 X 3/4" GR5	29
10.	55-32707-000	RADIATOR/CAC ASM (BREAKDOWN ON FOLLOWING PAGE)	1
	54-12958-004	PLUG, HEX SOCKET, 1/4" BRASS	1
11.	54-12603-006	LOCKWASHER, STAR 1/4"	3
12.	54-13113-064	WINGBOLT, 1/4"-20 X 3/4"	3
13.	06-45157-000	OUTRIGGER, RADIATOR MTG FRONT	1
14.	54-12601-010	FLATWASHER, 1/2" HARD	8
15.	54-12542-009	LOCKNUT, NYLOK 1/2"-13 GR8	4
16.	01-36609-000	BRACKET, RAD MTG, LH	1
17.	54-11321-004	BOLT, HXHD, 3/8-16 X 1.25 GR8	4
18.	54-13112-026	FLATWASHER, 1-1/4" ID	2
19.	53-28088-001	MOUNT, CTR BOND NEO.	4
20.	54-11320-005	BOLT, HXHD, 3/8-16 X 1.50 GR5	8
21.	41-00035-008	FLATWASHER, 5/8" HARD	6
22.	54-12550-011	LOCKNUT, NYLOK 5/8"-18 GR5	2
23.	01-36608-000	BRACKET, RAD MTG, RH	1
24.	01-36610-000	BRACKET, RAD BRACE, LH	1
25.	54-12551-009	NUT, HXHD 1/2"-20 GR5	4
26.	54-12601-010	LOCKWASHER, 1/2"	4
27.	41-00035-011	FLATWASHER, 1/2" HARD	8
28.	56-07695-000	BUSHING, ROD	8
29.	40-11230-002	BRACKET, RAD BRACE, RH	1
30.	54-12540-007	LOCKNUT, NYLOK 3/8"-16 GR5	4
31.	54-12536-009	NUT, HXHD 1/2"-13 GR5	4
32.	40-10575-001	ROD, RADIATOR BRACE	2
33.	06-45160-000	OUTRIGGER, W/RAD. MTG REAR & POST MTG	1
34.	54-11352-009	CAPSCREW, HXHD 5/8"-18 X 2-1/2"	2
	56-02125-001.00	TRIM, PLASTIC EDGE	1
35.	01-48221-000	BRACKET, RAD CLOSEOUT	1
36.	40-33049-000	SPACER, BAFFLE	1
	56-09125-001	HOSE, HUMP, 3.0 X 6.0	2
	53-21364-012	CLAMP, CONTS TENS, HOSE, 3.31 - 3.50	4
N/S	06-45080-000	GUARD, SKID	1
N/S	06-45081-000	BRACKET, RAD GUARD SUPT.	1
N/S	54-11325-004	BOLT, 1/2-13 X 1.25 GR8	6
N/S	54-12541-009	NUT, HXHD NYLOCK 1/2-13 GR8	6

RADIATOR/CAC MOUNTING

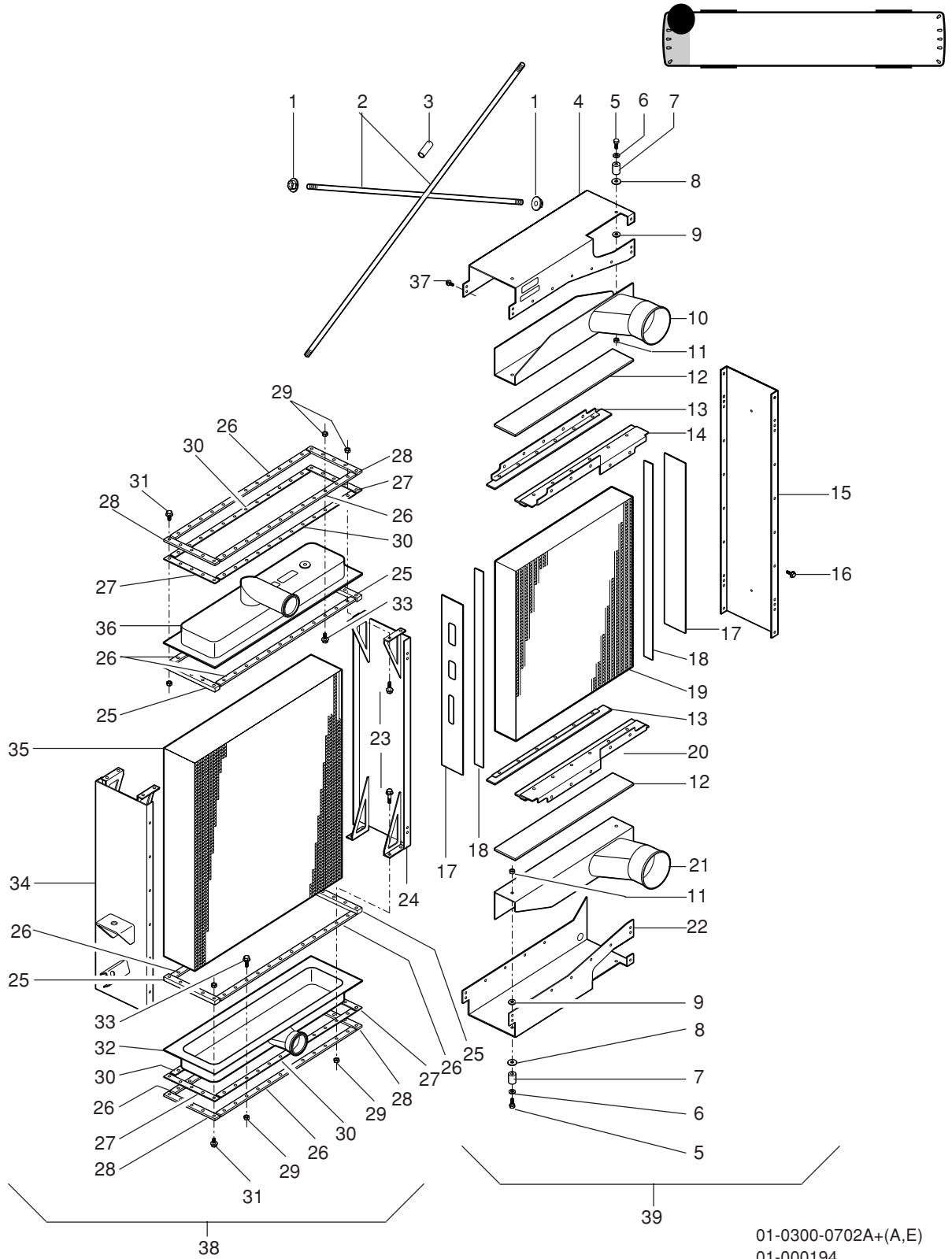


01-0300-0702A,B+(A,E)
 01-000097
 01-0300-0702A, B
 01-0302-0700A,E

RADIATOR/CAC ASSEMBLY

Item	Part No.	Description	Qty
1.	82-17446-001	NUT, HXHD TORQ 3/8-16	4
2.	82-17446-002	TIEROD	2
3.	82-17446-003	HOSE, RUBBER	1
4.	82-17446-004	CHANNEL ASM, CAC TOP	1
	82-17447-011	LABEL, IDENTIFICATION	1
	82-17446-012	LABEL	1
5.	54-11318-006	CAPSCREW, HXHD 3/8-16 X 1.75	4
6.	54-12600-008	FLATWASHER, 3/8"	4
7.	82-17446-005	ISOLATOR, MTG	4
8.	54-12600-013	FLATWASHER, 3/4"	4
9.	54-12602-011	LOCKWASHER, 3/8"	4
10.	82-17303-002	TANK ASM, CAC TOP	1
11.	54-12536-007	NUT, HXHD 3/8-16	4
12.	82-17303-003	HEADER, CAC	2
13.	82-17446-006	SHIELD ASM, OUTER	2
14.	82-17446-007	SHIELD ASM, INNER TOP	1
15.	82-17446-008	SIDE ASM, CAC RH	1
16.	54-11318-002	CAPSCREW, HXHD 3/8-16 X 1.00	22
17.	82-17303-004	SIDE, CAC	2
	82-17303-006	LABEL	1
	82-17303-007	LABEL, ID	1
	82-17303-008	LABEL	1
18.	82-17446-009	SEAL, AIR	2
19.	82-17303-001	CORE ASM, CAC	1
20.	82-17446-010	SHIELD ASM, OUTER BOTTOM	1
21.	82-17303-005	TANK ASM, CAC BOTTOM	1
22.	82-17446-011	CHANNEL ASM, CAC BOTTOM	1
23.	54-11350-005	CAPSCREW, HXHD 9/16-18 X 1.50	16
24.	82-17447-001	SIDE ASM, RADIATOR RH	1
25.	82-17447-002	BAR, BOLTING (SHORT/THICK)	4
26.	82-17447-003	BAR, BOLTING (LONG)	8
27.	82-17447-005	GASKET, END	4
28.	82-17447-004	BAR, BOLTING (SHORT/THIN)	4
29.	54-12540-006	LOCKNUT, NYLOK 5/16-18	48
30.	82-17447-006	GASKET, SIDE	4
31.	54-11318-003	CAPSCREW, HXHD 5/16-18 X 1.00	20
32.	82-17447-007	TANK ASM, RADIATOR BOTTOM	1
33.	54-11318-004	CAPSCREW, HXHD 5/16-18 X 1.25	32
34.	82-17447-008	SIDE ASM, RADIATOR LH	1
35.	82-17447-009	CORE ASM, RADIATOR	1
36.	82-17447-010	TANK ASM, RADIATOR TOP	1
	82-17447-011	LABEL, ID	1
	82-17447-012	LABEL, BETA WELD	1
37.	82-17446-013	SCREW, SHEET METAL	20
38.	82-17447-000	RADIATOR ASM	1
39.	82-17303	COOLER ASM, CAC	1

RADIATOR/CAC ASSEMBLY

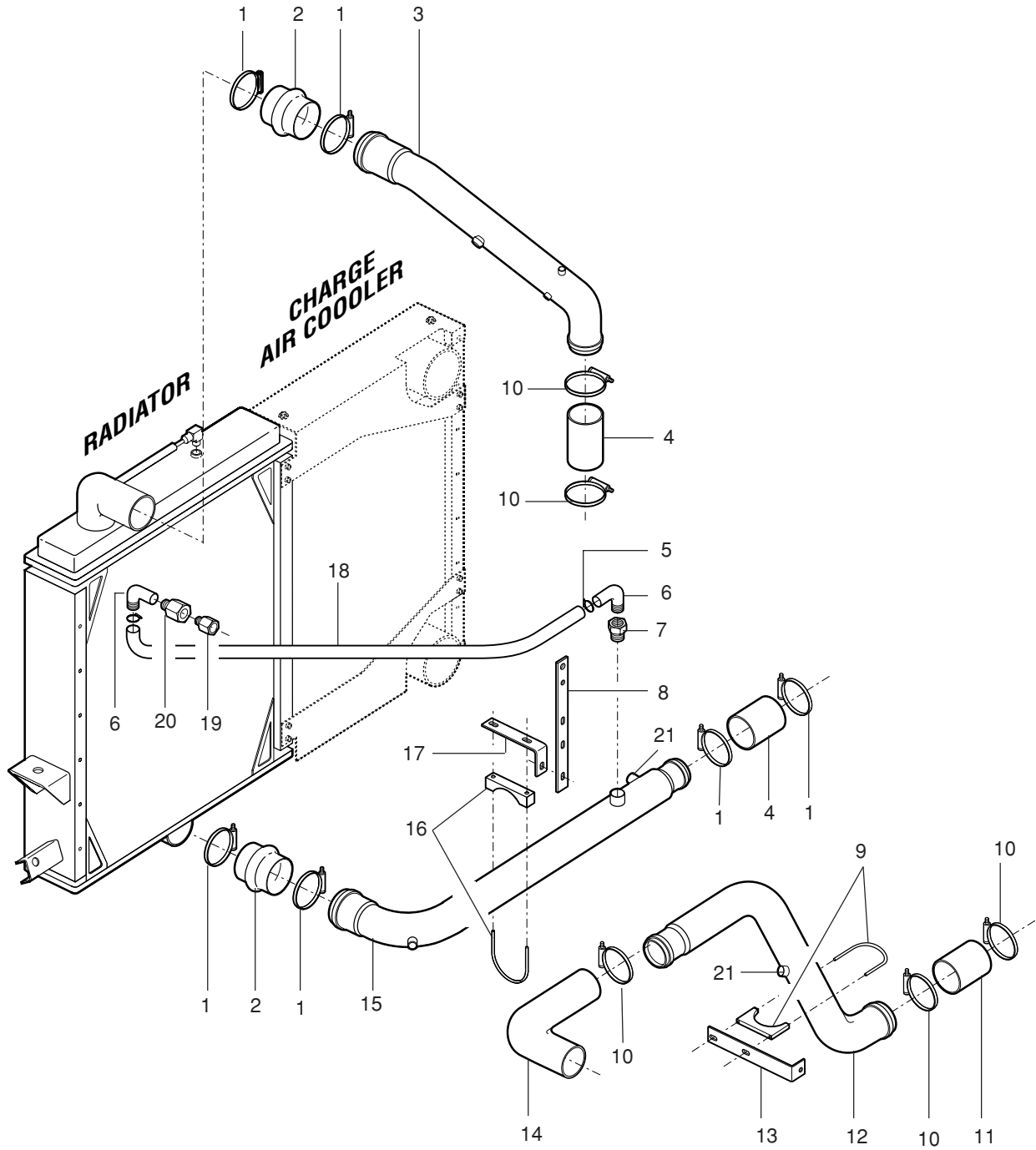


01-0300-0702A+(A,E)
01-000194
01-0300-0702A
01-0302-0700A,E

TRANSMISSION OIL COOLER PIPING

Item	Part No.	Description	Qty
1.	53-21364-012	CLAMP, CONST TENS, HOSE, 3.31 - 3.50	4
2.	56-09125-001	HOSE, HUMP, 3.0 X 6.0	2
3.	01-45877-000	PIPE-COOLANT ENG TO RAD	1
4.	56-09019-004.00	HOSE,SILICONE 2.25" I.D.	2
	53-21364-007	CLAMP, HOSE CONST TENS, 2.31-2.56	2
5.	53-18882-021	CLAMP,HOSE 1.31-2.25	2
6.	53-00227-000	ELBOW, 90° 3/4" MPT X 1.0" HOSE	2
7.	54-12976-013	ADAPTER,STL HEX PIPE 1/2 X 3/4	1
	54-12961-014	BUSHING, 1.0" MPT X 3/4" FPT	1
8.	40-28622-000	BRACKET,STANDOFF	1
9.	54-00029-006	CLAMP,PIPE 2-1/2"	1
10.	53-21364-008	CLAMP, HOSE CONST TENS, 2.56-2.75	6
	53-18882-025	CLAMP,HOSE 2.31-3.25	2
11.	56-09022-004.00	HOSE, 2.5" SILICONE	1
12.	01-39539-000	PIPE, COOLANT ENG INLET	1
13.	01-39540-000	BRACKET, PIPE SUPT	1
	54-17487-008	CAPSCREW,METRIC HEX M8 1.25 X 20	1
	54-13112-011	LOCKWASHER, M8 (8MM METRIC)	1
14.	53-27653-006	ELBOW, SILICONE	1
15.	01-37796-000	PIPE, COOLANT RAD OUTLET	1
16.	54-00029-005	CLAMP, PIPE 2-3/4"	1
17.	40-19815-000	BRACKET, PIPE SUPT	1
18.	56-09017-060.00	HOSE, 1" SILICONE	1
	53-21364-002	CLAMP, HOSE CONST TENS, 1.40-1.57	2
19.	54-13118-073	ADAPTER,STL M22 X 1.5 TO 1/2FPT	1
20.	54-12976-013	ADAPTER, HEX 1/2" MPT X 3/4" FPT, BRASS	1
21.	54-12899-012	ELBOW, 45° 3/4" NPT	1
	52-00516-000	VALVE, DRAIN	1
	54-12854-003	NIPPLE, BRASS 2 X 3/4	1
	54-12905-012	ELBOW, PIPE CAST 3/4	1
	54-12917-012	COUPLING, 3/4 NPT BRASS	1
	54-13112-010	LOCKWASHER, M12 METRIC	4
	54-17489-010	BOLT, HXHD METRIC M12 1.75 X 25LG	4
	21-46560-000	BRACKET, SUPPORT	1

TRANSMISSION OIL COOLER PIPING

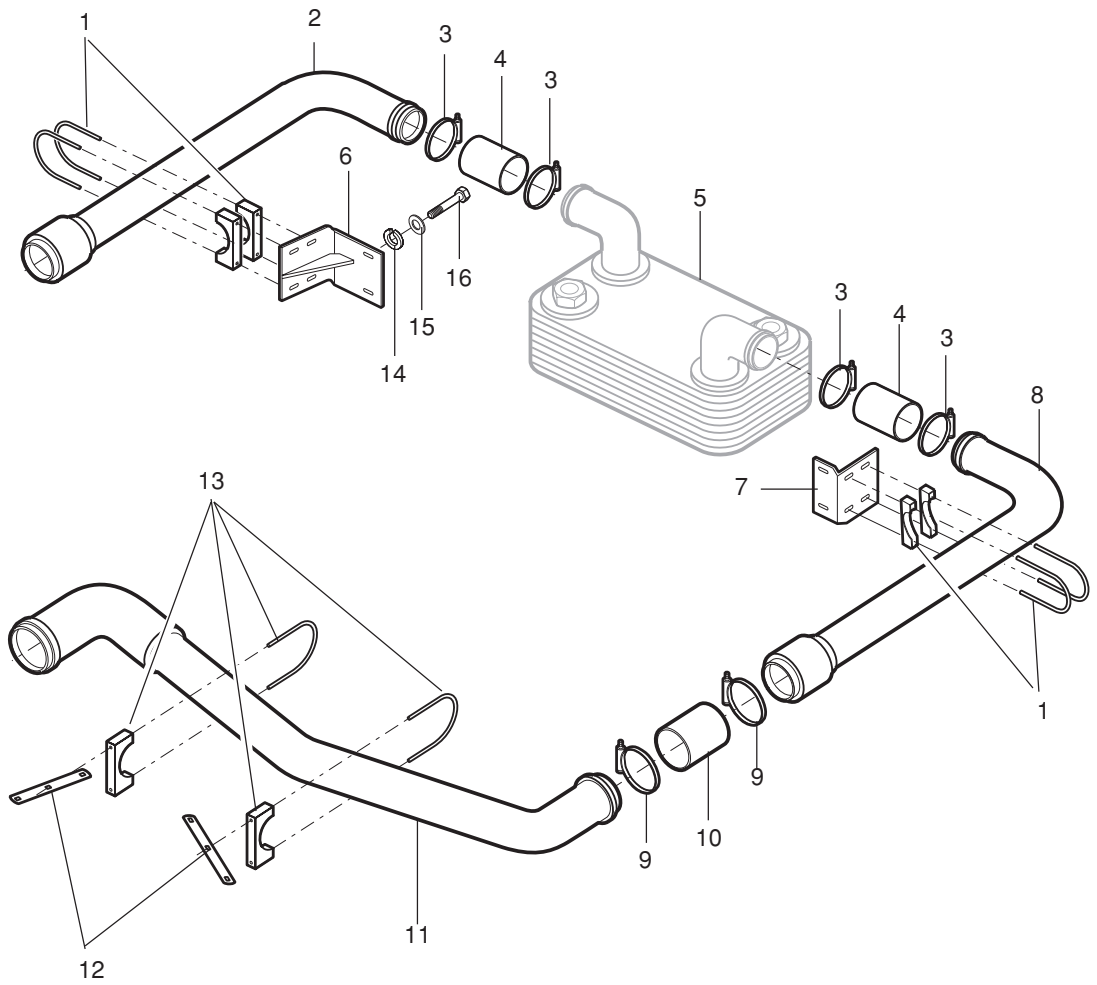
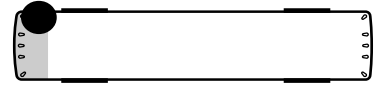


01-0332-705E,Z
01-001701
01-0332-705E, Z

TRANSMISSION D864.3E OIL COOLER PIPING

Item	Part No.	Description	Qty
1.	54-00029-009	CLAMP, PIPE 2"	4
2.	02-50364-000	PIPE, COOLANT, OIL COOLER INLET	1
3.	53-21364-008	CLAMP, HOSE CONST TENS, 2.56-2.75	6
4.	56-09021-004.00	HOSE, 2.0" ID X 2.36" OD SILICONE	2
5.	82-26805-000	OIL COOLER, VOITH TRANSMISSION	1
6.	02-50374-000	BRACKET ASM, PIPE SUPT	1
7.	02-50372-000	BRACKET ASM, PIPE SUPT	1
8.	02-50366-000	PIPE, COOLANT, OIL COOLER OUTLET	1
9.	53-21364-007	CLAMP, CONST TENS HOSE 2.31-2.56, OETIKER	4
10.	56-09022-004.00	HOSE, 2.50" ID SILICONE	2
11.	02-42604-000	PIPE, COOLANT, COOLER RETURN TO ENGINE	1
12.	40-22860-000	BRACKET, PIPE SUPPORT	2
13.	54-00029-006	CLAMP, PIPE 2-1/2"	2
14.	54-13112-010	WASHER, M12 SPLIT LOCK	4
15.	54-12601-010	WASHER, 1/2" FLAT HARD	4
16.	54-17489-010	BOLT, M12-1.75 X 25MM LG	4
	56-09019-004.00	HOSE, 2.25" ID SILICONE	2

TRANSMISSION D864.3E OIL COOLER PIPING

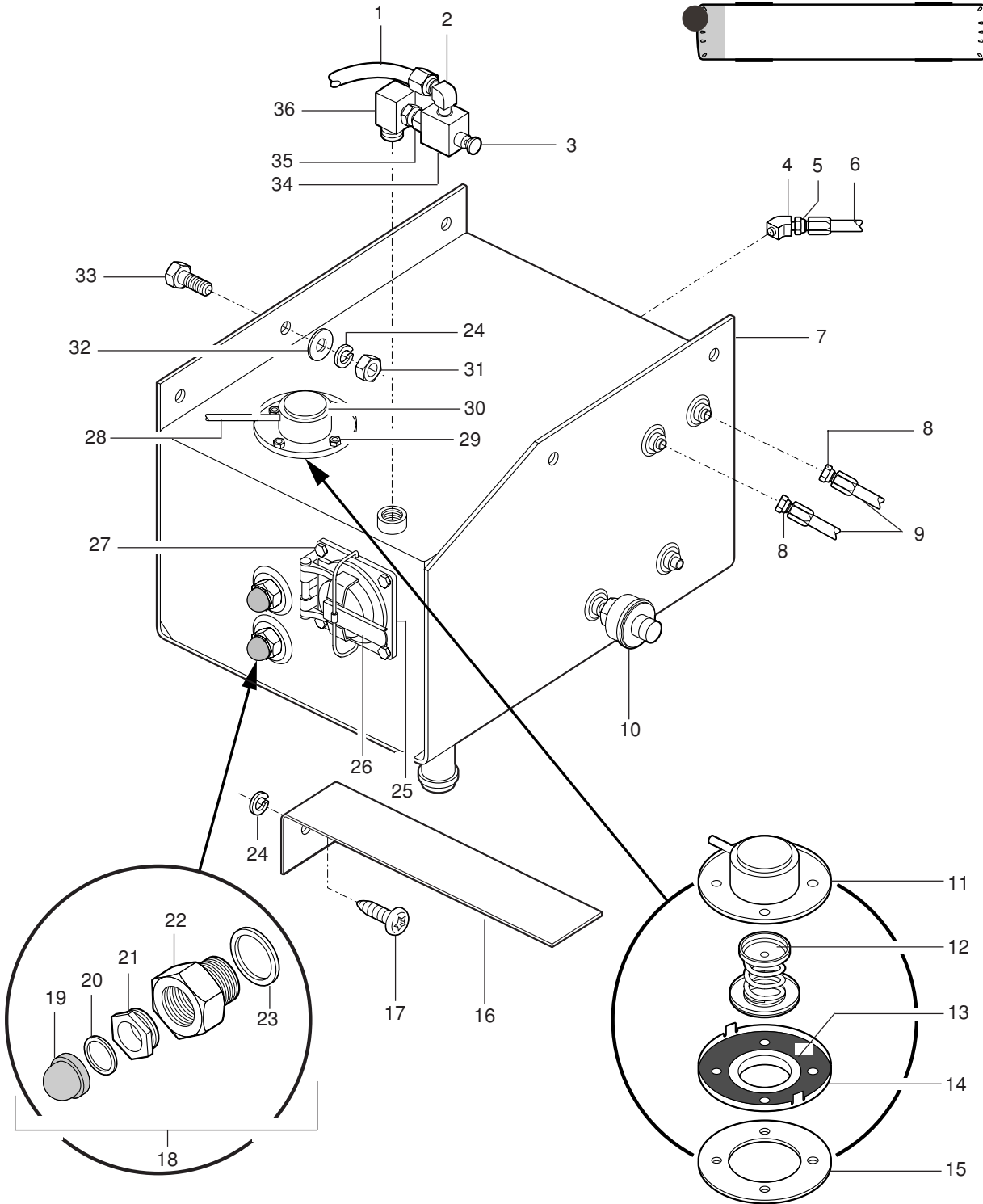


01-0332-0705E,Z
01-004598
01-0332-0705E, Z

SURGE TANK

Item	Part No.	Description	Qty
1.	56-14037-057.00	HOSE, NYLON .38" ID	1
2.	54-12935-004	ELBOW, 90°-1/8NPT X 3/8	1
3.	53-09989-000	BUTTON, VALVE	1
4.	54-12996-005	FITTING	2
5.	54-13073-005	FITTING, HOSE #6 X 9/16"-18 JIC	1
6.	46-06B1111-0160	HOSE ASM	1
	53-09054-000	VALVE, BLEEDER	1
7.	01-40171-000	TANK ASM, SURGE	1
8.	54-12993-004	HOSE END, FEMALE SWIVEL	4
9.	46-04B1010-TBM	HOSE	A/R
10.	51-27078-000	SWITCH, LOW COOLANT WARNING	1
11.	42-09927-000	COVER ASM, PRESSURE	1
	53-09903-000	COVER	1
12.	53-09902-000	VALVE, PRESSURE REGULATOR	1
13.	53-09904-000	GASKET, SURGE TANK PRESS REG	1
14.	53-09905-000	SEAT, VALVE	1
15.	53-25344-000	GASKET, SURGE TANK	1
16.	01-39935-000	ANGLE, SURGE TANK SUPPORT	1
17.	54-14566-07Z	SCREW, HEX 3/8 X 1	1
18.	53-33158-000N	SIGHTGLASS ASM	2
19.	82-15405-004	LENS, SIGHT GLASS	1
20.	53-08339-002	O-RING, SIGHT GLASS	1
21.	82-15405-001	RETAINER, LENS	1
22.	82-15405-003	FITTING, SIGHT GLASS BODY	1
23.	82-15405-002	O-RING, OUTSIDE (VITON)	1
24.	54-12602-011	LOCKWASHER, 3/8	5
25.	53-25343-000	GASKET, SURGE TANK CAP (SQUARE CORK)	1
26.	53-10024-000	CAP, SURGE TANK	1
	82-22389-000	GASKET, SURGE TANK CAP (ROUND RUBBER)	1
27.	54-11340-002	CAPSCREW, 1/4"-28 X 3/4" GR5	4
28.	41-09925-000	TUBE, OVERFLOW	1
29.	54-14445-005	SCREW, HXHD, #10-32 X 5/8"	4
30.	45-09926-000	REGULATOR ASM, PRESSURE	1
31.	54-12540-005	NUT, HXHD NYLOCK, 1/4-20	2
32.	54-12600-006	FLATWASHER, 1/4"	2
33.	54-11316-005	CAPSCREW, 1/4"-20 X 1.5" GR5	2
34.	53-09988-000	VALVE, PRESSURE RELIEF	1
35.	54-12956-003	NIPPLE, HEX 1/4" X 1/8" MPT	1
36.	54-12948-004	ELBOW, 90°-BRASS	1

SURGE TANK

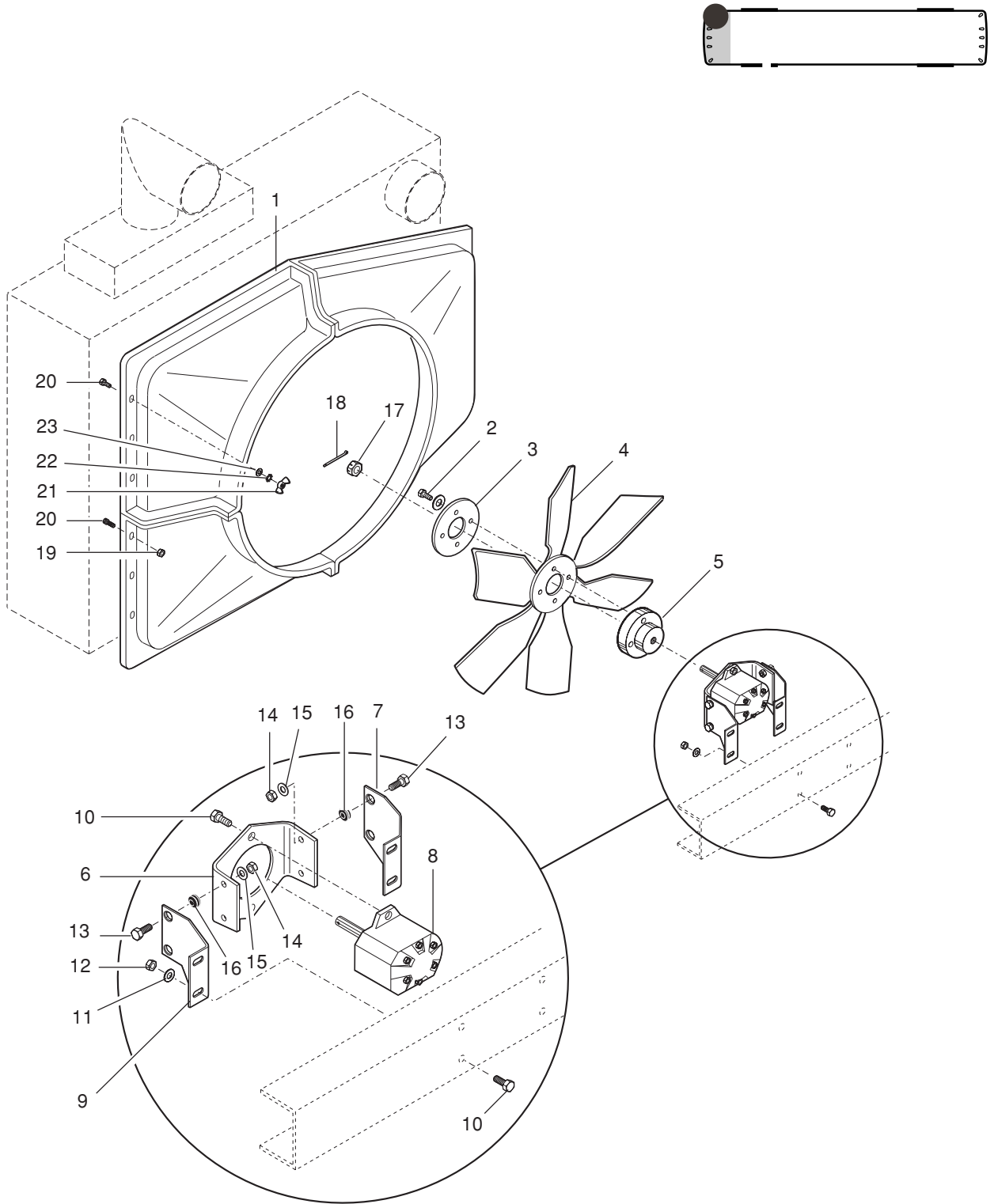


01-0340-0700B,G,S+(B)
01-003082
01-0340-0700B, G, S
13-0700-0701B

FAN, FAN MOTOR AND SHROUD

Item	Part No.	Description	Qty
1.	45-32982-000	SHROUD	1
	40-32983-000	BRACKET, SHROUD MTG	1
2.	54-11321-004	CAPSCREW, 3/8"-16 X 1.25" GR.8	4
	54-12602-011	WASHER, 3/8" LOCK	4
3.	55-24050-000	SPACER, FAN HUB BOLTS	1
4.	53-19523-016	FAN, 9-BLADE 32" HI FLOW	1
5.	55-26597-000	ADAPTER, FAN MTG	1
6.	40-26658-000	BRACKET, FAN MOTOR MTG	1
7.	01-36618-000	BRACKET, FAN MOTOR SUPT	1
8.	05-43222-006	MOTOR ASM, HYD FAN DRIVE	1
9.	01-36617-000	BRACKET, FAN MOTOR SUPT	1
10.	54-13559-005	BOLT, HXHD 1/2"-20 X 1.5 GR8	8
11.	54-12601-010	WASHER, HARD FLAT 1/2"	8
12.	54-12551-009	NUT, NYLOK, 1/2"-20, GR8	8
13.	54-11320-005	BOLT, 3/8"-16 X 1.5" GR5	4
14.	54-12540-007	LOCKNUT, NYLOCK 3/8"-16 GR5 AT BRACE	4
15.	54-12605-000	FLATWASHER, FENDER 3/8"	8
16.	53-28088-001	MOUNT, CENTER BONDED NEOPRENE	4
17.	54-13109-005	NUT, SLOTTED 5/8"-18 HEX (CASTLE)	1
18.	54-13116-001	PIN, COTTER 1/8 DIA. X 1.5" LG	1
19.	54-12540-005	LOCKNUT, NYLOCK 1/4"-20 GR5	11
20.	54-11316-002	BOLT, HXHD 1/4"-20X.75 GR5	26
21.	54-13113-064	NUT, WING 1/4"-20X.75 GR5	3
22.	54-12603-006	LOCKWASHER, STAR INT./EXT. 1/4"	3
23.	54-12605-002	FLATWASHER, FENDER 1/4" X 1.25"	26

FAN, FAN MOTOR AND SHROUD

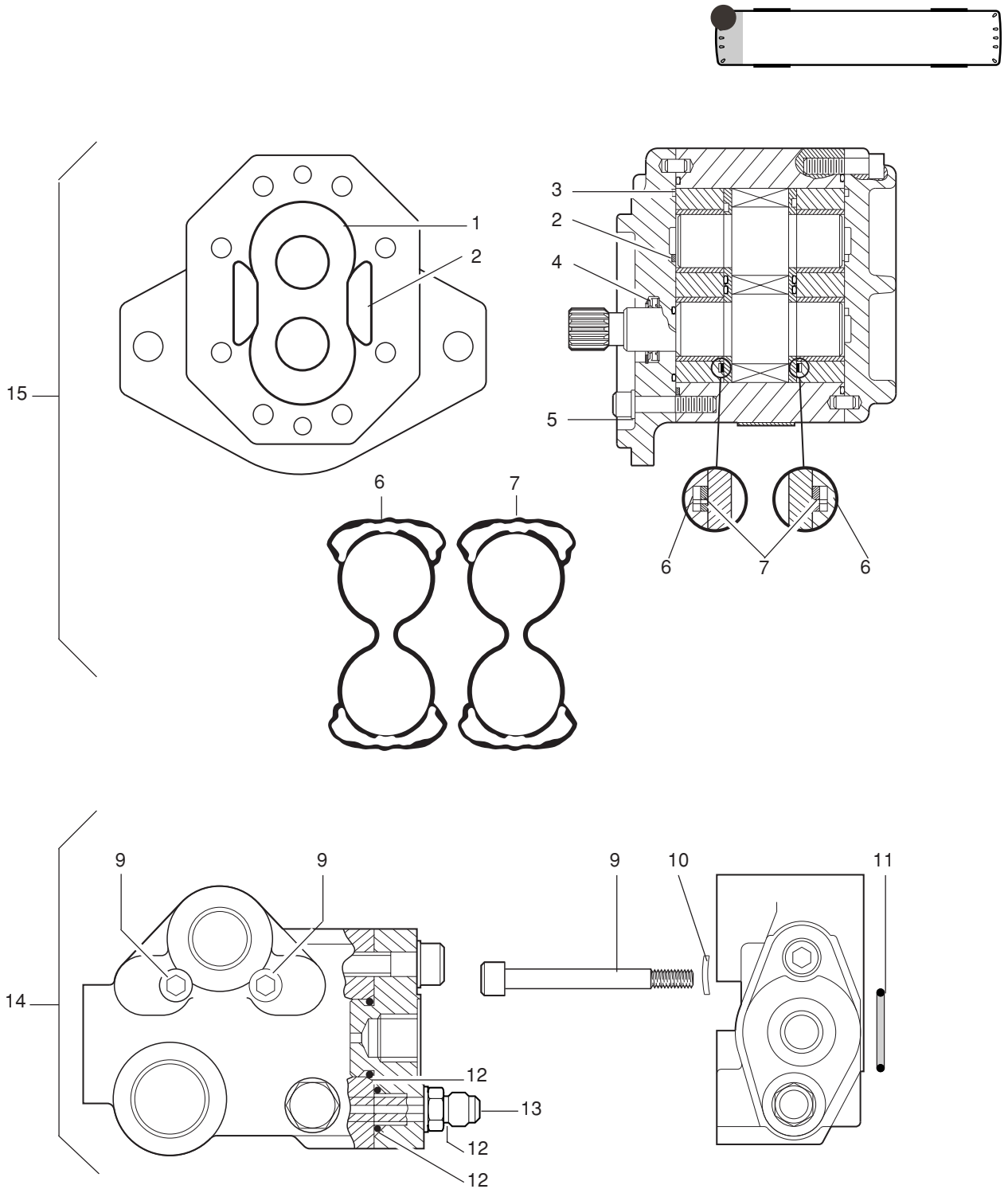


01-0350-0700X+(C)
 01-004449
 01-0350-0700X
 01-0353-0700C

FAN MOTOR

Item	Part No.	Description	Qty
1.	82-21276-003*	O-RING	2
2.	82-21276-002*	O-RING	4
3.	82-21276-004*	O-RING	2
4.	82-21276-005*	SEAL, SHAFT	1
5.	82-21276-008*	WASHER, COPPER	4
6.	82-21276-007*	RING, SEAL	2
7.	82-21276-006*	RING, ANTI EXT	2
8.	82-21276-001	KIT, SEAL (INCLS ITEMS 1 - 7)	1
9.	82-21276-000	SCREW, M10 X 60	2
10.	82-16412	WASHER, SPRING	2
11.	82-15970	O-RING	1
12.	82-16411	KIT, SEAL	1
13.	82-16404	FITTING	1
14.	82-16393	VALVE ASM, SWITCH	1
15.	82-21275-000	MOTOR ASM, HYD GEAR	1
	05-43222-006	MOTOR ASM, HYD W/ VALVE (ITEMS 14 & 15)	1
* THESE ITEMS NOT SOLD SEPARATELY: SOLD IN KIT ONLY.			

FAN MOTOR

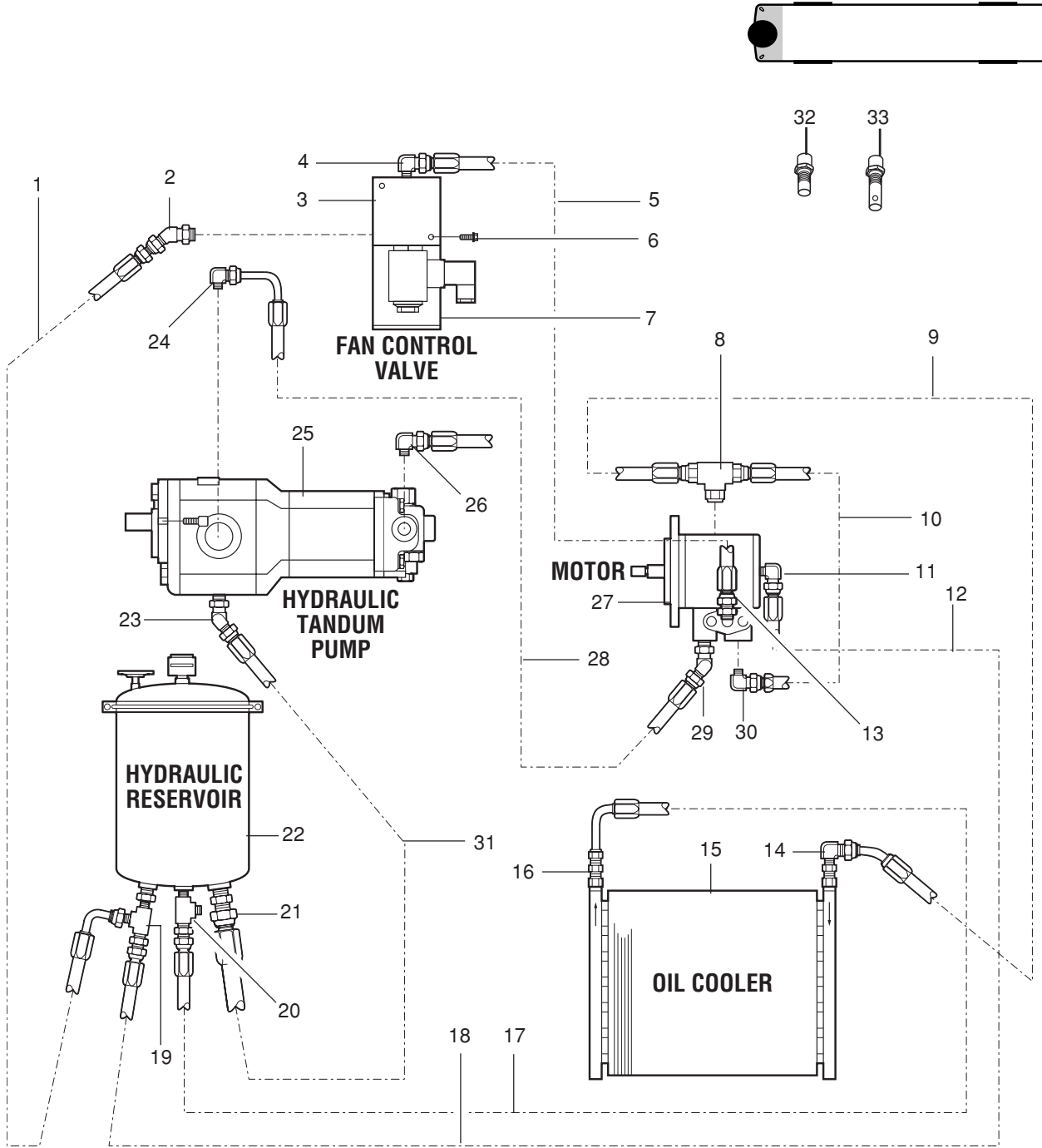


01-0350-0700X+(C)
 01-002306
 01-0350-0700X
 01-0353-0700C

HYDRAULIC FAN MOTOR PIPING

Item	Part No.	Description	Qty
1.	46-06B1014-000	HOSE ASM., #6 RESERVIOR TO CONTROL VALVE	1
2.	54-13062-003	ELBOW, 45° 9/16"-18 X #6 JIC	1
3.	05-49534-000	VALVE, FAN CONTROL FDCA	1
	05-42478-000	SENSOR, COOLANT TEMPERATURE	1
	05-42479-000	SENSOR, CAC TEMPERATURE	1
4.	54-13063-004	ELBOW, 9/16"-14 X # 4 JIC	1
5.	55-02404-144	HOSE ASM., #4	2
6.	54-17487-007	CAPSCREW, METRIX M8-1.25 X 18MM	2
	54-12602-010	LOCKWASHER, 5/16"	2
7.	05-42480-000	BRACKET, FAN CONTROL MOUNTING VALVE	1
	54-11318-003	BOLT, HEX HD. 5/16"-18 X 1.0" GR.5	2
	54-12540-006	NUT, HEX HD. NYLOCK 5/16"-18 GR.5	2
	54-12600-007	FLATWASHER, 5/16"	2
8.	54-49189-016	TEE, 1-5/16"-12 SAE, O-RING 37°	1
9.	46-16B1012-000	HOSE ASM., #16	1
10.	55-32826-000	TUBE ASM	1
11.	54-13063-008	ELBOW, 90° 9/16" X #6 JIC	1
12.	46-06B1010-000	HOSE ASM., #6	1
13.	54-13059-004	ADAPTER, 1/2"-20 X #4 JIC	2
14.	54-13118-056	ELBOW, SWIVEL 1-5/16"-12 #16 JIC	1
15.	53-29075-002	COOLER, OIL	1
16.	54-13059-038	ADAPTER, 1-5/16"-12 X #16 JIC	1
17.	46-16B1010-000	HOSE ASM., #16	1
18.	46-06B1010-000	HOSE ASM., #6	1
19.	54-13071-022	TEE, 3/4"-16 X #6 JIC	1
20.	54-13071-016	TEE, 1-5/16"-12 X #16 JIC	1
21.	54-13062-014	ADAPTER, 1-5/8" # 20	1
22.	53-27178-000	RESERVOIR ASM	1
23.	54-13062-014	ELBOW, 45° 1-5/8"-14 X #20 JIC	1
24.	54-13063-019	ELBOW, 90° 1-1/16"-12 X #12 JIC	1
25.	05-42481-001	PUMP ASM, HYDRAULIC TANDEM 31 X 23	1
26.	54-13063-010	ELBOW, 9/16"-18 X # 8 JIC	1
27.	05-43222-006	MOTOR, ASM, HYDRAULIC	1
28.	46-12J6365-0630	HOSE ASM., #12	1
29.	54-13062-007	ELBOW, 45° 7/8"-14 X #12 JIC	1
30.	54-49197-022	ELBOW, 90° O-RING SAE 37°	1
31.	46-20A1010-000	HOSE ASM., #20	1
32.	05-42478-000	SENSOR, COOLANT TEMPERATURE	1
33.	05-42479-000	SENSOR, CAC TEMPERATURE	1
	56-23718-024.00	FIRE SLEEVE, HOSE	1
	56-23714-024.00	FIRE SLEEVE, HOSE	1
	53-23722-002	CLAMP, FIRE SLEEVE	2
	53-23722-000	CLAMP, FIRE SLEEVE	2

HYDRAULIC FAN MOTOR PIPING

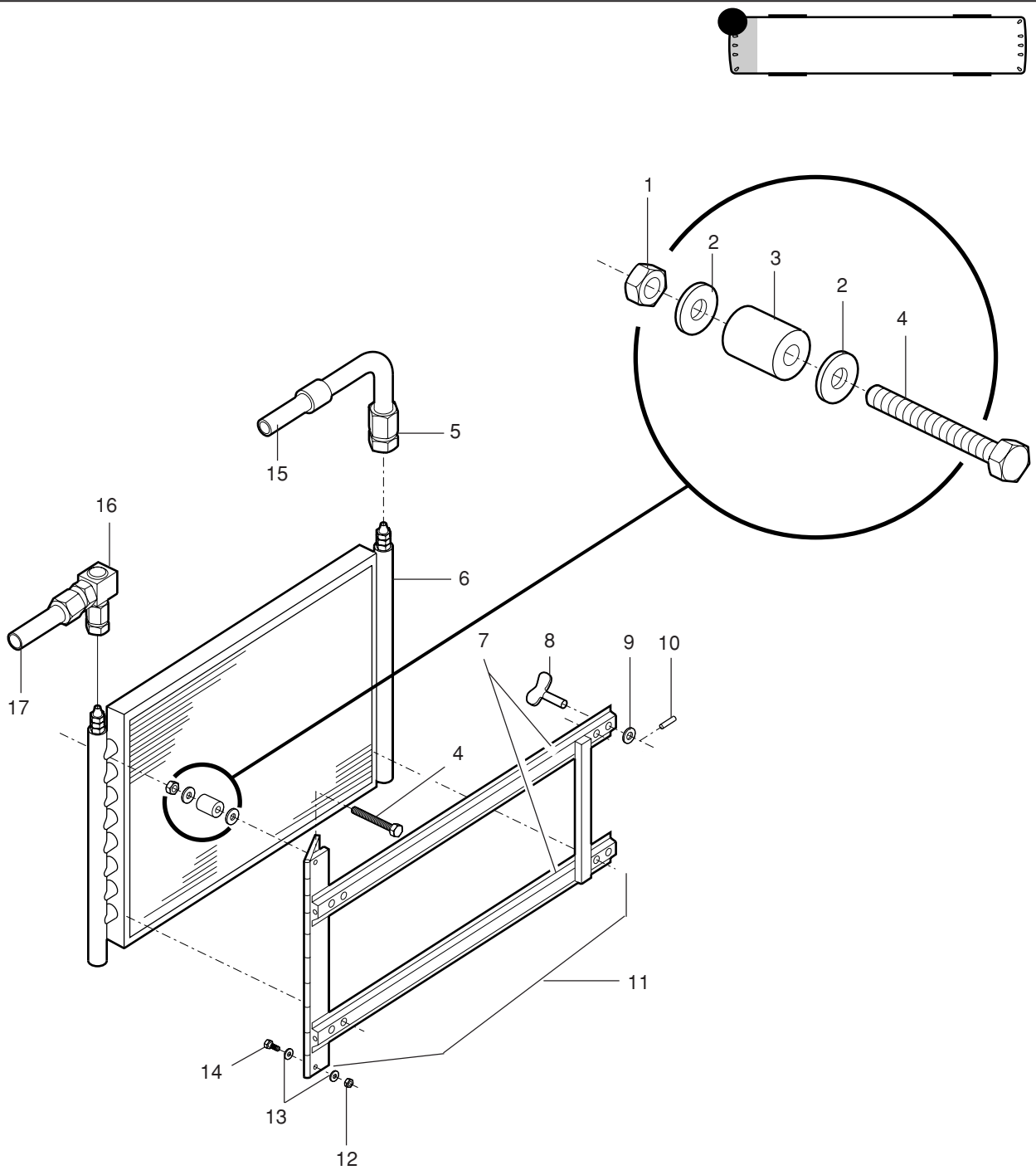


- 01-0351-0703F+(A,C+C)
- 01-003478
- 01-0351-0703F
- 01-0354-0700A,C
- 01-0360-0701C

HYDRAULIC COOLER MOUNTING

Item	Part No.	Description	Qty
1.	54-12540-006	NUT, HXHD NYLOCK 5/16"-18 GR5	10
2.	54-12605-004	FLATWASHER 3/8"	8
3.	53-25574-000	MOUNT, RUBBER, HYD OIL COOLER	4
4.	54-11318-009	BOLT, HEX HD., 5/16"-18 X 2-1/2", GR5	4
5.	54-13059-038	ADAPTER, 1-5/16"-12 X #16 JIC	1
6.	53-29075-002	COOLER, OIL 24"H X 18.75"W X 1.5" T	1
7.	42-34677-000	BRACKET, CHANNEL (BETWEEN COOLER & BRACKET ASM.)	2
8.	45-29245-000	BOLT, WING	2
9.	54-12600-007	FLATWASHER, 5/16"	8
10.	54-13116-005	PIN, COTTER, 1/32" X 3/4"	2
11.	42-29247-000	BRACKET ASM, HYD. COOLER	2
	42-29247-002	BRACKET, HORIZONTAL 27.43" LONG	2
	42-29247-001	BRACKET, VERTICAL END PLATE 15.2"	1
	45-29246-000	BRACKET, VERTICAL HINGED PLATE	1
12.	54-12540-006	NUT, HEX HD. NYLOCK 5/16"-18	10
13.	54-12600-007	FLATWASHER, 5/16"	10
14.	54-11318-004	CAPSCREW, 5/16"-18 X 1.25" GR5 AT BRACKET CORNERS	4
	54-11318-003	CAPSCREW, 5/16"-18 X 1.0" GR5 AT CHANNEL HINGE	2
15.	46-16A1014-000	HOSE ASM	1
16.	54-13118-056	ELBOW, SWIVEL W/VITON SEAL	1
17.	46-16A1012-000	HOSE ASM	1

HYDRAULIC COOLER MOUNTING

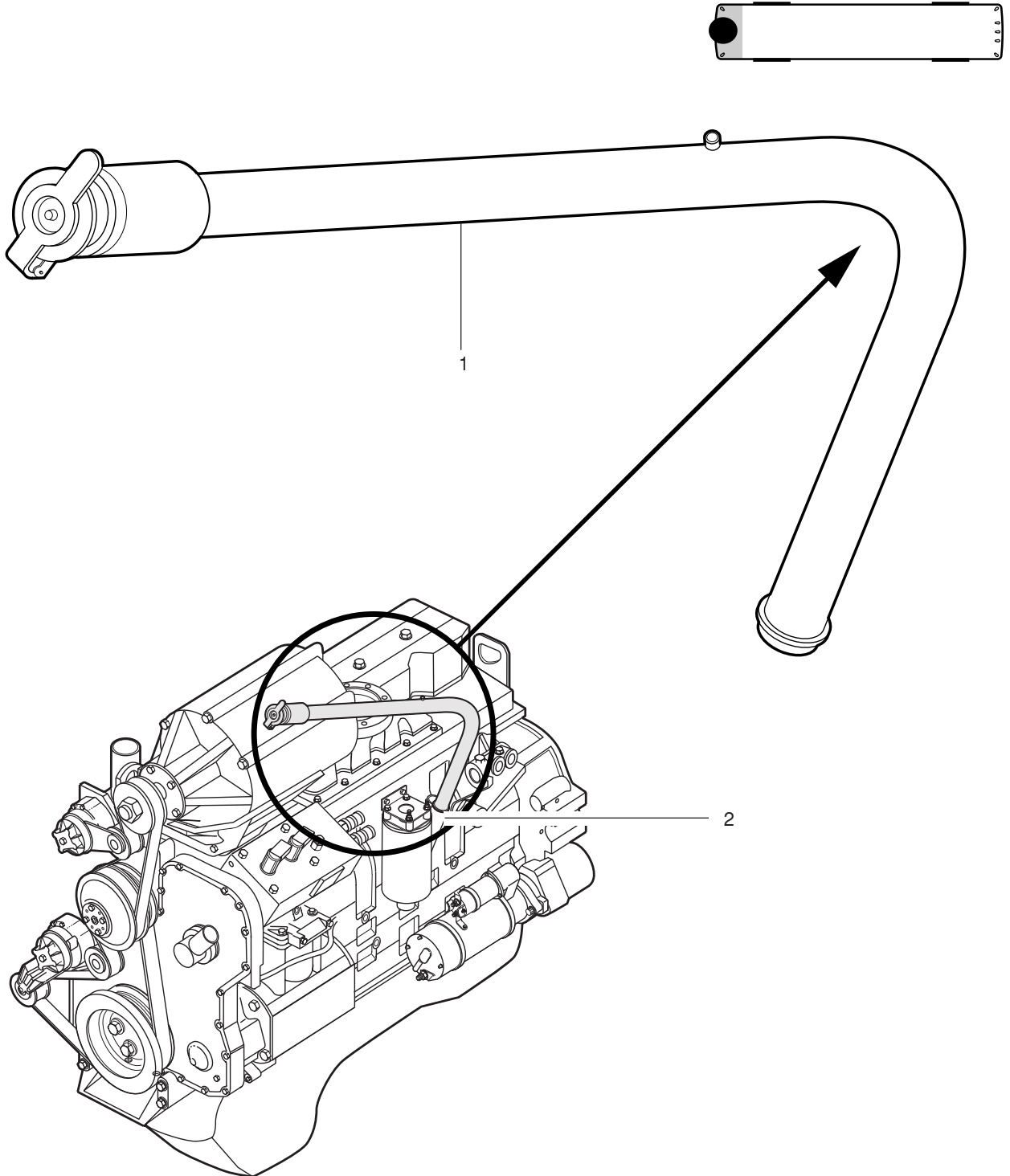


- 01-0351-0703F+(A,C+C)
- 01-002614
- 01-0351-0703F
- 01-0354-0700A,C
- 01-0360-0701C

ENGINE OIL FILLER TUBE

Item	Part No.	Description	Qty
1.	01-42521-000	PIPE, ENGINE OIL FILL	1
2.	56-09026-000	HOSE, SILICONE 1.50	1
	53-18882-007	CLAMP, HOSE 1.25-2.12	2
	01-41197-000	BRACKET, DIPSTICK MTG	1
	42-29009-000	BRACKET, STANDOFF	1
	40-36434-000	BRACKET, STANDOFF	1
	54-13112-009	LOCKWASHER, M10	1
	54-17488-008	BOLT, HH METRIC 10MM X 1.5MM	1

ENGINE OIL FILLER TUBE

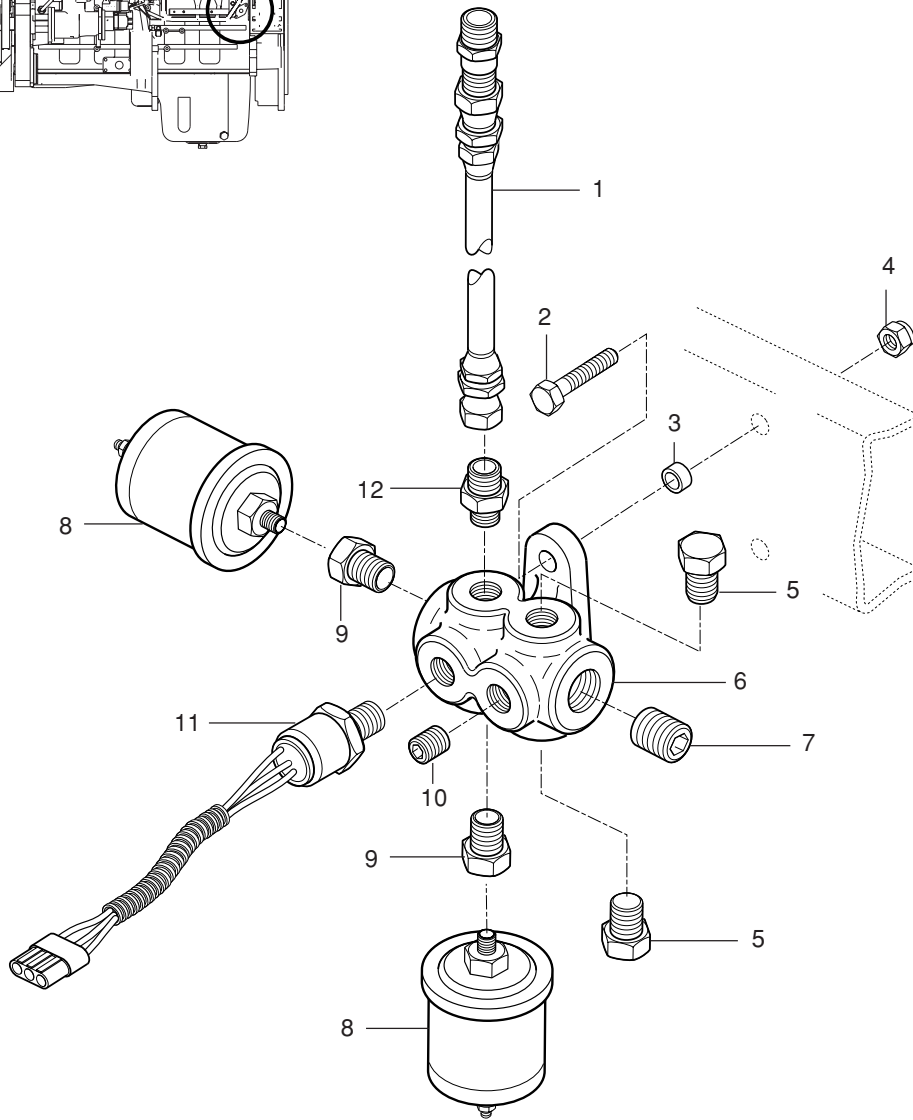
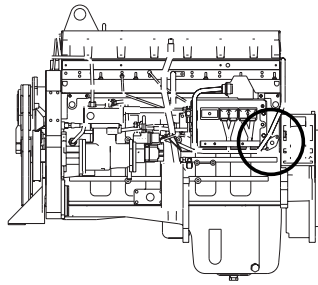


01-0400-0700D
01-001702
01-0400-0700D

ENGINE OIL, PRESSURE SENSOR & MANIFOLD

Item	Part No.	Description	Qty
1.	46-04B1111-000	HOSE ASM, FC186 #4X	1
	54-13074-004	HOSE END, #4 HOSE, (SAE)	2
	56-12299-000	HOSE, #4	A/R
2.	54-11316-005	BOLT, HXHD 1/4-20 X 1.5 GR5	2
3.	54-13117-001	SPACER, 0.42ID X 0.67OD X 0.38LG	2
4.	54-12540-005	LOCKNUT, NYLOK 1/4-20 GR5	2
5.	54-12957-004	PLUG, HEX HD 1/4MPT BRASS	2
6.	55-00274-001	MANIFOLD, AIR FITTING	1
7.	54-12958-006	PLUG, FLUSH, 3/8 NPT	1
8.	51-22968-022	SENDER, OIL PRESSURE, 1/8-27 NPT	2
9.	54-12961-001	BUSHING, HEX 1/8FPT X 1/4MPT, BRASS	2
10.	54-12958-004	PLUG, FLUSH, 1/4 NPT	1
11.	51-23339-000	SWITCH, OIL PRESSURE, 1/4-18 NPTF	1
12.	54-12993-004	ADAPTER, 1/4 NPT X #4	1
N/S	54-13118-078	ELBOW, 90° 10MM X 1 X #4 JIC, AT ENGINE OIL GALLERY	1

ENGINE OIL, PRESSURE SENSOR & MANIFOLD



01-0425-0700C
01-004517
01-0425-0700C

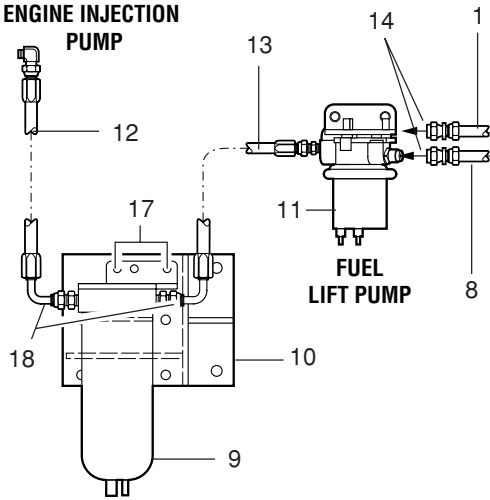
FUEL PIPING

Item	Part No.	Description	Qty
1.	46-08D3033-000	HOSE ASM, #8	1
2.	54-13039-011	UNION, 3/4-16 #8	2
3.	46-08A1010-0160	HOSE ASM, #8	1
4.	54-13008-017	ELBOW, 90° 1/2 MPT X #8	1
5.	54-13003-021	FITTING, CONN 1/2 MPT X 7/8-14	1
6.	46-10A1010-0200	HOSE ASM, #10	1
7.	54-13039-014	UNION, 37° FLARE, 5/8 X 5/8	2
8.	46-10D3033-000	HOSE ASM, #10	1
9.	REF ONLY	FILTER, FUEL FLEETGUARD (SUPPLIED W/ENGINE)	1
10.	01-39881-000	BRACKET, FILTER MTG	1
11.	REF ONLY	PUMP, FUEL LIFT (SUPPLIED W/ ENGINE)	1
12.	REF ONLY	HOSE, FILTER	1
13.	REF ONLY	HOSE, PUMP	1
14.	REF ONLY	FITTING, SUPPLY/RETURN (SUPPLIED W/ ENGINE)	2
15.	32-45690-000	TUBE, FUEL RETURN	1
16.	32-45689-000	TUBE, FUEL FEED PRESSURE	1
17.	54-11320-004	BOLT, HXHD, 3/8-16 X 1.25, GR5	2

FUEL PIPING

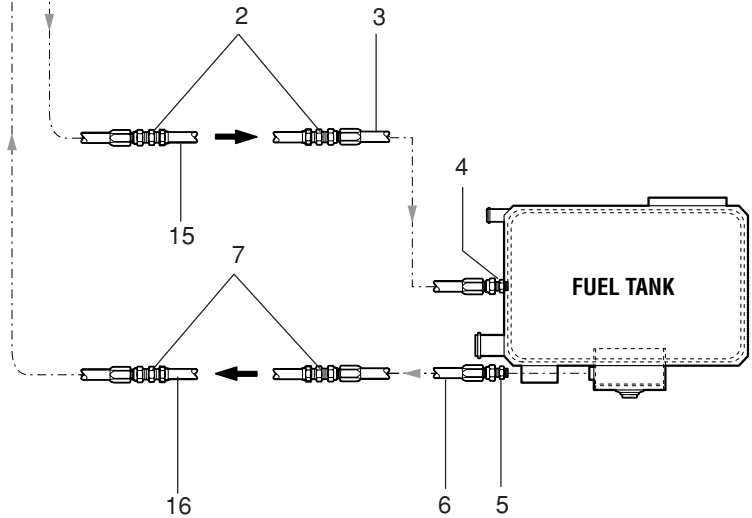


EXISTING 90°
ELBOW AT
ENGINE INJECTION
PUMP



FUEL
LIFT PUMP

FUEL FILTER

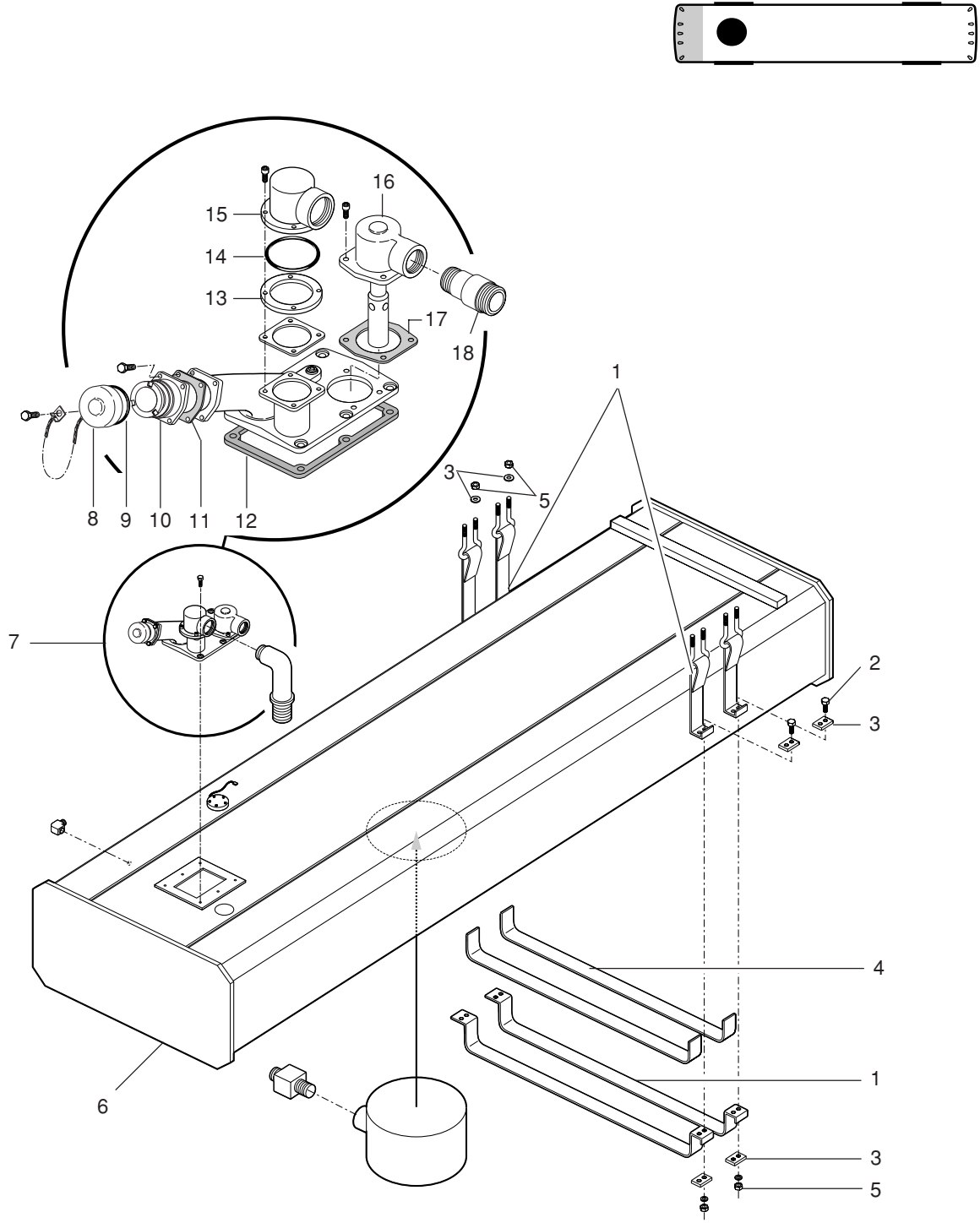


- 01-0650-0705A+(G+X+A)
- 01-003703
- 01-0650-0705A
- 32-0001-0701G
- 32-0015-0701X
- 32-0052-0701A

FUEL TANK AND MOUNTING, FILLER TUBE

Item	Part No.	Description	Qty
1.	32-48496-000	BRACKET ASM, FUEL TANK MOUNTING	4
	32-39745-000	BRACKET ASM, FUEL TANK MTG, LH	1
2.	54-11346-005	BOLT 7/16"-20 X 1.5 GR5	8
3.	54-12600-009	FLATWASHER, 7/16"	16
4.	56-29685-001	LINER, FUEL TANK STRAP, 29"	4
	56-29685-000	LINER, FUEL TANK STRAP, 39"	4
5.	54-12540-007	NUT, HXHD NYLOCK 7/16"-20 GR5	16
6.	32-48495-000	TANK ASM., 114 GAL. TRANSVERSE MOUNT FUEL	1
7.	53-23559-025	FILL ASM, FUEL (INCLUDES ITEMS 7-16)	1
8.	82-24531-003	CAP ASM, DUST	1
9.	82-15476	O-RING, DUST CAP	1
10.	82-24531-002	ADAPTER ASM	1
11.	82-24531-010	GASKET, ADAPTER	1
12.	82-24531-009	GASKET, FILLER NECK	1
13.	82-24531-008	GASKET, PRESSURE RELIEF VALVE LOWER	1
14.	82-24531-007	"O"-RING, PRESSURE RELIEF VALVE UPPER	1
15.	82-24531-001	VALVE, PRESSURE RELIEF	1
	82-24531-005	ELBOW, 90°	1
	82-24531-004	WHISTLE ASM., PRESSURE RELIEF	1
16.	82-24531-000	VALVE, LEVEL CONTROL	1
17.	82-24531-006	GASKET, LEVEL CONTROL VALVE	1
18.	54-40849-012	ADAPTER, MALE PIPE1-1/4 X HOSE BARB	1

FUEL TANK AND MOUNTING, FILLER TUBE

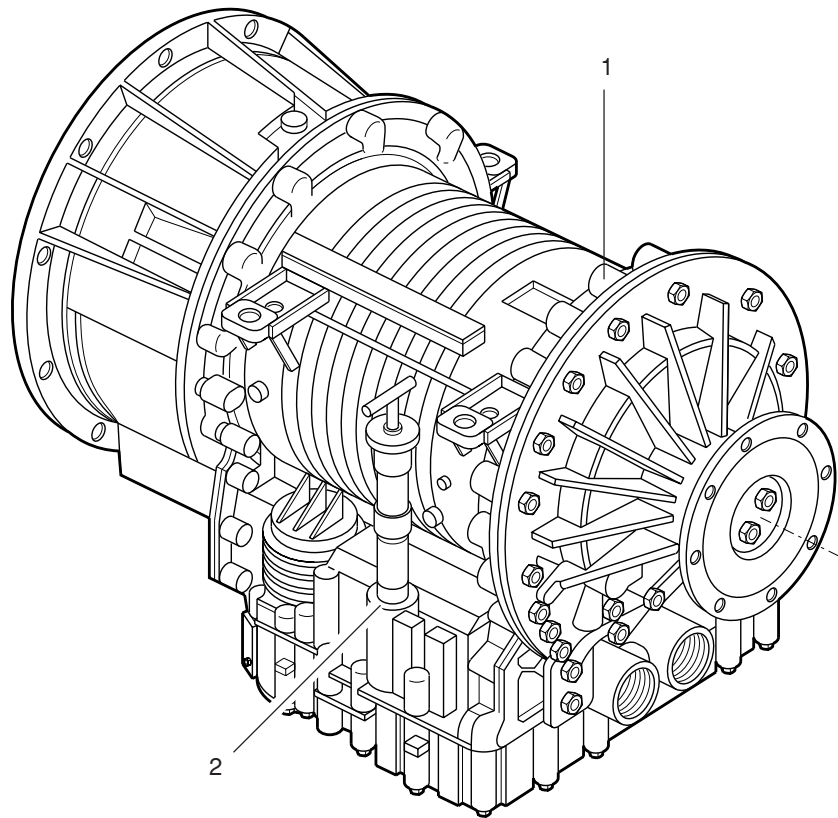


- 01-0650-0705A+(G+X+A)
- 01-003703
- 01-0650-0705A
- 32-0001-0701G
- 32-0015-0701X
- 32-0052-0701A

TRANSMISSION MOUNTING

Item	Part No.	Description	Qty
1.	53-49483-001	TRANSMISSION ASM., D864.3E	1
	40-08157-001	BRACKET, CLIP SUPT	2
	40-13509-000	BRACKET, HYD SHIFTER LINE	1
	40-16398-000	BRACKET, STANDOFF	2
	54-13112-029	WASHER, B10 WAVE	12
	54-17488-016	CAPSCREW, M10-1.50X50 CLASS 8.8	8
		<u>TRANSMISSION TAIL SUPPORT NOT SUPPLIED BY GILLIG</u>	

TRANSMISSION MOUNTING

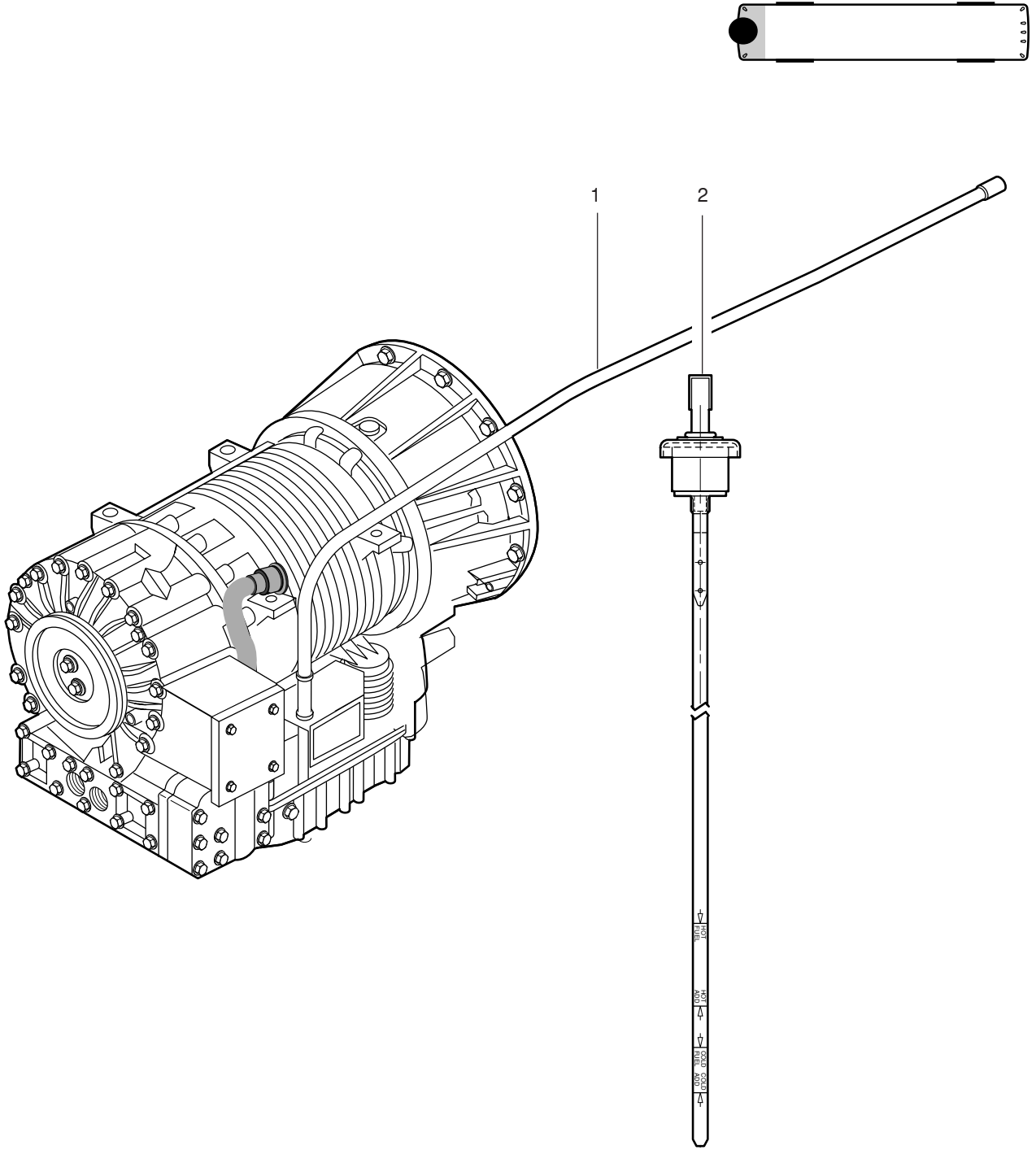


02-0052-0700B+(S)
02-001952
02-0020-0700B
02-0052-0700S

TRANSMISSION DIPSTICK AND TUBE

Item	Part No.	Description	Qty
1.	02-39489-000	TUBE ASM, TRANS OIL DIPSTICK	1
2.	55-28747-000	DIPSTICK, TRANS OIL	1

TRANSMISSION DIPSTICK AND TUBE

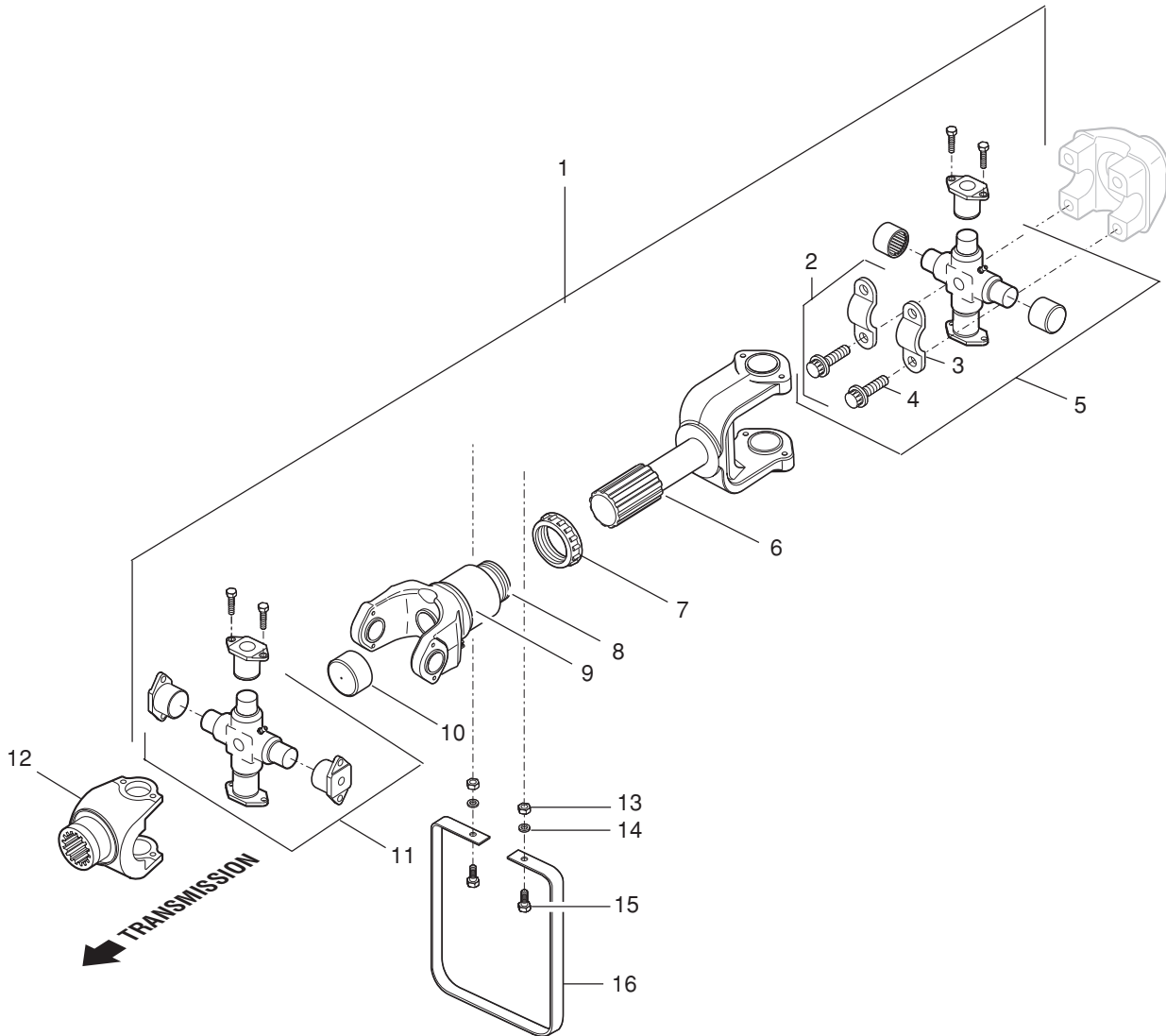
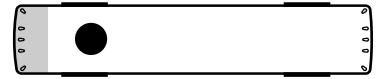


02-0100-0701D•
02-000349
02-01000-0701D

DRIVELINE ASSEMBLY

Item	Part No.	Description	Qty
1.	03-44682N000	DRIVESHAFT ASM, 1710 SERIES	1
2.	53-22644-003	KIT, BEARING CAP STRAPS & BOLTS	1
3.	54-23701-000	STRAP, LOCK	2
4.	54-13113-044	BOLT, SPECIAL 9/16"-24 X 16/32"	4
5.	82-13769-002	KIT, U-JOINT "HALF ROUND TO FULL ROUND"	1
6.	82-28375-000	YOKE, STUB SHAFT	1
7.	82-11459-000	COLLAR NUT, DUST SEAL COMPRESSION	1
8.	82-28375-001	YOKE, SLIP SHAFT	1
9.	82-17883-001	FITTING, GREASE	3
10.	82-11463-001	PLUG, PLASTIC (BLUE) CUP, GREASE	1
11.	82-11427-000	KIT, U-JOINT "FULL ROUND TO FULL ROUND"	1
12.	82-20363-000	YOKE, FULL ROUND (TRANS. OUTPUT)	1
13.	54-13108-006	NUT, SPECIAL	8
14.	54-13112-006	LOCKWASHER, SPECIAL	8
15.	54-13113-051	BOLT, HXHD 3/8-24 X 1.5, GR 8	8
16.	03-38697-000	GUARD, DRIVELINE	1

DRIVELINE ASSEMBLY



03-0002-0700X+(A)
03-004020
03-0002-0700X
03-0020-0700A

Section 2- Chassis

Rear Chassis and Outriggers - SSTL 62

Center Chassis SSTL & Outriggers - 35' 64

Forward Chassis SSTL - W/Lift-U Fold Out Ramp 66

Battery Box Assembly 68

Brake Chambers, Front 70

Front Brakes 72

Front Hub and Drum 74

Steering Knuckle 76

Front Suspension 78

Hubodometer 80

Carrier Assembly: R160 @ 5.38 82

Rear Axle Housing 84

Rear Brakes 86

Rear Hub and Drum 88

Rear Brake Chamber Assemblies 90

Rear Suspension w/61143 Axle 92

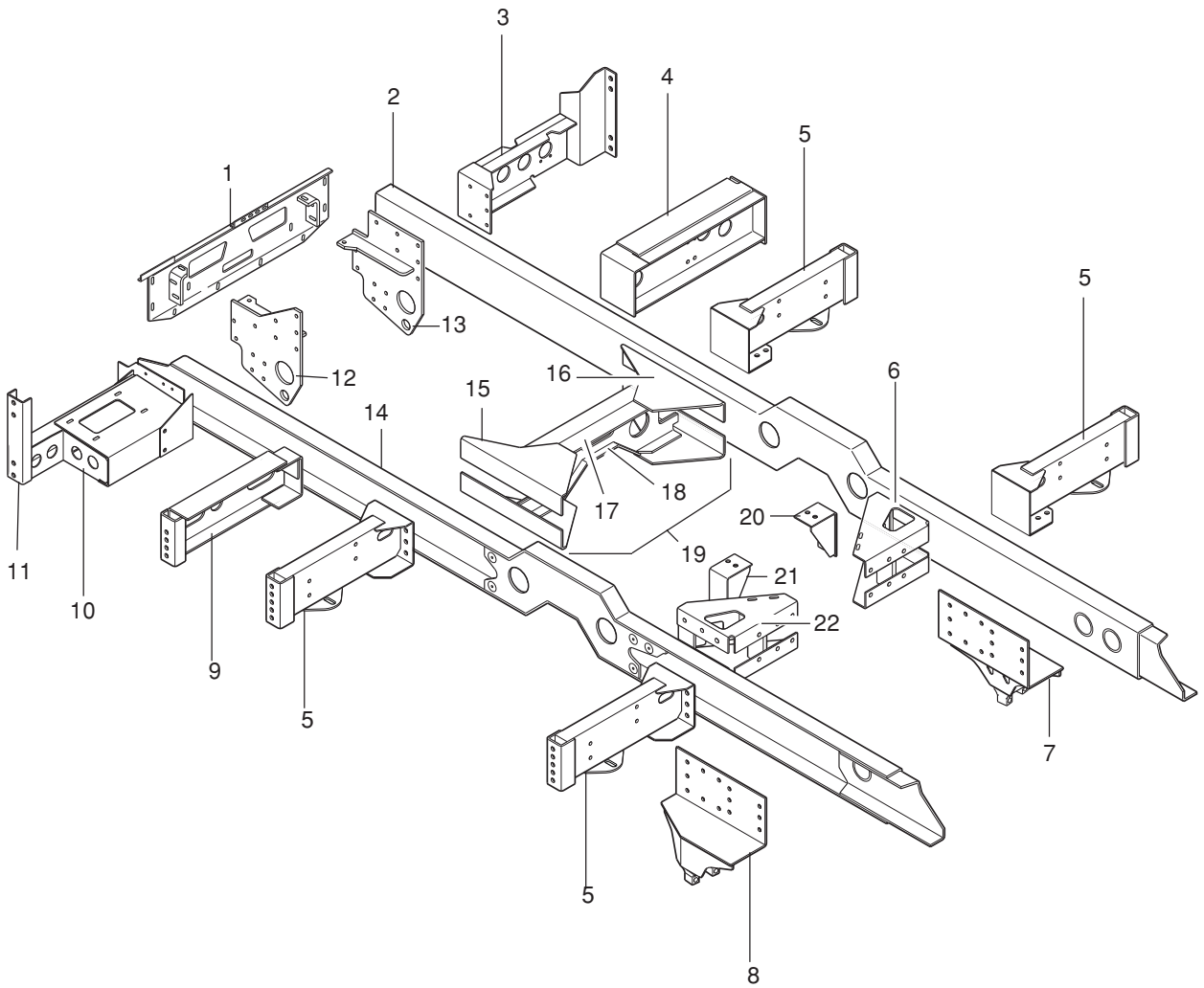
Wheels and Hardware 94

REAR CHASSIS AND OUTRIGGERS - SSTL

Item	Part No.	Description	Qty
1.	06-45300-000*	BRACKET ASM., BUMPER MOUNTING	1
2.	06-45134-000*	RAIL ASM, STREET SIDE	1
3.	06-45160-000*	OUTRIGGER, W/RAD. MTG REAR & POST MTG	1
4.	06-45157-000*	OUTRIGGER, RADIATOR MTG FRONT	1
5.	06-45179-000*	OUTRIGGER ASM., SUSPENSION	4
6.	06-45146-000L*	BRACKET ASM., TORQUE ROD	1
7.	06-46349-000L	BRACKET ASM., LOWER NEWAY TORQUE ROD	1
8.	06-46349-000R	BRACKET ASM., LOWER NEWAY TORQUE ROD	1
9.	06-45159-000	OUTRIGGER, HYD. RESERVIOR MTG	1
10.	06-45158-000	OUTRIGGER, A/C COMPRESSOR MTG	1
11.	06-45294-000	BRACKET, POST MOUNTING	1
12.	06-47511-000	BRACKET PLATE ASM., TOW EYE CURB SIDE	1
13.	06-47512-000	BRACKET PLATE ASM., TOW EYE STREET SIDE	1
14.	06-45142-000*	RAIL ASM, CURB SIDE	1
15.	06-45149-000L	GUSSET, CROSSMEMBER	2
16.	06-45149-000R	GUSSET, CROSSMEMBER	2
17.	06-45147-000	CROSSMEMBER CENTER SECTION	2
18.	06-45148-000	FLANGE, ARCHED ON CROSSMEMBER LOWER SIDE	1
19.	06-45150-000*	CROSSMEMBER ASM.	1
20.	06-45200-000L*	BRACKET, TORQUE ROD SUPPORT	1
21.	06-45200-000R*	BRACKET, TORQUE ROD SUPPORT	1
22.	06-45146-000R*	GUSSET, CROSSMEMBER	1
	06-45257-000*	PLATE, FUEL TANK SUPPORT 11.75" X 3.58", 2X.48" & 4X.66" DIA.	2

NOTE: * HOGAN CHASSIS USE THE SAME PART NUMBER ONLY THE SUFFIX "H". HOGAN CHASSIS

REAR CHASSIS AND OUTRIGGERS - SSTL

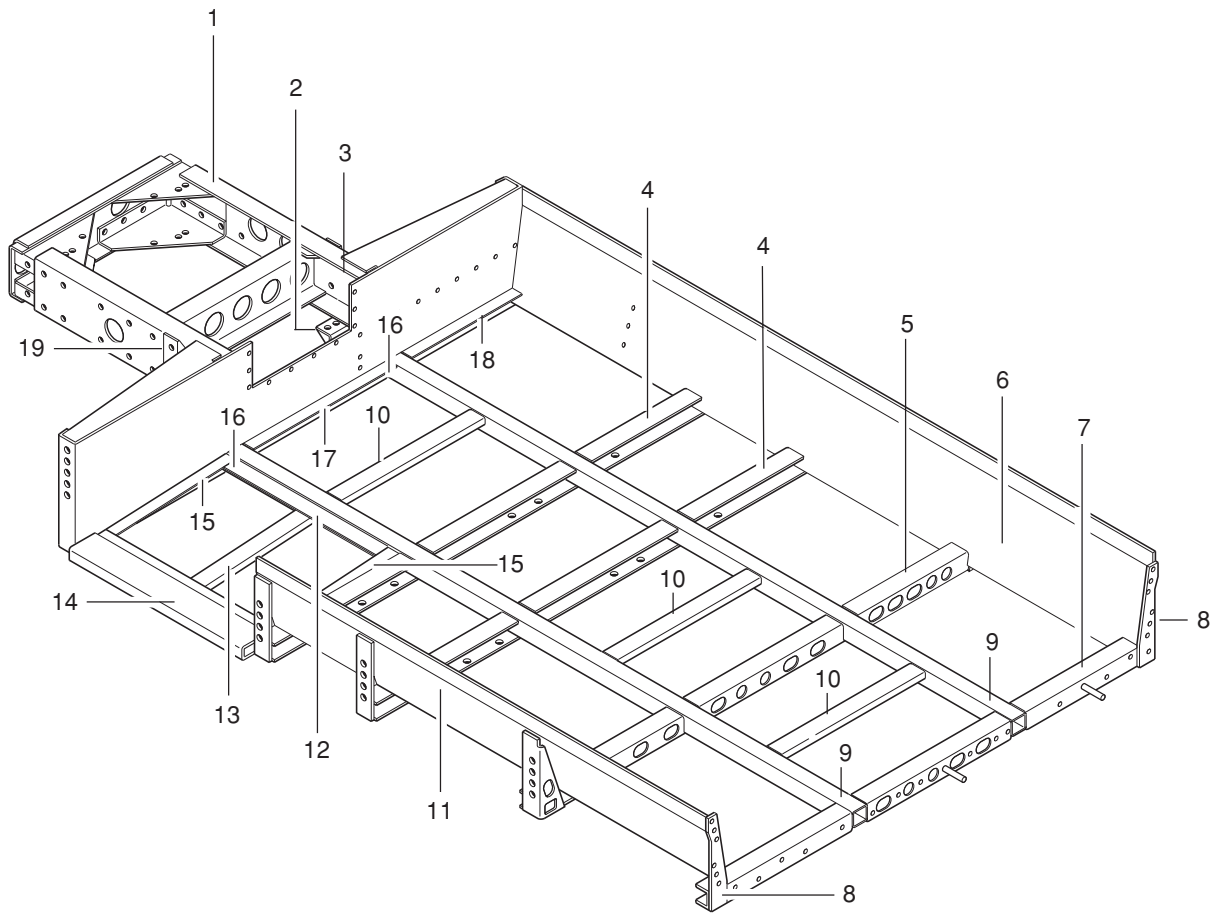
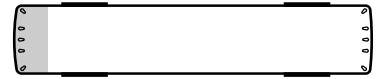


06-0006-0701K+(D,G+W)
06-003769
06-0006-0701K
06-0007-0704D, G
06-0008-0703W

CENTER CHASSIS SSTL & OUTRIGGERS - 35'

Item	Part No.	Description	Qty
1.	06-44739-000	TRANSITION ASM., CHASSIS CENTER	1
2.	06-44740-000	GUSSET ASM., TRANSITION	2
3.	06-48056-000L	ANGLE, GUSSET, FRAME TRANSITION	1
4.	06-47769-000	OUTRIGGER ASM.	2
5.	06-47769-001	OUTRIGGER, TAPPING	2
6.	06-44767-000	BARRIER, STREETSIDE	1
7.	06-44774-000	CHANNEL, OUTRIGGER, FRONT JOINT	1
8.	06-46041-000	PLATE, CHASSIS JOINT	2
9.	06-44760-000	RAIL, CHASSIS CENTER	2
10.	06-45708-000	CHANNEL FLOOR SUPPORT	4
11.	06-46138-000	BARRIER, CURBSIDE	1
12.	06-44772-004	PLATE, TAPPING	1
13.	06-48208-000	SUPPORT, FLOOR	1
14.	06-46135-000	STEP ASM., EXIT	1
15.	06-44772-001	PLATE, TAPPING	2
16.	06-44751-000	GUSSET, 3.0" X 3.57"	4
17.	06-44772-003	PLATE, TAPPING	1
18.	06-44772-002	PLATE, TAPPING	1
19.	06-48056-000R	ANGLE, GUSSET, FRAME TRANSITION	1

CENTER CHASSIS SSSL & OUTRIGGERS - 35'

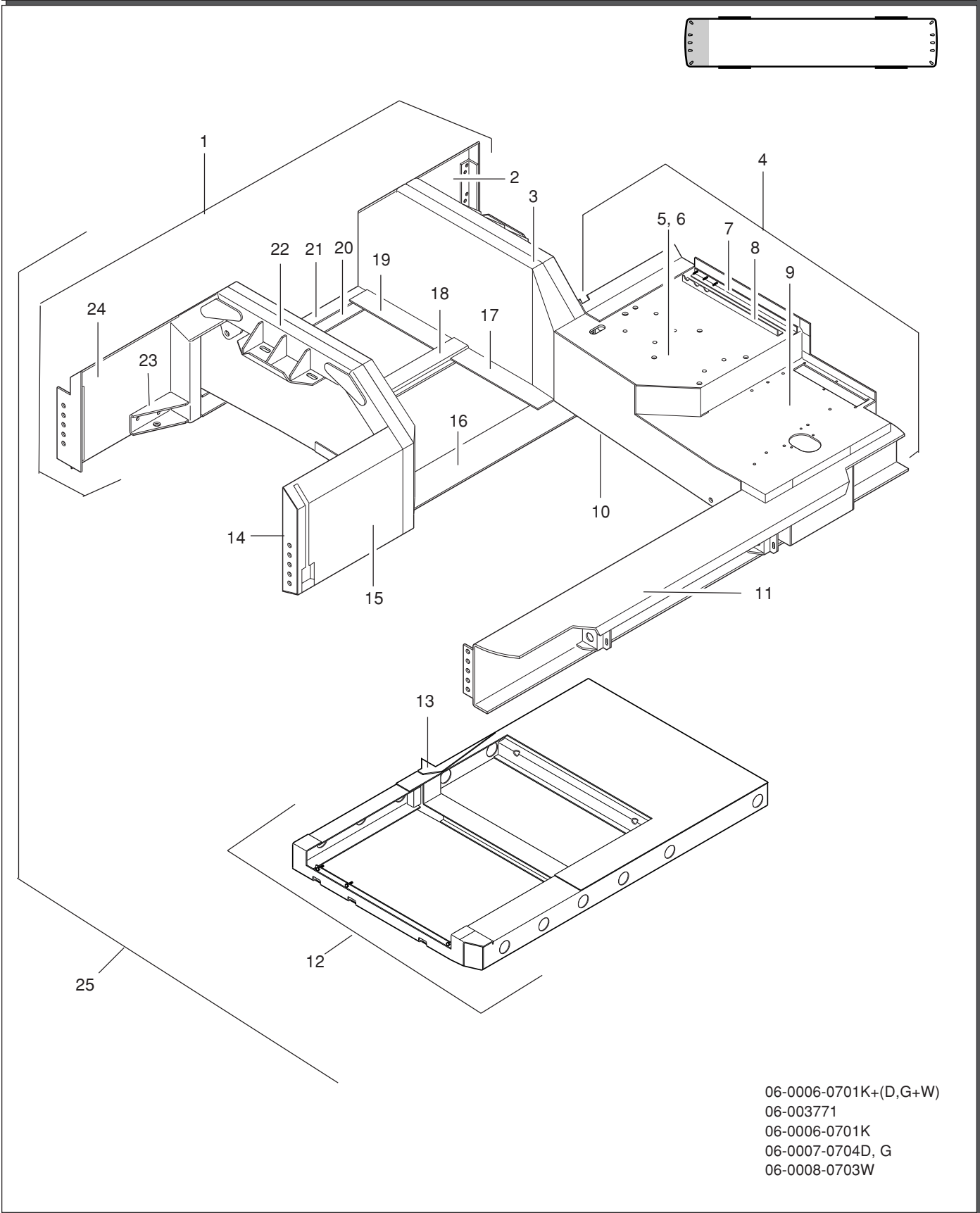


06-0006-0701K+(D,G+W)
06-003923
06-0006-0701K
06-0007-0704D, G
06-0008-0703W

FORWARD CHASSIS SSSL - W/LIFT-U FOLD OUT RAMP

Item	Part No.	Description	Qty
1.	06-44876-000	OUTRIGGER ASM., LH/RH CHANNEL FRAME	1
2.	06-44874-000L	PANEL ASM., OUTRIGGER	1
3.	06-44871-000	ARCH FRAME ASM., (STREETSIDE)	1
4.	06-44939-000	FRAME ASM., DRIVER'S PLATFORM	1
5.	06-45015-000	PLATFORM, DRIVER'S FLOOR	1
6.	06-47612-001	PLATE ASM., BACKING	2
7.	06-46122-000	ANGLE, PLATFORM	1
8.	06-44941-000	ANGLE, SUPPORT	1
9.	06-45030-000	PLATFORM, DRIVER'S FOOT PLATE	1
10.	06-45033-000	SIDE PLATE, DRIVER'S PLATFORM	1
11.	06-44938-000	CHANNEL ASM., HEADLIGHT BUMPER	1
12.	06-47113-000	MODULE ASM., LIFT-U FOLD-OUT RAMP	1
13.	06-47122-000	PLATE, FLOOR CORNER JUNCTION	1
14.	06-44890-000	CHANNEL, OUTRIGGER VERTICAL	1
15.	06-44912-000	PANEL, FT. WHEEL WELL AT ENTRANCE DOOR	1
16.	06-44882-000	CHANNEL, ASM., OUTRIGGER	1
17.	06-47683-000	ANGLE, FRAME, FLOOR LEFT	1
	06-47687-000	ANGLE, FRAME, FLOOR RIGHT	1
18.	06-44915-000	CHANNEL, ASM., FLOOR SUPPORT	1
19.	06-44937-000	PANEL, AT WHEEL HOUSING LEFT	1
	06-44936-000	PANEL, AT WHEEL HOUSING RIGHT	1
20.	06-44873-000	CHANNEL, OUTRIGGER	1
21.	06-44880-000	CHANNEL, OUTRIGGER	1
22.	06-44870-000	ARCH FRAME ASM., (CURBSIDE)	1
23.	06-44881-000R	GUSSET, OUTRIGGER RIGHT	1
	06-44881-000L	GUSSET, OUTRIGGER LEFT	1
24.	06-44874-000R	PANEL ASM., OUTRIGGER	1
25.	06-47159-001	FRAME ASM., FRONT CHASSIS	1

FORWARD CHASSIS SSTL - W/LIFT-U FOLD OUT RAMP

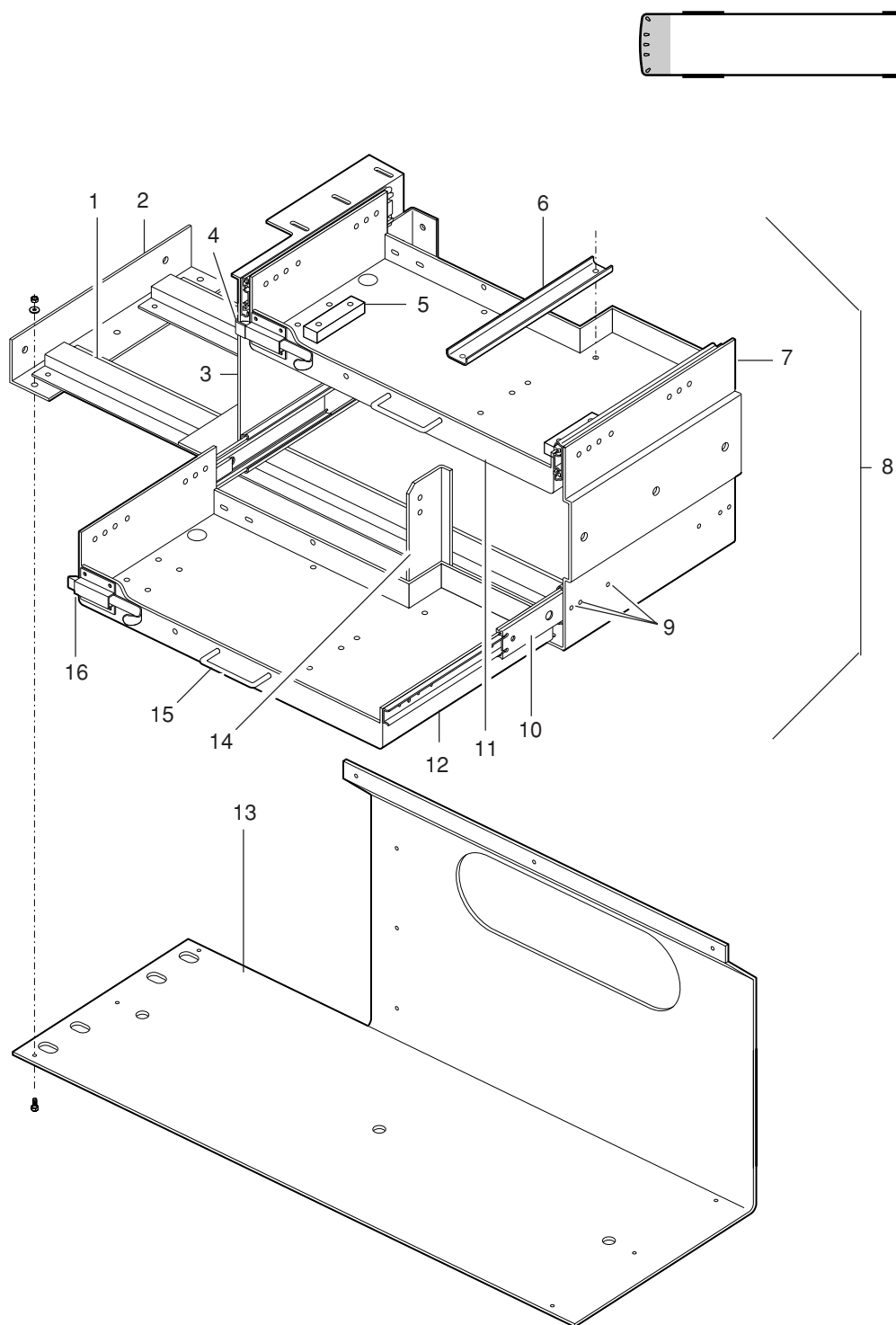


06-0006-0701K+(D,G+W)
06-003771
06-0006-0701K
06-0007-0704D, G
06-0008-0703W

BATTERY BOX ASSEMBLY

Item	Part No.	Description	Qty
1.	13-45416-000	CHANNEL, BATTERY BOX MTG.	2
2.	13-45417-000	ANGLE, BATTERY BOX MTG.	1
3.	13-45415-000	WALL, SUPPORT BRACKET	1
	54-13108-019	NUT, HEX NYLOCK 1/4"-20 SSTL	8
	54-13112-030	FLATWASHER, 1/4" SSTL	16
	54-13113-067	BOLT, HXHD, 1/4"-20 X 1.0, SSTL GR 5	2
4.	13-45413-000	ANGLE, LATCH CATCH	2
5.	13-45424-000	BLOCK, BATTERY HOLD DOWN	2
	54-11316-006	BOLT, HEXHEAD 1/4"-20 X 1.75" LONG GR.5	8
	54-12600-006	FLATWASHER, 1/4"	24
	54-12540-005	LOCKNUT, NYLOCK 1/4"-20, GR5	4
6.	13-46240-000	CHANNEL, BATTERY HOLD DOWN	2
	54-11316-027	BOLT, HEXHEAD 1/4"-20 X 10.0" LONG GR.5	4
	54-12540-005	NUT, NYLOCK 1/4"-20	12
	54-12600-006	FLATWASHER, 1/4"	24
7.	13-45414-000	WALL, SUPPORT BRACKET	1
8.	13-45411-000	BOX ASM, BATTERY	1
9.	54-13119-056	SCREW, FLAT HD. 1/4"-20 X .75" LONG	28
10.	53-26028-003	SLIDE ASM, BALL BRG	4
	54-13119-030	SCREW, PAN HD. MACH. #10-24 X 5/8" LONG	36
	54-13112-032	FLATWASHER #10	44
	54-13108-032	NUT, NYLOCK #10-24	36
	54-13119-030	SCREW, PAN HD. MACH. 1/4"-20 X 3/4" LONG	28
11.	13-45418-000	TRAY, BATTERY BOX UPPER	1
12.	13-46229-000	TRAY, BATTERY BOX LOWER	1
13.	13-45422-000	CLOSEOUT, BATTERY BOX	1
	54-12600-008	FLATWASHER, 3/8"	24
	54-12540-007	LOCKNUT, NYLOK 3/8"-16 GR.5	12
	54-12600-010	FLATWASHER, 1/2"	12
	54-12550-009	LOCKNUT, NYLOK 1/2"-20 GR.5	6
	54-11348-005	BOLT, 1/2"-20 X 1.50" GR.5	6
	54-11320-006	BOLT, HEX HD. 3/8"-16 X 1.75"	18
14.	13-45660-000	ANGLE, BATTERY FUSE MOUNTING	1
15.	13-45420-000	HANDLE, BATTERY TRAY	2
16.	53-28507-000	LATCH, SPRING FLUSH	2

BATTERY BOX ASSEMBLY

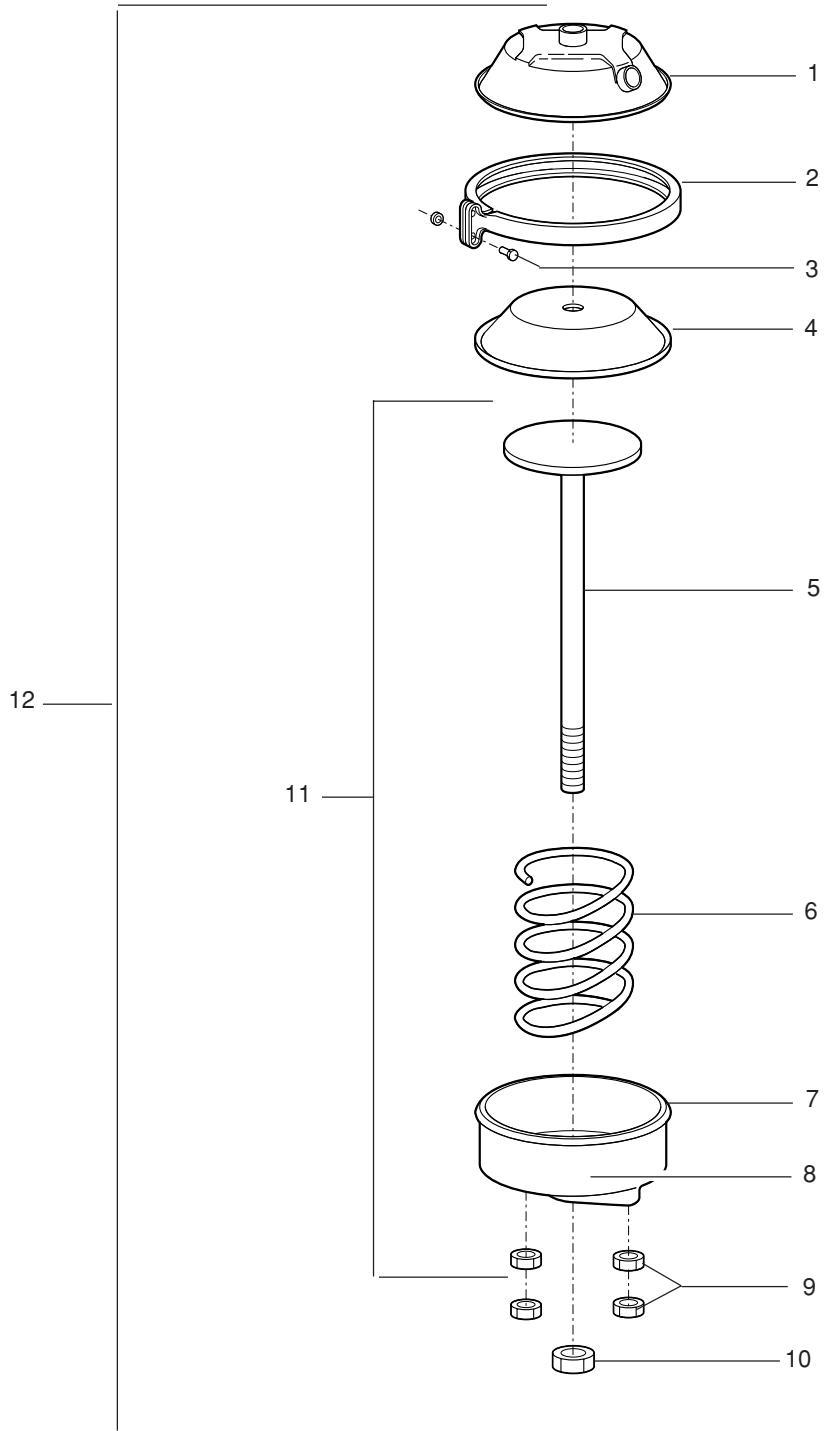
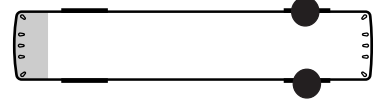


06-0201-0702A+(A)
06-000133
06-0201-0702A
06-0204-0701A

BRAKE CHAMBERS, FRONT

Item	Part No.	Description	Qty
1.	82-15369	CAP, PRESSURE, FRT BRAKE CHAMBER	1
2.	82-15370	CLAMP RING ASM, FRT BRAKE CHAMBER	1
3.	82-11999-001	KIT, CLAMP BOLT, FRT BRAKE CHAMBER	1
4.	82-15371-001	DIAPHRAGM, FRT BRAKE CHAMBER	1
5.	82-15372-001	PISTON ASM, FRT BRAKE CHAMBER	1
6.	82-11997-003	SPRING, RETURN, FRT BRAKE CHAMBER	1
7.	82-15373	CHAMBER ASM, NP, FRONT BRAKE	1
8.	82-11997-005	NUT, YOKE, FRT BRAKE CHAMBER, 5/8-11	1
9.	82-11999-002	KIT, NUTS/WASHERS, FRT BRAKE CHAMBER	1
10.	82-10539-000	YOKE ASM, FRT BRAKE CHAMBER	1
11.	82-15374	CHAMBER KIT, FRONT BRAKE <i>(INCLUDES ITEMS 5 - 9)</i>	1
12.	82-15710	CHAMBER ASM, FRONT BRAKE	1

BRAKE CHAMBERS, FRONT

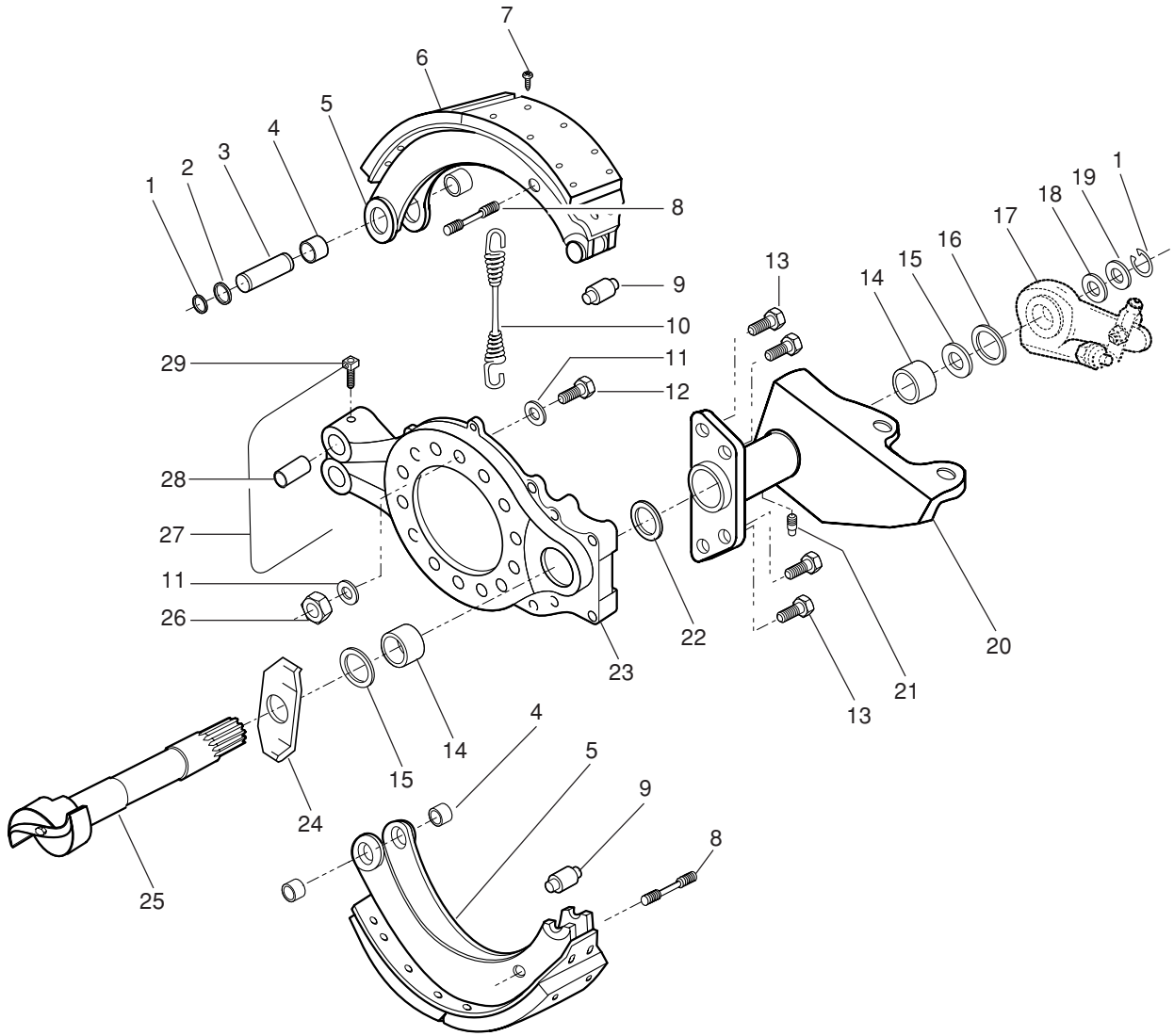
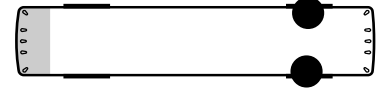


07-0000-2400
07-000136
07-0000-2400

FRONT BRAKES

Item	Part No.	Description	Qty
1.	82-03344-000	LOCKRING, RETAINER	5
2.	82-13652-001	FLATWASHER	4
3.	82-03455-000	PIN, ANCHOR	2
4.	82-03291-000	BUSHING, BRONZE	4
5.	82-19124-000	SHOE ASM, BRAKE W/O LINING	2
6.	82-19127-001	LINING, ANCHOR END	2
	82-19127-003	LINING, CAM END	2
	82-28439-000	SHOE ASM, W/LINING & ROLLER	2
7.	82-17800-000	RIVET, LINING	24
8.	82-03283-000	PIN, RETURN SPRING	2
9.	82-19125-000	ROLLER, BRAKE SHOE	2
	82-03871-000	RETAINER, ROLLER	2
10.	82-19126-000	SPRING, RETURN	1
11.	82-03412-000	FLATWASHER	14
12.	82-14740	CAPSCREW	7
13.	82-12014-003	CAPSCREW	4
14.	82-03294-000	BUSHING, S-CAM	2
15.	82-02241-000	SEAL ASM, GREASE	2
16.	82-03396-000	FLATWASHER	1
17.	07-38005N000	AUTOMATIC SLACK ADJUSTER, LH	1
	07-38006N000	AUTOMATIC SLACK ADJUSTER, RH	1
18.	82-19602-016	FLATWASHER, THICK	2
19.	82-10276-007	FLATWASHER, THIN	2
20.	82-28440-000	BRACKET ASM, S-CAM/CHAMBER MTG, LH	1
	82-28441-000	BRACKET ASM, S-CAM/CHAMBER MTG, RH	1
21.	82-00872-001	FITTING, GREASE	1
22.	82-03501-000	O-RING	1
23.	82-02392-000	SPIDER ASM, FRT BRAKE, LH	1
	82-02138-000	SPIDER ASM, FRT BRAKE, RH	1
24.	82-17649-000	WASHER, SPECIAL	1
25.	82-03769-000	CAMSHAFT, LH	1
	82-03763-000	CAMSHAFT, RH	1
26.	82-19641-001	LOCKNUT	7
27.	82-19602-011	LOCKWIRE	1
28.	82-03288-000	BUSHING, ANCHOR PIN	2
29.	82-19602-000	SETSCREW	1

FRONT BRAKES

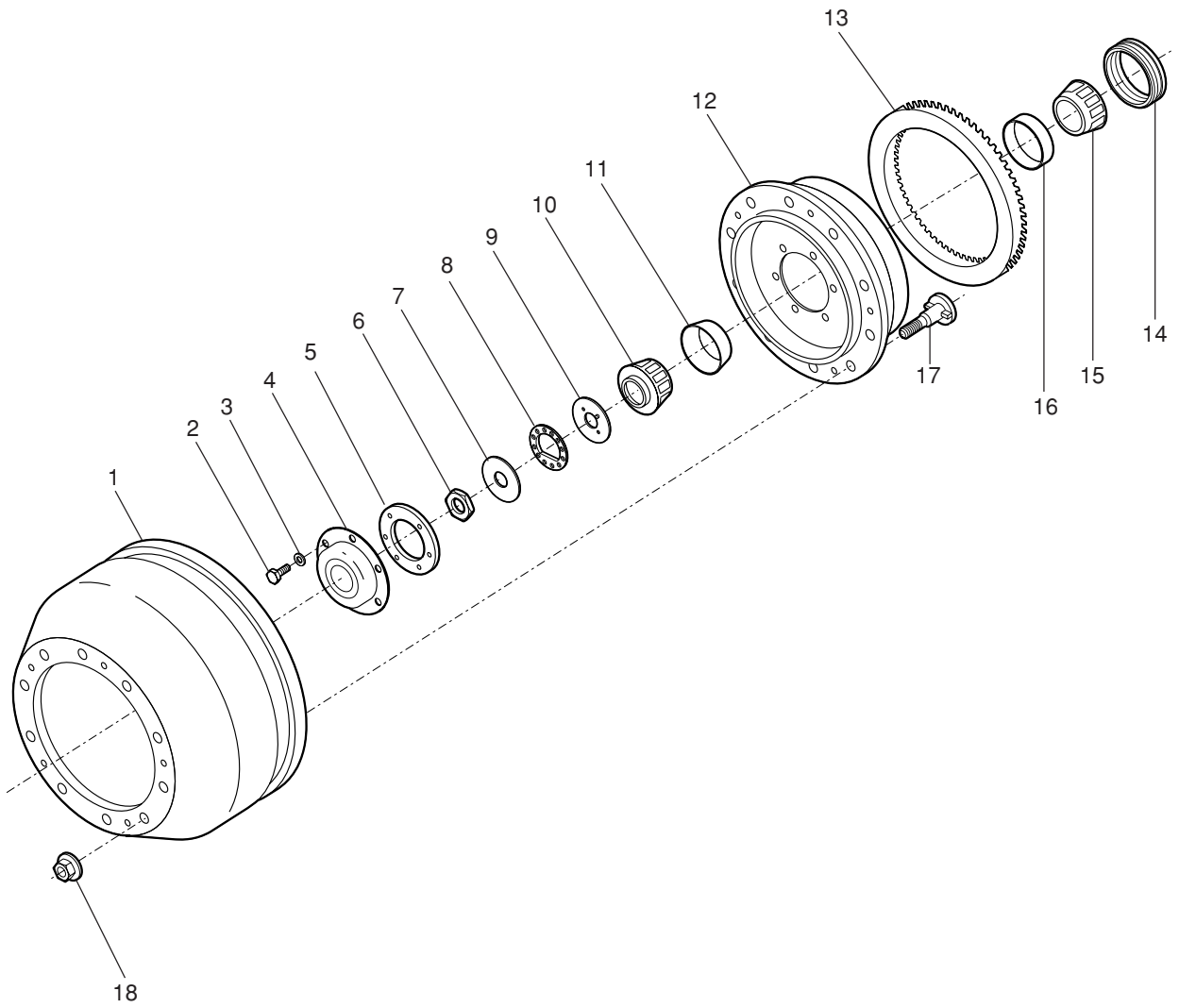
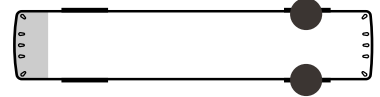


53-50362-021 (RX160)
07-001657
53-50362-021

FRONT HUB AND DRUM

Item	Part No.	Description	Qty
1.	82-24490-000	DRUM, FRT 16.5 X 6 (WEBB/BAL)	1
2.	82-01631-002	CAPSCREW, HUB CAP	6
3.	82-03230-002	LOCKWASHER	6
4.	82-26911-000	HUB CAP ASM	1
5.	82-15303	GASKET, HUB CAP	1
6.	82-04217-001	NUT, OTR WHEEL BRG	1
7.	82-02207-000	FLATWASHER	1
8.	82-04217-002	LOCKRING	1
9.	82-19647-004	NUT, INR WHEEL BRG	1
10.	82-10806-000	BEARING, OTR CONE	1
11.	82-10183-001	BEARING, OTR CUP	1
12.	82-24767-000	HUB ASM, W/ CUPS & STUDS	1
13.	NSS	EXCITER, ABS	
14.	82-22750-000	SEAL ASM, OIL (STEMCO)	1
15.	82-10182-000	BEARING, INR CONE	1
16.	82-08519-000	BEARING, INR CUP	1
17.	82-24767-001	STUD, WHEEL (RH THREAD)	10
18.	82-08266-000	NUT ASM, WHEEL	10

FRONT HUB AND DRUM

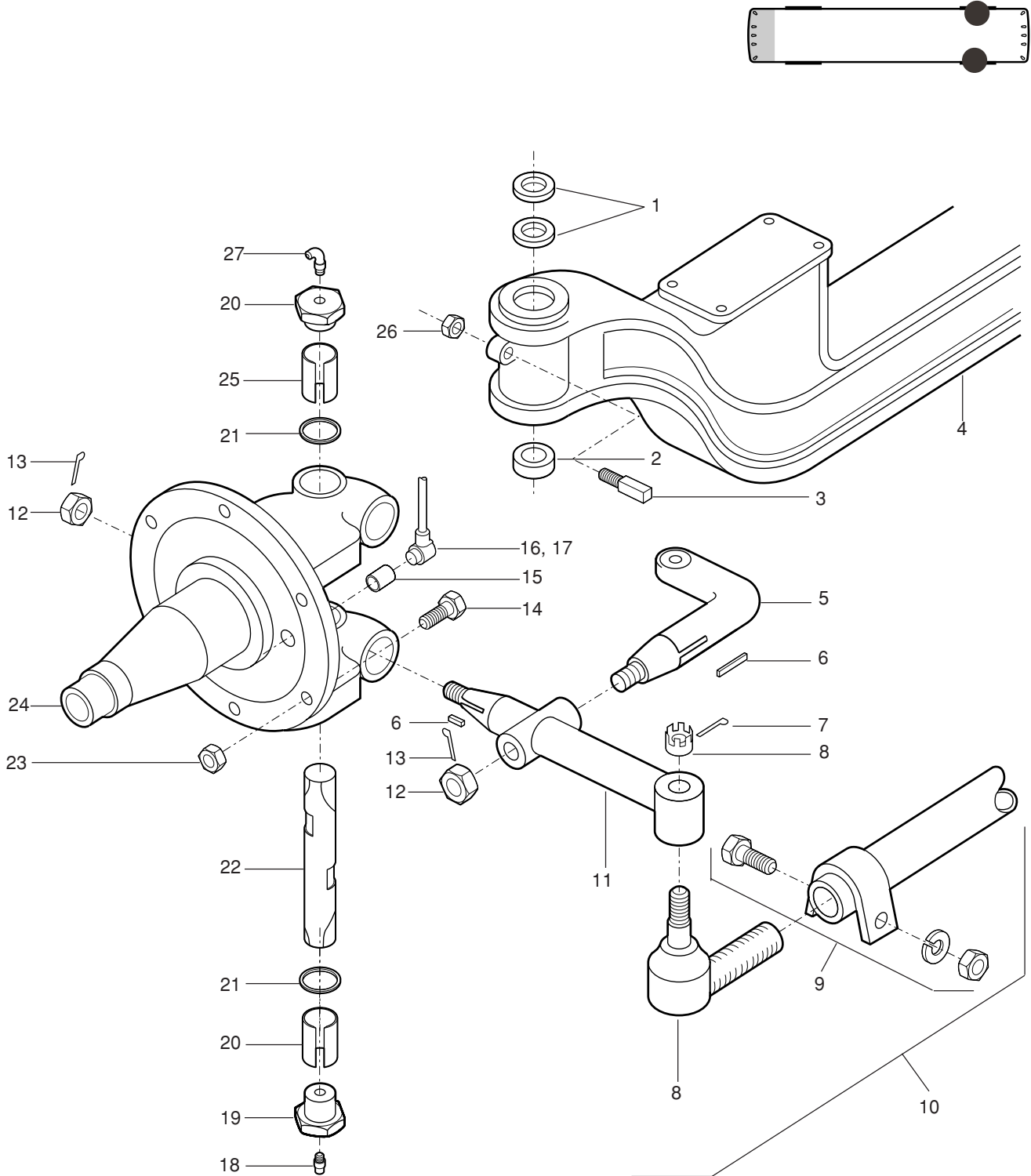


53-50362-021 (RX160)
07-001655
53-50362-021

STEERING KNUCKLE

Item	Part No.	Description	Qty
1.	82-03633-000	SHIM, .005	A/R
	82-03624-000	SHIM, .010	A/R
	82-00397-000	SHIM, .015	A/R
2.	82-13781-004	BEARING, THRUST	1
3.	82-07929-001	DRAW KEY, UPR	1
	82-04850-000	DRAW KEY, UPR	1
	82-04042-000	DRAW KEY, LWR	1
4.	82-23833-000	CENTER, FH 946 AXLE BEAM	1
5.	82-19645-000	ARM, STEERING LH	1
6.	82-17131	KEY, WOODRUFF	3
7.	82-11291-002	COTTER, TIE ROD	1
8.	82-19512-002	END ASM, RH TIE ROD	1
	82-19512-001	END ASM, LH TIE ROD	1
9.	82-19644-001	TUBE ASM, TIE ROD W/CLAMPS	1
10.	82-19512-000	TIE ROD ASM, W/ENDS	1
11.	82-19642-000	ARM, RH TIE ROD	1
	82-19643-000	ARM, LH TIE ROD	1
12.	82-03458-000	NUT, ARM	3
13.	82-03886-001	COTTER	3
14.	82-07929-003	SCREW, STRG KNUCKLE STOP	1
15.	53-28246-013	BUSHING, ABS (STEEL)	1
16.	82-15549	SENSOR, ABS	1
17.	82-13694-000	BRACKET, SKID CONTROL MTG	1
	82-15550	TIE, CABLE	1
18.	82-00872-001	FITTING, GREASE	1
19.	82-19639-000	CAP, KING PIN	2
20.	82-19637-002	BUSHING, LWR KNUCKLE	1
21.	82-08218-000	SEAL	2
22.	82-19639-001	PIN, KNUCKLE/KING	1
23.	82-07929-004	NUT, STOP SCREW	1
24.	82-19637-000	KNUCKLE ASM, LH	1
	82-19638-000	KNUCKLE ASM, RH	1
25.	82-03298-000	BUSHING, KNUCKLE	1
26.	82-03323-000	NUT, DRAW KEY	2
27.	82-17109	FITTING, 90° GREASE	1

STEERING KNUCKLE

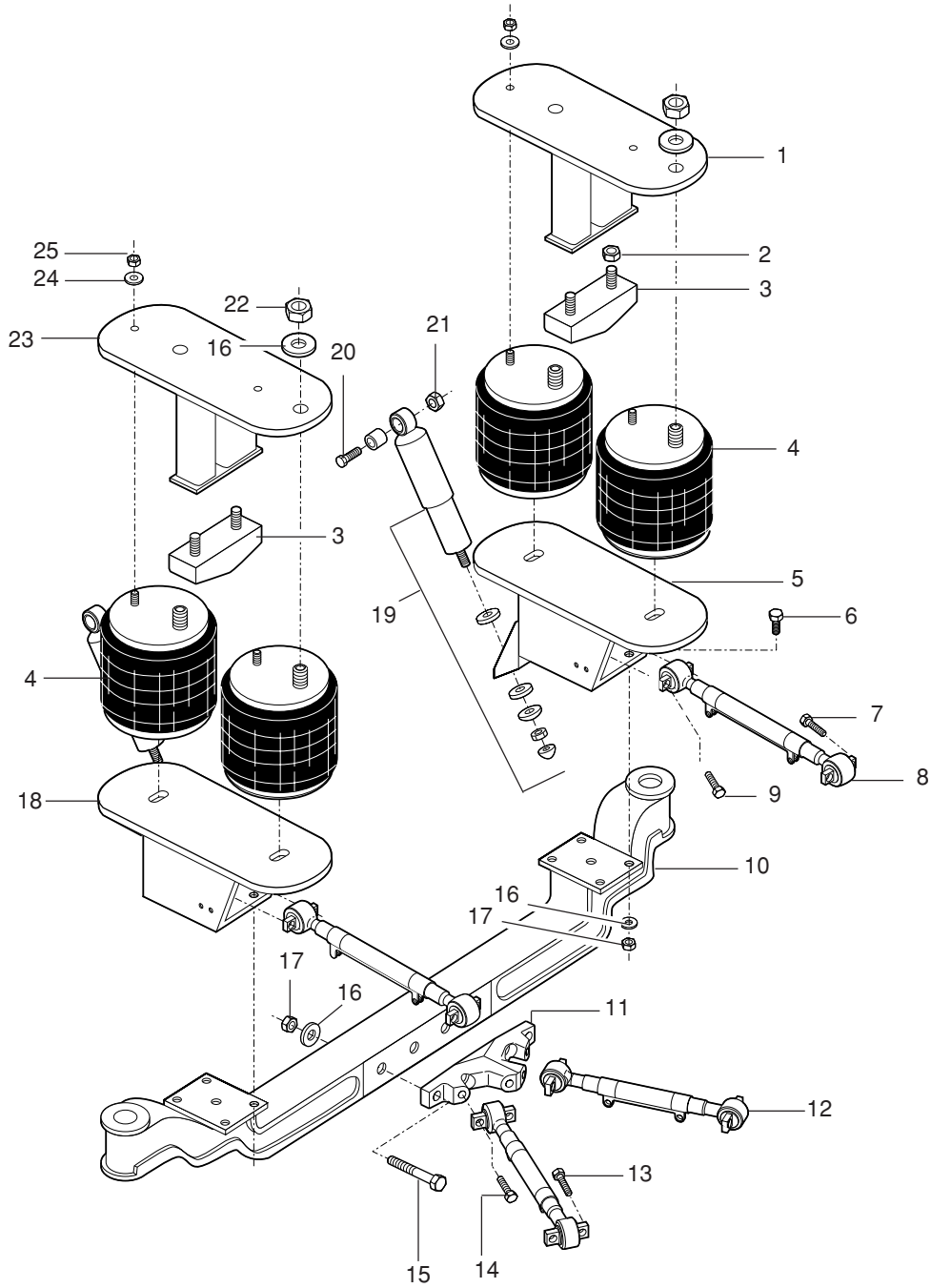


53-50362-021 (RX160)
07-001656
53-50362-021

FRONT SUSPENSION

Item	Part No.	Description	Qty
1.	08-36630-000L	STOP, AXLE LH	1
2.	54-12551-007	LOCKNUT, NYLOK 3/8"-24 GR8	4
3.	08-36629-000	BUMPER, RUBBER	2
4.	08-37209-000N	SPRING, AIR (BAG)	4
	54-11325-013	BOLT, HXHD 1/2"-13 X 3.5" GR 8 (LOWER AIR BAG MTG)	4
	54-12601-010	FLATWASHER, 1/2" HARD	A/R
5.	08-40992M001L	TOWER, AIR SPRING MTG, LH	1
6.	54-11355-011	BOLT, HXHD 3/4"-16 X 3.0" GR8	8
7.	54-13563-011	BOLT, 5/8"-18 X 3.0" GR8	4
	54-12551-011	LOCKNUT, NYLOK 5/8"-18 GR8	4
	54-12601-012	FLATWASHER, 5/8 HARD	A/R
8.	08-44634-000	ROD, TORQUE, UPPER (CLEVITE*)	2
9.	54-13563-013	BOLT, HXHD, 5/8-13 X 3.50	4
	54-12551-011	LOCKNUT, NYLOK 5/8"-18 GR8	4
	54-12601-012	FLATWASHER, 5/8 HARD	A/R
10.	REF ONLY	AXLE ASM (REFER TO FRONT AXLE PAGE)	1
11.	08-40993M001	BRACKET, TORQUE ROD	1
12.	08-44634-001	ROD, TORQUE, LOWER (CLEVITE*)	2
13.	54-13563-015	BOLT, HXHD 5/8"-18 X 4.0" GR8	4
	54-12551-011	LOCKNUT, NYLOK 5/8"-18 GR8	4
	54-12601-012	FLATWASHER, 5/8 HARD	A/R
14.	54-13563-008	BOLT, FLGHD .5/8"-18 X 2.25" LG	4
15.	54-11355-021	BOLT, 3/4"-16 X 7.0" GR8	4
16.	54-12601-013	FLATWASHER, 3/4" HARD	A/R
17.	54-12551-012	LOCKNUT, NYLOK 3/4-16 GR8	A/R
18.	08-40992M001R	TOWER, AIR SPRING MTG, RH	1
19.	08-37050-000N	ABSORBER, SHOCK FRONT W/ MTG HARDWARE	2
20.	54-11359-016	BOLT, 1"-14 X 4.5" GR8	2
21.	54-12551-014	LOCKNUT, NYLOK 1-14UNF GR8	2
	54-12601-015	FLATWASHER, 1" HARD	4
22.	54-12551-012	LOCKNUT, NYLOK 3/4"-16 GR.8	4
23.	08-36630-000R	STOP, AXLE RH	1
24.	54-12601-010	FLATWASHER, 1/2 HARD	8
25.	54-12541-009	LOCKNUT, NYLOK 1/2-13 GR8	4
	(*LEMFORDER RODS BELOW CAN BE USED IN PLACE OF CLEVITE)		
	08-45050-000	ROD, TORQUE UPPER (LEMFORDER)	2
	08-45050-001	ROD, TORQUE LOWER (LEMFORDER)	2

FRONT SUSPENSION

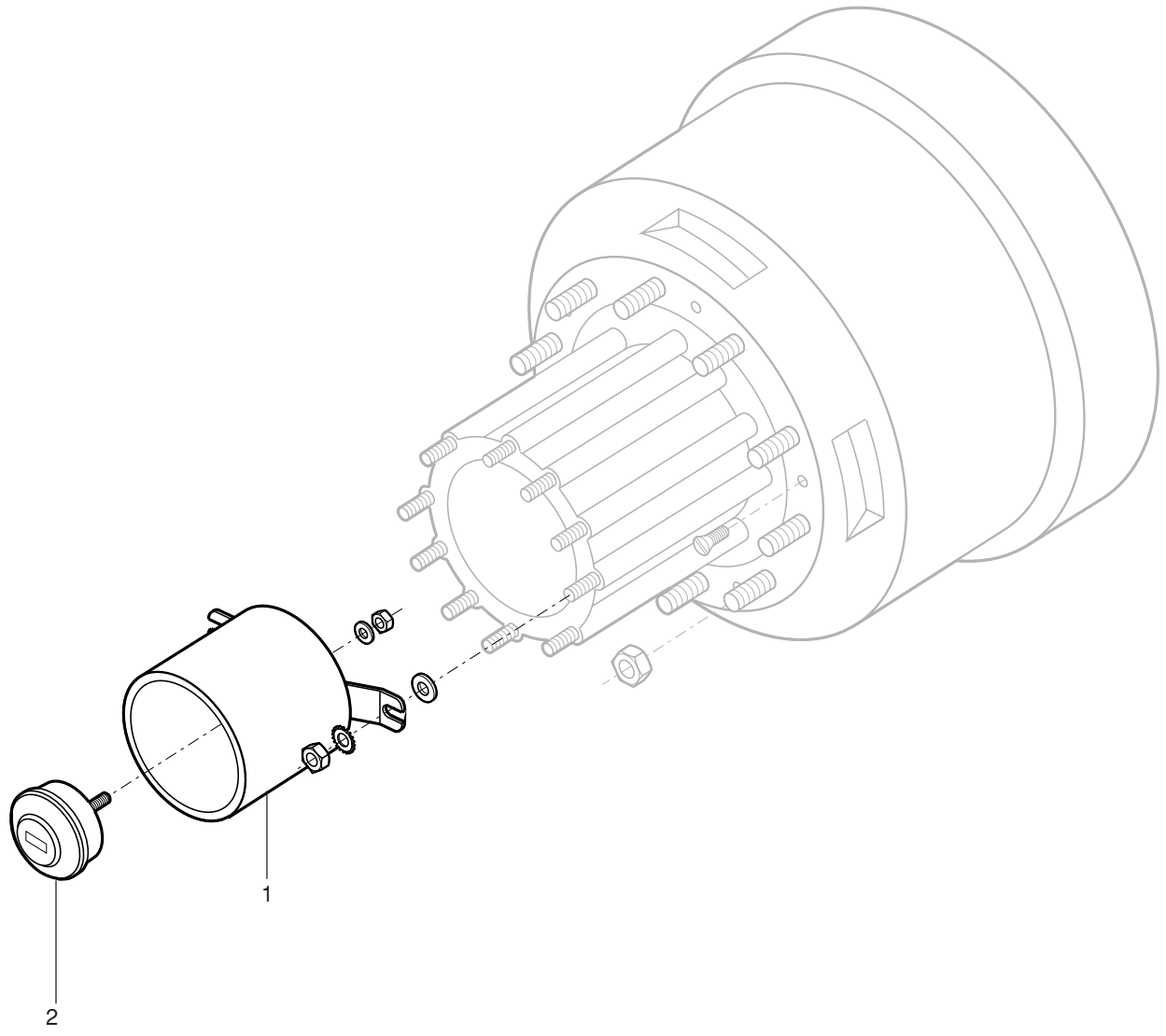
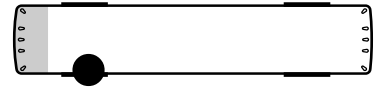


08-0001-0701B,F+(A)
08-004901
08-0001-0701B, F
08-0051-0700A

HUBODOMETER

Item	Part No.	Description	Qty
1.	55-33736F001	SHIELD ASM, HUBODOMETER MTG	1
2.	53-00743-005	HUBODOMETER, 481-485, 12.5-22.5 W/O TENTHS	1

HUBODOMETER



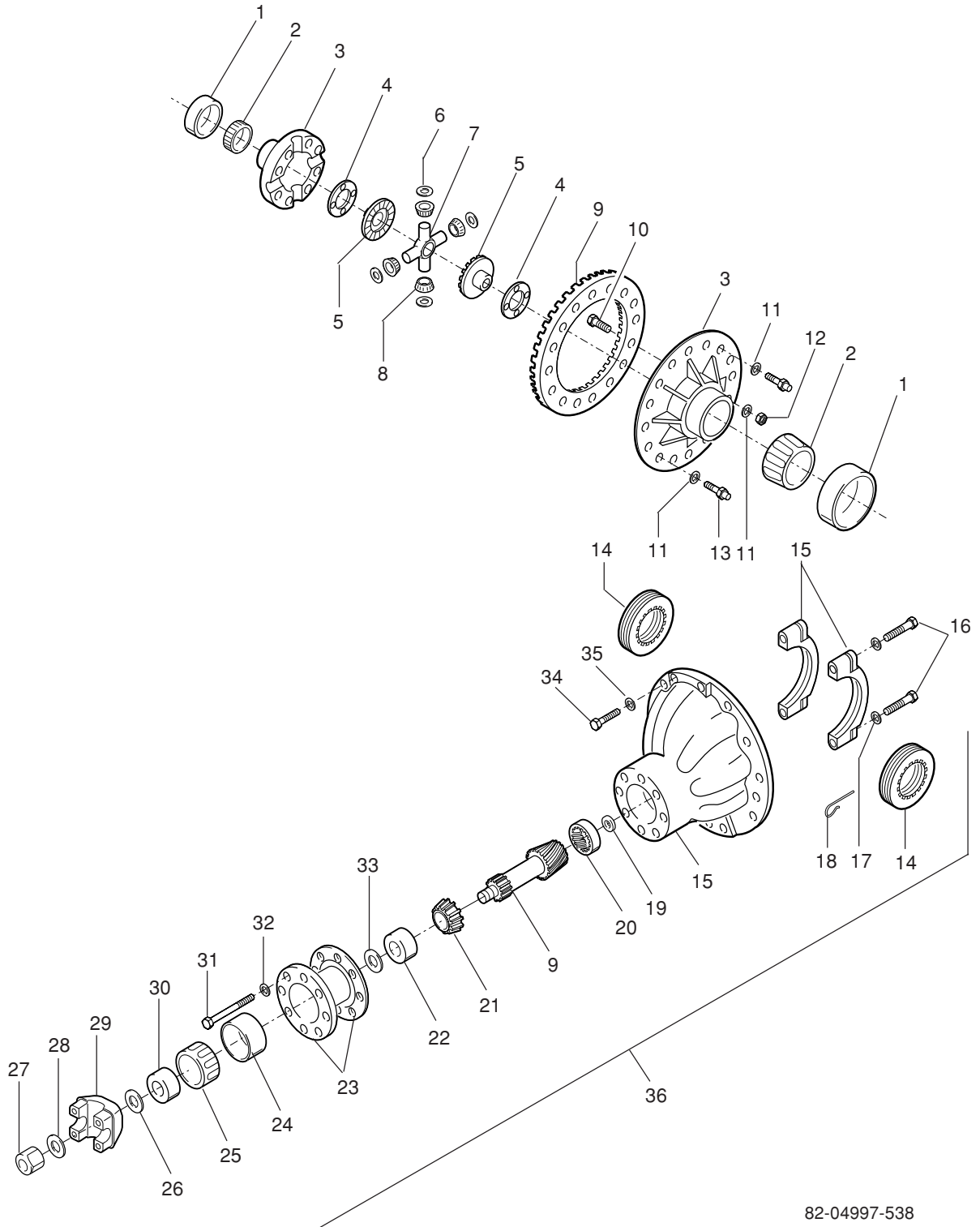
10-0150-0700B,M
10-002911
10-0150-0700B,M

CARRIER ASSEMBLY: R160 @ 5.38

Item	Part No.	Description	Qty
1.	82-09037-000	BEARING, CUP, CARRIER	2
2.	82-09039-000	BEARING, CONE, CARRIER	2
3.	82-13100-006	CASE ASM, DIFF (4.89 - 7.17)	1
	82-13100-008	CASE ASM, DIFF W/NEST (4.89 - 7.17)	1
4.	82-08157-001	WASHER, THRUST, CARRIER	2
5.	82-08157-004	GEAR, SIDE, CARRIER	2
6.	82-08157-002	WASHER, THRUST, CARRIER	4
7.	82-08157-005	SPIDER, DIFFERENTIAL	1
8.	82-08157-003	GEAR, DIFFERENTIAL	4
	82-08163-003	DIFFERENTIAL KIT (ITEMS 4 - 8)	1
9	82-13096-538	GEARSET, 5.38 RATIO	1
10.	82-13100-001	BOLT, GEAR TO DIFF CASE	12
11.	82-04477-000	WASHER, CARRIER	24
12.	82-13100-000	LOCKNUT, CARRIER	12
	82-13100-003	DIFFERENTIAL GEAR BOLTS KIT (ITEMS 10 - 12)	1
13.	82-13103-000	BOLT, DIFFERENTIAL CASE	12
14.	82-08160-005	RING, ADJUSTING, CARRIER	2
15.	82-08160-006	CASE ASM W/CAP, CARRIER W/CAP	1
	82-15570	BALL, CENTERING, CARRIER	2
16.	82-08156-005	CAPSCREW, DIFFERENTIAL CAP	4
17.	82-08156-006	LOCKWASHER, CARRIER	4
18.	82-08156-007	COTTER, ADJ RING, CARRIER	2
19.	82-08162-008	LOCKRING, PINION	1
20.	82-10883-000	BEARING ASM, SPIGOT ROLLER	1
21.	82-08159-002	BEARING, PINION CONE, INNER	1
22.	82-08159-003	BEARING, PINION CUP, OUTER	1
23.	82-08163-001	PINION SPACER KIT	1
24.	82-08159-004	BEARING, PINION CUP, OUTER	1
25.	82-08159-005	BEARING, PINION CONE, OUTER	1
26.	82-11625-000	SEAL ASM, PINION	1
27.	82-08162-004	NUT, PINION	1
	82-04601-000	FLATWASHER	1
28.	82-17979-001	SEAL ASM, FACE	1
29.	82-04041-002	YOKE ASM, DIFFERENTIAL*	1
	82-10418-001	YOKE, DIFFERENTIAL*	1
	82-10418-000	DEFLECTOR, YOKE, DIFFERENTIAL*	1
30.	82-08160-002	CAGE ASM, PINION	1
31.	82-08162-006	CAPSCREW, PINION CAGE	8
32.	82-17979-000	WASHER, CARRIER	8
33.	82-08163-002	SHIM KIT, PINION	1
34.	82-12101-001	CAPSCREW, CARRIER (SHORT)	4
	82-12101-002	CAPSCREW, CARRIER (MEDIUM)	4
35.	82-03407-000	FLATWASHER, CARRIER	12
36.	82-04997-538	CARRIER ASM, R160 @ 5.38	1

* NOT INCLUDED IN ITEM 36

CARRIER ASSEMBLY

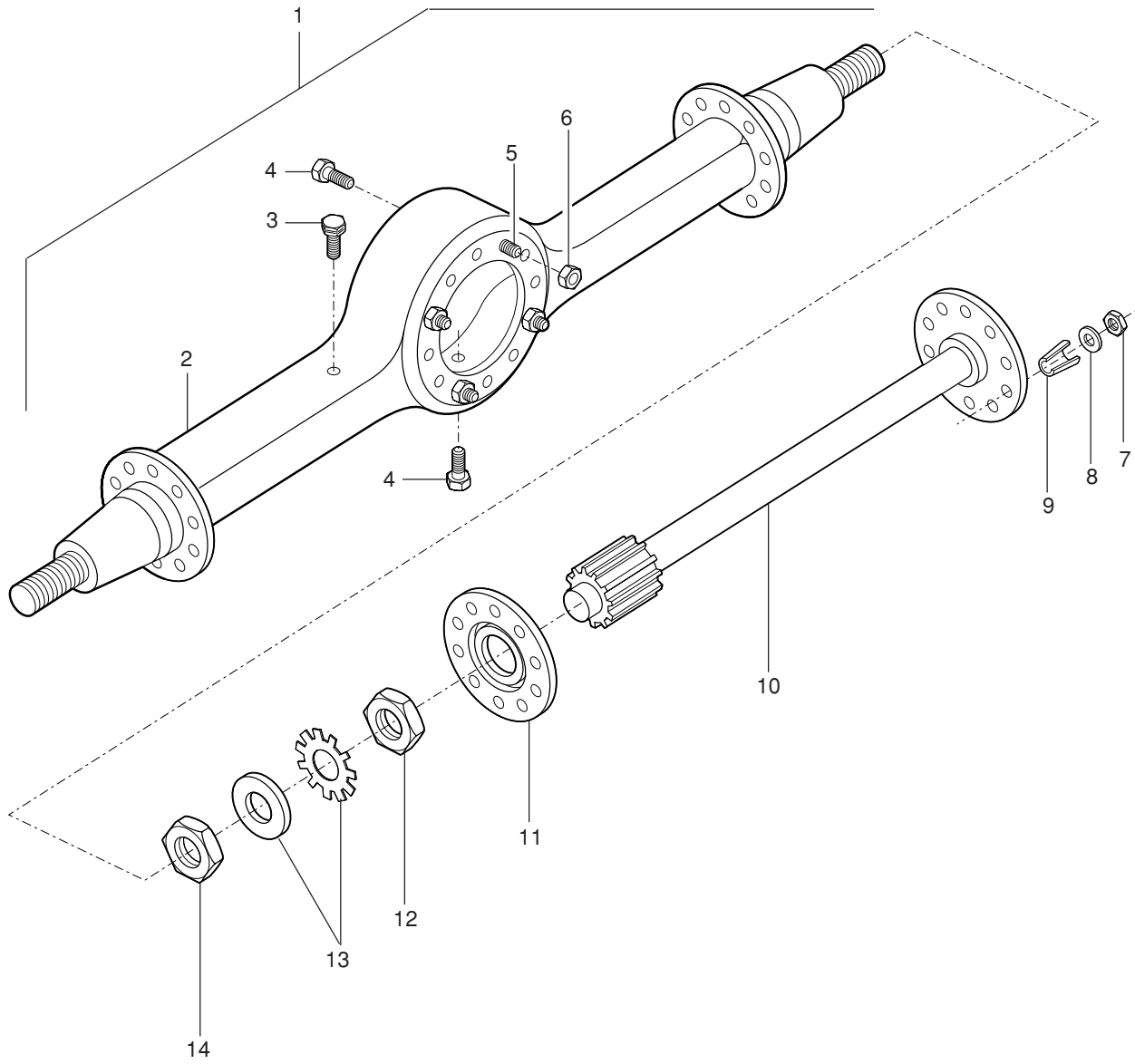


82-04997-538
10-000585
82-04997-538

REAR AXLE HOUSING

Item	Part No.	Description	Qty
1.	53-49582-003	AXLE ASM, 61143 HUB PILOT / ABS	1
2.	82-22435-000	HOUSING ASM, 61143 AXLE	1
3.	82-02205-000	BREATHER ASM	1
4.	53-26654-000	PLUG, LUBE (MAGNETIC)	2
5.	82-11208-000	STUD, HOUSING	4
6.	82-03175-000	LOCKNUT	4
7.	82-08150-002	NUT, AXLE STUD	10
8.	82-00825-000	LOCKWASHER	10
9.	82-03450-000	DOWEL, AXLE	10
10.	82-13779-001	SHAFT, LH AXLE	1
	82-13779-002	SHAFT, RH AXLE	1
11.	82-02221-000	GASKET	2
12.	82-11276-000	NUT, OTR WHEEL BRG	2
13.	82-14660	KIT, WASHER & LOCKRING	2
14.	82-11277-000	NUT, INNER WHEEL BRG	2

REAR AXLE HOUSING

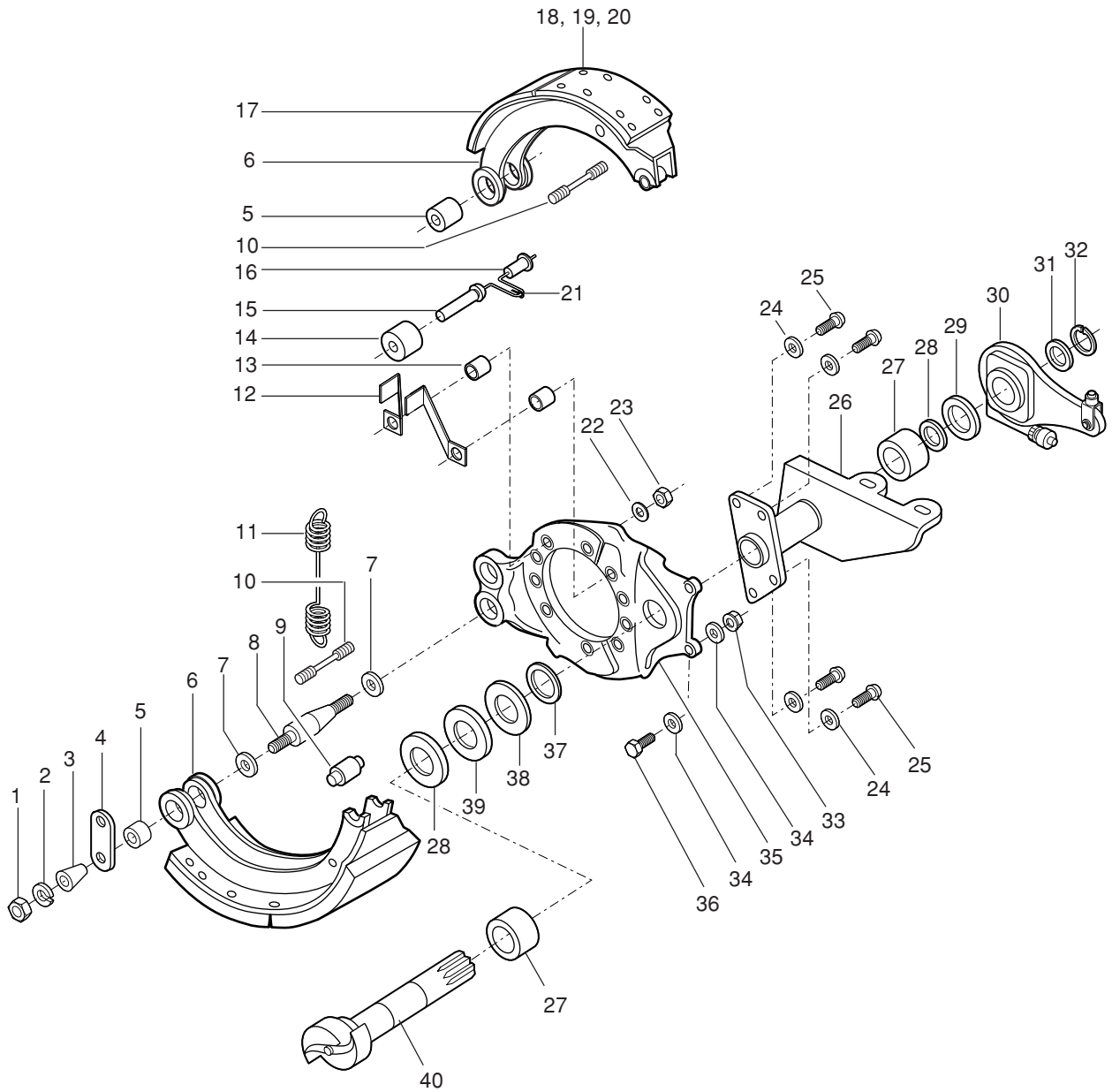
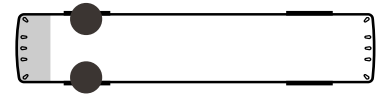


53-49582-003 (WX324)
10-000283
53-49582-003

REAR BRAKES

Item	Part No.	Description	Qty
1.	82-08150-003	LOCKNUT, HXHD 3/4-16	2
2.	82-08150-004	LOCKWASHER	2
3.	82-04710-000	DOWEL, TAPERED	2
4.	82-08152-001	STRAP, LOCK	1
5.	82-06886-000	BUSHING	2
6.	82-01383-000	SHOE ASM, W/O LINING	1
	82-07935-000	KIT, BRAKE SHOE ASM W/LINING	2
7.	82-04878-000	KIT, WASHER/SPACER PACK	1
8.	82-11945-000	PIN, BRAKE SHOE ANCHOR	2
9.	82-11310-000	ROLLER, BRAKE SHOE	2
	82-17691-000	ROLLER, BRAKE SHOE (0.128" OS)	2
	82-17692-000	ROLLER, BRAKE SHOE (0.250" OS)	2
10.	82-11821-000	PIN, RETURN SPRING	2
11.	82-03832-000	SPRING, RETURN	1
12.	82-15541	BRACKET ASM, SENSOR MTG	2
13.	82-15542	SPACER	4
14.	82-18720-001	BUSHING	2
15.	82-15540	SENSOR ASM, ABS	2
16.	82-15543	BUSHING, RUBBER	2
17.	82-06887-000	KIT, 10" X 14.5" LINING	1
18.	82-03476-000	BOLT, LINING 3/8	80
19.	82-03230-000	LOCKWASHER, 3/8	80
20.	82-03182-000	NUT, LINING 3/8	80
21.	82-15554	TIE, CABLE	2
	82-22443-000	TIE, CABLE	2
22.	82-03400-000	FLATWASHER	2
23.	82-08204-000	NUT, ANCHOR PIN	2
24.	82-03417-000	FLATWASHER	4
25.	82-00155-000	CAPSCREW	4
26.	82-22813-000	BRACKET ASM, LH S-CAM MTG	1
	82-22813-001	BRACKET ASM, RH S-CAM MTG	1
	82-18810-001	CAPSCREW	2
	82-19801-001	FLATWASHER	4
	82-11868-000	LOCKNUT	2
	82-00872-001	FITTING, GREASE	2
27.	82-03295-000	BUSHING, S-CAM	1
28.	82-02241-000	SEAL ASM, OIL	1
29.	82-03398-000	WASHER, SPACER	2
30.	09-49738-000	SLACK ADJUSTER, 6" LH	1
	09-49738-001	SLACK ADJUSTER, 6" RH	1
31.	82-03396-000	WASHER, S-CAM	1
32.	82-04221-004	LOCKRING	1
33.	82-03169-000	LOCKNUT, HXHD 5/8-18	10
34.	82-04477-000	FLATWASHER, 5/8	20
35.	82-07287-000	SPIDER, BRAKE	1
36.	82-03200-001	CAPSCREW, HXHD 5/8-18	10
37.	82-03501-000	O-RING	1
38.	82-08207-000	FLATWASHER	3
39.	82-03397-000	WASHER, SPACER	3
40.	82-06793-001	CAMSHAFT, LH	1
	82-06793-000	CAMSHAFT, RH	1

REAR BRAKES

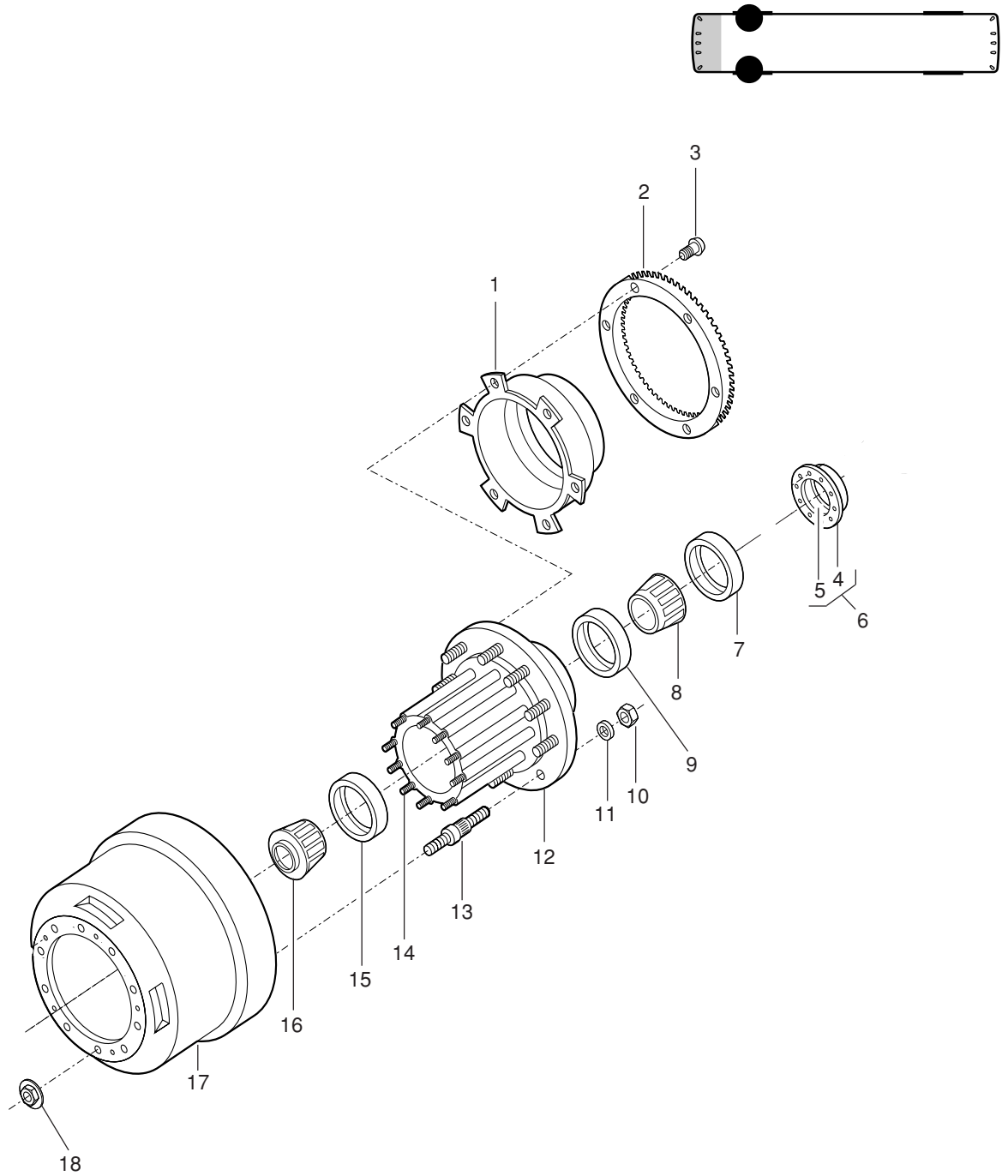


53-49582-003 (WX324)
10-000693
53-49582-003

REAR HUB AND DRUM

Item	Part No.	Description	Qty
1.	82-15538	SLINGER	1
2.	82-15537-000	WHEEL, TOOTHED ABS	1
3.	82-15537-001	CAPSCREW, HXHD 3/16-18X1.50	6
4.	82-03872-000	RETAINER	1
5.	82-17147	SEAL ASM, OIL (NAT)	1
6.	82-17491	RETAINER ASM, W/SEAL	1
7.	82-03439-000	WIPER, SEAL	1
8.	82-09043-000	BEARING, INR CONE	1
9.	82-09042-000	BEARING, INR CUP	1
10.	82-03170-000	LOCKNUT, HXHD 7/8-14 GR8	10
11.	82-03430-000	FLATWASHER, 7/8	10
12.	82-15539	HUB ASM, RR W/CUPS & STUDS	1
	82-00092-000	HUB ASM, RR W/CUPS	1
13.	82-12016-000	STUD, WHEEL RH, 0.875"-14	10
14.	82-04023-000	STUD, AXLE SHAFT TO HUB	10
15.	82-10183-000	BEARING, OTR CUP	1
16.	82-09045-000	BEARING, OTR CONE	1
17.	82-17503-000	DRUM, RR 14.5 X 10 (RW/BAL)	2
18.	53-13895-005	NUT, WHEEL W/FLANGE	20

REAR HUB AND DRUM

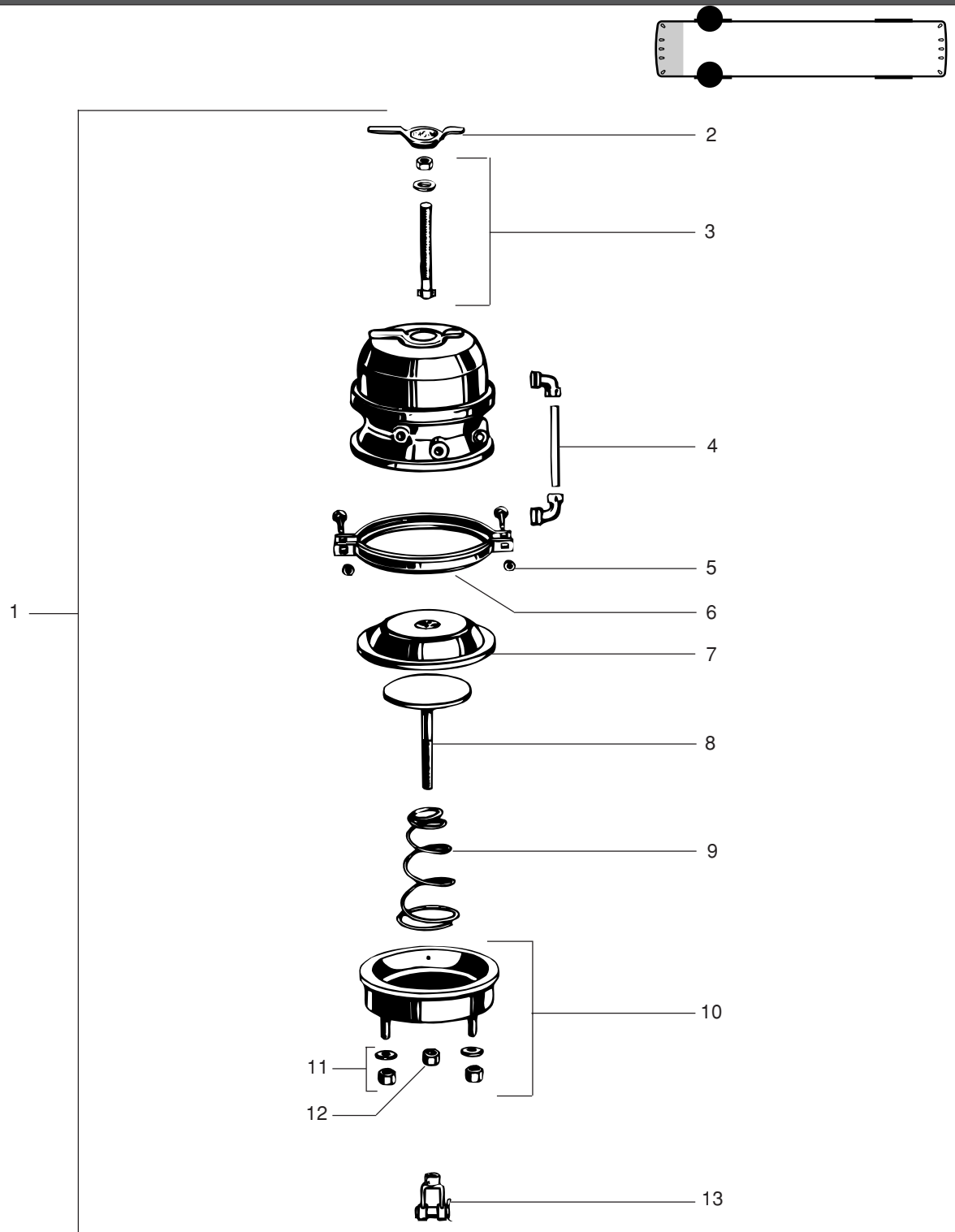


53-49582-003 (WX324)
10-000710
53-49582-003

REAR BRAKE CHAMBER ASSEMBLIES

Item	Part No.	Description	Qty
1.	09-40978-000	CHAMBER ASM, BRAKE 36-36	1
2.	82-10520-000	PLUG, WEATHERSEAL, BRAKE CHAMBER	1
3.	82-10522-000	BOLT KIT, RELEASE, BRAKE CHAMBER	1
4.	82-10496-000	BREATHER TUBE KIT, BRAKE CHAMBER	1
5.	82-11999-001	BOLTS AND NUTS KIT, BRAKE CHAMBER	2
6.	82-10524-000	CLAMP RING ASM, BRAKE CHAMBER	1
7.	82-01811-000	DIAPHRAGM, BRAKE CHAMBER	1
8.	82-08514-002	PISTON ROD ASM, BRAKE CHAMBER	1
9.	82-08514-003	SPRING, RETURN, BRAKE CHAMBER	1
10.	82-08514-004	CHAMBER ASM, REAR BRAKE	1
11.	82-11999-002	NUTS AND WASHERS KIT, BRAKE CHAMBER	2
12.	82-11997-005	NUT, HXHD 5/8-18	1
13.	82-10539-000	YOKE ASM, BRAKE CHAMBER, REAR	1

REAR BRAKE CHAMBER ASSEMBLIES



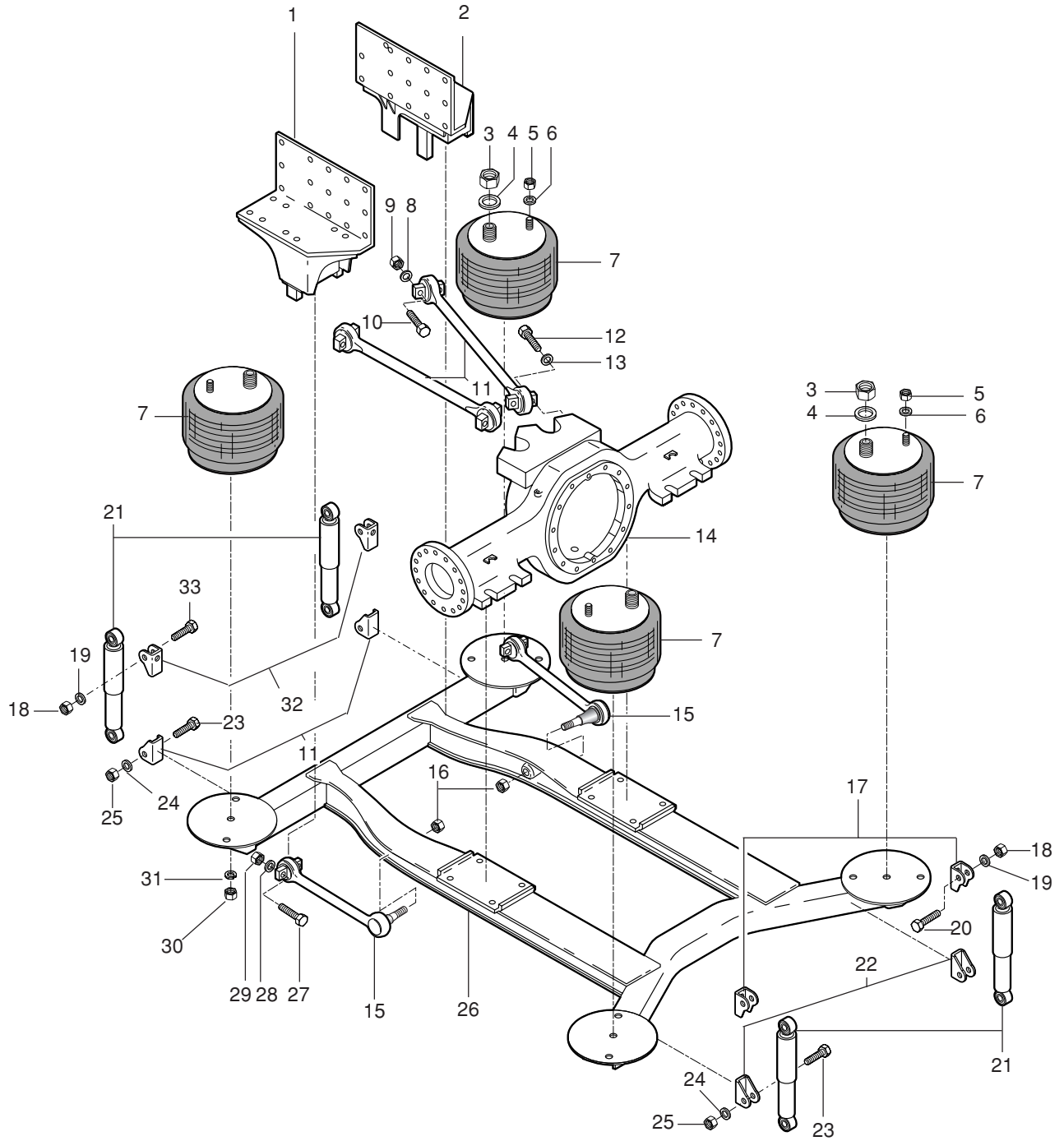
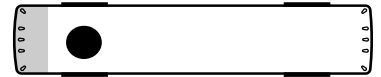
53-49582-003 (WX324)
04-000118
53-49582-003

REAR SUSPENSION W/61143 AXLE

Item	Part No.	Description	Qty
1.	06-46349-000L	BRACKET,TORQUE ROD, LH	1
2.	06-46349-000R	BRACKET, TORQUE ROD, RH	1
3.	82-13639-023	NUT, LOCK 3/4"-16	4
4.	82-13680-013	WASHER, FLAT 3/4"	4
5.	82-13680-019	NUT, LOCK 1/2"-13	4
6.	82-13680-020	WASHER, FLAT 1/2"	4
7.	82-19159-000	SPRING, AIR (BAG)	4
8.	54-12601-013	FLATWASHER, 3/4" HARD	28
9.	54-12551-012	LOCKNUT, NYLOK 3/4"-16 GR8	12
10.	54-11353-013	BOLT, HXHD 5/8-18 X 3.5" GR8	4
	50-16939-010	FLATWASHER, 3/4" NARROW	4
	53-09611-013	FLATWASHER, 1.37"	2
11.	82-28457-001	TORQUE ROD, UPPER, ADJUSTABLE	2
12.	54-43312N000	BOLT, HXHD M16 X 1.50 X 2.50 GR8	4
13.	54-12601-013	FLATWASHER, 3/4" HARD	28
14.	REF ONLY	HOUSING, REAR AXLE (SEE AXLE SEC. FOR VERSION)	1
	82-22402-000	U-BOLT, 1.0"-8 GR.8 FLAT	4
	82-22402-001	SPACER, ANGLE U-BOLT	4
	53-15085-025	LOCKNUT, HEX 1.0"-8	8
15.	82-22403-000	TORQUE ROD, LOWER 17.0"	2
16.	53-09611-012	NUT, LOCK 1-1/4"-12	2
17.	11-36757-000	BRACKET, SHOCK ABSORBER MTG	2
18.	54-12551-009	LOCKNUT, NYLOK 1/2"-20 GR8	8
19.	54-12601-010	FLATWASHER, 1/2" HARD	16
20.	54-11349-016	BOLT, HXHD 1/2"-20 X 5.50" GR8	4
21.	11-45291000N	ABSORBER, SHOCK	4
22.	REF. ONLY	BRACKET, (PART OF "H"-FRAME ASM.)	2
23.	54-11355-015	BOLT, 3/4"-16UNF X 4.0" GR8	8
24.	54-12601-013	FLATWASHER, 3/4" HARD	28
25.	54-12551-012	LOCKNUT, NYLOK 3/4"-16 GR8	12
26.	82-28457-000	H-FRAME ASM	1
27.	53-17801-008	BOLT, HXHD 5/8"-11 X 5.0" GR.8	4
28.	54-12601-012	FLATWASHER, 5/8" HARDENED	A/R
29.	53-17801-009	LOCKNUT, 5/8"-11 GR.8	4
30.	82-13639-011	WASHER, LOCK 1/2" (AIR BAG LOWER)	8
31.	82-13639-012	NUT, HEX HD. 1/2"-13 (AIR BAG LOWER)	8
32.	11-47778-000	BRACKET, SHOCK ABSORBER MTG	2
33.	54-11349-009	BOLT, 1/2"-20 UNF X 2.5" LG.	8
	54-12551-011	LOCKNUT, 5/8"-18 GR.8	1

NOTE: 11-49484N000 KIT, REAR SUSPENSION

REAR SUSPENSION W/61143 AXLE

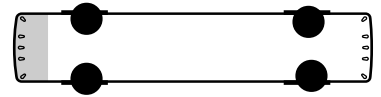


11-0013-0702E+(C)
11-003714
11-0013-0702E
11-0050-0700C

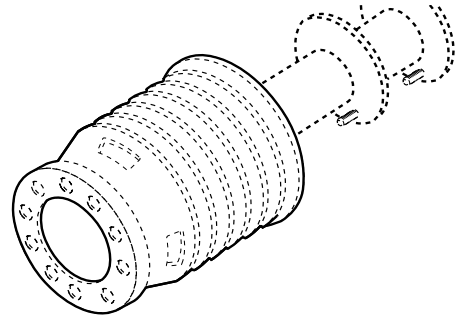
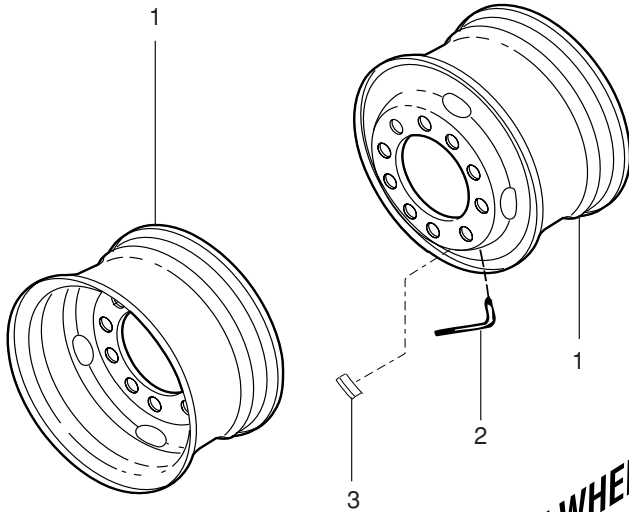
WHEELS AND HARDWARE

Item	Part No.	Description	Qty
1.	53-25570-001	WHEEL, ALUMINUM MACHINE FINISH, HUB PILOT	6
2.	53-00777-001	EXTENSION, VALVE STEM	2
3.	53-35042-XXX	WEIGHT, WHEEL	A/R
<p>SPECIFIC WEIGHTS HAVE UNIQUE NUMBERS IN PLACE OF "XXX". YOUR PARTS REPRESENTATIVES WILL ADVISE YOU OF THE NUMBER WHEN YOU PLACE YOUR ORDER. WHEEL STUDS & NUTS DEPEND ON WHICH WHEELS ARE IN USE, PLEASE VERIFY!</p>			

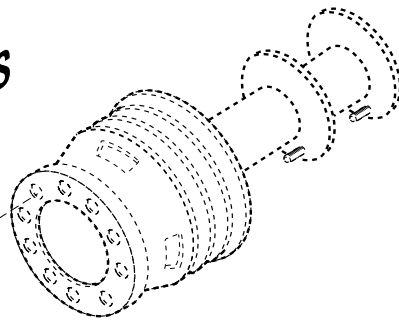
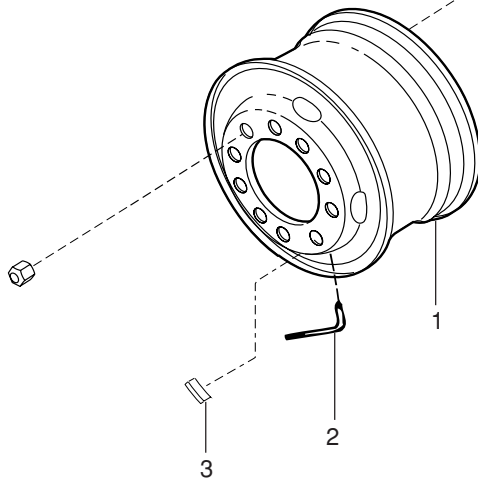
WHEELS AND HARDWARE



REAR WHEELS



FRONT WHEELS



12-0013-0701A,J
12-001959
12-0013-0701A, J

Section 3- Electrical System

Headlight Assembly 98

Exterior Lighting 100

Electrical Panel Compartment 102

Electrical Compartment 104

Main Electrical Control Panel 106

Electrical Panel, Rear Bulkhead 108

Electrical Panel, Remote I/O 110

Dash Console Assembly 112

Tail Lights 114

Stop Lights (Grille Mounted) 116

Batteries and Cables 118

Battery Cut-Off Switch 120

Power Panel, Driver's Console 122

Battery Cables 124

Battery Cut Off Switch and Jump Start 126

Jump Start Connector 128

Starter Mounting 130

Starter Internal Components 132

Voltage Regulator and Battery Fuse Bracket 136

Alternator Internal Components 138

Rear Run Box 142

Electric Horns 144

Fire Detection System 146

Crime Alarm System 148

Front Stepwell Light 150

Tube Lamps, Rear Steps 152

Map Light 154

External P. A. Speaker 156

Speakers, Ceiling-Mounted 158

Voice Annunciator Control 160

Two-way Radio Antenna 162

ABS - ECU Mounting 164

Defroster Fans 166

Stop Request Signal Pull Cords 168

Closeout: Exit Door 170

Lamp Panel Assembly - 144" 172

Lamp Panel Assembly - 84" 174

Lamp Panel Assembly - 108" 176

Lamp Panel Assembly - 120" 178

Lamp Panel Assembly - 48" 180

Lamp Panel Assembly - 98" 182

Lamp Panel Assembly - 50" 184

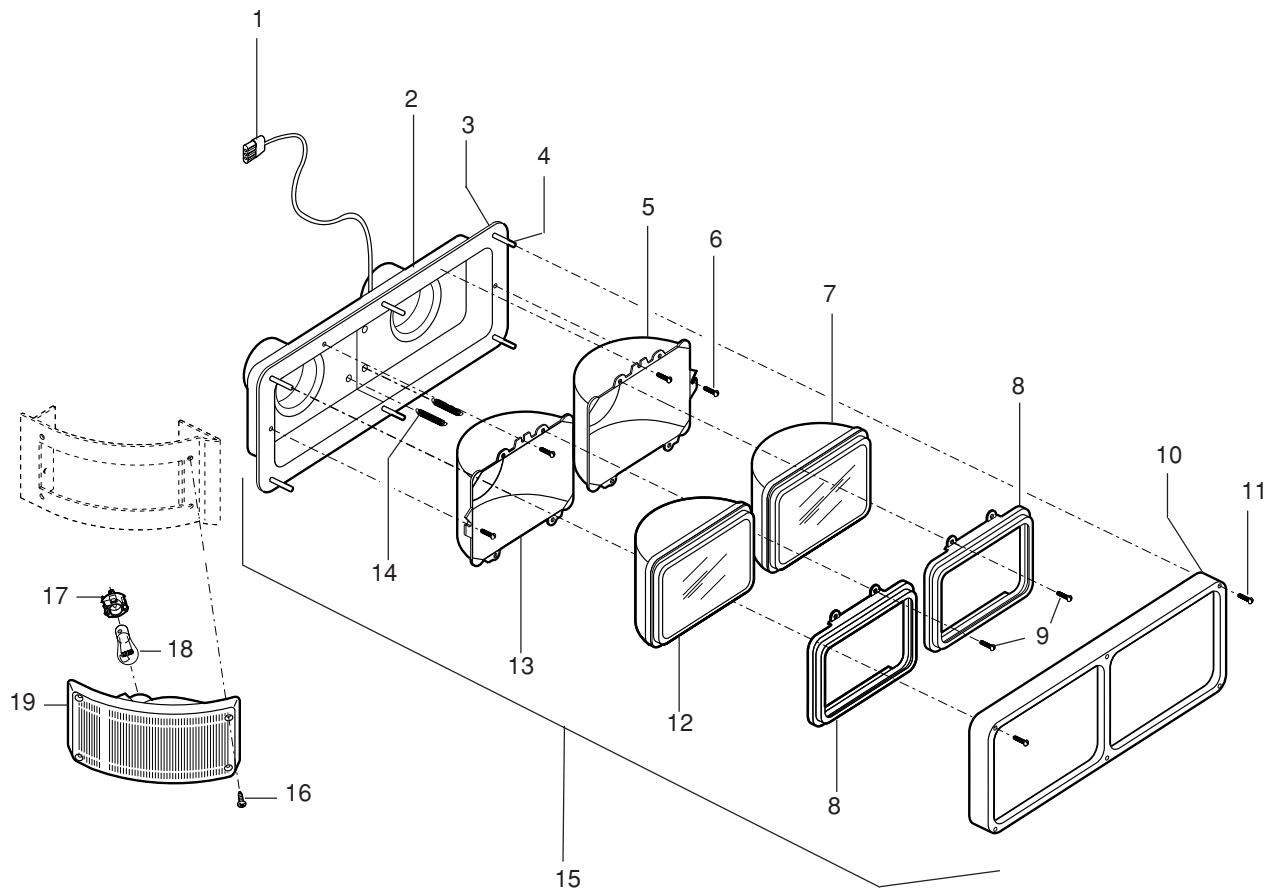
Harness Listing 186

HEADLIGHT ASSEMBLY

Item	Part No.	Description	Qty
1.	82-10988-017	CABLE ASM, HEADLIGHT	*2
	51-16873-009	CONNECTOR	1
	51-16873-015	SEAL	3
	51-16873-002	TERMINAL	3
2.	82-10988-011	HOUSING, LH & RH BODY	*2
3.	13-39301-000	GASKET, HEADLIGHT	2
4.	82-10988-016	SPRING, ADJUSTING	*2
5.	82-10988-009	NEST, INNER BUCKET ASM, RH	*1
	82-10988-010	NEST, INNER BUCKET ASM, LH	*1
6.	82-10988-014	SCREW, ADJUSTING	*4
7.	54-15729-028	BULB, 3 CONTACT LUG, 12V	*2
8.	82-10988-002	RING, RETAINING	*2
9.	82-10988-013	SCREW, RETAINING RING	*8
10.	82-10988-001	BEZEL, CHROME,LH & RH	*1
11.	82-10988-012	SCREW, BEZEL	*6
12.	54-15729-029	BULB, 2 CONTACT LUG, 12V	*2
13.	82-10988-007	NEST, OUTER BUCKET ASM, RH	*1
	82-10988-008	NEST, OUTER BUCKET ASM, LH	*1
14.	82-10988-015	RIVET, ADJUSTING SPRING	*2
15.	51-27757-002	LAMP ASM, HEADLIGHT, LH HALOGEN	1
	51-27758-002	LAMP ASM, HEADLIGHT, RH HALOGEN	1
16.	54-14288-09Z	SCREW, MTG	4
17.	82-10401-002	SOCKET, BULB	2
18.	82-10402-000	BULB, 12V./21W.	2
19.	13-39011N000	LAMP & SOCKET ASM., FRONT TURN SIGNALS (NO BULB)	2

NOTE: ITEMS MARKED WITH * ARE INCLUDED IN LAMP ASSEMBLIES
 51-27757-002, LH AND 51-27758-002, RH

HEADLIGHT ASSEMBLY

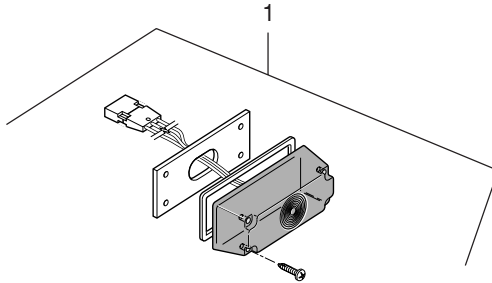


13-0051-0701A+(0700K)
13-000139
13-0051-0701A
13-0060-0700K

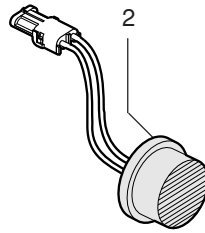
EXTERIOR LIGHTING

Item	Part No.	Description	Qty
1.	13-46071-000	LAMP ASM, SIDE TURN, FORWARD OF WHEELWELL	4
2.	13-39651-000 53-27116-000 59-39859F000	LIGHT ASM, AMBER LED 2" DIA. RAMP WARNING KIT, LAMP MOUNTING DECAL, RAMP	1 1 1
3.	54-15729-027	BULB, BAYONET, 12V	2
4.	51-45116-000	LAMP ASM, CURB	2
5.	51-34803-002	LAMP ASM, MARKER/CLEARANCE(AMBER), LED	9
6.	51-34803-001	LAMP ASM, MARKER/CLEARANCE(RED), LED	7
7.	40-21506-000	BRACKET, COMPARTMENT LAMP MTG	3
8.	51-45116-001	LAMP ASM, ENG. COMPT	3
9.	51-29416-000	LAMP, LICENSE PLATE	1
10.	51-29416-003	PLUG, LAMP	1
11.	51-29416-002	BASE, LAMP	1
11.	51-29416-001	LAMP ONLY	2
12.	54-15729-002	BULB, S. C. BAYONET	1
12.	51-09325-000	REFLECTOR, RECTANGULAR, RED	4
	51-09325-001	REFLECTOR, RECTANGULAR, AMBER	2

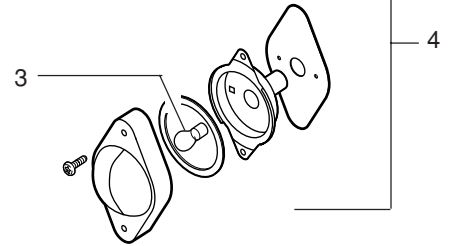
EXTERIOR LIGHTING



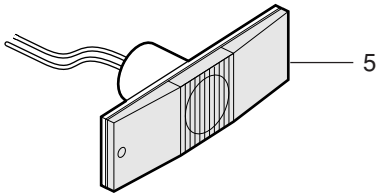
SIDE TURN/MARKER LAMP



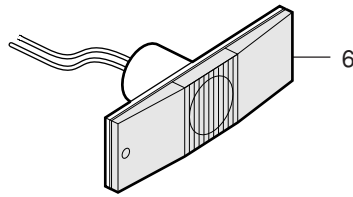
RAMP



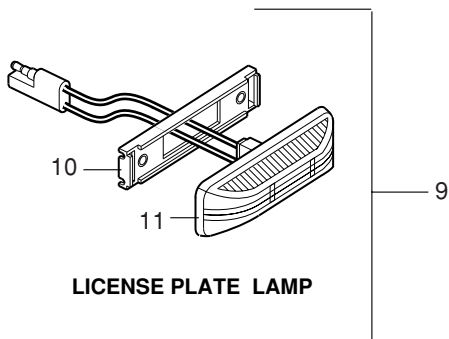
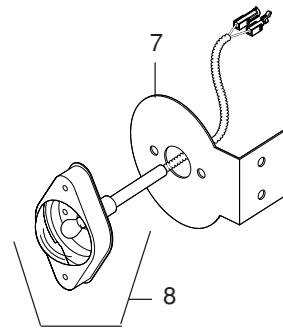
CURBSIDE LIGHT



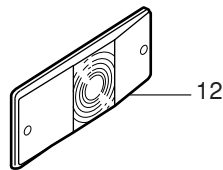
CENTER
MARKER LAMPS



REAR
MARKER LAMPS



LICENSE PLATE LAMP



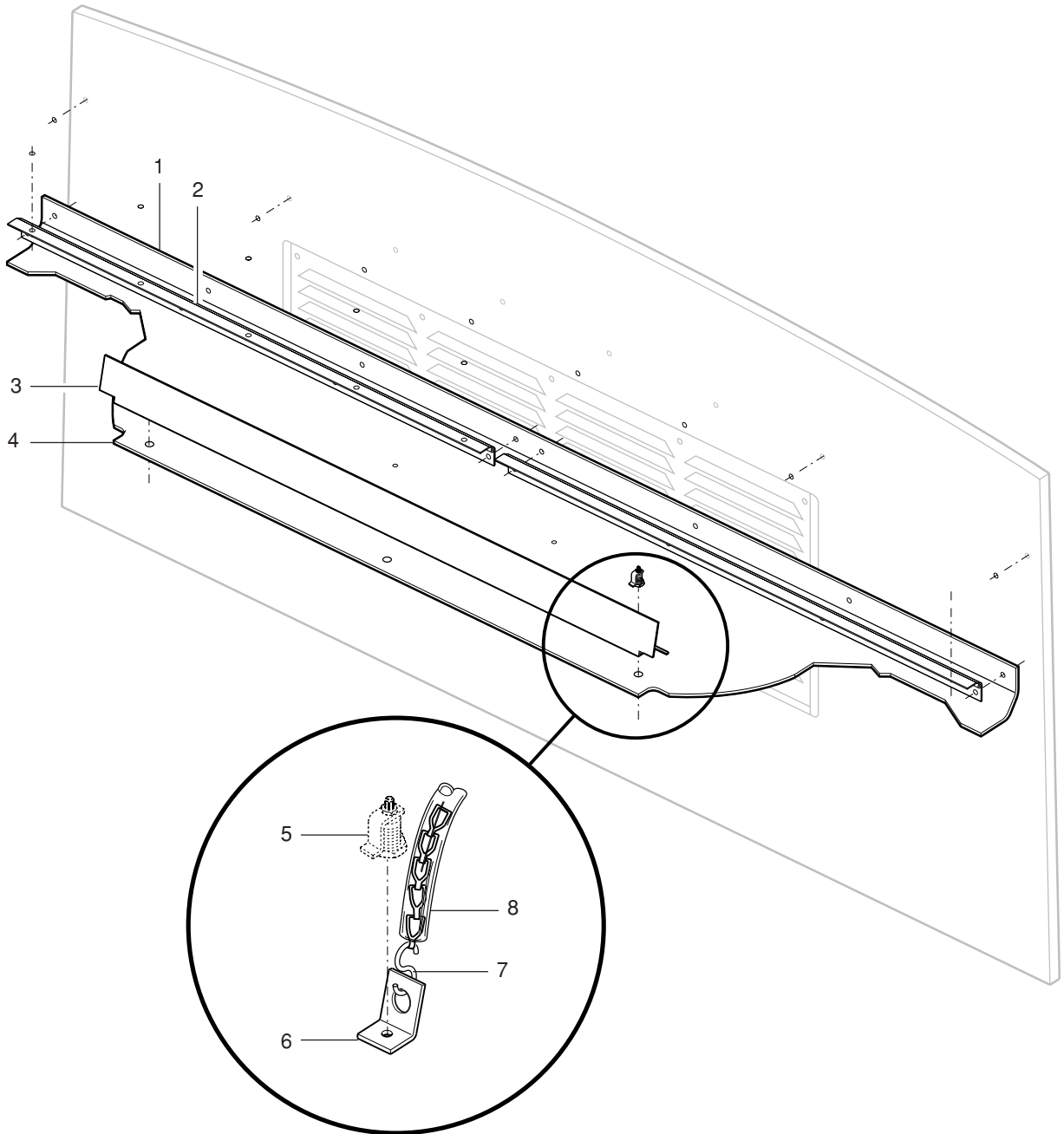
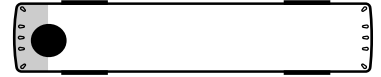
REFLECTOR

13-0060-0700AA,Z
13-0600-0700B,N,S
13-0609-0700A,B,D
13-0611-0700A

ELECTRICAL PANEL COMPARTMENT

Item	Part No.	Description	Qty
1.	15-43028-000	CLOSEOUT, RR CABINET BOTTOM	1
2.	15-37002-000	HINGE, AIR TANK CLOSEOUT	1
3.	15-37658-000	ANGLE, REINF AIR TANK DOOR	1
4.	15-37651M000	CLOSEOUT	1
5.	54-38112N000	LATCH ASM, COMPRESSION	3
6.	15-38968-000	ANGLE, DOOR STRAP	1
7.	55-02306-000	HOOK	2
8.	15-38966-000	TUBING, HEAT SHRINKABLE	1
	15-38967-000	STRAP, CHAIN	1
	53-00302-002	GUIDE, ROPE	1
	54-10163-004	RIVET, MONOBOLT	10
	54-10163-016	RIVET, MONOBOLT	8
	54-13111-002	SCREW, #12-24 X .75	12

ELECTRICAL PANEL COMPARTMENT

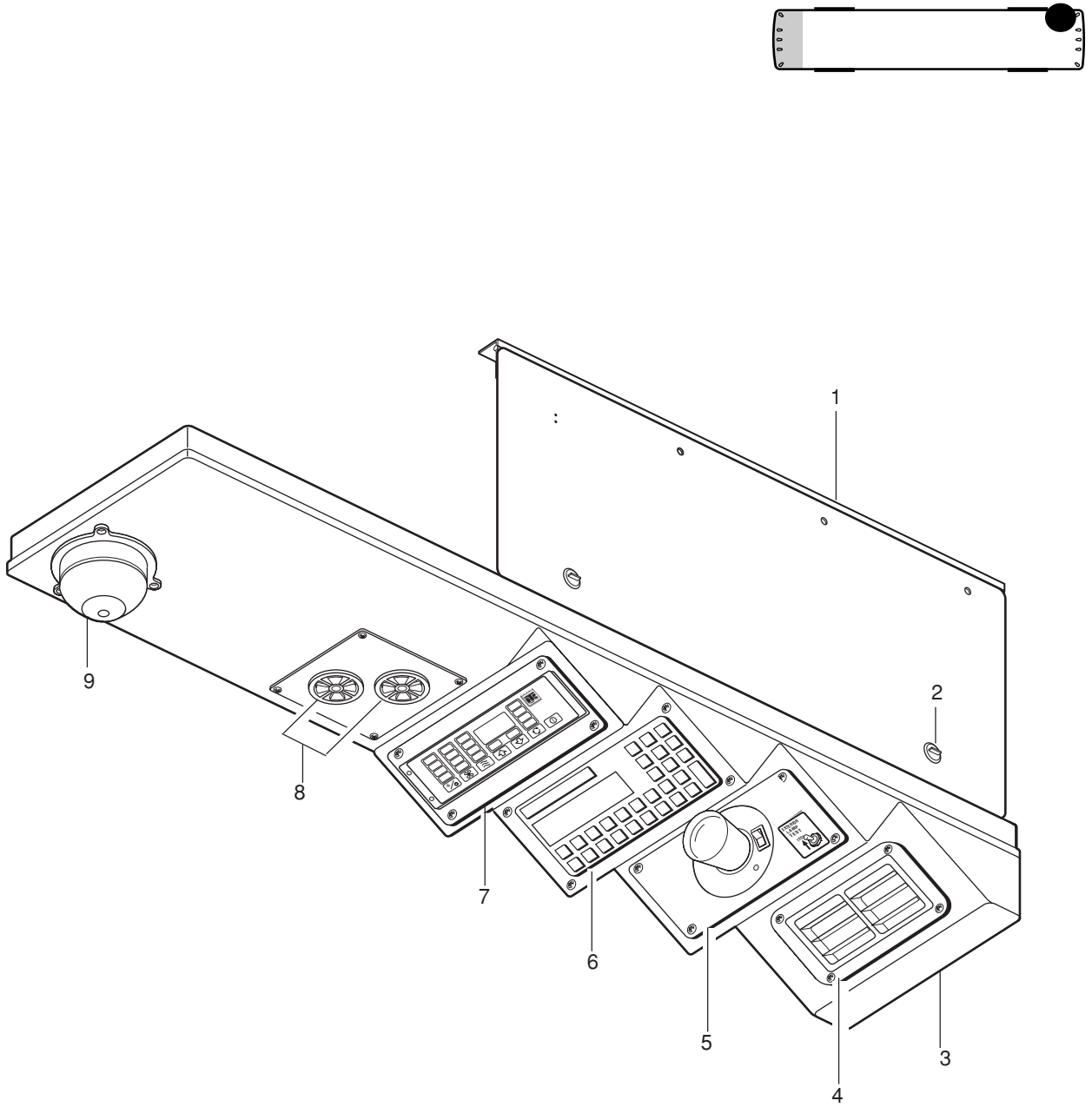


13-0250-0702A
13-002867
13-0250-0702A

ELECTRICAL COMPARTMENT

Item	Part No.	Description	Qty
1.	18-45458M005	DOOR, OVER HEAD CONSOLE	1
2.	54-43814N000	LATCH QUAD PANEL W/SHORT WING TWIST KNOB	2
3.	18-45460M014	CONSOLE, OVERHEAD	1
4.	15-37992N000	LOUVER ASM. DOUBLE SQUARE	1
5.	30-37207F004	PANEL, MAP LIGHT	1
	13-39922-000	PLATE, CONSOLE PANEL REINFORCEMENT	1
6.	REF ONLY	PANEL, CONTROLLER TWIN VISION	1
7.	30-37207F013	PANEL, 7BUTTON INTELLIGAIRE II	1
8.	51-12096-007	HORN, WARNING	1
	51-12096-008	HORN, WARNING	1
9.	53-00411-000	BELL, FIRE	1
	40-21418-000	BAR, DOOR SUPPORT	1
	54-11316-003	BOLT, HXHD 1/4"-20 X 1.0" GR.5	1
	54-12540-005	NUT, HXHD NYLOCK 1/4"-20 GR.5	1
	54-12600-006	FLATWASHER, 1/4"	2
	54-13111-001	SCREW, #10 X 5/8" TORX	20
	54-37358-000	NUT PLATE, COBOLT M8	2
	54-37359-001	BOLT, BUTTON TORX HEAD M8 X 15MM	2
	56-24926-002	CAP, END PROTECTOR	1

ELECTRICAL COMPARTMENT

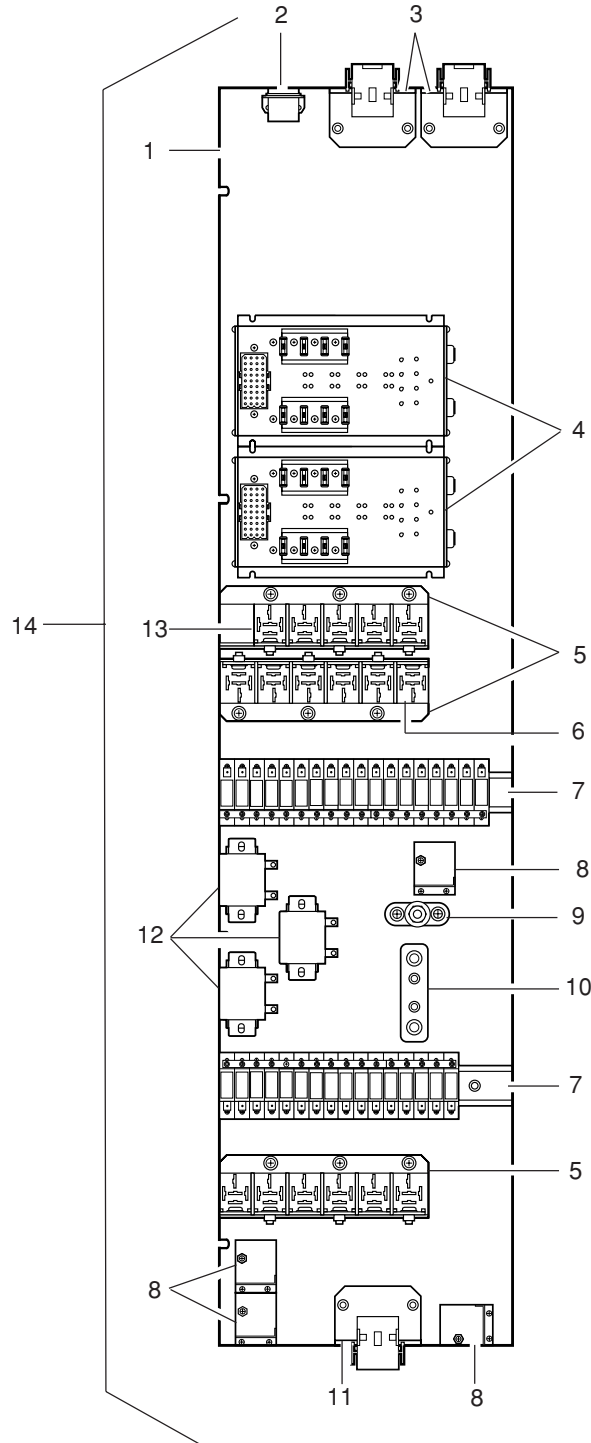
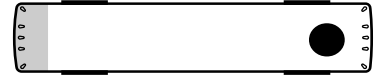


13-0250-0702N+(AB,AK,D,T)
13-004526
13-0250-0702N
13-0303-0704AB, AK, D, T

MAIN ELECTRICAL CONTROL PANEL

Item	Part No.	Description	Qty
1	13-45471-001	PANEL ASM, ELECTRICAL (BARE)	1
2.	40-49350-000	BRACKET, "RETARDER, INTERLOCK SWITCH, BEEPER & WARBLER"	1
	51-02164-003	SWITCH, "RETARDER 'ON/OFF'"	1
	51-02128-001	GUARD, SWITCH	1
	59-28760-000	DECAL, "RETARDER"	1
	51-02164-012	SWITCH, "INTERLOCK 'OVERRIDE/ON'"	1
	51-02128-001	GUARD, SWITCH	1
	59-33638-000	DECAL, "INTERLOCK"	1
	51-12096-002	BEEPER	1
	51-12096-005	WARBLER	1
3.	40-25150-004	BRACKET, CONNECTOR MOUNTING 3 EACH	2
4.	13-41361-009	MODULE, 8 IN & 8 OUT	2
	13-43316-005	FUSE, 10 AMP. MINI ATM	8
	13-41361-012	I.D. KEY #69	1
	13-41361-013	I.D. KEY #70	1
5.	13-44353-001	BRACKET, RELAY MOUNTING	3
6.	51-43419-003	RELAY, 24VOLT 30AMP.	3
7.	45-26097-10.0	RAIL, DIN (10")	2
	13-37975-000	HOLDER, C.B. 4-PLEX	8
	13-37975-007	HOLDER, C.B. 2-PLEX	1
	13-37183-002	BUSBAR, 4-HOLE (OVERLAPPED BUS BARS)	1
	13-37183-004	BUSBAR, 6-HOLE (OVERLAPPED BUS BARS)	3
	13-37183-003	BUSBAR, 5-HOLE (OVERLAPPED BUS BARS)	3
8.	51-24459-040	BLOCK, TERMINAL	4
9.	51-42853-000	STUD, 3/8" INSULATED	1
10.	13-40785-000	STUD, TWIN INSULATED 5/16"	1
11.	40-25150-005	BRACKET, CONNECTOR MOUNTING 1-WAY	1
12.	51-11693-003	RELAY, 24V POWER 50AMP.	3
13.	51-43419-002	RELAY, 12VOLT 30AMP.	3
	13-37975-001	CIRCUIT BREAKER, 6A	2
	13-37975-003	CIRCUIT BREAKER, 10A	12
	13-37975-004	CIRCUIT BREAKER, 15A	9
	54-14274-06Z	SCREW, #8-32 X .75" PHILLIPS HD. MACHINE	3
	13-37975-005	CIRCUIT BREAKER, 20A	7
	50-47889-000	HARNESS (NOT SHOWN)	1
	54-14244-06Z	SCREW, #8-32 X .75" PHILLIPS HD. COUNTER SUNK	2
	54-14272-04Z	SCREW, #8-32 X .50" PHILLIPS HD.	22
	54-14272-06Z	SCREW, #8-32 X .75" PHILLIPS HD.	12
	54-14278-06Z	SCREW, 1/4"-20 X .75" PHILLIPS HEAD	13
	54-12600-002	FLATWASHER, #8	30
	54-12600-003	FLATWASHER, #10	5
	54-12600-006	FLATWASHER 1/4"	13
	54-14274-07Z	SCREW, #10-32 X 1.0" PHILLIPS HD. MACHINE	2
	54-14270-03Z	SCREW, #6-32 X 3/8" PHILLIPS HD. MACHINE	34
	54-12540-001	NUT, NYLOCK #6-32	34
	54-12600-001	FLATWASHER #6	34
	50-41416-002	HARNESS, DATA-SYSTEM	1
14.	13-47890-000	PANEL, ASM., MULTIPLEXING ELECT.	1

MAIN ELECTRICAL CONTROL PANEL

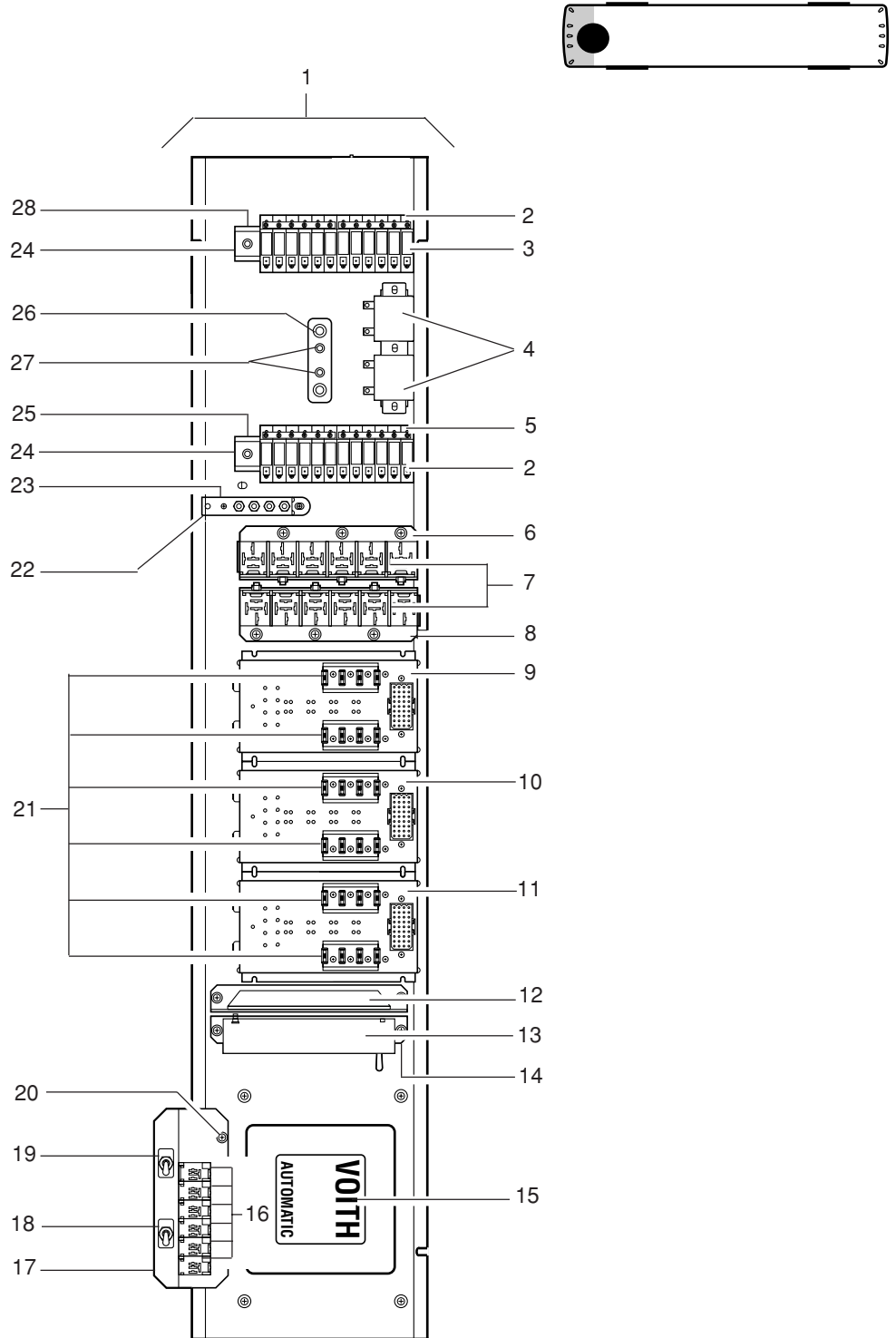


13-0252-0701A+(V)
13-003798
13-0252-0701A
13-0220-0700V

ELECTRICAL PANEL, REAR BULKHEAD

Item	Part No.	Description	Qty
1.	13-48867-000	PANEL ASM., MAIN ELECTRICAL	1
	54-48016N000	SCREW, PHIL.HD. #6-32 X 3/8"	A/R
	54-48010N000	LOCKWASHER #6	A/R
2.	13-48003-005	HOLDER, CIRCUIT BREAKER (1-WAY)	4
	13-48003-006	HOLDER, CIRCUIT BREAKER (2-WAY)	2
	13-48003-007	HOLDER, CIRCUIT BREAKER (4-WAY)	4
3.	13-48113-000	BUSS BAR, (12-POSITION)	2
4.	51-11693-003	RELAY, 24VDC 50 AMP.	2
	54-14274-06Z	MACH. SCREW, PHIL.HD. #10-32 X .75	3
	54-12600-003	FLATWASHER, #10	5
5.	13-48113-000	BUSS BAR, (12-POSITION)	2
6.	13-44353-001	BRACKET, RELAY MOUNTING	1
7.	51-43419-003	RELAY, 24VDC - 30 AMP.	9
	51-43419-002	RELAY, 12VDC - 30 AMP.	3
8.	13-44353-002	BRACKET, RELAY MOUNTING	1
	51-14278-06Z	SCREW, PHIL.HD. 1/4"-20 X .75	13
	51-12600-006	FLATWASHER 1/4"	13
9.	13-41361-010	DIO MODULE, SPDL GROUNDING	1
10.	13-41361-008	HCNC MODULE, SINGLE POINT DONLOAD	1
11.	13-41361-009	DIO MODULE, SINGLE POINT DONLOAD	1
12.	51-23251-006	EQUALIZER, VANNER EM70D	1
13.	13-41361-000	VOLTAGE REGULATOR, "DINEX" PMS	1
14.	13-44355-000	BRACKET, VOLT. REG./PMS MOUNTING	2
15.	53-38209-015	ECU MODULE, VOITH TRANSMISSION D-864.3E	1
	53-40059-008	CABLE, TRANSMISSION W/35' BUS	2
	53-40059-005	CABLE, TRANSMISSION	1
16.	54-14278-08B	SCREW, PHILLIPS HD. CHROME 1/4-20 X 1.25	3
	51-43419-006	RELAY, 24VDC - 10 AMP.	4
	51-43419-005	RELAY, 12VDC - 10 AMP.	1
17.	13-44353-000	BRACKET, RELAY MOUNTING	1
	40-13960-000	BRACKET, SWITCH MOUNTING	1
	40-44678-000	PLATE, ADAPTOR MOUNTING	1
18.	51-02164-012	SWITCH, TOGGLE SPST TRANSMISSION (ECONO/PERFORM)	1
	59-26604-000	DECAL, TRANS. MODE	1
19.	51-02164-019	SWITCH, TOGGLE (ABS DIAGNOSTICS)	1
	59-35121-001	DECAL, (ABS DIAGNOSTICS)	1
	51-02164-003	SWITCH, TOGGLE "RETARDER"	1
20.	51-02128-001	GUARD, TOGGLE	1
	59-28760-000	DECAL, "RETARDER ON/OFF"	1
	51-14278-06Z	SCREW, PHIL.HD. 1/4"-20 X .75	3
21.	13-43316-005	FUSE, 10 AMP. MINI ATM	24
22.	40-21604-001	BUSS BAR, (6-HOLE)	1
23.	51-00108-005	TERMINAL STRIP (4-STUD)	1
	51-14274-07Z	SCREW, PHIL.HD. MACHINE #10-32 X 1.00	2
	54-12600-003	FLATWASHER #10	5
24.	45-26097-07.0	RAIL, DIN (7-INCH)	2
	54-14272-04Z	SCREW, PHIL.HD. #8-32 X .50	22
	54-12600-002	FLATWASHER #8	30
25.	13-37183-003	BUSS BAR (5-HOLE)	2
26.	13-40785-000	STUD, TWIN INSULATED 5/16"	1
27.	54-14244-06Z	SCREW, PHIL.HD. MACH. COUNTER SUNK #8-32 X .75	2
28.	13-27183-005	BUSS BAR (7-HOLE)	2

ELECTRICAL PANEL, REAR BULKHEAD

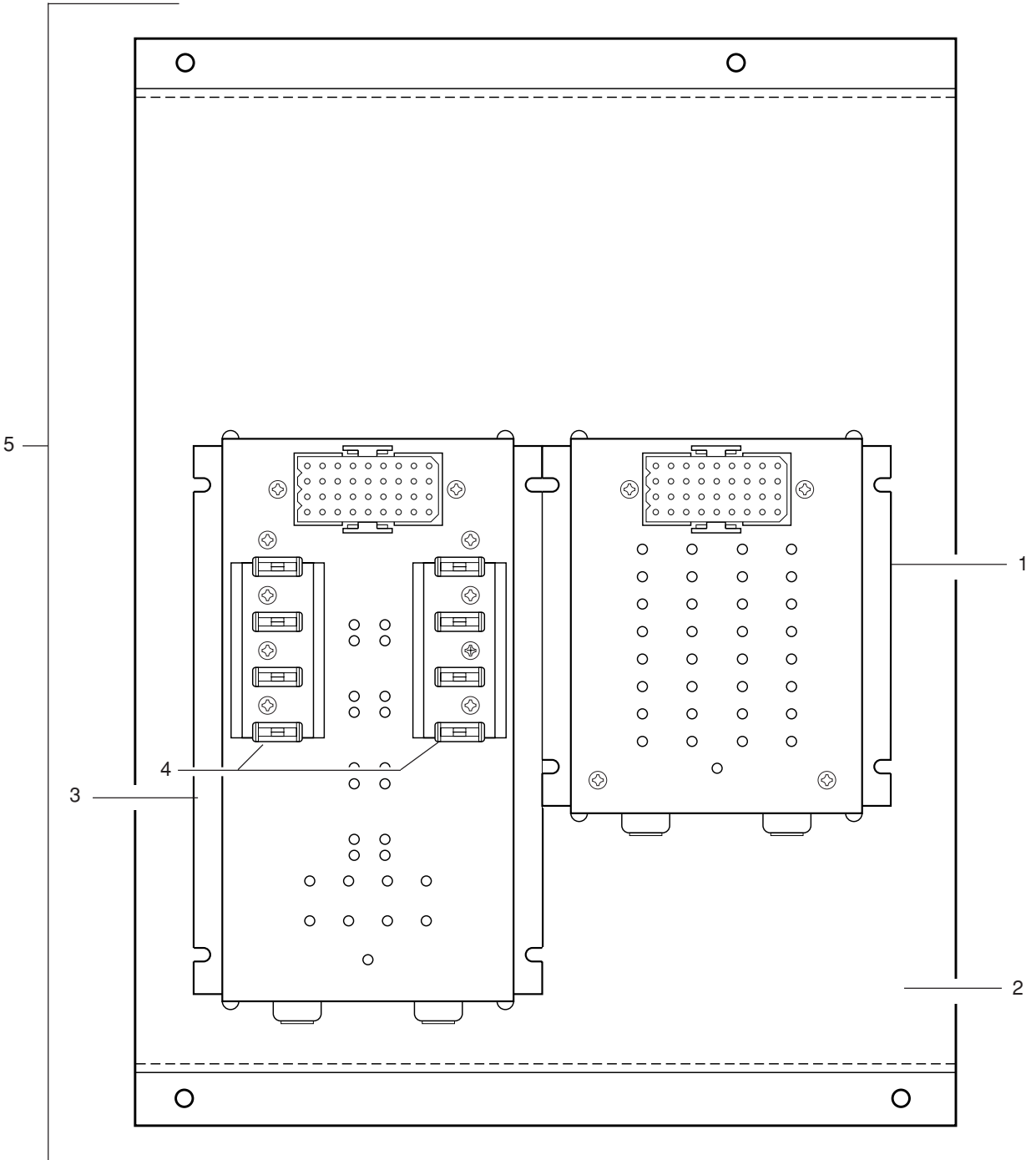


13-0252-0701L+(A)
13-003120
13-0252-0701L
13-0242-0700A

ELECTRICAL PANEL, REMOTE I/O

Item	Part No.	Description	Qty
1.	13-41361-018	MODULE, 32 INPUT	1
	54-14272-06Z	SCREW, #8-32 X .75" PAN HEAD	7
	54-12600-002	FLATWASHER, #8	7
2.	13-37926-002	PANEL, I/O MOUNTING	1
3.	13-41361-009	MODULE, 8 IN AND 8 OUT W/115K BAUD SPDL	1
	13-41361-011	KEY, I.D. #64	1
4.	13-43316-005	FUSE, 10 AMP. MINI ATM	8
5.	13-46297-002	PANEL ASM, REMOTE I/O	1
	51-48999-000	SWITCH ASM, "CRIME" PUSH-BUTTON	1

ELECTRICAL PANEL, REMOTE I/O

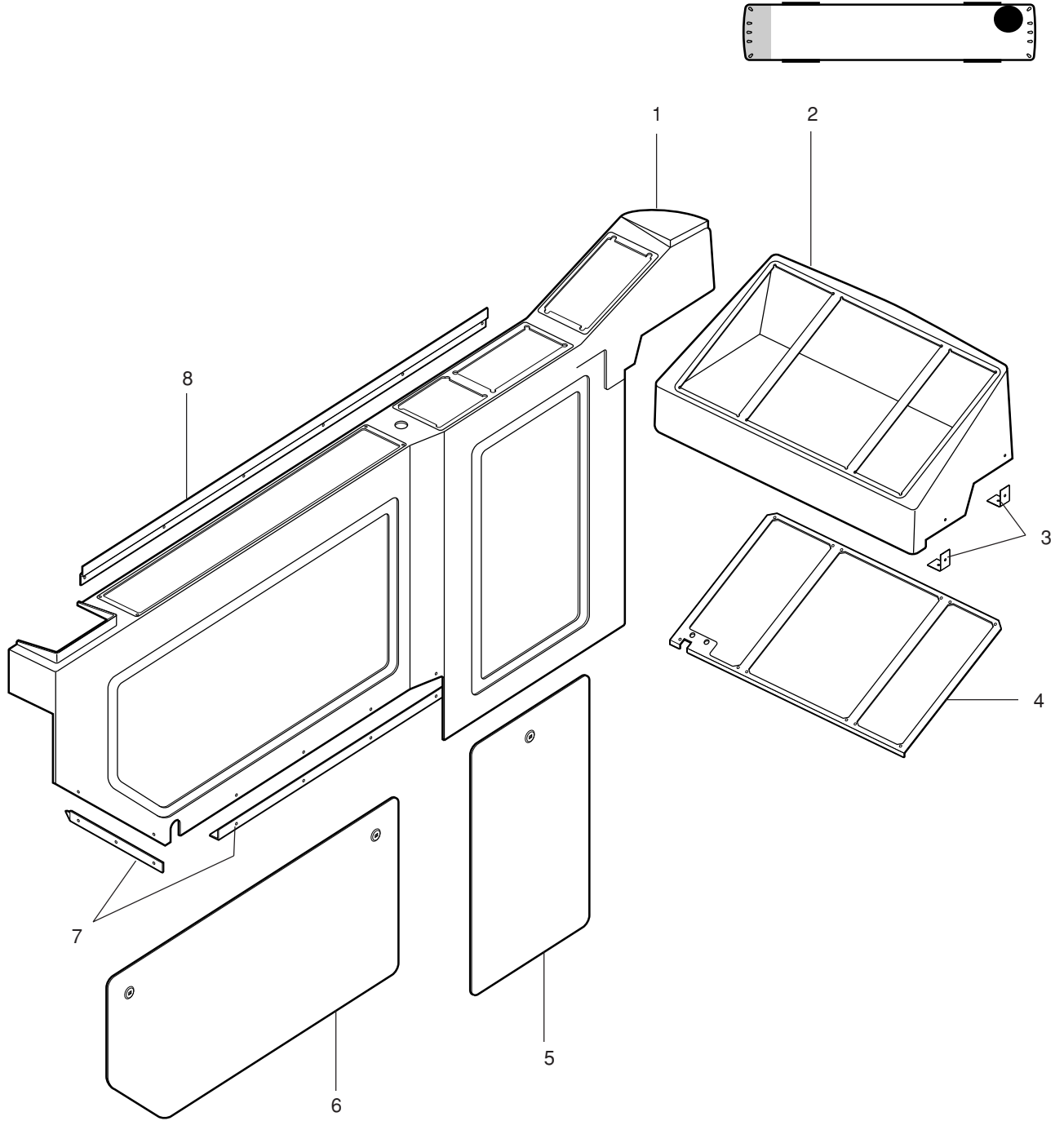


13-0301-0701B,G
13-003156
13-0301-0701B, G

DASH CONSOLE ASSEMBLY

Item	Part No.	Description	Qty
1.	15-45703M000	CONSOLE ASM, DRIVERS	1
	13-39358-000	PANEL, CONSOLE REINFORCEMENT	1
2.	15-41307M002	DASH, FIBERGLASS CTR	1-5
3.	15-37791-000	ANGLE, MTG	2
4.	30-37149-001	PANEL, DASH REINFORCEMENT	1
5.	18-47638-000	PANEL, CONSOLE, LOWFLOOR	1
6.	15-45845-000	PANEL, CONSOLE	1
	54-49639N000	LATCH ASM, QUAD PANEL	6
7.	15-37846L000	ANGLE, MTG, CONSOLE	A/R
8.	15-38269-000	ANGLE, MTG, CONSOLE	1
N/S	15-40418M001	CLOSEOUT, DASH	1
N/S	15-49637-000	CLOSEOUT, ELECTRICAL HARNESS COVER, B-POST	1
N/S	15-47906-000	BRACKET, MTG. CLOSEOUT B-POST	1
N/S	15-49638-000	BRACKET, WIRE HARNESS COVER	1
N/S	54-49636N000	FASTENER-SNAP-IN	6
N/S	54-13111-002	SCREW, #12-24 X .75 TORX SELF DR	16

DASH CONSOLE ASSEMBLY

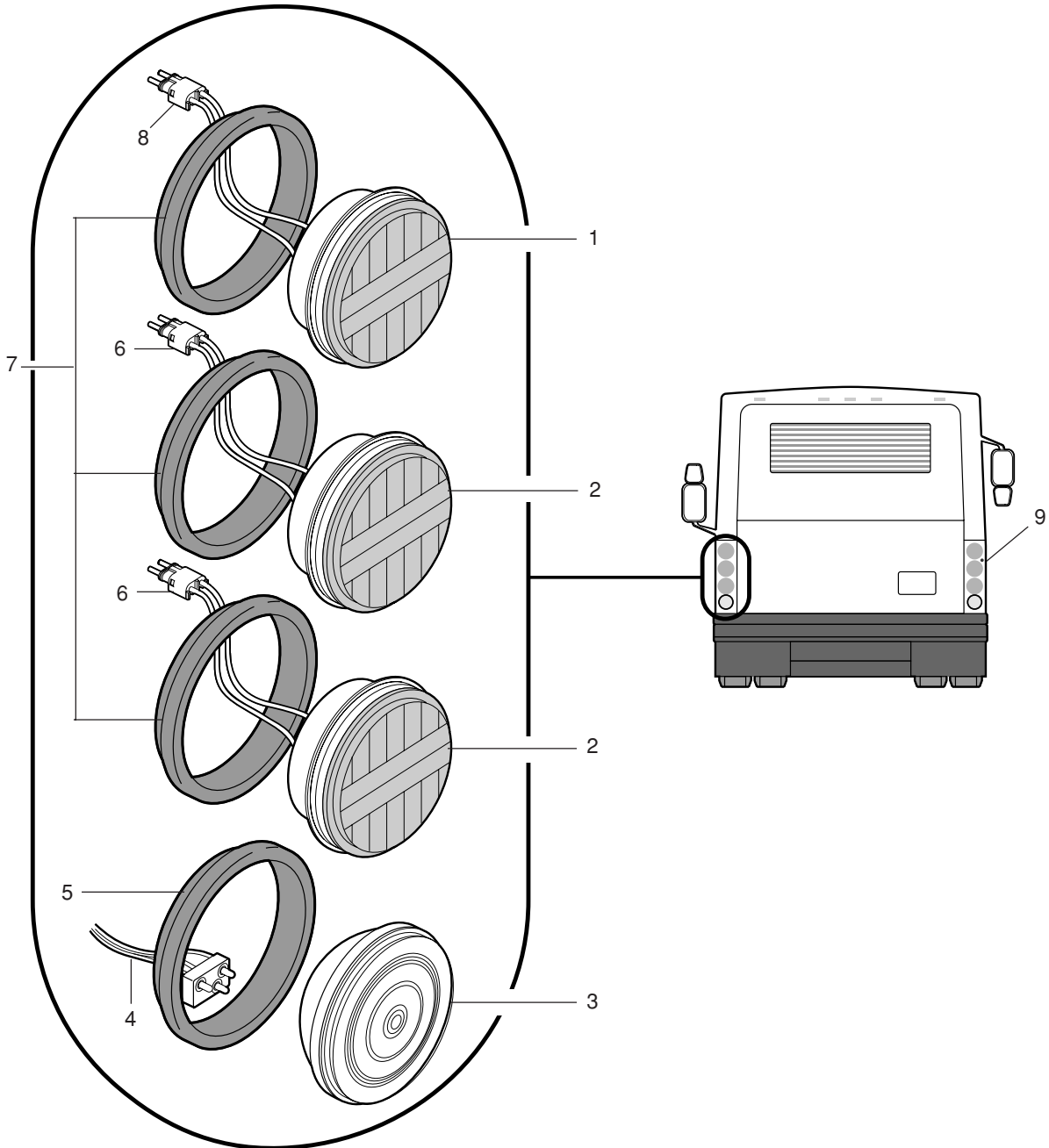
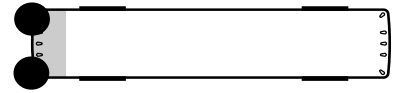


13-0303-0703B,C,G+(B,E)
13-001644
13-0303-0703B, C, G
30-0300-0700B, E

TAIL LIGHTS

Item	Part No.	Description	Qty
1.	51-34804-003	LAMP ASM, RR, AMBER-"LED"	2
2.	51-34804-001	LAMP ASM, RR STOP, TURN, TAIL, RED-"LED"	4
3.	13-37244-002	LAMP ASM, RR BACK-UP, CLEAR (SEALED)	2
4.	82-11679-000	CABLE, PIGTAIL CONNECTOR	2
5.	51-16264-001	GROMMET, MOUNTING	2
6.	51-16873-016	CONNECTOR, 3-WAY TOWER	4
	51-16873-002	TERMINAL, SOCKET	12
	51-16873-015	SEAL, WIRE	12
7.	13-37400-000	GROMMET, MOUNTING	4
8.	51-16873-007	CONNECTOR, 2-WAY TOWER	2
	51-16873-002	TERMINAL, SOCKET	4
	51-16873-015	SEAL, WIRE	4
	51-09325-000	REFLECTOR, RECTANGULAR RED	2
9.	51-12096-002	HORN, BACK-UP WARNING ALARM	1
	82-28569-000	RING NUT, PLASTIC	1

TAIL LIGHTS

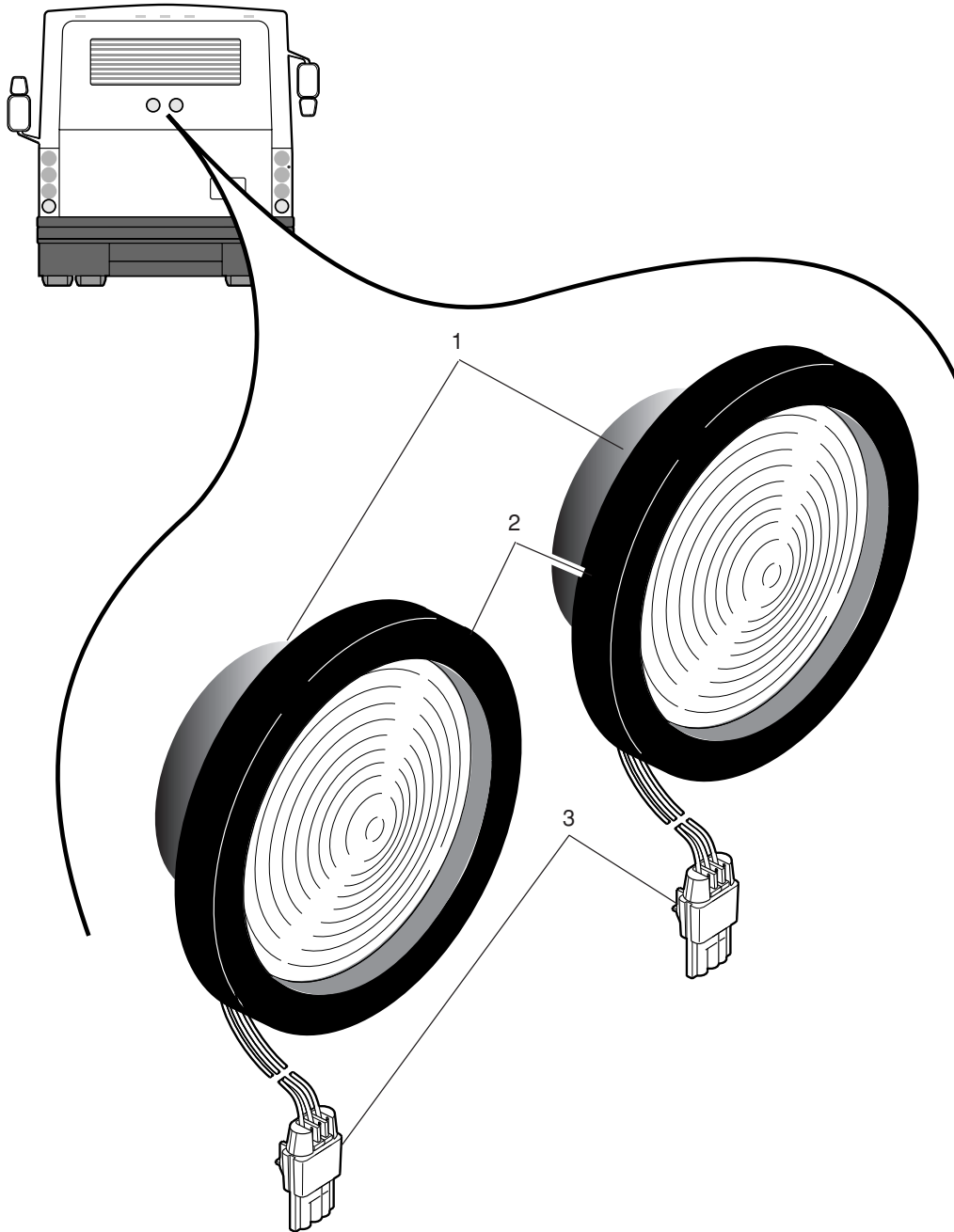


13-0353-0702A
13-001713
13-0353-0702A

STOP LIGHTS (GRILLE MOUNTED)

Item	Part No.	Description	Qty
1.	51-34804-002	LAMP ASM, RED STOP, 4" LED	2
2.	13-37400-000	GROMMET, MOUNTING	2
3.	51-16873-007	CONNECTOR, 2-WAY TOWER	2
	51-16873-002	TERMINAL, SOCKET	4
	51-16873-015	SEAL, WIRE	4

STOP LIGHTS (GRILLE MOUNTED)

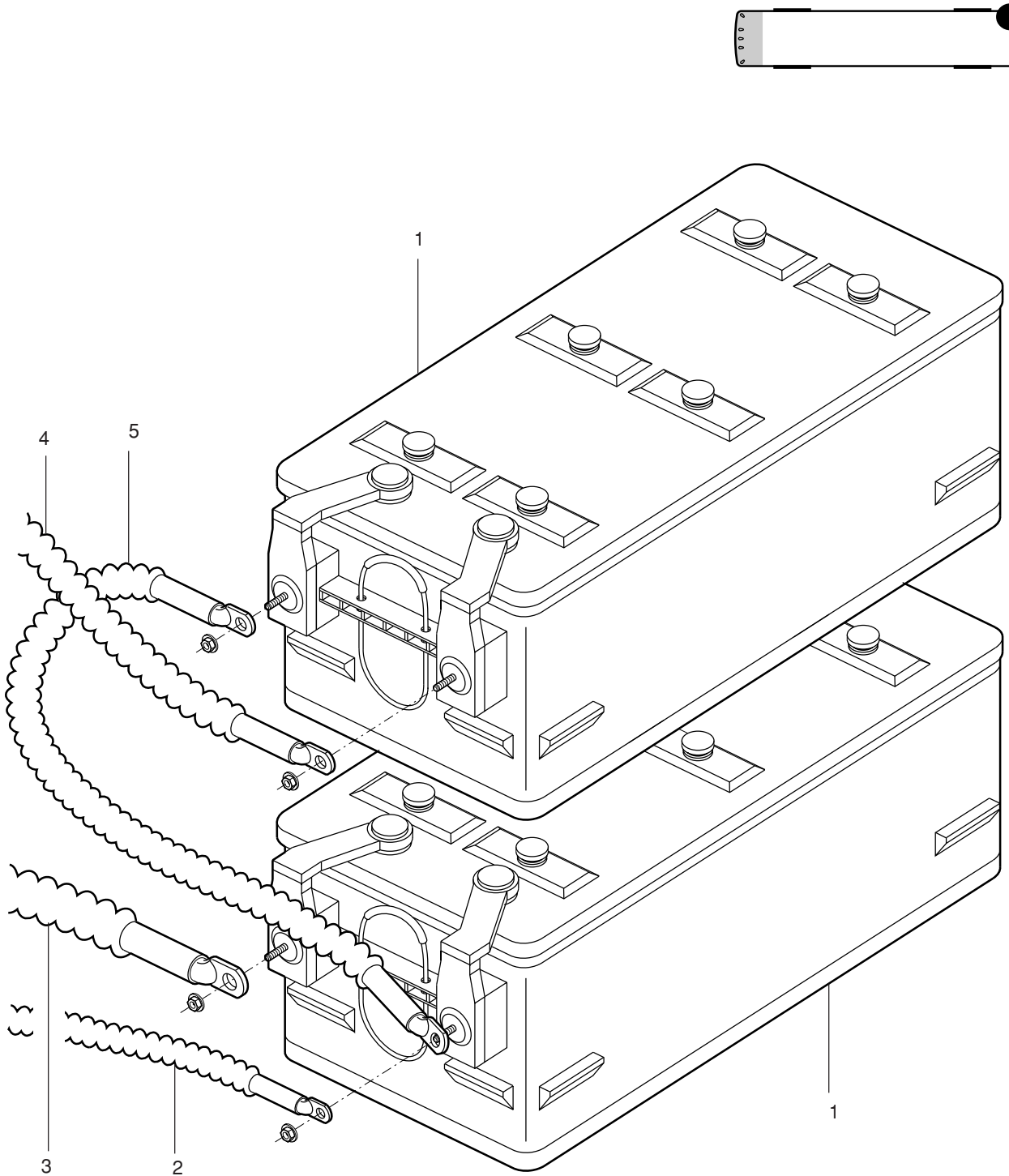


13-0360-0700B
13-001714
13-0360-0700B

BATTERIES AND CABLES

Item	Part No.	Description	Qty
1.	51-14840-017	BATTERY, 8D-12V 3/8"NEG.-7/16"POS. SIDE STUD	2
2.	50-37082-001	CABLE, BATTERY	1
3.	50-37096-001	CABLE, BATTERY, NEGATIVE	1
4.	50-45662-007	CABLE, BATTERY	1
	50-45662-006	CABLE, BATTERY	1
5.	50-37082-002	CABLE, BATTERY, JUMPER	1
	53-27097-003	BOOT, STUD PROTECTOR RED - 0.70" CABLE X 1.28" STUD	4
	53-27097-008	BOOT, STUD PROTECTOR YELLOW - 0.70" CABLE X 1.28" STUD	3
	53-27097-005	BOOT, PLUG PROTECTOR RED - JUMP START CONNECTOR	1
	55-29750-002	CLAMP, ASM., CABLE	1
	55-29750-001	BRACKET	1
	40-24993-007	BUS BAR, BATTERY	1
	13-47732-000	CLOSEOUT, LOWER BATTERY SWITCH	1
	13-48510-002	EQUALIZER, BATTERY 100 AMP	1
	13-45536-000	SPACER, POWER CABLE	2

BATTERIES AND CABLES

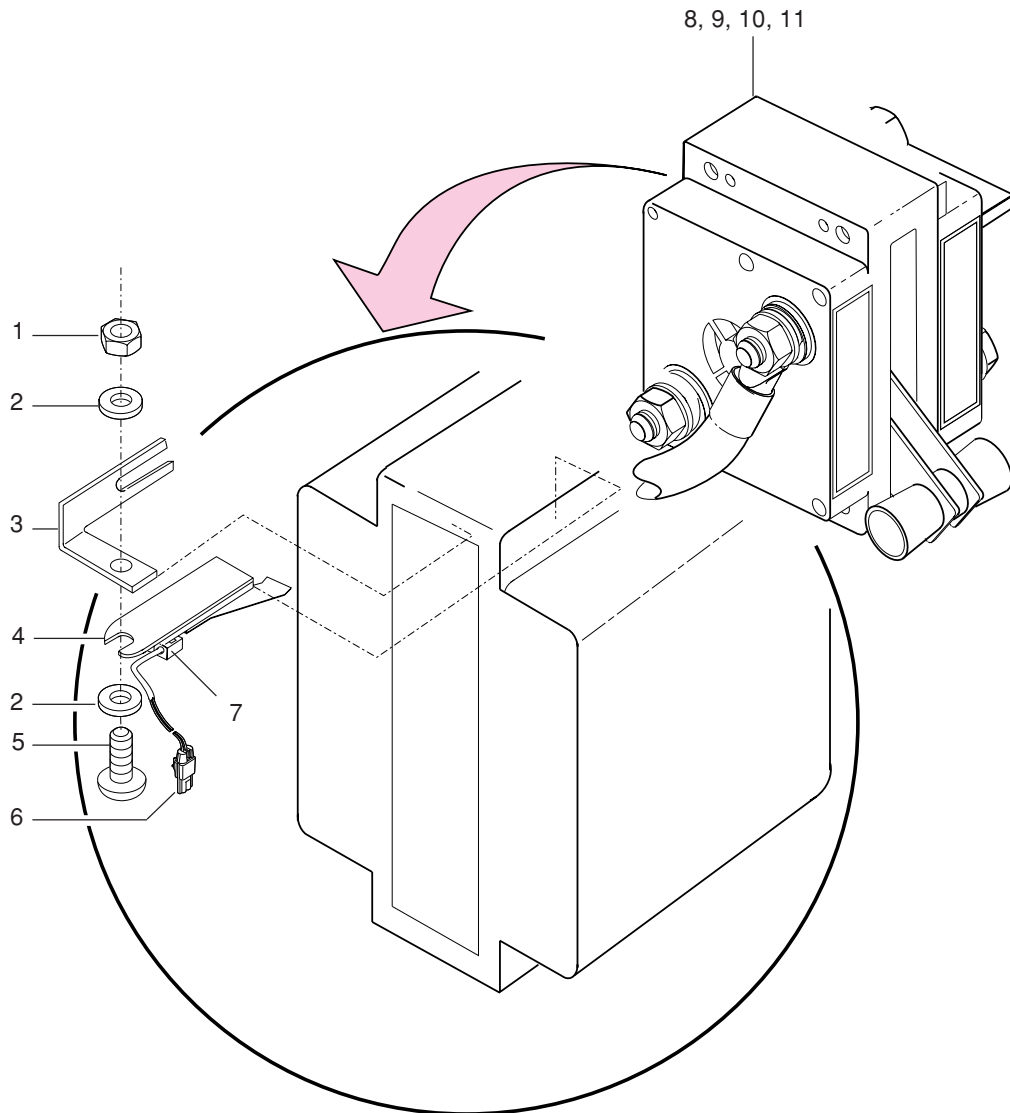
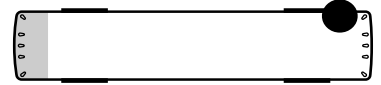


- 13-0400-0700J+(B+A+J)
- 13-000497
- 13-0400-0700J
- 13-0401-0701B
- 13-0402-0701A
- 13-0417-0702J

BATTERY CUT-OFF SWITCH

Item	Part No.	Description	Qty
1.	54-12540-005	LOCKNUT, NYLOK 1/4"-20 GR5	1
2.	54-12600-006	FLATWASHER, 1/4"	2
	54-12602-009	LOCKWASHER, 1/4"	2
3.	40-29030-001	BRACKET, SWITCH MTG	1
4.	40-29030-000	BRACKET, ACTUATING ANGLE	1
5.	54-11316-003	SCREW, HEXHD 1/4"-20 X 1.0"	2
6.	51-16873-007	CONNECTOR, 2-WAY WEATHERPAK	1
7.	51-29031-000	MICROSWITCH	1
8.	51-23648-001	SWITCH, BATTERY POWER CUT-OFF	1
9.	54-13108-031	LOCKNUT, NYLOCK 1/4-20 SSTL	4
10.	54-13113-089	BOLT, SPCL 1/4"-20 X 2.50"	4
11.	54-30880-006	FLATWASHER, 1/4" SSTL	4
	13-36904-003	CLAMP, CABLE .866-1.259	1
	40-36901-000	BRACKET, SWITCH MTG. CHANNEL	1
	40-36906-000	BRACKET, SWITCH MTG. LOWER	1
	40-46947-000	SPACER, COPPER FUSE	2
	13-40785-000	HOLDER, FUSE	2
	51-19332-060	FUSE, 60 AMP.	1
	51-19332-100	FUSE, 100 AMP.	1
	51-19332-125	FUSE, 125 AMP.	1
	50-40605-000	CABLE, RADIO POWER	1
	13-47732-000	CLOSEOUT, BATTERY SWITCH (LOWER COVER PLATE)	1
	54-13111-002	SCREW, #12-24 X .75" SELF TAPPING TORX DRIVE	2
	59-25064-000	DECAL, BATT. SWITCH	1

BATTERY CUT-OFF SWITCH

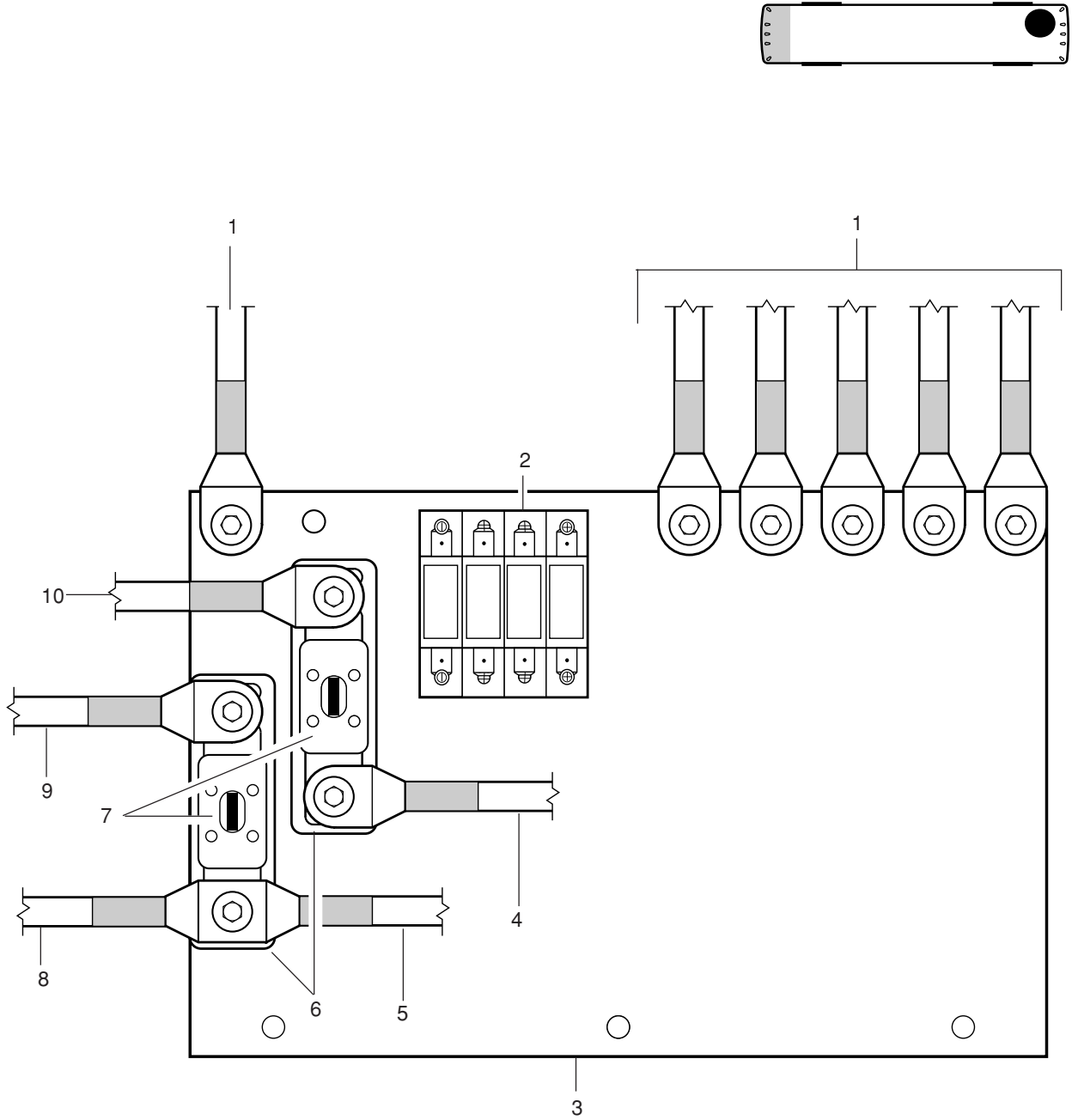


- 13-0400-0700J+(B+A+J)
- 13-001028
- 13-0400-0700J
- 13-0401-0701B
- 13-0402-0701A
- 13-0417-0702J

POWER PANEL, DRIVER'S CONSOLE

Item	Part No.	Description	Qty
1.	REF. ONLY	CHASSIS GROUND STUDS	5
2.	13-48003-006	CIRCUIT BREAKER 2-WAY C.B. MOUNTING	1
	13-48003-004	CIRCUIT BREAKER, 25AMP.	1
	13-48003-001	CIRCUIT BREAKER, 10AMP.	1
3.	13-45879-000	PANEL, FUSE MTG	1
4.	50-37833-001	CABLE ASM, CONSOLE	1
5.	50-37833-000	CABLE ASM, CONSOLE	1
6.	51-50241-000	BLOCK, FUSE	2
	13-40785-000	HOLDER, BATTERY FUSE	4
7.	51-19332-100	FUSE, 100 AMP	2
	54-30882-005	NUT, HEX SSTL 1/4"-28	A/R
8.	50-37071-016	CABLE, "DOWN CHASSIS" 24VDC POWER TO REAR PANEL	2
9.	50-37292-004	CABLE, OVERHEAD POWER 24V POS	1
10.	50-37292-003	CABLE, OVERHEAD POWER 12V POS	1
	50-25352-029	CABLE ASM, JUMPER 12AWG, TRAN-BATT 10"	1
	50-25352-030	CABLE ASM, JUMPER 12AWG, ENG-BATT 10"	1

POWER PANEL, DRIVER'S CONSOLE

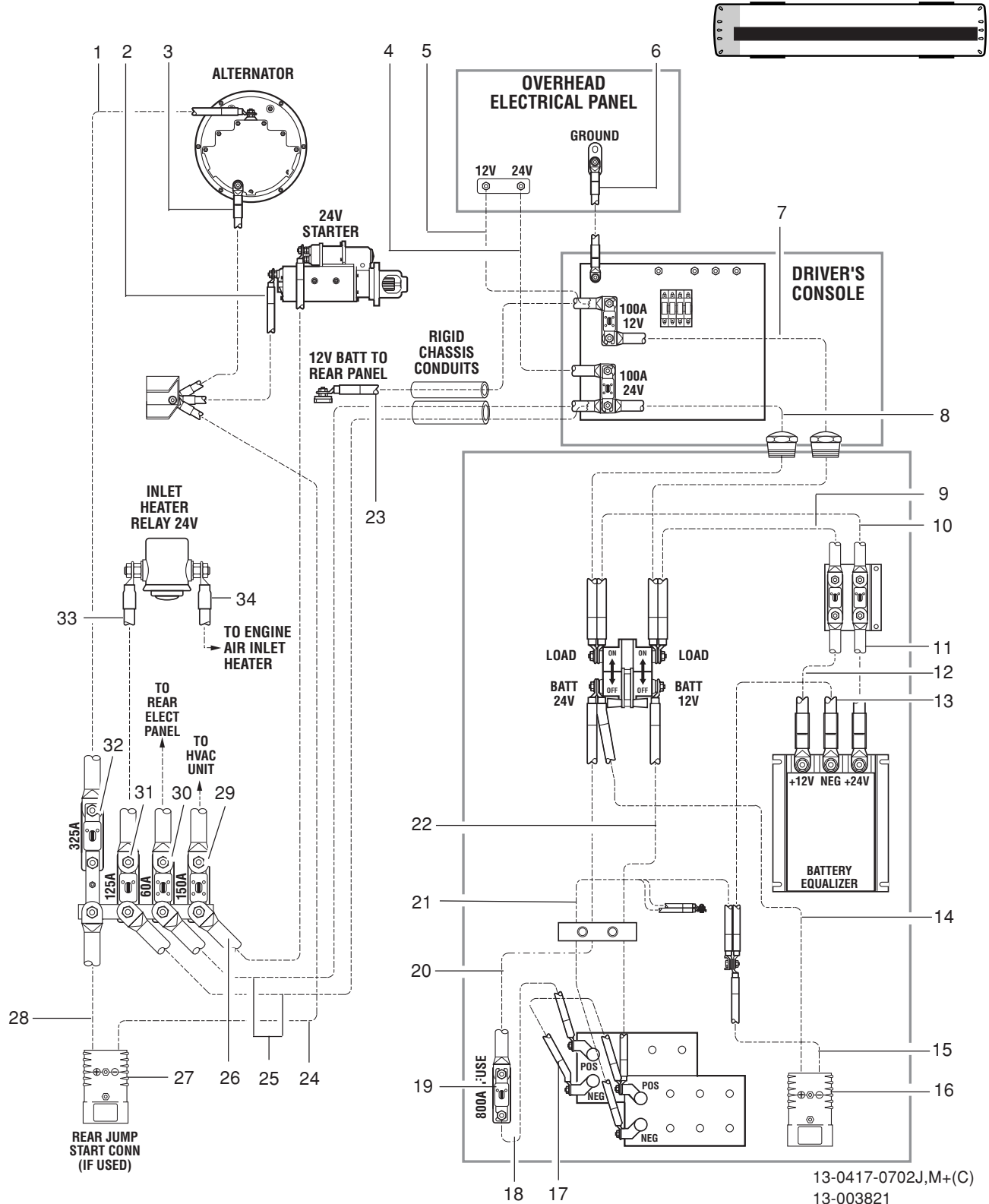


13-0417-0702G
13-003814
13-0417-0702G

BATTERY CABLES

Item	Part No.	Description	Qty
1.	50-19797-053	CABLE ASM, ALTERNATOR, POSITIVE	1
	40-32531-000	BRACKET, CABLE SUPPORT	1
2.	50-19797-130	CABLE, STARTER GROUND	1
3.	50-19797-267	CABLE, ALTERNATOR, NEG	1
4.	50-37292-004	CABLE, OVERHEAD POWER 24V POS	1
5.	50-37292-003	CABLE, OVERHEAD POWER 12V POS	1
6.	50-37292-005	CABLE, OVERHEAD GROUND NEG.	1
7.	50-37833-001	CABLE ASM, CONSOLE 12 VOLT.	1
8.	50-37833-000	CABLE ASM, CONSOLE 24 VOLT.	1
9.	50-43988-000	CABLE ASM, EQUALIZER 12 VOLT.	1
10.	50-43988-001	CABLE ASM, EQUALIZER 24 VOLT.	1
11.	50-37083-007	CABLE, EQUALIZER 2GA RED 24VDC	1
12.	50-37083-008	CABLE, EQUALIZER 2GA RED 12VDC	1
13.	50-37083-001	CABLE, EQUALIZER 2GA BLACK GROUND	1
	13-45810-002	EQUALIZER, VOLTAGE 12V-24V @ 100AMP.	1
14.	42-21245-020	CABLE, JUMPER POSITIVE 2/0 RED	A/R
15.	42-21245-021	CABLE, JUMPER NEGATIVE 2/0 BLACK	A/R
16.	50-43623-002	CABLE, BATT. JUMPER (SERIES CONN.)	A/R
17.	50-37082-002	CABLE ASM.BATT.	1
18.	50-45662-007	CABLE, BATT. POSITVE 4/0 24VDC TO 800AMP. FUSE	1
19.	51-19332-800	FUSE, 800AMP.	1
	51-19332-600	FUSE, 600AMP.	1
20.	50-45662-006	CABLE, 24VDC 4/0 RED, FUSE TO BATTERY CUT-OFF SWITCH	1
21.	50-37096-001	CABLE, BATT NEG. TO GROUND	1
22.	50-37082-001	CABLE, 12VOLT. POSITIVE TO CUT-OFF SWITCH	1
23.	50-37071-017	CABLE, "DOWN CHASSIS" 12VDC POWER TO REAR PANEL	1
24.	42-21245-023	CABLE, REAR JUMP STARTER NEG.	1
25.	50-37071-016	CABLE, "DOWN CHASSIS" 24VDC POWER TO REAR PANEL	2
26.	50-37201-000	CABLE, STARTER 24VDC 3/0 GA. POS.	1
27.	50-43623-003	CABLE ASM., JUMP START (REAR)	1
28.	42-21245-022	CABLE, REAR JUMP STARTER POS.	1
29.	51-19332-150	FUSE, 150AMP.	1
30.	51-19332-060	FUSE, 60AMP.	1
	51-19332-125	FUSE, 125AMP.	1
31.	51-19332-100	FUSE, 100AMP.	1
	51-19332-125	FUSE, 125AMP.	1
32.	51-19332-325	FUSE, 325AMP.	1
33.	50-19797-265	CABLE, INLET HEATER	1
34.	50-19797-180	CABLE, INLET HEATER	1
	53-27097-002	PROTECTOR, STUD .75" STUD X .50 CABLE	A/R
	53-27097-003	PROTECTOR, STUD 1.28" STUD X .70 CABLE	A/R
	54-11316-010	BOLT, 1/4"-20 X 2.75" GR.5	2
	54-12540-005	NUT, HXHD NYLOCK 1/4"-20 GR.5	2
	54-12600-006	FLATWASHER 1/4"	2
	55-32537-000	CLAMP, ELECTRICAL	1

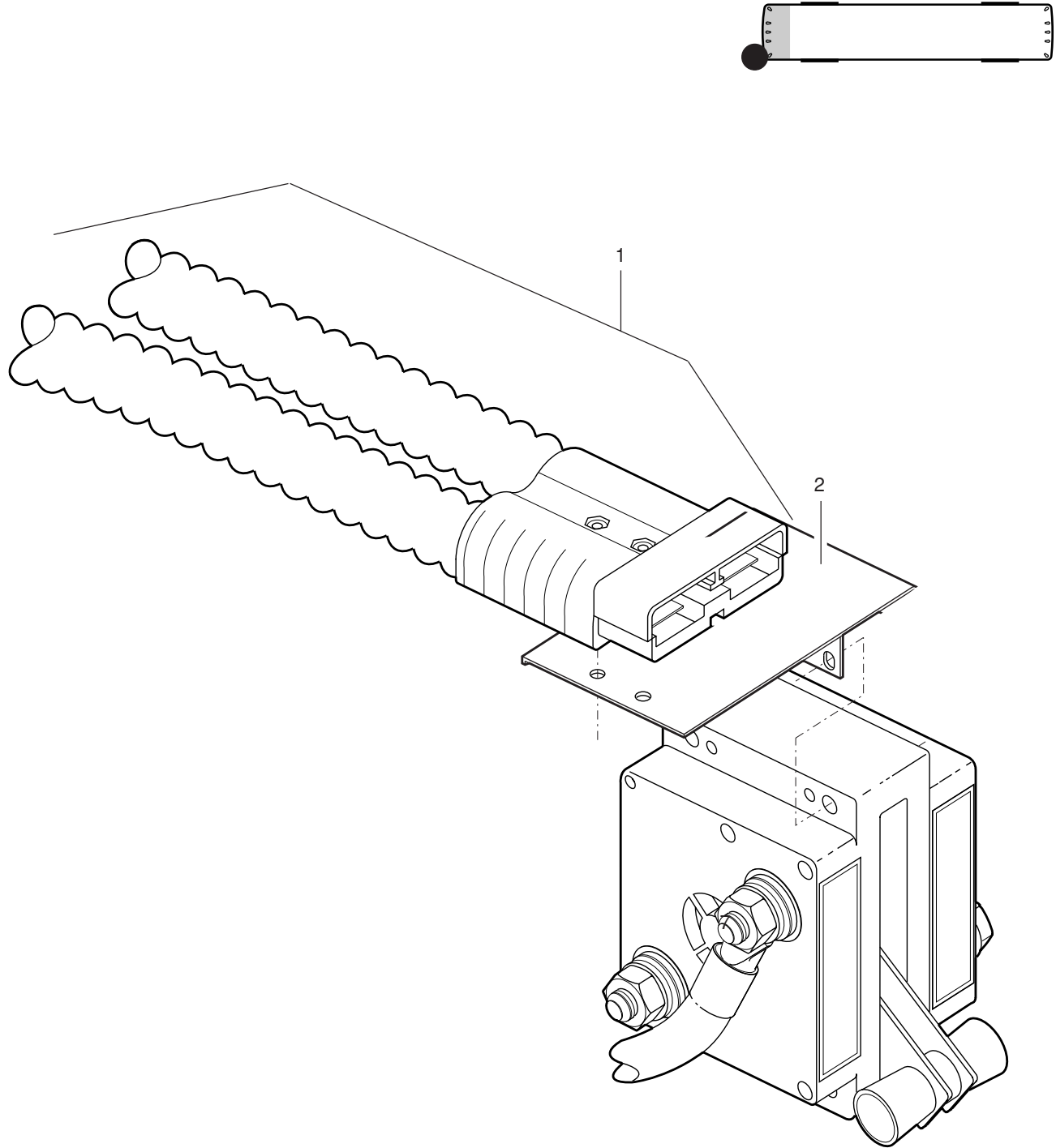
BATTERY CABLES



BATTERY CUT OFF SWITCH AND JUMP START

Item	Part No.	Description	Qty
1.	50-43623-002	CABLE ASM., JUMPER	1
2.	13-39783-000	PLATE, JUMP START CONNECTOR MOUNTING	1
	13-41057-001	BRACKET, CONNECTOR MOUNT	1
	54-30440-034	SCREW, PAN HD. CHROME	2
	54-12600-006	WASHER, FLAT (S.A.E. 1/4")	2
	54-12540-005	NUT, NYLON INSERT (1/4"-20)	2

BATTERY CUT OFF SWITCH AND JUMP START

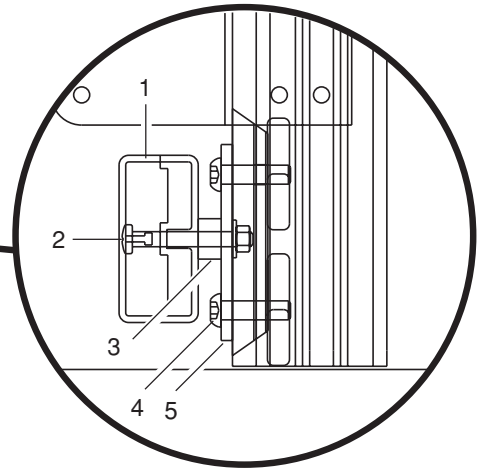
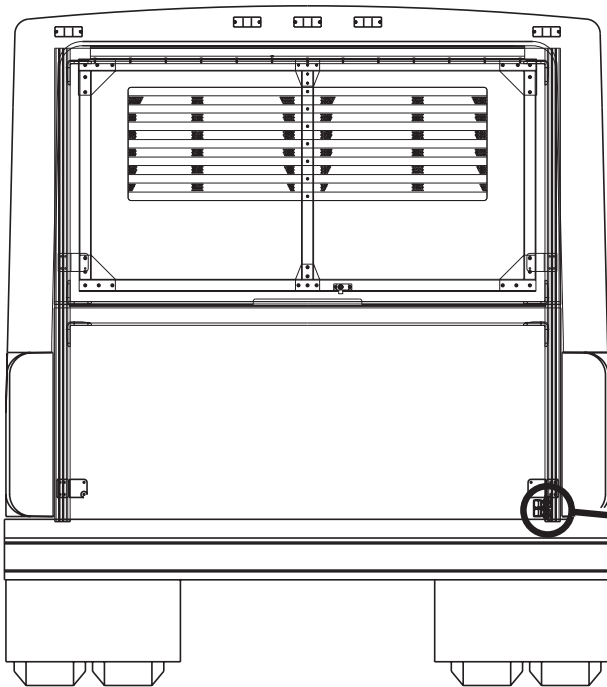


13-0400-0700G
13-002593
13-0400-0700G

JUMP START CONNECTOR

Item	Part No.	Description	Qty
1.	50-43623-003	CABLE ASM, JUMP START	1
2.	54-30440-037	SCREW, 1/4"-20 X 2.5" PANHD SSTL	2
	54-12540-005	LOCKNUT, NYLOK 1/4-20 GR5	2
	54-12600-006	FLATWASHER, 1/4"	2
3.	54-13117-001	SPACER, 0.42ID X 0.67OD X 0.38LG	2
4.	54-37359-002	BOLT, BUTTON TORX HEAD M8 X 20MM	2
5.	13-41057-000	BRACKET-CONNECTOR MTG.	1
	53-27097-005	PROTECTOR, STUD	2
	54-37358-000	NUT PLATE, COBOLT M8	2

JUMP START CONNECTOR



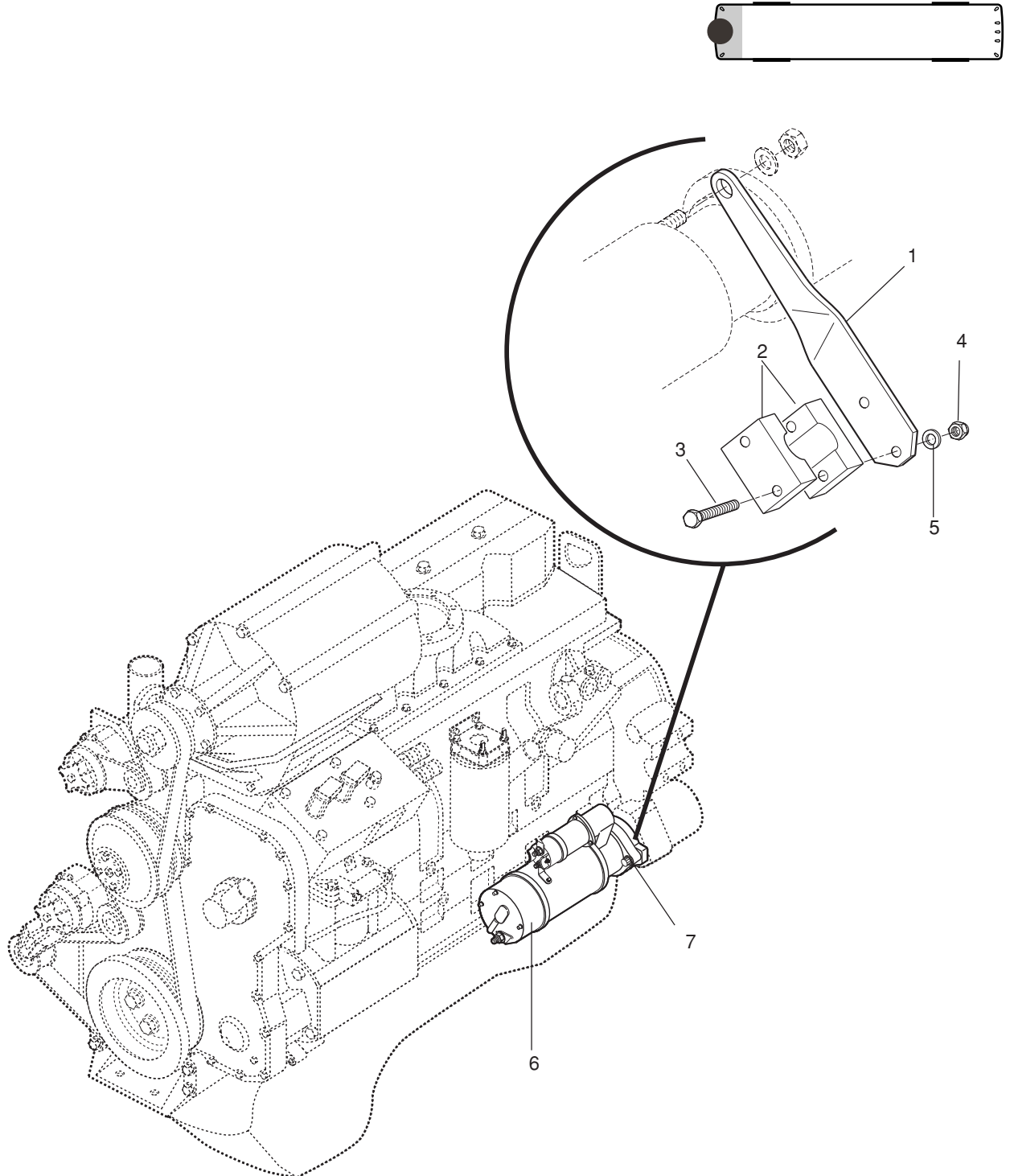
13-0400-0700H
13-002395
13-0420-0700H

STARTER MOUNTING

Item	PartNo.	Description	Qty
1.	40-32531-000	BRACKET, CABLE SUPPORT	1
2.	55-32537-000	CLAMP, ELECT CABLE	1
3.	54-11316-010	BOLT, 1/4"-20 X 2.75" GR. 5	2
4.	54-12540-005	NUT, NYLOCK 1/4"-20 GR. 5	2
5.	54-12600-006	FLATWASHER, 1/4"	2
6.	53-19322-026	STARTER ASM, 24V (SEE FOLLOWING PGS FOR BREAKDOWN)	1
7.	54-13113-055	BOLT, SPECIAL M12 - 1.75 X 50MM MOUNTING	3
	50-19797-130	CABLE ASM, BATTERY POWER 20.0"BLACK	1
	50-37201-000	CABLE ASM, STARTER 3.0 GAUGE	1
	53-27097-002	PROTECTOR, RUBBER BOOT RED .75" STUD X .50" CABLE	1
	53-27097-003	PROTECTOR, RUBBER BOOT RED 1.28" STUD X .70" CABLE	1

NOTE: FOR ELECTRICAL CABLE ROUTING SEE SCHEMATICS MANUAL.

STARTER MOUNTING

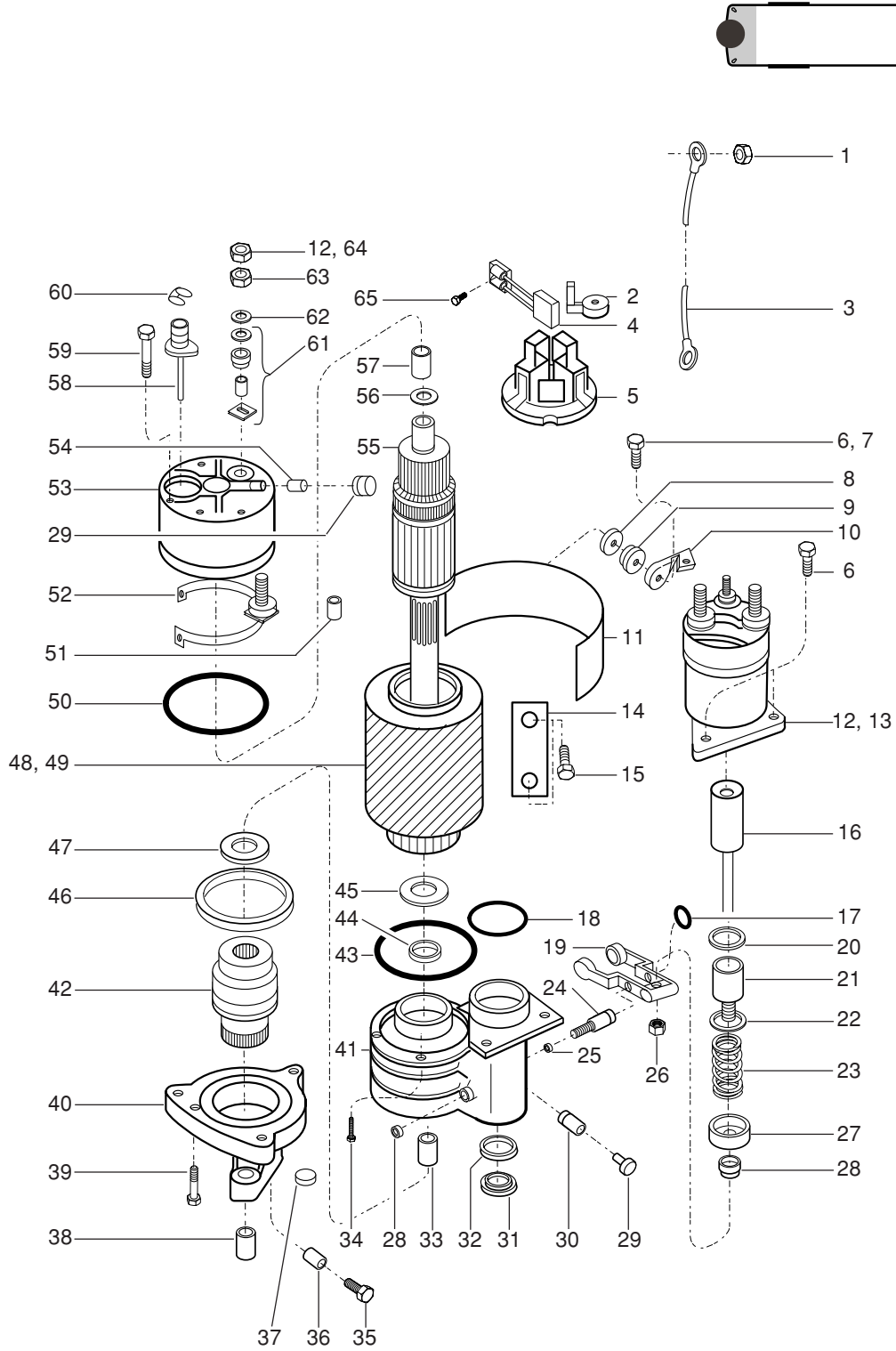


13-0426-0700E+C (-026)
13-004113
13-0426-0700E
13-0428-0700C

STARTER INTERNAL COMPONENTS

Item	PartNo.	Description	Qty
1.	82-16311	NUT ASM, SHUNT	1
2.	82-16271	SPRING, BRUSH	4
3.	82-16267	LEAD, CE TERM	1
4.	82-16270	BRUSH, STARTER MOTOR	4
5.	82-16269	PLATE ASM, BRUSH	1
6.	82-16277	SCREW, CONNECTOR	2
7.	82-16205	FLATWASHER	1
8.	82-16275	INSULATOR, FLD COIL (INSIDE FRAME)	1
9.	82-16276	INSULATOR, FLD TERM (OUTSIDE FRAME)	1
10.	82-14595	CONNECTOR, FLD TERM TO SWITCH	1
11.	82-16273	INSULATOR, FIELD COIL	1
12.	82-16266	NUT, W/WASHER	2
13.	82-08346-000	SWITCH, SOLENOID	1
14.	82-16278	SHOE, POLE	4
15.	82-21221-001	SCREW, POLE SHOE	8
16.	82-14593	PLUNGER, SOLENOID	1
17.	82-16296	O-RING, SHAFT (1/2" OD)	1
18.	82-16289	O-RING, LEVER/HSG/SWITCH	1
19.	82-16293	LEVER ASM, SHIFT	1
20.	82-10428-000	FLATWASHER	1
21.	82-16305	BOOT, PLUNGER	1
22.	82-16306	RETAINER, SPRING (1-13/64 HOLE)	1
23.	82-16307	SPRING, PLUNGER	1
24.	82-16294	SHAFT, SHIFT LEVER	1
25.	82-16295	O-RING, SHAFT (3/8" OD)	1
26.	82-16310	NUT, ADJ ROD	1
27.	82-21221-005	RETAINER, SPRING (13/32 HOLE)	1
28.	82-16297	SNAPRING, PLUNGER	2
29.	82-16260	CUP, OIL RESERVOIR	3
30.	82-16285	WICK, OIL	3
31.	82-16290	PLUG, LEVER HSG	1
32.	82-16291	GASKET, INSPECTION PLUG	1
33.	82-16284	BUSHING, LEVER HSG	1
34.	82-16292	SCREW, LEVER HSG MTG	5
35.	82-21221-002	CUP, OIL RESERVOIR	3
36.	82-16300	WICK, OIL	3
37.	82-16302	PLUG, DRIVE HSG	A/R
38.	82-16299	BUSHING, DRIVE HSG	1
39.	82-16303	SCREW, DRIVE HSG MTG	6
40.	82-21221-007	HOUSING, DRIVE	1
(CONTINUED ON NEXT PAGE)			

STARTER INTERNAL COMPONENTS

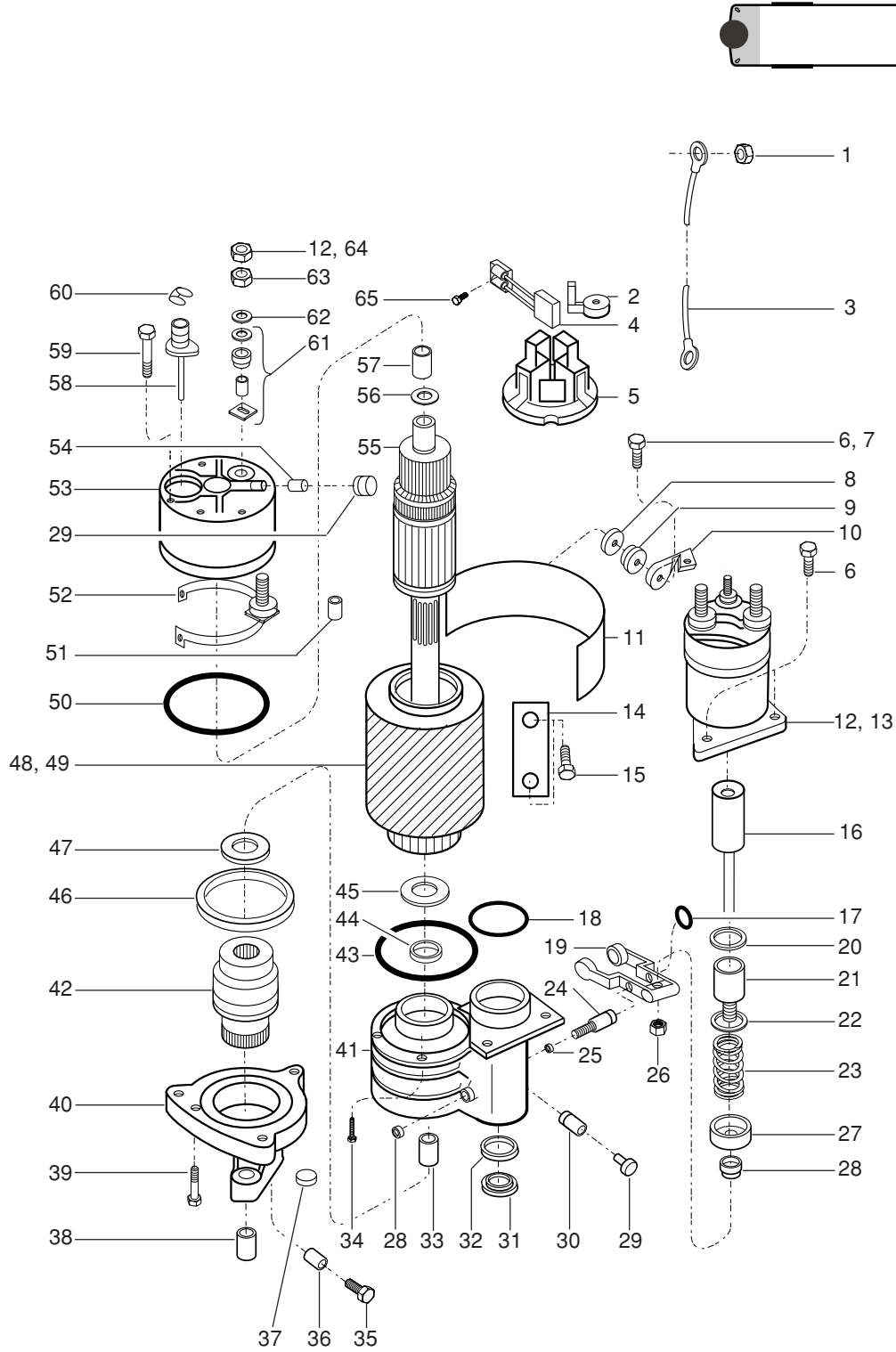


13-0426-0700E+C (-026)
 13-000873
 13-0426-0700E
 13-0428-0700C

STARTER INTERNAL COMPONENTS (continued)

Item	PartNo.	Description	Qty
		(CONTINUED FROM PREVIOUS PAGE)	
41.	82-21221-006	HSG ASM, LEVER	1
42.	82-18985-000	MOTOR ASM, DRIVE	1
43.	82-16288	O-RING, FRAME/LEVER HSG	1
44.	82-16286	SEAL, LEVER HSG	1
45.	82-16282	SPACER, ARMATURE/LEVER HSG	1
46.	82-16301	O-RING, DRIVE/LEVER HSGS	1
47.	82-16287	WASHER, BRAKE	1
48.	82-14594	COIL ASM, FIELD (4 COILS)	1
49.	82-16276	INSULATOR, FLD COIL (DE)	1
50.	82-16280	O-RING, MOTOR FRAME	1
51.	82-16274	PIN, SPRING (IN FRAME)	2
52.	82-16261	TERMINAL ASM, W/LEAD	1
53.	82-16257	FRAME, STARTER CE	1
54.	82-16259	WICK, OIL	3
55.	82-14596	ARMATURE, STARTER MOTOR	1
56.	82-16281	WASHER, CE THRUST	1
57.	82-16258	BUSHING, CE	1
58.	82-16262	THERMOSTAT ASM, W/CONNECTOR	1
59.	82-16268	SCREW, W/WASHER	4
60.	82-16263	SNAPRING, THERMOSTAT	1
61.	82-16264	KIT, CE TERMINAL INSULATION	1
62.	82-16204	FLATWASHER	1
63.	82-16186	LOCKWASHER	1
64.	54-12536-009	NUT, HXHD 1/2-13 GR5	1
65.	82-16262	SCREW, BRUSH LEAD	4
	82-16312	KIT, BRUSH (ITEMS 2, 4, 50, 59, & 65)	
	82-16313	KIT, BUSHING (ITEMS 18, 26, 29, 30, 32, 33, 35, 36, 38, 43 - 47, 50, 54, 56, 57, & 59)	
	82-16314	KIT, SHIFT LEVER (ITEMS 17 - 19, 24 - 26, 28, 32, & 46)	

STARTER INTERNAL COMPONENTS (continued)

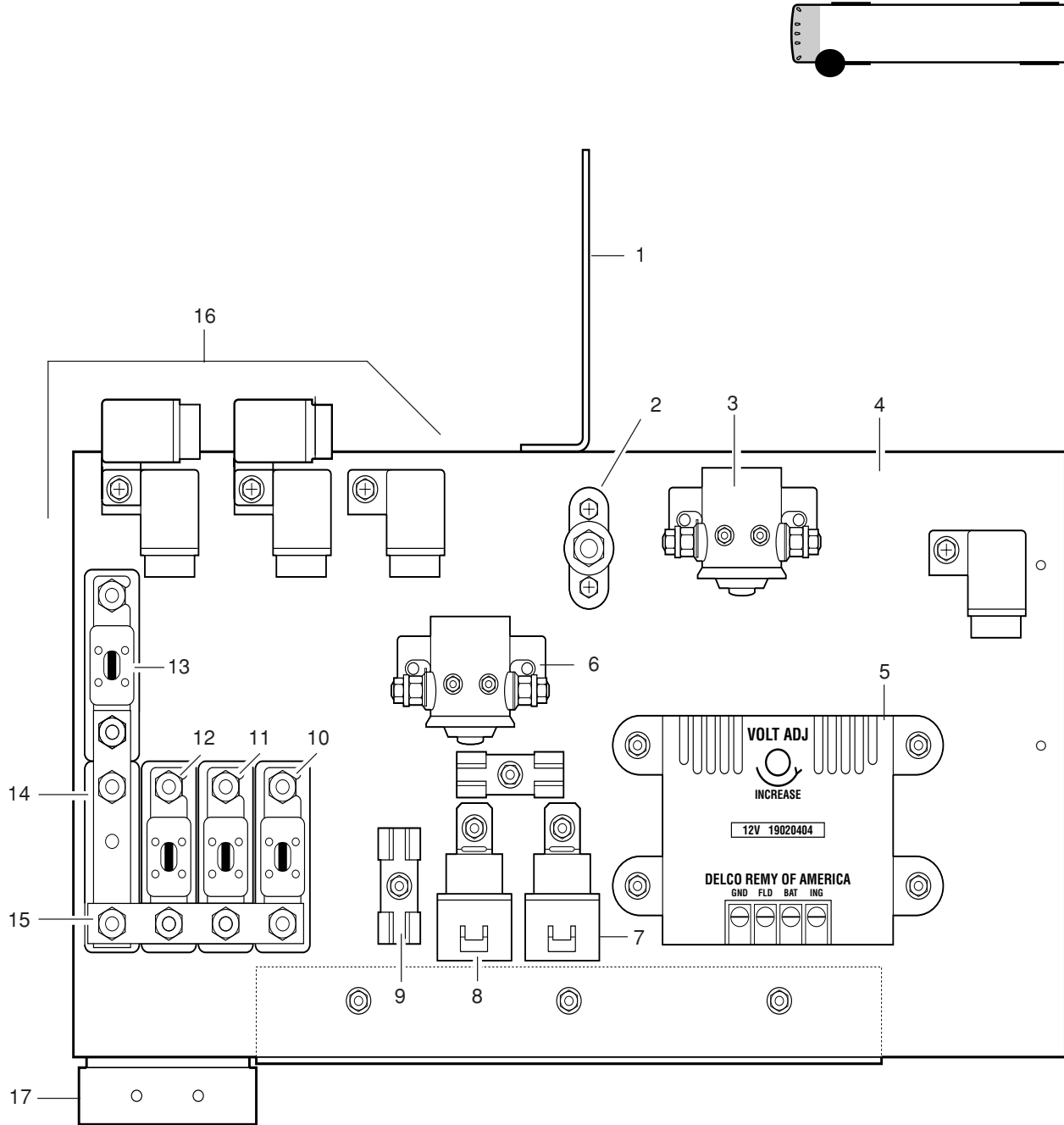


13-0426-0700E+C (-026)
 13-000873
 13-0426-0700E
 13-0428-0700C

VOLTAGE REGULATOR AND BATTERY FUSE BRACKET

Item	Part No.	Description	Qty
1.	13-42222-001	BRACKET, 4-HOLE CONNECTOR MOUNTING	1
2.	51-42853-000	INSULATED STUD, 12VOLT	1
3.	51-21794-004	SOLENOID, MAGNETIC, STARTER	1
4.	13-38644-000	PANEL, BATTERY FUSE MOUNTING	1
5.	51-25517-009	VOLTAGE REGULATOR	1
6.	51-21794-005	SOLENOID, MAGNETIC, ENGINE PRE-HEAT	1
7.	51-49741-003	RELAY, SINGLE POLE AROMAT 24 VOLT	1
8.	51-49741-002	RELAY, SINGLE POLE AROMAT 12 VOLT	1
9.	51-22881-003	BRACKET, REGULATOR FUSE	1
	51-22880-004	FUSE, 9AMP. CERAMIC	1
10.	51-19332-150	FUSE, 150 AMP.	1
11.	51-19332-060	FUSE, 060 AMP.	1
12.	51-19332-125	FUSE, 125 AMP.	1
13.	51-19332-325	FUSE, 325 AMP. ALTERNATOR	1
14.	13-40785-000	BLOCK, INSULATED FUSE BUSS	5
	13-50241-000	BLOCK FUSE	5
	13-45849-000	BUSS BAR, ALT FUSE 4.16" X .88" COPPER	1
	13-45850-000	SPACER, ALT FUSE BUSS BAR 3.25" X 1.0" COPPER	1
15.	13-37184-002	HOLDER, FUSE BUSS BAR 4.00" X .88" COPPER	1
16.	REF. ONLY	FUSES & RELAYS SUPPLIED WITH ENGINE HARNESS	A/R
	51-17286-003	FUSE, BLADE-TYPE 5AMP. TAN	A/R
	51-17286-007	FUSE, BLADE-TYPE 20AMP. YELLOW	A/R
17.	13-41281-000	BRACKET, CABLE SUPPORT	1
	13-41282-000	BLOCK, CABLE RETAINER TOP	1
	13-41282-001	BLOCK, CABLE RETAINER BOTTOM	1
	13-41278-000	CAP, CABLE RETAINER BLOCK	1
	54-14444-006	SCREW, HEX SLOTTED #10 X 3/4"	1
	54-14444-011	SCREW, HEX SLOTTED #10 -24X 2.0"	2
	54-14448-006	SCREW, HEX SLOTTED #1/4"-20 X .75"	3
	54-12540-003	LOCKNUT, NYLOCK 10-24 GR.5	2
	54-12540-005	LOCKNUT, NYLOCK 1/4"-20 GR.5	3
	54-12600-006	FLATWASHER, 1/4"	3
	54-12600-007	FLATWASHER, 5/16"	2
	50-19797-265	CABLE, ASM, BATT/PWR 46.00 BLACK	1
	50-19797-053	CABLE, ASM, BATT/PWR 54.00 RED	1
	50-19797-267	CABLE, ASM, BATT/PWR BLACK	1
	51-25517-006	ALTERNATOR, 50DN 24VDC 270AMP.	1

VOLTAGE REGULATOR AND BATTERY FUSE BRACKET



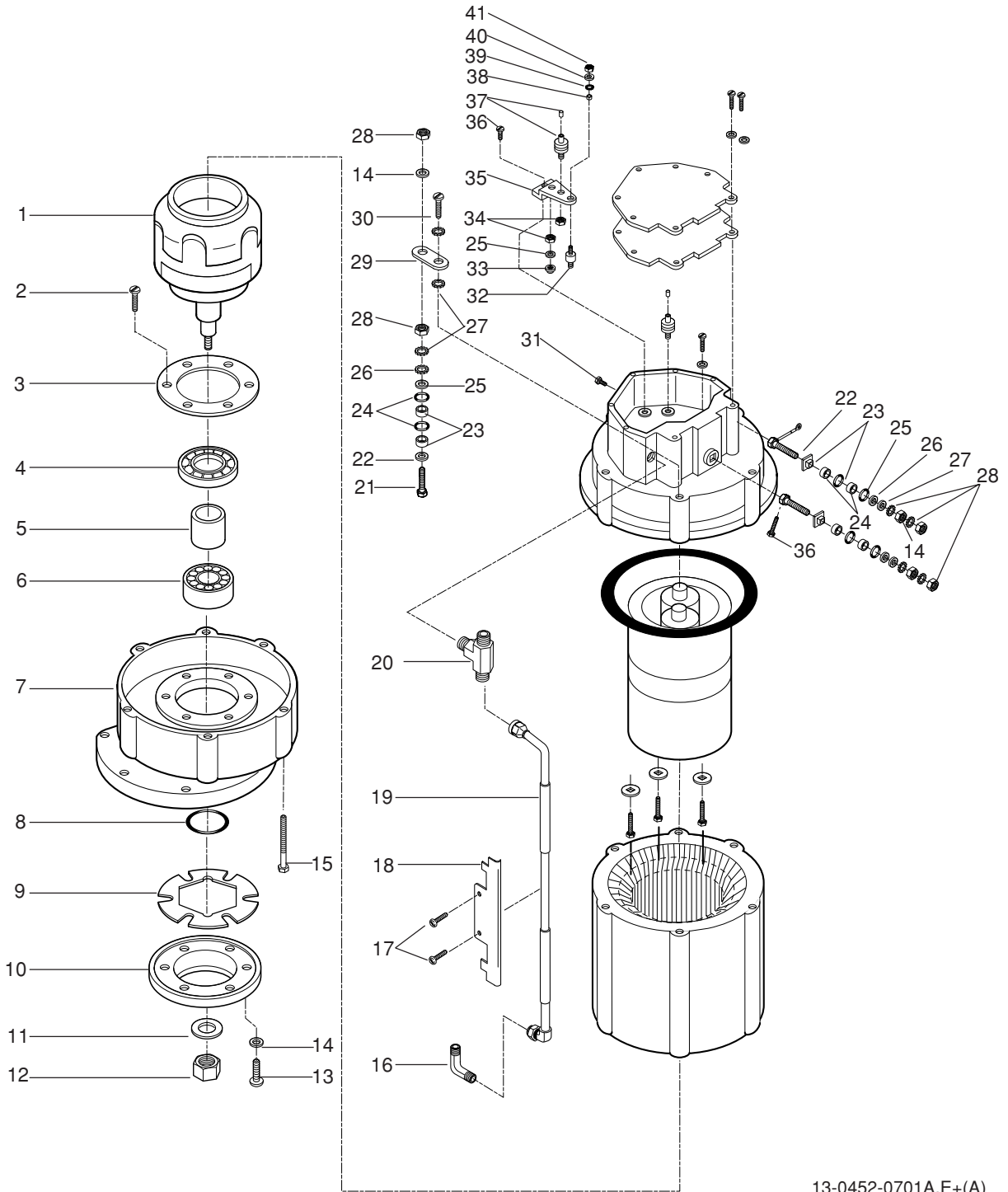
13-0452-0701A,E+(A)
 13-003938
 13-0452-0701A, E
 13-0100-0701A

ALTERNATOR INTERNAL COMPONENTS

Item	Part No.	Description	Qty
1.	82-16164	ROTOR ASM, ALTERNATOR	1
2.	82-16195	SCREW, RETAINER PLATE	6
3.	82-04228-007	PLATE, BRG RETAINER	1
4.	82-10284-001	BRG, INNER BALL	1
5.	82-14586	SPACER, BRG	1
6.	82-10284-000	BRG, OUTER ROLLER	1
7.	82-10584-007	FRAME ASM, DRIVE END	1
8.	82-16181	O-RING	1
9.	82-10584-000	GASKET, RETAINER	1
10.	82-10584-001	PLATE, RETAINER	1
11.	82-16212	WASHER, SHAFT NUT	1
12.	82-10584-002	NUT, SHAFT	1
13.	82-16194	SCREW, RETAINER	6
14.	82-16182	LOCKWASHER	8
15.	82-16196	SCREW, FRAME MTG	6
16.	82-16208	ELBOW, OIL LINE DE	1
17.	82-16200	SCREW, OIL LINE CLAMP	2
18.	82-04228-005	CLAMP, OIL LINE	1
19.	82-13748-000	TUBE, OIL LINE	1
20.	82-10440-000	TEE, OIL LINE (RECT END)	1
21.	82-16176	STUD, FLD TERM	1
22.	82-16202	WASHER, INSUL	2
23.	82-14582	SLEEVE, INSUL	4
24.	82-14583	O-RING, TERMINAL	4
25.	82-14581	WASHER, INSUL	3
26.	82-16205	WASHER, PLAIN	2
27.	82-16185	LOCKWASHER, TERM	3
28.	82-16190	NUT, TERMINAL	4
29.	82-16207	CONNECTOR	1
30.	82-16197	SCREW, W/LOCKWASHER	6
31.	82-16211	PLUG, 1/4" NPT	1
32.	82-14587	STUD, RECT BRKT	1
33.	82-14588	WASHER, INSUL	1
34.	82-16188	NUT, W/WASHER	2
35.	82-16174	BRKT, RECTIFIER	1
36.	82-16198	SCREW, W/WASHER	2
37.	82-14576	RECTIFIER	1
38.	82-16175	SPACER, RECT BRKT	1
39.	82-16184	LOCKWASHER	1
40.	82-16203	WASHER, PLAIN	1
41.	82-16189	NUT, 10-32	1

(CONTINUED ON FOLLOWING PAGE)

ALTERNATOR INTERNAL COMPONENTS

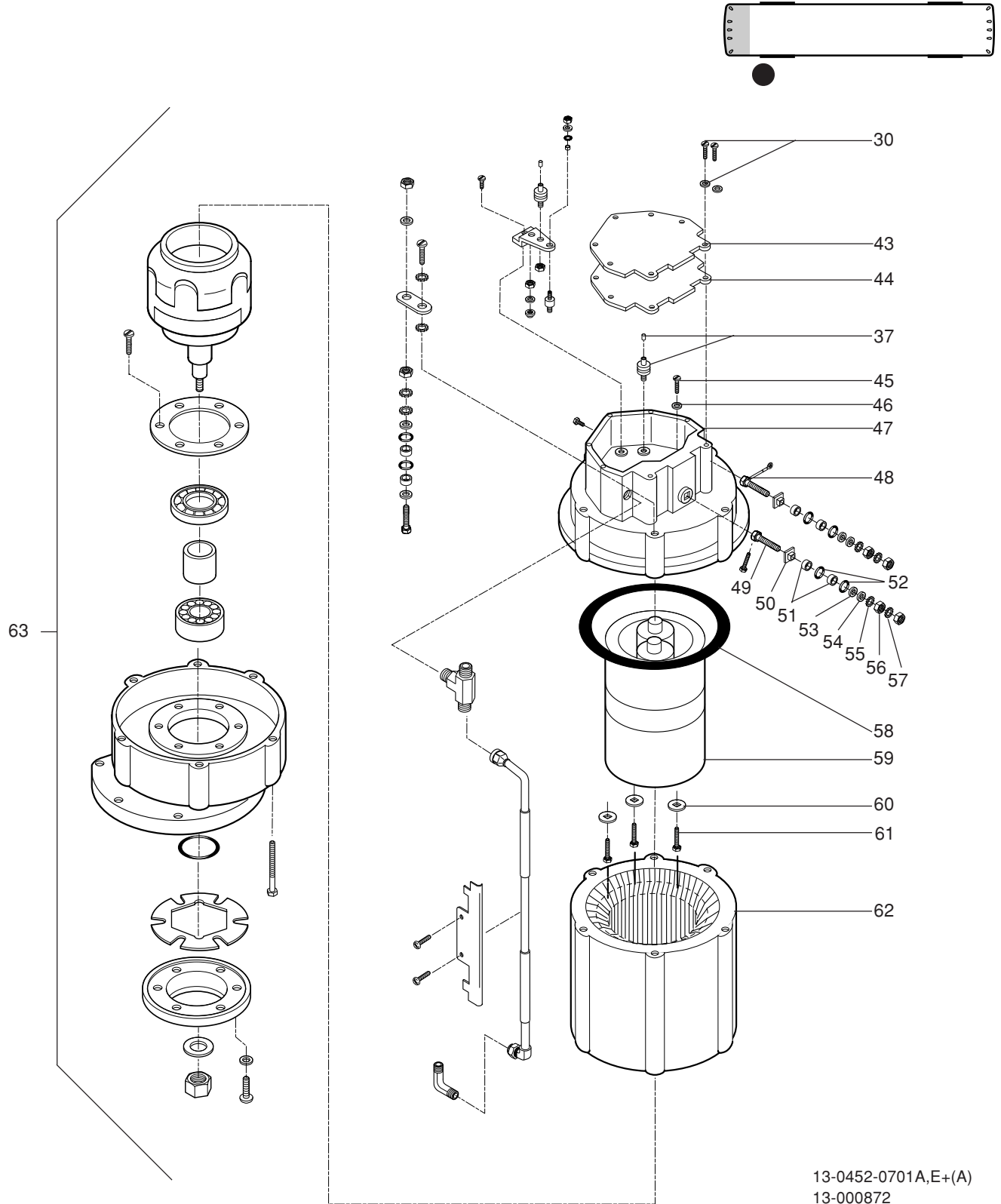


13-0452-0701A,E+(A)
 13-000872
 13-0452-0701A, E
 13-0100-0701A

ALTERNATOR INTERNAL COMPONENTS (CONTINUED)

Item	Part No.	Description	Qty
(CONTINUED FROM PREVIOUS PAGE)			
43.	82-16171	COVER, RECT END'	1
44.	82-04228-006	GASKET, COVER	1
45.	82-16199	SCREW	1
46.	82-16183	LOCKWASHER	1
47.	82-16172	FRAME ASM, RECT END	1
48.	82-16178	STUD, RELAY TERM	1
49.	82-16179	STUD, OUTPUT TERM	1
50.	82-14589	WASHER, INSUL (OUTPUT TERM)	1
51.	82-14585	SLEEVE, INSUL (DC TERM)	2
52.	82-16209	O-RING, DC TERM	2
53.	82-16201	WASHER, INSUL (DC TERM)	1
54.	82-16204	WASHER, PLAIN (DC TERM)	1
55.	82-16187	LOCKWASHER, EXT TOOTH	1
56.	82-16192	NUT, OUTPUT TERM	1
57.	82-16168	LOCKWASHER, TERM	1
58.	82-16180	O-RING, STATOR	1
59.	82-08789-000	FIELD ASM	1
60.	82-14584	WASHER, INSUL (SQUARE HOLE)	3
61.	82-16177	STUD, FLD TERM	3
62.	82-17961-000	STATOR ASM	1
63.	51-25517-006	ALTERNATOR, 50DN 24VDC 270AMP.	1
	82-27080-000	REPAIR KIT, MASTER (LESS BEARINGS, DIODE & OIL LINE)	1

ALTERNATOR INTERNAL COMPONENTS (CONTINUED)

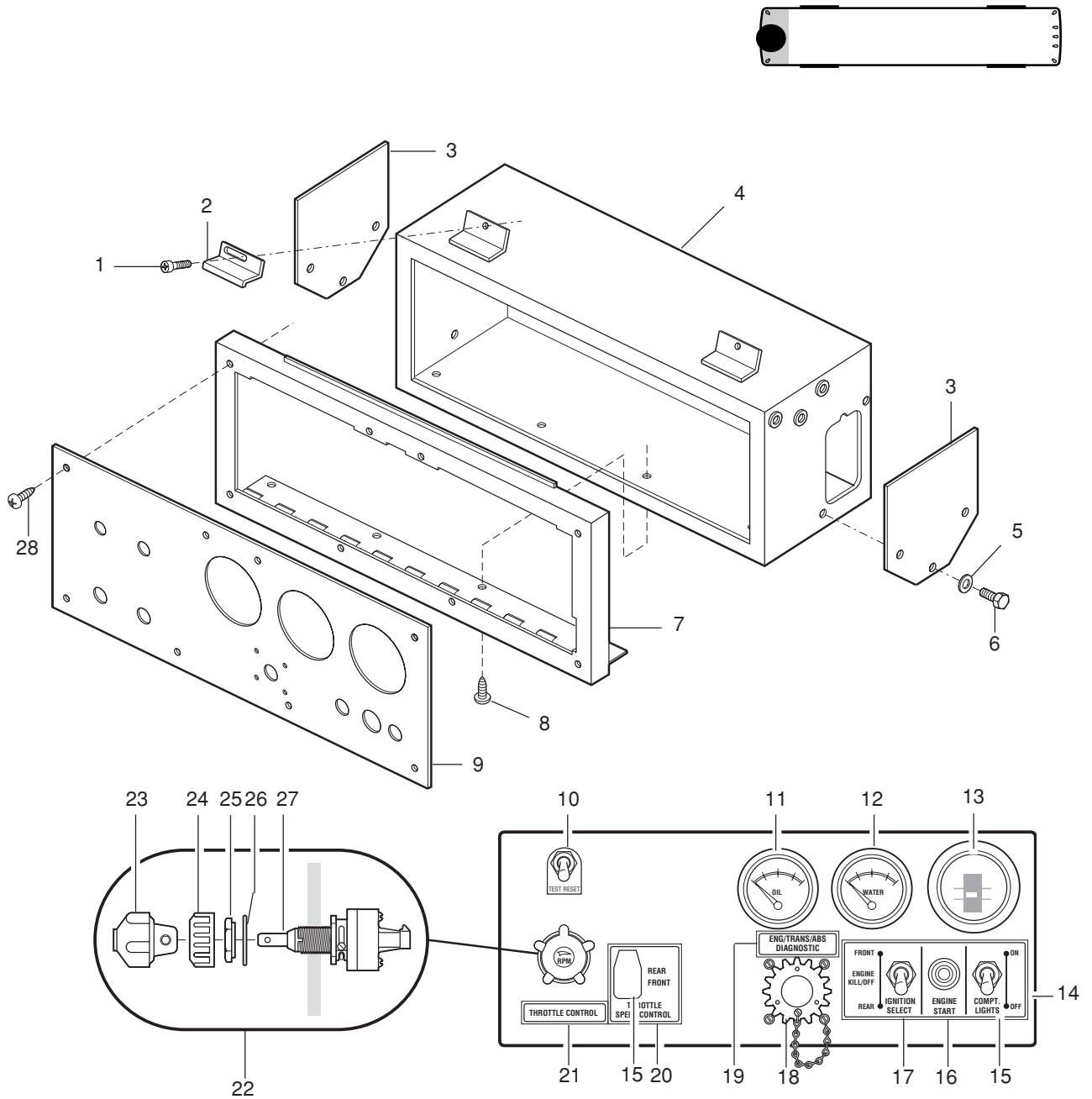


13-0452-0701A,E+(A)
13-000872
13-0452-0701A, E
13-0100-0701A

REAR RUN BOX

Item	Part No.	Description	Qty
1.	54-09120-001	FASTENER, SPRING NUT	2
2.	54-46769-000	CLAMP, COVER	2
3.	13-46514-000	BRACKET ASM, REAR RUN BOX, LH/RH	2
4.	13-46422-000	BOX ASM, REAR RUN	1
5.	54-12600-006	FLATWASHER, 1/4"	10
	54-12602-009	LOCKWASHER, 1/4"	10
6.	54-11316-002	BOLT, HXHD, 1/4"-20 X .75" GR5	10
7.	13-45432-000	COVER, FRAME, REAR RUN BOX	1
	13-45433-000	HINGE, REAR RUN BOX DOOR	1
8.	54-14289-03Z	SCREW, #10-32 X .38" PAN HD. TAPPING	6
9.	13-45430M004	PANEL, INSTRUMENT FACE	1
10.	51-02164-025	SWITCH, TOGGLE "TEST/RESET"	1
11.	51-22968-032	GAUGE, OIL	1
	51-22968-022	SENDER, OIL PRESSURE	1
	55-00274-001	FITTING, MANIFOLD	1
12.	51-22968-029	GAUGE, WATER	1
	51-22968-021	SENDER, WATER	1
13.	13-42889-002	GAUGE, TRANS FLUID LEVEL W/SENSOR	1
	50-48437-000	HARNESS, TRANS OIL LEVEL GAUGE	1
	50-48437-001	HARNESS, TRANS OIL LEVEL GAUGE	1
	13-36904-005	CLAMP, CABLE	1
14.	59-28251-000	DECAL, REAR RUN SWITCHES	1
15.	51-02164-012	SWITCH, TOGGLE SPDT	2
	51-13512-000	BOOT, TOGGLE SWITCH	2
16.	51-00100-000	SWITCH, PUSH BUTTON	2
	51-10141-000	GUARD, RUBBER SHIELD FOR PUSH BUTTON	1
17.	51-02164-015	SWITCH, TOGGLE, 3PDT	1
18.	51-36164-021	PLUG, ABS DIAGNOSTIC	1
	51-26164-025	CONNECTOR, CAP	1
	54-15201-002	CHAIN, #14, BRASS	A/R
	54-13111-002	SCREW, #12-24 X .50	2
	54-12540-001	NUT, #6-32 GR5	2
	54-14284-04Z	SCREW, #6-32 X .50	2
19.	59-39573-000	DECAL, ABS DIAGNOSTIC	1
20.	59-22467-001	DECAL, THROTTLE SPEED CONTROL	1
	51-02128-002	GUARD, TOGGLE SWITCH	1
21.	59-35932-000	DECAL, THROTTLE CONTROL	1
22.	51-22466-001	CONTROL ASM, ENG RPM SPEED	1
23.	82-14919-001	KNOB ASM, W/BOOT	1
	82-14919-005	SCREW, SET	1
24.	82-14919-002	NUT, TENSION SEAL	1
25.	82-14919-004	NUT, JAM, .75-16	1
26.	82-14919-003	LOCKWASHER, INTERNAL TOOTH	1
27.	82-19579-000	SEAL, NUT	1
28.	54-14275-03Z	SCREW, MACHINE #10-31 X .38" PHCR	A/R

REAR RUN BOX

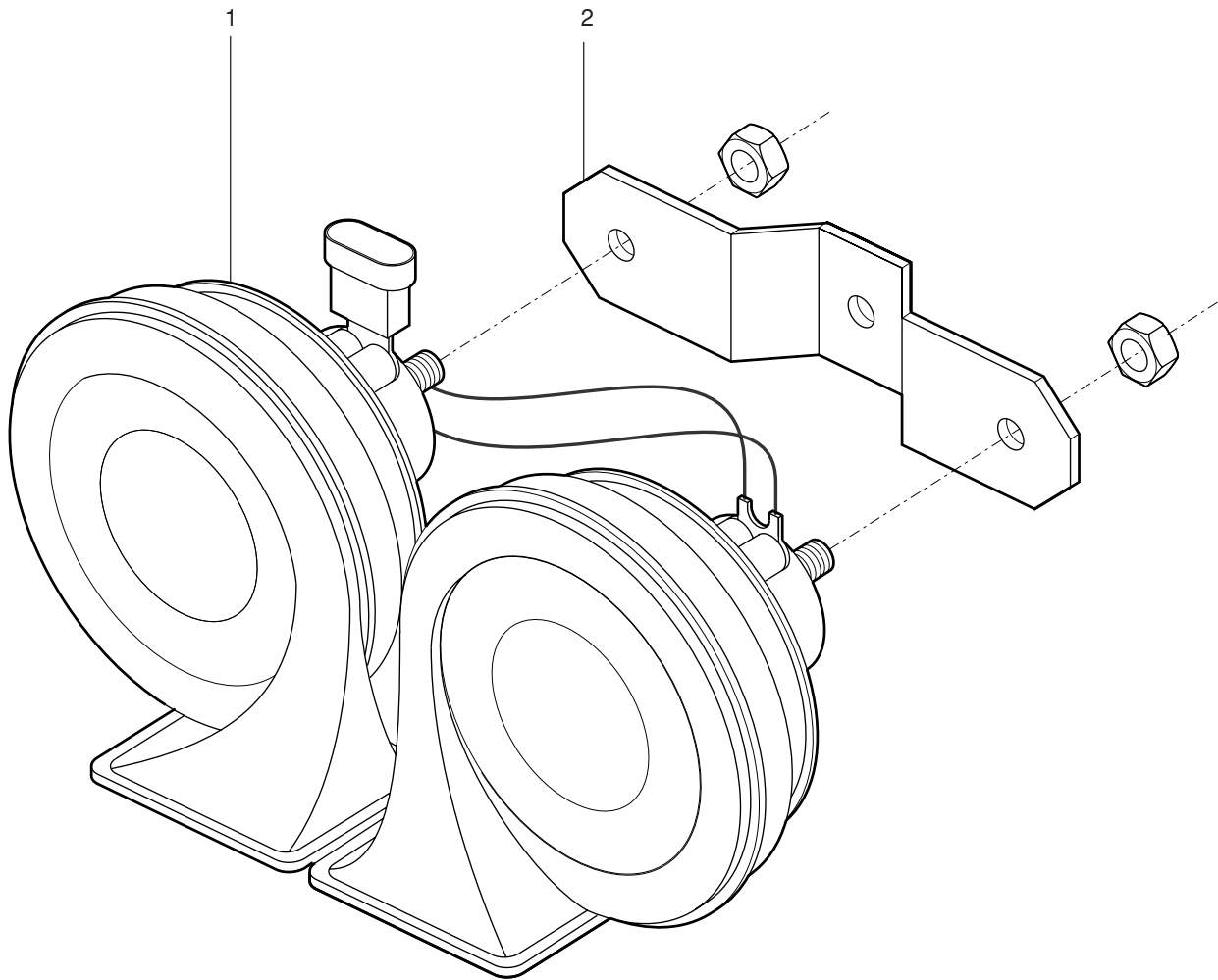


13-0502-
 0704A+(AB+B,F,H+Q,R,V+A)
 13-004175
 13-0502-0704A
 13-0503-0701AB
 13-0505-0700B, F, H
 13-0515-0700Q, R, V
 13-0611-0700A

ELECTRIC HORNS

Item	Part No.	Description	Qty
1.	51-36444-000	KIT, DUAL HORN, 12V	1
2.	40-36310-000	BRACKET, HORN MTG	1
N/S	51-12096-002	HORN, WARNING (BACK-UP & LIFT)	2
	82-28569-000	RING-NUT	2
N/S	13-38201-000	BRACKET, HORN WARNING MOUNTING	1

ELECTRIC HORNS

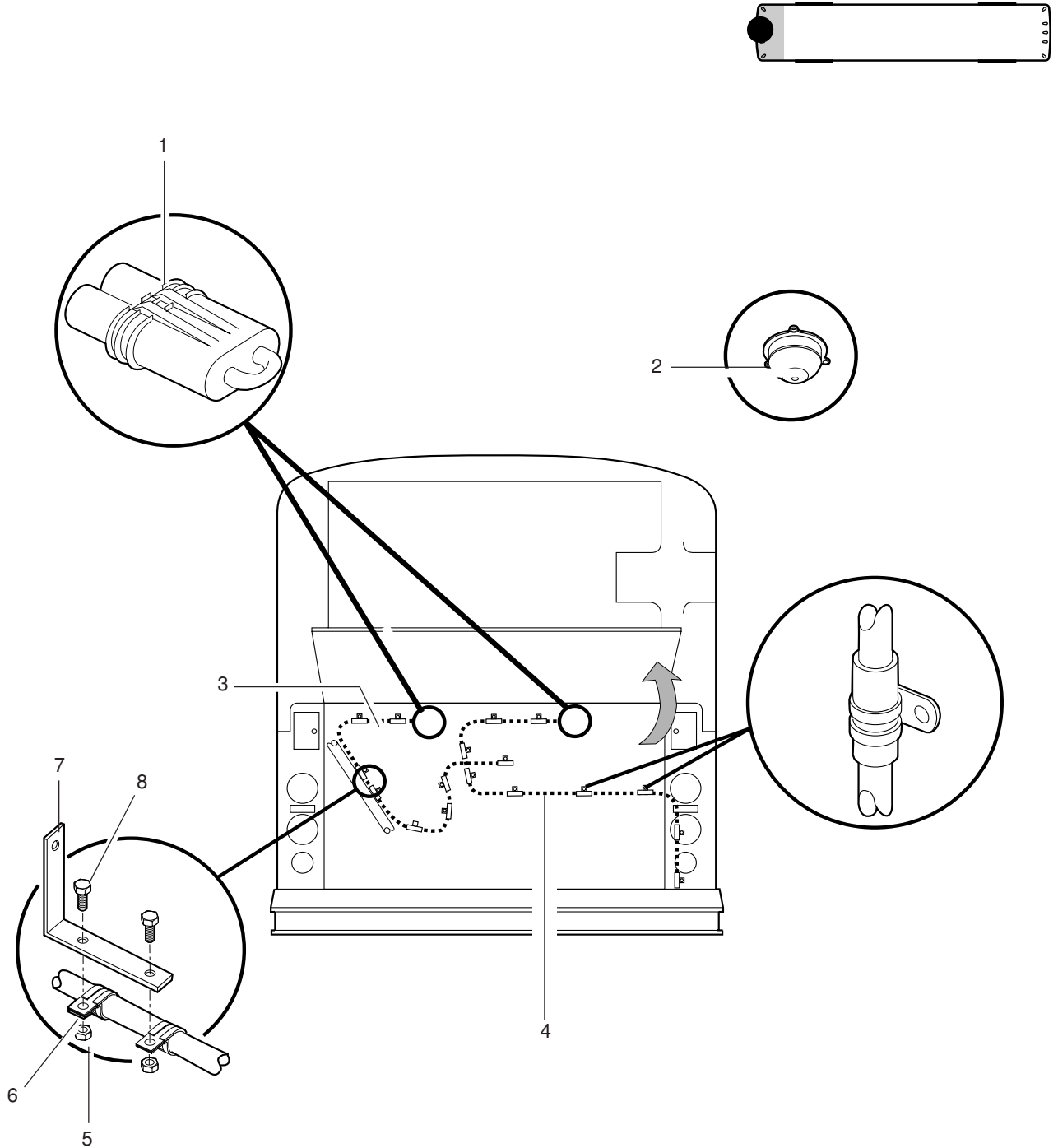


- 13-0550-0700A+0700A+0700B
- 13-001641
- 13-0550-0700A
- 13-0575-0700A
- 13-0976-0700B

FIRE DETECTION SYSTEM

Item	Part No.	Description	Qty
1.	51-16873-007	CONNECTOR W/SEAL (TOWER), 1-WAY	2
	51-16873-008	CONNECTOR, SHROUD, 2-WAY	2
	51-16873-018	PLUG, GREEN	4
2.	53-00411-000	BELL, ALARM, 12V	1
3.	50-26461-005	HARNESS, FIRE DETECTION WIRE 85"	1
4.	50-26461-008	HARNESS, FIRE DETECTION WIRE 150"	1
	53-25162-013	WIRE, FIRE DETECTION (100' REEL)	1
5.	54-12600-003	WASHER, FLAT #10 STD	15
6.	55-28139-008	CLAMP, LOOM	20
	55-28139-012	CLAMP, LOOM	6
	56-00532-001	CABLE TIE	10
	53-25162-011	SLEEVE PACKAGE, RUBBER	15
7.	40-11099-001	BRKT, CLIP SUPPORT	2
8.	54-13111-001	SCREW, TORX 10 X 5/8	15
	51-49741-003	RELAY, SINGLE POLE AROMAT	1
	50-41237-000	HARNESS, ASM, JUMPER	1

FIRE DETECTION SYSTEM

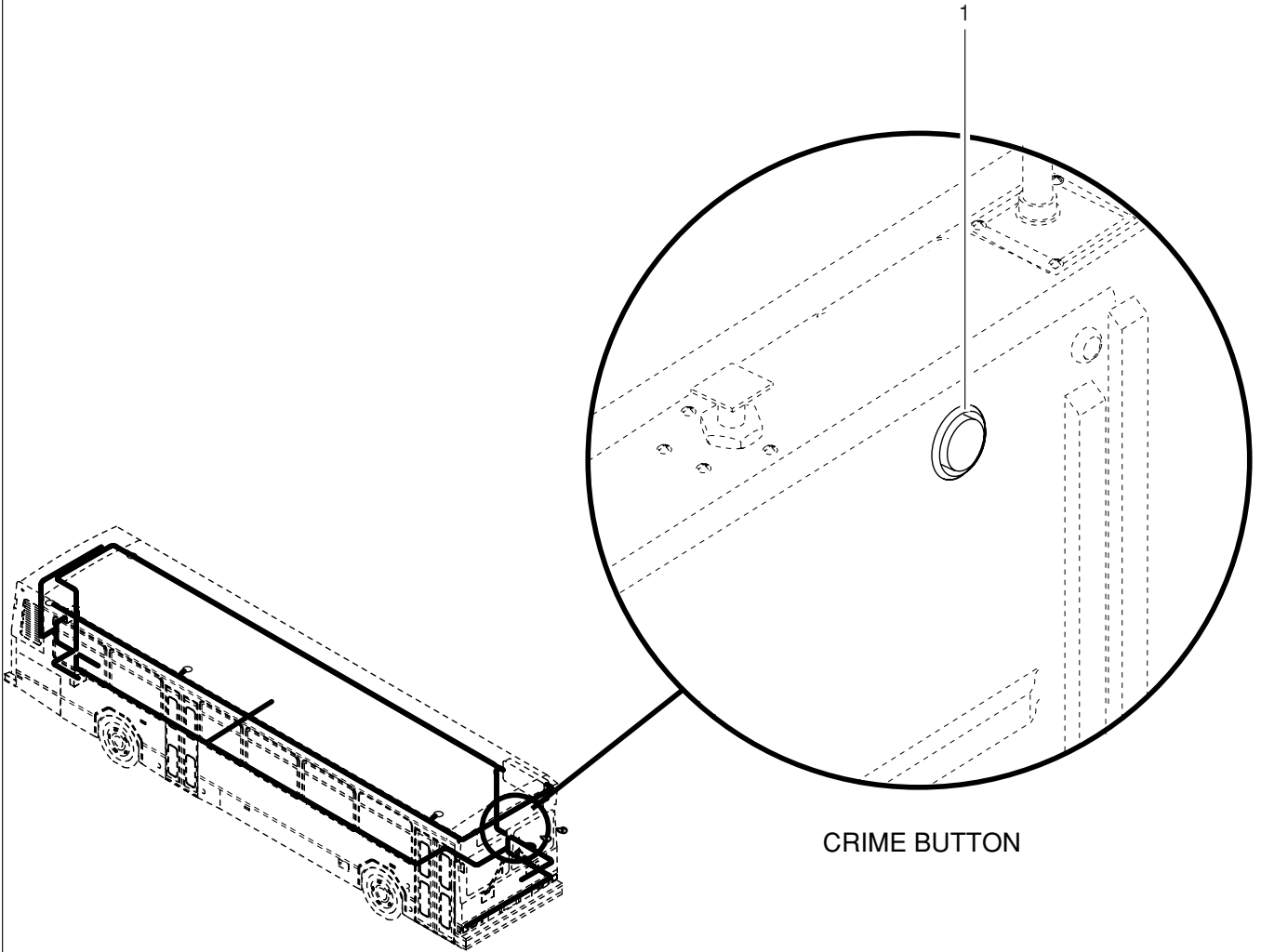


13-0580-0700C
13-000237
13-0580-0700C

CRIME ALARM SYSTEM

Item	Part No.	Description	Qty
1.	51-12230-001 42-25133-000	SWITCH, PUSH BUTTON "CRIME ALARM" BRACKET, CRIME SWITCH MOUNTING	1 1

CRIME ALARM SYSTEM



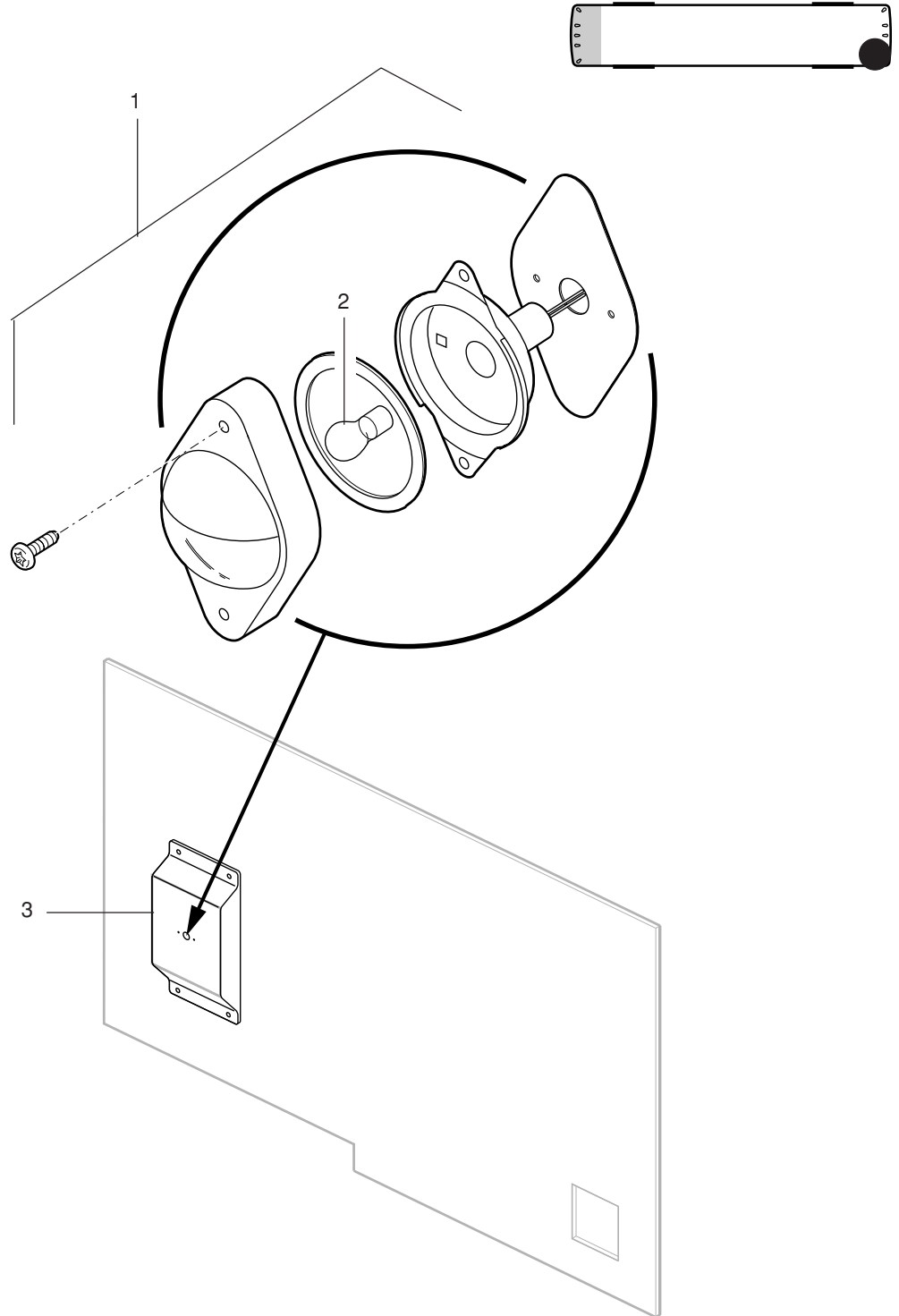
CRIME BUTTON

13-0590-0700A
13-001058
13-0590-0700A

FRONT STEPWELL LIGHT

Item	Part No.	Description	Qty
1.	51-45116-000	LAMP ASM, W /SHIELD	1
2.	54-15729-027	BULB, DC BAYONET, 12VDC	1
3.	43-27402-000	BRACKET, STEPWELL LAMP	1
	54-10163-011	RIVET, MONOBOLT	2

FRONT STEPWELL LIGHT

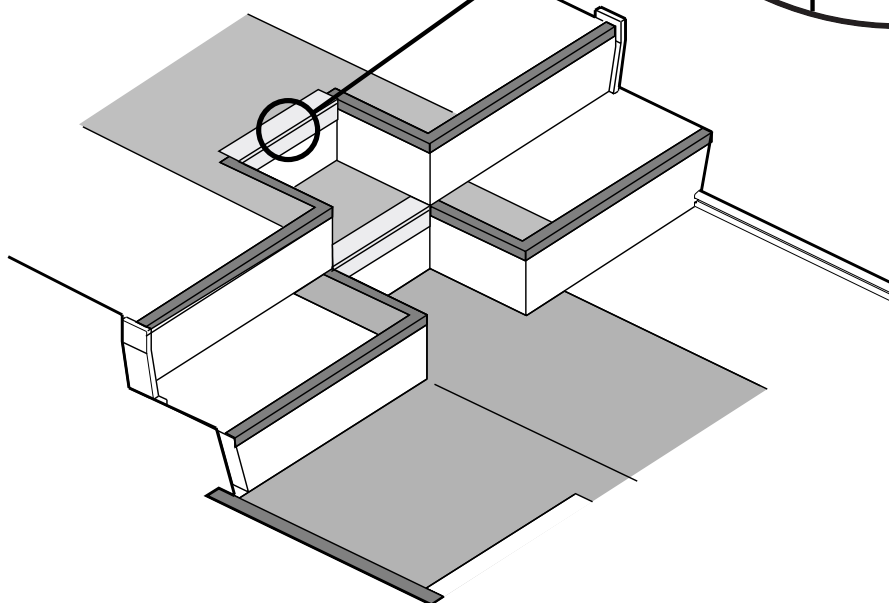
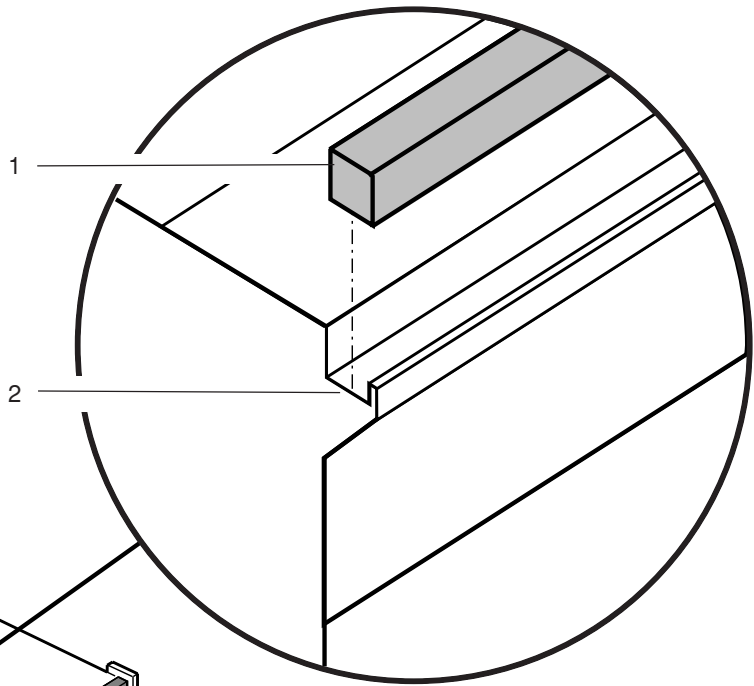
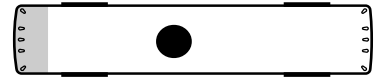


13-0651-0701L
13-002922
13-0651-0701L

TUBE LAMPS, REAR STEPS

Item	Part No.	Description	Qty
1.	13-42109F001	LAMP ASM, TUBE	2
2.	13-40517-000	EXTRUSION, LAMP MTG 5/16" CHANNEL (YELLOW)	A/R
	51-16873-002	SLEEVE, FEMALE (18-20 GA)	2
	51-16873-005	CONNECTOR (1-WAY), TOWER	2
	51-16873-006	CONNECTOR (1-WAY), SHROUD	2
	54-13119-031	SCREW, FLATHD, #6-20 X 3/4"	6
	54-30445-028	SCREW, PHCRST, #10-24 X 3/4"	6

TUBE LAMPS, REAR STEPS

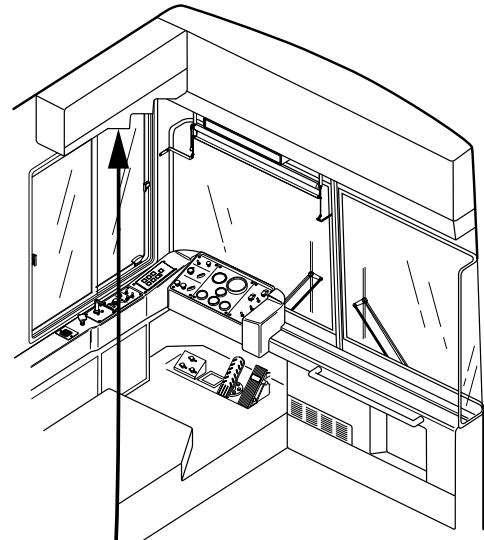
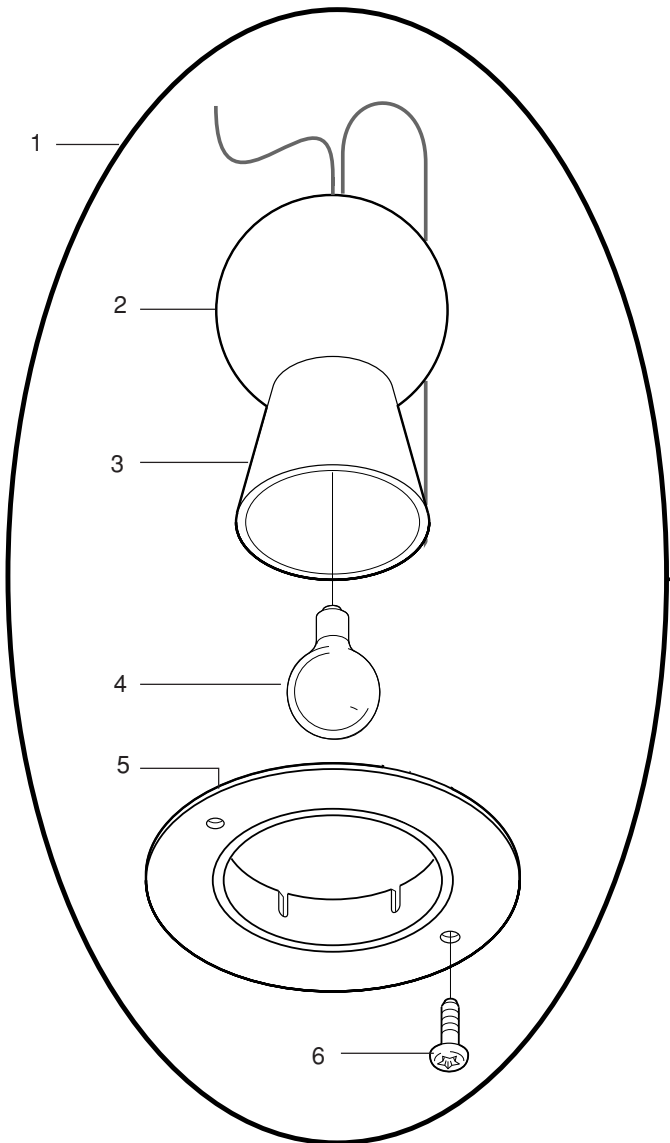
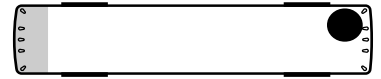


13-0652-0701A (yellow/tube)
13-001783
13-0652-0701A

MAP LIGHT

Item	Part No.	Description	Qty
1.	51-02112-003	LIGHT ASM, MAP	1
2.	82-16110	SOCKET ASM W/ PIGTAIL	1
3.	82-16106	COLLAR, LAMP	1
	82-16108	REFLECTOR, LAMP	1
	82-16107	LENS, LAMP	1
4.	82-16109	BULB, LAMP	1
5.	82-16105	PLATE, LAMP MTG	1
6.	54-14288-06Z	SCREW, PHCRST 10-24X0.75	2

MAP LIGHT

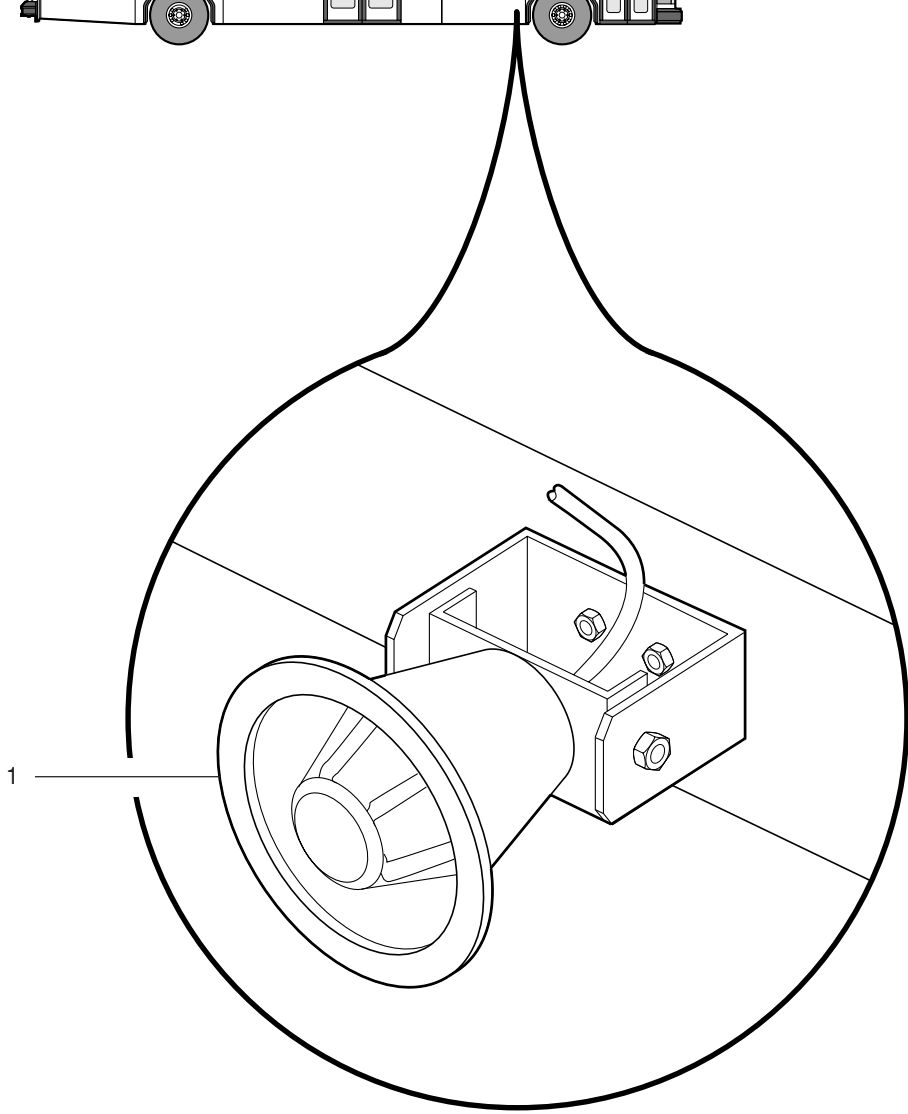
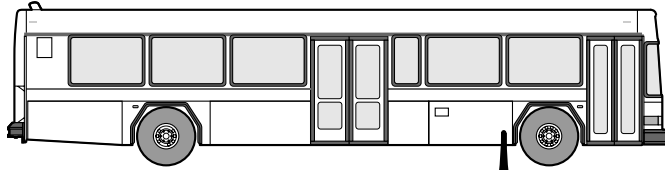
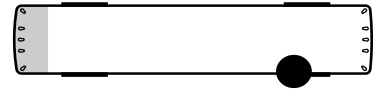


13-0653-0700A (map light)
13-001642
13-0653-0700A

EXTERNAL P. A. SPEAKER

Item	Part No.	Description	Qty	
1.	51-11768-002	SPEAKER, EXTERIOR	1	
	40-35925-000	GRILLE, EXTERIOR SPEAKER	1	
	<u>GFI ELECT CONNECTIONS W/GROUND STRAPS</u>			
	53-17575-003	STRAP,GROUND	1	
	53-17575-004	HARDWARE, GROUND STRAP	1	

EXTERNAL P. A. SPEAKER

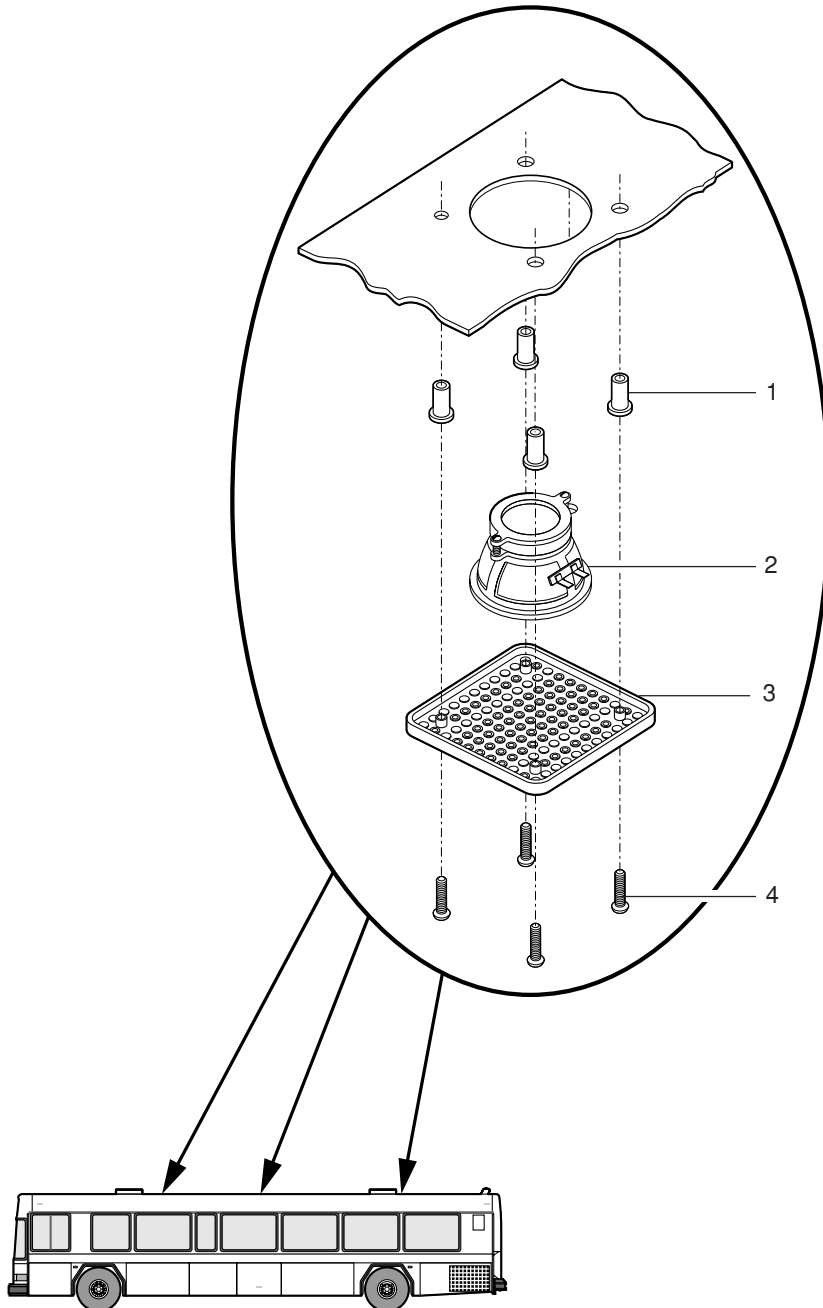
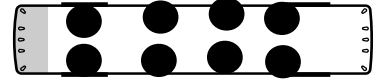


13-0752-0700A+0700E
(exterior)
13-001861
13-0752-0700A
13-0731-0700E

SPEAKERS, CEILING-MOUNTED

Item	Part No.	Description	Qty
1.	54-23766-000	INSERT, BLIND THREAD	A/R
2.	51-32318-000	SPEAKER ASM, 4 OHM	6
3.	53-35118-000	COVER, SPEAKER	6
4.	54-13111-025	SCREW, FLATHD #10-24 X 1	A/R
	54-12605-007	FLATWASHER	A/R
	54-14302-07B	SCREW, OHCR #10 X 1	A/R

SPEAKERS, CEILING-MOUNTED

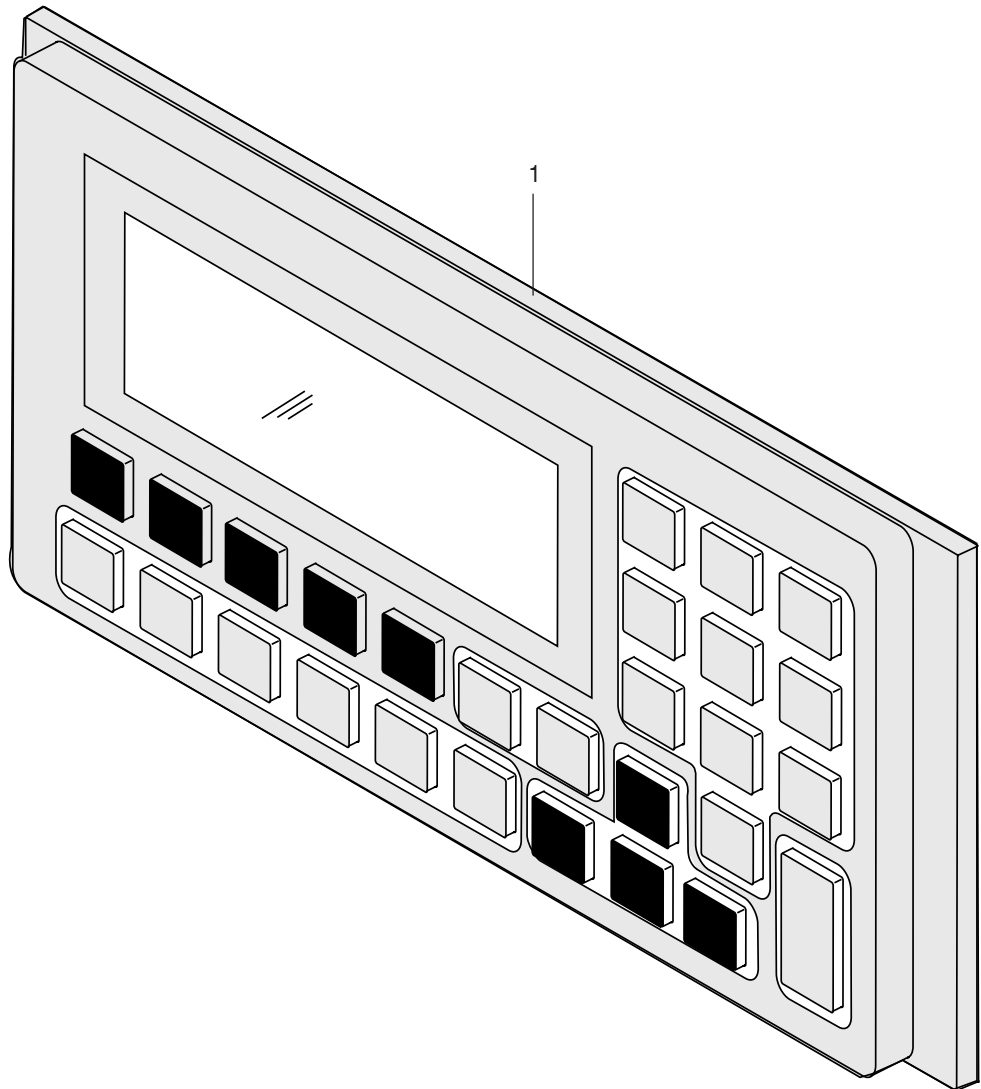


13-0755-0700D (6 spkrs)
13-001643
13-0755-0700D

VOICE ANNUNCIATOR CONTROL

Item	Part No.	Description	Qty
1.	51-33290-033	OCU ASM., TERMINAL	1
	51-33290-050	CABLE ASM., TERMINAL TO INTERIOR SIGN	1
	51-33290-019	LOGIC UNIT ASM., VOICE ANNUNCIATOR	1
	51-33290-008	CABLE ASM., TWIN VISION INTERFACE	1
	50-10932-006	CLIP, HAND MICROPHONE	1
	50-27194-001	MICROPHONE, HAND	1
	50-39968-000	HARNESS, AUDIO	1
	51-02164-025	SWITCH, TOGGLE SPST	1
	51-33290-005	MICROPHONE, AMBIENT	1
	51-33290-010	SWITCH, SPEAKER SELECT	1
	51-33290-012	CABLE ASM., POWER WGILLIG CONNECTORS	1
	51-33290-013	CABLE ASM., DR500C TO TERMINAL	1
	51-33290-017	BRACKET, DISPLAY MTG W/BALL JOINT	1
	51-33290-020	CABLE ASM., INTERFACE TO DR500C+LOGIC	1
	13-38881-001	PLATE-GPS ANTENNA MOUNT	1
	51-33290-024	ANTENNA, GPS	1
	51-33290-027	CABLE. GPS ANTENNA	1
	51-33290-028	CABLE, RS232	1
	51-33290-048	CABLE ASM., GPS POWER	1
	51-33290-049	CABLE ASM., HEADING SENSOR	1
51-33290-055	GPS HEADING SENSOR	1	
51-33290-056	GPS RECIEVER	1	

VOICE ANNUNCIATOR CONTROL

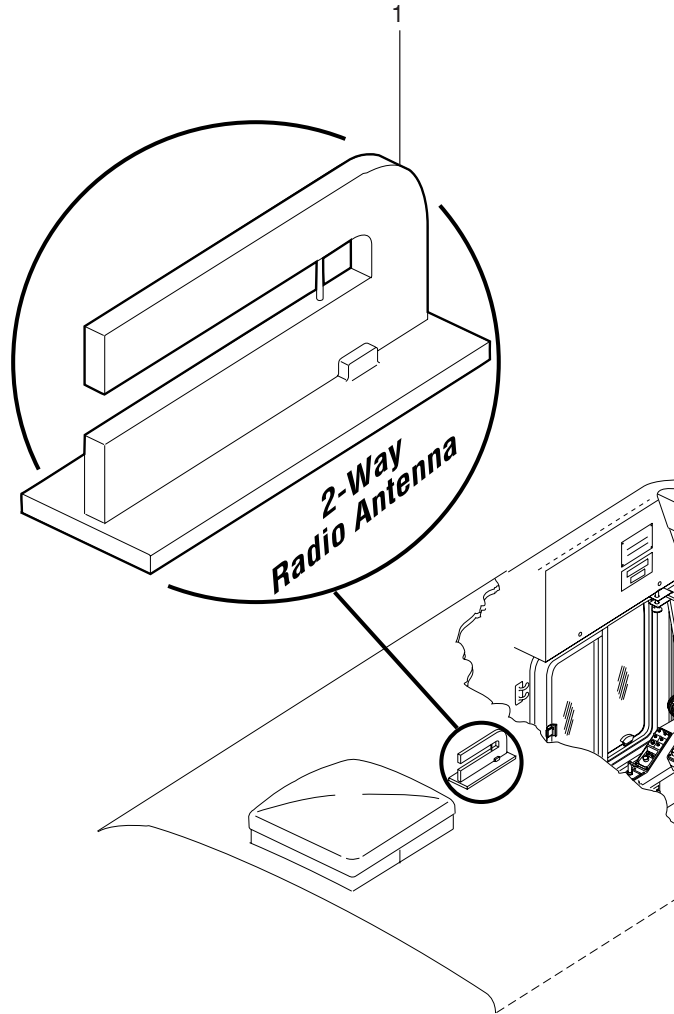
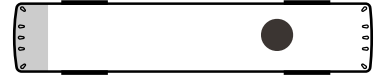


13-0763-0700D,Q,S
16-001534
13-0763-0700D, Q, S

TWO-WAY RADIO ANTENNA

Item	Part No.	Description	Qty
1.	51-15954-016	ANTENNA, 806-896 MHZ	1
	51-13722-001	CABLE, COAXIAL RG-58U	20
	51-29691-001	CONN, COAXIAL CABLE	1

TWO-WAY RADIO ANTENNA

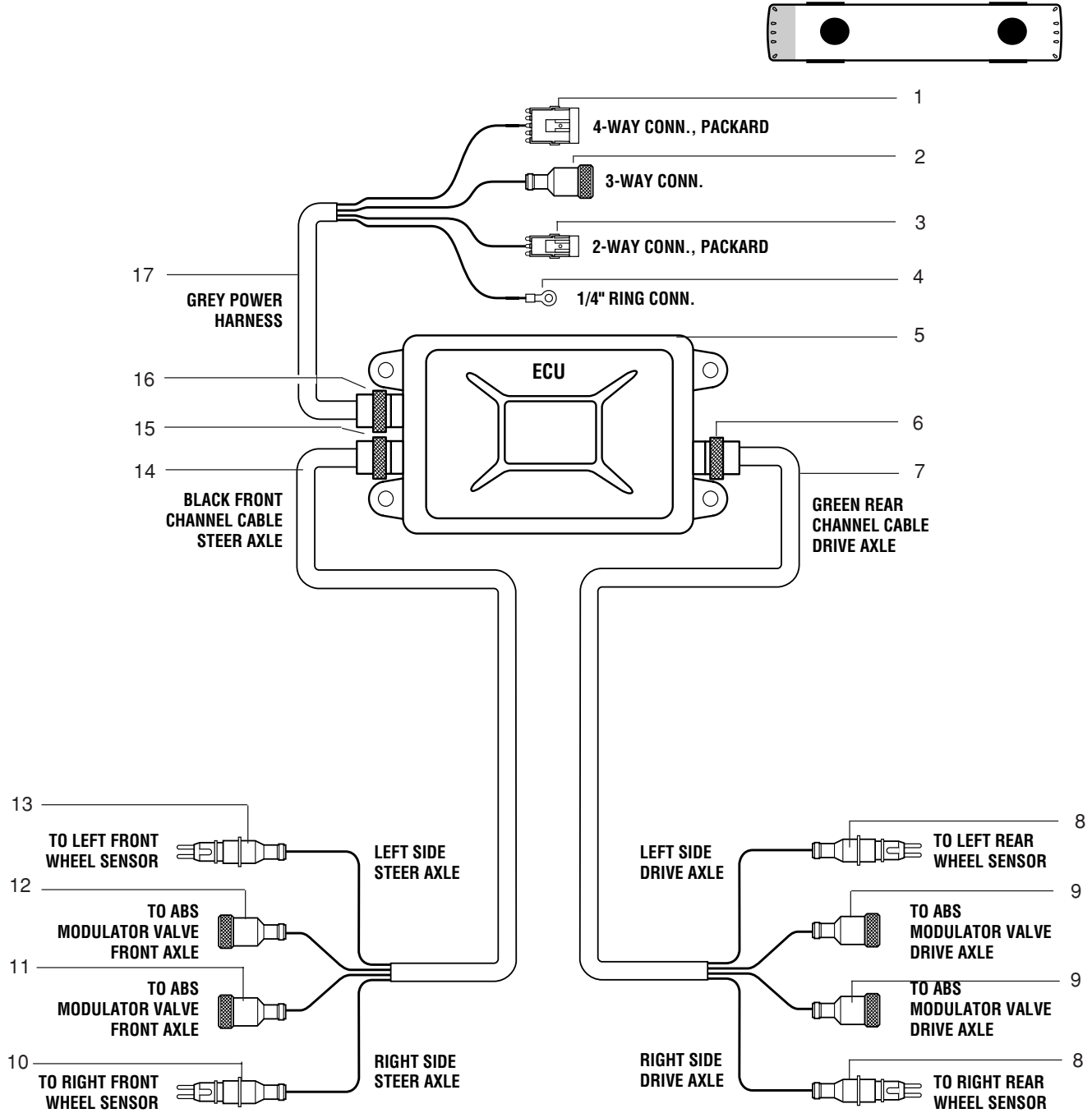


13-0765-0700A+(702C)
13-002144
13-0765-0700A
13-0765-0702C

ABS - ECU MOUNTING

Item	Part No.	Description	Qty
1.	51-16873-012	CONNECTOR, 4-WAY PACKARD SHROUD	1
	51-16873-003	TERMINALS	4
	51-16873-016	SEALS	4
2.	51-29355-016	CONNECTOR, 3-WAY PLUG	1
	51-29355-002	CONNECTOR, WEDGE	1
	51-13833-034	CONNECTOR, SOCKET	1
3.	51-16873-008	CONNECTOR, 2-WAY PACKARD SHROUD	1
	51-16873-003	TERMINALS	2
	51-16873-016	SEALS	2
4.	51-00059-014	CONNECTOR, 1/4" RING TERMINAL	1
5.	53-28246-030	ECU ASM., ABS	1
	13-42142-000	CHANNEL, ECU MOUNTING	1
	13-42143-001	BRACKET, ECU MOUNTING	1
	13-42144-001	ANGLE, ECU MOUNTING	1
	13-42167-001	PANEL, ECU MOUNTING	1
	59-35121-002	DECAL, DIAGNOSTIC ID	1
6.	51-29355-022	CONNECTOR, 12-WAY DEUTSCH DT SERIES	1
7.	50-49202-000	HARNESS, GREEN ABS DRIVE AXLE W/O ATC	1
	50-36981-000	HARNESS, COMMUNICATION CABLE	2
	50-36981-009	HARNESS, COMMUNICATION CABLE	1
8.	53-28246-018	CABLE, 16.5' W/CONNECTOR *, 2-WAY PIN	2
9.	53-28246-015	CABLE, 13.0' W/CONNECTOR *, 3-WAY PLUG	2
10.	53-28246-021	CABLE, 49' W/CONNECTOR *, 2-WAY PIN	1
11.	53-28246-025	CABLE, 49' W/CONNECTOR *, 3-WAY PLUG	1
12.	53-28246-017	CABLE, 39' W/CONNECTOR *, 3-WAY PLUG	1
13.	53-28246-020	CABLE, 39' W/CONNECTOR *, 2-WAY PIN	1
14.	50-37825-001	HARNESS, BLACK ABS FRONT CHANNEL 364"	1
15.	51-29355-009	CONNECTOR, 12-WAY DEUTSCH DT SERIES	1
	51-13833-039	SOCKET, 12-WAY DEUTSCH DT SERIES	A/R
16.	51-29355-023	CONNECTOR, 12-WAY DEUTSCH DT SERIES	3
17.	50-40208-000	HARNESS, GREY ABS POWER	1
<p>* NOTE: <u>CABLE END CONNECTORS ARE MOLDED RUBBER TO CABLE SHEATH, AND NOT REPLACEABLE SEPARATELY.</u></p>			

ABS - ECU MOUNTING

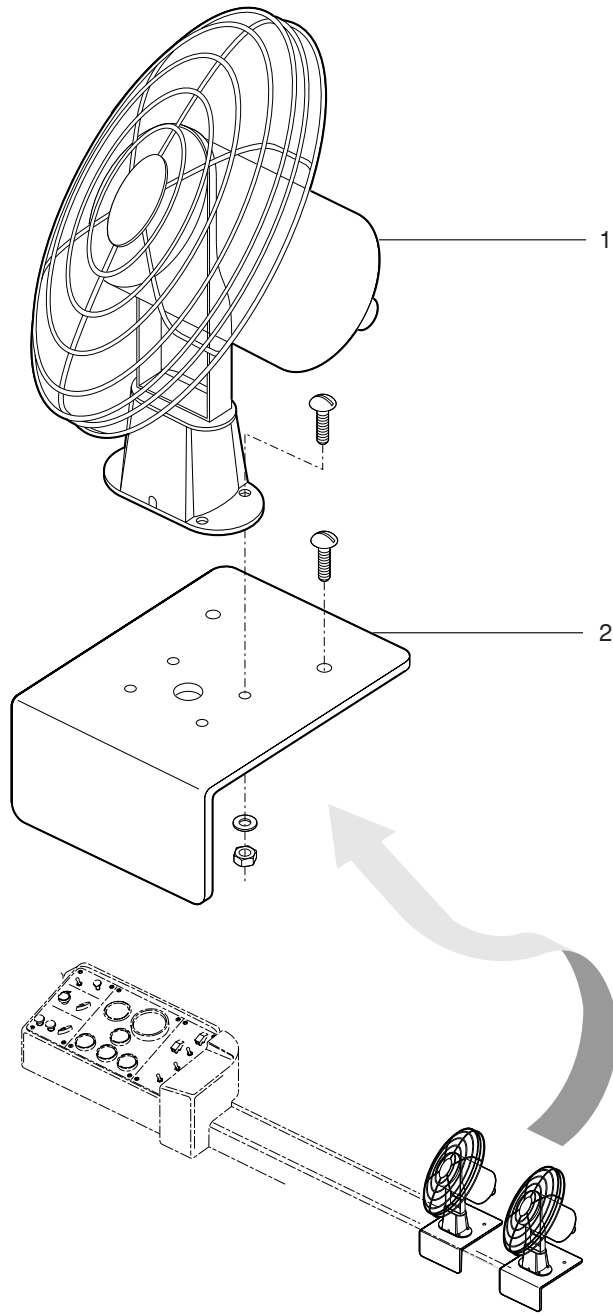


13-0810-0702B,D,Q
 13-003709
 13-0810-0702B, D, Q

DEFROSTER FANS

Item	Part No.	Description	Qty
1.	51-10855-003	FAN, DEFROSTER	2
	50-41824-001	HARNESS, DEFROSTER FANS	1
2.	18-41846-000	BRACKET, MTG	2
	54-12540-003	LOCKNUT, NYLOK #10-24, GR5	4
	54-12600-003	FLATWASHER, #10 STD	4
	54-14274-06B	SCREW, PH CR #10-24 X 3/4	4
	54-14292-07B	SCREW, PH CR #1/4-20X 1.0	2

DEFROSTER FAN

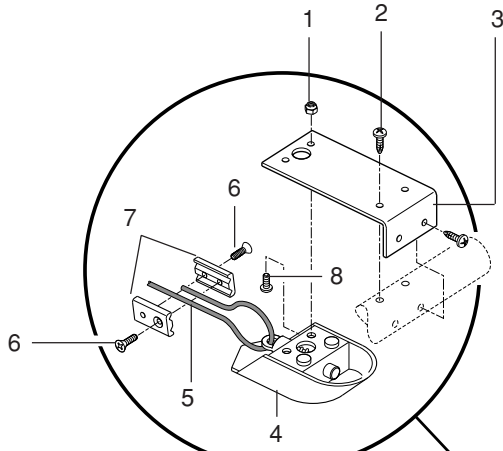


13-0825-0701E
13-002427E
13-0825-0701E

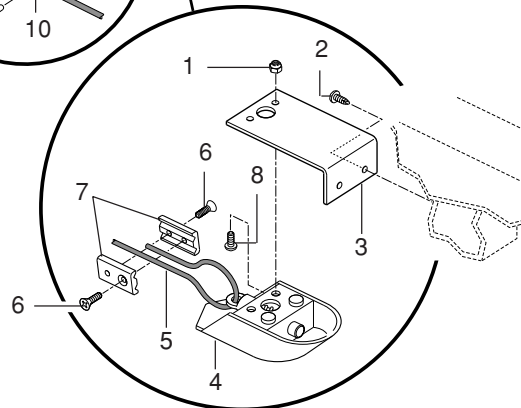
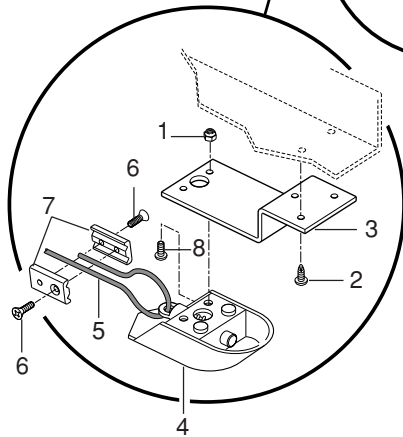
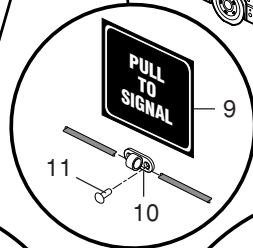
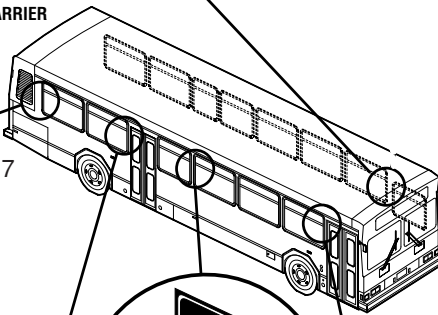
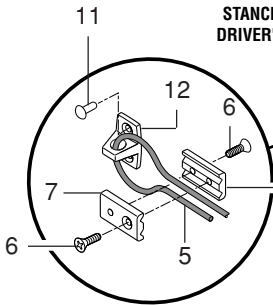
STOP REQUEST SIGNAL PULL CORDS

Item	Part No.	Description	Qty
1.	54-12540-002	LOCKNUT, NYLOK #8-32 GR5	6
2.	54-14286-04B	SCREW, SF TAP PNHD CR REC #8-32 X .50"	3
3.	40-36515-000	BRACKET, SWITCH MTG STOP REQUEST	3
4.	51-02114-003	SWITCH, PULL CORD	3
5.	51-02118-001	CORD, PASS SIGNAL (YELLOW)	52
	50-23947-000	CABLE ASM., PULL CORD SWITCH	3
6.	54-13119-093	SCREW, #10-24 X 7/16" FLAT HD. CR. SSTL	38
7.	15-40409-000	CLAMP-TILLER	52
8.	54-14272-03Z	SCREW, MACHINE PHILLIPS CHROME #10-32 X .38	6
9.	59-27792-000	DECAL, "PULL TO SIGNAL" ENGLISH/SPANISH	16
10.	53-00302-001	GUIDE, ROPE LARGE .04" DIA. OPENING	10
11.	54-10163-019	RIVET, BLIND	44
12.	53-00302-002	GUIDE, ROPE SMALL .03" DIA. OPENING	19
	51-12096-007	CHIME HORN, PASS SIGNAL 12VDC	1
	51-12096-008	CHIME HORN, PASS SIGNAL 12VDC	1
	13-45862-000	PLATE, CHIME MOUNTING	1
	54-13119-111	SCREW, SPCL, #10-24X3/8	6
	54-13119-003	SCREW, #10-24X3/4 TAPTITE SPCL PHIL	6
	54-12550-003	NUT, NYLOCK, 10-32 GR5	6

STOP REQUEST SIGNAL PULL CORDS



OPTION 1
STANCHION TUBE
DRIVER'S BARRIER

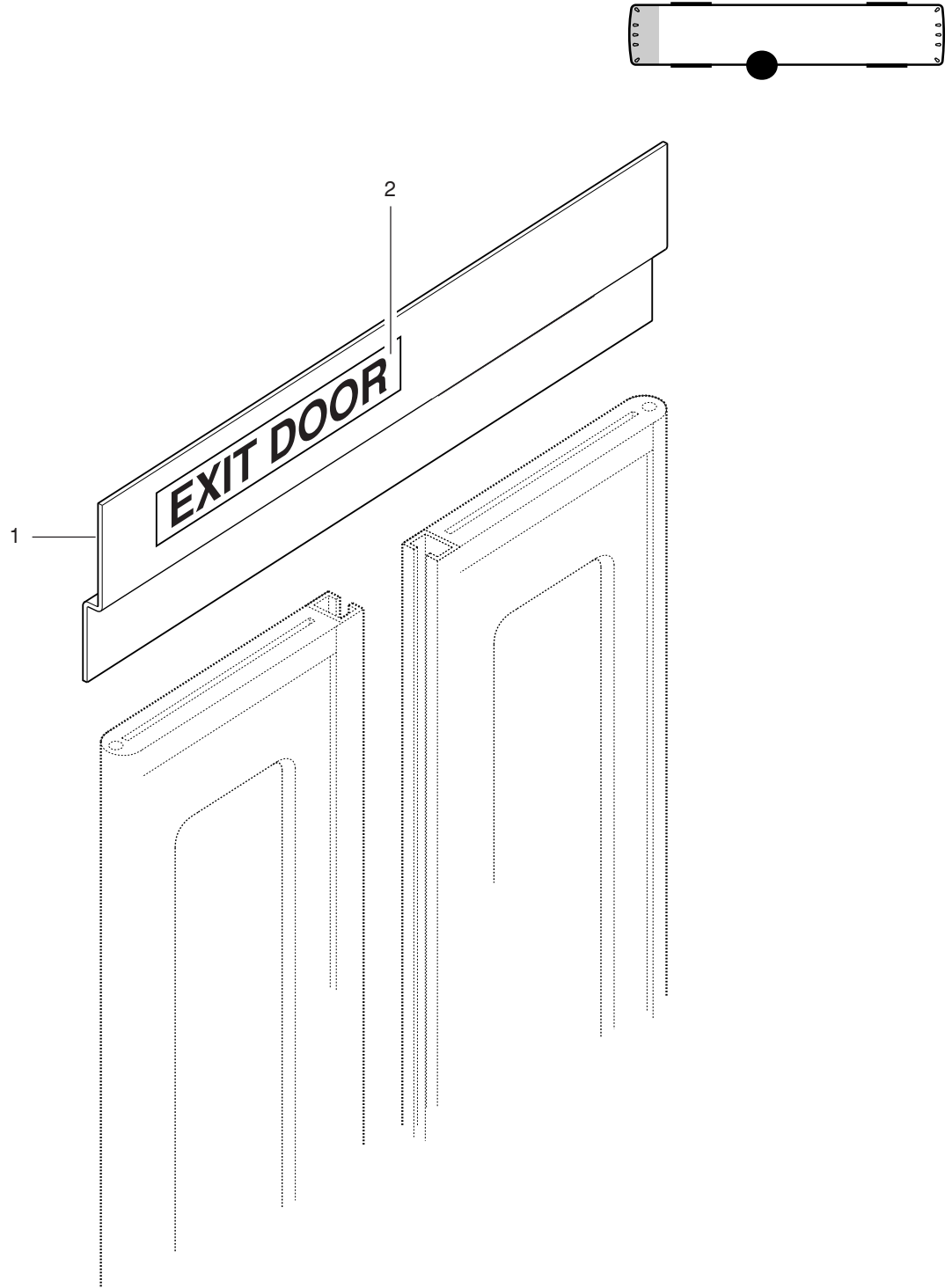


- 13-0850-0702D,K+(D+D,F)
- 13-003041
- 13-0850-0702D, K
- 13-0851-0702D
- 13-0858-0700D, F

CLOSEOUT: EXIT DOOR

Item	Part No.	Description	Qty
1.	15-44683M000	PANEL, CLOSEOUT EXIT DOOR HEADER W/LAMP	1
2.	59-27794-000	DECAL, "EXIT DOOR " (ENGLISH/SPANISH)	1
3.	13-46299-000	PANEL ASM., EXIT DOOR CONTROL	1
	50-39773-000	HARNESS, EXIT DOOR HEADER	1
	54-13119-003	SCREW, #10-24 X .75" TAPTITE	3
	50-13461-002	CABLE ASM., W/ DIODE (RR. DOOR)	2
	50-24458-005	CABLE ASM., W/ DIODE (FT. DOOR)	2

CLOSEOUT: EXIT DOOR

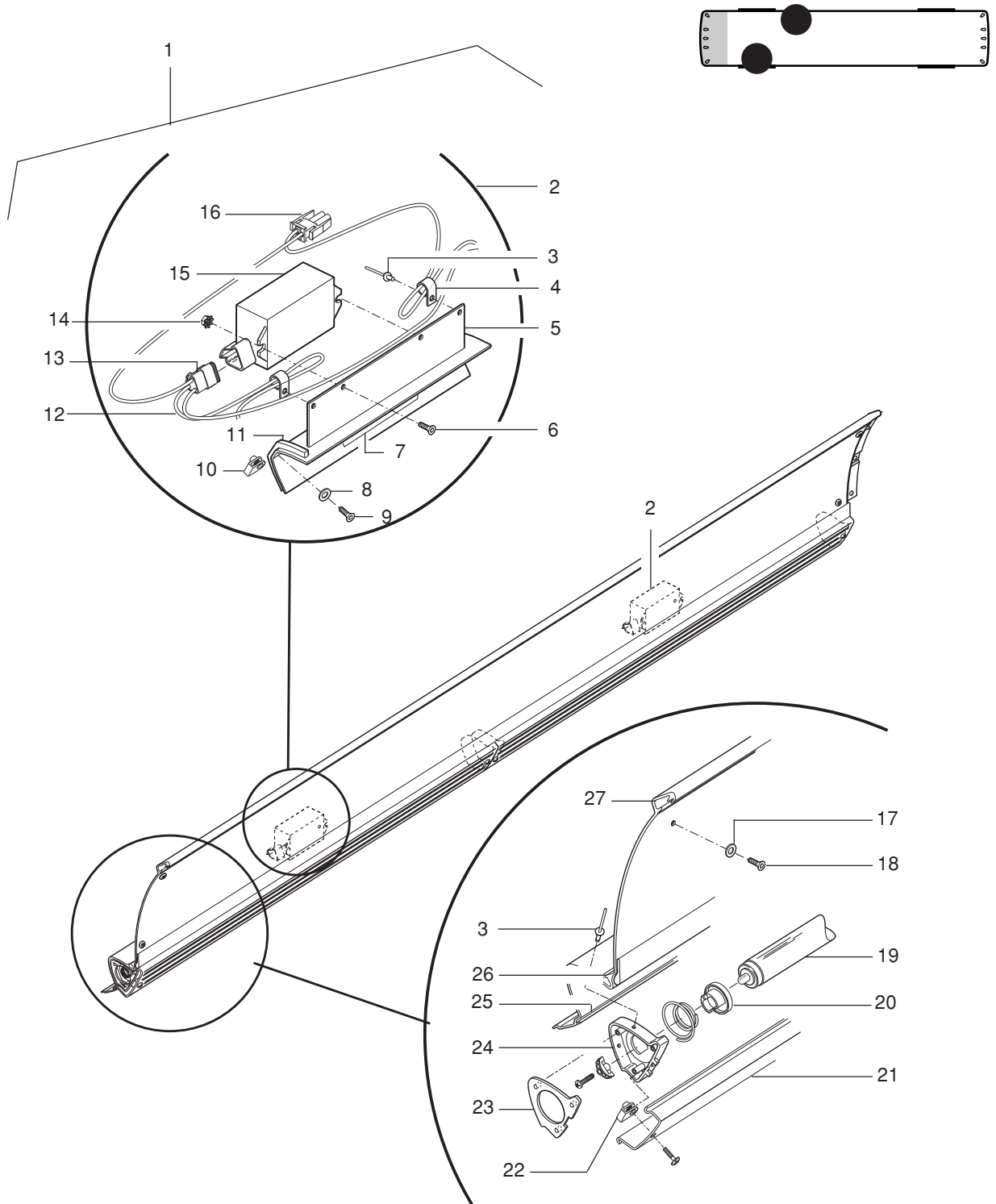


13-0911-0704K,M+(A)
13-003372
13-0911-0704K, M
13-0912-0700A

LAMP PANEL ASSEMBLY - 144"

Item	Part No.	Description	Qty
1.	82-27531-000	LAMP PANEL ASSEMBLY, 144"	1
2.	82-27229-001	INVERTER ASSEMBLY	2
3.	82-27229-006	RIVET	12
4.	82-27229-005	CLIP, WIRE	2
5.	82-27229-002	COVER, INVERTER	1
6.	82-27229-003	SCREW 10-24 X 3/8 PHIL. CTR. SUNK	2
7.	82-27229-008	DECAL, "DANGER"	1
8.	82-27229-011	WASHER, #10 EXTERNAL TOOTH	2
9.	82-27229-010	SCREW #10-24 X 5/8 PHL. RD. HD.	2
10.	82-27229-009	U-NUT	4
11.	82-27229-007	SEAL	A/R
12.	82-27229-012	HARNES ASSEMBLY, LAMP	2
13.	82-27229-014	CONNECTOR	1
	82-27229-015	WEDGE	1
	82-27229-016	TERMINAL	3
14.	82-27229-004	NUT 10-24, KEPS	2
15.	82-22906-000	INVERTER (BALLAST)	1
16.	82-27229-017	CONNECTOR	1
	82-27229-018	TERMINAL	2
17.	82-01697-000	WASHER, RETAINING	4
18.	82-01696-000	SCREW, PHILLIPS	4
19.	82-27229-019	TUBE, FLUORESCENT, 6'	2
20.	82-09145-000	SOCKET, LAMP, FIXED END	1
	82-27229-013	SOCKET, LAMP, TELESCOPIC END	1
21.	82-23397-000	COVER ASSEMBLY, LAMP	2
	82-27229-029	SEAL	A/R
	82-27229-021	ADHESIVE	A/R
22.	82-27229-023	U-NUT	A/R
23.	82-27229-025	CLOSURE, END, LH	2
	82-27229-032	CLOSURE, END, RH	1
	82-27229-027	CLOSURE, END, RH	1
24.	82-27229-024	CAP, END, LH	2
	82-27229-028	CAP, END, RH	2
	82-27229-031	SEAL END CAP	A/R
	82-27229-030	SEALER (BETWEEN END CAPS)	A/R
25.	82-27229-026	SEAL	A/R
26.	82-27229-020	CHANNEL, FILLER	A/R
27.	82-27229-022	MOLDING (ORDER BY LENGTH)	A/R
	82-19211-000	TOOL, FLUORESCENT TUBE REMOVAL	1

LAMP PANEL ASSEMBLY - 144"

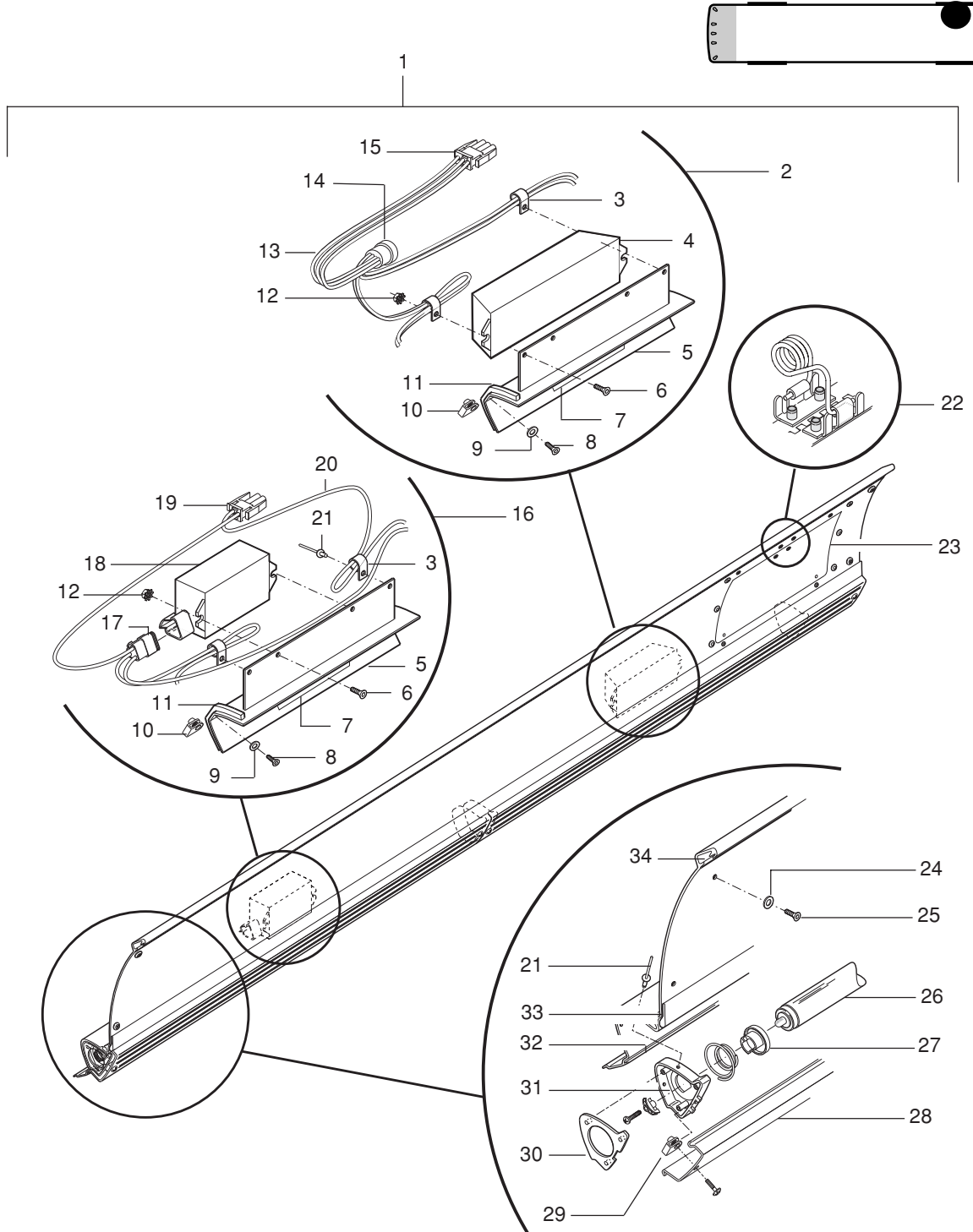


915-02-018
915-02-022

LAMP PANEL ASSEMBLY - 84"

Item	Part No.	Description	Qty
1.	82-27616-000	LAMP PANEL ASSEMBLY-84"	1
2.	82-27269-001	INVERTER ASSEMBLY, H.O.	1
3.	82-27229-005	WIRE CLIP	2
4.	51-02186-013	INVERTER, (BALLAST) H.O.	1
5.	82-27229-000	INVERTER COVER	1
6.	82-27269-002	SCREW 10-24 X 5/8 PHIL. CTR. SUNK-LH ONLY	2
	82-27229-003	SCREW 10-24 X 3/8 PHIL. CTR. SUNK-RH ONLY	2
7.	82-27229-008	DANGER DECAL	1
8.	82-27229-010	SCREW 10-24 X 5/8 PHL. RD. HD.	2
9.	82-27229-011	WASHER #10 EXTERNAL TOOTH	2
10.	82-27229-009	U-NUT	4
11.	82-27229-007	SEAL	A/R
12.	82-27229-004	KEPS NUT 10-24	2
13.	82-27397-001	HARNESS ASSEMBLY, H.O.	1
14.	82-27269-004	CONNECTOR	1
	82-27229-016	TERMINAL	7
	82-27269-005	WEDGE	1
15.	82-27269-006	CONNECTOR	1
	82-27269-007	TERMINAL	3
16.	82-27229-001	INVERTER ASSEMBLY	1
17.	82-27229-014	CONNECTOR	1
	82-27229-015	WEDGE	1
	82-27229-016	TERMINAL	3
18.	82-22906-000	INVERTER, (BALLAST)	1
19.	82-27229-017	CONNECTOR	1
	82-27229-018	TERMINAL	2
20.	82-27268-003	HARNESS ASSEMBLY	1
21.	82-27229-006	RIVET-RH ONLY	2
22.	REF ONLY	SPRING, ACCESS DOOR (NOT AVAIL. SEPARATELY PER VENDOR)	1
23.	82-27229-033	DOOR ASM, ACCESS 28"	1
24.	82-01697-000	WASHER, RETAINING	4
25.	82-09141-001	SCREWS, TAMPERPROOF	4
26.	82-27397-005	TUBE, 4' - H.O.	1
	82-27268-005	TUBE, 3'	1
	82-27270-001	SLEEVE, BLUE, 6'	1
27.	82-13446-001	SOCKET, LAMP, FIXED END, H.O.	1
	82-13446-002	SOCKET, LAMP, TELESCOPIC END, H.O.	1
	82-09145-000	SOCKET, LAMP, FIXED END	1
	82-27229-013	SOCKET, LAMP, TELESCOPIC END	1
28.	82-27268-007	COVER ASSEMBLY, LAMP, 84"	1
29.	82-27229-023	U-NUT	A/R
30.	82-27229-032	CLOSURE, END, RH	2
	82-27229-025	CLOSURE, END, LH	2
31.	82-27229-028	CAP, END, RH	2
	82-27229-024	CAP, END, LH	2
	82-27229-030	SEALER (BETWEEN END CAPS & LAMP PANEL)	A/R
	82-27229-031	SEAL END CAP	A/R
	82-27229-029	SEAL	A/R
32.	82-27229-026	SEAL	A/R
33.	82-27229-020	CHANNEL FILLER	A/R
	82-27229-021	ADHESIVE	A/R
34.	82-27229-022	MOLDING	A/R
	82-19211-000	TOOL, FLUORESCENT TUBE REMOVAL	1

LAMP PANEL ASSEMBLY - 84"

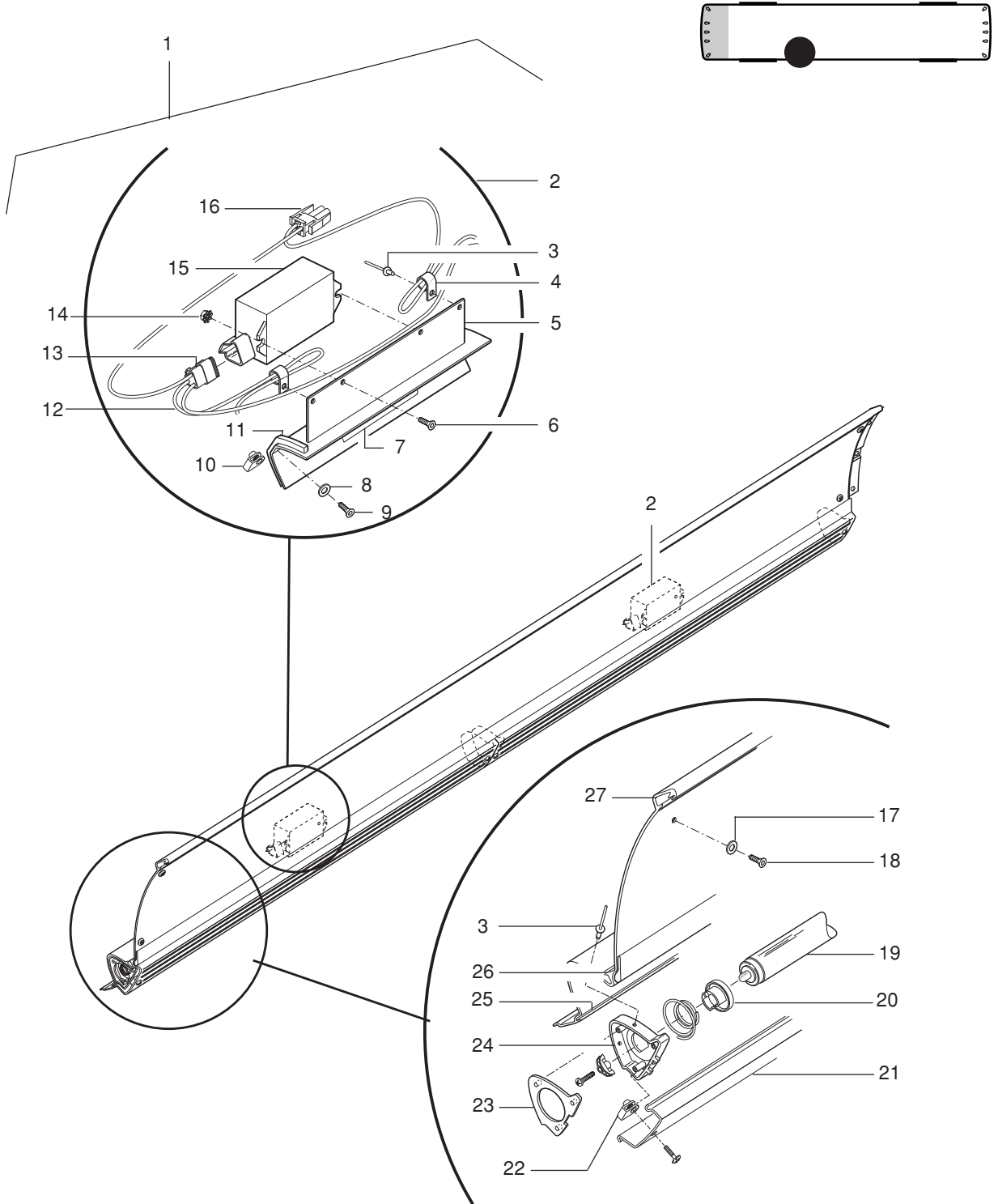


915-02-049
915-02-179

LAMP PANEL ASSEMBLY - 108"

Item	Part No.	Description	Qty
1.	82-27579-000	LAMP PANEL ASSEMBLY, 108"	1
2.	82-27229-001	INVERTER ASSEMBLY	2
3.	82-27229-006	RIVET	12
4.	82-27229-005	CLIP, WIRE	2
5.	82-27229-002	COVER, INVERTER	1
6.	82-27229-003	SCREW 10-24 X 3/8 PHIL. CTR. SUNK	2
7.	82-27229-008	DECAL, "DANGER"	1
8.	82-27229-011	WASHER, #10 EXTERNAL TOOTH	2
9.	82-27229-010	SCREW #10-24 X 5/8 PHL. RD. HD.	2
10.	82-27229-009	U-NUT	4
11.	82-27229-007	SEAL	A/R
12.	82-27457-001	HARNESS ASSEMBLY, LAMP, LH	1
	82-27457-002	HARNESS ASSEMBLY, LAMP, RH	1
13.	82-27229-014	CONNECTOR	1
	82-27229-015	WEDGE	1
	82-27229-016	TERMINAL	3
14.	82-27229-004	NUT 10-24, KEPS	2
15.	82-22906-000	INVERTER (BALLAST)	1
16.	82-27229-017	CONNECTOR	1
	82-27229-018	TERMINAL	2
17.	82-01697-000	WASHER, RETAINING	4
18.	82-01696-000	SCREW, PHILLIPS	4
19.	82-27268-006	TUBE, FLUORESCENT, 4'	1
	82-27390-003	TUBE, FLUORESCENT, 5'	1
20.	82-09145-000	SOCKET, LAMP, FIXED END	1
	82-27229-013	SOCKET, LAMP, TELESCOPIC END	1
21.	82-27457-003	COVER ASSEMBLY, LAMP, 108"	1
	82-27229-029	SEAL	A/R
	82-27229-021	ADHESIVE	A/R
22.	82-27229-023	U-NUT	A/R
23.	82-27229-025	CLOSURE, END, LH	2
	82-27229-032	CLOSURE, END, RH	1
	82-27229-027	CLOSURE, END, RH	1
24.	82-27229-024	CAP, END, LH	2
	82-27229-028	CAP, END, RH	2
	82-27229-031	SEAL END CAP	A/R
	82-27229-030	SEALER (BETWEEN END CAPS)	A/R
25.	82-27229-026	SEAL	A/R
26.	82-27229-020	CHANNEL, FILLER	A/R
27.	82-27229-022	MOLDING (ORDER BY LENGTH)	A/R
	82-19211-000	TOOL, FLUORESCENT TUBE REMOVAL	1

LAMP PANEL ASSEMBLY - 108"

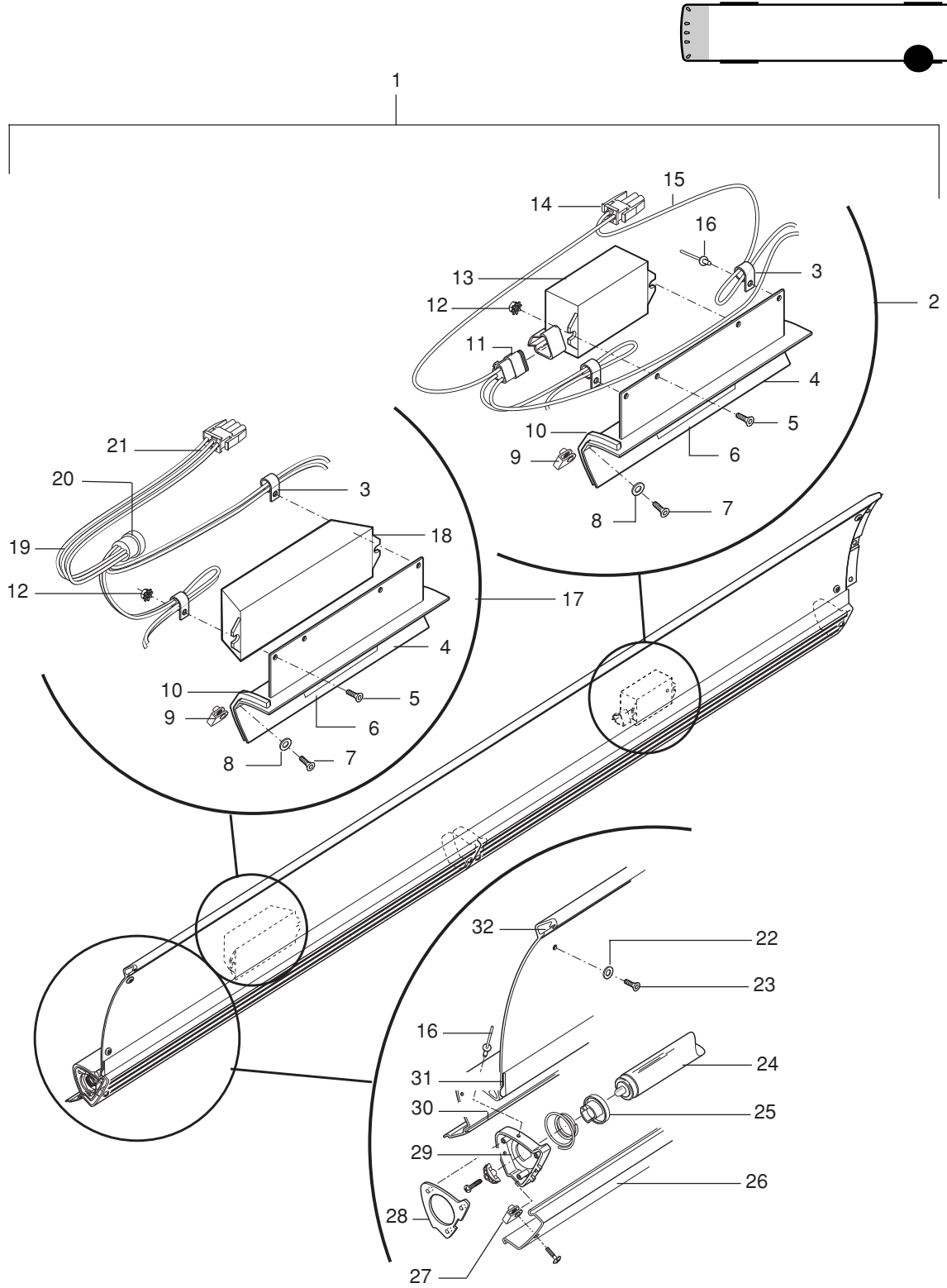


915-02-018
915-02-180

LAMP PANEL ASSEMBLY - 120"

Item	Part No.	Description	Qty
1.	82-27580-000	LAMP PANEL ASSEMBLY-120"	1
2.	82-27229-001	INVERTER ASSEMBLY	1
3.	82-27229-005	WIRE CLIP	2
4.	82-27229-000	INVERTER COVER	1
5.	82-27269-002	SCREW 10-24 X 5/8 PHIL. CTR. SUNK-LH ONLY	2
	82-27229-003	SCREW 10-24 X 3/8 PHIL. CTR. SUNK-RH ONLY	2
6.	82-27229-008	DANGER DECAL	1
7.	82-27229-010	SCREW 10-24 X 5/8 PHL. RD. HD.	2
8.	82-27229-011	WASHER #10 EXTERNAL TOOTH	2
9.	82-27229-009	U-NUT	4
10.	82-27229-007	SEAL	A/R
11.	82-27229-014	CONNECTOR	1
	82-27229-015	WEDGE	1
	82-27229-016	TERMINAL	3
12.	82-27229-004	KEPS NUT 10-24	2
13.	82-22906-000	INVERTER, (BALLAST)	1
14.	82-27229-017	CONNECTOR	1
	82-27229-018	TERMINAL	2
15.	82-27391-001	HARNESS ASSEMBLY	1
16.	82-27229-006	RIVET-RH ONLY	2
17.	82-27269-001	INVERTER ASSEMBLY, H.O.	1
18.	51-02186-013	INVERTER, (BALLAST) H.O.	1
19.	82-27458-001	HARNESS ASSEMBLY, H.O.	1
20.	82-27269-004	CONNECTOR	1
	82-27229-016	TERMINAL	7
	82-27269-005	WEDGE	1
21.	82-27269-006	CONNECTOR	1
	82-27269-007	TERMINAL	3
22.	82-01697-000	WASHER, RETAINING	4
23.	82-09141-001	SCREWS, TAMPERPROOF	4
24.	82-27390-003	TUBE, 5'	1
	82-27433-002	TUBE, 5' - H.O.	1
25.	82-13446-001	SOCKET, LAMP, FIXED END, H.O.	1
	82-13446-002	SOCKET, LAMP, TELESCOPIC END, H.O.	1
	82-09145-000	SOCKET, LAMP, FIXED END	1
	82-27229-013	SOCKET, LAMP, TELESCOPIC END	1
26.	82-27268-007	COVER ASSEMBLY, LAMP, 84"	2
27.	82-27229-023	U-NUT	A/R
28.	82-27229-032	CLOSURE, END, RH	2
	82-27229-025	CLOSURE, END, LH	2
29.	82-27229-028	CAP, END, RH	2
	82-27229-024	CAP, END, LH	2
	82-27229-030	SEALER (BETWEEN END CAPS & LAMP PANEL)	A/R
	82-27229-031	SEAL END CAP	A/R
	82-27229-029	SEAL	A/R
30.	82-27229-026	SEAL	A/R
31.	82-27229-020	CHANNEL FILLER	A/R
	82-27229-021	ADHESIVE	A/R
32.	82-27229-022	MOLDING	A/R
	82-19211-000	TOOL, FLUORESCENT TUBE REMOVAL	1

LAMP PANEL ASSEMBLY - 120"

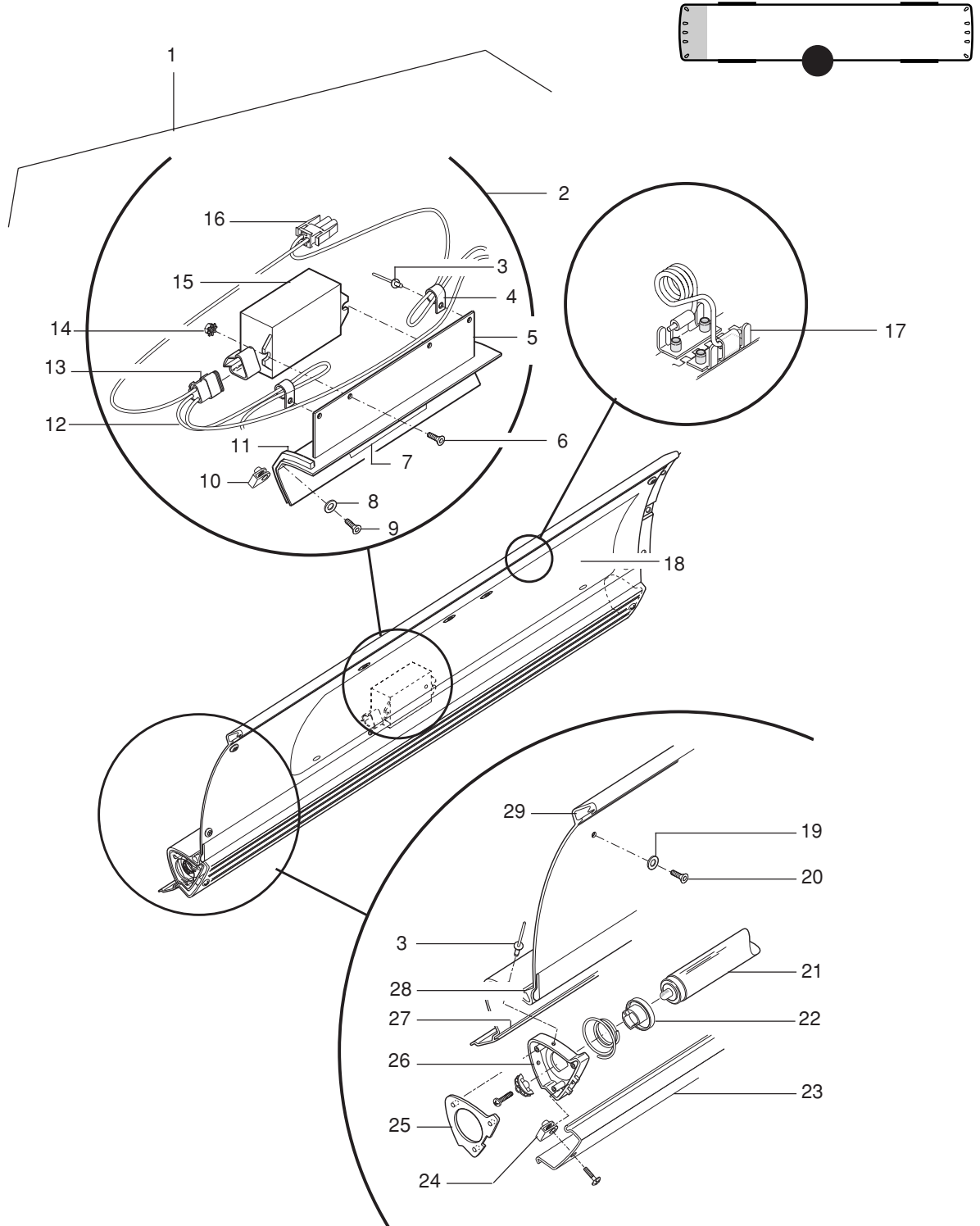


915-02-164
915-02-181

LAMP PANEL ASSEMBLY - 48"

Item	Part No.	Description	Qty
1.	82-27583-000	LAMP PANEL ASSEMBLY, 48"	1
2.	82-27229-001	INVERTER ASSEMBLY	2
3.	82-27229-006	RIVET	12
4.	82-27229-005	CLIP, WIRE	2
5.	82-27229-002	COVER, INVERTER	1
6.	82-27229-003	SCREW 10-24 X 3/8 PHIL. CTR. SUNK	2
7.	82-27229-008	DECAL, "DANGER"	1
8.	82-27229-011	WASHER, #10 EXTERNAL TOOTH	2
9.	82-27229-010	SCREW #10-24 X 5/8 PHL. RD. HD.	2
10.	82-27229-009	U-NUT	4
11.	82-27229-007	SEAL	A/R
12.	82-27363-001	HARNESS ASSEMBLY, LAMP	2
13.	82-27229-014	CONNECTOR	1
	82-27229-015	WEDGE	1
	82-27229-016	TERMINAL	3
14.	82-27229-004	NUT 10-24, KEPS	2
15.	82-22906-000	INVERTER (BALLAST)	1
16.	82-27229-017	CONNECTOR	1
	82-27229-018	TERMINAL	2
17.	REF ONLY	SPRING, ACCESS DOOR (NOT SOLD SEP. PER VENDOR)	1
18.	82-27363-002	DOOR ASM, LAMP ACCESS	1
19.	82-01697-000	WASHER, RETAINING	4
20.	82-01696-000	SCREW, PHILLIPS	4
21.	82-27363-003	TUBE, FLUORESCENT, 48"	1
22.	82-09145-000	SOCKET, LAMP, FIXED END	1
	82-27229-013	SOCKET, LAMP, TELESCOPIC END	1
23.	82-26124-000	COVER ASSEMBLY, LAMP	2
	82-27229-029	SEAL	A/R
	82-27229-021	ADHESIVE	A/R
24.	82-27229-023	U-NUT	A/R
25.	82-27229-025	CLOSURE, END, LH	2
	82-27229-032	CLOSURE, END, RH	1
	82-27229-027	CLOSURE, END, RH	1
26.	82-27229-024	CAP, END, LH	2
	82-27229-028	CAP, END, RH	2
	82-27229-031	SEAL END CAP	A/R
	82-27229-030	SEALER (BETWEEN END CAPS)	A/R
27.	82-27229-026	SEAL	A/R
28.	82-27229-020	CHANNEL, FILLER	A/R
29.	82-27229-022	MOLDING (ORDER BY LENGTH)	A/R
	82-19211-000	TOOL, FLUORESCENT TUBE REMOVAL	1

LAMP PANEL ASSEMBLY - 48"

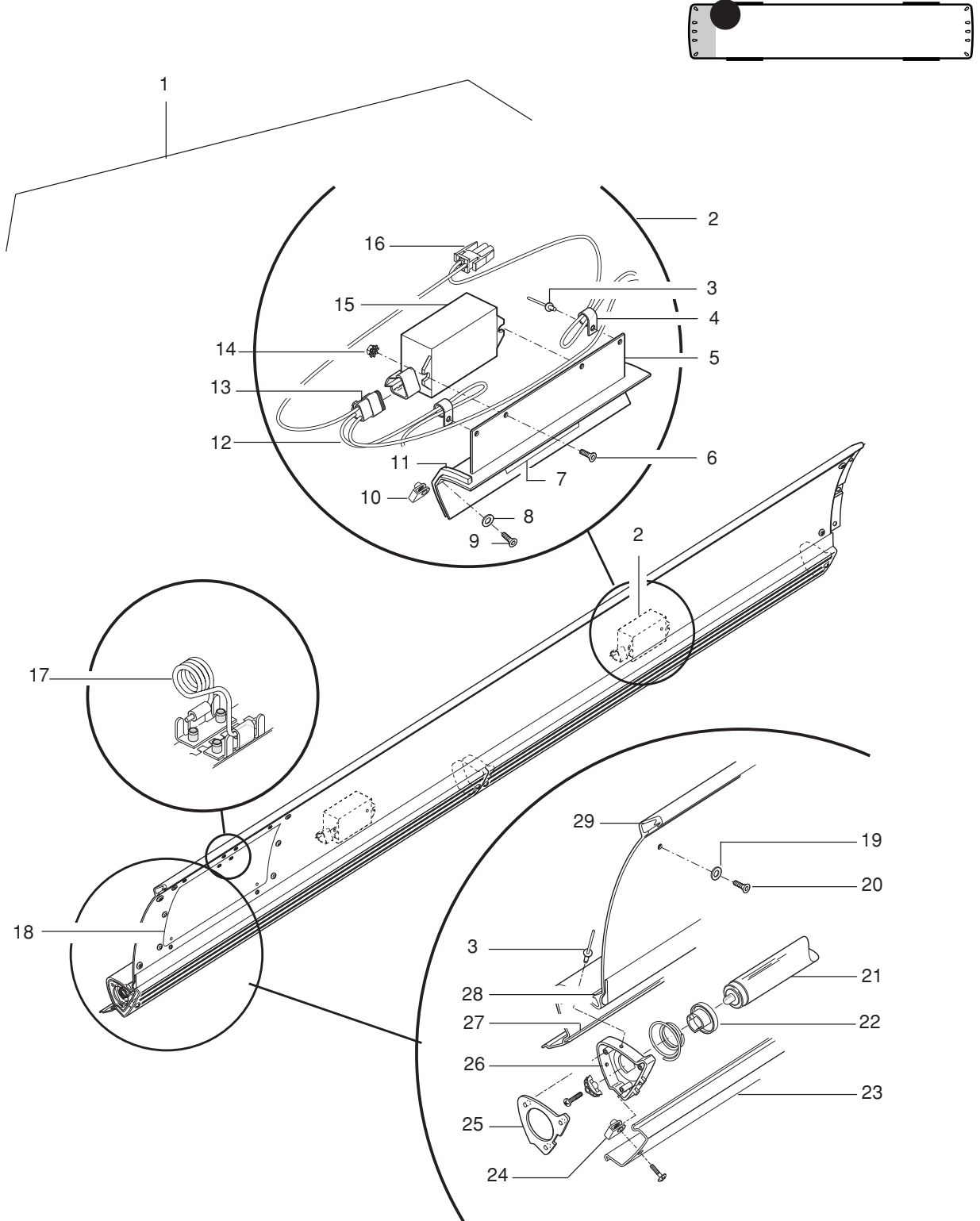


915-00-001
915-02-590

LAMP PANEL ASSEMBLY - 98"

Item	Part No.	Description	Qty
1.	82-27581-000	LAMP PANEL ASSEMBLY, 98"	1
2.	82-27229-001	INVERTER ASSEMBLY	2
3.	82-27229-006	RIVET	12
4.	82-27229-005	CLIP, WIRE	2
5.	82-27229-002	COVER, INVERTER	1
6.	82-27229-003	SCREW 10-24 X 3/8 PHIL. CTR. SUNK	2
7.	82-27229-008	DECAL, "DANGER"	1
8.	82-27229-011	WASHER, #10 EXTERNAL TOOTH	2
9.	82-27229-010	SCREW #10-24 X 5/8 PHL. RD. HD.	2
10.	82-27229-009	U-NUT	4
11.	82-27229-007	SEAL	A/R
12.	82-27464-001	HARNESS ASSEMBLY, LAMP	2
13.	82-27229-014	CONNECTOR	1
	82-27229-015	WEDGE	1
	82-27229-016	TERMINAL	3
14.	82-27229-004	NUT 10-24, KEPS	2
15.	82-22906-000	INVERTER (BALLAST)	1
16.	82-27229-017	CONNECTOR	1
	82-27229-018	TERMINAL	2
17.	REF ONLY	SPRING, ACCESS DOOR (NOT SOLD SEP. PER VENDOR)	1
18.	82-27229-033	DOOR ASM, LAMP ACCESS, 28"	1
19.	82-01697-000	WASHER, RETAINING	4
20.	82-01696-000	SCREW, PHILLIPS	4
21.	82-27268-006	TUBE, FLUORESCENT, 4'	2
22.	82-09145-000	SOCKET, LAMP, FIXED END	1
	82-27229-013	SOCKET, LAMP, TELESCOPIC END	1
23.	82-27581-001	COVER ASSEMBLY, LAMP 4'	2
	82-27229-029	SEAL	A/R
	82-27229-021	ADHESIVE	A/R
24.	82-27229-023	U-NUT	A/R
25.	82-27229-025	CLOSURE, END, LH	2
	82-27229-032	CLOSURE, END, RH	1
	82-27229-027	CLOSURE, END, RH	1
26.	82-27229-024	CAP, END, LH	2
	82-27229-028	CAP, END, RH	2
	82-27229-031	SEAL END CAP	A/R
	82-27229-030	SEALER (BETWEEN END CAPS)	A/R
27.	82-27229-026	SEAL	A/R
28.	82-27229-020	CHANNEL, FILLER	A/R
29.	82-27229-022	MOLDING (ORDER BY LENGTH)	A/R
	82-19211-000	TOOL, FLUORESCENT TUBE REMOVAL	1
	82-27444-001	KIT, LENS STRAP	A/R

LAMP PANEL ASSEMBLY - 98"

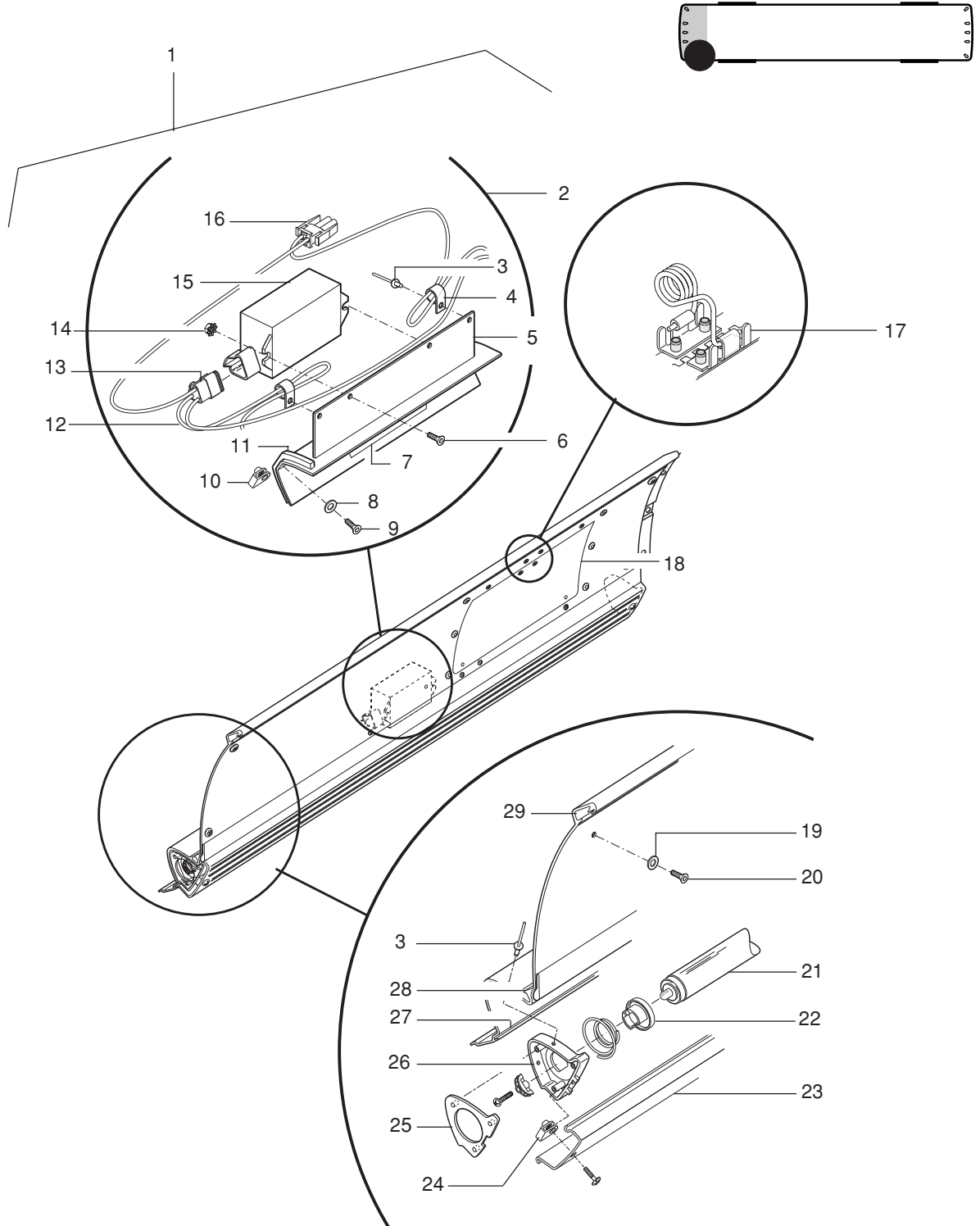


915-02-035
915-02-755

LAMP PANEL ASSEMBLY - 50"

Item	Part No.	Description	Qty
1.	82-27582-000	LAMP PANEL ASSEMBLY, 50"	1
2.	82-27229-001	INVERTER ASSEMBLY	2
3.	82-27229-006	RIVET	12
4.	82-27229-005	CLIP, WIRE	2
5.	82-27229-002	COVER, INVERTER	1
6.	82-27229-003	SCREW 10-24 X 3/8 PHIL. CTR. SUNK	2
7.	82-27229-008	DECAL, "DANGER"	1
8.	82-27229-011	WASHER, #10 EXTERNAL TOOTH	2
9.	82-27229-010	SCREW #10-24 X 5/8 PHL. RD. HD.	2
10.	82-27229-009	U-NUT	4
11.	82-27229-007	SEAL	A/R
12.	82-27363-001	HARNESS ASSEMBLY, LAMP	2
13.	82-27229-014	CONNECTOR	1
	82-27229-015	WEDGE	1
	82-27229-016	TERMINAL	3
14.	82-27229-004	NUT 10-24, KEPS	2
15.	82-22906-000	INVERTER (BALLAST)	1
16.	82-27229-017	CONNECTOR	1
	82-27229-018	TERMINAL	2
17.	REF ONLY	SPRING, ACCESS DOOR (NOT SOLD SEP. PER VENDOR)	1
18.	82-27229-033	DOOR ASM, LAMP ACCESS	1
19.	82-01697-000	WASHER, RETAINING	4
20.	82-01696-000	SCREW, PHILLIPS	4
21.	82-27268-006	TUBE, FLUORESCENT, 48"	1
22.	82-09145-000	SOCKET, LAMP, FIXED END	1
	82-27229-013	SOCKET, LAMP, TELESCOPIC END	1
23.	82-27582-001	COVER ASSEMBLY, LAMP 50"	1
	82-27229-029	SEAL	A/R
	82-27229-021	ADHESIVE	A/R
24.	82-27229-023	U-NUT	A/R
25.	82-27229-025	CLOSURE, END, LH	2
	82-27229-032	CLOSURE, END, RH	1
	82-27229-027	CLOSURE, END, RH	1
26.	82-27229-024	CAP, END, LH	2
	82-27229-028	CAP, END, RH	2
	82-27229-031	SEAL END CAP	A/R
	82-27229-030	SEALER (BETWEEN END CAPS)	A/R
27.	82-27229-026	SEAL	A/R
28.	82-27229-020	CHANNEL, FILLER	A/R
29.	82-27229-022	MOLDING (ORDER BY LENGTH)	A/R
	82-19211-000	TOOL, FLUORESCENT TUBE REMOVAL	1

LAMP PANEL ASSEMBLY - 50"



915-02-034
915-02-756

HARNES LISTING

13-46297-002	PANEL ASM, REMOTE I/O MOUNTING	1
13-46299-000	PANEL ASM, DOOR CONTROL COMPLETE	1
13-47890-000	PANEL ASM, FFRONT CONTROL (COMPLETE)	1
13-48867-000	PANEL ASM, REAR ELECTRICAL	1
50-23877-000	HARNES ASM, TAILLIGHT JUMPER	2
50-26461-005	HARNES, LINEAR FIRE DETECTION WIRE	1
50-26461-008	HARNES, LINEAR FIRE DETECTION WIRE	2
50-36981-004	HARNES, COMMUNICATION CABLE	1
50-36981-000	HARNES, COMMUNICATION CABLE	2
50-36981-009	HARNES, COMMUNICATION CABLE W/J1939	1
50-37103-001	HARNES, ENGINE/TRANS POWER	1
50-37769-002	HARNES, TAIL LAMP	1
50-37825-001	HARNES, ABS FRONT CHANNEL	1
50-37899-000	HARNES, REAR CAP	1
50-38157-000	HARNES, IGNITION SWITCH PANEL	1
50-38158-000	HARNES, RT SIDE DASH PANEL	1
50-38159-000	HARNES, LEFT DASH PANEL	1
50-38598-000	HARNES, MARKER LAMP FRT CAP	1
50-39450-004	HARNES, REAR, TURN AND MARKER	1
50-39453-001	HARNES, BULKHEAD EXTENTION	1
50-39466-001	HARNES, PRESSURE SW.	1
50-39468-000	HARNES, 3RD BRAKE LT.	1
50-39773-000	HARNES, RR DOOR HEADER W/SPRING CLOSED D	1
50-39968-003	HARNES, AUDIO	1
50-39968-000	HARNES, AUDIO	1
50-40026-000	HARNES, RR DOOR EXTERIOR CURB LAMP	1
50-40132-001	HARNES, RETARDER PRESSURE SWITCHES	1
50-40731-000	HARNES, CTR DASH PANEL	1
50-40996-000	HARNES, VDO FILTER	1
50-41237-000	HARNES ASM, LINEAR FIRE JUMPER	1
50-41416-002	HARNES, MULTIPLEXING DATA SYSTEM	1
50-41436-000	HARNES, WINDSHIELD WIPERS	2
50-41824-003	HARNES, DRIVERS FAN	1
50-42156-000	HARNES, DOOR LAMP JUMPER	1
50-42278-001	HARNES, DRIVERS HEATER	1
50-42360-003	HARNES, MICROPHONE	1
50-43518-000	HARNES, FAREBOX POWER	1
50-44200-002	HARNES, BULKHEAD EXTENTION	1
50-47765-000	HARNES, RR RUN BOX	1
50-47767-000	HARNES, ENGINE	1
50-47858-001	HARNES, RH CEILING	1
50-47859-001	HARNES, LH CEILING	1
50-47900-000	HARNES, HEAD LIGHT & T/S	1
50-47901-000	HARNES, HEAD LIGHT & T/S	2
50-48437-000	HARNES, TRANS OIL LEVEL GAUGE	1
50-48437-001	HARNES, TRANS OIL LEVEL GAUGE	1
50-48974-000	HARNES L, DASH PANEL LF	1
50-49189-001	HARNES, VOLTAGE REGULATOR	1
50-49202-000	HARNES, ABS DRIVE AXLE	1
50-50956-000	HARNES ASM, ELECTRICAL COMPARTMENT	1

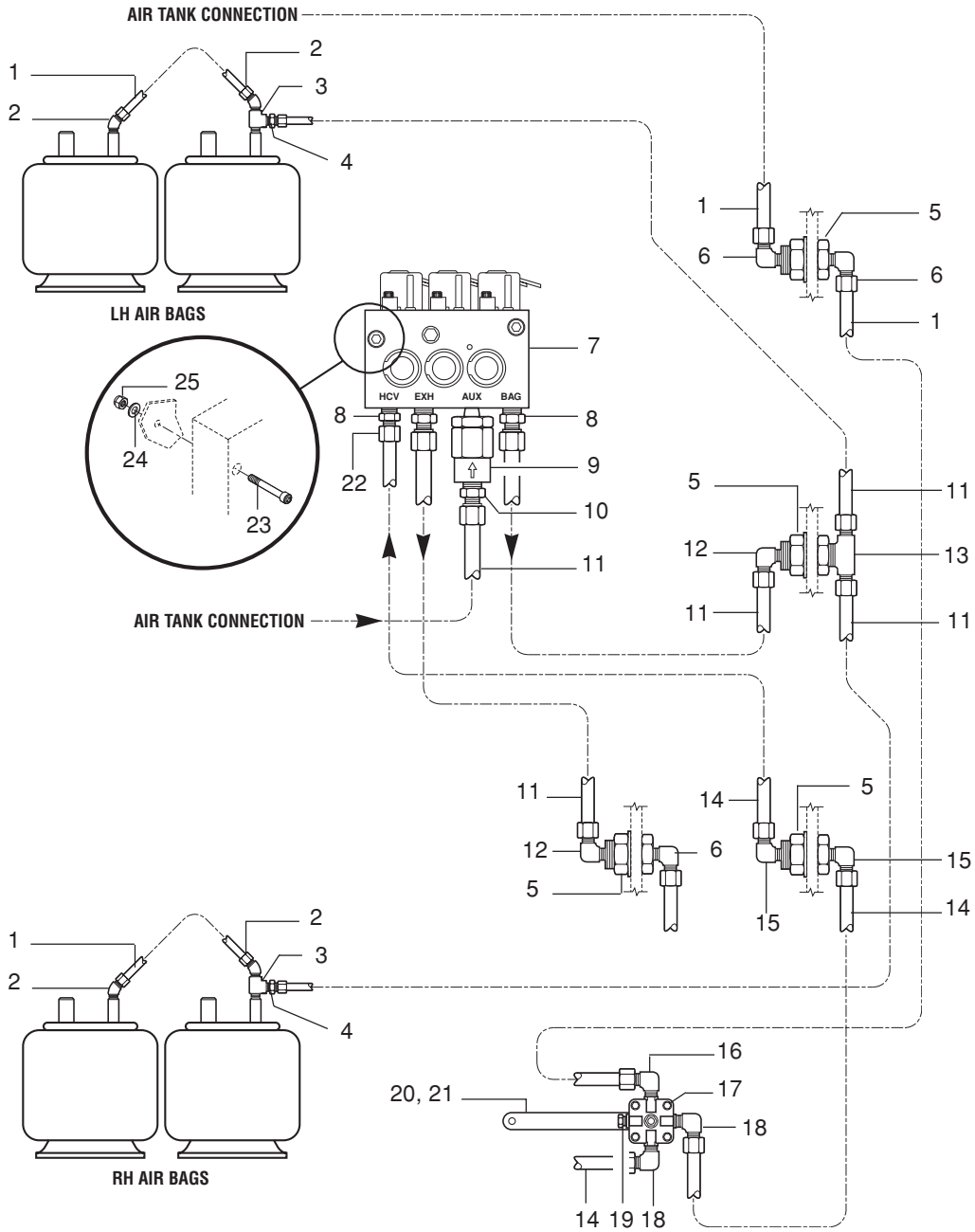
Section 4- Air System

Front Suspension Kneeling	188
Rear Suspension Leveling Valve	190
Air Compressor Piping	192
Air Piping Components	194
Air Tanks and Fittings	196
Air Tanks & Mounting	198
Air Piping	200
Rear Shop Air Connector	202
Shop Air & Tow Connectors - FRONT	204
Brake Piping	206
Air Tank Drain Valves	208
Air Dryer Assembly	210
Door Control Piping	212

FRONT SUSPENSION KNEELING

Item	Part No.	Description	Qty
1.	56-14037-000	TUBING, NYLON 3/8 BLACK	A/R
2.	54-12934-005	ELBOW, 45° BRASS, 3/8T X 1/4 MPT	4
3.	54-12955-004	TEE, STREET BRASS, 1/4FPT X 1/4MPT	2
4.	54-12932-008	ADAPTER, MALE, 1/2-1/4	2
5.	54-13093-006	FITTING, BULKHEAD, BRASS 3/8NPT	4
6.	54-12935-006	ELBOW, 90°, 3/8NPT X 3/8T	3
7.	04-45322-000	VALVE ASM, SUSP KNEELING	1
8.	54-12932-009	ADAPTER, 3/8NPT X 1/2T	2
9.	53-21756-000	VALVE, SINGLE CHECK, 1/2	1
10.	54-12932-010	ADAPTER, 1/2NPT X 1/2T	1
11.	56-14038-000	TUBING, NYLON 1/2 BLACK	A/R
12.	54-12935-009	ELBOW, 90° 3/8NPT X 1/2T	2
13.	54-12938-007	TEE, 3/8NPT	1
14.	54-14036-000	TUBING, NYLON 1/4 BLACK	A/R
15.	54-12935-003	ELBOW, 90° 3/8NPT X 1/4T	2
16.	54-12935-005	ELBOW, 90° 1/4NPT X 3/8T	1
17.	04-43073-002	VALVE, SUSP HEIGHT CONTROL	1
18.	54-12935-002	ELBOW, 90° 1/4MPT X 1/4MPT	2
19.	54-12957-004	PLUG, HXHD 1/4MPT, BRASS	1
20.	08-36866-000	BRACKET, LINK MTG	1
21.	04-36902-000	LINK ASM, FRT KNEELING	1
22.	54-12932-002	ADAPTER, MALE 1/4 X 1/4MPT	1
23.	54-13113-101	BOLT, SOCKETHD, 5/16-18 UNC	2
24.	54-13112-019	FLATWASHER, 5/16 SSTL	2
25.	54-13108-030	NUT, NYLOK, 5/16-18 SSTL	2
	04-38318-000	BRACKET, GUARD	1
	04-38319-000	COVER, GUARD	1
	54-13119-003	SCREW, 10-24	A/R

FRONT SUSPENSION KNEELING

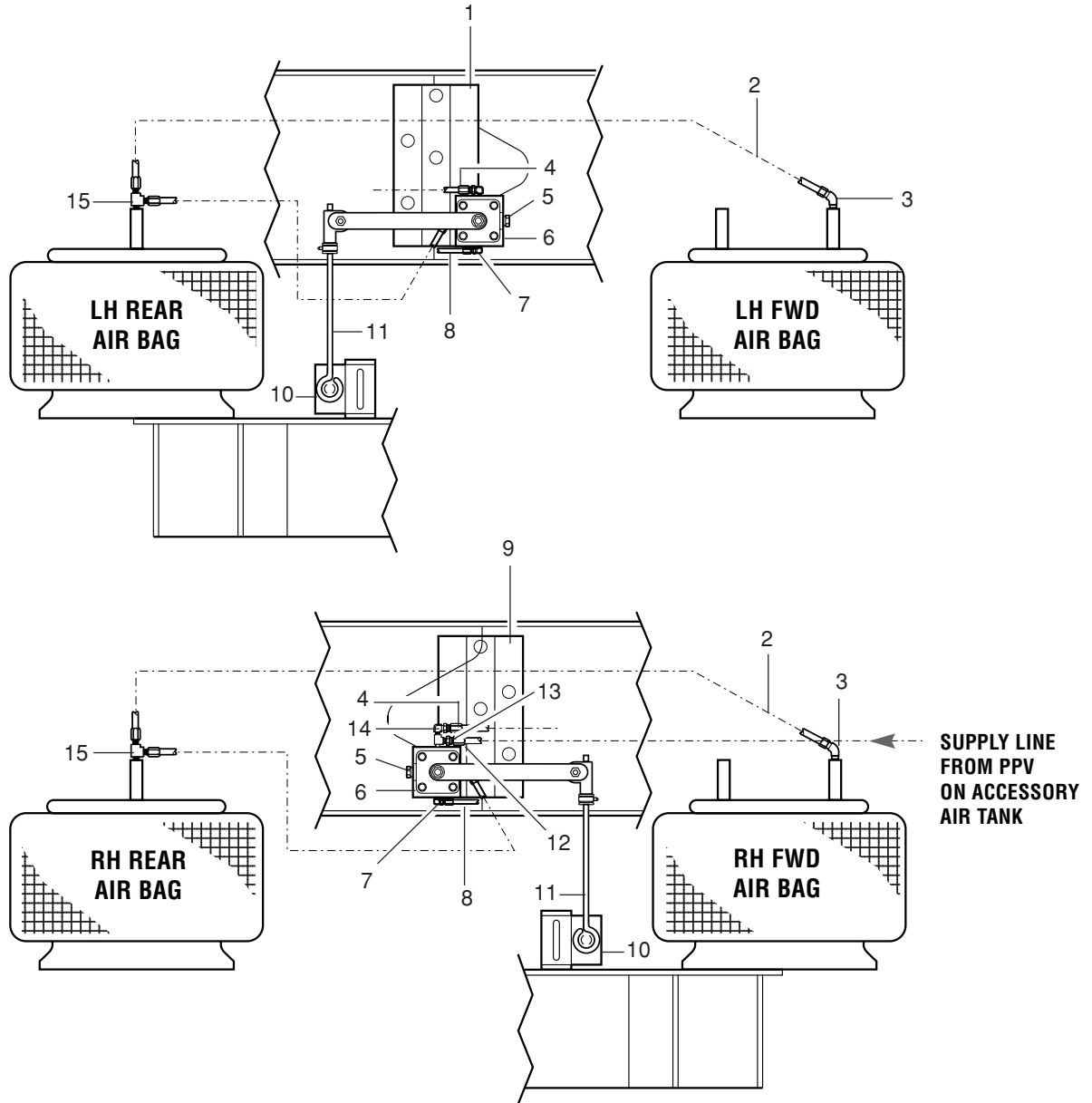
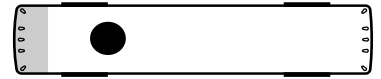


04-0100-0700C+(D)
04-004183
04-0100-0700C
04-0120-0700D

REAR SUSPENSION LEVELING VALVE

Item	Part No.	Description	Qty
1.	11-45372-000R	BRACKET ASM, LEVELING VALVE MTG RH	1
2.	56-14037-CTL	TUBING, 3/8 BLACK	6
3.	54-12934-005	ELBOW, 45° 3/8T X 1/4MPT	2
4.	54-12935-005	ELBOW, 90° 1/4NPT X 3/8T	2
5.	54-12958-004	PLUG, HEX SOCKET 1/4MPT, BRASS	2
6.	04-43073-000	VALVE, SUSPENSION HEIGHT CONTROL W/O DUMP VALVE	2
7.	54-12935-002	ELBOW, 90° 1/4 X 1/4MPT	2
8.	56-14036-CTL	TUBING, NYLON 1/4	5
9.	11-45372-000L	BRACKET ASM, LEVELING VALVE MTG LH	1
10.	11-48244-000	PLATE, HCV LINK MTG	2
11.	04-36902-000	LINK ASM, SUSPENSION	2
12.	54-12932-005	FITTING, 3/8" T X 1/4" MPT	1
13.	04-46428-000	VALVE, SINGLE CHECK	1
14.	54-12955-004	STREET TEE, BRASS 1/4" FPT X 1/4" MPT	1
15.	54-12937-003	TEE, 3/8" T X 1/4 MPT	3

REAR SUSPENSION LEVELING VALVE

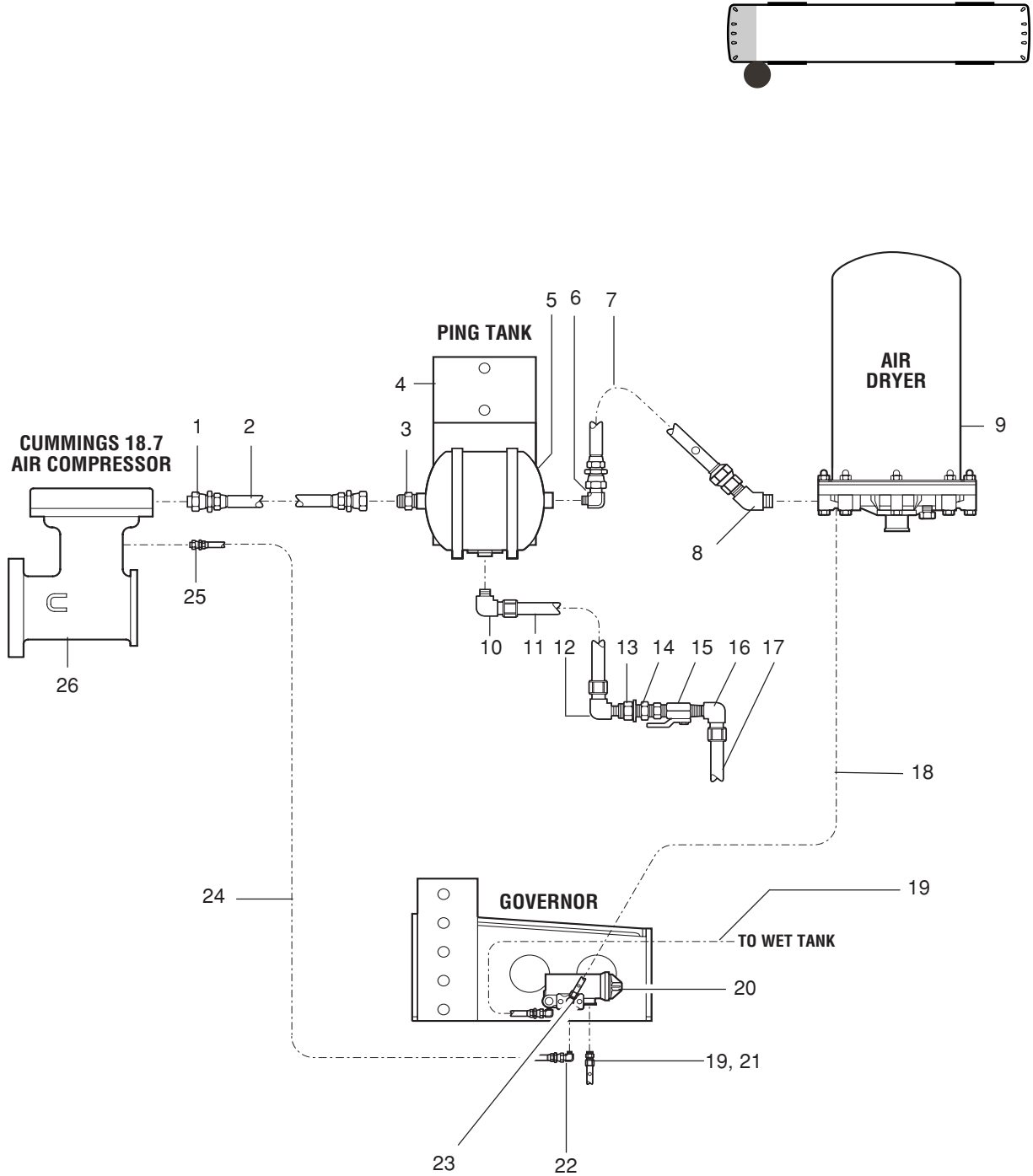


04-0151-0701C
04-000110
04-0151-0701C

AIR COMPRESSOR PIPING

Item	Part No.	Description	Qty
1.	54-13050-039	ADAPTER, 3/4	1
2.	46-16D3030-0450	HOSE ASM, FC186 #16	1
3.	54-13003-029	STRAIGH CONN, 3/4	1
4.	04-39502-000	BRACKET, AIR PING TANK	1
	04-39503-000	U-BOLT, AIR TANK MTG	2
5.	53-15488-000	TANK, PING	1
6.	54-13008-028	ELBOW, 90°, 3/4"NPT X #16 JIC	1
7.	46-16D3030-0200	HOSE ASM #16 TEFLON	1
8.	54-13007-023	ELBOW, 45° DEG. 3/4"NPT X #16 JIC	1
9.	REF ONLY	AIR DRYER ASM	1
10.	54-12935-005	ELBOW, 90° 1/4F X 1/4M, BRASS	1
11.	56-14037-000	TUBING, NYLON 1/4" BLACK	A/R
12.	54-12935-005	ELBOW, 90° 1/4F X 1/4M, BRASS	1
13.	54-13093-005	FITTING, BULKHEAD 1/4" NPT X 3/8"	2
14.	54-12956-004	NIPPLE, 1/4" NPT SHORT	1
15.	53-20873-000	VALVE, REMOTE MOUNTED SHUT-OFF 1/4 NPT	1
	04-44412-000	BRACKET, DRAIN VALVE MTG	1
16.	54-12936-002	ELBOW, 90° 1/4"FPT X 1/4MPT, BRASS	1
17.	56-14036-003.00	TUBING, NYLON 1/4" BLACK	1
18.	56-27280-000	TUBING, 1/4" , NYLON, YELLOW	A/R
19.	56-14036-000	TUBING, NYLON 1/4" BLACK	A/R
20.	53-00271-001	GOVERNOR, AIR COMPRESSOR	1
21.	54-12932-001	CONNECTION, 1/8 NPT X 1/4	1
22.	54-12995-003	ELBOW, 90°, 1/8 X #4 SAE	1
23.	54-12935-001	ELBOW, 90° 1/8 NPT X 1/4	1
24.	46-04D3031-0500	HOSE ASM	1
25.	54-13118-078	ADAPTER, 1/8 X #4 SAE	1
	52-00002-001	CONNECTION, 1/2" NPT X #16 JIC	1
	53-21364-001	CLAMP, CONSTANT TENSION HOSE 1.24-1.42, OETIKER	2
	54-12899-012	ELBOW, 45°-3/4 NPT, BRASS	1
	56-22602-050.00	HOSE, 1" ID, OIL RESISTANT	1
26.	REF ONLY	COMPRESSOR, AIR FURNISHED WITH ENGINE	1
	54-37358-000	NUT PLATE, COBOLT M8	1
	54-37359-001	BOLT, BUTTON TORX HEAD M8 X 15MM	1

AIR COMPRESSOR PIPING

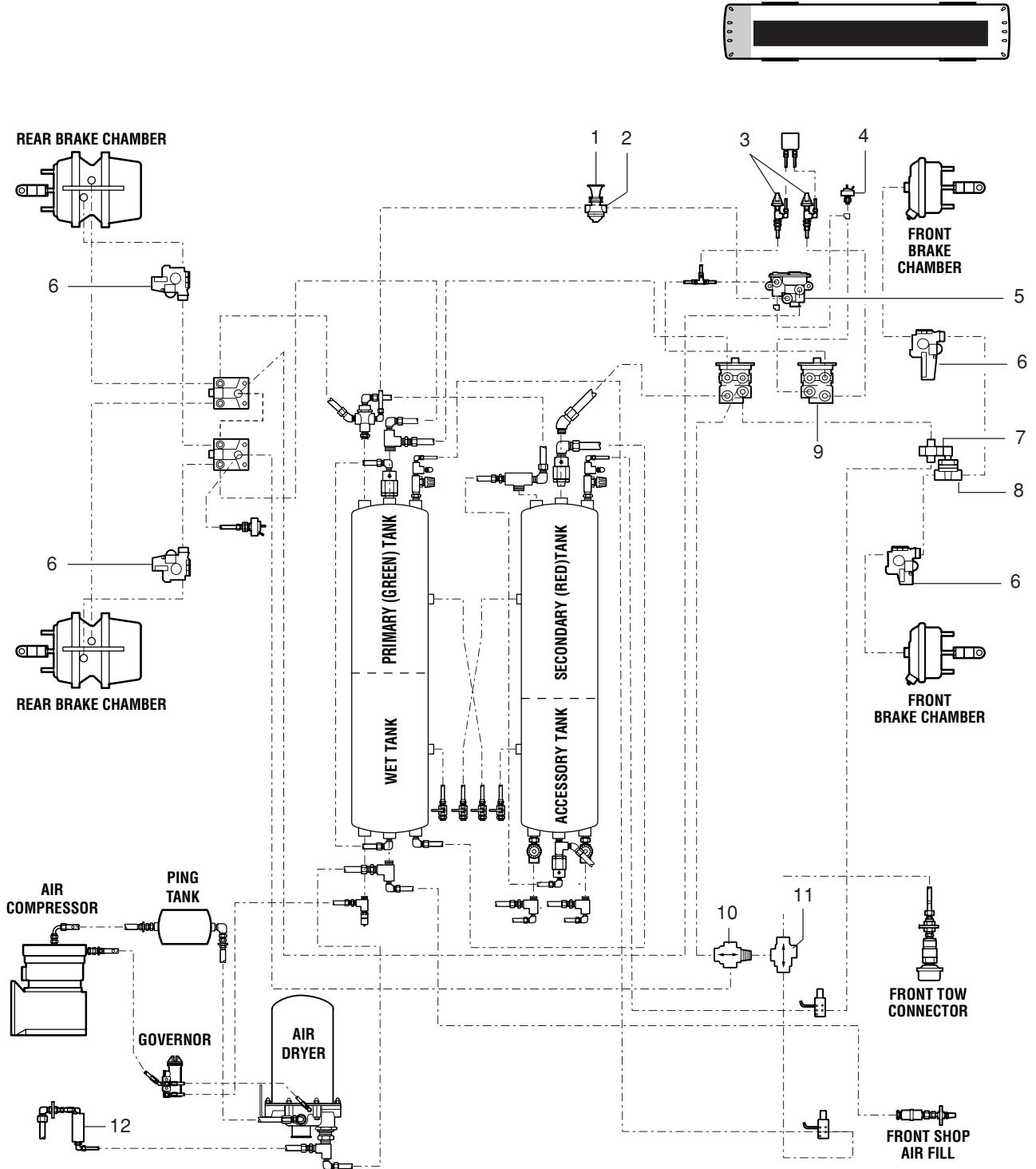


04-0160-0701C,J
04-004208
04-0160-0701C, J

AIR PIPING COMPONENTS

Item	PartNo.	Description	Qty
1.	53-00758-001	VALVE, PARKING BRAKE	1
N/S	54-12932-001	CONN, MALE, 1/8MPT X 1/4T AIR BRAKE	A/R
N/S	54-12935-001	ELBOW, 90° 1/8NPT X 1/4T	A/R
N/S	54-12935-004	ELBOW, 90° 1/8NPT X 3/8TUBE	A/R
2.	51-23405-000	SWITCH, EMERGENCY BRAKE PRESSURE	2
	51-22937-002	SWITCH, PRESS 14PSI CUTOUT	1
3.	53-20274-001	VALVE, AIR SOLENOID, 24V	2
4.	51-00072-001	SWITCH, STOPLIGHT	1
5.	53-00467-000	VALVE, SPRING BRAKE CONTROL	1
6.	53-28246-001	VALVE, MODULATOR	4
7.	53-20338-000	VALVE, DOUBLE CHECK	1
8.	53-21580-000	VALVE, QUICK RELEASE	1
9.	04-43094-000	VALVE ASM, FOOT, E-8	1
10.	04-37683-000	VALVE, DOUBLE CHECK	1
11.	53-08005-008	STRAINER, AIR	1
N/S	04-42850-000	PLATE, BULKHEAD FITTING MTG	1
N/S	51-26117-005	SWITCH, PRESSURE 7 PSI	1
N/S	51-26117-015	SWITCH, PRESSURE 2 PSI	1
N/S	51-26117-017	SWITCH, PRESSURE 4 PSI	1
N/S	51-33372-000	MODULE, TRANS RESISTANCE	1
N/S	54-12961-001	BUSHING, HEX 1/8FPT X 1/4MPT	1
N/S	04-36712-000	PLATE, VALVE MTG	1
N/S	04-36933-000	BULKHEAD UNION NYLON TUBE	5
N/S	04-36933-001	BULKHEAD UNION NYLON TUBE	5
N/S	04-36933-003	BULKHEAD UNION NYLON TUBE	2
N/S	04-36933-004	RING, BULKHEAD UNION RETAINING	5
N/S	04-36933-005	RING, BULKHEAD UNION RETAINING	5
N/S	04-36933-007	RING, BULKHEAD UNION RETAINING	2
N/S	53-09370-000	ELBOW, ANCHOR 1/4NPT	3
N/S	54-12932-006	CONN, MALE 3/8-3/8 MPT FOR AIR BRAKE	1
N/S	54-12934-006	ELBOW, 45° 3/8NPT X 3/8T	1
N/S	54-12934-017	FITTING, ELBOW, 45° 3/8NPTX#10 NYLON	2
N/S	54-12935-002	ELBOW 90° 1/4X1/4MPT AIR BRAKE	4
N/S	54-12935-003	ELBOW, 90° 3/8NPT X 1/4T	1
N/S	54-12935-006	ELBOW, 90° 3/8NPT X 3/8T	5
N/S	54-12948-004	ELBOW, 90° 1/4FX1/4M BRASS STREET ELBOW	3
N/S	54-12957-006	PLUG, HXHD 3/8MPT BRASS	2
N/S	54-13093-004	CONN, BULKHEAD, BRASS 1/4NPT X 3/4-16	2
N/S	54-42689-004	ELBOW-UNION 90 AIR BRAKE 1/4 TUBE SIZE	1
N/S	54-42689-006	ELBOW-UNION 90 AIR BRAKE 3/8 TUBE SIZE	1
N/S	54-42689-008	ELBOW-UNION 90 AIR BRAKE 1/2 TUBE SIZE	1
N/S	54-42689-010	ELBOW-UNION 90 AIR BRAKE 5/8 TUBE SIZE	2

AIR PIPING COMPONENTS

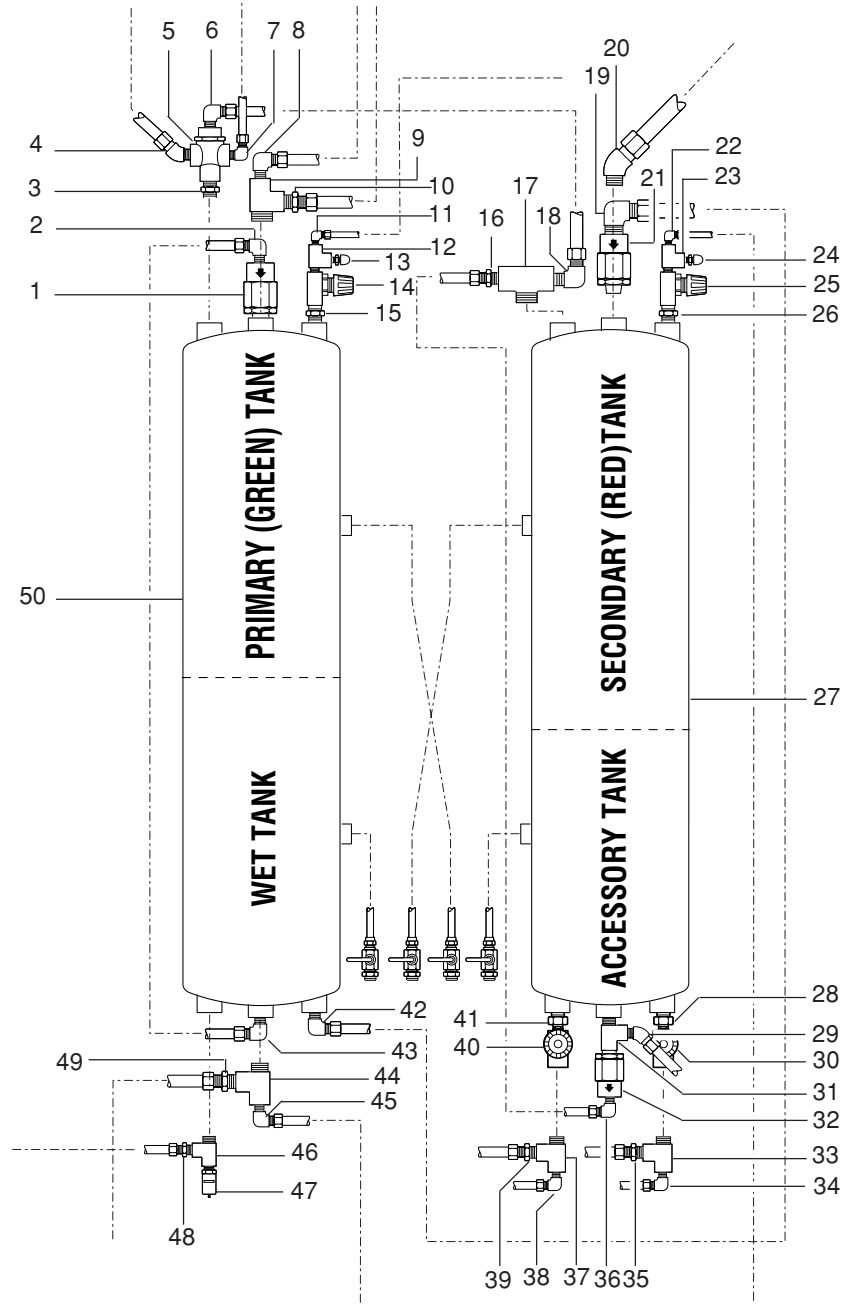
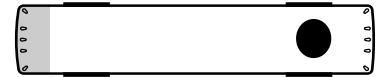


04-0165-
 0703A,C,E,M+(A+0700E,N)
 04-002729
 04-0165-0703A,C,E, M
 04-0168-0701A
 13-0210-0700E, N

AIR TANKS AND FITTINGS

Item	PartNo.	Description	Qty
1.	53-21756-000	VALVE, SGL CHECK 1/2	1
2.	54-12935-013	FITTING, ELBOW 90° 1/2PTX5/8 TUBE	1
3.	54-12956-007	NIPPLE, HEX 1/2X3/8MPT, BRASS	1
4.	54-12934-009	ELBOW, 45° 3/8MPT X 1/2T	1
5.	53-20338-000	VALVE, DOUBLE CHECK	1
6.	54-12935-009	ELBOW, 90° 3/8NPT X 1/2T	1
7.	54-12935-005	ELBOW, 90° 1/4NPT X 3/8T	1
8.	54-12935-013	FITTING, ELBOW 90° 1/2PTX5/8 TUBE	1
9.	54-12955-008	STREET TEE, BRASS, 1/2 FPT X 1/2 MPT	1
10.	54-12932-013	FITTING, MALE CONN AIR BRAKE 5/8X1/2M	1
11.	54-12934-005	ELBOW, BRASS 45° 3/8T X 1/4MPT AIR BRAKE	1
12.	54-12955-004	STREET TEE, BRASS, 1/4 FPT X 1/4 MPT	1
13.	53-16247-021	VALVE, 1/4 MPT	1
14.	53-28784-000	REGULATOR, PRESSURE	1
15.	54-12956-004	NIPPLE, HEX 1/4X1/4MPT, BRASS	1
16.	54-12932-007	CONN, MALE3/8X1/2 MPT AIR BRAKE	1
17.	54-12954-008	BRASS, MALE BRANCH TEE, 1/2	1
18.	54-12935-010	FITTING, ELBOW, 90° 1/2 X1/2MPT	1
19.	54-12935-013	FITTING, ELBOW 90° 1/2PTX5/8 TUBE	1
20.	54-12934-013	FITTING, ELBOW, 45° 5/8 TUBEX1/2 M	1
21.	53-21756-000	VALVE, SGL CHECK 1/2	1
22.	54-12934-005	ELBOW, BRASS 45° 3/8T X 1/4MPT AIR BRAKE	1
23.	54-12955-004	STREET TEE, BRASS, 1/4 FPT X 1/4 MPT	1
24.	53-16247-021	VALVE, 1/4 MPT	1
25.	53-28784-000	REGULATOR, PRESSURE	1
26.	54-12956-004	NIPPLE, HEX 1/4X1/4MPT, BRASS	1
27.	04-39207-000	TANK AIR 9 INCH STEEL	1
28.	54-12956-004	NIPPLE, HEX 1/4X1/4MPT, BRASS	1
29.	54-12934-008	ELBOW, 45° 1/4MPT X 1/2T	1
30.	53-15022-002	VALVE, AIR PROTECTION	1
31.	54-12955-004	STREET TEE, BRASS, 1/4 FPT X 1/4 MPT	1
32.	53-00329-000	VALVE, SINGLE CHECK	1
33.	54-12955-004	STREET TEE, BRASS, 1/4 FPT X 1/4 MPT	1
34.	54-12935-005	ELBOW, 90° 1/4NPT X 3/8T	1
35.	54-12932-005	FITTING, 3/8TX1/4MPT BRAKE	1
36.	54-12935-005	ELBOW, 90° 1/4NPT X 3/8T	1
37.	54-12955-004	STREET TEE, BRASS, 1/4 FPT X 1/4 MPT	1
38.	54-12935-005	ELBOW, 90° 1/4NPT X 3/8T	1
39.	54-12932-005	FITTING, 3/8TX1/4MPT BRAKE	1
40.	53-15022-002	VALVE, AIR PROTECTION	1
41.	54-12956-004	NIPPLE, HEX 1/4X1/4MPT, BRASS	1
42.	54-12935-013	FITTING, ELBOW 90° 1/2PTX5/8 TUBE	1
43.	54-12935-013	FITTING, ELBOW 90° 1/2PTX5/8 TUBE	1
44.	54-12955-008	STREET TEE, BRASS, 1/2 FPT X 1/2 MPT	1
45.	54-12935-007	FITTING, ELBOW 90° 3/8 TUBE X 1/2PT	1
46.	54-12955-004	STREET TEE, BRASS, 1/4 FPT X 1/4 MPT	1
47.	53-00276-000	VALVE, SAFETY	1
48.	54-12932-002	CONN, MALE, AIR BRAKE 1/4X1/4 MPT	1
49.	54-12932-013	FITTING, MALE CONN AIR BRAKE 5/8X1/2M	1
50.	04-39206-000	TANK AIR 8 INCH STEEL	1
	54-44786-000	FITTING, TEE F-TYPE, 1/4NPT X 3/8 NTA	2
	54-44786-001	FITTING, TEE F-TYPE, 1/2NPT X 3/8 NTA	1
	54-44786-002	FITTING, TEE F-TYPE, 1/2NPT X 5/8 NTA	1

AIR TANKS AND FITTINGS

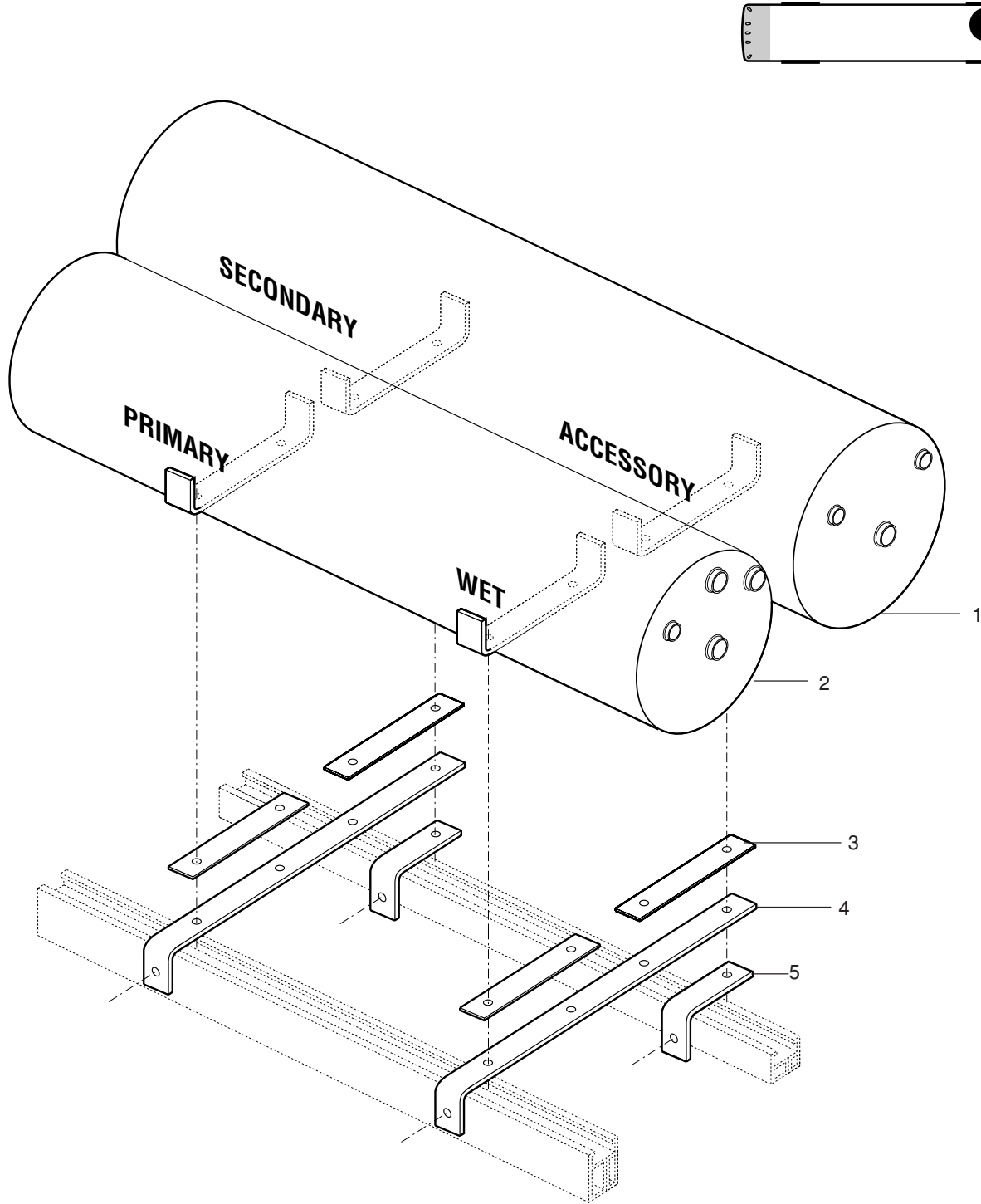


04-0165-
 0703A,C,E,M+(A+0700E,N)
 04-002184
 04-0165-0703A,C,E, M
 04-0168-0701A
 13-0210-0700E, N

AIR TANKS & MOUNTING

Item	PartNo.	Description	Qty
1.	04-39207-000	TANK, AIR 9" DUAL COMPT. (STEEL)	1
2.	04-39206-000	TANK, AIR 8" DUAL COMPT. (STEEL)	1
3.	56-00032-007	STRIP, RUBBER	4
4.	04-45627-000	BRACKET, AIR TANK MTG	2
5.	04-45626-000	BRACKET, AIR TANK MTG	2
	54-11320-003	BOLT, HXHD 3/8-16 X 1, GR5	8
	54-12602-011	LOCKWASHER, 3/8	8
	04-40206-000	INSULATION, AIR TANK	2

AIR TANKS & MOUNTING

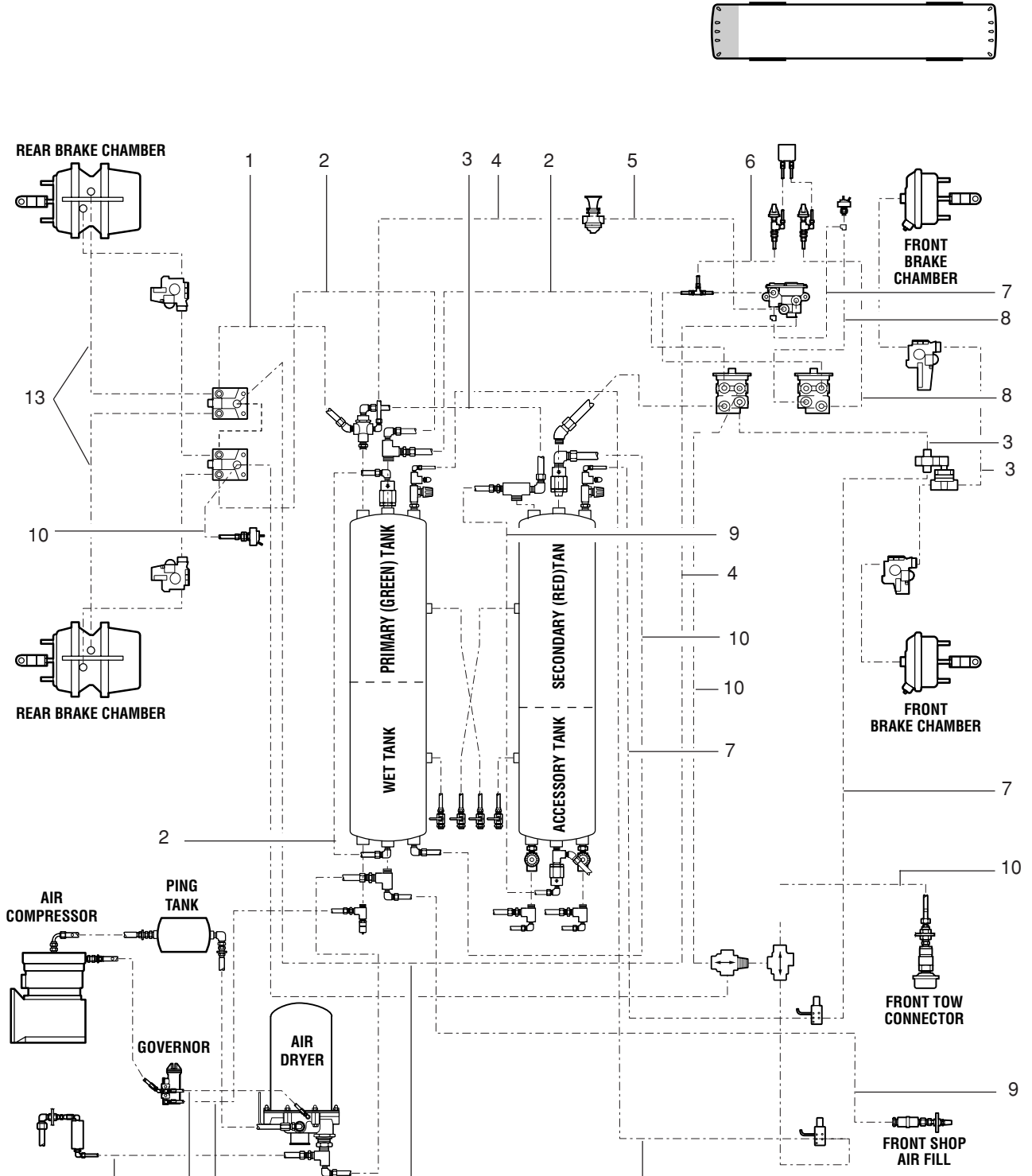


04-0165-0703A,C,E,M+(A+0700E,N)
04-001784
04-0165-0703A,C,E, M
04-0168-0701A
13-0210-0700E, N

AIR PIPING

Item	PartNo.	Description	Qty
1.	56-14054-000	TUBING, NYLON, .50 BROWN	A/R
2.	56-14052-000	TUBING, NYLON, .62 GREEN	A/R
3.	56-14042-000	TUBING, NYLON, .50 RED	A/R
4.	56-14053-000	TUBING, NYLON, .38 BROWN	A/R
5.	56-21888-000	TUBING, NYLON, .62 RED	A/R
6.	56-14049-000	TUBING, NYLON, .25 GREEN	A/R
7.	56-14041-000	TUBING, NYLON, .38 RED	A/R
8.	56-14040-000	TUBING, NYLON, .25 RED	A/R
9.	56-14037-000	TUBING, NYLON, .38 BLACK	A/R
10.	56-14050-000	TUBING, NYLON, .38 GREEN	A/R
11.	56-14036-000	TUBING, NYLON, .25 BLACK	A/R
12.	56-27280-000	TUBING, NYLON, .25 YELLOW	A/R
13.	56-14036-000	TUBING, NYLON, .50 GREEN	A/R
	56-14037-000	TUBING, NYLON, .38 BLACK	A/R
	56-14038-000	TUBING, NYLON, .50 BLACK	A/R
	56-21886-000	TUBING, NYLON, .62 RED	A/R
	56-09015.012.00	HOSE, SILICONE, .75	A/R
	54-12953-004	PIPE TEE, BRASS 1/4	1
	54-12956-006	NIPPLE, HEX 3/8X3/8 MP, BRASS	1
	54-12948-002	ELBOW, 90 1/8FX1/8M STREET	1
	55-00274-001	FITTING, AIR MANIFOLD	1
	04-37687-000	CLAMP, PIPING &HARNESSES	A/R
	04-37690-000	CLAMP, PIPING &HARNESSES	A/R
	04-45754-000	CLAMP, PIPING &HARNESSES	A/R
	04-45287-000	BRACKET, CLAMP PIPING	1
	04-374688-000	PLATE REINF. FRT. WHEEL ROUTIMG	2
	04-37691-000	PLATE REINF. FRT. WHEEL ROUTIMG	1
	04-47930-000	PLATE, REINF.	1

AIR PIPING

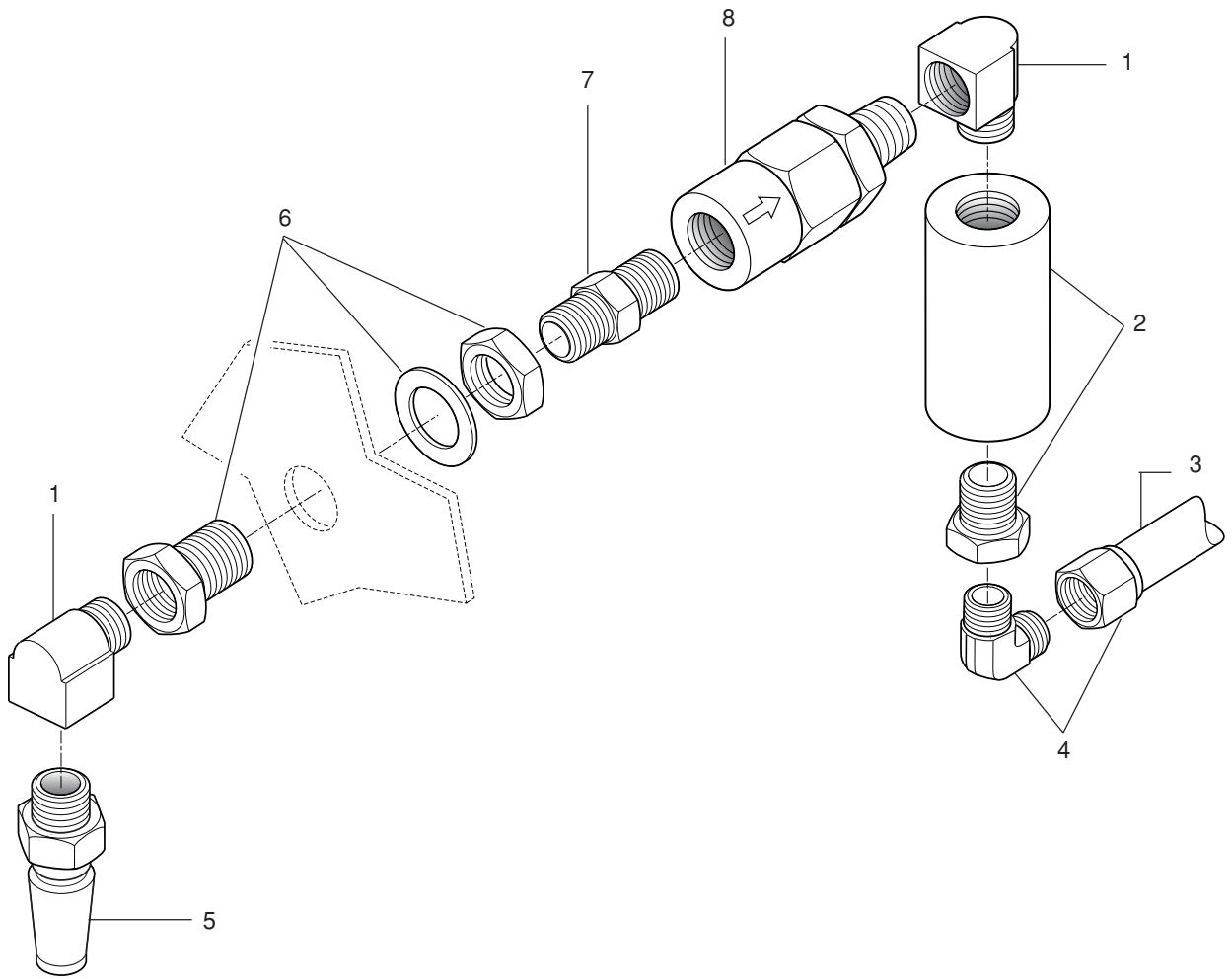
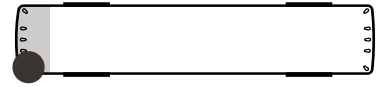


04-0165-
0703A,C,E,M+(A+0700E,N)
04-002729
04-0165-0703A,C,E, M
04-0168-0701A
13-0210-0700E, N

REAR SHOP AIR CONNECTOR

Item	Part No.	Description	Qty
1.	54-12948-004	ELBOW, 1/4NPT	2
2.	53-08005-008	FILTER (STRAINER), AIR	1
3.	56-14037-000	TUBE, 3/8" BLACK	A/R
4.	54-12935-005	ELBOW ASM. 90° 1/4NPT X 3/8T	1
5.	53-16247-008	VALVE, QUICK AIR 1/ 4MPT	2
6.	54-13093-004	BULKHEAD ASM, 1/4NPT	1
7.	54-12956-004	NIPPLE, 1/4NPT	1
8.	53-00329-000	VALVE, SINGLE CHECK	1

REAR SHOP AIR CONNECTOR

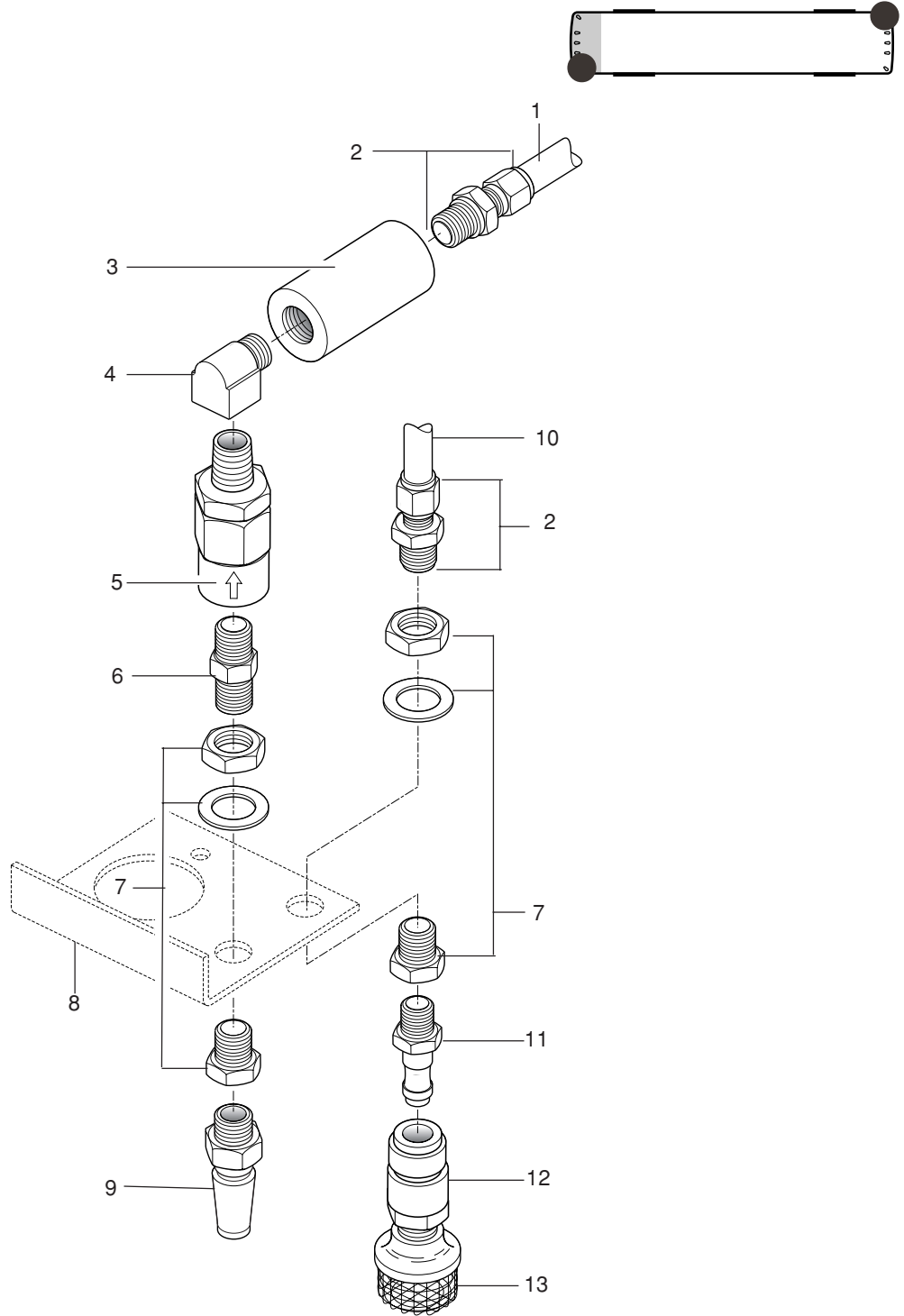


04-0170-45700 + B+A
04-004009
04-0170-45700
04-0165-0703B
04-0450-0700A

SHOP AIR & TOW CONNECTORS - FRONT

Item	Part No.	Description	Qty
<u>SHOP AIR CONNECTION</u>			
1.	56-14037-000	TUBE, 3/8" NYLON BLACK	A/R
2.	54-12932-005	ADAPTER, STRAIGHT 1/4"NPT X 3/8" TUBE	1
3.	53-08005-008	AIR FILTER	1
4.	54-12948-004	ELBOW, 90° DEG. NPT 1/4"	1
5.	53-00329-000	CHECK VALVE, SINGLE	1
6.	54-12956-004	NIPPLE, 1/4" NPT	1
7.	54-13093-004	CONNECTOR, BULKHEAD 1/4" NPT X 3/4"-16 OUTER THREAD	1
8.	REF. ONLY	BRACKET, WELDED ON HD. LITE/BUMPER CHANNEL	1
9.	53-16247-008	COUPLING, QUICK DISCONNECT AIR 1/4" MPT	1
	59-11831-000	DECAL, "MAXIMUM SHOP AIR FILL - 120 P.S.I."	A/R
<u>TOW AIR CONNECTION</u>			
10.	56-14053-000	TUBE, 3/8" NYLON BROWN	A/R
2.	54-12932-005	ADAPTER, STRAIGHT 1/4"NPT X 3/8" TUBE	1
	54-12935-006	ELBOW, 90° DEG. 3/8"NPT X 3/8" TUBE	1
7.	54-13093-004	CONNECTOR, BULKHEAD 1/4" NPT X 3/4"-16	1
11.	53-11792-000	CONNECTION, QUICK DISCONNECT, MALE	1
12.	53-16247-019	QUICK DISCONNECT, FEMALE	1
	53-16247-014	QUICK DISCONNECT	1
13.	53-28862-000	STRAINER	1

SHOP AIR & TOW CONNECTORS - FRONT

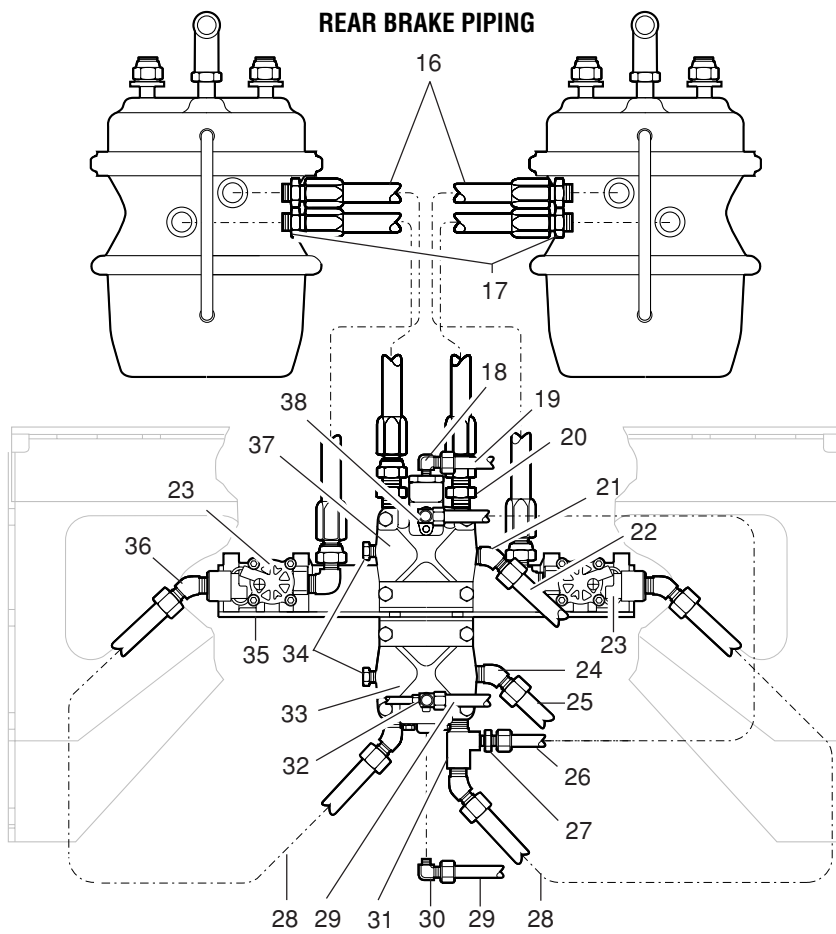
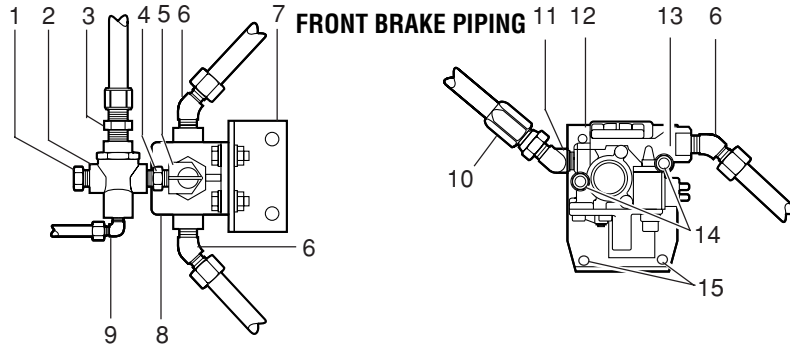
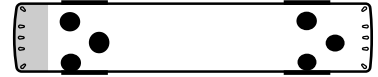


04-0170-45700 + B+A
 04-004045
 04-0170-45700
 04-0165-0703B
 04-0450-0700A

BRAKE PIPING

Item	Part No.	Description	Qty
FRONT BRAKE PIPING			
1.	54-12957-004	PLUG, HXHD 1/4" NPT	2
2.	53-20338-000	VALVE, DOUBLE CHECK	1
3.	54-12932-009	CONN., STR. 3/8" NPT X 1/2" TUBE	1
4.	54-12956-006	NIPPLE, HEX 3/8" X 3/8" MPT, BRASS	1
5.	54-12949-006	ELBOW, 3/8" NPT X 3/8" NPT	1
6.	54-12934-009	ELBOW, 45° 3/8" NPT X 1/2" TUBE	2
7.	REF. ONLY	FRAME, FRONT CENTER	1
8.	53-21580-000	VALVE, QUICK RELEASE	1
9.	54-12935-006	ELBOW, 90° 3/8" NPT X 3/8" T	1
10.	46-0818186-0270	HOSE ASM.	2
11.	54-12993-018	ADAPTER, STRAIGHT 1/2" NPT X #8 SAE	2
12.	04-43691-000	BRACKET, ABS VALVE MTG	2
13.	53-28246-001	VALVE, MODULATOR	2
14.	54-11318-012	BOLT, 5/16" X 3.25" UNC GR.5	4
	54-12600-007	FLATWASHER, 5/16"	8
	54-12540-006	NUT, 5/16" UNC NYLOCK	4
15.	54-11319-003	BOLT, 5/16" X 1.0" UNC GR.8	4
	54-12601-007	FLATWASHER, 5/16" HARDENED	8
	54-12541-006	NUT, 5/16" UNC NYLOCK	4
	56-14041-CTL	TUBING, NYLON .38" RED	1
	56-14042-CTL	TUBING, NYLON .50" RED	3
REAR BRAKE PIPING			
16.	46-0818186-0300	HOSE ASM, PARKER 293	2
	46-0818186-0240	HOSE ASM, PARKER 293	2
	54-42163-008	HOSE END, 45° FLARE FEMALE SWIVEL	1
	54-42164-008	HOSE END, MALE PIPE	1
	46-42162-000	HOSE, AIR BRAKE FC293	1
17.	54-12951-006	FITTING, 45° 3/8" TUBE X 3/8" TUBE	2
18.	54-12935-005	ELBOW, 90° 1/4" NPT X 3/8" TUBE	1
19.	56-14053-000	TUBING, NYLON .38" BROWN, FROM SPRG BRAKE RELAY VALVE	1
20.	54-12996-009	ELBOW, 45° 1/2" NPT X #8 SAE	2
21.	54-12934-010	FITTING, 45° 1/2" TUBE X 1/2" MPT	1
22.	56-14054-000	TUBING, NYLON .50 BROWN, FROM DBL CHK VLV ON AIR TANK	A/R
23.	53-28246-001	VALVE, ABS MODULATOR	2
24.	54-12934-013	ELBOW, 45° 1/2" NPT X 5/8" TUBE	1
25.	56-14052-000	TUBING, NYLON 5/8" GREEN FROM PRIMARY AIR TANK	A/R
26.	56-14050-000	TUBING, NYLON .38 "GREEN	A/R
27.	54-12932-007	CONN, STRAIGHT MALE 3/8" TUBE X 1/2" NPT	1
28.	56-14052-000	TUBING, NYLON 5/8" GREEN SBR VALVE TO ABS MOD.VALVE	A/R
29.	56-14040-000	TUBING, NYLON .25" RED SBR VALVE TO ATC VALVE	A/R
30.	54-12935-002	ELBOW, 90° 1/4" NPT X 1/4" TUBE	1
31.	54-12955-005	TEE, 1/2" NPT X 1/2" NPT	1
32.	54-12938-005	TEE, 1/4" NPT X 1/4" TUBE X 3/8" TUBE	1
33.	04-42849-000	VALVE, RELAY R-12DC - 5.5PSI	1
	04-45230-000	BRACKET, RELAY VALVE MTG	1
	53-28246-001	VALVE, MODULATOR ABS (ANTI-LOCK BRAKING SYSTEM)	1
34.	54-12957-008	PLUG, HXHD 1/2" MPT BRASS	2
35.	04-45230-000	BRACKET, ABS VALVE MTG	1
36.	54-12935-013	ELBOW, 45° 1/2" NPT X 5/8" TUBE	4
37.	53-11924-000	VALVE, PARKING BRAKE R-14 RELAY W/ ANTI-COMPOUNDING	1
38.	54-12935-004	ELBOW, 45° 1/8" NPT X 3/8" TUBE	1
	54-12955-008	STREET TEE, BRASS 1/2" FPT X 1/2" MPT	1

BRAKE PIPING



04-0172-0701B+(C)
 04-002683
 04-0172-0701B
 04-0173-0701C

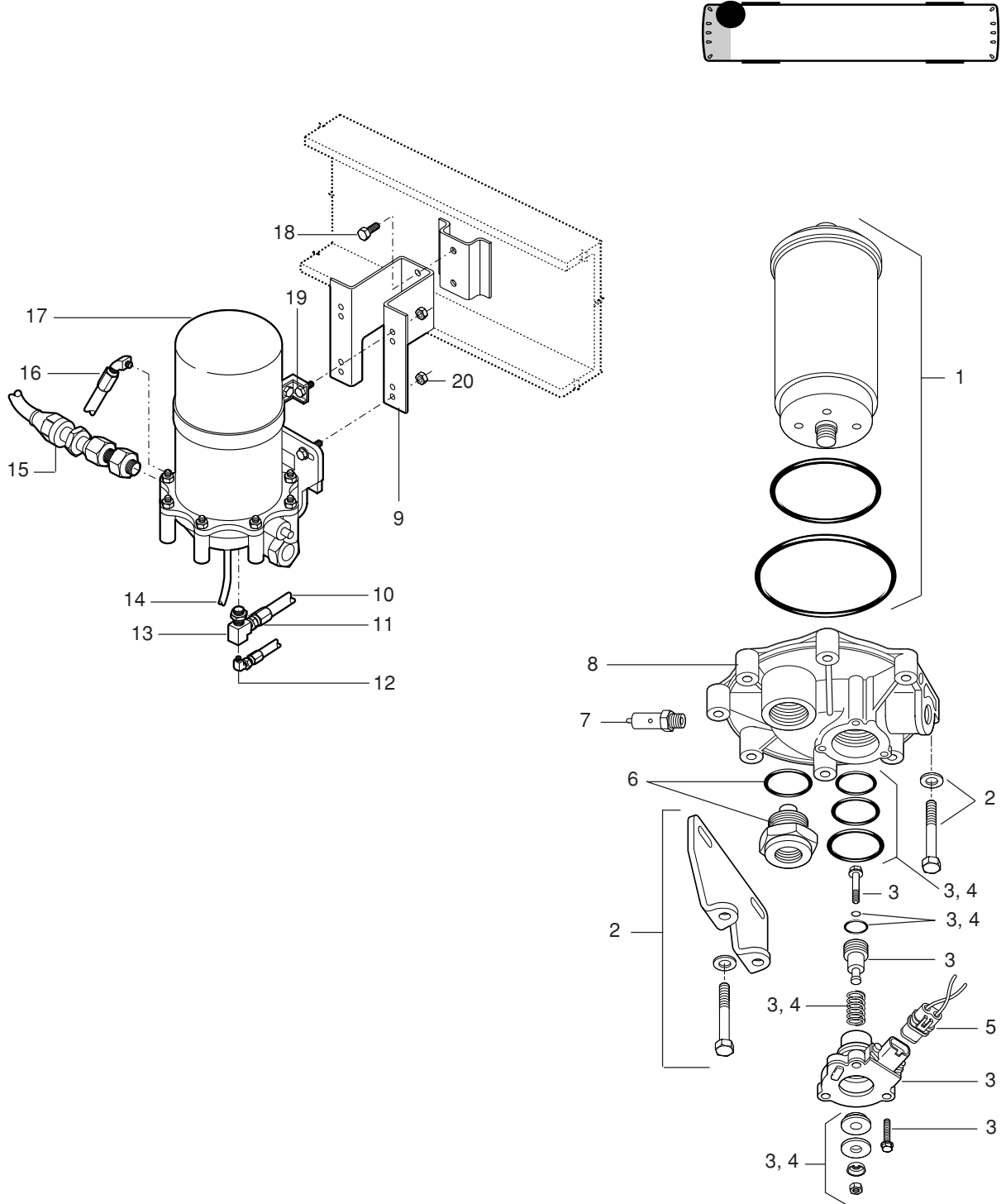
AIR TANK DRAIN VALVES

Item	Part No.	Description	Qty
1.	04-38538-005	ELBOW, 90° PUSH, 1/4 NPT X 3/8 T	4
2.	54-13093-005	CONNECTOR, BULKHEAD 1/4 NPT	4
3.	56-14037-CTL	TUBING, NYLON .38 BLACK	4
4.	54-12935-005	ELBOW, 90° 1/4 NPT X 3/8 T	4
5.	53-20873-000	VALVE, SHUTOFF, 1/4 NPT	4
6.	54-12845-006	NIPPLE, PIPE, CLOSE (SCH 40)	4
7.	54-12948-004	ELBOW, 90° 1/4F X 1/4M BRASS	4
N/S	54-12933-002	CONNECTOR, FEMALE 1/4" X 1/4" FPT AIR BRAKE	4
N/S	56-14036-027.00	TUBING, NYLON .25 BLACK DRAIN VALVE EXTENSION	A/R

AIR DRYER ASSEMBLY

Item	Part No.	Description	Qty
1.	82-10884-000	AIR DRYER DESSICCANT CARTRIDGE KIT	1
2.	82-10884-005	KIT, AD-9 MTG BRACKET ASM	1
3.	82-10884-002	VALVE ASM, AIR DRYER PURGE, 24V	1
	82-10884-001	VALVE ASM, AIR DRYER PURGE, 12V	1
4.	82-10884-003	AIR DRYER PURGE VALVE MAINT. KIT	1
5.	82-10884-007	WIRE HARNESS AND CONNECTOR, AIR DRYER	1
	50-24767-000	CABLE ASM, AIR DRYER	1
6.	82-10884-004	AIR DRYER CHECK VALVE MAINT. KIT	1
7.	82-10884-006	VALVE, SAFETY, AIR DRYER	1
8.	REF ONLY	DRYER BASE (<i>NOT SOLD SEPARATELY</i>)	1
9.	04-45407-000	BRACKET, AIR DRYER	1
10.	56-14039-000	TUBE, BLACK 5/8	1
11.	54-12932-013	FITTING, 5/8T X 1/2MPT	1
12.	54-12935-007	ELBOW, 90° 1/2NPT X 3/8T	1
13.	54-12955-008	TEE, STREET 1/2 NPT BRASS	1
14.	54-12961-010	BUSHING, HEX 1/2FPT X 3/4MPT, BRASS	1
15.	54-13007-020	FITTING, 45° ELBOW 3/4"NPT X #12 JIC	1
16.	54-12935-002	ELBOW, 90° 1/4T X 1/4MPT BRASS	1
17.	53-24601-002	DRYER, 24V AD-9 AIR	1
	04-36704-000	BRACKET, AIR DRYER	1
	54-12935-002	ELBOW 90° 1/4" X 1/4 MPT	1
18.	54-11324-016	BOLT, 1/2" UNC X 4.5" GR.5	2
	54-12601-010	FLATWASHER, 1/2" HARDENED	4
	54-12540-009	NUT, 1/2" UNC NYLON LOCK INSERT GR.5	2
19.	54-11320-004	BOLT, 3/8" UNC X 1.25" GR.5	4
20.	54-12540-007	NUT, 3/8" NYLON LOCK INSERT GR.5	4
	54-12600-008	FLATWASHER, 3/8"	8

AIR DRYER ASSEMBLY

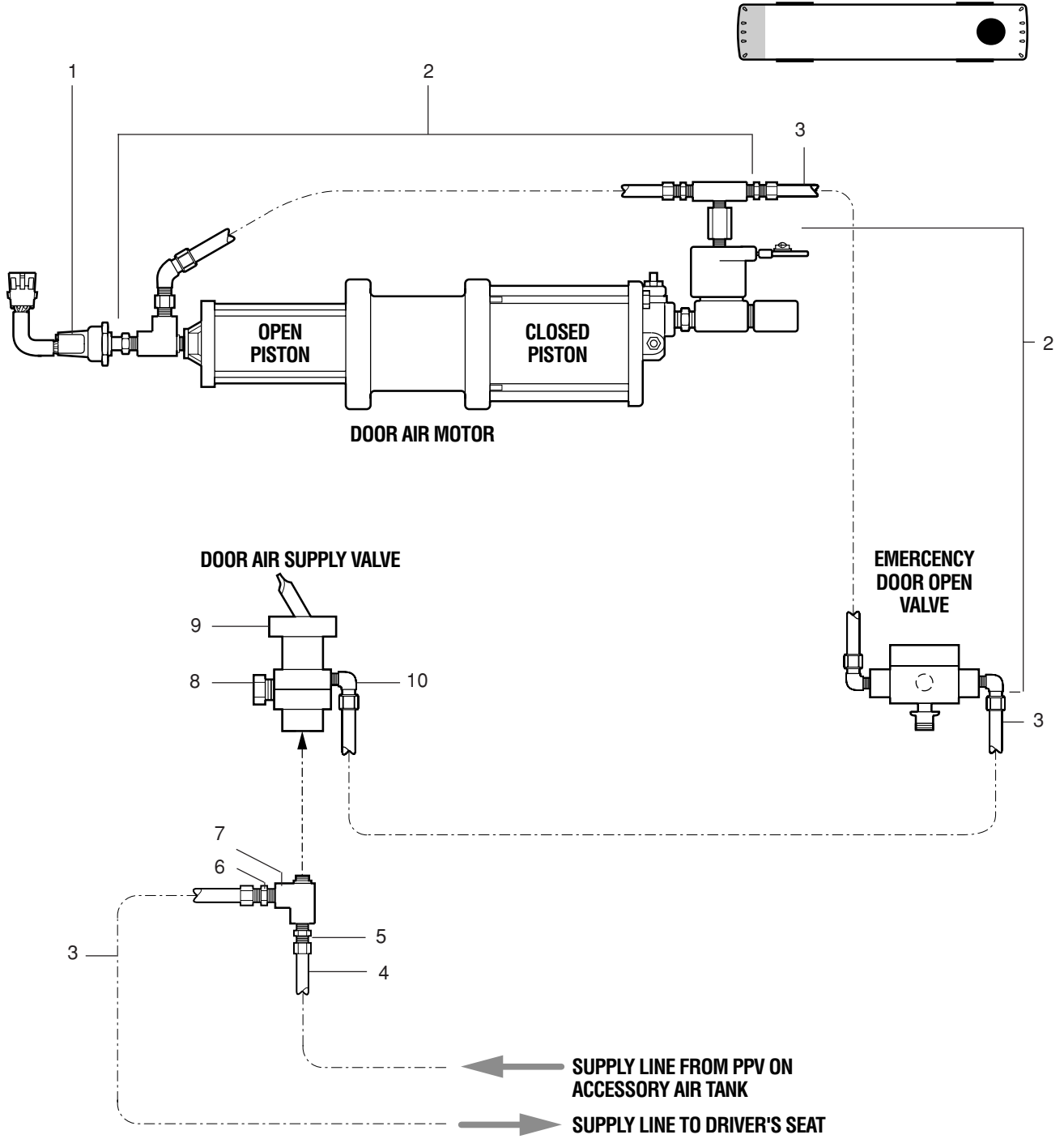


04-0180-0703A+(A)
 04-003170
 04-0180-0703A
 04-0185-0700A

DOOR CONTROL PIPING

Item	Part No.	Description	Qty
1.	51-23405-000	SWITCH, EMERGENCY BRAKE PRESSURE	1
2.	REF ONLY	MOTOR AND PIPING (SUPPLIED W/ DOOR ASM)	1
3.	56-14037-000	TUBING, NYLON .38 BLACK	A/R
4.	56-14036-000	TUBING, NYLON .25 BLACK	A/R
5.	54-12932-004	FITTING, AIR 3/8 X 1/4MPT	1
6.	54-12932-001	FITTING, AIR 1/8 X 1/4 MPT	1
7.	54-12955-002	TEE, STREET 1/8 BRASS	1
8.	54-12957-002	PLUG, 1/8NPT	1
9.	53-17469-000	VALVE, AIR SUPPLY	1
10.	54-12935-004	ELBOW, 90° 1/8 NPT X 3/8	1

DOOR CONTROL PIPING



04-0401-0701F,H
04-002042
04-0401-0701F, H

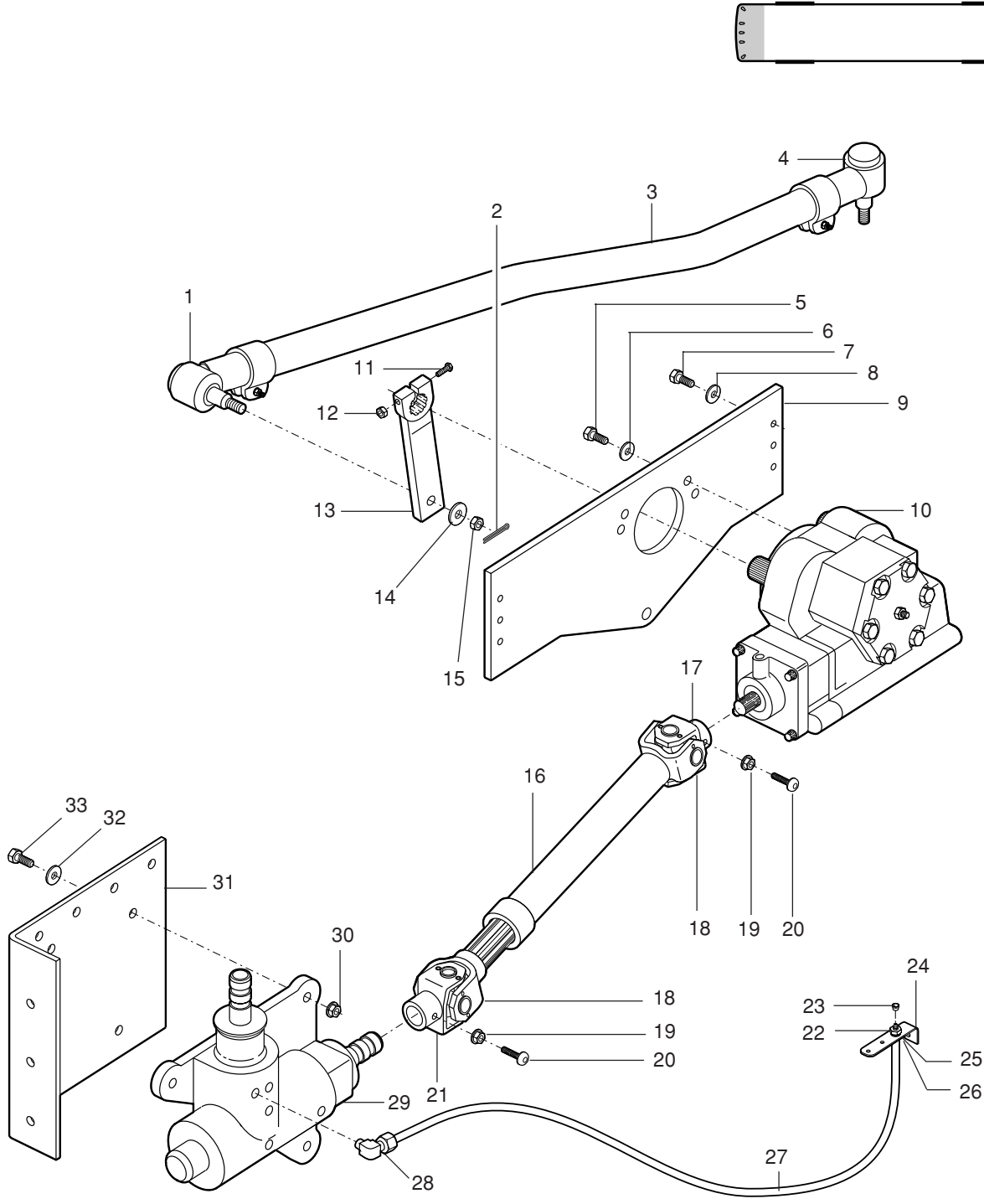
Section 5- Steering/Hydraulics

Steering Gear Mounting	216
Steering Gear Assembly	218
Steering Mitre Box	220
Steering Column and Mounting	222
Steering Column Assembly	224
Power Steering Pump	226
Power Steering Piping	228
Hydraulic Fluid Reservoir	230

STEERING GEAR MOUNTING

Item	Part No.	Description	Qty
1.	82-20993-000	SOCKET END, RH THREAD	1
2.	54-13116-012	PIN, COTTER 5/32X1.5 EXT PRONG	2
3.	05-35402-000	DRAGLINK ASM	1
	82-20991-000	TUBE, DRAG LINK W/CLAMPS	1
	82-20992-000	CLAMP, DRAGLINK ENDS	2
4.	82-20994-000	SOCKET END, LH THREAD	1
5.	54-11355-007	BOLT, HXHD 3/4-16X2 GR.8	4
6.	54-12601-013	FLATWASHER, 3/4 HARD	4
7.	54-11349-006	BOLT, FLANGE HD. 1/2"-20 UNF X 1.75" GR.8	6
8.	54-12601-010	FLATWASHER, 1/2 HARD FLAT	6
	54-12550-009	LOCKNUT, NYLOK 1/2-20 GR5	6
9.	05-45365-000	PLATE, STEERING GEAR MTG	1
10.	05-41048-000	GEAR ASM, STEERING (SEE ALSO FOLLOWING PAGES)	1
	54-11331-016	BOLT, HXHD 3/4"-10 X 4.5 GR8	1
	54-12541-012	LOCKNUT, NYLOK 3/4"-10 GR8	1
	54-12601-013	FLATWASHER, 3/4" HARD FLAT	A/R
11.	54-11357-007	BOLT 7/8"-14 X 2.0" GR8	1
12.	54-12551-013	LOCKNUT, 7/8"-14 UNF GR.8	1
13.	05-37315-000	ARM, PITMAN	1
14.	54-12601-014	FLATWASHER, 7/8" HARDENED	A/R
15.	82-11148-000	NUT, CASTLE 7/8"-14 UNF GR.8	1
16.	05-37302-000	SHAFT ASM, STEERING	1
17.	82-21004-000	YOKE , STEERING	1
18.	82-20910-000	U-JOINT	2
19.	54-12551-007	LOCKNUT, NYLOK 3/8"-24 GR8	2
20.	54-11345-006	BOLT, HXHD 3/8"-24X1.75 GR8	2
21.	82-21005-000	YOKE, STEERING	1
22.	82-20527-000	ZERK, REMOTE GREASE FITTING	1
23.	82-20539-000	COVER, ZERK, GREASE FITTING	1
24.	06-40222-000	BRACKET, FOR REMOTE GREASE ZERK	1
25.	54-13093-002	CONN, BRASS FOR REMOTE GREASE ZERK	1
26.	54-12932-001	CONN, MALE 1/8" MPT X 1/4"	1
27.	56-14049-000	TUBING, NYLON .25 GRN	A/R
28.	54-12935-001	ELBOW, 90° 1/8NPT X 1/4"T	1
29.	05-37281-000	GEAR, STEERING MITER BOX (SEE ALSO FOLLOWING PAGES)	1
30.	54-12550-009	LOCKNUT, NYLOK 1/2"-20 GR5	3
31.	05-36667-000	BRACKET, STEERING MITER BOX	1
32.	54-12601-010	WASHER, 1/2" HARD FLAT	7
33.	54-11349-007	BOLT, HEX HD. 1/2"-20 X 2.0" GR.8	4
	54-11349-006	BOLT, FLANGE HD. 1/2"-20 UNF X 1.75" GR.8	3
	54-12550-009	NUT, 1/2"-20 GR.5	3

STEERING GEAR MOUNTING

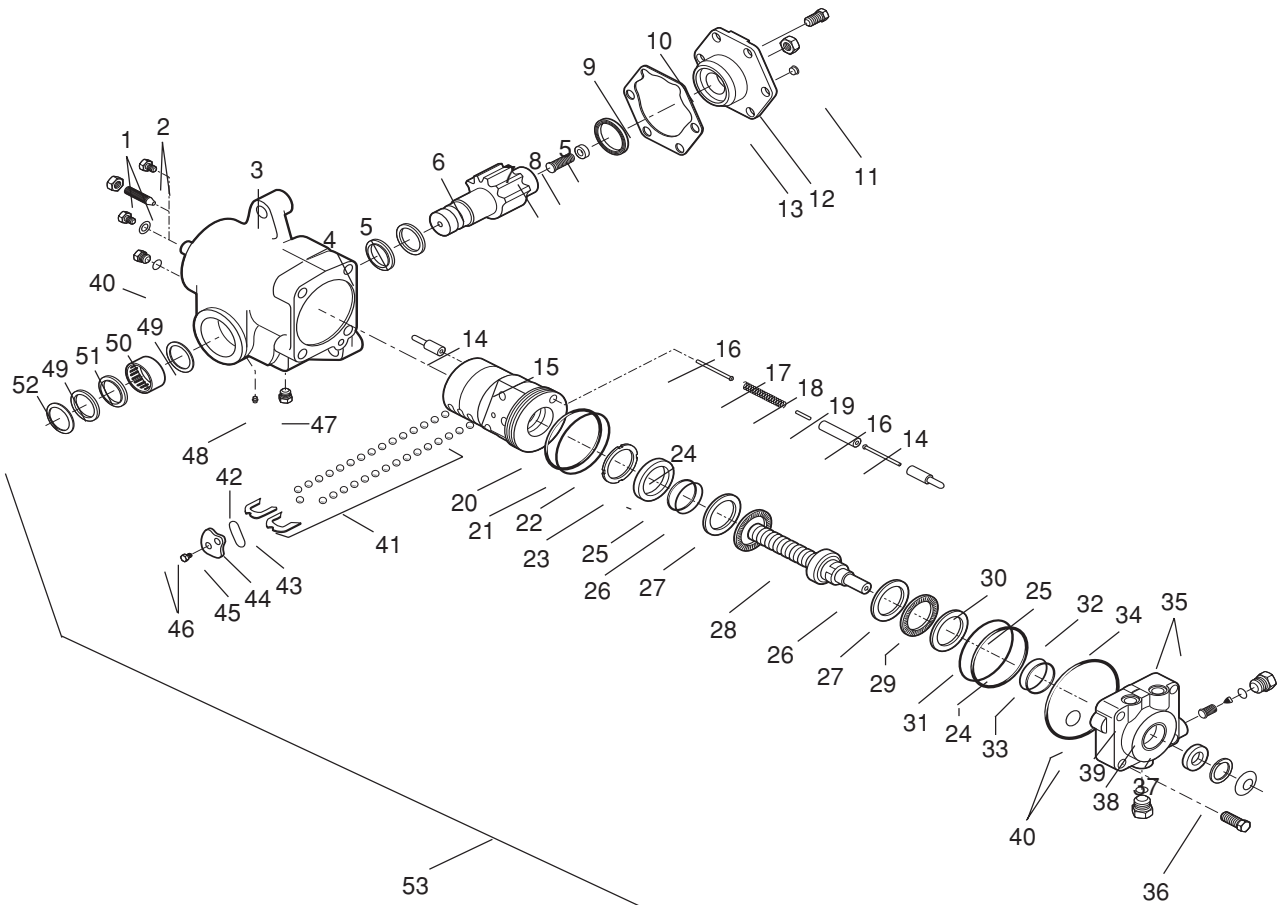
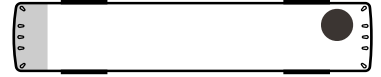


05-0006-0702A,C,D
05-003765
05-0006-0702A, C, D

STEERING GEAR ASSEMBLY

Item	Part No.	Description	Qty
1.	53-23592-000	POPPET ADJ SCREW & JAM NUT KIT	1
2.	82-11656-003	SCREW, FIXED STOP, STEERING GEAR	1
3.	82-11671-006	HOUSING ASM, SERVICE, STEERING GEAR	1
4.	82-11671-000	WASHER, SPACER, STEERING GEAR	1
5.	82-11671-001*	SEAL, OUTPUT, STEERING GEAR	*2
6.	82-11671-007	SECTOR SHAFT ASM, STEERING GEAR	1
7.	82-05682-000	SCREW, ADJ SECTOR SHAFT, STEERING GEAR	1
8.	82-05799-000	RETAINER, ADJ SCREW, STEERING GEAR	1
9.	82-00511-000*	GASKET, SIDE COVER, STEERING GEAR	1
10.	82-11671-008	SIDE COVER ASM, SERVICE, STEERING GEAR	1
11.	82-11671-002	BOLTS, SPECIAL, SIDE COVER, STEERING GEAR	6
12.	82-09650-003	NUT, JAM, STEERING GEAR	1
13.	82-05786-000*	PLUG, VENT SIDE COVER, STEERING GEAR	1
14.	82-09672-005	SLEEVE ASM, POPPET, STEERING GEAR	2
15.	82-11671-005	RACK ASM, SERVICE, STEERING GEAR	1
16.	82-09672-004	POPPET, STEERING GEAR	2
17.	82-09672-002	SPRING, POPPET, STEERING GEAR	1
18.	82-09672-001	ROD, SPACER, STEERING GEAR	1
19.	82-09672-003	TUBE, PUSH, STEERING GEAR	1
20.	82-00509-000*	O-RING, BACK-UP RACK PISTON, STEERING GEAR	1
21.	82-05764-000*	RING, TEFLON SEAL, STEERING GEAR	1
22.	82-09678-005*	LOCKNUT, ADJ, STEERING GEAR	1
23.	82-09678-004	BEARING, ADJUSTER, STEERING GEAR	1
24.	82-09678-003*	O-RING, STEERING GEAR	2
25.	82-09678-002*	RING, SEAL, STEERING GEAR	2
26.	82-09678-001	WASHER, THRUST, THIN, STEERING GEAR	1
27.	82-09672-009	BEARING, THRUST, STEERING GEAR	2
28.	82-11671-004	WORM & VALVE HOUSING ASM, STEERING GEAR	1
29.	82-09672-008	WASHER, THRUST, THICK, STEERING GEAR	1
30.	82-09678-008*	RING, SEAL, STEERING GEAR	1
31.	82-09678-007*	O-RING, VALVE HOUSING, STEERING GEAR	1
32.	82-00509-000*	O-RING, VALVE HOUSING, STEERING GEAR	1
33.	82-09681-005*	RING, SEAL, VALVE HOUSING, STEERING GEAR	1
34.	82-11671-003	VALVE HOUSING ASM, STEERING GEAR	1
35.	82-09681-008	KIT, RELIEF VALVE CAP & O-RING, STEERING GEAR	1
36.	82-09681-002	BOLT, VALVE HOUSING, STEERING GEAR	4
37.	82-09672-006*	SEAL, DIRT & WATER, STEERING GEAR	1
38.	82-09681-001*	RING, RETAINING, STEERING GEAR	1
39.	82-09678-009*	SEAL, INPUT SHAFT, STEERING GEAR	1
40.	82-11656-004	PORT PLUG & O-RING KIT, STEERING GEAR	1
41.	82-09653-001	BALLS, RACK ASM, STEERING GEAR	A/R
42.	82-11656-006*	GUIDE, LH BALL RETURN, STEERING GEAR	1
43.	82-11656-005*	GUIDE, RH BALL RETURN, STEERING GEAR	1
44.	82-09653-003*	SEAL, CAP, STEERING GEAR	*1
45.	82-09653-004	CAP, BALL RETURN GUIDE, STEERING GEAR	1
46.	82-00476-000*	SCREW, TORX (CAP), STEERING GEAR	1
47.	82-09682-002	PLUG, AUTO BLEED, STEERING GEAR	1
48.	82-09649-006	FITTING, GREASE, STEERING GEAR	1
49.	82-11656-007	RING, RETAINING, STEERING GEAR	2
50.	82-11656-008	BEARING, ROLLER, STEERING GEAR	1
51.	82-11656-009	SEAL, DIRT, STEERING GEAR	1
52.	82-11656-010*	SEAL, DIRT & WATER, STEERING GEAR	1
53.	05-41048-000	GEAR ASM., TRW TAS65 - STEERING	1

STEERING GEAR ASSEMBLY



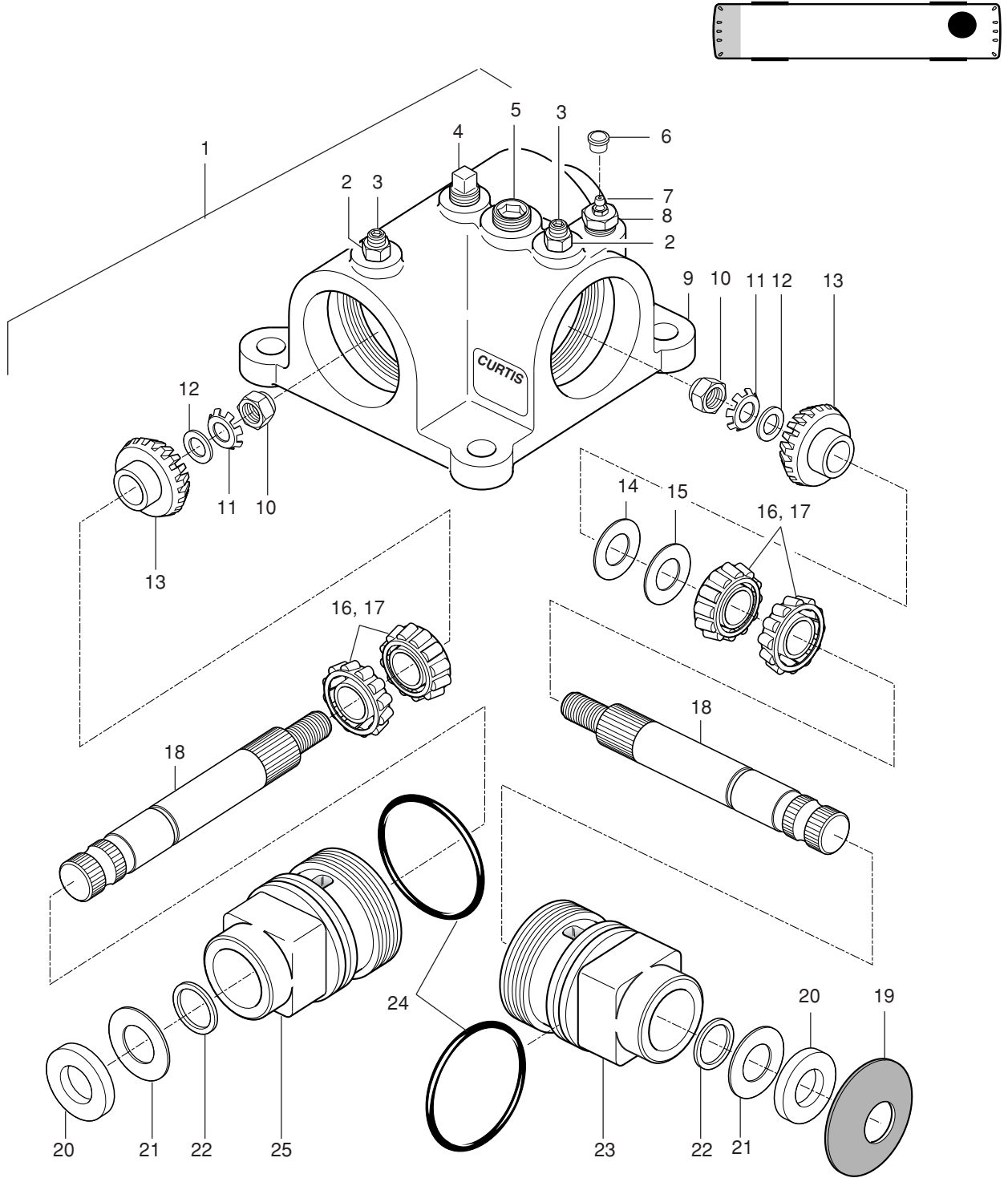
* INDICATES ITEMS ARE INCLUDED IN SEAL KIT 82-10431-000*

05-0006-0702A,C,D
05-000119
05-0006-0702A, C, D

STEERING MITRE BOX

Item	Part No.	Description	Qty
1.	05-37281-000	BOX, STEERING GEAR MITRE	1
2.	82-20533-000	LOCKNUT	2
3.	82-20532-000	SCREW, SET	2
4.	82-20545-000	PLUG, OIL	1
5.	82-20528-000	PLUG, PIPE (VENTED)	1
6.	REF. ONLY	COVER, (SEE REMOTE GREASE ZERK FITTING)	1
7.	REF. ONLY	ZERK, GREASE (SEE REMOTE GREASE ZERK FITTING)	1
8.	REF. ONLY	REDUCER (SEE REMOTE GREASE ZERK FITTING)	1
9.	82-20517-000	HOUSING, MITRE BOX	1
10.	82-20529-000	LOCKNUT	2
11.	82-20530-000	LOCKWASHER	2
12.	82-20531-000	WASHER	2
13.	82-20520-000	GEAR, MITRE BOX	2
14.	82-20534-000	RING, NILOS	1
15.	82-20525-000	SHIM, .010	1
16.	82-20522-000	CONE, BEARING	4
17.	82-20521-000	CUP, BEARING	4
18.	82-20523-000	SHAFT, MITRE BOX	2
19.	82-20536-000	UMBRELLA, MITRE BOX	1
20.	82-20524-000	SEAL, CAP	2
21.	82-20537-000	RING, RETAINING	2
22.	82-20535-000	COLLAR, CAP	2
23.	82-20519-000	CAP, MITRE BOX	1
24.	82-20538-000	O-RING, CAP	2
25.	82-20518-000	CAP, MITRE BOX	1

STEERING MITRE BOX

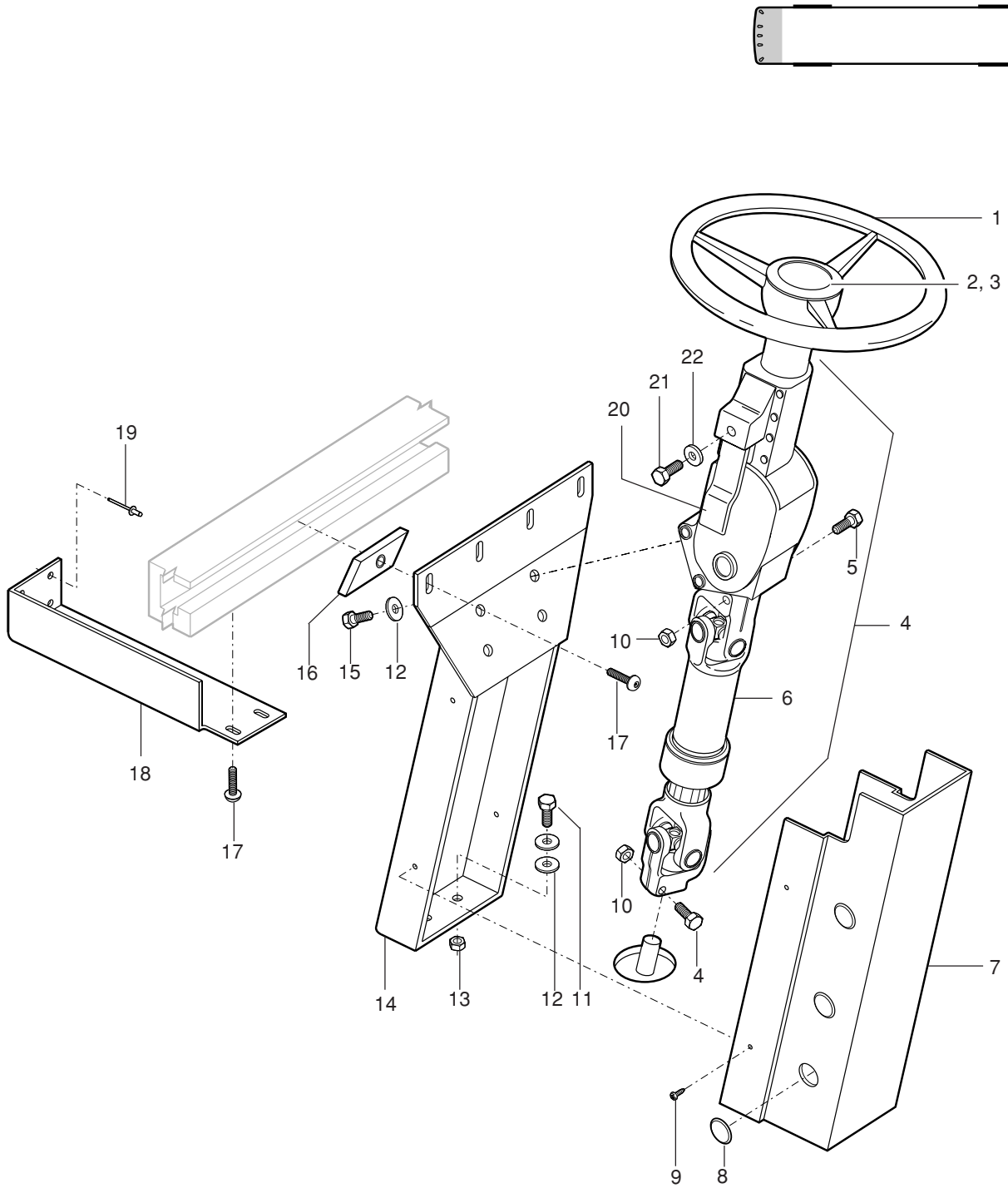


05-0006-0702A,C,D
05-002356
05-0006-0702A, C, D

STEERING COLUMN AND MOUNTING

Item	Part No.	Description	Qty
1.	53-09635-000	WHEEL, STEERING PADDED	1
2.	53-02123-000	KIT, HORN	1
3.	05-44349-000	BUTTON, HORN	1
4.	53-21060-000	COLUMN ASM, (REFER TO FOLLOWING PAGES)	1
5.	54-11345-006	BOLT, HXHD 3/8-24 X 1.75 GR8	2
6.	05-37322-000	SHAFT, STEERING	1
7.	05-45366-000	CLOSEOUT, STRG COLUMN	1
8.	55-10670-008	PLUG, 1.25" HOLE	3
9.	54-13119-024	SCREW, TRUSS HD #12 X 1.00	7
10.	54-12550-007	LOCKNUT, NYLOK 3/8-24 GR5	2
11.	54-11320-004	BOLT, HXHD 3/8-16 X 1.25 GR5	2
12.	54-12601-008	FLATWASHER, 3/8 HARD	8
13.	54-12540-007	LOCKNUT, NYLOK 3/8-16 GR5	2
14.	05-45367-000	BRACKET ASM, STRG COLUMN (SEE ALSO FT. STRUCTURE)	1
15.	54-11320-002	BOLT, HXHD 3/8-16 X 0.75 GR5	4
16.	54-37358-000	NUT PLATE, M8	6
17.	54-37359-002	BOLT, TORX BUTTON HD M8 X 20MM	6
18.	05-37300-000	BRACE, STRG COLUMN	1
19.	54-10163-006	RIVET, MONOBOLT	4
20.	45-23645-000	HANDLE ASM, COLUMN ADJ	1
21.	54-11318-002	BOLT, HXHD 5/16-18 X 0.75 GR5	1
22.	54-12602-010	LOCKWASHER, 5/16	1

STEERING COLUMN AND MOUNTING

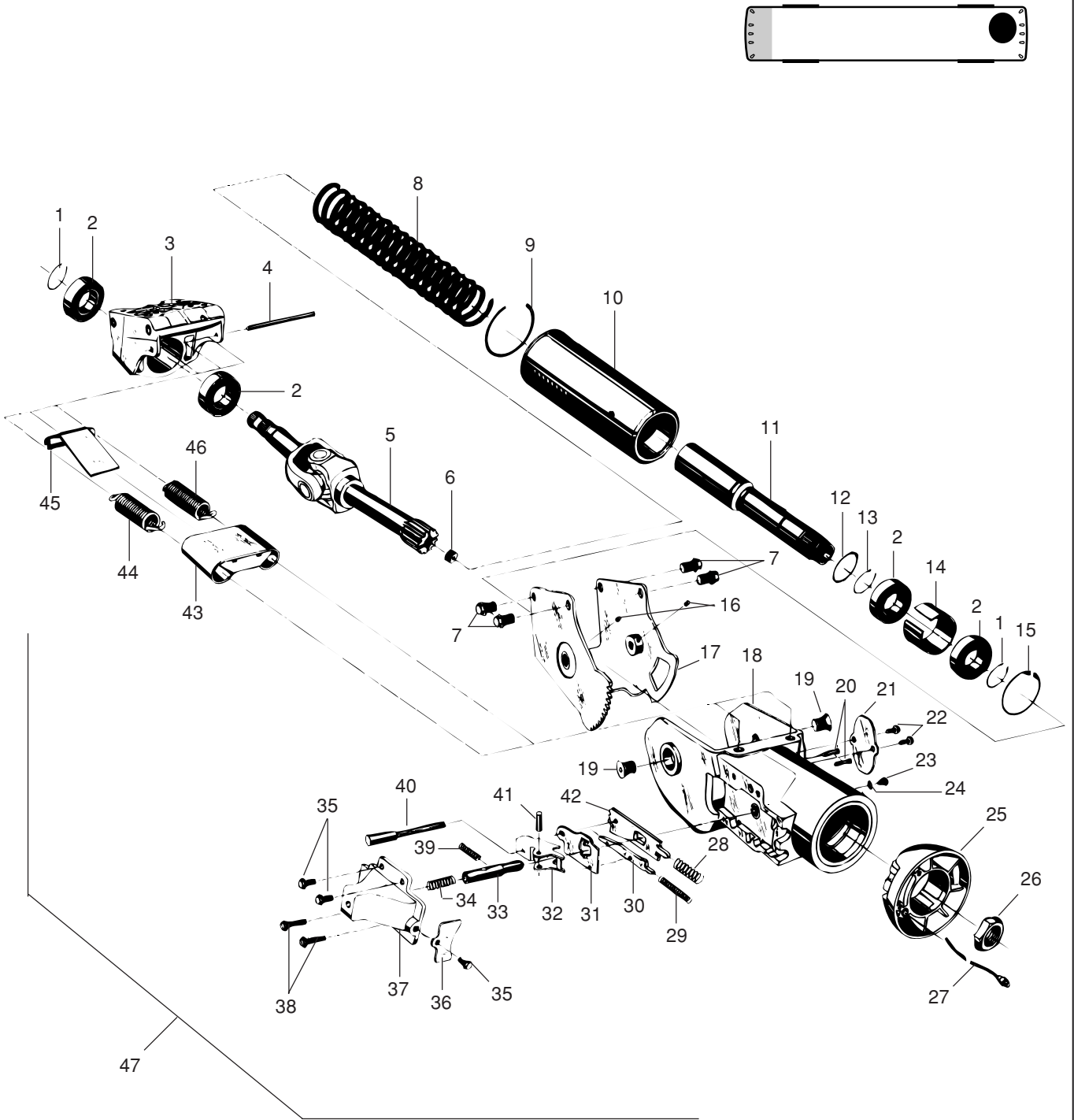


05-0051-0701A+D
05-001949
05-0051-0701A
05-0070-0700D

STEERING COLUMN ASSEMBLY

Item	Part No.	Description	Qty
1.	82-10907-002	RING, RETAINING (BOWED)	2
2.	82-10493-000	BEARING	4
3.	82-10907-000	HOUSING, LOWER BEARING	1
4.	82-10910-006	ROD, SPRING RETAINING	1
5.	82-14745	BLOCK, UNIVERSAL JOINT BEARING	1
	82-06170-002	U-JOINT ASM	1
6.	82-10907-003	PLUG, 1/8 27 DRY SEAL SOCHD PIPE	1
7.	82-10908-006	SCREW, SELF TAPPING	4
8.	82-10907-008	SPRING (EXTENDED)	1
9.	82-10910-004	RING, RETAINING	1
10.	82-10907-007	TUBE, JACKET	1
11.	82-14744	WHEEL TUBE & SLEEVE ASM	1
	82-14743	SLEEVE, SPLINED	1
	82-14742	TUBE, WHEEL	1
12.	82-10907-005	RING, RETAINING	1
13.	82-10907-006	RING, RETAINING	1
14.	82-10907-004	SPACER, BEARING	1
15.	82-08137-007	RING, RETAINING	1
16.	82-10908-003	SCREW, SOCHD SET 10-24 X 3/16	2
17.	82-08137-005	BRACKET, SUPT	1
18.	82-10908-000	HOUSING ASM, W/ COLLET	1
19.	82-10569-000	SCREW, PIVOT SOCHD 1/2-20 X 1.13	2
20.	82-08137-009	PIN, TRAVEL STOP	A/R
21.	82-10910-001	COVER, STOP	1
22.	82-10910-002	SCREW, HXHD ST 10-24 X 0.50	2
23.	82-10909-008	SCREW, STOP BUTTON HD 5/16-18	1
24.	82-10909-009	LOCKWASHER, INTERNAL TOOTH	1
25.	82-08137-008	HOUSING ASM	1
26.	54-13108-000	NUT, WHEEL 7/8-20	1
27.	82-06170-001	CONTACT ASM, BRUSH	1
28.	82-08137-003	SPRING, LOCK BAR	1
29.	82-08137-004	SPRING, WEDGELOCK	1
30.	82-08137-002	WEDGELOCK	1
31.	82-08143-000	PLATE, DISENGAGING	1
32.	82-08137-000	ACTUATOR CAM ASM (ITEMS 33, 34, 40, & 42)	1
	82-10909-001	CAM, ACTUATOR	1
33.	82-10909-002	LOCK-PIN, TELESCOPE	1
34.	82-10909-005	HOUSING, SPRING-ACTUATOR	1
35.	82-10909-007	SCREW, SELF-TAPPING 10-24 X 0.62	A/R
36.	82-10909-006	PLATE, SPRING COVER	1
37.	82-10908-007	ACTUATOR ASM, HSG & BUSHING	1
38.	82-10910-005	SCREW, SELF-TAPPING 10-24 X 0.88	1
39.	82-10909-003	SPRING, ANTI-RATTLE	1
40.	82-06170-000	LEVER, TILT & TELESCOPE	1
41.	82-10909-004	PIN, PIVOT	1
42.	82-08137-001	BAR, LOCK	1
43.	82-10570-000	COVER, UPPER SPRING	1
44.	82-10908-004	SPRING, LH (EXTEND)	1
45.	82-10571-000	COVER, LWR SPRING	1
46.	82-15564	SPRING, RH GREEN (EXTEND)	1
47.	53-21060-000	COLUMN ASM, TILT TELESCOPIC STRG	1

STEERING COLUMN ASSEMBLY

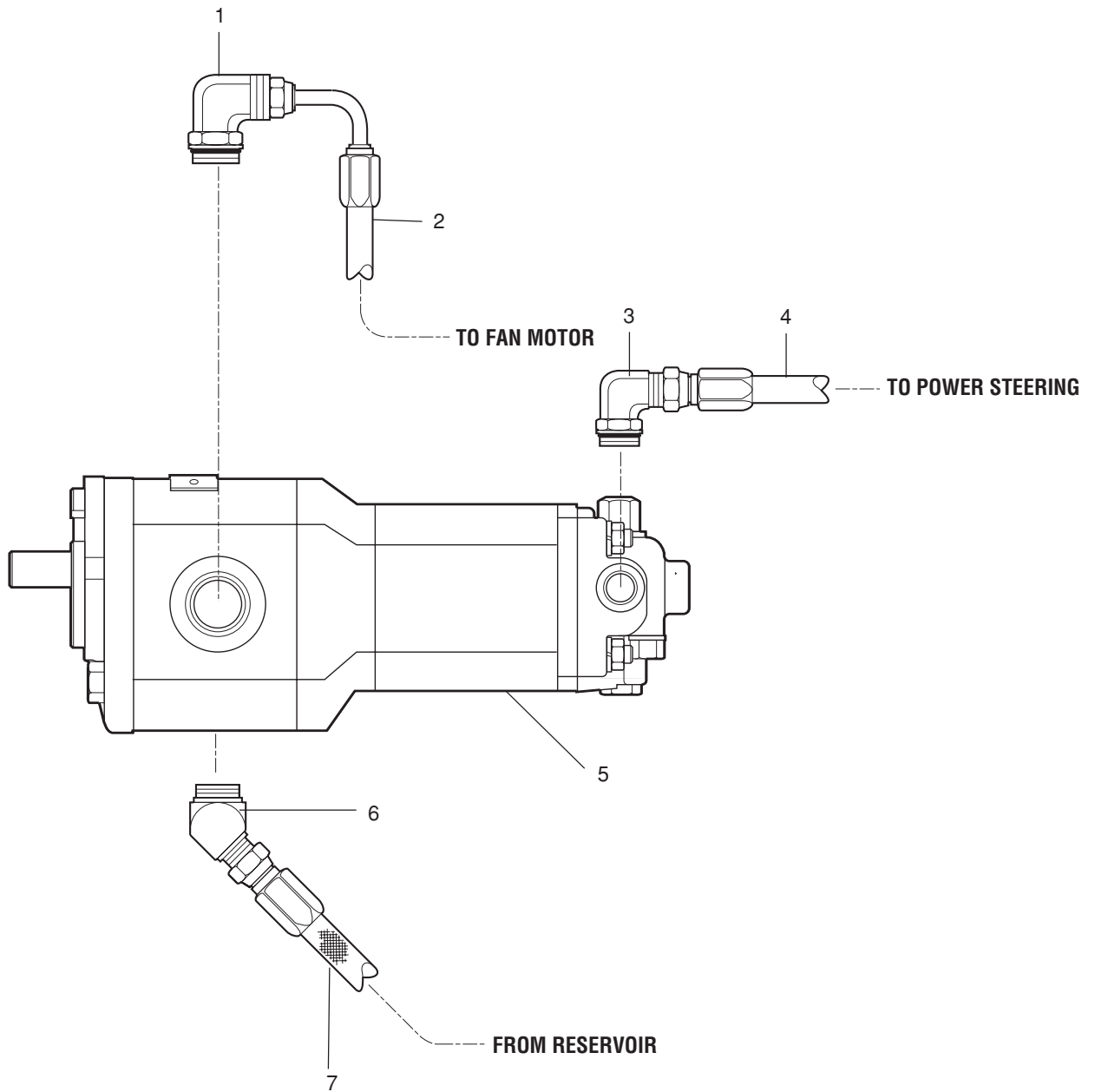


05-0051-0701A+D
 05-000122
 05-0051-0701A
 05-0070-0700D

POWER STEERING PUMP

Item	Part No.	Description	Qty
1.	54-13063-019	FITTING, ELBOW 90° 1-1/16" X #12 JIC (SUPPLY HOSE FITTING)	1
2.	46-12J6365-0630	HOSE ASM, #12 (PUMP TO MOTOR ASM.)	1
3.	54-13063-010	FITTING, ELBOW 90° 9/16"-18 X #8 JIC (TO POWER STEERING)	1
4.	46-08B1010-000	HOSE ASM, #8 (PUMP TO POWER STEERING)	1
5.	05-42481-002	PUMP, HYDRAULIC TANDEM	1
	53-24928-000	GASKET, HYDRAULIC PUMP	1
	54-13112-009	LOCKWASHER, M10 (PUMP MOUNTING)	2
	54-13113-100	BOLT, SOCKET HD. M10 X 1.5 X 30MM GR.12.9 BLK OXIDE	2
6.	54-13062-014	FITTING, ELBOW 45° 1-5/8"-12 X #20 JIC	1
7.	46-20A1010-0290	HOSE ASM, #20 (RESERVOIR SUPPLY TO PUMP)	1
N/S	54-13059-043	ADAPTER, O-RING #20, 37°	1

POWER STEERING PUMP

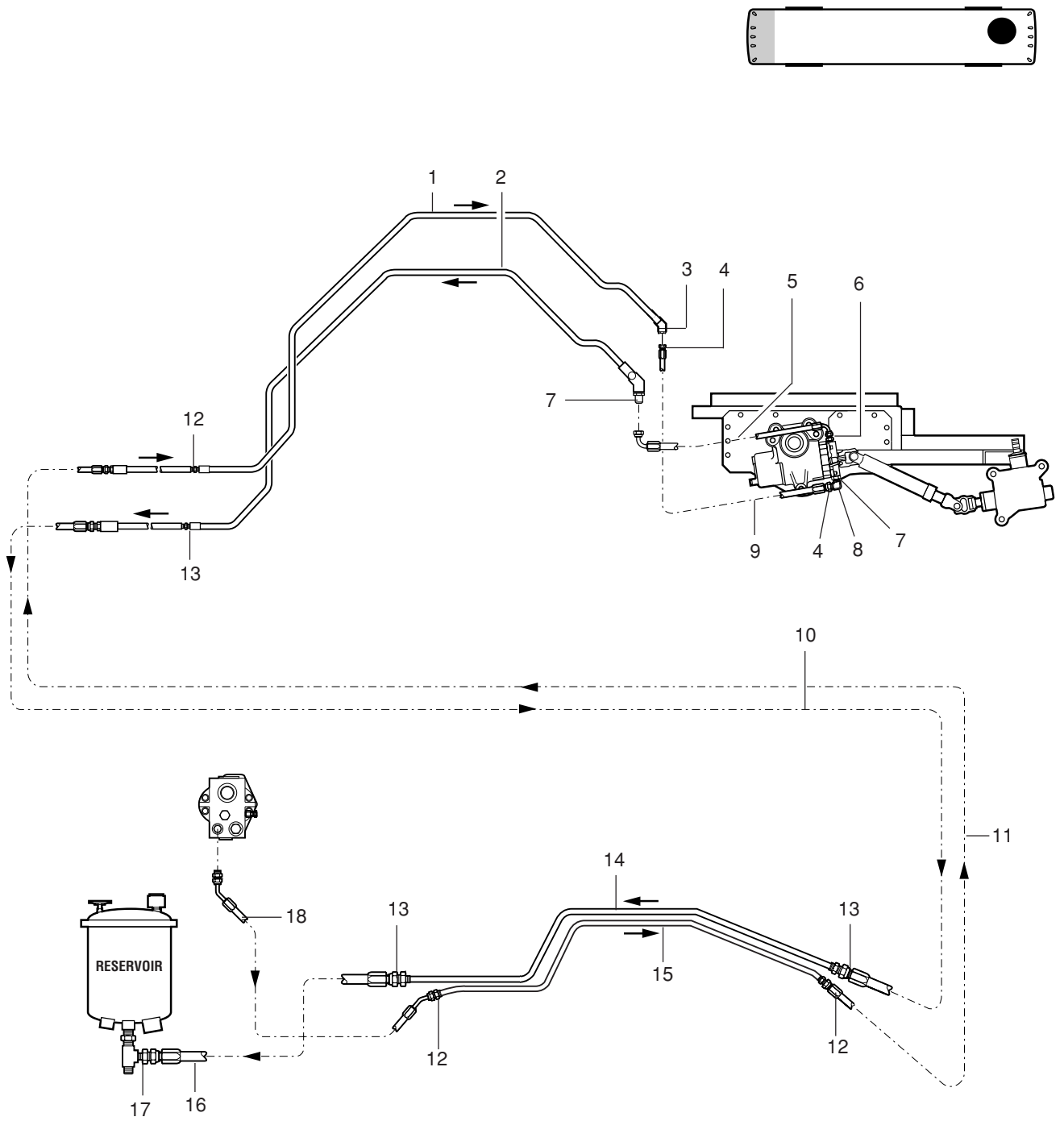


05-0100-0701C, D
05-004177
05-0100-0701C, D

POWER STEERING PIPING

Item	PartNo.	Description	Qty
1.	05-47848-000	TUBE ASM P/S SUPPLY FRT	1
2.	05-47849-000	TUBE ASM P/S RETURN FRT	1
3.	54-37750-000	BULKHEAD UNION, 45° DOUBLE MALE 3/4"-16 JIC (# 8)	1
4.	54-37750-000	BULKHEAD UNION, 45° DOUBLE MALE 3/4"-16 JIC (# 8)	1
5.	46-10A1414-000	HOSE ASM, TEFLON #10	A/R
	54-13078-010	FITTING, HOSE END #10 7/8-14	2
	56-12303-000	HOSE, AIR	A/R
6.	54-13059-021	ADAPTER, O-RING #10 X 3/4-16	1
7.	54-37750-001	UNION, BULKHEAD , 45° DOUBLE MALE 7/8"-14 JIC (#10)	1
	54-13071-008	TEE O-RING 37°	1
8.	54-13054-008	NUT, CAP 3/4-16 JIC	1
9.	46-12F6363-000	HOSE ASM, #12	A/R
	54-44086-012	HOSE END, JIC 37° STR. #12	1
	54-44088-012	HOSE END, 90° ELBOW JIC 37° #12	1
	56-25217-000	HOSE, HYD HIGH PRESS #12	A/R
10.	05-47886-000	TUBE ASM P/S RETURN CNTR	1
11.	05-47885-000	TUBE ASM P/S SUPPLY CNTR	1
	54-15406-001	CLAMP, PIPE 1/2" X 5/8"	6
	05-47897-000	SPACER, PIPE CLAMP	6
12.	54-13118-086	UNION, #8 JIC FLARE-O W/"O"-RING - SUPPLY	3
13.	54-13118-087	UNION, #10 JIC FLARE-O W/"O"-RING - RETURN	3
14.	05-47933-000	TUBE ASM, P/S RETURN, REAR FRAME #10	1
15.	05-47932-000	TUBE ASM, P/S PRESS, REAR FRAME #8	1
16.	46-10B1010-000	HOSE ASM #10	A/R
	54-13073-010	HOSE END, #10 X 3/4"-16JIC 37°	2
	56-12303-000	HOSE, BULK #10 FC300	4
17.	54-13050-016	REDUCER,#16 JIC X #10 JIC	1
18.	46-08B1010-000	HOSE ASM, #8	A/R
	54-13073-008	HOSE END, #8 X 3/4"-16JIC 37°	2
	56-12302-000	HOSE, BULK #8 FC300	4

POWER STEERING PIPING

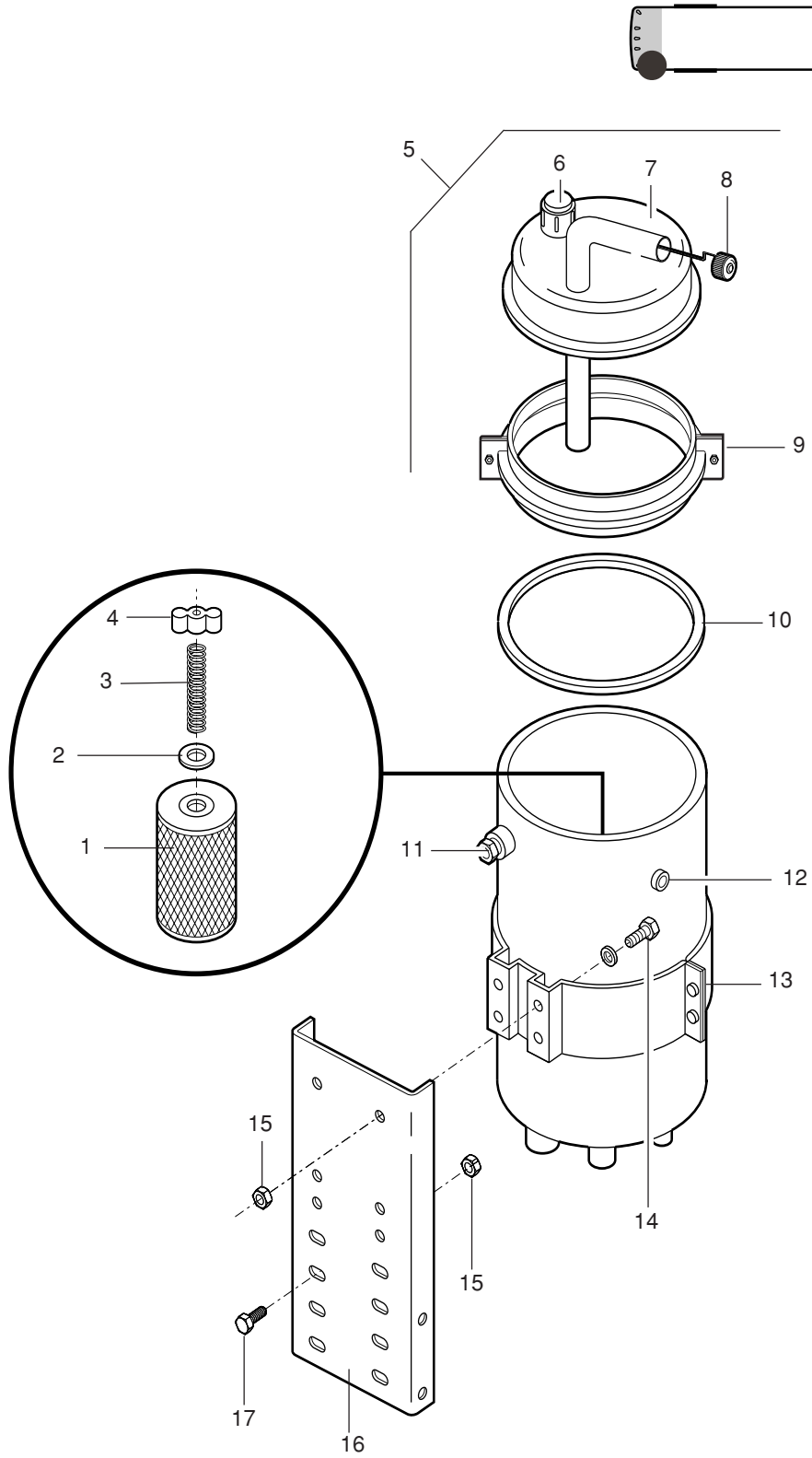


05-0110-
0700H+(0701B+0704C)
05-003509
05-0110-0700H
05-0125-0701B
05-0130-0704C

HYDRAULIC FLUID RESERVOIR

Item	Part No.	Description	Qty
1.	53-22412-002	ELEMENT, HYD FLUID FILTER	1
2.	82-00536-003	WASHER, RETAINER	1
3.	55-36628-000	SPRING, ELEMENT RETAINER	1
4.	82-00536-001	WINGNUT, RESERVOIR	1
5.	05-40111N000	RESERVOIR ASM, HYDRAULIC OIL, 9 QUART	1
6.	53-22412-005	BREATHER, HYD RES	1
7.	82-21143-000	COVER, HYD RESERVOIR	1
	05-39596-000	BRACKET, DIPSTICK TUBE SUPPORT	1
	55-28139-018	CLAMP, 1.13" DIA. DIPSTICK TUBE	1
8.	82-21143-001	DIPSTICK	1
9.	82-00025-000	CLAMP, BAND	1
10.	53-15480-004	GASKET, COVER	1
11.	54-13118-054	PLUG	1
12.	53-46863-000	PROBE, FLUID LEVEL SENSOR	1
13.	53-15480-005	BRKT, HYD RES MTG	1
14.	54-11320-005	BOLT, HXHD 3/8"-16 X 1.5 GR5	4
15.	54-12540-007	NUT, HXHD NYLOCK 3/8-16 GR5	8
16.	40-25772-000	BRKT, HYD RES MTG	1
17.	54-11320-003	BOLT, HXHD 3/8"-16 X 1.0 GR5	4

HYDRAULIC FLUID RESERVOIR



05-0140-0700C,G
05-003132
05-0140-0700C, G

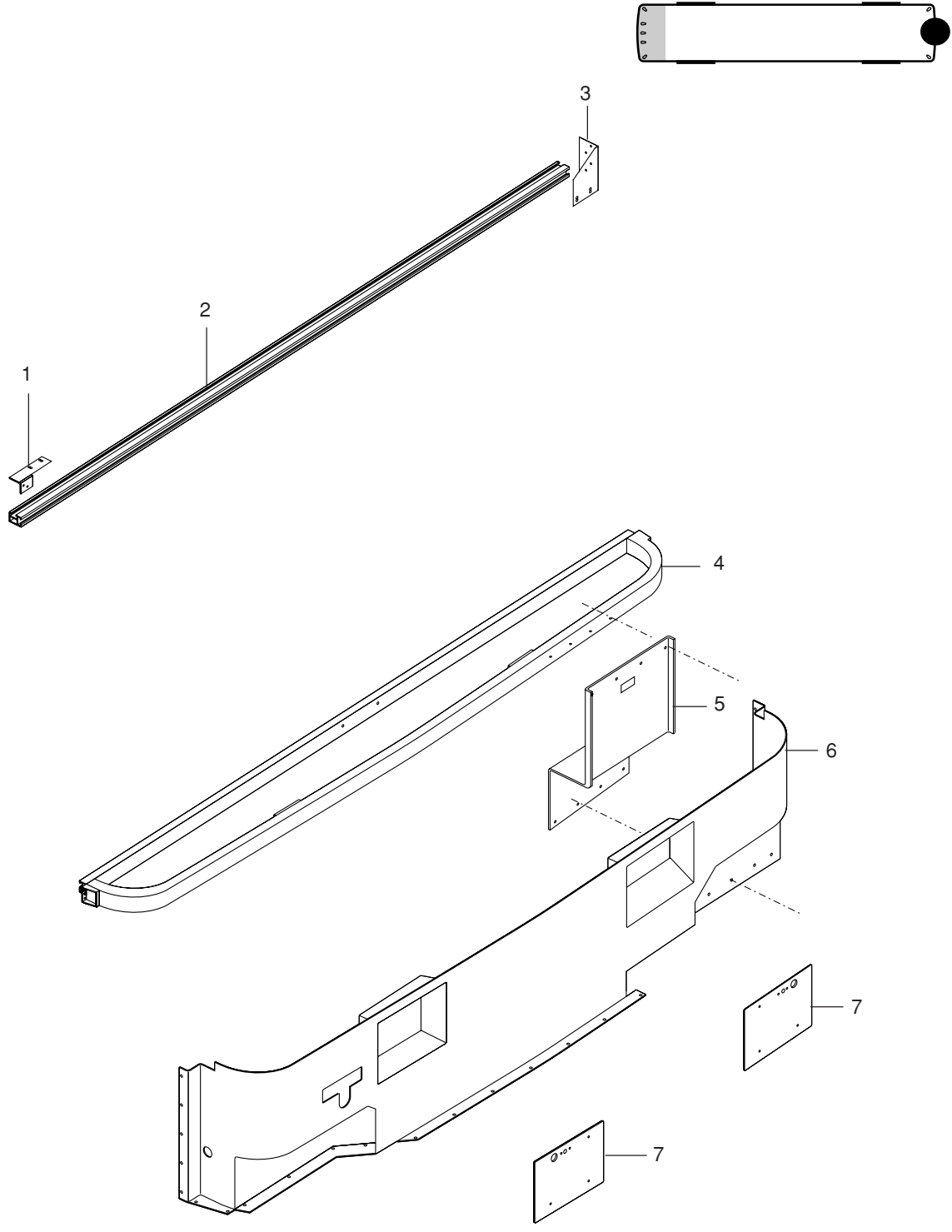
Section 6- Body/Windows/Ad Frames

Front Structure	234
LH Sidewall Framing-Front.....	236
LH Sidewall Framing-Rear	238
RH Sidewall Framing, Front	240
RH Sidewall Framing, Rear	242
Settee Structure & Insulation.....	244
Bulkhead Mounting.....	246
Rear Body Framing	248
Roof Framing.....	250
Flooring & Supports.....	252
Floor Hatch	254
Entrance Door Assembly	256
Entrance Door Baseplate Assembly	260
Entrance Door Motor Assembly	262
Panel: Entrance Door Control	264
Engine Door	266
Door Assembly: Exit	268
Baseplate & Pivot Assembly: Exit Door	270
Baseplate Assembly: Exit Door	272
Emergency Door Release Valve Box	278
Front Cap Assembly	280
Rear Cap	282
Rear Grille	284
Roof Skin & Hatches	286
Taillight Panels	288
Windshield.....	290
Side Window: 56" Non-Egress	292
Side Window: Destination Sign	294
Side Window: Driver's	296
Side Window: 34" Transom	298
Side Window: 32" Fixed	300
Side Window: 46" Non-Egress	302
Side Window: 46" Transom, Egress	304
Side window: 46" Stationary, Non-Egress	306

FRONT STRUCTURE

Item	Part No.	Description	Qty
1.	14-46342-000	BRACKET, FRONT DESTINATION SIGN HEADER	1
	54-37358-000	NUT PLATE, COBOLT M8	8
	54-37359-002	BOLT, BUTTON TORX, M8 X 20MM	8
2.	14-37424L084.13	BEAM, EXTRUSION , TRANSVERSE	1
	54-10163-017	RIVET, MONOBOLT, 1/4" STL. (.080-.625 GRIP)	64
3.	14-47268-000	BRACKET, FRONT DESTINATION SIGN	1
	54-12600-008	FLATWASHER, 3/8"	2
4.	14-45665-000	HOOP, EXTRUDED, FRONT FRAME	1
	14-45637-000	HOOP, EXTRUDED , FRONT FRAME	1
5.	14-48520-000	PLATE, REINFORCEMENT	1
	54-10163-043	RIVET	8
6.	14-45957M000	PANEL, CLOSEOUT FRONT STRUCTURE	1
7.	20-44097-000	PANEL, 9.17" X 13.36" WIPER COVER	2
	20-44058-000	GASKET, COVER PANEL, WIPER	2
	54-13113-084	SCREW, 5/16"-18 X 1.0" BUTTON HD. CAP	8
	53-02195-016	SEALANT, 221 BLACK	1
	56-19323-001	INSULATION 1.5" THICK	A/R
	14-48623-000	BRACKET, DEST. SIGN HEADER	1

FRONT STRUCTURE

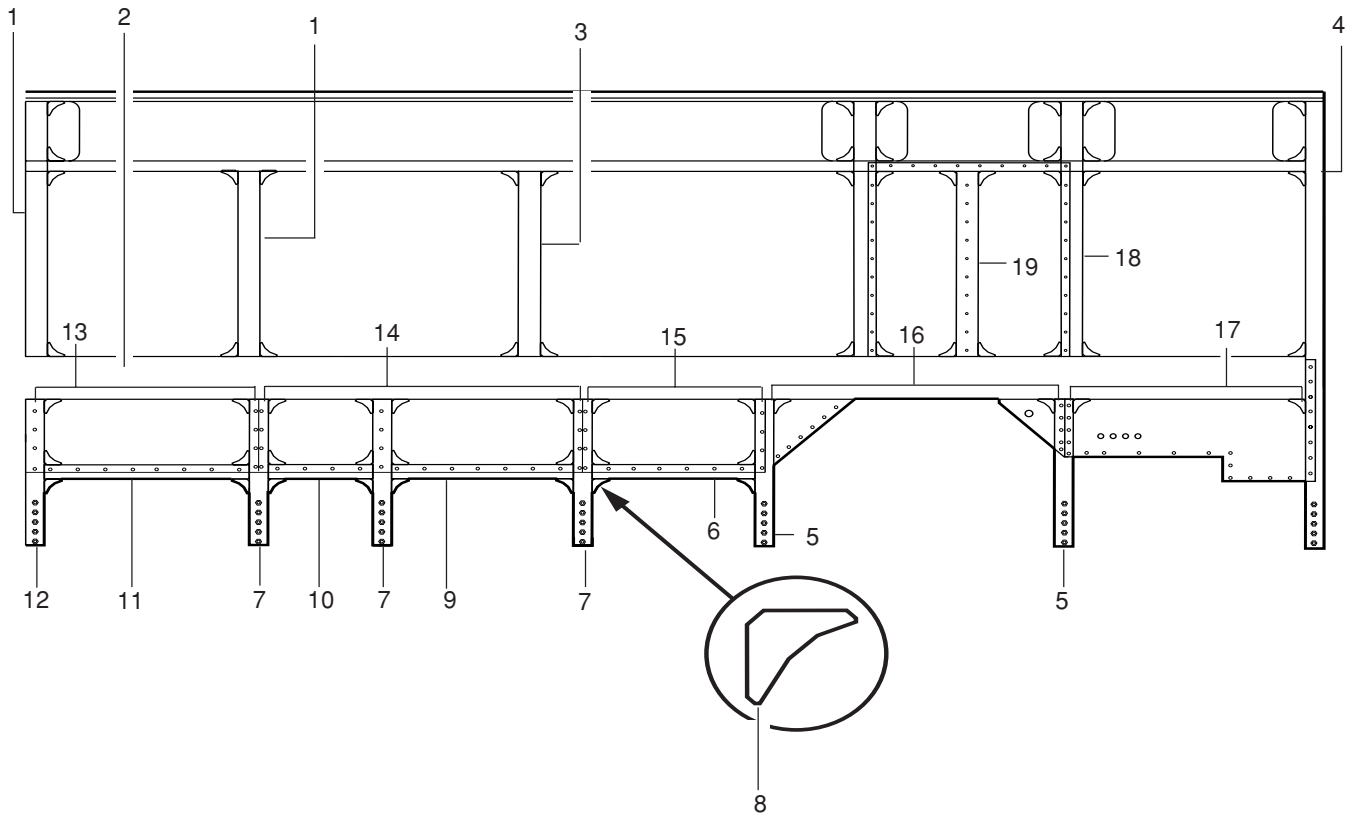


14-0001-0701D,E
14-003827
14-0001-0701D, E

LH SIDEWALL FRAMING-FRONT

Item	Part No.	Description	Qty
1.	14-39430L053.23	POST, VERTICAL WINDOW HOOP	5
2.	14-44054L409.00	RAIL, LOWER WINDOW	1
3.	14-39430L039.00	POST, VERTICAL WINDOW	2
4.	14-45237-000L	EXTRUSION, A-POST	1
5.	14-45242-002	EXTRUSION, CHASSIS POST	2
6.	14-37417L043.29	RAIL, LOWER HORIZONTAL	1
7.	14-45242-000	EXTRUSION, CHASSIS POST	3
8.	54-43618-000	GUSSET, LARGE COBOLT 4-BOLT 102 X 102 X 40	102
9.	14-37417L032.57	RAIL, LOWER HORIZONTAL	1
10.	14-37417L018.80	RAIL, LOWER HORIZONTAL	1
11.	14-37417L036.66	RAIL, LOWER	1
12.	14-45242-003	EXTRUSION, CHASSIS POST	4
13.	14-45387-000	PANEL, STRESS	1
14.	14-45388-000	PANEL, STRESS	1
15.	14-45389-000L	PANEL, STRESS	1
16.	14-45390-000	PANEL, STRESS	1
17.	14-45391-000	PANEL, STRESS	1
18.	14-45392-000	PANEL, STRESS	1
19.	14-48022L039.00	POST, VERTICAL WINDOW	1
	54-37359-001	BOLT, BUTTON TORX HEAD M8 X 15MM	424
	54-37358-000	NUT PLATE, COBOLT M8	424
	54-10163-006	RIVET, MONOBOLT, 1/4" STL. (.350-.625 GRIP)	A/R
	54-10163-008	RIVET, MONOBOLT, 1/4" STL. (.125-.475 GRIP)	A/R
	54-10163-029	RIVET, MONOBOLT 3/16" STL (.125-.331 GRIP)	A/R
	54-10163-037	RIVET, MONOBOLT 3/16" STL (.062-.437 GRIP)	A/R
	56-19323-001	INSULATION, 1.5 THK	A/R

LH SIDEWALL FRAMING-FRONT



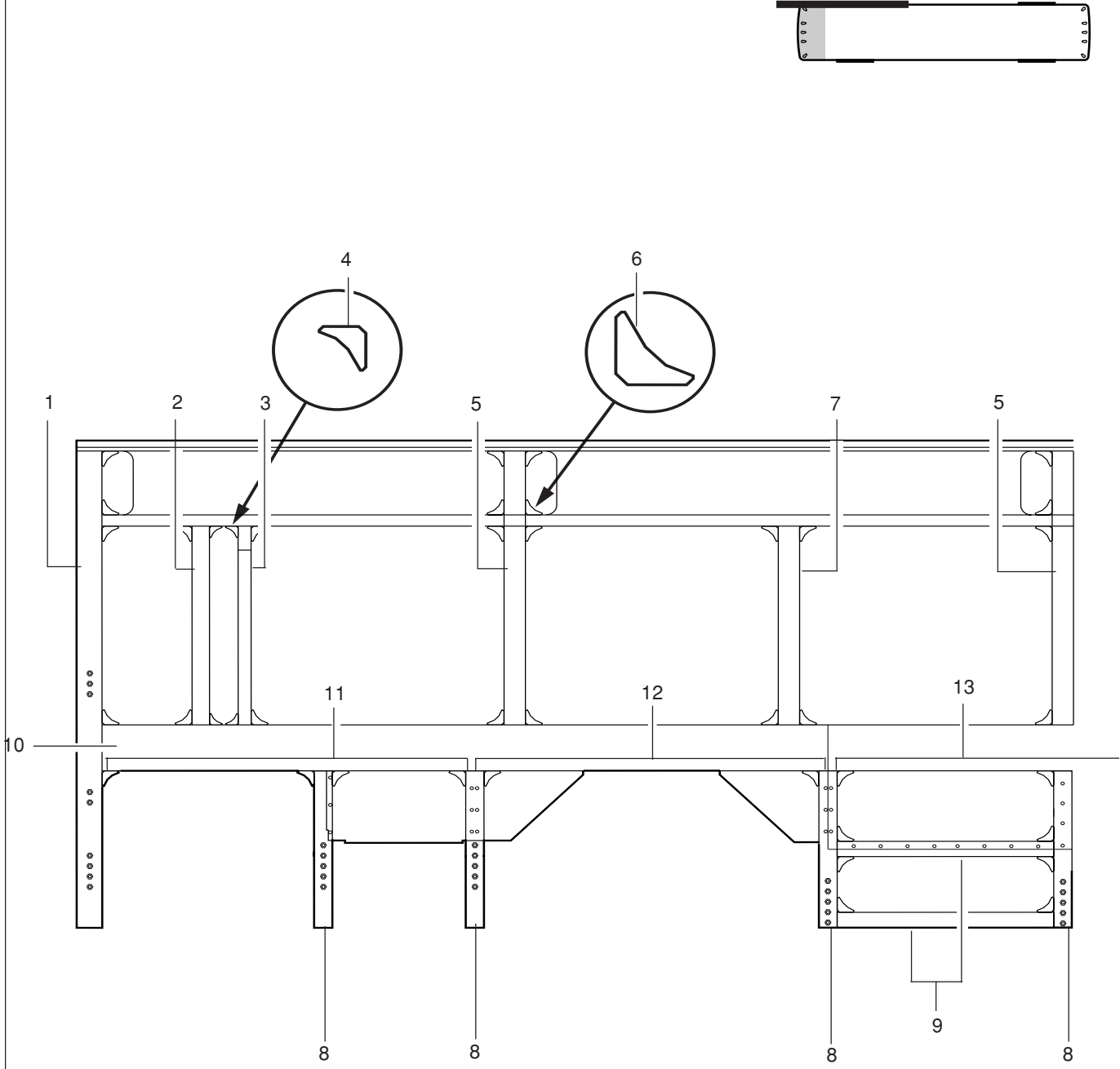
NOTE: VIEW IS FROM INSIDE LOOKING OUT.

14-0050-0707A,C
14-003832
14-0050-0707A, C

LH SIDEWALL FRAMING-REAR

Item	Part No.	Description	Qty
1.	14-45241-000L	EXTRUSION, VERTICAL REAR	1
2.	14-37418L039.00	POST, VERTICAL WINDOW REAR	1
3.	14-37417L039.00	POST, VERTICAL WINDOW BULKHEAD	1
4.	54-43619-000	GUSSET, COBOLT 2-BOLT	8
5.	14-39430L053.23	POST, VERTICAL WINDOW HOOP	5
6.	54-43618-000	GUSSET, COBOLT 4-BOLT 102 X 102 X 40	110
7.	14-39430L039.00	POST, VERTICAL WINDOW	4
8.	14-45242-003	EXTRUSION, CHASSIS POST	4
9.	14-37417L039.84	RAIL, LOWER HORIZONTAL	2
10.	14-44054L409.00	RAIL, LOWER WINDOW	1
11.	14-45385-000	PANEL, STRESS	1
12.	14-45386-000	PANEL, STRESS	1
13.	14-45387-000	PANEL, STRESS	1
	54-37359-001	BOLT, BUTTON TORX HEAD M8 X 15MM	456
	54-37358-000	NUT PLATE, COBOLT M8	456
	54-10163-006	RIVET, MONOBOLT, 1/4" STL. (.350-.625 GRIP)	29
	54-10163-008	RIVET, MONOBOLT, 1/4" STL. (.125-.475 GRIP)	15
	54-10163-029	RIVET, MONOBOLT 3/16" STL (.125-.331 GRIP)	489
	54-10163-037	RIVET, MONOBOLT 3/16" STL (.062-.437 GRIP)	15
	56-19323-001	INSULATION, 1.5 THK	A/R

LH SIDEWALL FRAMING-REAR



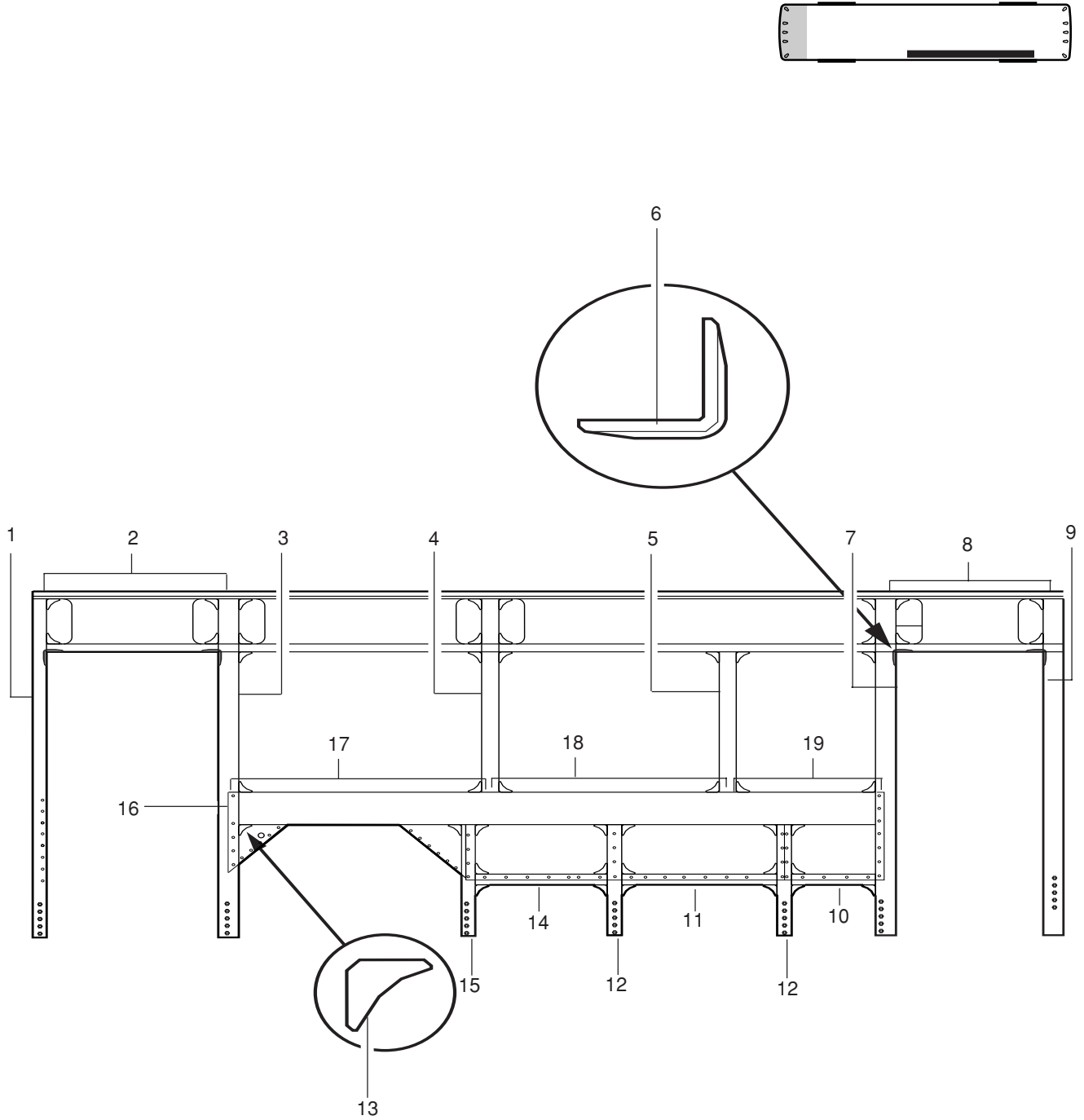
NOTE: VIEW IS FROM INSIDE LOOKING OUT.

14-0050-0707A,C
14-003832
14-0050-0707A, C

RH SIDEWALL FRAMING, FRONT

Item	Part No.	Description	Qty
1.	14-45237-000R	EXTRUSION, A-POST	1
2.	14-47726-000	PANEL, STRESS	1
3.	14-45238-000	EXTRUSION, VERTICAL DOOR POST	1
4.	14-39430L053.23	POST, VERTICAL WINDOW HOOP	2
5.	14-39430L039.00	POST, VERTICAL WINDOW	2
6.	14-42582-000	GUSSET, DOOR PORTAL FORGED STEEL	4
7.	14-45239-000	EXTRUSION, VERTICAL DOOR	1
8.	14-39144-000	PANEL, STRESS	1
9.	14-45240-000	EXTRUSION, VERTICAL DOOR POST	1
10.	14-37417L018.58	RAIL, LOWER HORIZONTAL	1
11.	14-37417L032.57	RAIL, LOWER HORIZONTAL	1
12.	14-45242-000	EXTRUSION, CHASSIS POST	2
13.	54-43618-000	GUSSET, LARGE COBOLT, 4-BOLT	86
14.	14-37417L039.63	RAIL, LOWER HORIZONTAL	1
15.	14-45242-002	EXTRUSION, CHASSIS POST	1
16.	14-42530L150.07	RAIL, LOWER WINDOW	1
17.	14-45396-000	PANEL, STRESS	1
18.	14-45389-000R	PANEL, STRESS	1
19.	14-47723-000	PANEL, STRESS	1
	54-10163-005	RIVET, MONOBOLT, 1/4" STL. (.080-.375 GRIP)	A/R
	54-37358-000	NUT PLATE, COBOLT M8	A/R
	54-37359-001	BOLT, BUTTON TORX HEAD M8 X 15MM	A/R
	54-10163-006	RIVET, MONOBOLT, 1/4" STL. (.350-.625 GRIP)	A/R
	54-10163-008	RIVET, MONOBOLT, 1/4" STL. (.125-.475 GRIP)	A/R
	54-10163-029	RIVET, MONOBOLT, 3/16" STL. (.125-.331 GRIP)	A/R
	54-10163-037	RIVET, MONOBOLT 3/16" STL (.062-.437 GRIP)	A/R
	56-19323-001	INSULATION	A/R

RH SIDEWALL FRAMING, FRONT



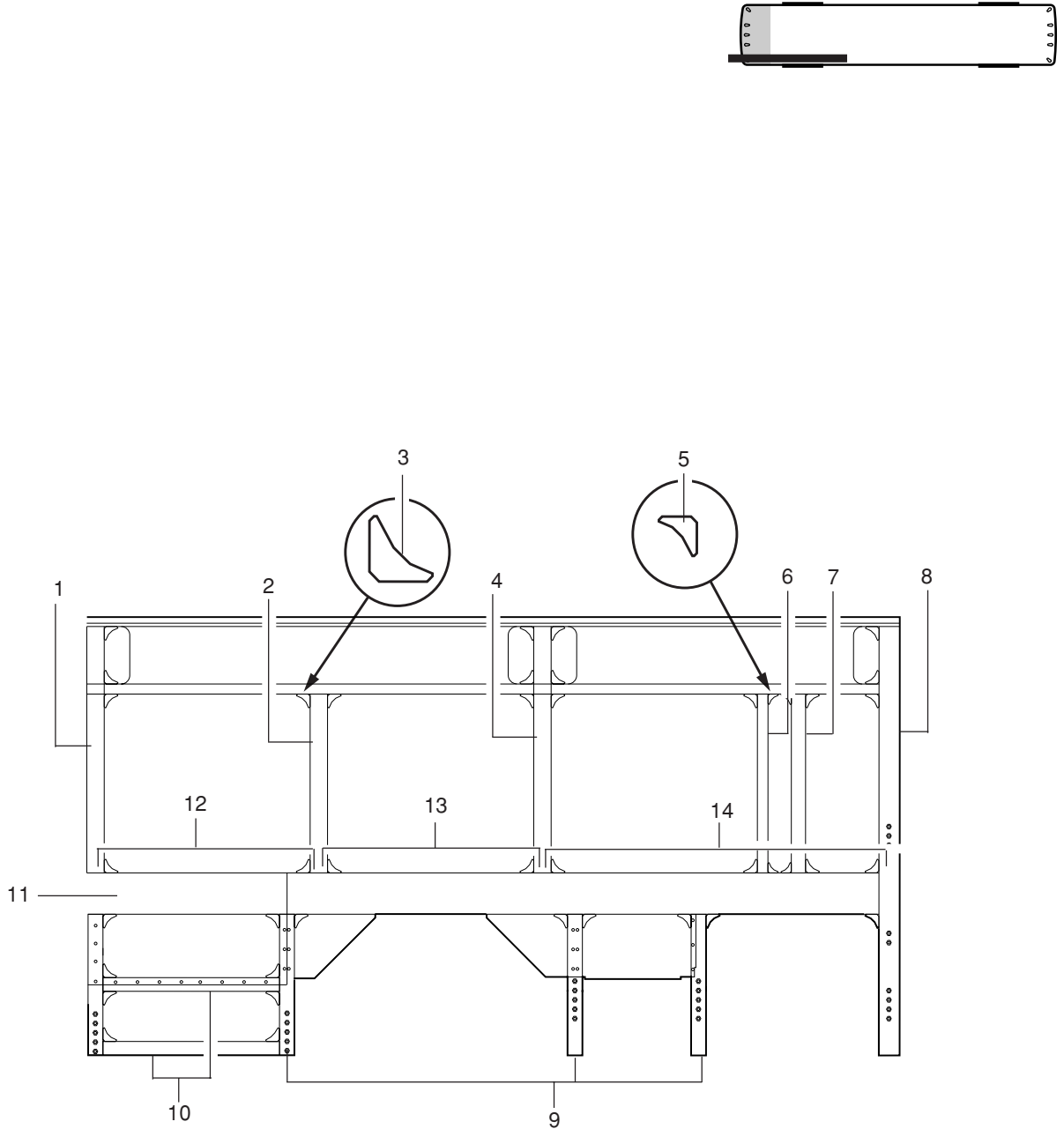
NOTE: VIEW IS FROM INSIDE LOOKING OUT.

14-0100-0708A,G
14-003833
14-0100-0708A., G

RH SIDEWALL FRAMING, REAR

Item	Part No.	Description	Qty
1.	14-45240-000	EXTRUSION, VERTICAL DOOR POST	1
2.	14-39430L039.00	POST, VERTICAL WINDOW	2
3.	54-43618-000	GUSSET, LARGE COBOLT, 4-BOLT 102 X 102 X 40MM - R120	86
4.	14-39430L053.23	POST, VERTICAL WINDOW HOOP	2
5.	54-43619-000	GUSSET, SMALL COBOLT, 2 BOLT	4
6.	14-37418L039.00	POST, VERTICAL WINDOW REAR	1
7.	14-37417L039.00	POST, VERTICAL WINDOW BULKHEAD	1
8.	14-45241-000R	EXTRUSION, VERTICAL REAR	1
9.	14-45242-003	EXTRUSION, CHASSIS POST	3
10.	14-37417L039.63	RAIL, LOWER	2
11.	14-44055L182.51	RAIL, LOWER WINDOW	1
12.	14-45394-000	PANEL, STRESS	1
13.	14-45386-000	PANEL, STRESS	1
14.	14-45393-000	PANEL, STRESS	1
	54-10163-005	RIVET, MONOBOLT, 1/4" STL. (.080-.375 GRIP)	A/R
	54-37358-000	NUT PLATE, COBOLT M8	A/R
	54-37359-001	BOLT, BUTTON TORX HEAD M8 X 15MM	A/R
	54-10163-006	RIVET, MONOBOLT, 1/4" STL. (.350-.625 GRIP)	A/R
	54-10163-008	RIVET, MONOBOLT, 1/4" STL. (.125-.475 GRIP)	A/R
	54-10163-029	RIVET, MONOBOLT, 3/16" STL. (.125-.331 GRIP)	A/R
	54-10163-037	RIVET, MONOBOLT 3/16" STL (.062-.437 GRIP)	A/R

RH SIDEWALL FRAMING, REAR



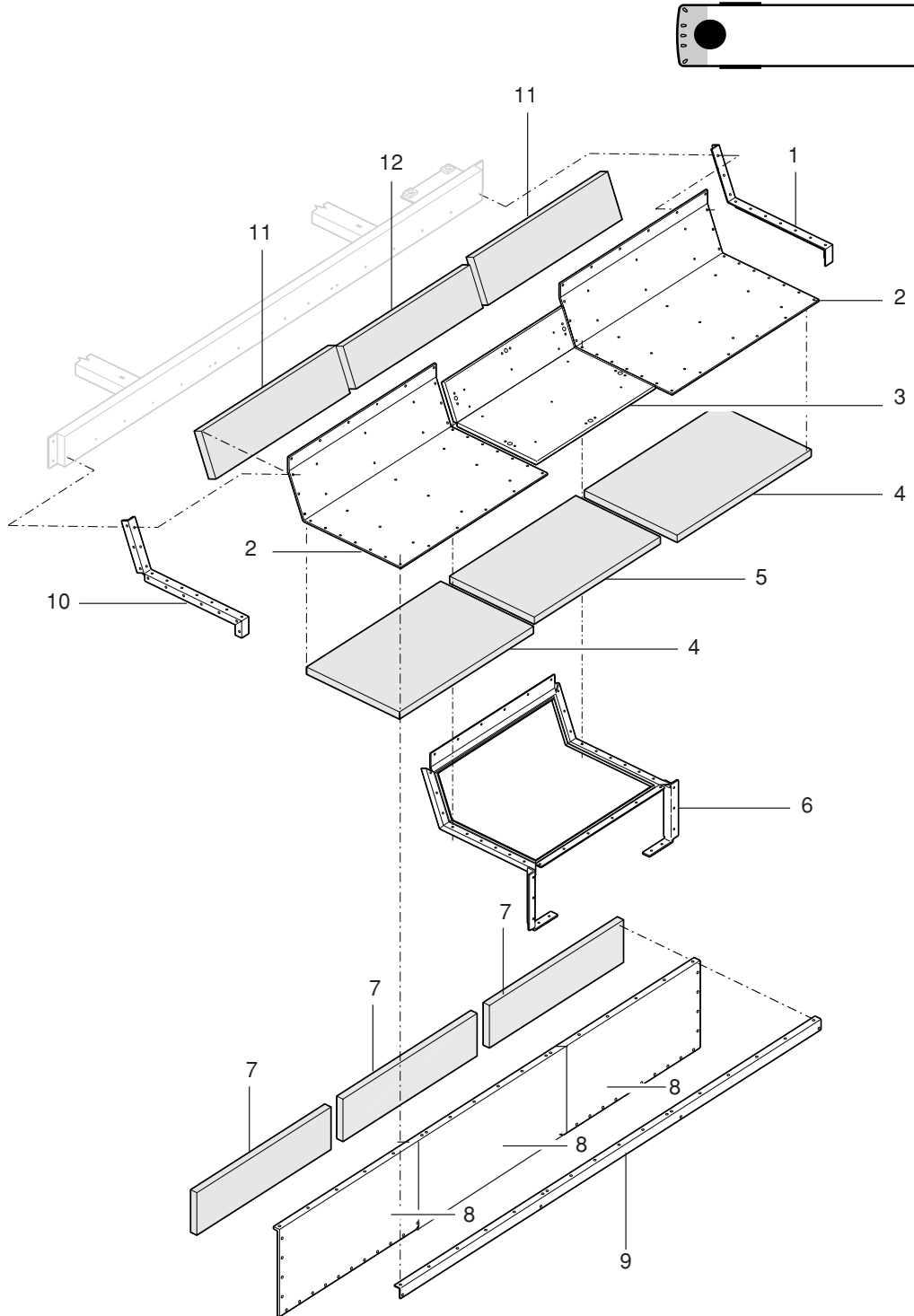
NOTE: VIEW IS FROM INSIDE LOOKING OUT.

14-0100-0708A,G
14-003896
14-0100-0708A., G

SETTEE STRUCTURE & INSULATION

Item	Part No.	Description	Qty
1.	14-46459-000R	ANGLE, SETTEE FRAME	1
2.	14-46558-000	CLOSEOUT, SETTEE SIDEWALL	2
3.	14-37898-000	HATCH ASM, SETTEE	1
4.	14-48202-001	INSUL, SETTEE SEAT PANEL	2
5.	14-49107-006	INSUL, HATCH SEAT	A/R
	14-48199-000	RETAINER, INSULATION	1
	14-48200-000	RETAINER, INSULATION	2
6.	14-50961-000	CHANNEL ASM, HATCH FRAME	1
7.	14-49107-003	INSUL, SETTEE FRONT PANEL L/R	2
	14-49107-007	INSUL, SETTEE FRONT PANEL CENTER	1
8.	14-48201-000	CLOSEOUT, SETTEE FRT	3
9.	14-48741-000	ANGLE, SETTEE FRAME	1
10.	14-46459-000L	ANGLE, SETTEE FRAME	1
	54-10163-008	RIVET, MONOBOLT 1/4"	12
11.	14-49107-002	INSUL, HATCH SEAT BACK CENTER	2
12.	14-49107-005	INSUL, HATCH SEAT BACK CENTER	1
	54-10163-037	RIVET, MONOBOLT 3/16"	78
	54-37358-000	NUT PLATE, COBOLT M8	4
	54-37359-003	BOLT, BUTTON TORX HEAD M8 X 25MM	4
	14-49107-001	INSUL, HATCH SEAT 19"X32"	A/R

SETTEE STRUCTURE & INSULATION

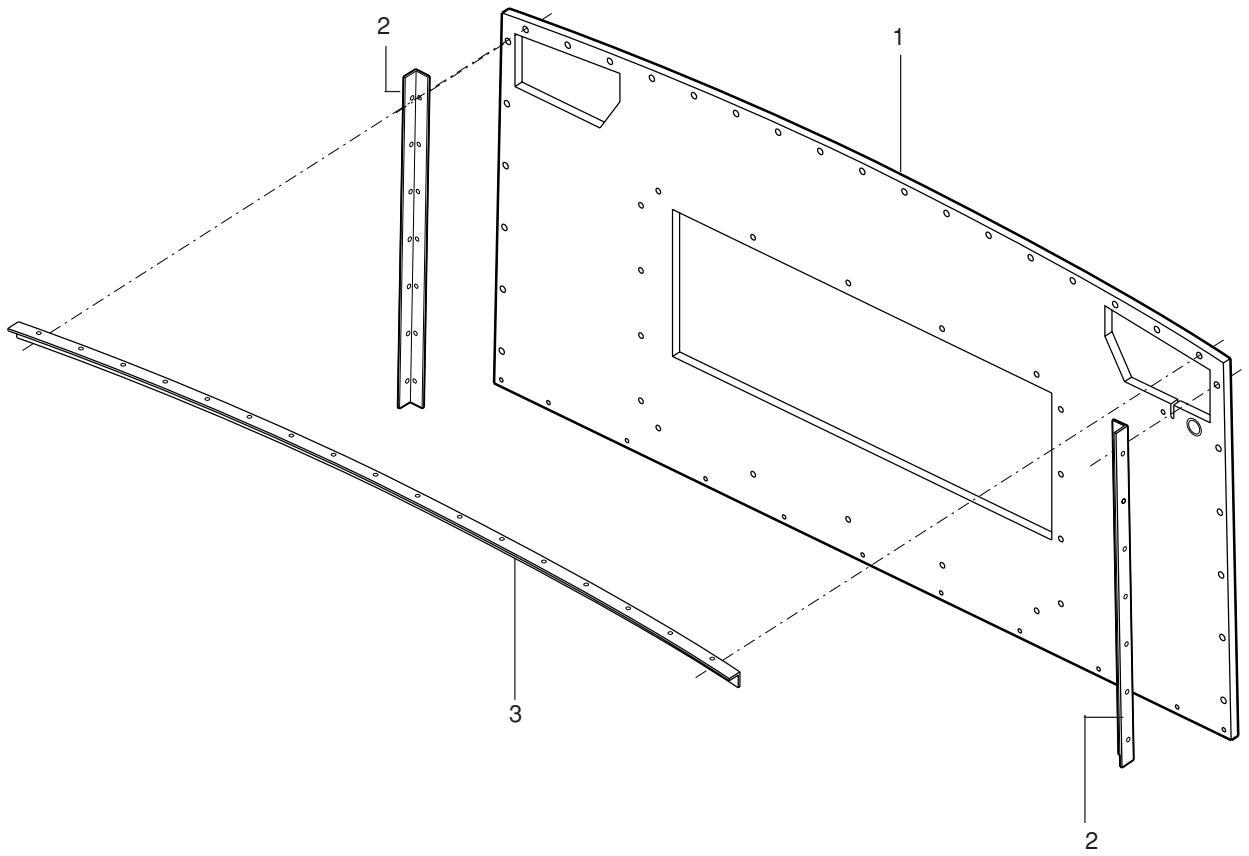


14-0151-0701D
14-000143
14-0151-0701D

BULKHEAD MOUNTING

Item	Part No.	Description	Qty
1.	15-43055-000	BULKHEAD, REAR	1
2.	14-36926-000	ANGLE, BULKHEAD SIDE	2
3.	14-36925-000	ANGLE, BULKHEAD TOP	1
	54-10163-006	RIVET, MONOBOLT	65
	54-11316-005	BOLT, HXHD 1/4-20 X 1-1/2, GR 5	11
	54-11321-005	BOLT, HXHD 3/8-16 X 1-1/2, GR 8	6
	54-12540-005	LOCKNUT, NYLOK 1/4-20, GR 5	11
	54-12540-007	LOCKNUT, NYLOK 3/8-16, GR 5	27
	54-12541-007	LOCKNUT, NYLOK 3/8-16, GR 8	6
	54-12600-006	FLATWASHER, 1/4	22
	54-12601-008	FLATWASHER, 3/8 HARD	12
	54-13113-009	CAPSCREW, HEX SOCKET, 3/8 X 1-1/16 X 1-1/2	27
	20-38188-006	INSULATION	A/R
	14-49107-004	INSULATION	A/R
	14-49107-008	INSULATION	A/R
	14-49107-009	INSULATION	A/R
	14-49107-010	INSULATION	A/R
	15-39633-001	PANEL, BULKHEAD COVERING	1
	40-32305-000	RETAINER, INSULLATION	A/R
	15-43668-000	ANGLE TRIM, SETTEE	1
	54-14288-07Z	SCREW, PHT #10 X 1.0"	5
	15-44604L038.25	TRIM, SETTEE ANGLE	2

BULKHEAD MOUNTING

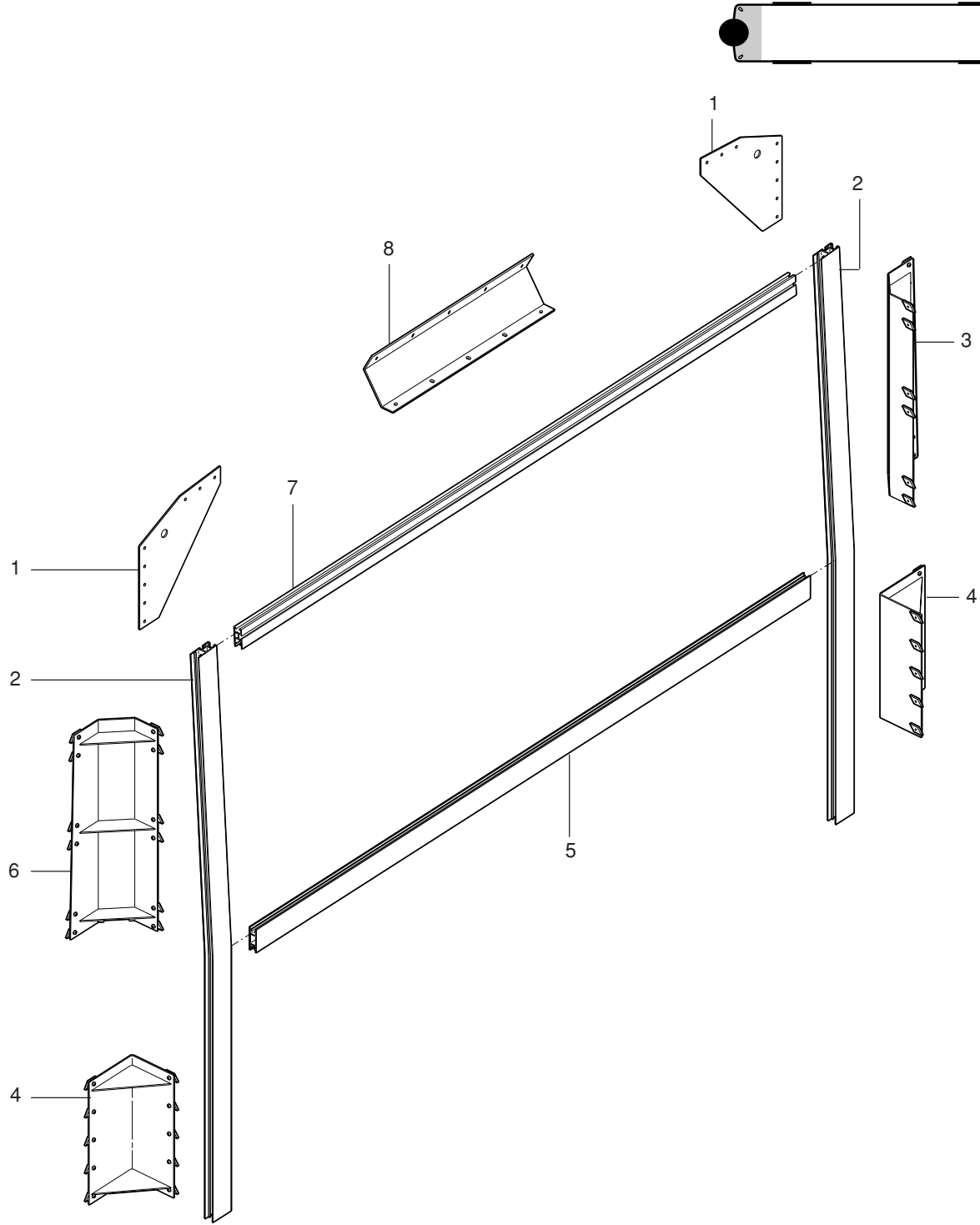


- 14-0155-0700D,G+(A+E)
- 14-000144
- 14-0155-0700D, G
- 15-0220-0702A
- 15-0225-0700E

REAR BODY FRAMING

Item	Part No.	Description	Qty
1.	14-36987-000	GUSSET, CORNER UPR FRAME	2
2.	14-40187-000	EXTRUSION, VERTICAL, FRAME	2
3.	14-36984-000R	BRACE, SIDE UPR FRAME	1
4.	14-36985-000	BRACE, SIDE LWR FRAME	2
5.	14-41842-000	EXTRUSION, RECESS WINDOW POST	1
6.	14-36984-000L	BRACE, SIDE UPR FRAME	1
7.	14-41843-000	EXTRUSION, RR FRAME	1
8.	14-41841-000	BRACE, CENTER TOP FRAME	1
	54-43618-000	GUSSET, COBOLT 4-BOLT FORGED 102 X 102 X R120	6
	54-37358-000	NUT PLATE, COBOLT M8	94
	54-37359-001	BOLT, BUTTON TORX HEAD M8 X 15MM	94

REAR BODY FRAMING

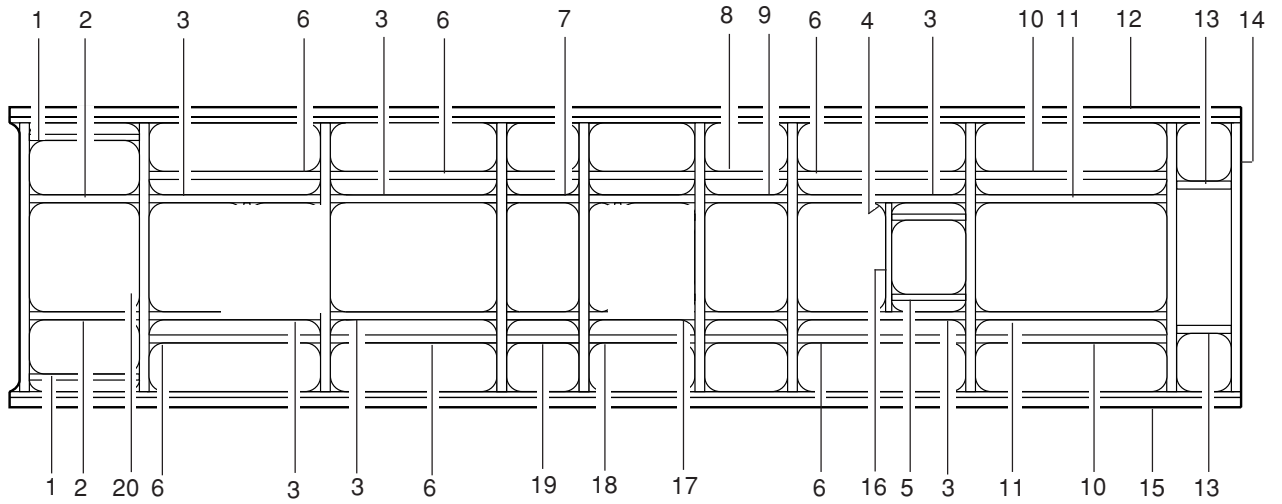


14-0160-0700D
14-003327
14-0160-0700D

ROOF FRAMING

Item	Part No.	Description	Qty
1.	14-37419L036.56	CARLIN, ROOF FRONT	2
2.	14-37418L036.56	CARLIN, ROOF	2
3.	14-37418L046.96	CARLIN, ROOF	6
4.	54-43619-000	GUSSET, COBOLT 2-BOLT	30
5.	14-37419L023.96	FRAME, HATCH LONG	2
6.	14-42076L044.57	CARLIN, ROOF LIGHT PANEL ATTACH	6
7.	14-37418L044.57	CARLIN, ROOF	2
8.	14-42076L034.73	CARLIN, ROOF LIGHT PANEL ATTACH	2
9.	14-37418L000	RAIL, LOWER	2
10.	14-42076L054.15	CARLIN, ROOF LIGHT PANEL ATTACH	2
11.	14-37418L054.15	CARLIN, ROOF LIGHT PANEL ATTACH	2
12.	14-46619F006	RAIL, ROOF RH MAIN EXTRUSION	1
13.	14-37418L017.99	CARLIN, ROOF	2
14.	14-38465-000	EXTRUSION, ROOF BOW REAR	10
15.	14-46619F007	RAIL, ROOF LH MAIN EXTRUSION	1
16.	14-38467-000	EXTRUSION, ROOF BOW	1
	54-43618-000	GUSSET, COBOLT 4-BOLT	104
17.	14-37418L034.73	CARLIN, ROOF	2
18.	14-42076L034.73	CARLIN, ROOF LIGHT PANEL	2
19.	14-42076L044.57	CARLIN, ROOF LIGHT PANEL	2
	15-40263N000	PANEL, GROUND PLANE	1
20.	15-38213-000	BRACKET, ATENNA MTG	1
	54-37358-000	NUT PLATE, COBOLT M8	484
	54-37359-001	BOLT, BUTTON TORXHD M8 X 15MM	484
	56-19323-001	INSULATION 1.5"	A/R

ROOF FRAMING

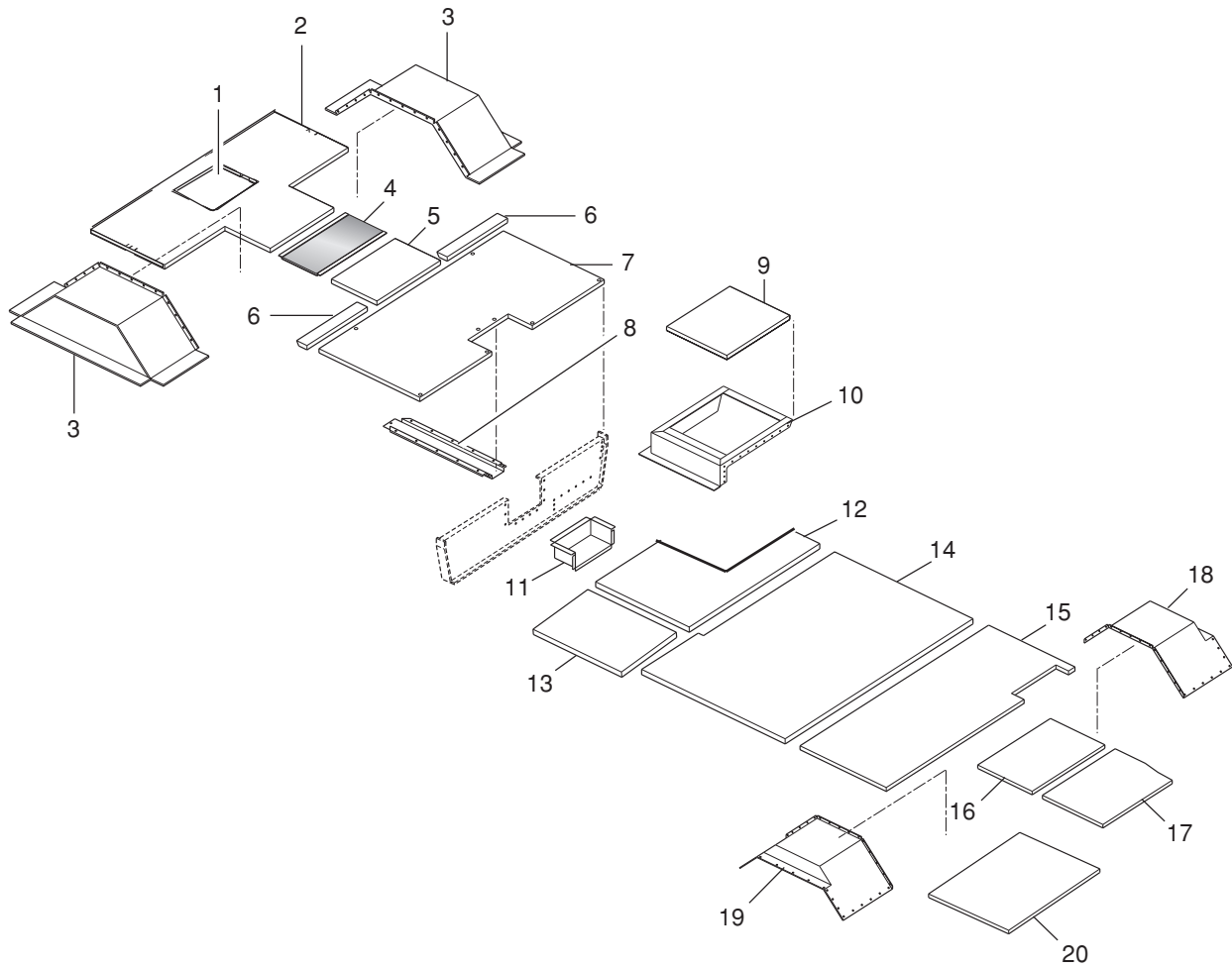


14-0200-0708A, G ,L(35')
14-002057
14-0200-0708A, G, L

FLOORING & SUPPORTS

Item	Part No.	Description	Qty
1.	15-49590-000	PANEL, HATCH COMPOSITE	1
2.	15-49593-000	PANEL, COMPOSITE FLOORING	1
3.	06-36824-001	WHEELHOUSE ASM., COVER	2
4.	14-47979-000	PANEL ASM., INSULATED FLOOR 33.25" X 18.29"	1
5.	14-47839-000	PANEL, PLYWOOD 33.12" X 19.52"	1
6.	14-45449-000	PANEL-PLYWOOD FLOOR 5.36" X 30.86"	2
7.	14-47823-000	PANEL, PLYWOOD 95.34" X 46.0" W/STEP CUTOUT 11.0" X 21.02"	1
	15-46029-000	TRACK MOUNTING, EXTRUDED SEAT	2
	40-22900-027.50	PLATE, TAPPING	1
	54-13119-096	SCREW, #14 X 3/4" FHCR TYPE "A" SSTL S	24
8.	14-47931-000	SUPPORT, FLOOR	1
9.	14-48700-000	PANEL, PLYWOOD 35.63" X 29.75"	1
10.	14-48667-000R	FRAME ASM., RISER	1
11.	06-46201-000	STEP ASM., REAR	1
12.	14-48698-000	PANEL, PLYWOOD 38.32" X 60.59" W/CUTOUT 32.91" X 8.44"	1
13.	14-47813-000	PANEL, PLYWOOD 36.21" X 26.30"	1
14.	14-47800-000	PANEL, PLYWOOD 58.78" X 87.19"	1
15.	14-47835-000	PANEL, PLYWOOD 35.16 X 87.19"	1
16.	14-48118-000	PANEL, PLYWOOD 36.45" X 21.0"	1
17.	14-48119-000	PANEL, PLYWOOD 36.20" X 26.38"	1
18.	06-45346-000	WHEELHOUSE ASM., COVER	1
19.	06-45347-000	WHEELHOUSE ASM., COVER	1
20.	14-48863-000	PANEL, PLYWOOD	1
	54-10163-043	RIVET, MONOBOLT, 1/4" SSTL (0.80-..625)	2
	53-02195-015	SEALANT, 221 WHITE	1
	53-02195-020	SEALANT, 252	1

FLOORING & SUPPORTS

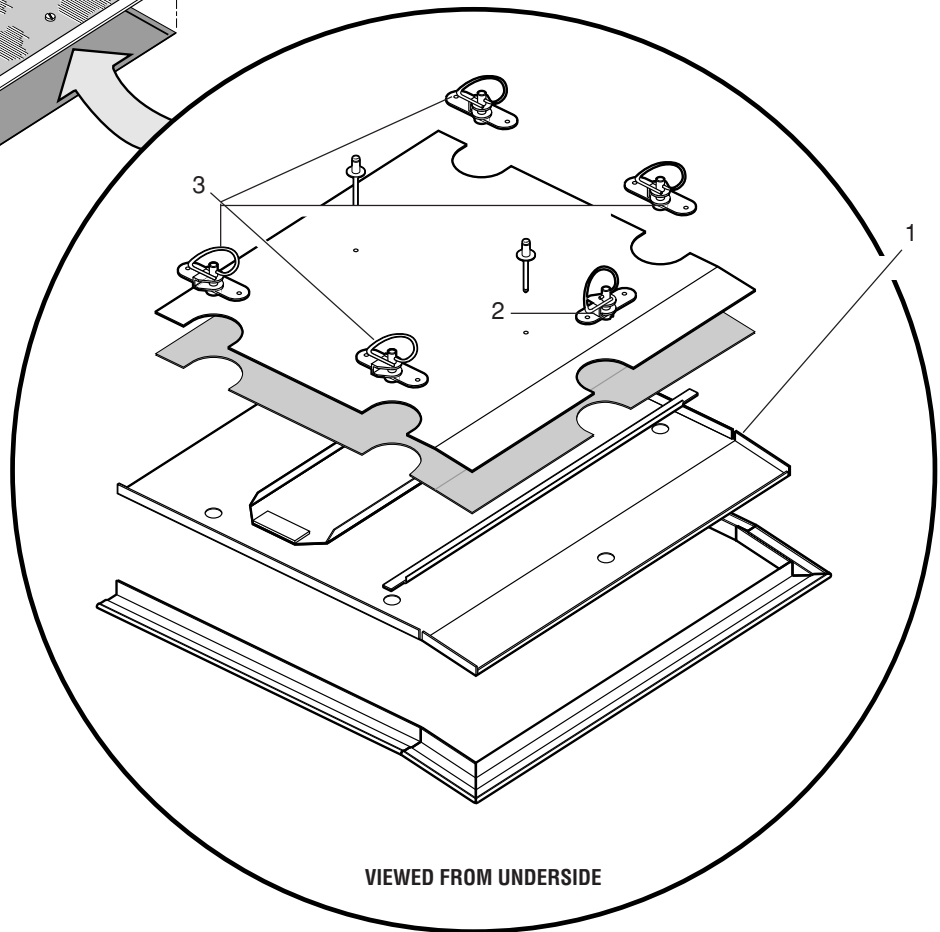
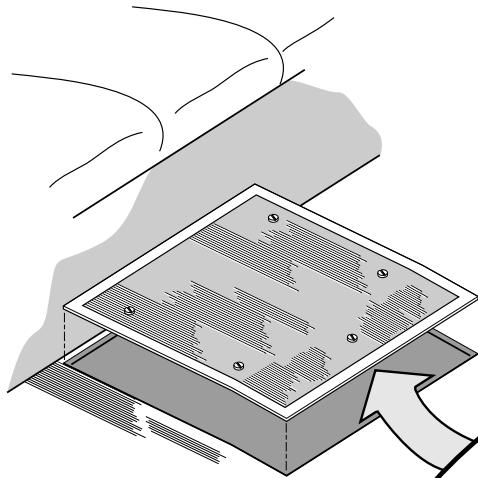
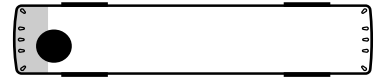


- 14-0301-0701A+(A+E+A+D+B)
- 14-003836
- 14-0301-0701A
- 14-0303-0701A
- 14-0350-0703E
- 14-0370-0703A
- 14-0371-0701D
- 14-0372-0702B

FLOOR HATCH

Item	Part No.	Description	Qty
1.	15-49590-000	PANEL, HATCH	1
2.	54-49255N000	LATCH ASM, COMPRESSION LEVER	1
	54-49256N000	GASKET, COMPRESSION LEVER LOCK	1
3.	54-49598N000	LATCH ASM, COMPRESSION SMALL	4
	56-02111-017	TAPE, FOAM, .18THK X .38	A/R

FLOOR HATCH

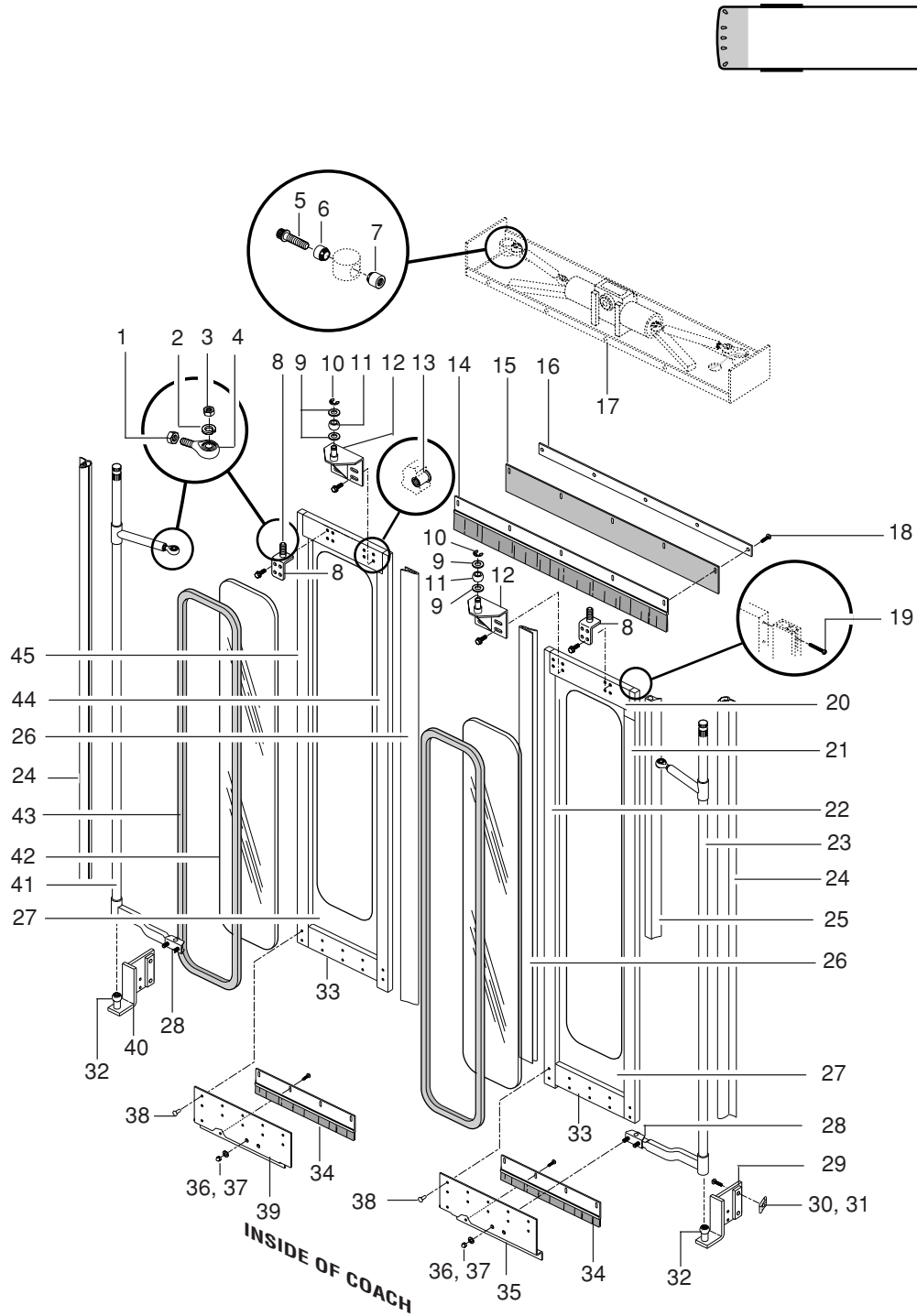


14-0360-0701D
14-003141
14-0360-0701D

ENTRANCE DOOR ASSEMBLY

Item	PartNo.	Description	Qty
1.	54-12546-008	LOCKNUT, HXHD7/16"-20	4
2.	54-12602-011	LOCKWASHER, 3/8"	2
3.	54-12546-007	NUT, HXHD 3/8"-24 GR. 5	4
4.	20-43569N000	HEIM JOINT, MALE ROD END UPPER ARMS	2
5.	53-08005-005	SCREW, 12-POINT FLANGED 3/8"-24 X 1.25"	2
6.	53-08005-004	WEDGE, DOOR (UNTHREADED, SHORT)	1
7.	53-08005-003	WEDGE, DOOR, (THREADED, LONG)	1
8.	82-27576-002	BRACKET, UPPER TRACKING PIVOT W/O ROLLER	2
9.	20-43382-000	SPACER, WASHER, DOOR ROLLER	4
10.	53-20948-003	CIRCLIP, EXTERNAL RETAINING RING	2
11.	20-43337-000	ROLLER BUSHING, UPPER TRACKING PIVOTS	4
12.	82-27576-001	BRACKET ASM., W/ROLLER	2
13.	54-13104-024	RIVNUT, 5/16"-18 .303-.125	20
14.	20-45672-000	BRUSH, DOOR SEAL	1
15.	20-45673-000	SEAL, DOOR RUBBER	1
16.	20-44028-000	PLATE, DOOR SEAL	1
17.	20-45582N000	BASEPLATE ASM (REFER TO FOLLOWING PAGES)	1
18.	54-13111-014	SCREW, #10-24 X .75" PAN HD. MACHINE	5
19.	54-13111-034	SCREW, 1/4"-20 X 2.0" FILSTER HD. TORX TYPE "F"	16
20.	20-45669-000R	RAIL, DOOR FRAMING, UPPER HORIZONTAL RH DOOR	1
21.	20-45668-000R	RAIL, DOOR FRAMING, OUTER VERTICAL RH DOOR	1
22.	20-45668-001R	RAIL, DOOR FRAMING, INNER VERTICAL RH DOOR	1
23.	82-27576-011	SHAFT & ARM ASM, RH	1
24.	20-44023L084.00	EXTRUSION SEAL, BODY TO DOOR	2
	20-47468L080.50	EXTRUSION TRIM, RUBBER, "A"-POST (VERTICAL)	2
25.	45-11106-002	EXTRUSION SEAL, RUBBER	2
26.	82-22027-000	EDGE ASM., DOOR NOSE	2
27.	20-45677-000	PANEL, DOOR SKIN	2
28.	REF. ONLY	BRACKET, LOWER ARM PIVOT (SEE ITEMS 23 & 41)	2
29.	82-27576-009	BRACKET ASM, LOWER DOOR PIVOT MOUNT RH, W/ROLLER	1
	82-27576-007	BRACKET, LOWER DOOR PIVOT MOUNT RH, LESS ROLLER	1
30.	54-37358-000	NUTPLATE, COBOLT M8	4
31.	54-37359-001	BOLT, BUTTON TORX HEAD M8 X 15MM	4
32.	20-43540-000	ROLLER BUSHING, DOOR SHAFT	2
33.	45-34320-012.69	RAIL, DOOR FRAMING, LOWER HORIZONTAL RH DOOR	2
34.	20-45674-000	SEAL ASM, BRUSH	2
35.	20-45670-000	BRACKET, LOWER DOOR PIVOT RH	1
36.	54-12601-008	FLATWASHER, 3/8" HARD	4
37.	54-13110-004	NUT, 3/8"-16 CAP HIGH CROWN	4
38.	54-13111-002	SCREW, #12-24 X .75" TORX SELF DRILL	8
39.	20-45670-000L	BRACKET, LOWER DOOR PIVOT LH	1
40.	82-27576-008	BRACKET ASM, LOWER DOOR PIVOT MOUNT LH, W/ROLLER	1
	82-27576-006	BRACKET, LOWER DOOR PIVOT MOUNT LH, LESS ROLLER	1
(CONTINUED ON FOLLOWING PAGES)			

ENTRANCE DOOR ASSEMBLY

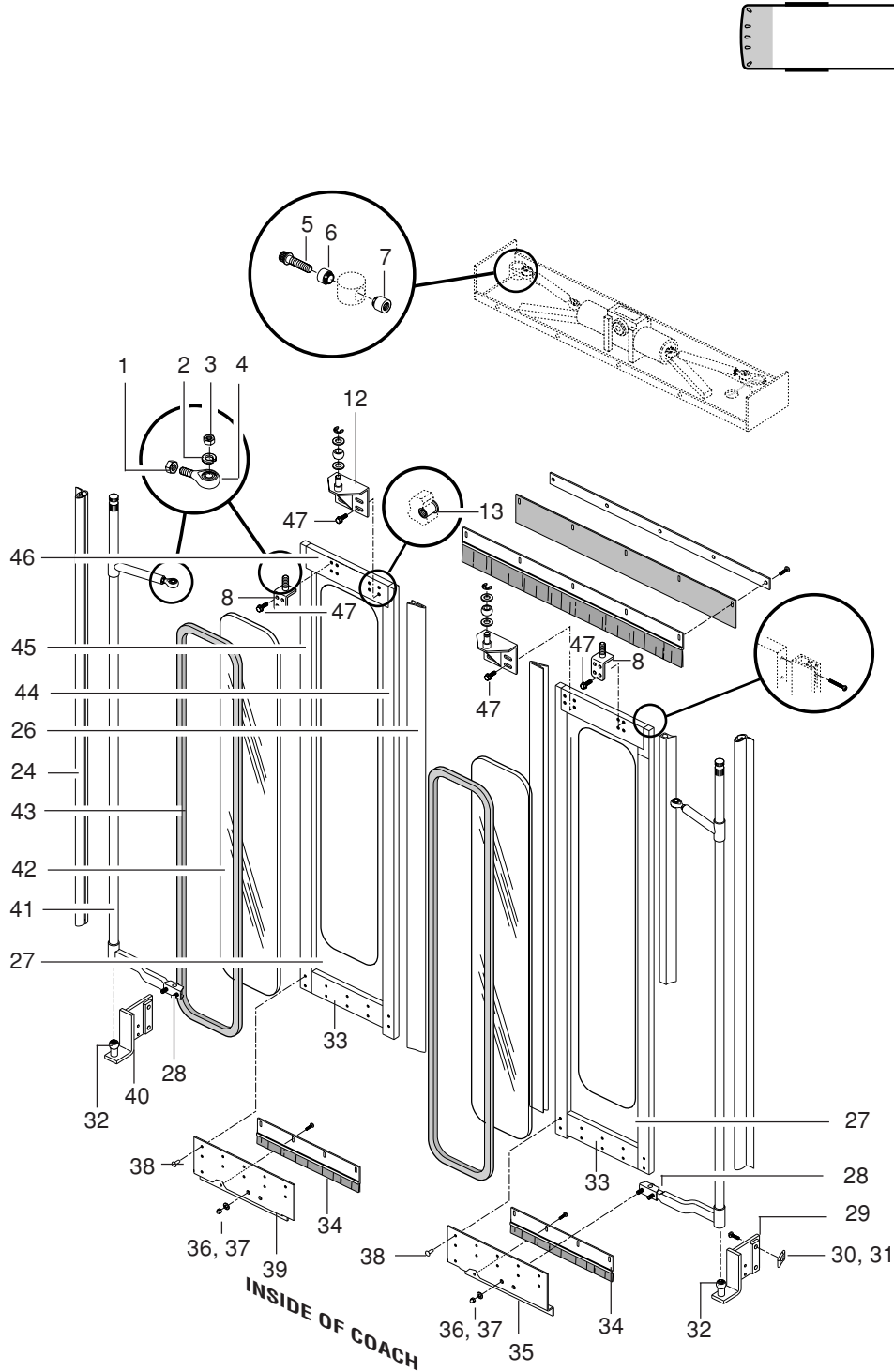


14-0400-0702A,B+(C)
14-003845
14-0400-0702A,B
26-0250-0700C

ENTRANCE DOOR ASSEMBLY (CONTINUED)

Item	Part No.	Description	Qty
(CONTINUED FROM PREVIOUS PAGES)			
41.	82-27576-010	SHAFT & ARM ASM, LH	1
42.	20-40212-000	GLAZING, 40" DOOR	2
43.	20-41952-000	SEAL, GLAZING	A/R
44.	20-45668-001L	RAIL, DOOR FRAMING, INNER VERTICAL LH DOOR	1
45.	20-45668-000L	RAIL, DOOR FRAMING, OUTER VERTICAL LH DOOR	1
46.	20-45669-000L	RAIL, DOOR FRAMING, UPPER HORIZONTAL LH DOOR	1
47.	54-13119-094	SCREW, 5/16"-18 X 1.0" HEX HD. WASHER	20

ENTRANCE DOOR ASSEMBLY (CONTINUED)

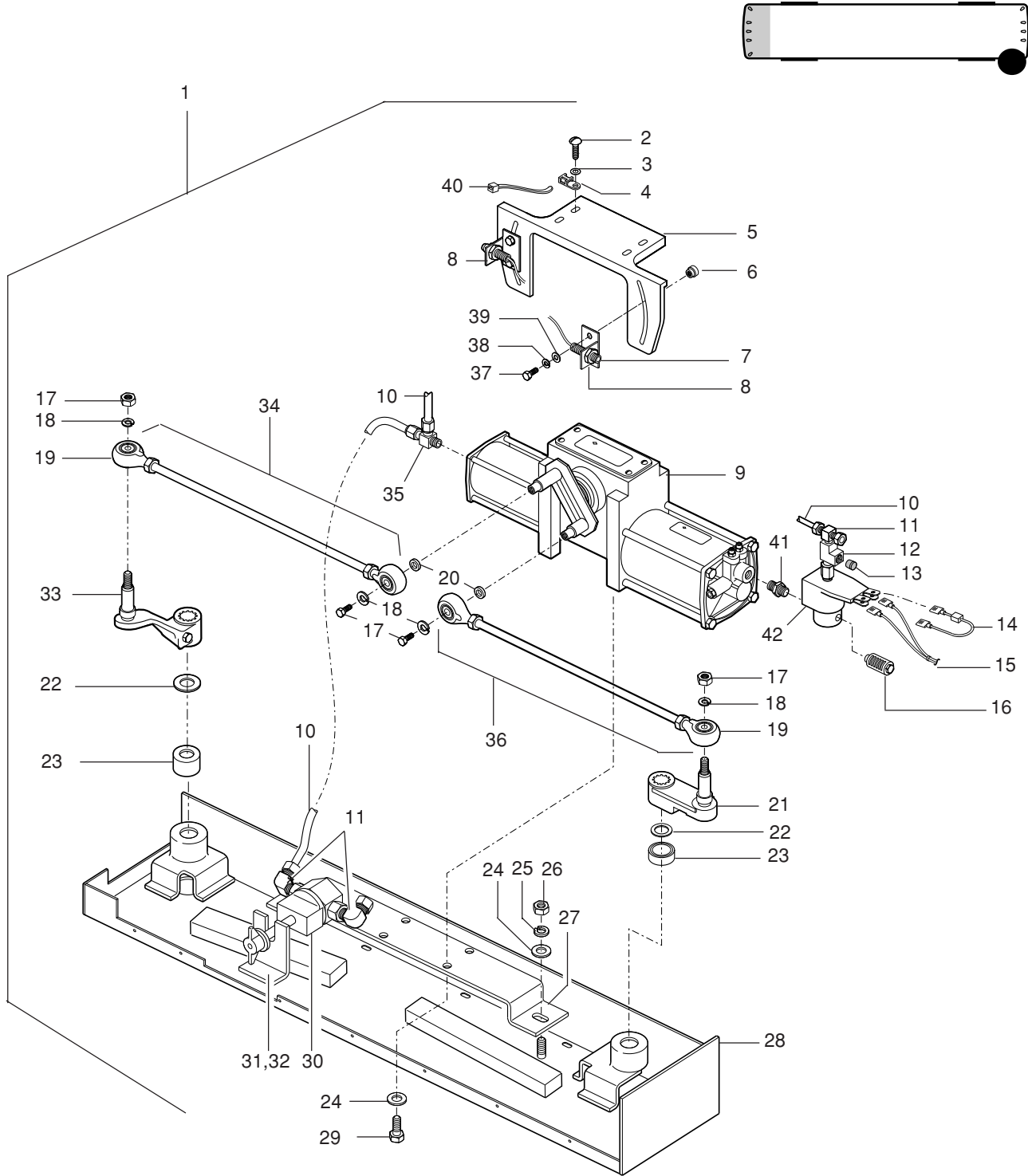


14-0400-0702A,B+(C)
14-003845
14-0400-0702A,B
26-0250-0700C

ENTRANCE DOOR BASEPLATE ASSEMBLY

Item	PartNo.	Description	Qty
1.	20-50802N000	BASEPLATE, 40" SLIDE GLIDE W/PREWIRING	1
2.	82-12119-041	SCREW, #8-32 X 1/2"	4
3.	82-12119-032	FLATWASHER, #8-.375 OD X .032 THICK	4
4.	82-19614-020	CLIP, HARNESS	2
5.	82-19618-003	BRACKET, SWITCH	1
6.	82-19614-018	PAD, TAPPING	2
7.	82-27807-007	SENSOR, INDUCTIVE PROXIMITY	2
8.	82-19614-017	BRACKET, SENSOR	2
9.	82-27807-001	MOTOR, PNEUMATIC DOOR (REFER TO FOLLOWING PAGES)	1
10.	82-19614-007	TUBING	A/R
11.	82-22351-000	FITTING, 90° NYLON TUBE 3/8" BRASS	3
12.	82-22353-000	FITTING, TEE 1/4"	1
13.	82-06164-001	PROTECTOR, THREADED 1/4"	1
14.	82-00792-000	RECTIFIER ASM	1
15.	82-22352-000	LEAD ASM	4
16.	82-21587-000	SILENCER, ENTRANCE DOOR	1
17.	82-12119-042	SCREW, LOCKING TORQUE PATCH	4
18.	82-15831-007	LOCKWASHER, SPECIAL 1/4" .109W X .062THK	4
19.	20-43569N000	HEIM JOINT, MALE ROD END UPPER ARMS	4
20.	82-05831-008	SPACER	4
20.	82-27807-003	ROD ASM, CONNECTING ROD	1
21.	82-22350-000	LEVER ASM, DOOR SHAFT, RH	1
22.	50-17745-003	SPACER, LEVER	2
23.	50-17745-007	BEARING, BALL	2
24.	82-19614-011	WASHER PL 3/8" .813OD X .065 THICK	8
25.	82-15497-001	LOCKWASHER, SPECIAL 3/8" .141 X .094 THICK	4
26.	82-12118-003	NUT, HEX 3/8"-16	4
27.	82-27807-006	PLATE, ENGINE MOUNTING	1
28.	82-27807-000	BASEPLATE, WELDED	1
29.	82-27807-008	SCREW, LOCKING TORQUE PATCH	4
30.	82-27807-005	VALVE ASM., EMERGENCY	1
31.	82-13212-008	NUT, HEX KEPS 1/4"-20	2
32.	82-27807-002	WASHER PL 1/4" .562OD X .049 THICK	2
33.	82-27807-004	LEVER ASM, DOOR SHAFT, LH	1
34.	82-21394-000	ROD ASM, CONNECTING ROD LH	1
35.	82-19614-009	FITTING, NYLON TUBE 3/8" MALE TEE BRASS	1
36.	82-22350-000	ROD ASM, CONNECTING ROD RH	1
37.	82-19614-019	SCREW, HXHD #4-40 X .38	4
38.	82-10694-006	LOCKWASHER, #4	4
39.	82-10694-005	FLATWASHER, #4	4
40.	82-13212-007	TIE, HARNESS	4
41.	82-12123-010	FITTING, PIPE NIPPLE 1/4" BRASS	1
42.	82-09307-001	VALVE, SOLENOID 3-WAY, 24V	1

ENTRANCE DOOR BASEPLATE ASSEMBLY

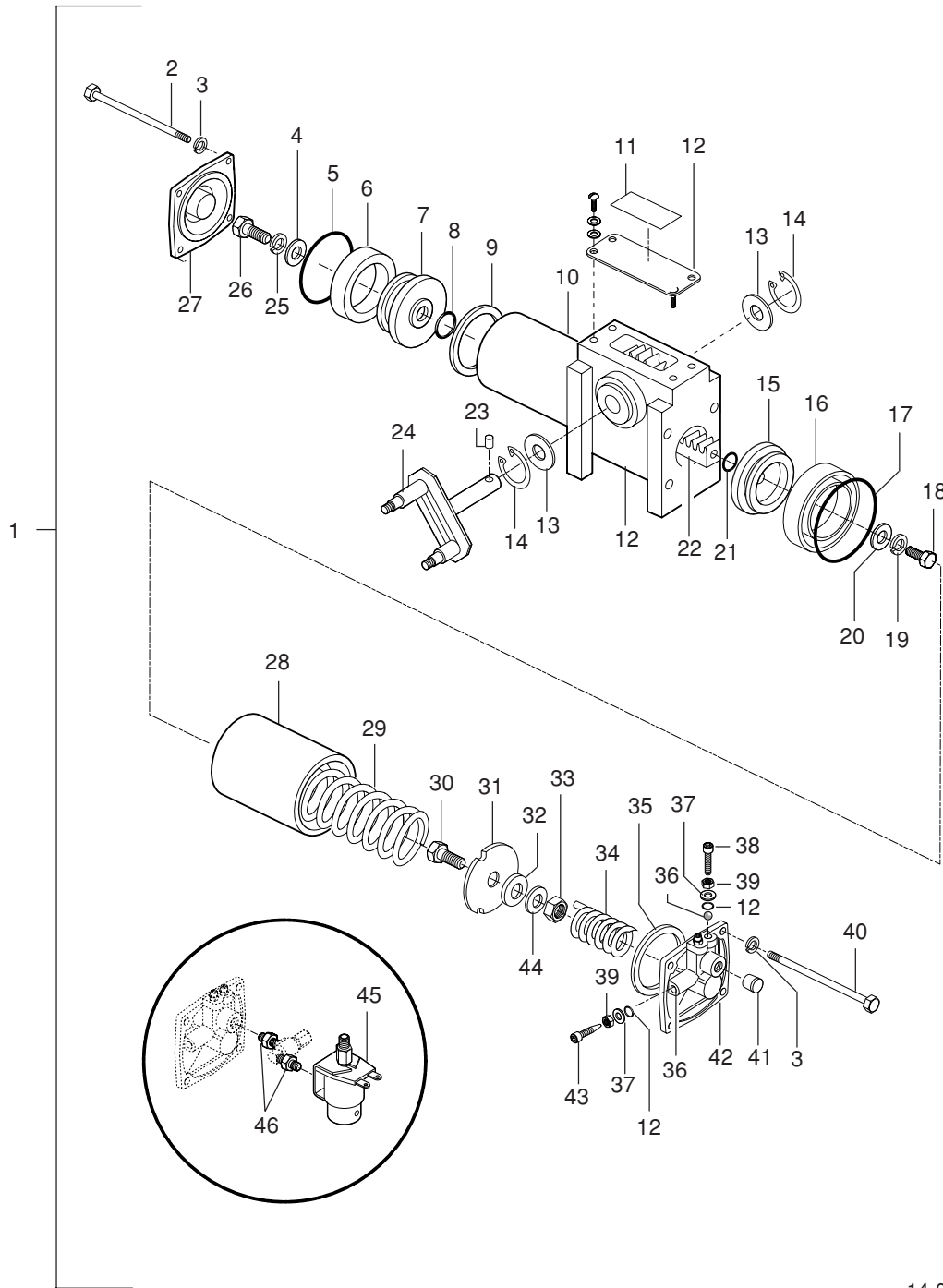


14-0400-0702A,B+(C)
14-003846
14-0400-0702A,B
26-0250-0700C

ENTRANCE DOOR MOTOR ASSEMBLY

Item	PartNo.	Description	Qty
1.	82-22347-000	MOTOR ASM, DOOR (INCLUDES 1 THRU 46)	1
	82-06164-006	SUB ASM, MOTOR (EXCLUDES ITEMS 11, 13, 14, 23, 24, 45, 46)	1
2.	82-06164-010	SCREW, SMALL CYLINDER	4
3.	82-06164-014	LOCKWASHER, 1/4"	8
4.	82-06164-012	FLATWASHER, 5/16"	1
5.	82-11965-000	O-RING	1
6.	82-11966-000	SEAL, SMALL U-TYPE	1
7.	82-06164-007	PISTON, SMALL	1
8.	82-06165-005	O-RING	1
9.	82-11964-000	GASKET, SMALL CYLINDER	1
10.	82-07713-002	CYLINDER, SMALL	1
11.	82-22355-000	LABEL, ID	1
12.	82-06164-023	HOUSING, DOOR MOTOR	1
13.	82-06164-004	SPACER, END-PLAY	4
14.	82-06164-003	RING, RETAINING EXT	2
15.	82-06165-008	PISTON, LARGE	1
16.	82-11969-000	SEAL, LARGE U-TYPE	1
17.	82-11968-000	O-RING	1
18.	82-06164-028	CAPSCREW, HXHD 3/8-16 X 1.00	1
19.	82-15497-001	LOCKWASHER, 3/8"	1
20.	82-06164-019	WASHER, SPECIAL, 3/8"	1
21.	82-06164-008	O-RING	4
22.	82-06164-000	RACK	1
23.	82-06164-020	PIN, SPIROL .312 X 1.88	1
24.	82-22354-000	GEAR & LEVER ASM	1
25.	82-12119-038	LOCKWASHER, 5/16"	1
26.	82-12119-008	CAPSCREW, HXHD 5/16-18 X 1.00	1
27.	82-06164-002	CAP, SMALL CYLINDER	1
28.	82-07713-001	CYLINDER, LARGE	1
29.	82-06164-027	SPRING, COMPRESSION	1
30.	82-06164-025	CAPSCREW, HXHD 1/4-20 X 0.62	1
31.	82-06175-006	RETAINER	1
32.	82-06175-007	SEAL, CUSHION	1
33.	82-06175-009	LOCKNUT, HXHD 1/4-20	1
34.	82-11963-000	SPRING, HELICAL COMPRESSION	1
35.	82-11971-000	GASKET, LARGE CYLINDER	1
36.	82-06160-008	BALL, SSTL 3/16"	1
37.	82-12119-037	FLATWASHER, 5/16"	3
38.	82-06176-006	SCREW, SOCKETHD 5/16-24	2
39.	82-06164-026	JAMNUT, 5/16-24	3
40.	82-06164-056	SCREW, LARGE CYLINDER	4
41.	82-06164-001	PROTECTOR, THREAD, 1/4 NPT	2
42.	82-06175-010	CAP, LARGE CYLINDER	1
43.	82-06176-009	SCREW, NEEDLE	1
44.	82-06175-008	RETAINER, SPRING	1
45.	82-09307-001	VALVE, SOLENOID 3-WAY, 24V	1
46.	82-12123-010	FITTING, PIPE 1/4 BRASS	2

ENTRANCE DOOR MOTOR ASSEMBLY

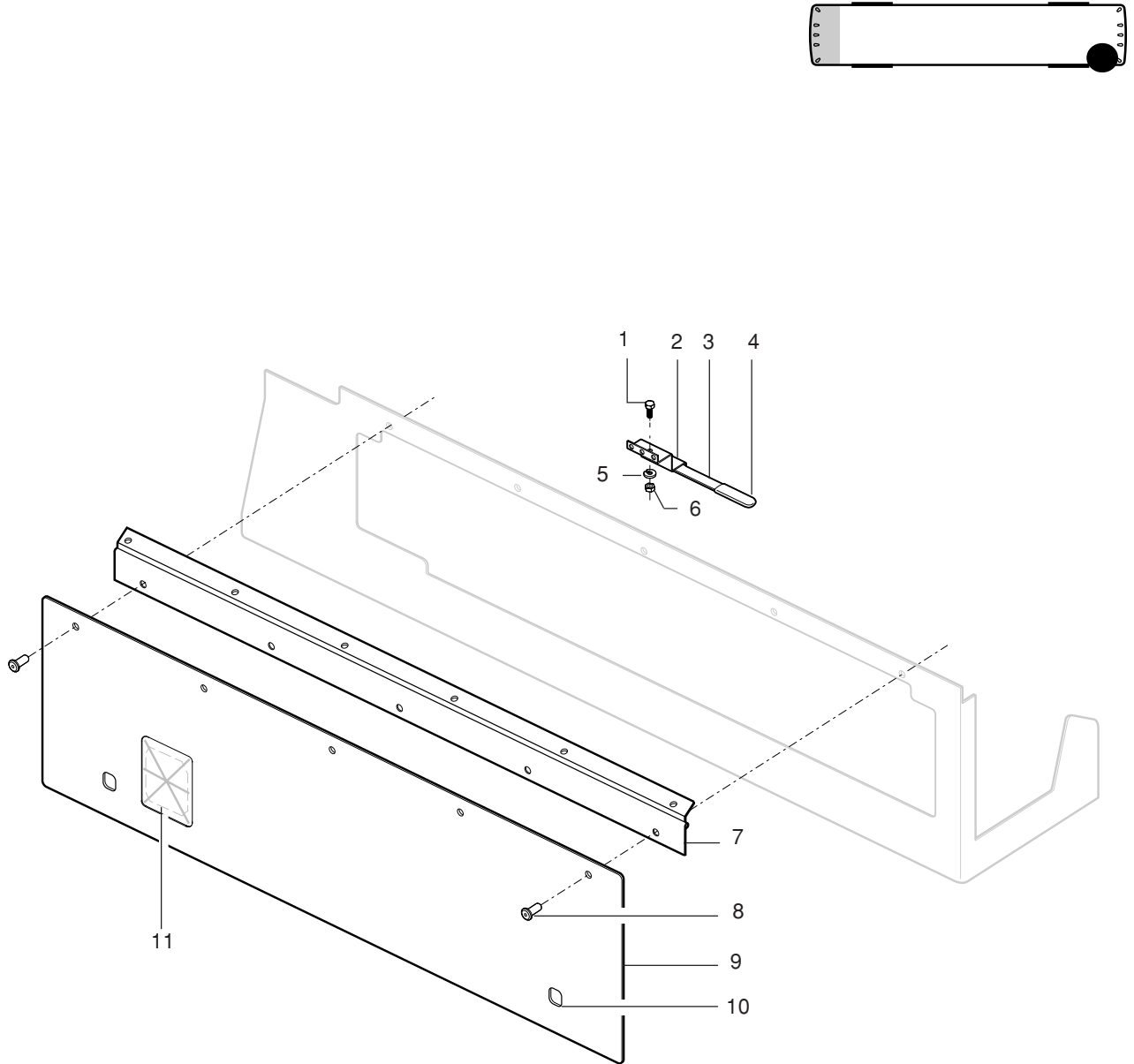


14-0400-0702A,B+(C)
14-002613
14-0400-0702A,B
26-0250-0700C

PANEL: ENTRANCE DOOR CONTROL

Item	Part No.	Description	Qty
1.	54-13113-040	BOLT, HXHD 1/4-20X1 MACH SCR	1
2.	15-37011-000	BRACKET, DOOR HANDLE MTG	1
3.	40-21418-000	BAR, DOOR SUPT	1
4.	56-24926-002	CAP, END PROTECTOR	1
5.	54-12600-006	FLATWASHER, 1/4"	3
6.	54-37358-000	NUT PLATE, COBOLT M8	1
7.	18-45459-000	HINGE, CLOSEOUT	1
8.	54-13111-001	SCREW, #10-24X5/8 TORX SELF DR	5
9.	15-45705-000	PANEL, DOOR DRIVE CLOSEOUT	1
10.	54-37647N000	LATCH ASM-QUAD PANEL	2
11.	15-42508M001	GLAZING, EMERGENCY VALVE BREAKOUT	1
	54-14256-04B	SCREW, #6 X 0.50" TH TS	4

PANEL: ENTRANCE DOOR CONTROL

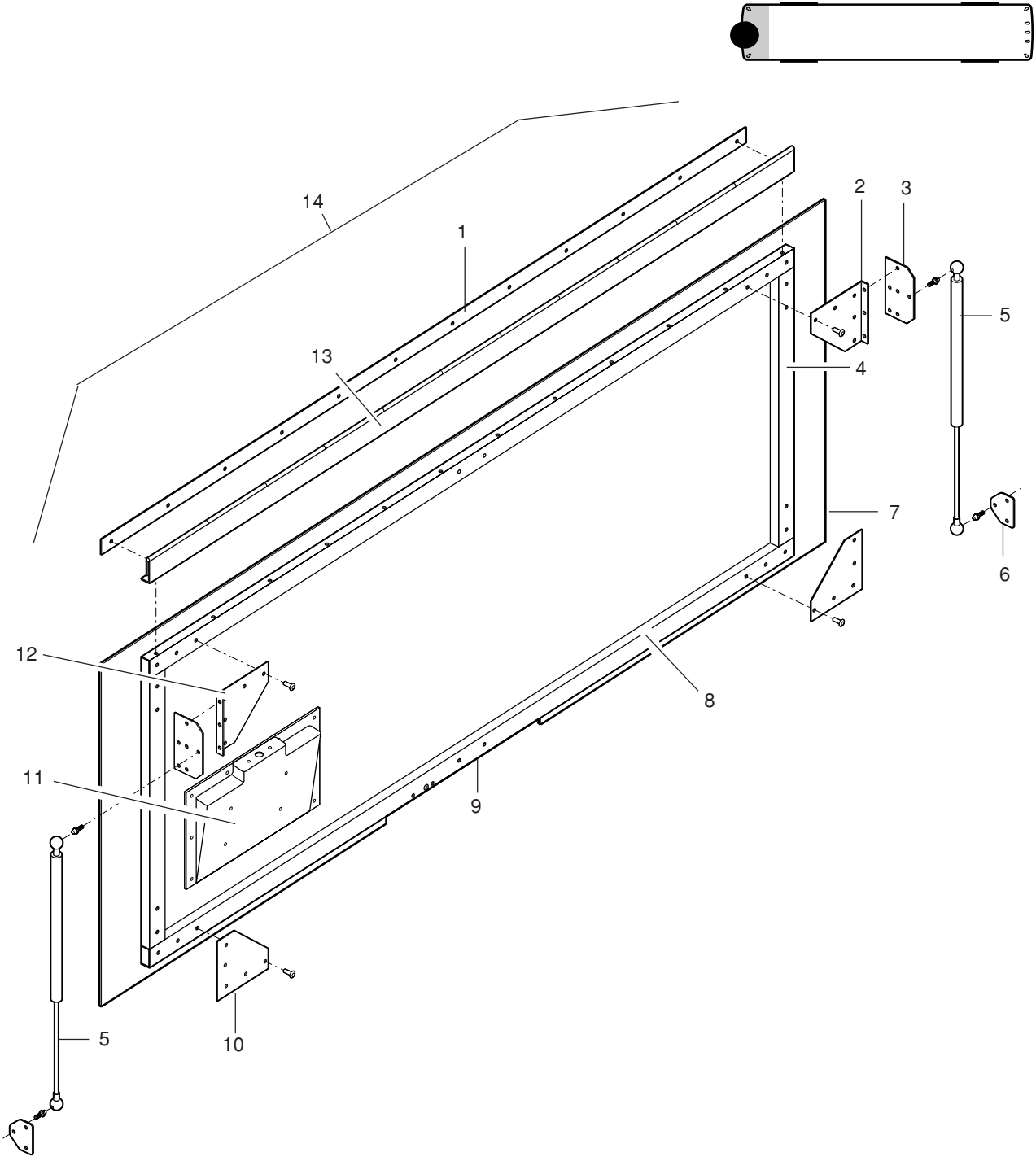


14-0403-0701A,G
14-002403
14-0403-0701A, G

ENGINE DOOR

Item	Part No.	Description	Qty
1.	20-41866-000	HINGE ASM, REAR DOOR	1
	54-10163-005	RIVET, MONOBOLT	A/R
2.	20-40430-000R	BRACKET, GAS SPRING MTG	1
3.	20-40431-000	PLATE, GAS SPRING ATTACH	2
4.	20-36772-000	TUBE, VERT RR DOOR ENG	2
5.	53-02231-014	SPRING ASM, GAS	2
	54-33553-000	STUD, GAS SPRING BALL	4
	54-33554-000	CLIP, GAS SPRING RETAINING	4
6	20-36997-000	BRACKET, GAS SPRING RR ENG/HVAC DOOR	2
7.	20-40547-000	GUSSET-REAR DOOR	2
8.	20-40546-000	TUBE, LOWER HORIZONTAL	1
9.	54-18740-000	HANDLE, GRAB (NOT SHOWN) POSITION ONLY	1
	54-13113-067	BOLT, HEX 1/4-20X1 SSTL	2
	54-13108-031	NUT, 1/4-20 SSTL NYLOCK	2
10.	20-40547-000	GUSSET-REAR DOOR	2
11.	20-48608-000	HOUSING, LICENSE PLATE	1
12.	20-40430-000L	BRACKET, GAS SPRING MTG	1
13.	20-40433-000	TUBE-HORIZONTAL UPPER	1
	54-12540-006	LOCKNUT, NYLOK 5/16-18 GR5	4
	54-37358-000	NUT PLATE, COBOLT M8	4
	54-37359-001	BOLT, BUTTON TORX HEAD M8 X 15MM	4
	20-40524-000	BRACKET, REAR DOOR BUMPER	2
	54-12540-005	LOCKNUT, NYLOK, 1/4-20 GR5	4
	54-12600-007	FLATWASHER, 5/16	4
	54-14278-06Z	SCREW, 1/4-20 X .75	4
	54-38170N000	BUMPER, RUBBER	4
	20-48608-000	HOUSING, LICENSE PLATE	
14.	20-49020F001	DOOR ASM. ENGINE	1

ENGINE DOOR

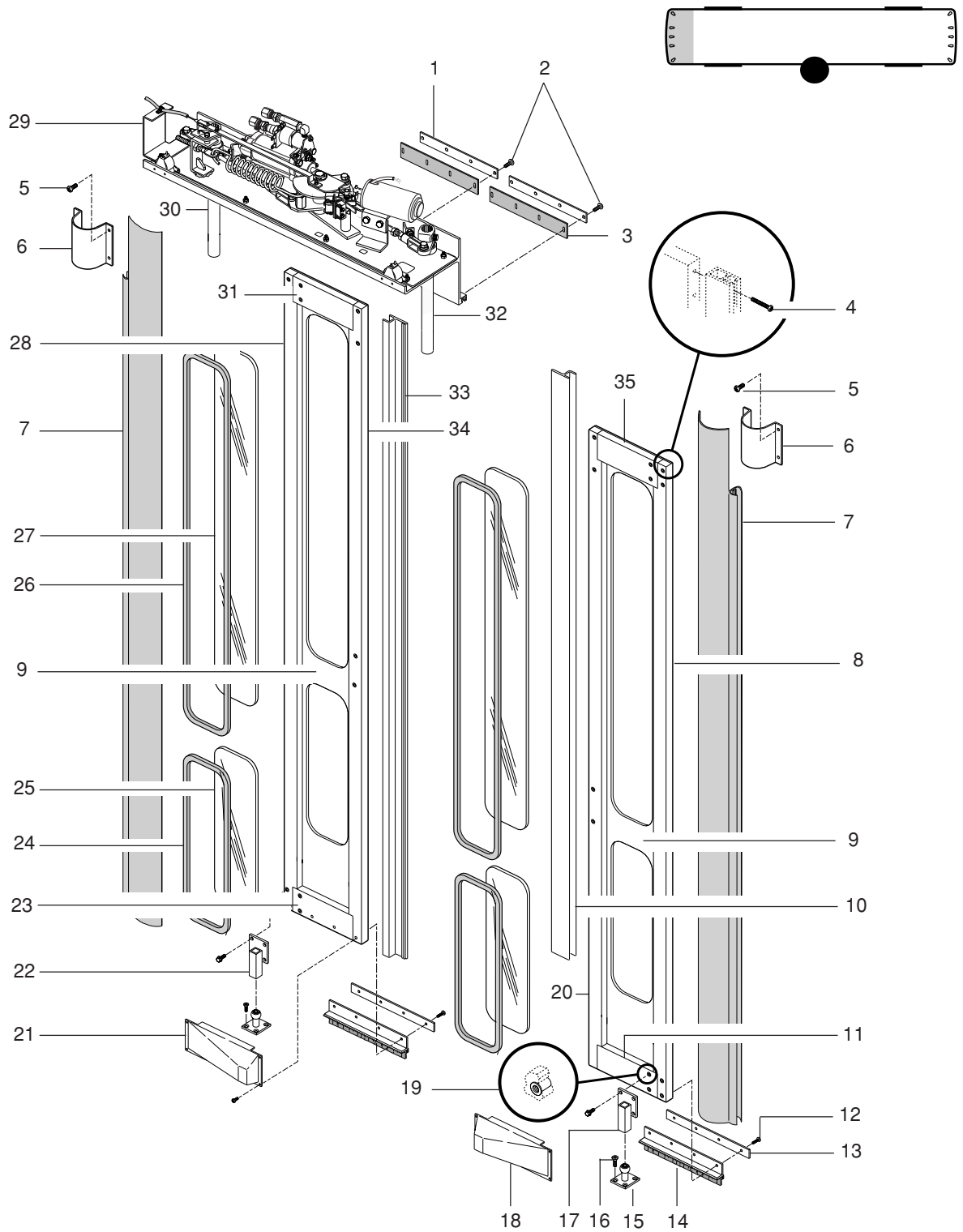


14-0405-0701A,C SSTL
14-002795
14-0405-0701A, C

DOOR ASSEMBLY: EXIT

Item	PartNo.	Description	Qty
1.	20-44007-000	PLATE, UPPER-DOOR SEAL	1
2.	54-30445-028	SCREW, PHCRST, SSTL, #10-24 X .75"	10
3.	20-44008-000	SEAL,-DOOR RUBBER	1
4.	54-13111-034	SCREW, 1/4"-20 X 2.0" FIL HD TORX TYPE F	16
5.	54-13111-002	SCREW, #12-24 X .75" FIL HD TORX	28
6.	20-40233-000	CLOSEOUT,-DOOR RUBBER	2
7.	20-44022L085.50	SEAL, DOOR RUBBER	2
8.	20-43373-001R	EXTRUSION, VERTICAL DOOR	1
9.	20-45093-000	PANEL, DOOR	2
10.	82-22245-000	EDGE ASM, SENSITIVE RH	1
11.	20-45095-000L	EXTRUSION, HORIZONTAL DOOR W/O SLOT	1
	20-45095-000R	EXTRUSION, HORIZONTAL DOOR W/O SLOT	1
12.	54-13111-059	SCREW, #12 X .75" PAN HDSTL / ZINC BLACK, CAMGRIP	28
13.	20-45101-000	COVER, DOOR BRUSH	2
14.	20-45100-000	BRUSH, DOOR SEAL	2
15.	82-22168-000	PIVOT ASM, EXIT DOOR	2
16.	54-14264-07Z	SCREW, FLAT HD TS 1/4" X 1.0"	8
17.	20-45098-000R	BRACKET, PIVOT LOWER	1
	54-13119-094	SCREW, 5/16"-18 X 1.0" HXHD WASHER	18
18.	82-22249-000	COVER, PIVOT ASM, RH	1
19.	54-13104-024	RIVNUT, 5-16" (18 .030-.125)	22
20.	20-43373-000L	EXTRUSION, VERTICAL DOOR	1
21.	82-22265-000	COVER, PIVOT ASM, LH	1
22.	20-45098-000L	BRACKET, PIVOT LOWER	1
23.	20-45099-000L	COVER, DOOR	1
	20-45099-000R	COVER, DOOR	1
24.	20-45125-000	SEAL, RUBBER 34"RR DOOR LOWER	2
25.	55-15095-048	GLAZING, DOOR, S/GLASS @ 23-33% GRAY LOWER	2
26.	20-41952-000	SEAL, GLAZING	25
27.	55-15095-047	GLAZING, DOOR, S/GLASS @ 23-33% GRAY UPPER	2
28.	20-43373-001L	EXTRUSION, VERTICAL DOOR	1
29.	20-50803N000	BASEPLATE ASM (PRE-WIRED)	1
30.	20-45096-000L	SHAFT ASM., RR DOOR	1
31.	20-45095-001R	EXTRUSION, HORIZONTAL DOOR W/ .75 SLOT	1
32.	20-45096-000R	SHAFT ASM., RR DOOR	1
33.	82-22264-000	EDGE ASM, SENSITIVE, LH	1
34.	20-43373-000R	EXTRUSION, VERTICAL DOOR	1
35.	20-45095-001L	EXTRUSION, HORIZONTAL DOOR W/ .75 SLOT	1
	15-38849L033.75	CLOSEOUT, RR DOOR CONTROL COMPARTMENT	1
	20-40906-000	HANDLE, GRAB SSTL	2
	54-13119-085	SCREW, #10-24 X .50" TPH SSTL, ZINC	40
35.	20-45095-001R	RAIL, DOOR FRAMING, HEADER RIGHT	1
	59-43797-000	DECAL, "CAUTION STAND BACK FROM DOOR"	1
	59-45926-000	DECAL, CAUTION	1

DOOR ASSEMBLY: EXIT

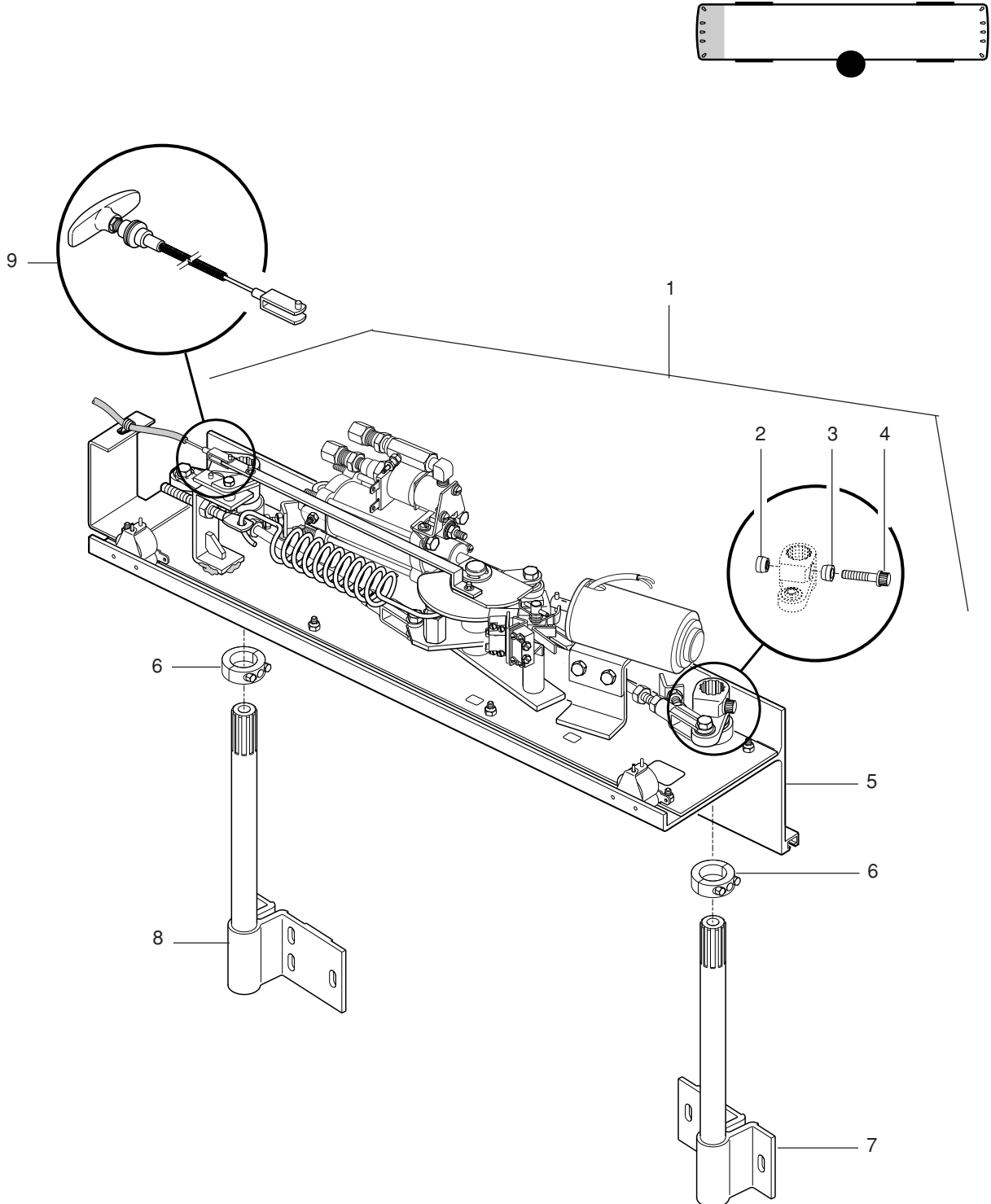


14-0410-0705B, L+(A+D)
 14-002624
 14-0410-0705B,L
 14-0411-0702A
 26-0255-0700D

BASEPLATE & PIVOT ASSEMBLY: EXIT DOOR

Item	PartNo.	Description	Qty
1.	20-50803N000	BASEPLATE ASM (PRE-WIRED)	1
2.	53-08005-003	WEDGE, PIVOT (THREADED LONG)	2
3.	53-08005-004	WEDGE, PIVOT (UNTHREADED SHORT)	2
4.	53-08005-005	SCREW, 12-PT FLANGE HD, 3/8"-24 X 1.25"	2
5.	82-27808-004	BASE PLATE, WELDED	1
6.	82-22290-000	COLLAR, CLAMP	2
7.	20-45096-000R	SHAFT ASM., RR DOOR	1
8.	20-45096-000L	SHAFT ASM., RR DOOR	1
9.	82-22267-000	CABLE ASM, EMERGENCY	1
	82-22268-000	LABEL, ID	1

BASEPLATE & PIVOT ASSEMBLY: EXIT DOOR

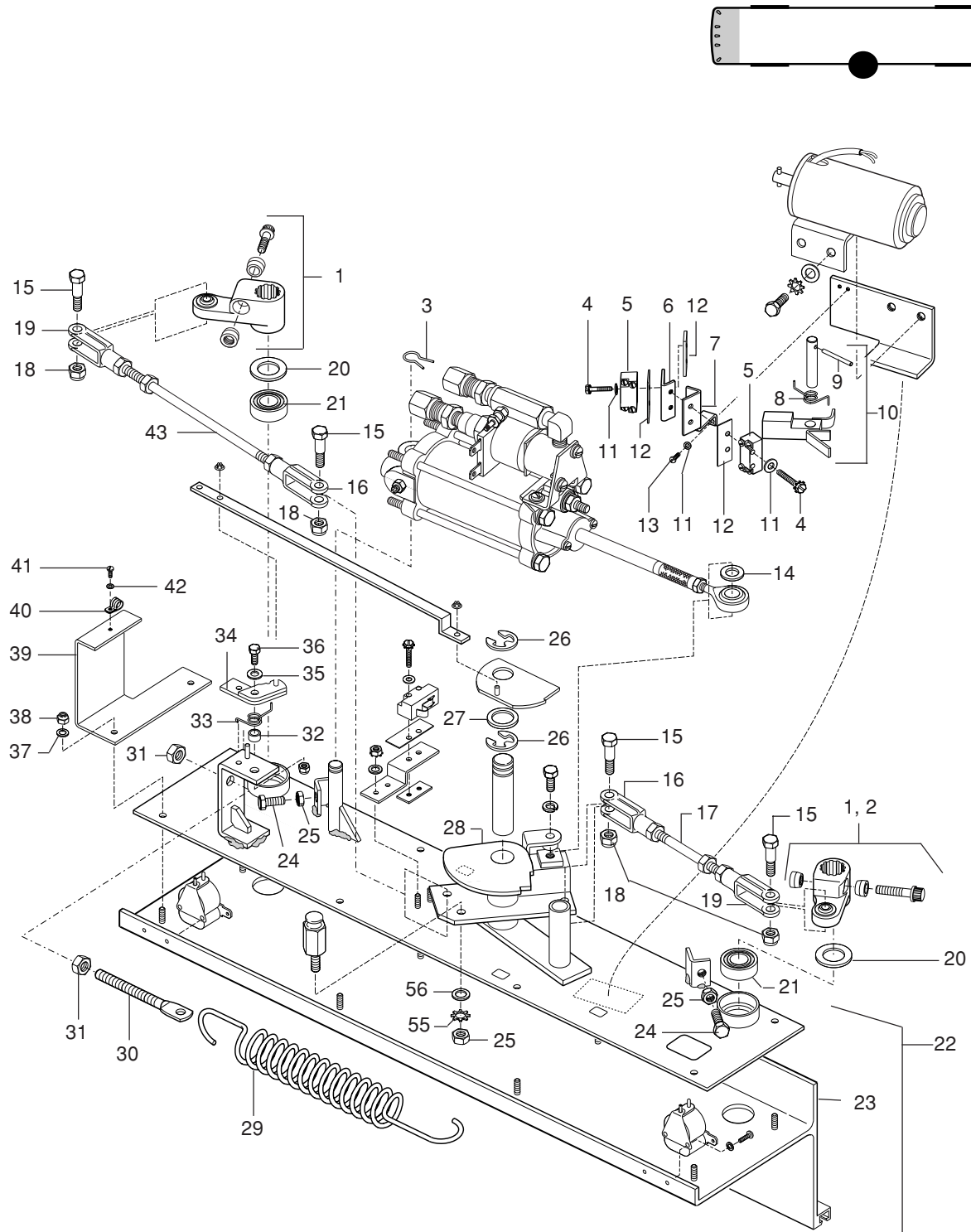


- 14-0410-0705B, L+(A+D)
- 14-002819
- 14-0410-0705B,L
- 14-0411-0702A
- 26-0255-0700D

BASEPLATE ASSEMBLY: EXIT DOOR

Item	PartNo.	Description	Qty
1.	82-11837-000	ARM ASM, BASEPLATE	2
2.	82-13212-007	TIE HARNESS, WHITE	4
3.	82-07944-000	SPRING, RETAINER	1
4.	82-12119-017	SCREW, PHILLIPS HD. SLT. SEM #6-32 X .31"	14
5.	51-25069-003	SWITCH, SNAP ACTION MICRO	2
6.	82-12107-006	PAD, TAPPING	3
7.	82-12109-000	BRACKET, SWITCH MTG	1
8.	82-12107-002	SPRING, PAWL	1
9.	82-12119-003	PIN, ROLL .187 X 1-3/4	1
10.	82-12107-001	PAWL ASM, LOCK	1
11.	82-12119-018	WASHER, #6-.375 OD X .028 THICK	6
12.	82-09291-000	INSULATOR, SWITCH	3
13.	82-12119-010	SCREW, HXHD. #6-32 X X 1.25"	8
14.	82-12107-005	SPACER	1
15.	82-11440-000	SCREW, SPECIAL	4
16.	82-09278-000	YOKE END, LH	2
17.	82-22273-000	ROD ASM, CONNECTING	1
18.	82-12120-001	LOCKNUT, HXHD, 7/16-20	4
19.	82-09277-000	YOKE END, RH	2
20.	82-17745-003	SPACER, LEVER	2
21.	50-17745-007	BEARING, BALL	2
22.	82-27808-000	BASE PLATE ASM, MTG	1
23.	82-27808-004	BASE PLATE., (WELDED)	1
24.	82-12119-008	SCREW, HXHD, 5/16-18 X 1	2
25.	82-12119-009	NUT, HEX 5/16-18	3
26.	82-12107-003	RING, RETAINING	2
27.	82-12107-007	SPACER	1
28.	82-00534-000	TEETER LEVER & CAM ASM	1
29.	82-09290-001	SPRING, EXTENSION	1
30.	82-10808-000	BOLT, EYE	1
31.	82-12119-011	NUT, HEX 7/16-20	2
32.	82-22276-000	BEARING, FLANGE	1
33.	82-22277-000	SPRING, PAWL	1
34.	82-22275-000	HANDLE ASM, FOR EMERGENCY EXIT DOOR	1
35.	82-06164-012	WASHER, 5/16-3/4 OD X .065 THICK	1
36.	82-12119-016	SCREW, HXHD 5/16-24 X 1-1/4	1
37.	82-06164-017	WASHER, 5/16-.688 OD X .065 THICK	8
38.	82-22286-000	LOCKNUT, HXHD 5/16-18	8
39.	82-22283-000	BRACKET, EMERGENCY	1
40.	82-22284-000	CLAMP, LOOP INSULATED	1
41.	82-27808-003	SCREW, PNHD #10-32 X .38	1
42.	82-22285-000	WASHER, #10-.375 OD X .032 THICK	1
43.	82-22274-000	ROD ASM, CONNECTING	1

BASEPLATE ASSEMBLY: EXIT DOOR

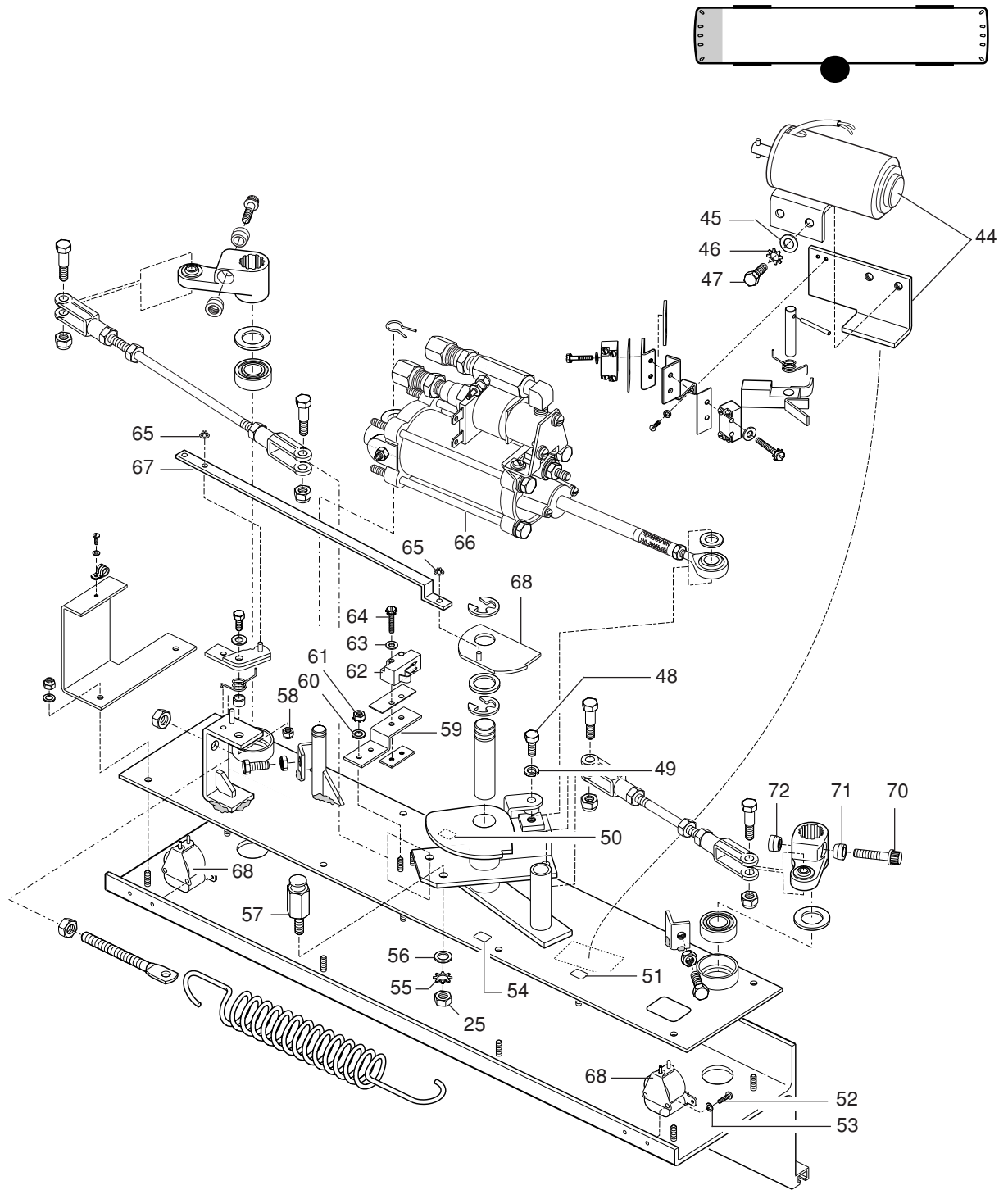


14-0410-0705B, L+(A+D)
 14-002622
 14-0410-0705B,L
 14-0411-0702A
 26-0255-0700D

BASEPLATE ASSEMBLY: EXIT DOOR (CONTINUED)

Item	PartNo.	Description	Qty
44.	82-09276-000	SOLENOID & BRACKET ASM	1
45.	82-12119-013	WASHER, 1/4"-3/4 OD X .065 THICK	2
46.	82-12119-012	LOCKWASHER, 1/4"	2
47.	82-06164-025	SCREW, HXHD 1/4"-20 X .62"	2
48.	82-12123-003	SCREW, HEX HD. CAP 1/4"-20 X 1.38"	1
49.	82-06164-014	LOCKWASHER, 1/4"-.109 WIDE X .062 THICK	1
50.	53-15469-009	LABEL, ID (LS3)	1
51.	82-12121-001	LABEL, ID (LS1)	1
52.	82-22282-000	SCREW, PAN HD. SLT SEM IN #4-40 X .25"	4
53.	82-10694-005	WASHER, PL #4-.281OD X .025THK	4
54.	82-12121-002	LABEL, ID (LS2)	1
55.	82-12119-006	LOCKWASHER, 5/16"	1
56.	82-12119-015	WASHER, 5/16"-.875 OD X .083 THICK	1
57.	82-12107-004	PIN, HEX SHAFT SPRING	1
58.	82-22279-000	LOCKNUT, HX HD. 5/16"-24	1
59.	82-01714-000	BRACKET, SWITCH	1
60.	82-12119-007	WASHER, PL NO. #6-.375 OD X .028THK.	8
61.	82-12119-010	SCREW, HEX HD. #6-32 X 1.25"	8
62.	53-15469-005	SWITCH, LEVER	1
63.	82-12119-032	WASHER, #8-.375 OD X .032 THICK	2
64.	82-12123-004	NUT, HEX HD. #8-32	2
66.	82-12108-000	CYLINDER ASM., BASEPLATE (SEE FOLLOWING PGS)	1
65.	82-12109-002	PUSHNUT, FLAT ROD	2
67.	82-22278-000	ROD, CONNECTING, TO EMERGENCY HANDLE	1
68.	82-22269-000	CAM ASM, EMERGENCY	1
69.	82-09301-000	SWITCH, PRESSURE WAVE	2
70.	53-08005-005	SCREW, 12-POINT FLANGED 3/8"-24 X 1.25"	2
71.	53-08005-004	WEDGE, DOOR (UNTHREADED, SHORT)	2
72.	53-08005-003	WEDGE, DOOR (THREADED, LONG)	2

BASEPLATE ASSEMBLY: EXIT DOOR (CONTINUED)

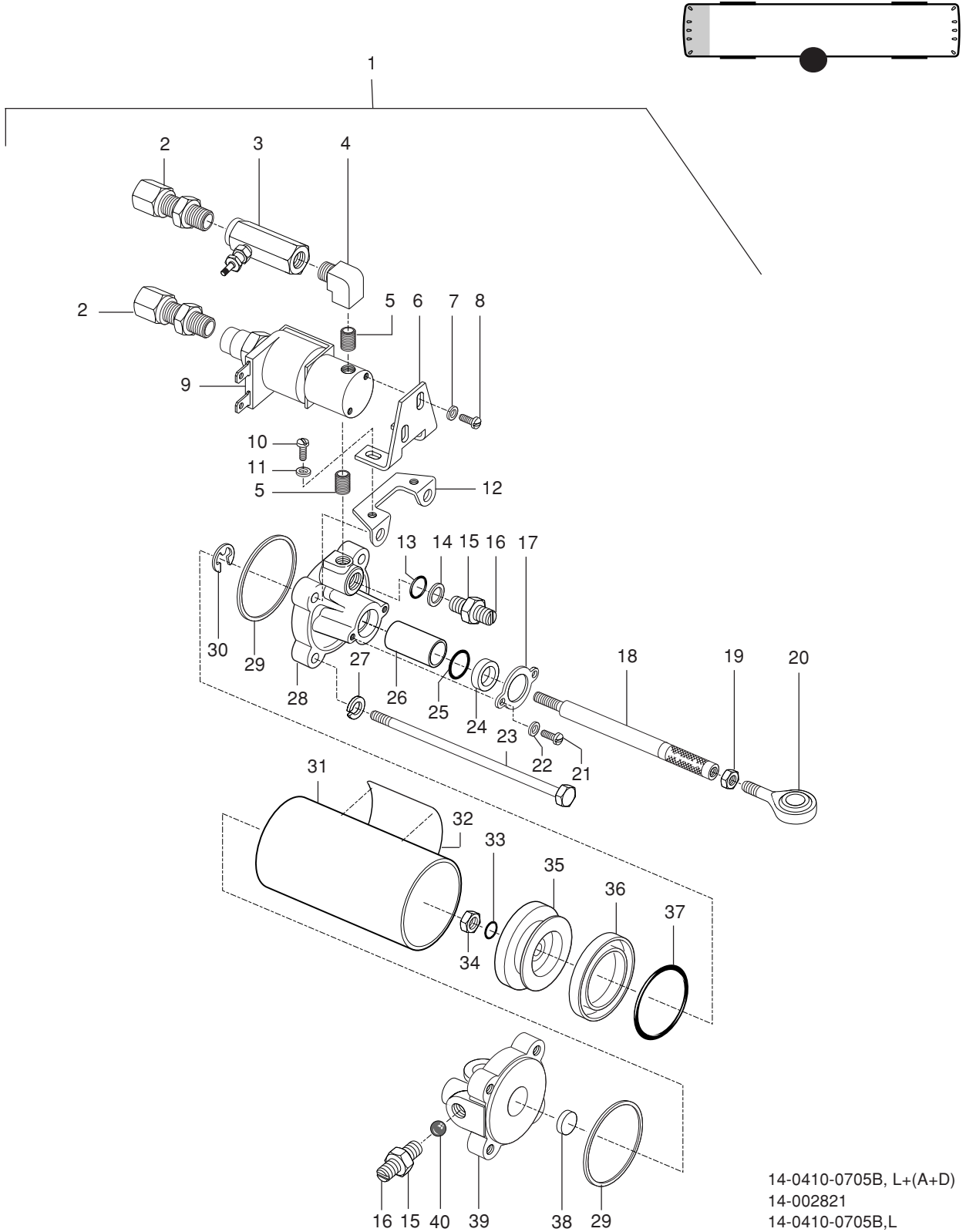


14-0410-0705B, L+(A+D)
 14-002622
 14-0410-0705B,L
 14-0411-0702A
 26-0255-0700D

CYLINDER ASSEMBLY

Item	PartNo.	Description	Qty
1.	82-12108-000	CYLINDER ASM, AIR DOOR OPERATOR	1
2.	82-12123-008	FITTING, 3/8 TUBE	2
3.	82-12128-002	VALVE, REAR DOOR CONTROL	1
4.	82-12123-005	ELBOW, STR 1/8MPT BRASS	1
5.	82-12123-002	NIPPLE, 1/8 MPT BRASS	2
6.	82-06161-003	BRACKET, VALVE MTG	1
7.	82-12119-019	FLATWASHER, #10	2
8.	82-12119-033	SCREW, PHD SLT 10-32 X 0.38	2
9.	82-09260-000	VALVE, DOOR	1
10.	82-12119-031	SCREW, PHD SLT 8-32 X 0.31	2
11.	82-12119-032	FLATWASHER, #8	2
12.	82-06161-004	BRACKET, VALVE MTG	1
13.	82-06161-006	O-RING	1
14.	82-06161-005	SPACER	1
15.	82-12123-013	JAMNUT, 1/4-28	2
16.	82-12123-012	SCREW, ADJ 1/4-28 X 0.75	2
17.	82-06160-003	PLATE, PISTON ROD	1
18.	82-10809-000	ROD, PISTON	1
19.	82-12119-025	NUT, HXHD 1/4-28	1
20.	82-09286-000	BEARING, ROD END	1
21.	82-12123-001	SCREW, RDHD SLT 6-32 X 0.25	2
22.	54-12602-005	LOCKWASHER, #6	2
23.	82-12119-034	CAPSCREW, 1/4-20 X 6.00	4
24.	82-06160-004	RING, PACKING	1
25.	82-06160-005	O-RING	1
26.	82-06160-006	BUSHING	1
27.	82-06164-014	LOCKWASHER, 1/4"	6
28.	82-10432-000	CAP ASM, FRT	1
29.	82-11964-000	GASKET, CYLINDER	2
30.	82-06161-009	SNAPRING	1
31.	82-06162-002	CYLINDER, SMALL	1
32.	82-22356-000	LABEL, ID	1
33.	82-06162-003	O-RING	1
34.	82-12119-029	LOCKNUT, METAL 5/16-24	1
35.	82-06162-004	PISTON, SMALL	1
36.	82-11966-000	SEAL, U-TYPE (SMALL)	1
37.	82-11965-000	O-RING, CYLINDER	1
38.	82-06162-007	BUMPER, PISTON	1
39.	82-12128-001	CAP ASM, PIVOT END	1
40.	82-06160-008	BALL, STEEL	1

CYLINDER ASSEMBLY

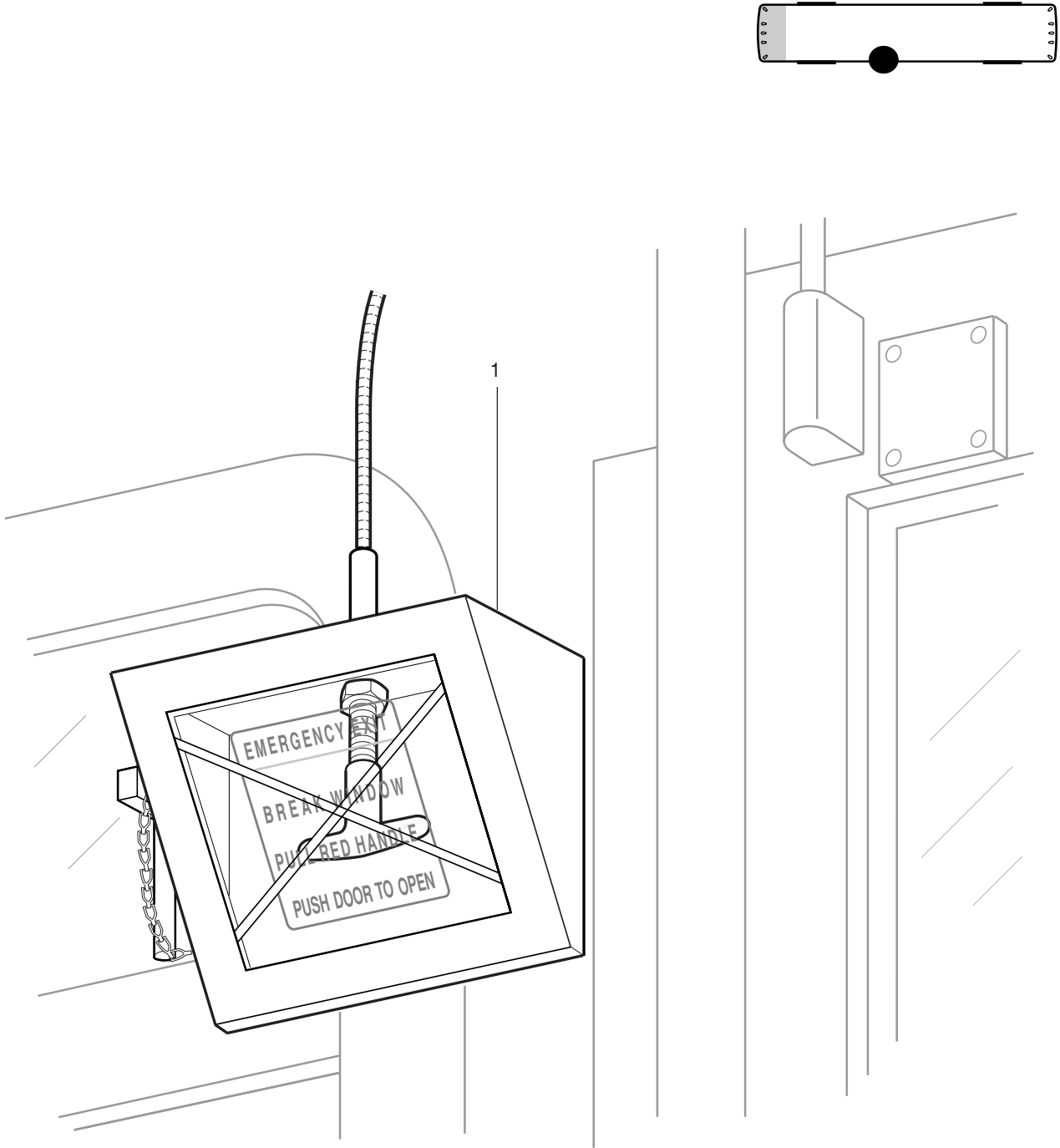


14-0410-0705B, L+(A+D)
 14-002821
 14-0410-0705B,L
 14-0411-0702A
 26-0255-0700D

EMERGENCY DOOR RELEASE VALVE BOX

Item	PartNo.	Description	Qty
1.	15-40603-000	CLOSEOUT, EMERG DOOR RELEASE	1
	15-40601-000	BRACKET, EMERG, RELEASE MTG, RR DOOR	1
	15-42508M001	GLASS, EMERG BREAKOUT	1
	54-12600-006	WASHER, FLAT 1/4"	3
	54-14256-04B	FH TS #6X1/2	4
	54-14284-04Z	SCREW, PHCRST 6-32X0.50	4
	59-43797-000	DECAL, "CAUTION STAND BACK FROM DOOR" ENGLISH	2
	59-43797-001	DECAL, "CAUTION STAND BACK FROM DOOR" SPANISH	2
	59-45926-000	DECAL, "CAUTION"	1

EMERGENCY DOOR RELEASE VALVE BOX

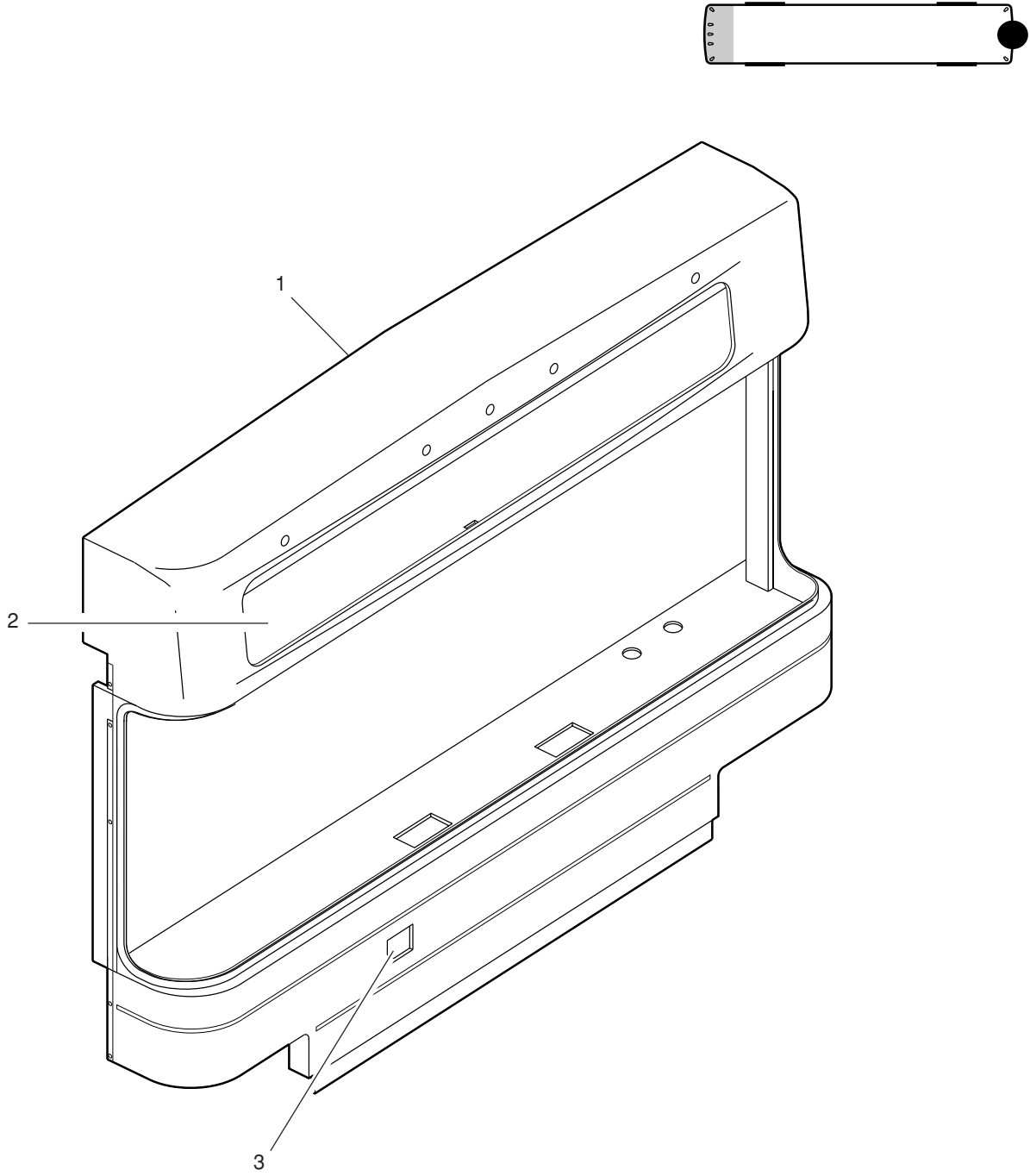


14-0410-0705D
14-001942
14-0410-0705D

FRONT CAP ASSEMBLY

Item	Part No.	Description	Qty
1.	20-49595M001	CAP ASM, FRONT	1
	54-33460-010	INSERT, BLIND THREADED, 5/16-18	8
	53-02195-020	ADHESIVES & SEALANT	A/R
2.	16-46375-001	GLASS, (GLAZING), DESTINATION SIGN	1
	56-28783-000	SEAL, GLAZING	1
	99-29987-000	STRIP, LOCKING	13
	53-02195-016	SEALANT, 221 BLACK	1
3.	43-15310-000	DOOR, W/S WASHER FILL	1
	55-15286-000	HINGE, WASHER BOTTLE	1
	53-15338-000	LATCH, SPRING WASHER DOOR	1
	40-15329-000	ANGLE, WASHER DOOR	1
	54-07101-004	RIVET, 3/16	8
	54-14278-07Z	SCREW, PH CR 1/4-20X1.0	10
	54-12605-002	WASHER, FLAT FENDER 1/4	10
	54-12540-005	NUT, HXHD NYLOCK 1/4-20 GR5	10
	54-13108-044	LOCKNUT, 10-24 HEX FLANGE LOCKNUT SSTL	12
	54-14288-09Z	SCREW, PHT #10X1/2	8

FRONT CAP ASSEMBLY

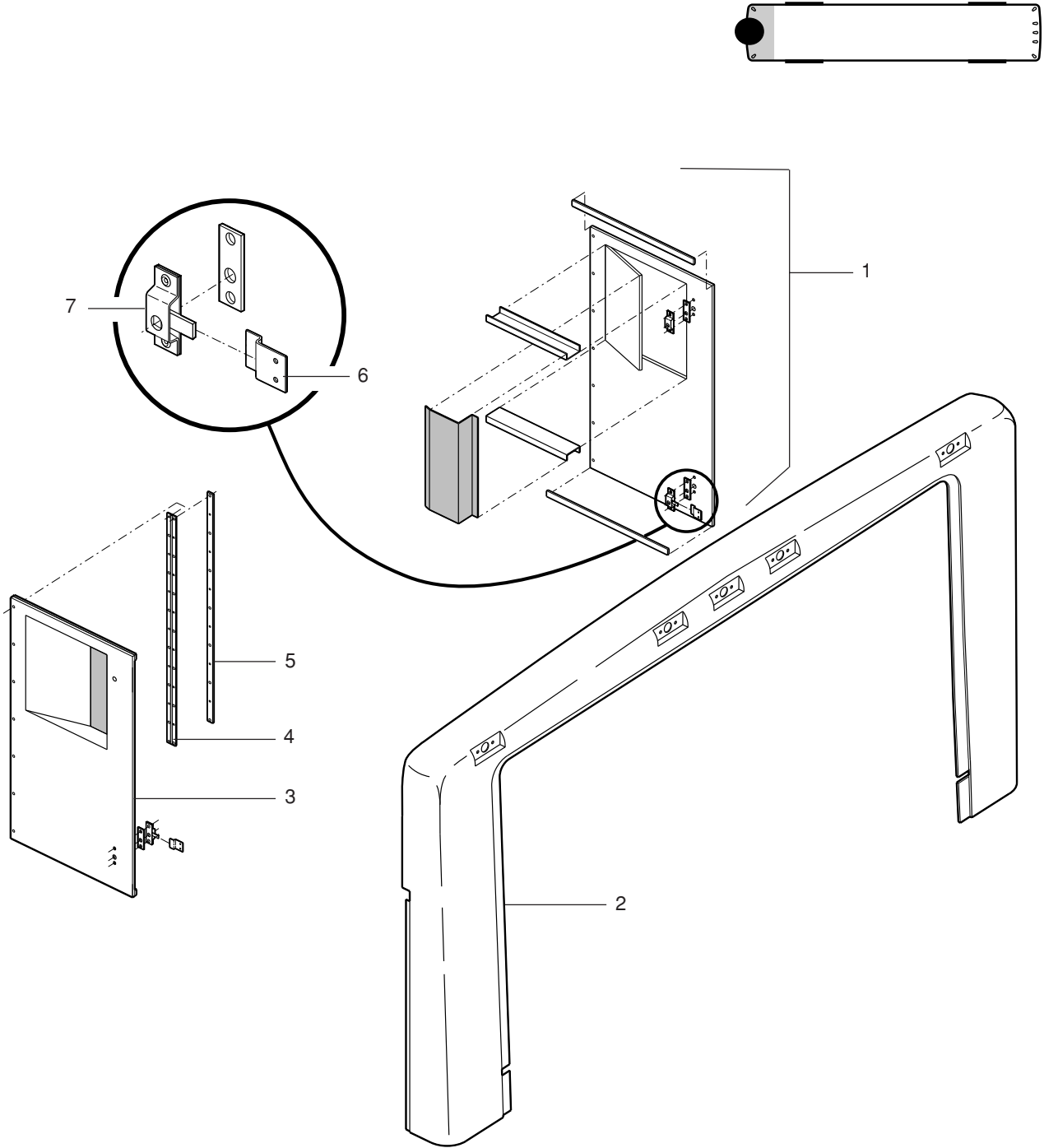


14-0450-0701B+(0704B)
14-003697
14-0450-0701B
26-0200-0704B

REAR CAP

Item	Part No.	Description	Qty
1.	20-48986-000R	PANEL ASM, RIGHT SIDE UPR RR	1
2.	20-36705M001	CAP, RR	1
3.	20-48986-000L	PANEL ASM, LEFT SIDE UPR RR	1
4.	20-38155-000	HINGE, PIANO RR PANEL	2
6.	20-38161-000	BRACKET, DOOR LOCK	4
5.	20-38174-000	SPACER, HINGE RR PANEL	2
7.	50-00019-000	LOCK ASM, 5/16 SQ KEY	4
	53-02195-020	ADHESIVE & SEALANT	A/R
	54-10163-001	RIVET, MONOBOLT 3/16	A/R
	54-10163-032	RIVET, MONOBOLT 1/4"	A/R
	54-10163-037	RIVET, MONOBOLT 3/16	A/R

REAR CAP

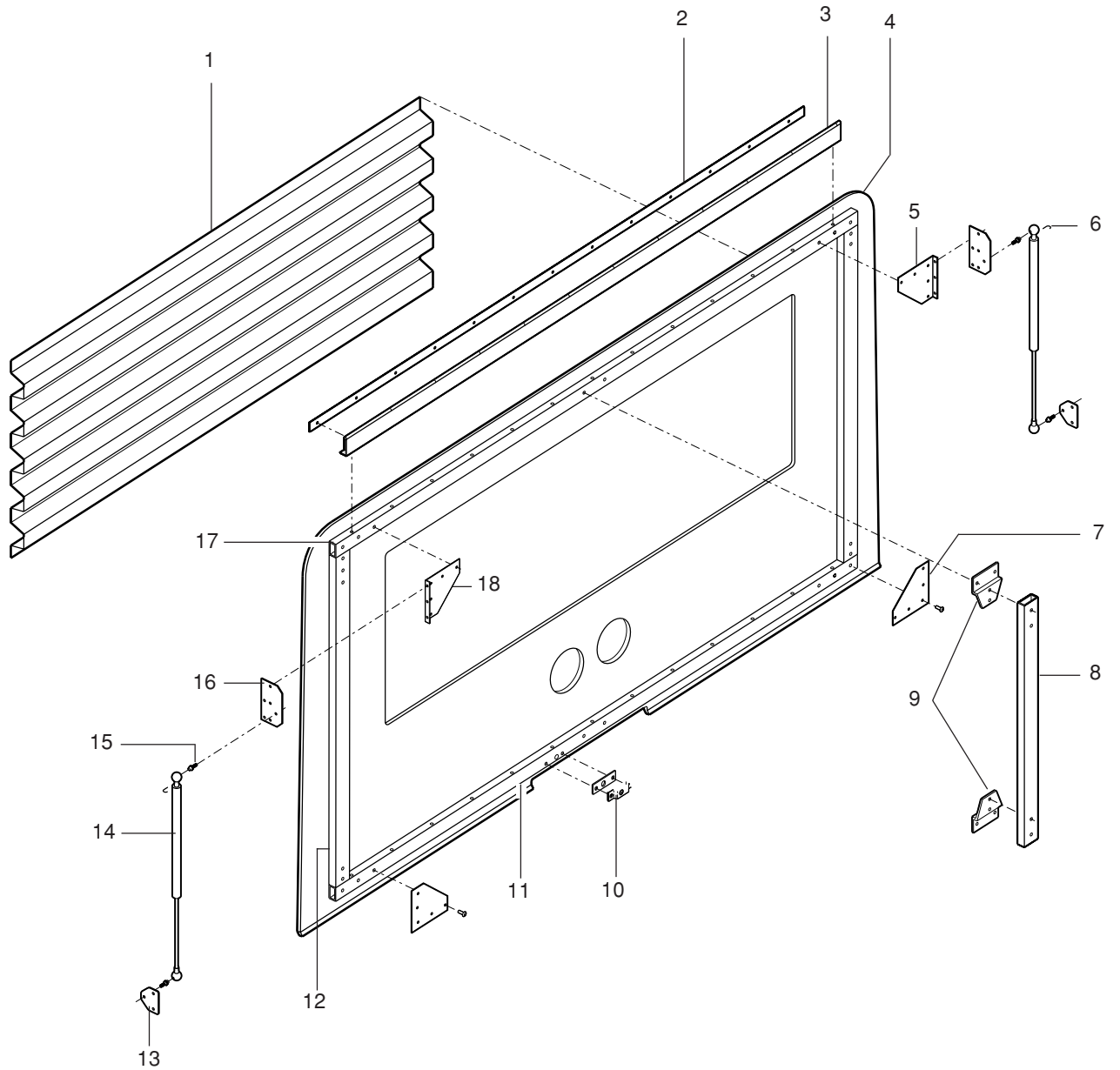


14-0500-0701B
14-000150
14-0500-0701B

REAR GRILLE

Item	Part No.	Description	Qty
1.	20-36765-000	SCREEN, HVAC DOOR RR	1
2.	20-36996-000	SPACER, HINGE	A/R
3.	20-41866-000	HINGE ASM, RR DOOR	1
4.	20-38741M021	PANEL, RR DOOR	1
5.	20-40430-000L	BRACKET, GAS SPRING MTG	1
6.	54-33554-000	CLIP, GAS SPRING RETAINING	4
7.	20-40547-000	GUSSET, RR DOOR	2
8.	20-36774-000	TUBE, VERTICAL CTR RR HVAC DOOR	1
9.	20-36767-000	BRACKET, HVAC DOOR RR	2
10.	50-00019-000	LOCK ASM, 5/16 SQ KEY	1
	20-39589-000	ANGLE, CATCH	1
	53-00302-002	GUIDE, ROPE	2
	20-38856-000	CHAIN, STEEL SASH	1
	20-38859-000	TUBING, HEAT SHRINK	1
11.	20-40546-000	TUBE, HORIZONTAL LWR	1
12.	20-36773-000	TUBE, VERTICAL RR HVAC DOOR	2
13.	20-36997-000	BRACKET, GAS SPRING LWR	2
14.	53-02231-017	SPRING ASM, GAS	2
	54-07101-001	RIVET, POP 3/16 OPEN END	7
	54-10163-005	RIVET, MONOBOLT	55
	54-12540-006	LOCKNUT, NYLOK 5/16-18 GR5	4
15.	54-33553-000	STUD, GAS SPRING BALL	4
16.	20-40513-000	PLATE, GAS SPRING	2
17.	20-40433-000	TUBE, HORIZONTAL UPR	1
18.	20-40430-000R	BRACKET, GAS SPRING MTG	1
	54-37358-000	NUT PLATE, COBOLT M8	4
	54-37359-001	BOLT, BUTTON TORX HEAD M8	4
	54-38170N000	BUMPER, RUBBER ENGINE/HVAC DOOR	4
	20-40524-000	BRACKET, REAR DOOR BUMPER	2
	55-02306-000	HOOK	2

REAR GRILLE

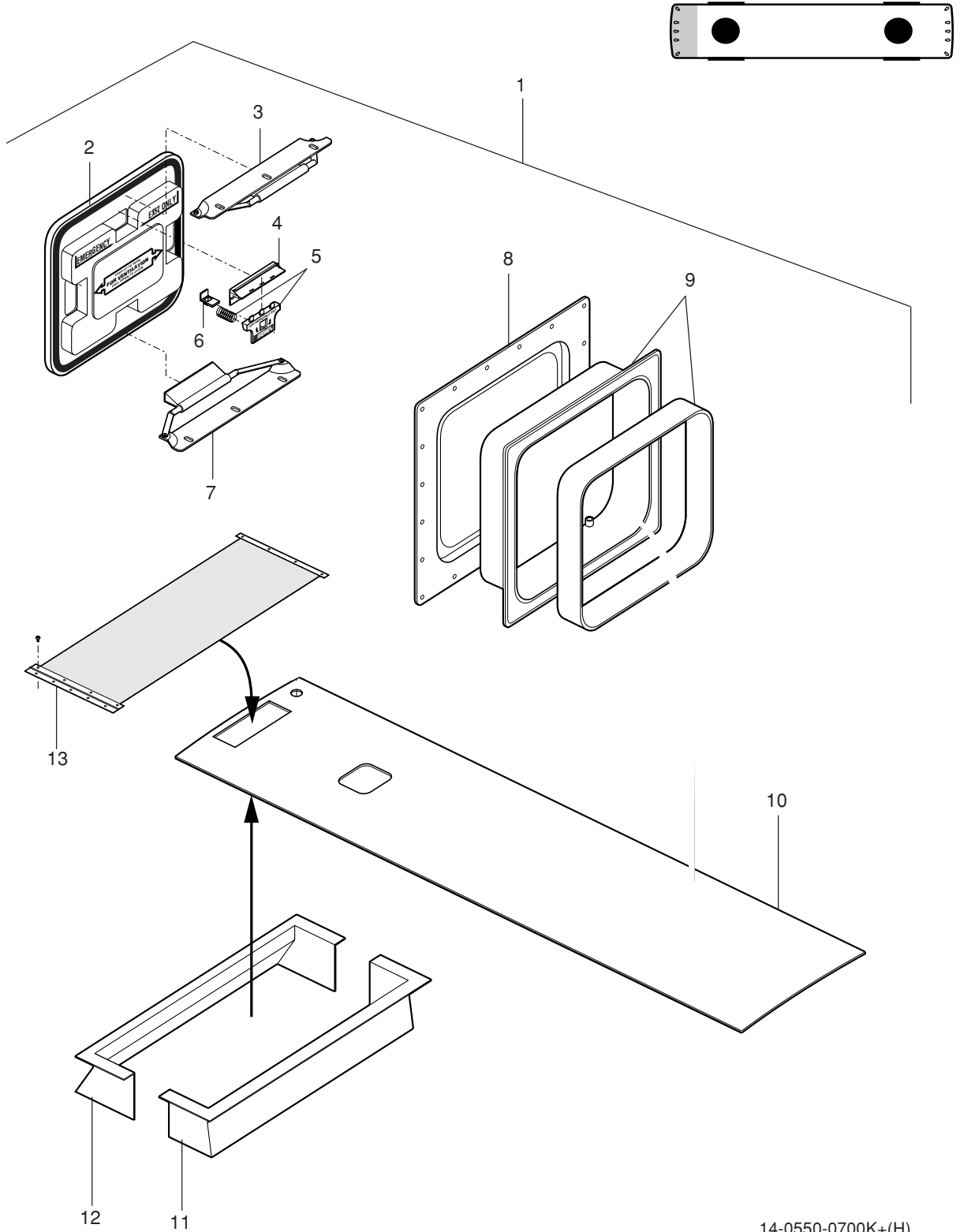


14-0501-0703N (w/2 Decel)
14-001845
14-0501-0703N

ROOF SKIN & HATCHES

Item	Part No.	Description	Qty
1.	55-08792-001	HATCH, REAR ESCAPE	1
	82-01445-000	DECAL, EMERG HATCH	1
	82-04463-000	BOLT, SHOULDER	4
	82-09148-000	SPRING	4
2.	82-09155-000	SEAL, HATCH RUBBER	1
	59-46694N000	DECAL, ESCAPE HATCH (SPANISH)	1
3.	REF ONLY	HINGE (NOT SOLD SEPARATELY)	1
4.	82-09151-000	HINGE, DOOR HALF	1
5.	82-09155-002	HANDLE, HATCH RELEASE	1
6.	82-09152-000	LATCH, SAFETY TAB	1
	82-09153-000	LINK ASM, W/PLUNGER	4
7.	82-09150-000	HINGE, BODY HALF	1
8.	82-13851-000	FRAME, MOUNTING	1
9.	82-13852-000	MOLDING, INTERIOR TRIM	1
10.	20-40596L435.00	SKIN, FIBERGLASS ROOF	1
11.	20-40936-000	CLOSEOUT, CONDENSER FRT	1
12.	20-40937-000	CLOSEOUT, CONDENSER RR	1
13.	20-41046-000	SCREEN ASM, A/C CONDENSER	1
	56-26610-003	EXTRUSION, RUBBER	1
	54-10163-023	RIVET, MONOBOLT	20
	54-13119-023	SCREW,#10 X 3/4 PANHD CR REC	34
	20-50948-000	REINF, ROOF SHEET	1
	20-50949-000	REINF, ROOF SHEET	1
	56-02111-007	TAPE, FOAM 1'	A/R
	56-02138-021	TAPE, ADHESIVE 2"	A/R

ROOF SKIN & HATCHES

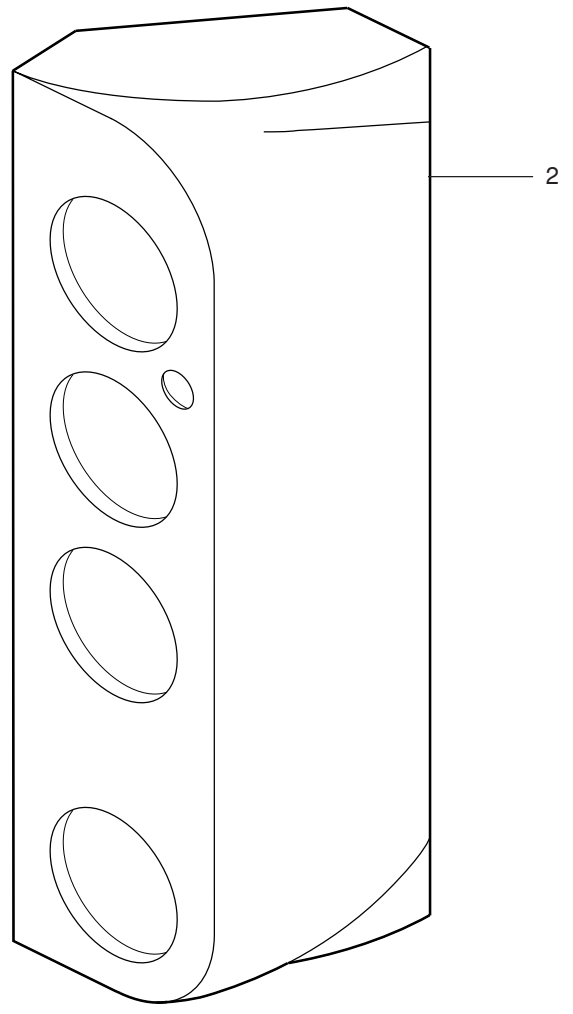
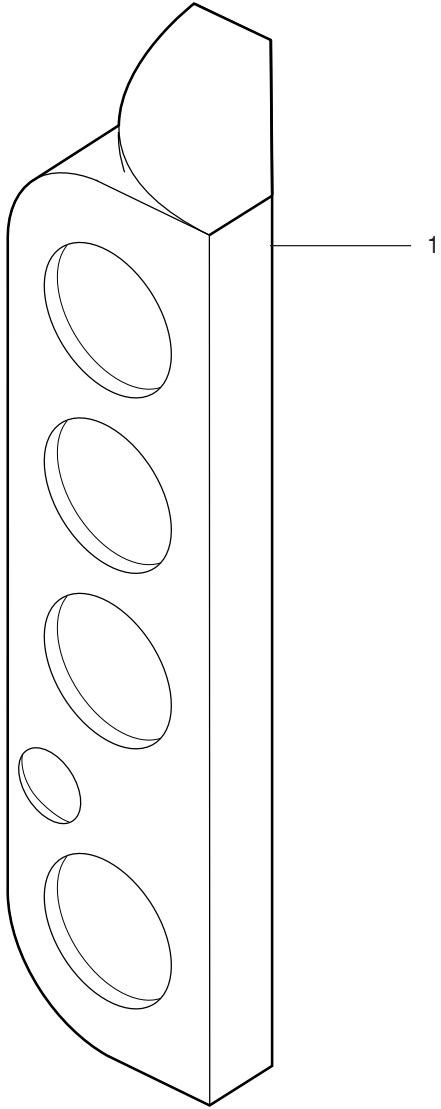
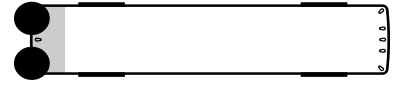


14-0550-0700K+(H)
14-000152
14-0550-0700K
14-0555-0700H

TAILLIGHT PANELS

Item	Part No.	Description	Qty
1.	20-47715M003L	PANEL, TAIL LIGHT LH	1
2.	20-47715M003R	PANEL, TAIL LIGHT RH	1
	54-10163-037	RIVET, MONOBOLT 3/16" STL. (.062-.437 GRIP)	16

TAILLIGHT PANELS

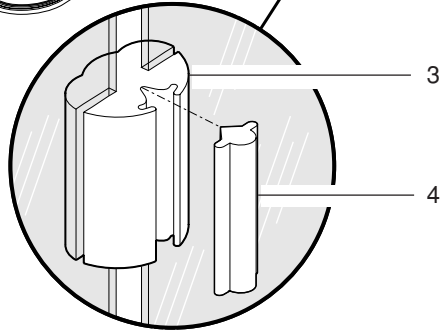
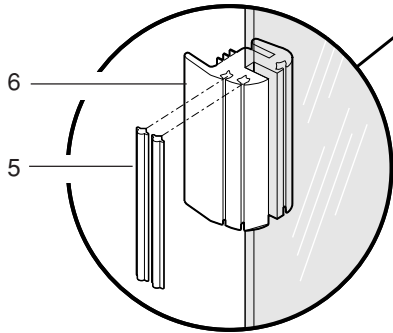
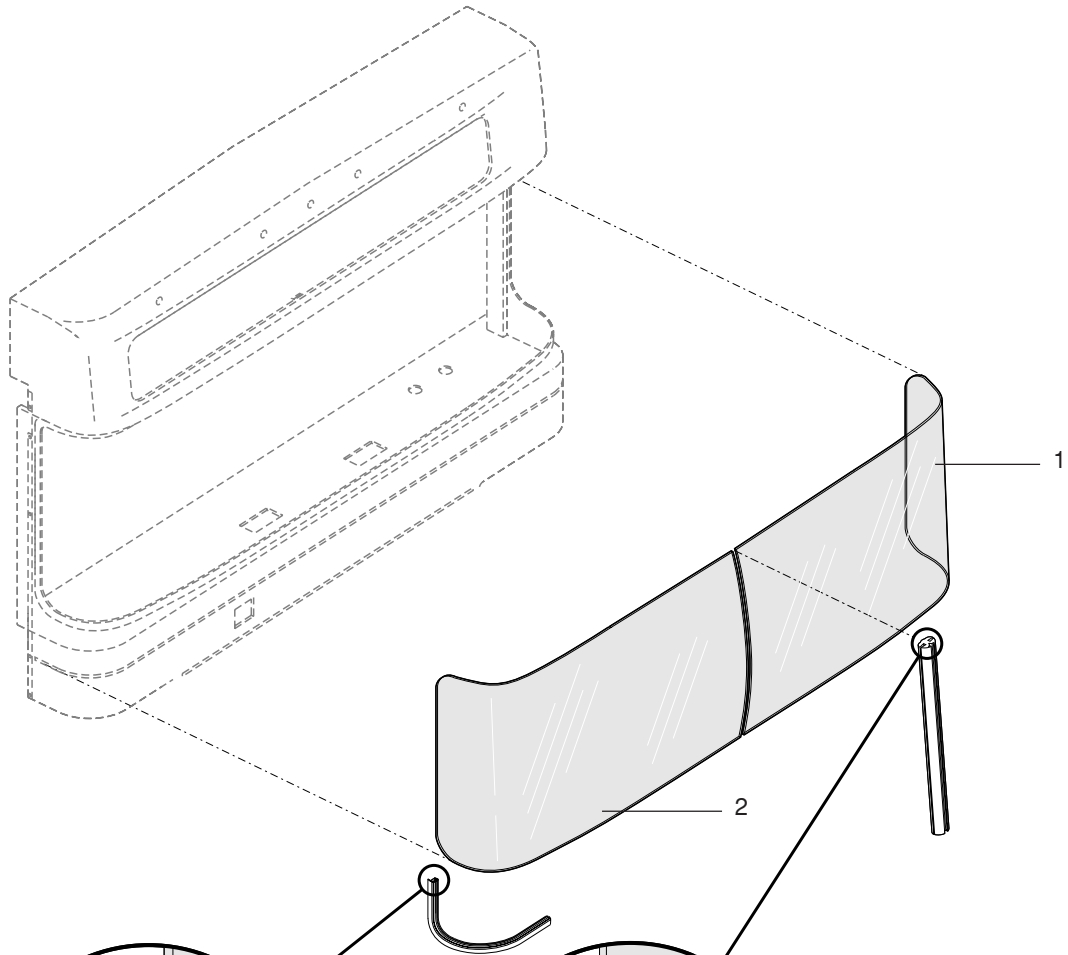


14-0726-0701C
14-001859
14-0726-0701C

WINDSHIELD

Item	Part No.	Description	Qty
1.	26-45474-001L	WINDSHIELD, BULGED LH W/ TINT BAND	1
2.	26-45474-000R	WINDSHIELD, BULGED RH W/O TINT BAND	1
3.	26-38333N000	RUBBER, CENTER WINDSHIELD GLAZING	1
4.	99-29987-000	STRIP, CENTER WINDSHIELD LOCKING	1
5.	56-00007-000	STRIP, LOCKING	1
6.	26-45512-000	SEAL, GLAZING	1
	53-02195-016	SEALANT,221 BLACK	A/R

WINDSHIELD

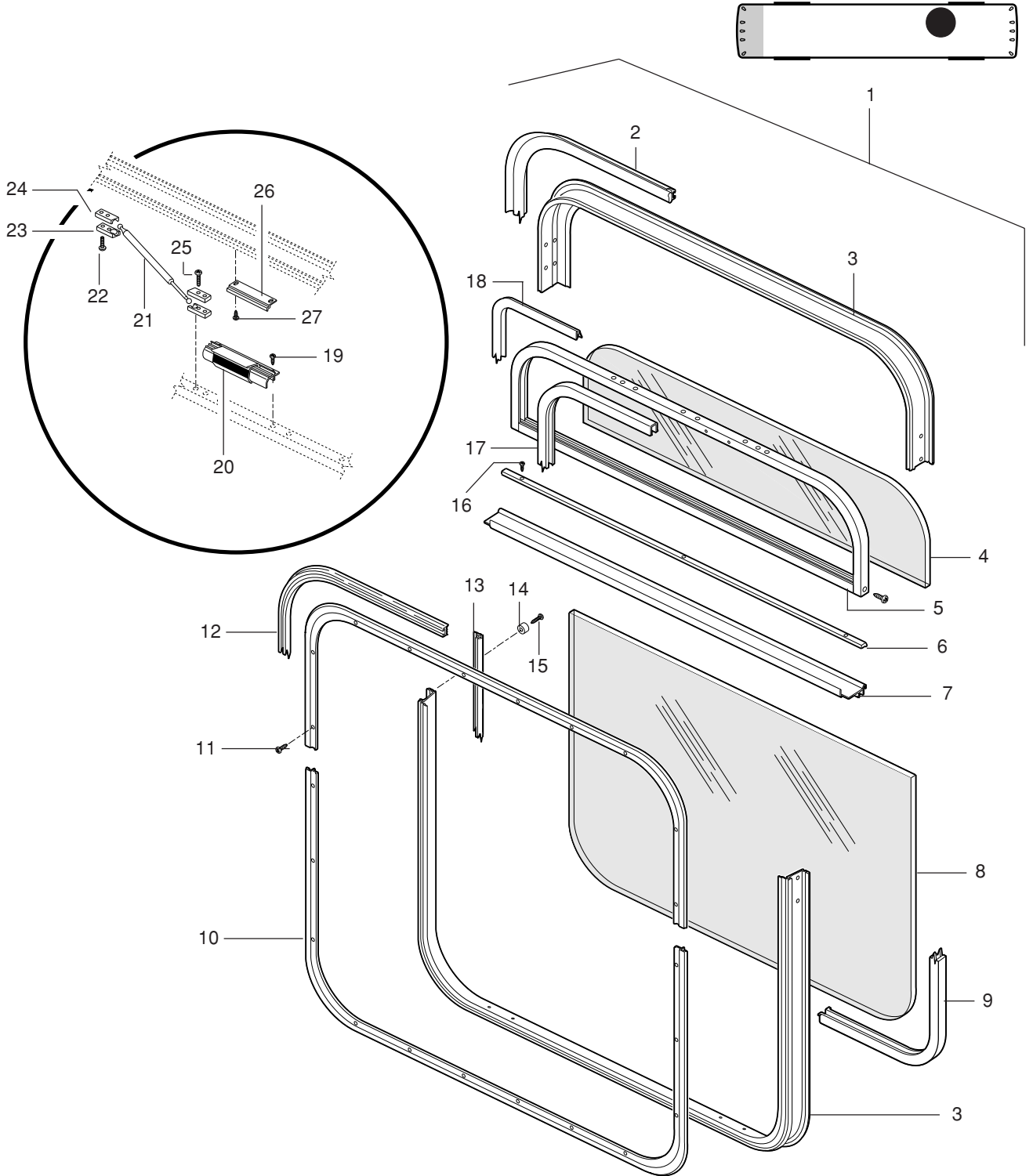


26-0001-0701A,D,E
26-003696
26-0001-0701A, D, E

SIDE WINDOW: 56" NON-EGRESS

Item	Part No.	Description	Qty
1.	82-20088-403	WINDOW ASM, 56" COMPLETE	1
2.	82-12159-010	SEAL, OUTER MTG FRAME	A/R
3.	82-20088-003	FRAME ASM, OUTER MTG	1
4.	82-12034-203	GLAZING, TRANSOM	1
	82-17530-002	GUARD, GLAZING	1
5.	82-20088-803	WINDOW ASM, 56" UPPER TRANSOM	1
6.	82-08905-000	RETAINER, TRANSOM	1
7.	82-12043-006	MULLION, HORIZONTAL	1
8.	82-20088-303	GLAZING, STATIONARY	1
	82-17531-001	GUARD, GLAZING	1
9.	82-12043-007	VINYL, GLAZING	A/R
10.	82-20088-004	FRAME ASM, RETAINING	1
11.	82-01083-001	SCREW, RETAINING FRAME	A/R
12.	82-12188-005	SEAL, RETAINING FRAME	A/R
13.	82-20061-002	SEAL, BODY	1
14.	82-04397-000	BUMPER, RECESS	2
15.	82-12026-015	SCREW, BUMPER	2
16.	82-12031-008	SCREW, RETAINER	3
17.	82-12166-002	VINYL, RETAINER	A/R
18.	82-12031-010	SEAL, TRANSOM	A/R
19.	82-12031-005	SCREW, PULL HANDLE	4
20.	82-12034-004	HANDLE & LATCH ASM	2
21.	82-07688-000	PLUNGER ASM	1
22.	82-12167-002	SCREW, BALL SOCKET RETAINER	2
23.	82-20088-009	RETAINER, BALL SOCKET, LH	2
24.	82-07631-000	RETAINER, BALL SOCKET, RH	2
25.	82-20029-012	SCREW, BALL SOCKET RETAINER	2
26.	82-00004-000	STRIKER, LATCH	1
27.	82-12039-006	SCREW, LATCH STRIKER	2
	82-12031-013	PLATE, TAPPING	A/R

SIDE WINDOW: 56" NON-EGRESS

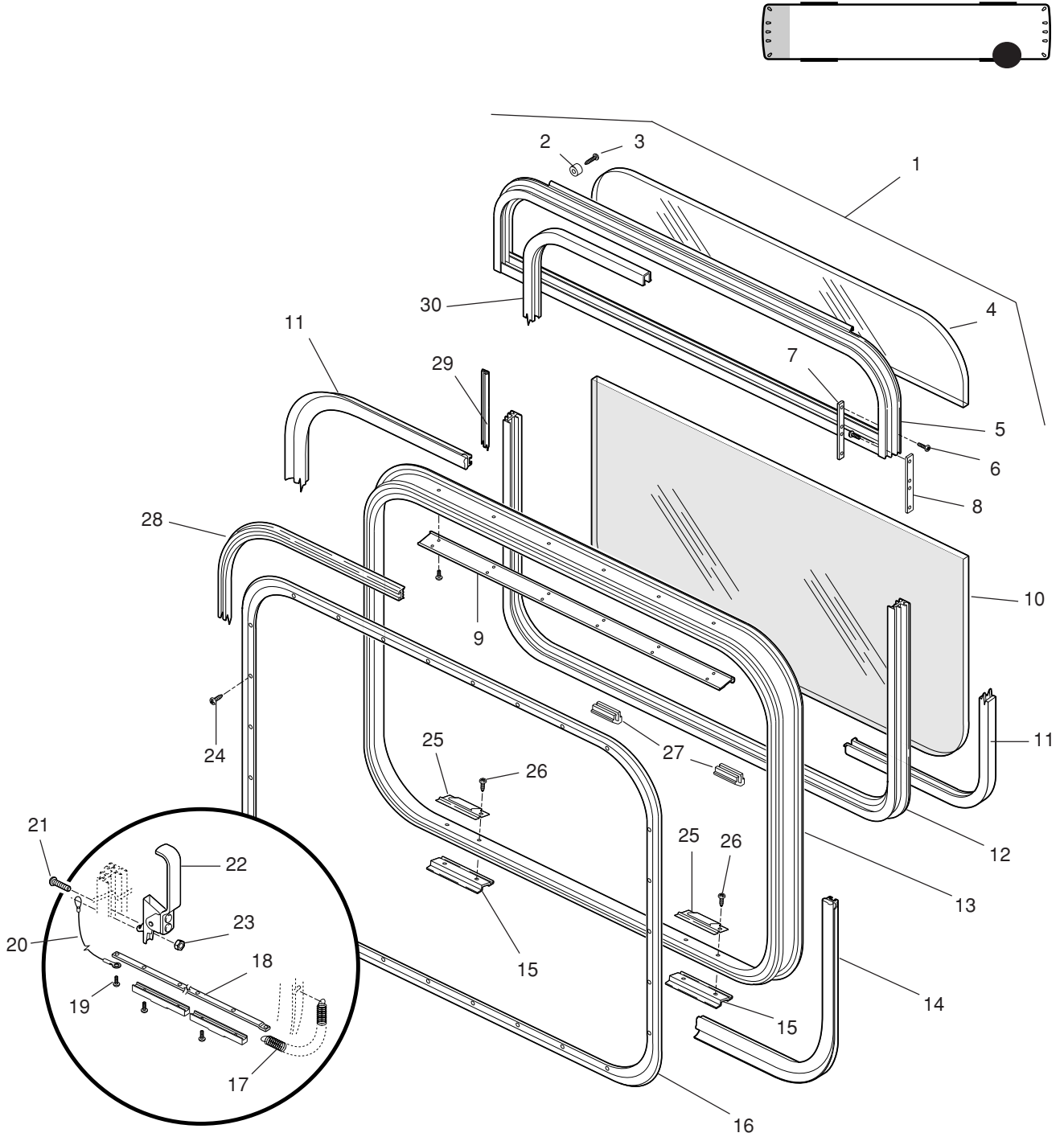


82-20088-403
26-002556
T1264-G3
82-20088-403

SIDE WINDOW: DESTINATION SIGN

Item	Part No.	Description	Qty
1.	82-20089-403	WINDOW ASM DESTINATION SIGN-COMLETE	1
	82-12038-703	EGRESS ASM (INCLUDES ITEMS 4, 5, 9, 10, 11, 12, 30)	1
2.	82-04397-000	RECESS BUMPERS	A/R
3.	82-12026-015	SCREW, RECESS BUMPERS	A/R
4.	82-12038-203	GLAZING, UPPER STATIONARY	1
5.	82-12038-004	FRAME HALF, UPPER	1
6.	82-12035-003	SCREW, SPLICE PLATE	A/R
7.	82-12035-002	SPLICE PLATE	A/R
8.	82-12035-001	SPLICE PLATE	A/R
9.	82-12038-005	HORIZONTAL MULLION RAIL	1
10.	82-12034-303	GLAZING, LOWER STATIONARY	1
11.	82-20089-001	VINYL, GLAZING, LWR STATIONARY	1
12.	82-12038-003	FRAME ASM, EGRESS	1
13.	82-20030-008	FRAME ASM, MTG	1
14.	82-12159-010	SEAL, OUTER MOUNTING FRAME	A/R
15.	82-12027-006	TAPPING BLOCK	A/R
16.	82-20087-004	FRAME ASM, RETAINING	1
17.	82-00584-000	SPRING, TIE BAR	1
	82-04666-000	SPRING PIN, SPACER & TIE BAR	A/R
18.	82-10851-001	TIE BAR ASM	1
19.	82-00151-001	SCREW, TIE BAR CABLE	A/R
20.	82-00151-000	CABLE ASM, TIE BAR	1
21.	82-15471	SCREW, EMERG RELEASE HANDLE	A/R
22.	82-07628-000	HANDLE, EMERG RELEASE	1
23.	82-07628-004	NUT, EMERG RELEASE HANDLE	A/R
24.	82-01083-001	SCREW, RETAINING FRAME	1
25.	82-07626-000	SPRING, RETENTION	A/R
26.	82-07626-001	SCREW, RETENTION SPRING	A/R
27.	82-04665-000	SPACER, EGRESS FRAME	A/R
28.	82-12188-005	SEAL, RETAINING FRAME	A/R
29.	82-12030-010	SEAL ASM, BODY	1
30.	82-12034-007	VINYL, GLAZING, UPR STATIONARY	1

SIDE WINDOW: DESTINATION SIGN

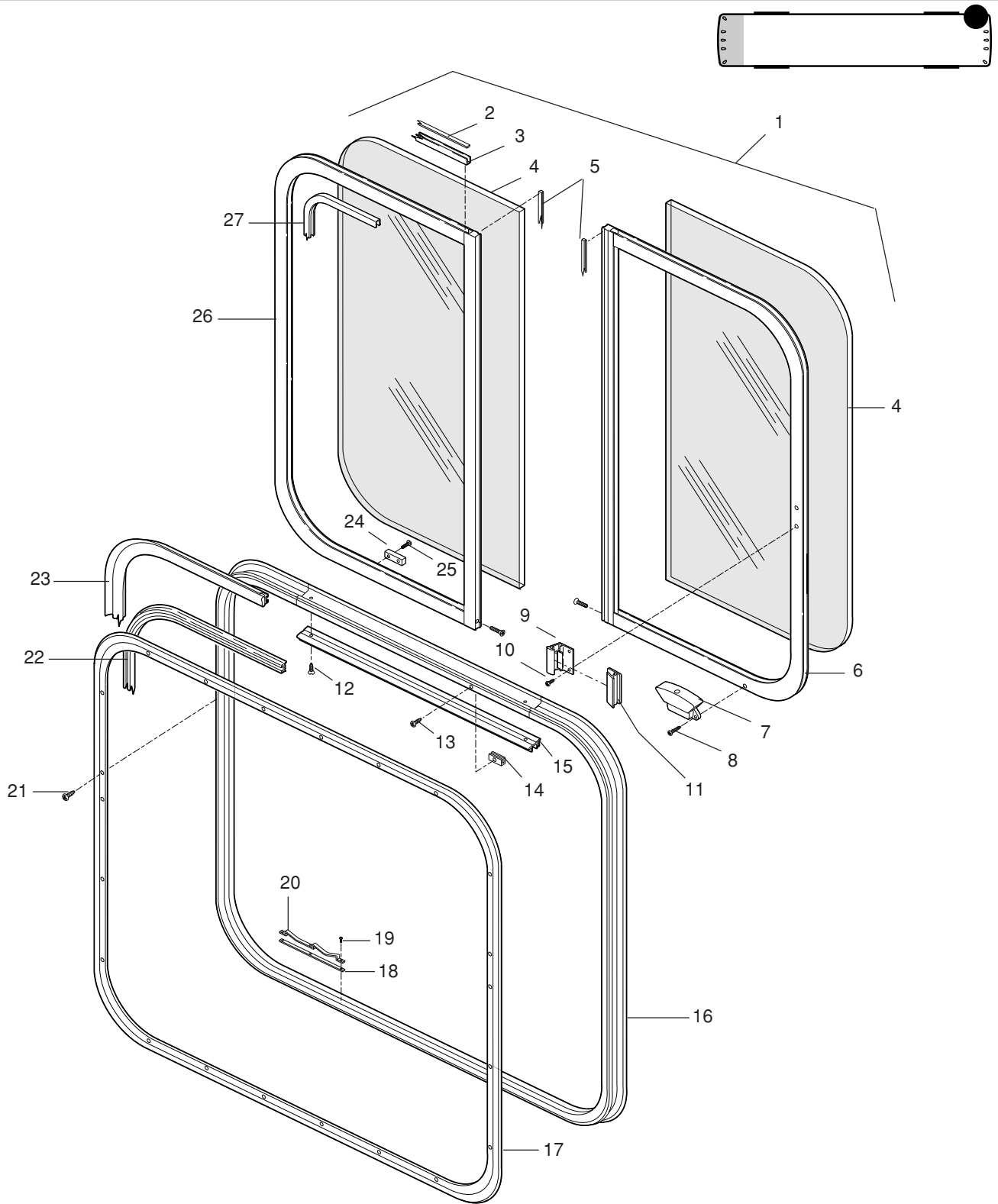


82-20089-403
26-001578
T1255-G3R
82-20089-403

SIDE WINDOW: DRIVER'S

Item	Part No.	Description	Qty
1.	82-22502-406	WINDOW ASM, DRIVER'S (DUAL SLIDE)	1
	82-12164-100	HANDLE, PULL (INSIDE)	1
	82-12164-101	HANDLE, PULL (OUTSIDE)	1
2.	82-12026-014	WEAR STRIPS, DRIVER'S WINDOW	A/R
3.	82-01967-000	CHANNEL, RUN, DRIVER'S WINDOW	A/R
4.	82-20083-226	GLAZING, DRIVER'S WINDOW	2
5.	82-12159-009	WEATHERSTRIP, DRIVER'S WINDOW	A/R
6.	82-20083-005	SLIDE ASM, DRIVER'S WINDOW, REAR	A/R
7.	82-18783-009	LATCH, ROCKER, FRT SLIDE, DRIVER'S WINDOW	1
8.	82-00701-001	SCREWS, DRIVER'S WINDOW ROCKER LATCH	A/R
9.	82-12026-100	LATCH ASM, REAR SLIDE, DRIVER'S WINDOW	A/R
10.	82-12026-101	SCREW, DRIVER'S WINDOW LATCH	A/R
11.	53-26599-000	HANDLE, SLIDE, DRIVER'S WINDOW (OPTION)	A/R
12.	82-12170-007	SCREW, REMOVABLE INSERT RAIL	A/R
13.	82-12026-013	SCREW, SLIDE STOP, DRIVER'S WINDOW	A/R
14.	82-12170-006	STOP, SLIDE, DRIVER'S WINDOW	1
15.	82-20083-010	INSERT RAIL ASM, REMOVABLE	1
16.	82-22502-150	FRAME, DRIVER WINDOW OTR	1
17.	82-20083-017	RETAINER, DRIVER'S WINDOW FRAME	1
18.	82-12026-003	SHIM, DRIVER'S WINDOW LOCK RACK	1
19.	82-20083-002	SCREW, DRIVER'S WINDOW LOCK RACK	2
20.	82-12026-002	LOCKRACK, DRIVER'S WINDOW	1
21.	82-01083-001	SCREW, DRIVER'S WINDOW RETAINING FRAME	A/R
22.	82-12188-005	SEAL, DRIVER'S WINDOW RETAINING FRAME	A/R
23.	82-12159-010	SEAL, DRIVER'S WINDOW OUTER FRAM	A/R
24.	82-12026-016	BLOCK, STOP, DRIVER'S WINDOW	1
25.	82-12026-015	SCREW, STOP BLOCK, DRIVER'S WINDOW	2
26.	82-22502-004	SLIDE ASM, DRIVER'S WINDOW, FRT	1
27.	82-18783-001	GLAZING, VINYL, DRIVER'S WINDOW	A/R

SIDE WINDOW: DRIVER'S

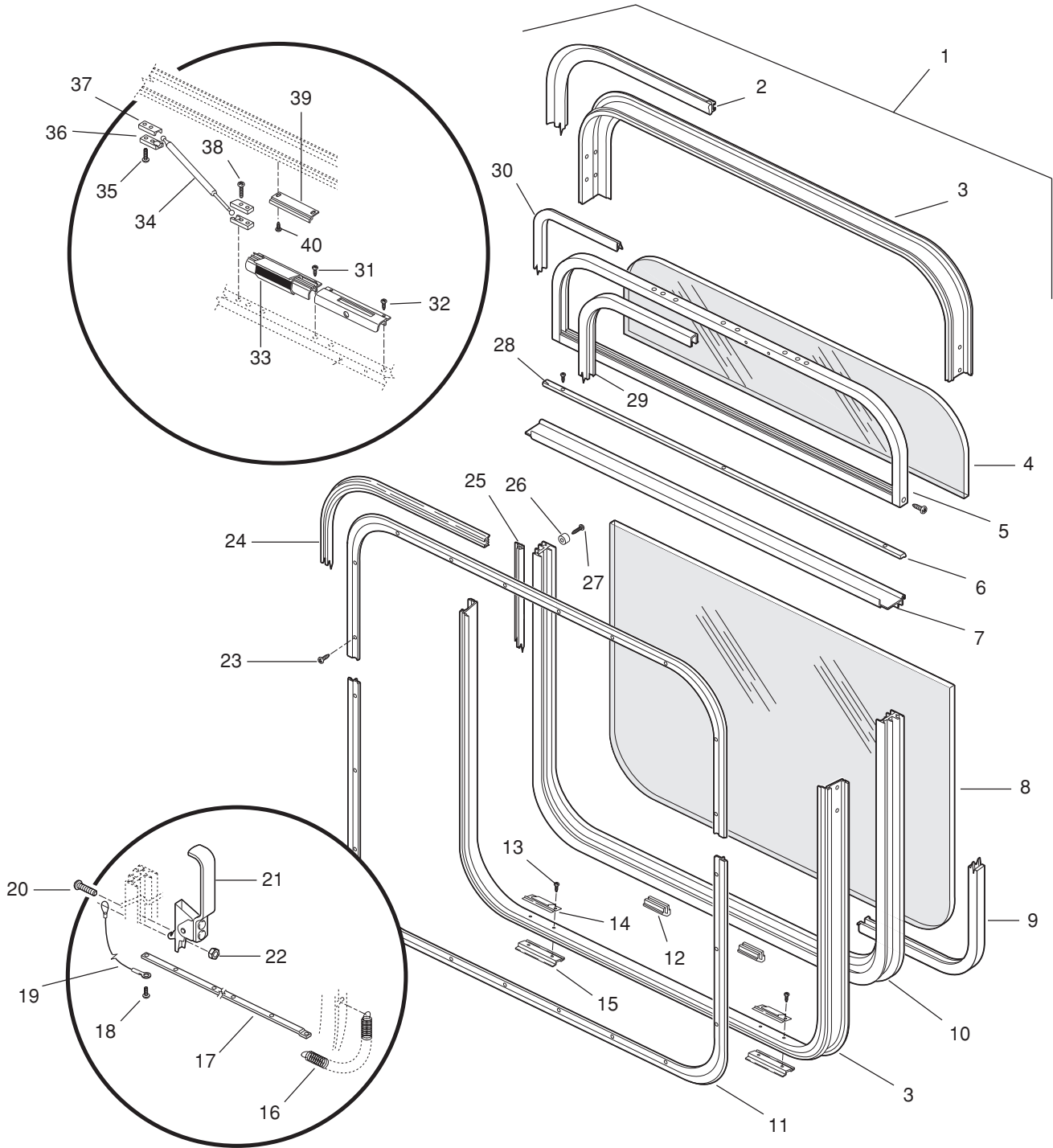
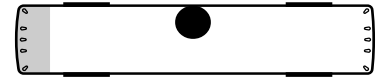


26-001580
T1345-F1L
82-22502-406

SIDE WINDOW: 34" TRANSOM

Item	Part No.	Description	Qty
1.	82-24926-403	WINDOW ASM, 34" COMPLETE	1
2.	82-12159-010	SEAL, OUTER MTG FRAME	A/R
3.	82-24926-001	FRAME ASM, OUTER MTG	1
4.	82-24926-203	GLAZING, TRANSOM	1
5.	82-24926-803	WINDOW ASM, TRANSOM	1
6.	82-24926-005	RETAINER, TRANSOM	1
7.	82-24926-002	MULLION, HORIZONTAL	1
8.	82-22494-303	GLAZING, EGRESS	1
9.	82-22494-004	VINYL, GLAZING	A/R
10.	82-24926-603	EGRESS ASM	1
	82-24926-006	FRAME ASM, EGRESS	1
	82-24926-003	RAIL, HORIZONTAL TOP	1
11.	82-20082-002	FRAME ASM, RETAINING	1
12.	82-04665-000	BUMPER, FRAME	1
13.	82-07626-001	SCREW, RETENTION SPRING	A/R
14.	82-07626-000	SPRING, RETENTION	1
15.	82-12027-006	BLOCK, TAPPING	2
16.	82-00584-000	SPRING, TIE BAR	1
17.	82-22494-005	TIE BAR ASM	1
18.	82-00151-001	SCREW, TIE BAR CABLE	1
19.	82-22494-006	CABLE ASM, TIE BAR	1
20.	82-15471-000	SCREW, EMERG RELEASE HANDLE	1
21.	82-24958-002	HANDLE, EMERG RELEASE	1
22.	82-07628-004	NUT, EMERG RELEASE HANDLE	1
23.	82-01083-001	SCREW, RETAINING FRAME	A/R
24.	82-01083-000	SEAL, RETAINING FRAME	A/R
25.	82-12031-012	SEAL, BODY	1
26.	82-04397-000	BUMPER, RECESS	2
27.	82-12026-015	SCREW, BUMPER	2
28.	82-12031-008	SCREW, RETAINER	3
29.	82-24926-004	VINYL, TRANSOM GLAZING	A/R
30.	82-22482-002	SEAL, TRANSOM	A/R
31.	82-12026-013	SCREW, LATCH	2
32.	82-12031-005	SCREW, PULL HANDLE	4
33.	82-12031-004	HANDLE & LATCH ASM	2
34.	82-07688-000	PLUNGER ASM	1
35.	82-07631-001	SCREW, BALL SOCKET RETAINER	2
36.	82-07631-000	RETAINER, BALL SOCKET, LH	2
37.	82-07630-000	RETAINER, BALL SOCKET, RH	2
38.	82-22482-001	SCREW, BALL SOCKET RETAINER	2
39.	82-00004-000	STRIKER, LATCH	1
40.	82-12026-013	SCREW, LATCH STRIKER	2
N/S	82-22482-003	PLATE, TAPPING	A/R

SIDE WINDOW: 34" TRANSOM

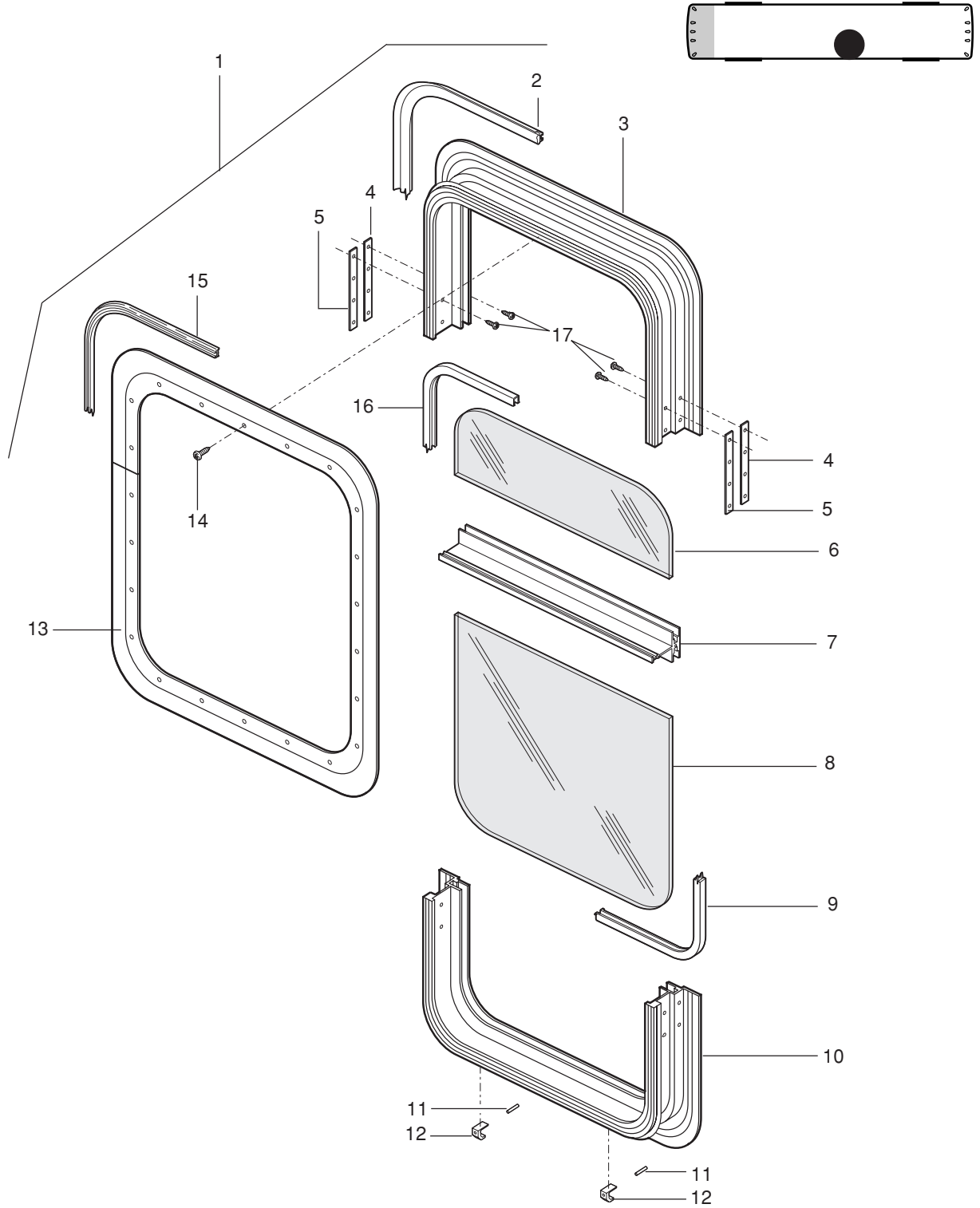


26-001573
T1523-G3
82-24926-403

SIDE WINDOW: 32" FIXED

Item	Part No.	Description	Qty
1.	82-24942-403	WINDOW ASM, 32" - COMPLETE	1
2.	82-12159-010	SEAL, OUTER FRAME	A/R
3.	82-24942-150	FRAME, UPPER HALF, OUTER	1
4.	82-22470-001	SPLICE PLATE, INNER	2
5.	82-22473-001	SPLICE PLATE, OUTER	2
6.	82-24942-203	GLAZING, STATIONARY UPPER	1
7.	82-24942-001	MULLION, HORIZONTAL RAIL	1
	82-12036-002	SCREW, HORIZONTAL MULLION RAIL	A/R
8.	82-24942-303	GLAZING, STATIONARY, LOWER	1
9.	82-24942-003	VINYL, GLAZING LOWER	1
10.	82-24942-151	FRAME, LOWER HALF, OUTER	1
11.	82-04666-000	PIN-SPACER BLOCK	A/R
12.	82-12035-005	SPACER BLOCK	A/R
13.	82-24942-004	FRAME ASM, RETAINING	A/R
14.	82-01083-001	SCREW, RETAINING FRAME	A/R
15.	82-01083-000	SEAL, RETAINING FRAME	A/R
16.	82-24942-002	VINYL, GLAZING, UPPER	1
17.	82-18784-004	SCREW, SPLICE PLATES	A/R

SIDE WINDOW: 32" FIXED

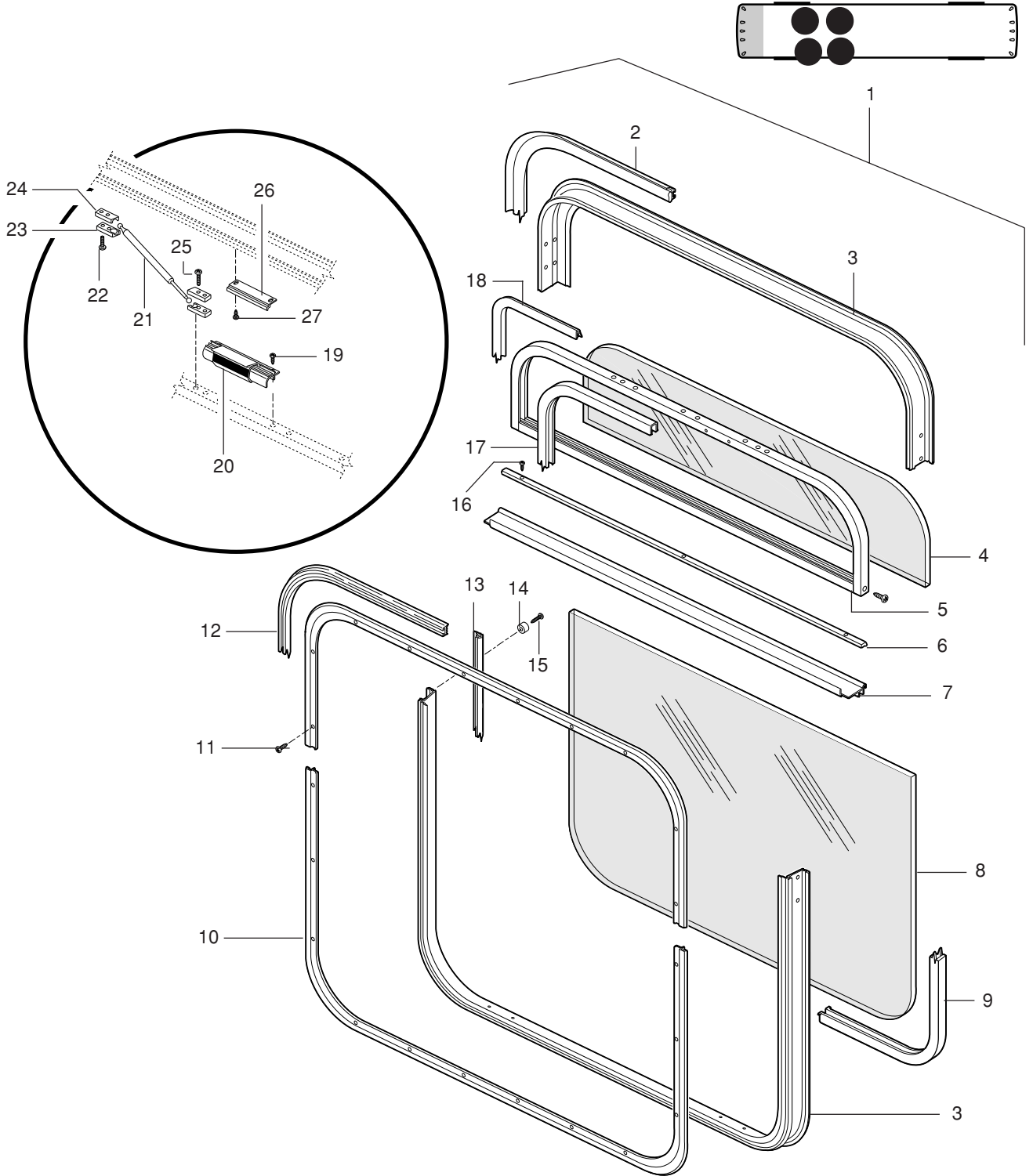


26-001572
T1525-G3
82-24942-403

SIDE WINDOW: 46" NON-EGRESS

Item	Part No.	Description	Qty
1.	82-24954-403	WINDOW ASM, 46" COMPLETE	1
2.	82-12159-010	SEAL, OUTER MTG FRAME	A/R
3.	82-24944-001	FRAME ASM, 46" OUTER	1
	82-22505-003	PLATE, SPLICE	4
	82-22505-005	SCREW, SPLICE PLATE	8
4.	82-24944-203	GLAZING, TRANSOM	1
5.	82-24954-803	WINDOW ASM, 46", TRANSOM W/ HINGE (INCLD'S # 4 & 21)	1
6.	82-24944-005	RETAINER, TRANSOM	1
7.	82-24944-002	MULLION, HORIZONTAL	1
	82-12036-002	SCREW, MULLION	A/R
8.	82-24944-303	GLAZING, STATIONARY	1
9.	82-24944-003	VINYL, GLAZING	A/R
10.	82-24944-006	FRAME ASM, RETAINING	1
11.	82-01083-001	SCREW, RETAINING FRAME	A/R
12.	82-01083-000	SEAL, RETAINING FRAME	A/R
13.	82-20061-002	SEAL, BODY	1
14.	82-12026-013	BUMPER, RECESS	2
15.	82-12039-002	SCREW, BUMPER	2
16.	82-12031-008	SCREW, RETAINER	3
17.	82-24944-004	VINYL, TRANSOM GLAZING	A/R
18.	82-22482-002	SEAL, TRANSOM	A/R
19.	82-12031-005	SCREW, PULL HANDLE	4
20.	82-24885-001	HANDLE & LATCH ASM	2
21.	82-07688-000	PLUNGER ASM	1
22.	82-07630-001	SCREW, BALL SOCKET RETAINER (OUTER FRAME)	2
23.	82-07631-000	RETAINER, BALL SOCKET, LH	2
24.	82-07630-000	RETAINER, BALL SOCKET, RH	2
25.	82-22482-001	SCREW, BALL SOCKET RETAINER (TRANSOM FRAME)	2
26.	82-00004-000	STRIKER, LATCH	1
27.	82-12026-013	SCREW, LATCH STRIKER	2
	82-22482-003	PLATE, TAPPING	A/R

SIDE WINDOW: 46" NON-EGRESS

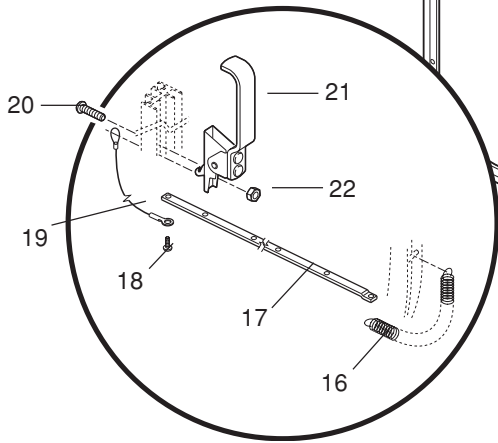
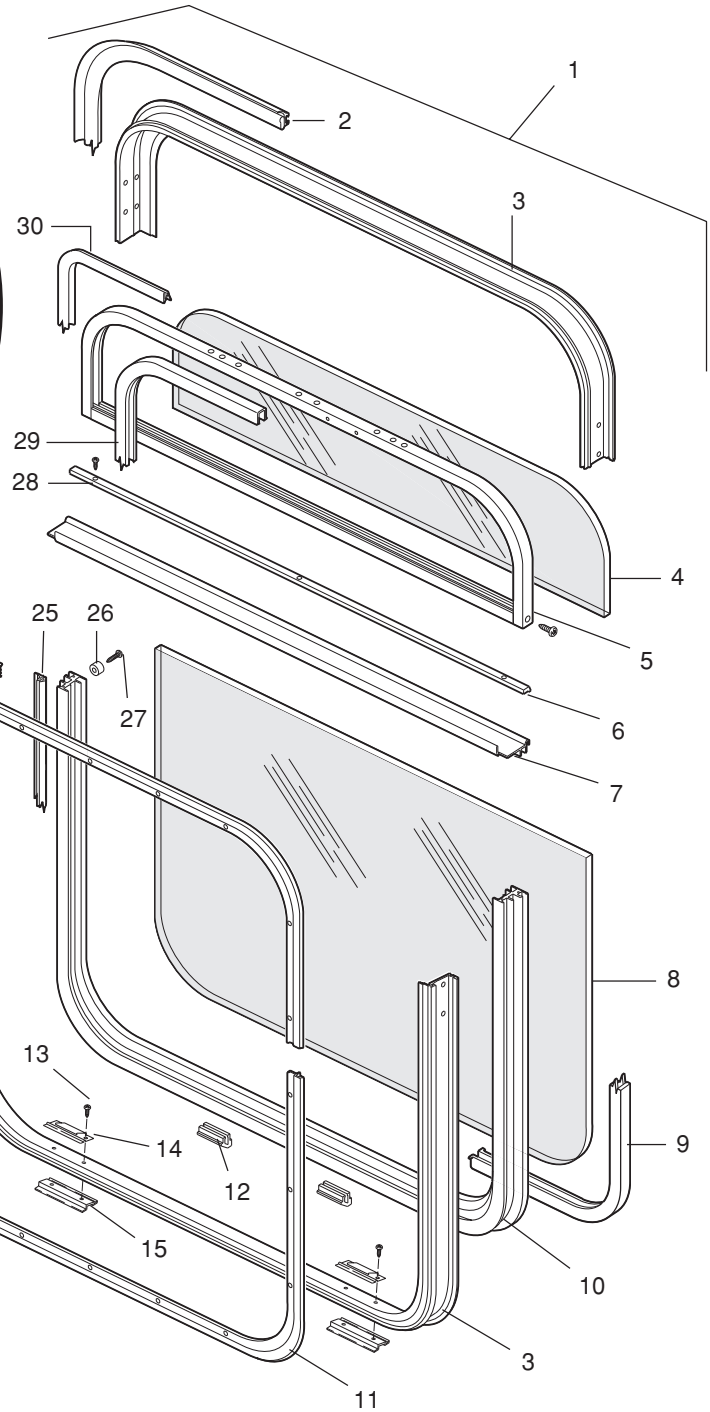
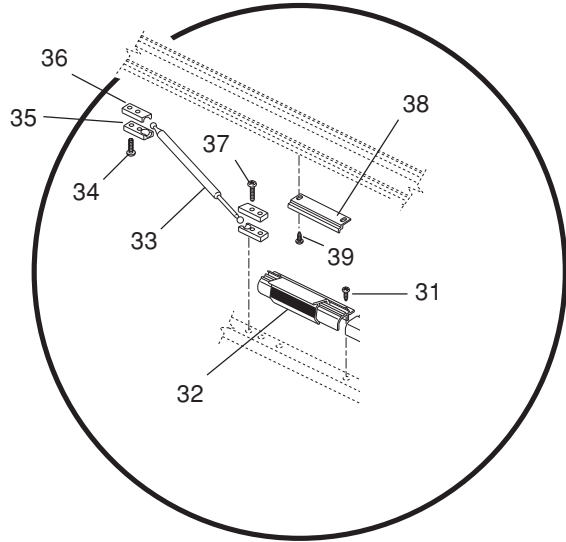
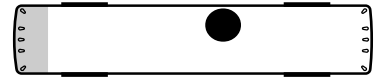


82-24954-403
26-002556
T1526-G3
82-24954-403

SIDE WINDOW: 46" TRANSOM, EGRESS

Item	Part No.	Description	Qty
1.	82-24955-403	WINDOW ASM, 46" COMPLETE	1
2.	82-12159-010	SEAL, OUTER MTG FRAME	A/R
3.	82-24955-001	FRAME ASM, OUTER MTG	1
4.	82-24944-203	GLAZING, TRANSOM	1
5.	82-24955-803	FRAME ASM, 46" UPPER TRANSOM	1
6.	82-24955-008	RETAINER, TRANSOM	1
7.	82-24955-002	MULLION, HORIZONTAL	1
	82-24955-004	RAIL, HORIZONTAL TOP FRAME	1
8.	82-24955-303	GLAZING, EGRESS	1
9.	82-24955-006	VINYL, GLAZING	A/R
10.	82-24955-703	EGRESS ASM	1
	82-24955-003	FRAME ASM, 46" EGRESS	1
11.	82-24955-009	FRAME ASM, RETAINING	1
12.	82-04665-000	BUMPER, FRAME	1
13.	82-07626-001	SCREW, RETENTION SPRING	A/R
14.	82-07626-000	SPRING, RETENTION	1
15.	82-12027-006	BLOCK, TAPPING	2
16.	82-00584-000	SPRING, TIE BAR	1
17.	82-24955-005	TIE BAR ASM	1
18.	82-00151-001	SCREW, TIE BAR CABLE	1
19.	82-12159-004	CABLE ASM, TIE BAR	1
20.	82-15471-000	SCREW, EMERG RELEASE HANDLE	1
21.	82-07628-000	HANDLE, EMERG RELEASE, LH	1
22.	82-07628-004	NUT, EMERG RELEASE HANDLE	1
23.	82-01083-001	SCREW, RETAINING FRAME	A/R
24.	82-01083-000	SEAL, RETAINING FRAME	A/R
25.	82-12031-012	SEAL, BODY	1
26.	82-04397-000	BUMPER, RECESS	2
27.	82-12026-015	SCREW, BUMPER	2
28.	82-12031-008	SCREW, RETAINER	3
29.	82-24955-007	VINYL, TRANSOM GLAZING	A/R
30.	82-22482-002	SEAL, TRANSOM	A/R
31.	82-12031-005	SCREW, LATCH	4
32.	82-12031-004	HANDLE & LATCH ASM	2
33.	82-07688-000	PLUNGER ASM	1
34.	82-07630-001	SCREW, BALL SOCKET RETAINER	2
35.	82-07631-000	RETAINER, BALL SOCKET, LH	2
36.	82-07630-000	RETAINER, BALL SOCKET, RH	2
37.	82-22482-001	SCREW, BALL SOCKET RETAINER	2
38.	82-12031-002	STRIKER, LATCH	1
39.	82-12039-006	SCREW, LATCH STRIKER	2
	82-22482-003	PLATE, TAPPING	A/R

SIDE WINDOW: 46" TRANSOM, EGRESS

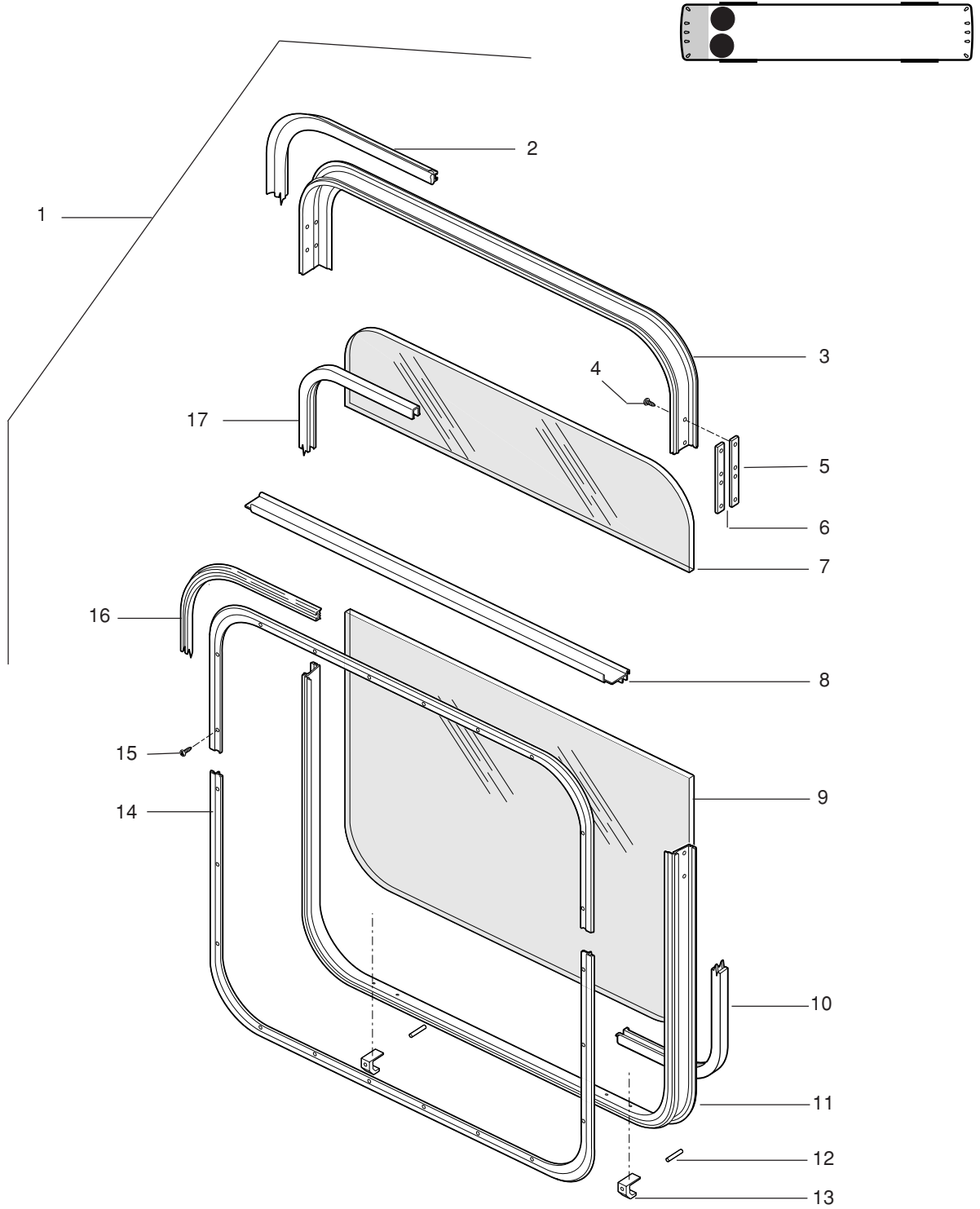


82-24955-403
26-001573
T1524-G3
82-24955-403

SIDE WINDOW: 46" STATIONARY, NON-EGRESS

Item	Part No.	Description	Qty
1.	82-28514-403	WINDOW ASM, 46" COMPLETE	1
2.	82-12159-010	SEAL, OUTER MTG FRAME	A/R
3.	82-28514-001	FRAME ASM, 46" OUTER MTG, UPPER	1
4.	82-18784-001	SCREW, SPLICE PLATE	8
5.	82-22470-001	PLATE, SPLICE	2
6.	82-22473-001	PLATE, SPLICE	2
7.	82-28514-203	GLAZING, 46" UPPER	1
8.	82-28514-003	MULLION, 46" HORIZONTAL	1
	82-20069-002	SCREW, MULLION MTG	A/R
9.	82-28514-303	GLAZING, 46" LOWER	1
10.	82-28514-006	VINYL, 46" LOWER GLAZING	A/R
11.	82-28514-002	FRAME ASM, 46" OUTER MTG, LOWER	1
12.	82-04666-000	PIN, SPACER BLOCK	2
13.	82-28514-004	BLOCK, SPACER	2
14.	82-24955-009	FRAME ASM, 46" RETAINING	1
15.	82-01083-001	SCREW, RETAINING FRAME	A/R
16.	82-01083-000	SEAL, 46" RETAINING FRAME	A/R
17.	82-28514-005	VINYL, 46" UPPER GLAZING	A/R

SIDE WINDOW 46" STATIONARY, NON-EGRESS



26-002764
T1631-G3
82-28514-403

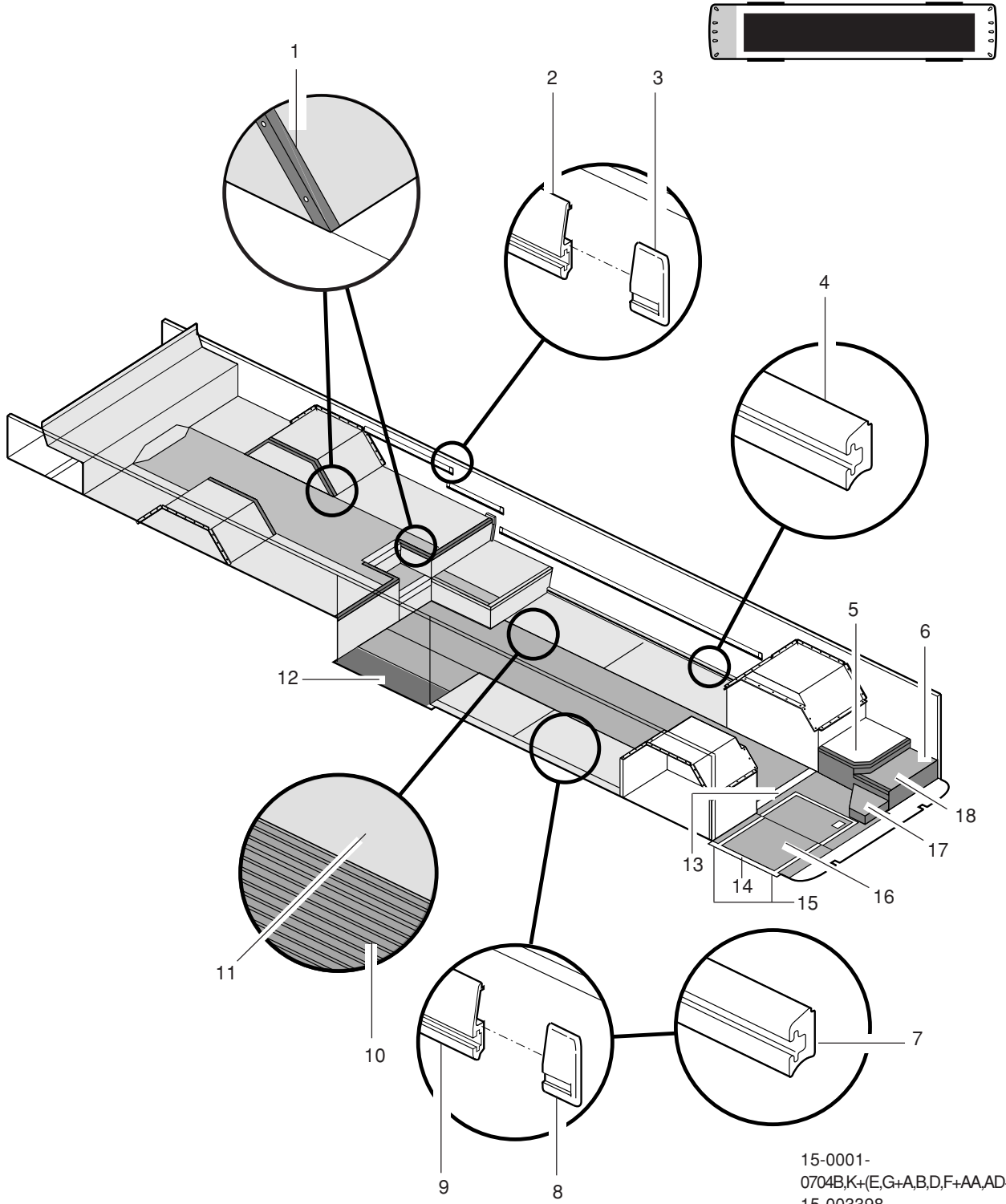
Section 7- Trim Panels

Flooring and Trim	310
Front Wheelhouse Closeouts	312
Sidewall Panels-Interior LH	314
Interior Sidewall Panels: RH 35'	316
Interior Roof Panels	318
A/C Return Air Grille	320
Ramp And Stepwell Trim	322
Driver's Barrier	324
Entrance Door Barrier	326
Exit Door Barrier	328
Grab rails, Ceiling Mounted: 35'	330
Grab Handle, Dash Mounted	332
Wheelchair Grabrail	334
Grab Handle, Entrance Door	336
Exit Door Grab Handles	338
Interior Mirrors	340
Driver's Seat.....	342
Driver's Seat Suspension	344
Stanchions, Vertical	346
Electrical Storage Box	348
Air Tank Closeout	350
Driver's Sunshades	352
Package Rack: Curbside	354
Farebox and Mounting	356
Coat Hook/Tie-Back	358
LH Exterior Mirror	360
Exterior Mirror, Curb Side	362
Mudflaps	364
Bike Rack w/Slide-in Standoff Bracket (Front)	366
LH Exterior Side Panels	368
Skirt Panel, Battery Box	370
Skirt Panel, Rear Wheel	372
Skirt Panel, Radiator Access	374
Exterior Panels: RH	376
Skirt Panel, Rear Wheel	378
Skirt Panel, Filter Access	380
Fender Flares	382
Exterior Trim	384
Front Bumper	386
Rear Bumper	388
Wiper, Motor and Arm	390
Windshield Washer Bottle Assembly	392
License Plate Holder	394

FLOORING AND TRIM

Item	Part No.	Description	Qty
1.	15-43025-000	COVER, TRIM EDGE (END CUT 67° & 90° X 23.88" STREET SIDE)	1
	15-43025-001	COVER, TRIM EDGE (END CUT 45° & 67° X 23.39" STREET SIDE)	1
	15-43025-002	COVER, TRIM EDGE (END CUT 45° & 45° X 21.44" STREET SIDE)	1
	15-43025-004	COVER, TRIM EDGE (END CUT 45° & 45° X 21.43" CURB SIDE)	1
	15-43025-005	COVER, TRIM EDGE (END CUT 90° & 67° X 23.88" CURB SIDE)	1
	15-43025-006	COVER, TRIM EDGE (END CUT 68° & 45° X 23.39" CURB SIDE)	1
	15-43025-007	COVER, TRIM EDGE (END CUT 67° & 67° X 24.73" CURB SIDE)	1
		15-44603L000	MOLDING, BLACK PLASTIC CORNER TRIM
	15-48671L000	MOLDING, YELLOW PLASTIC CORNER TRIM	A/R
2.	15-39796-000	EXTRUSION, SEAT MTG, UPPER REAR, STREET SIDE	1
	15-39897-000	EXTRUSION, SEAT MTG, UPPER REAR, CURB SIDE	1
3.	15-39967-000L	CAP, RUBRAIL END LEFT	2
4.	15-50199-000	EXTRUSION, SEAT RAIL, LOWER, STREET SIDE	1
	15-40925-000L	CAP, SEAT RAIL END	2
5.	18-48612M002	MAT, DRIVER'S PLATFORM	1
6.	18-47695-000	MAT, DRIVER'S FLOOR	1
7.	15-47928-000	EXTRUSION, SEAT RAIL, LOWER, CURB SIDE	1
	15-40925-000R	CAP, SEAT RAIL END	2
8.	15-39967-000R	CAP, RUBRAIL END RIGHT	
	15-39796-000	EXTRUSION, SEAT MOUNTING	2
10.	REF ONLY	FLOORING, RIBBED (REFER TO SPEC SHEET)	A/R
11.	REF ONLY	FLOORING, SMOOTH (REFER TO SPEC SHEET)	A/R
12.	15-42880-000	STEP NOSING, EXIT DOOR (WHITE)	1
13.	15-41751-001	STANDEE LINE, (WHITE)	1
	54-13111-043	SCREW, #6-18 X .75" OVAL HEAD	8
14.	15-46192-002	STEP NOSING, FT. DOOR (YELLOW)	1
	54-13119-091	SCREW, #6-32 X 3/16" FLAT PHILLIPS SSTL	10
15.	15-40455-012	STEP NOSING, ENT. DOOR LH/RH (WHITE)	2
16.	REF. ONLY	FLOORING, FOLD-OUT RAMP (SEE RAMP)	A/R
17.	18-46467F001	PLATFORM ASM., FAREBOX MTG PEDESTAL	1
	18-42168-000	PLATE, FAREBOX PLATFORM ACCESS COVER	1
	18-40145F001	PLATFORM, ASM., FAREBOX MTG TOP PLATE	1
	54-10163-039	RIVET, MONOBOLT, 1/4" STL (.080-.625)	6
	54-10163-036	RIVET, MONOBOLT, 3/16 SSTL (.125-.331 GRIP)	10
	40-32887-001	PLATE, HEEL WEAR	2
18.	54-10163-003	RIVET, MONOBOLT 3/16 (.218-.437 GRIP)	A/R
	53-02195-016	SEALANT, 221 BLACK WEARPLATE ATTACHMENT	A/R
	15-38977L217.00	MOLDING, FILLER	1
	45-17477-216.00	MOLDING, FILLER	1
	15-48671L072.00	MOLDING, CORNER TRIM STEPWELL, (SAFETY YELLOW)	1
	15-48053-000	ANGLE, STEP TRIM	4
	54-10163-043	RIVET, MONOBOLT, 1/4" STL (.080-.625)	105
	59-13874-000	DECAL, "PASSENGERS ARE NOT ..."	1

FLOORING AND TRIM

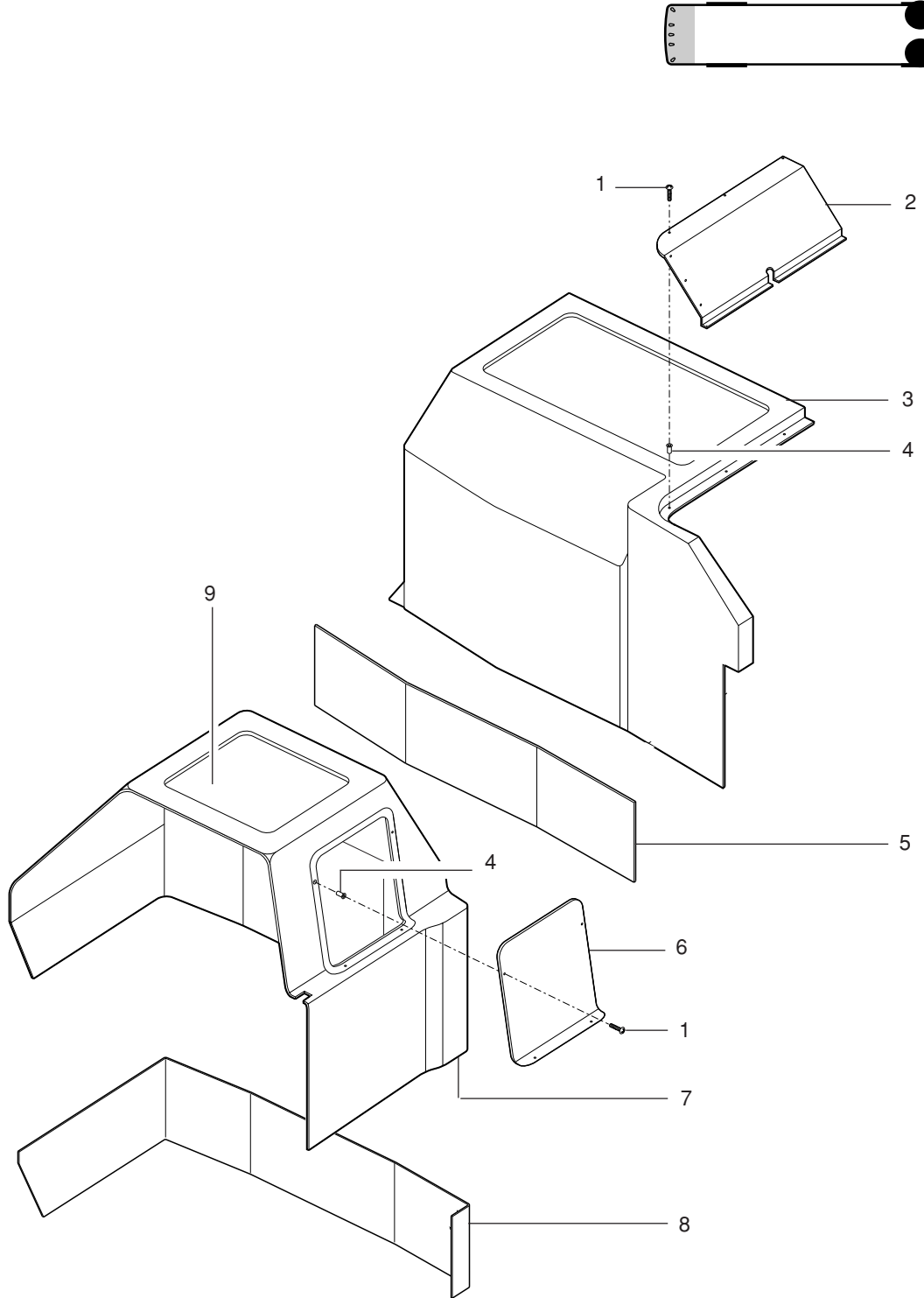


- 15-0001-
- 0704B,K+(E,G+A,B,D,F+AA,AD+H,Q)
- 15-003398
- 15-0001-0704B, K
- 15-0010-0700E, G
- 15-0011-0702A, B, D, F
- 15-0255-0701AA, AD
- 15-0855-0702H, Q

FRONT WHEELHOUSE CLOSEOUTS

Item	Part No.	Description	Qty
1.	54-14275-06B	SCREW, PHIL PANHD #10-32	A/R
2.	15-49722C8508	PANEL, WHEELWELL CLOSEOUT, LH	2
3.	15-49551C8508	COVER, WHEELWELL LH	1
	15-37850L018.00	ANGLE, MOUNTING WHEELWELL	1
	15-37850L037.15	ANGLE, MOUNTING WHEELWELL	1
4.	54-33460-006	INSERT, BLIND THREADED #10-32	A/R
5.	15-47993-000	PANEL, KICK SSTL	1
6.	15-49726C8508	PLATE, CLOSEOUT	2
7.	15-49553C8508	COVER, WHEELWELL RH	1
8.	15-47992-000	PANEL, KICK SSTL	1
9.	15-37850L029.00	ANGLE, WHEELWELL MTG	2
	54-10163-005	RIVET, MONOBOLT	20
N/S	56-35802-000	EXTRUSION, RUBBER	A/R
N/S	56-02138-023	TAPE, ADHESIVE MOUNTING	A/R
N/S	15-48174-000	CLOSEOUT, DOOR SHAFT	1
N/S	54-10163-024	RIVET MONOBOLLT	48

FRONT WHEELHOUSE CLOSEOUTS

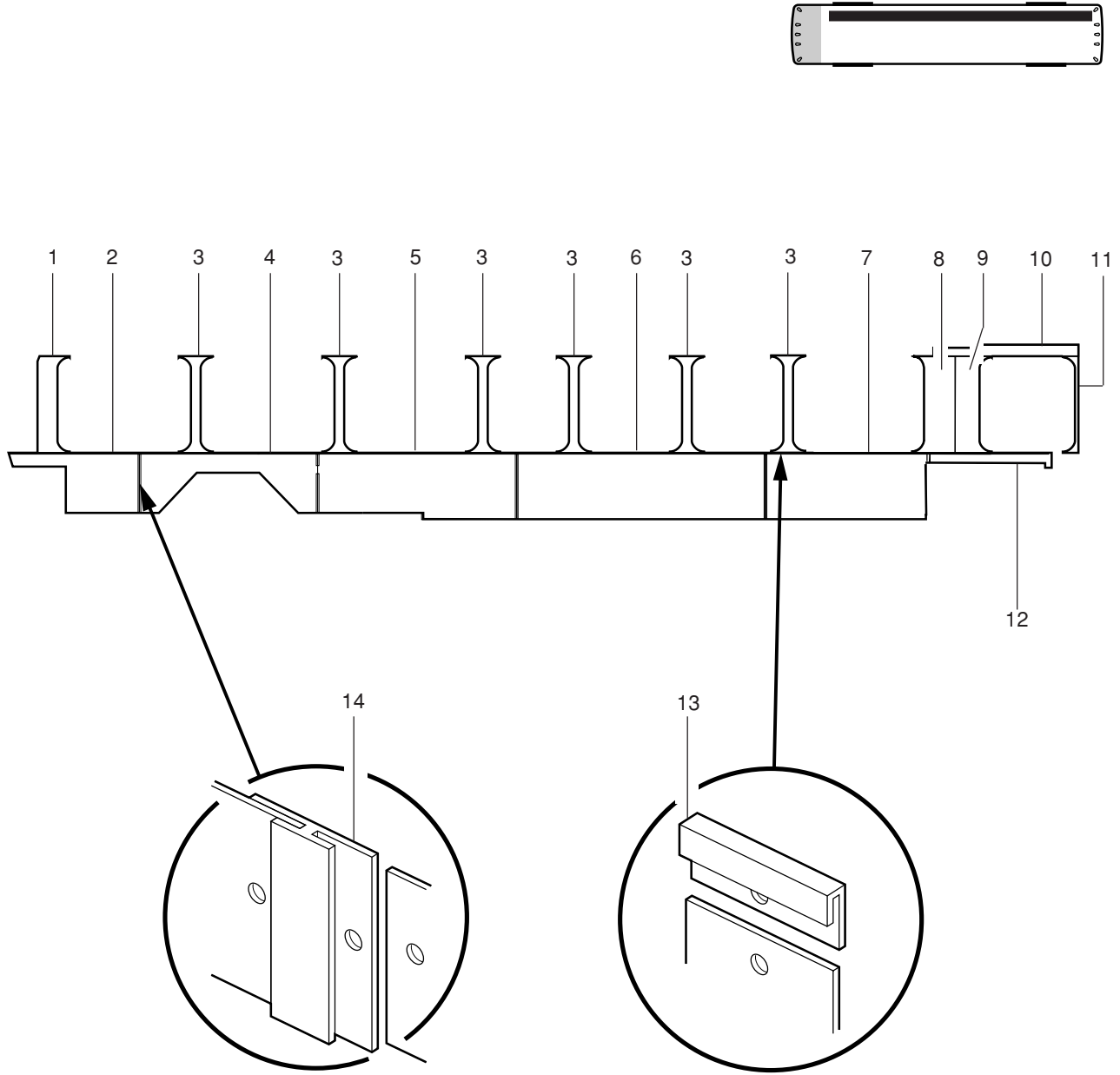


15-0030-0701J,M,N
15-002829
15-0030-0701J, M, N

SIDEWALL PANELS-INTERIOR LH

Item	Part No.	Description	Qty
1.	15-46734-000L	PANEL, SIDE INTERIOR REAR	1
2.	15-46735M000L	PANEL, INTERIOR, REAR	1
3.	15-41896-000	PANEL, SIDE INTERIOR INTERMEDIATE	6
4.	15-41907-000	PANEL, INTERIOR SIDEWALL, RR WHEELWELL	1
5.	15-45656-000	PANEL, INTERIOR SIDEWALL, RR	1
6.	15-41914-009	PANEL, INTERIOR SIDEWALL	1
7.	15-41914-012	PANEL, INTERIOR SIDEWALL	1
8.	15-45645-000	PANEL, SIDE INTERIOR B-POST LH	1
9.	15-41898-000R	PANEL, SIDE INTERIOR B-POST LH	1
10.	15-45646-000	PANEL, SIDE INTERIOR, DRIVER'S	1
11.	15-41899-000L	PANEL, SIDE INTERIOR A-POST LH	1
12.	15-41925-000	PANEL, INTERIOR SIDEWALL FRT WHEELWELL	1
13.	15-41274L000	TRIM, CAP "J" MOLDING (CUT TO LENGTH)	A/R
14.	15-41001L000	MOLDING, TRIM "H" MOLDING (CUT TO LENGTH)	A/R

SIDEWALL PANELS-INTERIOR LH



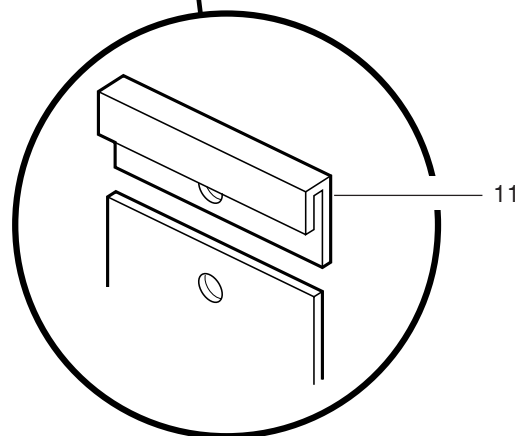
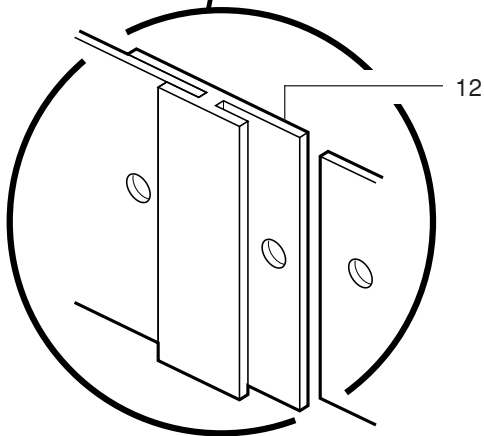
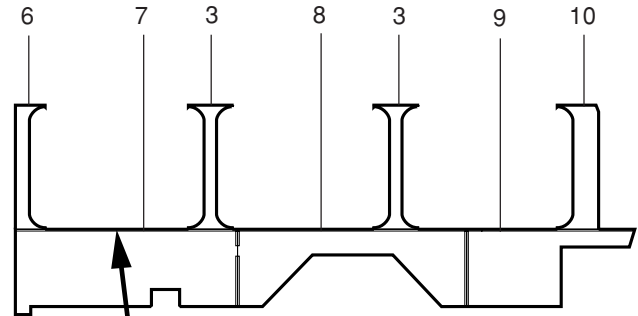
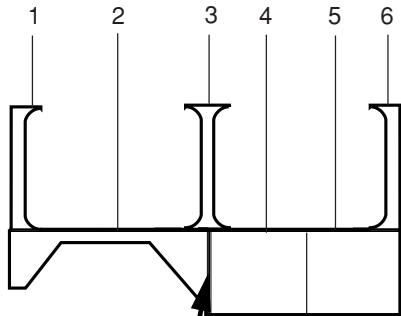
*SHOWN FROM INSIDE LOOKING OUT.

15-0052-0705A,E
15-003849
15-0052-0705A, E

INTERIOR SIDEWALL PANELS: RH 35'

Item	Part No.	Description	Qty
1.	15-41900-000	PANEL,SIDE INTERIOR REAR DOOR POST	1
	15-45647-000	PANEL,SIDE,INTERIOR AIR TANK	1
2.	15-41936-000	PANEL, INTERIOR SIDEWALL	1
3.	15-41896-000	PANEL,SIDE INTERIOR INTERMEDIATE	1
4.	15-41914-012	PANEL,INTERIOR SIDEWALL	2
5.	15-41914-013	PANEL,INTERIOR SIDEWALL	1
6.	15-41900-000	PANEL,SIDE INTERIOR DOOR POST	1
7.	15-45650-000	PANEL, INTERIOR SIDE WALL	1
8.	15-41907-000	PANEL-INTERIOR SIDEWALL	1
9.	15-46735M001R	PANEL,INTERIOR RR	1
10.	15-46734-000R	PANEL,SIDE INTERIOR REAR	1
11.	15-41274L000	TRIM-CAP, "J" MOLDING	A/R
12.	15-41001L000	MOLDING-TRIM, "H" MOLDING	A/R

INTERIOR SIDEWALL PANELS: RH 35'



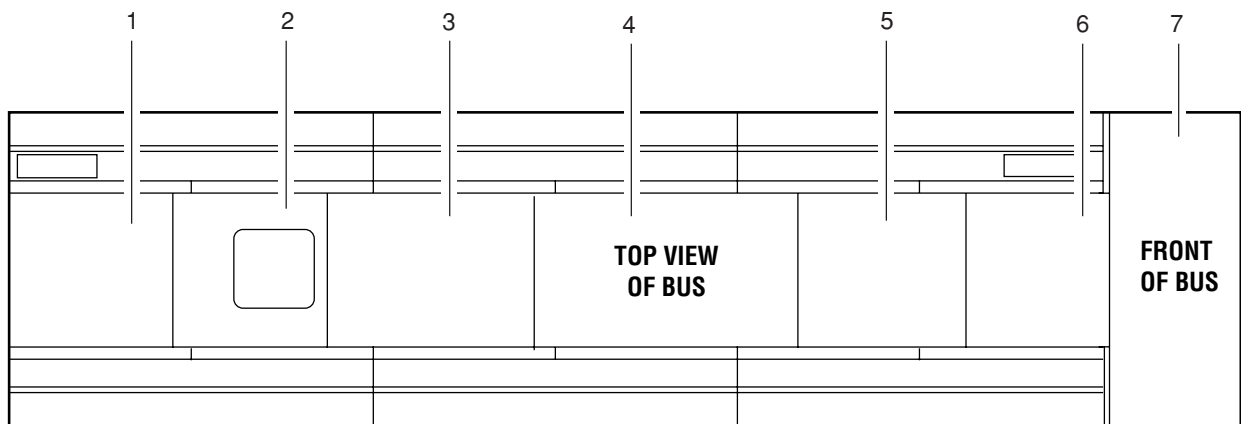
*SHOWN FROM INSIDE LOOKING OUT.

15-0102-0705B
15-001847
15-0102-0705B

INTERIOR ROOF PANELS

Item	Part No.	Description	Qty
1.	15-44089-000	PANEL, CEILING	1
2.	15-44090M001	PANEL, CEILING	1
3.	15-44090M000	PANEL, CEILING	1
4.	15-44119M000	PANEL, CEILING	1
5.	15-44090M000	PANEL, CEILING	2
6.	15-44092M000	PANEL, CEILING	1
7.	15-37313-000	PANEL, CEILING	1
	54-13119-092	SCREW, #10-24 X 1.25" PHILLIPS TRUSS HD. TAPTITE	A/R
	54-13100-003	SCREW, # 6 X .75" PAN HD. SHEETMETAL	A/R
	54-42072-000	SPACER, A/C DUCTING	A/R
	56-02138-009	TAPE, ADHESIVE, 1.0	A/R
	56-02138-022	TAPE, ADHESIVE, .75	A/R
	45-36559-046.00	RETAINER, TRIP STRIP	5
	45-36560-053.00	COVER, TRIM	6
	14-37615-000	SHEET, CLOSEOUT	6
	14-37616-000	SHEET, CLOSEOUT	6
	15-37863L036.00	PANEL, A/C DUCT	2
	15-42329-000	CLOSEOUT, A/C DUCT	2
	15-37863L056.50	PANEL, A/C DUCT	2
	15-37863L085.37	PANEL, A/C DUCT	2
	15-37863L049.82	PANEL, A/C DUCT	6
	15-38816-000	HANGER, A/C DUCT	14
	15-38849L033.75	CLOSEOUT, RR DOOR CONTROL COMP	1

INTERIOR ROOF PANELS

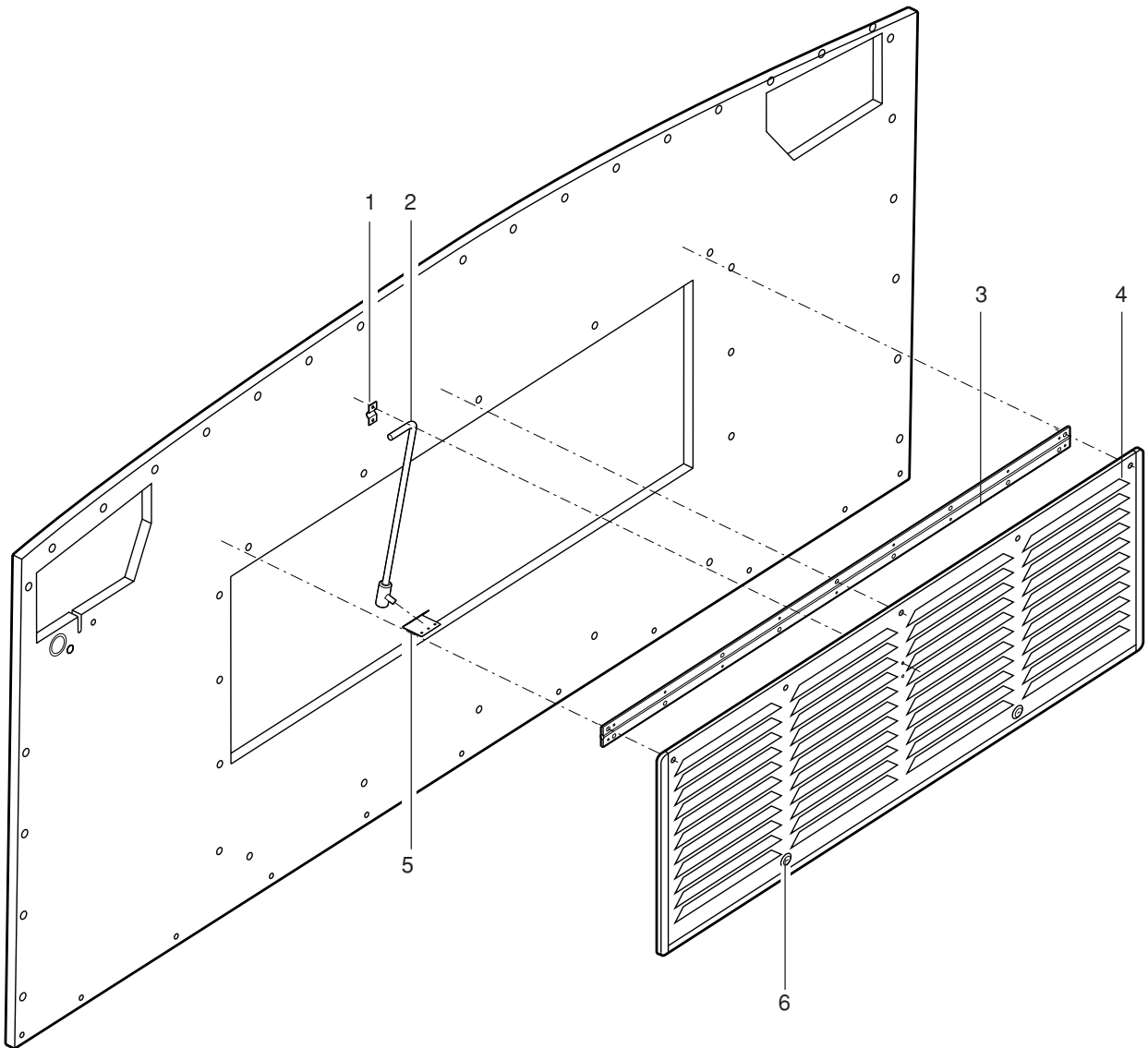
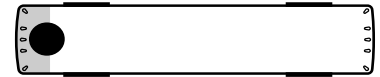


15-0150-0701C+(A,C)
15-000156
15-0150-0701C
15-0155-0708A, C

A/C RETURN AIR GRILLE

Item	Part No.	Description	Qty
1.	40-11791-000	BRACKET, DOOR SUPPORT	1
	54-14284-05Z	SCREW, 6-32 X .062	5
2.	40-11784-008	ROD, GRILLE SUPPORT	1
	15-42614-000	BRACKET, PROP ROD SUPPORT	2
	54-12550-005	NUT, HXHD NYLOK 1/4-28, GR 5	1
3.	15-37913-000	HINGE, RETURN AIR GRILLE	1
	54-07101-001	RIVET, POP 3/16 OPEN END	5
	54-13111-001	SCREW, 10 X 5/8 TORX	6
4.	15-43097M003	GRILL, A/C RETURN AIR W/COMPRESSION LOCK	1
5.	40-15299-000	BRACKET, GRILLE SUPPORT ROD	1
6.	54-40032N000	LATCH ASM, COMPRESSION SMALL	2.
	54-00064-001	JOINT, BALL 1/4-28	2
	15-39633-001	PANEL, BULKHEAD COVERING	1
	15-44604L038.25	TRIM, SETTEE ANGLE	2
	15-43668-000	ANGLE, SETTEE TRIM	1
	54-14288-07Z	SCREW, PHT #10 X 1.0"	5

A/C RETURN AIR GRILLE

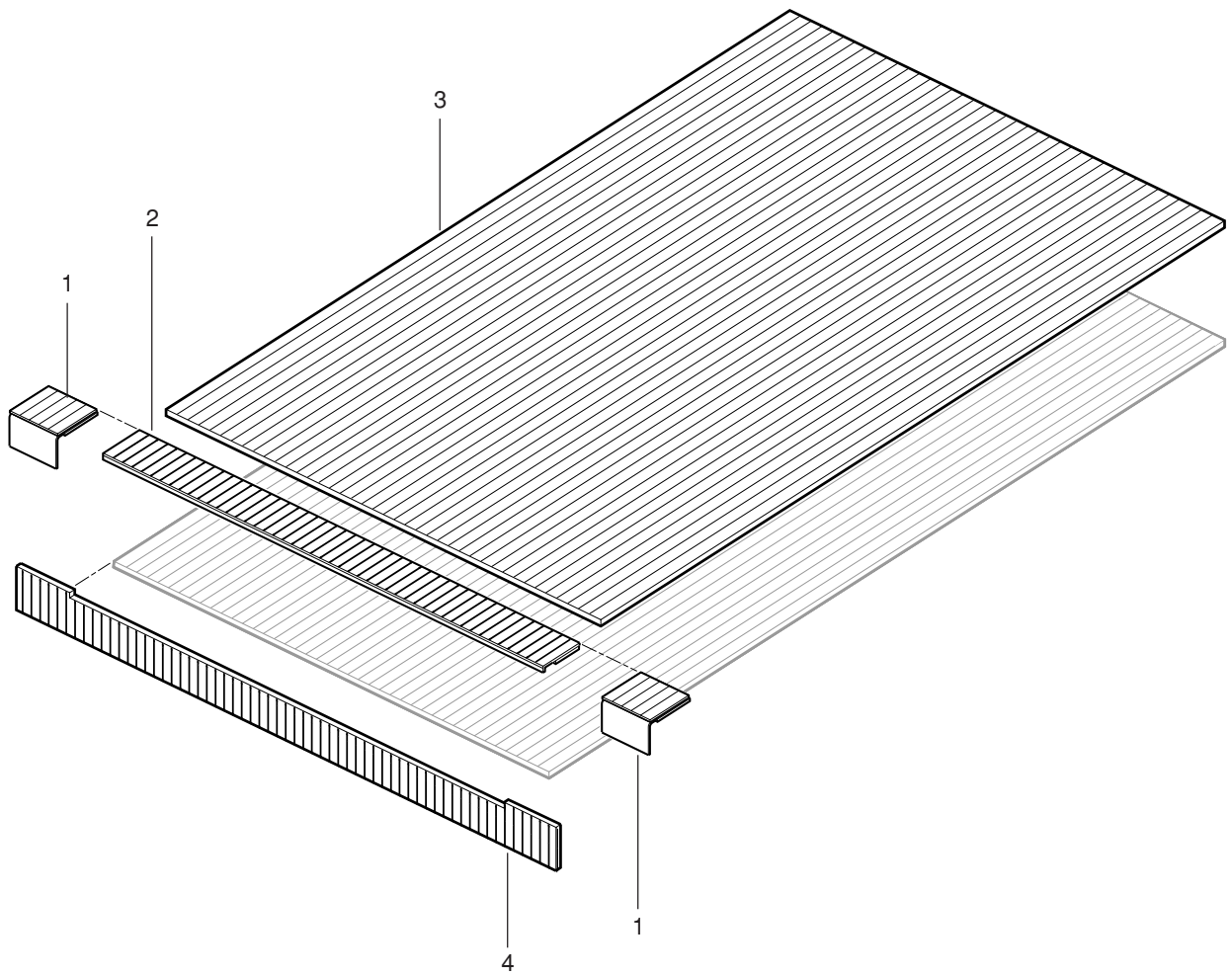
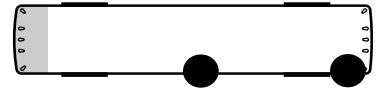


- 15-0200-0700F,H+(A+E)
- 15-001729
- 15-0200-0700F, H
- 15-0220-0702A
- 15-0225-0700E

RAMP AND STEPWELL TRIM

Item	Part No.	Description	Qty
1.	15-40455-012	FLOORING, STEP NOSING, YELLOW (2.88" X 3.10")	2
2.	15-46192-002	FLOORING, STEP NOSING, YELLOW (39.81" X 3.10")	1
3.	REF. ONLY	FLOORING, NON-SKID ENTRANCE (MFG. SUPPLIED)	1
4.	15-46192-002	FLOORING, STEP NOSING, YELLOW (39.8" X 34.12" X 2.61")	1
	54-13119-091	SCREW, #6-32 X 3/16 FLAT HD.	12
N/S	15-42881-004	FLOORING, ALTRO STEP NOSING (REAR EXIT DOOR)	1
	54-13119-089	SCREW, #6-32X3/4	11

RAMP AND STEPWELL TRIM

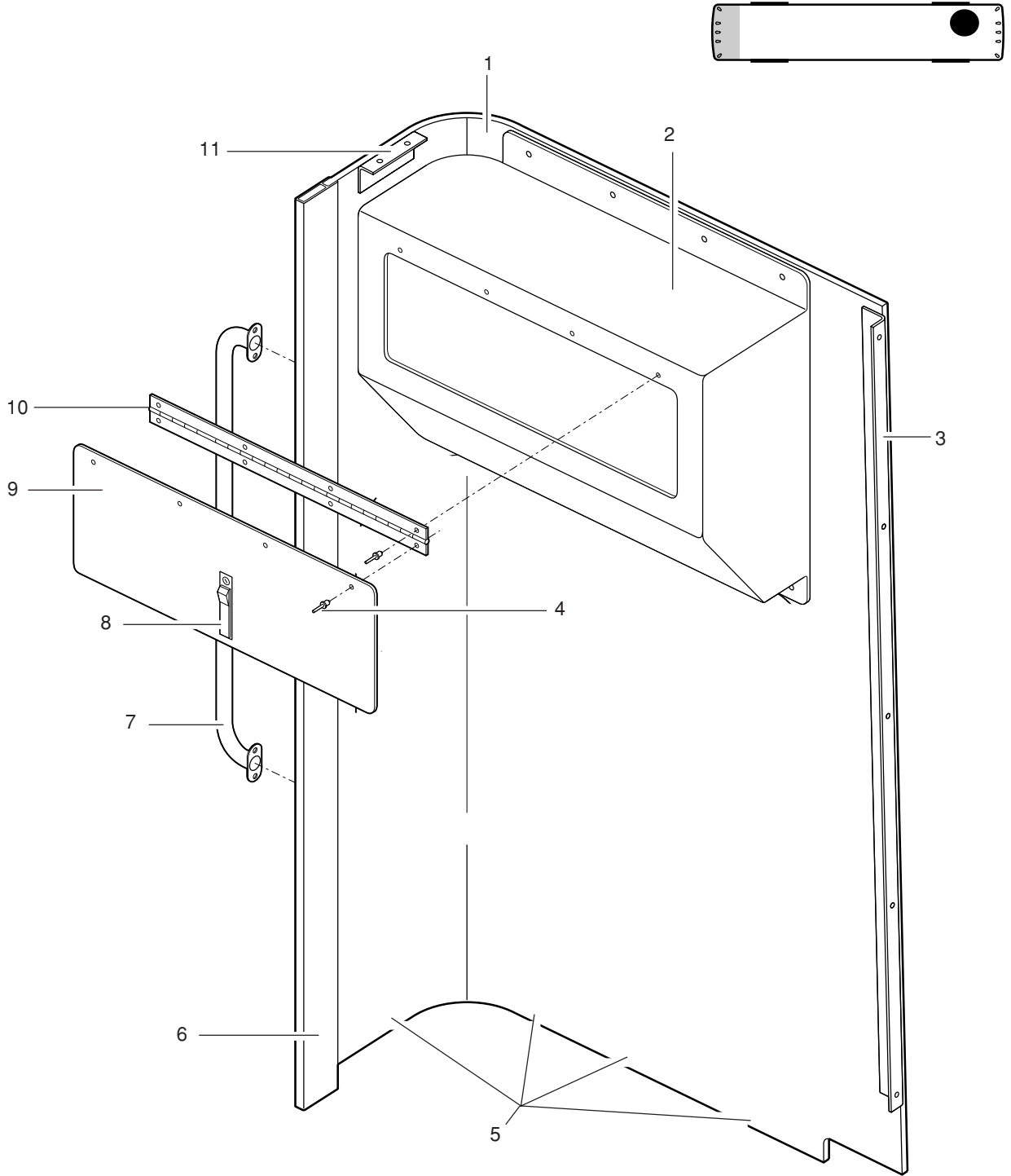


15-0255-0701AA,AD
15-003163
15-0255-0701AA,AD

DRIVER'S BARRIER

Item	Part No.	Description	Qty
1.	18-48708-001	BARRIER-DRIVER'S	1
2.	18-47568-000	BOX, STORAGE/RADIO W/WRAP AROUND BARRIER	1
3.	18-39629-000	ANGLE-BARRIER MTG	1
	54-10163-005	RIVET, MONOBOLT	8
	54-13119-082	SCREW, 1/4"-20 X 5/8 PNHD PHIL 400 SERIES	A/R
	54-13110-002	NUT, 1/4"-20 LOW CROWN	12
4.	54-10163-001	RIVET, MONOBOLT	10
5.	54-14278-06B	SCREW, PH CR 1/4"-20X3/4	6
	54-33460-008	INSERT, BLIND THREADED 1/4"-20	6
	56-26514-000	WASHER, 1/4"	6
	15-48753-000	BRACKET ASM, LOWER BARRIER FORWARD SUPPORT	1
	54-00094-003	RIVET, BLIND 1/4"	2
6.	45-25543-049.62	EDGE, ALUM. GUARD (BLACK ANODIZED) 3" X .75"	A/R
	45-25560-049.62	SEAL, RUBBER MATING TO ALUM. EXTRUSION	A/R
	54-14274-07Z	SCREW, #10-24 X 1.0" PHCR	2
	54-12540-003	NUT, #10-24 NYLOCK	2
7.	18-41512-000	HANDLE, GRAB (BLACK POWDER COAT)	1
	54-13119-065	SCREW, 1/4"-20X1-1/4 PHIL TRUSS HD	4
	54-12602-009	LOCKWASHER, 1/4	4
	54-13110-002	NUT, 1/4"-20 LOW CROWN	4
8.	53-27218-000	LATCH, ADJUSTABLE W/O KEY	1
9.	40-33528-004	DOOR, STORAGE BOX W/HARTWELL LATCH W/O	1
10.	45-33531-000	HINGE	1
11.	15-47460-000	BRACKET, ANGLE-BARRIER SUPPORT	1
	54-13119-082	SCREW, 1/4"-20 X 5/8 PNHD PHIL 400 SERIES	6
	54-13110-002	NUT, 1/4"-20 LOW CROWN	10
	56-02111-010	TAPE, FOAM .12THK X .38W	1

DRIVER'S BARRIER

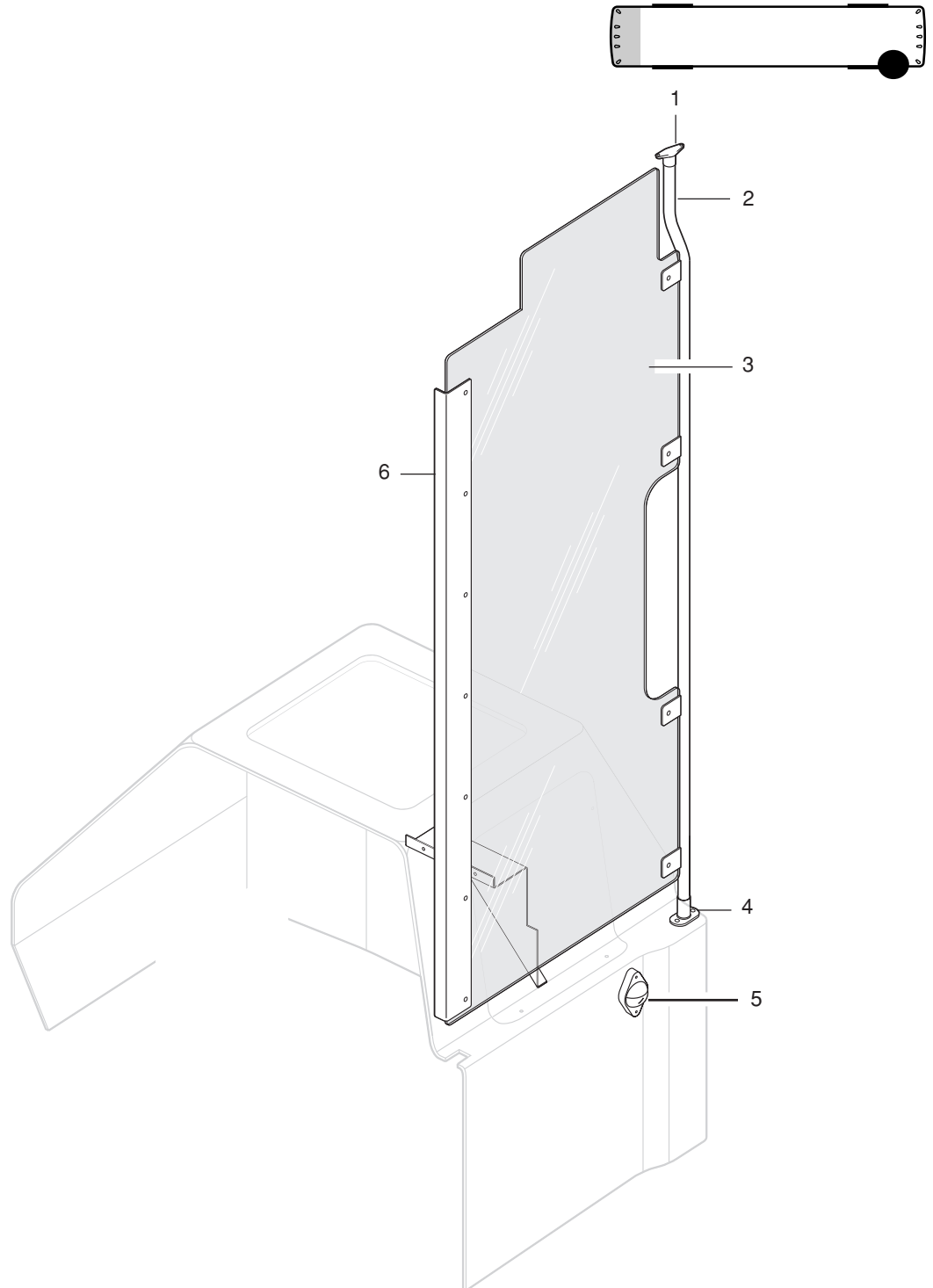


15-0300-0703A,H+(C,J)
15-001773
15-0300-0703A, H
15-0625-0707C, J

ENTRANCE DOOR BARRIER

Item	Part No.	Description	Qty
1.	15-47882-001	FLANGE, FITTING (BLACK)	1
2.	15-47439-001	TUBE ASM, STANCHION	1
3.	15-47438M001	PANEL, ENTRANCE DOOR	1
	54-12605-008	FLATWASHER, FENDER 1/4	11
	54-13110-002	NUT, 1/4-20 LOW CROWN	11
	54-13119-003	SCREW, #10-24 X 3/4 TAPTITE	14
	54-14292-06Z	SCREW, 1/4 X 3/4	4
4.	50-02142-000	FITTING, STANCHION	1
5	51-45116-000	LAMP ASM., WITH SHIELD	1
	54-15729-027	BULB, DC BAYONET	1
	54-10163-011	RIVET, MONOBOLT, 3/16 AL.(.436-.562)	2
6.	15-39574F005	BRACKET, MODESTY PANEL 6-HOLE "L" MTG.	1
	15-39574F006	BRACKET, MODESTY PANEL 2-HOLE "L" MTG.	1
	54-00026-000	SCREW, STANCHION	1
	54-00027-000	NUT, STANCHION	1
	54-10163-005	RIVET, MONOBOLT, 1/4" STL (.080-.375)	2
	54-10163-027	RIVET, MONOBOLT, 1/4" STL (.350-.625)	2

ENTRANCE DOOR BARRIER

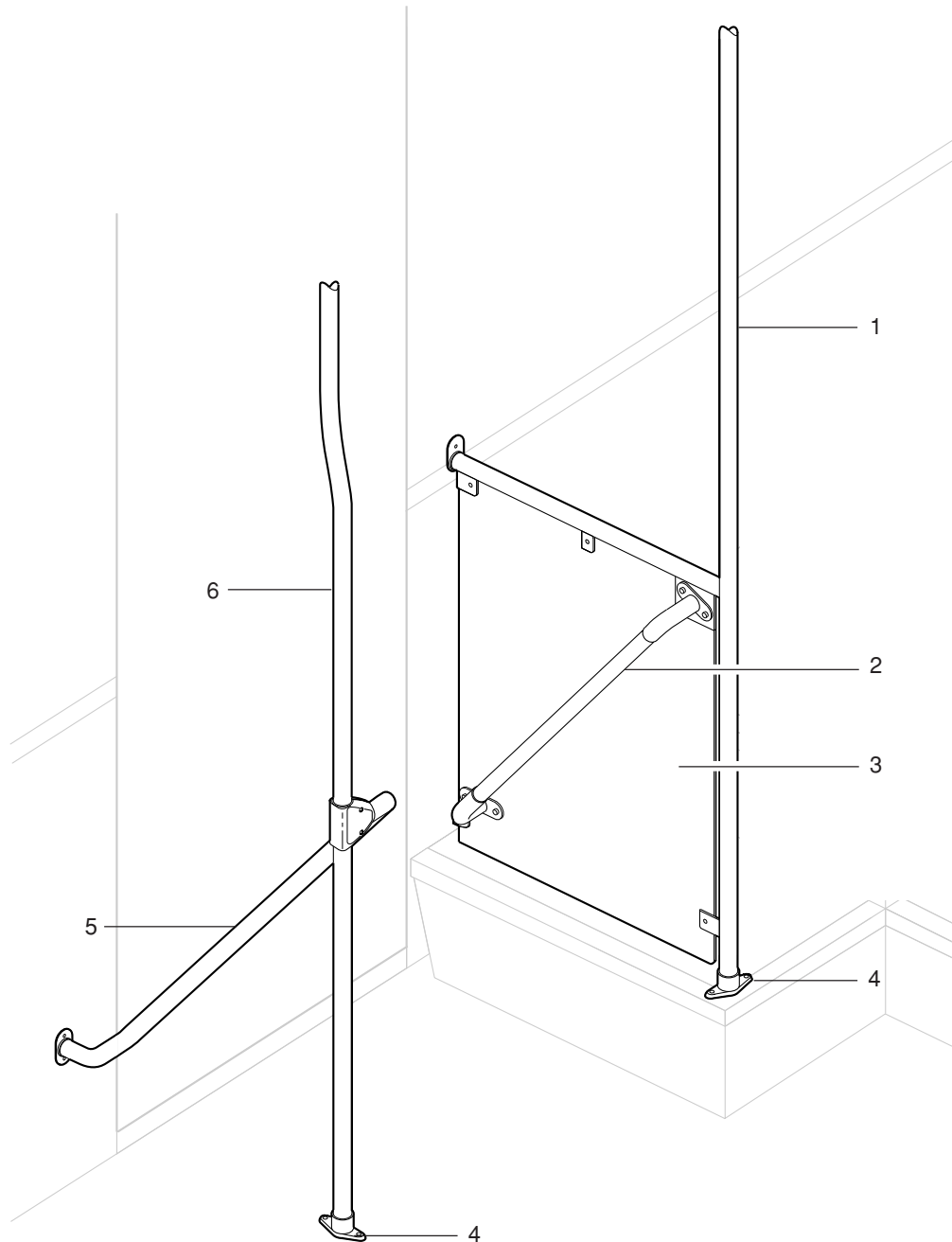
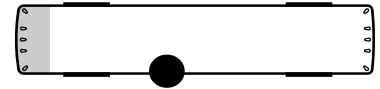


15-0302-0702D+0701L
15-004442
15-0302-0702D
13-0651-0701L

EXIT DOOR BARRIER

Item	Part No.	Description	Qty
1.	15-48234M001	TUBE ASM, RR MODESTY (YELLOW POWDER COATED)	1
	15-39387N000	STANCHION CUP W/ NUT SIDEWALL ATTACHMENT	1
	15-46283-000	BRACKET-STANCHION MTG. SIDEWALL ATTACHMENT	1
	40-34891-000	BRACKET, GRAB RAIL LOWER	1
2.	15-44598L036.00	GRABRAIL, EXIT DOOR	1
3.	15-46286-000	PANEL-RR LWR MODESTY	1
4.	15-47882-000	FITTING, STANCHION, GREY	4
5.	15-42526-001	GRABRAIL, YELLOW	1
	50-02144-000	FITTING, STANCHION SIDEWALL ATTACHMENT	1
	54-00026-000	SCREW, STANCHION	1
	54-00027-000	NUT, STANCHION	1
6.	15-48192-000	TUBE, STANCHION, (YELLOW POWDER 5-COATED)	1
	54-13119-054	SCREW, 1/4"-20 X .625" SOCKET BUTTONHD	3
	54-14292-10Z	SCREW, PHT. 1/4" X 1.75"	2
	54-10163-032	RIVET, MONOBOLT 1/4" STL (.080-.375 GRIP)	2
	15-47883-000	FITTING, STANCHION	1
	54-13113-104	BOLT, SPCL 1/4-20 X 1 HXHD	1
	54-13112-030	FLATWASHER 1/4 SSTL	1
	54-43067-000	RIVET, STRUCTURAL BLIND	2
	54-43067-000	RIVET, STRUCTURAL BLIND	2

EXIT DOOR BARRIER

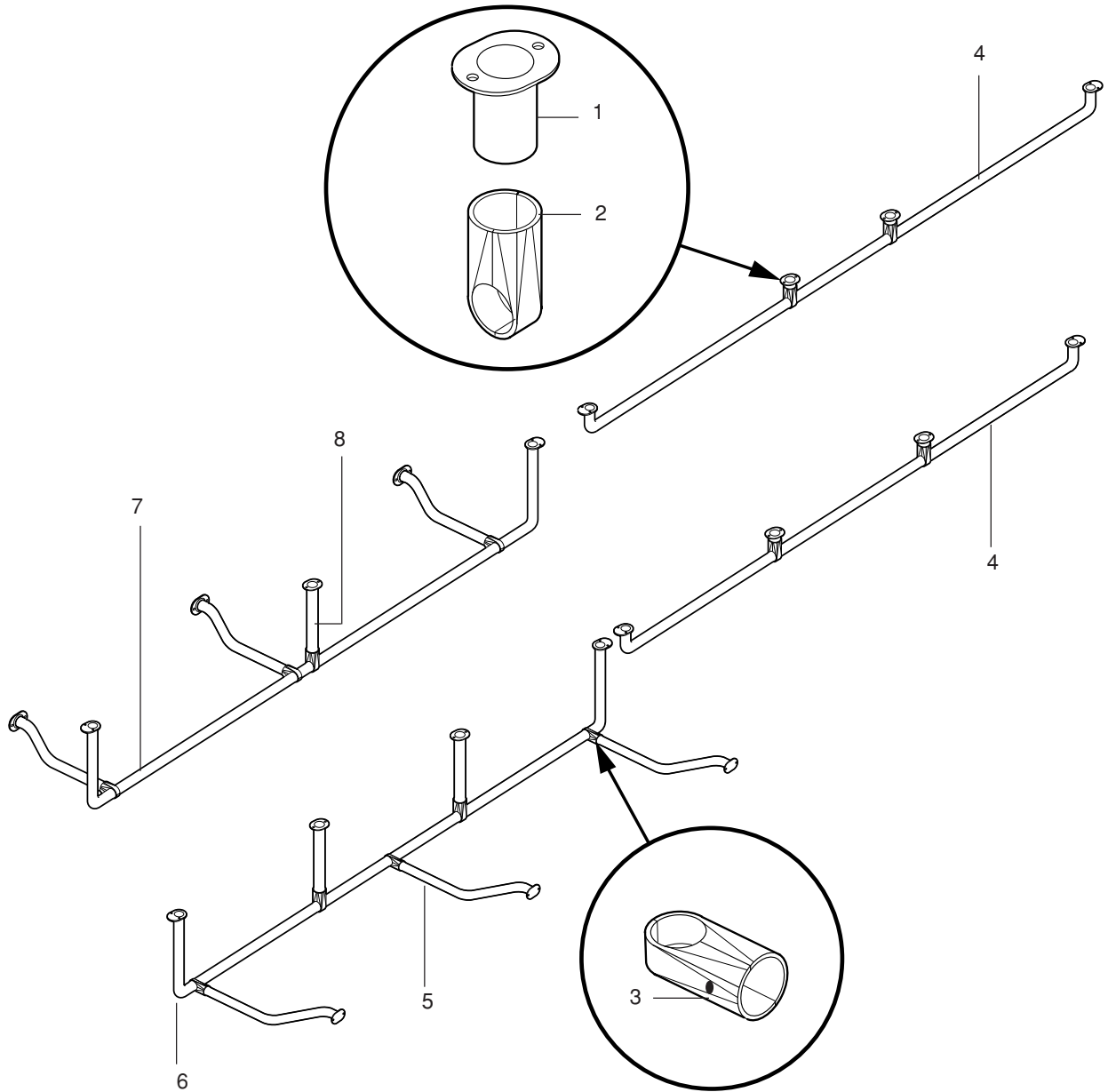


- 15-0303-0702B+(G,H+L)
- 15-002298
- 15-0303-0702B
- 15-0360-0700G, H
- 15-0570-0703L

GRAB RAILS, CEILING MOUNTED: 35'

Item	Part No.	Description	Qty
1.	15-39896-000	FITTING ASM, STANCHION CEILING	5
2.	15-47883-000	FITTING, STANCHION, GREY	A/R
4.	15-39766L174.00	TUBE ASM, STANCHION, OVERHEAD RAIL RR	1
	15-39766L138.27	TUBE ASM, STANCHION, OVERHEAD RAIL	1
5.	15-39899-000	TUBE ASM, STANCHION, OVERHEAD SIDE	6
6.	15-39846L122.50	TUBE ASM, STANCHION	1
7.	15-39846L95.71	TUBE ASM, STANCHION, OVERHEAD RAIL, RH	1
8.	15-39898-000	TUBE ASM, STANCHION, CEILING MTG	2
	54-43067-000	RIVET, STRUCTURAL	A/R

GRAB RAILS, CEILING MOUNTED: 35'

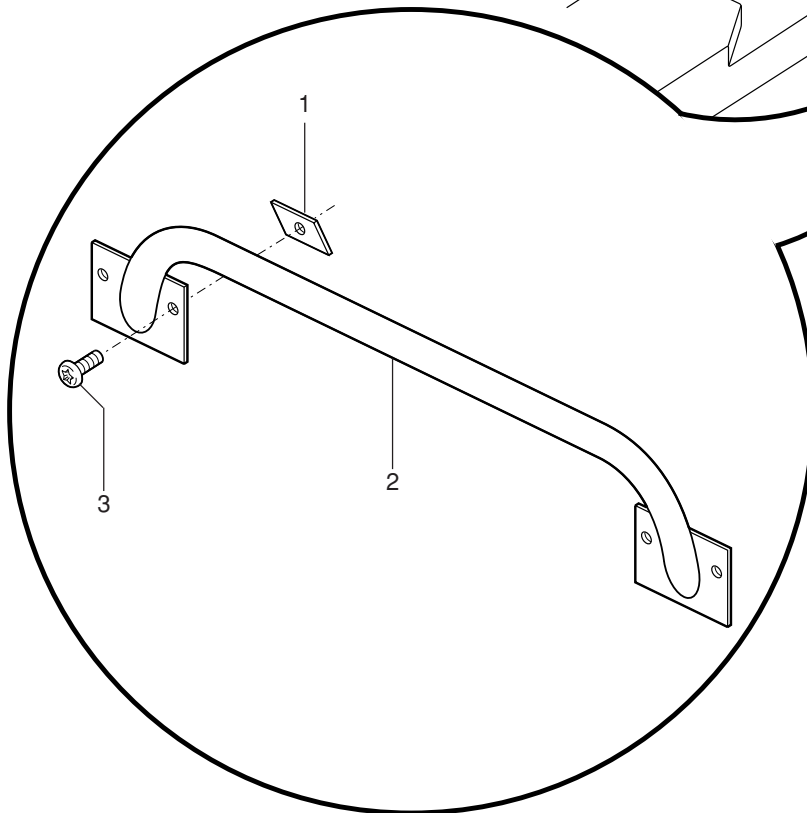
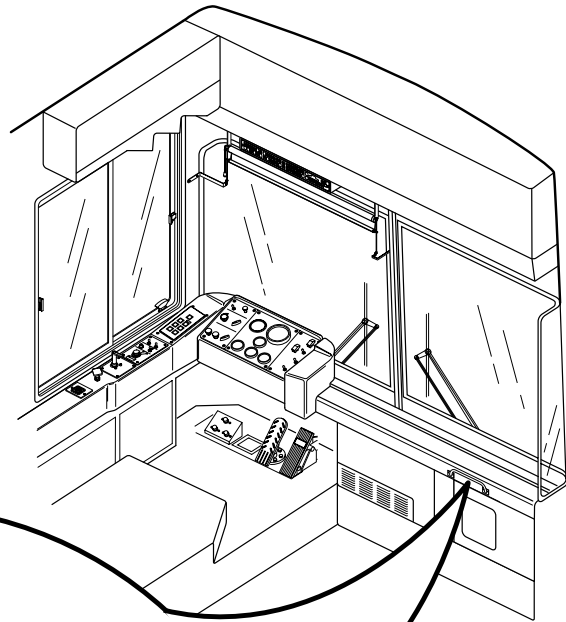
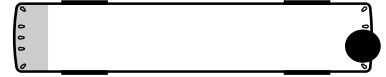


15-0350-0700L+(R) SSTL35'
15-001731
15-0350-0700L
15-0351-0700R

GRAB HANDLE, DASH MOUNTED

Item	Part No.	Description	Qty
1.	54-37358-000	NUT PLATE, COBOLT M8	4
2.	18-48794-000	HANDLE, 18.65" GRAB (POWDER YELLOW)	1
3.	54-37359-001	BOLT, BUTTON TORX HEAD, M8 X 15MM	4

GRAB HANDLE, DASH MOUNTED

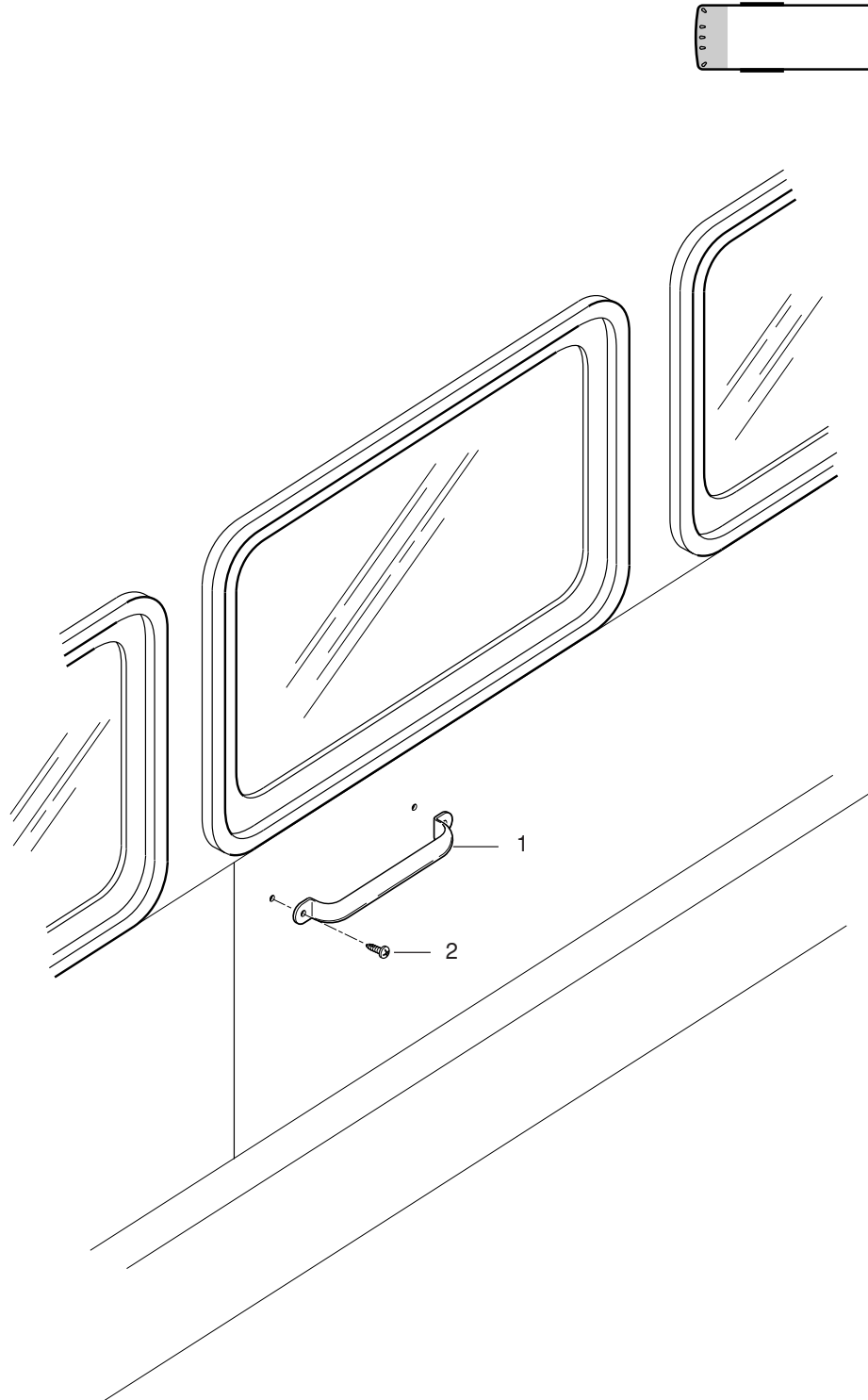


15-0356-0700F
15-001732
15-0356-0700F

WHEELCHAIR GRABRAIL

Item	Part No.	Description	Qty
1.	45-02137-006	HANDLE, GRAB	1
2.	54-14292-07Z	SCREW, 1/4 X 1.0	4

WHEELCHAIR GRABRAIL

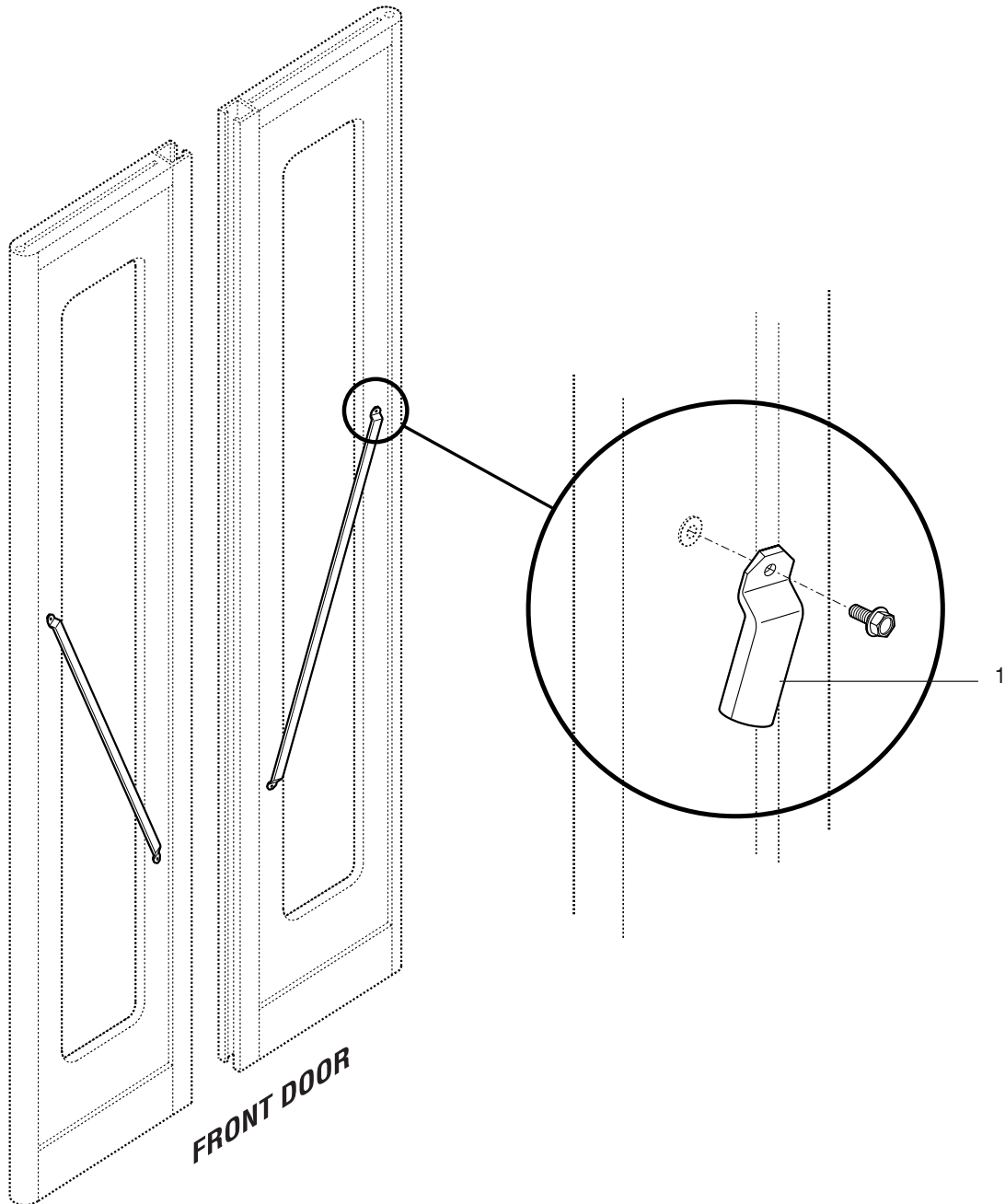
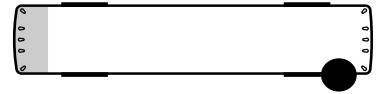


15-0361-0700,A
15-003248
15-0361-0700,A

GRAB HANDLE, ENTRANCE DOOR

Item	Part No.	Description	Qty
1.	20-41688-001	HANDLE, FRONT DOOR (YELLOW POWDER FINISH)	2
	54-00027-000	NUT, STANCHION	4
	54-13112-020	FLATWASHER, 3/8 SSTL	4
	54-00026-000	SCREW, STANCHION	4

GRAB HANDLE, ENTRANCE DOOR

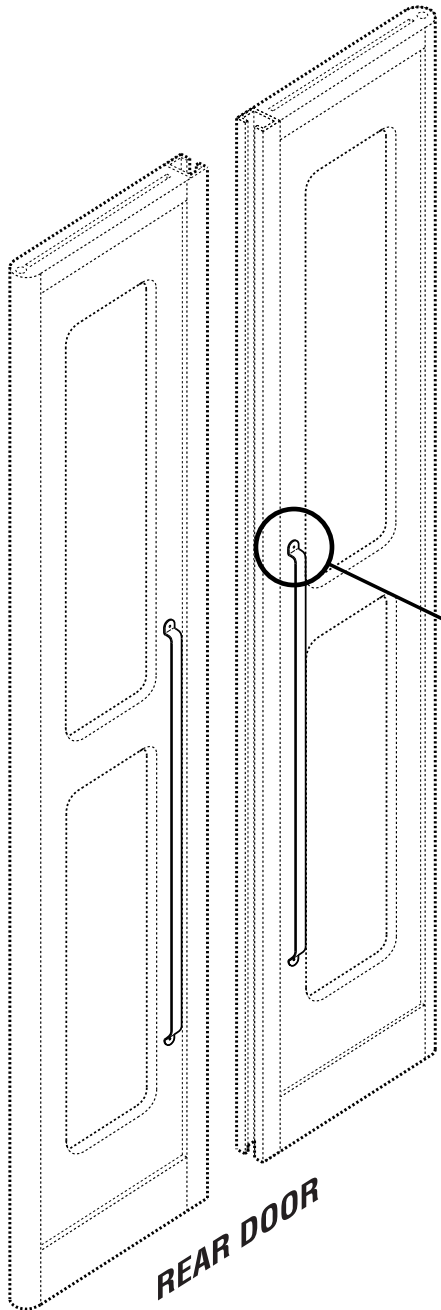
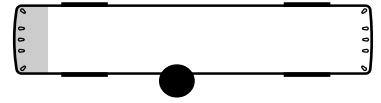


15-0400-0700G
15-001733
15-0400-0700G

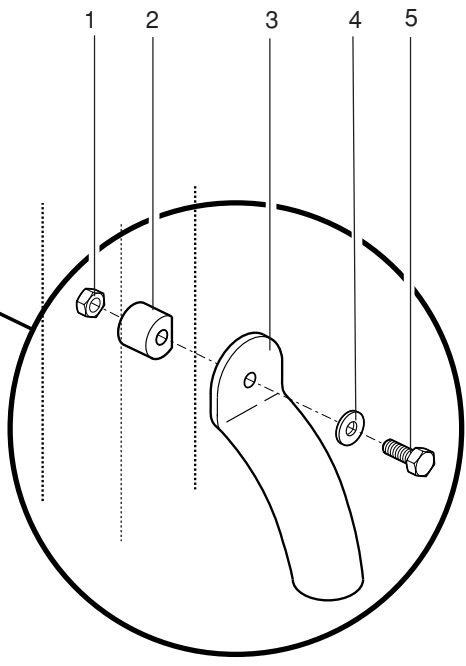
EXIT DOOR GRAB HANDLES

Item	Part No.	Description	Qty
1.	54-00027-000	NUT, STANCHION	4
2.	54-12600-008	FLATWASHER, 3/8",	2
3.	15-49713-000	HANDLE, GRAB 14.0" POWDER YELLOW	2
4.	54-13112-020	FLATWASHER, SSTL 3/8"	4
5.	54-00026-000	SCREW, STANCHION	4

EXIT DOOR GRAB HANDLES



REAR DOOR

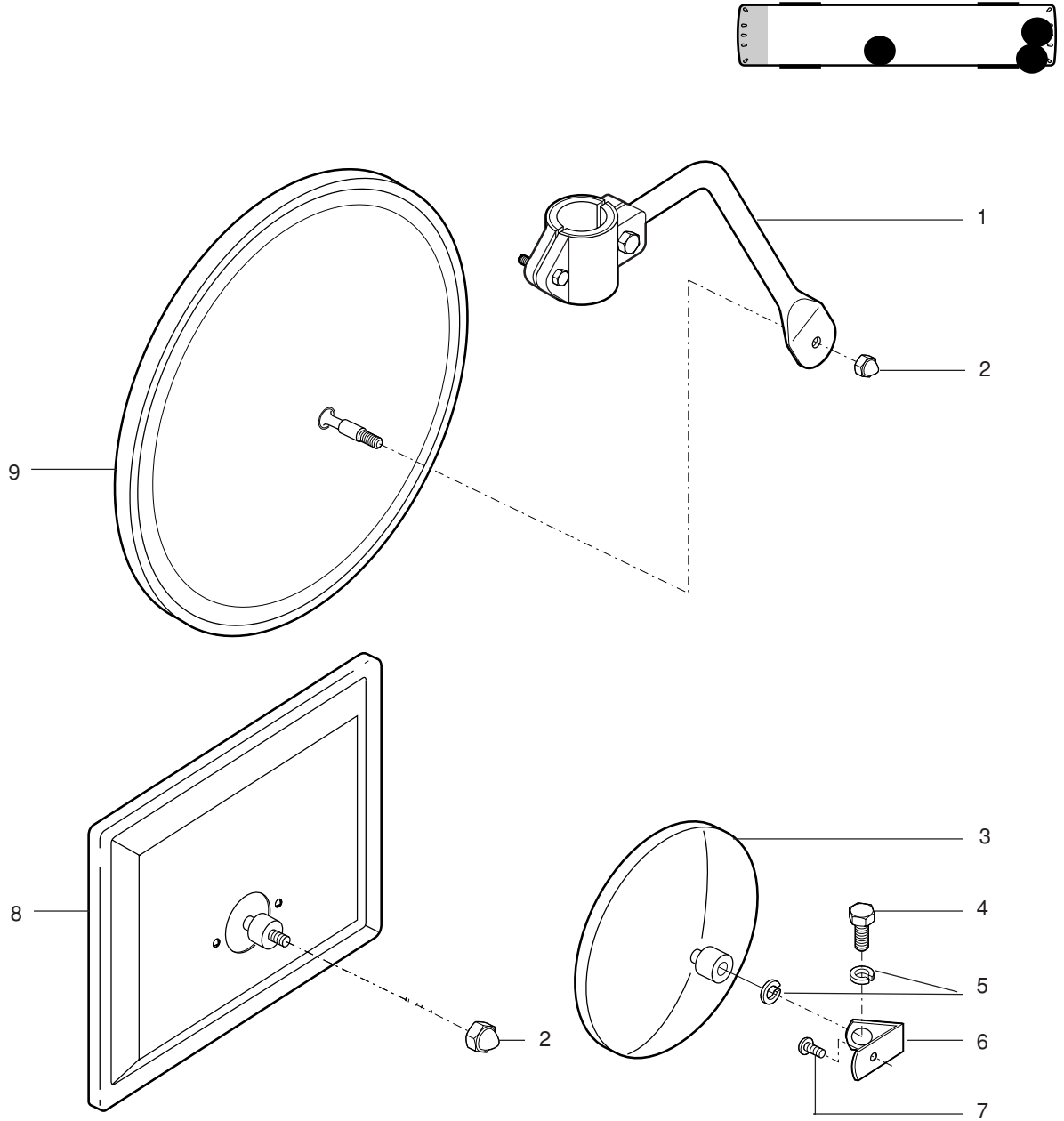


15-0410-0700J
15-000260
15-0410-0700J

INTERIOR MIRRORS

Item	Part No.	Description	Qty
1.	53-32336-000	BRACKET, MIRROR MTG RR STEPWELL	1
2.	82-00117-000	NUT, CROWN 3/8"-16	2
3.	50-02104-007	MIRROR, 6" ROUND	1
4.	54-13113-075	BOLT, 1/4-20 X 3/4	1
5.	54-13112-030	LOCKWASHER, 3/8"	2
6.	18-48286-000	BRACKET, INT. MIRROR MTG 4.5"X3.75"	1
7.	54-13113-075	BOLT, 1/4-20 X 3/4	1
8.	53-35868-000	MIRROR ASM, CONVEX, 8.28" X 16"	1
9.	18-48286-001	BRACKET, INT. MIRROR MTG	1
	50-11574-002	MIRROR, 12" CONVEX	1
	54-14564-07Z	SCREW, HEX, 5/16X1	2
	54-13111-059	SCREW, 12X3/4	4

INTERIOR MIRRORS

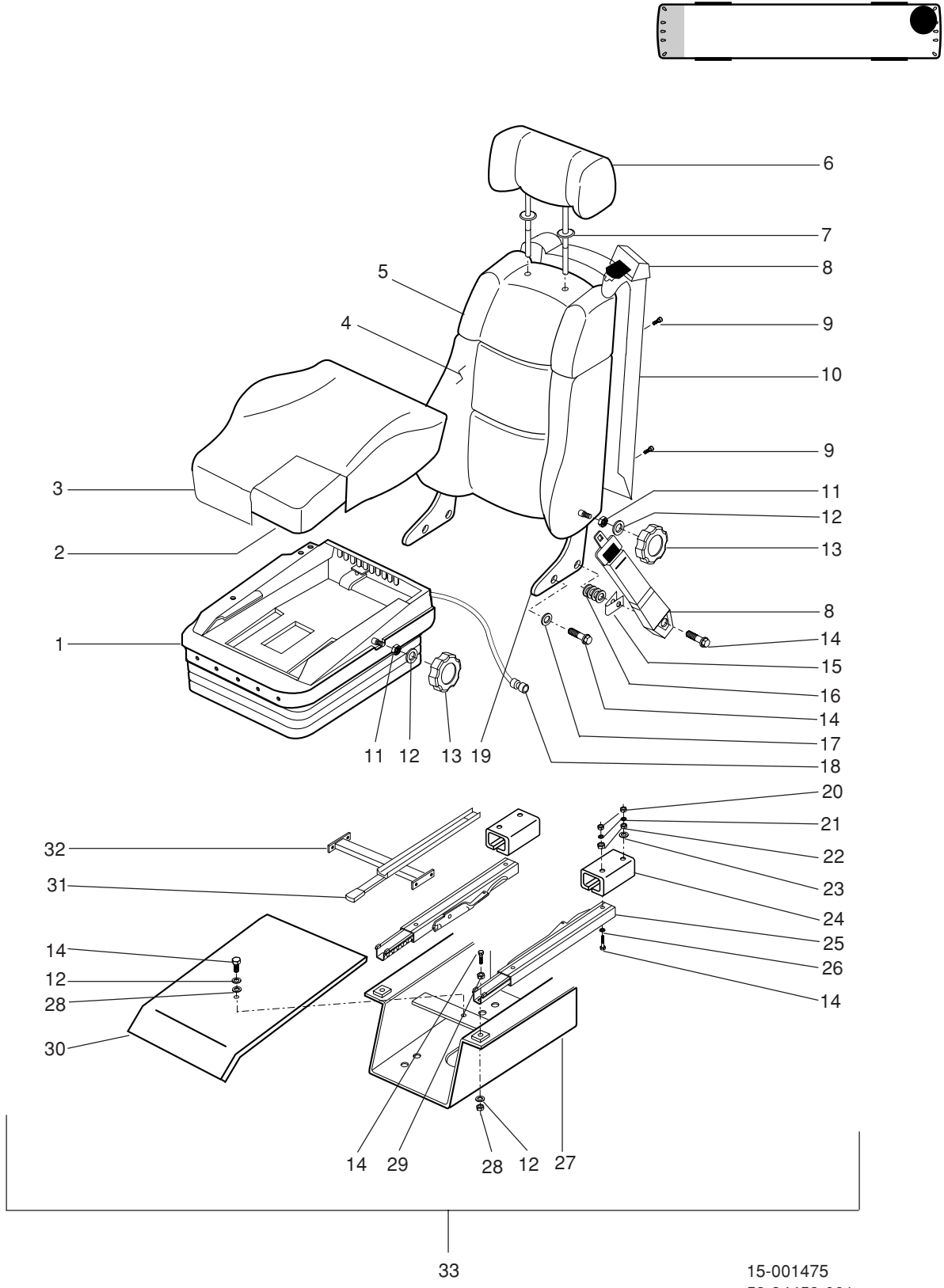


15-0451-0701A,D
15-002802
15-0451-0701A, D

DRIVER'S SEAT

Item	Part No.	Description	Qty
1.	82-16324	SUSPENSION ASM, DRIVER SEAT (SEE FOLLOWING PGS)	1
2.	82-16350	FOAM, CUSHION	1
3.	82-16351	COVER, DRIVER SEAT CUSHION	1
4.	82-16319	FOAM, BACK	1
5.	82-16320	COVER, DRIVER SEAT BACK	1
6.	82-16323	CUSHION, HEADREST	1
7.	82-16322	FRAME, HEADREST	1
8.	82-16317	SEATBELT ASM, 3 POINT	1
9.	82-16366	SCREW, PHIL HD, 1/4"-20 X 3/4"	4
10.	82-16321	SHELL, DRVR SEAT BACK	1
11.	82-16364	JAMNUT, M10 X 1.5"	2
12.	82-16376	LOCKWASHER	13
13.	82-16327	KNOB, SEAT ADJ	4
14.	82-16373	SCREW, HXH D	6
15.	82-16378	TENSIONER, SPRING	2
16.	82-16375	FLATWASHER	13
17.	82-16379	LOCKWASHER	2
18.	82-16358	CONNECTOR, AIR QUICK RELEASE	1
19.	82-16316	FRAME ASM, DRIVER SEATBACK	1
20.	82-16381	NUT, HXHD	8
21.	82-16382	LOCKWASHER	8
22.	82-16383	NUT, HXHD	8
23.	82-16374	FLATWASHER	2
24.	82-16361	BRKT, SLIDE REINF	2
25.	82-16348	SLIDE ASM, SEAT	2
26.	82-16380	LOCKWASHER	2
27.	82-16360	BASE, DRIVER SEAT	1
28.	82-16363	NUT, HXHD 5/16"-18 GR8	10
29.	82-16365	NUT, 3/8" PAL	4
30.	82-16362	COVER, SEAT BASE	1
31.	82-16326	COVER, HANDLE	1
32.	82-16349	HANDLE, SLIDE RELEASE	1
33.	18-40561C73624	SEAT ASM, COMPLETE (USSC)	1

DRIVER'S SEAT

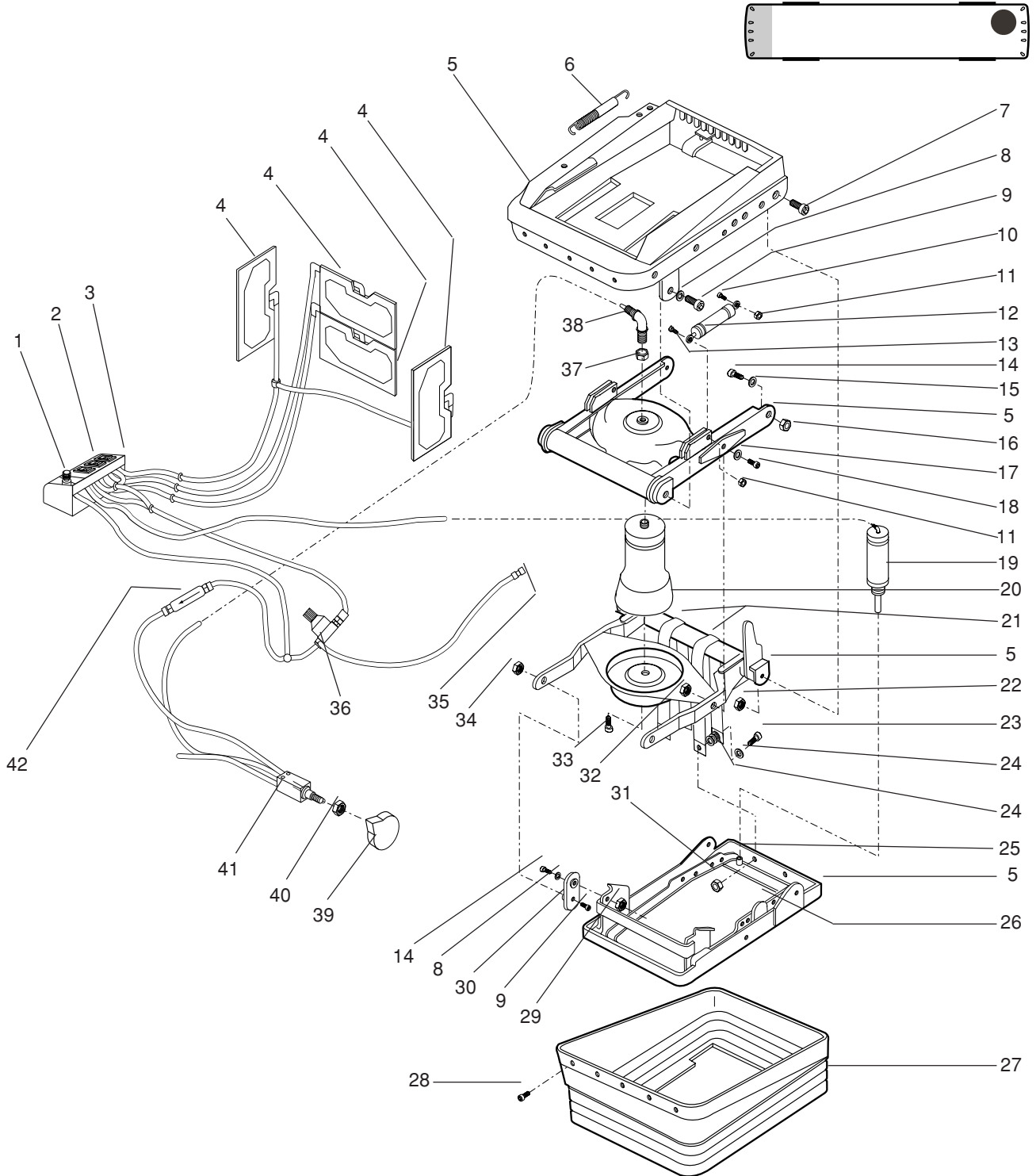


15-001475
53-34459-001

DRIVER'S SEAT SUSPENSION

Item	Part No.	Description	Qty
1.	82-16356	VALVE ASM, SLIDE RLS	1
2.	82-18859-000	SWITCH, BOLSTER, DRIVER'S SEAT	1
	82-18860-000	SWITCH, LUMBAR, DRIVER'S SEAT	2
3.	82-16353	BOX ASM, 3 SWITCH	1
4.	82-16318	AIRBAG, LUMBAR/BOLSTER	4
5.	82-16324	SUSPENSION ASM, DRIVER SEAT	1
6.	82-16325	SPRING, EQUALIZER	1
7.	82-16337	BOLT, RR BRG (NO PROFILE)	2
8.	82-16340	FLATWASHER	12
9.	82-16336	BOLT, SCISSOR BRG (LO PROFILE)	6
10.	82-16332	SCREW, LWR SHOCK M8 X 40	1
11.	82-16342	LOCKNUT, M8	2
12.	82-16330	ABSORBER, SHOCK	1
13.	82-16331	SCREW, UPR SHOCK M8 X 40	1
14.	82-16338	BOLT, SCISSOR BRG (HI PROFILE)	4
15.	82-16385	LOCKWASHER	4
16.	82-16387	NUT	4
17.	82-16345	BUSHING, 18MM	2
18.	82-16335	BOLT, SCISSOR BRG (CENTER)	2
19.	82-16357	CYLINDER ASM, AIR SLIDE	1
20.	82-16343	AIRBAG, SEAT SUSPENSION	1
21.	82-16352	STRAP, 15" TETHER	2
22.	82-16388	NUT	2
23.	82-16373	SCREW, HXHD	8
24.	82-16376	LOCKWASHER	8
25.	82-16392	NUT	1
26.	82-16359	BUMPER, RUBBER	2
27.	82-16346	BELLOWS, SEAT BASE	1
28.	82-16347	RIVET, BELLOWS	30
29.	82-16389	NUT	2
30.	82-16344	BUSHING, 12.5MM	12
31.	82-16390	NUT	2
32.	82-16391	NUT	2
33.	82-16339	SCREW, AIRBAG BOTTOM (M10X16)	1
34.	82-16341	LOCKNUT, M10	12
35.	82-16358	CONNECTOR, AIR QUICK RELEASE	1
36.	82-18875-000	VALVE, LUMBAR AIR W/ AIR SLIDE	1
	82-18876-000	VLAVE, LUMBAR AIR W/O AIR SLIDE	1
37.	82-16334	NUT, AIRBAG NIPPLE	1
38.	82-16333	NIPPLE, AIRBAG INLET	1
39.	82-16329	KNOB, AIR ADJ (10MM)	2
40.	82-16328	NUT, BACKING (10MM)	1
41.	82-15359	VALVE, AIR	1
42.	82-16355	VALVE, AIR CHECK	1

DRIVER'S SEAT SUSPENSION

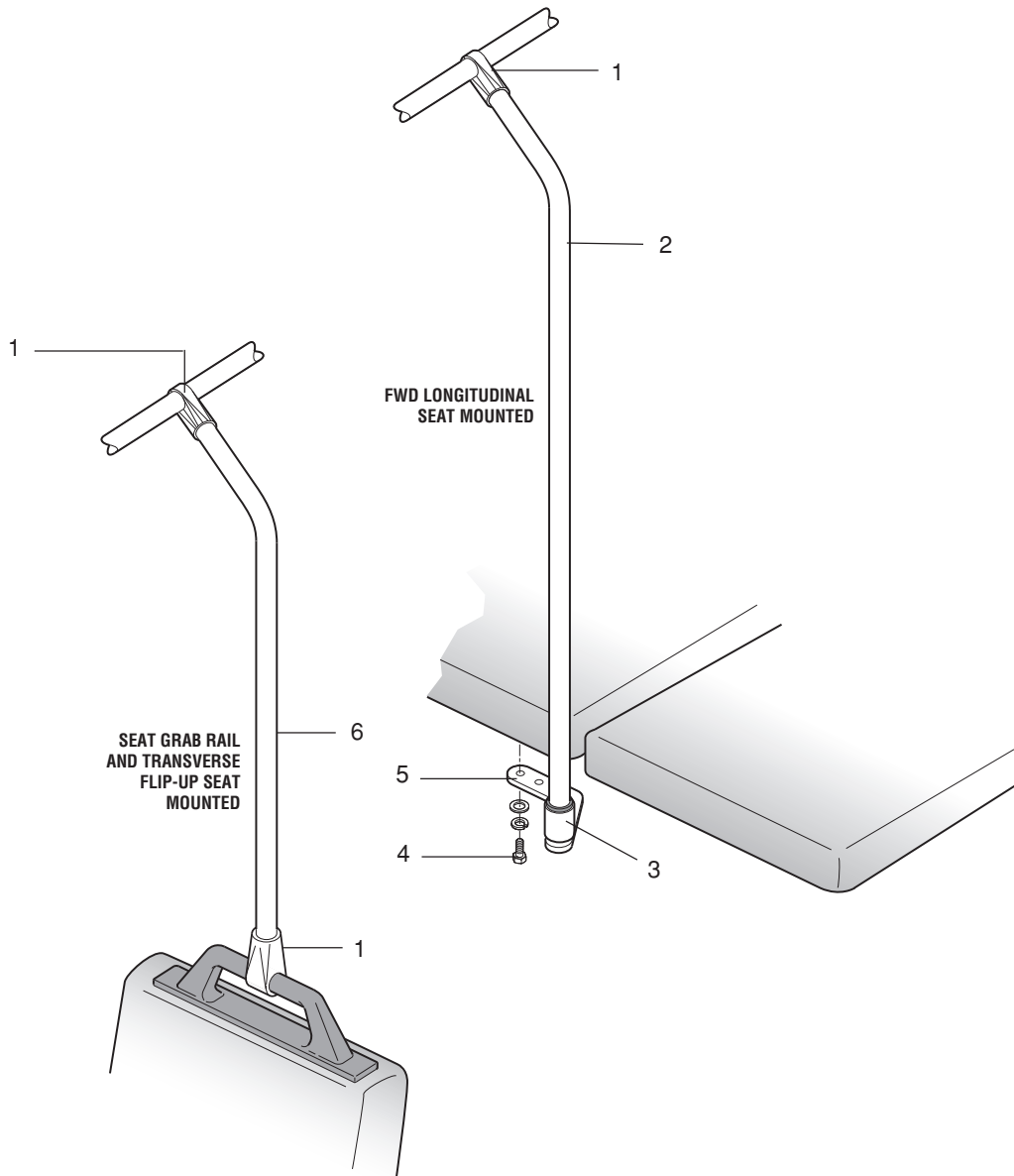


15-001476
53-34459-001

STANCHIONS, VERTICAL

Item	Part No.	Description	Qty
1.	15-47883-000	FITTING STANCHION "TEE"	7
2.	15-49394L056.42	TUBE, STANCHION, W/LONGITUDINAL SEAT	1
3.	15-39387N000	STANCHION CUP W/NUT	A/R
4.	54-13113-0104	BOLT, HEX HD 1/4"-20 X 1.0" SSTL	A/R
	54-12602-009	LOCKWASHER, 1/4"	A/R
	54-13112-030	FLATWASHER, 1/4" SSTL	A/R
5.	82-28485-000	BRACKET, VERTICAL STANCHION	A/R
6.	41-28188-030.50	TUBE, STANCHION, W/2-PASS. TRANSVERSE SEATING	1
	41-28188-030.64	TUBE, STANCHION, W/2-PASS. TRANSVERSE SEATING	1
	41-28188-40.13	TUBE, STANCHION, W/2-PASS. TRANSVERSE SEATING	1
	15-49399-031.90	TUBE, STANCHION, W/2-PASS. TRANSVERSE SEATING	1

STANCHIONS, VERTICAL



FWD LONGITUDINAL
SEAT MOUNTED

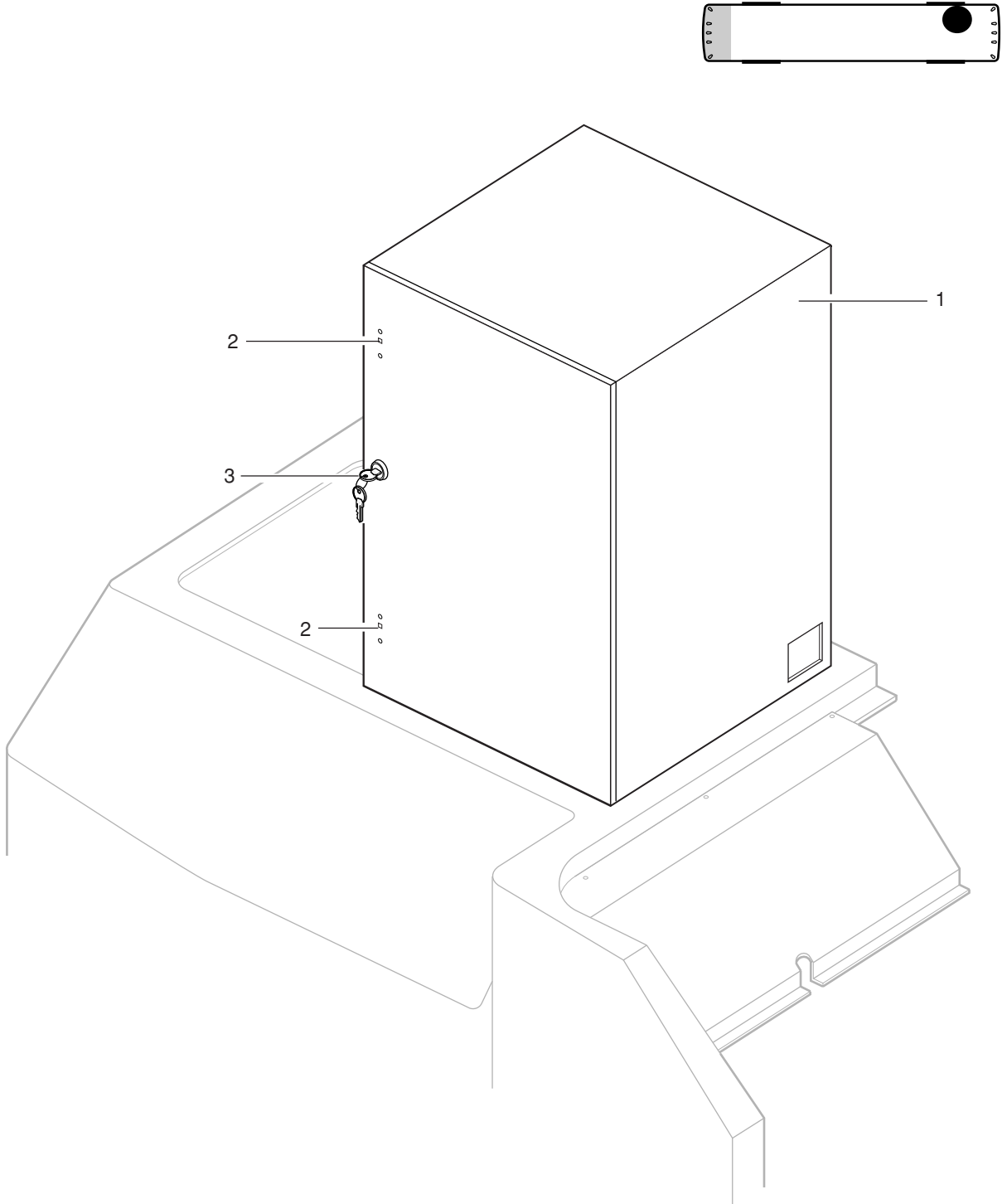
SEAT GRAB RAIL
AND TRANSVERSE
FLIP-UP SEAT
MOUNTED

15-0570-0712A,B,D,E,F
15-004279
15-0570-0712A, B, D, E, F

ELECTRICAL STORAGE BOX

Item	Part No.	Description	Qty
1.	13-42920F009	ENCLOSURE ASM, 44"H X 18.5"W X 20.0"D EQUIPMENT STORAGE	1
2.	50-00019-000	LATCH, 5/16" SQUARE KEY	2
3.	53-15741-000	LOCK ASM, BH010	1
	40-35677-002	BRACKET, STANDOFF	1
	54-12602-009	LOCKWASHER, 1/4"	4
	54-12605-008	FLATWASHER, FENDER 1/4"	4
	54-13110-002	NUT, 1/4"-20 LOW CROWN	4
	54-13119-065	SCREW, 1/4"-20 X 1 1/4" PHIL TRUSS HD SSTL	4
	54-14292-07Z	SCREW, PHT 1/4" X 1.0"	2
	54-30440-078	SCREW, PAN HD. SSTL 1/4"-20 X 5/8"	4

ELECTRICAL STORAGE BOX

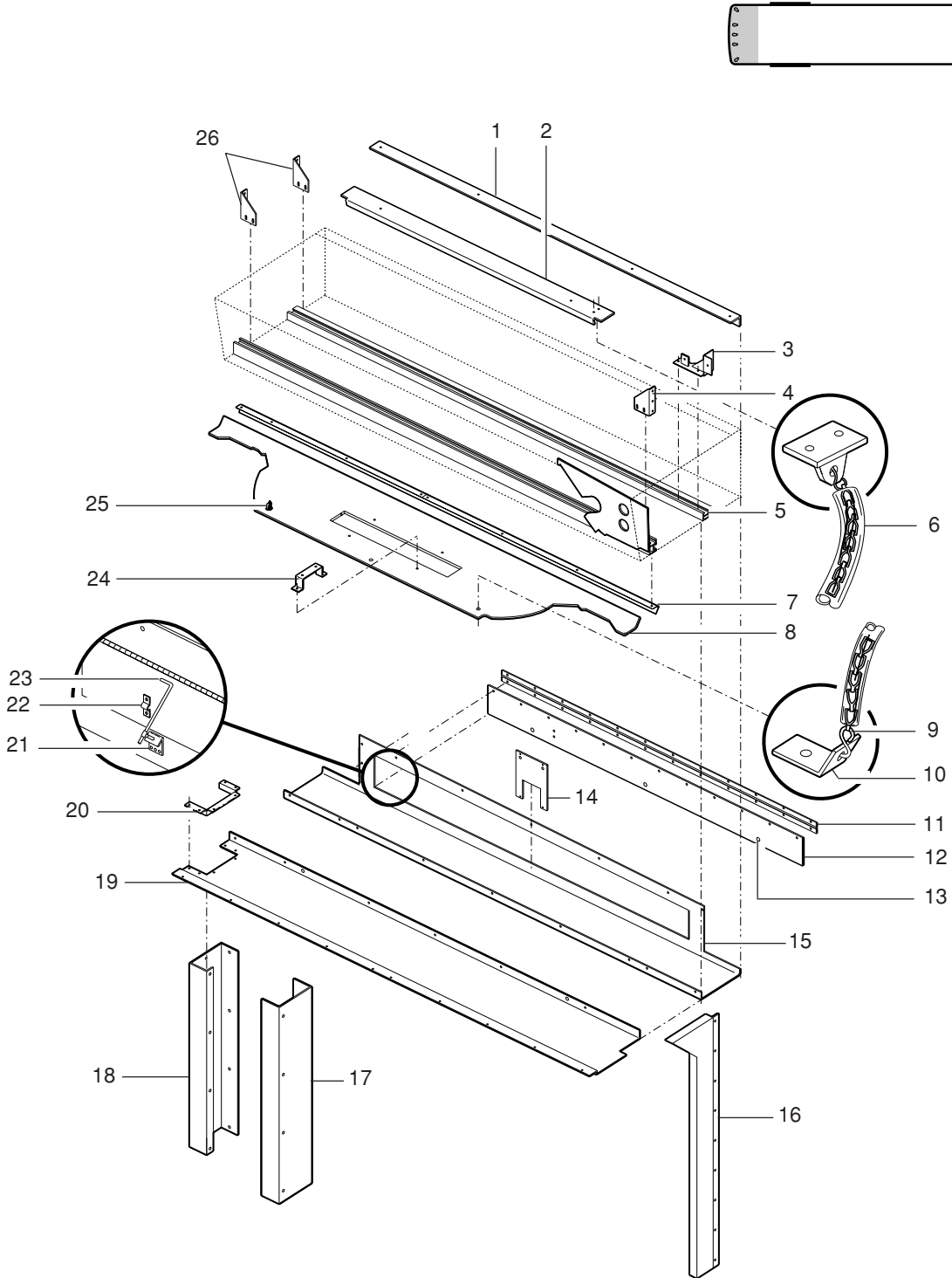


15-0625-73624
15-003570
15-0625-73624

AIR TANK CLOSEOUT

Item	Part No.	Description	Qty
1.	15-45700-000	ANGLE, AIR TANK CLOSEOUT MTG. 78.76"	1
2.	15-37658-000	ANGLE, REINFORCEMENT 51.88" X 3.0" X 1.19	1
	15-45701-000	ANGLE, CLOSEOUT 11.70" X 1.5" X 1.5"	
3.	14-45683-000	BRACKET ASM., AIR TANK MTG.	1
	14-45683-001	BRACKET ASM., AIR TANK MTG.	1
4.	14-36732-000L	BRACKET, AIR TANK, LH	1
5.	14-37424L092.75	EXTRUSION, TRANSVERSE BEAM	2
6.	15-38967-000	STRAP, CHAIN	1
	15-38966-000	TUBING, HEAT SHRINK	1
7.	15-37002-000	HINGE, AIR TANK CLOSEOUT	1
8.	15-37651M001	CLOSEOUT, AIR TANK, REAR	1
	54-38170N000	BUMPER, RUBBER	1
	56-02111-004	TAPE, FOAM	1
	53-00302-002	GUIDE, ROPE	1
9.	55-02306-000	HOOK, "S"	2
10.	15-38968-000	ANGLE, DOOR STRAP	1
11.	15-39530-000	HINGE, DOOR	1
12.	15-45697-000	DOOR, AIR TANK ACCESS	1
	40-25192-000	BRACKET. TILT SWITCH MTG.	1
	51-44983-000	SWITCH, TILT ACTUATED	1
	51-47926-000	LAMP, ELECTRICAL COMPARTMENT	1
13.	54-37647N000	LATCH ASM, QUAD PANEL	2
14.	15-39532-000	BRACKET, CENTER SUPPORT	1
15.	15-45699M000	CLOSEOUT, AIR TANK FRONT	1
	15-45702-000	BRACKET, CORNER CLOSEOUT	1
16.	15-48310M002	CLOSEOUT, CABLE DUCT	1
	15-48309-001	BRACKET, CLOSEOUT MTG.	1
17.	15-49637-000	CLOSEOUT, B-POST HARNESS COVER	1
18.	15-49638-000	CLOSEOUT, HARNESS COVER	1
19.	15-45698-000	CLOSEOUT, AIR TANK BOTTOM	1
20.	15-47906-000	BRACKET, HARNESS COVER	1
21.	40-15299-000	BRACKET, SUPPORT ROD	1
22.	40-11791-000	BRACKET, DOOR SUPT	1
	54-00064-001	JOINT, BALL 1/4"-28	1
	54-12550-005	LOCKNUT, NYLOK 1/4-28 GR5	2
23.	40-11784-006	ROD, DOOR SUPT	1
24.	15-37692-000	BRACKET, DESTINATION SIGN MTG	1
25.	54-38112N000	LATCH ASM, COMPRESSION	3
26.	14-36732-000R	BRACKET, AIR TANK, RH	2
	15-39533-000	STOP-DOOR	1
	15-39534-001	STOP-DOOR	2
	54-13111-002	SCREW #12-24X.75 TORX SELF DR	26
	54-13119-024	SCREW, #12X1.0 PHIL TRUSS HD	11
	54-37358-000	NUT PLATE, COBOLT M8	9
	54-37359-002	BOLT, BUTTON TORX HEAD M8 X 20MM	9
	15-40409-000	CLAMP, TILLER	2
	51-02118-000	CORD, PASSENGER SIGNAL (CLEAR)	
	54-12600-007	FLATWASHER, 5/16"	8
	15-48321-000	PANEL, FIREWALL 7" X 80"	1
	54-13119-093	SCREW, #10-24 X 7/16" FLAT HD CR SSTL	4

AIR TANK CLOSEOUT

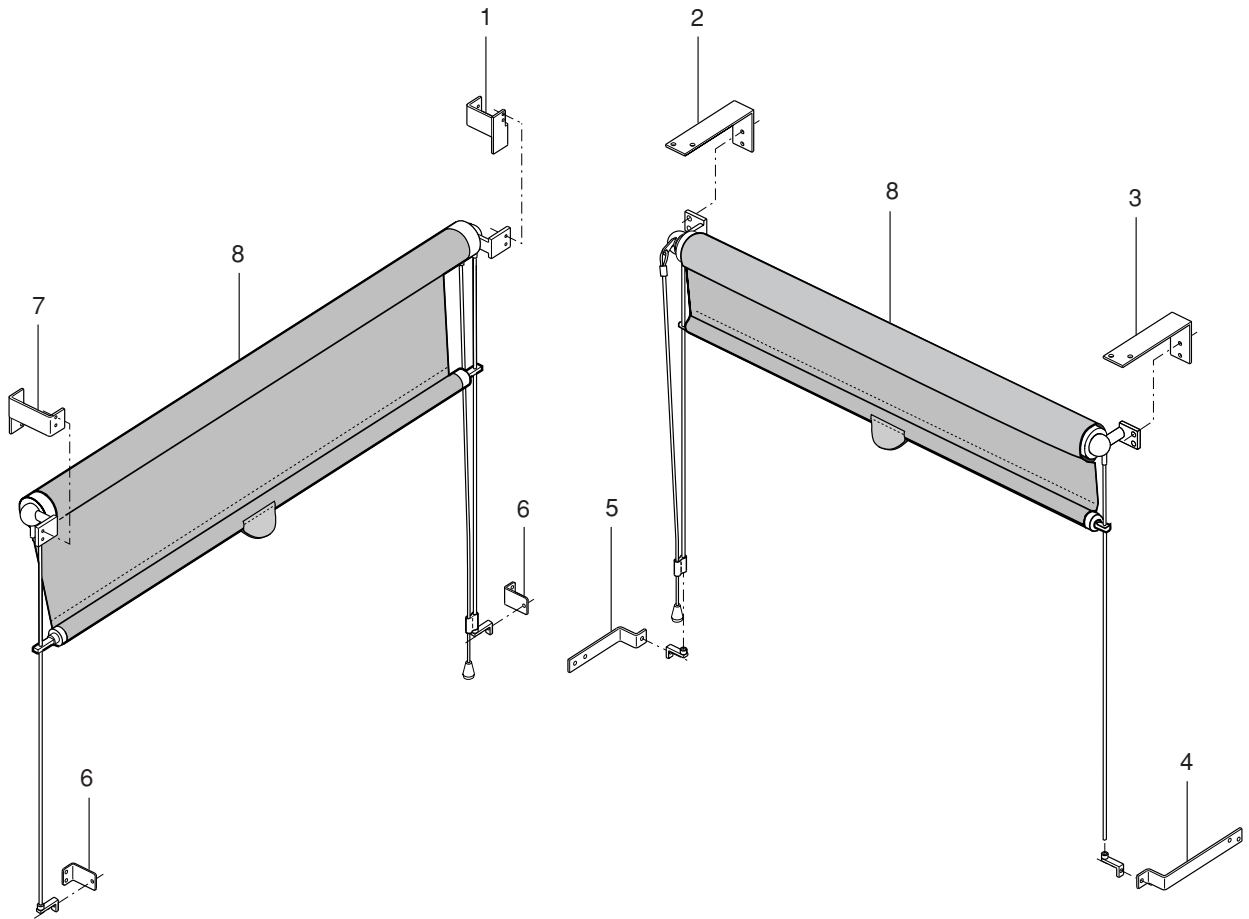
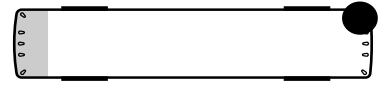


15-0630-0701A,AA,C,H
15-001735
15-0630-0701A, AA, C, H

DRIVER'S SUNSHADES

Item	Part No.	Description	Qty
1.	18-39597-000	BRACKET, SUNSHADE UPR	1
2.	18-48132-000	BRACKET, SUNSHADE WINDSHIELD	2
3.	18-48131-000	BRACKET, SUNSHADE	2
4.	18-48130-000	BRACE, SUNSHADE, WINDSHIELD CTR	1
5.	18-48129-000	BRACE, SUNSHADE, WINDSHIELD LEFT	1
6.	18-37892-000	BRACKET, SIDE WINDOW, LWR	1
7.	18-39599-000	BRACKET, SUNSHADE UPR	1
8.	18-37908-000	SCREEN ASM, SHADE, HALF MESH	2
	54-13108-032	NUT, NYLOK, #10-24	12
	54-13119-003	SCREW, #10-24 X 3/4 TAPTITE	16
	54-30440-020	SCREW, PANHD #10-24 X 5/8	12

DRIVER'S SUNSHADES

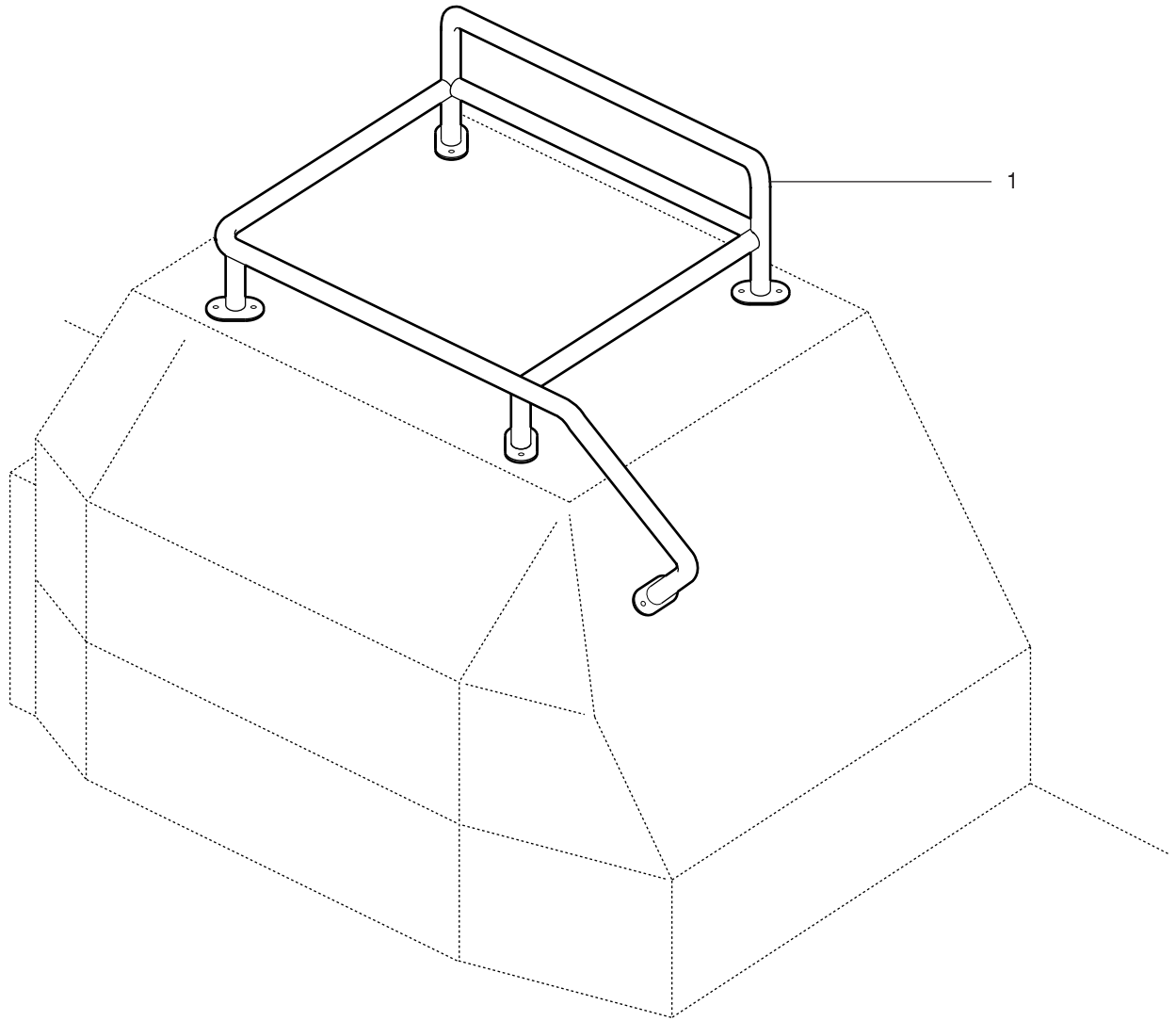
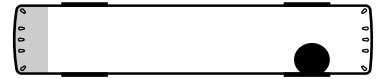


15-0650-0701A,B
15-000161
15-0650-0701A, B

PACKAGE RACK: CURBSIDE

Item	Part No.	Description	Qty
1.	15-48303-000	TUBE ASM, PACKAGE RACK SSTL	1
	50-02142-002	FLANGE, FLOOR FITTING	4
	54-00026-000	SCREW, STANCHION	4
	54-00027-000	NUT, STANCHION	4
	54-10163-005	RIVET, MONOBOLT 1/4" STL. (.080-.375 GRIP)	10

PACKAGE RACK: CURBSIDE

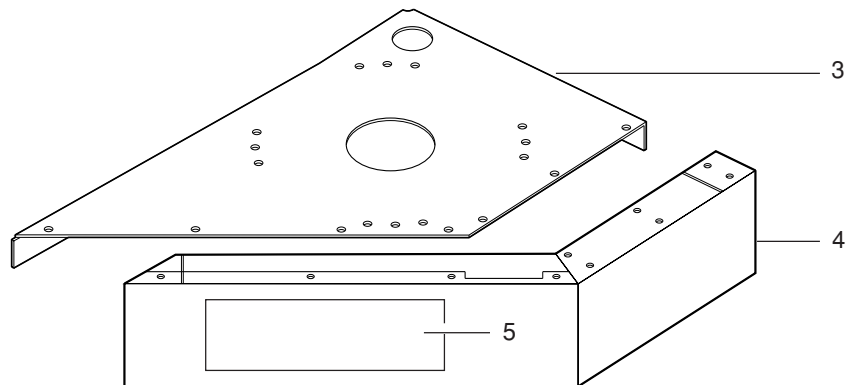
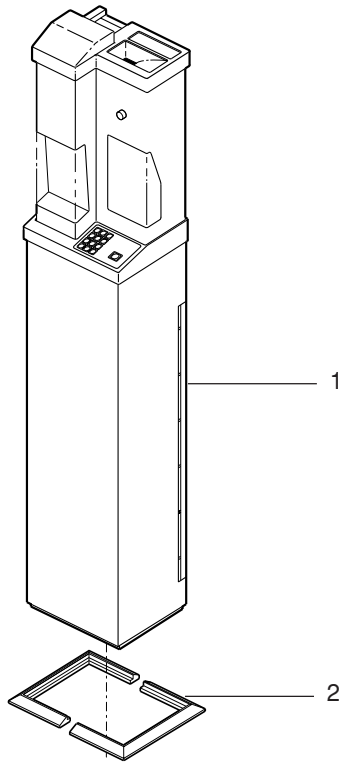
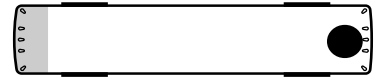


15-0700-0701B
15-001800
15-0700-0701B

FAREBOX AND MOUNTING

Item	Part No.	Description	Qty
1.	REF ONLY	FAREBOX ASM (SUPPLIED BY CUSTOMER)	1
2.	REF ONLY	SEAL ASM, FAREBOX MTG	2
3.	18-40145F001	PLATFORM, FAREBOX MTG	1
	15-48671L072.00	MOLDING, 88° CORNER EDGE TRIM "YELLOW" 1.26" X 1.5"	1
4.	18-46467F001	PLATFORM ASM, FAREBOX MTG	1
5.	18-42168-000	CLOSEOUT PLATE 10.25" X 5.5"	1
	54-10163-036	RIVET, MONOBOLT 3/16" SSTL (.125-.331)	7
	54-10163-039	RIVET, MONOBOLT 1/4" STL (.080-.625)	6
	54-14284-02Z	SCREW, PHILLIPS CHROME #6-32 X .31"	4

FAREBOX AND MOUNTING

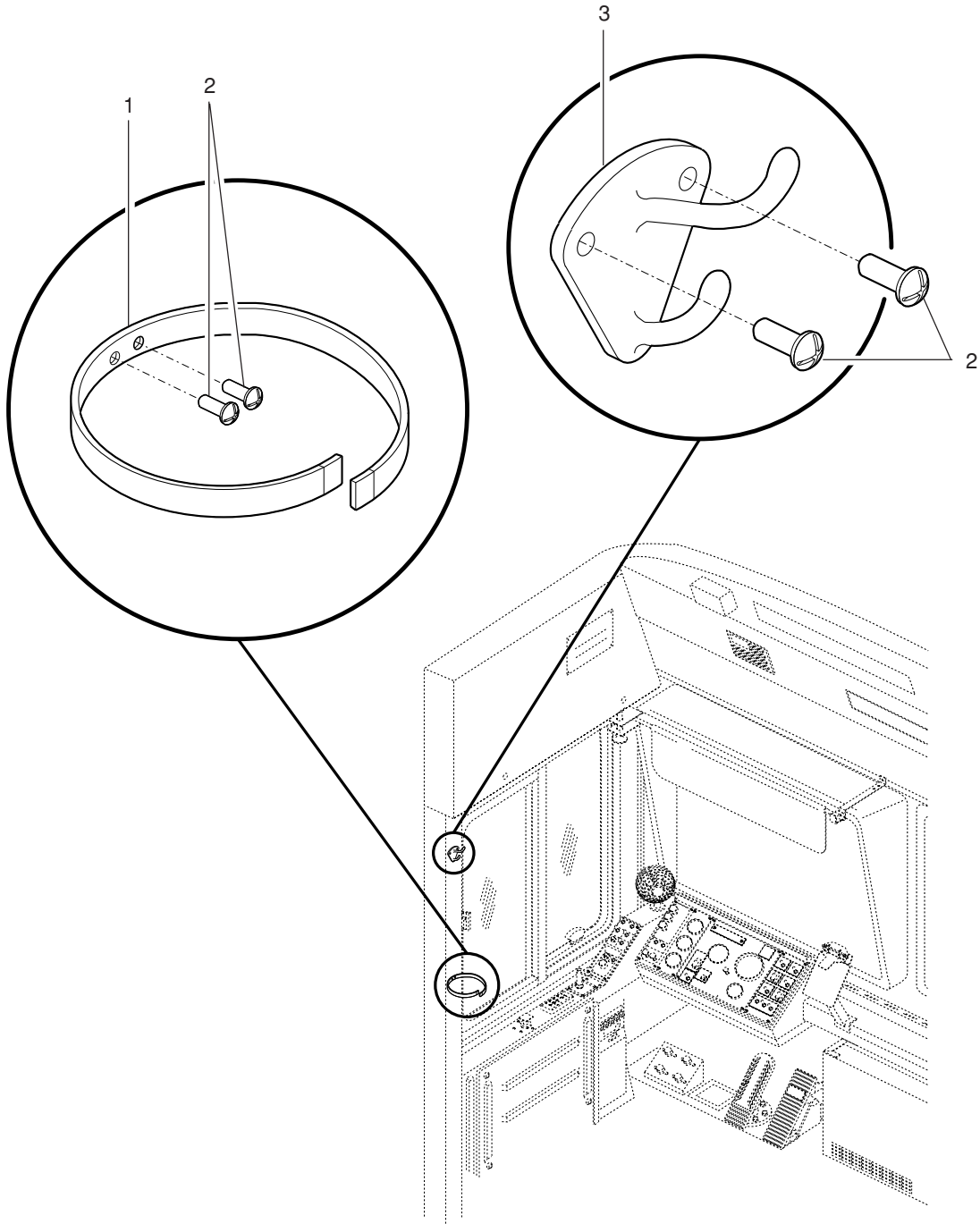
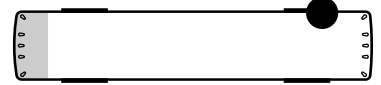


15-0855-0700H,Q
15-001799
15-0855-0700H,Q

COAT HOOK/TIE-BACK

Item	Part No.	Description	Qty
1.	18-39137L021.00	STRAP ASM, COAT TIE-DOWN	1
	54-07101-005	RIVET, POP, 3/16" OPEN END	4
2.	54-14286-04Z	SCREW, PH #8 X 1/2	4
	54-12540-002	NUT, LOCK, NYLOK #8-32 GR5	4
	54-12600-003	WASHER, FLAT #10 STD	2
3.	54-18652-004	HOOK, COAT	1

COAT HOOK/TIE BACK

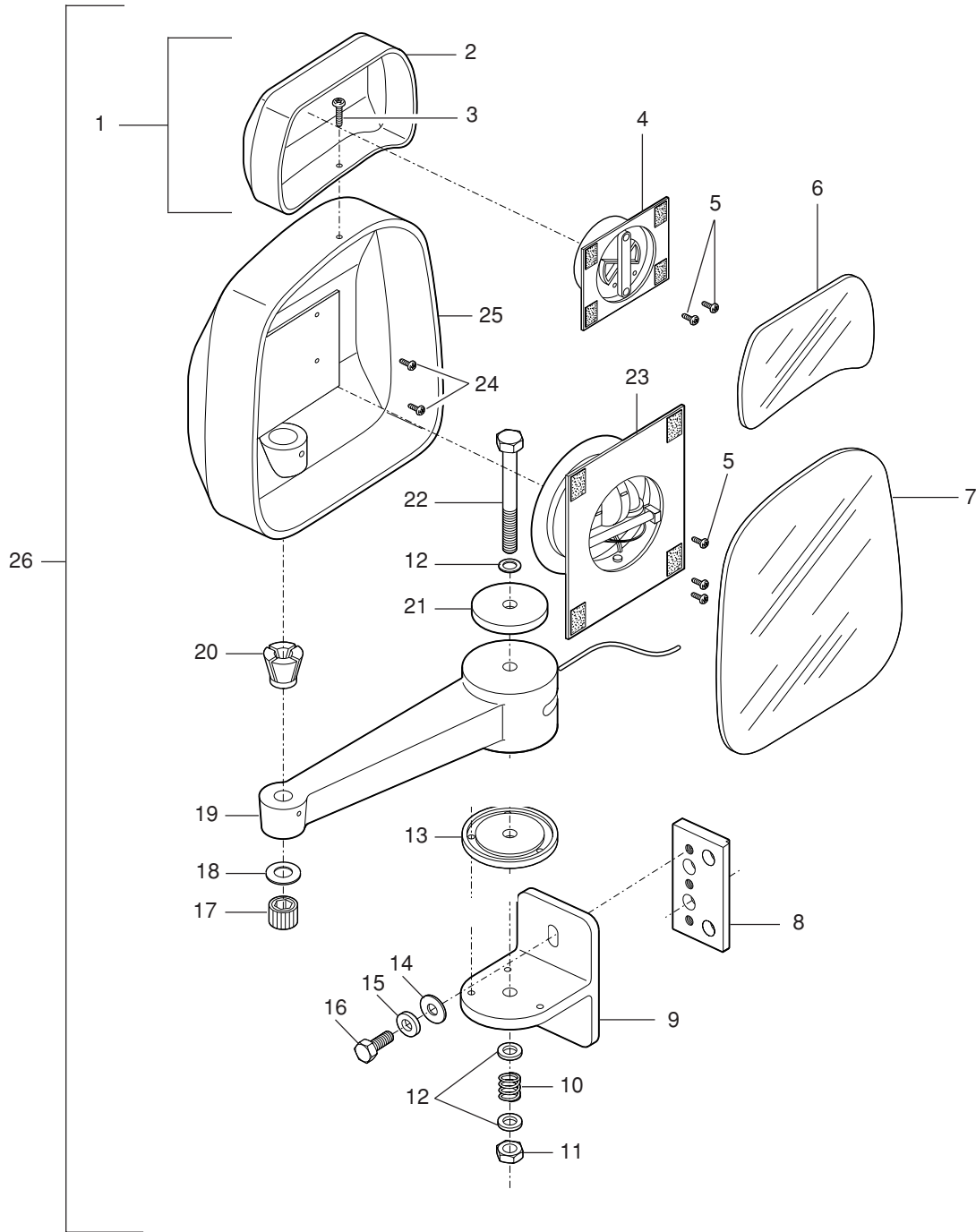
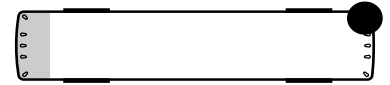


15-0901-0700B (coat hook/tie)
15-001992
15-0901-0700B

LH EXTERIOR MIRROR

Item	Part No.	Description	Qty
1.	53-27817-030	MIRROR, CONVEX	2
2.	82-21308-009	HOUSING, CONVEX MIRROR	
3.	82-21308-005	SCREW, ALLEN HD 1/4-20 X .375	2
4.	82-13197-013	MECHANISM, MANUAL ADJ	1
5.	82-16620	SCREW, MTG	7
6.	82-21308-008	GLAZING, 5 X 7 CONVEX	1
7.	82-21362-002	GLAZING, FLAT 9 X 11 W/ LOCKRING	1
8.	40-14705-000	SPACER	2
9.	53-25182-067	BRACKET, MIRROR MTG	1
10.	82-20709-000	SPRING, COMPRESSION 1"	1
11.	82-18665-000	LOCKNUT, 1/2" NYLON	1
12.	82-18664-000	FLATWASHER, 1/2"	3
13.	82-22849-003	FLATWASHER	1
14.	54-12600-007	FLATWASHER, 5/16	2
15.	54-12602-010	LOCKWASHER, 5/16	2
16.	54-13119-011	SCREW, PANHD CR REC MACH	2
17.	82-20360-000	CAPSCREW, 3/8-24	1
18.	82-17837-000	LOCKWASHER, .375	1
19.	53-25182-088	ARM ASM, MIRROR MTG	1
	82-20360-001	SCREW, SET 1/4-20 X 3/8	1
20.	82-20360-002	COLLET, COATED	1
21.	82-20360-004	CAP, MIRROR ARM	1
22.	82-21308-007	BOLT, HXHD 1/2-13 X 5.50 SSTL	1
23.	82-21857-000	MECHANISM, LG MANUAL ADJ	1
24.	82-22554-002	SCREW, SET	2
25.	82-21308-002	HOUSING, MIRROR	1
	82-21308-003	BALL/SHAFT, 1-1/4	1
26.	53-25182-144	MIRROR ASM, RS-08-UAL0911MFM CX	1

LH EXTERIOR MIRROR

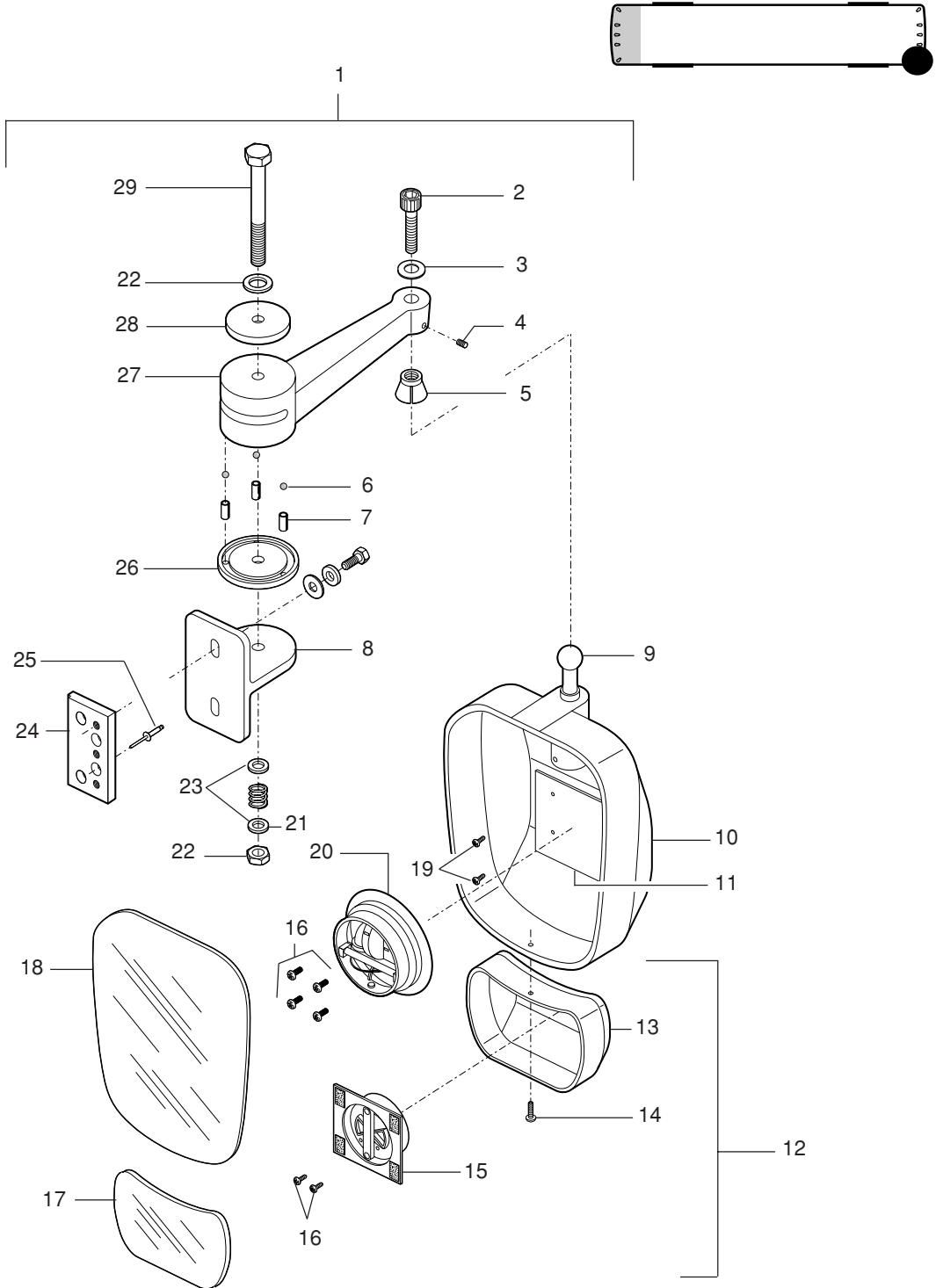


20-0003-0704A,S (144)
 20-000184
 20-0003-0704A, S

EXTERIOR MIRROR, CURB SIDE

Item	Part No.	Description	Qty
1.	53-25182-206	MIRROR ASM, EXTERIOR, RH	1
	82-27597-000	HEAD ASM, MIRROR 9 X 11	1
2.	82-20360-000	CAPSCREW, 3/8-24	1
3.	82-17837-000	LOCKWASHER, .375	1
4.	82-20360-001	SCREW, SET 1/4-20 X 3/8	1
5.	82-20360-002	COLLET, COATED	1
6.	82-19622-000	BALL, CHROME, 1/2"	3
7.	82-20839-004	PIN, ROLL, 1/8 X 9/16	3
8.	82-21115-000	BRACKET, MIRROR MTG	1
9.	82-21308-003	BALL/SHAFT. 1-1/4	1
10.	82-21308-002	HOUSING, MIRROR	1
11.	82-27062-001	PLATE, MIRROR MTG	1
12.	53-27817-030	MIRROR, CONVEX	2
13.	82-21308-002	HOUSING, CONVEX MIRROR	1
14.	82-21308-005	SCREW, ALLEN HD 1/4-20 X .375	2
15.	82-13197-013	MOTOR, SMALL	1
16.	82-16620	SCREW, MTG	3
17.	82-21308-008	GLASS, CONVEX	1
18.	82-21362-002	GLASS, REAR VIEW	1
19.	82-21308-004	SCREW, SET 3/8 X 16	2
20.	82-21857-000	MOTOR, LARGE	1
21.	82-20709-000	SPRING, COMPRESSION 1"	1
22.	82-18665-000	LOCKNUT, 1/2" NYLON	1
23.	82-18664-000	FLATWASHER, 1/2"	3
24.	20-37247-000	BLOCK, MIRROR MTG	2
25.	54-10163-039	RIVET, MONOBOLT	8
26.	82-21308-006	BALL RACE, STEEL	1
27.	82-24625-000	ARM, MIRROR 18" W/ BALL INDENTS	1
28.	82-20360-004	CAP, MIRROR ARM	1
29.	82-21308-007	BOLT, HXHD 1/2-13 X 5-1/2, SSTL	1

EXTERIOR MIRROR, CURB SIDE

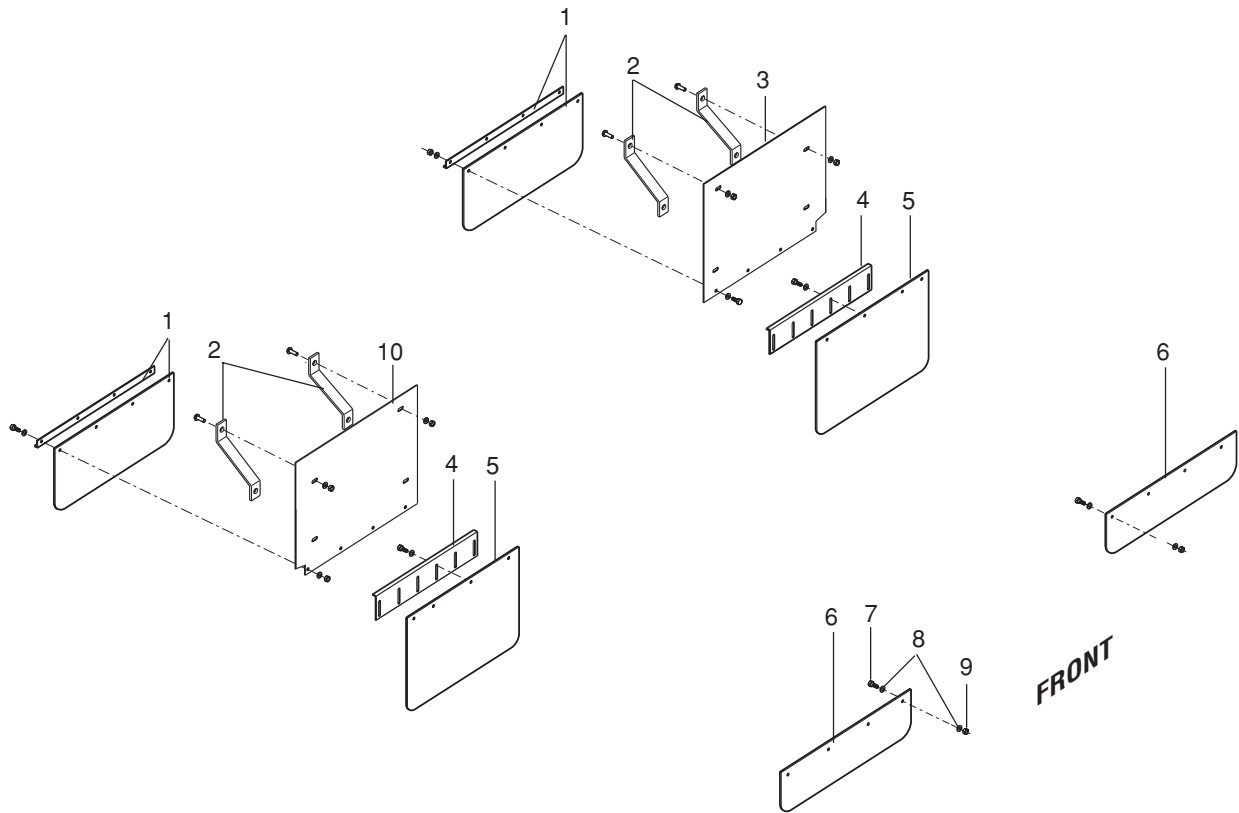
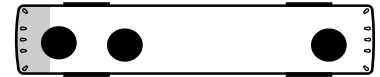


20-0004-706A,AU (206)
20-003852
20-0004-70A, AU

MUDFLAPS

Item	Part No.	Description	Qty
1.	06-49500-000	MUDFLAP, REAR	2
	06-49499-000	REINFORCEMENT, MUD FLAP	2
2.	06-45379-000	BRACKET, OUTER MUDFLAP MTG.	4
	06-45380-000	BRACKET, INNER MUDFLAP MTG.	2
	11-45372-000L	BRACKET, REAR HCV MOUNTING	1
	11-45372-000R	BRACKET, REAR HCV MOUNTING	1
	54-13113-068	BOLT, HXHD 3/8"-16 X 1.25" SSTL	12
	54-13112-020	FLATWASHER, 3/8	16
	54-13108-017	NUT, 3/8-16 NYLOCK SSTL	8
3.	06-49501-000L	SHIELD, SPLASH	1
4.	40-35904-000	RETAINER, MUD FLAP	2
5.	53-35906-002	FLAP, MUD REAR AXLE FRONT	2
6.	06-36691-000	FLAP, MUD FRONT AXLE	2
	06-36693-000	BRACKET, RETAINER	2
	06-45384-000	BRACKET, FRONT SPLASH SHIELD	2
7.	54-13113-068	BOLT, 3/8"-16 UNC X 1.25" SSTL	8
8.	54-13112-020	FLATWASHER, 3/8" SSTL	16
9.	54-13108-017	NUT, 3/8"-16UNC NYLON INSERT SSTL	8
10.	06-49501-000R	SHIELD, SPLASH	1

MUDFLAPS

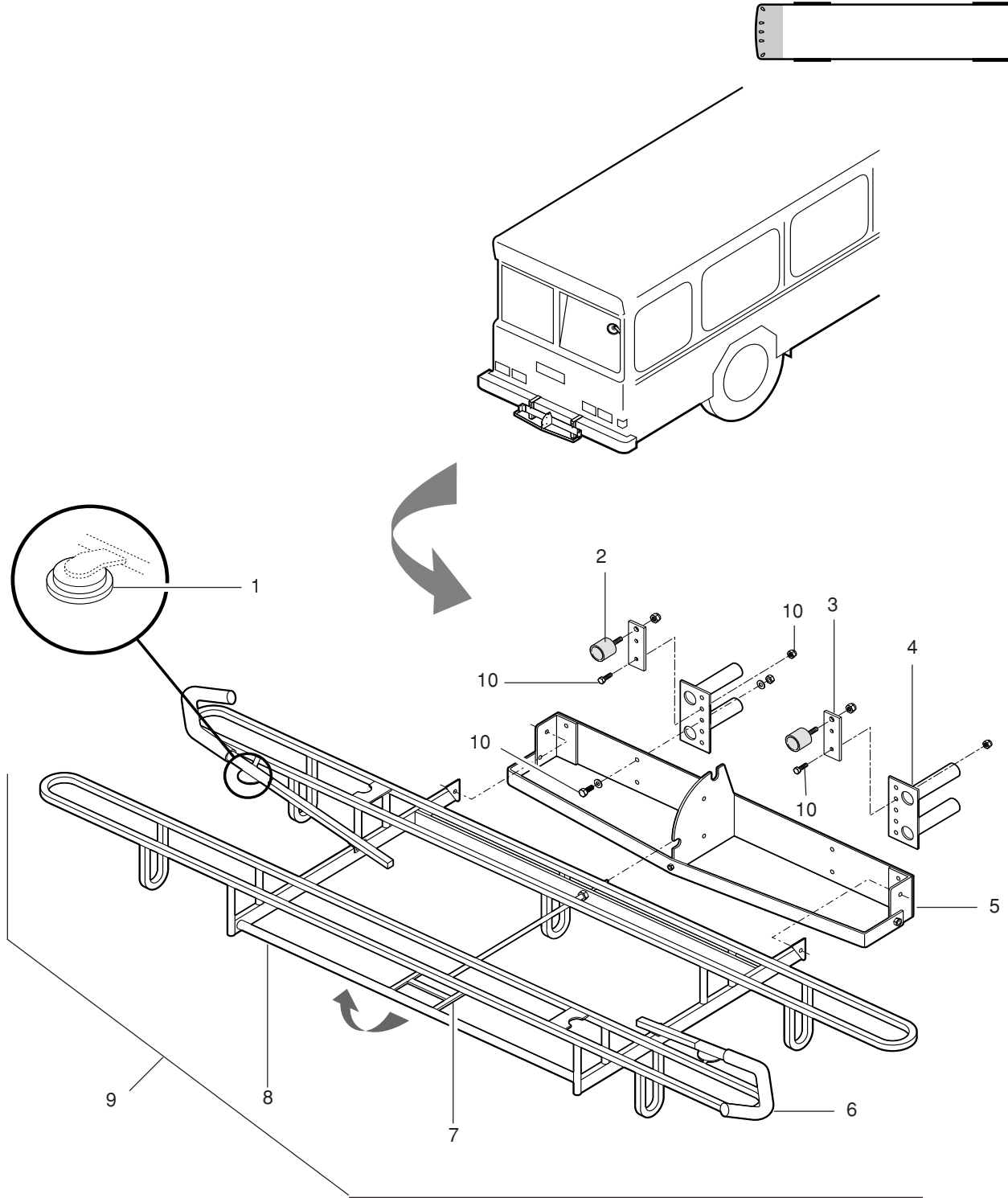


20-0050-0701E
20-004545
20-0050-0701E

BIKE RACK W/SLIDE-IN STANDOFF BRACKET (FRONT)

Item	Part No.	Description	Qty
1.	82-16158-000	KIT, MAGNET	2
2.	82-19016-000	KIT, BUSHING W /MTG HARDWARE	2
	82-23533-000	BUSHING	2
3.	40-36049-000	BRACKET, BUSHING MTG	2
4.	53-35582-000N	BRACKET, SLIDE-IN STANDOFF W /O BUFFER	2
5.	53-46559N000	PLATE ASM, PIVOT	1
6.	82-16160-000	ARM, SUPPORT ASM	2
7.	82-16154-000	HANDLE ASM, LATCH	1
	82-16155-000	PIN, LATCH	1
8.	82-16156-000	BODY, BIKE RACK	1
9.	53-35484-000N	RACK ASM, BIKE (POWDER BLACK COAT)	1
10.	53-35397-000N	KIT, SLIDE-IN MTG (COUNTERSUNK BOLTS)	1

BIKE RACK W/SLIDE-IN STANDOFF BRACKET (FRONT)

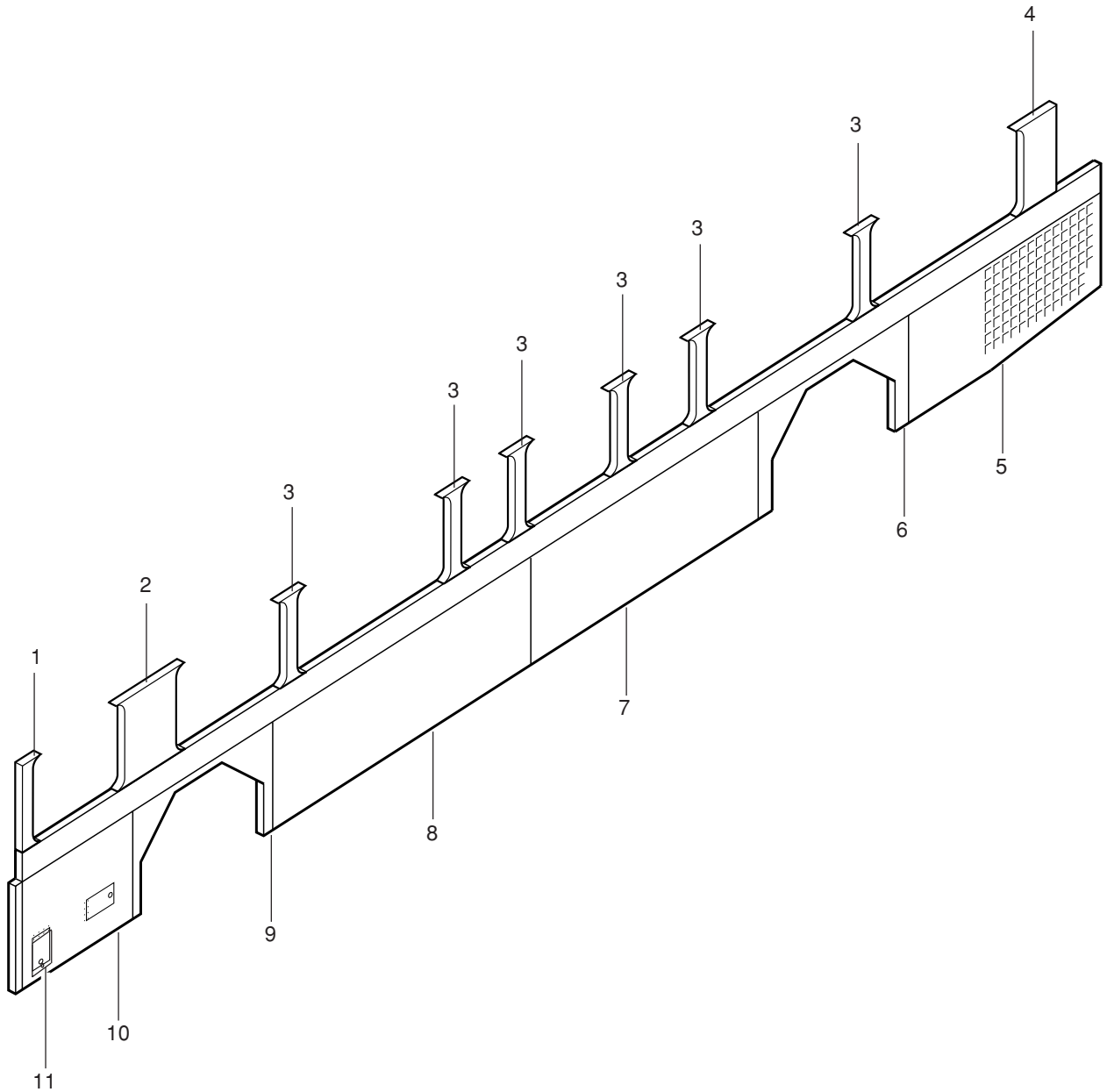


20-0100-0700B,L
20-003001
20-0100-0700B, L

LH EXTERIOR SIDE PANELS

Item	PartNo.	Description	Qty
1.	20-45504-000	CAP, WINDOW EXTERIOR	1
2.	20-45505-000	CAP, WINDOW EXTERIOR	1
3.	20-41927-000	CAP, WINDOW EXTERIOR	4
4.	20-42594-000	CAP, WINDOW EXTERIOR	1
5.	20-48987M001	PANEL, RADIATOR DOOR	1
6.	20-48998M001L	PANEL, REAR WHEELWELL, LH (HINGED)	1
7.	20-45491M001	PANEL, EXTERIOR, LH	1
8.	20-47690M000	PANEL, EXTERIOR, LH	1
9.	20-45493M001	PANEL, FRONT WHEELWELL, LH (FIXED)	1
10.	20-48990M001	PANEL, BATTERY BOX DOOR	1
11.	20-48991-000	DOOR, BATTERY SWITCH ACCESS	2

LH EXTERIOR SIDE PANELS

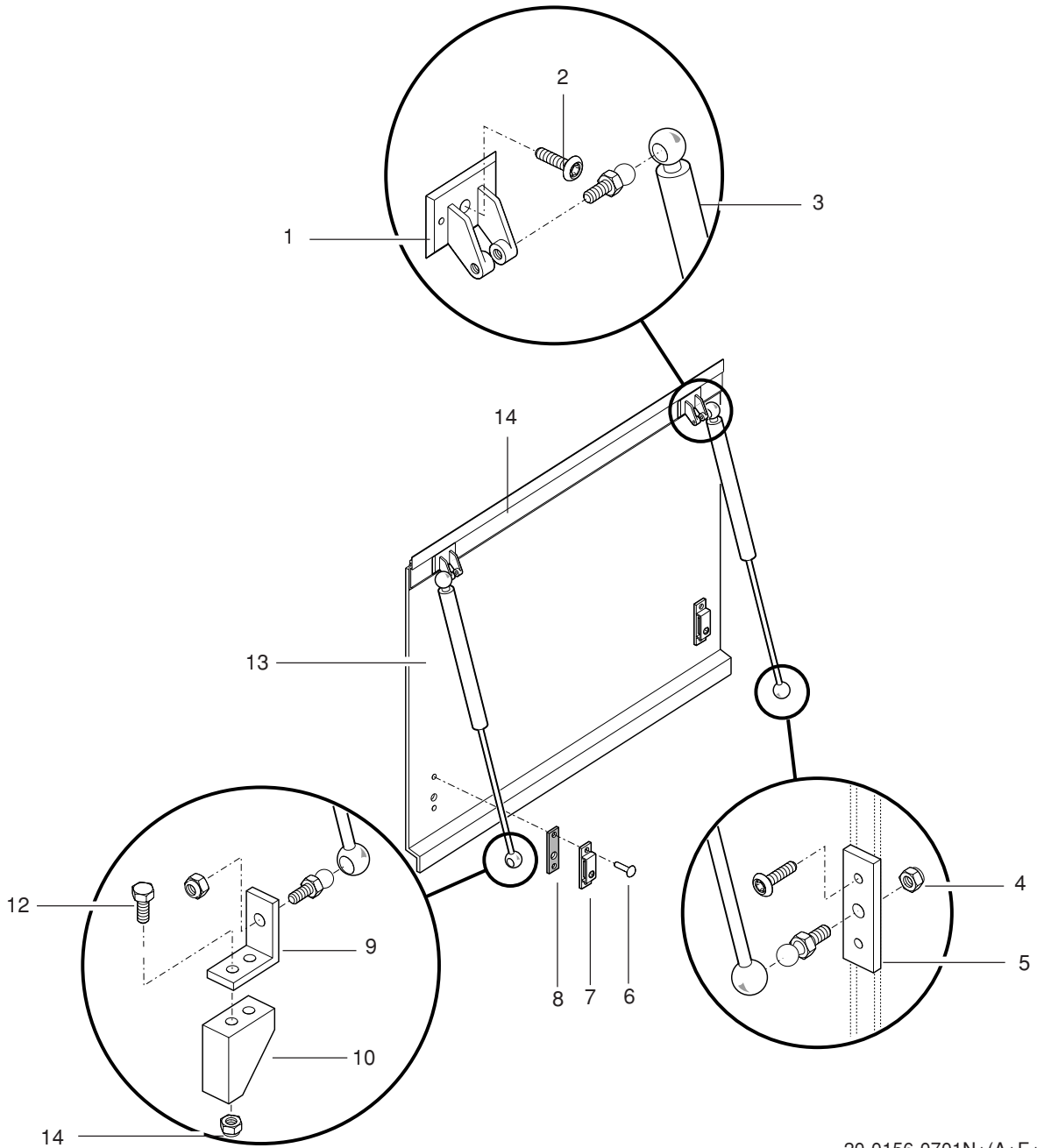


- 20-0156-0701N+(A+E+A,J+B)
- 20-003090
- 20-0156-0701N
- 20-0157-0708A
- 20-0158-0702E
- 20-0159-0701A, J
- 14-0600-0702B

SKIRT PANEL, BATTERY BOX

Item	PartNo.	Description	Qty
1.	54-37362-000	BRACKET, GAS SPRING MTG, UPR SKIRT	2
2.	54-37359-001	BOLT,BUTTON TORX HEAD M8 X 15MM	15
3.	53-20347-007	SPRING ASM,GAS	2
4.	54-12540-006	NUT,HXHD NYLOCK 5/16-18 GR5	2
5.	14-39613-000	PLATE,GAS SPRING MTG	1
6.	54-10163-006	RIVET,MONOBOLT	4
7.	50-00019-000	LOCK ASM,5/16 SQ KEY 1/4 TURN	2
8.	40-00445-003	PLATE,LOCK MTG	2
9.	54-37361-000	BRACKET,GAS SPRING MTG,LWR	1
10.	20-38567-000	BRACKET GAS SPRING MTG.	2
11.	54-12540-005	NUT, HXHD NYLOCK 1/4-20 GR5	4
12.	54-11316-002	BOLT,HXHD 1/4-20X.75 GR5	4
13.	20-48990M001	PANEL,SKIRT,HINGED,BATTERY BOX	1
14.	20-37130-000	ANGLE,DOOR LOCK HINGED SKIRT	2
	54-37358-000	NUT PLATE,COBOLT M8	14
	56-02111-002	TAPE, FOAM .25" THICK X .50WIDE	A/R
N/S	20-48991-000	PANEL, ACCESS DOOR	2
N/S	20-42065N000	LATCH, ADJUSTABLE	2

SKIRT PANEL, BATTERY BOX

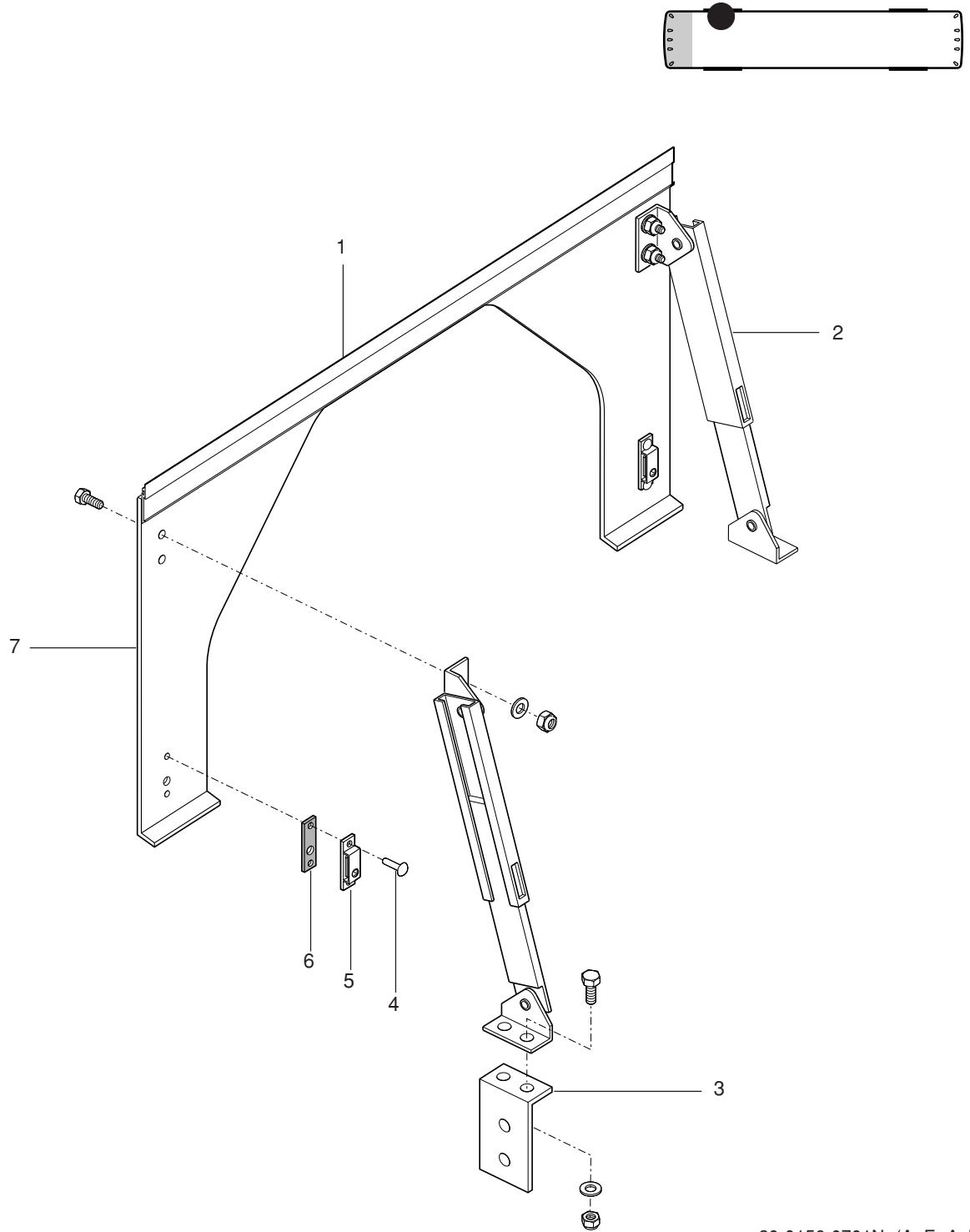


- 20-0156-0701N+(A+E+A,J+B)
- 20-003089
- 20-0156-0701N
- 20-0157-0708A
- 20-0158-0702E
- 20-0159-0701A, J
- 14-0600-0702B

SKIRT PANEL, REAR WHEEL

Item	PartNo.	Description	Qty
1.	20-48400-000	HINGE, SKIRT UPR	2
2.	53-29743-000	PROP ASM,DOOR	2
3.	20-37130-000	ANGLE, DOOR LOCK HINGED SKIRT	2
4.	54-10163-008	RIVET,MONOBOLT	4
5.	50-00019-000	LOCK ASM,5/16 SQ KEY 1/4 TURN	2
6.	40-00445-003	PLATE,LOCK MTG	2
7.	20-48998M001L	PANEL,SKIRT,HINGED,REAR WHEEL	1
	54-37358-000	NUT PLATE,COBOLT M8	20
	54-37359-001	BOLT,BUTTON TORX HEAD M8 X 15MM	20

SKIRT PANEL, REAR WHEEL

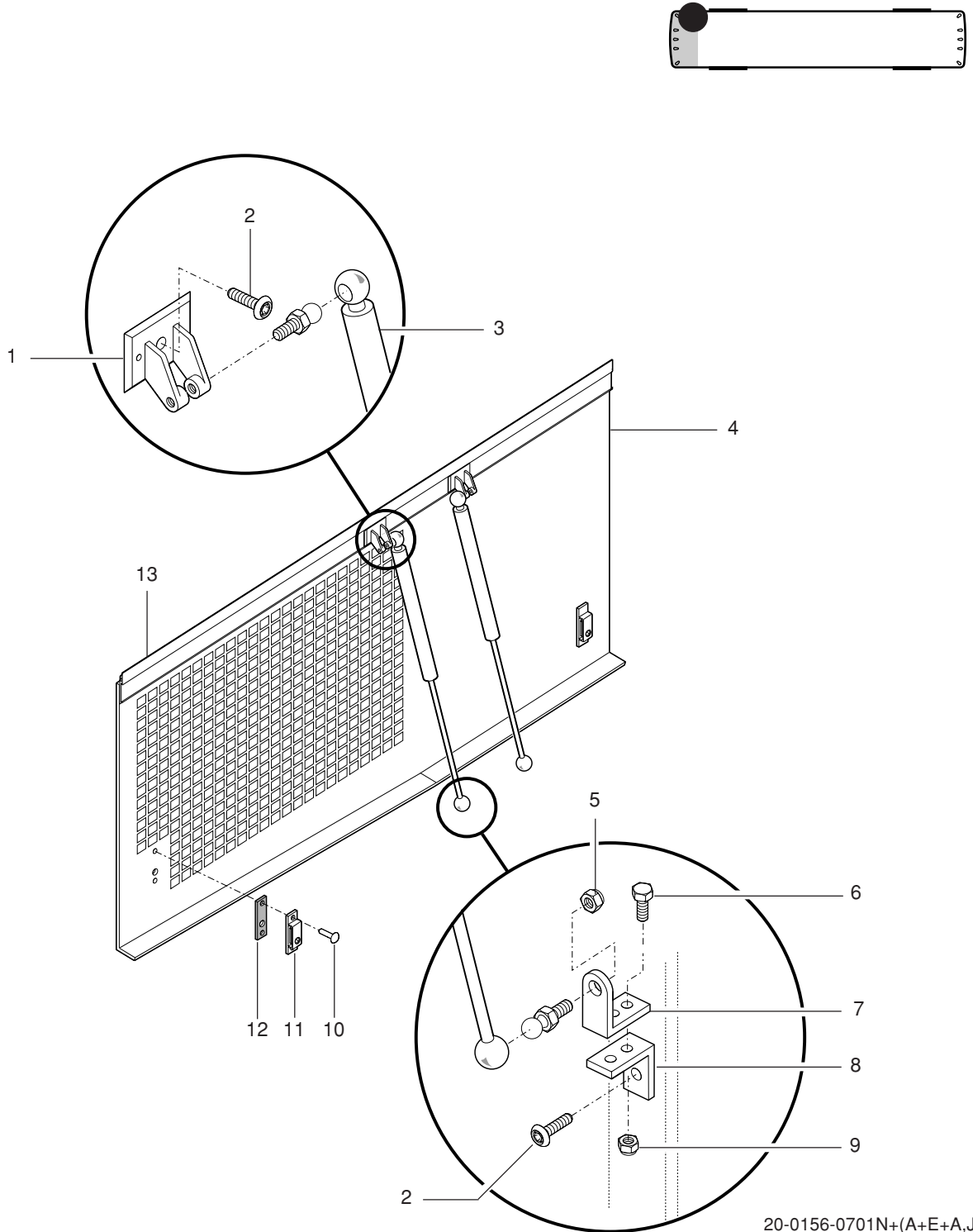


- 20-0156-0701N+(A+E+A,J+B)
- 20-002310
- 20-0156-0701N
- 20-0157-0708A
- 20-0158-0702E
- 20-0159-0701A, J
- 14-0600-0702B

SKIRT PANEL, RADIATOR ACCESS

Item	PartNo.	Description	Qty
1.	54-37362-000	BRACKET, GAS SPRING MTG, UPR SKIRT	2
2.	54-37359-001	BOLT,BUTTON TORX HEAD M8 X 15MM	19
3.	53-20347-008	SPRING ASM,GAS	2
4.	20-48987M001	PANEL,SKIRT,HINGED RADIATOR	1
5.	54-12540-006	NUT,HEX HD NYLOCK 5/16-18 GR5	2
6.	54-11316-002	BOLT,HXHD 1/4-20X.75 GR5	4
7.	20-38567-000	BRACKET, GAS SPRING MTG.	2
8.	54-37361-000	BRACKET,GAS SPRING MTG,LWR,SKIRT	2
9.	54-12540-005	NUT,HEX HD NYLOCK 1/4-20 GR5	4
10.	54-10163-008	RIVET,MONOBOLT	4
11.	50-00019-000	LOCK ASM,5/16 SQ KEY 1/4 TURN	2
12.	40-00445-003	PLATE,LOCK MTG	2
13.	20-48399-000L	HINGE,SKIRT UPPER	1
	20-37130-000	ANGLE,DOOR LOCK HINGED SKIRT	2
	54-37358-000	NUT PLATE,COBOLT M8	17
	53-02249-010	PRIMER	1

SKIRT PANEL, RADIATOR ACCESS

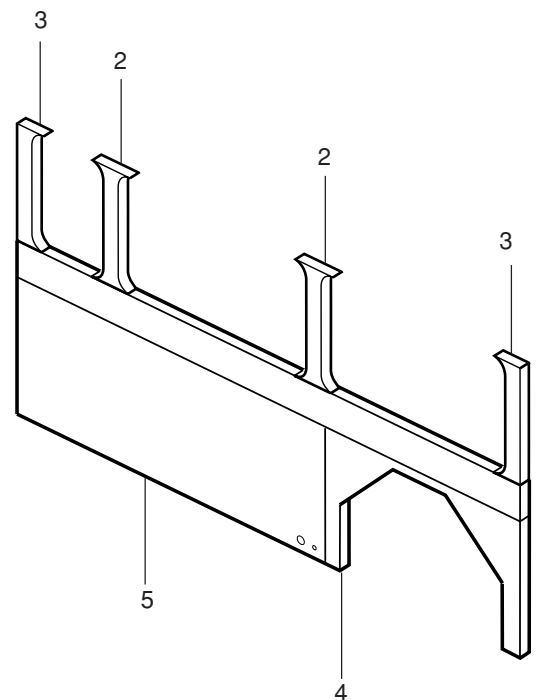
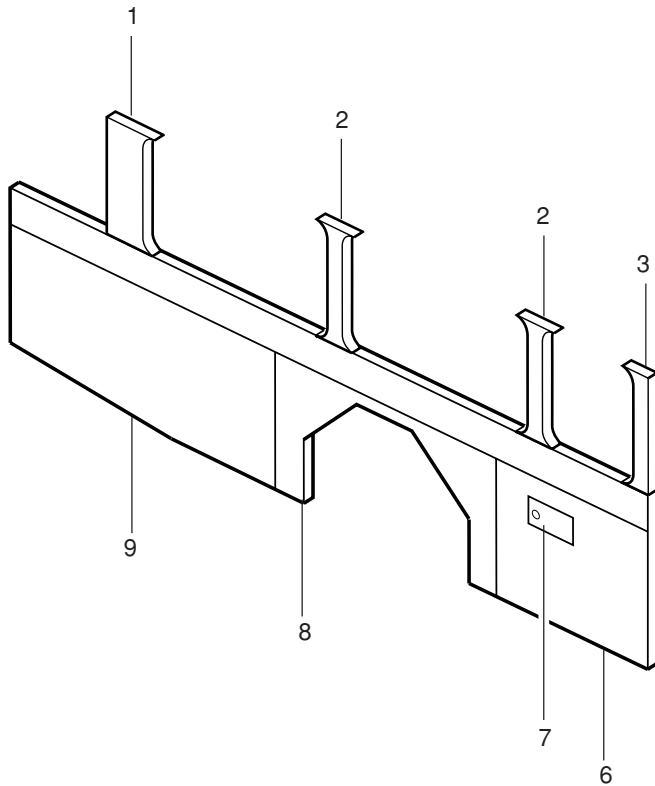


- 20-0156-0701N+(A+E+A,J+B)
- 20-002311
- 20-0156-0701N
- 20-0157-0708A
- 20-0158-0702E
- 20-0159-0701A, J
- 14-0600-0702B

EXTERIOR PANELS: RH

Item	PartNo.	Description	Qty
1.	20-42594-000	CAP, WINDOW EXTERIOR	1
2.	20-41927-000	CAP, WINDOW EXTERIOR	4
3.	20-42593-000	CAP, WINDOW EXTERIOR	3
4.	20-45483M001	PANEL, FRONT WHEELWELL, RH	1
5.	20-47711M002	PANEL, FIXED SKIRT 93.36"	1
	20-37470L195.38	EXTR, RUBBER SKIRT EDGE TRIM	1
	20-45495M000	BRACKET, SKIRT MTG	4
	20-45495M001R	BRACKET, SKIRT MTG	1
6.	20-49017M000	PANEL, FIXED SKIRT 45.31" W/ FUEL DOOR CUTOUT	1
7.	20-48985M000	PANEL, ACCESS DOOR	1
	20-42065N000	LATCH, ADJUSTABLE	1
	41-10761-002	STOP, ACCESS DOOR 8.5"	1
	53-02237-000	SPRING, RETAINING	1
	54-10163-037	RIVET, MONOBOLT 3/16" STL	7
	54-10163-006	RIVET, MONOBOLT	8
8.	20-48998M001R	PANEL, REAR WHEELWELL, RH (HINGED)	1
9.	20-48994M001	PANEL, SKIRT, HINGED ENGINE	1
	56-02111-009	TAPE, ADHESIVE .50"	A/R
	56-02111-002	TAPE, ADHESIVE .25"	A/R
	54-11318-003	BOLT, HXHD 5/16-18X1 GR5	A/R
	54-12600-007	FLATWASHER, 5/16	A/R

EXTERIOR PANELS: RH

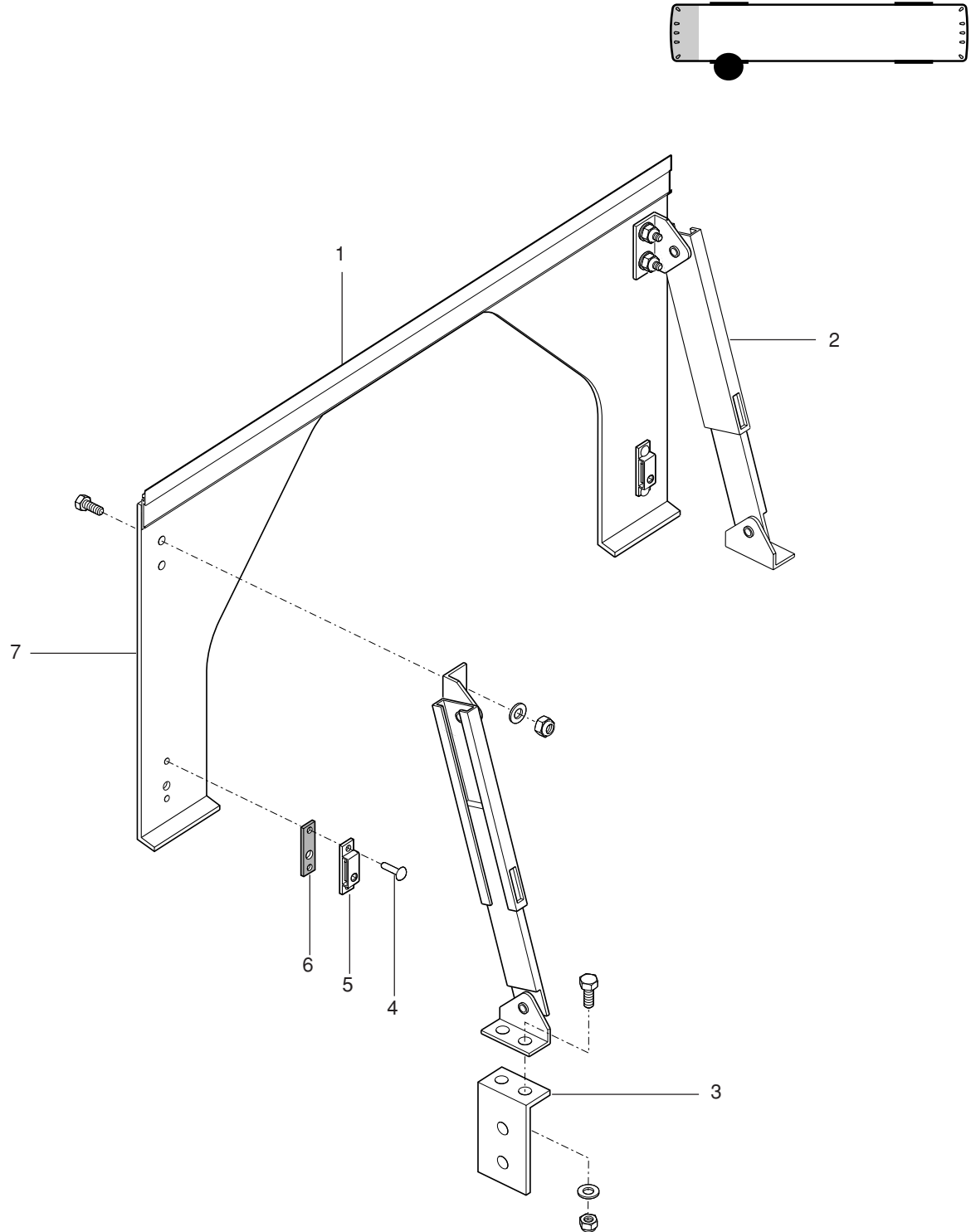


- 20-0207-0706K+(F+A,M+B,D,G)
- 20-002060
- 20-0207-0706K
- 20-0208-0702F
- 20-0209-0701A, M
- 14-0652-0702B, D, G

SKIRT PANEL, REAR WHEEL

Item	PartNo.	Description	Qty
1.	20-48400-000	HINGE, SKIRT HINGE	1
2.	53-29743-000	PROP ASM,DOOR	2
3.	20-37130-000	ANGLE, DOOR LOCK	2
4.	54-10163-039	RIVET, MONOBOLT	4
5.	50-00019-000	LOCK ASM,5/16 SQ KEY 1/4 TURN	2
6.	40-00445-003	PLATE, LOCK MTG	2
7.	20-48998M001R	PANEL, SKIRT, HINGED,REAR WHEEL	1
	54-37358-000	NUT PLATE, COBOLT M8	14
	54-37359-001	BOLT, BUTTON TRXHD M8 X 15MM	14

SKIRT PANEL, REAR WHEEL

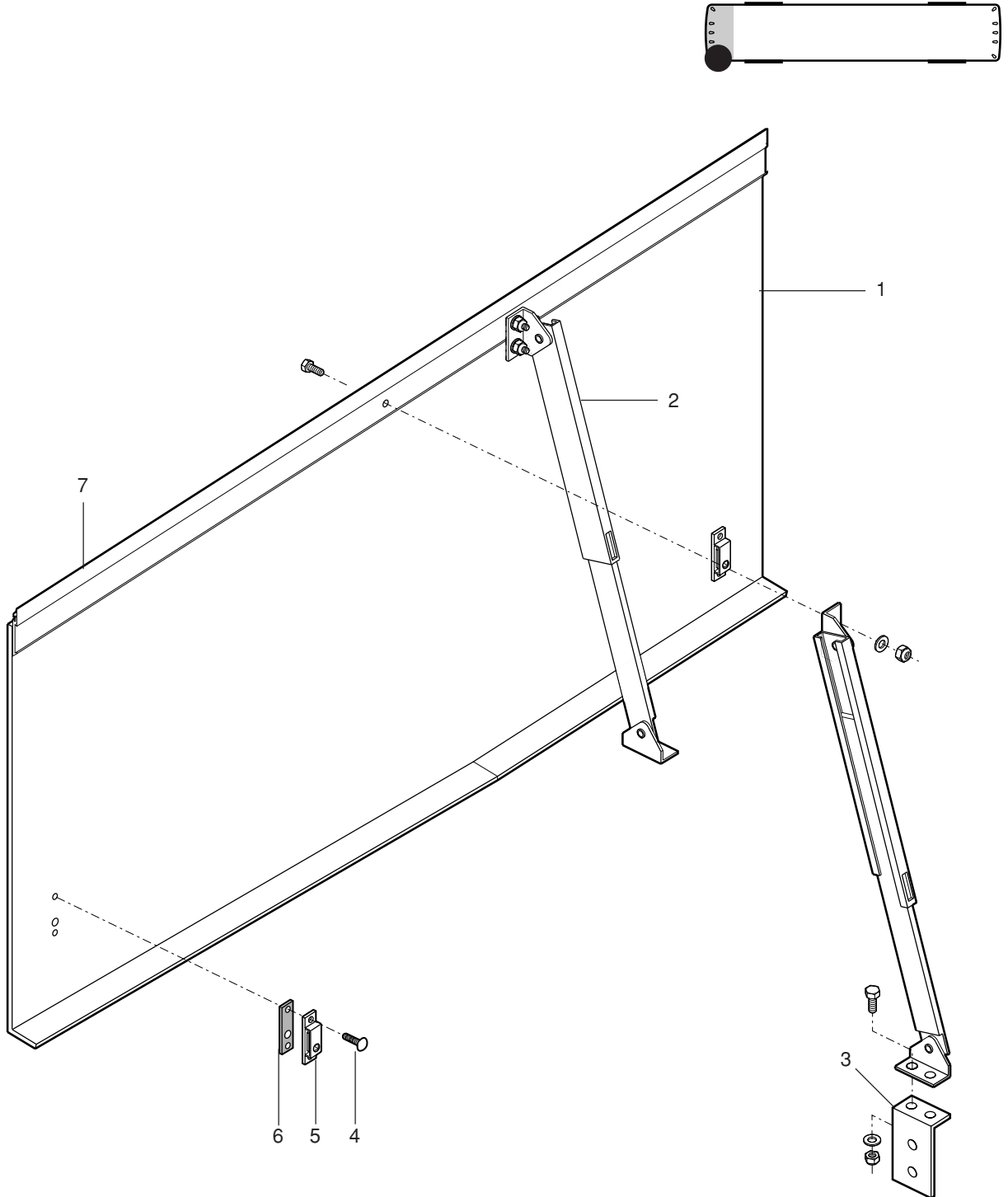


- 20-0207-0706K+(F+A,M+B,D,G)
- 20-002310
- 20-0207-0706K
- 20-0208-0702F
- 20-0209-0701A, M
- 14-0652-0702B, D, G

SKIRT PANEL, FILTER ACCESS

Item	PartNo.	Description	Qty
1.	20-48994M001	PANEL, SKIRT, HINGED ENGINE	1
2.	53-29743-000	PROP ASM., DOOR	2
3.	20-46930-000	BRACKET, MECHANICAL SLIDE PROP	2
4.	54-10163-039	RIVET, MONOBOLT	13
5.	50-00019-000	LOCK ASM, 5/16 SQ KEY 1/4 TURN	2
6.	40-00445-003	PLATE, LOCK MTG	2
7.	20-48399-000R	HINGE,SKIRT UPPER	1
	20-37130-000	ANGLE, DOOR LOCK HINGED SKIRT	2
	54-37358-000	NUT PLATE, COBOLT M8	8
	54-37359-001	BOLT, BUTTON HD. TORX M8 X 15MM	8
	54-12540-005	NUT, HXHD NYLOCK 1/4-20 GR5	4
	54-11316-002	BOLT, HXHD 1/4-20 X .75 GR5	4
	54-13119-064	SCREW, 1/4"-20 X 1.0" PHILLIPS TRUSS HD.	4
	56-02111-002	TAPE, FOAM .25" THICK X .75" WIDE	A/R
	56-02111-009	TAPE, FOAM .50" THICK X .75" WIDE	A/R
	56-23277-001	SPACER	4

SKIRT PANEL, FILTER ACCESS

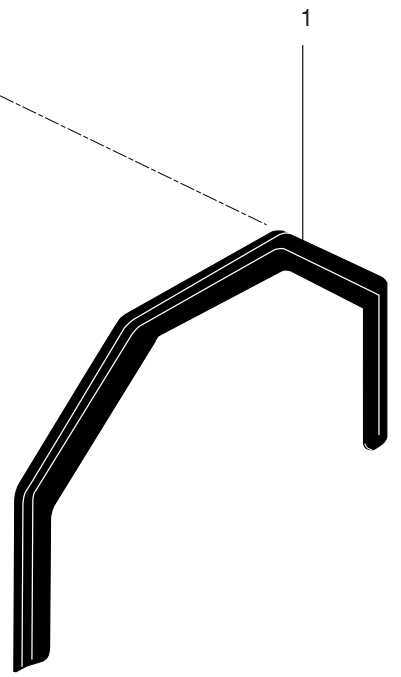
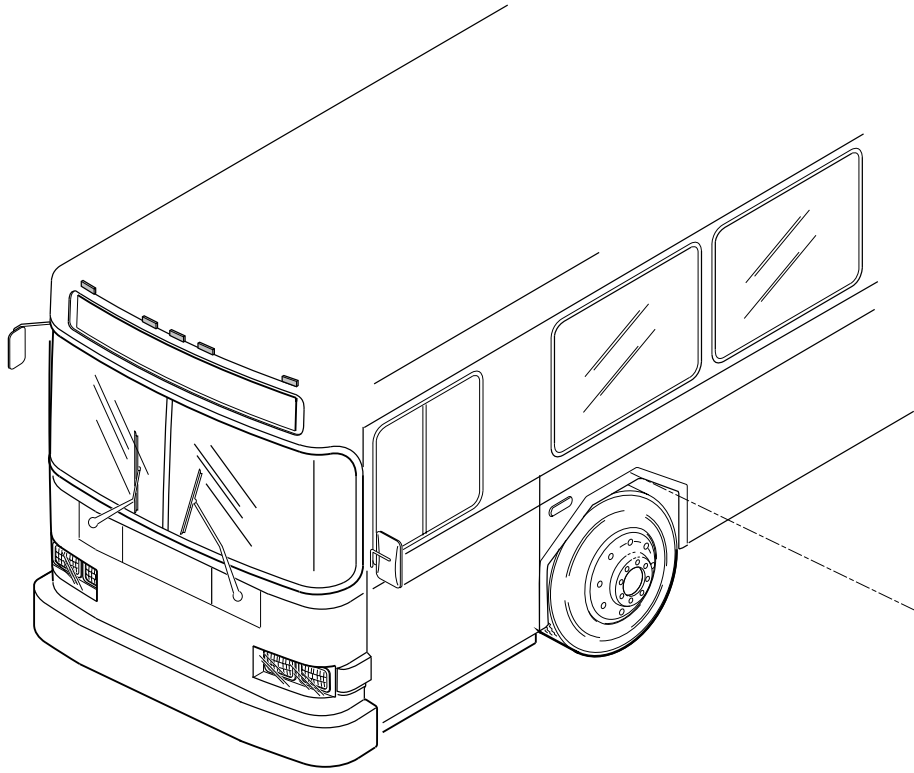
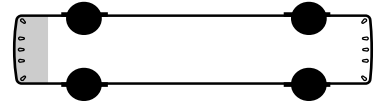


- 20-0207-0706K+(F+A,M+B,D,G)
- 20-003569
- 20-0207-0706K
- 20-0208-0702F
- 20-0209-0701A, M
- 14-0652-0702B, D, G

FENDER FLARES

Item	Part No.	Description	Qty
1.	50-35475-001	FENDER & WHEELWELL W/ SSTL MTG STUDS	4
	54-13108-003	NUT, HIGH HEX 3/4"-16 GR8	68
	54-13112-030	FLATWASHER, 1/4" SSTL	68

FENDER FLARES

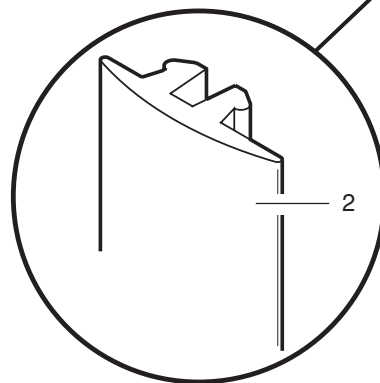
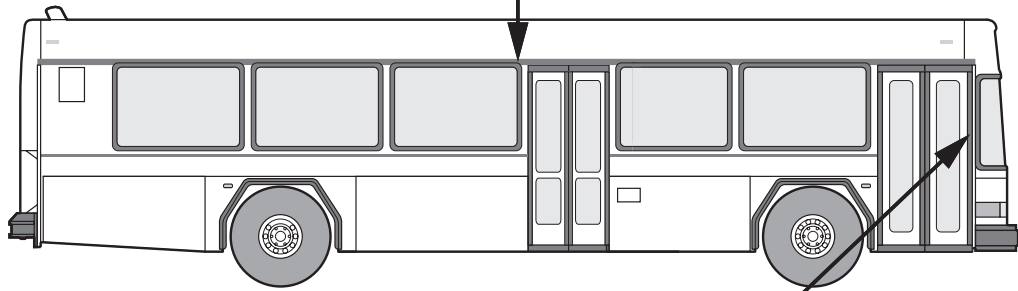
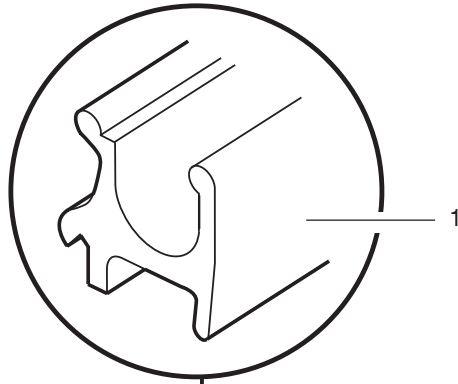
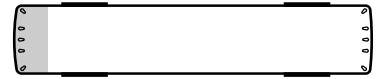


20-0300-0701B
20-000170
20-0300-0701B

EXTERIOR TRIM

Item	Part No.	Description	Qty
1.	20-37467L412.82 54-13119-100	EXTRUSION, RAIN GUTTER, RUBBER SCREW, YELLOW ZINC #6 X 1.25"	2 A/R
2.	20-47468L080.50 20-44023L084.00	TRIM, FRONT RUBBER, "A"-POST (VERTICAL) DOOR SEAL, BODY TO DOOR	2 2

EXTERIOR TRIM

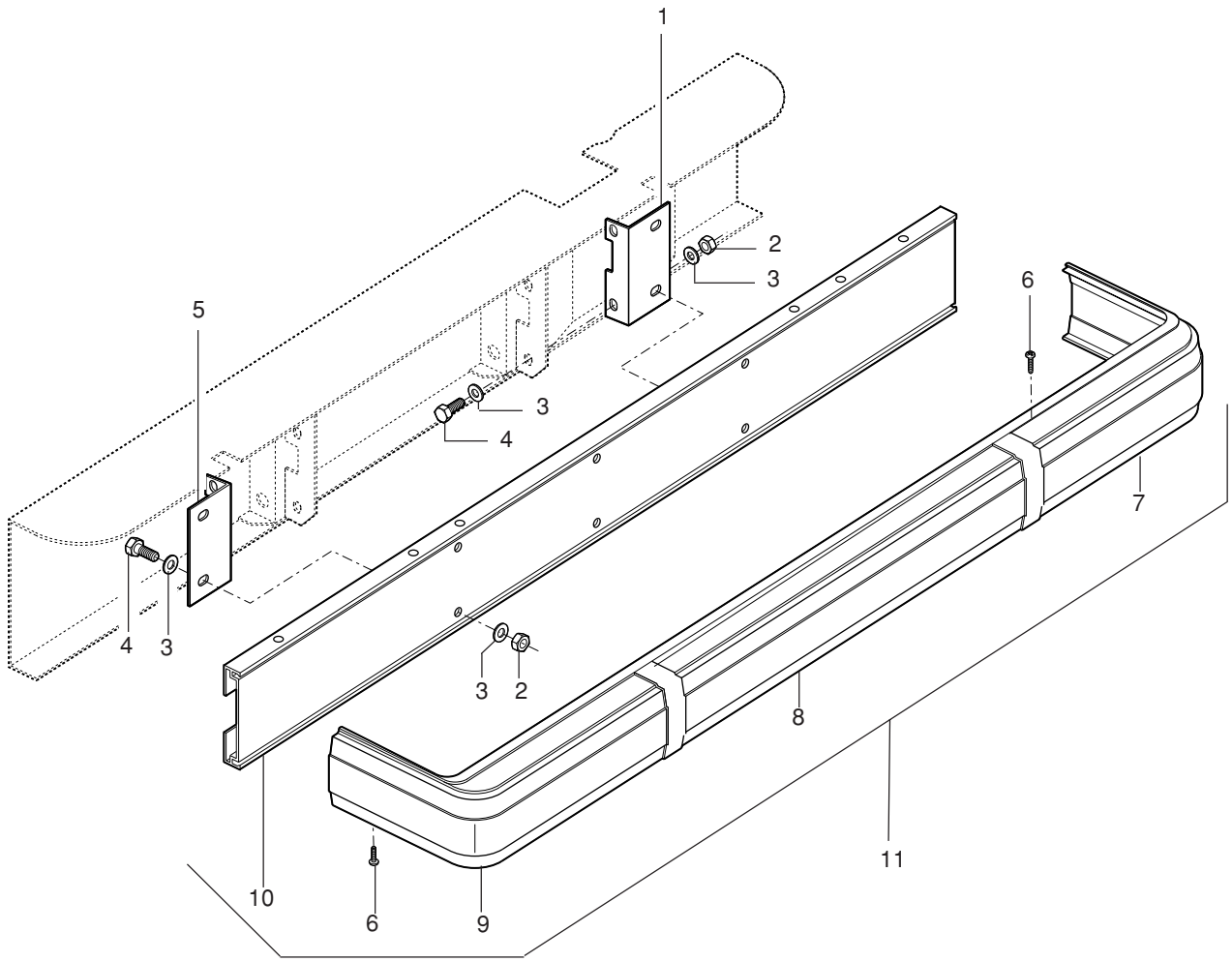
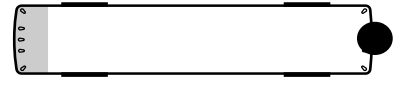


20-0306-0702B (35')
20-001740
20-0306-0702B

FRONT BUMPER

Item	Part No.	Description	Qty
1.	20-37166-000L	BRACKET, FRT BUMPER MTG, LH	1
2.	54-12559-009	NUT, FLGHD 1/2-20 GR8	8
3.	54-12601-010	FLATWASHER, 1/2	16
4.	54-13559-006	BOLT, FLGHD 1/2-20X1.75 GR 8	8
5.	20-37166-000R	BRACKET, FRT BUMPER MTG, RH	1
6.	82-21211-004	CAPSCREW, 1/4-20X1.25	18
7.	82-21211-003	MODULE, FRT BUMPER, LH	1
8.	82-21211-001	MODULE, FRT BUMPER, CENTER	1
9.	82-21211-002	MODULE, FRT BUMPER, RH	1
10.	82-21211-000	CHANNEL, FRT BUMPER MTG	1
11.	20-41047N000	BUMPER ASM, FRONT	1

FRONT BUMPER

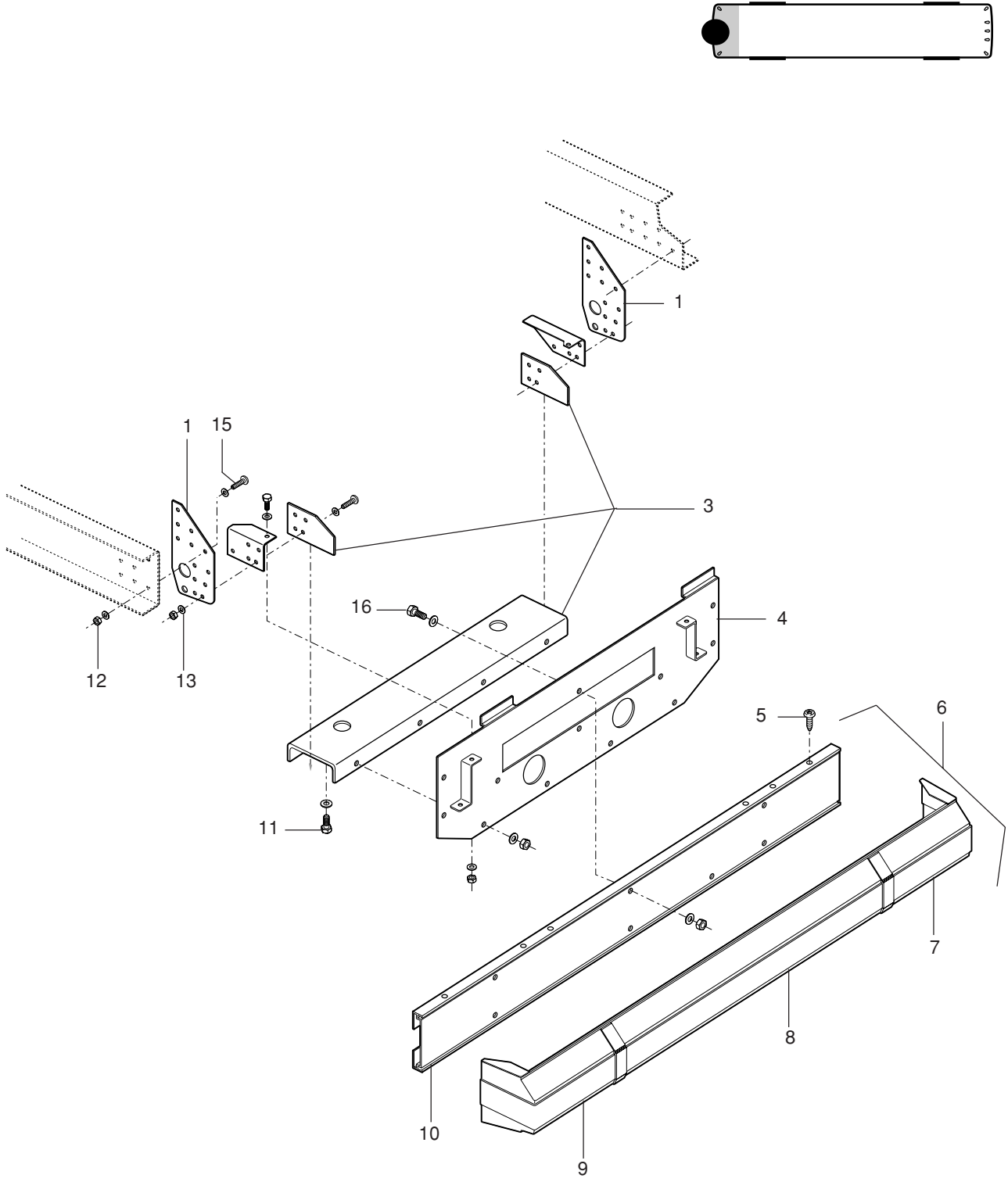


20-0400-0700B
20-000172
20-0400-0700B

REAR BUMPER

Item	Part No.	Description	Qty
1.	06-47511-000	BRACKET PLATE ASM., TOW EYE CURB SIDE	1
	06-47512-000	BRACKET PLATE ASM., TOW EYE STREET SIDE	1
3.	01-47872-000	CROSSMEMBER ASM, ISL ENGINE (SEE ENG. MOUNTING)	1
4.	06-45300-000	BRACKET ASM., BUMPER MOUNTING	1
5.	82-04877-000	RIVET, BUMPER, PLASTIC	12
6.	20-41108N000	BUMPER ASM, REAR	1
7.	20-41131N000	MODULE, END, RR BUMPER RH	1
8.	20-41132N000	MODULE, CENTER, RR BUMPER	1
9.	20-41133N000	MODULE, END, RR BUMPER LH	1
10.	20-41134N000	CHANNEL, RR BUMPER EXTRUSION	1
11.	54-12559-009	BOLT, HXHD, FLANGED, 1/2"-20 X 2.5" GR8	5
12.	54-12555-009	NUT, HXHD, FLANGED, 1/2"-20, GR8	10
13.	54-12601-010	FLATWASHER, 1/2" HARD	10
15.	54-13559-005	BOLT, FLANGEHD, 1/2"-20 X 1.5", GR8	10
	54-12559-007	BOLT, HXHD, FLANGED, 1/2"-20 X 2.0" GR8	4

REAR BUMPER

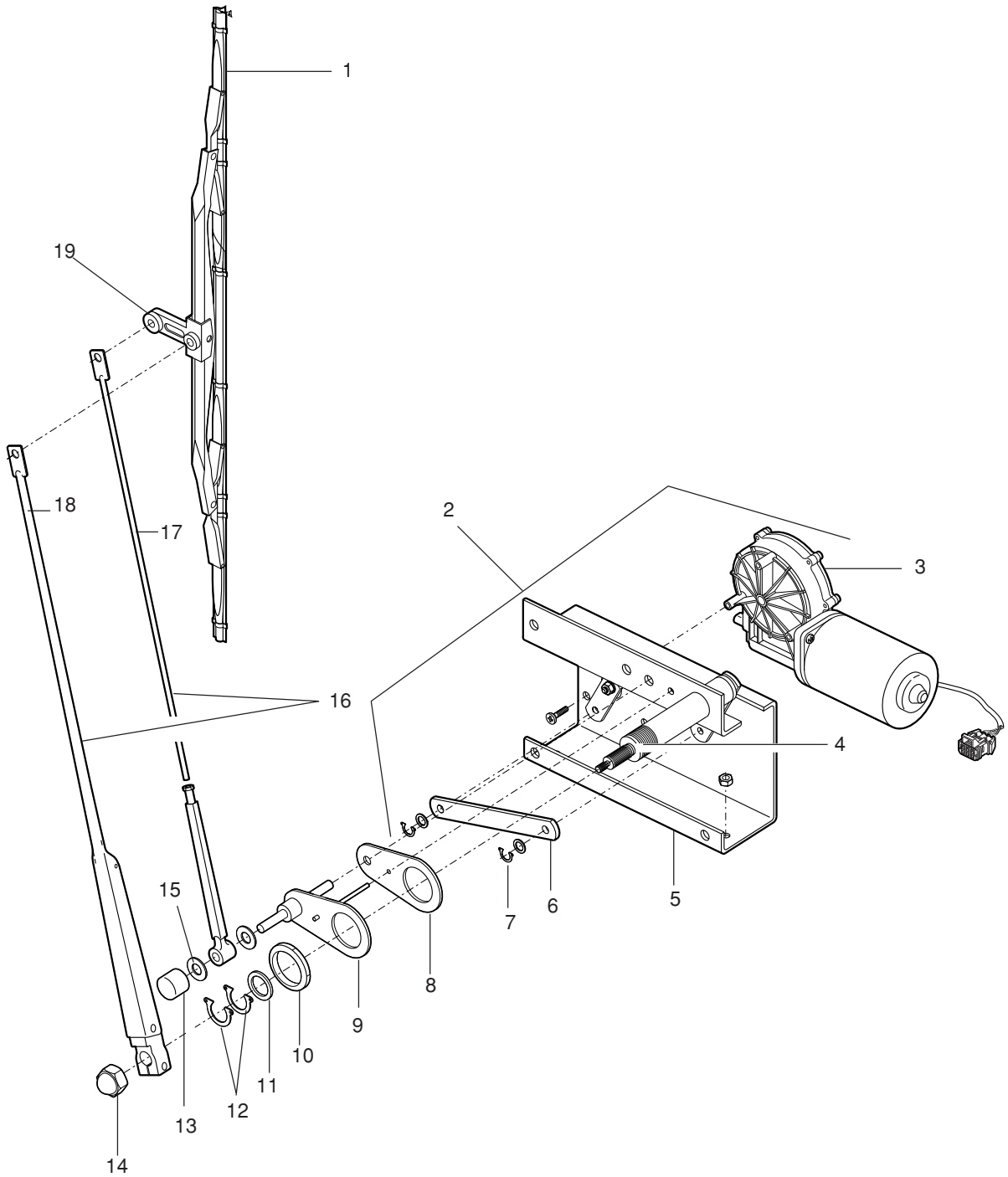


20-0402-0701A
20-000173
20-0402-0701A

WIPER, MOTOR AND ARM

Item	Part No.	Description	Qty
1.	53-47678N000	BLADE, WIPER	2
	82-27706-013	INSERT KIT, WIPER BLADE REPLACEMENT	2
2.	18-47674N000	MOTOR ASM, WIPER LH	1
	18-47676N000	MOTOR ASM, WIPER, RH	1
3.	82-20694-001	MOTOR, WIPER W / GEAR REDUCTION L/R	2
	82-27706-002	LOCKNUT, GEAR REDUCTION OUT-PUT SHAFT	2
	82-27706-005	SCREW, MOTOR MOUNTING	6
	82-27706-007	CRANKSHAFT, DRIVE MOTOR	2
	82-27706-012	SPACER, MOTOR MOUNT	2
	82-27706-010	IDLER SHAFT ASM.	2
	82-16422	"O"-RING, IDLER SHAFT	1
5.	82-27706-004	WASHER, WAVE (SPRING) AT IDLER SHAFT & MTG PLATE	1
	82-27706-008	BRACKET, WIPER MOTOR LH	1
	82-27706-009	BRACKET, WIPER MOTOR RH	1
6.	82-27706-006	CONNECTING LINK	2
7.	82-08878-000	E-CLIP, RETAINING RING	4
8.	53-35415-000N	GASKET, OUTER SPACER	2
9.	53-35409-000N	SPACER ASM, OUTER	2
10.	53-35414-000N	LOCKNUT, SPANNER	2
11.	82-21762-000	WASHER, SPACER	4
12.	82-21761-000	RING, RETAINER	2
13.	82-08883-000	NUT, CAP	2
14.	82-27706-001	NUT, ACORN	2
15.	82-08884-000	WASHER	2
16.	53-47677N000	ARM ASM, WIPER W / PANTOGRAPH	2
17.	82-07269-000	IDLER ARM	2
18.	82-07252-000	MAIN ARM	2
19.	82-27706-000	SADDLE, WIPER BLADE PIVOT	2
	82-27706-003	SCREW, SADDLE LINK	2
	82-11091-000	LOCKNUT, SADDLE LINK	2
	82-27706-011	NOZZLE, WASHER / WIPER	2
	20-44097-000	PANEL, 9.17" X 13.36" WIPER COVER	2
	20-44058-000	GASKET, COVER PANEL, WIPER	2
	54-13113-084	SCREW, 5/16"-18 X 1.0" BUTTON HD. CAP	8

WIPER, MOTOR AND ARM

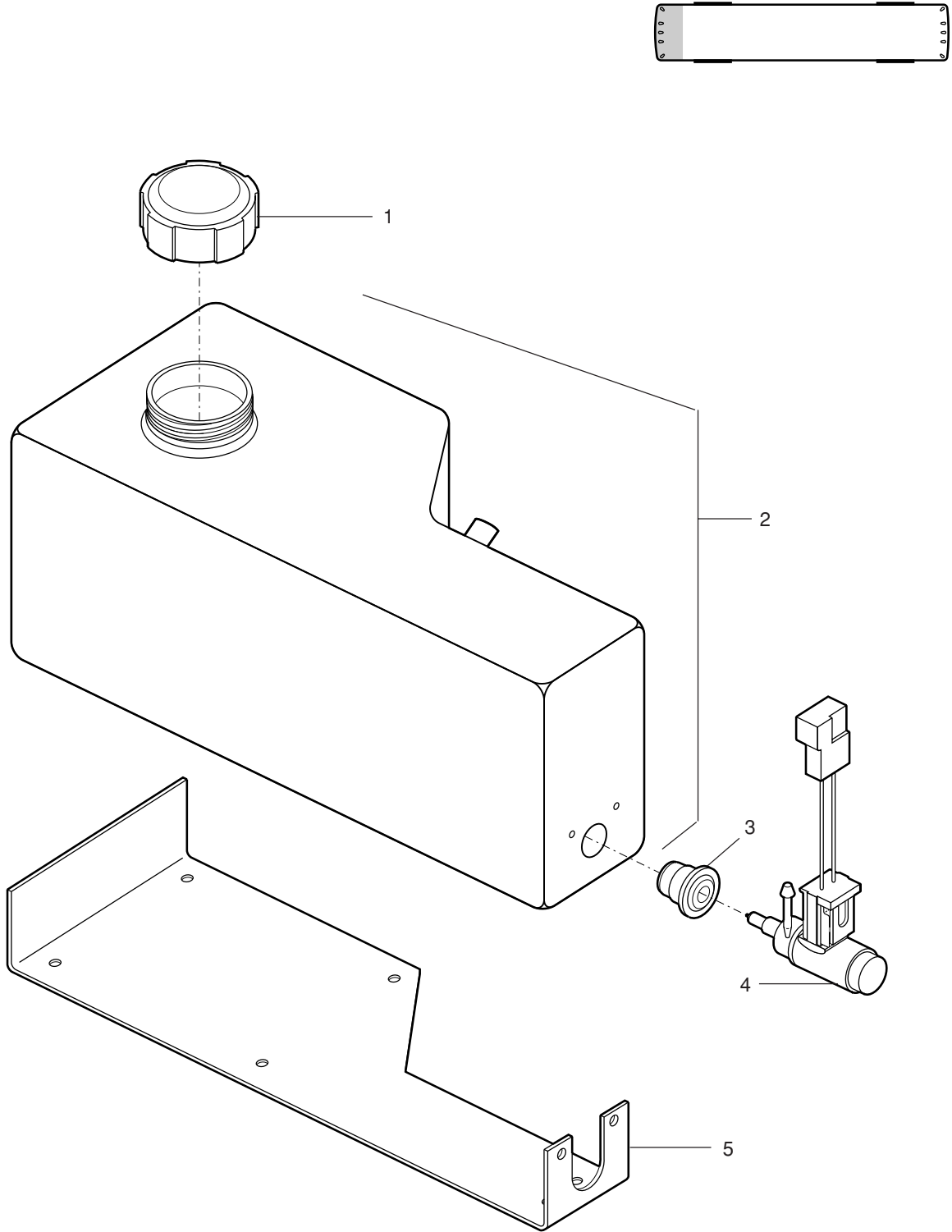


20-0450-0702B,D,E
20-000174
20-0450-0702B,D,E

WINDSHIELD WASHER BOTTLE ASSEMBLY

Item	Part No.	Description	Qty
1.	18-48285N000	CAP, WASHER BOTTLE	1
2.	18-47822-000	BOTTLE, WASHER	1
3.	18-47826N000	ADAPTER	1
4.	18-47825N000	PUMP, WINDSHIELD WASHER	1
5.	18-47805-000	BRACKET-WATER BOTTLE	1
	54-12600-003	FLATWASHER, #10 STD.	3
	54-14230-004	CAPSCREW HHD #10-24 X 1/2" GR.5	3
	54-10163-036	RIVET, MONOBOLT 3/16" SSTL	6
	18-39410-000	TUBING, WASHER BOTTLE	1
	55-15292-000	DIPSTICK, ASM.	1
	55-35300N000	KIT, W/S WASHER BULKHEAD CONNECTOR	2

WINDSHIELD WASHER BOTTLE ASSEMBLY

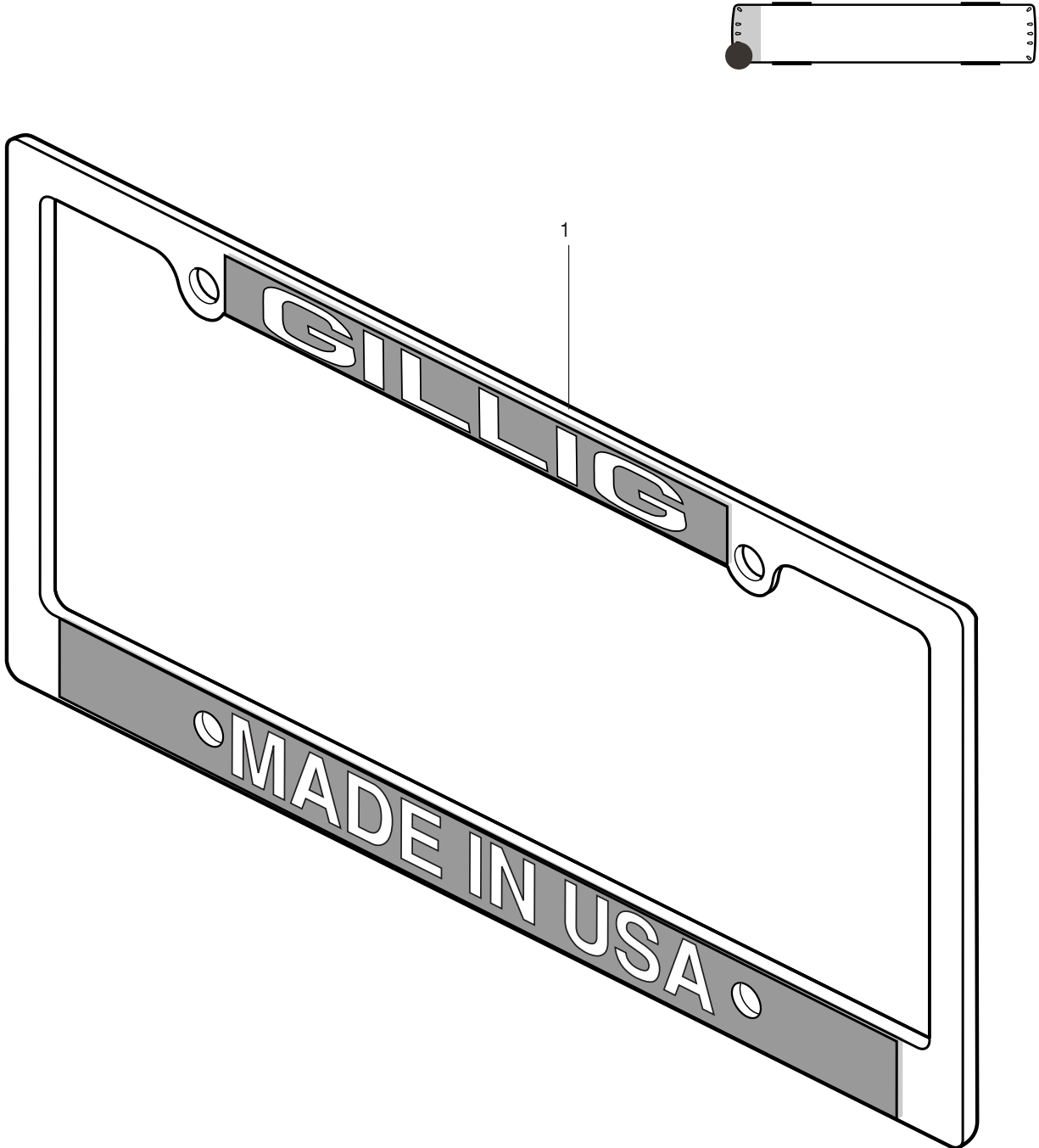


20-0450-0702B,D,E
20-003874
20-0450-0702B,D,E

LICENSE PLATE HOLDER

Item	Part No.	Description	Qty
1.	55-00268-003 54-11316-067 56-13593-001 54-35613-000N	HOLDER, LICENSE PLATE BOLT, HXHD 1/4-20 X 1.00 SSTL WELLNUT, 1/4"-20 X 0.65" WASHER, NYLON	1 4 4 4

LICENSE PLATE HOLDER



20-0600-0701C
20-003125
20-0600-0701C

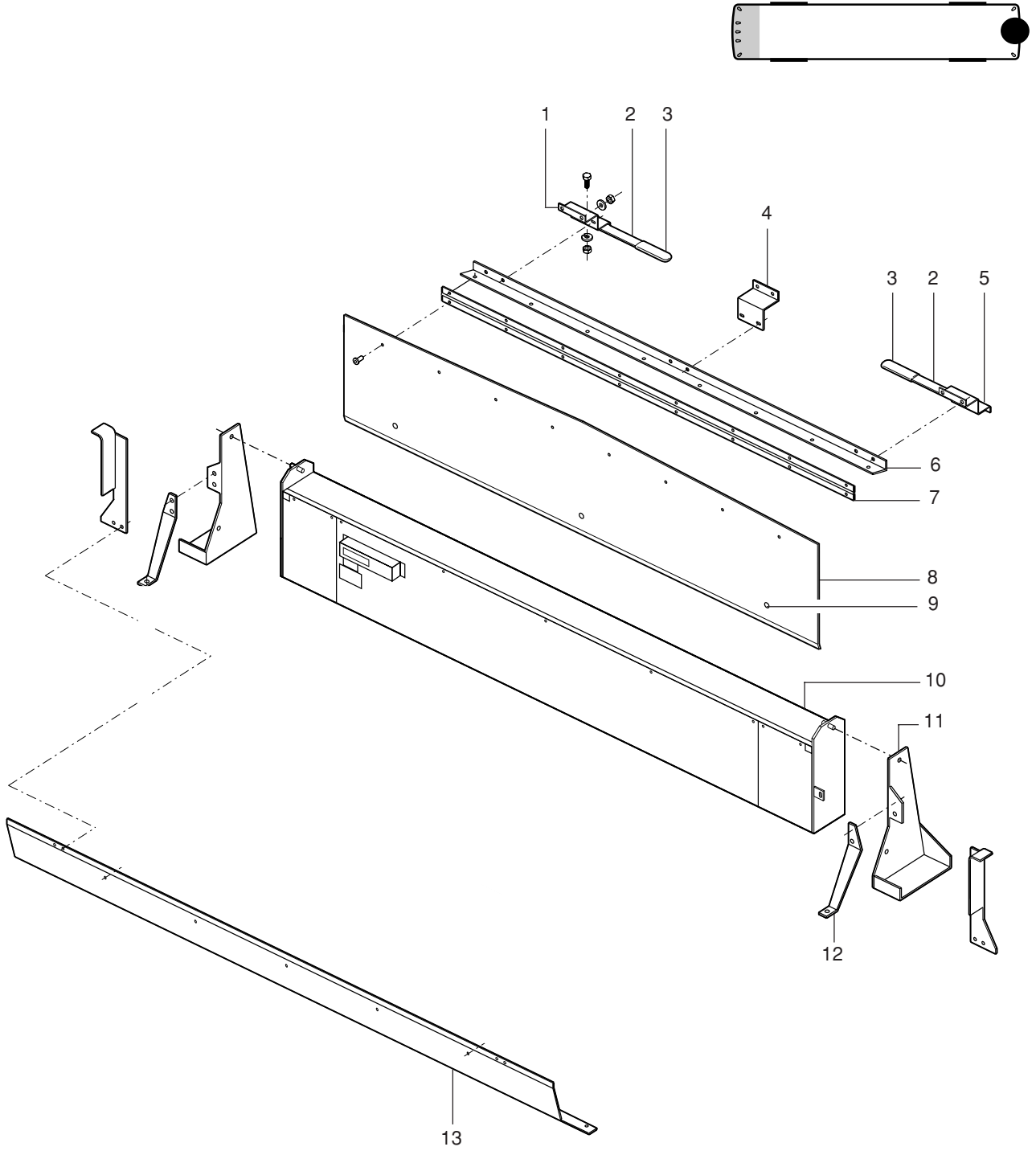
Section 8- Signs/Lift/Safety Equipment

Front Destination Sign Assembly	398
Side Destination Sign Streetside	400
Rear Run Sign	402
Entrance Door W/Lift-U Fold Out Ramp	404
Fire Extinguisher & Flare Kit.....	406

FRONT DESTINATION SIGN ASSEMBLY

Item	PartNo.	Description	Qty
1.	15-37007-000L	BRACKET, DEST SIGN, LH	1
2.	40-21418-000	BAR, DOOR SUPT	2
	15-44604L076.38	TRIM, ANGLE	1
	54-10163-025	RIVET, MONOBOLT	25
	56-02138-004	TAPE, ADHESIVE .75W	A/R
3.	56-24926-002	CAP, END PROTECTOR	2
	54-37359-002	BOLT, BUTTON TORX HEAD M8 X 20MM	6
4.	15-37006-000	BRACKET, DEST SIGN	1
5.	15-37007-000R	BRACKET, DEST SIGN, RH	1
6.	15-37005-000	BRACKET, DEST SIGN	1
7.	15-37008-000	HINGE, DEST SIGN	1
8.	15-50370CXXXTX	DOOR, DEST SIGN	1
9.	54-39636N000	LATCH ASM, QUAD PANEL	3
10.	16-43879N000	SIGN ASM, FRONT DESTINATION	1
11.	REF ONLY	BRACKET, DESTINATION SIGN	1
12.	REF ONLY	BRACKET, MTG	2
13.	15-45653-000	CLOSEOUT, DESTINATION SIGN	1
	54-12536-005	NUT, HXHD 1/4"-20 GR5	6
	54-12602-009	LOCKWASHER 1/4"	6
	54-12605-003	FLATWASHER, FENDER 5/16"	6
	54-37358-000	NUT PLATE, COBOLT M8	10
	54-10163-036	RIVET, MONOBOLT, 3/16" SSTL(.125-.331 GRIP)	8
	54-10163-037	RIVET, MONOBOLT, 3/16" STL(.062-.437 GRIP)	9
	54-13100-003	SCREW, #6 X 3/4" PAN HEAD SHEET METAL	1
	54-37359-003	BOLT, BUTTON TORX HEAD M8 X 25MM	10
	16-47860N000	BRACKET, DESTINATION SIGN MTG.	1
	16-47861N000	BRACKET, DESTINATION SIGN MTG.	1
	16-47862N000	BRACKET, DESTINATION SIGN MTG.	1
	16-47863N000	BRACKET, DESTINATION SIGN MTG.	1
	16-47864N000	BRACKET, DESTINATION SIGN MTG.	1
	13-48862N000	CABLE ASM., DESTINATION SIGN	1

FRONT DESTINATION SIGN ASSEMBLY

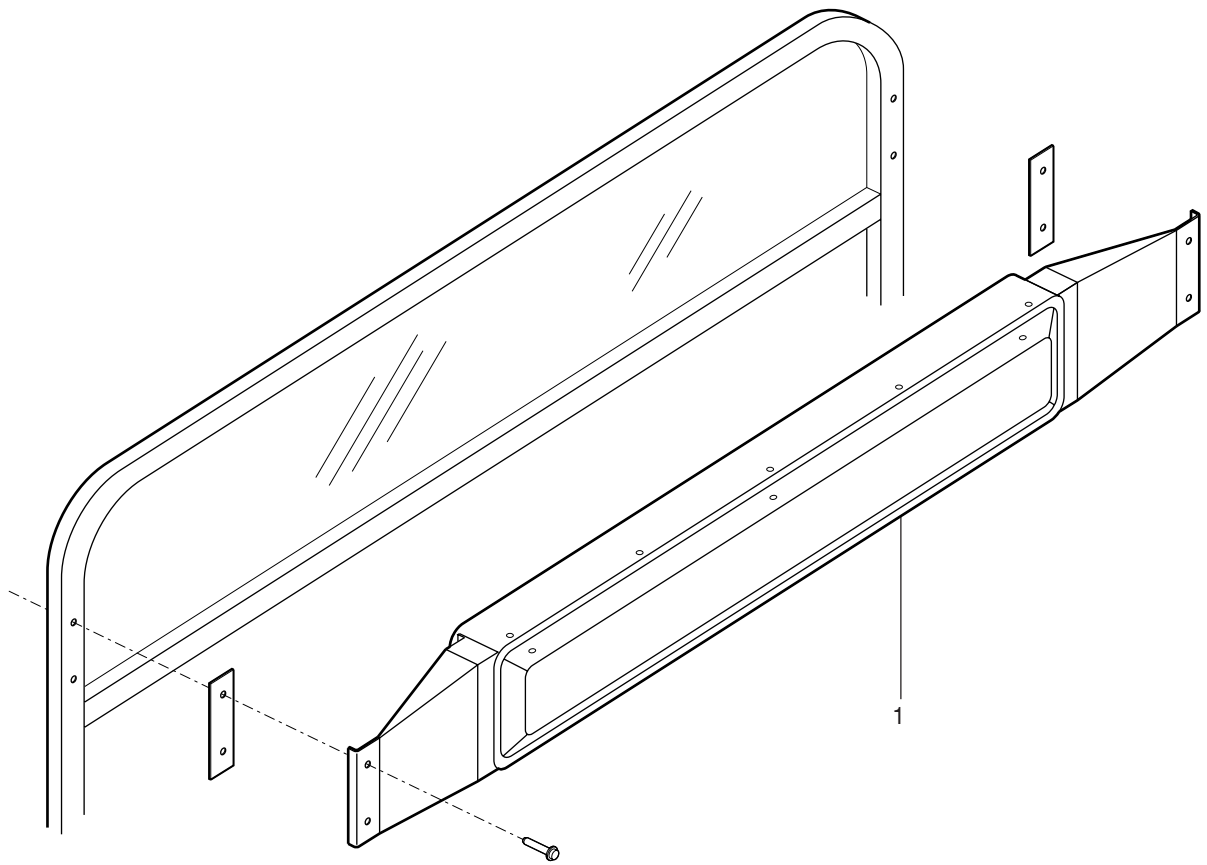
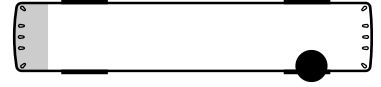


- 16-0007-0701A+(A+F+G+B)
- 16-000163
- 16-0007-0701A
- 16-0009-0700A
- 16-0011-0701F
- 16-0028-0700G
- 15-0681-0701B

SIDE DESTINATION SIGN STREETSIDE

Item	Part No.	Description	Qty
1.	16-46826N000	SIGN ASM, SIDE DEST 14 ROW X 108 COLUMN LED 56" WIDE	1

SIDE DESTINATION SIGN STREETSIDE

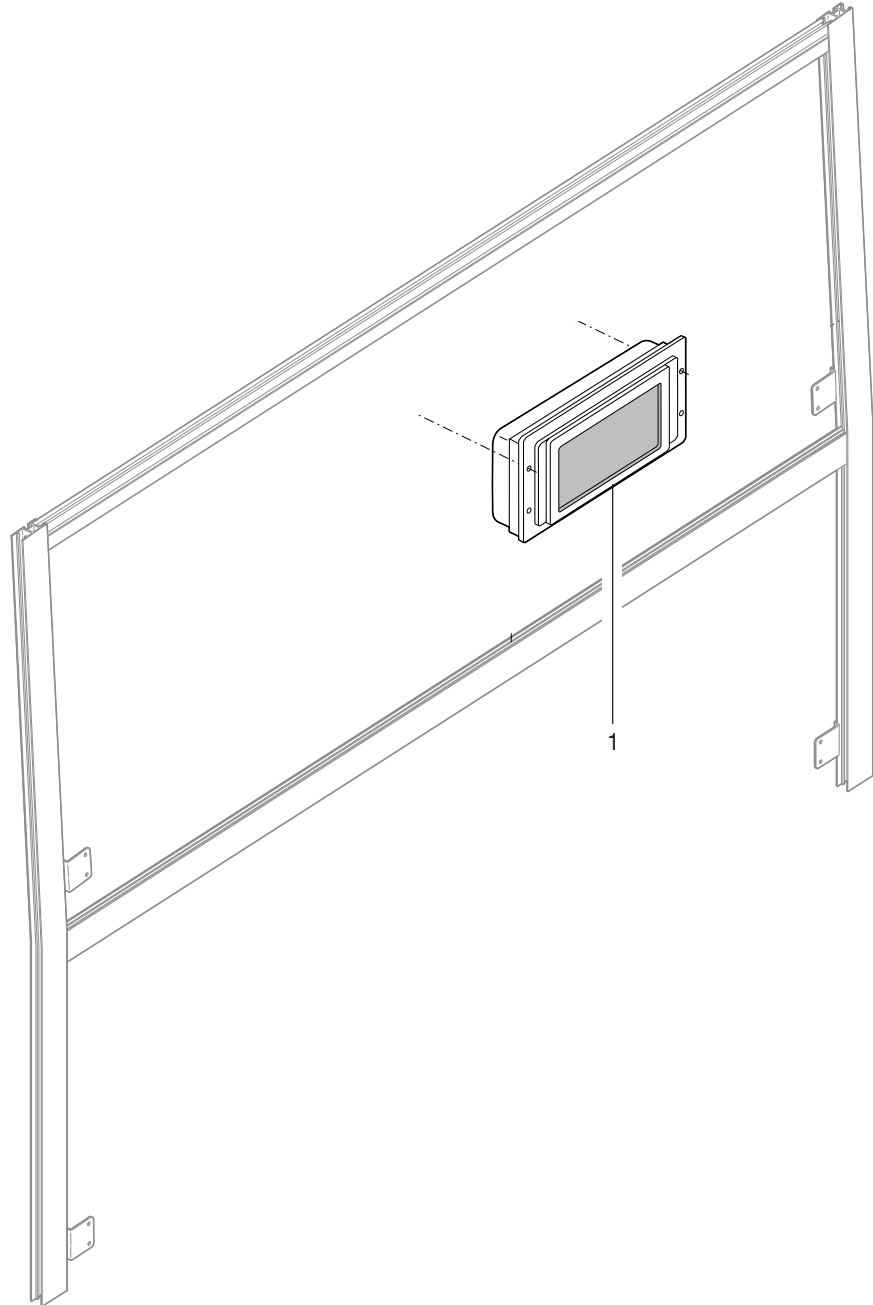


16-0059-0700E
16-000201
16-0059-0700E

REAR RUN SIGN

Item	Part No.	Description	Qty
1.	16-43881V000	SIGN, REAR, 16ROWS X 48 COLUMNS	1
	54-12540-005	LOCKNUT, NYLOK 1/4-20 GR5	4
	54-12600-006	FLAT WASHER 1/4"	4
	54-14278-06Z	SCREW, PH CHROME,1/4"-20 X 3/4"	4

REAR RUN SIGN

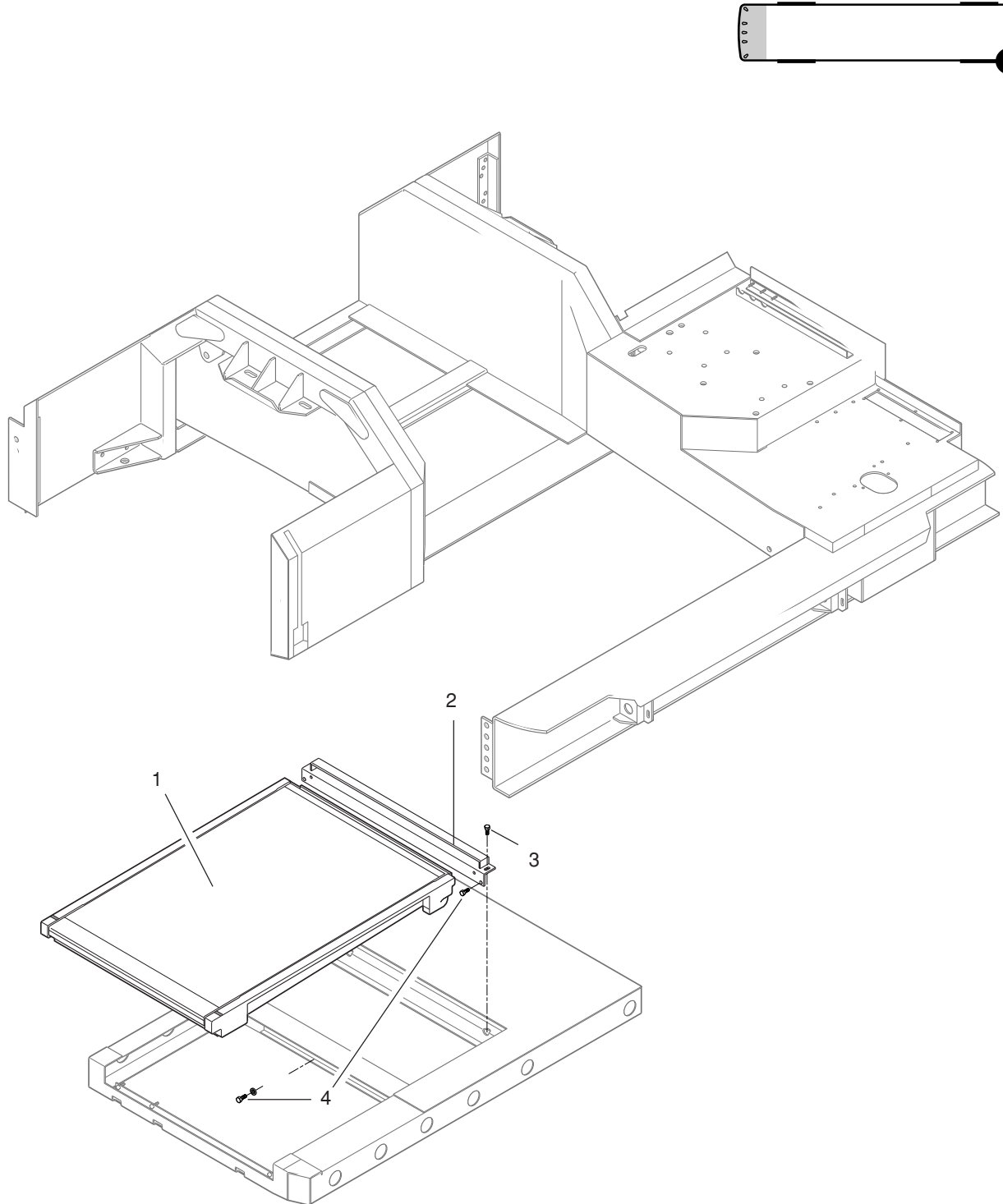


16-0104-0700E
16-001737
16-0104-0700E

ENTRANCE DOOR W/LIFT-U FOLD OUT RAMP

Item	PartNo.	Description	Qty
1.	17-45533CDCX903	RAMP ASM, LIFT-U FOLD-OUT ENTRANCE DOOR	1
2.	REF. ONLY	BRACKET (NEW RAMP BOLTS DIRECTLY TO FRAME)	
3.	54-11320-003	BOLT, 3/8"NC X 1.0"	12
4.	54-11322-005	BOLT, 7/16"-14NC X 1.5"	3
	54-12600-009	FLATWASHER, 7/16"	3
	54-12540-008	NUT, 7/16"-14NC NYLOCK	3
	06-47150-000	CLOSEOUT, UNDER FRONT RAMP FRAME (CENTER)	1
	06-47144-000	ANGLE, MOUNTING LIFT-U RAMP	1
	06-47149-000	CLOSEOUT, UNDER DRIVER'S SIDE FRAME	1
	54-11322-005	BOLT, HEXHD 7/16"-14 X 1.5" GR5	3
	54-11344-004	BOLT 3/8"-24 X 1.25" GR.5	8
	54-12540-008	NUT, HEXHD NYLOCK 7/16"-14 GR5	3
	54-12550-007	NUT, HEXHD NYLOCK 3/8"-24 GR5	5
	54-12600-008	FLATWASHER, 3/8"	13
	54-12600-009	FLATWASHER, 7/16"	6
	54-12602-011	LOCKWASHER, 3/8"	3
	15-41031-015	BRACKET ASM., SHOULDER BELT SUPT.	1
	54-10163-024	RIVET, MONOBOLT, 1/4" SSTL .080-.625 GRIP	4
	54-12551-008	NUT, HEX NYLOCK 7/16"-20 GR8	1
	54-35609-000	BOLT, HEX HEAD SHOULDER	1

ENTRANCE DOOR W/LIFT-U FOLD OUT RAMP

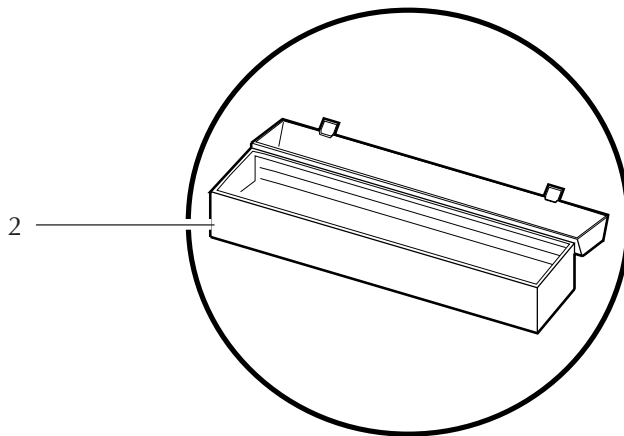
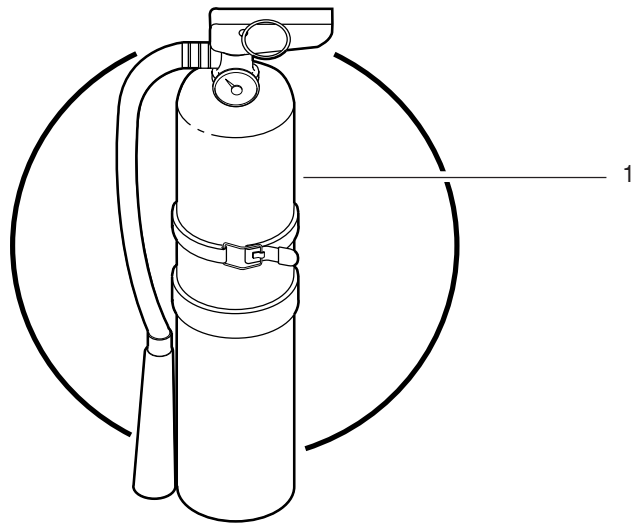
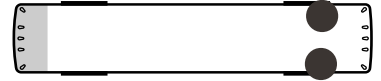


17-45533CDCX903+0702B+V
17-003906
17-45533CDCX903
17-0002-0702B
17-0100-0700V

FIRE EXTINGUISHER & FLARE KIT

Item	Part No.	Description	Qty
1.	59-00006-000	EXTINGUISHER, FIRE 5# DRY	1
2.	59-12497-000	KIT, FLARE	1
	53-23280-003	KEY, TUBULAR	1

FIRE EXTINGUISHER & FLARE KIT



27-0002-0700A+(G+A)
27-001882
27-0002-0700A
27-0005-0700G
27-0006-0700A

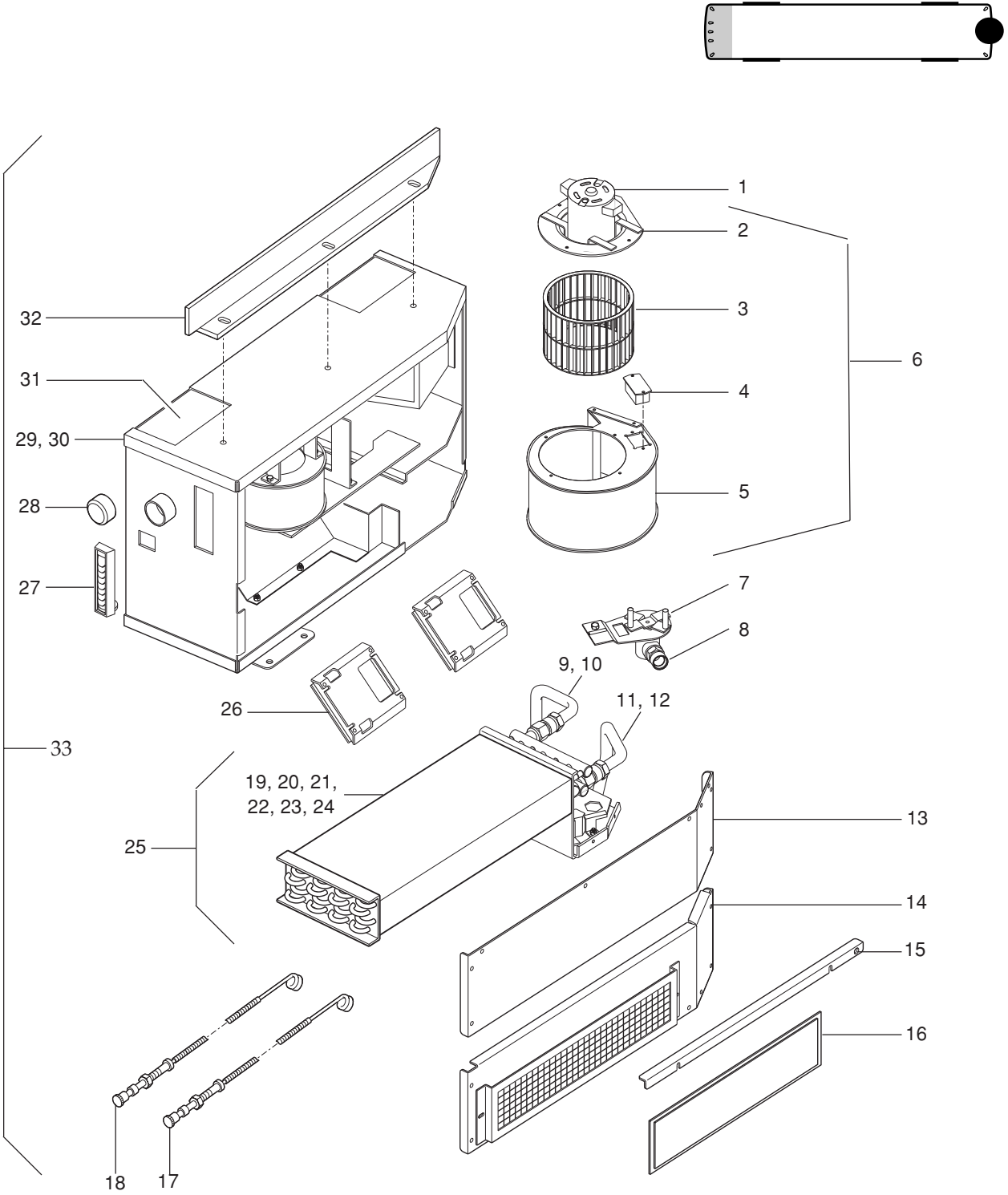
Section 9– Heating & AC

Driver’s Heater	410
Heater Piping - Rear	412
Heater Piping - Front	414
Defroster Duct	416
A/C Support Platform	418
Heater Booster Pump and Connections	420
Heater-A/C Transition Ducts.....	422
Driver’s Air Duct Assembly	424
A/C-Heater Drain Hoses	426
Air Conditioning Compressor Mounting.....	428

DRIVER'S HEATER

Item	PartNo.	Description	Qty
1.	82-21969-000	MOTOR ASM, 24V (BRUSHES)	2
2.	REF ONLY	BRACKET ASM, MOTOR MTG (W/ ITEM #5 ONLY)	2
3.	82-21974-000	WHEEL, BLOWER	2
4.	82-21972-000	RESISTOR, MOTOR	2
5.	REF ONLY	HOUSING ASM, BLOWER (SOLD W/ ITEM #6 & INCLUDES ITEM #2)	2
6.	82-21961-000	BLOWER ASM, BRUSH MOTOR (INCLUDES ITEMS 2, 3 & 5)	2
7.	82-22002-002	BRACKET ASM, WATER VALVE MTG	1
8.	82-21973-000	VALVE ASM, WATER	1
9.	82-21966-000	TUBE ASM, INLET	1
10.	82-21964-005	FITTING, INLET TUBE	1
11.	82-21971-000	TUBE ASM, OUTLET	1
12.	82-21964-011	FITTING, OUTLET TUBE	1
13.	82-22003-001	PANEL ASM, UPR FRT	1
14.	82-22003-002	PANEL ASM, LWR FRT	1
15.	82-22003-003	ANGLE, PANEL MTG	1
16.	82-21963-000	FILTER, ALUMINUM MESH	1
17.	82-21975-000	CABLE ASM, HEAT CONTROL (40.50")	1
18.	82-21975-001	CABLE ASM, TEMP CONTROL (65.30")	1
19.	82-21965-000	CORE ASM, HEATER	1
20.	82-21964-006	DECKPLATE, CORE MTG	1
21.	82-21964-007	BRACKET, CORE MTG	1
22.	82-21964-008	O-RING, #8	1
23.	82-21964-009	O-RING, #10	1
24.	82-21964-010	CLIP	1
25.	82-21964-000	KIT, HEATER CORE W/PLUMBING	1
26.	82-21968-000	CONTROLLER, BRUSH MOTOR	2
27.	82-21967-000	LOUVER, DRIVER HEATER	1
28.	82-21962-000	CAP, OUTLET (2" VINYL)	1
29.	82-22003-000	CASE ASM, DRIVER HEATER	1
30.	82-21972-003	HARNESS ASM, HEATER (BRUSH/CABLE)	1
31.	82-25012-001	DOOR ASM, AIR FLOW (CABLE)	1
32.	82-22003-004	BRACKET, HEATER MTG	1
33.	21-43550CXXXXX	HEATER ASM, DRIVER (BRUSH MOTORS/MANUAL CONTROL)	1
THE FOLLOWING ITEMS ARE NOT SHOWN			
	21-42003-001	BRACKET, HEATER SHUTOFF VLV	1
	53-21364-047	CLAMP, CONST TENS HOSE 1.02-1.22	8
	53-21364-046	CLAMP, CONST TENS HOSE .91-1.10	8
	53-27344-000	VALVE, SHUTOFF 1/4 TURN 3/4NPT	2
	54-11320-003	BOLT, HXHD 3/8-16 X 1.0 GR5	2
	54-12540-005	LOCKNUT, NYLOK 1/4-20 GR5	8
	54-12540-007	LOCKNUT, NYLOK 3/8-16 GR5	2
	54-12600-006	FLATWASHER, 1/4"	8
	54-12600-008	FLATWASHER, 3/8	2
	54-12896-012	ELBOW, 90° STREET 3/4 NPT BRASS	2
	54-13134-017	CONN, BARBED .75 HOSE X .75MPT	6
	55-16051-002	U-BOLT, W/NUTS 1/4-20	4
	56-09015-000	HOSE, 3/4 ID	A/R
	53-25035-000	DIFFUSER, AIR FLOW LH VENT	1
	56-08298-000	HOSE, AIR VENT 2.0" I.D.	1
	53-21364-005	CLAMP, CONSTANT TENSION 1.94-2.13"	2
	40-25039-000	BRACKET, AIR FLOW DIFFUSER	1

DRIVER'S HEATER

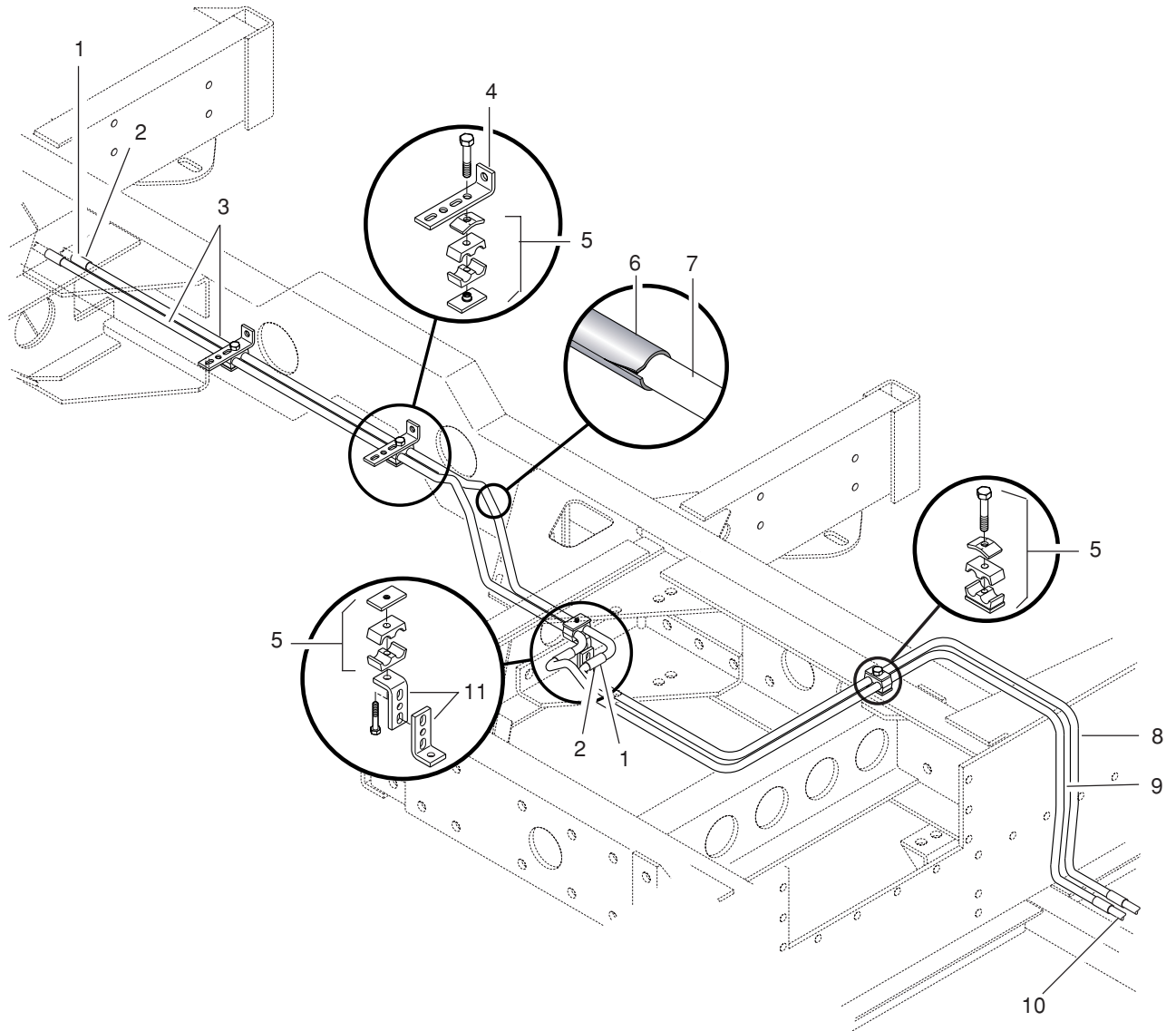


21-0001-0704A,E,F,H
21-002495
21-0001-0704A, E, F, H

HEATER PIPING - REAR

Item	PartNo.	Description	Qty
1.	56-09015-000	HOSE, SILICONE 3/4 ID	A/R
2.	53-21364-046	CLAMP, 3/4" HOSE	28
3.	21-45640-001	PIPE, WATER HEATER	3
4.	40-35677-000	BRACKET, STANDOFF	3
5.	54-15406-005	CLAMP, PIPE TWIN 3/4" O.D. (W/BOLT 5/16" X 1.75")	A/R
	54-11318-006	BOLT, 5/16"-18 X 1.75" GR5	A/R
6.	54-02133-000	INSULATION	A/R
7.	21-45642-000	PIPE, WATER HEATER	2
8.	21-45635-001	PIPE, WATER HEATER, RETURN	1
9.	21-45634-001	PIPE, WATER HEATER, SUPPLY	1
10.	45-00042-000	TUBE, COPPER 3/4 MID CHASSIS LINES	A/R
11.	40-35677-003	BRACKET, STANDOFF	2
	54-11318-007	BOLT, 5/16"-18 X 2.0" GR5	2
	05-47897-000	SPACER, CLAMP	8

HEATER PIPING - REAR

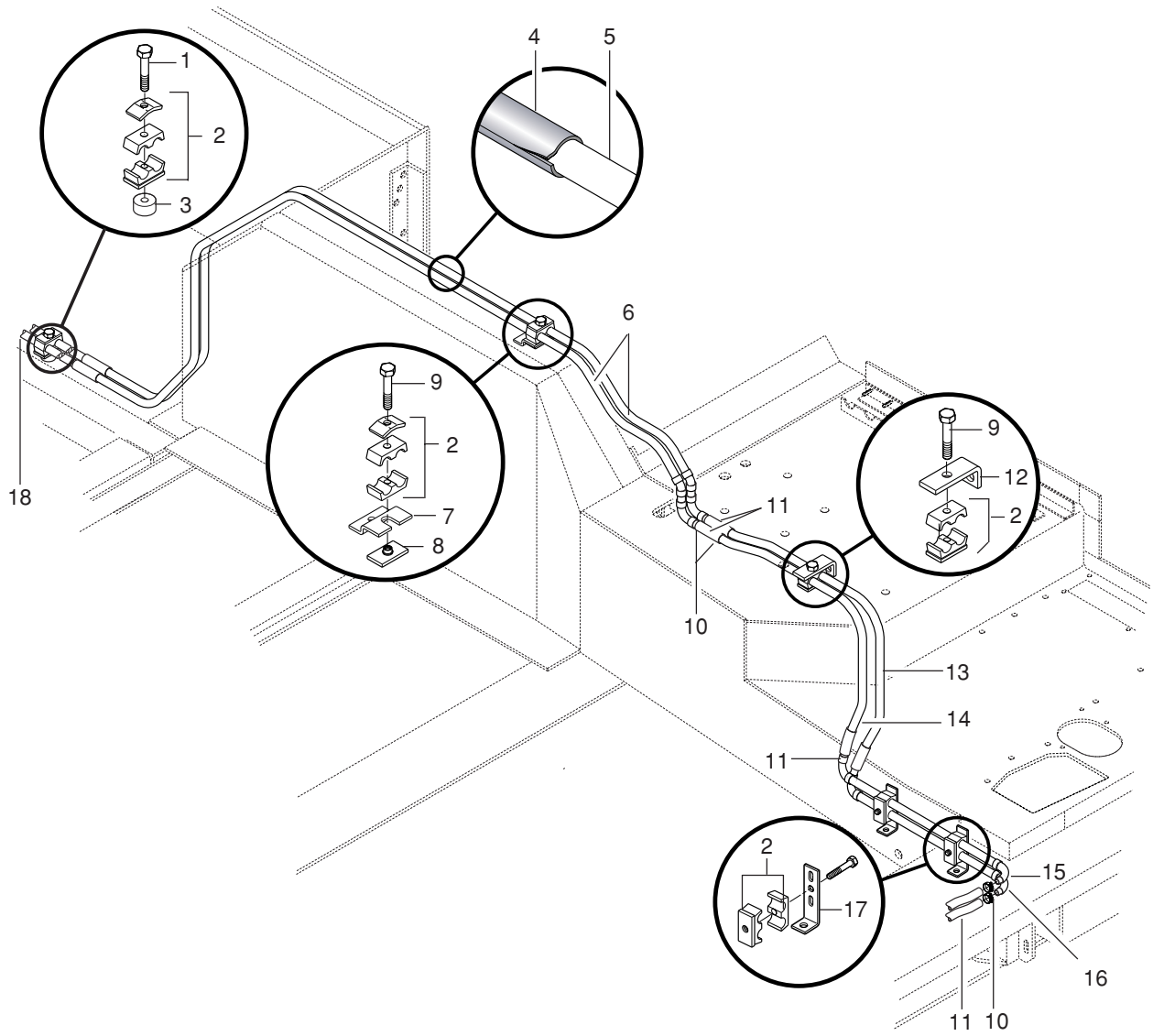


21-0002-0701B,C
21-003813
21-0002-0701B,C

HEATER PIPING - FRONT

Item	PartNo.	Description	Qty
1.	54-11318-007	CAPSCREW, 5/16"-16 X 2.0"	2
2.	54-15406-005	CLAMP, PIPE, 3/4 X 3/4 (W/BOLT 5/16" X 1.75")	16
3.	05-47897-000	SPACER, CLAMP	8
4.	54-02133-000	INSULATION	A/R
5.	21-45642-000	PIPE, WATER HEATER	2
6.	21-45642-000	PIPE, WATER HEATER	2
7.	05-36956-000	BRACKET, TUBE SUPPORT	2
8.	54-15406-009	PLATE, CLAMP COVER 3/4" O.D. TWIN CLAMP	2
9.	54-11318-006	BOLT, 5/16"-18 X 1.75" GR5	A/R
10.	53-21364-046	CLAMP, 3/4" HOSE	28
11.	56-09015-000	HOSE, SILICONE 3/4 ID	2
12.	21-42766-000	BRACKET, TUBE SUPPORT	1
13.	21-37251-001	PIPE, WATER HEATER, RETURN	1
14.	21-37252-001	PIPE, WATER HEATER, SUPPLY	2
15.	21-37250-001	PIPE, WATER HEATER, SUPPLY	1
16.	21-37250-000	PIPE, WATER HEATER, RETURN	1
17.	40-35677-002	BRACKET, STANDOFF	2
18.	45-00042-000	TUBE, COPPER 3/4 MID CHASSIS LINES	A/R

HEATER PIPING - FRONT

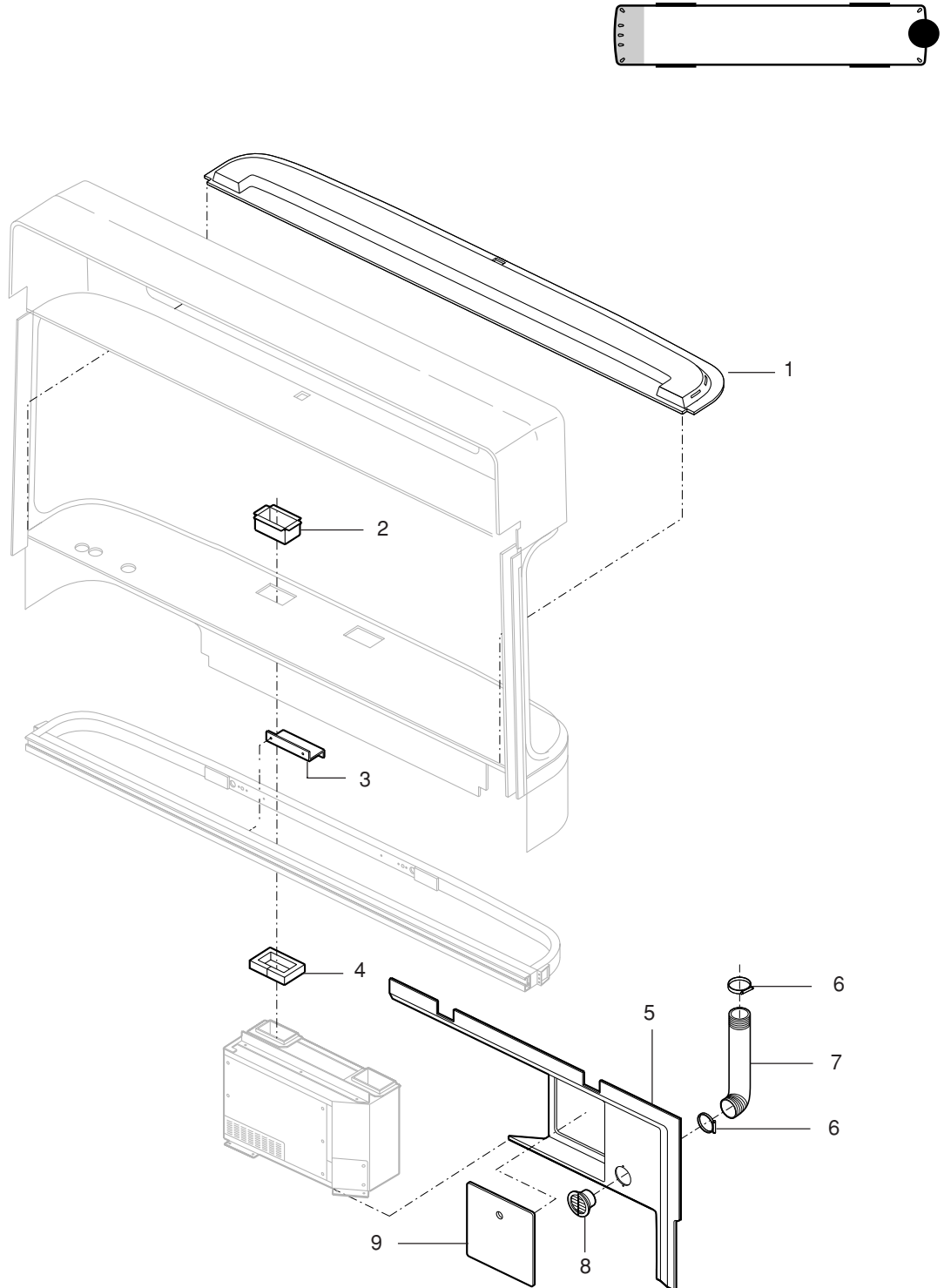


21-0002-0701B,C
21-003873
21-0002-0701B,C

DEFROSTER DUCT

Item	Part No.	Description	Qty
1.	15-41041-000	DUCT, WINDSHIELD DEFROSTER	1
	15-44603L000	MOLDING, BLACK PLASTIC CORNER TRIM 88° 1.26" X 1.5"	A/R
2.	15-41346-000	DUCT, DEFROSTER	2
3.	18-38135-000	BRACKET, HEATER MTG	1
4.	21-48284-000	GASKET, DEFROSTER DUCT	2
5.	15-45682M001	CLOSEOUT, FRT DRIVERS HEATER	A/R
6.	54-00025-011	CLAMP, HOSE	2
7.	56-00517-000	HOSE, 2.75	A/R
8.	15-37614-000	LOUVER ASM, 2.5 ROUND	1
9.	15-43815-000	PANEL, CLOSEOUT	1
	54-37647N000	LATCH ASM, QUAD PANEL	1
	42-09396-000	PLATE ASM, HOSE CONNECTION	1
	54-07101-004	RIVET, POP 3/16 OPEN END	4

DEFROSTER DUCT

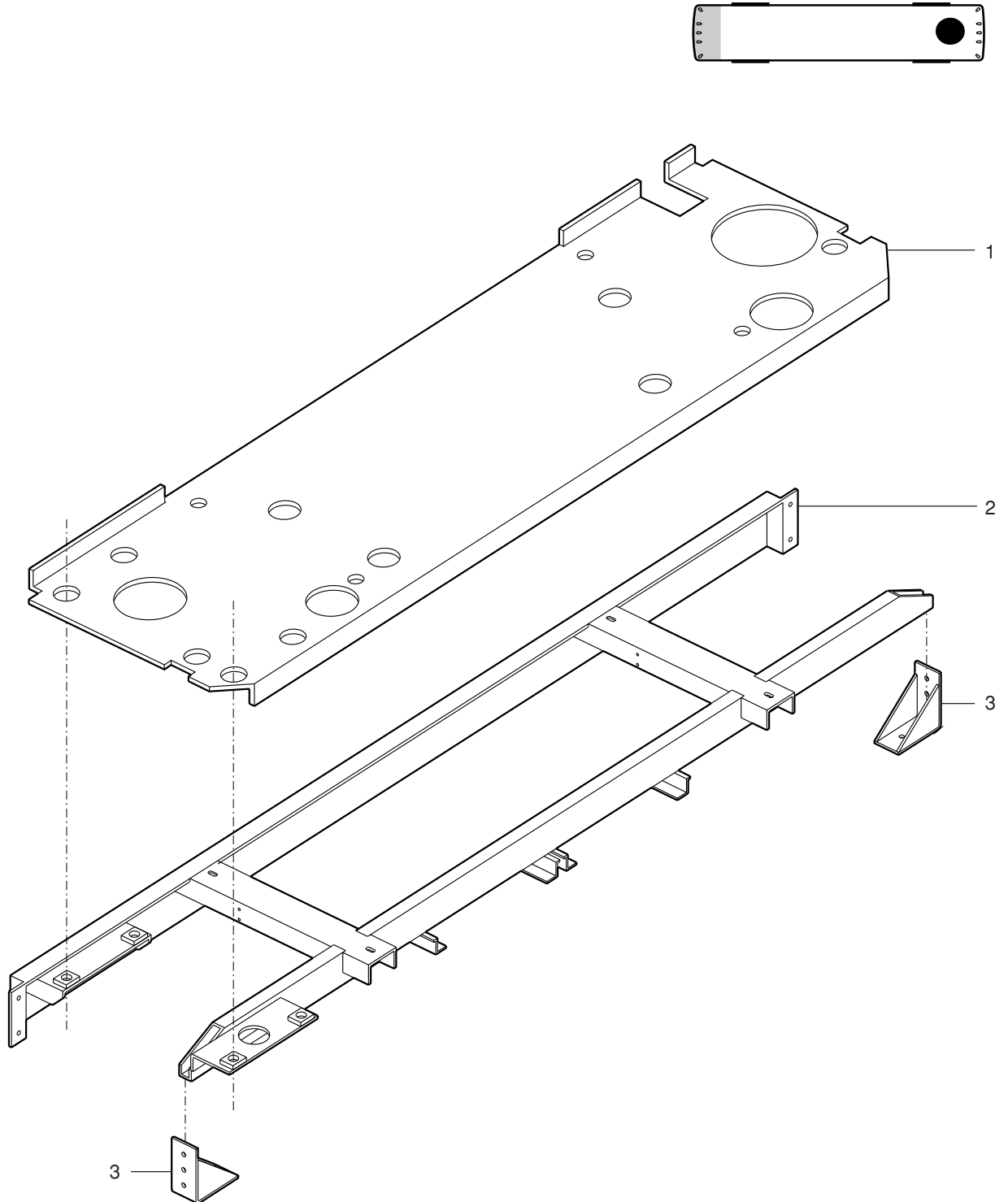


21-0010-0700C+A+A
21-001804
21-0010-0700C
21-0150-0700A
15-0035-0700A

A/C SUPPORT PLATFORM

Item	Part No.	Description	Qty
1.	14-51186M001	PANEL, A/C UNIT SSTL	1
2.	14-51188-000	SUPT ASM, A/C UNIT	1
3.	14-37620-000	BRACKET ASM, A/C UNIT	2
N/S	54-12061-010	FLATWASHER, HARD 1/2	4
N/S	54-12551-009	LOCKNUT, NYLOK 1/2-20 GR8	4
N/S	54-13559-005	BOLT, FLGHD 1/2-20 X 1.5 GR8	4
N/S	14-51208-000	CLOSEOUT, MUFFLER	1
N/S	54-12540-003	NUT, NYLOCK 10-24 GR5	2
N/S	54-12600-003	FLATWASHER, #10	2
N/S	54-14274-04Z	SCREW, MACH. 10-24X.50 PHCR	2

A/C SUPPORT PLATFORM

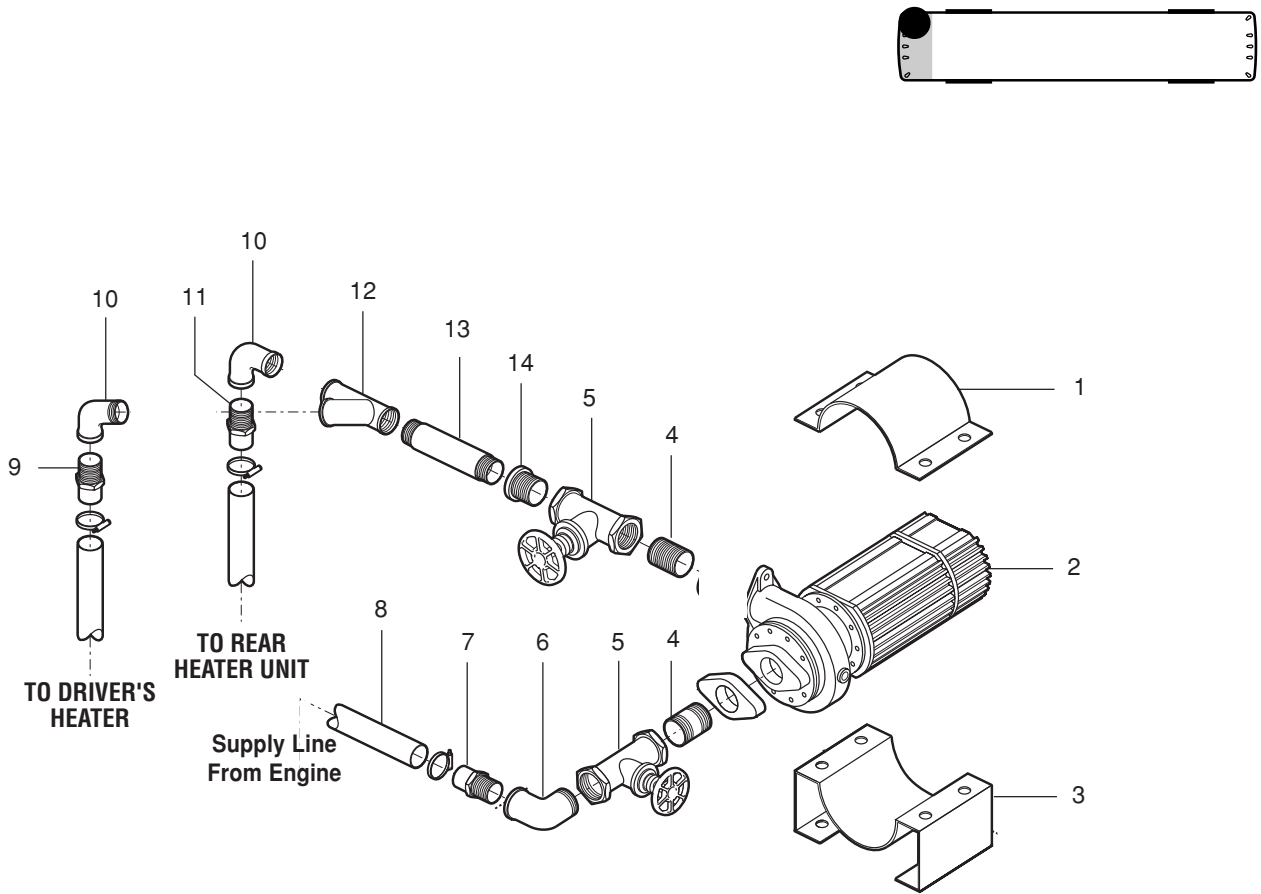


21-0050-0701A+(0700B,D)
21-000179
21-0050-0701A
21-0052-0700B, D

HEATER BOOSTER PUMP AND CONNECTIONS

Item	PartNo.	Description	Qty
1.	40-26093-000	BRACKET, BOOSTER PUMP MTG	1
	53-28088-001	MOUNT, CENTER BONDED NEOPRENE	4
	54-11320-005	BOLT, HXHD 3/8-16X1.5 GR5	4
	54-12540-007	LOCKNUT, NYLOCK 3/8-16 GR5	4
	54-12600-008	FLATWASHER, 3/8	4
	54-12605-006	FLATWASHER, FENDER 7/16	4
2.	53-35399-000N	PUMP, BOOSTER	1
3.	42-25180-000	BRACKET ASM, BOOSTER PUMP MTG	1
4.	54-12857-001	NIPPLE, 1" NPT, BRASS	2
	54-25195-016	TEE, LATERAL 1.0" NPT	1
	54-12899-016	ELBOW, 45° 1.0" NPT	1
	54-13134-017	CONNECTION, HOSE 3/4" NPT X 3/4" I.D. TUBE	2
5.	53-02317-001	VALVE, GATE 1.0"NPT	2
6.	54-12896-016	ELBOW, 90° STREET, 1"NPT, BRASS	2
7.	55-09000-001	ADAPTER, HOSE, BRASS	2
8.	56-09018-000	HOSE, 1.12" SILICONE	A/R
	54-12854-003	NIPPLE, BRASS 2 X 3/4	1
	54-12902-012	ELBOW, PIPE CAST 3/4 X 3/4	1
	54-12976-017	ADAPTER, HEX 1.0" X 3/4"	1
	53-21364-002	CLAMP, CONST TENS HOSE	2
9.	54-13134-017	CONNECTION, HOSE 3/4" NPT X 3/4" I.D. TUBE	1
10.	54-12896-012	ELBOW, 90° STREET, 3/4" NPT, BRASS	2
11.	50-29237-001	ADAPTER, HOSE CONN 3/4 MPT X 3/4 T	1
12.	54-25195-012	TEE, 45° LATERAL, 3/4"NPT	1
13.	54-12854-009	NIPPLE, PIPE 3/4NPT X 5.0" BRASS	1
14.	54-12961-014	BUSHING, 1.0" NPT X 3/4" NPT	2

HEATER BOOSTER PUMP AND CONNECTIONS

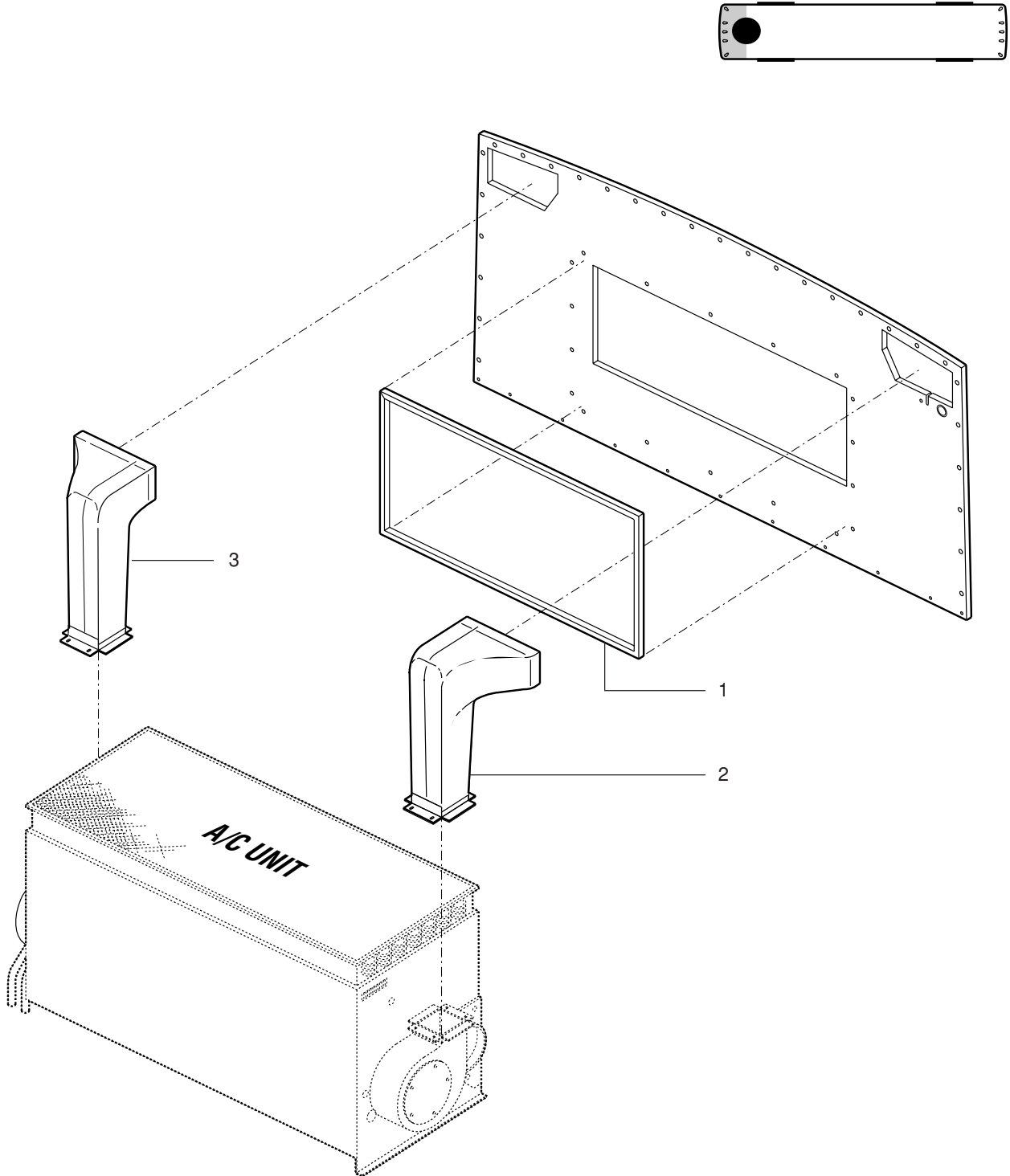


21-0051-0703C,E,G
21-000178
21-0051-00703C, E, G

HEATER-A/C TRANSITION DUCTS

Item	PartNo.	Description	Qty
1.	22-51082-000	SEAL, A/C UNIT	1
2.	22-50629N000	DUCT, TRANSITION, RH	1
3.	22-50630N000	DUCT, TRANSITION, LH	1
	15-51058-000	SPACER, HVAC UNIT ASM.	2
	15-51058-001	SPACER, HVAC UNIT ASM.	2

HEATER-A/C TRANSITION DUCTS

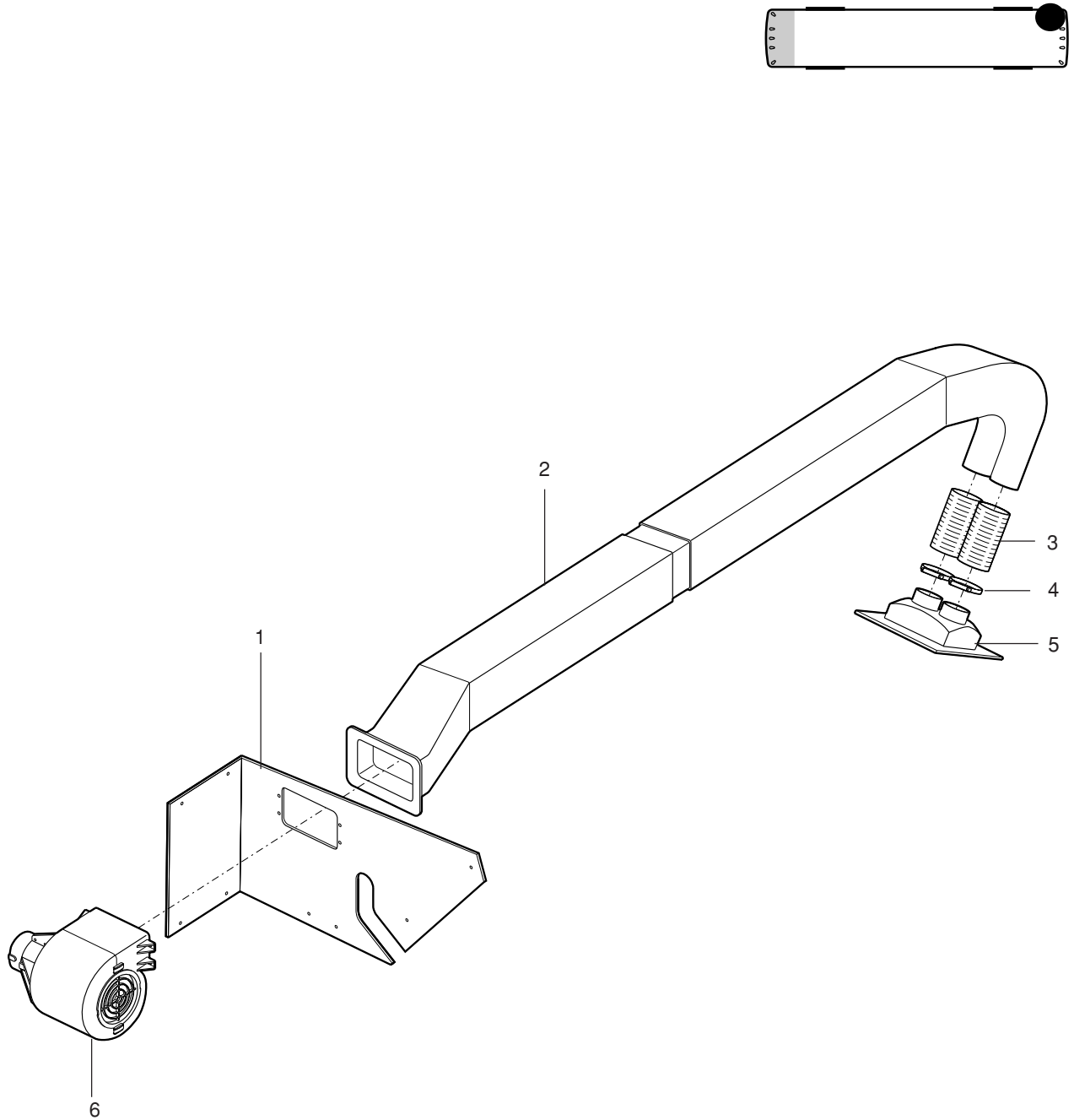


21-0200-0700D+(B)
21-000182
21-0200-0700D
21-0103-0700B

DRIVER'S AIR DUCT ASSEMBLY

Item	Part No.	Description	Qty
1.	15-47784-000	CLOSEOUT, A/C DUCT	1
	99-32309-000	TAPE, ADHESIVE	A/R
	15-37011-000	BRACKET	1
2.	18-47784-000	DUCT, A/C DRIVER'S	1
	54-13119-003	SCREW, #10-24 X .75" TAPTITE SPCL PHIL	8
3.	56-00517-000	HOSE, 2.75" DIAMETER X 72" LONG	1
4.	53-09010-000	CLAMP, HOSE	4
5.	15-37992N000	LOUVER ASM, DOUBLE SQUARE	1
6.	15-37844N000	FAN ASM, ELECTRIC	1
	54-14278-06Z	SCREW, PH CR 1/4"-20 X .75"	4
	54-12600-006	FLATWASHER, 1/4" STD	4
	54-13111-001	SCREW, 10 X 5/8 TORX	13
	54-37359-001	BOLT, BUTTON TORX HD. M8 X 15MM	1
	54-37358-000	NUT PLATE, COBOLT M8	2
	18-49080-000	ENCLOSURE ASM, OVERHEAD STORAGE SHELF	A/R

DRIVER'S AIR DUCT ASSEMBLY

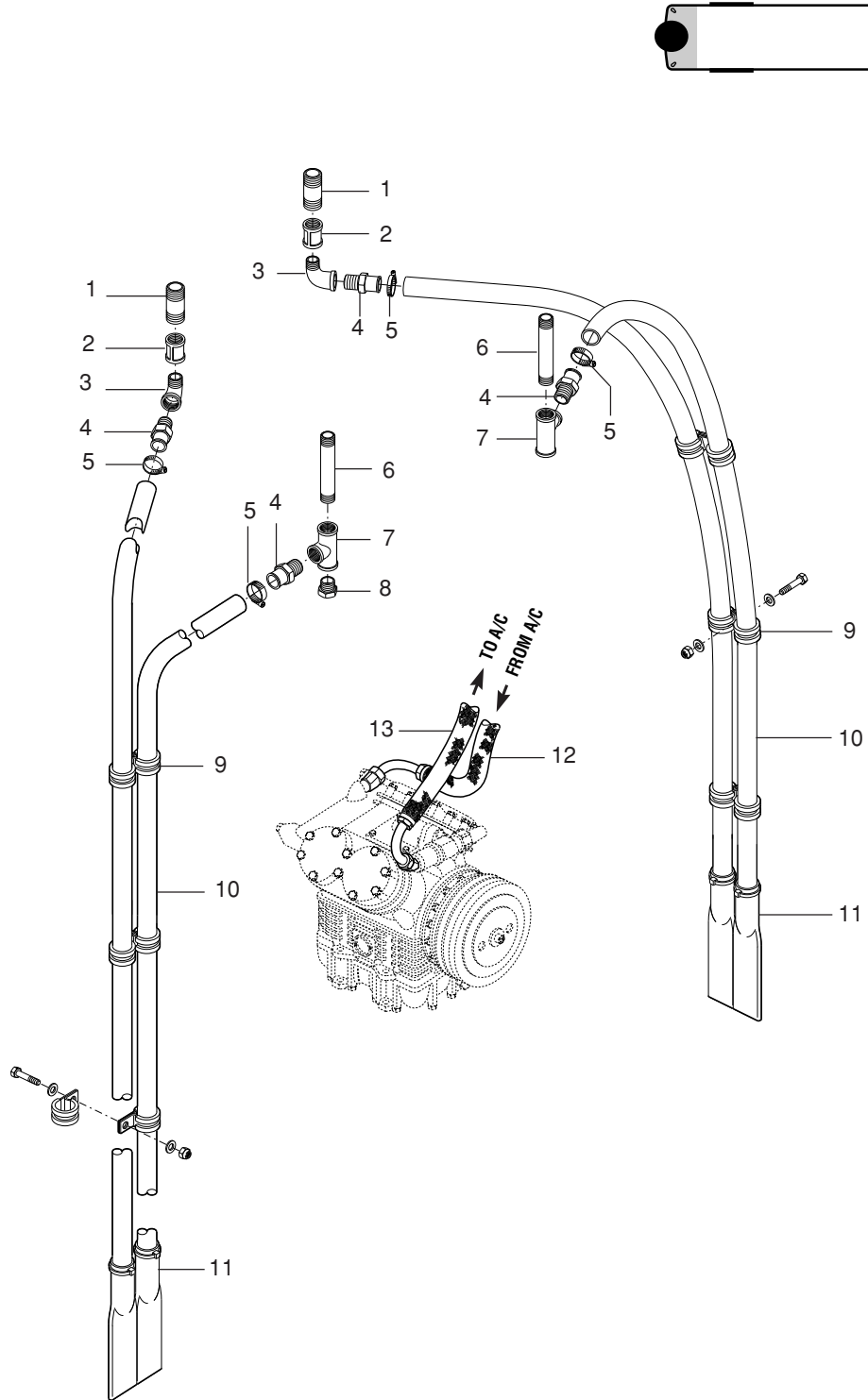


21-0250-0701A
21-003870
21-0250-0701A

A/C-HEATER DRAIN HOSES

Item	PartNo.	Description	Qty
1.	54-12852-003	NIPPLE, 3/4 NPT X 2"	2
2.	REF ONLY	CONNECTOR (CONTACT PARTS REP)	2
3.	54-12894-012	ELBOW, 3/4 NPT	2
4.	54-13134-017	CONN, BARBED 3/4 HOSE X 3/4 MPT	4
5.	54-00025-005	CLAMP, HOSE #16 (1.12 NOM)	4
6.	54-12852-012	NIPPLE, 3/4NPT X 7.0	2
7.	54-12906-012	TEE, 3/4 X 3/4 X 3/4 NPT GALV	2
8.	54-12957-012	PLUG, HXHD 3/4 MPT BRASS	2
	54-13055-041	O-RING, #16	2
9.	55-34519-018	CLAMP, LOOM	8
10.	56-09015-000	HOSE, 3/4", SILICONE	A/R
	56-09016-000	HOSE, 7/8", SILICONE	A/R
11.	45-12579-002	TUBE, 2" KAZOO	4
12.	46-38363-000	HOSE ASM., DISCHARGE, #16	1
13.	46-44129-002	HOSE ASM., SUCTION, #20	1

A/C-HEATER DRAIN HOSES

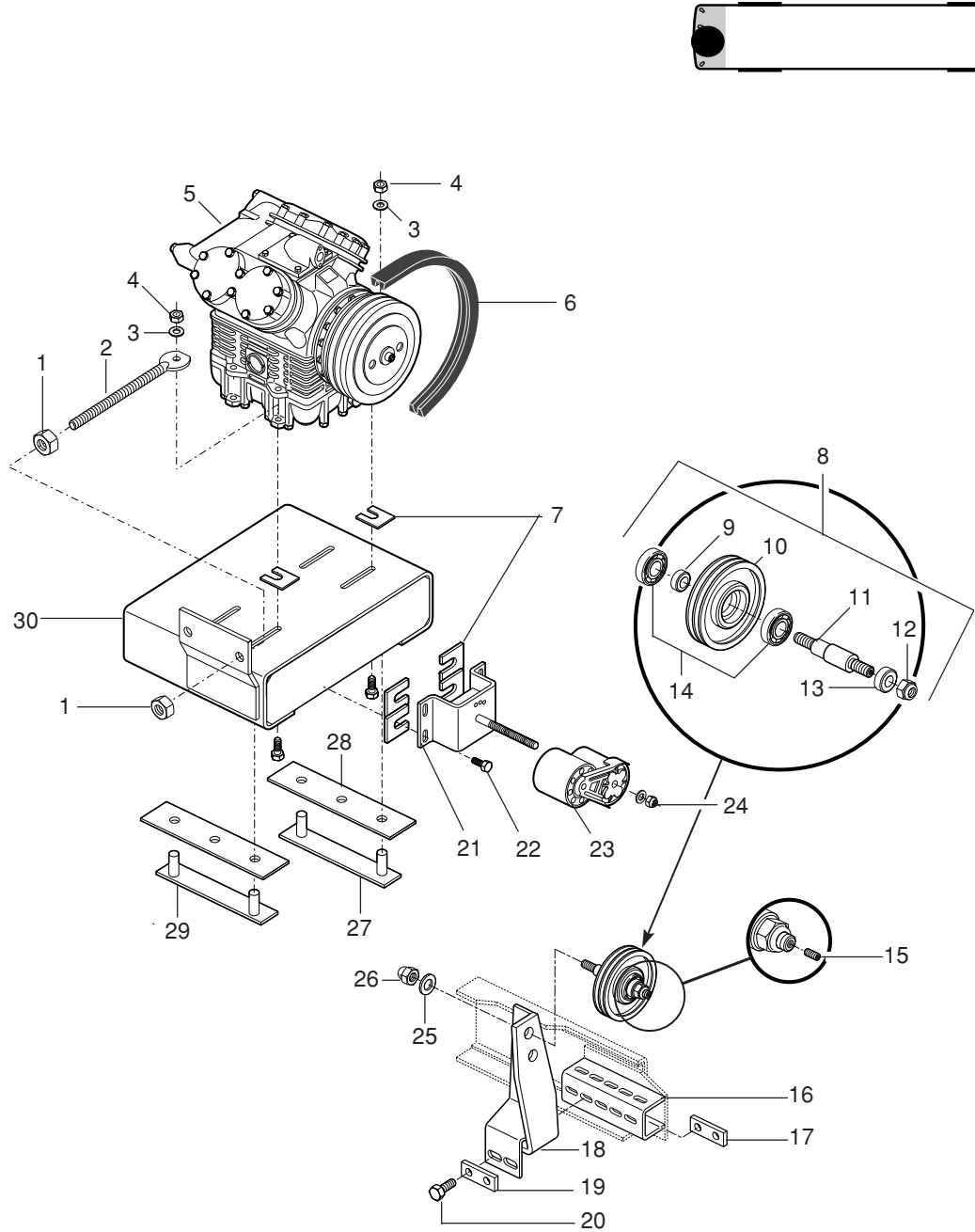


22-0020-0700U+(0701B)
22-003744
22-0020-0700U
21-0110-0701B

AIR CONDITIONING COMPRESSOR MOUNTING

Item	Part No.	Description	Qty
1.	54-12536-009	NUT, 1/2"-13 GR5	4
2.	55-14801-000	BOLT, EYE	2
3.	54-12600-009	FLATWASHER, 7/16"	4
4.	54-12540-008	LOCKNUT, NYLOCK 7/16"-14 GR.5	8
5.	REF ONLY	A/C COMPRESSOR (REFER TO COMPRESSOR PAGE)	1
6.	53-02222-039	V-BELT, 95.00	1
7.	22-40664-000	SHIM	A/R
8.	01-37629-000	PULLEY ASM., IDLER	1
9.	01-37632-000	SPACER, BETWEEN BEARINGS	1
10.	01-37631-000	PULLEY	1
11.	01-37630-000	SHAFT	1
12.	54-12552-011	NUT, ALL METAL LOCK 5/8"-18 GR.5	1
13.	01-37633-000	SPACER, LOCKING	1
14.	01-37634N000	BEARING, 6205-2RS1/C3	2
15.	54-13119-088	SCREW, HEX SOCKET 1/4"-28 X 3/16"	1
16.	06-48065-000	BRACKET ASM., PULLEY, IDLER MOUNTING	1
17.	22-48067-000	PLATE, SHUFFLE DOUBLE BOLT MTG	2
18.	22-48062-000	BRACKET ASM, IDLER MTG	1
19.	22-48066-000	PLATE, DOUBLE BOLT MTG TO IDLER BRACKET	2
20.	54-11320-005	BOLT, 3/8"-16 X 1.5" GR.5	4
21.	22-46717-000	BRACKET, TENSIONER MTG	1
22.	54-11321-005	BOLT, HXHD 3/8"-16 X 1.50" GR8	4
23.	53-26278-000	TENSIONER ASM, BELT	2
24.	54-12551-007	NUT, HEX NYLOCK 3/8"-24 GR8	6
25.	54-12601-012	FLATWASHER, HARD 5/8"	2
26.	54-12550-011	LOCKNUT, NYLOCK, 5/8"-18, GR.5	2
27.	42-36440-000	PLATE ASM, LOWER SHUFFLE 6.62" CENTER TO BOLT CENTER	2
	54-12555-009	NUT, 1/2"-20 GR.8	4
28.	45-15184-001	SHIM, FREON COMPRESSOR MTG	2
29.	22-44052-000	PLATE ASM, UPPER SHUFFLE 8.5" CENTER TO BOLT CENTER	2
30.	22-44966-000	BRACKET ASM, FREON COMPR MTG	1
	54-12551-009	NUT, HEX NYLOCK 1/2"-20 GR8	3
	54-12601-008	FLATWASHER, 3/8	2
	54-11349-009	BOLT, 1/2"-20 UNF X 2.5" LG	3
	54-12601-010	WASHER, 1/2" HARD FLAT	1
	51-28937-007	KIT, T-K INSTALLATION (W/T11 A/C HTR UNIT)	1
	22-39656N000	FILTER, RE-USABLE METAL (SEALS, ADAPTERS, HOSES, &HARDWARE FOR COMP. MTG.)	1

AIR CONDITIONING COMPRESSOR MOUNTING



22-0050-0700D,T
22-003742
22-0050-0700D, T

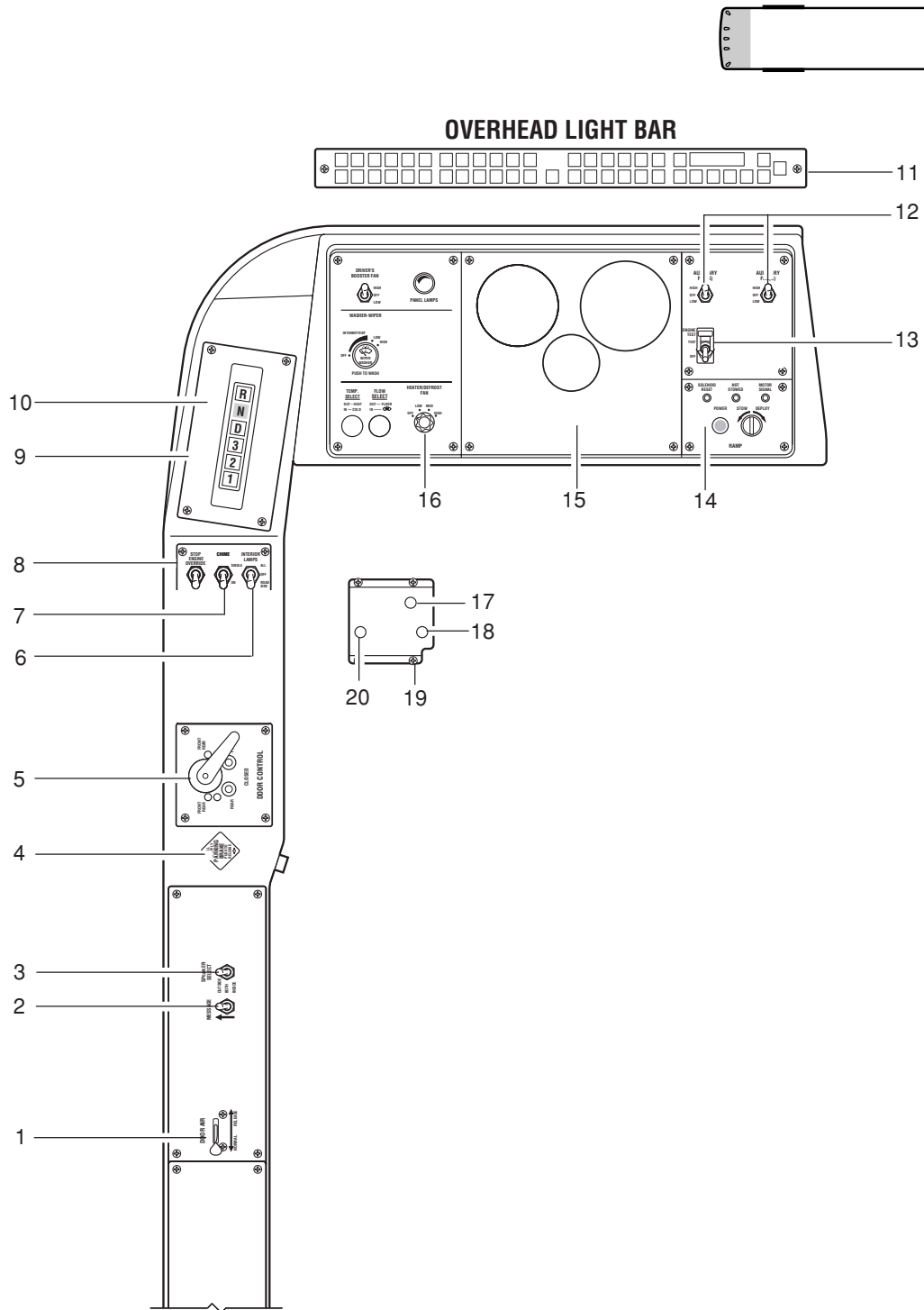
Section 10- Dash & Decals

Dash Panels, Gauges and Switches	432
Interior Decals	436
Exterior Decals	440

DASH PANELS, GAUGES AND SWITCHES

Item	Part No.	Description	Qty
1.	51-17469-000	VALVE, DOOR CONTROL AIR	1
2.	REF ONLY	SWITCH, TOGGLE	1
3.	51-02164-014	SWITCH, TOGGLE SPST	1
4.	53-00758-001	VALVE, PARKING BRAKE	1
	82-10782-000	KNOB, (YELLOW)	1
5.	20-40210N000	CONTROLLER, 5 P OSITION DOOR	1
6.	51-02164-014	SWITCH, TOGGLE SPST	1
7.	51-02164-003	SWITCH, TOGGLE DPDT	1
8.	30-37147F002	PANEL, #5	1
	59-39479F003	DECAL, PANEL, #5	1
9.	53-39905-000	SHIFTER	1
10.	30-39344F001	PANEL, # 4, SHIFTER CONSOLE	1
11.	13-46637F000	LAMP BAR ASM	1
12.	51-02164-014	SWITCH, TOGGLE SPST	2
13.	51-02164-012	SWITCH, TOGGLE SPST	1
	51-02128-002	GUARD, ENGINE TEST	1
14.	82-27242-014	SWITCH, W/BACKING RAMP CONTROL	1
	51-12096-002	HORN, "RAMP ALARM"	1
15.	30-37146F019	PANEL, #2	1
16.	13-42194-000	SWITCH, HEATER/DEFROSTER FAN	1
	51-14062-000	KNOB, HEATER/DEFROSTER SWITCH	1
17.	13-44189-000	SWITCH, FOOT	1
18.	45-10234-000R	SWITCH, FOOT	1
19.	18-46005M002	BRACKET, SWITCH FOOT	1
	18-47887-000	CLOSEOUT	1
20.	45-10234-000	SWITCH, FOOT	1

DASH PANELS, GAUGES AND SWITCHES

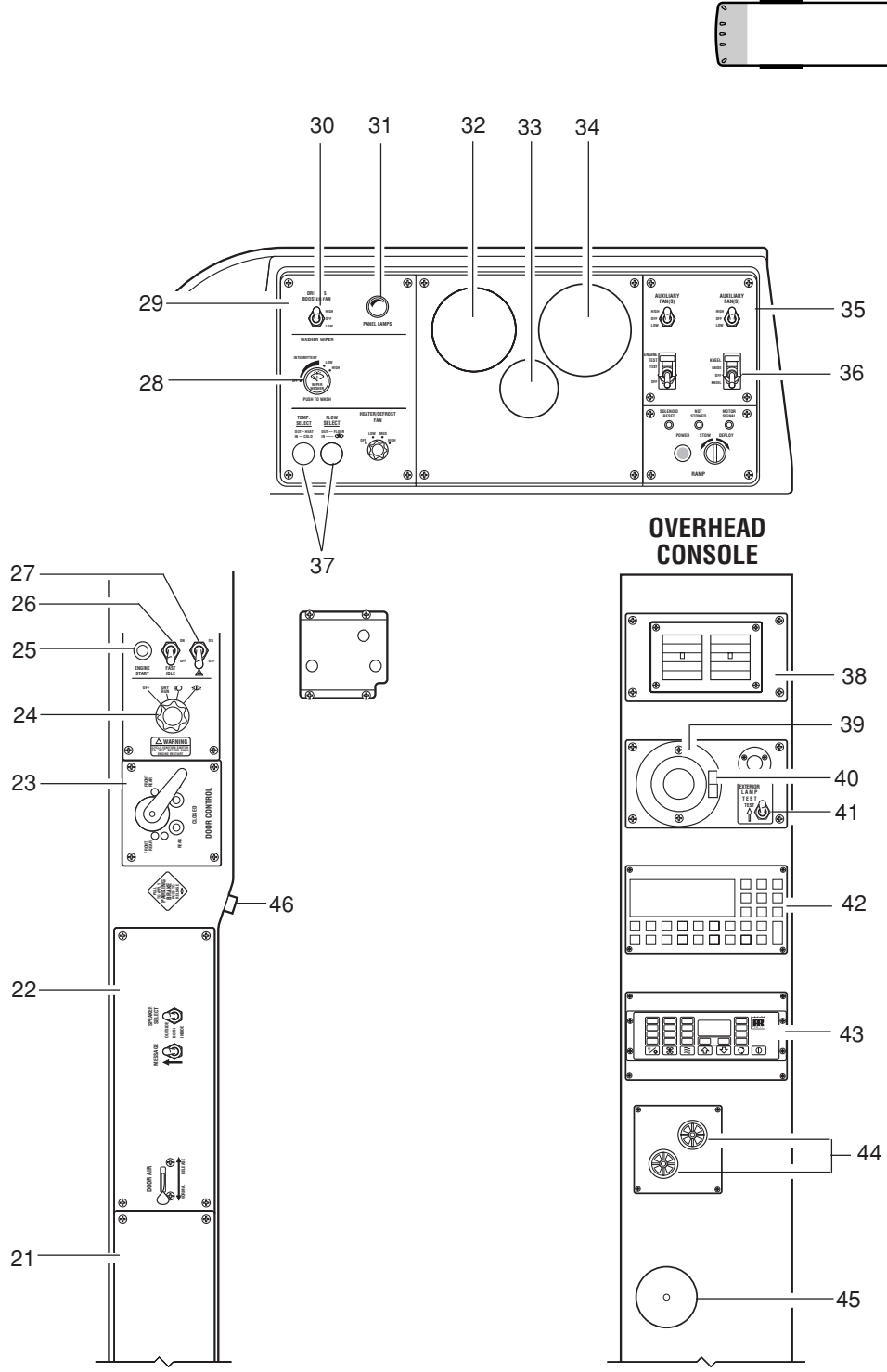


30-73624-000 (Savannah)
30-004722
30-73624-000

DASH PANELS, GAUGES AND SWITCHES (CONTINUED)

Item	Part No.	Description	Qty
21.	59-41195F000	PANEL, CONSOLE	1
22.	30-41198M002	PANEL, CONSOLE	1
	59-41194F080	DECAL, PANEL, CONSOLE	1
23.	59-41157F001	PANEL, DOOR CONTROL	1
24.	51-02115-000	SWITCH, ROTARY 4-POSITION	1
	51-14062-000	KNOB, PLASTIC	1
25.	51-00100-000	SWITCH, PUSH BUTTON	1
26.	51-02164-012	SWITCH, TOGGLE, SPST	1
27.	51-02164-021	SWITCH, TOGGLE, DPST	1
	53-25261-000	HANDLE, EXTENSION (RED)	1
28.	51-34477-001	SWITCH, WIND SHLD. WIPER/WASHER	1
29.	59-39937F014	DECAL, PANEL, #3	1
	30-37154-000	PANEL, #3	1
30.	51-02164-014	SWITCH, TOGGLE SPDT	1
31.	51-10534-001	SWITCH, POTENTIOMETER	1
32.	51-22968-001	GAUGE, DUAL AIR 0-150 P.S.I.	1
33.	51-22968-033	GAUGE, VOLTMETER	1
34.	51-22968-027	SPEEDOMETER, VDO	1
	50-40996-000	HARNES, VDO FILTER	1
35.	59-41181F059	DECAL, PANEL #1	1
	30-41172F000	PANEL #1	1
36.	51-02164-010	SWITCH, SPDT TOGGLE	1
	51-02128-004	GUARD, TOGGLE SWITCH	1
37.	REF. ONLY	CABLE PULLS, TEMP. SELECT/FLOW SELECT	0
	82-06354-000	KNOB, CABLE PULL	2
38.	15-37992N000	VENT, DUAL	1
39.	51-02112-003	MAP LIGHT	1
40.	51-17760-003	MICRO-ROCKER SWITCH, MAP LIGHT	1
41.	51-02164-012	SWITCH, TOGGLE SPDT	1
	59-49601-000	DECAL, EXTERIOR LAMP TEST	1
42.	REF. ONLY	DIGITAL RECORDERS	1
43.	30-37207F013	PANEL, INTELLIGARE	1
	51-28937-014	CABLE ASM., INTELLIGARE II	1
	51-28937-016	CABLE ASM., INTELLIGARE II	1
44.	51-12096-007	HORN, CHIME	1
	51-12096-008	HORN, CHIME	1
45.	53-00411-000	CHIME	1
46.	51-48999-000	SWITCH, "CRIME"	1

DASH PANELS, GAUGES AND SWITCHES (CONTINUED)



30-73624-000 (Savannah)
 30-004722
 30-73624-000

INTERIOR DECALS

Item	Part No.	Description	Qty
1.	59-27791-000	DECAL, "WATCH YOUR STEP" ENGLISH/SPANISH	1
2.	59-02142-000	DECAL, "NO SMOKING/EATING, DRINKING/RADIO"	1
3.	59-29391-001	DECAL, "EMERGENCY EXIT LOCATION" ENGLISH/SPANISH	16
4.	59-27794-000	DECAL, "EXIT DOOR" ENGLISH/SPANISH	1
5.	59-28647-000	DECAL, "DRIVERS WARNING"	1
6.	59-28728-001	DECAL, "WHEELCHAIR SEATING ARE FOR . . . "	2
7.	59-29387F001	DECAL, "PLEASE OFFER THE" ENGLISH/SPANISH	1
8.	59-29388F001	DECAL, "WHEELCHAIR RIDER" ENGLISH/SPANISH	1

INTERIOR DECALS

**WATCH YOUR STEP
PISE CON CUIDADO**

1

Exit Door Puerta de Salida

4



2



6

**EMERGENCY EXIT INSTRUCTIONS
LOCATED ON THE SIDE
OF THE WINDOW**

**SALIDA DE EMERGENCIA
LAS INSTRUCCIONES SE LOCALIZA
AL LADO DE LA VENTANILLA**

3

**PLEASE OFFER THESE
SEATS TO THE ELDERLY
AND HANDICAPPED**

**FAVOR DE OFRECER ESTOS
ASIENTO A PERSONAS DE EDAD
AVANZADA O INCAPACITADAS**

7

WARNING

BEFORE STARTING BUS:

1. CLEAR PERSONNEL FROM MAINTENANCE COMPARTMENTS. SECURE ALL COMPONENTS.
2. APPLY PARKING BRAKE.
3. SHIFT TRANSMISSION TO NEUTRAL.
4. SET FAST IDLE TO "OFF".

BEFORE MOVING BUS:

1. DO NOT MOVE BUS WITH AIR BELOW 85 P.S.I.
2. CLEAR PERSONNEL FROM MAINTENANCE COMPARTMENTS. SECURE ALL COMPONENTS.
3. APPLY SERVICE BRAKE WHEN SHIFTING FROM NEUTRAL.
4. RELEASE PARKING BRAKE.

BEFORE LEAVING DRIVER'S SEAT:

1. APPLY PARKING BRAKE.
2. SHIFT TRANSMISSION TO NEUTRAL.
3. DO NOT USE DOOR CONTROL AS BRAKE.
4. DO NOT LEAVE IDLING BUS UNATTENDED.
5. BEFORE SHUTTING OFF ENGINE, TURN OFF ELECTRICAL ACCESSORIES.

5



8

31-0003-0700J+(A,sp+A+A,B)
31-0003-0700J
31-0010-0700A, 41936
31-0015-0701A
31-0020-0702A, B

INTERIOR DECALS (CONTINUED)

Item	Part No.	Description	Qty
12.	59-42286-000	DECAL, "WATCH YOUR STEP" VERTICAL ENGLISH	2
13.	59-42286-001	DECAL, "WATCH YOUR STEP" VERTICAL SPANISH	2
14.	59-45976-000	DECAL, "WHEELCHAIR SEATING" SPANISH	1
15.	59-44370-001	DECAL, "EMERGENCY WINDOW INSTR."	1
16.	59-34205-000	DECAL, "PASS WINDOW EMERGENCY INSTR."	1
17.	59-45633F000	DECAL, EMERG. WINDOW INSTR.	3
18.	59-45633F001	DECAL, EMERG. WINDOW INSTR.	3

INTERIOR DECALS (CONTINUED)



12



13



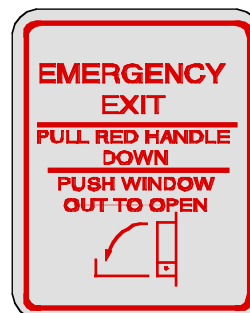
14



15



16



17



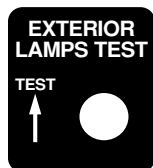
18

31-0003-0700J+(A,sp+A+A,B)
31-0003-0700J
31-0010-0700A, 41936
31-0015-0701A
31-0020-0702A, B

EXTERIOR DECALS

Item	Part No.	Description	Qty
1.	59-49601-000	DECAL, EXTERIOR LAMPS TEST	1
2.	59-02135-000	DECAL, "CAUTION! FAN MAY START-"	2
3.	59-09539-000	DECAL, "OIL"	2
4.	59-09540-000	DECAL, "HOT WATER"	1
5.	59-11831-000	DECAL, "SHOP AIR FILL"	1
6.	59-19609-000	DECAL, "BATTERY DISCONNECT"	1
7.	55-02284-001	DECAL, "DISABLED INSIGNIA"	1
8.	59-25064-000	DECAL, "BATTERY CUT-OFF SWITCH"	1
9.	59-11203-000	DECAL, "CAUTION NEGATIVE GROUND"	1
10.	59-25065-000	DECAL, WELDING CAUTION	1
11.	59-15724-000	DECAL, "W/S WASHER FILL"	1
12.	59-38808-000	DECAL, VALVE IDENTIFICATION (ENGLISH)	1
13.	59-00535-000	DECAL, "DIESEL"	1
14.	59-39820-000	DECAL, RADIATOR FILL / WARNING (ENGLISH)	1
15.	59-48392-000	DECAL, JACKING POINTS	4

EXTERIOR DECALS



1



2



3



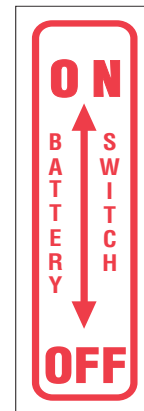
4



5



6



9



7



8



10



11

DRAIN AIR TANKS DAILY			
WET TANK	SECONDARY TANK <small>(RED)</small>	PRIMARY TANK <small>(Green)</small>	ACCESSORY TANK

12



13

RADIATOR FILL PROCEDURE

WARNING: COOLANT IS UNDER PRESSURE AND EXTREMELY HOT AFTER THE ENGINE IS RUNNING. WAIT UNTIL BOLDS STOP AND THE ENGINE HAS COOLED BEFORE PRESSING THE RELIEF VALVE.

1. PRESS AND HOLD THE RELIEF VALVE (VENT COCK) AT THE SURGE TANK TO RELIEVE PRESSURE FROM THE SYSTEM.
2. OPEN ENGINE BLEED VALVES (LOCATED ON TOP OF BOTH RADIATOR INLET PIPES)
3. FILL SURGE TANK UNTIL ONLY COOLANT FLOWS FROM BLEED VALVES.
4. RUN ENGINE @ 1200 RPM AND BLEED VALVES AGAIN (KEEP ENGINE RUNNING).
5. TURN MAIN HEATER SWITCH 'ON' AND SET DRIVER'S HEATER TEMPERATURE TO HIGH (CONTROLS AT DASH).
6. WITH BOOSTER PUMP RUNNING, OPEN HEATER BLEED VALVES (LOCATED NEAR HEATER CONNECTIONS ON SIDE REAR OF UNIT) UNTIL ONLY COOLANT FLOWS.
7. CLOSE ALL BLEED VALVES AND TOP OFF SURGE TANK.
8. IF APPLICABLE, OPEN OPTIONAL GATE VALVES.

14



15

- 31-0003-0700J+(A,sp+A+A,B)
- 31-0003-0700J
- 31-0010-0700A, 41936
- 31-0015-0701A
- 31-0020-0702A, B

126	WARRANTY, REAR ELECTRICAL	1
86, 88	HATCH ASM, SENSOR	252
128	HATCH, ESCAPE	270
126	HEAD, COMPRESSOR	224
88	HEAD, MIRROR	230
32	HEADER, CAC	232
226	HEX NUT, YOKE	284
58, 64	HIGH SIDE DRIVER ASM	270
248	HINGE	232
232	HINGE, AIR TANK CLOSEOUT	284
52	HINGE ASM, ENGINE DOOR	270
92	HINGE ASM, RR DOOR	232
182, 346, 348	HINGE, BODY HALF	150
	HINGE, DEST SIGN	182
	HINGE, DOOR	248
	HINGE, DOOR HALF	228
	HINGE, ELECT CONTROLLER	152
	HINGE, REAR RUN BOX	154
	HINGE, RETURN AIR BOX	170
	HINGE, RR PANEL	312
	HOLDER-DOOR	
	HOLDER, C.B.	
	HOLDER, C.B. 2-WAY	
	HOLDER, FUSE	
	HOLDER, LICENSE PLATE	
	HOOK	
	HOOK, COAT	
	HOOK, "S"	
	HOOK ASM, FRONT FRAME	
	HOSE, 1.0 INCH ID OIL RE	
	HOSE, 2.75	
	HOSE, 2.75 DIA	

I N D E X

Index by Part Number

01	01-36608-000	28	01-45877-000	32	22
	01-36609-000	28	01-46208-003	22	
02	01-36610-000	28	01-47872-000	16, 388	26
	01-36617-000	38	01-48221-000	28	
	01-36618-000	38	01-48371-000	22	27
03	01-36619-000	24	01-48993-000	24	
	01-36623-000	22	01-49826N000	22	30
04	01-36872-000N	24	01-50113N000	24	
	01-37454-000	22	02-39489-000	56	32
	01-37455-000	22	02-42604-000	34	
05	01-37551-000	24	02-50364-000	34	40
	01-37629-000	428	02-50366-000	34	
06	01-37630-000	428	02-50372-000	34	41
	01-37631-000	428	02-50374-000	34	
	01-37632-000	428	03-38697-000	58	42
07	01-37633-000	428	03-44682N000	58	
	01-37634N000	428	04-36704-000	210	43
	01-37796-000	32	04-36712-000	194	
08	01-38224-000	20	04-36902-000	188, 190	45
	01-38230N000	20	04-36933-000	194	
09	01-38525-000	28	04-36933-001	194	46
	01-38526-000	28	04-36933-003	194	
10	01-39454-000	22	04-36933-004	194	50
	01-39484-000	26	04-36933-005	194	
	01-39539-000	32	04-36933-007	194	51
11	01-39540-000	32	04-374688-000	200	
	01-39881-000	50	04-37683-000	194	52
	01-39935-000	36	04-37687-000	200	
12	01-40171-000	36	04-37690-000	200	53
	01-40318-000	20	04-37691-000	200	
13	01-41197-000	46	04-38318-000	188	54
	01-42468-000	26	04-38319-000	188	
	01-42521-000	46	04-38538-005	208	55
14	01-42954N000	20	04-39206-000	196, 198	
	01-43114-000	22	04-39207-000	196, 198	56
	01-43206-000	20	04-39502-000	192	
15	01-43208-000L	20	04-39503-000	192	59
	01-43208-000R	20	04-40206-000	198	
16	01-43215-000	20	04-42849-000	206	55
	01-43224M008	20	04-42850-000	194	
	01-43233-000	20	04-43073-000	190	56
17	01-43235-000	20	04-43073-002	188	
	01-43332-000	20	04-43094-000	194	59
18	01-43664L144.00	28	04-43691-000	206	
	01-45827-000	16	04-44412-000	192	82
	01-45828-000	16	04-45230-000	206	
19	01-45854-000	26	04-45287-000	200	99
	01-45856-000	26	04-45322-000	188	
20	01-45866-000H	22	04-45407-000	210	
	01-45868-000	24	04-45626-000	198	
21			04-45627-000	198	

Index by Part Number

01	04-45754-000	200	06-44880-000	66	22
	04-46428-000	190	06-44881-000L	66	
02	04-47930-000	200	06-44881-000R	66	26
	05-35402-000	216	06-44882-000	66	
03	05-36667-000	216	06-44890-000	66	27
	05-36956-000	414	06-44912-000	66	
	05-37281-000	216, 220	06-44915-000	66	30
04	05-37300-000	222	06-44936-000	66	
	05-37302-000	216	06-44937-000	66	32
	05-37315-000	216	06-44938-000	66	
05	05-37322-000	222	06-44939-000	66	40
	05-39596-000	230	06-44941-000	66	
06	05-40111N000	230	06-45015-000	66	41
	05-41048-000	216, 218	06-45030-000	66	
	05-42478-000	42	06-45033-000	66	42
07	05-42479-000	42	06-45080-000	28	
	05-42480-000	42	06-45081-000	28	43
	05-42481-001	42	06-45134-000H	62	
08	05-42481-002	226	06-45142-000H	62	45
	05-43222-006	38, 40, 42	06-45146-000LH	62	
09	05-44349-000	222	06-45146-000RH	62	46
	05-45365-000	216	06-45147-000	62	
10	05-45366-000	222	06-45148-000	62	50
	05-45367-000	222	06-45149-000L	62	
	05-47848-000	228	06-45149-000R	62	51
11	05-47849-000	228	06-45150-000H	62	
	05-47885-000	228	06-45157-000	28	52
	05-47886-000	228	06-45157-000H	62	
12	05-47897-000	228, 412, 414	06-45158-000	62	53
	05-47932-000	228	06-45159-000	62	
13	05-47933-000	228	06-45160-000	28	54
	05-49534-000	42	06-45160-000H	62	
14	06-36824-001	252	06-45179-000H	62	55
	06-40222-000	216	06-45200-000LH	62	
15	06-42470-000	26	06-45200-000RH	62	56
	06-44739-000	64	06-45257-000H	62	
16	06-44740-000	64	06-45294-000	62	59
	06-44751-000	64	06-45300-000	388	
17	06-44760-000	64	06-45300-000H	62	82
	06-44767-000	64	06-45346-000	252	
18	06-44772-001	64	06-45347-000	252	99
	06-44772-002	64	06-45708-000	64	
19	06-44772-003	64	06-46041-000	64	
	06-44772-004	64	06-46122-000	66	
20	06-44774-000	64	06-46135-000	64	
	06-44870-000	66	06-46138-000	64	
21	06-44871-000	66	06-46201-000	252	
	06-44873-000	66	06-46349-000L	62, 92	
	06-44874-000L	66	06-46349-000R	62, 92	
	06-44874-000R	66	06-47113-000	66	
	06-44876-000	66	06-47122-000	66	

Index by Part Number

01	06-47144-000	404	13-37244-002	114	22
	06-47149-000	404	13-37400-000	114, 116	
02	06-47150-000	404	13-37926-002	110	26
	06-47159-001	66	13-37975-000	106, 108	
03	06-47511-000	62, 388	13-37975-001	106	27
	06-47512-000	62, 388	13-37975-003	106	
04	06-47612-001	66	13-37975-004	106	30
	06-47683-000	66	13-37975-005	106	
05	06-47687-000	66	13-37975-007	106	32
	06-47769-000	64	13-38201-000	144	
06	06-47769-001	64	13-38544-000	432	40
	06-47957-000	16	13-38881-001	160	
07	06-47958-000	16	13-39011N000	98	41
	06-47959-000	16	13-39301-000	98	
08	06-48056-000L	64	13-39358-000	112	42
	06-48056-000R	64	13-39651-000	100	
09	06-48065-000	428	13-39783-000	126	43
	06-48208-000	64	13-39922-000	104	
10	06-50443-000L	364	13-40517-000	152	45
	07-38005N000	72	13-40785-000	106, 108, 120, 122,	
11	07-38006N000	72		136	46
	08-36629-000	78	13-41057-000	128	
12	08-36630-000L	78	13-41057-001	126	50
	08-36630-000R	78	13-41250F000	432	
13	08-36866-000	188	13-41278-000	136	51
	08-37050-000N	78	13-41281-000	136	
14	08-37209-000N	78	13-41282-000	136	52
	08-40992M001L	78	13-41282-001	136	
15	08-40992M001R	78	13-41361-000	108	53
	08-40993M001	78	13-41361-002	108	
16	08-44634-000	78	13-41361-005	108	54
	08-44634-001	78	13-41361-007	108	
17	08-45050-000	78	13-41361-009	106, 110	55
	08-45050-001	78	13-41361-011	110	
18	09-40978-000	90	13-41361-012	106	56
	09-49738-000	86	13-41361-013	106	
19	09-49738-001	86	13-41361-018	110	59
	11-36757-000	92	13-42109F001	152	
20	11-45291000N	92	13-42142-000	164	82
	11-45372-000L	190	13-42143-001	164	
21	11-45372-000R	190	13-42144-001	164	99
	11-47778-000	92	13-42167-001	164	
	11-48244-000	190	13-42204-000	136	
	13-27183-005	108	13-42222-000	136	
	13-36817-000	68	13-42889-002	142	
	13-36904-003	120	13-42920F009	348	
	13-36904-005	142	13-43316-005	106, 108, 110	
	13-37183-002	106	13-44189-000	432	
	13-37183-003	106, 108	13-44353-000	108	
	13-37183-004	106	13-44353-001	106, 108	
	13-37184-002	136	13-44353-002	108	

Index by Part Number

01	13-44355-000	108	14-37417L043.29	236	22
	13-45411-000	68	14-37418L000	250	
02	13-45413-000	68	14-37418L017.99	250	26
	13-45414-000	68	14-37418L034.73	250	
03	13-45415-000	68	14-37418L036.56	250	27
	13-45416-000	68	14-37418L039.00	238, 242	
04	13-45417-000	68	14-37418L044.57	250	30
	13-45420-000	68	14-37418L046.96	250	
05	13-45422-000	68	14-37418L054.15	250	32
	13-45424-000	68	14-37419L023.96	250	
	13-45430M004	142	14-37419L036.56	250	40
06	13-45432-000	142	14-37424L084.13	234	41
	13-45433-000	142	14-37424L092.75	350	
07	13-45471-001	106	14-37615-000	318	42
	13-45536-000	118	14-37616-000	318	
08	13-45660-000	68	14-37620-000	418	43
	13-45810-002	124	14-37898-000	244	
09	13-45850-000	136	14-38465-000	250	45
	13-45862-000	168	14-38467-000	250	
10	13-45879-000	122	14-39144-000	240	46
	13-46071-000	100	14-39430L039.00	236, 238, 240, 242	
11	13-46240-000	68	14-39430L053.23	236, 238, 240, 242	50
	13-46297-002	110, 186	14-39613-000	370	
12	13-46299-000	170, 186	14-40187-000	248	51
	13-46422-000	142	14-41841-000	248	
13	13-46514-000	142	14-41842-000	248	52
	13-47732-000	118, 120	14-41843-000	248	
14	13-47890-000	106, 186	14-42076L034.73	250	53
	13-48003-001	122	14-42076L044.57	250	
15	13-48003-004	122	14-42076L054.15	250	54
	13-48003-006	122	14-42530L150.07	240	
16	13-48113-000	108	14-42582-000	240	55
	13-48510-002	118	14-44054L409.00	236, 238	
17	13-48862N000	398	14-44055L182.51	242	56
	13-48867-000	108, 186	14-45237-000L	236	
18	13-50241-000	136	14-45237-000R	240	59
	14-36732-000L	350	14-45238-000	240	
19	14-36732-000R	350	14-45239-000	240	82
	14-36925-000	246	14-45240-000	240, 242	
20	14-36926-000	246	14-45241-000L	238	99
	14-36984-000L	248	14-45241-000R	242	
21	14-36984-000R	248	14-45242-000	236, 240	
	14-36985-000	248	14-45242-002	236, 240	
	14-36987-000	248	14-45242-003	236, 238, 242	
	14-37417L018.58	240	14-45385-000	238	
	14-37417L018.80	236	14-45386-000	238, 242	
	14-37417L032.57	236, 240	14-45387-000	236, 238	
	14-37417L036.66	236	14-45388-000	236	
	14-37417L039.00	238, 242	14-45389-000L	236	
	14-37417L039.63	240, 242	14-45389-000R	240	
	14-37417L039.84	238	14-45390-000	236	

Index by Part Number

01	14-45391-000	236	14-50961-000	244	22
	14-45392-000	236	14-51186M001	418	
02	14-45393-000	242	14-51188-000	418	26
	14-45394-000	242	14-51208-000	418	
03	14-45396-000	240	15-37002-000	102, 350	27
	14-45449-000	252	15-37005-000	398	
04	14-45637-000	234	15-37006-000	398	30
	14-45665-000	234	15-37007-000L	398	
05	14-45683-000	350	15-37007-000R	398	32
	14-45683-001	350	15-37008-000	398	
06	14-45957M000	234	15-37011-000	264, 424	40
	14-46342-000	234	15-37313-000	318	
07	14-46459-000L	244	15-37614-000	416	41
	14-46558-000	244	15-37651M000	102	
08	14-46619F006	250	15-37651M001	350	42
	14-46619F007	250	15-37658-000	102, 350	
09	14-47268-000	234	15-37692-000	350	43
	14-47723-000	240	15-37791-000	112	
10	14-47726-000	240	15-37844N000	424	45
	14-47800-000	252	15-37846L014.00	112	
11	14-47813-000	252	15-37850L018.00	312	46
	14-47823-000	252	15-37850L029.00	312	
12	14-47835-000	252	15-37850L037.15	312	50
	14-47839-000	252	15-37863L036.00	318	
13	14-47850-000	252	15-37863L049.82	318	51
	14-47931-000	252	15-37863L056.50	318	
14	14-47979-000	252	15-37863L085.37	318	52
	14-48022L039.00	236	15-37913-000	320	
15	14-48118-000	252	15-37992N000	104, 424, 434	53
	14-48119-000	252	15-38213-000	250	
16	14-48199-000	244	15-38269-000	112	54
	14-48200-000	244	15-38816-000	318	
17	14-48201-000	244	15-38849L033.75	268, 318	55
	14-48202-001	244	15-38966-000	102, 350	
18	14-48520-000	234	15-38967-000	102, 350	56
	14-48623-000	234	15-38968-000	102, 350	
19	14-48667-000R	252	15-38977L217.00	310	59
	14-48698-000	252	15-39387N000	328, 346	
20	14-48700-000	252	15-39530-000	350	82
	14-48741-000	244	15-39532-000	350	
21	14-48863-000	252	15-39533-000	350	99
	14-49107-001	244	15-39534-001	350	
	14-49107-002	244	15-39574F005	326	
	14-49107-003	244	15-39574F006	326	
	14-49107-004	246	15-39633-001	246, 320	
	14-49107-005	244	15-39766L138.27	330	
	14-49107-006	244	15-39766L174.00	330	
	14-49107-007	244	15-39796-000	310	
	14-49107-008	246	15-39846L122.50	330	
	14-49107-009	246	15-39846L95.71	330	
	14-49107-010	246	15-39896-000	330	

Index by Part Number

01	15-39897-000	310	15-44092M000	318	22
	15-39898-000	330	15-44119M000	318	
02	15-39899-000	330	15-44598L036.00	328	26
	15-39967-000R	310	15-44603L000	416	
03	15-40263N000	250	15-44603L396.00	310	27
	15-40409-000	168, 350	15-44604L038.25	246, 320	
04	15-40418M001	112	15-44604L076.38	398	30
	15-40455-012	310, 322	15-44683M000	170	
05	15-40601-000	278	15-45645-000	314	32
	15-40603-000	278	15-45646-000	314	
06	15-40925-000L	310	15-45647-000	316	40
	15-40925-000R	310	15-45650-000	316	
07	15-41001L000	314, 316	15-45653-000	398	41
	15-41031-015	404	15-45656-000	314	
08	15-41041-000	416	15-45682M001	416	42
	15-41274L000	314, 316	15-45697-000	350	
09	15-41307M002	112	15-45698-000	350	43
	15-41346-000	416	15-45699M000	350	
10	15-41751-001	310	15-45700-000	350	45
	15-41896-000	314, 316	15-45701-000	350	
11	15-41898-000R	314	15-45702-000	350	46
	15-41899-000L	314	15-45703M000	112	
12	15-41900-000	316	15-45705-000	264	50
	15-41907-000	314, 316	15-45845-000	112	
13	15-41914-009	314	15-46029-000	252, 310	51
	15-41914-012	314, 316	15-46192-002	310, 322	
14	15-41914-013	316	15-46283-000	328	52
	15-41925-000	314	15-46286-000	328	
15	15-41936-000	316	15-46734-000L	314	53
	15-42329-000	318	15-46734-000R	316	
16	15-42508M001	264, 278	15-46735M000L	314	54
	15-42526-001	328	15-46735M001R	316	
17	15-42614-000	320	15-47438M001	326	55
	15-42712-000	310	15-47439-001	326	
18	15-42881-001	310	15-47460-000	324	56
	15-42881-004	322	15-47784-000	424	
19	15-43025-000	310	15-47853-000	324	59
	15-43025-001	310	15-47882-000	328	
20	15-43025-002	310	15-47882-001	326	82
	15-43025-004	310	15-47883-000	328, 330, 346	
21	15-43025-005	310	15-47906-000	112, 350	99
	15-43025-006	310	15-47928-000	310	
	15-43025-007	310	15-47992-000	312	
	15-43028-000	102	15-47993-000	312	
	15-43055-000	246	15-48174-000	312	
	15-43097M003	320	15-48192-000	328	
	15-43668-000	246, 320	15-48234M001	328	
	15-43815-000	416	15-48303-000	354	
	15-44089-000	318	15-48309-001	350	
	15-44090M000	318	15-48310M002	350	
	15-44090M001	318	15-48321-000	350	

Index by Part Number

01	15-48671L000	310	18-47784-000	424	22
	15-48671L072.00	310, 356	18-47805-000	392	
02	15-49394L056.42	346	18-47822-000	392	26
	15-49399-031.90	346	18-47825N000	392	
03	15-49551C8508	312	18-47826N000	392	27
	15-49553C8508	312	18-47887-000	432	
04	15-49590-000	252, 254	18-48129-000	352	30
	15-49593-000	252	18-48130-000	352	
05	15-49637-000	112, 350	18-48131-000	352	32
	15-49638-000	112, 350	18-48132-000	352	
06	15-49713-000	338	18-48285N000	392	40
	15-49722C8508	312	18-48286-000	340	
07	15-49726C8508	312	18-48286-001	340	41
	15-50199-000	310	18-48612M002	310	
08	15-50370CXXXTX	398	18-48708-001	324	42
	15-51058-000	422	18-48794-000	332	
09	15-51058-001	422	18-49080-000	424	43
	16-43879N000	398	20-36705M001	282	
10	16-43881N000	402	20-36765-000	284	45
	16-46291N000	13	20-36767-000	284	
11	16-46375-001	280	20-36772-000	266	46
	16-46826N000	400	20-36773-000	284	
12	16-47860N000	398	20-36774-000	284	50
	16-47861N000	398	20-36996-000	284	
13	16-47862N000	398	20-36997-000	266, 284	51
	16-47863N000	398	20-37130-000	370, 372, 374, 378,	
14	16-47864N000	398		380	52
	17-45533CDCX903	13, 404	20-37166-000L	386	
15	18-37892-000	352	20-37166-000R	386	53
	18-37908-000	352	20-37247-000	362	
16	18-38135-000	416	20-37467L412.82	384	54
	18-39137L021.00	358	20-37470L195.38	376	
17	18-39410-000	392	20-37701-000	24	55
	18-39597-000	352	20-37717-000	24	
18	18-39599-000	352	20-38155-000	282	56
	18-39629-000	324	20-38161-000	282	
19	18-40145F001	310, 356	20-38174-000	282	59
	18-40561C73624	342	20-38188-006	246	
20	18-41512-000	324	20-38567-000	370, 374	82
	18-41846-000	166	20-38741M021	284	
21	18-42168-000	310, 356	20-38856-000	284	99
	18-45458M005	104	20-38859-000	284	
	18-45459-000	264	20-39589-000	284	
	18-45460M014	104	20-40210N000	432	
	18-46005M002	432	20-40212-000	258	
	18-46467F001	310, 356	20-40233-000	268	
	18-47568-000	324	20-40430-000L	266, 284	
	18-47638-000	112	20-40430-000R	266, 284	
	18-47674N000	390	20-40431-000	266	
	18-47676N000	390	20-40433-000	266, 284	
	18-47695-000	310	20-40513-000	284	

Index by Part Number

01	20-40524-000	266, 284	20-45491M001	368	22
	20-40546-000	266, 284	20-45493M001	368	
02	20-40547-000	266, 284	20-45495M000	376	26
	20-40596L435.00	286	20-45495M001R	376	
03	20-40906-000	268	20-45504-000	368	27
	20-40936-000	286	20-45505-000	368	
04	20-40937-000	286	20-45582N000	256	30
	20-41046-000	286	20-45668-000L	258	
05	20-41047N000	386	20-45668-000R	256	32
	20-41108N000	388	20-45668-001L	258	
06	20-41131N000	388	20-45668-001R	256	40
	20-41132N000	388	20-45669-000L	258	
07	20-41133N000	388	20-45669-000R	256	41
	20-41134N000	388	20-45670-000	256	
08	20-41688-003	336	20-45670-000L	256	42
	20-41866-000	266, 284	20-45672-000	256	
09	20-41927-000	368, 376	20-45673-000	256	43
	20-41952-000	258, 268	20-45674-000	256	
10	20-42065N000	370, 376	20-45677-000	256	45
	20-42593-000	376	20-46930-000	380	
11	20-42594-000	368, 376	20-47468L080.50	256, 384	46
	20-43337-000	256	20-47690M000	368	
12	20-43373-000L	268	20-47711M002	376	50
	20-43373-000R	268	20-47715M003L	288	
13	20-43373-001L	268	20-47715M003R	288	51
	20-43373-001R	268	20-48399-000L	374	
14	20-43382-000	256	20-48399-000R	380	52
	20-43540-000	256	20-48400-000	372, 378	
15	20-43569N000	256, 260	20-48608-000	266	53
	20-44007-000	268	20-48985M000	376	
16	20-44008-000	268	20-48986-000L	282	54
	20-44022L085.50	268	20-48986-000R	282	
17	20-44023L084.00	256, 384	20-48987M001	368, 374	55
	20-44028-000	256	20-48990M001	368, 370	
18	20-44058-000	234, 390	20-48991-000	368, 370	56
	20-44097-000	234, 390	20-48994M001	376, 380	
19	20-45093-000	268	20-48998M001L	368, 372	59
	20-45095-000L	268	20-48998M001R	376, 378	
20	20-45095-000R	268	20-49017M000	376	82
	20-45095-001L	268	20-49020F001	266	
21	20-45095-001R	268	20-49595M001	280	99
	20-45096-000L	268, 270	20-50948-000	286	
	20-45096-000R	268, 270	20-50949-000	286	
	20-45098-000L	268	21-37250-000	414	
	20-45098-000R	268	21-37250-001	414	
	20-45099-000L	268	21-37251-001	414	
	20-45099-000R	268	21-37252-001	414	
	20-45100-000	268	21-42003-001	410	
	20-45101-000	268	21-42766-000	414	
	20-45125-000	268	21-43550CXXXXX	410	
	20-45483M001	376	21-45634-001	412	

Index by Part Number

01	21-45635-001	412	40-16398-000	54	22
	21-45640-001	412	40-19084-000	26	
02	21-45642-000	414	40-19815-000	32	26
	21-46560-000	32	40-21418-000	104, 264, 398	
	21-48284-000	416	40-21506-000	100	27
03	22-39656N000	428	40-21604-001	108	
	22-40664-000	428	40-22860-000	34	30
	22-41880M000	24	40-22900-027.50	252	
04	22-44052-000	428	40-24993-007	118	32
	22-44966-000	428	40-25039-000	410	
05	22-46717-000	428	40-25150-004	106	40
	22-48062-000	428	40-25150-005	106	
06	22-48066-000	428	40-25192-000	350	41
	22-48067-000	428	40-25772-000	230	
	22-50629N000	422	40-26093-000	420	42
07	22-50630N000	422	40-26658-000	38	
	22-51082-000	422	40-28622-000	32	43
08	26-38333N000	290	40-29030-000	120	
	26-45474-000R	290	40-29030-001	120	45
	26-45474-001L	290	40-32305-000	246	
09	26-45512-000	290	40-32531-000	124, 130	46
	30-37146F019	432	40-32887-001	310	50
10	30-37147F002	432	40-32983-000	28, 38	
	30-37149-001	112	40-33049-000	28	51
	30-37154-000	434	40-33528-004	324	
11	30-37207F004	104	40-34891-000	328	52
	30-37207F013	104, 434	40-35677-000	412	
12	30-39344F001	432	40-35677-002	348, 414	53
	30-41172F000	434	40-35677-003	412	
13	30-41198M002	434	40-35904-000	364	54
	32-39745-000	52	40-35925-000	156	
14	32-45689-000	50	40-36049-000	366	55
	32-45690-000	50	40-36310-000	144	
	32-48495-000	52	40-36434-000	46	56
15	32-48496-000	52	40-36515-000	168	
	40-00445-002	20	40-36901-000	120	59
	40-00445-003	370, 372, 374, 378, 380	40-36906-000	120	
16	40-08157-000	24	40-44678-000	108	82
	40-08157-001	54	40-46947-000	120	
17	40-10575-001	28	40-49350-000	106	99
	40-11099-001	146	41-00035-008	28	
18	40-11230-002	28	41-00035-011	28	
	40-11784-006	350	41-09925-000	36	56
	40-11784-008	320	41-10761-002	376	
19	40-11791-000	320, 350	41-28188-030.50	346	59
	40-13509-000	54	41-28188-030.64	346	
20	40-13960-000	108	41-28188-40.13	346	
	40-14705-000	360	42-09396-000	416	82
	40-15299-000	320, 350	42-09927-000	36	
21	40-15329-000	280	42-19698-000	22	
			42-21245-020	124	

Index by Part Number

01	42-21245-021	124	46-12J6365-0630	42	22
	42-21245-022	124	46-16B1010-000	42	
02	42-21245-023	124	46-16B1012-000	42	26
	42-25133-000	148	46-16B1012-0450	44	
03	42-25180-000	420	46-16B1018-1350	44	27
	42-29009-000	46	46-16D3030-000	192	
04	42-29247-000	44	46-20A1010-000	42	30
	42-29247-001	44	46-20A1010-0290	226	
05	42-29247-002	44	46-38363-000	426	32
	42-34677-000	44	46-42162-000	206	
06	42-36440-000	428	46-44129-002	426	40
	43-15310-000	280	50-00019-000	20, 282, 284, 348, 370, 372, 374, 378,	
07	43-27402-000	150		380	41
	45-00042-000	412, 414	50-02104-007	340	42
08	45-02137-006	334	50-02142-000	326	
	45-09926-000	36	50-02142-002	354	43
09	45-10234-000	432	50-02144-000	328	
	45-10234-000R	432	50-10932-006	160	45
10	45-11106-002	256	50-11574-002	340	
	45-12579-002	426	50-13461-002	170	46
11	45-15184-001	428	50-16939-010	92	
	45-17477-216.00	310	50-17745-003	260	48
12	45-23645-000	222	50-17745-007	260, 272	
	45-25543-049.62	324	50-19797-053	124, 136	50
13	45-25560-049.62	324	50-19797-130	130	
	45-26097-07.0	108	50-19797-180	124	51
14	45-26097-10.0	106	50-19797-220	124	
	45-29245-000	44	50-19797-265	124, 136	52
15	45-29246-000	44	50-19797-267	124, 136	
	45-32982-000	38	50-23877-000	186	53
16	45-33531-000	324	50-23947-000	168	
	45-34320-012.69	256	50-24458-005	170	54
17	45-36559-046.00	318	50-24767-000	210	
	45-36560-053.00	318	50-25352-029	122	55
18	46-04B1010-TBM	36	50-25352-030	122	
	46-04B1111-000	48	50-26461-005	146, 186	56
19	46-04D3031-500	192	50-26461-008	146, 186	
	46-06B1010-000	42	50-27194-001	160	59
20	46-06B1014-000	42	50-29237-001	420	
	46-06B1111-0160	36	50-35475-001	382	82
21	46-08A1010-0160	50	50-36981-000	164, 186	
	46-08B1010-000	228	50-36981-004	186	99
	46-08D3033-000	50	50-36981-009	164, 186	
	46-08I8186-0240	206	50-37071-015	122	
	46-08I8186-0270	206	50-37071-016	122, 124	
	46-08I8186-0300	206	50-37071-017	124	
	46-10A1010-0200	50	50-37082-001	118, 124	
	46-10A1414-000	228	50-37082-002	118, 124	
	46-10B1010-000	228	50-37083-001	124	
	46-10D3033-000	50	50-37083-007	124	
	46-12F6363-000	228			

Index by Part Number

01	50-37083-008	124	50-47901-000	186	22
	50-37096-001	118, 124	50-48437-000	142, 186	
02	50-37103-001	186	50-48437-001	142, 186	26
	50-37201-000	124, 130	50-48974-000	186	
	50-37292-003	122, 124	50-49189-001	186	27
03	50-37292-004	124	50-49202-000	164, 186	
	50-37292-005	124	50-50956-000	186	
04	50-37769-002	186	51-00059-014	164	30
	50-37825-001	164, 186	51-00072-001	194	
	50-37833-000	122, 124	51-00100-000	142, 434	32
05	50-37833-001	122, 124	51-00108-005	108	
	50-37899-000	186	51-02112-003	154, 434	40
06	50-38157-000	186	51-02114-003	168	
	50-38158-000	186	51-02115-000	434	41
	50-38159-000	186	51-02118-000	350	
07	50-38598-000	186	51-02118-001	168	42
	50-39450-004	186	51-02128-001	106, 108	
	50-39453-001	186	51-02128-002	142, 432	43
08	50-39466-001	186	51-02128-004	434	
	50-39468-000	186	51-02164-003	106, 108	45
09	50-39773-000	170, 186	51-02164-009	432	
	50-39968-000	160, 186	51-02164-010	434	46
	50-39968-003	186	51-02164-012	106, 108, 432, 434	50
10	50-40026-000	186	51-02164-014	432, 434	
	50-40132-001	186	51-02164-015	142	51
11	50-40208-000	164	51-02164-019	108	
	50-40605-000	120	51-02164-021	434	52
	50-40731-000	186	51-02164-025	142, 160	53
12	50-40996-000	186, 434	51-02186-013	174, 178	
	50-41237-000	146, 186	51-09325-000	100, 114	54
13	50-41416-002	106, 186	51-09325-001	100	
	50-41436-000	186	51-10141-000	142	55
	50-41824-001	166	51-10534-001	434	
14	50-41824-003	186	51-10855-003	166	56
	50-42156-000	186	51-11693-003	106, 108	59
	50-42278-001	186	51-11768-002	156	
15	50-42360-003	186	51-12096-002	106, 114, 144, 432	82
	50-43518-000	186	51-12096-005	106	
16	50-43623-002	124, 126	51-12096-007	104, 168	99
	50-43623-003	124, 128	51-12096-008	104, 168	
17	50-43988-000	124	51-12230-001	148	
	50-43988-001	124	51-12600-006	108	
	50-44200-002	186	51-12906-007	434	
18	50-45662-006	118, 124	51-12906-008	434	
	50-45662-007	118, 124	51-13512-000	142	
19	50-47765-000	186	51-13722-001	162	
	50-47767-000	186	51-13833-034	164	
	50-47858-001	186	51-13833-039	164	
20	50-47859-001	186	51-14062-000	432, 434	
	50-47889-000	106	51-14274-07Z	108	
21	50-47900-000	186	51-14278-06Z	108	

Index by Part Number

01	51-14840-017.....	118	51-27078-000.....	36	22
	51-15954-016.....	162	51-27757-002.....	98	
02	51-16264-001.....	114	51-27758-002.....	98	26
	51-16873-002.....	98, 114, 116, 152	51-28937-007.....	428	
03	51-16873-003.....	164	51-28937-014.....	434	27
	51-16873-005.....	152	51-28937-016.....	434	
04	51-16873-006.....	152	51-29031-000.....	120	30
	51-16873-007.....	114, 116, 120, 146	51-29355-002.....	164	
05	51-16873-008.....	146, 164	51-29355-009.....	164	32
	51-16873-009.....	98	51-29355-016.....	164	
06	51-16873-012.....	164	51-29355-022.....	164	40
	51-16873-015.....	98, 114, 116	51-29355-023.....	164	
07	51-16873-016.....	114, 164	51-29416-000.....	100	41
	51-16873-018.....	146	51-29416-001.....	100	42
08	51-17286-003.....	136	51-29416-002.....	100	43
	51-17286-007.....	136	51-29416-003.....	100	45
09	51-17469-000.....	432	51-29691-001.....	162	46
	51-17760-003.....	434	51-32318-000.....	158	50
10	51-19017-016.....	18	51-33290-005.....	160	51
	51-19332-060.....	120, 124, 136	51-33290-008.....	160	52
11	51-19332-100.....	120, 122, 124	51-33290-010.....	160	53
	51-19332-125.....	120, 124, 136	51-33290-012.....	160	54
12	51-19332-150.....	124, 136	51-33290-013.....	160	55
	51-19332-325.....	124, 136	51-33290-017.....	160	56
13	51-19332-600.....	124	51-33290-019.....	160	59
	51-19332-800.....	124	51-33290-020.....	160	82
14	51-21794-004.....	136	51-33290-024.....	160	99
	51-21794-005.....	136	51-33290-027.....	160	
15	51-22466-001.....	142	51-33290-028.....	160	
	51-22880-004.....	136	51-33290-048.....	160	
16	51-22881-003.....	136	51-33290-049.....	160	
	51-22937-002.....	194	51-33290-055.....	160	
17	51-22968-001.....	434	51-33290-056.....	160	
	51-22968-021.....	142	51-33372-000.....	194	
18	51-22968-022.....	48, 142	51-34477-001.....	434	
	51-22968-027.....	434	51-34803-001.....	100	
19	51-22968-029.....	142	51-34803-002.....	100	
	51-22968-032.....	142	51-34804-001.....	114	
20	51-22968-033.....	434	51-34804-002.....	116	
	51-23251-006.....	108	51-34804-003.....	114	
21	51-23339-000.....	48	51-36164-021.....	142	
	51-23405-000.....	194, 212	51-36444-000.....	144	
	51-23648-001.....	120	51-42853-000.....	106, 136	
	51-24459-040.....	106	51-43419-002.....	106	
	51-25064-003.....	272	51-43419-003.....	106, 108	
	51-25517-006.....	136, 140	51-43419-006.....	108	
	51-25517-009.....	136	51-44983-000.....	350	
	51-26117-005.....	194	51-45116-000.....	100, 150, 326	
	51-26117-015.....	194	51-45116-001.....	100	
	51-26117-017.....	194	51-47926-000.....	350	
	51-26164-025.....	142	51-48999-000.....	110, 434	

Index by Part Number

01	51-49741-002	136	53-15338-000	280	22
	51-49741-003	136, 146	53-15469-005	274	
02	51-50241-000	122	53-15469-009	274	26
	52-00002-001	192	53-15480-004	230	
03	52-00516-000	32	53-15480-005	230	27
	53-00227-000	32	53-15488-000	192	
04	53-00271-001	192	53-15741-000	348	30
	53-00276-000	196	53-16126-001	24	
	53-00302-001	168	53-16126-008	24	32
	53-00302-002	102, 168, 284, 350	53-16126-009	24	
05	53-00329-000	196, 202, 204	53-16247-008	202, 204	
	53-00411-000	104, 146, 434	53-16247-014	204	40
06	53-00467-000	194	53-16247-019	204	
	53-00743-005	80	53-16247-021	196	41
	53-00758-001	194, 432	53-17469-000	212	
07	53-00777-001	94	53-17575-003	156	42
	53-02123-000	222	53-17575-004	156	
	53-02195-015	28, 252	53-17801-008	92	43
08	53-02195-016	234, 280, 290, 310	53-17801-009	92	
	53-02195-020	252, 280, 282	53-18882-001	26	45
09	53-02222-039	428	53-18882-007	46	
	53-02231-014	266	53-18882-021	32	46
10	53-02231-017	284	53-18882-025	32	
	53-02237-000	376	53-19322-026	130	50
	53-02249-010	374	53-19523-016	38	
11	53-02317-001	420	53-20274-001	194	51
	53-02322-001	22	53-20338-000	194, 196, 206	
	53-02322-002	22	53-20347-007	370	52
12	53-08005-003	256, 270, 274	53-20347-008	374	
	53-08005-004	256, 270, 274	53-20873-000	192, 208	53
13	53-08005-005	256, 270, 274	53-20948-003	256	
	53-08005-008	194, 202, 204	53-21060-000	222, 224	54
	53-08339-002	36	53-21338-000	16	
14	53-09010-000	424	53-21338-001	16	55
	53-09054-000	36	53-21364-001	192	
15	53-09370-000	194	53-21364-002	32, 420	56
	53-09611-012	92	53-21364-005	410	
	53-09611-013	92	53-21364-007	32, 34	59
16	53-09635-000	222	53-21364-008	32, 34	
	53-09902-000	36	53-21364-012	28, 32	82
17	53-09903-000	36	53-21364-046	410, 412, 414	
	53-09904-000	36	53-21364-047	410	99
	53-09905-000	36	53-21580-000	194, 206	
18	53-09988-000	36	53-21756-000	188, 196	
	53-09989-000	36	53-22412-002	230	
19	53-10024-000	36	53-22412-005	230	
	53-10828-000	20	53-22644-003	58	
20	53-11792-000	204	53-23280-003	406	
	53-11924-000	206	53-23559-025	52	
	53-15022-002	196	53-23592-000	218	
21	53-15085-025	92	53-23722-000	42	

Index by Part Number

01	53-23722-002.....	42	53-35397-000N.....	366	22
	53-24601-002.....	210	53-35399-000.....	420	
02	53-24928-000.....	226	53-35409-000N.....	390	26
	53-25035-000.....	410	53-35414-000N.....	390	
03	53-25162-011.....	146	53-35415-000N.....	390	27
	53-25162-013.....	146	53-35484-000N.....	366	
04	53-25182-067.....	360	53-35582-000N.....	366	30
	53-25182-088.....	360	53-35868-000.....	340	
05	53-25182-144.....	360	53-35906-002.....	364	32
	53-25182-206.....	362	53-38209-015.....	108	
06	53-25261-000.....	434	53-39852-002.....	13	40
	53-25343-000.....	36	53-39905-000.....	432	
07	53-25344-000.....	36	53-39971-002.....	13	41
	53-25570-001.....	94	53-40059-005.....	108	
08	53-25574-000.....	44	53-40059-008.....	108	42
	53-26028-003.....	68	53-46559N000.....	366	
09	53-26075-003.....	26	53-46863-000.....	230	43
	53-26278-000.....	428	53-47378-001.....	13	
10	53-26599-000.....	296	53-47677N000.....	390	45
	53-26654-000.....	84	53-47678N000.....	390	
11	53-27097-002.....	124, 130	53-49483-001.....	13, 54	46
	53-27097-003.....	118, 124, 130	53-49582-003.....	13, 84	
12	53-27097-005.....	118, 128	53-50362-021.....	13	50
	53-27097-008.....	118	54-00025-005.....	426	
13	53-27116-000.....	100	54-00025-011.....	416	51
	53-27178-000.....	42	54-00026-000.....	326, 328, 336, 338, 354	
14	53-27218-000.....	324	54-00027-000.....	326, 328, 336, 338, 354	52
	53-27344-000.....	410	54-00029-001.....	22, 24	
15	53-27653-006.....	32	54-00029-002.....	22, 26	53
	53-27698-001.....	24	54-00029-005.....	32	
16	53-27817-030.....	360, 362	54-00029-006.....	32, 34	54
	53-28088-001.....	22, 28, 38, 420	54-00029-009.....	34	
17	53-28246-001.....	194, 206	54-00064-001.....	320, 350	55
	53-28246-013.....	76	54-00094-003.....	324	
18	53-28246-015.....	164	54-02133-000.....	412, 414	56
	53-28246-017.....	164	54-07101-001.....	284, 320	
19	53-28246-018.....	164	54-07101-004.....	280, 416	59
	53-28246-020.....	164	54-07101-005.....	358	
20	53-28246-021.....	164	54-09120-001.....	24, 142	82
	53-28246-025.....	164	54-10163-001.....	282, 324	
21	53-28246-030.....	164	54-10163-003.....	310	99
	53-28507-000.....	68	54-10163-004.....	102	
	53-28784-000.....	196	54-10163-005.....	20, 24, 240, 242, 266, 284, 312, 324, 326, 354	
	53-28862-000.....	204	54-10163-006.....	20, 22, 24, 222, 236, 238, 240, 242, 246, 376	
	53-29075-002.....	42, 44	54-10163-008.....	236, 238, 240, 242,	
	53-29743-000.....	372, 378, 380			
	53-32336-000.....	340			
	53-33158-000N.....	36			
	53-34748-000.....	22			
	53-35042-XXX.....	94			
	53-35118-000.....	158			

Index by Part Number

01		244, 370, 372, 374	54-11331-016	216	22
02	54-10163-011	150, 326	54-11340-002	36	26
03	54-10163-016	102	54-11344-004	52, 404	27
04	54-10163-017	234	54-11345-006	216, 222	30
05	54-10163-019	168	54-11348-005	68	32
06	54-10163-023	286	54-11349-006	216	40
07	54-10163-024	312, 404	54-11349-007	216	41
08	54-10163-025	398	54-11349-009	92, 428	42
09	54-10163-026	328	54-11349-016	92	43
10	54-10163-027	326	54-11350-005	30	45
11	54-10163-029	236, 238, 240, 242	54-11352-009	28	46
12	54-10163-032	282	54-11353-013	92	50
13	54-10163-036	310, 356, 392, 398	54-11355-007	216	51
14	54-10163-037	236, 238, 240, 242, 244, 282, 288, 376, 398	54-11355-011	78	52
15			54-11355-015	92	53
16	54-10163-039	310, 356, 362, 378, 380	54-11355-021	78	54
17	54-10163-043	234, 252, 310	54-11357-007	216	55
18	54-11316-002	28, 38, 142, 370, 374, 380	54-11359-016	78	56
19	54-11316-003	24, 104, 120	54-12061-010	418	59
20	54-11316-005	36, 48, 246	54-12536-005	398	82
21	54-11316-006	68	54-12536-007	30	99
	54-11316-010	124, 130	54-12536-009	28, 428	
	54-11316-018	68	54-12540-001	106, 142	
	54-11316-027	68	54-12540-002	168, 358	
	54-11316-067	394	54-12540-003	20, 136, 166, 324, 418	
	54-11318-002	30, 222	54-12540-005	28, 36, 48, 68, 104, 120, 124, 126, 128, 130, 136, 246, 266, 280, 370, 374, 402, 410	
	54-11318-003	24, 30, 42, 44, 376	54-12540-006	24, 30, 42, 44, 206, 266, 284, 370, 374, 380	
	54-11318-004	26, 30, 44	54-12540-007	20, 22, 24, 28, 38, 52, 68, 210, 222, 230, 246, 410, 420	
	54-11318-006	30	54-12540-008	404, 428	
	54-11318-007	412, 414	54-12540-009	16, 22, 210	
	54-11318-012	206	54-12540-011	16	
	54-11319-003	206	54-12541-006	206	
	54-11320-002	20, 222	54-12541-007	246	
	54-11320-003	24, 198, 230, 404, 410	54-12541-009	28, 78	
	54-11320-004	50, 210, 222	54-12541-012	216	
	54-11320-005	22, 28, 38, 230, 420, 428	54-12542-009	28	
	54-11320-006	68	54-12546-007	256	
	54-11321-004	28, 38	54-12546-008	256	
	54-11321-005	246, 428	54-12550-003	168	
	54-11322-005	404	54-12550-005	320, 350	
	54-11324-005	16	54-12550-007	222, 404	
	54-11324-012	22	54-12550-009	68, 216	
	54-11324-016	210			
	54-11325-004	28			
	54-11325-013	78			
	54-11328-006	16			

Index by Part Number

01	54-12550-011	28, 428	54-12605-003	398	22
	54-12551-007	78, 216, 428	54-12605-004	22, 44	
02	54-12551-008	404	54-12605-006	420	26
	54-12551-009	28, 38, 92, 418,	54-12605-007	158	
		428	54-12605-008	326, 348	27
03	54-12551-011	78, 92	54-12845-006	208	30
	54-12551-012	78, 92	54-12852-003	426	
04	54-12551-013	216	54-12852-012	426	32
	54-12551-014	78	54-12854-003	32, 420	
	54-12552-011	428	54-12854-009	420	40
05	54-12555-009	16, 388, 428	54-12857-001	420	41
	54-12559-007	388	54-12894-012	426	42
	54-12559-009	386	54-12896-012	410, 420	
06	54-12600-001	106	54-12896-016	420	43
	54-12600-002	106, 108, 110	54-12899-012	32, 192	
07	54-12600-003	20, 106, 108, 146,	54-12899-016	420	45
		166, 358, 392, 418	54-12902-012	420	
08	54-12600-006	36, 68, 104, 106,	54-12905-012	32	46
		120, 124, 126, 128,	54-12906-012	426	
		130, 136, 142, 246,	54-12917-012	32	50
		264, 278, 402, 410,	54-12932-001	192, 194, 216	
		424	54-12932-002	188, 196	51
09	54-12600-007	20, 24, 26, 42, 44,	54-12932-004	36, 212	52
		136, 206, 266, 350,	54-12932-005	190, 196, 204	
		360, 376	54-12932-006	194	53
10	54-12600-008	20, 22, 24, 30, 68,	54-12932-007	196, 206	54
		210, 234, 338, 404,	54-12932-008	188	
		410, 420	54-12932-009	188, 206	55
11	54-12600-009	404, 428	54-12932-010	188	56
	54-12600-010	68	54-12932-013	196, 210	
12	54-12600-013	30	54-12933-002	208	59
	54-12601-007	206	54-12933-005	188, 190, 196	
13	54-12601-008	222, 246, 256, 428	54-12934-006	194	82
	54-12601-010	16, 28, 34, 38, 78,	54-12934-008	196	
		92, 210, 216, 386,	54-12934-009	196, 206	99
		388, 428	54-12934-010	206	
14	54-12601-012	16, 78, 92, 428	54-12934-013	196, 206	
	54-12601-013	78, 92, 216	54-12934-017	194	
15	54-12601-014	216	54-12935-001	192, 194, 216	
	54-12601-015	78	54-12935-002	188, 190, 194, 206,	
16	54-12602-005	276		210	
	54-12602-009	120, 142, 324, 346,	54-12935-003	188, 194	
		348, 398	54-12935-004	36, 194, 206, 212	
17	54-12602-010	42, 222, 360	54-12935-005	188, 190, 192, 196,	
	54-12602-011	28, 30, 36, 38, 198,		202, 206, 208	
		256, 404	54-12935-006	188, 194, 206	
18	54-12602-013	52	54-12935-007	196, 210	
	54-12603-006	28, 38	54-12935-009	188, 196	
19	54-12605-000	22, 38	54-12935-010	196	
	54-12605-001	24	54-12935-013	196, 206	
20	54-12605-002	28, 38, 280	54-12936-002	192	
21					

Index by Part Number

01	54-12937-003.....	190	54-13059-038.....	42	22
	54-12938-005.....	206	54-13059-043.....	226	
02	54-12938-007.....	188	54-13062-007.....	42	26
	54-12948-002.....	200	54-13062-014.....	42, 226	
	54-12948-004.....	36, 194, 202, 204,	54-13062-032.....	42	
03		208	54-13063-008.....	42	27
	54-12949-006.....	206	54-13063-010.....	42	
04	54-12951-006.....	206	54-13063-019.....	42	30
	54-12953-004.....	200	54-13071-008.....	228	
	54-12954-008.....	196	54-13071-016.....	42	
05	54-12955-002.....	24, 212	54-13071-022.....	42	32
	54-12955-004.....	188, 190, 196	54-13073-005.....	36	
06	54-12955-005.....	206	54-13073-016.....	226	40
	54-12955-008.....	196, 206, 210	54-13074-004.....	48	
	54-12956-003.....	36	54-13078-010.....	228	
07	54-12956-004.....	192, 196, 202, 204	54-13085-010.....	228	41
	54-12956-006.....	200, 206	54-13093-002.....	216	
	54-12956-007.....	196	54-13093-004.....	194, 202, 204	42
08	54-12957-002.....	22, 24, 212	54-13093-005.....	192, 208	
	54-12957-004.....	48, 188, 206	54-13093-006.....	188	43
09	54-12957-006.....	194	54-13100-003.....	318, 398	
	54-12957-008.....	206	54-13104-024.....	256, 268	45
	54-12957-012.....	426	54-13108-000.....	224	
10	54-12958-004.....	28, 48, 190	54-13108-003.....	382	46
	54-12958-006.....	48	54-13108-006.....	58	
11	54-12961-001.....	48, 194	54-13108-017.....	364	50
	54-12961-010.....	210	54-13108-030.....	188	
12	54-12961-014.....	32, 420	54-13108-031.....	120, 266	51
	54-12976-013.....	32	54-13108-032.....	68, 352	
	54-12976-017.....	420	54-13108-044.....	280	52
13	54-12993-004.....	36, 48	54-13109-005.....	38	
	54-12993-018.....	206	54-13110-002.....	324, 326, 348	53
14	54-12995-003.....	192	54-13110-004.....	256	
	54-12995-004.....	48	54-13111-001.....	20, 104, 146, 264,	54
	54-12996-005.....	36		320, 424	
15	54-12996-009.....	206	54-13111-002.....	102, 112, 120, 142,	55
	54-13003-021.....	50		256, 268, 350	
16	54-13003-029.....	192	54-13111-014.....	256	56
	54-13007-020.....	210	54-13111-025.....	158	
17	54-13007-023.....	192	54-13111-034.....	256, 268	59
	54-13008-017.....	50	54-13111-043.....	310	
	54-13008-044.....	192	54-13111-059.....	268, 340	82
18	54-13039-011.....	50	54-13112-006.....	58	
	54-13039-014.....	50	54-13112-009.....	46, 226	99
19	54-13050-016.....	228	54-13112-010.....	16, 32, 34	
	54-13050-039.....	192	54-13112-011.....	26, 32	
20	54-13054-008.....	228	54-13112-014.....	16	
	54-13055-041.....	426	54-13112-017.....	16	
21	54-13059-004.....	42	54-13112-019.....	188	
	54-13059-021.....	228	54-13112-020.....	336, 338, 364	
	54-13059-036.....	44	54-13112-026.....	28	

Index by Part Number

01	54-13112-029	54	54-13559-005	16, 38, 418	22
	54-13112-030	328, 340, 346, 382	54-13559-006	386, 388	
02	54-13112-032	68	54-13559-007	16	26
	54-13113-009	246	54-13563-008	78	
03	54-13113-0104	346	54-13563-011	78	27
	54-13113-040	264	54-13563-013	78	
04	54-13113-044	58	54-13563-015	78	30
	54-13113-051	58	54-14036-000	188	
	54-13113-055	130	54-14230-004	392	
05	54-13113-064	28, 38	54-14244-06Z	106, 108	32
	54-13113-067	266	54-14256-04B	264, 278	
	54-13113-068	364	54-14264-07Z	268	
06	54-13113-075	340	54-14270-03Z	106	40
	54-13113-084	234, 390	54-14272-03Z	168	
	54-13113-089	120	54-14272-04Z	106, 108	41
07	54-13113-100	226	54-14272-06Z	106, 108, 110	
	54-13113-101	188	54-14274-04Z	418	42
08	54-13113-104	328	54-14274-06B	166	
	54-13116-001	38	54-14274-06Z	106, 108	43
	54-13116-005	44	54-14274-07Z	106, 324	
09	54-13116-012	216	54-14275-03Z	142	46
	54-13117-001	48, 128	54-14275-04Z	20	
10	54-13118-054	230	54-14275-06B	312	45
	54-13118-056	42, 44	54-14275-06Z	20	
	54-13118-073	32	54-14278-06B	324	50
11	54-13118-078	192	54-14278-06Z	106, 266, 402, 424	
	54-13118-086	228	54-14278-07Z	280	51
	54-13118-087	228	54-14278-08B	108	
12	54-13119-000	384	54-14284-02Z	356	52
	54-13119-003	168, 170, 188, 326, 352, 424	54-14284-04Z	142, 278	
13	54-13119-011	360	54-14284-05Z	320	53
	54-13119-023	286	54-14286-04B	168	
14	54-13119-024	222, 350	54-14286-04Z	358	54
	54-13119-030	68	54-14288-06Z	20, 154	
15	54-13119-031	152	54-14288-07Z	246, 320	55
	54-13119-054	328	54-14288-09Z	98, 280	
16	54-13119-056	68	54-14289-03Z	142	56
	54-13119-064	380	54-14292-06Z	326	
	54-13119-065	324, 348	54-14292-07B	166	54
17	54-13119-081	322	54-14292-07Z	334, 348	
	54-13119-082	324	54-14292-10Z	328	55
18	54-13119-085	268	54-14302-07B	158	
	54-13119-088	428	54-14444-006	136	56
	54-13119-089	310, 322	54-14444-011	136	
19	54-13119-092	318	54-14445-005	36	59
	54-13119-093	168, 350	54-14448-006	136	
20	54-13119-094	258, 268	54-14564-07Z	340	82
	54-13119-096	252	54-14566-07Z	36	
21	54-13119-111	168	54-15201-002	142	99
	54-13134-017	410, 420, 426	54-15406-001	228	
			54-15406-005	412, 414	

Index by Part Number

01	54-15406-009	414	54-37362-000	370, 374	22
	54-15729-002	100	54-37647N000	264, 350, 416	
02	54-15729-027	100, 150	54-37750-000	228	26
	54-15729-028	98	54-37750-001	228	
	54-15729-029	98	54-38112N000	102, 350	27
03	54-15729-27	326	54-38170N000	266, 284, 350	
	54-17487-007	42	54-39636N000	398	30
04	54-17487-008	26, 32	54-40032N000	320	
	54-17488-008	46	54-40849-012	52	32
	54-17488-016	54	54-42072-000	318	
05	54-17489-010	32, 34	54-42163-008	206	40
	54-17489-014	16	54-42164-008	206	
06	54-17491-015	16	54-42689-004	194	41
	54-17492-018	16	54-42689-006	194	
07	54-18652-004	358	54-42689-008	194	42
	54-18740-000	266	54-42689-010	194	
08	54-23701-000	58	54-43067-000	328, 330	43
	54-23766-000	158	54-43312N000	92	
09	54-25195-012	420	54-43618-000	24, 236, 238, 240, 242, 248, 250	45
	54-25195-016	420	54-43619-000	24, 238, 242, 250	
10	54-30440-020	352	54-43814N000	104	46
	54-30440-034	126	54-44086-012	228	
11	54-30440-037	128	54-44088-012	228	50
	54-30440-078	348	54-44786-000	196	
12	54-30445-028	152, 268	54-44786-001	196	51
	54-30880-006	120	54-44786-002	196	
13	54-30882-005	122	54-46769-000	142	52
	54-33460-006	312	54-49189-016	42	
14	54-33460-008	324	54-49197-022	42	53
	54-33460-010	280	54-49255N000	254	
15	54-33553-000	266, 284	54-49256N000	254	54
	54-33554-000	266, 284	54-49598N000	254	
16	54-35609-000	404	54-49636N000	112	55
	54-35613-000N	394	54-49639N000	112	
17	54-37358-000	20, 24, 104, 128, 192, 222, 234, 236, 238, 240, 242, 244, 248, 250, 256, 264, 266, 284, 332, 350, 370, 372, 374, 378, 380, 398, 424	55-00268-003	394	56
			55-00274-001	48, 142, 200	
18			55-02284-001	440	59
			55-02306-000	102, 284, 350	
19			55-02404-144	42	82
			55-08792-001	286	
20	54-37359-001	20, 24, 104, 192, 236, 238, 240, 242, 248, 250, 256, 266, 284, 332, 370, 372, 374, 378, 380, 424	55-09000-001	420	99
			55-10670-008	222	
21			55-14801-000	428	
			55-15095-047	268	
			55-15095-048	268	
	54-37359-002	222, 234, 350, 398	55-15286-000	280	
	54-37359-003	244, 398	55-15292-000	392	
	54-37359-004	128	55-16051-002	410	
	54-37361-000	374	55-24050-000	38	
	54-37361-001	370	55-26597-000	38	

Index by Part Number

01	59-26604-000	108	82-00511-000	218	22
	59-27791-000	436	82-00534-000	272	
02	59-27792-000	168	82-00536-001	230	26
	59-27794-000	170, 436	82-00536-003	230	
03	59-28251-000	142	82-00584-000	294, 298, 304	27
	59-28297-000	20	82-00701-001	296	
04	59-28302-000	20	82-00792-000	260	30
	59-28647-000	436	82-00825-000	84	
05	59-28728-001	436	82-00872-001	72, 76, 86	32
	59-28760-000	106, 108	82-01083-000	298, 300, 302, 304,	
06	59-29387F001	436		306	40
	59-29388F001	436	82-01083-001	292, 294, 296, 298,	
07	59-29391-001	436		300, 302, 304, 306	41
	59-33638-000	106	82-01383-000	86	
08	59-34205-000	438	82-01445-000	286	42
	59-35121-001	108	82-01696-000	172, 176, 180, 182,	
09	59-35121-002	164		184	43
	59-35132-000	13	82-01697-000	172, 174, 176, 178,	
10	59-35932-000	142		180, 182, 184	45
	59-38808-000	440	82-01714-000	274	
11	59-39479F003	432	82-01811-000	90	46
	59-39573-000	142	82-01967-000	296	
12	59-39820-000	440	82-02138-000	72	50
	59-39859F000	100	82-02205-000	84	
13	59-39937F014	434	82-02207-000	74	51
	59-41157F001	434	82-02241-000	72, 86, 88	
14	59-41181F059	434	82-02392-000	72	52
	59-41194F080	434	82-03169-000	86	
15	59-41195F000	434	82-03170-000	88	53
	59-42286-000	438	82-03175-000	84	
16	59-42286-001	438	82-03182-000	86	54
	59-43797-000	268, 278	82-03200-001	86	
17	59-43797-001	278	82-03214-001	74	55
	59-44370-001	438	82-03230-000	86	
18	59-45633F000	438	82-03283-000	72	56
	59-45633F001	438	82-03288-000	72	
19	59-45926-000	268, 278	82-03291-000	72	59
	59-45976-000	438	82-03294-000	72	
20	59-46694N000	286	82-03295-000	86	82
	59-48392-000	440	82-03298-000	76	
21	59-49601-000	434, 440	82-03299-000	76	99
	82-00004-000	292, 298, 302	82-03323-000	76	
	82-00025-000	230	82-03344-000	72	
	82-00092-000	88	82-03369-002	74	
	82-00117-000	340	82-03396-000	72, 86	
	82-00151-000	294	82-03397-000	86	
	82-00151-001	294, 298, 304	82-03398-000	86	
	82-00155-000	86	82-03400-000	86	
	82-00397-000	76	82-03407-000	82	
	82-00476-000	218	82-03412-000	72	
	82-00509-000	218	82-03417-000	86	
			82-03430-000	88	

Index by Part Number

01	82-03439-000.....	88	82-06162-003.....	276	22
	82-03450-000.....	84	82-06162-004.....	276	
02	82-03455-000.....	72	82-06162-007.....	276	26
	82-03458-000.....	76	82-06164-000.....	262	
	82-03476-000.....	86	82-06164-001.....	260, 262	
03	82-03501-000.....	72, 86	82-06164-002.....	262	27
	82-03624-000.....	76	82-06164-003.....	262	
04	82-03633-000.....	76	82-06164-004.....	262	30
	82-03713-000.....	84	82-06164-006.....	262	
	82-03763-000.....	72	82-06164-007.....	262	
05	82-03769-000.....	72	82-06164-008.....	262	32
	82-03832-000.....	86	82-06164-010.....	262	
	82-03871-000.....	72	82-06164-012.....	262, 272	
06	82-03872-000.....	88	82-06164-014.....	262, 274, 276	40
	82-03886-001.....	76	82-06164-017.....	272	
07	82-04023-000.....	88	82-06164-019.....	262	41
	82-04041-002.....	82	82-06164-020.....	262	
	82-04042-000.....	76	82-06164-023.....	262	
08	82-04217-001.....	74	82-06164-025.....	262, 274	42
	82-04217-002.....	74	82-06164-026.....	262	
	82-04221-004.....	86	82-06164-027.....	262	
09	82-04228-005.....	138	82-06164-028.....	262	43
	82-04228-006.....	140	82-06164-056.....	262	
10	82-04228-007.....	138	82-06165-005.....	262	45
	82-04397-000.....	292, 294, 298, 304	82-06165-008.....	262	
	82-04463-000.....	286	82-06170-000.....	224	
11	82-04477-000.....	82, 86	82-06170-001.....	224	46
	82-04601-000.....	82	82-06170-002.....	224	
12	82-04665-000.....	294, 298, 304	82-06175-006.....	262	50
	82-04666-000.....	294, 300, 306	82-06175-007.....	262	
	82-04710-000.....	86	82-06175-008.....	262	
13	82-04850-000.....	76	82-06175-009.....	262	51
	82-04877-000.....	388	82-06175-010.....	262	
14	82-04878-000.....	86	82-06176-006.....	262	52
	82-04997-538.....	82	82-06176-009.....	262	
	82-05682-000.....	218	82-06354-000.....	434	
15	82-05764-000.....	218	82-06793-000.....	86	53
	82-05786-000.....	218	82-06793-001.....	86	
16	82-05799-000.....	218	82-06886-000.....	86	54
	82-05831-008.....	260	82-06887-000.....	86	
17	82-06160-003.....	276	82-07252-000.....	390	55
	82-06160-004.....	276	82-07269-000.....	390	
	82-06160-005.....	276	82-07287-000.....	86	
18	82-06160-006.....	276	82-07506-003.....	18	56
	82-06160-008.....	262, 276	82-07506-004.....	18	
	82-06161-003.....	276	82-07506-005.....	18	
19	82-06161-004.....	276	82-07626-000.....	294, 298, 304	59
	82-06161-005.....	276	82-07626-001.....	294, 298, 304	
20	82-06161-006.....	276	82-07628-000.....	294, 304	82
	82-06161-009.....	276	82-07628-004.....	294, 298, 304	
21	82-06162-002.....	276	82-07630-000.....	298, 302, 304	99

Index by Part Number

01	82-07630-001	302, 304	82-08514-002	90	22
	82-07631-000	292, 298, 302, 304	82-08514-003	90	
02	82-07631-001	298	82-08514-004	90	26
	82-07688-000	292, 298, 302, 304	82-08519-000	74	
03	82-07713-001	262	82-08789-000	140	27
	82-07713-002	262	82-08878-000	390	
04	82-07929-001	76	82-08883-000	390	30
	82-07929-003	76	82-08884-000	390	
05	82-07929-004	76	82-08905-000	292	32
	82-07935-000	86	82-09037-000	82	
06	82-07944-000	272	82-09039-000	82	40
	82-08137-000	224	82-09042-000	88	
07	82-08137-001	224	82-09043-000	88	41
	82-08137-002	224	82-09045-000	88	
08	82-08137-003	224	82-09141-001	174, 178	42
	82-08137-004	224	82-09145-000	172, 174, 176, 178, 180, 182, 184	43
09	82-08137-005	224			45
	82-08137-007	224	82-09148-000	286	46
10	82-08137-008	224	82-09150-000	286	50
	82-08137-009	224	82-09151-000	286	51
11	82-08143-000	224	82-09152-000	286	52
	82-08148-002	88	82-09153-000	286	53
12	82-08150-002	84	82-09155-000	286	54
	82-08150-003	86	82-09155-002	286	55
13	82-08150-004	86	82-09260-000	276	56
	82-08152-001	86	82-09276-000	274	59
14	82-08156-005	82	82-09277-000	272	82
	82-08156-006	82	82-09278-000	272	99
15	82-08156-007	82	82-09286-000	276	
	82-08157-001	82	82-09290-001	272	
16	82-08157-002	82	82-09291-000	272	
	82-08157-003	82	82-09301-000	274	
17	82-08157-004	82	82-09307-001	260, 262	
	82-08157-005	82	82-09649-006	218	
18	82-08159-002	82	82-09650-003	218	
	82-08159-003	82	82-09653-001	218	
19	82-08159-004	82	82-09653-003	218	
	82-08159-005	82	82-09653-004	218	
20	82-08160-002	82	82-09672-001	218	
	82-08160-005	82	82-09672-002	218	
21	82-08160-006	82	82-09672-003	218	
	82-08162-004	82	82-09672-004	218	
	82-08162-006	82	82-09672-005	218	
	82-08162-008	82	82-09672-006	218	
	82-08163-001	82	82-09672-008	218	
	82-08163-002	82	82-09672-009	218	
	82-08163-003	82	82-09678-001	218	
	82-08204-000	86	82-09678-002	218	
	82-08207-000	86	82-09678-003	218	
	82-08210-000	74	82-09678-004	218	
	82-08218-000	76	82-09678-005	218	

Index by Part Number

01	82-09678-007.....	218	82-10907-000.....	224	22
	82-09678-008.....	218	82-10907-002.....	224	
02	82-09678-009.....	218	82-10907-003.....	224	26
	82-09681-001.....	218	82-10907-004.....	224	
03	82-09681-002.....	218	82-10907-005.....	224	27
	82-09681-005.....	218	82-10907-006.....	224	
04	82-09681-008.....	218	82-10907-007.....	224	30
	82-09682-002.....	218	82-10907-008.....	224	
05	82-10182-000.....	74	82-10908-000.....	224	32
	82-10183-000.....	88	82-10908-003.....	224	
06	82-10183-001.....	74	82-10908-004.....	224	40
	82-10276-007.....	72	82-10908-006.....	224	
07	82-10284-000.....	138	82-10908-007.....	224	41
	82-10284-001.....	138	82-10909-001.....	224	
08	82-10401-002.....	98	82-10909-002.....	224	42
	82-10402-000.....	98	82-10909-003.....	224	
09	82-10418-000.....	82	82-10909-004.....	224	43
	82-10418-001.....	82	82-10909-005.....	224	
10	82-10428-000.....	132	82-10909-006.....	224	45
	82-10431-000.....	219	82-10909-007.....	224	
11	82-10432-000.....	276	82-10909-008.....	224	46
	82-10440-000.....	138	82-10909-009.....	224	
12	82-10493-000.....	224	82-10910-001.....	224	50
	82-10496-000.....	90	82-10910-002.....	224	
13	82-10520-000.....	90	82-10910-004.....	224	51
	82-10522-000.....	90	82-10910-005.....	224	
14	82-10524-000.....	90	82-10910-006.....	224	52
	82-10539-000.....	70, 90	82-10988-001.....	98	
15	82-10569-000.....	224	82-10988-002.....	98	53
	82-10570-000.....	224	82-10988-007.....	98	
16	82-10571-000.....	224	82-10988-008.....	98	54
	82-10584-000.....	138	82-10988-009.....	98	
17	82-10584-001.....	138	82-10988-010.....	98	55
	82-10584-002.....	138	82-10988-011.....	98	
18	82-10584-007.....	138	82-10988-012.....	98	56
	82-10694-005.....	260, 274	82-10988-013.....	98	
19	82-10694-006.....	260	82-10988-014.....	98	59
	82-10782-000.....	432	82-10988-015.....	98	
20	82-10806-000.....	74	82-10988-016.....	98	82
	82-10808-000.....	272	82-10988-017.....	98	
21	82-10809-000.....	276	82-11091-000.....	390	99
	82-10851-001.....	294	82-11148-000.....	216	
	82-10883-000.....	82	82-11208-000.....	84	
	82-10884-000.....	210	82-11276-000.....	84	
	82-10884-001.....	210	82-11277-000.....	84	
	82-10884-002.....	210	82-11291-002.....	76	
	82-10884-003.....	210	82-11310-000.....	86	
	82-10884-004.....	210	82-11427-000.....	58	
	82-10884-005.....	210	82-11440-000.....	272	
	82-10884-006.....	210	82-11459-000.....	58	
	82-10884-007.....	210	82-11463-001.....	58	

Index by Part Number

01	82-11625-000	82	82-12031-010	292	22
	82-11656-003	218	82-12031-012	298, 304	
02	82-11656-004	218	82-12031-013	292	26
	82-11656-005	218	82-12034-004	292	
03	82-11656-006	218	82-12034-007	294	27
	82-11656-007	218	82-12034-203	292	
04	82-11656-008	218	82-12034-303	294	30
	82-11656-009	218	82-12035-001	294	
05	82-11656-010	218	82-12035-002	294	32
	82-11671-000	218	82-12035-003	294	
06	82-11671-001	218	82-12035-005	300	40
	82-11671-002	218	82-12036-002	300, 302	
07	82-11671-003	218	82-12038-003	294	41
	82-11671-004	218	82-12038-004	294	
08	82-11671-005	218	82-12038-005	294	42
	82-11671-006	218	82-12038-203	294	
09	82-11671-007	218	82-12038-703	294	43
	82-11671-008	218	82-12039-002	302	
10	82-11679-000	114	82-12039-006	292, 304	45
	82-11821-000	86	82-12043-006	292	
11	82-11837-000	272	82-12043-007	292	46
	82-11868-000	86	82-12101-001	82	
12	82-11945-000	86	82-12101-002	82	50
	82-11963-000	262	82-12107-001	272	
13	82-11964-000	262, 276	82-12107-002	272	51
	82-11965-000	262, 276	82-12107-003	272	
14	82-11966-000	262, 276	82-12107-004	274	52
	82-11968-000	262	82-12107-005	272	
15	82-11969-000	262	82-12107-006	272	53
	82-11971-000	262	82-12107-007	272	
16	82-11997-003	70	82-12108-000	274, 276	54
	82-11997-005	70, 90	82-12109-000	272	
17	82-11999-001	70, 90	82-12109-002	274	55
	82-11999-002	70, 90	82-12118-003	260	
18	82-12014-003	72	82-12119-003	272	56
	82-12016-000	88	82-12119-006	274	
19	82-12026-002	296	82-12119-007	272, 274	59
	82-12026-003	296	82-12119-008	262, 272	
20	82-12026-013	296, 298, 302	82-12119-009	272	82
	82-12026-014	296	82-12119-010	272, 274	
21	82-12026-015	292, 294, 296, 298, 304	82-12119-011	272	82
	82-12026-016	296	82-12119-012	274	
	82-12026-100	296	82-12119-013	274	99
	82-12026-101	296	82-12119-015	274	
	82-12027-006	294, 298, 304	82-12119-016	272	
	82-12030-010	294	82-12119-017	272	
	82-12031-002	304	82-12119-019	276	
	82-12031-004	298, 304	82-12119-025	276	
	82-12031-005	292, 298, 302, 304	82-12119-029	276	
	82-12031-008	292, 298, 302, 304	82-12119-031	276	
			82-12119-032	260, 274, 276	

Index by Part Number

- 01
- 02
- 03
- 04
- 05
- 06
- 07
- 08
- 09
- 10
- 11
- 12
- 13
- 14
- 15
- 16
- 17
- 18
- 19
- 20
- 21

82-12119-033	276
82-12119-034	276
82-12119-037	262
82-12119-038	262
82-12119-041	260
82-12119-042	260
82-12120-001	272
82-12121-001	274
82-12121-002	274
82-12123-001	276
82-12123-002	276
82-12123-003	274
82-12123-004	274
82-12123-005	276
82-12123-008	276
82-12123-010	260, 262
82-12123-012	276
82-12123-013	276
82-12128-001	276
82-12128-002	276
82-12159-004	304
82-12159-009	296
82-12159-010	292, 294, 296, 298, 300, 302, 304, 306
82-12164-100	296
82-12164-101	296
82-12166-002	292
82-12167-002	292
82-12170-006	296
82-12170-007	296
82-12188-005	292, 294, 296
82-13096-538	82
82-13100-000	82
82-13100-001	82
82-13100-003	82
82-13100-006	82
82-13100-008	82
82-13103-000	82
82-13197-013	360, 362
82-13212-007	260, 272
82-13212-008	260
82-13446-001	174, 178
82-13446-002	174, 178
82-13639-011	92
82-13639-012	92
82-13639-023	92
82-13652-001	72
82-13680-013	92
82-13680-019	92
82-13680-020	92
82-13694-000	76

82-13748-000	138
82-13769-002	58
82-13779-001	84
82-13779-002	84
82-13781-004	76
82-13851-000	286
82-13852-000	286
82-14576	138
82-14581	138
82-14582	138
82-14583	138
82-14584	140
82-14585	140
82-14586	138
82-14587	138
82-14588	138
82-14589	140
82-14593	132
82-14660	84
82-14740	72
82-14742	224
82-14743	224
82-14744	224
82-14745	224
82-14919-001	142
82-14919-002	142
82-14919-003	142
82-14919-004	142
82-14919-005	142
82-15359	344
82-15369	70
82-15370	70
82-15371-001	70
82-15372-001	70
82-15373	70
82-15374	70
82-15405-001	36
82-15405-002	36
82-15405-003	36
82-15405-004	36
82-15471	294
82-15471-000	298, 304
82-15476	52
82-15497-001	260, 262
82-15537-000	88
82-15537-001	88
82-15538	88
82-15539	88
82-15540	86
82-15541	86
82-15542	86

- 22
- 26
- 27
- 30
- 32
- 40
- 41
- 42
- 43
- 45
- 46
- 50
- 51
- 52
- 53
- 54
- 55
- 56
- 59
- 82
- 99

Index by Part Number

01	82-15543	86	82-16192	140	22
	82-15549	76	82-16194	138	
02	82-15550	76	82-16195	138	26
	82-15554	86	82-16196	138	
03	82-15564	224	82-16197	138	27
	82-15570	82	82-16198	138	
04	82-15649	18	82-16199	140	30
	82-15650	18	82-16200	138	
05	82-15651	18	82-16201	140	32
	82-15653	18	82-16202	138	
06	82-15654	18	82-16203	138	40
	82-15655	18	82-16204	134, 140	
07	82-15656	18	82-16205	138	41
	82-15657	18	82-16207	138	
08	82-15658	18	82-16208	138	42
	82-15661	18	82-16209	140	
09	82-15710	70	82-16211	138	43
	82-15831-007	260	82-16212	138	45
10	82-15970	40	82-16258	134	46
	82-16105	154	82-16259	132, 134	50
11	82-16106	154	82-16260	132	51
	82-16107	154	82-16263	134	52
12	82-16108	154	82-16264	134	53
	82-16109	154	82-16266	132	54
13	82-16110	154	82-16271	132	55
	82-16154-000	366	82-16272	134	56
14	82-16155-000	366	82-16273	132	59
	82-16156-000	366	82-16274	134	82
15	82-16158-000	366	82-16275	132	99
	82-16160-000	366	82-16276	132, 134	
16	82-16164	138	82-16277	132	
	82-16168	140	82-16279	132	
17	82-16171	140	82-16280	134	
	82-16172	140	82-16281	134	
18	82-16174	138	82-16288	134	
	82-16175	138	82-16289	132	
19	82-16176	138	82-16290	132	
	82-16177	140	82-16291	132	
20	82-16178	140	82-16292	132	
	82-16179	140	82-16293	132	
21	82-16180	140	82-16295	132	
	82-16181	138	82-16296	132	
	82-16182	138	82-16301	134	
	82-16183	140	82-16302	132	
	82-16184	138	82-16303	132	
	82-16185	138	82-16305	132	
	82-16186	132, 134	82-16306	132	
	82-16187	140	82-16307	132	
	82-16188	138	82-16308	132	
	82-16189	138	82-16309	132	
	82-16190	138	82-16310	132	

Index by Part Number

01	82-16311	132	82-16373	342, 344	22
	82-16316	342	82-16374	342	
02	82-16317	342	82-16375	342	26
	82-16318	344	82-16376	342, 344	
03	82-16319	342	82-16378	342	27
	82-16320	342	82-16379	342	
04	82-16321	342	82-16380	342	30
	82-16322	342	82-16381	342	
05	82-16323	342	82-16382	342	32
	82-16324	342, 344	82-16383	342	
06	82-16325	344	82-16385	344	40
	82-16326	342	82-16387	344	
07	82-16327	342	82-16388	344	41
	82-16328	344	82-16389	344	
08	82-16329	344	82-16390	344	42
	82-16330	344	82-16391	344	
09	82-16331	344	82-16392	344	43
	82-16332	344	82-16393	40	
10	82-16333	344	82-16404	40	45
	82-16334	344	82-16411	40	
11	82-16335	344	82-16412	40	46
	82-16336	344	82-16422	390	
12	82-16337	344	82-16620	360, 362	50
	82-16338	344	82-17109	76	
13	82-16339	344	82-17131	76	51
	82-16340	344	82-17303	30	
14	82-16341	344	82-17303-001	30	52
	82-16342	344	82-17303-002	30	
15	82-16343	344	82-17303-003	30	53
	82-16344	344	82-17303-004	30	
16	82-16345	344	82-17303-005	30	54
	82-16346	344	82-17303-006	30	
17	82-16347	344	82-17303-007	30	55
	82-16348	342	82-17303-008	30	
18	82-16349	342	82-17446-001	30	56
	82-16350	342	82-17446-002	30	
19	82-16351	342	82-17446-003	30	59
	82-16352	344	82-17446-004	30	
20	82-16353	344	82-17446-005	30	82
	82-16355	344	82-17446-006	30	
21	82-16356	344	82-17446-007	30	99
	82-16357	344	82-17446-008	30	
	82-16358	342, 344	82-17446-009	30	
	82-16359	344	82-17446-010	30	
	82-16360	342	82-17446-011	30	
	82-16361	342	82-17446-012	30	
	82-16362	342	82-17446-013	30	
	82-16363	342	82-17447-000	30	
	82-16364	342	82-17447-001	30	
	82-16365	342	82-17447-002	30	
	82-16366	342	82-17447-003	30	

Index by Part Number

01	82-17447-004.....	30	82-18784-001.....	306	22
	82-17447-005.....	30	82-18784-004.....	300	
02	82-17447-006.....	30	82-18810-001.....	86	26
	82-17447-007.....	30	82-18859-000.....	344	
03	82-17447-008.....	30	82-18860-000.....	344	27
	82-17447-009.....	30	82-18875-000.....	344	
04	82-17447-010.....	30	82-18876-000.....	344	30
	82-17447-011.....	30	82-19016-000.....	366	
05	82-17447-012.....	30	82-19124-000.....	72	32
	82-17503-000.....	88	82-19125-000.....	72	
06	82-17530-002.....	292	82-19126-000.....	72	40
	82-17531-001.....	292	82-19127-001.....	72	
07	82-17649-000.....	72	82-19127-003.....	72	41
	82-17691-000.....	86	82-19159-000.....	92	
08	82-17692-000.....	86	82-19211-000.....	172, 174, 176, 178, 180, 182, 184	42
09	82-17745-003.....	272			43
	82-17800-000.....	72	82-19512-000.....	76	45
10	82-17837-000.....	360, 362	82-19512-001.....	76	46
	82-17883-001.....	58	82-19512-002.....	76	50
11	82-17961-000.....	140	82-19579-000.....	142	51
	82-17979-000.....	82	82-19602-000.....	72	52
12	82-17979-001.....	82	82-19602-011.....	72	53
	82-18360-000.....	134	82-19602-016.....	72	54
13	82-18360-001.....	134	82-19614-003.....	260	55
	82-18360-003.....	132	82-19614-007.....	260	56
14	82-18360-004.....	134	82-19614-011.....	260	59
	82-18360-005.....	132	82-19614-017.....	260	82
15	82-18360-006.....	132	82-19614-018.....	260	99
	82-18361-000.....	134	82-19614-019.....	260	
16	82-18361-001.....	132	82-19614-020.....	260	
	82-18361-002.....	132	82-19622-000.....	362	
17	82-18361-003.....	134	82-19637-000.....	76	
	82-18361-004.....	134	82-19637-002.....	76	
18	82-18361-006.....	132	82-19638-000.....	76	
	82-18361-007.....	134	82-19639-000.....	76	
19	82-18361-008.....	134	82-19639-001.....	76	
	82-18361-009.....	132	82-19641-001.....	72	
20	82-18362-001.....	134	82-19642-000.....	76	
	82-18362-002.....	132, 134	82-19643-000.....	76	
21	82-18362-003.....	132	82-19644-001.....	76	
	82-18362-004.....	132	82-19645-000.....	76	
	82-18363-000.....	134	82-19647-001.....	74	
	82-18363-001.....	134	82-19647-004.....	74	
	82-18363-002.....	134	82-19801-001.....	86	
	82-18408-000.....	16	82-19964-000.....	16	
	82-18503-000.....	22	82-20029-012.....	292	
	82-18664-000.....	360, 362	82-20030-008.....	294	
	82-18665-000.....	360, 362	82-20061-002.....	292, 302	
	82-18720-001.....	86	82-20069-002.....	306	
	82-18783-001.....	296	82-20082-002.....	298	
	82-18783-009.....	296	82-20083-002.....	296	

Index by Part Number

01

82-20083-005 296

82-20083-010 296

02

82-20083-017 296

82-20083-226 296

82-20087-004 294

03

82-20088-003 292

82-20088-004 292

82-20088-009 292

04

82-20088-303 292

82-20088-403 292

05

82-20088-803 292

82-20089-001 294

82-20089-403 294

06

82-20360-000 360, 362

82-20360-001 360, 362

07

82-20360-002 360, 362

82-20360-004 360, 362

08

82-20363-000 58

82-20517-000 220

82-20518-000 220

09

82-20519-000 220

82-20520-000 220

82-20521-000 220

10

82-20522-000 220

82-20523-000 220

82-20524-000 220

11

82-20525-000 220

82-20527-000 216

12

82-20528-000 220

82-20529-000 220

82-20530-000 220

13

82-20531-000 220

82-20532-000 220

82-20533-000 220

14

82-20534-000 220

82-20535-000 220

82-20536-000 220

15

82-20537-000 220

82-20538-000 220

82-20539-000 216

16

82-20545-000 220

82-20694-001 390

82-20709-000 360, 362

18

82-20839-004 362

82-20910-000 216

82-20991-000 216

19

82-20992-000 216

82-20993-000 216

82-20994-000 216

20

82-21004-000 216

82-21005-000 216

21

82-21115-000 362

82-21143-000 230

82-21143-001 230

82-21211-000 386

82-21211-001 386

82-21211-002 386

82-21211-003 386

82-21211-004 386

82-21275-000 40

82-21276-000 40

82-21276-001 40

82-21276-002 40

82-21276-003 40

82-21276-004 40

82-21276-005 40

82-21276-006 40

82-21276-007 40

82-21276-008 40

82-21308-002 360, 362

82-21308-003 360, 362

82-21308-004 362

82-21308-005 360, 362

82-21308-006 362

82-21308-007 360, 362

82-21308-008 360, 362

82-21308-009 360

82-21362-002 360, 362

82-21394-000 260

82-21587-000 260

82-21761-000 390

82-21762-000 390

82-21857-000 360, 362

82-21961-000 410

82-21962-000 410

82-21963-000 410

82-21964-000 410

82-21964-005 410

82-21964-006 410

82-21964-007 410

82-21964-008 410

82-21964-009 410

82-21964-010 410

82-21964-011 410

82-21965-000 410

82-21966-000 410

82-21967-000 410

82-21968-000 410

82-21969-000 410

82-21971-000 410

82-21972-000 410

82-21972-003 410

22

26

27

30

32

40

41

42

43

45

46

50

51

52

53

54

55

56

59

82

99

Index by Part Number

01	82-21973-000	410	82-22494-004	298	22
	82-21974-000	410	82-22494-005	298	
02	82-21975-000	410	82-22494-006	298	26
	82-21975-001	410	82-22494-303	298	
03	82-22002-002	410	82-22502-004	296	27
	82-22003-000	410	82-22502-150	296	
04	82-22003-001	410	82-22502-406	296	30
	82-22003-002	410	82-22505-003	302	
05	82-22003-003	410	82-22505-005	302	32
	82-22003-004	410	82-22554-002	360	
06	82-22027-000	256	82-22750-000	74	40
	82-22168-000	268	82-22813-000	86	
07	82-22245-000	268	82-22813-001	86	41
	82-22249-000	268	82-22849-003	360	
08	82-22264-000	268	82-22906-000	172, 174, 176, 178, 180, 182, 184	42
	82-22265-000	268			
09	82-22267-000	270	82-23397-000	172	43
	82-22268-000	270	82-23533-000	366	
10	82-22269-000	274	82-23833-000	76	45
	82-22273-000	272	82-24490-000	74	
11	82-22274-000	272	82-24531-000	52	46
	82-22275-000	272	82-24531-001	52	
12	82-22276-000	272	82-24531-002	52	50
	82-22277-000	272	82-24531-003	52	
13	82-22278-000	274	82-24531-006	52	51
	82-22279-000	274	82-24531-007	52	
14	82-22282-000	274	82-24531-008	52	52
	82-22283-000	272	82-24531-009	52	
15	82-22284-000	272	82-24531-010	52	53
	82-22285-000	272	82-24625-000	362	
16	82-22286-000	272	82-24767-001	74	54
	82-22290-000	270	82-24885-001	302	
17	82-22347-000	262	82-24926-001	298	55
	82-22350-000	260	82-24926-002	298	
18	82-22351-000	260	82-24926-003	298	56
	82-22352-000	260	82-24926-004	298	
19	82-22353-000	260	82-24926-005	298	59
	82-22354-000	262	82-24926-006	298	
20	82-22355-000	262	82-24926-203	298	82
	82-22356-000	276	82-24926-403	298	
21	82-22389-000	36	82-24926-603	298	99
	82-22402-000	92	82-24926-803	298	
	82-22402-001	92	82-24942-001	300	
	82-22403-000	92	82-24942-002	300	
	82-22435-000	84	82-24942-003	300	
	82-22443-000	86	82-24942-004	300	
	82-22470-001	300, 306	82-24942-150	300	
	82-22473-001	300, 306	82-24942-151	300	
	82-22482-001	298, 302, 304	82-24942-203	300	
	82-22482-002	298, 302, 304	82-24942-303	300	
	82-22482-003	298, 302, 304	82-24942-403	300	

Index by Part Number

01	82-24944-001	302	82-27229-011	172, 174, 176, 178, 180, 182, 184	22
	82-24944-002	302			
02	82-24944-003	302	82-27229-012	172	26
	82-24944-004	302	82-27229-013	172, 174, 176, 178, 180, 182, 184	
03	82-24944-005	302			27
	82-24944-006	302	82-27229-014	172, 174, 176, 178, 180, 182, 184	
	82-24944-203	302, 304			30
04	82-24944-303	302	82-27229-015	172, 174, 176, 178, 180, 182, 184	
	82-24954-403	302			32
05	82-24954-803	302	82-27229-016	172, 174, 176, 178, 180, 182, 184	
	82-24955-001	304			40
06	82-24955-002	304	82-27229-017	172, 174, 176, 178, 180, 182, 184	
	82-24955-003	304			41
07	82-24955-004	304	82-27229-018	172, 174, 176, 178, 180, 182, 184	
	82-24955-005	304			42
08	82-24955-006	304	82-27229-019	172	
	82-24955-007	304	82-27229-020	172, 174, 176, 178, 180, 182, 184	43
09	82-24955-008	304			
	82-24955-009	304, 306	82-27229-021	172, 174, 176, 178, 180, 182, 184	45
10	82-24955-303	304			46
	82-24955-403	304	82-27229-022	172, 174, 176, 178, 180, 182, 184	
	82-24955-703	304			50
11	82-24955-803	304	82-27229-023	172, 174, 176, 178, 180, 182, 184	
	82-24958-002	298			51
	82-25012-001	410	82-27229-024	172, 174, 176, 178, 180, 182, 184	
12	82-26124-000	180			52
	82-26805-000	34	82-27229-025	172, 174, 176, 178, 180, 182, 184	
	82-26911-000	74			53
13	82-27062-001	362	82-27229-026	172, 174, 176, 178, 180, 182, 184	
	82-27080-000	140			54
	82-27229-000	174, 178	82-27229-027	172, 176, 180, 182, 184	
14	82-27229-001	172, 174, 176, 178, 180, 182, 184			55
	82-27229-002	172, 176, 180, 182, 184	82-27229-028	172, 174, 176, 178, 180, 182, 184	
15	82-27229-003	172, 174, 176, 178, 180, 182, 184			56
	82-27229-004	172, 174, 176, 178, 180, 182, 184	82-27229-029	172, 174, 176, 178, 180, 182, 184	
16	82-27229-005	172, 174, 176, 178, 180, 182, 184			57
	82-27229-006	172, 174, 176, 178, 180, 182, 184	82-27229-030	172, 174, 176, 178, 180, 182, 184	
17	82-27229-007	172, 174, 176, 178, 180, 182, 184			58
	82-27229-008	172, 174, 176, 178, 180, 182, 184	82-27229-031	172, 174, 176, 178, 180, 182, 184	
18	82-27229-009	172, 174, 176, 178, 180, 182, 184			59
	82-27229-010	172, 174, 176, 178, 180, 182, 184	82-27229-032	172, 174, 176, 178, 180, 182, 184	
19					82
20			82-27229-033	174, 182, 184	
21			82-27242-014	432	99
			82-27268-003	174	
			82-27268-005	174	
			82-27268-006	176, 182, 184	
			82-27268-007	174, 178	
			82-27269-001	174, 178	
			82-27269-002	174, 178	
			82-27269-004	174, 178	

Index by Part Number

01	82-27269-005	174, 178	82-27807-001	260	22
	82-27269-006	174, 178	82-27807-002	260	
02	82-27269-007	174, 178	82-27807-003	260	26
	82-27270-001	174	82-27807-004	260	
03	82-27363-001	180, 184	82-27807-005	260	27
	82-27363-002	180	82-27807-006	260	
04	82-27363-003	180	82-27807-007	260	30
	82-27390-003	176, 178	82-27807-008	260	
05	82-27391-001	178	82-27808-000	272	32
	82-27397-001	174	82-27808-003	272	
06	82-27397-005	174	82-27808-004	270, 272	40
	82-27433-002	178	82-28291-000	16	
07	82-27444-001	182	82-28375-000	58	41
	82-27457-001	176	82-28375-001	58	
08	82-27457-002	176	82-28439-000	72	42
	82-27457-003	176	82-28440-000	72	
09	82-27458-001	178	82-28441-000	72	43
	82-27464-001	182	82-28457-000	92	
10	82-27531-000	172	82-28457-001	92	45
	82-27576-001	256	82-28485-000	346	
11	82-27576-002	256	82-28514-001	306	46
	82-27576-006	256	82-28514-002	306	
12	82-27576-007	256	82-28514-003	306	50
	82-27576-008	256	82-28514-004	306	
13	82-27576-009	256	82-28514-005	306	51
	82-27576-010	258	82-28514-006	306	
14	82-27576-011	256	82-28514-203	306	52
	82-27579-000	176	82-28514-303	306	
15	82-27580-000	178	82-28514-403	306	53
	82-27581-000	182	82-28569-000	114, 144	
16	82-27581-001	182	99-29987-000	280, 290	54
	82-27582-000	184	99-32309-000	424	
17	82-27582-001	184			55
	82-27583-000	180			56
18	82-27597-000	362			59
	82-27616-000	174			82
19	82-27706-000	390			99
	82-27706-001	390			
20	82-27706-002	390			
	82-27706-003	390			
21	82-27706-004	390			
	82-27706-005	390			
	82-27706-006	390			
	82-27706-007	390			
	82-27706-008	390			
	82-27706-009	390			
	82-27706-010	390			
	82-27706-011	390			
	82-27706-012	390			
	82-27706-013	390			
	82-27807-000	260			

Index by Part Description

A
B
C
D
E
F
G
H
I
J
K
L
M
N
O
P
Q
R
S
T
U
V
W
X
Y
Z

A

A/C COMPRESSOR 13
 ABSORBER, SHOCK 92, 344
 ABSORBER, SHOCK FRONT 78
 ACTUATOR ASM, HSG & BUSHING 224
 ACTUATOR CAM ASM 224
 ADAPTER 22, 42, 192, 392, 420
 ADAPTER, 1-1/16" 44
 ADAPTER, 1/2"-20 X #4 JIC 42
 ADAPTER, 1/2NPT X 1/2T 188
 ADAPTER, 1/4 NPT X #4 48
 ADAPTER, 3/8NPT X 1/2T 188
 ADAPTER ASM 52
 ADAPTER, FAN MTG 38
 ADAPTER, HOSE 420
 ADAPTER, HOSE CONN 3/4 MPT X 3/4 T 420
 ADAPTER, MALE, 1/2-1/4 188
 ADAPTER, MALE 1/4 188
 ADAPTER, MALE PIPE 1-1/4 X HOSE BARB 52
 ADAPTER, O-RING #10 X 3/4-16 228
 ADAPTER, O-RING #20, 37° 226
 ADAPTER, STRAIGHT 1/2" 206
 ADAPTER, STRAIGHT 1/4" 204
 ADAPTER, STL HEX PIPE 1/2 X 32
 ADAPTER, STL M22 32
 ADHESIVE 28
 ADHESIVE & SEALANT 282
 ADHESIVES & SEALANT 280
 AIR DRYER CHECK VALVE MAINT. KIT 210
 AIR DRYER DESSICCANT CARTRIDGE KIT 210
 AIR DRYER PURGE VALVE MAINT. KIT 210
 AIR FILTER, SHOP AIR CONNECT 204
 AIRBAG, LUMBAR/BOLSTER 344
 AIRBAG, SEAT SUSPENSION 344
 ALTERNATOR, 50DN 24VDC 270AMP. 136, 140
 ANGLE 68, 112, 280
 ANGLE, AIR TANK CLOSEOUT 350
 ANGLE, BULKHEAD 246
 ANGLE, CLOSEOUT 11.70" 350
 ANGLE, DOOR LOCK 378
 ANGLE, DOOR LOCK HINGED SKIRT 372, 380
 ANGLE, DOOR STRAP 102, 350
 ANGLE, ECU MOUNTING 164
 ANGLE, FRAME 66
 ANGLE, GUSSET 64
 ANGLE, MOUNTING 404
 ANGLE, MOUNTING WHEELWELL 312
 ANGLE, MTG 112
 ANGLE, MTG, CONSOLE 112

ANGLE, PANEL MTG 410
 ANGLE, PLATFORM 66
 ANGLE, REINF AIR TANK DOOR 102
 ANGLE, REINFORCEMENT 350
 ANGLE, SETTEE 244
 ANGLE, SETTEE TRIM 320
 ANGLE, STEP TRIM 310
 ANGLE, SURGE TANK SUPPORT 36
 ANGLE TRIM, SETTEE 246
 ANGLE, WHEELWELL MTG 312
 ANGLE-BARRIER MTG 324
 ANGLE, DOOR LOCK HINGED SKIRT 370, 374
 ANTENNA 160, 162
 ARCH FRAME ASM. 66
 ARM ASM, BASEPLATE 272
 ARM ASM, MIRROR MTG 360
 ARM ASM, WIPER 390
 ARM, LH TIE ROD 76
 ARM, MIRROR 18" 362
 ARM, PITMAN 216
 ARM, RH TIE ROD 76
 ARM, STEERING LH 76
 ARM, SUPPORT ASM 366
 ARMATURE, STARTER MOTOR 134
 AUTOMATIC SLACK ADJUSTER 72
 AXLE ASM, 61143 84
 AXLE ASM, FRONT 13
 AXLE ASM, REAR 13

B

BAFFLE, AIR CLEANER 24
 BAFFLE, UPPER 28
 BALL, CENTERING, CARRIER 82
 BALL, CHROME, 1/2" 362
 BALL RACE, STEEL 362
 BALL, SSSL 3/16" 262
 BALL, STEEL 276
 BALL/SHAFT. 1-1/4 360, 362
 BALLS, RACK ASM, STEERING GEAR 218
 BAR, BOLTING (LONG) 30
 BAR, BOLTING (SHORT/THICK) 30
 BAR, BOLTING (SHORT/THIN) 30
 BAR, DOOR 104
 BAR, DOOR SUPT 264, 398
 BAR, LOCK 224
 BARRIER 324
 BARRIER, CURBSIDE 64
 BARRIER, STREETSIDE 64
 BASE, DRIVER SEAT 342
 BASE, LAMP 100

A
B
C
D
E
F
G
H
I
J
K
L
M
N
O
P
Q
R
S
T
U
V
W
X
Y
Z

Index by Part Description

A
B
C
D
E
F
G
H
I
J
K
L
M
N
O
P
Q
R
S
T
U
V
W
X
Y
Z

BASE PLATE ASM, MTG 272
 BASE PLATE, WELDED 270
 BASE PLATE., (WELDED) 272
 BASEPLATE 18
 BASEPLATE & TRACK ASM 260
 BASEPLATE ASM 256, 268, 270
 BASEPLATE, WELDED 260
 BATTERY, 8D-12V 118
 BEAM, TRANSVERSE 234
 BEARING 224, 428
 BEARING, ADJUSTER, STEERING GEAR 218
 BEARING ASM, SPIGOT ROLLER 82
 BEARING, BALL 260, 272
 BEARING, CONE, CARRIER 82
 BEARING, CUP, CARRIER 82
 BEARING, FLANGE 272
 BEARING, INR CONE 74, 88
 BEARING, INR CUP 74, 88
 BEARING, OTR CONE 74, 88
 BEARING, OTR CUP 74, 88
 BEARING, PINION CONE, INNER 82
 BEARING, PINION CONE, OUTER 82
 BEARING, PINION CUP, OUTER 82
 BEARING, ROD END 276
 BEARING, ROLLER, STEERING GEAR 218
 BEARING, THRUST 76
 BEARING, THRUST, STEERING GEAR 218
 BEEPER 106
 BELL 104
 BELL, ALARM, 12V 146
 BELLOWS, SEAT BASE 344
 BEZEL, CHROME, LH & RH 98
 BLADE, WIPER 24" 390
 BLOCK 106, 122
 BLOCK, BATTERY HOLD DOWN 68
 BLOCK, CABLE RETAINER 136
 BLOCK, MIRROR MTG 362
 BLOCK, SPACER 306
 BLOCK, STOP, DRIVER'S WINDOW 296
 BLOCK, TAPPING 298, 304
 BLOCK, UNIVERSAL JOINT BEARING 224
 BLOWER ASM, BRUSH MOTOR 410
 BODY, BIKE RACK 366
 BOLT 24, 28, 48, 128,
 130, 142, 216, 266,
 284, 328, 340, 350,
 370, 372, 374, 380,
 404, 412, 414
 BOLT, 1"-14 X 4.5" GR8 78
 BOLT, 1/2" UNC 210
 BOLT, 1/2"-20 UNF X 2.5" 428

BOLT, 1/2-20 UNF X 2.5 92
 BOLT, 1/4"-20 X 2.75" 124
 BOLT, 3/4-16 X 4.0 92
 BOLT, 3/4-16 X 7.0" 78
 BOLT 3/8" 404
 BOLT, 3/8" UNC 210
 BOLT, 3/8"-16 X 1.5" 428
 BOLT, 3/8"-16 X 1.5" GR5 38
 BOLT 3/8-24 52
 BOLT, 3/8"NC X 1.0" 404
 BOLT, 5/16" X 3.25" 206
 BOLT, 5/16" X1.0"UNC 206
 BOLT 5/8-11 X 1.75 16
 BOLT, 5/8-18 78
 BOLT, 7/16"-14NC X 1.5" 404
 BOLT, BUTTON 104
 BOLT, BUTTON TORX HD 236, 238, 240, 242
 BOLT, BUTTON TORX HD. M8 24, 424
 BOLT, BUTTON TORX HEAD 244, 248, 332
 BOLT, BUTTON TORX HEAD M8 20, 256, 398
 BOLT, BUTTON TORX, M8 234
 BOLT, BUTTON TORXHD 250
 BOLT, BUTTON TRXHD M8 X 15MM 378
 BOLT, DIFFERENTIAL CASE 82
 BOLT, EYE 272, 428
 BOLT, FLANGEHD, 1/2-20 X 1-3/4 386
 BOLT, FLGHD 1/2-20 16
 BOLT, FLGHD 1/2-20 X 1.5 16, 418
 BOLT, GEAR TO DIFF CASE 82
 BOLT, HEX HD, 1/2-13 22
 BOLT, HEX HD 1/4" 346
 BOLT, HEX HD, 3/8-16 22
 BOLT, HEX HD. 3/8"-16 X 1.75" 68
 BOLT, HEX HD. 5/16"-18 42
 BOLT, HEXHD 7/16" 404
 BOLT, HH METRIC 10MM X 1.5MM 46
 BOLT, HXHD 68
 BOLT, HXHD 1/2-13 78, 360, 362
 BOLT, HXHD 1/2-13 X 1.5 16
 BOLT, HXHD 1/2"-20 X 1.5 GR8 38
 BOLT, HXHD 1/2-20 X 5.50 92
 BOLT, HXHD 1/4" 104
 BOLT, HXHD 1/4"-20 24
 BOLT, HXHD 1/4-20 246, 264
 BOLT, HXHD, 1/4"-20 24
 BOLT, HXHD 1/4-20 X .75 GR5 380
 BOLT, HXHD 1/4-20 X 1 394
 BOLT, HXHD 1/4-20X.75 GR5 38
 BOLT, HXHD 3/4-10X4.5 216
 BOLT, HXHD 3/4-16 X 3.0" 78
 BOLT, HXHD 3/8"-16 428

A
B
C
D
E
F
G
H
I
J
K
L
M
N
O
P
Q
R
S
T
U
V
W
X
Y
Z

Index by Part Description

A
B
C
D
E
F
G
H
I
J
K
L
M
N
O
P
Q
R
S
T
U
V
W
X
Y
Z

BOLT, HXHD 3/8-16 198, 246, 410
 BOLT, HXHD, 3/8-16 24, 28, 50
 BOLT, HXHD 3/8-16 X 0.75 GR5 222
 BOLT, HXHD 3/8"-16 X 1.0 230
 BOLT, HXHD 3/8"-16 X 1.25" 364
 BOLT, HXHD 3/8-16 X 1.25 GR5 222
 BOLT, HXHD 3/8"-16 X 1.5 230
 BOLT, HXHD 3/8"-16 X 3/4 GR5 20
 BOLT, HXHD 3/8-16X1.5 GR5 420
 BOLT, HXHD 3/8-24 58
 BOLT, HXHD 3/8-24 X 1.75 GR8 222
 BOLT, HXHD, 5/15"-18 44
 BOLT, HXHD, 5/16"-18 24
 BOLT, HXHD 5/16-18 X 0.75 GR5 222
 BOLT, HXHD 5/16-18X1 GR5 376
 BOLT, HXHD 5/8" 92
 BOLT, HXHD, FLANGED, 1/2"-20 388
 BOLT, HXHD M12 X 1.75 16
 BOLT, HXHD M16 X 1.50 X60 92
 BOLT, HXHD M16 X 2.0 16
 BOLT, HXHD M20 X 2.5 16
 BOLT KIT, RELEASE, BRAKE CHAMBER 90
 BOLT, LINING 3/8 86
 BOLT, M12-1.75 X 25MM 34
 BOLT, M8 X 1.25 X 20MM 26
 BOLT, RR BRG (NO PROFILE) 344
 BOLT, SCISSOR BRG (CENTER) 344
 BOLT, SCISSOR BRG (HI PROFILE) 344
 BOLT, SCISSOR BRG (LO PROFILE) 344
 BOLT, SHOULDER 286
 BOLT, SOCKET HD. M10 226
 BOLT, SOCKETHD, 5/16-18 188
 BOLT, SPCL .25-20X2.50 120
 BOLT, SPECIAL 9/16"-24 58
 BOLT, SPECIAL M12 130
 BOLT, TORX BUTTON HD M8 X 20MM 222
 BOLT, TORX HD, M8 X 15MM 24
 BOLT, VALVE HOUSING, STEERING GEAR 218
 BOLT, WING 44
 BOLT,BUTTON TORX HEAD 374
 BOLTS AND NUTS KIT, BRAKE CHAMBER 90
 BOLTS, SIDE COVER, STRNG GEAR 218
 BOOT 118
 BOOT, PLUNGER 132
 BOOT, TOGGLE SWITCH 142
 BOTTLE, WASHER 392
 BOX ASM, 3 SWITCH 344
 BOX ASM, BATTERY 68
 BOX ASM, REAR RUN 142
 BOX, STEERING GEAR MITRE 220
 BOX, STORAGE 324

BRACE, CENTER 248
 BRACE, SIDE 248
 BRACE, STRG COLUMN 222
 BRACE, SUNSHADE 352
 BRACE-BELT GUARD 20
 BRACKET 24, 26, 28, 106,
 112, 118, 126, 130,
 160, 200, 210, 216,
 234, 266, 324, 340,
 346, 348, 350, 364,
 380, 398, 404, 424,
 432
 BRACKET, 2-HOLE CONNECTOR 136
 BRACKET, ABS VALVE 206
 BRACKET, ACTUATING ANGLE 120
 BRACKET, AIR CLNR MTG 24
 BRACKET, AIR DRYER 210
 BRACKET, AIR FLOW 410
 BRACKET, AIR PING TANK 192
 BRACKET, AIR TANK MTG 198
 BRACKET, ANGLE-BARRIER 324
 BRACKET ASM 420
 BRACKET ASM, A/C UNIT 418
 BRACKET ASM, ENG SUPT 16
 BRACKET ASM, FREON COMPR MTG 428
 BRACKET ASM, FUEL TANK MTG 52
 BRACKET ASM, HYD. COOLER 44
 BRACKET ASM, IDLER 428
 BRACKET ASM, LEVELING VALVE 190
 BRACKET ASM, LH S-CAM MTG 86
 BRACKET ASM, PIPE 34
 BRACKET ASM, REAR RUN BOX, LH 142
 BRACKET ASM, RH S-CAM MTG 86
 BRACKET ASM, S-CAM/CHAMBER MTG 72
 BRACKET ASM, SENSOR MTG 86
 BRACKET ASM, STRG COLUMN 222
 BRACKET ASM, WATER VALVE MTG 410
 BRACKET ASM 62, 388, 428
 BRACKET ASM., AIR TANK 350
 BRACKET ASM., LOWER NEWAY 62
 BRACKET ASM., ROLLER 256
 BRACKET ASM., TORQUE ROD 62
 BRACKET, ANTENNA MTG 250
 BRACKET, BELT GUARD SUPT 20
 BRACKET, BOOSTER PUMP 420
 BRACKET, BUSHING MTG 366
 BRACKET, CABLE SUPPORT 124
 BRACKET, CENTER SUPPORT 350
 BRACKET, CHANNEL BETWEEN COOLER & BRACKET ASM.
 44
 BRACKET, CLIP SUPT 54

A
B
C
D
E
F
G
H
I
J
K
L
M
N
O
P
Q
R
S
T
U
V
W
X
Y
Z

Index by Part Description

A
B
C
D
E
F
G
H
I
J
K
L
M
N
O
P
Q
R
S
T
U
V
W
X
Y
Z

BRACKET, CLOSEOUT 350
 BRACKET, COMPARTMENT LAMP 100
 BRACKET, CORE MTG 410
 BRACKET, CORNER CLOSEOUT 350
 BRACKET, CRIME SWITCH 148
 BRACKET, DEST SIGN 398
 BRACKET, DIPSTICK MTG 46
 BRACKET, DIPSTICK TUBE SUPPORT 230
 BRACKET, DOOR HANDLE MTG 264
 BRACKET, DOOR LOCK 282
 BRACKET, DOOR SUPPORT 320
 BRACKET, DOOR SUPT 350
 BRACKET, DRAIN VALVE MTG 192
 BRACKET, ECU MOUNTING 164
 BRACKET, EMERG, RELEASE MTG, RR DOOR 278
 BRACKET, EMERGENCY 272
 BRACKET, ENG MTG 16
 BRACKET, FAN CONTROL MOUNTING 42
 BRACKET, FAN MOTOR MTG 38
 BRACKET, FAN MOTOR SUPT 38
 BRACKET, FILTER MTG 50
 BRACKET, FRONT 234
 BRACKET, FRT BUMPER MTG 386
 BRACKET, GAS SPRING 266
 BRACKET, GAS SPRING MTG 266, 284, 370, 374
 BRACKET GAS SPRING MTG 370
 BRACKET, GAS SPRING MTG 374
 BRACKET, GRAB RAIL 328
 BRACKET, GRILLE SUPPORT ROD 320
 BRACKET, GUARD 188
 BRACKET, HARNESS COVER 350
 BRACKET, HEATER MTG 410, 416
 BRACKET, HEATER SHUTOFF 410
 BRACKET, HORIZONTAL 27.43" LONG 44
 BRACKET, HORN MTG 144
 BRACKET, HORN WARNING 144
 BRACKET, HVAC DOOR 284
 BRACKET, HYD SHIFTER LINE 54
 BRACKET, LINK MTG 188
 BRACKET, LOWER ARM 256
 BRACKET, LOWER DOOR 256
 BRACKET, MIRROR MTG 360, 362
 BRACKET, MIRROR MTG RR STEPWELL 340
 BRACKET, MODESTY PANEL MTG 326
 BRACKET, MTG 166
 BRACKET, MUFFLER MTG 22
 BRACKET, PIPE SUPPORT 22, 26, 34
 BRACKET, PIPE SUPT 24, 32
 BRACKET, PIVOT LOWER 268
 BRACKET PLATE ASM. 62, 388
 BRACKET, POST MOUNTING 62

BRACKET, RAD BRACE 28
 BRACKET, RAD CLOSEOUT 28
 BRACKET, RAD MTG 28
 BRACKET, REAR DOOR BUMPER 266
 BRACKET, REGULATOR 136
 BRACKET, RELAY 108
 BRACKET, RELAY MOUNTING 108
 BRACKET, RELAY VALVE MTG 206
 BRACKET, SENSOR 260
 BRACKET, SHOCK ABSORBER 92
 BRACKET, SHOCK ABSORBER MTG 92
 BRACKET, SHROUD MTG 28, 38
 BRACKET, SIDE WINDOW 352
 BRACKET, SKID CONTROL MTG 76
 BRACKET, SKIRT MTG 376
 BRACKET, SLIDE-IN STANDOFF 366
 BRACKET, STANDOFF 46, 54, 412, 414
 BRACKET, STEERING MITER BOX 216
 BRACKET, STEPWELL LAMP 150
 BRACKET, SUNSHADE 352
 BRACKET, SUPPORT ROD 350
 BRACKET, SUPT 224
 BRACKET, SWITCH 260, 274
 BRACKET, SWITCH MTG 120, 168, 272
 BRACKET, SWITCH MTG 120
 BRACKET, TENSIONER 428
 BRACKET, TORQUE ROD 62, 78
 BRACKET, TUBE CLAMP 414
 BRACKET, UPPER TRACKING 256
 BRACKET, VALVE MTG 276
 BRACKET, VERTICAL END PLATE 15.2" 44
 BRACKET, VERTICAL HINGED PLATE 44
 BRACKET, VOLT. REG. 108
 BRACKET, WIPER MOTOR 390
 BRACKET, WIRE HARNESS COVER 112
 BRACKET-CONNECTOR MTG. 128
 BRACKET-LOCK PIN 20
 BRACKET-WATER BOTTLE 392
 BRACKET, TILT SWITCH 350
 BRACKET, STANDOFF 32
 BRACKET, TORQUE ROD 92
 BRASS, MALE BRANCH TEE 196
 BREATHER ASM 84
 BREATHER, HYD RES 230
 BREATHER TUBE KIT, BRAKE CHAMBER 90
 BRG, INNER BALL 138
 BRG, OUTER ROLLER 138
 BRKT, CLIP SUPPORT 146
 BRKT, HYD RES MTG 230
 BRKT, RECTIFIER 138
 BRKT, SLIDE REINF 342

A
B
C
D
E
F
G
H
I
J
K
L
M
N
O
P
Q
R
S
T
U
V
W
X
Y
Z

Index by Part Description

A	BRUSH, DOOR SEA 268	CABLE 122, 124, 126, 146,	A
B	BRUSH, DOOR SEAL 256	160, 164, 168, 398	B
C	BRUSH, STARTER MOTOR 132	CABLE, 13.0' 164	C
D	BULB, 12V./21W 98	CABLE, 16.5' 164	D
E	BULB, 2 CONTACT LUG, 98	CABLE, ALTERNATOR, NEG 124	E
F	BULB, 3 CONTACT LUG, 12V 98	CABLE ASM, AIR DRYER 210	F
G	BULB, BAYONET, 12V 100	CABLE ASM, ALTERNATOR, 124	G
H	BULB, DC BAYONET 150	CABLE, ASM, BATT/PWR 136	H
I	BULB, LAMP 154	CABLE ASM, EMERGENCY 270	I
J	BULB, S. C. BAYONET 100	CABLE ASM, EQUALIZER 124	J
K	BULKHEAD ASM, 1/4NPT 202	CABLE ASM, HEADLIGHT 98	K
L	BULKHEAD, REAR 246	CABLE ASM, HEAT CONTROL 410	L
M	BULKHEAD UNION, 45° 228	CABLE ASM, JUMP START 128	M
N	BULKHEAD UNION NYLON TUBE 194	CABLE ASM, TEMP CONTROL 410	N
O	BUMPER ASM, FRONT 386	CABLE ASM, TIE BAR 294, 298, 304	O
P	BUMPER ASM, REAR 388	CABLE ASM, W/ DIODE 170	P
Q	BUMPER, FRAME 298, 304	CABLE, BATT. POSITIVE 4/0 24VDC 124	Q
R	BUMPER, PISTON 276	CABLE, BATTERY 118	R
S	BUMPER, RECESS 292, 298, 302, 304	CABLE, COAXIAL 162	S
T	BUMPER, RUBBER 78, 266, 344, 350	CABLE, "DOWN CHASSIS" 12VDC 122, 124	T
U	BUMPER, RUBBER ENGINE/HVAC DOOR 284	CABLE, EQUALIZE 124	U
V	BUS BAR, BATTERY 118	CABLE, JUMPER 124	V
W	BUSBAR 106	CABLE, LOCK PIN 20	W
X	BUSHING 86, 276, 366	CABLE, OVERHEAD GROUND 124	X
Y	BUSHING, 12.5MM 344	CABLE, OVERHEAD POWER 122, 124	Y
Z	BUSHING, 18MM 344	CABLE, PIGTAIL CONNECTOR 114	Z
	BUSHING, ABS (RUBBER) 76	CABLE, POWER 1/0 RED 124	
	BUSHING, ANCHOR PIN 72	CABLE PULLS, TEMP. SELECT 434	
	BUSHING, BRONZE 72	CABLE, RADIO POWER 120	
	BUSHING, CE 134	CABLE, STARTER 24VDC 124	
	BUSHING, DRIVE HSG 132	CABLE, TRANSMISSION 108	
	BUSHING, HEX 48	CAGE ASM, PINION 82	
	BUSHING, HEX 1/2FPT X 3/4MPT 210	CAM, ACTUATOR 224	
	BUSHING, HEX 1/8FPT X 1/4MPT 194	CAM ASM, EMERGENCY 274	
	BUSHING, INNER TREADLE 18	CAMSHAFT 72	
	BUSHING, KNUCKLE 76	CAMSHAFT, LH 86	
	BUSHING, LEVER HSG 132	CAMSHAFT, RH 86	
	BUSHING, LWR KNUCKLE 76	CAP 104, 136	
	BUSHING, ROD 28	CAP ASM, DUST 52	
	BUSHING, RUBBER 86	CAP ASM, FRONT 280	
	BUSHING, S-CAM 72, 86	CAP ASM, FRT 276	
	BUSHING, TREADLE PIN 18	CAP, BALL RETURN GUIDE, STEERING GEAR 218	
	BUSHING W/MTG HARDWARE 366	CAP, END 172, 174, 176, 178,	
	BUSS BAR 108	180, 182, 184	
	BUSS BAR, ALT FUSE 136	CAP, END PROTECTOR 264, 398	
	BUTTON, HORN 222	CAP, KING PIN 76	
	BUTTON, VALVE 36	CAP, LARGE CYLINDER 262	
C		CAP, MIRROR ARM 360, 362	
	COVER, SEAT BASE 342	CAP, MITRE BOX 220	
		CAP, OUTLET (2" VINYL) 410	
		CAP, PRESSURE, FRT BRAKE CHAMBER 70	

Index by Part Description

A
B
C
D
E
F
G
H
I
J
K
L
M
N
O
P
Q
R
S
T
U
V
W
X
Y
Z

CAP, ROUND LIGHTS 282
 CAP, RUBRAIL 310
 CAP, SEAT RAIL 310
 CAP, SMALL CYLINDER 262
 CAP, SURGE TANK 36
 CAP, WASHER BOTTLE 392
 CAP, WINDOW EXTERIOR 368, 376
 CAPSCREW 28, 54, 72, 86, 386
 CAPSCREW, 1/4"-20 44
 CAPSCREW, 1/4"-20 X 1.5" 36
 CAPSCREW, 1/4"-28 X 3/4" 36
 CAPSCREW, 3/8"-16 X 1.25" GR.8 38
 CAPSCREW, 3/8-24 360, 362
 CAPSCREW, 5/16"-16 414
 CAPSCREW, 5/16"-18 X 1.0" GR5 44
 CAPSCREW, CARRIER (MEDIUM) 82
 CAPSCREW, CARRIER (SHORT) 82
 CAPSCREW, DIFFERENTIAL CAP 82
 CAPSCREW, HEX SOCKET, 3/8 X 1-1/16 246
 CAPSCREW HDD #10-24 392
 CAPSCREW, HUB CAP 74
 CAPSCREW, HXHD 1/4-20 262
 CAPSCREW, HXHD 3/16-18X1.50 88
 CAPSCREW, HXHD 3/8 262
 CAPSCREW, HXHD 3/8-16 X 1.00 30
 CAPSCREW, HXHD 3/8-16 X 1.75 30
 CAPSCREW, HXHD 5/16 262
 CAPSCREW, HXHD 5/16-18 X 1.00 30
 CAPSCREW, HXHD 5/16-18 X 1.25 30
 CAPSCREW, HXHD 5/8-18 86
 CAPSCREW, HXHD 9/16-18 X 1.50 30
 CAPSCREW, PINION CAGE 82
 CAPSCREW,METRIC HEX M8 32
 CARLIN 250
 CARLIN, ROOF 250
 CARLIN, ROOF LIGHT PANEL ATTACH 250
 CARRIER ASM, R160 @ 5.38 82
 CASE ASM, DIFF (4.89 - 7.17) 82
 CASE ASM, DIFF W/NEST (4.89 - 7.17) 82
 CASE ASM, DRIVER HEATER 410
 CASE ASM W/CAP, CARRIER W/CAP 82
 CENTER, FH 946 AXLE BEAM 76
 CHAIN, #14, BRASS 142
 CHAIN, STEEL SASH 284
 CHAMBER ASM 70
 CHAMBER ASM, BRAKE 36-36 90
 CHAMBER ASM, FRONT BRAKE 70
 CHAMBER ASM, REAR BRAKE 90
 CHAMBER KIT, FRONT BRAKE 70
 CHANNEL 68, 386
 CHANNEL ASM, CAC BOTTOM 30

CHANNEL ASM, CAC TOP 30
 CHANNEL ASM, HATCH FRAME 244
 CHANNEL, ASM., FLOOR 66
 CHANNEL ASM., HEADLIGHT 66
 CHANNEL, BELT GUARD 20
 CHANNEL, ECU MOUNTING 164
 CHANNEL, FILLER 172, 176, 180, 182, 184
 CHANNEL FLOOR SUPPORT 64
 CHANNEL, OUTRIGGER 64, 66
 CHANNEL, RR BUMPER 388
 CHANNEL, RUN, DRIVER'S WINDOW 296
 CHECK VALVE, SINGLE 204
 CHIME 168, 434
 CHIME HORN, PASS SIGNAL 12VDC 168
 CIRCLIP, EXTERNAL 256
 CIRCUIT 106, 122
 CLAMP 118, 130, 142, 146, 200, 216, 228, 410
 CLAMP, 200
 CLAMP, 1.13" DIA. DIPSTICK TUBE 230
 CLAMP, 3/4" HOSE 412, 414
 CLAMP, 4" O.D. TUBE 22
 CLAMP, 5" 24
 CLAMP, 5" TUBE 22
 CLAMP ASM, 4" 26
 CLAMP ASM, 4" EXHAUST 22
 CLAMP ASM, 5" EXHAUST 22
 CLAMP, BAND 230
 CLAMP, BREEZE "T"-BOLT (3.75"-4.62" RANGE) 26
 CLAMP, CABLE .866-1.259 120
 CLAMP, CONST TENS 410
 CLAMP, CONST TENS HOSE 420
 CLAMP, CONTS TENS 28, 32
 CLAMP, ELECTRICAL 124
 CLAMP, FIRE SLEEVE 42
 CLAMP, HARNESS 18
 CLAMP, HOSE 416, 424
 CLAMP, HOSE #16 426
 CLAMP, HOSE 1.25-2.12 46
 CLAMP, HOSE CONST TENS 32, 34
 CLAMP, LOOM 426
 CLAMP, LOOP INSULATED 272
 CLAMP, OIL LINE 138
 CLAMP, PIPE 34, 414
 CLAMP, PIPE TWIN 3/4" 412
 CLAMP RING ASM 70
 CLAMP RING ASM, BRAKE CHAMBER 90
 CLAMP, T-BOLT, 4.5 24
 CLAMP, T-BOLT, 5.5" 24
 CLAMP, T-BOLT, 6.5" 24

A
B
C
D
E
F
G
H
I
J
K
L
M
N
O
P
Q
R
S
T
U
V
W
X
Y
Z

Index by Part Description

A	CLAMP, TILLER 350	CONNECTION, HOSE 3/4" 420	A
B	CLAMP-TILLER 168	CONNECTION, QUICK DISCONNECT, MALE 204	B
C	CLAMP, PIPE 32	CONNECTOR 98, 138, 164	C
D	CLEANER ASM, AIR 24	CONNECTOR (1-WAY) 152	D
E	CLIP 160, 266, 410	CONNECTOR, 2-WAY 114, 116, 164	E
F	CLIP, GAS SPRING RETAINING 284	CONNECTOR, 2-WAY WEATHERPAK 120	F
G	CLIP, HARNESS 260	CONNECTOR, 3-WAY 114, 164	G
H	CLIP, WIRE 172, 176, 180, 182, 184	CONNECTOR, AIR QUICK RELEASE 342, 344	H
I	CLOSE-OUT, AIR CLEANER 24	CONNECTOR, BULKHEAD 204, 208	I
J	CLOSEOUT 102, 112, 118, 312, 404, 418, 432	CONNECTOR, CAP 142	J
K	CLOSEOUT, A/C DUCT 318, 424	CONNECTOR, FLD TERM 132	K
L	CLOSEOUT, AIR CLEANER 24	CONNECTOR, SHROUD, 2-WAY 146	L
M	CLOSEOUT, AIR TANK 350	CONNECTOR, SOCKET 164	M
N	CLOSEOUT, AIR TANK BOTTOM 350	CONNECTOR W/SEAL (TOWER), 1-WAY 146	N
O	CLOSEOUT, AIR TANK FRONT 350	CONNECTOR, WEDGE 164	O
P	CLOSEOUT, B-POST HARNESS 350	CONSOLE ASM, DRIVERS 112	P
Q	CLOSEOUT, BATTERY BOX 68	CONSOLE, OVERHEAD 104	Q
R	CLOSEOUT, BATTERY SWITCH 120	CONTACT ASM, BRUSH 224	R
S	CLOSEOUT, CABLE DUCT 350	CONTROL ASM, ENG RPM SPEED 142	S
T	CLOSEOUT, CONDENSER 286	CONTROLLER 432	T
U	CLOSEOUT, DASH 112	CONTROLLER, BRUSH MOTOR 410	U
V	CLOSEOUT, DESTINATION SIGN 398	COOLER ASM, CAC 30	V
W	CLOSEOUT, EMERG DOOR RELEASE 278	COOLER, OIL 42	W
X	CLOSEOUT, FRT DRIVERS HEATER 416	COOLER, OIL 24"H X 18.75"W X 1.5" T 44	X
Y	CLOSEOUT, HARNESS 350	CORD, PASS SIGNAL (CLEAR) 168	Y
Z	CLOSEOUT PLATE 356	CORD, PASSENGER SIGNAL 350	Z
	CLOSEOUT, RR CABINET BOTTOM 102	CORE ASM, CAC 30	
	CLOSEOUT, RR DOOR CONTROL COMP 318	CORE ASM, HEATER 410	
	CLOSEOUT, SETTEE 244	CORE ASM, RADIATOR 30	
	CLOSEOUT, STRG COLUMN 222	COTTER 76	
	CLOSEOUT, -DOOR RUBBER 268	COTTER, ADJ RING, CARRIER 82	
	CLOSURE, END 172, 174, 176, 178, 180, 182, 184	COTTER, TIE ROD 76	
	COIL ASM, FIELD 134	COUPLING, 3/4 NPT BRASS 32	
	COLLAR, CAP 220	COUPLING, SHOP AIR 204	
	COLLAR, CLAMP 270	COVER 13, 142, 312	
	COLLAR, LAMP 154	COVER ASM, PRESSURE 36	
	COLLET 360, 362	COVER ASSEMBLY, LAMP 172, 180	
	COLUMN ASM 222	COVER ASSEMBLY, LAMP, 108" 176	
	COLUMN ASM, TILT TELESCOPIC STRG 224	COVER ASSEMBLY, LAMP 4' 182	
	CONE, BEARING 220	COVER ASSEMBLY, LAMP 50" 184	
	CONN 196, 206	COVER ASSEMBLY, LAMP, 84" 174, 178	
	CONN, BARBED 3/4 HOSE X 3/4 MPT 426	COVER, DOOR 268	
	CONN, BRASS 216	COVER, DOOR BRUSH 268	
	CONN, COAXIAL CABLE 162	COVER, DRIVER SEAT BACK 342	
	CONN, MALE 1/8MPT X 1/4T 216	COVER, DRIVER SEAT CUSHION 342	
	CONN., STR. 3/8" NPT X 1/2" 206	COVER, GREASE ZERK 220	
	CONNECTING LINK 390	COVER, GUARD 188	
	CONNECTION, 1/8 NPT X 1/4 192	COVER, HANDLE 342	
		COVER, HYD RESERVOIR 230	
		COVER, INVERTER 172, 176, 180, 182, 184	

Index by Part Description

A
B
C
D
E
F
G
H
I
J
K
L
M
N
O
P
Q
R
S
T
U
V
W
X
Y
Z

COVER, LWR SPRING	224
COVER, PIVOT ASM	268
COVER, RECT END	140
COVER, SPEAKER	158
COVER, STOP	224
COVER, TRIM	318
COVER, TRIM EDGE	310
COVER, UPPER SPRING	224
COVER, WHEELWELL	312
COVER, ZERK, GREASE	216
CRANKSHAFT, DRIVE	390
CROSSMEMBER ASM, ISL	388
CROSSMEMBER ASM	62
CROSSMEMBER CENTER	62
CUP, BEARING	220
CUP, OIL RESERVOIR	132
CUSHION, HEADREST	342
CYLINDER ASM, AIR DOOR OPERATOR	276
CYLINDER ASM, AIR SLIDE	344
CYLINDER ASM., BASEPLATE	274
CYLINDER, LARGE	262
CYLINDER, SMALL	262, 276
D	
DASH, FIBERGLASS	112
DECAL	13, 286, 310, 432, 434, 436, 438, 440
DECAL, (ABS DIAGNOSTICS)	108
DECAL, ABS DIAGNOSTIC	142
DECAL, BATT. SWITCH	120
DECAL, BELT WARNING	20
DECAL, "CAUTION NEGATIVE GROUND"	440
DECAL, "CAUTION STAND	268
DECAL, "CAUTION! FAN MAY START"	440
DECAL, "DANGER"	172, 176, 180, 182, 184
DECAL, DIAGNOSTIC ID	164
DECAL, "DIESEL"	440
DECAL, EMERG HATCH	286
DECAL, EXTERIOR LAMP TEST	434
DECAL, EXTERIOR LAMPS TEST	440
DECAL, "HOT WATER"	440
DECAL, "OIL"	440
DECAL, PULL TO SIGNAL	168
DECAL, RADIATOR FILL/WARNING	440
DECAL, RAMP	100
DECAL, REAR RUN SWITCHES	142
DECAL, REAR RUN WARNING	20
DECAL, "RETARDER ON/OFF"	108
DECAL, SHOP AIR CONN	204

DECAL, "SHOP AIR FILL"	440
DECAL, THROTTLE CONTROL	142
DECAL, THROTTLE SPEED CONTROL	142
DECAL, TRANS. MODE	108
DECAL, VALVE IDENTIFICATION	440
DECAL, "W/S WASHER FILL"	440
DECAL, "WAIT FOR LIGHT..."	170
DECAL, WELDING CAUTION	440
DECAL, "CAUTION"	278
DECKPLATE, CORE MTG	410
DEFLECTOR, YOKE, DIFFERENTIAL	82
DESTINATION SIGN, TWIN VISION	13
DIAPHRAGM	70
DIAPHRAGM, BRAKE CHAMBER	90
DIFFERENTIAL GEAR BOLTS KIT	82
DIFFERENTIAL KIT	82
DIFFUSER, AIR FLOW	410
DIO MODULE	108
DIPSTICK	230
DIPSTICK, ASM.	392
DIPSTICK, TRANS OIL	56
DOOR	280
DOOR, AIR TANK ACCESS	350
DOOR ASM, ACCESS 28"	174
DOOR ASM, AIR FLOW (CABLE)	410
DOOR ASM, LAMP ACCESS	180, 182, 184
DOOR, BATTERY SWITCH ACCESS	368
DOOR, DEST SIGN	398
DOOR, ELECT CONTROLLER	104
DOOR SEAL	384
DOOR, STORAGE BOX	324
DOWEL, AXLE	84
DOWEL, TAPERED	86
DRAGLINK ASM	216
DRAW KEY, LWR	76
DRAW KEY, UPR	76
DRIVESHAFT ASM	58
DRUM, FRT 16.5 X 6 (WEBB/BAL)	74
DRUM, RR 14.5 X 10 (RW/BAL)	88
DRYER, 24V AD-9 AIR	210
DUCT, A/C DRIVER'S	424
DUCT, DEFROSTER	416
DUCT, TRANSITION	422
DUCT, WINDSHIELD DEFROSTER	416
E	
E-CLIP	390
ECU ASM, ABS	164
ECU MODULE, VOITH TRANS	108
EDGE, ALUM. GUARD	324

A
B
C
D
E
F
G
H
I
J
K
L
M
N
O
P
Q
R
S
T
U
V
W
X
Y
Z

Index by Part Description

A	EDGE ASM, SENSITIVE	268	ELBOW, PIPE CAST 3/4 X 3/4	420	A
B	EDGE ASM., DOOR NOSE	256	ELBOW, SILICONE	32	B
C	EGRESS ASM	294, 298, 304	ELBOW, SWIVEL	44	C
D	ELBOW	192, 196, 200, 208	ELBOW, SWIVEL 1-5/16"-12 #16 JIC	42	D
E	ELBOW,	276	ELEMENT, HYD FLUID FILTER	230	E
F	ELBOW, 1/4NPT	202	ENCLOSURE ASM	348	F
G	ELBOW, 3/4 NPT	426	ENCLOSURE ASM, OVERHEAD	424	G
H	ELBOW, 3/8"NPT X 3/8"	206	END ASM, LH TIE ROD	76	H
I	ELBOW, 45° 1-5/16"-12 X #12 JIC	42	END ASM, RH TIE ROD	76	I
J	ELBOW, 45° 1-5/8"-12	226	ENGINE ASM	13	J
K	ELBOW, 45° 1.0" NPT	420	EQUALIZER	118	K
L	ELBOW, 45° 1/2"NPT X #8	206	EQUALIZER, VANNER	108	L
M	ELBOW, 45° 1/2"NPT X 5/8"	206	EQUALIZER, VOLTAGE 12V-24V	124	M
N	ELBOW, 45° 1/4T X 1/4MPT	210	EXCITER, ABS	74	N
O	ELBOW, 45° 1/8"NPT X 3/8"	206	EXTENSION, VALVE STEM	94	O
P	ELBOW, 45° 3/4"NPT	32	EXTINGUISHER, FIRE 5# DRY	406	P
Q	ELBOW, 45° 3/8"NPT X 1/2"	206	EXTR, RUBBER SKIRT EDGE TRIM	376	Q
R	ELBOW, 45° 3/8T X 1/4MPT	190	EXTRUSION	248, 250, 286, 350	R
S	ELBOW, 45° 7/8"-14 X #12 JIC	42	EXTRUSION, A-POST	236, 240	S
T	ELBOW, 45° BRASS, 3/8T	188	EXTRUSION, CHASSIS	242	T
U	ELBOW, 45°-3/4 NPT	192	EXTRUSION, CHASSIS POST	236, 238, 240	U
V	ELBOW, 9/16"-18 X #16 JIC	42	EXTRUSION, HORIZONTAL DOOR	268	V
W	ELBOW, 90°	48, 192	EXTRUSION, LAMP MTG	152	W
X	ELBOW, 90° 1 STREET PVC	52	EXTRUSION, RAIN GUTTER,	384	X
Y	ELBOW, 90° 1-1/16"	226	EXTRUSION, RUBBER	28, 312	Y
Z	ELBOW, 90° 1-1/16"-12 X #16 JIC	42	EXTRUSION SEAL	256	Z
	ELBOW, 90° 1/2 MPT X #8	50	EXTRUSION, SEAT MTG	310	
	ELBOW, 90° 1/2NPT X 3/8T	210	EXTRUSION, SEAT RAIL, LOWER	310	
	ELBOW, 90° 1/4" X 1/4 MPT	210	EXTRUSION TRIM	256	
	ELBOW, 90° 1/4 X 1/4MPT	190	EXTRUSION, VERTICAL	238	
	ELBOW, 90° 1/4F X 1/4M, BRASS	192	EXTRUSION, VERTICAL DOOR	240, 242, 268	
	ELBOW, 90° 1/4MPT	188			
	ELBOW, 90° 1/4"NPT X 1/4"	206	F		
	ELBOW, 90° 1/4"NPT X 3/8"	206	FAN, 9-BLADE 32" HI FLOW	38	
	ELBOW, 90° 1/4NPT X 3/8T	188, 190	FAN ASM, ELECTRIC	424	
	ELBOW, 90° 1/8 NPT X 1/4	192	FAN, DEFROSTER	166	
	ELBOW, 90° 1/8 NPT X 3/8	212	FASTENER	112, 142	
	ELBOW, 90° 1/8NPT X 1/4T	216	FASTENER, SPRING NUT	24	
	ELBOW, 90°, 3/8NPT	188	FH TS #6X1/2	278	
	ELBOW, 90° 3/8NPT X 1/2T	188	FIELD ASM	140	
	ELBOW, 90° 3/8NPT X 1/4T	188	FILL ASM, SNAP CAP	52	
	ELBOW, 90° 9/16" X #8 JIC	42	FILTER	428	
	ELBOW, 90° DEG. NPT 1/4"	204	FILTER (STRAINER), AIR	202	
	ELBOW, 90° PUSH	208	FILTER, ALUMINUM MESH	410	
	ELBOW, 90° RUBBER	24	FILTER, FUEL	50	
	ELBOW, 90° STREET	410	FIRE SLEEVE, HOSE	42	
	ELBOW, 90° STREET, 1"NPT	420	FITTING	36, 40, 142, 196, 200, 210, 276, 328	
	ELBOW, 90° STREET, 3/4 NPT	420	FITTING, 3/8"T X 1/4"	190	
	ELBOW, 90°-1/8NPT	36	FITTING, 45° 1/2" TUBE X 1/2"	206	
	ELBOW ASM. 90°	202			
	ELBOW, OIL LINE	138			

Index by Part Description

A	FITTING, 45° 3/8" TUBE X 3/8"	206	FLATWASHER, 3/4	78, 92	A
B	FITTING, 5/8T X 1/2MPT	210	FLATWASHER, 3/4"	30	B
C	FITTING, 90° GREASE	76	FLATWASHER, 3/8"	338	C
D	FITTING, AIR 3/8 X 1/8 MPT	212	FLATWASHER 3/8"	20	D
E	FITTING ASM	330	FLATWASHER 3/8"	44	E
F	FITTING, AT BULKHEAD 1/4" NPT	192	FLATWASHER, 3/8	22, 24, 246, 410, 420, 428	F
G	FITTING, BULKHEAD, BRASS 3/8NPT	188	FLATWASHER, 3/8"	234	G
H	FITTING, CONN 1/2 MPT X 7/8-14	50	FLATWASHER, 3/8"	22, 24, 30, 58, 210, 404	H
I	FITTING, ELBOW 3/8	260	FLATWASHER, 3/8 FENDER	22	I
J	FITTING, GREASE	58, 72, 76, 86	FLATWASHER, 3/8 HARD	222	J
K	FITTING, GREASE, STEERING GEAR	218	FLATWASHER, 3/8" HARD	256	K
L	FITTING, HOSE #6 X 9/16"-18	36	FLATWASHER 5/16"	20	L
M	FITTING, HOSE END #10 7/8-14	228	FLATWASHER, 5/16	24, 188, 360, 376	M
N	FITTING, INLET TUBE	410	FLATWASHER, 5/16"	42, 206	N
O	FITTING, OUTLET TUBE	410	FLATWASHER, 5/16"	44, 262, 350	O
P	FITTING, PIPE 1/4 BRASS	262	FLATWASHER, 5/8	16, 78, 86	P
Q	FITTING, PIPE NIPPLE	260	FLATWASHER, 5/8"	92	Q
R	FITTING, SIGHT GLASS BODY	36	FLATWASHER, 7/16"	428	R
S	FITTING, STANCHION	328	FLATWASHER, 7/16"	404	S
T	FITTING, STANCHION (BLACK)	326	FLATWASHER, 7/8	88	T
U	FITTING STANCHION "TEE"	346	FLATWASHER, CARRIER	82	U
V	FITTING, TEE 1/4"	260	FLATWASHER, FENDER 1/4	38, 326	V
W	FITTING, TEE 3/8"	260	FLATWASHER, FENDER 3/8	38	W
X	FITTING, TEE F-TYPE	196	FLATWASHER, FENDER 5/16	398	X
Y	FLANGE, ARCHED	62	FLATWASHER, FENDER 7/16	420	Y
Z	FLANGE, FITTING	326	FLATWASHER, HARD 1/2	418	Z
	FLANGE, FLOOR FITTING	354	FLATWASHER, HARD 5/8"	428	
	FLAP, MUD	364	FLATWASHER, SSTL 3/8"	336, 338	
	FLATWASHER	72	FLATWASHER, THICK	72	
	FLATWASHER	28, 68, 72, 74, 78, 82, 86, 106, 128, 130, 132, 136, 142, 158, 216, 266, 276, 328, 342, 344, 348, 360, 364, 418	FLATWASHER, THIN	72	
	FLATWASHER, #10 STD.	392	FLOORING	13	
	FLATWASHER #10	68	FLOORING, ALTRO STEP NOSING	322	
	FLATWASHER, #10	106, 108, 166	FLOORING, RIBBED	310	
	FLATWASHER #10 STD	20	FOAM, BACK	342	
	FLATWASHER, #4	260	FOAM, CUSHION	342	
	FLATWASHER, #8	106, 110, 260	FRAME	252	
	FLATWASHER, 1"	78	FRAME ASM, 46" EGRESS	304	
	FLATWASHER 1/2	16	FRAME ASM, 46" OUTER	302	
	FLATWASHER, 1/2	92, 386	FRAME ASM, 46" OUTER MTG	306	
	FLATWASHER, 1/2"	210, 360, 362, 388	FRAME ASM, 46" RETAINING	306	
	FLATWASHER 1/4"	108	FRAME ASM, 46" UPPER TRANSOM	304	
	FLATWASHER 1/4"	124	FRAME ASM, DRIVE END	138	
	FLATWASHER, 1/4	120, 246	FRAME ASM, DRIVER SEATBACK	342	
	FLATWASHER, 1/4"	104, 264, 346	FRAME ASM, EGRESS	294, 298	
	FLATWASHER, 1/4"	36, 120, 410, 424	FRAME ASM, MTG	294	
	FLATWASHER, 1/4" SSTL	382	FRAME ASM, OUTER	292, 304	
			FRAME ASM, OUTER MTG	298	
			FRAME ASM, RECT END	140	
			FRAME ASM, RETAINING	292, 294, 298, 300,	

Index by Part Description

A
B
C
D
E
F
G
H
I
J
K
L
M
N
O
P
Q
R
S
T
U
V
W
X
Y
Z

302, 304
FRAME ASM-HINGED BELT GUARD 20
FRAME ASM. 66
FRAME, DRIVER WINDOW OTR 296
FRAME HALF, UPPER 294
FRAME, HATCH LONG 250
FRAME, HEADREST 342
FRAME, LOWER HALF 300
FRAME, MOUNTING 286
FRAME, STARTER CE 134
FRAME, UPPER HALF 300
FUSE 120, 124
FUSE, 60 AMP. 120
FUSE, 10 AMP. MINI ATM 106, 108, 110
FUSE, 100 AMP 122
FUSE, 100AMP. 124
FUSE, 125 AMP. 120
FUSE, 125AMP. 124
FUSE, 150AMP. 124
FUSE, 325 AMP. 136
FUSE, 325AMP. 124
FUSE, 800AMP. 124
FUSE, 9AMP. CERAMIC 136
FUSE, BLADE-TYPE 20AMP. YELLOW 136
FUSE, BLADE-TYPE 5AMP. TAN 136

G

GASKET 84, 226, 254
GASKET, ADAPTER 52
GASKET, COVER 140, 230
GASKET, COVER, WIPER 234, 390
GASKET, CYLINDER 276
GASKET, DEFROSTER DUCT 416
GASKET, END 30
GASKET, FILLER NECK 52
GASKET, HUB CAP 74
GASKET, INSPECTION PLUG 132
GASKET, LARGE CYLINDER 262
GASKET, LCV 52
GASKET, OUTER SPACER 390
GASKET, PRV LOWER 52
GASKET, RETAINER 138
GASKET, SIDE 30
GASKET, SIDE COVER, STEERING GEAR 218
GASKET, SURGE TANK 36
GASKET, SURGE TANK CAP 36
GASKET, SURGE TANK PRESS REG 36
GASKET, SMALL CYLINDER 262
GAUGE 142
GAUGE, DUAL AIR 434

GEAR & LEVER ASM 262
GEAR ASM, STEERING 216
GEAR ASM. 218
GEAR, DIFFERENTIAL 82
GEAR, MITRE BOX 220
GEAR, SIDE, CARRIER 82
GEAR, STEERING MITER BOX 216
GEARSET, 5.38 RATIO 82
GLASS, (GLAZING), DESTINATION SIGN 280
GLASS, CONVEX 360, 362
GLASS, EMERG BREAKOUT 278
GLASS, REAR VIEW 362
GLAZING, 40" DOOR 258
GLAZING, 46" LOWER 306
GLAZING, 46" UPPER 306
GLAZING, DOOR, S/GLASS 268
GLAZING, EGRESS 292, 298, 302, 304
GLAZING, EMERGENCY VALVE 264
GLAZING, FLAT 9 X 11 W/ LOCKRING 360
GLAZING, LOWER STATIONARY 294
GLAZING, SLIDE/FIXED, DRIVER'S WINDOW ... 296
GLAZING, STATIONARY 300
GLAZING, STATIONARY, LOWER 300
GLAZING, TRANSOM 292, 298, 302, 304
GLAZING, UPPER STATIONARY 294
GLAZING, VINYL, DRIVER'S WINDOW 296
GLAZING, WINDOW 4
GOVERNOR, AIR COMPRESSOR 192
GPS 160
GRABRAIL 328
GRABRAIL, YELLOW 328
GRILL 320
GRILLE, EXTERIOR SPEAKER 156
GROMMET, MOUNTING 114, 116
GUARD 28, 432, 434
GUARD, DRIVELINE 58
GUARD, GLAZING 292
GUARD, RUBBER SHIELD 142
GUARD, TOGGLE SWITCH 142
GUIDE, LH BALL, STRING GEAR 218
GUIDE, RH BALL, STRNG GEAR 218
GUIDE, ROPE 102, 284, 350
GUIDE, ROPE LARGE .04" DIA. OPENING 168
GUIDE, ROPE SMALL .03" DIA. 168
GUSSET 266
GUSSET, 3.0" X 3.57" 64
GUSSET ASM. 64
GUSSET, COBOLT 248, 250
GUSSET, COBOLT 2-BOLT 238
GUSSET, COBOLT 4-BOLT 238
GUSSET, CORNER 248

A
B
C
D
E
F
G
H
I
J
K
L
M
N
O
P
Q
R
S
T
U
V
W
X
Y
Z

Index by Part Description

A
B
C
D
E
F
G
H
I
J
K
L
M
N
O
P
Q
R
S
T
U
V
W
X
Y
Z

GUSSET, CROSSMEMBER 62
 GUSSET, DOOR PORTAL 240
 GUSSET, LARGE 236, 240, 242
 GUSSET, OUTRIGGER 66
 GUSSET, SMALL 242
 GUSSET, UPPER 24
 GUSSET-REAR DOOR 266

H

H-FRAME ASM 92
 HANDLE, 68
 HANDLE & LATCH ASM 292, 298, 302, 304
 HANDLE ASM, COLUMN ADJ 222
 HANDLE ASM, EMERGENCY 272
 HANDLE ASM, LATCH 366
 HANDLE, EMERG RELEASE 294, 298, 304
 HANDLE, EXTENSION (RED) 434
 HANDLE, FRONT DOOR 336
 HANDLE, GRAB 266, 332, 334
 HANDLE, GRAB (DRIVERS BARRIER) 324
 HANDLE, GRAB SSSL 268
 HANDLE, GRAB SSSL 180GRIT, 29.5" 338
 HANDLE, HATCH RELEASE 286
 HANDLE, PULL 296
 HANDLE, SLIDE, DRIVER'S WINDOW 296
 HANDLE, SLIDE RELEASE 342
 HANGER 318
 HARDWARE 156
 HARNESS 106, 142, 160, 164, 434
 HARNESS ASM, TAILLIGHT JUMPER 186
 HARNESS, CTR DASH PANEL 186
 HARNESS, DRIVERS FAN 186
 HARNESS, LINEAR FIRE DETECTION WIRE 186
 HARNESS, MARKER LAMP FRT CAP 186
 HARNESS, REAR CAP 186
 HARNESS, 3RD BRAKE LT. 186
 HARNESS, ABS DRIVE AXLE 186
 HARNESS, ABS FRONT CHANNEL 164, 186
 HARNESS, ABS POWER 164
 HARNESS ASM, ELECTRICAL COMPARTMENT 186
 HARNESS ASM, HEATER (BRUSH/CABLE) 410
 HARNESS, ASM, JUMPER 146
 HARNESS ASM, LINEAR FIRE JUMPER 186
 HARNESS ASSEMBLY, 12V 174, 178
 HARNESS ASSEMBLY, 24V 174, 178
 HARNESS ASSEMBLY, LAMP 172, 176, 180, 182, 184
 HARNESS, ATC DRIVE AXLE 164
 HARNESS, AUDIO 186

HARNESS, BULKHEAD EXTENTION 186
 HARNESS, COMMUNICATION CABLE 186
 HARNESS, COMMUNICATION CABLE W/J1939 . 186
 HARNESS, DEFROSTER FANS 166
 HARNESS, DOOR LAMP JUMPER 186
 HARNESS, DRIVERS HEATER 186
 HARNESS, ENGINE 186
 HARNESS, ENGINE/TRANS POWER 186
 HARNESS, EXIT DOOR 170
 HARNESS, FAREBOX POWER 186
 HARNESS, FIRE DETECTION WIRE 146
 HARNESS, HEAD LIGHT & T/S 186
 HARNESS, IGNITION SWITCH PANEL 186
 HARNESS L, DASH PANEL 186
 HARNESS, LEFT DASH PANEL 186
 HARNESS, LH CEILING 186
 HARNESS, MICROPHONE 186
 HARNESS, MULTIPLEXING DATA SYSTEM 186
 HARNESS, PRESSURE SW. 186
 HARNESS, REAR, TURN AND MARKER 186
 HARNESS, RETARDER PRESSURE SWITCHES 186
 HARNESS, RH CEILING 186
 HARNESS, RR DOOR EXTERIOR CURB LAMP . 186
 HARNESS, RR DOOR HEADER 186
 HARNESS, RR RUN BOX 186
 HARNESS, RT SIDE DASH PANEL 186
 HARNESS, SENSOR 18
 HARNESS, TAIL LAMP 186
 HARNESS, TRANS OIL LEVEL GAUGE 186
 HARNESS, VDO FILTER 186
 HARNESS, VOLTAGE REGULATOR 186
 HARNESS, WINDSHIELD WIPERS 186
 HATCH ASM, SETTEE 244
 HATCH, ESCAPE 286
 HCNC MODULE 108
 HEAD ASM, MIRROR 9 X 11 362
 HEADER, CAC 30
 HEATER ASM, DRIVER 410
 HEIM JOINT 256
 HEIM JOINT, MALE ROD 260
 HINGE 280, 324, 380
 HINGE, AIR TANK CLOSEOUT 102, 350
 HINGE ASM, BELT GUARD 20
 HINGE ASM, REAR DOOR 266
 HINGE ASM, RR DOOR 284
 HINGE, BODY HALF 286
 HINGE, DEST SIGN 398
 HINGE, DOOR 350
 HINGE, DOOR HALF 286
 HINGE, ELECT CONTROLLER 264
 HINGE, PIANO RR PANEL 282

A
B
C
D
E
F
G
H
I
J
K
L
M
N
O
P
Q
R
S
T
U
V
W
X
Y
Z

Index by Part Description

A	HINGE, REAR RUN BOX DOOR	142	HOSE, HYD HIGH PRESS #12	228	A
B	HINGE, RETURN AIR GRILLE	320	HOSE, NYLON .38" ID	36	B
C	HINGE, SKIRT	378	HOSE, PUMP	50	C
D	HOLDER	106	HOSE, RUBBER	30	D
E	HOLDER, BATTERY FUSE	122, 136	HOSE, SILICONE, .75	200	E
F	HOLDER, CIRCUIT BREAKER	108	HOSE, SILICONE 1.50	46	F
G	HOLDER, FUSE	120	HOSE, SILICONE 3/4 ID	412, 414	G
H	HOLDER, LICENSE PLATE	394	HOSE, SILICONE	32	H
I	HOOK	102, 284	HOUSING	266	I
J	HOOK, COAT	358	HOUSING ASM	224	J
K	HOOK, "S"	350	HOUSING ASM, 61143 AXLE	84	K
L	HOOP, FRONT FRAME	234	HOUSING ASM, SERVICE, STEERING GEAR	218	L
M	HORIZONTAL MULLION RAIL	294	HOUSING ASM, W/ COLLET	224	M
N	HORN	104, 434	HOUSING, CONVEX MIRROR	360, 362	N
O	HORN, BACK-UP WARNING	114	HOUSING, DOOR MOTOR	262	O
P	HORN, "RAMP ALARM"	432	HOUSING, DRIVE	132	P
Q	HORN WARNING	144	HOUSING, LH & RH BODY	98	Q
R	HORNS	144	HOUSING, LOWER BEARING	224	R
S	HOSE	34, 192, 426	HOUSING, MIRROR	360, 362	S
T	HOSE, #4	48	HOUSING, MITRE BOX	220	T
U	HOSE, 1" ID	192	HOUSING, SPRING-ACTUATOR	224	U
V	HOSE, 1.12" SILICONE	420	HSG ASM, LEVER	134	V
W	HOSE, 2.75	416	HUB ASM, RR W/CUPS	88	W
X	HOSE, 2.75 DIA	424	HUB ASM, RR W/CUPS & STUDS	88	X
Y	HOSE, 3/4"	426	HUB ASM, W/CUPS	74	Y
Z	HOSE, 3/4 ID	410	HUB CAP ASM	74	Z
	HOSE, AIR	228	HUBODOMETER	80	
	HOSE, AIR BRAKE	206	HVAC	13	
	HOSE, AIR VENT	410			
	HOSE ASM	36, 42, 44			
	HOSE ASM #10	228	I		
	HOSE ASM, #10	50	I.D. KEY	106	
	HOSE ASM #8	228	IDLER ARM	390	
	HOSE ASM, #8	50	IDLER SHAFT ASM.	390	
	HOSE ASM, FC186 #12	192	INDICATOR, AIR RESTRICTION	24	
	HOSE ASM, FC186 #4X	48	INSERT, BLIND THREAD	158	
	HOSE ASM, TEFLON #10	228	INSERT, BLIND THREADED	280	
	HOSE ASM, W/REUSABLE FITTING	226	INSERT, BLIND THREADED 1/4-20	324	
	HOSE ASM.	206	INSERT, BLIND THREADED 10-32	312	
	HOSE ASM., DISCHARGE	426	INSERT KIT, WIPER BLADE	390	
	HOSE ASM., SUCTION	426	INSERT RAIL ASM, REMOVABLE	296	
	HOSE END, #4 HOSE, (SAE)	48	INSUL, ENG	244	
	HOSE END, 37° SW 1 1/16-12 #12	228	INSUL, HATCH SEAT BACK	244	
	HOSE END, 45° FLARE FEMALE	206	INSUL, SETTEE FRONT	244	
	HOSE END, 90° SW 1 1/16-12 #12	228	INSULATED STUD, ENG./TRANS.	136	
	HOSE END, FEMALE SWIVEL	36	INSULATION	234, 240, 246, 250,	
	HOSE END, MALE PIPE	206		412, 414	
	HOSE, FILTER	50	INSULATION, AIR TANK	198	
	HOSE, HUMP, 3.0 X 6.0	28, 32	INSULATOR, FLD COIL	132, 134	
	HOSE, HUMP, 4.0" X 7.5" HI-TEMP	26	INSULATOR, FLD TERM	132	
	HOSE, HUMP, 5 X 6	24	INSULATOR, SWITCH	272	

Index by Part Description

A INVERTER (BALLAST) 172, 176, 180, 182, 184

B INVERTER, (BALLAST) 12V 174, 178

C INVERTER, (BALLAST) 24V 174, 178

D INVERTER ASSEMBLY 172, 176, 180, 182, 184

E INVERTER ASSEMBLY, 12V 174, 178

F INVERTER ASSEMBLY, 24V 174, 178

G INVERTER COVER 174, 178

H ISOLATOR, MNT 22

I ISOLATOR, MTG 30

J

JAMNUT 276

JAMNUT, 5/16-24 262

JAMNUT, M10 X 1.5" 342

JOINT, BALL 1/4-28 320, 350

K

KEY, I.D. #64 110

KEY, TUBULAR 406

KEY, WOODRUFF 76

KIT 100

KIT, 1/2 ROUND YOKE MTG 58

KIT, 10" X 14.5" LINING 86

KIT, AD-9 MTG BRACKET ASM 210

KIT, BRAKE SHOE ASM W/LINING 86

KIT, CE TERMINAL INSUL 134

KIT, CLAMP BOLT, FRT BRAKE CHAMBER 70

KIT, DUAL HORN, 12V 144

KIT, FLARE 406

KIT, HEATER CORE W/PLUMBING 410

KIT, HORN 222

KIT, LENS STRAP 182

KIT, NUTS/WASHERS, FRT BRAKE CHAMBER .. 70

KIT, PHASE 4 ROLLER 18

KIT, POTENTIOMETER 18

KIT, SLIDE-IN MTG 366

KIT, STARTER BRUSHES 134

KIT, STARTER BUSHINGS 134

KIT, STARTER SHIFT LEVER 134

KIT, T-K INSTALLATION 428

KIT, TREADLE ASM 18

KIT, TREADLE PIN 18

KIT, U-JOINT "FULL ROUND" 58

KIT, U-JOINT "HALF ROUND" 58

KIT, W/S WASHER 392

KIT, WASHER & LOCKRING 84

KIT, WASHER/SPACER PACK 86

KNOB 432

KNOB, (YELLOW) 432

KNOB, AIR ADJ (10MM) 344

KNOB ASM, W/BOOT 142

KNOB, CABLE PULL 434

KNOB, PLASTIC 434

KNOB, SEAT ADJ 342

KNUCKLE ASM, LH 76

KNUCKLE ASM, RH 76

L

LABEL 30

LABEL, ID 270, 274, 276

LABEL, IDENTIFICATION 30

LAMP & SOCKET ASM 98

LAMP ASM, RR STOP, TURN, TAIL, RED-"LED" . 114

LAMP ASM, CURB 100

LAMP ASM, ENG. COMPT 100

LAMP ASM, HEADLIGHT, HALOGEN 98

LAMP ASM, MARKER 100

LAMP ASM, MARKER/CLEARANCE(RED), LED . 100

LAMP ASM, RR, AMBER-"LED" 114

LAMP ASM, RR BACK-UP, CLEAR 114

LAMP ASM, SIDE TURN 100

LAMP ASM, STOP/TURN 116

LAMP ASM, TUBE 152

LAMP ASM, W/SHIELD 150

LAMP BAR ASM, 47 STATION LED 432

LAMP, LICENSE PLATE 100

LAMP ONLY 100

LAMP PANEL ASSEMBLY 172

LAMP PANEL ASSEMBLY, 108" 176

LAMP PANEL ASSEMBLY, 48" 180

LAMP PANEL ASSEMBLY, 50" 184

LAMP PANEL ASSEMBLY, 98" 182

LAMP PANEL ASSEMBLY-120" 178

LAMP PANEL ASSEMBLY-84" 174

LATCH 104, 280, 370

LATCH, 5/16" SQUARE KEY 348

LATCH, ADJUSTABLE 376

LATCH, ADJUSTABLE W/O KEY 324

LATCH ASM 254, 350

LATCH ASM, COMPRESSION 102

LATCH ASM, COMPRESSIONS SMALL 320

LATCH ASM, QUAD PANEL 112, 350, 398, 416

LATCH ASM, REAR SLIDE 296

LATCH ASM-QUAD PANEL 264

LATCH, FRT SLIDE, DRVR WNDW 296

LATCH, SAFETY TAB 286

LATCH, SPRING 68

A
B
C
D
E
F
G
H
I
J
K
L
M
N
O
P
Q
R
S
T
U
V
W
X
Y
Z

A
B
C
D
E
F
G
H
I
J
K
L
M
N
O
P
Q
R
S
T
U
V
W
X
Y
Z

Index by Part Description

A	LEAD ASM 260	LOCKNUT, NYLOK 3/4-16 92	A
B	LEAD, CE TERM 132	LOCKNUT, NYLOK 3/8-16 246, 410	B
C	LENS, LAMP 154	LOCKNUT, NYLOK 3/8"-16 GR.5 68	C
D	LENS, SIGHT GLASS 36	LOCKNUT, NYLOK 3/8-16 GR5 222	D
E	LEVER ASM, DOOR SHAFT 260	LOCKNUT, NYLOK 3/8-24 GR5 222	E
F	LEVER ASM, SHIFT 132	LOCKNUT, NYLOK 5/16-18 30	F
G	LEVER, TILT & TELESCOPE 224	LOCKNUT, NYLOK 5/8-18 78	G
H	LIFT-U 13	LOCKNUT, NYLOK 8-32 168	H
I	LIGHT ASM, MAP 154	LOCKNUT, SADDLE 390	I
J	LIGHT ASM, SEALED YELLOW LENS 100	LOCKNUT, SPANNER 390	J
K	LINER,FUEL TANK STRAP 52	LOCKNUT,HXHD 5/8-18 86	K
L	LINING, ANCHOR END 72	LOCKRACK, DRIVER'S WINDOW 296	L
M	LINING, CAM END 72	LOCKRING 72, 74, 86	M
N	LINK ASM, FRT KNEELING 188	LOCKRING, PINION 82	N
O	LINK ASM, SUSPENSION 190	LOCKWASHER 38, 42, 84, 86, 138, 140, 142, 276, 342, 344, 348	O
P	LINK ASM, W/PLUNGER 286	LOCKWASHER, #4 260	P
Q	LOCK 348	LOCKWASHER #6 108	Q
R	LOCK ASM 282, 284, 370, 372, 374, 378	LOCKWASHER, .375 360, 362	R
S	LOCK ASM, 5/16 SQ KEY 1/4 TURN 380	LOCKWASHER 1/4 398	S
T	LOCK ASM, 5/16" SQ KEY 1/4 TURN 20	LOCKWASHER, 1/4 324	T
U	LOCK-PIN, TELESCOPE 224	LOCKWASHER, 1/4" 274, 346	U
V	LOCKNUT 28, 68, 72, 84, 86, 92, 128, 136, 216, 266, 280, 344, 350, 390	LOCKWASHER, 1/4" 120, 262	V
W	LOCKNUT, 5/8"-18 GR.8 92	LOCKWASHER, 3/8 36, 86, 198	W
X	LOCKNUT, 1/2" 360, 362	LOCKWASHER, 3/8" 256	X
Y	LOCKNUT, ADJ, STEERING GEAR 218	LOCKWASHER, 3/8" 28, 30, 262, 340, 404	Y
Z	LOCKNUT, CARRIER 82	LOCKWASHER, 5/16 222, 360	Z
	LOCKNUT, HX HD. 5/16"-24 274	LOCKWASHER, 5/16" 274	
	LOCKNUT, HXHD 1/4-20 262	LOCKWASHER, 5/16" 262	
	LOCKNUT, HXHD 3/4-16 86	LOCKWASHER, CARRIER 82	
	LOCKNUT, HXHD 5/16-18 272	LOCKWASHER, EXT TOOTH 140	
	LOCKNUT, HXHD, 7/16-20 272	LOCKWASHER, INTERNAL TOOTH 142, 224	
	LOCKNUT, HXHD 7/8-14 GR8 88	LOCKWASHER, M 32	
	LOCKNUT, HXHD7/16"-20 256	LOCKWASHER, M10 46, 226	
	LOCKNUT, M10 344	LOCKWASHER, M12 METRIC 32	
	LOCKNUT, NYLOCK 1/4-20 GR5 120	LOCKWASHER M16 16	
	LOCKNUT, NYLOCK 3/8-16 GR5 38, 420	LOCKWASHER M20 SPLIT 16	
	LOCKNUT, NYLOCK, 5/8"-18 428	LOCKWASHER, SPECIAL 3/8" 260	
	LOCKNUT, NYLOCK 7/16"-14 428	LOCKWASHER, TERM 138, 140	
	LOCKNUT, NYLOK 48, 78, 284	LOCKWASHER,M12 16	
	LOCKNUT, NYLOK #10-24 166	LOCKWIRE 72	
	LOCKNUT, NYLOK #10-24 GR5 20	LOGIC 160	
	LOCKNUT, NYLOK 1-14UNF 78	LOUVER 104	
	LOCKNUT, NYLOK 1/2" 22	LOUVER ASM, 2.5 ROUND 416	
	LOCKNUT, NYLOK 1/2-13 16	LOUVER ASM, DOUBLE SQUARE 424	
	LOCKNUT, NYLOK 1/2-20 92, 418	LOUVER, DRIVER HEATER 410	
	LOCKNUT, NYLOK 1/4-20 68, 246, 410		
	LOCKNUT, NYLOK 3/4-10 216		

Index by Part Description

A
B
C
D
E
F
G
H
I
J
K
L
M
N
O
P
Q
R
S
T
U
V
W
X
Y
Z

M

MACH. SCREW, PHIL.HD. #10 108

MAGNET 366

MAIN ARM 390

MANIFOLD, AIR FITTING 48

MAP LIGHT 434

MAT, DRIVER'S FLOOR 310

MAT, DRIVER'S PLATFORM 310

MECHANISM, ADJ 360

MECHANISM, LG MANUAL ADJ 360

MICRO 434

MICROPHONE 160

MICROSWITCH 120

MIRROR, 12" CONVEX 340

MIRROR, 6" ROUND 340

MIRROR ASM, EXTERIOR 362

MIRROR ASM, RS-08-UAL0911MFM CX 360

MIRROR, CONVEX 360, 362

MODULE 106

MODULE, 32 INPUT 110

MODULE, 8 IN AND 8 OUT 110

MODULE ASM., LIFT-U 66

MODULE, CENTER, RR BUMPER 388

MODULE, END, RR BUMPER 388

MODULE, FRT BUMPER 386

MODULE, TRANS RESISTANCE 194

MOLDING, BLACK PLASTIC 310

MOLDING, FILLER 310

MOLDING, INTERIOR TRIM 286

MOLDING, TRIM "H" MOLDING 314

MOLDING, YELLOW PLASTIC 310

MOLDING-TRIM 316

MOTOR 42

MOTOR ASM 40

MOTOR ASM, 24V (BRUSHES) 410

MOTOR ASM, DOOR 262

MOTOR ASM, DRIVE 134

MOTOR ASM, HYD FAN DRIVE 38

MOTOR ASM, WIPER 390

MOTOR, LARGE 362

MOTOR, PNEUMATIC DOOR 260

MOTOR, SMALL 362

MOTOR, WIPER W/GEAR REDUCTION 390

MOUNT, CENTER BOND 22

MOUNT, CENTER BONDED NEOPRENE 38, 420

MOUNT, CTR BOND 28

MOUNT, CTR BONDED 22

MOUNT, ENG 16

MOUNT, ENG FRT CUSHYFLOAT 16

MOUNT, RUBBER 44

MUDFLAP 364

MUFFLER/CATALYIC ASM 22

MULLION, 46" HORIZONTAL 306

MULLION, HORIZONTAL 292, 298, 302, 304

MULLION, HORIZONTAL RAIL 300

N

NEST, INNER ASM 98

NEST, OUTER ASM 98

NIPPLE 196, 200, 208

NIPPLE, 276

NIPPLE, 1" NPT 420

NIPPLE, 1/4" NPT 204

NIPPLE, 1/4NPT 202

NIPPLE, 3/4 NPT X 2 426

NIPPLE, 3/4NPT X 7.0 426

NIPPLE, AIRBAG INLET 344

NIPPLE, BRASS 2 X 3/4 420

NIPPLE, BRASS 2 X 3/4 32

NIPPLE, HEX 1/4" X 1/8" 36

NIPPLE, HEX 3/8" X 3/8" 206

NOZZLE, WASHER 390

NSULATOR, FIELD COIL 132

NUT 28, 68, 104, 106, 126, 128, 130, 168, 216, 266, 276, 280, 328, 342, 344, 348, 350, 372, 374, 380, 404, 418

NUT, #10-24 324

NUT, #6-32 142

NUT, 1/2" UNC NYLON 210

NUT, 1/2"-13 GR5 428

NUT, 1/2"-20 428

NUT, 1/4-20 324, 326

NUT, 1/4-20 LOW CROWN 324

NUT, 1/4-20 SSTL NYLOCK 120

NUT 10-24, KEPS 172, 176, 180, 182, 184

NUT, 10-32 138

NUT, 3/8" NYLON 210

NUT, 3/8" PAL 342

NUT, 3/8"-16 CAP HIGH 256

NUT, 5/16" UNC 206

NUT, 5/16" UNC NYLOCK 206

NUT, 7/16"-14NC NYLOCK 404

NUT, ACORN 390

NUT, ADJ ROD 132

NUT, AIRBAG NIPPLE 344

NUT, ALL METAL LOCK 5/8" 428

A
B
C
D
E
F
G
H
I
J
K
L
M
N
O
P
Q
R
S
T
U
V
W
X
Y
Z

Index by Part Description

A NUT, ANCHOR PIN 86
B NUT, ARM 76
C NUT ASM, SHUNT 132
D NUT ASM, WHEEL 74
E NUT, AXLE STUD 84
F NUT, BACKING (10MM) 344
G NUT, CAP 390
H NUT, CAP 3/4-16 228
I NUT, CROWN 3/8"-16 340
J NUT, DRAW KEY 76
K NUT, EMERG RELEASE 304
L NUT, EMERG RELEASE HANDLE 294
M NUT, FLANGEHD, 1/2 X 20 386
N NUT, HEX 3/8"-16 260
O NUT, HEX 5/16-18 272
P NUT, HEX 7/16-20 272
Q NUT, HEX HD. #8-32 274
R NUT, HEX HD. 1/2" 92
S NUT, HEX HD. NYLOCK 5/16" 42
T NUT, HEX KEPS 1/4"-20 260
U NUT, HEX NYLOCK 1/2"-20 428
V NUT, HEX NYLOCK 3/8"-24 428
W NUT, HEX SSTL 122
X NUT, HEXHD 28
Y NUT, HEXHD NYLOCK 3/8" 404
Z NUT, HEXHD NYLOCK 7/16" 404
 NUT, HIGH HEX 3/4"-16 GR8 382
 NUT, HXHD 342
 NUT, HXHD 1/4-20 398
 NUT, HXHD 3/8-16 30
 NUT, HXHD 3/8"-24 256
 NUT, HXHD 5/8-18 90
 NUT, HXHD, FLANGED, 1/2-20, G 388
 NUT, HXHD FLG 1/2-20 16
 NUT, HXHD NYLOCK 1/4" 124
 NUT, HXHD NYLOCK 1/4 370
 NUT, HXHD NYLOCK, 1/4-20 36
 NUT, HXHD NYLOCK, 3/8" 22, 24
 NUT, HXHD NYLOCK 3/8-16 230
 NUT, HXHD NYLOCK 3/8"-16 GR5 20
 NUT, HXHD NYLOCK 5/16" 24
 NUT, HXHD NYLOCK 5/16" 44
 NUT, HXHD NYLOCK 5/8-11 16
 NUT, HXHD NYLOK 1/4-28 320
 NUT, HXHD TORQ 3/8-16 30
 NUT, INR WHEEL BRG 74, 84
 NUT, JAM, .75-16 142
 NUT, JAM, STEERING GEAR 218
 NUT, LH OTR WHEEL 88
 NUT, LINING 3/8 86
 NUT, LOCK 1-1/4" 92

NUT, LOCK 1/2" 92
 NUT, LOCK 3/4" 92
 NUT, LOCK, NYLOK #8-32 GR5 358
 NUT, NYLOK, #10-24 352
 NUT, NYLOK, 1/2-20 38
 NUT, NYLOK, 5/16 188
 NUT, OTR WHEEL BRG 74, 84
 NUT, OUTPUT TERM 140
 NUT, PINION 82
 NUT PLATE 222
 NUT PLATE, COBOLT 244, 248, 250, 266, 284
 NUT PLATE, COBOLT M8 20, 24, 234, 236, 238, 240, 242, 264, 332, 378, 398, 424
 NUT, SHAFT 138
 NUT, SLOTTED 5/8-18 HEX 38
 NUT, SPECIAL 58
 NUT, STANCHION 336, 338, 354
 NUT, STOP SCREW 76
 NUT, TENSION SEAL 142
 NUT, TERMINAL 138
 NUT, W/WASHER 138
 NUT, WHEEL 7/8-20 224
 NUT, YOKE, FRT BRAKE 70
 NUT, HXHD NYLOCK 3/8 52
 NUT, HXHD NYLOCK 5/16 370
 NUTPLATE, COBOLT M8 256
 NUTS/ WSHRS KIT, BRK CHMBR 90

O

O-RING 72, 86, 138
 O-RING 40, 276
 O-RING, #10 410
 O-RING, #16 426
 O-RING, #8 410
 O-RING, CAP 220
 O-RING, DC TERM 140
 O-RING, DRIVE 134
 O-RING, DUST CAP 52
 O-RING, FRAME 134
 O-RING, LEVER 132
 O-RING, MOTOR FRAME 134
 O-RING, OUTSIDE 36
 O-RING, PISTON, STRNG GEAR 218
 O-RING, PRV UPPER 52
 O-RING, SHAFT 132
 "O"-RING, SHAFT 390
 O-RING, SIGHT GLASS 36
 O-RING, STATOR 140

Index by Part Description

A
B
C
D
E
F
G
H
I
J
K
L
M
N
O
P
Q
R
S
T
U
V
W
X
Y
Z

O-RING, STEERING GEAR 218
 O-RING, TERMINAL 138
 O-RING, VALVE HOUSING, STEERING GEAR ... 218
 OCU 160
 OIL COOLER, VOITH TRANSMISSION 34
 OUTRIGGER 62
 OUTRIGGER, A/C COMP 62
 OUTRIGGER ASM. 62, 64
 OUTRIGGER ASM., LH/RH 66
 OUTRIGGER, HYD. RESERVIOR 62
 OUTRIGGER, TAPPING 64
 OUTRIGGER, W/RAD. MTG 28, 62

P

PAD, TAPPING 260, 272
 PAD, TREADLE COVER 18
 PANEL 104, 106, 112, 252, 312, 370, 432, 434
 PANEL, # 4, SHIFTER CONSOLE 432
 PANEL, 9.17" X 13.36" WIPER COVER 234, 390
 PANEL, A/C UNIT 418
 PANEL, ACCESS DOOR 376
 PANEL ASM 282
 PANEL ASM, DOOR CONTROL COMPLETE 186
 PANEL ASM, FFRONT CONTROL (COMPLETE) . 186
 PANEL ASM, LWR FRT 410
 PANEL ASM, REAR ELECTRICAL 186
 PANEL ASM, REMOTE I/O 110
 PANEL ASM, REMOTE I/O MOUNTING 186
 PANEL ASM, SIDE UPR RR 282
 PANEL ASM, UPR FRT 410
 PANEL ASM., EXIT DOOR 170
 PANEL ASM., MAIN ELECTRICAL 108
 PANEL ASM., OUTRIGGER 66
 PANEL, BATTERY BOX DOOR 368
 PANEL, BATTERY FUSE 136
 PANEL, BELT GUARD (MAIN HINGED) 20
 PANEL, BELT GUARD (SECONDARY FIXED) 20
 PANEL, BULKHEAD 246
 PANEL, BULKHEAD COVERING 320
 PANEL, CEILING 318
 PANEL, CEILING W/34" DOOR 318
 PANEL, CLOSEOUT 416
 PANEL, CLOSEOUT EXIT DOOR 170
 PANEL, CLOSEOUT FRONT 234
 PANEL, COMPOSITE 252
 PANEL, CONSOLE 112
 PANEL, CONSOLE (BLANK) 434
 PANEL, DASH REINFORCEMENT 112
 PANEL, DOOR 268

PANEL, DOOR DRIVE CLOSEOUT 264
 PANEL, DOOR SKIN 256
 PANEL, ECU MOUNTING 164
 PANEL, ENTRANCE DOOR 326
 PANEL, EXTERIOR 368
 PANEL, FIREWALL 7" X 80" 350
 PANEL, FIXED SKIRT 45.31" 376
 PANEL, FIXED SKIRT 93.36" 376
 PANEL, FRONT WHEELWELL 376
 PANEL, FRONT WHEELWELL, LH 368
 PANEL, FT. WHEEL WELL 66
 PANEL, FUSE MTG 122
 PANEL, GROUND PLANE 250
 PANEL, HATCH COMPOSITE 252
 PANEL, I/O MOUNTING 110
 PANEL, INSTRUMENT 142
 PANEL, KICK 312
 PANEL, MAP LIGHT 104
 PANEL, RADIATOR DOOR 368
 PANEL, REAR WHEELWELL, 376
 PANEL, REAR WHEELWELL, LH 368
 PANEL, RR DOOR 284
 PANEL, SETTEE HATCH 254
 PANEL, SIDE INTERIOR 314
 PANEL, SIDE INTERIOR A-POST 314
 PANEL, SIDE INTERIOR B-POST 314
 PANEL, SKIRT, HINGED ENGINE 376, 380
 PANEL, SKIRT, HINGED, REAR WHEEL 378
 PANEL, STRESS 236, 238, 240, 242
 PANEL, TAIL LIGHT 288
 PANEL, WHEELWELL CLOSEOUT 312
 PANEL-RR LWR MODESTY 328
 PANEL, SIDE INTERIOR 316
 PANEL, SKIRT, HINGED RADIATOR 374
 PANEL, SKIRT, HINGED, BATTERY BOX 370
 PANEL, SKIRT, HINGED, REAR WHEEL 372
 PAWL ASM, LOCK 272
 PEDAL ASM, ELECTRONIC 18
 PIN, ANCHOR 72
 PIN, BRAKE SHOE ANCHOR 86
 PIN, COTTER 38, 216
 PIN, COTTER, 1/32" 44
 PIN, HEX SHAFT SPRING 274
 PIN, KNUCKLE/KING 76
 PIN, LATCH 366
 PIN, PIVOT 224
 PIN, RETURN SPRING 72, 86
 PIN, ROLL 362
 PIN, ROLL .187 X 1-3/4 272
 PIN, SELF-LOCKING 20
 PIN, SPACER BLOCK 306

A
B
C
D
E
F
G
H
I
J
K
L
M
N
O
P
Q
R
S
T
U
V
W
X
Y
Z

Index by Part Description

A	PIN, SPIROL .312 X 1.88	262	PLATE, LOCK MTG	378, 380
B	PIN, SPRING	134	PLATE, MIRROR MTG	362
C	PIN, TRAVEL STOP	224	PLATE, PISTON ROD	276
D	PIN-SPACER BLOCK	300	PLATE, REINFORCEMENT	234
E	PINION SPACER, KIT	82	PLATE, RETAINER	138
F	PIPE	200	PLATE, SHUFFLE	428
G	PIPE, AIR CLEANER OUTLET	24	PLATE, SPLICE	302, 306
H	PIPE, CAC OUTLET	26	PLATE, SPRING COVER	224
I	PIPE, COOLANT, COOLER RETURN	34	PLATE, STEERING GEAR MTG	216
J	PIPE, COOLANT ENG INLET	32	PLATE, TAPPING	64, 292, 298, 302, 304
K	PIPE, COOLANT, OIL COOLER	34	PLATE, UPPER-DOOR	268
L	PIPE, COOLANT RAD OUTLET	32	PLATE, VALVE MTG	194
M	PIPE, ENGINE OIL FILL	46	PLATE,GAS SPRING MTG	370
N	PIPE, EXHAUST TAIL	22	PLATE,LOCK MTG	370, 372, 374
O	PIPE, INLET	26	PLATFORM	310
P	PIPE, MUFFLER INLET	22	PLATFORM, DRIVER'S	66
Q	PIPE, TURBO OUTLET	22	PLATFORM, DRIVER'S FOOT	66
R	PIPE, WATER HEATER	412, 414	PLATFORM, FAREBOX MTG	356
S	PIPE-COOLANT, ENG TO RAD	32	PLUG	22, 48, 230
T	PISTON ASM, FRT BRAKE	70	PLUG, 1.25" HOLE	222
U	PISTON, LARGE	262	PLUG, 1/4"	138
V	PISTON ROD ASM, BRAKE CHAMBER	90	PLUG, 1/8 27 DRY SEAL SOCHD PIPE	224
W	PISTON, SMALL	262, 276	PLUG, 1/8NPT	212
X	PIVOT ASM, EXIT DOOR	268	PLUG, ABS DIAGNOSTIC	142
Y	PLATE	126, 160, 200, 310	PLUG, AUTO BLEED, STEERING GEAR	218
Z	PLATE, ADAPTOR	108	PLUG, BRAKE CHAMBER	90
	PLATE ASM, BRUSH	132	PLUG, DRIVE HSG	132
	PLATE ASM, HOSE CONNECTION	416	PLUG, FLUSH, 1/4 NPT	48
	PLATE ASM, LOWER SHUFFLE	428	PLUG, FLUSH, 3/8 NPT	48
	PLATE ASM, PIVOT	366	PLUG, GREEN	146
	PLATE ASM, UPPER SHUFFLE	428	PLUG, HEX SOCKET, 1/4" BRASS	28
	PLATE ASM., BACKING	66	PLUG, HEX SOCKET 1/4MPT	190
	PLATE, BRG RETAINER	138	PLUG, HXHD 1/2"MPT	206
	PLATE, BULKHEAD FITTING MTG	194	PLUG, HXHD 1/4"	206
	PLATE, CHASSIS JOINT	64	PLUG, HXHD 1/4MPT	188
	PLATE, CHIME MOUNTING	168	PLUG, HXHD 1/8 MPT	24
	PLATE, CLAMP	414	PLUG, HXHD 3/4 MPT	426
	PLATE, CLOSEOUT	312	PLUG, LAMP	100
	PLATE, CONSOLE PANEL	104	PLUG, LEVER HSG	132
	PLATE, DISENGAGING	224	PLUG, LUBE (MAGNETIC)	84
	PLATE, DOOR SEAL	256	PLUG, OIL	220
	PLATE, DOUBLE BOLT MTG	428	PLUG, PIPE	220
	PLATE, ENGINE MOUNTING	260	PLUG, PLASTIC (BLUE)	58
	PLATE, FLOOR CORNER	66	PLUG, VENT, STRNG GEAR	218
	PLATE, FUEL TANK SUPPORT	62	PLUNGER ASM	292, 298, 302, 304
	PLATE, GAS SPRING	284	PLUNGER, SOLENOID	132
	PLATE, GAS SPRING ATTACH	266	POLY BELT, 8PK 1270MM	16
	PLATE, HCV LINK MTG	190	POLY BELT, 8PK 1435MM	16
	PLATE, HEEL WEAR	310	POPPET ADJ SCREW & JAM NUT KIT	218
	PLATE, LAMP MTG	154	POPPET, STEERING GEAR	218
	PLATE, LOCK	20		

Index by Part Description

A
B
C
D
E
F
G
H
I
J
K
L
M
N
O
P
Q
R
S
T
U
V
W
X
Y
Z

PORT PLUG KIT, STRNG GEAR 218
 POST, VERTICAL WINDOW 236, 238, 242
 PRIMER 374
 PROBE, FLUID LEVEL SENSOR 230
 PROP 380
 PROP ASM, DOOR 372, 378
 PROTECTOR, RUBBER BOOT RED 130
 PROTECTOR, STUD 128
 PROTECTOR, STUD .75" 124
 PROTECTOR, STUD 1.28" 124
 PROTECTOR, THREAD, 1/4 NPT 262
 PROTECTOR, THREADED 1/4" 260
 PULLEY 428
 PULLEY, ALTERNATOR 16
 PULLEY ASM., IDLER 428
 PUMP 42
 PUMP, BOOSTER 420
 PUMP, HYDRAULIC TANDEM 226
 PUMP, WINDSHIELD WASHER 392
 PUSHNUT, FLAT ROD 274

Q
 QUICK DISCONNECT, FEMALE 204

R
 RACK 262
 RACK ASM, BIKE 366
 RACK ASM, SERVICE, STEERING GEAR 218
 RADIATOR ASM 30
 RADIATOR/CAC ASM 28
 RAIL 106
 RAIL ASM, CURB 62
 RAIL ASM, STREET 62
 RAIL, CHASSIS CENTER 64
 RAIL, DIN (7-INCH) 108
 RAIL, DOOR FRAMING 256, 258, 268
 RAIL, HORIZONTAL TOP 298
 RAIL, HORIZONTAL TOP FRAME 304
 RAIL, LOWER 236, 242, 250
 RAIL, LOWER HORIZONTAL 236, 240
 RAIL, LOWER WINDOW 238, 240
 RAIL, ROOF LH MAIN 250
 RAIL, ROOF RH MAIN 250
 RAMP ASM, LIFT-U FOLD-OUT 404
 RECESS BUMPERS 294
 RECTIFIER 138
 RECTIFIER ASM 260
 REDUCER 228
 REFLECTOR, LAMP 154

REFLECTOR, RECTANGULAR RED 100, 114
 REGULATOR ASM, PRESSURE 36
 REGULATOR, PRESSURE 196
 REINF, ROOF SHEET 286
 RELAY 106, 146
 RELAY, 12VDC 108
 RELAY, 24VDC 108
 RELAY, 24VDC - 30 AMP 108
 RELAY, 24VDC 50 AMP 108
 RELIEF VALVE KIT, STRNG GEAR 218
 REPAIR KIT, MASTER 140
 RESERVOIR 42
 RESERVOIR ASM, HYDRAULIC OIL 230
 RESISTOR, MOTOR 410
 RETAINER 88, 262
 RETAINER, ADJ SCREW, STEERING GEAR 218
 RETAINER ASM, W/SEAL 88
 RETAINER, BALL SOCKET 292, 298, 302, 304
 RETAINER, DRIVER'S WINDOW FRAME 296
 RETAINER, INSULATION 244
 RETAINER, INSULATION 246
 RETAINER, LENS 36
 RETAINER, MUD FLAP 364
 RETAINER, ROLLER 72
 RETAINER, SPRING 132, 262
 RETAINER, SPRING (13/32 HOLE) 132
 RETAINER, TRANSOM 292, 298, 302, 304
 RETAINER, TRIP STRIP 318
 RING 40
 RING, ADJUSTING, CARRIER 82
 RING, BULKHEAD UNION RETAINING 194
 RING, NILOS 220
 RING NUT, PLASTIC 114
 RING, PACKING 276
 RING, RETAINER 390
 RING, RETAINING 98, 220, 224, 272
 RING, RETAINING (BOWED) 224
 RING, RETAINING EXT 262
 RING, RETAINING, STEERING GEAR 218
 RING, SEAL, STEERING GEAR 218
 RING, SEAL, VLV HSNQ, STRNG GEAR 218
 RING, TEFLON SEAL, STEERING GEAR 218
 RING-NUT 144
 RIVET 234, 252, 266, 280, 310, 326, 328, 330, 404
 RIVET, ADJUSTING SPRING 98
 RIVET, BELLOWS 344
 RIVET, BLIND 168
 RIVET, BLIND 1/4" 324
 RIVET, BUMPER, PLASTIC 388

A
B
C
D
E
F
G
H
I
J
K
L
M
N
O
P
Q
R
S
T
U
V
W
X
Y
Z

Index by Part Description

A
B
C
D
E
F
G
H
I
J
K
L
M
N
O
P
Q
R
S
T
U
V
W
X
Y
Z

SCREW, DRIVE HSG MTG 132
 SCREW, DRVR WINDOW LATCH 296
 SCREW, DRVR WINDOW LOCK RACK 296
 SCREW, DRVR WINDOW RCKR LTCH 296
 SCREW, DRVR WINDOW RET FRM 296
 SCREW, EMERG RELEASE 304
 SCREW, EMERG RELEASE HANDLE 294
 SCREW, FIXED STOP, STEERING GEAR 218
 SCREW, FLAT HD TS 1/4" 268
 SCREW, FLATHD #10-24 X 1 158
 SCREW, FLATHD, #6-20 152
 SCREW, FRAME MTG 138
 SCREW, HEX 3/8 X 1 36
 SCREW, HEX HD, #6-32 274
 SCREW, HEX HD, CAP 1/4" 274
 SCREW, HEX SOCKET 1/4"-28 428
 SCREW, HEXHD 1/4" 120
 SCREW, HORIZONTAL MULLION RAIL 300
 SCREW, HXHD 344
 SCREW, HXHD, #10-32 X 5/8" 36
 SCREW, HXHD #4-40 260
 SCREW, HXHD #6-32 272
 SCREW, HXHD 1/4"-20 274
 SCREW, HXHD, 5/16-18 272
 SCREW, HXHD 5/16-24 272
 SCREW, HXHD ST 10-24 X 0.50 224
 SCREW, LARGE CYLINDER 262
 SCREW, LATCH 298, 304
 SCREW, LATCH STRIKER 292, 302, 304
 SCREW, LEVER HSG MTG 132
 SCREW, LOCKING TORQUE 260
 SCREW, LWR SHOCK 344
 SCREW, MACHINE #10-31 X .38 142
 SCREW, MOTOR MTG 390
 SCREW, MTG 362
 SCREW, MULLION 302
 SCREW, MULLION MTG 306
 SCREW, NEEDLE 262
 SCREW, OHCR #10 X 1 158
 SCREW, OIL LINE 138
 SCREW, PAN HD, #8-32 18
 SCREW, PAN HD, MACH. #10-24 X 5/8" LONG ... 68
 SCREW, PAN HD, SLT 274
 SCREW, PANHD #10-24 352
 SCREW, PANHD CR REC MACH 360
 SCREW, PH #8 X 1/2 358
 SCREW, PH CR 1/4"-20 424
 SCREW, PHCRST, #10-24 152
 SCREW, PHCRST 10-24 154
 SCREW, PHCRST 6-32X0.50 278
 SCREW, PHCRST, SSTL, #10 268

SCREW, PHIL HD, 1/4"-20 342
 SCREW, PHIL PANHD 312
 SCREW, PHIL.HD. #6 108
 SCREW, PHIL.HD. 1/4" 108
 SCREW, PHILLIPS CHROME #6-32 X .31" 356
 SCREW, PHILLIPS CHROME #10-32 X 1/2" 20
 SCREW PHILLIPS CHROME #10-32 X 3/4" 20
 SCREW, PHILLIPS CHROME ST #10-24X0.75" ... 20
 SCREW, PHT #10 X 1.0" 246, 320
 SCREW, PIVOT SOCHD 1/2-20 X 1.13 224
 SCREW, PNHD #10-32 272
 SCREW, POLE SHOE 132
 SCREW, PULL HANDLE 292, 302
 SCREW, RECESS BUMPERS 294
 SCREW, REMOVABLE INSERT RAIL 296
 SCREW, RETAINER 138, 292, 302, 304
 SCREW, RETAINER PLATE 138
 SCREW, RETAINING 292, 302, 304
 SCREW, RETAINING FRAME 294, 300, 306
 SCREW, RETAINING RING 98
 SCREW, RETENTION 304
 SCREW, RETENTION SPRING 294, 298
 SCREW, SADDLE 390
 SCREW, SELF TAPPING 224
 SCREW, SELF-TAPPING 10-24 X 0.62 224
 SCREW, SELF-TAPPING 10-24 X 0.88 224
 SCREW, SET 142, 220, 360
 SCREW, SET 1/4-20 360, 362
 SCREW, SET 3/8 X 16 362
 SCREW, SLIDE STOP, DRIVER'S WINDOW 296
 SCREW, SMALL CYLINDER 262
 SCREW, SOCHD SET 10-24 X 3/16 224
 SCREW, SOCKETHD 5/16-24 262
 SCREW, SPLICE PLATE 294, 302, 306
 SCREW, SPLICE PLATES 300
 SCREW, STANCHION 336, 338, 354
 SCREW, STOP BLOCK, DRIVER'S WINDOW 296
 SCREW, STOP BUTTON HD 5/16-18 224
 SCREW, STRG KNUCKLE STOP 76
 SCREW, TIE BAR CABLE 294, 304
 SCREW, TORX (CAP), STEERING GEAR 218
 SCREW, TORX 10 X 5/8 146
 SCREW, TRUSS HD #12 X 1.00 222
 SCREW, UPR SHOCK 344
 SCREW, W/LOCKWASHER 138
 SCREW, W/WASHER 138
 SCREW, YELLOW ZINC #6 X 1.25" 384
 SCREW, #10 X 3/4 286
 SCREWS, TAMPERPROOF 174, 178
 SEAL 40, 76, 98
 SEAL, 46" RETAINING FRAME 306

A
B
C
D
E
F
G
H
I
J
K
L
M
N
O
P
Q
R
S
T
U
V
W
X
Y
Z

Index by Part Description

A	SEAL, A/C UNIT	422	SENDER, OIL PRESSURE, 1/8-27 NPT	48
B	SEAL, AIR	30	SENSOR, ABS	76
C	SEAL ASM, BODY	294	SENSOR ASM, ABS	86
D	SEAL ASM, BRUSH	256	SENSOR, CAC TEMP	42
E	SEAL ASM, FACE	82	SENSOR, COOLANT TEMP	42
F	SEAL ASM, GREASE	72	SENSOR, INDUCTIVE PROXIMITY	260
G	SEAL ASM, OIL	74, 86	SETSCREW	72
H	SEAL ASM, OIL (NAT)	88	SHAFT	428
I	SEAL ASM, PINION	82	SHAFT & ARM ASM	256
J	SEAL, BODY	292, 298, 302, 304	SHAFT ASM, STEERING	216
K	SEAL, CAP	220	SHAFT ASM.	268
L	SEAL, CAP, STEERING GEAR	218	SHAFT ASM., RR DOOR	270
M	SEAL, CUSHION	262	SHAFT, LH AXLE	84
N	SEAL, DIRT & WATER, STEERING GEAR	218	SHAFT, MITRE BOX	220
O	SEAL, DIRT, STEERING GEAR	218	SHAFT, RH AXLE	84
P	SEAL, DOOR RUBBER	256, 268	SHAFT, SHIFT LEVER	132
Q	SEAL, DRVR WINDOW OTR FRAME	296	SHAFT, STEERING	222
R	SEAL, DRVR WINDOW RET FRM	296	SHEET, CLOSEOUT	318
S	SEAL, DUST	58	SHELL, DRVR SEAT BACK	342
T	SEAL END CAP	172, 174, 176, 178, 180, 182, 184	SHIELD, ADDITIONAL DRIVE BELT	20
U	SEAL, GLAZING	258, 268, 280, 290	SHIELD ASM	80
V	SEAL, HATCH RUBBER	286	SHIELD ASM, INNER TOP	30
W	SEAL, INPUT SHAFT, STEERING GEAR	218	SHIELD ASM, OUTER	30
X	SEAL, KIT, STEERING GEAR	219	SHIELD ASM, OUTER BOTTOM	30
Y	SEAL, LARGE U-TYPE	262	SHIFTER	432
Z	SEAL, LEVER HSG	134	SHIM	428
	SEAL, NUT	142	SHIM, .005	76
	SEAL, OUTER FRAME	300	SHIM, .010	76, 220
	SEAL, OUTER MOUNTING FRAME	294	SHIM, .015	76
	SEAL, OUTER MTG	292, 302, 304, 306	SHIM, DRIVER'S WINDOW LOCK RACK	296
	SEAL, OUTER MTG FRAME	298	SHIM, FREON	428
	SEAL, OUTPUT, STEERING GEAR	218	SHIM KIT, PINION	82
	SEAL, RETAINING	292, 302, 304	SHOE ASM, BRAKE W/O LINING	72
	SEAL, RETAINING FRAME	294, 298, 300	SHOE ASM, W/LINING (1 PR)	72
	SEAL, RUBBER 34"	268	SHOE ASM, W/O LINING	86
	SEAL, RUBBER MATING	324	SHOE, POLE	132
	SEAL, SMALL U-TYPE	262	SHROUD	38
	SEAL, TRANSOM	292, 298, 302, 304	SIDE ASM, CAC RH	30
	SEAL, U-TYPE	276	SIDE ASM, RADIATOR LH	30
	SEAL, WIRE	114, 116	SIDE ASM, RADIATOR RH	30
	SEAL,-DOOR RUBBER	268	SIDE, CAC	30
	SEALANT	252	SIDE COVER ASM, STRNG GEAR	218
	SEALANT, 221 BLACK	234, 280, 310	SIDE PLATE, DRIVER'S	66
	SEALANT, 221 WHITE	252	SIGHTGLASS ASM	36
	SEALS	164	SIGN ASM, FRONT DEST	398
	SEAT ASM, COMPLETE (USSC)	342	SIGN ASM, SIDE DEST	400
	SEAT, VALVE	36	SIGN, REAR, 16ROWS X 48 COLUMNS	402
	SEATBELT ASM, 3 POINT	342	SILENCER, ENTRANCE DOOR	260
	SECTOR SHAFT ASM, STEERING GEAR	218	SKIN, FIBERGLASS ROOF	286
	SENDER	142	SLACK ADJUSTER, 6"	86
			SLEEVE ASM, POPPET, STEERING GEAR	218

Index by Part Description

A
B
C
D
E
F
G
H
I
J
K
L
M
N
O
P
Q
R
S
T
U
V
W
X
Y
Z

SLEEVE, FEMALE 152
 SLEEVE, INSUL 138, 140
 SLEEVE PACKAGE, RUBBER 146
 SLEEVE, SPLINED 224
 SLIDE ASM 68
 SLIDE ASM, DRIVER'S WINDOW, FRT 296
 SLIDE ASM, DRIVER'S WINDOW, REAR 296
 SLIDE ASM, SEAT 342
 SLINGER 88
 SNAPRING 276
 SNAPRING, PLUNGER 132
 SNAPRING, THERMOSTAT 134
 SNAPRING, TRUARC 18
 SOCKET 164
 SOCKET ASM W/ PIGTAIL 154
 SOCKET, BULB 98
 SOCKET END, LH THREAD 216
 SOCKET END, MITER BOX 216
 SOCKET END, RH THREAD 216
 SOCKET, LAMP 172, 176, 180, 182, 184
 SOCKET, LAMP, FIXED END 174, 178
 SOCKET, LAMP, TELESCOPIC END 174, 178
 SOLENOID & BRACKET ASM 274
 SOLENOID, MAGNETIC 136
 SPACER 48, 86, 92, 118, 128, 228, 272, 276, 360, 380, 422, 428
 SPACER, A/C DUCTING 318
 SPACER, ARMATUR 134
 SPACER ASM, OUTER 390
 SPACER, BAFFLE 28
 SPACER, BEARING 224
 SPACER BLOCK 300
 SPACER, BRG 138
 SPACER, CLAMP 412, 414
 SPACER, COPPER 120
 SPACER, EGRESS FRAME 294
 SPACER, END-PLAY 262
 SPACER, FAN HUB BOLTS 38
 SPACER, FUSE BUSS 136
 SPACER, HINGE 282, 284
 SPACER, LEVER 260, 272
 SPACER, MOTOR MOUNT 390
 SPACER, RECT BRKT 138
 SPACER, WASHER, DOOR 256
 SPEAKER ASM 158
 SPEAKER, EXTERIOR 156
 SPEEDOMETER 434
 SPIDER ASM, FRT BRAKE 72
 SPIDER, BRAKE 86

SPIDER, DIFFERENTIAL 82
 SPLICE PLATE 294, 300
 SPRING 286
 SPRING (EXTENDED) 224
 SPRING, ADJUSTING 98
 SPRING, AIR 78, 92
 SPRING, ANTI-RATTLE 224
 SPRING ASM, GAS 266, 284
 SPRING ASM,GAS 370, 374
 SPRING, BRUSH 132
 SPRING, COMPRESSION 262
 SPRING, COMPRESSION 1" 360, 362
 SPRING, ELEMENT RETAINER 230
 SPRING, EQUALIZER 344
 SPRING, EXTENSION 272
 SPRING, HELICAL COMPRESSION 262
 SPRING, LH 224
 SPRING, LOCK BAR 224
 SPRING, PAWL 272
 SPRING PIN, SPACER & TIE BAR 294
 SPRING, PLUNGER 132
 SPRING, POPPET, STEERING GEAR 218
 SPRING, RETAINER 272
 SPRING, RETAINING 376
 SPRING, RETENTION 294, 298, 304
 SPRING, RETURN 70, 72, 86
 SPRING, RETURN, BRAKE CHAMBER 90
 SPRING, RH 224
 SPRING, TIE BAR 294, 298, 304
 SPRING, WEDGELOCK 224
 STANCHION CUP 346
 STANDEE LINE, (WHITE) 310
 STARTER MOTOR 130
 STATOR ASM 140
 STEP 252
 STEP ASM. 64
 STEP NOSING, ENT. DOOR 310
 STEP NOSING, FOLD-OUT RAMP (YELLOW) 2.88" WIDE X 1
 STOP, ACCESS DOOR 8.5" 310
 STOP, AXLE 78
 STOP, SLIDE, DRIVER'S WINDOW 296
 STOP-DOOR 350
 STRAIGH CONN, 192
 STRAINER 204
 STRAINER, AIR 194
 STRAP 156
 STRAP, 15" TETHER 344
 STRAP ASM, COAT TIE-DOWN 358
 STRAP, CHAIN 102, 350
 STRAP, LOCK 58, 86

A
B
C
D
E
F
G
H
I
J
K
L
M
N
O
P
Q
R
S
T
U
V
W
X
Y
Z

Index by Part Description

A STREET TEE 196

B STREET TEE, BRASS 1/2" FPT 206

C STREET TEE, BRASS 1/4" 190

D STRIKER, LATCH 292, 298, 302, 304

E STRIP, CENTER WINDSHIELD 290

F STRIP, LOCKING 280, 290

G STRIP, RUBBER 198

H STUD 106, 266

I STUD, AXLE SHAFT 88

J STUD, FLD TERM 138, 140

K STUD, GAS SPRING BALL 284

L STUD, HOUSING 84

M STUD, OUTPUT TERM 140

N STUD, RECT BRKT 138

O STUD, RELAY TERM 140

P STUD, TWIN INSULATED 5/16" 108

Q STUD, WHEEL 88

R STUD, WHEEL (RH THREAD) 74

S SUB ASM, DOOR MOTOR 262

T SUPPORT 252

U SUPPORT, FLOOR 64

V SUPT ASM, A/C UNIT 418

W SUSPENSION ASM, DRIVER SEAT 342, 344

X SWITCH 142, 160, 432, 434

Y SWITCH ASM, "CRIME" 110

Z SWITCH, BATTERY POWER CUT OFF 120

SWITCH, BOLSTER, DRIVER'S SEAT 344

SWITCH, DOOR CONTROL 432

SWITCH, EMERGENCY BRAKE 212

SWITCH, EMERGENCY BRAKE PRESSURE 194

SWITCH, HEATER/DEF 432

SWITCH, "INTERLOCK 'OVERRIDE/ON'" 106

SWITCH, LEVER 274

SWITCH, LOW COOLANT WARNING 36

SWITCH, LUMBAR, DRIVER'S SEAT 344

SWITCH, OIL PRESSURE, 1/4-18 NPTF 48

SWITCH, PRESS 14PSI CUTOUT 194

SWITCH, PRESSURE 2 PSI 194

SWITCH, PRESSURE 4 PSI 194

SWITCH, PRESSURE 7 PSI 194

SWITCH, PRESSURE WAVE 274

SWITCH, PULL CORD 168

SWITCH, PUSH BUTTON 142

SWITCH, PUSH BUTTON "CRIME ALARM" 148

SWITCH, "RETARDER 'ON/OFF'" 106

SWITCH, ROTARY 4-POSITION 434

SWITCH, SNAP ACTION 272

SWITCH, SOLENOID 132

SWITCH, STOPLIGHT 194

SWITCH, TILT ACTUATED 350

SWITCH, TOGGLE (ABS DIAG) 108

SWITCH, TOGGLE "RETARDER" 108

SWITCH, TOGGLE SPST 142

SWITCH, TOGGLE SPST TRANS 108

SWITCH, WIND SHLD. WIPER 434

T

TANK, AIR 8" DUAL COMPT 198

TANK AIR 8 INCH STEEL 196

TANK, AIR 9" DUAL COMPT 198

TANK AIR 9 INCH STEEL 196

TANK ASM, CAC BOTTOM 30

TANK ASM, CAC TOP 30

TANK ASM, RADIATOR BOTTOM 30

TANK ASM, RADIATOR TOP 30

TANK ASM, SURGE 36

TANK ASM-FUEL 52

TANK, PURGE 192

TAPE 28, 254, 286, 312, 380, 398

TAPE, ADHESIVE 424

TAPE, ADHESIVE 1.0" 376

TAPE, ADHESIVE, 1.0 318

TAPE, FOAM 350

TAPE, FOAM .12THK X .38W 324

TAPE, FOAM .25" 370

TAPPING BLOCK 294

TEE, 1-5/16"-12 X #16 JIC 42

TEE, 1/2"NPT X 1/2" 206

TEE, 1/4"NPT X 1/4" 206

TEE, 1/8 STREET 24

TEE, 3/4 X 3/4 X 3/4 NPT 426

TEE, 3/4"-16 X #6 JIC 42

TEE, 3/8NPT 188

TEE, 3/8" T X 1/4 MPT 190

TEE, 45° LATERAL, 3/4"NPT 420

TEE, LATERAL 1.0" NPT 420

TEE O-RING 37° 228

TEE, OIL LINE 138

TEE, STREET 1/2 NPT 210

TEE, STREET 1/8 212

TEE, STREET BRASS, 1/4FPT 188

TEETER LEVER & CAM ASM 272

TENSIONER ASM, BELT 428

TENSIONER, SPRING 342

TERMINAL 98

TERMINAL ASM 134

TERMINAL, SOCKET 114, 116

TERMINAL STRIP (4-STUD) 108

THERMOSTAT ASM 134

TIE BAR ASM 294, 298, 304

Index by Part Description

A TIE, CABLE 76, 86
B TIE, HARNESS 260
TIE HARNESS, WHITE 272
C TIE ROD ASM, W/ENDS 76
TIEROD 30
D TOOL, FLUORESCENT TUBE REMOVAL 172, 174, 176, 178,
180, 182, 184
E TORQUE ROD, LOWER 92
TORQUE ROD, UPPER 92
F TOWER, AIR SPRING MTG 78
TRANS ASM., D864.3 54
G TRANSITION ASM. 64
TRANSMISSION ASM 13
H TRAY, BATTERY 68
TRIM, ANGLE 398
I TRIM, CAP "J" MOLDING 314
TRIM, FRONT RUBBER 384
J TRIM, PLASTIC EDGE 28
TRIM, SETTEE ANGLE 320
K TRIM-CAP 316
TUBE 22, 216, 266, 328,
330, 346
L TUBE, 2" KAZOO 426
TUBE, 3' - 12V 174
M TUBE, 3/8" BLACK 202
TUBE, 3/8" NYLON BLACK 204
N TUBE, 3/8" NYLON BROWN 204
TUBE, 4' - 24V 174
O TUBE, 5' - 12V 178
TUBE, 5' - 24V 178
P TUBE ASM 42, 228
TUBE ASM, INLET 410
Q TUBE ASM, OUTLET 410
TUBE ASM, P/S PRESS, REAR FRAME 228
R TUBE ASM P/S RETURN CNTR 228
TUBE ASM P/S SUPPLY FRT 228
S TUBE ASM, PACKAGE RACK 354
TUBE ASM, STANCHION 326, 330
T TUBE ASM, TIE ROD W/CLAMPS 76
TUBE ASM, TRANS OIL DIPSTICK 56
U TUBE, BLACK 5/8 210
TUBE, COPPER 3/4 412, 414
V TUBE, FLUORESCENT 172
TUBE, FLUORESCENT, 4' 176, 182
W TUBE, FLUORESCENT, 48" 180, 184
TUBE, FLUORESCENT, 5' 176
X TUBE, FUEL FEED 50
TUBE, FUEL RETURN 50
Y TUBE, HORIZONTAL 284
TUBE, JACKET 224
Z TUBE, OIL LINE 138

TUBE, OVERFLOW 36
TUBE, PUSH, STEERING GEAR 218
TUBE, VERT RR DOOR ENG 266
TUBE, VERTICAL 284
TUBE, WHEEL 224
TUBING 192, 260
TUBING, 3/8 BLACK 190
TUBING, HEAT SHRINK 284, 350
TUBING, HEAT SHRINKABLE 102
TUBING, NYLON 208, 212
TUBING, NYLON .25 BLACK 212
TUBING, NYLON .25 BLACK 200
TUBING, NYLON .25 GREEN 200
TUBING, NYLON .25 GRN 216
TUBING, NYLON .25" RED 206
TUBING, NYLON .25 RED 200
TUBING, NYLON .25 YELLOW 200
TUBING, NYLON .38 BLACK 200
TUBING, NYLON .38" BROWN 206
TUBING, NYLON .38 BROWN 200
TUBING, NYLON .38 "GREEN 206
TUBING, NYLON .38 GREEN 200
TUBING, NYLON .38" RED 206
TUBING, NYLON .38 RED 200
TUBING, NYLON .50 BLACK 200
TUBING, NYLON .50 BROWN 206
TUBING, NYLON .50 BROWN 200
TUBING, NYLON .50 GREEN 200
TUBING, NYLON .50" RED 206
TUBING, NYLON .50 RED 200
TUBING, NYLON .62 GREEN 200
TUBING, NYLON .62 RED 200
TUBING, NYLON 1/2 BLACK 188
TUBING, NYLON 1/4 190
TUBING, NYLON 1/4 BLACK 188
TUBING, NYLON 1/4" BLACK 192
TUBING, NYLON 3/8 BLACK 188
TUBING, NYLON 5/8" GREEN 206
TUBING, WASHER BOTTLE 392

U
U 424
U-BOLT 92
U-BOLT 410
U-BOLT, AIR TANK MTG 192
U-JOINT 216
U-JOINT ASM 224
U-NUT 172, 176, 180, 182,
184
UMBRELLA, MITRE BOX 220

A
B
C
D
E
F
G
H
I
J
K
L
M
N
O
P
Q
R
S
T
U
V
W
X
Y
Z

Index by Part Description

A
B
C
D
E
F
G
H
I
J
K
L
M
N
O
P
Q
R
S
T
U
V
W
X
Y
Z

UNION, 3/4-16 #8 50
 UNION, 37° FLARE, 5/8 X 5/8 50

V

V-BELT, 95.00 428
 VALVE 210
 VALVE, ABS MODULATOR 206
 VALVE, AIR 212, 344
 VALVE, AIR CHECK 344
 VALVE, AIR SOLENOID, 24V 194
 VALVE ASM 40
 VALVE ASM, FOOT, E-8 194
 VALVE ASM, SLIDE RLS 344
 VALVE ASM, SUSP KNEELING 188
 VALVE ASM, WATER 410
 VALVE ASM., EMERGENCY 260
 VALVE, BLEEDER 36
 VALVE, DOOR 276
 VALVE, DOUBLE CHECK 194, 196, 206
 VALVE, DRAIN 32
 VALVE, FAN CONTROL 42
 VALVE, GATE 1" 420
 VALVE HOUSING ASM, STEERING GEAR 218
 VALVE, LEVEL CONTROL 52
 VALVE, LUMBAR AIR 344
 VALVE, MODULATOR 194, 206
 VALVE, MODULATOR ABS 206
 VALVE, PARKING BRAKE 194, 432
 VALVE, PARKING BRAKE R-14 206
 VALVE, PRESSURE REGULATOR 36
 VALVE, PRESSURE RELIEF 36, 52
 VALVE, QUICK RELEASE 194, 206
 VALVE, REAR DOOR CONTROL 276
 VALVE, RELAY R-12DC 206
 VALVE, REMOTE MOUNTED SHUT-OFF 192
 VALVE, SAFETY, AIR DRYER 210
 VALVE, SGL CHECK 1/2 196
 VALVE, SHUTOFF 208, 410
 VALVE, SINGLE CHECK 190, 202
 VALVE, SINGLE CHECK, 1/2 188
 VALVE, SOLENOID 3-WAY 260, 262
 VALVE, SPRING BRAKE CONTROL 194
 VALVE, SUSP HEIGHT CONTROL 188
 VALVE, SUSPENSION HEIGHT 190
 VENT 434
 VINYL, 46" LOWER GLAZING 306
 VINYL, 46" UPPER GLAZING 306
 VINYL, GLAZING 292, 294, 298, 300,
 302, 304
 VINYL, GLAZING, UPPER 300

VINYL, RETAINER 292
 VINYL, TRANSOM GLAZING 298, 302, 304
 VOLTAGE REGULATOR 136
 VOLTAGE REGULATOR, 108

W

WALL 68
 WARBLER 106
 WASHER 40, 54, 126, 280,
 390
 WASHER #10 174, 178
 WASHER, #10 272
 WASHER, #6 272
 WASHER, #8-.375 OD X .032 THICK 274
 WASHER, 1/2 38, 216
 WASHER, 1/2" 428
 WASHER, 1/2" FLAT HARD 34
 WASHER, 1/4 274
 WASHER, 1/4" 324
 WASHER 3/8" 22
 WASHER, 3/8" LOCK 38
 WASHER, 5/16" 274
 WASHER, 5/16" FLAT 26
 WASHER, 5/16-.688 OD X .065 THICK 272
 WASHER, 5/16-3/4 272
 WASHER, BRAKE 134
 WASHER, CARRIER 82
 WASHER, CE THRUST 134
 WASHER, FLAT 3/4" 92
 WASHER, FLAT #10 STD 146, 358
 WASHER, FLAT 1/2" 92
 WASHER, FLAT 1/4" 278
 WASHER, FLAT FENDER 1/4 24
 WASHER, INSUL 138, 140
 WASHER, LOCK 1/2" 92
 WASHER, M12 SPLIT LOCK 34
 WASHER, NYLON 394
 WASHER, PL #4 274
 WASHER PL 1/4" 260
 WASHER PL 3/8" 260
 WASHER, PL NO. #6 274
 WASHER, PLAIN 138, 140
 WASHER, RETAINER 230
 WASHER, RETAINING 172, 176, 180, 182,
 184
 WASHER, S-CAM 86
 WASHER, SHAFT NUT 138
 WASHER, SPACER 86, 390
 WASHER, SPACER, STEERING GEAR 218
 WASHER, SPECIAL 72

A
B
C
D
E
F
G
H
I
J
K
L
M
N
O
P
Q
R
S
T
U
V
W
X
Y
Z

Index by Part Description

A	WASHER, SPECIAL, 3/8"	262
	WASHER, SPLIT LOCK M8	26
B	WASHER, THRUST, CARRIER	82
	WASHER, THRUST, THICK, STEERING GEAR ...	218
C	WASHER, WAVE (SPRING)	390
	WEAR STRIPS, DRIVER'S WINDOW	296
D	WEATHERSTRIP, DRIVER'S WINDOW	296
	WEDGE, DOOR	256, 274
E	WEDGE, PIVOT	270
	WEDGELOCK	224
F	WEIGHT, WHEEL	94
	WELLNUT, 1/4"-20 X 0.65"	394
G	WHEEL, ALUM	94
	WHEEL, BLOWER	410
H	WHEEL, STEERING PADDED	222
	WHEEL, TOOTHED ABS	88
I	WHEEL TUBE & SLEEVE ASM	224
	WHEELHOUSE	252
J	WICK, OIL	132
	WINDOW & EXTERIOR PANEL LAYOUT	14
K	WINDOW ASM, 32"	300
	WINDOW ASM, 34"	298
L	WINDOW ASM, 46"	306
	WINDOW ASM, 46"	302, 304
M	WINDOW ASM, 46", TRANSOM	302
	WINDOW ASM, 56"	292
N	WINDOW ASM, 56" UPPER	292
	WINDOW ASM DESTINATION	294
O	WINDOW ASM, DRIVER'S	296
	WINDOW ASM, TRANSOM	298
P	WINDOW GLAZING	4
	WINDSHIELD, BULGED	290
Q	WINGBOLT	28
	WINGNUT, RESERVOIR	230
R	WIPER, SEAL	88
	WIRE, FIRE DETECTION (100' REEL)	146
S	WIRE HARN/CONN, AIR DRYER	210
	WORM/VLV HSNQ, STRNG GEAR	218

Y

U	YOKE	216
V	YOKE ASM, BRAKE CHAMBER, REAR	90
	YOKE ASM, DIFFERENTIAL	82
W	YOKE ASM, FRT BRAKE	70
	YOKE, DIFFERENTIAL	82
X	YOKE END	272
	YOKE, FULL ROUND (TRANS. OUTPUT)	58
Y	YOKE, SHAFT	58
	YOKE, SLIP	58

Z

ZERK, GREASE	220
ZERK, REMOTE GREASE	216

A
B
C
D
E
F
G
H
I
J
K
L
M
N
O
P
Q
R
S
T
U
V
W
X
Y
Z

A
B
C
D
E
F
G
H
I
J
K
L
M
N
O
P
Q
R
S
T
U
V
W
X
Y
Z