

"THE MATERIAL HEREIN IS FOR INFORMATION PURPOSES ONLY AND IS SUBJECT TO CHANGE WITHOUT NOTICE. DIGITAL EQUIPMENT CORPORATION ASSUMES NO RESPONSIBILITY FOR ANY ERRORS WHICH MAY APPEAR HEREIN."

FIELD MAINTENANCE PRINT SET

"THIS DRAWING AND SPECIFICATIONS, HEREIN, ARE THE PROPERTY OF DIGITAL EQUIPMENT CORPORATION AND SHALL NOT BE REPRODUCED OR COPIED OR USED IN WHOLE OR IN PART AS THE BASIS FOR THE MANUFACTURE OR SALE OF ITEMS WITHOUT WRITTEN PERMISSION. COPYRIGHT © 1976, DIGITAL EQUIPMENT CORPORATION."

TABLE OF CONTENTS

DWG. NO.	DESCRIPTION	UNIT VARIATIONS COVERED BY THIS PRINT SET
B-TC-RP05-0-3	FIELD MAINTENANCE PRINT SET	RP04-AA
E-UA-RP04-0-0	DISK PACK DRIVE (RP04)	RP04-AB
E-UA-RP05-0-0	DISK PACK DRIVE (RP05)	RP04-BA
E-UA-RP06-0-0	DISK PACK DRIVE (RP06)	RP04-BB
D-UA-M7786-0-0	SEEK SEARCH CONTROL	
K-PL-M7786-0-DBP	SEEK SEARCH CONTROL	
D-CS-M7786-0-1	SEEK SEARCH CONTROL	
D-UA-M7773-0-0	SYNCHRONOUS LOGIC (SN BOARD)	RP05-AA
K-PL-M7773-0-DBP	SYNCHRONOUS LOGIC (SN BOARD)	RP05-AB
D-CS-M7773-0-1	SYNCHRONOUS LOGIC	RP05-BA
D-UA-M7774-0-0	REGISTER LOGIC (RG BOARD)	RP05-BB
K-PL-M7774-0-DBP	REGISTER LOGIC (RG BOARD)	
D-CS-M7774-0-1	REGISTER LOGIC	
D-CS-M7787-0-1	INTERFACE CONTROL	
D-CS-M7776-0-1	ERROR CORRECTION	RP06-AA
D-UA-M7788-0-0	INTERFACE XMITTER	RP06-AB
A-PL-M7788-0-0	INTERFACE XMITTER (PL)	RP06-BA
D-CS-M7788-0-1	INTERFACE XMITTER (CS)	RP06-BB
D-UA-M7789-0-0	INTERFACE RECEIVER	
A-PL-M7789-0-0	INTERFACE RECEIVER (PL)	
D-CS-M7789-0-1	INTERFACE RECEIVER (CS)	
D-BS-RP04-0-36	MASSBUS XCVR (TAO) CONT A	
D-BS-RP04-0-38	MASSBUS XCVR (TBO) CONT A	
D-BS-RP04-0-40	MASSBUS XCVR (TCO) CONT A	
D-BS-RP04-0-37	MASSBUS XCVR (TDO) CONT B	
D-BS-RP04-0-39	MASSBUS XCVR (TEO) CONT B	
D-BS-RP04-0-41	MASSBUS XCVR (TEO) CONT B	
D-CS-M5903-0-1	TRANSCEIVER	
C-NU-RP05-0-4	MODULE UTILIZATION & SUBSTITUTION GUIDE	
D-ADC7009938-0-0	MASSBUS TERMINATOR ASSY	
D-CS-H870-0-1	MASSBUS TERMINATOR (CS)	
D-CS-5410817-0-1	POWER MONITOR	
K-WL-RP05-0-WL	WIRE LIST	

**Field Maintenance
Print Set
RP04/05/06
Digital Equipment
Corporation**

Print Set Part Number **MP-00086**

REVISION HISTORY				DRN.	DATE	TITLE								
DATE	ECO NUMBER	REV.		F. CARBERRY	10FEB76	<div style="text-align: right; font-size: 2em; margin-bottom: 10px;">digital</div> <div style="text-align: center; font-size: 1.5em; margin-bottom: 10px;">RP04/05/06</div> <div style="text-align: center; font-size: 1.5em; margin-bottom: 10px;">DISK DRIVE</div> <div style="text-align: center; font-size: 0.8em; margin-bottom: 5px;">DOCUMENT NUMBER</div> <table border="1" style="width: 100%; border-collapse: collapse;"> <tr> <td style="font-size: 0.7em;">SIZE</td> <td style="font-size: 0.7em;">CODE</td> <td style="font-size: 0.7em;">NUMBER</td> <td style="font-size: 0.7em;">REV.</td> </tr> <tr> <td style="font-size: 1.2em;">B</td> <td style="font-size: 1.2em;">TC</td> <td style="font-size: 1.2em;">RP05-0-3</td> <td style="font-size: 1.2em;">B</td> </tr> </table>	SIZE	CODE	NUMBER	REV.	B	TC	RP05-0-3	B
SIZE	CODE	NUMBER	REV.											
B	TC	RP05-0-3	B											
15 MAR 82	REDRAWN PER ECO RP06-CX016 K.D. 8 MAR 82 C. DUNIGAN	B		F. CARBERRY	10FEB76									
2/5/82				D. LIGNOS	12FEB76									
1406A	RP06-CX19A			D. LIGNOS	12FEB76									
15 FEB 73	MJN 5 JAN 83 C. DUNIGAN			ROGER MOORE	10FEB76									
				FIELD SERVICE	DATE	DOCUMENT NUMBER								
				NEXT HIGHER DOC.		SIZE CODE NUMBER REV.								
						B TC RP05-0-3 B								
						SHEET 1 OF 3								

SIZE CODE NUMBER B TC RP05-0-3 B

"THIS DRAWING AND SPECIFICATIONS, HEREIN, ARE THE PROPERTY OF DIGITAL EQUIPMENT CORPORATION AND SHALL NOT BE REPRODUCED OR COPIED OR USED IN WHOLE OR IN PART AS THE BASIS FOR THE MANUFACTURE OR SALE OF ITEMS WITHOUT WRITTEN PERMISSION. 1976. COPYRIGHT © DIGITAL EQUIPMENT CORPORATION"

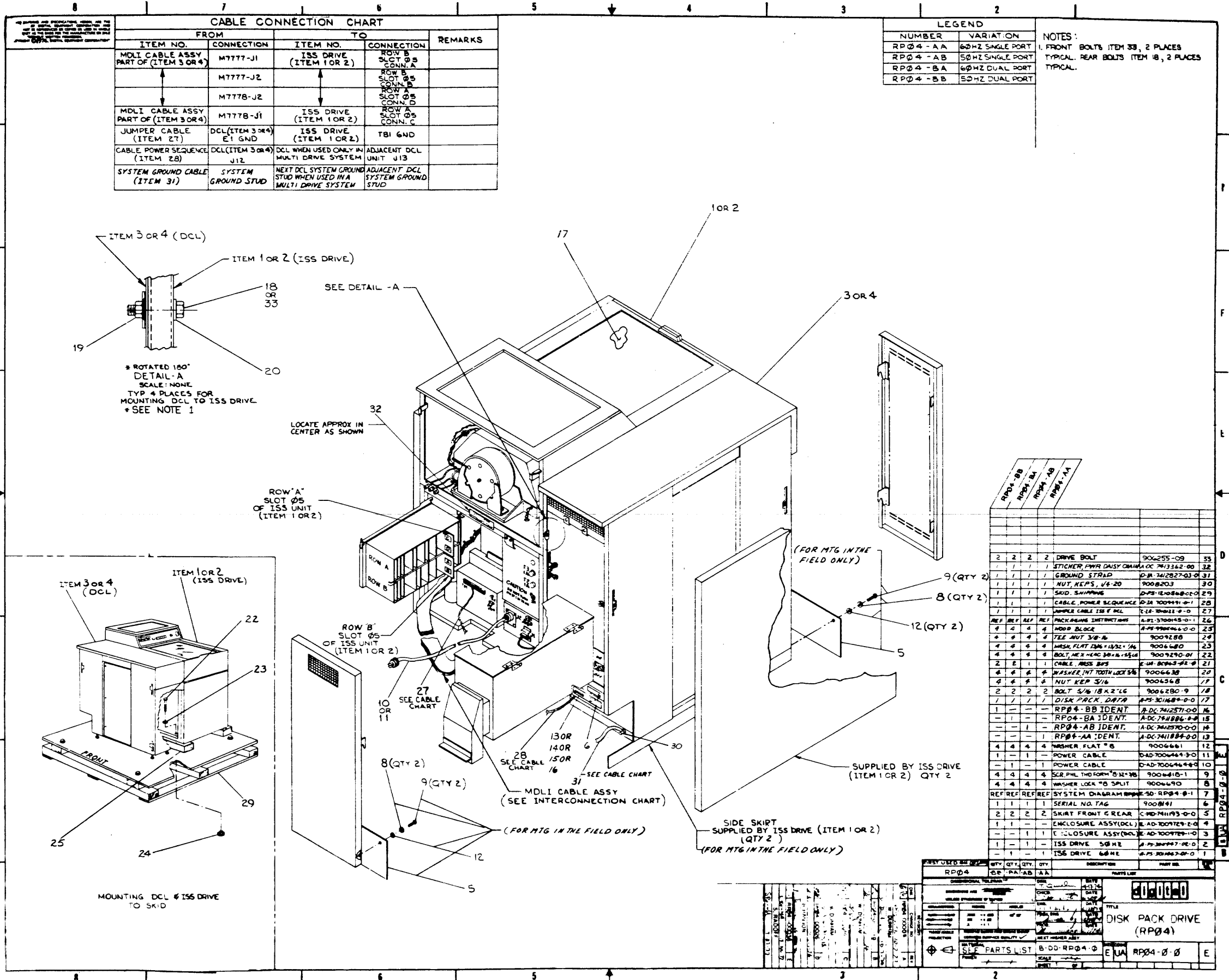
DWG. NO.	DESCRIPTION
A-WT-7009623-0	AWT REVISION STATUS
B-DD-H764-0	POWER SUPPLY
D-CS-H764-0-1	CIRCUIT SCHEMATIC (H764)
E-IA-5409728-0-0	REGULATOR BOARD ASSY
D-CS-5409728-0-1	REGULATOR BOARD (CS)
E-SD-RP04-0-1	SYSTEM DIAGRAM
D-FD-RP04-0-4	FLOW DIAGRAM SYMBOLOGY
D-FD-RP04-0-3	SEEK FLOW DIAGRAM
D-FD-RP04-0-4	OFFSET FLOW DIAGRAM
D-FD-RP04-0-5	RETURN TO CENTERLINE FLOW DIA.
D-FD-RP04-0-6	RECALIBRATE FLOW DIAGRAM
D-FD-RP04-0-7	UNLOAD FLOW DIAGRAM
D-FD-RP04-0-8	SECTOR SEARCH FLOW DIAGRAM
D-FD-RP04-0-9	HEADER COMPARE FLOW DIAGRAM
D-FD-RP04-0-10	RD DT & RD HD & DT FLOW DIA.
B-DD-RP04-0-11	SECTOR TIMING BLOCK DIAGRAM
D-TD-RP04-0-12	SEEK TIMING DIAGRAM
D-TD-RP04-0-13	OFFSET TIMING DIAGRAM
D-TD-RP04-0-14	RETURN TO CENTERLINE TIMING DIA.
D-TD-RP04-0-15	RECALIBRATE TIMING DIAGRAM
D-TD-RP04-0-16	UNLOAD TIMING DIAGRAM
D-TD-RP04-0-17	SECTOR TIMING DIAGRAM
D-TD-RP04-0-18	RD DT & TD HD & DT TIMING DIA.
D-TD-RP04-0-19	HEADER COMPARE DETAILED TIMING
D-FD-RP04-0-20	READ IN: PACK ACKNOWLEDGE
D-FD-RP04-0-21	NO OP:NG DRV CLR FLOW DIAGRAM
D-BD-RP04-0-22	SHIFT CLOCK SELECT & BYTE CNT.
D-TD-RP04-0-23	SYNC CLOCK/BYTE CLOCK GEN.
D-TD-RP04-0-24	WRITE HEADER & DATA TIMING DIAGRAM
D-TD-RP04-0-25	WRITE DATA TIMING DIAGRAM
D-FD-RP04-0-26	WRITE HEADER & DATA FLOW DIAGRAM
D-FD-RP04-0-27	WRITE DATA FLOW DIAGRAM
D-FD-RP04-0-28	HANDSHAKE WRITE REQ. FLOW DIA.
D-TD-RP04-0-29	HANDSHAKE TIMING DIAGRAM
D-FD-RP04-0-30	HANDSHAKE-READ REGISTER FLOW DIA.
D-FD-RP04-0-31	DUAL CONT PORT ACQ FL DIA.
D-FD-RP04-0-32	DUAL CONT PORT RISE DIAGRAM
D-TD-RP04-0-33	DUAL CONTROL TIMING DIAGRAM
D-FD-RP04-0-34	ERROR HANDLING FLOW DIAGRAM
D-FD-RP04-0-35	ECC FLOW DIAGRAM
A-SP-RP05-0-1	ACCEPTANCE TEST
D-CS-M7772-0-1*	SEEK AND SEARCH CONTROL
D-CS-M7775-0-1*	DUAL PORT LOGIC
D-CS-M7777-0-1*	MDLI MODULE #1
D-CS-M7778-0-1*	MDLI MODULE #2

*NOTE: USE RESTRICTED TO RP04 ONLY - REF: C-MU-RP05-0-4

TITLE	RP04/05/06 DISK DRIVE	SIZE CODE	BTC	NUMBER	RP05-0-3	REV	B
SHEET 2 OF 3							

"THIS DRAWING AND SPECIFICATIONS, HEREIN, ARE THE PROPERTY OF DIGITAL EQUIPMENT CORPORATION AND SHALL NOT BE REPRODUCED OR COPIED OR USED IN WHOLE OR IN PART AS THE BASIS FOR THE MANUFACTURE OR SALE OF ITEMS WITHOUT WRITTEN PERMISSION.
 1983
 COPYRIGHT © DIGITAL EQUIPMENT CORPORATION"

<u>DWG. NO.</u>	<u>DESCRIPTION</u>
D-UA-M7787-YB-0	INTERFACE CONTROL
K-PL-M7787-YB-DBP	INTERFACE CONTROL
D-CS-M7787-YB-1	INTERFACE CONTROL (DP7)
D-CS-M7787-YB-2	INTERFACE CONTROL (DP0)
D-CS-M7787-YB-3	INTERFACE CONTROL (DP1)
D-CS-M7787-YB-4	INTERFACE CONTROL (DP2)
D-CS-M7787-YB-5	INTERFACE CONTROL (DP3)
D-CS-M7787-YB-6	INTERFACE CONTROL (DP4)
D-CS-M7787-YB-7	INTERFACE CONTROL (DP5)
D-CS-M7787-YB-8	INTERFACE CONTROL (DP6)
D-CS-M7787-YB-9	INTERFACE CONTROL
D-CS-M7787-YB-10	INTERFACE CONTROL SIGNAL CROSS REFERENCE
D-CS-M7787-YB-11	INTERFACE CONTROL SIGNAL CROSS REFERENCE



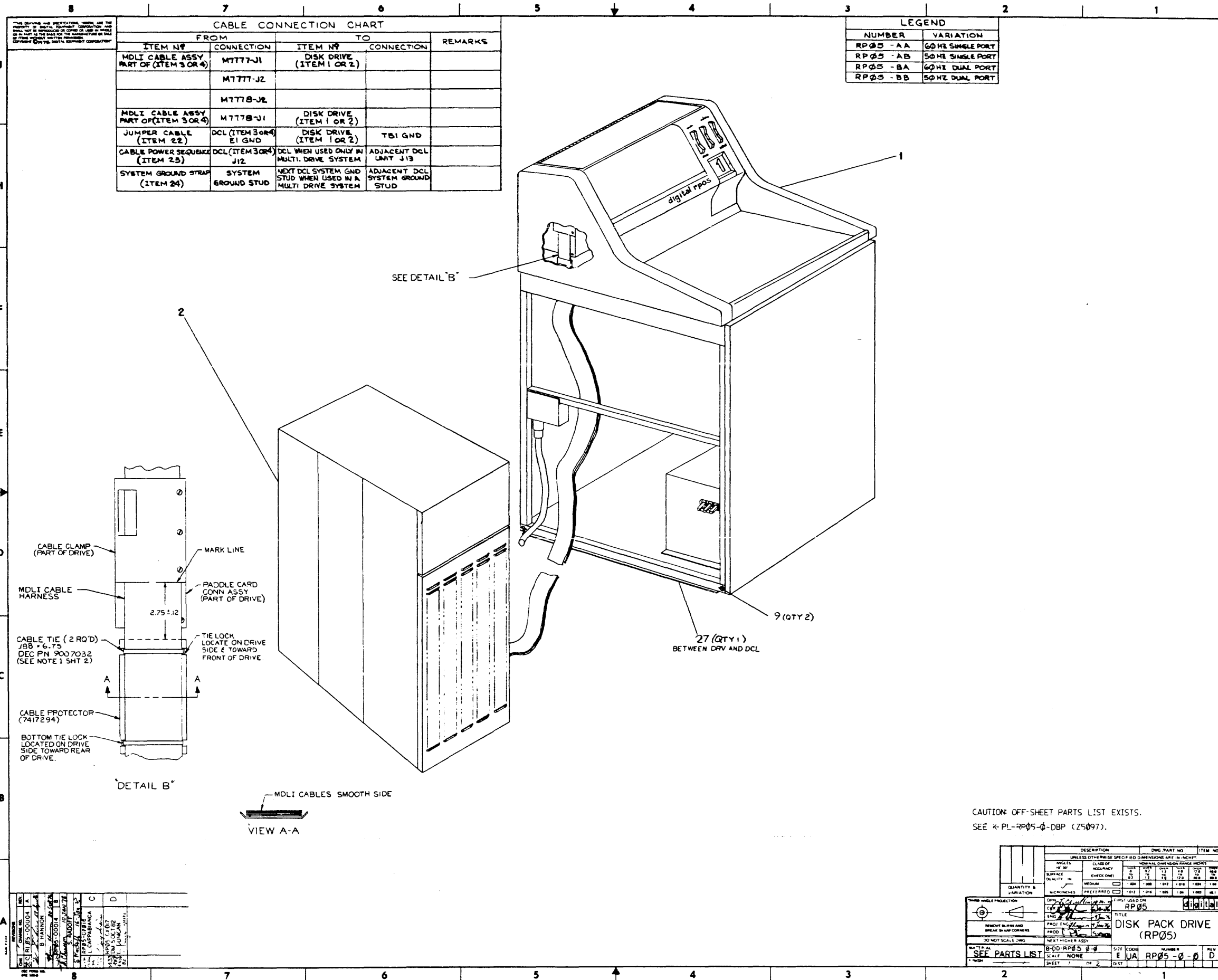
CABLE CONNECTION CHART				
ITEM NO.	FROM CONNECTION	ITEM NO.	TO CONNECTION	REMARKS
MDLI CABLE ASSY PART OF (ITEM 3 OR 4)	M7777-J1	ISS DRIVE (ITEM 1 OR 2)	ROW B SLOTT 05 CONN. A	
	M7777-J2		ROW B SLOTT 05 CONN. B	
	M7778-J2		ROW B SLOTT 05 CONN. D	
MDLI CABLE ASSY PART OF (ITEM 3 OR 4)	M7778-J1	ISS DRIVE (ITEM 1 OR 2)	ROW A SLOTT 05 CONN. C	
JUMPER CABLE (ITEM 27)	DCL (ITEM 3 OR 4) E1 GND	ISS DRIVE (ITEM 1 OR 2)	T81 GND	
CABLE POWER SEQUENCE (ITEM 28)	DCL (ITEM 3 OR 4) J12	DCL WHEN USED ONLY IN MULTI DRIVE SYSTEM	ADJACENT DCL UNIT J13	
SYSTEM GROUND CABLE (ITEM 31)	SYSTEM GROUND STUD	NEXT DCL SYSTEM GROUND STUD WHEN USED IN A MULTI DRIVE SYSTEM	ADJACENT DCL SYSTEM GROUND STUD	

LEGEND	
NUMBER	VARIATION
RP04-AA	60HZ SINGLE PORT
RP04-AB	50HZ SINGLE PORT
RP04-BA	60HZ DUAL PORT
RP04-BB	50HZ DUAL PORT

NOTES:
 1. FRONT BOLTS ITEM 33, 2 PLACES TYPICAL. REAR BOLTS ITEM 18, 2 PLACES TYPICAL.

QTY	DESCRIPTION	PART NO.	QTY
2	DRIVE BOLT	906255-09	33
1	STITCHER PWR DASY CHAINA OC	741332-00	32
1	GROUND STRAP	10-18-227-03-0	31
1	NUT KEPS, V4-20	9008203	30
1	SKID SHIMMING	DPS-1208402-0	29
1	CABLE POWER SEQUENCE	D-1A 100491-0-1	28
1	JUMPER CABLE ISS F DEL	C-18-30412-0-0	27
1	PACKAGING INSTRUCTIONS	A-11-370045-0-1	26
4	MOD BLOC	A-11-370046-0-0	25
4	TEE NUT 3/8" B	9006288	24
4	WASHER FLAT 1/8" X 1/2" X 1/16"	9006680	23
4	BOLT HEX HEAD 3/8" X 2" X 1/16"	9006290-01	22
2	CABLE ASSY BPS	E-11-370043-0-0	21
4	WASHER INT TOOTH LOCK 3/8"	9006438	20
4	NUT KEP 3/16	9006368	19
2	BOLT 5/16" X 2" X 1/16"	9006280-9	18
1	DISK PACK DATA	A-11-370044-0-0	17
1	RP04-BB IDENT	A-DC-741886-0-0	16
1	RP04-BA IDENT	A-DC-741886-0-0	15
1	RP04-AB IDENT	A-DC-741886-0-0	14
1	RP04-AA IDENT	A-DC-741886-0-0	13
4	WASHER FLAT "B"	9006661	12
1	POWER CABLE	D-AD-700449-0-0	11
1	POWER CABLE	D-AD-700449-0-0	10
4	SCR PHL THD FORM "B" 3/8" X 3/8"	9006410-1	9
4	WASHER LOCK "B" SPLIT	9006490	8
REF	REF	SYSTEM DIAGRAM	50-RP04-0-1
1	SERIAL NO. TAG	9008191	7
2	SKIRT FRONT & REAR	C-MD-741193-0-0	5
1	ENCLOSURE ASSY(DCL)	E-AD-100429-0-0	4
1	ENCLOSURE ASSY(DCL)	E-AD-100429-0-0	3
1	ISS DRIVE 50 HZ	A-11-370047-0-0	2
1	ISS DRIVE 60 HZ	A-11-370047-0-0	1

QTY	DESCRIPTION	PART NO.	QTY
1	DISK PACK DRIVE (RP04)	B-DD-RP04-0	1
1	RP04-0-0	E-11-370047-0-0	1

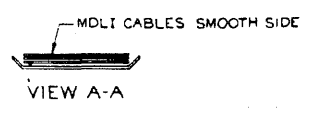
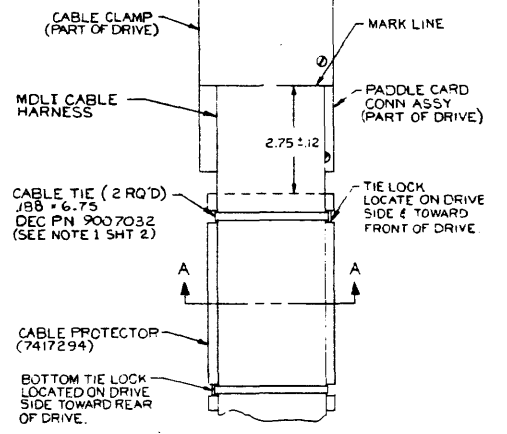


CABLE CONNECTION CHART

ITEM NO	FROM		TO		REMARKS
	ITEM NO	CONNECTION	ITEM NO	CONNECTION	
MDLI CABLE ASSY PART OF (ITEM 3 OR 4)	M7777-J1		DISK DRIVE (ITEM 1 OR 2)		
	M7777-J2				
	M7778-J2				
MDLI CABLE ASSY PART OF (ITEM 3 OR 4)	M7778-J1		DISK DRIVE (ITEM 1 OR 2)		
JUMPER CABLE (ITEM 22)	DCL (ITEM 3 OR 4) E1 GND		DISK DRIVE (ITEM 1 OR 2)	TBI GND	
CABLE POWER SEQUENCE (ITEM 25)	DCL (ITEM 3 OR 4) J12		DCL WHEN USED ONLY IN MULTI-DRIVE SYSTEM	ADJACENT DCL UNIT J13	
SYSTEM GROUND STRAP (ITEM 24)	SYSTEM GROUND STUD		NEXT DCL SYSTEM GND STUD WHEN USED IN A MULTI-DRIVE SYSTEM	ADJACENT DCL SYSTEM GROUND STUD	

LEGEND

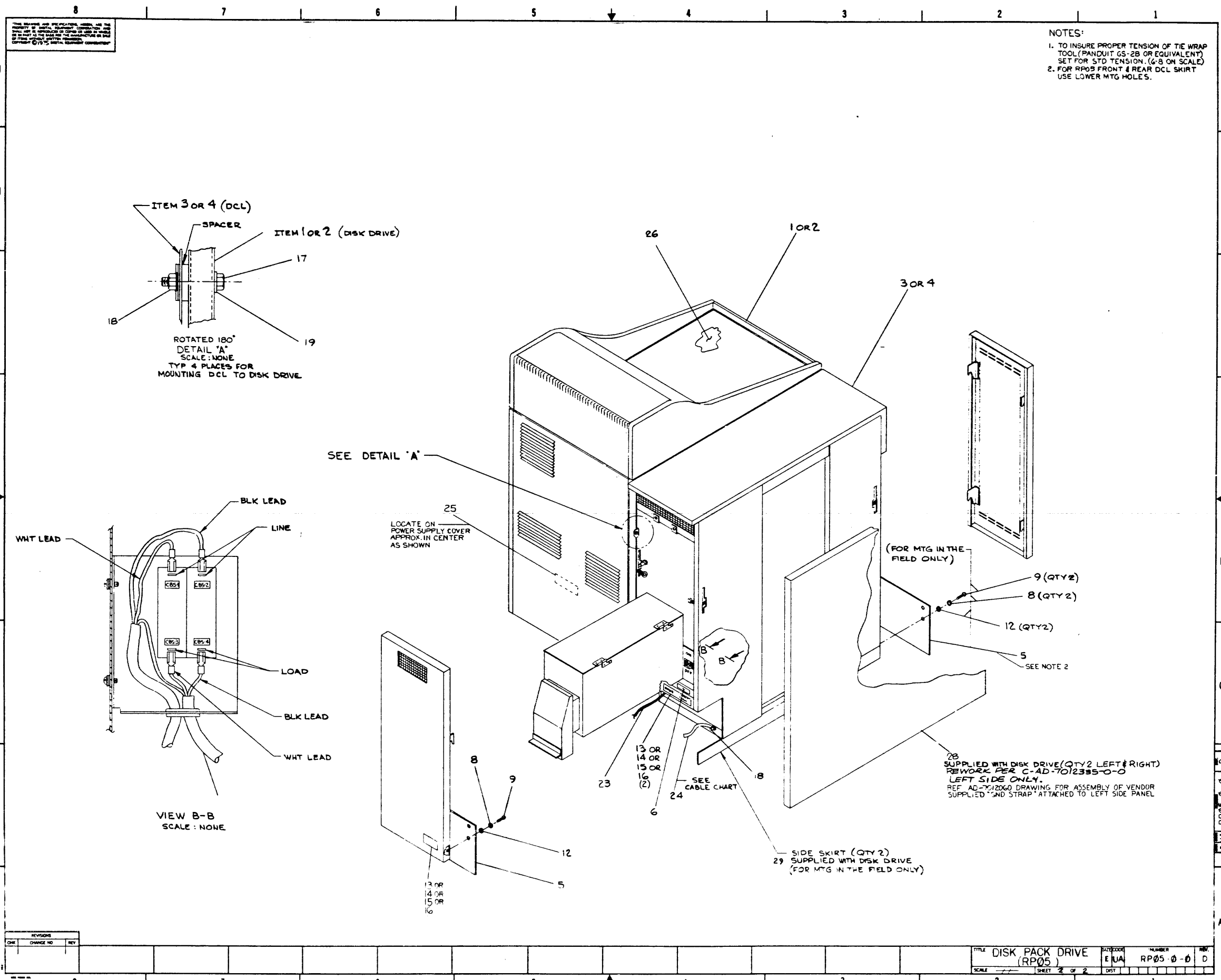
NUMBER	VARIATION
RP05 - AA	60 HZ SINGLE PORT
RP05 - AB	50 HZ SINGLE PORT
RP05 - BA	60 HZ DUAL PORT
RP05 - BB	50 HZ DUAL PORT



CAUTION: OFF-SHEET PARTS LIST EXISTS.
SEE K-PL-RP05-0-DBP (Z5097).

REV	DESCRIPTION	DATE
1	ISSUED FOR PRODUCTION	11/15/68
2	REVISED TO SHOW CHANGES TO PART B	11/15/68
3	REVISED TO SHOW CHANGES TO PART B	11/15/68
4	REVISED TO SHOW CHANGES TO PART B	11/15/68
5	REVISED TO SHOW CHANGES TO PART B	11/15/68
6	REVISED TO SHOW CHANGES TO PART B	11/15/68
7	REVISED TO SHOW CHANGES TO PART B	11/15/68
8	REVISED TO SHOW CHANGES TO PART B	11/15/68

DESCRIPTION	DRG PART NO	ITEM NO
UNLESS OTHERWISE SPECIFIED DIMENSIONS ARE IN INCHES		
ANGLE	CLASS IF	NOMINAL DIMENSION PREFERRED
10°	20°	30°
45°	60°	75°
90°	105°	120°
135°	150°	180°
SURFACE	CHECK ONE	
QUALITY	IN	
MEDIUM	<input type="checkbox"/> 100	<input type="checkbox"/> 100
MICROMETERS	PREFERRED <input type="checkbox"/> 0.01	<input type="checkbox"/> 0.01
QUANTITY & VARIATION		
QUANTITY		
VARIATION		
DRY	PRINTED ON	RP05
REMOVE BURRS AND BREAK SHARP CORNERS	TITLE	DISK PACK DRIVE (RP05)
DO NOT SCALE DIMS	SCALE	NONE
SEE PARTS LIST	SHEET	1 OF 2
	REV	D
	NUMBER	RP05-0-0
	DATE	



NOTES:
 1. TO INSURE PROPER TENSION OF THE WRAP TOOL (PANDUIT GS-28 OR EQUIVALENT) SET FOR STD TENSION (4-8 ON SCALE)
 2. FOR RPOB FRONT & REAR DCL SKIRT USE LOWER MTG HOLES.

ROTATED 180°
 DETAIL 'A'
 SCALE: NONE
 TYP 4 PLACES FOR MOUNTING DCL TO DISK DRIVE.

VIEW B-B
 SCALE: NONE

28 SUPPLIED WITH DISK DRIVE (QTY 2 LEFT & RIGHT)
 REWORK PER C-AD-7012335-0-0
 LEFT SIDE ONLY.
 REF AD-7012060 DRAWING FOR ASSEMBLY OF VENDOR
 SUPPLIED "AND STRAP" ATTACHED TO LEFT SIDE PANEL

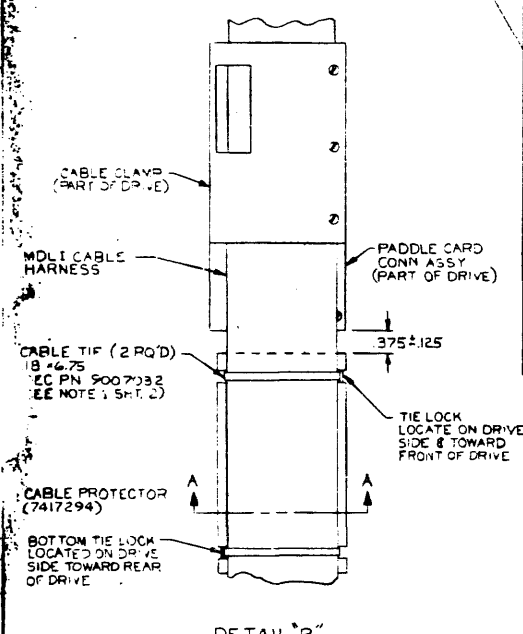
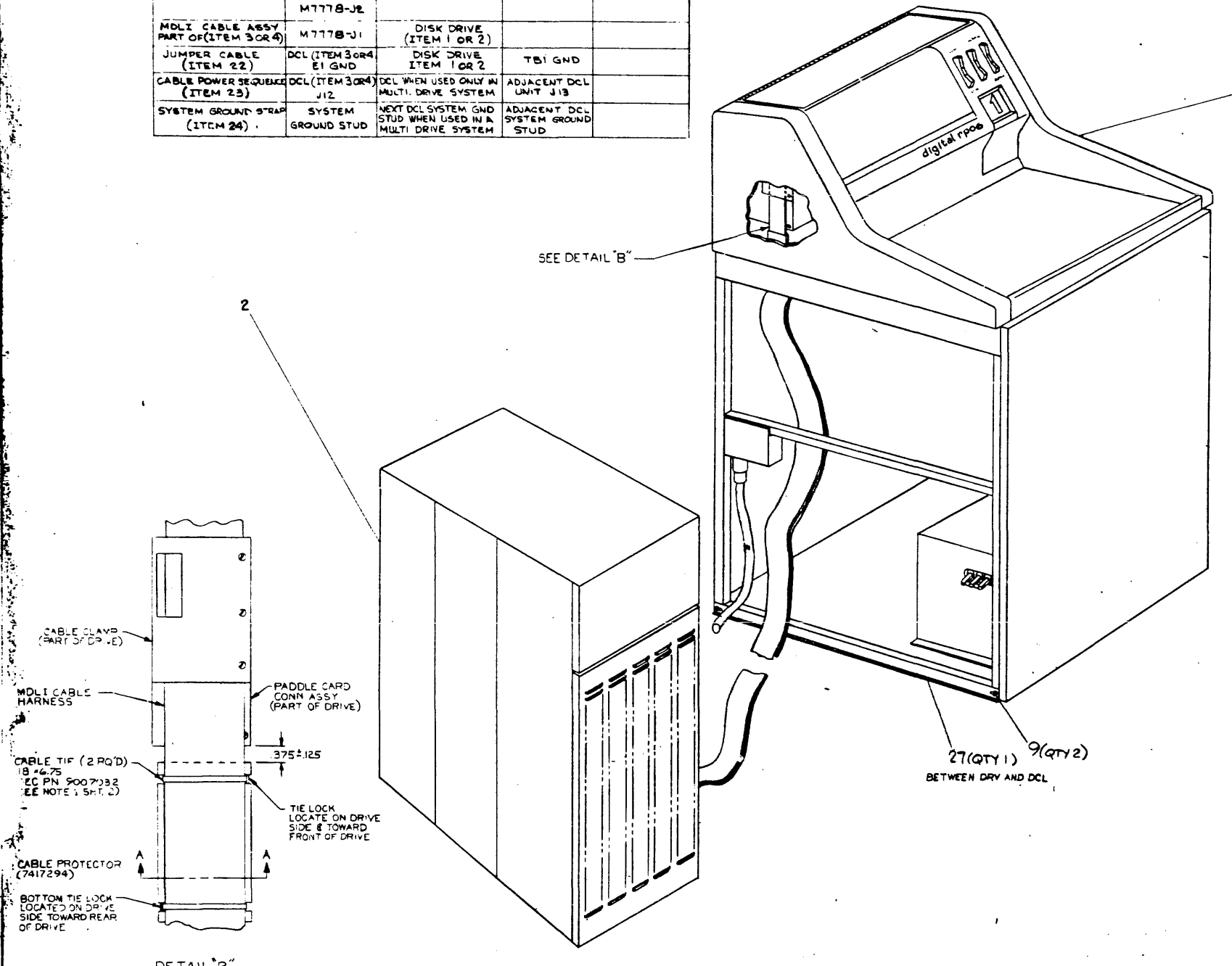
SIDE SKIRT (QTY 2)
 29 SUPPLIED WITH DISK DRIVE
 (FOR MTG IN THE FIELD ONLY)

REVISIONS		
QTY	CHANGE NO	REV

TITLE	DISK PACK DRIVE (RPOB)	SIZE/COOD	EUA	NUMBER	RPOB-0-0	REV	D
SCALE	1:1	SHEET	2	OF	2	DIST	

CABLE CONNECTION CHART				
ITEM NO	FROM CONNECTION	TO CONNECTION	ITEM NO	REMARKS
MDLI CABLE ASSY PART OF (ITEM 3 OR 4)	M7777-J1		DISK DRIVE (ITEM 1 OR 2)	
	M7777-J2			
MDLI CABLE ASSY PART OF (ITEM 3 OR 4)	M7778-J1		DISK DRIVE (ITEM 1 OR 2)	
	M7778-J2			
JUMPER CABLE (ITEM 22)	DCL (ITEM 3 OR 4) E1 GND		DISK DRIVE ITEM 1 OR 2	TBI GND
CABLE POWER SEQUENCE (ITEM 23)	DCL (ITEM 3 OR 4) J12			ADJACENT DCL UNIT J13
SYSTEM GROUND STRAP (ITEM 24)	SYSTEM GROUND STUD		NEXT DCL SYSTEM GND STUD WHEN USED IN A MULTI DRIVE SYSTEM	ADJACENT DCL SYSTEM GROUND STUD

LEGEND	
NUMBER	VARIATION
RP06-AA	50HZ SINGLE PORT
RP06-AB	50HZ SINGLE PORT
RP06-BA	60HZ DUAL PORT
RP06-BB	50HZ DUAL PORT



CAUTION: OFF-SHEET PARTS LIST EXISTS.
K-PL-RP06-0-DBP (25892).

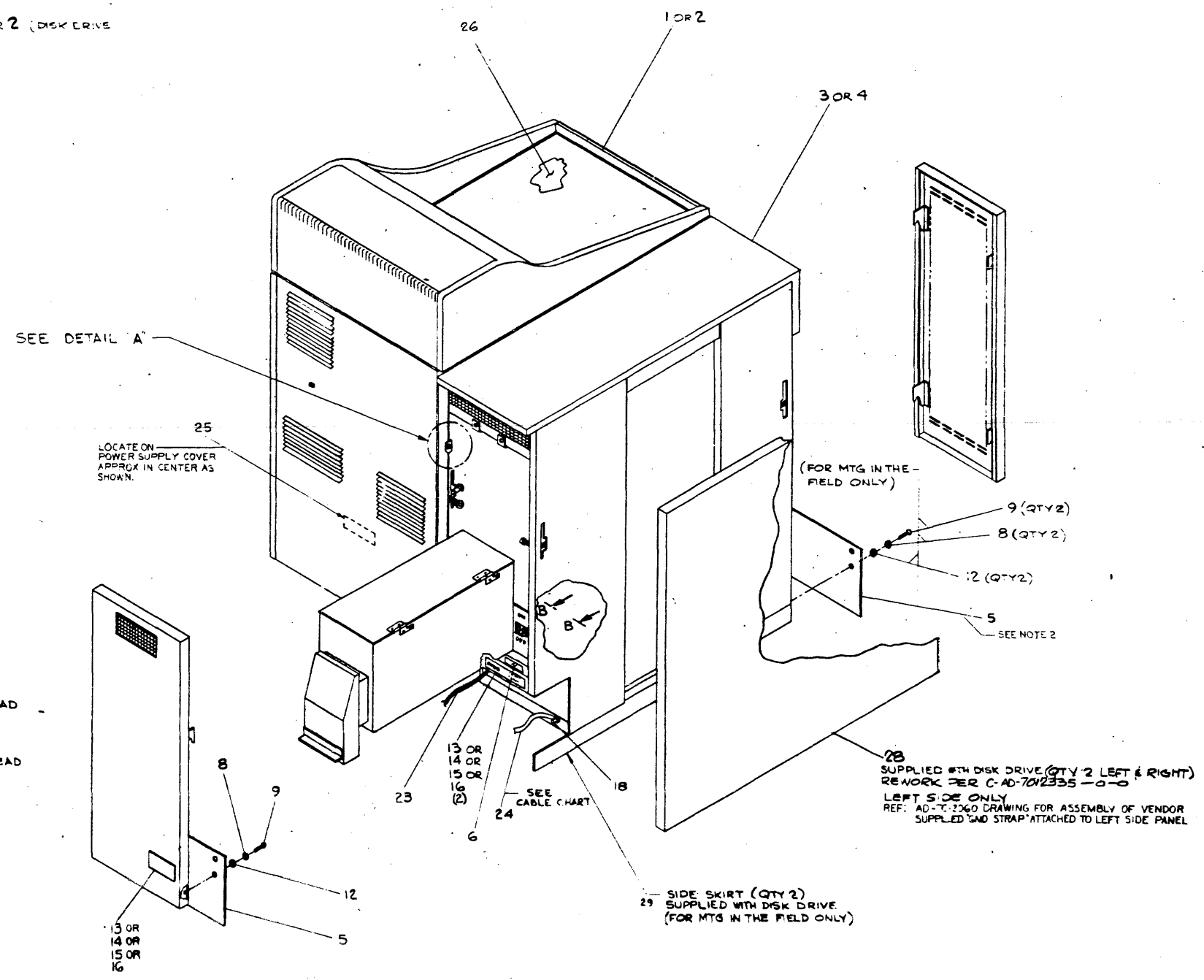
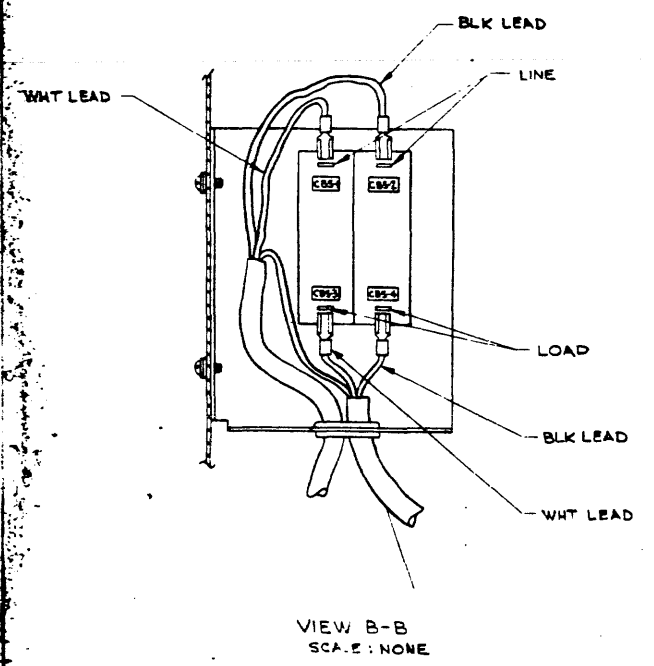
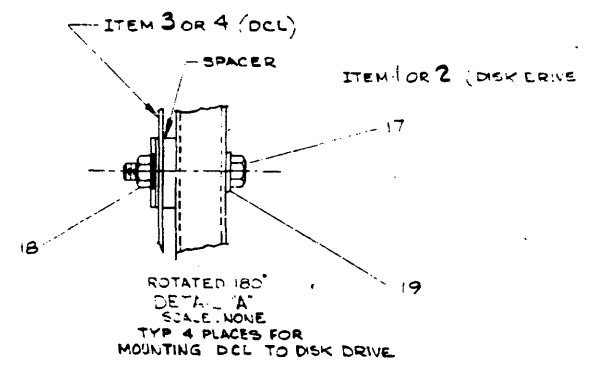
REV	DESCRIPTION	DATE
1	ISSUED FOR PRODUCTION	10/1/68
2	REVISED TO SHOW REVISIONS	11/1/68
3	REVISED TO SHOW REVISIONS	12/1/68
4	REVISED TO SHOW REVISIONS	1/1/69
5	REVISED TO SHOW REVISIONS	2/1/69
6	REVISED TO SHOW REVISIONS	3/1/69
7	REVISED TO SHOW REVISIONS	4/1/69
8	REVISED TO SHOW REVISIONS	5/1/69
9	REVISED TO SHOW REVISIONS	6/1/69
10	REVISED TO SHOW REVISIONS	7/1/69

DESCRIPTION	DWG PART NO	ITEM NO																																																																																																																																																																																																																																																																																																															
DISK PACK DRIVE (RP06)	RP06	010100																																																																																																																																																																																																																																																																																																															
<table border="1"> <tr> <td>CLASS OF ACCURACY</td> <td>CLASS OF ACCURACY</td> <td>CLASS OF ACCURACY</td> <td>CLASS OF ACCURACY</td> <td>CLASS OF ACCURACY</td> </tr> <tr> <td>1</td> <td>2</td> <td>3</td> <td>4</td> <td>5</td> </tr> <tr> <td>6</td> <td>7</td> <td>8</td> <td>9</td> <td>10</td> </tr> <tr> <td>11</td> <td>12</td> <td>13</td> <td>14</td> <td>15</td> </tr> <tr> <td>16</td> <td>17</td> <td>18</td> <td>19</td> <td>20</td> </tr> <tr> <td>21</td> <td>22</td> <td>23</td> <td>24</td> <td>25</td> </tr> <tr> <td>26</td> <td>27</td> <td>28</td> <td>29</td> <td>30</td> </tr> <tr> <td>31</td> <td>32</td> <td>33</td> <td>34</td> <td>35</td> </tr> <tr> <td>36</td> <td>37</td> <td>38</td> <td>39</td> <td>40</td> </tr> <tr> <td>41</td> <td>42</td> <td>43</td> <td>44</td> <td>45</td> </tr> <tr> <td>46</td> <td>47</td> <td>48</td> <td>49</td> <td>50</td> </tr> <tr> <td>51</td> <td>52</td> <td>53</td> <td>54</td> <td>55</td> </tr> <tr> <td>56</td> <td>57</td> <td>58</td> <td>59</td> <td>60</td> </tr> <tr> <td>61</td> <td>62</td> <td>63</td> <td>64</td> <td>65</td> </tr> <tr> <td>66</td> <td>67</td> <td>68</td> <td>69</td> <td>70</td> </tr> <tr> <td>71</td> <td>72</td> <td>73</td> <td>74</td> <td>75</td> </tr> <tr> <td>76</td> <td>77</td> <td>78</td> <td>79</td> <td>80</td> </tr> <tr> <td>81</td> <td>82</td> <td>83</td> <td>84</td> <td>85</td> </tr> <tr> <td>86</td> <td>87</td> <td>88</td> <td>89</td> <td>90</td> </tr> <tr> <td>91</td> <td>92</td> <td>93</td> <td>94</td> <td>95</td> </tr> <tr> <td>96</td> <td>97</td> <td>98</td> <td>99</td> <td>100</td> </tr> </table>			CLASS OF ACCURACY	CLASS OF ACCURACY	CLASS OF ACCURACY	CLASS OF ACCURACY	CLASS OF ACCURACY	1	2	3	4	5	6	7	8	9	10	11	12	13	14	15	16	17	18	19	20	21	22	23	24	25	26	27	28	29	30	31	32	33	34	35	36	37	38	39	40	41	42	43	44	45	46	47	48	49	50	51	52	53	54	55	56	57	58	59	60	61	62	63	64	65	66	67	68	69	70	71	72	73	74	75	76	77	78	79	80	81	82	83	84	85	86	87	88	89	90	91	92	93	94	95	96	97	98	99	100																																																																																																																																																																																																						
CLASS OF ACCURACY	CLASS OF ACCURACY	CLASS OF ACCURACY	CLASS OF ACCURACY	CLASS OF ACCURACY																																																																																																																																																																																																																																																																																																													
1	2	3	4	5																																																																																																																																																																																																																																																																																																													
6	7	8	9	10																																																																																																																																																																																																																																																																																																													
11	12	13	14	15																																																																																																																																																																																																																																																																																																													
16	17	18	19	20																																																																																																																																																																																																																																																																																																													
21	22	23	24	25																																																																																																																																																																																																																																																																																																													
26	27	28	29	30																																																																																																																																																																																																																																																																																																													
31	32	33	34	35																																																																																																																																																																																																																																																																																																													
36	37	38	39	40																																																																																																																																																																																																																																																																																																													
41	42	43	44	45																																																																																																																																																																																																																																																																																																													
46	47	48	49	50																																																																																																																																																																																																																																																																																																													
51	52	53	54	55																																																																																																																																																																																																																																																																																																													
56	57	58	59	60																																																																																																																																																																																																																																																																																																													
61	62	63	64	65																																																																																																																																																																																																																																																																																																													
66	67	68	69	70																																																																																																																																																																																																																																																																																																													
71	72	73	74	75																																																																																																																																																																																																																																																																																																													
76	77	78	79	80																																																																																																																																																																																																																																																																																																													
81	82	83	84	85																																																																																																																																																																																																																																																																																																													
86	87	88	89	90																																																																																																																																																																																																																																																																																																													
91	92	93	94	95																																																																																																																																																																																																																																																																																																													
96	97	98	99	100																																																																																																																																																																																																																																																																																																													
<table border="1"> <tr> <td>QUANTITY & VARIATION</td> <td>PREFERRED</td> <td>NOT PREFERRED</td> </tr> <tr> <td>1</td> <td><input checked="" type="checkbox"/></td> <td><input type="checkbox"/></td> </tr> <tr> <td>2</td> <td><input type="checkbox"/></td> <td><input type="checkbox"/></td> </tr> <tr> <td>3</td> <td><input type="checkbox"/></td> <td><input type="checkbox"/></td> </tr> <tr> <td>4</td> <td><input type="checkbox"/></td> <td><input type="checkbox"/></td> </tr> <tr> <td>5</td> <td><input type="checkbox"/></td> <td><input type="checkbox"/></td> </tr> <tr> <td>6</td> <td><input type="checkbox"/></td> <td><input type="checkbox"/></td> </tr> <tr> <td>7</td> <td><input type="checkbox"/></td> <td><input type="checkbox"/></td> </tr> <tr> <td>8</td> <td><input type="checkbox"/></td> <td><input type="checkbox"/></td> </tr> <tr> <td>9</td> <td><input type="checkbox"/></td> <td><input type="checkbox"/></td> </tr> <tr> <td>10</td> <td><input type="checkbox"/></td> <td><input type="checkbox"/></td> </tr> <tr> <td>11</td> <td><input type="checkbox"/></td> <td><input type="checkbox"/></td> </tr> <tr> <td>12</td> <td><input type="checkbox"/></td> <td><input type="checkbox"/></td> </tr> <tr> <td>13</td> <td><input type="checkbox"/></td> <td><input type="checkbox"/></td> </tr> <tr> <td>14</td> <td><input type="checkbox"/></td> <td><input type="checkbox"/></td> </tr> <tr> <td>15</td> <td><input type="checkbox"/></td> <td><input type="checkbox"/></td> </tr> <tr> <td>16</td> <td><input type="checkbox"/></td> <td><input type="checkbox"/></td> </tr> <tr> <td>17</td> <td><input type="checkbox"/></td> <td><input type="checkbox"/></td> </tr> <tr> <td>18</td> <td><input type="checkbox"/></td> <td><input type="checkbox"/></td> </tr> <tr> <td>19</td> <td><input type="checkbox"/></td> <td><input type="checkbox"/></td> </tr> <tr> <td>20</td> <td><input type="checkbox"/></td> <td><input type="checkbox"/></td> </tr> <tr> <td>21</td> <td><input type="checkbox"/></td> <td><input type="checkbox"/></td> </tr> <tr> <td>22</td> <td><input type="checkbox"/></td> <td><input type="checkbox"/></td> </tr> <tr> <td>23</td> <td><input type="checkbox"/></td> <td><input type="checkbox"/></td> </tr> <tr> <td>24</td> <td><input type="checkbox"/></td> <td><input type="checkbox"/></td> </tr> <tr> <td>25</td> <td><input type="checkbox"/></td> <td><input type="checkbox"/></td> </tr> <tr> <td>26</td> <td><input type="checkbox"/></td> <td><input type="checkbox"/></td> </tr> <tr> <td>27</td> <td><input type="checkbox"/></td> <td><input type="checkbox"/></td> </tr> <tr> <td>28</td> <td><input type="checkbox"/></td> <td><input type="checkbox"/></td> </tr> <tr> <td>29</td> <td><input type="checkbox"/></td> <td><input type="checkbox"/></td> </tr> <tr> <td>30</td> <td><input type="checkbox"/></td> <td><input type="checkbox"/></td> </tr> <tr> <td>31</td> <td><input type="checkbox"/></td> <td><input type="checkbox"/></td> </tr> <tr> <td>32</td> <td><input type="checkbox"/></td> <td><input type="checkbox"/></td> </tr> <tr> <td>33</td> <td><input type="checkbox"/></td> <td><input type="checkbox"/></td> </tr> <tr> <td>34</td> <td><input type="checkbox"/></td> <td><input type="checkbox"/></td> </tr> <tr> <td>35</td> <td><input type="checkbox"/></td> <td><input type="checkbox"/></td> </tr> <tr> <td>36</td> <td><input type="checkbox"/></td> <td><input type="checkbox"/></td> </tr> <tr> <td>37</td> <td><input type="checkbox"/></td> <td><input type="checkbox"/></td> </tr> <tr> <td>38</td> <td><input type="checkbox"/></td> <td><input type="checkbox"/></td> </tr> <tr> <td>39</td> <td><input type="checkbox"/></td> <td><input type="checkbox"/></td> </tr> <tr> <td>40</td> <td><input type="checkbox"/></td> <td><input type="checkbox"/></td> </tr> <tr> <td>41</td> <td><input type="checkbox"/></td> <td><input type="checkbox"/></td> </tr> <tr> <td>42</td> <td><input type="checkbox"/></td> <td><input type="checkbox"/></td> </tr> <tr> <td>43</td> <td><input type="checkbox"/></td> <td><input type="checkbox"/></td> </tr> <tr> <td>44</td> <td><input type="checkbox"/></td> <td><input type="checkbox"/></td> </tr> <tr> <td>45</td> <td><input type="checkbox"/></td> <td><input type="checkbox"/></td> </tr> <tr> <td>46</td> <td><input type="checkbox"/></td> <td><input type="checkbox"/></td> </tr> <tr> <td>47</td> <td><input type="checkbox"/></td> <td><input type="checkbox"/></td> </tr> <tr> <td>48</td> <td><input type="checkbox"/></td> <td><input type="checkbox"/></td> </tr> <tr> <td>49</td> <td><input type="checkbox"/></td> <td><input type="checkbox"/></td> </tr> <tr> <td>50</td> <td><input type="checkbox"/></td> <td><input type="checkbox"/></td> </tr> <tr> <td>51</td> <td><input type="checkbox"/></td> <td><input type="checkbox"/></td> </tr> <tr> <td>52</td> <td><input type="checkbox"/></td> <td><input type="checkbox"/></td> </tr> <tr> <td>53</td> <td><input type="checkbox"/></td> <td><input type="checkbox"/></td> </tr> <tr> <td>54</td> <td><input type="checkbox"/></td> <td><input type="checkbox"/></td> </tr> <tr> <td>55</td> <td><input type="checkbox"/></td> <td><input type="checkbox"/></td> </tr> <tr> <td>56</td> <td><input type="checkbox"/></td> <td><input type="checkbox"/></td> </tr> <tr> <td>57</td> <td><input type="checkbox"/></td> <td><input type="checkbox"/></td> </tr> <tr> <td>58</td> <td><input type="checkbox"/></td> <td><input type="checkbox"/></td> </tr> <tr> <td>59</td> <td><input type="checkbox"/></td> <td><input type="checkbox"/></td> </tr> <tr> <td>60</td> <td><input type="checkbox"/></td> <td><input type="checkbox"/></td> </tr> <tr> <td>61</td> <td><input type="checkbox"/></td> <td><input type="checkbox"/></td> </tr> <tr> <td>62</td> <td><input type="checkbox"/></td> <td><input type="checkbox"/></td> </tr> <tr> <td>63</td> <td><input type="checkbox"/></td> <td><input type="checkbox"/></td> </tr> <tr> <td>64</td> <td><input type="checkbox"/></td> <td><input type="checkbox"/></td> </tr> <tr> <td>65</td> <td><input type="checkbox"/></td> <td><input type="checkbox"/></td> </tr> <tr> <td>66</td> <td><input type="checkbox"/></td> <td><input type="checkbox"/></td> </tr> <tr> <td>67</td> <td><input type="checkbox"/></td> <td><input type="checkbox"/></td> </tr> <tr> <td>68</td> <td><input type="checkbox"/></td> <td><input type="checkbox"/></td> </tr> <tr> <td>69</td> <td><input type="checkbox"/></td> <td><input type="checkbox"/></td> </tr> <tr> <td>70</td> <td><input type="checkbox"/></td> <td><input type="checkbox"/></td> </tr> <tr> <td>71</td> <td><input type="checkbox"/></td> <td><input type="checkbox"/></td> </tr> <tr> <td>72</td> <td><input type="checkbox"/></td> <td><input type="checkbox"/></td> </tr> <tr> <td>73</td> <td><input type="checkbox"/></td> <td><input type="checkbox"/></td> </tr> <tr> <td>74</td> <td><input type="checkbox"/></td> <td><input type="checkbox"/></td> </tr> <tr> <td>75</td> <td><input type="checkbox"/></td> <td><input type="checkbox"/></td> </tr> <tr> <td>76</td> <td><input type="checkbox"/></td> <td><input type="checkbox"/></td> </tr> <tr> <td>77</td> <td><input type="checkbox"/></td> <td><input type="checkbox"/></td> </tr> <tr> <td>78</td> <td><input type="checkbox"/></td> <td><input type="checkbox"/></td> </tr> <tr> <td>79</td> <td><input type="checkbox"/></td> <td><input type="checkbox"/></td> </tr> <tr> <td>80</td> <td><input type="checkbox"/></td> <td><input type="checkbox"/></td> </tr> <tr> <td>81</td> <td><input type="checkbox"/></td> <td><input type="checkbox"/></td> </tr> <tr> <td>82</td> <td><input type="checkbox"/></td> <td><input type="checkbox"/></td> </tr> <tr> <td>83</td> <td><input type="checkbox"/></td> <td><input type="checkbox"/></td> </tr> <tr> <td>84</td> <td><input type="checkbox"/></td> <td><input type="checkbox"/></td> </tr> <tr> <td>85</td> <td><input type="checkbox"/></td> <td><input type="checkbox"/></td> </tr> <tr> <td>86</td> <td><input type="checkbox"/></td> <td><input type="checkbox"/></td> </tr> <tr> <td>87</td> <td><input type="checkbox"/></td> <td><input type="checkbox"/></td> </tr> <tr> <td>88</td> <td><input type="checkbox"/></td> <td><input type="checkbox"/></td> </tr> <tr> <td>89</td> <td><input type="checkbox"/></td> <td><input type="checkbox"/></td> </tr> <tr> <td>90</td> <td><input type="checkbox"/></td> <td><input type="checkbox"/></td> </tr> <tr> <td>91</td> <td><input type="checkbox"/></td> <td><input type="checkbox"/></td> </tr> <tr> <td>92</td> <td><input type="checkbox"/></td> <td><input type="checkbox"/></td> </tr> <tr> <td>93</td> <td><input type="checkbox"/></td> <td><input type="checkbox"/></td> </tr> <tr> <td>94</td> <td><input type="checkbox"/></td> <td><input type="checkbox"/></td> </tr> <tr> <td>95</td> <td><input type="checkbox"/></td> <td><input type="checkbox"/></td> </tr> <tr> <td>96</td> <td><input type="checkbox"/></td> <td><input type="checkbox"/></td> </tr> <tr> <td>97</td> <td><input type="checkbox"/></td> <td><input type="checkbox"/></td> </tr> <tr> <td>98</td> <td><input type="checkbox"/></td> <td><input type="checkbox"/></td> </tr> <tr> <td>99</td> <td><input type="checkbox"/></td> <td><input type="checkbox"/></td> </tr> <tr> <td>100</td> <td><input type="checkbox"/></td> <td><input type="checkbox"/></td> </tr> </table>			QUANTITY & VARIATION	PREFERRED	NOT PREFERRED	1	<input checked="" type="checkbox"/>	<input type="checkbox"/>	2	<input type="checkbox"/>	<input type="checkbox"/>	3	<input type="checkbox"/>	<input type="checkbox"/>	4	<input type="checkbox"/>	<input type="checkbox"/>	5	<input type="checkbox"/>	<input type="checkbox"/>	6	<input type="checkbox"/>	<input type="checkbox"/>	7	<input type="checkbox"/>	<input type="checkbox"/>	8	<input type="checkbox"/>	<input type="checkbox"/>	9	<input type="checkbox"/>	<input type="checkbox"/>	10	<input type="checkbox"/>	<input type="checkbox"/>	11	<input type="checkbox"/>	<input type="checkbox"/>	12	<input type="checkbox"/>	<input type="checkbox"/>	13	<input type="checkbox"/>	<input type="checkbox"/>	14	<input type="checkbox"/>	<input type="checkbox"/>	15	<input type="checkbox"/>	<input type="checkbox"/>	16	<input type="checkbox"/>	<input type="checkbox"/>	17	<input type="checkbox"/>	<input type="checkbox"/>	18	<input type="checkbox"/>	<input type="checkbox"/>	19	<input type="checkbox"/>	<input type="checkbox"/>	20	<input type="checkbox"/>	<input type="checkbox"/>	21	<input type="checkbox"/>	<input type="checkbox"/>	22	<input type="checkbox"/>	<input type="checkbox"/>	23	<input type="checkbox"/>	<input type="checkbox"/>	24	<input type="checkbox"/>	<input type="checkbox"/>	25	<input type="checkbox"/>	<input type="checkbox"/>	26	<input type="checkbox"/>	<input type="checkbox"/>	27	<input type="checkbox"/>	<input type="checkbox"/>	28	<input type="checkbox"/>	<input type="checkbox"/>	29	<input type="checkbox"/>	<input type="checkbox"/>	30	<input type="checkbox"/>	<input type="checkbox"/>	31	<input type="checkbox"/>	<input type="checkbox"/>	32	<input type="checkbox"/>	<input type="checkbox"/>	33	<input type="checkbox"/>	<input type="checkbox"/>	34	<input type="checkbox"/>	<input type="checkbox"/>	35	<input type="checkbox"/>	<input type="checkbox"/>	36	<input type="checkbox"/>	<input type="checkbox"/>	37	<input type="checkbox"/>	<input type="checkbox"/>	38	<input type="checkbox"/>	<input type="checkbox"/>	39	<input type="checkbox"/>	<input type="checkbox"/>	40	<input type="checkbox"/>	<input type="checkbox"/>	41	<input type="checkbox"/>	<input type="checkbox"/>	42	<input type="checkbox"/>	<input type="checkbox"/>	43	<input type="checkbox"/>	<input type="checkbox"/>	44	<input type="checkbox"/>	<input type="checkbox"/>	45	<input type="checkbox"/>	<input type="checkbox"/>	46	<input type="checkbox"/>	<input type="checkbox"/>	47	<input type="checkbox"/>	<input type="checkbox"/>	48	<input type="checkbox"/>	<input type="checkbox"/>	49	<input type="checkbox"/>	<input type="checkbox"/>	50	<input type="checkbox"/>	<input type="checkbox"/>	51	<input type="checkbox"/>	<input type="checkbox"/>	52	<input type="checkbox"/>	<input type="checkbox"/>	53	<input type="checkbox"/>	<input type="checkbox"/>	54	<input type="checkbox"/>	<input type="checkbox"/>	55	<input type="checkbox"/>	<input type="checkbox"/>	56	<input type="checkbox"/>	<input type="checkbox"/>	57	<input type="checkbox"/>	<input type="checkbox"/>	58	<input type="checkbox"/>	<input type="checkbox"/>	59	<input type="checkbox"/>	<input type="checkbox"/>	60	<input type="checkbox"/>	<input type="checkbox"/>	61	<input type="checkbox"/>	<input type="checkbox"/>	62	<input type="checkbox"/>	<input type="checkbox"/>	63	<input type="checkbox"/>	<input type="checkbox"/>	64	<input type="checkbox"/>	<input type="checkbox"/>	65	<input type="checkbox"/>	<input type="checkbox"/>	66	<input type="checkbox"/>	<input type="checkbox"/>	67	<input type="checkbox"/>	<input type="checkbox"/>	68	<input type="checkbox"/>	<input type="checkbox"/>	69	<input type="checkbox"/>	<input type="checkbox"/>	70	<input type="checkbox"/>	<input type="checkbox"/>	71	<input type="checkbox"/>	<input type="checkbox"/>	72	<input type="checkbox"/>	<input type="checkbox"/>	73	<input type="checkbox"/>	<input type="checkbox"/>	74	<input type="checkbox"/>	<input type="checkbox"/>	75	<input type="checkbox"/>	<input type="checkbox"/>	76	<input type="checkbox"/>	<input type="checkbox"/>	77	<input type="checkbox"/>	<input type="checkbox"/>	78	<input type="checkbox"/>	<input type="checkbox"/>	79	<input type="checkbox"/>	<input type="checkbox"/>	80	<input type="checkbox"/>	<input type="checkbox"/>	81	<input type="checkbox"/>	<input type="checkbox"/>	82	<input type="checkbox"/>	<input type="checkbox"/>	83	<input type="checkbox"/>	<input type="checkbox"/>	84	<input type="checkbox"/>	<input type="checkbox"/>	85	<input type="checkbox"/>	<input type="checkbox"/>	86	<input type="checkbox"/>	<input type="checkbox"/>	87	<input type="checkbox"/>	<input type="checkbox"/>	88	<input type="checkbox"/>	<input type="checkbox"/>	89	<input type="checkbox"/>	<input type="checkbox"/>	90	<input type="checkbox"/>	<input type="checkbox"/>	91	<input type="checkbox"/>	<input type="checkbox"/>	92	<input type="checkbox"/>	<input type="checkbox"/>	93	<input type="checkbox"/>	<input type="checkbox"/>	94	<input type="checkbox"/>	<input type="checkbox"/>	95	<input type="checkbox"/>	<input type="checkbox"/>	96	<input type="checkbox"/>	<input type="checkbox"/>	97	<input type="checkbox"/>	<input type="checkbox"/>	98	<input type="checkbox"/>	<input type="checkbox"/>	99	<input type="checkbox"/>	<input type="checkbox"/>	100	<input type="checkbox"/>	<input type="checkbox"/>
QUANTITY & VARIATION	PREFERRED	NOT PREFERRED																																																																																																																																																																																																																																																																																																															
1	<input checked="" type="checkbox"/>	<input type="checkbox"/>																																																																																																																																																																																																																																																																																																															
2	<input type="checkbox"/>	<input type="checkbox"/>																																																																																																																																																																																																																																																																																																															
3	<input type="checkbox"/>	<input type="checkbox"/>																																																																																																																																																																																																																																																																																																															
4	<input type="checkbox"/>	<input type="checkbox"/>																																																																																																																																																																																																																																																																																																															
5	<input type="checkbox"/>	<input type="checkbox"/>																																																																																																																																																																																																																																																																																																															
6	<input type="checkbox"/>	<input type="checkbox"/>																																																																																																																																																																																																																																																																																																															
7	<input type="checkbox"/>	<input type="checkbox"/>																																																																																																																																																																																																																																																																																																															
8	<input type="checkbox"/>	<input type="checkbox"/>																																																																																																																																																																																																																																																																																																															
9	<input type="checkbox"/>	<input type="checkbox"/>																																																																																																																																																																																																																																																																																																															
10	<input type="checkbox"/>	<input type="checkbox"/>																																																																																																																																																																																																																																																																																																															
11	<input type="checkbox"/>	<input type="checkbox"/>																																																																																																																																																																																																																																																																																																															
12	<input type="checkbox"/>	<input type="checkbox"/>																																																																																																																																																																																																																																																																																																															
13	<input type="checkbox"/>	<input type="checkbox"/>																																																																																																																																																																																																																																																																																																															
14	<input type="checkbox"/>	<input type="checkbox"/>																																																																																																																																																																																																																																																																																																															
15	<input type="checkbox"/>	<input type="checkbox"/>																																																																																																																																																																																																																																																																																																															
16	<input type="checkbox"/>	<input type="checkbox"/>																																																																																																																																																																																																																																																																																																															
17	<input type="checkbox"/>	<input type="checkbox"/>																																																																																																																																																																																																																																																																																																															
18	<input type="checkbox"/>	<input type="checkbox"/>																																																																																																																																																																																																																																																																																																															
19	<input type="checkbox"/>	<input type="checkbox"/>																																																																																																																																																																																																																																																																																																															
20	<input type="checkbox"/>	<input type="checkbox"/>																																																																																																																																																																																																																																																																																																															
21	<input type="checkbox"/>	<input type="checkbox"/>																																																																																																																																																																																																																																																																																																															
22	<input type="checkbox"/>	<input type="checkbox"/>																																																																																																																																																																																																																																																																																																															
23	<input type="checkbox"/>	<input type="checkbox"/>																																																																																																																																																																																																																																																																																																															
24	<input type="checkbox"/>	<input type="checkbox"/>																																																																																																																																																																																																																																																																																																															
25	<input type="checkbox"/>	<input type="checkbox"/>																																																																																																																																																																																																																																																																																																															
26	<input type="checkbox"/>	<input type="checkbox"/>																																																																																																																																																																																																																																																																																																															
27	<input type="checkbox"/>	<input type="checkbox"/>																																																																																																																																																																																																																																																																																																															
28	<input type="checkbox"/>	<input type="checkbox"/>																																																																																																																																																																																																																																																																																																															
29	<input type="checkbox"/>	<input type="checkbox"/>																																																																																																																																																																																																																																																																																																															
30	<input type="checkbox"/>	<input type="checkbox"/>																																																																																																																																																																																																																																																																																																															
31	<input type="checkbox"/>	<input type="checkbox"/>																																																																																																																																																																																																																																																																																																															
32	<input type="checkbox"/>	<input type="checkbox"/>																																																																																																																																																																																																																																																																																																															
33	<input type="checkbox"/>	<input type="checkbox"/>																																																																																																																																																																																																																																																																																																															
34	<input type="checkbox"/>	<input type="checkbox"/>																																																																																																																																																																																																																																																																																																															
35	<input type="checkbox"/>	<input type="checkbox"/>																																																																																																																																																																																																																																																																																																															
36	<input type="checkbox"/>	<input type="checkbox"/>																																																																																																																																																																																																																																																																																																															
37	<input type="checkbox"/>	<input type="checkbox"/>																																																																																																																																																																																																																																																																																																															
38	<input type="checkbox"/>	<input type="checkbox"/>																																																																																																																																																																																																																																																																																																															
39	<input type="checkbox"/>	<input type="checkbox"/>																																																																																																																																																																																																																																																																																																															
40	<input type="checkbox"/>	<input type="checkbox"/>																																																																																																																																																																																																																																																																																																															
41	<input type="checkbox"/>	<input type="checkbox"/>																																																																																																																																																																																																																																																																																																															
42	<input type="checkbox"/>	<input type="checkbox"/>																																																																																																																																																																																																																																																																																																															
43	<input type="checkbox"/>	<input type="checkbox"/>																																																																																																																																																																																																																																																																																																															
44	<input type="checkbox"/>	<input type="checkbox"/>																																																																																																																																																																																																																																																																																																															
45	<input type="checkbox"/>	<input type="checkbox"/>																																																																																																																																																																																																																																																																																																															
46	<input type="checkbox"/>	<input type="checkbox"/>																																																																																																																																																																																																																																																																																																															
47	<input type="checkbox"/>	<input type="checkbox"/>																																																																																																																																																																																																																																																																																																															
48	<input type="checkbox"/>	<input type="checkbox"/>																																																																																																																																																																																																																																																																																																															
49	<input type="checkbox"/>	<input type="checkbox"/>																																																																																																																																																																																																																																																																																																															
50	<input type="checkbox"/>	<input type="checkbox"/>																																																																																																																																																																																																																																																																																																															
51	<input type="checkbox"/>	<input type="checkbox"/>																																																																																																																																																																																																																																																																																																															
52	<input type="checkbox"/>	<input type="checkbox"/>																																																																																																																																																																																																																																																																																																															
53	<input type="checkbox"/>	<input type="checkbox"/>																																																																																																																																																																																																																																																																																																															
54	<input type="checkbox"/>	<input type="checkbox"/>																																																																																																																																																																																																																																																																																																															
55	<input type="checkbox"/>	<input type="checkbox"/>																																																																																																																																																																																																																																																																																																															
56	<input type="checkbox"/>	<input type="checkbox"/>																																																																																																																																																																																																																																																																																																															
57	<input type="checkbox"/>	<input type="checkbox"/>																																																																																																																																																																																																																																																																																																															
58	<input type="checkbox"/>	<input type="checkbox"/>																																																																																																																																																																																																																																																																																																															
59	<input type="checkbox"/>	<input type="checkbox"/>																																																																																																																																																																																																																																																																																																															
60	<input type="checkbox"/>	<input type="checkbox"/>																																																																																																																																																																																																																																																																																																															
61	<input type="checkbox"/>	<input type="checkbox"/>																																																																																																																																																																																																																																																																																																															
62	<input type="checkbox"/>	<input type="checkbox"/>																																																																																																																																																																																																																																																																																																															
63	<input type="checkbox"/>	<input type="checkbox"/>																																																																																																																																																																																																																																																																																																															
64	<input type="checkbox"/>	<input type="checkbox"/>																																																																																																																																																																																																																																																																																																															
65	<input type="checkbox"/>	<input type="checkbox"/>																																																																																																																																																																																																																																																																																																															
66	<input type="checkbox"/>	<input type="checkbox"/>																																																																																																																																																																																																																																																																																																															
67	<input type="checkbox"/>	<input type="checkbox"/>																																																																																																																																																																																																																																																																																																															
68	<input type="checkbox"/>	<input type="checkbox"/>																																																																																																																																																																																																																																																																																																															
69	<input type="checkbox"/>	<input type="checkbox"/>																																																																																																																																																																																																																																																																																																															
70	<input type="checkbox"/>	<input type="checkbox"/>																																																																																																																																																																																																																																																																																																															
71	<input type="checkbox"/>	<input type="checkbox"/>																																																																																																																																																																																																																																																																																																															
72	<input type="checkbox"/>	<input type="checkbox"/>																																																																																																																																																																																																																																																																																																															
73	<input type="checkbox"/>	<input type="checkbox"/>																																																																																																																																																																																																																																																																																																															
74	<input type="checkbox"/>	<input type="checkbox"/>																																																																																																																																																																																																																																																																																																															
75	<input type="checkbox"/>	<input type="checkbox"/>																																																																																																																																																																																																																																																																																																															
76	<input type="checkbox"/>	<input type="checkbox"/>																																																																																																																																																																																																																																																																																																															
77	<input type="checkbox"/>	<input type="checkbox"/>																																																																																																																																																																																																																																																																																																															
78	<input type="checkbox"/>	<input type="checkbox"/>																																																																																																																																																																																																																																																																																																															
79	<input type="checkbox"/>	<input type="checkbox"/>																																																																																																																																																																																																																																																																																																															
80	<input type="checkbox"/>	<input type="checkbox"/>																																																																																																																																																																																																																																																																																																															
81	<input type="checkbox"/>	<input type="checkbox"/>																																																																																																																																																																																																																																																																																																															
82	<input type="checkbox"/>	<input type="checkbox"/>																																																																																																																																																																																																																																																																																																															
83	<input type="checkbox"/>	<input type="checkbox"/>																																																																																																																																																																																																																																																																																																															
84	<input type="checkbox"/>	<input type="checkbox"/>																																																																																																																																																																																																																																																																																																															
85	<input type="checkbox"/>	<input type="checkbox"/>																																																																																																																																																																																																																																																																																																															
86	<input type="checkbox"/>	<input type="checkbox"/>																																																																																																																																																																																																																																																																																																															
87	<input type="checkbox"/>	<input type="checkbox"/>																																																																																																																																																																																																																																																																																																															
88	<input type="checkbox"/>	<input type="checkbox"/>																																																																																																																																																																																																																																																																																																															
89	<input type="checkbox"/>	<input type="checkbox"/>																																																																																																																																																																																																																																																																																																															
90	<input type="checkbox"/>	<input type="checkbox"/>																																																																																																																																																																																																																																																																																																															
91	<input type="checkbox"/>	<input type="checkbox"/>																																																																																																																																																																																																																																																																																																															
92	<input type="checkbox"/>	<input type="checkbox"/>																																																																																																																																																																																																																																																																																																															
93	<input type="checkbox"/>	<input type="checkbox"/>																																																																																																																																																																																																																																																																																																															
94	<input type="checkbox"/>	<input type="checkbox"/>																																																																																																																																																																																																																																																																																																															
95	<input type="checkbox"/>	<input type="checkbox"/>																																																																																																																																																																																																																																																																																																															
96	<input type="checkbox"/>	<input type="checkbox"/>																																																																																																																																																																																																																																																																																																															
97	<input type="checkbox"/>	<input type="checkbox"/>																																																																																																																																																																																																																																																																																																															
98	<input type="checkbox"/>	<input type="checkbox"/>																																																																																																																																																																																																																																																																																																															
99	<input type="checkbox"/>	<input type="checkbox"/>																																																																																																																																																																																																																																																																																																															
100	<input type="checkbox"/>	<input type="checkbox"/>																																																																																																																																																																																																																																																																																																															
<table border="1"> <tr> <td>REV</td> <td>DATE</td> <td>BY</td> <td>CHKD</td> </tr> <tr> <td>1</td> <td>10/1/68</td> <td>J. J. J.</td> <td>J. J. J.</td> </tr> <tr> <td>2</td> <td>11/1/68</td> <td>J. J. J.</td> <td>J. J. J.</td> </tr> <tr> <td>3</td> <td>12/1/68</td> <td>J. J. J.</td> <td>J. J. J.</td> </tr> <tr> <td>4</td> <td>1/1/69</td> <td>J. J. J.</td> <td>J. J. J.</td> </tr> <tr> <td>5</td> <td>2/1/69</td> <td>J. J. J.</td> <td>J. J. J.</td> </tr> <tr> <td>6</td> <td>3/1/69</td> <td>J. J. J.</td> <td>J. J. J.</td> </tr> <tr> <td>7</td> <td>4/1/69</td> <td>J. J. J.</td> <td>J. J. J.</td> </tr> <tr> <td>8</td> <td>5/1/69</td> <td>J. J. J.</td> <td>J. J. J.</td> </tr> <tr> <td>9</td> <td>6/1/69</td> <td>J. J. J.</td> <td>J. J. J.</td> </tr> <tr> <td>10</td> <td>7/1/69</td> <td>J. J. J.</td> <td>J. J. J.</td> </tr> </table>			REV	DATE	BY	CHKD	1	10/1/68	J. J. J.	J. J. J.	2	11/1/68	J. J. J.	J. J. J.	3	12/1/68	J. J. J.	J. J. J.	4	1/1/69	J. J. J.	J. J. J.	5	2/1/69	J. J. J.	J. J. J.	6	3/1/69	J. J. J.	J. J. J.	7	4/1/69	J. J. J.	J. J. J.	8	5/1/69	J. J. J.	J. J. J.	9	6/1/69	J. J. J.	J. J. J.	10	7/1/69	J. J. J.	J. J. J.																																																																																																																																																																																																																																																																			
REV	DATE	BY	CHKD																																																																																																																																																																																																																																																																																																														
1	10/1/68	J. J. J.	J. J. J.																																																																																																																																																																																																																																																																																																														
2	11/1/68	J. J. J.	J. J. J.																																																																																																																																																																																																																																																																																																														
3	12/1/68	J. J. J.	J. J. J.																																																																																																																																																																																																																																																																																																														
4	1/1/69	J. J. J.	J. J. J.																																																																																																																																																																																																																																																																																																														
5	2/1/69	J. J. J.	J. J. J.																																																																																																																																																																																																																																																																																																														
6	3/1/69	J. J. J.	J. J. J.																																																																																																																																																																																																																																																																																																														
7	4/1/69	J. J. J.	J. J. J.																																																																																																																																																																																																																																																																																																														
8	5/1/69	J. J. J.	J. J. J.																																																																																																																																																																																																																																																																																																														
9	6/1/69	J. J. J.	J. J. J.																																																																																																																																																																																																																																																																																																														
10	7/1/69	J. J. J.	J. J. J.																																																																																																																																																																																																																																																																																																														
<table border="1"> <tr> <td>REV</td> <td>DATE</td> <td>BY</td> <td>CHKD</td> </tr> <tr> <td>1</td> <td>10/1/68</td> <td>J. J. J.</td> <td>J. J. J.</td> </tr> <tr> <td>2</td> <td>11/1/68</td> <td>J. J. J.</td> <td>J. J. J.</td> </tr> <tr> <td>3</td> <td>12/1/68</td> <td>J. J. J.</td> <td>J. J. J.</td> </tr> <tr> <td>4</td> <td>1/1/69</td> <td>J. J. J.</td> <td>J. J. J.</td> </tr> <tr> <td>5</td> <td>2/1/69</td> <td>J. J. J.</td> <td>J. J. J.</td> </tr> <tr> <td>6</td> <td>3/1/69</td> <td>J. J. J.</td> <td>J. J. J.</td> </tr> <tr> <td>7</td> <td>4/1/69</td> <td>J. J. J.</td> <td>J. J. J.</td> </tr> <tr> <td>8</td> <td>5/1/69</td> <td>J. J. J.</td> <td>J. J. J.</td> </tr> <tr> <td>9</td> <td>6/1/69</td> <td>J. J. J.</td> <td>J. J. J.</td> </tr> <tr> <td>10</td> <td>7/1/69</td> <td>J. J. J.</td> <td>J. J. J.</td> </tr> </table>			REV	DATE	BY	CHKD	1	10/1/68	J. J. J.	J. J. J.	2	11/1/68	J. J. J.	J. J. J.	3	12/1/68	J. J. J.	J. J. J.	4	1/1/69	J. J. J.	J. J. J.	5	2/1/69	J. J. J.	J. J. J.	6	3/1/69	J. J. J.	J. J. J.	7	4/1/69	J. J. J.	J. J. J.	8	5/1/69	J. J. J.	J. J. J.	9	6/1/69	J. J. J.	J. J. J.	10	7/1/69	J. J. J.	J. J. J.																																																																																																																																																																																																																																																																			
REV	DATE	BY	CHKD																																																																																																																																																																																																																																																																																																														
1	10/1/68	J. J. J.	J. J. J.																																																																																																																																																																																																																																																																																																														
2	11/1/68	J. J. J.	J. J. J.																																																																																																																																																																																																																																																																																																														
3	12/1/68	J. J. J.	J. J. J.																																																																																																																																																																																																																																																																																																														
4	1/1/69	J. J. J.	J. J. J.																																																																																																																																																																																																																																																																																																														
5	2/1/69	J. J. J.	J. J. J.																																																																																																																																																																																																																																																																																																														
6	3/1/69	J. J. J.	J. J. J.																																																																																																																																																																																																																																																																																																														
7	4/1/69	J. J. J.	J. J. J.																																																																																																																																																																																																																																																																																																														
8	5/1/69	J. J. J.	J. J. J.																																																																																																																																																																																																																																																																																																														
9	6/1/69	J. J. J.	J. J. J.																																																																																																																																																																																																																																																																																																														
10	7/1/69	J. J. J.	J. J. J.																																																																																																																																																																																																																																																																																																														

THIS DRAWING IS THE PROPERTY OF THE U.S. GOVERNMENT AND IS LOANED TO YOU BY THE U.S. GOVERNMENT. IT IS TO BE RETURNED TO THE U.S. GOVERNMENT AND NOT TO BE REPRODUCED OR TRANSMITTED IN ANY FORM OR BY ANY MEANS, ELECTRONIC OR MECHANICAL, INCLUDING PHOTOCOPYING, RECORDING, OR BY ANY INFORMATION STORAGE AND RETRIEVAL SYSTEM.

NOTES

1. TO INSURE PROPER TENSION OF THE WRAP USE TIE WRAP TOOL (PANDUIT GS-28 OR EQUIVALENT) SET FOR STD. TENSION. (6-8 ON SCALE)
2. FOR RP06 FRONT & REAR DCL SHIRT USE LOWER MTG HOLES

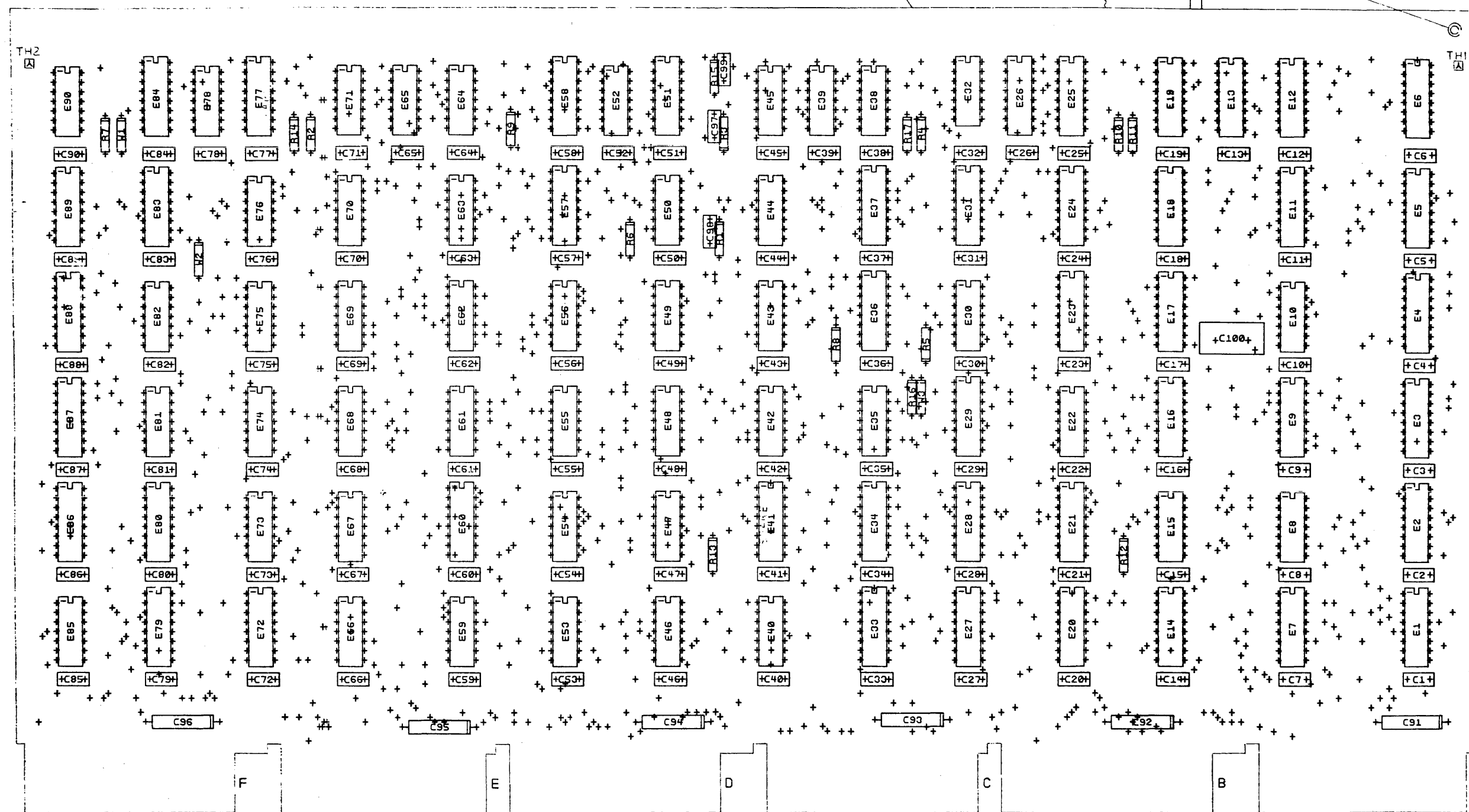


REV	DESCRIPTION	DATE	BY

TITLE DISK PACK DRIVE
 RP06
 SCALE 2 OF 2
 SHEET 2 OF 2
 DATE
 C-1

THIS DRAWING AND SPECIFICATIONS, HEREIN, ARE THE PROPERTY OF BELL TELEPHONE COMPANY AND SHALL NOT BE REPRODUCED OR COPIED IN WHOLE OR IN PART, OR THE BASIS FOR THE MANUFACTURE OR SALE OF ANY OTHER EQUIPMENT, WITHOUT THE WRITTEN CONSENT OF BELL TELEPHONE COMPANY. © 1979

COMPONENT SIDE VIEW



NOTES:
1. ALL DIMENSIONS ARE IN MILLIMETERS UNLESS OTHERWISE SPECIFIED.

CHG. NO.	REV.	DATE	BY	CHK.
1	1	3-27-79	EPI	EPI

ETCH REV.	EPI
P.C. DESIGN DATA BASE REV.	EPI

SIGNATURES	DATE	digital
DRN. <i>[Signature]</i>	3-27-79	
CHK. D. <i>[Signature]</i>		
ENG. <i>[Signature]</i>		
PROJ. ENG. <i>[Signature]</i>		
PROD. D. <i>[Signature]</i>		
SCALE 2/1		
SHT. 1 OF 1		
NEXT HIGHER ASSY. B-00-M7786-0		
TITLE	SEEK	
	SEARCH CONTROL	
SIZE CODE	NUMBER	REV
DUA	M7786-0-0	1

LINE ITEM	DOCUMENT NUMBER	PART NUMBER	DESCRIPTION	QTY PER VARIATION	REFERENCE DESIGNATOR
1	D-MD-5011765-0-0	5011765-00	M7786	1	
2		1000015-00	82.0 MMF 100V 5%200PPM DM15S	1	C99
3		1000020-00	180.0 MMF 100V 5%200PPM DM15S	1	C97
4		1000023-00	330.0 MMF 100V 5%200PPM DM15S	1	C100
5		1001610-00	.01 MFD 50V -20+80 Z5U AXIAL	90	C1-C90
6		1002424-00	1200.0 MMF 100V 5%200PPM DM15S	1	C98
7		1005306-00	6.8MFD 35V 10% S.TANT	6	C91-C96
8		1210711-02	HANDLE,MODULE,HEX	1	
9		1300202-00	47 1/4W 5% CC	1	R1
10		1300295-00	330 1/4W 5% CC	8	R7,R9-R14,R16
11		1300479-00	10 K 1/4W 5% CC	1	R3
12		1301322-00	180 1/4W 5% CC	2	R6,R17
13		1301424-00	680 1/4W 5% CC	3	R4,R5,R8
14		1301874-00	5.6 K 1/4W 5% CC	1	R15
15		1303179-00	8.2 K 1/4W 5% CC	1	R2
16		1905575-00	7400 NAND GATE-QUAD 2IN	1	E39
17		1905586-00	74H40 NAND GATE-DUAL 4INPU	1	E49
18		1905635-00	DEC 74H20 NAND GATE-DUAL 4INPU	1	E68
19		1909004-00	DEC 7402 NOR GATE-QUAD 2IN	3	E40,E45,E61
20		1909056-00	DEC 74H00 NAND GATE-QUAD 2IN	3	E43,E50,E53
21		1909057-00	DEC 74H10 NAND GATE TRIPLE 3IN	3	E46,E48,E69
22		1909058-00	74H21 AND GATE-DUAL 4INPUT	1	E62
23		1909267-00	DEC 74H11 AND GATE-TRIPLE 3INP	2	E42,E52
24		1909667-00	74H74 FF-D IUAL,EDGE TRIGG	6	E47,E54,E56,E59,E65,E70
25		1909712-00	DEC 8242 COMPARATOR-4BIT N,	1	E30
26		1909928-00	7416 INVERTER GATE-HEX 1I	3	E78,E82,E90
27		1909931-00	DEC 74H04 INVERTER GATE-HEX 1I	4	E35,E44,E63,E66
28		1909932-00	7483 ADDER-4BIT	3	E3,E4,E23
29		1910011-00	DEC 7486 X-OR GATE-QUAD 2INPU	4	E8,E10,E22,E81
30		1910155-00	DEC 7408 AND GATE,FOS,QUAD 2I	3	E32,E38,E55

REVISION HISTORY		BASIC PART NO:	M7786	DRN:	P. KENDRICK	DATE:	27-MAR-79	DIGITIAL	
ENG	ECO NUMBER	REV	SECTION A OF A	CHK'D:	H. WEINBRENNER	DATE:	25-AUG-79	TITLE	PARTS LIST
	INITIAL	*	SECTION VARIATION INDEX					SEEK SEARCH CONTROL	
	WCM 12 Oct 79		[A] 00						
			[B]						
			[C]	DES. ENG:	P. RAIKUNEN	DATE:	25-AUG-79		
			[D]						
			[E]	RESP. ENG.:	P. RAIKUNEN	DATE:	25-AUG-79	DOCUMENT NUMBER	
			[F]						
			[G]						
			[H]						
			[I]						
			[J]	MFG. ENG.:	D. CLAFLIN	DATE:	25-AUG-79	SIZE CODE NUMBER	REV
			[K]						
			[L]						
			[M]	ASSEMBLY NUMBER:		TOP DOCUMENT NUMBER:		FILE NAME:	EDIT #
			[N]	D-UA-M7786-0-0				Z0850.PLS	5

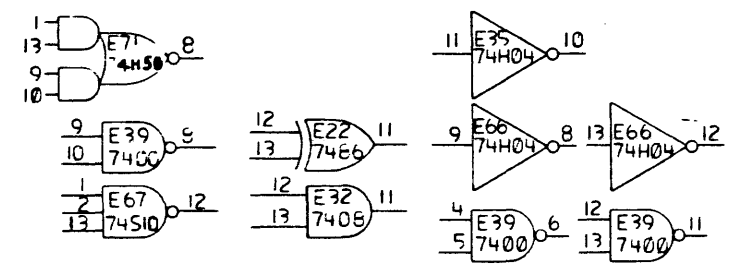
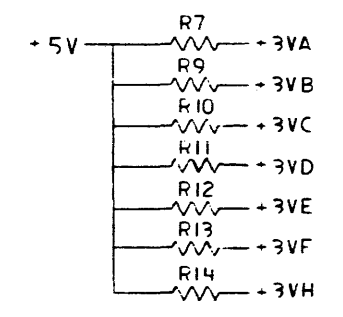
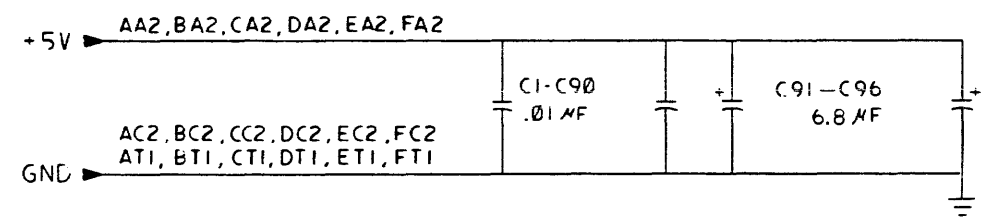
*THIS DRAWING AND SPECIFICATIONS HEREIN, ARE THE PROPERTY OF DIGITAL EQUIPMENT CORPORATION AND SHALL NOT BE REPRODUCED OR COPIED OR USED IN WHOLE OR IN PART AS THE BASIS FOR THE MANUFACTURE OR SALE OF ITEMS WITHOUT WRITTEN PERMISSION. COPYRIGHT (C) 1979. DIGITAL EQUIPMENT CORPORATION *

LINE	ITEM	DOCUMENT NUMBER	PART NUMBER	DESCRIPTION	QTY PER VARIATION 00	REFERENCE DESIGNATOR
31	31		1910224-00	DEC 7485 COMPARATOR-4BIT	10	E19,E24-E26,E28,E29,E31,E34,E36, E37
						CONT.
32	32		1910409-00	DEC 74H106 FF-JK DUAL,EDGE TRIG	4	E57,E58,E60,E88
33	33		1910436-00	DEC 74123 ONE SHOT-DUAL,RETRIG	1	E51
34	34		1910532-00	74S00 NAND GATE-QUAD 2IN\$	1	E73
35	35		1910534-00	74S04 INVERTER GATE-HEX 1I	1	E76
36	36		1910536-00	74S10 NAND GATE-TRIPLE 3IN	1	E67
37	37		1910537-00	74S11 AND GATE-TRIPLE 3INP	1	E74
38	38		1910544-00	74S74 FF-D DUAL,EDGE TRIGG	1	E85
39	39		1910550-00	74S174 FF-D HEX	2	E84,E89
40	40		1910650-00	74161 COUNTER,SYNCHR. UP	10	E9,E11-E13,E16-E18,E72,E80,E87
41	41		1910651-00	DEC 74175 FF-D QUAD	3	E2,E5,E21
42	42		1910878-00	7427 NOR GATE-TRIPLE 3IN	2	E15,E64
43	43		1910957-00	74S175 FF-D QUAD COMMON CLO	3	E79,E83,E86
44	44		1911315-00	8234 MUX 1 OF 4	7	E1,E6,E7,E14,E20,E27,E33
45	45		1911521-00	7432 OR GATE-QUAD 2IN, PO	1	E75
46	46		9000024-01	EYELET, ROLLED FLANGE, .121 OD X	12	
47	47		9009185-00	JUMPER, WIRE, INSULATED, BLACK B	3	W1-W3
48	48		1909060-00	DEC 74H50 A-0-I XPNDIBLE GATE-D	1	E71

DIGITAL										SEEK SEARCH CONTROL										SECTION A OF A										SIZE CODE DOCUMENT NUMBER REV									
																														K PL M7786-0-DRP *									

8 7 6 5 4 3 2 1

THIS DRAWING AND SPECIFICATIONS HEREIN ARE THE PROPERTY OF DIGITAL EQUIPMENT CORPORATION AND SHALL NOT BE REPRODUCED OR COPIED OR USED IN WHOLE OR IN PART AS THE BASIS FOR THE MANUFACTURE OR SALE OF ITEMS WITHOUT WRITTEN PERMISSION.
 COPYRIGHT © 1979
 DIGITAL EQUIPMENT CORPORATION



NOTES:
 1. UNLESS OTHERWISE SPECIFIED, CAPACITANCE IS IN MICROFARADS
 2. RESISTOR VALUES R7, R9 THRU R14 & R16 ARE: 330Ω

REV	DATE	DESCRIPTION

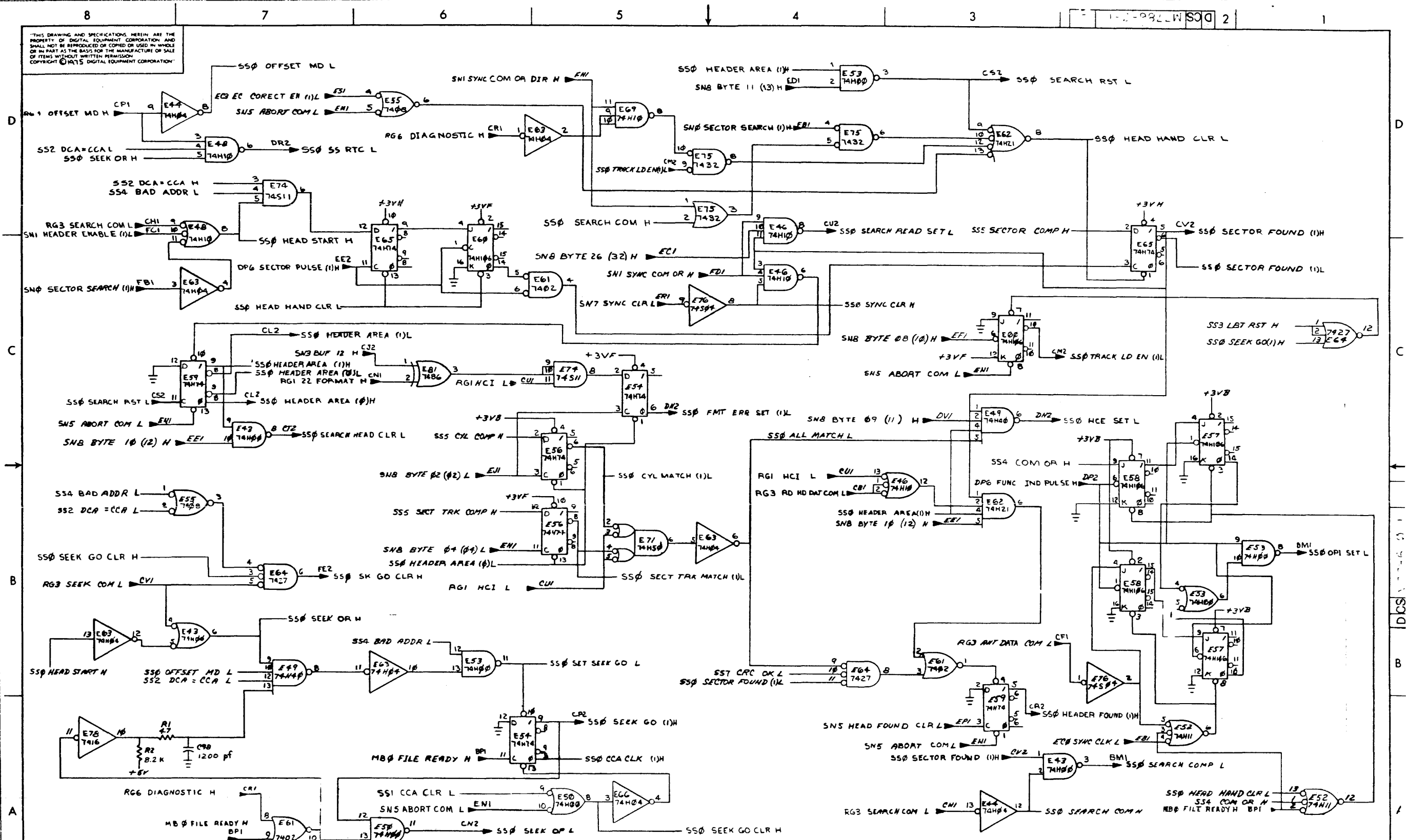
DESIGNED	DATE	TITLE	digital
CHIEF	DATE	SEEK SEARCH CONTROL	
DESIGN	DATE		
RESP ENG	DATE		
DOCUMENT NUMBER			
MFG ENG	DATE	SIZE CODE	NUMBER
		DCS	M7786-0-1
REV			E
NEXT HIGHER DOC		SCALE	SHEET 1 OF 10
BDD-M7786-0			

8 7 6 5 4 3 2 1

REV E
 NUMBER M7786-0-1
 SIZE CODE DCS

71:001

THIS DRAWING AND SPECIFICATIONS HEREIN ARE THE PROPERTY OF DIGITAL EQUIPMENT CORPORATION AND SHALL NOT BE REPRODUCED OR COPIED IN WHOLE OR IN PART AS THE BASIS FOR THE MANUFACTURE OR SALE OF ITEMS WITHOUT WRITTEN PERMISSION. COPYRIGHT © 1975 DIGITAL EQUIPMENT CORPORATION.



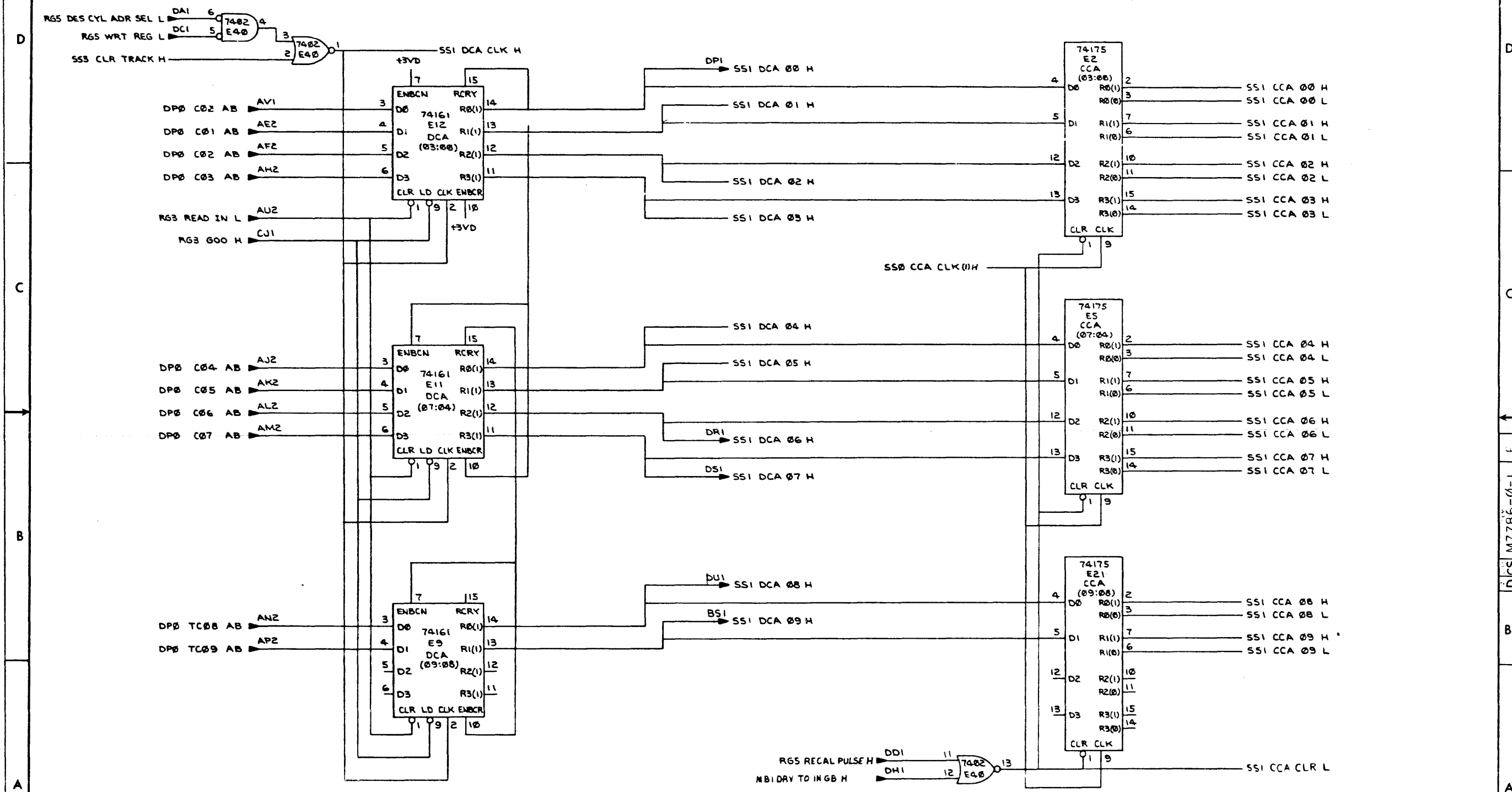
SLOT 7 SEEK SEARCH CONTROL LOGIC

REVISIONS		
CHK	CHANGE NO	REV

TITLE	(SS0) SIZE CODE	NUMBER	REV
SEEK SEARCH CONTROL	D CS	M7786-0-1	E
SCALE	SHEET	Z OF 10	DIST

"THIS DRAWING AND SPECIFICATIONS HEREIN ARE THE PROPERTY OF DIGITAL EQUIPMENT CORPORATION AND SHALL NOT BE REPRODUCED OR COPIED OR USED IN WHOLE OR IN PART AS THE BASIS FOR THE MANUFACTURE OR SALE OF ITEMS WITHOUT WRITTEN PERMISSION. COPYRIGHT © 1975, DIGITAL EQUIPMENT CORPORATION."

3 1-0-9822W SC 2



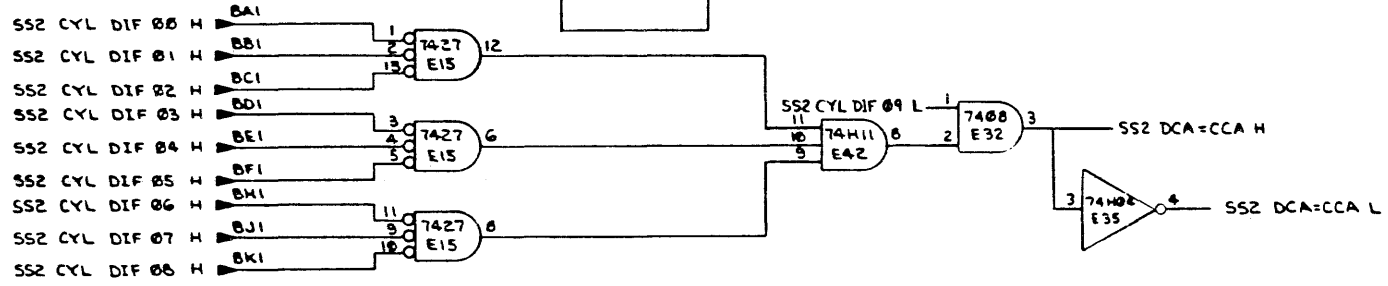
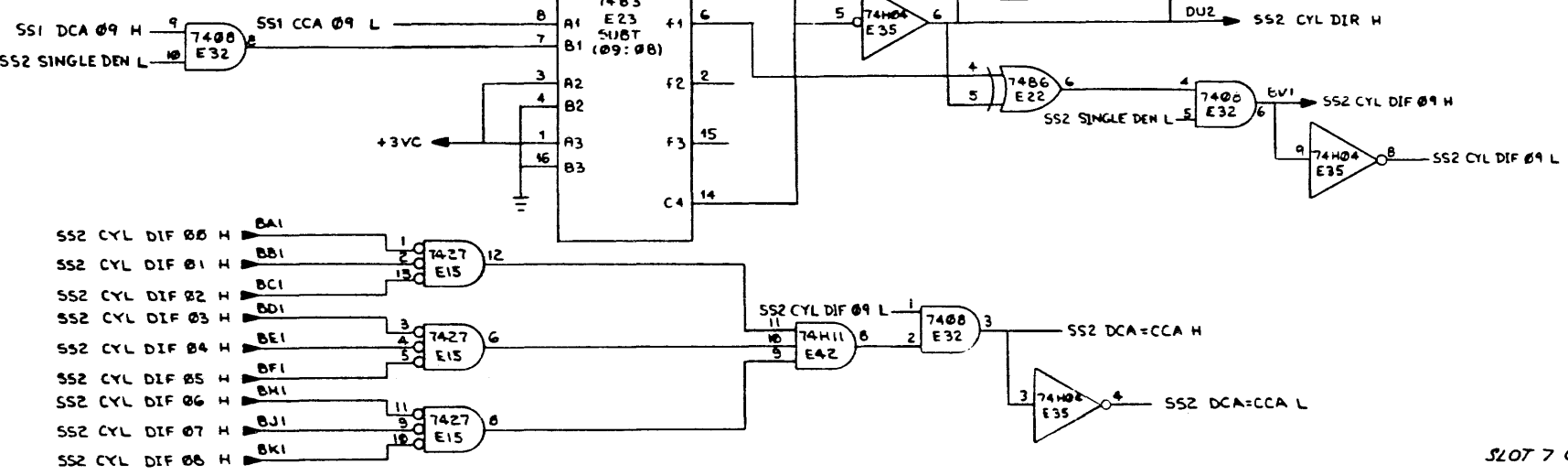
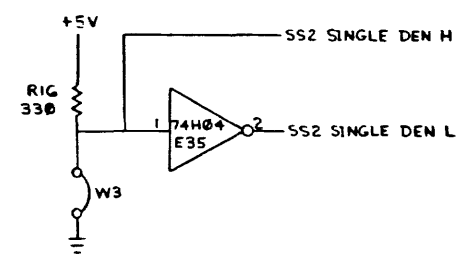
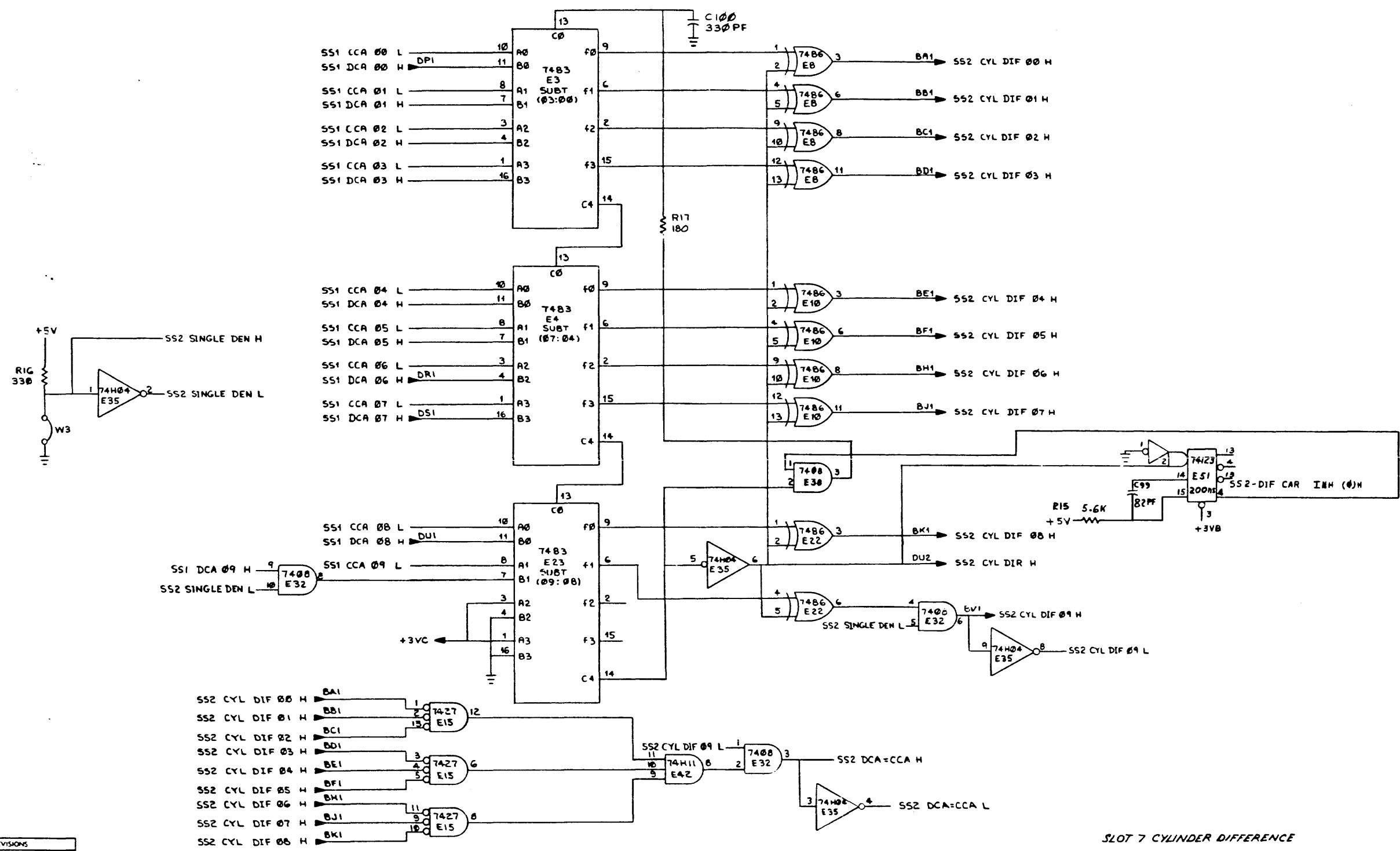
REVISIONS		
CHK	CHANGE NO	REV

SLOT 7 DCA REG + CCA REG.

TITLE	SIZE/SCALE	NUMBER	REV.
SEEK SEARCH CONTROL (SSI)	D CS	M7786-0-1	E
SCALE	SHEET 3 OF 10	DIST	

DICS M7786-0-1 F 3 of 10

THIS DRAWING AND SPECIFICATIONS HEREIN ARE THE PROPERTY OF DIGITAL EQUIPMENT CORPORATION AND SHALL NOT BE REPRODUCED OR COPIED OR USED IN WHOLE OR IN PART AS THE BASIS FOR THE MANUFACTURE OR SALE OF ITEMS WITHOUT WRITTEN PERMISSION. COPYRIGHT © 1975, DIGITAL EQUIPMENT CORPORATION.



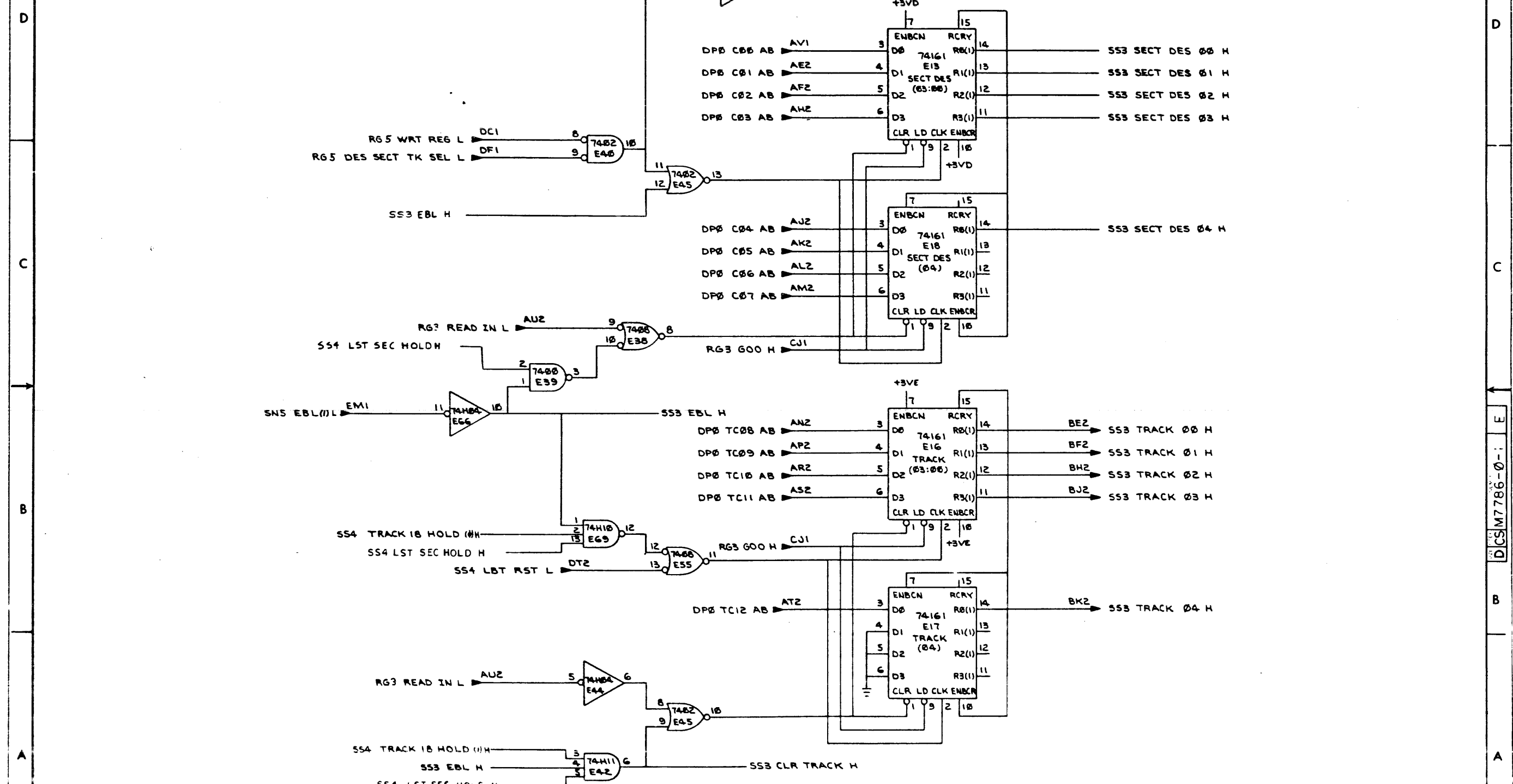
SLOT 7 CYLINDER DIFFERENCE

REVISIONS		
CHK	CHANGE NO	REV

TITLE	(SS2) SEEK SEARCH CONTROL	SIZE CODE	DCS	NUMBER	M7786-0-1	REV.	E
SCALE	NONE	SHEET	4	OF 10	DIST		

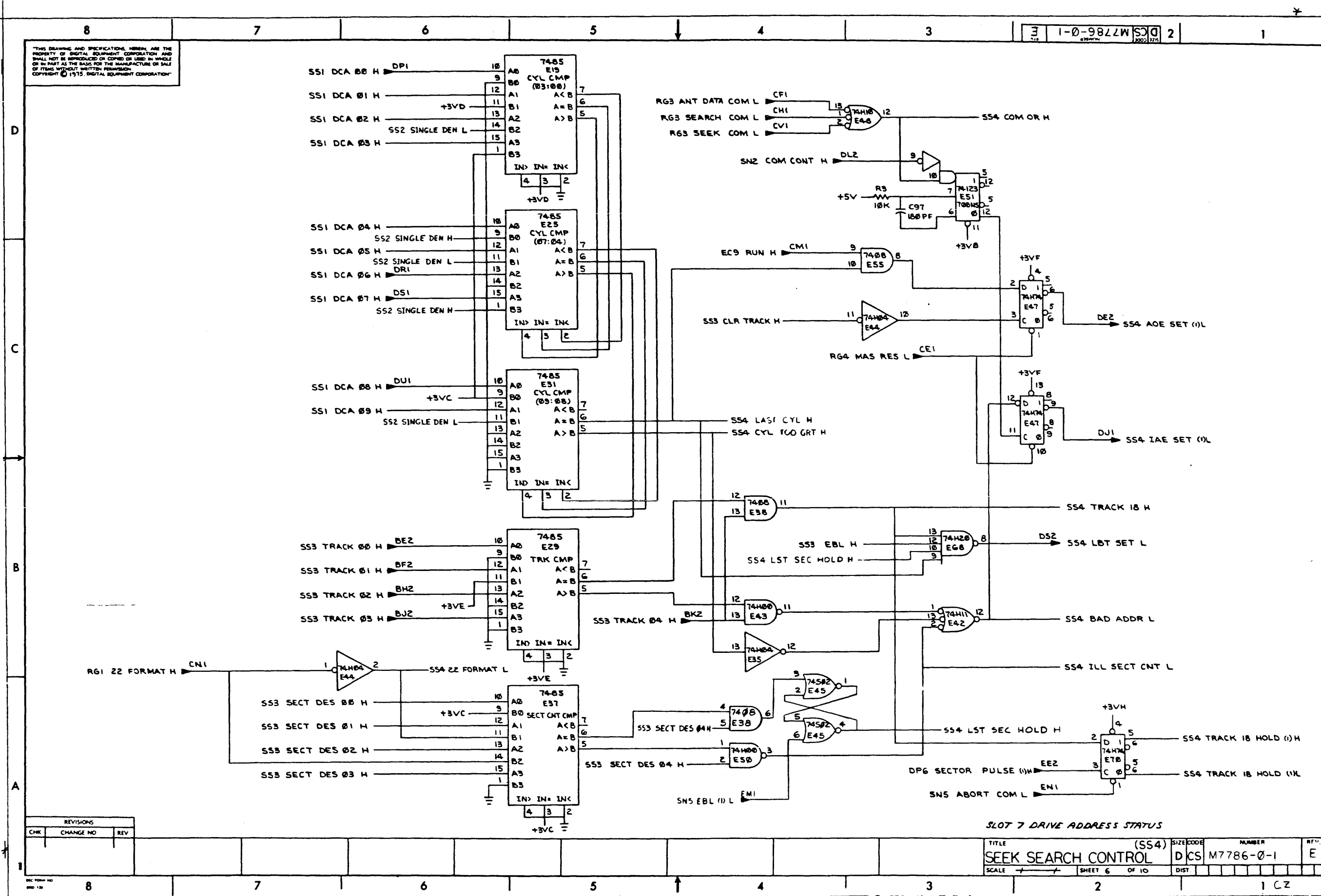
DCS M7786-0-1 4 of 10

THIS DRAWING AND SPECIFICATIONS HEREIN ARE THE PROPERTY OF DIGITAL EQUIPMENT CORPORATION AND SHALL NOT BE REPRODUCED OR COPIED OR USED IN WHOLE OR IN PART AS THE BASIS FOR THE MANUFACTURE OR SALE OF ITEMS WITHOUT WRITTEN PERMISSION. COPYRIGHT © 1975, DIGITAL EQUIPMENT CORPORATION.



REVISIONS		
CHK	CHANGE NO	REV

THIS DRAWING AND SPECIFICATIONS HEREIN ARE THE PROPERTY OF DIGITAL EQUIPMENT CORPORATION AND SHALL NOT BE REPRODUCED OR COPIED OR USED IN WHOLE OR IN PART AS THE BASIS FOR THE MANUFACTURE OR SALE OF ITEMS WITHOUT WRITTEN PERMISSION. COPYRIGHT © 1975, DIGITAL EQUIPMENT CORPORATION.

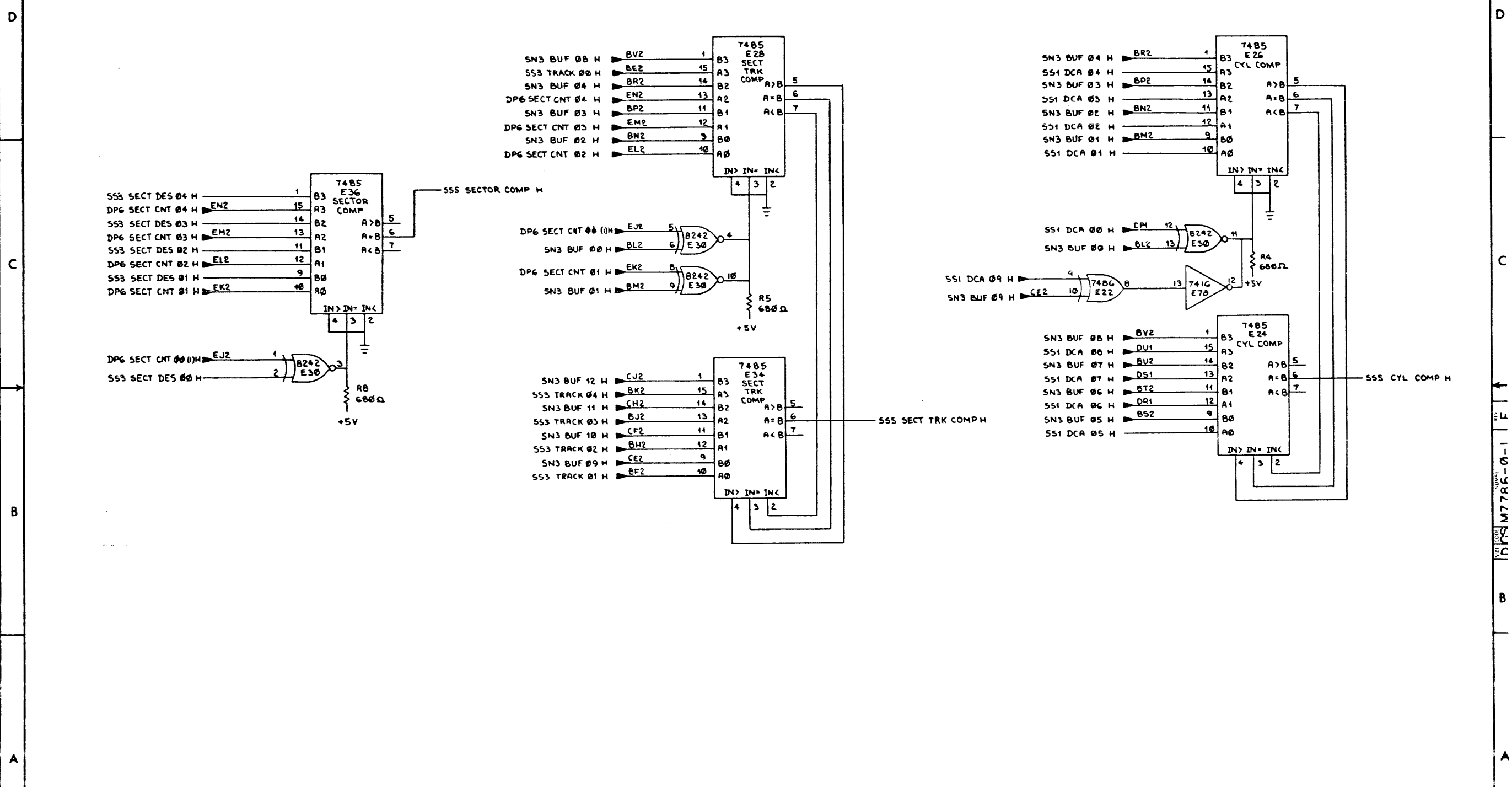


REVISIONS		
CHK	CHANGE NO	REV

TITLE		SIZE CODE		NUMBER		REV.	
SEEK SEARCH CONTROL (SS4)		DCS		M7786-0-1		E	
SCALE		SHEET 6 OF 10		DIST.			

DCS M7786-0-1 E

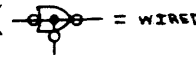
THIS DRAWING AND SPECIFICATIONS, HEREIN, ARE THE PROPERTY OF DIGITAL EQUIPMENT CORPORATION AND SHALL NOT BE REPRODUCED OR COPIED OR USED IN WHOLE OR IN PART AS THE BASIS FOR THE MANUFACTURE OR SALE OF ITEMS WITHOUT WRITTEN PERMISSION. COPYRIGHT © 1975, DIGITAL EQUIPMENT CORPORATION.

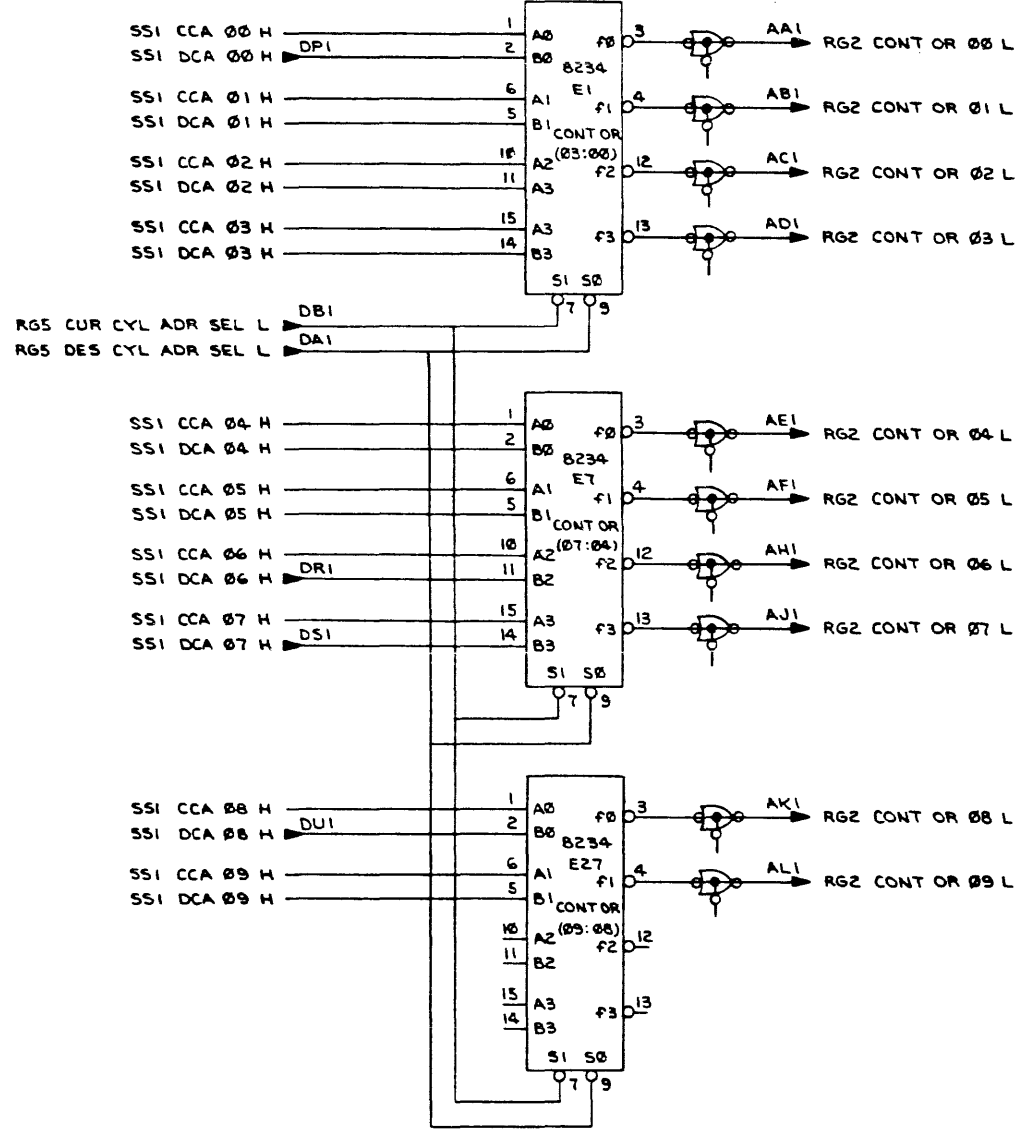
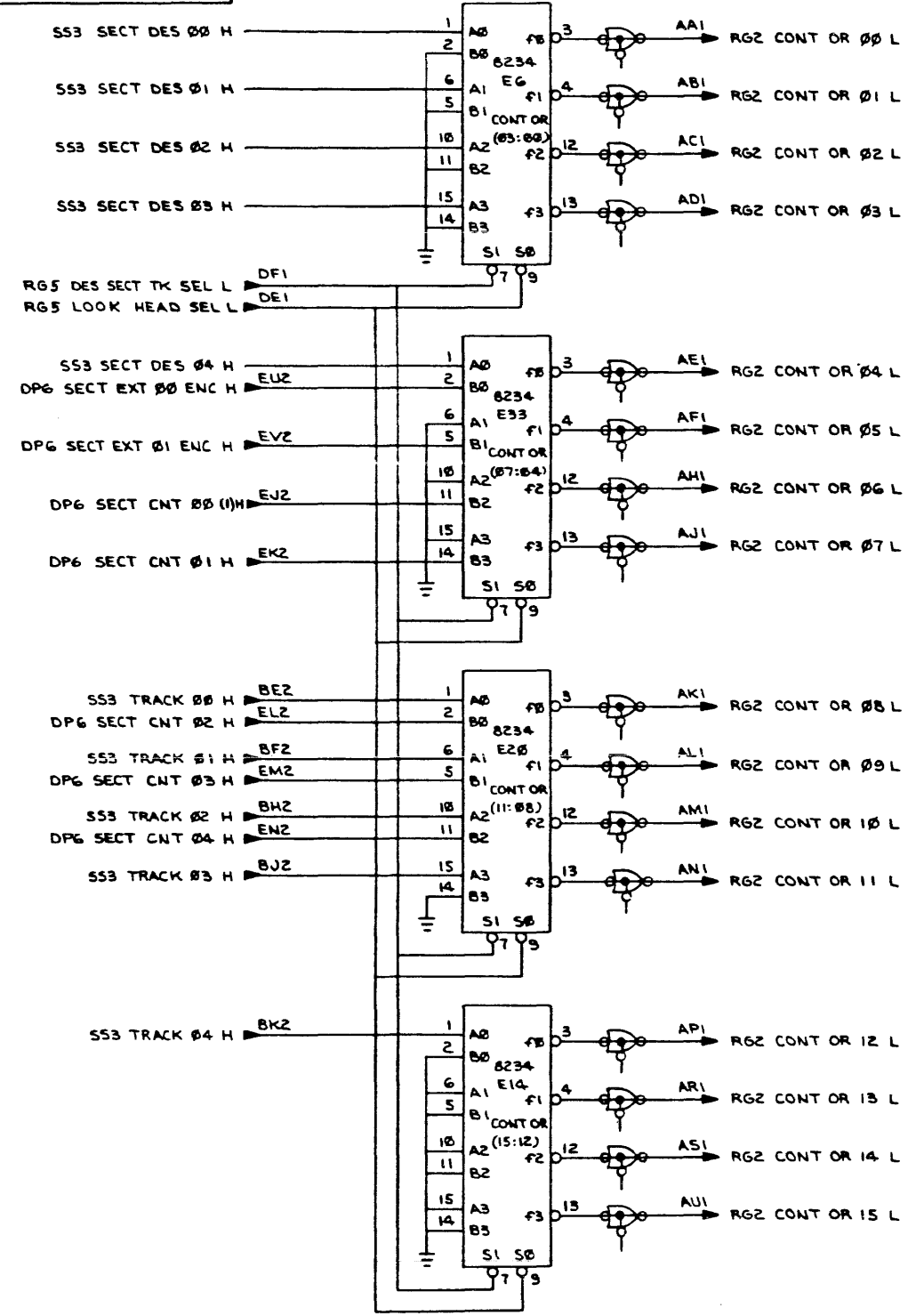


REVISIONS		
CHK	CHANGE NO	REV

TITLE		(S55)	SIZE CODE	NUMBER	REV
SEEK SEARCH CONTROL		D	CS	M7786-0-1	E
SCALE	NONE	SHEET	7	OF 10	DIST.

THIS DRAWING AND SPECIFICATIONS HEREIN ARE THE PROPERTY OF DIGITAL EQUIPMENT CORPORATION AND SHALL NOT BE REPRODUCED OR COPIED OR USED IN WHOLE OR IN PART AS THE BASIS FOR THE MANUFACTURE OR SALE OF ITEMS WITHOUT WRITTEN PERMISSION. COPYRIGHT © 1975, DIGITAL EQUIPMENT CORPORATION.

() = WIRED OR



REVISIONS		
CHK	CHANGE NO	REV

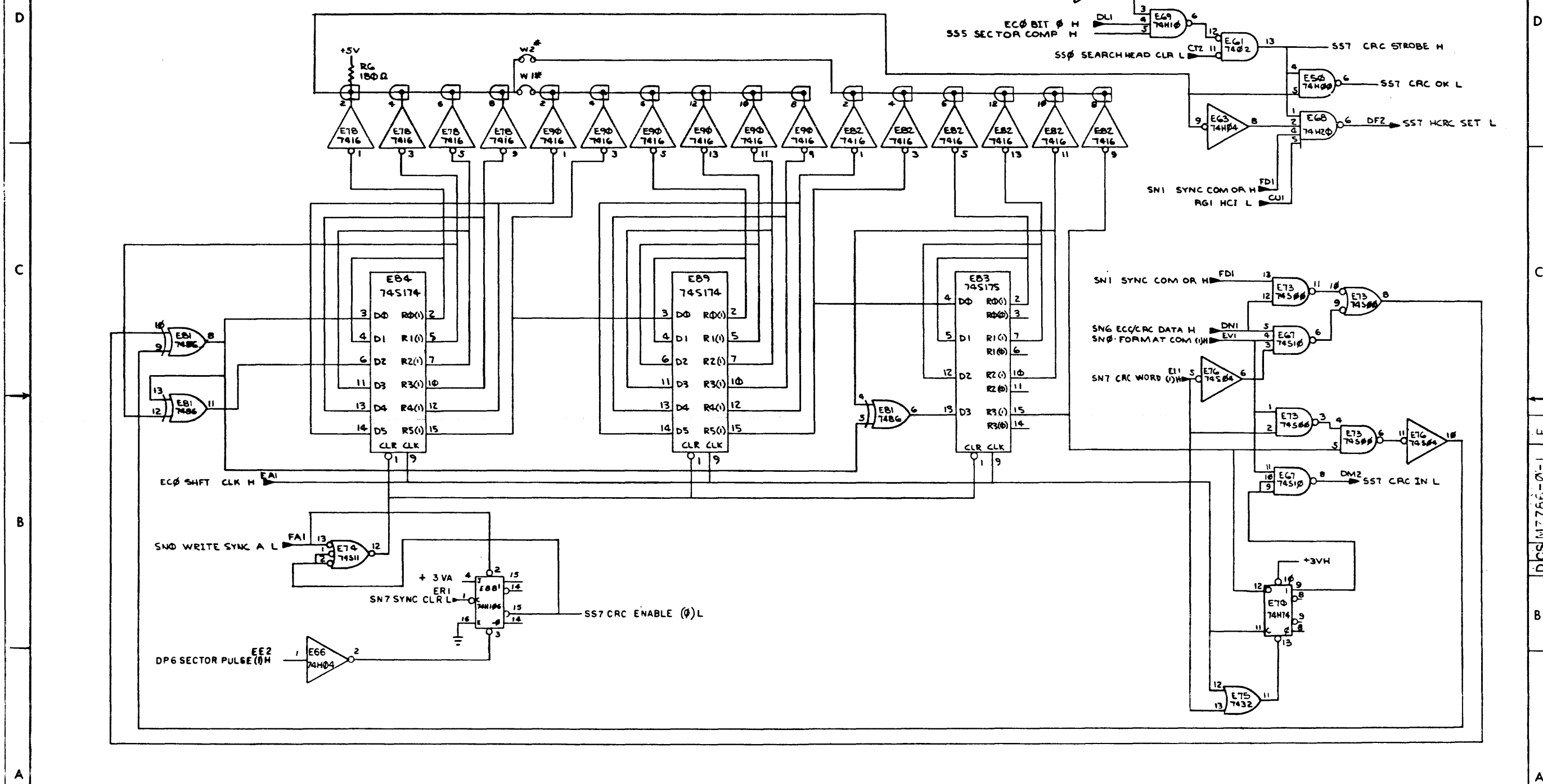
DES SECT/TRK REG/LOOKAHEAD REG MUX;
SLOT 7 DCA REG/CCA REG MUX

TITLE	(SS6)	SIZE CODE	NUMBER	REV.
SEEK SEARCH CONTROL	D CS	M7786-0-1		
SCALE	SHEET 8	OF 10	DIST	

THIS DRAWING AND SPECIFICATIONS, HEREIN, ARE THE PROPERTY OF DIGITAL EQUIPMENT CORPORATION AND SHALL NOT BE REPRODUCED OR COPIED OR USED IN WHOLE OR IN PART AS THE BASIS FOR THE MANUFACTURE OR SALE OF ITEMS WITHOUT WRITTEN PERMISSION. COPYRIGHT © 1971, DIGITAL EQUIPMENT CORPORATION.

⊕ = WIRED AND

* W1 + W2 ARE FOR TROUBLE-SHOOTING PURPOSES.

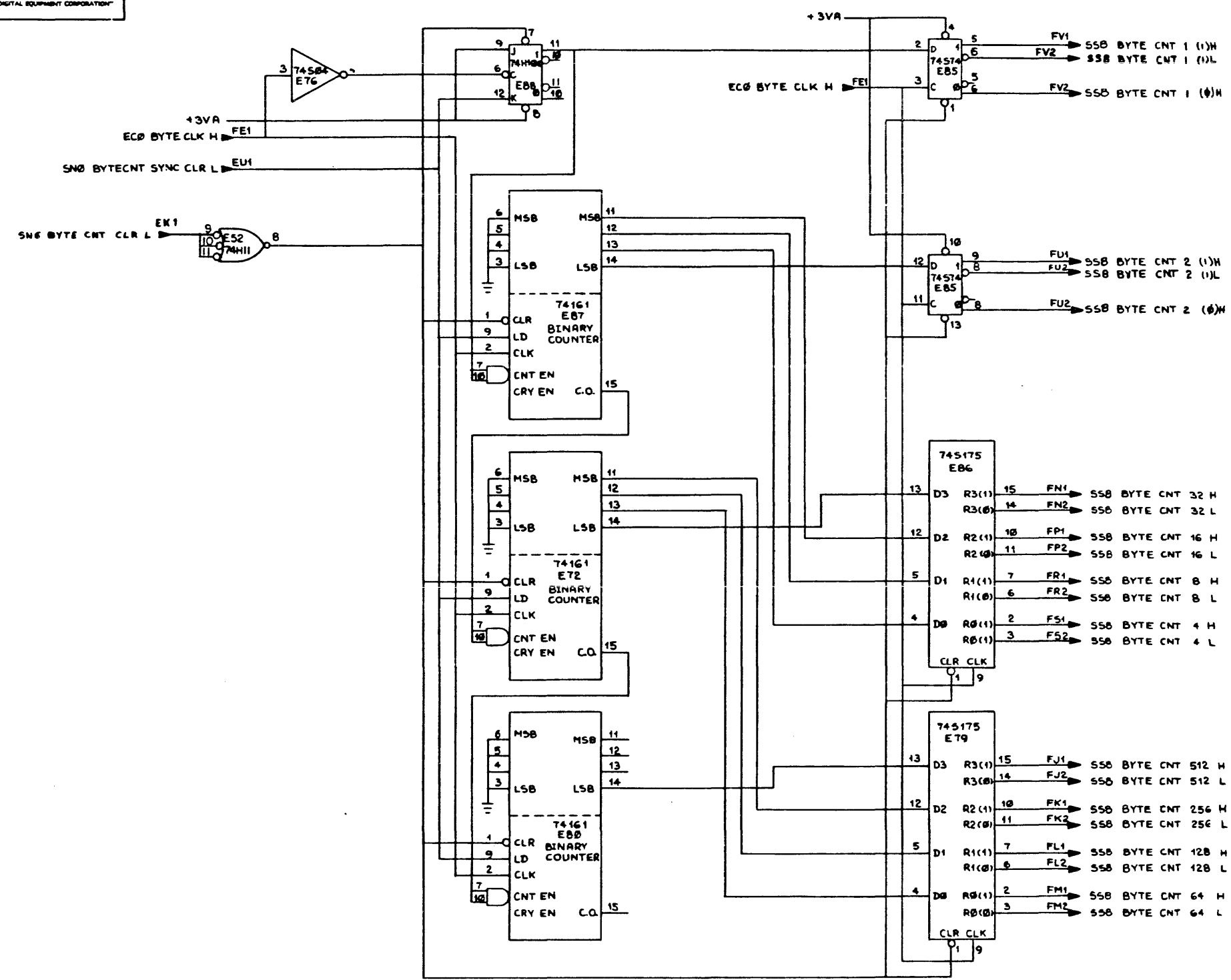


REVISIONS		
CHK	CHANGE NO	REV

SLOT 7 CRC CIRCUITRY

TITLE	(S57)	SIZE CODE	NUMBER	REV.
SEEK SEARCH CONTROL	DCS M7786-0-1			E
SCALE	SHEET 9 OF 10	DIST		

THIS DRAWING AND SPECIFICATIONS HEREIN ARE THE PROPERTY OF DIGITAL EQUIPMENT CORPORATION AND SHALL NOT BE REPRODUCED OR COPIED OR USED IN WHOLE OR IN PART AS THE BASIS FOR THE MANUFACTURE OR SALE OF ITEMS WITHOUT WRITTEN PERMISSION. COPYRIGHT © 1975 DIGITAL EQUIPMENT CORPORATION.



REVISIONS		
CHK	CHANGE NO	REV

SLOT 7 BYTE COUNTER

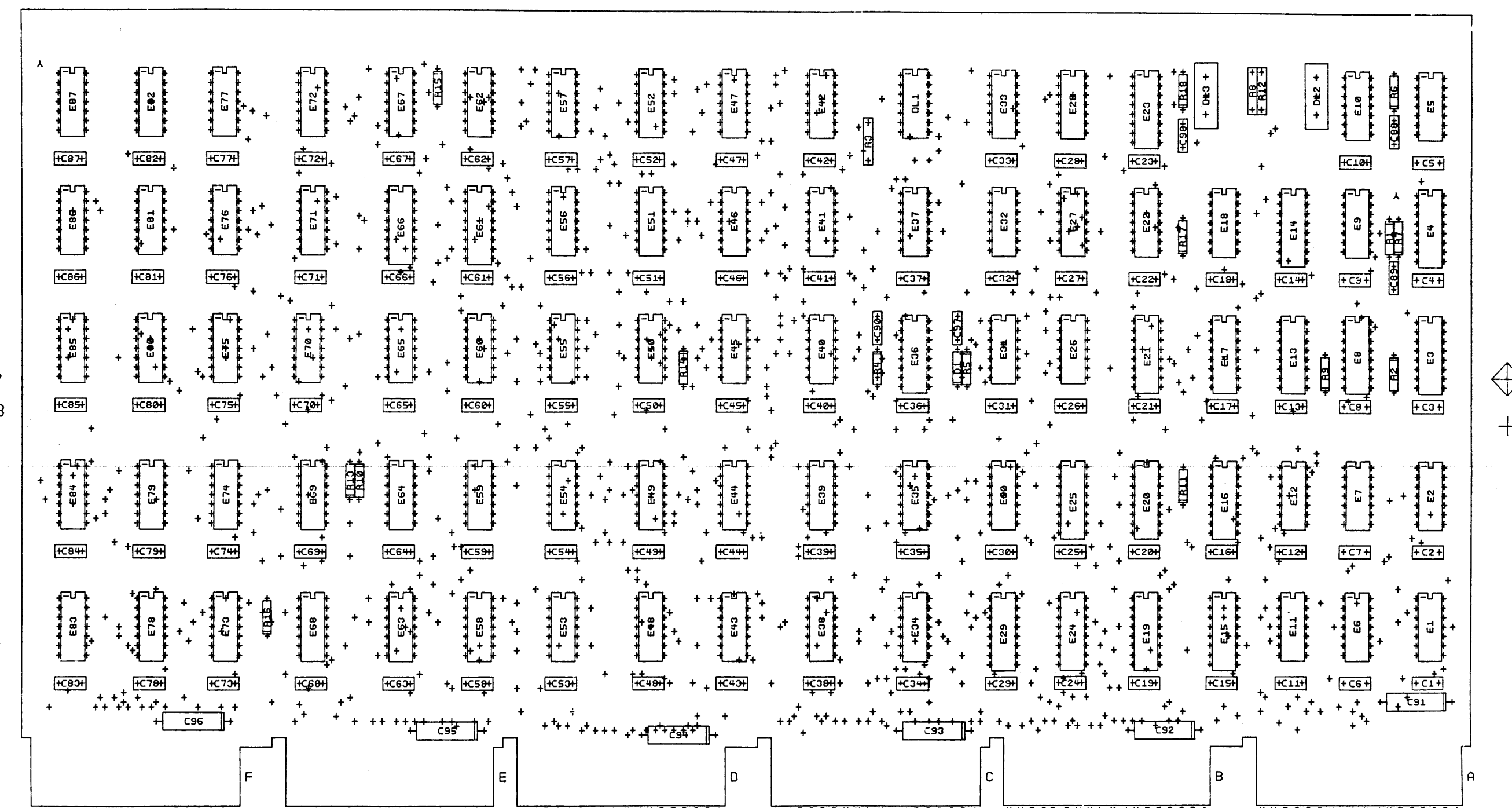
TITLE	(SSB) SEEK SEARCH CONTROL	SIZE CODE	D CS	NUMBER	M7786-0-1	REV.	E
SCALE	NONE	SHEET	10	OF 10	DIST.		

D CS M7786-0-1 E

10/30/01

THIS DRAWING AND SPECIFICATIONS, GENERAL AND THE PROPERTY OF GTE Sylvania CORPORATION AND SHALL NOT BE REPRODUCED OR COPIED IN WHOLE OR IN PART WITHOUT THE WRITTEN PERMISSION OF GTE Sylvania CORPORATION.

COMPONENT SIDE VIEW



NOTES:

CHANGE NO	REV
MLO008	J
C. SOTO	

ETCH REV. E-02
P.C. DESIGN DATA BASE REV. E

SIGNATURES	DATE	digital
DRN. STU EVANS	6/6/73	
CHK'D. J. SOTO	6/7/73	TITLE
ENG. J. SOTO	6/7/73	
PROJ. ENG. J. SOTO	6/7/73	SIZE
PROD. J. SOTO	6/7/73	CODE
SCALE 2/1		NUMBER
SHT. 1 OF 3		REV
NEXT HIGHER ASSY.		D UA M7773-0-0 J

8

7

6

5

4

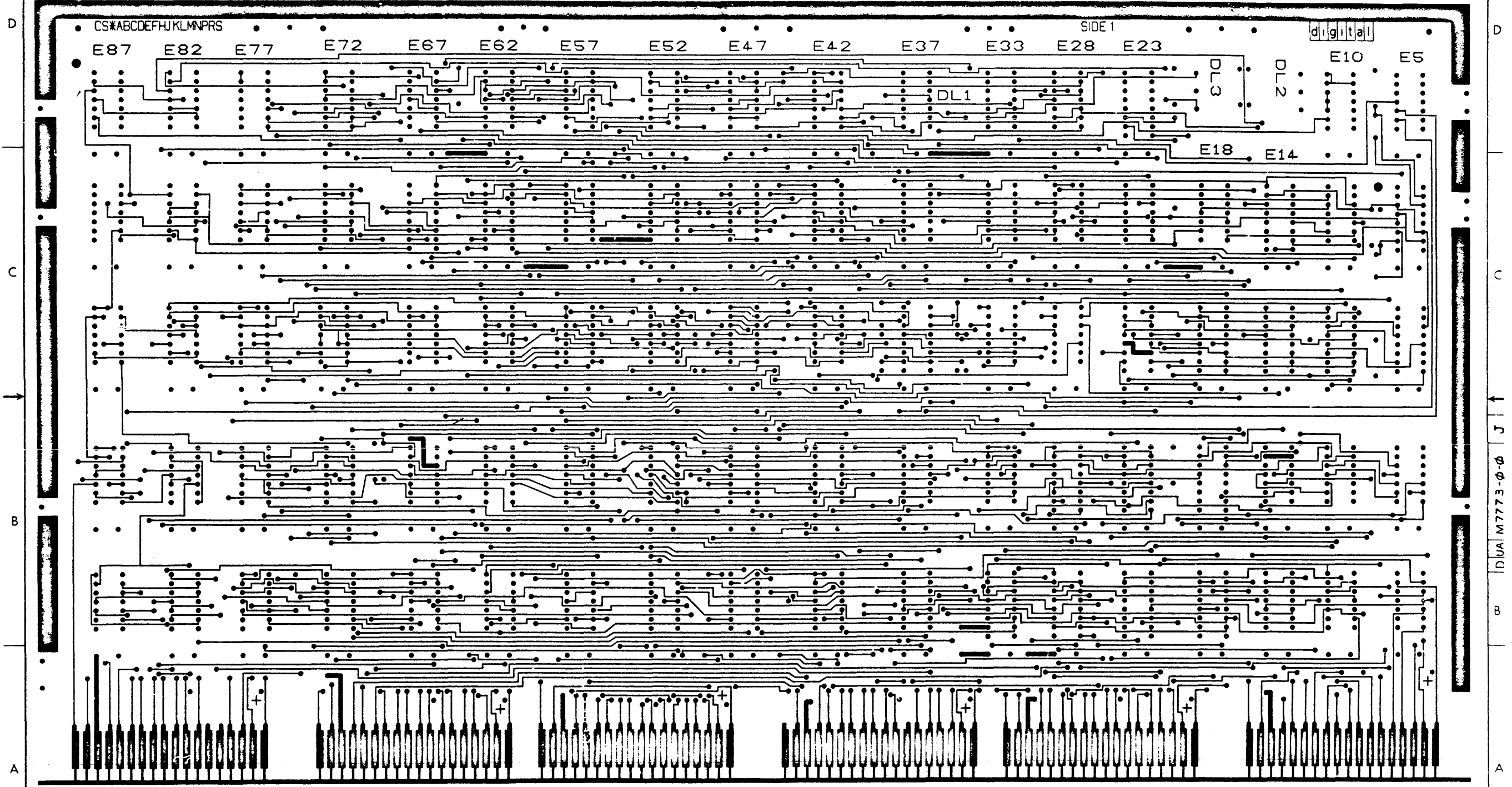
3

2 DUA M773-0-0

THIS DRAWING AND SPECIFICATION CONTAIN THE PROPERTY OF DIGITAL EQUIPMENT CORPORATION AND SHALL NOT BE REPRODUCED, COPIED, EITHER WHOLLY OR IN PART, IN ANY MANNER WITHOUT THE WRITTEN PERMISSION OF SAID CORPORATION. ©1978 DIGITAL EQUIPMENT CORPORATION

LAYER 1

M7773 501066 7E-P2



REVISIONS		
CHK	CHANGE NO	REV

TITLE	SYNCH LOGIC	RECORDS	NUMBER	
SCALE	2:1	SHEET	2 OF 3	DUA M773-0-0 J

3

7

6

5

4

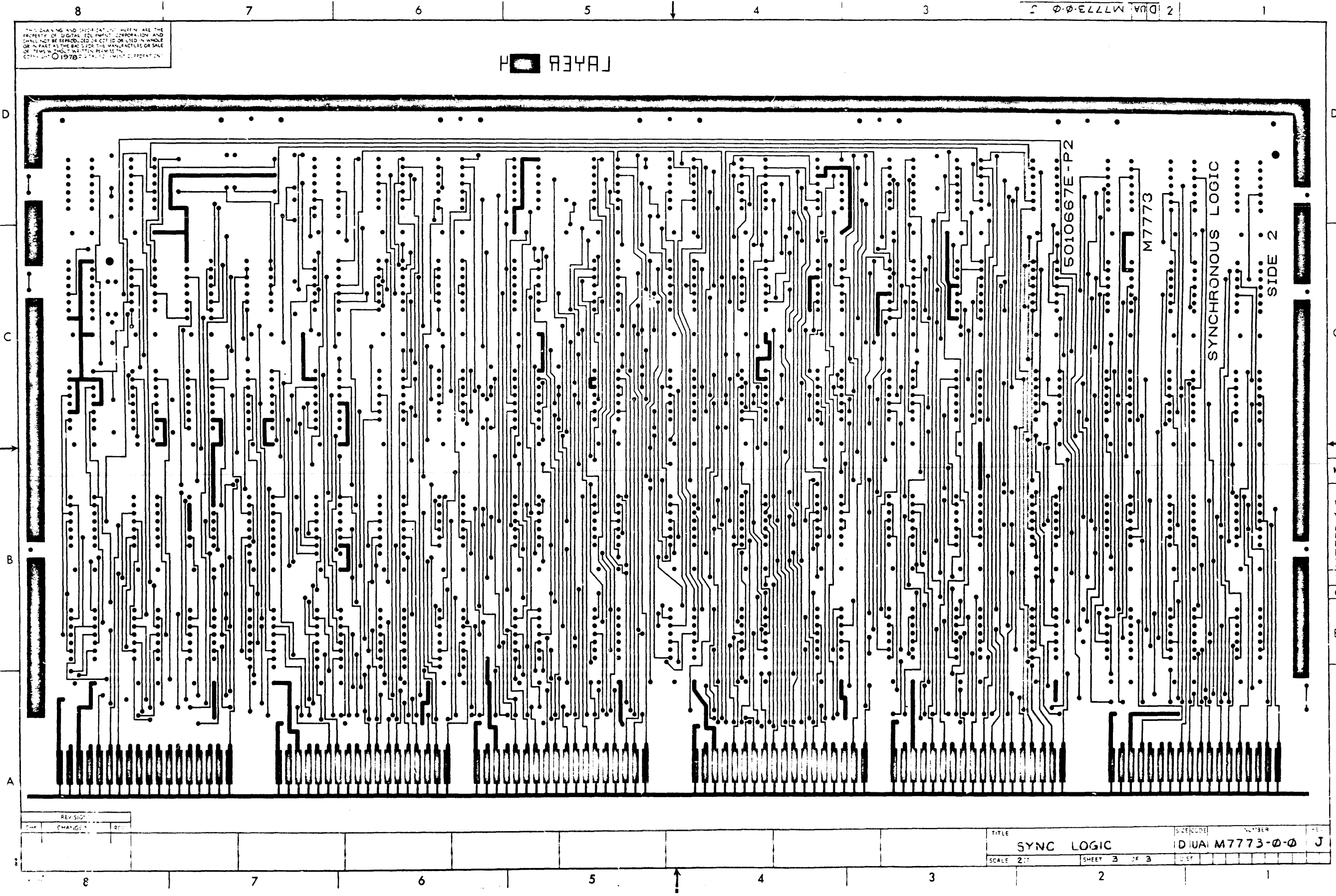
3

2

1

THIS DRAWING AND SPECIFICATION HEREIN ARE THE PROPERTY OF DIGITAL EQUIPMENT CORPORATION AND SHALL NOT BE REPRODUCED OR COPIED OR USED IN WHOLE OR IN PART AS THE BASIS FOR THE MANUFACTURE OR SALE OF ITEMS WITHOUT WRITTEN PERMISSION FROM THE COMPANY. © 1978 DIGITAL EQUIPMENT CORPORATION.

AYER 834



REV	NO	DESCRIPTION	DATE

TITLE	SYNCHRONOUS LOGIC	DWG NO	DUA M7773-0-0 J
SCALE	2:1	SHEET	3 OF 3

LINE	ITEM	DOCUMENT NUMBER	PART NUMBER	DESCRIPTION	QTY	REFERENCE DESIGNATOR
1	1	D-UA-M7773-0-0		UNIT ASSY DWG		REF
2	2	D-MD-5010667-0-0		DRILL AND ETCH DWG		REF
3	3	B-MH-M7773-0-6		MODULE ECO HISTORY		REF
4	4		5010667-00	BOARD, DRILLED & ETCHED (M7773)	1	
5	5		1000015-00	82.0 MMF 100V 5%200PFM DM15S	1	C89
6	6		1000023-00	330.0 MMF 100V 5%200PFM DM15S	1	C90
7	7		1002476-00	510.0 MMF 100V 5%200PFM DM15S	1	C97
8	8		1001610-00	.01 MFD 50V -20+80 Z5U AXIAL	87	C1-C87
9	9		1005306-00	6.8MFD 35V 10% S.TANT	6	C91-C96
10	10		1100114-00	D 664 QS\75PCB PIV= 25V SP	1	D1
11	11		1610080-00	DELAY= 18NS,0TAFS	1	DL3
12	12		1605528-00	DELAY= 30NS,0TAFS DL5184	1	DL2
13	13		1611300-00	DELAY= 10-125NS,STAPS FAST RISE	1	DL1
14	14		1300295-00	330 1/4W 5% CC	7	R1,R2,R9,R11,R14,R15,R16
15	15		1210711-02	HANDLE,MODULE,HEX	1	
16	16		1300271-00	220 1/4W 5% CC	1	R3
17	17		1300479-00	10 K 1/4W 5% CC	2	R4,R18
18	18		1300490-00	15 K 1/4W 5% CC	1	R5
19	19		1301424-00	680 1/4W 5% CC	3	R10,R13,R17
20	20		1301425-00	300 1/4W 5% CC	2	R8,R12
21	21		1301874-00	5.6 K 1/4W 5% CC	2	R6,R7
22	22		1905586-00	74H40 NAND GATE-DUAL 4INPU	1	E32
23	23		1905635-00	DEC 74H20 NAND GATE-DUAL 4INPU	1	E37
24	24		1909004-00	DEC 7402 NOR GATE-QUAD 2IN	2	E26,E75
25	25		1909056-00	DEC 74H00 NAND GATE-QUAD 2IN	8	E28,E31,E34,E40,E45,E48,E51,E49
26	26		1909057-00	DEC 74H10 NAND GATE TRIPLE 3IN	3	E44,E60,E74
27	27		1909058-00	74H21 AND GATE-DUAL 4INPUT	6	E78,E79,E83,E84,E85,E86
28	28		1909060-00	DEC 74H50 A-0-I XPNDBLE GATE-D	1	E87
29	29		1909667-00	74H74 FF-D DUAL,EDGE TRIGG	3	E50,E57,E76
30	30		1909931-00	DEC 74H04 INVERTER GATE-HEX 1I	6	E1,E6,E11,E35,E39,E42

REVISION HISTORY			SECTION 1 OF 1	RESP.ENG.: K.GRIGGS	DATE: 27-OCT-78	DIGITAL				
ENG!	ECO NUMBER	REV	SECTION. VARIATION INDEX!	MADE BY: H.DARSHJIAN	DATE: 27-OCT-78	TITLE	PARTS LIST			
C.L!	M7773-ML008	J	1.00				SYNCHRONOUS LOGIC (SN BOARD)			
			2.	CHECKED: W.MAJOR	DATE: 27-OCT-78					
			3.							
			4.							
			5.							
			6.	DSN.ENG.: K.GRIGGS	DATE: 27-OCT-78					
			7.			SIZE!CODE!	DOCUMENT NUMBER	REV		
			8.							
			9.	PROD.: D.LIGNOS	DATE: 27-OCT-78	K	PL	M7773-0-DBP	J	
			10.							
			11.							
			12.	ASSEMBLY NUMBER: D-UA-M7773-0-0		PART NUMBER:	M7773	EDIT #		5

*THIS DRAWING AND SPECIFICATIONS HEREIN, ARE THE PROPERTY OF DIGITAL EQUIPMENT CORPORATION AND SHALL NOT BE REPRODUCED OR COPIED OR USED IN WHOLE OR IN PART AS THE BASIS FOR THE MANUFACTURE OR SALE OF ITEMS WITHOUT WRITTEN PERMISSION. COPYRIGHT 1979, DIGITAL EQUIPMENT CORPORATION *

LINE	ITEM	DOCUMENT NUMBER	PART NUMBER	DESCRIPTION	QTY	REFERENCE DESIGNATOR
31	31		1910055-00	DEC 74H22 NAND GATE-DUAL 4INPU	1	E81
32	32		1910155-00	DEC 7408 AND GATE,POS.QUAD 2I	3	E41,E62,E82
33	33		1910408-00	DEC 74H106 FF-JK DUAL,EDGE TRIG	3	E14,E61,E66
34	34		1910436-00	DEC 74123 ONE SHOT-DUAL,RETRIG	3	E4,E36,E23
35	35		1910532-00	74S00 NAND GATE-QUAD 2IN\$	6	E46,E47,E53,E58,E59,E71
36	36		1910533-00	74S03 NAND GATE-QUAD 2IN,0	1	E69
37	37		1910536-00	74S10 NAND GATE-TRIPLE 3IN	5	E5,E22,E27,E38,E52
38	38		1910537-00	74S11 AND GATE-TRIPLE 3INP	4	E10,E54,E55,E70
39	39		1910539-00	74S20 NAND GATE-DUAL 4INPU	1	E33
40	40		1910540-00	74S22 NAND GATE-DUAL 4INPU	1	E18
41	41		1910534-00	74S04 INVERTER GATE-HEX 1I	2	E9,E63
42	42		1910544-00	74S74 FF-D DUAL,EDGE TRIGG	4	E56,E73,E64,E67
43	43		1910541-00	74S40 NAND GATE-DUAL 4IN,B	1	E43
44	44		1910623-00	74194 SHIFT REG.,4BIT RIGH	5	E8,E13,E17,E20,E29
45	45		1910655-00	74157 MUX 2 TO 1 QUAD	2	E3,E21
46	46		1910724-00	74180 PARITY TREE,8BIT GEN	3	E2,E7,E12
47	47		1910878-00	7427 NOR GATE-TRIPLE 3IN	2	E30,E65
48	48		1911271-00	74298 MUX 1 OF 4 W/STORA	5	E15,E16,E19,E24,E25
49	49		1909267-00	DEC 74H11 AND GATE-TRIPLE 3INF	1	E80
50	50		1910041-00	DEC 74164 SHIFT REG.,8BIT SERI	3	E68,E72,E77
51	51		9000024-01	EYELET, ROLLED FLANGE, .121 OD X	12	
52	52		1000020-00	180.0 MMF 100V 5%200PPM DM15S	1	C98
53	53		1000019-00	150.0 MMF 100V 5%200PPM DM15S	1	C98
54	54		9105740-55	*** THIS ITEM IS NOT USED ***	-	

D I S C R I M I N A T O R Y										TITLE	SECTION 1 OF 1	SIZE CODE	DOCUMENT NUMBER	REV
										SYNCHRONOUS LOGIC (SN BOARD)		K PL	M7773-0-DBP	J

8

7

6

5

4

3

2

1

1-022222 SO 2

"THIS DRAWING AND SPECIFICATIONS HEREIN ARE THE PROPERTY OF DIGITAL EQUIPMENT CORPORATION AND SHALL NOT BE REPRODUCED OR COPIED OR USED IN WHOLE OR IN PART AS THE BASIS FOR THE MANUFACTURE OR SALE OF ITEMS WITHOUT WRITTEN PERMISSION. COPYRIGHT © 1970 DIGITAL EQUIPMENT CORPORATION"

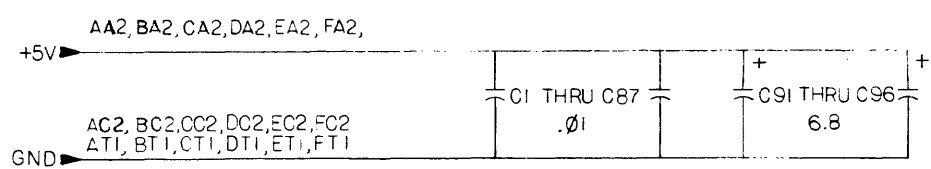
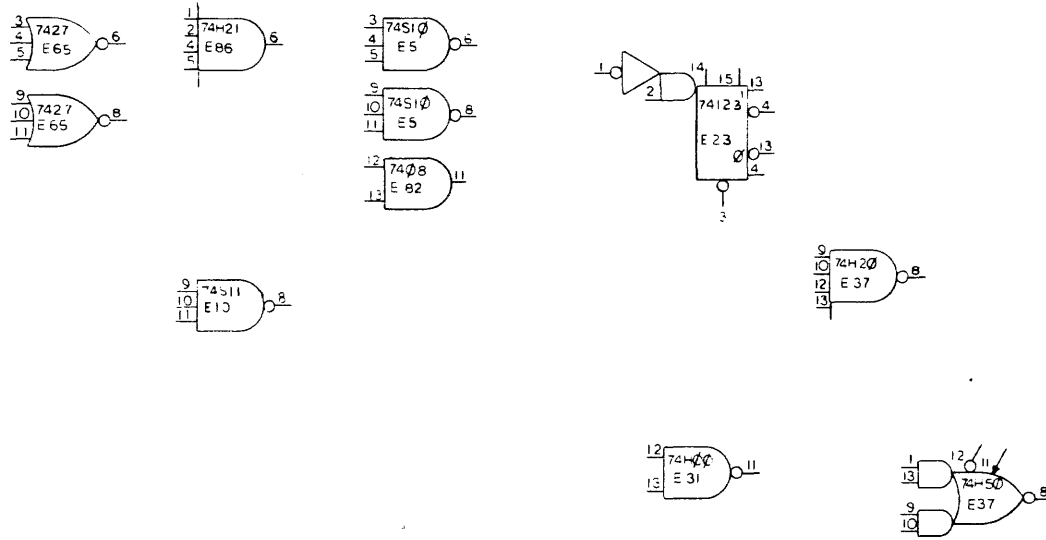
NOTES:
1 UNLESS OTHERWISE SPECIFIED CAPACITANCE IS IN MICROFARADS.

D

C

B

A



IC TYPE	QTY	REF. DESIGNATION	DESCRIPTION	PART NO.	ITEM NO.
74H106	13	5			
74123	8	16			
74194	8	16			
74157	8	16			
74198	8	16			
IC TYPE		GND			+5V

GND AND 5V ARE USUALLY PIN 7 AND 14 RESPECTIVELY EXCEPTIONS ARE STATED ABOVE

IC PIN LOCATIONS

REVISED REDRAWN
J. SO TO
7/NOV 78
M7773 MLOOB
J

CHK CHANGE NO. REV. REVISIONS

QTY	REF. DESIGNATION	DESCRIPTION	PART NO.	ITEM NO.
	RP04	ETCH BOARD REV. E		

DRN. H. DARAKAJIAN DATE 12-73
 CHR'D. W. MAJOR DATE 3-74
 ENG. P.M. GRIGGS DATE 3-74
 PROJ. ENG. D. LEGNOS DATE 3-74
 PROD. A. KALABERG DATE 3-74

TITLE: SYNCHRONOUS LOGIC (SN BOARD)

SIZE CODE: DCS NUMBER: M7773-0-1 REV. J

SCALE: 1 OF 10 SHEET

SEMICONDUCTOR CONVERSION CHART

8

7

6

5

4

3

2

1

8

7

6

5

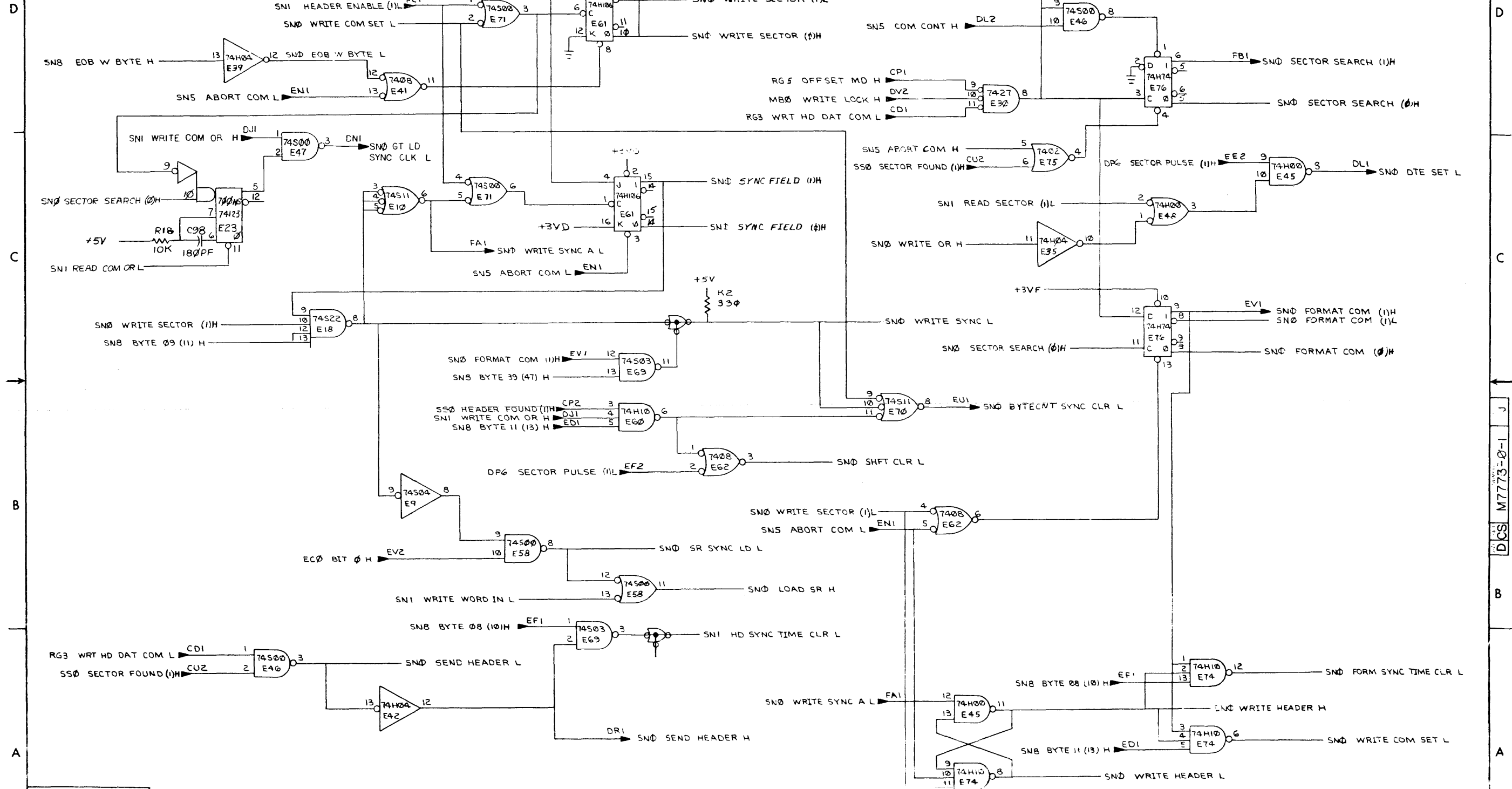
4

3

1

1-0-222W SQD 2

THIS DRAWING AND SPECIFICATIONS HEREIN ARE THE PROPERTY OF DIGITAL EQUIPMENT CORPORATION AND SHALL NOT BE REPRODUCED OR COPIED OR USED IN WHOLE OR IN PART AS THE BASIS FOR THE MANUFACTURE OR SALE OF ITEMS WITHOUT WRITTEN PERMISSION COPYRIGHT © 1973, DIGITAL EQUIPMENT CORPORATION



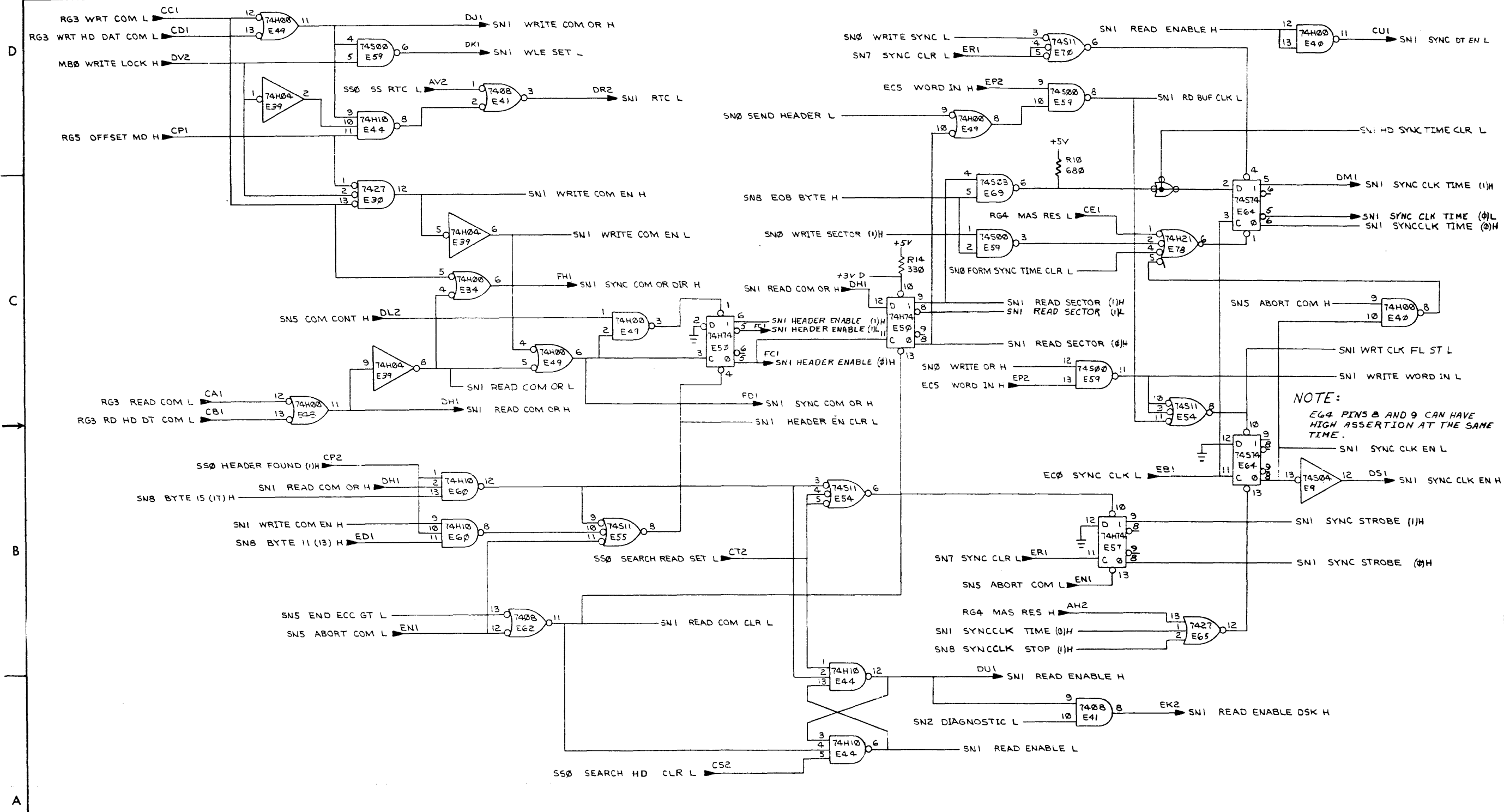
SLOT 6 R/W CONTROL LOGIC

CHK	CHANGE NO	REV

TITLE	SIZE CODE	NUMBER	REV
SYNCHRONOUS LOGIC (SN0)	DCS	M7773-0-1	J

SCALE: SHEET 2 OF 10 DIST: 1 ml

"THIS DRAWING AND SPECIFICATIONS, HEREIN, ARE THE PROPERTY OF DIGITAL EQUIPMENT CORPORATION, AND SHALL NOT BE REPRODUCED OR COPIED OR USED IN WHOLE OR IN PART AS THE BASIS FOR THE MANUFACTURE OR SALE OF ITEMS WITHOUT WRITTEN PERMISSION. COPYRIGHT © 1973, DIGITAL EQUIPMENT CORPORATION"



NOTE:
E64 PINS 8 AND 9 CAN HAVE HIGH ASSERTION AT THE SAME TIME.

REVISIONS		
CHK	CHANGE NO	REV

SLOT 6 RW CONTROL LOGIC		TITLE	SIZE CODE	NUMBER	REV.
SYNCHRONOUS LOGIC (SNI)		DCS	M7773-0-1	J	
SCALE	SHEET 3	OF 10	DIST		

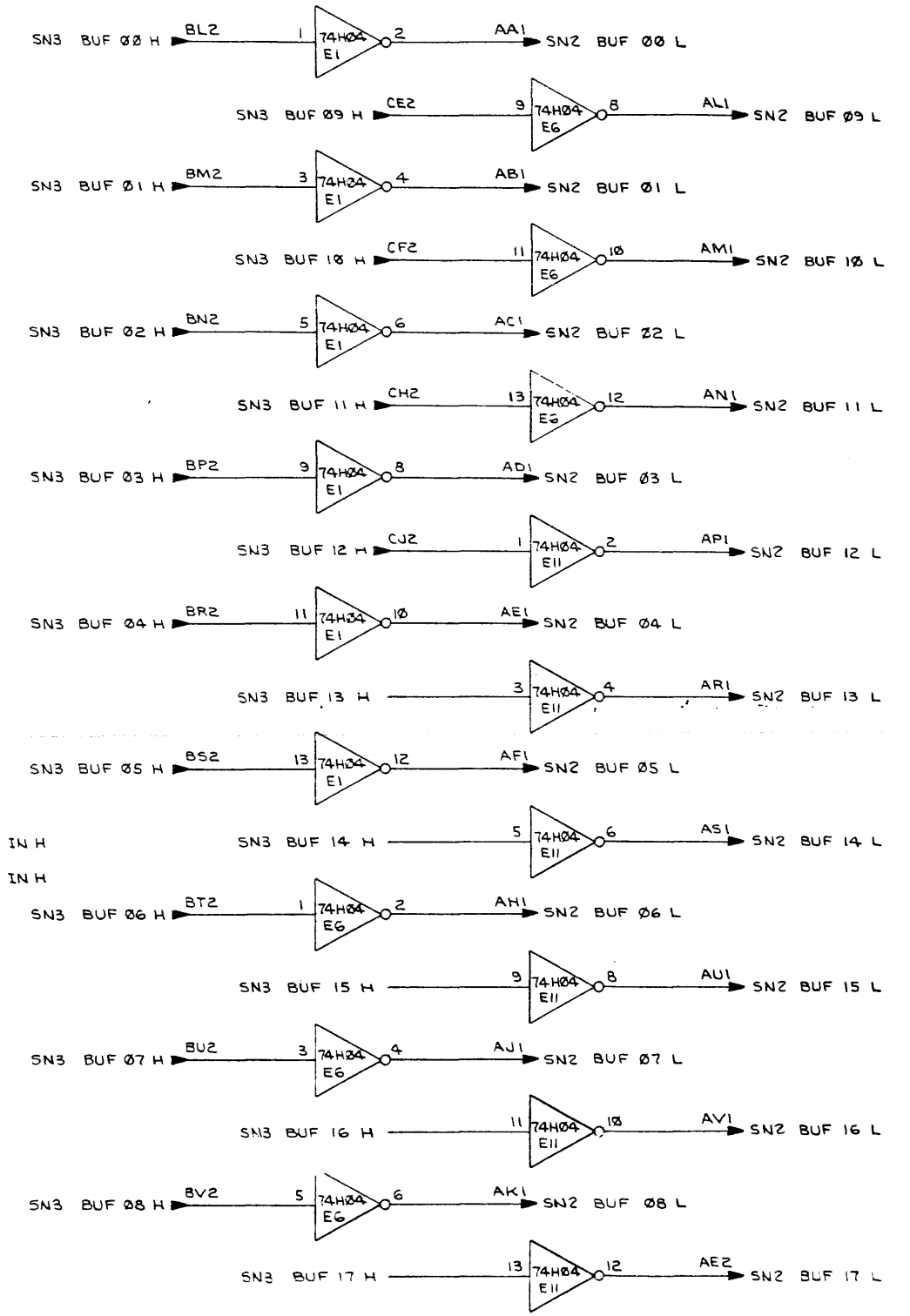
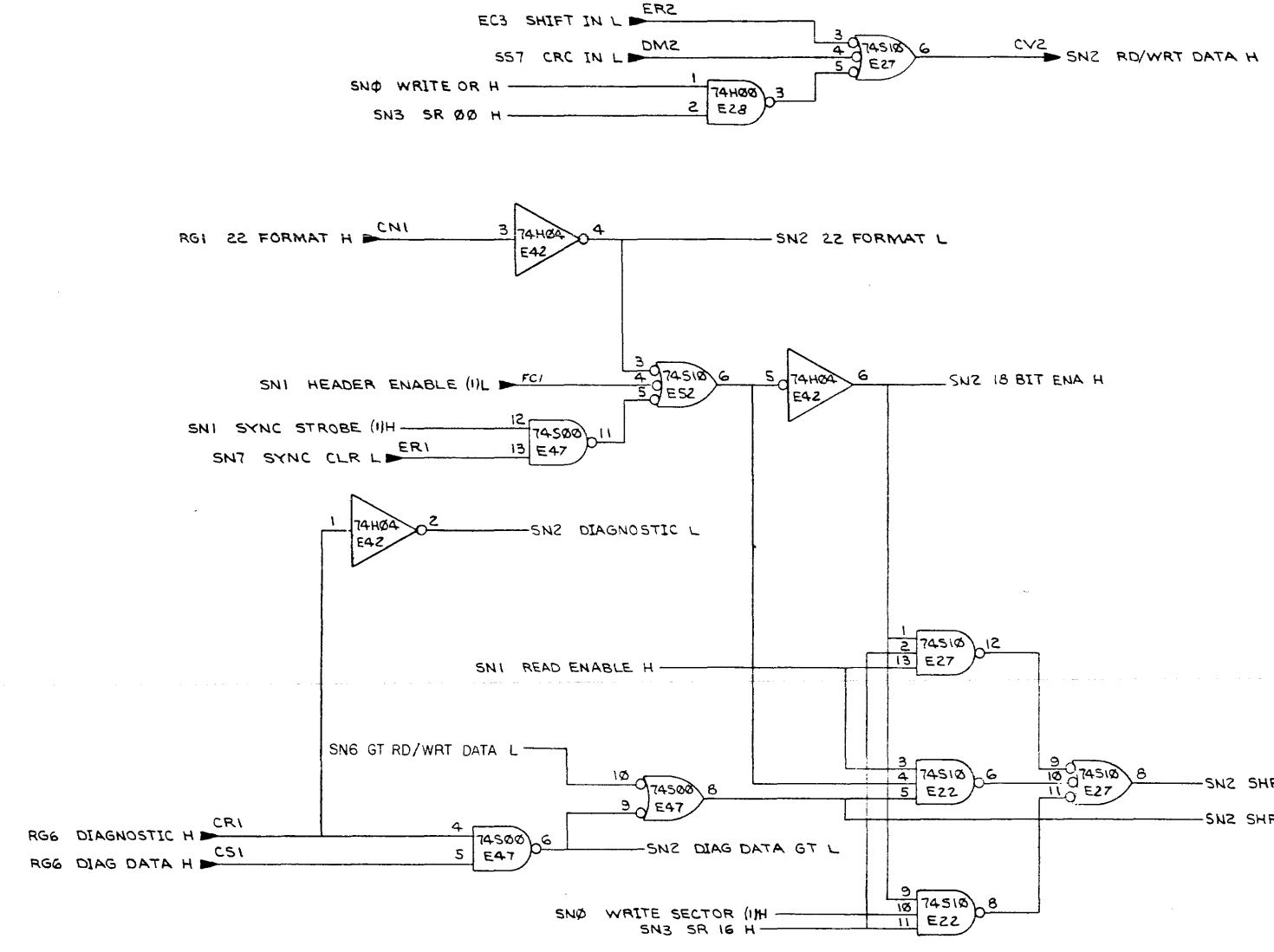
THIS DRAWING AND SPECIFICATIONS HEREIN ARE THE PROPERTY OF DIGITAL EQUIPMENT CORPORATION AND SHALL NOT BE REPRODUCED OR COPIED OR USED IN WHOLE OR IN PART AS THE BASIS FOR THE MANUFACTURE OR SALE OF ITEMS WITHOUT WRITTEN PERMISSION. COPYRIGHT © 1973, DIGITAL EQUIPMENT CORPORATION.

1-0-3222W SCD 2

8 7 6 5 4 3 2 1

D
C
B
A

D
C
B
A

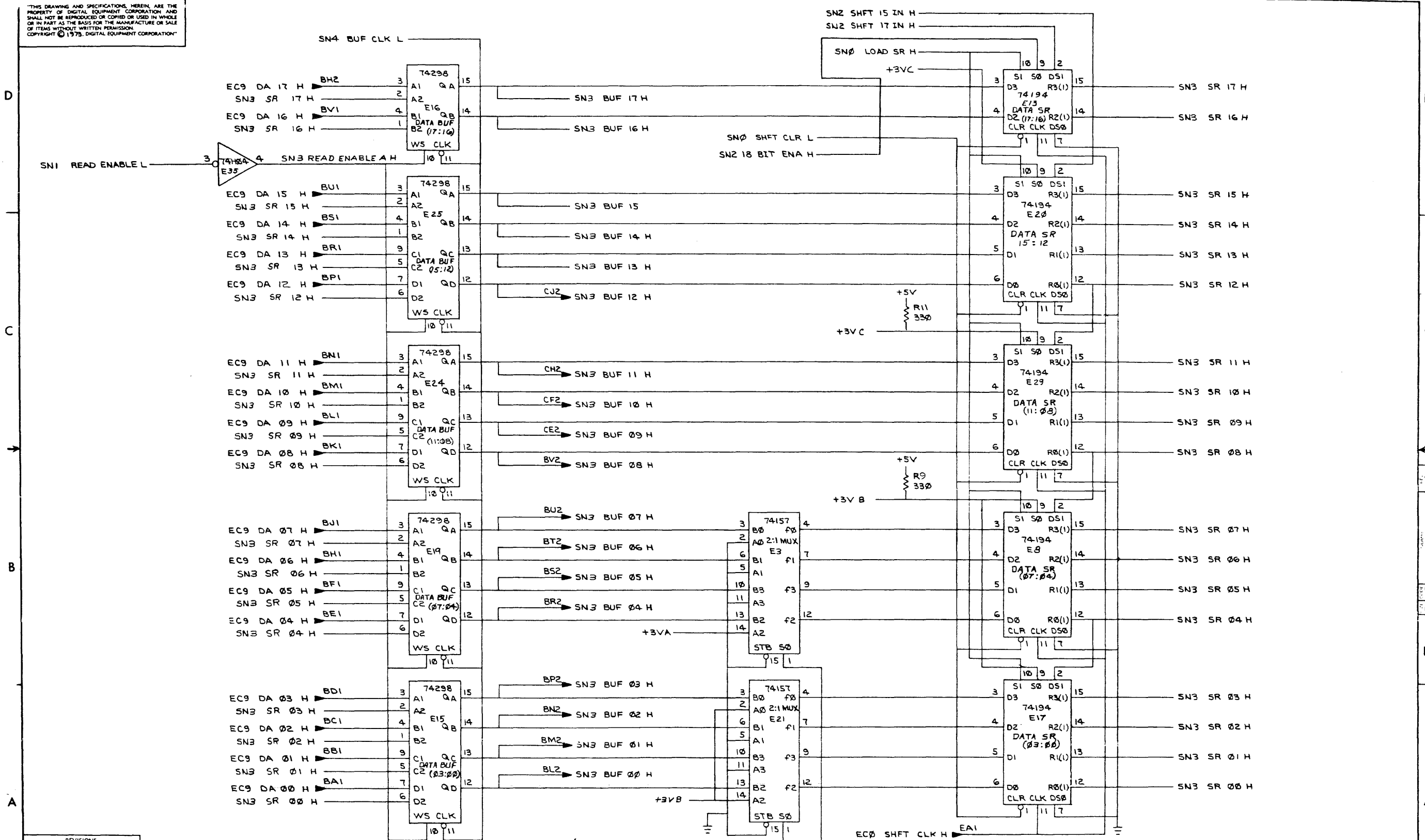


REV. SIGNS		
CHK	CHANGE NO.	REV.

SLOT 2 R/W DATA GATING		TITLE	DECODE	NUMBER	REV.
		SYNCHRONOUS LOGIC (SN2)	DCS	M7773-0-1	
SCALE	SHEET 4 OF 10	DIST			

8 7 6 5 4 3 2 1

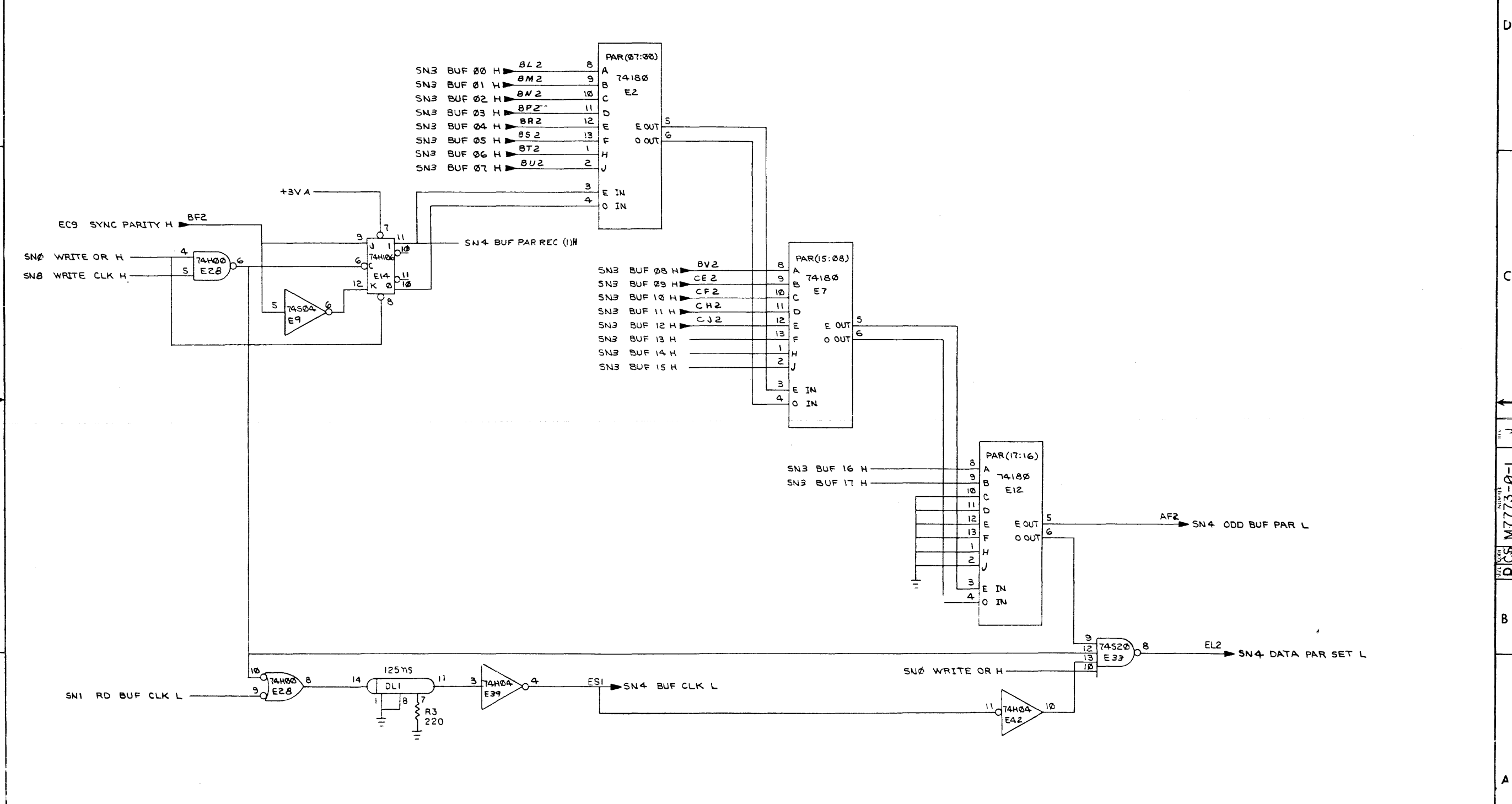
THIS DRAWING AND SPECIFICATIONS HEREIN ARE THE PROPERTY OF DIGITAL EQUIPMENT CORPORATION AND SHALL NOT BE REPRODUCED OR COPIED OR USED IN WHOLE OR IN PART AS THE BASIS FOR THE MANUFACTURE OR SALE OF ITEMS WITHOUT WRITTEN PERMISSION. COPYRIGHT © 1973, DIGITAL EQUIPMENT CORPORATION.



REVISIONS		
CHK	CHANGE NO	REV

TITLE		SIZE CODE	NUMBER	REV
SYNCHRONOUS LOGIC		(SN3) DCS	M7773-0-1	J
SCALE	SHEET	OF	DIST.	
+	5	10		

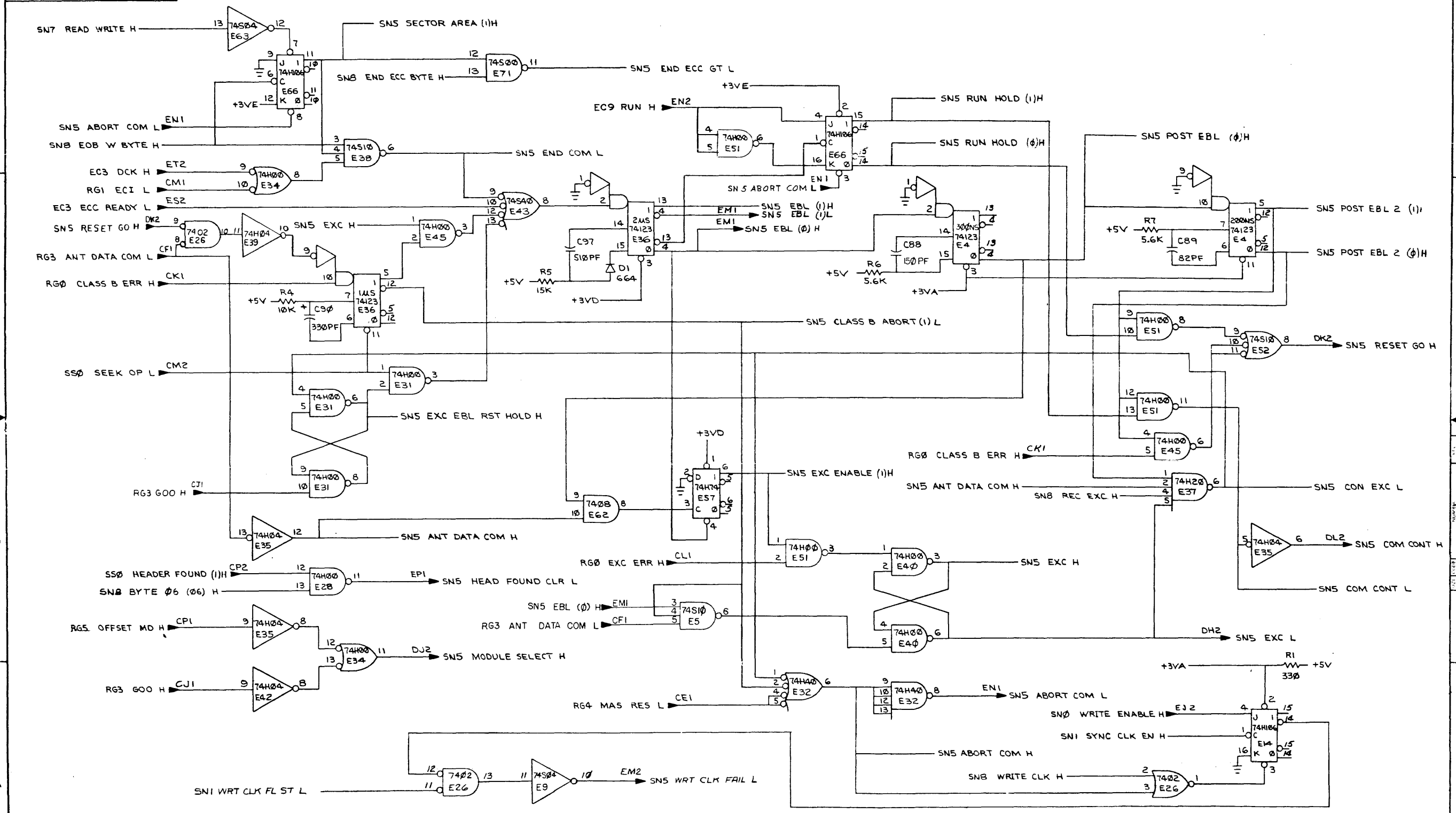
"THIS DRAWING AND SPECIFICATIONS, HEREIN, ARE THE PROPERTY OF DIGITAL EQUIPMENT CORPORATION AND SHALL NOT BE REPRODUCED OR COPIED OR USED IN WHOLE OR IN PART AS THE BASIS FOR THE MANUFACTURE OR SALE OF ITEMS WITHOUT WRITTEN PERMISSION. COPYRIGHT © 1973, DIGITAL EQUIPMENT CORPORATION"



REVISIONS		
CHK	CHANGE NO	REV

TITLE SYNCHRONOUS LOGIC (SN4)		SIZE CODE DCS	NUMBER M7773-0-1	REV J
SCALE	SHEET 6 OF 10	DIST		

THIS DRAWING AND SPECIFICATIONS HEREIN ARE THE PROPERTY OF DIGITAL EQUIPMENT CORPORATION AND SHALL NOT BE REPRODUCED OR COPIED OR USED IN WHOLE OR IN PART AS THE BASIS FOR THE MANUFACTURE OR SALE OF ITEMS WITHOUT WRITTEN PERMISSION. COPYRIGHT © 1973, DIGITAL EQUIPMENT CORPORATION



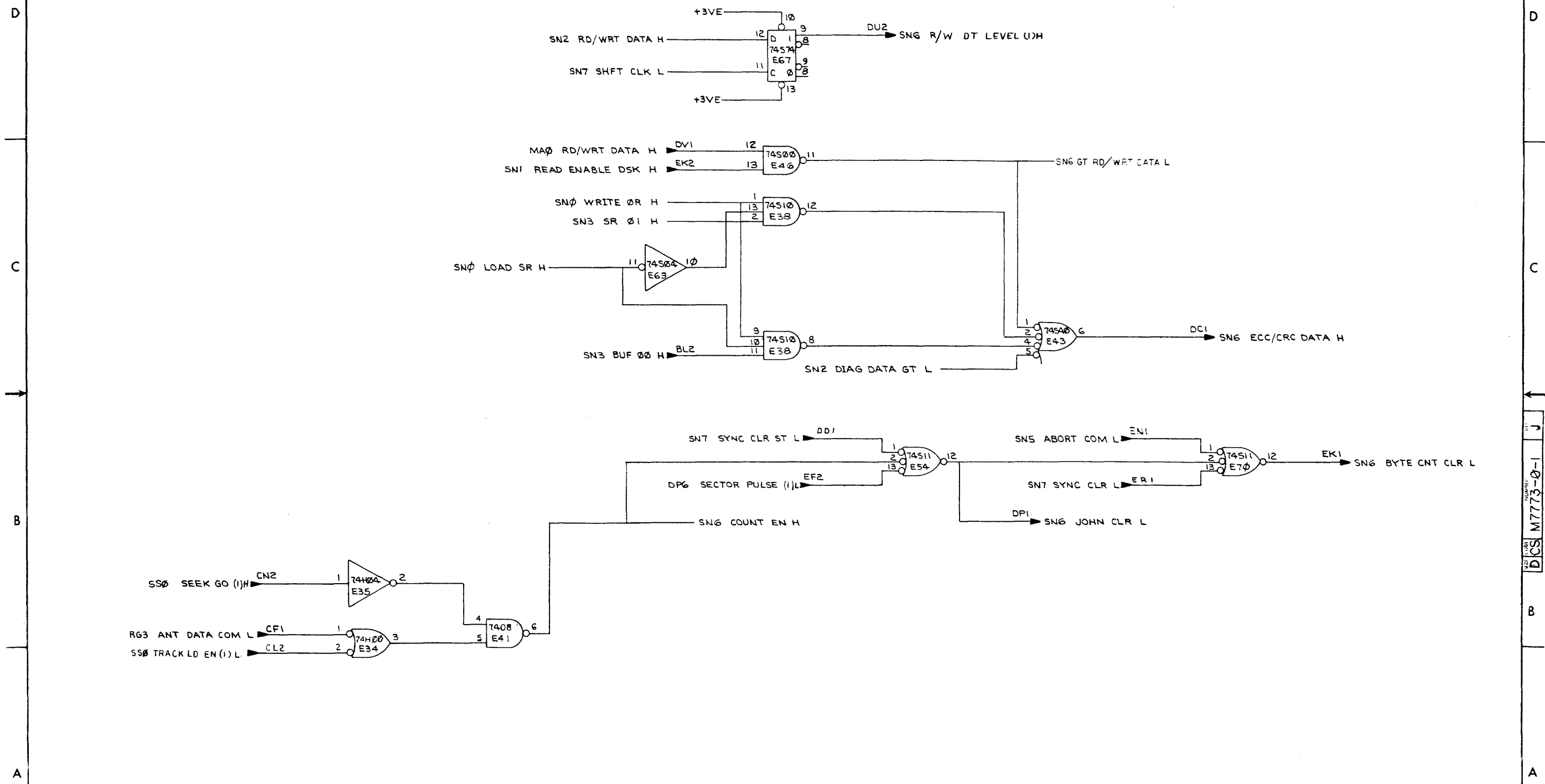
REVISIONS		
CHK	CHANGE NO	REV

SLOT 6 SYNC COMMAND TERMINATION LOGIC

TITLE	SIZE CODE	NUMBER	REV.
SYNCHRONOUS LOGIC (SN5)	D CS	M7773-0-1	J

SCALE: --- SHEET 7 OF 10 DIST: ---

THIS DRAWING AND SPECIFICATIONS HEREIN ARE THE PROPERTY OF DIGITAL EQUIPMENT CORPORATION AND SHALL NOT BE REPRODUCED OR COPIED OR USED IN WHOLE OR IN PART AS THE BASIS FOR THE MANUFACTURE OR SALE OF ITEMS WITHOUT WRITTEN PERMISSION. COPYRIGHT © 1975, DIGITAL EQUIPMENT CORPORATION.



REVISIONS		
CHK	CHANGE NO	REV

SLOT 6
DATA COUNTING,
BYTE COUNTER CONTROL LOGIC

SYNCHRONOUS LOGIC (SN6)

SIZE CODE	NUMBER	REV
DCS	M7773-0-1	J

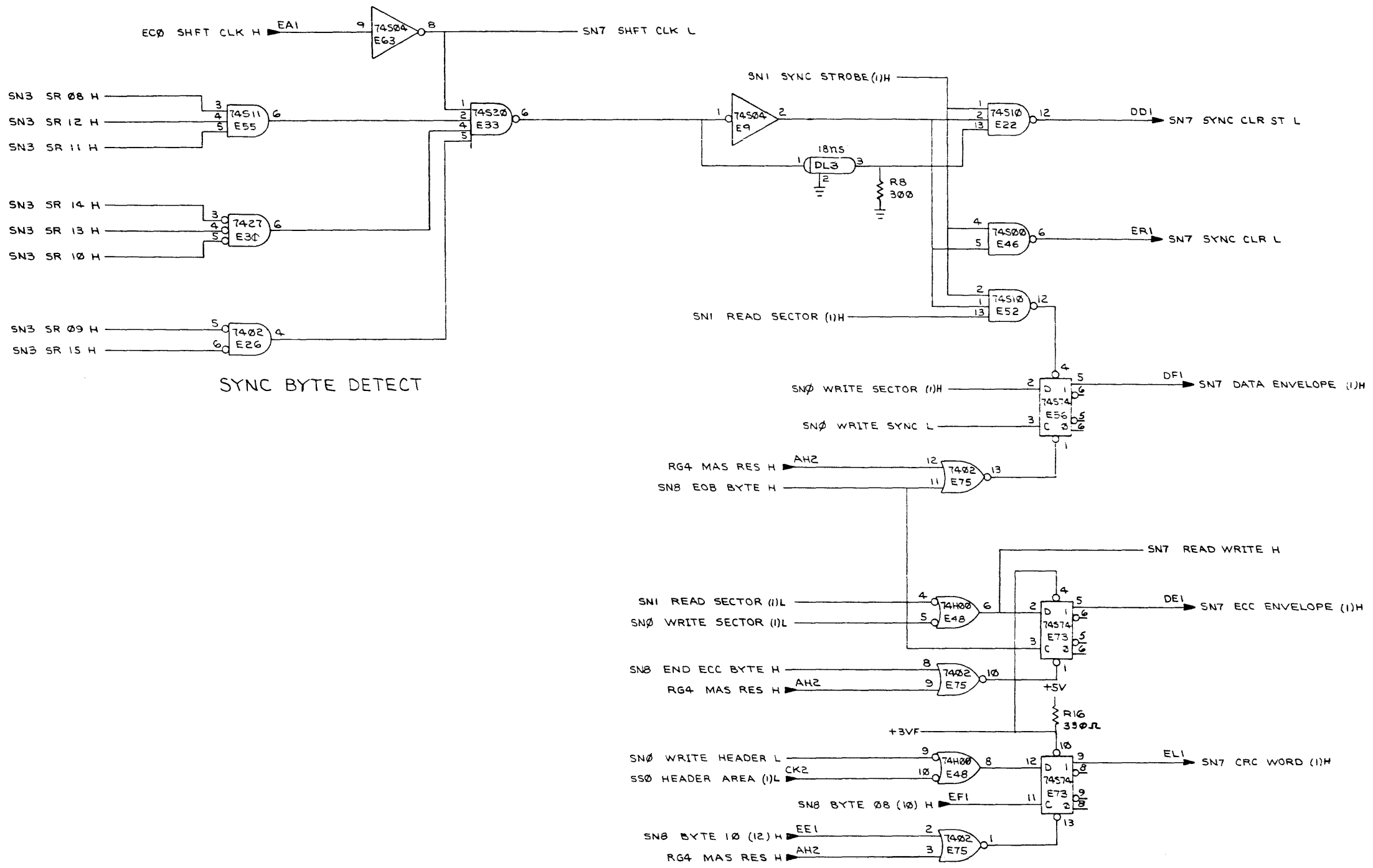
SCALE: / / SHEET 8 OF 10 DIST: / /

DCS M7773-0-1

THIS DRAWING AND SPECIFICATIONS HEREIN ARE THE PROPERTY OF DIGITAL EQUIPMENT CORPORATION AND SHALL NOT BE REPRODUCED OR COPIED OR USED IN WHOLE OR IN PART AS THE BASIS FOR THE MANUFACTURE OR SALE OF ITEMS WITHOUT WRITTEN PERMISSION. COPYRIGHT © 1973, DIGITAL EQUIPMENT CORPORATION.

D
C
B
A

D
C
B
A



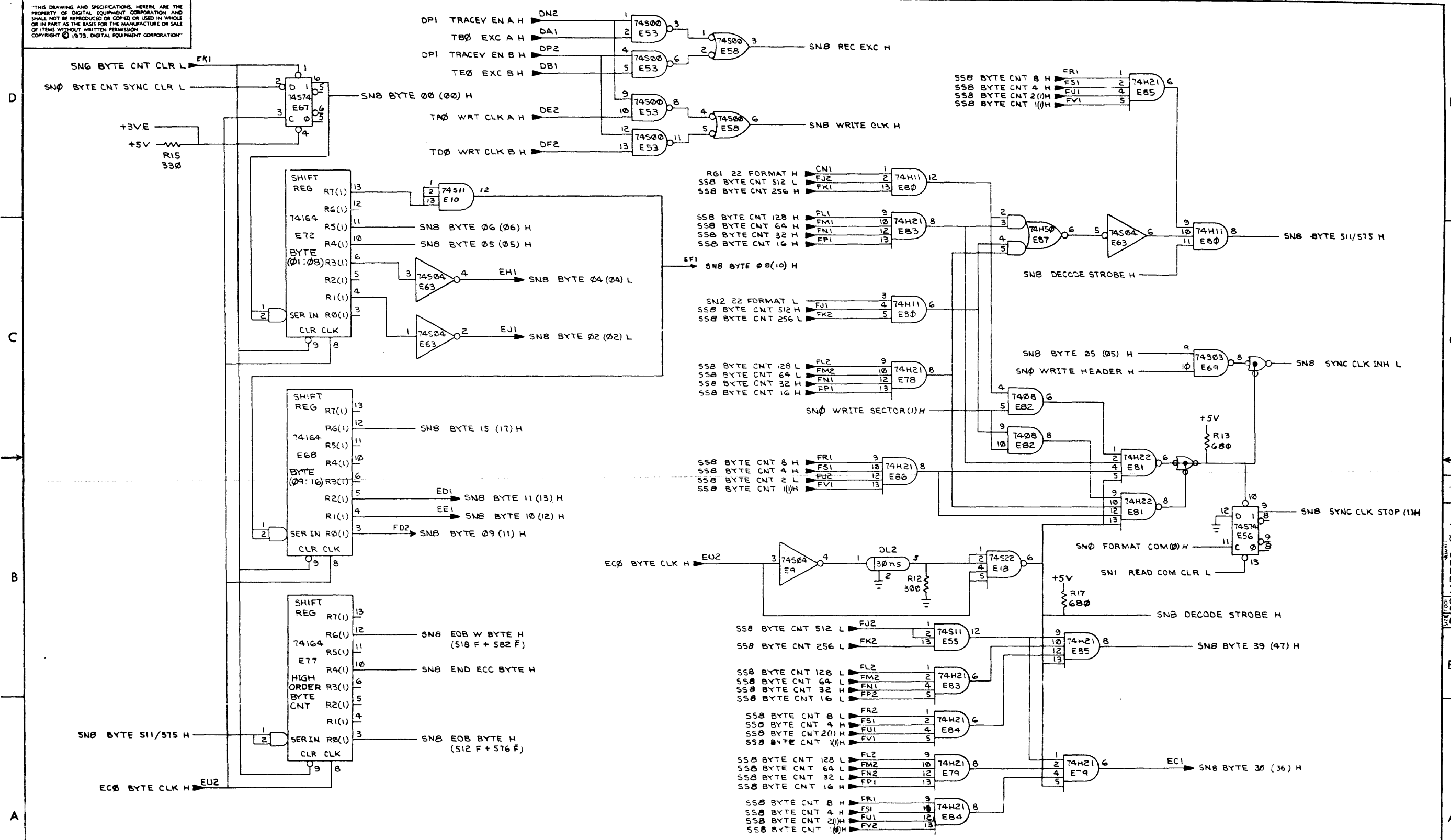
SYNC BYTE DETECT

SLOT 6 _{R/W} CONTROL LOGIC

REVISIONS		
CHK	CHANGE NO	REV

TITLE	SYNCHRONOUS LOGIC (SN7)	SIZE CODE	D CS	NUMBER	M773-0-1	REV.	J
SCALE	/ /	SHEET	9	OF 10	DIST.		

"THIS DRAWING AND SPECIFICATIONS HEREIN ARE THE PROPERTY OF DIGITAL EQUIPMENT CORPORATION AND SHALL NOT BE REPRODUCED OR COPIED OR USED IN WHOLE OR IN PART AS THE BASIS FOR THE MANUFACTURE OR SALE OF ITEMS WITHOUT WRITTEN PERMISSION. COPYRIGHT © 1975, DIGITAL EQUIPMENT CORPORATION"



REVISIONS		
CHK	CHANGE NO	REV

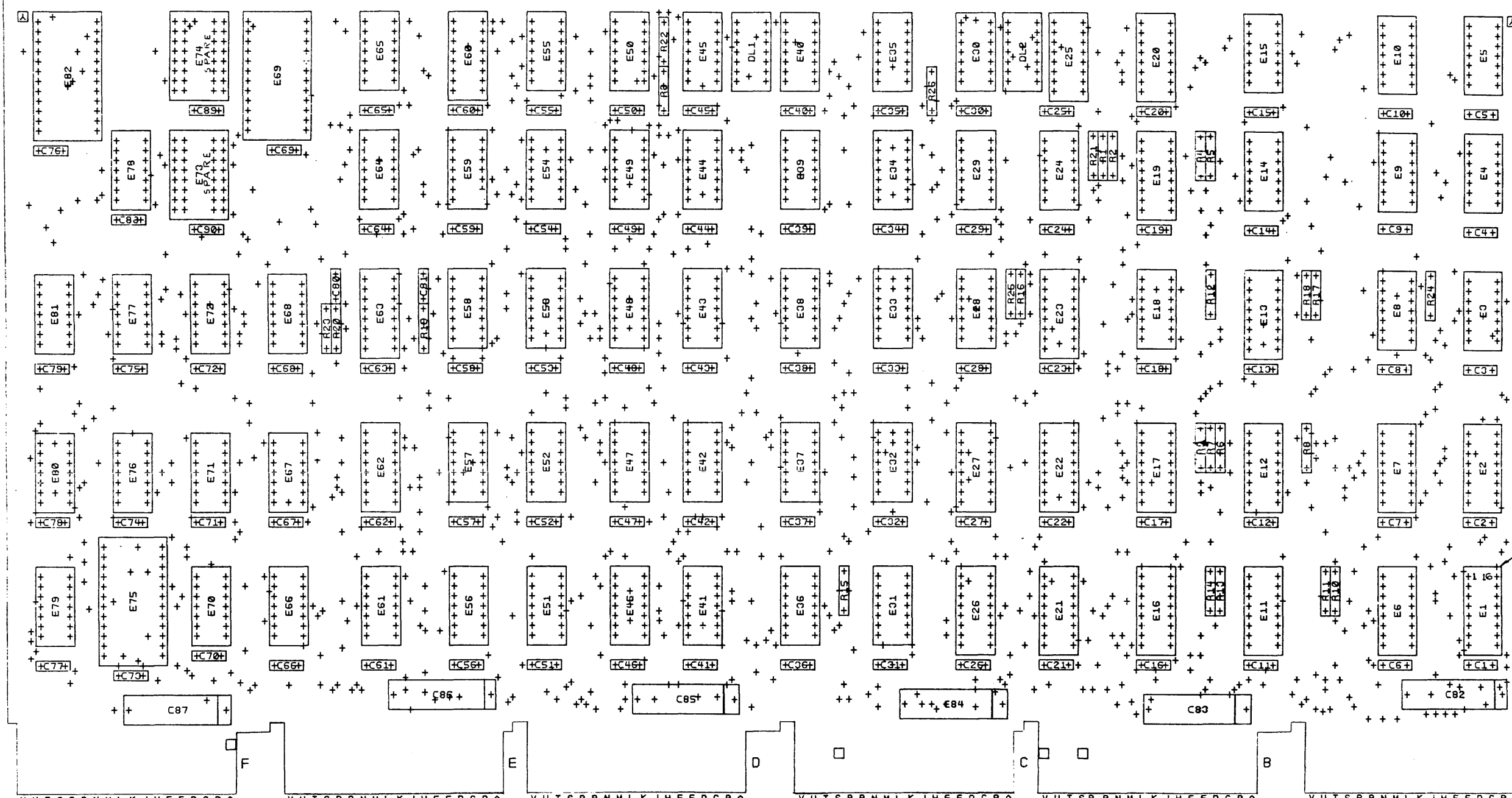
SLOT 6 BYTE COUNT DECODE		TITLE	SIZE CODE	NUMBER	REV
SYNCHRONOUS LOGIC (SNB)		DCS	M773-0-1		
SCALE	SHEET 10 OF 10	DIST.			

DCS M773-0-1

THIS DRAWING AND SPECIFICATIONS, HEREIN, ARE THE PROPERTY OF DIGITAL EQUIPMENT CORPORATION AND SHALL NOT BE REPRODUCED OR COPIED OR USED IN WHOLE OR IN PART AS THE BASIS FOR THE MANUFACTURE OR SALE OF ITEMS WITHOUT WRITTEN PERMISSION.
 COPYRIGHT © 1978 DIGITAL EQUIPMENT CORPORATION

0-0-2222 1 2

COMPONENT SIDE VIEW



NOTES:
 1. B HOLES, 24x5 (+.000-.004) MAYNARD ONLY
 2. PIN ORIENTATION OF E1 IS TYPICAL OF ALL IC'S.

CHANGE NO.	REV.
72	0006

ETCH REV. F
P.C. DESIGN DATA BASE REV. F

SIGNATURES		DATE
DRN. J. RICHARD		0278
CHK'D. <i>[Signature]</i>		0278
ENG. <i>[Signature]</i>		
PROJ. ENG. <i>[Signature]</i>		
PROD. <i>[Signature]</i>		
SCALE 2/1	SIZE CODE	NUMBER
SHT. 1 OF 3	D UA	M7774-C-O
NEXT HIGHER ASSY. B-DD-M7774-0-6	ETCH REV. F	

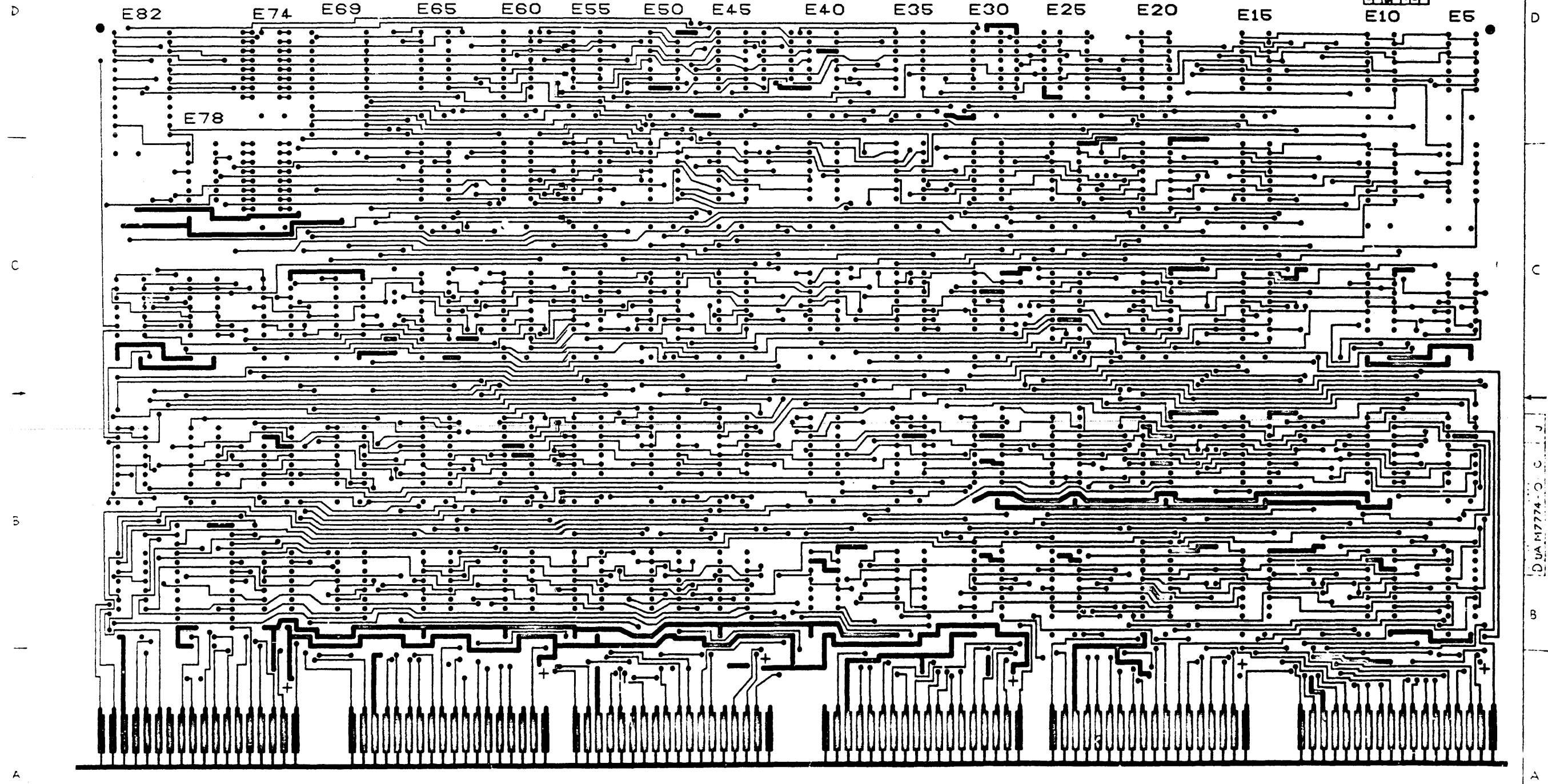
digital

TITLE REGISTER LOGIC (RG BOARD)

REV. J

1 MS#

CS:ABCDEFGHIJKLMNPRS

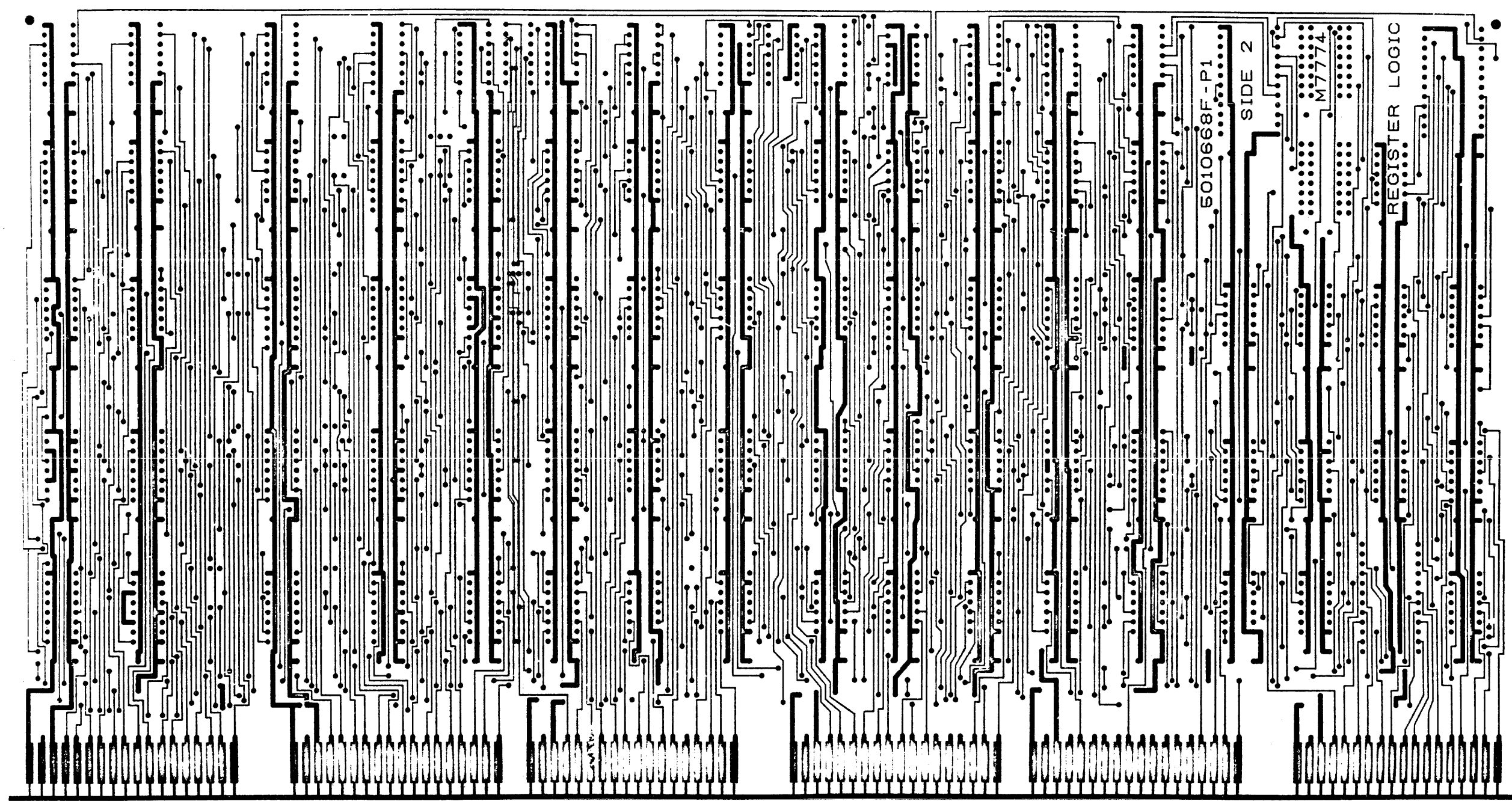


REVISIONS		
CHK	CHANGE NO.	REV.

REGISTER LOGIC DUA M774 - 0 - 0 J

6 7 6 5 4 3 2 1

THESE DRAWINGS SPECIFY THE
 REQUIREMENTS FOR THE
 MANUFACTURE OF THE
 REGISTER LOGIC BOARD



REVISIONS		
CHK	CHANGE NO.	REV

FILE	REGISTER LOGIC	SIZE	DUA	NUMBER	M7774 - O - O	REV	J
SCALE	2/1	SHEET	3	OF	3	DATE	

7 6 5 4 3 2 1

DUA M7774 - O - O

7 6 5 4 3 2 1

DUA M7774 - O - O

A B C D

LINE	ITEM	DOCUMENT NO.	PART NO.	DESCRIPTION	QTY	REFERENCE DESIGNATORS
1	1	B-DD-M7774-0-0		DRAWING DIRECTORY		REF
2	2	K-CO-M7774-0-4		X-Y COORDINATE HOLE LOCATION		REF
3	3	B-MH-M7774-0-6		MODULE ECO HISTORY		REF
4	4	D-CS-M7774-0-1		REGISTER LOGIC (RG BOARD)		REF
5	5	D-UA-M7774-0-0		REGISTER LOGIC		REF
6	6	D-MD-5010668-0-0		DRILL & ETCH DRAWING		REF
7	7		5010668-00	ETCH BOARD FOR M7774	1	
8	8		1910655-00	74157 MUX-2 TO 1 QUAD	2	E21,E26
9	9		1910652-00	74174 FF-D HEX	2	E7,E25
10	10		1910651-00	DEC 74175 FF-D QUAD	3	E1,E20,E62
11	11		1905547-00	7474 FF-D DUAL,EDGE TRIGGER,15MHZ	17	E3,E5,E8,E9,E10,E14,E15,E18, CONT E24,E28,E32,E36,E40,E44,E45, CONT E50,E71
12	12		1911315-00	8234 MUX 1 OF 4	11	E2,E6,E11,E12,E13,E16,E17,E19, CONT E22,E23,E27
13	13		1909713-00	DEC 8815 NOR GATE-DUAL 4IN	14	3 E67,E68,E30
14	14		1909686-00	7404 INVERTER GATE-HEX 1IN	5	E39,E42,E52,E68,E76
15	15		1909930-00	7405 INVERTER GATE-HEX 1IN,OPEN COL	1	E31
16	16		1909004-00	DEC 7402 NOR GATE-QUAD 2IN	5	E38,E54,E56,E58,E59
17	17		1905578-00	7430 NAND GATE-SINGLE 8INPUT	4	E1,E65,E72,E78
18	18		1910155-00	DEC 7408 AND GATE,POS.QUAD 2IN	14	4 E48,E61,E79,E81
19	19		1905577-00	7420 NAND GATE-DUAL 4INPUT	2	E29,E77
20	20		1910091-00	DEC 7437 NAND GATE-QUAD 2IN,BUFFER	14	1 E35
21	21		1905575-00	7400 NAND GATE-QUAD 2IN	3	E46,E49,E33
22	22		1910046-00	7442 DECODER-1 OF 10,BCD SELECTED	1	E60
23	23		1910878-00	7427 NOR GATE-TRIPLE 3IN	2	E64,E80
24	24		1910436-00	DEC 74123 ONE SHOT-DUAL,RETRIGGERABLE	1	E63
25	25		1911521-00	7432 OR GATE-QUAD 2IN, POSITIVE	4	E33,E70,E43,E55
26	26		1905587-00	DEC 7473 FF-JK DUAL,MASTER SLAVE,10MHZ	1	E57
27	27		1300365-00	1 R 1/4W 5% CC 113-00	1	R15

REVISION HISTORY (VARIATIONS FOR THIS ASSY.)

FIRST USED ON: RP04				DIGITAL EQUIPMENT CORPORATION			
				MAYNARD, MASSACHUSETTS			
CHK	ECO NO	REV	00				
C.L	00006	J		MADE BY: M. POIRIER	DATE: 12-SEP-78	TITLE	
				PARTS LIST			
				CHECKED: C. EDDY	DATE: 12-SEP-78	REGISTER LOGIC	
				DSN. ENG.: D.L.	DATE: 12-SEP-78		
				PROD.: A. KARLSBERG	DATE: 12-SEP-78	K	PL
				M7774-0-DBP			
				J			
				RESP. ENG.: O.W. SERGEANT	DATE: 12-SEP-78	ASSY. NO.: D-UA-M7774-0-0	EDIT#
				8			

THIS DRAWING AND SPECIFICATIONS HEREIN ARE THE PROPERTY OF DIGITAL EQUIPMENT CORPORATION AND SHALL NOT BE REPRODUCED OR COPIED OR USED IN WHOLE OR IN PART AS THE BASIS FOR THE MANUFACTURE OR SALE OF ITEMS WITHOUT WRITTEN PERMISSION.

COPYRIGHT 1978, DIGITAL EQUIPMENT CORPORATION

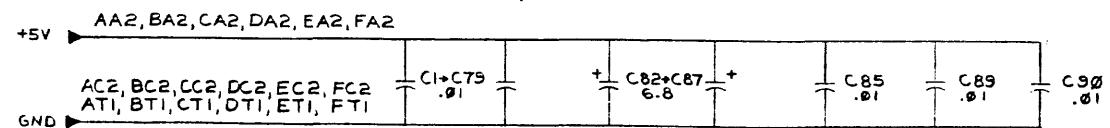
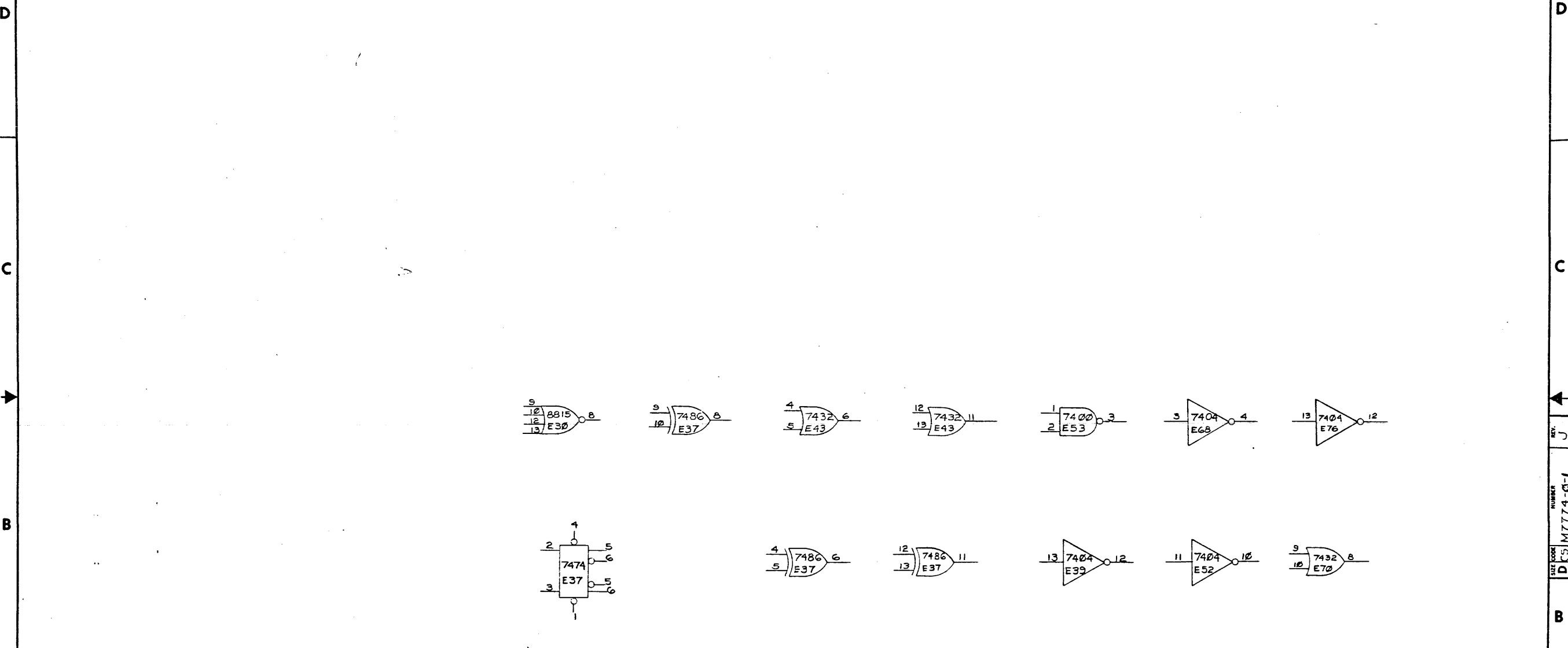
LINE ITEM	DOCUMENT NO.	PART NO.	DESCRIPTION	QTY	REFERENCE DESIGNATORS
29	29	1300447-00	4.7 K 1/4W 5% CC (13-00	1	R19
29	29	1909267-00	DEC 74H11 AND GATE-TRIPLE 3INPUT	1	E41
30	30	1910539-00	74S20 NAND GATE-DUAL 4INPUT	1	E51
31	31	1909701-00	74154 1 OF 16,BINARY SELECT	3	E69,E82,E75
32	32	1905576-00	7410 NAND GATE-TRIPLE 3IN	2	E34,E47
33	33	1210711-02	HANDLE,HEX MODULE,10-1/2	1	
34	34	9000024-01	EYELET, ROLLED FLANGE, .121 OD X .196 LG	12	
35	35	1300295-00	330 1/4W 5% CC (13-00	21	R4-R14,R16-R18,R21-R25,R1,R2
36	36	1303179-00	8.2 K 1/4W 5% CC (13-00	1	R20
37	37	1611300-00	DELAY= 10-125NS,6TAPS FAST RISE TIME,IN D	2	DL1,DL2
38	38	1005306-00	6.8MFD 35V 10% S.TANT (10-00	6	C82-C87
39	39	1001610-00	.01 MFD 50V -20+8) Z5U DISC 8000PF MIN	82	C1-C79,C88-C90
40	40	1000006-00	10.0 MMF 100V 5%200PPM DM15S (10-00	1	C80
41	41	1002427-00	15.0 MMF 100V 5%200PPM DM15S (10-00	1	C81
42	42	1910011-00	DEC 7486 X-OR GATE-QUAD 2INPUT	1	F37
43	43	1300271-00	220 1/4W 5% CC (13-00	2	R3,R26

DIGITAL EQUIPMENT CORPORATION MAYNARD, MASSACHUSETTS	TITLE REGISTER LOGIC	PARTS LIST	SIZE K	CODE FL	DOCUMENT NUMBER M7774-0-DBP	REV IJ
---	-------------------------	------------	-----------	------------	--------------------------------	-----------

"THIS DRAWING AND SPECIFICATIONS HEREIN ARE THE PROPERTY OF DIGITAL EQUIPMENT CORPORATION AND SHALL NOT BE REPRODUCED OR COPIED OR USED IN WHOLE OR IN PART AS THE BASIS FOR THE MANUFACTURE OR SALE OF ITEMS WITHOUT WRITTEN PERMISSION. COPYRIGHT © 1978 DIGITAL EQUIPMENT CORPORATION"

NOTES:

DCS M774-01 2



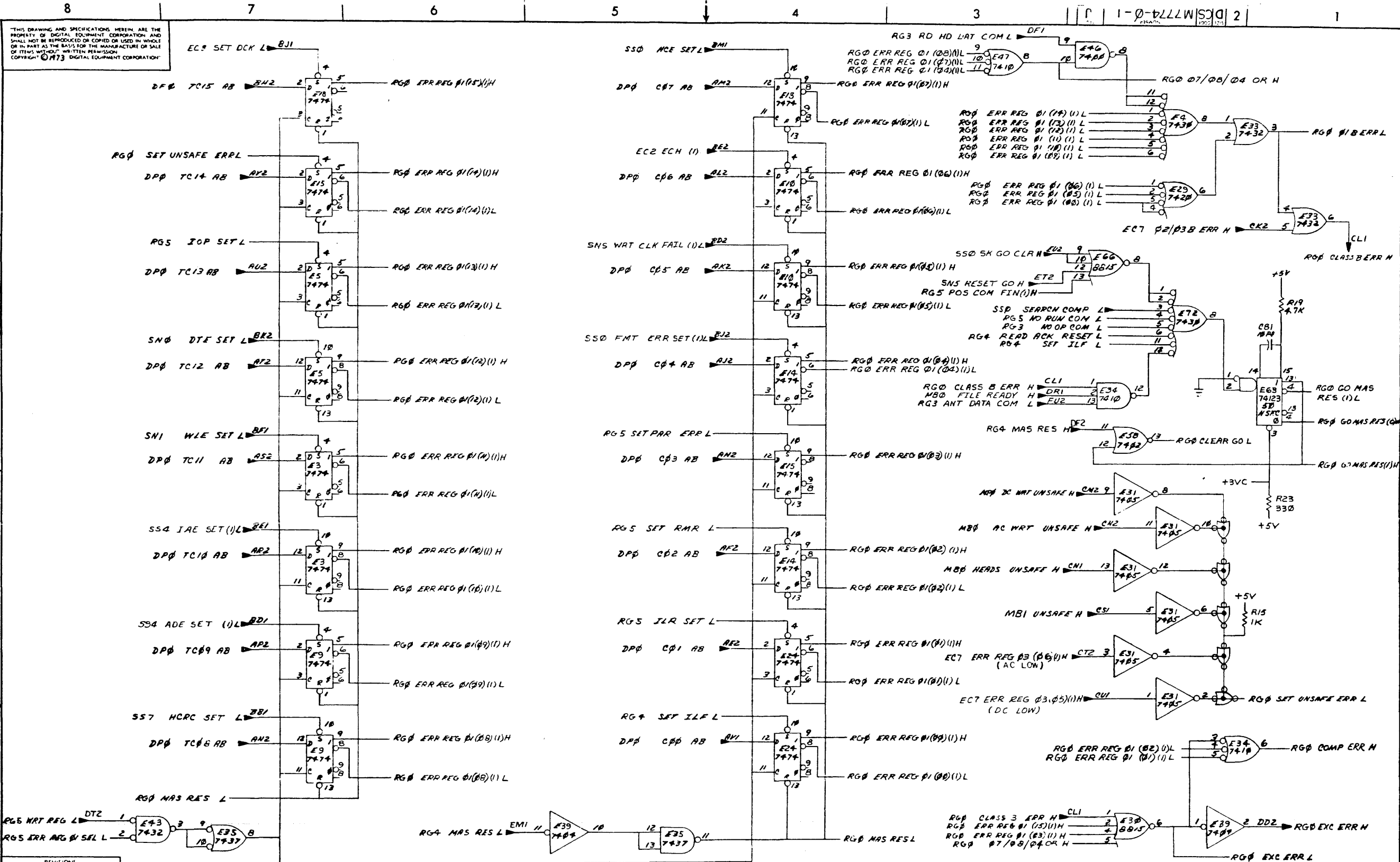
IC	TYPE	QTY	REF. DESIGNATION
IC 74154	12	24	
IC 7473	11	4	
IC 74123	8	16	
IC 7442	8	16	
IC 8234	8	16	
IC 74175	8	16	
IC 74174	8	16	
IC 74157	8	16	
IC TYPE	GND	+5V	

GND AND 5V ARE USUALLY PIN 7 AND 14 RESPECTIVELY EXCEPTIONS ARE STATED ABOVE

IC PIN LOCATIONS

QTY	REF. DESIGNATION	DESCRIPTION	PART NO.	ITEM NO.
FIRST USED ON OPTION MODEL				
RP04				
ETCH BOARD REV. F				
PARTS LIST				
ENGR. <i>Don Doughter</i> DATE 9/20/78 CHK'D. <i>Don Doughter</i> DATE 10-2-78 ENG. <i>Don Doughter</i> DATE 10-11-78 PRD. <i>Don Doughter</i> DATE 11-11-78 NEXT HIGHER ASSY		TITLE REGISTER LOGIC (RG BOARD) SIZE CODE DCSM774-01 NUMBER J REV.		
DEC NO. EIA NO. DEC NO. EIA NO. SEMICONDUCTOR CONVERSION CHART SCALE 1 OF 8 SHEET		DIST.		

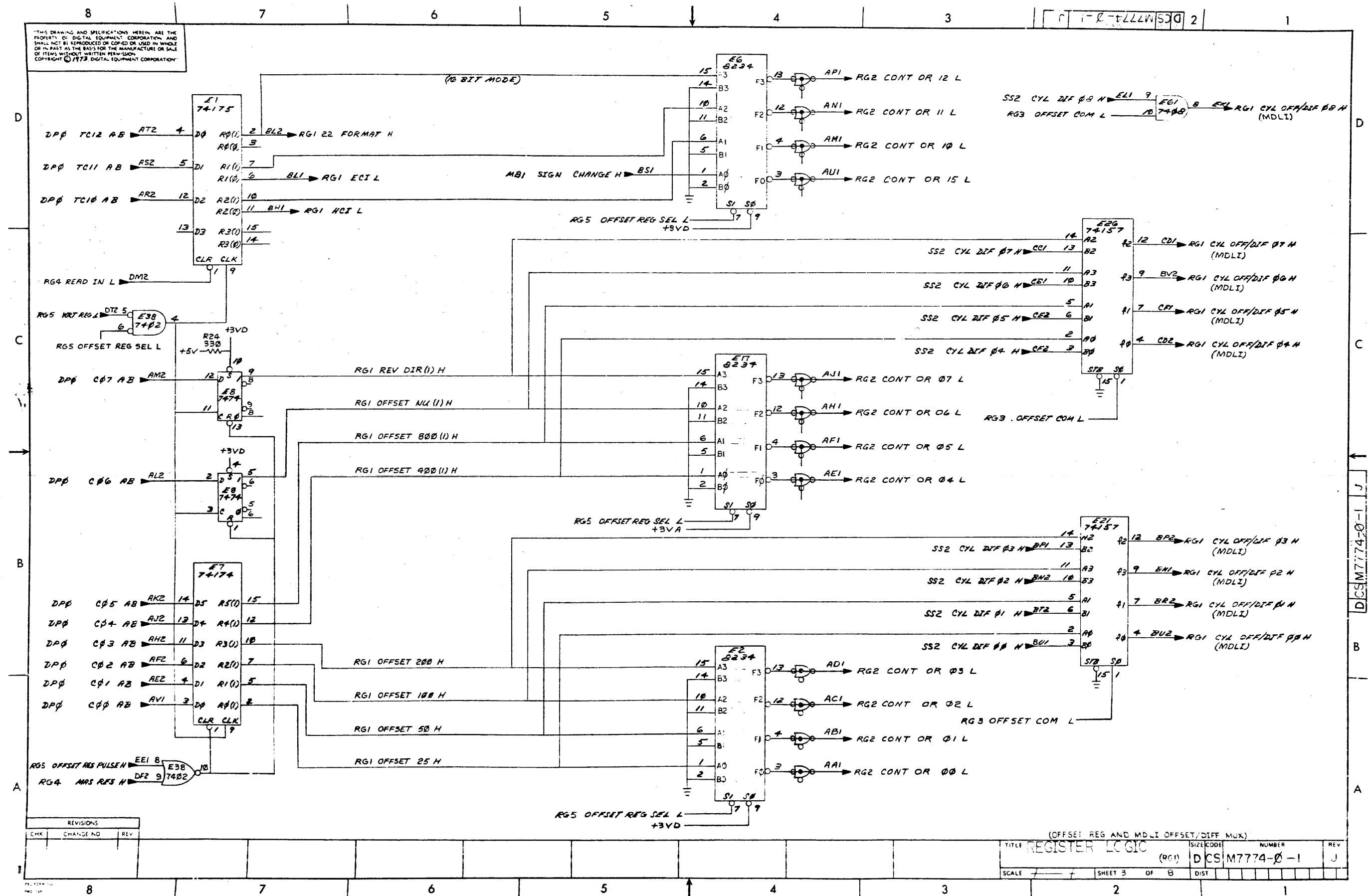
REV. J
DCS M774-01



REVISIONS		
CHK	CHANGE NO	REV

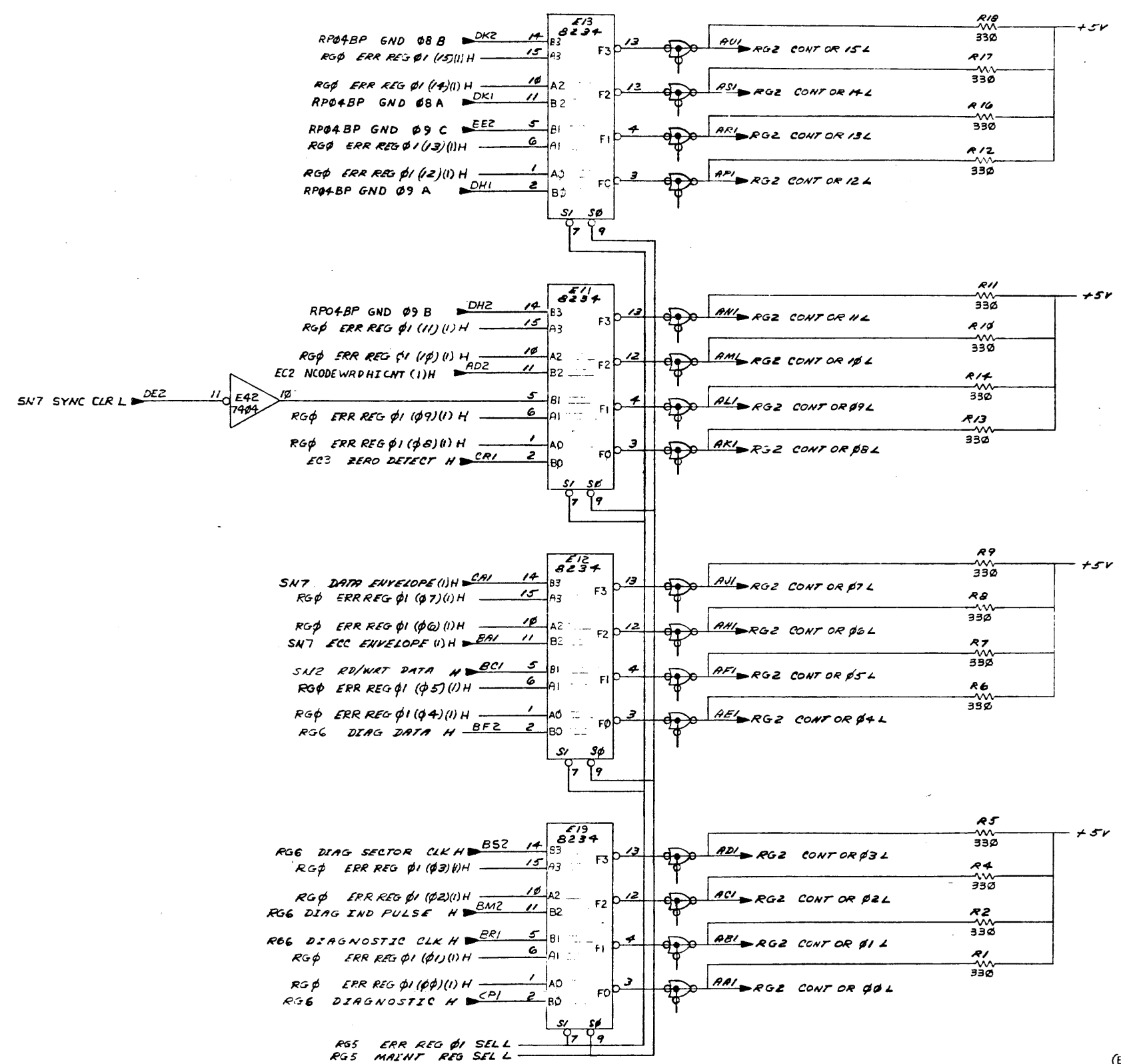
TITLE REGISTER LOGIC (RG0)		SIZE CODE DCS	NUMBER M7774-0-1	REV. J
SCALE 1:1	SHEET 2 OF 8	DIST		

THIS DRAWING AND SPECIFICATIONS HEREIN ARE THE PROPERTY OF DIGITAL EQUIPMENT CORPORATION AND SHALL NOT BE REPRODUCED OR COPIED OR USED IN WHOLE OR IN PART AS THE BASIS FOR THE MANUFACTURE OR SALE OF ITEMS WITHOUT WRITTEN PERMISSION. COPYRIGHT © 1973 DIGITAL EQUIPMENT CORPORATION.



THIS DRAWING AND SPECIFICATIONS HEREIN ARE THE PROPERTY OF DIGITAL EQUIPMENT CORPORATION AND SHALL NOT BE REPRODUCED OR COPIED OR USED IN WHOLE OR IN PART AS THE BASIS FOR THE MANUFACTURE OR SALE OF ITEMS WITHOUT WRITTEN PERMISSION. COPYRIGHT © 1973 DIGITAL EQUIPMENT CORPORATION.

DCS M7774-0-1



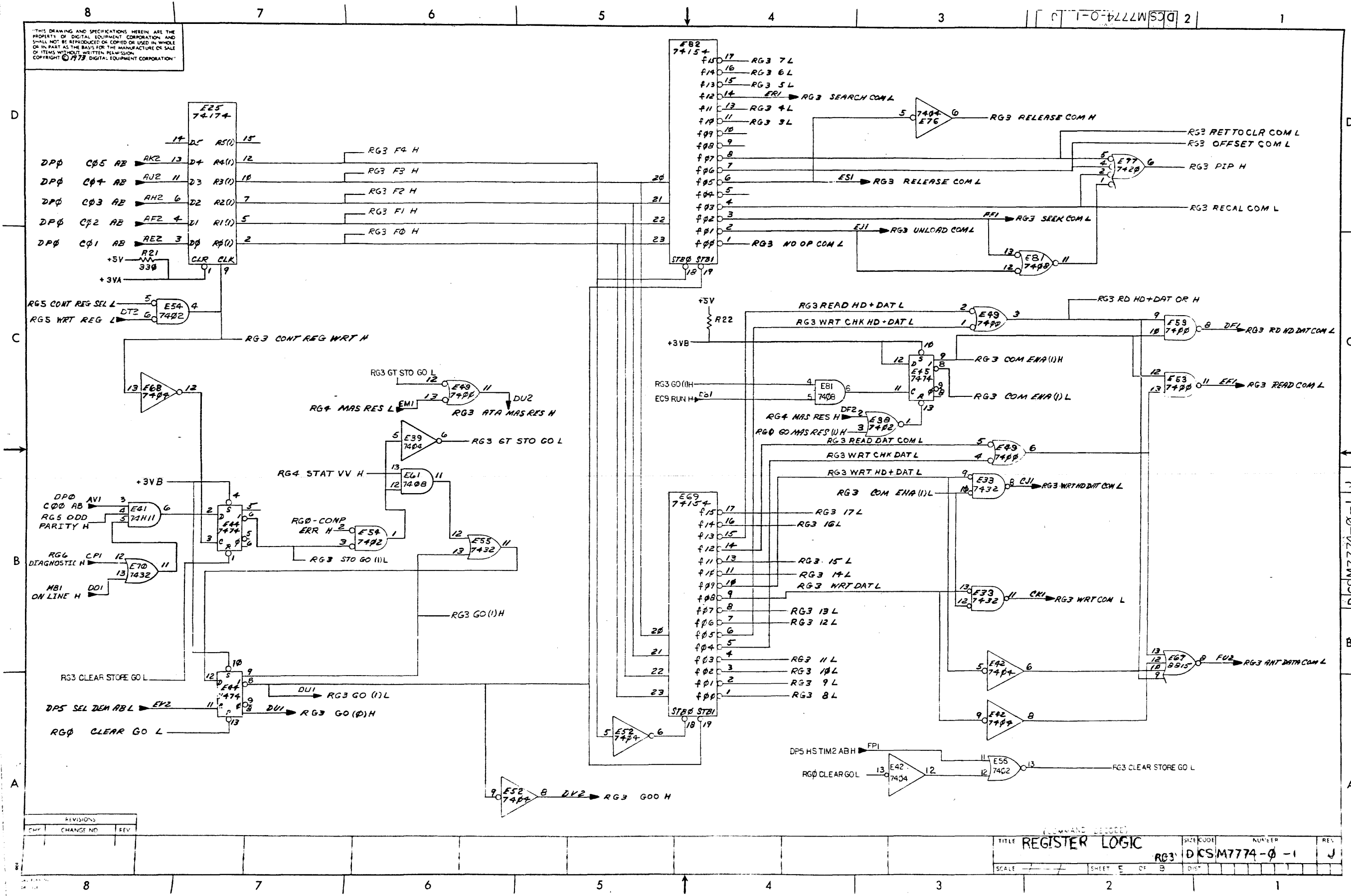
REVISIONS		
CHK	CHANGE NO	REV

(ERR AND MAINT REG MUX)
 TITLE REGISTER LOGIC
 SCALE / / SHEET 4 OF 8
 SIZE CODE DCS M7774-0-1
 NUMBER 1
 REV. J

DCS M7774-0-1 J

THIS DRAWING AND SPECIFICATIONS HEREIN ARE THE PROPERTY OF DIGITAL EQUIPMENT CORPORATION AND SHALL NOT BE REPRODUCED OR COPIED OR USED IN WHOLE OR IN PART AS THE BASIS FOR THE MANUFACTURE OR SALE OF ITEMS WITHOUT WRITTEN PERMISSION. COPYRIGHT © 1973 DIGITAL EQUIPMENT CORPORATION.

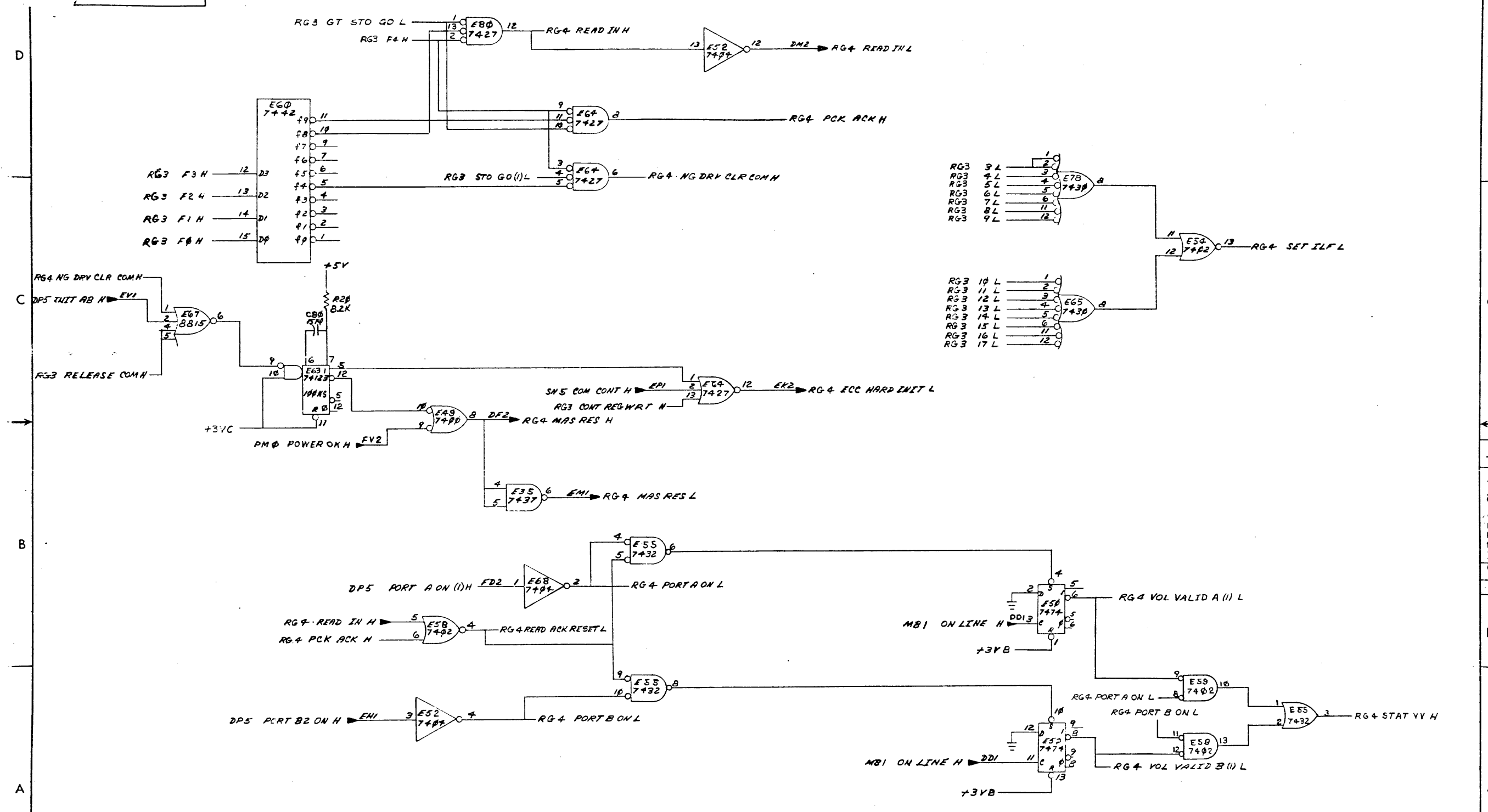
DCSM7774-0-1 J



REVISIONS		
REV	CHANGE NO	REV

TITLE		SIZE	CODE	NUMBER	REV
REGISTER LOGIC		RG3	DCSM7774-0-1	J	
SCALE	SHEET	OF	DIST		

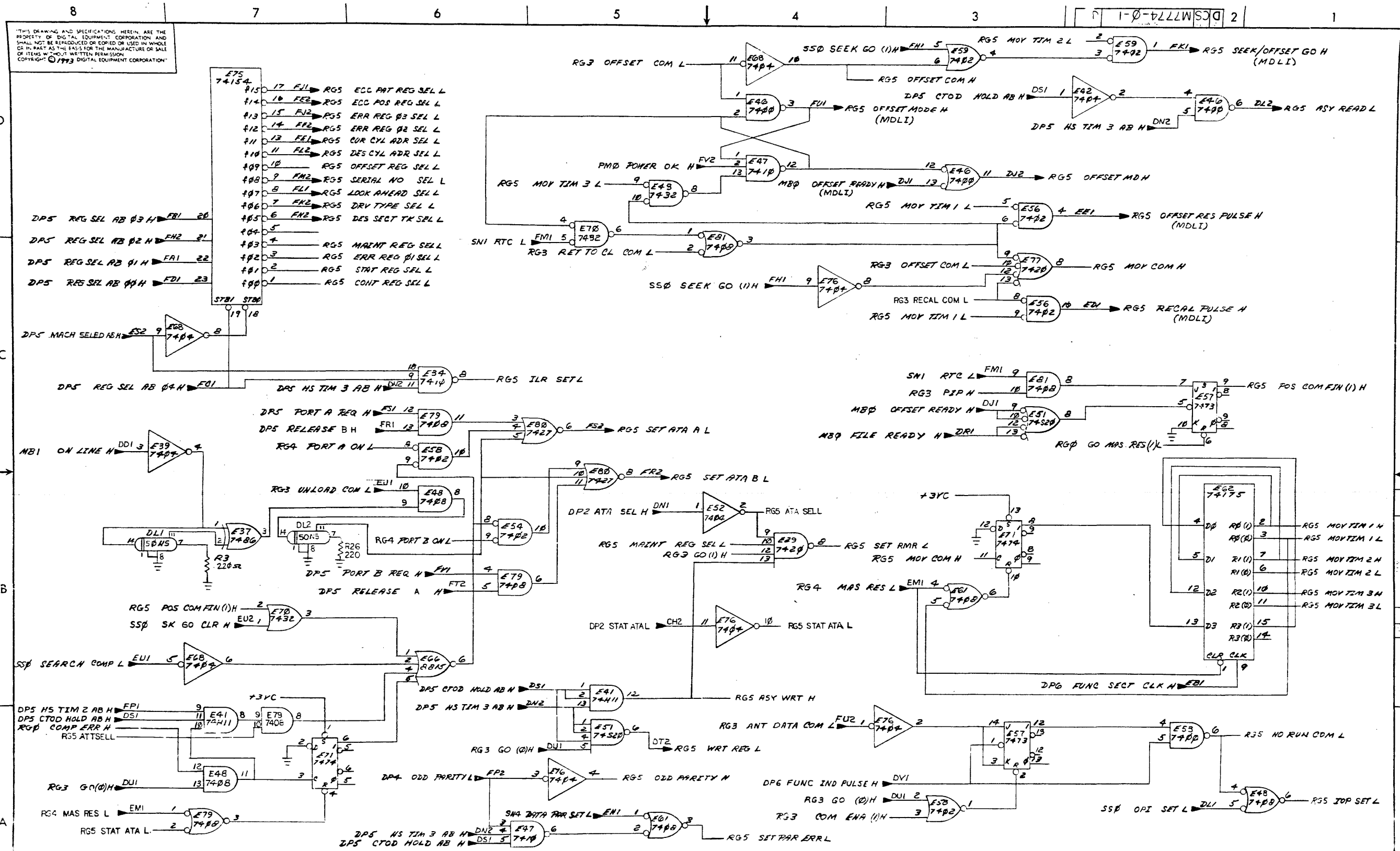
ALL SPECIFICATIONS HEREIN ARE THE PROPERTY OF DIGITAL EQUIPMENT CORPORATION AND ARE NOT TO BE REPRODUCED OR TRANSMITTED IN ANY FORM OR BY ANY MEANS, ELECTRONIC OR MECHANICAL, INCLUDING PHOTOCOPYING, RECORDING, OR BY ANY INFORMATION STORAGE AND RETRIEVAL SYSTEM, WITHOUT THE WRITTEN PERMISSION OF DIGITAL EQUIPMENT CORPORATION.



REVISIONS		
CHK	CHANGE NO	REV

TITLE		SIZE CODE	NUMBER	REV.
REGISTER LOGIC (RG4)		DCS	M7774-0-1	J
SCALE	SHEET	OF	DIST	
+	6	8		

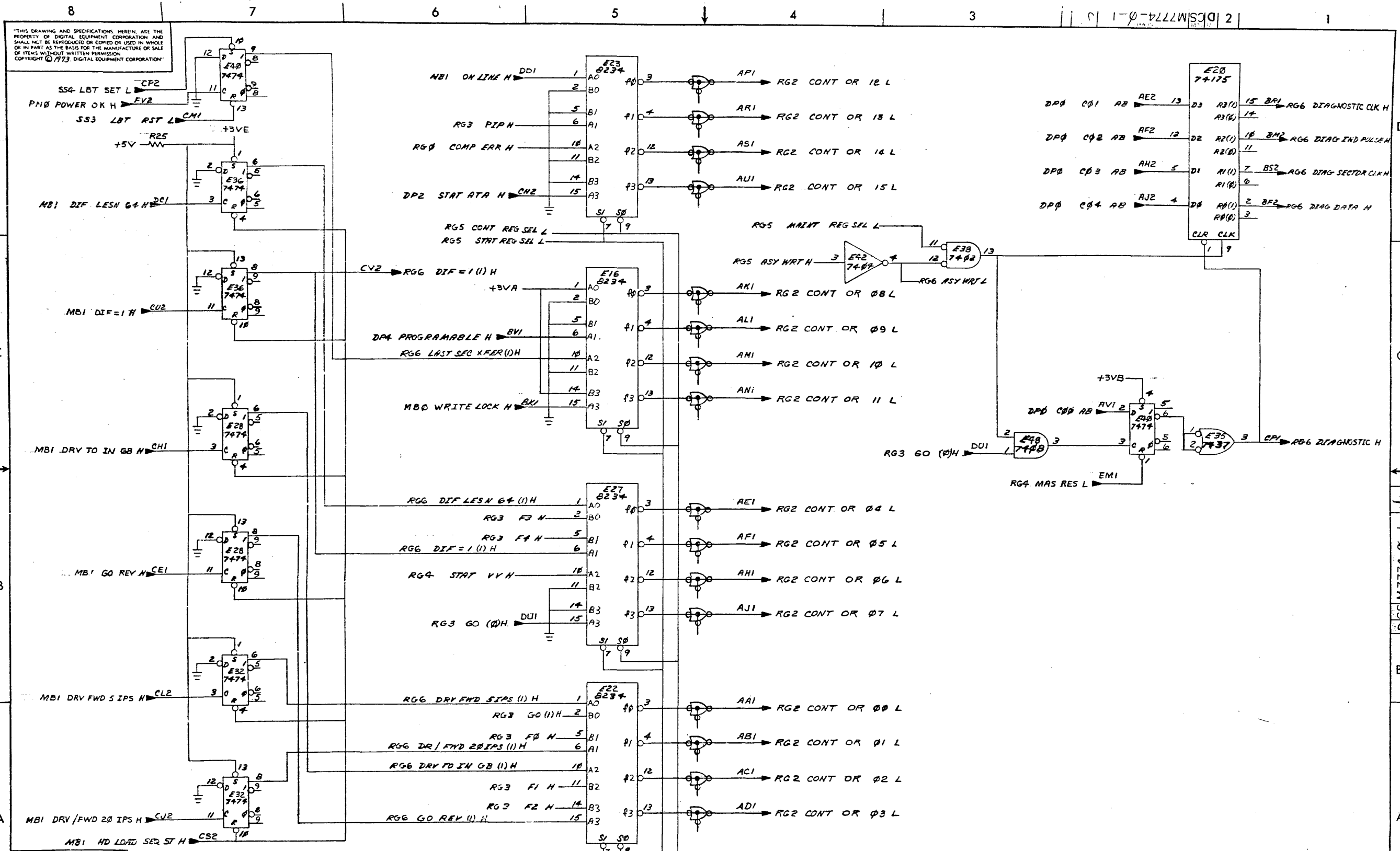
DCS M7774-0-1 J



THIS DRAWING AND SPECIFICATIONS HEREIN ARE THE PROPERTY OF DIGITAL EQUIPMENT CORPORATION AND SHALL NOT BE REPRODUCED OR COPIED OR USED IN WHOLE OR IN PART AS THE BASIS FOR THE MANUFACTURE OR SALE OF ITEMS WITHOUT WRITTEN PERMISSION. COPYRIGHT © 1973 DIGITAL EQUIPMENT CORPORATION

REVISIONS		
CHG	CHANGE NO	REV

TITLE		REGISTER LOGIC (RGS)		SHEET 7 OF 8	
SCALE		DCS M7774 0-1		DIST	



REVISIONS		
CHK	CHANGE NO	REV

TITLE REGISTER LOGIC		SIZE CODE (RG6)	NUMBER DCS M7774-0-1	REV. J1
SCALE	SHEET 8 OF 8	DIST.		

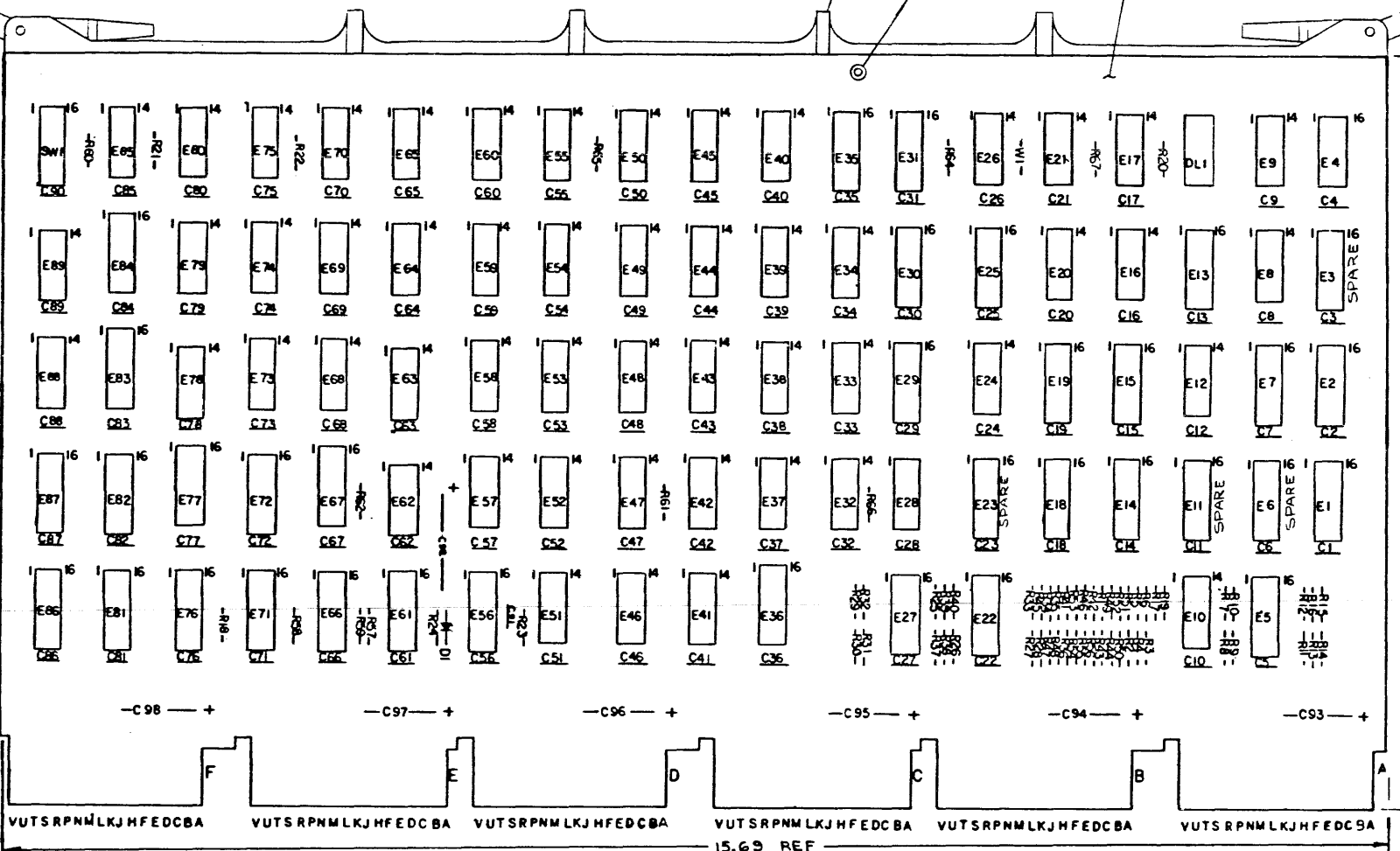
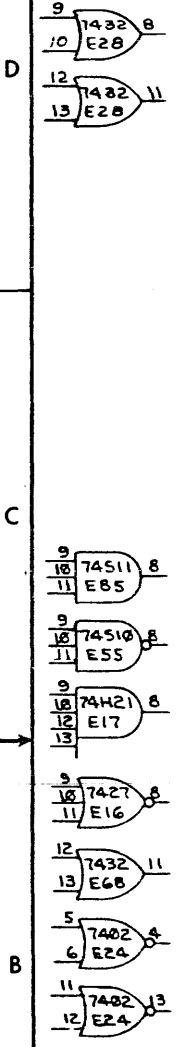
DCS M7774-0-1

THIS DRAWING AND SPECIFICATIONS HEREIN ARE THE PROPERTY OF DIGITAL EQUIPMENT CORPORATION AND SHALL NOT BE REPRODUCED OR COPIED OR USED IN WHOLE OR IN PART AS THE BASIS FOR THE MANUFACTURE OR SALE OF ITEMS WITHOUT WRITTEN PERMISSION. COPYRIGHT © 1975 DIGITAL EQUIPMENT CORPORATION.

NOTES:

- 1. UNLESS OTHERWISE SPECIFIED:
 - A. RESISTANCE IS IN OHMS & ALL RESISTORS ARE 1/4W, ±5%.
 - B. CAPACITANCE IS IN MICROFARADS.

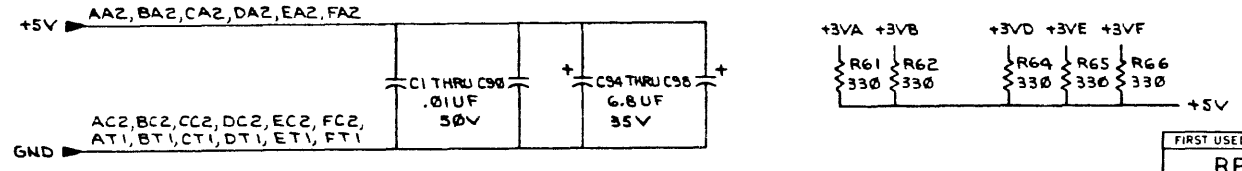
SPARES:



IC TYPE	QTY	LOCATIONS
7442	8	16
7485	8	16
74151	8	16
74145	8	16
74123	8	16
74517	8	16
74161	8	16
74157	8	16
74173	8	16
IC TYPE	GND	+5V

GND AND 5V ARE USUALLY PIN 7 AND 14 RESPECTIVELY. EXCEPTIONS ARE STATED ABOVE.

IC PIN LOCATIONS



REF	QTY	REF DESIGNATION	DESCRIPTION	PART NO	ITEM NO
			X-Y COORDINATE HOLE LOCATION	K-CO-M7787-0-4	1
			ASSY/DRILLING HOLE LAYOUT	D-AN-M7787-0-5	2
			MODULE ECO HISTORY	B-MH-M7787-0-6	3
			ETCHED CIRCUIT BOARD	5011766	4
1	1	C92	CAP 150UF 6V 20% TANT	1005572-00	5
6	6	C93 THRU C98	CAP 6.8UF 35V 10% TANT	1005306-00	6
90	90	C1 THRU C90	CAP .01UF 50V 20% AXIAL	1001610-00	7
1	1	C91	CAP 150PF 100V DM	1000019-00	8
1	1	DL1	DELAY LINE	1611300-00	9
1	1	R24	RES 30K 1/4W 5%	1302394-00	10
57	57	R1 THRU R19, R21, R22, R25 THRU R60	RES 1K 1/4W 5%	1300365-00	11
1	1	R23	RES 20K 1/4W 5%	1302391-00	12
2	2	R20, R67	RES 220 1/4W 5%	1300271-00	13
5	5	R61, R62, R64 THRU R66	RES 330 1/4W 5%	1300295-00	14
3	3	E50, E57, E69	IC 7474	1905547-00	15
2	2	E60, E78	IC 7400	1905575-00	16
2	2	E59, E74	IC 7410	1905576-00	17
2	2	E70, E80	IC 7420	1905577-00	18
3	3	E24, E41, E42	IC 7402	1909004-00	19
1	1	E17	IC 74H21	1909058-00	20
1	1	E20	IC 74H30	1909059-00	21
1	1	E43	IC 74H50	1909060-00	22
1	1	E65	IC 7404	1909686-00	23
1	1	E73	IC 8815	1909713-00	24
3	3	E4, E10, E12	IC 7417	1909929-00	25
2	2	E75, E79	IC 7405	1909930-00	26
2	2	E14, E18	IC 74151	1909936-00	27
2	2	E72, E87	IC 7442	1910046-00	28
1	1	E2	IC 74145	1910047-00	29
2	2	E32, E54	IC 7437	1910091-00	30
3	3	E46, E58, E63	IC 7408	1910155-00	31
2	2	E76, E77	IC 7485	1910224-00	32
1	1	E56	IC 74123	1910436-01	33
3	3	E39, E40, E89	IC 74500	1910532-00	34
2	2	E21, E53	IC 74S04	1910534-00	35
4	4	E34, E44, E49, E85	IC 74511	1910537-00	36
6	6	E26, E33, E38, E45, E48, E62	IC 74574	1910544-00	37
7	7	E15, E19, E22, E27, E66, E71, E83	IC 745157	1910548-00	38
4	4	E25, E29, E30, E61	IC 74161	1910650-00	39
6	6	E36, E67, E81, E82, E84, E86	IC 74157	1910655-00	40
2	2	E8, E9	IC 74180	1910724-00	41
1	1	E16	IC 7427	1910878-00	42
2	2	E31, E35	IC 745175	1910957-00	43
4	4	E1, E5, E7, E13	IC 74173	1911330-00	44
4	4	E37, E64, E68, E28	IC 7432	1911521-00	45
1	1	E51	IC 74H55	1909063-00	46
1	1	E55	IC 74510	1910536-00	47
2	2	E47, E52	IC 7470	1905589-00	48
1	1	S1	SWITCH, RKR D.I.P. 8 SWITCHES	1211164-04	49
12	12		EYELET	9006732-00	50
1	1		HANDLE, MODULE	1210711-02	51
1	1	D1	DIODE D664	1100114-00	52
1	1	W1	JUMPER	9009185-00	54
1	1	E88	IC 7414	1911324-00	55

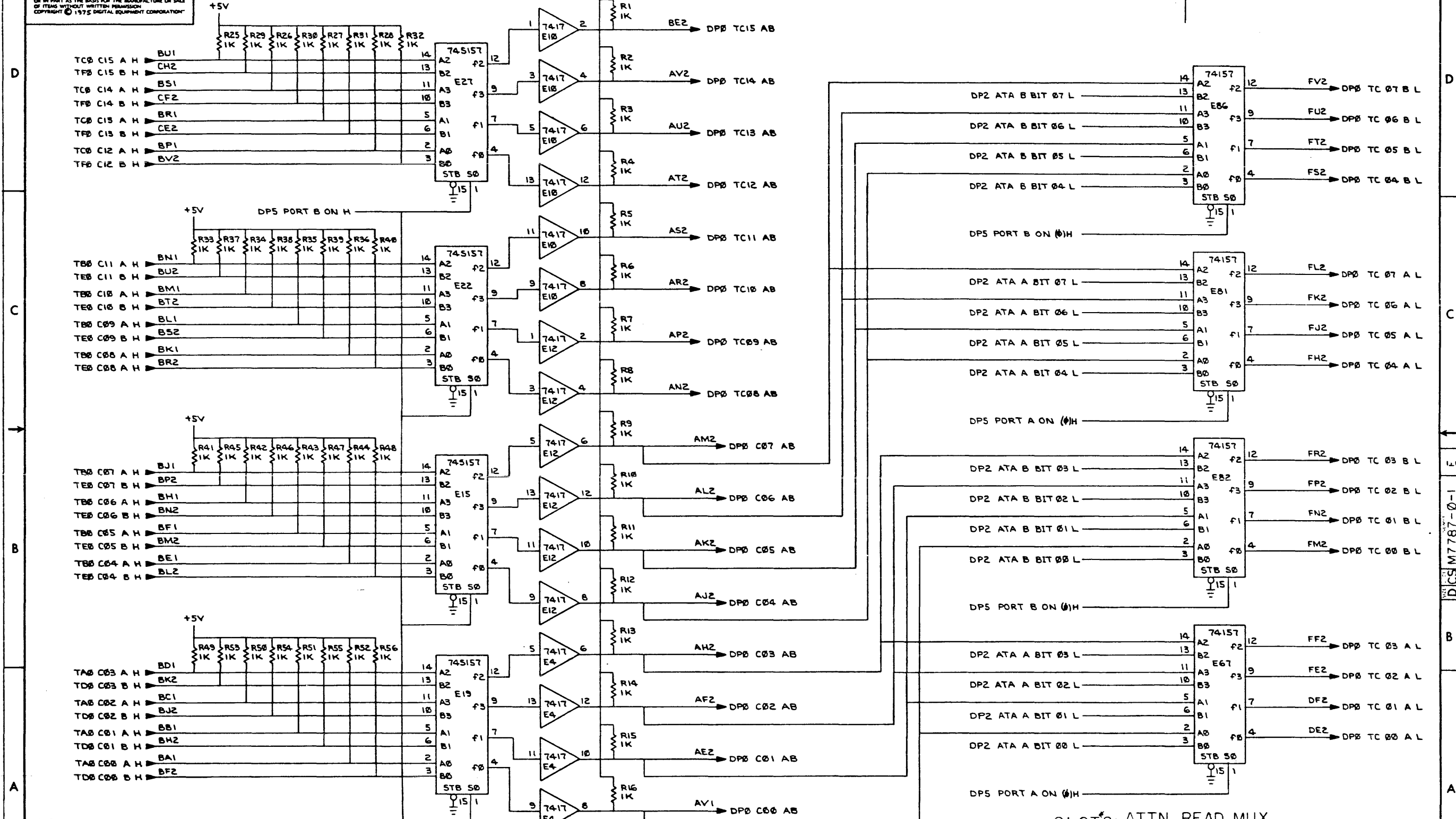
REVISIONS

NO	DATE	BY	DESCRIPTION
1	7-1-77	J. SOTO	INITIAL
2	7-1-77	J. SOTO	INITIAL
3	7-1-77	J. SOTO	INITIAL
4	7-1-77	J. SOTO	INITIAL
5	7-1-77	J. SOTO	INITIAL
6	7-1-77	J. SOTO	INITIAL
7	7-1-77	J. SOTO	INITIAL
8	7-1-77	J. SOTO	INITIAL
9	7-1-77	J. SOTO	INITIAL
10	7-1-77	J. SOTO	INITIAL
11	7-1-77	J. SOTO	INITIAL
12	7-1-77	J. SOTO	INITIAL

DATE: 11/10/75
 TITLE: INTERFACE CONTROL
 SCALE: 1 OF 8
 SHEET: 1 OF 8
 DIST:
 REV: E

THIS DRAWING AND SPECIFICATIONS HEREIN ARE THE PROPERTY OF DIGITAL EQUIPMENT CORPORATION AND SHALL NOT BE REPRODUCED OR COPIED OR USED IN WHOLE OR IN PART AS THE BASIS FOR THE MANUFACTURE OR SALE OF ITEMS WITHOUT WRITTEN PERMISSION. COPYRIGHT © 1975 DIGITAL EQUIPMENT CORPORATION.

NOTE

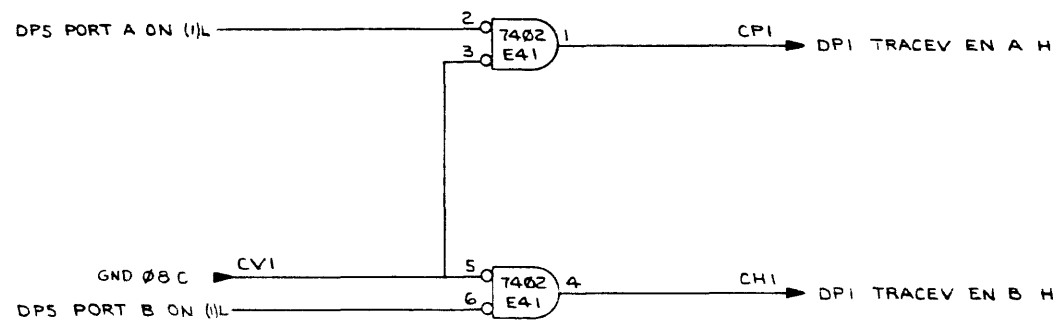
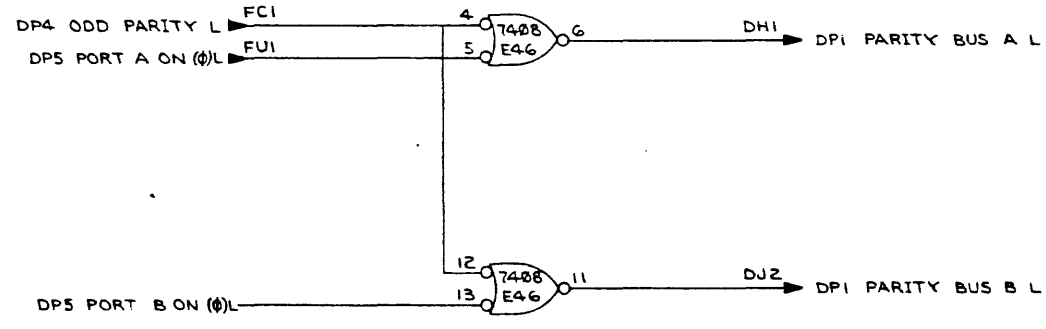
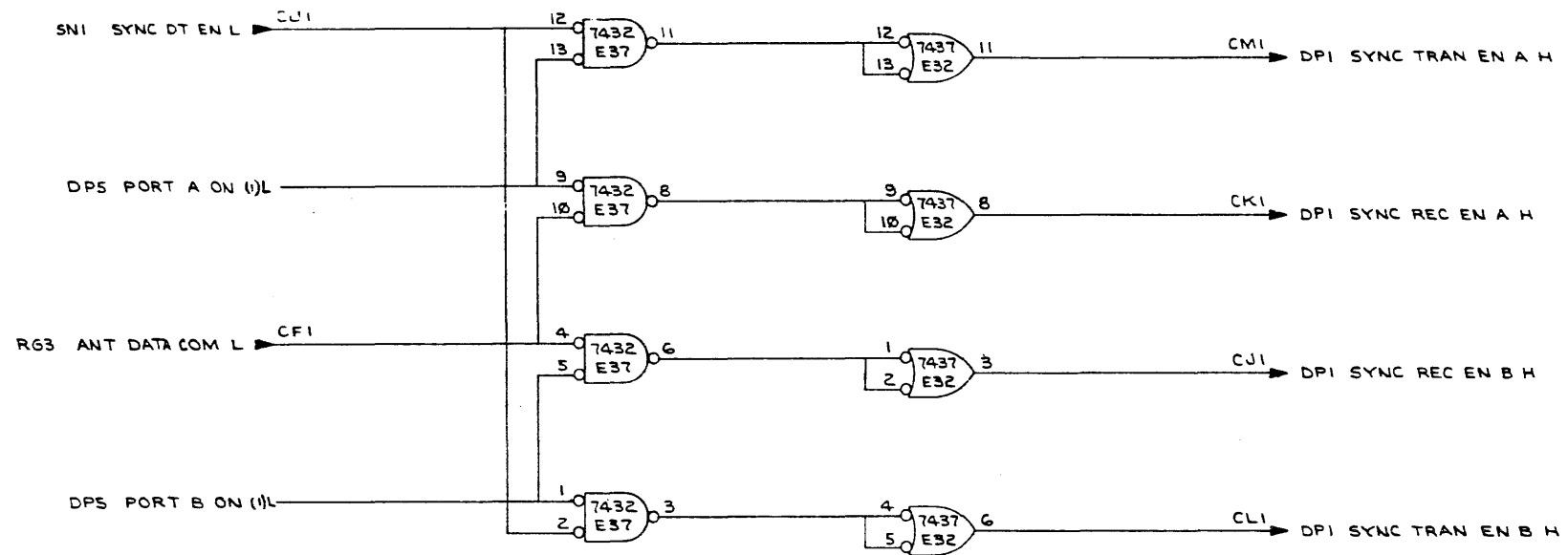


REVISIONS		
CHK	CHANGE NO	REV

SLOT 8: ATTN READ MUX CONTROL BUS INPUT MUX.

THIS DRAWING AND SPECIFICATIONS HEREIN ARE THE PROPERTY OF DIGITAL EQUIPMENT CORPORATION AND SHALL NOT BE REPRODUCED OR COPIED OR USED IN WHOLE OR IN PART AS THE BASIS FOR THE MANUFACTURE OR SALE OF ITEMS WITHOUT WRITTEN PERMISSION. COPYRIGHT © 1975 DIGITAL EQUIPMENT CORPORATION.

1-0-2822W DCS M7787-0-1

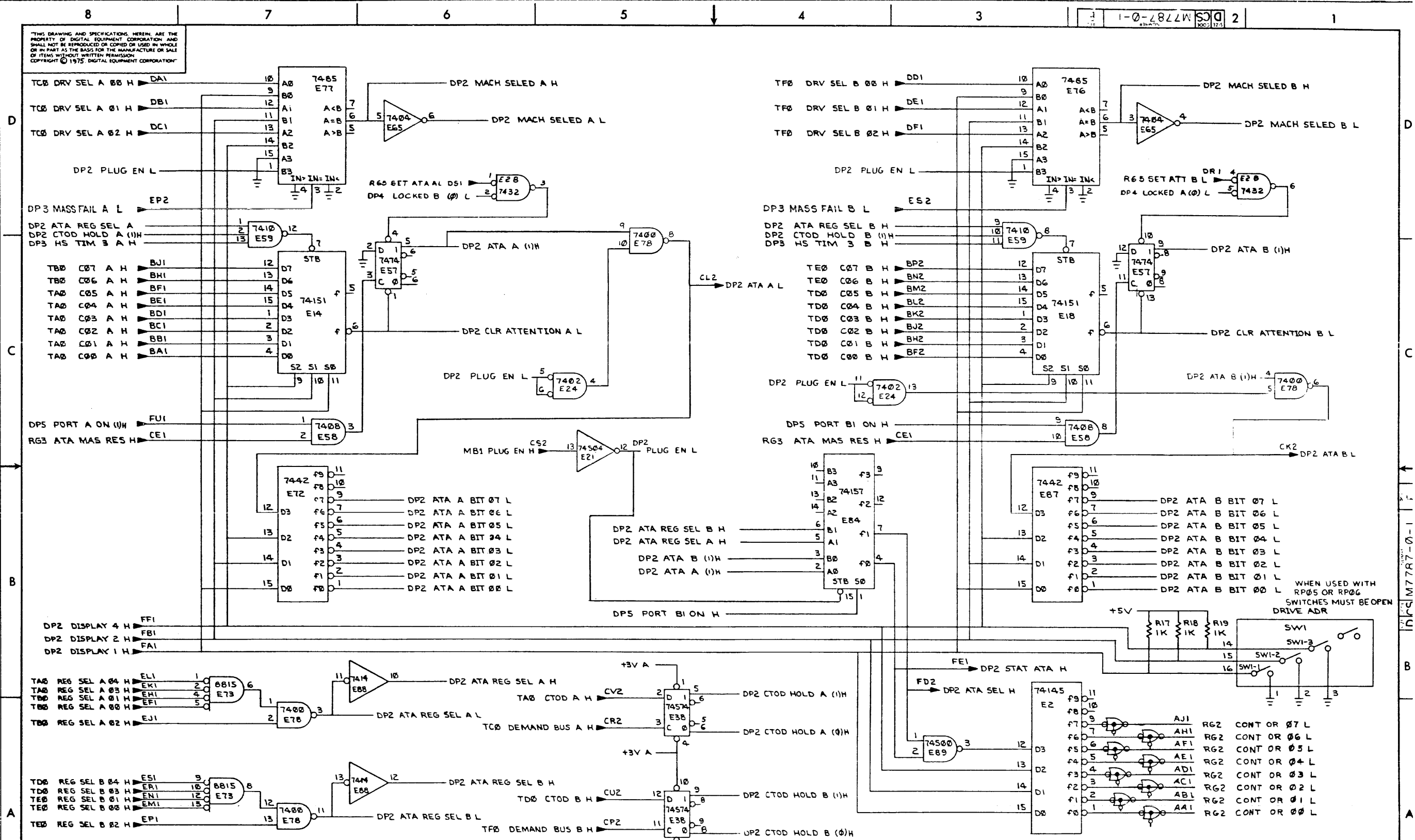


SLOT #8:
MASS BUS TRANSCEIVER ENABLES

REVISIONS		
CHK	CHANGE NO	REV

TITLE	INTERFACE CONTROL (DPI)	SIZE CODE	DCS	NUMBER	M7787-0-1
SCALE		SHEET	3	OF	8
DIST					

THIS DRAWING AND SPECIFICATIONS HEREIN ARE THE PROPERTY OF DIGITAL EQUIPMENT CORPORATION AND SHALL NOT BE REPRODUCED OR COPIED OR USED IN WHOLE OR IN PART AS THE BASIS FOR THE MANUFACTURE OR SALE OF ITEMS WITHOUT WRITTEN PERMISSION. COPYRIGHT © 1975, DIGITAL EQUIPMENT CORPORATION.

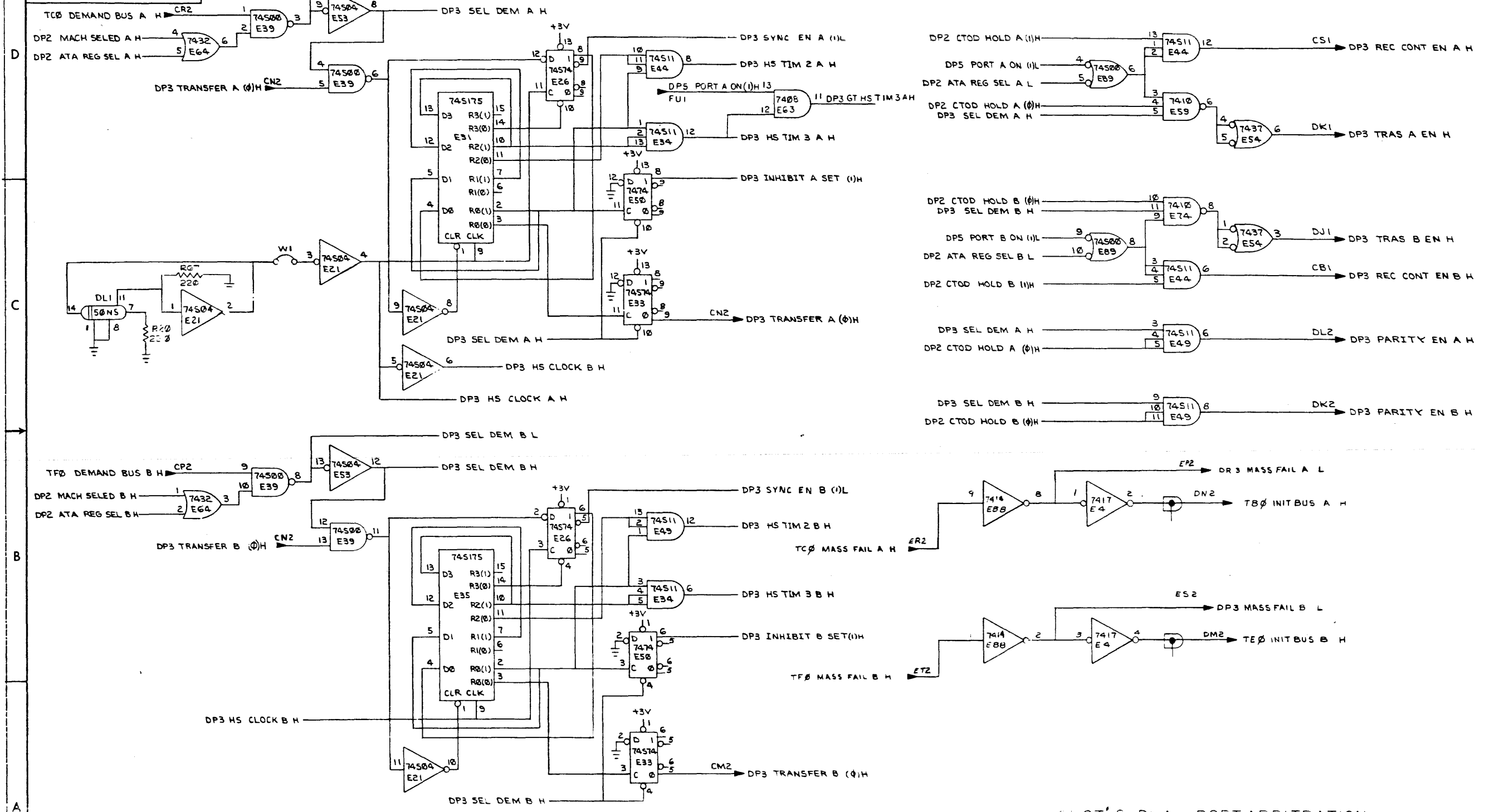


SLOT 8: ATTENTION REG. MUX/ATTN REG.

REV	CHANGE NO	REV

TITLE	INTERFACE CONTROL (DP2)	SIZE	CODE	NUMBER	REV
SCALE	SHEET 4	OF 8	DIST	M7787-0-1	E

THIS DRAWING AND SPECIFICATIONS HEREIN ARE THE PROPERTY OF DIGITAL EQUIPMENT CORPORATION AND SHALL NOT BE REPRODUCED OR COPIED OR USED IN WHOLE OR IN PART AS THE BASIS FOR THE MANUFACTURE OR SALE OF ITEMS WITHOUT WRITTEN PERMISSION. COPYRIGHT © 1975 DIGITAL EQUIPMENT CORPORATION.



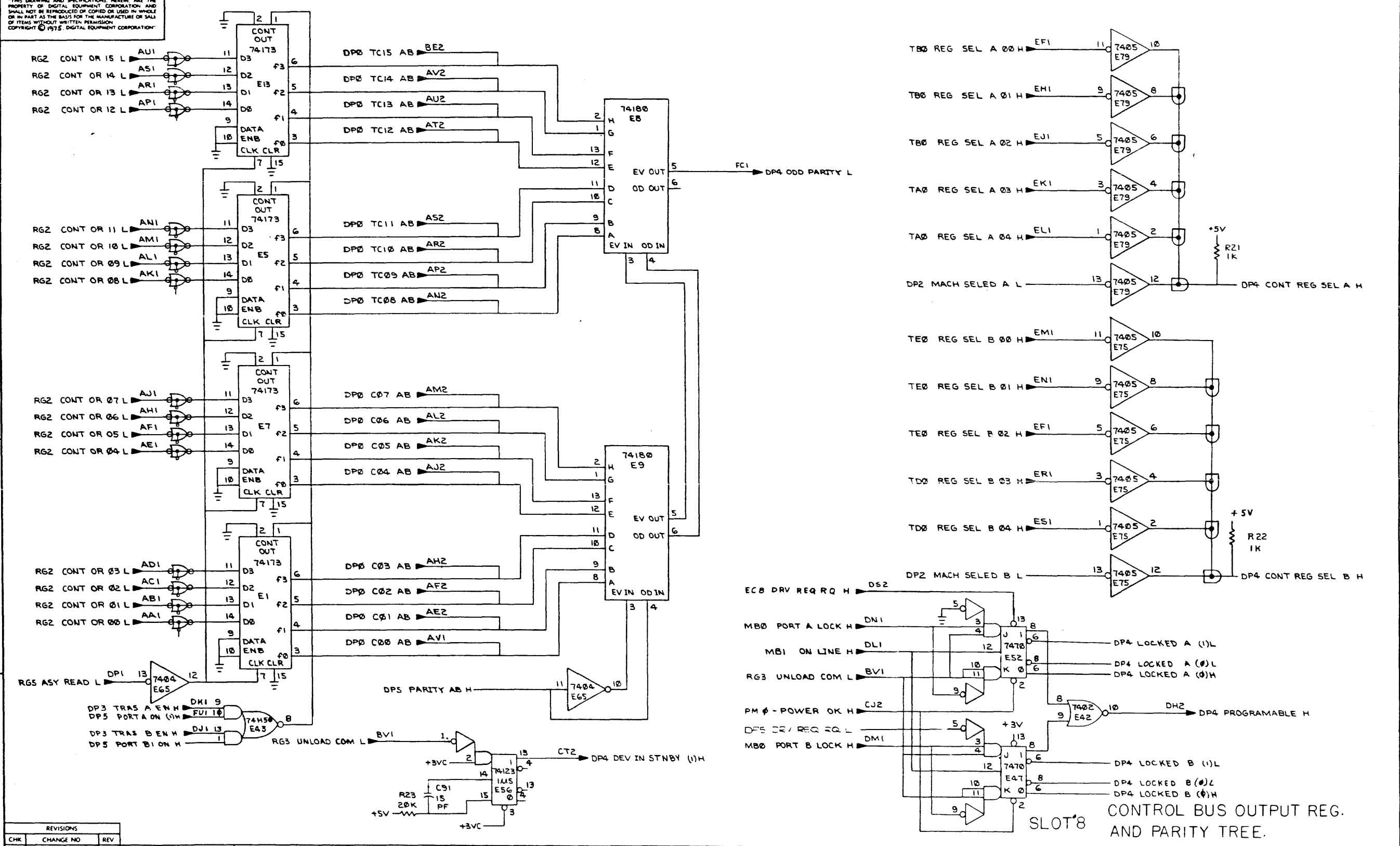
SLOT 5 DUAL PORT ARBITRATION

REVISIONS		
CHK	CHANGE NO	REV

FILE	INTERFACE CONTROL (DP3)	SIZE/CODE	NUMBER	REV
SCALE	SHEET 5 OF 8	DIST		E

THIS DRAWING AND SPECIFICATIONS HEREIN ARE THE PROPERTY OF DIGITAL EQUIPMENT CORPORATION AND SHALL NOT BE REPRODUCED OR COPIED OR USED IN WHOLE OR IN PART AS THE BASIS FOR THE MANUFACTURE OR SALE OF ITEMS WITHOUT WRITTEN PERMISSION. COPYRIGHT © 1975, DIGITAL EQUIPMENT CORPORATION.

D
C
B
A



D
C
B
A

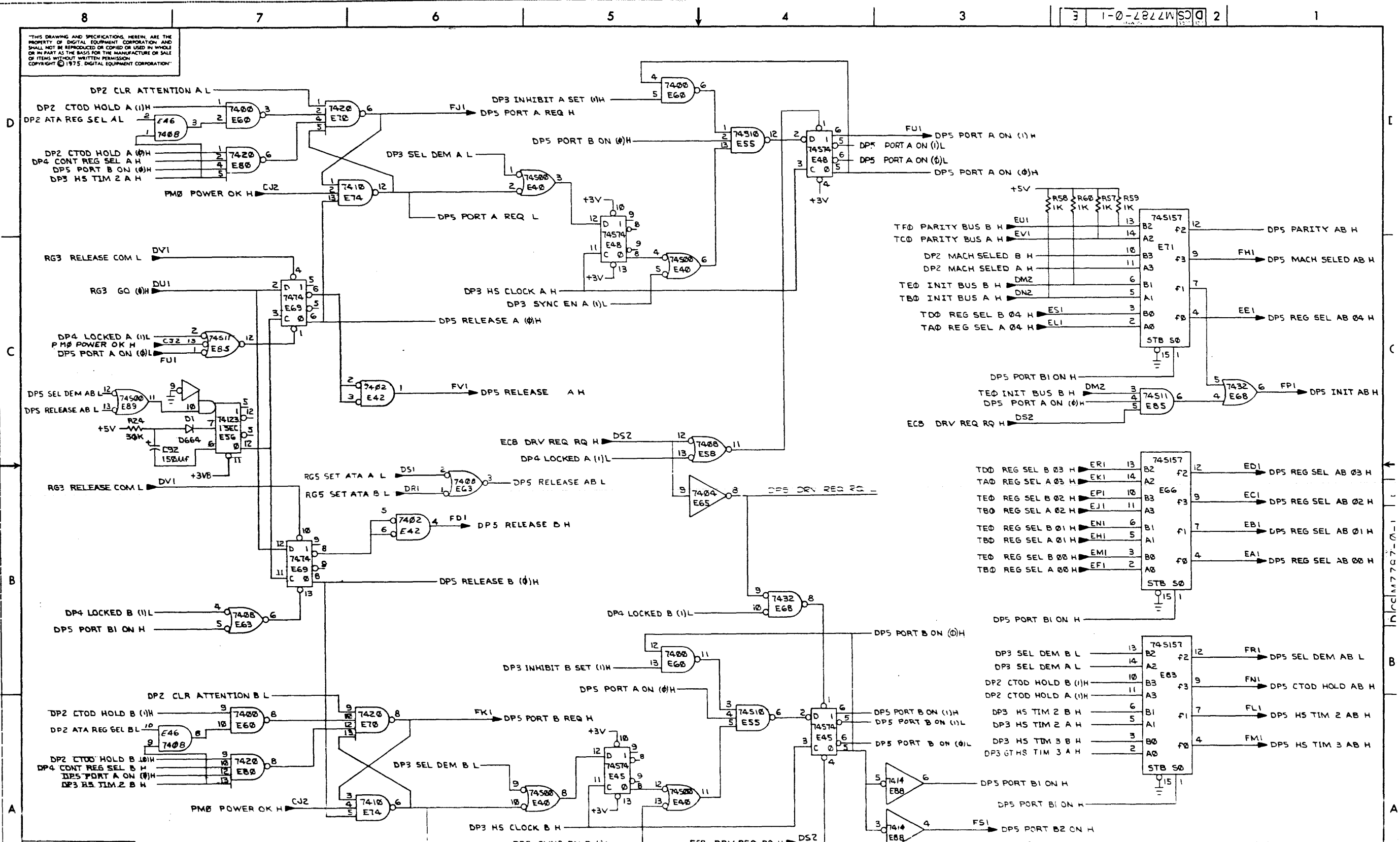
DCS M7787-01-1

REVISIONS		
CHK	CHANGE NO	REV

TITLE	INTERFACE CONTROL (DP4)	SIZE CODE	D CS	NUMBER	M7787-01	REV	E
SCALE	SHEET 6 OF 8		DIST				

SLOT 8 CONTROL BUS OUTPUT REG. AND PARITY TREE.

THIS DRAWING AND SPECIFICATIONS HEREIN ARE THE PROPERTY OF DIGITAL EQUIPMENT CORPORATION AND SHALL NOT BE REPRODUCED OR COPIED OR USED IN WHOLE OR IN PART AS THE BASIS FOR THE MANUFACTURE OR SALE OF ITEMS WITHOUT WRITTEN PERMISSION. COPYRIGHT © 1975, DIGITAL EQUIPMENT CORPORATION.

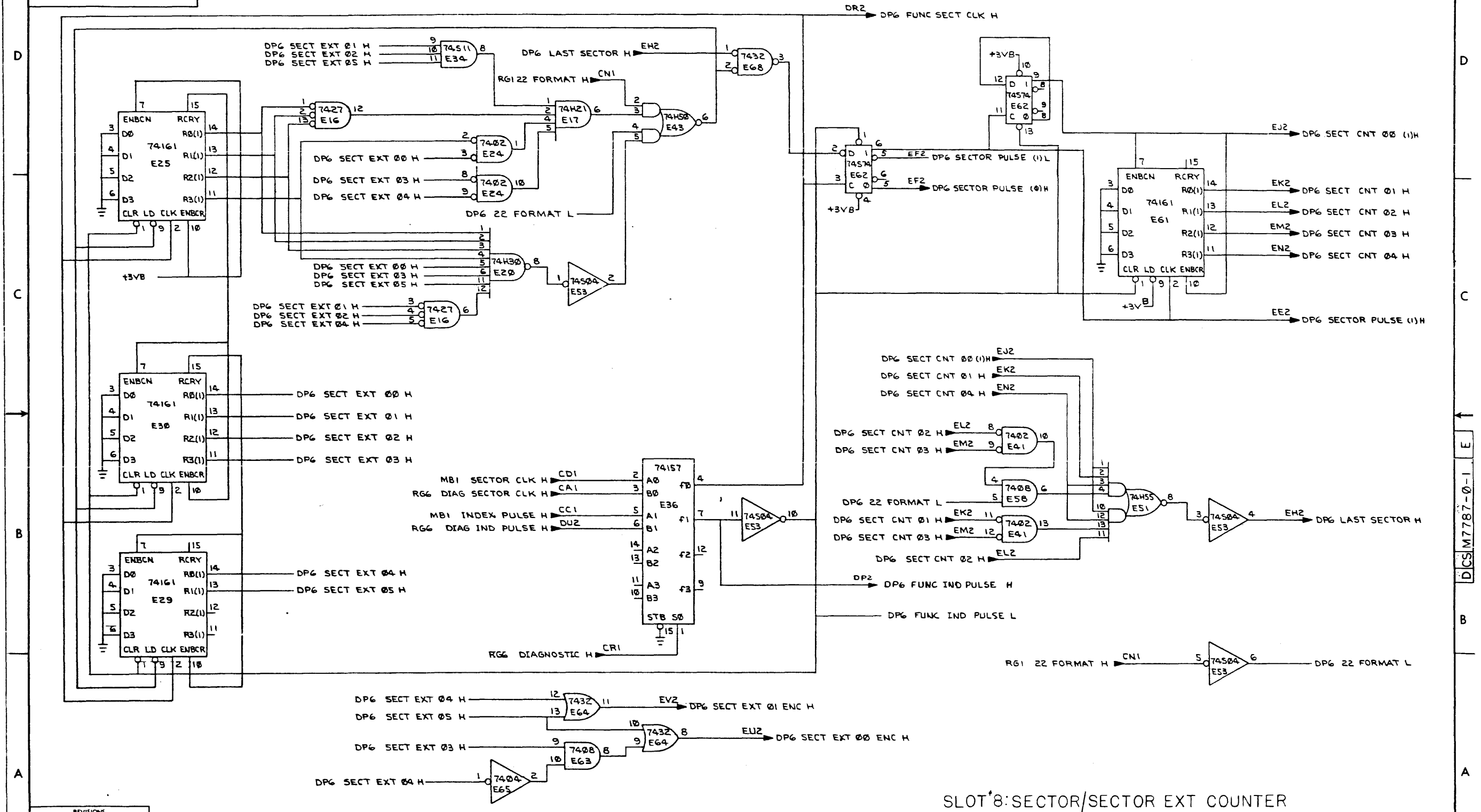


REVISIONS		
CHK	CHANGE NO	REV

SLOT 8 CONTROLLER SELECT LOGIC

TITLE	INTERFACE CONTROL (DPS)	SIZE CODE	D CS M7787-0-1	NUMBER		REV	E
SCALE		SHEET	7	OF	8	DIST	

THIS DRAWING AND SPECIFICATIONS HEREIN ARE THE PROPERTY OF DIGITAL EQUIPMENT CORPORATION AND SHALL NOT BE REPRODUCED OR COPIED OR USED IN WHOLE OR IN PART AS THE BASIS FOR THE MANUFACTURE OR SALE OF ITEMS WITHOUT WRITTEN PERMISSION. COPYRIGHT © 1975, DIGITAL EQUIPMENT CORPORATION.

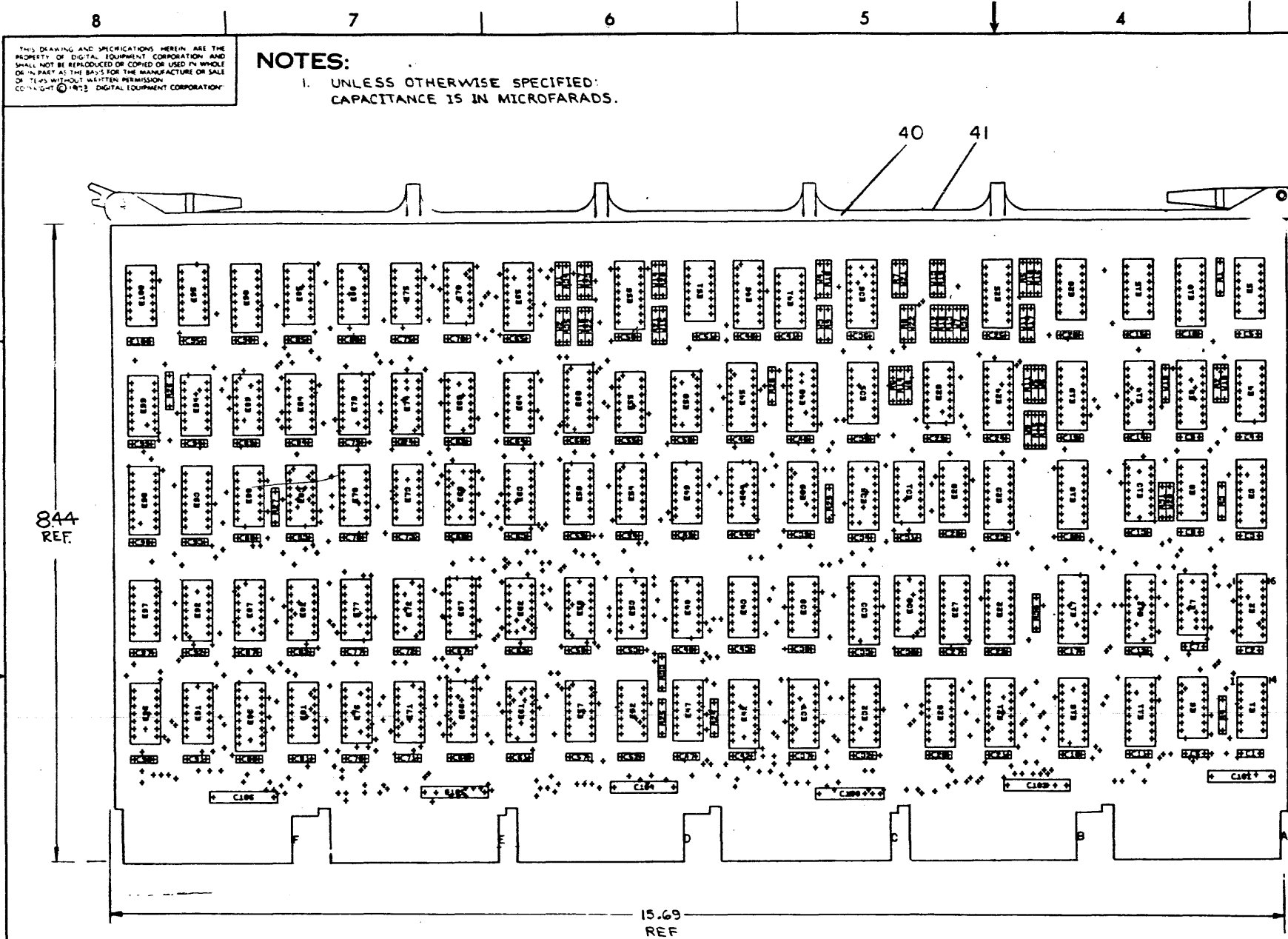


SLOT 8: SECTOR/SECTOR EXT COUNTER

REVISIONS		
CHK	CHANGE NO	REV

TITLE	INTERFACE CONTROL (DP6)	SIZE CODE	D CS	NUMBER	M7787-0-1	REV	E
SCALE	+	SHEET	8	OF	8	DIST	

DCS M7787-0-1

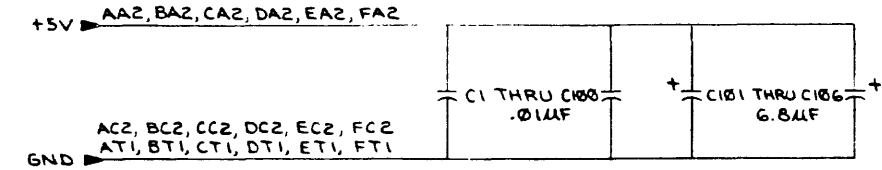


THIS DRAWING AND SPECIFICATIONS HEREIN ARE THE PROPERTY OF DIGITAL EQUIPMENT CORPORATION AND SHALL NOT BE REPRODUCED OR COPIED OR USED IN WHOLE OR IN PART AS THE BASIS FOR THE MANUFACTURE OR SALE OF ITEMS WITHOUT WRITTEN PERMISSION. DIGITAL EQUIPMENT CORPORATION

NOTES:
 1. UNLESS OTHERWISE SPECIFIED:
 CAPACITANCE IS IN MICROFARADS.

IC TYPE	GND	+5V

IC PIN LOCATIONS



FIRST USED ON OPTION MODEL

RP04

DRN	DATE
A. Kellaway	11 DEC '73
CHKD.	DATE
ENG.	DATE
PRG. ENGR.	DATE
PRG.	DATE
NEXT HIGHER ASSY	

DEC NO. EIA NO. DEC NO. EIA NO.

SEMICONDUCTOR CONVERSION CHART

REF		X-Y COORDINATE HOLE LOCATION	K-CO-M7776-0-4
REF		ASSY/DRILLING HOLE LAYOUT	D-AH-M7776-0-5
REF		MODULE ECO HISTORY	B-MH-M7776-0-6
1		ETCHED CIRCUIT BOARD	5010670
100	C1-C100	CAP .01μF 50V 20%	1001610-00
6	C101-C106	CAP 6.8μF 35V 20%	1005306
2	E30,E73	IC DEC 7432	1911521
4	E49,E52,E59,E60	IC DEC 7430	1905578
1	E85	IC DEC 7402	1909084
1	E100	IC DEC 74H74	1909667
4	E13,E15,E20,E29	IC DEC 8242	1909712
1	E88	IC DEC 74H04	1909931
2	E68,E78	IC DEC 7437	1910391
2	E35,E57	IC DEC 74S11	1910537
2	E77,E82	IC DEC 74S04	1910534
4	E6,E31,E33,E99	IC DEC 74S74	1910544
7	E14,E18,E19,E22,E23 E27,E40	IC DEC 74161	1910650
1	E28	IC DEC 7438	1911219
1	E87	IC DEC 74H00	1909056
1	E91	IC DEC 74H11	1909267
6	E39,E71,E76,E81,E96,E97	IC DEC 7404	1909686
2	E7,E47	IC DEC 7486	1910011
1	E92	IC DEC 7408	1910155
1	E34	IC DEC 74H06	1910408
4	E67,E72,E84 E95	IC DEC 74S00	1910532
4	E1,E4,E5 E8	IC DEC 74S05	1910535
2	E61,E89	IC DEC 74S10	1910536
1	E62	IC DEC 74S20	1910539
2	E94,E54	IC DEC 74S40	1910541
1	E46	IC DEC 74S112	1910545
B	E2,E3,E9,E10,E11,E90 E93,E98	IC DEC 74S174	1910550
11	E12,E16,E17,E24,E25,E36, E45,E56,E60,E65 E69	IC DEC 8234	1911315
16	E35,E43,E44,E48,E50, E53-E55,E58,E63,E64, E69,E70,E74,E75,E79	IC DEC 7474	1905547
5	E21,E26,E32,E37,E42	IC DEC 74157	1910655
1	E66	IC DEC 7427	1910878
1	E86	IC DEC 74S175	1910957
10	R28-R32,R26 R1,R2,R3,R4	RES 330Ω 1/4W 5%	1300295
2	R5,R6	RES 680Ω 1/4W 5%	1301424
22	R7 THRU R25,R27,R34,R35	RES 1K 1/4W 5%	1300365
12		EYELET, GS-A-7	9006732
1		HANDLE, MODULE	1210711-2
22	W1-W22	INSULATED JUMPER WIRE	9009185
REF		WIRE, BOARD GRN SOLID	9103740-05
1	E 41	IC DEC 74164	1910041
1	R33	RES 10K 1/4W 5%	1300479

ETCH BOARD REV E

PARTS LIST

DRAWN	DATE
CHKD.	DATE
ENG.	DATE
PRG. ENGR.	DATE
PRG.	DATE
NEXT HIGHER ASSY	

digital EQUIPMENT CORPORATION

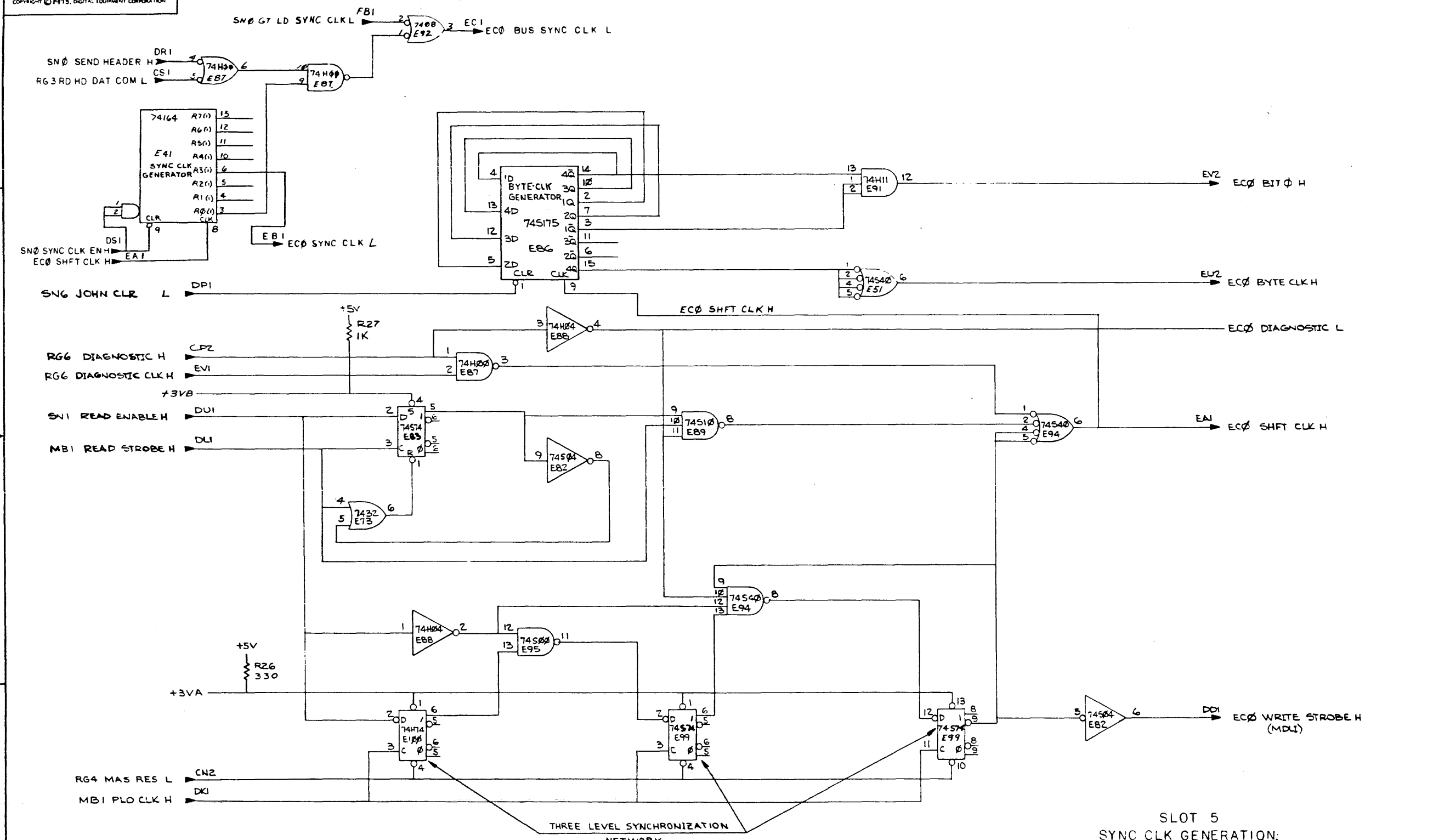
TITLE: ERROR CORRECTION LOGIC

SCALE: # DIST:

SIZE: CODE DCS NUMBER: M7776-0-1 REV: E

SHEET 1 OF 11

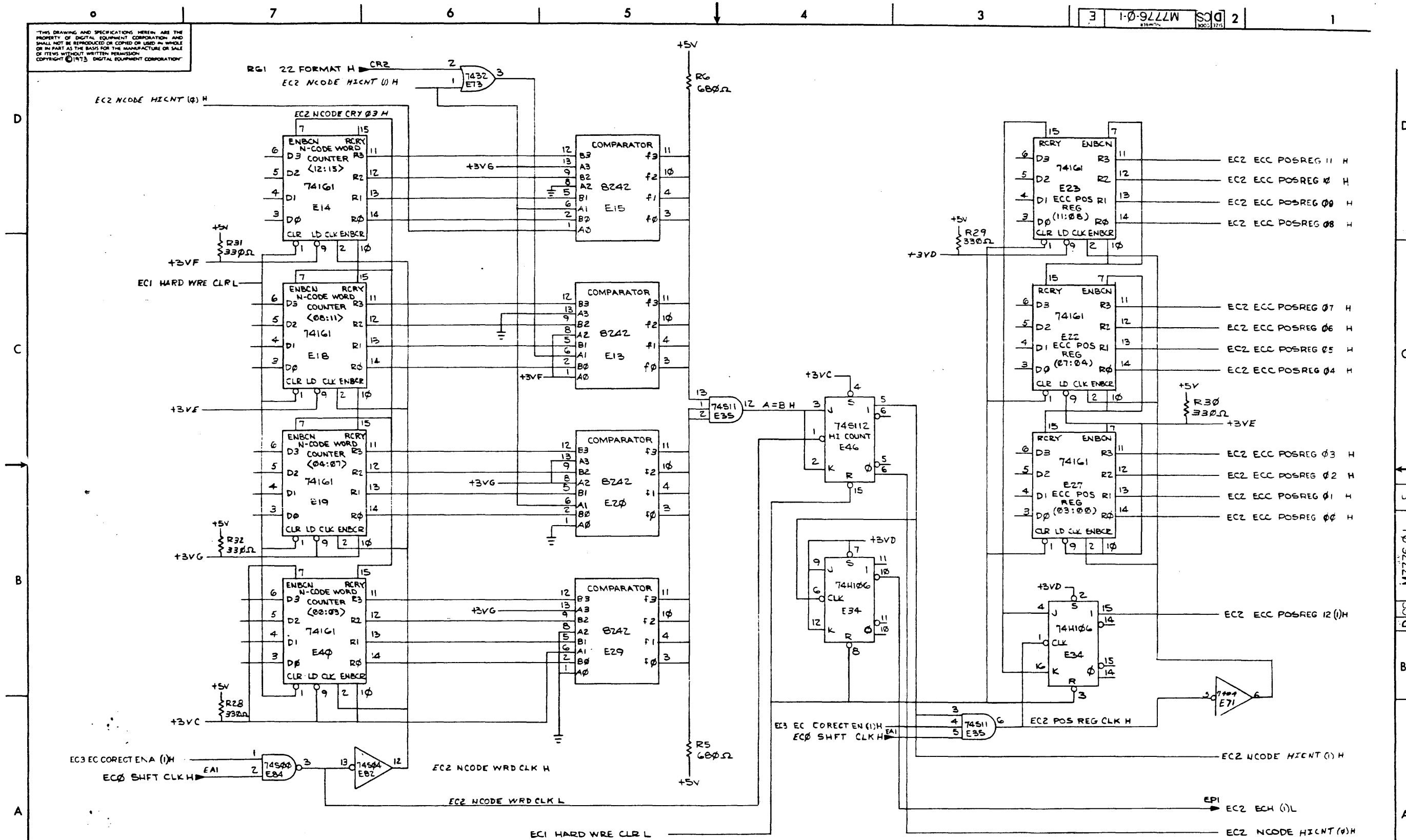
THIS DRAWING AND SPECIFICATIONS HEREIN ARE THE PROPERTY OF DIGITAL EQUIPMENT CORPORATION AND SHALL NOT BE REPRODUCED OR COPIED OR USED IN WHOLE OR IN PART AS THE BASIS FOR THE MANUFACTURE OR SALE OF ITEMS WITHOUT THE WRITTEN PERMISSION OF DIGITAL EQUIPMENT CORPORATION. COPYRIGHT © 1975, DIGITAL EQUIPMENT CORPORATION.



REVISIONS		
CHK	CHANGE NO	REV

SLOT 5					
SYNC CLK GENERATION;					
SHIFT CLK/BYTE CLK GENERATION					
TITLE	ERROR CORRECTION	SIZE CODE	NUMBER	REV.	
	(ECØ)	DCS	M7776-0-1	E	
SCALE	SHEET 2 OF 11	DIST			

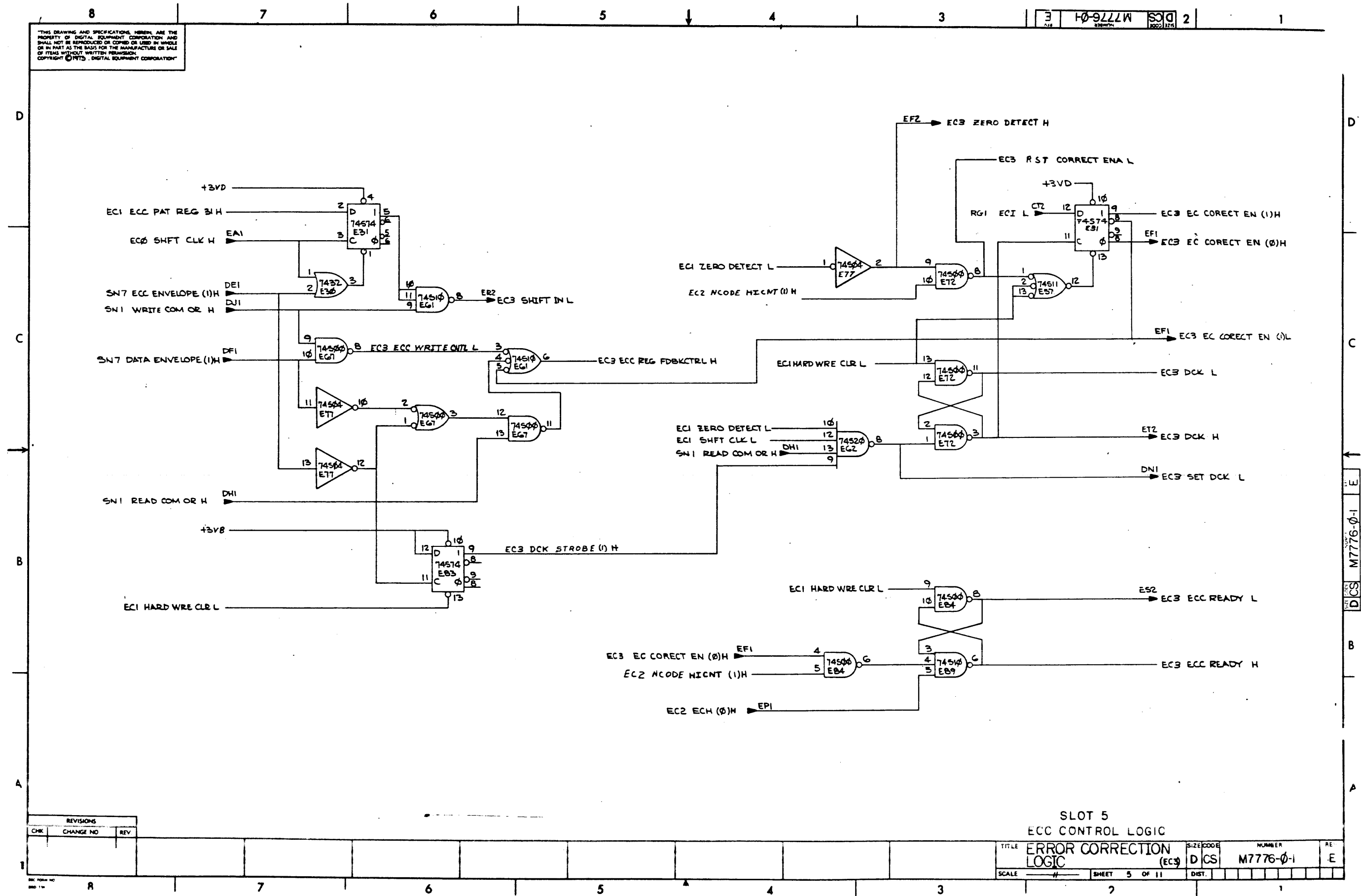
THIS DRAWING AND SPECIFICATIONS HEREIN ARE THE PROPERTY OF DIGITAL EQUIPMENT CORPORATION AND SHALL NOT BE REPRODUCED OR COPIED OR USED IN WHOLE OR IN PART AS THE BASIS FOR THE MANUFACTURE OR SALE OF ITEMS WITHOUT WRITTEN PERMISSION. COPYRIGHT © 1975, DIGITAL EQUIPMENT CORPORATION.



REVISIONS		
CHK	CHANGE NO	REV

SLOT 5 ECC POSITION REGISTER		TITLE	SIZE CODE	NUMBER	REV.
ERROR CORRECTION LOGIC (EC2)		D CS	M7776-0-1	E	
SCALE	SHEET	OF	DIST.		
	4	11			

THIS DRAWING AND SPECIFICATIONS HEREIN ARE THE PROPERTY OF DIGITAL EQUIPMENT CORPORATION AND SHALL NOT BE REPRODUCED OR COPIED OR USED IN WHOLE OR IN PART AS THE BASIS FOR THE MANUFACTURE OR SALE OF ITEMS WITHOUT WRITTEN PERMISSION. COPYRIGHT © 1973, DIGITAL EQUIPMENT CORPORATION.



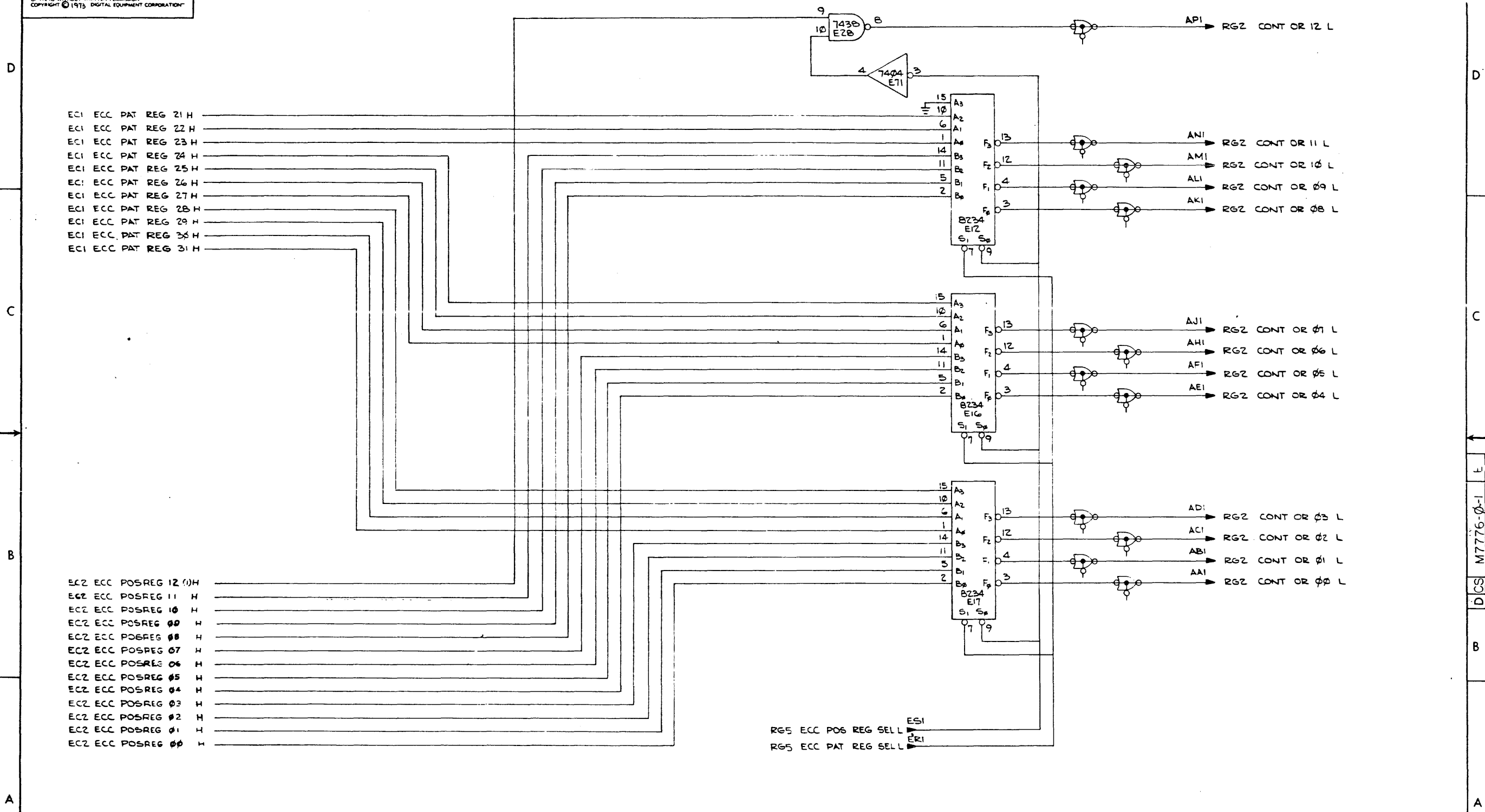
REVISIONS		
CHK	CHANGE NO	REV

SLOT 5
ECC CONTROL LOGIC

TITLE ERROR CORRECTION LOGIC (EC3)
SIZE CODE DCS NUMBER M7776-0-1 RE E

SCALE # SHEET 5 OF 11 DIST.

THIS DRAWING AND SPECIFICATIONS HEREIN ARE THE PROPERTY OF DIGITAL EQUIPMENT CORPORATION AND SHALL NOT BE REPRODUCED OR COPIED OR USED IN WHOLE OR IN PART AS THE BASIS FOR THE MANUFACTURE OR SALE OF ITEMS WITHOUT WRITTEN PERMISSION. COPYRIGHT © 1975 DIGITAL EQUIPMENT CORPORATION.



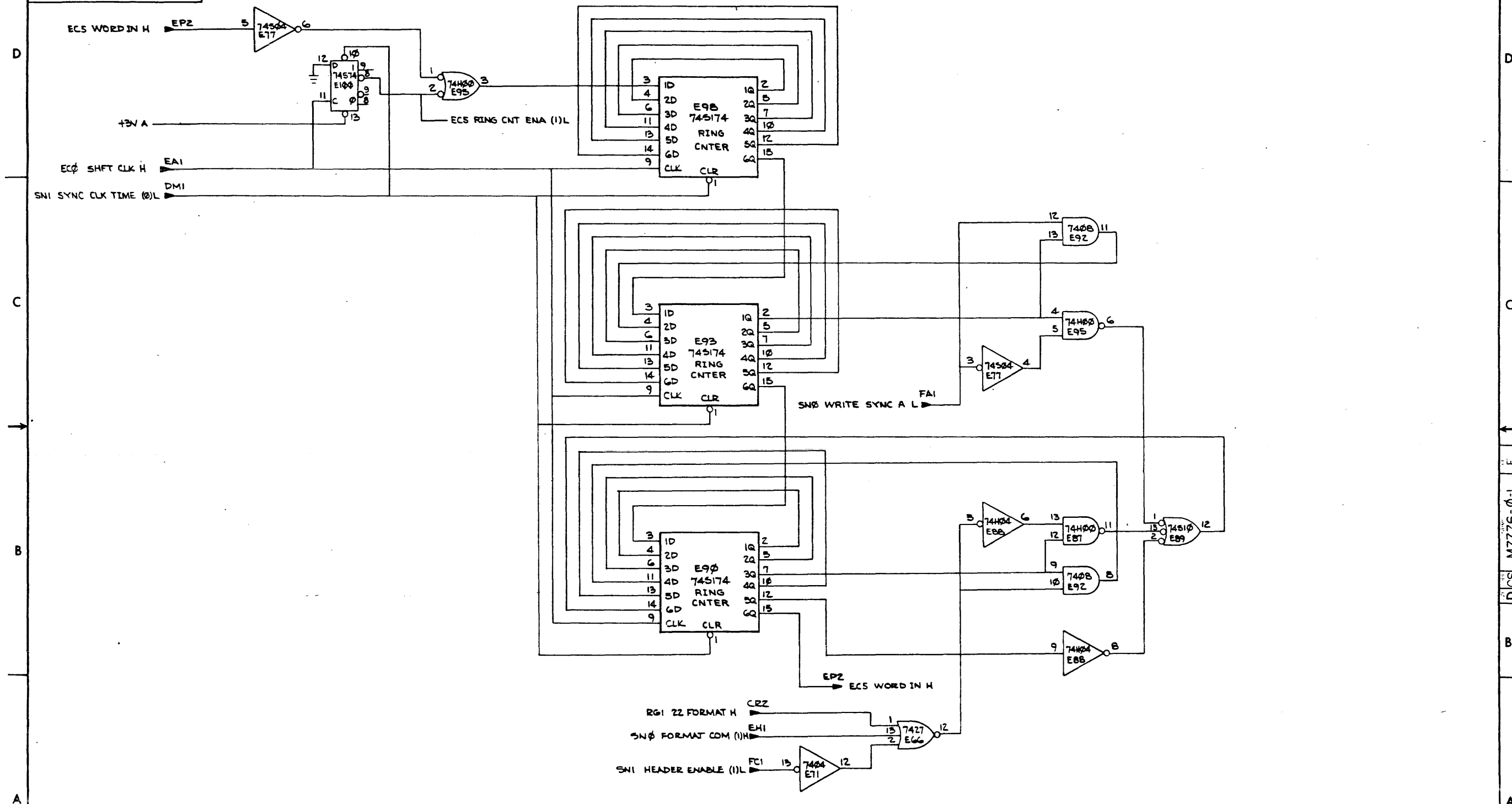
REVISIONS		
CHK	CHANGE NO	REV

SLOT 5
ECC PAT/ POS REGISTER MUX.

TITLE	ERROR CORRECTION (EC4)	SIZE CODE	DCS	NUMBER	M7776-0-1	REV.	E
SCALE	1/16"	SHEET	6	OF	11	DIST	

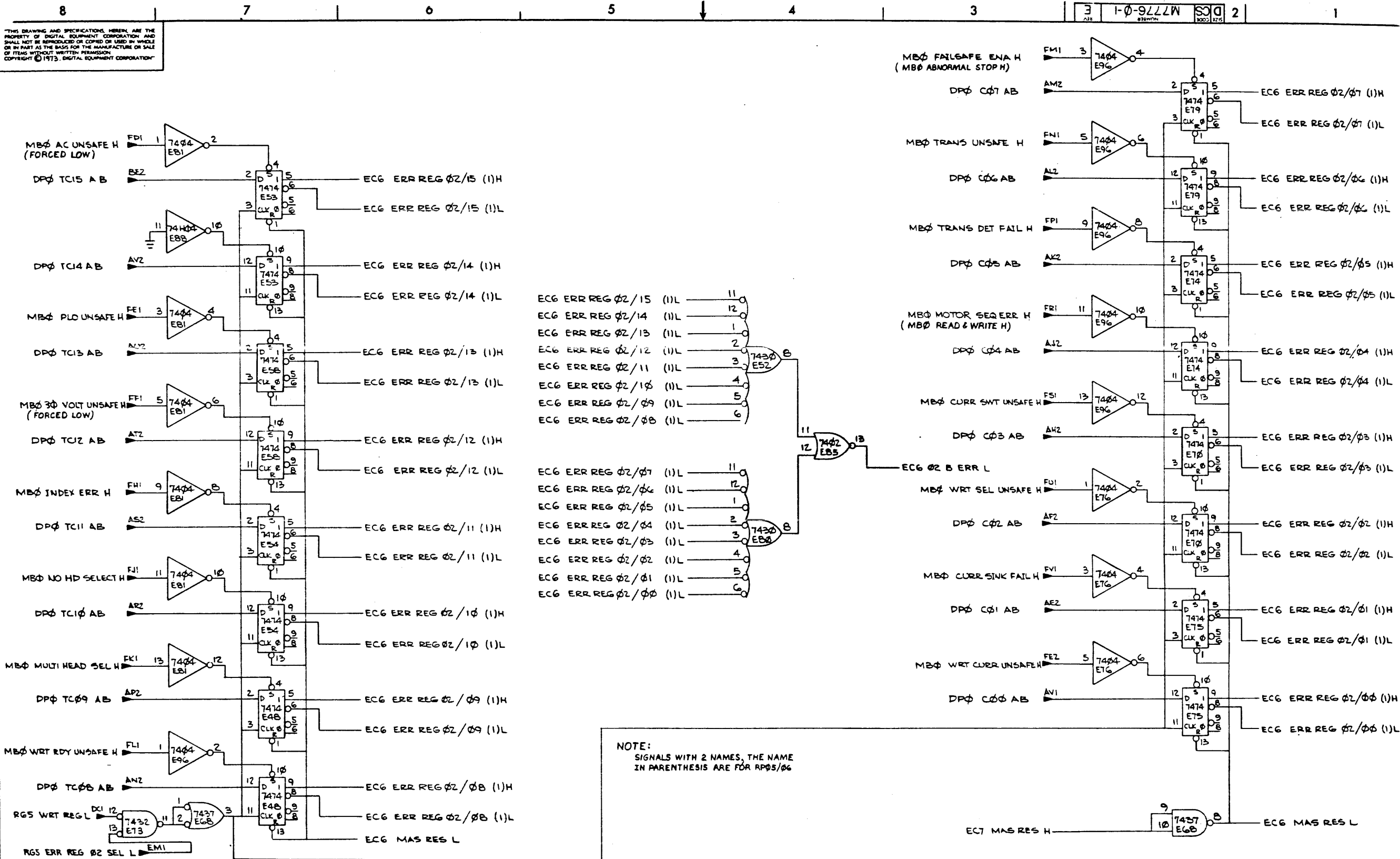
DCS M7776-0-1 E

"THIS DRAWING AND SPECIFICATIONS HEREIN ARE THE PROPERTY OF DIGITAL EQUIPMENT CORPORATION AND SHALL NOT BE REPRODUCED OR COPIED OR USED IN WHOLE OR IN PART AS THE BASIS FOR THE MANUFACTURE OR SALE OF ITEMS WITHOUT WRITTEN PERMISSION. COPYRIGHT © 1973, DIGITAL EQUIPMENT CORPORATION"



SLOT 5 RING COUNTER

REVISIONS		
CHK	CHANGE NO	REV



THIS DRAWING AND SPECIFICATIONS HEREIN ARE THE PROPERTY OF DIGITAL EQUIPMENT CORPORATION AND SHALL NOT BE REPRODUCED OR COPIED OR USED IN WHOLE OR IN PART AS THE BASIS FOR THE MANUFACTURE OR SALE OF ITEMS WITHOUT WRITTEN PERMISSION. COPYRIGHT © 1973, DIGITAL EQUIPMENT CORPORATION.

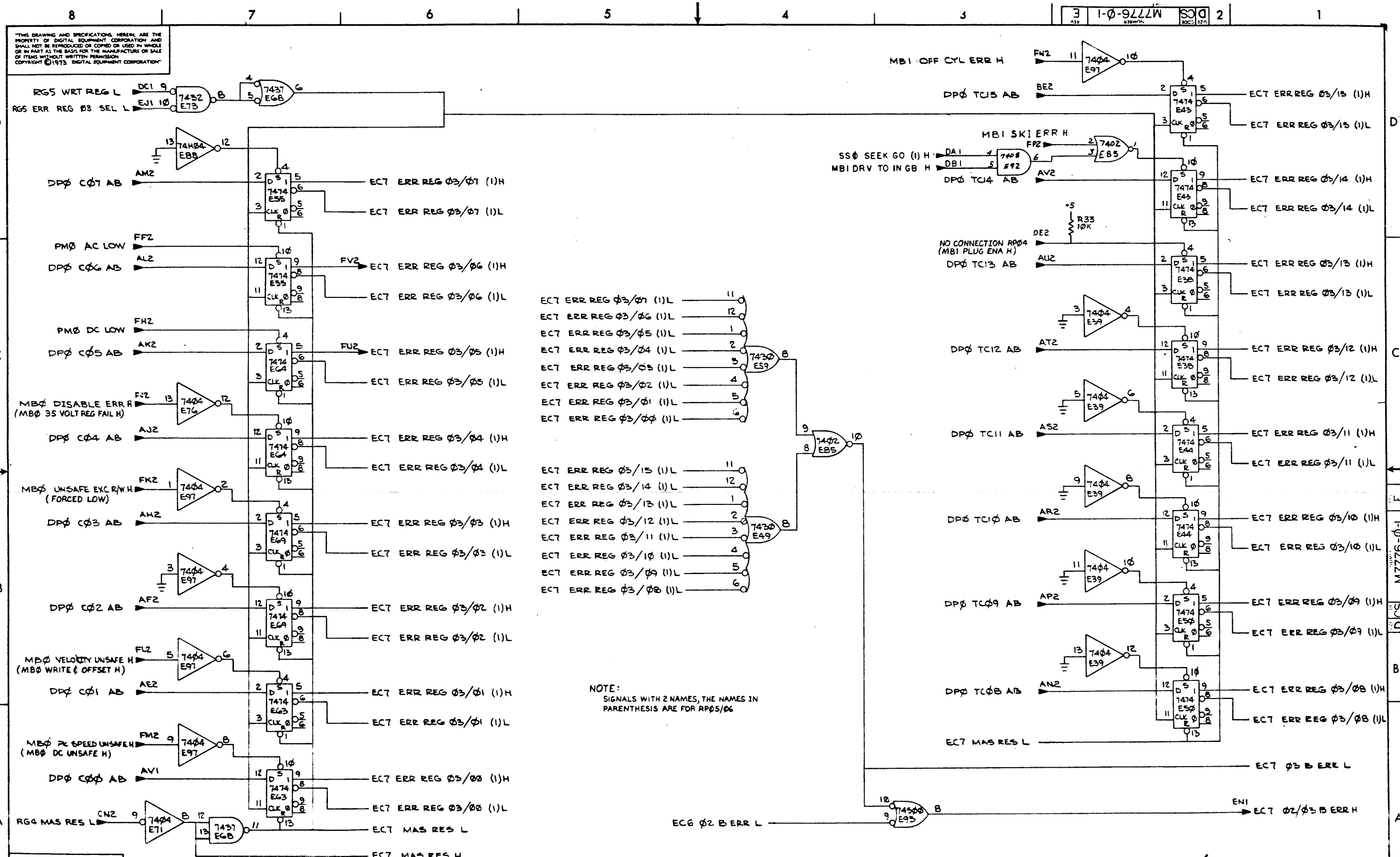
- EC6 ERR REG 02/15 (1)L
- EC6 ERR REG 02/14 (1)L
- EC6 ERR REG 02/13 (1)L
- EC6 ERR REG 02/12 (1)L
- EC6 ERR REG 02/11 (1)L
- EC6 ERR REG 02/10 (1)L
- EC6 ERR REG 02/09 (1)L
- EC6 ERR REG 02/08 (1)L

- EC6 ERR REG 02/07 (1)L
- EC6 ERR REG 02/06 (1)L
- EC6 ERR REG 02/05 (1)L
- EC6 ERR REG 02/04 (1)L
- EC6 ERR REG 02/03 (1)L
- EC6 ERR REG 02/02 (1)L
- EC6 ERR REG 02/01 (1)L
- EC6 ERR REG 02/00 (1)L

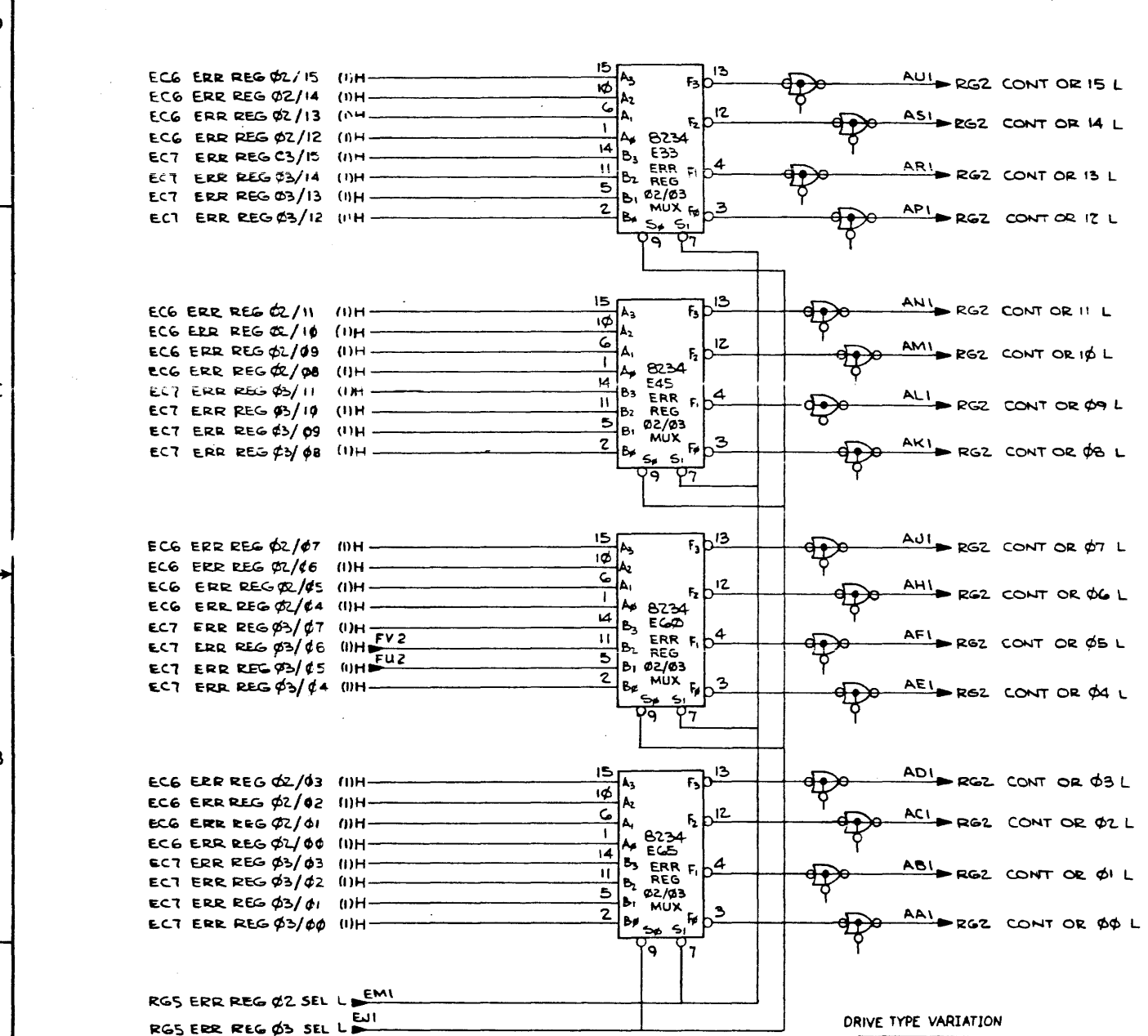
NOTE:
SIGNALS WITH 2 NAMES, THE NAME IN PARENTHESIS ARE FOR RPP5/06

REVISIONS		
CHK	CHANGE NO	REV

SLOT 5 ERROR REGISTER #2		TITLE	ERROR CORRECTION LOGIC (EC6)	SIZE CODE	DCS	NUMBER	M7776-0-1	REV.	E
SCALE	#	SHEET	8	OF	11	DIST.			

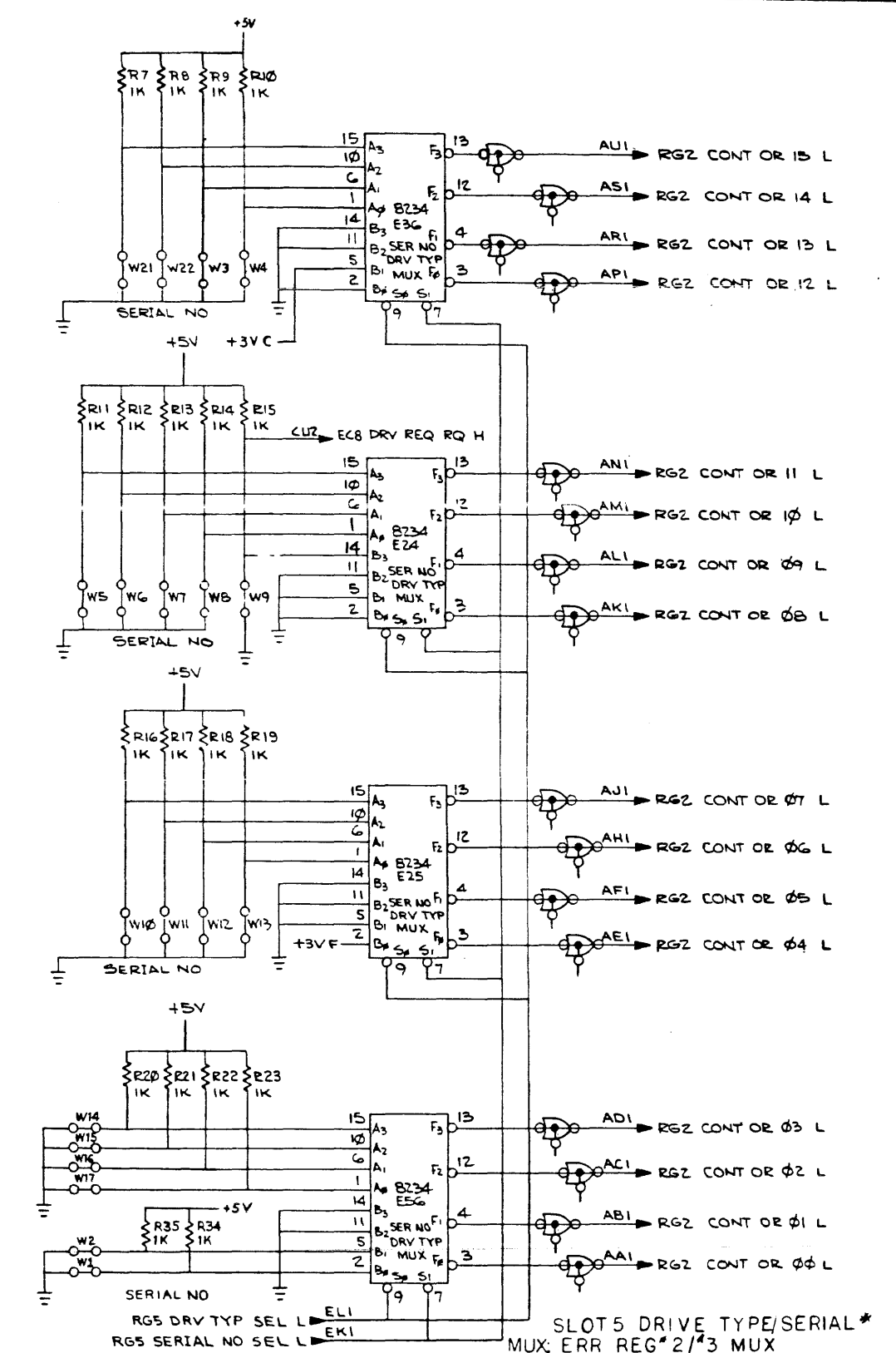


THIS DRAWING AND SPECIFICATIONS HEREIN ARE THE PROPERTY OF DIGITAL EQUIPMENT CORPORATION AND SHALL NOT BE REPRODUCED OR COPIED OR USED IN WHOLE OR IN PART AS THE BASIS FOR THE MANUFACTURE OR SALE OF ITS AS WITHOUT WRITTEN PERMISSION. COPYRIGHT © 1973, DIGITAL EQUIPMENT CORPORATION.



DRIVE TYPE VARIATION

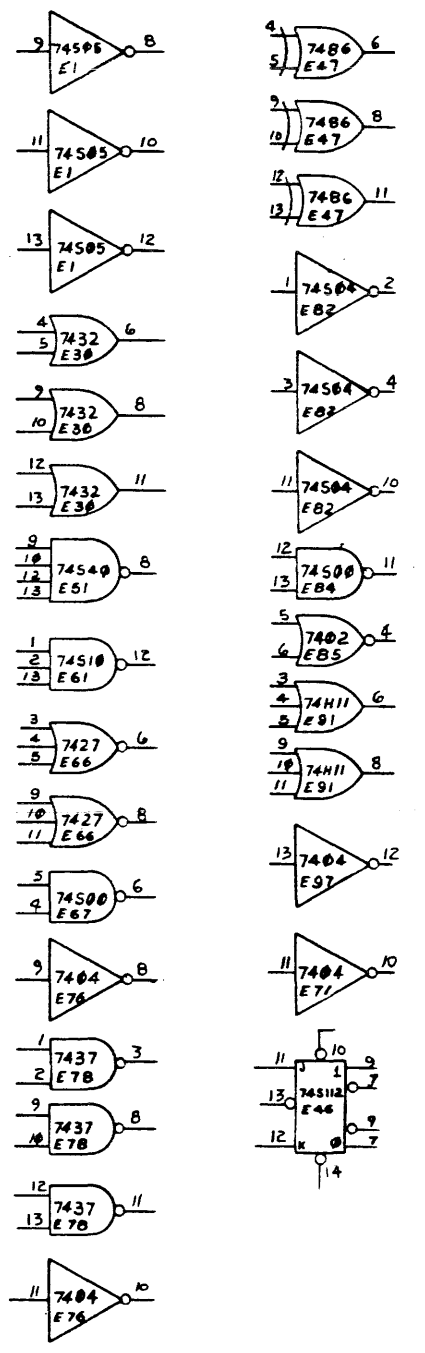
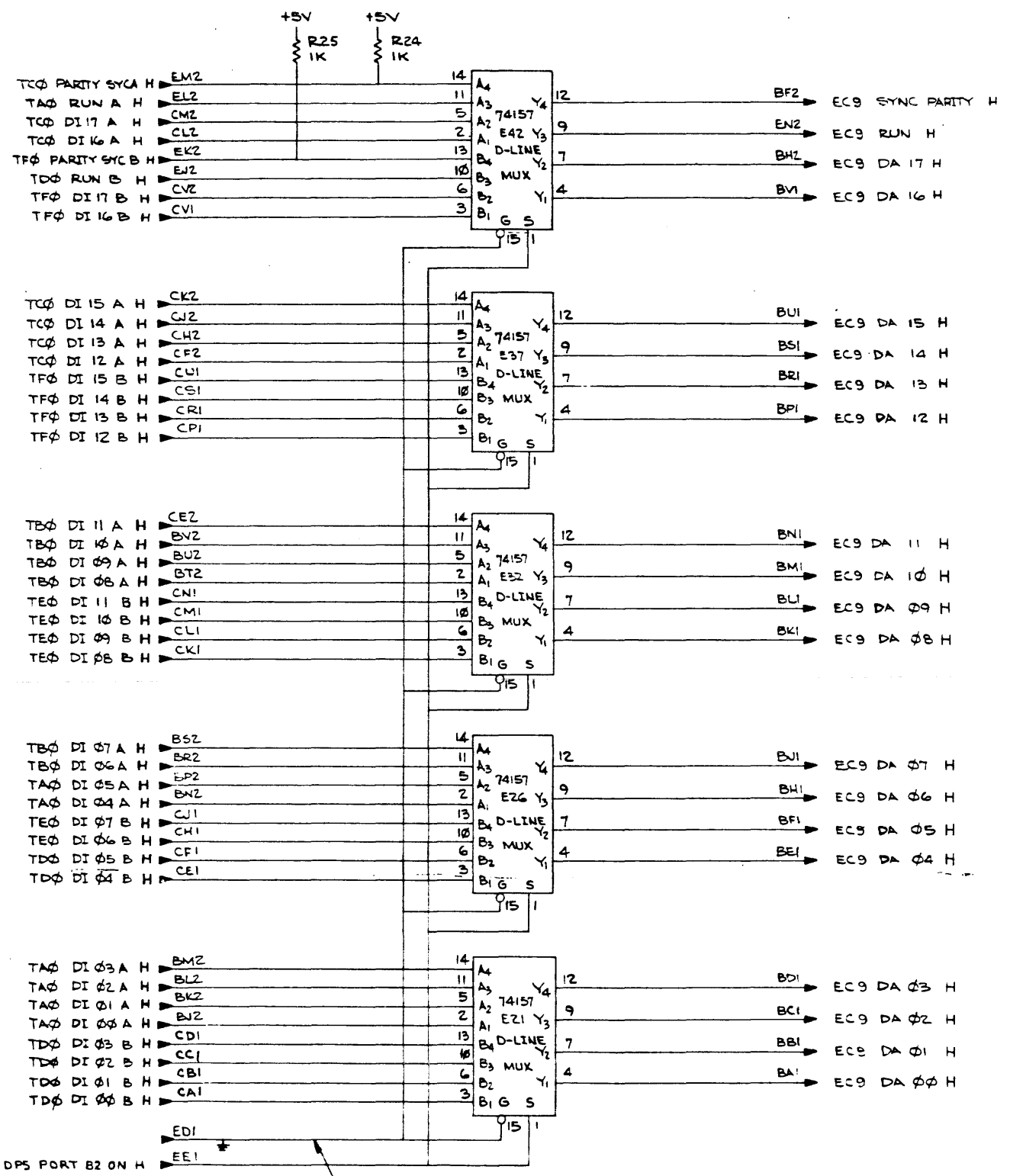
DRIVE TYPE	JUMPERS	W1	W2
RP04	IN	IN	
RP05	OUT	IN	
RP06	IN	OUT	



REVISIONS

CHK	CHANGE NO	REV

THIS DRAWING AND SPECIFICATIONS HEREIN ARE THE PROPERTY OF DIGITAL EQUIPMENT CORPORATION AND SHALL NOT BE REPRODUCED OR COPIED OR USED IN WHOLE OR IN PART AS THE BASIS FOR THE MANUFACTURE OR SALE OF ITS AS WITHOUT WRITTEN PERMISSION. COPYRIGHT © 1973 DIGITAL EQUIPMENT CORPORATION.



D
C
B
A

D
C
B
A

REVISIONS		
CHK	CHANGE NO	REV

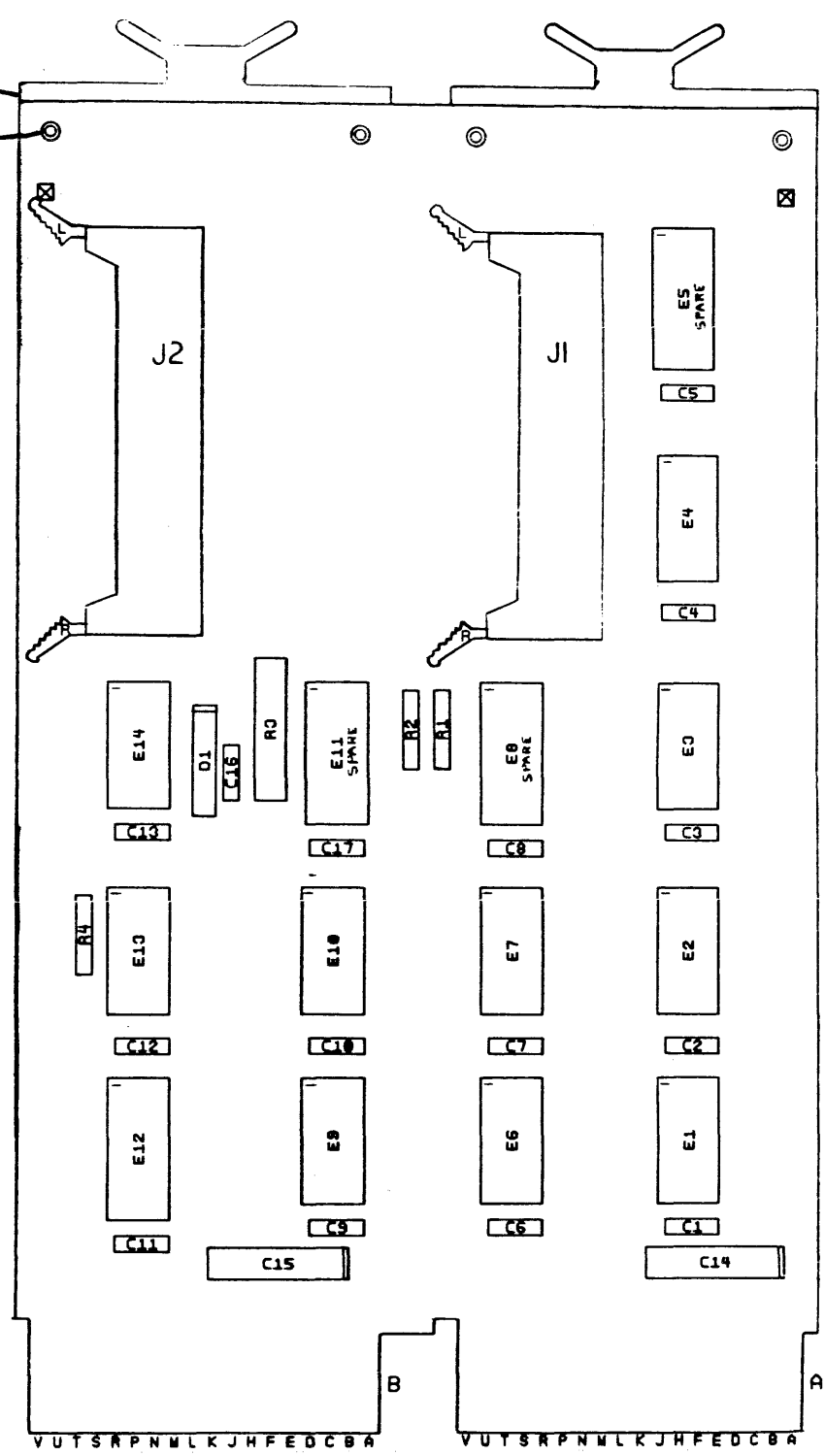
SLOT 5
SYNC DATA BUSS MUX.

TITLE	ERROR CORRECTION LOGIC (EC9)	SIZE CODE	DCS	NUMBER	M776-0-1	REV	E
SCALE	1:1	SHEET	11	OF	11	DIST	

THIS DRAWING AND INFORMATION HEREON ARE THE PROPERTY OF ANIRCO. REPRODUCTION AND DISSEMINATION IS PROHIBITED EXCEPT AS AUTHORIZED IN WRITING BY ANIRCO. FOR THE OFFICE FOR THE SUPPORTING OF SALES TO THE UNITED STATES GOVERNMENT. COPYRIGHT © 1978

19
 18

+



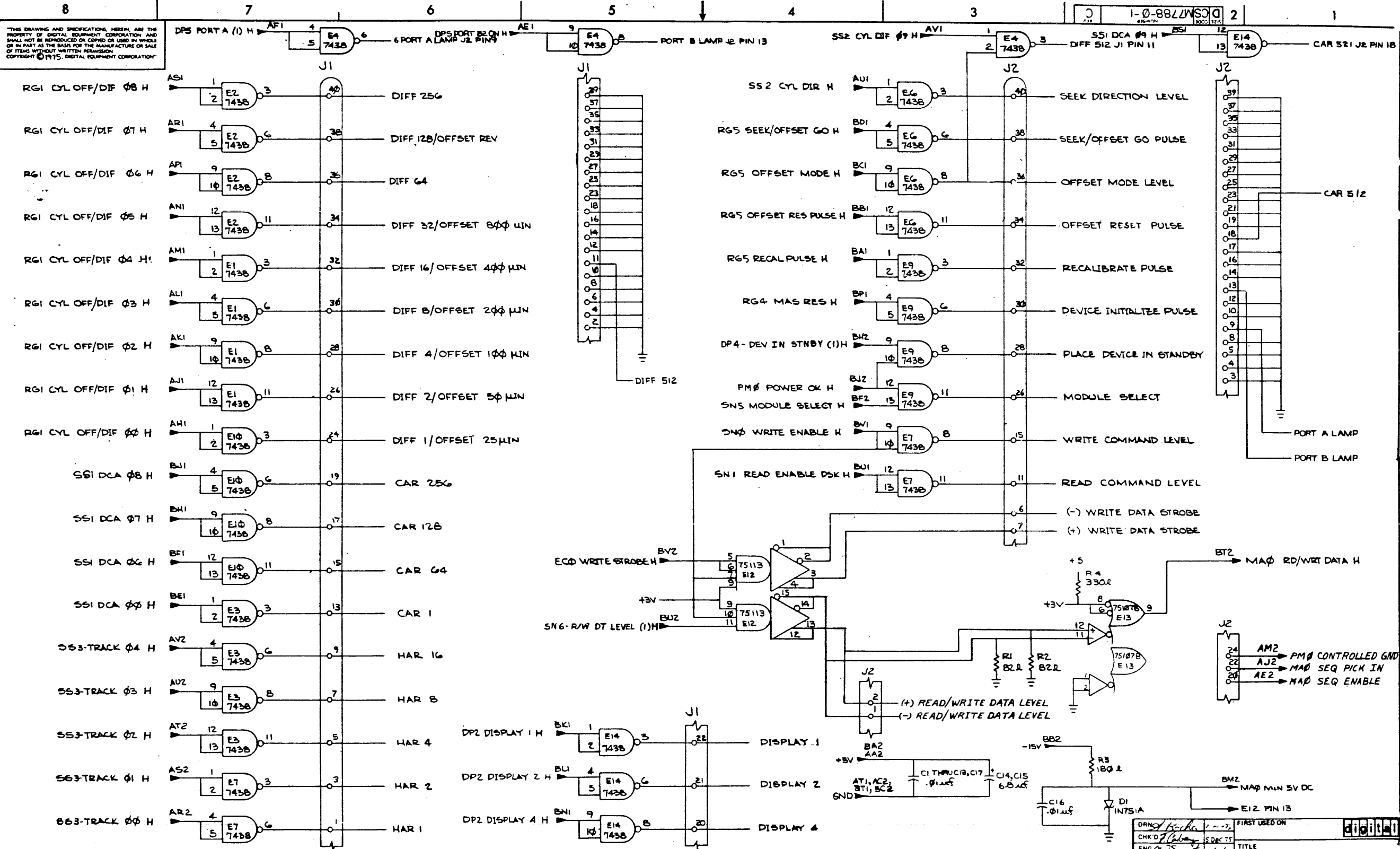
NOTES:

CHECKNO. NO. REV.	
DATE	
BY	
APPROVED	
DATE	
BY	
APPROVED	
DATE	
BY	
APPROVED	
DATE	
BY	
APPROVED	
DATE	
BY	

SIGNATURES		DATE	digital
DRN.	J. RICHARD	4-13-77	
CHK'D.	<i>[Signature]</i>	10-20-77	TITLE MIN DEVICE LEVEL INTERFACE XMTRS
ENG.	<i>[Signature]</i>	12-20-77	
PROJ. ENG.	<i>[Signature]</i>	7-20-78	
SCALE	2/1	SIZE	CODE
SHT.	1 OF 1	NUMBER	REV
NEXT HIGHER ASSY. ETCH REV B-P1		D UA M7788-0-0	C

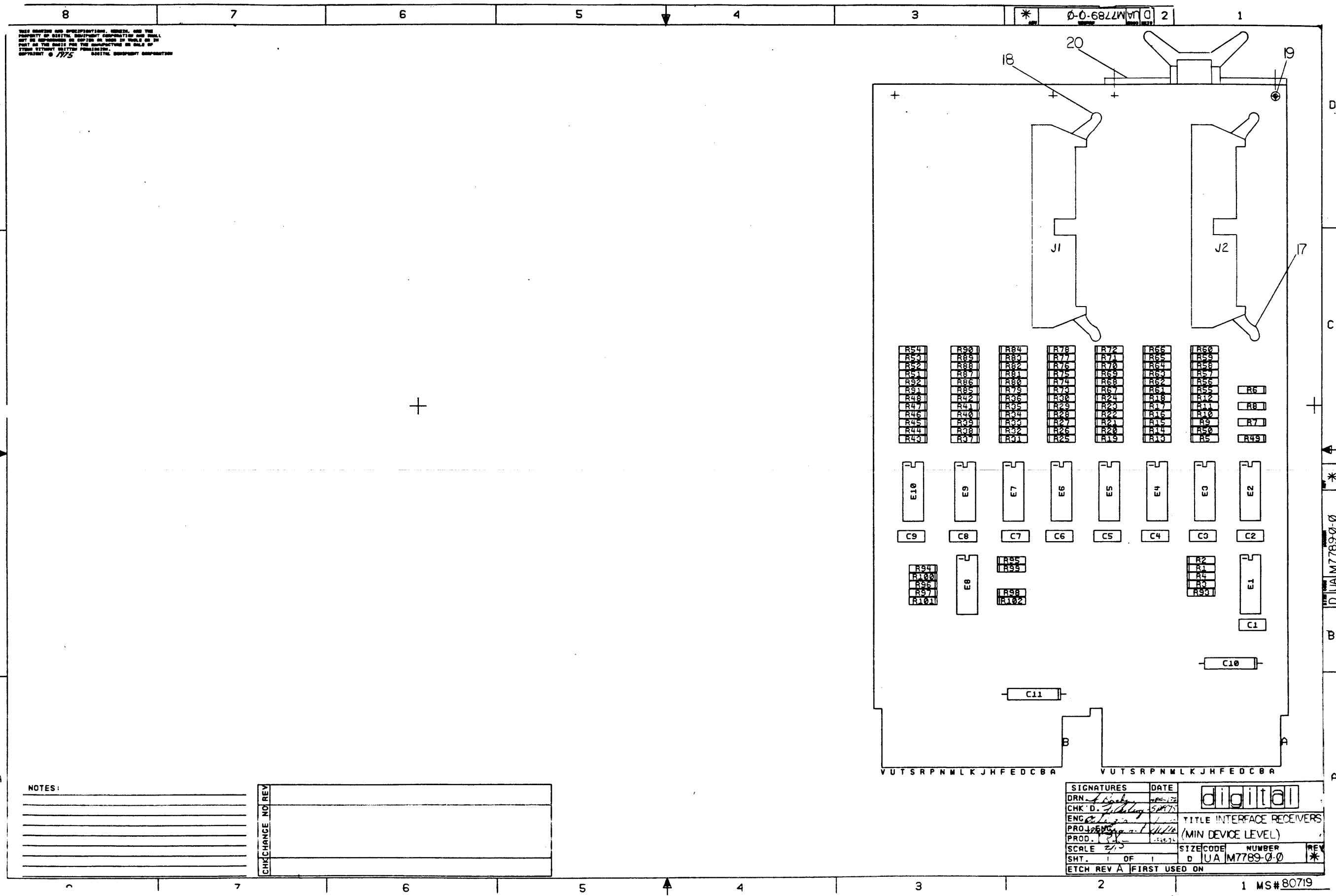
DIGITAL EQUIPMENT CORPORATION MAYNARD, MASSACHUSETTS PARTS LIST					QUANTITY / VARIATION											
MADE BY T. ROCHA		CHECKED <i>J. Carberry</i>		SECTION												
DATE 20-NOV-75		DATE 5 DEC 75		1												
ENG <i>W. Sargent</i>		PROD <i>H. P. [unclear]</i>		ISSUED SECT.												
DATE 12-19-75		DATE 10 FEB 76		1												
ITEM NO.	DWG NO. / PART NO.	DESCRIPTION														
1	D-CS-M7788-0-1	CIRCUIT SCHEMATIC			REF											
2	K-CO-M7788-0-4	X-Y COORDINATE HOLE LOCATION			REF											
3	D-AH-M7788-0-5	ASSY/DRILLING HOLE LAYOUT			REF											
4	B-MH-M7788-0-6	MODULE ECO HISTORY			REF											
5	5011767	ETCHED CIRCUIT BOARD			1											
6	1001610-00	CAP .01UF 50V 20% AXIAL			CER	15	C1-C13, C16, C17									
7	1005306-00	CAP 6.8UF 35V 10% TANT				2	C14, C15									
8	1110994-00	DIODE IN751A				1	D1									
9	1209941-02	CONN 40 PIN RT ANGLE HDR				2	J1, J2									
10	1209941-03	LEFT LATCH				2										
11	1209941-04	RIGHT LATCH				2										
12	1301477-00	RES 82 OHM 1/4W 5%			CC	2	R1, R2									
13	1300262-00	RES 180 OHM 1W 5%			CC	1	R3									
14	1301425-00	RES 300 1/4W 5%			CC	1	R4									
15	1910268-00	IC DEC 75107B				1	E13									
16	1911219-00	IC DEC 7438				9	E1, E2, E3, E4, E6, E7, E9, E10, E14									
17	1911341-00	IC DEC 75113				1	E12									
18	9006732-00	EYELET				4										
19	9008337-06	HANDLE, FLIP CHIP, MAGENTA				2										
20	ST05740-55	WIRE, 30 AWG GRN				1										
TITLE					ASSY NO.		SIZE CODE		NUMBER			REV.		ECO NO.		
MIN DEVICE LEVEL INTERFACE XMTRS					D-UA-M7788-0-0		A PL		M7788-0-0			C		M7788-00002		
					SHEET 1 OF 1		DIST.									

DEC FORM DEC 16 (325)-1031-N870
DRA 110



REVISIONS		
CHK	CHANGE NO	REV
D	V M7788-0001	B
J	J RINALDIS	10-10-78
		JOSE SOTO


DRNG	10/1/78	FIRST USED ON	Digital
CHK'D	J. Soto	DATE	7/5
ENG	J. Soto	PROJ	ENG
PROD	J. Soto	SCALE	1:1
NEXT HIGHER ASSY		TITLE	
DUA-M7788-0-0		MIN DEVICE LEVEL	
SCALE		INTERFACE XMTRS	
SHEET	1 OF 1	SIZE	D CS
		NUMBER	M7788-0-1
		REV.	C



THIS DRAWING AND SPECIFICATIONS, HEREIN, ARE THE PROPERTY OF DIGITAL EQUIPMENT CORPORATION AND SHALL NOT BE REPRODUCED OR COPIED IN WHOLE OR IN PART IN ANY MANNER FOR THE MANUFACTURE OR SALE OF ITEMS WITHOUT WRITTEN PERMISSION. COPYRIGHT © 1975 DIGITAL EQUIPMENT CORPORATION

NOTES:

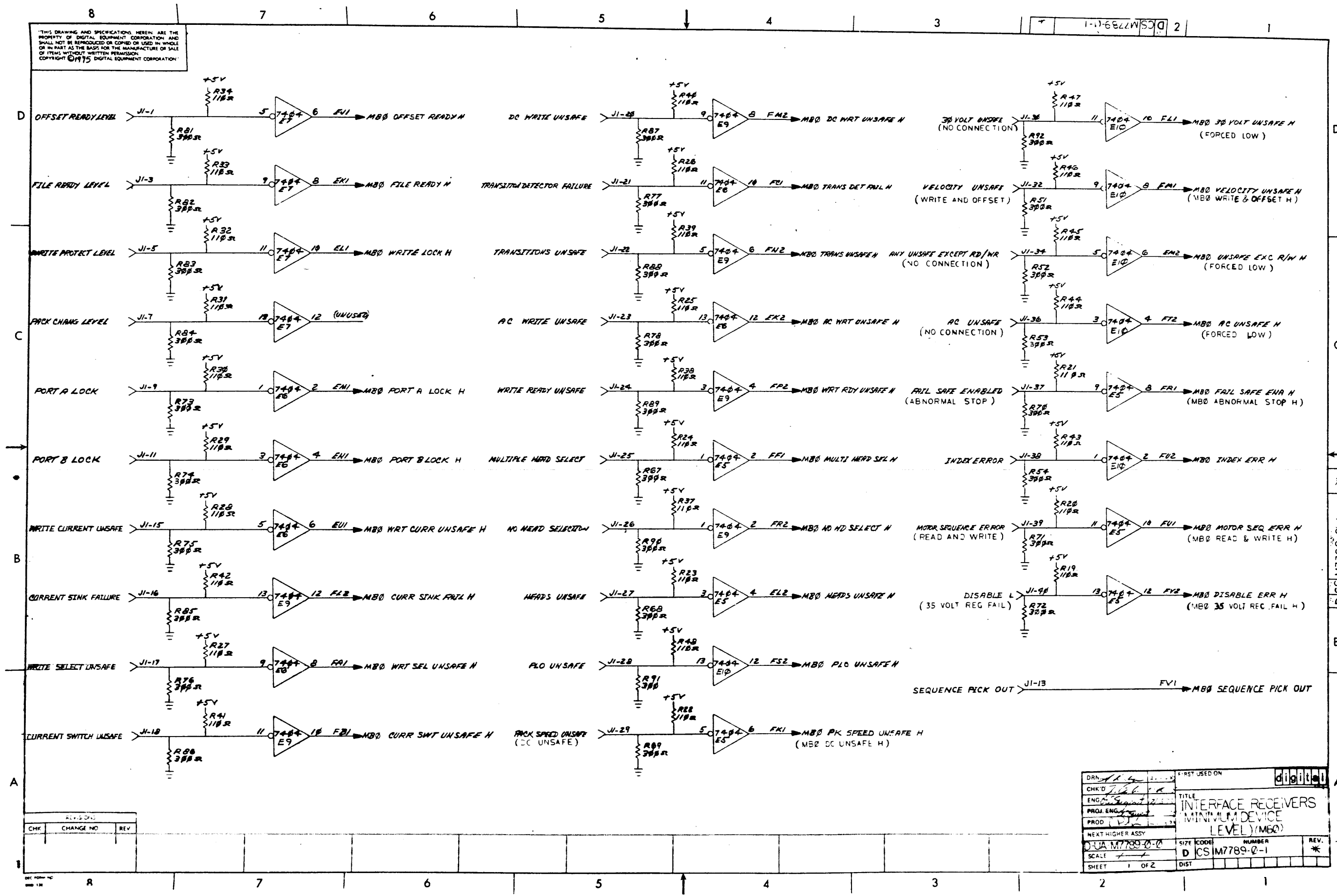
CHG	NO	REV

SIGNATURES		DATE	 TITLE INTERFACE RECEIVERS (MIN DEVICE LEVEL)
DRN <i>[Signature]</i>		<i>[Date]</i>	
CHK'D <i>[Signature]</i>		<i>[Date]</i>	
ENG <i>[Signature]</i>		<i>[Date]</i>	
PROJ <i>[Signature]</i>		<i>[Date]</i>	
SCALE	SIZE	CODE	NUMBER
SHT. 1 OF 1	D	UA	M7789-0-0
ETCH REV A		FIRST USED ON	

DIGITAL EQUIPMENT CORPORATION MAYNARD, MASSACHUSETTS PARTS LIST					QUANTITY VARIATION																
MADE BY T. Rocha		CHECKED F. Carberry		SECTION																	
DATE 20-Nov-75		DATE 5-Dec-75		1																	
ENG W. Sergeant		PROD		ISSUED SECT.																	
DATE 19-Dec-75		DATE 10-Feb-75		1																	
ITEM NO.	DWG NO./PART NO.	DESCRIPTION																			
1	D-CS-M7789-0-1	CIRCUIT SCHEMATIC				REF															
2	K-CO-M7789-0-4	X-Y COORDINATE HOLE LOCATION				REF															
3	D-AH-M7789-0-5	ASSY/DRILLING HOLE LAYOUT				REF															
4	B-MH-M7789-0-6	MODULE ECO HISTORY				REF															
5	5011768	ETCHED CIRCUIT BOARD				1															
6	1005306-00	CAP 6.8UF, 35V, 20%				2	C10	C11													
7	1001610-00	CAP .01UF, 50V, 20% AXIAL				10	C1	C9													
8	1301477-00	RES 82 OHM $\frac{1}{4}$ W 5%				CC	8	R1-R4, R6, R7, R8, R49													
9	1311523-00	RES 110 OHM $\frac{1}{4}$ W 5%				CC	46	R9-R48, R5, R50, R95-R98													
10	1301425-00	RES 300 OHM $\frac{1}{4}$ W 5%				CC	46	R51-R92, R99-R 102													
11	1300295-00	RES 330 OHM $\frac{1}{4}$ W 5%				CC	1	R93													
12	1300365-00	RES 1K, $\frac{1}{4}$ W, 5%				CC	1	R94													
13	1909686-00	IC 7404				7	E3-	E7, E9, E10													
14	1910268-00	IC 75107				2	E1,	E2													
15	1909930-00	IC 7405				1	E8														
16	1209941-02	CONN 40 PIN RT ANGLE HDR				2	J1,	J2													
17	1209941-03	LEFT LATCH				2															
18	1209941-04	RIGHT LATCH				2															
19	9006732	EYELET				4															
20	9008337-06	HANDLE, FLIP CHIP MAGENTA				2															
TITLE					ASSY NO.	SIZE	CODE	NUMBER	REV	ECO NO.											
INTERFACE RECEIVERS (MINIMUM DEVICE LEVEL)					D-UA M7789-0-0	A	PL	M7789-0-0	*												
					SHEET 1 OF 1	DIST															

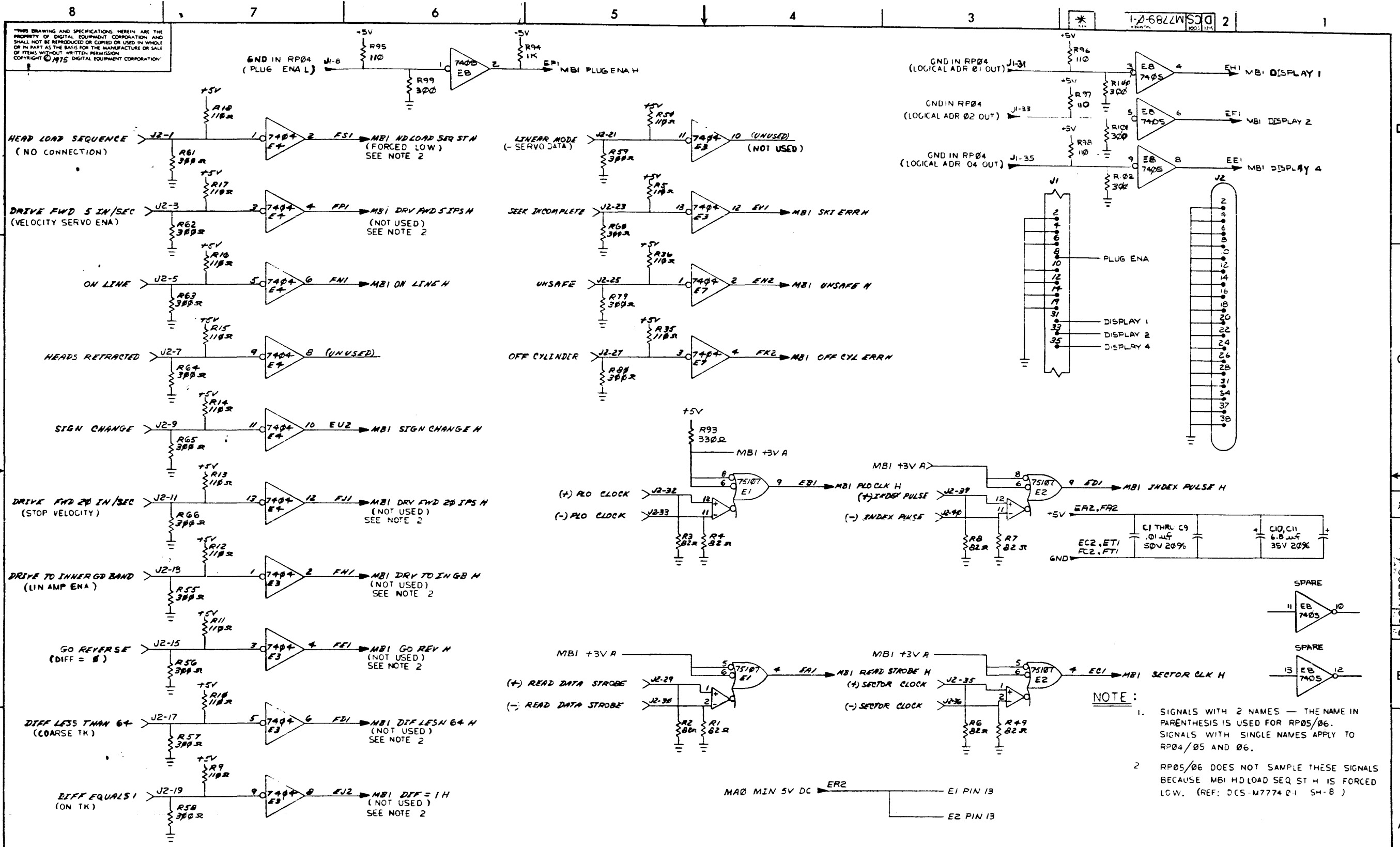
DEC FORM
DRA 110

THIS DRAWING AND SPECIFICATIONS HEREIN ARE THE PROPERTY OF DIGITAL EQUIPMENT CORPORATION AND SHALL NOT BE REPRODUCED OR COPIED OR USED IN WHOLE OR IN PART AS THE BASIS FOR THE MANUFACTURE OR SALE OF ITEMS WITHOUT WRITTEN PERMISSION. COPYRIGHT © 1975 DIGITAL EQUIPMENT CORPORATION.



CHK	CHANGE NO	REV

DRN	1-11-68	FIRST USED ON	digital
CHK'D	1-11-68	TITLE	INTERFACE RECEIVERS
ENG	1-11-68	MINIMUM DEVICE	LEVEL (MBO)
PROJ. ENG.	1-11-68	NUMBER	D CS M7789-0-1
PROD	1-11-68	SCALE	1 OF 2
NEXT HIGHER ASSY		DIST	



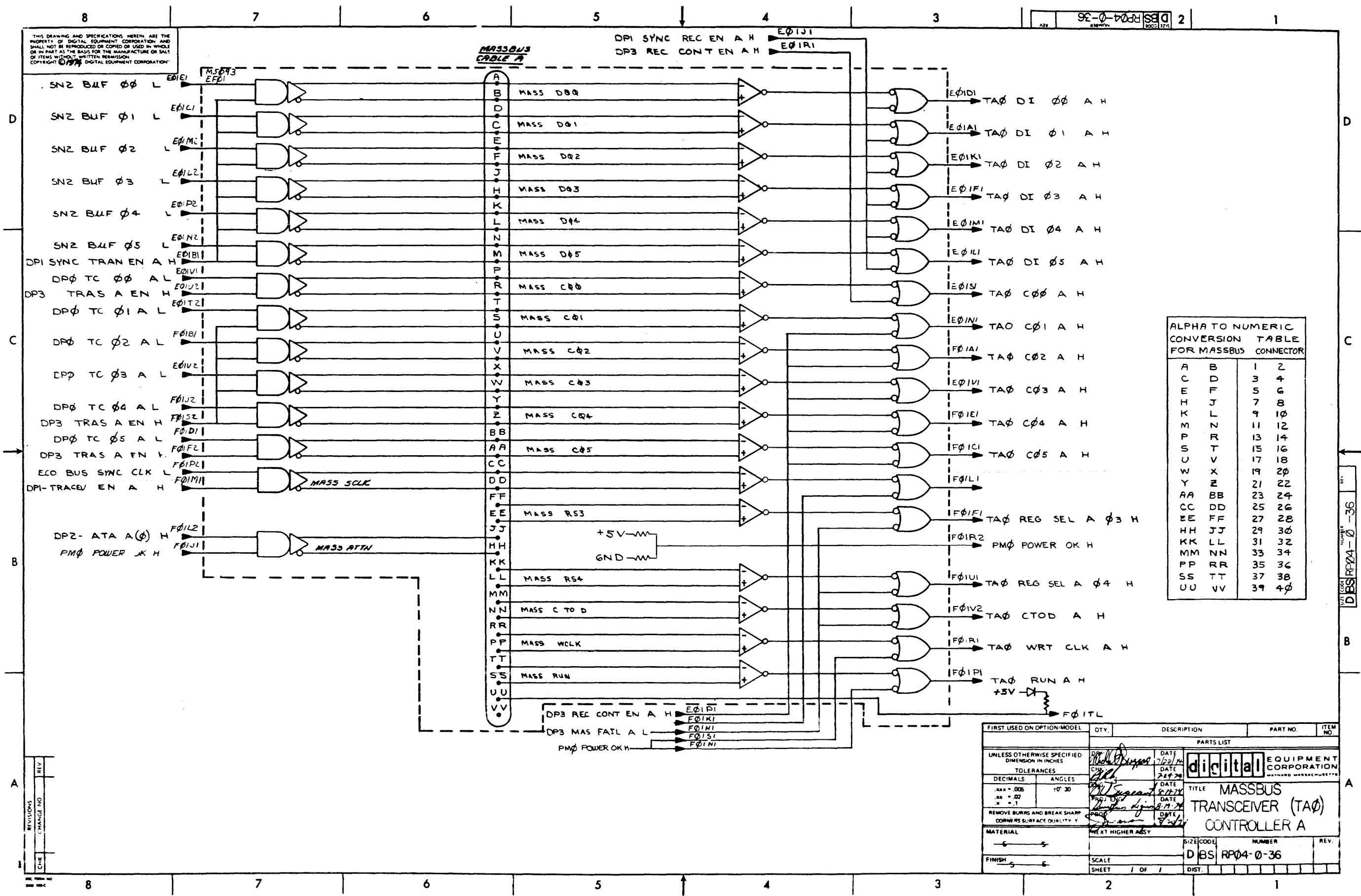
THIS DRAWING AND SPECIFICATIONS HEREIN ARE THE PROPERTY OF DIGITAL EQUIPMENT CORPORATION AND SHALL NOT BE REPRODUCED OR COPIED OR USED IN WHOLE OR IN PART AS THE BASIS FOR THE MANUFACTURE OR SALE OF ITEMS WITHOUT WRITTEN PERMISSION. COPYRIGHT © 1975 DIGITAL EQUIPMENT CORPORATION.

1-0-6822WSD 2

REVISIONS		
CHK	CHANGE NO	REV

TITLE INTERFACE RECEIVERS (MINIMUM DEVICE LEVEL) (MBI) DCS M7789-0-1
 SCALE SHEET 2 OF 2 DIST

THIS DRAWING AND SPECIFICATIONS HEREIN ARE THE PROPERTY OF DIGITAL EQUIPMENT CORPORATION AND SHALL NOT BE REPRODUCED OR COPIED OR USED IN WHOLE OR IN PART AS THE BASIS FOR THE MANUFACTURE OR SALE OF ITEMS WITHOUT WRITTEN PERMISSION. COPYRIGHT © 1974 DIGITAL EQUIPMENT CORPORATION.

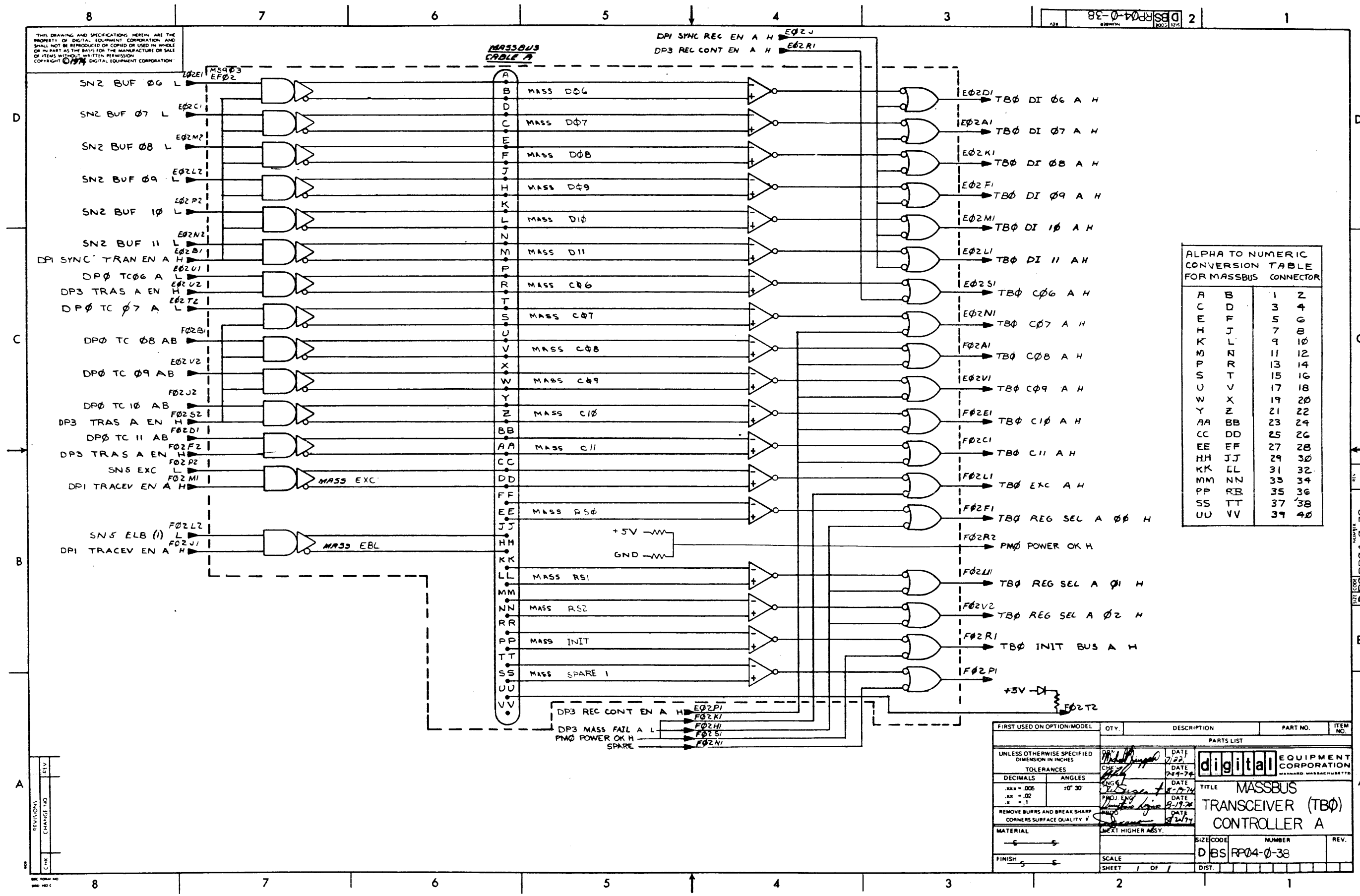


ALPHA TO NUMERIC CONVERSION TABLE FOR MASSBUS CONNECTOR

A	B	1	2
C	D	3	4
E	F	5	6
H	J	7	8
K	L	9	10
M	N	11	12
P	R	13	14
S	T	15	16
U	V	17	18
W	X	19	20
Y	Z	21	22
AA	BB	23	24
CC	DD	25	26
EE	FF	27	28
HH	JJ	29	30
KK	LL	31	32
MM	NN	33	34
PP	RR	35	36
SS	TT	37	38
UU	VV	39	40

FIRST USED ON OPTION/MODEL	QTY.	DESCRIPTION	PART NO.	ITEM NO.
PARTS LIST				
UNLESS OTHERWISE SPECIFIED DIMENSION IN INCHES	DATE	digital EQUIPMENT CORPORATION		
TOLERANCES	DATE	MASSBUS TRANSCEIVER (TAΦ) CONTROLLER A		
DECIMALS	DATE	TITLE		
ANGLES	DATE	D B S R P 0 4 - 0 - 3 6		
REMOVE BURRS AND BREAK SHARP CORNERS SURFACE QUALITY 7	DATE	SCALE		
MATERIAL	DATE	SHEET 1 OF 1		
FINISH	DATE	DIST.		

THIS DRAWING AND SPECIFICATIONS HEREIN ARE THE PROPERTY OF DIGITAL EQUIPMENT CORPORATION AND SHALL NOT BE REPRODUCED OR COPIED OR USED IN WHOLE OR IN PART AS THE BASIS FOR THE MANUFACTURE OR SALE OF ITEMS WITHOUT WRITTEN PERMISSION. COPYRIGHT © 1974 DIGITAL EQUIPMENT CORPORATION.



ALPHA TO NUMERIC CONVERSION TABLE FOR MASSBUS CONNECTOR

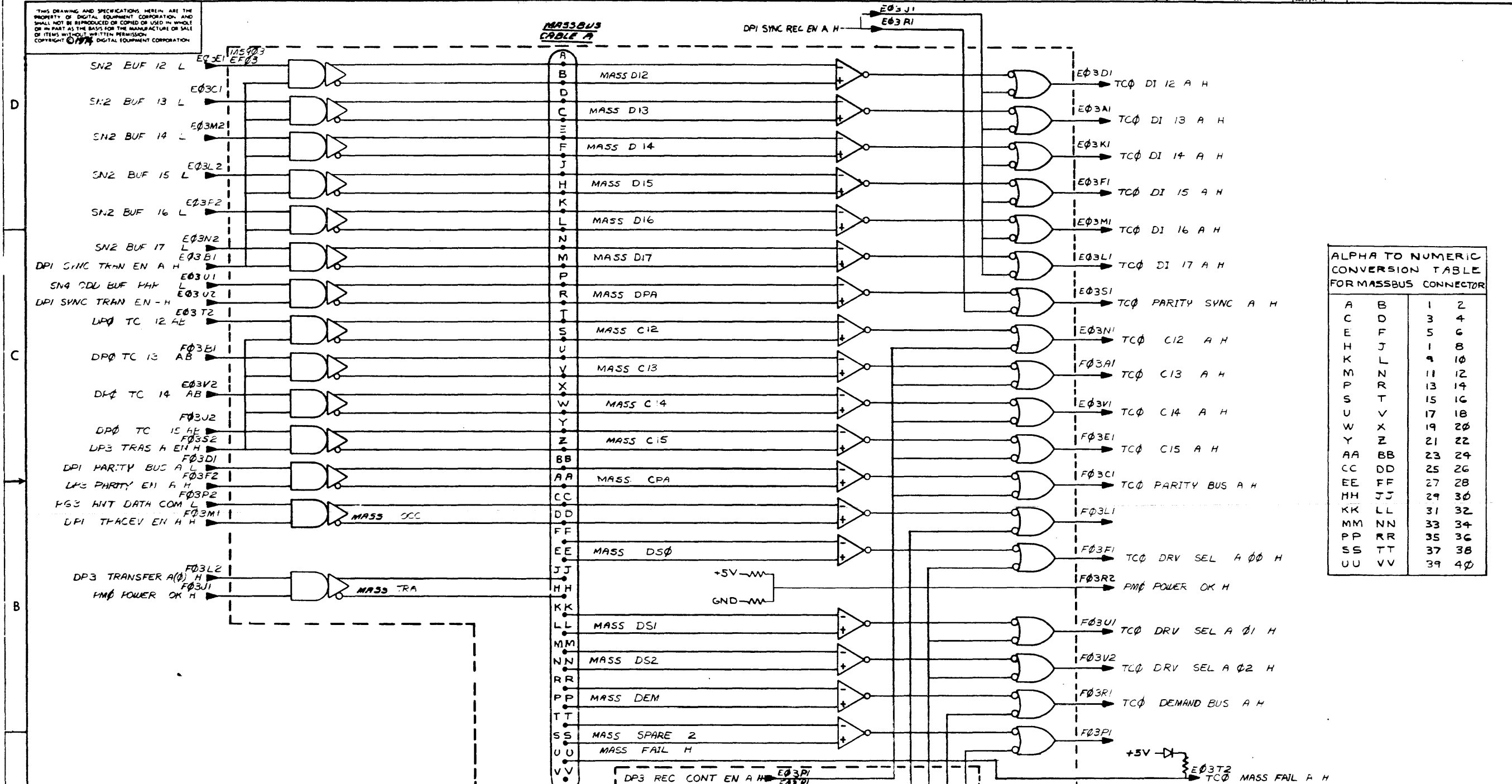
A	B	1	2
C	D	3	4
E	F	5	6
H	J	7	8
K	L	9	10
M	N	11	12
P	R	13	14
S	T	15	16
U	V	17	18
W	X	19	20
Y	Z	21	22
AA	BB	23	24
CC	DD	25	26
EE	FF	27	28
HH	JJ	29	30
KK	LL	31	32
MM	NN	33	34
PP	RR	35	36
SS	TT	37	38
UU	VV	39	40

FIRST USED ON OPTION/MODEL	QTY.	DESCRIPTION	PART NO.	ITEM NO.
UNLESS OTHERWISE SPECIFIED DIMENSION IN INCHES				
TOLERANCES				
DECIMALS	ANGLES	DATE		
.XXX = .005	:0° 30'	DATE	7/22/74	
.XX = .02		DATE	7/9/74	
.X = .1		DATE	8/27/74	
REMOVE BURRS AND BREAK SHARP CORNERS SURFACE QUALITY Y				
MATERIAL				
NEXT HIGHER ASSY.				
FINISH				
SCALE				
SHEET 1 OF 1				
TITLE			PARTS LIST	
MASSBUS TRANSCEIVER (TBφ) CONTROLLER A			digital EQUIPMENT CORPORATION	
SIZE CODE			NUMBER	
DBS RP04-0-38			REV.	
DIST.				

DBS RP04-0-38

THIS DRAWING AND SPECIFICATIONS HEREIN ARE THE PROPERTY OF DIGITAL EQUIPMENT CORPORATION AND SHALL NOT BE REPRODUCED OR COPIED OR USED IN WHOLE OR IN PART AS THE BASIS FOR THE MANUFACTURE OR SALE OF ITEMS WITHOUT WRITTEN PERMISSION. COPYRIGHT © 1974 DIGITAL EQUIPMENT CORPORATION.

8 7 6 5 4 3 2 1



ALPHA TO NUMERIC CONVERSION TABLE FOR MASSBUS CONNECTOR

A	B	1	2
C	D	3	4
E	F	5	6
H	J	7	8
K	L	9	10
M	N	11	12
P	R	13	14
S	T	15	16
U	V	17	18
W	X	19	20
Y	Z	21	22
AA	BB	23	24
CC	DD	25	26
EE	FF	27	28
HH	JJ	29	30
KK	LL	31	32
MM	NN	33	34
PP	RR	35	36
SS	TT	37	38
UU	VV	39	40

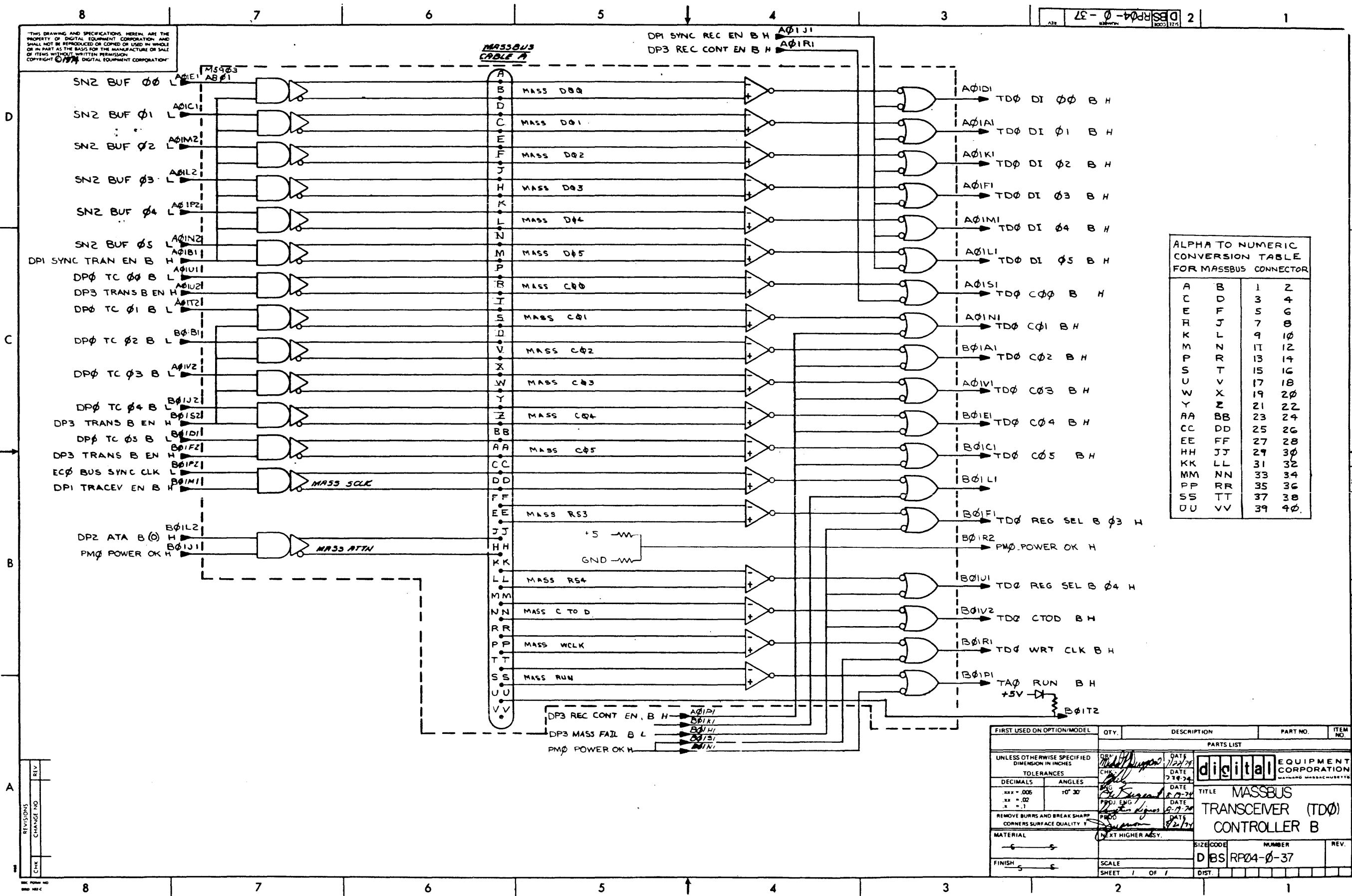
REVISIONS

NO.	DATE	BY	DESCRIPTION
1	7-11-74	L. CAPOBIANCA	1-3
2	7-11-74	L. CAPOBIANCA	1-3
3	7-11-74	L. CAPOBIANCA	1-3
4	7-11-74	L. CAPOBIANCA	1-3
5	7-11-74	L. CAPOBIANCA	1-3

FIRST USED ON OPTION/MODEL	QTY.	DESCRIPTION	PART NO.	ITEM NO.
PARTS LIST				
UNLESS OTHERWISE SPECIFIED DIMENSION IN INCHES	DATE 7-22-74	DATE 7-22-74	digital EQUIPMENT CORPORATION	
TOLERANCES	DATE 7-22-74	DATE 7-22-74	MADE IN MASSACHUSETTS	
DECIMALS .005	ANGLES .0 30	DATE 7-19-74	TITLE MASSBUS TRANSCEIVER (TCØ) CONTROLLER A	
REMOVE BURRS AND BREAK SHARP CORNERS SURFACE QUALITY 9	DATE 8-14-74	DATE 8-14-74	MATERIAL NEXT HIGHER ASSY	
FINISH	SCALE	DATE	SIZE CODE	NUMBER
	SHEET 1 OF 1		D BS RP04-0-40	REV E

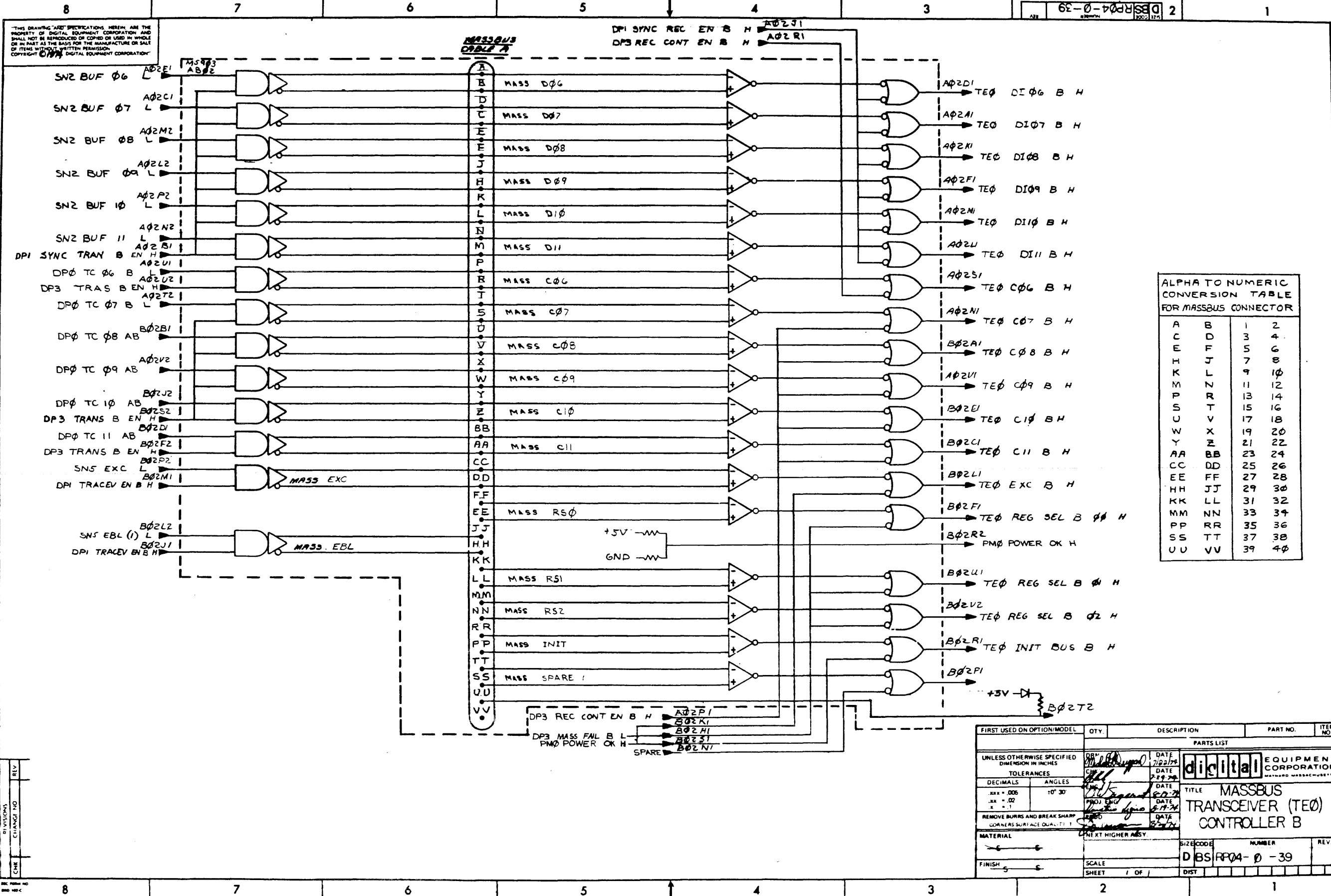
D BS RP04-0-40

THIS DRAWING AND SPECIFICATIONS HEREIN ARE THE PROPERTY OF DIGITAL EQUIPMENT CORPORATION AND SHALL NOT BE REPRODUCED OR COPIED OR USED IN WHOLE OR IN PART AS THE BASIS FOR THE MANUFACTURE OR SALE OF ITEMS WITHOUT WRITTEN PERMISSION. COPYRIGHT © 1977 DIGITAL EQUIPMENT CORPORATION.



REV	
CHANGE NO	
CHK	

FIRST USED ON OPTION/MODEL	QTY.	DESCRIPTION	PART NO.	ITEM NO.								
UNLESS OTHERWISE SPECIFIED DIMENSION IN INCHES												
TOLERANCES												
DECIMALS	ANGLES											
.xxx = .005	±0° 30'											
.xx = .02												
.x = .1												
REMOVE BURRS AND BREAK SHARP CORNERS SURFACE QUALITY 7												
MATERIAL												
FINISH												
SCALE												
SHEET 1 OF 1												
PARTS LIST												
<table border="1"> <tr><td>DATE</td><td>11/22/77</td></tr> <tr><td>DATE</td><td>7/8/74</td></tr> <tr><td>DATE</td><td>6/19/74</td></tr> <tr><td>DATE</td><td>8/21/77</td></tr> </table>					DATE	11/22/77	DATE	7/8/74	DATE	6/19/74	DATE	8/21/77
DATE	11/22/77											
DATE	7/8/74											
DATE	6/19/74											
DATE	8/21/77											
digital EQUIPMENT CORPORATION MASSACHUSETTS TITLE MASSBUS TRANSCEIVER (TD0) CONTROLLER B SIZE CODE NUMBER REV. D BSRP04-0-37 DIST.												



ALPHA TO NUMERIC
CONVERSION TABLE
FOR MASSBUS CONNECTOR

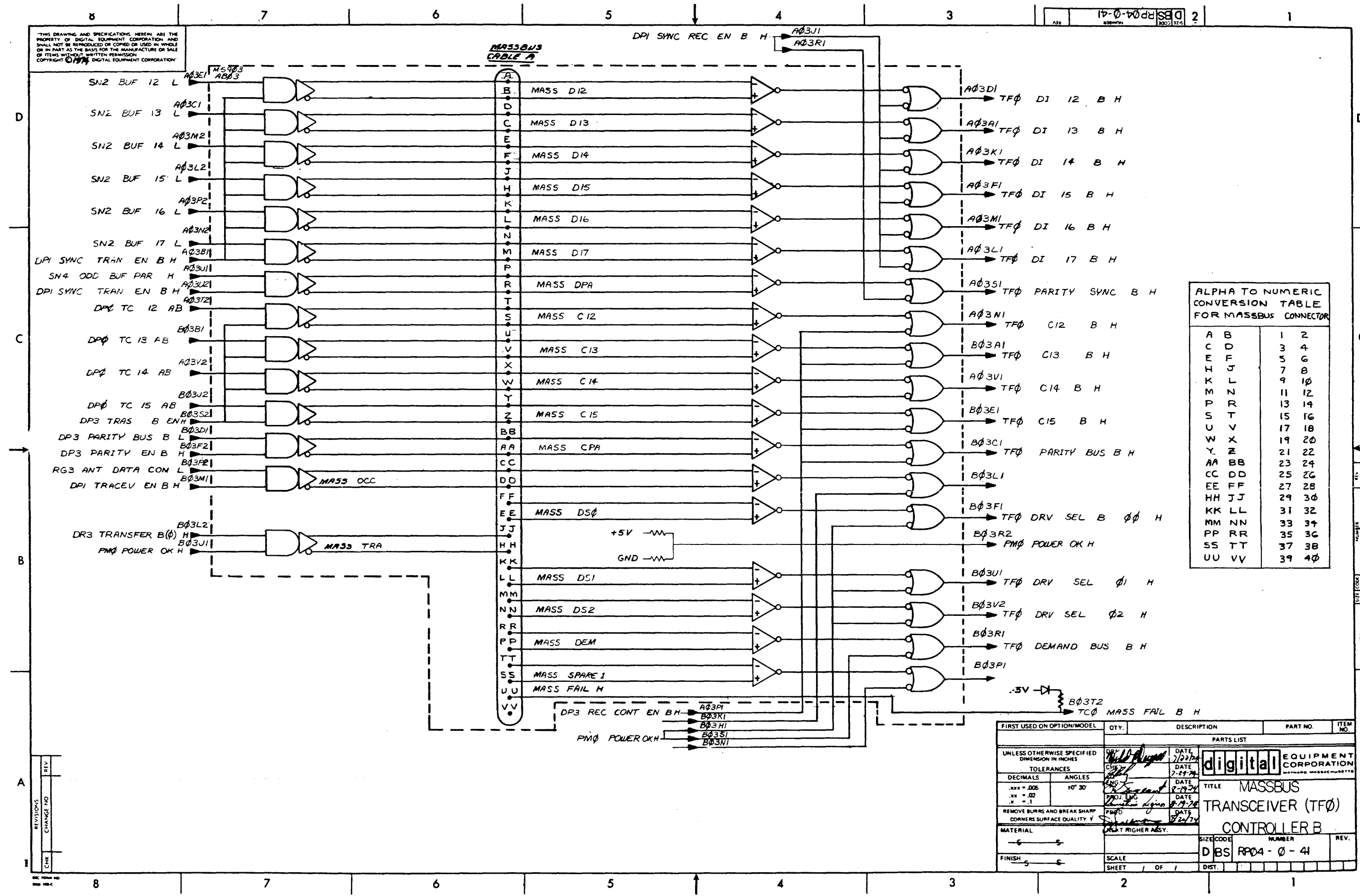
A	B	1	2
C	D	3	4
E	F	5	6
H	J	7	8
K	L	9	10
M	N	11	12
P	R	13	14
S	T	15	16
U	V	17	18
W	X	19	20
Y	Z	21	22
AA	BB	23	24
CC	DD	25	26
EE	FF	27	28
HH	JJ	29	30
KK	LL	31	32
MM	NN	33	34
PP	RR	35	36
SS	TT	37	38
UU	VV	39	40

FIRST USED ON OPTION/MODEL	QTY.	DESCRIPTION	PART NO.	ITEM NO.
PARTS LIST				
UNLESS OTHERWISE SPECIFIED DIMENSION IN INCHES TOLERANCES		DATE 7/22/75	<div style="display: flex; align-items: center;"> <div style="margin-left: 10px;"> <p>digital EQUIPMENT CORPORATION MAYFIELD MASSACHUSETTS</p> <p>TITLE MASSBUS TRANSCEIVER (TEO) CONTROLLER B</p> </div> </div>	
DECIMALS .006	ANGLES :0° 30'	DATE 7/29/75		
.XX = .02		DATE 8/19/75		
X = .1		DATE 8/27/75		
REMOVE BURRS AND BREAK SHARP CORNERS SURFACE QUALITY 1		DATE 8/27/75		
MATERIAL NEXT HIGHER ASSY				
FINISH S		SCALE SHEET 1 OF 1	SIZE CODE D BS RP04-0-39	NUMBER REV.

REV.	CHANGE NO.

D BS RP04-0-39

THIS DRAWING AND SPECIFICATIONS HEREIN ARE THE PROPERTY OF DIGITAL EQUIPMENT CORPORATION AND SHALL NOT BE REPRODUCED OR COPIED OR USED IN WHOLE OR IN PART AS THE BASIS FOR THE MANUFACTURE OR SALE OF ITEMS WITHOUT WRITTEN PERMISSION. COPYRIGHT © 1974 DIGITAL EQUIPMENT CORPORATION.



ALPHA TO NUMERIC CONVERSION TABLE FOR MASSBUS CONNECTOR

A	B	1	2
C	D	3	4
E	F	5	6
H	G	7	8
K	L	9	10
M	N	11	12
P	R	13	14
S	T	15	16
U	V	17	18
W	X	19	20
Y	Z	21	22
AA	BB	23	24
CC	DD	25	26
EE	FF	27	28
HH	JJ	29	30
KK	LL	31	32
MM	NN	33	34
PP	RR	35	36
SS	TT	37	38
UU	VV	39	40

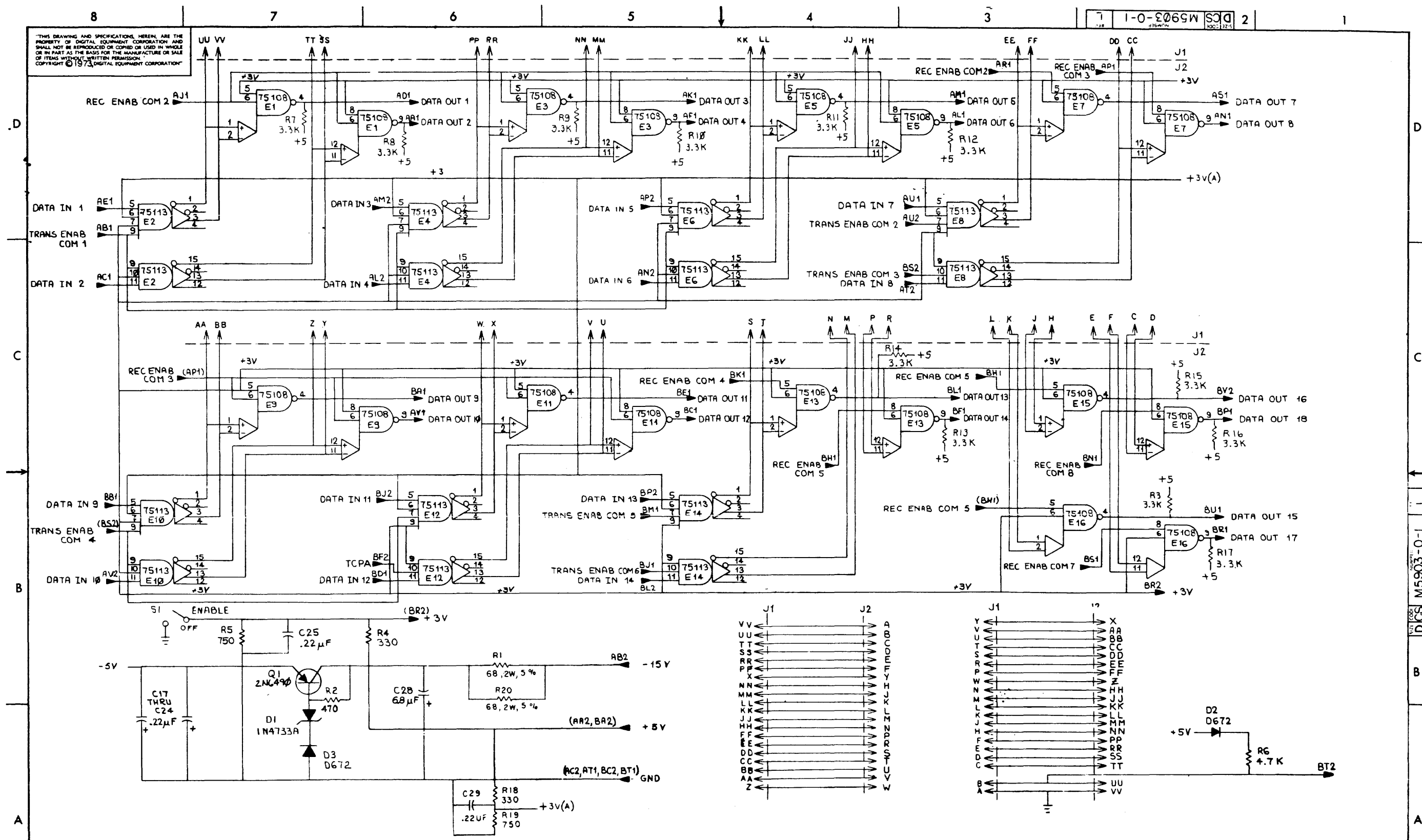
FIRST USED ON OPTION/MODEL	QTY.	DESCRIPTION	PART NO.	ITEM NO.
PARTS LIST				
UNLESS OTHERWISE SPECIFIED DIMENSION IN INCHES		DATE	digital EQUIPMENT CORPORATION	
TOLERANCES		DATE	MAYNARD MASSACHUSETTS	
DECIMALS	ANGLES	DATE	TITLE MASSBUS	
.xxx = .006	±0° 30'	DATE	TRANSCEIVER (TFØ)	
.xx = .02		DATE	CONTROLLER B	
.x = .1		DATE	SIZE CODE NUMBER REV.	
REMOVE BURRS AND BREAK SHARP CORNERS SURFACE QUALITY		DATE	DBS RP04-0-41	
MATERIAL		DATE	SCALE	
FINISH		DATE	SHEET 1 OF 1	

REVISIONS

REV	CHANGE NO

DBS RP04-0-41

"THIS DRAWING AND SPECIFICATIONS HEREIN ARE THE PROPERTY OF DIGITAL EQUIPMENT CORPORATION AND SHALL NOT BE REPRODUCED OR COPIED OR USED IN WHOLE OR IN PART AS THE BASIS FOR THE MANUFACTURE OR SALE OF ITEMS WITHOUT WRITTEN PERMISSION. COPYRIGHT © 1973 DIGITAL EQUIPMENT CORPORATION"

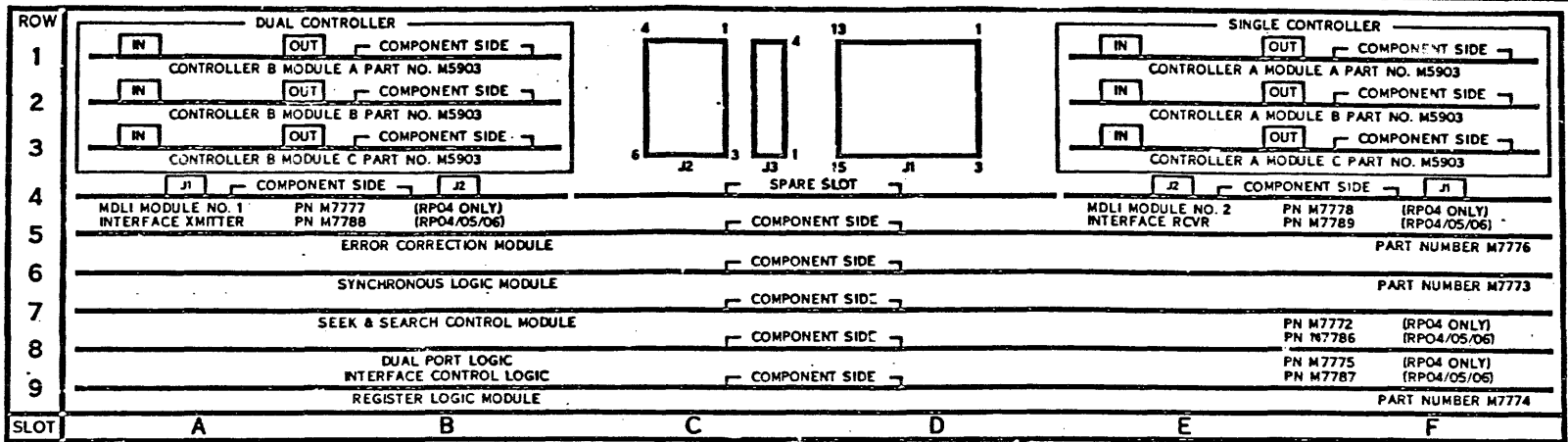


REVISIONS		
CHK	CHANGE NO	REV

TITLE	DRIVE TRANSCEIVER	SIZE CODE	DCS	NUMBER	M5903-0-1	REV.	L
SCALE	NONE	SHEET	2	OF 2	DIST.		

DCS M5903-0-1 L

"THIS DRAWING AND SPECIFICATIONS HEREIN ARE THE PROPERTY OF DIGITAL EQUIPMENT CORPORATION AND SHALL NOT BE REPRODUCED OR COPIED OR USED IN WHOLE OR IN PART AS THE BASIS FOR THE MANUFACTURE OR SALE OF ITEMS WITHOUT WRITTEN PERMISSION. COPYRIGHT © DIGITAL EQUIPMENT CORPORATION"



MODULE	USE IN RP04	USE IN RP05	USE IN RP06	REMARKS
M7772	IF CS Rev D or higher M7773 must be CS Rev C2, E or higher	No	No	For RP05/RP06, only M7786 may be used
M7773	Yes, see restriction on M7772	Must be CS Rev C2, E or higher	Must be CS Rev C2, E or higher	
M7774	Yes	Yes	Yes	
M7775	Yes	No	No	For RP05/RP06, only M7787 may be used
M7776	Yes	CS Rev C or higher only	CS Rev C or higher only	JUMPER CUT REQUIRED FOR DRIVE TYPE - REF D-CS-M7776-0-1
M7777	Yes	No	No	For RP05/RP06, only M7788 may be used
M7778	Yes	No	No	For RP05/RP06, only M7789 may be used
M7786	Yes	Yes	Yes	JUMPER CUT REQ'D FOR SINGLE DENSITY - REF D-CS-M7786-0-1
M7787	Yes	Yes	Yes	SWITCHES MUST BE OPEN FOR RP05/06 DRV ADR-REF D-CS-M7787-0-1
M7788	Yes	Yes	Yes	
M7789	Yes	Yes	Yes	
M5903	Yes	Yes	Yes	

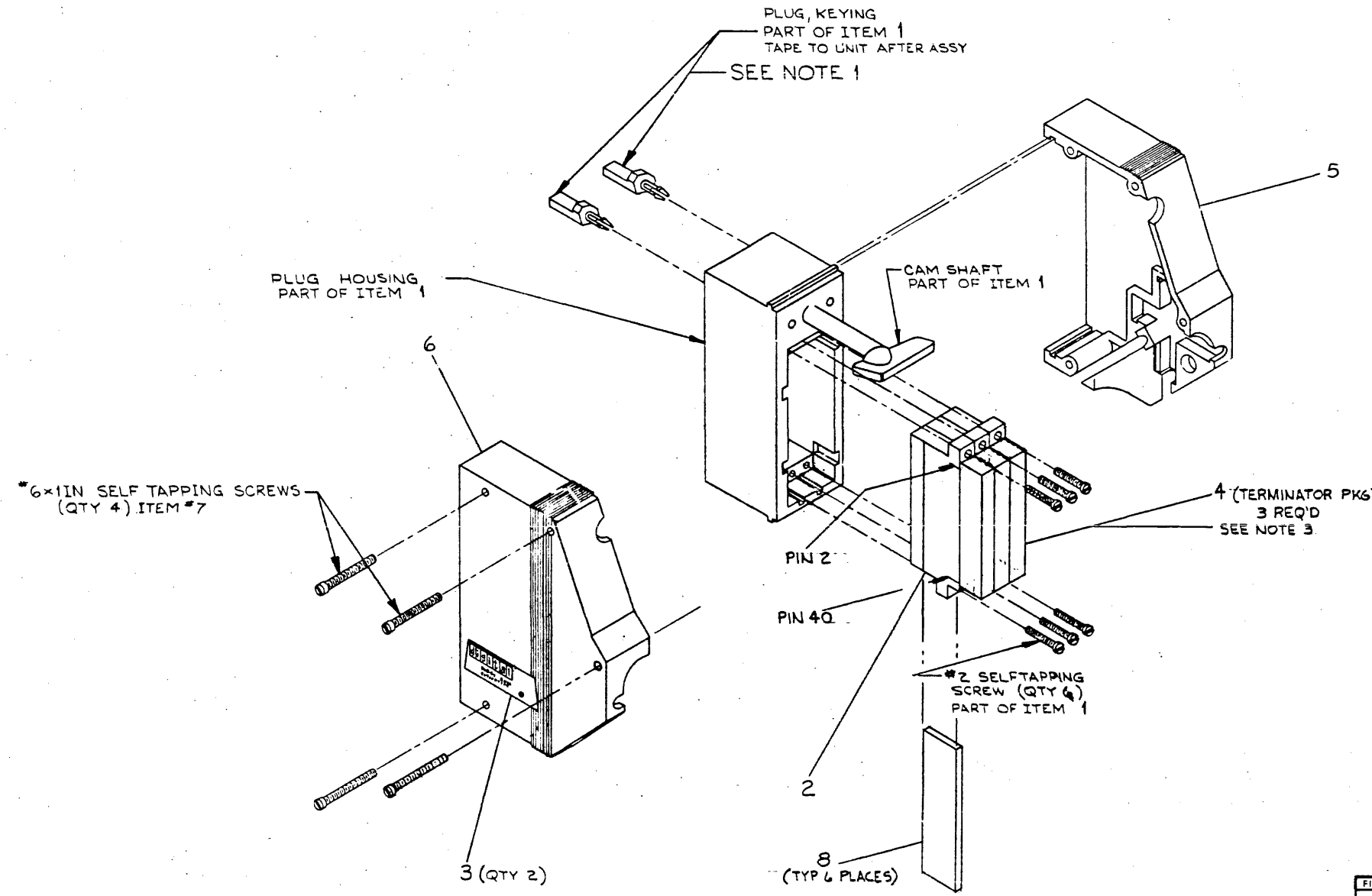
QTY.	DESCRIPTION	PART NO.	ITEM NO.
PARTS LIST			
DRN.	DATE	digital EQUIPMENT CORPORATION <small>MAYNARD MASSACHUSETTS</small> TITLE MODULE UTILIZATION AND SUBSTITUTION GUIDE RP04/ RP05/ RP06	
CHK'D.	DATE		
ENG.	DATE		
PROJ. ENG.	DATE		
PROD.	DATE		
NEXT HIGHER ASSY.		SIZE CODE	NUMBER
B-TC-RP05-0-3		C MU	RP05-0-4
SCALE NONE		DIST.	
SHEET 1 OF 1			

REV.	
CHANGE NO.	
CHK	

REV. NUMBER RP05-0-4

The drawing and specifications, herein, are the property of Digital Equipment Corporation and shall not be reproduced or copied or used in whole or in part as the basis for the manufacture or sale of items without written permission.
 CCOPYRIGHT © 1974 DIGITAL EQUIPMENT CORP.

- NOTES:**
1. PLUG KEYING, PLUG HOUSING, CAM SHAFT & MOUNTING HARDWARE ARE PART OF ITEM 1 (PLUG HOUSING & CAMSHAFT KIT).
 2. CUT JUMPER W2 ON MS70 TERMINATOR MODULES.
 3. PRIOR TO ASSY OF ITEM 4 TO ITEM 2, CUT OFF LEAD AT PIN 39. CUT FLUSH WITH TERMINATOR BODY.



QTY.	DESCRIPTION	PART NO.	ITEM NO.
6	COVER, CONTACT	1211591-11	8
4	SELF THREAD SCREW #6x1	1211591-18	7
1	STRAIN RELIEF HOUSING R. H.	1211591-13	6
1	STRAIN RELIEF HOUSING L. H.	1211591-14	5
3	MASS BUS TERMINATOR	1313242	4
2	DECAL	A-DC-7412208-00	3
3	PLUG ASSY	1211591-07	2
1	PLUG HOUSING & CAM SHAFT	1211591-01	1

REVISIONS

CHK	CHANGE NO	REV
ST	7009938-00001	A
ST	7009938-00002	B
ST	7009938-00003	C
ST	7009938-00004	D

FIRST USED ON OPTION/MODEL: RP04

UNLESS OTHERWISE SPECIFIED DIMENSION IN INCHES. TOLERANCES		DRN T. Quinn	DATE 5-29-77
DECIMALS	ANGLES	CHKD. Quinn	DATE 1/17/77
XXX - 006	±0° 30'	ENG. Quinn	DATE 8/26/76
XX - 007		PROJ. ENG. Quinn	DATE 7/26/77
X - 1		PROD. Quinn	DATE 5/27/77

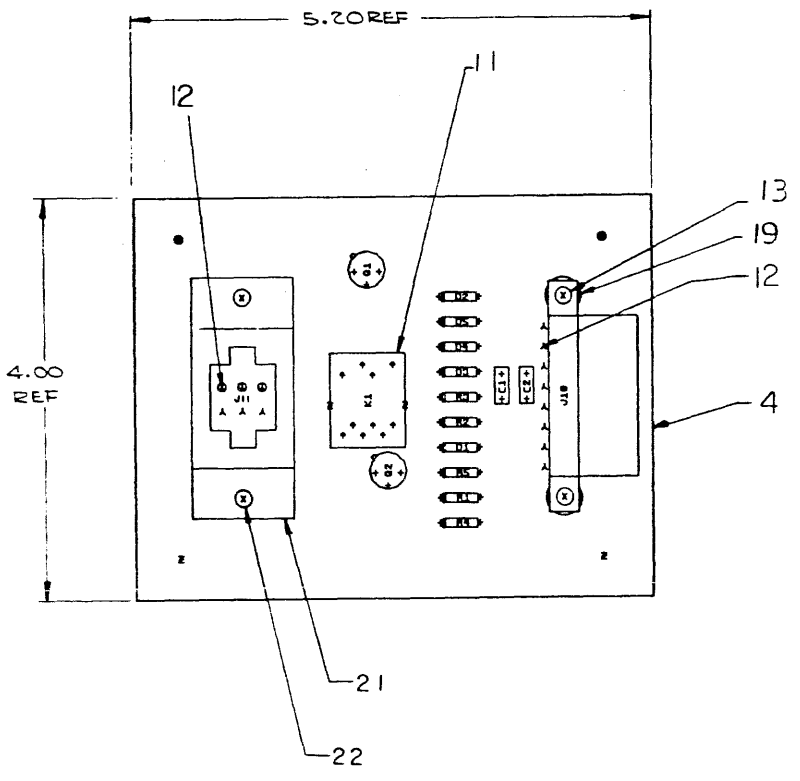
REMOVE BURRS AND BREAK SHARP CORNERS SURFACE QUALITY ✓

SEE PARTS LIST		NEXT HIGHER ASSY.	
MATERIAL	SCALE	SIZE CODE	NUMBER
	1/1	EUA-RP04-φ-φ	DAD 7009938-0-0
FINISH	SHEET	REV.	
	1 OF 1	C	

TITLE: TERMINATOR PACK ASSY

THIS DRAWING AND SPECIFICATIONS HEREIN ARE THE PROPERTY OF DIGITAL EQUIPMENT CORPORATION AND SHALL NOT BE REPRODUCED OR COPIED OR USED IN WHOLE OR IN PART AS THE BASIS FOR THE MANUFACTURE OR SALE OF ITEMS WITHOUT WRITTEN PERMISSION. COPYRIGHT © 1975, DIGITAL EQUIPMENT CORPORATION.

NOTES:



REF	DESCRIPTION	QTY	PART NO.	ITEM NO.
REF	X-Y COORDINATE HOLE LOCATION		K-00-5410817-04	1
REF	ASSY, DRILLING HOLE LAYOUT		D-AH-5410817-05	2
REF	MODULE ECO HISTORY		B-MH-5410817-06	3
1	ETCHED CIRCUIT BOARD		5010816	4
2	C1, C2		CAP .01UF 100V ±20% DISC	5
1	D1		DIODE D664	6
4	D2, D3, D4, D5		DIODE 1N4004	7
1	J10		CONN 8 PIN	8
1	J11		CONN 6 PIN	9
1	KI		RELAY 12VDC DPDT	10
1			SOCKET, RELAY, PC	11
14			PIN	12
2			EYELET	13
2	R1, R4		RES 330Ω 1/4W 5%	14
1	R2		RES 3.9K 1/4W 5%	15
2	R3, R5		RES 10K 1/4W 5%	16
1	Q1		TRANS 2N3009B	17
2	W1, W2		JUMPER, INSULATED (-4)	18
2			WASHER, FLAT, NYLON	19
1	Q2		TRANS DEC 2219-1	20
1			BRACKET, BOARD PWR MONITOR	21
2			EYELET	22

QTY	REF DESIGNATION	DESCRIPTION	PART NO.	ITEM NO.
	RP04	ETCH BOARD REV C		

IC TYPE	GND	+5V
5410817-CX003		

DEC FORM NO. 862 12-8

REV	CHANGE NO.	REVISIONS
4		W. HARDER
3		JOSE W. SOTO
2		W. HARDER
1		W. HARDER

DEC NO.	EIA NO.	DEC NO.	EIA NO.

DATE DESIGNED: 12/23/74
 DATE CHECKED: 1/8/75
 DATE REVISION: 1/8/75
 DATE APPROVED: 1/8/75

Digital EQUIPMENT CORPORATION

TITLE: POWER MONITOR

DCS 5410817-0-1

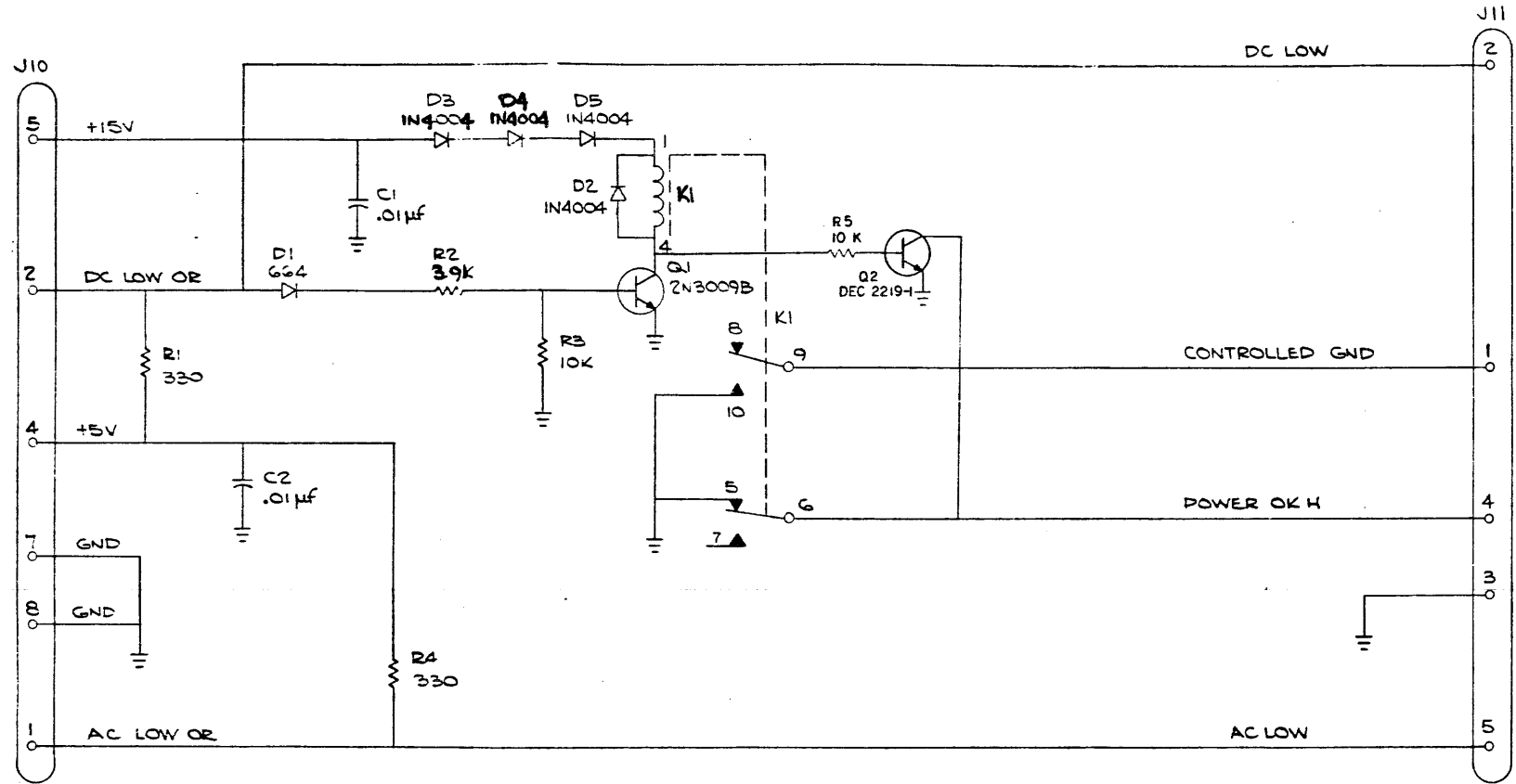
SEMICONDUCTOR CONVERSION CHART

SCALE: 1 OF 2

DIST: 1

"THIS DRAWING AND SPECIFICATIONS HEREIN ARE THE PROPERTY OF DIGITAL EQUIPMENT CORPORATION AND SHALL NOT BE REPRODUCED OR COPIED OR USED IN WHOLE OR IN PART AS THE BASIS FOR THE MANUFACTURE OR SALE OF ITEMS WITHOUT WRITTEN PERMISSION. COPYRIGHT © 1975, DIGITAL EQUIPMENT CORPORATION."

D/CS 5410817-0-1 2



REVISIONS		
CHK	CHANGE NO	REV

POWER MONITOR
 D/CS 5410817-0-1
 SHEET 2 OF 2

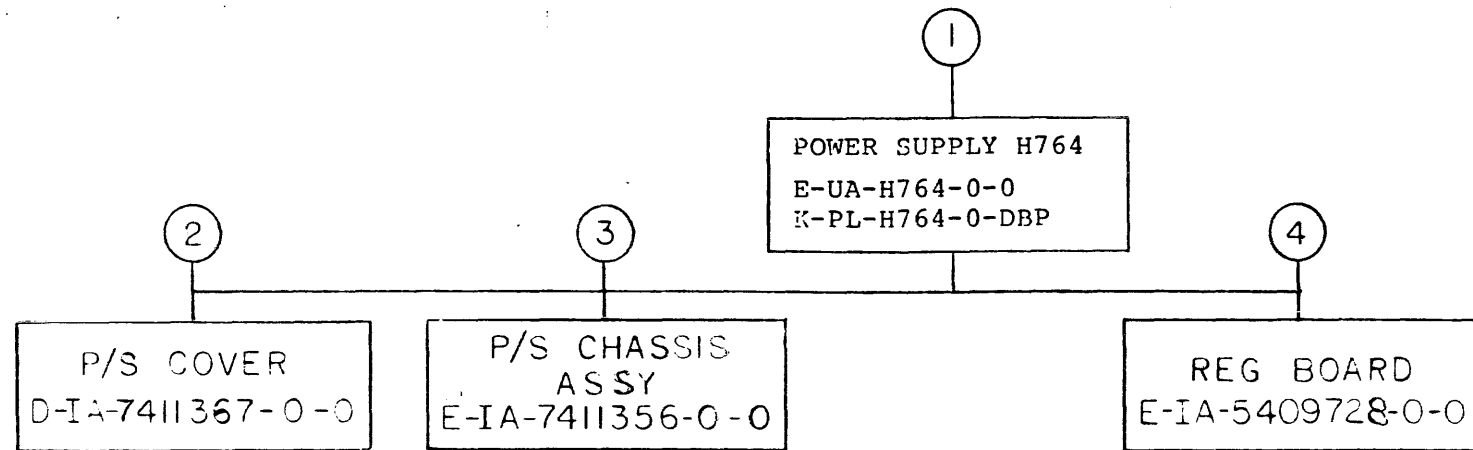
This drawing and specifications, herein, are the property of Digital Equipment Corporation and shall not be reproduced or copied or used in whole or in part as the basis for the manufacture or sale of items without written permission.

DRAWING NUMBER	INIT REL	AUTOMATIC WIRE TESTER (AWT) REVISION STATUS																REV. E
	TI	B	C	D	D													
K-WL-RP04-0-WL	A	B	B	C	C													
D-AD-7009623-0-0	-	-	A	A	B													
D-CS-5410940-0-1	C	C	C	C	C													

NUMBER 7009623-0
 SIZE CODE A WT
 REV. E

REVISIONS		REV.
CHK	CHANGE NO.	B
-	RP04-00004	
	ORIGINATED	
-	RP04-00018	C
APR	RP04-00025	D
APR	RP04-00030	E

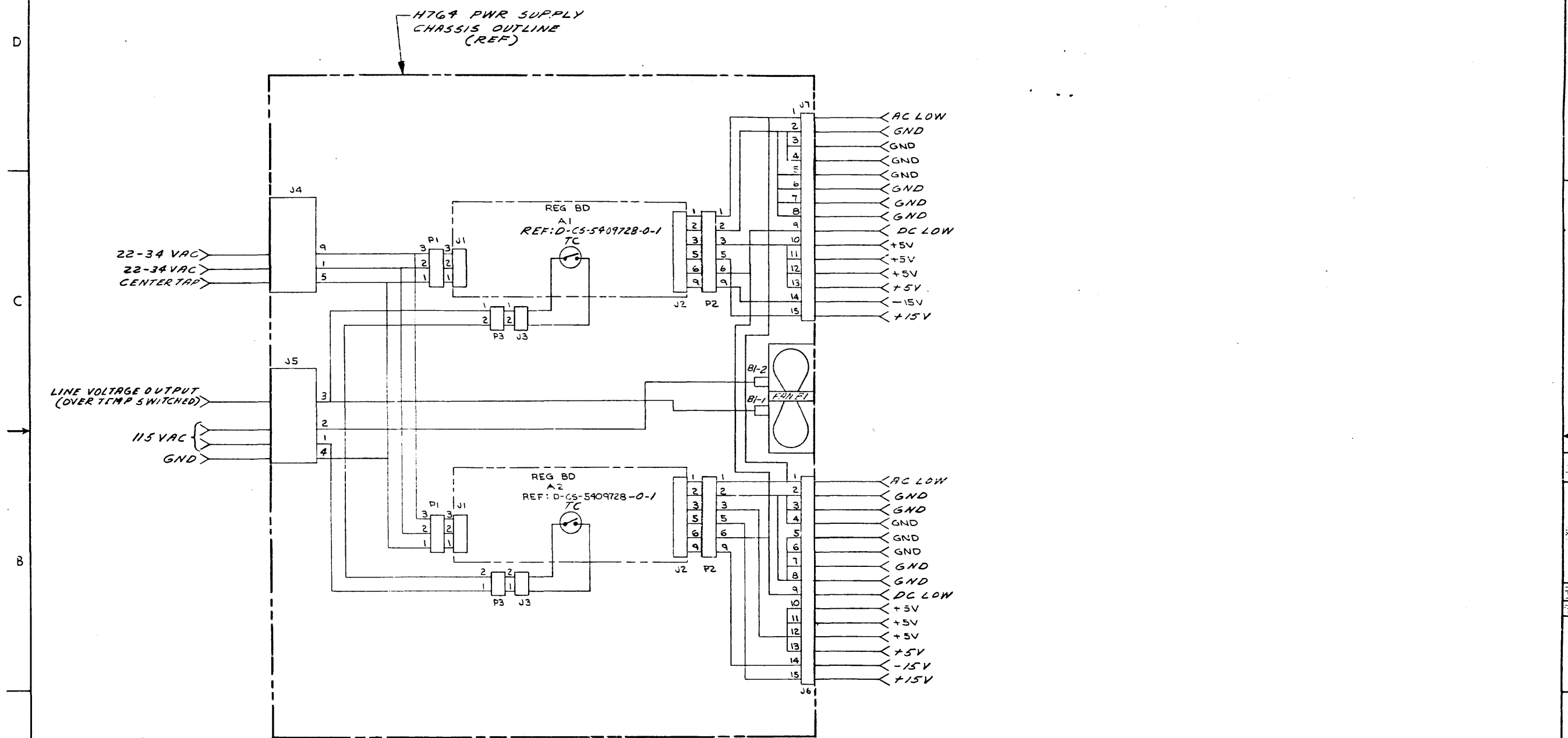
DRN. <i>J. Carter</i>	DATE <i>8-14-74</i>	digital EQUIPMENT CORPORATION MAYNARD, MASSACHUSETTS	
CHK'D. <i>X. Bell</i>	DATE <i>8-15-74</i>	TITLE	
ENG. <i>B. Hanson</i>	DATE <i>9/22/74</i>	RP04	
PROJ. ENG. <i>D. Quinn</i>	DATE <i>7-29-74</i>		
PROD. <i>A. Kelly</i>	DATE <i>7-29-74</i>	AWT REVISION STATUS	
FIRST USED ON		SIZE CODE	NUMBER
RP04		A WT	7009623-0
SCALE <i>1/1</i>			REV. E
SHEET <i>1</i> OF <i>1</i>		DIST.	



TITLE	SHEET	SIZE	CODE	NUMBER	REV
H764 POWER SUPPLY	2 of 3	B	DD	H764-0	H

THIS DRAWING AND SPECIFICATIONS HEREIN ARE THE PROPERTY OF DIGITAL EQUIPMENT CORPORATION AND SHALL NOT BE REPRODUCED OR COPIED IN WHOLE OR IN PART AS THE BASIS FOR THE MANUFACTURE OR SALE OF ANY EQUIPMENT WITHOUT WRITTEN PERMISSION FROM DIGITAL EQUIPMENT CORPORATION.

10-752H SQD 2

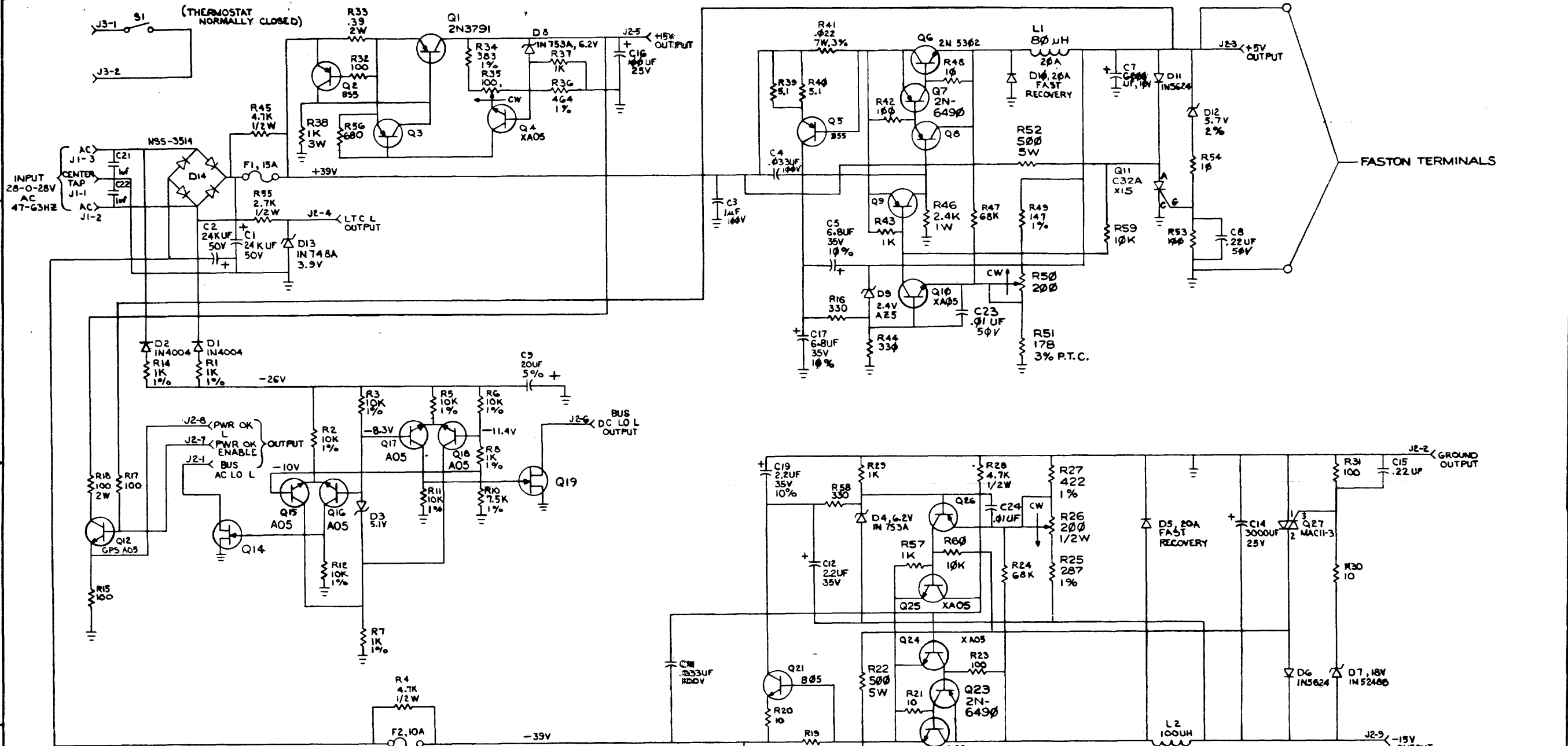


REV.	DATE	BY	CHKD.
A	10-1-74	H. OLSON	
B	10-1-74	J. RINALDIS	
C	10-1-74	P. SALOFF	

FIRST USED ON OPT. CN. MODEL	QTY	DESCRIPTION	PART NO.	ITEM NO.
H764				
UNLESS OTHERWISE SPECIFIED DIMENSION IN INCHES	DRN.	DATE	PARTS LIST	
TOLERANCES	CHKD.	DATE	digital EQUIPMENT CORPORATION	
DECIMALS .005 .01 .02 .05 .1 .2 .5 1	ENG.	DATE	TITLE	
ANGLES 0 30 45 60 90 120 150 180	PROJ. ENG.	DATE	CIRCUIT SCHEMATIC (H764)	
REMOVE BURRS AND BREAK SHARP CORNERS SURFACE QUALITY 1	PRD.	DATE	SIZE CODE	NUMBER
MATERIAL	NEXT HIGHER ASSY.		D CS	H764-0-1
FINISH	SCALE	SHEET	OF	DIST

DEC FORM NO. 010 10-74

This drawing and specifications, herein, are the property of Digital Equipment Corporation and shall not be reproduced or copied in whole or in part in any form for the reproduction or sale of these items without the written permission of Digital Equipment Corporation.

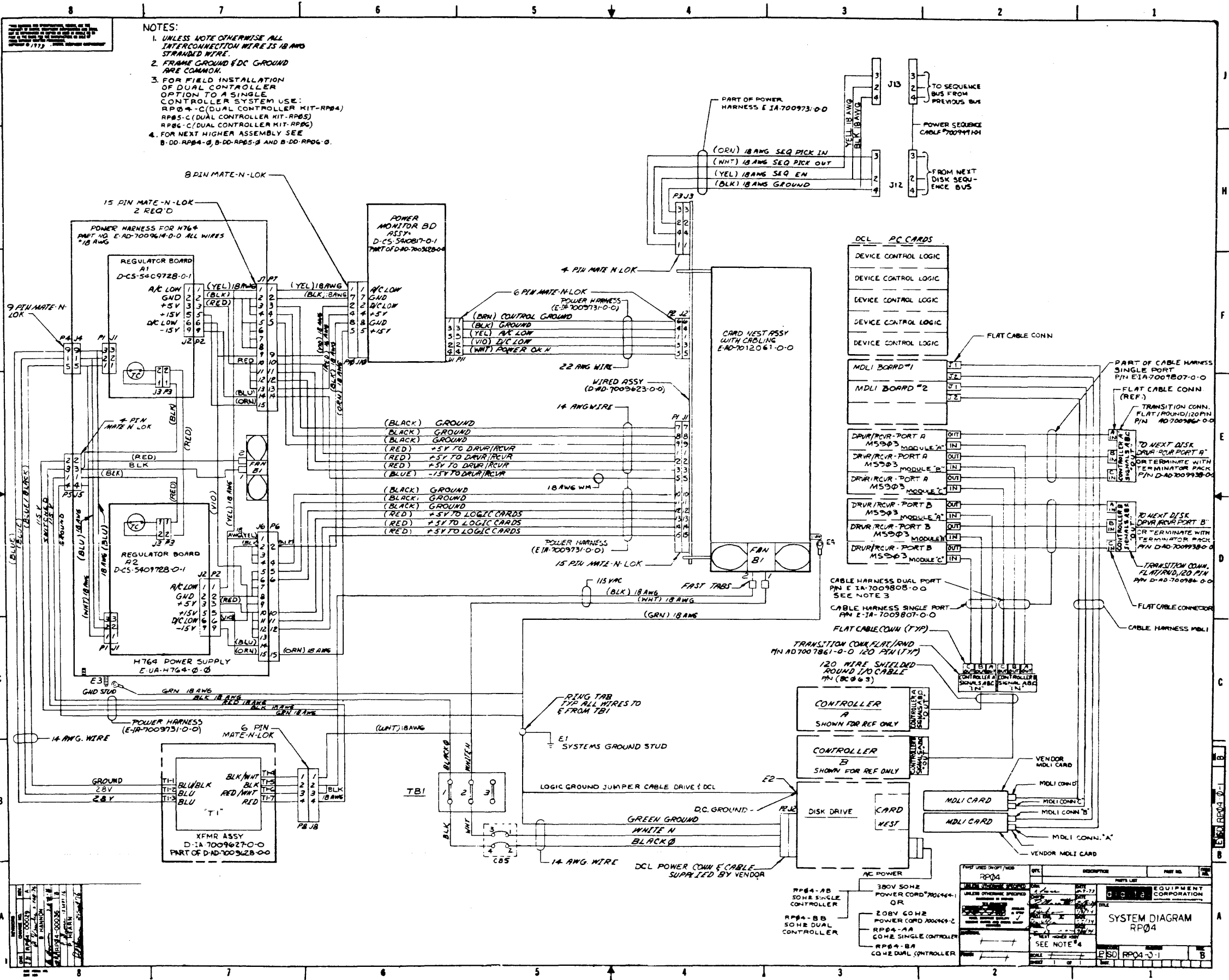


UNLESS OTHERWISE INDICATED:
 1% RESISTORS ARE 1/8W.
 VOLTAGES ARE TAKEN AT NO LOAD WITH 115 VAC LINE.
 VOLTAGES ARE ±10% TAKEN BY A ±10KV METER.
 TRANSISTORS = XA55.

A. BARON	12-20-70
D. BARON	12-21-70
G. BARON	12-21-70
H. BARON	12-21-70
I. BARON	12-21-70
J. BARON	12-21-70
K. BARON	12-21-70
L. BARON	12-21-70
M. BARON	12-21-70
N. BARON	12-21-70
O. BARON	12-21-70
P. BARON	12-21-70
Q. BARON	12-21-70
R. BARON	12-21-70
S. BARON	12-21-70
T. BARON	12-21-70
U. BARON	12-21-70
V. BARON	12-21-70
W. BARON	12-21-70
X. BARON	12-21-70
Y. BARON	12-21-70
Z. BARON	12-21-70

QTY	REF DESIGNATION	DESCRIPTION	PART NO.	ITEM NO.												
PARTS LIST																
ETCH BOARD REV H																
<table border="1"> <tr> <td>DRW. BY: J. BARON</td> <td>DATE: 12-20-70</td> </tr> <tr> <td>CHKD. BY: AMANCY MOORE</td> <td>DATE: 12-21-70</td> </tr> <tr> <td>ENGR. BY: R. BARON</td> <td>DATE: 12-21-70</td> </tr> <tr> <td>PROJ. ENGR. BY: R. BARON</td> <td>DATE: 12-21-70</td> </tr> <tr> <td>PROD. BY: R. BARON</td> <td>DATE: 12-21-70</td> </tr> <tr> <td colspan="2">NEXT HIGHER ASSY</td> </tr> </table>					DRW. BY: J. BARON	DATE: 12-20-70	CHKD. BY: AMANCY MOORE	DATE: 12-21-70	ENGR. BY: R. BARON	DATE: 12-21-70	PROJ. ENGR. BY: R. BARON	DATE: 12-21-70	PROD. BY: R. BARON	DATE: 12-21-70	NEXT HIGHER ASSY	
DRW. BY: J. BARON	DATE: 12-20-70															
CHKD. BY: AMANCY MOORE	DATE: 12-21-70															
ENGR. BY: R. BARON	DATE: 12-21-70															
PROJ. ENGR. BY: R. BARON	DATE: 12-21-70															
PROD. BY: R. BARON	DATE: 12-21-70															
NEXT HIGHER ASSY																
TITLE: REGULATOR BOARD FOR H740			EQUIPMENT CORPORATION MAYNARD, MASSACHUSETTS													
SCALE: 1 OF 1			NUMBER: DCS 5409728-0-1 AF REV:													
SEMICONDUCTOR CONVERSION CHART																

DCS 5409728-0-1 AF



NOTES:
 1. UNLESS NOTE OTHERWISE ALL INTERCONNECTION WIRE IS 18 AWG STRANDED WIRE.
 2. FRAME GROUND & DC GROUND ARE COMMON.
 3. FOR FIELD INSTALLATION OF DUAL CONTROLLER OPTION TO A SINGLE CONTROLLER SYSTEM USE:
 RP04-A-C (DUAL CONTROLLER KIT-RP04)
 RP05-C (DUAL CONTROLLER KIT-RP05)
 RP06-C (DUAL CONTROLLER KIT-RP06)
 4. FOR NEXT HIGHER ASSEMBLY SEE B-DD-RP04-B, B-DD-RP05-B AND B-DD-RP06-B.

WIRE LIST

WIRE NO.	WIRE COLOR	DESCRIPTION
1	YEL	18 AWG SEQ PICK IN
2	BLK	18 AWG GND
3	YEL	18 AWG SEQ EN
4	BLK	18 AWG GND
5	GRN	18 AWG
6	BLK	18 AWG
7	YEL	18 AWG
8	BLK	18 AWG
9	GRN	18 AWG
10	BLK	18 AWG
11	GRN	18 AWG
12	BLK	18 AWG
13	GRN	18 AWG
14	BLK	18 AWG
15	GRN	18 AWG

POWER HARNESS SPECIFICATIONS

WIRE NO.	WIRE COLOR	DESCRIPTION
1	YEL	18 AWG SEQ PICK IN
2	BLK	18 AWG GND
3	YEL	18 AWG SEQ EN
4	BLK	18 AWG GND
5	GRN	18 AWG
6	BLK	18 AWG
7	YEL	18 AWG
8	BLK	18 AWG
9	GRN	18 AWG
10	BLK	18 AWG
11	GRN	18 AWG
12	BLK	18 AWG
13	GRN	18 AWG
14	BLK	18 AWG
15	GRN	18 AWG

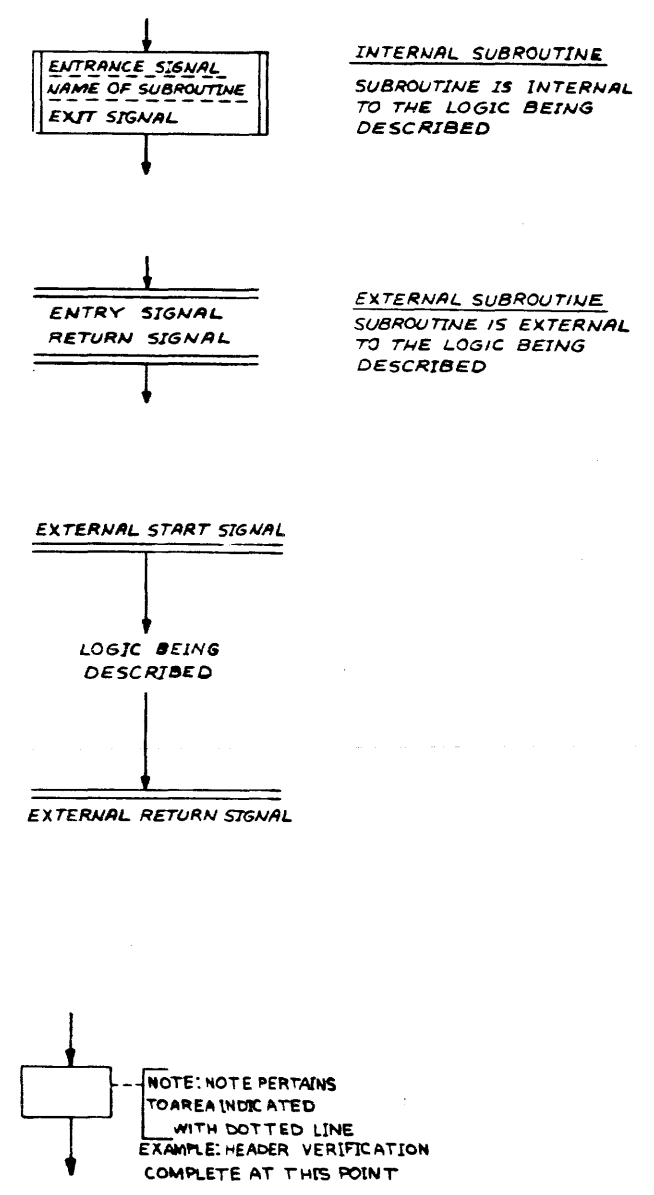
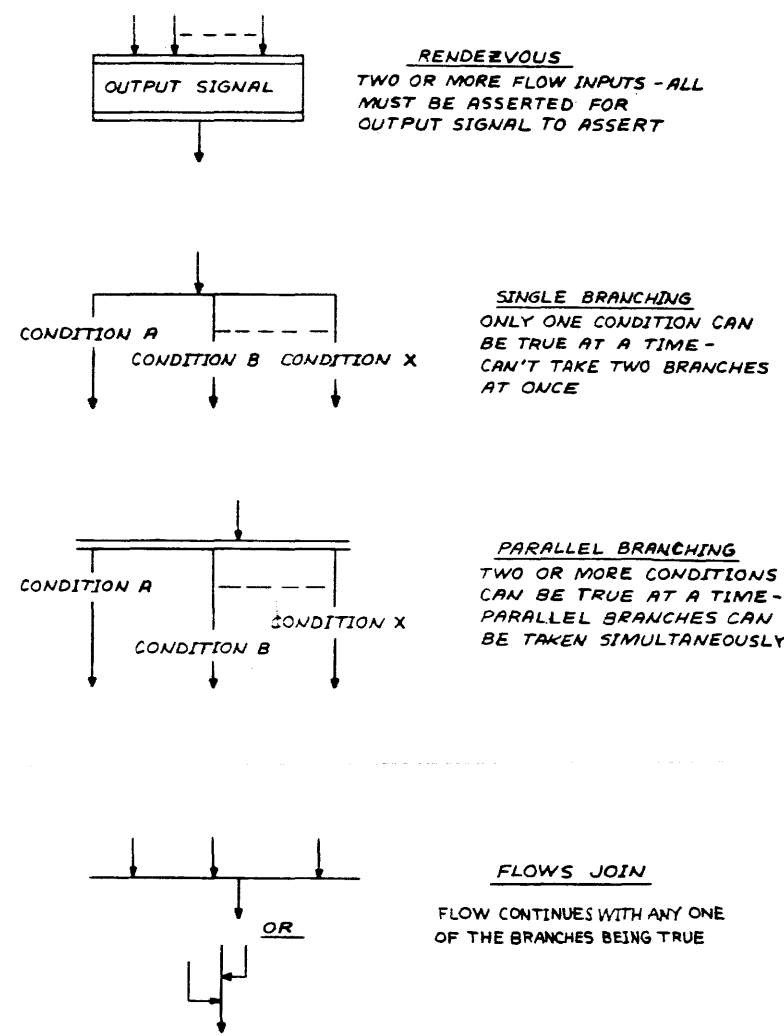
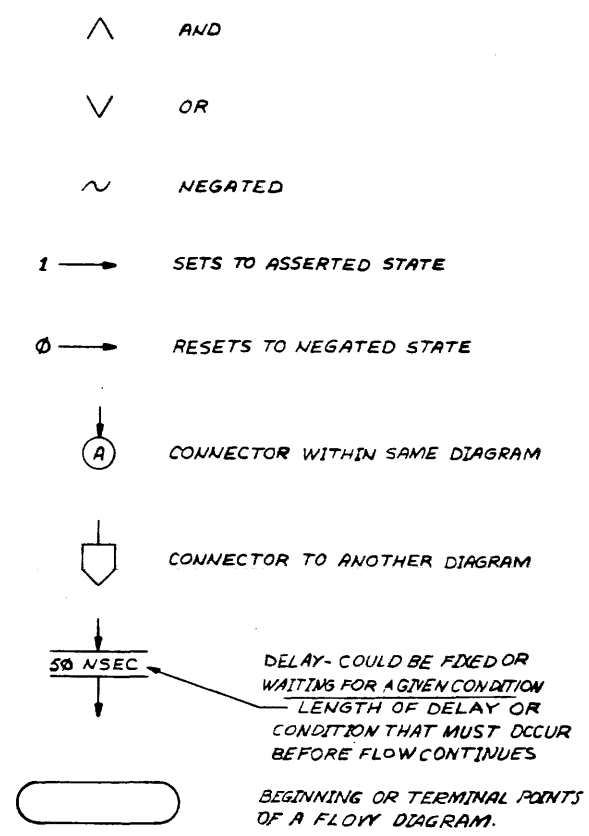
WIRE NO.	WIRE COLOR	DESCRIPTION
1	YEL	18 AWG SEQ PICK IN
2	BLK	18 AWG GND
3	YEL	18 AWG SEQ EN
4	BLK	18 AWG GND
5	GRN	18 AWG
6	BLK	18 AWG
7	YEL	18 AWG
8	BLK	18 AWG
9	GRN	18 AWG
10	BLK	18 AWG
11	GRN	18 AWG
12	BLK	18 AWG
13	GRN	18 AWG
14	BLK	18 AWG
15	GRN	18 AWG

SYSTEM DIAGRAM RP04
 P150 RP04-3-1

THIS DRAWING AND SPECIFICATIONS HEREIN ARE THE PROPERTY OF DIGITAL EQUIPMENT CORPORATION AND SHALL NOT BE REPRODUCED OR COPIED OR USED IN WHOLE OR IN PART AS THE BASIS FOR THE MANUFACTURE OR SALE OF ITEMS WITHOUT WRITTEN PERMISSION. COPYRIGHT © 1974, DIGITAL EQUIPMENT CORPORATION

D
C
B
A

D
C
B
A



REV.	
CHANGE NO.	
CHK	
REV.	

FIRST USED ON OPTION/MODEL		QTY.	DESCRIPTION	PART NO.	ITEM NO.
RP04					
DIMENSIONAL TOLERANCE		DRN	DATE	PARTS LIST	
DIMENSIONS ARE MILLIMETERS UNLESS OTHERWISE SPECIFIED		CHK'D.	DATE		
MILLIMETERS		ENG.	DATE		
J.XX ±0.10	J.XX ±0.05	PROG-ENG	DATE	TITLE	
J.X ±0.05	J.X ±0.02	PROG	DATE		
J ±0.02	J ±0.01		DATE		
THIRD ANGLE PROJECTION	REMOVE BURRS AND BREAK SHARP CORNERS SURFACE QUALITY	NEXT HIGHER ASSY.			
MATERIAL	FINISH	SCALE	SHEET 1 OF 1	SIZE CODE	NUMBER
				DFD	RP04-0-43
				DIST.	

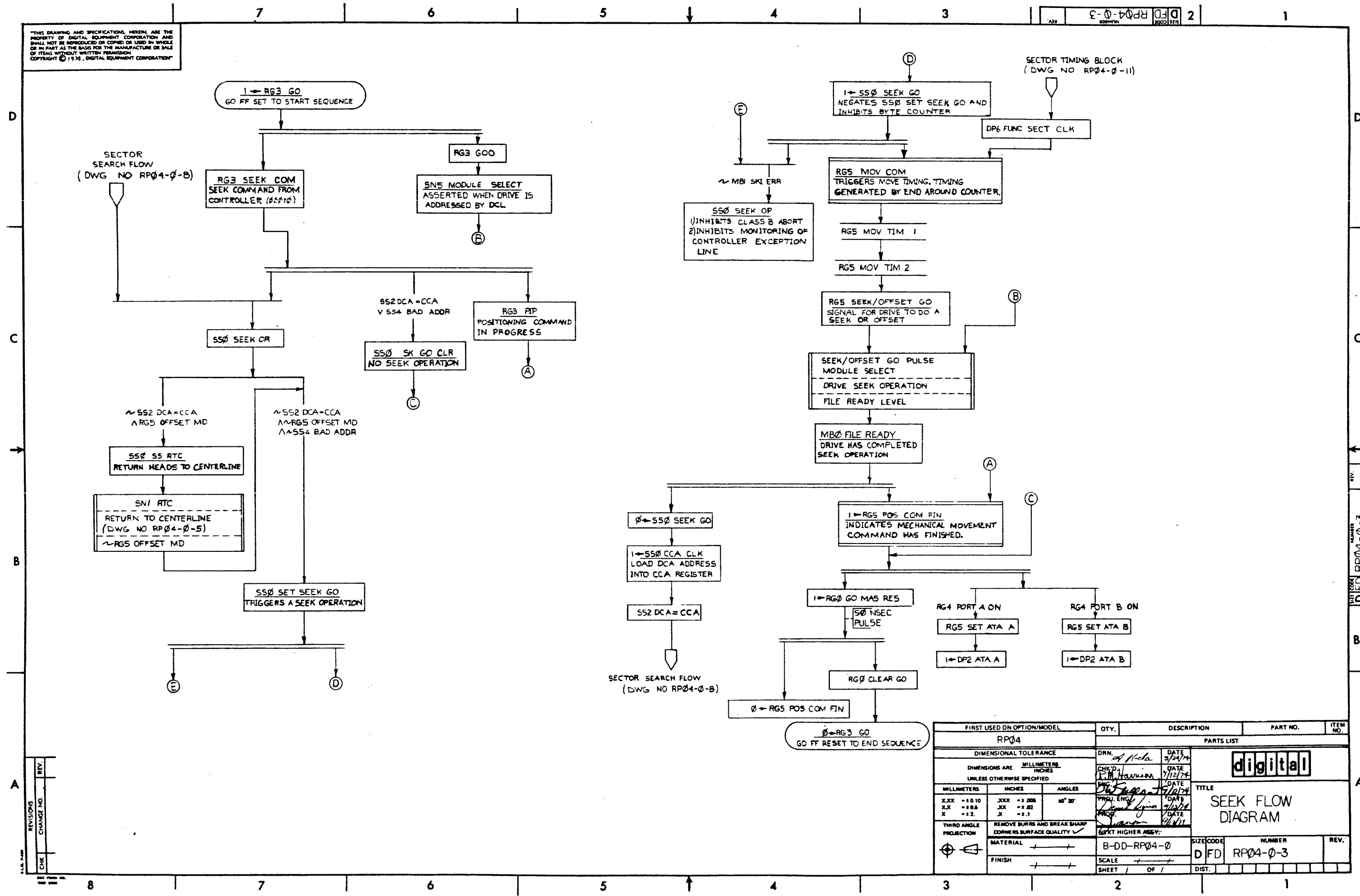
digital

FLOW DIAGRAM SYMBOLOGY

29 P. (200)

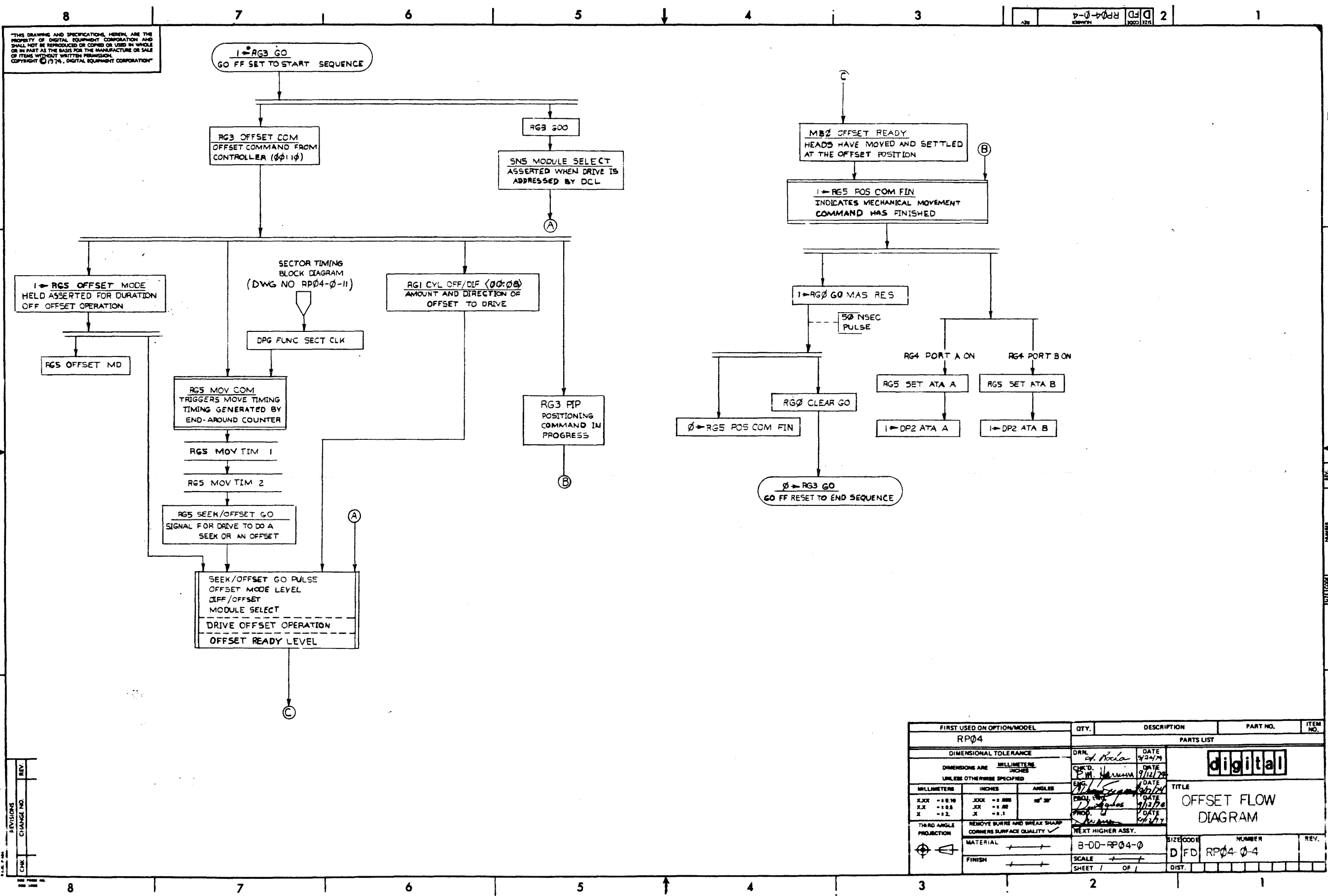
THIS DRAWING AND SPECIFICATIONS, HEREIN, ARE THE PROPERTY OF DIGITAL EQUIPMENT CORPORATION AND SHALL NOT BE REPRODUCED OR COPIED OR USED IN WHOLE OR IN PART AS THE BASIS FOR THE MANUFACTURE OR SALE OF ITEMS WITHOUT WRITTEN PERMISSION. COPYRIGHT © 1974, DIGITAL EQUIPMENT CORPORATION.

DIGITAL
RP04-0-3
2



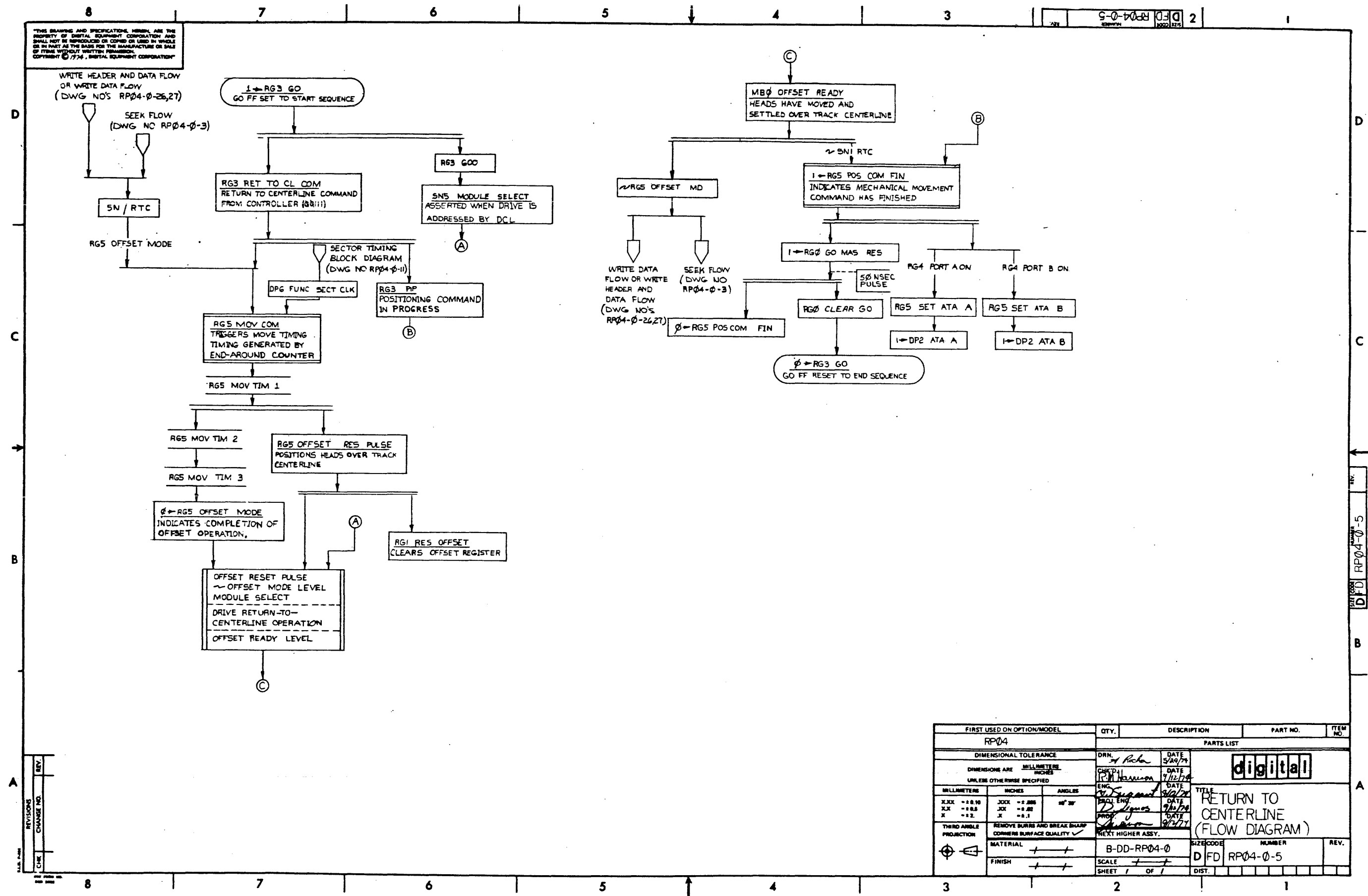
REV.	CHANGE NO.	REV.

FIRST USED ON OPTION/MODEL RP04	QTY.	DESCRIPTION	PART NO.	ITEM NO.
PARTS LIST				
DIMENSIONAL TOLERANCE		DRN.	DATE	digital
DIMENSIONS ARE MILLIMETERS UNLESS OTHERWISE SPECIFIED		CHK'D.	DATE	
		DATE	DATE	
MILLIMETERS	INCHES	ANGLES		TITLE SEEK FLOW DIAGRAM
X.XX ±0.10	.XX ±.008	90° 30'		THIRD ANGLE PROJECTION
X.X ±0.5	.X ±.02			MATERIAL
X ±2	X ±.1			FINISH
				REMOVE BURRS AND BREAK SHARP CORNERS SURFACE QUALITY
				B-BD-RP04-0
				SCALE
				SHEET OF 1
				DIST.
				SIZE CODE
				NUMBER
				REV.
				DIGITAL
				RP04-0-3



THE DRAWING AND SPECIFICATIONS HEREIN ARE THE PROPERTY OF DIGITAL EQUIPMENT CORPORATION AND SHALL NOT BE REPRODUCED OR COPIED OR USED IN WHOLE OR IN PART AS THE BASIS FOR THE MANUFACTURE OR SALE OF ITEMS WITHOUT WRITTEN PERMISSION. COPYRIGHT © 1974, DIGITAL EQUIPMENT CORPORATION

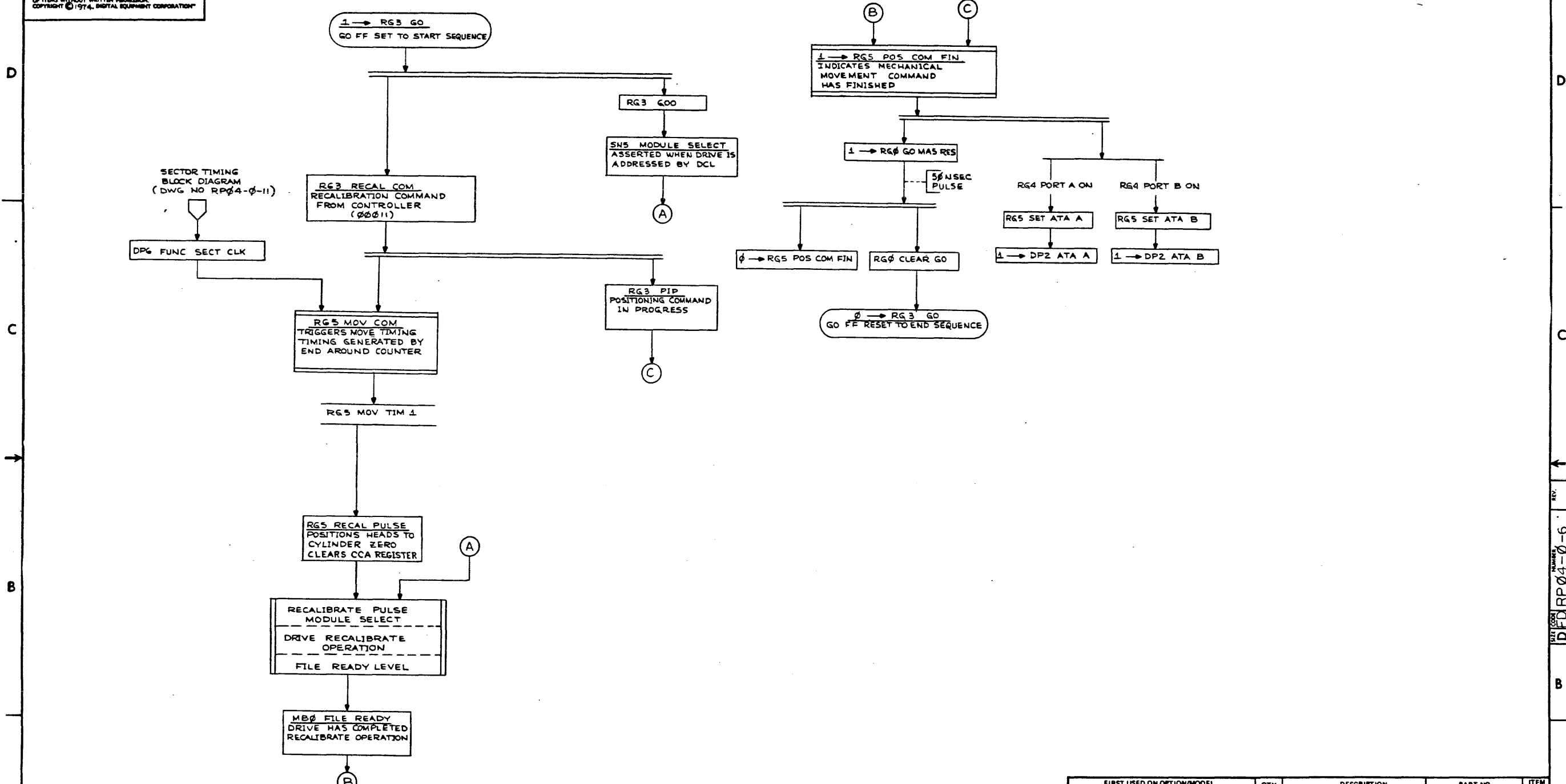
5-0-008 DEF 2



REV.	DATE	BY	CHK'D BY
1			
2			

FIRST USED ON OPTION/MODEL		QTY.	DESCRIPTION	PART NO.	ITEM NO.
RPØ4					
DIMENSIONAL TOLERANCE		PARTS LIST			
DIMENSIONS ARE MILLIMETERS UNLESS OTHERWISE SPECIFIED		DRN. <i>W. Rabin</i>	DATE 5/29/74	digital	
		CHK'D BY <i>R. W. Harrison</i>	DATE 7/12/74		
		ENG. <i>W. S. Sigmond</i>	DATE 5/12/74		
		PROJ. <i>D. Higgins</i>	DATE 9/12/74		
THIRD ANGLE PROJECTION		REMOVE BURRS AND BREAK SHARP CORNERS SURFACE QUALITY		TITLE RETURN TO CENTERLINE (FLOW DIAGRAM)	
MATERIAL		NEXT HIGHER ASSY.		SIZE CODE	NUMBER
FINISH		B-DD-RPØ4-Ø		D FD	RPØ4-Ø-5
		SCALE		SHEET	OF 1

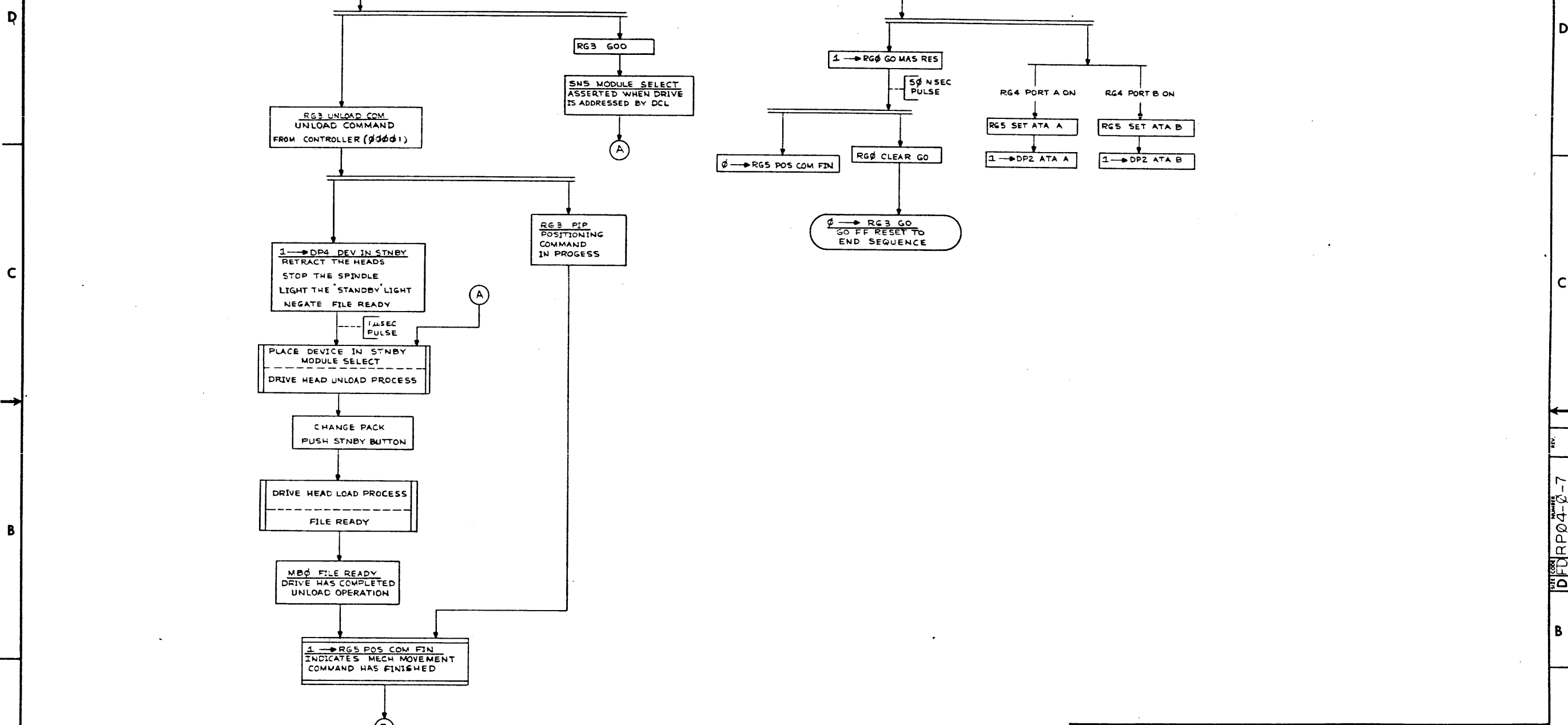
THIS DRAWING AND SPECIFICATIONS HEREIN ARE THE PROPERTY OF DIGITAL EQUIPMENT CORPORATION AND SHALL NOT BE REPRODUCED OR COPIED OR USED IN WHOLE OR IN PART AS THE BASIS FOR THE MANUFACTURE OR SALE OF ITEMS WITHOUT WRITTEN PERMISSION. COPYRIGHT © 1974, DIGITAL EQUIPMENT CORPORATION



REVISIONS	REV.
CHANGE NO.	
CHEK	

FIRST USED ON OPTION/MODEL	QTY.	DESCRIPTION	PART NO.	ITEM NO.
RP04				
PARTS LIST				
DIMENSIONAL TOLERANCE		DRN. <i>[Signature]</i>	DATE 5/24/74	digital
DIMENSIONS ARE MILLIMETERS		CHK'D. <i>[Signature]</i>	DATE	
UNLESS OTHERWISE SPECIFIED		ENG. <i>[Signature]</i>	DATE 9/12/74	
		DRG. <i>[Signature]</i>	DATE 9/12/74	
MILLIMETERS	INCHES	ANGLES	TITLE	
±0.10	±0.008	±30'	RECALIBRATE	
±0.25	±0.003		FLOW DIAGRAM	
±0.5	±0.1			
THIRD ANGLE PROJECTION	REMOVE BURRS AND BREAK SHARP CORNERS SURFACE QUALITY	NEXT HIGHER ASSEMBLY		
MATERIAL		B-DD-RP04-0	SIZE CODE	NUMBER
FINISH		SCALE	DFD RP04-0-6	REV.
		SHEET / OF /	DIST.	

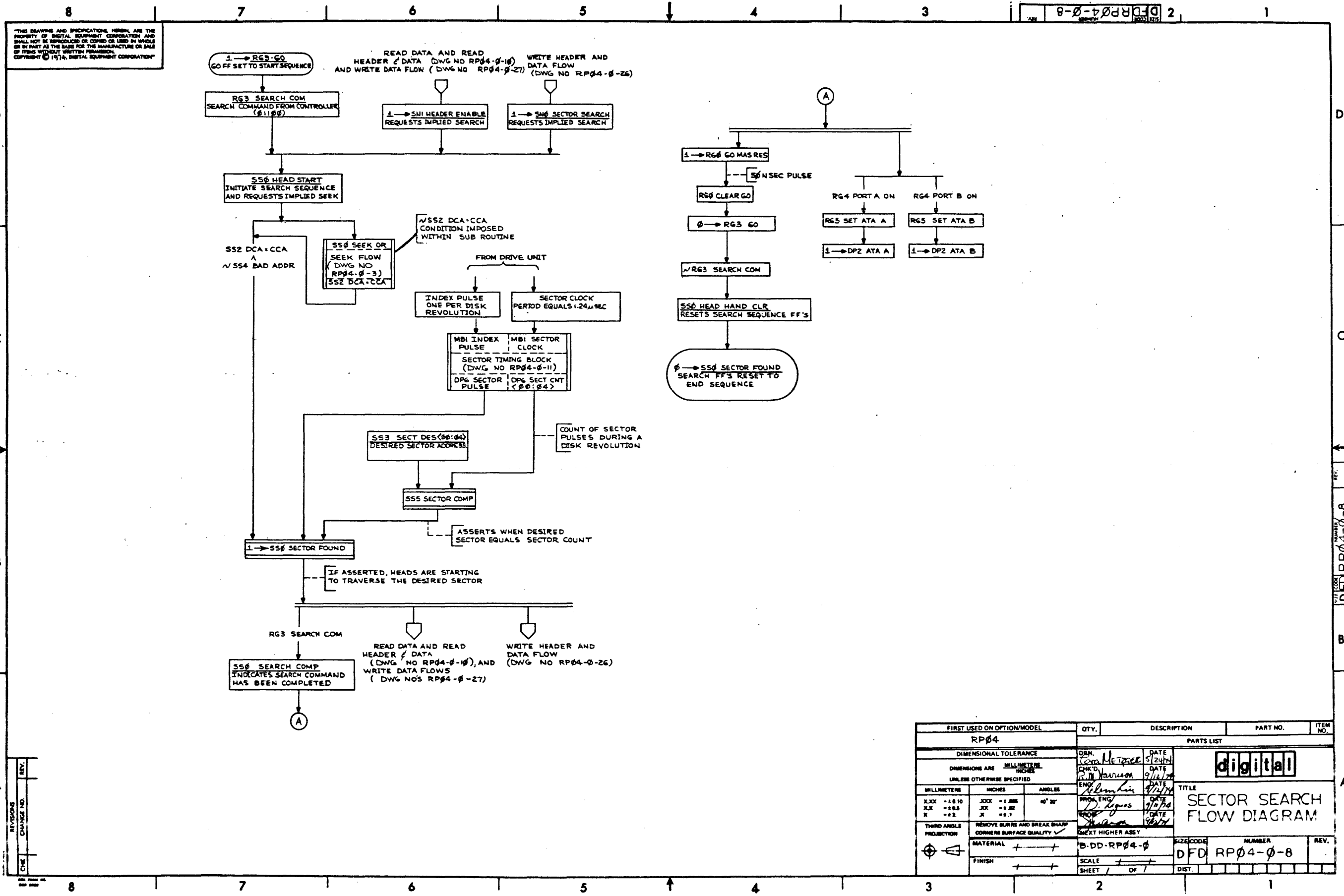
"THIS DRAWING AND SPECIFICATIONS HEREIN ARE THE PROPERTY OF DIGITAL EQUIPMENT CORPORATION AND SHALL NOT BE REPRODUCED OR COPIED OR USED IN WHOLE OR IN PART AS THE BASIS FOR THE MANUFACTURE OR SALE OF ITEMS WITHOUT WRITTEN PERMISSION. COPYRIGHT © 1974, DIGITAL EQUIPMENT CORPORATION"



REV	CHANGE NO
CHK	

FIRST USED ON OPTION/MODEL RP04	QTY.	DESCRIPTION	PART NO.	ITEM NO.
PARTS LIST				
DIMENSIONAL TOLERANCE		DBN. DATE	DATE	
DIMENSIONS ARE MILLIMETERS		CHKD. DATE	DATE	
UNLESS OTHERWISE SPECIFIED		ENG. DATE	DATE	
MILLIMETERS	INCHES	ANGLES	TITLE	
X.XX ±0.10	.XX ±0.008	90° 30'	UNLOAD FLOW DIAGRAM	
XX ±0.5	.X ±0.02		digital	
X ±2	.X ±0.1		B-DD-RP04-0	
THIRD ANGLE PROJECTION	REMOVE BURRS AND BREAK SHARP CORNERS SURFACE QUALITY	NEXT HIGHER ASSY.	SIZE CODE	NUMBER
			DFD	RP04-0-7
	MATERIAL	FINISH	SCALE	REV.
			SHEET 1 OF 1	

REV. 2
 DFD RP04-0-7



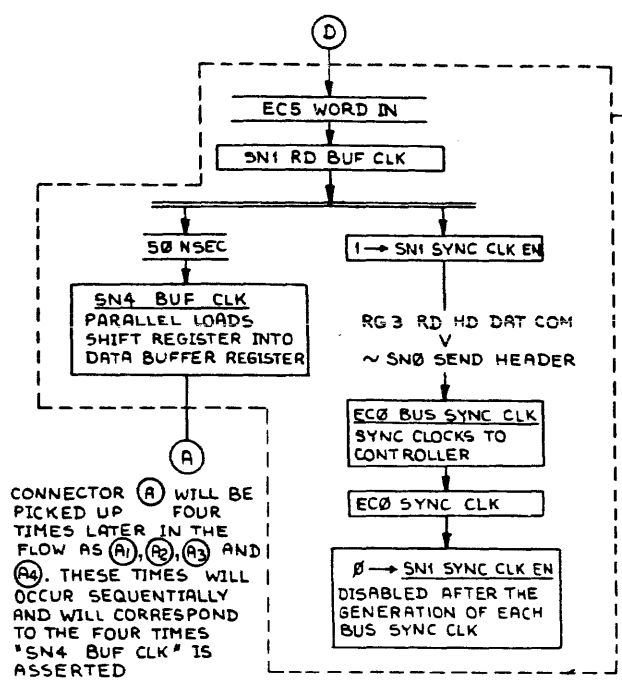
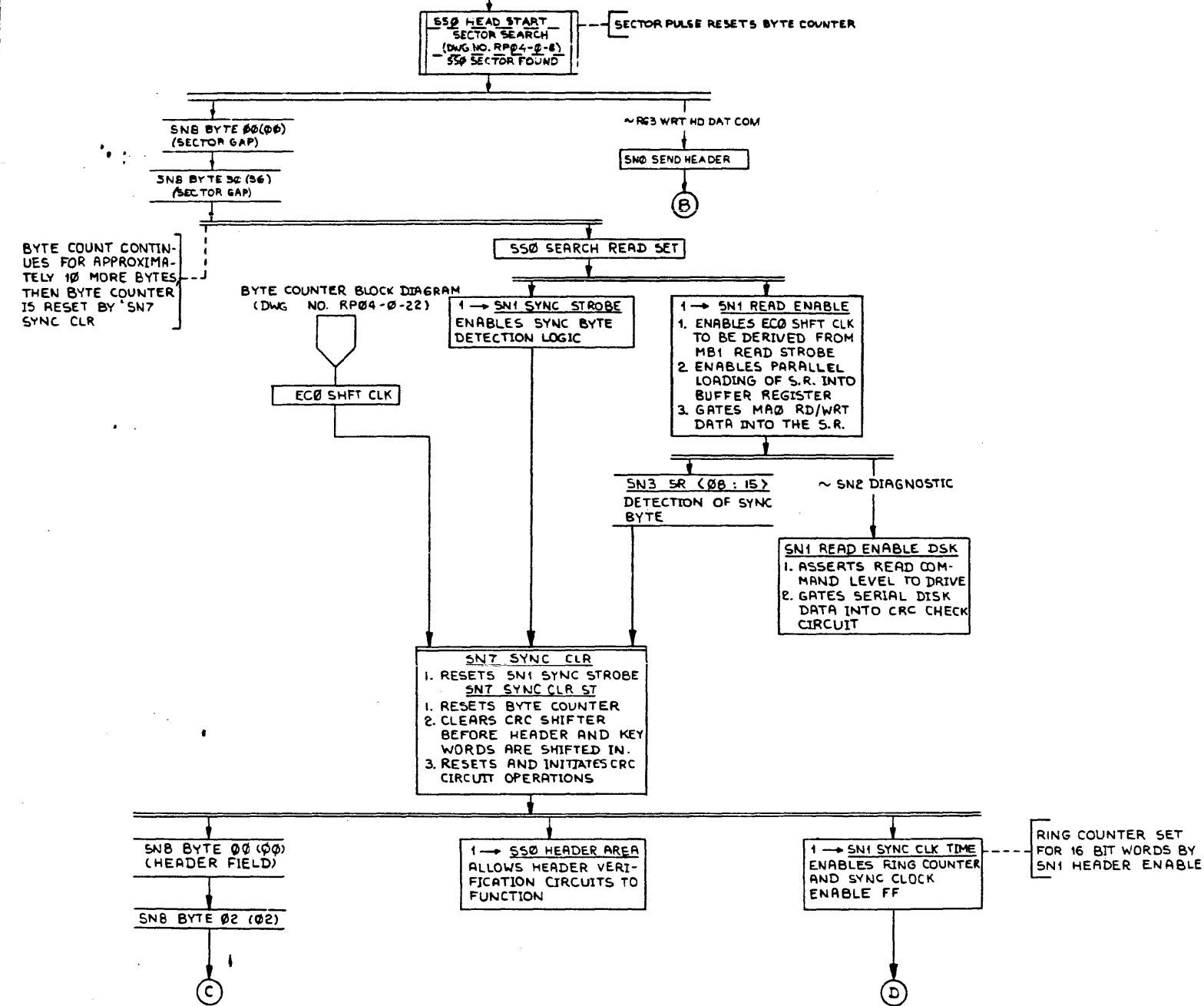
REV.	NO.

FIRST USED ON OPTION/MODEL		QTY.	DESCRIPTION	PART NO.	ITEM NO.
RP04					
DIMENSIONAL TOLERANCE		PARTS LIST			
DIMENSIONS ARE MILLIMETERS UNLESS OTHERWISE SPECIFIED		digital			
MILLIMETERS		TITLE			
THIRD ANGLE PROJECTION		SECTOR SEARCH FLOW DIAGRAM			
REMOVE BURRS AND BREAK SHARP CORNERS SURFACE QUALITY		MATERIAL			
FINISH		SCALE			
		SHEET			

REV. NO. DFD RP04-0-8

THIS DRAWING AND SPECIFICATIONS HEREIN ARE THE PROPERTY OF DIGITAL EQUIPMENT CORPORATION AND SHALL NOT BE REPRODUCED OR COPIED OR USED IN WHOLE OR IN PART AS THE BASIS FOR THE MANUFACTURE OR SALE OF ITEMS WITHOUT WRITTEN PERMISSION. COPYRIGHT © 1974, DIGITAL EQUIPMENT CORPORATION

THIS PORTION OF THE FLOW IS REPEATED FOUR TIMES ASSERTING 'ECS WORD IN', 'EC0 BUS SYNC CLK' AND 'SN4 BUF CLK' FOUR TIMES

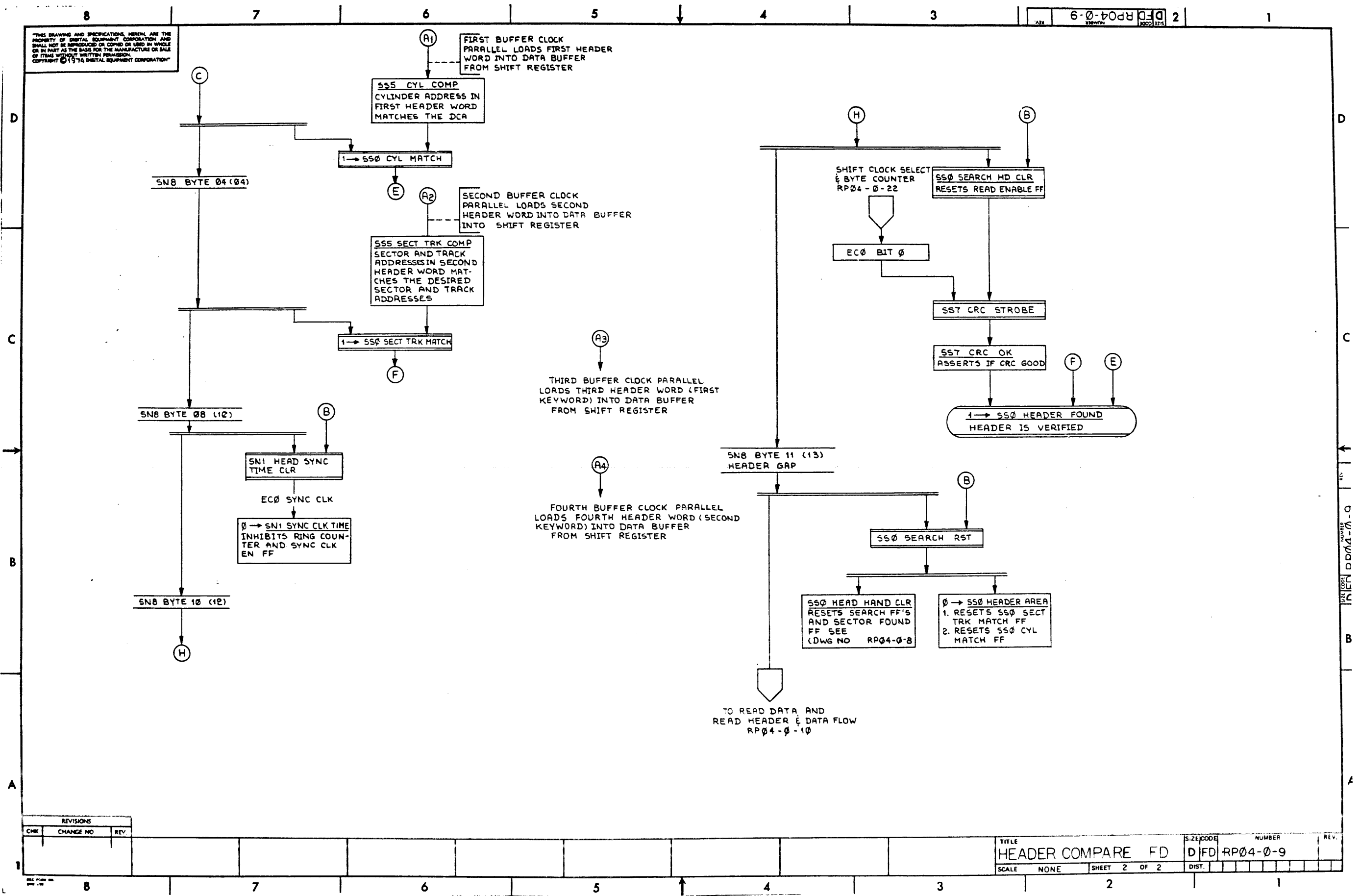


REV.	CHANGE NO.

FIRST USED ON OPTION/MODEL	QTY.	DESCRIPTION	PART NO.	ITEM NO.
PARTS LIST				
DIMENSIONAL TOLERANCE		DRN. R. Beasley	DATE 8-29-74	digital
DIMENSIONS ARE MILLIMETERS UNLESS OTHERWISE SPECIFIED		CHKD. C. Kappas	DATE 8-29-74	
MILLIMETERS	INCHES	ANGLES	DATE 9/12/74	TITLE
XJX ±0.10	JOX ±0.205	30° 30'	DATE 9/12/74	HEADER COMPARE
XK ±0.5	JX ±0.22		DATE 9/12/74	FLOW DIAGRAM
X ±0.2	J ±0.1		DATE 9/12/74	
THIRD ANGLE PROJECTION	REMOVE BURRS AND BREAK SHARP CORNERS SURFACE QUALITY		NEXT HIGHER ASSY.	
MATERIAL				
FINISH				
SCALE NONE				
SHEET 1 OF 2				
			SIZE CODE	NUMBER
			D FD RP04-0-9	REV.

REV. DFD RP04-0-9

"THE DRAWING AND SPECIFICATIONS HEREIN ARE THE PROPERTY OF DIGITAL EQUIPMENT CORPORATION AND SHALL NOT BE REPRODUCED OR COPIED OR USED IN WHOLE OR IN PART AS THE BASIS FOR THE MANUFACTURE OR SALE OF ITEMS WITHOUT WRITTEN PERMISSION. COPYRIGHT © 1974 DIGITAL EQUIPMENT CORPORATION"



REVISIONS		
CHK	CHANGE NO	REV.

8

7

6

5

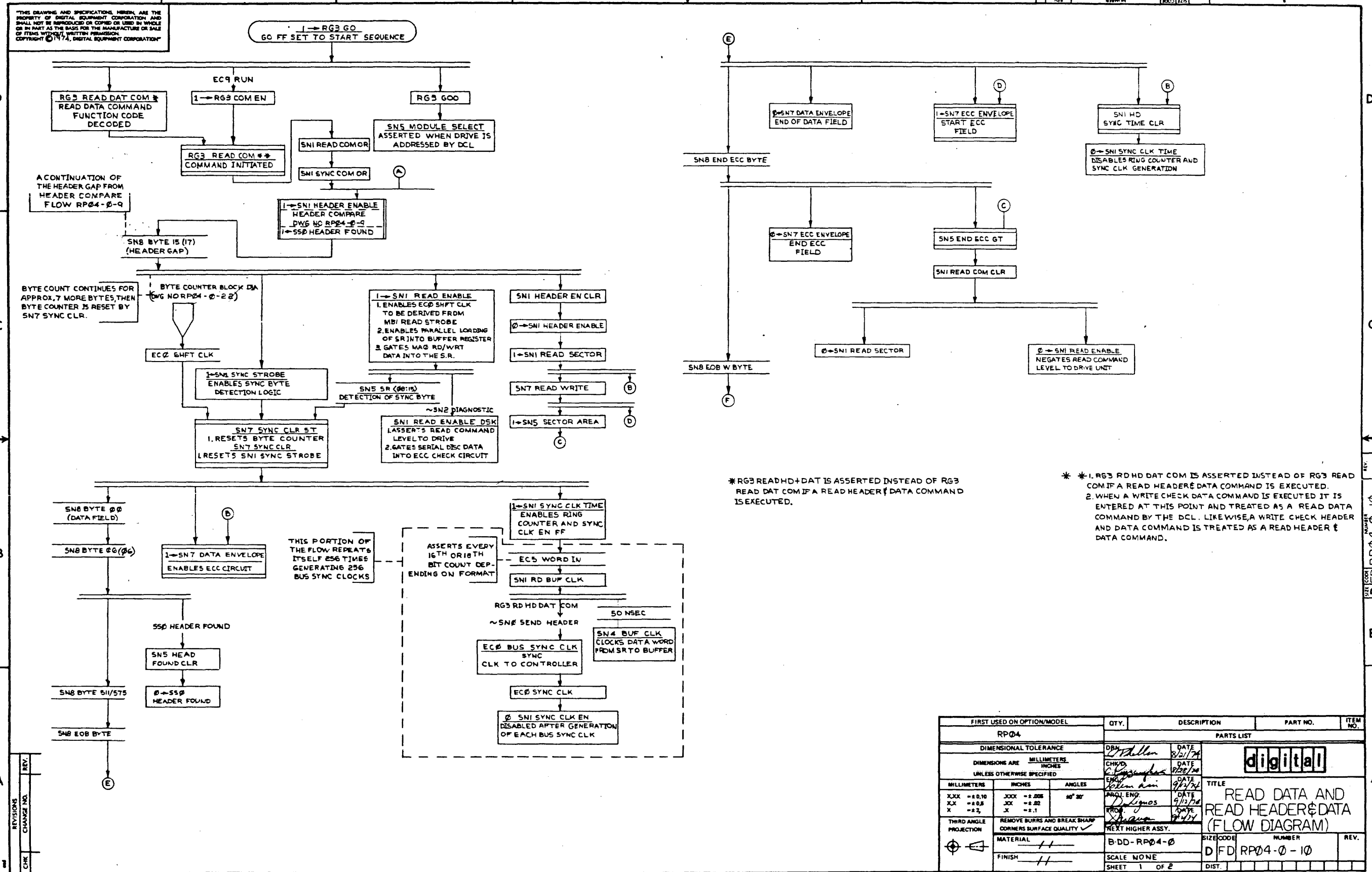
4

3

2

1

REV. 2
D F D RP 04-0-10



* RG3 READHD+DAT IS ASSERTED INSTEAD OF RG3 READ DAT COM IF A READ HEADER & DATA COMMAND IS EXECUTED.

- * * 1. RG3 RDHD DAT COM IS ASSERTED INSTEAD OF RG3 READ COM IF A READ HEADER & DATA COMMAND IS EXECUTED.
- 2. WHEN A WRITE CHECK DATA COMMAND IS EXECUTED IT IS ENTERED AT THIS POINT AND TREATED AS A READ DATA COMMAND BY THE DCL. LIKEWISE A WRITE CHECK HEADER AND DATA COMMAND IS TREATED AS A READ HEADER & DATA COMMAND.

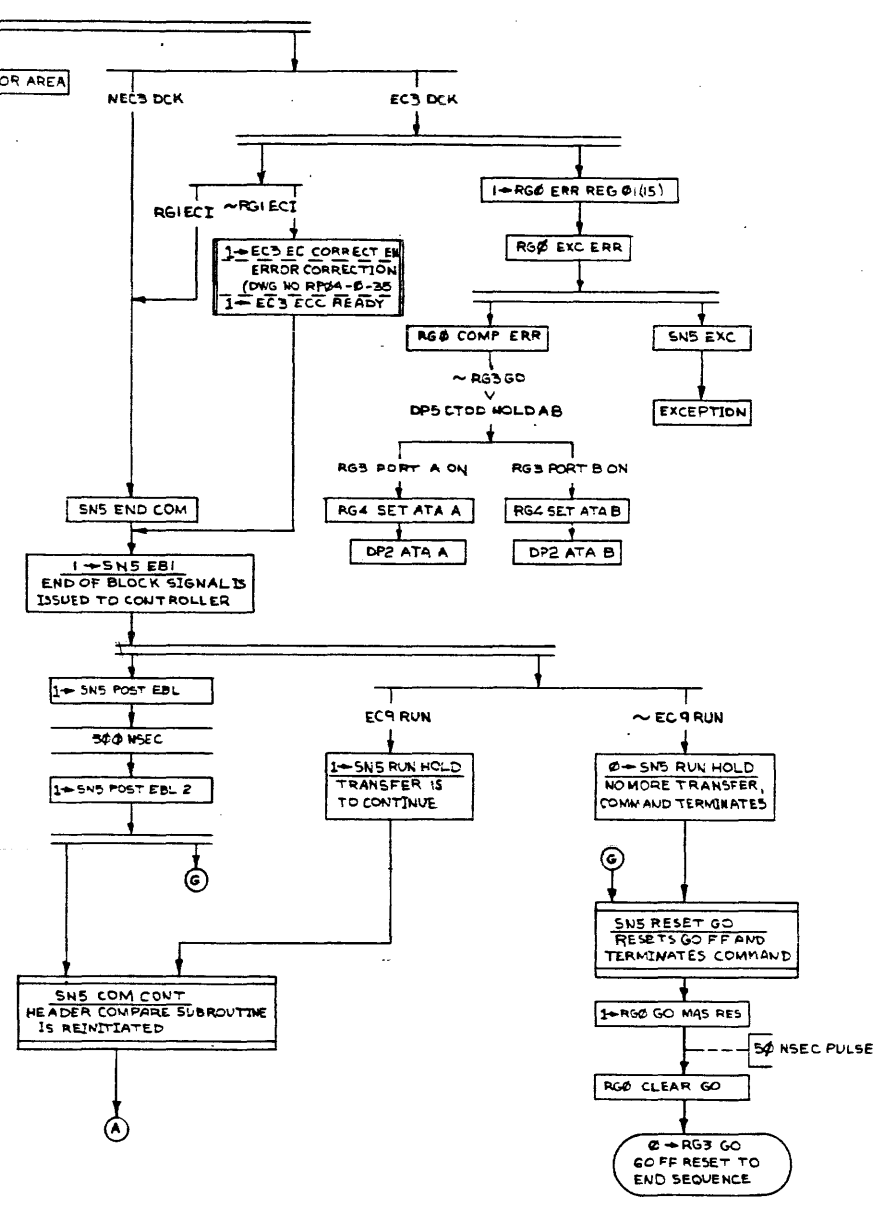
REV. 2
D F D RP 04-0-10

FIRST USED ON OPTION/MODEL	QTY.	DESCRIPTION	PART NO.	ITEM NO.
RP04		PARTS LIST		
DIMENSIONAL TOLERANCE		DRN <i>D. Hallen</i>	DATE <i>8/21/74</i>	
DIMENSIONS ARE MILLIMETERS UNLESS OTHERWISE SPECIFIED		CHK'D <i>C. Szymanski</i>	DATE <i>9/28/74</i>	
MILLIMETERS	INCHES	ANGLES	DATE	TITLE READ DATA AND READ HEADER & DATA (FLOW DIAGRAM)
X.XX ±0.10	.XX ±.008	° 30'	<i>9/2/74</i>	
X.X ±0.5	.X ±.02		DATE <i>9/12/74</i>	SCALE NONE SHEET 1 OF 2
X ±.2	.X ±.1		DATE <i>9/4/74</i>	
THIRD ANGLE PROJECTION	REMOVE BURRS AND BREAK SHARP CORNERS SURFACE QUALITY	NEXT HIGHER ASSY.		SIZE CODE B-DD-RP04-0 NUMBER D F D RP 04-0-10 REV.

REV. 2
D F D RP 04-0-10

THIS DRAWING AND SPECIFICATIONS HEREIN ARE THE PROPERTY OF DIGITAL EQUIPMENT CORPORATION AND SHALL NOT BE REPRODUCED OR COPIED OR USED IN WHOLE OR IN PART AS THE BASIS FOR THE MANUFACTURE OR SALE OF ITEMS WITHOUT WRITTEN PERMISSION. COPYRIGHT © 1974, DIGITAL EQUIPMENT CORPORATION.

TOLERANCE GAP OF ABOUT 20 BYTES BEFORE NEXT SECTOR PULSE.

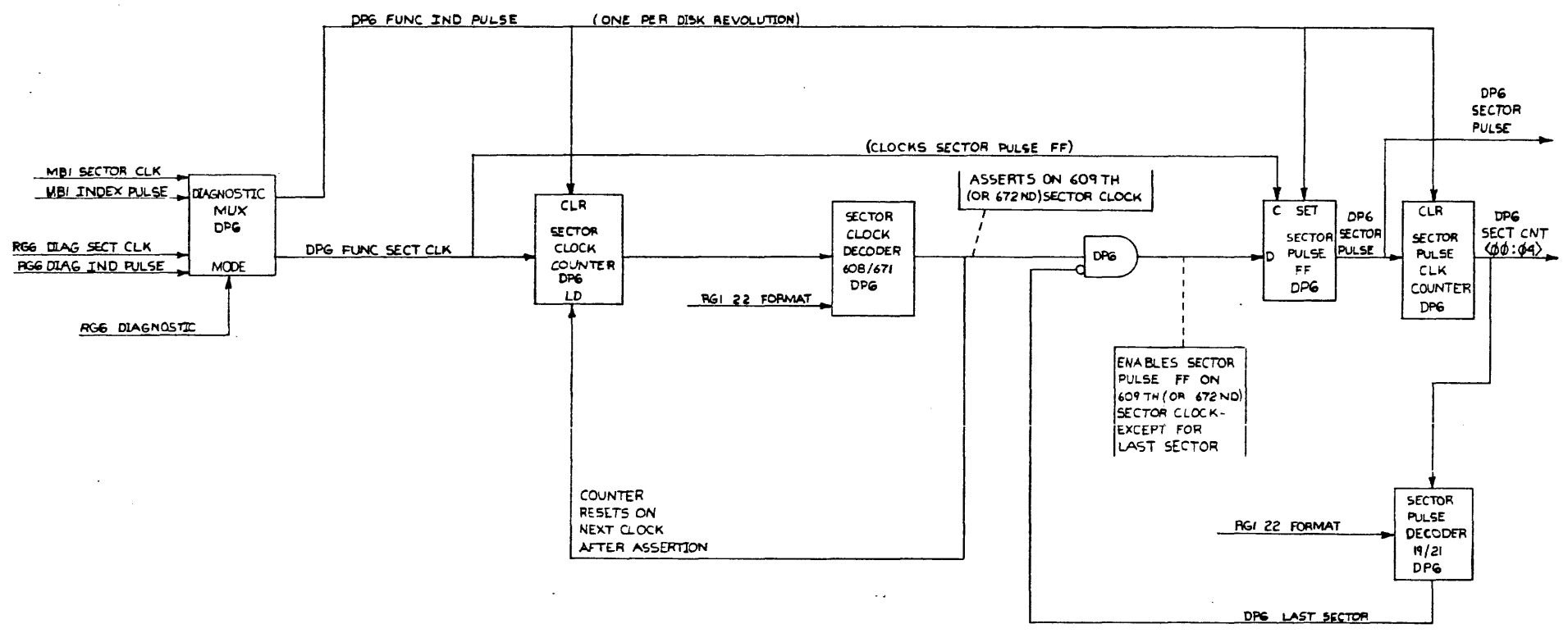


REV.	
CHG	
NO.	

FIRST USED ON OPTION/MODEL	QTY.	DESCRIPTION	PART NO.	ITEM NO.
PARTS LIST				
DIMENSIONAL TOLERANCE		DRN	DATE	digital
DIMENSIONS ARE MILLIMETERS		CHK'D	DATE	
UNLESS OTHERWISE SPECIFIED		ENG'D	DATE	
		PRG. ENR.	DATE	
MILLIMETERS	INCHES	ANGLES		TITLE
XXX ± 0.10	XXX ± 0.008	40° 30'		READ DATA AND READ HEADER & DATA (FLOW DIAGRAM)
XX ± 0.5	XX ± 0.02			
X ± 2	X ± 0.1			
THIRD ANGLE PROJECTION	REMOVE BURRS AND BREAK SHARP CORNERS SURFACE QUALITY	NEXT HIGHER ASSY.		
	MATERIAL		SIZE CODE	NUMBER
	FINISH		SCALE	REV.
			SHEET 2 OF 2	
			DIST.	

REV. NUMBER DFD RP04-0-10

THIS DRAWING AND SPECIFICATIONS HEREIN ARE THE PROPERTY OF DIGITAL EQUIPMENT CORPORATION AND SHALL NOT BE REPRODUCED OR COPIED OR USED IN WHOLE OR IN PART AS THE BASIS FOR THE MANUFACTURE OR SALE OF ITEMS WITHOUT WRITTEN PERMISSION. COPYRIGHT © 1974, DIGITAL EQUIPMENT CORPORATION

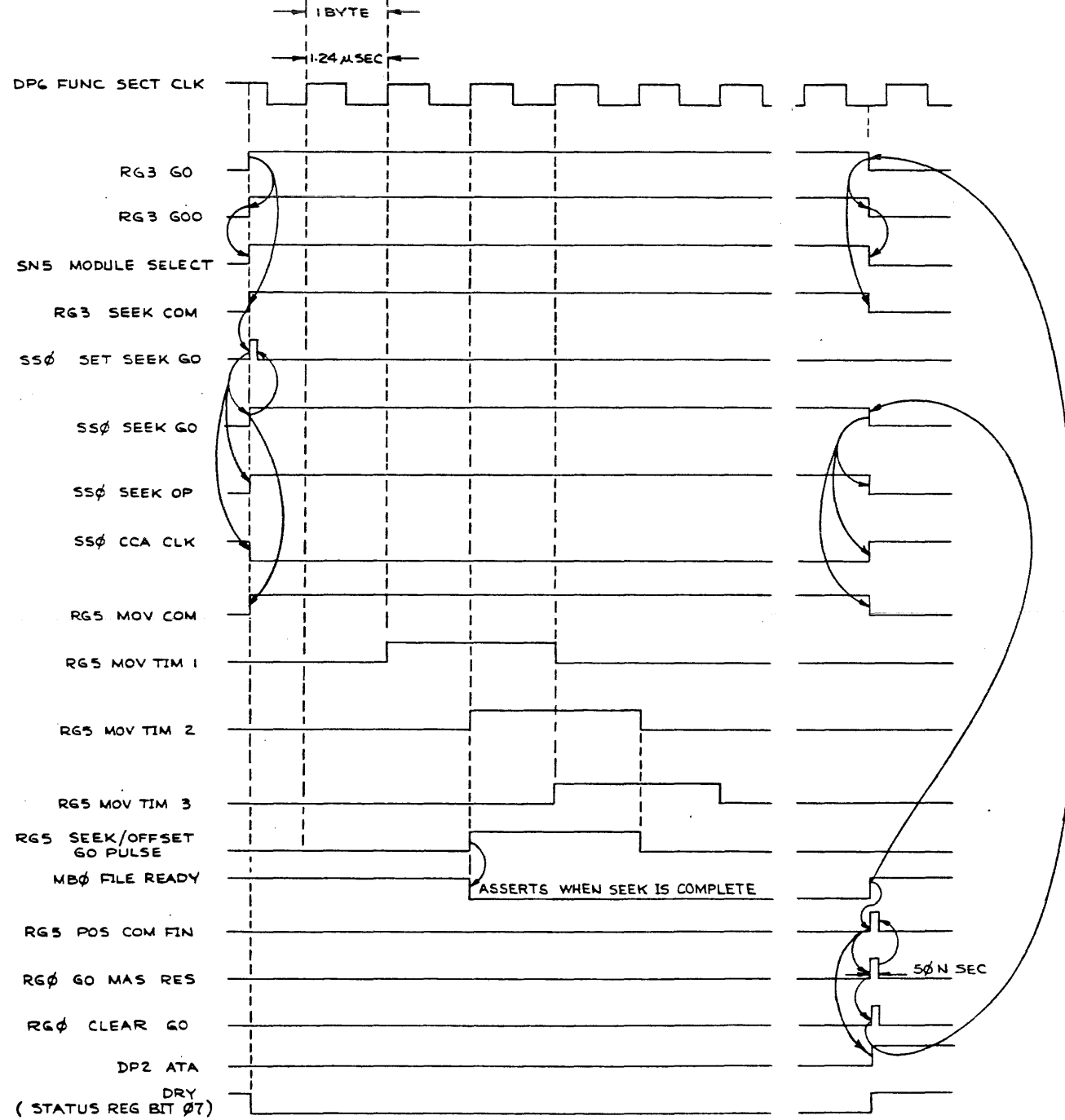


REV.	
CHANGE NO.	
CHK	
REV.	

FIRST USED ON OPTION/MODEL		QTY.	DESCRIPTION	PART NO.	ITEM NO.
RP04					
PARTS LIST					
DIMENSIONAL TOLERANCE		DRN.	DATE	digital	
DIMENSIONS ARE MILLIMETERS UNLESS OTHERWISE SPECIFIED		CHK'D.	DATE		
		ENG.	DATE		
		PROJ. ENG.	DATE		
		PROJ.	DATE		
THIRD ANGLE PROJECTION		NEXT HIGHER ASSY.		SIZE CODE	NUMBER
REMOVE BURRS AND BREAK SHARP CORNERS SURFACE QUALITY				D BD	RP04-0-11
MATERIAL		SCALE		REV.	
		SHEET 1 OF 1			
FINISH		DIST.			

THIS DRAWING AND SPECIFICATIONS HEREIN ARE THE PROPERTY OF DIGITAL EQUIPMENT CORPORATION AND SHALL NOT BE REPRODUCED OR COPIED OR USED IN WHOLE OR IN PART AS THE BASIS FOR THE MANUFACTURE OR SALE OF ITEMS WITHOUT WRITTEN PERMISSION. COPYRIGHT © 1974, DIGITAL EQUIPMENT CORPORATION

8 7 6 5 4 3 2 1
 DTD RP04-0-12



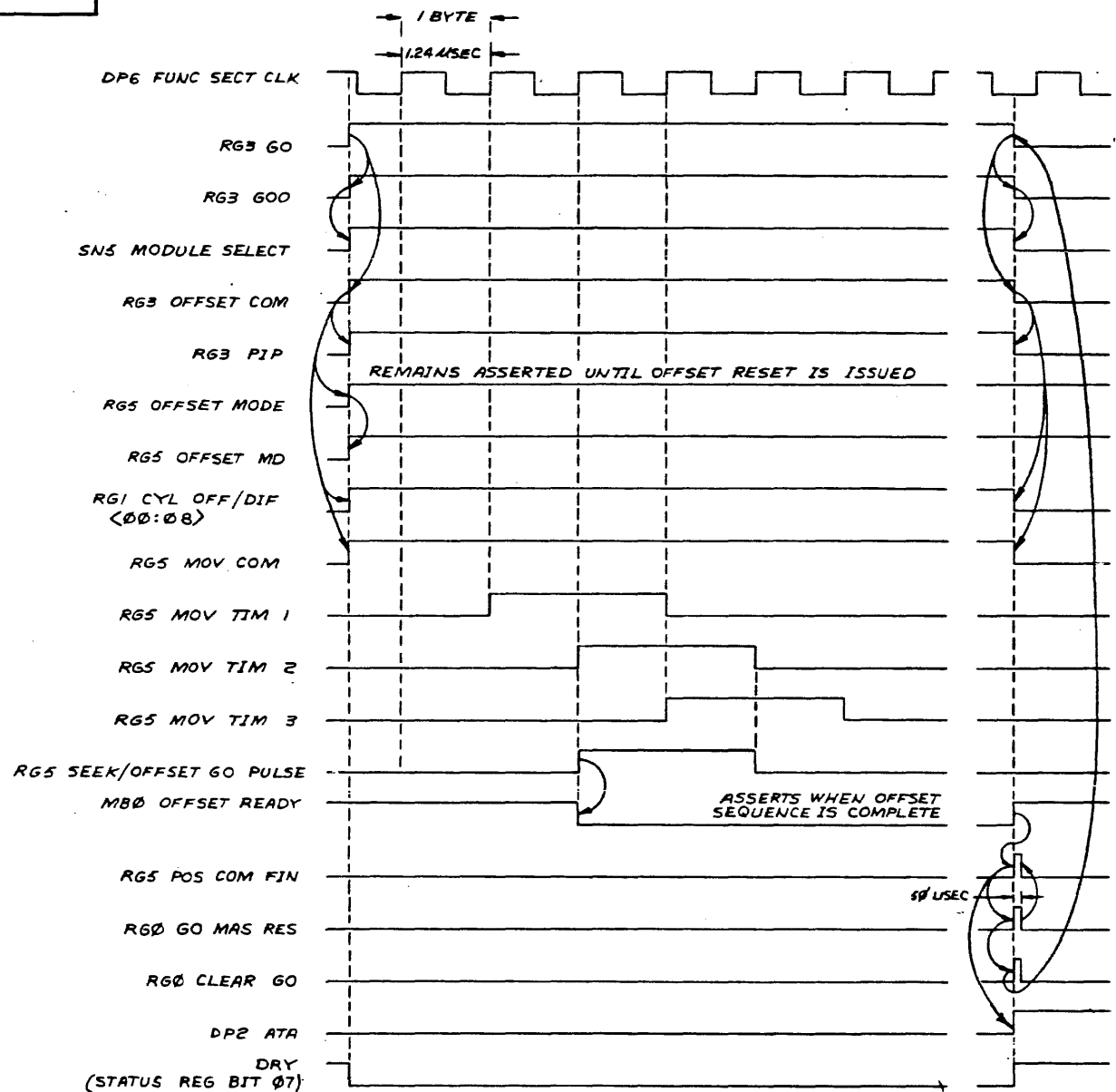
REV.	
CHANGE NO.	
DATE	

FIRST USED ON OPTION/MODEL RP04		QTY.	DESCRIPTION	PART NO.	ITEM NO.
DIMENSIONAL TOLERANCE		PARTS LIST			
DIMENSIONS ARE MILLIMETERS UNLESS OTHERWISE SPECIFIED		digital			
MILLIMETERS		TITLE SEEK TIMING DIAGRAM			
INCHES		DATE 6/13/74			
ANGLES		DATE 7/12/74			
THIRD ANGLE PROJECTION		DATE 7/12/74			
REMOVE BURRS AND BREAK SHARP CORNERS SURFACE QUALITY		DATE 7/12/74			
MATERIAL		DATE 7/12/74			
FINISH		DATE 7/12/74			
SIZE CODE		BDD-RP04-0			
SCALE		DTD RP04-0-12			
SHEET 1 OF 1		DIST.			

REV. NUMBER DTD RP04-0-12

THE DRAWING AND SPECIFICATIONS HEREIN ARE THE PROPERTY OF DIGITAL EQUIPMENT CORPORATION AND SHALL NOT BE REPRODUCED OR COPIED OR USED IN WHOLE OR IN PART AS THE BASIS FOR THE MANUFACTURE OR SALE OF ITEMS WITHOUT WRITTEN PERMISSION.
 COPYRIGHT © 1974, DIGITAL EQUIPMENT CORPORATION

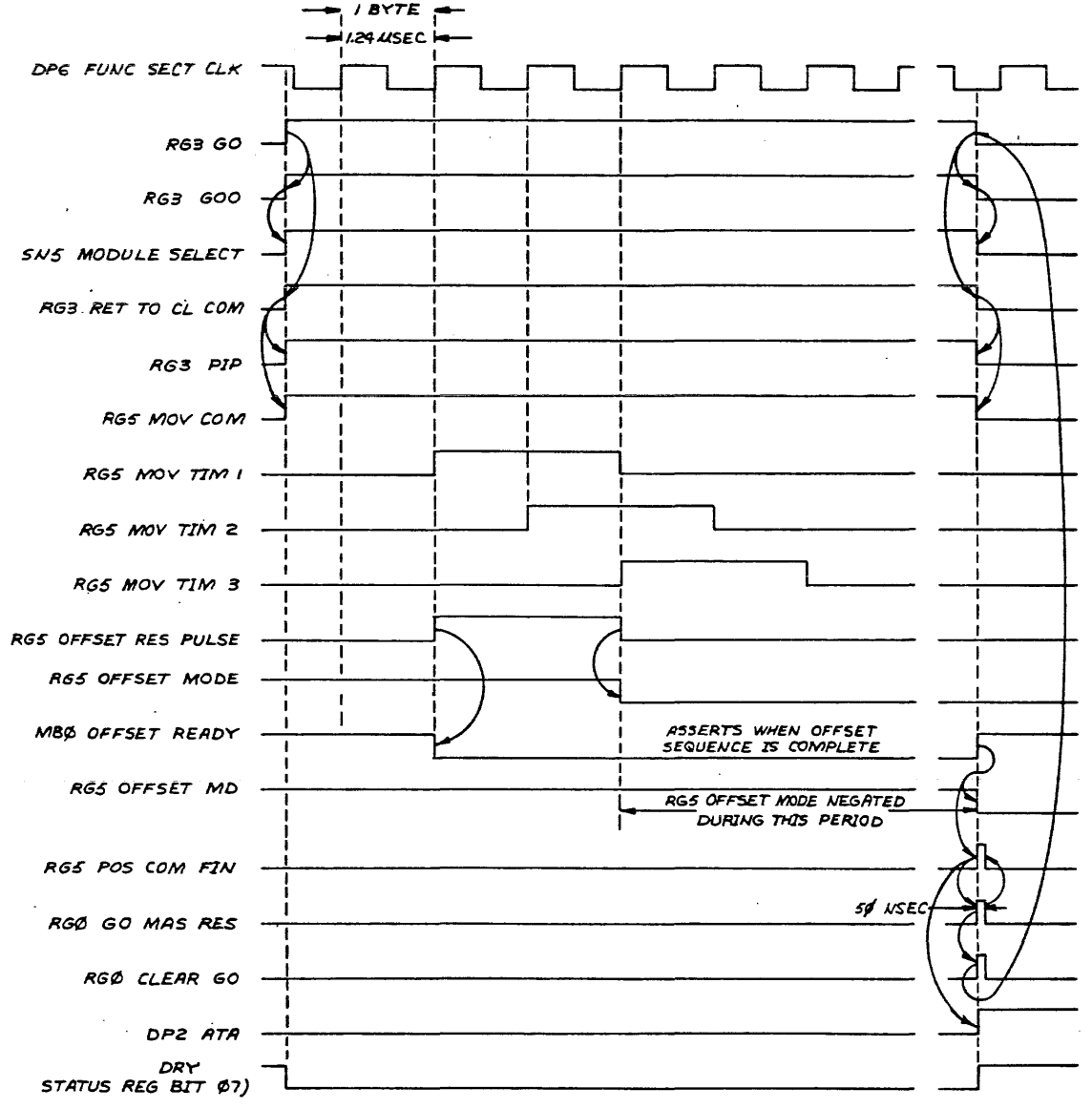
DTDRP04-0-13 2



REV.	
CHANGE NO.	
CHK	

FIRST USED ON OPTION/MODEL RP04		QTY.	DESCRIPTION	PART NO.	ITEM NO.
DIMENSIONAL TOLERANCE		PARTS LIST			
DIMENSIONS ARE MILLIMETERS UNLESS OTHERWISE SPECIFIED		DRN	DATE	digital	
		CHK'D	DATE		
		ENGR	DATE	TITLE OFFSET TIMING DIAGRAM	
		PROJ	DATE		
THIRD ANGLE PROJECTION		REMOVE SCARS AND BREAK SHARP CORNERS SURFACE QUALITY		SIZE CODE	NUMBER
MATERIAL		NEXT HIGHER ASSY.		B-DD-RP04-0	DTDRP04-0-13
FINISH		SCALE		SHEET	REV.
		OF 1		DIST.	

THIS DRAWING AND SPECIFICATIONS HEREIN ARE THE PROPERTY OF DIGITAL EQUIPMENT CORPORATION AND SHALL NOT BE REPRODUCED OR COPIED OR USED IN WHOLE OR IN PART AS THE BASIS FOR THE MANUFACTURE OR SALE OF ITEMS WITHOUT WRITTEN PERMISSION. COPYRIGHT © 1974, DIGITAL EQUIPMENT CORPORATION

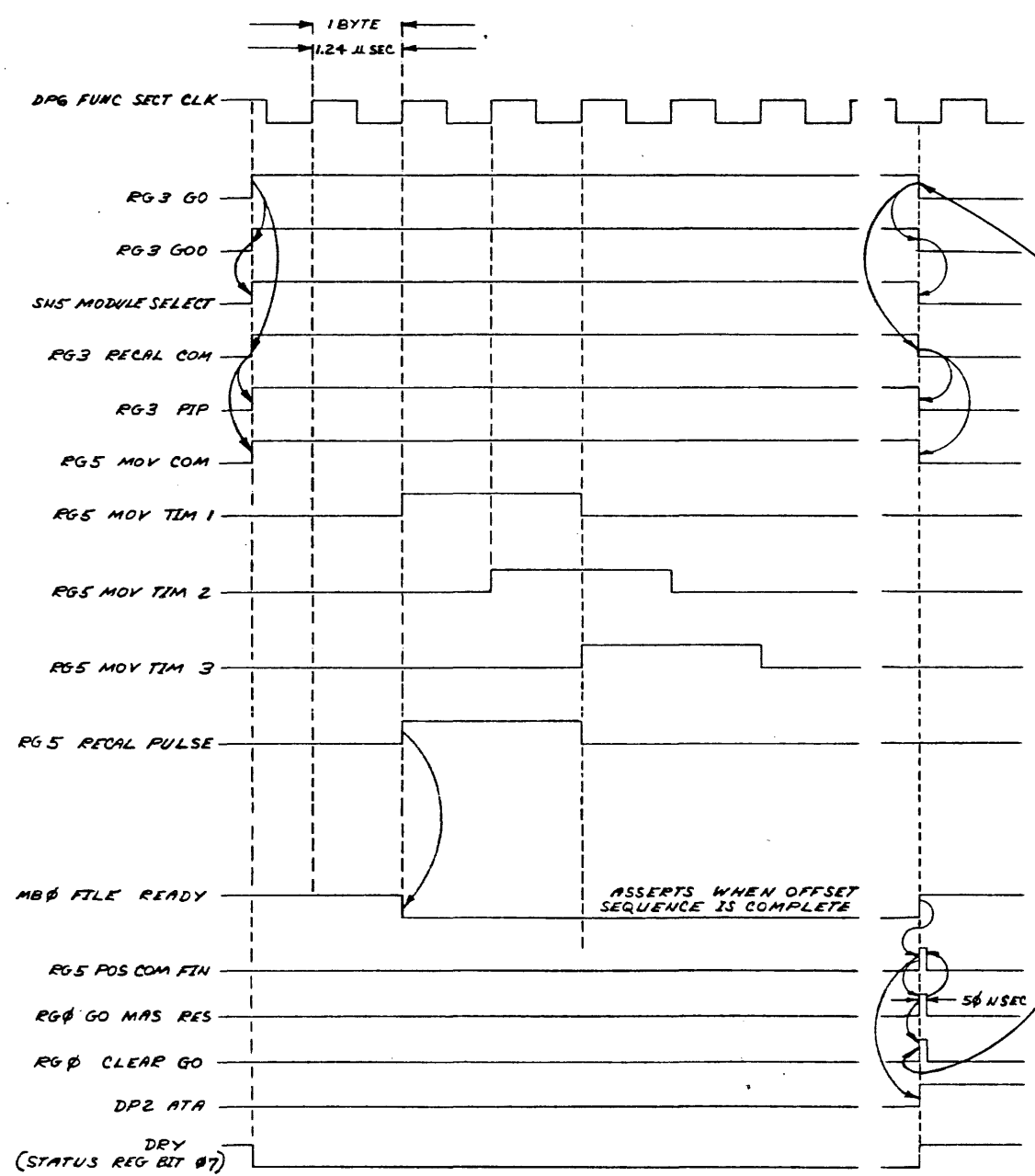


REV.	
CHANGE NO.	

FIRST USED ON OPTION/MODEL RP04		QTY.	DESCRIPTION	PART NO.	ITEM NO.
DIMENSIONAL TOLERANCE		PARTS LIST			
DIMENSIONS ARE MILLIMETERS UNLESS OTHERWISE SPECIFIED		DRN. <i>J. D. ...</i>	DATE 5/29/74		
UNLESS OTHERWISE SPECIFIED		CHKD. <i>P. J. ...</i>	DATE 9/17/74		
MILLIMETERS INCHES ANGL. DEG.		ENGR. <i>J. D. ...</i>	DATE 7/2/74		
X.XX ±0.10 JXX ±0.005 16° 30'		PRD. ENGR. <i>J. D. ...</i>	DATE 9/1/74		
X.X ±0.5 JX ±0.01		ENGR. <i>J. D. ...</i>	DATE 9/1/74	TITLE RETURN TO CENTERLINE (TIMING DIAGRAM)	
X ±2. J ±0.1		ENGR. <i>J. D. ...</i>	DATE 1/2/74	SIZE CODE NUMBER	
THIRD ANGLE PROJECTION	REMOVE BURRS AND BREAK SHARP CORNERS SURFACE QUALITY ✓	NEXT HIGHER ASBY.		REV.	
MATERIAL	FINISH	B-DD-RP04-0		D TD RP04-0-14	
SCALE		SHEET 1 OF 1		DIST.	

"THIS DRAWING AND SPECIFICATIONS, HEREIN, ARE THE PROPERTY OF DIGITAL EQUIPMENT CORPORATION AND SHALL NOT BE REPRODUCED OR COPIED OR USED IN WHOLE OR IN PART AS THE BASIS FOR THE MANUFACTURE OR SALE OF ITEMS WITHOUT WRITTEN PERMISSION. COPYRIGHT © 1974 DIGITAL EQUIPMENT CORPORATION"

DTD RP04-0-15 2



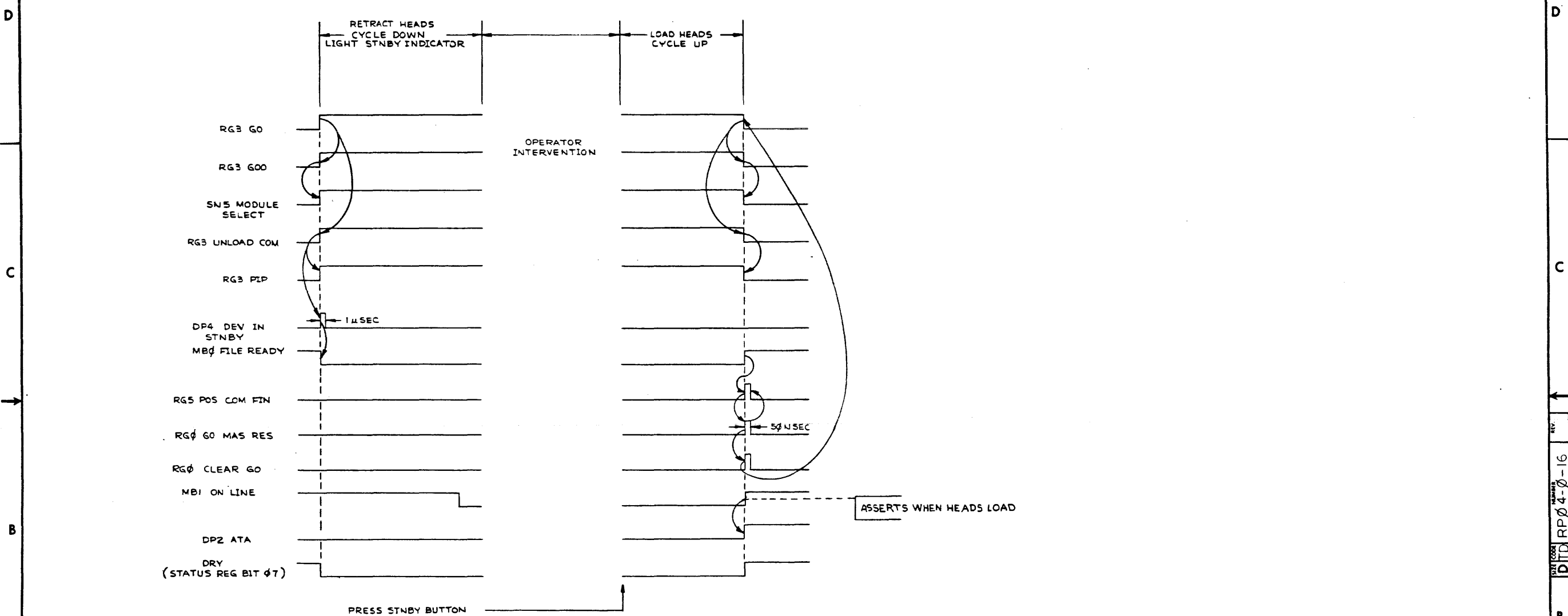
REV.	
CHG	
NO.	

FIRST USED ON OPTION/MODEL		QTY.	DESCRIPTION	PART NO.	ITEM NO.
RP04					
PARTS LIST					
DIMENSIONAL TOLERANCE		DRN.	DATE	digital	
DIMENSIONS ARE MILLIMETERS INCHES		CHK'D.	DATE		
UNLESS OTHERWISE SPECIFIED		ENG.	DATE		
MILLIMETERS	INCHES	ANGLES	DATE	TITLE	
X.XX ±0.10	.XXX ±.008	90° 30'	DATE	RECALIBRATE	
X.X ±0.5	.XX ±.02		DATE	TIMING-DIAGRAM	
X ±2.	.X ±.1		DATE		
THIRD ANGLE PROJECTION	REMOVE BURRS AND BREAK SHARP CORNERS SURFACE QUALITY	NEXT HIGHER ASSY.	DATE		
MATERIAL	FINISH	B-DD-RP04-0	SCALE	SIZE CODE	NUMBER
				DTD	RP04-0-15
		SHEET	OF	DIST.	REV.

DTD RP04-0-15

THIS DRAWING AND SPECIFICATIONS HEREIN ARE THE PROPERTY OF DIGITAL EQUIPMENT CORPORATION AND SHALL NOT BE REPRODUCED OR COPIED OR USED IN WHOLE OR IN PART AS THE BASIS FOR THE MANUFACTURE OR SALE OF ITEMS WITHOUT WRITTEN PERMISSION. COPYRIGHT © 1974, DIGITAL EQUIPMENT CORPORATION.

DTDRP04-0-16 2

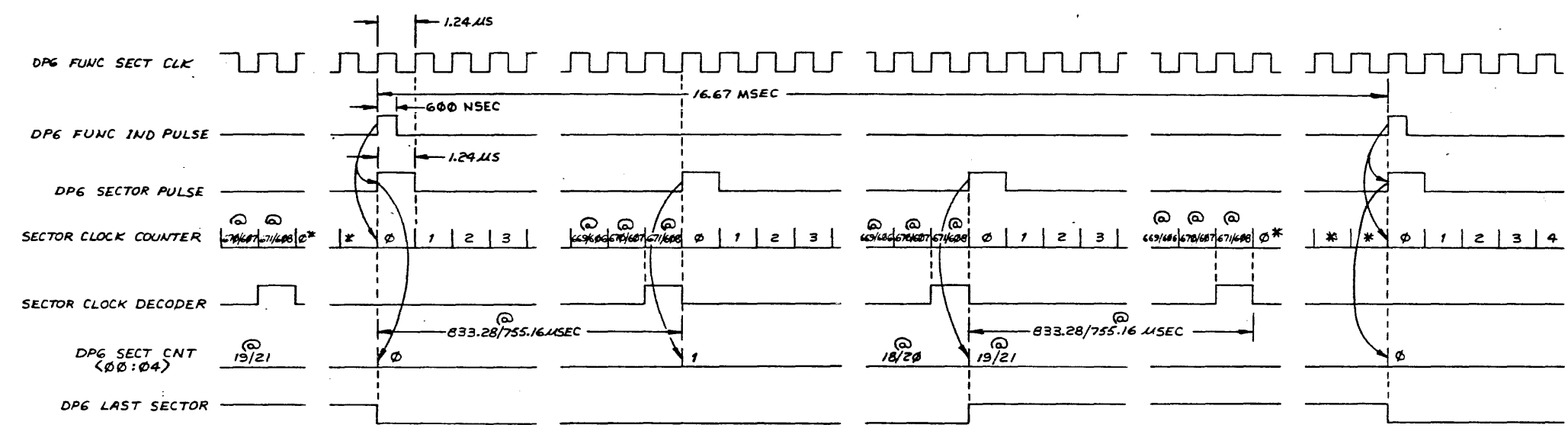


REV.	CHANGE NO.	DATE

FIRST USED ON OPTION/MODEL RP04		QTY.	DESCRIPTION	PART NO.	ITEM NO.
PARTS LIST					
DIMENSIONAL TOLERANCE		DRN J. M. NEFFER	DATE 5/28/74		
DIMENSIONS ARE MILLIMETERS UNLESS OTHERWISE SPECIFIED		CHKD. R. M. HARRISON	DATE 7/12/74		
MILLIMETERS INCHES ANGLES		ENG. B. J. SHERMAN	DATE 9/10/74		
X.XX ±0.10	JXX ±0.008	° ±'	DATE 9/12/74	TITLE UNLOAD TIMING DIAGRAM	
X.X ±0.5	JX ±0.02		DATE 9/12/74	SIZE CODE B-DD-RP04-0	
X ±2	J ±0.1		DATE 9/12/74	NUMBER DTDRP04-0-16	
THIRD ANGLE PROJECTION	REMOVE BURRS AND BREAK SHARP CORNERS SURFACE QUALITY ✓	NEXT HIGHER ASSY.		SCALE	
MATERIAL	FINISH	B-DD-RP04-0		SHEET 1 OF 1	
DIST.		DIST.		DIST.	

DTDRP04-0-16

THIS DRAWING AND SPECIFICATIONS HEREIN ARE THE PROPERTY OF DIGITAL EQUIPMENT CORPORATION AND SHALL NOT BE REPRODUCED OR COPIED OR USED IN WHOLE OR IN PART AS THE BASIS FOR THE MANUFACTURE OR SALE OF ITEMS WITHOUT WRITTEN PERMISSION. COPYRIGHT © 1974, DIGITAL EQUIPMENT CORPORATION



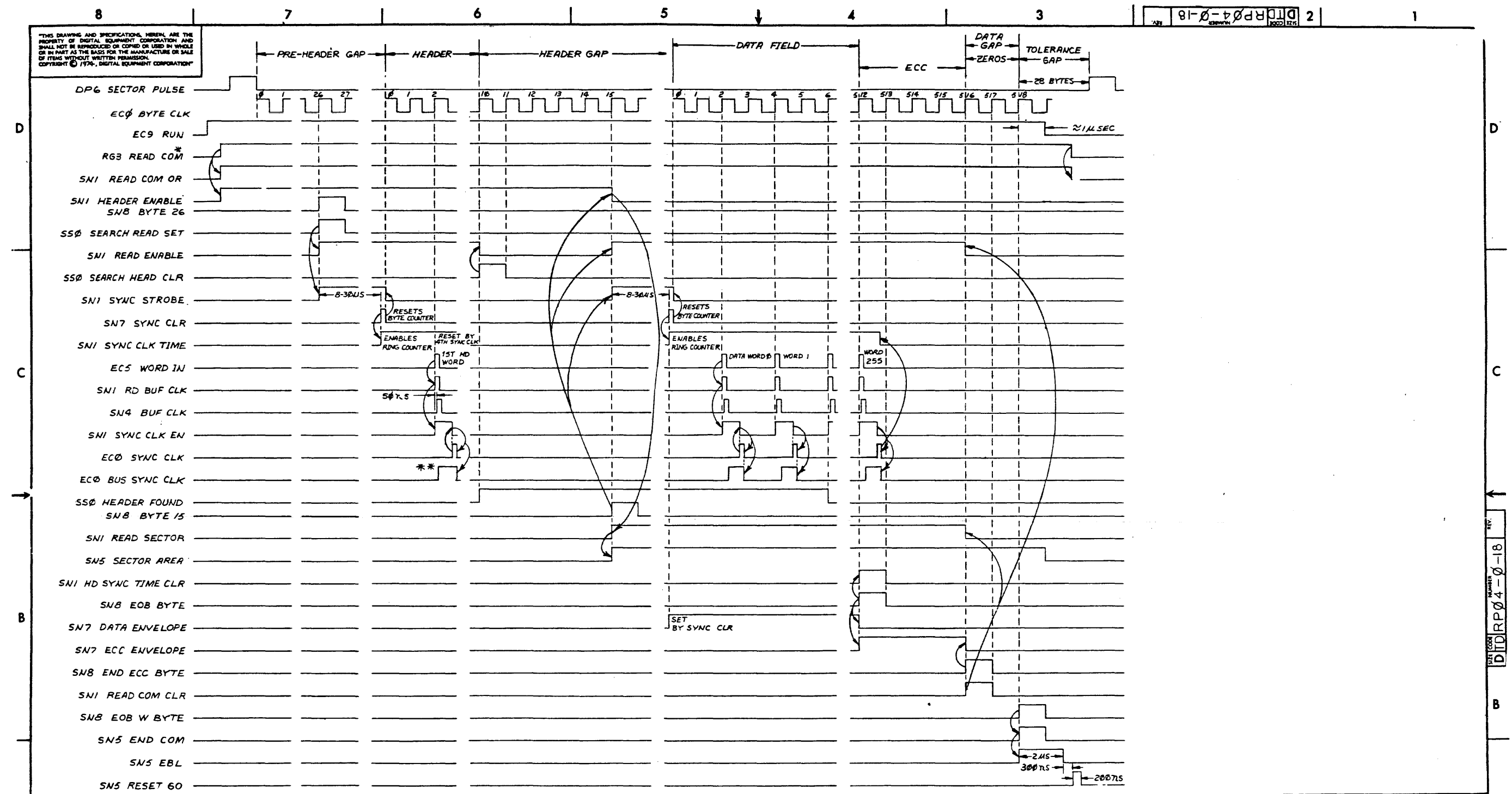
* EXTRA LEFTOVER SECTOR CLK COUNTS AFTER LAST SECTOR PULSE ARE IGNORED. COUNTER RESET BY INDEX PULSE
 @ 18 BIT FORMAT/16 BIT FORMAT

REV.	
CHK	
CHG	
NO.	

FIRST USED ON OPTION/MODEL RP04		QTY.	DESCRIPTION	PART NO.	ITEM NO.
DIMENSIONAL TOLERANCE		PARTS LIST			
DIMENSIONS ARE MILLIMETERS UNLESS OTHERWISE SPECIFIED		DRN J. Hamilton	DATE 5/28/74	digital	
		CHK'D R. D. Harrison	DATE 9/12/74		
MILLIMETERS		ENG B. Lee	DATE 9/12/74	TITLE	
X.XX ±0.10	INCHES	PROJ. ENG. D. Liguas	DATE 9/12/74	SECTOR TIMING	
X.X ±0.5	JOCK ±.005	PROJ. DATE	DATE	TIMING DIAGRAM	
X ±2	JX ±.02	FROM	DATE		
	ANGLES	DATE	DATE		
THIRD ANGLE PROJECTION	REMOVE BURRS AND BREAK SHARP CORNERS SURFACE QUALITY	NEXT HIGHER ASSY.			
	MATERIAL	B-DD-RP04-0	SIZE CODE	NUMBER	REV.
	FINISH	SCALE	DTD RP04-0-17		
		SHEET 1 OF 1	DIST.		

DTD RP04-0-17

THIS DRAWING AND SPECIFICATIONS HEREIN ARE THE PROPERTY OF DIGITAL EQUIPMENT CORPORATION AND SHALL NOT BE REPRODUCED OR COPIED OR USED IN WHOLE OR IN PART AS THE BASIS FOR THE MANUFACTURE OR SALE OF ITEMS WITHOUT WRITTEN PERMISSION. COPYRIGHT © 1974, DIGITAL EQUIPMENT CORPORATION

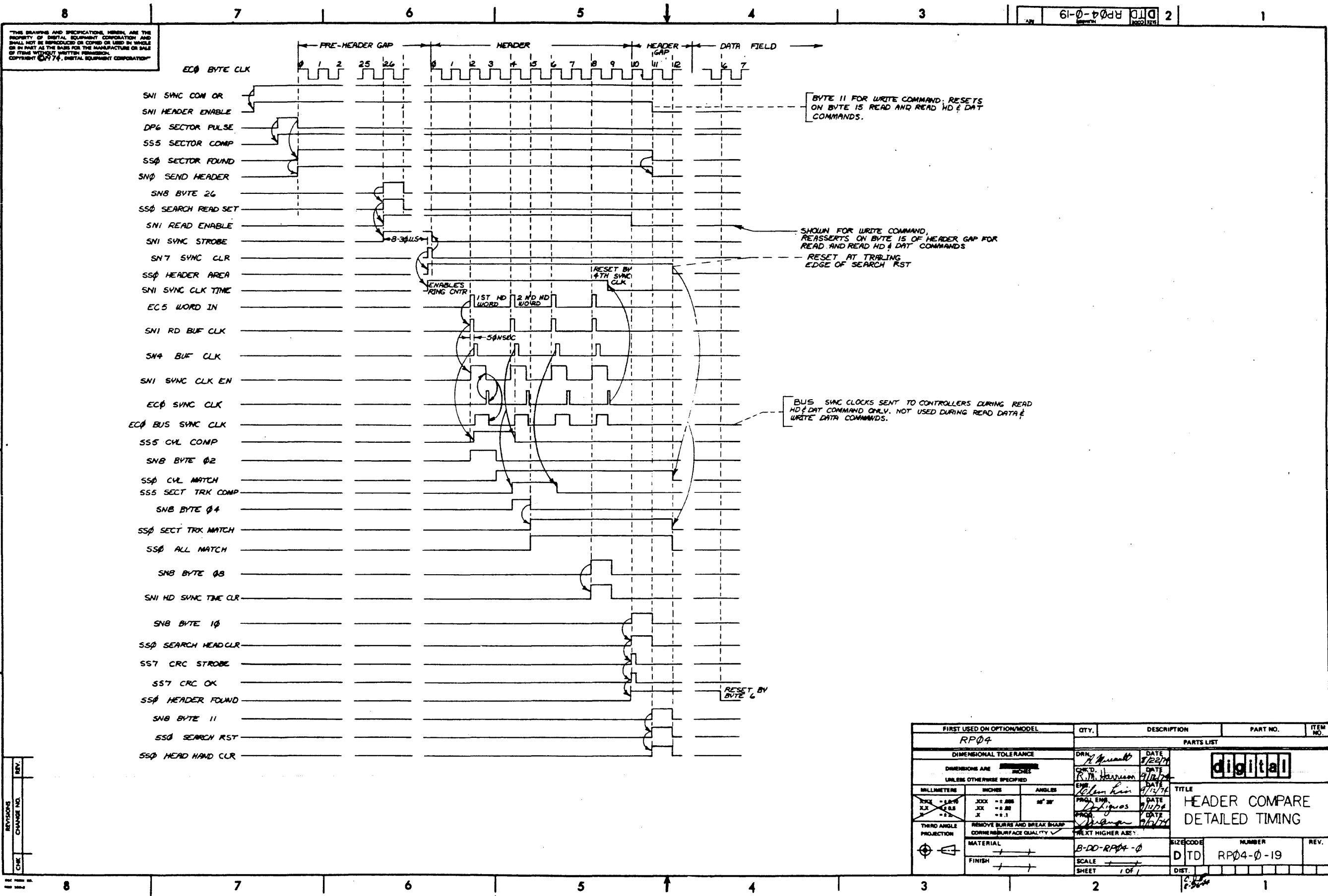


* OR R63 READ HD DT COM
 ** FOUR BUS SYNC CLK'S IN HEADER AREA IN READ HEADER AND DATA COMMAND ONLY

REV.	
CHG	
CHK	
REV.	

FIRST USED ON OPTION/MODEL RP04		QTY.	DESCRIPTION	PART NO.	ITEM NO.
DIMENSIONAL TOLERANCE		PARTS LIST			
DIMENSIONS ARE MILLIMETERS INCHES UNLESS OTHERWISE SPECIFIED		DATE	digital		
MILLIMETERS	INCHES	DATE	TITLE		
X.XX ±0.10	JXX ±0.006	9/12/74	READ DATA AND READ HEADER AND DATA (TIMING DIAG)		
X.X ±0.5	JX ±0.02	DATE	SIZE CODE		
X ±2.	JX ±0.1	9/10/74	NUMBER		
THIRD ANGLE PROJECTION	REMOVE BURRS AND BREAK SHARP CORNERS SURFACE QUALITY	DATE	REV.		
	NEXT HIGHER ASSY.	9/10/74	B-DD-RP04-0		
	MATERIAL	DATE	D.T.D. RP04-0-18		
	FINISH	DATE	SCALE		
		9/10/74	SHEET 1 OF 1		
			DIST.		

REV. NUMBER DTD RP04-0-18



THIS DRAWING AND SPECIFICATIONS HEREIN ARE THE PROPERTY OF DIGITAL EQUIPMENT CORPORATION AND SHALL NOT BE REPRODUCED OR COPIED OR USED IN WHOLE OR IN PART AS THE BASIS FOR THE MANUFACTURE OR SALE OF ITEMS WITHOUT WRITTEN PERMISSION. COPYRIGHT © 1974, DIGITAL EQUIPMENT CORPORATION

REV. 2
D TD RP04-0-19

FIRST USED ON OPTION/MODEL RP04		QTY.	DESCRIPTION	PART NO.	ITEM NO.
DIMENSIONAL TOLERANCE		PARTS LIST			
DIMENSIONS ARE INCHES UNLESS OTHERWISE SPECIFIED		DRN. <i>A. G. ...</i>	DATE <i>5/22/74</i>		
MILLIMETERS		CHK'D. <i>R. M. ...</i>	DATE <i>9/12/74</i>		
INCHES	MILLIMETERS	ENG. <i>W. ...</i>	DATE <i>9/12/74</i>	TITLE HEADER COMPARE DETAILED TIMING	
ANGLES	ANGLES	FRG. ENR. <i>L. ...</i>	DATE <i>9/12/74</i>		
THIRD ANGLE PROJECTION	REMOVE BURRS AND BREAK SHARP CORNERS TO SURFACE QUALITY	FRG. <i>D. ...</i>	DATE <i>9/12/74</i>	SIZE CODE	NUMBER
MATERIAL	FINISH	REXT HIGHER ASSY.		D TD	RP04-0-19
				SHEET	1 OF 1

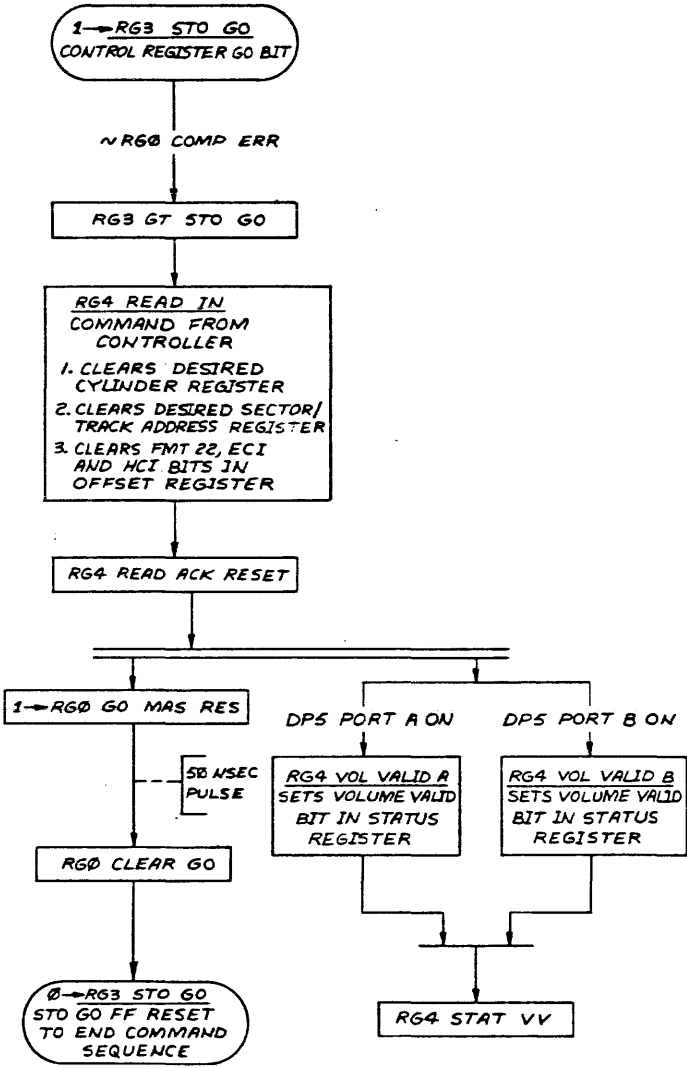
REV.	BY.

REV. 2
D TD RP04-0-19

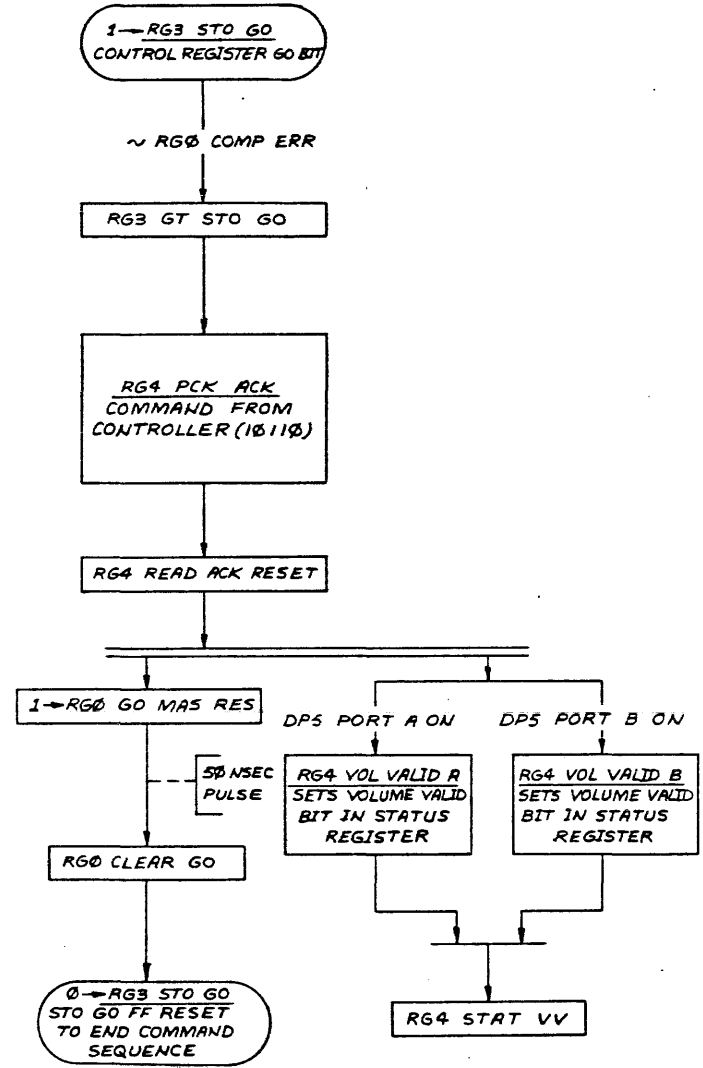
THIS DRAWING AND SPECIFICATIONS HEREIN ARE THE PROPERTY OF DIGITAL EQUIPMENT CORPORATION AND SHALL NOT BE REPRODUCED OR COPIED OR USED IN WHOLE OR IN PART AS THE BASIS FOR THE MANUFACTURE OR SALE OF ITEMS WITHOUT WRITTEN PERMISSION. COPYRIGHT © 1974, DIGITAL EQUIPMENT CORPORATION

D
C
B
A

D
C
B
A



READ IN FLOW DIAGRAM



PACK ACKNOWLEDGE FLOW DIAGRAM

REV.	CHG.

FIRST USED ON OPTION/MODEL	QTY.	DESCRIPTION	PART NO.	ITEM NO.
RP04				
PARTS LIST				
DIMENSIONAL TOLERANCE	DRN	DATE	digital	
DIMENSIONS ARE MILLIMETERS UNLESS OTHERWISE SPECIFIED	CHKD.	DATE		
	ENG.	DATE		
	PROL. ENG.	DATE		
MILLIMETERS	INCHES	ANGLES	TITLE	
±0.10	±0.008	30°/30'	READ IN, PACK ACKNOWLEDGE (FLOW DIAGRAMS)	
±0.5	±0.02		MATERIAL	
±2.	±0.1		FINISH	
THIRD ANGLE PROJECTION	REMOVE BURRS AND BREAK SHARP CORNERS SURFACE QUALITY	NEXT HIGHER ASSY.	SIZE CODE	NUMBER
			B-DD-RP04-0	D F D RP04-0-20
			SCALE	REV.
			SHEET 1 OF 1	

REV. D F D RP04-0-20

THE DRAWING AND SPECIFICATIONS HEREIN ARE THE PROPERTY OF DIGITAL EQUIPMENT CORPORATION AND SHALL NOT BE REPRODUCED OR COPIED OR USED IN WHOLE OR IN PART AS THE BASIS FOR THE MANUFACTURE OR SALE OF ITEMS WITHOUT WRITTEN PERMISSION. COPYRIGHT © 1976, DIGITAL EQUIPMENT CORPORATION

REV. 2 DFD RP04-0-21

1 → RG3 GO
GO FF SET TO START
COMMAND SEQUENCE

RG3 NO OP
COMMAND FROM
CONTROLLER (00000)

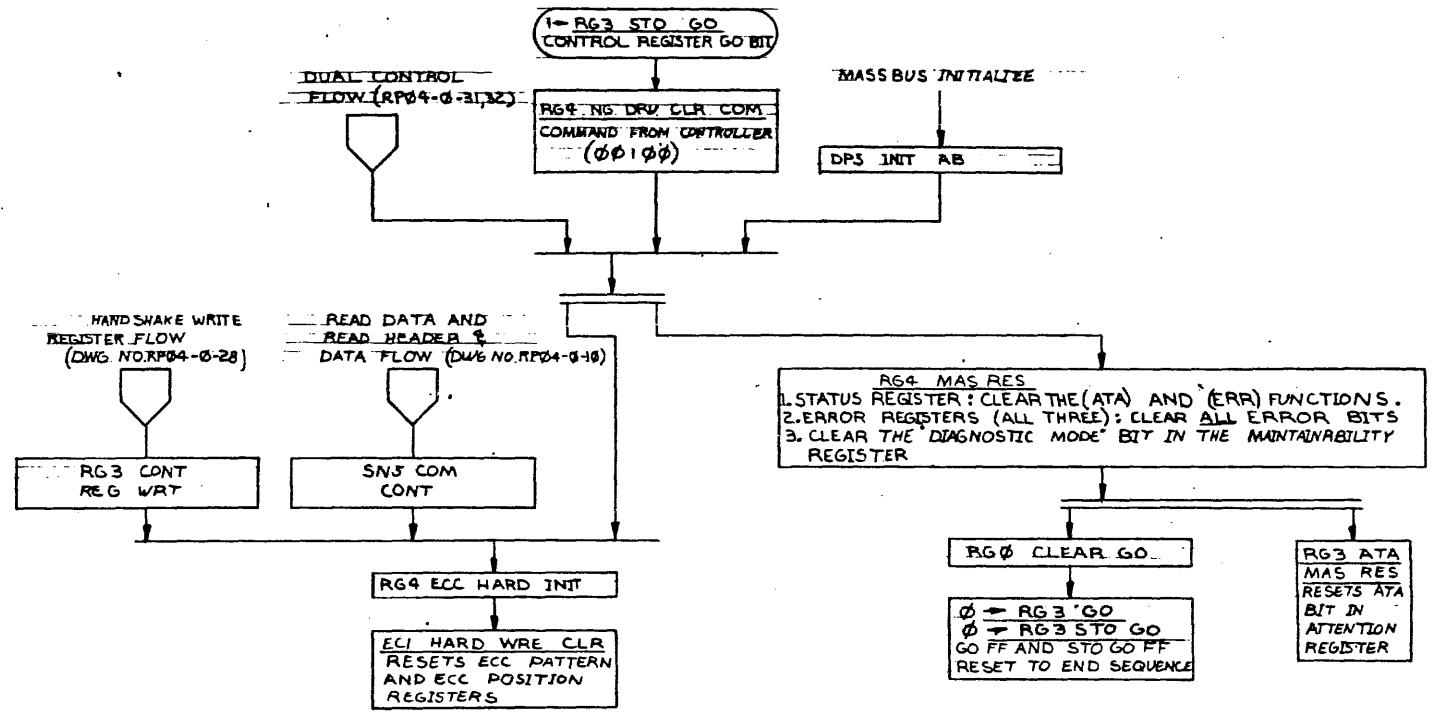
1 → RG0 GO MAS RES

50 NSEC PULSE

RG0 CLEAR GO

0 → RG3 GO
GO FF RESET TO END
COMMAND SEQUENCE

NO. OP FLOW DIAGRAM

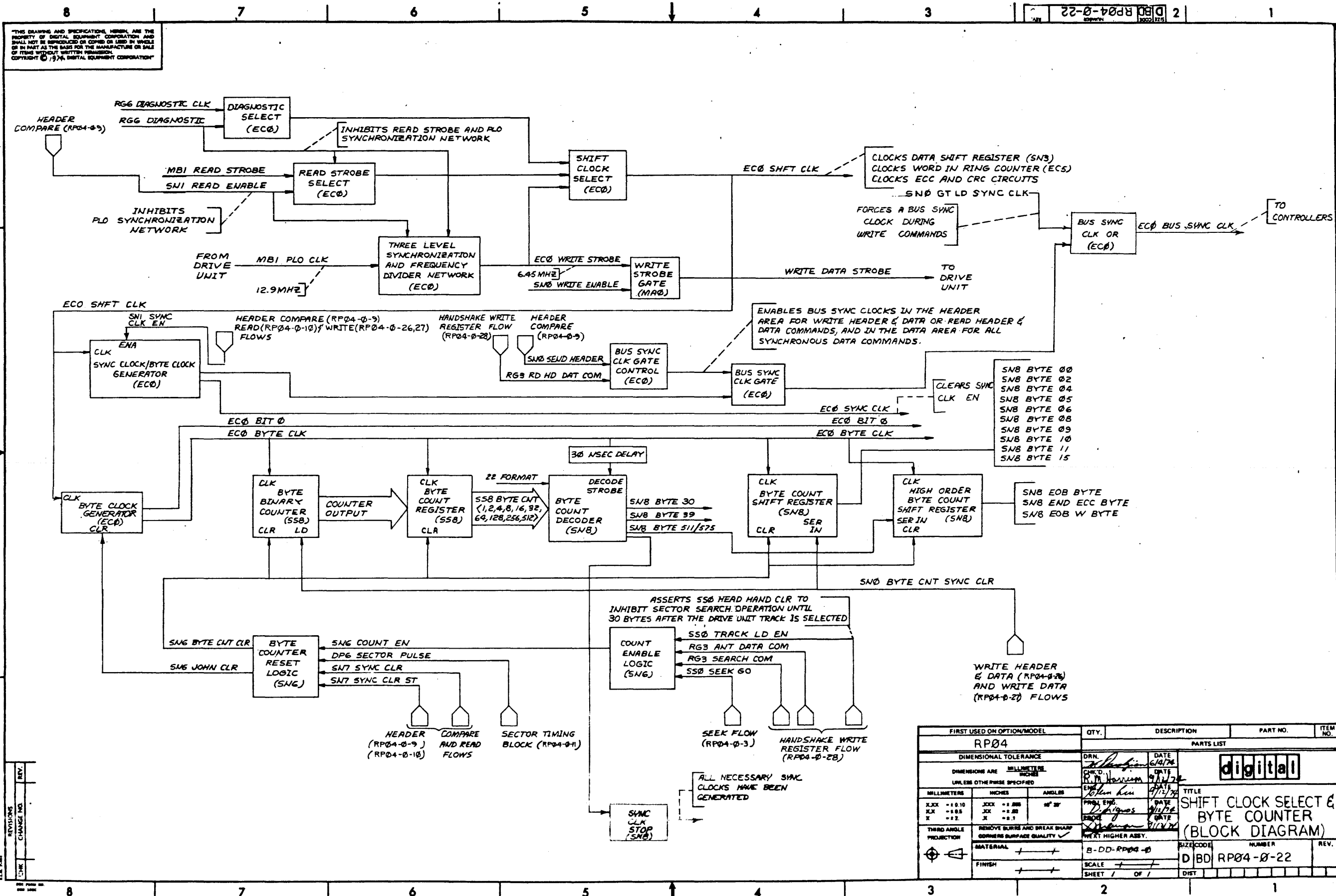


NG DRIVE CLEAR FLOW DIAGRAM

REV.	CHANGE NO.

FIRST USED ON OPTION/MODEL	QTY.	DESCRIPTION	PART NO.	ITEM NO.
RP04				
PARTS LIST				
DIMENSIONAL TOLERANCE		DRN	DATE	digital
DIMENSIONS ARE MILLIMETERS UNLESS OTHERWISE SPECIFIED		DATE	DATE	
MILLIMETERS	INCHES	ANGLE	DATE	
±.01	±.005	±.005	±.005	TITLE NO OP; NG DRIVE CLEAR (FLOW DIAGRAMS)
±.02	±.002	±.002	±.002	
±.03	±.001	±.001	±.001	
THIRD ANGLE PROJECTION	REMOVE BURRS AND BREAK SHARP CORNERS SURFACE QUALITY	NEXT HIGHER ASSY.		
MATERIAL		B-DD-RP04-0	SIZE CODE	NUMBER
FINISH		SCALE NONE	DFD	RP04-0-21
		SHEET 1 OF 1	DIST.	

REV. 2 DFD RP04-0-21



THIS DRAWING AND SPECIFICATIONS HEREIN ARE THE PROPERTY OF DIGITAL EQUIPMENT CORPORATION AND SHALL NOT BE REPRODUCED OR COPIED OR USED IN WHOLE OR IN PART AS THE BASIS FOR THE MANUFACTURE OR SALE OF ITEMS WITHOUT WRITTEN PERMISSION. COPYRIGHT © 1974, DIGITAL EQUIPMENT CORPORATION

D BD RP04-0-22 2

D BD RP04-0-22

FIRST USED ON OPTION/MODEL	QTY.	DESCRIPTION	PART NO.	ITEM NO.
RP04				
PARTS LIST				
DIMENSIONAL TOLERANCE		DRAWN	DATE	
DIMENSIONS ARE MILLIMETERS UNLESS OTHERWISE SPECIFIED		6/10/74		
		CHKD	DATE	
		R. M. Harrison	9/11/74	
		ENG	DATE	
		John Liu	9/11/74	
		PROL ENG	DATE	
		D. Sigurd	9/11/74	
		PROD	DATE	
		John Liu	9/11/74	
THIRD ANGLE PROJECTION	REMOVE BURRS AND BREAK SHARP EDGES SURFACE QUALITY	NEXT HIGHER ASSY.		
MATERIAL		B-DD-RP04-0	SIZE CODE	NUMBER
FINISH			D BD RP04-0-22	REV.
		SCALE		
		SHEET 1 OF 1	DIST	

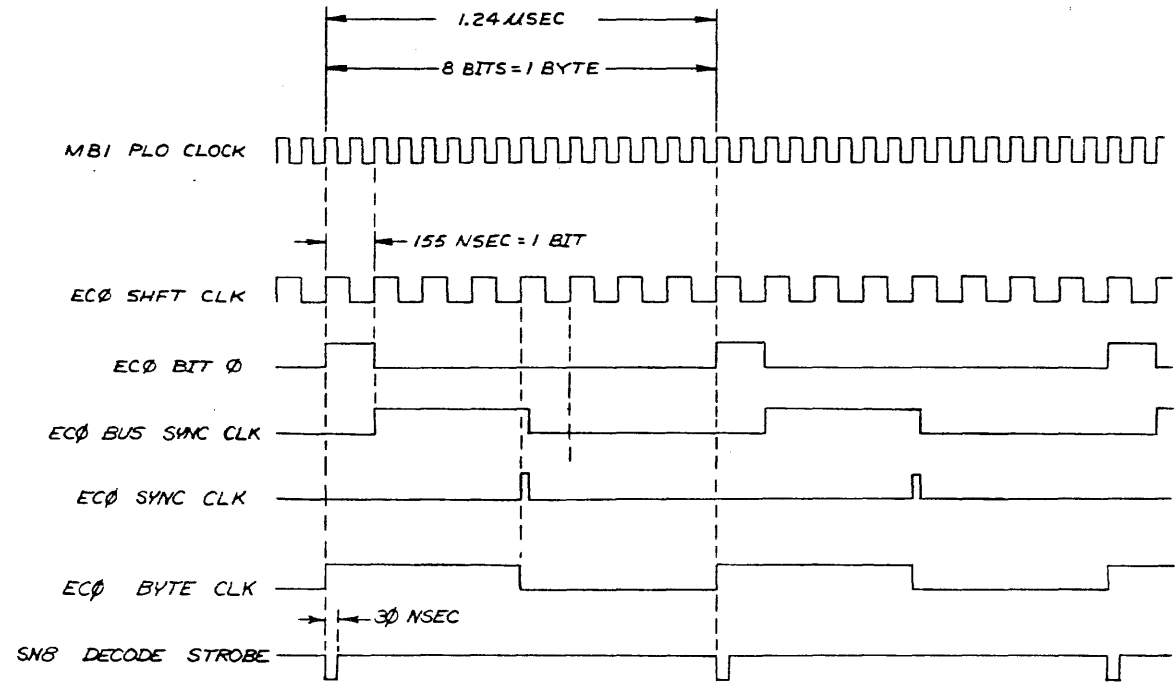
digital

SHIFT CLOCK SELECT & BYTE COUNTER (BLOCK DIAGRAM)

REVISIONS
REV. CHANGE NO.

"THIS DRAWING AND SPECIFICATIONS HEREIN ARE THE PROPERTY OF DIGITAL EQUIPMENT CORPORATION AND SHALL NOT BE REPRODUCED OR COPIED OR USED IN WHOLE OR IN PART AS THE BASIS FOR THE MANUFACTURE OR SALE OF ITEMS WITHOUT WRITTEN PERMISSION. COPYRIGHT © 1976, DIGITAL EQUIPMENT CORPORATION"

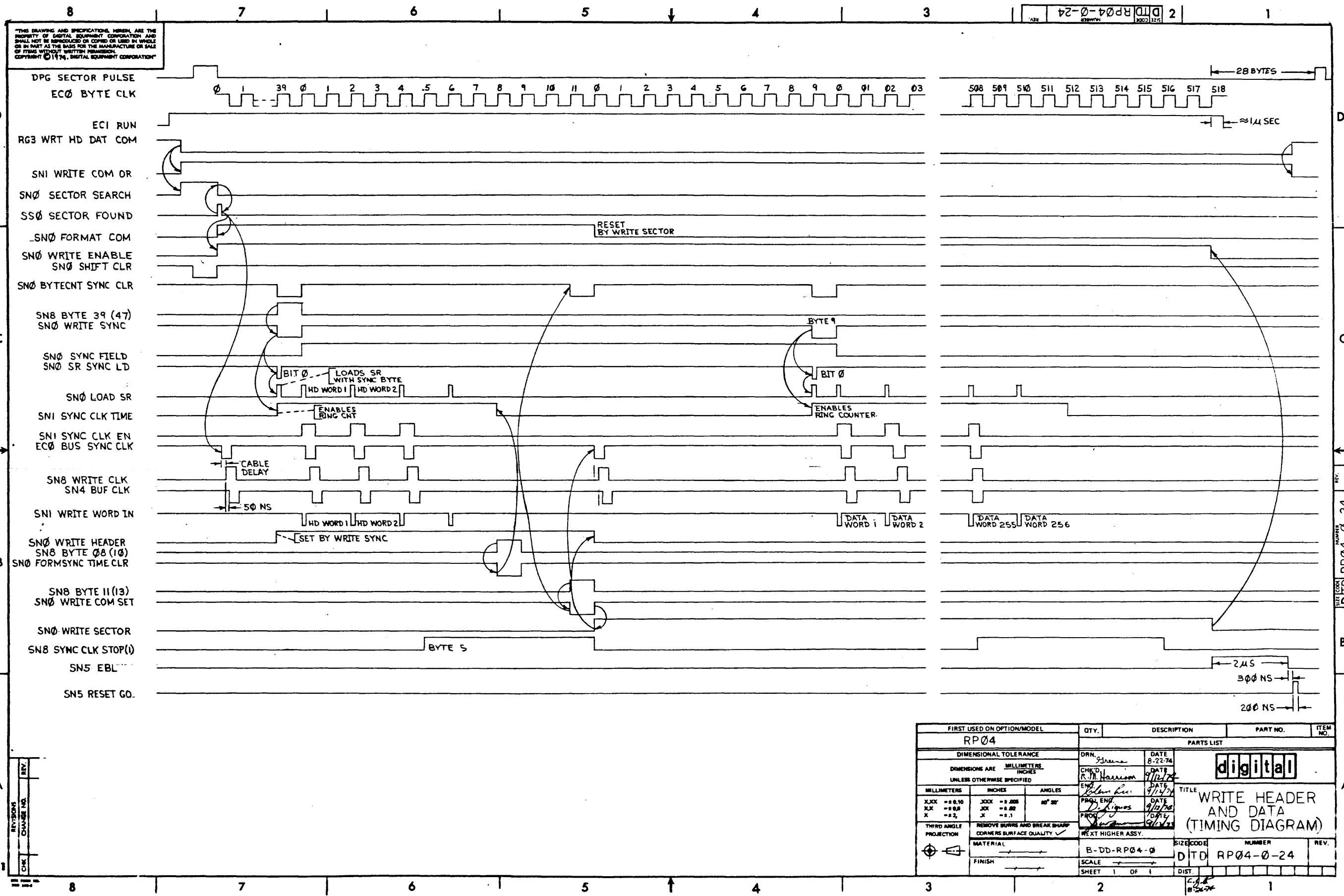
D T D RP04-0-23 2



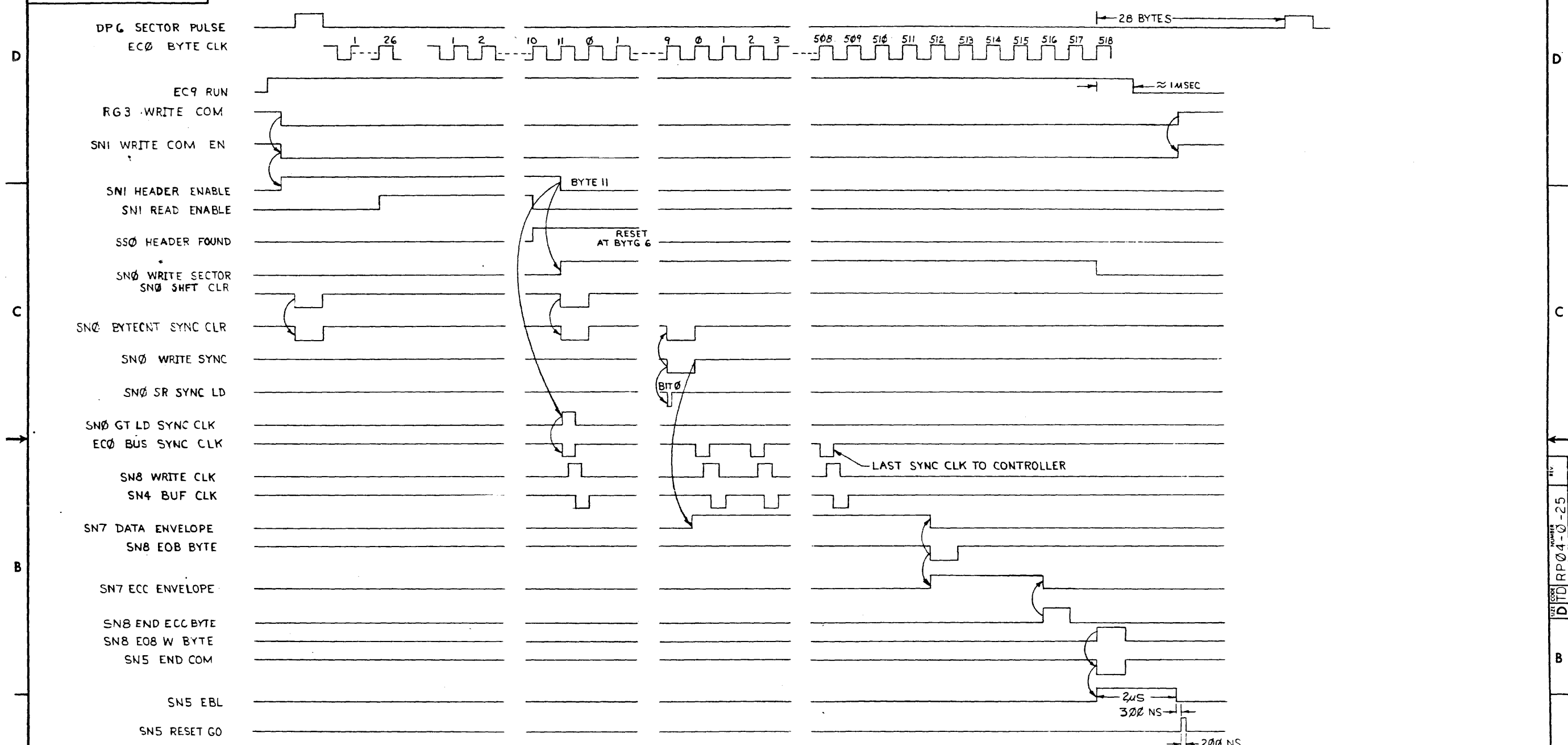
D T D RP04-0-23

FIRST USED ON OPTION/MODEL		QTY.	DESCRIPTION	PART NO.	ITEM NO.
RP04					
DIMENSIONAL TOLERANCE		DRN	DATE	PARTS LIST	
DIMENSIONS ARE MILLIMETERS UNLESS OTHERWISE SPECIFIED		<i>H. Duffin</i>	5/31/76	digital	
MILLIMETERS		CHKD.	DATE	TITLE	
INCHES		<i>D. Harrison</i>	9/12/76	SYNC CLOCK/BYTE CLOCK GENERATOR (TIMING DIAGRAM)	
ANGLES		ENGR.	DATE	SIZE CODE	
X,XX ±0.10		<i>J. Linn</i>	9/12/76	NUMBER	
X,X ±0.8		PROG.	DATE	REV.	
X ±2		<i>D. Linn</i>	9/12/76	D T D RP04-0-23	
THIRD ANGLE PROJECTION	REMOVE BURRS AND BREAK SHARP CORNERS SURFACE QUALITY ✓	NEXT HIGHER ASSY.		DST.	
MATERIAL	FINISH	B-DD-RP04-0	SCALE	SHEET 1 OF 1	

REVISIONS	REV.
CHANGE NO.	
CHK	



"THIS DRAWING AND SPECIFICATIONS, HEREIN, ARE THE PROPERTY OF DIGITAL EQUIPMENT CORPORATION AND SHALL NOT BE REPRODUCED OR COPIED OR USED IN WHOLE OR IN PART AS THE BASIS FOR THE MANUFACTURE OR SALE OF ITEMS WITHOUT WRITTEN PERMISSION. COPYRIGHT © 1974, DIGITAL EQUIPMENT CORPORATION"

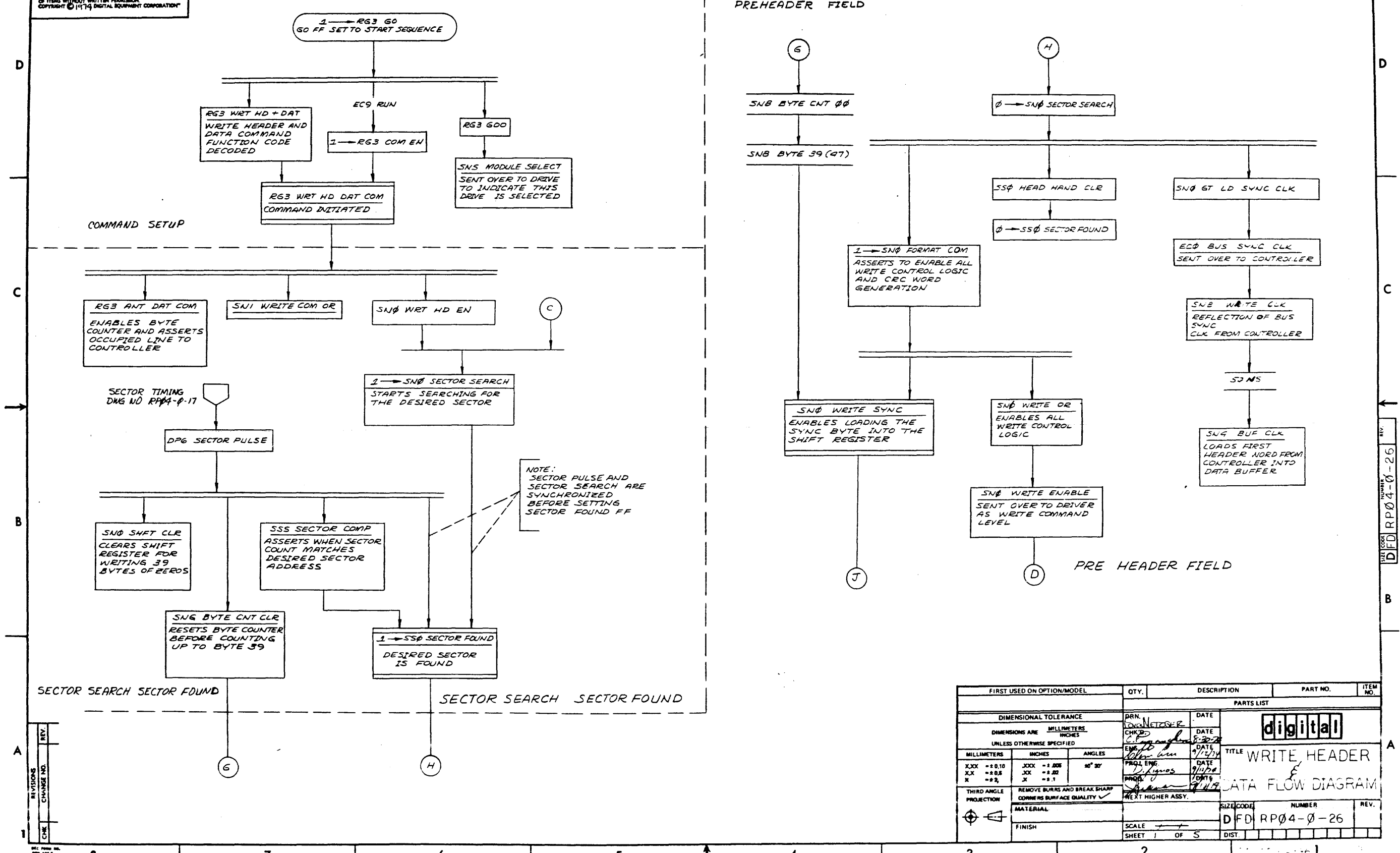


REV.	CHANGE NO.	CHK

FIRST USED ON OPTION/MODEL RP04		QTY.	DESCRIPTION	PART NO.	ITEM NO.
DIMENSIONAL TOLERANCE		PARTS LIST			
DIMENSIONS ARE MILLIMETERS INCHES UNLESS OTHERWISE SPECIFIED		DRN. <i>Wren</i>	DATE 8-2-74	digital	
MILLIMETERS INCHES ANGLES		CHK'D. <i>R. M. Howland</i>	DATE 9/12/74		
X,XX = ±0.10	XXX = ±0.006	ENG. <i>W. L. Kim</i>	DATE 9/13/74	TITLE	
XX = ±0.8	XX = ±0.02	PBL. ENR. <i>D. Higgins</i>	DATE 9/15/74	WRITE COMMAND	
X = ±2	X = ±1	PROG. <i>D. Higgins</i>	DATE 9/16/74	TIMING DIAGRAM	
THIRD ANGLE PROJECTION	REMOVE BURRS AND BREAK SHARP CORNERS SURFACE QUALITY	NEXT HIGHER ASSY.			
MATERIAL	FINISH	B-DD-RP04-0	SIZE CODE	NUMBER	REV.
SCALE		D T D RP04-0-25			
SHEET 1 OF 1		DIST			

REV. 1
D T D RP04-0-25

THIS DRAWING AND SPECIFICATIONS HEREIN ARE THE PROPERTY OF DIGITAL EQUIPMENT CORPORATION AND SHALL NOT BE REPRODUCED OR COPIED OR USED IN WHOLE OR IN PART AS THE BASIS FOR THE MANUFACTURE OR SALE OF ITEMS WITHOUT WRITTEN PERMISSION. COPYRIGHT © 1974 DIGITAL EQUIPMENT CORPORATION



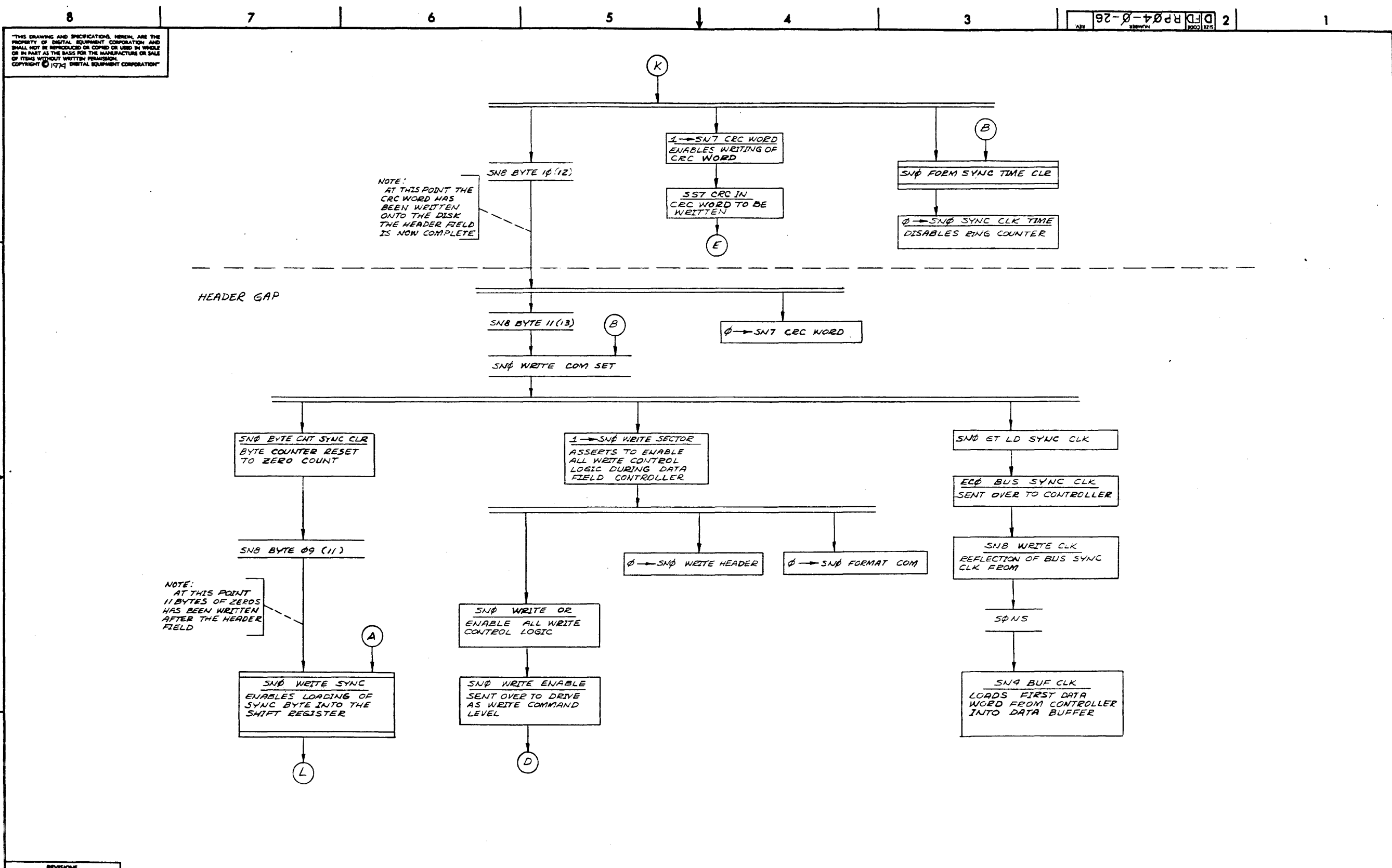
REV.	CHG.	NO.

FIRST USED ON OPTION/MODEL	QTY.	DESCRIPTION	PART NO.	ITEM NO.
PARTS LIST				
DIMENSIONAL TOLERANCE		PRN. DATE	digital	
DIMENSIONS ARE MILLIMETERS INCHES UNLESS OTHERWISE SPECIFIED		CHK'D DATE		
MILLIMETERS	INCHES	ANGLES	TITLE	
XX ±0.10	XX ±0.05	XX 10° 30'	WRITE HEADER	
XX ±0.2	XX ±0.02	XX ±0.1	DATA FLOW DIAGRAM	
THIRD ANGLE PROJECTION	REMOVE BURRS AND BREAK SHARP CORNERS SURFACE QUALITY	NEXT HIGHER ASSY.	SIZE CODE	NUMBER
MATERIAL	FINISH	SCALE	DFD RP04-0-26	REV.
SHEET 1 OF 5			DIST.	

THIS DRAWING AND SPECIFICATIONS HEREIN ARE THE PROPERTY OF DIGITAL EQUIPMENT CORPORATION AND SHALL NOT BE REPRODUCED OR COPIED OR USED IN WHOLE OR IN PART AS THE BASIS FOR THE MANUFACTURE OR SALE OF ITEMS WITHOUT WRITTEN PERMISSION. COPYRIGHT © 1974 DIGITAL EQUIPMENT CORPORATION

D
C
B
A

D
C
B
A

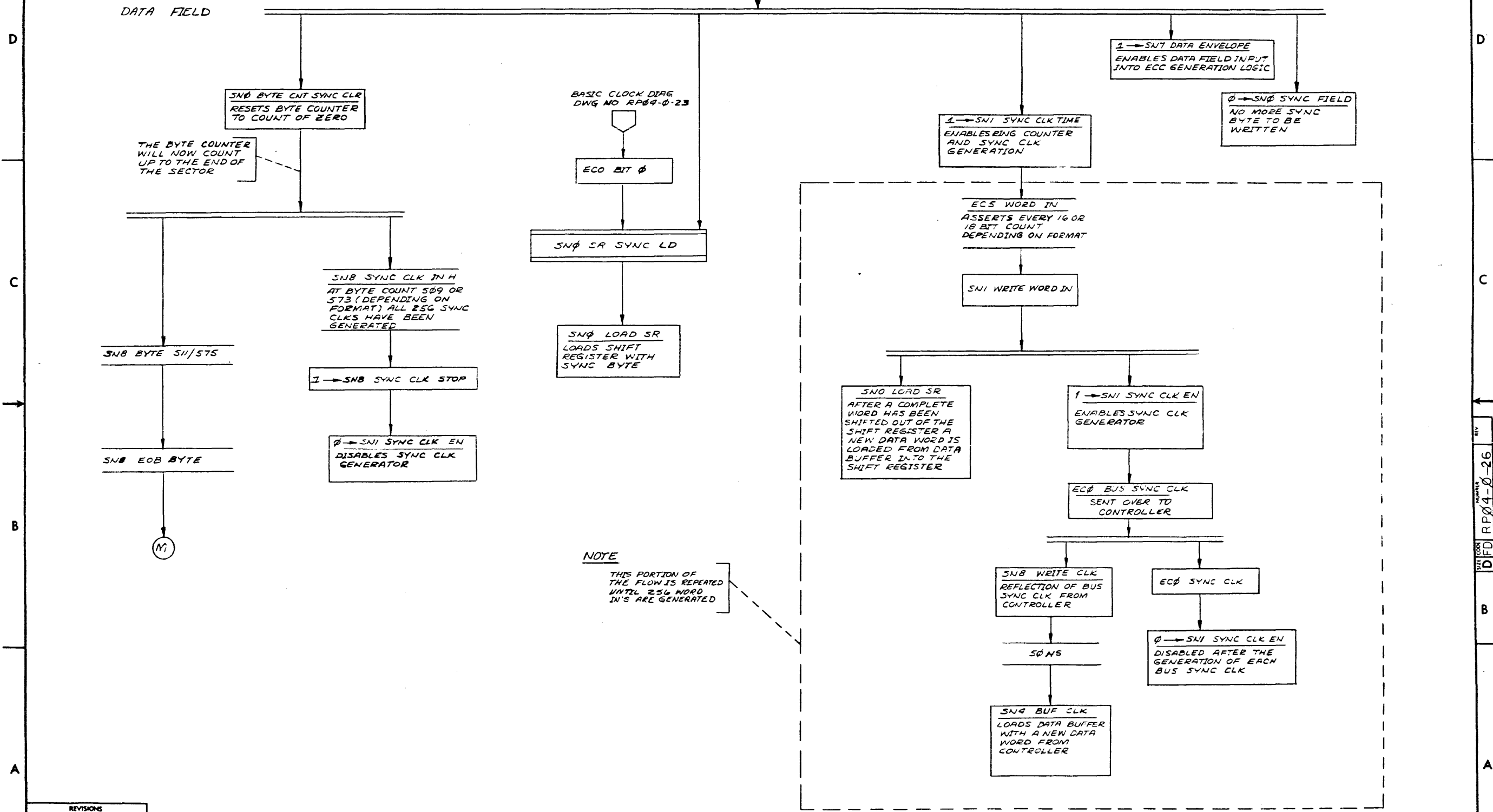


NOTE:
AT THIS POINT THE
CRC WORD HAS
BEEN WRITTEN
ONTO THE DISK
THE HEADER FIELD
IS NOW COMPLETE

NOTE:
AT THIS POINT
11 BYTES OF ZEROS
HAS BEEN WRITTEN
AFTER THE HEADER
FIELD

REVISIONS		
CHK	CHANGE NO	REV.

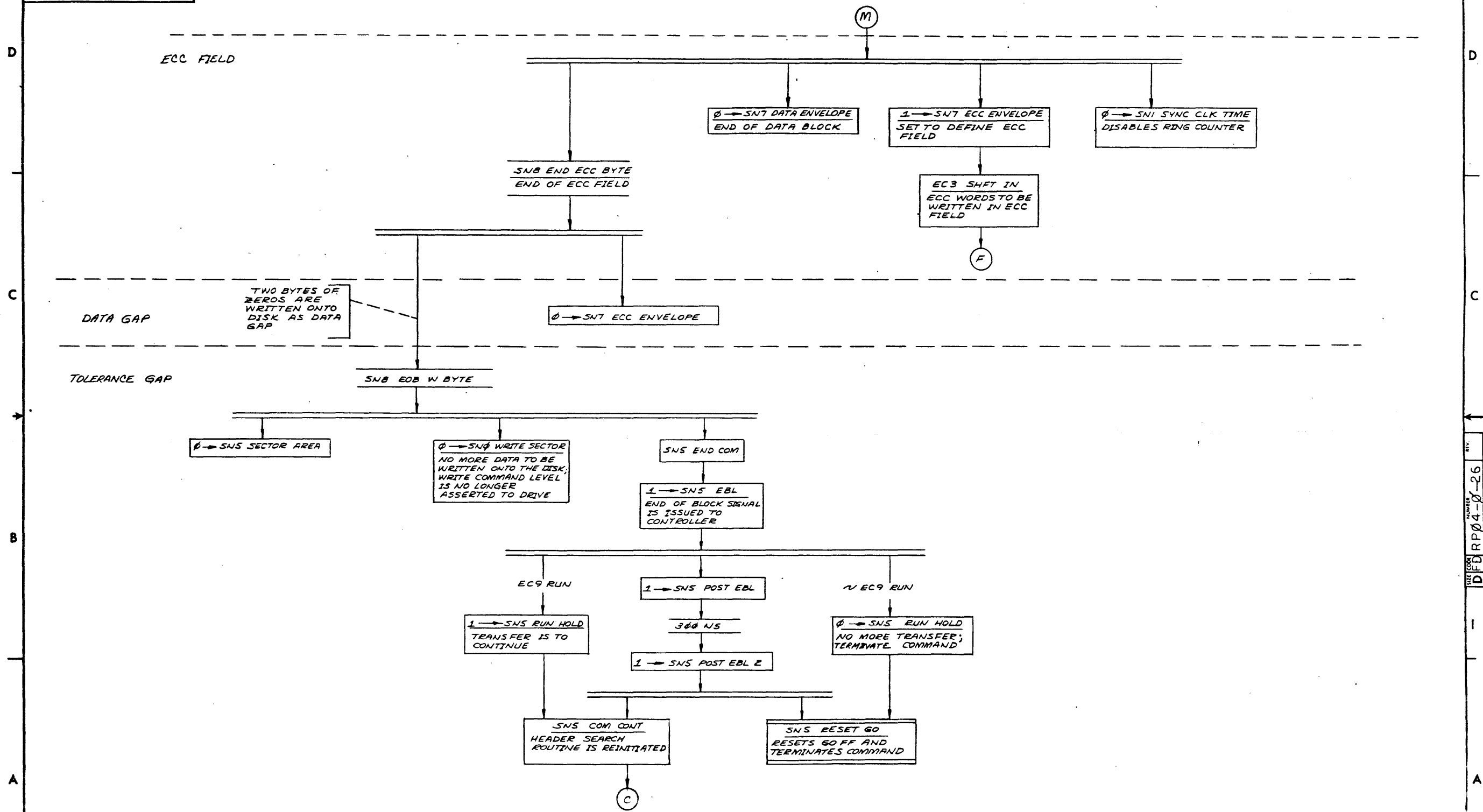
THIS DRAWING AND SPECIFICATIONS HEREIN ARE THE PROPERTY OF DIGITAL EQUIPMENT CORPORATION AND SHALL NOT BE REPRODUCED OR COPIED OR USED IN WHOLE OR IN PART AS THE BASIS FOR THE MANUFACTURE OR SALE OF ITEMS WITHOUT WRITTEN PERMISSION.
 COPYRIGHT © 1974 DIGITAL EQUIPMENT CORPORATION



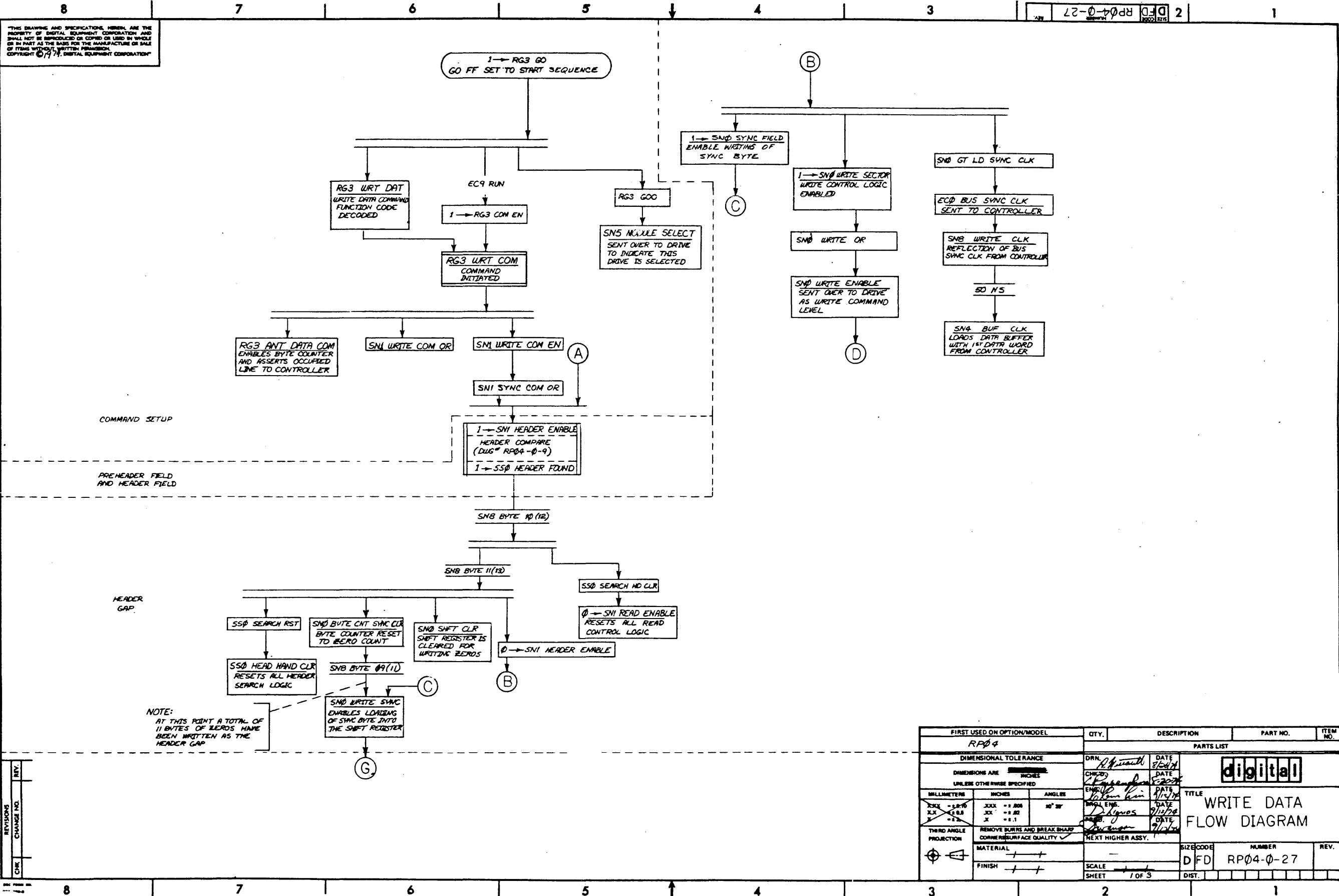
REV. 2
 DFD RP04-0-26

REVISIONS		
CHK	CHANGE NO	REV.

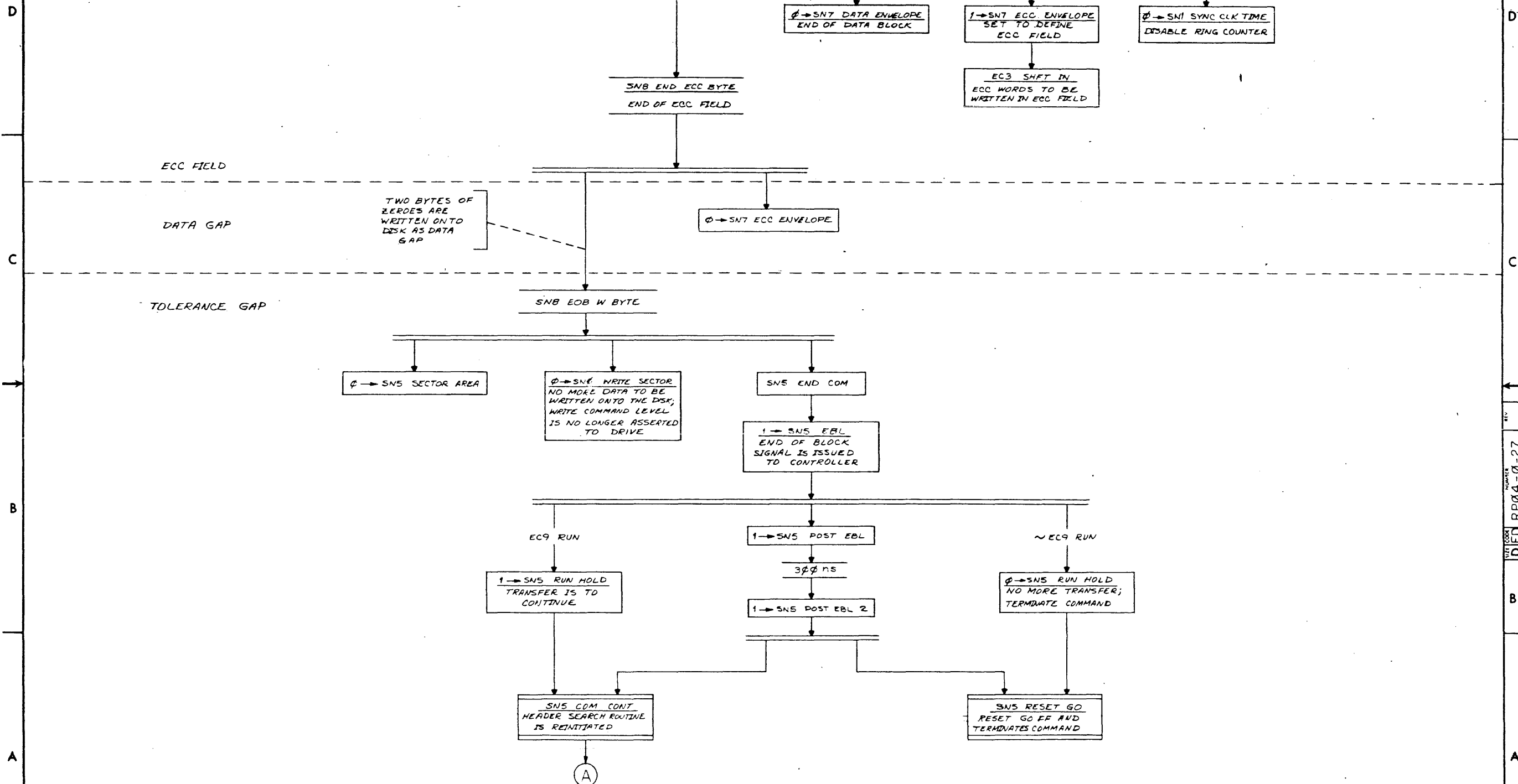
THIS DRAWING AND SPECIFICATIONS HEREIN ARE THE PROPERTY OF DIGITAL EQUIPMENT CORPORATION AND SHALL NOT BE REPRODUCED OR COPIED OR USED IN WHOLE OR IN PART AS THE BASIS FOR THE MANUFACTURE OR SALE OF ITEMS WITHOUT WRITTEN PERMISSION. COPYRIGHT © 1979 DIGITAL EQUIPMENT CORPORATION



REVISIONS		
CHK	CHANGE NO.	REV.

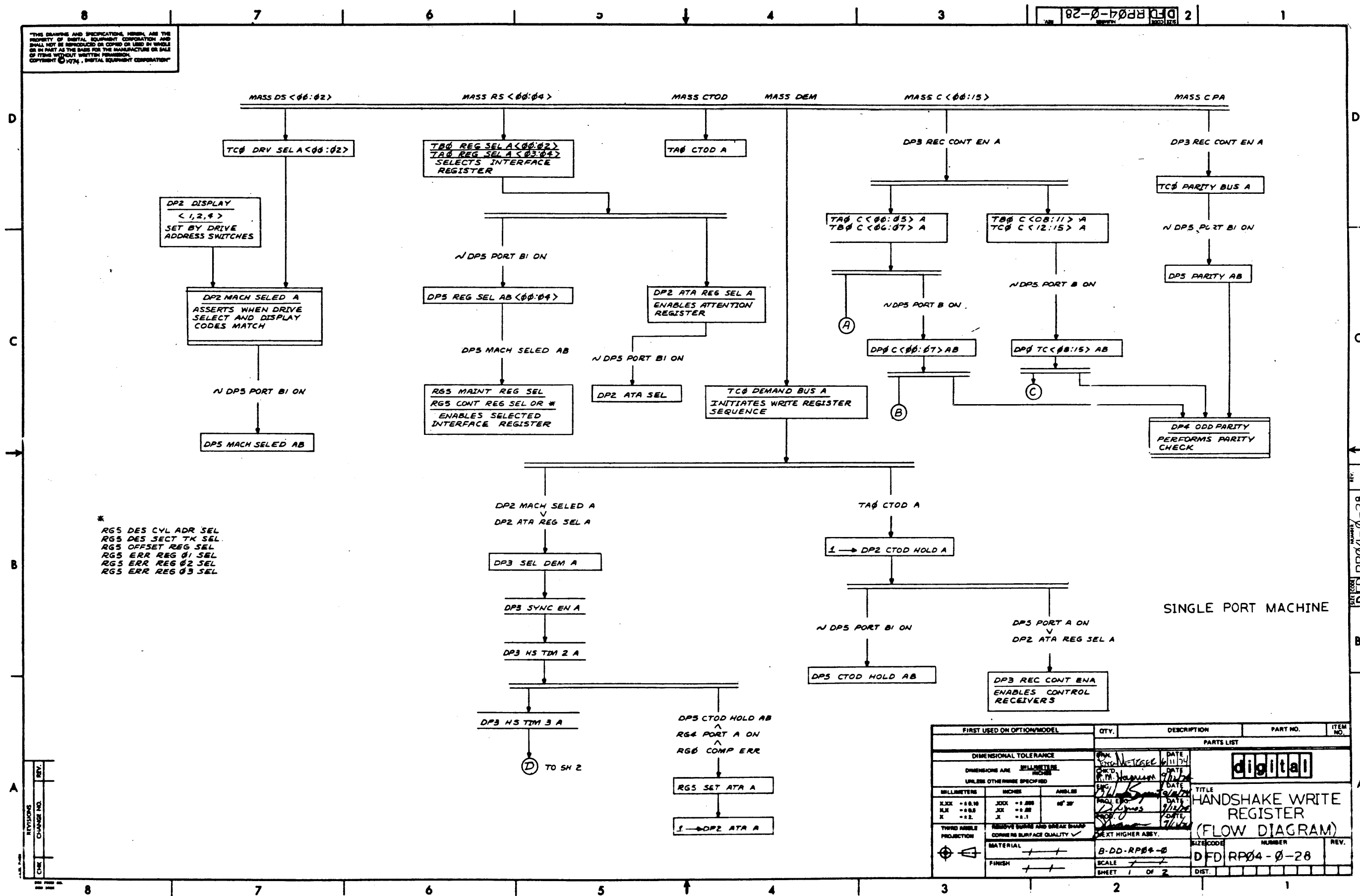


THIS DRAWING AND SPECIFICATIONS HEREIN ARE THE PROPERTY OF DIGITAL EQUIPMENT CORPORATION AND SHALL NOT BE REPRODUCED OR COPIED OR USED IN WHOLE OR IN PART AS THE BASIS FOR THE MANUFACTURE OR SALE OF ITEMS WITHOUT WRITTEN PERMISSION. COPYRIGHT © 1974 DIGITAL EQUIPMENT CORPORATION



REVISIONS		
CHK	CHANGE NO	REV.

THIS DRAWING AND SPECIFICATIONS HEREIN ARE THE PROPERTY OF DIGITAL EQUIPMENT CORPORATION AND SHALL NOT BE REPRODUCED OR COPIED OR USED IN WHOLE OR IN PART AS THE BASIS FOR THE MANUFACTURE OR SALE OF ITEMS WITHOUT WRITTEN PERMISSION. COPYRIGHT © 1974, DIGITAL EQUIPMENT CORPORATION.

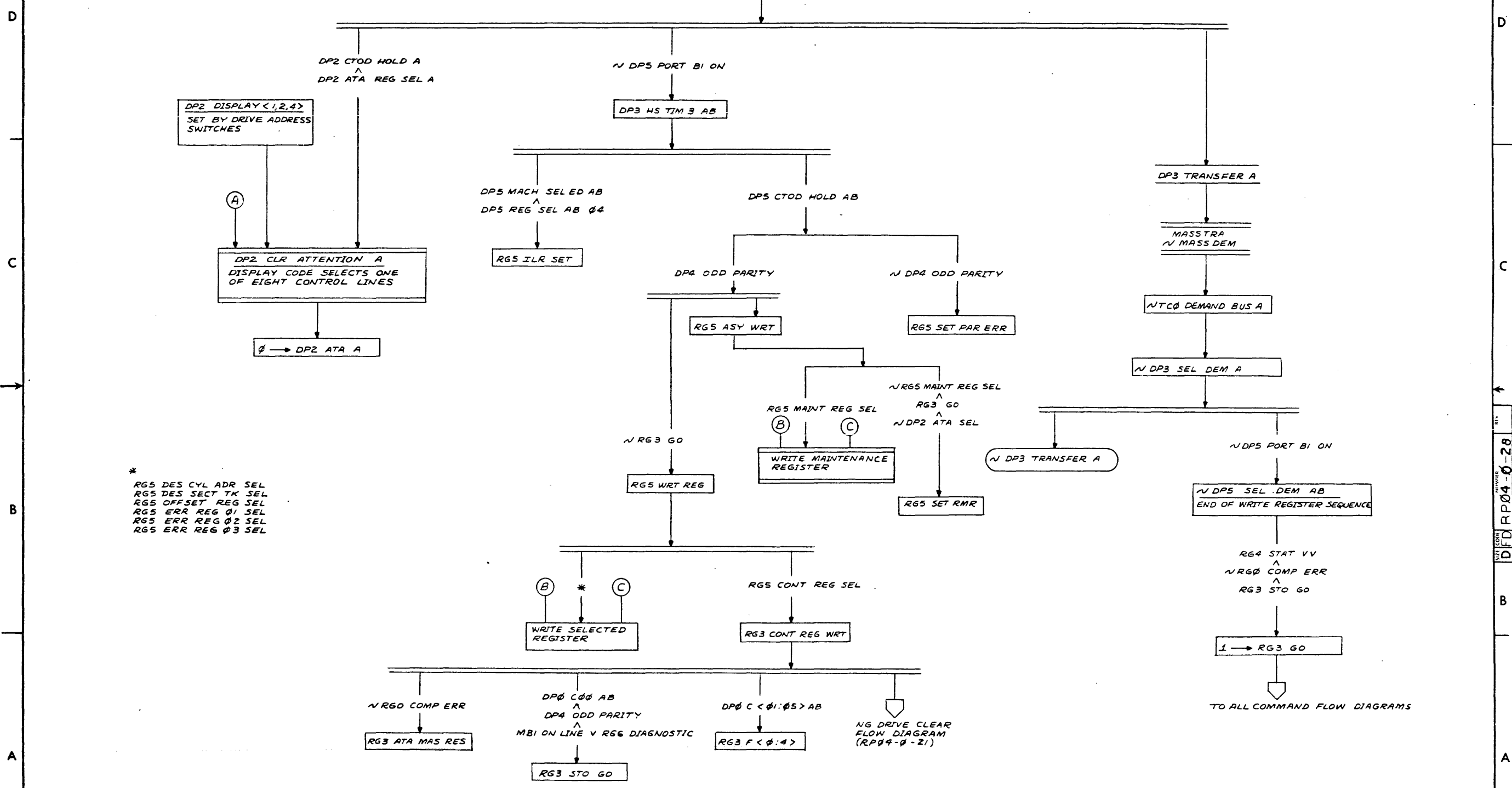


*
 RG5 DES CYL ADR SEL
 RG5 DES SECT TK SEL
 RG5 OFFSET REG SEL
 RG5 ERR REG 01 SEL
 RG5 ERR REG 02 SEL
 RG5 ERR REG 03 SEL

SINGLE PORT MACHINE

FIRST USED ON OPTION/MODEL		QTY.	DESCRIPTION	PART NO.	ITEM NO.												
PARTS LIST																	
DIMENSIONAL TOLERANCE		<table border="1"> <tr> <td>DATE</td> <td>6/11/74</td> </tr> <tr> <td>CHECKED</td> <td></td> </tr> <tr> <td>DATE</td> <td></td> </tr> <tr> <td>DATE</td> <td></td> </tr> <tr> <td>DATE</td> <td></td> </tr> <tr> <td>DATE</td> <td></td> </tr> </table>				DATE	6/11/74	CHECKED		DATE		DATE		DATE		DATE	
DATE	6/11/74																
CHECKED																	
DATE																	
DATE																	
DATE																	
DATE																	
DIMENSIONS ARE MILLIMETER UNLESS OTHERWISE SPECIFIED																	
UNLESS OTHERWISE SPECIFIED																	
MILLIMETERS	INCHES	TITLE HANDSHAKE WRITE REGISTER (FLOW DIAGRAM)															
0.130 ±0.010	0.005 ±0.0005																
0.254 ±0.010	0.010 ±0.0005	SIZE CODE B-DD-RP04-B															
0.508 ±0.010	0.020 ±0.0005																
THIRD ANGLE PROJECTION		NUMBER DFD RP04-0-28															
REMOVE BURRS AND BREAK SHARP CORNERS SURFACE QUALITY																	
MATERIAL		SHEET 1 OF 2															
FINISH																	

THIS DRAWING AND SPECIFICATIONS HEREIN ARE THE PROPERTY OF DIGITAL EQUIPMENT CORPORATION AND SHALL NOT BE REPRODUCED OR COPIED OR USED IN WHOLE OR IN PART AS THE BASIS FOR THE MANUFACTURE OR SALE OF ITEMS WITHOUT WRITTEN PERMISSION. COPYRIGHT © 1974 DIGITAL EQUIPMENT CORPORATION



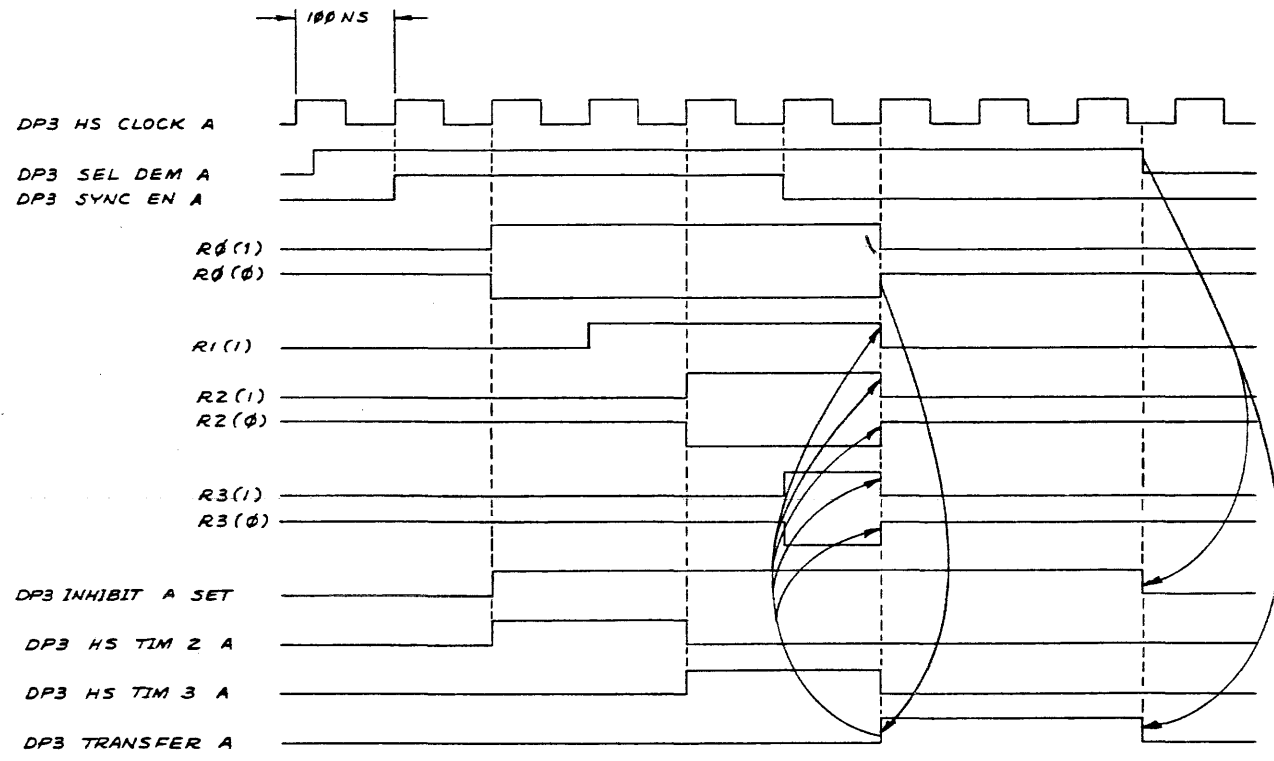
*
RG5 DES CYL ADR SEL
RG5 DES SECT TK SEL
RG5 OFFSET REG SEL
RG5 ERR REG 01 SEL
RG5 ERR REG 02 SEL
RG5 ERR REG 03 SEL

REVISIONS		
CHK	CHANGE NO.	REV.

REV. 2 DFD RP04-0-28

THIS DRAWING AND SPECIFICATIONS HEREIN ARE THE PROPERTY OF DIGITAL EQUIPMENT CORPORATION AND SHALL NOT BE REPRODUCED OR COPIED OR USED IN WHOLE OR IN PART AS THE BASIS FOR THE MANUFACTURE OR SALE OF ITEMS WITHOUT WRITTEN PERMISSION. COPYRIGHT © 1974 DIGITAL EQUIPMENT CORPORATION.

ASH 6Z-0-29 2



DITD RP04-0-29

A

FIRST USED ON OPTION/MODEL RP04	QTY.	DESCRIPTION	PART NO.	ITEM NO.
PARTS LIST				
UNLESS OTHERWISE SPECIFIED DIMENSION IN INCHES	DATE 12/74	digital EQUIPMENT CORPORATION		
TOLERANCES	DATE 9/11/74	TITLE		
DECIMALS ANGLES	DATE 9/11/74	HANDSHAKE		
xxx = .005	DATE 9/11/74	TIMING DIAGRAM		
xx = .02	DATE 9/11/74	REV.		
x = .1	DATE 9/11/74	SIZE CODE NUMBER		
REMOVE BURRS AND BREAK SHARP CORNERS SURFACE QUALITY	DATE 9/11/74	DITD RP04-0-29		
MATERIAL	DATE 9/11/74	SHEET OF 1		
FINISH	DATE 9/11/74	DIST.		

REV.	NO.
1	1
2	1
3	1
4	1
5	1
6	1
7	1
8	1

8

7

6

5

4

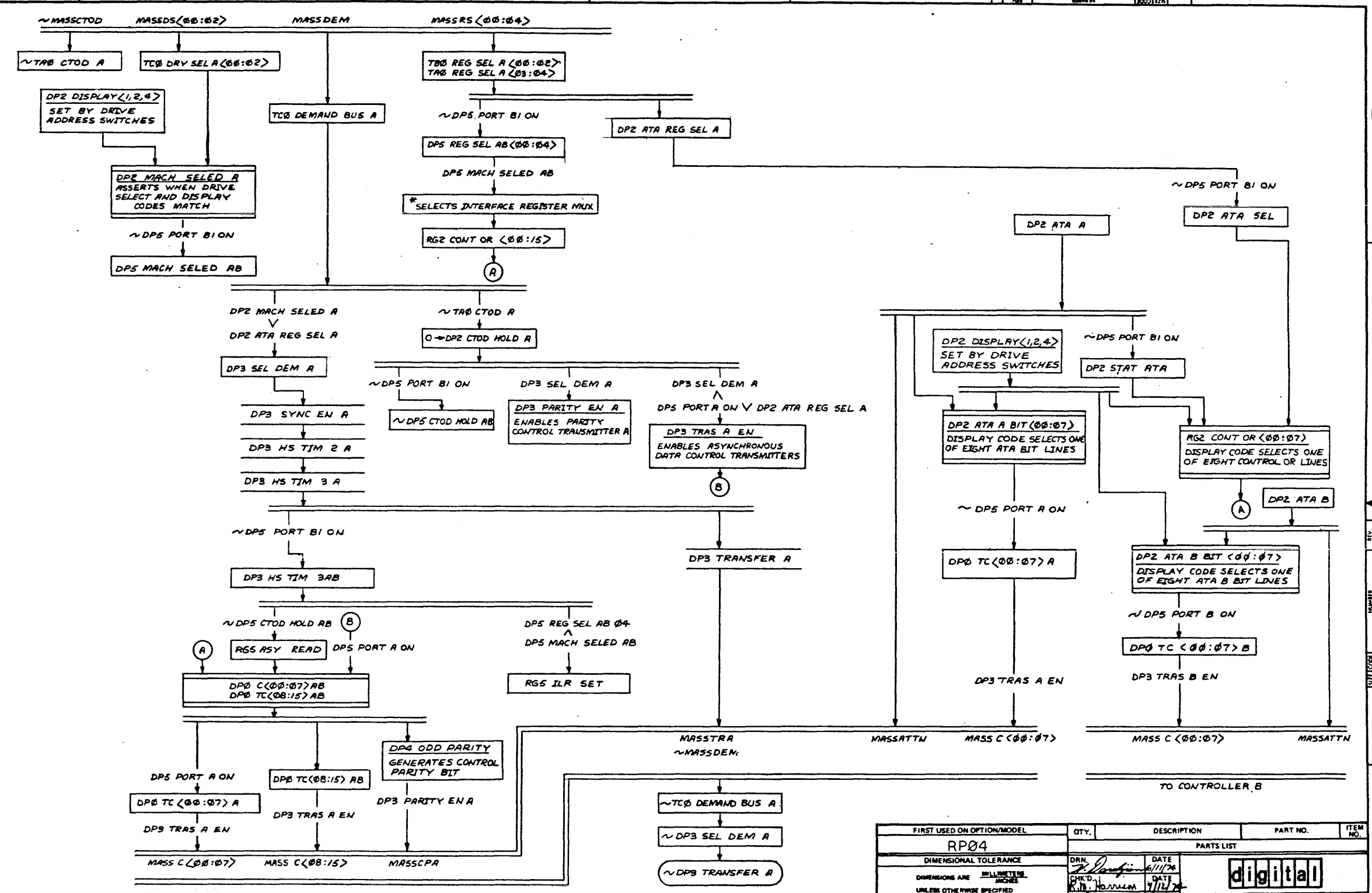
3

2

1

THIS DRAWING AND SPECIFICATIONS, HEREIN, ARE THE PROPERTY OF DIGITAL EQUIPMENT CORPORATION AND SHALL NOT BE REPRODUCED OR COPIED OR USED IN WHOLE OR IN PART AS THE BASIS FOR THE MANUFACTURE OR SALE OF ITEMS WITHOUT WRITTEN PERMISSION. COPYRIGHT © 1974, DIGITAL EQUIPMENT CORPORATION

- *
 RGS DES CYL ADR SEL
 RGS CUR CYL ADR SEL
 RGS DES SECT TK SEL
 RGS OFFSET REG SEL
 RGS STAT REG SEL
 RGS LOOK AHEAD SEL
 RGS ECC PAT REG SEL
 RGS ECC POS REG SEL
 RGS ERR REG 01 SEL
 RGS ERR REG 02 SEL
 RGS ERR REG 03 SEL
 RGS DRV TYPE SEL
 RGS SERIAL NO SEL
 RGS MAINT REG SEL
 RGS CONT REG SEL

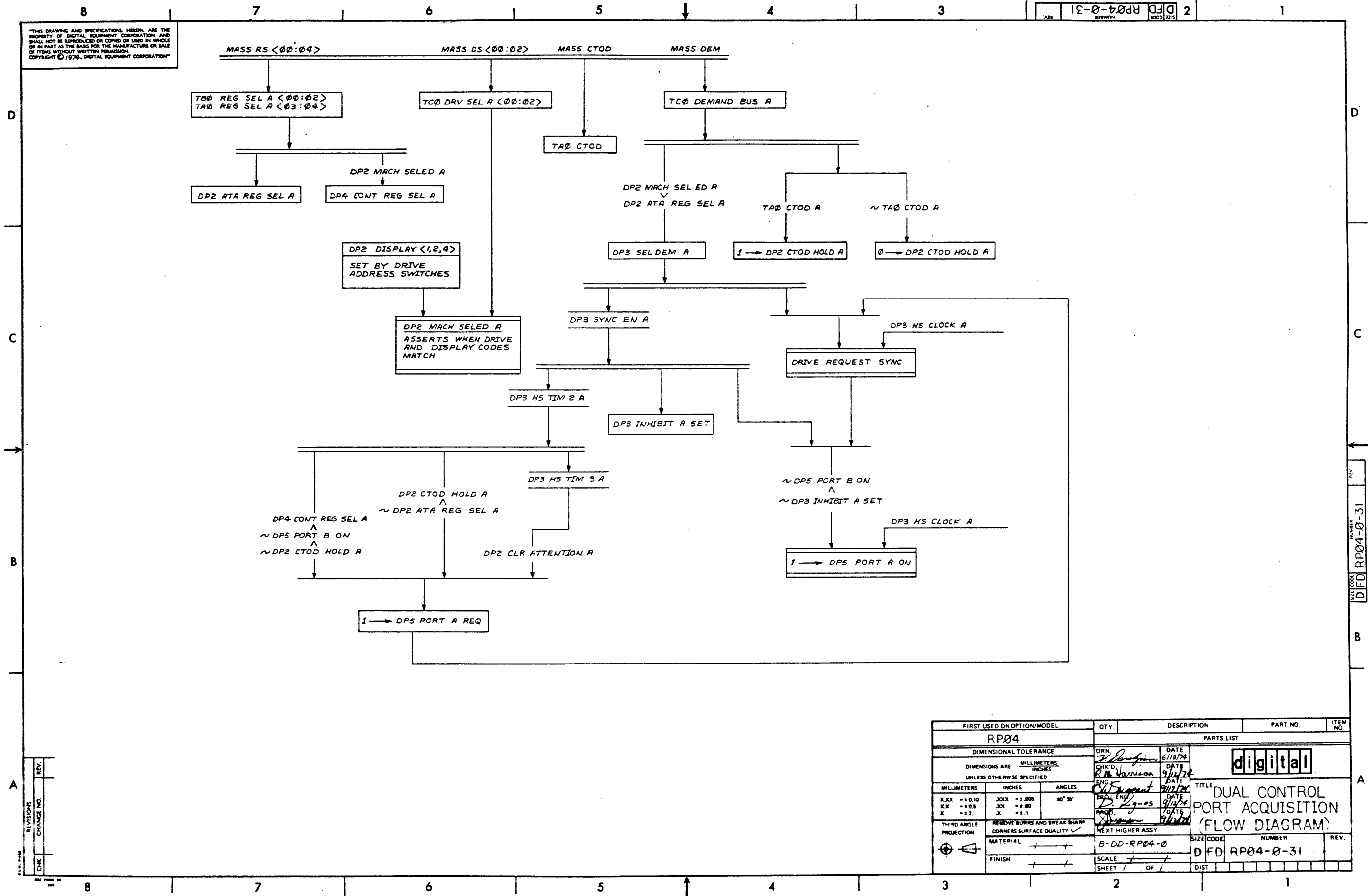


REV.	CHG.	NO.

FIRST USED ON OPTION/MODEL RP04	QTY.	DESCRIPTION	PART NO.	ITEM NO.
PARTS LIST				
DIMENSIONAL TOLERANCE		DRN.	DATE	
DIMENSIONS ARE MILLIMETERS UNLESS OTHERWISE SPECIFIED		CHK'D.	DATE	
MILLIMETERS INCHES ANGLES		APP'D.	DATE	
THIRD ANGLE PROJECTION		PROJ. ENG.	DATE	
REMOVE BURRS AND BREAK SHARP CORNERS SURFACE QUALITY		DATE	DATE	TITLE
MATERIAL		NEXT HIGHER ASSY.		HANDSHAKE READ REGISTER (FLOW DIAGRAM)
FINISH		SCALE	SIZE CODE	NUMBER
		SHEET	OF	REV.
		DIST.		

REV. NUMBER DFD RP04-0-30

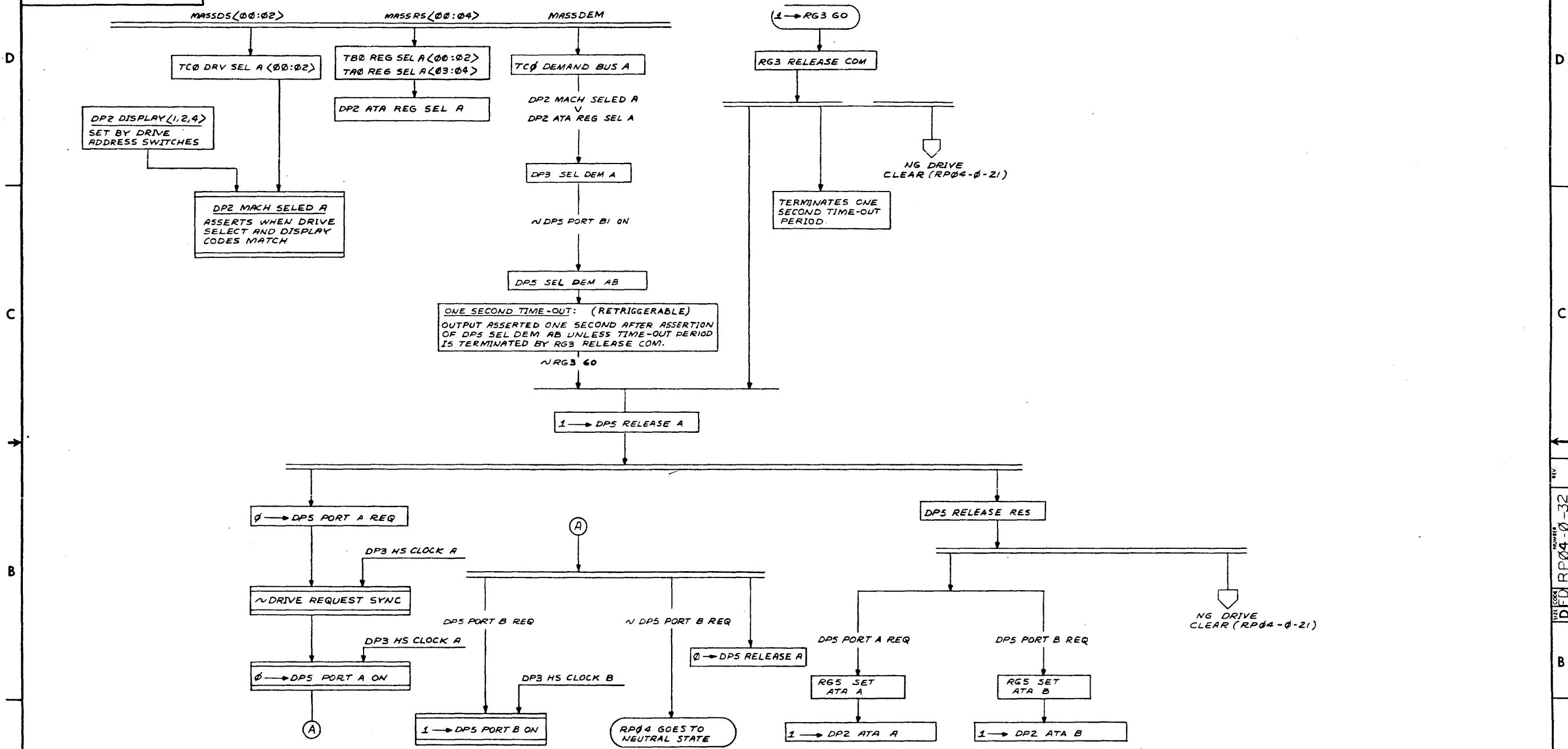
THIS DRAWING AND SPECIFICATIONS HEREIN ARE THE PROPERTY OF DIGITAL EQUIPMENT CORPORATION AND SHALL NOT BE REPRODUCED OR COPIED OR USED IN WHOLE OR IN PART AS THE BASIS FOR THE MANUFACTURE OR SALE OF ITEMS WITHOUT WRITTEN PERMISSION. COPYRIGHT © 1974, DIGITAL EQUIPMENT CORPORATION



REV.	
CHANGE NO.	
CHK	

FIRST USED ON OPTION/MODEL RP04	QTY.	DESCRIPTION	PART NO.	ITEM NO.
PARTS LIST				
DIMENSIONAL TOLERANCE		DRN. <i>[Signature]</i>	DATE 6/13/74	digital
DIMENSIONS ARE MILLIMETERS UNLESS OTHERWISE SPECIFIED		CHK'D. <i>[Signature]</i>	DATE 9/12/74	
MILLIMETERS	INCHES	ANGLES	ENG. <i>[Signature]</i>	TITLE
XJX ±0.10 JX ±0.08 X ±0.2	JXX ±0.006 JX ±0.002 X ±0.1	40° 30'	DATE 9/12/74	DUAL CONTROL PORT ACQUISITION (FLOW DIAGRAM)
THIRD ANGLE PROJECTION	REMOVE BURRS AND BREAK SHARP CORNERS SURFACE QUALITY	NEXT HIGHER ASSY.	SCALE	REV.
	MATERIAL	B-DD-RP04-0	SHEET 1 OF 1	
	FINISH		DIST	

THIS DRAWING AND SPECIFICATIONS HEREIN ARE THE PROPERTY OF DIGITAL EQUIPMENT CORPORATION AND SHALL NOT BE REPRODUCED OR COPIED OR USED IN WHOLE OR IN PART AS THE BASIS FOR THE MANUFACTURE OR SALE OF ITEMS WITHOUT WRITTEN PERMISSION. COPYRIGHT © 1974, DIGITAL EQUIPMENT CORPORATION



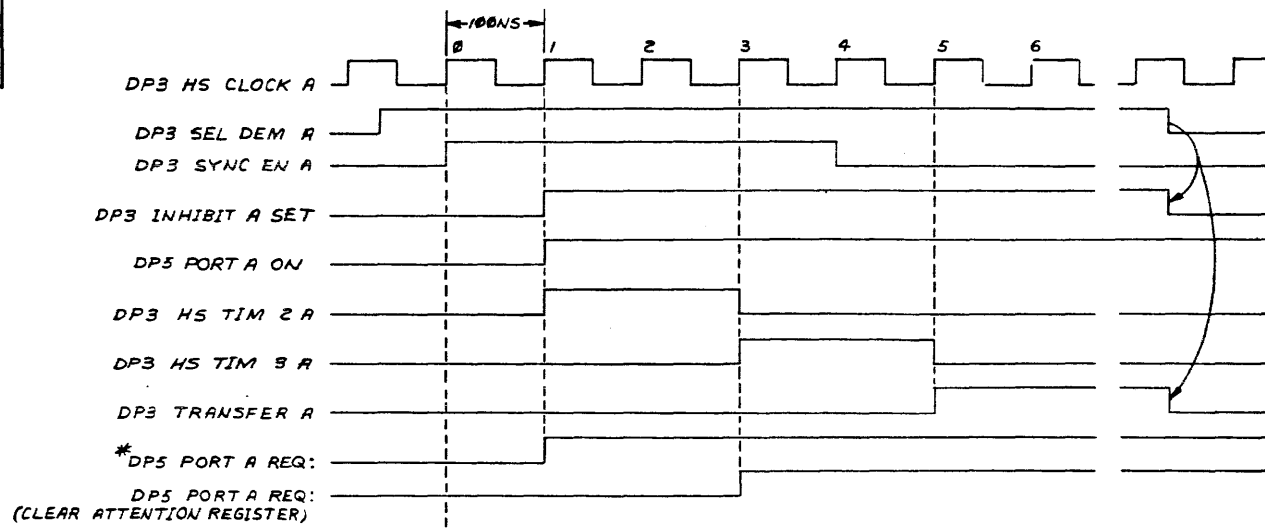
REV.	CHG.	NO.

FIRST USED ON OPTION/MODEL		QTY.	DESCRIPTION	PART NO.	ITEM NO.
RPO4					
DIMENSIONAL TOLERANCE		PARTS LIST			
DIMENSIONS ARE MILLIMETERS UNLESS OTHERWISE SPECIFIED		PRN. DATE	digital		
MILLIMETERS INCHES ANGLES		CHK. DATE	TITLE		
X.XX = ±0.10	.XX = ±0.05	9/12/74	DUAL CONTROL PORT RELEASE (FLOW DIAGRAM)		
.XX = ±0.5	.X = ±0.2	9/12/74	SIZE CODE NUMBER		
X = ±2	X = ±1	9/12/74	D FD RPO4-0-32		
THIRD ANGLE PROJECTION	REMOVE BURRS AND BREAK SHARP CORNERS SURFACE QUALITY	NEXT HIGHER ASSY.	SCALE		
	MATERIAL		SHEET 1 OF 1		
	FINISH		DIST.		

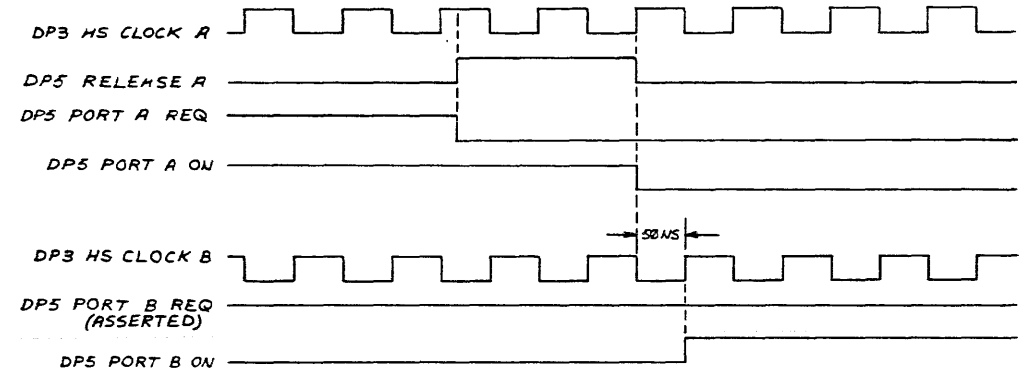
DEF RPO4-0-32

THIS DRAWING AND SPECIFICATIONS HEREIN ARE THE PROPERTY OF DIGITAL EQUIPMENT CORPORATION AND SHALL NOT BE REPRODUCED OR COPIED OR USED IN WHOLE OR IN PART AS THE BASIS FOR THE MANUFACTURE OR SALE OF ITEMS WITHOUT WRITTEN PERMISSION. COPYRIGHT © 1976, DIGITAL EQUIPMENT CORPORATION

REV. 2 DTD RP04-0-33

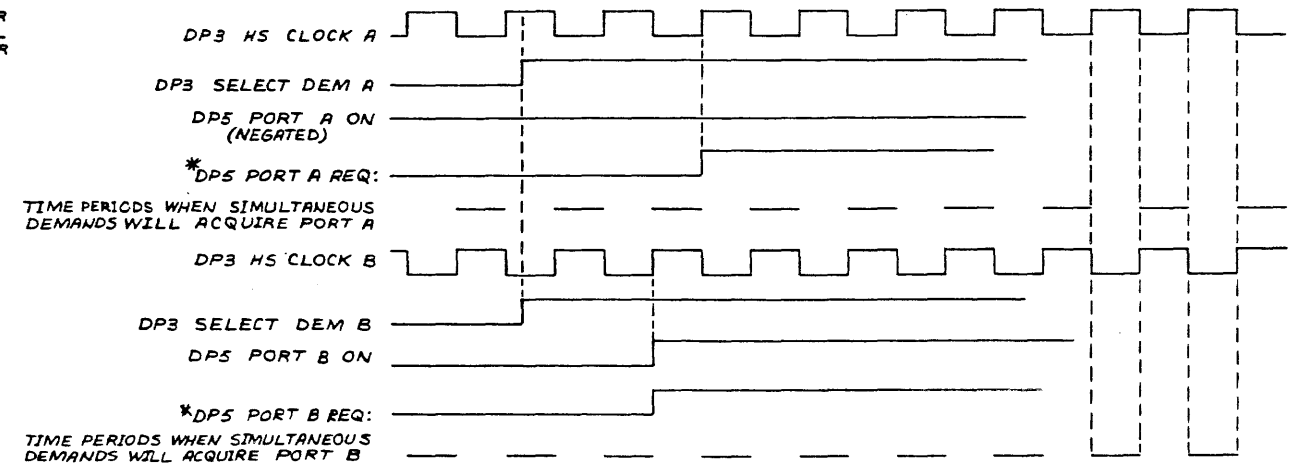


(A)-CONTROLLER A ACQUISITION



(B)-CONTROLLER A RELEASE-CONTROLLER B ACQUISITION

* REAL: CONTROL REGISTER WITH DRIVE IN NEUTRAL OR WRITE ANY REGISTER

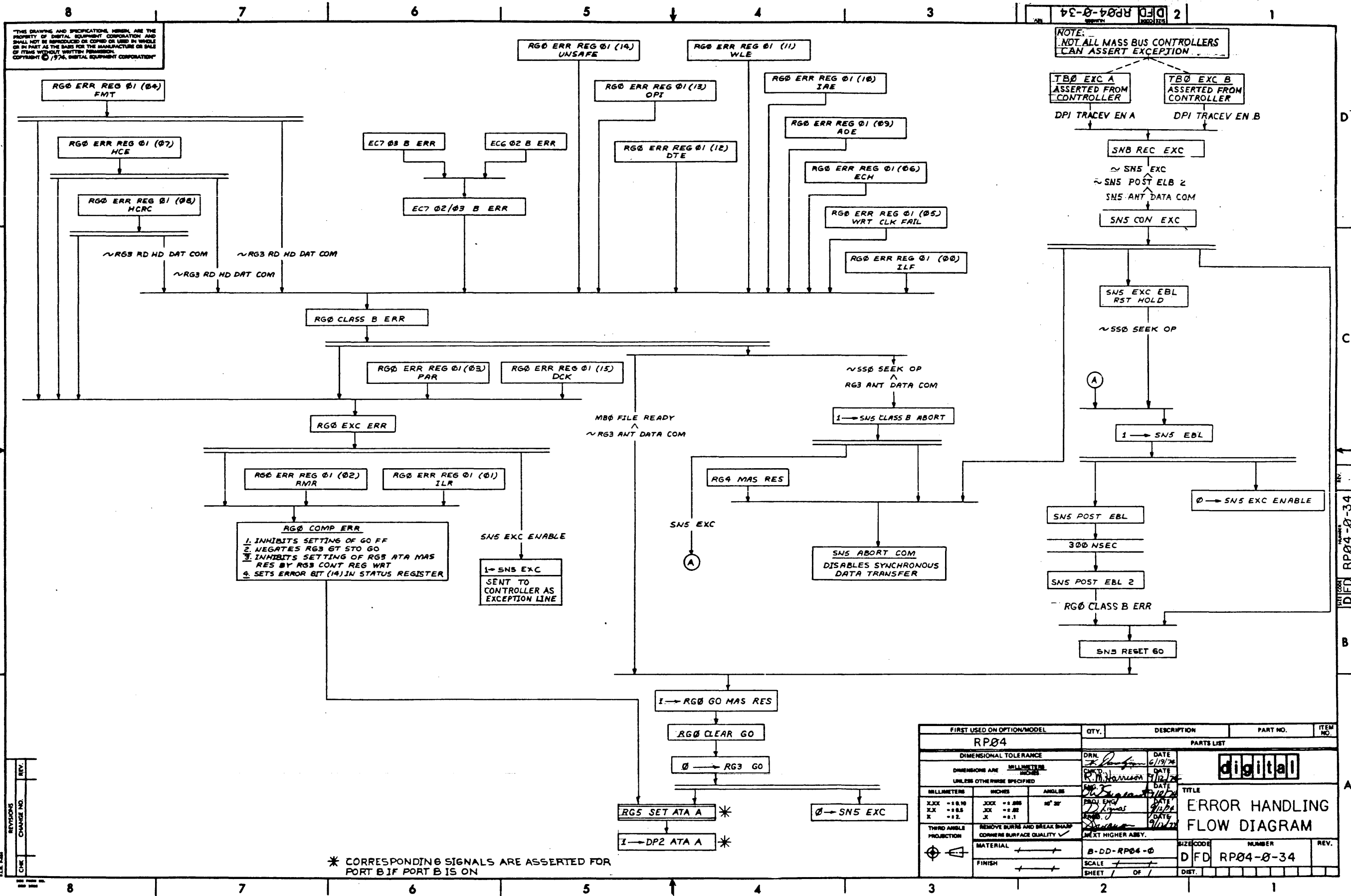


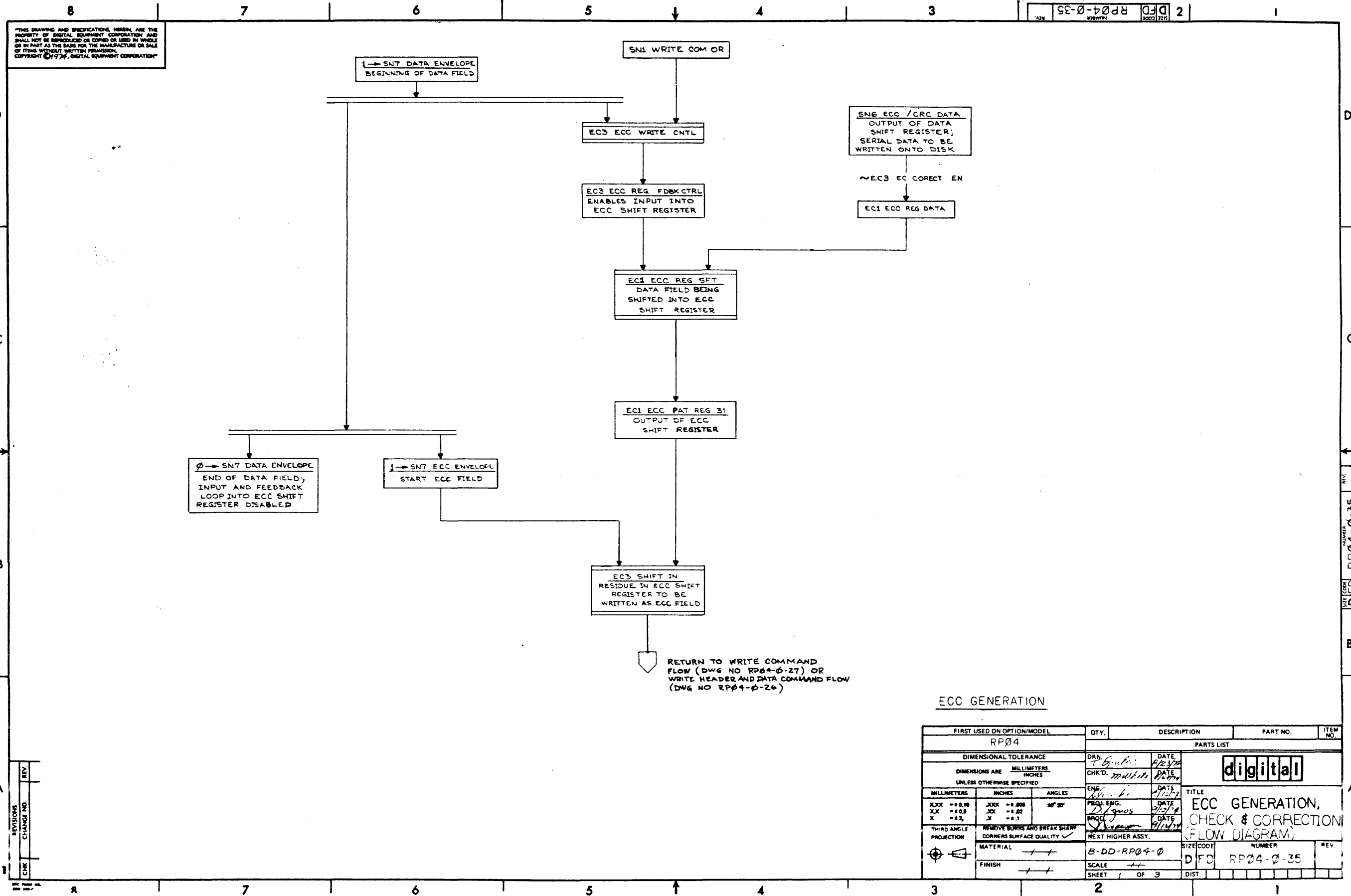
(C)-CONTROLLERS A AND B SIMULTANEOUS DEMANDS-

REV.	
CHK	
CHANGE NO.	

FIRST USED ON OPTION/MODEL	QTY.	DESCRIPTION	PART NO.	ITEM NO.
RP04				
PARTS LIST				
DIMENSIONAL TOLERANCE	DRN.	DATE	digital	
DIMENSIONS ARE MILLIMETERS UNLESS OTHERWISE SPECIFIED	CHK'D.	DATE		
	ENG.	DATE		
	PROD.	DATE		
MILLIMETERS	INCHES	ANGLES	TITLE	
X.XX ± 0.10	XXX ± .006	90° 30'	DUAL CONTROL TIMING DIAGRAM	
XX ± 0.5	XX ± .02			
X ± .2	X ± .1			
THIRD ANGLE PROJECTION	REMOVE BURRS AND BREAK SHARP CORNERS SURFACE QUALITY	NEXT HIGHER ASSY.	SIZE CODE	NUMBER
			B-DD-RP04-0	D TD RP04-0-33
FINISH			SCALE	REV.
SHEET 1	OF 1	DIST		

REV. 2 DTD RP04-0-33





"THIS DRAWING AND SPECIFICATIONS HEREIN ARE THE PROPERTY OF DIGITAL EQUIPMENT CORPORATION AND SHALL NOT BE REPRODUCED OR COPIED OR USED IN WHOLE OR IN PART AS THE BASIS FOR THE MANUFACTURE OR SALE OF ITEMS WITHOUT WRITTEN PERMISSION. COPYRIGHT © 1977, DIGITAL EQUIPMENT CORPORATION"

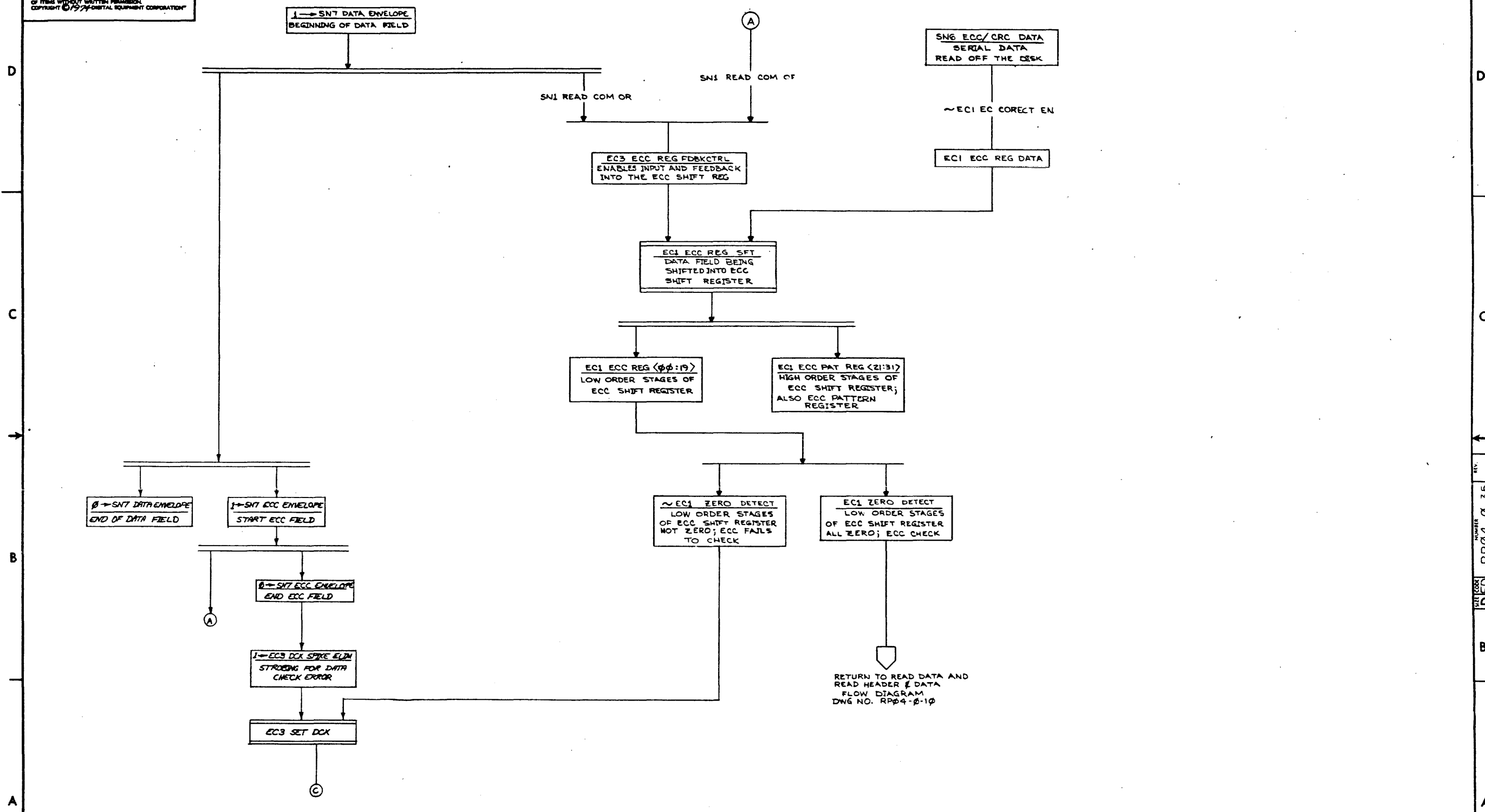
ECC GENERATION

FIRST USED ON OPTION/MODEL RP04		QTY.	DESCRIPTION	PART NO.	ITEM NO.
PARTS LIST					
DIMENSIONAL TOLERANCE		DRN. <i>T. Gault</i>	DATE <i>8/23/77</i>	digital	
DIMENSIONS ARE MILLIMETERS INCHES		CHK'D. <i>multite</i>	DATE <i>8/23/77</i>		
UNLESS OTHERWISE SPECIFIED		ENG. <i>M. Gault</i>	DATE <i>8/23/77</i>		
MILLIMETERS	INCHES	ANGLES	PROJ. ENG. <i>D. Gnos</i>	DATE <i>8/23/77</i>	TITLE
X,XX = ±0.10 XX = ±0.5 X = ±2	J,JK = ±0.008 JK = ±0.02 K = ±0.1	30° 30'	PROJ. <i>J. Gnos</i>	DATE <i>8/23/77</i>	ECC GENERATION, CHECK & CORRECTION (FLOW DIAGRAM)
THIRD ANGLE PROJECTION	REMOVE BURRS AND BREAK SHARP CORNERS SURFACE QUALITY ✓	NEXT HIGHER ASSY.	SIZE CODE		
MATERIAL	FINISH	B-DD-RP04-0	SCALE	NUMBER	REV.
				DFD	RP04-0-35
		SHEET 1 OF 3	DIST.		

REV. 2 DFD RP04-0-35

REVISIONS
CHANGE NO. REV.

THIS DRAWING AND SPECIFICATIONS HEREIN ARE THE PROPERTY OF DIGITAL EQUIPMENT CORPORATION AND SHALL NOT BE REPRODUCED OR COPIED OR USED IN WHOLE OR IN PART AS THE BASIS FOR THE MANUFACTURE OR SALE OF ITEMS WITHOUT WRITTEN PERMISSION. COPYRIGHT © 1977 DIGITAL EQUIPMENT CORPORATION



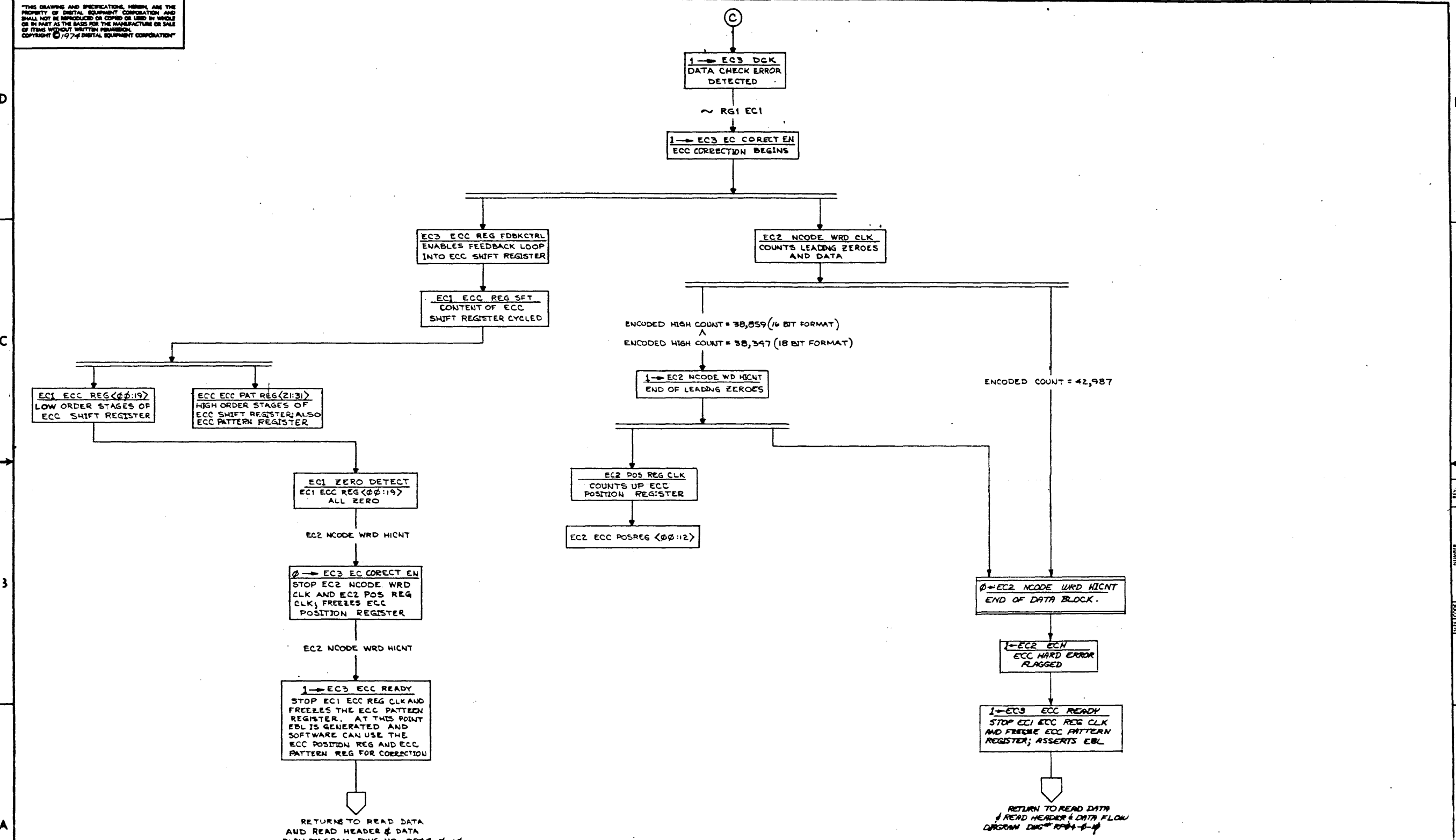
REVISIONS		
CHK	CHANGE NO.	REV.

ECC CHECK & CORRECTION

TITLE ECC GENERATION, CHECK & CORRECTION (FLOW DIAGRAM)	SIZE CODE D F D	NUMBER RP04-0-35	REV.
SCALE 	SHEET 2 OF 3	DIST.	

REV. 2
D F D
NUMBER RP04-0-35

THIS DRAWING AND SPECIFICATIONS HEREIN ARE THE PROPERTY OF DIGITAL EQUIPMENT CORPORATION AND SHALL NOT BE REPRODUCED OR COPIED OR USED IN WHOLE OR IN PART AS THE BASIS FOR THE MANUFACTURE OR SALE OF ITEMS WITHOUT WRITTEN PERMISSION. COPYRIGHT © 1974 DIGITAL EQUIPMENT CORPORATION



ECC CHECK & CORRECTION

REVISIONS		
CHK	CHANGE NO.	REV.

REV. 2 DFD RP04-0-35

This drawing and specifications herein, are the property of Digital Equipment Corporation and shall not be reproduced or copied or used in whole or in part as the basis for the manufacture or sale of items without written permission.

**DIGITAL EQUIPMENT CORPORATION
MAYNARD, MASSACHUSETTS**

ENGINEERING SPECIFICATION DATE 4/7/76

TITLE RJP05/6 FIELD ACCEPTANCE TEST

REVISIONS

REV	DESCRIPTION	CHG NO	ORIG	DATE	APPD BY	DATE

REV	DESCRIPTION	CHG NO	ORIG	DATE	APPD BY	DATE

ENG Roger Moore	APPD <i>[Signature]</i>	SIZE A	CODE SP	NUMBER RP05-0-1	REV
--------------------	----------------------------	-----------	------------	--------------------	-----

ENGINEERING SPECIFICATION CONTINUATION SHEET

TITLE RJP05/6 FIELD ACCEPTANCE TEST

I. Purpose

Field Acceptance Testing is intended to demonstrate performance of DEC's product to the customer prior to his acceptance. It is the purpose of this document to specify procedure to accomplish this task.

II. Error Definitions/Rates

The RP05/6 contains three registers to display the various error conditions possible. Error register #1 (RHER 1) indicates the operational error related to command and control; error registers #2 and 3 (RHER 2, RHER 3) indicate drive error conditions. Section III and VIII of the RP05/6 Functional Specification define and discuss these error conditions in detail. These conditions all contribute to drive MTBF; two bits of RHER 3 (SKI and OCYL) indicate seek errors and are used to calculate the seek error rate. Four bits of RHER 1 (DCK (which may include DTE and FER), HCRC, HCE, and ECH) indicate data errors; the remaining bits of RHER 1 indicate command and control errors.

For purposes of error rate specification, the following definitions shall apply:

Irrecoverable (Hard) Error - Any failure to read data correctly after a complete recovery sequence (16 retries at nominal head position and two retries each at offset of +400, +800 and +1200 RP05 +200, +400 and +600 RP06 inches, total 12) with ECC enabled. Errors which are not ECC correctable include bursts greater than 11 bits long and isolated dropped bits within a sector (separated by more than 11 bits) multiple dropped bits whether separated by any number of bits.

Recoverable (Soft) Error - Any failure to read data correctly on the first try which is read successfully during a recovery sequence (above).

NOTE: The above definitions of hard and soft errors apply to randomly distributed errors and are not media dependent (pack attributable).

Pack Attributable Error - Error caused by an imperfection in the recording surface. If the imperfection is less than eleven bits long, it is ECC correctable and will appear as a soft error; if it is longer than eleven bits, it will appear as a hard error. On a given pack, pack attributable errors will always appear at the same cylinder, sector and track addresses. Pack Attributable errors are ignored in the demonstration of recoverable and irrecoverable error rates. Imperfections in the pack surface may be found by mapping the pack using the formatter program.

	SIZE A	CODE SP	NUMBER RP05-0-1	REV
--	-----------	------------	--------------------	-----

ENGINEERING SPECIFICATION

CONTINUATION SHEET

TITLE RJP05/6 FIELD ACCEPTANCE TEST

Seek Error - Any positioning operation which fails to complete within a specified time (85ms for SEEK command, 500ms for RECALIBRATE command, and 10ms for OFFSET and RETURN to CENTER-LINE commands) or which terminates with the positioner in an incorrect location. (Positioner Error).

The table below describes the indications provided to identify the types of error defined above:

BIT	BIT SET REGISTER	ERROR TYPE	EXPLANATION
HCE HCRC	RHER 1 RHER 1	Soft	Sector Count Field/Desired Sector Compare fails due to CRC failure.
HCRC	RHER 1	Soft	Sector Count Field matches desired sector field but there is CRC Error.
HCRC FER	RHER 1 RHER 1	Soft	Format bit in first header word incorrect NOTE: FER without HCRC during any operation that reads the header indicates wrong format pack mounted. It is possible to have a soft read error cause the problem.
DCK ECH	RHER 1 RHER 1	Hard	Error detected which is ECC uncorrectable through 28 retry sequence (16 retries at nominal head position and 12 with head offset).
SKI	RHER 3	Seek	1. SEEK operation fails to complete within 85ms of initiation. 2. RECALIBRATION operation fails to complete within 500ms of initiation. 3. OFFSET or RETURN to CENTER-LINE operations fail to complete within 10ms of initiation.

SIZE **A** CODE SP NUMBER RPO5-0-1 REV

ENGINEERING SPECIFICATION

CONTINUATION SHEET

TITLE RJP05/6 FIELD ACCEPTANCE TEST

BIT	BIT SET REGISTER	ERROR TYPE	EXPLANATION
SKI OCYL	RHER 3 RHER 3	Seek	Positioner has drifted off cylinder subsequent to completion of positioning operation.
HCE	RHER 1	Seek	Sector Count Field (RHLA) does not match Desired Sector Field (RHDST) and there is not a CRC error. This error is not caused by a positioner failure: It is due to a DCL failure. Therefore, HCR alone indicates an RPO4, RPO5/6 Seek Error and not A DEC 733 & 677 Drive Seek failure. Once again it is possible there is a misread of the header field.

Allowable Error Rates

Irrecoverable - 1 error in 10^{12} bits read
Recoverable - 1 error in 10^9 bits read
Seek - 1 error in 10^6 seek operation

SIZE **A** CODE SP NUMBER RPO5-0-1 REV

ENGINEERING SPECIFICATION

digital

CONTINUATION SHEET

TITLE RJP05/6 FIELD ACCEPTANCE TEST

III. Operational Checks (Single Controller)

Following completion of all installation procedures, complete the following operational test:

a. Diskless Controller Test Part I (Static 1A) DEC-11-DZRJG

1. Run Procedure:
Run two passes using default parameters.
2. Errors Allowed:
None
3. Error Recovery Procedure:
Correct problem and restart acceptance on failing drive.
4. Approximate Run Time:
5 minutes/drive

b. Diskless Controller Test Part II (Static 1B) DEC-11-DZRJH

1. Run Procedure:
Run two passes using default parameters.
2. Errors Allowed:
NONE
3. Error Recovery Procedure:
Correct problem and restart acceptance on failing drive.
4. Approximate Run Time:
10 minutes/drive

SIZE	CODE	NUMBER	REV
A	SP	RP05-0-1	

ENGINEERING SPECIFICATION

digital

CONTINUATION SHEET

TITLE RJP05/6 FIELD ACCEPTANCE TEST

c. Functional Controller Test Part I (Static 2A) DEC-11-DZRJI

1. Run Procedure:
Run two passes using default parameters.
2. Errors Allowed:
Only pack attributable errors.
3. Error Recovery Procedure:
Correct problem and restart acceptance on failing drive.
4. Approximate Run Time:
5 minutes/drive

d. Functional Controller Test Part II (Static 2B) DEC-11-DZRJJ

1. Run Procedure:
Run two passes using default parameters.
2. Errors Allowed:
Only pack attributable errors.
3. Error Recovery Procedure:
Correct problem and restart acceptance on failing drive.
4. Approximate Run Time:
5 minutes/drive

SIZE	CODE	NUMBER	REV
A	SP	RP05-0-1	

ENGINEERING SPECIFICATION

000000

CONTINUATION SHEET

TITLE RJP05/6 FIELD ACCEPTANCE TEST

e. Format MAIN DEC -11-DZRJB
1. Run Procedure:
Run per following chart

	DRV 0	DRV 1	DRV 2	DRV 3	DRV 4	DRV 5	DRV 6	DRV 7
Default								
Option (1)	Write	Write	Write	Write	Write	Write	Write	Write
Write	Check (1)	Check (1)	Check (1)	Check (1)	Check (1)	Check (1)	Check (1)	Check (1)
Check (1)	Default	Check (2)	Check (2)	Check (2)	Check (2)	Check (2)	Check (2)	Check (2)
Option (2)	Write	Option (3)	Option (3)	Option (3)	Option (3)	Option (3)	Option (3)	Option (3)
Write	Check (2)	Write	Write	Write	Write	Write	Write	Write
Check (2)	Option (3)	Check (3)	Check (3)	Check (3)	Check (3)	Check (3)	Check (3)	Check (3)
Option (3)	Write	Default	Default	Default	Default	Default	Default	Default
Write	Check (3)	Option (4)	Option (4)	Option (4)	Option (4)	Option (4)	Option (4)	Option (4)
Check (3)	Option (3)	Write	Write	Write	Write	Write	Write	Write
Option (4)	Check (3)	Check (4)	Check (4)	Check (4)	Check (4)	Check (4)	Check (4)	Check (4)
Write	Option (4)	Default	Default	Default	Default	Default	Default	Default
Check (4)	Option (4)	Option (5)	Option (5)	Option (5)	Option (5)	Option (5)	Option (5)	Option (5)
Option (4)	Write	Write	Write	Write	Write	Write	Write	Write
Check (5)	Check (5)	Check (5)	Check (5)	Check (5)	Check (5)	Check (5)	Check (5)	Check (5)
Option (5)	Option (5)	Default	Default	Default	Default	Default	Default	Default
Write	Option (6)	Option (6)	Option (6)	Option (6)	Option (6)	Option (6)	Option (6)	Option (6)
Check (6)	Write	Write	Write	Write	Write	Write	Write	Write
Option (6)	Check (6)	Check (6)	Check (6)	Check (6)	Check (6)	Check (6)	Check (6)	Check (6)
Write	Default	Default	Default	Default	Default	Default	Default	Default
Check (7)	Option (7)	Option (7)	Option (7)	Option (7)	Option (7)	Option (7)	Option (7)	Option (7)
Option (7)	Write	Write	Write	Write	Write	Write	Write	Write
Check (8)	Check (7)	Check (7)	Check (7)	Check (7)	Check (7)	Check (7)	Check (7)	Check (7)
Option (8)	Option (8)	Option (8)	Option (8)	Option (8)	Option (8)	Option (8)	Option (8)	Option (8)
Write	Write	Write	Write	Write	Write	Write	Write	Write
Check (8)	Check (8)	Check (8)	Check (8)	Check (8)	Check (8)	Check (8)	Check (8)	Check (8)

2. Errors allowed: Pack attributable errors only.

3. Error Recovery Procedure:
Correct problem and restart acceptance on failing drive.

4. Approximate Run time:
8 Min/RP04-5 16 Min/RP06

SIZE	CODE	NUMBER	REV
A	SP	RP05-0-1	

SHEET 7 OF 14

ENGINEERING SPECIFICATION

000000

CONTINUATION SHEET

TITLE RJP05/6 FIELD ACCEPTANCE TEST

f. Mechanical R/W MAINDEC -11-DZRJA

1. Run Procedure:
 - a. One pass all tests default parameters.
 - b. Ten passes test 0 - 6.
2. Errors allowed:
Only pack attributable errors. (See Note 1)
3. Error recovery procedure:
Correct problem and restart acceptance on failing drive
4. Approximate run time:
One hour fifteen min/RP04-5 2.5 Hrs./Rp06

g. Multi-Drive Exercisor MAINDEC-11-DZRJD

1. Run Procedure:
Run all drives default parameters until 6.25×10^7 words have been transferred on all drives.
2. Errors Allowed:
One soft error that is not pack attributable (see Note 1).
3. Error Recovery Procedure:
Drop failing drive from test. Continue test on remaining drives. Correct problem and restart acceptance on failing drive.
4. Approximate Run Time:
1.5 Hours/driver

h. DEC-X-11

1. Run configured for system with default parameters for one hour.
2. Errors Allowed:
Two system soft errors that are not media attributable (see notes 1 and 2).

SIZE	CODE	NUMBER	REV
A	SP	RP05-0-1	

SHEET 8 OF 14

ENGINEERING SPECIFICATION

digital

CONTINUATION SHEET

TITLE RJP05/6 FIELD ACCEPTANCE TEST

h. DEC-X-11 (Cont.)

3. Error Recovery Procedure:

Drop failing drive and continue test on remaining drives. Correct problem and restart acceptance on failing drive.

TOTAL TIME TO RUN TESTS A THRU F IN THE ABSENCE OF FAILURES -

3.5 HRS PER RP04/5 and 4.7 HOURS PER RP06.

NOTE 1: Use same pack as used for format Test E.

NOTE 2: Data lates are to be expected on heavily loaded systems and, as such, should not be considered as errors. Engineering guidelines will be available at a later date.

IV. Operational Checks (Dual Controller)

Following completion of all installation procedures, complete the following operational test.

a. Diskless Controller Test Part I (Static 1A) DEC-11-DZRJG

1. Run Procedure:

Run two passes using default (both ports) parameters.

2. Errors Allowed:

None

3. Error Recovery Procedure:

Correct problem and restart acceptance on failing drive.

4. Approximate Run Time:

5 minutes/drive/port

b. Diskless Controller Test Part II (Static 1B) DEC-11-DZRJH

1. Run Procedure:

Run two passes using default parameters (both ports).

ENGINEERING SPECIFICATION

digital

CONTINUATION SHEET

TITLE RJP05/6 FIELD ACCEPTANCE TEST

b. Diskless Controller Test Part II (Static 1B) DEC-110DZRJH (Cont.)

2. Errors Allowed:

NONE

3. Error Recovery Procedure:

Correct problem and restart acceptance on failing drive.

4. Approximate Run Time:

10 minutes/drive/port

c. Functional Controller Test Part II (Static 2A) DEC-11-DZRJI

1. Run Procedure:

Run two passes using default parameters (both ports).

2. Errors Allowed:

Only pack attributable errors.

3. Error Recovery Procedure:

Correct problem and restart acceptance on failing drive.

4. Approximate Run Time:

5 minutes/drive/port

d. Functional Controller Test Part II (Static 2B) DEC-11-DZRJJ

1. Run Procedure:

Run two passes using default parameters (both ports).

2. Errors Allowed:

Only pack attributable errors.

3. Error Recovery Procedure:

Correct problem and restart acceptance on failing drive.

4. Approximate Run Time:

5 minutes/drive/port

SIZE	CODE	NUMBER	REV
A	SP	RP05-0-1	

SIZE	CODE	NUMBER	REV
A	SP	RP05-0-1	

ENGINEERING SPECIFICATION



CONTINUATION SHEET

TITLE RJP05/6 FIELD ACCEPTANCE TEST

- e. Dual Controller Logic Test - Part 1 MAINDEC-11-DZRUJ
 - 1. Run Procedure:
 - a. Install dual controller option test cable P/N 70-10507-02.
 - b. Run two passes using default parameters.
 - 2. Errors Allowed:
 - Pack attributable errors only.
 - 3. Error Recovery Procedure:
 - Correct problem and restart acceptance on failing drive.
 - 4. Approximate Run Time:
 - 5 minutes/drive
- f. Dual Controller Logic Test - Part 2 MAINDEC-11-DZRJF
 - 1. Run Procedure:
 - a. Install dual controller option test cable P/N 70-10507-02.
 - b. Run one pass using default parameters.
 - 2. Errors Allowed:
 - NONE
 - 3. Error Recovery Procedure:
 - Correct problem and restart acceptance on failing drive.
 - 4. Approximate Run Time:
 - 5 Minutes/drive

SIZE	CODE	NUMBER	REV
A	SP	RP05-0-1	

DEC FORM NO DEC 16 (381)-1022-N370
DRA 108

SHEET 11 OF 14

ENGINEERING SPECIFICATION



CONTINUATION SHEET

TITLE RJP05/6 FIELD ACCEPTANCE TEST

G. Format MAINDEC -11-DZRPL

- 1. Run Procedure:
 - Run per following chart (one port only).

DRV 0	DRV 1	DRV 2	DRV 3	DRV 4	DRV 5	DRV 6	DRV 7
Default	Write	Write	Write	Write	Write	Write	Write
Option (1)	Check (1)	Check (1)	Check (1)	Check (1)	Check (1)	Check (1)	Check (1)
Write	Default	Write	Write	Write	Write	Write	Write
Check (1)	Option (2)	Check (2)	Check (2)	Check (2)	Check (2)	Check (2)	Check (2)
	Write	Default	Write	Write	Write	Write	Write
	Check (2)	Option (3)	Check (3)	Check (3)	Check (3)	Check (3)	Check (3)
		Write	Default	Write	Write	Write	Write
		Check (3)	Option (4)	Check (4)	Check (4)	Check (4)	Check (4)
			Write	Default	Write	Write	Write
			Check (4)	Option (5)	Check (5)	Check (5)	Check (5)
				Write	Default	Write	Write
				Check (5)	Option (6)	Check (6)	Check (6)
					Write	Default	Write
					Check (6)	Option (7)	Check (7)
						Write	Default
						Check (7)	Option (8)
							Write
							Check (8)

SIZE	CODE	NUMBER	REV
A	SP	RP05-0-1	

DEC FORM NO DEC 16 (381)-1022-N370
DRA 108

SHEET 12 OF 14

TITLE RJP05/6 FIELD ACCEPTANCE TEST

2. Errors allowed:
Pack attributable errors only.

3. Error Recovery Procedure:
Correct problem and restart acceptance on failing drive.

4. Approximate Run Time:
15 minutes/drive

h. Mechanical R/W MAINDEC -11-DZRJA

1. Run Procedure:
a. One pass all tests default parameter, (one port only).
b. Ten passes test 0 - 6. (one port only)

2. Errors allowed:
Only pack attributable errors. (See Note 1)

3. Error Recovery Procedure:
Correct problem and restart acceptance on failing drive.

4. Approximate Run Time:
One hour fifteen minutes/drive/port RP05
2.5 hours /drive/port RP06

i. Multi-Drive Exercisor MAINDEC-11-DZRJD

1. Run Procedure:
Run all drives default parameters until 6.25×10^7 words have been transferred on all drives. (Run both ports simultaneously).

2. Errors Allowed:
One soft error that is not pack attributable (See Note 1).

3. Error Recovery Procedure:
Drop failing drive from test. Continue test on remaining drives. Correct problem and restart acceptance on failing drive.

SIZE	CODE	NUMBER	REV
A	SP	RP05-0-1	

TITLE RJP05/6 FIELD ACCEPTANCE TEST

4. Approximate Run Time:
2 hours/drive

j. DEC-X-11

1. Run configured for system with default parameters for one hours (both ports).

2. Errors Allowed:
Two system soft errors that are not media attributable (see notes 1 and 2).

3. Error Recovery Procedure:
Drop failing drive and continue test on remaining drives. Correct problem and restart acceptance on failing drive.

TOTAL TIME TO RUN TESTS A THRU J, IN THE ABSENCE OF FAILURES-

4.5 HRS PER RP05
5.5 HRS PER RP06

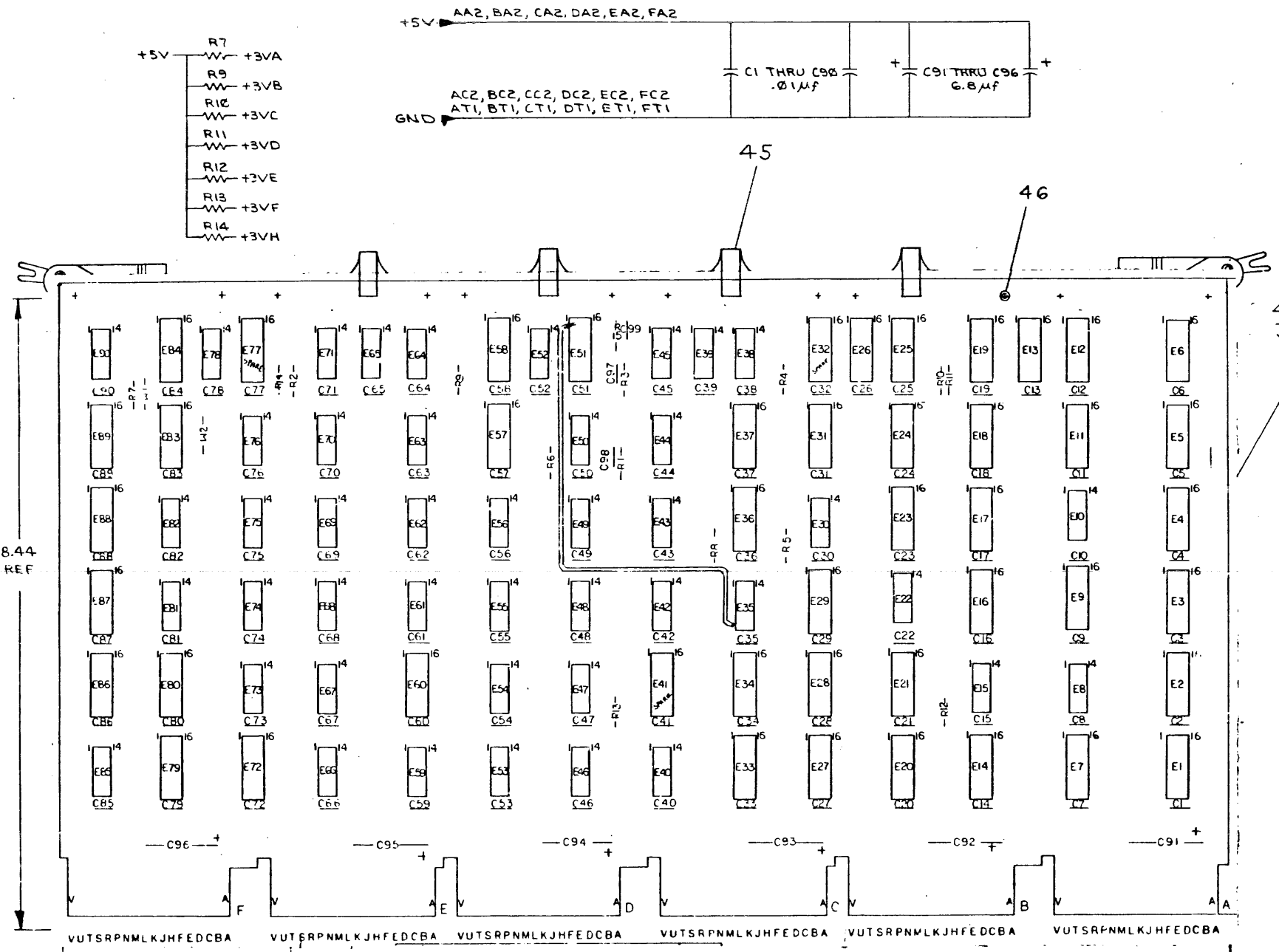
NOTE 1: Use same pack as used for format test g.

NOTE 2: Data rates are to be expected on heavily loaded systems and, as such, should not be considered as errors. Engineering guidelines will be available at a later date.

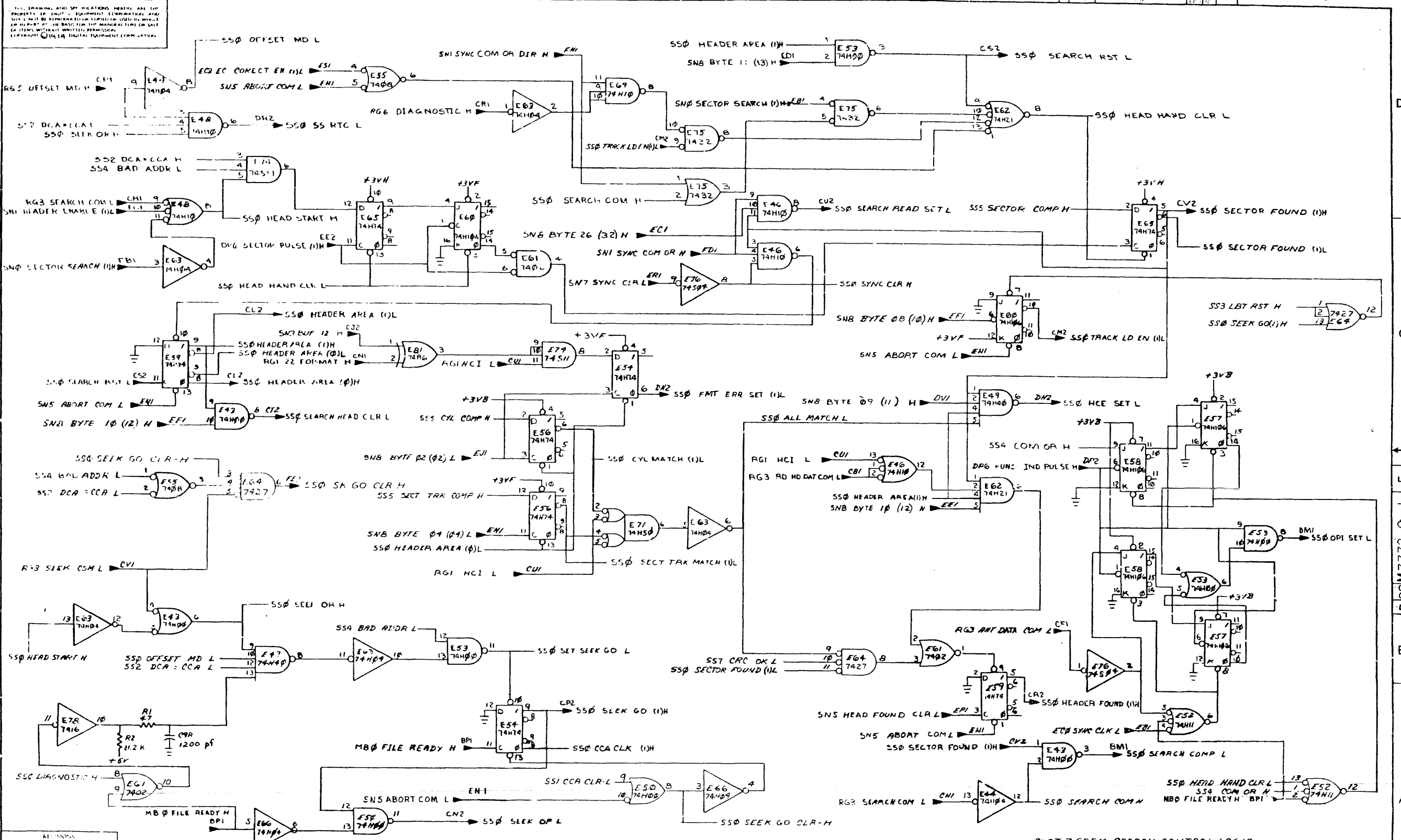
SIZE	CODE	NUMBER	REV
A	SP	RP05-0-1	

COPYRIGHT © 1974 DIGITAL EQUIPMENT CORPORATION

NOTE:
1. UNLESS OTHERWISE SPECIFIED, CAPACITANCE IS IN MICROFARADS.
2. RESISTOR VALUES R7, R9 THRU R14 ARE 330Ω.



QTY	REF DESIGNATION	DESCRIPTION	PART NO.	ITEM NO.
	W1, W2	INSULATED JUMPER WIRE	8009185	B2
1	R15	RES 5.6K 1/4 W 5%	1301874	51
1	C99	CAP 82PF 100V	1000015	49
1	E68	IC 74H20	1905635	47
12		EYELET, GS-4-7	9006732	46
1		HANDLE, MODULE	1210711-2	45
1	E75	IC 7432	1911521	44
7	E1, E6, E7, E14, E20, E27, E33	IC 8234	1911315	43
3	E79, E83, E86	IC 74S175	1910957	42
2	E15, E64	IC 7427	1910878	41
3	E2, E5, E21	IC 74175	1910651	40
10	E9, E11, E13, E16, E18, E21, E24, E27, E31, E34, E37, E40, E43, E46, E49, E52, E55, E58, E61, E64, E67, E70, E73, E76, E79, E82, E85, E88, E91, E94, E97, E100, E103, E106, E109, E112, E115, E118, E121, E124, E127, E130, E133, E136, E139, E142, E145, E148, E151, E154, E157, E160, E163, E166, E169, E172, E175, E178, E181, E184, E187, E190, E193, E196, E199, E202, E205, E208, E211, E214, E217, E220, E223, E226, E229, E232, E235, E238, E241, E244, E247, E250, E253, E256, E259, E262, E265, E268, E271, E274, E277, E280, E283, E286, E289, E292, E295, E298, E301, E304, E307, E310, E313, E316, E319, E322, E325, E328, E331, E334, E337, E340, E343, E346, E349, E352, E355, E358, E361, E364, E367, E370, E373, E376, E379, E382, E385, E388, E391, E394, E397, E400, E403, E406, E409, E412, E415, E418, E421, E424, E427, E430, E433, E436, E439, E442, E445, E448, E451, E454, E457, E460, E463, E466, E469, E472, E475, E478, E481, E484, E487, E490, E493, E496, E499, E502, E505, E508, E511, E514, E517, E520, E523, E526, E529, E532, E535, E538, E541, E544, E547, E550, E553, E556, E559, E562, E565, E568, E571, E574, E577, E580, E583, E586, E589, E592, E595, E598, E601, E604, E607, E610, E613, E616, E619, E622, E625, E628, E631, E634, E637, E640, E643, E646, E649, E652, E655, E658, E661, E664, E667, E670, E673, E676, E679, E682, E685, E688, E691, E694, E697, E700, E703, E706, E709, E712, E715, E718, E721, E724, E727, E730, E733, E736, E739, E742, E745, E748, E751, E754, E757, E760, E763, E766, E769, E772, E775, E778, E781, E784, E787, E790, E793, E796, E799, E802, E805, E808, E811, E814, E817, E820, E823, E826, E829, E832, E835, E838, E841, E844, E847, E850, E853, E856, E859, E862, E865, E868, E871, E874, E877, E880, E883, E886, E889, E892, E895, E898, E901, E904, E907, E910, E913, E916, E919, E922, E925, E928, E931, E934, E937, E940, E943, E946, E949, E952, E955, E958, E961, E964, E967, E970, E973, E976, E979, E982, E985, E988, E991, E994, E997, E1000, E1003, E1006, E1009, E1012, E1015, E1018, E1021, E1024, E1027, E1030, E1033, E1036, E1039, E1042, E1045, E1048, E1051, E1054, E1057, E1060, E1063, E1066, E1069, E1072, E1075, E1078, E1081, E1084, E1087, E1090, E1093, E1096, E1099, E1102, E1105, E1108, E1111, E1114, E1117, E1120, E1123, E1126, E1129, E1132, E1135, E1138, E1141, E1144, E1147, E1150, E1153, E1156, E1159, E1162, E1165, E1168, E1171, E1174, E1177, E1180, E1183, E1186, E1189, E1192, E1195, E1198, E1201, E1204, E1207, E1210, E1213, E1216, E1219, E1222, E1225, E1228, E1231, E1234, E1237, E1240, E1243, E1246, E1249, E1252, E1255, E1258, E1261, E1264, E1267, E1270, E1273, E1276, E1279, E1282, E1285, E1288, E1291, E1294, E1297, E1300, E1303, E1306, E1309, E1312, E1315, E1318, E1321, E1324, E1327, E1330, E1333, E1336, E1339, E1342, E1345, E1348, E1351, E1354, E1357, E1360, E1363, E1366, E1369, E1372, E1375, E1378, E1381, E1384, E1387, E1390, E1393, E1396, E1399, E1402, E1405, E1408, E1411, E1414, E1417, E1420, E1423, E1426, E1429, E1432, E1435, E1438, E1441, E1444, E1447, E1450, E1453, E1456, E1459, E1462, E1465, E1468, E1471, E1474, E1477, E1480, E1483, E1486, E1489, E1492, E1495, E1498, E1501, E1504, E1507, E1510, E1513, E1516, E1519, E1522, E1525, E1528, E1531, E1534, E1537, E1540, E1543, E1546, E1549, E1552, E1555, E1558, E1561, E1564, E1567, E1570, E1573, E1576, E1579, E1582, E1585, E1588, E1591, E1594, E1597, E1600, E1603, E1606, E1609, E1612, E1615, E1618, E1621, E1624, E1627, E1630, E1633, E1636, E1639, E1642, E1645, E1648, E1651, E1654, E1657, E1660, E1663, E1666, E1669, E1672, E1675, E1678, E1681, E1684, E1687, E1690, E1693, E1696, E1699, E1702, E1705, E1708, E1711, E1714, E1717, E1720, E1723, E1726, E1729, E1732, E1735, E1738, E1741, E1744, E1747, E1750, E1753, E1756, E1759, E1762, E1765, E1768, E1771, E1774, E1777, E1780, E1783, E1786, E1789, E1792, E1795, E1798, E1801, E1804, E1807, E1810, E1813, E1816, E1819, E1822, E1825, E1828, E1831, E1834, E1837, E1840, E1843, E1846, E1849, E1852, E1855, E1858, E1861, E1864, E1867, E1870, E1873, E1876, E1879, E1882, E1885, E1888, E1891, E1894, E1897, E1900, E1903, E1906, E1909, E1912, E1915, E1918, E1921, E1924, E1927, E1930, E1933, E1936, E1939, E1942, E1945, E1948, E1951, E1954, E1957, E1960, E1963, E1966, E1969, E1972, E1975, E1978, E1981, E1984, E1987, E1990, E1993, E1996, E1999, E2002, E2005, E2008, E2011, E2014, E2017, E2020, E2023, E2026, E2029, E2032, E2035, E2038, E2041, E2044, E2047, E2050, E2053, E2056, E2059, E2062, E2065, E2068, E2071, E2074, E2077, E2080, E2083, E2086, E2089, E2092, E2095, E2098, E2101, E2104, E2107, E2110, E2113, E2116, E2119, E2122, E2125, E2128, E2131, E2134, E2137, E2140, E2143, E2146, E2149, E2152, E2155, E2158, E2161, E2164, E2167, E2170, E2173, E2176, E2179, E2182, E2185, E2188, E2191, E2194, E2197, E2200, E2203, E2206, E2209, E2212, E2215, E2218, E2221, E2224, E2227, E2230, E2233, E2236, E2239, E2242, E2245, E2248, E2251, E2254, E2257, E2260, E2263, E2266, E2269, E2272, E2275, E2278, E2281, E2284, E2287, E2290, E2293, E2296, E2299, E2302, E2305, E2308, E2311, E2314, E2317, E2320, E2323, E2326, E2329, E2332, E2335, E2338, E2341, E2344, E2347, E2350, E2353, E2356, E2359, E2362, E2365, E2368, E2371, E2374, E2377, E2380, E2383, E2386, E2389, E2392, E2395, E2398, E2401, E2404, E2407, E2410, E2413, E2416, E2419, E2422, E2425, E2428, E2431, E2434, E2437, E2440, E2443, E2446, E2449, E2452, E2455, E2458, E2461, E2464, E2467, E2470, E2473, E2476, E2479, E2482, E2485, E2488, E2491, E2494, E2497, E2500, E2503, E2506, E2509, E2512, E2515, E2518, E2521, E2524, E2527, E2530, E2533, E2536, E2539, E2542, E2545, E2548, E2551, E2554, E2557, E2560, E2563, E2566, E2569, E2572, E2575, E2578, E2581, E2584, E2587, E2590, E2593, E2596, E2599, E2602, E2605, E2608, E2611, E2614, E2617, E2620, E2623, E2626, E2629, E2632, E2635, E2638, E2641, E2644, E2647, E2650, E2653, E2656, E2659, E2662, E2665, E2668, E2671, E2674, E2677, E2680, E2683, E2686, E2689, E2692, E2695, E2698, E2701, E2704, E2707, E2710, E2713, E2716, E2719, E2722, E2725, E2728, E2731, E2734, E2737, E2740, E2743, E2746, E2749, E2752, E2755, E2758, E2761, E2764, E2767, E2770, E2773, E2776, E2779, E2782, E2785, E2788, E2791, E2794, E2797, E2800, E2803, E2806, E2809, E2812, E2815, E2818, E2821, E2824, E2827, E2830, E2833, E2836, E2839, E2842, E2845, E2848, E2851, E2854, E2857, E2860, E2863, E2866, E2869, E2872, E2875, E2878, E2881, E2884, E2887, E2890, E2893, E2896, E2899, E2902, E2905, E2908, E2911, E2914, E2917, E2920, E2923, E2926, E2929, E2932, E2935, E2938, E2941, E2944, E2947, E2950, E2953, E2956, E2959, E2962, E2965, E2968, E2971, E2974, E2977, E2980, E2983, E2986, E2989, E2992, E2995, E2998, E3001, E3004, E3007, E3010, E3013, E3016, E3019, E3022, E3025, E3028, E3031, E3034, E3037, E3040, E3043, E3046, E3049, E3052, E3055, E3058, E3061, E3064, E3067, E3070, E3073, E3076, E3079, E3082, E3085, E3088, E3091, E3094, E3097, E3100, E3103, E3106, E3109, E3112, E3115, E3118, E3121, E3124, E3127, E3130, E3133, E3136, E3139, E3142, E3145, E3148, E3151, E3154, E3157, E3160, E3163, E3166, E3169, E3172, E3175, E3178, E3181, E3184, E3187, E3190, E3193, E3196, E3199, E3202, E3205, E3208, E3211, E3214, E3217, E3220, E3223, E3226, E3229, E3232, E3235, E3238, E3241, E3244, E3247, E3250, E3253, E3256, E3259, E3262, E3265, E3268, E3271, E3274, E3277, E3280, E3283, E3286, E3289, E3292, E3295, E3298, E3301, E3304, E3307, E3310, E3313, E3316, E3319, E3322, E3325, E3328, E3331, E3334, E3337, E3340, E3343, E3346, E3349, E3352, E3355, E3358, E3361, E3364, E3367, E3370, E3373, E3376, E3379, E3382, E3385, E3388, E3391, E3394, E3397, E3400, E3403, E3406, E3409, E3412, E3415, E3418, E3421, E3424, E3427, E3430, E3433, E3436, E3439, E3442, E3445, E3448, E3451, E3454, E3457, E3460, E3463, E3466, E3469, E3472, E3475, E3478, E3481, E3484, E3487, E3490, E3493, E3496, E3499, E3502, E3505, E3508, E3511, E3514, E3517, E3520, E3523, E3526, E3529, E3532, E3535, E3538, E3541, E3544, E3547, E3550, E3553, E3556, E3559, E3562, E3565, E3568, E3571, E3574, E3577, E3580, E3583, E3586, E3589, E3592, E3595, E3598, E3601, E3604, E3607, E3610, E3613, E3616, E3619, E3622, E3625, E3628, E3631, E3634, E3637, E3640, E3643, E3646, E3649, E3652, E3655, E3658, E3661, E3664, E3667, E3670, E3673, E3676, E3679, E3682, E3685, E3688, E3691, E3694, E3697, E3700, E3703, E3706, E3709, E3712, E3715, E3718, E3721, E3724, E3727, E3730, E3733, E3736, E3739, E3742, E3745, E3748, E3751, E3754, E3757, E3760, E3763, E3766, E3769, E3772, E3775, E3778, E3781, E3784, E3787, E3790, E3793, E3796, E3799, E3802, E3805, E3808, E3811, E3814, E3817, E3820, E3823, E3826, E3829, E3832, E3835, E3838, E3841, E3844, E3847, E3850, E3853, E3856, E3859, E3862, E3865, E3868, E3871, E3874, E3877, E3880, E3883, E3886, E3889, E3892, E3895, E3898, E3901, E3904, E3907, E3910, E3913, E3916, E3919, E3922, E3925, E3928, E3931, E3934, E3937, E3940, E3943, E3946, E3949, E3952, E3955, E3958, E3961, E3964, E3967, E3970, E3973, E3976, E3979, E3982, E3985, E3988, E3991, E3994, E3997, E4000, E4003, E4006, E4009, E4012, E4015, E4018, E4021, E4024, E4027, E4030, E4033, E4036, E4039, E4042, E4045, E4048, E4051, E4054, E4057, E4060, E4063, E4066, E4069, E4072, E4075, E4078, E4081, E4084, E4087, E4090, E4093, E4096, E4099, E4102, E4105, E4108, E4111, E4114, E4117, E4120, E4123, E4126, E4129, E4132, E4135, E4138, E4141, E4144, E4147, E4150, E4153, E4156, E4159, E4162, E4165, E4168, E4171, E4174, E4177, E4180, E4183, E4186, E4189, E4192, E4195, E4198, E4201, E4204, E4207, E4210, E4213, E4216, E4219, E4222, E4225, E4228, E4231, E4234, E4237, E4240, E4243, E4246, E4249, E4252, E4255, E4258, E4261, E4264, E4267, E4270, E4273, E4276, E4279, E4282, E4285, E4288, E4291, E4294, E4297, E4300, E4303, E4306, E4309, E4312, E4315, E4318, E4321, E4324, E4327, E4330, E4333, E4336, E4339, E4342, E4345, E4348, E4351, E4354, E4357, E4360, E4363, E4366, E4369, E4372, E4375, E4378, E4381, E4384, E4387, E4390, E4393, E4396, E4399, E4402, E4405, E4408, E4411, E4414, E4417, E4420, E4423, E4426, E4429, E4432, E4435, E4438, E4441, E4444, E4447, E4450, E4453, E4456, E4459, E4462, E4465, E4468, E4471, E4474, E4477, E4480, E4483, E4486, E4489, E4492, E4495, E4498, E4501, E4504, E4507, E4510, E4513, E4516, E4519, E4522, E4525, E4528, E4531, E4534, E4537, E4540, E4543, E4546, E4549, E4552, E4555, E4558, E4561, E4564, E4567, E4570, E4573, E4576, E4579, E4582, E4585, E4588, E4591, E4594, E4597, E4600, E4603, E4606, E4609, E4612, E4615, E4618, E4621, E4624, E4627, E4630, E4633, E4636, E4639, E4642, E4645, E4648, E4651, E4654, E4657, E4660, E4663, E4666, E4669, E4672, E4675, E4678, E4681, E4684, E4687, E4690, E4693, E4696, E4699, E4702, E4705, E4708, E4711, E4714, E4717, E4720, E4723, E4726, E4729, E4732, E4735, E4738, E4741, E4744, E4747, E4750, E4753, E4756, E4759, E4762, E4765, E4768, E4771, E4774, E4777, E4780, E4783, E4786, E4789, E4792, E4795, E4798, E4801, E4804, E4807, E4810, E4813, E4816, E4819, E4822, E4825, E4828, E4831, E4834, E4837, E4840, E4843, E4846, E4849, E4852, E4855, E4858, E4861, E4864, E4867, E4870, E4873, E4876, E4879, E4882, E4885, E4888, E4891, E4894, E4897, E4900, E4903, E4906, E4909, E4912, E4915, E4918, E4921, E4924, E4927, E4930, E4933, E4936, E4939, E4942, E4945, E4948, E4951, E4954, E4957, E4960, E4963, E4966, E4969, E4972, E4975, E4978, E4981, E4984, E4987, E4990, E4993, E4996, E4999, E5002, E5005, E5008, E5011, E5014, E5017, E5020, E5023, E5026, E5029, E5032, E5035, E5038, E5041, E5044, E5047, E5050, E5053, E5056, E5059, E5062, E5065, E5068, E5071, E5074, E5077, E5080, E5083, E5086, E5089, E5092, E5095, E5098, E5101, E5104, E5107, E5110, E5113, E5116, E5119, E5122, E5125, E5128, E5131, E5134, E5137, E5140, E5143, E5146, E5149, E5152, E5155, E5158, E5161, E5164, E5167, E5170, E5173, E5176, E5179, E5182, E5185, E5188, E5191, E5194, E5197, E5200, E5203, E5206, E5209, E5212, E5215, E5218, E5221, E5224, E5227, E5230, E5233, E5236, E5239, E5242, E5245, E5248, E5251, E5254, E5257, E5260, E5263, E5266, E5269, E5272, E5275, E5278, E5281, E5284, E5287, E5290, E5293, E5296, E5299, E5302, E5305, E5308, E5311, E5314, E5317, E5320, E5323, E5326, E5329, E5332, E5335, E5338, E5341, E5344, E5347, E5350, E5353, E5356, E5359, E5362, E5365, E5368, E5371, E5374, E5377, E5380, E5383, E5386, E5389, E5392, E5395, E5398, E5401, E5404, E5407, E5410, E5413, E5416, E5419, E5422, E5425, E5428, E5431, E5434, E5437, E5440, E5443, E5446, E5449, E5452, E5455, E5458, E5461, E5464, E5467, E5470, E5473, E5476, E5479, E5482, E5485, E5488, E5491, E5494, E5497, E5500, E5503, E5506, E5509, E5512, E5515, E5518, E5521, E5524, E5527, E5530, E5533, E5536, E5539, E5542, E5545, E5548, E5551, E5554, E5557, E5560, E5563, E5566, E5569, E5572, E5575, E5578, E5581, E5584, E5587, E5590, E5593, E5596, E5599, E5602, E5605, E5608, E5611, E5614, E5617, E5620, E5623, E5626, E5629, E5632, E5635, E5638, E5641, E5644, E5647, E5650, E5653, E5656, E5659, E5662, E5665, E5668, E5671, E5674, E5677, E5680, E5683, E5686, E5689, E5692, E5695, E5698, E5701, E5704, E5707, E5710, E5713, E5716, E5719, E5722, E5725, E5728, E5731, E5734, E5737, E5740, E5743, E5746, E5749, E5752, E5755, E5758, E5761, E5764, E5767, E5770, E5773, E5776, E5779, E5782, E5785, E5788, E5791, E5794, E5797, E5800, E5803, E5806, E5809, E5812, E5815, E5818, E5821, E5824, E5827, E5830, E5833, E5836, E5839, E5842, E5845, E5848, E5851, E5854, E5857, E5860, E5863, E5866, E5869, E5872, E5875, E5878, E5881, E5884, E5			

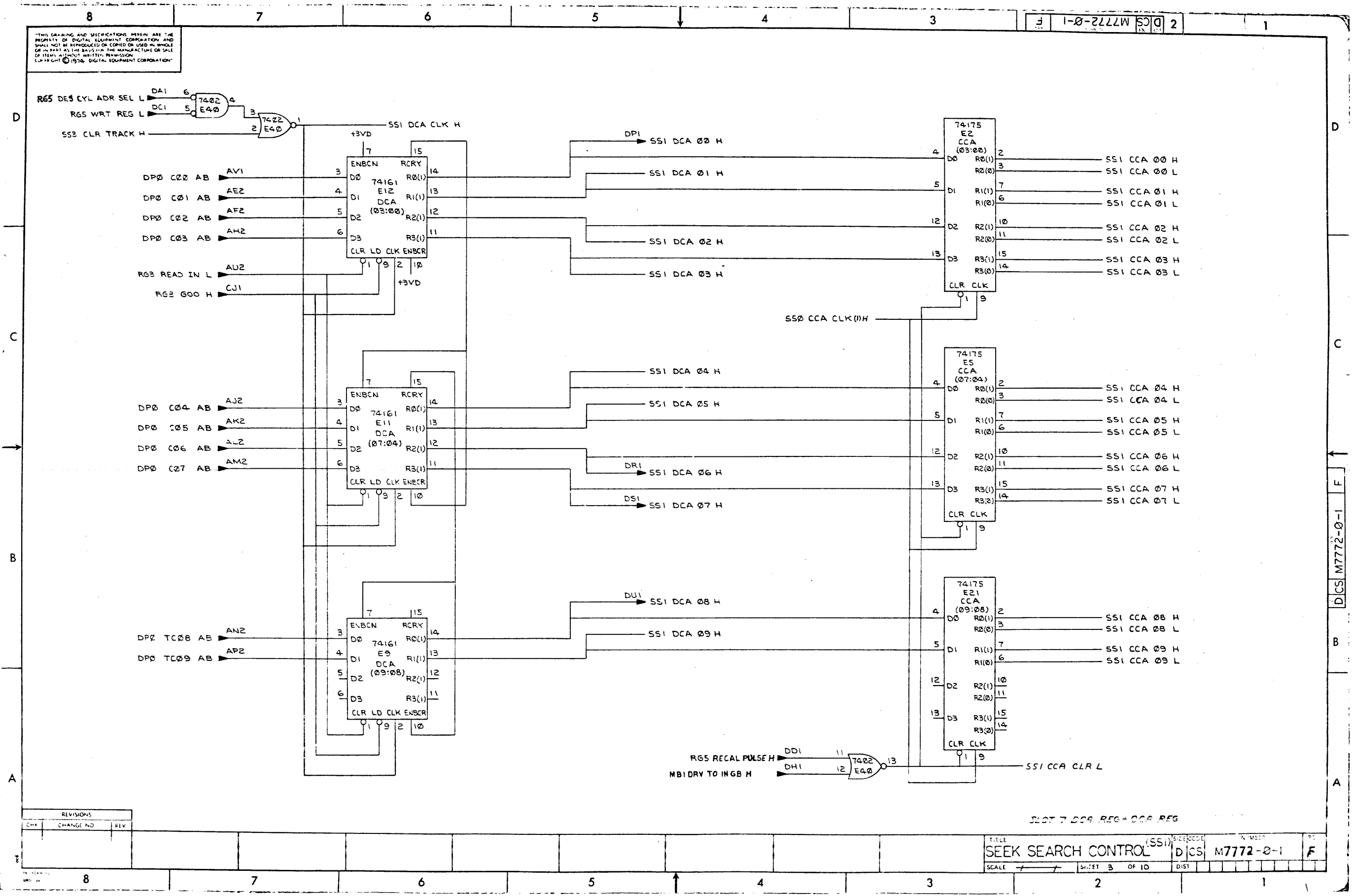


SLOT 7 SEEK SEARCH CONTROL LOGIC

REV	DATE	BY	CHKD	CHANGE NO.	DESCRIPTION
1					

TITLE	SSØ	SIZE CODE	NUMBER	REV
SEEK SEARCH CONTROL	D	CS	M772-0-1	F
SCALE	SHEET	2 OF 10	DIST	

THIS DRAWING AND SPECIFICATIONS HEREIN ARE THE PROPERTY OF DIGITAL EQUIPMENT CORPORATION AND SHALL NOT BE REPRODUCED OR COPIED OR USED IN WHOLE OR IN PART AS THE BASIS FOR THE MANUFACTURE OR SALE OF ITEMS WITHOUT WRITTEN PERMISSION. CUP 19 OCT © 1974, DIGITAL EQUIPMENT CORPORATION.

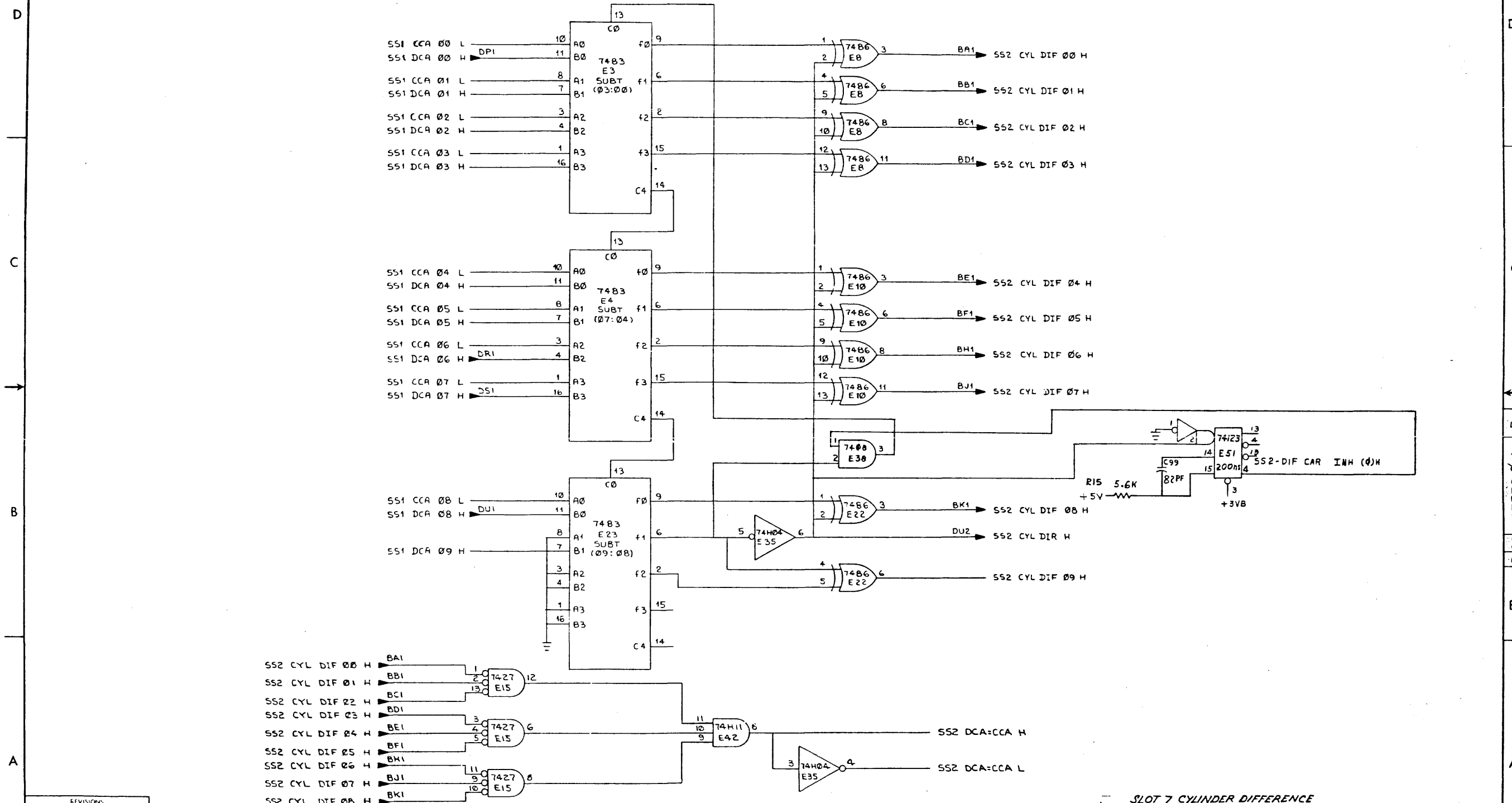


REVISIONS		
CHK	CHANGE NO	REV

SLOT 7 DCA REG - DCA REG

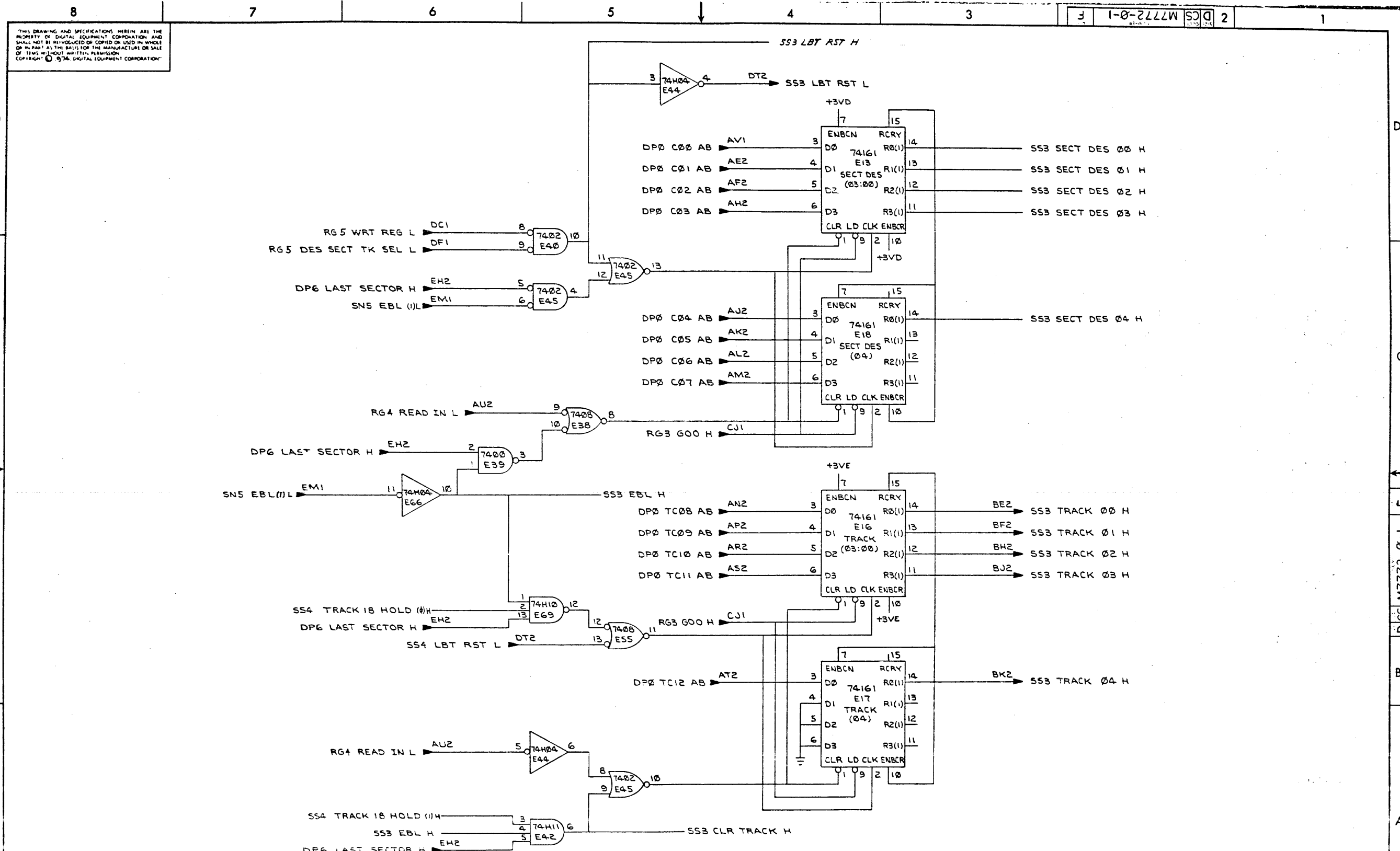
TITLE	SEEK SEARCH CONTROL (SSI)	SIZE/SCALE	D/CS	NUMBER	M7772-0-1	REV	F
SCALE	SHEET 3 OF 10		DIST				

THIS DRAWING AND SPECIFICATIONS HEREIN ARE THE PROPERTY OF DIGITAL EQUIPMENT CORPORATION AND SHALL NOT BE REPRODUCED OR COPIED OR USED IN WHOLE OR IN PART AS THE BASIS FOR THE MANUFACTURE OR SALE OF ANY ITEM WITHOUT WRITTEN PERMISSION. COPYRIGHT © 1974 DIGITAL EQUIPMENT CORPORATION



SLOT 7 CYLINDER DIFFERENCE

REVISIONS		
CHK	CHANGE NO	REV



THIS DRAWING AND SPECIFICATIONS HEREIN ARE THE PROPERTY OF DIGITAL EQUIPMENT CORPORATION AND SHALL NOT BE REPRODUCED OR COPIED OR USED IN WHOLE OR IN PART AS THE BASIS FOR THE MANUFACTURE OR SALE OF ITEMS WITHOUT WRITTEN PERMISSION. COPYRIGHT © 1974, DIGITAL EQUIPMENT CORPORATION.

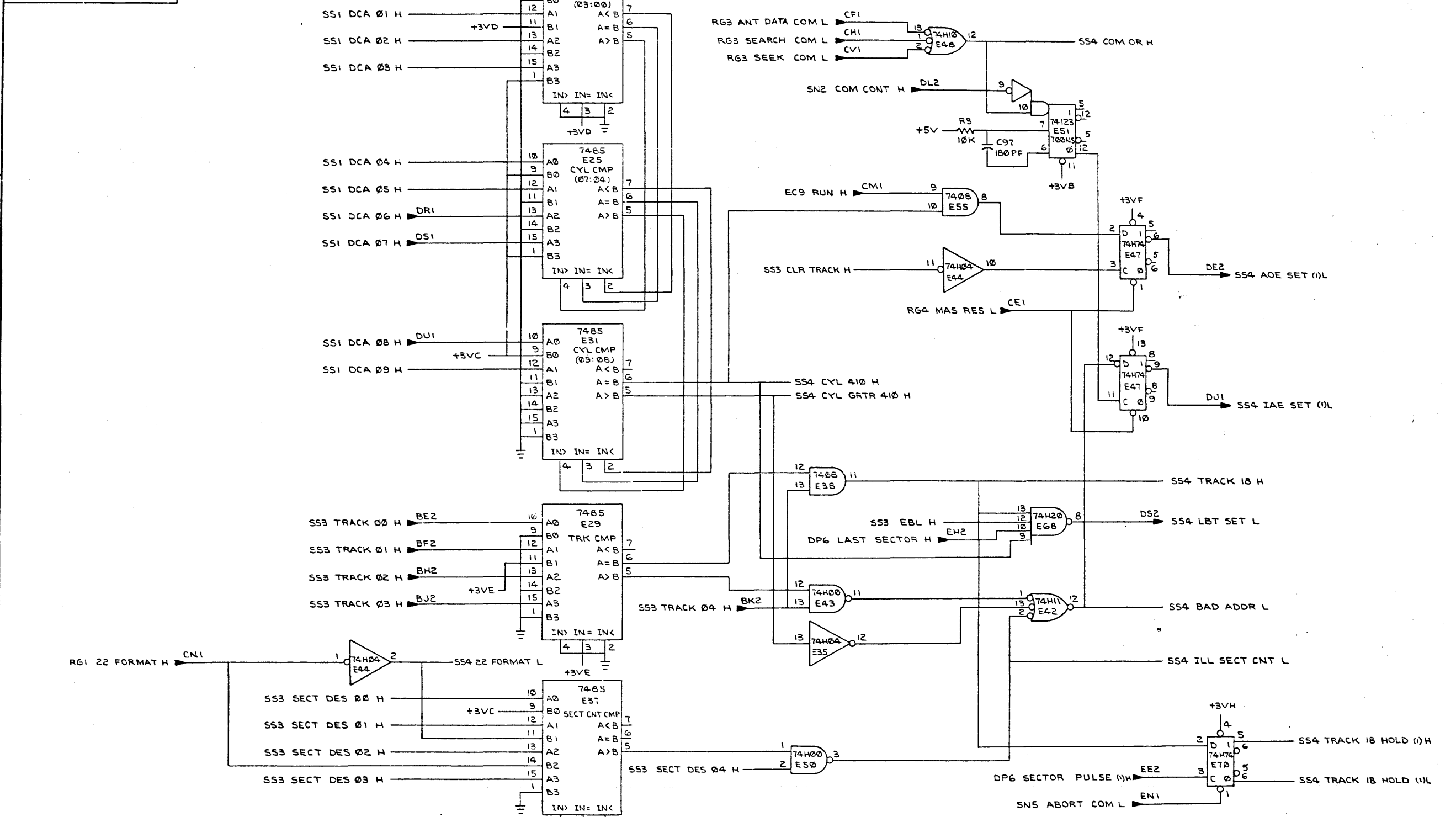
REVISIONS		
CHK	CHANGE NO	REV

SLOT 7 SECTOR/TRACK REGISTER

TITLE	(SS3) SIZE CODE	NUMBER	REV
SEEK SEARCH CONTROL	D CS	M7772-0-1	F
SCALE	SHEET 5 OF 10	DIST	

D CS M7772-0-1

THIS DRAWING AND SPECIFICATIONS HEREIN ARE THE PROPERTY OF DIGITAL EQUIPMENT CORPORATION AND SHALL NOT BE REPRODUCED OR COPIED OR USED IN WHOLE OR IN PART AS THE BASIS FOR THE MANUFACTURE OF ANY OF ITEMS WITHOUT WRITTEN PERMISSION. COPYRIGHT © 1976 DIGITAL EQUIPMENT CORPORATION.

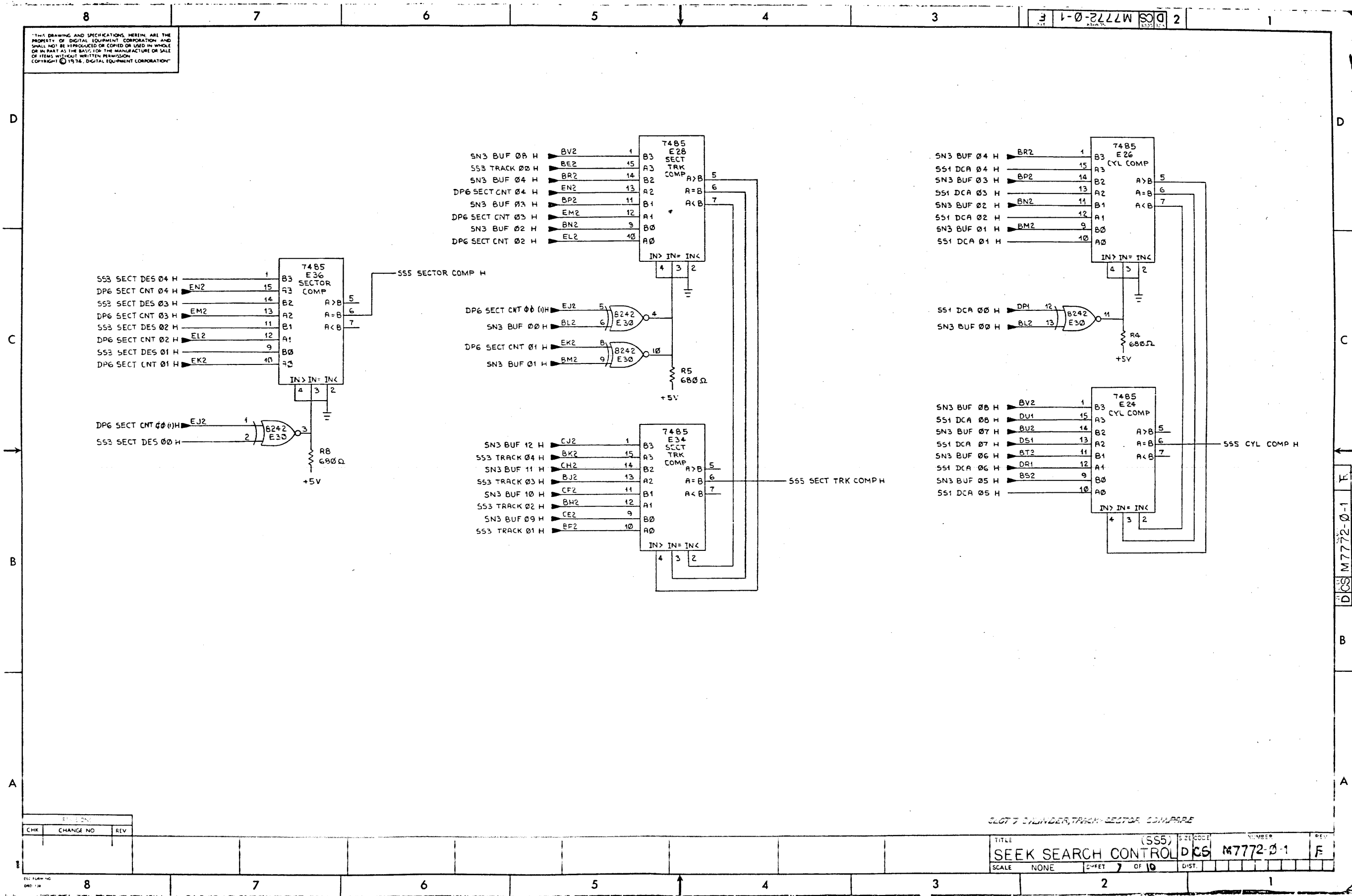


REVISIONS		
CHK	CHANGE NO	REV

SLOT 7 DRIVE ADDRESS STATUS

TITLE	(SS4) SEEK SEARCH CONTROL	SIZE CODE	D/CSI	NUMBER	M7772-0-1	REV.	F
SCALE	+	SHEET	6	OF 10	DIGT.		

THIS DRAWING AND SPECIFICATIONS HEREIN ARE THE PROPERTY OF DIGITAL EQUIPMENT CORPORATION AND SHALL NOT BE REPRODUCED OR COPIED OR USED IN WHOLE OR IN PART AS THE BASIS FOR THE MANUFACTURE OR SALE OF ITEMS WITHOUT WRITTEN PERMISSION. COPYRIGHT © 1974, DIGITAL EQUIPMENT CORPORATION.



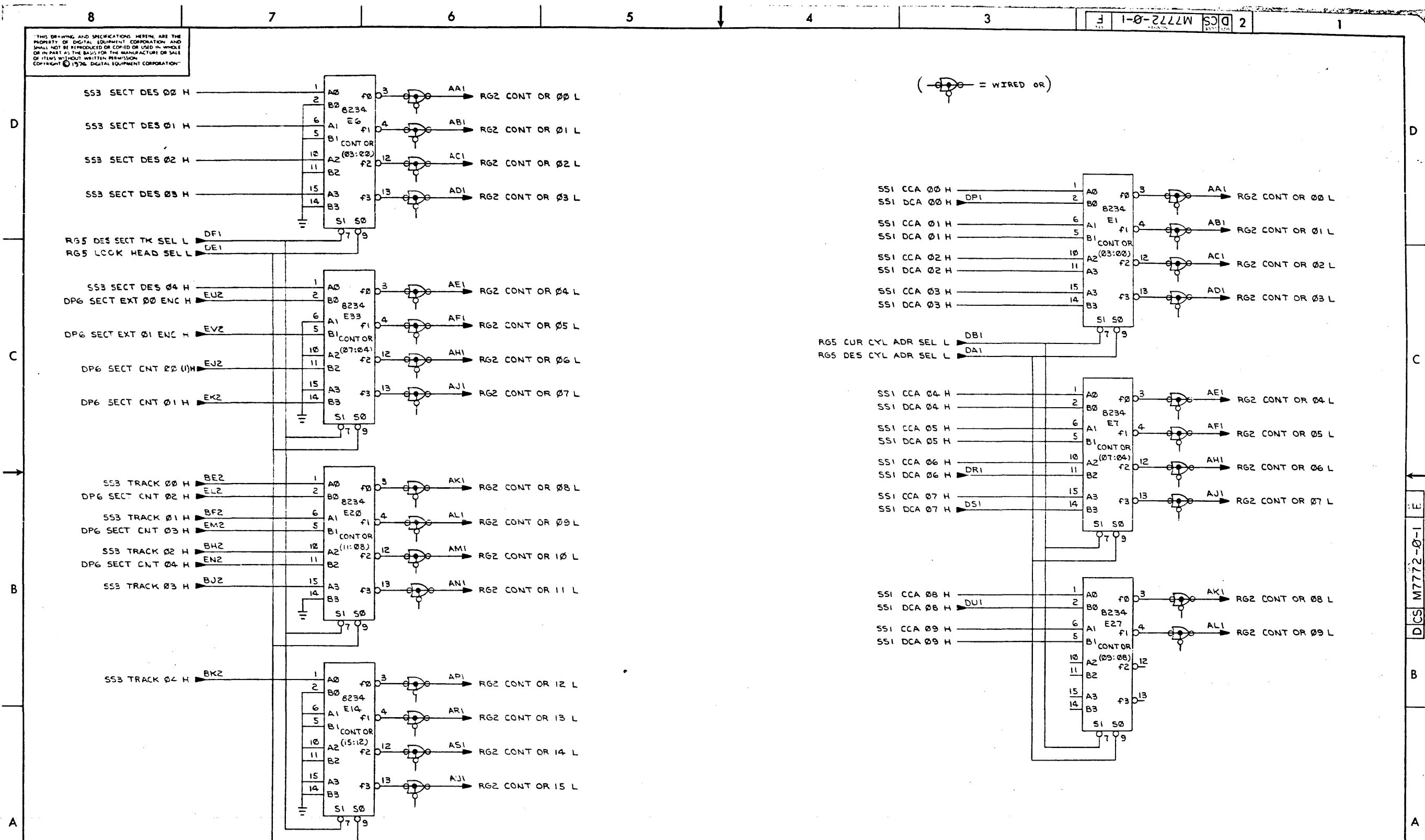
CHK	CHANGE NO	REV

SLOT 7 CYLINDER, TRACK-SECTOR COMPARE

TITLE	(S55)	SIZE CODE	NUMBER	REV
SEEK SEARCH CONTROL	DCS	M7772-0-1	F	
SCALE	NONE	SHEET	7 OF 10	DIST.

THIS DRAWING AND SPECIFICATIONS HEREIN ARE THE PROPERTY OF DIGITAL EQUIPMENT CORPORATION AND SHALL NOT BE REPRODUCED OR COPIED OR USED IN WHOLE OR IN PART AS THE BASIS FOR THE MANUFACTURE OR SALE OF ITEMS WITHOUT WRITTEN PERMISSION OF DIGITAL EQUIPMENT CORPORATION. COPYRIGHT © 1976 DIGITAL EQUIPMENT CORPORATION.

D/CS M7772-0-1 2



REVISIONS		
CHK	CHANGE NO	REV

DES SECT/TRK REG/LOOKHEAD REG MUX;
SLOT 7 DCA REG/CCA REG MUX

TITLE	(SS6)	SIZE CODE	NUMBER	REV.
SEEK SEARCH CONTROL	D/CS	M7772-0-1	F	
SCALE	SHEET 8	OF 10	DIST.	

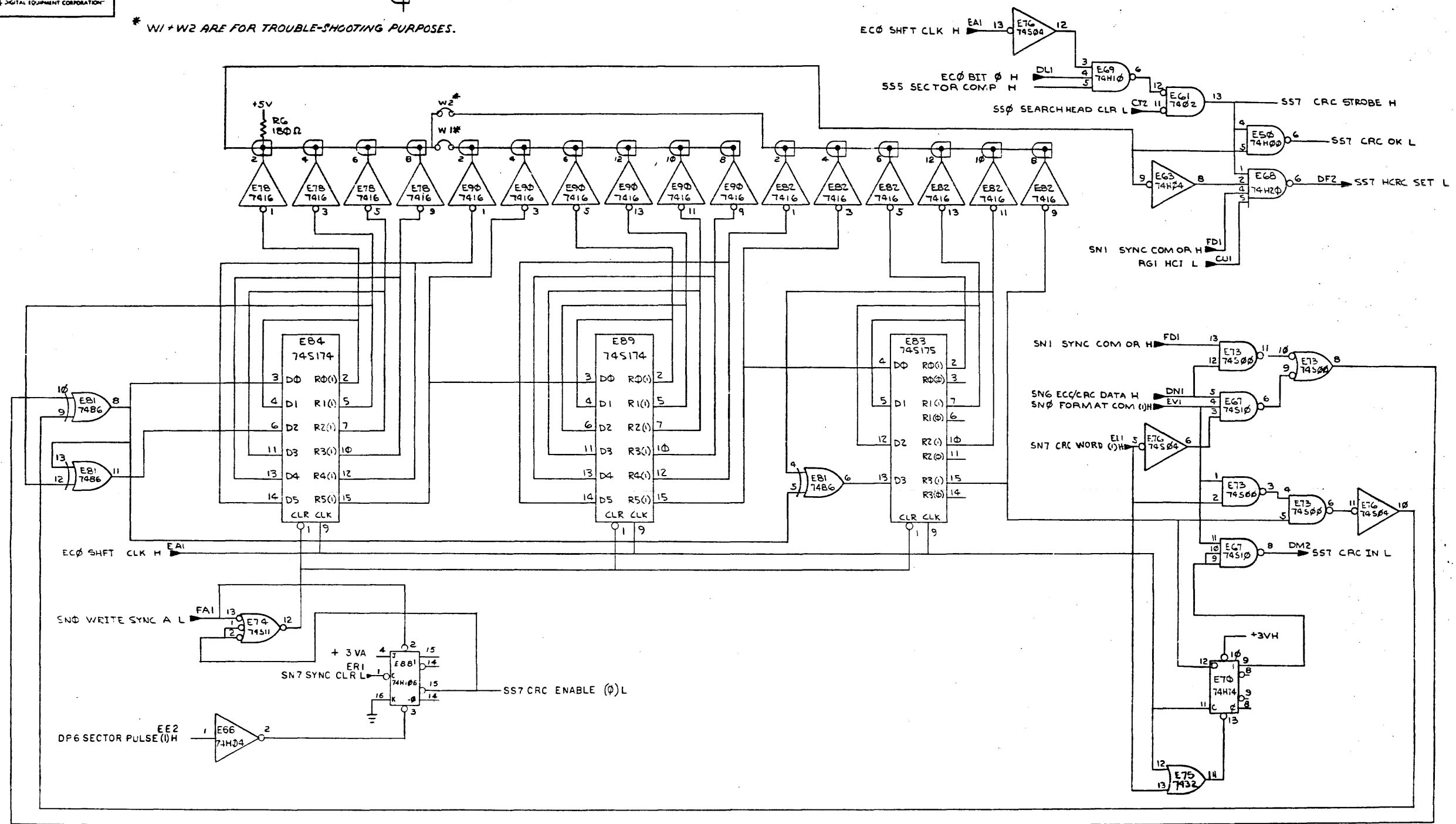
D/CS M7772-0-1

THIS DRAWING AND SPECIFICATIONS HEREIN ARE THE PROPERTY OF DIGITAL EQUIPMENT CORPORATION AND SHALL NOT BE REPRODUCED OR COPIED OR USED IN WHOLE OR IN PART AS THE BASIS FOR THE MANUFACTURE OR SALE OF ITEMS WITHOUT WRITTEN PERMISSION. COPYRIGHT © 1974 DIGITAL EQUIPMENT CORPORATION.

⊞ = WIRED AND

* W1 + W2 ARE FOR TROUBLE-SHOOTING PURPOSES.

DCS M772-0-1



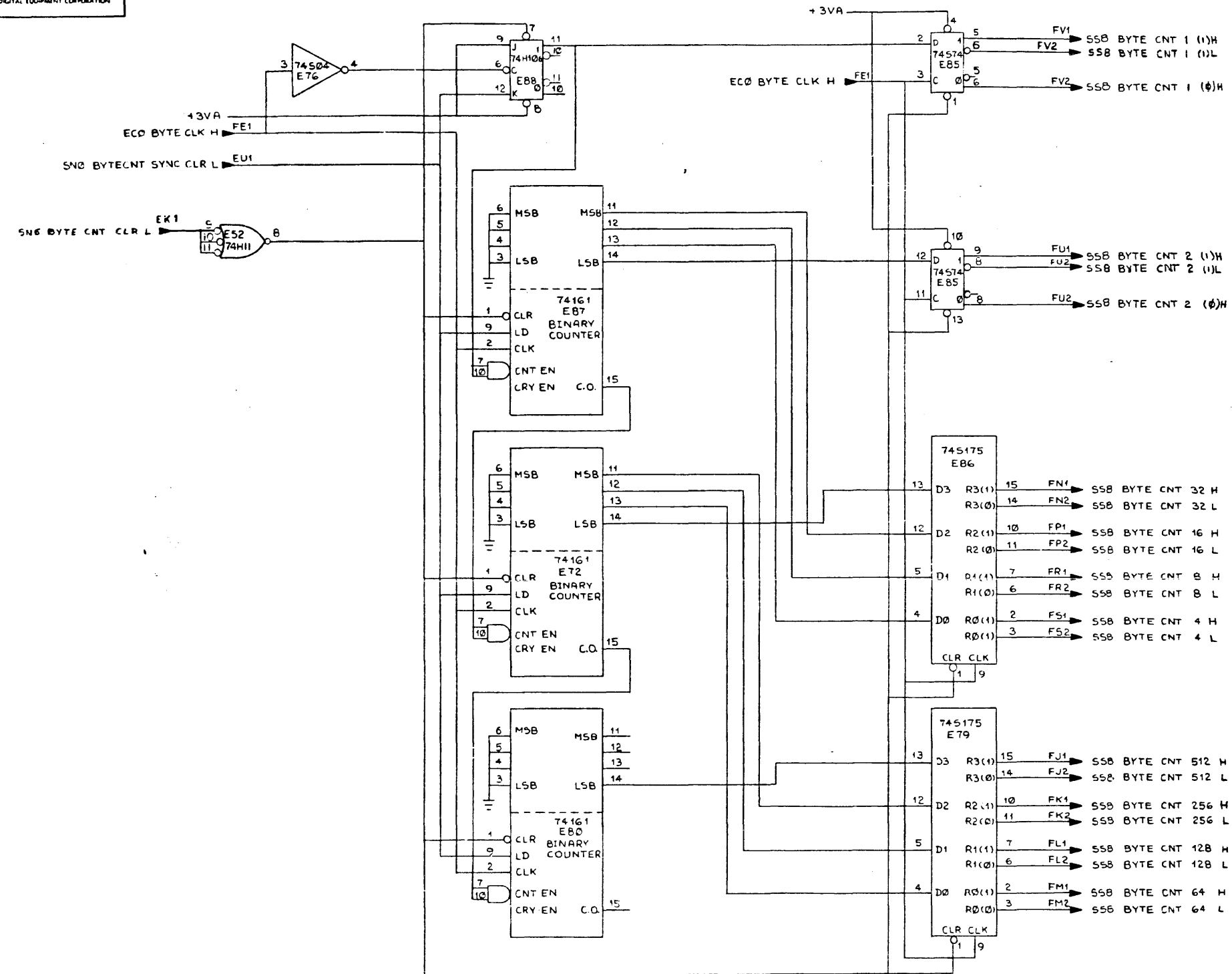
REVISIONS		
DATE	CHANGED BY	REV.

SLOT 7 CRC CIRCUITRY

TITLE	(SS7) SEEK SEARCH CONTROL	SIZE CODE	DCS	NUMBER	M772-0-1	REV	F
SCALE		SHEET	9	OF	10	DIST	

DCS M772-0-1

THIS DRAWING AND SPECIFICATIONS HEREIN ARE THE PROPERTY OF DIGITAL EQUIPMENT CORPORATION AND SHALL NOT BE REPRODUCED OR COPIED OR USED IN WHOLE OR IN PART AS THE BASIS FOR THE MANUFACTURE OR SALE OF THIS WITHOUT WRITTEN PERMISSION. COPYRIGHT © 1973 BY DIGITAL EQUIPMENT CORPORATION.



REVISIONS		
CHK	CHANGE NO	REV

SLOT 7 BYTE COUNTER

TITLE	(SSB)	SIZE CODE	NUMBER	REV.
SEEK SEARCH CONTROL	DCS	M772-0-1	F	
SCALE	NONE	SHEET 10 of 10	DIST	

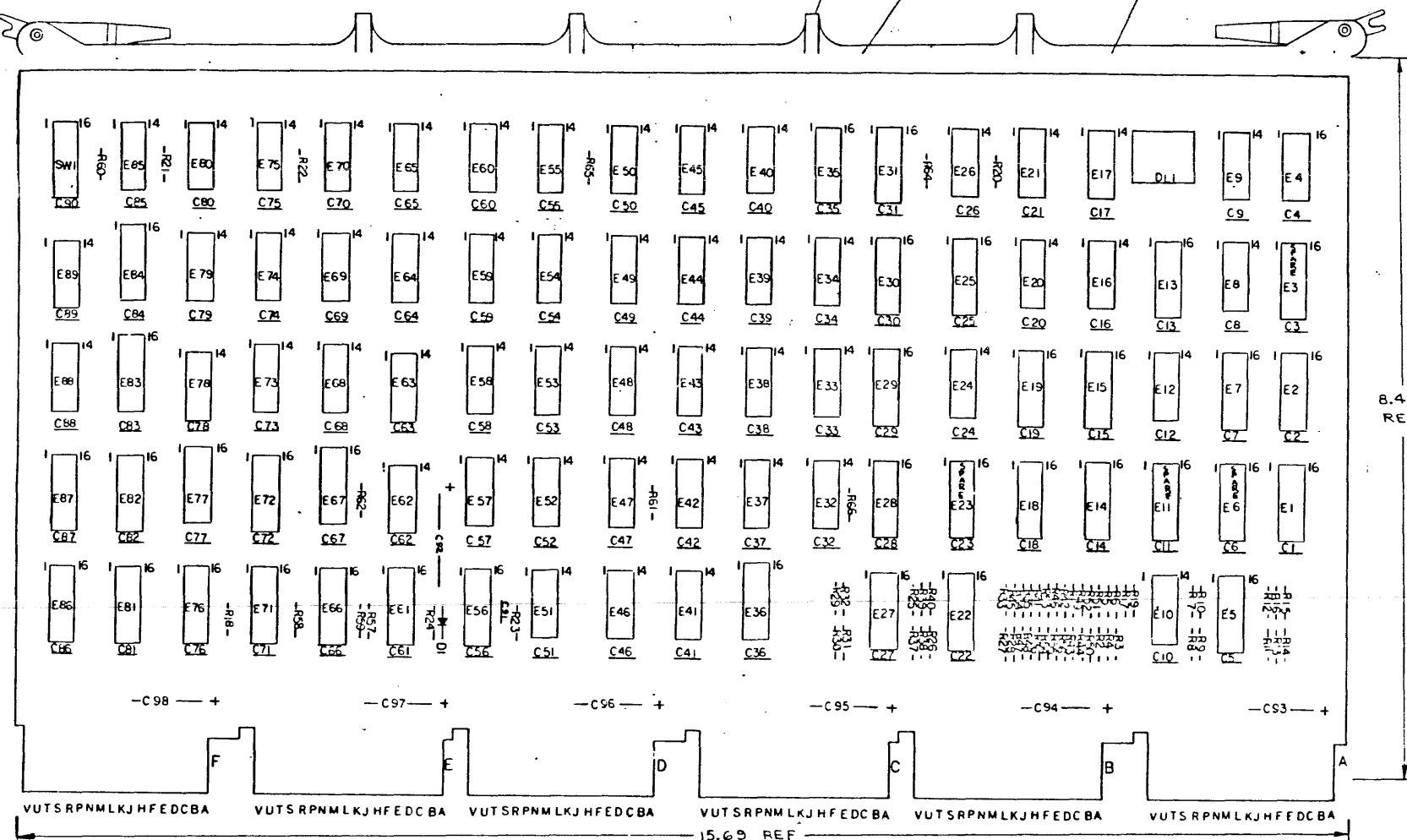
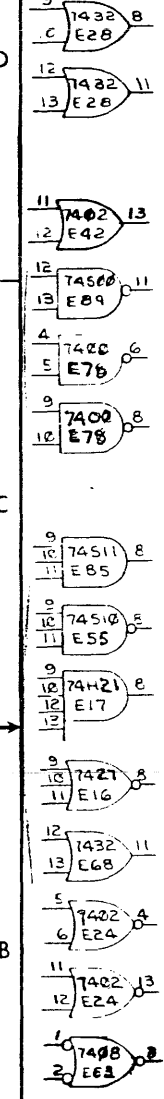
DCS M772-0-1

THIS DRAWING AND SPECIFICATIONS HEREIN ARE THE PROPERTY OF DIGITAL EQUIPMENT CORPORATION AND SHALL NOT BE REPRODUCED OR COPIED OR USED IN WHOLE OR IN PART AS THE BASIS FOR THE MANUFACTURE OR SALE OF ITEMS WITHOUT WRITTEN PERMISSION. COPYRIGHT © 1973 DIGITAL EQUIPMENT CORPORATION.

NOTES:

- 1. UNLESS OTHERWISE SPECIFIED:
 - A. RESISTANCE IS IN OHMS & ALL RESISTORS ARE 1/4W, ±5%.
 - B. CAPACITANCE IS IN MICROFARADS.

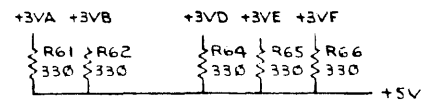
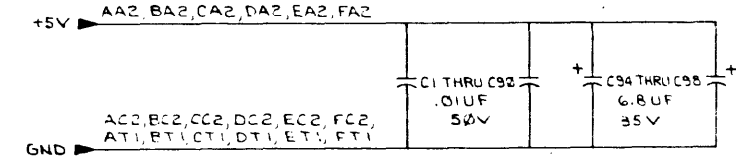
SPARES:



7492	2	16
7485	8	16
74151	8	16
74145	8	16
74123	8	16
745157	8	16
74161	8	16
74157	8	16
74173	8	16
IC TYPE	GND	+5V

GND AND 5V ARE USUALLY PIN 7 AND 14 RESPECTIVELY. EXCEPTIONS ARE STATED ABOVE.

IC PIN LOCATIONS



REF	X-Y COORDINATE	HOLE LOCATION	K-CO-M775-0-4	1
REF		ASSY/DRILLING HOLE LAYOUT	D-AH-M775-0-5	2
REF		MODULE ECO HISTORY	B-MH-M775-0-6	3
1		ETCHED CIRCUIT BOARD	5010669	4
1	C92	CAP 150UF 6V 20% TANT	1005572	5
6	C93 THRU C98	CAP 6.8UF 35V 10% TANT	1005306	6
90	C1 THRU C90	CAP .01UF 50V 20% AXIAL	1001610-00	7
1	C91	CAP 150PF 100V DM	1000019	8
1	DL1	DELAY LINE 50 NS	1609428	9
1	R24	RES 30K 1/4W 5%	1302394	10
57	R1 THRU R19, R21, R22, R25 THRU R68	RES 1K 1/4W 5%	1300365	11
1	R23	RES 20K 1/4W 5%	1302391	12
1	R20	RES 10K 1/4W 5%	1300229	13
5	R21, R22, R24 THRU R26	RES 330 1/4W 5%	1300293	14
3	E50, E57, E69	IC 7474	1905547	15
2	E60, E78	IC 7400	1905575	16
2	E59, E74	IC 7410	1905576	17
2	E70, E80	IC 7420	1905577	18
3	E24, E41, E42	IC 7402	1909004	19
1	E17	IC 74H21	1909058	20
1	E20	IC 74H30	1909059	21
1	E43	IC 74H50	1909060	22
1	E65	IC 7404	1909686	23
1	E73	IC 8815	1909713	24
3	E4, E10, E12	IC 7417	1909929	25
2	E75, E79	IC 7405	1909930	26
2	E14, E18	IC 74151	1909936	27
2	E72, E87	IC 7442	1910046	28
1	E2	IC 74145	1910047	29
2	E32, E54	IC 7437	1910091	30
3	E46, E58, E63	IC 7408	1910155	31
2	E76, E77	IC 7485	1910224	32
1	E56	IC 74123	1910436	33
3	E99, E40, E89	IC 74500	1910532	34
3	E21, E53, E68	IC 74504	1910534	35
4	E34, E44, E49, E85	IC 74511	1910537	36
6	E26, E33, E38, E45, E48, E62	IC 74574	1910544	37
7	E15, E19, E22, E27, E66, E71, E83	IC 745157	1910548	38
4	E25, E29, E30, E61	IC 74161	1910653	39
2	E36, E67, E81, E82, E84, E86	IC 74157	1910655	40
2	E8, E9	IC 74180	1910724	41
1	E16	IC 7427	1910878	42
2	E31, E35	IC 745175	1910957	43
4	E1, E5, E7, E13	IC 74173	1911330	44
4	E37, E64, E68, E28	IC 7432	1911521	45
1	E51	IC 74H55	1909063	46
1	E55	IC 74510	1910536	47
2	E47, E52	IC 7470	1905589	48
1	S1	SWITCH, RKR D.I.P. 8 SWITCHES	1211164-04	49
12		EYELET GS-4-7	9006732	50
1		HANDLE, MODULE	1210711-2	51
1	D1	DIODE D664	1100114	52
A/R		WIRE, #30 AWG SOL. I.P.V.C. INS, GRN	9107350-55	53

FIRST USED ON OPTION MODEL

RP04

ETCH BOARD REV D

digital EQUIPMENT CORPORATION

DUAL PORT LOGIC (DP BOARD)

DATE 12/26/73

SCALE 1 OF 13

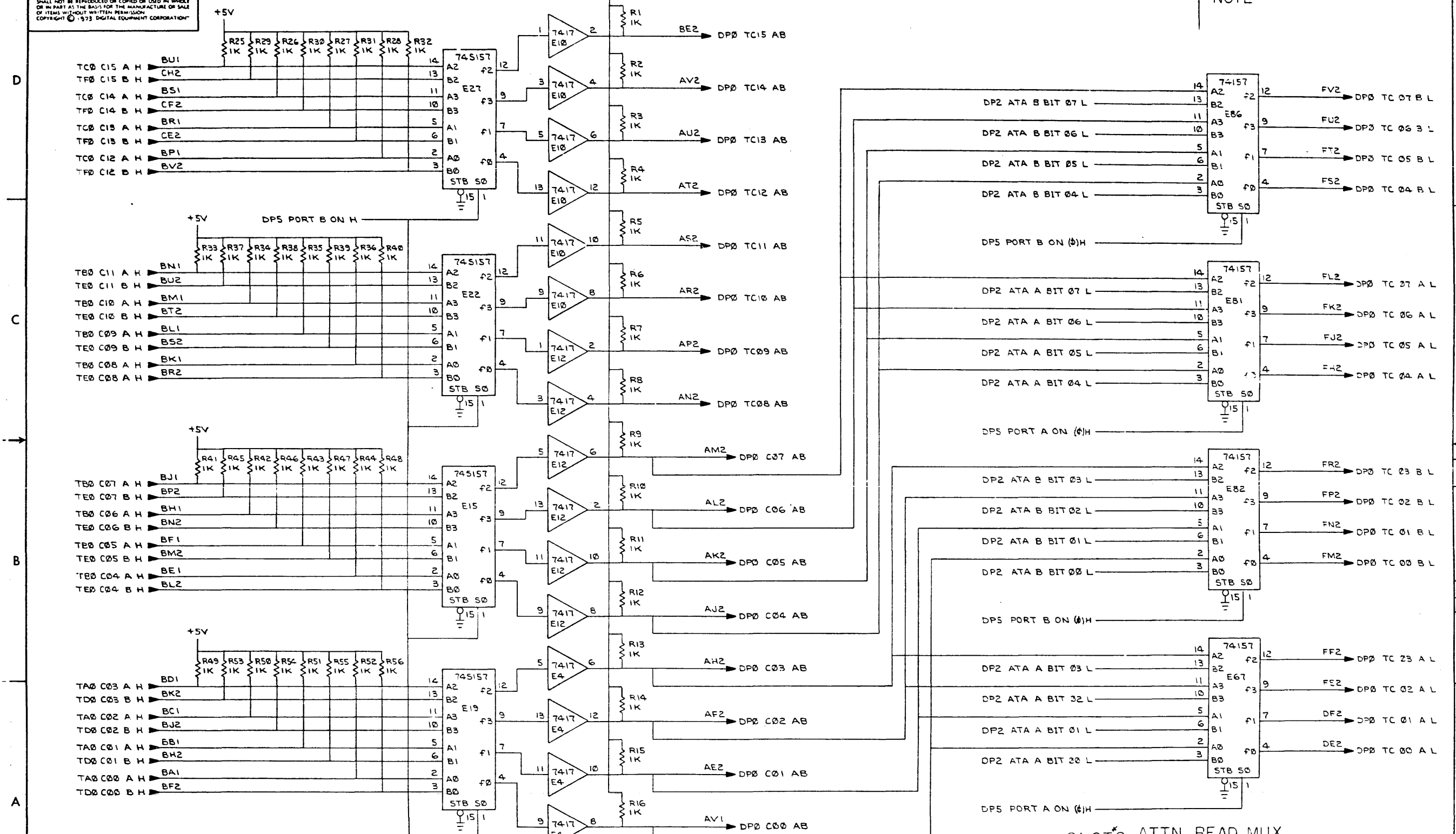
SEMICONDUCTOR CONVERSION CHART

SIZE CODE NUMBER REV. DIST

DCS M775-0-1

THIS DRAWING AND SPECIFICATIONS HEREIN ARE THE PROPERTY OF DIGITAL EQUIPMENT CORPORATION AND SHALL NOT BE REPRODUCED OR COPIED OR USED IN WHOLE OR IN PART AS THE BASIS FOR THE MANUFACTURE OR SALE OF ITEMS WITHOUT WRITTEN PERMISSION. COPYRIGHT © 1973 DIGITAL EQUIPMENT CORPORATION.

NOTE

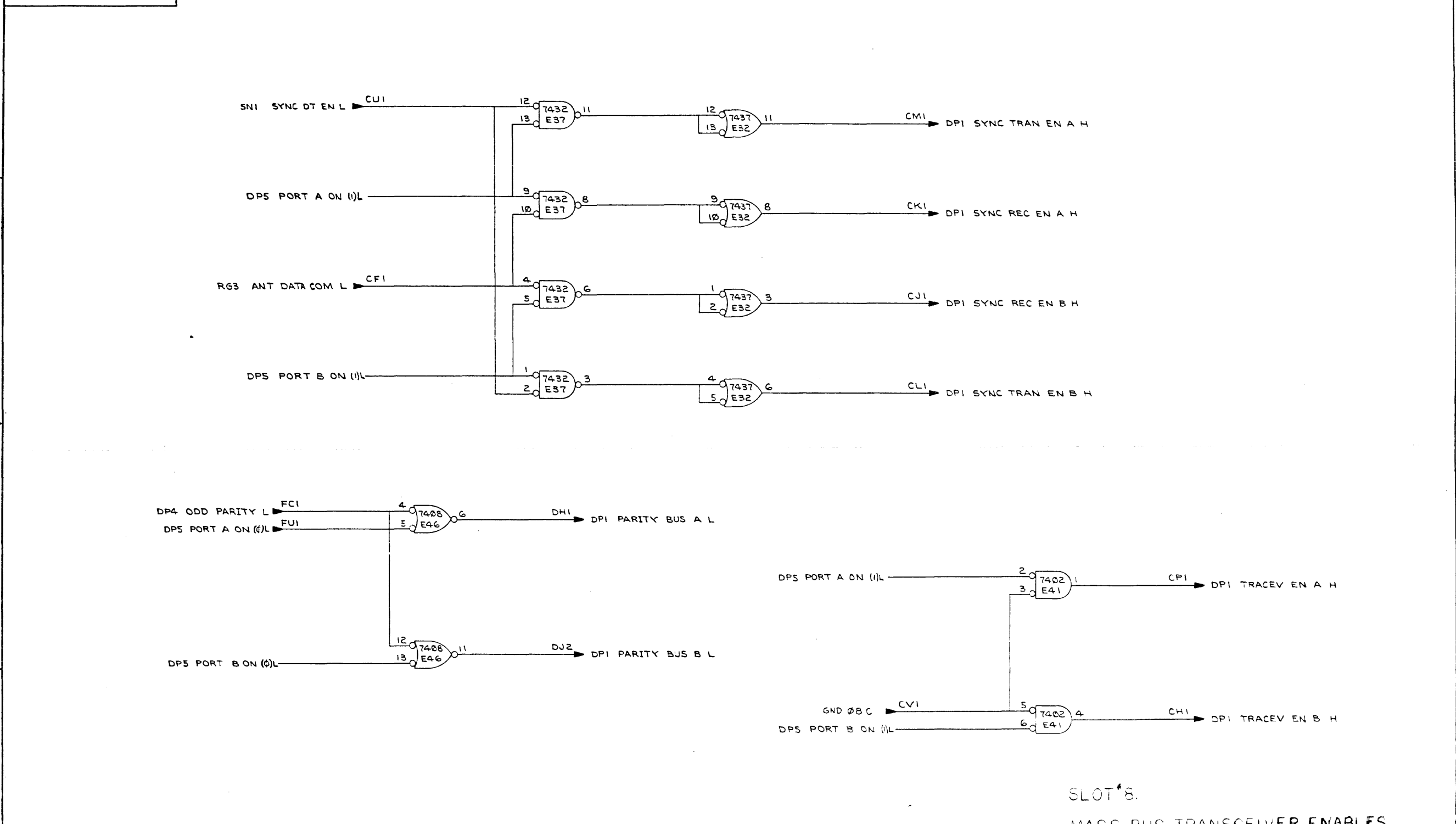


SLOT 8: ATTN READ MUX CONTROL BUS INPUT MUX.

REVISIONS		
CHK	CHANGE NO	REV

TITLE	DUAL PORT LOGIC (DPØ)	SIZE CODE	DCS	NUMBER	M7775-Ø-1	REV	D
SCALE		SHEET	2	OF	5	DIST	

"THIS DRAWING AND SPECIFICATIONS HEREIN ARE THE PROPERTY OF DIGITAL EQUIPMENT CORPORATION AND SHALL NOT BE REPRODUCED OR COPIED OR USED IN WHOLE OR IN PART AS THE BASIS FOR THE MANUFACTURE OR SALE OF ITEMS WITHOUT WRITTEN PERMISSION. COPYRIGHT © 1975 DIGITAL EQUIPMENT CORPORATION"



SLOT #8.
MASS BUS TRANSCEIVER ENABLES

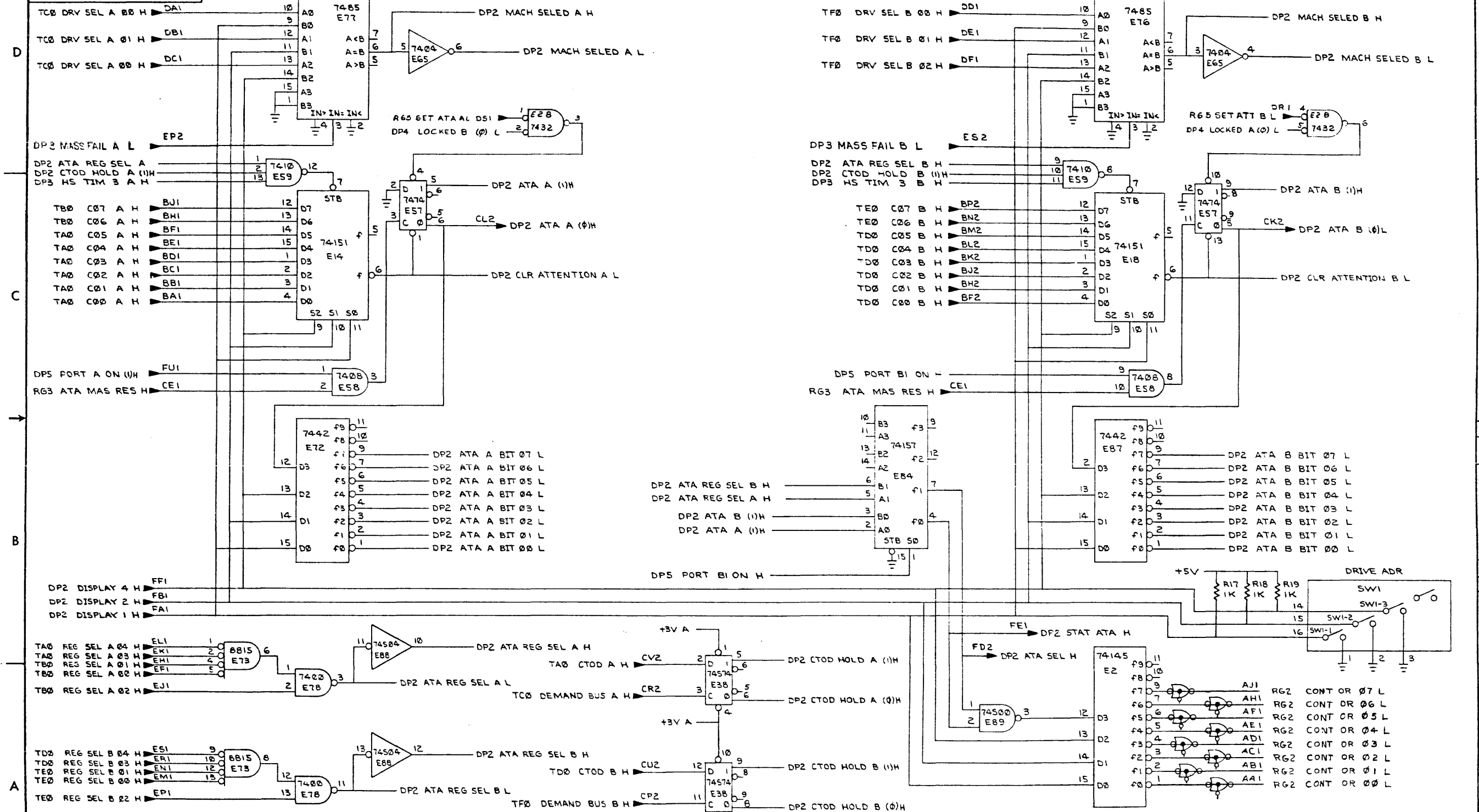
REVISIONS		
CHG	CHANGE NO	REV

DCS M775-0-1 D

B

A

THIS DRAWING AND SPECIFICATIONS HEREIN ARE THE PROPERTY OF DIGITAL EQUIPMENT CORPORATION AND SHALL NOT BE REPRODUCED OR COPIED OR USED IN WHOLE OR IN PART AS THE BASIS FOR THE MANUFACTURE OR SALE OF ITEMS WITHOUT WRITTEN PERMISSION. COPYRIGHT © 1973 DIGITAL EQUIPMENT CORPORATION.



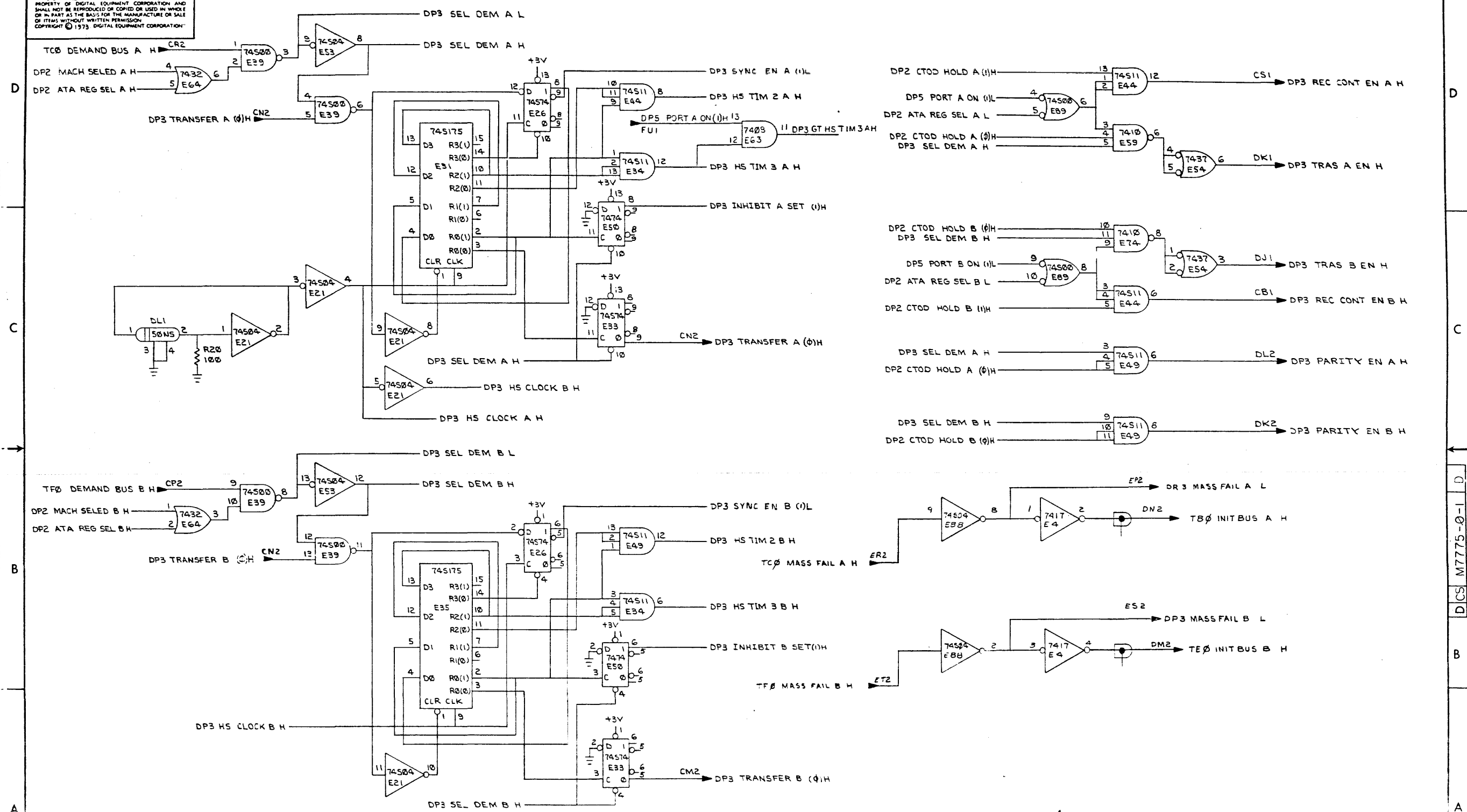
DCS M775-0-1 D

SLOT #8: ATTENTION REG. MUX / ATTN REG.

REVISIONS		
CHK	CHANGE NO	REV

TITLE	DUAL PORT LOGIC (DP2)	SIZE CODE	D CS	PLUMB 1	M775-0-1	REV	D
SCALE		SHEET	4	OF 6	DIST		

THIS DRAWING AND SPECIFICATIONS HEREIN ARE THE PROPERTY OF DIGITAL EQUIPMENT CORPORATION AND SHALL NOT BE REPRODUCED OR COPIED OR USED IN WHOLE OR IN PART AS THE BASIS FOR THE MANUFACTURE OR SALE OF ITEMS WITHOUT WRITTEN PERMISSION. COPYRIGHT © 1973 DIGITAL EQUIPMENT CORPORATION.

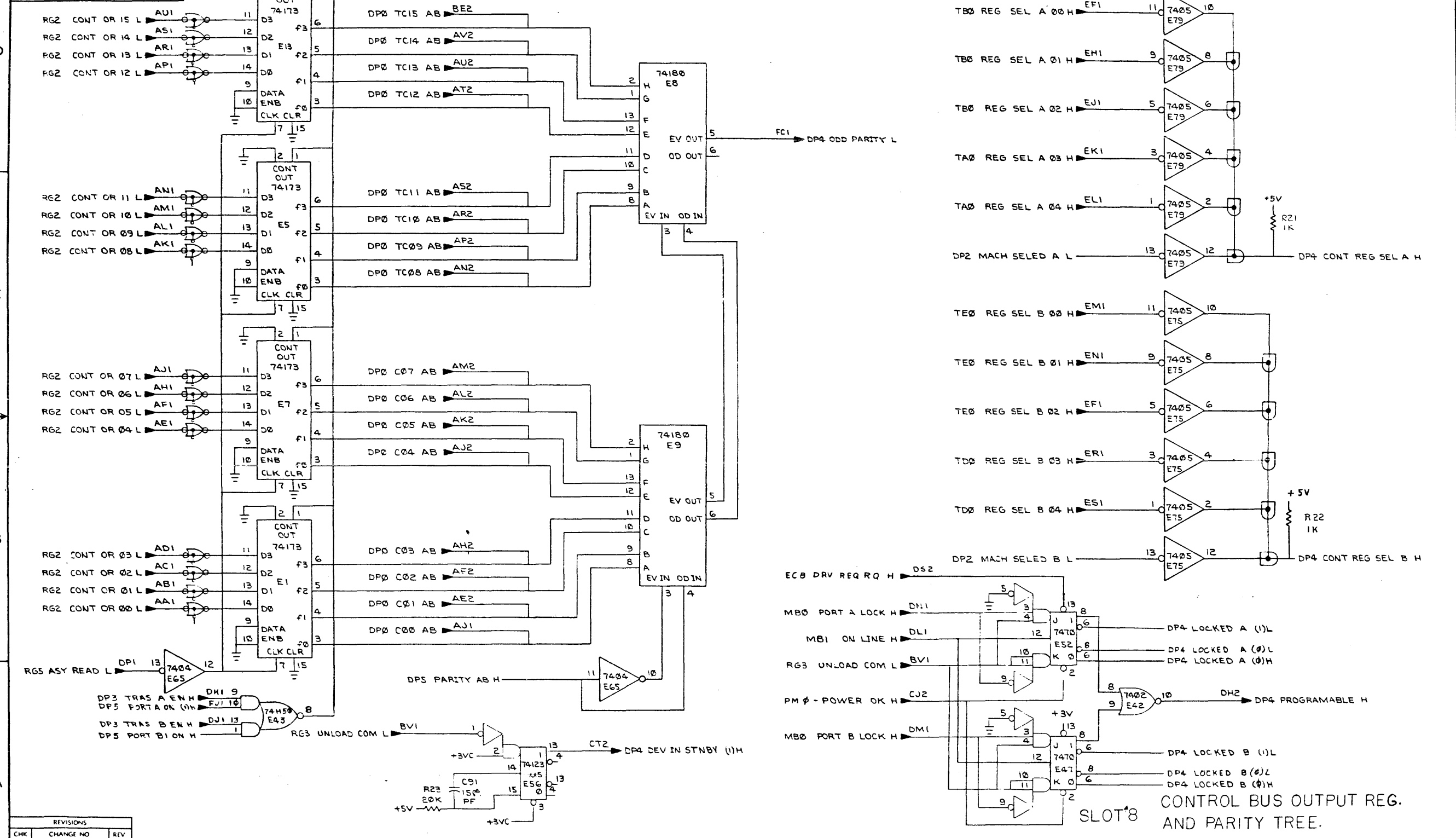


SLOT 8 DUAL PORT ARBITRATION

REVISIONS		
CHK	CHANGE NO	REV

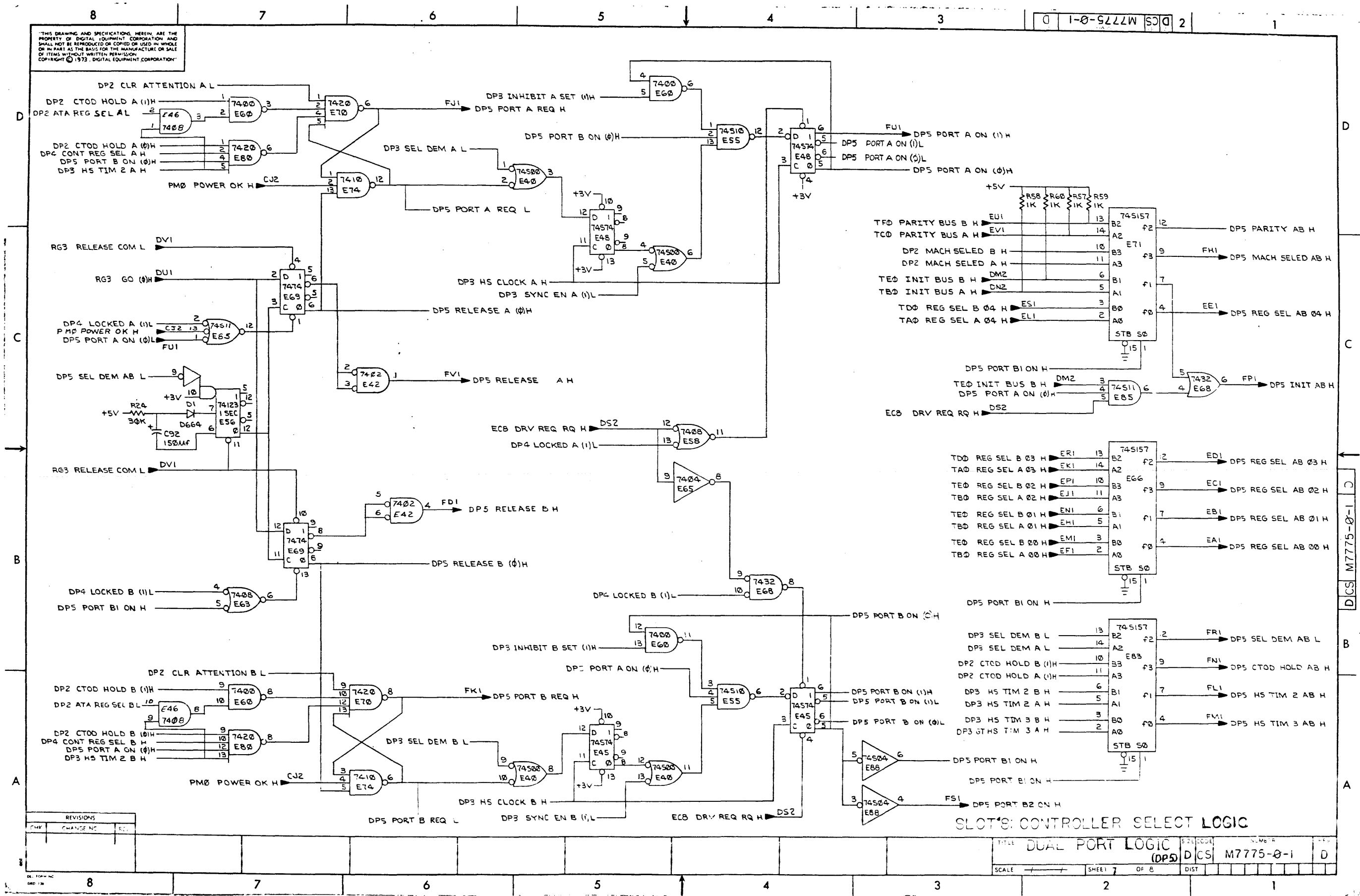
TITLE	DUAL PORT LOGIC (DP3)	NUMBER	M7775-0-1	REV	D
SCALE		SHEET	5	OF	6

THIS DRAWING AND SPECIFICATIONS HEREIN ARE THE PROPERTY OF DIGITAL EQUIPMENT CORPORATION AND SHALL NOT BE REPRODUCED OR COPIED OR USED IN WHOLE OR IN PART AS THE BASIS FOR THE MANUFACTURE OR SALE OF ITEMS WITHOUT WRITTEN PERMISSION. COPYRIGHT © 1973 DIGITAL EQUIPMENT CORPORATION.



REVISIONS		
CHK	CHANGE NO	REV

THIS DRAWING AND SPECIFICATIONS HEREIN ARE THE PROPERTY OF DIGITAL EQUIPMENT CORPORATION AND SHALL NOT BE REPRODUCED OR COPIED OR USED IN WHOLE OR IN PART AS THE BASIS FOR THE MANUFACTURE OR SALE OF ITEMS WITHOUT WRITTEN PERMISSION. COPYRIGHT © 1973, DIGITAL EQUIPMENT CORPORATION.



REVISIONS		
CHK	CHANGE NO.	REV.

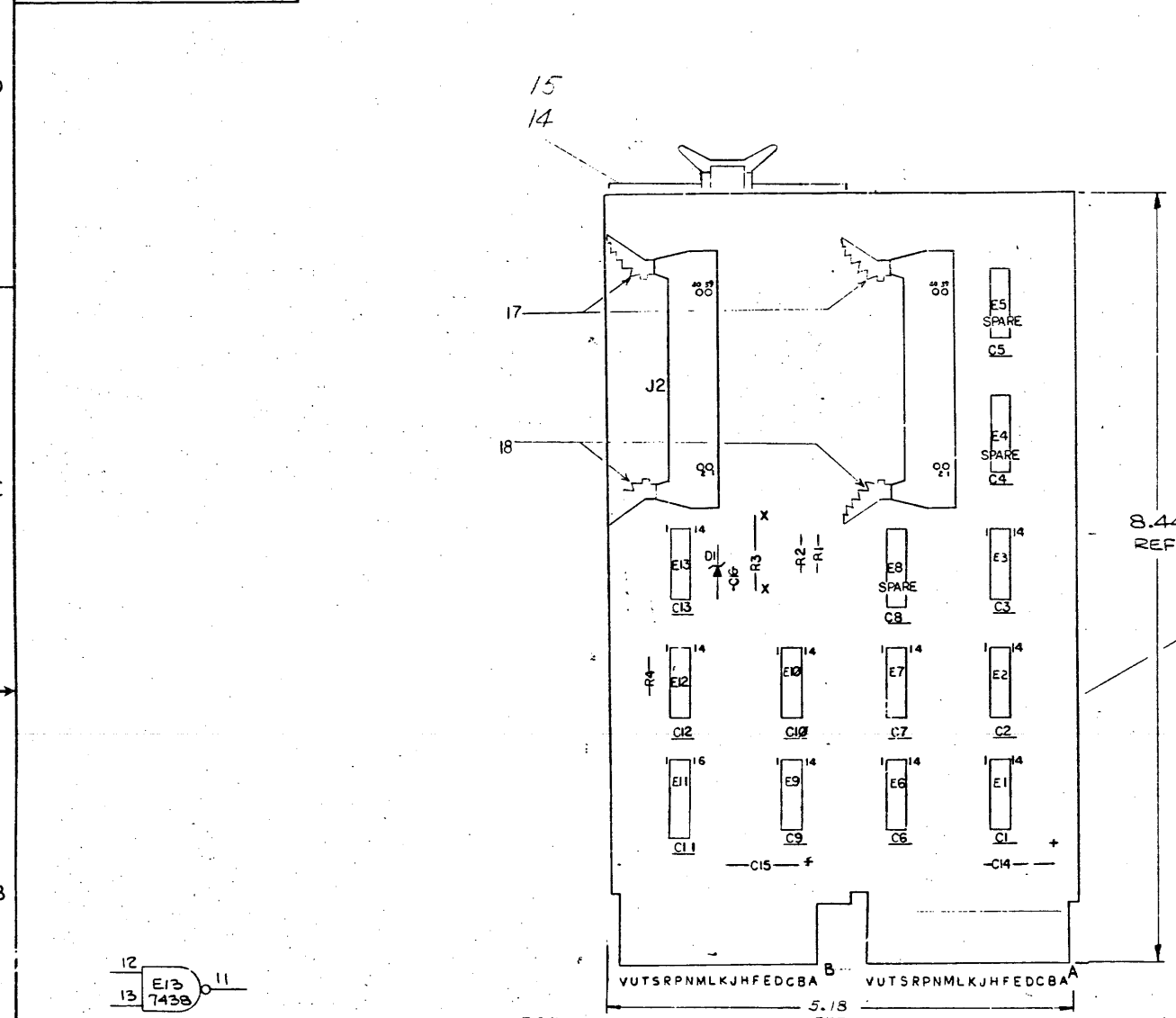
SLOTS: CONTROLLER SELECT LOGIC

TITLE	DUAL PORT LOGIC (DPS)	SZL CODE	DCS	NUMBR	M7775-0-1	REV	D
SCALE	---	SHEET	7	OF B	DIST		

DCS M7775-0-1-D

THIS DRAWING AND SPECIFICATIONS HEREIN ARE THE PROPERTY OF DIGITAL EQUIPMENT CORPORATION AND SHALL NOT BE REPRODUCED OR COPIED OR USED IN WHOLE OR IN PART AS THE BASIS FOR THE MANUFACTURE OR SALE OF ITEMS WITHOUT WRITTEN PERMISSION. COPYRIGHT © 1973, DIGITAL EQUIPMENT CORPORATION.

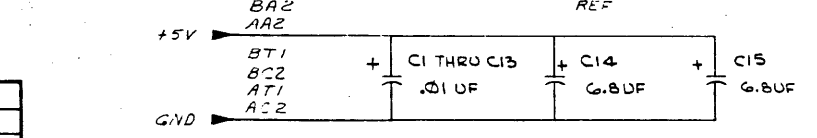
NOTES:



SPARE

12	E13	11
13	7438	

IC TYPE	GND	+5V
GND AND 5V ARE USUALLY PIN 7 AND 14 RESPECTIVELY. EXCEPTIONS ARE STATED ABOVE.		
IC PIN LOCATIONS		



REF	QTY	REF DESIGNATION	DESCRIPTION	PART NO	ITEM NO
REF			X-Y COORDINATE HOLE LOCATION	K-CO-M7777-0-4	1
REF			ASSY DRILLING HOLE LAYOUT	D-AH-M7777-0-5	2
REF			MODULE ECO HISTORY	B-MH-M7777-0-6	3
1			ETCHED CIRCUIT BOARD	5010671	4
11		C14, C15	CAP .01UF 50V 20% DISC	1001G10-00	5
2		C14, C15	CAP G.BUF 35V 10% TANT	1005306	6
1		D1	DIODE INTS1A	1110994	7
2		J1, J2	CONN 40PIN 27 ANGLE HDR	120941-02	8
2		R1, R2	RES 82Ω 1/4W 5%	1301477	9
1		R3	RES 180Ω 1W 5%	1300262	10
1		E12	IC DEC 75107B	190268	11
8		E1, E2, E3, E4, E7, E9, E10, E13	IC DEC 7438	191119	12
1		E11	IC DEC 75113	1911341	13
4			EYELET .05-.47	9006732	14
2			HANDLE, FLIP CHIP MAGENTA	9005357-36	15
1		R4	RES 330 1/4 W, 5%	1300295	16
2			LEFT LATCH	120941-03	17
2			RIGHT LATCH	120941-04	18

FIRST USED ON OPTION MODEL: RP04

DATE	4-1-75
DESIGNED BY	HENRY MOPE
CHK'D	M7777-0003
ENG	K. GRIGGS
PROJ. ENG.	M7777-0002
DATE	3-24-75
CHK'D	KENT GRIGGS
DATE	3-24-75
CHK'D	M7777-0001
DATE	3-24-75
CHK'D	CHANGE NO. REV

ETCH BOARD REV D

DRN	A. Williams	DATE	2/23/75
CHK'D	J. Hayes	DATE	3-6-75
ENG	M. Hayes	DATE	1/16/74
PROJ. ENG.	D. Lomas	DATE	1/16/75
DATE	3/1/74		
NEXT HIGHER ASSY			

digital EQUIPMENT CORPORATION

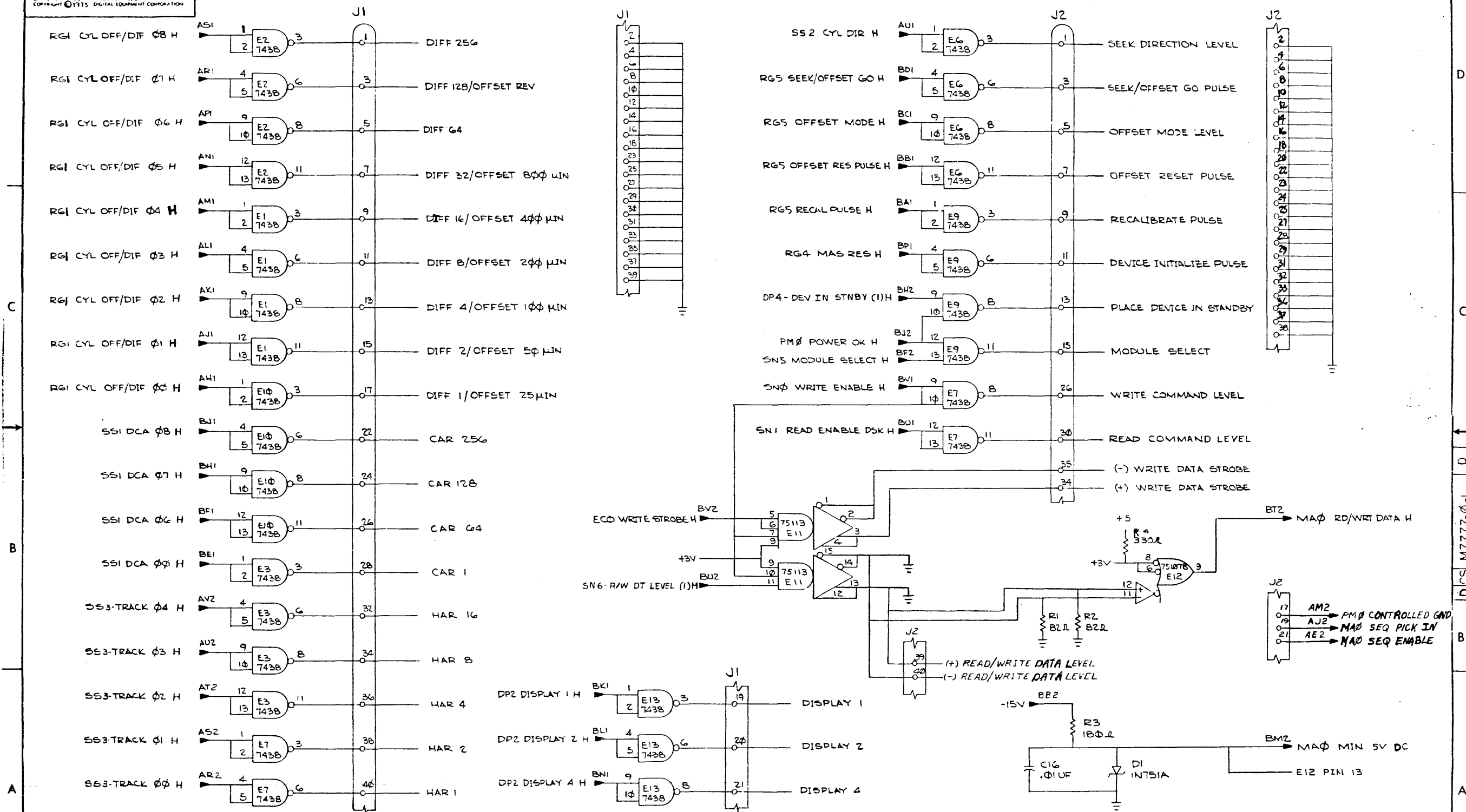
TITLE: MINIMUM DEVICE LEVEL INTERFACE I

SIZE CODE: DCS NUMBER: M7777-0-1 REV: 0

SCALE: SHEET 1 OF 2

SEMICONDUCTOR CONVERSION CHART

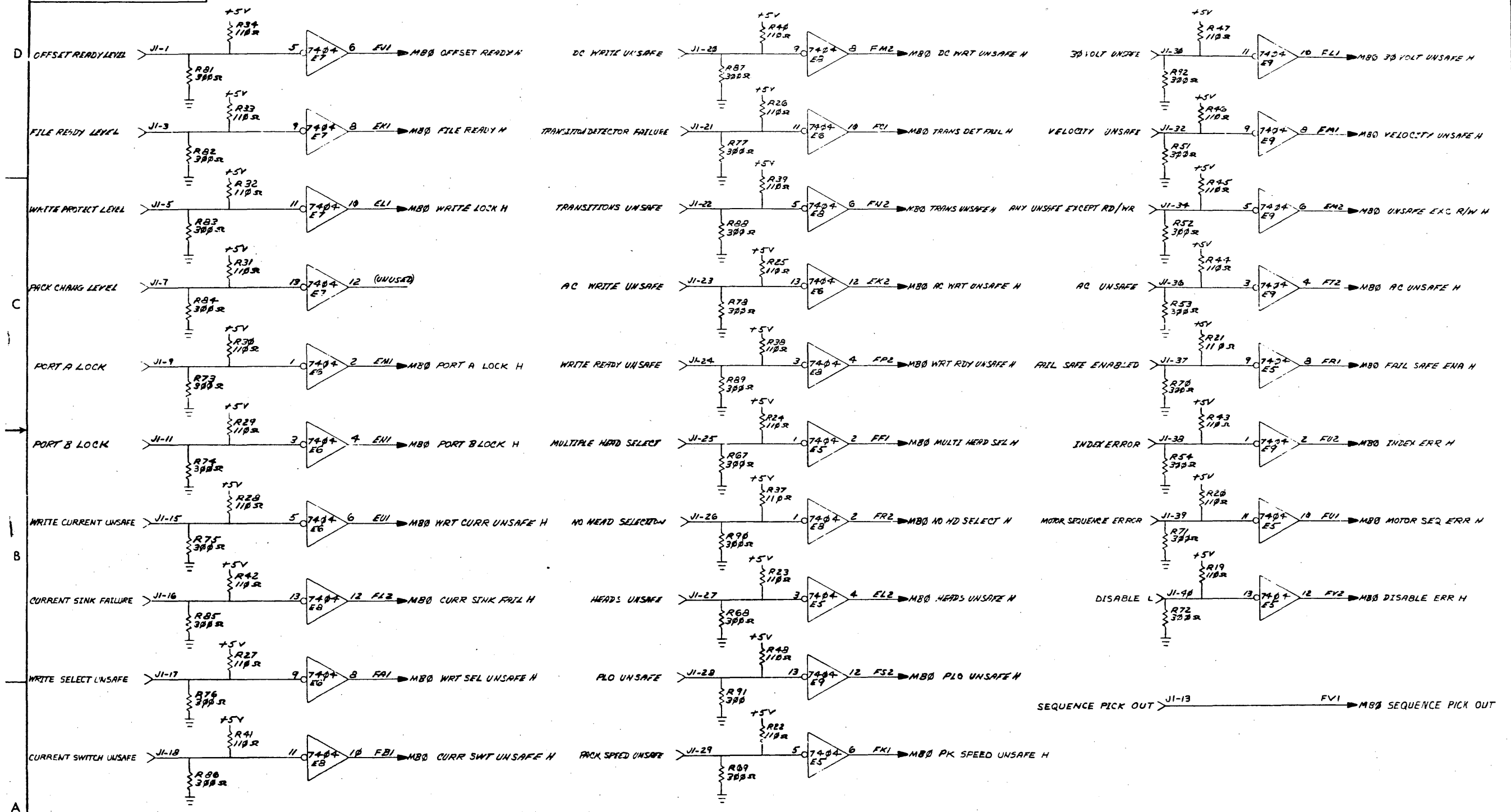
THIS DRAWING AND SPECIFICATIONS HEREIN ARE THE PROPERTY OF DIGITAL EQUIPMENT CORPORATION AND SHALL NOT BE REPRODUCED OR COPIED OR USED IN WHOLE OR IN PART AS THE BASIS FOR THE MANUFACTURE OR SALE OF ITEMS WITHOUT WRITTEN PERMISSION. COPYRIGHT © 1975, DIGITAL EQUIPMENT CORPORATION.



REVISIONS		
CHK	CHANGE NO	REV

TITLE	MINIMUM DEVICE (MA0) LEVEL INTERFACE 1	SIZE/ CODE	D/CS	NUMBER	M7777-0-1	REV	0
SCALE		SHEET	2	OF	2	DIST.	

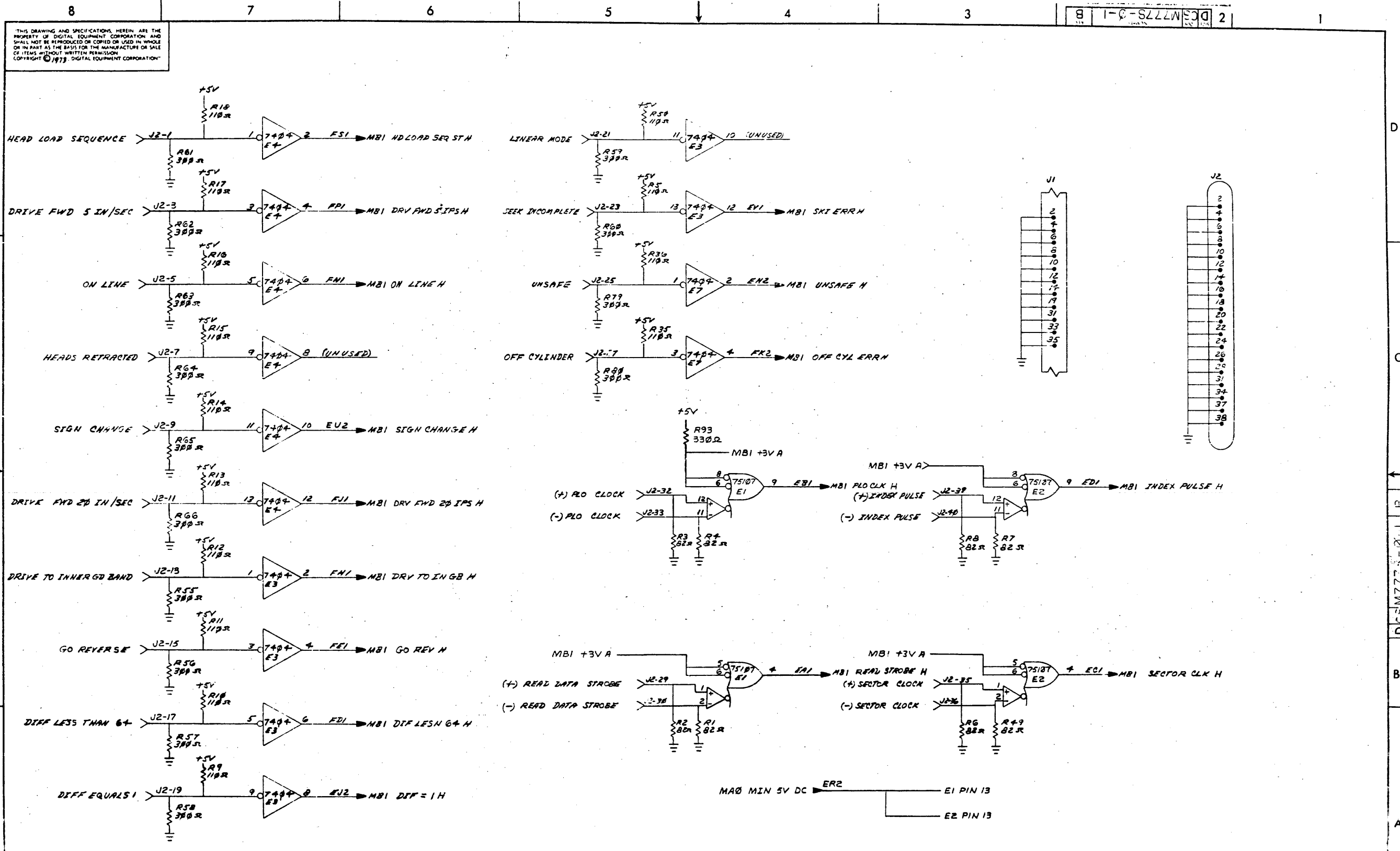
THIS DRAWING AND SPECIFICATIONS, HEREIN, ARE THE PROPERTY OF DIGITAL EQUIPMENT CORPORATION AND SHALL NOT BE REPRODUCED OR COPIED OR USED IN WHOLE OR IN PART AS THE BASIS FOR THE MANUFACTURE OR SALE OF ITEMS WITHOUT WRITTEN PERMISSION. COPYRIGHT © 1973 DIGITAL EQUIPMENT CORPORATION.



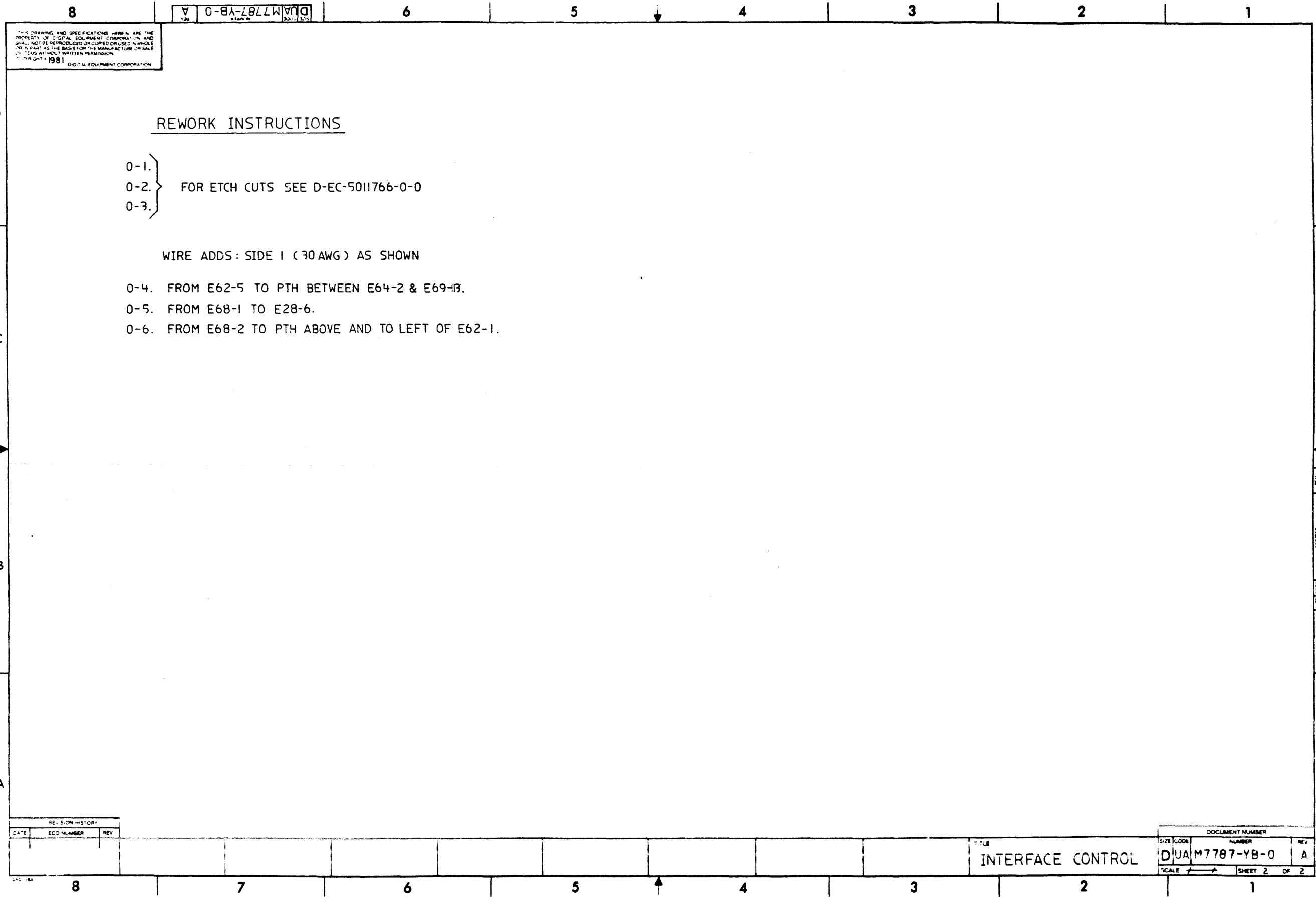
REVISIONS		
CHR	CHANGE NO	REV

TITLE	MIN DEVICE LEVEL INTERFACE 2 (MBO)	SIZE CODE	DCS	NUMBER	M7778-0-1	REV.	B
SCALE		SHEET	2	OF	3	DIST.	

DCSM7778-0-1-B



REVISIONS		
CHK	CHANGE NO	REV



THIS DRAWING AND SPECIFICATIONS HEREIN ARE THE PROPERTY OF DIGITAL EQUIPMENT CORPORATION AND SHALL NOT BE REPRODUCED OR COPIED OR USED IN WHOLE OR IN PART AS THE BASIS FOR THE MANUFACTURE OR SALE OF ITEMS WITHOUT WRITTEN PERMISSION.
 COPYRIGHT © 1981 DIGITAL EQUIPMENT CORPORATION

REWORK INSTRUCTIONS

- 0-1. } FOR ETCH CUTS SEE D-EC-5011766-0-0
- 0-2. }
- 0-3. }

WIRE ADDS: SIDE 1 (30 AWG) AS SHOWN

- 0-4. FROM E62-5 TO PTH BETWEEN E64-2 & E69-13.
- 0-5. FROM E68-1 TO E28-6.
- 0-6. FROM E68-2 TO PTH ABOVE AND TO LEFT OF E62-1.

REVISION HISTORY		
DATE	ECO NUMBER	REV

DOCUMENT NUMBER			
SIZE	CODE	NUMBER	REV
D	UA	M7787-YB-0	A
SCALE		SHEET 2 OF 2	

DUA M7787-YB-0 A

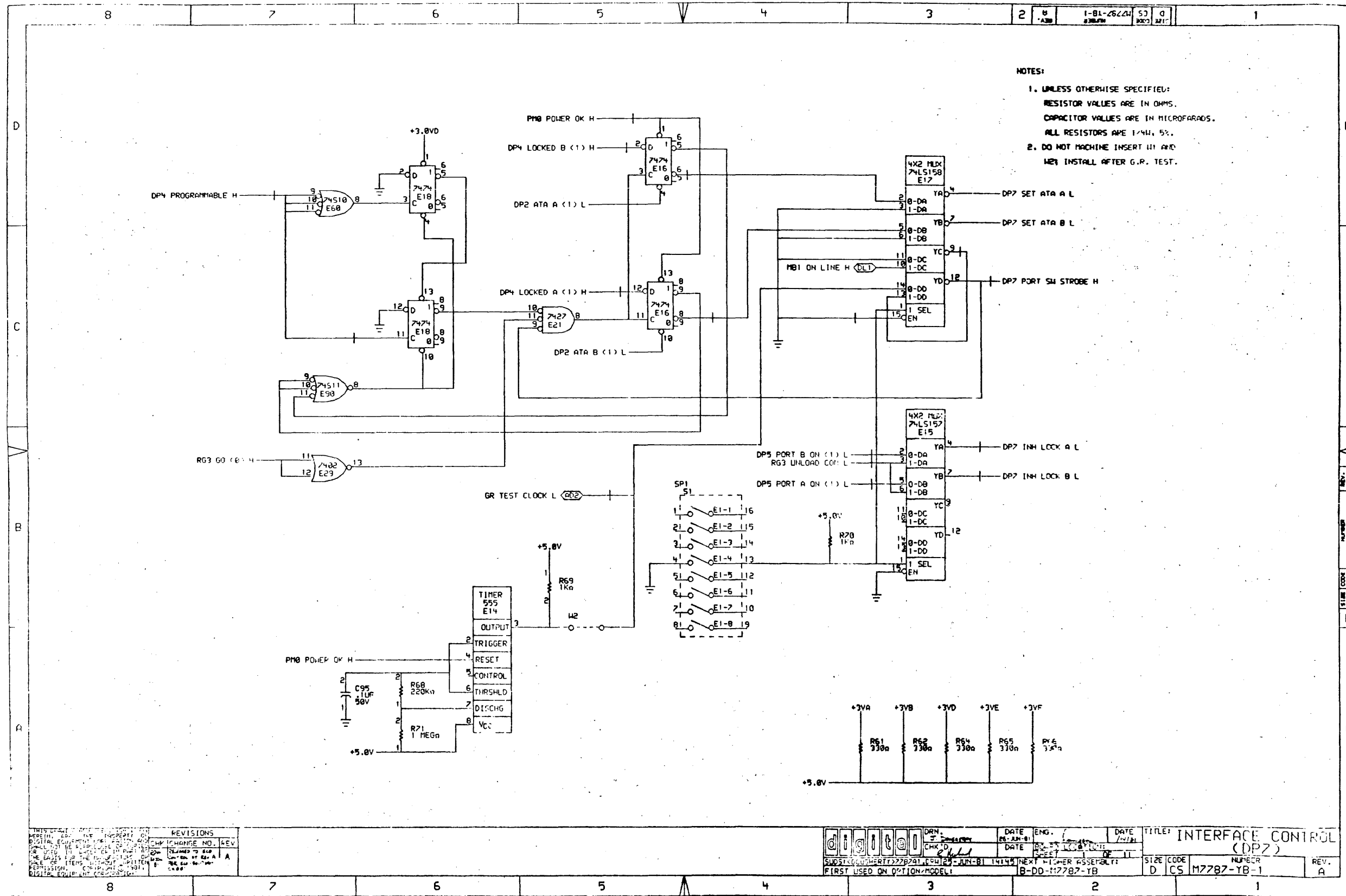
LINE ITEM	DOCUMENT NUMBER	PART NUMBER	DESCRIPTION	QTY PER VARIATION	REFERENCE DESIGNATOR
				YB	
1	D-MD-5011766-0-0	5011766-00	M7787	1	
2		1000019-00	150.0 MMF 100V 5%200PFM MICA	1	C103
3		1001610-00	.01 MFD 50V +80-20% Z5U CER	94	C1,C2,C3,C4,C5,C6,C7,C8,C9,C10, CONT C11,C12,C13,C14,C15,C16,C17,C18, CONT C19,C20,C21,C22,C23,C24,C25,C26, CONT C27,C28,C29,C30,C31,C32,C33,C34, CONT C35,C36,C37,C38,C39,C40,C41,C42, CONT C43,C44,C45,C46,C47,C48,C49,C50, CONT C51,C52,C53,C54,C55,C56,C57,C58, CONT C59,C60,C61,C62,C63,C64,C65,C66, CONT C67,C68,C69,C70,C71,C72,C73,C74, CONT C75,C76,C77,C78,C79,C80,C81,C82, CONT C83,C84,C85,C86,C87,C88,C89,C90, CONT C91,C92,C93,C94
4		1005572-00	150 MFD 6V 20% S.TANT	1	C102
5		1010978-36	.1 MFD 50V 10% CER	1	C95
6		1017472-00	10 MFD 35V +50-10% AL EL	6	C96,C97,C98,C99,C100,C101
7		1100114-00	D 664 QS\75PCB PIV= 25V SP	1	D1
8		1211164-04	SW,DIP 1P 1A 8POS	1	S1
9		1216988-02	HANDLE,MODULE,HEX TWO EJECTORS	1	
10		1300271-00	220.0 .25 W 5.0 % CC	2	R20,R67
11		1300295-00	330.0 .25 W 5.0 % CC	5	R61,R62,R64,R65,R66
12		1300365-00	1.0 K .25 W 5.0 % CC	59	R1,R2,R3,R4,R5,R6,R7,R8,R9,R10, CONT R11,R12,R13,R14,R15,R16,R17,R18, CONT R19,R21,R22,R25,R26,R27,R28,R29, CONT R30,R31,R32,R33,R34,R35,R36,R37, CONT R38,R39,R40,R41,R42,R43,R44,R45, CONT R46,R47,R48,R49,R50,R51,R52,R53, CONT R54,R55,R56,R57,R58,R59,R60,R69, CONT R70

REVISION HISTORY		BASIC PART NO: M7787		DRN:	D. COFFEY	DATE: 14-APR-80	D E I G I T A I L			
ENG:	ECO NUMBER	REV	SECTION A OF A	CHK'D:	R. MICHAUD	DATE: 14-APR-80	TITLE	PARTS LIST		
	INITIAL	A	SECTION VARIATION INDEX				INTERFACE CONTROL			
			[A] YB							
			[B]							
			[C]	DES.ENG:	C. DUNIGAN	DATE: 14-APR-80				
			[D]							
			[E]	RESP.ENG.:	C. DUNIGAN	DATE: 14-APR-80	DOCUMENT NUMBER			
			[F]							
			[G]				SIZE CODE NUMBER	REV		
			[H]							
			[J]							
			[K]	MFG.ENG.:	D. CLAFLIN	DATE: 14-APR-80	K	PL	M7787-YB-DRP	A
			[L]							
			[M]	ASSEMBLY NUMBER:		TOP DOCUMENT NUMBER:	FILE NAME:	EDIT #		
			[N]	D-UA-M7787-YB-0		B-DD-M7787-YB	Z0985A.PLS	21		

THIS DRAWING AND SPECIFICATIONS HEREIN, ARE THE PROPERTY OF DIGITAL EQUIPMENT CORPORATION AND SHALL NOT BE REPRODUCED OR COPIED OR USED IN WHOLE OR IN PART AS THE BASIS FOR THE MANUFACTURE OR SALE OF ITEMS WITHOUT WRITTEN PERMISSION. COPYRIGHT (C) 1981, DIGITAL EQUIPMENT CORPORATION

LINE	ITEM	DOCUMENT NUMBER	PART NUMBER	DESCRIPTION	QTY	PER VARIATION	REFERENCE DESIGNATOR
					YB		
13	13		1302092-00	220.0 K .25 W 5.0 % CC	1		R68
14	14		1302391-00	20.0 K .25 W 5.0 % CC	1		R23
15	15		1302394-00	30.0 K .25 W 5.0 % CC	1		R24
16	16		1309595-00	1.0 M .25 W 5.0 % CC	1		R71
17	17		1611300-00	DELAY= 10-125NS,STAPS FAST RISE	1		DL1
18	18		1905547-00	7474 FF-D DUAL,EDGE TRIGG	5		E16,E19,E55,E62,E74
19	19		1905575-00	7400 NAND GATE-QUAD 2IN	2		E65,E83
20	20		1905576-00	7410 NAND GATE-TRIPLE 3IN	2		E64,E79
21	21		1905577-00	7420 NAND GATE-DUAL 4INPU	2		E75,E85
22	22		1905589-00	DEC 7470 FF-JK EDGE TRIPPER	2		E52,E57
23	23		1909004-00	DEC 7402 NOR GATE-QUAD 2IN	3		E29,E46,E47
24	24		1909058-00	74H21 AND GATE-DUAL 4INPUT	1		E22
25	25		1909059-00	DEC 74H30 NAND GATE-SINGLE 8IN	1		E25
26	26		1909060-00	DEC 74H50 A-0-I XPNDBLE GATE-D	1		E48
27	27		1909063-00	DEC 74H55 A-0-I XPNDBLE GATE-2	1		E56
28	28		1909686-00	7404 INVERTER GATE-HEX 1I	1		E70
29	29		1909713-00	DEC 8815 NOR GATE-DUAL 4IN	1		E78
30	30		1909929-00	7417 BUFFER GATE-HEX 1INP	3		E4,E10,E12
31	31		1909930-00	7405 INVERTER GATE-HEX 1I	2		E80,E84
32	32		1909936-00	74151 MUX 1 OF 8	2		E19,E23
33	33		1910046-00	7442 DECODER-1 OF 10,BCD	2		E77,E92
34	34		1910047-00	74145 DECODER&DRIVER	1		E2
35	35		1910091-00	DEC 7437 AND GATE-QUAD 2IN,BU	2		E37,E59
36	36		1910155-00	DEC 7408 AND GATE,POS,QUAD 2I	4		E28,E51,E63,E68
37	37		1910224-00	DEC 7485 COMPARATOR-4BIT	2		E81,E82
38	38		1910436-01	74123N ONE SHOT-DUAL,MULTIV	1		E61
39	39		1910532-00	74S00 NAND GATE-QUAD 2IN	3		E44,E45,E94
40	40		1910534-00	74S04 INVERTER GATE-HEX 1I	2		E26,E58
41	41		1910536-00	74S10 NAND GATE-TRIPLE 3IN	1		E60
42	42		1910537-00	74S11 AND GATE-TRIPLE 3INP	4		E39,E49,E54,E90
43	43		1910544-00	74S74 FF-D DUAL,EDGE TRIGG	6		E31,E38,E43,E50,E53,E67
44	44		1910548-00	74S157 MUX 1 OF 2 (QUAD)	3		E71,E76,E88
45	45		1910650-00	74161 COUNTER,SYNCHR. UP	4		E30,E34,E35,E66
46	46		1910655-00	74157 MUX 2 TO 1 QUAD	6		E41,E72,E86,E87,E89,E91
47	47		1910724-00	74180 PARITY TREE,8BIT GEN	2		E8,E9
48	48		1910878-00	7427 NOR GATE-TRIPLE 3IN	1		E21
49	49		1910957-00	74S175 FF-D QUAD COMMON CLO	2		E36,E40
50	50		1911324-00	7414 INVERTER,HEX 1IN SCH	1		E93
51	51		1911330-00	74173 FF-D QUAD,TRISTATE	4		E1,E5,E7,E13
52	52		1911521-00	7432 OR GATE-QUAD 2IN, PO	4		E33,E42,E69,E73
53	53		1911944-00	555CN TIMER,FUNCT.BLOCK	1		E14
54	54		1912847-00	LS157 MUX 1 OF 2(QUAD)	5		E15,E20,E24,E27,E32
55	55		1912848-00	LS158 MUX 1 OF 2 (QUAD)	1		E17
56	56		9000024-01	EYELET,ROLL FLANGE .1210DX .192	12		
57	57		9009185-00	JUMPER, WIRE, INSULATED, BLACK B	2		W1,W2
58	58		9105740-55	WIRE(WRAP)30AWG UL1423 A/R			

DIGITAL		TITLE	SECTION A OF A	SIZE(CODE)	DOCUMENT NUMBER	REV
		INTERFACE CONTROL		K	PL M7787-YB-DBF	A

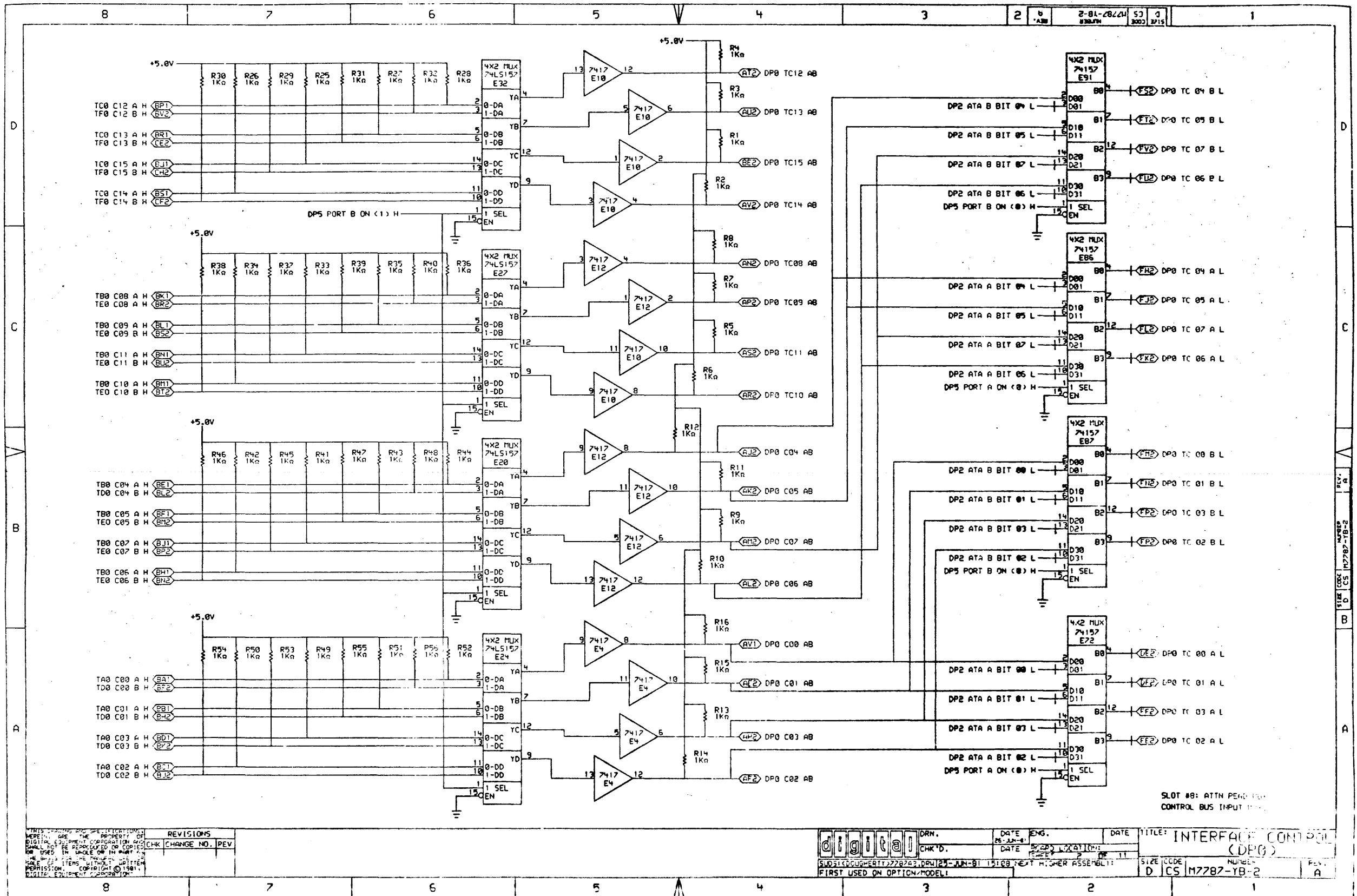


NOTES:
 1. UNLESS OTHERWISE SPECIFIED:
 RESISTOR VALUES ARE IN OHMS.
 CAPACITOR VALUES ARE IN MICROFARADS.
 ALL RESISTORS ARE 1/4W, 5%.
 2. DO NOT MACHINE INSERT U1 AND
 M21 INSTALL AFTER G.P. TEST.

THIS UNIT IS THE PROPERTY OF THE U.S. AIR FORCE. IT IS TO BE USED IN ACCORDANCE WITH THE INSTRUCTIONS AND REPAIR MANUALS WHICH ACCOMPANY IT. IT IS TO BE RETURNED TO THE U.S. AIR FORCE AT THE END OF ITS USEFUL LIFE. IT IS NOT TO BE REPRODUCED OR TRANSMITTED IN ANY FORM OR BY ANY MEANS, ELECTRONIC OR MECHANICAL, INCLUDING PHOTOCOPYING, RECORDING, OR BY ANY INFORMATION STORAGE AND RETRIEVAL SYSTEM.

REVISIONS	
NO.	DESCRIPTION
1	INITIAL DESIGN
2	REVISED TO ADD...
3	REVISED TO ADD...

digit	DRN. 1-81-2524	DATE 1/18/81	ENG. [Signature]	DATE 1/18/81	TITLE: INTERFACE CONTROL (DP7)
	CHK'D [Signature]	DATE 1/18/81	DATE 1/18/81	DATE 1/18/81	SIZE CODE D CS M7787-YB-1
SUBSTITUTION PART M7787-YB-1 (1-81-1114) NEXT HIGHER ASSEMBLY: B-DD-117787-YB				NUMBER	REV. A

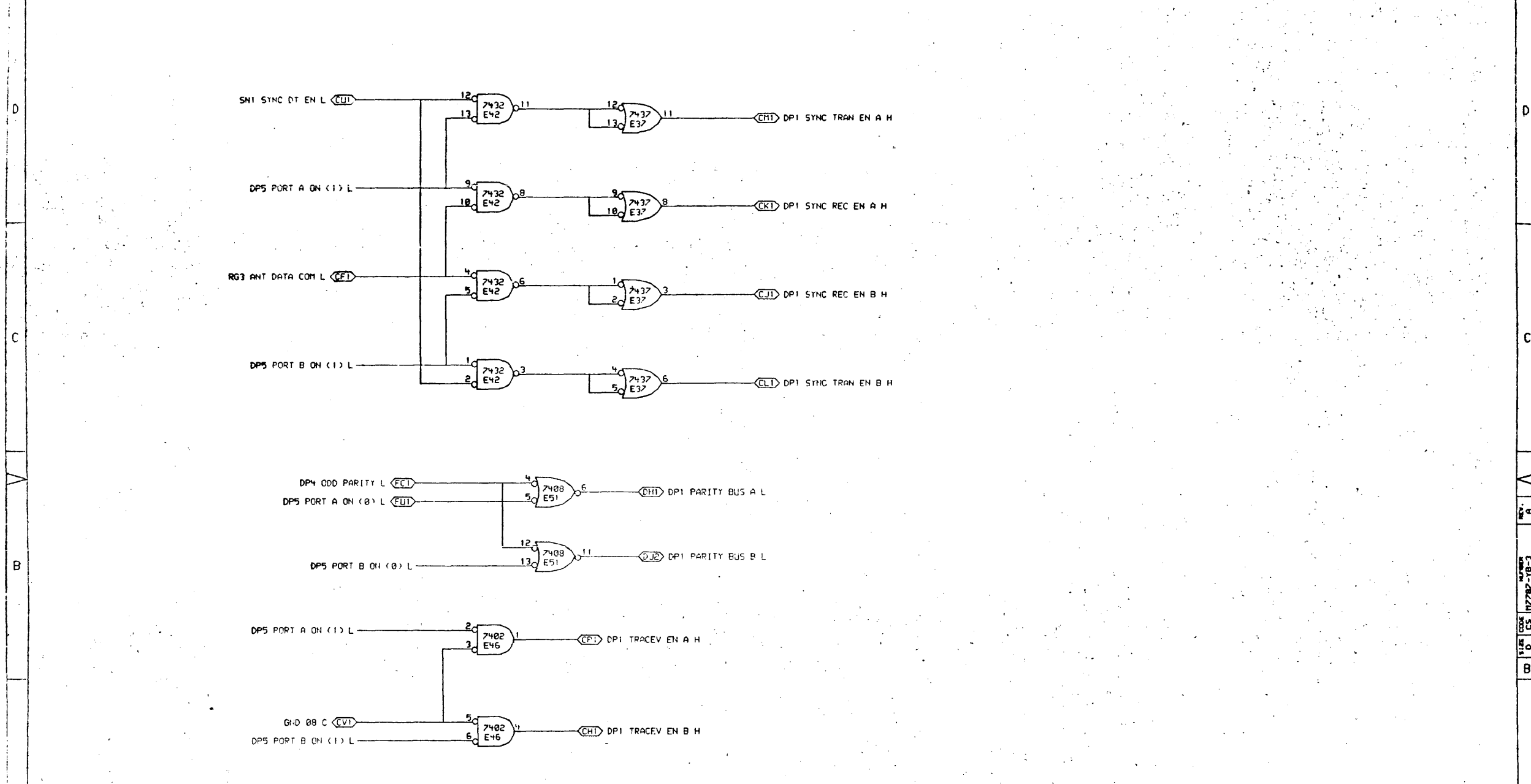


THIS DRAWING AND SPECIFICATIONS ARE THE PROPERTY OF DIGITAL EQUIPMENT CORPORATION AND SHALL NOT BE REPRODUCED OR COPIED OR USED IN WHOLE OR IN PART WITHOUT THE WRITTEN PERMISSION OF DIGITAL EQUIPMENT CORPORATION.

REVISIONS		
CHK	CHANGE NO.	REV

	DRN.	DATE	ENG.	DATE	TITLE: INTERFACE CONTROL (DPO)
	CHK'D.	DATE	LOC.	TT	SIZE CODE
FIRST USED ON OPTION/MODEL:					NUMBER: D CS M7787-YB-2

SLOT 8: ATTN PERIPHERAL CONTROL BUS INPUT

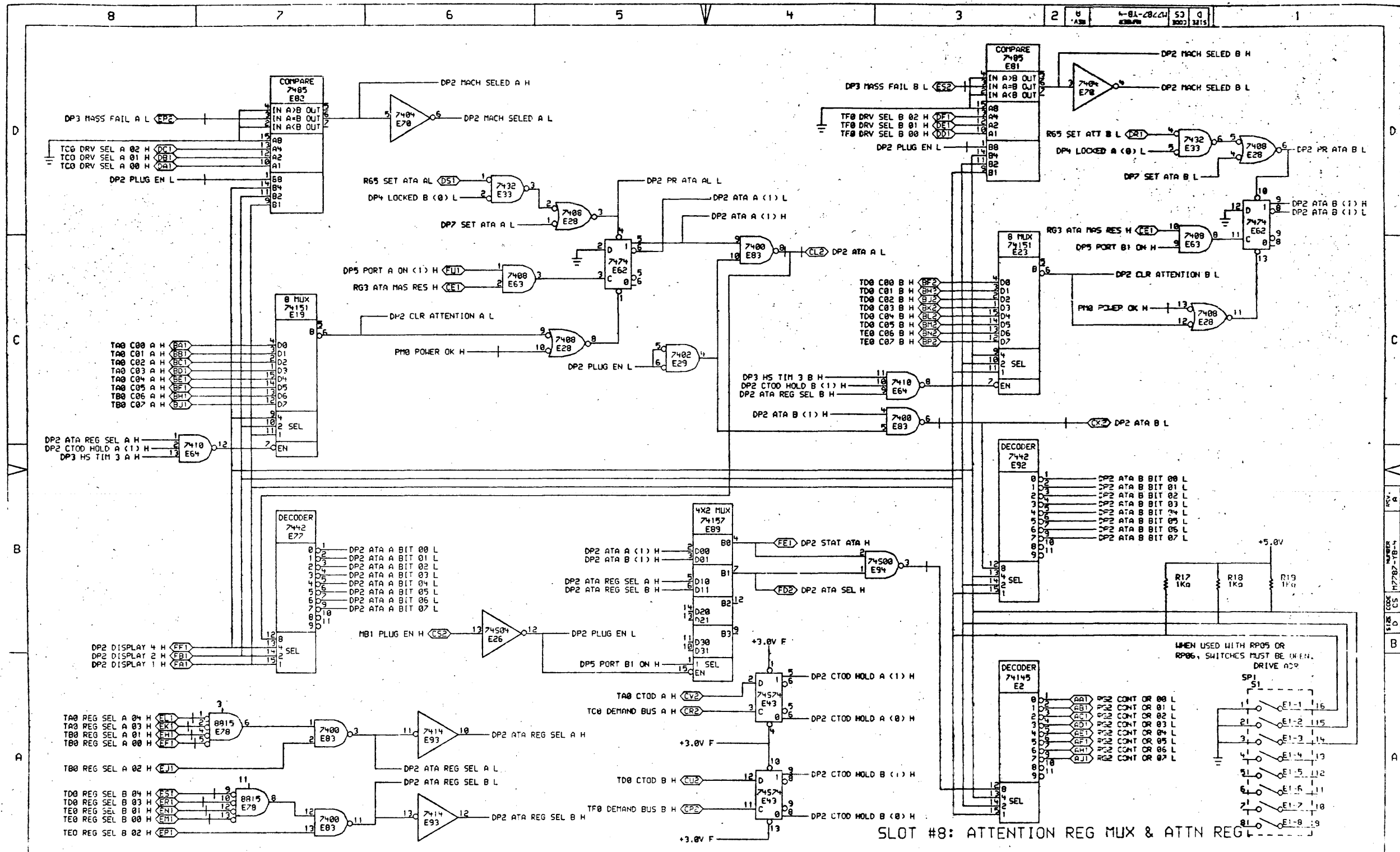


SLOT #8: MASS BUS TRANSCEIVER ENABLES.

THIS DRAWING AND SPECIFICATIONS ARE THE PROPERTY OF DIGITAL EQUIPMENT CORPORATION AND ARE NOT TO BE REPRODUCED OR COPIED IN WHOLE OR IN PART AS THEY ARE THE PROPERTY OF DIGITAL EQUIPMENT CORPORATION. COPYRIGHT © 1981.

REVISIONS	
CHK	CHANGE NO. REV

	DRN.	DATE	ENG.	DATE	TITLE: INTERFACE CONTROL (DP1)
	CHK'D.	DATE	BOSS	LOCATION	
510510009HERTY278243.DRW 25-JUN-81 06:57 NEXT HIGHER ASSEMBLY:					SHEET 3 OF 11
FIRST USED ON OPTION/MODEL:			SIZE CODE D CS	NUMBER M7782-YB-3	REV. A

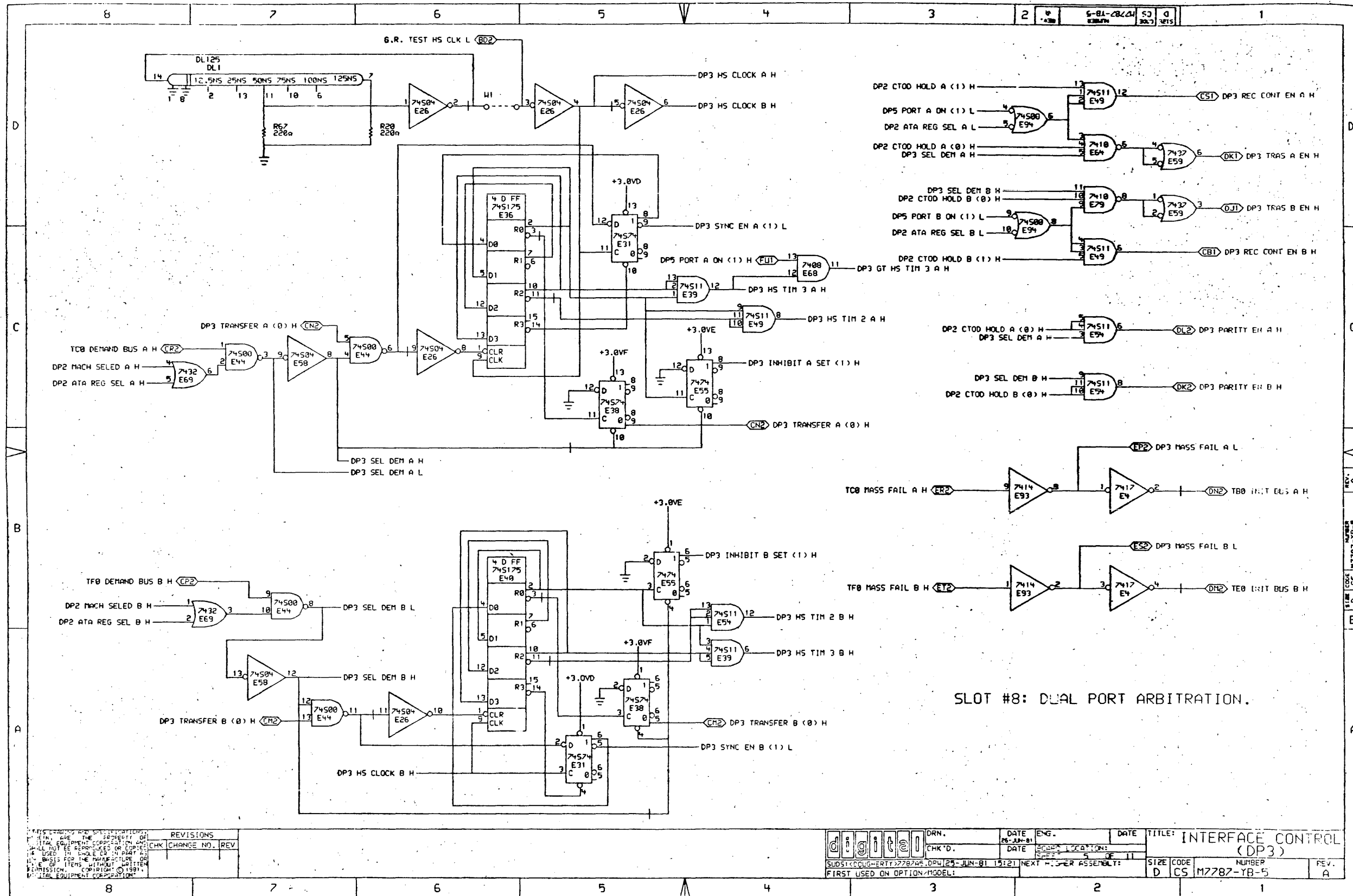


SLOT #8: ATTENTION REG MUX & ATTN REG

THIS DRAWING AND SPECIFICATIONS HEREIN ARE THE PROPERTY OF DIGITAL EQUIPMENT CORPORATION AND SHALL NOT BE REPRODUCED OR COPIED OR USED IN WHOLE OR IN PART AS SALE OF ITEMS WITHOUT WRITTEN PERMISSION. COPYRIGHT © 1981. DIGITAL EQUIPMENT CORPORATION.

REVISIONS	CHK	CHANGE NO.	REV

digital	DRN.	DATE	ENG.	DATE	TITLE: INTERFACE CONTROL (DP2)
	CHK'D.	DATE			
FIRST USED ON OPTION/MODEL:					SIZE (CODE) NUMBER REV.
					D CS M7787-YB-4 A

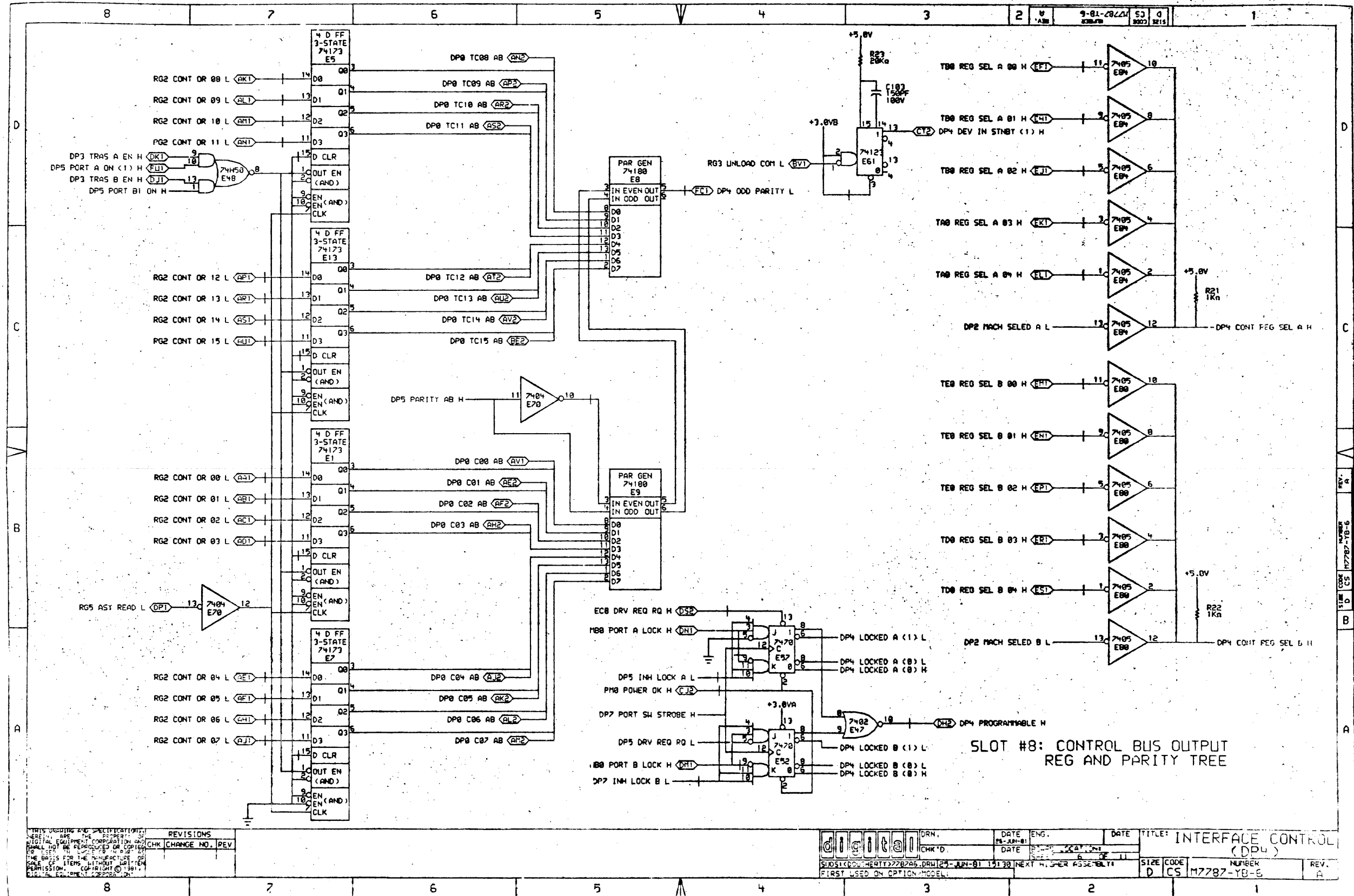


SLOT #8: DUAL PORT ARBITRATION.

THIS DRAWING AND SPECIFICATIONS ARE THE PROPERTY OF DIGITAL EQUIPMENT CORPORATION AND SHALL NOT BE REPRODUCED OR COPIED IN ANY MANNER OR BY ANY MEANS WITHOUT WRITTEN PERMISSION. COPYRIGHT © 1981, DIGITAL EQUIPMENT CORPORATION.

REVISIONS		
CHK	CHANGE NO.	REV

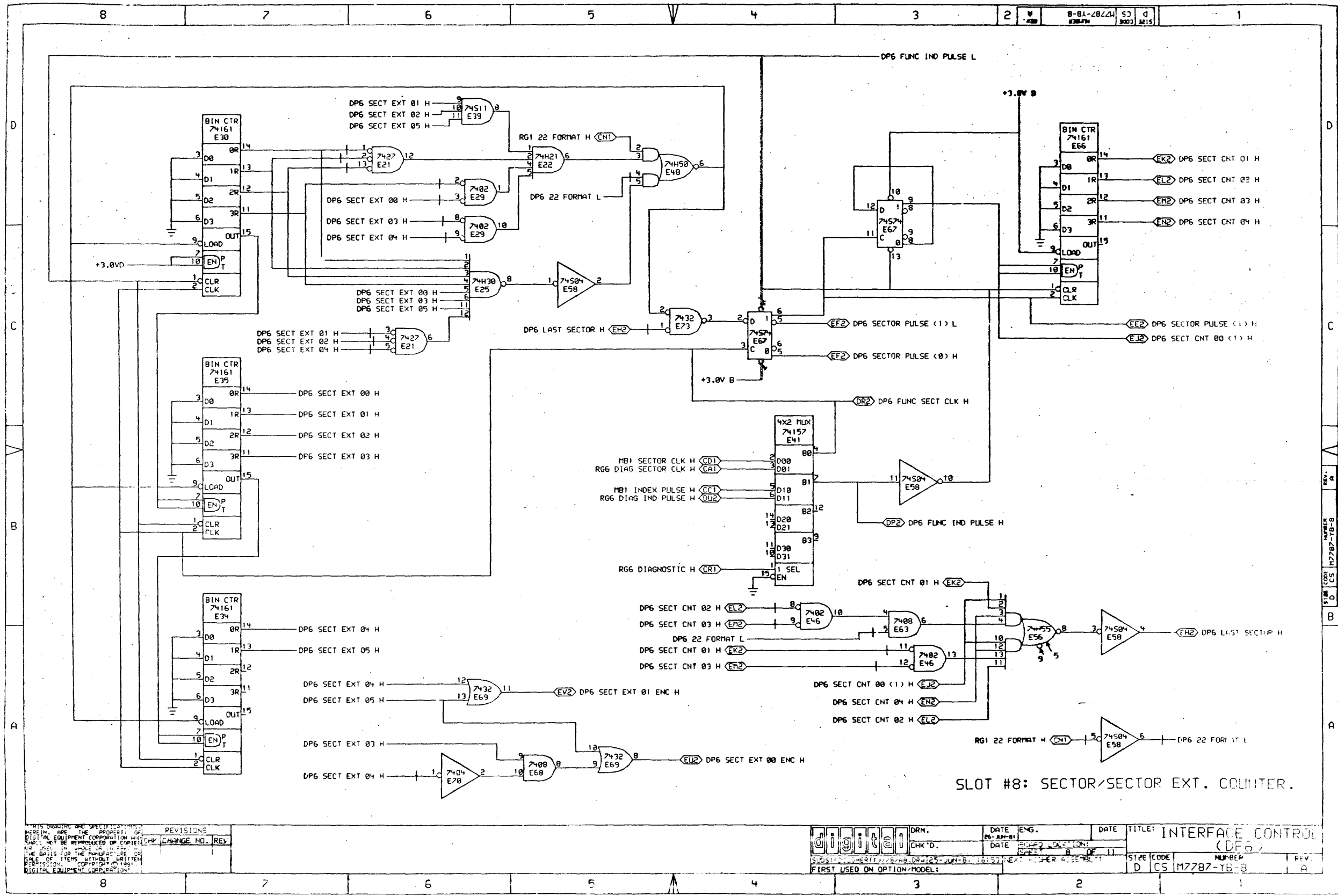
digital	DRN.	DATE	ENG.	DATE	TITLE: INTERFACE CONTROL (DP3)
	CHK'D.	DATE			
SLOT: C04G-ERTY278245.D04/23-JUN-81 15:21 NEXT NUMBER ASSEMBLY:					SIZE CODE
FIRST USED ON OPTION MODEL:					D CS
					NUMBER
					M7782-YB-5
					REV.
					A



THIS DRAWING AND SPECIFICATIONS ARE THE PROPERTY OF DIGITAL EQUIPMENT CORPORATION AND SHALL NOT BE REPRODUCED OR COPIED IN ANY MANNER WITHOUT THE WRITTEN PERMISSION OF THE MANUFACTURER. COPYRIGHT © 1971 BY DIGITAL EQUIPMENT CORPORATION.

REVISIONS		
CHK	CHANGE NO.	REV

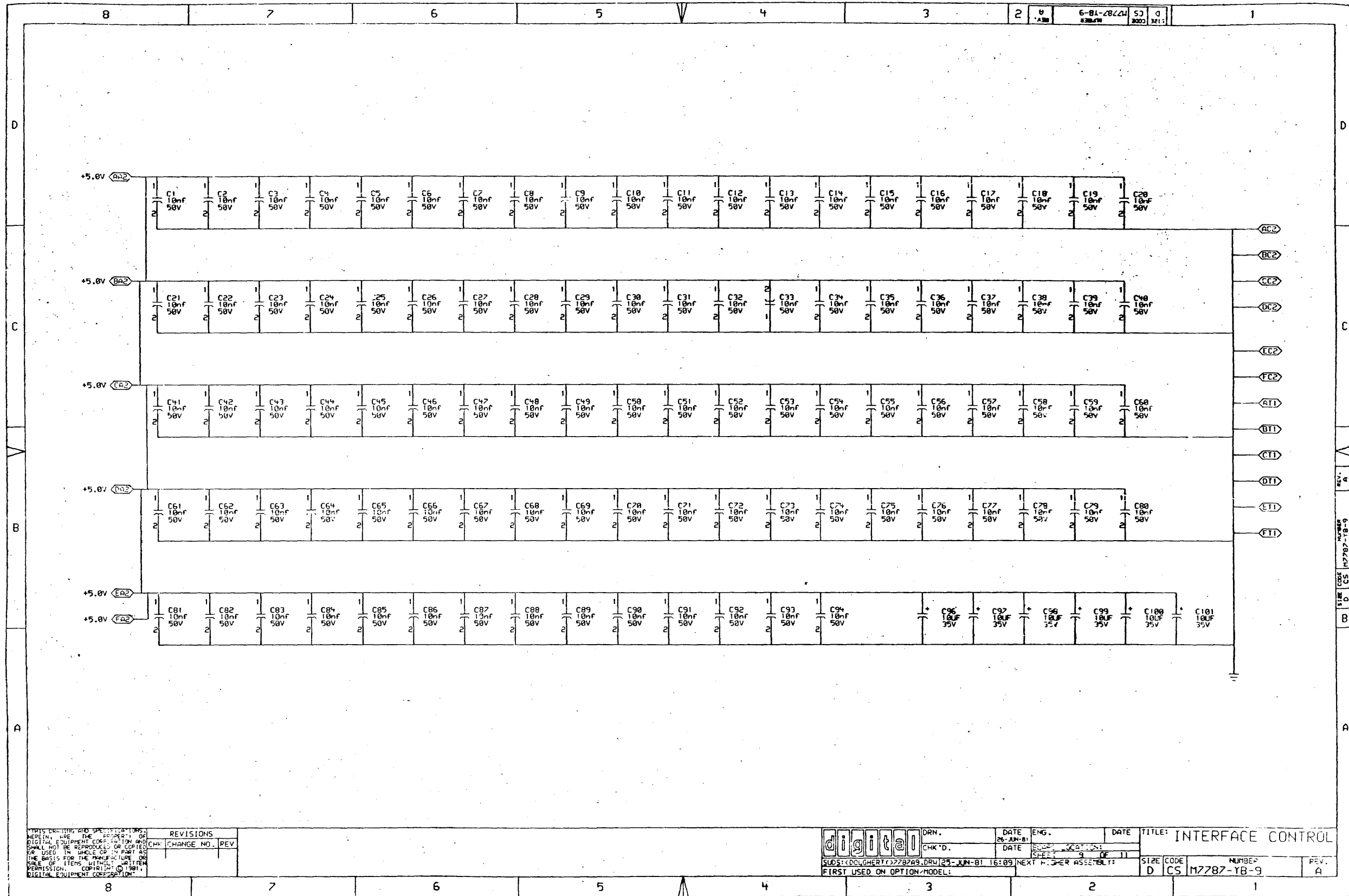
digital	DRN.	DATE	ENG.	DATE	TITLE: INTERFACE CONTROL (DP4)
	CHK'D	DATE			
SUBSISTEM: MERTY2222225.DRW:25-AUG-81 15130 NEXT: 1.3 PER ASSEMBLY					SIZE: D
FIRST USED ON OPTION MODEL:					CODE: CS
					NUMBER: M7787-YB-6
					REV: A



ALL RIGHTS RESERVED AND SPECIFIED HEREIN ARE THE PROPERTY OF DIGITAL EQUIPMENT CORPORATION AND SHALL NOT BE REPRODUCED OR COPIED IN ANY FORM OR BY ANY MEANS WITHOUT THE WRITTEN PERMISSION OF DIGITAL EQUIPMENT CORPORATION.

REVISIONS	
REV	CHANGE NO. REV

	DRN.	DATE	ENG.	DATE	TITLE
	CHK'D.	DATE	DESIGN	DATE	INTERFACE CONTROL (DP6)
FIRST USED ON OPTION/MODEL:					D CS M7787-YB-B



THIS DRAWING AND SPECIFICATIONS ARE THE PROPERTY OF DIGITAL EQUIPMENT CORPORATION AND SHALL NOT BE REPRODUCED OR COPIED OR USED IN WHOLE OR IN PART AS THE BASIS FOR THE MANUFACTURE OR SALE OF ITEMS WITHOUT WRITTEN PERMISSION. COPYRIGHT © 1981 DIGITAL EQUIPMENT CORPORATION.

REVISIONS		
CHK	CHANGE NO.	REV

digital	DRN.	DATE	ENG.	DATE	TITLE: INTERFACE CONTROL
	CHK'D.	DATE	DATE	DATE	
SLDST: DOUGHERT\228289.DRW\25-JUN-81 16:09 NEXT HIGHER ASSEMBLY: SHEET 9 OF 11					SIZE CODE NUMBER D CS M7287-YB-9
FIRST USED ON OPTION/MODEL:					REV. A

